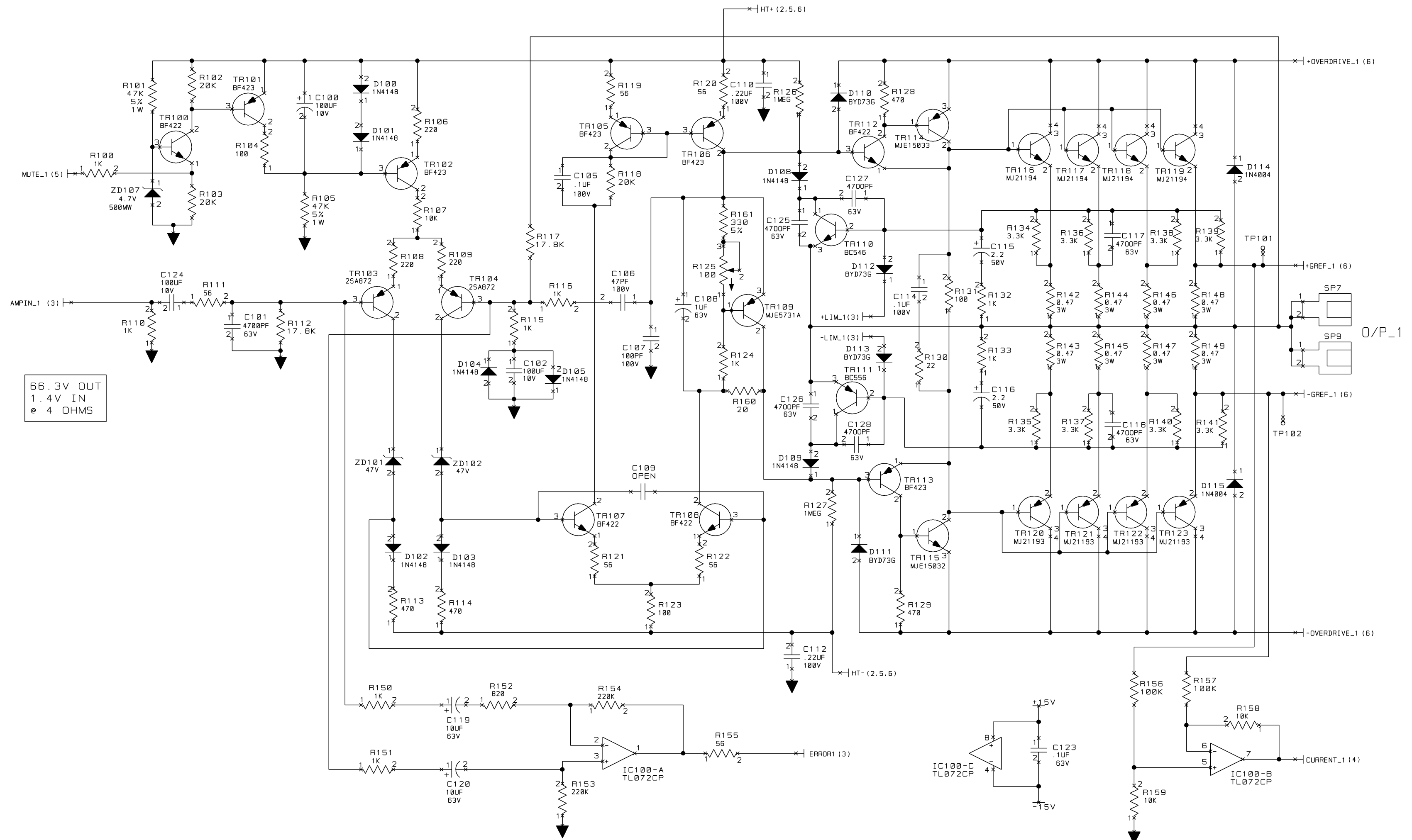


REVISION HISTORY					APPROVED		
E. C. N.	ZONE	REV	DESCRIPTION	DATE	DWN	CM	PE
		6	SEE 135731-1_6.XLS FOR REVISION HISTORY	5-8-03	JFL		GT



66.3V OUT  
1.4V IN  
@ 4 OHMS

NOTES:

- SEE 136799-1\_3.XLS FOR DATA & REVS
- 1. ALL RESISTORS ARE IN OHMS, 0.25W, 1% UNLESS OTHERWISE SPECIFIED.
- 2. ALL CAPACITORS ARE IN MICROFARADS UNLESS OTHERWISE SPECIFIED.

UNCONTROLLED  
UNLESS OTHERWISE MARKED IN RED INK BY CM AS A CONTROLLED COPY. COPIES OF THESE DOCUMENTS INCLUDING ASSOCIATED ELECTRONIC REPRODUCTIONS ARE FOR REFERENCE ONLY. VERIFY LATEST REVISION PRIOR TO USE.

THESE DRAWINGS AND SPECIFICATIONS ARE THE PROPERTY OF CROWN INTERNATIONAL, INC. AND SHALL NOT BE REPRODUCED, COPIED, OR USED AS THE BASIS FOR THE MANUFACTURE OR SALE OF APPARATUS OR DEVICES WITHOUT PERMISSION.

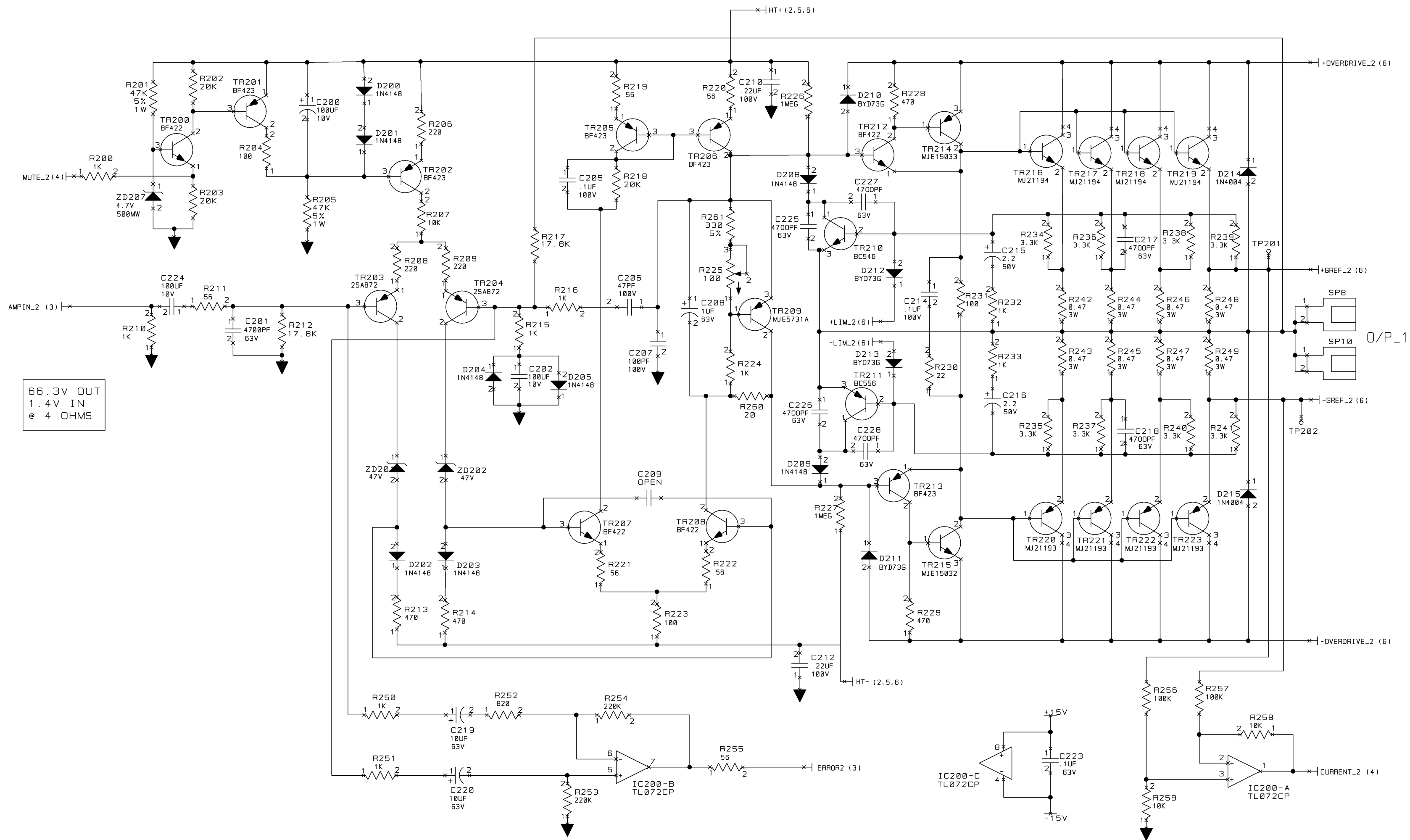
DISTRIBUTION	DWN	JFL	5-8-03
FILENAME	PE	GT	5-8-03
TOLERANCE UNLESS OTHERWISE SPECIFIED			
DO NOT SCALE DRAWING			

**CROWN** INTERNATIONAL, INC.  
1718 W. MISHAWAKA RD.  
ELKHART IN, 46517  
PHONE 574-294-8000  
WWW.CROWNINTL.COM

TITLE  
PWA, XS1200

SIZE DWG NO. 136799-1 REV 3

SCALE NONE PROJ NO. MD470D0 SHEET 1 OF 6



66.3V OUT  
1.4V IN  
@ 4 OHMS

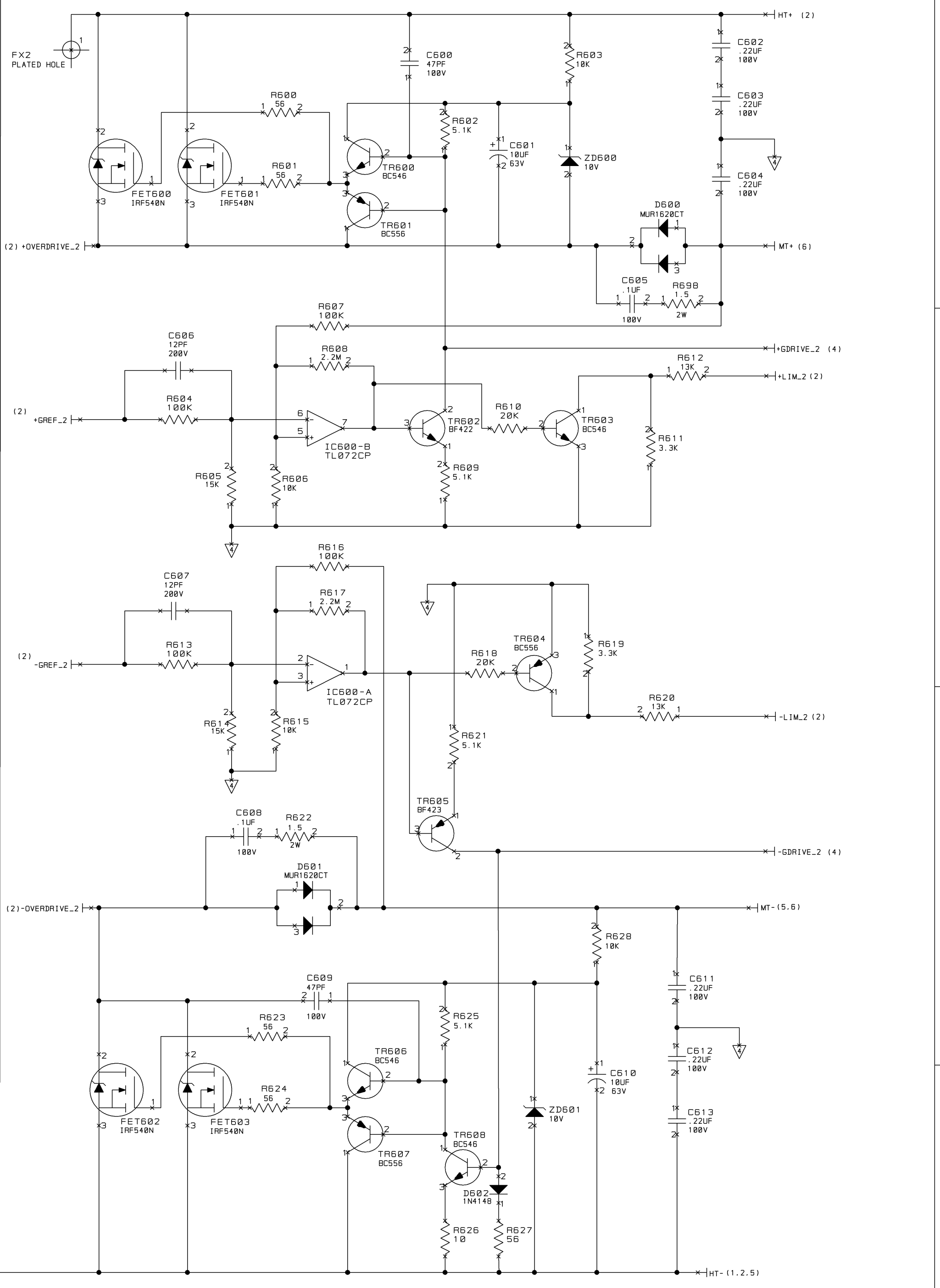
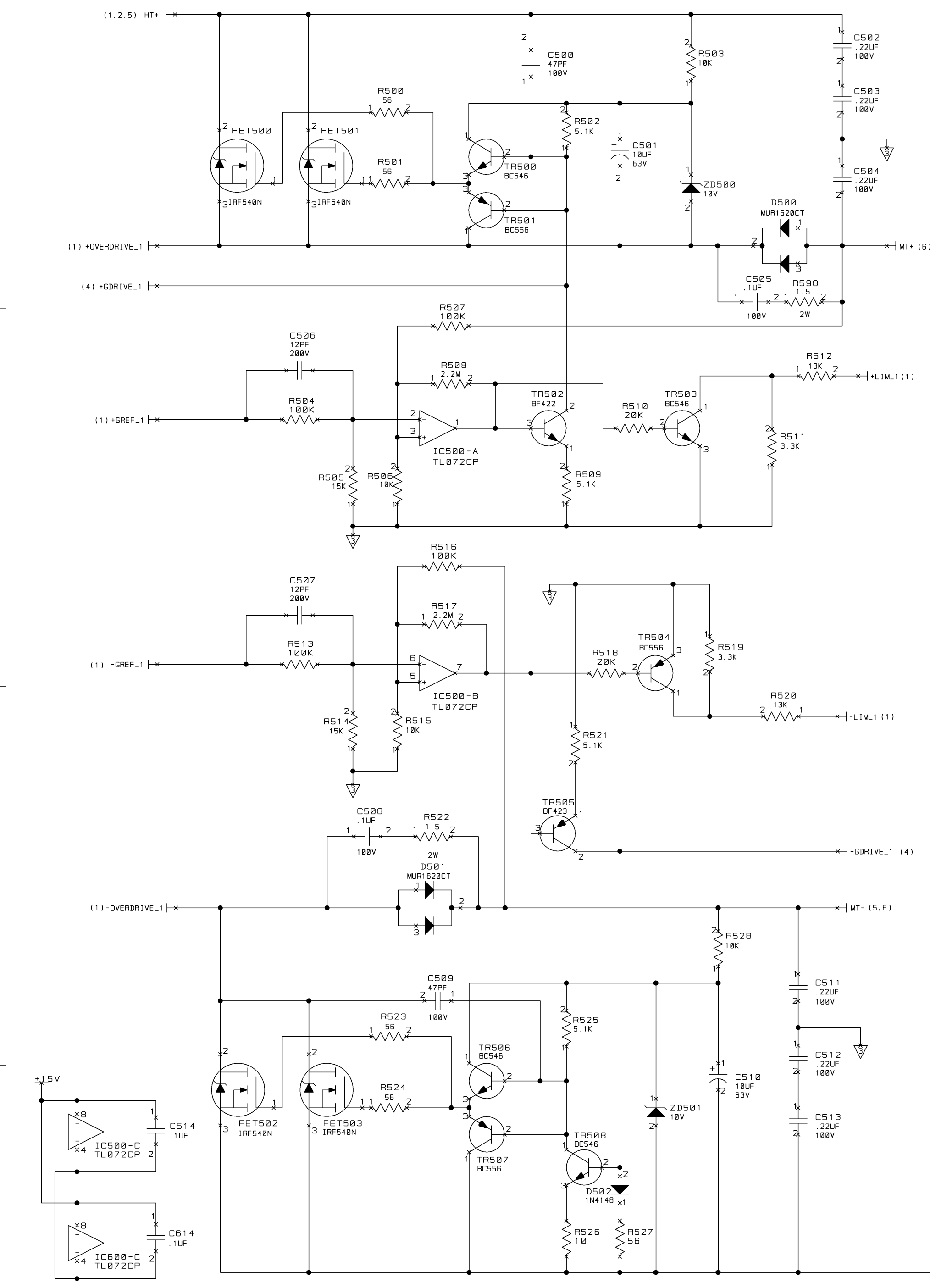
PWA, XS1200

UNCONTROLLED UNLESS OTHERWISE MARKED IN RED INK BY CM AS A CONTROLLED COPY. COPIES OF THESE DOCUMENTS INCLUDING ASSOCIATED ELECTRONIC REPRODUCTIONS ARE FOR REFERENCE ONLY.		THESE DRAWINGS AND SPECIFICATIONS ARE THE PROPERTY OF CROWN INTERNATIONAL, INC. AND SHALL NOT BE REPRODUCED, COPIED, OR USED AS THE BASIS FOR THE MANUFACTURE OR SALE OF APPARATUS OR DEVICES WITHOUT PERMISSION.		SIZE C	DWG NO. 136799-1	REV 3
SCALE NONE		PROJ NO. MD470D0		SHEET 2 OF 6		

4

3

2



4

3

2

1

PWA, XS1200

UNCONTROLLED		THESE DRAWINGS AND SPECIFICATIONS ARE THE PROPERTY OF CROWN INTERNATIONAL, INC., AND SHALL NOT BE REPRODUCED, COPIED, OR USED AS THE BASIS FOR THE MANUFACTURE OR SALE OF APPARATUS OR DEVICES WITHOUT PERMISSION.		SIZE C	DWG NO. 136799-1	REV 3
UNLESS OTHERWISE MARKED IN RED INK BY CM AS A CONTROLLED COPY, COPIES OF THESE DOCUMENTS INCLUDING ASSOCIATED ELECTRONIC REPRODUCTIONS ARE FOR REFERENCE ONLY.		SCALE NONE		PROJ NO. MD470D0	SHEET 3 OF 6	

4

3

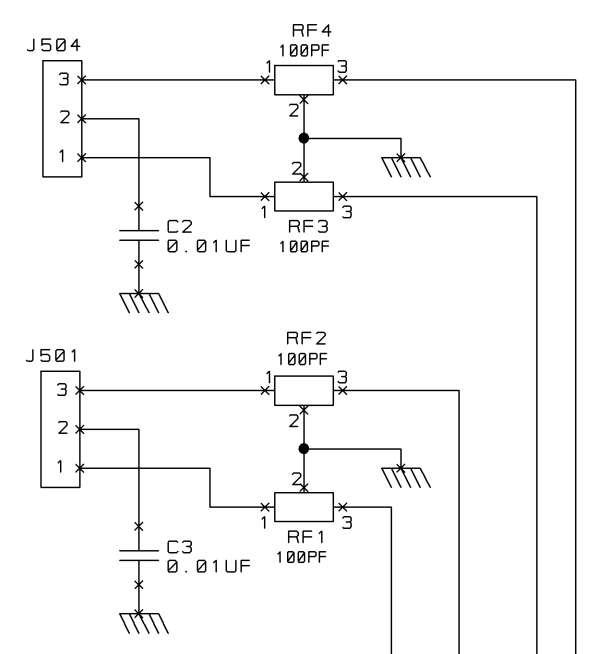
2

D

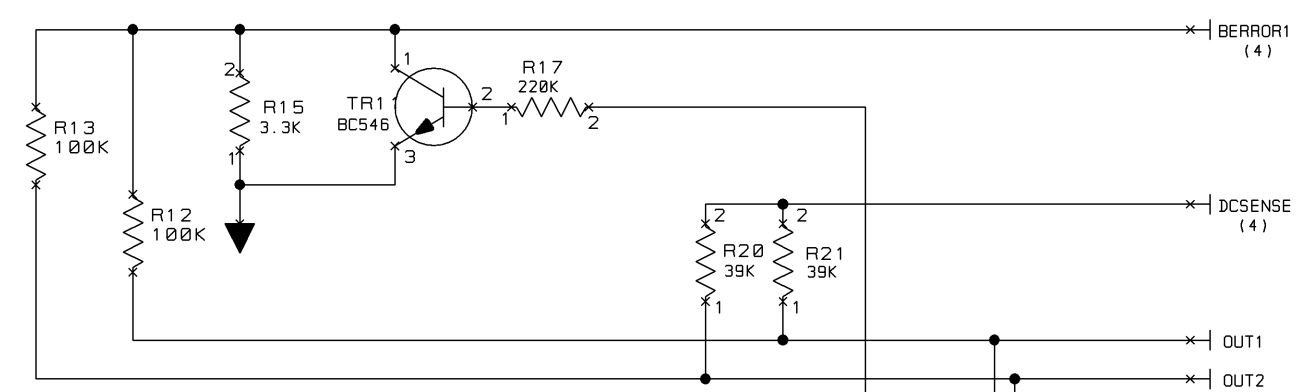
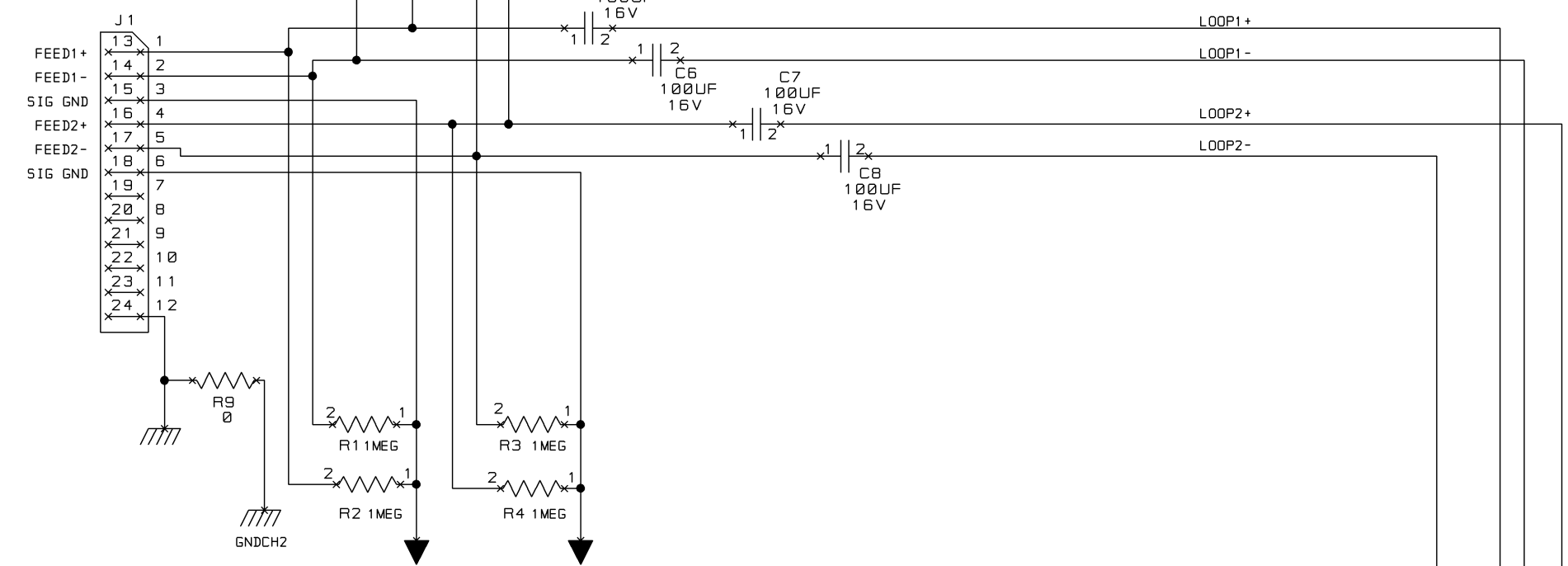
C

B

A



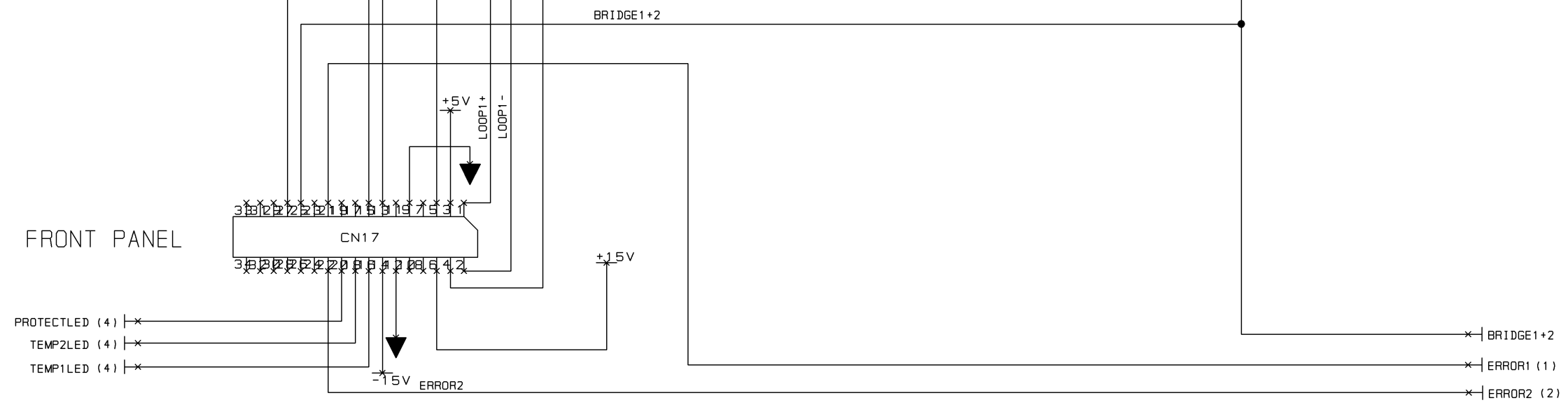
INPUT BOARD



O/P BOARD

AMPIN\_1 (1) |  
 AMPIN\_2 (2) |  
 SWON (6) |

FRONT PANEL



PWA, XS1200

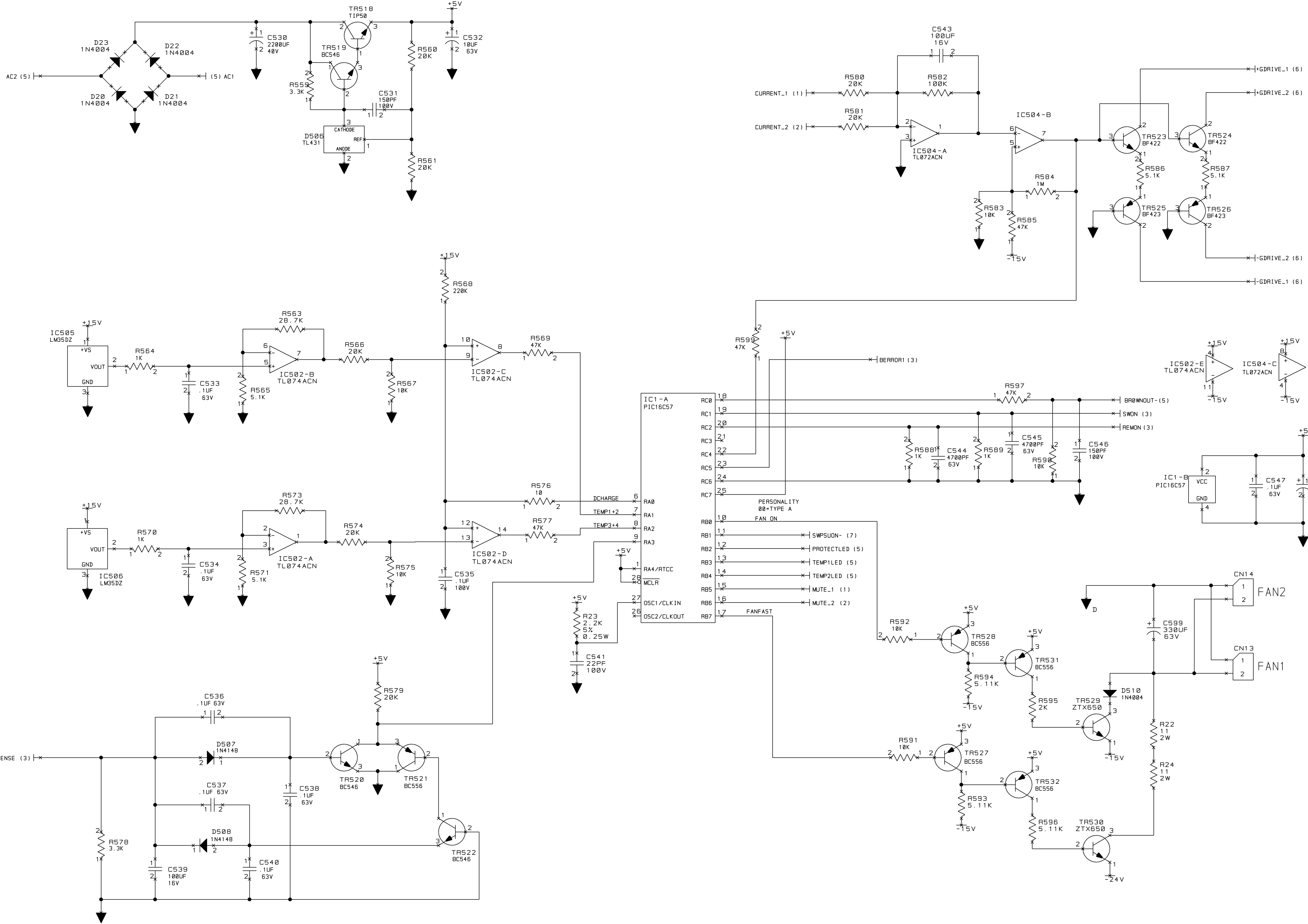
UNCONTROLLED		THESE DRAWINGS AND SPECIFICATIONS ARE THE PROPERTY OF CROWN INTERNATIONAL, INC. AND SHALL NOT BE REPRODUCED, COPIED, OR USED AS THE BASIS FOR THE MANUFACTURE OR SALE OF APPARATUS OR DEVICES WITHOUT PERMISSION.		SIZE C	DWG NO. 136799-1	REV 3
UNLESS OTHERWISE MARKED IN RED INK BY CM AS A CONTROLLED COPY, COPIES OF THESE DOCUMENTS INCLUDING ASSOCIATED ELECTRONIC REPRODUCTIONS ARE FOR REFERENCE ONLY.		SCALE NONE	PROJ NO. MD470D0	SHEET 4 OF 6		

4

3

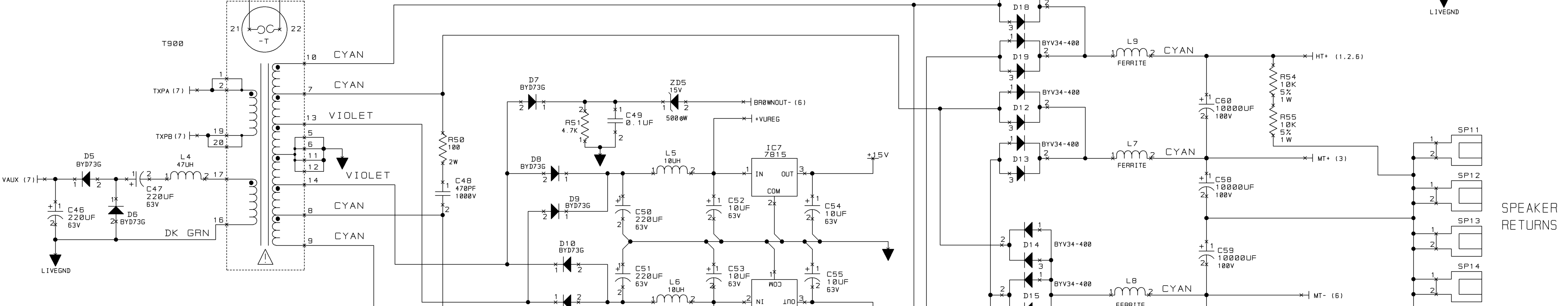
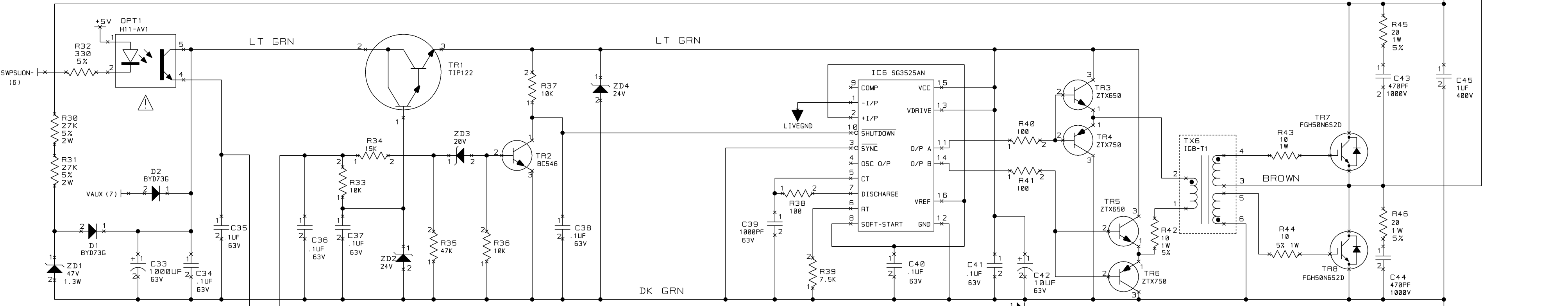
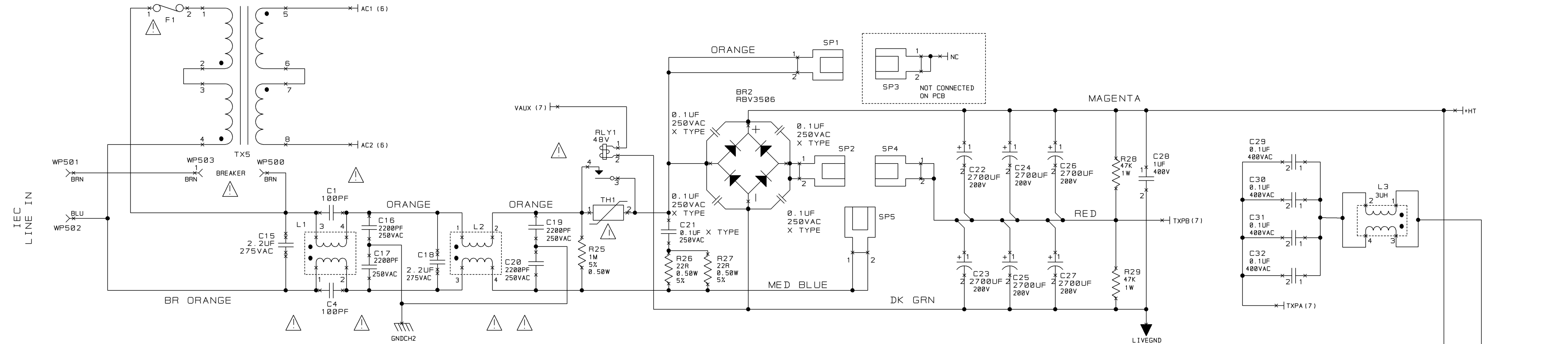
2

1



PWA, XS1200

UNCONTROLLED		THESE DRAWINGS AND SPECIFICATIONS ARE THE PROPERTY OF CROWN INTERNATIONAL, INC. AND SHALL NOT BE REPRODUCED, COPIED, OR USED AS THE BASIS FOR THE MANUFACTURE OR SALE OF APPARATUS OR DEVICES WITHOUT PERMISSION.		SIZE	DWG NO.	REV
				C	136799-1	3
				SCALE NONE	PROJ NO. MD470D0	SHEET 5 OF 6



- MED BLUE — NEUTRAL
- LT GRN — PRIMARY +60V TO -290V
- ORANGE — HOT ±350V
- MAGENTA — PRIMARY +350V
- DK GRN — PRIMARY -350V
- CYAN — SECONDARY ±77V
- BR. ORANGE — PRIMARY GROUND
- RED — PRIMARY ±175V
- VIOLET — SECONDARY ±33V
- BROWN — PRIMARY ±350V
- LT GREY — UNCLASSIFIED

PWA, XS1200

UNCONTROLLED		THESE DRAWINGS AND SPECIFICATIONS ARE THE PROPERTY OF CROWN INTERNATIONAL, INC. AND SHALL NOT BE REPRODUCED, COPIED, OR USED AS THE BASIS FOR THE MANUFACTURE OR SALE OF APPARATUS OR DEVICES WITHOUT PERMISSION.		SIZE DWG NO.	136799-1	REV	3
UNLESS OTHERWISE MARKED IN RED INK BY CM AS A CONTROLLED COPY, COPIES OF THESE DOCUMENTS INCLUDING ASSOCIATED ELECTRONIC REPRODUCTIONS ARE FOR REFERENCE ONLY.		SCALE NONE	PROJ NO. MD470D0	SHEET 6 OF 6			