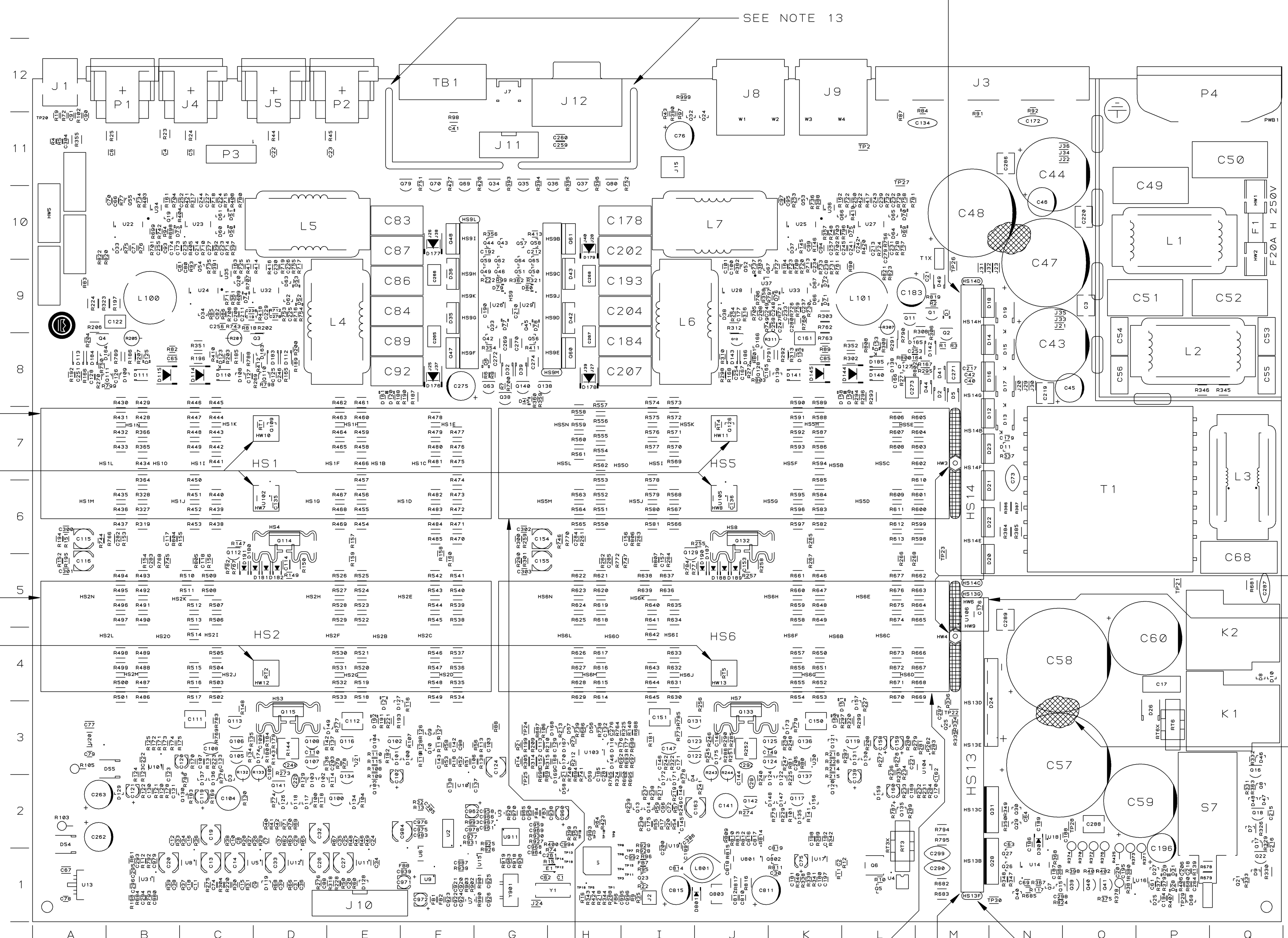


REVISION HISTORY					
E. C. N.	ZONE	REV	DESCRIPTION	DATE	APPROVED
		A	SEE 139087-B.A.XLS FOR DATA AND REVISION HISTORY	06/21/06	TLM KZ TJS
32458		B	SEE 139087-B.B.XLS FOR DATA AND REVISION HISTORY	07/19/06	TLM DSV TJS
32593		C	SEE 139087-B.C.XLS FOR DATA AND REVISION HISTORY	08-16-06	KLW KZ SC

COMPONENT MAP
TOP SIDE

DETAIL "C"



SEE NOTE 14

DETAIL "F"

HOT MELT GLUE
2 PLACES
SHOWN FOR REFERENCE ONLY

SEE NOTES 7 & 8
(TYP. 6 PLACES)

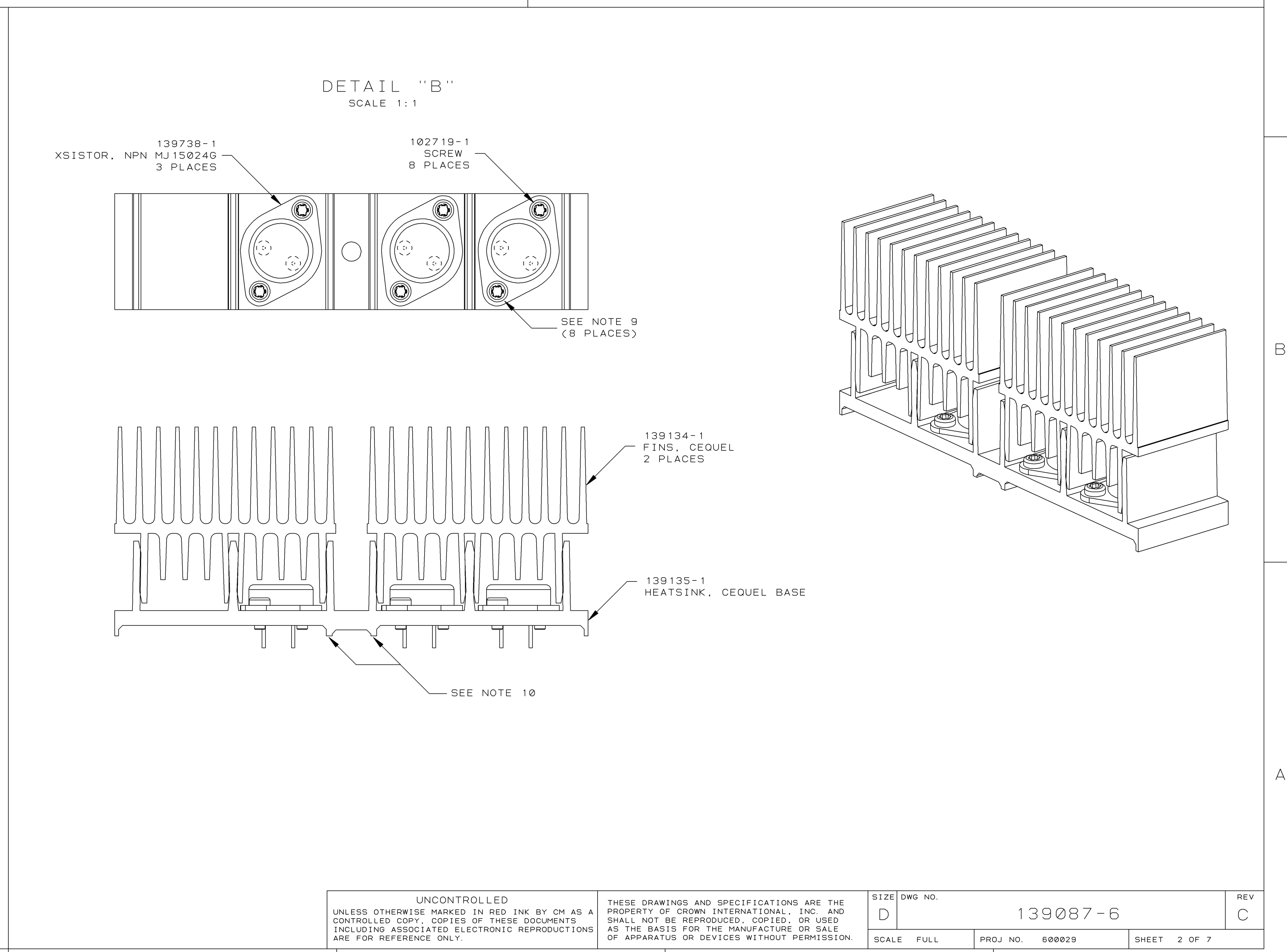
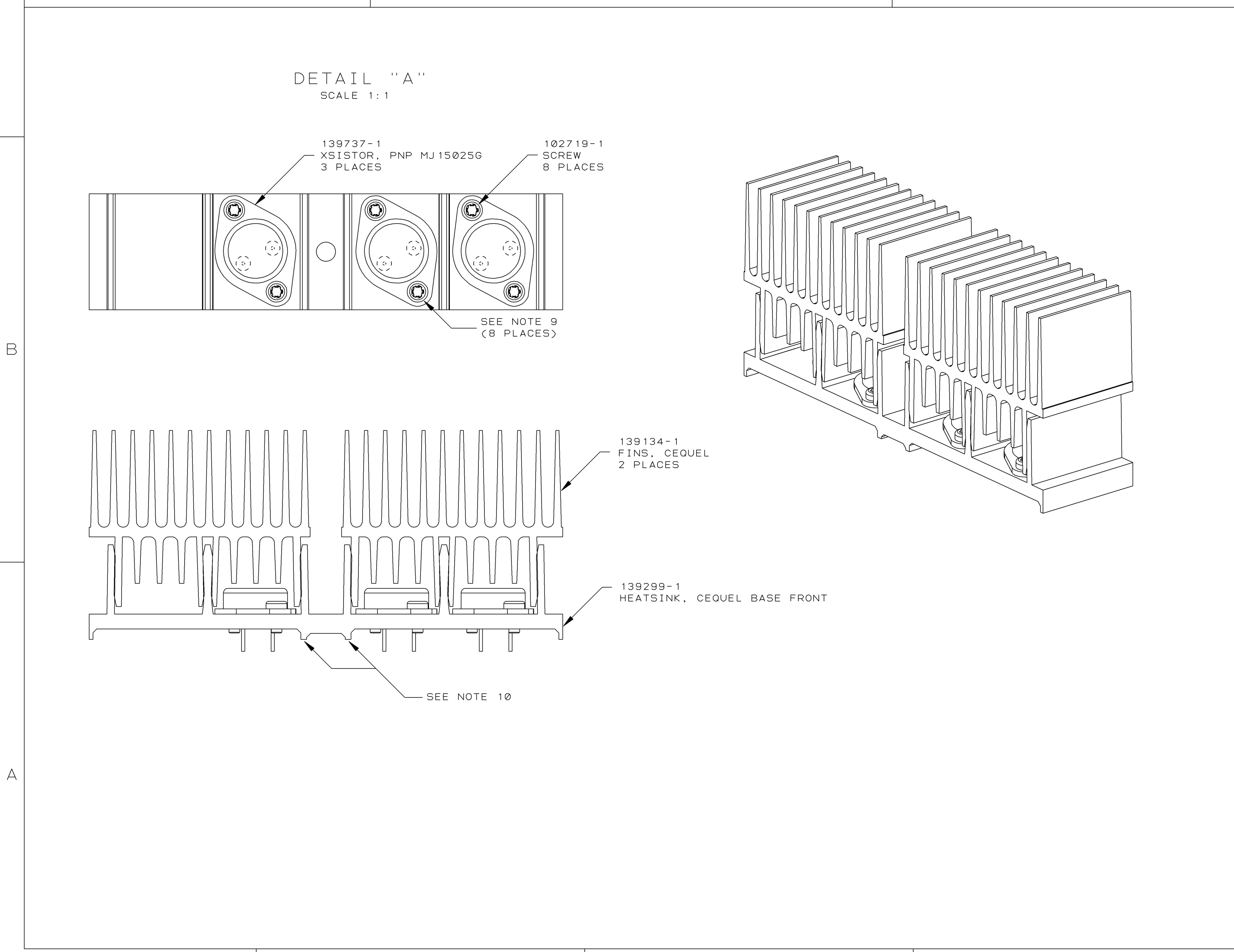
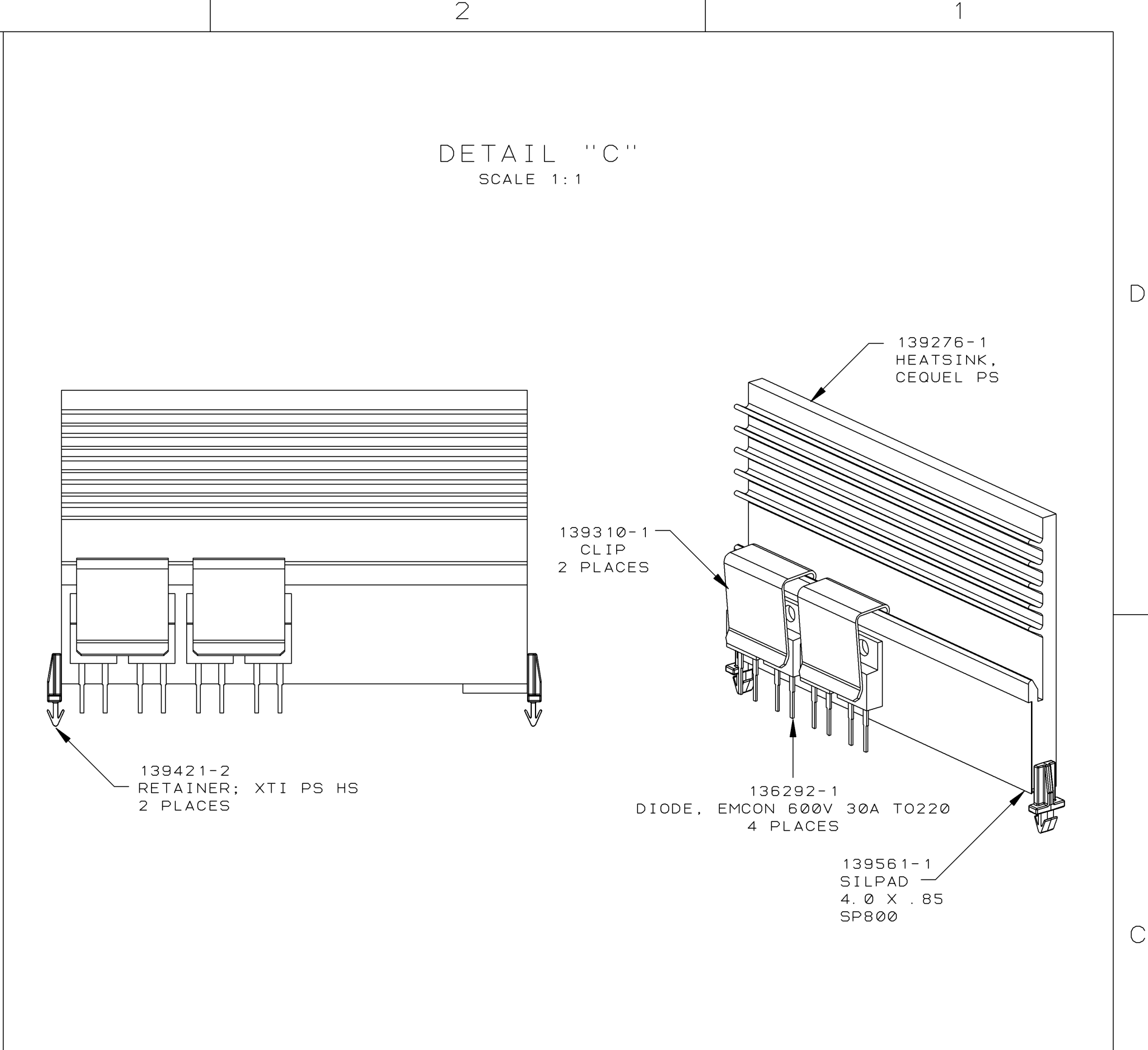
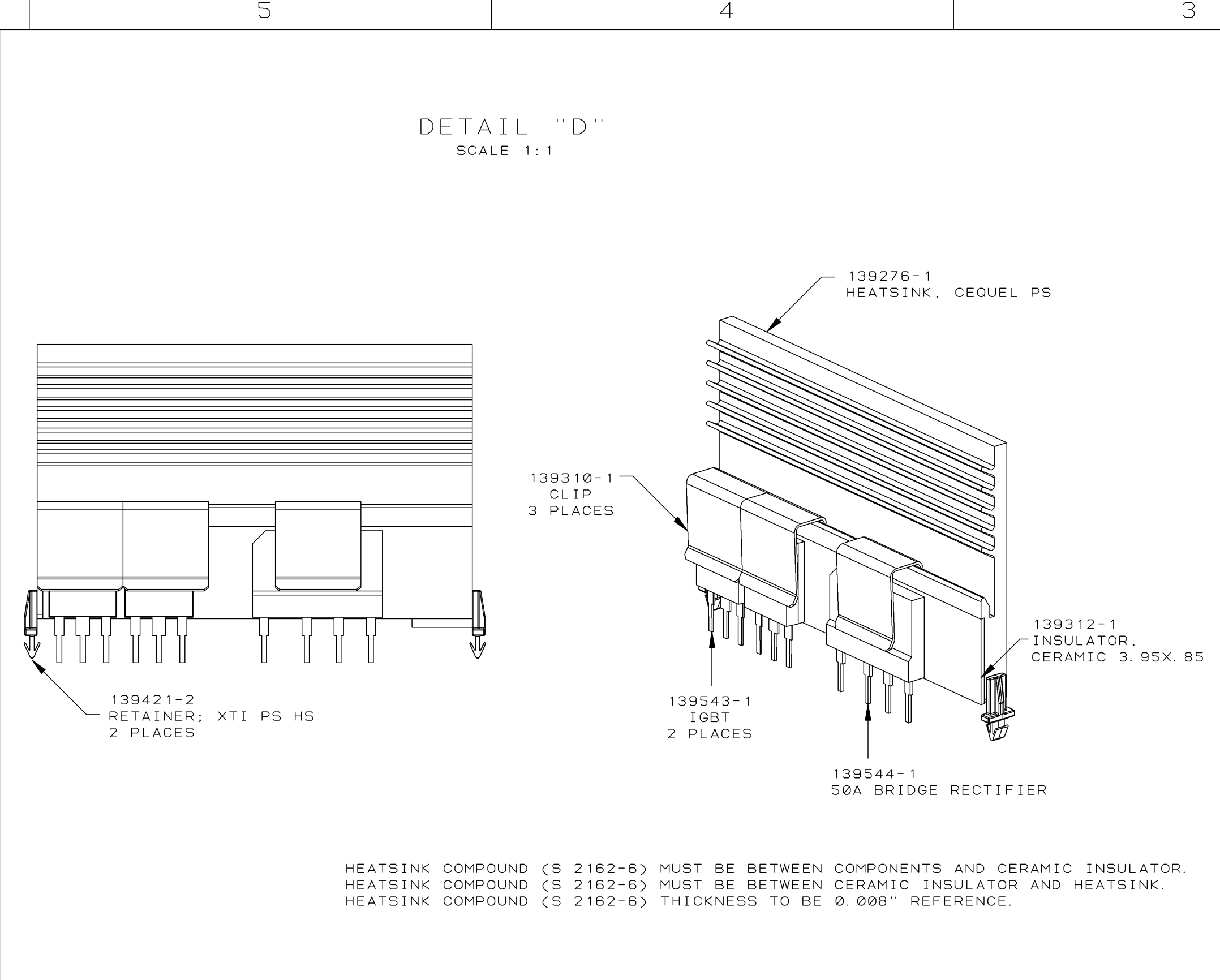
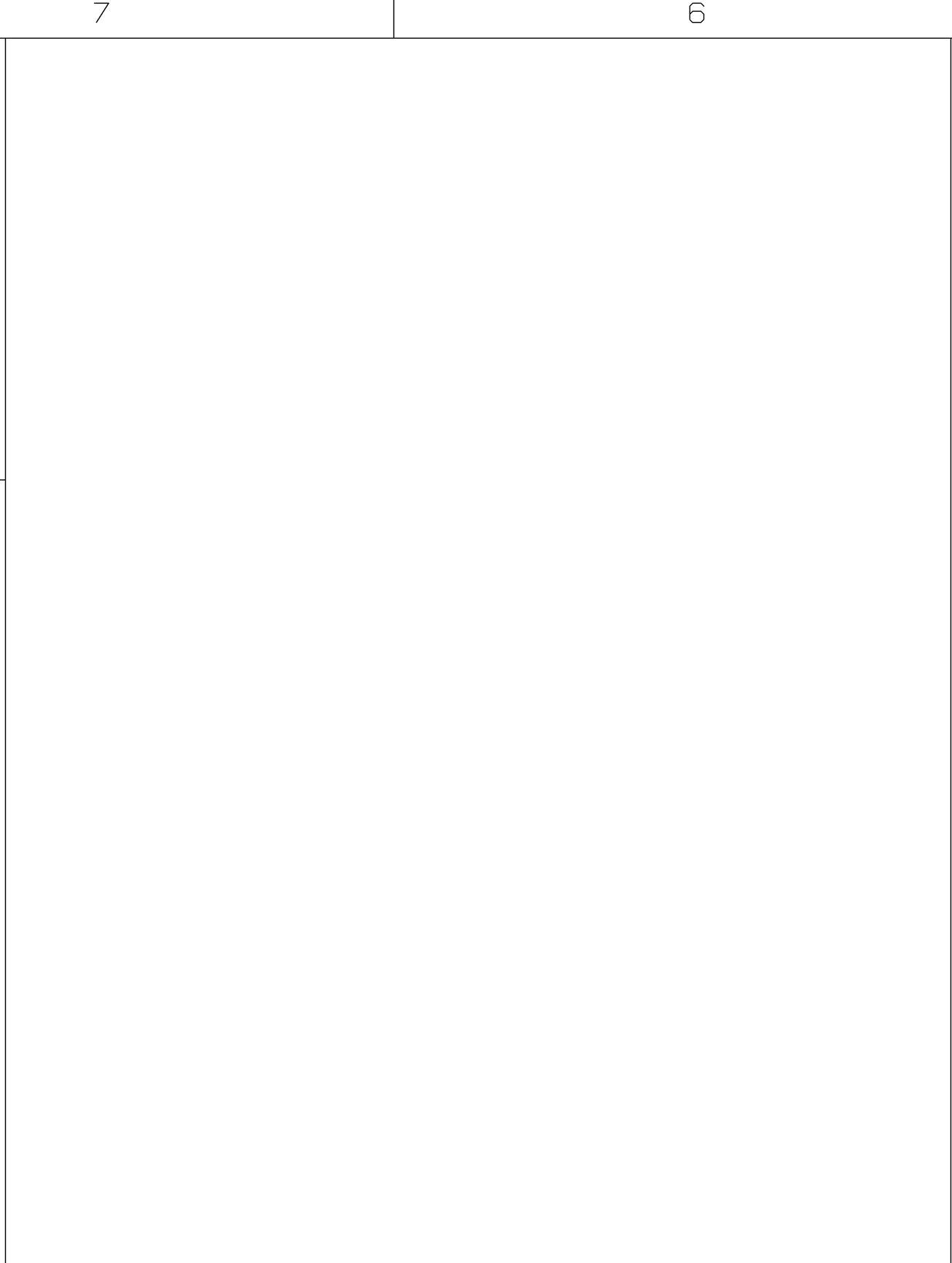
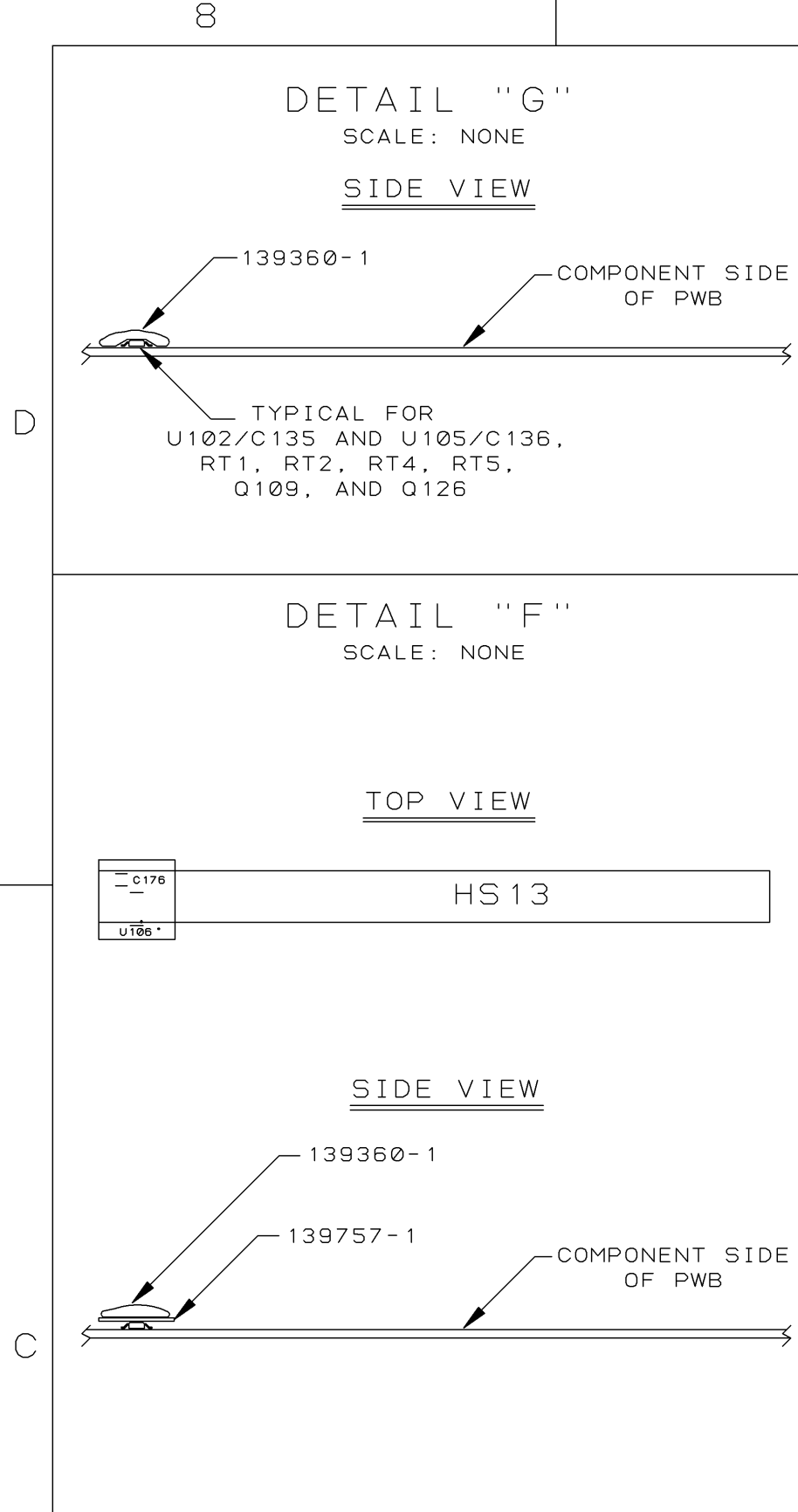
DETAIL "B"

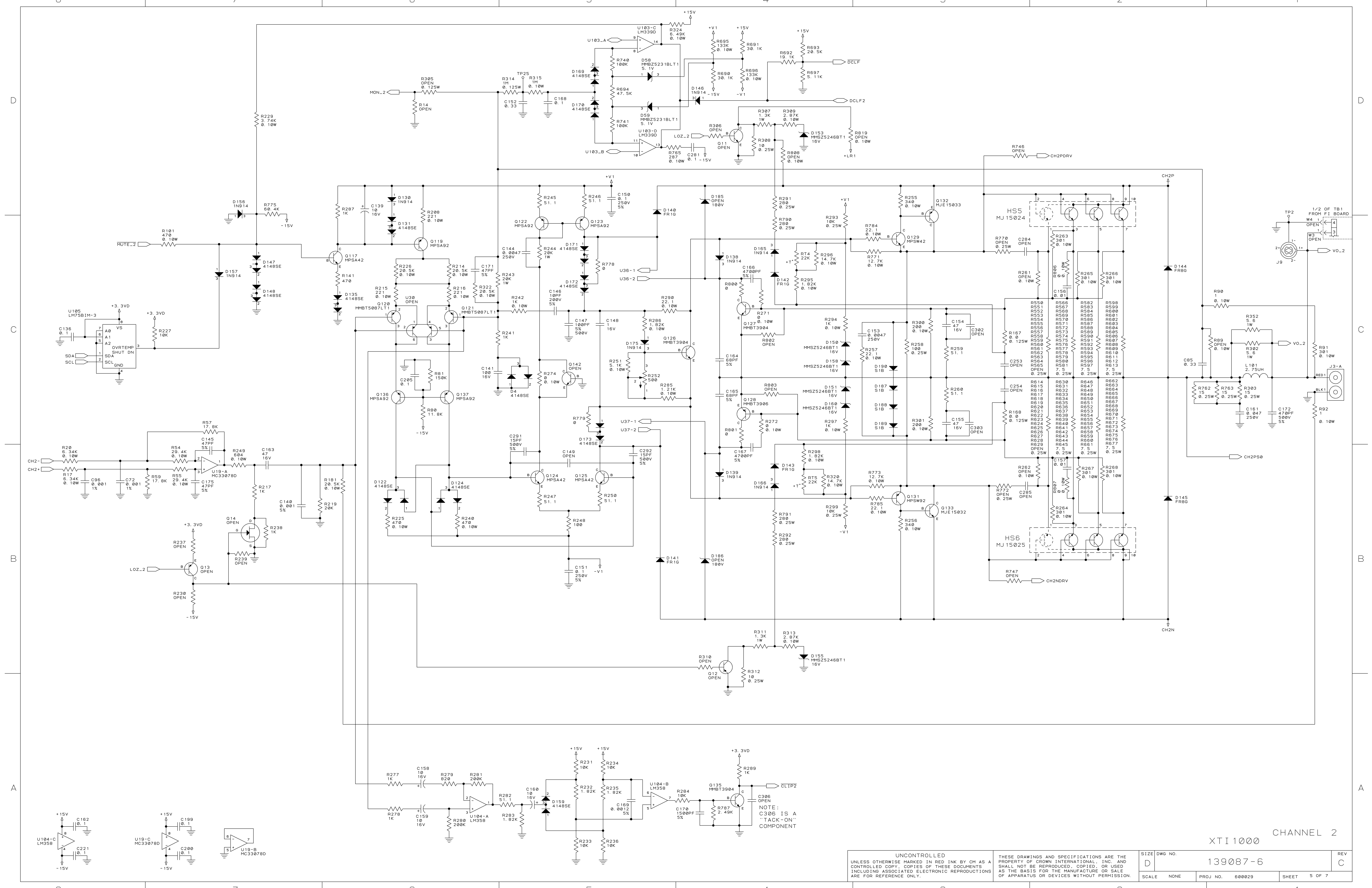
DETAIL "A"

DETAIL "D"

DWN	TLM	06/21/06		1718 W. MISHAWAKA RD. ELKHART, IN. 46517 PHONE: 574-294-9000 WWW.CROWNAUDIO.COM
CH	KZ	06/28/06		
PE	TJS	06/21/06		
DISTRIBUTION			TITLE	
K			PWA, XTI1000	
FILENAME			139087-6.C.PCB	
TOLERANCE UNLESS OTHERWISE SPECIFIED			.00 = 1.02" .000 = 1.010" DRILLS = 1.003"	
DO NOT SCALE DRAWING			SIZE DWG. NO.	REV
			D	C
			SCALE FULL	PROJ. NO. 600029
			SHEET 1 OF 7	

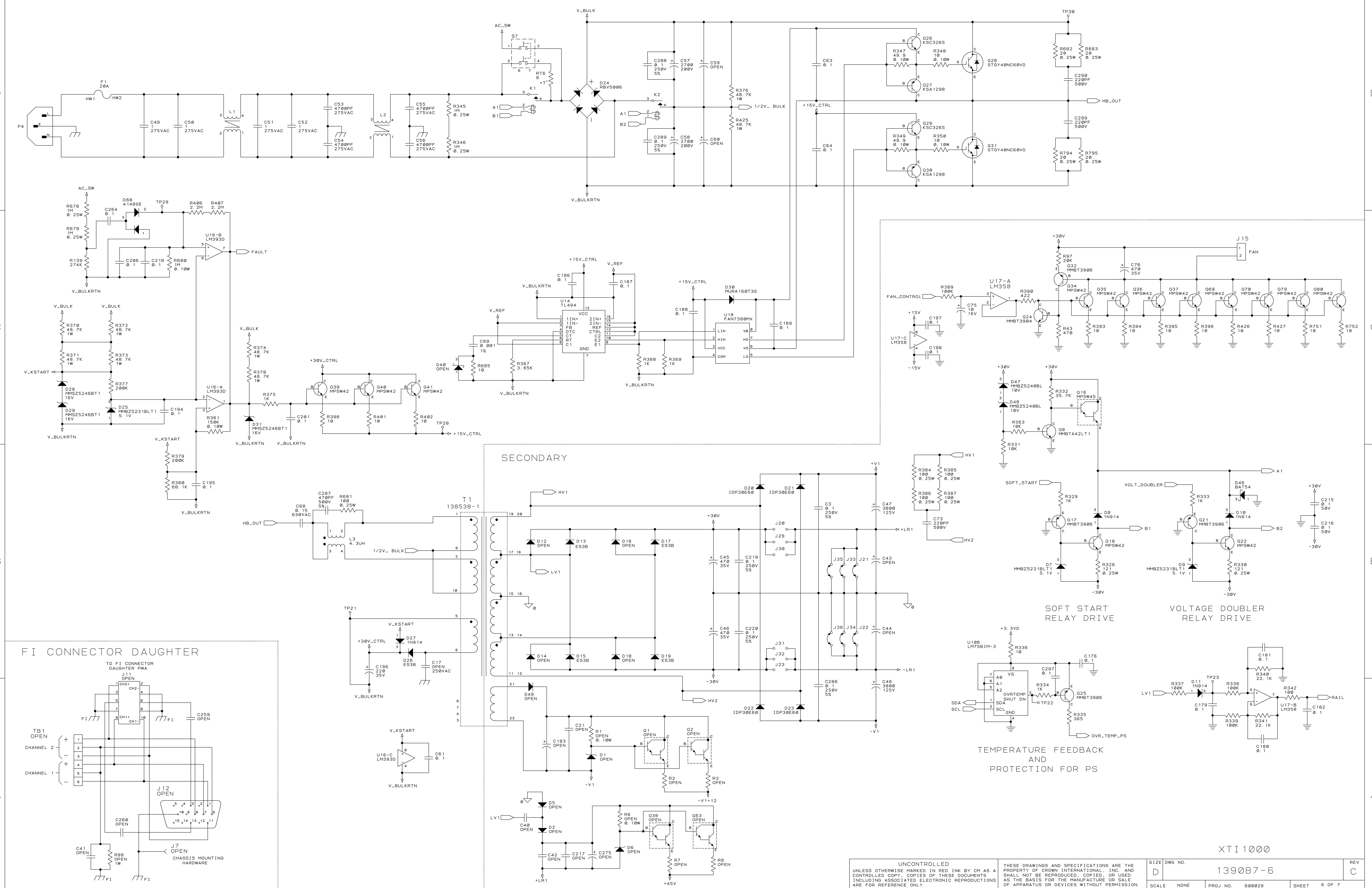
UNCONTROLLED
UNLESS OTHERWISE MARKED IN RED INK BY CM AS A
CONTROLLED COPY. COPIES OF THESE DOCUMENTS
INCLUDING ASSOCIATED ELECTRONIC REPRODUCTIONS
ARE FOR REFERENCE ONLY.
THESE DRAWINGS AND SPECIFICATIONS ARE THE
PROPERTY OF CROWN INTERNATIONAL, INC. AND
SHALL NOT BE REPRODUCED, COPIED, OR USED
AS THE BASIS FOR THE MANUFACTURE OR SALE
OF APPARATUS OR DEVICES WITHOUT PERMISSION.



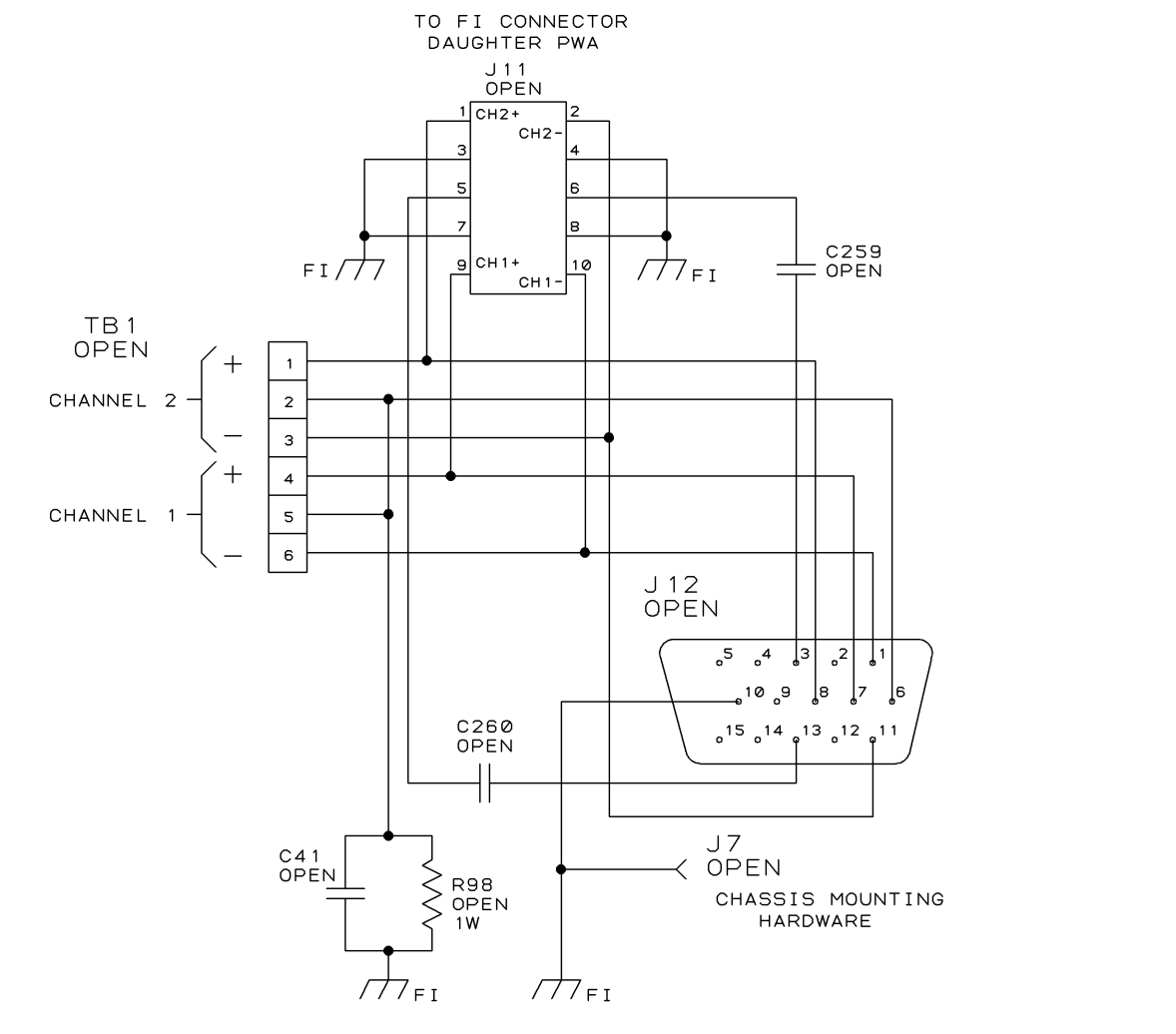


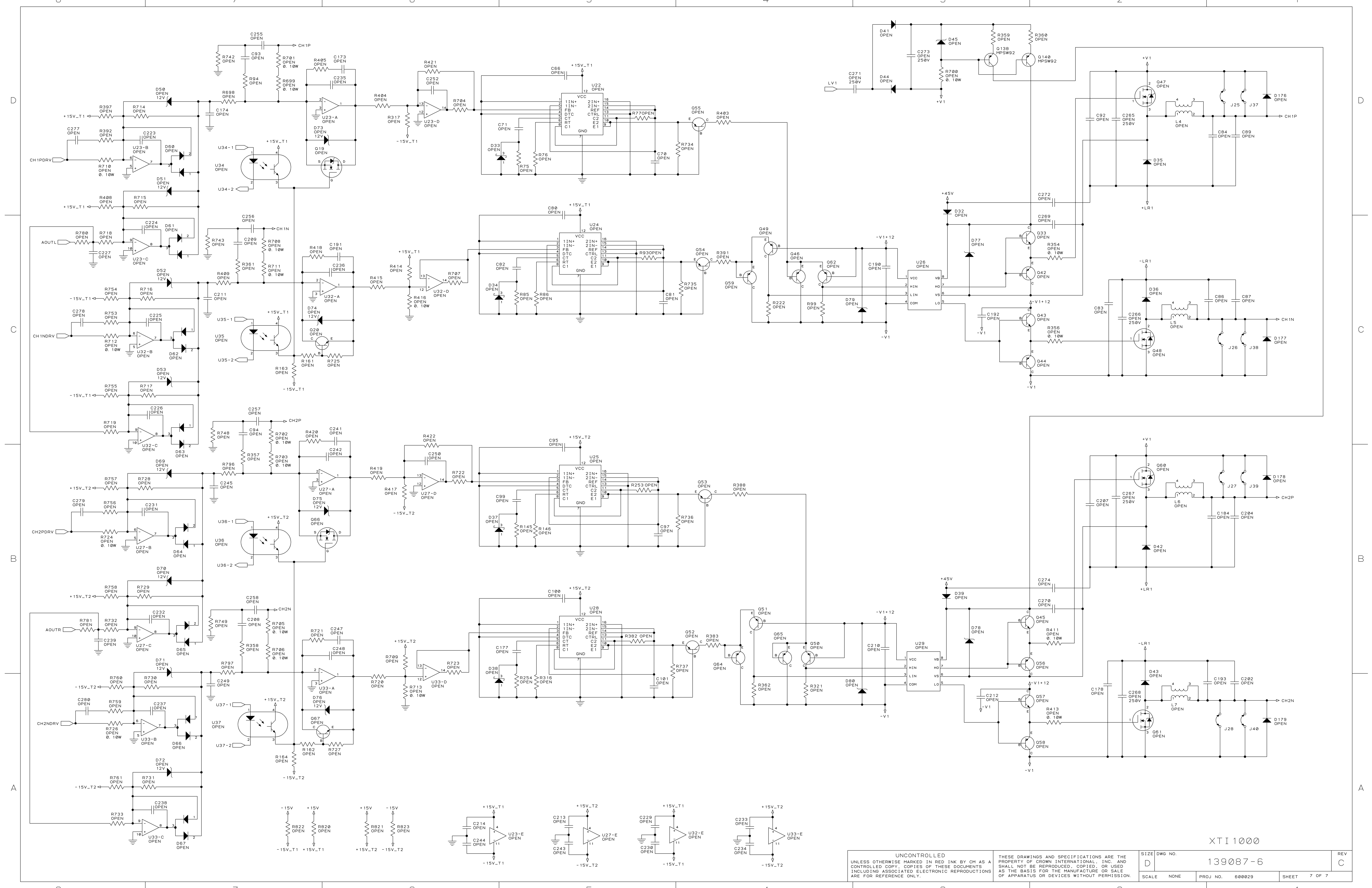
XTI 1000 CHANNEL 2

UNCONTROLLED		THESE DRAWINGS AND SPECIFICATIONS ARE THE PROPERTY OF CROWN INTERNATIONAL, INC. AND SHALL NOT BE REPRODUCED, COPIED, OR USED AS THE BASIS FOR THE MANUFACTURE OR SALE OF APPARATUS OR DEVICES WITHOUT PERMISSION.		SIZE	DWG NO.	REV
D	NONE	139087-6	C	SCALE	PROJ NO. 600029	SHEET 5 OF 7



FI CONNECTOR DAUGHTER





XTI 1000

UNCONTROLLED UNLESS OTHERWISE MARKED IN RED INK BY CM AS A CONTROLLED COPY. COPIES OF THESE DOCUMENTS INCLUDING ASSOCIATED ELECTRONIC REPRODUCTIONS ARE FOR REFERENCE ONLY.		THESE DRAWINGS AND SPECIFICATIONS ARE THE PROPERTY OF CROWN INTERNATIONAL, INC. AND SHALL NOT BE REPRODUCED, COPIED, OR USED AS THE BASIS FOR THE MANUFACTURE OR SALE OF APPARATUS OR DEVICES WITHOUT PERMISSION.		SIZE D	DWG NO. 139087-6	REV C
SCALE	NONE	PROJ NO.	600029	SHEET	7 OF 7	