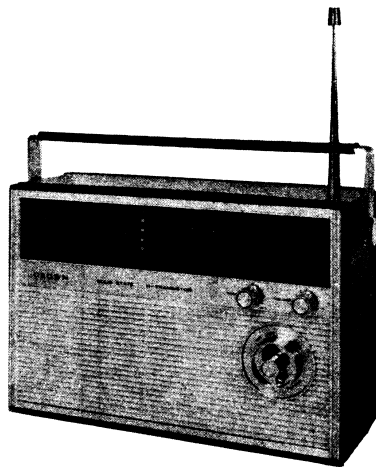


MODEL **TR-145W**
 MODEL **TRF-145E**



SPECIFICATIONS

TR-145W

TYPE: 11 Transistor, 4 Band, Superheterodyne Receiver (AC power supply self-contained, Sleep Switch equipped)

Frequency Range MW: 525-1605KHz
 SW1: 1.6-4MHz
 SW2: 4-10MHz
 SW3: 10-22MHz

IF 455KHz

Output Power Useable: 900±100mW (battery used)
 Maximum: 1400±150mW (battery used)

Power Source DC 6V, "D" battery x 4 AC117/220V

Maximum Sensitivity (battery used, output=50mW) . MW: 35±6dB at 1000KHz
 SW1: 31±6dB at 3MHz
 SW2: 30±6dB at 7MHz
 SW3: 17±6dB at 16MHz

Useable Sensitivity (battery used, output =50mW, S/N=10dB) . MW: 40±4dB at 1000KHz
 SW1: 36±4dB at 3MHz
 SW2: 31±4dB at 7MHz
 SW3: 19±4dB at 16MHz

S/N Ratio : (input =60dB for MW, SW1 & SW3 input=44dB for SW3) .. MW: 30±4dB at 1000KHz
 SW1: 34±4dB at 3MHz
 SW2: 37±4dB at 7MHz
 SW3: 35±4dB at 16MHz

Current Drain No signal: 26±5mA
 Useable output: 260±15mA
 Maximum output: 350±20mA

Under Voltage Non-working voltage: DC-less than 3V
 AC-less than 60% of rated voltage

Dimensions 10-11/16 x 7-5/16 x 3-9/16 inch

Weight 5.7 lbs (with batteries)

TRF-145E

TYPE: 11 Transistor, 4 Band, Superheterodyne Receiver

Frequency Range ... FM: 87-108MHz
 LW: 150-400KHz
 MW: 525-1605KHz
 49m: 5.9-6.3MHz

IF..... FM: 10.7MHz
 AM: 470KHz

Output Power Useable: 900±100mW
 Maximum: 1400±150mW

Power Source DC 6V, "D" battery x 4

Maximum Sensitivity (output=50mW) FM: 5±8dB at 98 MHz
 LW: 44±8dB at 280KHz
 MW: 34±8dB at 1000KHz
 49m: 29±8dB at 6.1MHz

Useable Sensitivity (output=50mW, S/N =30dB for FM, S/N =10dB for others) . FM: 12±6dB at 98MHz
 LW: 44±8dB at 280KHz
 MW: 38±6dB at 1000KHz
 49m: 32±6dB at 6.1MHz

S/N Ratio FM: 55±8dB at 98MHz
 (input=6dB for MW & 49m, 66dB for LW, 28dB for FM) MW: 32±6dB at 1000KHz
 49m: 35±6dB at 6.1MHz

Current Drain No signal: 26±5mA
 Useable output: 260±15mA
 Maximum output: 350±20mA

Under Voltage Non-working voltage: AM-less than 2.8V
 FM-less than 3.8V

Dimensions 10-11/16 x 7-5/16 x 3-9/16 inch

Weight 5.3 lbs (with batteries)

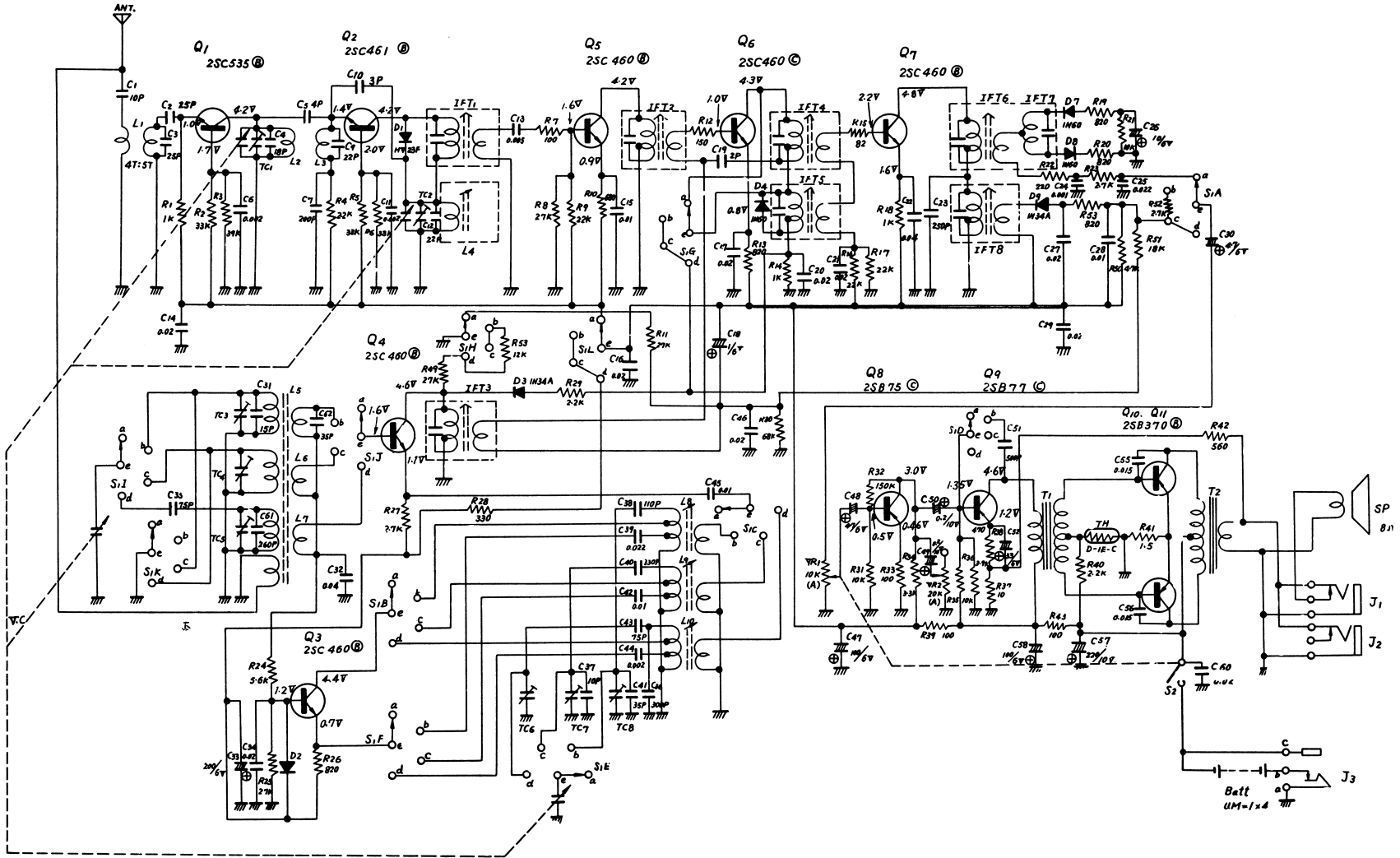
Crown TR-145W & 145E

C22

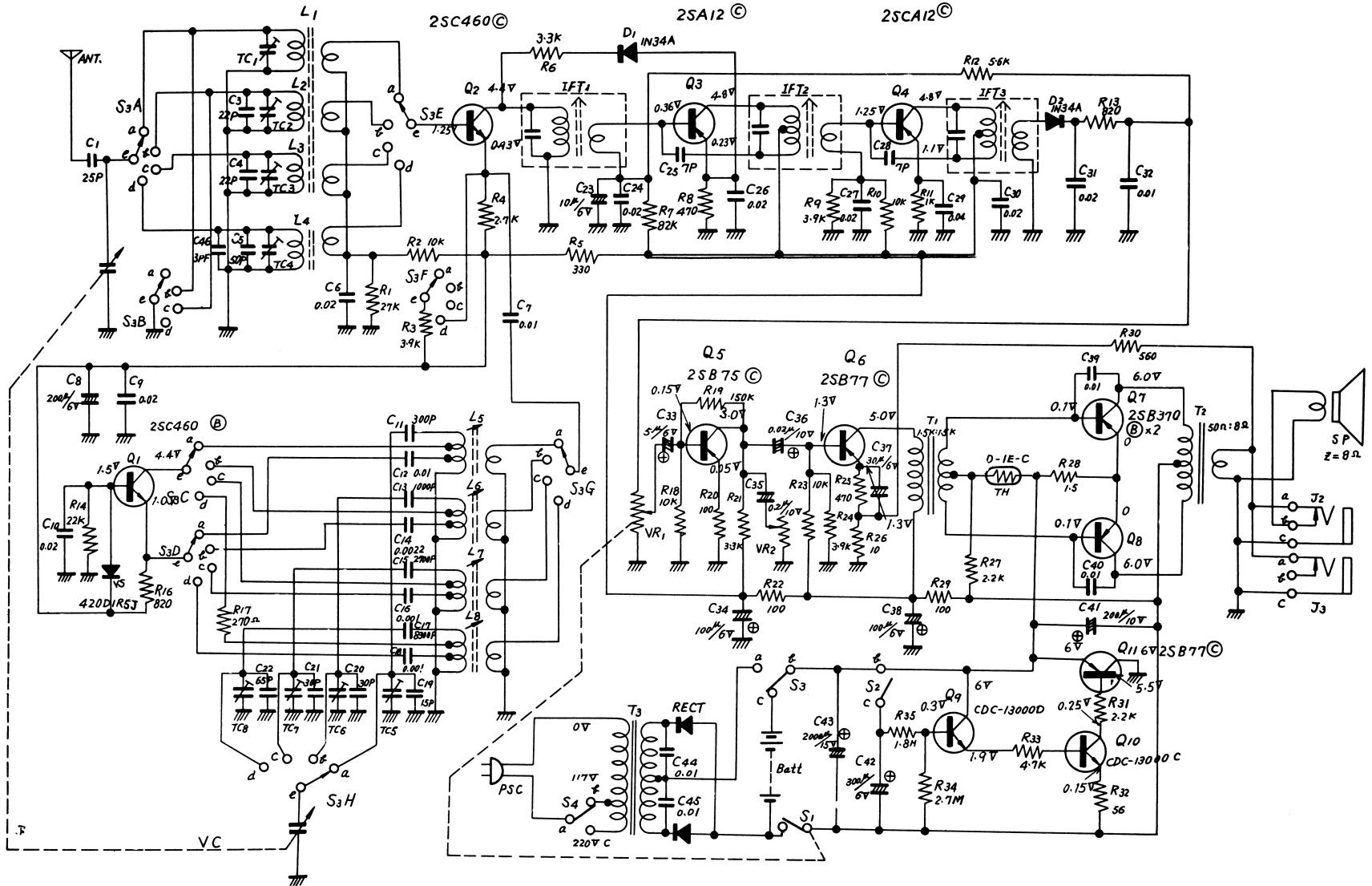
TRF-145E SCHEMATIC DIAGRAM

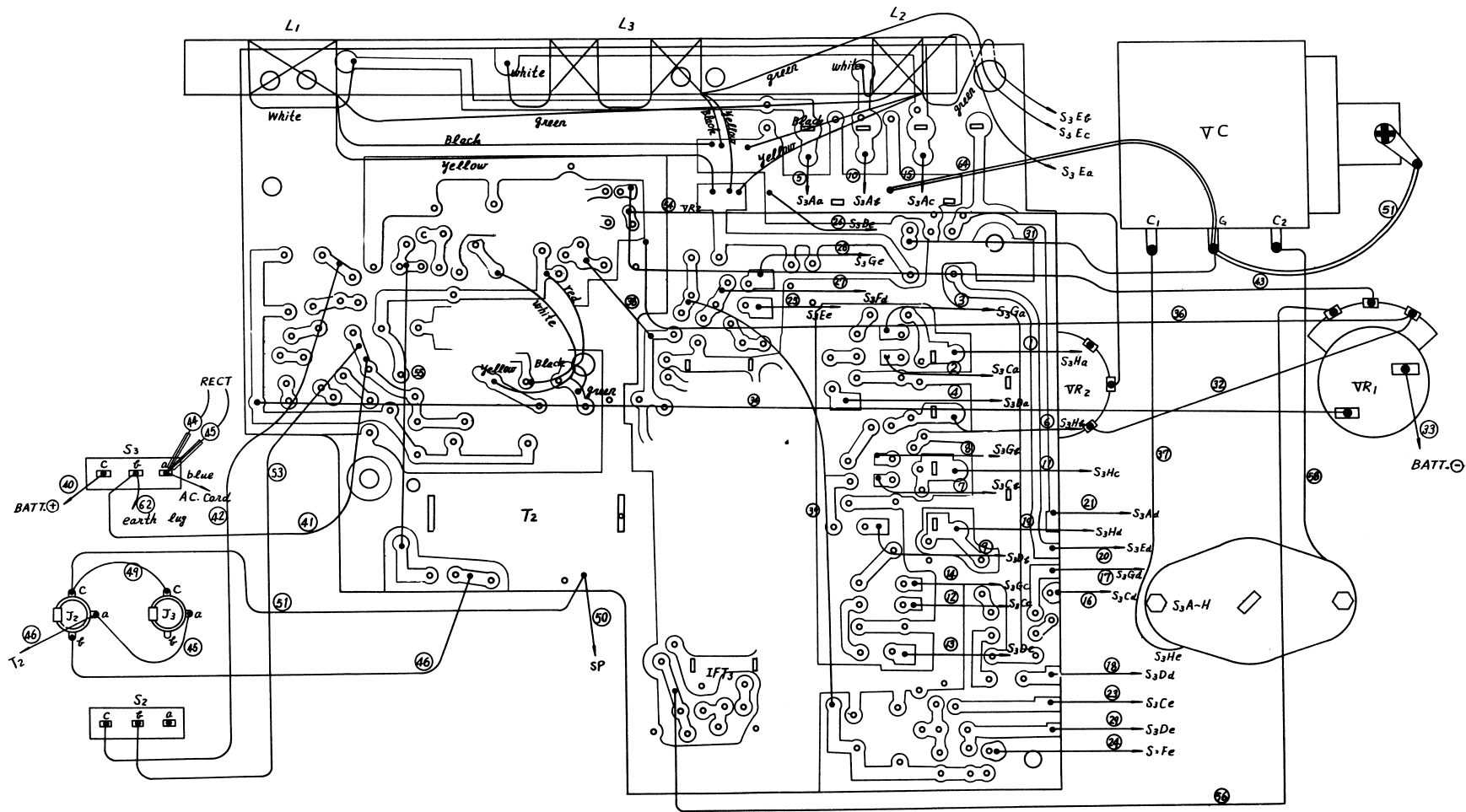
Crown TR-145E

C22

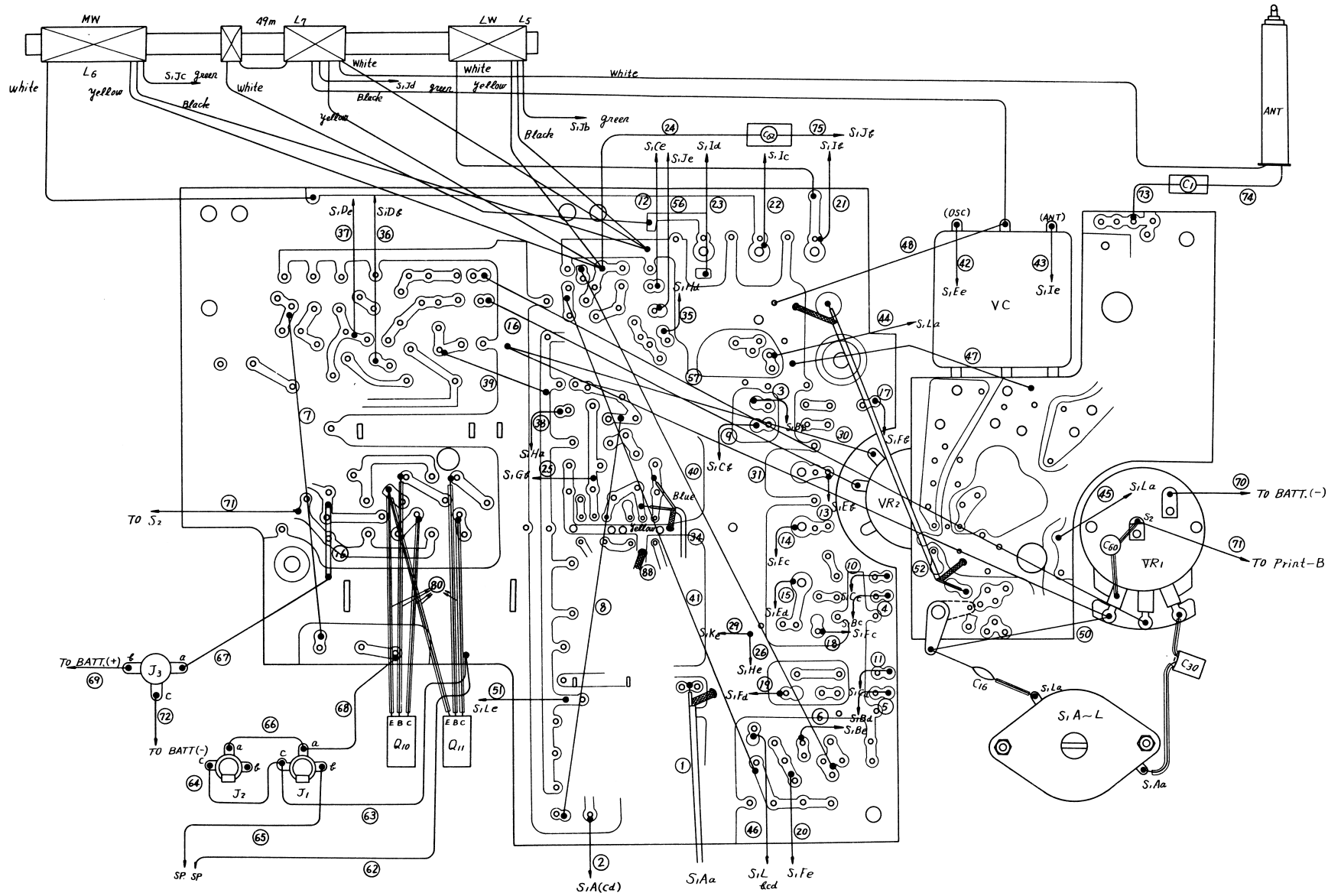


TR-145W SCHEMATIC DIAGRAM





TRF-145E LEAD CONNECTIONS



TRF-145E PRINTED BOARD
(Component)

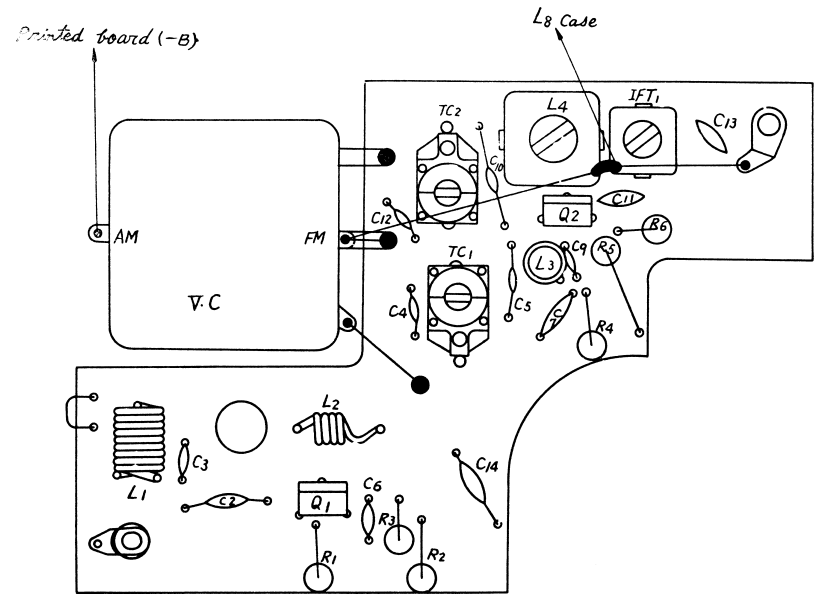
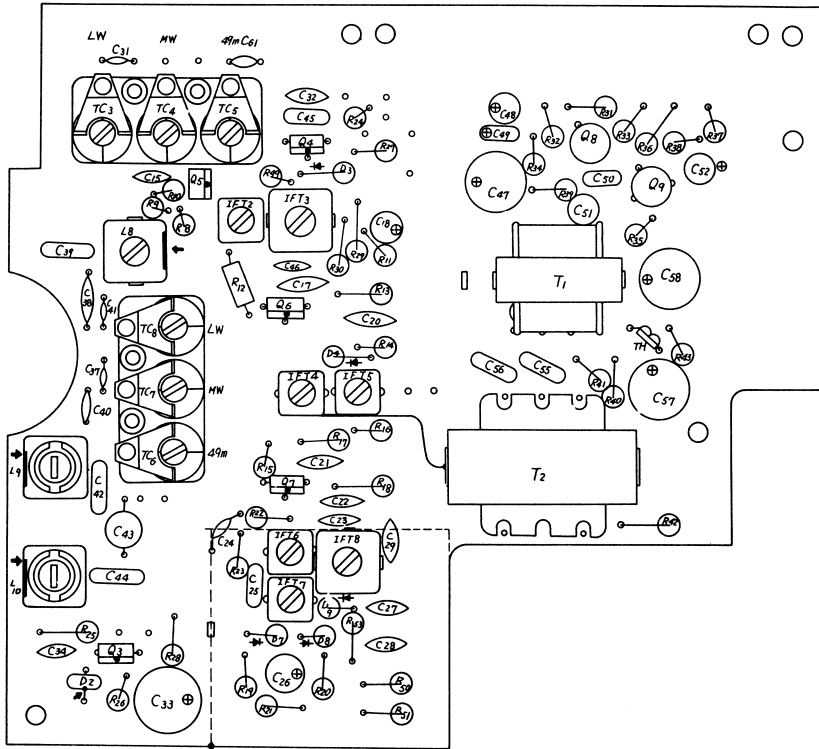


Fig. 9
(Wiring Side)

