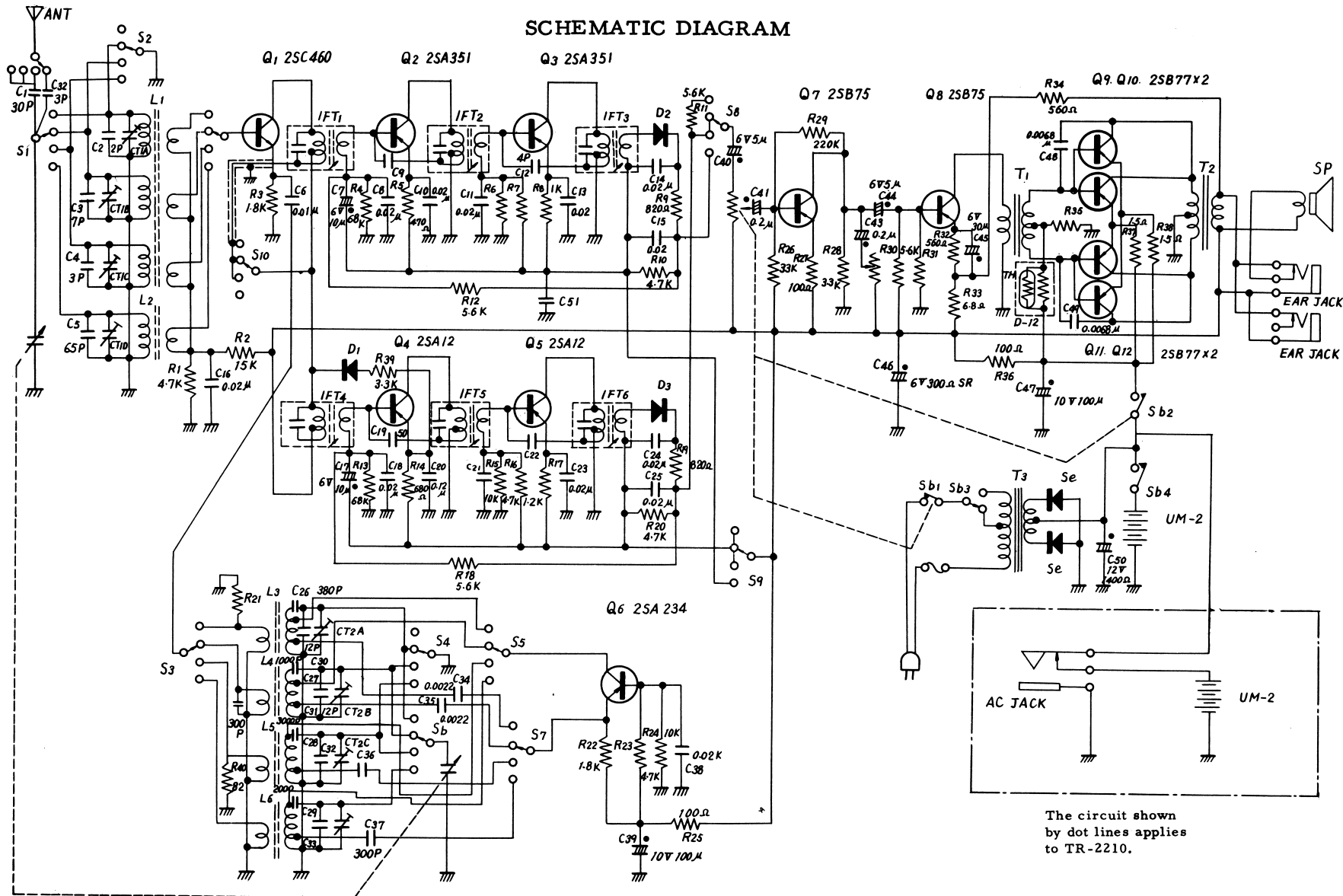
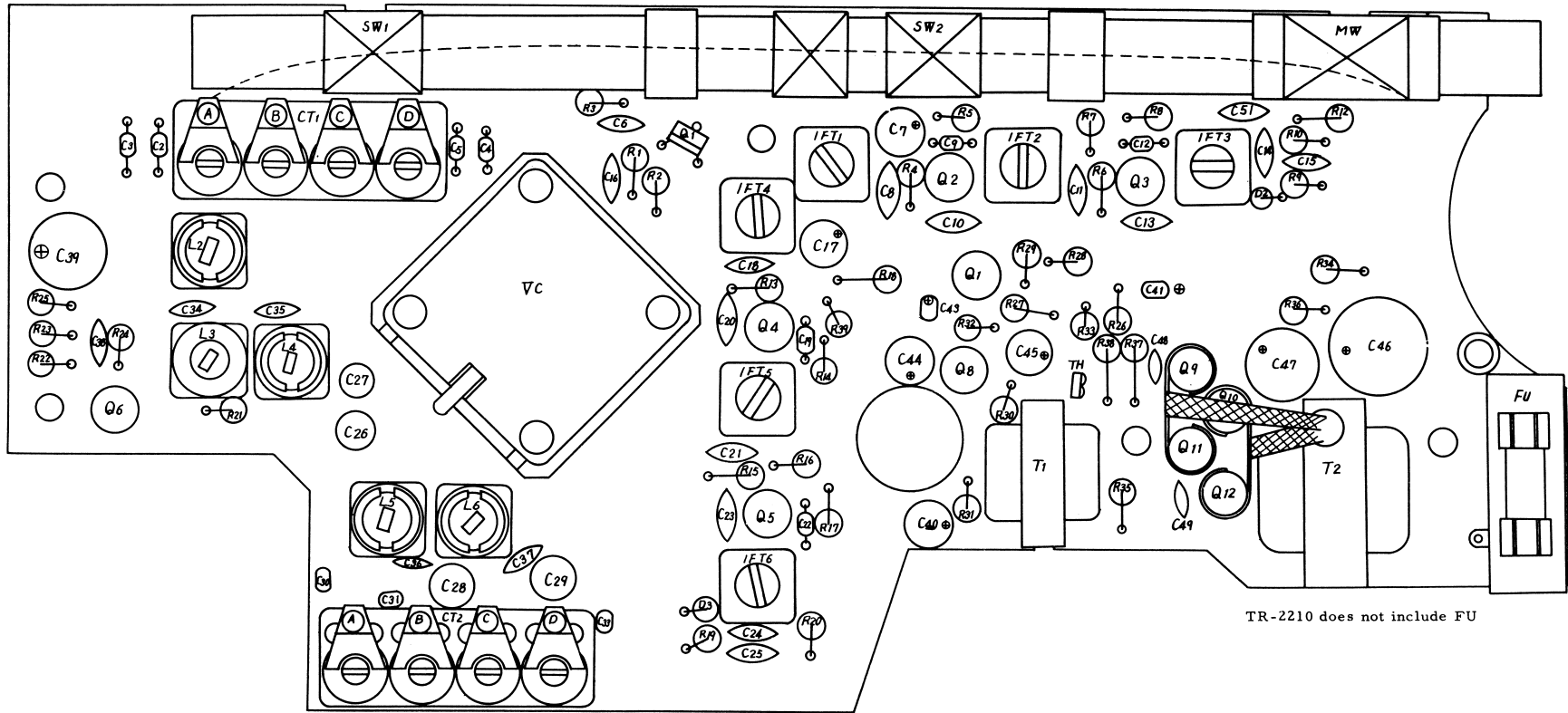


SCHMATIC DIAGRAM



The circuit shown by dot lines applies to TR-2210.

Fig. 1

CHASSIS LAYOUT  
(Component Side)



TR-2250 LEAD CONNECTIONS (2)

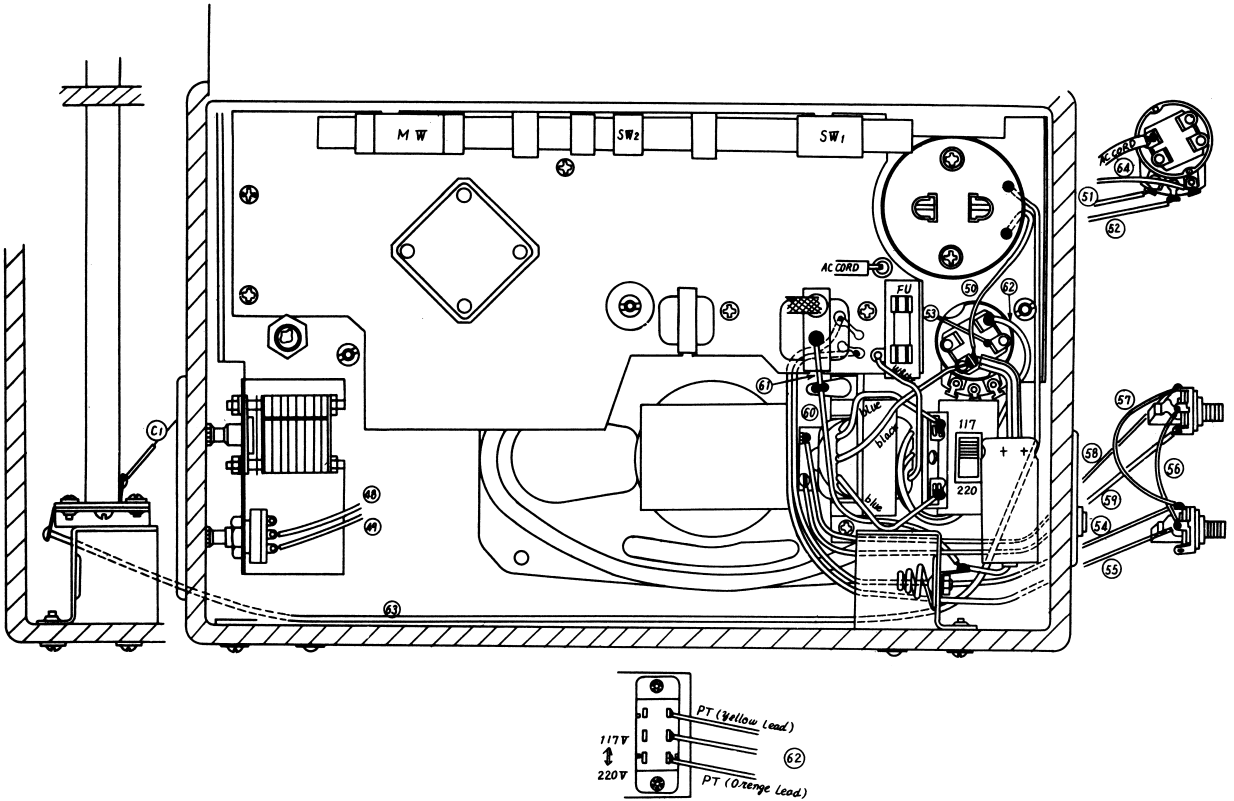


Fig. 6

TR-2210 LEAD CONNECTIONS (2)

