

SCHMATIC DIAGRAM

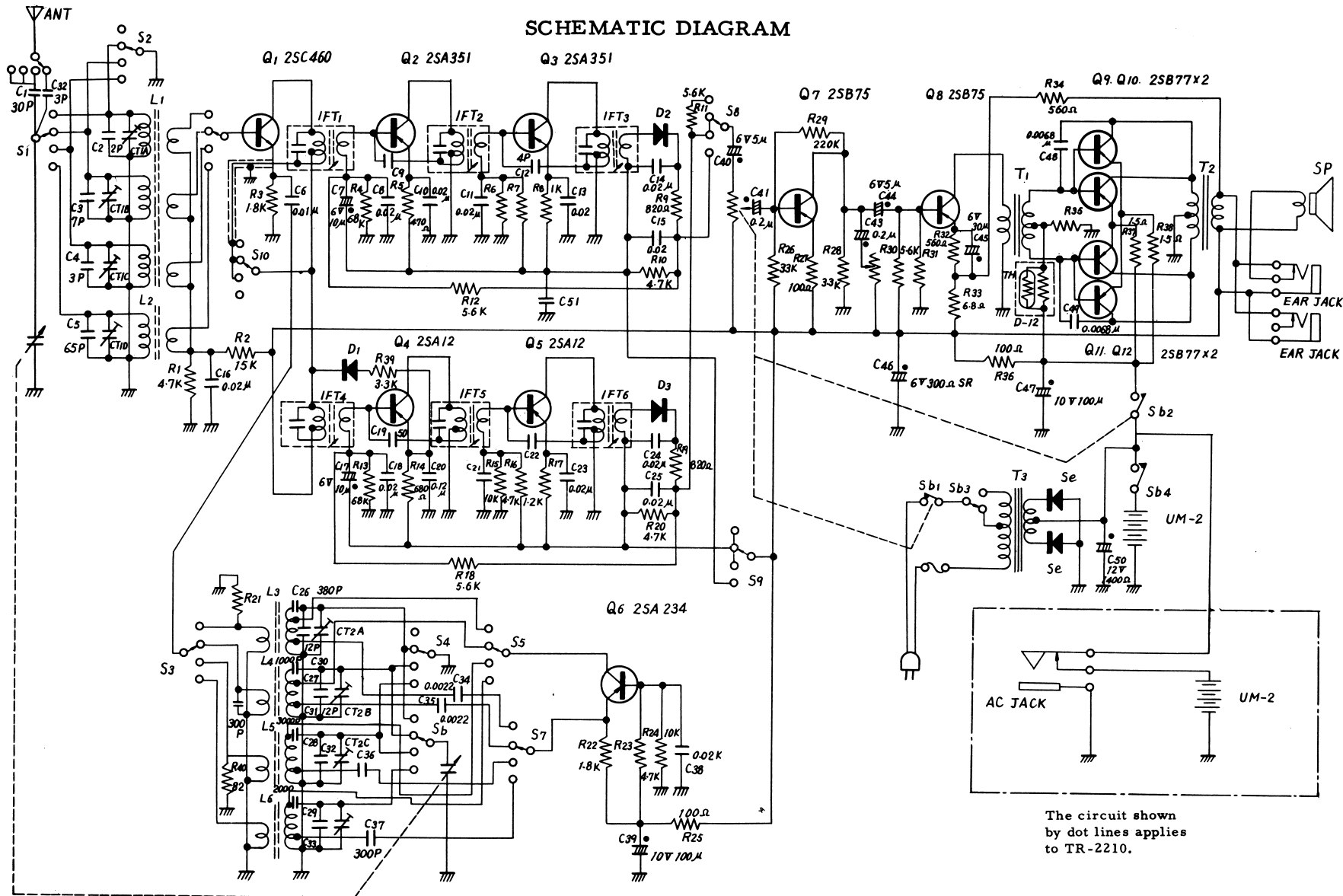
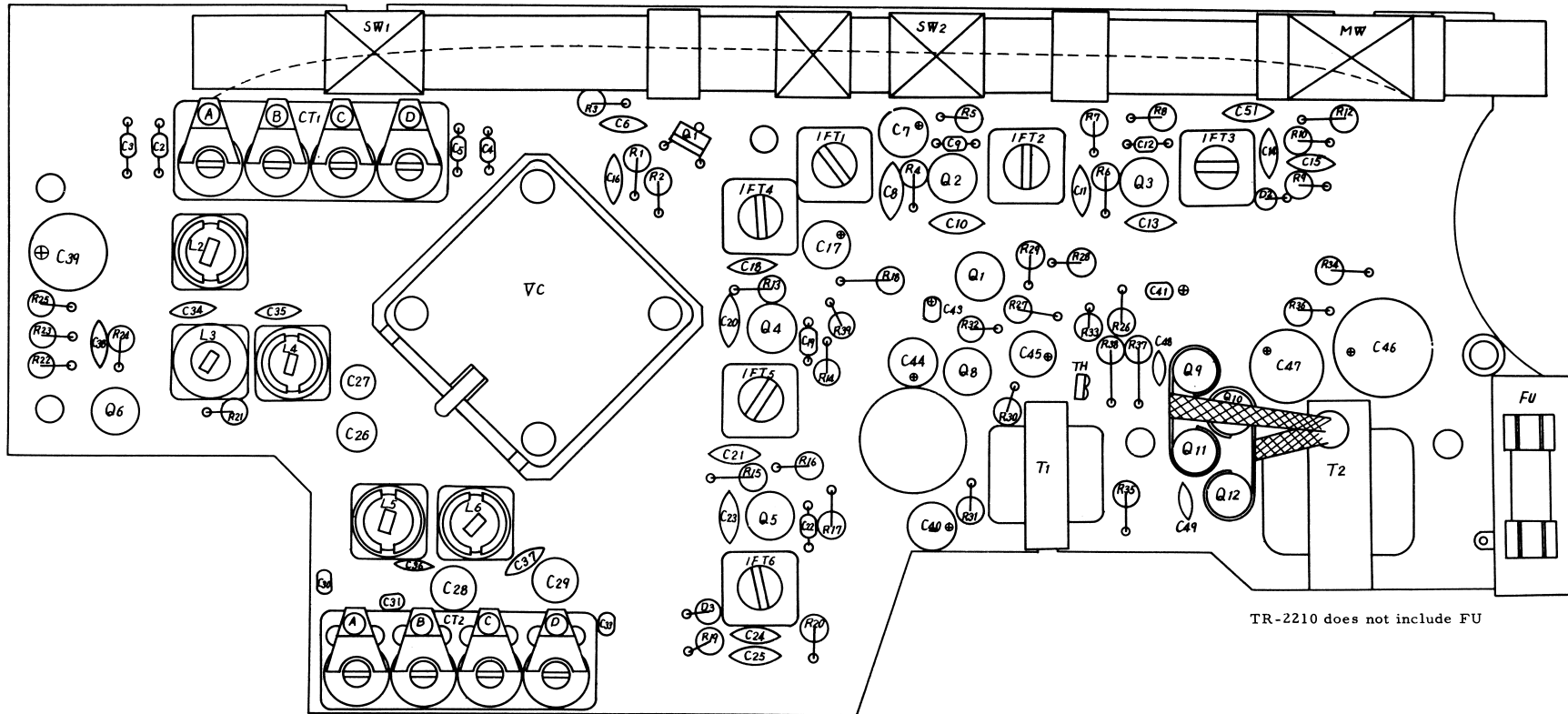


Fig. 1

CHASSIS LAYOUT  
(Component Side)

TR-2250 LEAD CONNECTIONS (3)

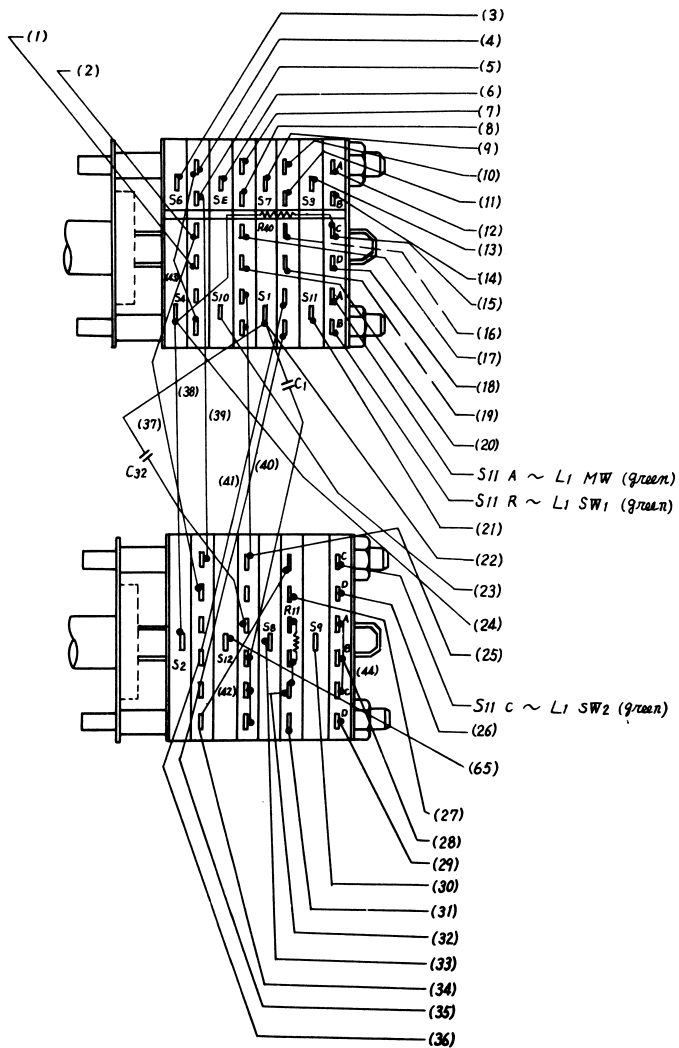


Fig. 8

TR-2210 LEAD CONNECTIONS (3)

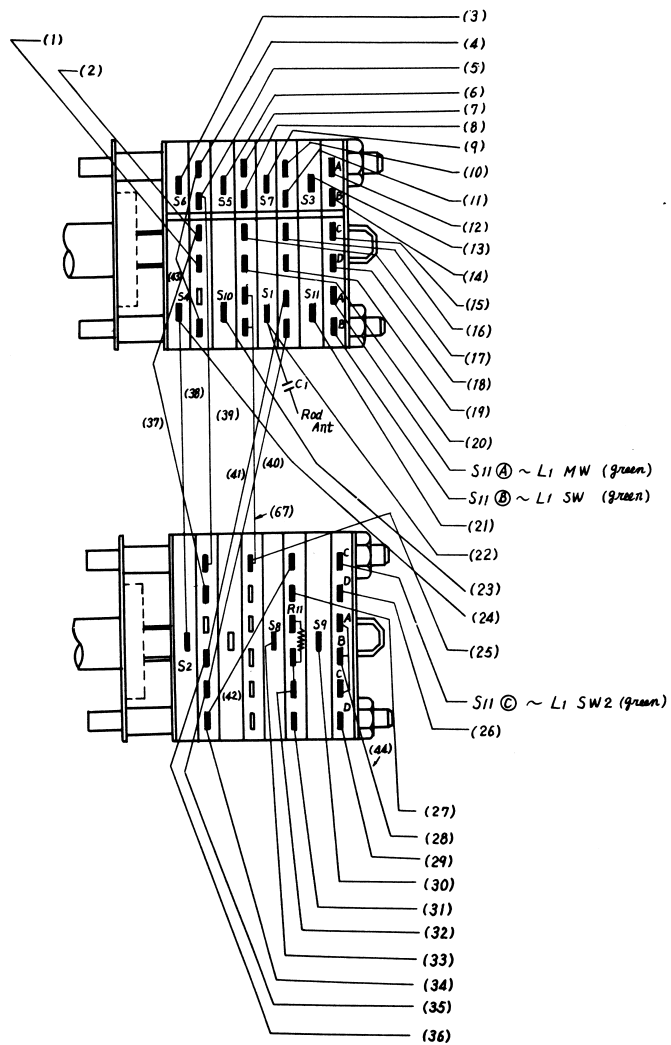


Fig. 9

TR-2250 LEAD CONNECTIONS (2)

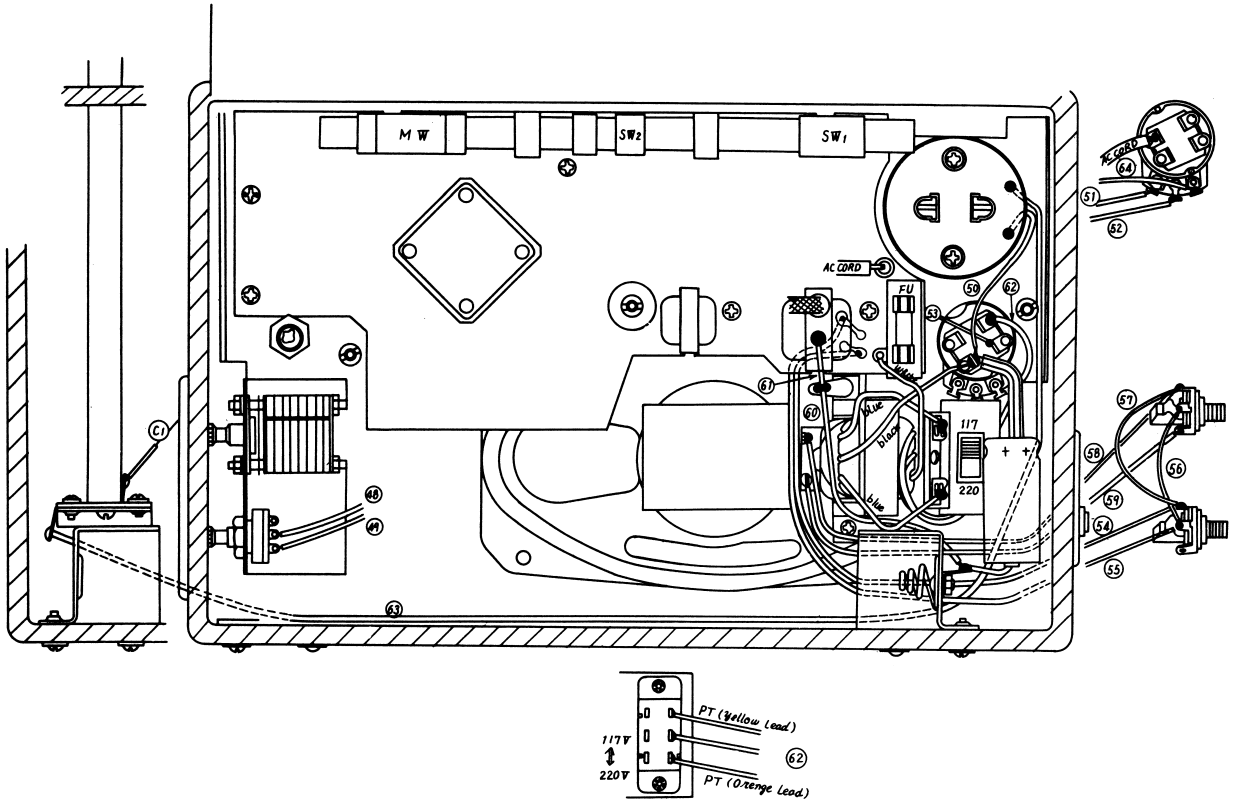
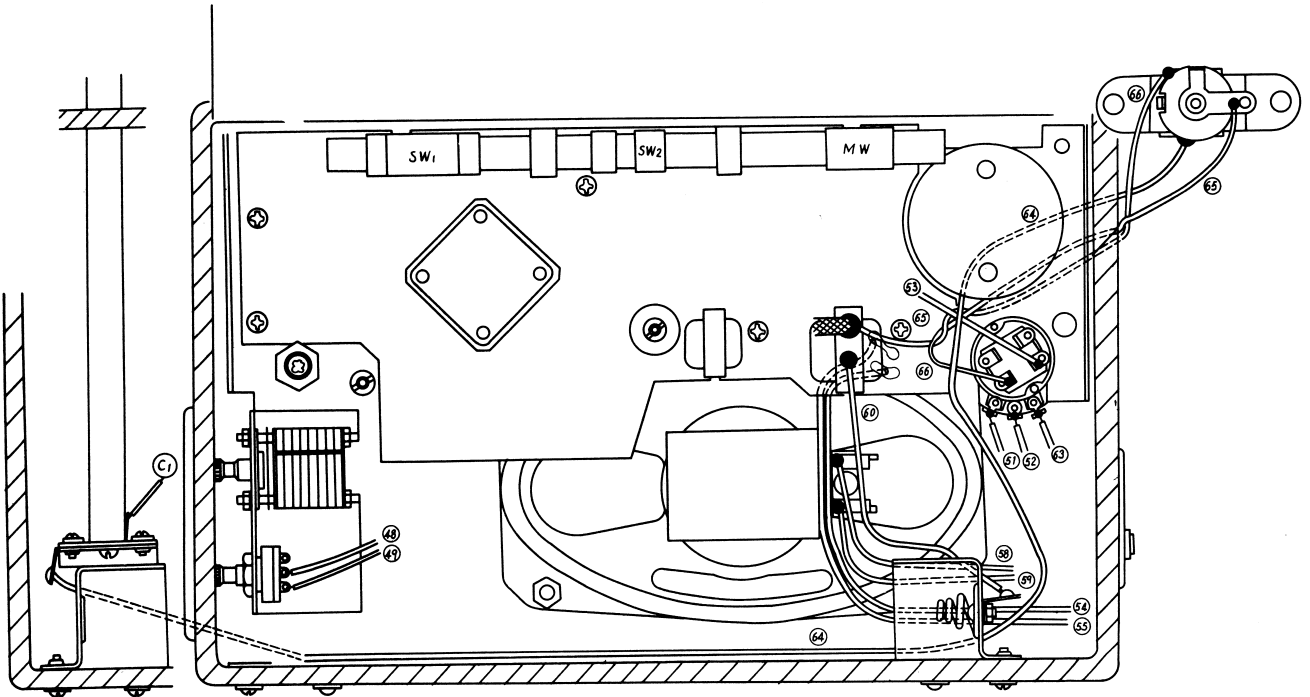


Fig. 6

TR-2210 LEAD CONNECTIONS (2)

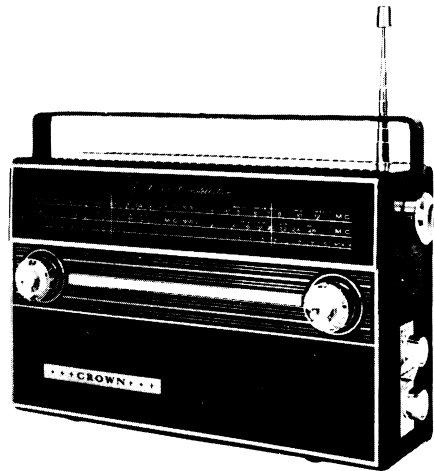


# CROWN

## SERVICE MANUAL

### MODEL TR-2250

### MODEL TR-2210



## SPECIFICATIONS

### TYPE:

TR-2250 (12 Transistor, 4-Band Superheterodyne Receiver, w/AC Supply)

TR-2210 (12 Transistor, 4-Band Superheterodyne Receiver, w/o AC Supply)

### CONTROLS:

Tuning ..... string drive, slide rule, vernier  
 Power On/Off ..... volume control interlock  
 Band Selection ..... rotary switch  
 Volume ..... variable resistor  
 Tone ..... tone control

### DESCRIPTION:

Frequency Range .... MW 530 - 1605 Kc  
                           SW1 1.6 - 4 Mc  
                           SW2 4 - 12 Mc  
                           SW3 12 - 26 Mc

IF ..... MW/SW1/SW2 455 Kc  
                           SW3 1.82 Mc

Output Power ..... undistorted : 600mW±70mW  
                           maximum: 950mW±100mW

Power Source ..... DC 6V, "C" size battery x 4  
                           AC 117 or 220V (TR-2210)

Maximum Sensitivity . . . . . MW : 34dB±6dB at 1000 Kc  
 (W=50mW)                   SW1 : 36dB±6dB at 3 Mc  
                                   SW2 : 38dB±6dB at 7.5 Mc  
                                   SW3 : 17dB±6dB at 19 Mc

Useable Sensitivity .. . . . MW : 38dB±4dB at 1000 Kc  
 (W=50mW, S/N-10dB)   SW1 : 36dB±4dB at 3 Mc  
                                   SW2 : 39dB±4dB at 7.5 Mc  
                                   SW3 : 20dB±4dB at 19 Mc

S/N Ratio ..... MW : 30dB±4dB at 1000 Kc  
 (W=50mW)                   (input=-60dB)

SW1 : 32dB±4dB at 3 Mc  
 (input=-60dB)

SW2 : 34dB±4dB at 7.5 Mc  
 (input=-60dB)

SW3 : 38dB±4dB at 19 Mc  
 (input=-44dB)

Current Consumption   no signal : 19mA±4mA  
 undistorted output: 175mA±15mA  
 maximum output: 210mA±20mA

Under Voltage ..... non-working voltage: 3.5V or less

Dimensions ..... 7-7/8x11-7/16x3-9/16 inches  
 Weight ..... 4.4 lbs (approx.) w/batteries