

CROWN SERVICE MANUAL

MODEL TRQ-1050

SPECIFICATIONS

TYPE:

10 Transistor Transceiver

TRANSISTOR:

- 2SA350 (RF amplifier)
- 2SA350 (mixer)
- 2SA350 (receiving oscillator)
- 2SA351 x 2 (IF amplifier)
- 2SB75 (AF amplifier)
- 2SB77 x 2 (power amplifier)
- 2SA350 (transmitting oscillator)
- 2SA246 (RF power amplifier)

PERFORMANCE:

Transmitting Frequency . 27.125 Mc, $\pm 0.005\%$

Final Stage Power Input .. 100mW

Maximum Modulation 95%

Receiving Oscillator

Frequency 26.670 Mc, $\pm 0.005\%$

Intermediate Frequency .. 455 Kc

Audio Power 100mW(180mW max.) or over

Modulation Amplitude modulation

OTHERS:

Speaker..... 2-1/4 inch, $z=8\Omega$

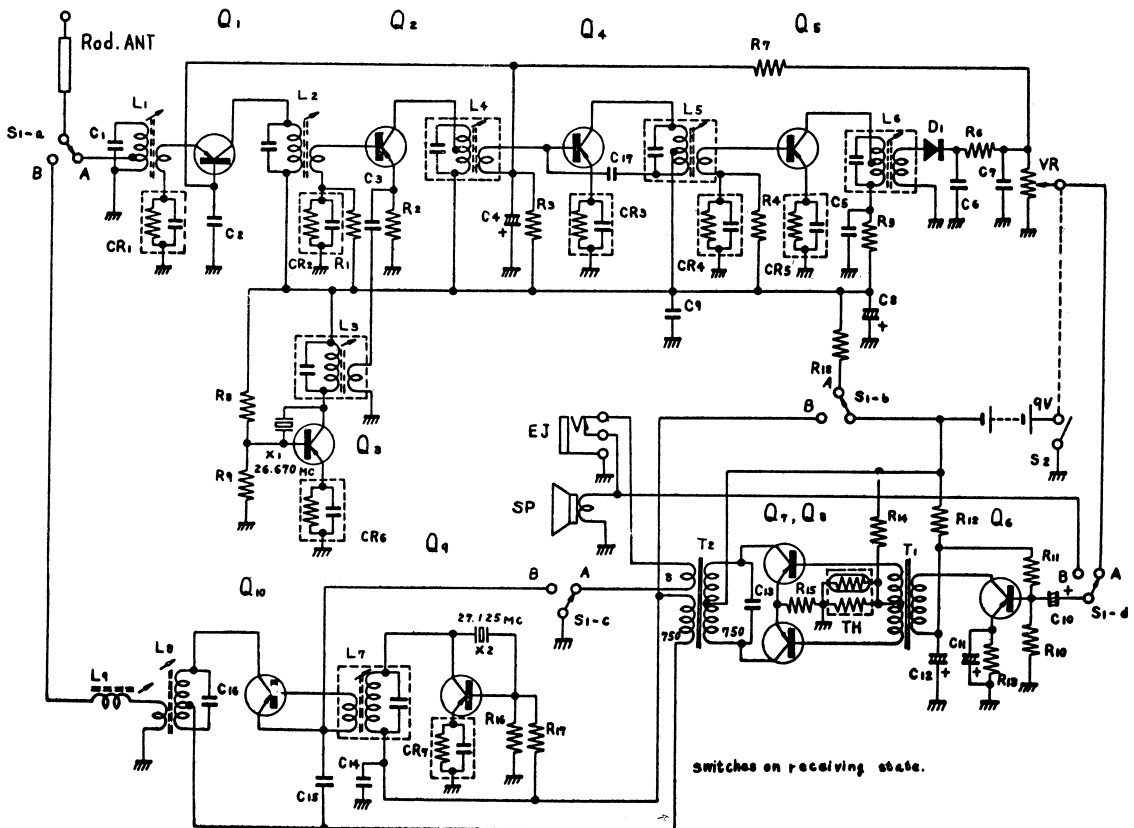
Rod Antenna 8 section, 1400m/m

Power Source DC 9V, penlight battery x 6

Dimensions 7-1/16x3-1/8x1-1/2 inch

Weight 1.4 lbs (w/battery)

SCHEMATIC DIAGRAM



CHASSIS LAYOUT
(Component Side)

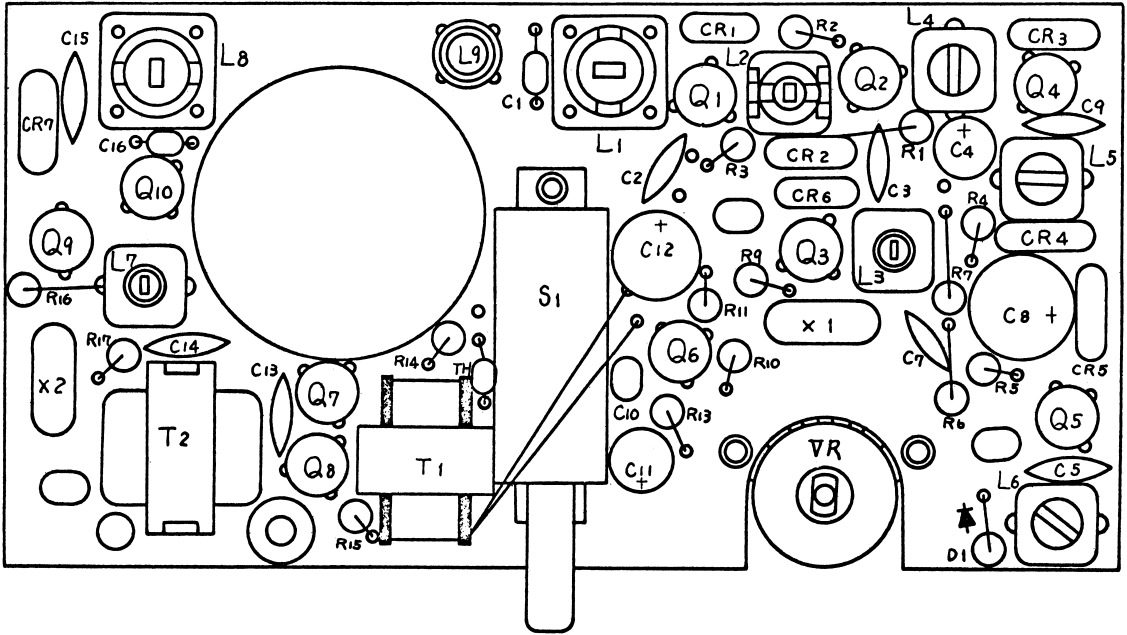


Fig. 2

CHASSIS LAYOUT
(Wiring Side)

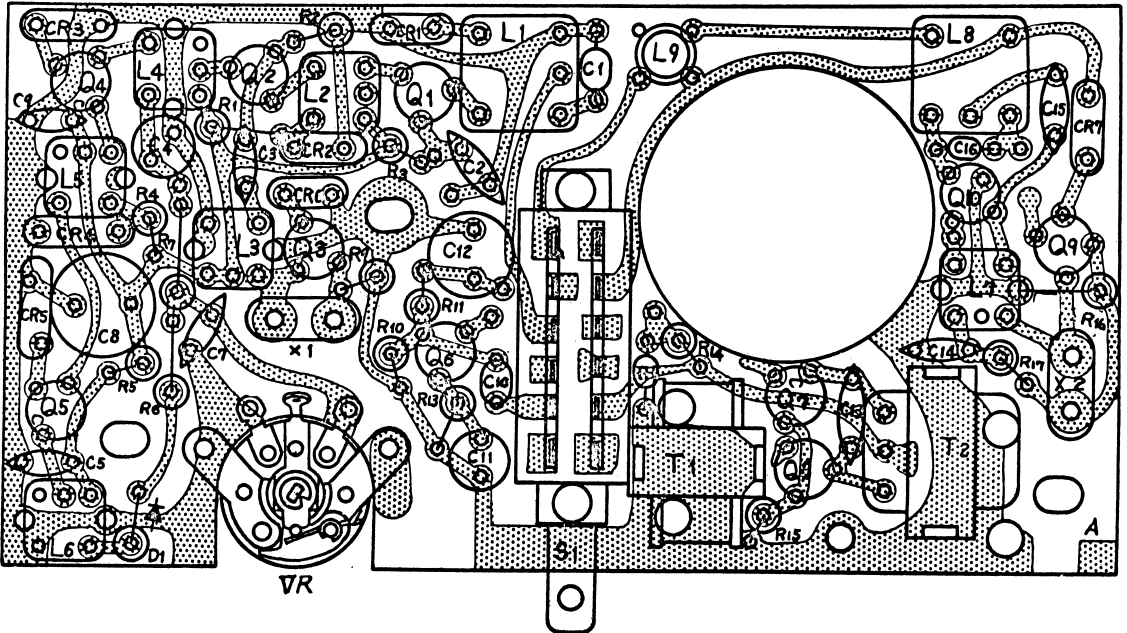


Fig. 3

REPLACEMENT PARTS

Symbol No.	Part No.	Description	Symbol No.	Part No.	Description
CR1	AM-W-47	Compound Element, 500Ωx0.02μf	L7	AM-LO-121	Oscillator Coil
CR2	AM-W-48	Compound Element, 3.3kΩx0.04μf	L8	AM-LS-38	Tuning Coil
CR3	AM-W-45	Compound Element, 1kΩx0.02μf	L9	AM-LS-35	Choke Coil, 1.1μH
CR4	AM-W-48	Compound Element, 3.3kΩx0.04μf	VR	AM-VR-114	Variable Resistor, 10kΩ, w/SW
CR5	AM-W-45	Compound Element, 1kΩx0.02μf	T1	AM-T-212	Input Transformer, 10kΩ:3kΩ(CT)
CR6	AM-W-45	Compound Element, 1kΩx0.02μf	T2	AM-T-213	Output Transformer, 750 Ω (CT) : 8 Ω : 750Ω
CR7	AM-W-47	Compound Element, 500Ωx0.02μf	SW	AM-S-85	Push-switch, 4 circuit 2 position
L1	AM-LA-45	Antenna Coil, 300Ω:200Ω	SP	AM-P-67	Speaker, 2-1/4 inch, P.D. Z=8
L2	AM-LS-34	Tuning Coil	EJ		Earphone Jack
L3	AM-LO-120	Oscillator Coil	Rod	AM-K-5	Rod Antenna
L4	AM-LI-56	IF Transformer, 50kΩ : 0.5kΩ	X1	AM-X-21	Crystal(local oscillator)
L5	AM-LI-57	IF Transformer, 30kΩ : 0.5kΩ	X2	AM-X-20	Crystal(oscillator)
L6	AM-LI-61	IF Transformer, 15kΩ : 5kΩ			

REPLACEMENT PARTS

Symbol No.	Description	Symbol No.	Description	Symbol No.	Description
Q1	TRANSISTOR 2SA350		RESISTOR	R17	47kΩ
Q2	2SA350		Fixed compositions, 1/4w, ± 10%, unless otherwise specified.	R18	100Ω
Q3	2SA350				CAPACITOR
Q4	2SA351	R1	33kΩ	C1	Ceramic, 12pf
Q5	2SA351	R2	1kΩ	C2	Ceramic, 0.02μf
Q6	2SB75	R3	82kΩ	C3	Ceramic, 0.01μf
Q7	2SB77	R4	18kΩ	C4	Electrolytic, 5μf, 6wv
Q8	2SB77	R5	820Ω	C5	Ceramic, 0.02μf
Q9	2SA350	R6	1kΩ	C6	Ceramic, 0.02μf
Q10	2SA246	R7	5.6kΩ	C7	Ceramic, 0.02μf
		R8	47kΩ	C8	Electrolytic, 100μf, 10wv
	DIODE & THERMISTOR	R9	18kΩ	C9	Ceramic, 0.02μf
D1	1N34A	R10	5.6kΩ	C10	Electrolytic, 0.1μf, 10wv
TH	CS-120	R11	39kΩ	C11	Electrolytic, 10μf, 6wv
		R12	820Ω	C12	Electrolytic, 30μf, 10wv
	CRYSTAL	R13	1kΩ	C13	Ceramic, 0.04μf
X1	O-3	R14	8.2kΩ	C14	Ceramic, 0.01μf
X2	Q-3	R15	10Ω	C15	Ceramic, 0.04μf
		R16	10kΩ	C16	Ceramic, 14pf
				C17	Ceramic, 1pf

VOLTAGE/CURRENT MEASUREMENT DATA (Emitter only)

Q1	Q2	Q3	Q4	Q5	Q6	Q9
0.45V	0.76V	2.3V	0.48V	1.1V	0.9V	1.6V
900μA	760μA	2.3mA	480μA	1.1mA	900μA	3.2mA

Voltages measured by test meter(DC 20kΩ/V) at no signal time during transmitting