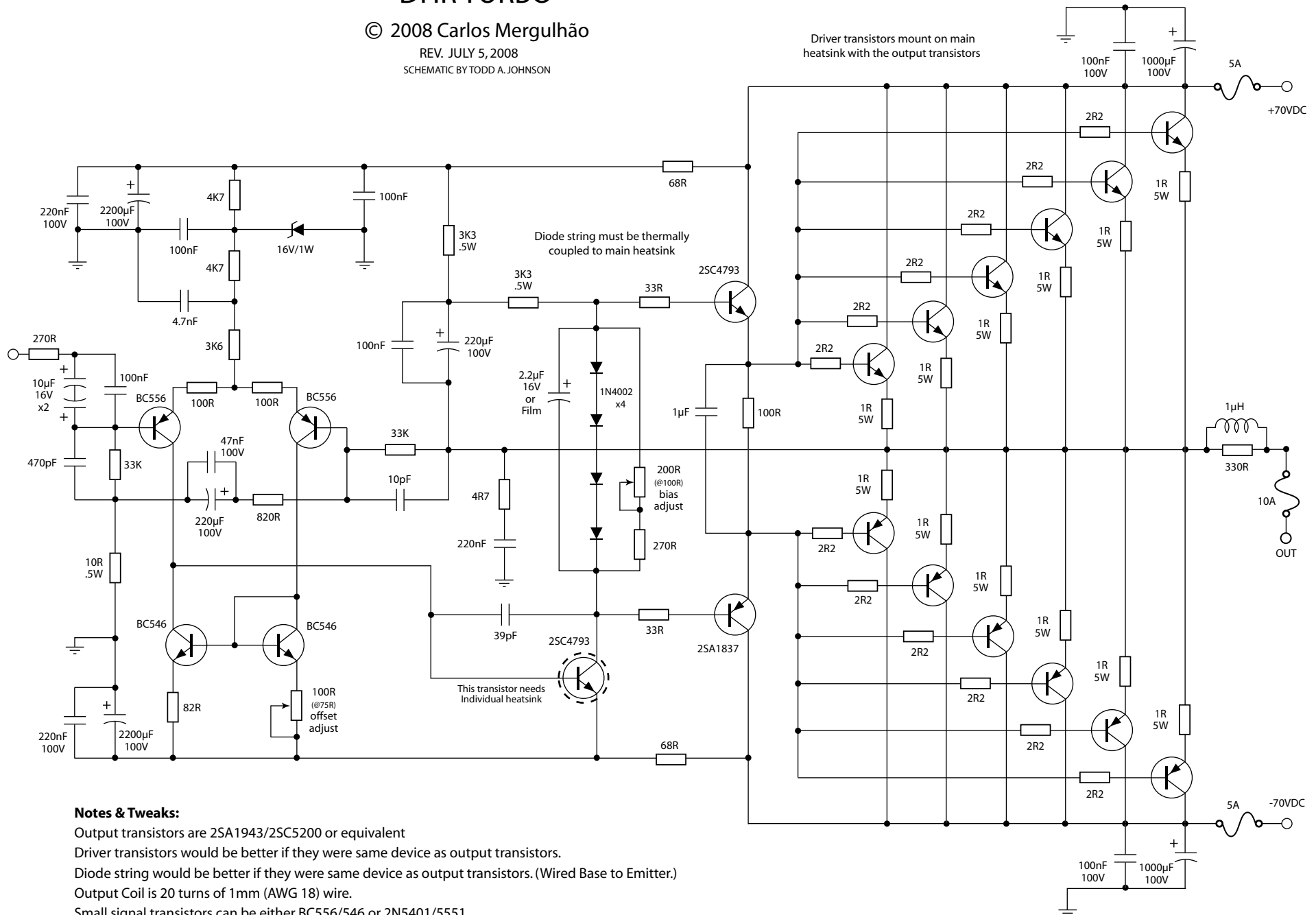


DHR TURBO

© 2008 Carlos Mergulhão

REV. JULY 5, 2008

SCHEMATIC BY TODD A. JOHNSON



Notes & Tweaks:

- Output transistors are 2SA1943/2SC5200 or equivalent
- Driver transistors would be better if they were same device as output transistors.
- Diode string would be better if they were same device as output transistors. (Wired Base to Emitter.)
- Output Coil is 20 turns of 1mm (AWG 18) wire.
- Small signal transistors can be either BC556/546 or 2N5401/5551
- Output rail capacitors can be 470µF to 2200µF. Bigger is probably better.
- Adjust bias to 35-40mA, then tweak until voltage across 1R output emitter resistors are 1mV or slightly less.