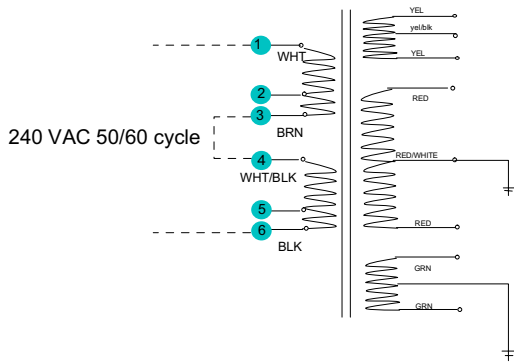


NOTE: We recommend wiring the primary for 240 volts even if your voltage is 220 or 230. Use a 3 amp fuse.



For Japan 100 volt connect 1 to 4 and 2 to 5  
Use 1,4 and 2,5 for line connection.

To test your amplifier after upgrading or assembly, connect speakers to the outputs and turn the input volume control all the way down. Install all the tubes and turn the unit on.

Your B+ voltage should be between 320 ~ 350 vdc. The bias voltage on your output tubes (pin 3) should be between 9.5 ~ 12 vdc when referenced to ground.

AC ripple can be measured on the outputs and should be less than 2 millivolts.

The outputs on this amp float with no reference to ground - do not connect the negative to ground or the chassis. If you do you won't be able to SERIES the outputs when bridging the amp for mono use.

This amp is built with a single point ground, located on one of power transformer mounting bolts. The silver litz wire is used to carry the ground buss for the entire circuit. Do not use the chassis for ground.

For safety, be sure to use the ground on your power cord, connecting it to the single ground point as everything else.

## ZEN TRIODE STEREO AMPLIFIER

MODEL SE84C

DECWARE  
High Fidelity Engineering Co.  
USA  
[www.decware.com](http://www.decware.com)

