

Made Exclusively for
DELMONICO INTERNATIONAL

DIVISION OF THOMPSON STARRETT CO., INC.

By

Victor Company of Japan, Limited, Tokyo, Japan.

PRINTED IN JAPAN

Delmonico  *Nivico* **MODEL AW 6000**
INSTRUCTION MANUAL RUN NO.3

Features

1. All-wave radio set with 11 transistors, six bands and FM broadcasting reception device attached.
2. Encased in a metallic cabinet using a gorgeous diecast.
3. Easy to tune syntony because Tuning Indicator is attached.
4. FM-AFC switch makes it easy to tune FM broadcasting together with Tuning Indicator.
5. Frame antenna is attached for better receiving of short-wave broadcasting.
6. Two rod antennas enable you to enjoy reception of high sensitivity.
7. Large-size ferrite core antenna equipped for use when you wish to hear AM and LW--for reception of more sensitivity.
8. A high efficiency speaker of ellipse shape (4" x6") makes excellent high fidelity sound and output capacitor is 850 mW.
9. AC adaptor jack equipped--You can operate with AC power supply.
10. Tone control device equipped--You can change tone of sound for each purpose.
11. Loudness control device equipped--You can enjoy the low tone even when you hear with small sound volume.
12. When you want to apply the output of this radio to an audio amplifier, connect the Tuner Jack of the radio with input jack of the amplifier. In this case, put volume down and the sound of radio is erased.
13. Connections to earphones
14. Dial light is attached--You can see dial scale even at dark places.
15. A world map with time table showing the local times of the various parts of the world is pictured.
16. A pocket which is used for containing an explanatory note, lists of broadcasting stations, programmes of broadcasting and others.

AW 6000 Specifications

Type : 11 Transistor 6 Band Superheterodyne
Frequency Range : LW 150-400KC
AM 535-1605KC
SW1 2- 4MC
SW2 4.75-10MC
SW3 11.7-22MC
FM 87-108MC
Intermediate Frequency : AM 455KC
FM 10.7MC
Output : 700mW (Nominal)
Speaker : 4" x 6" Oval
Antenna : Bar Ant. (LW, MW)
Frame Ant. (SW1, SW2, SW3)
Rod Ant. (FM)

Tone Control Jacks : with
Tuner Jack External Ant. (AM)
AC Adaptor Jack Earphone x2
Battery : UM-1 x 6 (9V)
Dimension : H. 10 7/16" (264mm) with Handle
8 1/2" (216mm) without Handle
W. 13 3/16" (334mm)
D. 5 5/16" (134mm)
Weight : 16.3 lbs. (7.4kg) with Batteries
Note : AFC (ON-OFF)
Tuning Indicator
Check Light

2

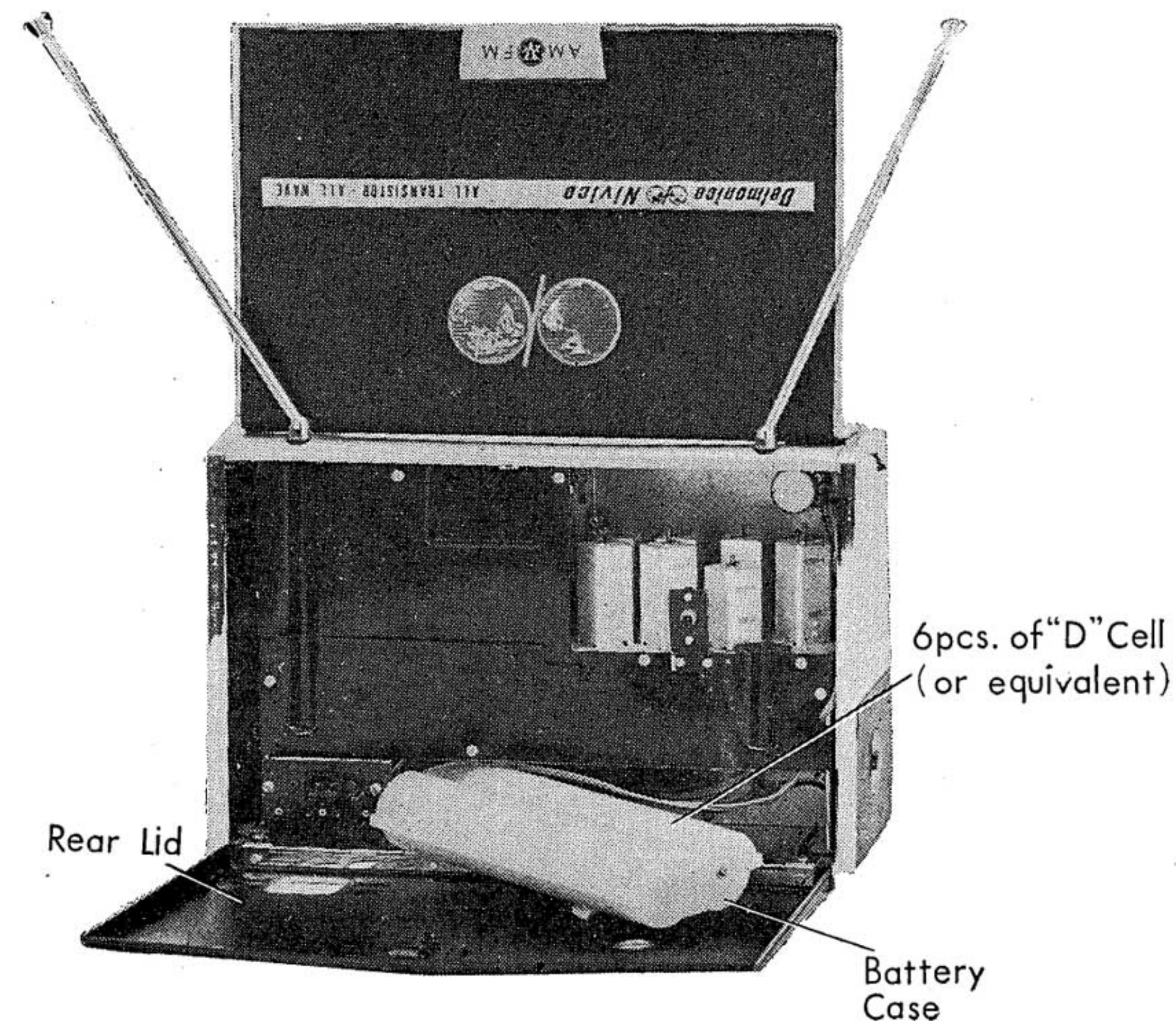
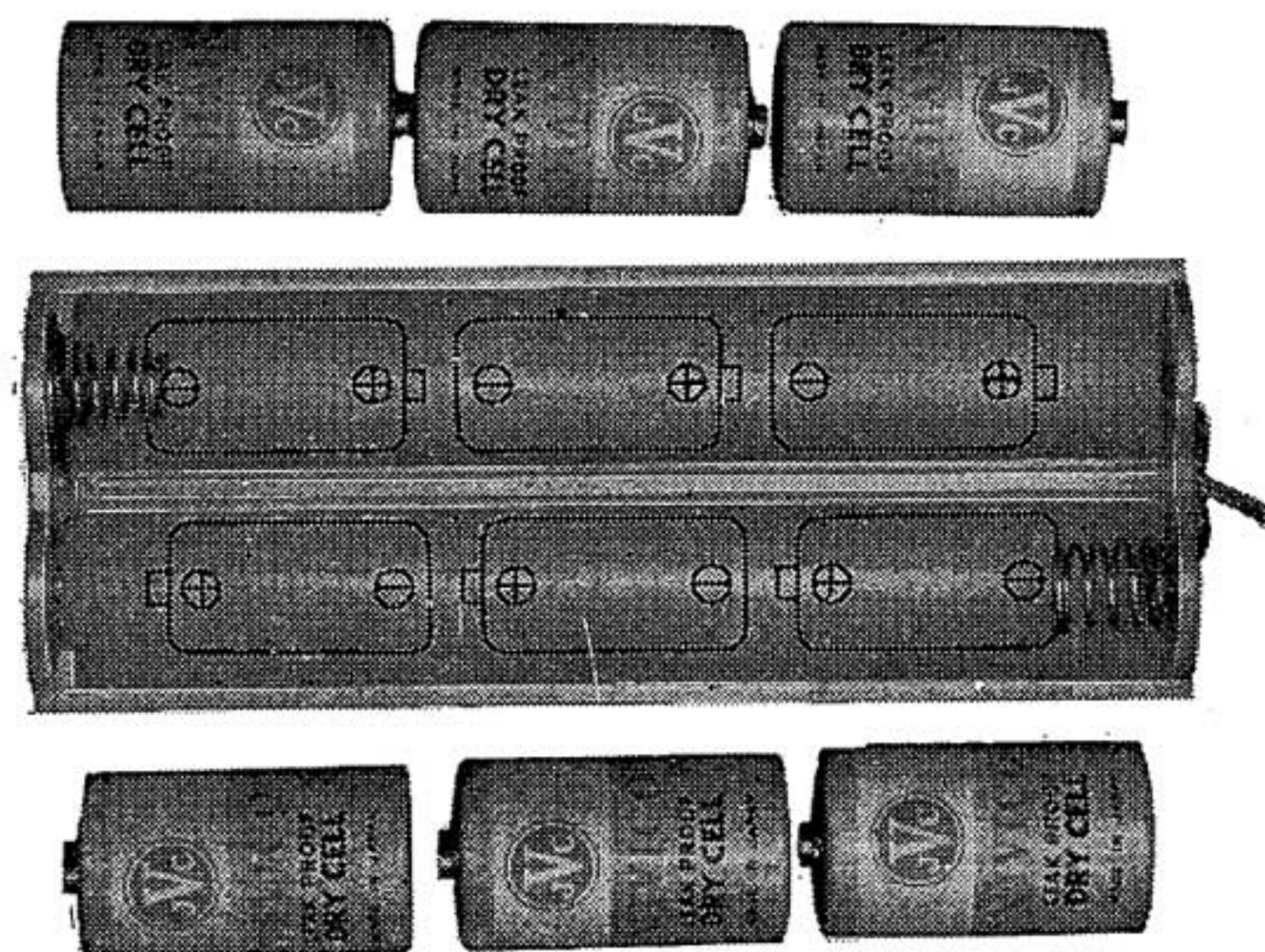
AW6000 - An Explanatory Brochure

(1) HOW TO INSERT BATTERY

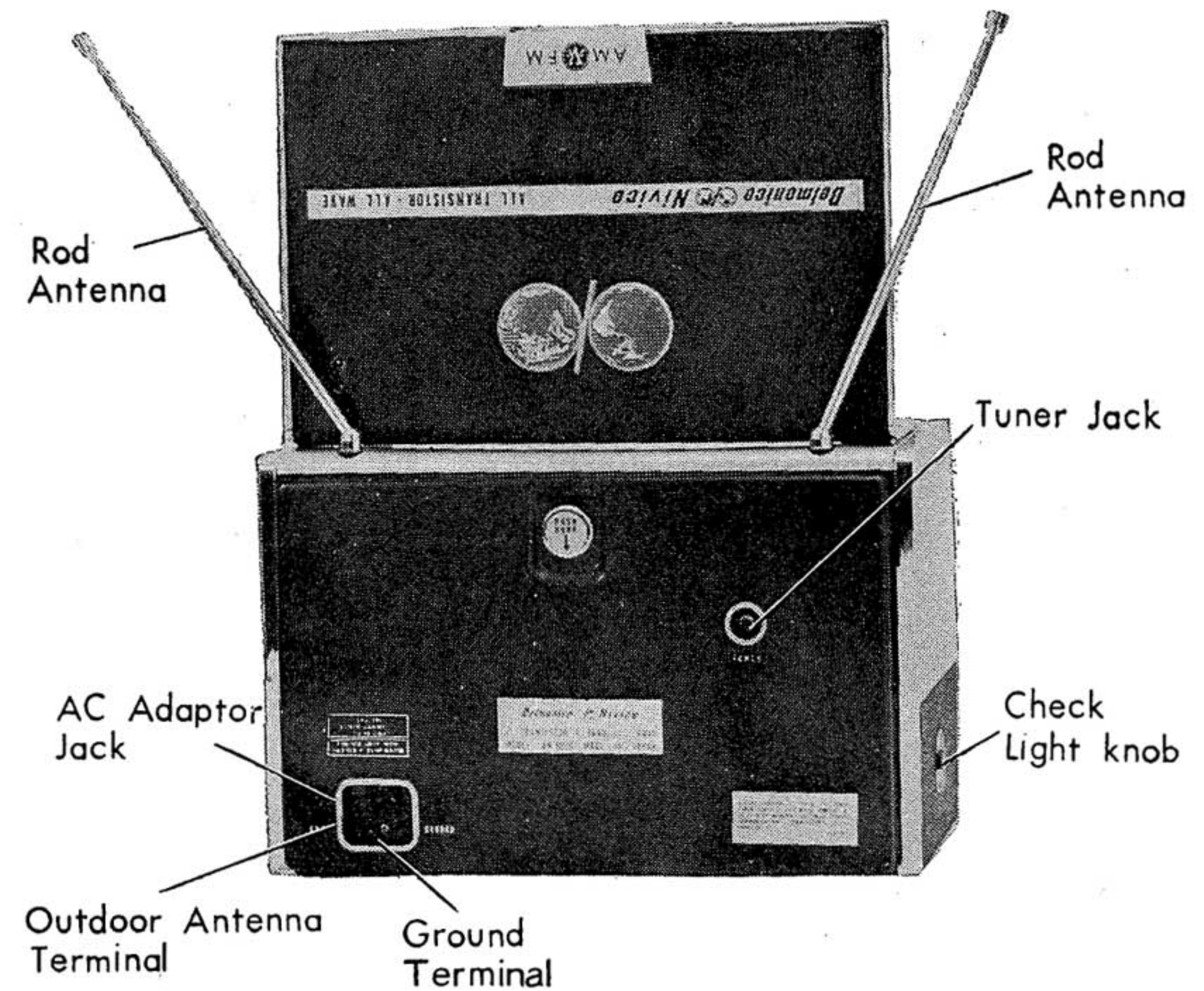
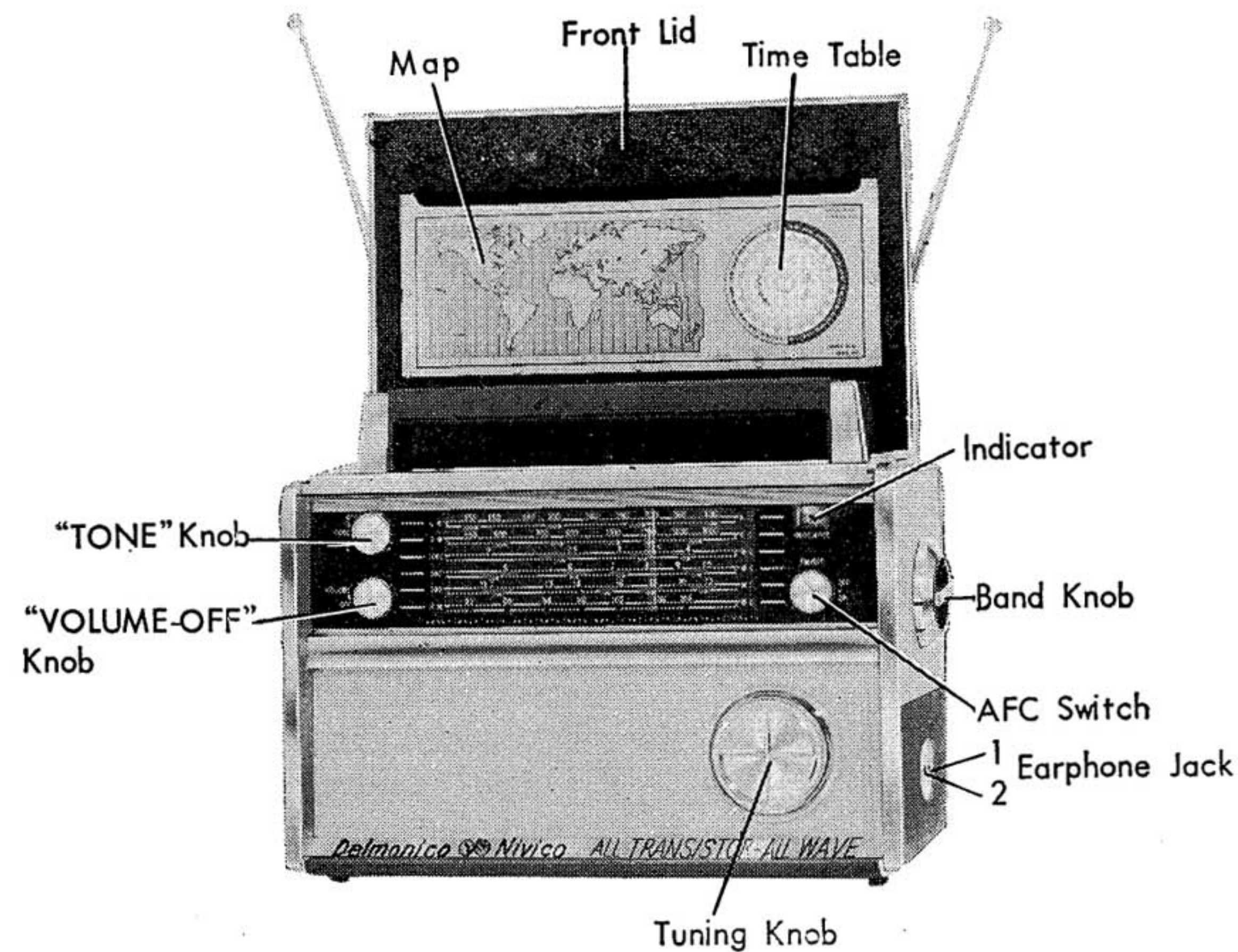
1. To open the rear lid push down the knob which is located at the rear lid and pull the lid towards you.
2. Take out the battery case (white color), open its lid and place six batteries as indicated. Be careful not to mistake plus for minus.
3. Close the battery case lid and replace it to its original position with lead line always on the left side.

(1) HOW TO USE AC ADAPTOR

Insert the plug of power cord into AC home power and another into a jack for AC adaptor which is located at the back cover of the cabinet. By inserting the plug into the jack, power supply from batteries is automatically cut off to get power supply from AC power source.



3



(2) HOW TO LISTEN TO BROADCASTING AM

1. Open the front lid by pulling the grip towards you.
2. Set the Band knob to AM.
3. Turn "VOLUME-OFF" knob clockwise and with a click, power is on. At the same time indicator needle will move to the extreme left end. Sound volume will become larger as you turn the "VOLUME-OFF" knob further clockwise.
4. Turn the Tuning knob to the desired station. In this case, indicator needle moves rightwards when broadcasting comes in and it returns to its original position when broadcasting comes to an end. Therefore, you are advised to set the Tuning knob so that the indicator needle will stay at the farthest right.
5. Sound becomes softer and less noise as you turn "Tone" knob counter clockwise.
6. When not hearing the broadcasting, be sure to switch off the radio. Then indicator needle will return to its original position, which is the extreme right end.
7. The battery consumption is shown by the indicator. It is advisable for you to change the batteries when the indicator needle swings to the yellow "WEEK" range.

LW

1. Turn the Band knob to LW.
2. Other handlings are same as described in AM broadcasting.

SW1, SW2, SW3

1. Be sure to listen to radio broadcasting with the front lid opened, because the metal part around front lid serves as an antenna. (You can hear AM, LW and FM broadcasting with the front lid closed).
2. When you turn Band knob to SW1, this set receives frequencies between 2 and 4 MC.
When you turn Band knob to SW2, this set receives frequencies between 4.75 and 10 MC.
When you turn the Band knob to SW3, this set receives frequencies between 11.7 and 22 MC.
3. Other methods of handling are the same with the case of receiving AM broadcasting.
4. Noises get less and the sound becomes more accurate when you turn "Tone" knob counter clockwise.

FM broadcasting

1. Stretch out two rod antennas and set them in suitable directions.
2. Set the Band knob to FM.
3. Other handlings are same as the case of receiving AM broadcasting.
4. When electric wave is weak, try to use the rod antenna in the direction which enables you to obtain the best reception.

In that case, you can obtain the best reception when the needle shows the greatest swing (oscillation) in the rightwards direction.

5. It becomes easier to tune FM broadcasting if you set AFC Switch "ON".

(3) OUTDOOR ANTENNA TERMINAL

You can get a good reception if you connect an antenna to this outdoor antenna terminal when you hear a distant broadcasting by LW, AM, SW1, SW2 or SW3 or when you hear radio broadcasting at places like a ferro-concrete building where electric waves are weak. You can get a further better reception if you connect "Earth" with ground terminal.

(4) CHECK LIGHT

A lamp lights up when you push the check light knob, which enables you to see the dial scale even at dark places.

(5) HOW TO USE EARPHONE

Insert earphone into Earphone Jack. The sound ceases coming out from the speaker when you insert earphone into the hole 1. The sound comes out both from the speaker and the earphone if you insert the earphone into the hole 2. The sound ceases to come out from the speaker when you use the two holes at the same time.

(6) HOW TO USE TUNER JACK

When you want to apply the output of this radio to an audio amplifier, connect the tuner jack of the radio with input jack of the amplifier. In this case, put volume down and the sound of radio is erased.

figure corresponding to the one which you will find on the outer part of the table would be the local time of the place of the broadcasting station.

(Example)

What is the local time in London when it is ten o'clock in the morning in New York?

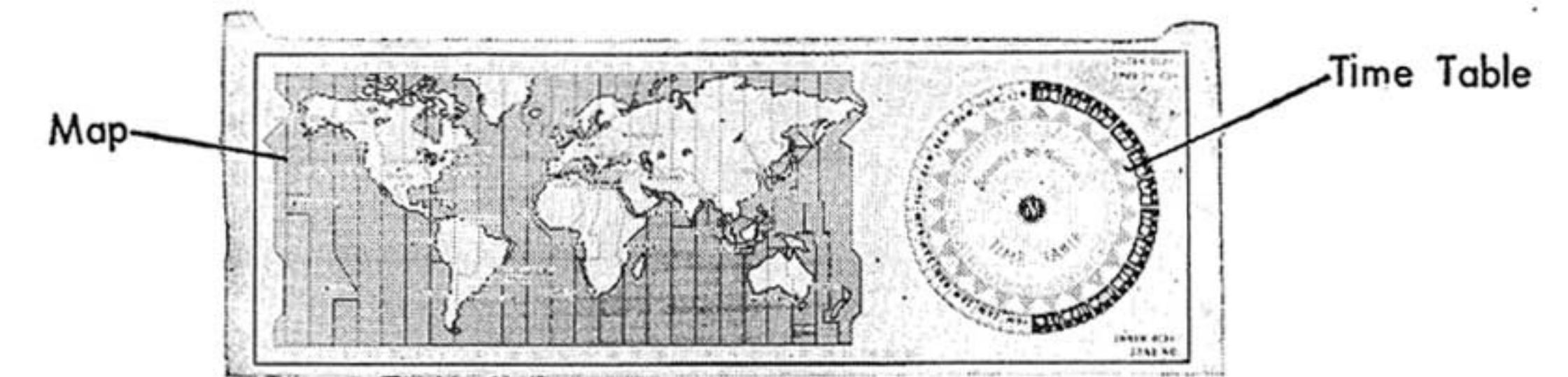
New York is within the range of seven on the map. Then, please turn the round plate to set the figure seven in the inner plate to figure 10 on the outer part. As London is within the range of twelve, the figure which corresponds with the figure twelve on the inner part of the timetable shows that the local time in London is three o'clock in the afternoon.

(Cautions)

When the figure of the place of the broadcasting station which you wish to hear is larger than the figure of your place of hearing, the former time is fast compared with the latter. This relationship is reversed when the former is smaller than the latter.

Be careful about the date line which exists between the figures 24 and 1 on the map. If the place of your hearing is indicated by the figure of 24 and the local time is ten o'clock on a Sunday morning, the place which is indicated by 1 on the map has a local time of eleven o'clock of Monday morning.

(7) HOW TO USE THE WORLD MAP AND THE TIME TABLE



When you open the front lid of the radio set, you will find the map and the time table on the back side of the lid.

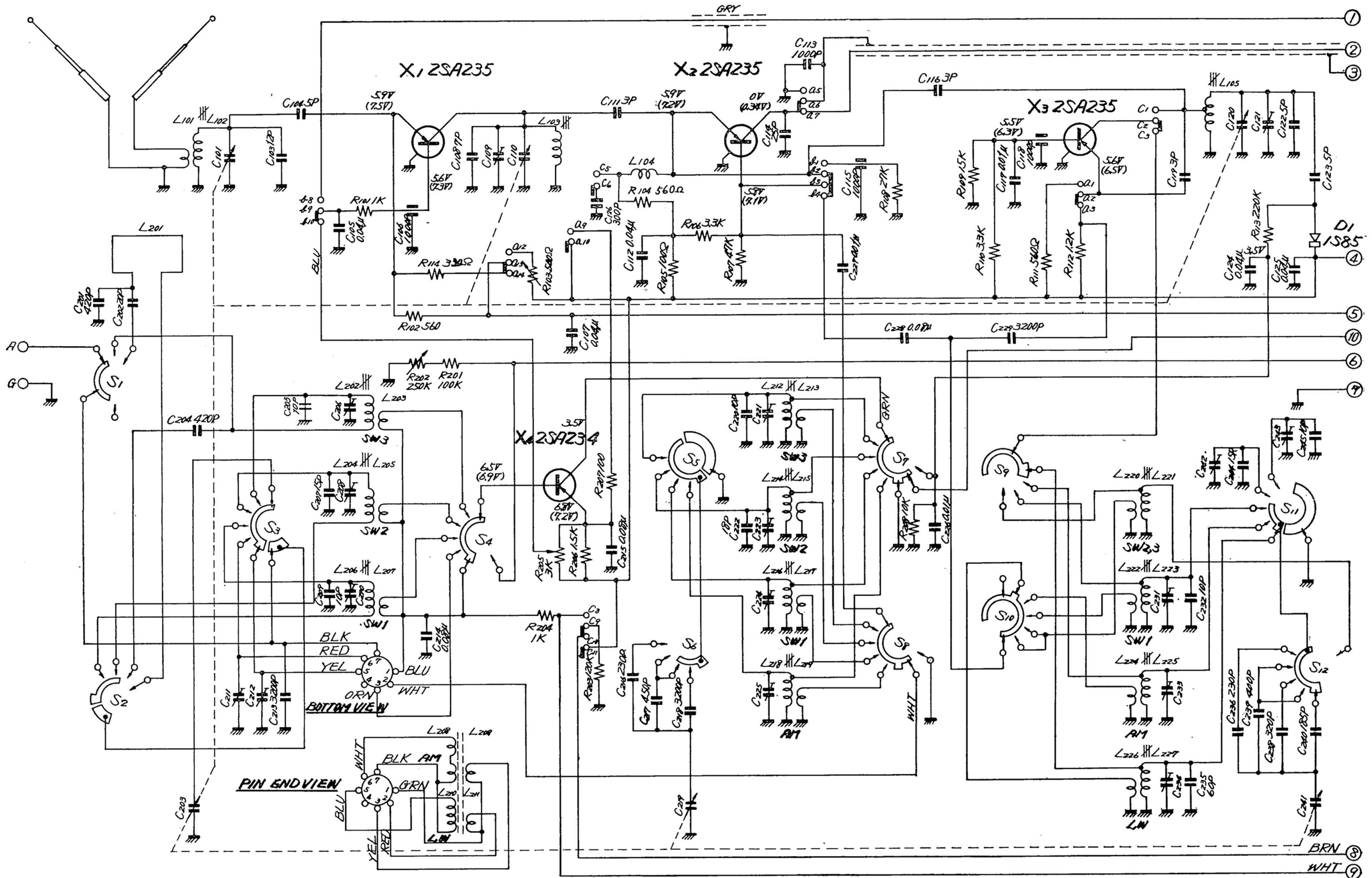
1. Look at the map. Find out the place where you are now and learn by heart the figure on the map.
2. The figures in a round plate in the inner part of the timetable correspond with the figures which are on the upper and lower parts of the map. The figures on the outer part mean local times. Therefore, please set the figure indicating the place where you are at present to the figure corresponding with the figure of time on the outer part by turning the round plate in the inner part.
3. If you wish to know the local time of the place of a broadcasting station which you wish to hear, please turn the inner round plate to set it to the figure of the place which you are required to find out on the map. Then, the

6

(8) CAUTIONS

1. Reception becomes good or bad according to the direction in which this set is placed, because both self-contained bar antenna (for AM and LW) and frame antenna (for SW) have directional inclinations. (Receiving condition is supposed to be better when swing range of the pointer is greater).
2. In case of receiving short-wave broadcasting, communication of electric waves varies considerably according to the places of reception whether daytime or night-time and generally speaking, you can have a good reception during the hours of the day from evening to midnight. The short-wave broadcasting has another feature called "fading" which is caused by the nature of electric wave itself and, accordingly, sound becomes loud and weak, but it is by no means attributable to any defects in the set.
3. You are advised to place the set possibly by the window when you use this set at places like the inside of a building, steel-made ship or an automobile where penetration of electric waves is difficult.
4. You are also required to avoid using this set in the strong direct ray of sunshine or near an oven, because transistors are vulnerable to high temperature owing to their nature.
5. When you leave an old batteries contained in this set for a long time, it may injure the set or cause trouble because of its leakage. Therefore, you are required to take the batteries out of the set when you do not use the radio for a long time.

7

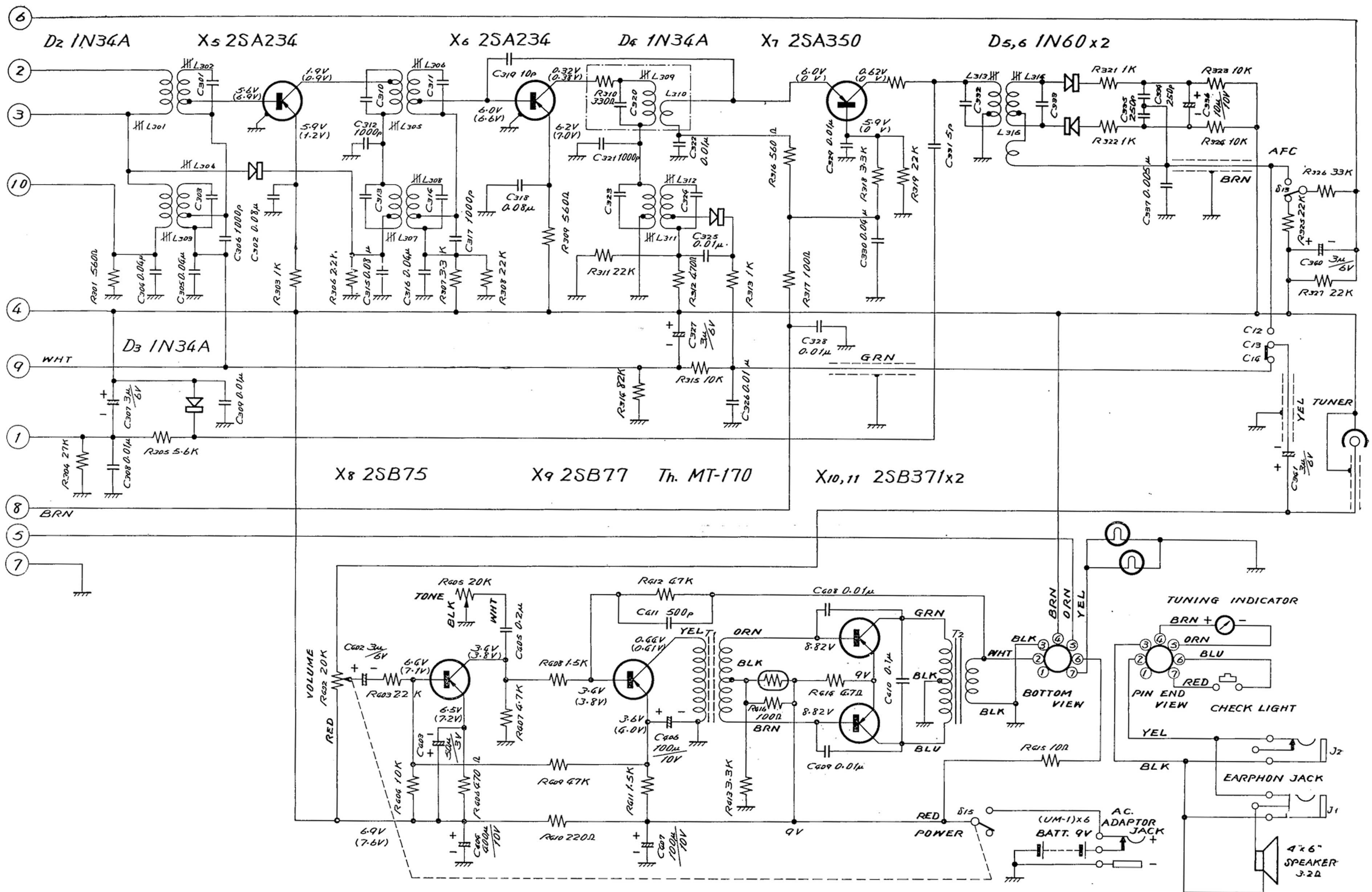


1	2	3	4	5	6
7	8	9	10	11	12

SW ← Switch Position: L/R (S1, S2, S3, S4)
 AM ← Switch Position: L/R (S5, S6, S7, S8)

Last NO.	L105, C106, R108 L227, C205, R200
Brake NO.	C237, 230 C102

SCHMATIC DIAGRAM (TUNER) MODEL AW6000



VOLTAGE : 6.9V — +6.9V FROM EARTH AT FM
 (7.6V) — +7.6V FROM EARTH AT AM

BRANK NO.
 : C238, 239, 401 R401, 302
 LAST NO : L315, C361, R327
 C411, R416

SCHEMATIC DIAGRAM (IF. AF.) MODEL AW6000 Run. No. 3