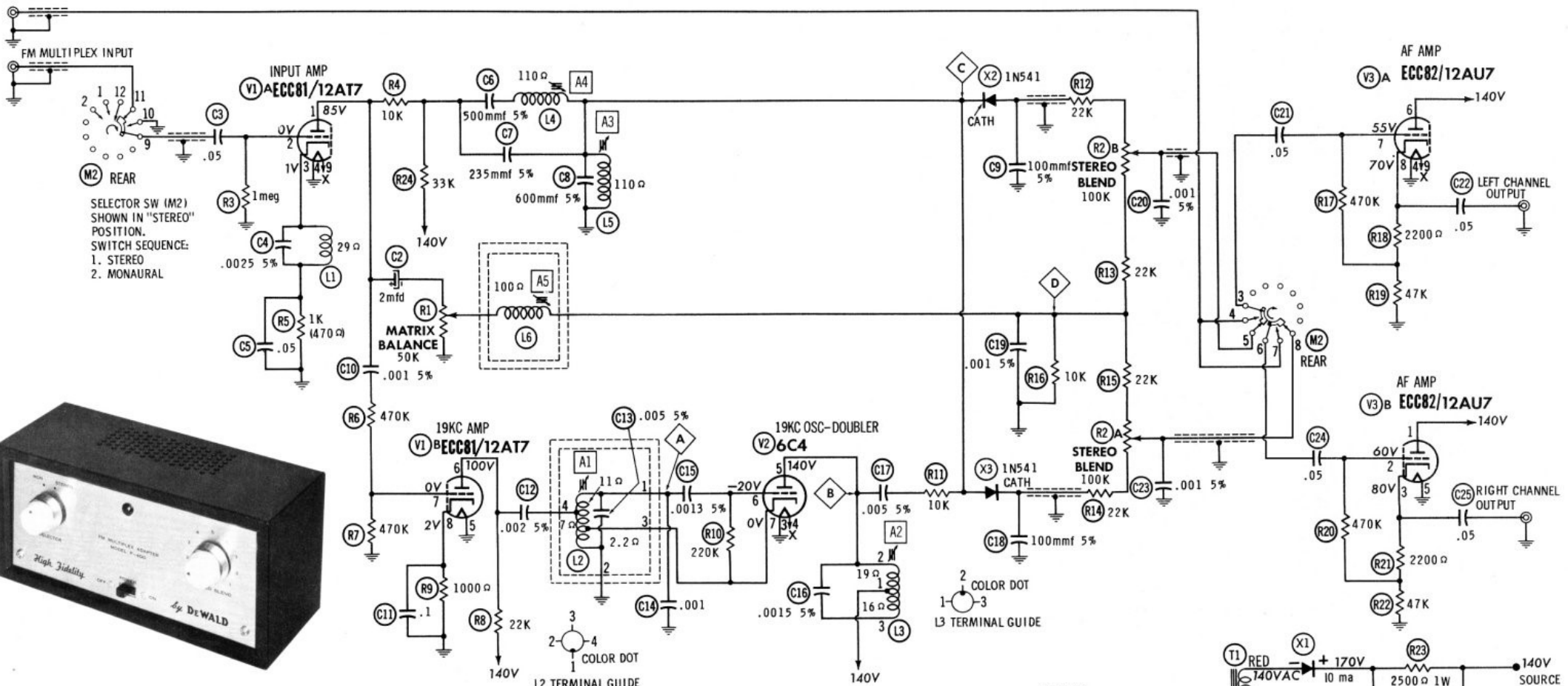


AM-FM MONARUAL
INPUT



MULTIPLEX ADAPTER ALIGNMENT USING MULTIPLEX GENERATOR

SIGNAL GENERATOR	INDICATOR	ADJUST	REMARKS
1. Inject 19KC signal + .01% into multiplex input jack, low side to chassis.	Vert. amp. of scope to point \diamond , low side to chassis.	A1	Adjust for maximum deflection. Adjust scope for 2 cycles.
2. "	Vert. amp. to point \oplus , low side to chassis.	A2	Adjust for maximum deflection of 4-cycle waveform.
3. Disconnect high side of L5 from point \odot . Inject 67KC signal from audio oscillator into high side of L5, low side to chassis.	Vert. amp. to high side of L5, low side to chassis.	A3	Adjust for Minimum deflection. Reconnect L5.
4. Inject 38KC signal from audio oscillator into multiplex input jack, low side to chassis.	Vert. amp. to point \odot , low side to chassis.	A4	Adjust for maximum deflection.
5. Inject 20KC signal from audio oscillator into high side of L6, low side to chassis.	Vert. amp. to point \diamond , low side to chassis.	A5	Adjust for maximum deflection.

DEWALD
P-400

