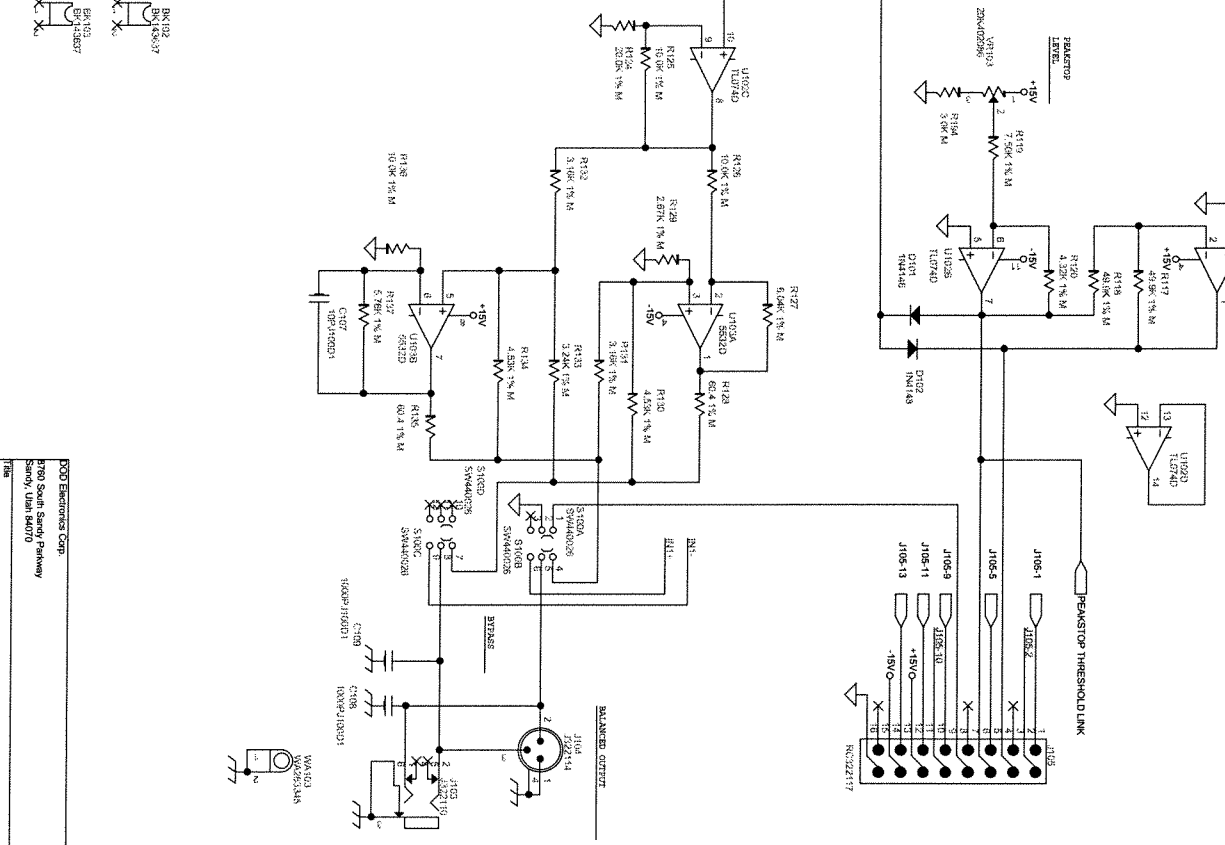
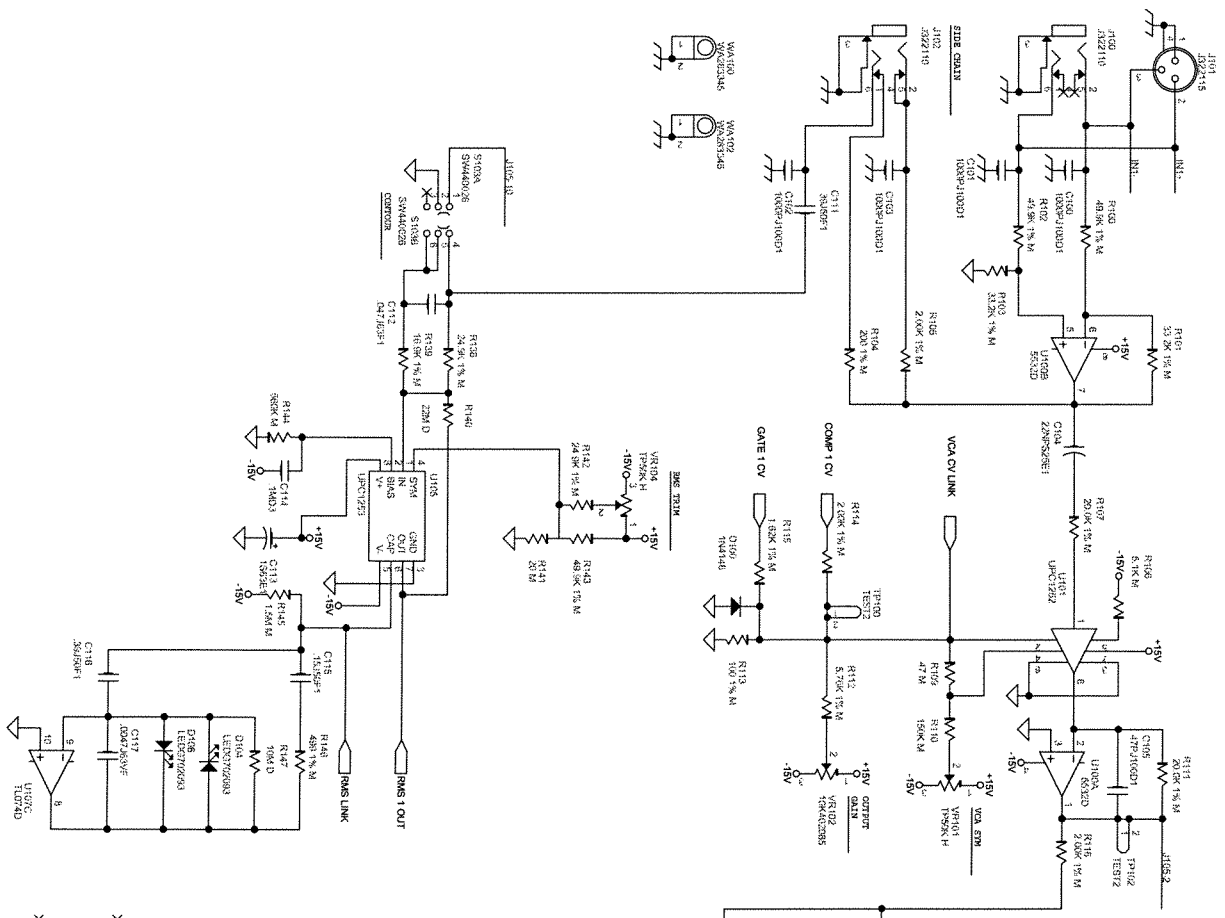




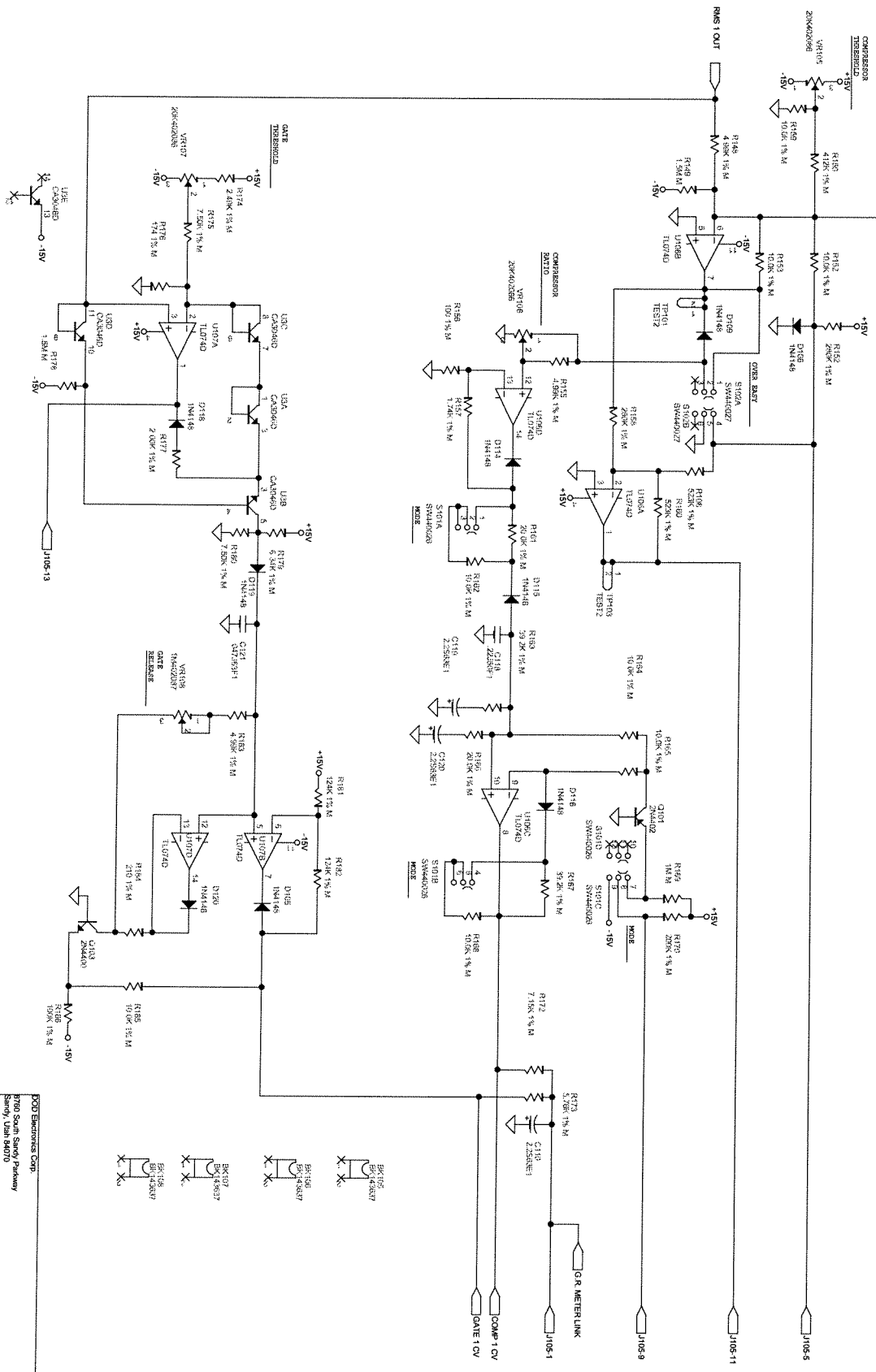
CHANNEL 1



KOD Electronics Corp.	
1780 South Sandy Parkway	
Sandy, Utah 84070	
Title	
DBX 168A DUAL COMPRESSOR/EXPANDER 804183	
Document Number	
B 095153A01.002	
Scale	
1:1	
Date: Tuesday, October 19, 1995 Sheet 2 of 7	

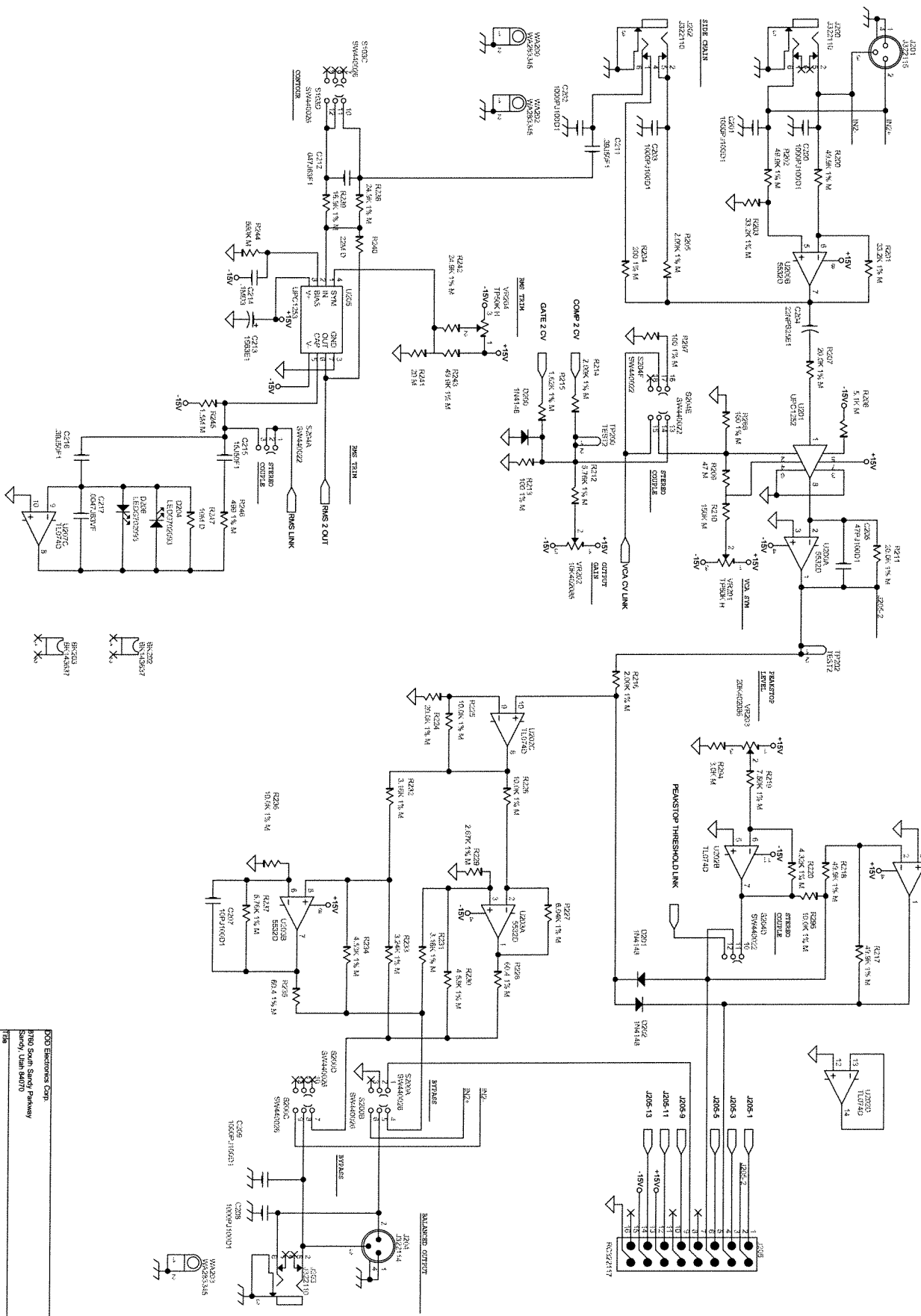
OPTIONAL

CHANNEL 1



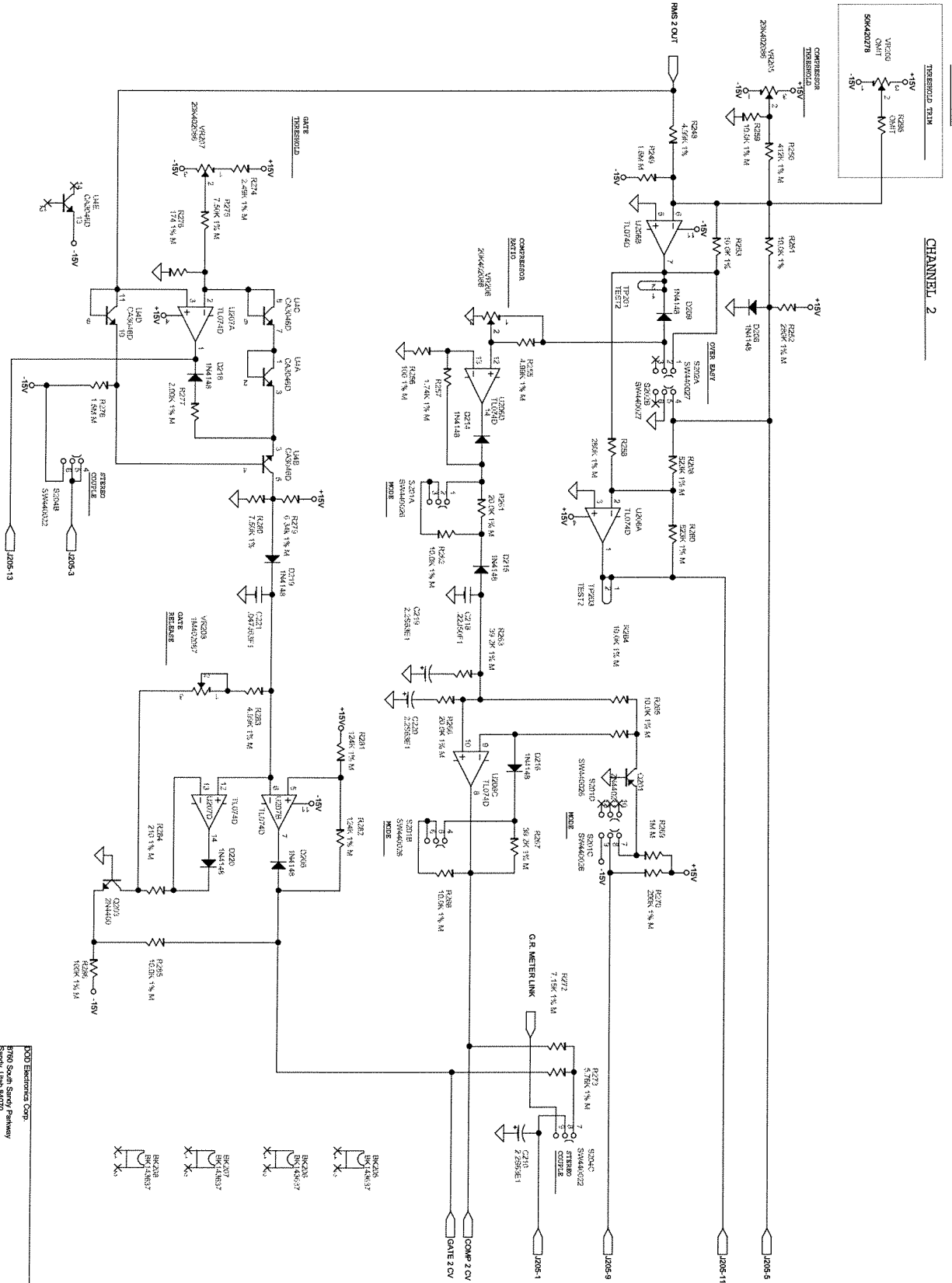
POOT Electronics Corp  
 3770 South Sandy Parkway  
 Sandy, Utah 84070

782	Docucent Number	DBX 160A DUAL COMPRESSOR/EXPANDER 40 6153
782	Docucent Number	0359390100
DATE	Thursday, October 18, 1995	Sheet 3 of 7



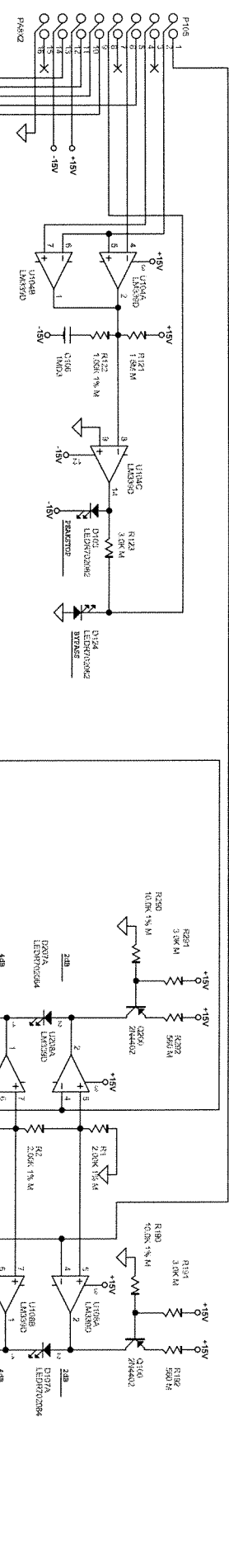
DOD Electronics Corp  
 8780 South Sandy Parkway  
 Sandy, Utah 84070  
 DBX 160A DUAL COMPRESSOR/PANICER 80-6153  
 Document Number  
 066153A00.004  
 Rev. A0  
 Tuesday, October 13, 1999 Sheet 4 of 7

CHANNEL 2

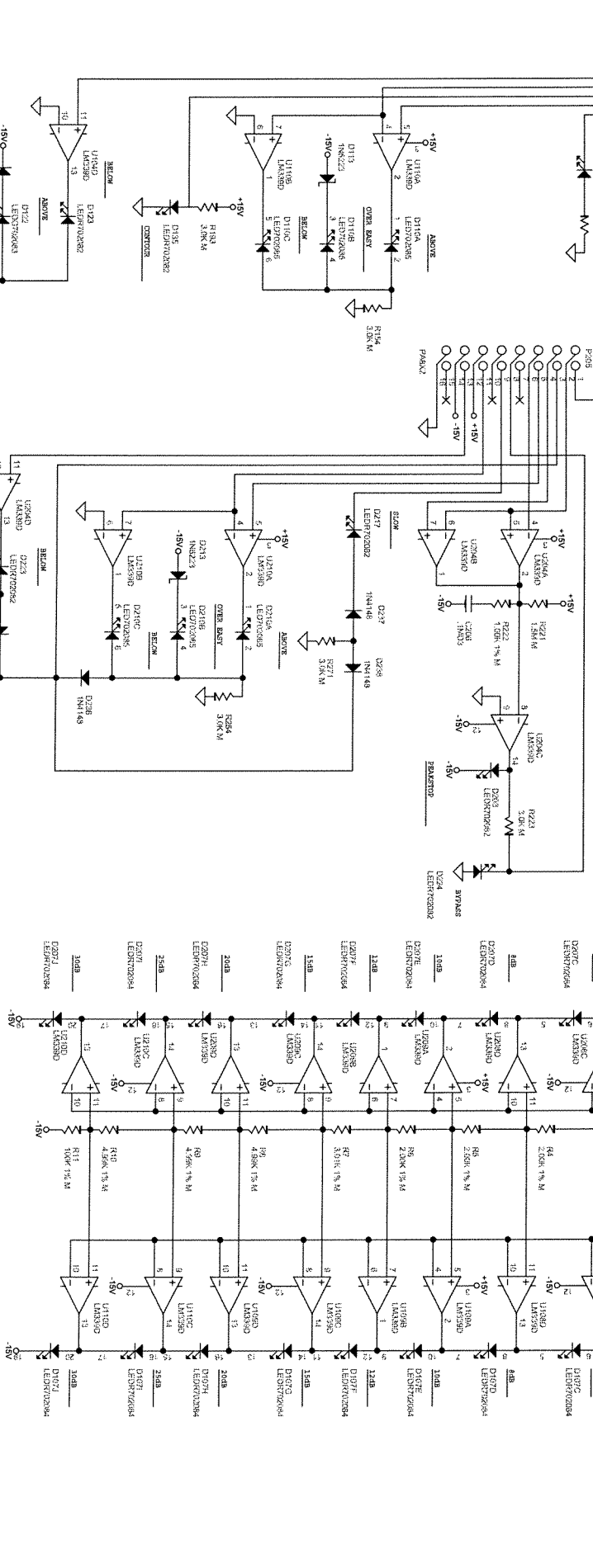


COOT Electronics Corp.	
7170 South Sandy Parkway	
Sandy, Utah 84070	
Tel: DBX 166A DUAL COMPRESSOR/EXPANDER 80-6153	
Docuport Number	058153A0.005
Size	B
Date	Tuesday, October 13, 1999
Sheet	5 of 7

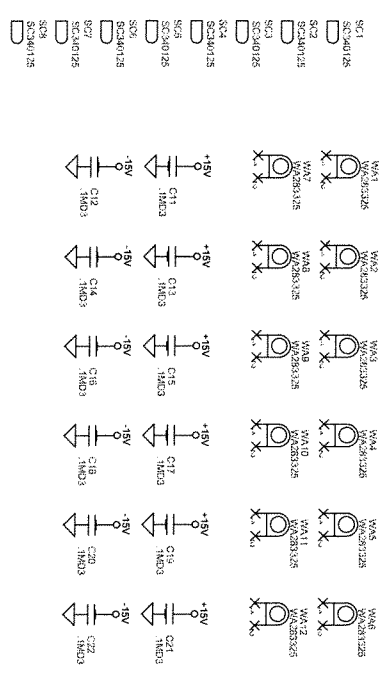
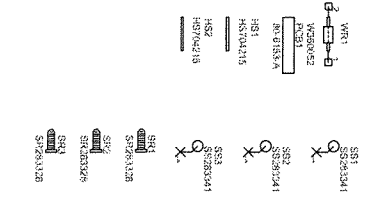
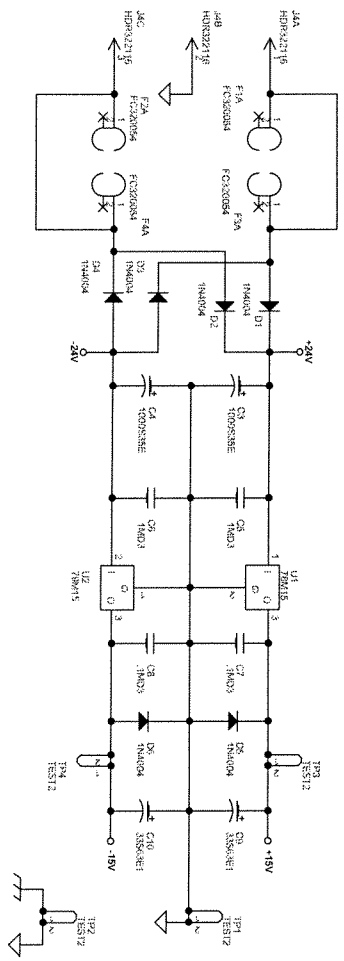
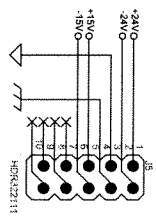
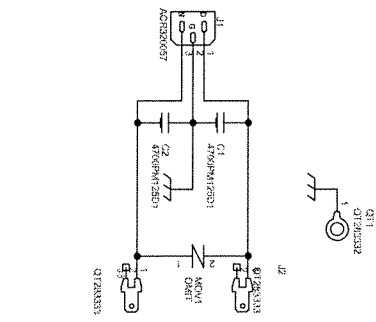
CHANNEL 1



CHANNEL 2



DOO Electronics Corp.	
8780 South Sandy Parkway	
Sandy, Utah 84070	
Tel	
DBX 166A DUAL COMPRESSOR/EXPANDER	
Size	Document Number
B	05615340-006
Rev	40
Date	Tuesday, October 19, 1993
Sheet	6 of 7



FOD Electronics Corp.	
3760 South Sandy Parkway	
Sandy, Utah 84070	
Title	
DBX 168A DUAL COMPRESSOR/SPRINKLER	
Sheet	Page
B	40
Drawing Number: 06615340.007	
Date	Sheet
Tuesday, October 13, 1999	7 of 7

Quan Reference	Part	SYM	Description
12	BK102, BK103, BK105, BK106, BK107, BK108, BK202, BK203, BK205, BK206, BK207, BK208	BK143637	14-3637-A PLTWT, BRKT, Switch MTG
2	C1, C2	4700PM125D	1000 uF Cap 35V -20/+80% Elect
2	C3, C4	1000S35E	.1 uF Cap 50V 20% Ceramic AXL
20	C5, C6, C7, C8, C11, C12, C13, C14, C15, C16, C17, C18, C19, C20, C21, C22, C106, C114, C206, C214	.1MD3	.1 uF Cap 50V 20% Ceramic AXL
2	C9, C10	33S63E1	33 uF Cap 63V Alum, Rad
12	C100, C101, C102, C103, C108, C109, C200, C201, C202, C203, C208, C209	1000PJ100D	1000 uF Cap 63V Alum, Rad
2	C104, C204	22NPS25E1	22 uF Cap 63V Alum Rad T&R
2	C105, C205	47PJ100D1	47 uF Cap 63V Alum Rad T&R
2	C107, C207	10PJ100D1	10 uF Cap 63V Alum Rad T&R
6	C110, C119, C120, C210, C219, C220	2.2S63E1	2.2 uF Cap 63V Alum Rad T&R
4	C111, C116, C211, C216	.39J50F1	.39 uF Cap 50V 5% M/Plyes Rad Stkd Film T&R
4	C112, C121, C212, C221	.047J63F1	.047 uF Cap 63V 5% M/Plyes Rad T&R
2	C113, C213	1S63E1	1 uF Cap 63V -20/+100% Alum Rad T&R
2	C115, C215	.15J50F1	.15 uF Cap 50V 5% M/Plyes Rad Stkd Film T&R
2	C117, C217	.0047J633VF	.0047 uF Cap 63V 3% M/Plyes Rad T&R
2	C118, C218	.22J50F1	.22 uF Cap 50V 5% M/Plyes Rad Film
6	D1, D2, D3, D4, D5, D6	1N4004	1N4004 Rect 1A 400V
30	D100, D101, D102, D105, D108, D109, D114, D115, D116, D118, D119, D120, D121, D200, D201, D202, D205, D208, D209, D214, D215, D216, D218, D219, D220, D221, D236, D237, D238, D239	1N4148	1N4148 Diode Silicon Switching, 75 Volts PIV
10	D103, D117, D123, D124, D135, D203, D217, D223, D224, D235	LED702082	Red Light Emitting Diode, T1 Encap, w/housing
4	D104, D106, D204, D206	LED702093	Green Light Emitting Diode, T1
2	D107, D207	LED702084	Red Light Emitting Diode, T1 Encap, 10 pos
2	D110, D210	LED702085	Red Light Emitting Diode, T1, LMx, 3 pos
2	D113, D213	1N5223	1N5223 Diode Zener Glass, 1/2W, 50V, 10%
2	D122, D222	LED702083	Green Light Emitting Diode, T1 Encap, w/housing
4	F1, F2, F3, F4	FC320054	Fuse Clip, PC Mount
2	H81, H82	HS704215	Heatsink, PCB Mount, Vert., for TO-220
1	J1	ACR320057	AC Power Receptical, IEC, Non Filtered
2	J2, J3	QT283333	Quick-tab, Terminal, PC Mount, 2 pin
1	J4	HDR322116	3 Pin Hdr, Straight, .23", 0.1" spacing
1	J5	HDR322111	10 Pin Hdr, 5X2, Straight, .23", 0.1" spacing
6	J100, J102, J103, J200, J202, J203	J322110	Jack, 1/4" Phone, PC Mount, Hor., Cliff S2
2	J101, J201	J322115	XLR, Female PC Mount, Ins, R/A
2	J104, J204	J322114	XLR, Male PC Mount, Ins, R/A
2	J105, J205	RC322117	16 Pin Ribbon Cable, Flat, w/2 ends, 5.00", 0.1" spacing
5	MOV1, VR100, R188, VR200, R295	OMIT	This part has been omitted
2	P105, P205	PA8X2	8X2 Pin Pad Pattern, Not a part
DOD Software DBX 166A DUAL COMPRESSOR/EXPANDER 056153A0.001 Bill Of Materials May 9, 2000 Revised: October 1, 1994 Revision: A0 11:13:11 Page			



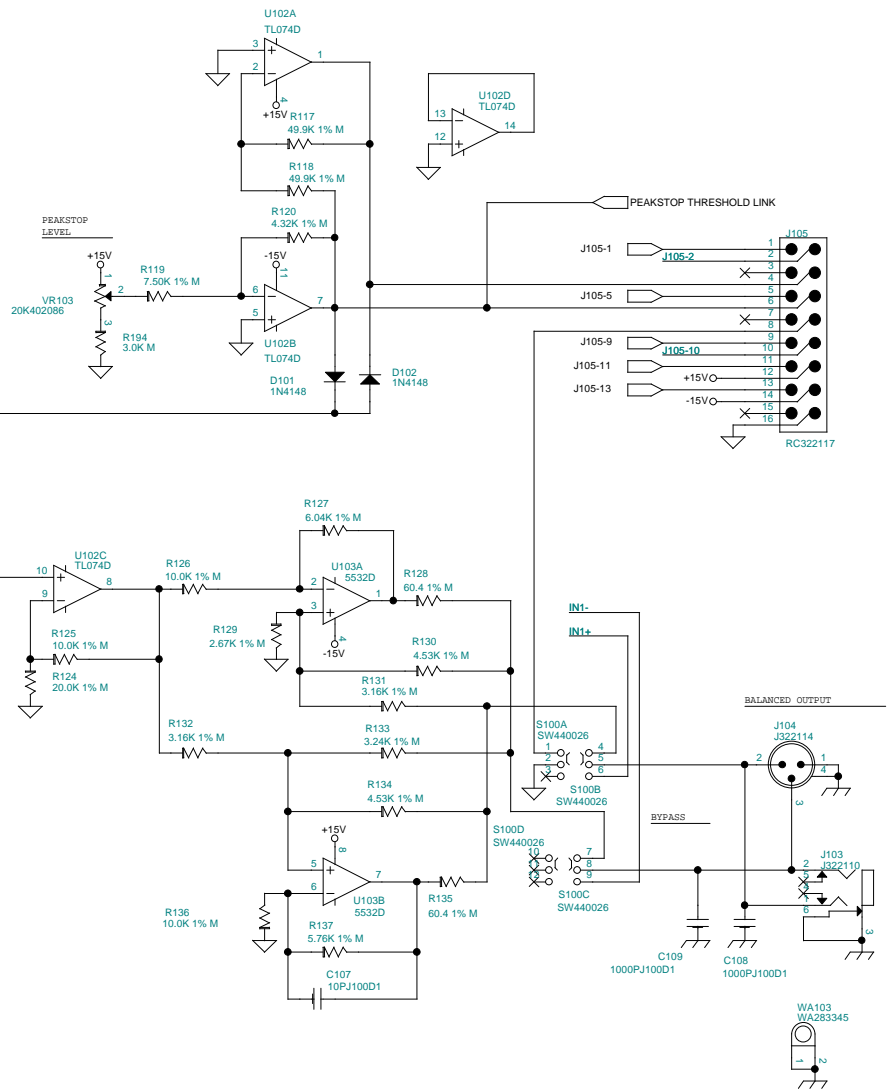
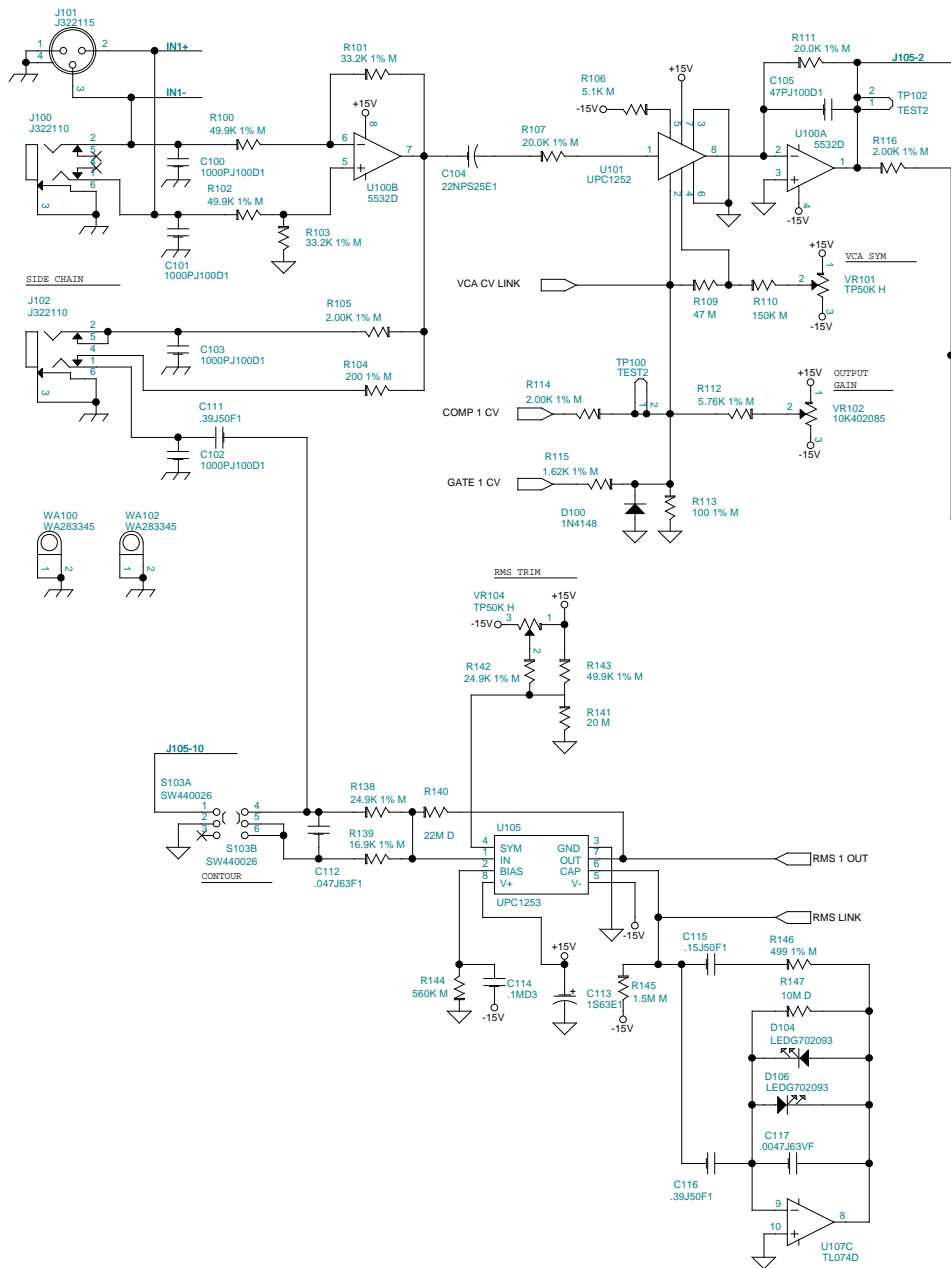
1	PCB1	80-6153-A	80-6153-A	dbx 166 MAIN/DISPLAY PCB, RAW
4	Q100, Q101, Q200, Q201	2M4402	70-1035	2M4402 PNP, TR SIGNAL
2	Q103, Q203	2M4400	70-1041	2M4400 NPN, TR SIGNAL
1	Q11	Q7283332	28-3332	Quick-tab, Terminal, Crimp, Ring, Ins, 6R
14	R1, R2, R3, R4, R5, R6, R105, R114, R116, R177, R205, R214, R216, R277	2.00K 1% M	52-1624	2.00 Kohm Resistor 1% 1/8 Watt Carbon Film Mini
1	R7	3.01K 1% M	52-1625	3.01 Kohm Resistor 1% 1/8 Watt Carbon Film Mini
9	R8, R9, R10, R148, R155, R183, R248, R255, R283	4.99K 1% M	52-1616	4.99 Kohm Resistor 1% 1/8 Watt Carbon Film Mini
3	R11, R186, R286	100K 1% M	52-1635	100 Kohm Resistor 1% 1/8 Watt Carbon Film Mini
10	R100, R102, R117, R118, R143, R200, R202, R217, R218, R243	49.9K 1% M	52-1620	49.9 Kohm Resistor 1% 1/8 Watt Carbon Film Mini
4	R101, R103, R201, R203	33.2K 1% M	52-1650	33.2 Kohm Resistor 1% 1/8 Watt Carbon Film Mini
2	R104, R204	200 1% M	52-1618	200 Ohm Resistor 1% 1/8 Watt Carbon Film Mini
2	R106, R206	5.1K M	50-0409	5.1 Kohm Resistor 5% 1/8 Watt Carbon Film Mini
10	R107, R111, R124, R161, R166, R207, R211, R224, R261, R266	20.0K 1% M	52-1630	20.0 Kohm Resistor 1% 1/8 Watt Carbon Film Mini
4	R108, R160, R208, R260	523K 1% M	52-1610	523 Kohm Resistor 1% 1/8 Watt Carbon Film Mini
2	R109, R209	47 M	50-0406	47 Ohm Resistor 5% 1/8 Watt Carbon Film Mini
2	R110, R210	150K M	50-0402	150 Kohm Resistor 5% 1/8 Watt Carbon Film Mini
6	R112, R137, R173, R212, R237, R273	5.76K 1% M	52-1617	5.76 Kohm Resistor 1% 1/8 Watt Carbon Film Mini
6	R113, R156, R213, R256, R288, R297	100 1% M	52-1639	100 Ohm Resistor 1% 1/8 Watt Carbon Film Mini
2	R115, R215	1.62K 1% M	52-1642	1.62 Kohm Resistor 1% 1/8 Watt Carbon Film Mini
6	R119, R175, R180, R219, R275, R280	7.50K 1% M	52-1649	7.50 Kohm Resistor 1% 1/8 Watt Carbon Film Mini
2	R120, R220	4.32K 1% M	52-1646	4.32 Kohm Resistor 1% 1/8 Watt Carbon Film Mini
8	R121, R145, R149, R178, R221, R245, R249, R278	1.5M M	50-0404	1.5 Mohm Resistor 5% 1/8 Watt Carbon Film Mini
2	R122, R222	1.00K 1% M	52-1623	1.00 Kohm Resistor 1% 1/8 Watt Carbon Film Mini
14	R123, R154, R171, R187, R191, R193, R194, R223, R254, R271, R287, R291, R293, R294	3.0K M	50-0405	3.0 Kohm Resistor 5% 1/8 Watt Carbon Film Mini
25	R125, R126, R136, R151, R153, R159, R162, R164, R165, R168, R185, R190, R225, R226, R236, R251, R253, R259, R262, R264, R265, R268, R285, R290, R296	10.0K 1% M	52-1627	10.0 Kohm Resistor 1% 1/8 Watt Carbon Film Mini
2	R127, R227	6.04K 1% M	52-1647	6.04 Kohm Resistor 1% 1/8 Watt Carbon Film Mini
4	R128, R135, R228, R235	60.4 1% M	52-1638	60.4 Ohm Resistor 1% 1/8 Watt Carbon Film Mini
2	R129, R229	2.67K 1% M	52-1645	2.67 Kohm Resistor 1% 1/8 Watt Carbon Film Mini
4	R130, R134, R230, R234	4.53K 1% M	52-1604	4.53 Kohm Resistor 1% 1/8 Watt Carbon Film Mini
4	R131, R132, R231, R232	3.16K 1% M	52-1601	3.16 Kohm Resistor 1% 1/8 Watt Carbon Film Mini
2	R133, R233	3.24K 1% M	52-1603	3.24 Kohm Resistor 1% 1/8 Watt Carbon Film Mini
4	R138, R142, R238, R242	24.9K 1% M	52-1631	24.9 Kohm Resistor 1% 1/8 Watt Carbon Film Mini
2	R139, R239	16.9K 1% M	52-1619	16.9 Kohm Resistor 1% 1/8 Watt Carbon Film Mini
2	R140, R240	22M D	50-2442	22 Mohm Resistor 5% 1/4 Watt Carbon Film Mini
2	R141, R241	20 M	50-0400	20 Ohm Resistor 5% 1/8 Watt Carbon Film Mini
2	R144, R244	560K M	50-0485	560 Kohm Resistor 5% 1/8 Watt Carbon Film Mini
2	R146, R246	499 1% M	52-1641	499 Ohm Resistor 1% 1/8 Watt Carbon Film Mini

DBX 166A DUAL COMPRESSOR/EXPANDER  
 056153A0.001  
 Bill Of Materials  
 Quan Reference Part May 9, 2000 SYMAN Description  
 Revised: October 1, 1994  
 Revision: AO  
 11:13:11  
 2 R147, R247 10M D 50-0417 10 MOhm Resistor 5% 1/8 Watt Carbon Film Mini  
 2 R150, R250 412K 1% M 52-1636 412 Kohm Resistor 1% 1/8 Watt Carbon Film Mini

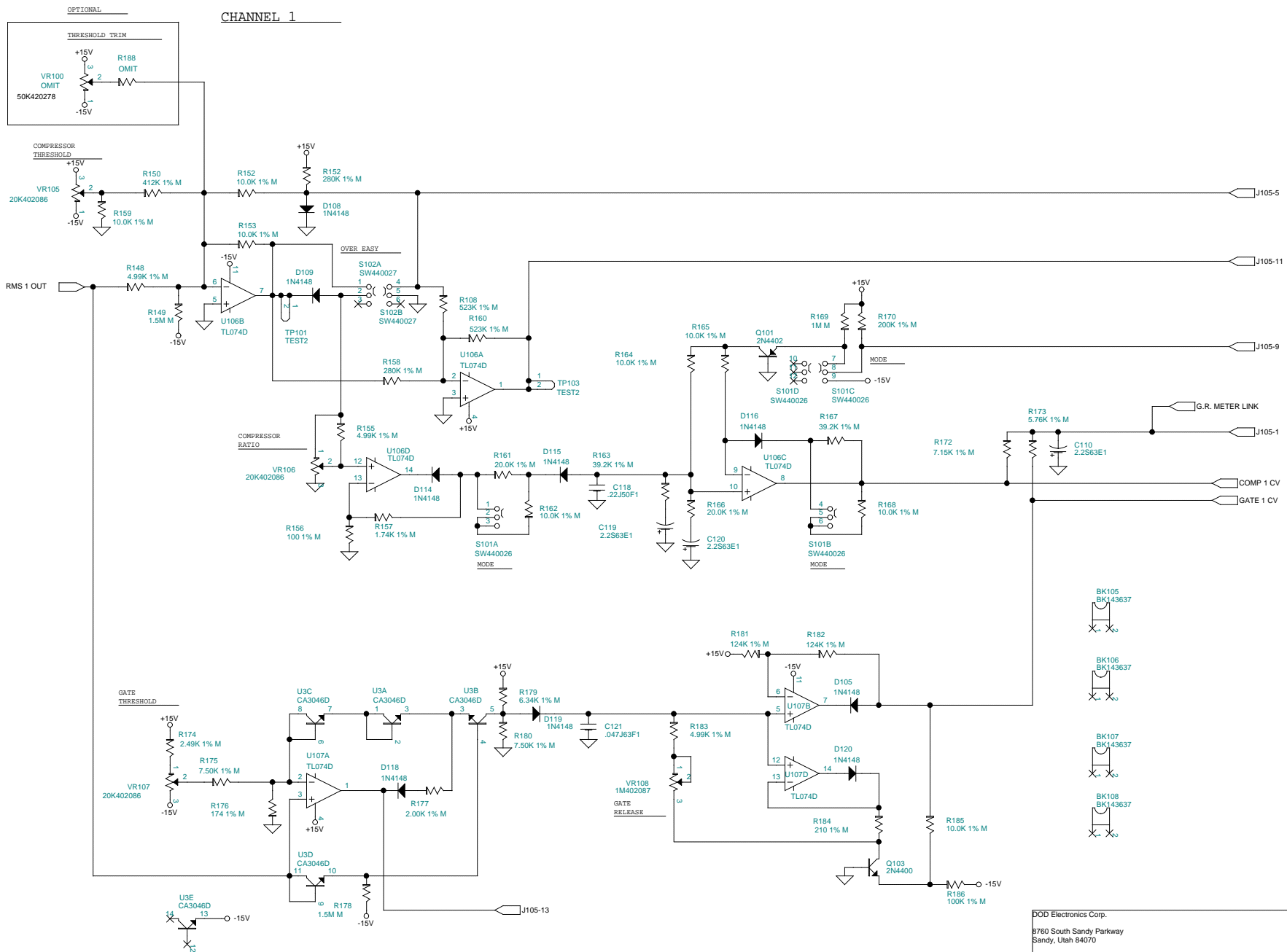
4	R152, R158, R252, R258	280K 1% M	52-1652	280 Kohm Resistor 1% 1/8	Watt Carbon Film Mini
2	R157, R257	1.74K 1% M	52-1643	1.74 Kohm Resistor 1% 1/8	Watt Carbon Film Mini
4	R163, R167, R263, R267	39.2K 1% M	52-1634	39.2 Kohm Resistor 1% 1/8	Watt Carbon Film Mini
2	R169, R269	1M M	50-0403	1 Mohm Resistor 5% 1/8	Watt Carbon Film Mini
2	R170, R270	200K 1% M	52-1651	200 Kohm Resistor 1% 1/8	Watt Carbon Film Mini
2	R172, R272	7.15K 1% M	52-1626	7.15 Kohm Resistor 1% 1/8	Watt Carbon Film Mini
2	R174, R274	2.49K 1% M	52-1644	2.49 Kohm Resistor 1% 1/8	Watt Carbon Film Mini
2	R176, R276	174 1% M	52-1640	174 Ohm Resistor 1% 1/8	Watt Carbon Film Mini
2	R179, R279	6.34K 1% M	52-1648	6.34 Kohm Resistor 1% 1/8	Watt Carbon Film Mini
4	R181, R182, R281, R282	124K 1% M	52-1621	124 Kohm Resistor 1% 1/8	Watt Carbon Film Mini
2	R184, R284	210 1% M	52-1622	210 Ohm Resistor 1% 1/8	Watt Carbon Film Mini
2	R192, R292	560 M	50-0401	560 Ohm Resistor 5% 1/8	Watt Carbon Film Mini
5	S100, S101, S103, S200, S201	SW440026	44-0026	4PDT I/O Switch (small), PC Mount	
2	S102, S202	SW440027	44-0027	DPDT I/O Switch (mini), PC Mount	
1	S204	SW440022	44-0022	6PDT I/O Switch (mini), PC Mount	
8	SC1, SC2, SC3, SC4, SC5, SC6, SC7, SC8	SC340125	34-0125	Switch Cap, Black	
3	SR1, SR2, SR3	SR283328	28-3328	Screw, MS, PHL, IN SE ST, Z2, 4-40X1/4	
12	SR5, SR6, SR7, SR8, SR9, SR10, SR11, SR12, SR13, SR14, SR15, SR16	SR283342	28-3342	Nut, HEX, CNT, STL, Z2, 7x.75mm	
3	SS1, SS2, SS3	SS283341	28-3341	Swage Standoff, Hex, x 1.200" H 4-40, DBX	
12	TP1, TP2, TP3, TP4, TP100, TP101, TP102, TP103, TP200, TP201, TP202, TP203	TEST2	36-0095	2 Pin Test Point For DBX	
1	U1	78M15	70-4130	7815 +15 Volt Voltage Regulator	
1	U2	79M15	70-4131	7915 -15 Volt Voltage Regulator	
2	U3, U4	CA3046D	72-4321	CA3046 Matched Transister Pairs BPO	
4	U100, U103, U200, U203	5532D	72-4316	5532 Low Noise Dual Op-Amp	
2	U101, U201	UPC1252	72-4262	UPC1252HA2, VCA THAT (OBS)	
6	U102, U106, U107, U202, U206, U207	TL074D	72-4320	TL074 Quad JFet-Input Op-Amp	
8	U104, U108, U109, U110, U204, U208, U209, U210	LM339D	72-4306	LM339 Quad Comparator	
2	U105, U205	UPC1253	72-4261	UPC1253HA2 RMS	
4	VR101, VR104, VR201, VR204	TP50K H	42-0222	50 K Trim Pot, Vertical Mount, 3/4 turn	
2	VR102, VR202	10K402085	40-2085	10 K "B" 16mm, Rot Pot, 25mm D Shaft	
8	VR103, VR105, VR106, VR107, VR203, VR205, VR206, VR207	20K402086	40-2086	20 K "B" 16mm, Rot Pot, 25mm D Shaft horiz mt.	
2	VR108, VR208	1M402087	40-2087	1 M "2" Rot Pot, 25MM D Shaft	
12	WA1, WA2, WA3, WA4, WA5, WA6, WA7, WA8, WA9, WA10, WA11, WA12	WA283325	28-3325	Washer, Flat, STL, Z2, M7	
6	WA100, WA102, WA103, WA200, WA202, WA203	WA283345	28-3345	Washer, Ground	
1	WRL	W360052	36-0052	Wire, 2 End, 4.00", Grn/Yel UN1015-18	



BALANCED INPUT CHANNEL 1



DOD Electronics Corp.		
8760 South Sandy Parkway Sandy, Utah 84070		
Title DBX 166A DUAL COMPRESSOR/EXPANDER 80-6153		
Size B	Document Number 056153A0.002	Rev A0
Date: Tuesday, October 19, 1999	Sheet 2 of 7	



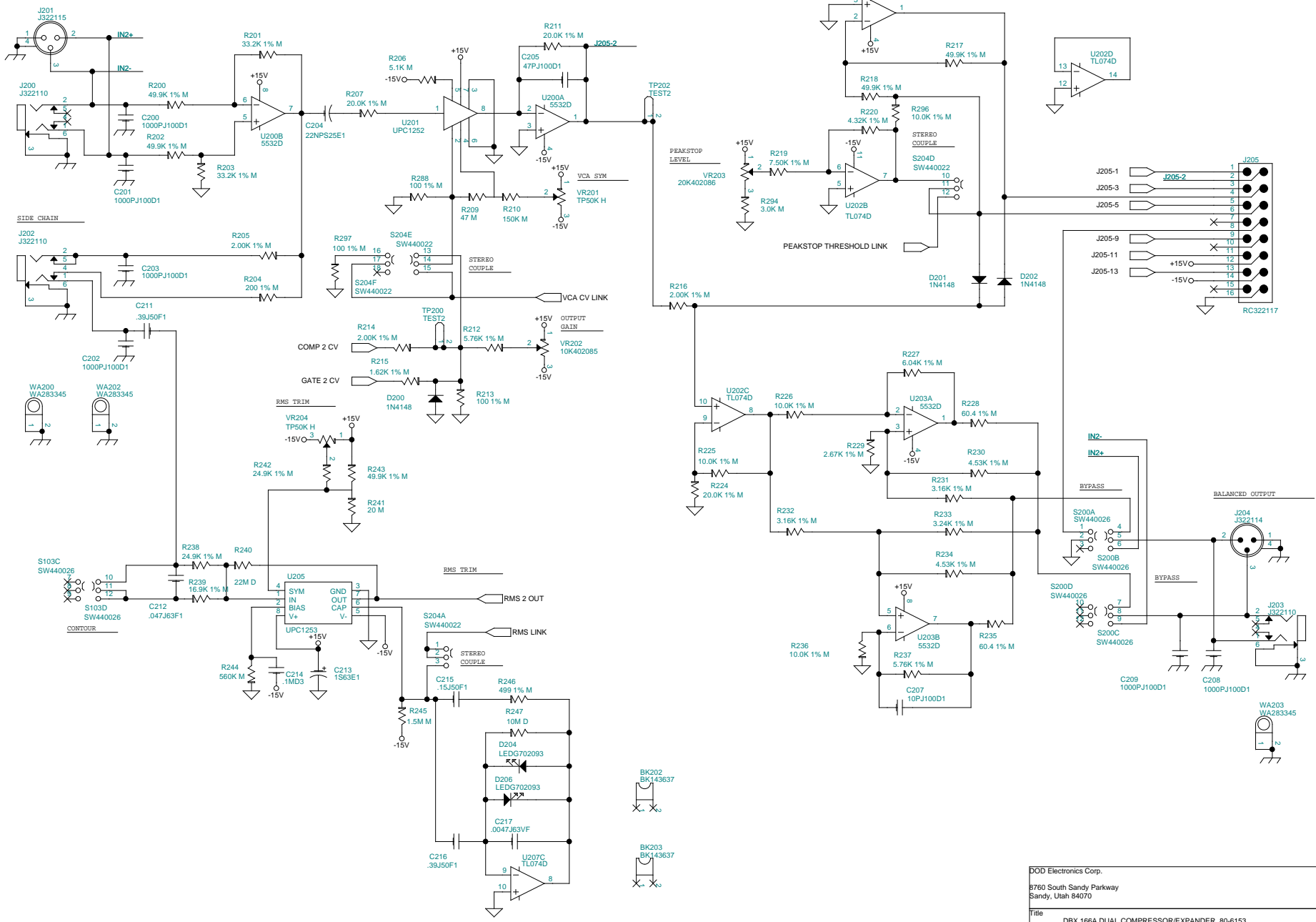
DOD Electronics Corp.  
 8760 South Sandy Parkway  
 Sandy, Utah 84070

Title  
 DBX 166A DUAL COMPRESSOR/EXPANDER 80-6153

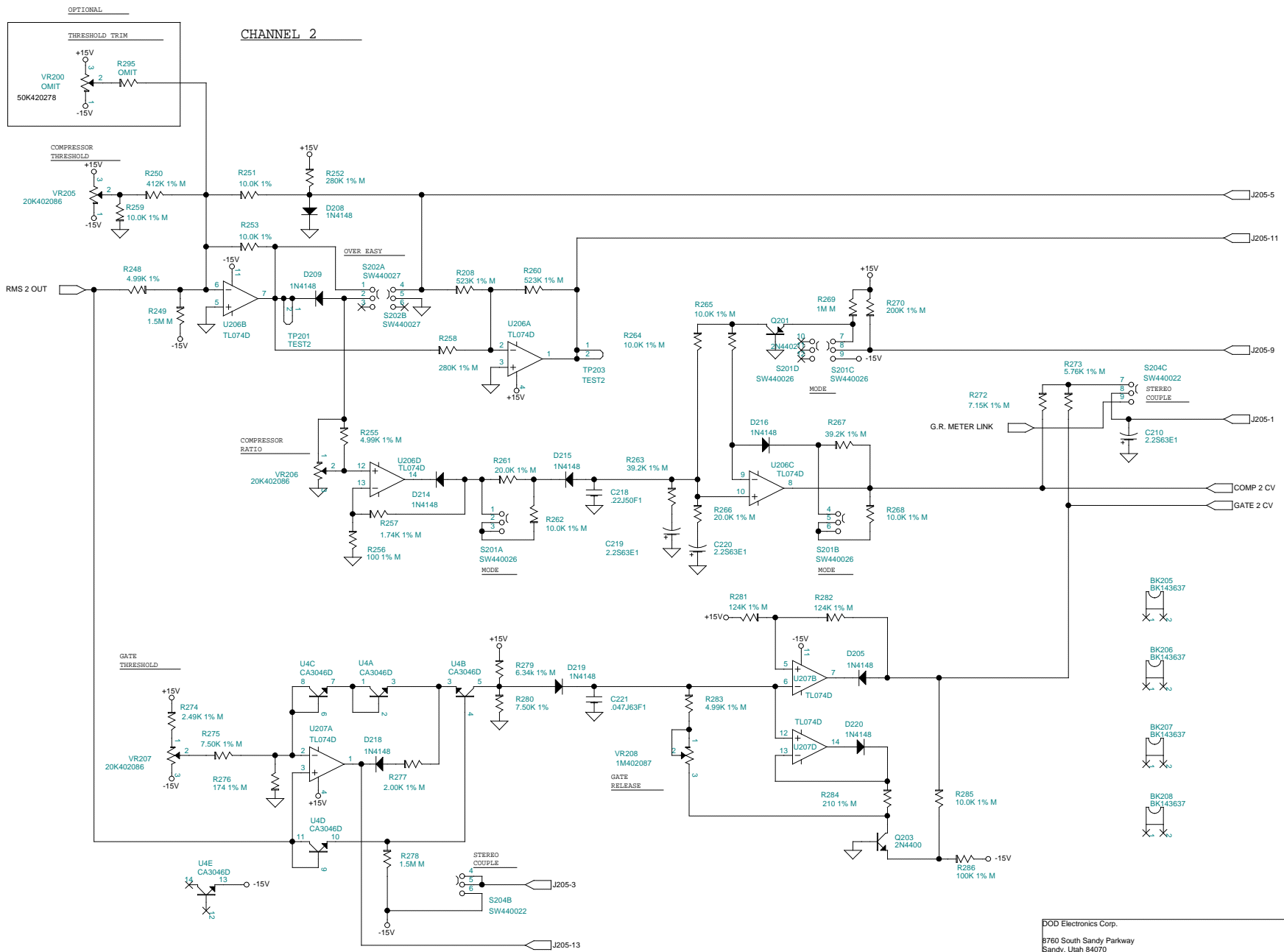
Size B	Document Number 056153A0.003	Rev A0
-----------	---------------------------------	-----------

Date: Tuesday, October 19, 1999 Sheet 3 of 7

BALANCED INPUT CHANNEL 2

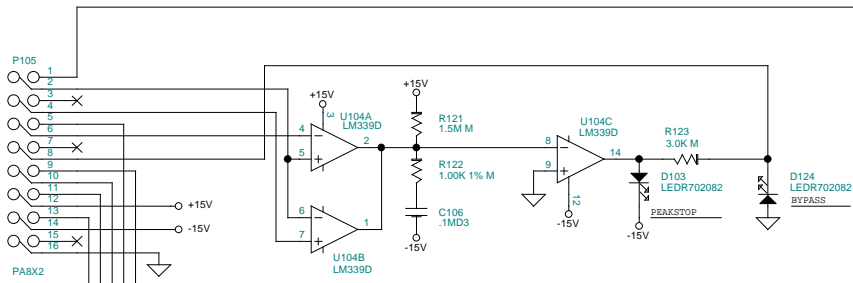


DOD Electronics Corp.	
8760 South Sandy Parkway Sandy, Utah 84070	
Title DBX 166A DUAL COMPRESSOR/EXPANDER 80-6153	
Size B	Document Number 056153A0.004
Date: Tuesday, October 19, 1999	Rev A0
Sheet 4 of 7	

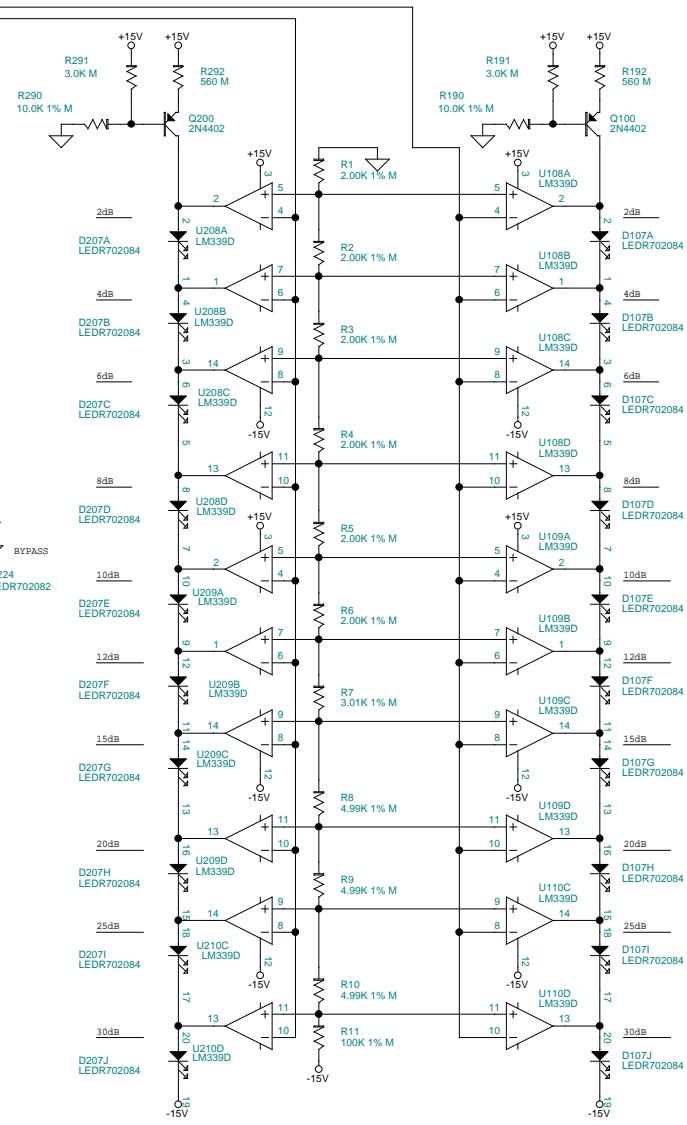
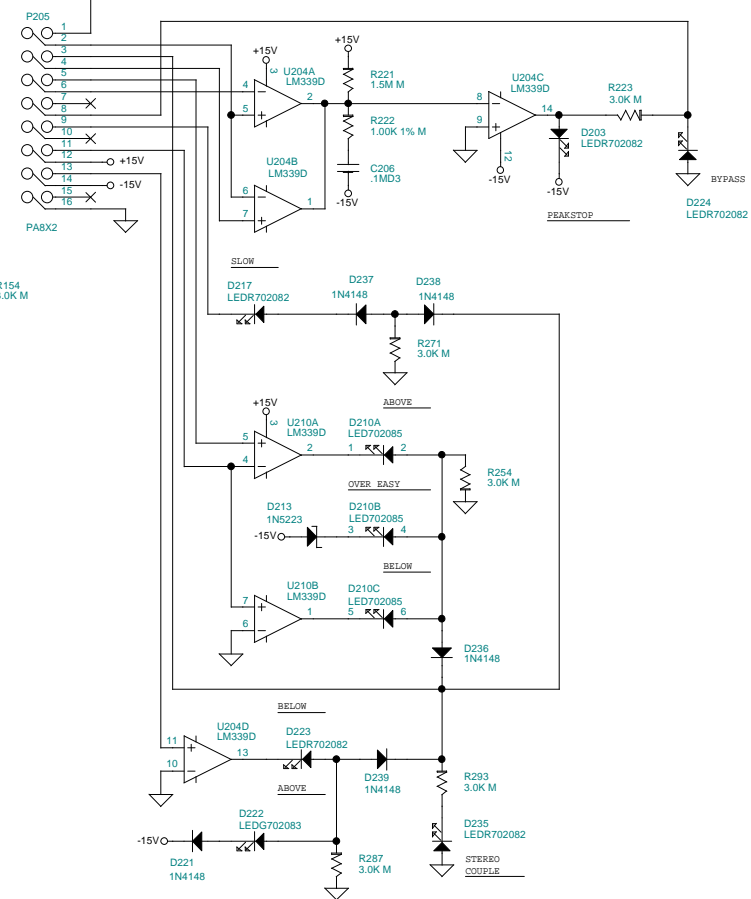


DOD Electronics Corp.	
8760 South Sandy Parkway Sandy, Utah 84070	
Title DBX 166A DUAL COMPRESSOR/EXPANDER 80-6153	
Size B	Document Number 056153A0.005
Date: Tuesday, October 19, 1999	Rev A0
Sheet 5 of 7	

CHANNEL 1

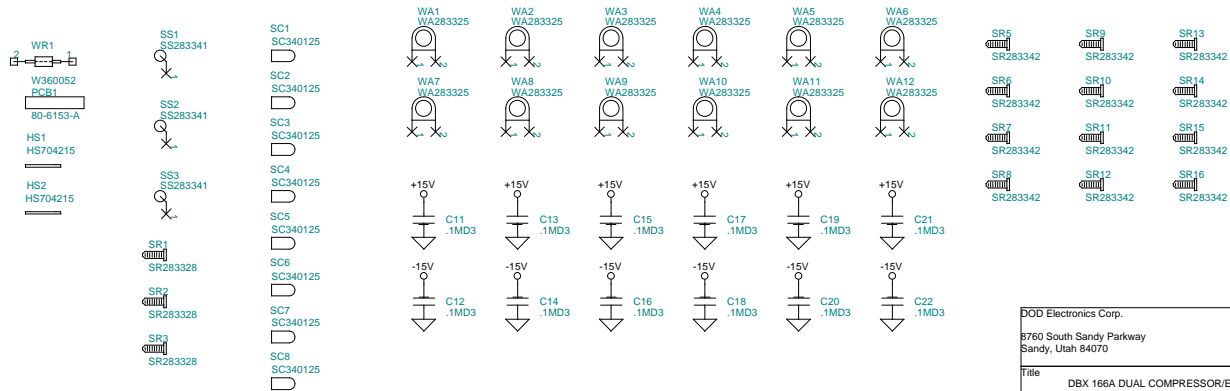
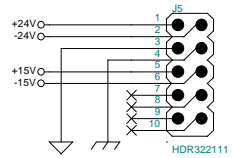
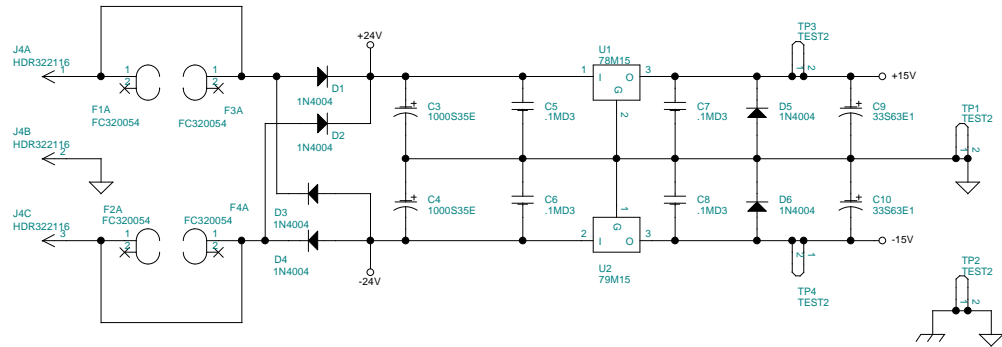
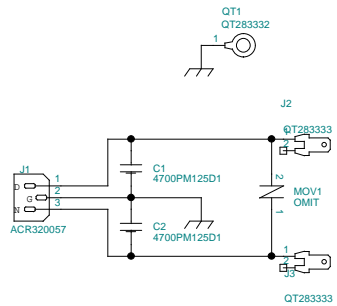


CHANNEL 2



DOD Electronics Corp.	
8760 South Sandy Parkway Sandy, Utah 84070	
Title DBX 166A DUAL COMPRESSOR/EXPANDER	
Size B	Document Number 056153A0.006
Date: Tuesday, October 19, 1999	Rev A0
Sheet 6 of 7	





DOD Electronics Corp.	
8760 South Sandy Parkway Sandy, Utah 84070	
Title DBX 166A DUAL COMPRESSOR/EXPANDER	
Size B	Document Number 056153A0.007
Date: Tuesday, October 19, 1999	Sheet 7 of 7
	Rev A0

&amp;l0 (s0P (s15H (s8V (s0S &amp;l6D &amp;l66P &amp;l3E &amp;a7L &amp;a120M &amp;l61FDOD Software

Page 1

DBX 166A DUAL COMPRESSOR/EXPANDER

Revised: October 1, 1994

056153A0.001

Revision: A0

Bill Of Materials

May 9, 2000

11:13:11

Quan	Reference	Part	SYMAN	Description
------	-----------	------	-------	-------------

12	BK102,BK103,BK105,BK106, BK107,BK108,BK202,BK203, BK205,BK206,BK207,BK208	BK143637	14-3637-A	PLTMT, BRKT, Switch MTG
2	C1,C2	4700PM125D		
2	C3,C4	1000S35E	60-0063	1000 uF Cap 35V -20/+80% Elect
20	C5,C6,C7,C8,C11,C12,C13, C14,C15,C16,C17,C18,C19, C20,C21,C22,C106,C114, C206,C214	.1MD3	62-0060	.1 uF Cap 50V 20% Ceramic AXL
2	C9,C10	33S63E1	60-0324	33 uF Cap 63V Alum, Rad
12	C100,C101,C102,C103,C108, C109,C200,C201,C202,C203, C208,C209	1000PJ100D		
2	C104,C204	22NPS25E1		
2	C105,C205	47PJ100D1		
2	C107,C207	10PJ100D1		
6	C110,C119,C120,C210,C219, C220	2.2S63E1	60-0323	2.2 uF Cap 63V Alum Rad T&R
4	C111,C116,C211,C216	.39J50F1	56-4010	.39 uF Cap 50V 5% M/Plyes Rad Stkd Film T&R
4	C112,C121,C212,C221	.047J63F1	56-3102	.047 uF Cap 63V 5% M/Plyes Rad T&R
2	C113,C213	1S63E1	60-0316	1 uF Cap 63V -20/+100% Alum Rad T&R
2	C115,C215	.15J50F1	56-4012	.15 uF Cap 50V 5% M/Plyes Rad Stkd Film T&R
2	C117,C217	.0047J63VF		
2	C118,C218	.22J50F1	56-4013	.22 uF Cap 50V 5% M/Plyes Rad Film
6	D1,D2,D3,D4,D5,D6	1N4004	70-0009	1N4004 Rect 1A 400V
30	D100,D101,D102,D105,D108, D109,D114,D115,D116,D118, D119,D120,D121,D200,D201, D202,D205,D208,D209,D214, D215,D216,D218,D219,D220, D221,D236,D237,D238,D239	1N4148	70-0002	1N4148 Diode Silicon Switching, 75 Volts PIV
10	D103,D117,D123,D124,D135, D203,D217,D223,D224,D235	LEDR702082	70-2082	Red Light Emitting Diode, Tl Encap, w/housing
4	D104,D106,D204,D206	LEDG702093	70-2093	Green Light Emitting Diode, Tl
2	D107,D207	LEDR702084	70-2084	Red Light Emitting Diode, Tl Encap, 10 pos
2	D110,D210	LED702085	70-2085	R/Y/G Light Emitting Diode, Tl, LMX, 3 pos
2	D113,D213	1N5223	70-0041	1N5223 Diode Zener Glass, 1/2W, 50V, 10%
2	D122,D222	LEDG702083	70-2083	Green Light Emitting Diode, Tl Encap, w/housing
4	F1,F2,F3,F4	FC320054	32-0054	Fuse Clip, PC Mount
2	HS1,HS2	HS704215	70-4215	Heatsink, PCB Mount, Vert., for TO-220
1	J1	ACR320057	32-0057	AC Power Receptical, IEC, Non filtered
2	J2,J3	QT283333	28-3333	Quick-tab, Terminal, PC Mount, 2 Pin
1	J4	HDR322116	32-2116	3 Pin Hdr, Straight, .23", 0.1" spacing
1	J5	HDR322111	32-2111	10 Pin Hdr, 5X2, Straight, .23", 0.1" spacing
6	J100,J102,J103,J200,J202, J203	J322110	32-2110	Jack, 1/4" Phone, PC Mount, Hor., Cliff S2
2	J101,J201	J322115	32-2115	XLR, Female PC Mount, Ins, R/A
2	J104,J204	J322114	32-2114	XLR, Male PC Mount, Ins, R/A
2	J105,J205	RC322117	32-2117	16 Pin Ribbon Cable, Flat, w/2 ends, 5.00", 0.1" spacing
5	MOV1,VR100,R188,VR200, R295	OMIT	00-0000	This part has been omitted
2	P105,P205	PA8X2	00-0000	8X2 Pin Pad Pattern, Not a part

DOD Software

Page

DBX 166A DUAL COMPRESSOR/EXPANDER

Revised: October 1, 1994

056153A0.001

Revision: A0

Bill Of Materials

May 9, 2000

11:13:11

Quan	Reference	Part	SYMAN	Description
1	PCB1	80-6153-A	80-6153-A	dbx 166 MAIN/DISPLAY PCB, RAW
4	Q100,Q101,Q200,Q201	2N4402	70-1035	2N4402 PNP, TR SIGNAL
2	Q103,Q203	2N4400	70-1041	2N4400 NPN, TR SIGNAL
1	QT1	QT283332	28-3332	Quick-tab, Terminal, Crimp, Ring, Ins, 6R
14	R1,R2,R3,R4,R5,R6,R105, R114,R116,R177,R205,R214, R216,R277	2.00K 1% M	52-1624	2.00 KOhm Resistor 1% 1/8 Watt Carbon Film Mini
1	R7	3.01K 1% M	52-1625	3.01 KOhm Resistor 1% 1/8 Watt Carbon Film Mini
9	R8,R9,R10,R148,R155,R183, R248,R255,R283	4.99K 1% M	52-1616	4.99 KOhm Resistor 1% 1/8 Watt Carbon Film Mini
3	R11,R186,R286	100K 1% M	52-1635	100 KOhm Resistor 1% 1/8 Watt Carbon Film Mini
10	R100,R102,R117,R118,R143, R200,R202,R217,R218,R243	49.9K 1% M	52-1620	49.9 KOhm Resistor 1% 1/8 Watt Carbon Film Mini
4	R101,R103,R201,R203	33.2K 1% M	52-1650	33.2 KOhm Resistor 1% 1/8 Watt Carbon Film Mini
2	R104,R204	200 1% M	52-1618	200 Ohm Resistor 1% 1/8 Watt Carbon Film Mini
2	R106,R206	5.1K M	50-0409	5.1 KOhm Resistor 5% 1/8 Watt Carbon Film Mini
10	R107,R111,R124,R161,R166, R207,R211,R224,R261,R266	20.0K 1% M	52-1630	20.0 KOhm Resistor 1% 1/8 Watt Carbon Film Mini
4	R108,R160,R208,R260	523K 1% M	52-1610	523 KOhm Resistor 1% 1/8 Watt Carbon Film Mini
2	R109,R209	47 M	50-0406	47 Ohm Resistor 5% 1/8 Watt Carbon Film Mini
2	R110,R210	150K M	50-0402	150 KOhm Resistor 5% 1/8 Watt Carbon Film Mini
6	R112,R137,R173,R212,R237, R273	5.76K 1% M	52-1617	5.76 KOhm Resistor 1% 1/8 Watt Carbon Film Mini
6	R113,R156,R213,R256,R288, R297	100 1% M	52-1639	100 Ohm Resistor 1% 1/8 Watt Carbon Film Mini
2	R115,R215	1.62K 1% M	52-1642	1.62 KOhm Resistor 1% 1/8 Watt Carbon Film Mini
6	R119,R175,R180,R219,R275, R280	7.50K 1% M	52-1649	7.50 KOhm Resistor 1% 1/8 Watt Carbon Film Mini
2	R120,R220	4.32K 1% M	52-1646	4.32 KOhm Resistor 1% 1/8 Watt Carbon Film Mini
8	R121,R145,R149,R178,R221, R245,R249,R278	1.5M M	50-0404	1.5 MOhm Resistor 5% 1/8 Watt Carbon Film Mini
2	R122,R222	1.00K 1% M	52-1623	1.00 KOhm Resistor 1% 1/8 Watt Carbon Film Mini
14	R123,R154,R171,R187,R191, R193,R194,R223,R254,R271, R287,R291,R293,R294	3.0K M	50-0405	3.0 KOhm Resistor 5% 1/8 Watt Carbon Film Mini
25	R125,R126,R136,R151,R153, R159,R162,R164,R165,R168, R185,R190,R225,R226,R236, R251,R253,R259,R262,R264, R265,R268,R285,R290,R296	10.0K 1% M	52-1627	10.0 KOhm Resistor 1% 1/8 Watt Carbon Film Mini
2	R127,R227	6.04K 1% M	52-1647	6.04 KOhm Resistor 1% 1/8 Watt Carbon Film Mini
4	R128,R135,R228,R235	60.4 1% M	52-1638	60.4 Ohm Resistor 1% 1/8 Watt Carbon Film Mini
2	R129,R229	2.67K 1% M	52-1645	2.67 KOhm Resistor 1% 1/8 Watt Carbon Film Mini
4	R130,R134,R230,R234	4.53K 1% M	52-1604	4.53 KOhm Resistor 1% 1/8 Watt Carbon Film Mini
4	R131,R132,R231,R232	3.16K 1% M	52-1601	3.16 KOhm Resistor 1% 1/8 Watt Carbon Film Mini
2	R133,R233	3.24K 1% M	52-1603	3.24 KOhm Resistor 1% 1/8 Watt Carbon Film Mini
4	R138,R142,R238,R242	24.9K 1% M	52-1631	24.9 KOhm Resistor 1% 1/8 Watt Carbon Film Mini
2	R139,R239	16.9K 1% M	52-1619	16.9 KOhm Resistor 1% 1/8 Watt Carbon Film Mini
2	R140,R240	22M D	50-2442	22 MOhm Resistor 5% 1/4 Watt Carbon Film DBX
2	R141,R241	20 M	50-0400	20 Ohm Resistor 5% 1/8 Watt Carbon Film Mini
2	R144,R244	560K M	50-0485	560 KOhm Resistor 5% 1/8 Watt Carbon Film Mini
2	R146,R246	499 1% M	52-1641	499 Ohm Resistor 1% 1/8 Watt Carbon Film Mini

DOD Software

DBX 166A DUAL COMPRESSOR/EXPANDER

056153A0.001

Bill Of Materials

Quan Reference

May 9, 2000  
Part SYMAN

Revised: October 1, 1994

Revision: A0

11:13:11

Description

Page

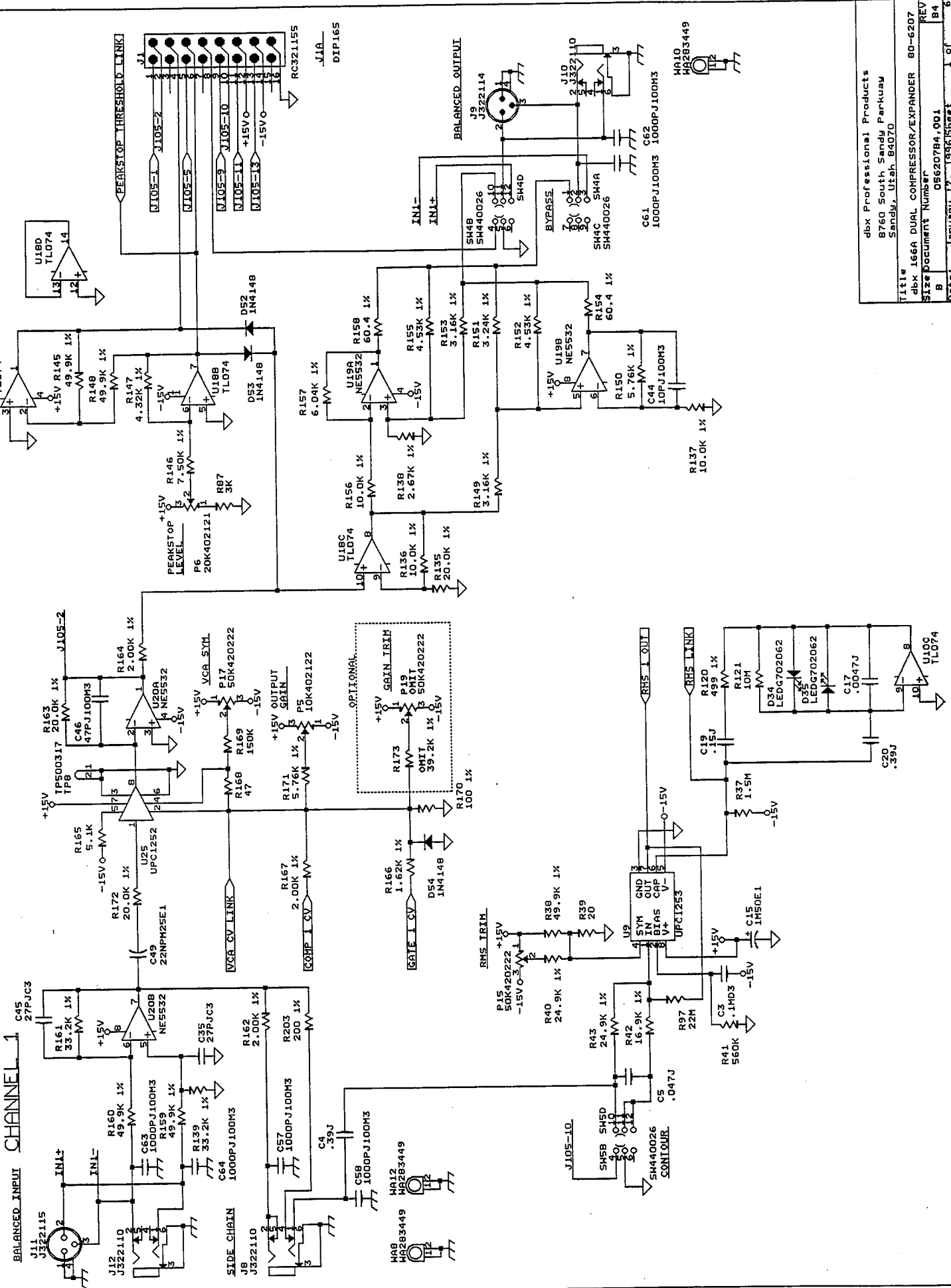
2	R147,R247	10M D	50-0417	10 MOhm Resistor 5% 1/8 Watt Carbon Film Mini
2	R150,R250	412K 1% M	52-1636	412 KOhm Resistor 1% 1/8 Watt Carbon Film Mini

## 056153a0.pls

4	R152,R158,R252,R258	280K 1% M	52-1652	280	KOhm Resistor	1%	1/8	Watt	Carbon Film Mini
2	R157,R257	1.74K 1% M	52-1643	1.74	KOhm Resistor	1%	1/8	Watt	Carbon Film Mini
4	R163,R167,R263,R267	39.2K 1% M	52-1634	39.2	KOhm Resistor	1%	1/8	Watt	Carbon Film Mini
2	R169,R269	1M M	50-0403	1	MOhm Resistor	5%	1/8	Watt	Carbon Film Mini
2	R170,R270	200K 1% M	52-1651	200	KOhm Resistor	1%	1/8	Watt	Carbon Film Mini
2	R172,R272	7.15K 1% M	52-1626	7.15	KOhm Resistor	1%	1/8	Watt	Carbon Film Mini
2	R174,R274	2.49K 1% M	52-1644	2.49	KOhm Resistor	1%	1/8	Watt	Carbon Film Mini
2	R176,R276	174 1% M	52-1640	174	Ohm Resistor	1%	1/8	Watt	Carbon Film Mini
2	R179,R279	6.34K 1% M	52-1648	6.34	KOhm Resistor	1%	1/8	Watt	Carbon Film Mini
4	R181,R182,R281,R282	124K 1% M	52-1621	124	KOhm Resistor	1%	1/8	Watt	Carbon Film Mini
2	R184,R284	210 1% M	52-1622	210	Ohm Resistor	1%	1/8	Watt	Carbon Film Mini
2	R192,R292	560 M	50-0401	560	Ohm Resistor	5%	1/8	Watt	Carbon Film Mini
5	S100,S101,S103,S200,S201	SW440026	44-0026	4PDT	I/O Switch (small),	PC Mount			
2	S102,S202	SW440027	44-0027	DPDT	I/O Switch (mini),	PC Mount			
1	S204	SW440022	44-0022	6PDT	I/O Switch (mini),	PC Mount			
8	SC1,SC2,SC3,SC4,SC5,SC6,SC7,SC8	SC340125	34-0125		Switch Cap,	Black			
3	SR1,SR2,SR3	SR283328	28-3328		Screw, MS, PHL, IN SE ST, Z2, 4-40X1/4				
12	SR5,SR6,SR7,SR8,SR9,SR10,SR11,SR12,SR13,SR14,SR15,SR16	SR283342	28-3342		Nut, HEX, CNT, STL, Z2, 7x.75mm				
3	SS1,SS2,SS3	SS283341	28-3341		Swege Standoff, Hex, x 1.200" H 4-40, DBX				
12	TP1,TP2,TP3,TP4,TP100,TP101,TP102,TP103,TP200,TP201,TP202,TP203	TEST2	36-0095		2 Pin Test Point For DBX				
1	U1	78M15	70-4130	7815	+15 Volt	Voltage Regulator			
1	U2	79M15	70-4131	7915	-15 Volt	Voltage Regulator			
2	U3,U4	CA3046D	72-4321	CA3046	Matched Transister Pairs	BPO			
4	U100,U103,U200,U203	5532D	72-4316	5532	Low Noise Dual Op-Amp				
2	U101,U201	UPC1252	72-4262	UPC1252HA2,	VCA THAT (OBS)				
6	U102,U106,U107,U202,U206,U207	TL074D	72-4320	TL074	Quad JFet-Input Op-Amp				
8	U104,U108,U109,U110,U204,U208,U209,U210	LM339D	72-4306	LM339	Quad Comparator				
2	U105,U205	UPC1253	72-4261	UPC1253HA2	RMS				
4	VR101,VR104,VR201,VR204	TP50K H	42-0222	50	K Trim Pot, Vertical	Mount, 3/4 turn			
2	VR102,VR202	10K402085	40-2085	10	K "B" 16mm, Rot Pot,	25mm D Shaft			
8	VR103,VR105,VR106,VR107,VR203,VR205,VR206,VR207	20K402086	40-2086	20	K "B" 16mm, Rot Pot,	25mm D Shaft horiz mt.			
2	VR108,VR208	1M402087	40-2087	1	M "?"	Rot Pot, 25MM D Shaft			
12	WA1,WA2,WA3,WA4,WA5,WA6,WA7,WA8,WA9,WA10,WA11,WA12	WA283325	28-3325		Washer, Flat, STL, Z2, M7				
6	WA100,WA102,WA103,WA200,WA202,WA203	WA283345	28-3345		Washer, Ground				
1	WR1	W360052	36-0052		Wire, 2 End, 4.00", Grn/Yel UN1015-18				



**CHANNEL 1**



dbx Professional Products  
 8760 South Sandy Parkway  
 Sandy, Utah 84070

Title  
 dbx 166A DUAL COMPRESSOR/EXPANDER 80-6207

Size Document Number  
 B 056207B4,001

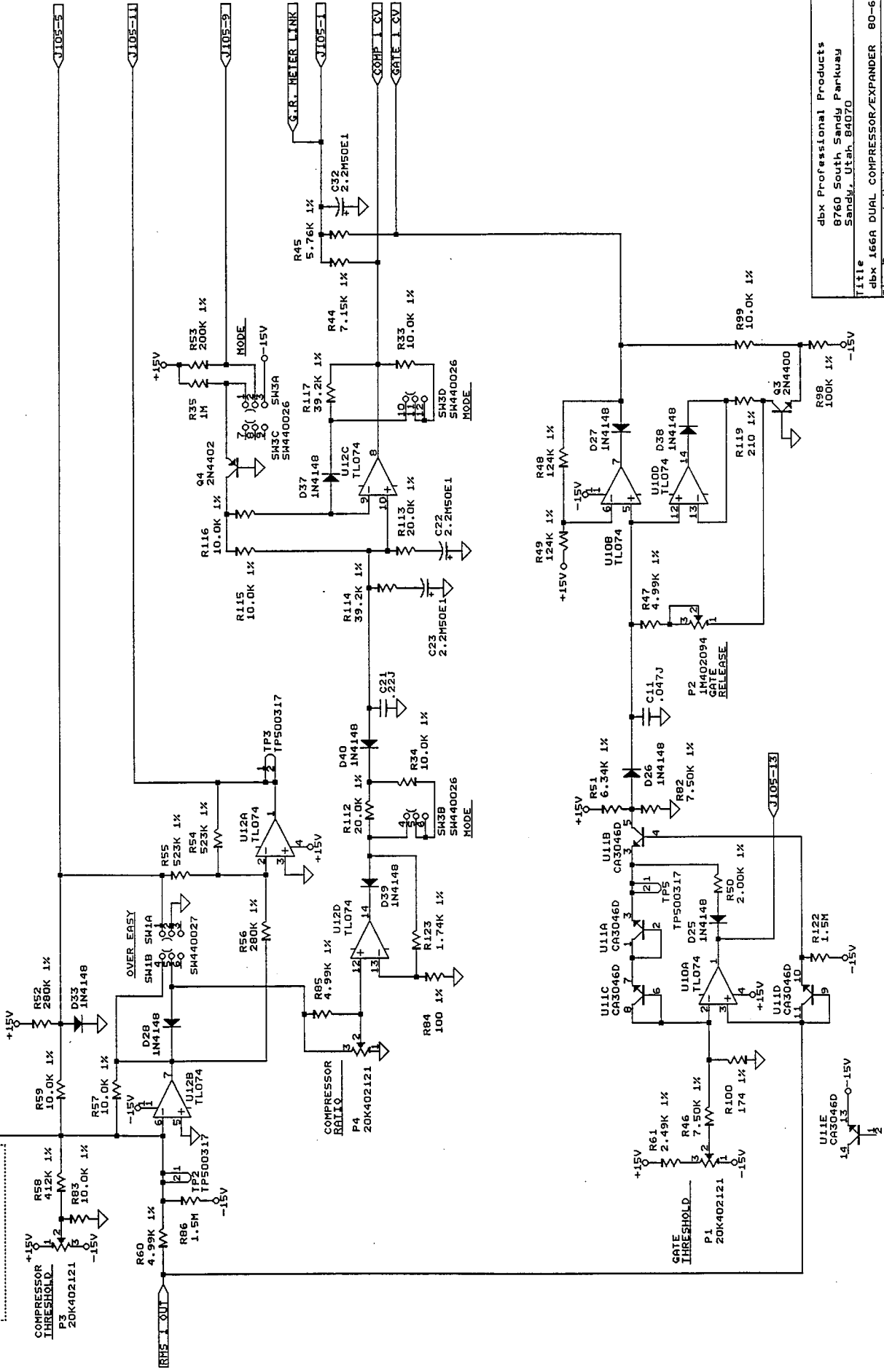
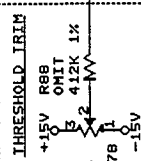
Date  
 January 17, 1996

REV  
 B4

1 of 6

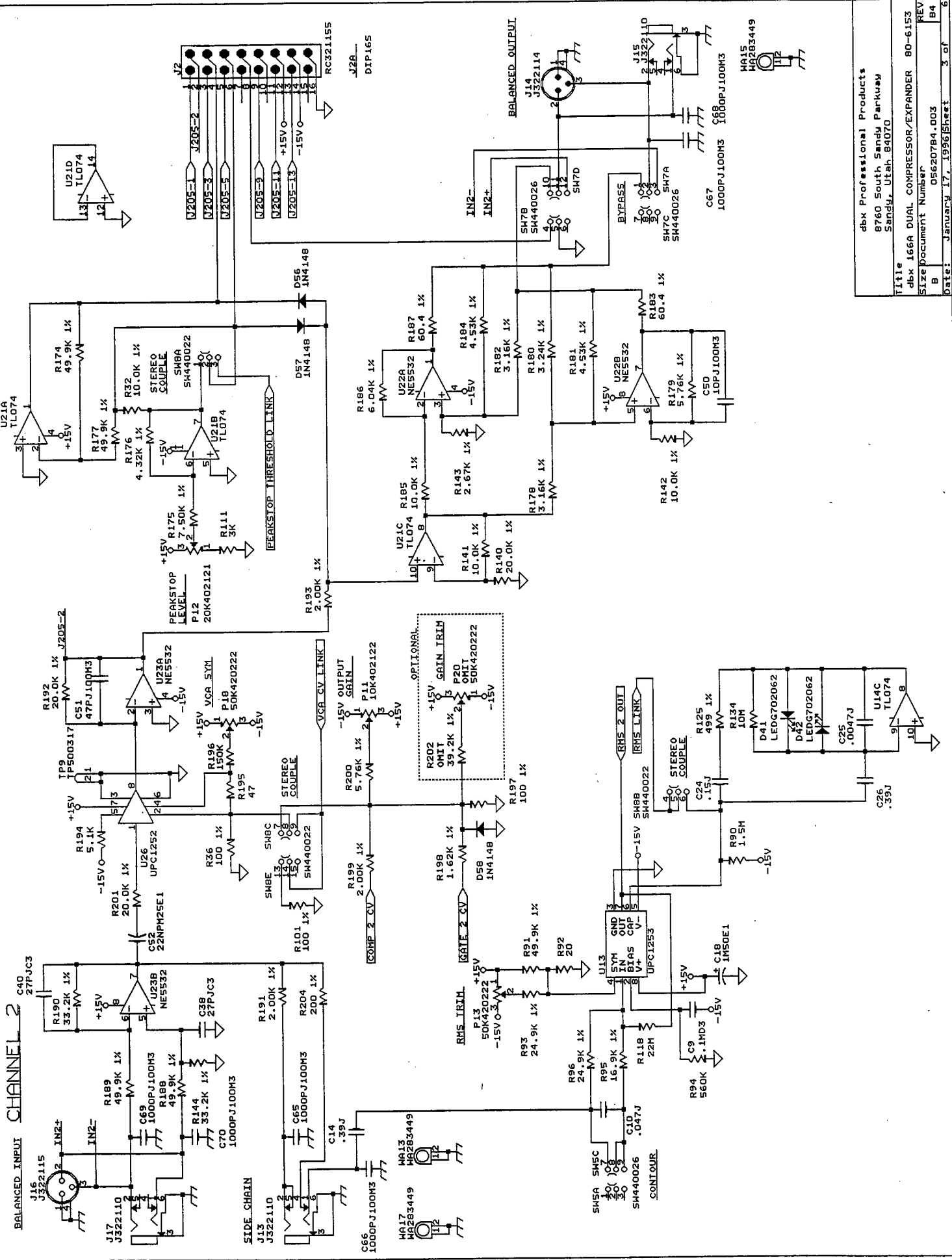
OPTIONAL

CHANNEL 1



dbx Professional Products	
8760 South Sandy Parkway	
Sandy, Utah 84070	
Title	dbx 166A DUAL COMPRESSOR/EXPANDER 80-6207
Size	Document Number
B	056207B4.002
Date:	January 17, 1995
Sheet	2 of 6
REV	B4

**CHANNEL 2**



dbx Professional Products  
 8760 South Sandy Parkway  
 Sandy, Utah 84070

Title dbx 166A DUAL COMPRESSOR/EXPANDER 80-6153  
 Size Document Number 056207B4.003  
 REV B  
 Date: January 17, 1986 Sheet 3 of 6



# CHANNEL 2

OPTIONAL  
 THRESHOLD TRIM  
 +15V R109  
 OMIT  
 P14 412K 1%  
 OMIT  
 50K420278  
 -15V

COMPRESSOR THRESHOLD  
 +15V R76 412K 1%  
 P9 20K402121  
 -15V R106 10.0K 1%

RMS 2 OUT  
 +15V R78 4.99K 1%  
 R110 1.5M  
 -15V

OVER EASY  
 +15V R70 280K 1%  
 D36 IN4148  
 -15V R75 10.0K 1%  
 U16A TL074

COMPRESSOR  
 +15V R108 4.99K 1%  
 P10 20K402121  
 -15V R107 100 1%  
 U16B TL074

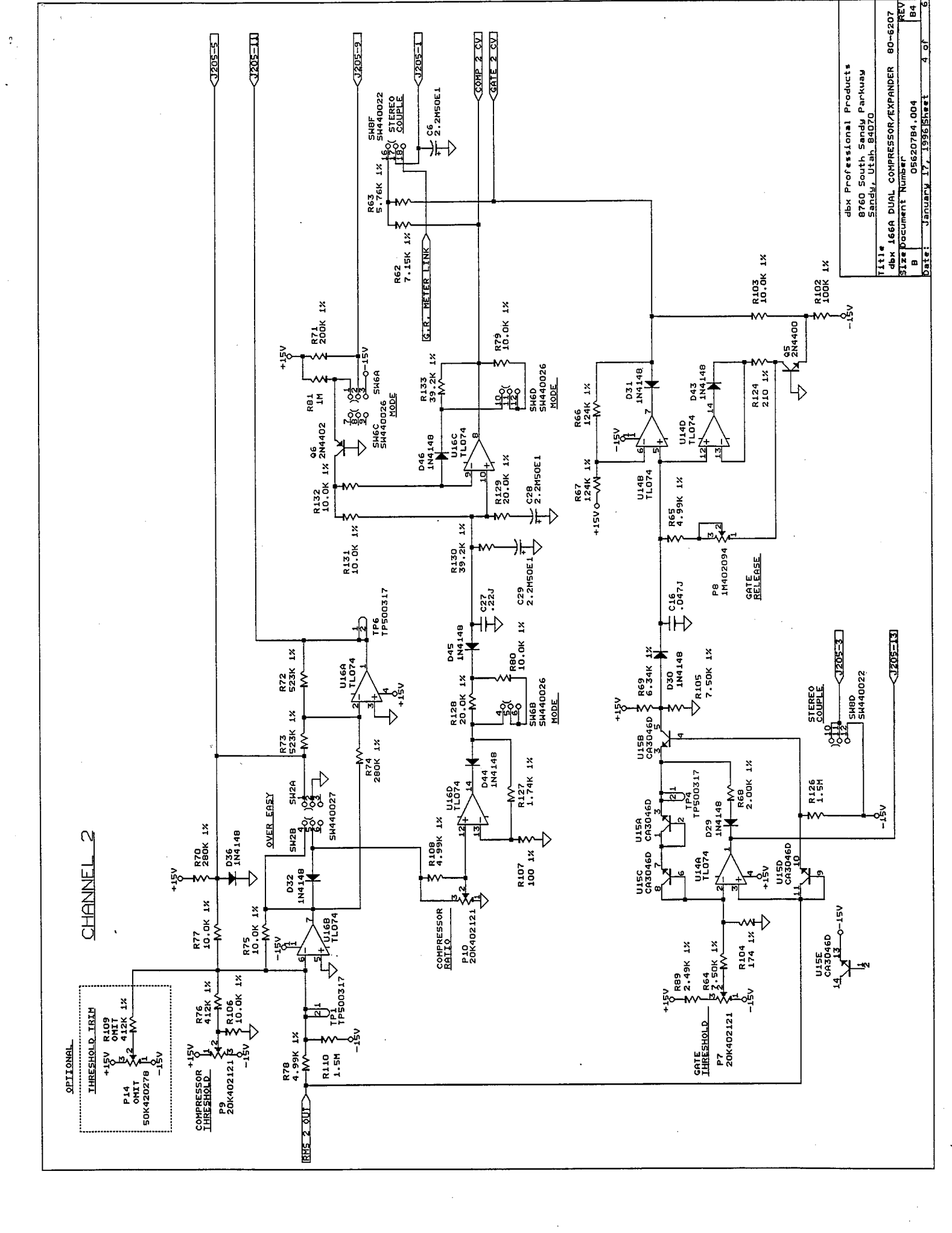
GATE THRESHOLD  
 +15V R89 2.49K 1%  
 P7 20K402121  
 -15V R104 174 1%  
 U15C CA3046D

STEREO COUPLE  
 +15V R126 1.5M  
 -15V U15E CA3046D

GATE RELEASE  
 +15V R65 4.99K 1%  
 C16 .047J  
 P8 IN402094  
 -15V R124 210 1%  
 U14B TL074

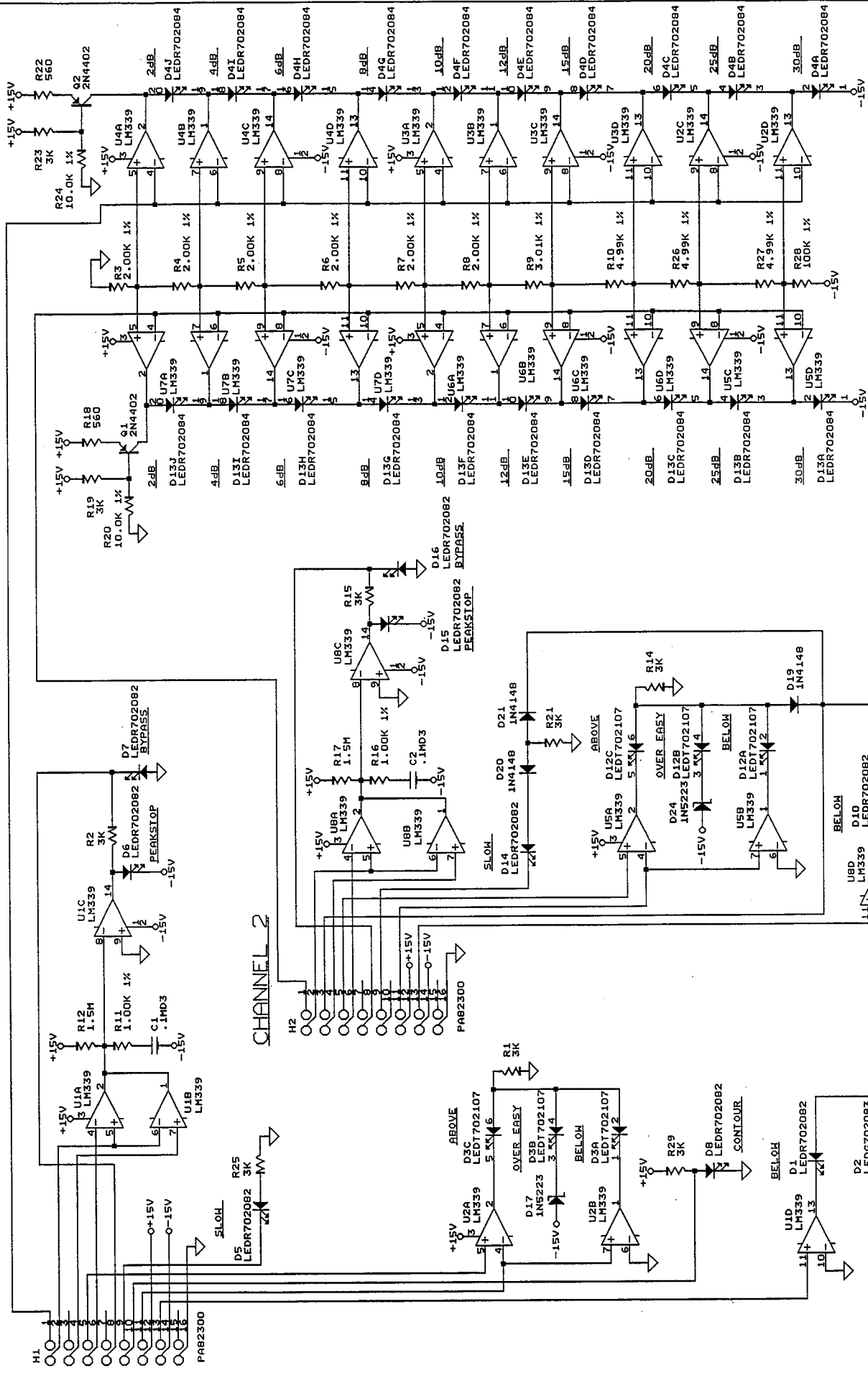
G.R. METER LINK  
 +15V R62 7.15K 1%  
 R63 5.76K 1%  
 -15V R79 10.0K 1%  
 U16C TL074

COMP 2 CV  
 +15V R133 39.2K 1%  
 R129 20.0K 1%  
 -15V R102 100K 1%  
 U15A CA3046D



dbx Professional Products  
 8760 South Sandy Parkway  
 Sandy, Utah 84070  
 Title dbx 166A DUAL COMPRESSOR/EXPANDER 80-6207  
 Size Document Number B 05620784.004  
 REV B  
 Date: January 17, 1996 Sheet 4 of 6

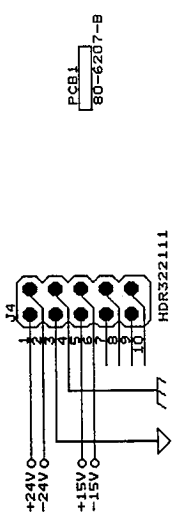
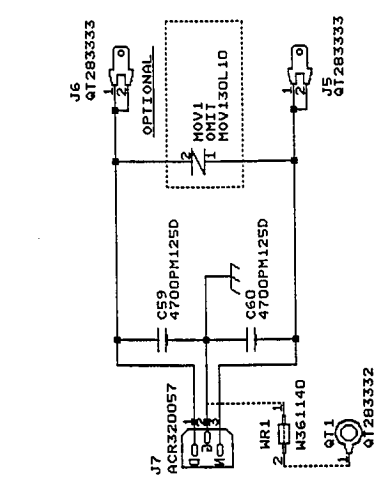
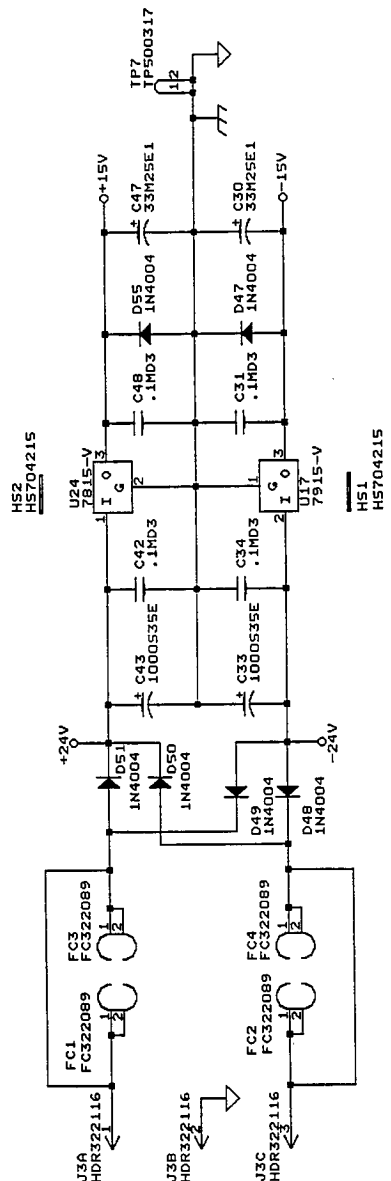
CHANNEL 1



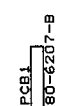
CHANNEL 2

dbx Professional Products  
 9760 South Sandy Parkway  
 Sandy, Utah, 84070

Title dbx 166A DUAL COMPRESSOR/EXPANDER 80-6207  
 Size Document Number B 05620784.005 REV  
 Date: January 17, 1996 Sheet 5 of 6



- SC3 SC340125
- SC5 SC340125
- SC8 SC340125
- SC7 SC340125
- SC4 SC340125
- SC6 SC340125
- SC1 SC340125
- SC2 SC340125
- SC9 SC340125
- SC10 SC340125
- SC11 SC340125
- SC12 SC340125
- SC13 SC340125
- SC14 SC340125
- SC15 SC340125
- SC16 SC340125
- SC17 SC340125
- SC18 SC340125
- SC19 SC340125
- SC20 SC340125
- SC21 SC340125
- SC22 SC340125
- SC23 SC340125
- SC24 SC340125
- SC25 SC340125
- SC26 SC340125
- SC27 SC340125
- SC28 SC340125
- SC29 SC340125
- SC30 SC340125
- SC31 SC340125
- SC32 SC340125
- SC33 SC340125
- SC34 SC340125
- SC35 SC340125
- SC36 SC340125
- SC37 SC340125
- SC38 SC340125
- SC39 SC340125
- SC40 SC340125
- SC41 SC340125
- SC42 SC340125
- SC43 SC340125
- SC44 SC340125
- SC45 SC340125
- SC46 SC340125
- SC47 SC340125
- SC48 SC340125
- SC49 SC340125
- SC50 SC340125
- SC51 SC340125
- SC52 SC340125
- SC53 SC340125
- SC54 SC340125
- SC55 SC340125
- SC56 SC340125



MS2  
MS704215

MS1  
MS704215

DOD Software

dbx 166A DUAL COMPRESSOR/EXPANDER 80-6207 Revised: January 17, 1996

056207B4.000

Revision: B4

Bill Of Materials

January 17, 1996

14:36:59

Quan	Reference	Part	SYMAN	Description
20	C1, C2, C3, C7, C8, C9, C12, C13, C31, C34, C36, C37, C39, C41, C42, C48, C53, C54, C55, C56	.1MD3	62-0060	.1 uF Cap 50V 20% Ceramic AXL
4	C4, C14, C20, C26	.39J	56-0040	.39 uF Cap 50V 5% Stacked Metal Pet 394J ammo
4	C5, C10, C11, C16	.047J	56-0010	.047 uF Cap 50V 5% Stacked Metal Pet 473J ammo
6	C6, C22, C23, C28, C29, C32	2.2M50E1	60-0400	2.2 uF Cap 50V -20/+20% Elect. Rad, T&R
2	C15, C18	1M50E1	60-0044-01	1.0 uF Cap 50V -20/+20% Elect., T&R C&F
2	C17, C25	.0047J	56-0004	.0047 uF Cap 50V 5% Poly Film 472J ammo
2	C19, C24	.15J	56-0013	.15 uF Cap 50V 5% Stacked Metal Pet 154J ammo
2	C21, C27	.22J	56-0014	.22 uF Cap 50V 5% Stacked Metal Pet 224J ammo
2	C30, C47	33M25E1	60-0401	33 uF Cap 25V -20/+20% Elect. Rad, T&R
2	C33, C43	1000S35E	60-0063	1000 uF Cap 35V -20/+80% Elect
4	C35, C38, C40, C45	27PJC3	62-0066	27 pF Cap 50V 20% Axial Monolithic
2	C44, C50	10PJ100M3	62-0063	10 pF Cap 100V 5% Ceramic AXL NPO
2	C46, C51	47PJ100M3	62-0064	47 pF Cap 100V 5% Ceramic AXL NPO
2	C49, C52	22NPM25E1	60-0402	22 uF Cap 25V -20/+20% Elect. NP, T&R
12	C57, C58, C61, C62, C63, C64, C65, C66, C67, C68, C69, C70	1000PJ100M	62-0061	1000 pF Cap 100V 5% Ceramic AXL NPO
2	C59, C60	4700PM125D	62-0039	4700 pF Cap 125V 20% Ceramic
10	D1, D5, D6, D7, D8, D9, D10, D14, D15, D16	LEDR702082	70-2082	Red Light Emitting Diode, T1 Encap, w/housing
2	D2, D11	LEDG702083	70-2083	Green Light Emitting Diode, T1 Encap, w/housing
2	D3, D12	LEDT702107	70-2107	G/Y/R Light Emitting Diode, T1 LMX, 3 pos
2	D4, D13	LEDR702084	70-2084	Red Light Emitting Diode, T1 Encap, 10 pos
2	D17, D24	1N5223	70-0041	1N5223 Diode Zener Glass, 1/2W, 50V, 10%
30	D18, D19, D20, D21, D22, D23, D25, D26, D27, D28, D29, D30, D31, D32, D33, D36, D37, D38, D39, D40, D43, D44, D45, D46, D52, D53, D54, D56, D57, D58	1N4148	70-0002	1N4148 Diode Silicon Switching, 75 Volts PIV
4	D34, D35, D41, D42	LEDG702062	70-2062	LED Green, T1 Case
6	D47, D48, D49, D50, D51, D55	1N4004	70-0009	1N4004 Rect 1A 400V
4	FC1, FC2, FC3, FC4	FC322089	32-2089	Fuse Clip, 5 x 20mm
2	H1, H2	PA82300	00-0000	8X2 Pin Pad Pattern, Not a part, .300 Spacing
2	HS1, HS2	HS704215	70-4215	Heatsink, PCB Mount, for TO-220
2	J1, J2	RC321155	32-1155	16 Pin Cable, Flat, w/2 ends, 3.00", 0.1" spacing
2	J1A, J2A	DIP16S	70-3022	16 Pin Dip Socket
1	J3	HDR322116	32-2116	3 Pin Hdr, Straight, .23", 0.1" spacing
1	J4	HDR322111	32-2111	10 Pin Hdr, 5X2, Straight, .23", 0.1" spacing
2	J5, J6	QT283333	28-3333	Quick-tab, Terminal, PC Mount, 2 Pin
1	J7	ACR320057	32-0057	AC Power Receptical, IEC, Non filtered
6	J8, J10, J12, J13, J15, J17	J322110	32-2110	Jack, 1/4" Phone, PC Mount, Hor., Cliff S2
2	J9, J14	J322114	32-2114	XLR, Male PC Mount, Ins, R/A
2	J11, J16	J322115	32-2115	XLR, Female PC Mount, Ins, R/A
9	MOV1, P14, P16, P19, P20, R88, R109, R173, R202	OMIT	00-0000	This part has been omitted
8	P1, P3, P4, P6, P7, P9, P10, P12	20K402121	40-2121	20 K 16mm, Rot Pot, 15mm Knurled shaft
2	P2, P8	1M402094	40-2094	1 M "D" 16mm, Rot Pot, 15mm D Shaft
2	P5, P11	10K402122	40-2122	10 K "B" 16mm, Rot Pot, 15mm Knurled shaft
4	P13, P15, P17, P18	50K420222	42-0222	50 K Trim Pot, Vertical Mount, 3/4 turn

DOD Software

dbx 166A DUAL COMPRESSOR/EXPANDER 80-6207 Revised: January 17, 1996

056207B4.000

Revision: B4

Bill Of Materials

January 17, 1996

14:36:59

Quan	Reference	Part	SYMAN	Description
1	PCB1	80-6207-B	80-6207-B	dbx 166AD MAIN PCB RAW
4	Q1,Q2,Q4,Q6	2N4402	70-1035	2N4402 PNP, TR SIGNAL
2	Q3,Q5	2N4400	70-1041	2N4400 NPN, TR SIGNAL
1	QT1	QT283332	28-3332	Quick-tab, Terminal, Crimp, Ring, Ins, 6R
14	R1,R2,R13,R14,R15,R19, R21,R23,R25,R29,R30,R31, R87,R111	3K	50-0211	3 KOhm Resistor 5% 1/4 Watt Carbon Film
14	R3,R4,R5,R6,R7,R8,R50, R68,R162,R164,R167,R191, R193,R199	2.00K 1%	52-0186	2.00 KOhm Resistor 1% 1/4 Watt Metal Film
1	R9	3.01K 1%	52-0125	3.01 KOhm Resistor 1% 1/4 Watt Metal Film
9	R10,R26,R27,R47,R60,R65, R78,R85,R108	4.99K 1%	52-0165	4.99 KOhm Resistor 1% 1/4 Watt Metal Film
2	R11,R16	1.00K 1%	52-0133	1.00 KOhm Resistor 1% 1/4 Watt Metal Film
8	R12,R17,R37,R86,R90,R110, R122,R126	1.5M	50-0053	1.5 MOhm Resistor 5% 1/4 Watt Carbon Film
2	R18,R22	560	50-0193	560 Ohm Resistor 5% 1/4 Watt Carbon Film
25	R20,R24,R32,R33,R34,R57, R59,R75,R77,R79,R80,R83, R99,R103,R106,R115,R116, R131,R132,R136,R137,R141, R142,R156,R185	10.0K 1%	52-0107	10.0 KOhm Resistor 1% 1/4 Watt Metal Film
3	R28,R98,R102	100K 1%	52-0305	100 KOhm Resistor 1% 1/4 Watt Metal Film
2	R35,R81	1M	50-0045	1 MOhm Resistor 5% 1/4 Watt Carbon Film
6	R36,R84,R101,R107,R170, R197	100 1%	52-0400	100 Ohm Resistor 1% 1/4 Watt Metal Film
10	R38,R91,R145,R148,R159, R160,R174,R177,R188,R189	49.9K 1%	52-0020	49.9 KOhm Resistor 1% 1/4 Watt Metal Film
2	R39,R92	20	50-0157	20 Ohm Resistor 5% 1/4 Watt Carbon Film
4	R40,R43,R93,R96	24.9K 1%	52-0039	24.9 KOhm Resistor 1% 1/4 Watt Metal Film
2	R41,R94	560K	50-0269	560 KOhm Resistor 5% 1/4 Watt Carbon Film
2	R42,R95	16.9K 1%	52-0048	16.9 KOhm Resistor 1% 1/4 Watt Metal Film
2	R44,R62	7.15K 1%	52-0113	7.15 KOhm Resistor 1% 1/4 Watt Metal Film
6	R45,R63,R150,R171,R179, R200	5.76K 1%	52-0116	5.76 KOhm Resistor 1% 1/4 Watt Metal Film
6	R46,R64,R82,R105,R146, R175	7.50K 1%	52-2090	7.50 KOhm Resistor 1% 1/4 Watt Metal Film
4	R48,R49,R66,R67	124K 1%	52-0296	124 KOhm Resistor 1% 1/4 Watt Metal Film
2	R51,R69	6.34K 1%	52-0159	6.34 KOhm Resistor 1% 1/4 Watt Metal Film
4	R52,R56,R70,R74	280K 1%	52-0262	280 KOhm Resistor 1% 1/4 Watt Metal Film
2	R53,R71	200K 1%	52-0276	200 KOhm Resistor 1% 1/4 Watt Metal Film
4	R54,R55,R72,R73	523K 1%	52-0237	523 KOhm Resistor 1% 1/4 Watt Metal Film
2	R58,R76	412K 1%	52-0247	412 KOhm Resistor 1% 1/4 Watt Metal Film
2	R61,R89	2.49K 1%	52-0141	2.49 KOhm Resistor 1% 1/4 Watt Metal Film
2	R97,R118	22M	50-0307	22 MOhm Resistor 5% 1/4 Watt Carbon Film
2	R100,R104	174 1%	52-0387	174 Ohm Resistor 1% 1/4 Watt Metal Film
10	R112,R113,R128,R129,R135, R140,R163,R172,R192,R201	20.0K 1%	52-0091	20.0 KOhm Resistor 1% 1/4 Watt Metal Film
4	R114,R117,R130,R133	39.2K 1%	52-0079	39.2 KOhm Resistor 1% 1/4 Watt Metal Film
2	R119,R124	210 1%	52-0373	210 Ohm Resistor 1% 1/4 Watt Metal Film
2	R120,R125	499 1%	52-0338	499 Ohm Resistor 1% 1/4 Watt Metal Film
2	R121,R134	10M	50-0060	10M MOhm Resistor 5% 1/4 Watt Carbon Film

dbx 166A DUAL COMPRESSOR/EXPANDER 80-6207 Revised: January 17, 1996

056207B4.000

Revision: B4

Bill Of Materials

January 17, 1996

14:36:59

Quan Reference	Part	SYMAN	Description
2	R123,R127	1.74K 1%	52-0190 1.74 KOhm Resistor 1% 1/4 Watt Metal Film
2	R138,R143	2.67K 1%	52-0178 2.67 KOhm Resistor 1% 1/4 Watt Metal Film
4	R139,R144,R161,R190	33.2K 1%	52-0082 33.2 KOhm Resistor 1% 1/4 Watt Metal Film
2	R147,R176	4.32K 1%	52-0167 4.32 KOhm Resistor 1% 1/4 Watt Metal Film
4	R149,R153,R178,R182	3.16K 1%	52-0132 3.16 KOhm Resistor 1% 1/4 Watt Metal Film
2	R151,R180	3.24K 1%	52-0124 3.24 KOhm Resistor 1% 1/4 Watt Metal Film
4	R152,R155,R181,R184	4.53K 1%	52-0119 4.53 KOhm Resistor 1% 1/4 Watt Metal Film
4	R154,R158,R183,R187	60.4 1%	52-0450 60.4 Ohm Resistor 1% 1/4 Watt Metal Film
2	R157,R186	6.04K 1%	52-0115 6.04 KOhm Resistor 1% 1/4 Watt Metal Film
2	R165,R194	5.1K	50-0217 5.1 KOhm Resistor 5% 1/4 Watt Carbon Film
2	R166,R198	1.62K 1%	52-0131 1.62 KOhm Resistor 1% 1/4 Watt Metal Film
2	R168,R195	47	50-0166 47 Ohm Resistor 5% 1/4 Watt Carbon Film
2	R169,R196	150K	50-0038 150 KOhm Resistor 5% 1/4 Watt Carbon Film
2	R203,R204	200 1%	52-0376 200 Ohm Resistor 1% 1/4 Watt Metal Film
8	SC1,SC2,SC3,SC4,SC5,SC6, SC7,SC8	SC340125	34-0125 Switch Cap, Black
2	SW1,SW2	SW440027	44-0027 DPDT I/O Switch (mini), PC Mount
5	SW3,SW4,SW5,SW6,SW7	SW440026	44-0026 4PDT I/O Switch (small), PC Mount
1	SW8	SW440022	44-0022 6PDT I/O Switch (mini), PC Mount
9	TP1,TP2,TP3,TP4,TP5,TP6, TP7,TP8,TP9	TP500317	50-0317 0 Ohm Test Point 5% 1/4 Watt Carbon Film Radial T&R
8	U1,U2,U3,U4,U5,U6,U7,U8	LM339	72-4053 Quad Comparator
2	U9,U13	UPC1253	72-4261 UPC1253HA2 RMS
6	U10,U12,U14,U16,U18,U21	TL074	72-4021 Quad JFet-Input Op-Amp
2	U11,U15	CA3046D	72-4321 CA3046 Matched Transister Pairs BPO
1	U17	7915-V	70-4124 7915 -15 Volt 1 A Voltage Regulator TO-220 VERT
4	U19,U20,U22,U23	NE5532	72-4316 5532 Low Noise Dual Op-Amp
1	U24	7815-V	70-4123 7815 +15 Volt 1 A Voltage Regulator TO-220 VERT
2	U25,U26	UPC1252	72-4262 UPC1252HA2 VCA
6	WA8,WA10,WA12,WA13,WA15, WA17	WA283449	28-3449 Washer, Ground, Int tooth, for Cliff S2 Jack
1	WR1	W361140	36-1140-A Wire, 2 End, 4.00", Grn w/Yel stripe 18AWG