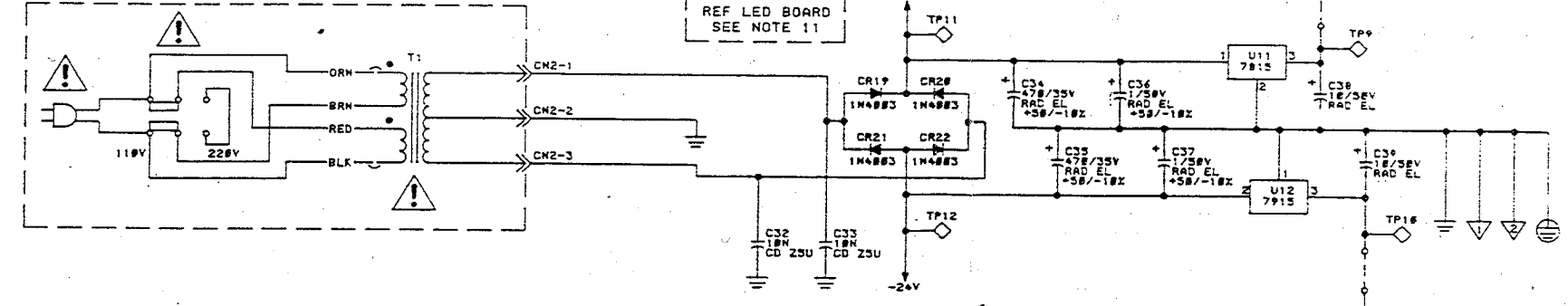


⚠ COMPONENTS MARKED WITH THIS SYMBOL HAVE CRITICAL SPECIFICATIONS IMPORTANT FOR PROTECTION FROM FIRE AND ELECTRICAL SHOCK HAZARDS. WHEN SERVICING, IT IS ESSENTIAL THAT ONLY MANUFACTURER'S SPECIFIED PARTS BE USED FOR REPLACEMENT. PRIOR TO THE RETURN OF THIS APPLIANCE TO THE CUSTOMER, AND UPON COMPLETION OF SERVICING, SERVICE PERSONNEL ARE REQUIRED TO TEST THIS UNIT FOR ADEQUATE INSULATION RESISTANCE BETWEEN THE POWER SUPPLY AND EXPOSED PARTS.

B



- NOTES:
UNLESS OTHERWISE SPECIFIED.
1. ALL RESISTORS ARE EXPRESSED IN OHMS AND ARE 1/4W, 5%.
 2. ALL CAPACITORS ARE EXPRESSED IN MICROFARADS.
 3. ALL CD Z5U CAPACITORS ARE +/-20%.
 4. ALL RAD EL CAPACITORS ARE +/-20%.
 5. ▽ DENOTES GROUND IS CONNECTED TO MAIN GROUND AT ONLY ONE POINT.
 6. ▽ DENOTES GROUNDS ARE TIED TOGETHER AND CONNECTED TO MAIN GROUND AT ONLY ONE POINT.
 7. ⊕ DENOTES GROUNDS ARE TIED TOGETHER AND CONNECTED TO MAIN GROUND AT ONLY ONE POINT.
 8. +15V DENOTES VOLTAGES ARE TIED TOGETHER AND CONNECTED TO SUPPLY VOLTAGE AT ONLY ONE POINT.
 9. -15V DENOTES VOLTAGES ARE TIED TOGETHER AND CONNECTED TO SUPPLY VOLTAGE AT ONLY ONE POINT.
 10. SWITCH IS SHOWN IN THE "OUT" POSITION.
 11. REFERENCE LED BOARD PARTS LIST NO. PL360548
 12. RS IS SHOWN ON BOARD BUT IS USED AS A JUMPER.

TP12	
CN2	
J3	
S1	
T1	
Q1	
U12	
CR22	
C40	
R72	
LAST USED	NOT USED
REFERENCE DESIGNATIONS	

APR 28 1967

REV		DESCRIPTION	DR	APP	DATE
REVISIONS					
THESE DRAWINGS AND SPECIFICATIONS ARE THE PROPERTY OF DECA. THEY SHALL NOT BE REPRODUCED, COPIED OR USED AS THE BASIS FOR MANUFACTURE OR SALE OF APPARATUS WITHOUT EXPRESSLY WRITTEN AUTHORIZATION.					
APPROVAL			263X USED ON		
PRELIM		DATE	FINAL	DATE	
DRAWN		SS	dxc NEWTON, MA. 02195		
CHECKED			SCHEMATIC DE-ESSER		
PROJ ENG					
CHK ENG					
DPT MGR					
RELEASED			SCALE: NONE		SIZE NUMBER
			SHEET 1 OF 1		C 340547 00

A