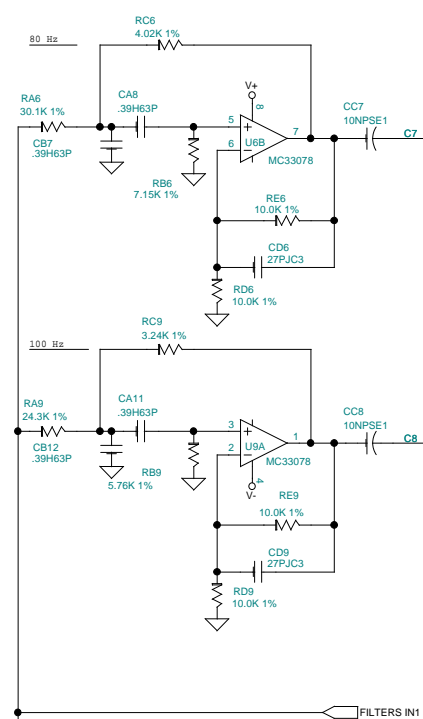
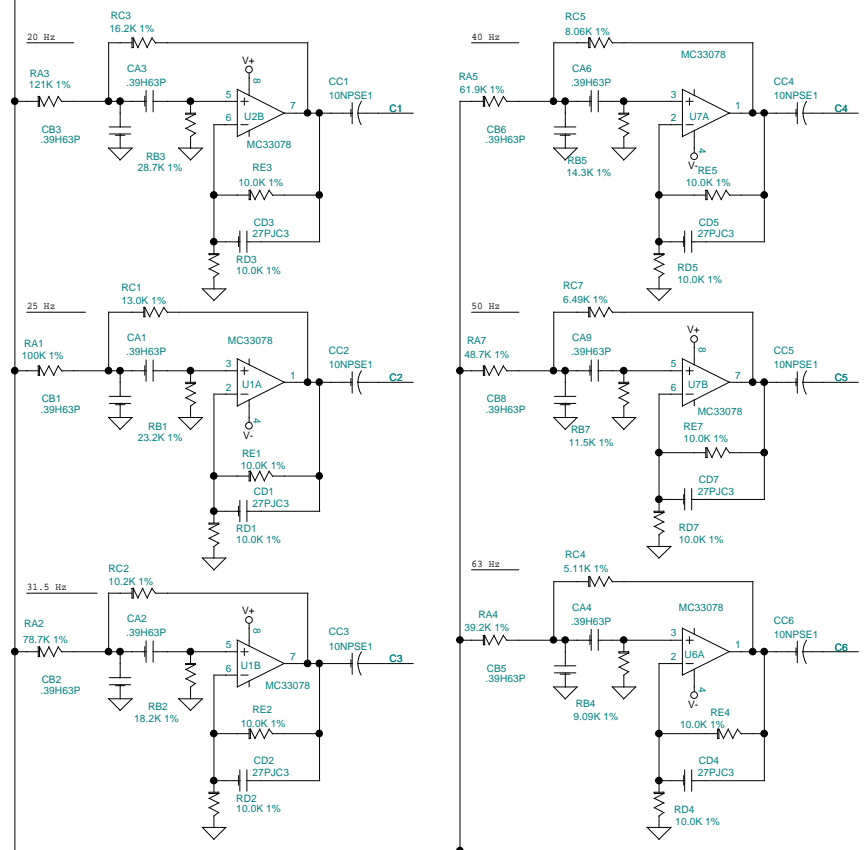
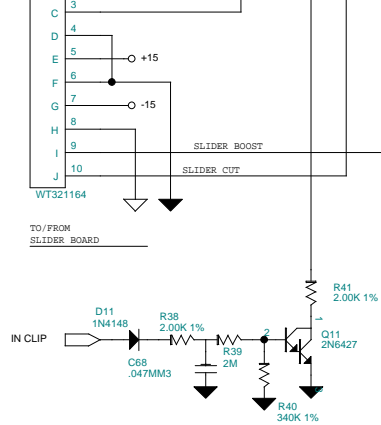
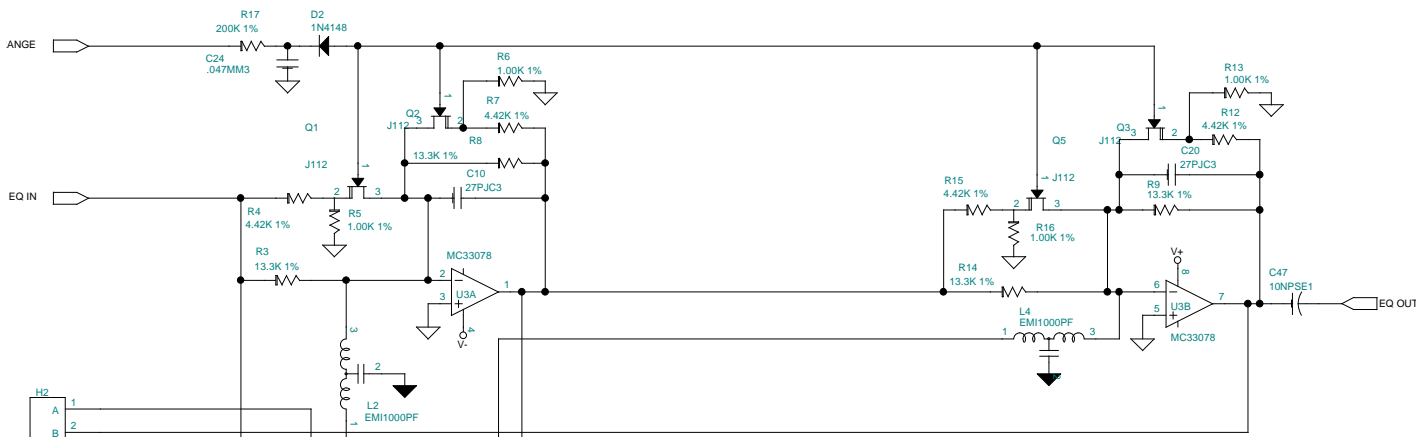
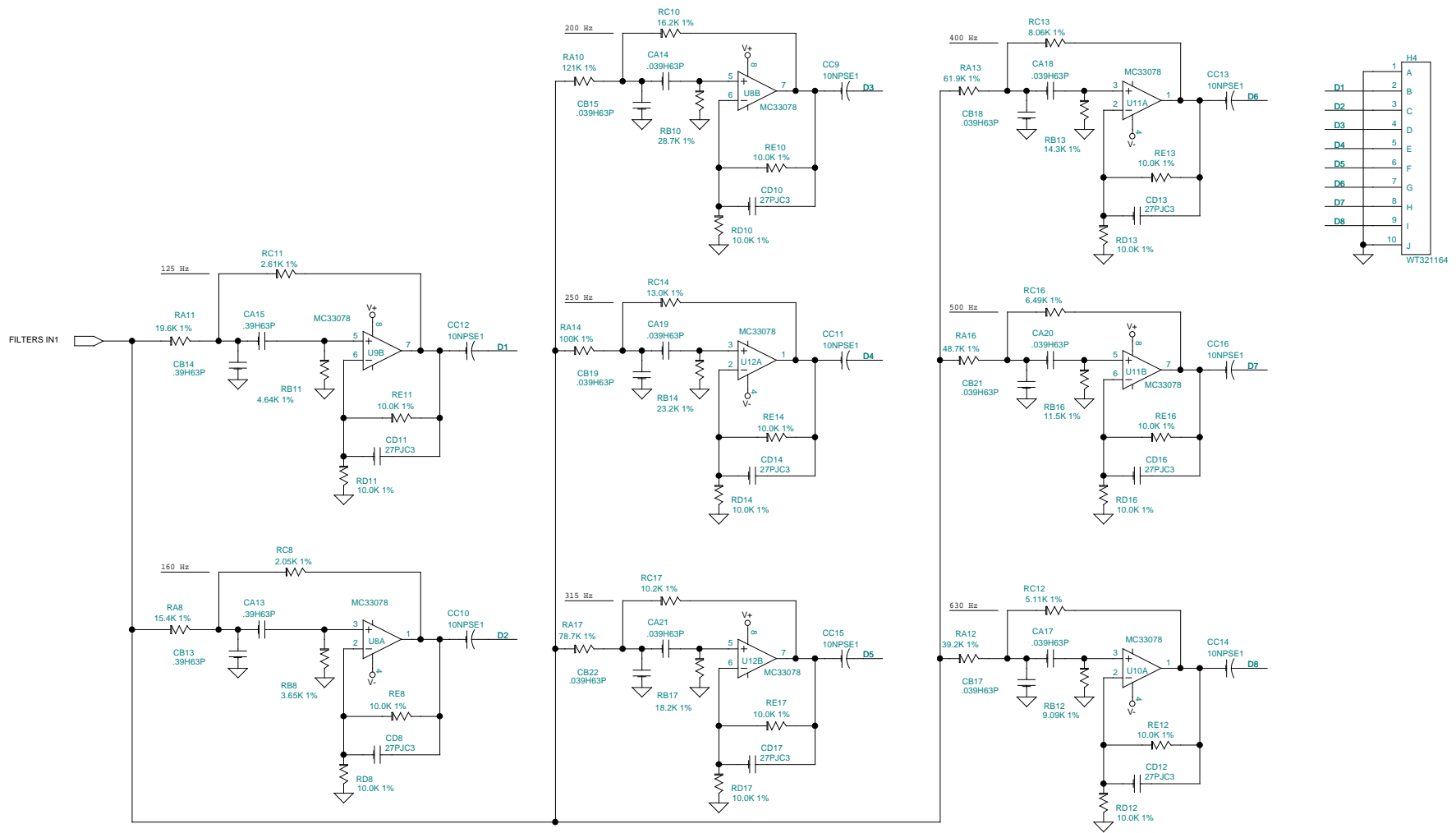


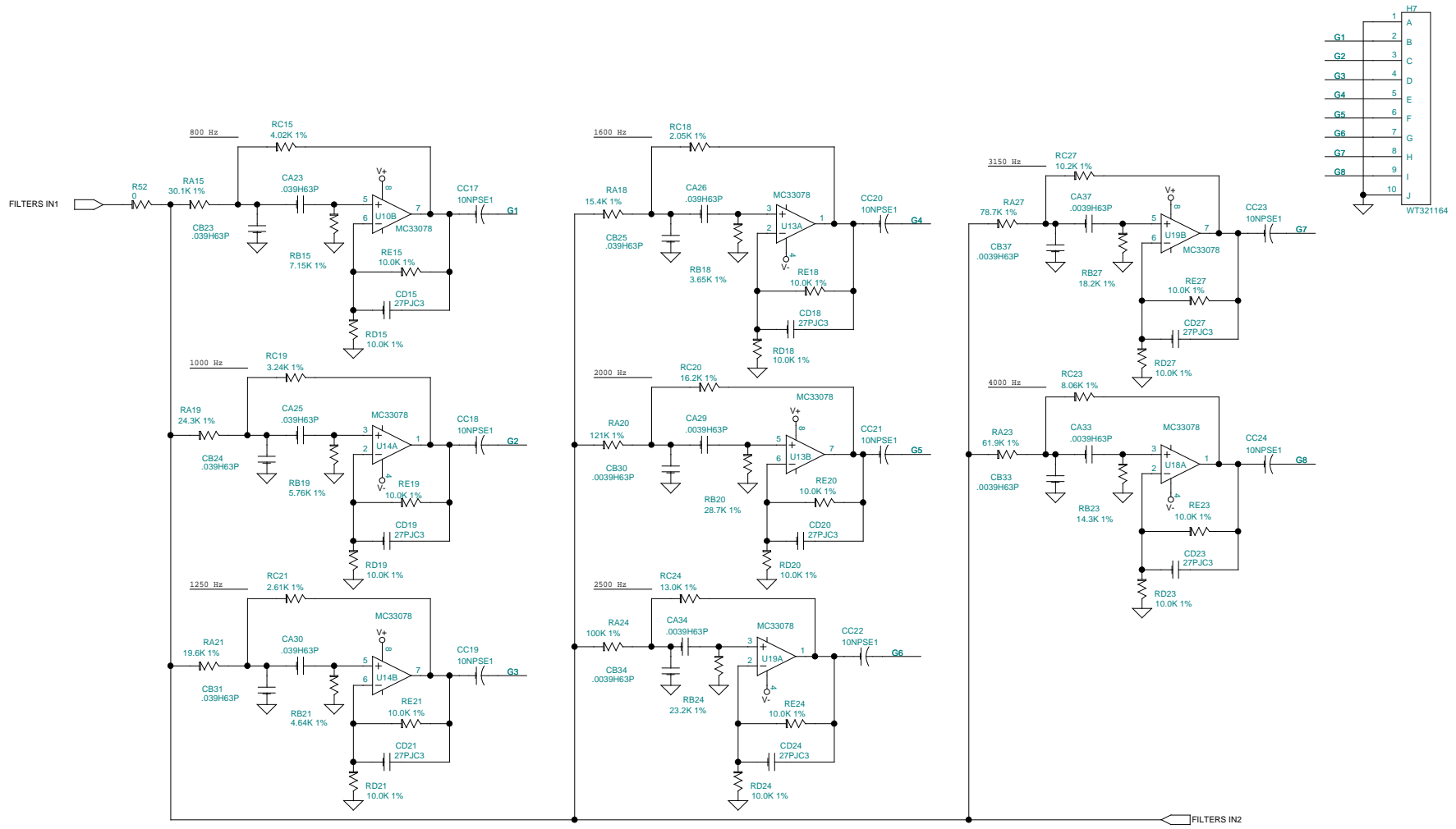
dbx Professional Products	
8760 South Sandy Parkway Sandy, Utah 84070	
Title dbx 3231L CH1 MAIN BOARD 80-3238	
Size B	Document Number 053238A1.001
Date: Monday, October 25, 1999	Rev A1
Sheet 1 of 5	



dbx Professional Products		
8760 South Sandy Parkway Sandy, Utah 84070		
Title dbx 3231L CH1 MAIN BOARD 80-3238		
Size B	Document Number 053238A1.002	Rev A1
Date:	Monday, October 25, 1999	Sheet 2 of 5



dbx Professional Products	
8760 South Sandy Parkway Sandy, Utah 84070	
Title dbx 3231L CH1 MAIN BOARD 80-3238	
Size B	Document Number 053238A1.003
Date: Monday, October 25, 1999	Rev A1
Sheet 3 of 5	



dbx Professional Products	
8760 South Sandy Parkway Sandy, Utah 84070	
Title: dbx 3231L CH1 MAIN BOARD 80-3238	
Size: B	Document Number: 053238A1.004
Date: Monday, October 25, 1999	Rev: A1
Sheet 4 of 5	

Quan	Reference	Part	SYMAN	Description
1	B1	BAR320301	32-0301	6 Position, PC Mount, Barrier Strip
1	BR1	BRDB102	70-0129	Bridge Rectifier
34	C1,CD1,CD2,CD3,CD4,CD5, CD6,CD7,CD8,CD9,C10,CD10, CD11,CD12,CD13,CD14,CD15, CD16,CD17,CD18,CD19,C20, CD20,CD21,CD22,CD23,CD24, CD25,CD26,CD27,CD28,CD29, CD30,CD31	27PJC3	62-0066	27 pF Cap 50V 20% Axial Monolithic
2	C2,C6	10KT	62-0163	10 uF Cap 16V 10% Tantalum T&R
40	C4,C5,C7,C8,C12,C13,C14, C15,C16,C17,C18,C19,C22, C23,C24,C26,C27,C28,C29, C30,C31,C32,C33,C34,C35, C36,C37,C38,C39,C50,C51, C52,C54,C55,C56,C60,C61, C62,C63,C68	.047MM3	62-0067	0.047 uF Cap 50V 20% Axial Monolithic
2	C11,C21	47S63E	60-0301	47 uF Cap 63V -20/+80% Elect
1	C25	47SE1	60-0054-01	47 uF Cap 16V -20/+20% Elect., T&R
2	C64,C65	470M35E	60-0060	470 uF Cap 35V -20/+20% Elect-S
2	C66,C67	100S25E1	60-0055	100 uF Cap 25V -20/+80% Elect-D T&R
20	CA1,CB1,CA2,CB2,CA3,CB3, CA4,CB5,CA6,CB6,CB7,CA8, CB8,CA9,CA11,CB12,CA13, CB13,CB14,CA15	.39H63P	62-0152	.39 uF Cap 63V 3% Poly. Film
20	CA14,CB15,CA17,CB17,CA18, CB18,CA19,CB19,CA20,CA21, CB21,CB22,CA23,CB23,CB24, CA25,CB25,CA26,CA30,CB31	.039H63P	62-0151	.039 uF Cap 63V 3% Poly. Film PET
22	CA29,CB30,CA32,CB32,CA33, CB33,CA34,CB34,CA35,CB35, CA36,CB36,CA37,CB37,CA38, CB38,CA39,CB39,CA40,CB40, CA41,CB41	.0039H63P	62-0150	.0039 uF Cap 63V 3% Poly. Film PET
33	CC1,CC2,C3,CC3,CC4,CC5, CC6,CC7,CC8,CC9,CC10, CC11,CC12,CC13,CC14,CC15, CC16,CC17,CC18,CC19,CC20, CC21,CC22,CC23,CC24,CC25, CC26,CC27,CC28,CC29,CC30, CC31,C47	10NPSE1	60-0051-01	10 uF Cap 16V -20/+80% Elect., NP T&R
7	D1,D2,D7,D8,D9,D10,D11	1N4148	70-0002	1N4148 Silicon Switching Diode, 75 Volts PIV
1	D3	1N4001	70-0001	1N4001 Silicon Rectifier, 1 Amp, 50 Volts PIV
6	H1,H2,H3,H4,H7,H8	WT321164	32-1164	10 Circuit Wire Trap Connector, 2mm Pitch
2	H9,H10	HDR321071	32-1071	5 Pin Header, 0.1" spacing, 0.025" sq pins Lockin
1	H11	HDR322111	32-2111	10 Pin Hdr, 5X2, Straight, .23", 0.1" spacing
2	H12,H13	HDR321063	32-1063	5 Pin Header, 0.1" spacing, 0.025" sq pins, 0.43" pins
1	HS1	HS704204	70-4204	Heatsink, 3 Regulator, Top
1	HS2	HS704203	70-4203	Heatsink, 3 Regulator, U-Shape Base

053238a1

1	I1	INS704209	70-4209	Insulator, 3 Regulator Heatsink
2	J1,J4	J322110	32-2110	Jack, 1/4" Phone, PCB Mount, Hor., Cliff S2
1	J2	J322115	32-2115	XLR, Ins, Female PC Mount, R/A

DOD Software

Page

dbx 3231L CH1 MAIN BOARD 80-3238

Revised: March 15, 1995

053238A1.000

Revision: A1

Bill Of Materials

March 15, 1995 9:23:37

Quan Reference

Part

SYMAN

Description

1	J3	J322114	32-2114	XLR, Ins, Male PC Mount, R/A
1	K1	RLY725143	72-5143	DPDT Relay Switch
6	L1,L2,L3,L4,L9,L10	EMI1000PF	62-2101	1000 pF Filter, EMI, SUPP, 50V
1	PCB1	80-3238-A	80-3238-A	dbx 3000 SERIES EQ MAIN PCB RAW
6	PJ1,PJ2,PJ3,PJ4,PJ5,PJ6	PJ	----	This is not a part.
4	Q1,Q2,Q3,Q5	J112	70-1012	J112A JFET, National Only
1	Q4	2N5088	70-1007	2N5088 NPN, T&R
1	Q11	2N6427	70-1150	2N6427 Darlington
2	R1,R2	49.9K 1%	52-0020	49.9 KOhm Resistor 1% 1/4 Watt Metal Film
4	R3,R8,R9,R14	13.3K 1%	52-0053	13.3 KOhm Resistor 1% 1/4 Watt Metal Film
4	R4,R7,R12,R15	4.42K 1%	52-0120	4.42 KOhm Resistor 1% 1/4 Watt Metal Film
4	R5,R6,R13,R16	1.00K 1%	52-0133	1.00 KOhm Resistor 1% 1/4 Watt Metal Film
1	R10	330	50-0005	330 Ohm Resistor 5% 1/4 Watt Carbon Film
1	R11	220K	50-0040	220 KOhm Resistor 5% 1/4 Watt Carbon Film
1	R17	200K 1%	52-0276	200 KOhm Resistor 1% 1/4 Watt Metal Film
1	R18	75K	50-0033	75 KOhm Resistor 5% 1/4 Watt Carbon Film
2	R38,R41	2.00K 1%	52-0186	2.00 KOhm Resistor 1% 1/4 Watt Metal Film
1	R39	2M	50-0046	2 MOhm Resistor 5% 1/4 Watt Carbon Film
1	R40	340K 1%	52-0254	340 KOhm Resistor 1% 1/4 Watt Metal Film
1	R52	0	50-0050	0 Ohm Resistor 5% 1/4 Watt Carbon Film
2	R53,R54	15 1W	50-1153	15 Ohm Resistor 5% 1 Watt MOF Flameproof
3	RA1,RA14,RA24	100K 1%	52-0305	100 KOhm Resistor 1% 1/4 Watt Metal Film
3	RA2,RA17,RA27	78.7K 1%	52-0071	78.7 KOhm Resistor 1% 1/4 Watt Metal Film
3	RA3,RA10,RA20	121K 1%	52-0297	121 KOhm Resistor 1% 1/4 Watt Metal Film
3	RA4,RA12,RA22	39.2K 1%	52-0079	39.2 KOhm Resistor 1% 1/4 Watt Metal Film
3	RA5,RA13,RA23	61.9K 1%	52-0072	61.9 KOhm Resistor 1% 1/4 Watt Metal Film
3	RA6,RA15,RA25	30.1K 1%	52-0083	30.1 KOhm Resistor 1% 1/4 Watt Metal Film
3	RA7,RA16,RA26	48.7K 1%	52-0076	48.7 KOhm Resistor 1% 1/4 Watt Metal Film
3	RA8,RA18,RA28	15.4K 1%	52-0096	15.4 KOhm Resistor 1% 1/4 Watt Metal Film
3	RA9,RA19,RA29	24.3K 1%	52-0086	24.3 KOhm Resistor 1% 1/4 Watt Metal Film
3	RA11,RA21,RA31	19.6K 1%	52-0092	19.6 KOhm Resistor 1% 1/4 Watt Metal Film
1	RA30	12.1K 1%	52-0103	12.1 KOhm Resistor 1% 1/4 Watt Metal Film
3	RB1,RB14,RB24	23.2K 1%	52-0087	23.2 KOhm Resistor 1% 1/4 Watt Metal Film
3	RB2,RB17,RB27	18.2K 1%	52-0093	18.2 KOhm Resistor 1% 1/4 Watt Metal Film
3	RB3,RB10,RB20	28.7K 1%	52-0084	28.7 KOhm Resistor 1% 1/4 Watt Metal Film
3	RB4,RB12,RB22	9.09K 1%	52-0109	9.09 KOhm Resistor 1% 1/4 Watt Metal Film
3	RB5,RB13,RB23	14.3K 1%	52-0099	14.3 KOhm Resistor 1% 1/4 Watt Metal Film
3	RB6,RB15,RB25	7.15K 1%	52-0113	7.15 KOhm Resistor 1% 1/4 Watt Metal Film
3	RB7,RB16,RB26	11.5K 1%	52-0104	11.5 KOhm Resistor 1% 1/4 Watt Metal Film
3	RB8,RB18,RB28	3.65K 1%	52-0122	3.65 KOhm Resistor 1% 1/4 Watt Metal Film
3	RB9,RB19,RB29	5.76K 1%	52-0116	5.76 KOhm Resistor 1% 1/4 Watt Metal Film
3	RB11,RB21,RB31	4.64K 1%	52-0118	4.64 KOhm Resistor 1% 1/4 Watt Metal Film
1	RB30	2.87K 1%	52-0126	2.87 KOhm Resistor 1% 1/4 Watt Metal Film
3	RC1,RC14,RC24	13.0K 1%	52-0101	13.0 KOhm Resistor 1% 1/4 Watt Metal Film
3	RC2,RC17,RC27	10.2K 1%	52-0106	10.2 KOhm Resistor 1% 1/4 Watt Metal Film
3	RC3,RC10,RC20	16.2K 1%	52-0095	16.2 KOhm Resistor 1% 1/4 Watt Metal Film
3	RC4,RC12,RC22	5.11K 1%	52-0117	5.11 KOhm Resistor 1% 1/4 Watt Metal Film

053238a1

3	RC5,RC13,RC23	8.06K 1%	52-0111	8.06 KOhm Resistor	1%	1/4 Watt Metal Film
3	RC6,RC15,RC25	4.02K 1%	52-0121	4.02 KOhm Resistor	1%	1/4 Watt Metal Film
3	RC7,RC16,RC26	6.49K 1%	52-0114	6.49 KOhm Resistor	1%	1/4 Watt Metal Film
3	RC8,RC18,RC28	2.05K 1%	52-0129	2.05 KOhm Resistor	1%	1/4 Watt Metal Film
3	RC9,RC19,RC29	3.24K 1%	52-0124	3.24 KOhm Resistor	1%	1/4 Watt Metal Film

DOD Software

Page

dbx 3231L CH1 MAIN BOARD 80-3238
053238A1.000

Revised: March 15, 1995

Revision: A1

Bill Of Materials

March 15, 1995

9:23:37

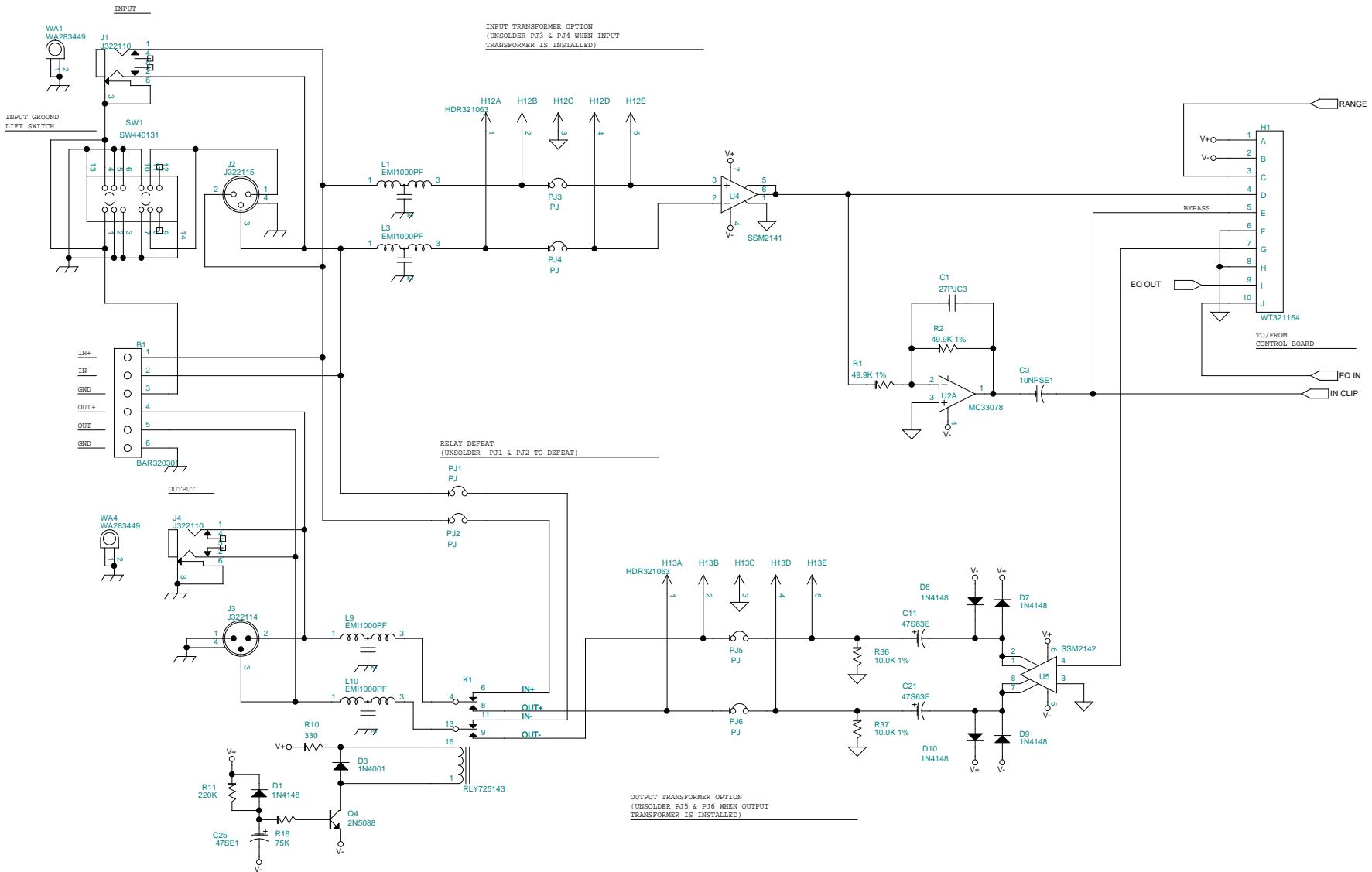
Quan Reference

Part

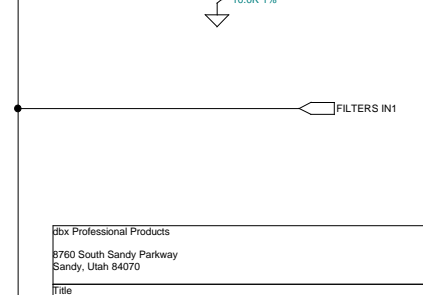
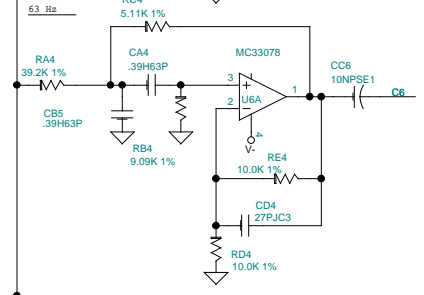
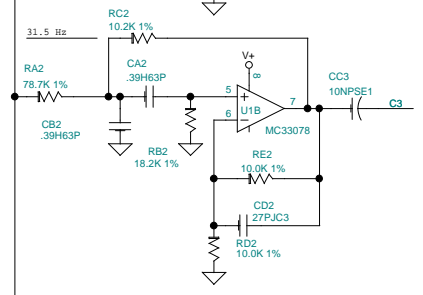
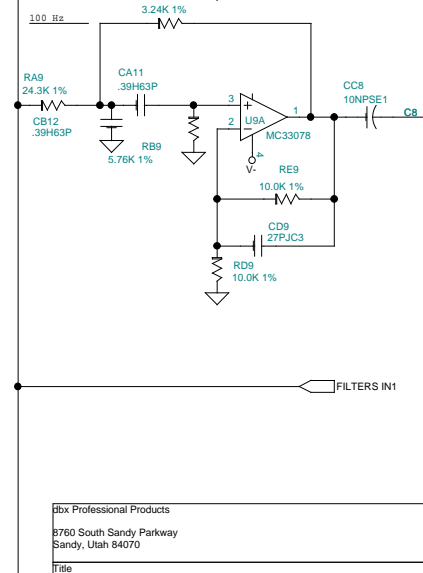
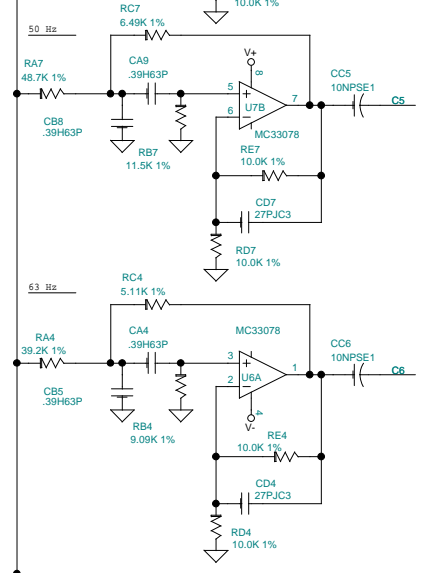
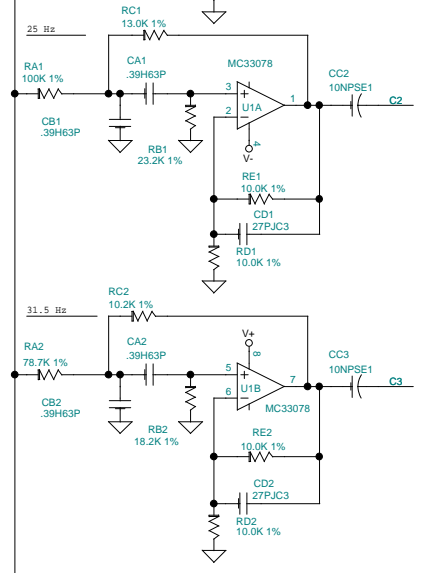
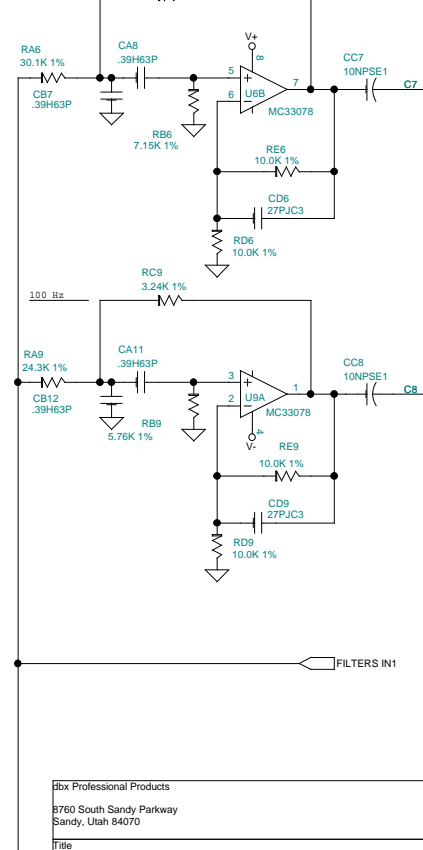
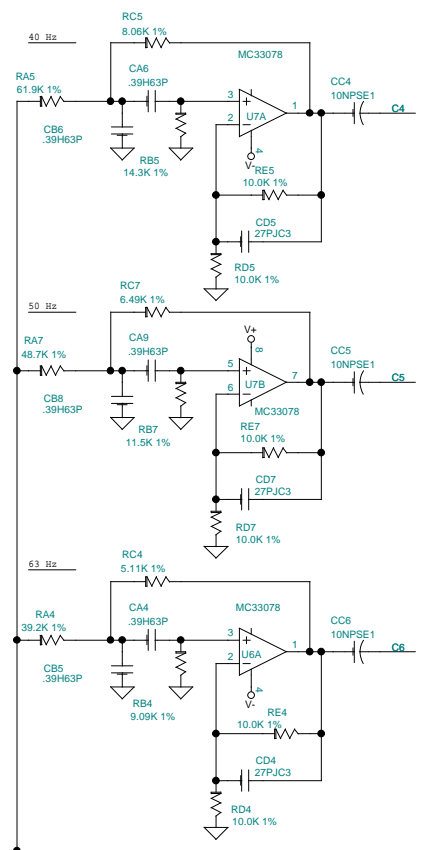
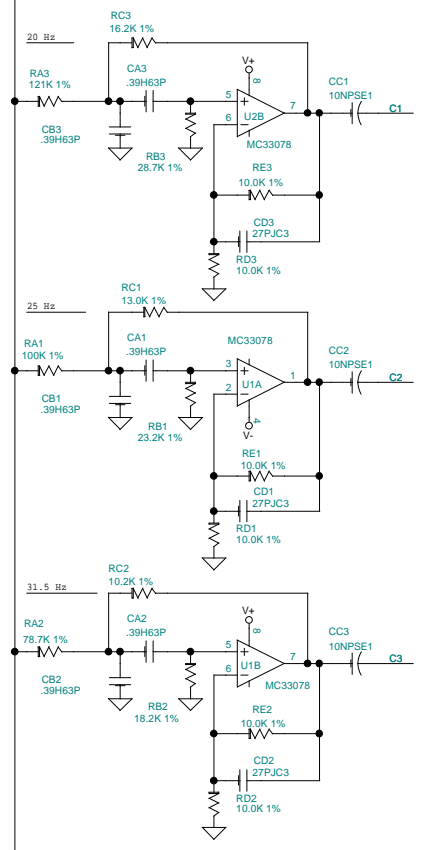
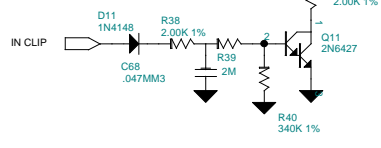
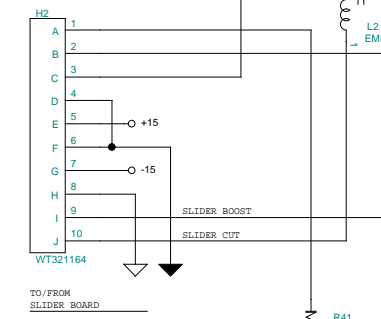
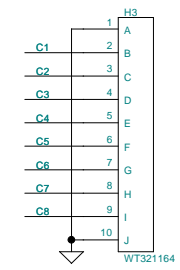
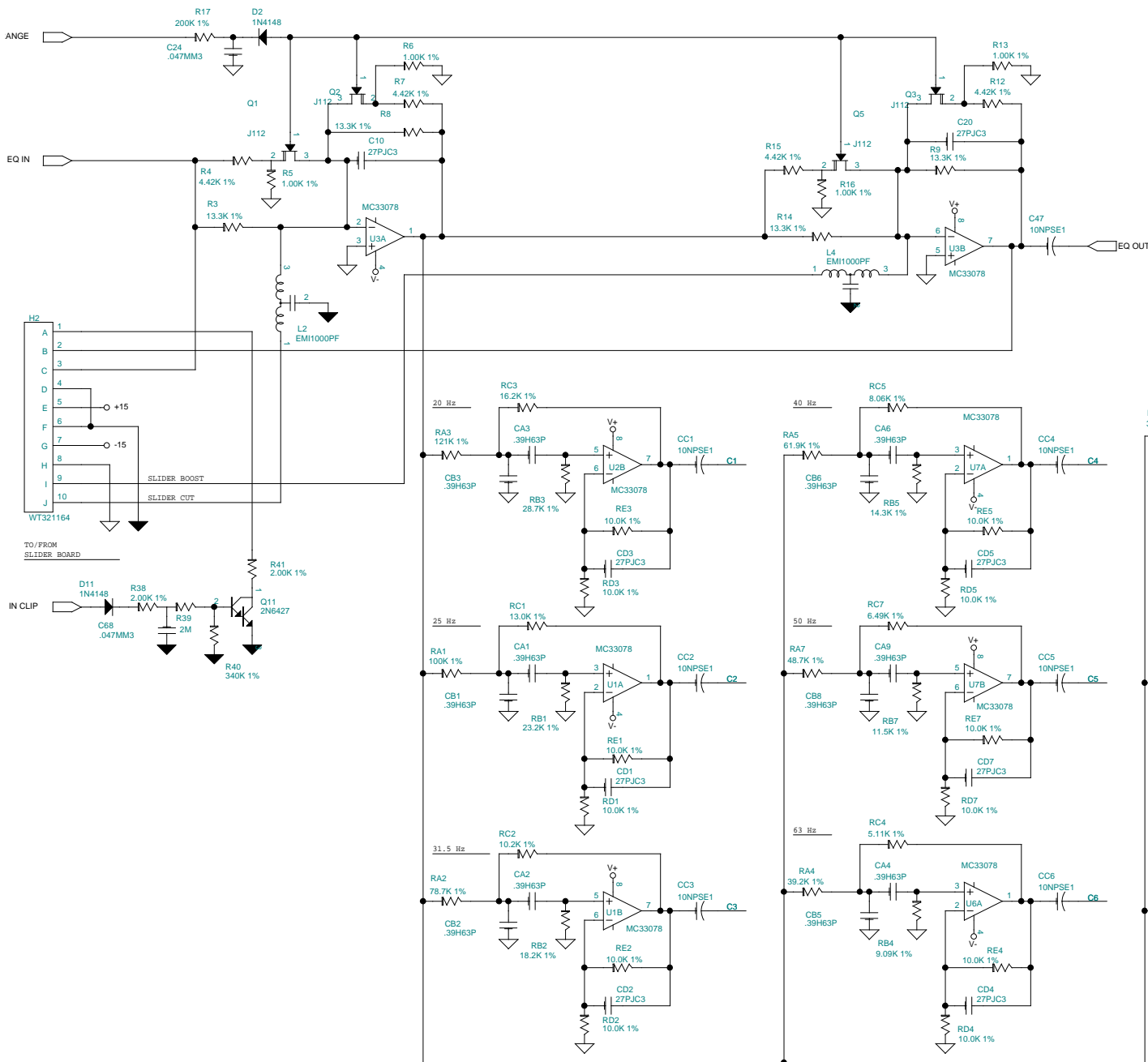
SYMAN

Description

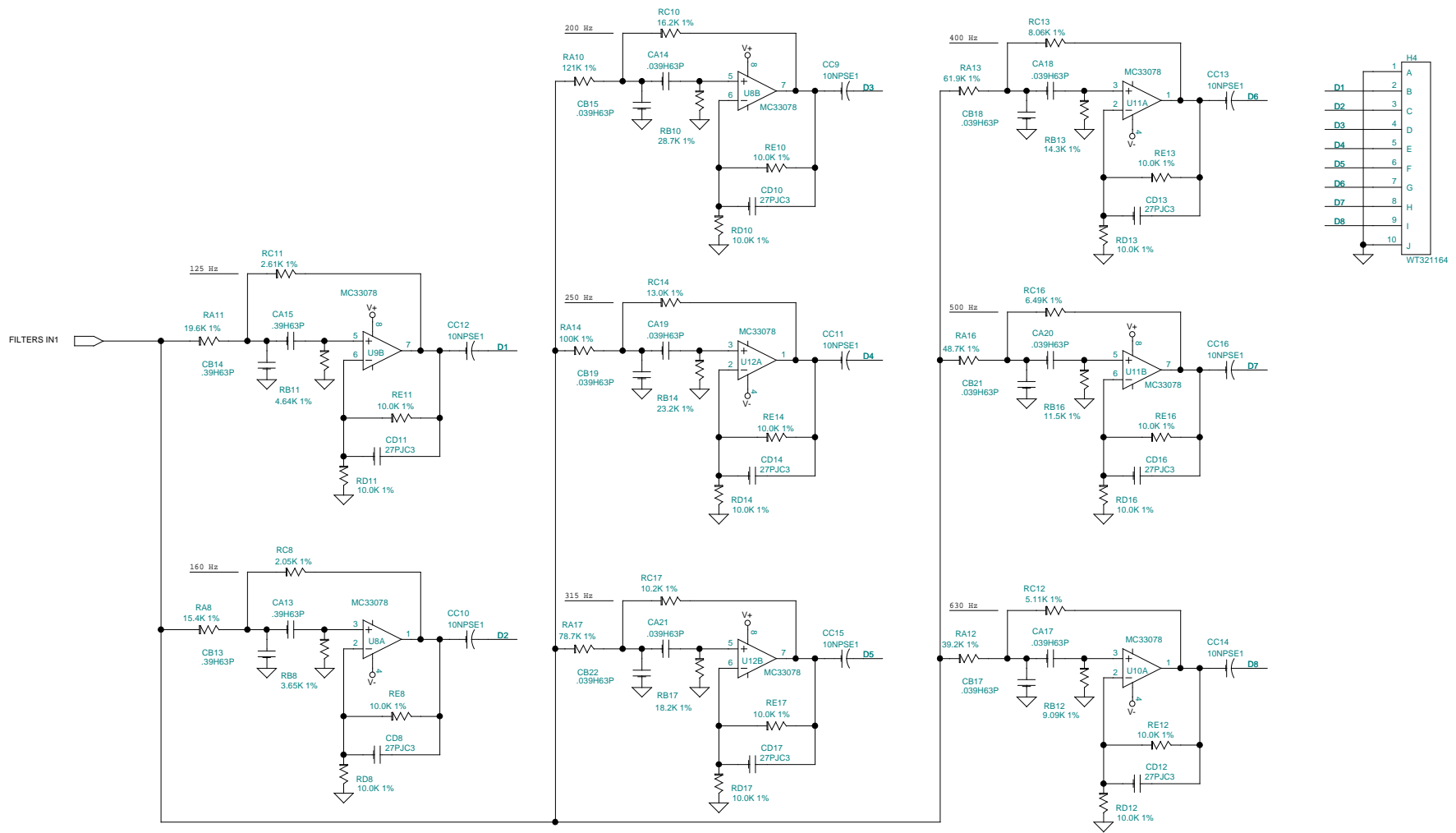
3	RC11,RC21,RC31	2.61K 1%	52-0127	2.61 KOhm Resistor	1%	1/4 Watt Metal Film
1	RC30	1.62K 1%	52-0131	1.62 KOhm Resistor	1%	1/4 Watt Metal Film
64	RD1,RE1,RD2,RE2,RD3,RE3, RD4,RE4,RD5,RE5,RD6,RE6, RD7,RE7,RD8,RE8,RD9,RE9, RD10,RE10,RD11,RE11,RD12, RE12,RD13,RE13,RD14,RE14, RD15,RE15,RD16,RE16,RD17, RE17,RD18,RE18,RD19,RE19, RD20,RE20,RD21,RE21,RD22, RE22,RD23,RE23,RD24,RE24, RD25,RE25,RD26,RE26,RD27, RE27,RD28,RE28,RD29,RE29, RD30,RE30,RD31,RE31,R36, R37	10.0K 1%	52-0107	10.0 KOhm Resistor	1%	1/4 Watt Metal Film
2	S4,S5	DIP8S	70-3020	8 Pin Dip Socket		
2	SR1,SR2	SR280058	28-0058	Screw, 6-32 x 3/8", Pozi-pan, Black		
2	SR3,SR4	SR280059	28-0059	Screw, 6-32 x 1/4", Pozi-pan, Black		
1	SW1	SW440131	44-0131	4PDT Slide Switch, 2MM Actuator, RA		
17	U1,U2,U3,U6,U7,U8,U9,U10, U11,U12,U13,U14,U17,U18, U19,U21,U22	MC33078	72-4248	Dual OP-AMP		
1	U4	SSM2141	72-4256	SSM2141P Differential Line Receiver		
1	U5	SSM2142	72-4252	Balanced Line Driver		
1	U23	7915	70-4124	7915 -15 Volt 1 A Voltage Regulator	TO-220	
1	U24	7815	70-4123	7815 +15 Volt 1 A Voltage Regulator	TO-220	
2	WA1,WA4	WA283449	28-3449	Washer, Ground, Int tooth, for Cliff S2 Jack		



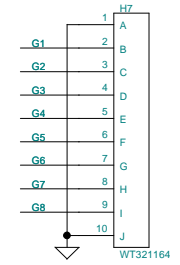
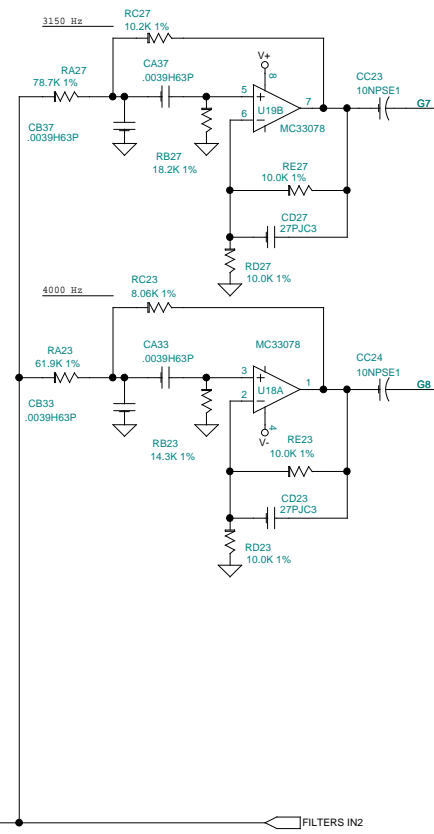
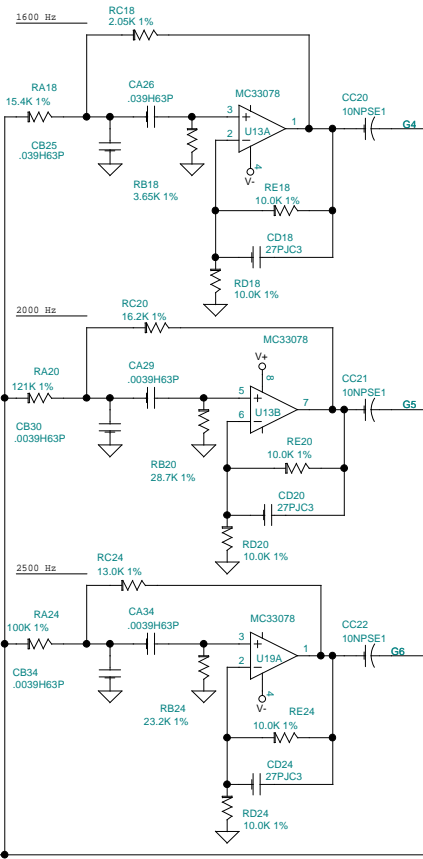
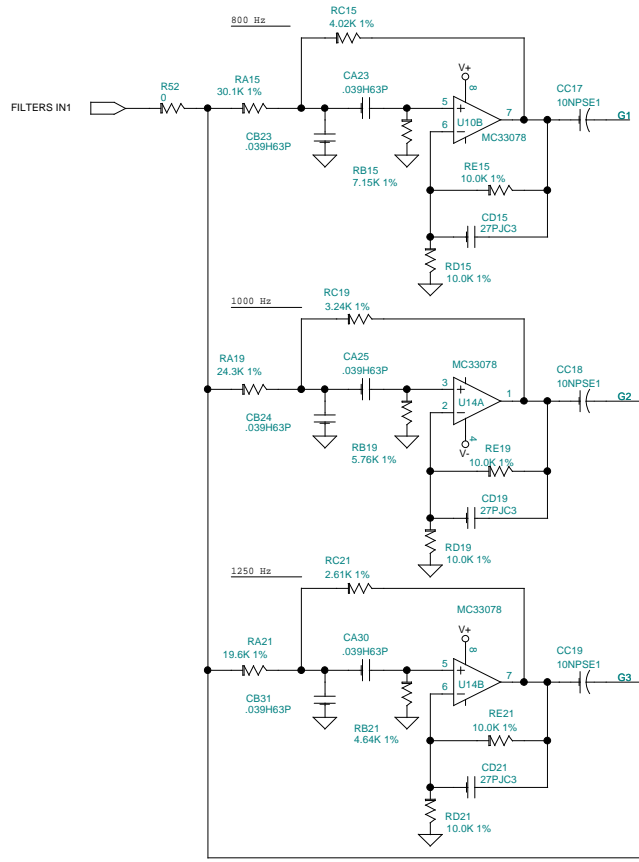
dbx Professional Products	
8760 South Sandy Parkway Sandy, Utah 84070	
Title dbx 3231L CH2 MAIN BOARD 80-3238	
Size B	Document Number 053243A0.001
Date: Monday, October 25, 1999	Rev A0
Sheet 1 of 5	



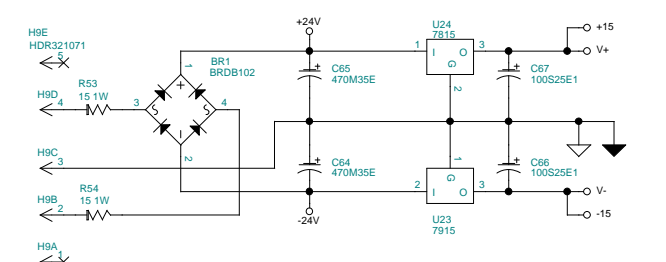
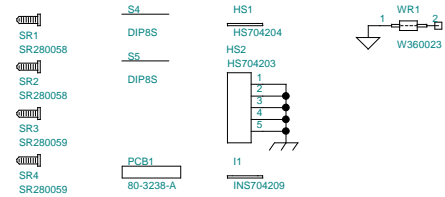
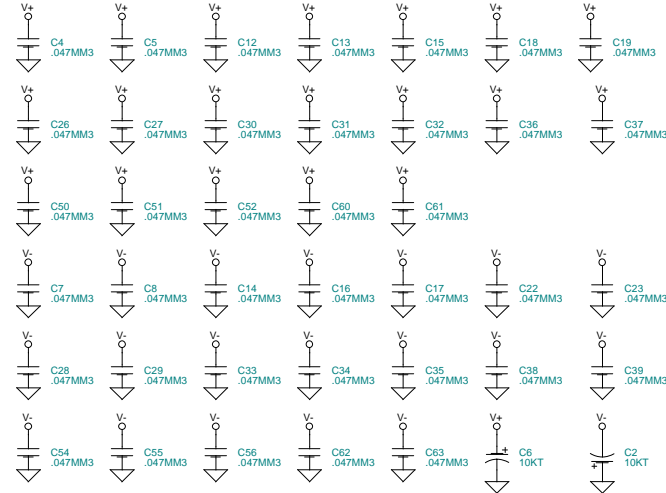
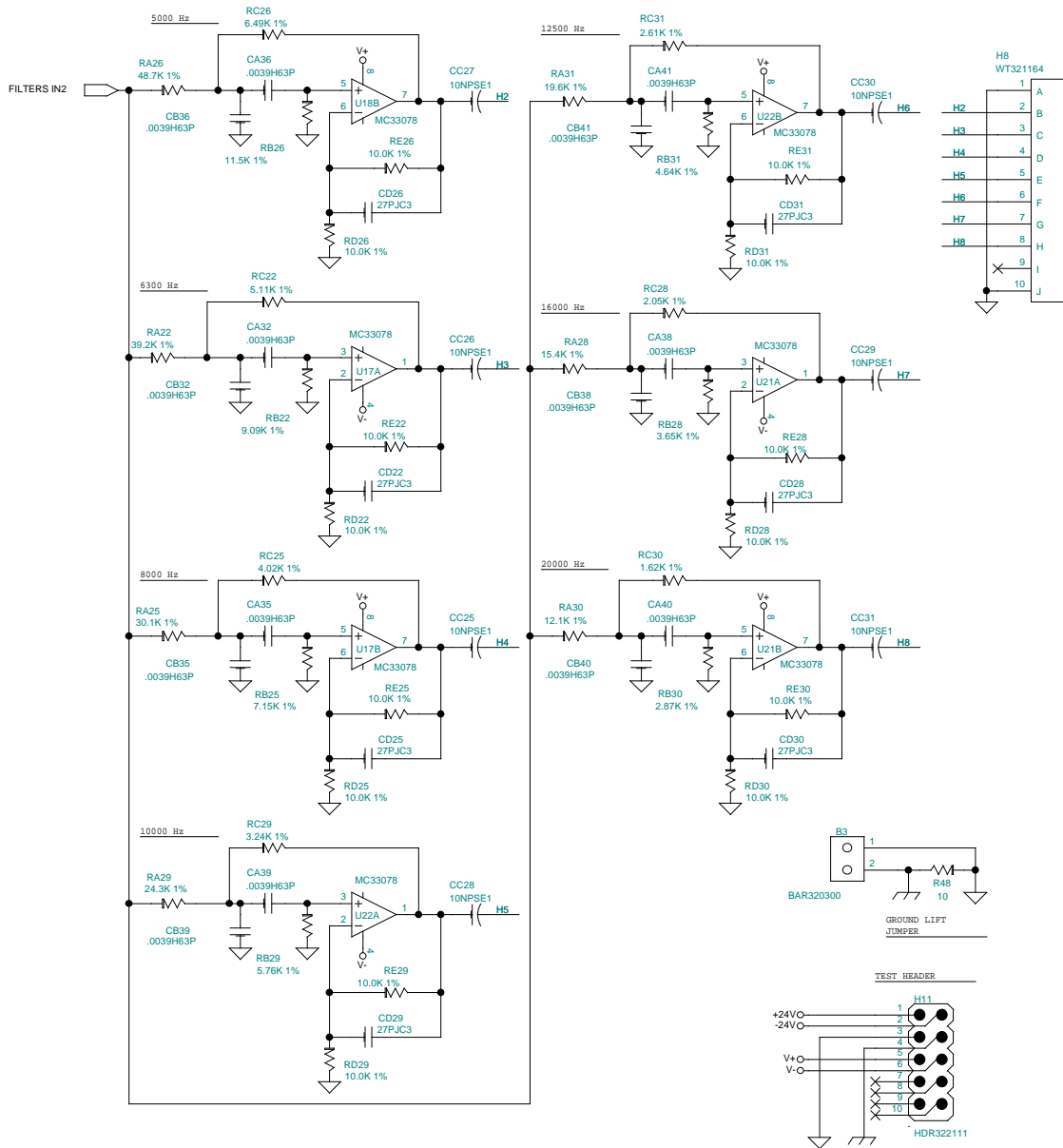
dbx Professional Products		
8760 South Sandy Parkway Sandy, Utah 84070		
Title dbx 3231L CH2 MAIN BOARD 80-3238		
Size B	Document Number 053243A0.002	Rev A0
Date:	Monday, October 25, 1999	Sheet 2 of 5



dbx Professional Products	
8760 South Sandy Parkway Sandy, Utah 84070	
Title dbx 3231L CH2 MAIN BOARD 80-3238	
Size B	Document Number 053243A0.003
Date: Monday, October 25, 1999	Sheet 3 of 5
	Rev A0



dbx Professional Products			
8760 South Sandy Parkway Sandy, Utah 84070			
Title dbx 3231L CH2 MAIN BOARD 80-3238			
Size B	Document Number 053243A0.004	Rev A0	
Date:	Monday, October 25, 1999	Sheet	4 of 5



dbx Professional Products	
8760 South Sandy Parkway Sandy, Utah 84070	
Title dbx 3231L CH2 MAIN BOARD 80-3238	
Size B	Document Number 053243A0.005
Date Monday, October 25, 1999	Sheet 5 of 5
	Rev A0

Quan	Reference	Part	SYMAN	Description
1	B1	BAR320301	32-0301	6 Position, PC Mount, Barrier Strip
1	B3	BAR320300	32-0300	2 Position, PC Mount, Barrier Strip
1	BR1	BRDB102	70-0129	Bridge Rectifier
34	C1,CD1,CD2,CD3,CD4,CD5, CD6,CD7,CD8,CD9,C10,CD10, CD11,CD12,CD13,CD14,CD15, CD16,CD17,CD18,CD19,C20, CD20,CD21,CD22,CD23,CD24, CD25,CD26,CD27,CD28,CD29, CD30,CD31	27PJC3	62-0066	27 pF Cap 50V 20% Axial Monolithic
2	C2,C6	10KT	62-0163	10 uF Cap 16V 10% Tantalum T&R
40	C4,C5,C7,C8,C12,C13,C14, C15,C16,C17,C18,C19,C22, C23,C24,C26,C27,C28,C29, C30,C31,C32,C33,C34,C35, C36,C37,C38,C39,C50,C51, C52,C54,C55,C56,C60,C61, C62,C63,C68	.047MM3	62-0067	0.047 uF Cap 50V 20% Axial Monolithic
2	C11,C21	47S63E	60-0301	47 uF Cap 63V -20/+80% Elect
1	C25	47SE1	60-0054-01	47 uF Cap 16V -20/+20% Elect., T&R
2	C64,C65	470M35E	60-0060	470 uF Cap 35V -20/+20% Elect-S
2	C66,C67	100S25E1	60-0055	100 uF Cap 25V -20/+80% Elect-D T&R
20	CA1,CB1,CA2,CB2,CA3,CB3, CA4,CB5,CA6,CB6,CB7,CA8, CB8,CA9,CA11,CB12,CA13, CB13,CB14,CA15	.39H63P	62-0152	.39 uF Cap 63V 3% Poly. Film
20	CA14,CB15,CA17,CB17,CA18, CB18,CA19,CB19,CA20,CA21, CB21,CB22,CA23,CB23,CB24, CA25,CB25,CA26,CA30,CB31	.039H63P	62-0151	.039 uF Cap 63V 3% Poly. Film PET
22	CA29,CB30,CA32,CB32,CA33, CB33,CA34,CB34,CA35,CB35, CA36,CB36,CA37,CB37,CA38, CB38,CA39,CB39,CA40,CB40, CA41,CB41	.0039H63P	62-0150	.0039 uF Cap 63V 3% Poly. Film PET
33	CC1,CC2,C3,CC3,CC4,CC5, CC6,CC7,CC8,CC9,CC10, CC11,CC12,CC13,CC14,CC15, CC16,CC17,CC18,CC19,CC20, CC21,CC22,CC23,CC24,CC25, CC26,CC27,CC28,CC29,CC30, CC31,C47	10NPSE1	60-0051-01	10 uF Cap 16V -20/+80% Elect., NP T&R
7	D1,D2,D7,D8,D9,D10,D11	1N4148	70-0002	1N4148 Silicon Switching Diode, 75 Volts PIV
1	D3	1N4001	70-0001	1N4001 Silicon Rectifier, 1 Amp, 50 Volts PIV
6	H1,H2,H3,H4,H7,H8	WT321164	32-1164	10 Circuit Wire Trap Connector, 2mm Pitch
1	H9	HDR321071	32-1071	5 Pin Header, 0.1" spacing, 0.025" sq pins Lockin
1	H11	HDR322111	32-2111	10 Pin Hdr, 5X2, Straight, .23", 0.1" spacing
2	H12,H13	HDR321063	32-1063	5 Pin Header, 0.1" spacing, 0.025" sq pins, 0.43" pins
1	HS1	HS704204	70-4204	Heatsink, 3 Regulator, Top

053243a0

1	HS2	HS704203	70-4203	Heatsink, 3 Regulator, U-Shape Base
1	I1	INS704209	70-4209	Insulator, 3 Regulator Heatsink
2	J1,J4	J322110	32-2110	Jack, 1/4" Phone, PCB Mount, Hor., Cliff S2

DOD Software

Page

dbx 3231L CH2 MAIN BOARD 80-3238

Revised: March 15, 1995

053243A0.000

Revision: A0

Bill Of Materials

March 15, 1995

16:16:39

Quan Reference

Part

SYMAN

Description

Quan	Reference	Part	SYMAN	Description
1	J2	J322115	32-2115	XLR, Ins, Female PC Mount, R/A
1	J3	J322114	32-2114	XLR, Ins, Male PC Mount, R/A
1	K1	RLY725143	72-5143	DPDT Relay Switch
6	L1,L2,L3,L4,L9,L10	EMI1000PF	62-2101	1000 pF Filter, EMI, SUPP, 50V
1	PCB1	80-3238-A	80-3238-A	dbx 3000 SERIES EQ MAIN PCB RAW
6	PJ1,PJ2,PJ3,PJ4,PJ5,PJ6	PJ	----	This is not a part.
4	Q1,Q2,Q3,Q5	J112	70-1012	J112A JFET, National Only
1	Q4	2N5088	70-1007	2N5088 NPN, T&R
1	Q11	2N6427	70-1150	2N6427 Darlington
2	R1,R2	49.9K 1%	52-0020	49.9 KOhm Resistor 1% 1/4 Watt Metal Film
4	R3,R8,R9,R14	13.3K 1%	52-0053	13.3 KOhm Resistor 1% 1/4 Watt Metal Film
4	R4,R7,R12,R15	4.42K 1%	52-0120	4.42 KOhm Resistor 1% 1/4 Watt Metal Film
4	R5,R6,R13,R16	1.00K 1%	52-0133	1.00 KOhm Resistor 1% 1/4 Watt Metal Film
1	R10	330	50-0005	330 Ohm Resistor 5% 1/4 Watt Carbon Film
1	R11	220K	50-0040	220 KOhm Resistor 5% 1/4 Watt Carbon Film
1	R17	200K 1%	52-0276	200 KOhm Resistor 1% 1/4 Watt Metal Film
1	R18	75K	50-0033	75 KOhm Resistor 5% 1/4 Watt Carbon Film
2	R38,R41	2.00K 1%	52-0186	2.00 KOhm Resistor 1% 1/4 Watt Metal Film
1	R39	2M	50-0046	2 MOhm Resistor 5% 1/4 Watt Carbon Film
1	R40	340K 1%	52-0254	340 KOhm Resistor 1% 1/4 Watt Metal Film
1	R48	10	50-0001	10 Ohm Resistor 5% 1/4 Watt Carbon Film
1	R52	0	50-0050	0 Ohm Resistor 5% 1/4 Watt Carbon Film
2	R53,R54	15 1W	50-1153	15 Ohm Resistor 5% 1 Watt MOF Flameproof
3	RA1,RA14,RA24	100K 1%	52-0305	100 KOhm Resistor 1% 1/4 Watt Metal Film
3	RA2,RA17,RA27	78.7K 1%	52-0071	78.7 KOhm Resistor 1% 1/4 Watt Metal Film
3	RA3,RA10,RA20	121K 1%	52-0297	121 KOhm Resistor 1% 1/4 Watt Metal Film
3	RA4,RA12,RA22	39.2K 1%	52-0079	39.2 KOhm Resistor 1% 1/4 Watt Metal Film
3	RA5,RA13,RA23	61.9K 1%	52-0072	61.9 KOhm Resistor 1% 1/4 Watt Metal Film
3	RA6,RA15,RA25	30.1K 1%	52-0083	30.1 KOhm Resistor 1% 1/4 Watt Metal Film
3	RA7,RA16,RA26	48.7K 1%	52-0076	48.7 KOhm Resistor 1% 1/4 Watt Metal Film
3	RA8,RA18,RA28	15.4K 1%	52-0096	15.4 KOhm Resistor 1% 1/4 Watt Metal Film
3	RA9,RA19,RA29	24.3K 1%	52-0086	24.3 KOhm Resistor 1% 1/4 Watt Metal Film
3	RA11,RA21,RA31	19.6K 1%	52-0092	19.6 KOhm Resistor 1% 1/4 Watt Metal Film
1	RA30	12.1K 1%	52-0103	12.1 KOhm Resistor 1% 1/4 Watt Metal Film
3	RB1,RB14,RB24	23.2K 1%	52-0087	23.2 KOhm Resistor 1% 1/4 Watt Metal Film
3	RB2,RB17,RB27	18.2K 1%	52-0093	18.2 KOhm Resistor 1% 1/4 Watt Metal Film
3	RB3,RB10,RB20	28.7K 1%	52-0084	28.7 KOhm Resistor 1% 1/4 Watt Metal Film
3	RB4,RB12,RB22	9.09K 1%	52-0109	9.09 KOhm Resistor 1% 1/4 Watt Metal Film
3	RB5,RB13,RB23	14.3K 1%	52-0099	14.3 KOhm Resistor 1% 1/4 Watt Metal Film
3	RB6,RB15,RB25	7.15K 1%	52-0113	7.15 KOhm Resistor 1% 1/4 Watt Metal Film
3	RB7,RB16,RB26	11.5K 1%	52-0104	11.5 KOhm Resistor 1% 1/4 Watt Metal Film
3	RB8,RB18,RB28	3.65K 1%	52-0122	3.65 KOhm Resistor 1% 1/4 Watt Metal Film
3	RB9,RB19,RB29	5.76K 1%	52-0116	5.76 KOhm Resistor 1% 1/4 Watt Metal Film
3	RB11,RB21,RB31	4.64K 1%	52-0118	4.64 KOhm Resistor 1% 1/4 Watt Metal Film
1	RB30	2.87K 1%	52-0126	2.87 KOhm Resistor 1% 1/4 Watt Metal Film
3	RC1,RC14,RC24	13.0K 1%	52-0101	13.0 KOhm Resistor 1% 1/4 Watt Metal Film
3	RC2,RC17,RC27	10.2K 1%	52-0106	10.2 KOhm Resistor 1% 1/4 Watt Metal Film

053243a0

3	RC3,RC10,RC20	16.2K 1%	52-0095	16.2 KOhm Resistor	1%	1/4 Watt Metal Film
3	RC4,RC12,RC22	5.11K 1%	52-0117	5.11 KOhm Resistor	1%	1/4 Watt Metal Film
3	RC5,RC13,RC23	8.06K 1%	52-0111	8.06 KOhm Resistor	1%	1/4 Watt Metal Film
3	RC6,RC15,RC25	4.02K 1%	52-0121	4.02 KOhm Resistor	1%	1/4 Watt Metal Film
3	RC7,RC16,RC26	6.49K 1%	52-0114	6.49 KOhm Resistor	1%	1/4 Watt Metal Film

Page

DOD Software

dbx 3231L CH2 MAIN BOARD 80-3238
053243A0.000

Revised: March 15, 1995

Revision: A0

Bill Of Materials

March 15, 1995

16:16:39

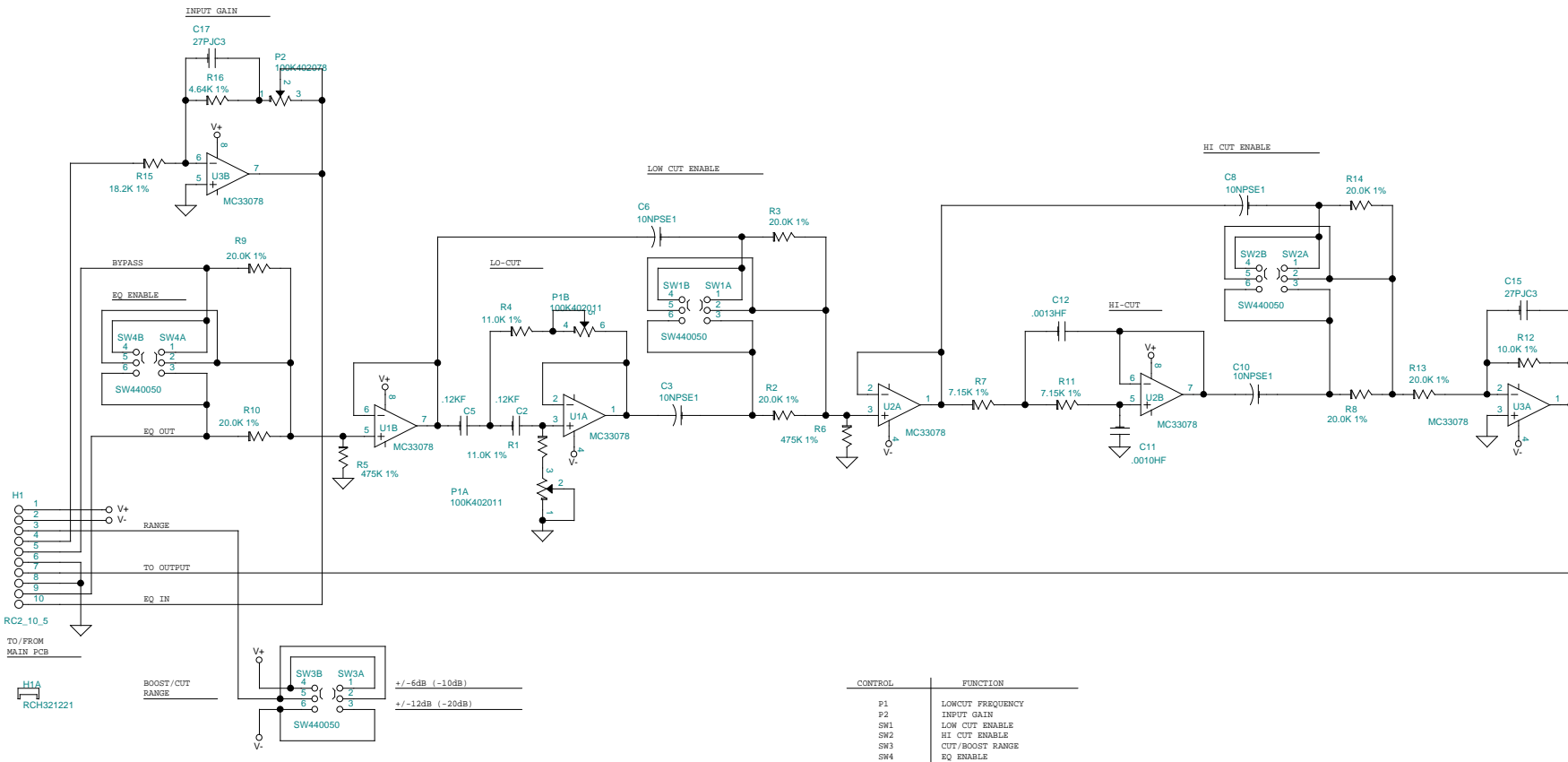
Quan Reference

Part

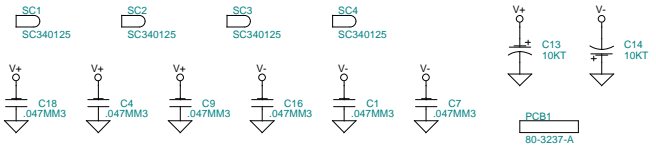
SYMAN

Description

3	RC8,RC18,RC28	2.05K 1%	52-0129	2.05 KOhm Resistor	1%	1/4 Watt Metal Film
3	RC9,RC19,RC29	3.24K 1%	52-0124	3.24 KOhm Resistor	1%	1/4 Watt Metal Film
3	RC11,RC21,RC31	2.61K 1%	52-0127	2.61 KOhm Resistor	1%	1/4 Watt Metal Film
1	RC30	1.62K 1%	52-0131	1.62 KOhm Resistor	1%	1/4 Watt Metal Film
64	RD1,RE1,RD2,RE2,RD3,RE3, RD4,RE4,RD5,RE5,RD6,RE6, RD7,RE7,RD8,RE8,RD9,RE9, RD10,RE10,RD11,RE11,RD12, RE12,RD13,RE13,RD14,RE14, RD15,RE15,RD16,RE16,RD17, RE17,RD18,RE18,RD19,RE19, RD20,RE20,RD21,RE21,RD22, RE22,RD23,RE23,RD24,RE24, RD25,RE25,RD26,RE26,RD27, RE27,RD28,RE28,RD29,RE29, RD30,RE30,RD31,RE31,R36, R37	10.0K 1%	52-0107	10.0 KOhm Resistor	1%	1/4 Watt Metal Film
2	S4,S5	DIP8S	70-3020	8 Pin Dip Socket		
2	SR1,SR2	SR280058	28-0058	Screw, 6-32 x 3/8", Pozi-pan, Black		
2	SR3,SR4	SR280059	28-0059	Screw, 6-32 x 1/4", Pozi-pan, Black		
1	SW1	SW440131	44-0131	4PDT Slide Switch, 2MM Actuator, RA		
17	U1,U2,U3,U6,U7,U8,U9,U10, U11,U12,U13,U14,U17,U18, U19,U21,U22	MC33078	72-4248	Dual OP-AMP		
1	U4	SSM2141	72-4256	SSM2141P Differential Line Receiver		
1	U5	SSM2142	72-4252	Balanced Line Driver		
1	U23	7915	70-4124	7915 -15 Volt 1 A Voltage Regulator TO-220		
1	U24	7815	70-4123	7815 +15 Volt 1 A Voltage Regulator TO-220		
2	WA1,WA4	WA283449	28-3449	Washer, Ground, Int tooth, for Cliff S2 Jack		
1	WR1	W360023	36-0023	Wire, 2 End, 8.00", Black, 20AWG, UL1015		



CONTROL	FUNCTION
P1	LOWCUT FREQUENCY
SW1	INPUT GAIN
SW2	LOW CUT ENABLE
SW3	HI CUT ENABLE
SW4	EQ/BOOST RANGE
	EQ ENABLE



NOT USED
 LAST REF.
 C18
 H1
 P2
 R16
 SC4
 SW4
 U3

dbx Professional Products	
8760 South Sandy Parkway Sandy, Utah 84070	
Title dbx 30 SERIES EQS CONTROL BOARD 80-3237	
Size B	Document Number 053237A2.001
Date: Friday, October 15, 1999	Rev A2
Sheet 1 of 1	

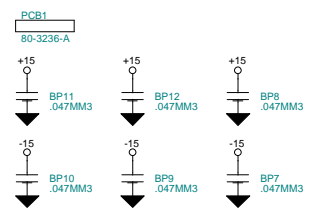
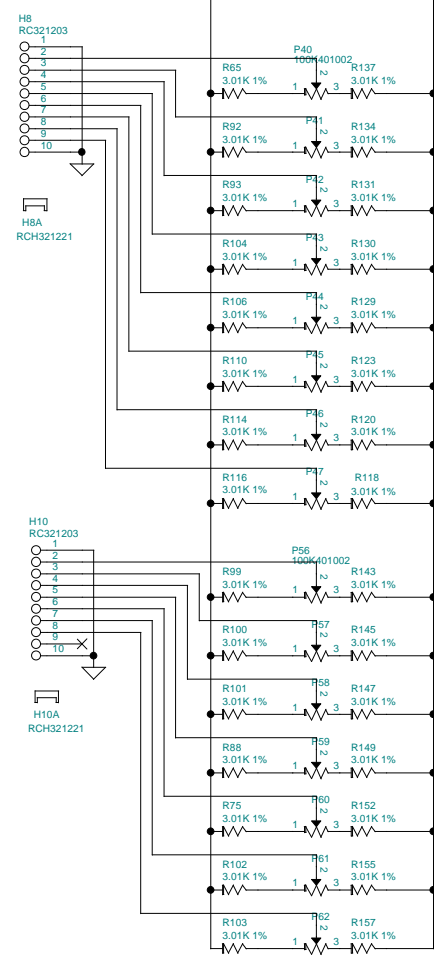
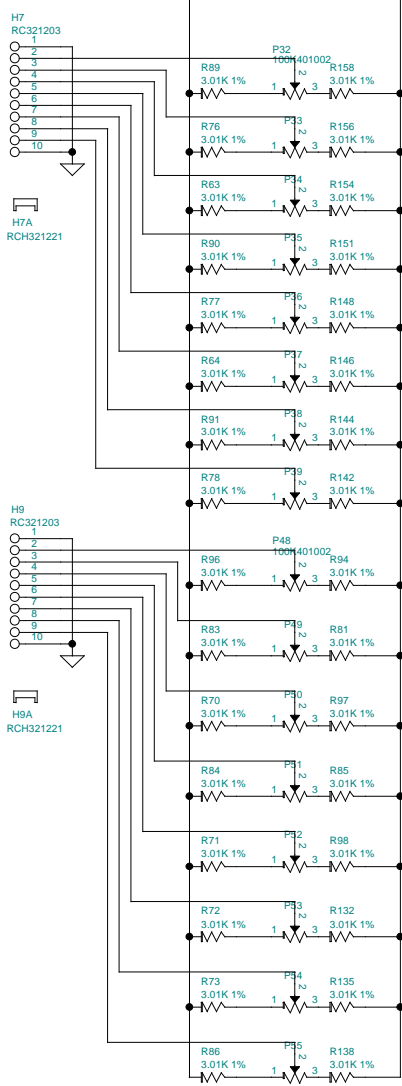
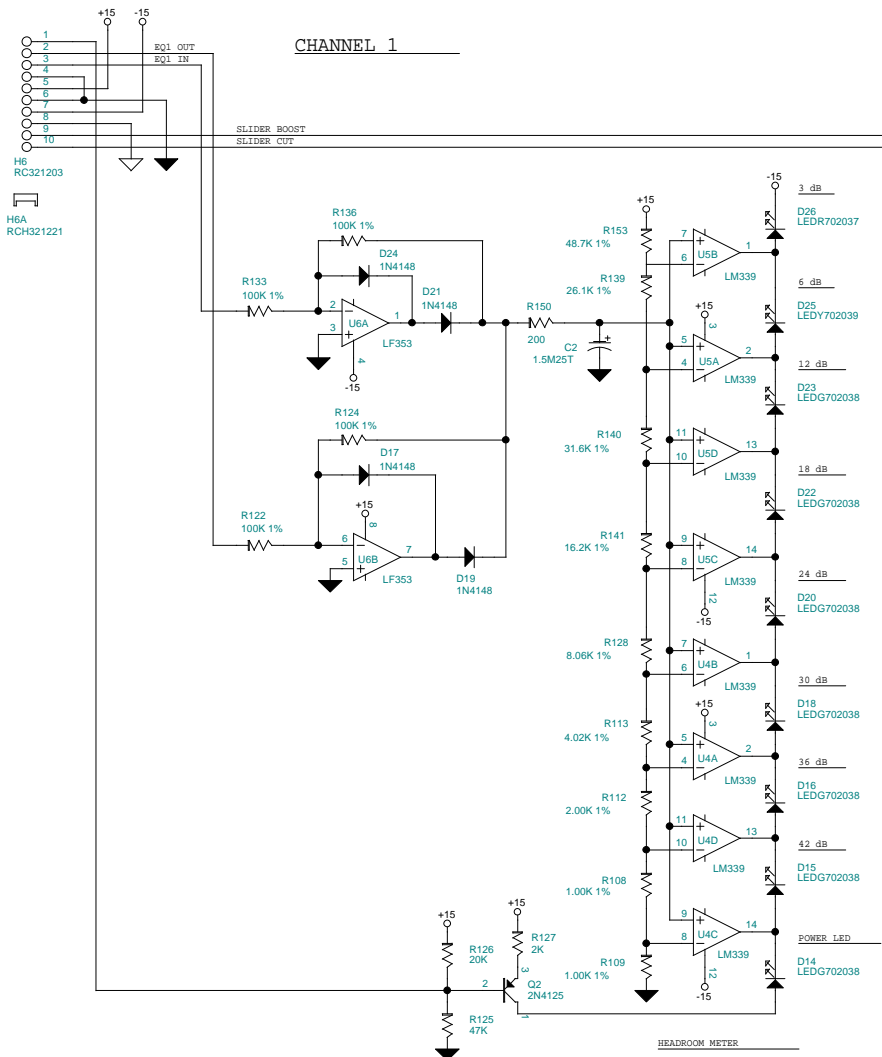
DBX 30 SERIES EQS CONTROL BOARD 80-3237 Revised: April 1, 1997

053237A2.000 Revision: A2

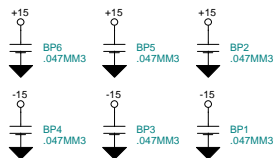
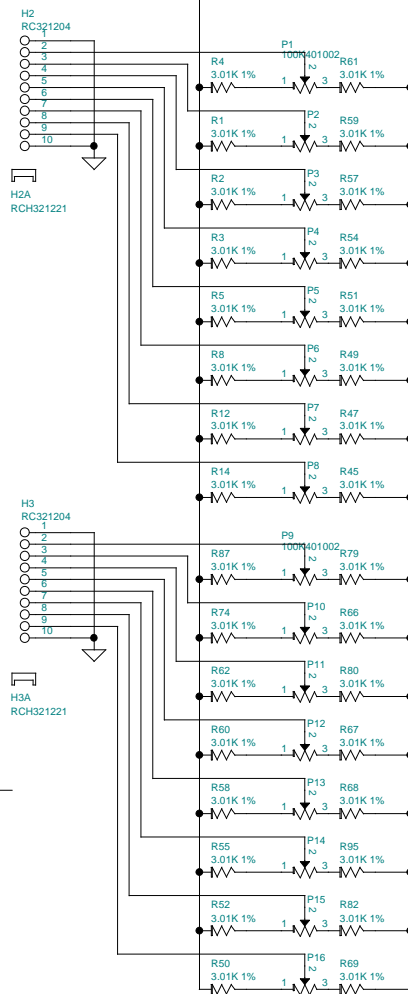
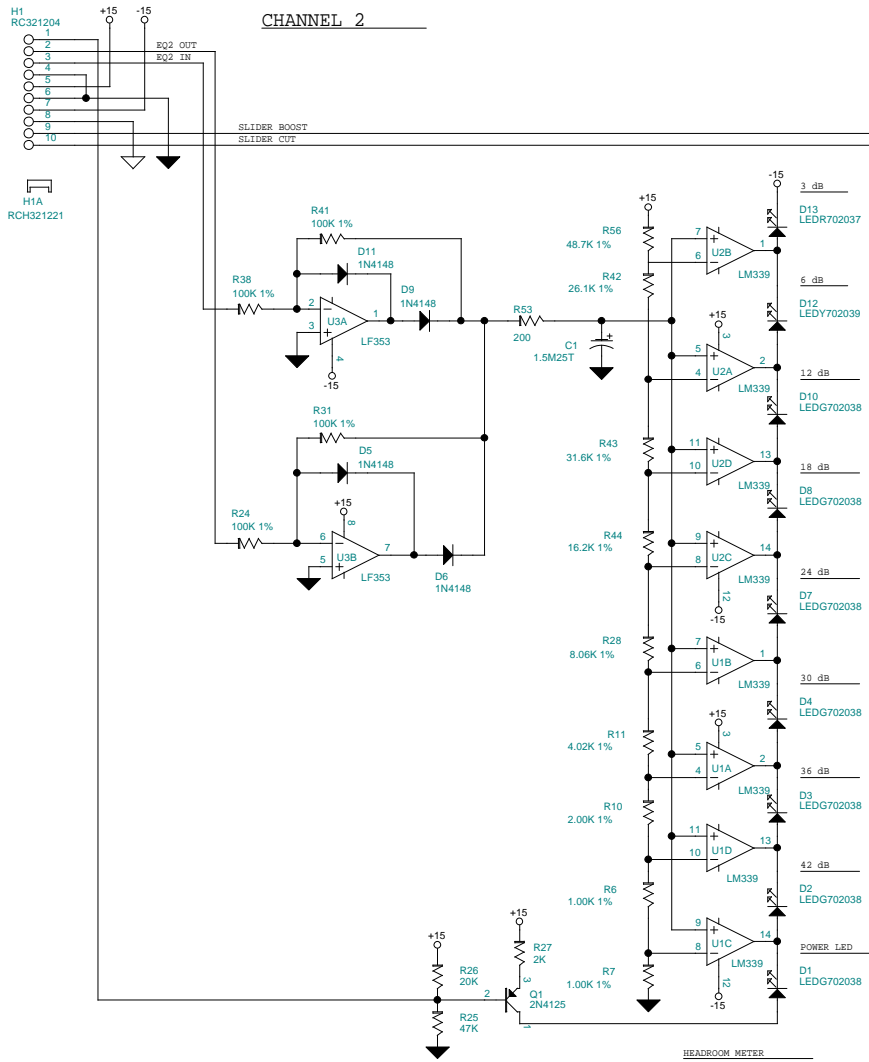
Bill Of Materials April 1, 1997 13:39:56

Quan Reference Part SYMAN Description

6	C1,C4,C7,C9,C16,C18	.047MM3	62-0067	0.047 uF Cap 50V 20%	Axial Monolithic
2	C2,C5	.12KF	56-2034	.12 uF Cap 100V 10%	Poly Film
4	C3,C6,C8,C10	10NPSE1	60-0051-01	10 uF Cap 16V -20/+20%	Elect., NP T&R
1	C11	.0010HF	56-0071	.0010 uF Cap 100V 3%	Poly Film
1	C12	.0013HF	56-0072	.0013 uF Cap 100V 3%	Poly Film
2	C13,C14	10KT	62-0163	10 uF Cap 16V 10%	Tantalum T&R
2	C15,C17	27PJC3	62-0066	27 pF Cap 50V 20%	Axial Monolithic
1	H1	RC2_10_5	32-1204	10 Pin Ribbon Cable, 2mm	spacing, 5.00" Length
1	H1A	RCH321221	32-1221	10 Pin Ribbon Cable, Holder,	2mm spacing
1	P1	100K402011	40-2011	100 K "W" 16mm, Rot Pot x2,	Rack Leads
1	P2	100K402078	40-2078	100 K "A" 16mm, Rot Pot	15mm Knurl shaft, horiz mt.
1	PCB1	80-3237-A	80-3237-A	dbx 3000 SERIES CONTROL PCB	RAW
2	R1,R4	11.0K 1%	52-0105	11.0 KOhm Resistor 1% 1/4	Watt Metal Film
7	R2,R3,R8,R9,R10,R13,R14	20.0K 1%	52-0091	20.0 KOhm Resistor 1% 1/4	Watt Metal Film
2	R5,R6	475K 1%	52-0240	475 KOhm Resistor 1% 1/4	Watt Metal Film
2	R7,R11	7.15K 1%	52-0113	7.15 KOhm Resistor 1% 1/4	Watt Metal Film
1	R12	10.0K 1%	52-0107	10.0 KOhm Resistor 1% 1/4	Watt Metal Film
1	R15	18.2K 1%	52-0093	18.2 KOhm Resistor 1% 1/4	Watt Metal Film
1	R16	4.64K 1%	52-0118	4.64 KOhm Resistor 1% 1/4	Watt Metal Film
4	SC1,SC2,SC3,SC4	SC340125	34-0125	Switch Cap, Black	
4	SW1,SW2,SW3,SW4	SW440050	44-0050	Mini In/Out DPDT Switch (6 Pin)	E-Switch
3	U1,U2,U3	MC33078	72-4248	Dual OP-AMP	



dbx Professional Products		
8760 South Sandy Parkway Sandy, Utah 84070		
Title dbx 3231L SLIDER BOARD 80-3236		
Size B	Document Number 053236A2.001	Rev A2
Date: Friday, October 15, 1999	Sheet 1 of 2	



dbx Professional Products	
8760 South Sandy Parkway Sandy, Utah 84070	
Title dbx 3231L SLIDER BOARD 80-3236	
Size B	Document Number 053236A2.002
Date: Friday, October 15, 1999	Rev A2
Sheet 2 of 2	

dbx 3231L SLIDER BOARD 80-3236 Revised: July 2, 1998

053236A2.000 Revision: A2

Bill Of Materials July 6, 1998 8:54:36

Quan Reference Part SYMAN Description

12	BP1,BP2,BP3,BP4,BP5,BP6, BP7,BP8,BP9,BP10,BP11, BP12	.047MM3	62-0067	0.047 uF Cap 50V 20%	Axial Monolithic
2	C1,C2	1.5M25T	62-0164	1.5 uF Cap 25V 20%	Tantalum T&R
14	D1,D2,D3,D4,D7,D8,D10, D14,D15,D16,D18,D20,D22, D23	LEDG702038	70-2038	LED Green, .450 Molded Spacer	
8	D5,D6,D9,D11,D17,D19,D21, D24	1N4148	70-0002	1N4148 Diode Silicon Switching,	75 Volts PIV
2	D12,D25	LEDY702039	70-2039	LED Yellow, .450 Molded Spacer	
2	D13,D26	LEDR702037	70-2037	LED Red, .450 Molded Spacer	
5	H1,H2,H3,H4,H5	RC321204	32-1204	10 Pin Ribbon Cable, 2mm	spacing, 5.00" Length
10	H1A,H2A,H3A,H4A,H5A,H6A, H7A,H8A,H9A,H10A	RCH321221	32-1221	10 Pin Ribbon Cable, Holder,	2mm spacing
5	H6,H7,H8,H9,H10	RC321203	32-1203	10 Pin Ribbon Cable, 2mm	spacing, 2.00" Length
62	P1,P2,P3,P4,P5,P6,P7,P8, P9,P10,P11,P12,P13,P14, P15,P16,P17,P18,P19,P20, P21,P22,P23,P24,P25,P26, P27,P28,P29,P30,P31,P32, P33,P34,P35,P36,P37,P38, P39,P40,P41,P42,P43,P44, P45,P46,P47,P48,P49,P50, P51,P52,P53,P54,P55,P56, P57,P58,P59,P60,P61,P62	100K401002	40-1002	100 K "W" 45mm, Sld Pot,	15mm Shaft, CD
1	PCB1	80-3236-A	80-3236-A	dbx 3231L SLIDER PCB RAW	
2	Q1,Q2	2N4125	70-1008	2N4125 PNP, Gen. Purp. Amplifier/Switching Xstr	
124	R1,R2,R3,R4,R5,R8,R9,R12, R13,R14,R15,R16,R17,R18, R19,R20,R21,R22,R23,R29, R30,R32,R33,R34,R35,R36, R37,R39,R40,R45,R46,R47, R48,R49,R50,R51,R52,R54, R55,R57,R58,R59,R60,R61, R62,R63,R64,R65,R66,R67, R68,R69,R70,R71,R72,R73, R74,R75,R76,R77,R78,R79, R80,R81,R82,R83,R84,R85, R86,R87,R88,R89,R90,R91, R92,R93,R94,R95,R96,R97, R98,R99,R100,R101,R102, R103,R104,R105,R106,R107, R110,R111,R114,R115,R116, R117,R118,R119,R120,R121, R123,R129,R130,R131,R132, R134,R135,R137,R138,R142, R143,R144,R145,R146,R147, R148,R149,R151,R152,R154, R155,R156,R157,R158	3.01K 1%	52-0125	3.01 KOhm Resistor 1% 1/4 Watt Metal Film	

053236a2

4	R6,R7,R108,R109	1.00K 1%	52-0133	1.00 KOhm Resistor	1%	1/4	Watt Metal Film
2	R10,R112	2.00K 1%	52-0186	2.00 KOhm Resistor	1%	1/4	Watt Metal Film
2	R11,R113	4.02K 1%	52-0121	4.02 KOhm Resistor	1%	1/4	Watt Metal Film

Page

DOD Software

dbx 3231L SLIDER BOARD 80-3236

Revised: July 2, 1998

053236A2.000

Revision: A2

Bill Of Materials

July 6, 1998 8:54:36

Quan Reference

Part SYMAN Description

8	R24,R31,R38,R41,R122, R124,R133,R136	100K 1%	52-0305	100 KOhm Resistor	1%	1/4	Watt Metal Film
2	R25,R125	47K	50-0030	47 KOhm Resistor	5%	1/4	Watt Carbon Film
2	R26,R126	20K	50-0023	20 KOhm Resistor	5%	1/4	Watt Carbon Film
2	R27,R127	2K	50-0013	2 KOhm Resistor	5%	1/4	Watt Carbon Film
2	R28,R128	8.06K 1%	52-0111	8.06 KOhm Resistor	1%	1/4	Watt Metal Film
2	R42,R139	26.1K 1%	52-0037	26.1 KOhm Resistor	1%	1/4	Watt Metal Film
2	R43,R140	31.6K 1%	52-0077	31.6 KOhm Resistor	1%	1/4	Watt Metal Film
2	R44,R141	16.2K 1%	52-0095	16.2 KOhm Resistor	1%	1/4	Watt Metal Film
2	R53,R150	200	50-0004	200 Ohm Resistor	5%	1/4	Watt Carbon Film
2	R56,R153	48.7K 1%	52-0076	48.7 KOhm Resistor	1%	1/4	Watt Metal Film
4	U1,U2,U4,U5	LM339	72-4053	Quad Comparator			
2	U3,U6	LF353	72-4030	LF353 Wide Bandwidth Dual JFET Input Op-Amp			