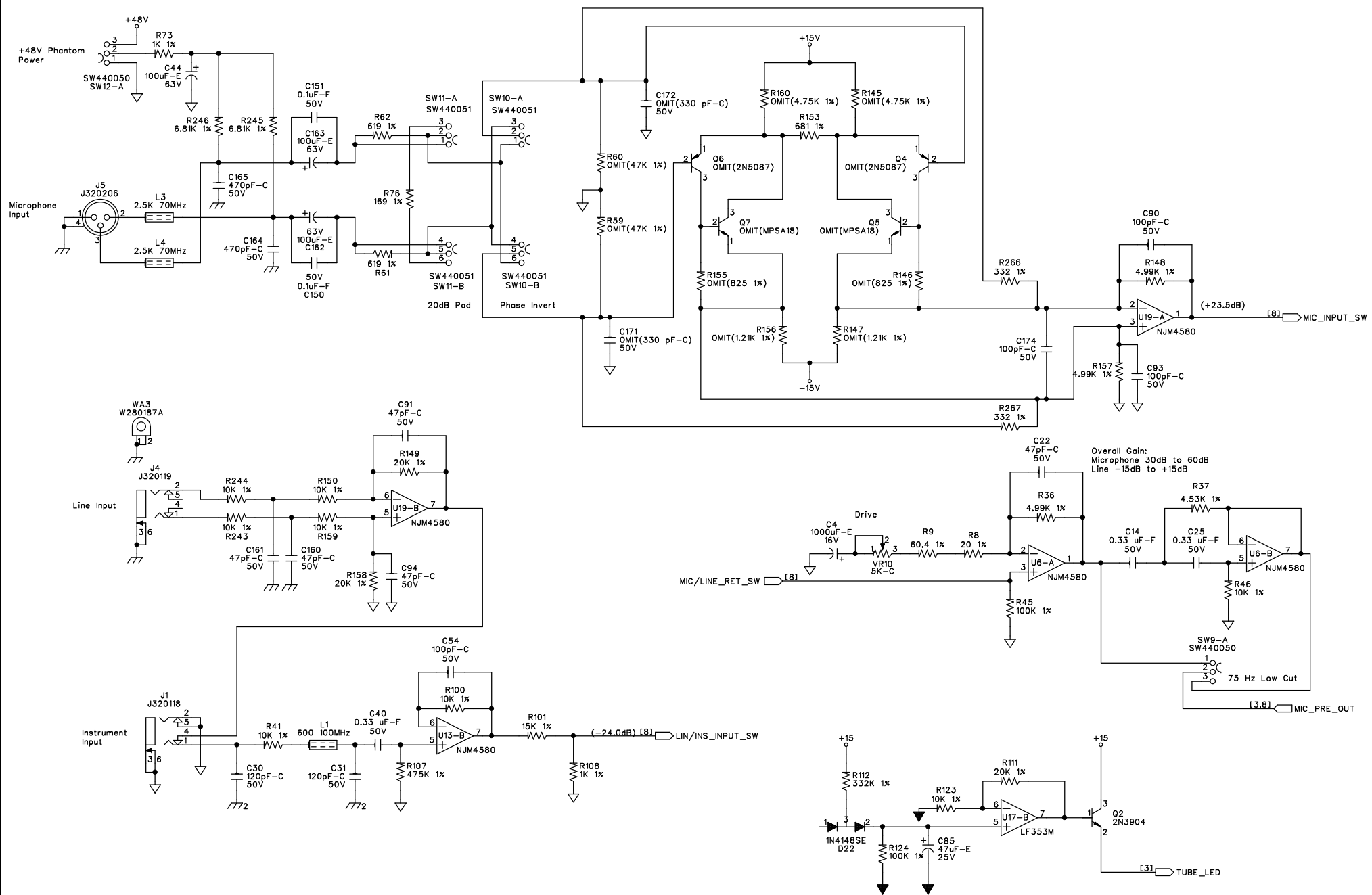


REV	DESCRIPTION	ECN #	INIT	DATE
C2	OMIT RC2-RC3, OMIT V1	E201 000289	RPP	07-01-10
C1	REMOVE 12 AND 13 LEVELS FROM BOM	E201 000218	RPP	06-18-10
C0	MASK VIAS ON PCB. FIXED REFDES R1000 AT C139	38651	LP	08-03-09
B6	MOVE SWITCHCAPS FROM PCA TO MECH ASSY.	38432	MTB	6-16-09
B5	CHANGE VALUE R210,R203,C130, OMIT C139	32504	RM	07-29-06
B4	CHANGED U28 FROM V1 VCA TO V1B VCA CHANGED R214 (49.9 ohm) TO 49.9 ohm OMIT AND OMIT OF P4	31436	STM	3-13-06
B3	ADD MFG TRACKING LABEL 30-0121. NO REV CHG.	2090	MTB	7-23-02
B3	Omit R151 and R166	1914	MRC	01/02/02
B2	CHANGE C97 AND C111 TO 0.01uF-C CAPACITORS	1698	DWB	5-31-01
B1	Omitted C175 (62-3139)	1669	MRC	04/23/01
B0	Incorporated cuts/jumpers from Previous Revisions.	1423	MRC	10/3/00
A3	Changed R34 TO 332K, R200 TO 2K, R184 TO 1K, R82 TO 634K Cut/Jumper as outlined with mod wires.	1432	MRC	10/2/00
A2	Change R209 and R212 to 10 ohm (50-0063), Omit R137, Cut/Jumper as outlined.	1422	MRC	9/25/00
A1	Changed R234 from 150k 52-3226 to 121k 52-3228	1421	MRC	9/22/00
A0	Release to Production	1420	MRC	09/15/00

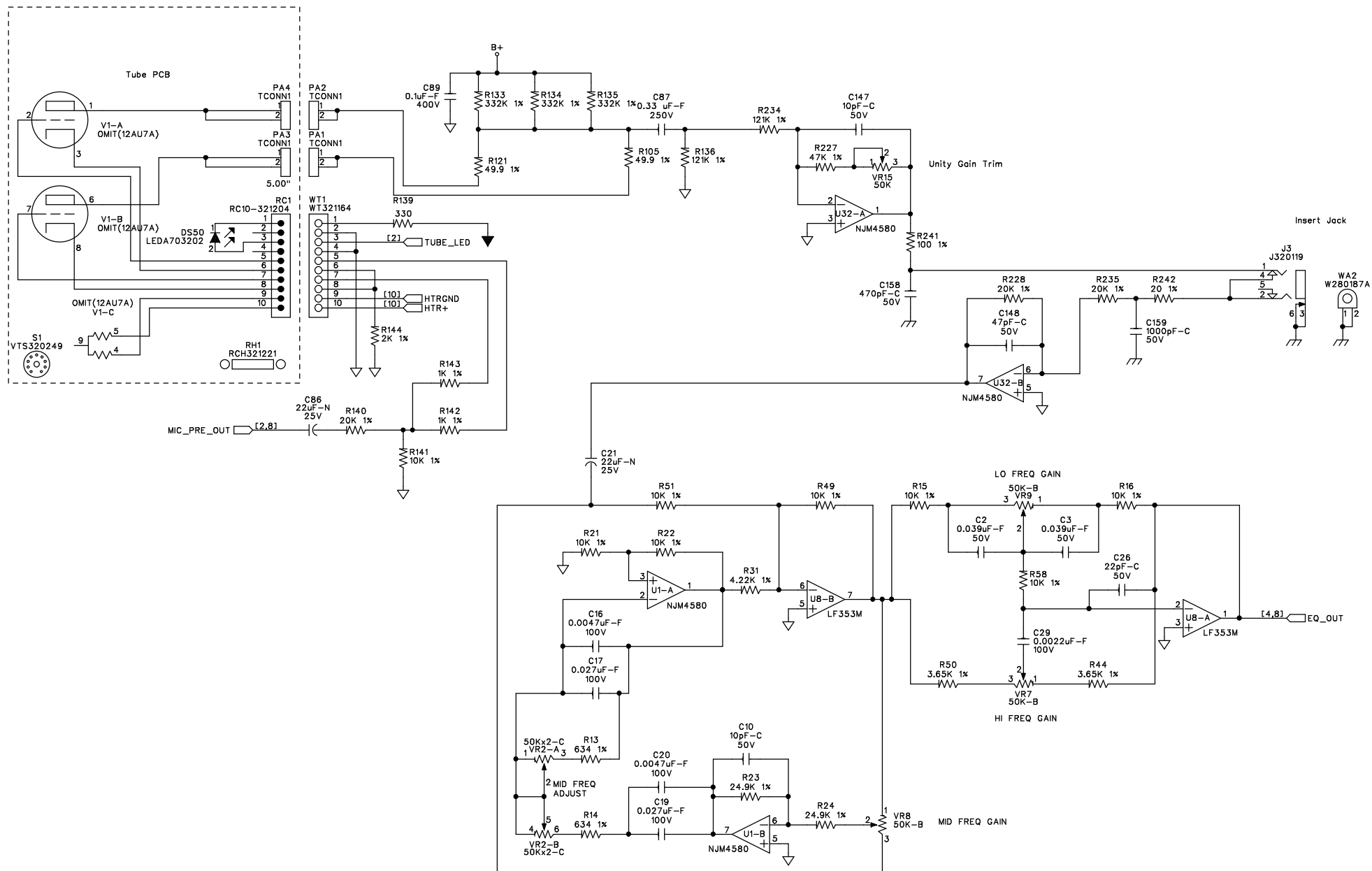
REVISION HISTORY				
<p><b>dbx Professional Products</b> 8760 South Sandy Parkway Sandy Utah 84070</p>				
TITLE: dbx 376 -- Tube Channel Strip ANALOG PCB				
DESIGNER: Mark Corbridge		ENGINEER: Samuel K. Shaw		
SIZE: A	DRAWING NO: 05-0093		REVISION C2	
DATE: 07-01-10	FILENAME: 050093C2.SCH	SHEET: 1 OF 11		

LBL1  
30-0121

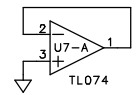
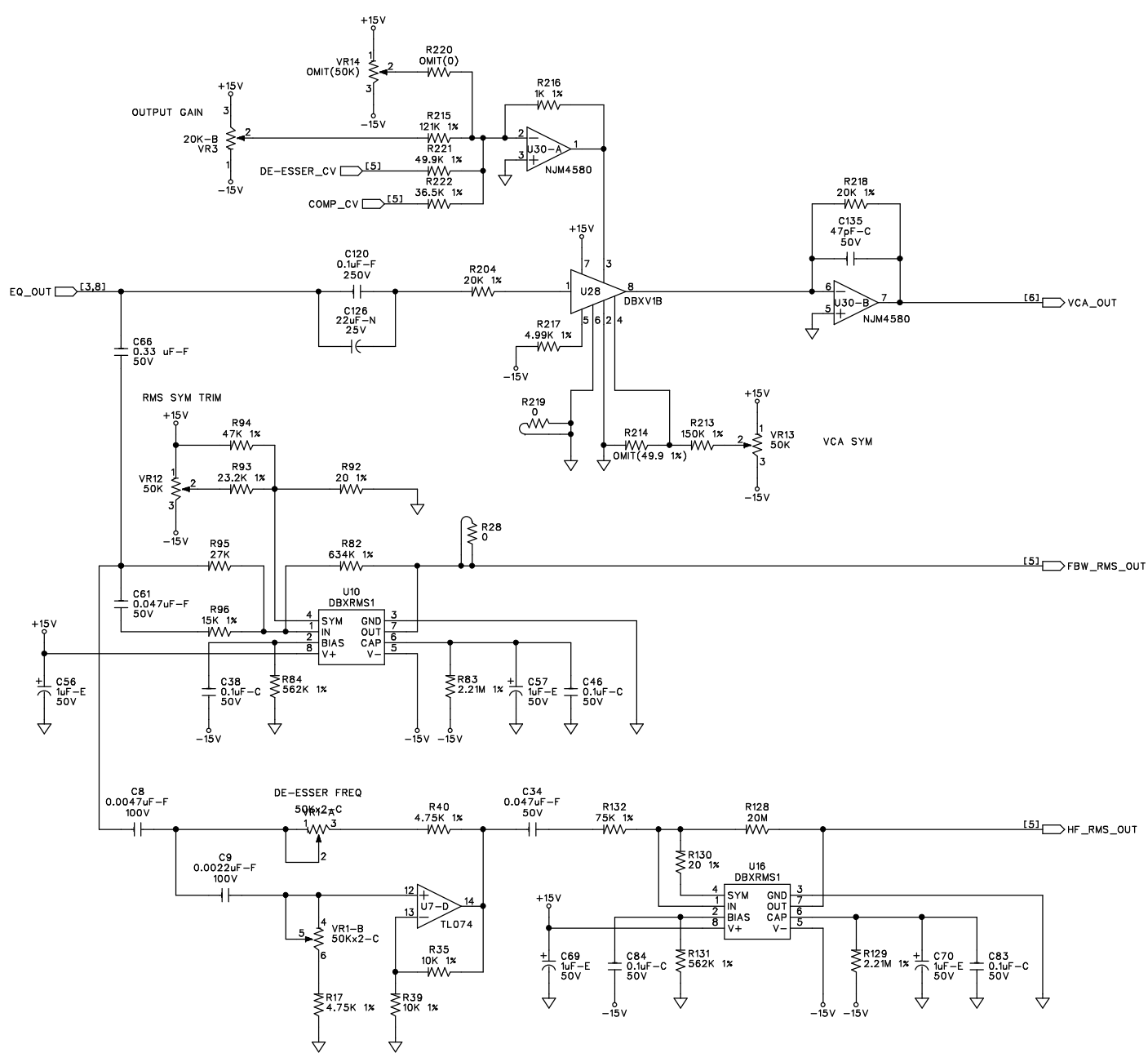
PCB1  
80-0093

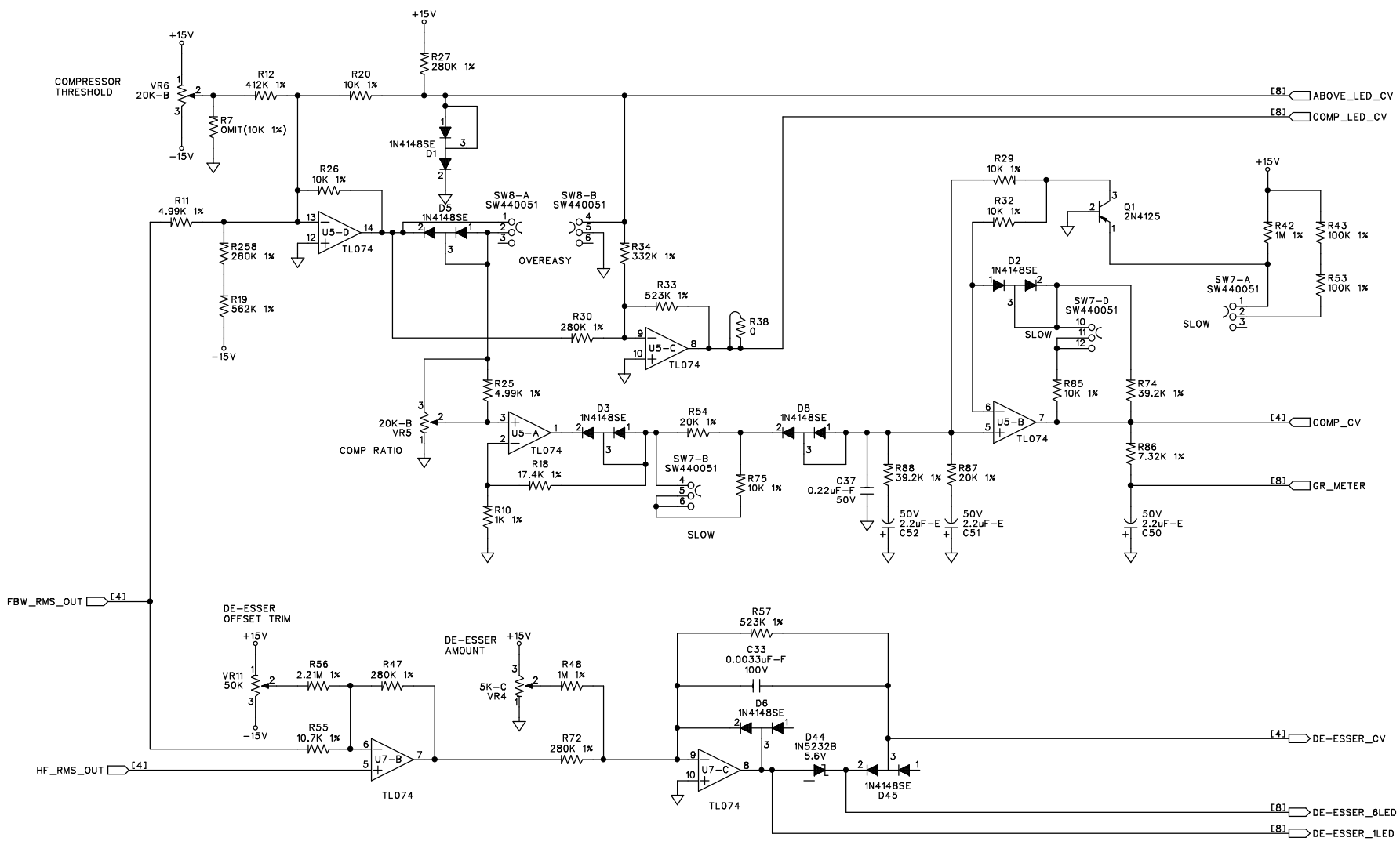


SIZE: A	SHEET TITLE: Input/Gain	REVISION: C2
DATE: 07-01-10	DRAWING NO: 05-0093	SHEET: 2 OF 11

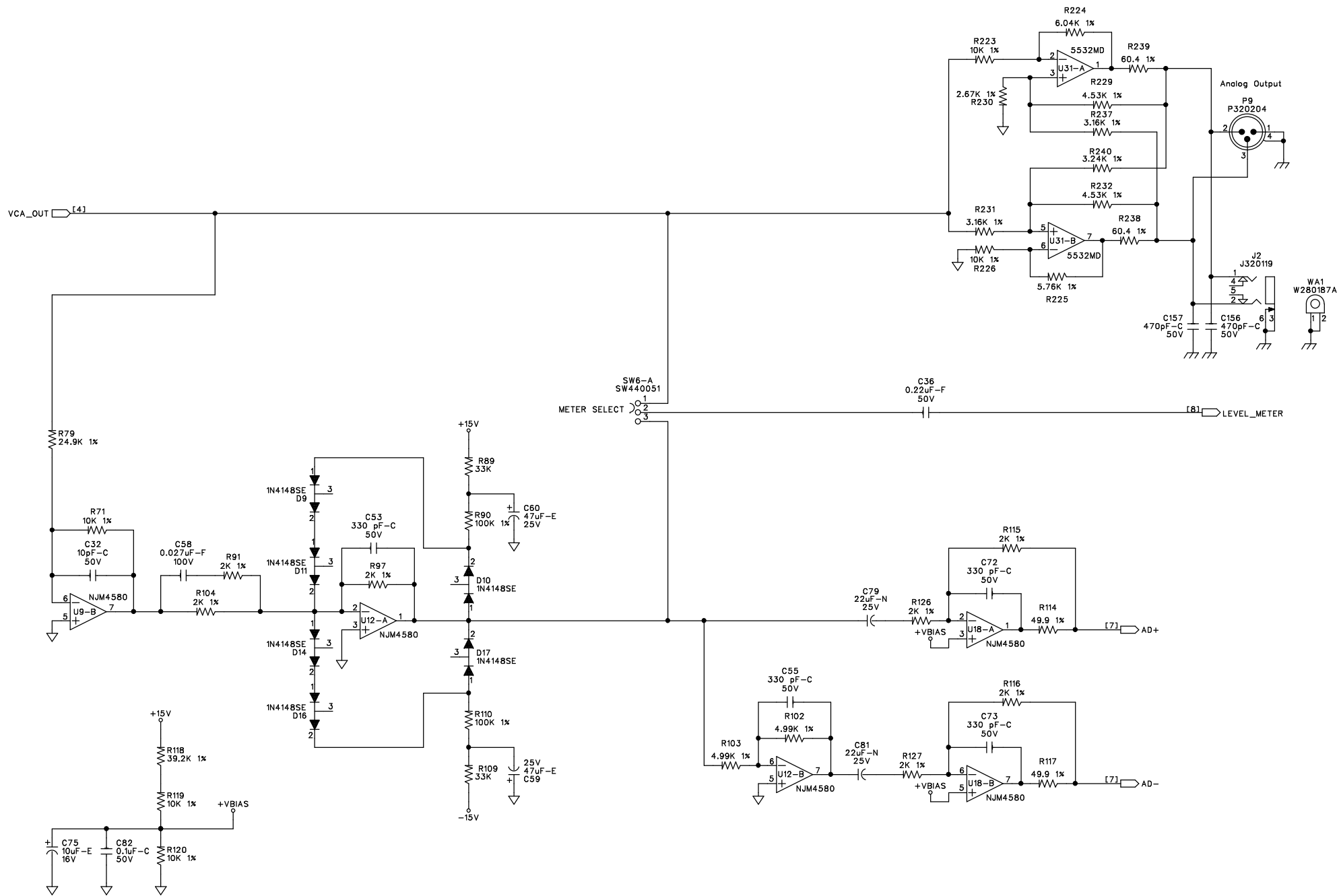


SIZE: A	SHEET TITLE: Tube/EQ	REVISION: C2
DATE: 07-01-10	DRAWING NO: 05-0093	SHEET: 3 OF 11

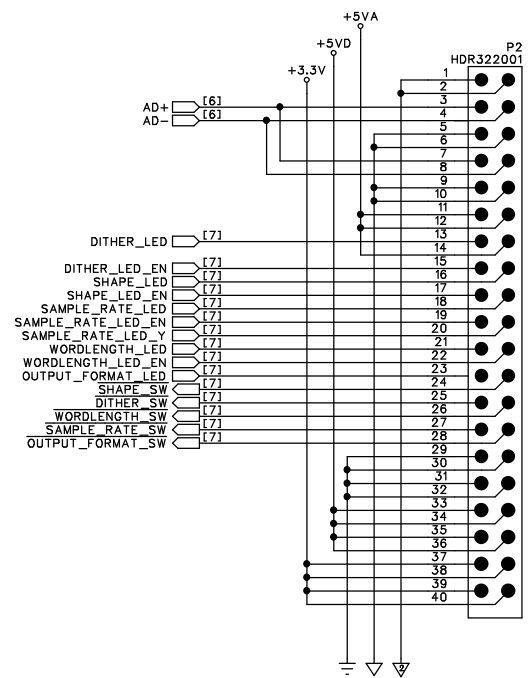
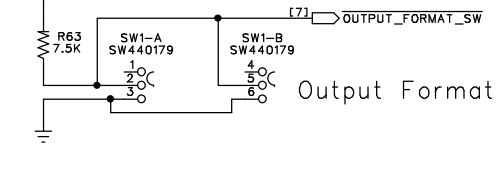
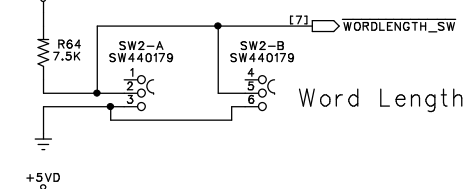
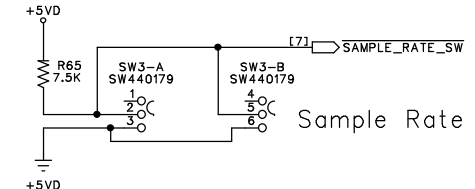
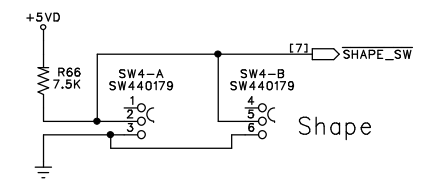
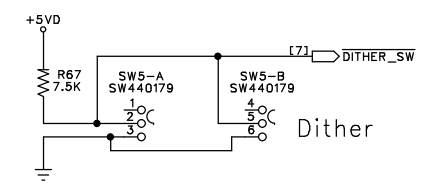
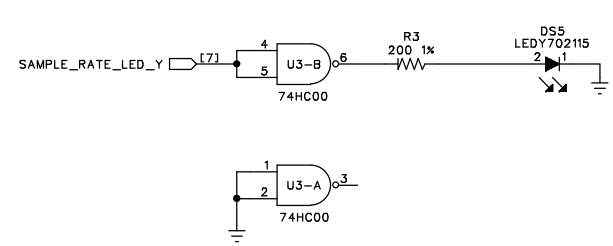
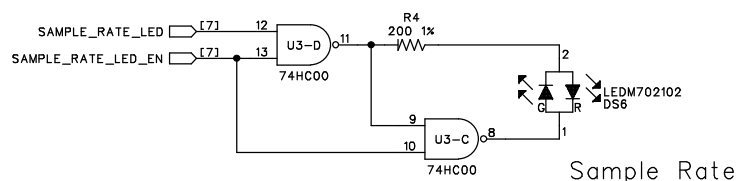
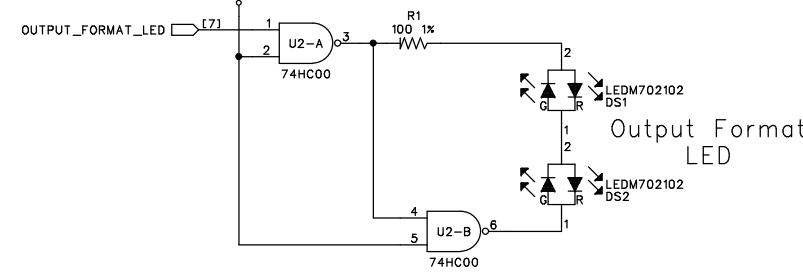
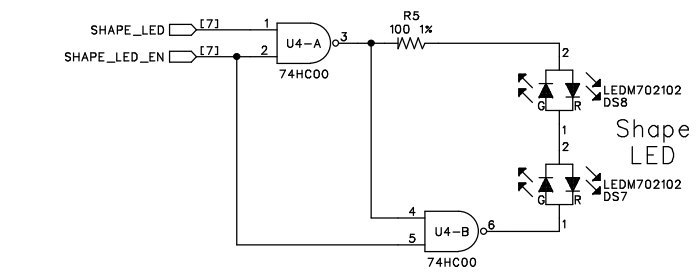
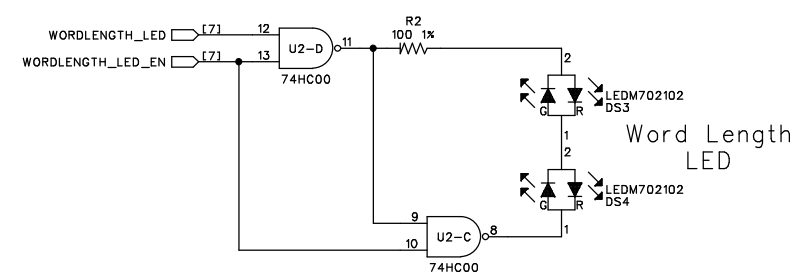
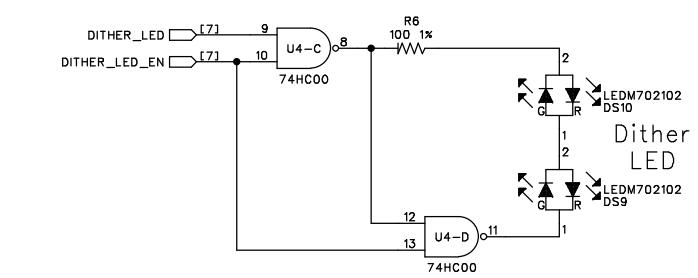


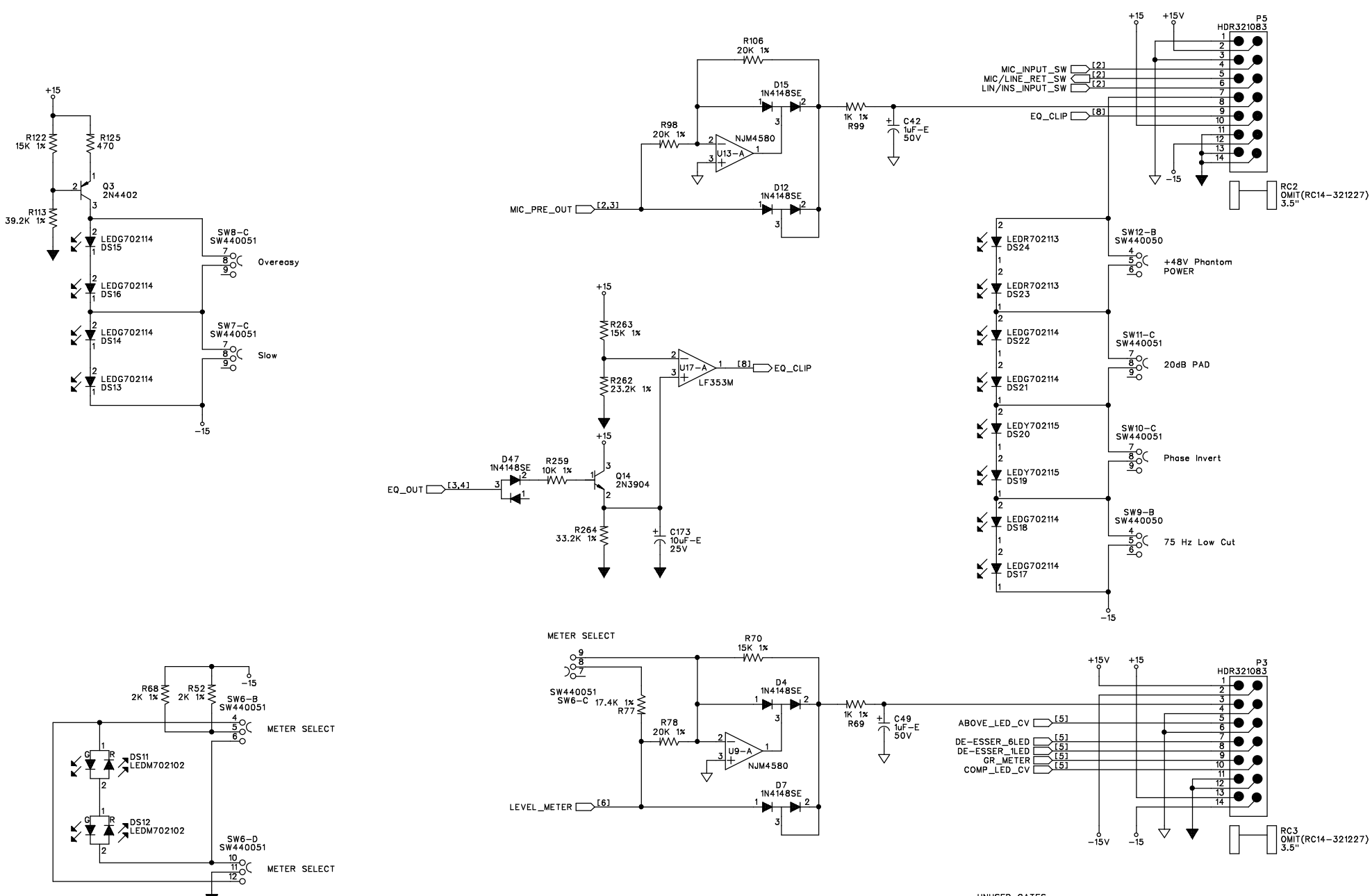


SIZE: A	SHEET TITLE: Compressor/De-esser	REVISION: C2
DATE: 07-01-10	DRAWING NO: 05-0093	SHEET: 5 OF 11



SIZE: A	SHEET TITLE: Outputs	REVISION: C2
DATE: 07-01-10	DRAWING NO: 05-0093	SHEET: 6 OF 11





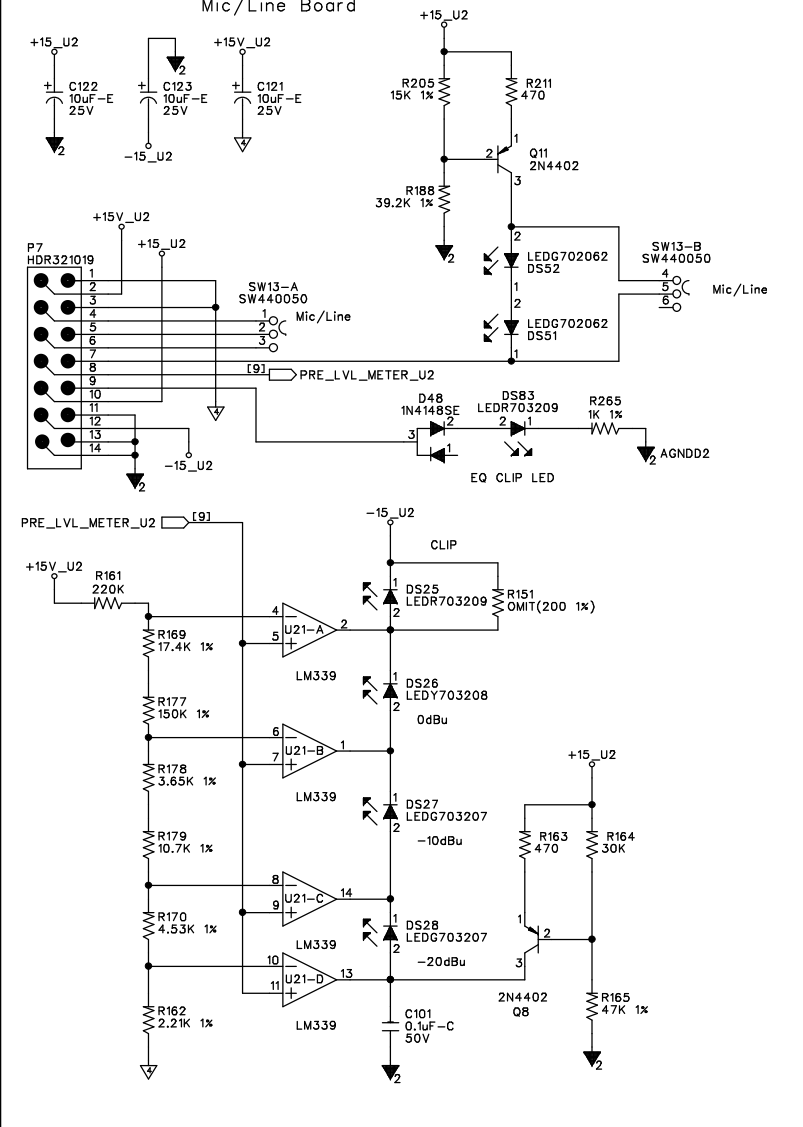
UNUSED GATES

SW8-D SW440051 10 11 12	SW10-D SW440051 10 11 12	SW11-D SW440051 10 11 12
-------------------------------------	--------------------------------------	--------------------------------------

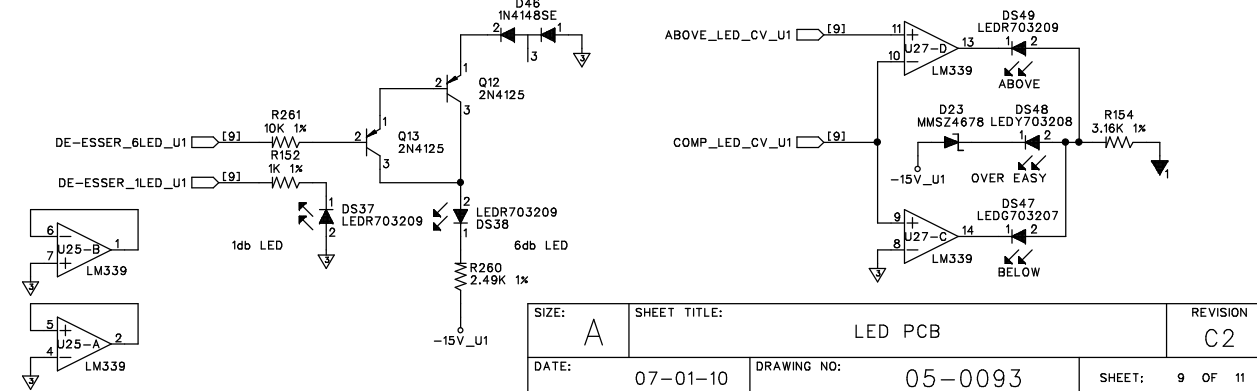
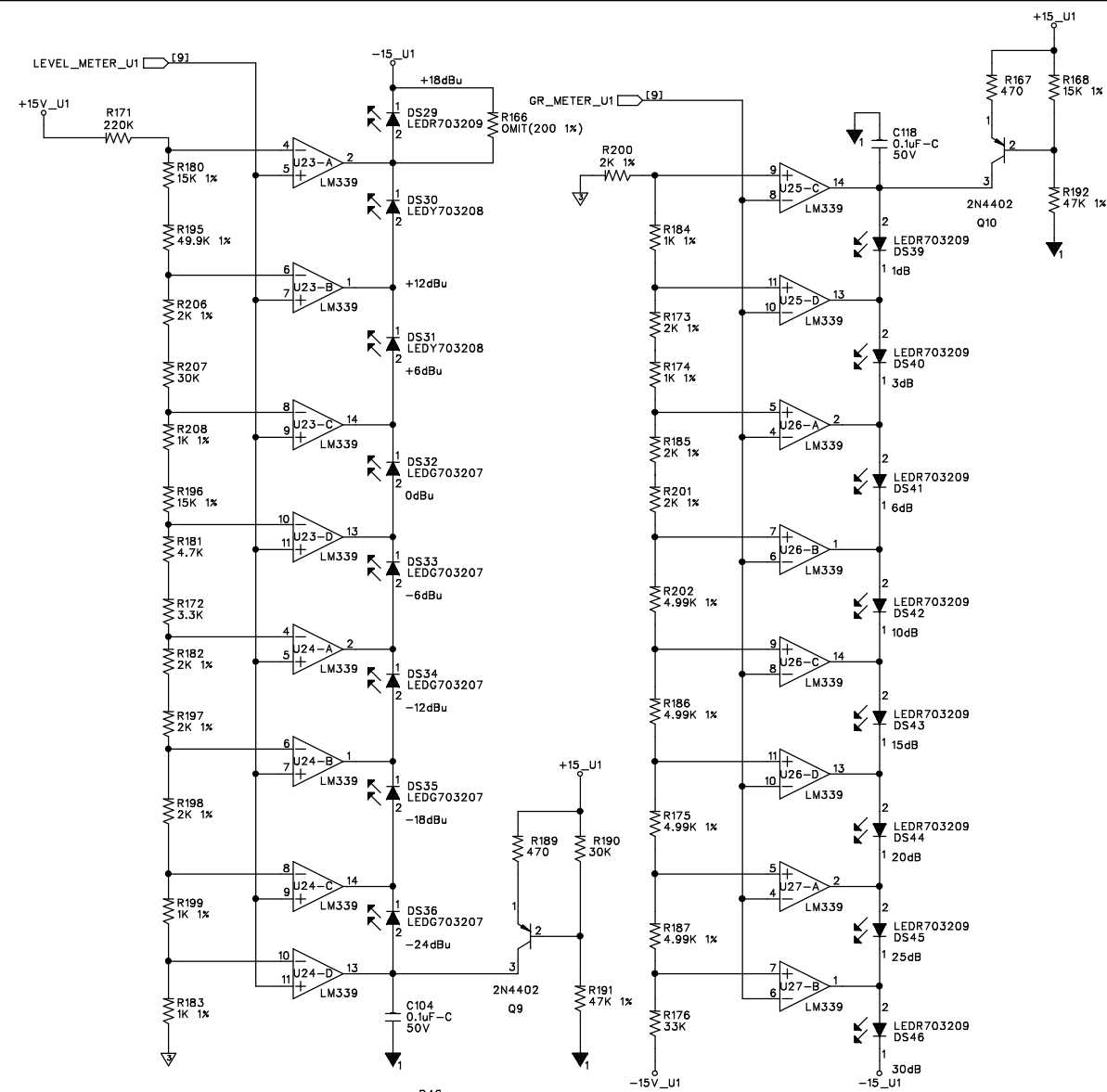
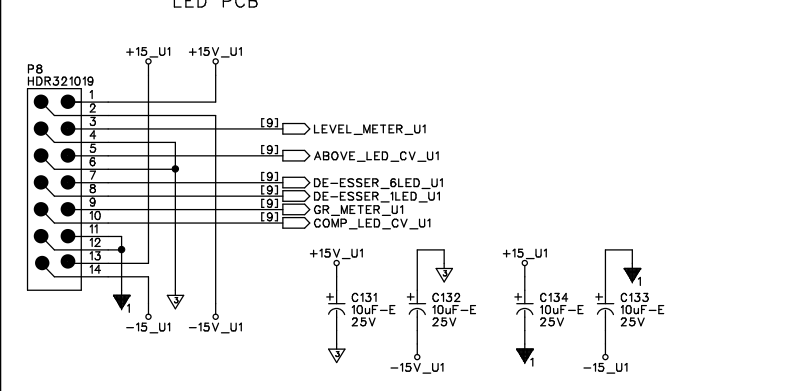
SIZE: A	SHEET TITLE: Switches/Switches LED's	REVISION: C2
START DATE: 07-01-10	DRAWING NO: 05-0093	SHEET: 8 OF 10



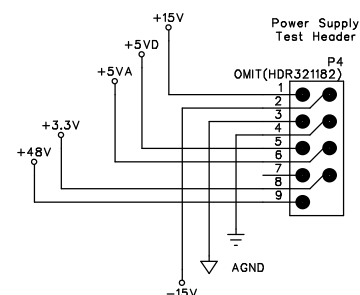
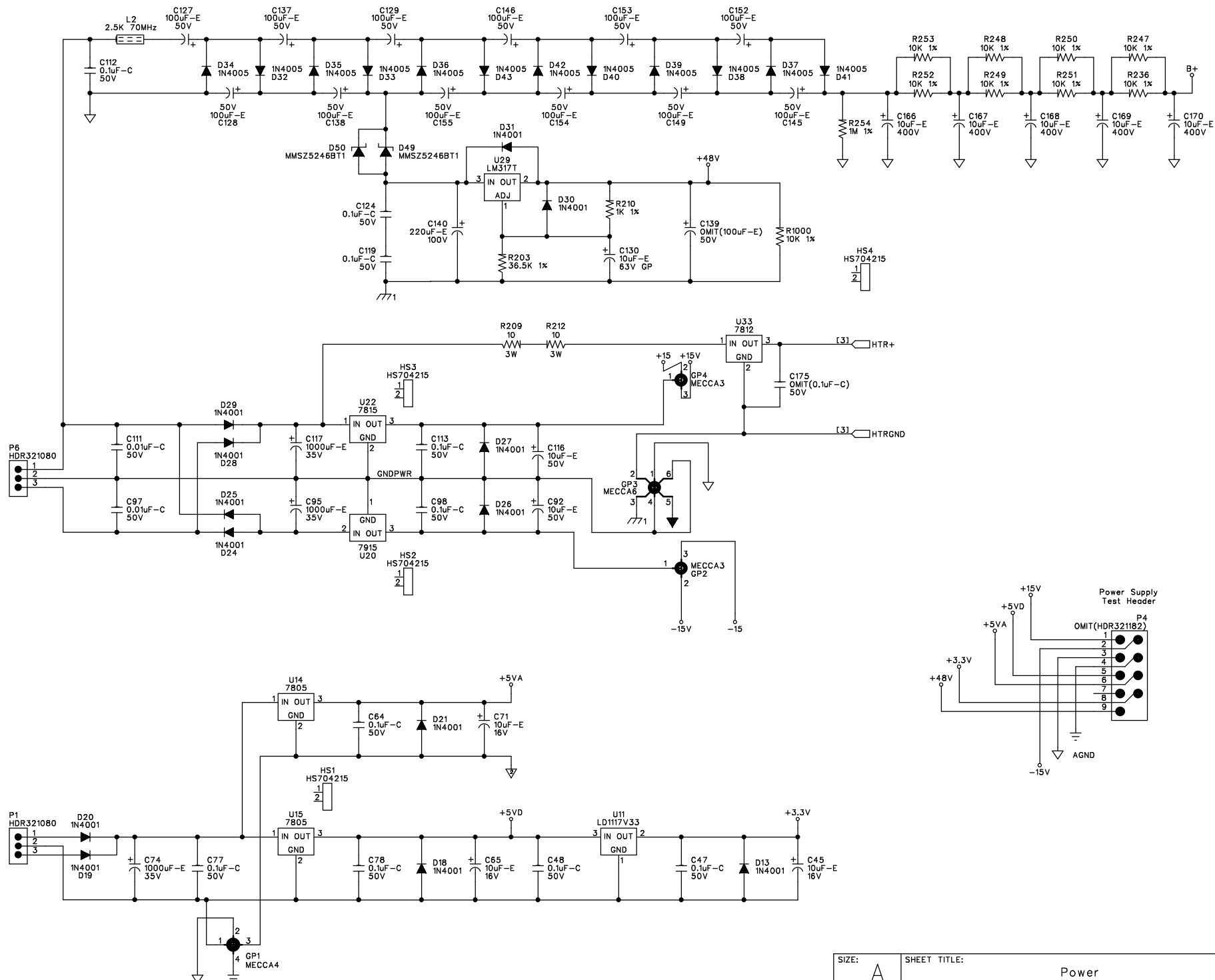
Mic/Line Board



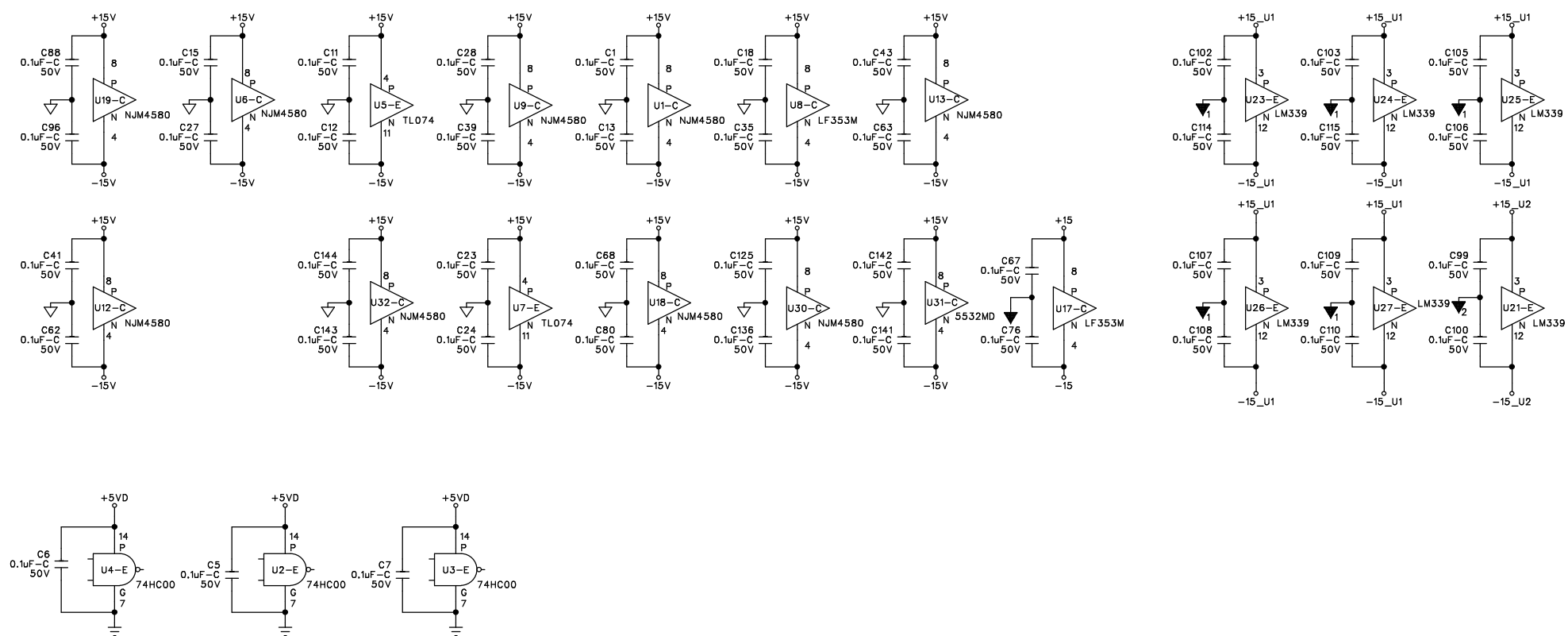
LED PCB



SIZE: A	SHEET TITLE: LED PCB	REVISION: C2
DATE: 07-01-10	DRAWING NO: 05-0093	SHEET: 9 OF 11



SIZE: A	SHEET TITLE: Power	REVISION: C2
START DATE: 07-01-10	DRAWING NO: 05-0093	SHEET: 10 OF 11



SIZE: A	SHEET TITLE: Power Gates	REVISION: C2
START DATE: 07-01-10	DRAWING NO: 05-0093	SHEET: 11 OF 11

Bill Of Materials for 050093C2.sch on Thu Jul 01 16:51:30 2010

Qty	Reference	HMG#	Description	Audit	Schematic Part	PCB Decal
1	PCB1	80-0093	PCB 80-0093 dbx376 Analog PCB	PT2044	80XXXXXY	BARCODE
36	A2-31 A33-38	NON-PART	NON-PART, PCB ONLY, BREAKOFF PART	PT1481	BRKOFF	BRKOFF
2	C9 C29	56-0002	CAP, 0.0022uF, FILM, 100V, 5%, RFCC200, AMMO	PT1001	C0.0022UF100JR	RFCC200
1	C33	56-0003	CAP, 0.0033uF, FILM, 100V, 5%, RFCC200, AMMO	PT1103	C0.0033UF100JR	RFCC200
3	C8 C16 C20	56-0004	CAP, 0.0047uF, FILM, 100V, 5%, RFED200, AMMO	PT1201	C0.0047UF100JR	RFED200
2	C97 C111	62-3142	CAP, 0.01uF, CER, 50V, 10%, 0805, T&R	PT1118	C0.01UC50K0805	0805
3	C17 C19 C58	56-0033	CAP, 0.027uF, FILM, 100V, 5%, RFEF200, AMMO	PT1282	C0.027UF100JR	RFEF200
2	C2-3	56-0034	CAP 0.039uF FILM 50V 5% TA	PT2099	C0.039UF50JR	RFEC200
2	C34 C61	56-0010	CAP, 0.047uF, FILM, 50V, 5%, RFEC200, AMMO	PT1002	C0.047UF50JR	RFEC200
61	C1 C5-7 C11-13 C15 C18 C23-24 C27-28 C35 C38-39 C41 C43 C46-48 C62-64 C67-68 C76-78 C80 C82-84 C88 C96 C98-110 C112-115 C118-119 C124-125 C136 C141-144	62-3139	CAP, 0.1uF, CER, 50V, 20%, 0805, T&R	PT1087	C0.1UC50M0805	0805
1	C175	OMIT	OMIT CAP 0.1uF CER 50V 20% Y5V 0805 TA (62-3139)	PT1345	C0.1UC50M08050	0805
1	C120	62-0076	CAP 0.1uF FILM 250V 5% BULK	PT2143	C0.1UF250JR	RFMF300
1	C89	56-2218	CAP, 0.1uF, FILM, 400V, 5%, RFNG400, BULK	PT1772	C0.1UF400JR	RFNG400
2	C150-151	56-0012	CAP, 0.1uF, FILM, 50V, 5%, RFEC200, AMMO	PT1200	C0.1UF50JR	RFEC200
2	C36-37	56-0014	CAP, 0.22uF, FILM, 50V, 5%, RFED200, AMMO	PT1077	C0.22UF50JR	RFED200
1	C87	62-3200	CAP 0.33uF FILM 250V 10% RAD TA	PT1844	C0.33UF250KR	RFQE490
4	C14 C25 C40 C66	56-0015	CAP, 0.33uF, FILM, 50V, 5%, RFEE200, AMMO	PT1104	C0.33UF50JR	RFEE200
1	C159	62-3136	CAP, 1000pF, CER, 50V, 20%, 0805, T&R	PT1109	C1000PC50M0805	0805
1	C4	60-0064	CAP, 1000uF, ELEC, 16V, 20%, LEAD LENGTH 5mm, REM200P, BULK	PT1334	C1000UE16MR	REM200P
3	C74 C95 C117	60-1073	CAP 1000uF ELEC 35V 20% 105C 13 X 25 BULK	PT1971	C1000UE35MR1	REQ200P
4	C54 C90 C93 C174	62-3503	CAP, 100pF, CER, 50V, 5%, COG, 0805, T&R	PT1786	C100PC50J0805	0805
11	C127-129 C137-138 C145-146 C149 C152-154	60-1013	CAP, 100uF, ELEC, 50V, 20%, REJ200P, AMMO	PT1408	C100UE50MR	REJ200P
1	C155	60-0093	CAP 100uF ELEC 50V 20% 150C 8 X 11 TA	PT1510	C100UE50MR1	REM200P
1	C139	OMIT	OMIT CAP 100uF EL 50V 20% HT 8x11R 5LS TA (60-1013)	PT1409	C100UE50MRO	REJ200P
3	C44 C162-163	60-1034	CAP, 100uF, ELEC, 63V, 20%, REM200P, AMMO	PT1777	C100UE63MR	REM200P
3	C10 C32 C147	62-3140	CAP, 10pF, CER, 50V, 5%, 0805, T&R	PT1088	C10PC50J0805	0805
4	C45 C65 C71 C75	60-0049-01	CAP 10uF ELEC 16V 20% 5x7 0.2"LS TA	PT1080	C10UE16MR	RED200P
8	C121-123 C131-134 C173	60-0050-01	CAP, 10uF, ELEC, 25V, 20%, RED200P, AMMO	PT1205	C10UE25MR	RED200P
5	C166-170	60-0310	CAP, 10uF, ELEC, 400V, 20%, REQ200P, AMMO	PT1444	C10UE400MR	REQ200P
2	C92 C116	60-1074	CAP 10uF ELEC 50V 20% 105C 5 X 11 TA	PT1972	C10UE50MR1	REE200P
1	C130	60-0320	CAP 10uF EL 63V 20% GP 5x11R BK	PT3501	C10UE63MR1	REE200P
2	C30-31	62-3135	CAP, 120pF, CER, 50V, 5%, 0805, T&R	PT1440	C120PC50J0805	0805
6	C42 C49 C56-57 C69-70	60-0044-01	CAP, 1uF, ELEC, 50V, 20%, RED200P, AMMO	PT1079	C1UE50MR	RED200P
3	C50-52	60-0400	CAP, 2.2uF, ELEC, 50V, 20%, REE200P, AMMO	PT1083	C2.2UE50MR	REE200P
1	C140	60-0303	CAP 220uF ELEC 100V 20% 13X25 5LP BK	PT1842	C220UE100MR	REQ200P
1	C26	62-3134	CAP, 22pF, CER, 50V, 5%, 0805, T&R	PT1107	C22PC50J0805	0805
5	C21 C79 C81 C86 C126	60-0402	CAP, 22uF, ELEC, NON-POL, 25V, 20%, REG200, AMMO	PT1084	C22UN25MR	REG200
4	C53 C55 C72-73	62-3131	CAP, 330pF, CER, 50V, 10%, 0805, T&R	PT1284	C330PC50K0805	0805
2	C171-172	OMIT	OMIT CAP 330pF CER 50V 10% X7R 0805 TA (62-3131)	PT1662	C330PC50K08050	0805
5	C156-158 C164-165	62-3133	CAP, 470pF, CER, 50V, 10%, 0805, T&R	PT1086	C470PC50K0805	0805
7	C22 C91 C94 C135 C148 C160-161	62-3132	CAP, 47pF, CER, 50V, 5%, 0805, T&R	PT1085	C47PC50J0805	0805
3	C59-60 C85	60-0054-01	CAP 47uF EL 25V 20% GP 5x11R 5LS TA	PT2959	C47UE25MR1	REE200P
13	D13 D18-21 D24-31	70-0000	DIO, 1N4001, 50V, 1 AMP, RDB200, AMMO	PT1003	D1N4001-R	RDB200
12	D32-43	70-0017	DIO, 1N4005, 600V, 1 AMP, RDB200, AMMO	PT1455	D1N4005-R	RDB200
21	D1-12 D14-17 D22	70-0113	DIO MMBD4148SE DUAL 75V 600mA SOT-23 CB	PT3957	D1N4148SE-S	SOT-23

1	D45-48						
1	D44	70-0019	DIODE, ZENER, 1N5232B, 5.6V, 350mW, 5%, SOT-23, T&R	PT1497	D1N5232B-S	SOT-23	
1	D23	70-0151	DIO, MMSZ4678T1, ZENER, 1.8V, SOD-123, T&R	PT1005	DMMSZ4678T1-S	SOD-123	
2	D49-50	70-0154	DIO MMSZ5246BT1 ZENER 16V SOD-123 TA	PT2082	DMMSZ5246BT1-S	SOD-123	
2	A1 A32	NON-PART	NON-PART FIDUCIAL TARGET FOR AUTO INSERTION	PT2904	FIDUCIAL-AI	FIDUCIAL-AI	
2	P7-8	32-1019	HDR, 14 PIN, 0.1" SPC, 2 X 7, R/A, MALE	PT1047	HDR321019	HC72H	
2	P1 P6	32-1080	HDR, 3 PIN, 0.1" SPC, 1 X 3, LCK, R/A, MALE	PT1073	HDR321080	HC3L	
2	P3 P5	32-1083	HDR, 14 PIN, 0.1" SPC, 2 X 7, VERT, MALE	PT1074	HDR321083	HC72	
1	P4	OMIT	OMIT HDR 9 PN 0.1" SPC 1X5 VRT M CUT PN 10 (32-1182)	PT1121	HDR321182-O	HDR321182	
1	P2	32-2001	HDR, 40 PIN, 0.1" SPC, 2 X 20, 0.025" SQ PIN, VERT, MALE	PT1794	HDR322001	HC202M	
4	HS1-4	70-4215	HEATSINK, TO-220, VERT	PT1339	HS704215	HS704215	
1	J1	32-0118	CON, JACK, 1/4 PHONO, PLAIN NOSE THREAD, SLIMLINE	PT1792	J320118	J320118	
3	J2-4	32-0119	CON, JACK, 1/4 PHONO, FULL NOSE THREAD, SLIMLINE	PT1359	J320119	J320119	
1	J5	32-0206	CON, JACK, XLR, R/A, PCA A SERIES	PT1219	J320206	XLRF-1	
1	LBL1	30-0121	LABEL BARCODE AUTOINSERTABLE RAW	PT2790	LABEL300121	LABEL300121	
1	DS50	70-3202	LED, AMBER, T1, W/.450 MOLDED SPACER	PT1861	LEDA703202	RLC100	
2	DS51-52	70-2062	LED GRN T1 SMALL DIFFUSED HAND STUFF	PT2311	LEDG702062	RLC100	
8	DS13-18 DS21-22	70-2114	LED, GRN, T1, RLC100, AMMO	PT1059	LEDG702114	RLC100	
8	DS27-28 DS32-36	70-3207	LED GREEN D1206 T&R	PT1902	LEDG703207	D1206	
	DS47						
11	DS1-4 DS6-12	70-2102	LED, MULTI-COLOR, RED/GRN,T1, RADIAL, T&R	PT1860	LEDM702102	RLC100	
2	DS23-24	70-2113	LED, RED, T1, RADIAL, AMMO	PT1058	LEDR702113	RLC100	
14	DS25 DS29 DS37-46	70-3209	LED RED D1206 T&R	PT1901	LEDR703209	D1206	
	DS49 DS83						
3	DS5 DS19-20	70-2115	LED, YEL, T1, RADIAL, AMMO	PT1060	LEDY702115	RLC100	
4	DS26 DS30-31 DS48	70-3208	LED YELLOW D1206 T&R	PT1900	LEDY703208	D1206	
3	L2-4	26-0217	IND, FERRITE BEAD, 2.5K OHM @ 70MHz, 0805, T&R	PT1261	LFB260217	0805	
1	L1	26-0219	INDUCTOR, FERRITE BEAD, 600 OHM @ 100MHz, 0805, T&R	PT1453	LFB260219	0805	
2	GP2 GP4	NON-PART	NON-PART MECCA GND/PWR TIE POINT 3 POS	PT2481	MECCA3	MECCA3	
1	GP1	NON-PART	NON-PART MECCA GND/PWR TIE POINT 4 POS	PT2482	MECCA4	MECCA4	
1	GP3	NON-PART	NON-PART MECCA GND/PWR TIE POINT 6 POS	PT2483	MECCA6	MECCA6	
32	MH4 MH8-37 MH47	NON-PART	NON-PART, MOUNTING HOLE, .047 DIA., NON-PLATED	PT1863	MH047	MH047	
11	MH1-3 MH6-7 MH39-43	NON-PART	NON-PART MOUNTING HOLE 0.156" NON-PLATED #6	PT3000	MH156	MH156	
	MH45						
2	MH44 MH46	NON-PART	NON-PART TOOLING PIN HOLE 156MIL HOLE	PT2794	MH156-TOOL	MH156-TOOL	
2	MP5 MP38	NON-PART	NON-PART MECHANICAL PLATED HOLE 300 PAD 156 HOLE #6	PT3001	MP300H156	MP300H156	
1	P9	32-0204	CON, PLUG, XLR, R/A, PCA A SERIES	PT1218	P320204	XLRM-1	
2	Q2 Q14	70-1058	XSTR, 2N3904, NPN, SOT-23, T&R	PT1203	Q2N3904-S	SOT-23	
3	Q1 Q12-13	70-1008	XSTR, 2N4125, PNP, AMPLIFIER, TO-92, AMMO	PT1239	Q2N4125	TO92(EBC)-V	
5	Q3 Q8-11	70-1035	XSTR, 2N44402, PNP, SIGNAL, TO-92, AMMO	PT1527	Q2N4402	TO92(EBC)-V	
2	Q4 Q6	OMIT	OMIT XSTR 2N5087 PNP 50V 50mA RA TA (70-1057)	PT2276	Q2N5087-O	TO92(EBC)-V	
2	Q5 Q7	OMIT	OMIT XSTR MPSA18 NPN 45V 200mA RA TA (70-1056)	PT2278	QMPSA18-O	TO92(EBC)-V	
1	R220	OMIT	OMIT RES 0 5% 1/10W SM 0805 TA (50-1531)	PT1006	R0-C5-0805O	0805	
6	R28 R38 R219	50-0317	RES 0 5% 1/4W CF RR TA	PT1008	R0-E5-R	RRA200	
	R255-257						
2	R147 R156	OMIT	OMIT RES 1.21K 1% 1/10W SM 0805 TA (52-4538)	PT2279	R1.21KC1-0805O	0805	
2	R55 R179	52-3215	RES 10.7K 1% 1/10W SM 0805 TA	PT1726	R10.7KC1-0805	0805	
5	R1-2 R5-6 R241	52-3235	RES 100 1% 1/10W SM 0805 TA	PT1706	R100-C1-0805	0805	
6	R43 R45 R53 R90	52-1010	RES 100K 1% 1/10W SM 0805 TA	PT2014	R100KC1-0805	0805	
	R110 R124						
2	R209 R212	50-0063	RES 10 5% 3W MOF FL AR TA	PT2056	R10-I5-A	AR200800	
39	R15-16 R20-22 R26	52-4500	RES 10K 1% 1/10W SM 0805 TA	PT1034	R10KC1-0805	0805	
	R29 R32 R35 R39 R41						
	R46 R49 R51 R58 R71						
	R75 R85 R100						
	R119-120 R123 R141						
	R150 R159 R223 R226						
	R236 R243-244						
	R247-253 R259 R261						
1	R7	OMIT	OMIT RES 10K 1% 1/10W SM 0805 TA (52-4500)	PT2277	R10KC1-0805O	0805	
1	R1000	52-0107	RES 10K 1% 1/4W MF AR TA	PT1161	R10KE1-A	AR400	
3	R136 R215 R234	52-3228	RES 121K 1% 1/10W SM 0805 TA	PT1713	R121KC1-0805	0805	
2	R177 R213	52-3226	RES 150K 1% 1/10W SM 0805 TA	PT1715	R150KC1-0805	0805	

9	R70 R96 R101 R122 R168 R180 R196 R205 R263	52-3233	RES 15K 1% 1/10W SM 0805 TA	PT1708 R15KC1-0805	0805
1	R76	52-3225	RES 169 1% 1/10W SM 0805 TA	PT1716 R169-C1-0805	0805
3	R18 R77 R169	52-3237	RES 17.4K 1% 1/10W SM 0805 TA	PT1705 R17.4KC1-0805	0805
16	R10 R69 R73 R99 R108 R142-143 R152 R174 R183-184 R199 R208 R210 R216 R265	52-4505	RES 1K 1% 1/10W SM 0805 TA	PT1037 R1KC1-0805	0805
3	R42 R48 R254	52-1004	RES 1M 1% 1/10W SM 0805 TA	PT2201 R1MC1-0805	0805
1	R162	52-3230	RES 2.21K 1% 1/10W SM 0805 TA	PT1711 R2.21KC1-0805	0805
3	R56 R83 R129	52-3221	RES 2.21M 1% 1/10W SM 0805 TA	PT1720 R2.21MC1-0805	0805
1	R260	52-0307	RES 2.49K 1% 1/10W SM 0805 TA	PT2019 R2.49KC1-0805	0805
1	R230	52-4507	RES 2.67K 1% 1/10W SM 0805 TA	PT1039 R2.67KC1-0805	0805
2	R3-4	52-3224	RES 200 1% 1/10W SM 0805 TA	PT1717 R200-C1-0805	0805
2	R151 R166	OMIT	OMIT RES 200 1% 1/10W SM 0805 TA (52-3224)	PT2735 R200-C1-0805O	0805
4	R8 R92 R130 R242	52-3240	RES 20 1% 1/10W SM 0805 TA	PT1694 R20-C1-0805	0805
13	R54 R78 R87 R98 R106 R111 R140 R149 R158 R204 R218 R228 R235	52-4501	RES 20K 1% 1/10W SM 0805 TA	PT1035 R20KC1-0805	0805
1	R128	52-3241	RES 20M 5% 1/10W SM 0805 TA	PT1695 R20MC5-0805	0805
2	R161 R171	50-1514	RES 220K 5% 1/10W SM 0805 TA	PT1017 R220KC5-0805	0805
2	R93 R262	52-0318	RES 23.2K 1% 1/10W SM 0805 TA	PT2069 R23.2KC1-0805	0805
3	R23-24 R79	52-3222	RES 24.9K 1% 1/10W SM 0805 TA	PT1719 R24.9KC1-0805	0805
1	R95	50-1527	RES 27K 5% 1/10W SM 0805 TA	PT1027 R27KC5-0805	0805
5	R27 R30 R47 R72 R258	52-3242	RES 280K 1% 1/10W SM 0805 TA	PT1696 R280KC1-0805	0805
18	R52 R68 R91 R97 R104 R115-116 R126-127 R144 R173 R182 R185 R197-198 R200-201 R206	52-4506	RES 2K 1% 1/10W SM 0805 TA	PT1038 R2KC1-0805	0805
3	R154 R231 R237	52-4508	RES 3.16K 1% 1/10W SM 0805 TA	PT1129 R3.16KC1-0805	0805
1	R240	52-4509	RES 3.24K 1% 1/10W SM 0805 TA	PT1040 R3.24KC1-0805	0805
1	R172	50-1525	RES 3.3K 5% 1/10W SM 0805 TA	PT1097 R3.3KC5-0805	0805
3	R44 R50 R178	52-3205	RES 3.65K 1% 1/10W SM 0805 TA	PT1736 R3.65KC1-0805	0805
3	R164 R190 R207	50-1538	RES 30K 5% 1/10W SM 0805 TA	PT1280 R30KC5-0805	0805
1	R264	52-3219	RES 33.2K 1% 1/10W SM 0805 TA	PT1722 R33.2KC1-0805	0805
1	R139	50-1517	RES 330 5% 1/10W SM 0805 TA	PT1020 R330-C5-0805	0805
2	R266-267	52-3232	RES 332 1% 1/10W SM 0805 TA	PT1709 R332-C1-0805	0805
5	R34 R112 R133-135	52-3210	RES 332K 1% 1/10W SM 0805 TA	PT1731 R332KC1-0805	0805
3	R89 R109 R176	50-1512	RES 33K 5% 1/10W SM 0805 TA	PT1015 R33KC5-0805	0805
2	R203 R222	52-4492	RES 36.5K 1% 1/10W SM 0805 TA	PT2160 R36.5KC1-0805	0805
5	R74 R88 R113 R118 R188	52-4531	RES 39.2K 1% 1/10W SM 0805 TA	PT1820 R39.2KC1-0805	0805
1	R31	52-3203	RES 4.22K 1% 1/10W SM 0805 TA	PT1738 R4.22KC1-0805	0805
4	R37 R170 R229 R232	52-4510	RES 4.53K 1% 1/10W SM 0805 TA	PT1130 R4.53KC1-0805	0805
2	R17 R40	52-4529	RES 4.75K 1% 1/10W SM 0805 TA	PT2087 R4.75KC1-0805	0805
2	R145 R160	OMIT	OMIT RES 4.75K 1% 1/10W SM 0805 TA (52-4529)	PT2280 R4.75KC1-0805O	0805
1	R181	50-1509	RES 4.7K 5% 1/10W SM 0805 TA	PT1012 R4.7KC5-0805	0805
12	R11 R25 R36 R102-103 R148 R157 R175 R186-187 R202 R217	52-4511	RES 4.99K 1% 1/10W SM 0805 TA	PT1041 R4.99KC1-0805	0805
1	R12	52-3244	RES 412K 1% 1/10W SM 0805 TA	PT1698 R412KC1-0805	0805
5	R125 R163 R167 R189 R211	50-1518	RES 470 5% 1/10W SM 0805 TA	PT1021 R470-C5-0805	0805
1	R107	52-3214	RES 475K 1% 1/10W SM 0805 TA	PT1961 R475KC1-0805	0805
5	R94 R165 R191-192 R227	52-3207	RES 47K 1% 1/10W SM 0805 TA	PT1734 R47KC1-0805	0805
2	R59-60	OMIT	OMIT RES 47K 1% 1/10W SM 0805 TA (52-3207)	PT2281 R47KC1-0805O	0805
1	R214	OMIT	OMIT RES 49.9 1% 1/16W SM 0603 TA (52-1302)	PT2784 R49.9-B1-0603O	0603

4	R105 R114 R117 R121	52-4502	RES 49.9 1% 1/10W SM 0805 TA	PT1036	R49.9-C1-0805	0805
2	R195 R221	52-4567	RES 49.9K 1% 1/10W SM 0805 TA	PT2012	R49.9KC1-0805	0805
1	R225	52-4512	RES 5.76K 1% 1/10W SM 0805 TA	PT1131	R5.76KC1-0805	0805
2	R33 R57	52-3246	RES 523K 1% 1/10W SM 0805 TA	PT1699	R523KC1-0805	0805
3	R19 R84 R131	52-3209	RES 562K 1% 1/10W SM 0805 TA	PT1732	R562KC1-0805	0805
1	R224	52-4513	RES 6.04K 1% 1/10W SM 0805 TA	PT1132	R6.04KC1-0805	0805
2	R245-246	52-4515	RES 6.81K 1% 1/10W SM 0805 TA	PT1281	R6.81KC1-0805	0805
3	R9 R238-239	52-4503	RES 60.4 1% 1/10W SM 0805 TA	PT1128	R60.4-C1-0805	0805
2	R61-62	52-3216	RES 619 1% 1/10W SM 0805 TA	PT1725	R619-C1-0805	0805
2	R13-14	52-3254	RES 634 1% 1/10W SM 0805 TA	PT1689	R634-C1-0805	0805
1	R82	52-3213	RES 634K 1% 1/10W SM 0805 TA	PT1728	R634KC1-0805	0805
1	R153	52-4555	RES 681 1% 1/10W SM 0805 TA	PT1818	R681-C1-0805	0805
1	R86	52-0324	RES 7.32K 1% 1/10W SM 0805 TA	PT2073	R7.32KC1-0805	0805
5	R63-67	50-1521	RES 7.5K 5% 1/10W SM 0805 TA	PT1024	R7.5KC5-0805	0805
1	R132	52-4556	RES 75K 1% 1/10W SM 0805 TA	PT1811	R75KC1-0805	0805
2	R146 R155	OMIT	OMIT RES 825 1% 1/10W SM 0805 TA (52-4557)	PT2282	R825-C1-0805O	0805
1	RC1	32-1204	RIBBON CABLE, 10 COND., 2mm SPACING, 5" LONG	PT1560	RC10-321204	PA1X10-079-039
2	RC2-3	OMIT	OMIT RBN CBL 14CND 2X7 0.1SPC 3.5" FM/FM (32-1227)	PT4329	RC14-321227-O	PCBNULL
1	RH1	32-1221	RIBBON CABLE HOLDER, 10 PIN, 2mm PITCH	PT1604	RCH321221	RCH10-079
3	SW9 SW12-13	44-0050	SWITCH DPDT MINI IN-OUT 6 PIN E-SWITCH	PT1256	SW440050	SW440050
5	SW6-8 SW10-11	44-0051	SWITCH, 4PDT, MINI IN-OUT, 12 PIN, E-SWITCH	PT1257	SW440051	SW440051
5	SW1-5	44-0179	SWITCH, DPDT, MINI IN-OUT, MOMENTARY, 6 PIN	PT1793	SW440179	SW440179
4	PA1-4	NON-PART	NON-PART, TCONN1, BD-TO-BD CON, SPC .067 ROUTE BETWEEN	PT1864	TCONN1	TCONN1-A
1	U31	72-1439	IC, 5532MD, DUAL BIPOLAR OPAMP, SO8-200	PT1306	U5532MD-S	SO8-200
3	U2-4	72-5418	IC, 74HC00, QUAD 2-INPUT NAND, SO14, T&R	PT1348	U74HC00-S	SO14
2	U14-15	70-4014	V-REG, 7805, +5V, 1.5 AMP, TO-220	PT1591	U7805	TO220(IGO)-V
1	U33	70-4013	V-REG, 7812, +12V, 1 AMP, TO-220	PT1646	U7812	TO220(IGO)-V
1	U22	70-4123	V-REG, 7815, +15V, 1 AMP, TO-220	PT1592	U7815	TO220(IGO)-V
1	U20	70-4124	V-REG, 7915, -15V, 1 AMP, TO-220	PT1594	U7915	TO220(GIO)-V
2	U10 U16	72-4067	IC, RMS, dbxRMS1 ROOT-MEAN-SQUARE DETECTOR	PT1053	UDBXRMS1	SIP8IC
1	U28	72-0194	IC dbx V1B VCA 8 Pin SIP	PT3582	UDBXV1B	SIP8IC
1	U11	70-4021	V-REG, LD1117V33, +3.3V, 0.8 AMP, TO-220, BULK	PT1795	ULD1117V33	TO220(GOI)-V
2	U8 U17	72-4032	IC, LF353M, DUAL, WIDE BANDWIDTH JFET INPUT OPAMP, SO8	PT1252	ULF353M-S	SO8
1	U29	70-4007	V-REG, LM317T, ADJ REG, 1.5 AMP, TO-220	PT1785	ULM317T	TO220(AOI)-V
6	U21 U23-27	72-4034	IC, LM339, QUAD COMPARATOR, SO14, T&R	PT1048	ULM339-S	SO14
9	U1 U6 U9 U12-13 U18-19 U30 U32	72-1480	IC, NJM4580, DUAL OP-AMP, SO8	PT1374	UNJM4580-S	SO8
2	U5 U7	72-1450	IC, TL074, OP-AMP, QUAD, JFET, -INPUT, SO14, T&R	PT1049	UTL074-S	SO14
1	V1	OMIT	OMIT Tube 12AU7A Dual Triode Bulk (76-0167)	PT4330	V12AU7A-760167-O	VAC
3	VR3 VR5-6	40-2134	POT, 20K, B, 16mm, ROT, 15mm D-SHAFT, 41-CLICK	PT1277	VR20K402134	VR16-15DH
1	VR1	40-2127	POT 50Kx2 C 16mm ROT15mm 41 CK D H BK	PT2283	VR50K402127	VR16X2-15DH
3	VR7-9	40-2138	POT, 50K, B, 16mm, ROT, 15mm D-SHAFT, 41-CLICK	PT1068	VR50K402138	VR16-15DH
1	VR2	40-2156	POT 50Kx2 C 16mm ROT15mm 41 CK D H BK	PT2238	VR50K402156	VR16X2-15DH
4	VR11-13 VR15	42-0221	POT, 50K, TRIM, HORIZONTAL MNT, VERT ADJUST, AMMO	PT1119	VR50K420221	VRTRIM1
1	VR14	OMIT	OMIT POT 50K 6mm SQ TRIM VRT ADJ AR TA (42-0221)	PT1123	VR50K420221-O	VRTRIM1
1	VR4	40-2130	POT, 5K, C, 16mm, ROT, 15mm D-SHAFT, 41-CLICK	PT1065	VR5K402130	VR16-15DH
1	VR10	40-2131	POT 5K 5C 16mm ROT 15mm D-SHAFT 41-CLICK	PT1797	VR5K402131	VR16-15DH
1	S1	32-0249	SOCKET TUBE 9 PIN W/LED COUNTERSINK	PT2005	VTS320249	VTS
3	WA1-3	28-0187-A	WASHER, GROUNDING FOR 32-0118/32-0119	PT1361	WA280187A	WA280187A
1	WT1	32-1164	CON, WIRE TRAP CONNECTOR, 10 POS, 2mm	PT1613	WT321164	WT321164