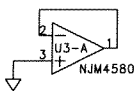
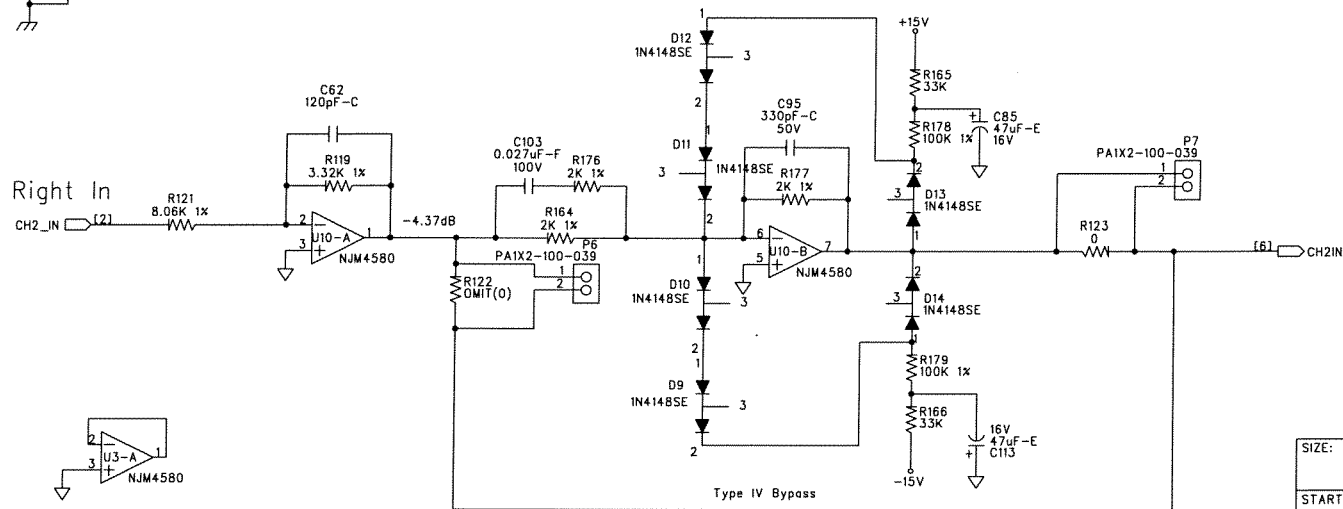
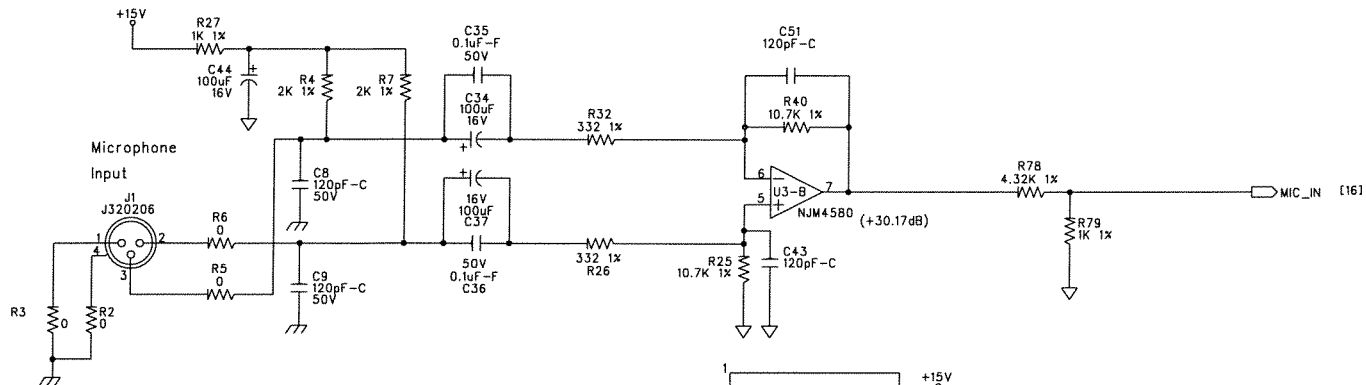
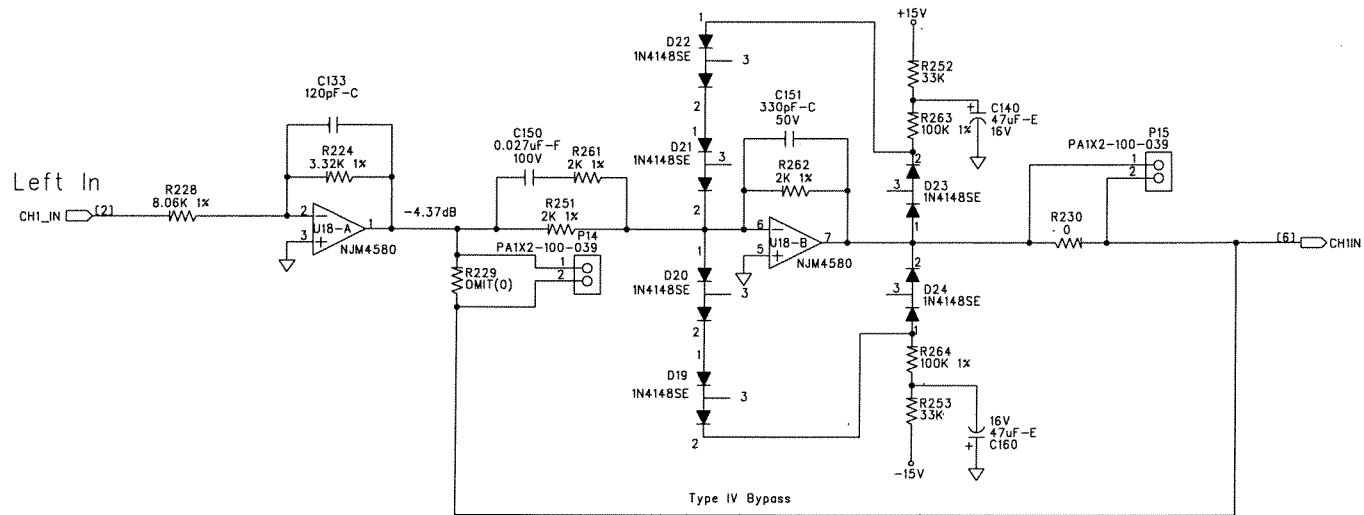
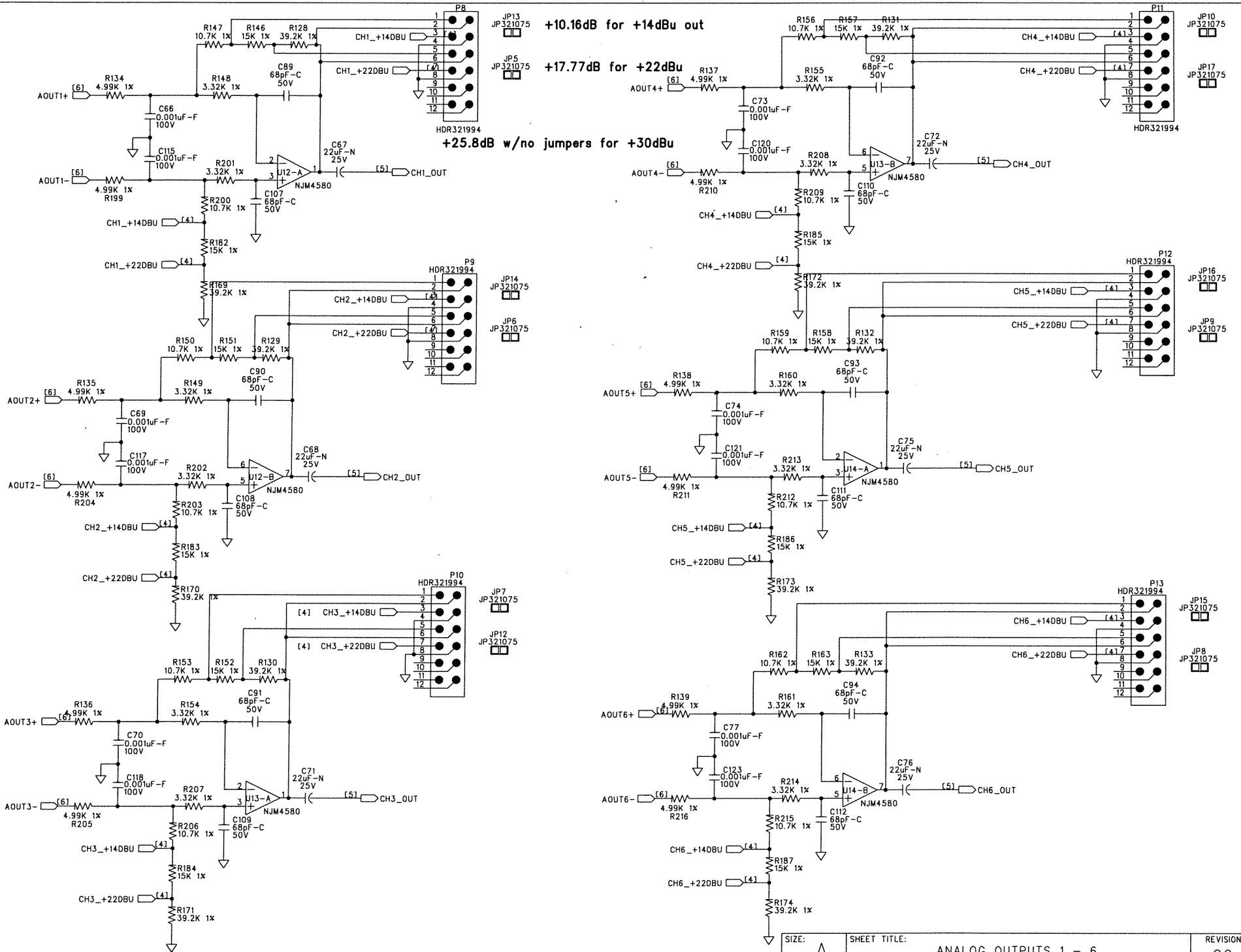


Max cut is -16.33dB for +30dBu in
 -8.26dB cut for +22dBu in
 No jumpers = -.33dB for +14dBu in

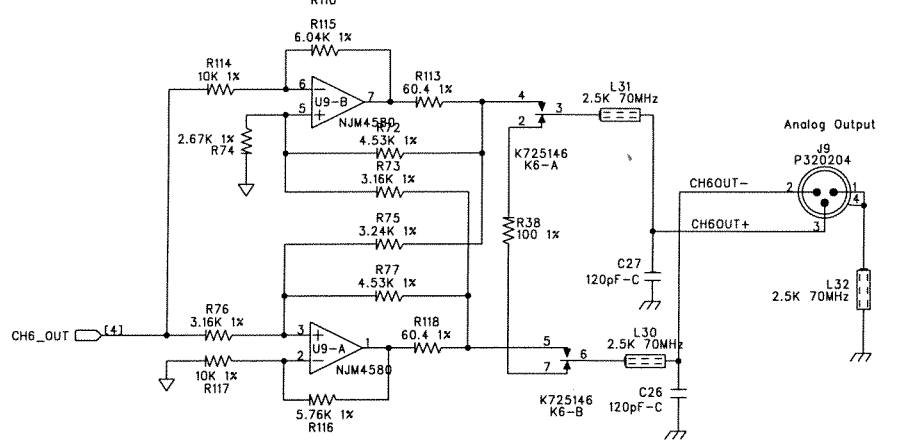
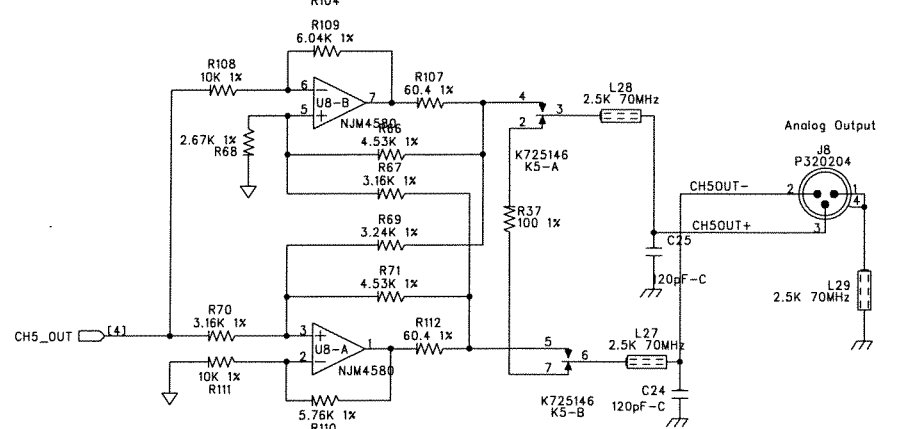
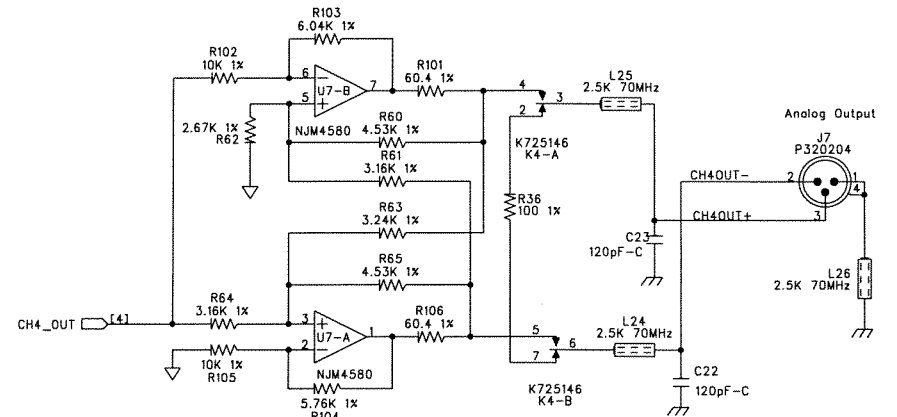
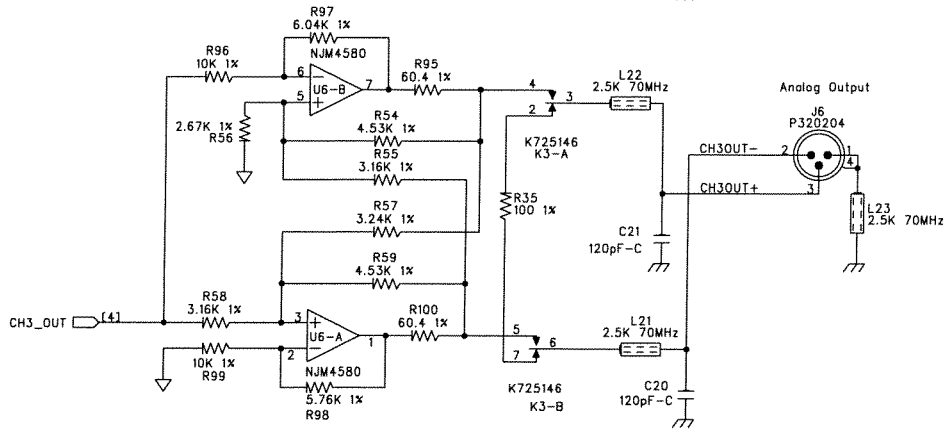
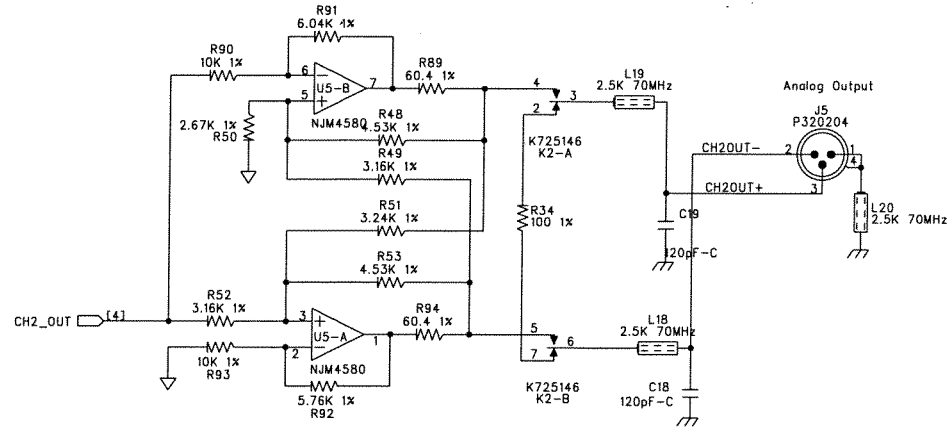
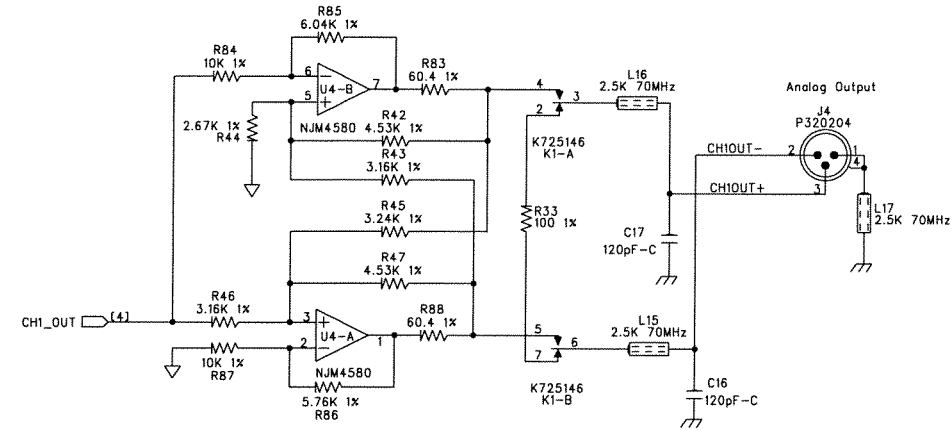
SIZE: A	SHEET TITLE: CHANNEL 1 & 2 INPUTS	REVISION: C0
START DATE: 12-03-02	DRAWING NO: 05-1796	SHEET: 2 OF 20



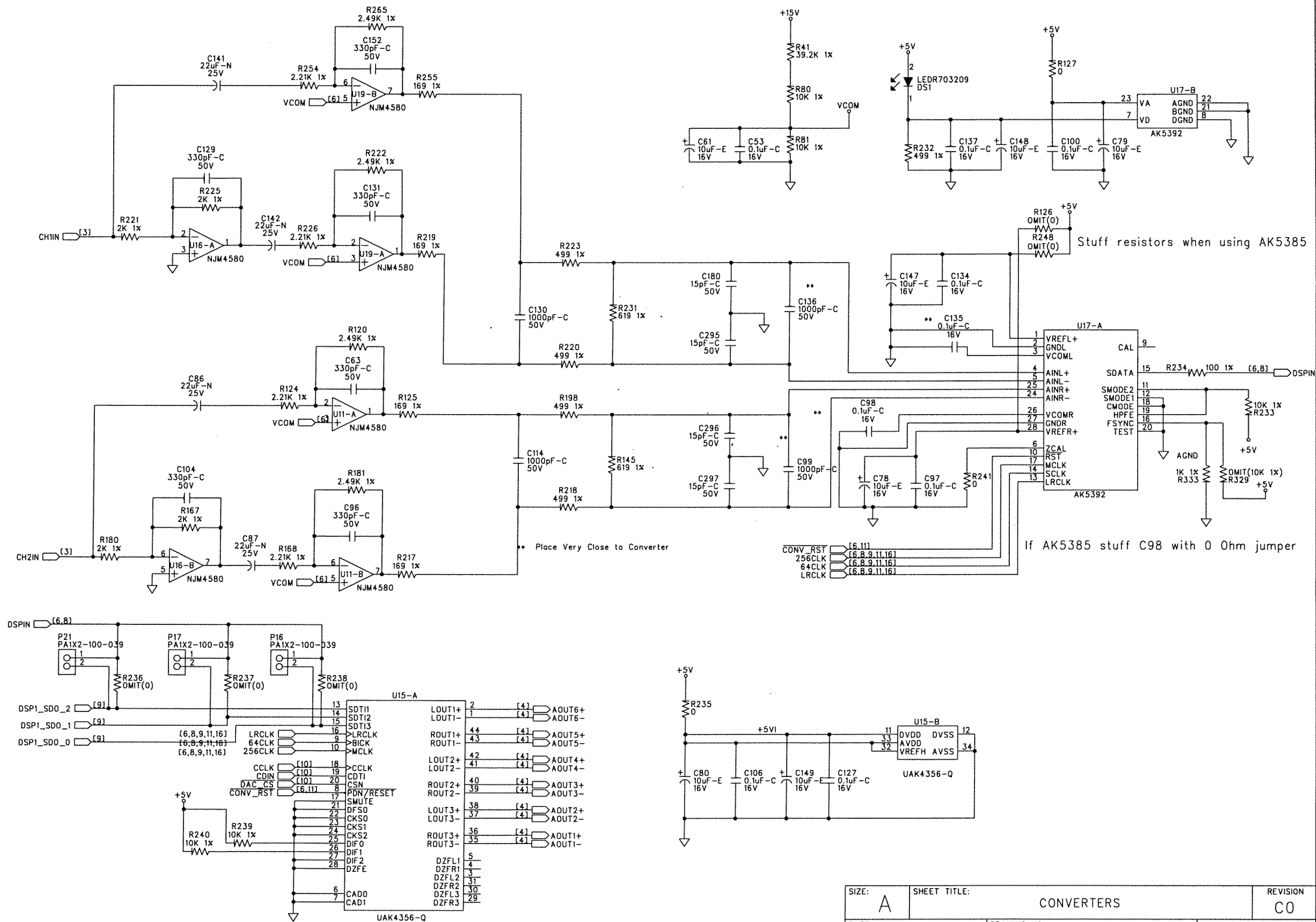
SIZE: A	SHEET TITLE: ANALOG CHANNEL 1 & 2 INPUTS	REVISION: C0
START DATE: 12-03-02	DRAWING NO: 05-1796	SHEET: 3 OF 20



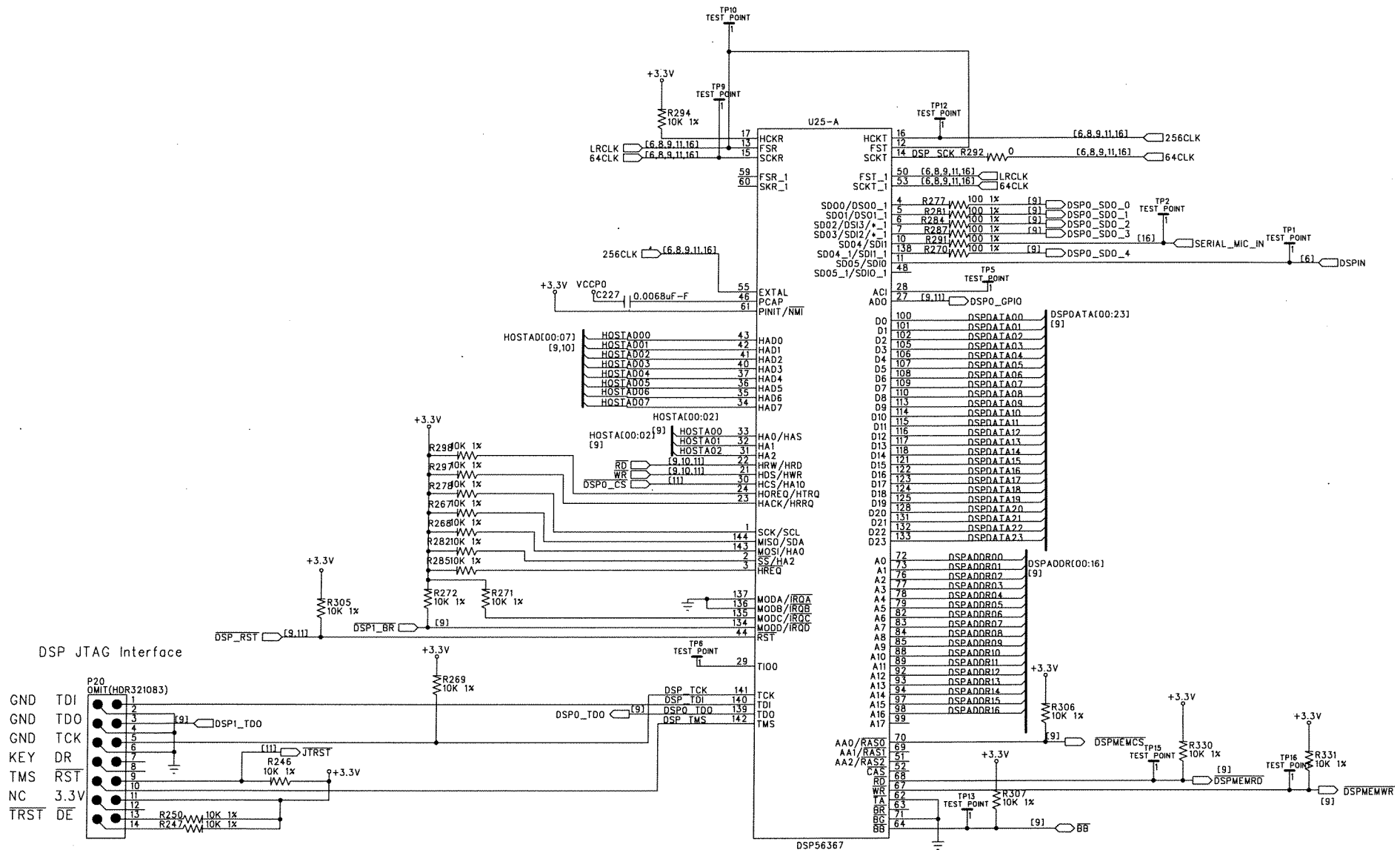
SIZE: A	SHEET TITLE: ANALOG OUTPUTS 1 - 6	REVISION: C0
START DATE: 12-03-02	DRAWING NO: 05-1796	SHEET: 4 OF 15



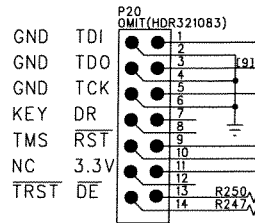
SIZE: A	SHEET TITLE: OUTPUT JACKS	REVISION: C0
DATE: 12-03-02	DRAWING NO: 05-1796	SHEET: 5 OF 20



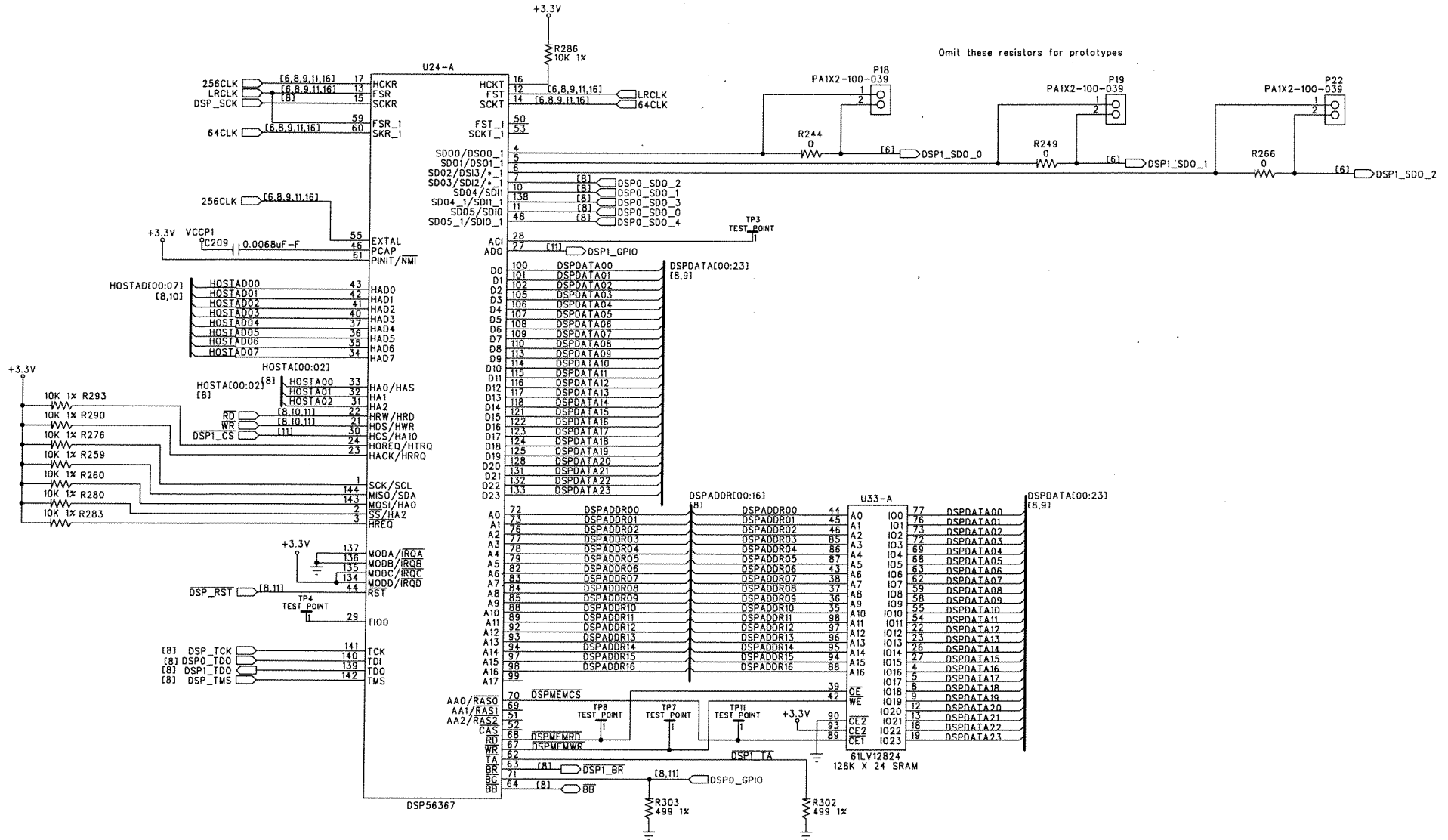
SIZE: A	SHEET TITLE: CONVERTERS	REVISION: C0
DATE: 12-03-02	DRAWING NO: 05-1796	SHEET: 6 OF 20

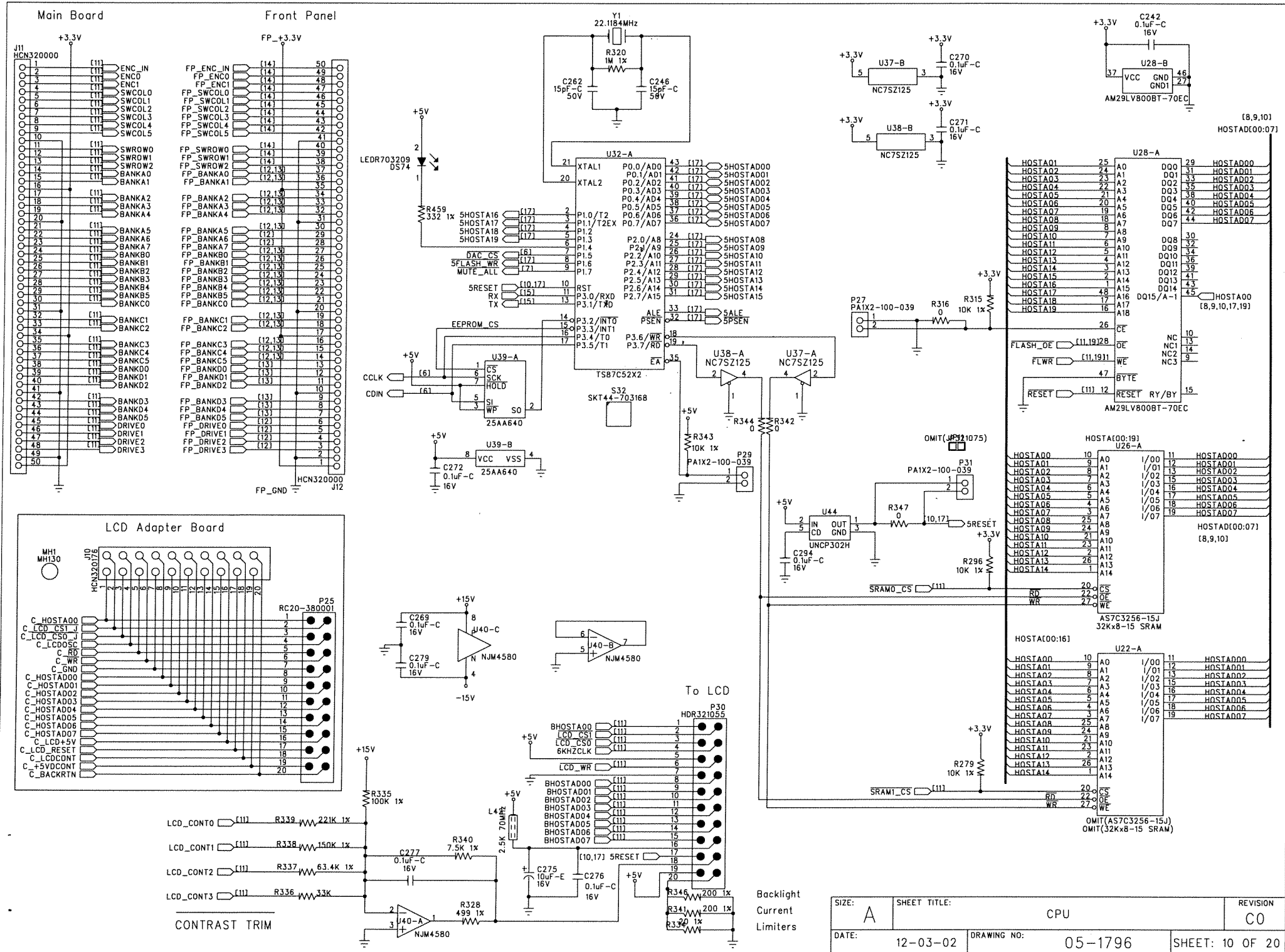


DSP JTAG Interface



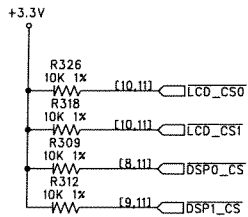
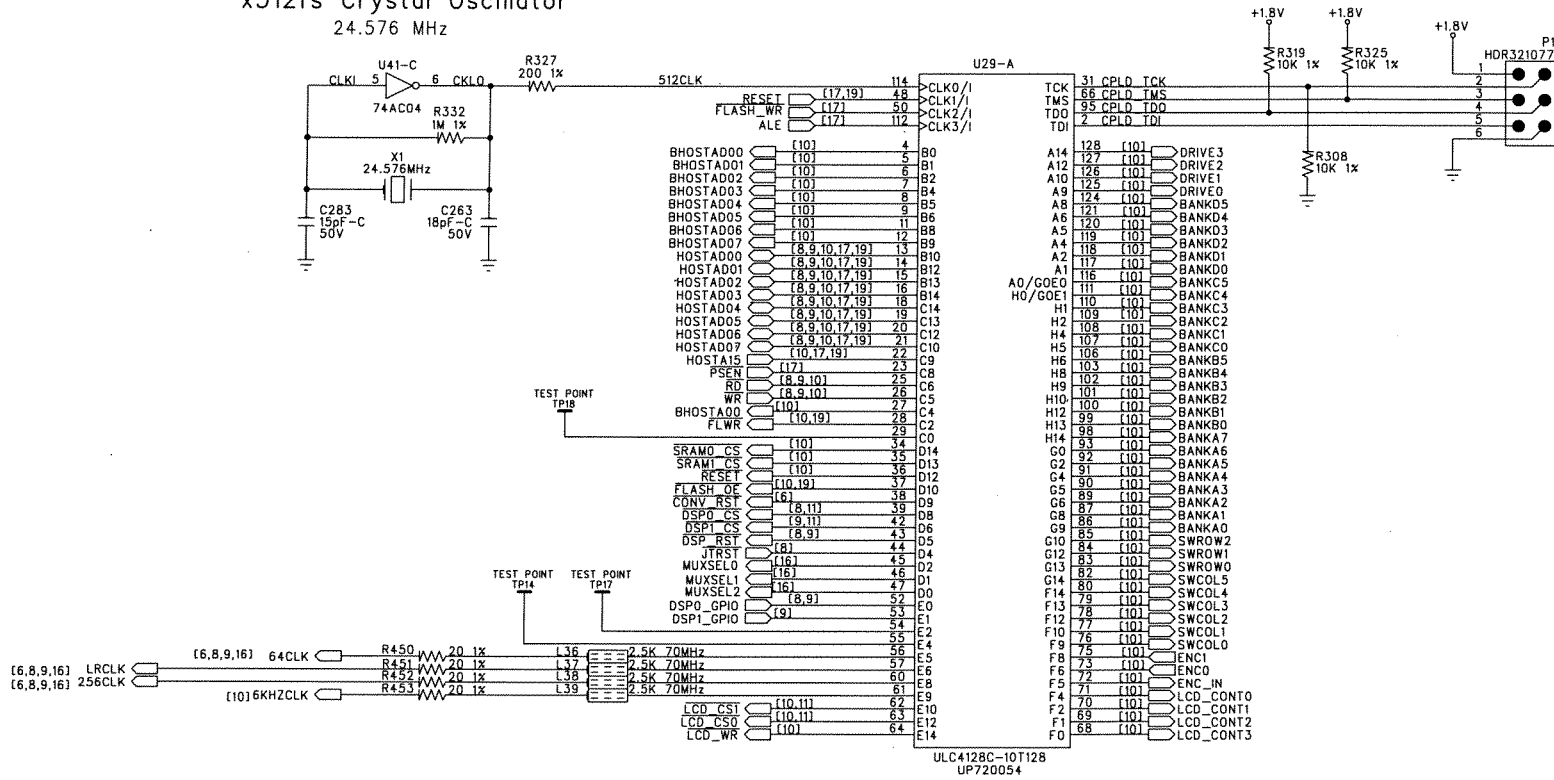
SIZE: A	SHEET TITLE: DSP0	REVISION: C0
DATE: 12-03-02	DRAWING NO: 05-1796	SHEET: 8 OF 20



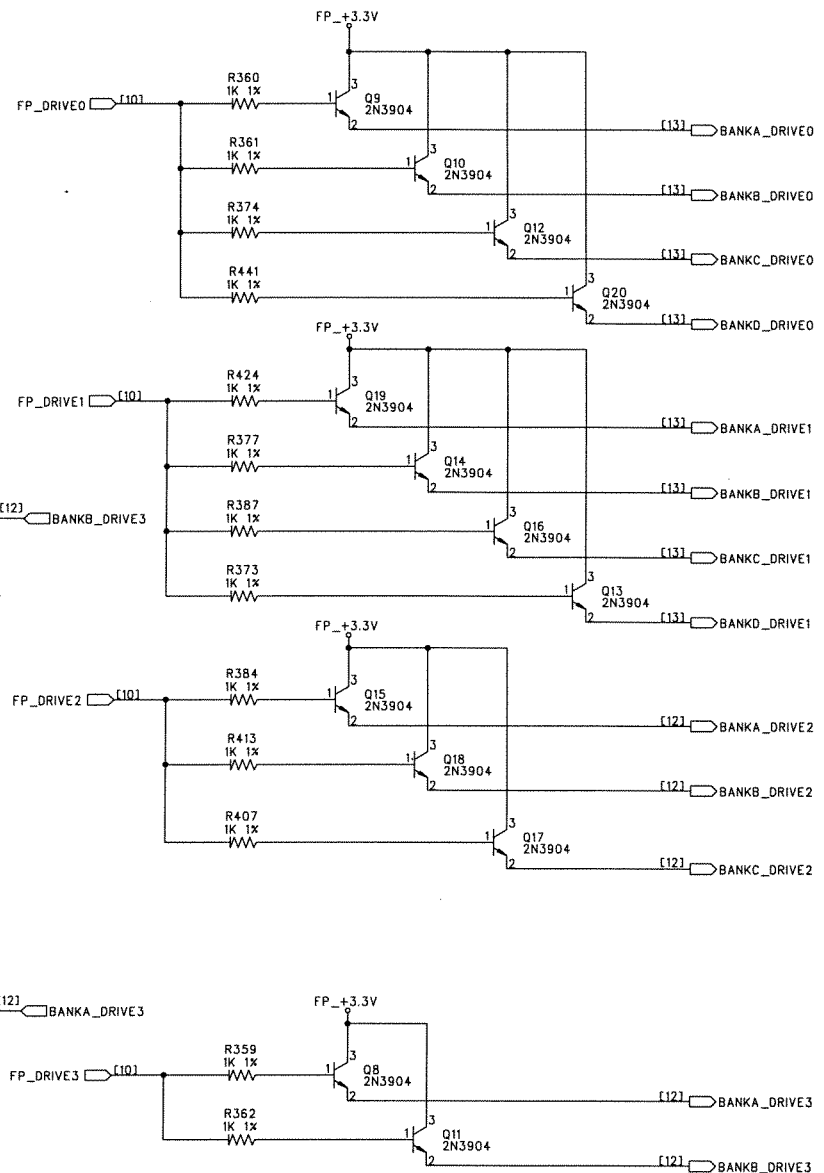
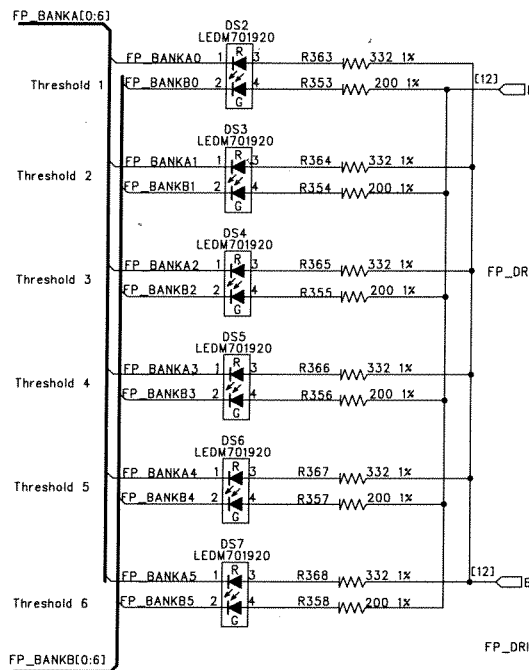
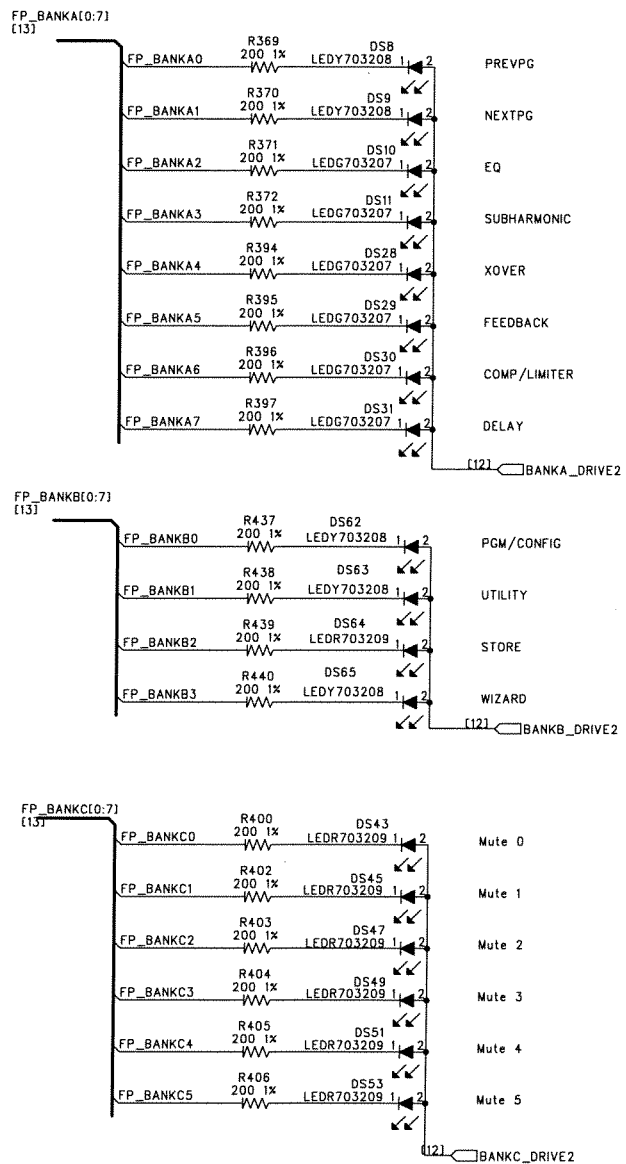


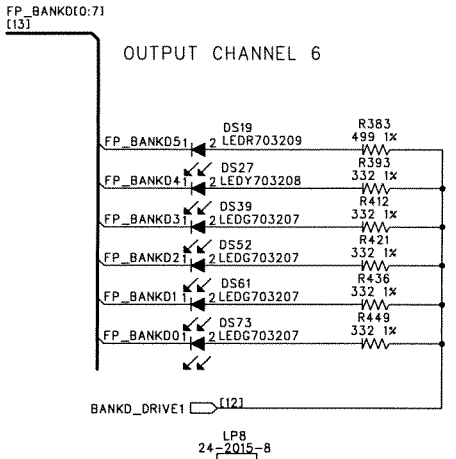
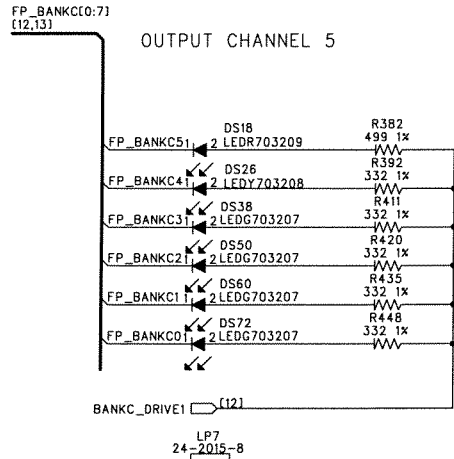
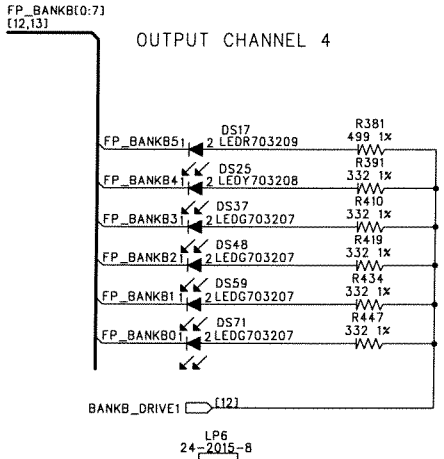
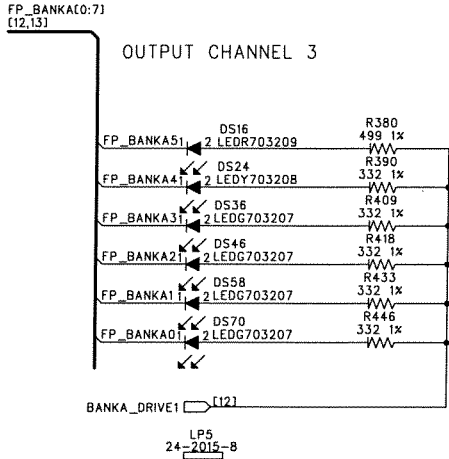
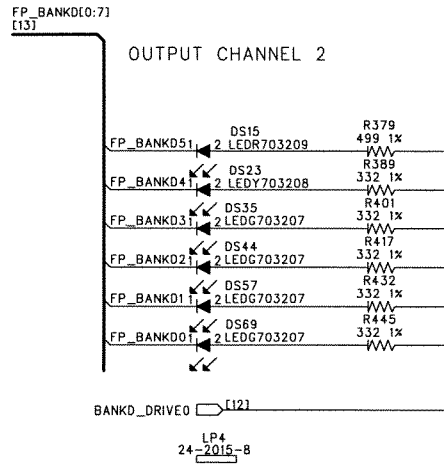
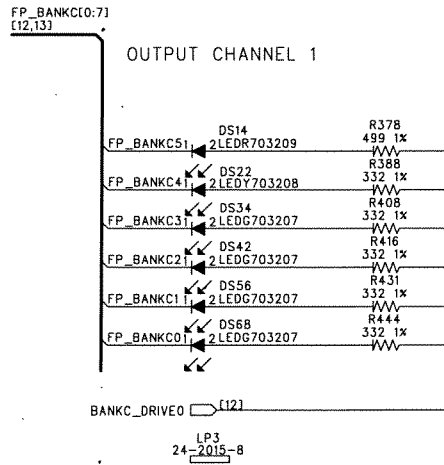
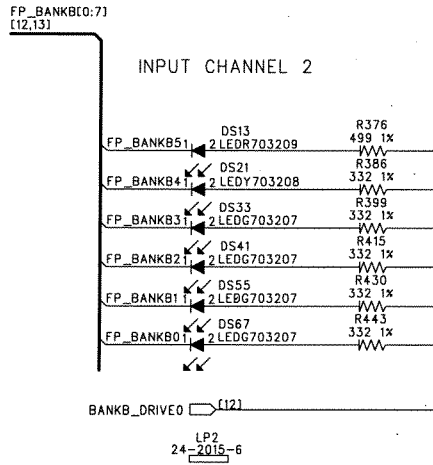
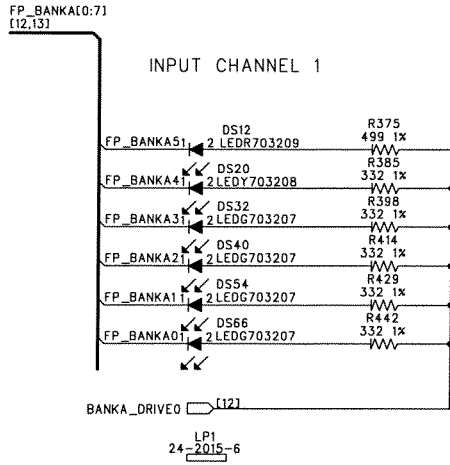
SIZE: A	SHEET TITLE: CPU	REVISION: C0
DATE: 12-03-02	DRAWING NO: 05-1796	SHEET: 10 OF 20

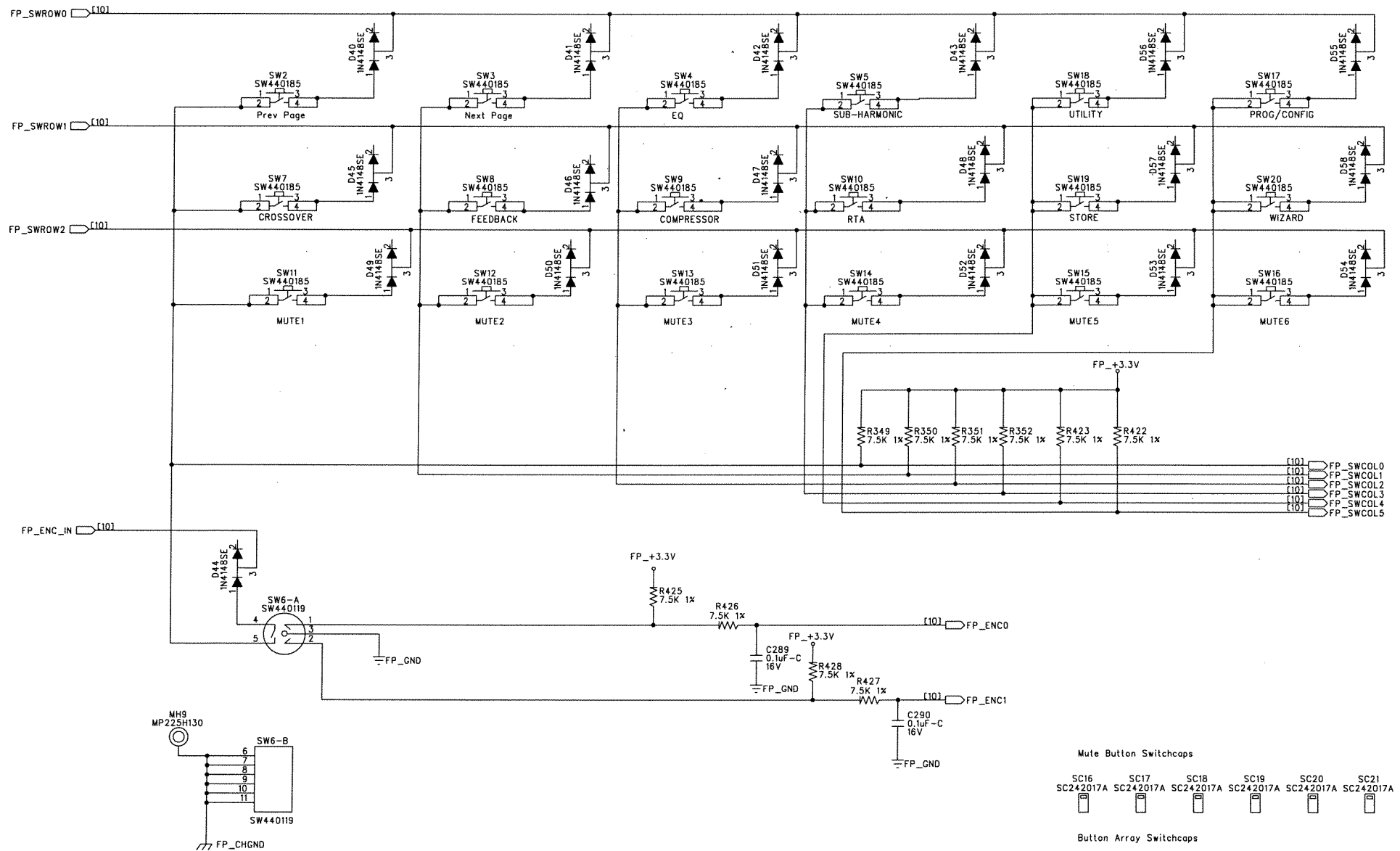
x512fs Crystal Oscillator
24.576 MHz

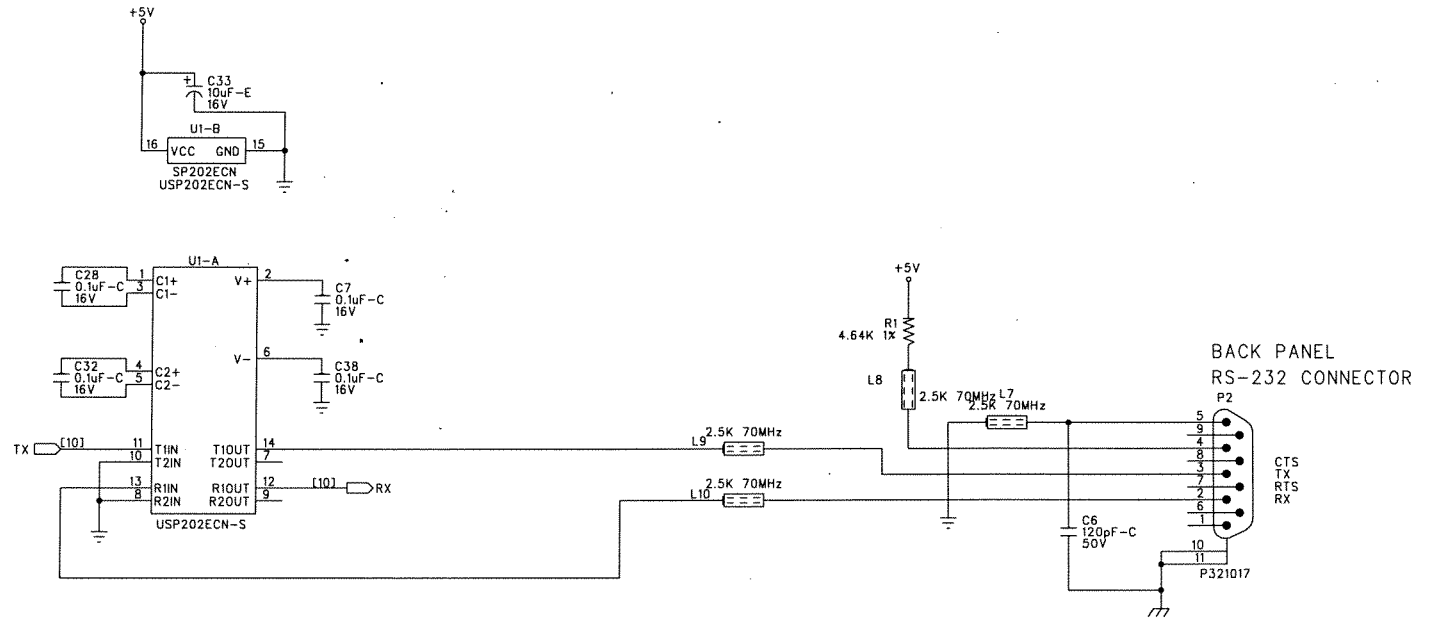


SIZE: A	SHEET TITLE: CPLD	REVISION: C0
DATE: 12-03-02	DRAWING NO: 05-1796	SHEET: 11 OF 20

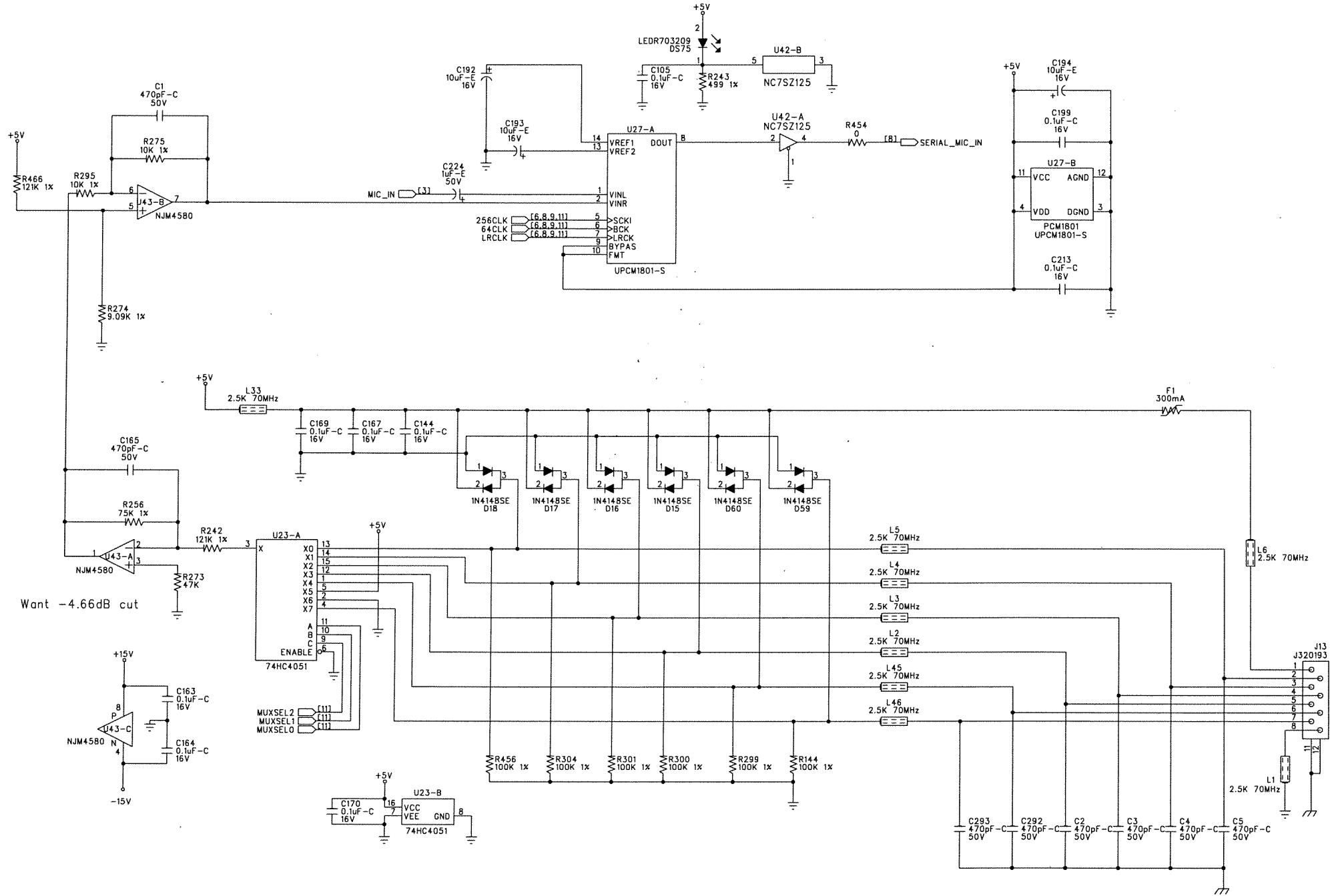






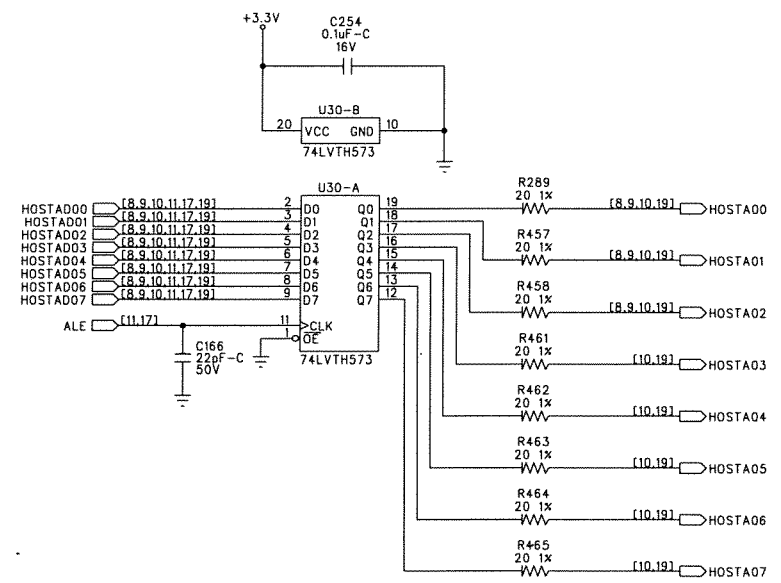
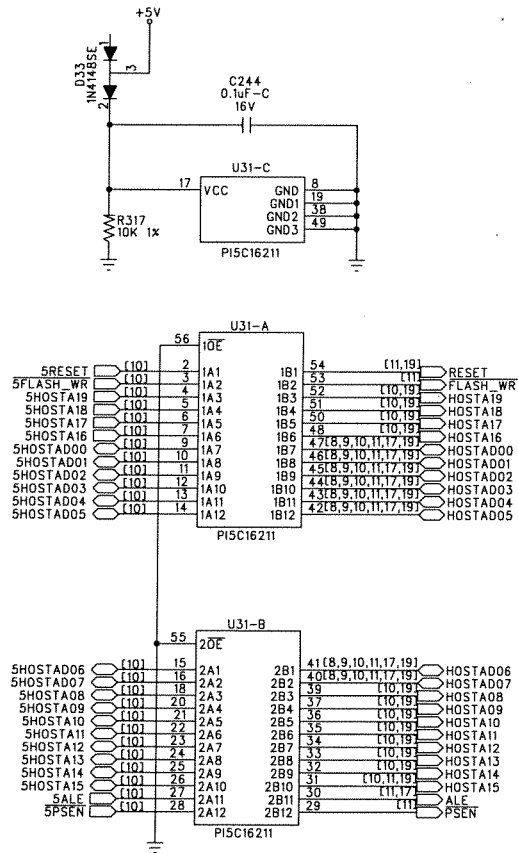


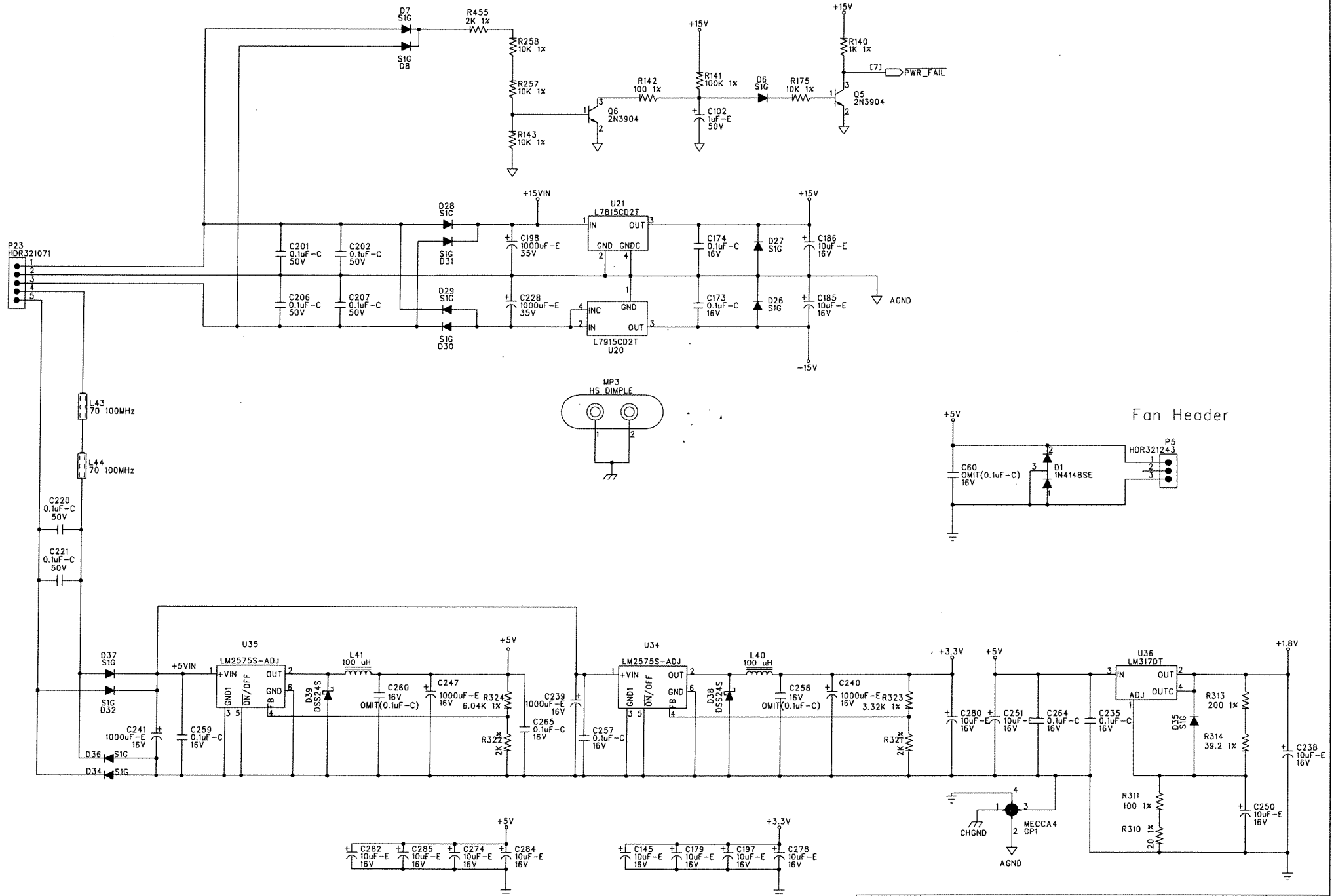
SIZE: A	SHEET TITLE: RS-232	REVISION: C0
DATE: 12-03-02	DRAWING NO: 05-1796	SHEET: 15 OF 20



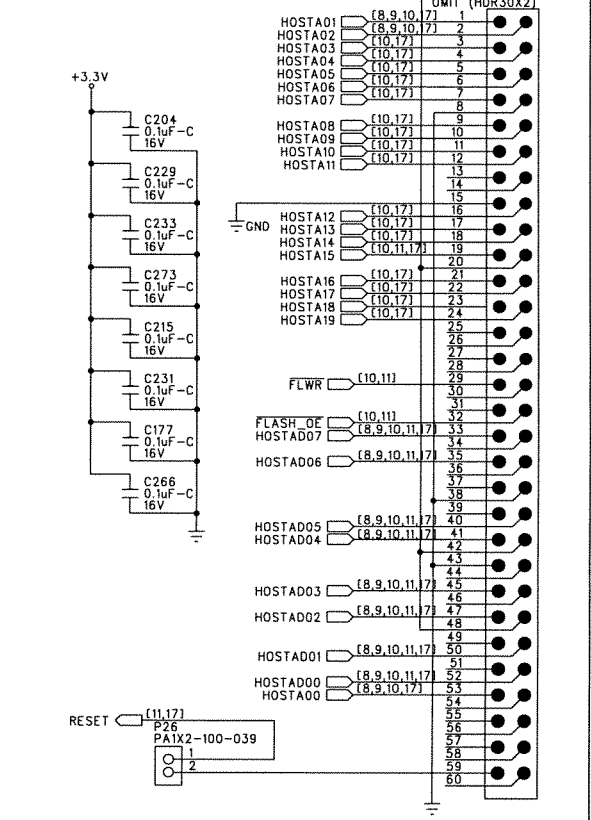
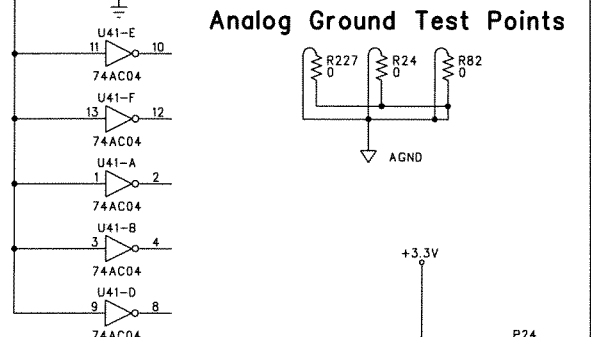
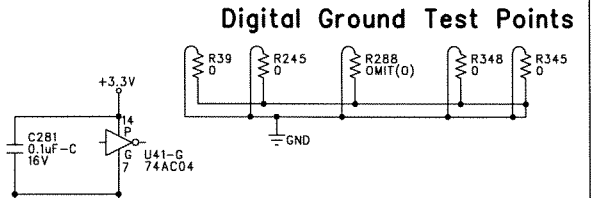
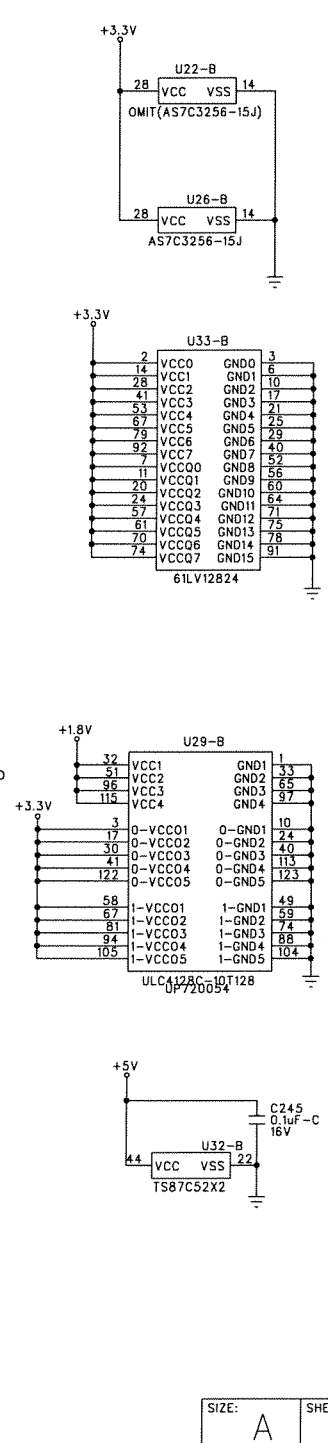
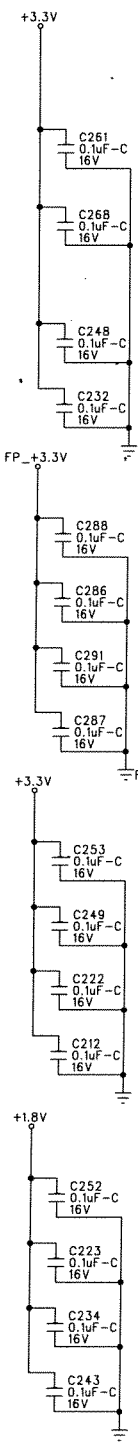
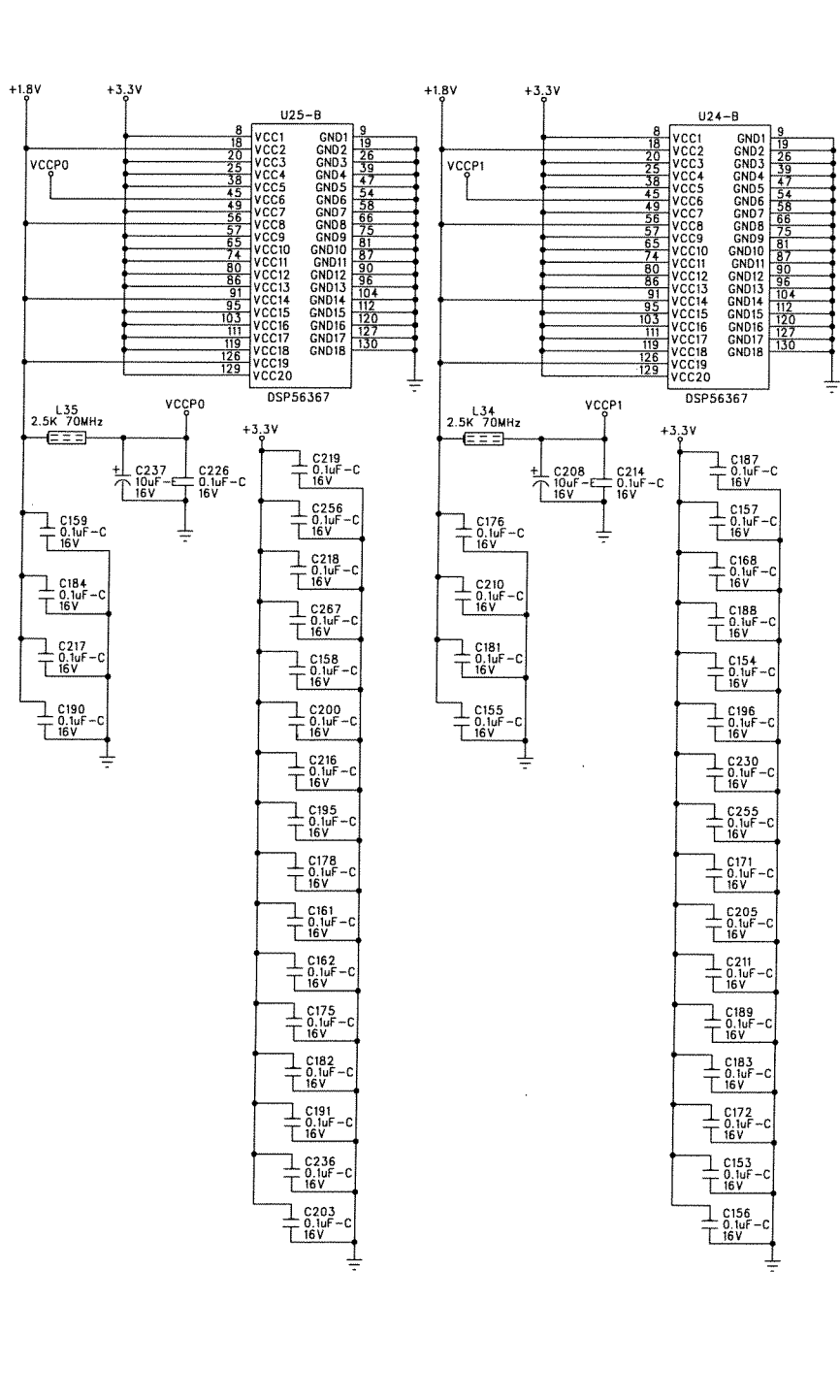
Want -4.66dB cut

SIZE: A	SHEET TITLE: CONTACT CLOSURE	REVISION: C0
DATE: 12-03-02	DRAWING NO: 05-1796	SHEET: 16 OF 20

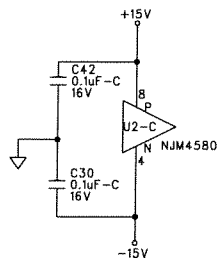
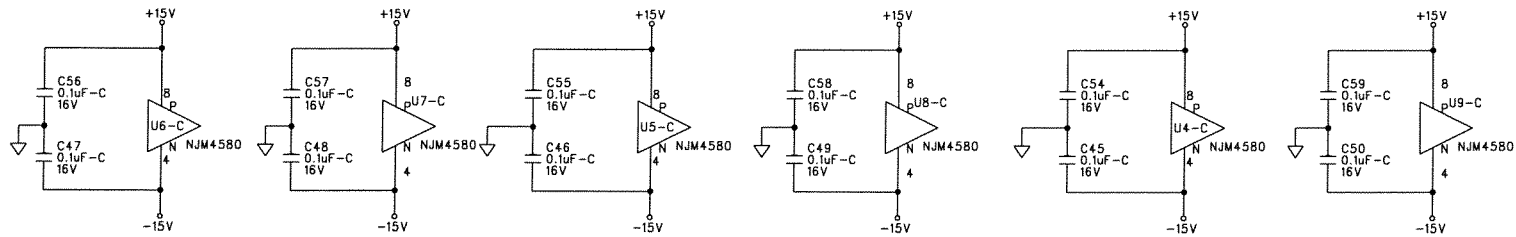
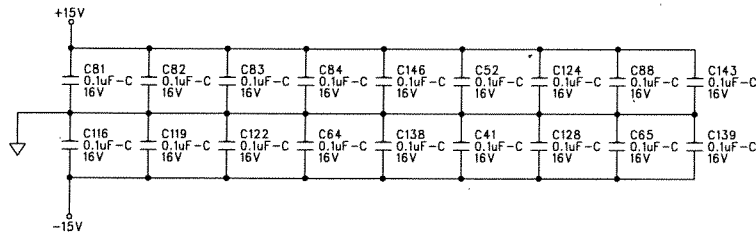
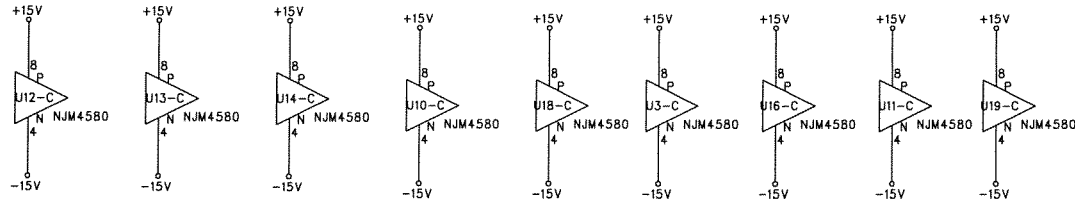
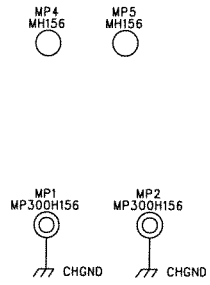




SIZE: A	SHEET TITLE: POWER SUPPLY	REVISION: C0
DATE: 12-03-02	DRAWING NO: 05-1796	SHEET: 18 OF 20



SIZE: A	SHEET TITLE: DIGITAL POWER GATES	REVISION: C0
DATE: 12-03-02	DRAWING NO: 05-1796	SHEET: 19 OF 20



SIZE: A	SHEET TITLE: ANALOG POWER GATES	REVISION: C0
START DATE: 12-03-02	DRAWING NO: 05-1796	SHEET: 20 OF 20

Bill Of Materials for 051796C0.sch on Wed Dec 11 13:29:35 2002

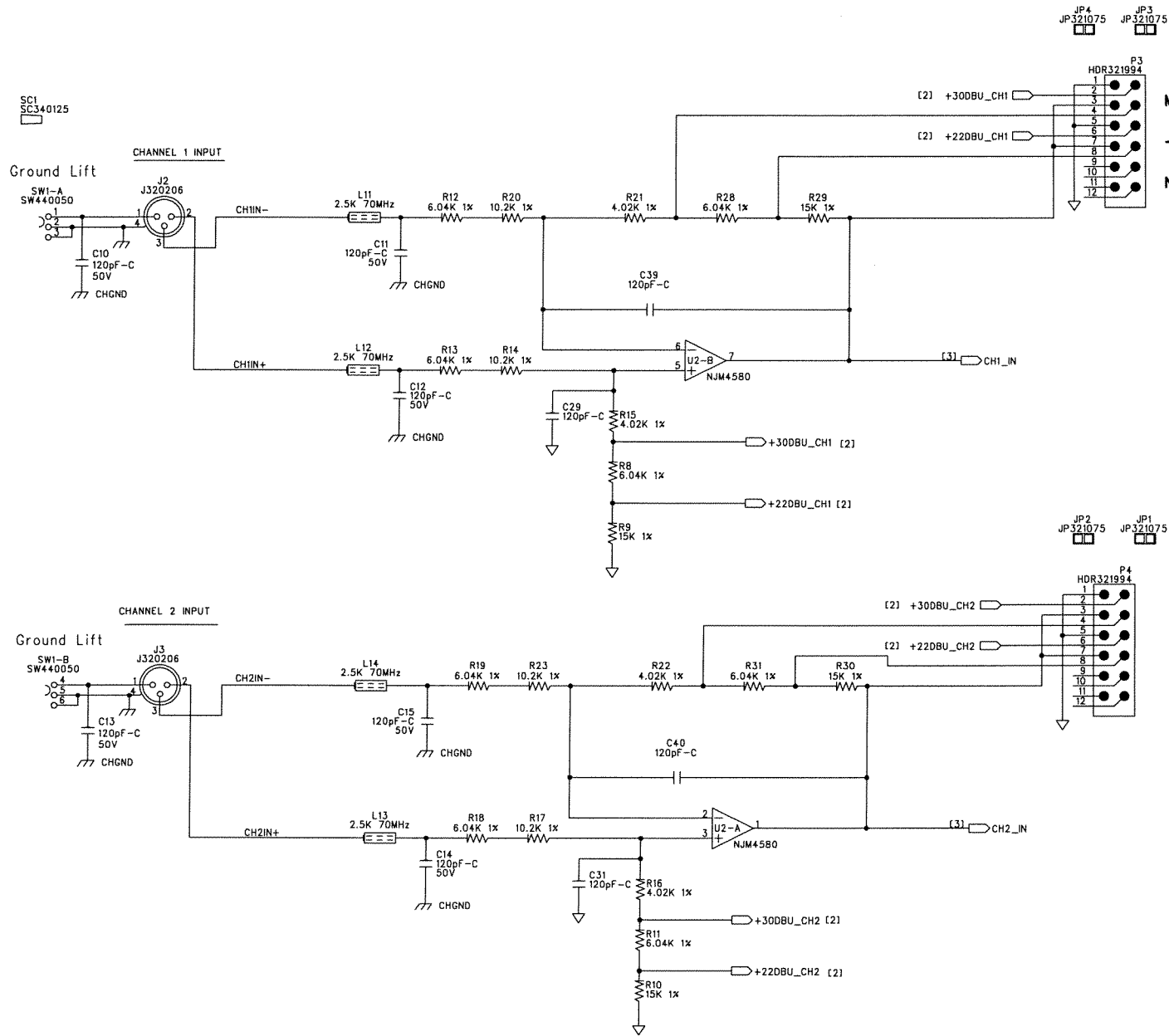
Qty	Reference	HMG#	Description	Audit	Schematic Part	PCB Decal
1	PCB1	80-1796	PCB 80-1796 dbx DRIVERACK 260/261	PT2044	80XXXXYY	BARCODE
8	A5-8 A13-14 A16-17	NON-PART	NON-PART, PCB ONLY, BREAKOFF PART	PT1481	BRKOFF	BRKOFF
12	C66 C69-70 C73-74 C77 C115 C117-118 C120-121 C123	56-0000	CAP 0.001uF FILM PTR 100V 5% AF TA	PT1629	C0.001UF100JR	RFCC200
2	C209 C227	56-0005	CAP 0.0068uF FILM PTR 100V 5% RF TA	PT1307	C0.0068UF100JR	RFDC200
2	C103 C150	56-0033	CAP 0.027uF FILM PTR 100V 5% RF TA	PT1282	C0.027UF100JR	RFEF200
142	C7 C28 C30 C32 C38 C41-42 C45-50 C52-59 C64-65 C81-84 C88 C97-98 C100 C105-106 C116 C119 C122 C124 C127-128 C134-135 C137-139 C143-144 C146 C153-159 C161-164 C167-178 C181-184 C187-191 C195-196 C199-200 C203-205 C210-219 C222-223 C226 C229-236 C242-245 C248-249 C252-257 C259 C261 C264-273 C276-277 C279 C281 C286-291 C294	62-1310	CAP 0.1uF CER 16V 20% Y5V 0603 TA	PT2696	C0.1UC16M0603	0603
3	C60 C258 C260	OMIT	OMIT CAP 0.1uF CER 16V 20% Y5V 0603 TA' (62-1310)	PT2711	C0.1UC16M06030	0603
6	C201-202 C206-207 C220-221	62-1312	CAP 0.1uF CER 50V +80%/-20% Y5V 0603 TA	PT2687	C0.1UC50Z0603	0603
2	C35-36	56-0012	CAP 0.1uF FILM MTPPT 50V 5% RF TA	PT1200	C0.1UF50JR	RFEC200
4	C99 C114 C130 C136	62-1308	CAP 1000pF CER 50V 20% Y5V 0603 TA	PT2651	C1000PC50M0603	0603
4	C239-241 C247	60-0064	CAP 1000uF EL 16V 20% GP 10x17R 5LL TA	PT1334	C1000UE16MR	REM200P
2	C198 C228	60-0063	CAP 1000uF EL 35V 20% GP 13x25R 5LL BK	PT1207	C1000UE35MR	REQ200P
3	C34 C37 C44	60-0201	CAP 100uF EL 16V 20% GP 6x8R 5LS TA	PT1378	C100UE16MR	REG200P
29	C33 C61 C78-80 C101 C145 C147-149 C179 C185-186 C192-194 C197 C208 C237-238 C250-251 C274-275 C278 C280 C282 C284-285	60-0049-01	CAP 10uF EL 16V 20% GP 5x7R 5LS TA	PT1080	C10UE16MR	RED200P
29	C6 C8-27 C29 C31 C39-40 C43 C51 C62 C133	62-1304	CAP 120pF CER 50V 5% NPO 0603 TA	PT2655	C120PC50J0603	0603
7	C180 C246 C262 C283 C295-297	62-1300	CAP 15pF CER 50V 5% NPO 0603 TA	PT2659	C15PC50J0603	0603
1	C263	62-0094	CAP 18pF CER 50V 5% 0603 TA	PT2870	C18PC50J0603	0603
2	C102 C224	60-0044-01	CAP 1uF EL 50V 20% GP 5x7R 5LS TA	PT1079	C1UE50MR	RED200P
1	C166	62-1301	CAP 22pF CER 50V 5% NPO 0603 TA	PT2658	C22PC50J0603	0603
10	C67-68 C71-72 C75-76 C86-87 C141-142	60-0402	CAP 22uF ELNP 25V 20% GP 6x11R 5LS TA	PT1084	C22UN25MR	REG200
8	C63 C95-96 C104 C129 C131 C151-152	62-1306	CAP 330pF CER 50V 10% X7R 0603 TA	PT2653	C330PC50K0603	0603
8	C1-5 C165 C292-293	62-1307	CAP 470pF CER 50V 10% X7R 0603 TA	PT2652	C470PC50K0603	0603
4	C85 C113 C140 C160	60-0054-01	CAP 47uF EL 16V 20% GP 5x11R 5LS TA	PT1108	C47UE16MR	REE200P
12	C89-94 C107-112	62-1303	CAP 68pF CER 50V 5% NPO 0603 TA	PT2656	C68PC50J0603	0603
43	D1-5 D9-24 D33 D40-60	70-0113	DIO MMBD4148SE DUAL 75V 600mA SOT-23 TA	PT1326	D1N4148SE-S	SOT-23

14	D6-8 D26-32 D34-37	70-3203	DIO SIG RECT 400V 1.0A SMA TA	PT2081 DS1G-S	DO-214AC/SMA
2	D38-39	70-0068	DIO RECT 40V 2A SCHOTTKY SS24 SM	PT2779 DSS24S	DO-214AA/SMB
1	F1	32-0192	FUSE 300mA POLY SWITCH RESETABLE	PT2871 F0.300A320192	FUSE6
9	A3-4 A9-12 A15 A18-19	NON-PART	NON-PART, FIDUCIAL, TARGET FOR AUTO INSERTION	PT1271 FIDUCIAL	FIDUCIAL
4	A1-2 A20-21	NON-PART	NON-PART FIDUCIAL TARGET FOR AI AND XRAY	PT2796 FIDUCIAL-XRAY	FIDUCIAL-XRAY
1	P24	OMIT	OMIT (CON HDR 30 X 2 FEMALE AMP SMT)	DWB HC302V224SPMS	HC302V224SEMS
2	J11-12	32-0000	HCN CONN 50 PIN .5 MM CNTS 1X50 FML RA	PT2824 HCN320000	HC320000
1	J10	32-0176	HCN CONN 20 PIN FEM VRT MNT SMT	PT2773 HCN320176	HC102V079050FS
1	P30	32-1055	HDR, 20 PIN, 0.1" SPC, 2 X 10, VERT, MALE	PT1340 HDR321055	HC102
1	P23	32-1071	HDR, 5 PIN, 0.1" SPC, 1 X 5, LCK, POL, VERT, MALE	PT1621 HDR321071	HC51LPM
1	P1	32-1077	HDR, 6 PIN, 0.1" SPC, 2 X 3, VERT, MALE	PT1683 HDR321077	HC32
1	P5	32-1243	HDR 3 PIN .098 SPC 3X1 SHROUDED VERTICAL MT.	PT1876 HDR321243	HC31V98SP
8	P3-4 P8-13	32-1994	HDR 12 PN .1" SPC 2X6 VRT MT	PT2435 HDR321994	HC62V100M
1	P20	OMIT	OMIT HDR 14 PIN 0.1" SPC 2 X 7 VERT MALE (32-1083)	PT2127 HDR321083-O	HC72
1	J13	32-0193	JACK RJ45 SINGLE PORT 8 PIN R/A PCB MNT SHLD	PT2872 J320193	JRJ45_8P-LONG-SH LD
3	J1-3	32-0206	CON, JACK, XLR, R/A, PCA A SERIES	PT1219 J320206	XLRF-1
16	JP1-10 JP12-17	32-1075	JUMPER, MINI, .100 SPC	PT1415 JP321075	PCBNULL
1	JP11	OMIT	OMIT JUMPER MINI .100 SPC (32-1075)	PT2873 JP321075-O	PCBNULL
6	K1-6	72-5146	RELAY DPDT 12VDC POL SM	PT2219 K725146	KSLIM-8P
1	LBL1	30-0121	LABEL BARCODE AUTOINSERTABLE RAW	PT2790 LABEL300121	LABEL300121
38	DS10-11 DS28-42 DS44 DS46 DS48 DS50 DS52 DS54-61 DS66-73	70-3207	LED GREEN D1206 T&R	PT1902 LEDG703207	D1206
6	DS2-7	70-1920	LED RED/GRN WT/DIF SM 1210 TA	PT2428 LEDM701920	LED1210
18	DS1 DS12-19 DS43 DS45 DS47 DS49 DS51 DS53 DS64 DS74-75	70-3209	LED RED D1206 T&R	PT1901 LEDR703209	D1206
13	DS8-9 DS20-27 DS62-63 DS65	70-3208	LED YELLOW D1206 T&R	PT1900 LEDY703208	D1206
2	L43-44	26-0215	IND FBD 70 OHM @ 100MHz RIC200 TA	PT1262 LFB260215	RIC200
42	L1-39 L42 L45-46	26-0217	IND FBD 2.5K OHM @ 70MHz 0805 TA	PT1261 LFB260217	0805
2	L40-41	26-0002	IND PWR 100uH 3A	PT2754 LI260002	UP3B
2	LP1-2	NON-PART	NON-PART 6 POS NOT INSTALLED UNTIL MECHANICAL ASSY(LIGHT PIPE)	PT1967 LP242015-6	LP242015-6
6	LP3-8	NON-PART	NON-PART 8 POS NOT INSTALLED UNTIL MECHANICAL ASSY(LIGHT PIPE)	PT1968 LP242015-8	LP242015-8
1	GP1	NON-PART	NON-PART MECCA GND/PWR TIE POINT 4 POS	PT2482 MECCA4	MECCA4
8	MH1 MH3-8 MH10	NON-PART	NON-PART, MOUNTING HOLE, 0.130" NON-PLATED, #4	PT1242 MH130	MH130
3	MH2 MP4-5	NON-PART	NON-PART MOUNTING HOLE 0.156" NON-PLATED #6	PT2832 MH156	MH156
2	MH11-12	NON-PART	NON-PART TOOLING PIN HOLE 156MIL HOLE	PT2794 MH156-TOOL	MH156-TOOL
1	MH9	NON-PART	NON-PART MECHANICAL PLATED HOLE 225 PAD 130 HOLE #4	PT1998 MP225H130	MP225H130
2	MP1-2	NON-PART	NON-PART, MECHANICAL PLATED HOLE, 300 PAD, 156 HOLE, #6	PT1045 MP300H156	MP300H156
1	MP3	NON-PART	NON-PART SMT HEATSINK DIMPLE 300P 156H #6	PT2816 MP300H156-HSDMP	MP300H156-HSDMP
6	J4-9	32-0204	CON PLUG XLR R/A PCA A SERIES	PT1218 P320204	XLRM-1
1	P2	32-1017	CON JACK DCONN DUAL PORT 9P RA MALE PC MNT	PT1931 P321017	DCON9PM
14	P6-7 P14-19 P21-22 P26-27 P29 P31	NON-PART	NON-PART PD ARY 2 PN 0.100" SPC 0.039" HLE	PT1645 PA1X2-100-039	PA1X2-100-039
17	Q2 Q4-6 Q8-20	70-1058	XSTR, 2N3904, NPN, SOT-23, T&R	PT1203 Q2N3904-S	SOT-23
2	Q1 Q3	70-1059	XSTR 2N3906 PNP SOT-23 SM TA	PT1057 Q2N3906-S	SOT-23
16	R2-3 R5-6 R123 R230 R241 R244 R249 R266 R292 R316 R342 R344 R347 R454	50-1300	RES 0 5% 1/16W SM 0603 TA	PT2508 R0-B5-0603	0603
7	R122 R126 R229 R236-238 R248	OMIT	OMIT RES 0 5% 1/16W SM 0603 TA (50-1300)	PT2509 R0-B5-0603O	0603
2	R127 R235	50-1531	RES 0 5% 1/10W SM 0805 TA	PT1099 R0-C5-0805	0805
7	R24 R39 R82 R227 R245 R345 R348	50-0317	RES 0 5% 1/4W CF RR TA	PT1008 R0-E5-R	RRA200
1	R288	OMIT	OMIT RES 0 5% 1/4W CF RR TA (50-0317)	PT1596 R0-E5-RO	RRA200
4	R14 R17 R20 R23	52-1339	RES 10.2K 1% 1/16W SM 0603 TA	PT2591 R10.2KB1-0603	0603
14	R25 R40 R147 R150 R153 R156 R159 R162	52-1340	RES 10.7K 1% 1/16W SM 0603 TA	PT2592 R10.7KB1-0603	0603

	R200 R203 R206 R209						
	R212 R215						
15	R33-38 R142 R234	52-1304	RES 100 1% 1/16W SM 0603 TA		PT2512 R100-B1-0603	0603	
	R270 R277 R281 R284						
	R287 R291 R311						
12	R141 R144 R178-179	52-1360	RES 100K 1% 1/16W SM 0603 TA		PT2613 R100KB1-0603	0603	
	R263-264 R299-301						
	R304 R335 R456						
62	R80-81 R84 R87 R90	52-1338	RES 10K 1% 1/16W SM 0603 TA		PT2584 R10KB1-0603	0603	
	R93 R96 R99 R102						
	R105 R108 R111 R114						
	R117 R143 R175 R233						
	R239-240 R246-247						
	R250 R257-260						
	R267-269 R271-272						
	R275-276 R278-280						
	R282-283 R285-286						
	R290 R293-298						
	R305-309 R312 R315						
	R317-319 R325-326						
	R330-331 R343						
1	R329	OMIT	OMIT RES 10K 1% 1/16W SM 0603 TA (52-1338)		PT2628 R10KB1-06030	0603	
2	R242 R466	52-1361	RES 121K 1% 1/16W SM 0603 TA		PT2614 R121KB1-0603	0603	
1	R338	52-1362	RES 150K 1% 1/16W SM 0603 TA		PT2615 R150KB1-0603	0603	
17	R9-10 R29-30 R146	52-1344	RES 15K 1% 1/16W SM 0603 TA		PT2596 R15KB1-0603	0603	
	R151-152 R157-158						
	R163 R182-187 R190						
4	R125 R217 R219 R255	52-1305	RES 169 1% 1/16W SM 0603 TA		PT2513 R169-B1-0603	0603	
21	R27 R79 R140	52-1313	RES 1K 1% 1/16W SM 0603 TA		PT2550 R1KB1-0603	0603	
	R188-189 R191 R195						
	R333 R359-362						
	R373-374 R377 R384						
	R387 R407 R413 R424						
	R441						
2	R320 R332	52-1372	RES 1M 1% 1/16W SM 0603 TA		PT2625 R1MB1-0603	0603	
4	R124 R168 R226 R254	52-1317	RES 2.21K 1% 1/16W SM 0603 TA		PT2555 R2.21KB1-0603	0603	
4	R120 R181 R222 R265	52-1318	RES 2.49K 1% 1/16W SM 0603 TA		PT2556 R2.49KB1-0603	0603	
6	R44 R50 R56 R62 R68	52-1319	RES 2.67K 1% 1/16W SM 0603 TA		PT2557 R2.67KB1-0603	0603	
	R74						
14	R289 R310 R334	52-1300	RES 20 1% 1/16W SM 0603 TA		PT2507 R20-B1-0603	0603	
	R450-453 R457-458						
	R461-465						
28	R313 R327 R341 R346	52-1306	RES 200 1% 1/16W SM 0603 TA		PT2514 R200-B1-0603	0603	
	R353-358 R369-372						
	R394-397 R400						
	R402-406 R437-440						
1	R339	52-1364	RES 221K 1% 1/16W SM 0603 TA		PT2617 R221KB1-0603	0603	
16	R4 R7 R164 R167	52-1316	RES 2K 1% 1/16W SM 0603 TA		PT2553 R2KB1-0603	0603	
	R176-177 R180 R193						
	R221 R225 R251						
	R261-262 R321-322						
	R455						
12	R43 R46 R49 R52 R55	52-1322	RES 3.16K 1% 1/16W SM 0603 TA		PT2560 R3.16KB1-0603	0603	
	R58 R61 R64 R67 R70						
	R73 R76						
6	R45 R51 R57 R63 R69	52-1323	RES 3.24K 1% 1/16W SM 0603 TA		PT2561 R3.24KB1-0603	0603	
	R75						
15	R119 R148-149	52-1324	RES 3.32K 1% 1/16W SM 0603 TA		PT2562 R3.32KB1-0603	0603	
	R154-155 R160-161						
	R201-202 R207-208						
	R213-214 R224 R323						
50	R26 R32 R194	52-1307	RES 332 1% 1/16W SM 0603 TA		PT2543 R332-B1-0603	0603	
	R363-368 R385-386						

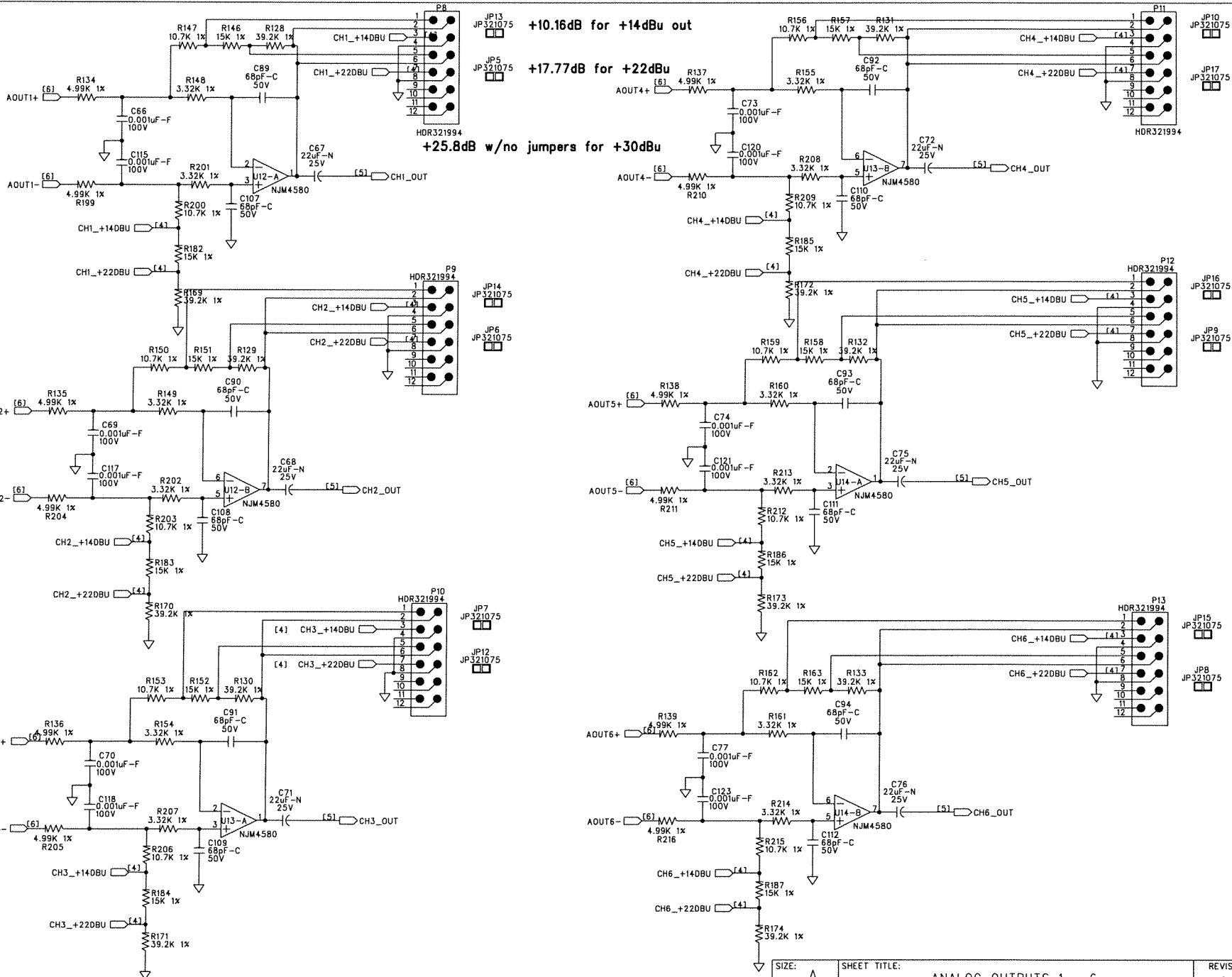
	R388-393 R398-399						
	R401 R408-412						
	R414-421 R429-436						
	R442-449 R459						
5	R165-166 R252-253	50-1325	RES 33K 5% 1/16W SM 0603 TA		PT2589 R33KB5-0603	0603	
	R336						
1	R314	52-1301	RES 39.2 1% 1/16W SM 0603 TA		PT2515 R39.2-B1-0603	0603	
13	R41 R128-133	52-1355	RES 39.2K 1% 1/16W SM 0603 TA		PT2608 R39.2KB1-0603	0603	
	R169-174						
4	R15-16 R21-22	52-1325	RES 4.02K 1% 1/16W SM 0603 TA		PT2563 R4.02KB1-0603	0603	
1	R78	52-1326	RES 4.32K 1% 1/16W SM 0603 TA		PT2564 R4.32KB1-0603	0603	
12	R42 R47-48 R53-54	52-1327	RES 4.53K 1% 1/16W SM 0603 TA		PT2565 R4.53KB1-0603	0603	
	R59-60 R65-66						
	R71-72 R77						
4	R1 R192 R197 R460	52-1328	RES 4.64K 1% 1/16W SM 0603 TA		PT2568 R4.64KB1-0603	0603	
12	R134-139 R199	52-1329	RES 4.99K 1% 1/16W SM 0603 TA		PT2566 R4.99KB1-0603	0603	
	R204-205 R210-211						
	R216						
1	R273	50-1327	RES 47K 5% 1/16W SM 0603 TA		PT2630 R47KB5-0603	0603	
18	R196 R198 R218 R220	52-1308	RES 499 1% 1/16W SM 0603 TA		PT2545 R499-B1-0603	0603	
	R223 R232 R243						
	R302-303 R328						
	R375-376 R378-383						
6	R86 R92 R98 R104	52-1331	RES 5.76K 1% 1/16W SM 0603 TA		PT2576 R5.76KB1-0603	0603	
	R110 R116						
15	R8 R11-13 R18-19	52-1332	RES 6.04K 1% 1/16W SM 0603 TA		PT2577 R6.04KB1-0603	0603	
	R28 R31 R85 R91 R97						
	R103 R109 R115 R324						
12	R83 R88-89 R94-95	52-1303	RES 60.4 1% 1/16W SM 0603 TA		PT2511 R60.4-B1-0603	0603	
	R100-101 R106-107						
	R112-113 R118						
2	R145 R231	52-1309	RES 619 1% 1/16W SM 0603 TA		PT2546 R619-B1-0603	0603	
1	R337	52-1358	RES 63.4K 1% 1/16W SM 0603 TA		PT2611 R63.4KB1-0603	0603	
11	R340 R349-352	52-1335	RES 7.5K 1% 1/16W SM 0603 TA		PT2581 R7.5KB1-0603	0603	
	R422-423 R425-428						
1	R256	52-1359	RES 75K 1% 1/16W SM 0603 TA		PT2612 R75KB1-0603	0603	
2	R121 R228	52-1336	RES 8.06K 1% 1/16W SM 0603 TA		PT2582 R8.06KB1-0603	0603	
1	R274	52-1337	RES 9.09K 1% 1/16W SM 0603 TA		PT2583 R9.09KB1-0603	0603	
1	P25	38-0001	RBN CBL 20 COND. 0.1", 4.25"		PT2772 RC20-380001	RC380001	
1	SC1	34-0125	SWITCH CAP, BLACK, ROUND		PT1354 SC340125	SC340125-FPE	
6	SC16-21	24-2017-A	SWITCHCAP dbx LIGHTED MUTE BUTTON		PT2025 SC242017A		
12	SC2-13	34-0199-A	SWITCH CAP dbx LIGHTED		PT2024 SC340199A	PCBNULL	
1	S32	70-3168	SKT 44 PIN PLCC SM TA		PT2419 SKT44-703168	PLCC-44SKT	
1	SW1	44-0050	SWITCH DPDT MINI IN-OUT 6 PIN E-SWITCH		PT1256 SW440050	SW440050	
1	SW6	44-0119	ENCODER 20mm D SHAFT 30 POS W/SWITCH VERT MOUNT		PT1890 SW440119	SW440119	
18	SW2-5 SW7-20	44-0185	SWITCH, SPST, LITE TOUCH, MINI, W/ PROJECTED PLUNGER SMT		PT1962 SW440185	SW4PTACT-3	
18	TP1-18	NON-PART	NON-PART, TEST POINT, ENGINEERING PROBE POINT		PT1653 TESTPOINT	TESTPOINTSM	
1	U33	72-1488	IC 128K x 24 STATIC RAM 9ns 3.3V QFP100-14X20		PT2469 U128K24S9-3.3-Q	QFP100-14X20	
1	U39	72-0046	IC 25AA640 64K SERIAL EEPROM TA		PT2774 U25AA260	SO8	
1	U26	72-6318	IC 32K x 8 SRAM 15ns SOJ28		PT2294 U32K8S15-J	SOJ28-300	
1	U22	OMIT	OMIT IC 32K x 8 SRAM 15ns SOJ28 (72-6318)		PT2874 U32K8S15-JO	SOJ28-300	
1	U41	72-5426	IC, 74AC04, HEX INVERTER, SO14, T&R		PT1325 U74AC04-S	SO14	
1	U23	72-0085	IC 74HC4051 ANALOG MUX/DEMUX SO16		PT1927 U74HC4051-S	SO16	
1	U30	72-0063	IC 74LVTH573 3.3V ABT 8-LATCH 3-STATE SSO20 TR		PT2856 U74LVTH573-P	SSOP20	
1	U15	72-1485	IC AK4356 192kHz 24 BIT 6 CHANNEL DAC		PT2717 UAK4356-Q	QFP44-10X10	
1	U17	72-1464	IC, AK5392, DUAL 24BIT ADC, SO28W		PT1555 UAK5392-S	SO28W	
2	U24-25	72-6305	IC DSP56367 DSP 150MHZ QFP144-20X20		PT2452 UDSP56367-Q	QFP144-20X20	
1	U21	70-0070	V-REG L7815CD2T +15V 1A TA		PT2817 UL7815CD2T-S	TO263 (D2PAK)	
1	U20	70-0069	V-REG L7915CD2T -15V 1A TA		PT2819 UL7915CD2T-S	TO263 (D2PAK)	
2	U34-35	70-0063	V-REG LM2575S-ADJ SWITCHING REG 1A TO-263(5)		PT2739 ULM2575S-ADJ	TO-263 (5)	
1	U36	70-0072	V-REG LM317DT 1.2V TO 37V ADJ 0.5A TA		PT2866 ULM317DT-S	TO252 (DPAK)	
3	U37-38 U42	72-5434	IC NC7SZ125 TINYLOGIC BUFFER SOT23-5 TA		PT1881 UNC7SZ125-S	SOT23-5	
1	U44	72-0068	IC NCP302H VOLTAGE DETECTOR SM SOT23-5		PT2869 UNCP302H	SOT23-5	

			051796C0.PPS		
18	U2-14 U16 U18-19 U40 U43	72-1480	IC NJM4580 DUAL OP-AMP SO8	PT1374 UNJM4580-S	SO8
1	U29	72-0054-00V1	IC CPLD LC4128C-10T128 128 MC 92I/O SM dbx Driverack 260 V1	PT2859 UP720054	TQFP128
1	U32	72-0061-00V1	IC TS87C52X2 8 BIT OTP MICRO 5V 30Mhz dbx Driverack 260 V1	PT2868 UP720061	PLCC-44
1	U28	72-0062-00V1	IC AM29LV800BT 70nS 8 MEG FLASH dbx DRIVERACK 260 V1	PT2827 UP720062	TSOP48
1	U27	72-0055	IC PCM1801 16-BIT ADC 93DB SM	MTB UPCM1801-S	SO14
1	U31	72-0059	IC PI5C16211 24 BIT BUS SWITCH 5V-3V TSSOP	PT2860 UPI5C16211-TS	TSSOP56
1	U1	72-0056	IC SP202ECN RS-232 DUAL DRIVER/RECEIVER SM	MTB USP202ECN-S	SO16
1	Y1	76-0000	XTAL 22.1184MHz HC49 18PF SM TR	PT2829 Y22.1184M760000	XTAL2-V
1	X1	76-0006	XTAL 24.576MHz SMT CX16F/CS49G PKG	PT2713 Y24.576M760006	YCX16F/CX49G

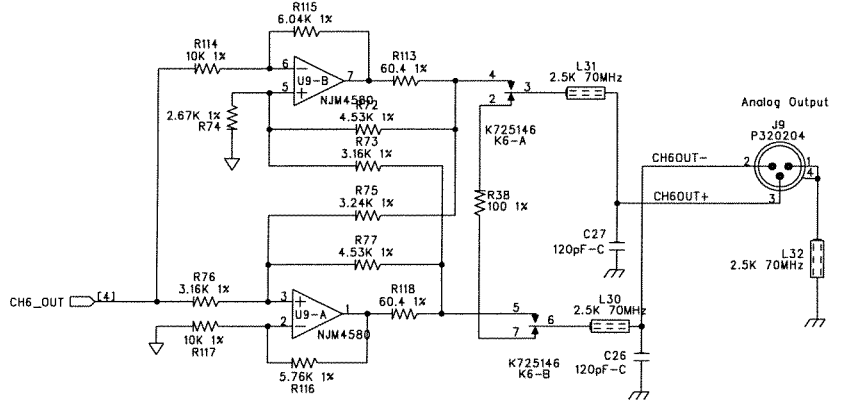
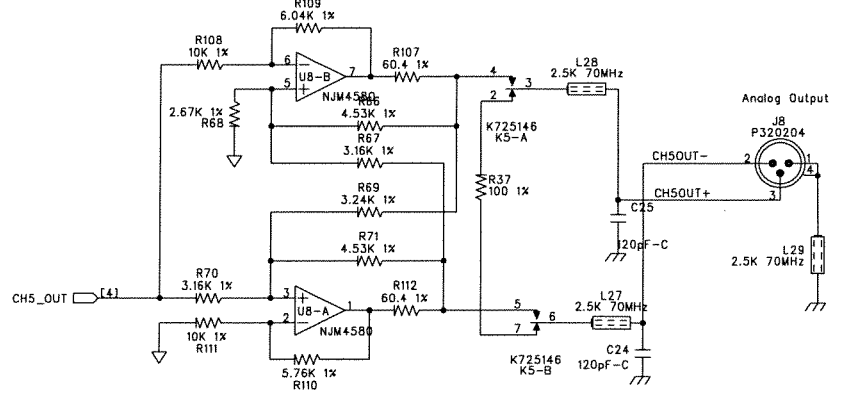
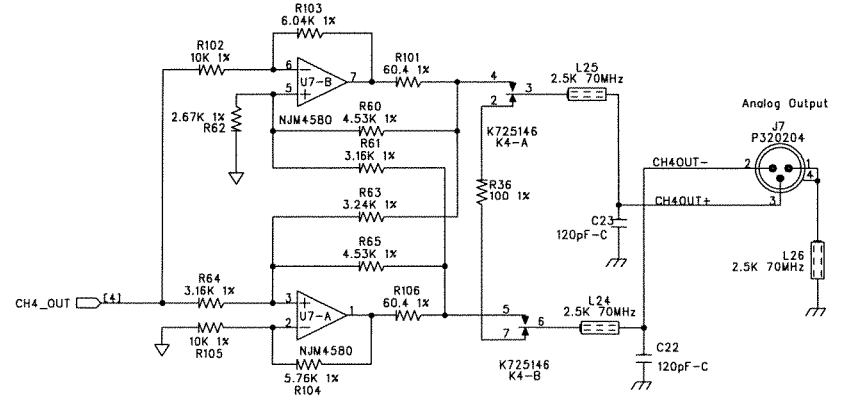
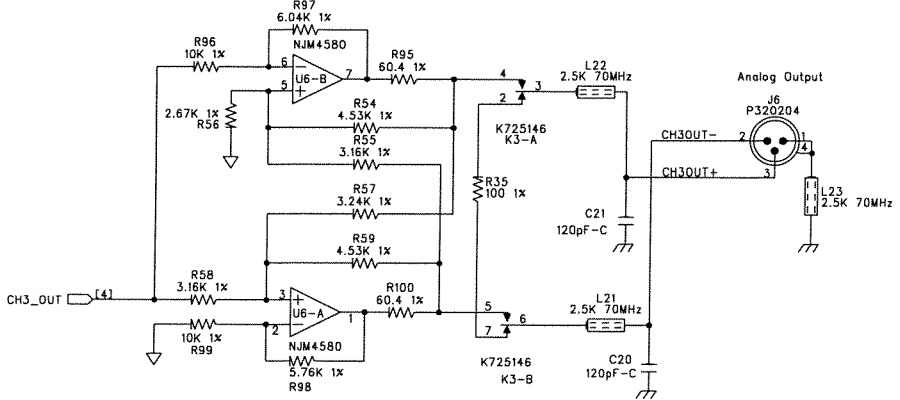
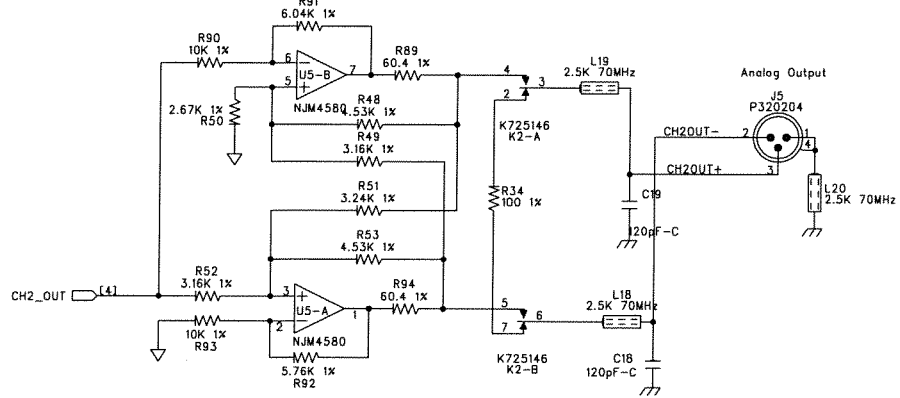
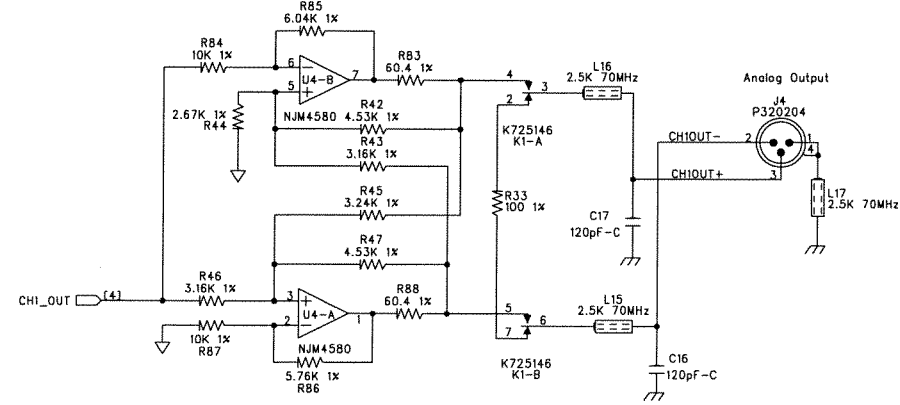


Max cut is -16.33dB for +30dBu in
 -8.26dB cut for +22dBu in
 No jumpers = -.33dB for +14dBu in

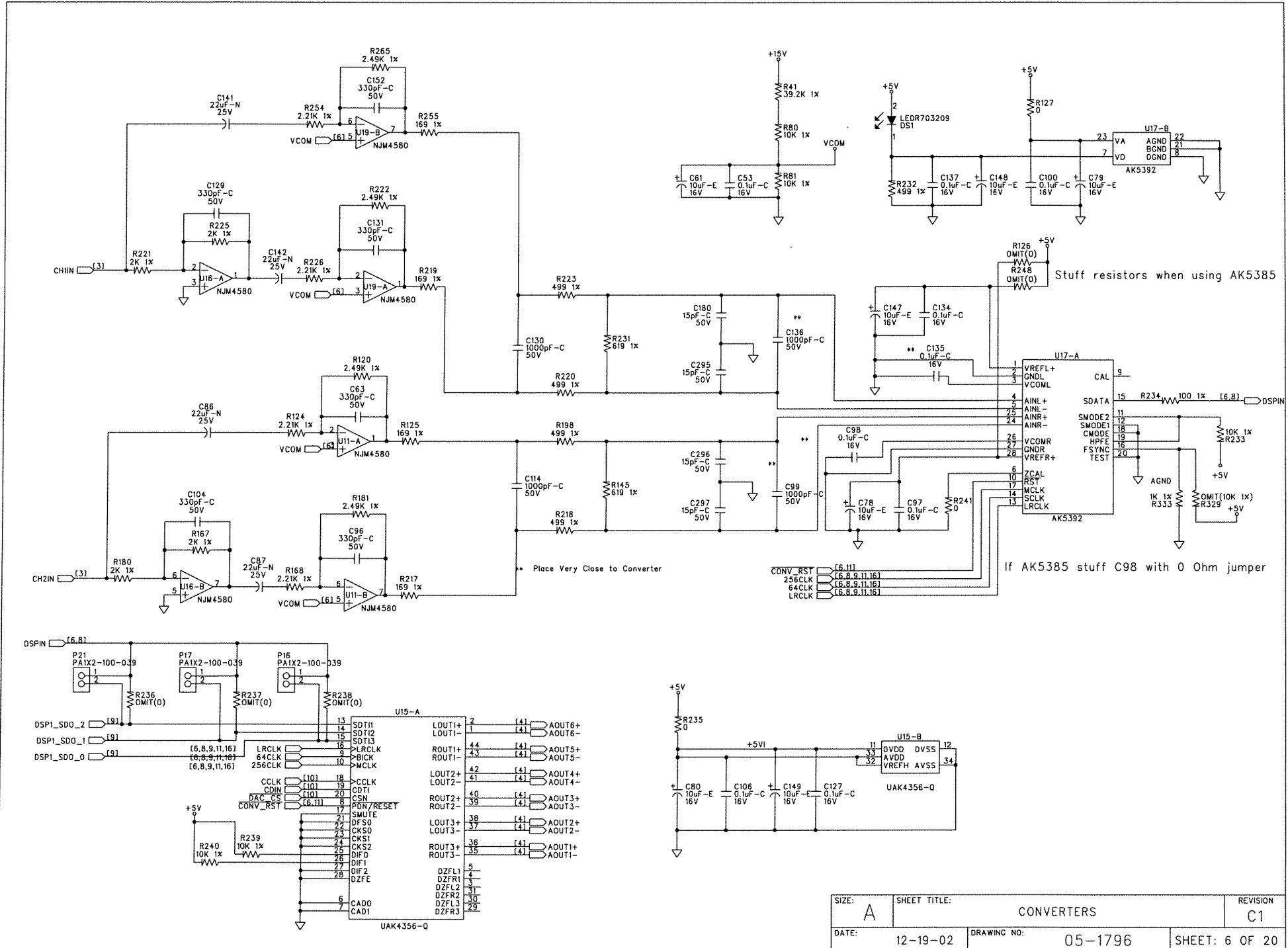
SIZE: A	SHEET TITLE: CHANNEL 1 & 2 INPUTS	REVISION: C1
START DATE: 12-19-02	DRAWING NO: 05-1796	SHEET: 2 OF 20



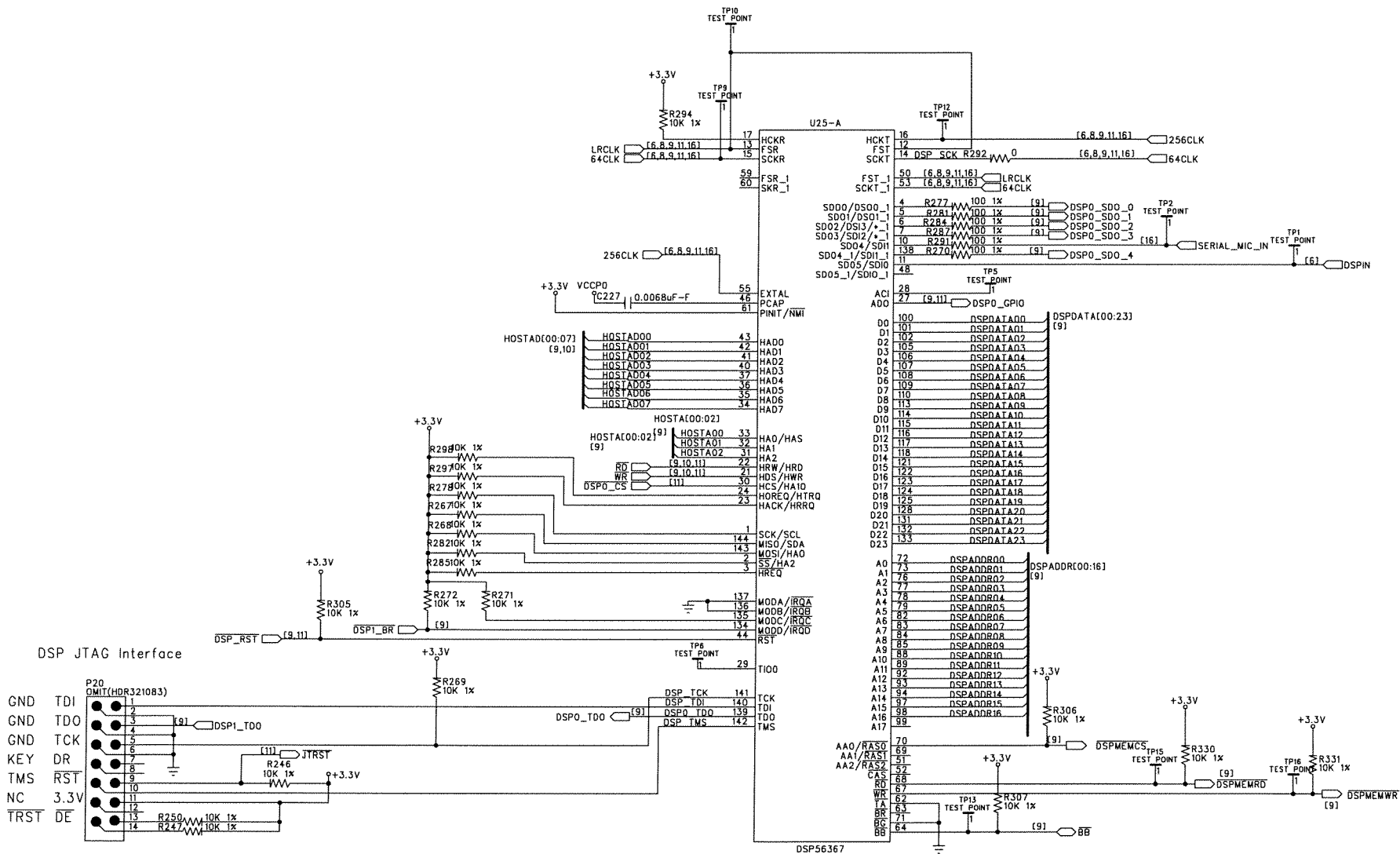
SIZE: A	SHEET TITLE: ANALOG OUTPUTS 1 - 6	REVISION: C1
START DATE: 12-19-02	DRAWING NO: 05-1796	SHEET: 4 OF 15



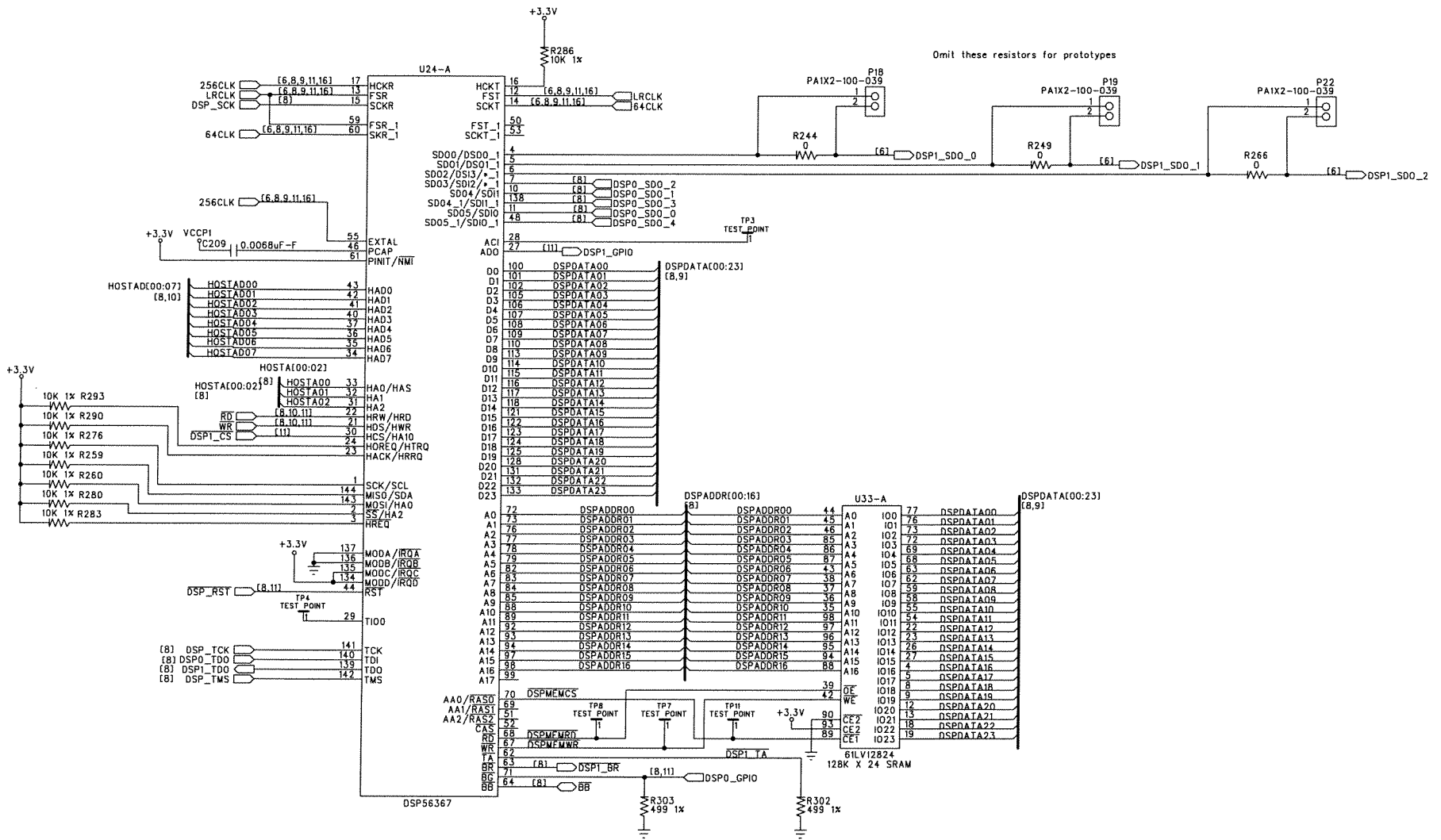
SIZE: A	SHEET TITLE: OUTPUT JACKS	REVISION: C1
DATE: 12-19-02	DRAWING NO: 05-1796	SHEET: 5 OF 20

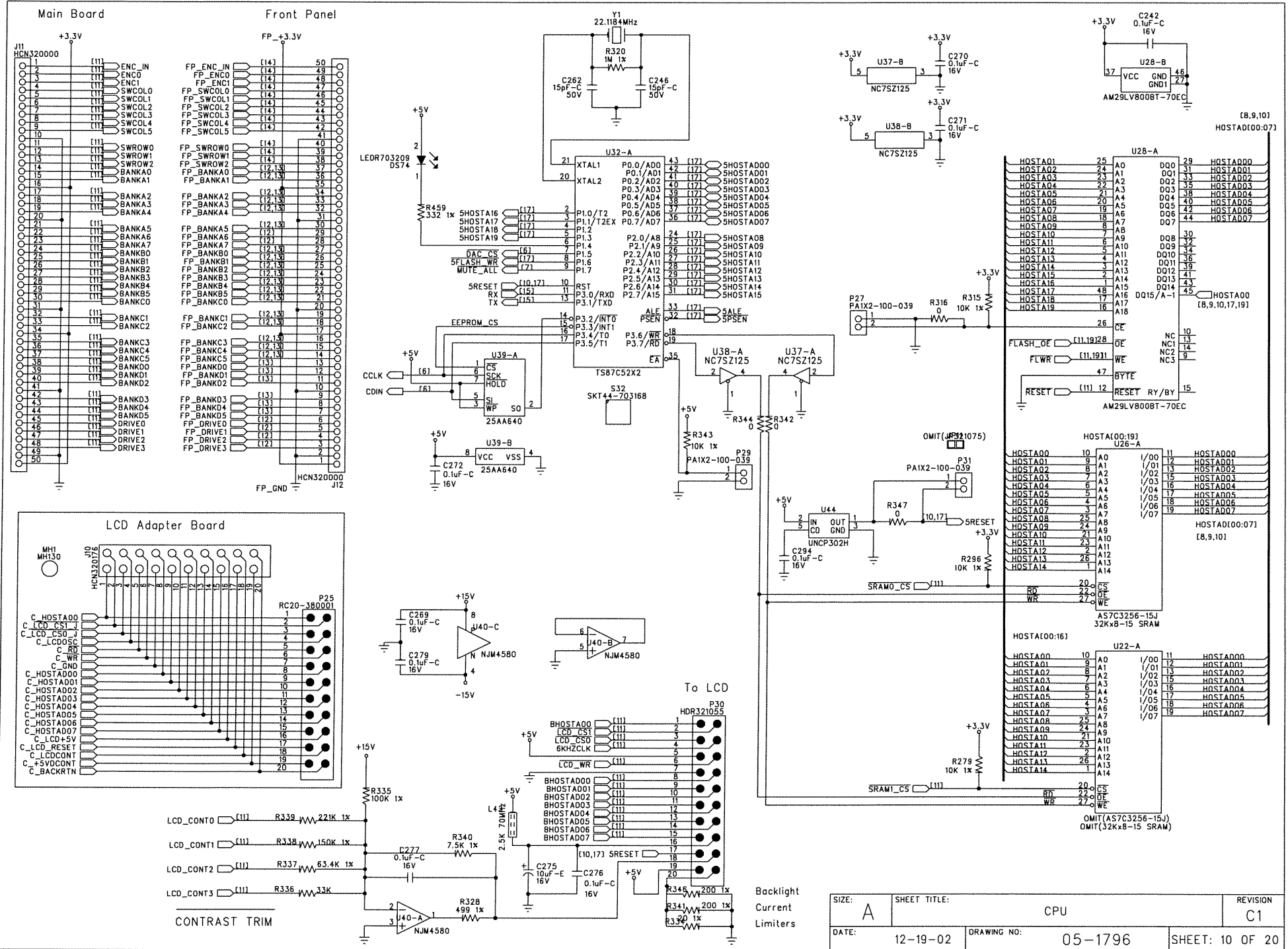


SIZE: A	SHEET TITLE: CONVERTERS	REVISION: C1
DATE: 12-19-02	DRAWING NO: 05-1796	SHEET: 6 OF 20



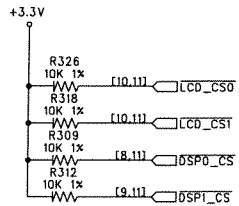
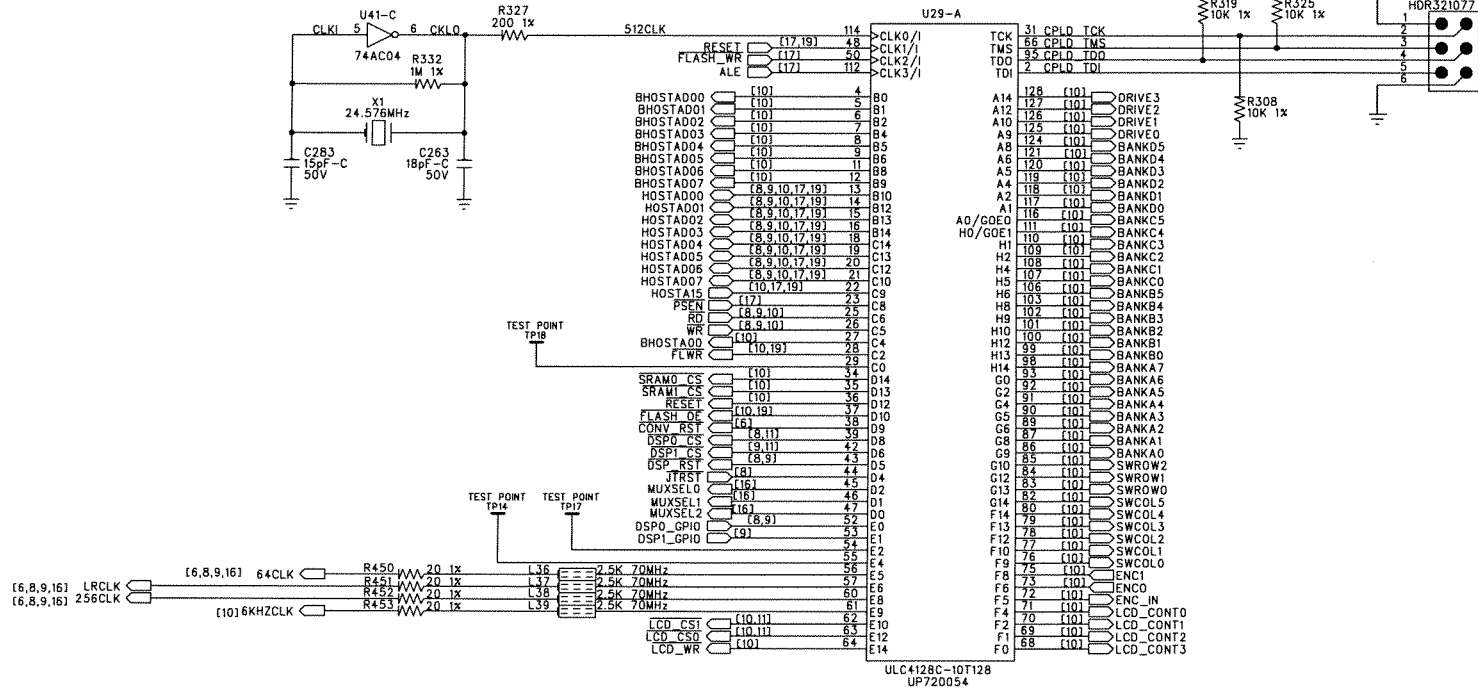
SIZE: A	SHEET TITLE: DSP0	REVISION: C1
DATE: 12-19-02	DRAWING NO: 05-1796	SHEET: 8 OF 20



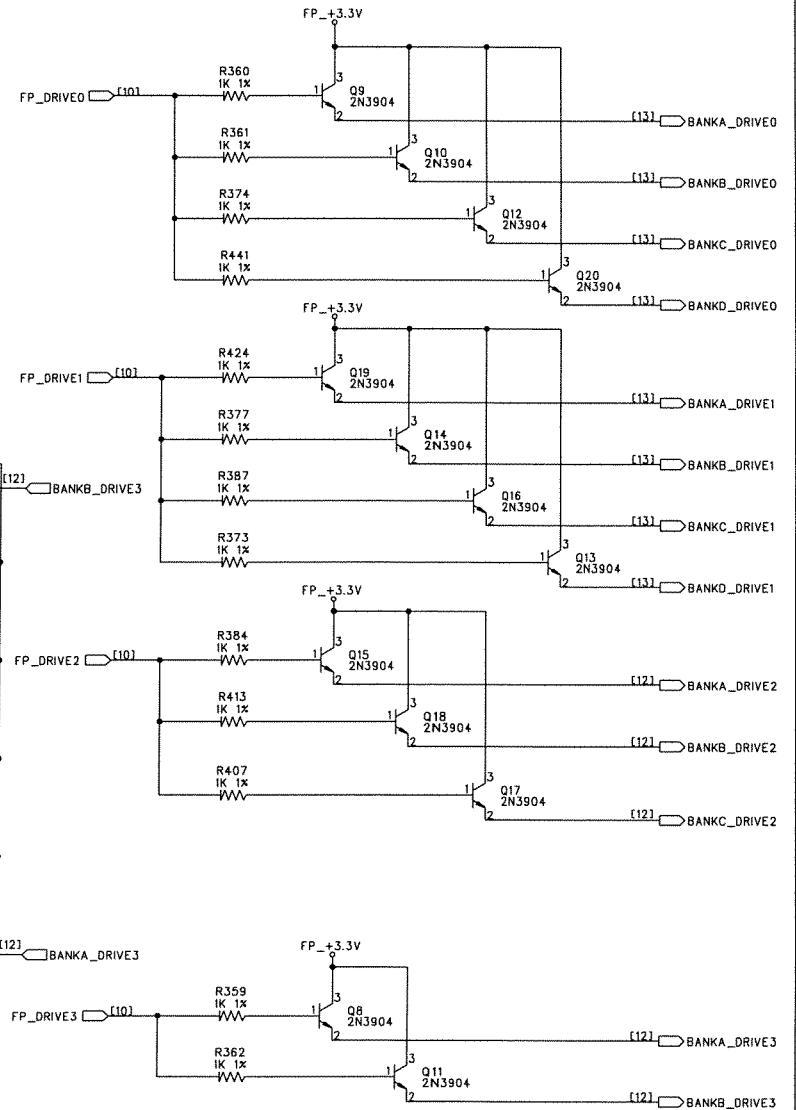
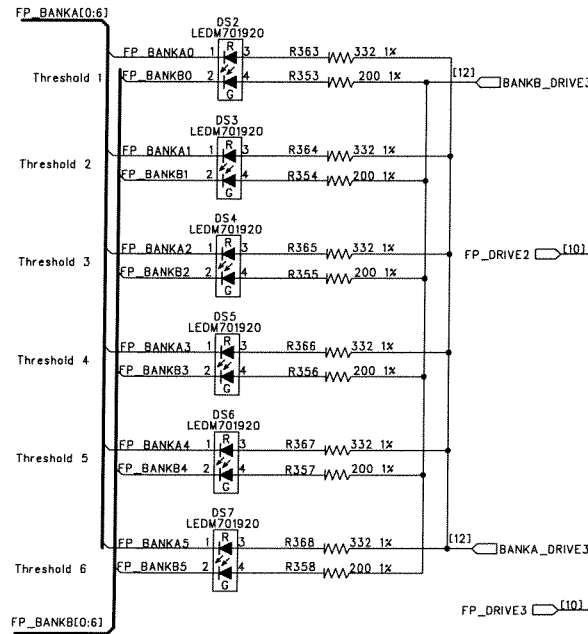
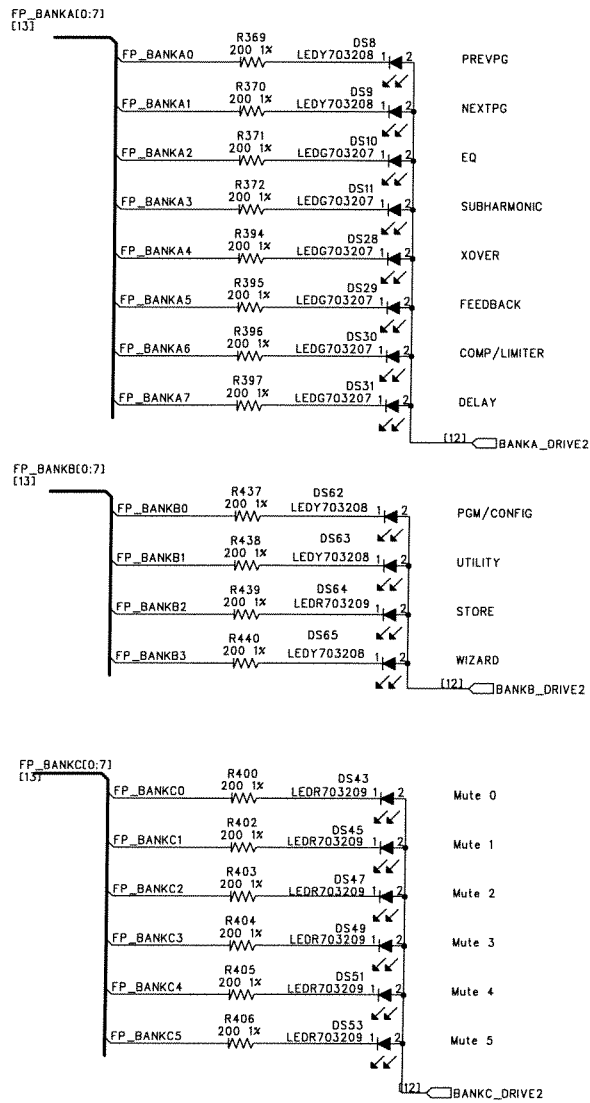


SIZE: A	SHEET TITLE: CPU	REVISION: C1
DATE: 12-19-02	DRAWING NO: 05-1796	SHEET: 10 OF 20

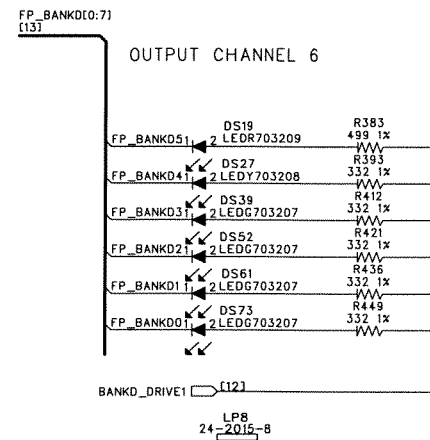
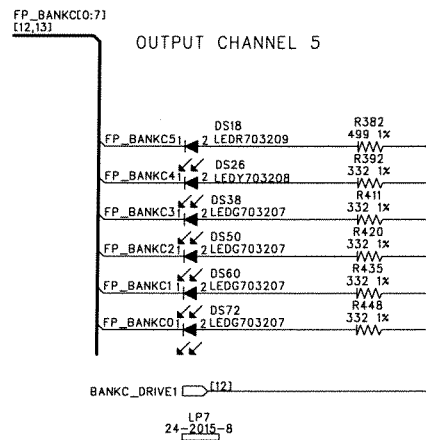
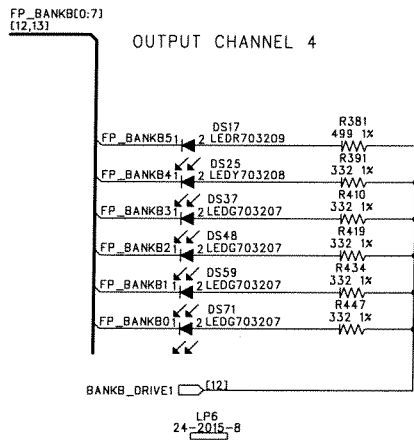
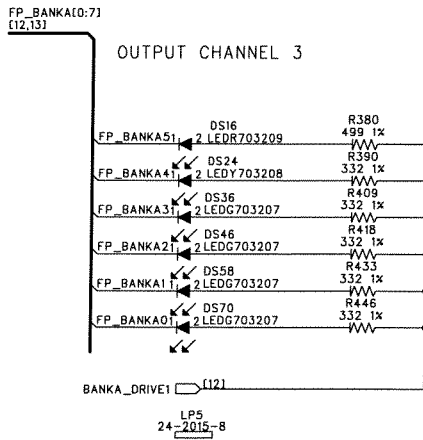
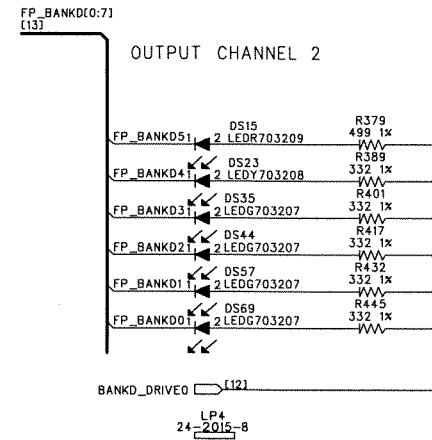
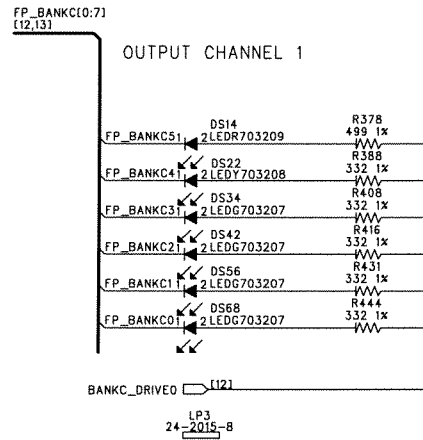
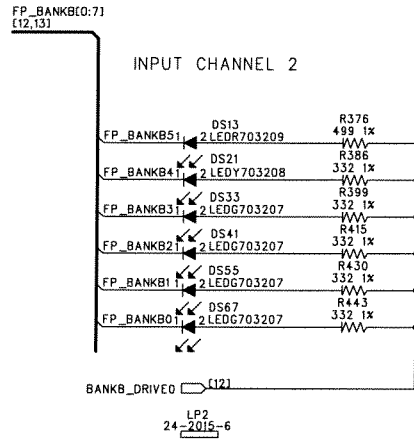
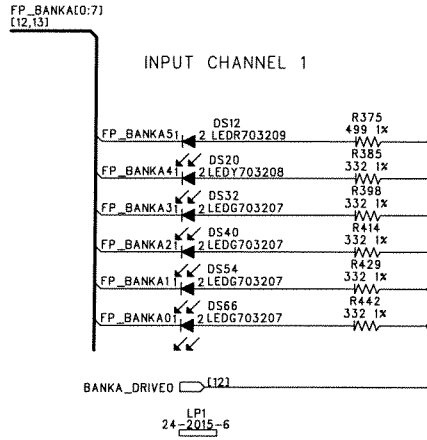
x512fs Crystal Oscillator
24.576 MHz



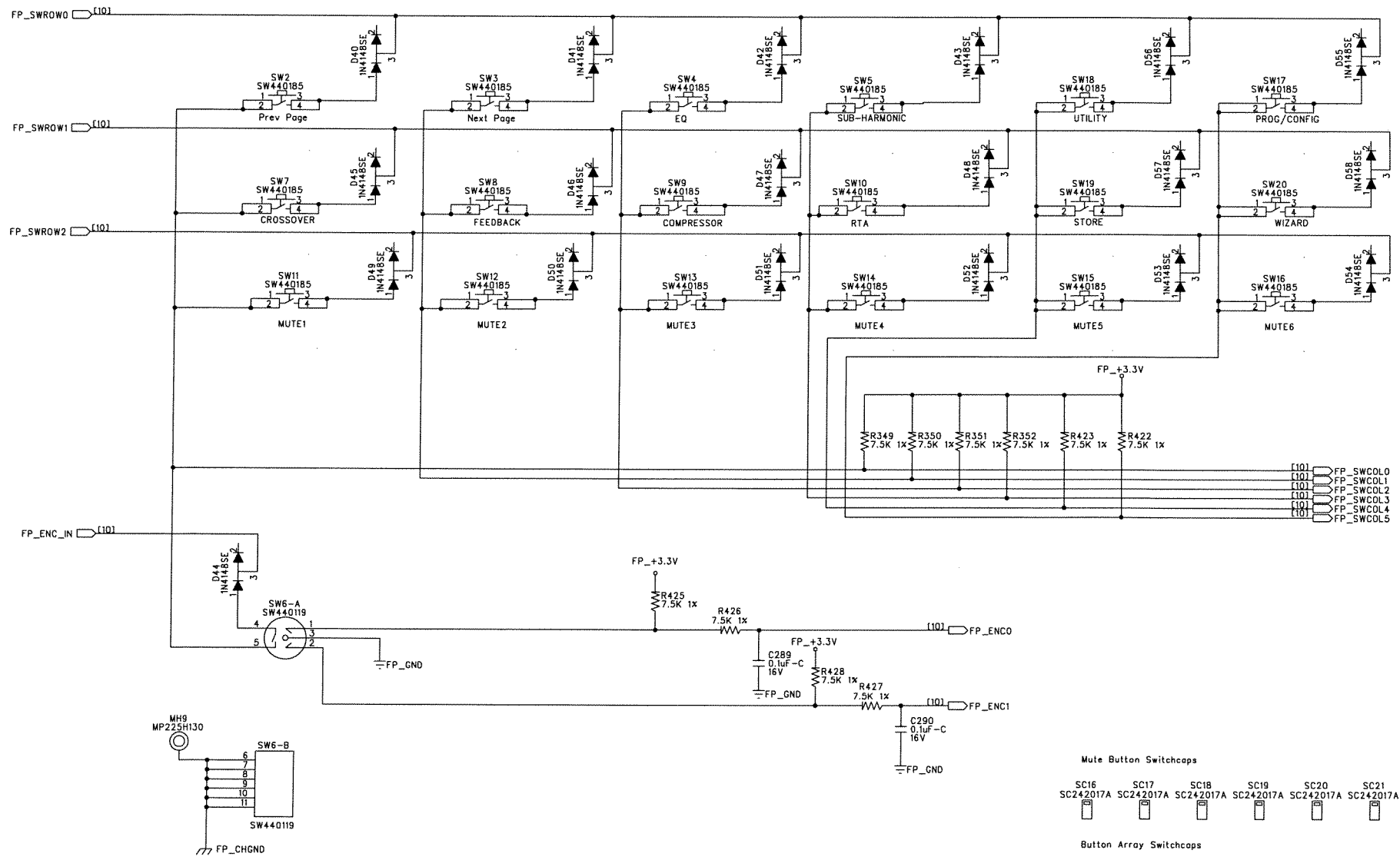
SIZE: A	SHEET TITLE: CPLD	REVISION: C1
DATE: 12-19-02	DRAWING NO: 05-1796	SHEET: 11 OF 20



SIZE: A	SHEET TITLE: FRONT PANEL - BUTTON LEDS	REVISION: C1
DATE: 12-19-02	DRAWING NO: 05-1796	SHEET: 12 OF 20

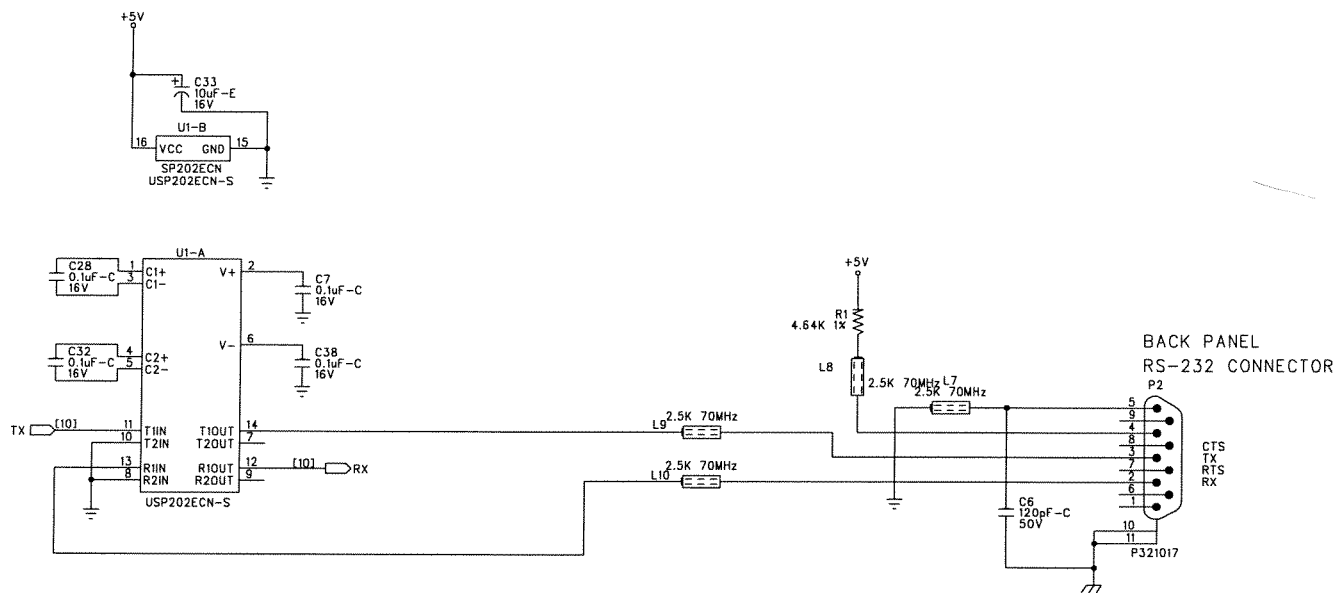


SIZE: A	SHEET TITLE: FRONT PANEL - METER LEDS	REVISION C1
START DATE: 12-19-02	DRAWING NO: 05-1796	SHEET: 13 OF 20

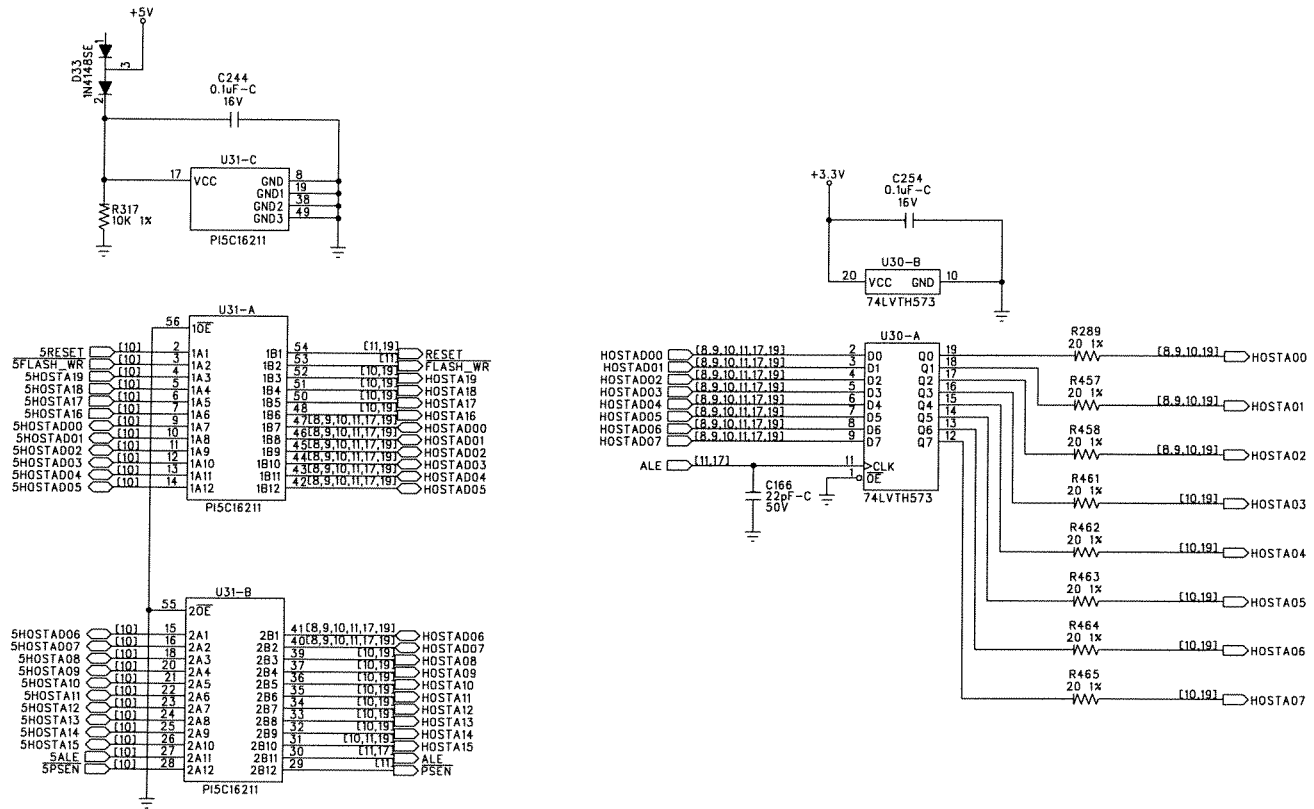


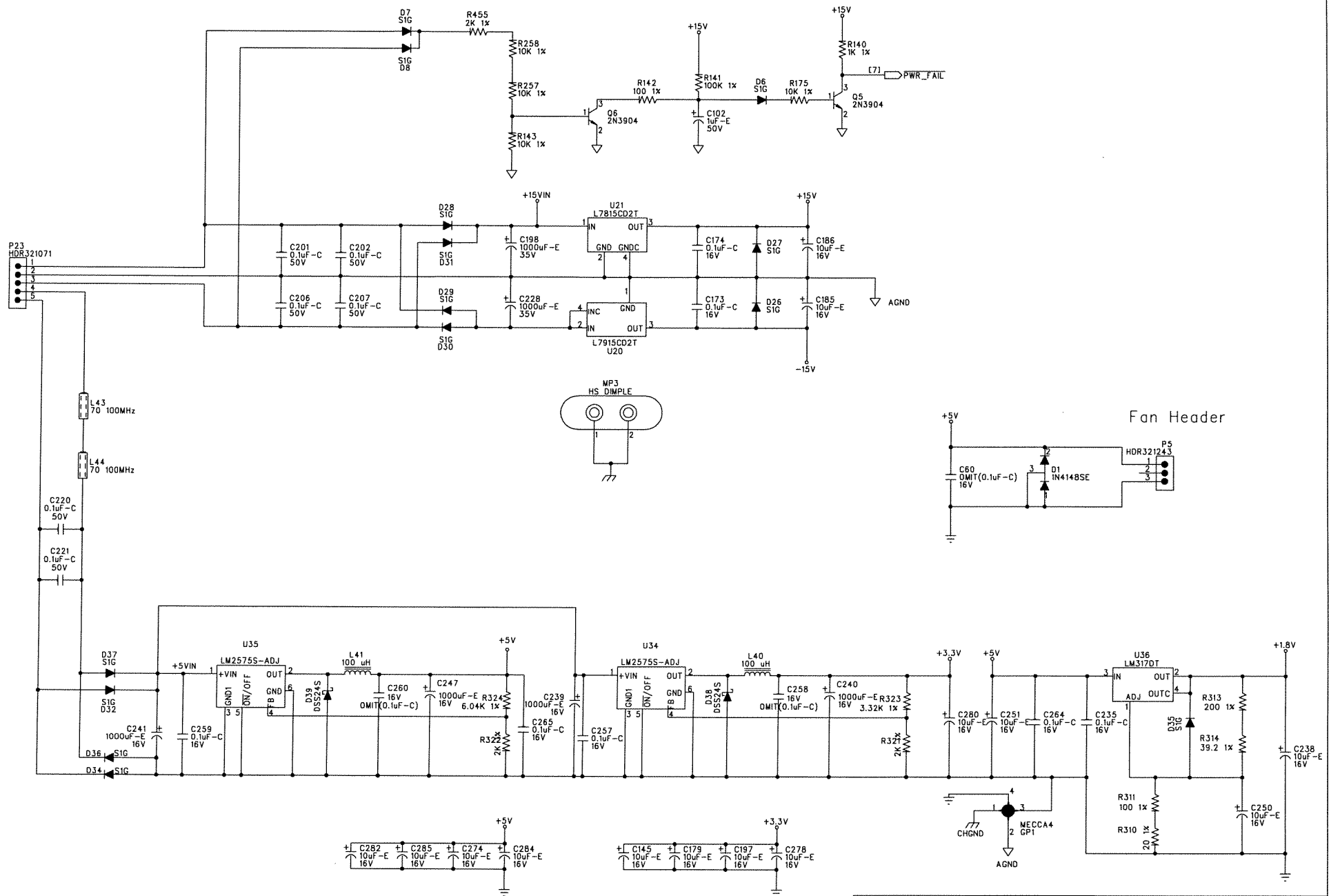
- Mute Button Switchcaps
- | | | | | | |
|-----------|-----------|-----------|-----------|-----------|-----------|
| SC16 | SC17 | SC18 | SC19 | SC20 | SC21 |
| SC242017A | SC242017A | SC242017A | SC242017A | SC242017A | SC242017A |
- Button Array Switchcaps
- | | | | | | |
|-----------|-----------|-----------|-----------|-----------|-----------|
| SC13 | SC2 | SC3 | SC4 | SC5 | SC6 |
| SC340199A | SC340199A | SC340199A | SC340199A | SC340199A | SC340199A |
| SC7 | SC8 | SC9 | SC10 | SC11 | SC12 |
| SC340199A | SC340199A | SC340199A | SC340199A | SC340199A | SC340199A |

SIZE:	DR260 FRONT PANEL - SWITCHES	REV: C1
DATE: 12-19-02	05-1796	SHEET: 14 OF 20

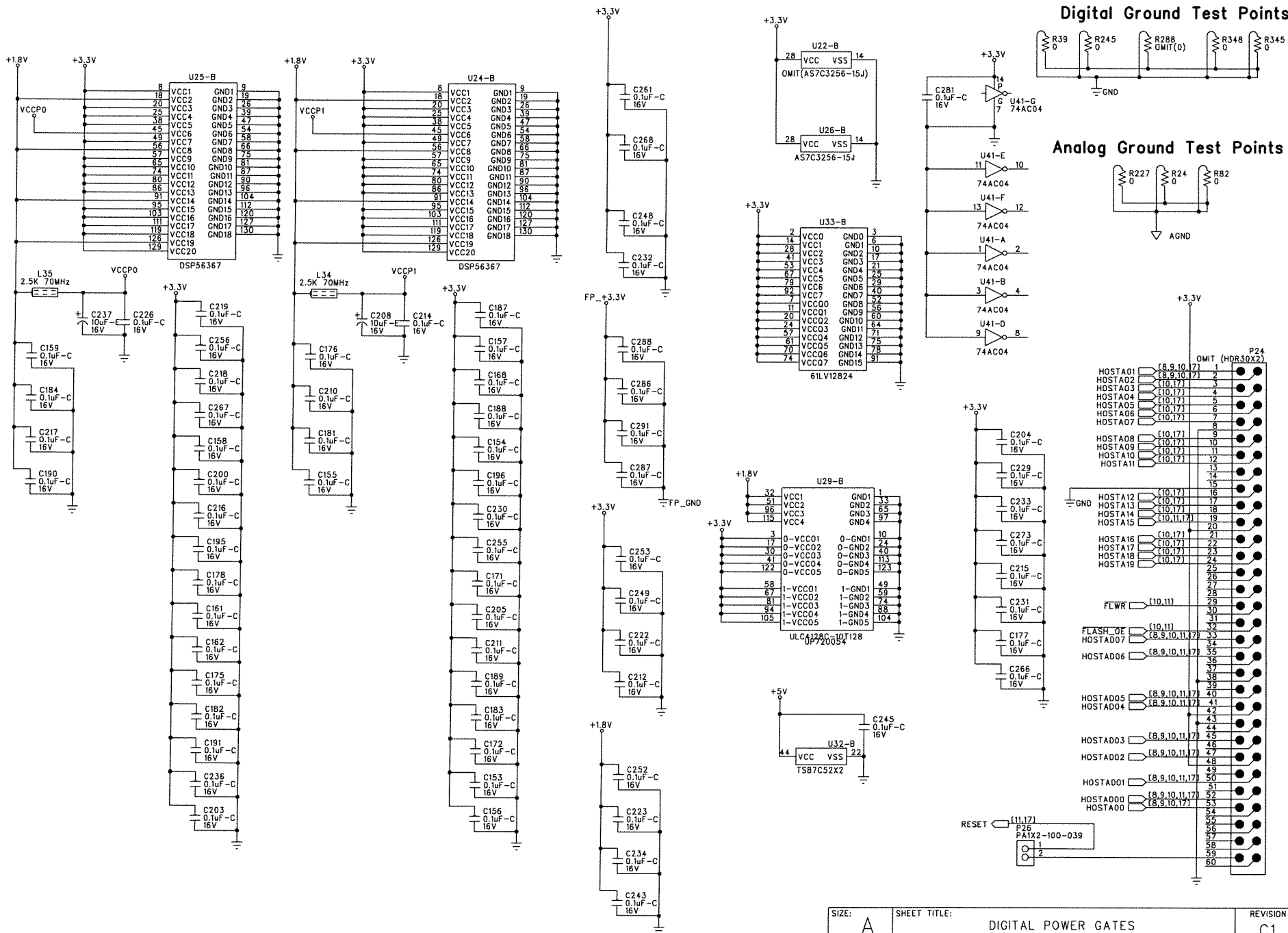


SIZE: A	SHEET TITLE: RS-232	REVISION: C1
DATE: 12-19-02	DRAWING NO: 05-1796	SHEET: 15 OF 20

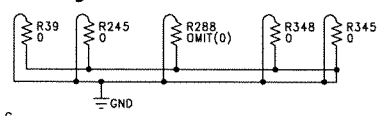




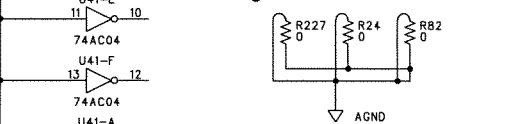
SIZE: A	SHEET TITLE: POWER SUPPLY	REVISION: C1
DATE: 12-19-02	DRAWING NO: 05-1796	SHEET: 18 OF 20

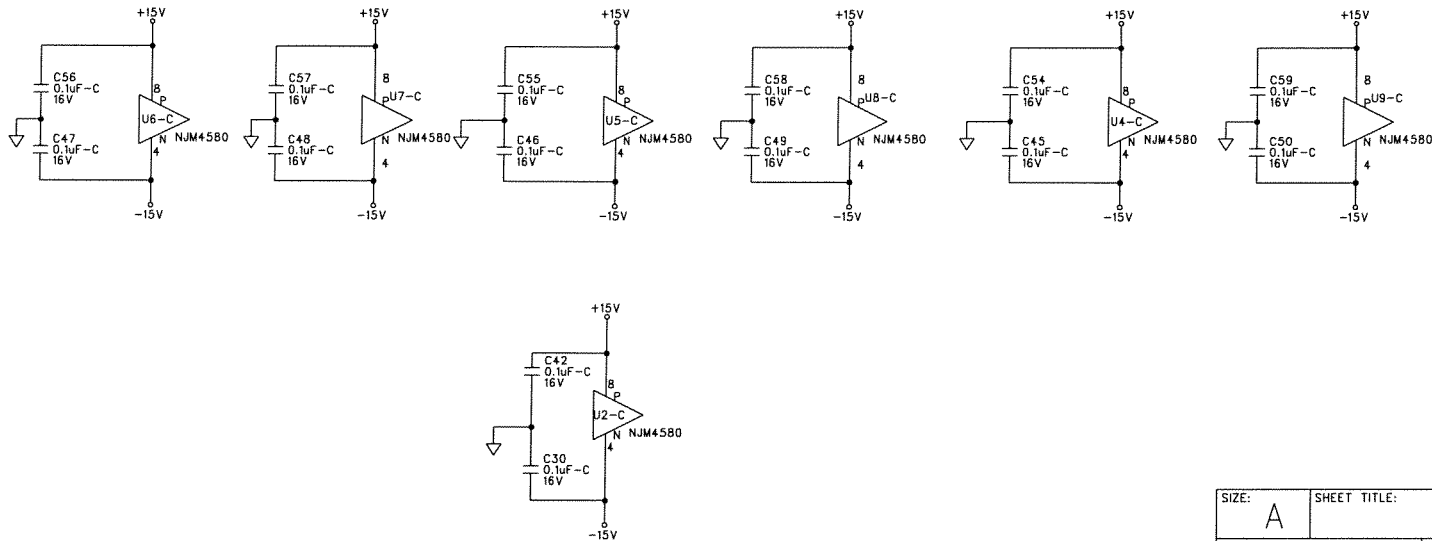
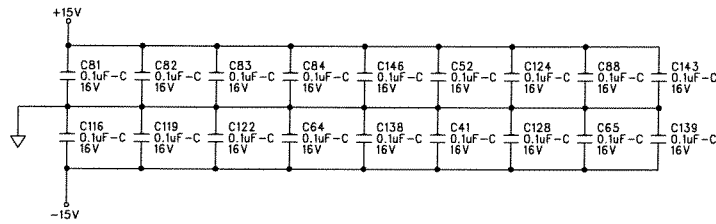
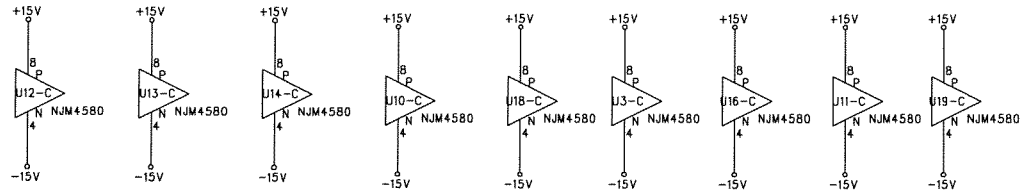
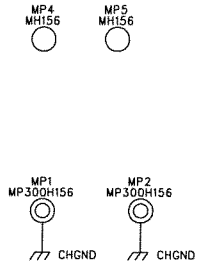


Digital Ground Test Points



Analog Ground Test Points





SIZE: A	SHEET TITLE: ANALOG POWER GATES	REVISION: C1
START DATE: 12-19-02	DRAWING NO: 05-1796	SHEET: 20 OF 20

Bill Of Materials for 051796C1.sch on Thu Dec 19 14:25:24 2002

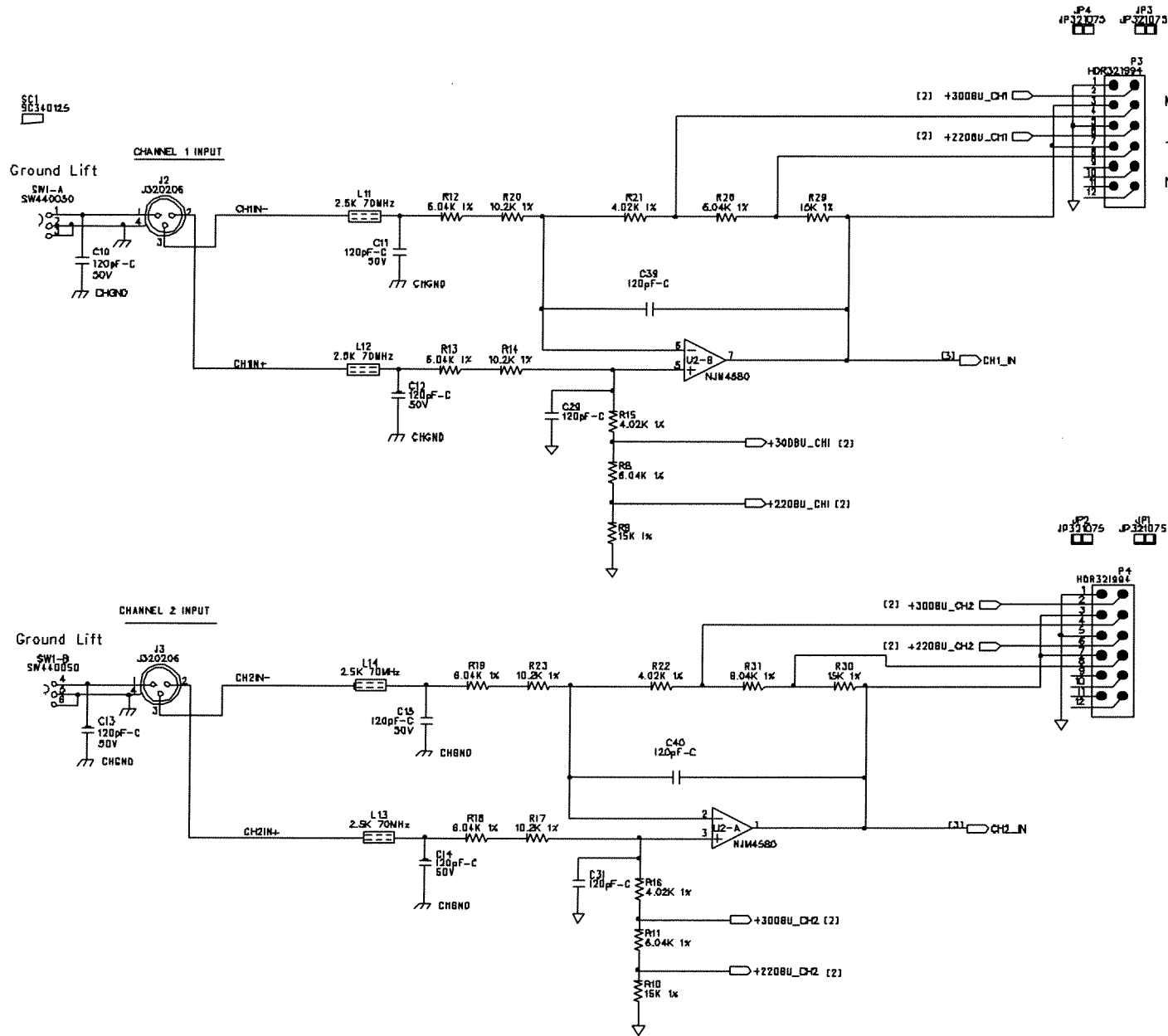
Qty	Reference	HMG#	Description	Audit	Schematic Part	PCB Decal
1	PCB1	80-1796	PCB 80-1796 dbx DRIVERACK 260/261	PT2044	80XXXXYY	BARCODE
8	A5-8 A13-14 A16-17	NON-PART	NON-PART, PCB ONLY, BREAKOFF PART	PT1481	BRKOFF	BRKOFF
12	C66 C69-70 C73-74 C77 C115 C117-118 C120-121 C123	56-0000	CAP 0.001uF FILM PTR 100V 5% AF TA	PT1629	C0.001UF100JR	RFCC200
2	C209 C227	56-0005	CAP 0.0068uF FILM PTR 100V 5% RF TA	PT1307	C0.0068UF100JR	RFDC200
2	C103 C150	56-0033	CAP 0.027uF FILM PTR 100V 5% RF TA	PT1282	C0.027UF100JR	RFEF200
142	C7 C28 C30 C32 C38 C41-42 C45-50 C52-59 C64-65 C81-84 C88 C97-98 C100 C105-106 C116 C119 C122 C124 C127-128 C134-135 C137-139 C143-144 C146 C153-159 C161-164 C167-178 C181-184 C187-191 C195-196 C199-200 C203-205 C210-219 C222-223 C226 C229-236 C242-245 C248-249 C252-257 C259 C261 C264-273 C276-277 C279 C281 C286-291 C294	62-1310	CAP 0.1uF CER 16V 20% Y5V 0603 TA	PT2696	C0.1UC16M0603	0603
3	C60 C258 C260	OMIT	OMIT CAP 0.1uF CER 16V 20% Y5V 0603 TA (62-1310)	PT2711	C0.1UC16M0603O	0603
6	C201-202 C206-207 C220-221	62-1312	CAP 0.1uF CER 50V +80%/-20% Y5V 0603 TA	PT2687	C0.1UC50Z0603	0603
2	C35-36	56-0012	CAP 0.1uF FILM MTPT 50V 5% RF TA	PT1200	C0.1UF50JR	RFEC200
4	C99 C114 C130 C136	62-1308	CAP 1000pF CER 50V 20% Y5V 0603 TA	PT2651	C1000PC50M0603	0603
4	C239-241 C247	60-0064	CAP 1000uF EL 16V 20% GP 10x17R 5LL TA	PT1334	C1000UE16MR	REM200P
2	C198 C228	60-0063	CAP 1000uF EL 35V 20% GP 13x25R 5LL BK	PT1207	C1000UE35MR	REQ200P
3	C34 C37 C44	60-0201	CAP 100uF EL 16V 20% GP 6x8R 5LS TA	PT1378	C100UE16MR	REG200P
29	C33 C61 C78-80 C101 C145 C147-149 C179 C185-186 C192-194 C197 C208 C237-238 C250-251 C274-275 C278 C280 C282 C284-285	60-0049-01	CAP 10uF EL 16V 20% GP 5x7R 5LS TA	PT1080	C10UE16MR	RED200P
29	C6 C8-27 C29 C31 C39-40 C43 C51 C62 C133	62-1304	CAP 120pF CER 50V 5% NPO 0603 TA	PT2655	C120PC50J0603	0603
7	C180 C246 C262 C283 C295-297	62-1300	CAP 15pF CER 50V 5% NPO 0603 TA	PT2659	C15PC50J0603	0603
1	C263	62-0094	CAP 18pF CER 50V 5% 0603 TA	PT2870	C18PC50J0603	0603
2	C102 C224	60-0044-01	CAP 1uF EL 50V 20% GP 5x7R 5LS TA	PT1079	C1UE50MR	RED200P
1	C166	62-1301	CAP 22pF CER 50V 5% NPO 0603 TA	PT2658	C22PC50J0603	0603
10	C67-68 C71-72 C75-76 C86-87 C141-142	60-0402	CAP 22uF ELNLP 25V 20% GP 6x11R 5LS TA	PT1084	C22UN25MR	REG200
8	C63 C95-96 C104 C129 C131 C151-152	62-1306	CAP 330pF CER 50V 10% X7R 0603 TA	PT2653	C330PC50K0603	0603
8	C1-5 C165 C292-293	62-1307	CAP 470pF CER 50V 10% X7R 0603 TA	PT2652	C470PC50K0603	0603
4	C85 C113 C140 C160	60-0054-01	CAP 47uF EL 16V 20% GP 5x11R 5LS TA	PT1108	C47UE16MR	REE200P
12	C89-94 C107-112	62-1303	CAP 68pF CER 50V 5% NPO 0603 TA	PT2656	C68PC50J0603	0603
43	D1-5 D9-24 D33 D40-60	70-0113	DIO MMBD4148SE DUAL 75V 600mA SOT-23 TA	PT1326	D1N4148SE-S	SOT-23

14	D6-8 D26-32 D34-37	70-3203	DIO SIG RECT 400V 1.0A SMA TA	PT2081	DS1G-S	DO-214AC/SMA
2	D38-39	70-0068	DIO RECT 40V 2A SCHOTTKY SS24 SM	PT2779	DSS24S	DO-214AA/SMB
1	F1	32-0186	FUSE 1.25A POLY SWITCH RESETABLE	PT2893	F1.25A320186	FUSE6
9	A3-4 A9-12 A15 A18-19	NON-PART	NON-PART, FIDUCIAL, TARGET FOR AUTO INSERTION	PT1271	FIDUCIAL	FIDUCIAL
4	A1-2 A20-21	NON-PART	NON-PART FIDUCIAL TARGET FOR AI AND XRAY	PT2796	FIDUCIAL-XRAY	FIDUCIAL-XRAY
1	P24	OMIT	OMIT (CON HDR 30 X 2 FEMALE AMP SMT)	DWB	HC302V224SPMS	HC302V224SPMS
2	J11-12	32-0000	HCN CONN 50 PIN .5 MM CNTS 1X50 FML RA	PT2824	HCN320000	HC320000
1	J10	32-0176	HCN CONN 20 PIN FEM VRT MNT SMT	PT2773	HCN320176	HC102V079050FS
1	P30	32-1055	HDR, 20 PIN, 0.1" SPC, 2 X 10, VERT, MALE	PT1340	HDR321055	HC102
1	P23	32-1071	HDR, 5 PIN, 0.1" SPC, 1 X 5, LCK, POL, VERT, MALE	PT1621	HDR321071	HC51LPM
1	P1	32-1077	HDR, 6 PIN, 0.1" SPC, 2 X 3, VERT, MALE	PT1683	HDR321077	HC32
1	P5	32-1243	HDR 3 PIN .098 SPC 3X1 SHROUDED VERTICAL MT.	PT1876	HDR321243	HC31V98SP
8	P3-4 P8-13	32-1994	HDR 12 PN .1" SPC 2X6 VRT MT	PT2435	HDR321994	HC62V100M
1	P20	OMIT	OMIT HDR 14 PIN 0.1" SPC 2 X 7 VERT MALE (32-1083)	PT2127	HDR321083-O	HC72
1	J13	32-0193	JACK RJ45 SINGLE PORT 8 PIN R/A PCB MNT SHLD	PT2872	J320193	JRJ45_8P-LONG-SH LD
3	J1-3	32-0206	CON, JACK, XLR, R/A, PCA A SERIES	PT1219	J320206	XLRF-1
16	JP1-10 JP12-17	32-1075	JUMPER, MINI, .100 SPC	PT1415	JP321075	PCBNULL
1	JP11	OMIT	OMIT JUMPER MINI .100 SPC (32-1075)	PT2873	JP321075-O	PCBNULL
6	K1-6	72-5146	RELAY DDPDT 12VDC POL SM	PT2219	K725146	KSLIM-8P
1	LBL1	30-0121	LABEL BARCODE AUTOINSERTABLE RAW	PT2790	LABEL300121	LABEL300121
38	DS10-11 DS28-42 DS44 DS46 DS48 DS50 DS52 DS54-61 DS66-73	70-3207	LED GREEN D1206 T&R	PT1902	LEDG703207	D1206
6	DS2-7	70-1920	LED RED/GRN WT/DIF SM 1210 TA	PT2428	LEDM701920	LED1210
18	DS1 DS12-19 DS43 DS45 DS47 DS49 DS51 DS53 DS64 DS74-75	70-3209	LED RED D1206 T&R	PT1901	LEDR703209	D1206
13	DS8-9 DS20-27 DS62-63 DS65	70-3208	LED YELLOW D1206 T&R	PT1900	LEDY703208	D1206
2	L43-44	26-0215	IND FBD 70 OHM @ 100MHz RIC200 TA	PT1262	LFB260215	RIC200
42	L1-39 L42 L45-46	26-0217	IND FBD 2.5K OHM @ 70MHz 0805 TA	PT1261	LFB260217	0805
2	L40-41	26-0002	IND PWR 100uH 3A	PT2754	LI260002	UP3B
2	LP1-2	NON-PART	NON-PART 6 POS NOT INSTALLED UNTIL MECHANICAL ASSY(LIGHT PIPE)	PT1967	LP242015-6	LP242015-6
6	LP3-8	NON-PART	NON-PART 8 POS NOT INSTALLED UNTIL MECHANICAL ASSY(LIGHT PIPE)	PT1968	LP242015-8	LP242015-8
1	GP1	NON-PART	NON-PART MECCA GND/PWR TIE POINT 4 POS	PT2482	MECCA4	MECCA4
3	MH1 MH3-8 MH10	NON-PART	NON-PART, MOUNTING HOLE, 0.130" NON-PLATED, #4	PT1242	MH130	MH130
8	MH2 MP4-5	NON-PART	NON-PART MOUNTING HOLE 0.156" NON-PLATED #6	PT2832	MH156	MH156
2	MH11-12	NON-PART	NON-PART TOOLING PIN HOLE 156MIL HOLE	PT2794	MH156-TOOL	MH156-TOOL
1	MH9	NON-PART	NON-PART MECHANICAL PLATED HOLE 225 PAD 130 HOLE #4	PT1998	MP225H130	MP225H130
2	MP1-2	NON-PART	NON-PART, MECHANICAL PLATED HOLE, 300 PAD, 156 HOLE, #6	PT1045	MP300H156	MP300H156
1	MP3	NON-PART	NON-PART SMT HEATSINK DIMPLE 300P 156H #6	PT2816	MP300H156-HSDMP	MP300H156-HSDMP
6	J4-9	32-0204	CON PLUG XLR R/A PCA A SERIES	PT1218	P320204	XLRM-1
1	P2	32-1017	CON JACK DCONN DUAL PORT 9P RA MALE PC MNT	PT1931	P321017	DCON9PM
14	P6-7 P14-19 P21-22 P26-27 P29 P31	NON-PART	NON-PART PD ARY 2 PN 0.100" SPC 0.039" HLE	PT1645	PA1X2-100-039	PA1X2-100-039
17	Q2 Q4-6 Q8-20	70-1058	XSTR, 2N3904, NPN, SOT-23, T&R	PT1203	Q2N3904-S	SOT-23
2	Q1 Q3	70-1059	XSTR 2N3906 PNP SOT-23 SM TA	PT1057	Q2N3906-S	SOT-23
16	R2-3 R5-6 R123 R230 R241 R244 R249 R266 R292 R316 R342 R344 R347 R454	50-1300	RES 0 5% 1/16W SM 0603 TA	PT2508	R0-B5-0603	0603
7	R122 R126 R229 R236-238 R248	OMIT	OMIT RES 0 5% 1/16W SM 0603 TA (50-1300)	PT2509	R0-B5-0603O	0603
2	R127 R235	50-1531	RES 0 5% 1/10W SM 0805 TA	PT1099	R0-C5-0805	0805
7	R24 R39 R82 R227 R245 R345 R348	50-0317	RES 0 5% 1/4W CF RR TA	PT1008	R0-E5-R	RRA200
1	R288	OMIT	OMIT RES 0 5% 1/4W CF RR TA (50-0317)	PT1596	R0-E5-RO	RRA200
4	R14 R17 R20 R23	52-1339	RES 10.2K 1% 1/16W SM 0603 TA	PT2591	R10.2KB1-0603	0603
14	R25 R40 R147 R150 R153 R156 R159 R162	52-1340	RES 10.7K 1% 1/16W SM 0603 TA	PT2592	R10.7KB1-0603	0603

	R200 R203 R206 R209						
	R212 R215						
15	R33-38 R142 R234	52-1304	RES 100 1%	1/16W SM 0603 TA		PT2512 R100-B1-0603	0603
	R270 R277 R281 R284						
	R287 R291 R311						
6	R141 R178-179	52-1360	RES 100K 1%	1/16W SM 0603 TA		PT2613 R100KB1-0603	0603
	R263-264 R335						
62	R80-81 R84 R87 R90	52-1338	RES 10K 1%	1/16W SM 0603 TA		PT2584 R10KB1-0603	0603
	R93 R96 R99 R102						
	R105 R108 R111 R114						
	R117 R143 R175 R233						
	R239-240 R246-247						
	R250 R257-260						
	R267-269 R271-272						
	R275-276 R278-280						
	R282-283 R285-286						
	R290 R293-298						
	R305-309 R312 R315						
	R317-319 R325-326						
	R330-331 R343						
1	R329	OMIT	OMIT RES 10K 1%	1/16W SM 0603 TA (52-1338)		PT2628 R10KB1-06030	0603
1	R466	52-1361	RES 121K 1%	1/16W SM 0603 TA		PT2614 R121KB1-0603	0603
1	R338	52-1362	RES 150K 1%	1/16W SM 0603 TA		PT2615 R150KB1-0603	0603
17	R9-10 R29-30 R146	52-1344	RES 15K 1%	1/16W SM 0603 TA		PT2596 R15KB1-0603	0603
	R151-152 R157-158						
	R163 R182-187 R190						
4	R125 R217 R219 R255	52-1305	RES 169 1%	1/16W SM 0603 TA		PT2513 R169-B1-0603	0603
21	R27 R79 R140	52-1313	RES 1K 1%	1/16W SM 0603 TA		PT2550 R1KB1-0603	0603
	R188-189 R191 R195						
	R333 R359-362						
	R373-374 R377 R384						
	R387 R407 R413 R424						
	R441						
9	R144 R242 R299-301	52-1372	RES 1M 1%	1/16W SM 0603 TA		PT2625 R1MB1-0603	0603
	R304 R320 R332 R456						
4	R124 R168 R226 R254	52-1317	RES 2.21K 1%	1/16W SM 0603 TA		PT2555 R2.21KB1-0603	0603
4	R120 R181 R222 R265	52-1318	RES 2.49K 1%	1/16W SM 0603 TA		PT2556 R2.49KB1-0603	0603
6	R44 R50 R56 R62 R68	52-1319	RES 2.67K 1%	1/16W SM 0603 TA		PT2557 R2.67KB1-0603	0603
	R74						
14	R289 R310 R334	52-1300	RES 20 1%	1/16W SM 0603 TA		PT2507 R20-B1-0603	0603
	R450-453 R457-458						
	R461-465						
28	R313 R327 R341 R346	52-1306	RES 200 1%	1/16W SM 0603 TA		PT2514 R200-B1-0603	0603
	R353-358 R369-372						
	R394-397 R400						
	R402-406 R437-440						
1	R339	52-1364	RES 221K 1%	1/16W SM 0603 TA		PT2617 R221KB1-0603	0603
16	R4 R7 R164 R167	52-1316	RES 2K 1%	1/16W SM 0603 TA		PT2553 R2KB1-0603	0603
	R176-177 R180 R193						
	R221 R225 R251						
	R261-262 R321-322						
	R455						
12	R43 R46 R49 R52 R55	52-1322	RES 3.16K 1%	1/16W SM 0603 TA		PT2560 R3.16KB1-0603	0603
	R58 R61 R64 R67 R70						
	R73 R76						
6	R45 R51 R57 R63 R69	52-1323	RES 3.24K 1%	1/16W SM 0603 TA		PT2561 R3.24KB1-0603	0603
	R75						
15	R119 R148-149	52-1324	RES 3.32K 1%	1/16W SM 0603 TA		PT2562 R3.32KB1-0603	0603
	R154-155 R160-161						
	R201-202 R207-208						
	R213-214 R224 R323						
50	R26 R32 R194	52-1307	RES 332 1%	1/16W SM 0603 TA		PT2543 R332-B1-0603	0603
	R363-368 R385-386						

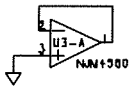
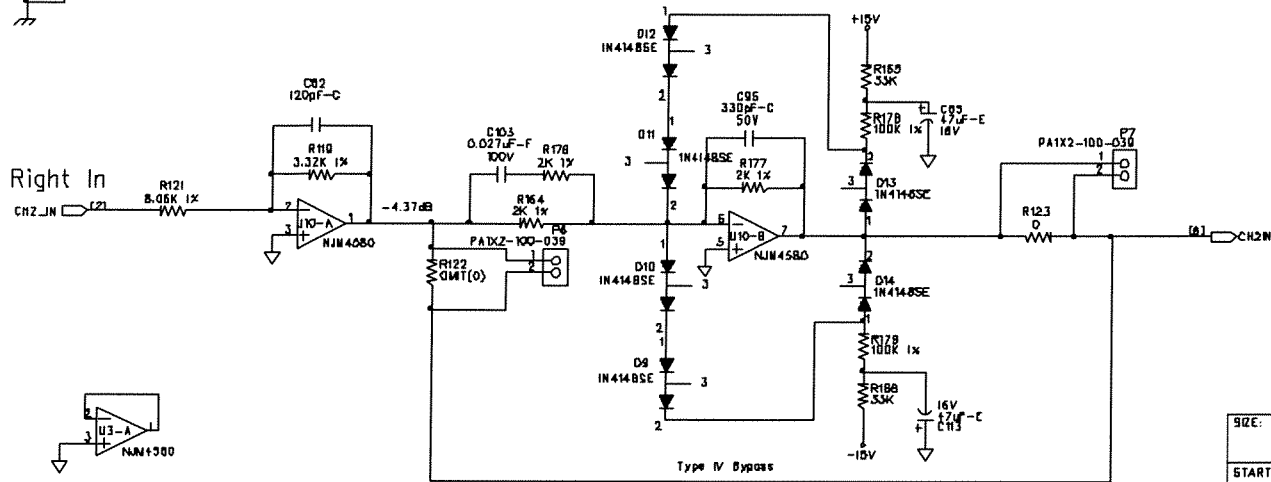
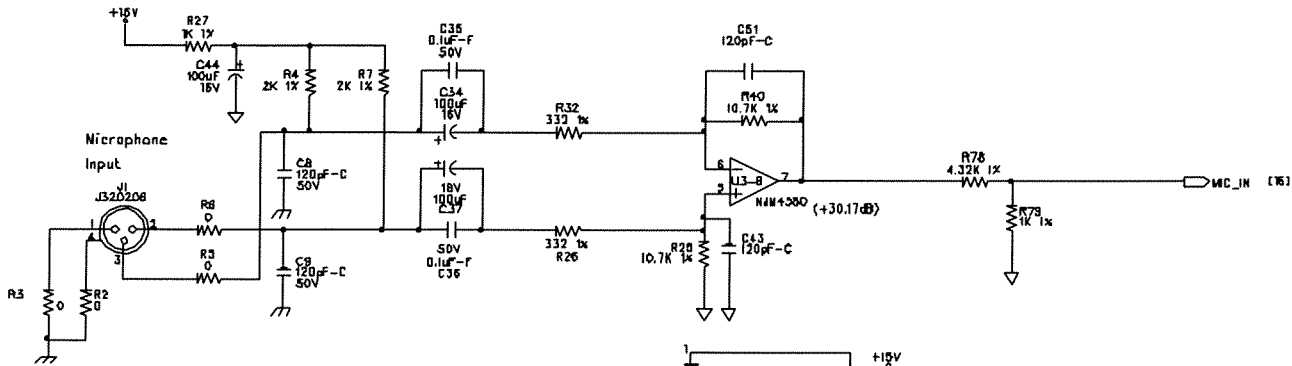
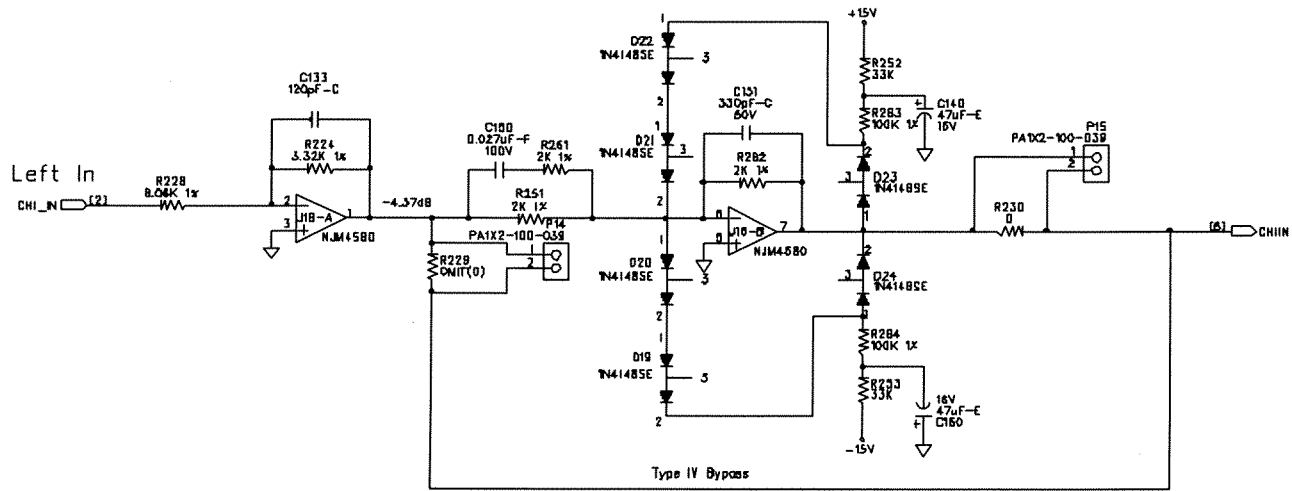
	R388-393 R398-399						
	R401 R408-412						
	R414-421 R429-436						
	R442-449 R459						
5	R165-166 R252-253 R336	50-1325	RES 33K 5% 1/16W SM 0603 TA		PT2589 R33KB5-0603	0603	
1	R314	52-1301	RES 39.2 1% 1/16W SM 0603 TA		PT2515 R39.2-B1-0603	0603	
13	R41 R128-133 R169-174	52-1355	RES 39.2K 1% 1/16W SM 0603 TA		PT2608 R39.2KB1-0603	0603	
1	R273	52-0000	RES 392K 1% 1/10W SM 0603 TA		PT2892 R392KB1-0603	0603	
4	R15-16 R21-22	52-1325	RES 4.02K 1% 1/16W SM 0603 TA		PT2563 R4.02KB1-0603	0603	
1	R78	52-1326	RES 4.32K 1% 1/16W SM 0603 TA		PT2564 R4.32KB1-0603	0603	
12	R42 R47-48 R53-54 R59-60 R65-66 R71-72 R77	52-1327	RES 4.53K 1% 1/16W SM 0603 TA		PT2565 R4.53KB1-0603	0603	
4	R1 R192 R197 R460	52-1328	RES 4.64K 1% 1/16W SM 0603 TA		PT2568 R4.64KB1-0603	0603	
12	R134-139 R199 R204-205 R210-211 R216	52-1329	RES 4.99K 1% 1/16W SM 0603 TA		PT2566 R4.99KB1-0603	0603	
18	R196 R198 R218 R220 R223 R232 R243 R302-303 R328 R375-376 R378-383	52-1308	RES 499 1% 1/16W SM 0603 TA		PT2545 R499-B1-0603	0603	
6	R86 R92 R98 R104 R110 R116	52-1331	RES 5.76K 1% 1/16W SM 0603 TA		PT2576 R5.76KB1-0603	0603	
15	R8 R11-13 R18-19 R28 R31 R85 R91 R97 R103 R109 R115 R324	52-1332	RES 6.04K 1% 1/16W SM 0603 TA		PT2577 R6.04KB1-0603	0603	
12	R83 R88-89 R94-95 R100-101 R106-107 R112-113 R118	52-1303	RES 60.4 1% 1/16W SM 0603 TA		PT2511 R60.4-B1-0603	0603	
2	R145 R231	52-1309	RES 619 1% 1/16W SM 0603 TA		PT2546 R619-B1-0603	0603	
1	R256	52-0196	RES 619K 1% 1/10W SM 0603 TA		PT2894 R619KB1-0603	0603	
1	R337	52-1358	RES 63.4K 1% 1/16W SM 0603 TA		PT2611 R63.4KB1-0603	0603	
11	R340 R349-352 R422-423 R425-428	52-1335	RES 7.5K 1% 1/16W SM 0603 TA		PT2581 R7.5KB1-0603	0603	
2	R121 R228	52-1336	RES 8.06K 1% 1/16W SM 0603 TA		PT2582 R8.06KB1-0603	0603	
1	R274	52-1337	RES 9.09K 1% 1/16W SM 0603 TA		PT2583 R9.09KB1-0603	0603	
1	P25	38-0001	RBN CBL 20 COND. 0.1", 4.25"		PT2772 RC20-380001	RC380001	
1	SC1	34-0125	SWITCH CAP, BLACK, ROUND		PT1354 SC340125	SC340125-FPE	
6	SC16-21	24-2017-A	SWITCHCAP dbx LIGHTED MUTE BUTTON		PT2025 SC242017A		
12	SC2-13	34-0199-A	SWITCH CAP dbx LIGHTED		PT2024 SC340199A	PCBNULL	
1	S32	70-3168	SKT 44 PIN PLCC SM TA		PT2419 SKT44-703168	PLCC-44SKT	
1	SW1	44-0050	SWITCH DPDT MINI IN-OUT 6 PIN E-SWITCH		PT1256 SW440050	SW440050	
1	SW6	44-0119	ENCODER 20mm D SHAFT 30 POS W/SWITCH VERT MOUNT		PT1890 SW440119	SW440119	
18	SW2-5 SW7-20	44-0185	SWITCH, SPST, LITE TOUCH, MINI, W/ PROJECTED PLUNGER SMT		PT1962 SW440185	SW4PTACT-3	
18	TP1-18	NON-PART	NON-PART, TEST POINT, ENGINEERING PROBE POINT		PT1653 TESTPOINT	TESTPOINTSM	
1	U33	72-1488	IC 128K x 24 STATIC RAM 9ns 3.3V QFP100-14X20		PT2469 U128K24S9-3.3-Q	QFP100-14X20	
1	U39	72-0046	IC 25AA640 64K SERIAL EEPROM TA		PT2774 U25AA260	SO8	
1	U26	72-6318	IC 32K x 8 SRAM 15ns SOJ28		PT2294 U32K8S15-J	SOJ28-300	
1	U22	OMIT	OMIT IC 32K x 8 SRAM 15ns SOJ28 (72-6318)		PT2874 U32K8S15-JO	SOJ28-300	
1	U41	72-5426	IC, 74AC04, HEX INVERTER, SO14, T&R		PT1325 U74AC04-S	SO14	
1	U23	72-0085	IC 74HC4051 ANALOG MUX/DEMUX SO16		PT1927 U74HC4051-S	SO16	
1	U30	72-0063	IC 74LVTH573 3.3V ABT 8-LATCH 3-STATE SSO20 TR		PT2856 U74LVTH573-P	SSOP20	
1	U15	72-1485	IC AK4356 192kHz 24 BIT 6 CHANNEL DAC		PT2717 UAK4356-Q	QFP44-10X10	
1	U17	72-1464	IC, AK5392, DUAL 24BIT ADC, SO28W		PT1555 UAK5392-S	SO28W	
2	U24-25	72-6305	IC DSP56367 DSP 150MHZ QFP144-20X20		PT2452 UDSP56367-Q	QFP144-20X20	
1	U21	70-0070	V-REG L7815CD2T +15V 1A TA		PT2817 UL7815CD2T-S	TO263 (D2PAK)	
1	U20	70-0069	V-REG L7915CD2T -15V 1A TA		PT2819 UL7915CD2T-S	TO263 (D2PAK)	
2	U34-35	70-0063	V-REG LM2575S-ADJ SWITCHING REG 1A TO-263(5)		PT2739 ULM2575S-ADJ	TO-263(5)	
1	U36	70-0072	V-REG LM317DT 1.2V TO 37V ADJ 0.5A TA		PT2866 ULM317DT-S	TO252 (DPAK)	
3	U37-38 U42	72-5434	IC NC7SZ125 TINYLOGIC BUFFER SOT23-5 TA		PT1881 UNC7SZ125-S	SOT23-5	
1	U44	72-0068	IC NCP302H VOLTAGE DETECTOR SM SOT23-5		PT2869 UNCP302H	SOT23-5	

18	U2-14 U16 U18-19 U40 U43	72-1480	IC NJM4580 DUAL OP-AMP SO8	PT1374 UNJM4580-S	SO8
1	U29	72-0054-00V1	IC CPLD LC4128C-10T128 128 MC 92I/O SM dbx Driverack 260 V1	PT2859 UP720054	TQFP128
1	U32	72-0061-00V1	IC TS87C52X2 8 BIT OTP MICRO 5V 30Mhz dbx Driverack 260 V1	PT2868 UP720061	PLCC-44
1	U28	72-0062-00V1	IC AM29LV800BT 70nS 8 MEG FLASH dbx DRIVERACK 260 V1	PT2827 UP720062	TSOP48
1	U27	72-0055	IC PCM1801 16-BIT ADC 93DB SM	MTB UPCM1801-S	SO14
1	U31	72-0059	IC PI5C16211 24 BIT BUS SWITCH 5V-3V TSSOP	PT2860 UPI5C16211-TS	TSSOP56
1	U1	72-0056	IC SP202ECN RS-232 DUAL DRIVER/RECEIVER SM	MTB USP202ECN-S	SO16
1	Y1	76-0000	XTAL 22.1184MHz HC49 18PF SM TR	PT2829 Y22.1184M760000	XTAL2-V
1	X1	76-0006	XTAL 24.576MHz SMT CX16F/CS49G PKG	PT2713 Y24.576M760006	YCX16F/CX49G

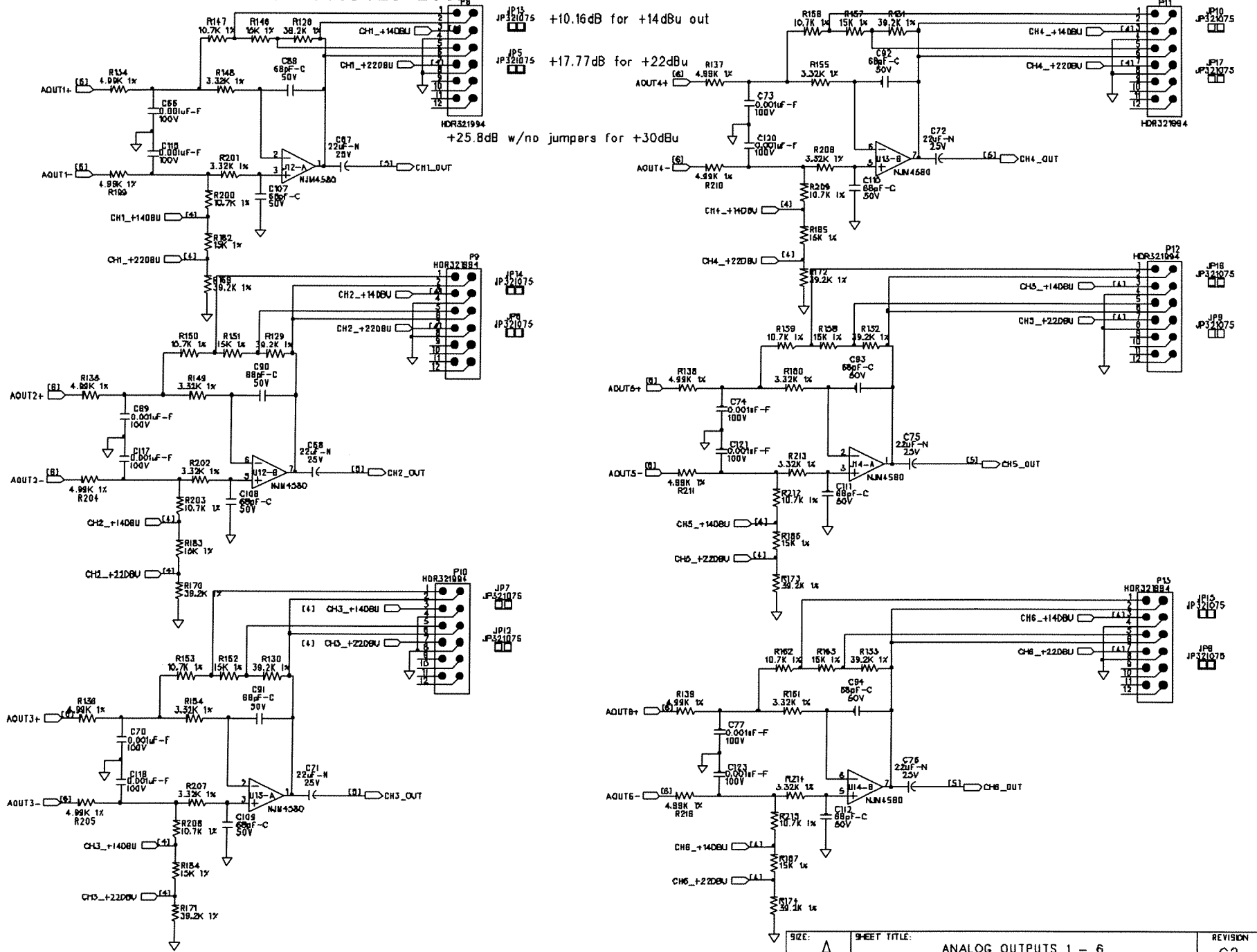


Max cut is -16.33dB for +30dBu in
 -8.26dB cut for +22dBu in
 No jumpers = -.33dB for +14dBu in

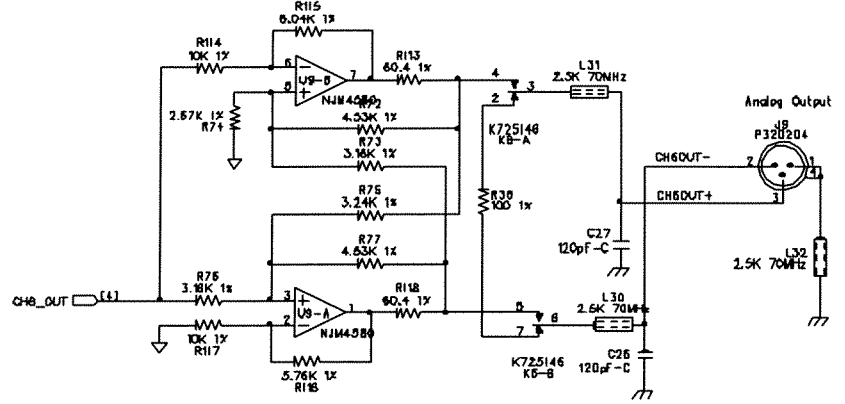
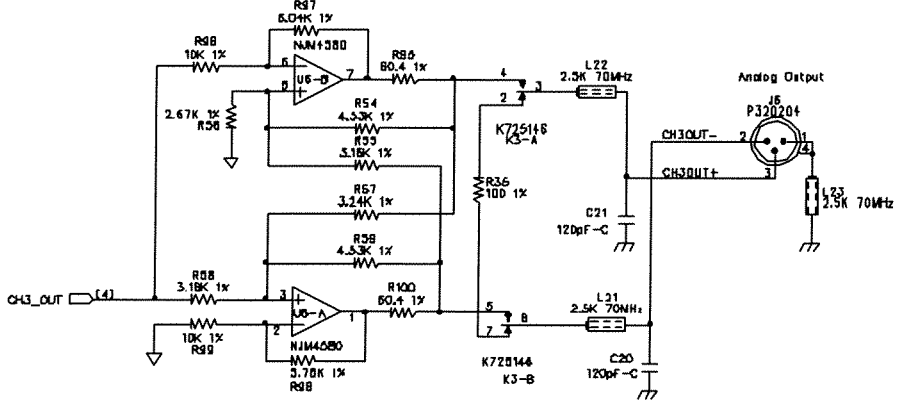
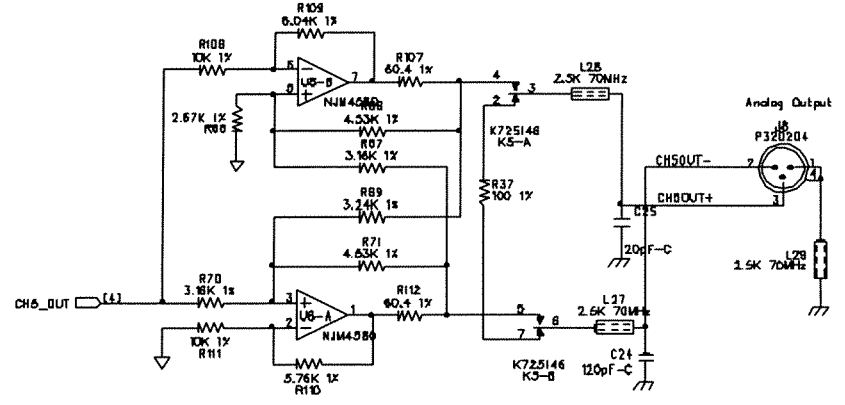
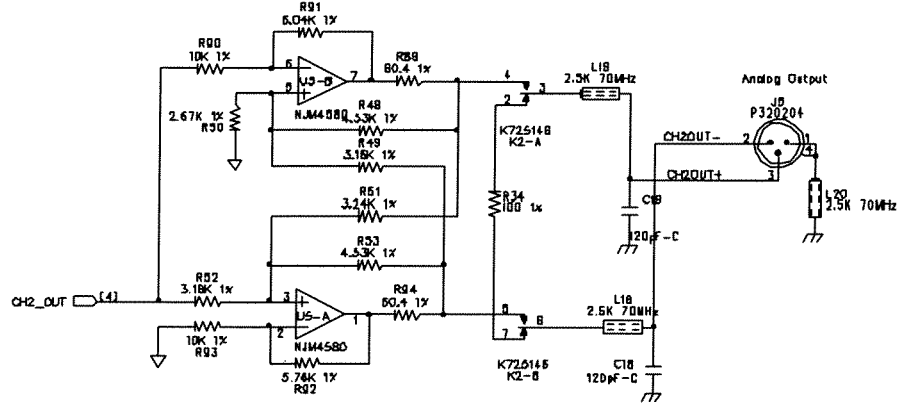
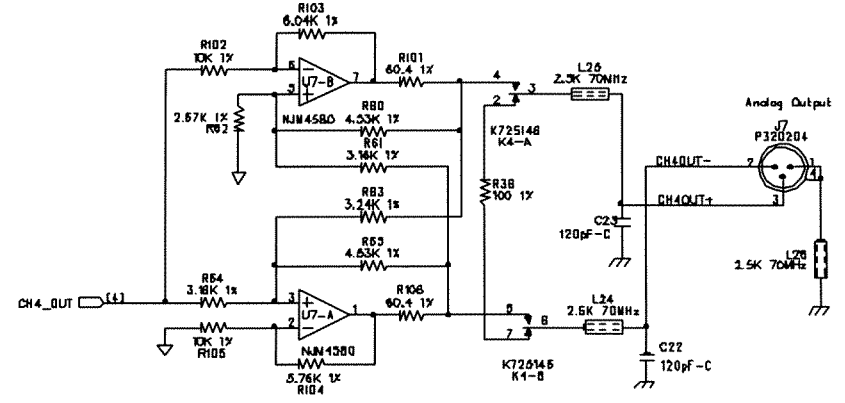
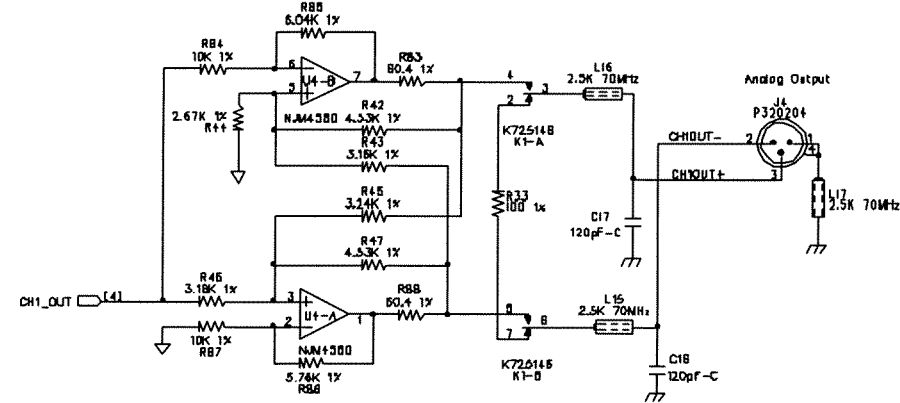
SIZE: A	SHEET TITLE: CHANNEL 1 & 2 INPUTS	REVISION: C2
START DATE: 12-23-02	DRAWING NO: 05-1796	SHEET: 2 OF 20



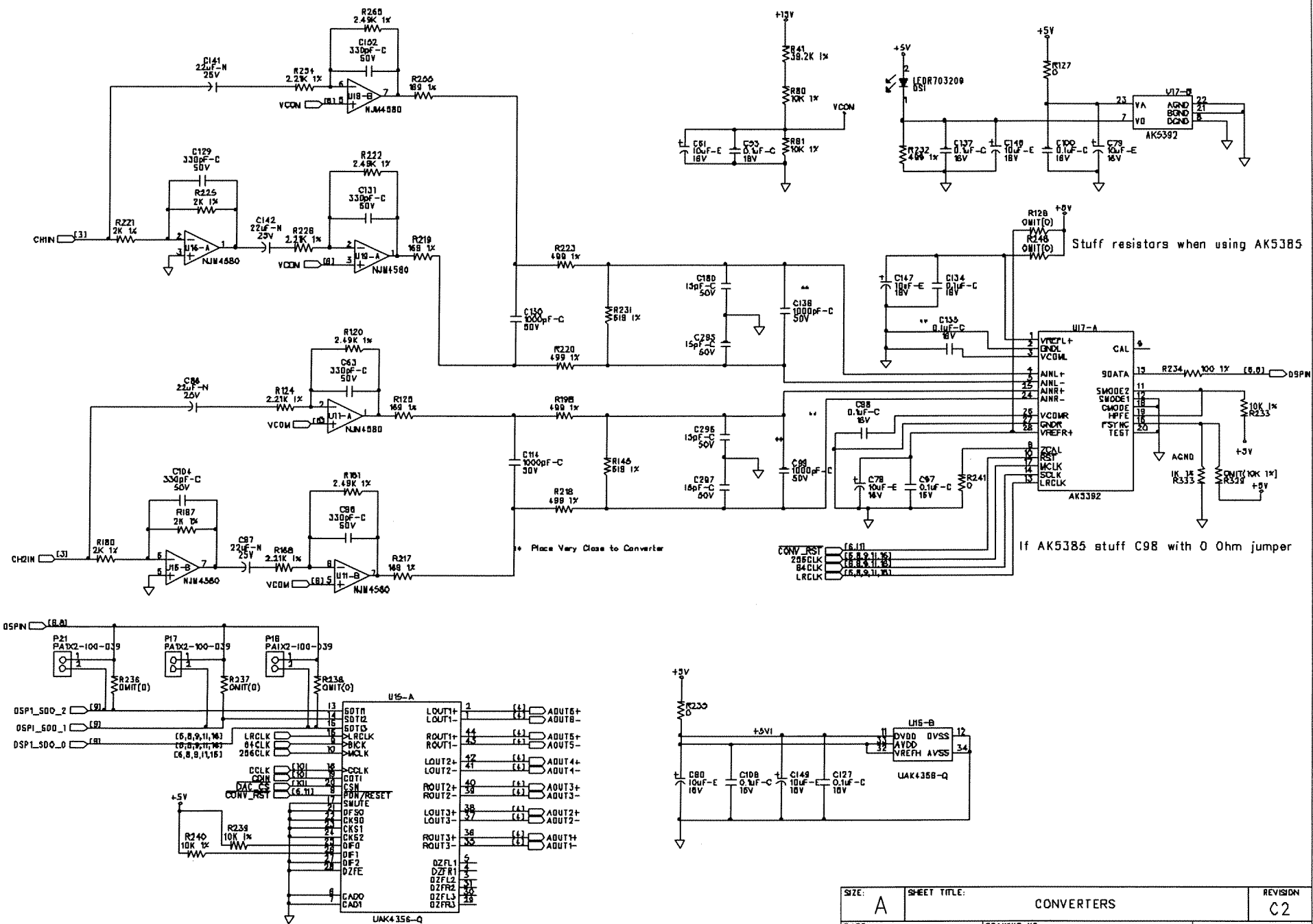
SIZE: A	SHEET TITLE: ANALOG CHANNEL 1 & 2 INPUTS	REVISION: C2
START DATE: 12-23-02	DRAWING NO: 05-1796	SHEET: 3 OF 20

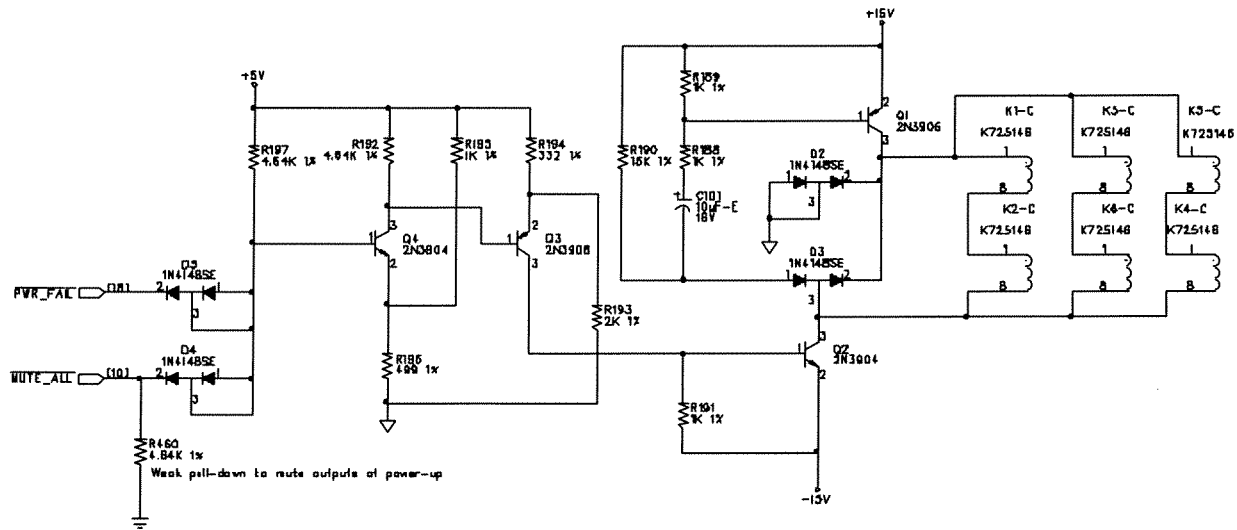


SIZE: A	SHEET TITLE: ANALOG OUTPUTS 1 - 6	REVISION: C2
START DATE: 12-23-02	DRAWING NO: 05-1796	SHEET: 4 OF 15

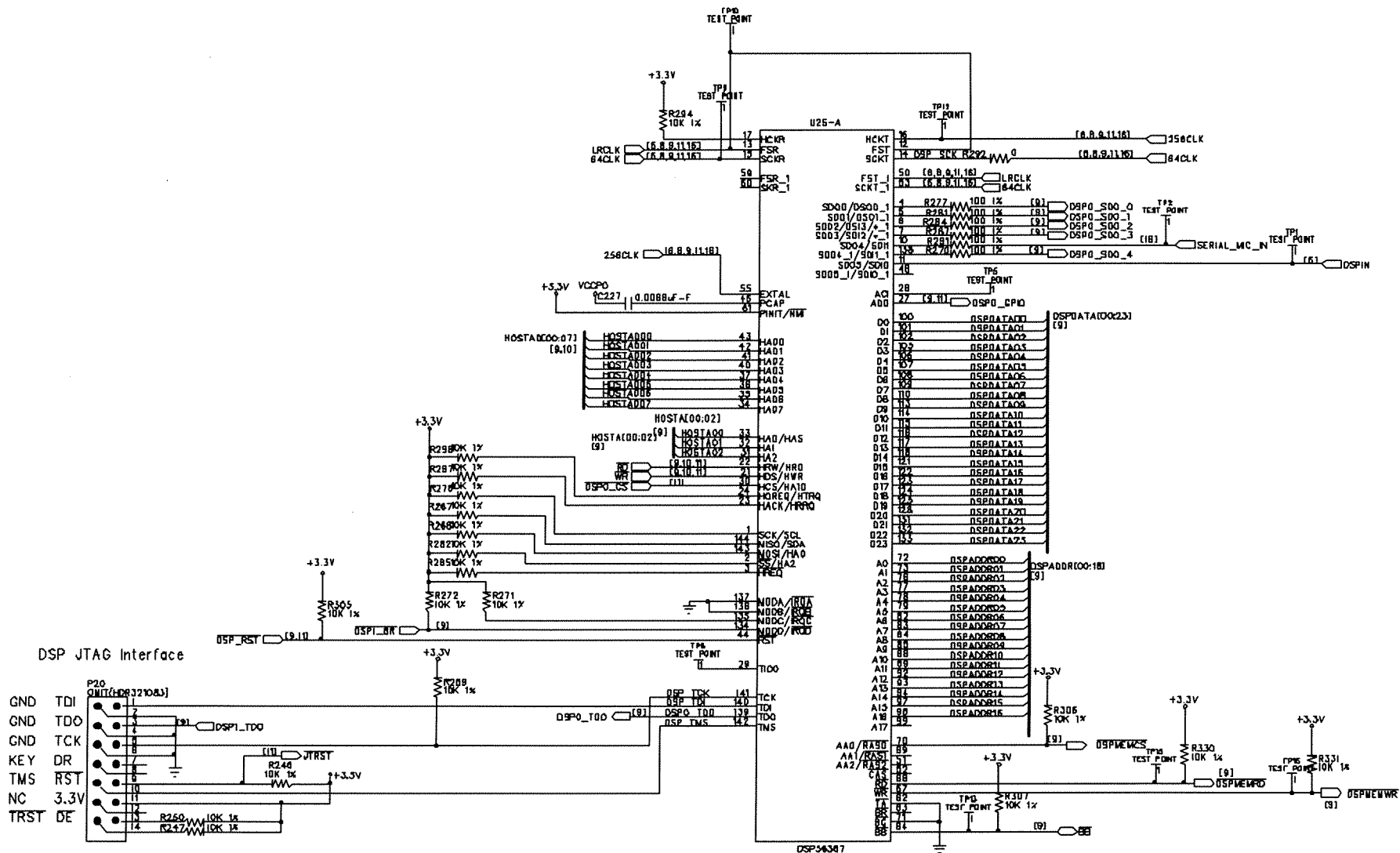


SIZE: A	SHEET TITLE: OUTPUT JACKS	REVISION: C2
DATE: 12-23-02	DRAWING NO: 05-1796	SHEET: 5 OF 20

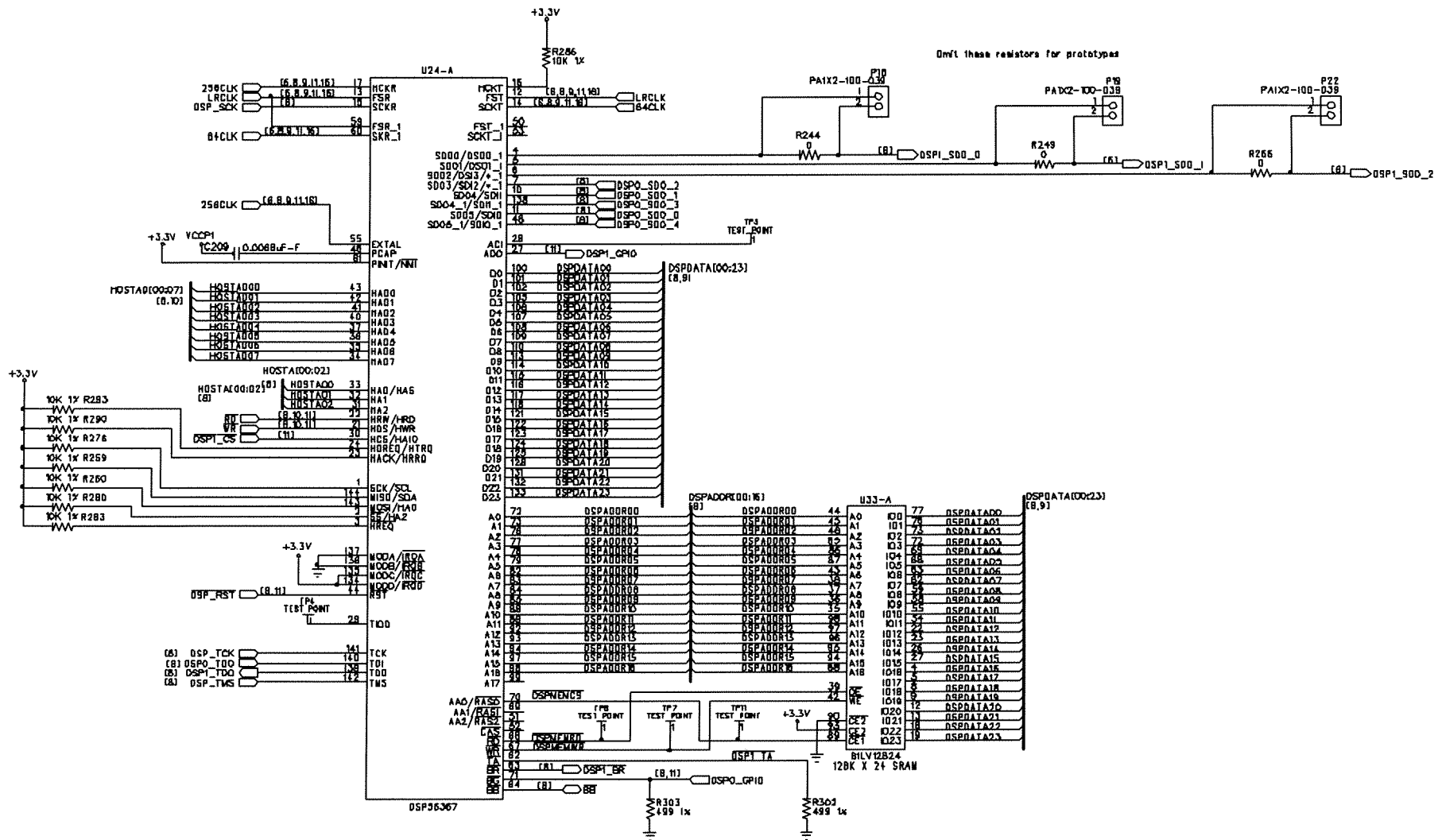




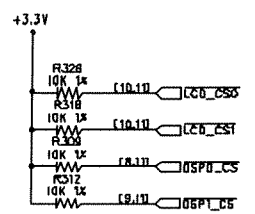
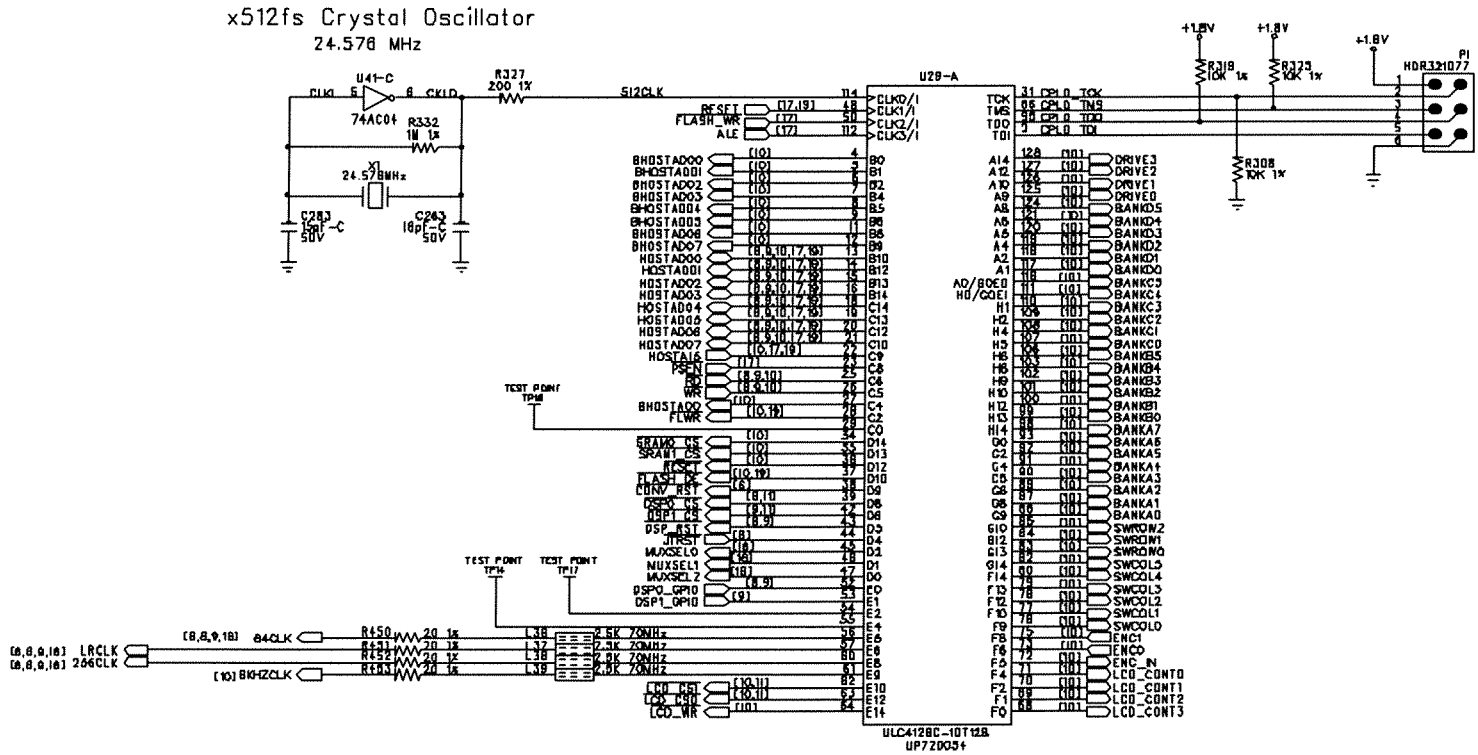
SIZE: A	SHEET TITLE: Mute Control	REVISION: C2
DATE: 12-23-02	DRAWING NO: 05-1796	SHEET: 7 OF 20



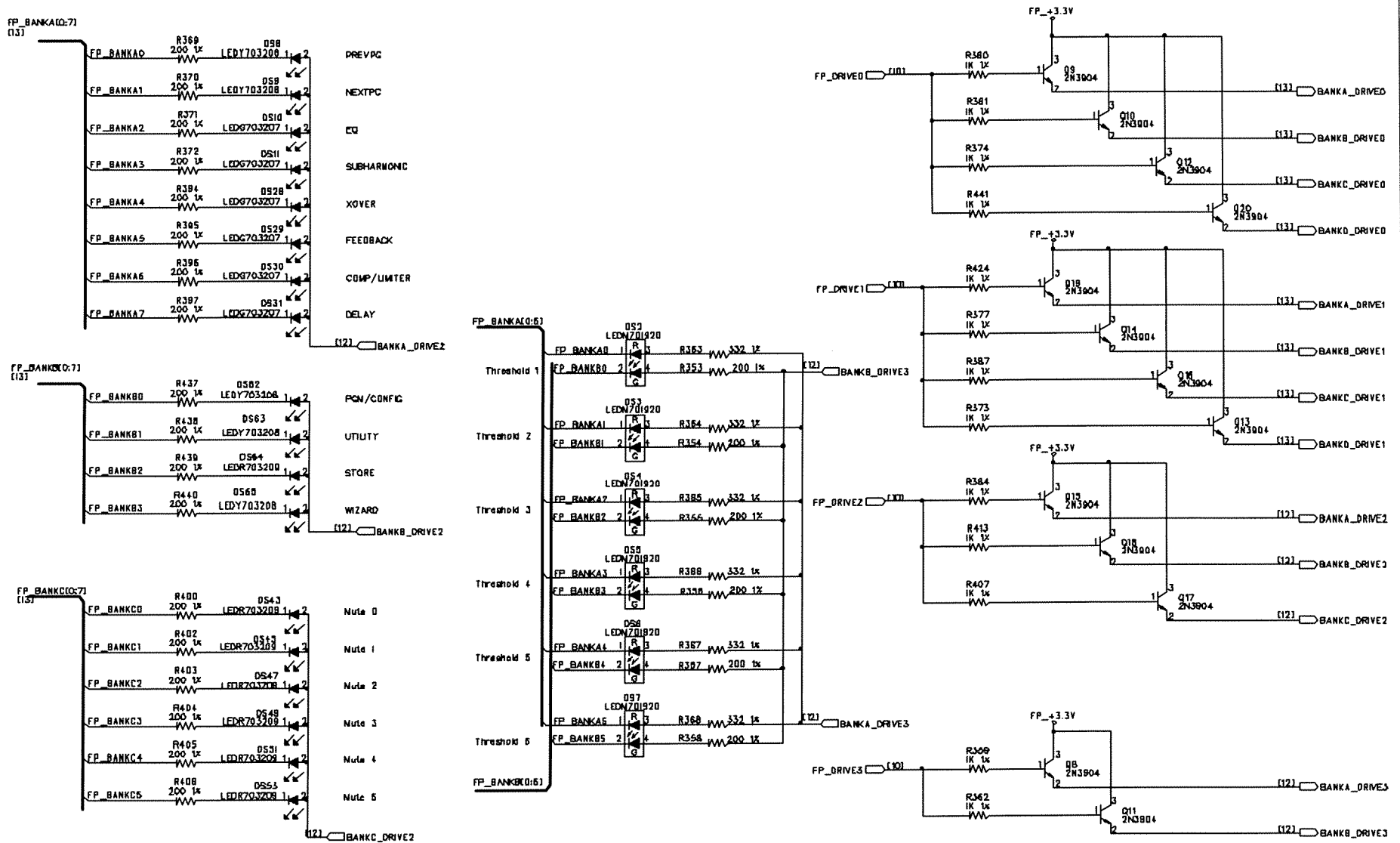
DSP JTAG Interface



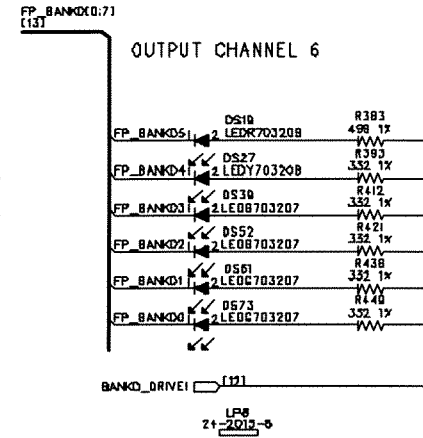
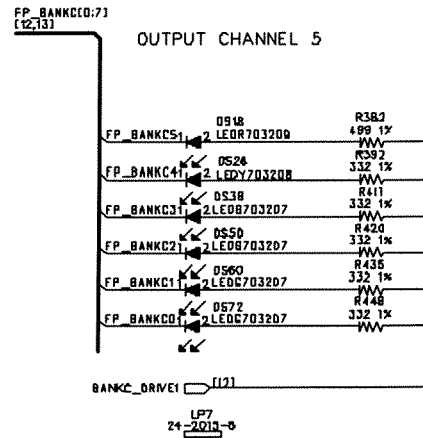
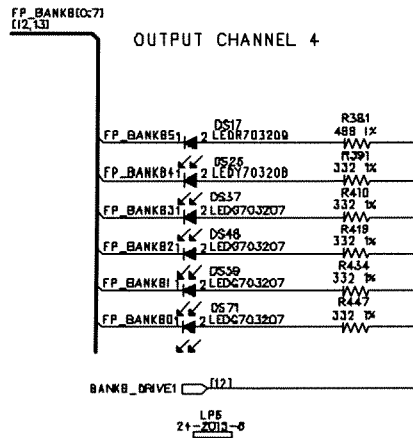
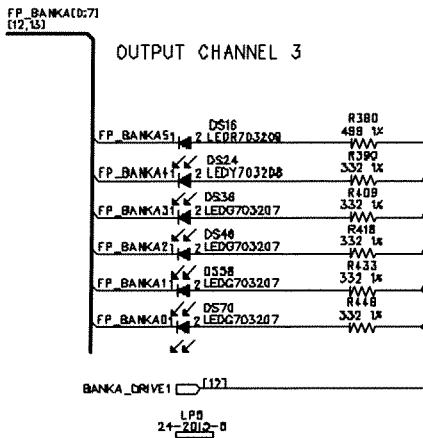
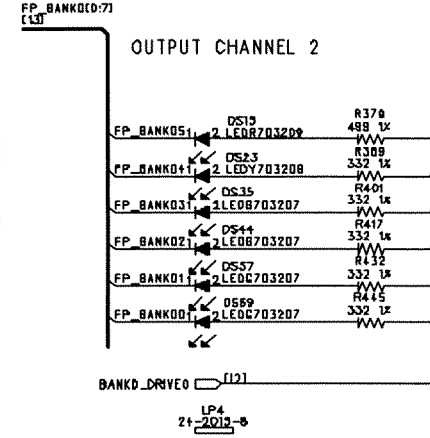
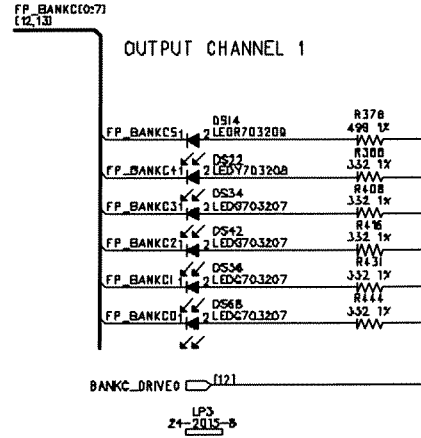
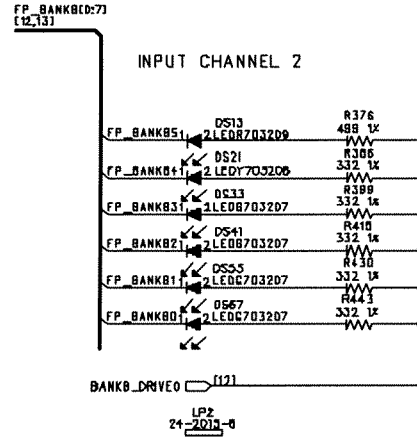
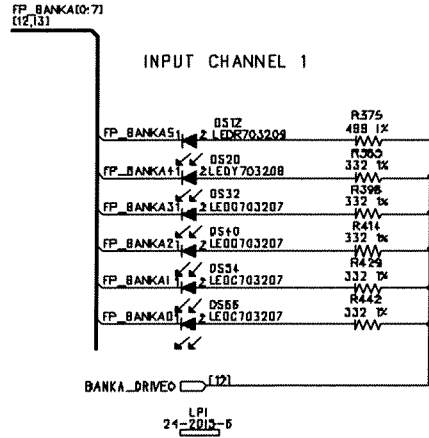
x512fs Crystal Oscillator
24.576 MHz

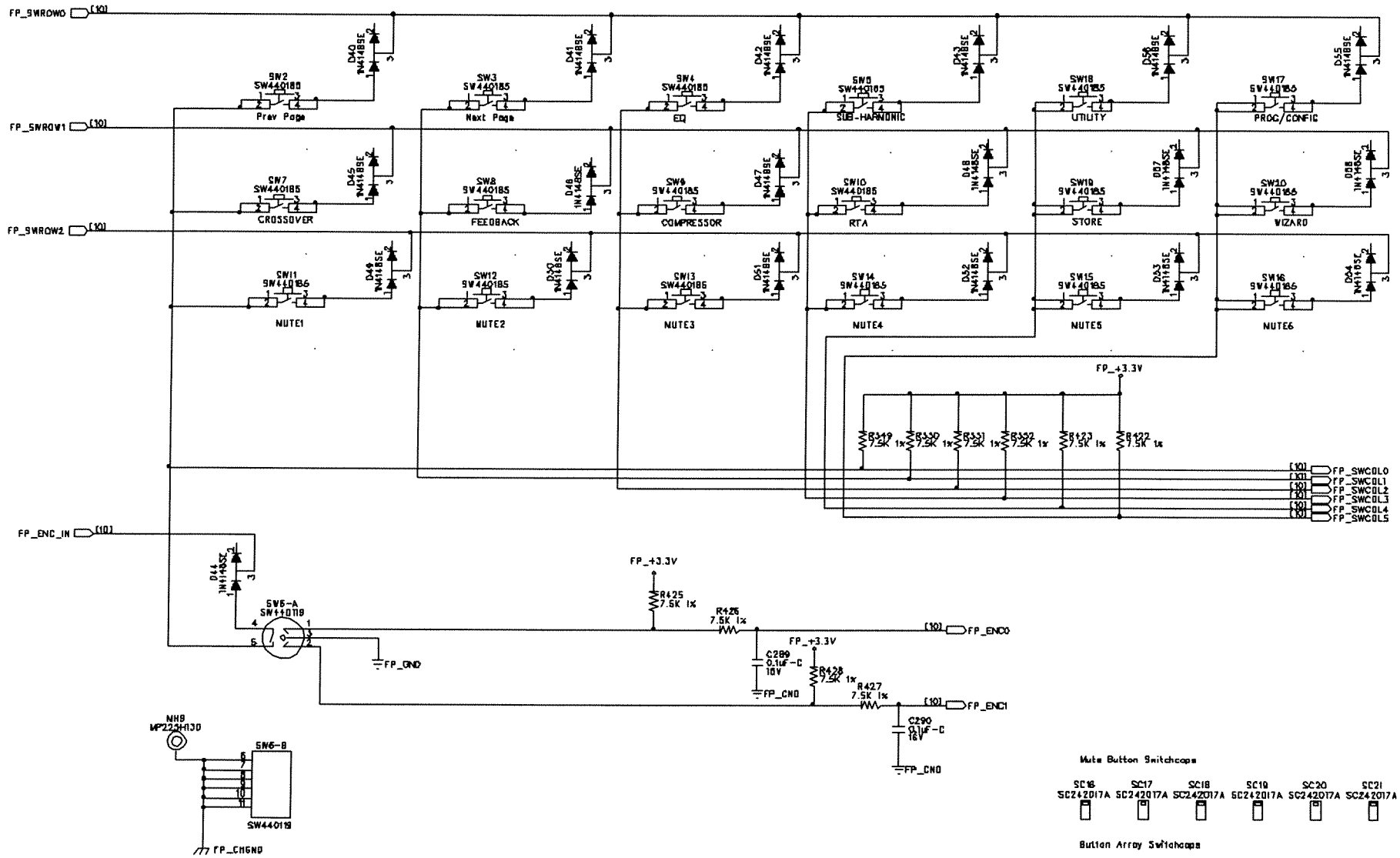


SIZE: A	SHEET TITLE: CPLD	REVISION: C2
DATE: 12-23-02	DRAWING NO: 05-1796	SHEET: 11 OF 20



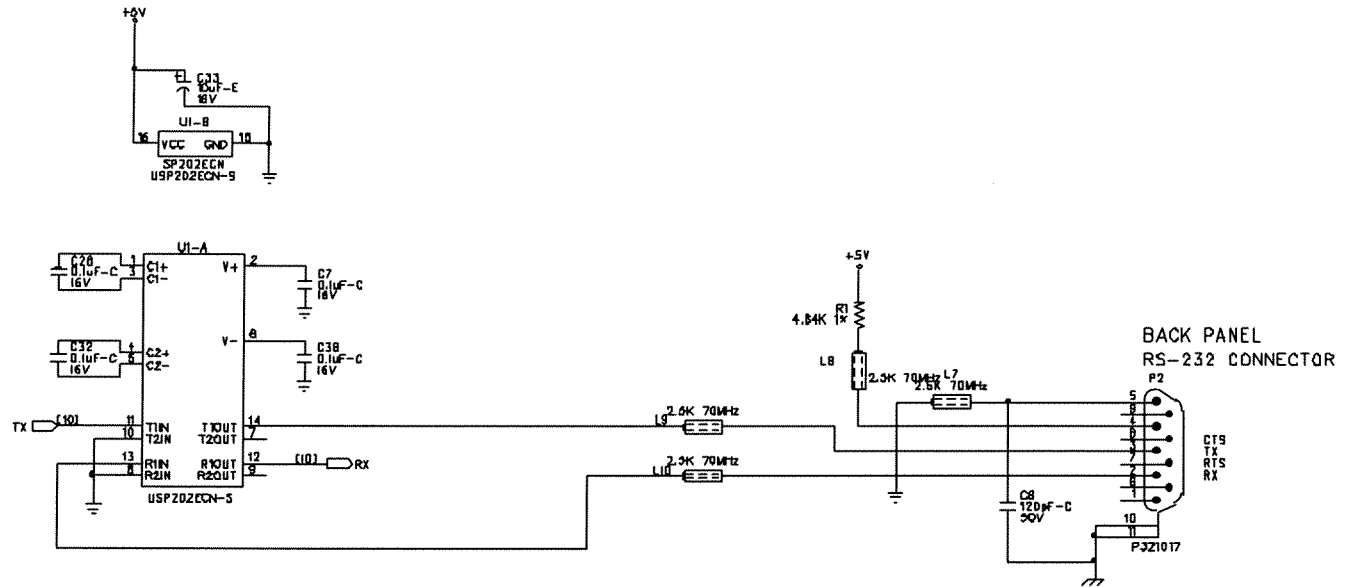
SIZE: A	SHEET TITLE: FRONT PANEL - BUTTON LEADS	REVISION: C2
DATE: 12-23-02	DRAWING NO: 05-1796	SHEET: 12 OF 20



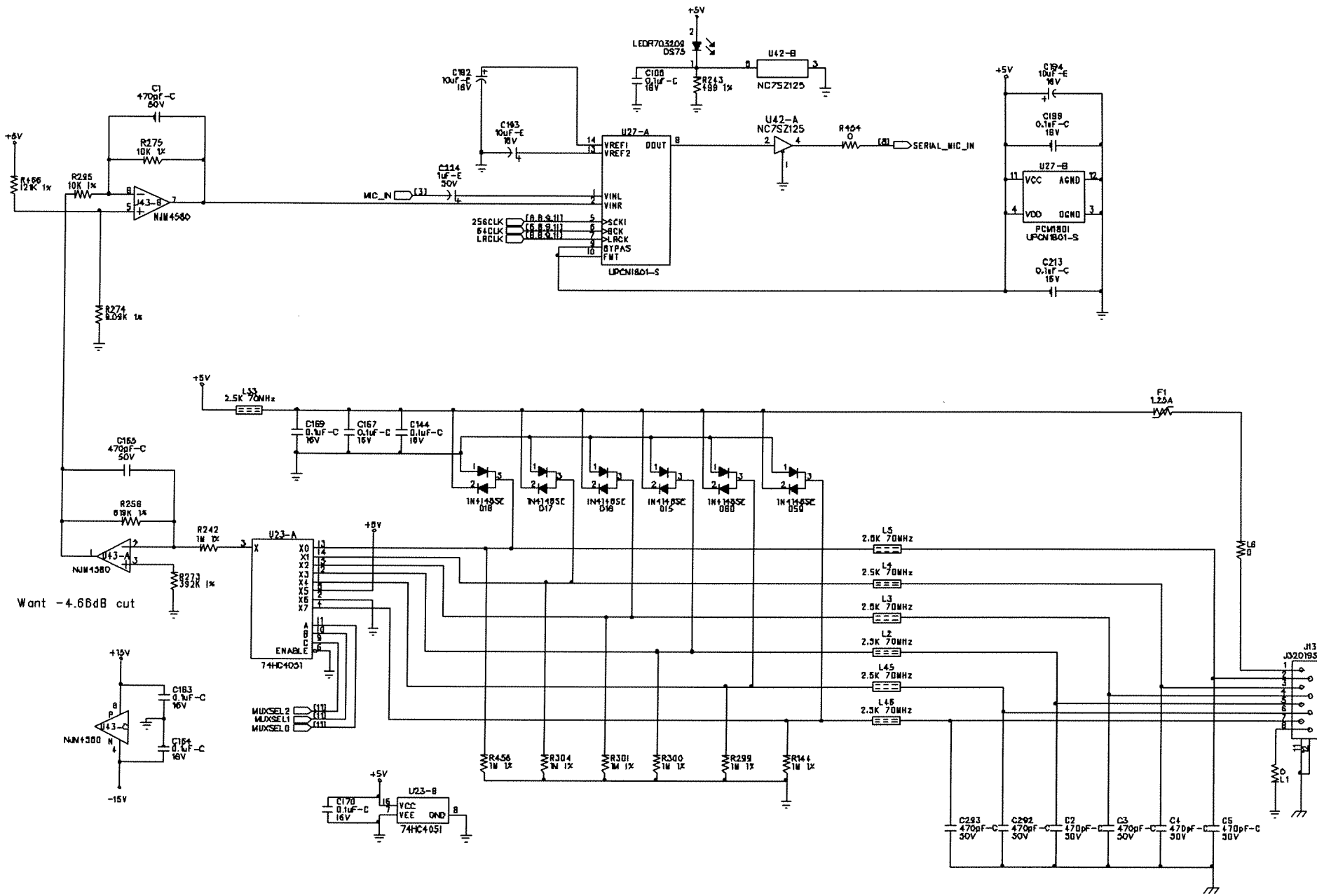


- Mute Button Switchcaps
- | | | | | | |
|-----------|-----------|-----------|-----------|-----------|-----------|
| SC16 | SC17 | SC18 | SC10 | SC20 | SC21 |
| SC242017A | SC242017A | SC242017A | SC242017A | SC242017A | SC242017A |
- Button Array Switchcaps
- | | | | | | |
|-----------|-----------|-----------|-----------|-----------|-----------|
| SC13 | SC2 | SC3 | SC4 | SC5 | SC6 |
| SC340199A | SC340199A | SC340199A | SC340199A | SC340199A | SC340199A |
| SC7 | SC8 | SC9 | SC10 | SC11 | SC12 |
| SC340199A | SC340199A | SC340199A | SC340199A | SC340199A | SC340199A |

SIZE:	DR260 FRONT PANEL - SWITCHES	REV: C2
DATE: 12-23-02	05-1796	SHEET: 14 OF 20

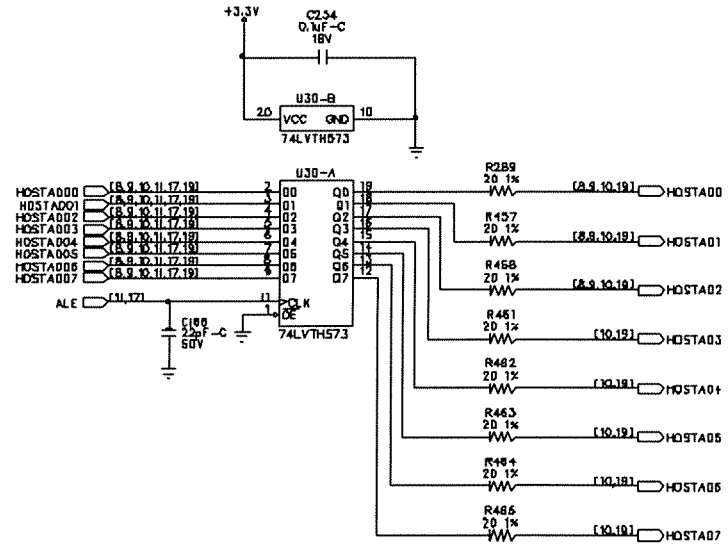
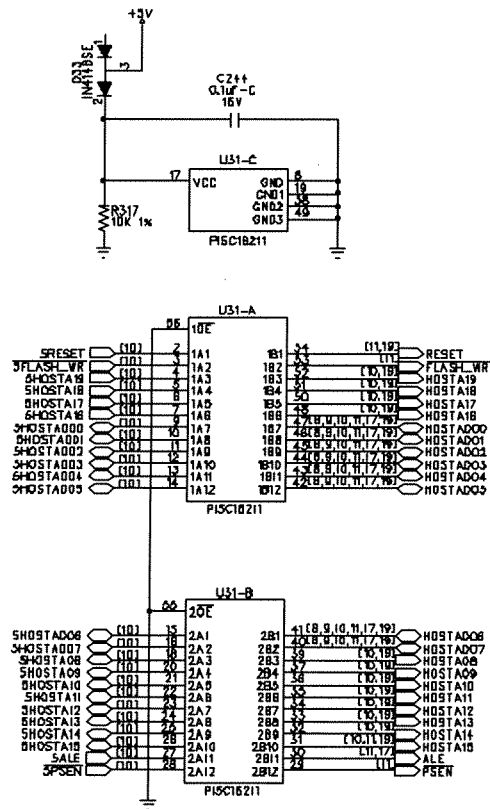


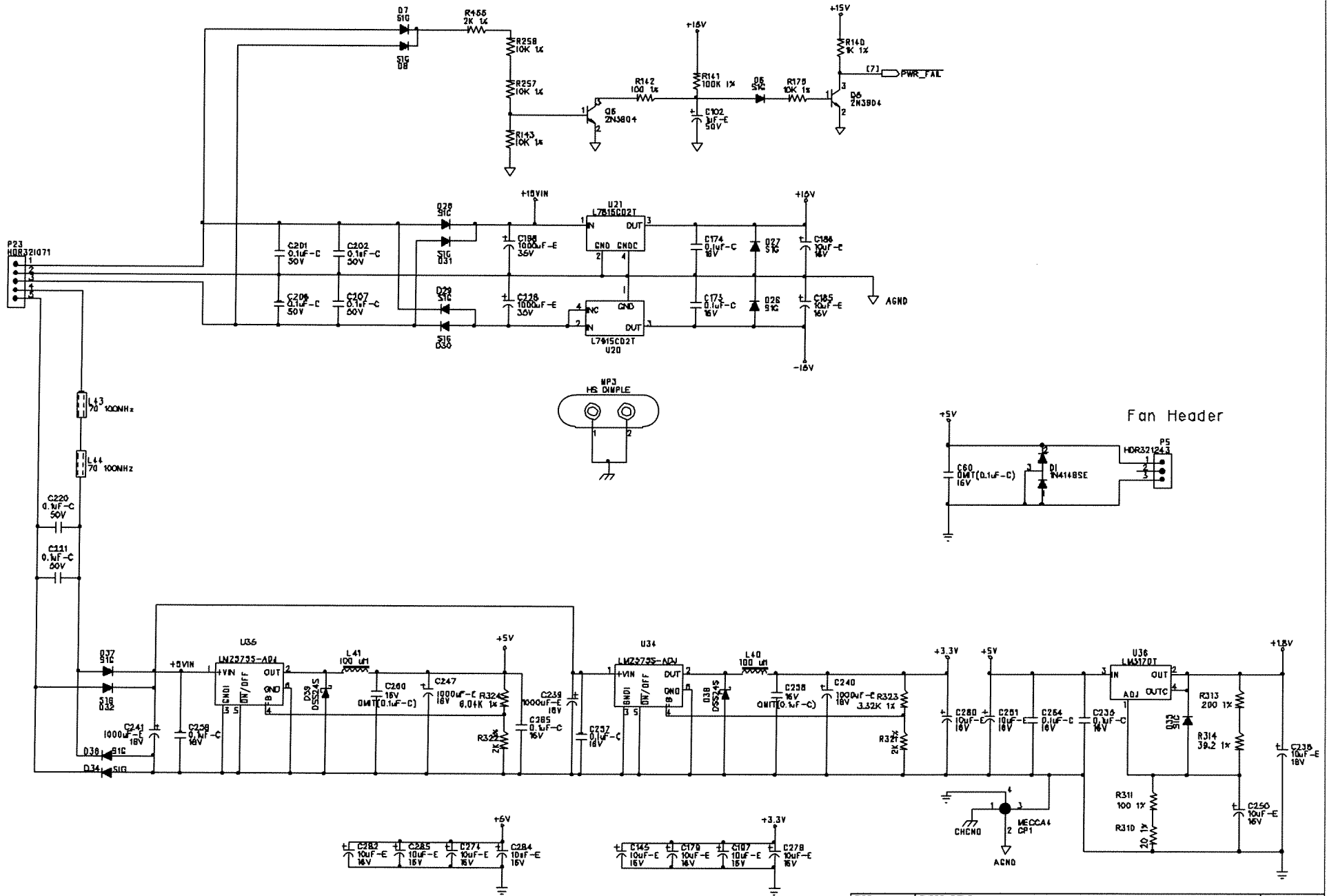
SIZE: A	SHEET TITLE: RS-232	REVISION: C2
DATE: 12-23-02	DRAWING NO: 05-1796	SHEET: 15 OF 20



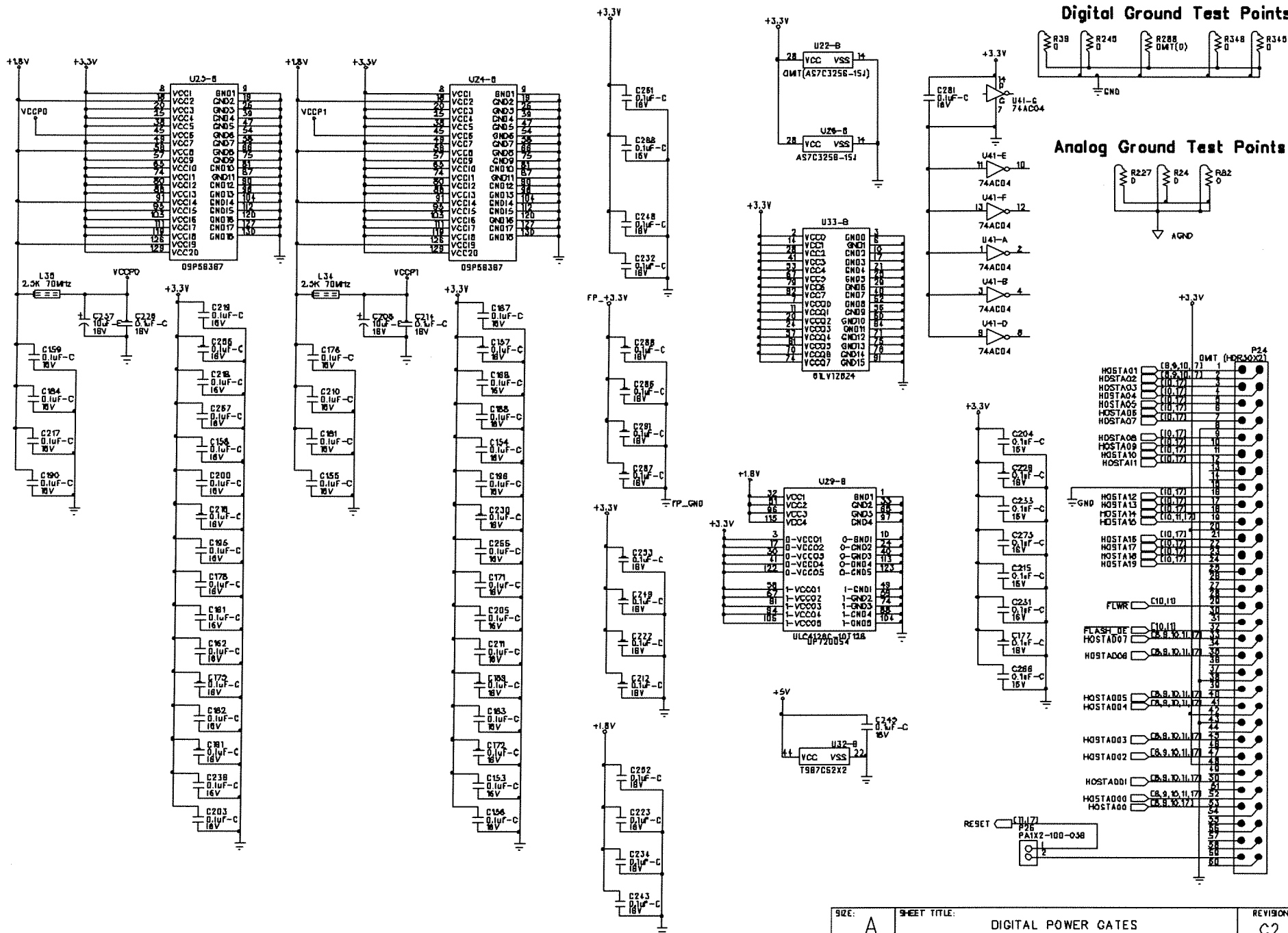
Want -4.66dB cut

SIZE: A	SHEET TITLE: CONTACT CLOSURE	REVISION: C2
DATE: 12-23-02	DRAWING NO: 05-1796	SHEET: 16 OF 20

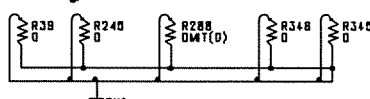




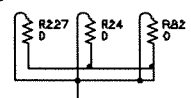
SIZE: A	SHEET TITLE: POWER SUPPLY	REVISION: C2
DATE: 12-23-02	DRAWING NO: 05-1796	SHEET: 18 OF 20



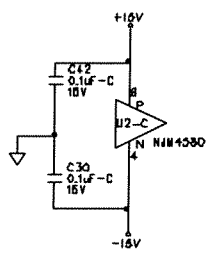
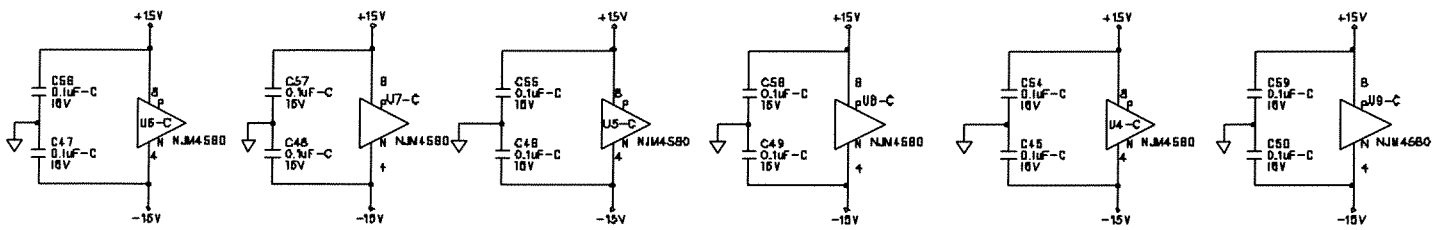
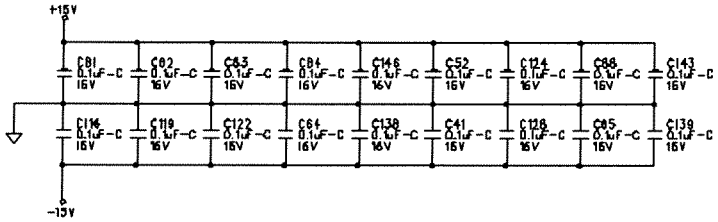
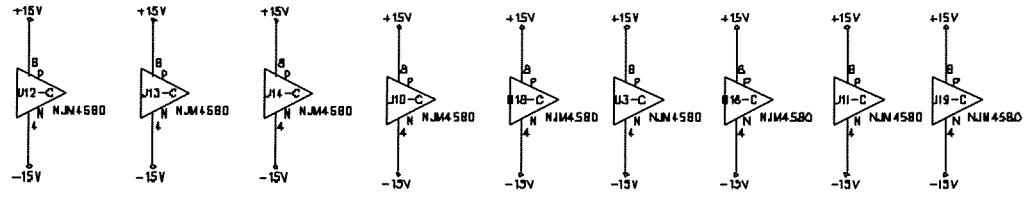
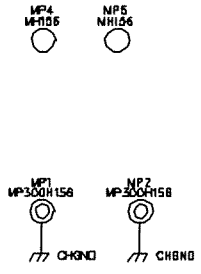
Digital Ground Test Points



Analog Ground Test Points



SIZE: A	SHEET TITLE: DIGITAL POWER GATES	REVISION: C2
DATE: 12-23-02	DRAWING NO: 05-1796	SHEET: 19 OF 20



SIZE: A	SHEET TITLE: ANALOG POWER GATES	REVISION: C2
START DATE: 12-23-02	DRAWING NO: 05-1796	SHEET: 20 OF 20

Bill Of Materials for 051796C2.sch on Mon Dec 23 15:11:14 2002

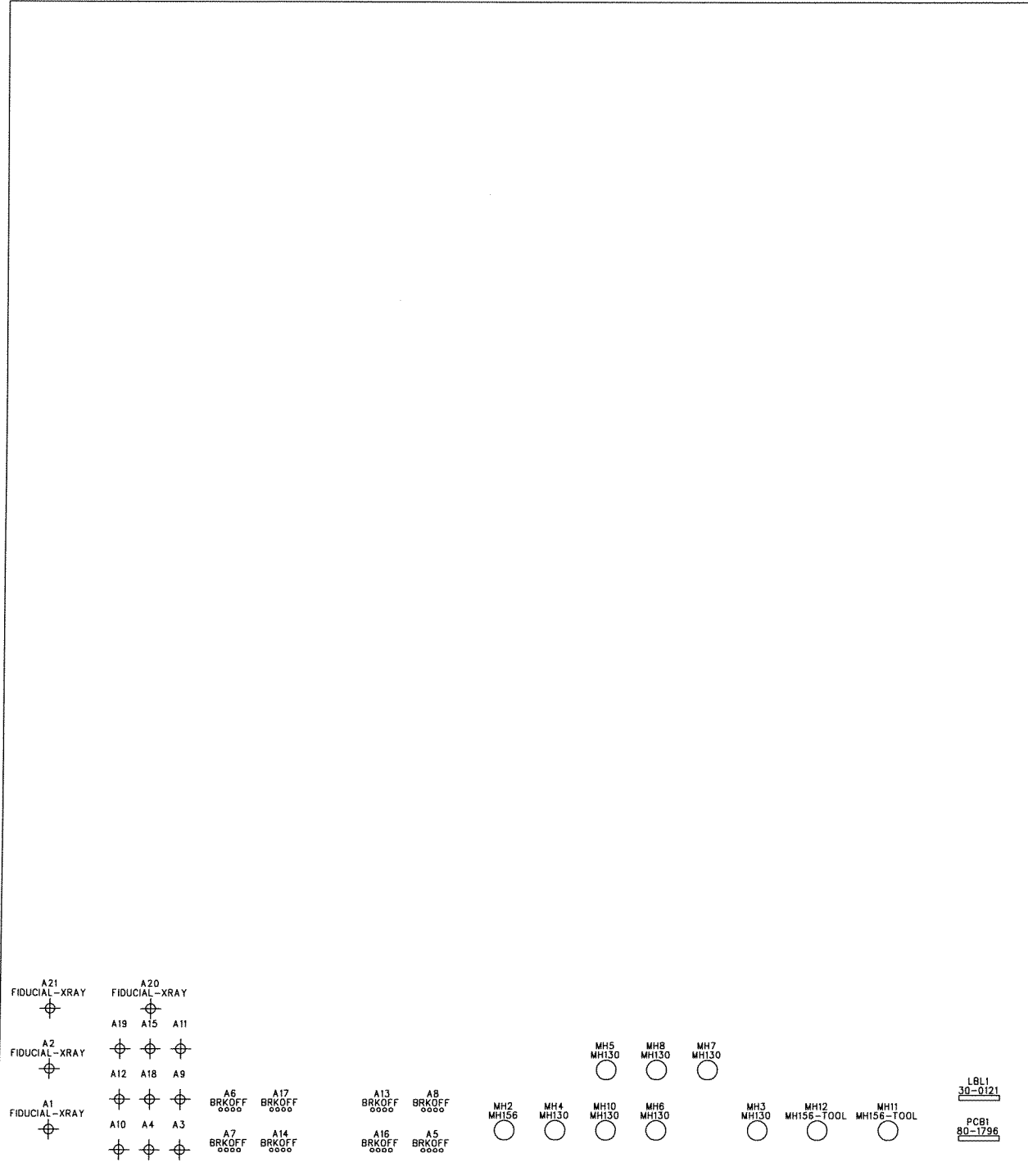
Qty	Reference	HMG#	Description	Audit	Schematic Part	PCB Decal
1	PCB1	80-1796	PCB 80-1796 dbx DRIVERACK 260/261	PT2044	80XXXXYY	BARCODE
8	A5-8 A13-14 A16-17	NON-PART	NON-PART, PCB ONLY, BREAKOFF PART	PT1481	BRKOFF	BRKOFF
12	C66 C69-70 C73-74 C77 C115 C117-118 C120-121 C123	56-0000	CAP 0.001uF FILM PTR 100V 5% AF TA	PT1629	C0.001UF100JR	RFCC200
2	C209 C227	56-0005	CAP 0.0068uF FILM PTR 100V 5% RF TA	PT1307	C0.0068UF100JR	RFDC200
2	C103 C150	56-0033	CAP 0.027uF FILM PTR 100V 5% RF TA	PT1282	C0.027UF100JR	RFEF200
142	C7 C28 C30 C32 C38 C41-42 C45-50 C52-59 C64-65 C81-84 C88 C97-98 C100 C105-106 C116 C119 C122 C124 C127-128 C134-135 C137-139 C143-144 C146 C153-159 C161-164 C167-178 C181-184 C187-191 C195-196 C199-200 C203-205 C210-219 C222-223 C226 C229-236 C242-245 C248-249 C252-257 C259 C261 C264-273 C276-277 C279 C281 C286-291 C294	62-1310	CAP 0.1uF CER 16V 20% Y5V 0603 TA	PT2696	C0.1UC16M0603	0603
3	C60 C298 C260	OMIT	OMIT CAP 0.1uF CER 16V 20% Y5V 0603 TA (62-1310)	PT2711	C0.1UC16M06030	0603
6	C201-202 C206-207 C220-221	62-1312	CAP 0.1uF CER 50V +80%/-20% Y5V 0603 TA	PT2687	C0.1UC50Z0603	0603
2	C35-36	56-0012	CAP 0.1uF FILM MTPT 50V 5% RF TA	PT1200	C0.1UF50JR	RFEC200
4	C99 C114 C130 C136	62-1308	CAP 1000pF CER 50V 20% Y5V 0603 TA	PT2651	C1000PC50M0603	0603
4	C239-241 C247	60-0064	CAP 1000uF EL 16V 20% GP 10X17R 5LL TA	PT1334	C1000UE16MR	REM200P
2	C198 C228	60-0063	CAP 1000uF EL 35V 20% GP 13x25R 5LL BK	PT1207	C1000UE35MR	REQ200P
3	C34 C37 C44	60-0201	CAP 100uF EL 16V 20% GP 6x8R 5LS TA	PT1378	C100UE16MR	REG200P
29	C33 C61 C78-80 C101 C145 C147-149 C179 C185-186 C192-194 C197 C208 C237-238 C250-251 C274-275 C278 C280 C282 C284-285	60-0049-01	CAP 10uF EL 16V 20% GP 5x7R 5LS TA	PT1080	C10UE16MR	RED200P
29	C6 C8-27 C29 C31 C39-40 C43 C51 C62 C133	62-1304	CAP 120pF CER 50V 5% NPO 0603 TA	PT2655	C120PC50J0603	0603
7	C180 C246 C262 C283 C295-297	62-1300	CAP 15pF CER 50V 5% NPO 0603 TA	PT2659	C15PC50J0603	0603
1	C263	62-0094	CAP 18pF CER 50V 5% 0603 TA	PT2870	C18PC50J0603	0603
2	C102 C224	60-0044-01	CAP 1uF EL 50V 20% GP 5x7R 5LS TA	PT1079	C1UE50MR	RED200P
1	C166	62-1301	CAP 22pF CER 50V 5% NPO 0603 TA	PT2658	C22PC50J0603	0603
10	C67-68 C71-72 C75-76 C86-87 C141-142	60-0402	CAP 22uF ELNP 25V 20% GP 6x11R 5LS TA	PT1084	C22UN25MR	REG200
8	C63 C95-96 C104 C129 C131 C151-152	62-1306	CAP 330pF CER 50V 10% X7R 0603 TA	PT2653	C330PC50K0603	0603
8	C1-5 C165 C292-293	62-1307	CAP 470pF CER 50V 10% X7R 0603 TA	PT2652	C470PC50K0603	0603
4	C85 C113 C140 C160	60-0054-01	CAP 47uF EL 16V 20% GP 5x11R 5LS TA	PT1108	C47UE16MR	REE200P
12	C89-94 C107-112	62-1303	CAP 68pF CER 50V 5% NPO 0603 TA	PT2656	C68PC50J0603	0603
43	D1-5 D9-24 D33 D40-60	70-0113	DIO MMBD4148SE DUAL 75V 600ma SOT-23 TA	PT1326	D1N4148SE-S	SOT-23
14	D6-8 D26-32 D34-37	70-3203	DIO SIG RECT 400V 1.0A SMA TA	PT2081	DS1G-S	DO-214AC/SMA
2	D38-39	70-0068	DIO RECT 40V 2A SCHOTTKY SS24 SM	PT2779	DSS24S	DO-214AA/SMB
1	F1	32-0186	FUSE 1.25A POLY SWITCH RESETABLE	PT2893	F1.25A320186	FUSE6
9	A3-4 A9-12 A15 A18-19	NON-PART	NON-PART, FIDUCIAL, TARGET FOR AUTO INSERTION	PT1271	FIDUCIAL	FIDUCIAL
4	A1-2 A20-21	NON-PART	NON-PART FIDUCIAL TARGET FOR AI AND XRAY	PT2796	FIDUCIAL-XRAY	FIDUCIAL-XRAY
1	P24	OMIT	OMIT (CON HDR 30 X 2 FEMALE AMP SMT)	DWB	HC302V224SPMS	HC302V224SPMS
2	J11-12	32-0000	HCN CONN 50 PIN .5 MM CNTS 1X50 FML RA	PT2824	HCN320000	HC320000
1	J10	32-0176	HCN CONN 20 PIN FEM VRT MNT SMT	PT2773	HCN320176	HC102V079050FS

051796C2.PPS

1	P30	32-1055	HDR, 20 PIN, 0.1" SPC, 2 X 10, VERT, MALE	PT1340	HDR321055	HC102
1	P23	32-1071	HDR, 5 PIN, 0.1" SPC, 1 X 5, LCK, POL, VERT, MALE	PT1621	HDR321071	HC51LPM
1	P1	32-1077	HDR, 6 PIN, 0.1" SPC, 2 X 3, VERT, MALE	PT1683	HDR321077	HC32
1	P5	32-1243	HDR 3 PIN .098 SPC 3X1 SHROUDED VERTICAL MT.	PT1876	HDR321243	HC31V98SP
8	P3-4 P8-13	32-1994	HDR 12 PN .1" SPC 2X6 VRT MT	PT2435	HDR321994	HC62V100M
1	P20	OMIT	OMIT HDR 14 PIN 0.1" SPC 2 X 7 VERT MALE (32-1083)	PT2127	HDR321083-0	HC72
1	J13	32-0193	JACK RJ45 SINGLE PORT 8 PIN R/A PCB MNT SHLD	PT2872	J320193	JRJ45_8P-LONG-SH LD
3	J1-3	32-0206	CON, JACK, XLR, R/A, PCA A SERIES	PT1219	J320206	XLRF-1
16	JP1-10 JP12-17	32-1075	JUMPER, MINI, .100 SPC	PT1415	JP321075	PCBNUL
1	JP11	OMIT	OMIT JUMPER MINI .100 SPC (32-1075)	PT2873	JP321075-0	PCBNUL
6	K1-6	72-5146	RELAY DPDT 12VDC POL SM	PT2219	K725146	KSLIM-8P
1	LBL1	30-0121	LABEL BARCODE AUTOINSERTABLE RAW	PT2790	LABEL300121	LABEL300121
38	DS10-11 DS28-42 DS44 DS46 DS48 DS50 DS52 DS54-61 DS66-73	70-3207	LED GREEN D1206 T&R	PT1902	LEDG703207	D1206
6	DS2-7	70-1920	LED RED/GRN WT/DIF SM 1210 TA	PT2428	LEDM701920	LED1210
18	DS1 DS12-19 DS43 DS45 DS47 DS49 DS51 DS53 DS64 DS74-75	70-3209	LED RED D1206 T&R	PT1901	LEDR703209	D1206
13	DS8-9 DS20-27 DS62-63 DS65	70-3208	LED YELLOW D1206 T&R	PT1900	LEDY703208	D1206
2	L43-44	26-0215	IND FBD 70 OHM @ 100MHZ RIC200 TA	PT1262	LFB260215	RIC200
40	L2-5 L7-39 L42 L45-46	26-0217	IND FBD 2.5K OHM @ 70MHZ 0805 TA	PT1261	LFB260217	0805
2	L40-41	26-0002	IND PWR 100uH 3A	PT2754	LI260002	UP3B
2	LP1-2	NON-PART	NON-PART 6 POS NOT INSTALLED UNTIL MECHANICAL ASSY(LIGHT PIPE)	PT1967	LP242015-6	LP242015-6
6	LP3-8	NON-PART	NON-PART 8 POS NOT INSTALLED UNTIL MECHANICAL ASSY(LIGHT PIPE)	PT1968	LP242015-8	LP242015-8
1	GP1	NON-PART	NON-PART MECCA GND/PWR TIE POINT 4 POS	PT2482	MECCA4	MECCA4
8	MH1 MH3-8 MH10	NON-PART	NON-PART, MOUNTING HOLE, 0.130" NON-PLATED, #4	PT1242	MH130	MH130
3	MH2 MP4-5	NON-PART	NON-PART MOUNTING HOLE 0.156" NON-PLATED #6	PT2832	MH156	MH156
2	MH11-12	NON-PART	NON-PART TOOLING PIN HOLE 156MIL HOLE	PT2794	MH156-TOOL	MH156-TOOL
1	MH9	NON-PART	NON-PART MECHANICAL PLATED HOLE 225 PAD 130 HOLE #4	PT1998	MP225H130	MP225H130
2	MP1-2	NON-PART	NON-PART, MECHANICAL PLATED HOLE, 300 PAD, 156 HOLE, #6	PT1045	MP300H156	MP300H156
1	MP3	NON-PART	NON-PART SMT HEATSINK DIMPLE 300P 156H #6	PT2816	MP300H156-HSDMP	MP300H156-HSDMP
6	J4-9	32-0204	CON PLUG XLR R/A PCA A SERIES	PT1218	P320204	XLRM-1
1	P2	32-1017	CON JACK DCONN DUAL PORT 9P RA MALE PC MNT	PT1931	P321017	DCON9PM
14	P6-7 P14-19 P21-22 P26-27 P29 P31	NON-PART	NON-PART PD ARY 2 PN 0.100" SPC 0.039" HLE	PT1645	PA1X2-100-039	PA1X2-100-039
17	Q2 Q4-6 Q8-20	70-1058	XSTR, 2N3904, NPN, SOT-23, T&R	PT1203	Q2N3904-S	SOT-23
2	Q1 Q3	70-1059	XSTR 2N3906 PNP SOT-23 SM TA	PT1057	Q2N3906-S	SOT-23
16	R2-3 R5-6 R123 R230 R241 R244 R249 R266 R292 R316 R342 R344 R347 R454	50-1300	RES 0 5% 1/16W SM 0603 TA	PT2508	R0-B5-0603	0603
7	R122 R126 R229 R236-238 R248	OMIT	OMIT RES 0 5% 1/16W SM 0603 TA (50-1300)	PT2509	R0-B5-06030	0603
4	L1 L6 R127 R235	50-1531	RES 0 5% 1/10W SM 0805 TA	PT1099	R0-C5-0805	0805
7	R24 R39 R82 R227 R245 R345 R348	50-0317	RES 0 5% 1/4W CF RR TA	PT1008	R0-E5-R	RRA200
1	R288	OMIT	OMIT RES 0 5% 1/4W CF RR TA (50-0317)	PT1596	R0-E5-RO	RRA200
4	R14 R17 R20 R23	52-1339	RES 10.2K 1% 1/16W SM 0603 TA	PT2591	R10.2KB1-0603	0603
14	R25 R40 R147 R150 R153 R156 R159 R162 R200 R203 R206 R209 R212 R215	52-1340	RES 10.7K 1% 1/16W SM 0603 TA	PT2592	R10.7KB1-0603	0603
15	R33-38 R142 R234 R270 R277 R281 R284 R287 R291 R311	52-1304	RES 100 1% 1/16W SM 0603 TA	PT2512	R100-B1-0603	0603
6	R141 R178-179 R263-264 R335	52-1360	RES 100K 1% 1/16W SM 0603 TA	PT2613	R100KB1-0603	0603
62	R80-81 R84 R87 R90 R93 R96 R99 R102 R105 R108 R111 R114 R117 R143 R175 R233 R239-240 R246-247 R250 R257-260 R267-269 R271-272 R275-276 R278-280 R282-283 R285-286 R290 R293-298	52-1338	RES 10K 1% 1/16W SM 0603 TA	PT2584	R10KB1-0603	0603

	R305-309 R312 R315 R317-319 R325-326 R330-331 R343						
1	R329	OMIT	OMIT RES 10K 1% 1/16W SM 0603 TA (52-1338)		PT2628 R10KB1-06030	0603	
1	R466	52-1361	RES 121K 1% 1/16W SM 0603 TA		PT2614 R121KB1-0603	0603	
1	R338	52-1362	RES 150K 1% 1/16W SM 0603 TA		PT2615 R150KB1-0603	0603	
17	R9-10 R29-30 R146 R151-152 R157-158 R163 R182-187 R190	52-1344	RES 15K 1% 1/16W SM 0603 TA		PT2596 R15KB1-0603	0603	
4	R125 R217 R219 R255	52-1305	RES 169 1% 1/16W SM 0603 TA		PT2513 R169-B1-0603	0603	
21	R27 R79 R140 R188-189 R191 R195 R333 R359-362 R373-374 R377 R384 R387 R407 R413 R424 R441	52-1313	RES 1K 1% 1/16W SM 0603 TA		PT2550 R1KB1-0603	0603	
9	R144 R242 R299-301 R304 R320 R332 R456	52-1372	RES 1M 1% 1/16W SM 0603 TA		PT2625 R1MB1-0603	0603	
4	R124 R168 R226 R254	52-1317	RES 2.21K 1% 1/16W SM 0603 TA		PT2555 R2.21KB1-0603	0603	
4	R120 R181 R222 R265	52-1318	RES 2.49K 1% 1/16W SM 0603 TA		PT2556 R2.49KB1-0603	0603	
6	R44 R50 R56 R62 R68 R74	52-1319	RES 2.67K 1% 1/16W SM 0603 TA		PT2557 R2.67KB1-0603	0603	
14	R289 R310 R334 R450-453 R457-458 R461-465	52-1300	RES 20 1% 1/16W SM 0603 TA		PT2507 R20-B1-0603	0603	
28	R313 R327 R341 R346 R353-358 R369-372 R394-397 R400 R402-406 R437-440	52-1306	RES 200 1% 1/16W SM 0603 TA		PT2514 R200-B1-0603	0603	
1	R339	52-1364	RES 221K 1% 1/16W SM 0603 TA		PT2617 R221KB1-0603	0603	
16	R4 R7 R164 R167 R176-177 R180 R193 R221 R225 R251 R261-262 R321-322 R455	52-1316	RES 2K 1% 1/16W SM 0603 TA		PT2553 R2KB1-0603	0603	
12	R43 R46 R49 R52 R55 R58 R61 R64 R67 R70 R73 R76	52-1322	RES 3.16K 1% 1/16W SM 0603 TA		PT2560 R3.16KB1-0603	0603	
6	R45 R51 R57 R63 R69 R75	52-1323	RES 3.24K 1% 1/16W SM 0603 TA		PT2561 R3.24KB1-0603	0603	
15	R119 R148-149 R154-155 R160-161 R201-202 R207-208 R213-214 R224 R323	52-1324	RES 3.32K 1% 1/16W SM 0603 TA		PT2562 R3.32KB1-0603	0603	
50	R26 R32 R194 R363-368 R385-386 R388-393 R398-399 R401 R408-412 R414-421 R429-436 R442-449 R459	52-1307	RES 332 1% 1/16W SM 0603 TA		PT2543 R332-B1-0603	0603	
5	R165-166 R252-253 R336	50-1325	RES 33K 5% 1/16W SM 0603 TA		PT2589 R33KB5-0603	0603	
1	R314	52-1301	RES 39.2 1% 1/16W SM 0603 TA		PT2515 R39.2-B1-0603	0603	
13	R41 R128-133 R169-174	52-1355	RES 39.2K 1% 1/16W SM 0603 TA		PT2608 R39.2KB1-0603	0603	
1	R273	52-0000	RES 392K 1% 1/10W SM 0603 TA		PT2892 R392KB1-0603	0603	
4	R15-16 R21-22	52-1325	RES 4.02K 1% 1/16W SM 0603 TA		PT2563 R4.02KB1-0603	0603	
1	R78	52-1326	RES 4.32K 1% 1/16W SM 0603 TA		PT2564 R4.32KB1-0603	0603	
12	R42 R47-48 R53-54 R59-60 R65-66 R71-72 R77	52-1327	RES 4.53K 1% 1/16W SM 0603 TA		PT2565 R4.53KB1-0603	0603	
4	R1 R192 R197 R460	52-1328	RES 4.64K 1% 1/16W SM 0603 TA		PT2568 R4.64KB1-0603	0603	
12	R134-139 R199 R204-205 R210-211 R216	52-1329	RES 4.99K 1% 1/16W SM 0603 TA		PT2566 R4.99KB1-0603	0603	
18	R196 R198 R218 R220 R223 R232 R243 R302-303 R328 R375-376 R378-383	52-1308	RES 499 1% 1/16W SM 0603 TA		PT2545 R499-B1-0603	0603	
6	R86 R92 R98 R104 R110 R116	52-1331	RES 5.76K 1% 1/16W SM 0603 TA		PT2576 R5.76KB1-0603	0603	
15	R8 R11-13 R18-19	52-1332	RES 6.04K 1% 1/16W SM 0603 TA		PT2577 R6.04KB1-0603	0603	

12	R28 R31 R85 R91 R97 R103 R109 R115 R324 R83 R88-89 R94-95 R100-101 R106-107 R112-113 R118	52-1303	RES 60.4 1% 1/16W SM 0603 TA	PT2511	R60.4-B1-0603	0603
2	R145 R231	52-1309	RES 619 1% 1/16W SM 0603 TA	PT2546	R619-B1-0603	0603
1	R256	52-0196	RES 619K 1% 1/10W SM 0603 TA	PT2894	R619KB1-0603	0603
1	R337	52-1358	RES 63.4K 1% 1/16W SM 0603 TA	PT2611	R63.4KB1-0603	0603
11	R340 R349-352 R422-423 R425-428	52-1335	RES 7.5K 1% 1/16W SM 0603 TA	PT2581	R7.5KB1-0603	0603
2	R121 R228	52-1336	RES 8.06K 1% 1/16W SM 0603 TA	PT2582	R8.06KB1-0603	0603
1	R274	52-1337	RES 9.09K 1% 1/16W SM 0603 TA	PT2583	R9.09KB1-0603	0603
1	P25	38-0001	RBN CBL 20 COND. 0.1", 4.25"	PT2772	RC20-380001	RC380001
1	SC1	34-0125	SWITCH CAP, BLACK, ROUND	PT1354	SC340125	SC340125-FPE
6	SC16-21	24-2017-A	SWITCHCAP dbx LIGHTED MUTE BUTTON	PT2025	SC242017A	
12	SC2-13	34-0199-A	SWITCH CAP dbx LIGHTED	PT2024	SC340199A	PCBNULL
1	S32	70-3168	SKT 44 PIN PLCC SM TA	PT2419	SKT44-703168	PLCC-44SKT
1	SW1	44-0050	SWITCH DPDT MINI IN-OUT 6 PIN E-SWITCH	PT1256	SW440050	SW440050
1	SW6	44-0119	ENCODER 20mm D SHAFT 30 POS W/SWITCH VERT MOUNT	PT1890	SW440119	SW440119
18	SW2-5 SW7-20	44-0185	SWITCH, SPST, LITE TOUCH, MINI, W/ PROJECTED PLUNGER SMT	PT1962	SW440185	SW4PTACT-3
18	TP1-18	NON-PART	NON-PART, TEST POINT, ENGINEERING PROBE POINT	PT1653	TESTPOINT	TESTPOINTSM
1	U33	72-1488	IC 128K x 24 STATIC RAM 9ns 3.3V QFP100-14X20	PT2469	U128K24S9-3.3-Q	QFP100-14X20
1	U39	72-0046	IC 25AA640 64K SERIAL EEPROM TA	PT2774	U25AA260	S08
1	U26	72-6318	IC 32K x 8 SRAM 15ns SOJ28	PT2294	U32K8S15-J	SOJ28-300
1	U22	OMIT	OMIT IC 32K x 8 SRAM 15ns SOJ28 (72-6318)	PT2874	U32K8S15-JO	SOJ28-300
1	U41	72-5426	IC, 74AC04, HEX INVERTER, SO14, T&R	PT1325	U74AC04-S	SO14
1	U23	72-0085	IC 74HC4051 ANALOG MUX/DEMUX SO16	PT1927	U74HC4051-S	SO16
1	U30	72-0063	IC 74LVTH573 3.3V ABT 8-LATCH 3-STATE SSO20 TR	PT2856	U74LVTH573-P	SSOP20
1	U15	72-1485	IC AK4356 192kHz 24 BIT 6 CHANNEL DAC	PT2717	UAK4356-Q	QFP44-10X10
1	U17	72-1464	IC, AK5392, DUAL 24BIT ADC, SO28W	PT1555	UAK5392-S	SO28W
2	U24-25	72-6305	IC DSP56367 DSP 150MHZ QFP144-20X20	PT2452	UDSP56367-Q	QFP144-20X20
1	U21	70-0070	V-REG L7815CD2T +15V 1A TA	PT2817	UL7815CD2T-S	TO263(D2PAK)
1	U20	70-0069	V-REG L7915CD2T -15V 1A TA	PT2819	UL7915CD2T-S	TO263(D2PAK)
2	U34-35	70-0063	V-REG LM2575S-ADJ SWITCHING REG 1A TO-263(5)	PT2739	ULM2575S-ADJ	TO-263(5)
1	U36	70-0072	V-REG LM317DT 1.2V TO 37V ADJ 0.5A TA	PT2866	ULM317DT-S	TO252(DPACK)
3	U37-38 U42	72-5434	IC NC7SZ125 TINYLOGIC BUFFER SOT23-5 TA	PT1881	UNC7SZ125-S	SOT23-5
1	U44	72-0068	IC NCP302H VOLTAGE DETECTOR SM SOT23-5	PT2869	UNCP302H	SOT23-5
18	U2-14 U16 U18-19 U40 U43	72-1480	IC NJM4580 DUAL OP-AMP S08	PT1374	UNJM4580-S	S08
1	U29	72-0054-00V1	IC CPLD LC4128C-10T128 128 MC 92I/O SM dbx Driverack 260 V1	PT2859	UP720054	TQFP128
1	U32	72-0061-00V1	IC TS87C52X2 8 BIT OTP MICRO 5V 30MHz dbx Driverack 260 V1	PT2868	UP720061	PLCC-44
1	U28	72-0062-00V1	IC AM29LV800BT 70ns 8 MEG FLASH dbx DRIVERACK 260 V1	PT2827	UP720062	TSOP48
1	U27	72-0055	IC PCM1801 16-BIT ADC 93DB SM	MTB	UPCM1801-S	SO14
1	U31	72-0059	IC PI5C16211 24 BIT BUS SWITCH 5V-3V TSSOP	PT2860	UPI5C16211-TS	TSSOP56
1	U1	72-0056	IC SP202ECN RS-232 DUAL DRIVER/RECEIVER SM	MTB	USP202ECN-S	SO16
1	Y1	76-0000	XTAL 22.1184MHZ HC49 18PF SM TR	PT2829	Y22.1184M760000	XTAL2-V
1	X1	76-0006	XTAL 24.576MHZ SMT CX16F/CS49G PKG	PT2713	Y24.576M760006	YCX16F/CX49G



LBL1
30-0121
PCB1
80-1796

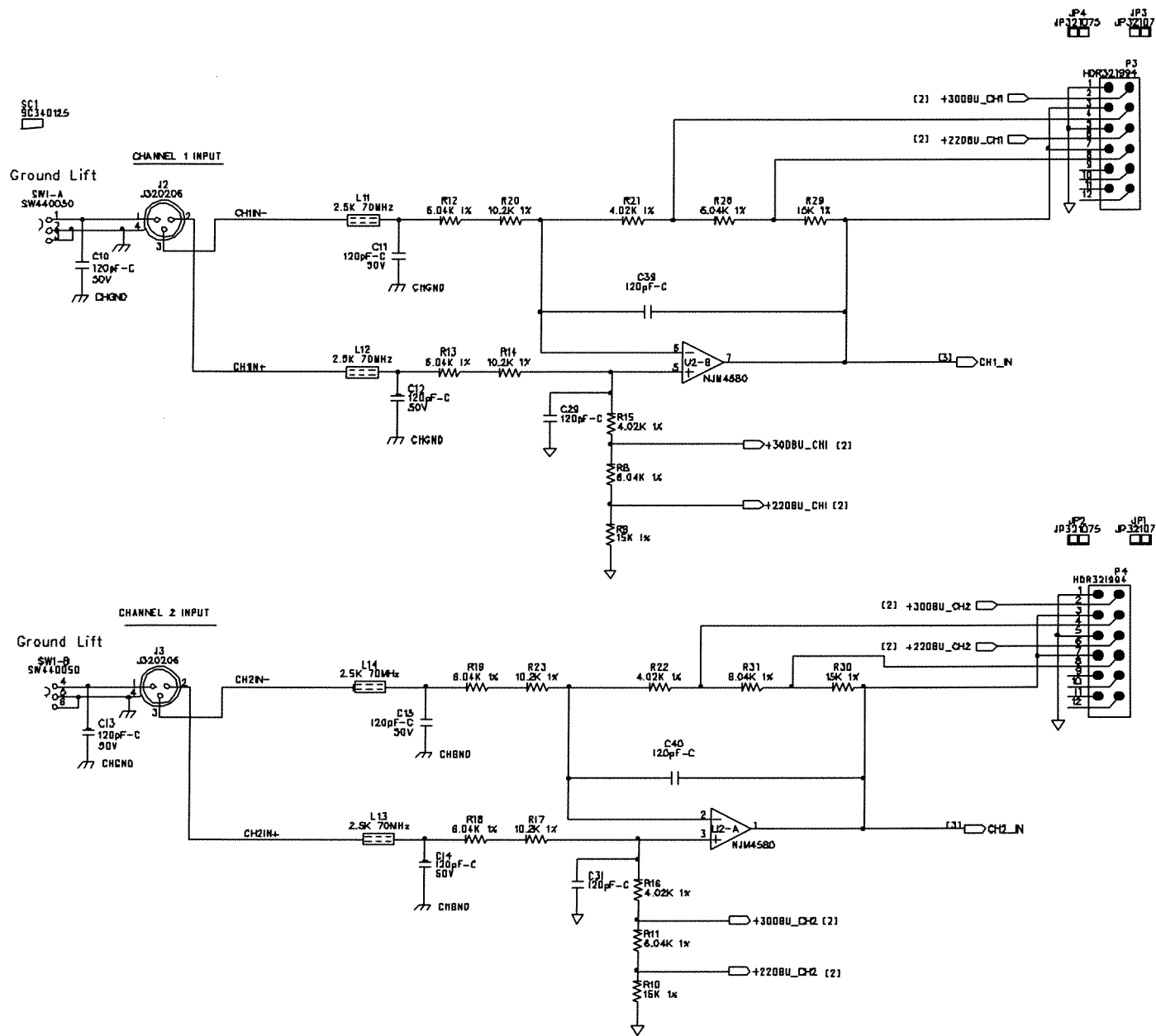
REV	DESCRIPTION	ECN #	INIT	DATE
C3	CHANGED VALUES ON R40, R25, R78 AND OMITED R79	2369	BDP	12-23-02
C2	CHANGED COMPONENTS L1 AND L6 FROM 26-0217 TO 50-1531	2366	BDP	12-23-02
C1	CHANGED VALUES OF R456, R304, R301, R300, R299, R144, R256 CHANGED VALUES OF R242, R273, F1	2360	DWB	12-19-02
C0	CHANGED FOOTPRINT TO U29	2351	MRC	11-18-02
B0	RELEASE TO PRODUCTION	XXXX	DWB	11-18-02
A0	RELEASE TO PRODUCTION	2331	DWB	11-18-02

REVISION HISTORY

dbx PROFESSIONAL PRODUCTS
8760 South Sandy Parkway Sandy Utah 84070

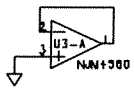
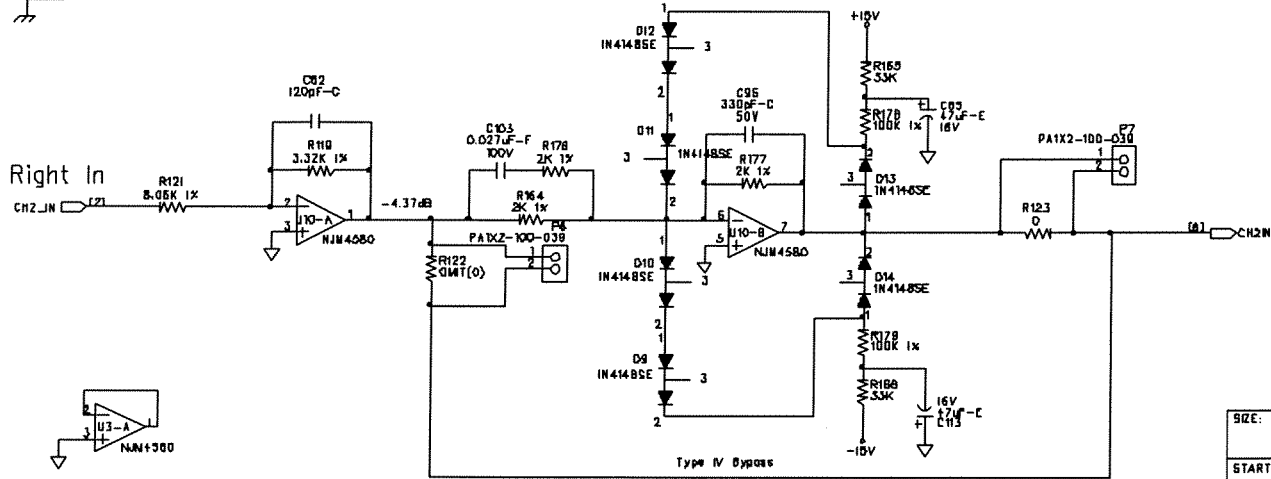
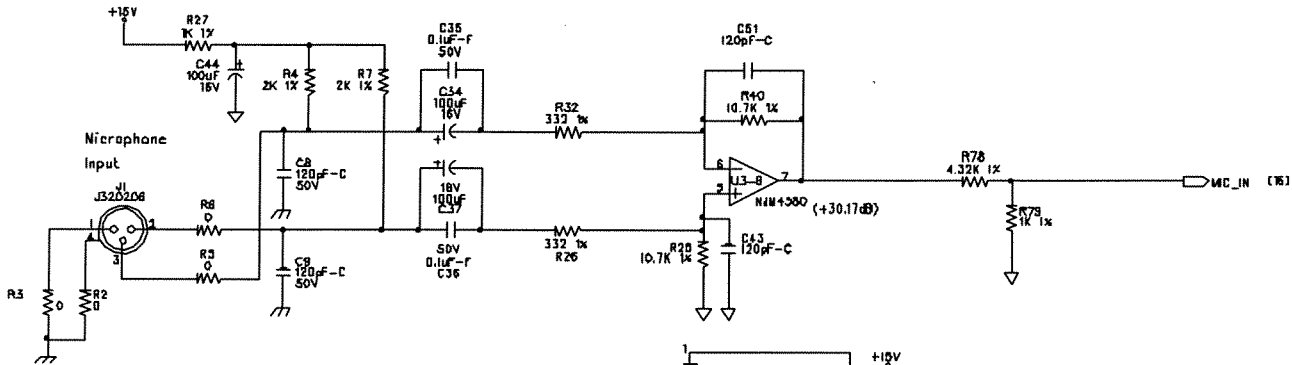
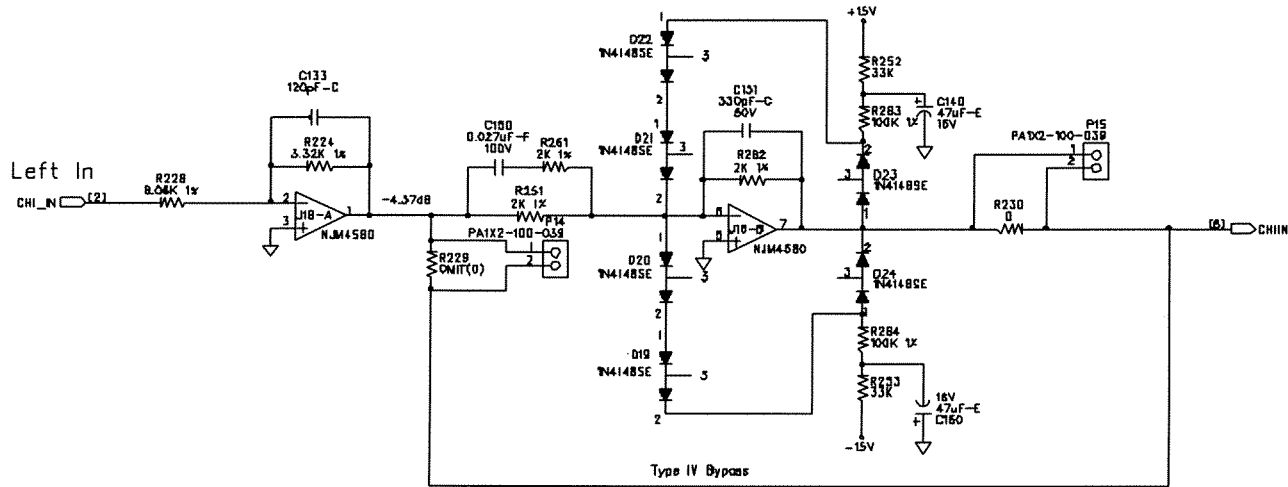
TITLE: **dbx DriveRack 260
MAIN PCB**

DESIGNER:	DAVID W. BYBEE	ENGINEER:	ROBERT BOATRIGHT
SIZE:	A	DRAWING NO:	05-1796
REVISION:	C3	DATE:	12-23-02
FILENAME:	051796C3.SCH	SHEET:	1 OF 20

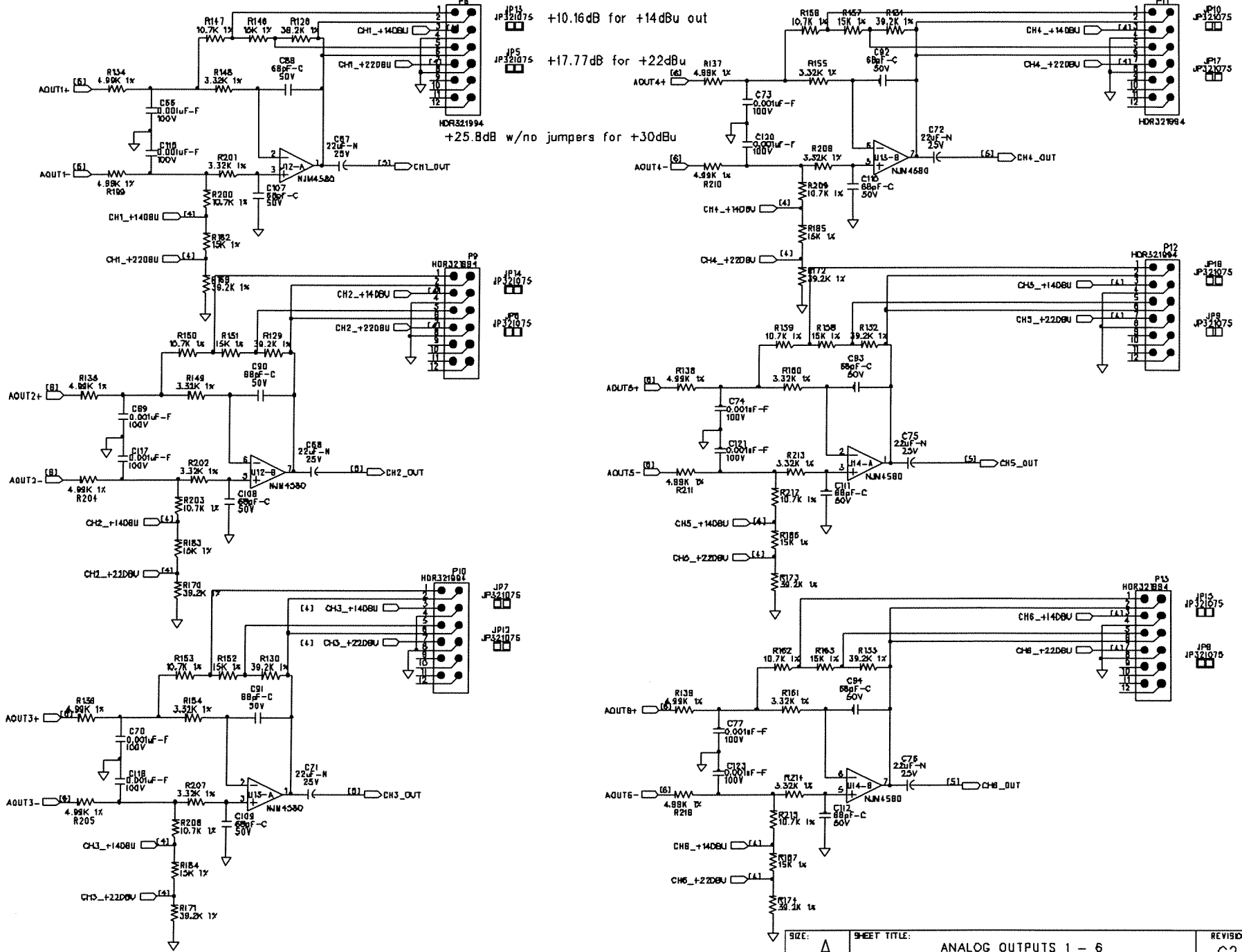


Max cut is -16.33dB for +30dBu in
 -8.26dB cut for +22dBu in
 No jumpers = -.33dB for +14dBu in

SIZE: A	SHEET TITLE: CHANNEL 1 & 2 INPUTS	REVISION: C2
START DATE: 12-23-02	DRAWING NO: 05-1796	SHEET: 2 OF 20



SIZE: A	SHEET TITLE: ANALOG CHANNEL 1 & 2 INPUTS	REVISION: C2
START DATE: 12-23-02	DRAWING NO: 05-1796	SHEET: 3 OF 20



JP15 JP321075 +10.16dB for +14dBu out
 JP16 JP321075 +17.77dB for +22dBu
 +25.8dB w/no jumpers for +30dBu

JP14 JP321075
 JP13 JP321075

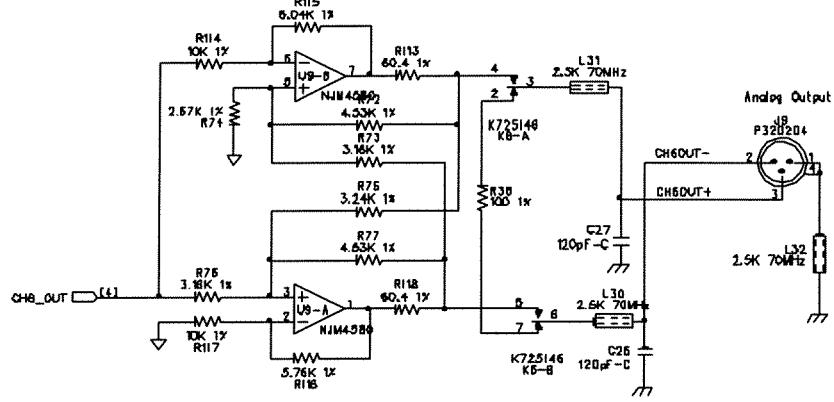
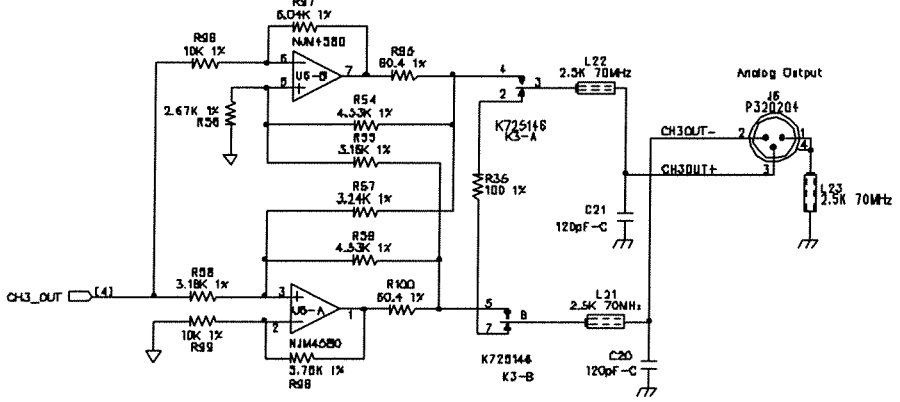
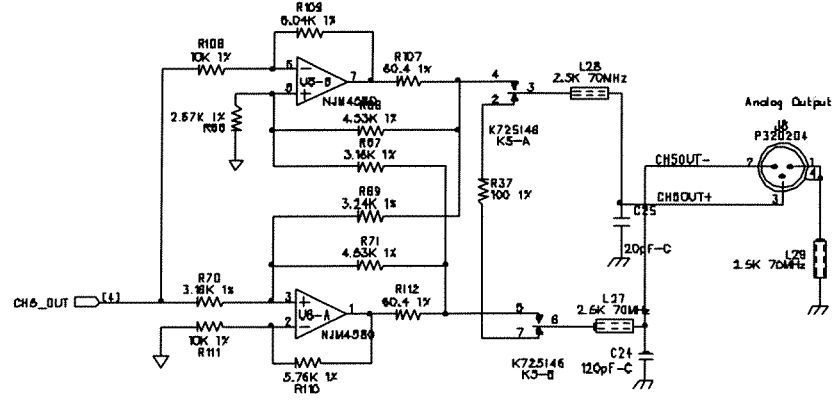
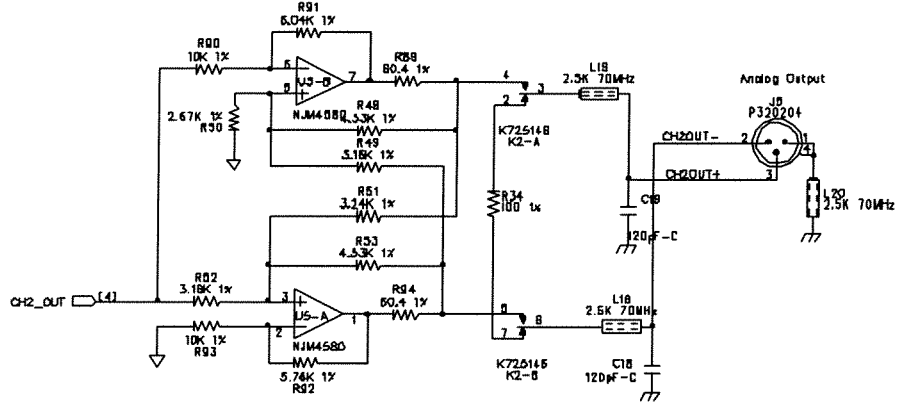
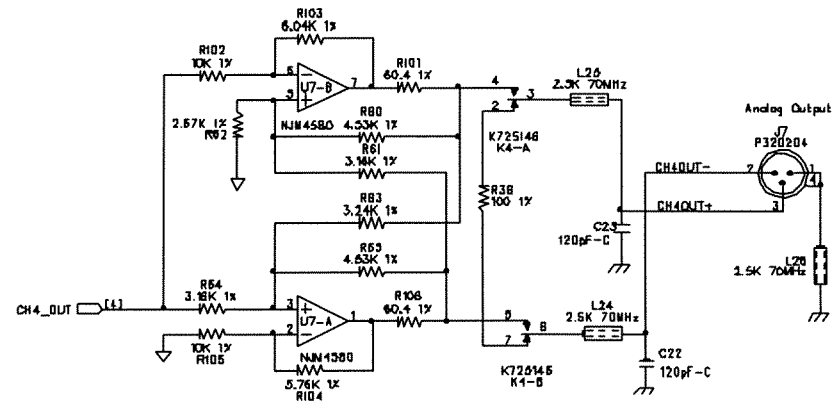
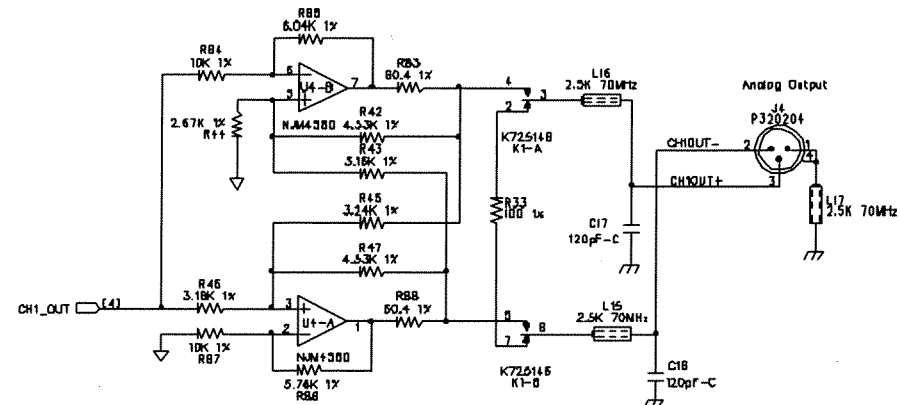
JP7 JP321075
 JP12 JP321075

P10 HDR321094 JP321075
 P17 HDR321094 JP321075

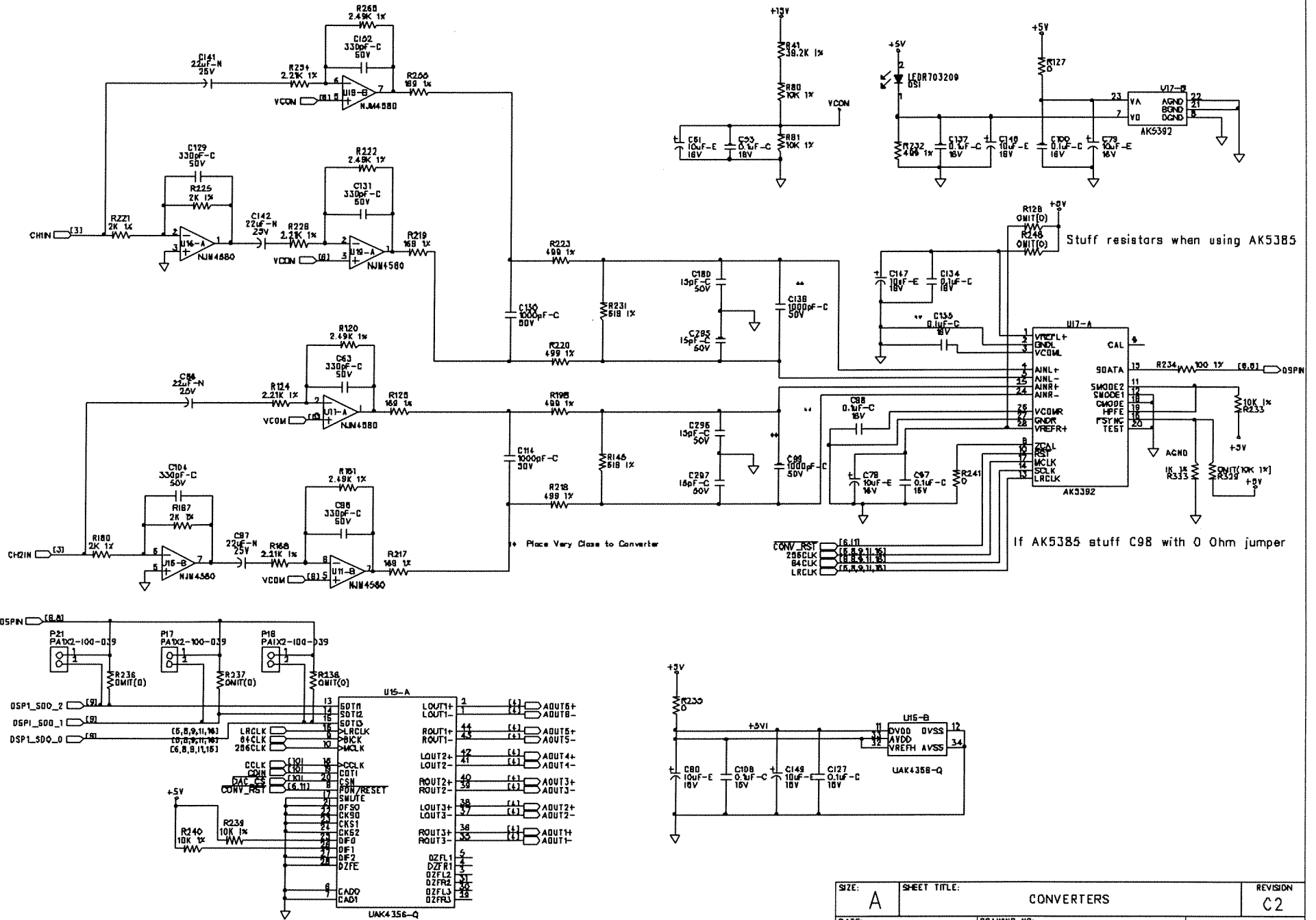
P12 HDR321094 JP18 JP321075
 JP9 JP321075

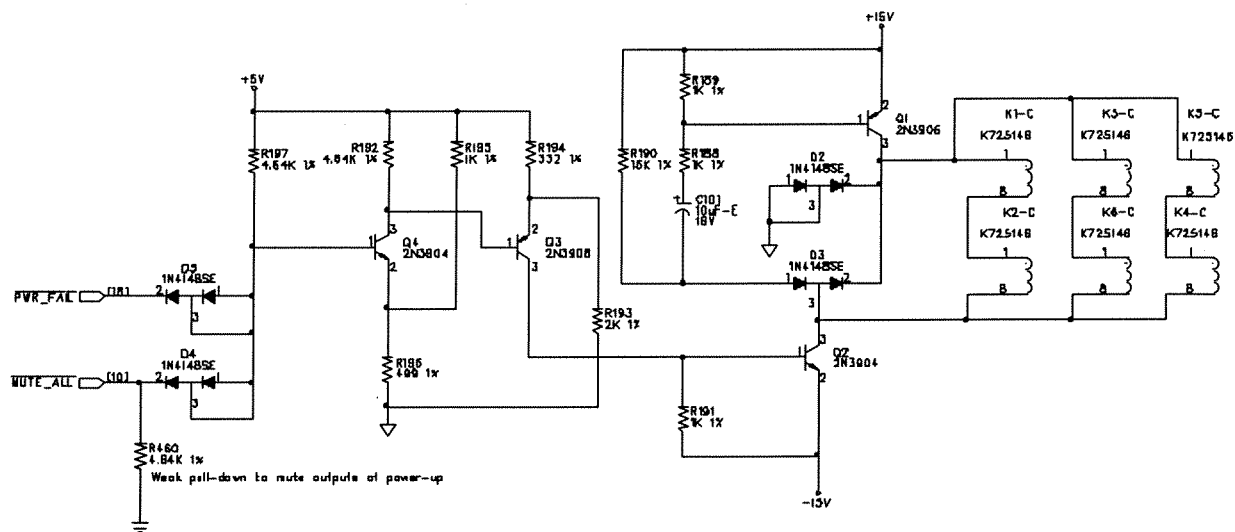
P15 HDR321094 JP19 JP321075
 JP8 JP321075

SIZE: A	SHEET TITLE: ANALOG OUTPUTS 1 - 6	REVISION: C2
START DATE: 12-23-02	DRAWING NO: 05-1796	SHEET: 4 OF 15

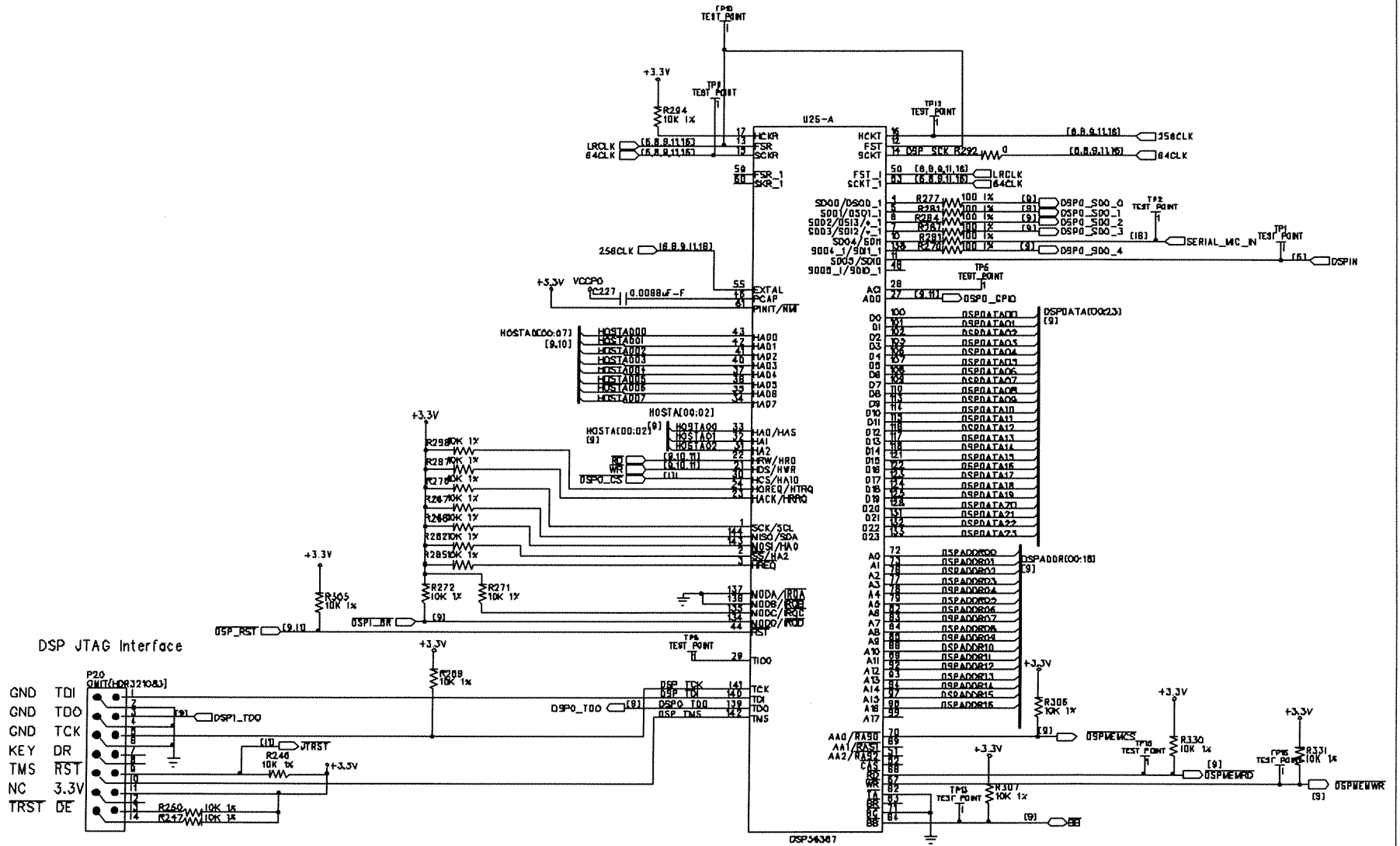


SIZE: A	SHEET TITLE: OUTPUT JACKS	REVISION: C2
DATE: 12-23-02	DRAWING NO: 05-1796	SHEET: 5 OF 20

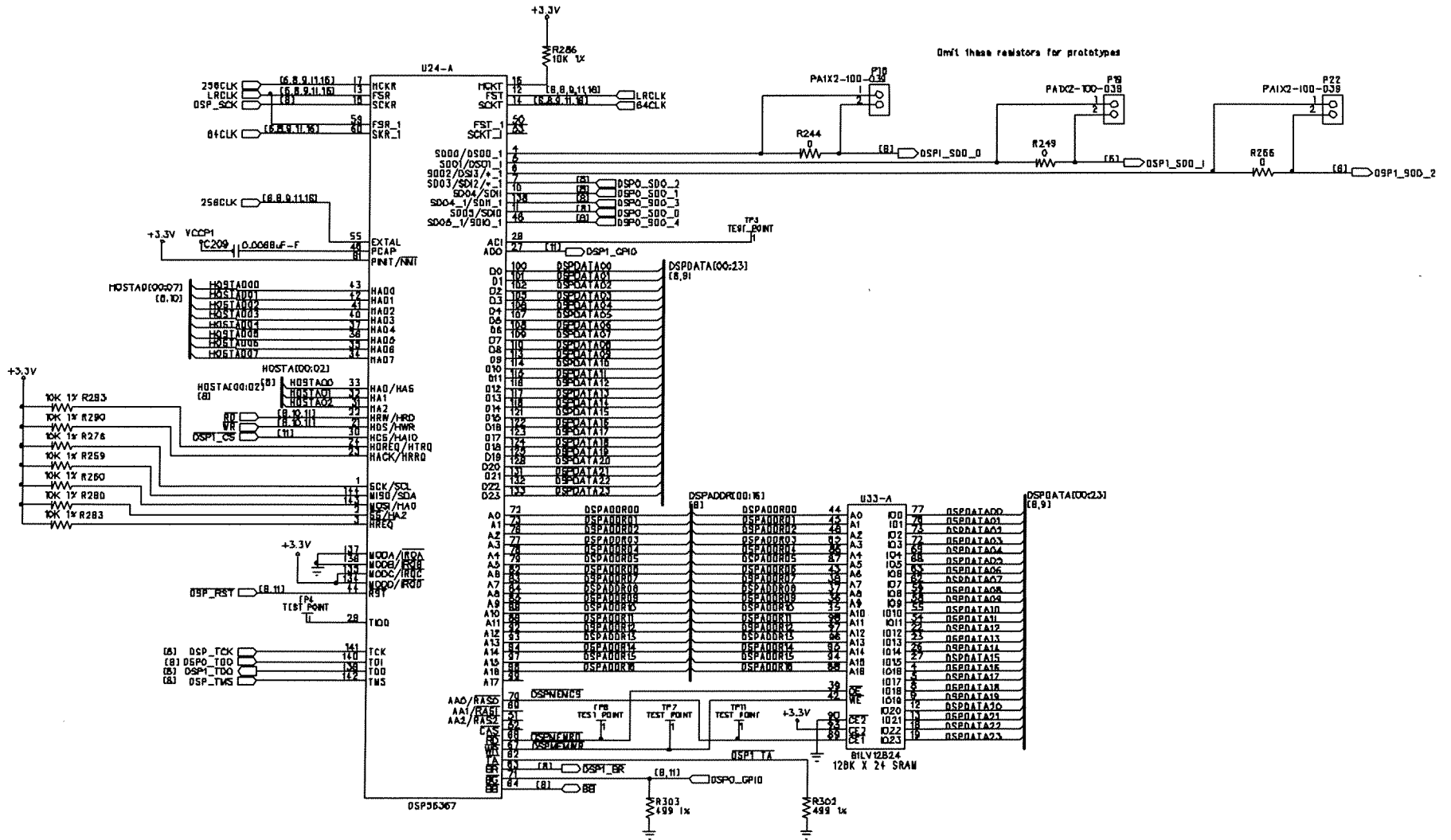




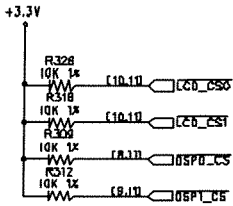
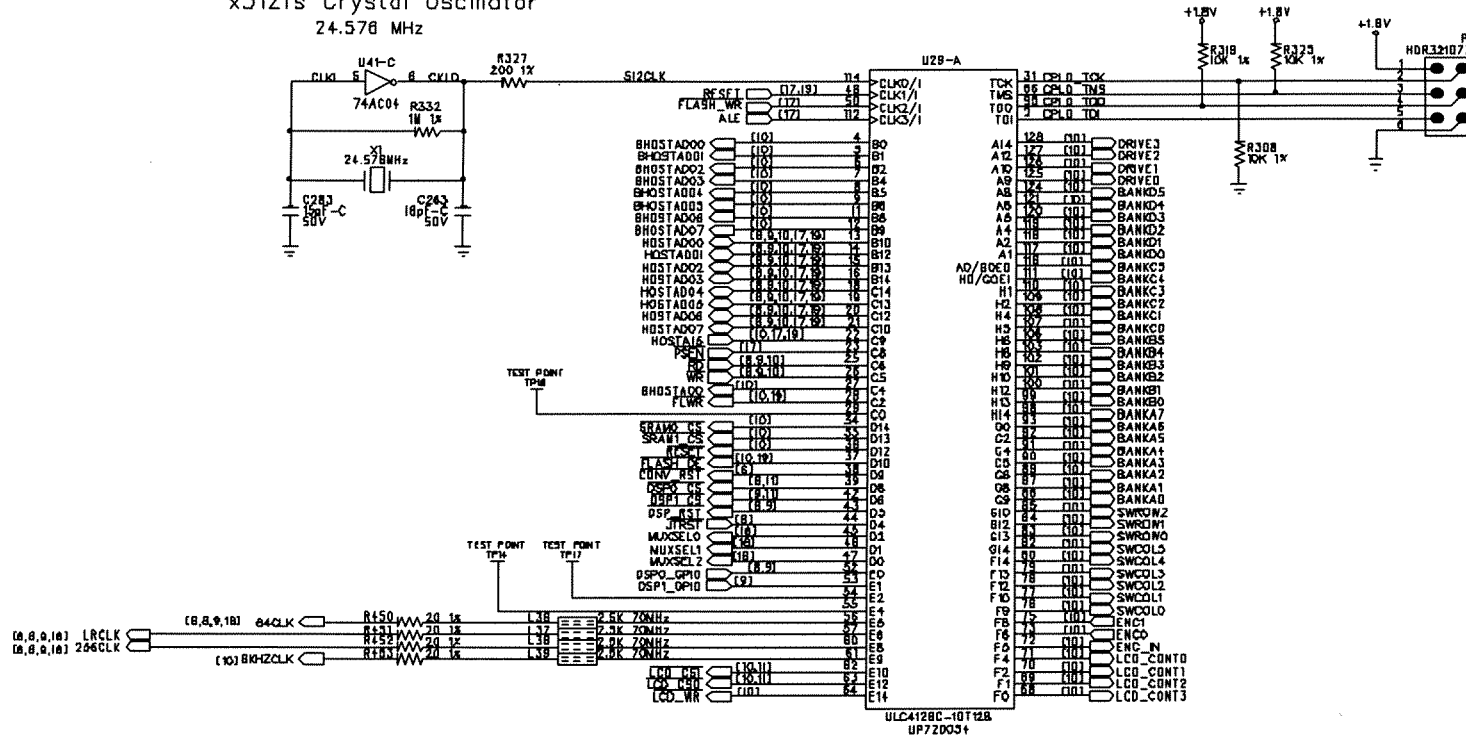
SIZE: A	SHEET TITLE: Mute Control	REVISION: C2
DATE: 12-23-02	DRAWING NO: 05-1796	SHEET: 7 OF 20



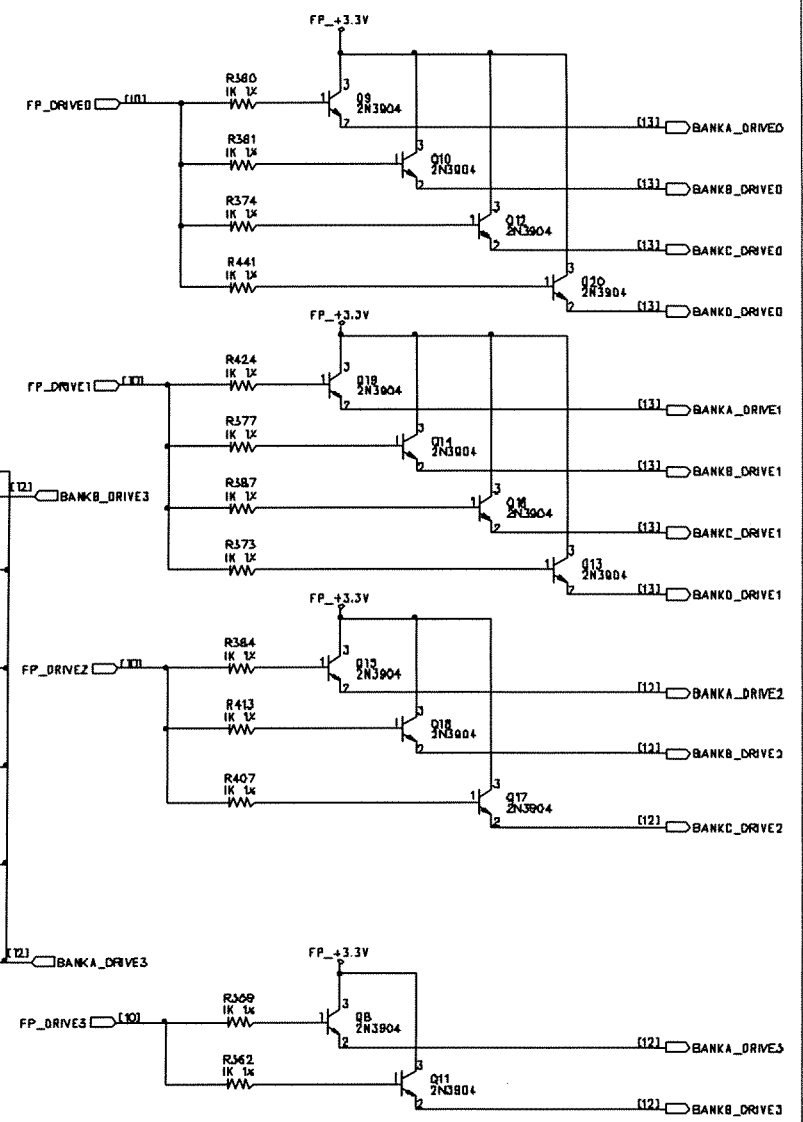
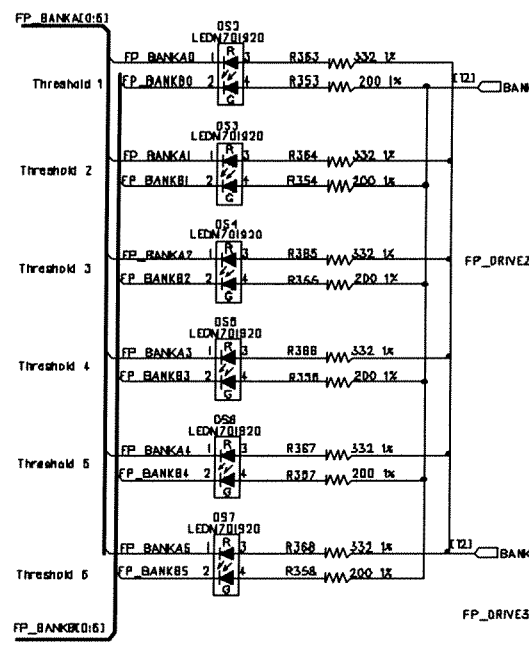
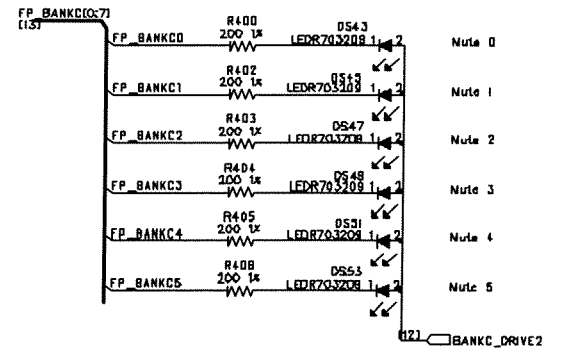
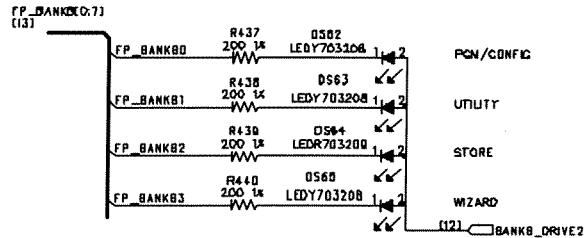
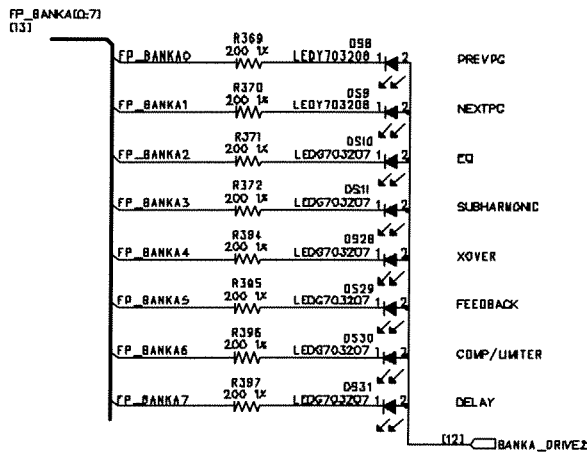
SIZE: A	SHEET TITLE: DSPO	REVISION: C2
DATE: 12-23-02	DRAWING NO: 05-1796	SHEET: 8 OF 20



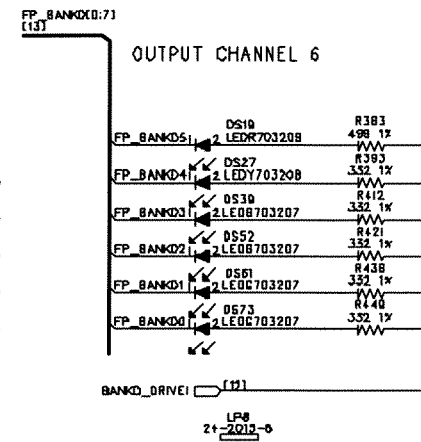
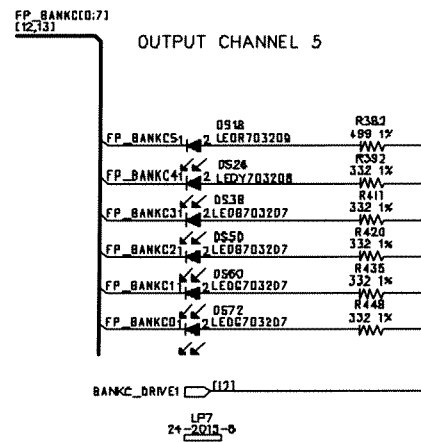
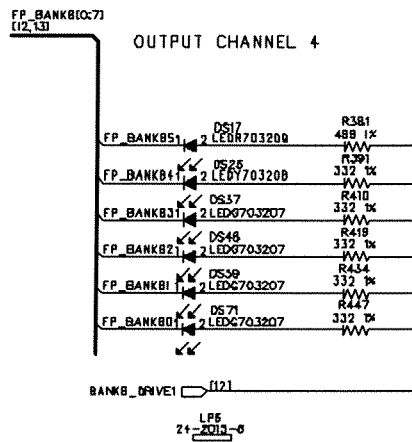
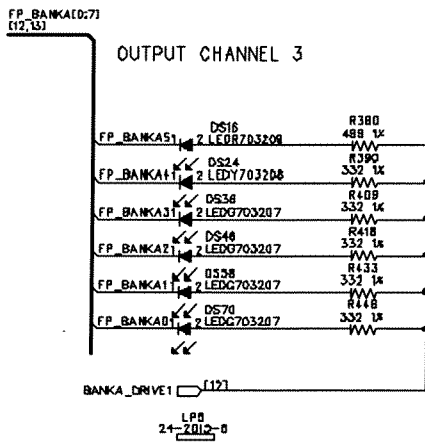
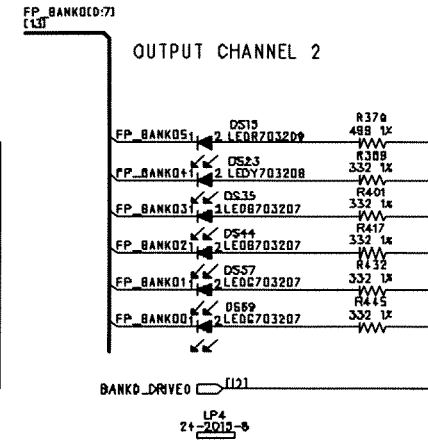
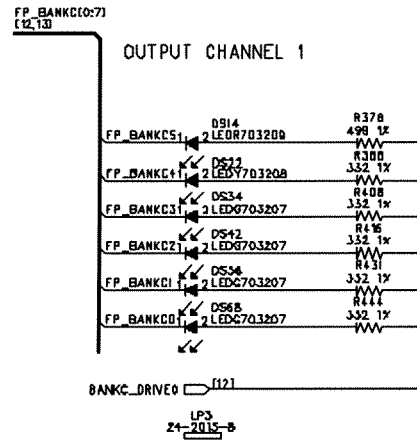
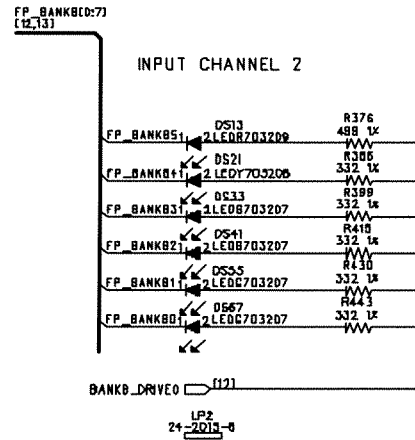
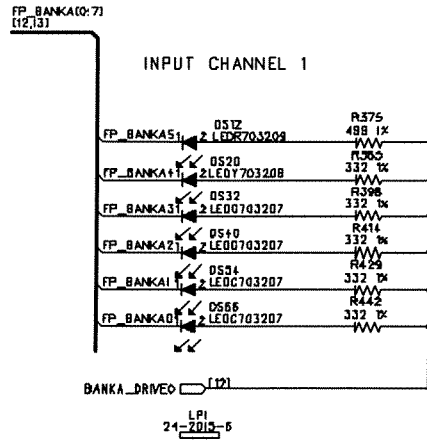
x512fs Crystal Oscillator
24.576 MHz

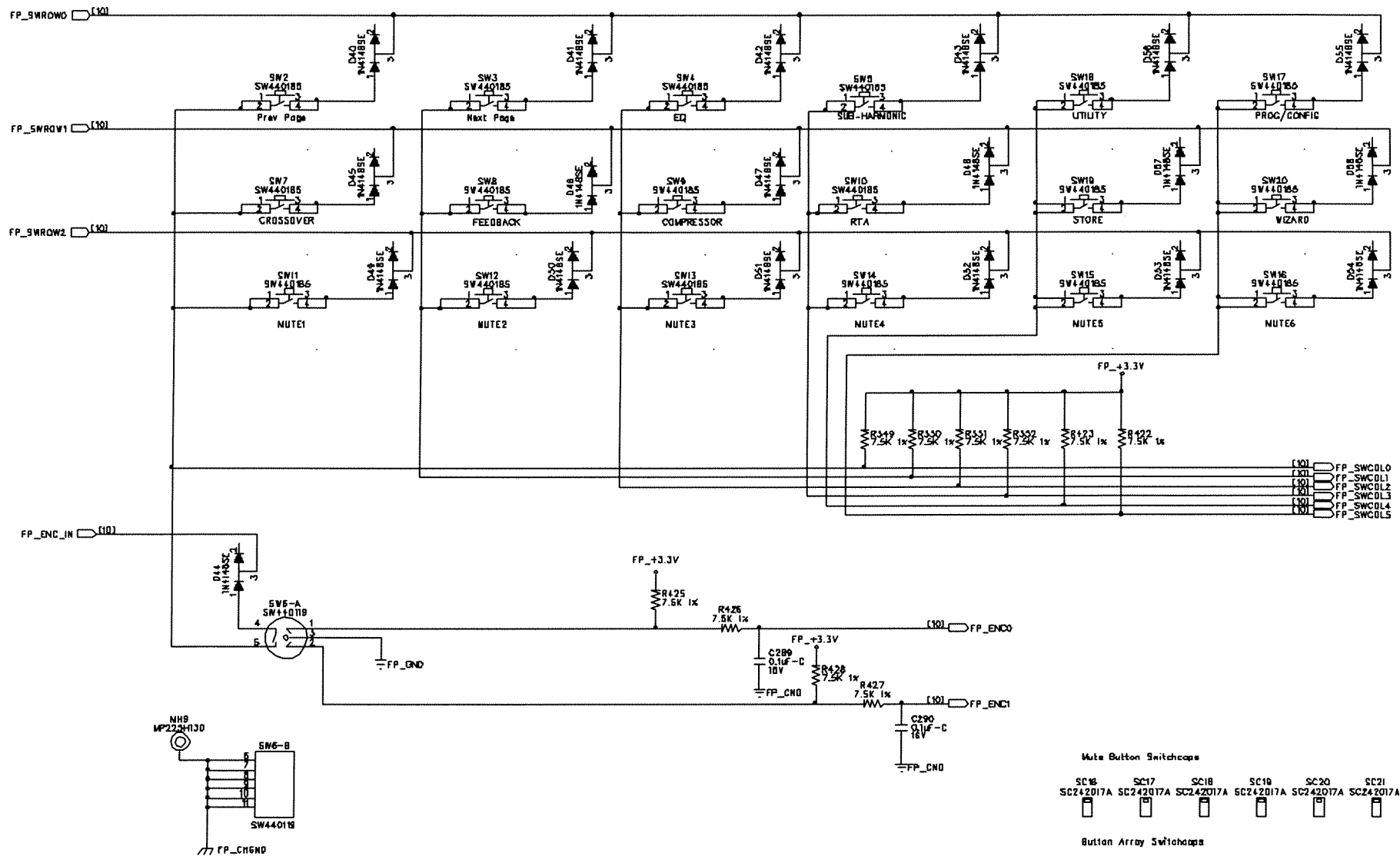


SIZE: A	SHEET TITLE: CPLD	REVISION: C2
DATE: 12-23-02	DRAWING NO: 05-1796	SHEET: 11 OF 20



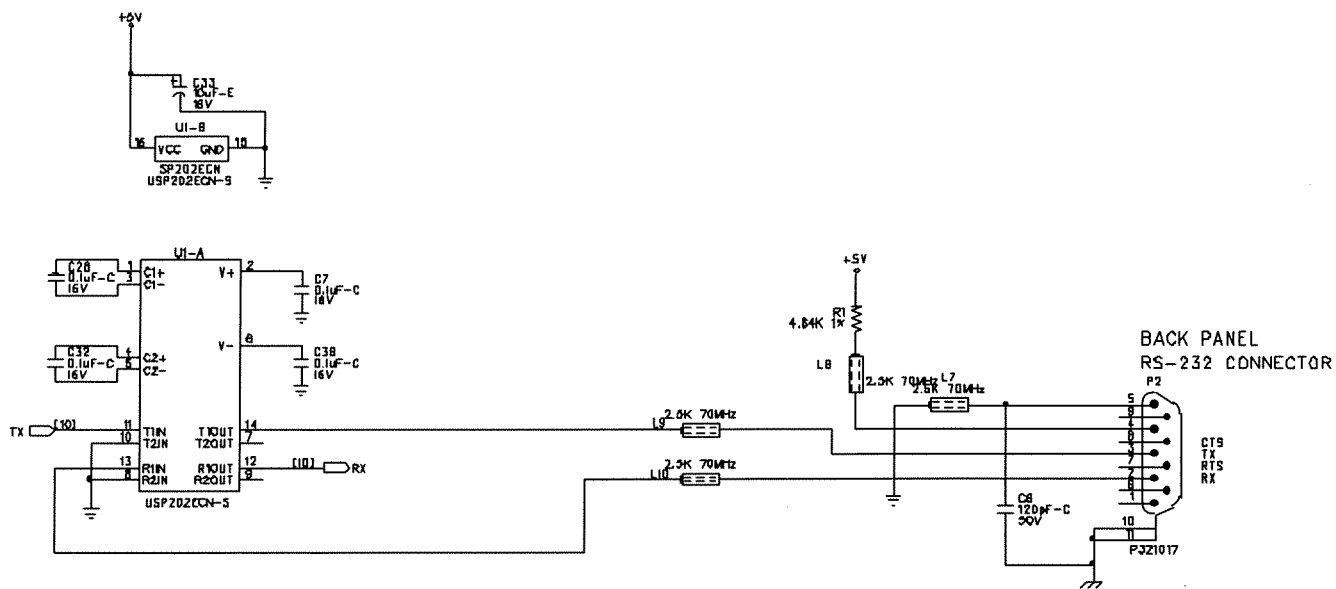
SIZE: A	SHEET TITLE: FRONT PANEL - BUTTON LEDES	REVISION: C2
DATE: 12-23-02	DRAWING NO: 05-1796	SHEET: 12 OF 20



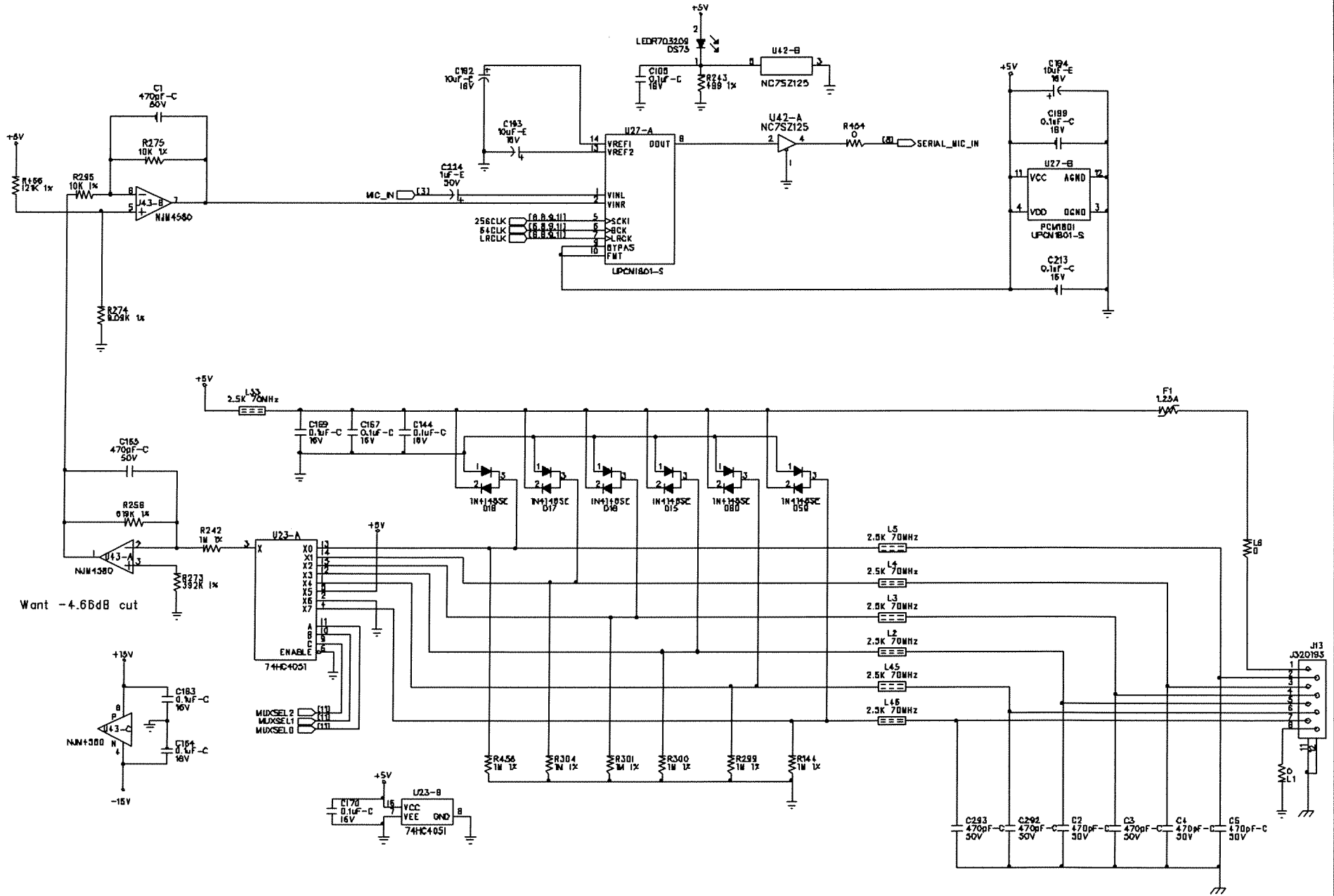


- Mute Button Switchcaps
- | | | | | | |
|-----------|-----------|-----------|-----------|-----------|-----------|
| SC16 | SC17 | SC18 | SC19 | SC20 | SC21 |
| SC242017A | SC242017A | SC242017A | SC242017A | SC242017A | SC242017A |
- Button Array Switchcaps
- | | | | | | |
|-----------|-----------|-----------|-----------|-----------|-----------|
| SC13 | SC2 | SC3 | SC4 | SC5 | SC6 |
| SC340199A | SC340199A | SC340199A | SC340199A | SC340199A | SC340199A |
| SC7 | SC8 | SC9 | SC10 | SC11 | SC12 |
| SC340199A | SC340199A | SC340199A | SC340199A | SC340199A | SC340199A |

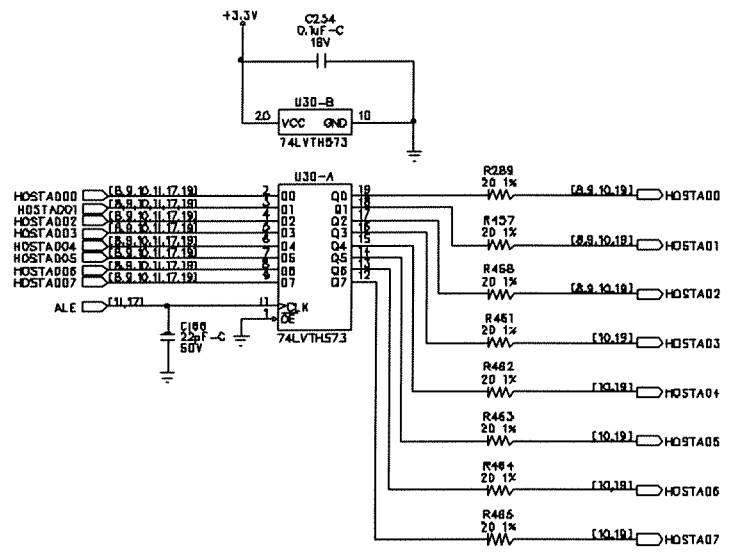
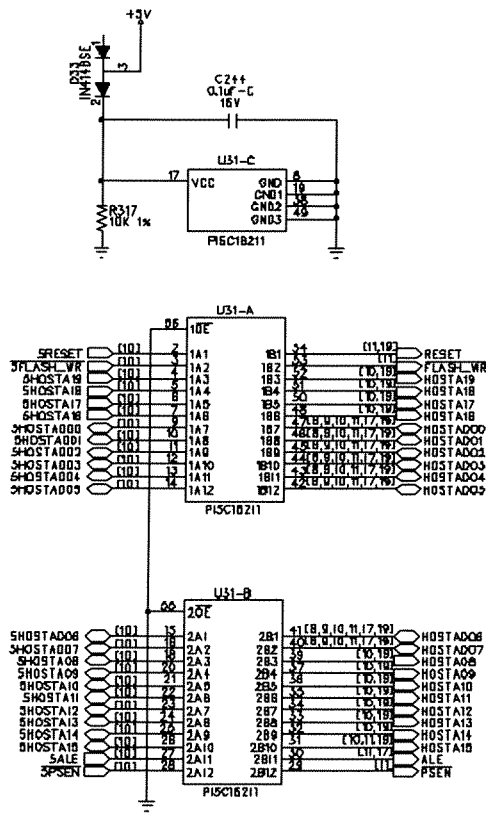
SIZE:	DR260 FRONT PANEL - SWITCHES	REV:	C2
DATE:	12-23-02	05-1796	SHEET: 14 OF 20

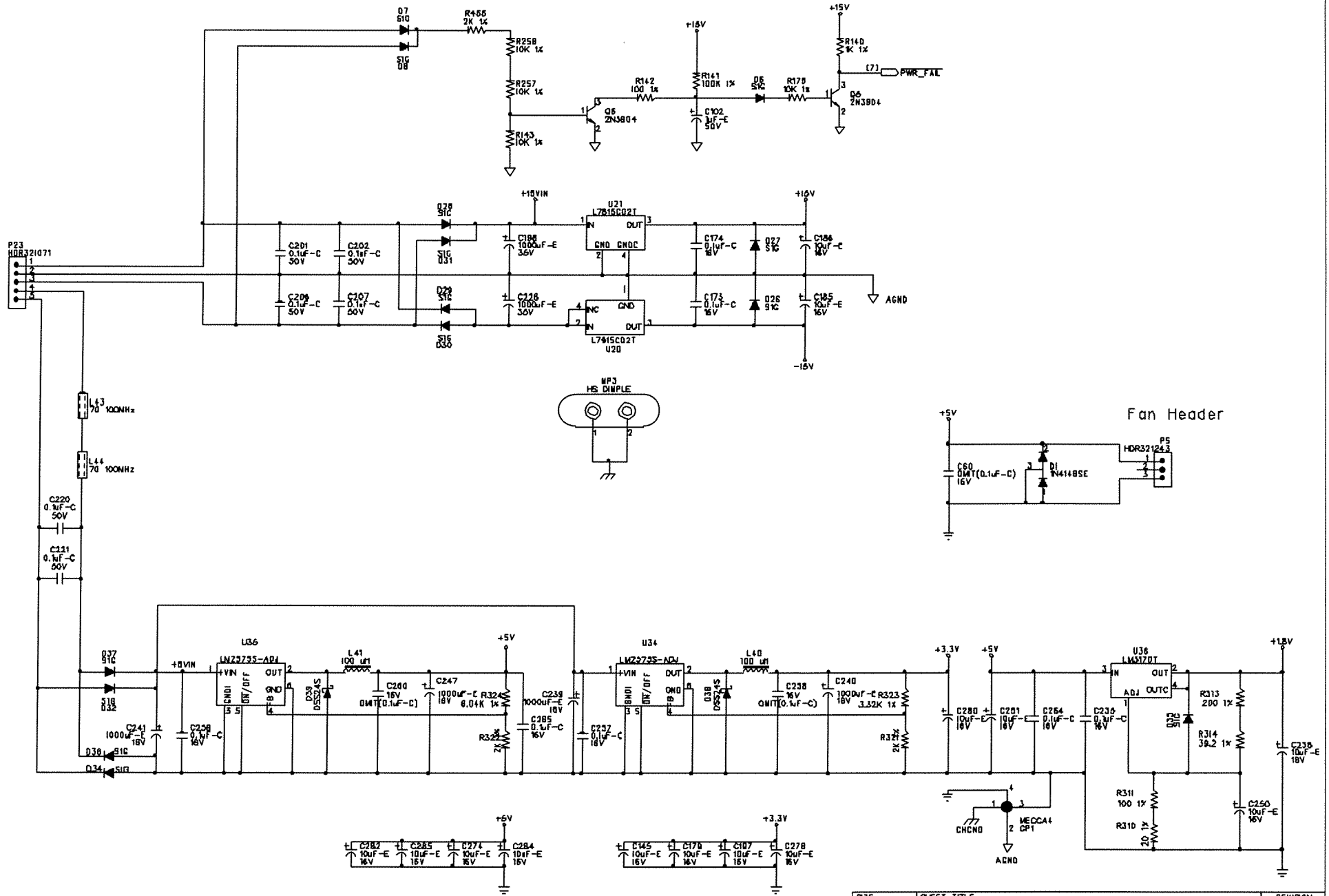


SIZE: A	SHEET TITLE: RS-232	REVISION: C2
DATE: 12-23-02	DRAWING NO: 05-1796	SHEET: 15 OF 20

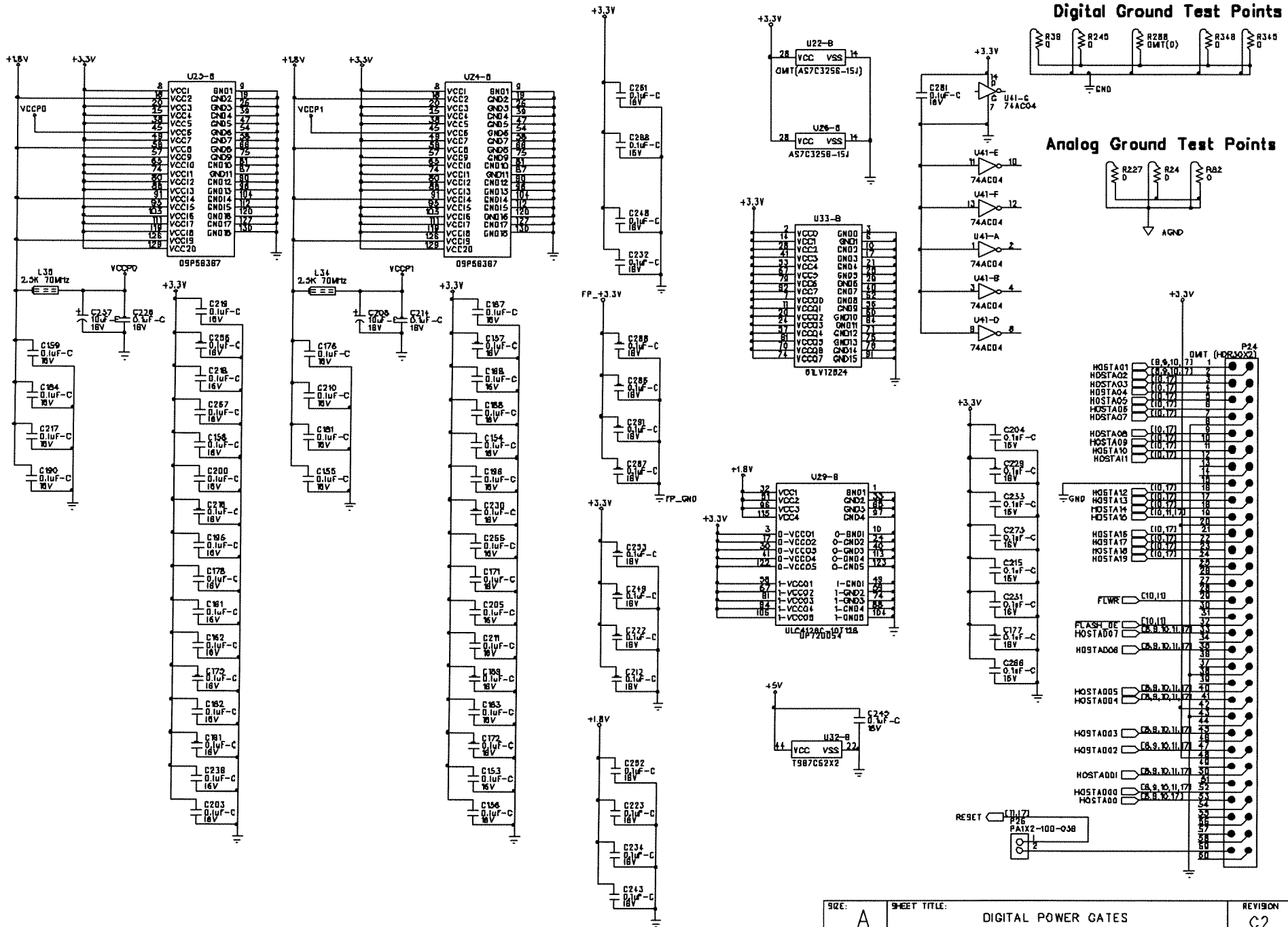


SIZE: A	SHEET TITLE: CONTACT CLOSURE	REVISION: C2
DATE: 12-23-02	DRAWING NO: 05-1796	SHEET: 16 OF 20

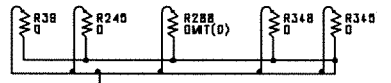




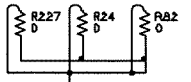
SIZE: A	SHEET TITLE: POWER SUPPLY	REVISION: C2
DATE: 12-23-02	DRAWING NO: 05-1796	SHEET: 18 OF 20



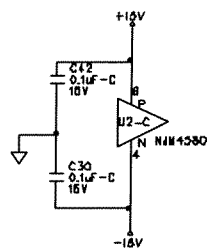
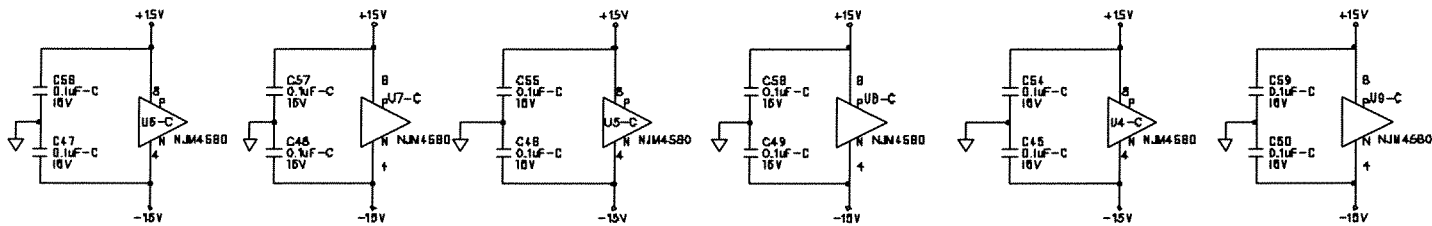
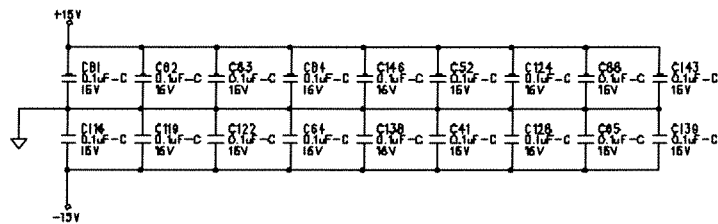
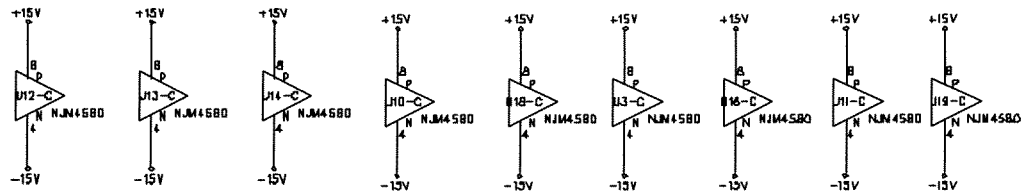
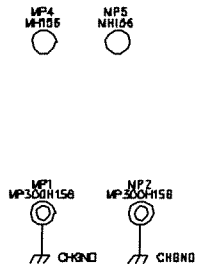
Digital Ground Test Points



Analog Ground Test Points



SIZE: A	SHEET TITLE: DIGITAL POWER GATES	REVISION: C2
DATE: 12-23-02	DRAWING NO: 05-1796	SHEET: 19 OF 20



SIZE: A	SHEET TITLE: ANALOG POWER GATES	REVISION: C2
START DATE: 12-23-02	DRAWING NO: 05-1796	SHEET: 20 OF 20

Bill Of Materials for 051796C3.sch on Mon Dec 23 17:00:32 2002

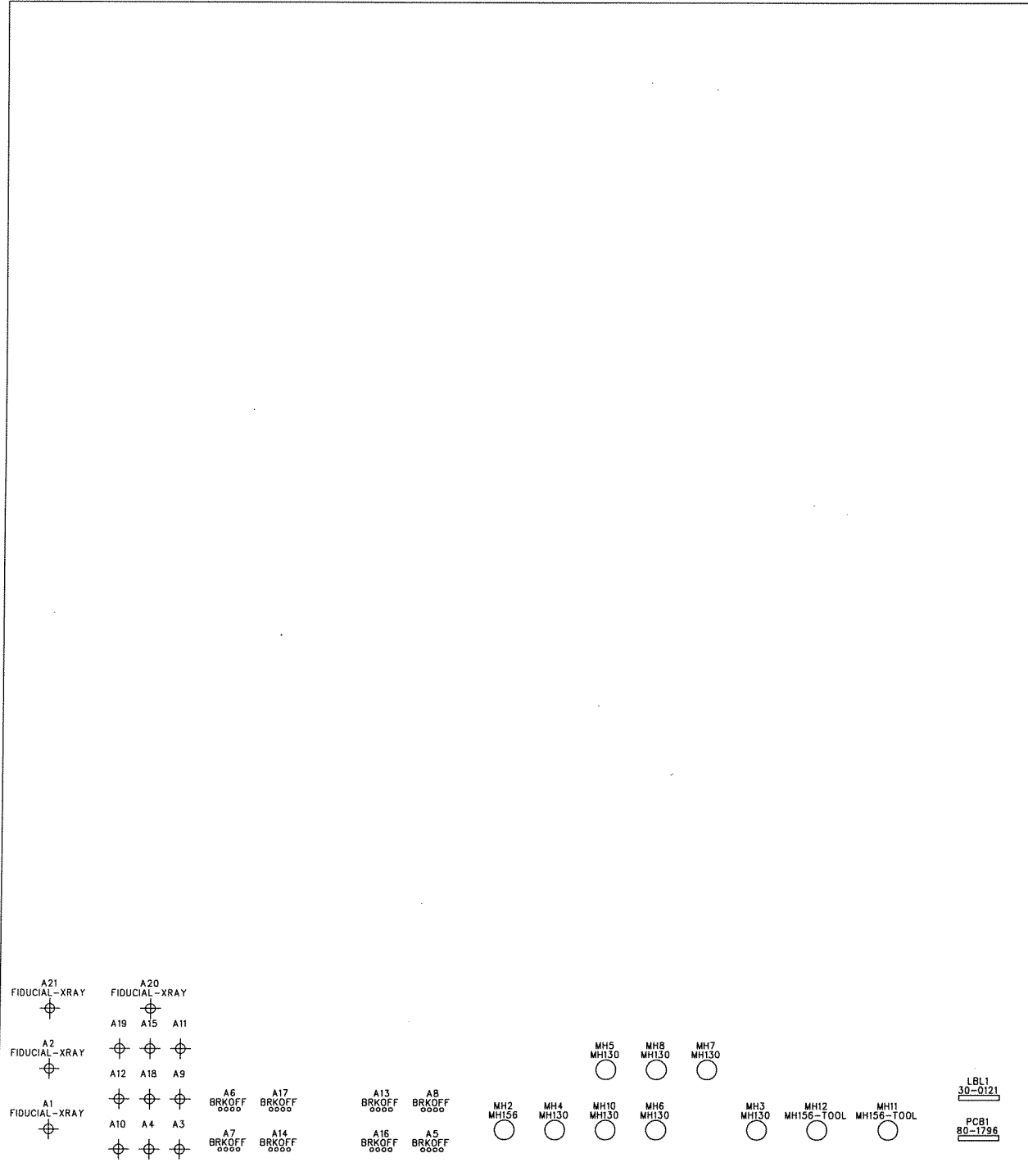
Qty	Reference	HMG#	Description	Audit	Schematic Part	PCB Decal
1	PCB1	80-1796	PCB 80-1796 dbx DRIVERACK 260/261	PT2044	80XXXXYY	BARCODE
8	A5-8 A13-14 A16-17	NON-PART	NON-PART, PCB ONLY, BREAKOFF PART	PT1481	BRKOFF	BRKOFF
12	C66 C69-70 C73-74 C77 C115 C117-118 C120-121 C123	56-0000	CAP 0.001uF FILM PTR 100V 5% AF TA	PT1629	C0.001UF100JR	RFCC200
2	C209 C227	56-0005	CAP 0.0068uF FILM PTR 100V 5% RF TA	PT1307	C0.0068UF100JR	RFDC200
2	C103 C150	56-0033	CAP 0.027uF FILM PTR 100V 5% RF TA	PT1282	C0.027UF100JR	RFEF200
142	C7 C28 C30 C32 C38 C41-42 C45-50 C52-59 C64-65 C81-84 C88 C97-98 C100 C105-106 C116 C119 C122 C124 C127-128 C134-135 C137-139 C143-144 C146 C153-159 C161-164 C167-178 C181-184 C187-191 C195-196 C199-200 C203-205 C210-219 C222-223 C226 C229-236 C242-245 C248-249 C252-257 C259 C261 C264-273 C276-277 C279 C281 C286-291 C294	62-1310	CAP 0.1uF CER 16V 20% Y5V 0603 TA	PT2696	C0.1UC16M0603	0603
3	C60 C258 C260	OMIT	OMIT CAP 0.1uF CER 16V 20% Y5V 0603 TA (62-1310)	PT2711	C0.1UC16M06030	0603
6	C201-202 C206-207 C220-221	62-1312	CAP 0.1uF CER 50V +80%/-20% Y5V 0603 TA	PT2687	C0.1UC50Z0603	0603
2	C35-36	56-0012	CAP 0.1uF FILM MTPT 50V 5% RF TA	PT1200	C0.1UF50JR	RFEC200
4	C99 C114 C130 C136	62-1308	CAP 1000pF CER 50V 20% Y5V 0603 TA	PT2651	C1000PC50M0603	0603
4	C239-241 C247	60-0064	CAP 1000uF EL 16V 20% GP 10x17R 5LL TA	PT1334	C1000UE16MR	REM200P
2	C198 C228	60-0063	CAP 1000uF EL 35V 20% GP 13x25R 5LL BK	PT1207	C1000UE35MR	REQ200P
3	C34 C37 C44	60-0201	CAP 100uF EL 16V 20% GP 6x8R 5LS TA	PT1378	C100UE16MR	REG200P
29	C33 C61 C78-80 C101 C145 C147-149 C179 C185-186 C192-194 C197 C208 C237-238 C250-251 C274-275 C278 C280 C282 C284-285	60-0049-01	CAP 10uF EL 16V 20% GP 5x7R 5LS TA	PT1080	C10UE16MR	RED200P
29	C6 C8-27 C29 C31 C39-40 C43 C51 C62 C133	62-1304	CAP 120pF CER 50V 5% NPO 0603 TA	PT2655	C120PC50J0603	0603
7	C180 C246 C262 C283 C295-297	62-1300	CAP 15pF CER 50V 5% NPO 0603 TA	PT2659	C15PC50J0603	0603
1	C263	62-0094	CAP 18pF CER 50V 5% 0603 TA	PT2870	C18PC50J0603	0603
2	C102 C224	60-0044-01	CAP 1uF EL 50V 20% GP 5x7R 5LS TA	PT1079	C1UE50MR	RED200P
1	C166	62-1301	CAP 22pF CER 50V 5% NPO 0603 TA	PT2658	C22PC50J0603	0603
10	C67-68 C71-72 C75-76 C86-87 C141-142	60-0402	CAP 22uF ELNP 25V 20% GP 6x11R 5LS TA	PT1084	C22UN25MR	REG200
8	C63 C95-96 C104 C129 C131 C151-152	62-1306	CAP 330pF CER 50V 10% X7R 0603 TA	PT2653	C330PC50K0603	0603
8	C1-5 C165 C292-293	62-1307	CAP 470pF CER 50V 10% X7R 0603 TA	PT2652	C470PC50K0603	0603
4	C85 C113 C140 C160	60-0054-01	CAP 47uF EL 16V 20% GP 5x11R 5LS TA	PT1108	C47UE16MR	REE200P
12	C89-94 C107-112	62-1303	CAP 68pF CER 50V 5% NPO 0603 TA	PT2656	C68PC50J0603	0603
43	D1-5 D9-24 D33 D40-60	70-0113	DIO MMBD4148SE DUAL 75V 600mA SOT-23 TA	PT1326	D1N4148SE-S	SOT-23
14	D6-8 D26-32 D34-37	70-3203	DIO SIG RECT 400V 1.0A SMA TA	PT2081	DS1G-S	DO-214AC/SMA
2	D38-39	70-0068	DIO RECT 40V 2A SCHOTTKY SS24 SM	PT2779	DSS24S	DO-214AA/SMB
1	F1	32-0186	FUSE 1.25A POLY SWITCH RESETABLE	PT2893	F1.25A320186	FUSE6
9	A3-4 A9-12 A15 A18-19	NON-PART	NON-PART, FIDUCIAL, TARGET FOR AUTO INSERTION	PT1271	FIDUCIAL	FIDUCIAL

4	A1-2 A20-21	NON-PART	NON-PART FIDUCIAL TARGET FOR AI AND XRAY	PT2796	FIDUCIAL-XRAY	FIDUCIAL-XRAY
1	P24	OMIT	OMIT (CON HDR 30 X 2 FEMALE AMP SMT)	DWB	HC302V224SPMS	HC302V224SPMS
2	J11-12	32-0000	HCN CONN 50 PIN .5 MM CNTS 1X50 FML RA	PT2824	HCN320000	HC320000
1	J10	32-0176	HCN CONN 20 PIN FEM VRT MNT SMT	PT2773	HCN320176	HC102V079050FS
1	P30	32-1055	HDR, 20 PIN, 0.1" SPC, 2 X 10, VERT, MALE	PT1340	HDR321055	HC102
1	P23	32-1071	HDR, 5 PIN, 0.1" SPC, 1 X 5, LCK, POL, VERT, MALE	PT1621	HDR321071	HC51LPM
1	P1	32-1077	HDR, 6 PIN, 0.1" SPC, 2 X 3, VERT, MALE	PT1683	HDR321077	HC32
1	P5	32-1243	HDR 3 PIN .098 SPC 3X1 SHROUDED VERTICAL MT.	PT1876	HDR321243	HC31V98SP
8	P3-4 P8-13	32-1994	HDR 12 PN .1" SPC 2X6 VRT MT	PT2435	HDR321994	HC62V100M
1	P20	OMIT	OMIT HDR 14 PIN 0.1" SPC 2 X 7 VERT MALE (32-1083)	PT2127	HDR321083-0	HC72
1	J13	32-0193	JACK RJ45 SINGLE PORT 8 PIN R/A PCB MNT SHLD	PT2872	J320193	JR345_8P-LONG-SH LD
3	J1-3	32-0206	CON, JACK, XLR, R/A, PCA A SERIES	PT1219	J320206	LD
16	JP1-10 JP12-17	32-1075	JUMPER, MINI, .100 SPC	PT1415	JP321075	XLRF-1
1	JP11	OMIT	OMIT JUMPER MINI .100 SPC (32-1075)	PT2873	JP321075-0	PCBNUL L
6	K1-6	72-5146	RELAY DPDT 12VDC POL SM	PT2219	K725146	PCBNUL L
1	LBL1	30-0121	LABEL BARCODE AUTOINSERTABLE RAW	PT2790	LABEL300121	KS LIM-8P
38	DS10-11 DS28-42	70-3207	LED GREEN D1206 T&R	PT1902	LEDG703207	LABEL300121
	DS44 DS46 DS48 DS50					D1206
	DS52 DS54-61					
	DS66-73					
6	DS2-7	70-1920	LED RED/GRN WT/DIF SM 1210 TA	PT2428	LEDM701920	LED1210
18	DS1 DS12-19 DS43	70-3209	LED RED D1206 T&R	PT1901	LEDR703209	D1206
	DS45 DS47 DS49 DS51					
	DS53 DS64 DS74-75					
13	DS8-9 DS20-27	70-3208	LED YELLOW D1206 T&R	PT1900	LEDY703208	D1206
	DS62-63 DS65					
2	L43-44	26-0215	IND FBD 70 OHM @ 100MHZ RIC200 TA	PT1262	LFB260215	RIC200
40	L2-5 L7-39 L42	26-0217	IND FBD 2.5K OHM @ 70MHZ 0805 TA	PT1261	LFB260217	0805
	L45-46					
2	L40-41	26-0002	IND PWR 100uH 3A	PT2754	LI260002	UP3B
2	LP1-2	NON-PART	NON-PART 6 POS NOT INSTALLED UNTIL MECHANICAL ASSY(LIGHT PIPE)	PT1967	LP242015-6	LP242015-6
6	LP3-8	NON-PART	NON-PART 8 POS NOT INSTALLED UNTIL MECHANICAL ASSY(LIGHT PIPE)	PT1968	LP242015-8	LP242015-8
1	GP1	NON-PART	NON-PART MECCA GND/PWR TIE POINT 4 POS	PT2482	MECCA4	MECCA4
8	MH1 MH3-8 MH10	NON-PART	NON-PART, MOUNTING HOLE, 0.130" NON-PLATED, #4	PT1242	MH130	MH130
3	MH2 MP4-5	NON-PART	NON-PART MOUNTING HOLE 0.156" NON-PLATED #6	PT2832	MH156	MH156
2	MH11-12	NON-PART	NON-PART TOOLING PIN HOLE 156MIL HOLE	PT2794	MH156-TOOL	MH156-TOOL
1	MH9	NON-PART	NON-PART MECHANICAL PLATED HOLE 225 PAD 130 HOLE #4	PT1998	MP225H130	MP225H130
2	MP1-2	NON-PART	NON-PART, MECHANICAL PLATED HOLE, 300 PAD, 156 HOLE, #6	PT1045	MP300H156	MP300H156
1	MP3	NON-PART	NON-PART SMT HEATSINK DIMPLE 300P 156H #6	PT2816	MP300H156-HSDMP	MP300H156-HSDMP
6	J4-9	32-0204	CON PLUG XLR R/A PCA A SERIES	PT1218	P320204	XLRM-1
1	P2	32-1017	CON JACK DCONN DUAL PORT 9P RA MALE PC MNT	PT1931	P321017	DCON9PM
14	P6-7 P14-19 P21-22	NON-PART	NON-PART PD ARY 2 PN 0.100" SPC 0.039" HLE	PT1645	PA1X2-100-039	PA1X2-100-039
	P26-27 P29 P31					
17	Q2 Q4-6 Q8-20	70-1058	XSTR, 2N3904, NPN, SOT-23, T&R	PT1203	Q2N3904-S	SOT-23
2	Q1 Q3	70-1059	XSTR 2N3906 PNP SOT-23 SM TA	PT1057	Q2N3906-S	SOT-23
17	R2-3 R5-6 R78 R123	50-1300	RES 0 5% 1/16W SM 0603 TA	PT2508	R0-B5-0603	0603
	R230 R241 R244 R249					
	R266 R292 R316 R342					
	R344 R347 R454					
7	R122 R126 R229	OMIT	OMIT RES 0 5% 1/16W SM 0603 TA (50-1300)	PT2509	R0-B5-06030	0603
	R236-238 R248					
4	L1 L6 R127 R235	50-1531	RES 0 5% 1/10W SM 0805 TA	PT1099	R0-C5-0805	0805
7	R24 R39 R82 R227	50-0317	RES 0 5% 1/4W CF RR TA	PT1008	R0-E5-R	RRA200
	R245 R345 R348					
1	R288	OMIT	OMIT RES 0 5% 1/4W CF RR TA (50-0317)	PT1596	R0-E5-RO	RRA200
2	R25 R40	52-1314	RES 1.5K 1% 1/16W SM 0603 TA	PT2551	R1.5KB1-0603	0603
4	R14 R17 R20 R23	52-1339	RES 10.2K 1% 1/16W SM 0603 TA	PT2591	R10.2KB1-0603	0603
12	R147 R150 R153 R156	52-1340	RES 10.7K 1% 1/16W SM 0603 TA	PT2592	R10.7KB1-0603	0603
	R159 R162 R200 R203					
	R206 R209 R212 R215					
15	R33-38 R142 R234	52-1304	RES 100 1% 1/16W SM 0603 TA	PT2512	R100-B1-0603	0603
	R270 R277 R281 R284					
	R287 R291 R311					
6	R141 R178-179	52-1360	RES 100K 1% 1/16W SM 0603 TA	PT2613	R100KB1-0603	0603
	R263-264 R335					
62	R80-81 R84 R87 R90	52-1338	RES 10K 1% 1/16W SM 0603 TA	PT2584	R10KB1-0603	0603
	R93 R96 R99 R102					

	R105 R108 R111 R114						
	R117 R143 R175 R233						
	R239-240 R246-247						
	R250 R257-260						
	R267-269 R271-272						
	R275-276 R278-280						
	R282-283 R285-286						
	R290 R293-298						
	R305-309 R312 R315						
	R317-319 R325-326						
	R330-331 R343						
1	R329	OMIT	OMIT RES 10K 1% 1/16W SM 0603 TA (52-1338)		PT2628 R10KB1-06030	0603	
1	R466	52-1361	RES 121K 1% 1/16W SM 0603 TA		PT2614 R121KB1-0603	0603	
1	R338	52-1362	RES 150K 1% 1/16W SM 0603 TA		PT2615 R150KB1-0603	0603	
17	R9-10 R29-30 R146	52-1344	RES 15K 1% 1/16W SM 0603 TA		PT2596 R15KB1-0603	0603	
	R151-152 R157-158						
	R163 R182-187 R190						
4	R125 R217 R219 R255	52-1305	RES 169 1% 1/16W SM 0603 TA		PT2513 R169-B1-0603	0603	
20	R27 R140 R188-189	52-1313	RES 1K 1% 1/16W SM 0603 TA		PT2550 R1KB1-0603	0603	
	R191 R195 R333						
	R359-362 R373-374						
	R377 R384 R387 R407						
	R413 R424 R441						
1	R79	OMIT	OMIT RES 1K 5% 1/16W SM 0603 TA (50-1313)		PT2535 R1KB5-06030	0603	
9	R144 R242 R299-301	52-1372	RES 1M 1% 1/16W SM 0603 TA		PT2625 R1MB1-0603	0603	
	R304 R320 R332 R456						
4	R124 R168 R226 R254	52-1317	RES 2.21K 1% 1/16W SM 0603 TA		PT2555 R2.21KB1-0603	0603	
4	R120 R181 R222 R265	52-1318	RES 2.49K 1% 1/16W SM 0603 TA		PT2556 R2.49KB1-0603	0603	
6	R44 R50 R56 R62 R68	52-1319	RES 2.67K 1% 1/16W SM 0603 TA		PT2557 R2.67KB1-0603	0603	
	R74						
14	R289 R310 R334	52-1300	RES 20 1% 1/16W SM 0603 TA		PT2507 R20-B1-0603	0603	
	R450-453 R457-458						
	R461-465						
28	R313 R327 R341 R346	52-1306	RES 200 1% 1/16W SM 0603 TA		PT2514 R200-B1-0603	0603	
	R353-358 R369-372						
	R394-397 R400						
	R402-406 R437-440						
1	R339	52-1364	RES 221K 1% 1/16W SM 0603 TA		PT2617 R221KB1-0603	0603	
16	R4 R7 R164 R167	52-1316	RES 2K 1% 1/16W SM 0603 TA		PT2553 R2KB1-0603	0603	
	R176-177 R180 R193						
	R221 R225 R251						
	R261-262 R321-322						
	R455						
12	R43 R46 R49 R52 R55	52-1322	RES 3.16K 1% 1/16W SM 0603 TA		PT2560 R3.16KB1-0603	0603	
	R58 R61 R64 R67 R70						
	R73 R76						
6	R45 R51 R57 R63 R69	52-1323	RES 3.24K 1% 1/16W SM 0603 TA		PT2561 R3.24KB1-0603	0603	
	R75						
15	R119 R148-149	52-1324	RES 3.32K 1% 1/16W SM 0603 TA		PT2562 R3.32KB1-0603	0603	
	R154-155 R160-161						
	R201-202 R207-208						
	R213-214 R224 R323						
50	R26 R32 R194	52-1307	RES 332 1% 1/16W SM 0603 TA		PT2543 R332-B1-0603	0603	
	R363-368 R385-386						
	R388-393 R398-399						
	R401 R408-412						
	R414-421 R429-436						
	R442-449 R459						
5	R165-166 R252-253	50-1325	RES 33K 5% 1/16W SM 0603 TA		PT2589 R33KB5-0603	0603	
	R336						
1	R314	52-1301	RES 39.2 1% 1/16W SM 0603 TA		PT2515 R39.2-B1-0603	0603	
13	R41 R128-133	52-1355	RES 39.2K 1% 1/16W SM 0603 TA		PT2608 R39.2KB1-0603	0603	
	R169-174						
1	R273	52-0000	RES 392K 1% 1/10W SM 0603 TA		PT2892 R392KB1-0603	0603	
4	R15-16 R21-22	52-1325	RES 4.02K 1% 1/16W SM 0603 TA		PT2563 R4.02KB1-0603	0603	
12	R42 R47-48 R53-54	52-1327	RES 4.53K 1% 1/16W SM 0603 TA		PT2565 R4.53KB1-0603	0603	
	R59-60 R65-66						
	R71-72 R77						

051796C3.PPS

4	R1 R192 R197 R460	52-1328	RES 4.64K 1% 1/16W SM 0603 TA	PT2568 R4.64KB1-0603	0603
12	R134-139 R199	52-1329	RES 4.99K 1% 1/16W SM 0603 TA	PT2566 R4.99KB1-0603	0603
	R204-205 R210-211				
	R216				
18	R196 R198 R218 R220	52-1308	RES 499 1% 1/16W SM 0603 TA	PT2545 R499-B1-0603	0603
	R223 R232 R243				
	R302-303 R328				
	R375-376 R378-383				
6	R86 R92 R98 R104	52-1331	RES 5.76K 1% 1/16W SM 0603 TA	PT2576 R5.76KB1-0603	0603
	R110 R116				
15	R8 R11-13 R18-19	52-1332	RES 6.04K 1% 1/16W SM 0603 TA	PT2577 R6.04KB1-0603	0603
	R28 R31 R85 R91 R97				
	R103 R109 R115 R324				
12	R83 R88-89 R94-95	52-1303	RES 60.4 1% 1/16W SM 0603 TA	PT2511 R60.4-B1-0603	0603
	R100-101 R106-107				
	R112-113 R118				
2	R145 R231	52-1309	RES 619 1% 1/16W SM 0603 TA	PT2546 R619-B1-0603	0603
1	R256	52-0196	RES 619K 1% 1/10W SM 0603 TA	PT2894 R619KB1-0603	0603
1	R337	52-1358	RES 63.4K 1% 1/16W SM 0603 TA	PT2611 R63.4KB1-0603	0603
11	R340 R349-352	52-1335	RES 7.5K 1% 1/16W SM 0603 TA	PT2581 R7.5KB1-0603	0603
	R422-423 R425-428				
2	R121 R228	52-1336	RES 8.06K 1% 1/16W SM 0603 TA	PT2582 R8.06KB1-0603	0603
1	R274	52-1337	RES 9.09K 1% 1/16W SM 0603 TA	PT2583 R9.09KB1-0603	0603
1	P25	38-0001	RBN CBL 20 COND. 0.1", 4.25"	PT2772 RC20-380001	RC380001
1	SC1	34-0125	SWITCH CAP, BLACK, ROUND	PT1354 SC340125	SC340125-FPE
6	SC16-21	24-2017-A	SWITCHCAP dbx LIGHTED MUTE BUTTON	PT2025 SC242017A	
12	SC2-13	34-0199-A	SWITCH CAP dbx LIGHTED	PT2024 SC340199A	PCBNULL
1	S32	70-3168	SKT 44 PIN PLCC SM TA	PT2419 SKT44-703168	PLCC-44SKT
1	SW1	44-0050	SWITCH DPDT MINI IN-OUT 6 PIN E-SWITCH	PT1256 SW440050	SW440050
1	SW6	44-0119	ENCODER 20mm D SHAFT 30 POS W/SWITCH VERT MOUNT	PT1890 SW440119	SW440119
18	SW2-5 SW7-20	44-0185	SWITCH, SPST, LITE TOUCH, MINI, W/ PROJECTED PLUNGER SMT	PT1962 SW440185	SW4PTACT-3
18	TP1-18	NON-PART	NON-PART, TEST POINT, ENGINEERING PROBE POINT	PT1653 TESTPOINT	TESTPOINTS
1	U33	72-1488	IC 128K x 24 STATIC RAM 9ns 3.3V QFP100-14X20	PT2469 U128K24S9-3.3-Q	QFP100-14X20
1	U39	72-0046	IC 25AA640 64K SERIAL EEPROM TA	PT2774 U25AA260	SO8
1	U26	72-6318	IC 32K x 8 SRAM 15ns SOJ28	PT2294 U32K8S15-J	SOJ28-300
1	U22	OMIT	OMIT IC 32K x 8 SRAM 15ns SOJ28 (72-6318)	PT2874 U32K8S15-JO	SOJ28-300
1	U41	72-5426	IC, 74AC04, HEX INVERTER, SO14, T&R	PT1325 U74AC04-S	SO14
1	U23	72-0085	IC 74HC4051 ANALOG MUX/DEMUX SO16	PT1927 U74HC4051-S	SO16
1	U30	72-0063	IC 74LVTH573 3.3V ABT 8-LATCH 3-STATE SSO20 TR	PT2856 U74LVTH573-P	SSOP20
1	U15	72-1485	IC AK4356 192kHz 24 BIT 6 CHANNEL DAC	PT2717 UAK4356-Q	QFP44-10X10
1	U17	72-1464	IC, AK5392, DUAL 24BIT ADC, SO28W	PT1555 UAK5392-S	SO28W
2	U24-25	72-6305	IC DSP56367 DSP 150MHZ QFP144-20X20	PT2452 UDSP56367-Q	QFP144-20X20
1	U21	70-0070	V-REG L7815CD2T +15V 1A TA	PT2817 UL7815CD2T-S	TO263(D2PAK)
1	U20	70-0069	V-REG L7915CD2T -15V 1A TA	PT2819 UL7915CD2T-S	TO263(D2PAK)
2	U34-35	70-0063	V-REG LM2575S-ADJ SWITCHING REG 1A TO-263(5)	PT2739 ULM2575S-ADJ	TO-263(5)
1	U36	70-0072	V-REG LM317DT 1.2V TO 37V ADJ 0.5A TA	PT2866 ULM317DT-S	TO252(DPACK)
3	U37-38 U42	72-5434	IC NC7SZ125 TINYLOGIC BUFFER SOT23-5 TA	PT1881 UNC7SZ125-S	SOT23-5
1	U44	72-0068	IC NCP302H VOLTAGE DETECTOR SM SOT23-5	PT2869 UNCP302H	SOT23-5
18	U2-14 U16 U18-19	72-1480	IC NJM4580 DUAL OP-AMP SO8	PT1374 UNJM4580-S	SO8
	U40 U43				
1	U29	72-0054-00V1	IC CPLD LC4128C-10T128 128 MC 92I/O SM dbx Driverack 260 V1	PT2859 UP720054	TQFP128
1	U32	72-0061-00V1	IC TS87C52X2 8 BIT OTP MICRO 5V 30Mhz dbx Driverack 260 V1	PT2868 UP720061	PLCC-44
1	U28	72-0062-00V1	IC AM29LV800BT 70ns 8 MEG FLASH dbx DRIVERACK 260 V1	PT2827 UP720062	TSOP48
1	U27	72-0055	IC PCM1801 16-BIT ADC 93DB SM	MTB UPCM1801-S	SO14
1	U31	72-0059	IC PI5C16211 24 BIT BUS SWITCH 5V-3V TSSOP	PT2860 UPI5C16211-TS	TSSOP56
1	U1	72-0056	IC SP202ECN RS-232 DUAL DRIVER/RECEIVER SM	MTB USP202ECN-S	SO16
1	Y1	76-0000	XTAL 22.1184MHZ HC49 18PF SM TR	PT2829 Y22.1184M760000	XTAL2-V
1	X1	76-0006	XTAL 24.576MHZ SMT CX16F/CS49G PKG	PT2713 Y24.576M760006	YCX16F/CX49G



LBL1
30-0121
PCB1
80-1796

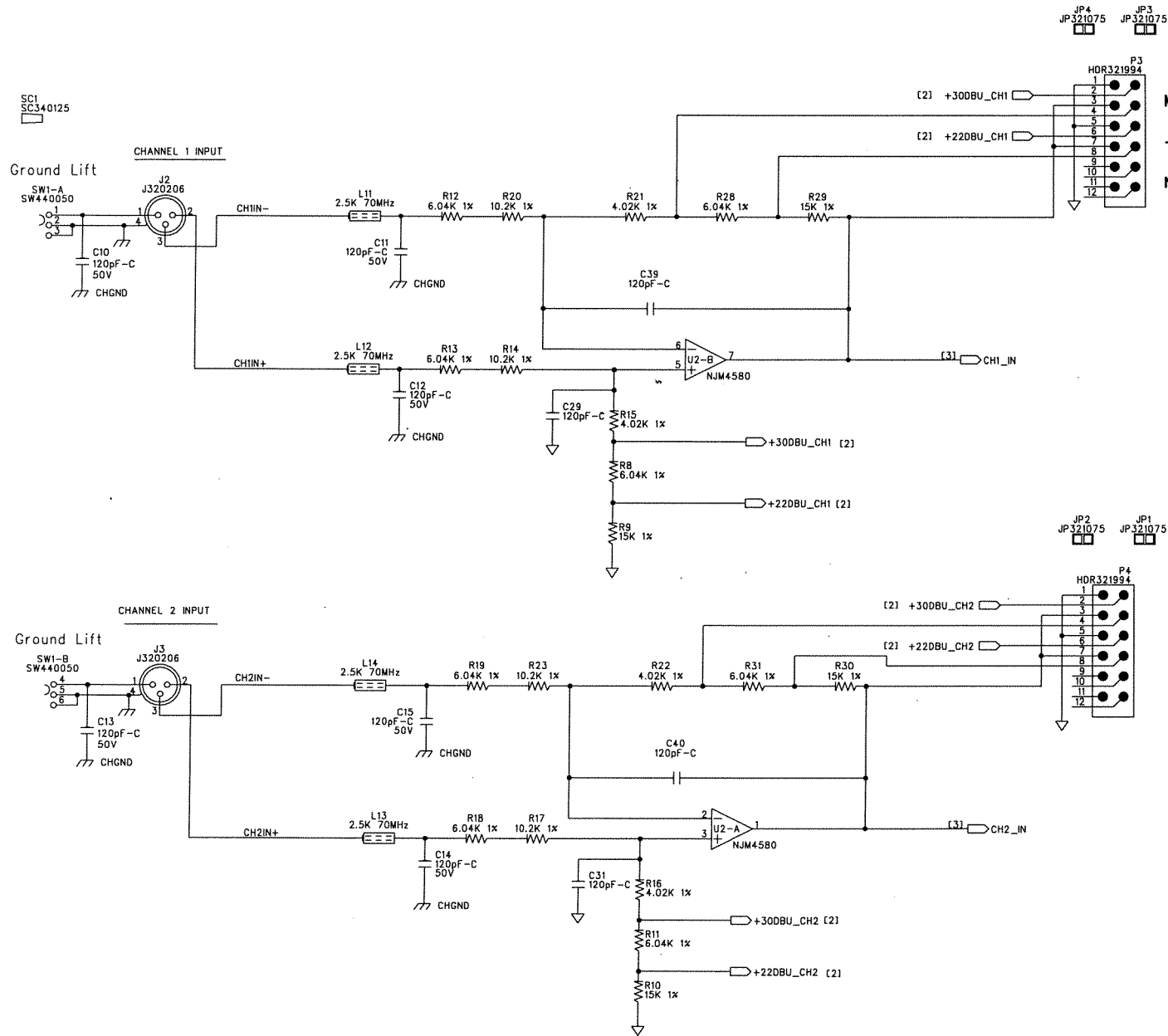
REV	DESCRIPTION	ECN #	INIT	DATE
C4	DELETED S32 SOCKET 70-3168	2441	DWB	2-10-03
C3	CHANGED VALUES ON R40, R25, R78 AND OMITED R79	2369	BDP	12-23-02
C2	CHANGED COMPONENTS L1 AND L6 FROM 26-0217 TO 50-1531	2366	BDP	12-23-02
C1	CHANGED VALUES OF R456, R304, R301, R300, R299, R144, R296 CHANGED VALUES OF R242, R273, F1	2360	DWB	12-19-02
C0	CHANGED FOOTPRINT TO U29	2351	MRC	11-18-02
B0	RELEASE TO PRODUCTION	XXXX	DWB	11-18-02
A0	RELEASE TO PRODUCTION	2331	DWB	11-18-02

REVISION HISTORY

dbx PROFESSIONAL PRODUCTS
8760 South Sandy Parkway Sandy Utah 84070

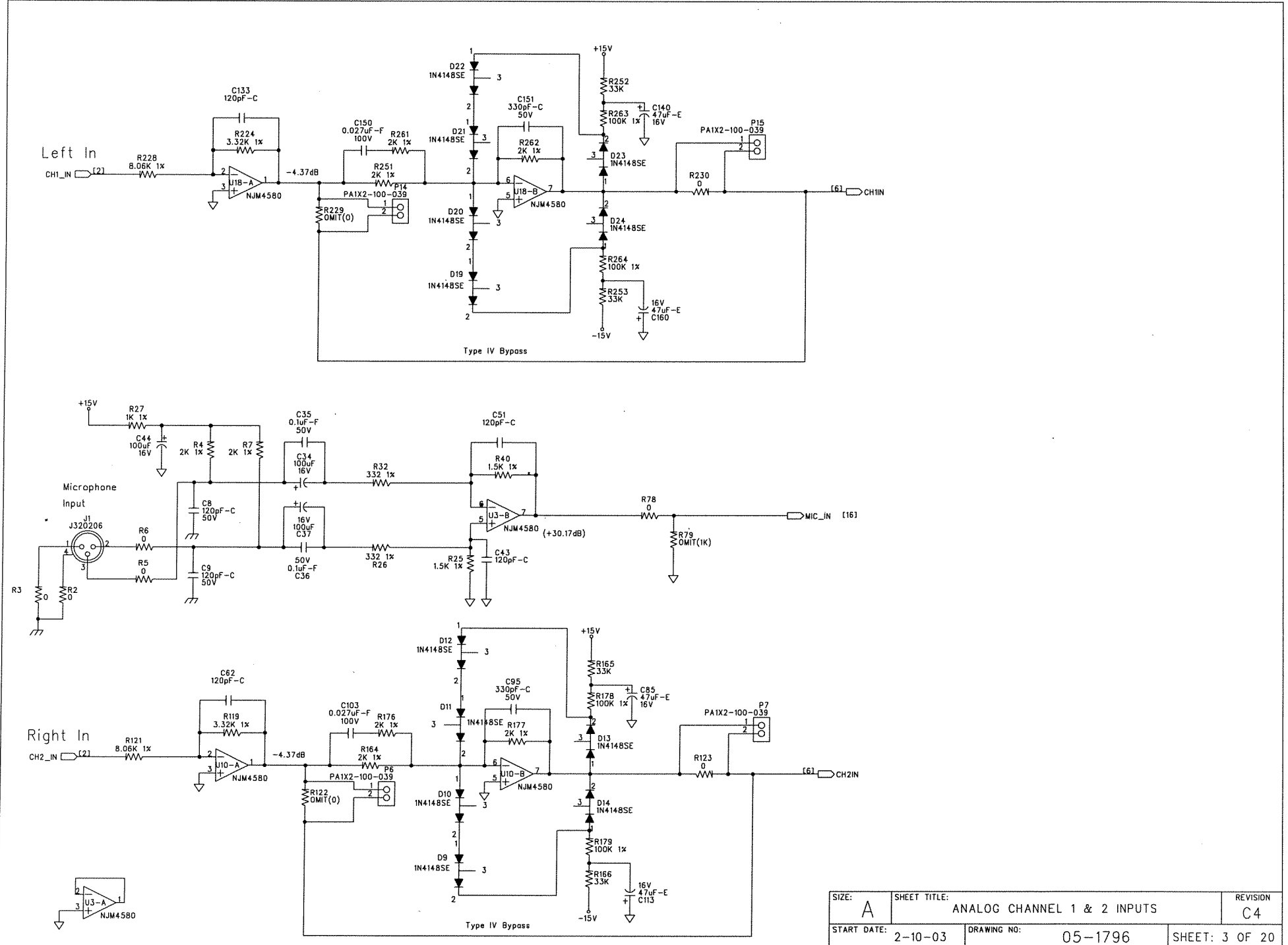
TITLE: dbx DriveRack 260
MAIN PCB

DESIGNER:	DAVID W. BYBEE	ENGINEER:	ROBERT BOATRIGHT
SIZE:	A	DRAWING NO:	05-1796
DATE:	2-10-03	FILENAME:	051796C4.SCH
REVISION:	C4	SHEET:	1 OF 20

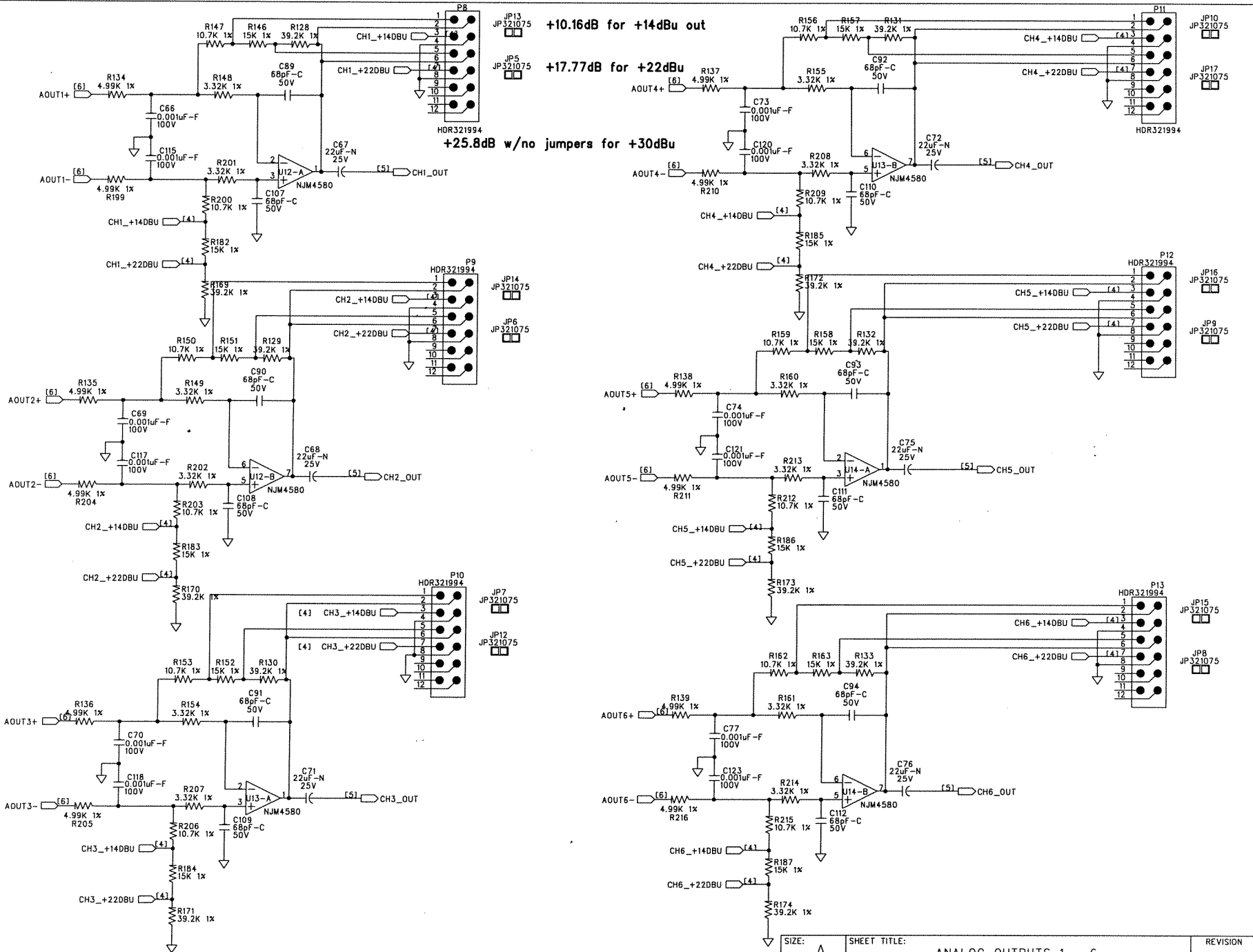


Max cut is -16.33dB for +30dBu in
 -8.26dB cut for +22dBu in
 No jumpers = -.33dB for +14dBu in

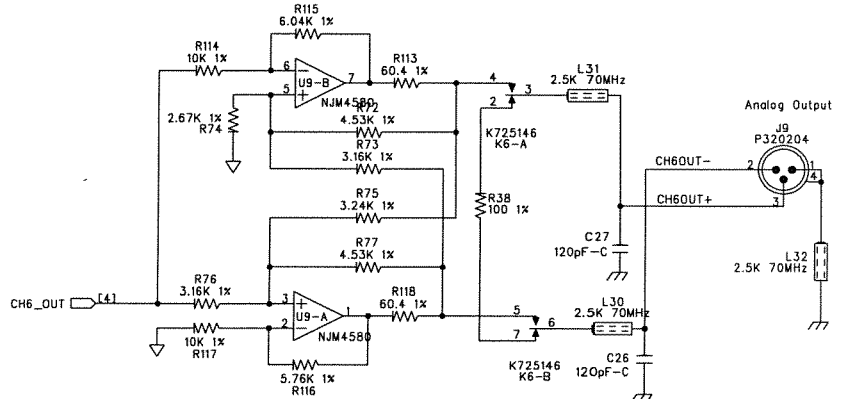
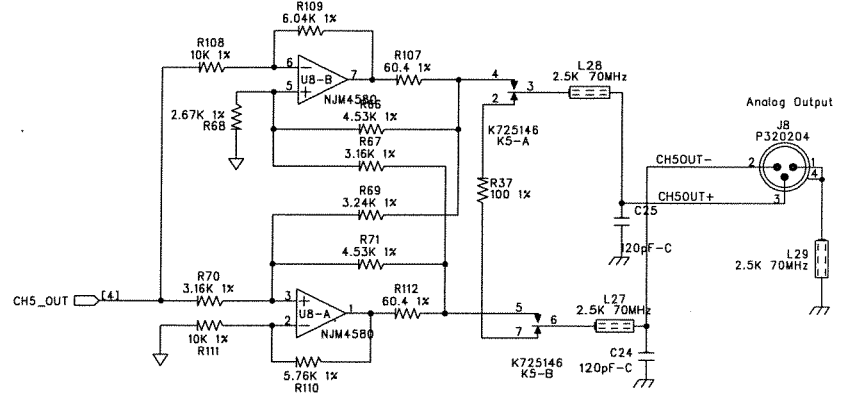
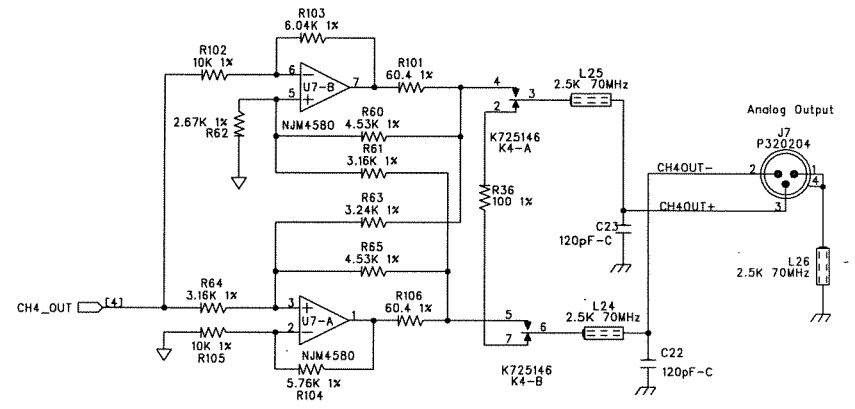
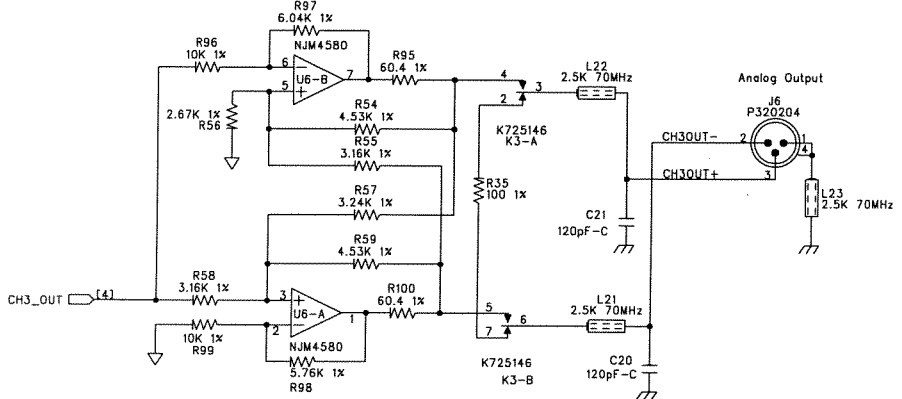
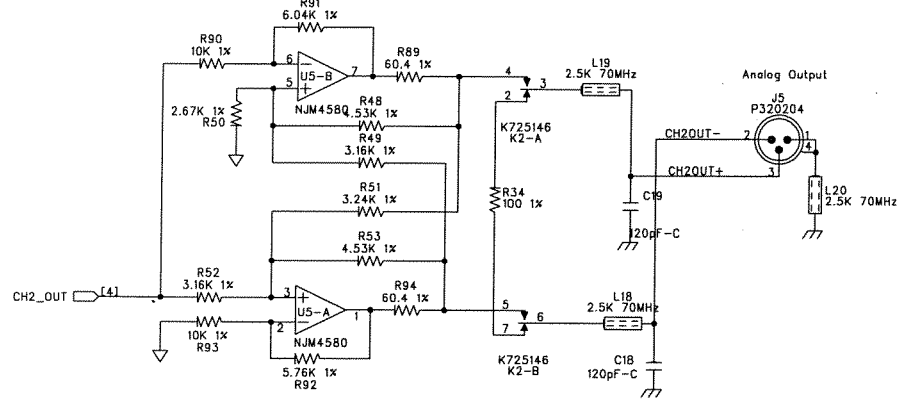
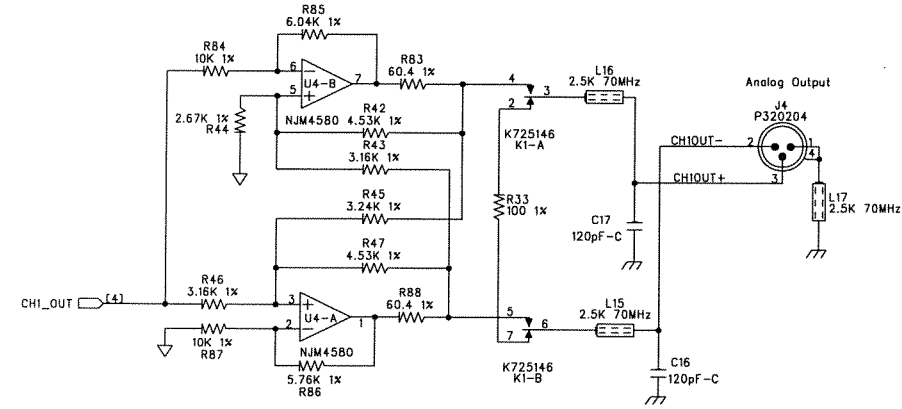
SIZE: A	SHEET TITLE: CHANNEL 1 & 2 INPUTS	REVISION: C4
START DATE: 2-10-03	DRAWING NO: 05-1796	SHEET: 2 OF 20



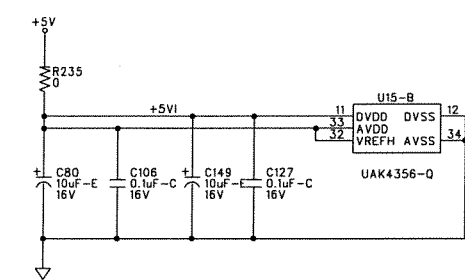
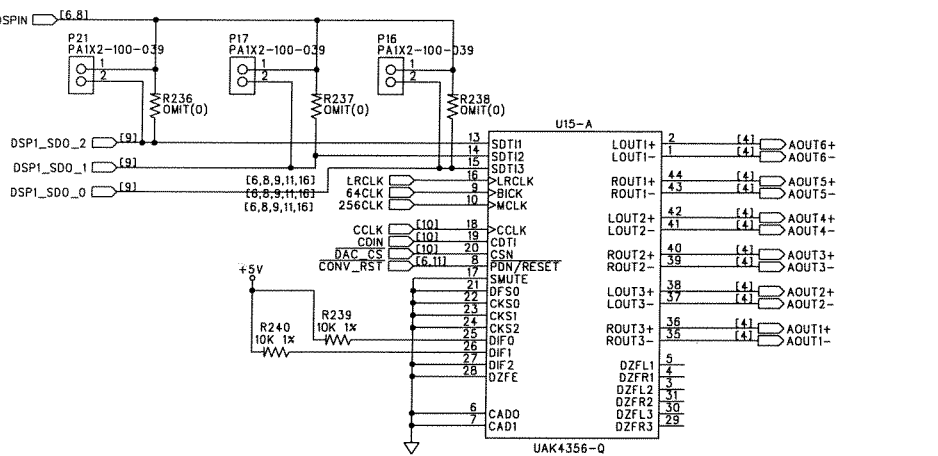
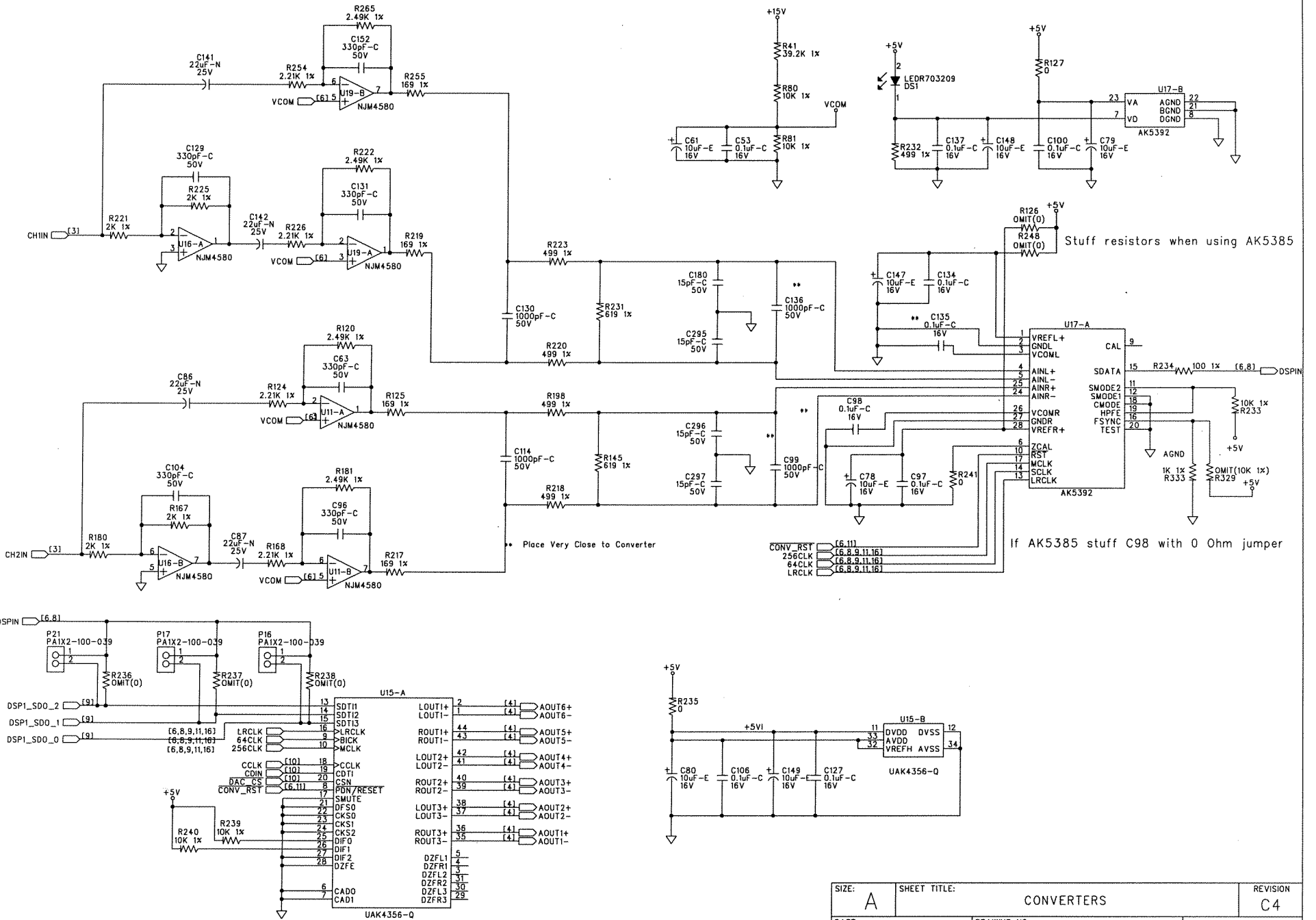
SIZE: A	SHEET TITLE: ANALOG CHANNEL 1 & 2 INPUTS	REVISION: C4
START DATE: 2-10-03	DRAWING NO: 05-1796	SHEET: 3 OF 20



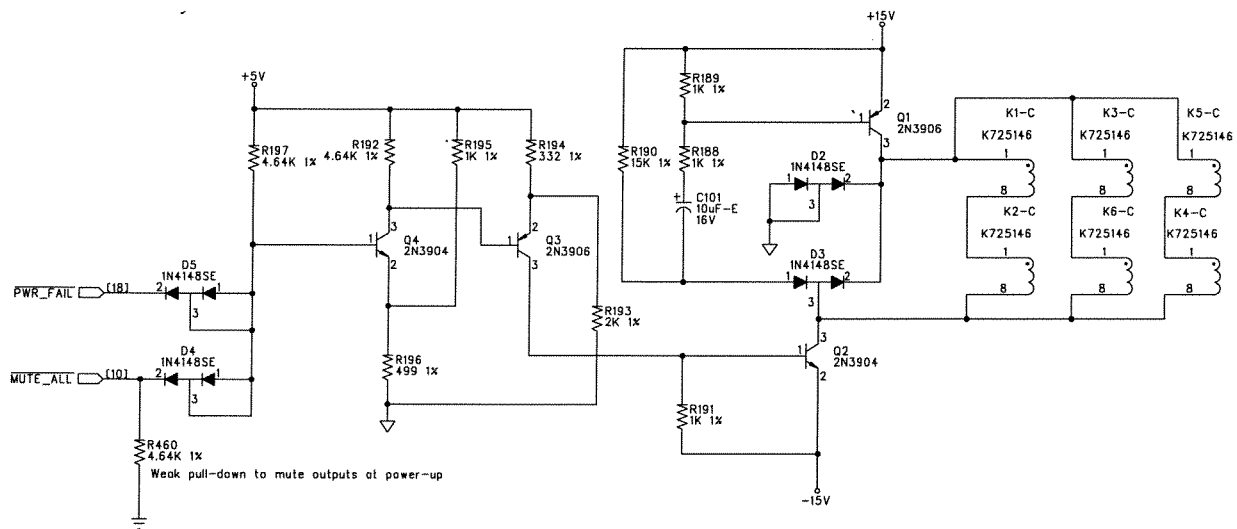
SIZE: A	SHEET TITLE: ANALOG OUTPUTS 1 - 6	REVISION: C4
START DATE: 2-10-03	DRAWING NO: 05-1796	SHEET: 4 OF 15



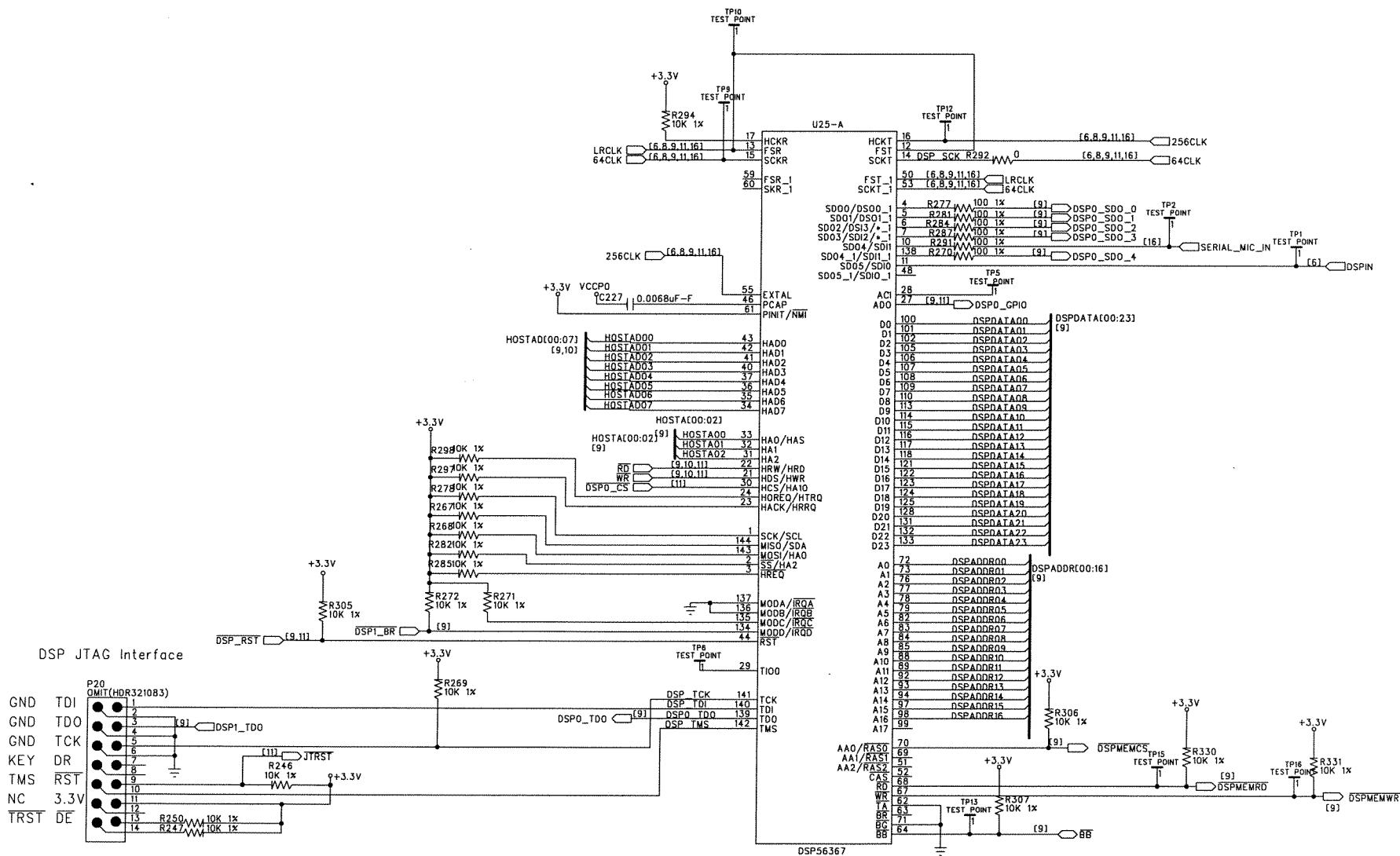
SIZE: A	SHEET TITLE: OUTPUT JACKS	REVISION: C4
DATE: 2-10-03	DRAWING NO: 05-1796	SHEET: 5 OF 20



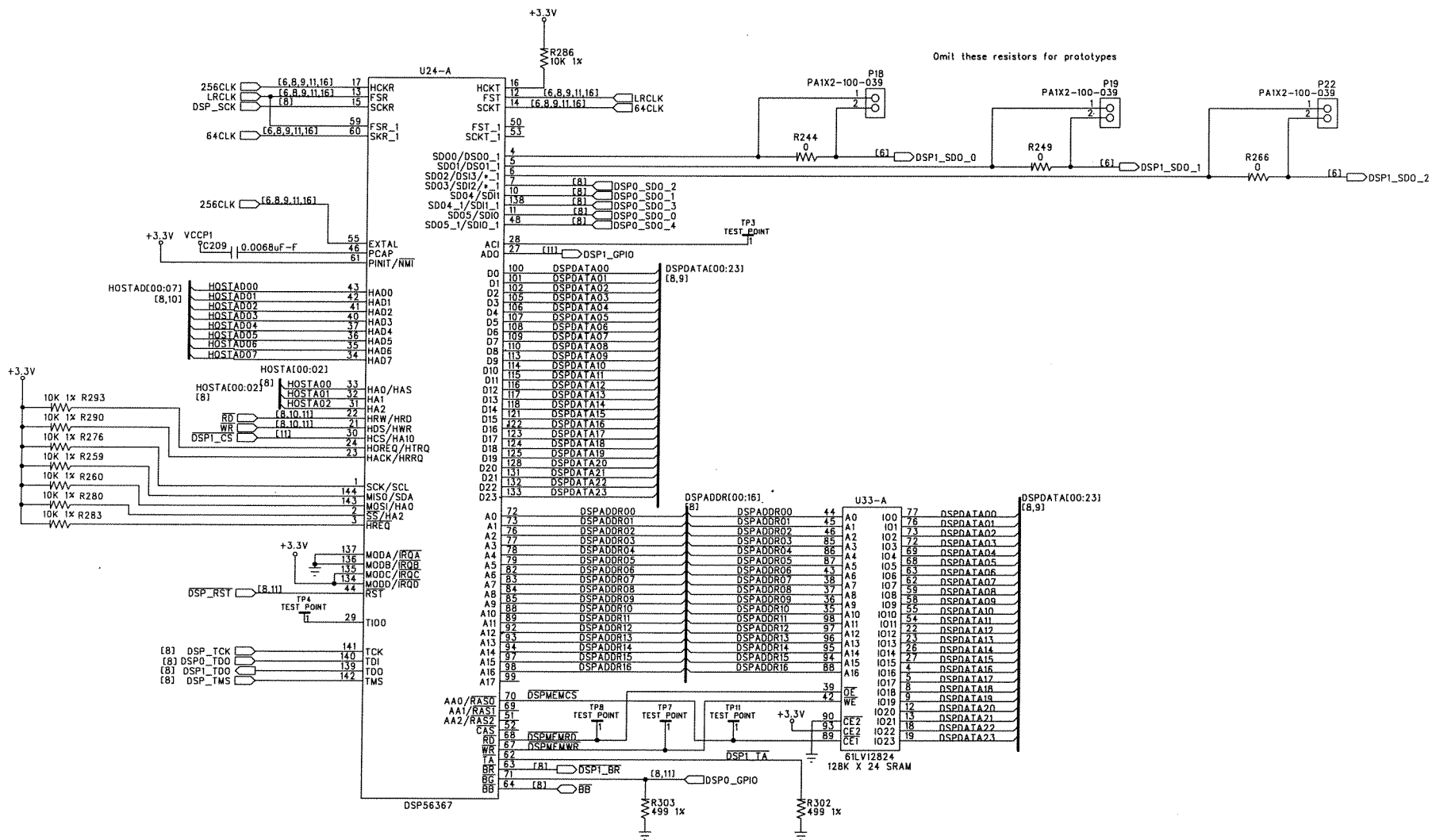
SIZE: A	SHEET TITLE: CONVERTERS	REVISION: C4
DATE: 2-10-03	DRAWING NO: 05-1796	SHEET: 6 OF 20

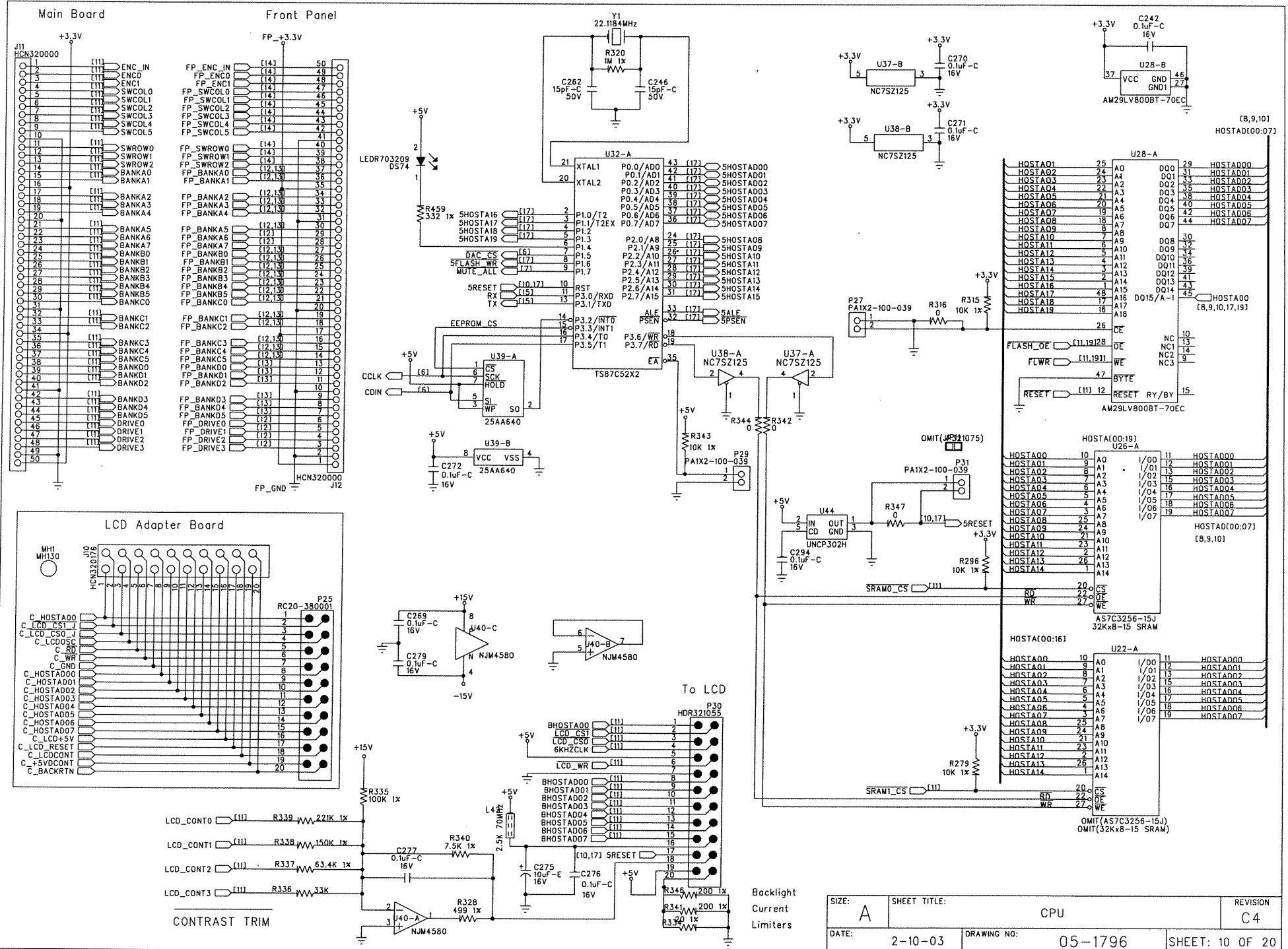


SIZE: A	SHEET TITLE: Mute Control	REVISION: C4
DATE: 2-10-03	DRAWING NO: 05-1796	SHEET: 7 OF 20



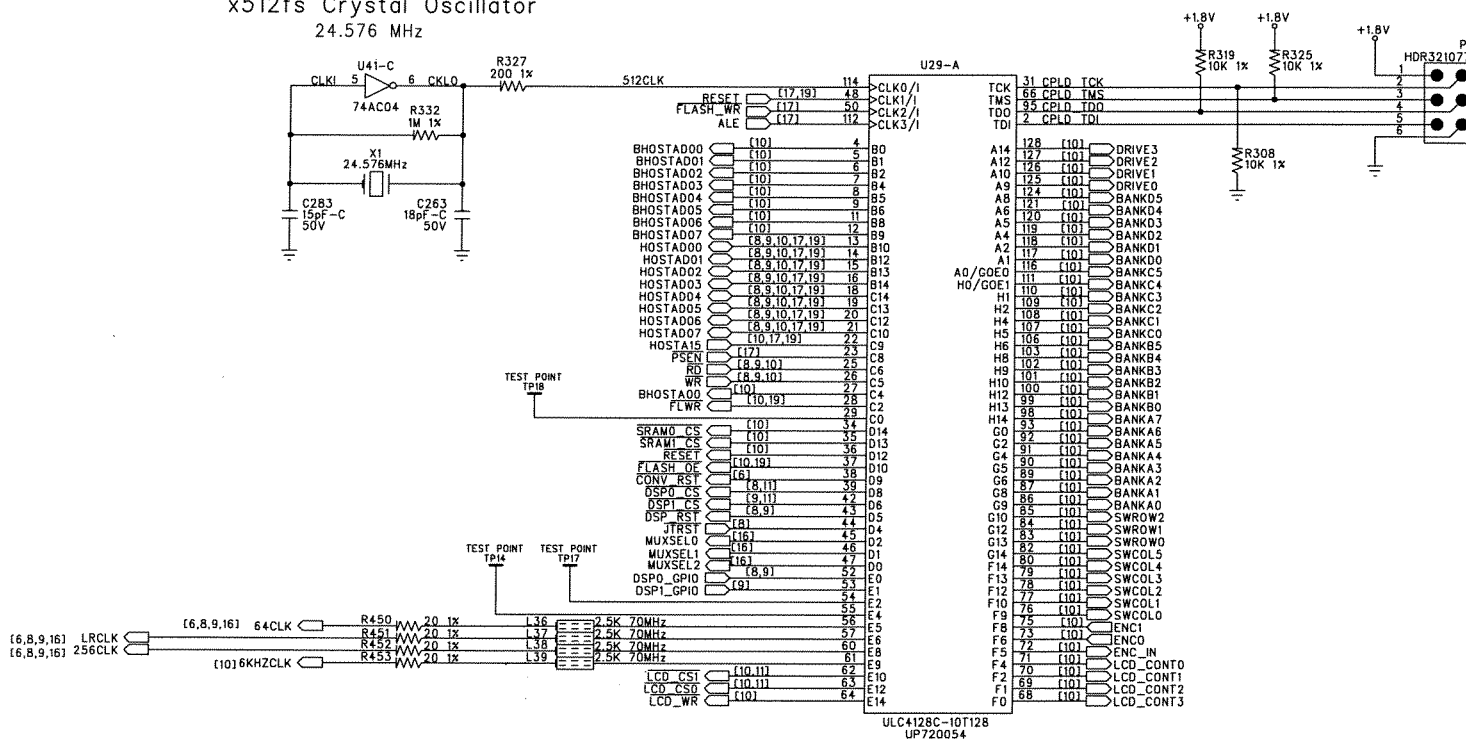
SIZE: A	SHEET TITLE: DSP0	REVISION: C4
DATE: 2-10-03	DRAWING NO: 05-1796	SHEET: 8 OF 20



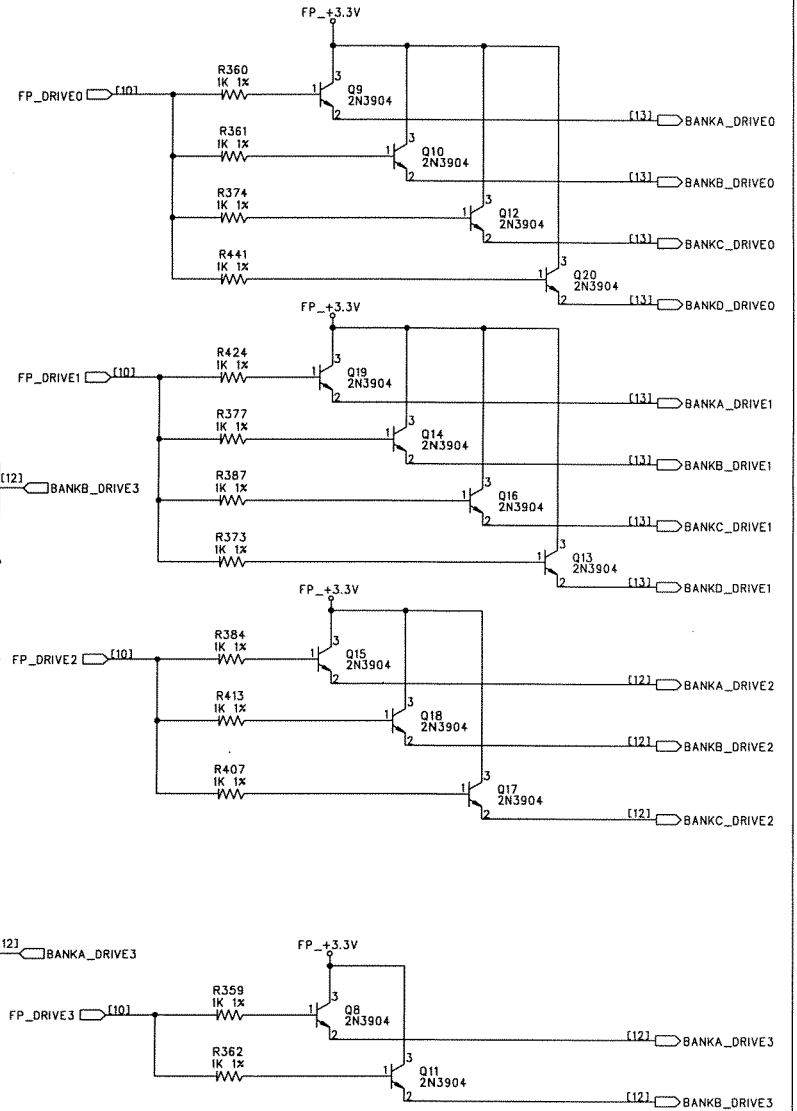
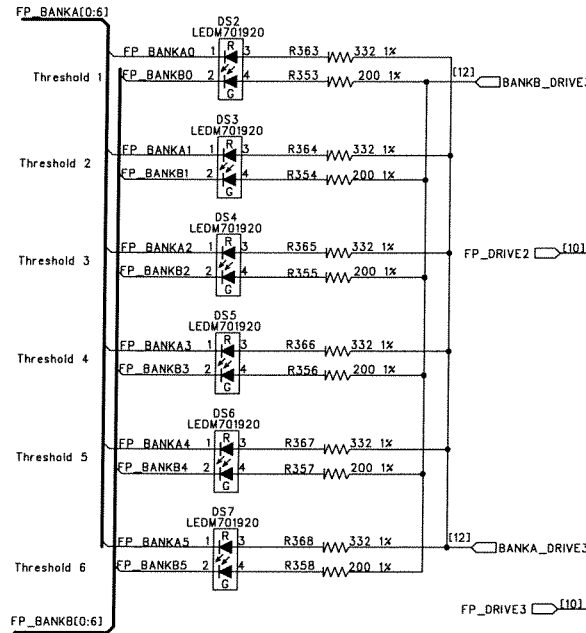
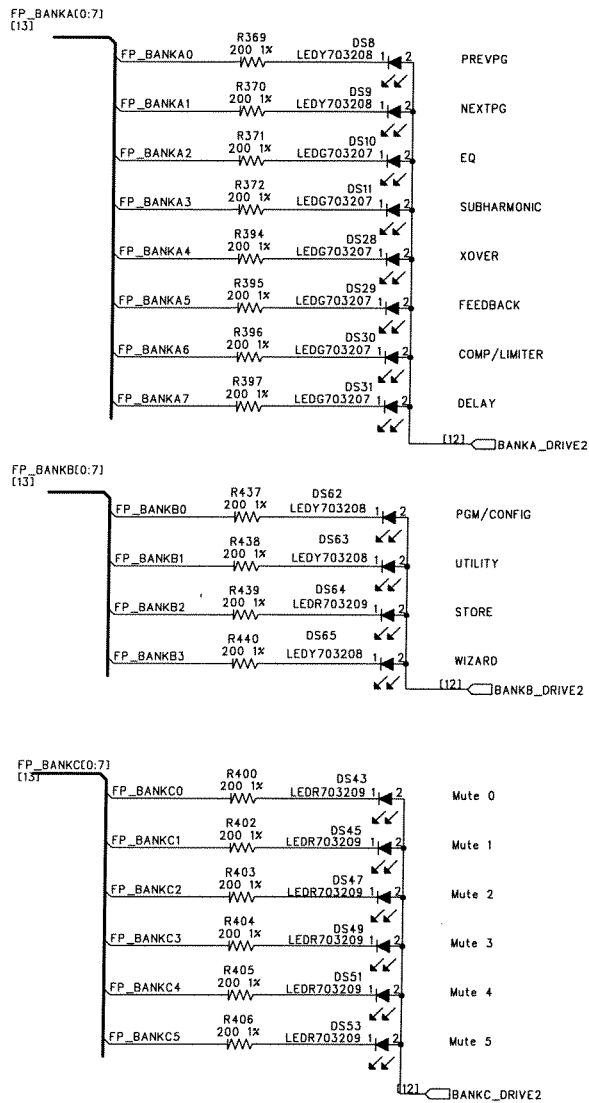


SIZE: A	SHEET TITLE: CPU	REVISION: C4
DATE: 2-10-03	DRAWING NO: 05-1796	SHEET: 10 OF 20

x512fs Crystal Oscillator
24.576 MHz



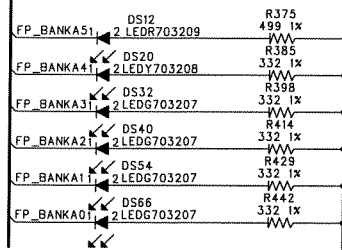
SIZE: A	SHEET TITLE: CPLD	REVISION: C4
DATE: 2-10-03	DRAWING NO: 05-1796	SHEET: 11 OF 20



SIZE: A	SHEET TITLE: FRONT PANEL - BUTTON LEDS	REVISION: C4
DATE: 2-10-03	DRAWING NO: 05-1796	SHEET: 12 OF 20

FP_BANKA[0:7]
[12,13]

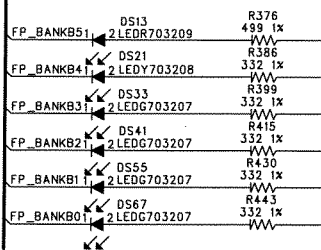
INPUT CHANNEL 1



BANKA_DRIVE0 [12]
LP1
24-2015-6

FP_BANKB[0:7]
[12,13]

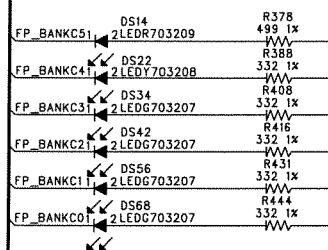
INPUT CHANNEL 2



BANKB_DRIVE0 [12]
LP2
24-2015-6

FP_BANKC[0:7]
[12,13]

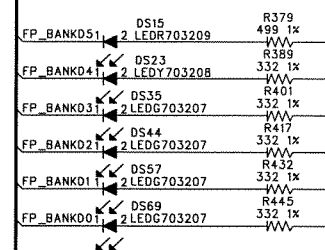
OUTPUT CHANNEL 1



BANKC_DRIVE0 [12]
LP3
24-2015-8

FP_BANKD[0:7]
[13]

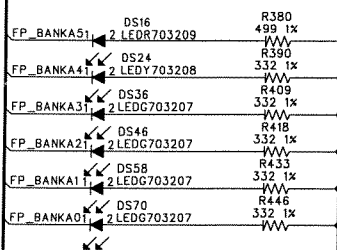
OUTPUT CHANNEL 2



BANKD_DRIVE0 [12]
LP4
24-2015-8

FP_BANKA[0:7]
[12,13]

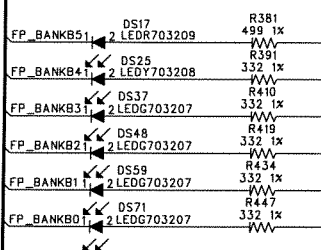
OUTPUT CHANNEL 3



BANKA_DRIVE1 [12]
LP5
24-2015-8

FP_BANKB[0:7]
[12,13]

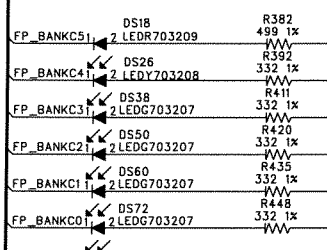
OUTPUT CHANNEL 4



BANKB_DRIVE1 [12]
LP6
24-2015-8

FP_BANKC[0:7]
[12,13]

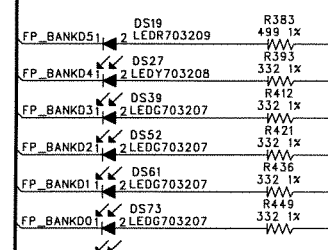
OUTPUT CHANNEL 5



BANKC_DRIVE1 [12]
LP7
24-2015-8

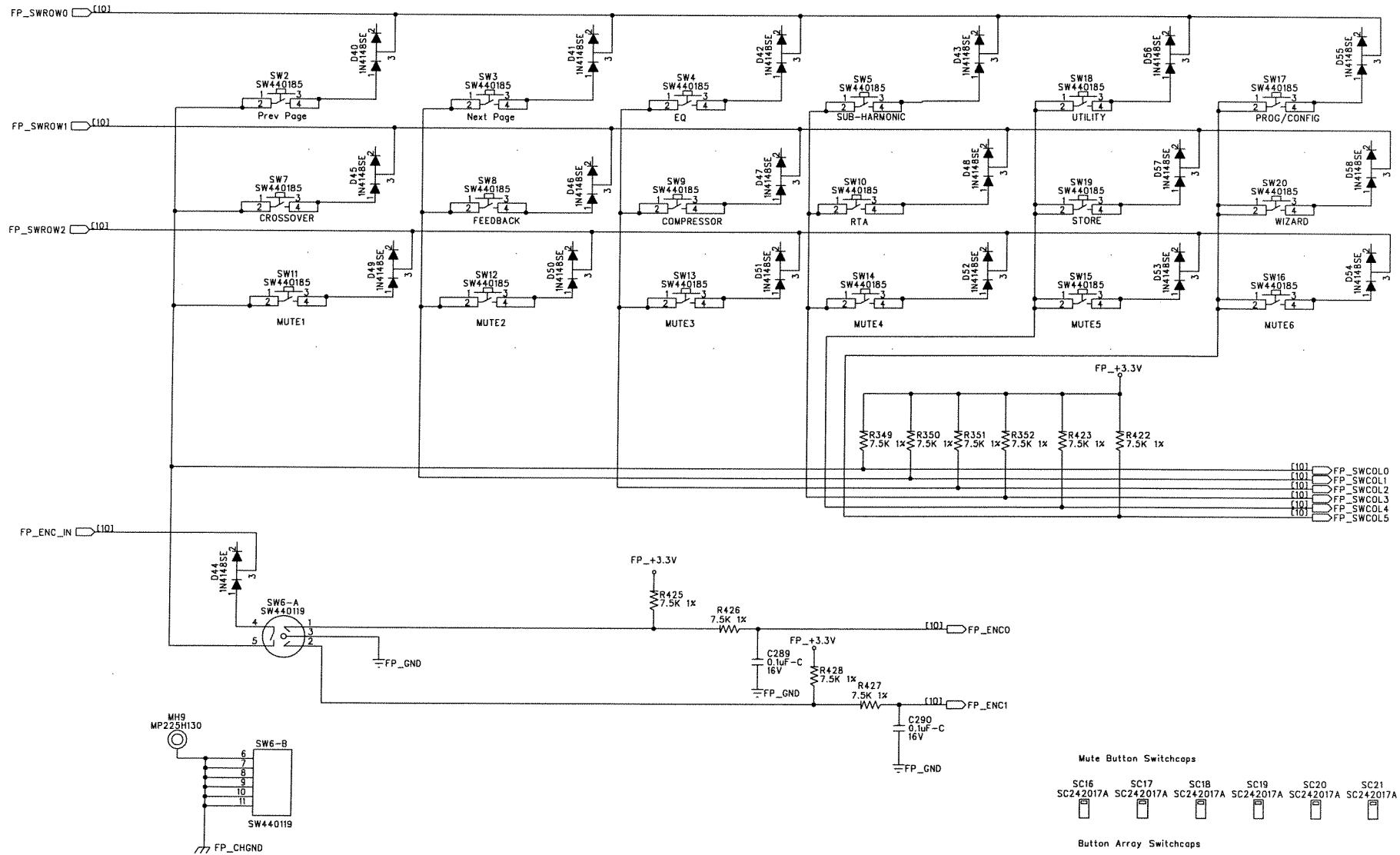
FP_BANKD[0:7]
[13]

OUTPUT CHANNEL 6

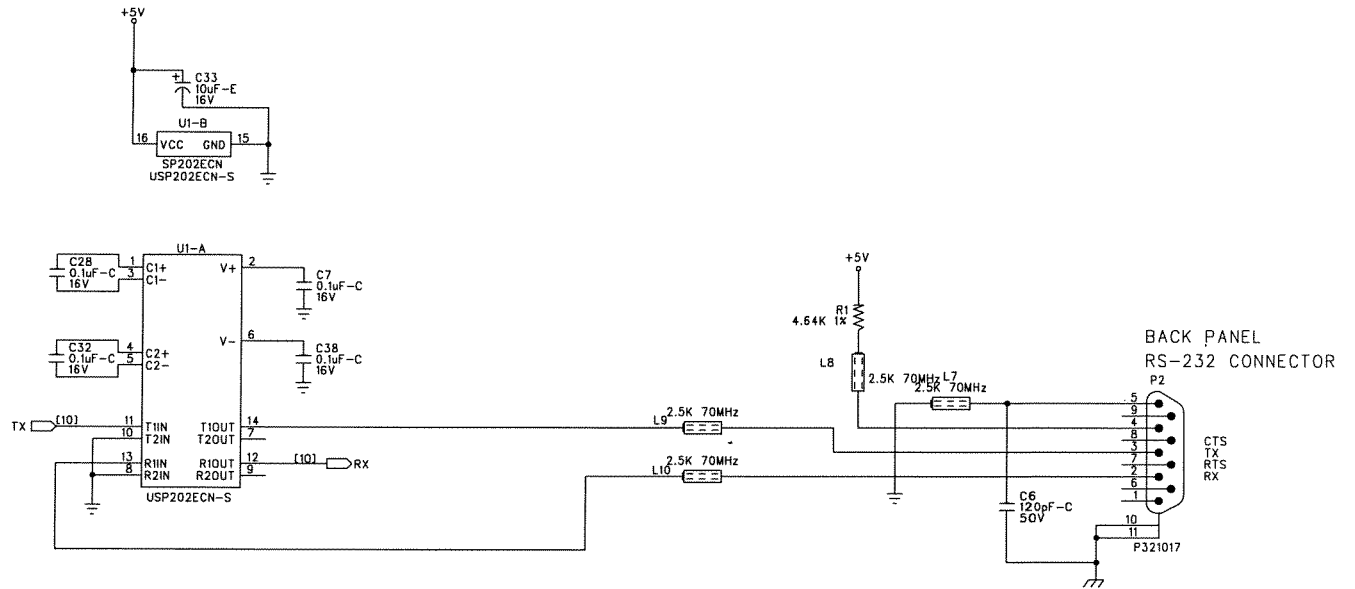


BANKD_DRIVE1 [12]
LP8
24-2015-8

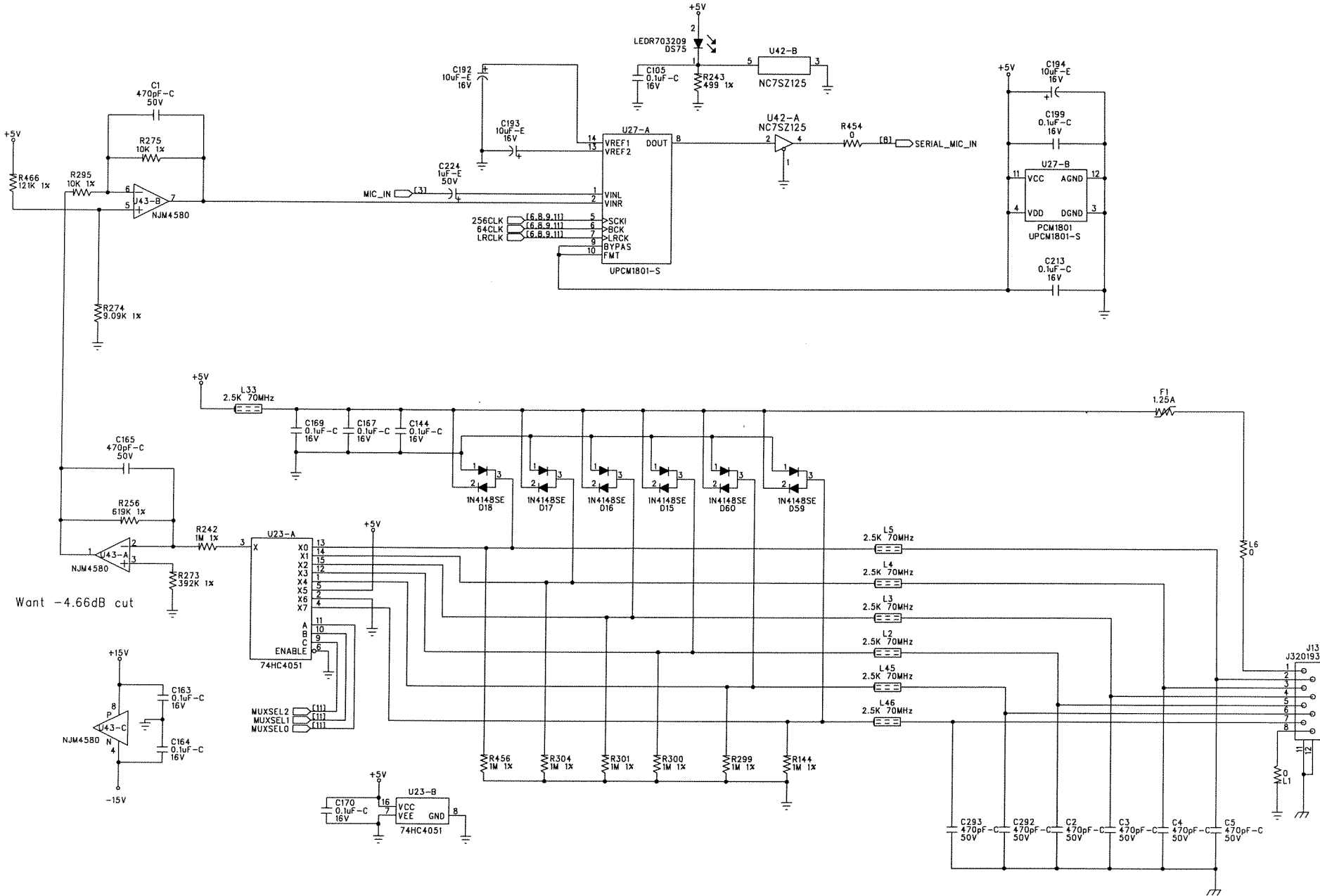
SIZE: A	SHEET TITLE: FRONT PANEL - METER LEDS	REVISION: C4
START DATE: 2-10-03	DRAWING NO: 05-1796	SHEET: 13 OF 20



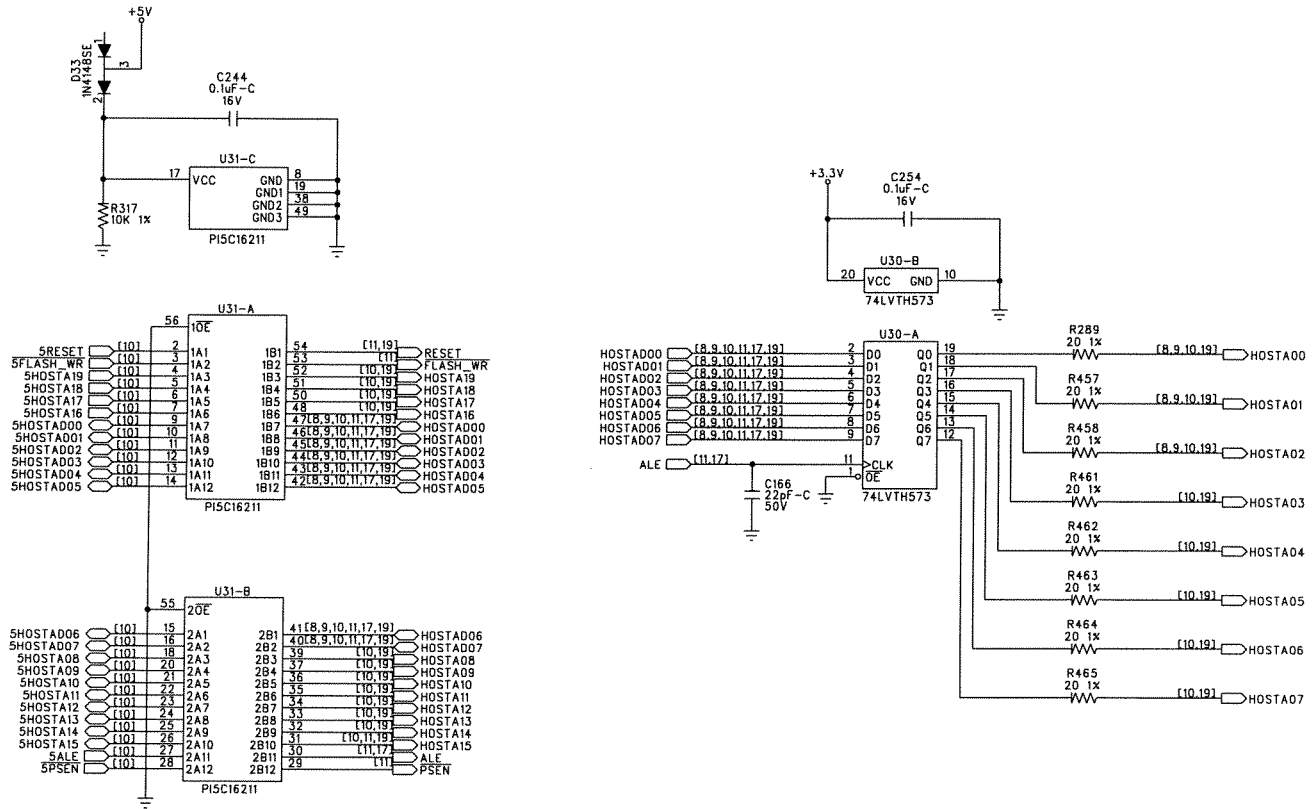
- Mute Button Switchcaps
- | | | | | | |
|-----------|-----------|-----------|-----------|-----------|-----------|
| SC16 | SC17 | SC18 | SC19 | SC20 | SC21 |
| SC242017A | SC242017A | SC242017A | SC242017A | SC242017A | SC242017A |
- Button Array Switchcaps
- | | | | | | |
|-----------|-----------|-----------|-----------|-----------|-----------|
| SC13 | SC2 | SC3 | SC4 | SC5 | SC6 |
| SC340199A | SC340199A | SC340199A | SC340199A | SC340199A | SC340199A |
| SC7 | SC8 | SC9 | SC10 | SC11 | SC12 |
| SC340199A | SC340199A | SC340199A | SC340199A | SC340199A | SC340199A |



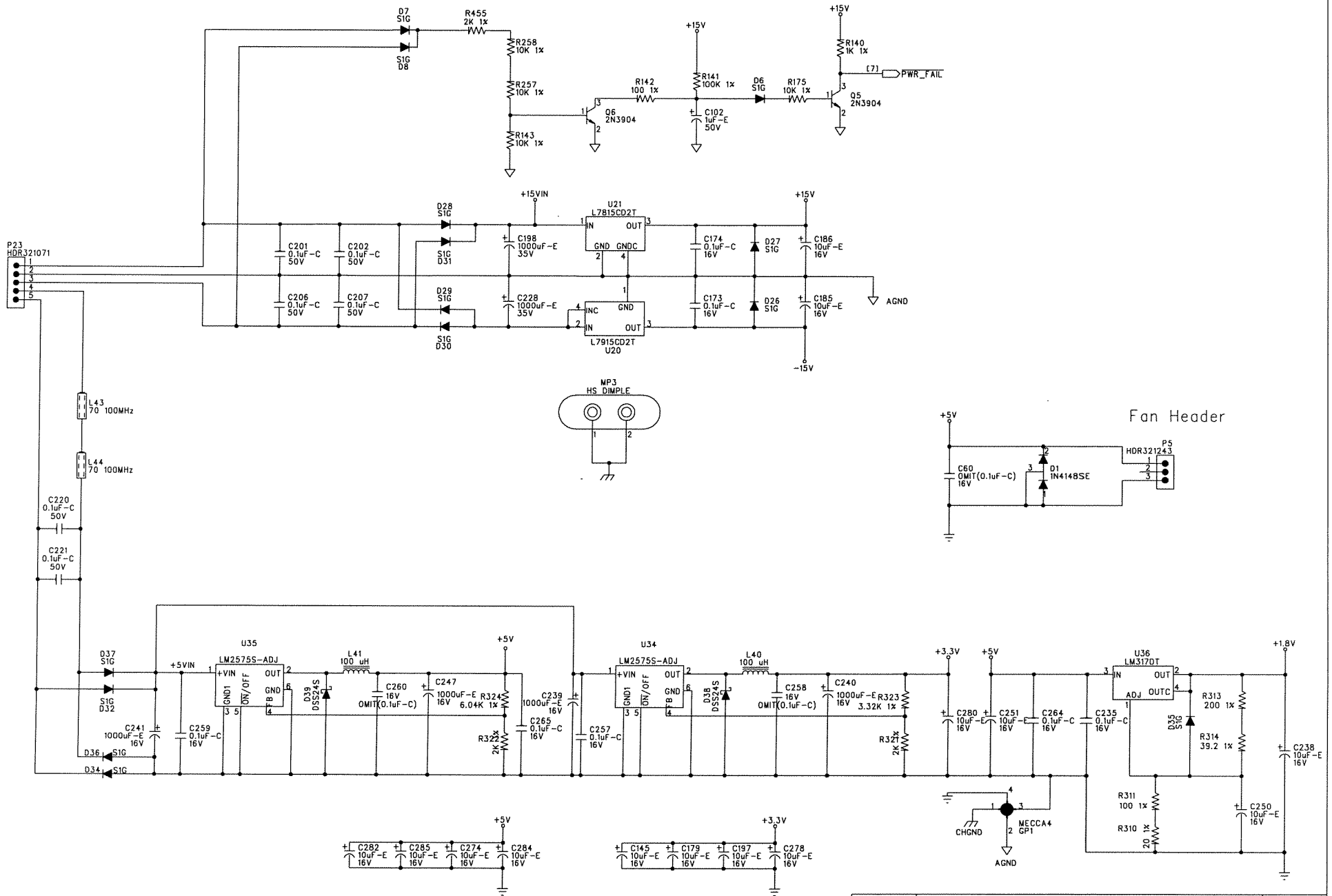
SIZE: A	SHEET TITLE: RS-232	REVISION: C4
DATE: 2-10-03	DRAWING NO: 05-1796	SHEET: 15 OF 20



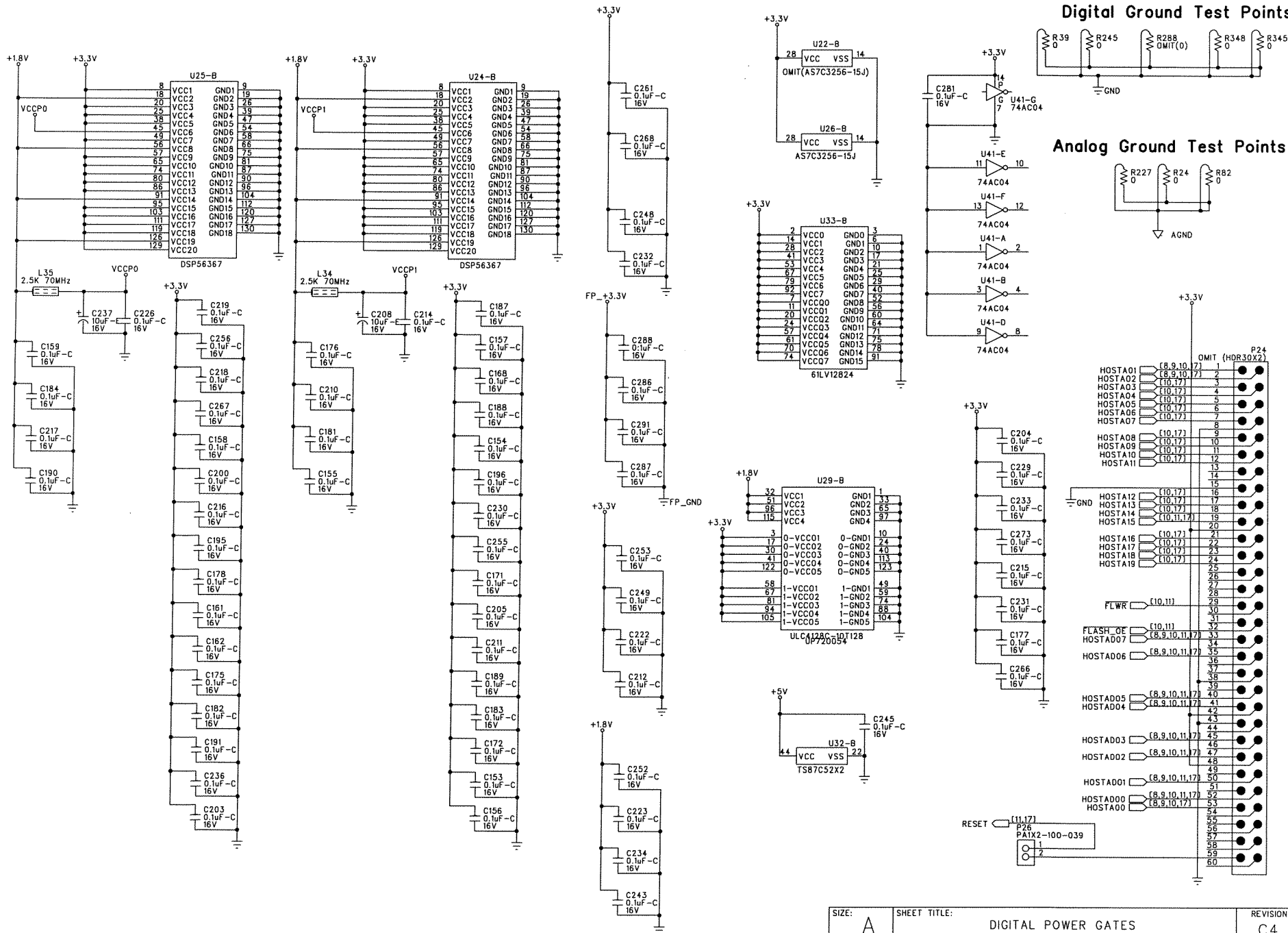
SIZE: A	SHEET TITLE: CONTACT CLOSURE	REVISION: C4
DATE: 2-10-03	DRAWING NO: 05-1796	SHEET: 16 OF 20



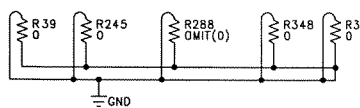
SIZE: A	SHEET TITLE: 5v TO 3V CONVERSION	REVISION: C4
DATE: 2-10-03	DRAWING NO: 05-1796	SHEET: 17 OF 20



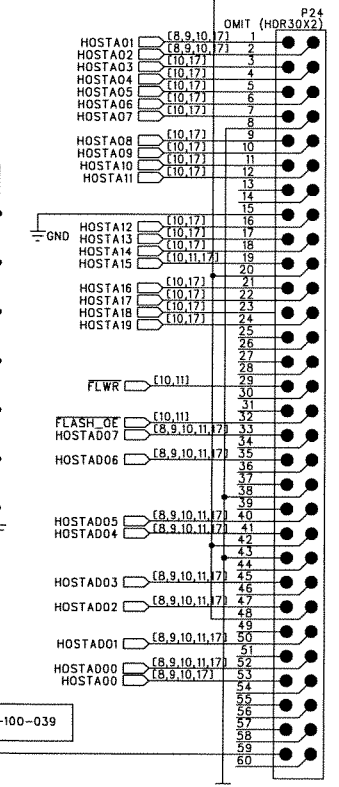
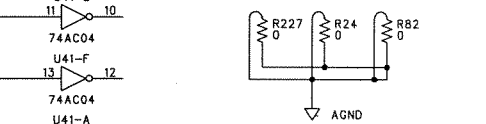
SIZE: A	SHEET TITLE: POWER SUPPLY	REVISION: C4
DATE: 2-10-03	DRAWING NO: 05-1796	SHEET: 18 OF 20



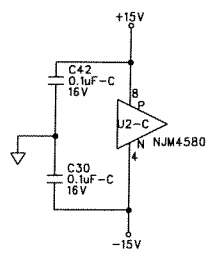
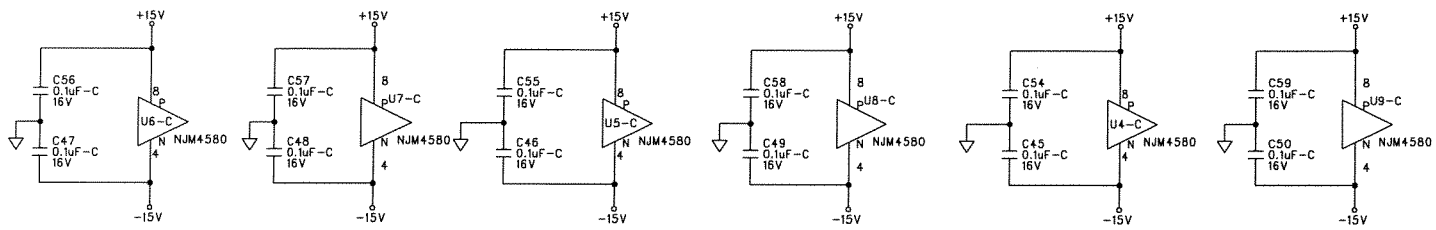
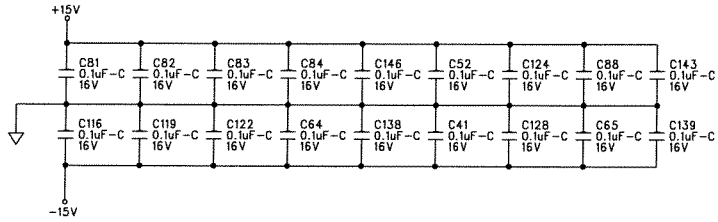
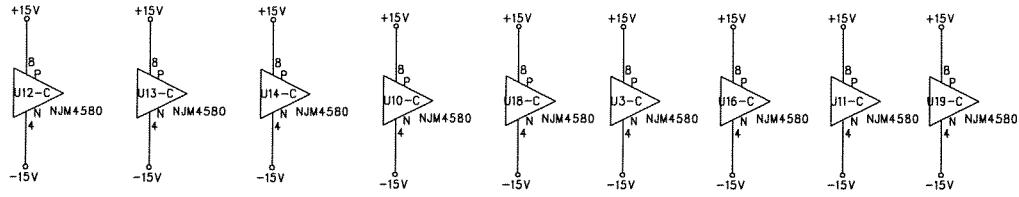
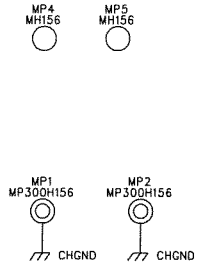
Digital Ground Test Points



Analog Ground Test Points



SIZE: A	SHEET TITLE: DIGITAL POWER GATES	REVISION: C4
DATE: 2-10-03	DRAWING NO: 05-1796	SHEET: 19 OF 20



SIZE: A	SHEET TITLE: ANALOG POWER GATES	REVISION: C4
START DATE: 2-10-03	DRAWING NO: 05-1796	SHEET: 20 OF 20

Bill Of Materials for 051796C4.sch on Mon Feb 10 20:12:06 2003

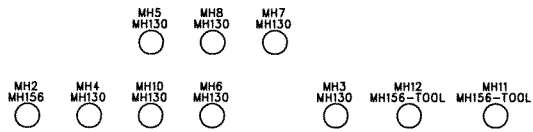
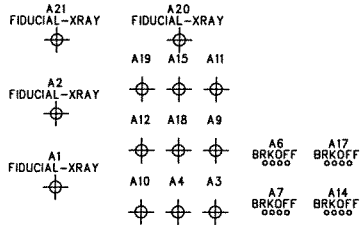
Qty	Reference	HMG#	Description	Audit	Schematic Part	PCB Decal
1	PCB1	80-1796	PCB 80-1796 dbx DRIVERACK 260/261	PT2044	80XXXXYY	BARCODE
8	A5-8 A13-14 A16-17	NON-PART	NON-PART, PCB ONLY, BREAKOFF PART	PT1481	BRKOFF	BRKOFF
12	C66 C69-70 C73-74 C77 C115 C117-118 C120-121 C123	56-0000	CAP 0.001uF FILM PTR 100V 5% AF TA	PT1629	C0.001UF100JR	RFCC200
2	C209 C227	56-0005	CAP 0.0068uF FILM PTR 100V 5% RF TA	PT1307	C0.0068UF100JR	RFDC200
2	C103 C150	56-0033	CAP 0.027uF FILM PTR 100V 5% RF TA	PT1282	C0.027UF100JR	RFEF200
142	C7 C28 C30 C32 C38 C41-42 C45-50 C52-59 C64-65 C81-84 C88 C97-98 C100 C105-106 C116 C119 C122 C124 C127-128 C134-135 C137-139 C143-144 C146 C153-159 C161-164 C167-178 C181-184 C187-191 C195-196 C199-200 C203-205 C210-219 C222-223 C226 C229-236 C242-245 C248-249 C252-257 C259 C261 C264-273 C276-277 C279 C281 C286-291 C294	62-1310	CAP 0.1uF CER 16V 20% Y5V 0603 TA	PT2696	C0.1UC16M0603	0603
3	C60 C258 C260	OMIT	OMIT CAP 0.1uF CER 16V 20% Y5V 0603 TA (62-1310)	PT2711	C0.1UC16M0603O	0603
6	C201-202 C206-207 C220-221	62-1312	CAP 0.1uF CER 50V +80%/-20% Y5V 0603 TA	PT2687	C0.1UC50Z0603	0603
2	C35-36	56-0012	CAP 0.1uF FILM MTPT 50V 5% RF TA	PT1200	C0.1UF50JR	RFEC200
4	C99 C114 C130 C136	62-1308	CAP 1000pF CER 50V 20% Y5V 0603 TA	PT2651	C1000PC50M0603	0603
4	C239-241 C247	60-0064	CAP 1000uF EL 16V 20% GP 10x17R 5LL TA	PT1334	C1000UE16MR	REM200P
2	C198 C228	60-0063	CAP 1000uF EL 35V 20% GP 13x25R 5LL BK	PT1207	C1000UE35MR	REQ200P
3	C34 C37 C44	60-0201	CAP 100uF EL 16V 20% GP 6x8R 5LS TA	PT1378	C100UE16MR	REG200P
29	C33 C61 C78-80 C101 C145 C147-149 C179 C185-186 C192-194 C197 C208 C237-238 C250-251 C274-275 C278 C280 C282 C284-285	60-0049-01	CAP 10uF EL 16V 20% GP 5x7R 5LS TA	PT1080	C10UE16MR	RED200P
29	C6 C8-27 C29 C31 C39-40 C43 C51 C62 C133	62-1304	CAP 120pF CER 50V 5% NPO 0603 TA	PT2655	C120PC50J0603	0603
7	C180 C246 C262 C283 C295-297	62-1300	CAP 15pF CER 50V 5% NPO 0603 TA	PT2659	C15PC50J0603	0603
1	C263	62-0094	CAP 18pF CER 50V 5% 0603 TA	PT2870	C18PC50J0603	0603
2	C102 C224	60-0044-01	CAP 1uF EL 50V 20% GP 5x7R 5LS TA	PT1079	C1UE50MR	RED200P
1	C166	62-1301	CAP 22pF CER 50V 5% NPO 0603 TA	PT2658	C22PC50J0603	0603
10	C67-68 C71-72 C75-76 C86-87 C141-142	60-0402	CAP 22uF ELNLP 25V 20% GP 6x11R 5LS TA	PT1084	C22UN25MR	REG200
8	C63 C95-96 C104 C129 C131 C151-152	62-1306	CAP 330pF CER 50V 10% X7R 0603 TA	PT2653	C330PC50K0603	0603
8	C1-5 C165 C292-293	62-1307	CAP 470pF CER 50V 10% X7R 0603 TA	PT2652	C470PC50K0603	0603
4	C85 C113 C140 C160	60-0054-01	CAP 47uF EL 16V 20% GP 5x11R 5LS TA	PT1108	C47UE16MR	REE200P
12	C89-94 C107-112	62-1303	CAP 68pF CER 50V 5% NPO 0603 TA	PT2656	C68PC50J0603	0603
43	D1-5 D9-24 D33 D40-60	70-0113	DIO MMBD4148SE DUAL 75V 600mA SOT-23 TA	PT1326	D1N4148SE-S	SOT-23

14	D6-8 D26-32 D34-37	70-3203	DIO SIG RECT 400V 1.0A SMA TA	PT2081 DS1G-S	DO-214AC/SMA
2	D38-39	70-0068	DIO RECT 40V 2A SCHOTTKY SS24 SM	PT2779 DSS24S	DO-214AA/SMB
1	F1	32-0186	FUSE 1.25A POLY SWITCH RESETABLE	PT2893 F1.25A320186	FUSE6
9	A3-4 A9-12 A15 A18-19	NON-PART	NON-PART, FIDUCIAL, TARGET FOR AUTO INSERTION	PT1271 FIDUCIAL	FIDUCIAL
4	A1-2 A20-21	NON-PART	NON-PART FIDUCIAL TARGET FOR AI AND XRAY	PT2796 FIDUCIAL-XRAY	FIDUCIAL-XRAY
1	P24	OMIT	OMIT (CON HDR 30 X 2 FEMALE AMP SMT)	DWB HC302V224SPMS	HC302V224SPMS
2	J11-12	32-0000	HCN CONN 50 PIN .5 MM CNTS 1X50 FML RA	PT2824 HCN320000	HC320000
1	J10	32-0176	HCN CONN 20 PIN FEM VRT MNT SMT	PT2773 HCN320176	HC102V079050FS
1	P30	32-1055	HDR, 20 PIN, 0.1" SPC, 2 X 10, VERT, MALE	PT1340 HDR321055	HC102
1	P23	32-1071	HDR, 5 PIN, 0.1" SPC, 1 X 5, LCK, POL, VERT, MALE	PT1621 HDR321071	HC51LPM
1	P1	32-1077	HDR, 6 PIN, 0.1" SPC, 2 X 3, VERT, MALE	PT1683 HDR321077	HC32
1	P5	32-1243	HDR 3 PIN .098 SPC 3X1 SHROUDED VERTICAL MT.	PT1876 HDR321243	HC31V98SP
8	P3-4 P8-13	32-1994	HDR 12 PN .1" SPC 2X6 VRT MT	PT2435 HDR321994	HC62V100M
1	P20	OMIT	OMIT HDR 14 PIN 0.1" SPC 2 X 7 VERT MALE (32-1083)	PT2127 HDR321083-O	HC72
1	J13	32-0193	JACK RJ45 SINGLE PORT 8 PIN R/A PCB MNT SHLD	PT2872 J320193	JRJ45_8P-LONG-SH LD
3	J1-3	32-0206	CON, JACK, XLR, R/A, PCA A SERIES	PT1219 J320206	XLRF-1
16	JP1-10 JP12-17	32-1075	JUMPER, MINI, .100 SPC	PT1415 JP321075	PCBNULL
1	JP11	OMIT	OMIT JUMPER MINI .100 SPC (32-1075)	PT2873 JP321075-O	PCBNULL
6	K1-6	72-5146	RELAY DPDT 12VDC POL SM	PT2219 K725146	KSLIM-8P
1	LBL1	30-0121	LABEL BARCODE AUTOINSERTABLE RAW	PT2790 LABEL300121	LABEL300121
38	DS10-11 DS28-42 DS44 DS46 DS48 DS50 DS52 DS54-61 DS66-73	70-3207	LED GREEN D1206 T&R	PT1902 LEDG703207	D1206
6	DS2-7	70-1920	LED RED/GRN WT/DIP SM 1210 TA	PT2428 LEDM701920	LED1210
18	DS1 DS12-19 DS43 DS45 DS47 DS49 DS51 DS53 DS64 DS74-75	70-3209	LED RED D1206 T&R	PT1901 LEDR703209	D1206
13	DS8-9 DS20-27 DS62-63 DS65	70-3208	LED YELLOW D1206 T&R	PT1900 LEDY703208	D1206
2	L43-44	26-0215	IND FBD 70 OHM @ 100MHz RIC200 TA	PT1262 LFB260215	RIC200
40	L2-5 L7-39 L42 L45-46	26-0217	IND FBD 2.5K OHM @ 70MHz 0805 TA	PT1261 LFB260217	0805
2	L40-41	26-0002	IND PWR 100uH 3A	PT2754 LI260002	UP3B
2	LP1-2	NON-PART	NON-PART 6 POS NOT INSTALLED UNTIL MECHANICAL ASSY (LIGHT PIPE)	PT1967 LP242015-6	LP242015-6
6	LP3-8	NON-PART	NON-PART 8 POS NOT INSTALLED UNTIL MECHANICAL ASSY (LIGHT PIPE)	PT1968 LP242015-8	LP242015-8
1	GP1	NON-PART	NON-PART MECCA GND/PWR TIE POINT 4 POS	PT2482 MECCA4	MECCA4
8	MH1 MH3-8 MH10	NON-PART	NON-PART, MOUNTING HOLE, 0.130" NON-PLATED, #4	PT1242 MH130	MH130
3	MH2 MP4-5	NON-PART	NON-PART MOUNTING HOLE 0.156" NON-PLATED #6	PT2832 MH156	MH156
2	MH11-12	NON-PART	NON-PART TOOLING PIN HOLE 156MIL HOLE	PT2794 MH156-TOOL	MH156-TOOL
1	MH9	NON-PART	NON-PART MECHANICAL PLATED HOLE 225 PAD 130 HOLE #4	PT1998 MP225H130	MP225H130
2	MP1-2	NON-PART	NON-PART, MECHANICAL PLATED HOLE, 300 PAD, 156 HOLE, #6	PT1045 MP300H156	MP300H156
1	MP3	NON-PART	NON-PART SMT HEATSINK DIMPLE 300P 156H #6	PT2816 MP300H156-HSDMP	MP300H156-HSDMP
6	J4-9	32-0204	CON PLUG XLR R/A PCA A SERIES	PT1218 P320204	XLRM-1
1	P2	32-1017	CON JACK DCONN DUAL PORT 9P RA MALE PC MNT	PT1931 P321017	DCON9PM
14	P6-7 P14-19 P21-22 P26-27 P29 P31	NON-PART	NON-PART PD ARY 2 PN 0.100" SPC 0.039" HLE	PT1645 PA1X2-100-039	PA1X2-100-039
17	Q2 Q4-6 Q8-20	70-1058	XSTR, 2N3904, NPN, SOT-23, T&R	PT1203 Q2N3904-S	SOT-23
2	Q1 Q3	70-1059	XSTR 2N3906 PNP SOT-23 SM TA	PT1057 Q2N3906-S	SOT-23
17	R2-3 R5-6 R78 R123 R230 R241 R244 R249 R266 R292 R316 R342 R344 R347 R454	50-1300	RES 0 5% 1/16W SM 0603 TA	PT2508 R0-B5-0603	0603
7	R122 R126 R229 R236-238 R248	OMIT	OMIT RES 0 5% 1/16W SM 0603 TA (50-1300)	PT2509 R0-B5-0603O	0603
4	L1 L6 R127 R235	50-1531	RES 0 5% 1/10W SM 0805 TA	PT1099 R0-C5-0805	0805
7	R24 R39 R82 R227 R245 R345 R348	50-0317	RES 0 5% 1/4W CF RR TA	PT1008 R0-E5-R	RRA200
1	R288	OMIT	OMIT RES 0 5% 1/4W CF RR TA (50-0317)	PT1596 R0-E5-RO	RRA200
2	R25 R40	52-1314	RES 1.5K 1% 1/16W SM 0603 TA	PT2551 R1.5KB1-0603	0603
4	R14 R17 R20 R23	52-1339	RES 10.2K 1% 1/16W SM 0603 TA	PT2591 R10.2KB1-0603	0603

12	R147 R150 R153 R156 52-1340 R159 R162 R200 R203 R206 R209 R212 R215	RES 10.7K 1% 1/16W SM 0603 TA	PT2592 R10.7KB1-0603	0603
15	R33-38 R142 R234 52-1304 R270 R277 R281 R284 R287 R291 R311	RES 100 1% 1/16W SM 0603 TA	PT2512 R100-B1-0603	0603
6	R141 R178-179 52-1360 R263-264 R335	RES 100K 1% 1/16W SM 0603 TA	PT2613 R100KB1-0603	0603
62	R80-81 R84 R87 R90 52-1338 R93 R96 R99 R102 R105 R108 R111 R114 R117 R143 R175 R233 R239-240 R246-247 R250 R257-260 R267-269 R271-272 R275-276 R278-280 R282-283 R285-286 R290 R293-298 R305-309 R312 R315 R317-319 R325-326 R330-331 R343	RES 10K 1% 1/16W SM 0603 TA	PT2584 R10KB1-0603	0603
1	R329 OMIT	OMIT RES 10K 1% 1/16W SM 0603 TA (52-1338)	PT2628 R10KB1-06030	0603
1	R466 52-1361	RES 121K 1% 1/16W SM 0603 TA	PT2614 R121KB1-0603	0603
1	R338 52-1362	RES 150K 1% 1/16W SM 0603 TA	PT2615 R150KB1-0603	0603
17	R9-10 R29-30 R146 52-1344 R151-152 R157-158 R163 R182-187 R190	RES 15K 1% 1/16W SM 0603 TA	PT2596 R15KB1-0603	0603
4	R125 R217 R219 R255 52-1305	RES 169 1% 1/16W SM 0603 TA	PT2513 R169-B1-0603	0603
20	R27 R140 R188-189 52-1313 R191 R195 R333 R359-362 R373-374 R377 R384 R387 R407 R413 R424 R441	RES 1K 1% 1/16W SM 0603 TA	PT2550 R1KB1-0603	0603
1	R79 OMIT	OMIT RES 1K 5% 1/16W SM 0603 TA (50-1313)	PT2535 R1KB5-06030	0603
9	R144 R242 R299-301 52-1372 R304 R320 R332 R456	RES 1M 1% 1/16W SM 0603 TA	PT2625 R1MB1-0603	0603
4	R124 R168 R226 R254 52-1317	RES 2.21K 1% 1/16W SM 0603 TA	PT2555 R2.21KB1-0603	0603
4	R120 R181 R222 R265 52-1318	RES 2.49K 1% 1/16W SM 0603 TA	PT2556 R2.49KB1-0603	0603
6	R44 R50 R56 R62 R68 52-1319 R74	RES 2.67K 1% 1/16W SM 0603 TA	PT2557 R2.67KB1-0603	0603
14	R289 R310 R334 52-1300 R450-453 R457-458 R461-465	RES 20 1% 1/16W SM 0603 TA	PT2507 R20-B1-0603	0603
28	R313 R327 R341 R346 52-1306 R353-358 R369-372 R394-397 R400 R402-406 R437-440	RES 200 1% 1/16W SM 0603 TA	PT2514 R200-B1-0603	0603
1	R339 52-1364	RES 221K 1% 1/16W SM 0603 TA	PT2617 R221KB1-0603	0603
16	R4 R7 R164 R167 52-1316 R176-177 R180 R193 R221 R225 R251 R261-262 R321-322 R455	RES 2K 1% 1/16W SM 0603 TA	PT2553 R2KB1-0603	0603
12	R43 R46 R49 R52 R55 52-1322 R58 R61 R64 R67 R70 R73 R76	RES 3.16K 1% 1/16W SM 0603 TA	PT2560 R3.16KB1-0603	0603
6	R45 R51 R57 R63 R69 52-1323 R75	RES 3.24K 1% 1/16W SM 0603 TA	PT2561 R3.24KB1-0603	0603
15	R119 R148-149 52-1324 R154-155 R160-161 R201-202 R207-208 R213-214 R224 R323	RES 3.32K 1% 1/16W SM 0603 TA	PT2562 R3.32KB1-0603	0603
50	R26 R32 R194 52-1307	RES 332 1% 1/16W SM 0603 TA	PT2543 R332-B1-0603	0603

	R363-368 R385-386							
	R388-393 R398-399							
	R401 R408-412							
	R414-421 R429-436							
	R442-449 R459							
5	R165-166 R252-253	50-1325	RES 33K 5% 1/16W SM 0603 TA		PT2589 R33KB5-0603	0603		
	R336							
1	R314	52-1301	RES 39.2 1% 1/16W SM 0603 TA		PT2515 R39.2-B1-0603	0603		
13	R41 R128-133	52-1355	RES 39.2K 1% 1/16W SM 0603 TA		PT2608 R39.2KB1-0603	0603		
	R169-174							
1	R273	52-0000	RES 392K 1% 1/10W SM 0603 TA		PT2892 R392KB1-0603	0603		
4	R15-16 R21-22	52-1325	RES 4.02K 1% 1/16W SM 0603 TA		PT2563 R4.02KB1-0603	0603		
12	R42 R47-48 R53-54	52-1327	RES 4.53K 1% 1/16W SM 0603 TA		PT2565 R4.53KB1-0603	0603		
	R59-60 R65-66							
	R71-72 R77							
4	R1 R192 R197 R460	52-1328	RES 4.64K 1% 1/16W SM 0603 TA		PT2568 R4.64KB1-0603	0603		
12	R134-139 R199	52-1329	RES 4.99K 1% 1/16W SM 0603 TA		PT2566 R4.99KB1-0603	0603		
	R204-205 R210-211							
	R216							
18	R196 R198 R218 R220	52-1308	RES 499 1% 1/16W SM 0603 TA		PT2545 R499-B1-0603	0603		
	R223 R232 R243							
	R302-303 R328							
	R375-376 R378-383							
6	R86 R92 R98 R104	52-1331	RES 5.76K 1% 1/16W SM 0603 TA		PT2576 R5.76KB1-0603	0603		
	R110 R116							
15	R8 R11-13 R18-19	52-1332	RES 6.04K 1% 1/16W SM 0603 TA		PT2577 R6.04KB1-0603	0603		
	R28 R31 R85 R91 R97							
	R103 R109 R115 R324							
12	R83 R88-89 R94-95	52-1303	RES 60.4 1% 1/16W SM 0603 TA		PT2511 R60.4-B1-0603	0603		
	R100-101 R106-107							
	R112-113 R118							
2	R145 R231	52-1309	RES 619 1% 1/16W SM 0603 TA		PT2546 R619-B1-0603	0603		
1	R256	52-0196	RES 619K 1% 1/10W SM 0603 TA		PT2894 R619KB1-0603	0603		
1	R337	52-1358	RES 63.4K 1% 1/16W SM 0603 TA		PT2611 R63.4KB1-0603	0603		
11	R340 R349-352	52-1335	RES 7.5K 1% 1/16W SM 0603 TA		PT2581 R7.5KB1-0603	0603		
	R422-423 R425-428							
2	R121 R228	52-1336	RES 8.06K 1% 1/16W SM 0603 TA		PT2582 R8.06KB1-0603	0603		
1	R274	52-1337	RES 9.09K 1% 1/16W SM 0603 TA		PT2583 R9.09KB1-0603	0603		
1	P25	38-0001	RBN CBL 20 COND. 0.1", 4.25"		PT2772 RC20-380001	RC380001		
1	SC1	34-0125	SWITCH CAP, BLACK, ROUND		PT1354 SC340125	SC340125-FPE		
6	SC16-21	24-2017-A	SWITCHCAP dbx LIGHTED MUTE BUTTON		PT2025 SC242017A			
12	SC2-13	34-0199-A	SWITCH CAP dbx LIGHTED		PT2024 SC340199A	PCBNULL		
1	SW1	44-0050	SWITCH DPDT MINI IN-OUT 6 PIN E-SWITCH		PT1256 SW440050	SW440050		
1	SW6	44-0119	ENCODER 20mm D SHAFT 30 POS W/SWITCH VERT MOUNT		PT1890 SW440119	SW440119		
18	SW2-5 SW7-20	44-0185	SWITCH, SPST, LITE TOUCH, MINI, W/ PROJECTED PLUNGER SMT		PT1962 SW440185	SW4PTACT-3		
18	TP1-18	NON-PART	NON-PART, TEST POINT, ENGINEERING PROBE POINT		PT1653 TESTPOINT	TESTPOINTSM		
1	U33	72-1488	IC 128K x 24 STATIC RAM 9ns 3.3V QFP100-14X20		PT2469 U128K24S9-3.3-Q	QFP100-14X20		
1	U39	72-0046	IC 25AA640 64K SERIAL EEPROM TA		PT2774 U25AA260	SO8		
1	U26	72-6318	IC 32K x 8 SRAM 15ns SOJ28		PT2294 U32K8S15-J	SOJ28-300		
1	U22	OMIT	OMIT IC 32K x 8 SRAM 15ns SOJ28 (72-6318)		PT2874 U32K8S15-JO	SOJ28-300		
1	U41	72-5426	IC, 74AC04, HEX INVERTER, SO14, T&R		PT1325 U74AC04-S	SO14		
1	U23	72-0085	IC 74HC4051 ANALOG MUX/DEMUX SO16		PT1927 U74HC4051-S	SO16		
1	U30	72-0063	IC 74LVTH573 3.3V ABT 8-LATCH 3-STATE SSO20 TR		PT2856 U74LVTH573-P	SSOP20		
1	U15	72-1485	IC AK4356 192kHz 24 BIT 6 CHANNEL DAC		PT2717 UAK4356-Q	QFP44-10X10		
1	U17	72-1464	IC, AK5392, DUAL 24BIT ADC, SO28W		PT1555 UAK5392-S	SO28W		
2	U24-25	72-6305	IC DSP56367 DSP 150MHZ QFP144-20X20		PT2452 UDSP56367-Q	QFP144-20X20		
1	U21	70-0070	V-REG L7815CD2T +15V 1A TA		PT2817 UL7815CD2T-S	TO263 (D2PAK)		
1	U20	70-0069	V-REG L7915CD2T -15V 1A TA		PT2819 UL7915CD2T-S	TO263 (D2PAK)		
2	U34-35	70-0063	V-REG LM2575S-ADJ SWITCHING REG 1A TO-263 (5)		PT2739 ULM2575S-ADJ	TO-263 (5)		
1	U36	70-0072	V-REG LM317DT 1.2V TO 37V ADJ 0.5A TA		PT2866 ULM317DT-S	TO252 (DPAK)		
3	U37-38 U42	72-5434	IC NC7SZ125 TINYLOGIC BUFFER SOT23-5 TA		PT1881 UNC7SZ125-S	SOT23-5		
1	U44	72-0068	IC NCP302H VOLTAGE DETECTOR SM SOT23-5		PT2869 UNCP302H	SOT23-5		
18	U2-14 U16 U18-19	72-1480	IC NJM4580 DUAL OP-AMP SO8		PT1374 UNJM4580-S	SO8		

1	U40 U43						
1	U29	72-0054-00V1	IC CPLD LC4128C-10T128 128 MC 92I/O SM dbx Driverack 260 V1	PT2859	UP720054	TQFP128	
1	U32	72-0061-00V1	IC TS87C52X2 8 BIT OTP MICRO 5V 30Mhz dbx Driverack 260 V1	PT2868	UP720061	PLCC-44	
1	U28	72-0062-00V1	IC AM29LV800BT 70nS 8 MEG FLASH dbx DRIVERACK 260 V1	PT2827	UP720062	TSOP48	
1	U27	72-0055	IC PCM1801 16-BIT ADC 93DB SM	MTB	UPCM1801-S	SO14	
1	U31	72-0059	IC PI5C16211 24 BIT BUS SWITCH 5V-3V TSSOP	PT2860	UPI5C16211-TS	TSSOP56	
1	U1	72-0056	IC SP202ECN RS-232 DUAL DRIVER/RECEIVER SM	MTB	USP202ECN-S	SO16	
1	Y1	76-0000	XTAL 22.1184MHz HC49 18PF SM TR	PT2829	Y22.1184M760000	XTAL2-V	
1	X1	76-0006	XTAL 24.576MHz SMT CX16F/CS49G PKG	PT2713	Y24.576M760006	YCX16F/CX49G	



LBL1
30-0121

PCB1
80-1796

REV	DESCRIPTION	ECN #	INIT	DATE
C5	CHANGE L17, L20, L23, L26, L29, L32 TO 0 OHM RESISTORS OMIT P5 FAN HEADER	2554	DWB	5-20-03
C4	DELETED S32 SOCKET 70-3168	2441	DWB	2-10-03
C3	CHANGED VALUES ON R40, R25, R78 AND OMITED R79	2369	BDP	12-23-02
C2	CHANGED COMPONENTS L1 AND L6 FROM 26-0217 TO 50-1531	2366	BDP	12-23-02
C1	CHANGED VALUES OF R456, R304, R301, R300, R299, R144, R256 CHANGED VALUES OF R242, R273, F1	2360	DWB	12-19-02
C0	CHANGED FOOTPRINT TO U29	2351	MRC	11-18-02
B0	RELEASE TO PRODUCTION	XXXX	DWB	11-18-02
A0	RELEASE TO PRODUCTION	2331	DWB	11-18-02

REVISION HISTORY

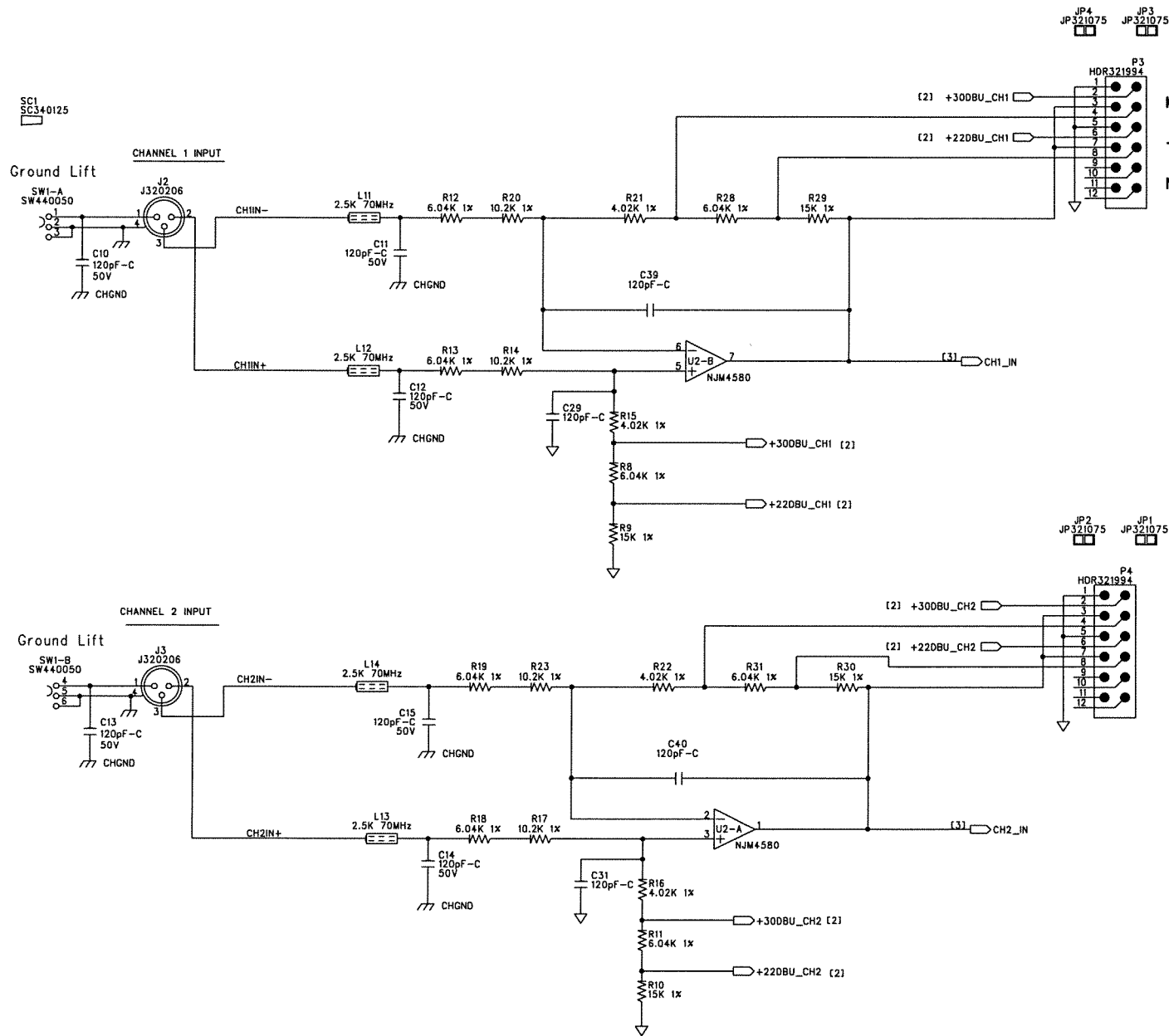
dbx PROFESSIONAL PRODUCTS
8760 South Sandy Parkway Sandy Utah 84070

TITLE: dbx DriveRack 260
MAIN PCB

DESIGNER: DAVID W. BYBEE ENGINEER: ROBERT BOATRIGHT

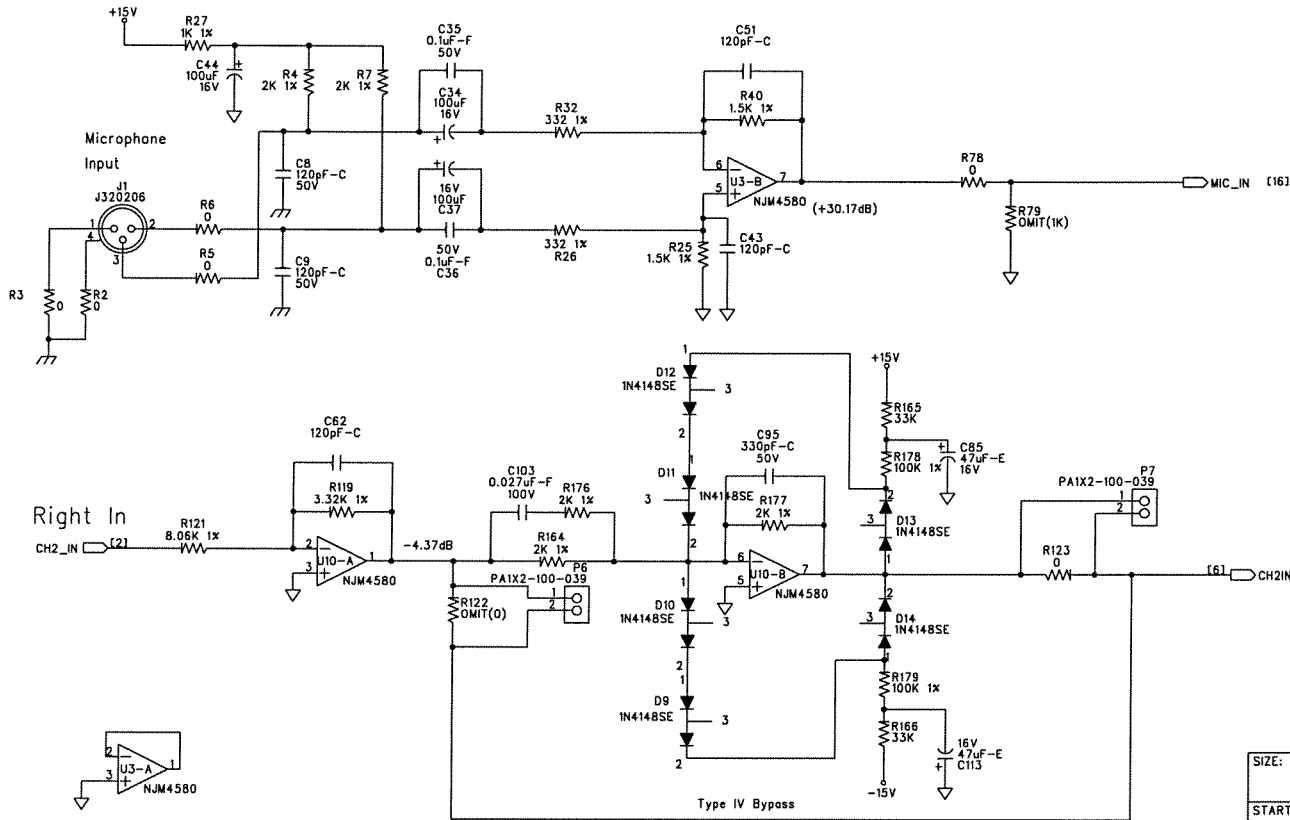
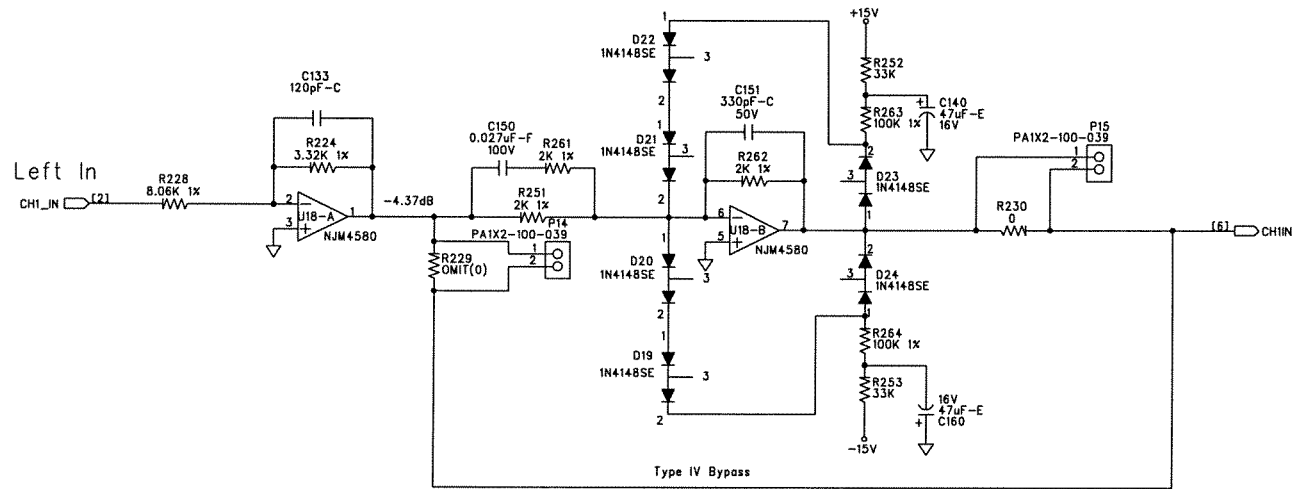
SIZE: A DRAWING NO: 05-1796 REVISION: C5

DATE: 5-20-03 FILENAME: 051796C5.SCH SHEET: 1 OF 20

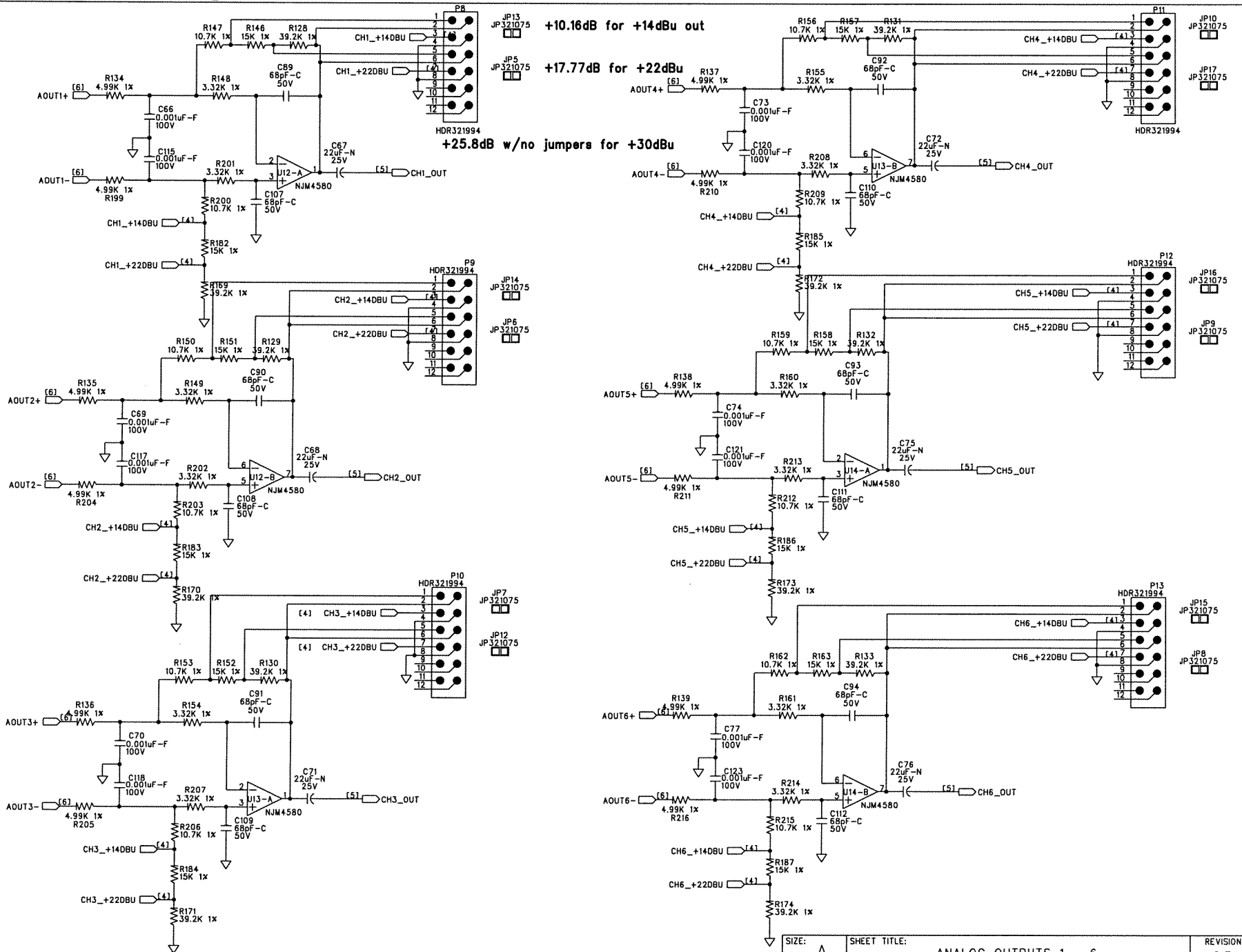


Max cut is -16.33dB for +30dBu in
 -8.26dB cut for +22dBu in
 No jumpers = -.33dB for +14dBu in

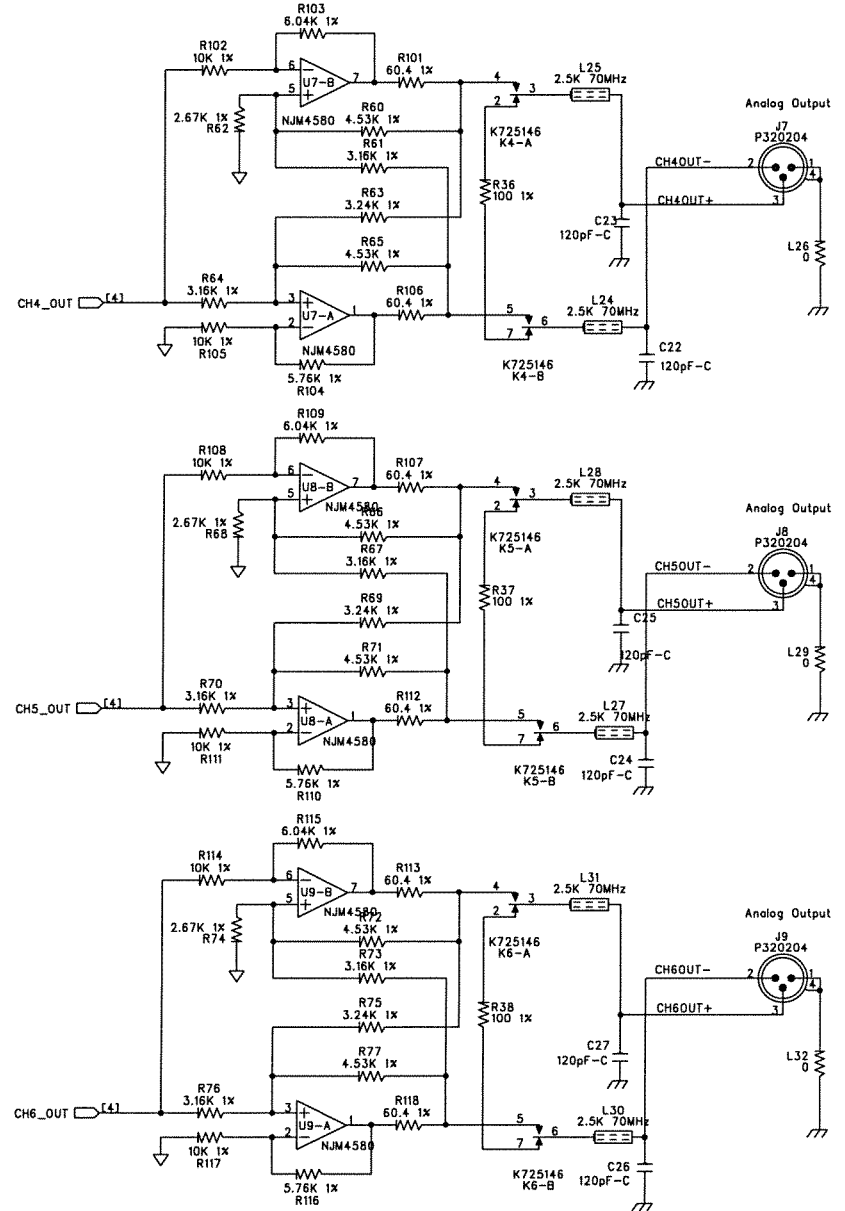
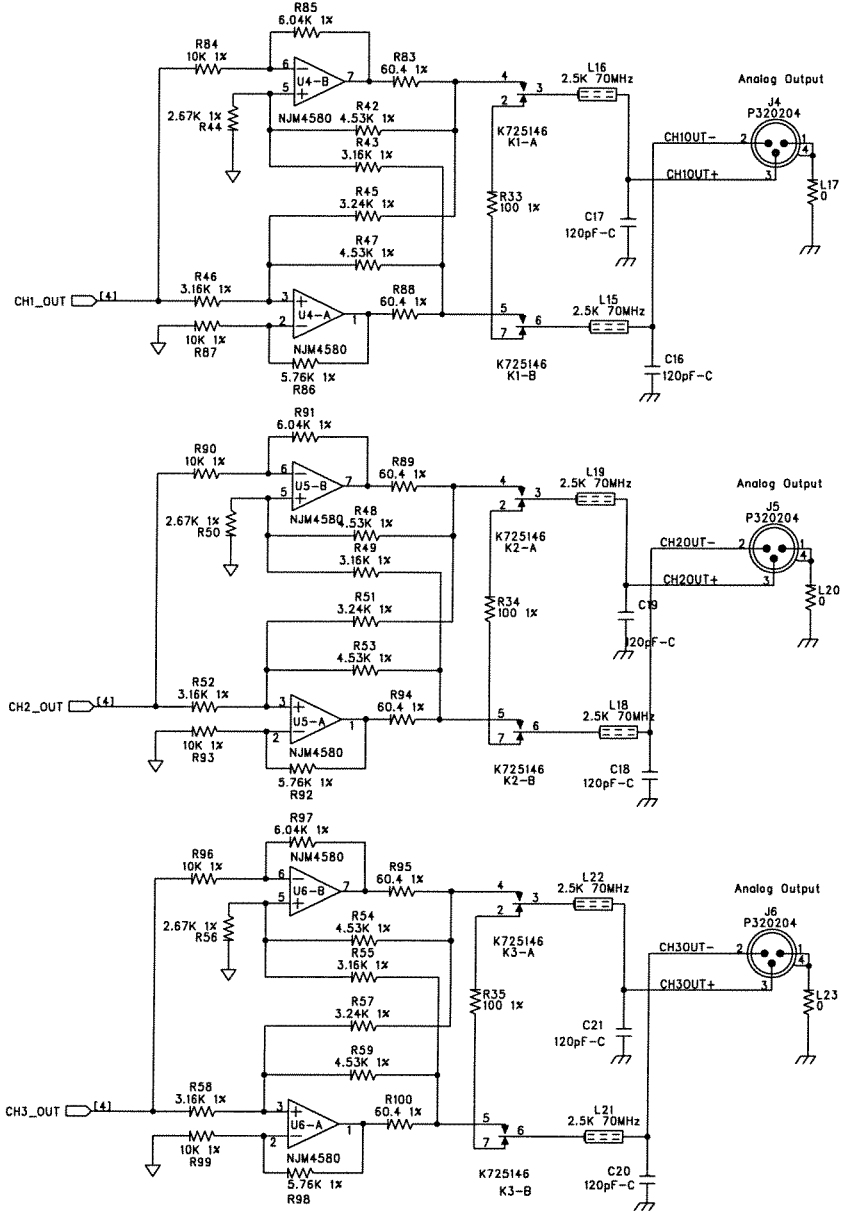
SIZE: A	SHEET TITLE: CHANNEL 1 & 2 INPUTS	REVISION: C5
START DATE: 5-20-03	DRAWING NO: 05-1796	SHEET: 2 OF 20



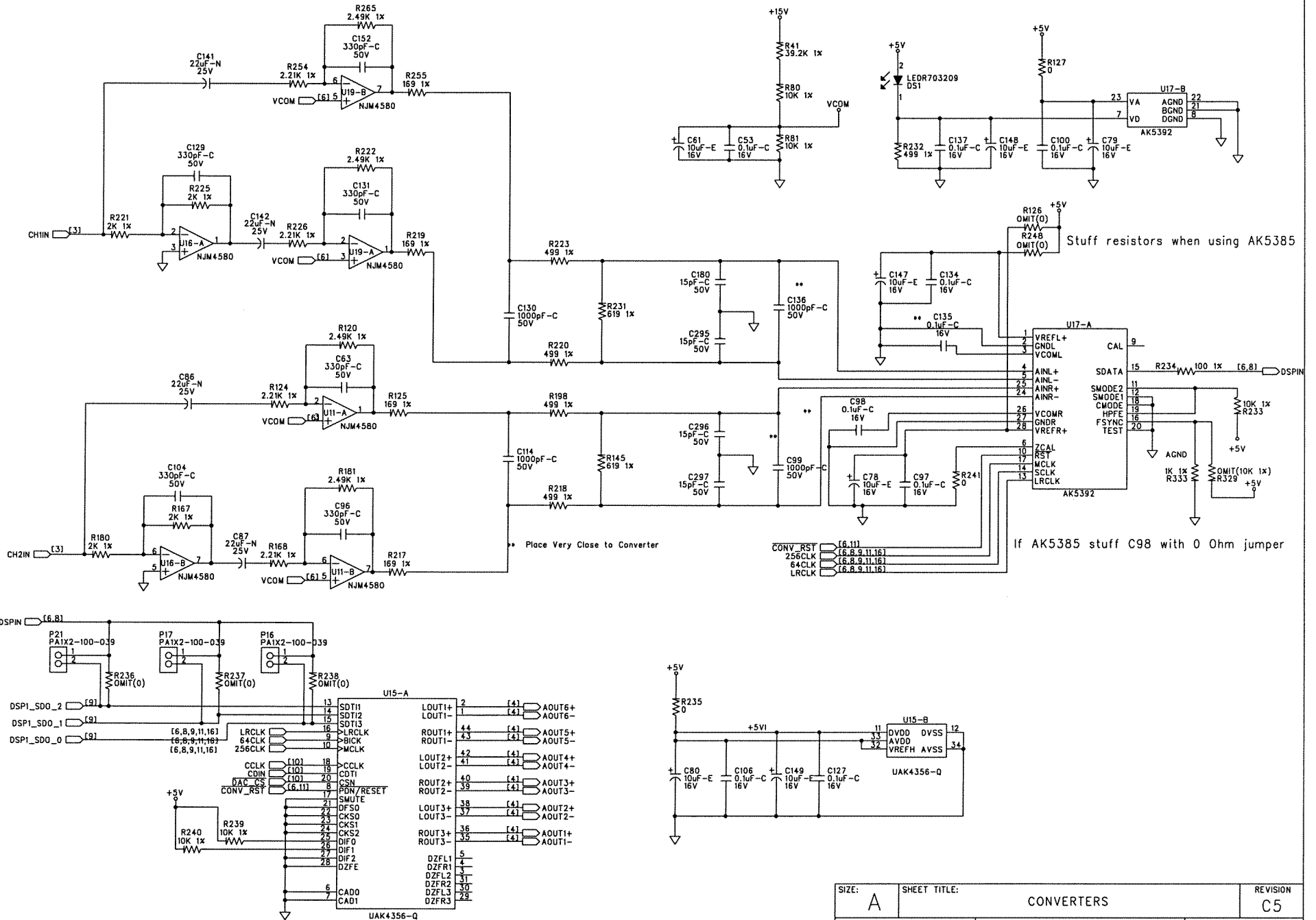
SIZE: A	SHEET TITLE: ANALOG CHANNEL 1 & 2 INPUTS	REVISION: C5
START DATE: 5-20-03	DRAWING NO: 05-1796	SHEET: 3 OF 20



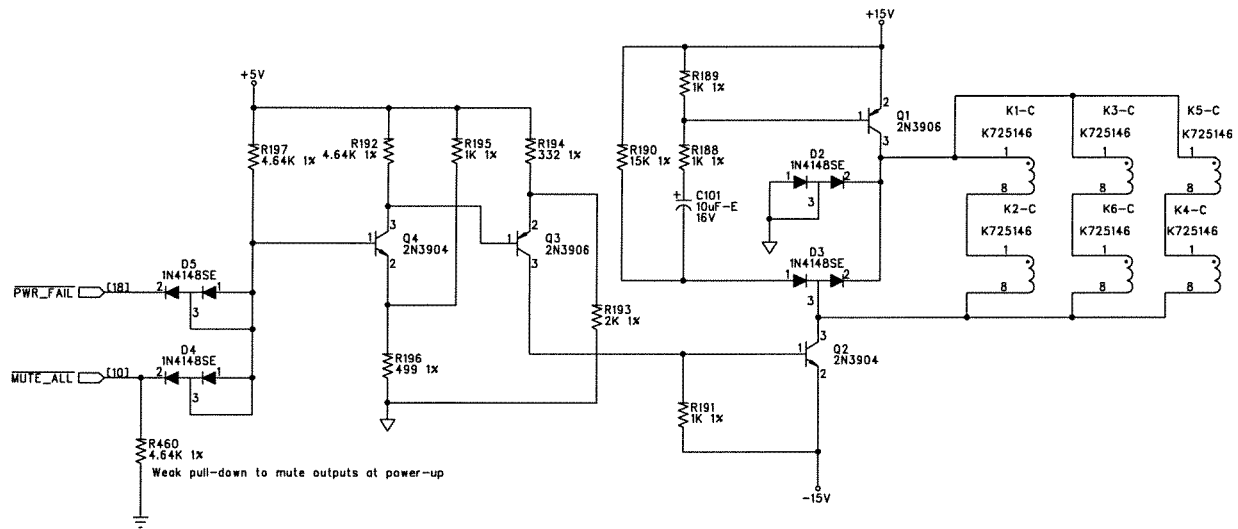
SIZE: A	SHEET TITLE: ANALOG OUTPUTS 1 - 6	REVISION: C5
START DATE: 5-20-03	DRAWING NO: 05-1796	SHEET: 4 OF 15



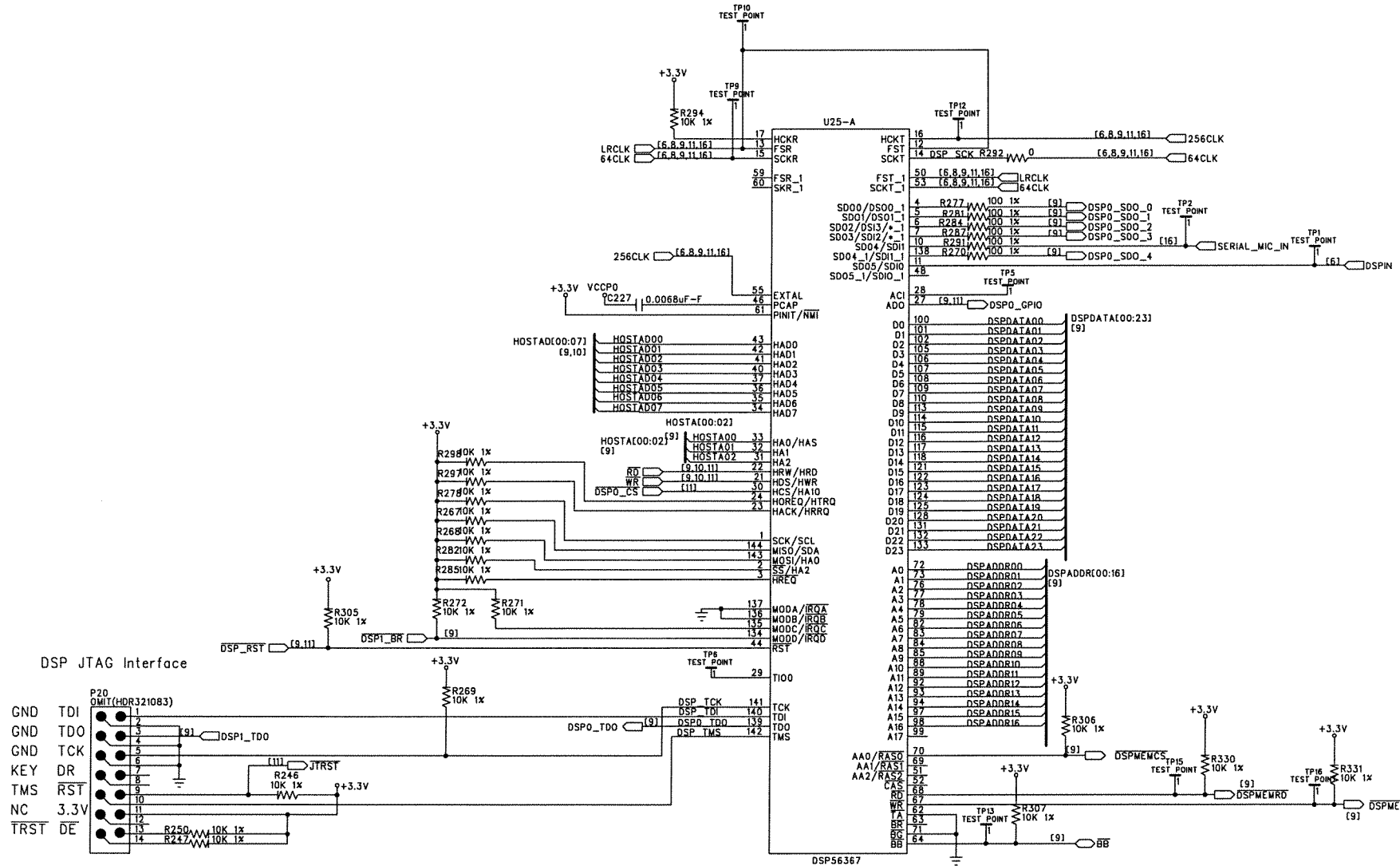
SIZE: A	SHEET TITLE: OUTPUT JACKS	REVISION C5
DATE: 5-20-03	DRAWING NO: 05-1796	SHEET: 5 OF 20



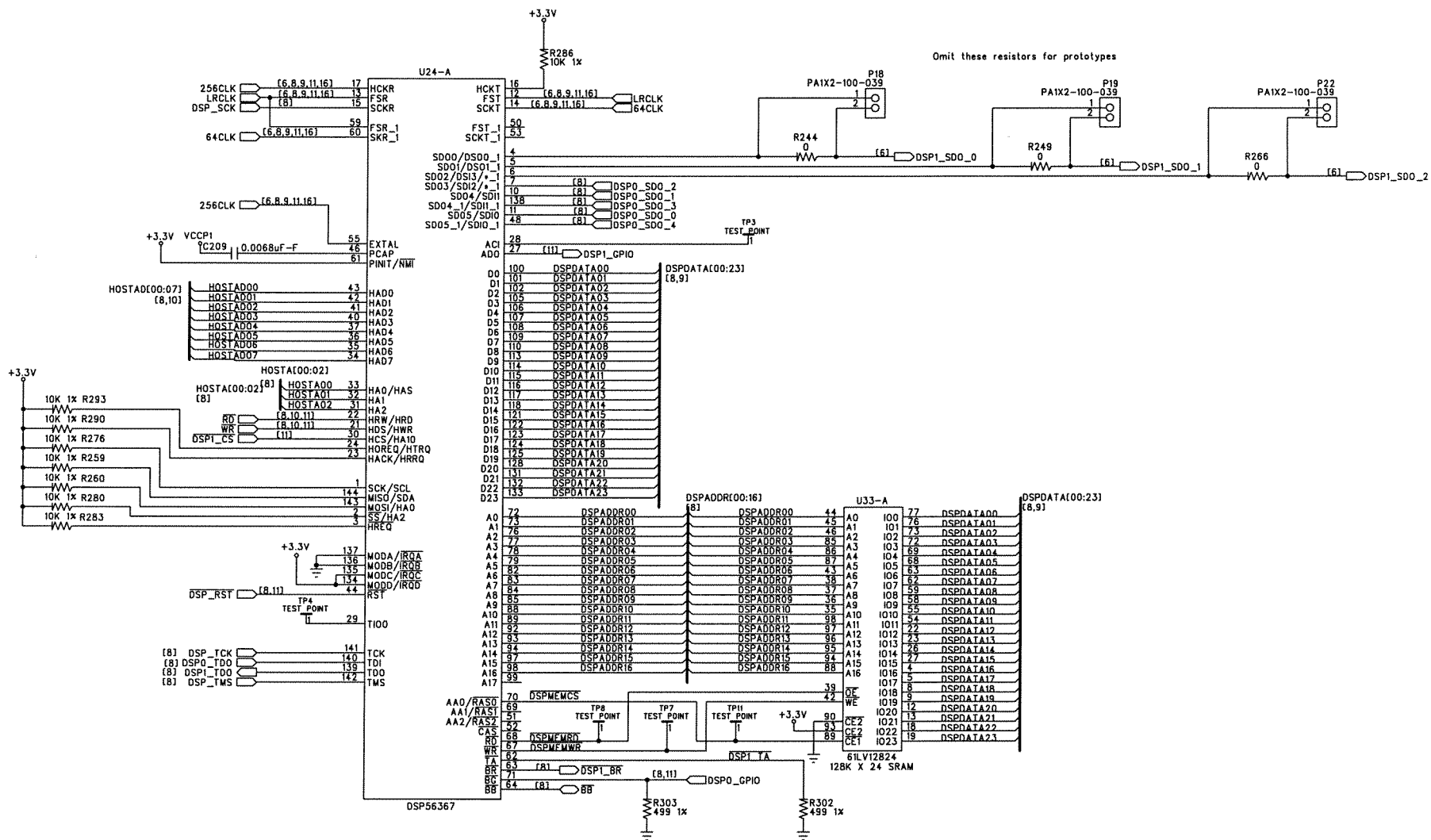
SIZE: A	SHEET TITLE: CONVERTERS	REVISION: C5
DATE: 5-20-03	DRAWING NO: 05-1796	SHEET: 6 OF 20



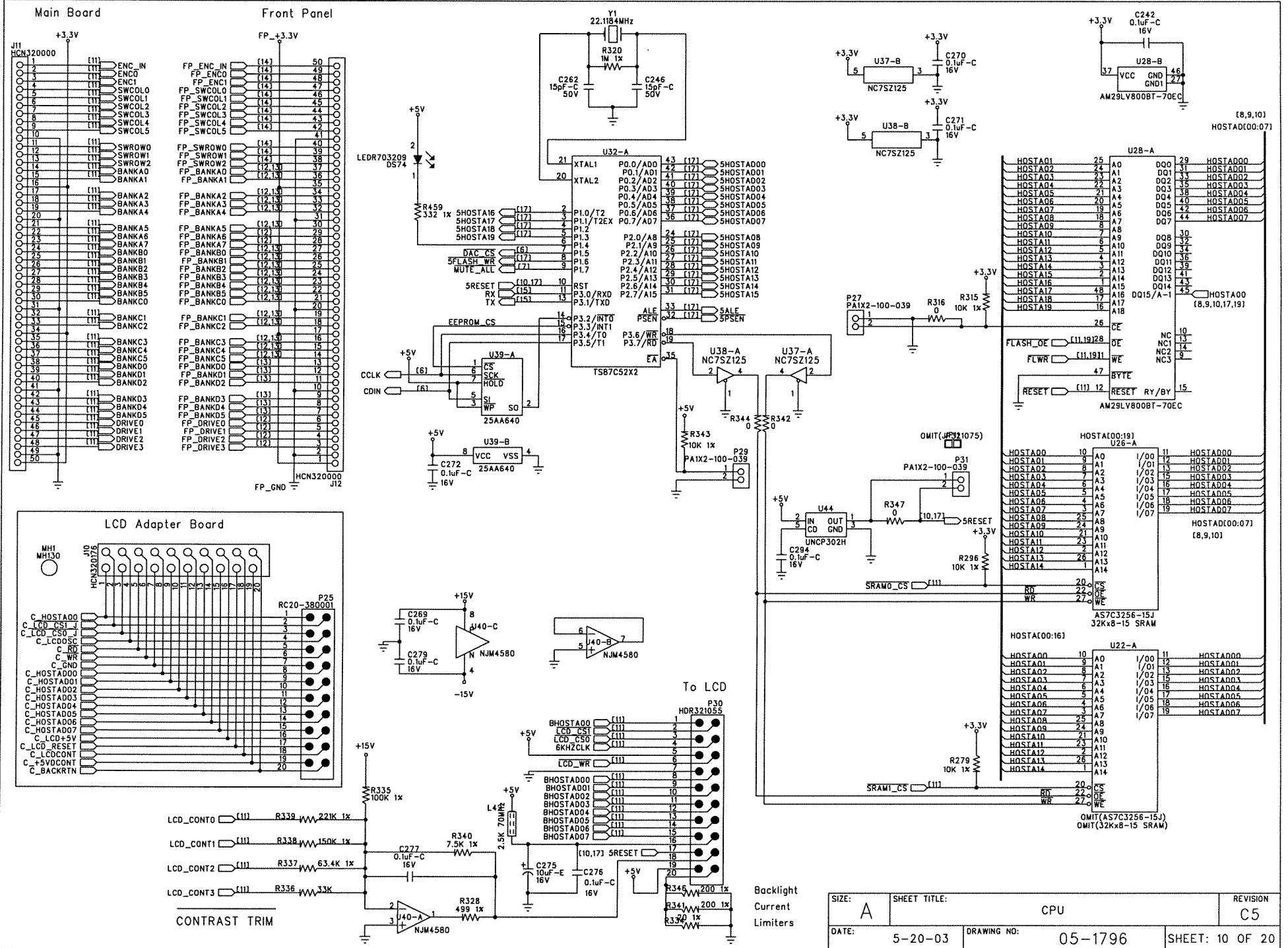
SIZE: A	SHEET TITLE: Mute Control		REVISION C5
DATE: 5-20-03	DRAWING NO: 05-1796	SHEET: 7 OF 20	



SIZE: A	SHEET TITLE: DSP0	REVISION: C5
DATE: 5-20-03	DRAWING NO: 05-1796	SHEET: 8 OF 20

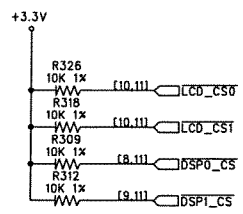
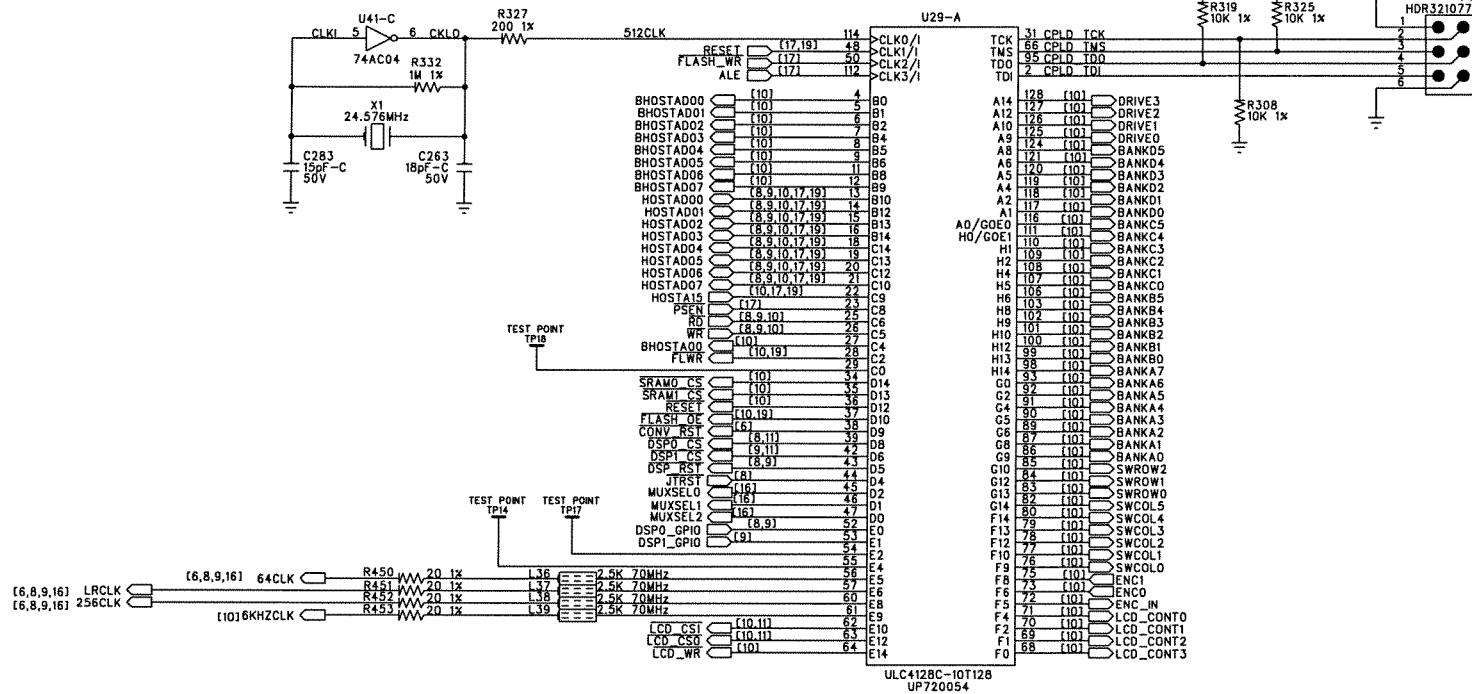


SIZE: A	SHEET TITLE: DSP1	REVISION: C5
DATE: 5-20-03	DRAWING NO: 05-1796	SHEET: 9 OF 20

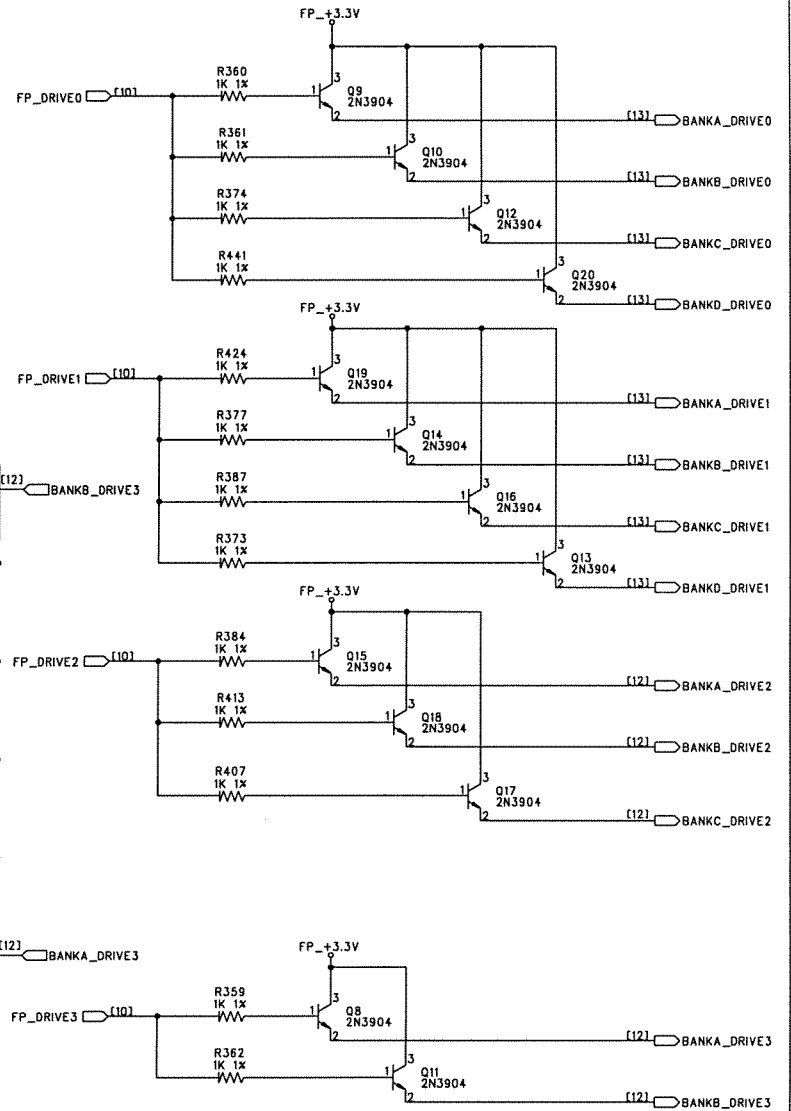
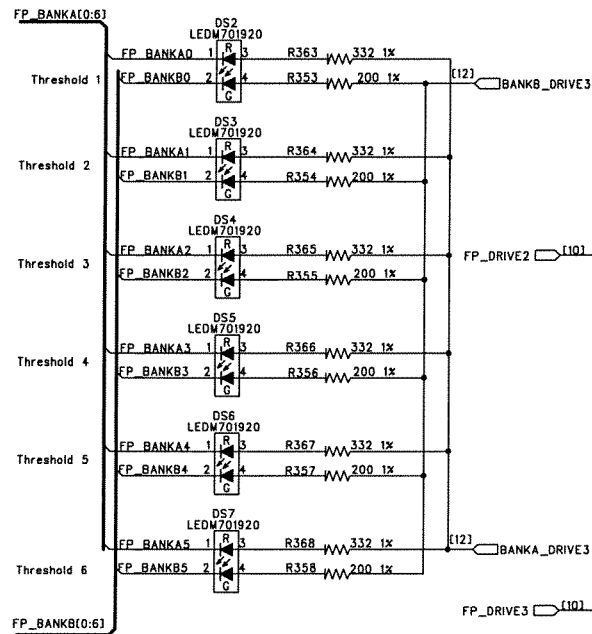
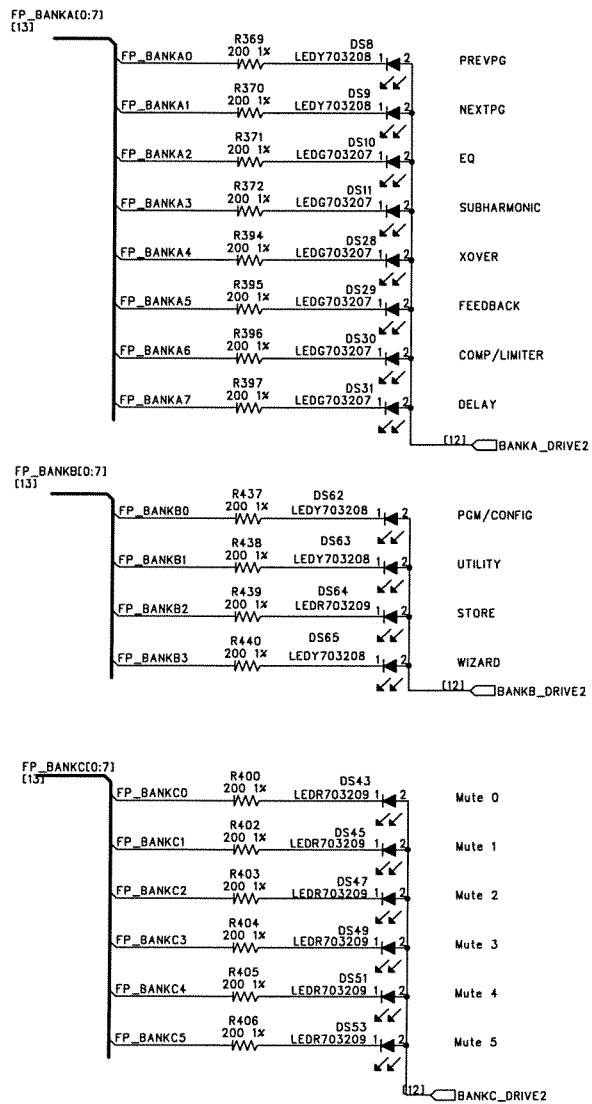


SIZE:	A	SHEET TITLE:	CPU	REVISION:	C5
DATE:	5-20-03	DRAWING NO:	05-1796	SHEET: 10 OF 20	

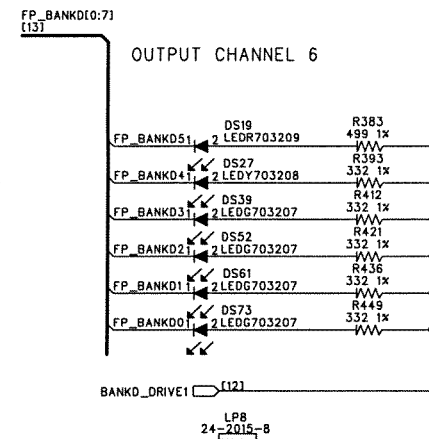
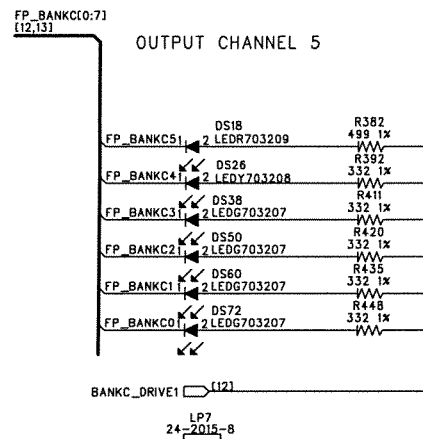
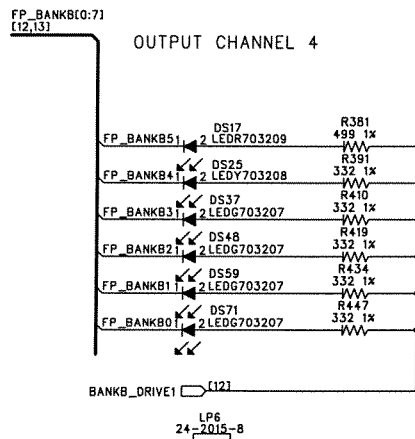
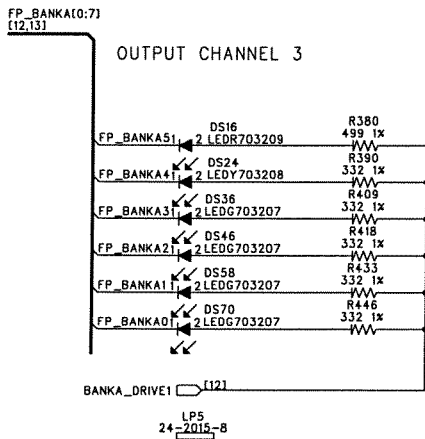
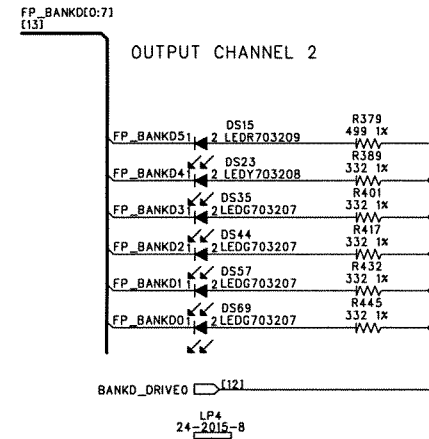
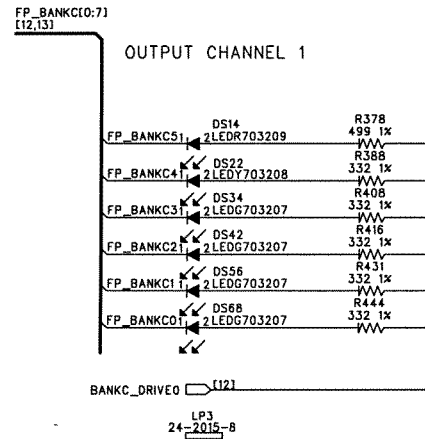
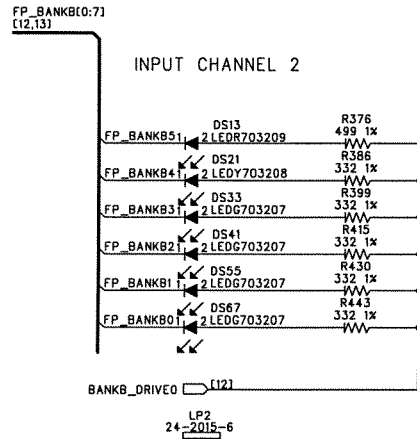
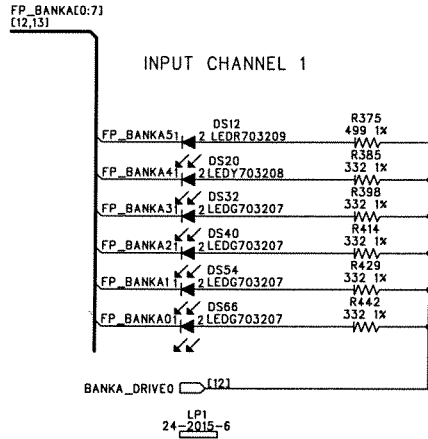
x512fs Crystal Oscillator
24.576 MHz



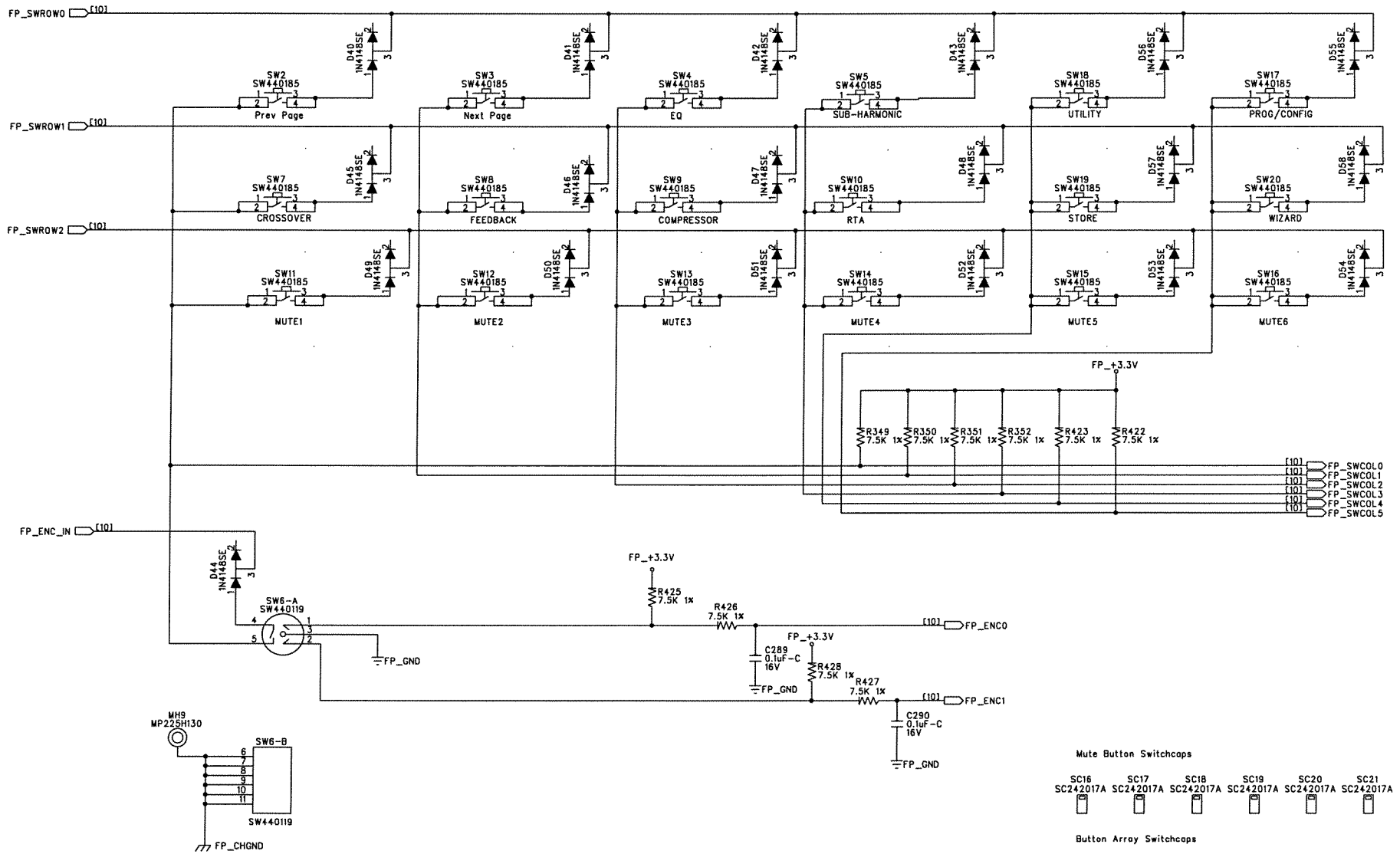
SIZE: A	SHEET TITLE: CPLD	REVISION: C5
DATE: 5-20-03	DRAWING NO: 05-1796	SHEET: 11 OF 20



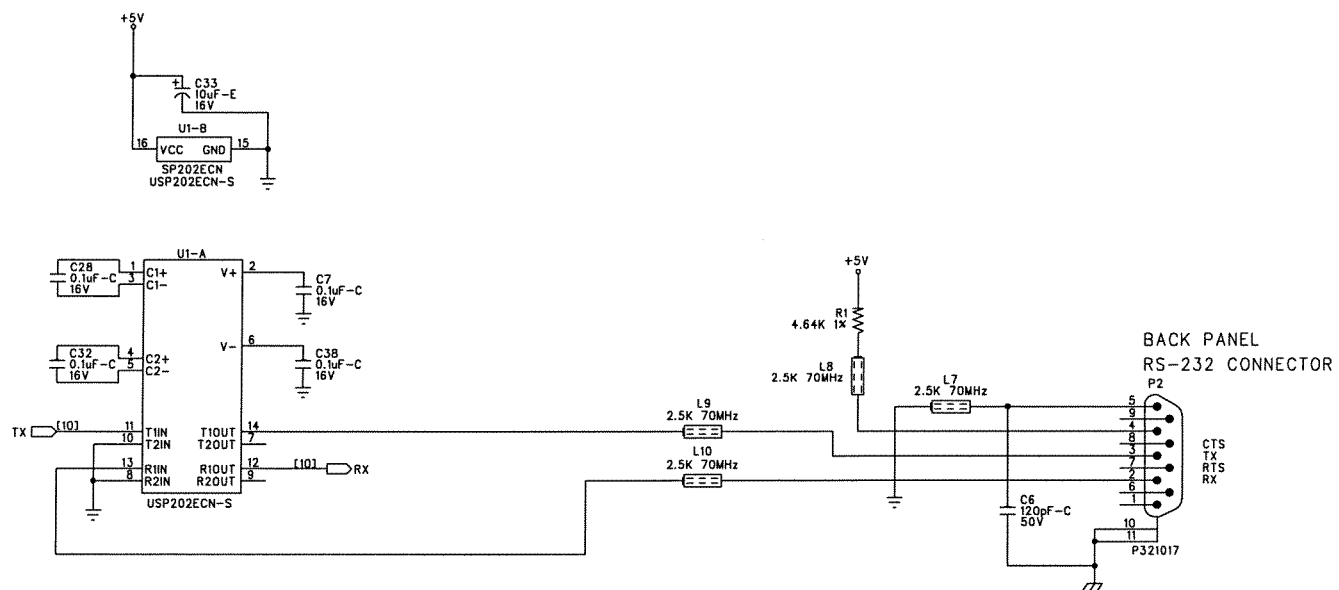
SIZE: A	SHEET TITLE: FRONT PANEL - BUTTON LEDS	REVISION C5
DATE: 5-20-03	DRAWING NO: 05-1796	SHEET: 12 OF 20



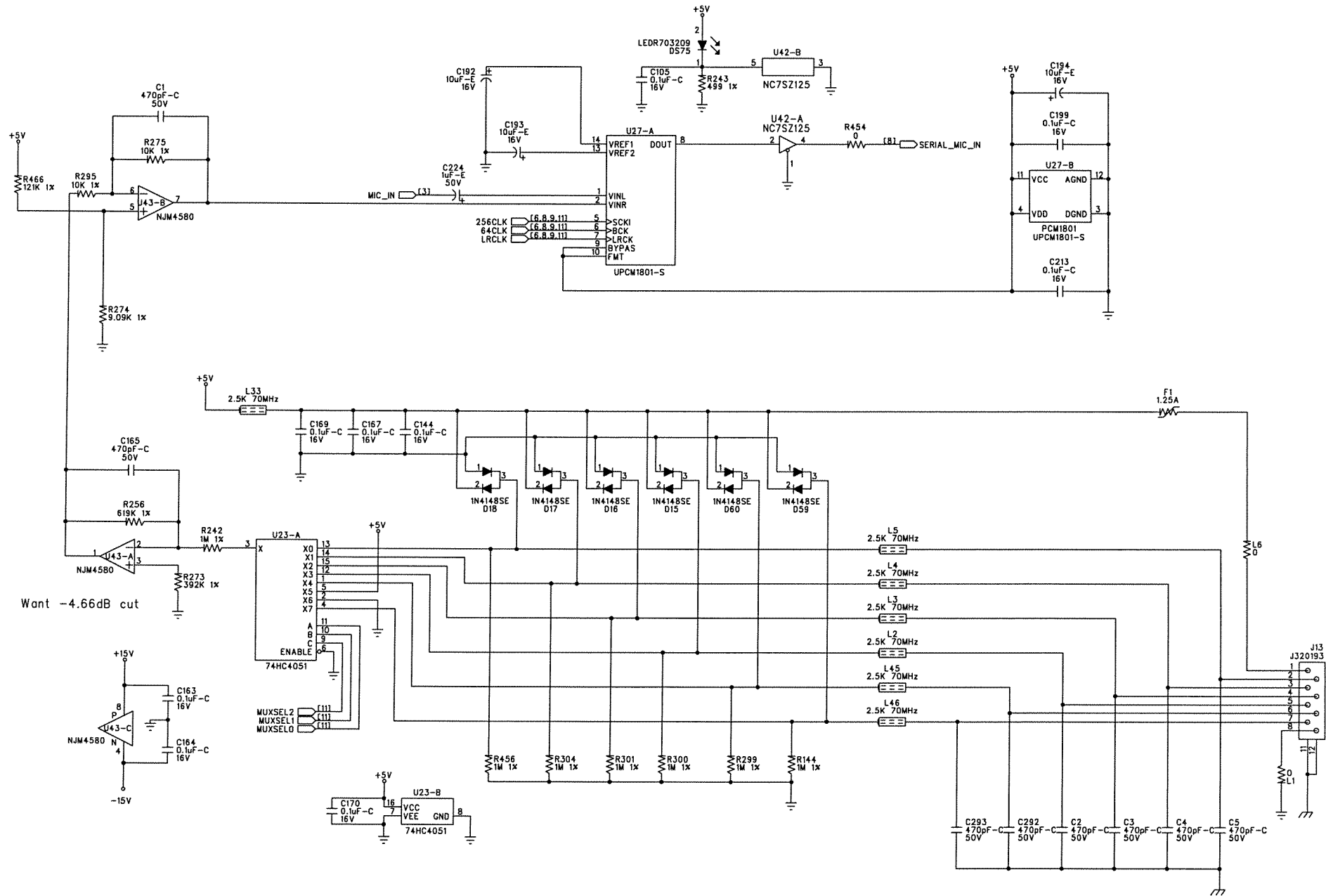
SIZE: A	SHEET TITLE: FRONT PANEL - METER LEDS	REVISION C5
START DATE: 5-20-03	DRAWING NO: 05-1796	SHEET: 13 OF 20



SIZE:	DR260 FRONT PANEL - SWITCHES		REV: C5
DATE:	5-20-03	05-1796	SHEET: 14 OF 20

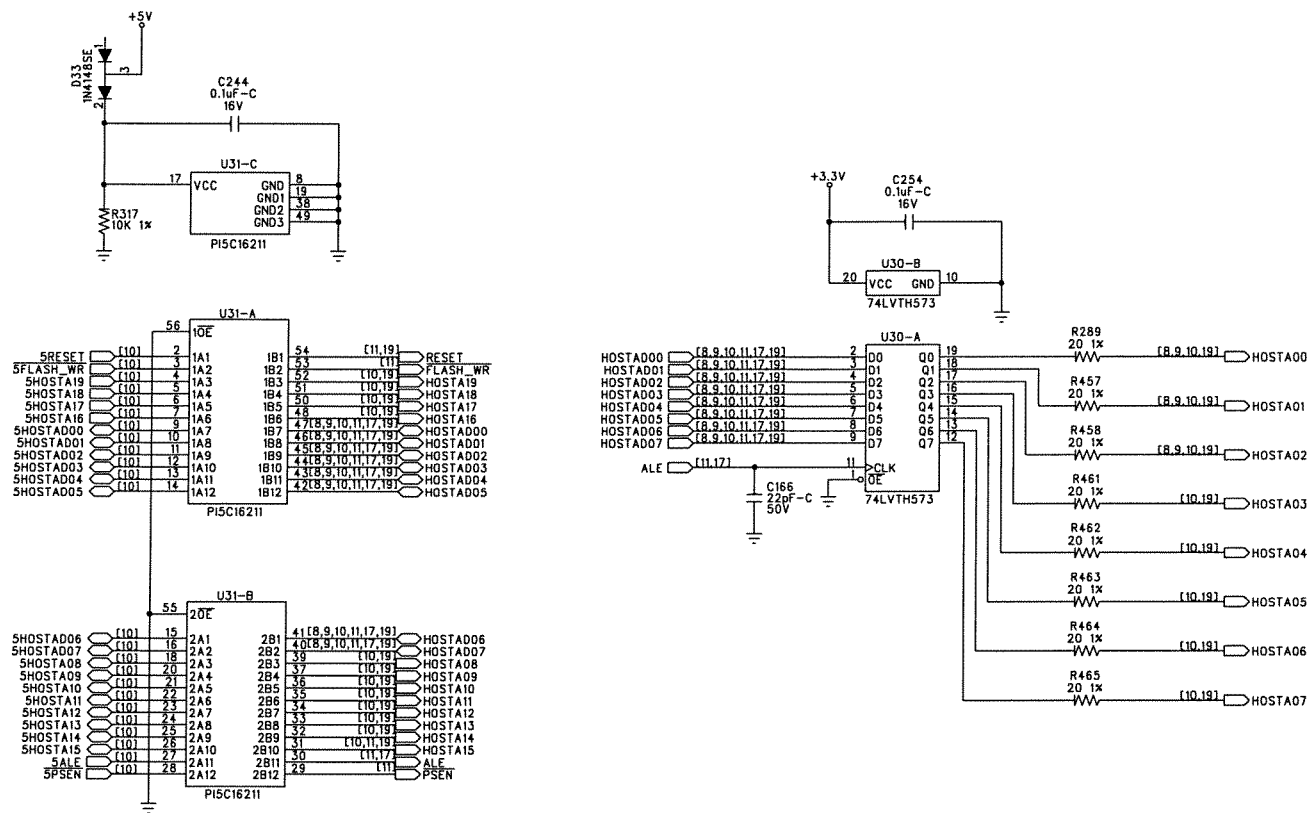


SIZE: A	SHEET TITLE: RS-232	REVISION C5
DATE: 5-20-03	DRAWING NO.: 05-1796	SHEET: 15 OF 20

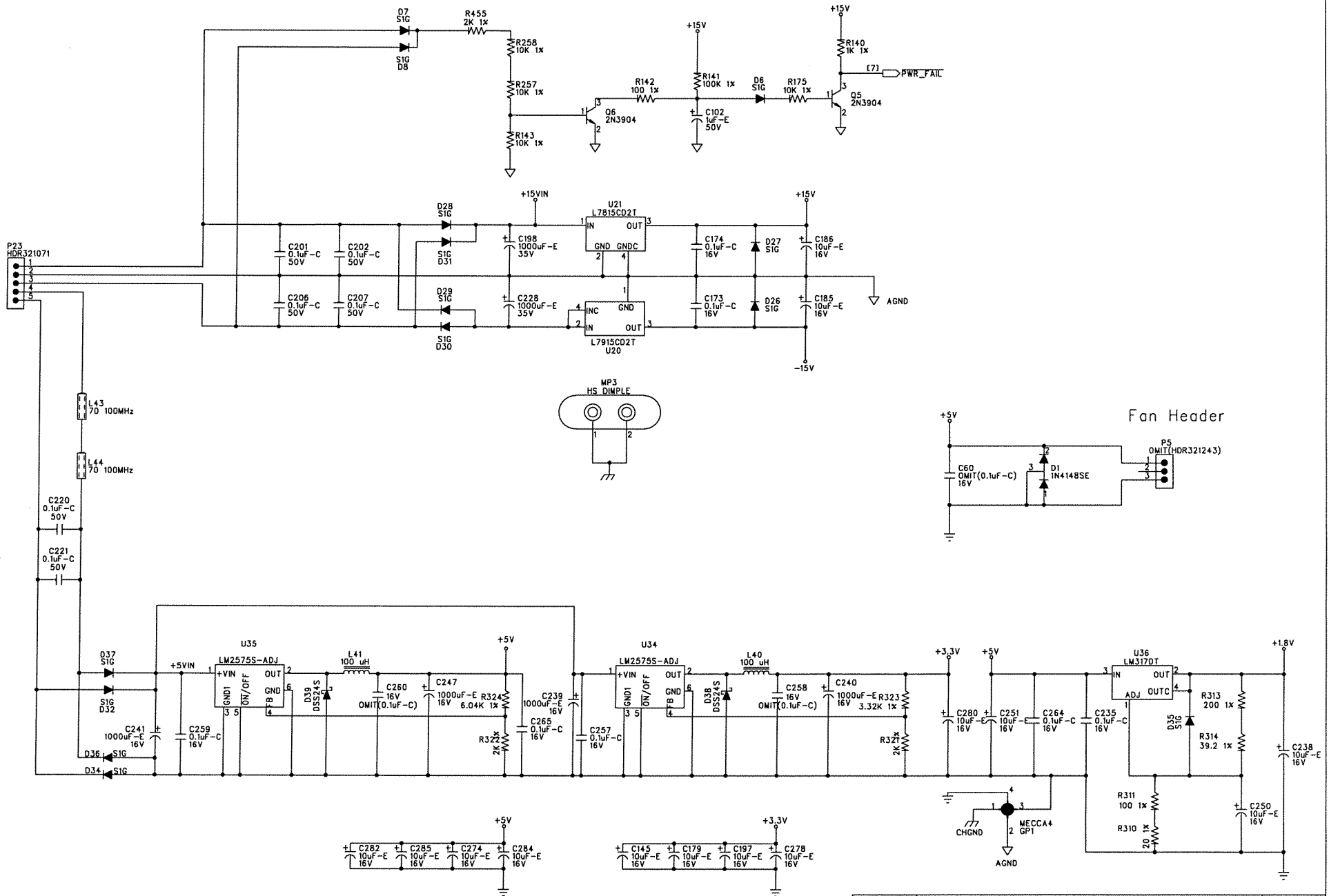


Want -4.66dB cut

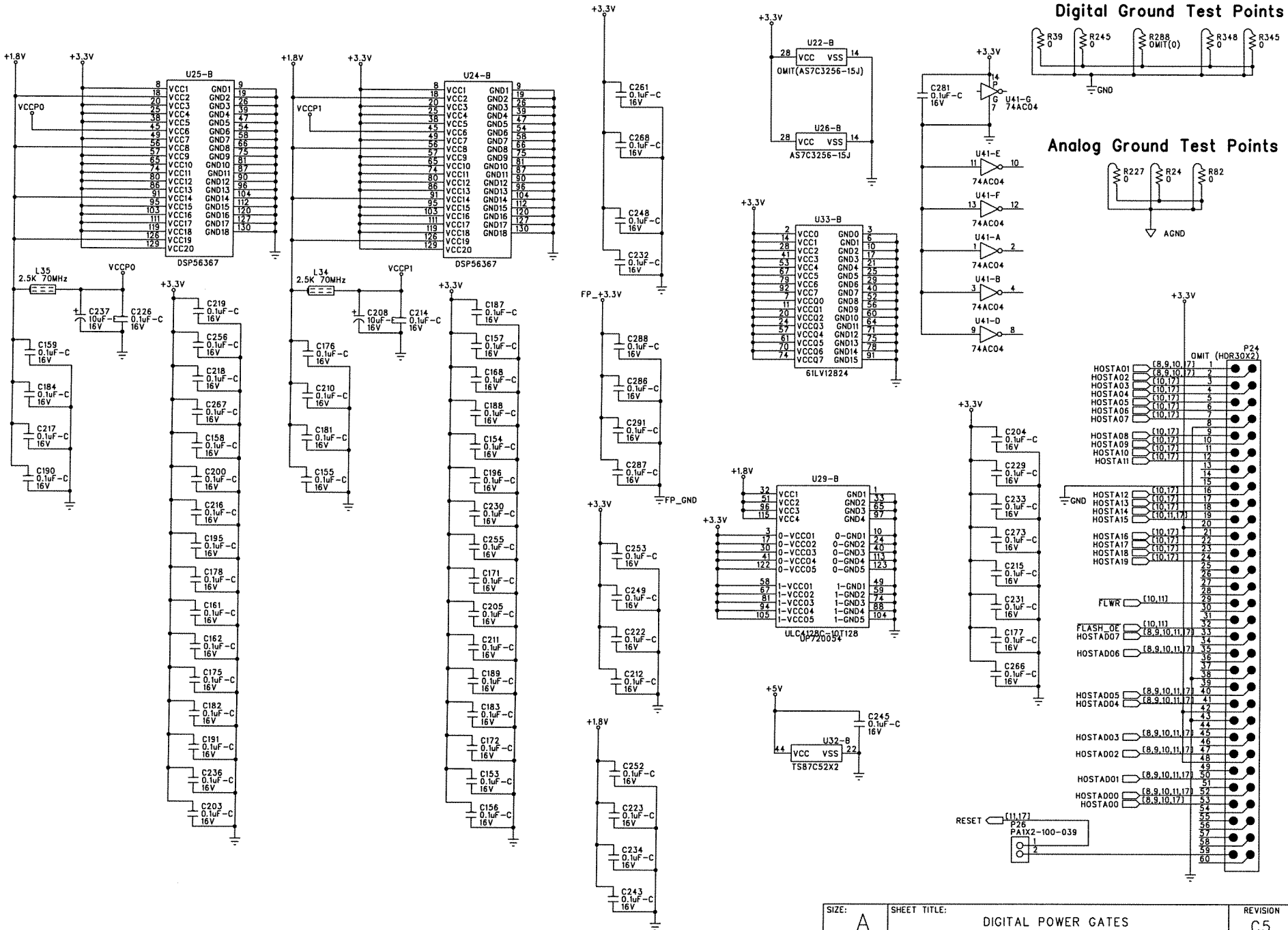
SIZE: A	SHEET TITLE: CONTACT CLOSURE	REVISION C5
DATE: 5-20-03	DRAWING NO: 05-1796	SHEET: 16 OF 20



SIZE: A	SHEET TITLE: 5V TO 3V CONVERSION	REVISION C5
DATE: 5-20-03	DRAWING NO: 05-1796	SHEET: 17 OF 20



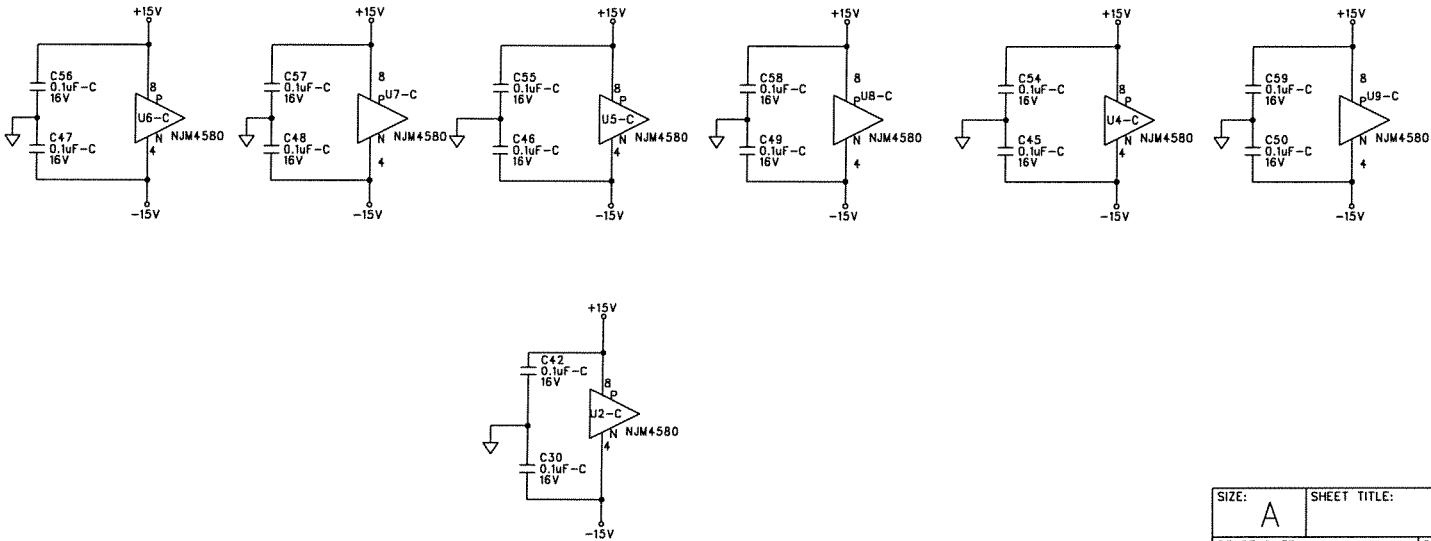
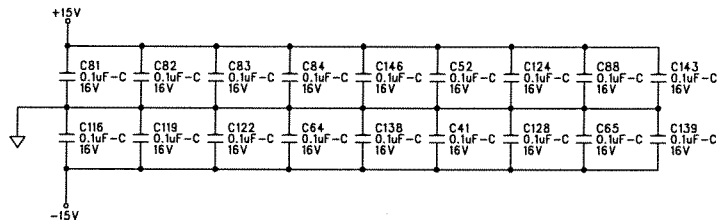
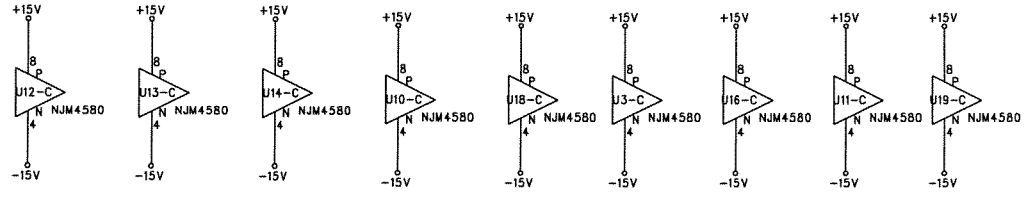
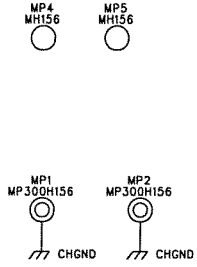
SIZE: A	SHEET TITLE: POWER SUPPLY	REVISION: C5
DATE: 5-20-03	DRAWING NO: 05-1796	SHEET: 18 OF 20



Digital Ground Test Points

Analog Ground Test Points

SIZE: A	SHEET TITLE: DIGITAL POWER GATES	REVISION: C5
DATE: 5-20-03	DRAWING NO: 05-1796	SHEET: 19 OF 20



SIZE: A	SHEET TITLE: ANALOG POWER GATES	REVISION: C5
START DATE: 5-20-03	DRAWING NO: 05-1796	SHEET: 20 OF 20

Bill Of Materials for 051796C5.sch on Thu May 22 11:28:26 2003

Qty	Reference	HMG#	Description	Audit	Schematic Part	PCB Decal
1	PCB1	80-1796	PCB 80-1796 dbx DRIVERACK 260/261	PT2044	80XXXXYY	BARCODE
8	A5-8 A13-14 A16-17	NON-PART	NON-PART, PCB ONLY, BREAKOFF PART	PT1481	BRKOFF	BRKOFF
12	C66 C69-70 C73-74 C77 C115 C117-118 C120-121 C123	56-0000	CAP 0.001uF FILM PTR 100V 5% AF TA	PT1629	C0.001UF100JR	RFCC200
2	C209 C227	56-0005	CAP 0.0068uF FILM PTR 100V 5% RF TA	PT1307	C0.0068UF100JR	RFDC200
2	C103 C150	56-0033	CAP 0.027uF FILM PTR 100V 5% RF TA	PT1282	C0.027UF100JR	RFEF200
142	C7 C28 C30 C32 C38 C41-42 C45-50 C52-59 C64-65 C81-84 C88 C97-98 C100 C105-106 C116 C119 C122 C124 C127-128 C134-135 C137-139 C143-144 C146 C153-159 C161-164 C167-178 C181-184 C187-191 C195-196 C199-200 C203-205 C210-219 C222-223 C226 C229-236 C242-245 C248-249 C252-257 C259 C261 C264-273 C276-277 C279 C281 C286-291 C294	62-1310	CAP 0.1uF CER 16V 20% Y5V 0603 TA	PT2696	C0.1UC16M0603	0603
3	C60 C258 C260	OMIT	OMIT CAP 0.1uF CER 16V 20% Y5V 0603 TA (62-1310)	PT2711	C0.1UC16M0603O	0603
6	C201-202 C206-207 C220-221	62-1312	CAP 0.1uF CER 50V +80%/-20% Y5V 0603 TA	PT2687	C0.1UC50Z0603	0603
2	C35-36	56-0012	CAP 0.1uF FILM MTPT 50V 5% RF TA	PT1200	C0.1UF50JR	RFEC200
4	C99 C114 C130 C136	62-1308	CAP 1000pF CER 50V 20% Y5V 0603 TA	PT2651	C1000PC50M0603	0603
4	C239-241 C247	60-0064	CAP 1000uF EL 16V 20% GP 10x17R 5LL TA	PT1334	C1000UE16MR	REM200P
2	C198 C228	60-0063	CAP 1000uF EL 35V 20% GP 13x25R 5LL BK	PT1207	C1000UE35MR	REQ200P
3	C34 C37 C44	60-0201	CAP 100uF EL 16V 20% GP 6x8R 5LS TA	PT1378	C100UE16MR	REG200P
29	C33 C61 C78-80 C101 C145 C147-149 C179 C185-186 C192-194 C197 C208 C237-238 C250-251 C274-275 C278 C280 C282 C284-285	60-0049-01	CAP 10uF EL 16V 20% GP 5x7R 5LS TA	PT1080	C10UE16MR	RED200P
29	C6 C8-27 C29 C31 C39-40 C43 C51 C62 C133	62-1304	CAP 120pF CER 50V 5% NPO 0603 TA	PT2655	C120PC50J0603	0603
7	C180 C246 C262 C283 C295-297	62-1300	CAP 15pF CER 50V 5% NPO 0603 TA	PT2659	C15PC50J0603	0603
1	C263	62-0094	CAP 18pF CER 50V 5% 0603 TA	PT2870	C18PC50J0603	0603
2	C102 C224	60-0044-01	CAP 1uF EL 50V 20% GP 5x7R 5LS TA	PT1079	C1UE50MR	RED200P
1	C166	62-1301	CAP 22pF CER 50V 5% NPO 0603 TA	PT2658	C22PC50J0603	0603
10	C67-68 C71-72 C75-76 C86-87 C141-142	60-0402	CAP 22uF ELNP 25V 20% GP 6x11R 5LS TA	PT1084	C22UN25MR	REG200
8	C63 C95-96 C104 C129 C131 C151-152	62-1306	CAP 330pF CER 50V 10% X7R 0603 TA	PT2653	C330PC50K0603	0603
8	C1-5 C165 C292-293	62-1307	CAP 470pF CER 50V 10% X7R 0603 TA	PT2652	C470PC50K0603	0603
4	C85 C113 C140 C160	60-0054-01	CAP 47uF EL 16V 20% GP 5x11R 5LS TA	PT1108	C47UE16MR	REE200P
12	C89-94 C107-112	62-1303	CAP 68pF CER 50V 5% NPO 0603 TA	PT2656	C68PC50J0603	0603
43	D1-5 D9-24 D33 D40-60	70-0113	DIO MMBD4148SE DUAL 75V 600mA SOT-23 TA	PT1326	D1N4148SE-S	SOT-23

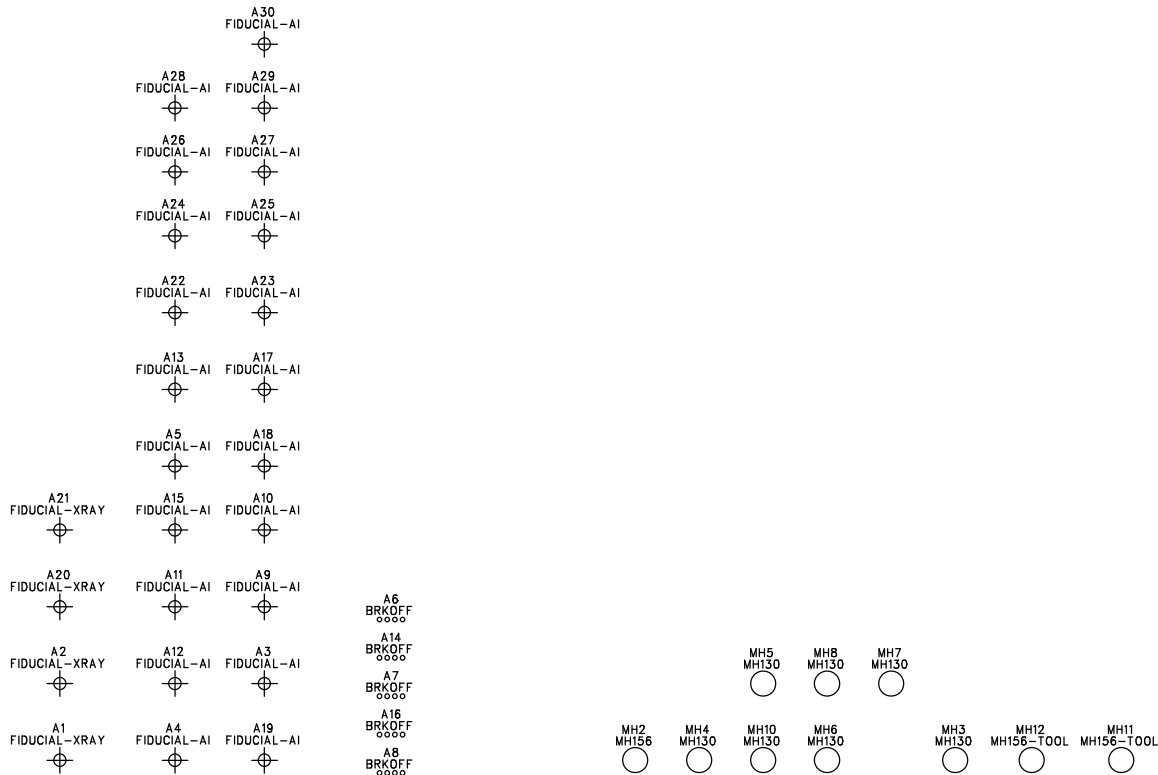
14	D6-8 D26-32 D34-37	70-3203	DIO SIG RECT 400V 1.0A SMA TA	PT2081	DS1G-S	DO-214AC/SMA
2	D38-39	70-0068	DIO RECT 40V 2A SCHOTTKY SS24 SM	PT2779	DSS24S	DO-214AA/SMB
1	F1	32-0186	FUSE 1.25A POLY SWITCH RESETTABLE	PT2893	F1.25A320186	FUSE6
9	A3-4 A9-12 A15 A18-19	NON-PART	NON-PART, FIDUCIAL, TARGET FOR AUTO INSERTION	PT1271	FIDUCIAL	FIDUCIAL
4	A1-2 A20-21	NON-PART	NON-PART FIDUCIAL TARGET FOR AI AND XRAY	PT2796	FIDUCIAL-XRAY	FIDUCIAL-XRAY
1	P24	OMIT	OMIT (CON HDR 30 X 2 FEMALE AMP SMT)	DWB	HC302V224SPMS	HC302V224SPMS
2	J11-12	32-0000	HCN CONN 50 PIN .5 MM CNTS 1X50 FML RA	PT2824	HCN320000	HC320000
1	J10	32-0176	HCN CONN 20 PIN FEM VRT MNT SMT	PT2773	HCN320176	HC102V079050FS
1	P30	32-1055	HDR, 20 PIN, 0.1" SPC, 2 X 10, VERT, MALE	PT1340	HDR321055	HC102
1	P23	32-1071	HDR, 5 PIN, 0.1" SPC, 1 X 5, LCK, POL, VERT, MALE	PT1621	HDR321071	HC51LPM
1	P1	32-1077	HDR, 6 PIN, 0.1" SPC, 2 X 3, VERT, MALE	PT1683	HDR321077	HC32
8	P3-4 P8-13	32-1994	HDR 12 PN .1" SPC 2X6 VRT MT	PT2435	HDR321994	HC62V100M
1	P20	OMIT	OMIT HDR 14 PIN 0.1" SPC 2 X 7 VERT MALE (32-1083)	PT2127	HDR321083-O	HC72
1	P5	OMIT	OMIT HDR 3 PIN .098 SPC 3X1 SHROUDED VERTICAL MT. (32-1243)	PT2795	HDR321243-O	HC31V98SP
1	J13	32-0193	JACK RJ45 SINGLE PORT 8 PIN R/A PCB MNT SHLD	PT2872	J320193	JRJ45_8P-LONG-SH LD
3	J1-3	32-0206	CON, JACK, XLR, R/A, PCA A SERIES	PT1219	J320206	XLRF-1
16	JP1-10 JP12-17	32-1075	JUMPER, MINI, .100 SPC	PT1415	JP321075	PCBNUL
1	JP11	OMIT	OMIT JUMPER MINI .100 SPC (32-1075)	PT2873	JP321075-O	PCBNUL
6	K1-6	72-5146	RELAY DPDT 12VDC POL SM	PT2219	K725146	KSLIM-8P
1	LBL1	30-0121	LABEL BARCODE AUTOINSERTABLE RAW	PT2790	LABEL300121	LABEL300121
38	DS10-11 DS28-42 DS44 DS46 DS48 DS50 DS52 DS54-61 DS66-73	70-3207	LED GREEN D1206 T&R	PT1902	LEDG703207	D1206
6	DS2-7	70-1920	LED RED/GRN WT/DIF SM 1210 TA	PT2428	LEDM701920	LED1210
18	DS1 DS12-19 DS43 DS45 DS47 DS49 DS51 DS53 DS64 DS74-75	70-3209	LED RED D1206 T&R	PT1901	LEDR703209	D1206
13	DS8-9 DS20-27 DS62-63 DS65	70-3208	LED YELLOW D1206 T&R	PT1900	LEDY703208	D1206
2	L43-44	26-0215	IND FBD 70 OHM @ 100MHz RIC200 TA	PT1262	LFB260215	RIC200
34	L2-5 L7-16 L18-19 L21-22 L24-25 L27-28 L30-31 L33-39 L42 L45-46	26-0217	IND FBD 2.5K OHM @ 70MHz 0805 TA	PT1261	LFB260217	0805
2	L40-41	26-0002	IND PWR 100uH 3A	PT2754	LI260002	UP3B
2	LP1-2	NON-PART	NON-PART 6 POS NOT INSTALLED UNTIL MECHANICAL ASSY(LIGHT PIPE)	PT1967	LP242015-6	LP242015-6
6	LP3-8	NON-PART	NON-PART 8 POS NOT INSTALLED UNTIL MECHANICAL ASSY(LIGHT PIPE)	PT1968	LP242015-8	LP242015-8
1	GP1	NON-PART	NON-PART MECCA GND/PWR TIE POINT 4 POS	PT2482	MECCA4	MECCA4
8	MH1 MH3-8 MH10	NON-PART	NON-PART, MOUNTING HOLE, 0.130" NON-PLATED, #4	PT1242	MH130	MH130
3	MH2 MP4-5	NON-PART	NON-PART MOUNTING HOLE 0.156" NON-PLATED #6	PT2832	MH156	MH156
2	MH11-12	NON-PART	NON-PART TOOLING PIN HOLE 156MIL HOLE	PT2794	MH156-TOOL	MH156-TOOL
1	MH9	NON-PART	NON-PART MECHANICAL PLATED HOLE 225 PAD 130 HOLE #4	PT1998	MP225H130	MP225H130
2	MP1-2	NON-PART	NON-PART, MECHANICAL PLATED HOLE, 300 PAD, 156 HOLE, #6	PT1045	MP300H156	MP300H156
1	MP3	NON-PART	NON-PART SMT HEATSINK DIMPLE 300P 156H #6	PT2816	MP300H156-HSDMP	MP300H156-HSDMP
6	J4-9	32-0204	CON PLUG XLR R/A PCA A SERIES	PT1218	P320204	XLRM-1
1	P2	32-1017	CON JACK DCONN DUAL PORT 9P RA MALE PC MNT	PT1931	P321017	DCCON9PM
14	P6-7 P14-19 P21-22 P26-27 P29 P31	NON-PART	NON-PART PD ARY 2 PN 0.100" SPC 0.039" HLE	PT1645	PA1X2-100-039	PA1X2-100-039
17	Q2 Q4-6 Q8-20	70-1058	XSTR, 2N3904, NPN, SOT-23, T&R	PT1203	Q2N3904-S	SOT-23
2	Q1 Q3	70-1059	XSTR 2N3906 PNP SOT-23 SM TA	PT1057	Q2N3906-S	SOT-23
17	R2-3 R5-6 R78 R123 R230 R241 R244 R249 R266 R292 R316 R342 R344 R347 R454	50-1300	RES 0 5% 1/16W SM 0603 TA	PT2508	R0-B5-0603	0603
7	R122 R126 R229 R236-238 R248	OMIT	OMIT RES 0 5% 1/16W SM 0603 TA (50-1300)	PT2509	R0-B5-0603O	0603
10	L1 L6 L17 L20 L23 L26 L29 L32 R127 R235	50-1531	RES 0 5% 1/10W SM 0805 TA	PT1099	R0-C5-0805	0805
7	R24 R39 R82 R227	50-0317	RES 0 5% 1/4W CF RR TA	PT1008	R0-E5-R	RRA200

	R245 R345 R348						
1	R288	OMIT	OMIT RES 0 5% 1/4W CF RR TA (50-0317)		PT1596 R0-E5-RO		RRA200
2	R25 R40	52-1314	RES 1.5K 1% 1/16W SM 0603 TA		PT2551 R1.5KB1-0603		0603
4	R14 R17 R20 R23	52-1339	RES 10.2K 1% 1/16W SM 0603 TA		PT2591 R10.2KB1-0603		0603
12	R147 R150 R153 R156 R159 R162 R200 R203 R206 R209 R212 R215	52-1340	RES 10.7K 1% 1/16W SM 0603 TA		PT2592 R10.7KB1-0603		0603
15	R33-38 R142 R234 R270 R277 R281 R284 R287 R291 R311	52-1304	RES 100 1% 1/16W SM 0603 TA		PT2512 R100-B1-0603		0603
6	R141 R178-179 R263-264 R335	52-1360	RES 100K 1% 1/16W SM 0603 TA		PT2613 R100KB1-0603		0603
62	R80-81 R84 R87 R90 R93 R96 R99 R102 R105 R108 R111 R114 R117 R143 R175 R233 R239-240 R246-247 R250 R257-260 R267-269 R271-272 R275-276 R278-280 R282-283 R285-286 R290 R293-298 R305-309 R312 R315 R317-319 R325-326 R330-331 R343	52-1338	RES 10K 1% 1/16W SM 0603 TA		PT2584 R10KB1-0603		0603
1	R329	OMIT	OMIT RES 10K 1% 1/16W SM 0603 TA (52-1338)		PT2628 R10KB1-06030		0603
1	R466	52-1361	RES 121K 1% 1/16W SM 0603 TA		PT2614 R121KB1-0603		0603
1	R338	52-1362	RES 150K 1% 1/16W SM 0603 TA		PT2615 R150KB1-0603		0603
17	R9-10 R29-30 R146 R151-152 R157-158 R163 R182-187 R190	52-1344	RES 15K 1% 1/16W SM 0603 TA		PT2596 R15KB1-0603		0603
4	R125 R217 R219 R255	52-1305	RES 169 1% 1/16W SM 0603 TA		PT2513 R169-B1-0603		0603
20	R27 R140 R188-189 R191 R195 R333 R359-362 R373-374 R377 R384 R387 R407 R413 R424 R441	52-1313	RES 1K 1% 1/16W SM 0603 TA		PT2550 R1KB1-0603		0603
1	R79	OMIT	OMIT RES 1K 5% 1/16W SM 0603 TA (50-1313)		PT2535 R1KB5-06030		0603
9	R144 R242 R299-301 R304 R320 R332 R456	52-1372	RES 1M 1% 1/16W SM 0603 TA		PT2625 R1MB1-0603		0603
4	R124 R168 R226 R254	52-1317	RES 2.21K 1% 1/16W SM 0603 TA		PT2555 R2.21KB1-0603		0603
4	R120 R181 R222 R265	52-1318	RES 2.49K 1% 1/16W SM 0603 TA		PT2556 R2.49KB1-0603		0603
6	R44 R50 R56 R62 R68 R74	52-1319	RES 2.67K 1% 1/16W SM 0603 TA		PT2557 R2.67KB1-0603		0603
14	R289 R310 R334 R450-453 R457-458 R461-465	52-1300	RES 20 1% 1/16W SM 0603 TA		PT2507 R20-B1-0603		0603
28	R313 R327 R341 R346 R353-358 R369-372 R394-397 R400 R402-406 R437-440	52-1306	RES 200 1% 1/16W SM 0603 TA		PT2514 R200-B1-0603		0603
1	R339	52-1364	RES 221K 1% 1/16W SM 0603 TA		PT2617 R221KB1-0603		0603
16	R4 R7 R164 R167 R176-177 R180 R193 R221 R225 R251 R261-262 R321-322 R455	52-1316	RES 2K 1% 1/16W SM 0603 TA		PT2553 R2KB1-0603		0603
12	R43 R46 R49 R52 R55 R58 R61 R64 R67 R70 R73 R76	52-1322	RES 3.16K 1% 1/16W SM 0603 TA		PT2560 R3.16KB1-0603		0603
6	R45 R51 R57 R63 R69 R75	52-1323	RES 3.24K 1% 1/16W SM 0603 TA		PT2561 R3.24KB1-0603		0603
15	R119 R148-149	52-1324	RES 3.32K 1% 1/16W SM 0603 TA		PT2562 R3.32KB1-0603		0603

	R154-155 R160-161							
	R201-202 R207-208							
	R213-214 R224 R323							
50	R26 R32 R194	52-1307	RES 332 1% 1/16W SM 0603 TA		PT2543	R332-B1-0603	0603	
	R363-368 R385-386							
	R388-393 R398-399							
	R401 R408-412							
	R414-421 R429-436							
	R442-449 R459							
5	R165-166 R252-253	50-1325	RES 33K 5% 1/16W SM 0603 TA		PT2589	R33KB5-0603	0603	
	R336							
1	R314	52-1301	RES 39.2 1% 1/16W SM 0603 TA		PT2515	R39.2-B1-0603	0603	
13	R41 R128-133	52-1355	RES 39.2K 1% 1/16W SM 0603 TA		PT2608	R39.2KB1-0603	0603	
	R169-174							
1	R273	52-0000	RES 392K 1% 1/10W SM 0603 TA		PT2892	R392KB1-0603	0603	
4	R15-16 R21-22	52-1325	RES 4.02K 1% 1/16W SM 0603 TA		PT2563	R4.02KB1-0603	0603	
12	R42 R47-48 R53-54	52-1327	RES 4.53K 1% 1/16W SM 0603 TA		PT2565	R4.53KB1-0603	0603	
	R59-60 R65-66							
	R71-72 R77							
4	R1 R192 R197 R460	52-1328	RES 4.64K 1% 1/16W SM 0603 TA		PT2568	R4.64KB1-0603	0603	
12	R134-139 R199	52-1329	RES 4.99K 1% 1/16W SM 0603 TA		PT2566	R4.99KB1-0603	0603	
	R204-205 R210-211							
	R216							
18	R196 R198 R218 R220	52-1308	RES 499 1% 1/16W SM 0603 TA		PT2545	R499-B1-0603	0603	
	R223 R232 R243							
	R302-303 R328							
	R375-376 R378-383							
6	R86 R92 R98 R104	52-1331	RES 5.76K 1% 1/16W SM 0603 TA		PT2576	R5.76KB1-0603	0603	
	R110 R116							
15	R8 R11-13 R18-19	52-1332	RES 6.04K 1% 1/16W SM 0603 TA		PT2577	R6.04KB1-0603	0603	
	R28 R31 R85 R91 R97							
	R103 R109 R115 R324							
12	R83 R88-89 R94-95	52-1303	RES 60.4 1% 1/16W SM 0603 TA		PT2511	R60.4-B1-0603	0603	
	R100-101 R106-107							
	R112-113 R118							
2	R145 R231	52-1309	RES 619 1% 1/16W SM 0603 TA		PT2546	R619-B1-0603	0603	
1	R256	52-0196	RES 619K 1% 1/10W SM 0603 TA		PT2894	R619KB1-0603	0603	
1	R337	52-1358	RES 63.4K 1% 1/16W SM 0603 TA		PT2611	R63.4KB1-0603	0603	
11	R340 R349-352	52-1335	RES 7.5K 1% 1/16W SM 0603 TA		PT2581	R7.5KB1-0603	0603	
	R422-423 R425-428							
2	R121 R228	52-1336	RES 8.06K 1% 1/16W SM 0603 TA		PT2582	R8.06KB1-0603	0603	
1	R274	52-1337	RES 9.09K 1% 1/16W SM 0603 TA		PT2583	R9.09KB1-0603	0603	
1	P25	38-0001	RBN CBL 20 COND. 0.1", 4.25"		PT2772	RC20-380001	RC380001	
1	SC1	34-0125	SWITCH CAP, BLACK, ROUND		PT1354	SC340125	SC340125-FPE	
6	SC16-21	24-2017-A	SWITCHCAP dbx LIGHTED MUTE BUTTON		PT2025	SC242017A		
12	SC2-13	34-0199-A	SWITCH CAP dbx LIGHTED		PT2024	SC340199A	PCBNULL	
1	SW1	44-0050	SWITCH DPDT MINI IN-OUT 6 PIN E-SWITCH		PT1256	SW440050	SW440050	
1	SW6	44-0119	ENCODER 20mm D SHAFT 30 POS W/SWITCH VERT MOUNT		PT1890	SW440119	SW440119	
18	SW2-5 SW7-20	44-0185	SWITCH, SPST, LITE TOUCH, MINI, W/ PROJECTED PLUNGER SMT		PT1962	SW440185	SW4PTACT-3	
18	TP1-18	NON-PART	NON-PART, TEST POINT, ENGINEERING PROBE POINT		PT1653	TESTPOINT	TESTPOINTSM	
1	U33	72-1488	IC 128K x 24 STATIC RAM 9ns 3.3V QFP100-14X20		PT2469	U128K24S9-3.3-Q	QFP100-14X20	
1	U39	72-0046	IC 25AA640 64K SERIAL EEPROM TA		PT2774	U25AA260	SO8	
1	U26	72-6318	IC 32K x 8 SRAM 15ns SOJ28		PT2294	U32K8S15-J	SOJ28-300	
1	U22	OMIT	OMIT IC 32K x 8 SRAM 15ns SOJ28 (72-6318)		PT2874	U32K8S15-JO	SOJ28-300	
1	U41	72-5426	IC, 74AC04, HEX INVERTER, SO14, T&R		PT1325	U74AC04-S	SO14	
1	U23	72-0085	IC 74HC4051 ANALOG MUX/DEMUX SO16		PT1927	U74HC4051-S	SO16	
1	U30	72-0063	IC 74LVTH573 3.3V ABT 8-LATCH 3-STATE SSO20 TR		PT2856	U74LVTH573-P	SSOP20	
1	U15	72-1485	IC AK4356 192kHz 24 BIT 6 CHANNEL DAC		PT2717	UAK4356-Q	QFP44-10X10	
1	U17	72-1464	IC, AK5392, DUAL 24BIT ADC, SO28W		PT1555	UAK5392-S	SO28W	
2	U24-25	72-6305	IC DSP56367 DSP 150MHZ QFP144-20X20		PT2452	UDSP56367-Q	QFP144-20X20	
1	U21	70-0070	V-REG L7815CD2T +15V 1A TA		PT2817	UL7815CD2T-S	TO263 (D2PAK)	
1	U20	70-0069	V-REG L7915CD2T -15V 1A TA		PT2819	UL7915CD2T-S	TO263 (D2PAK)	
2	U34-35	70-0063	V-REG LM2575S-ADJ SWITCHING REG 1A TO-263(5)		PT2739	ULM2575S-ADJ	TO-263(5)	

051796C5.PPS

1	U36	70-0072	V-REG LM317DT 1.2V TO 37V ADJ 0.5A TA	PT2866	ULM317DT-S	TO252 (DPACK)
3	U37-38 U42	72-5434	IC NC7SZ125 TINYLOGIC BUFFER SOT23-5 TA	PT1881	UNC7SZ125-S	SOT23-5
1	U44	72-0068	IC NCP302H VOLTAGE DETECTOR SM SOT23-5	PT2869	UNCP302H	SOT23-5
18	U2-14 U16 U18-19 U40 U43	72-1480	IC NJM4580 DUAL OP-AMP SO8	PT1374	UNJM4580-S	SO8
1	U29	72-0054-00V1	IC CPLD LC4128C-10T128 128 MC 92I/O SM dbx Driverack 260 V1	PT2859	UP720054	TQFP128
1	U32	72-0061-00V1	IC TS87C52X2 8 BIT OTP MICRO 5V 30Mhz dbx Driverack 260 V1	PT2868	UP720061	PLCC-44
1	U28	72-0062-00V1	IC AM29LV800BT 70nS 8 MEG FLASH dbx DRIVERACK 260 V1	PT2827	UP720062	TSOP48
1	U27	72-0055	IC PCM1801 16-BIT ADC 93DB SM	MTB	UPCM1801-S	SO14
1	U31	72-0059	IC PI5C16211 24 BIT BUS SWITCH 5V-3V TSSOP	PT2860	UPI5C16211-TS	TSSOP56
1	U1	72-0056	IC SP202ECN RS-232 DUAL DRIVER/RECEIVER SM	MTB	USP202ECN-S	SO16
1	Y1	76-0000	XTAL 22.1184MHZ HC49 18PF SM TR	PT2829	Y22.1184M760000	XTAL2-V
1	X1	76-0006	XTAL 24.576MHZ SMT CX16F/CS49G PKG	PT2713	Y24.576M760006	YCX16F/CX49G



D0	CHANGED P25 FROM 38-0001 TO EDGE CONNECTOR (38-0009)	3149	DWB	12-10-04
C5	CHANGE L17, L20, L23, L26, L29, L32 TO 0 OHM RESISTORS OMIT P5 FAN HEADER	2554	DWB	5-20-03
C4	DELETED S32 SOCKET 70-3168	2441	DWB	2-10-03
C3	CHANGED VALUES ON R40, R25, R78 AND OMITED R79	2369	BDP	12-23-02
C2	CHANGED COMPONENTS L1 AND L6 FROM 26-0217 TO 50-1531	2366	BDP	12-23-02
C1	CHANGED VALUES OF R456, R304, R301, R300, R299, R144, R256 CHANGED VALUES OF R242, R273, F1	2360	DWB	12-19-02
C0	CHANGED FOOTPRINT TO U29	2351	MRC	11-18-02
B0	RELEASE TO PRODUCTION	XXXX	DWB	11-18-02
A0	RELEASE TO PRODUCTION	2331	DWB	11-18-02

REV	DESCRIPTION	ECN #	INIT	DATE
-----	-------------	-------	------	------

REVISION HISTORY

dbx PROFESSIONAL PRODUCTS
8760 South Sandy Parkway Sandy Utah 84070

TITLE: dbx DriveRack 260
MAIN PCB

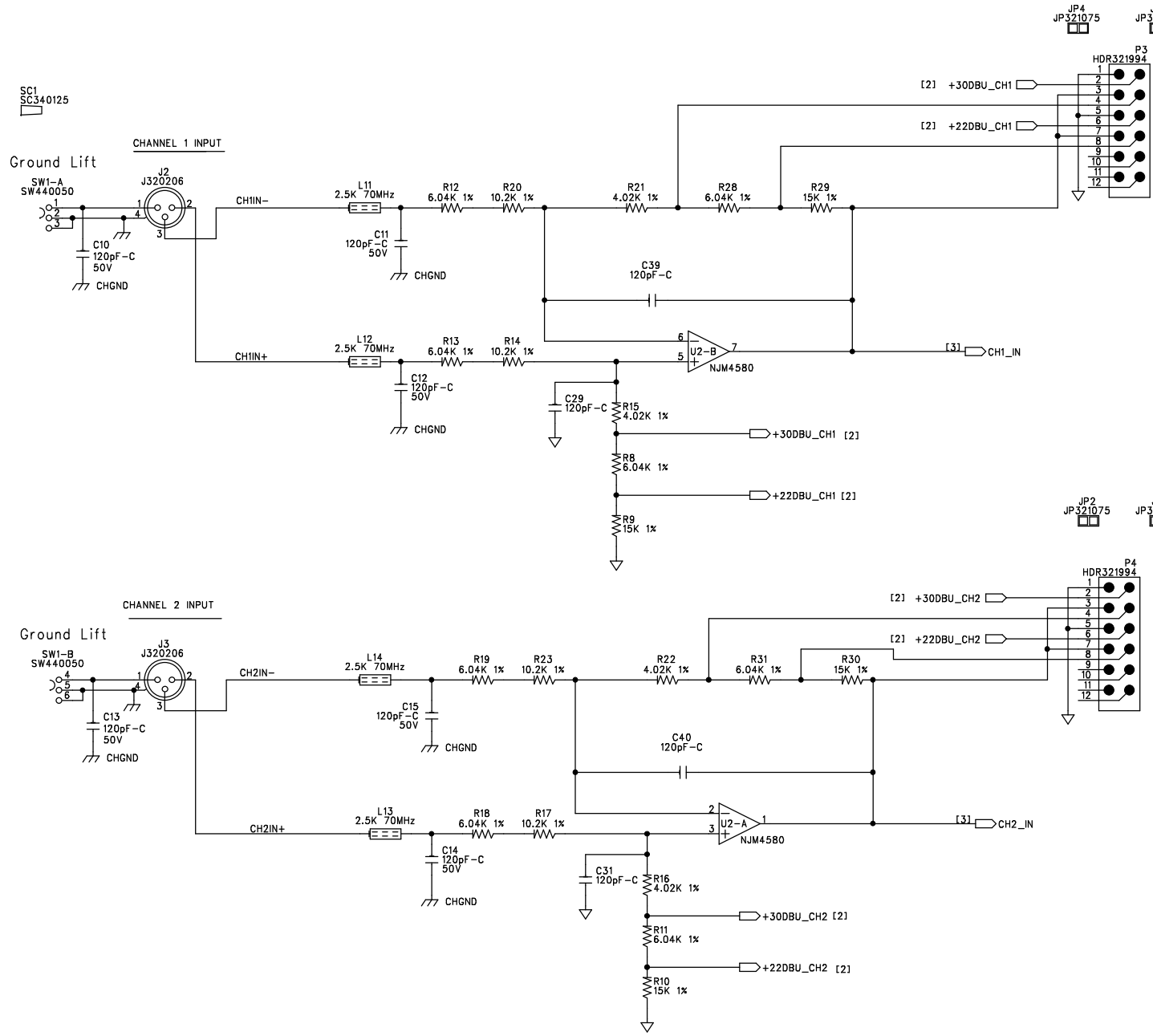
DESIGNER: DAVID W. BYBEE ENGINEER: ROBERT BOATRIGHT

SIZE: A DRAWING NO: 05-1796 REVISION: D0

DATE: 12-10-04 FILENAME: 051796D0.SCH SHEET: 1 OF 20

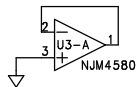
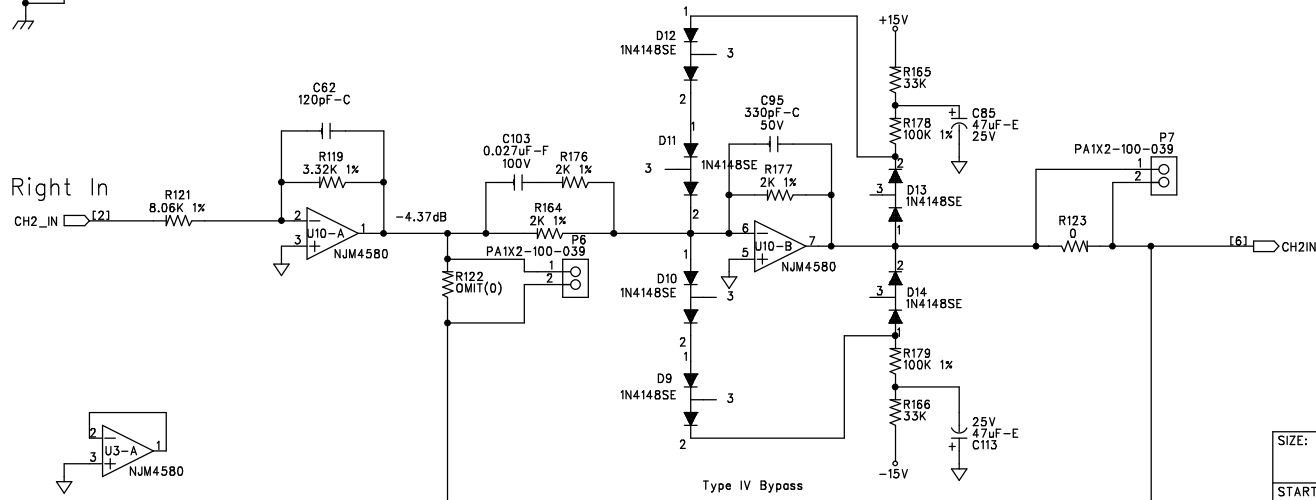
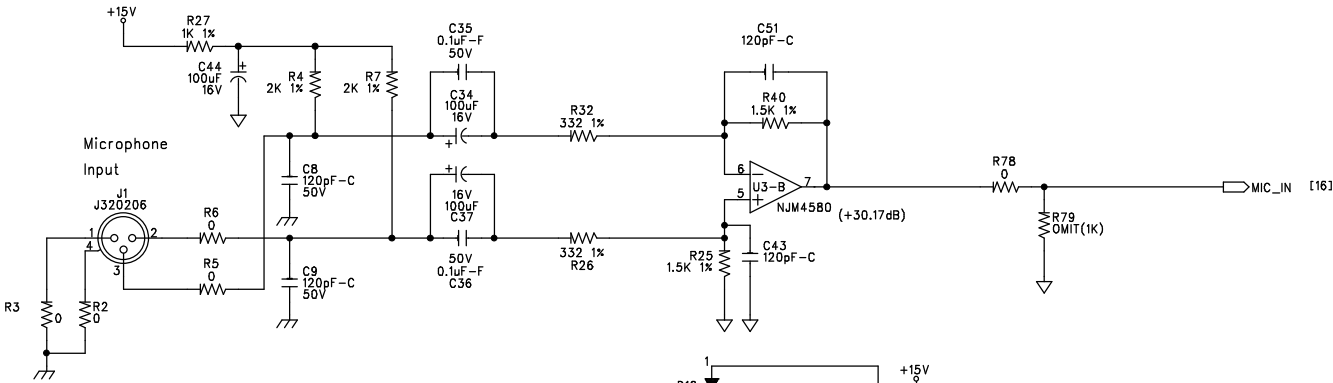
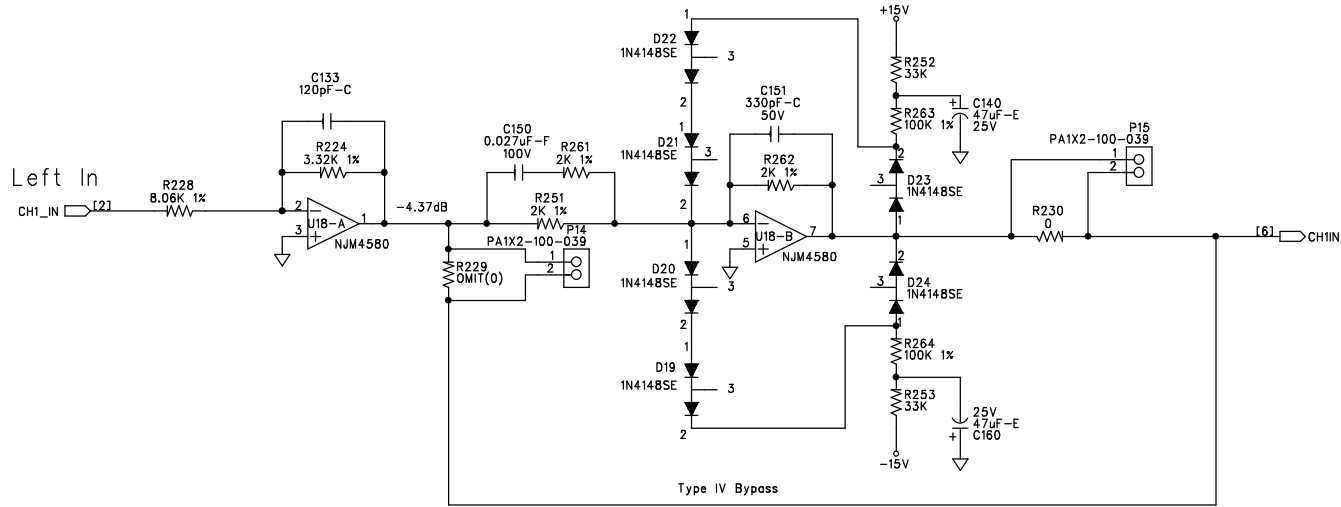
LBL1
30-0121

PCB1
80-1796

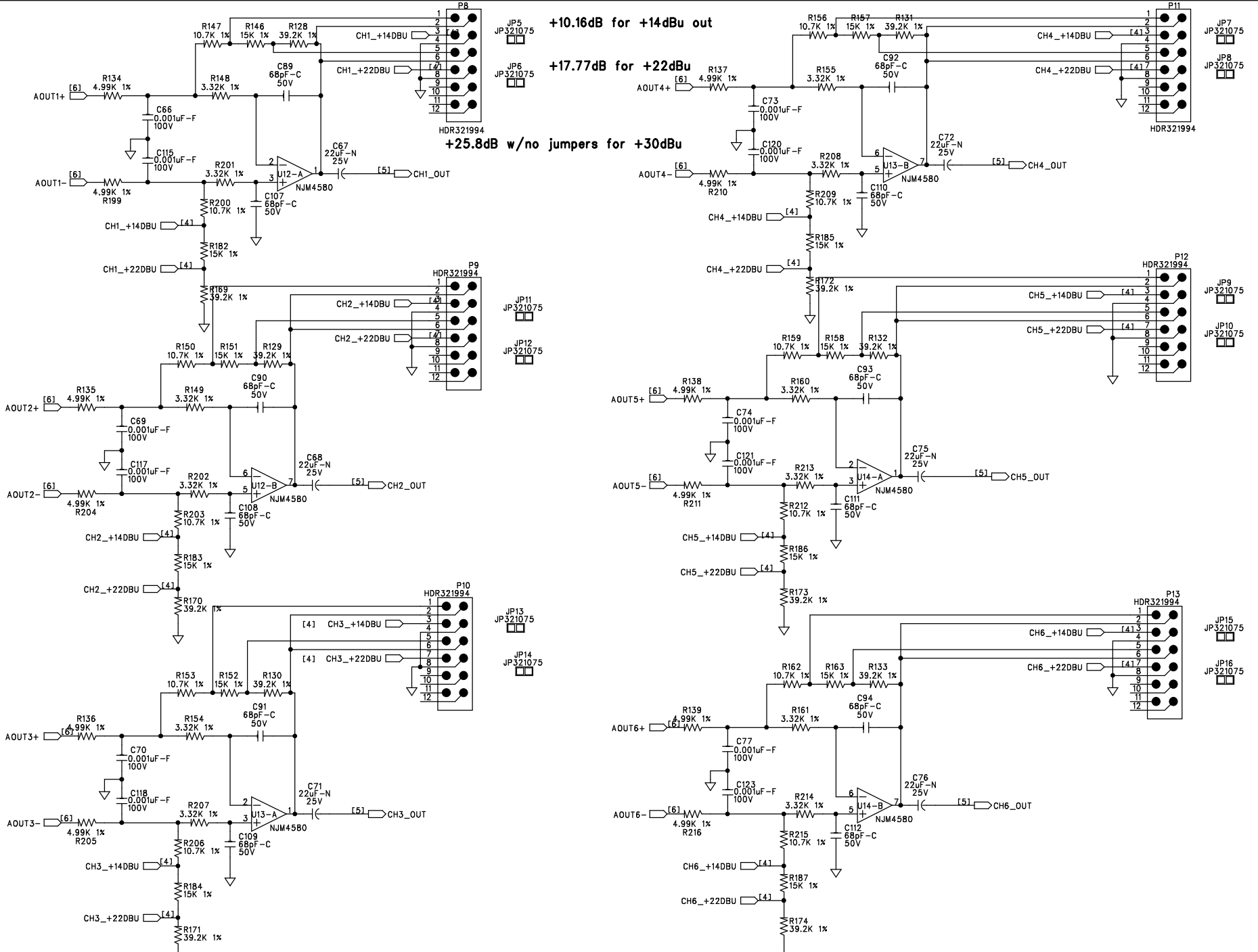


Max cut is -16.33dB for +30dBu in
 -8.26dB cut for +22dBu in
 No jumpers = -.33dB for +14dBu in

SIZE: A	SHEET TITLE: CHANNEL 1 & 2 INPUTS	REVISION: D0
START DATE: 12-10-04	DRAWING NO: 05-1796	SHEET: 2 OF 20



SIZE: A	SHEET TITLE: ANALOG CHANNEL 1 & 2 INPUTS	REVISION: D0
START DATE: 12-10-04	DRAWING NO: 05-1796	SHEET: 3 OF 20

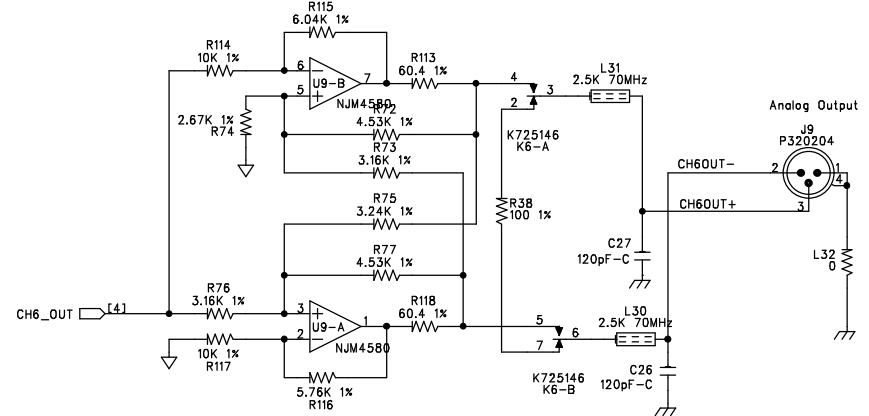
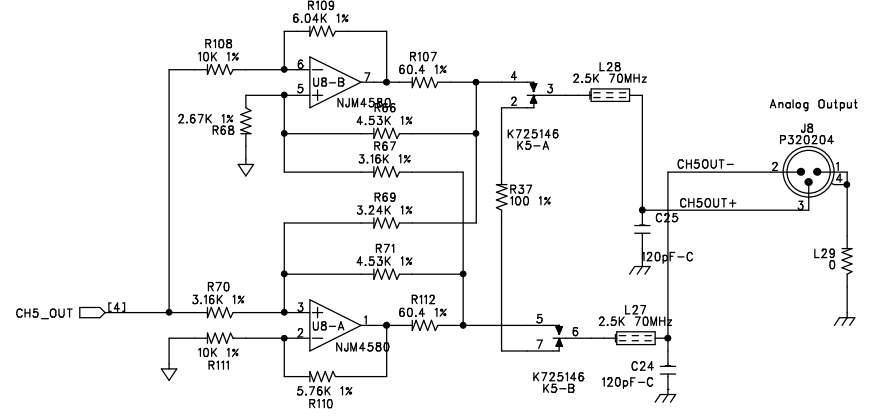
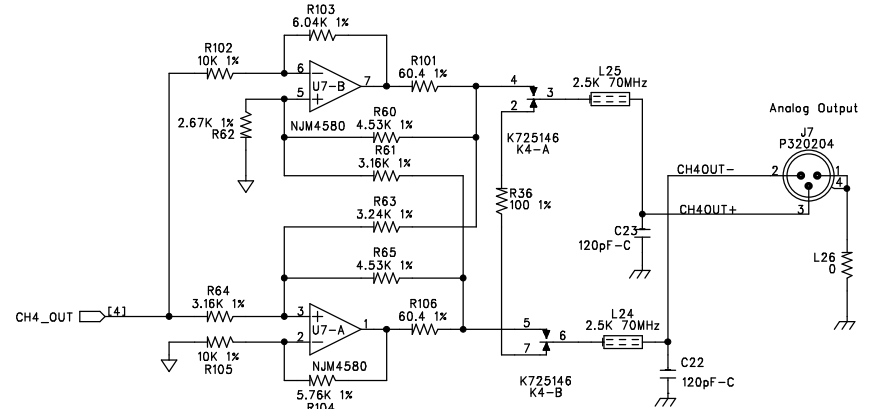
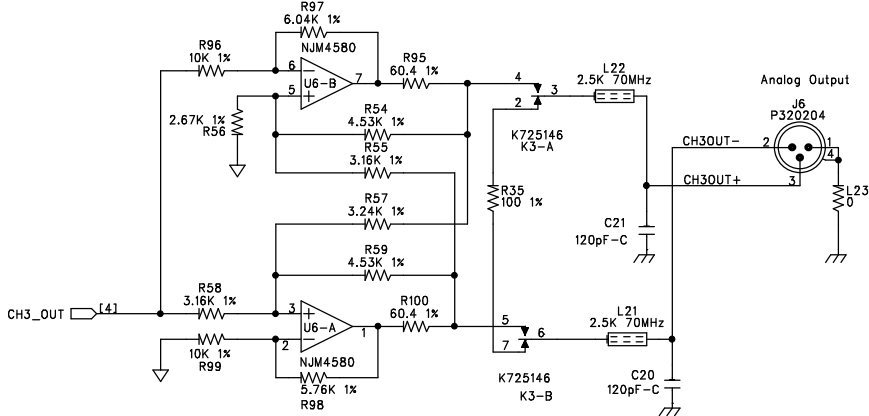
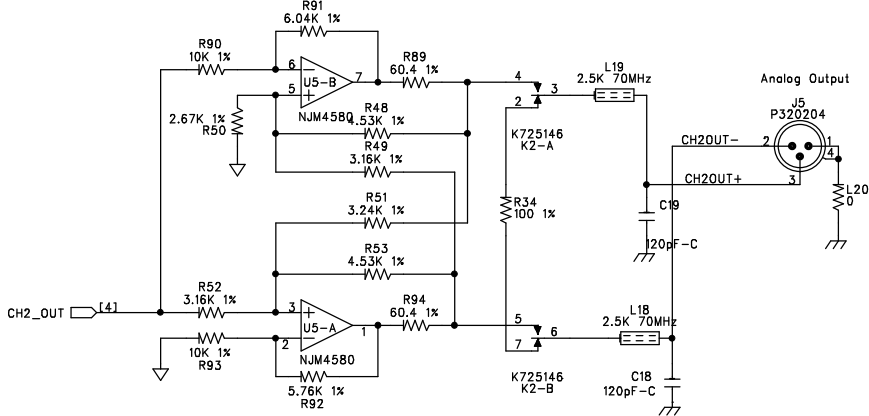
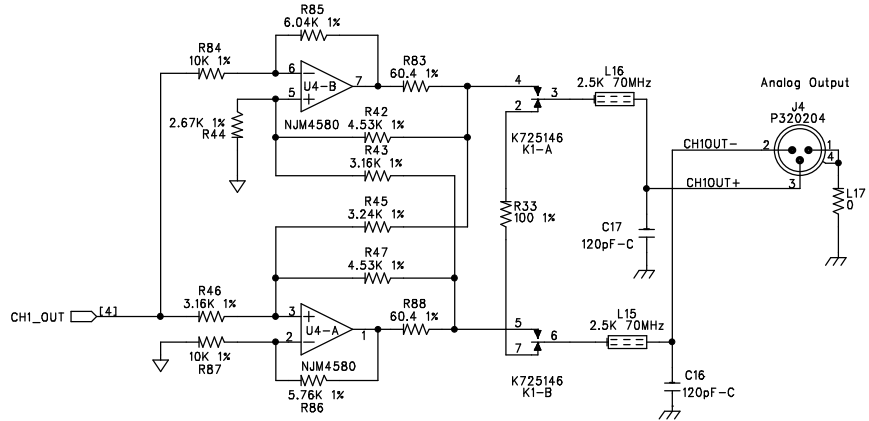


+10.16dB for +14dBu out

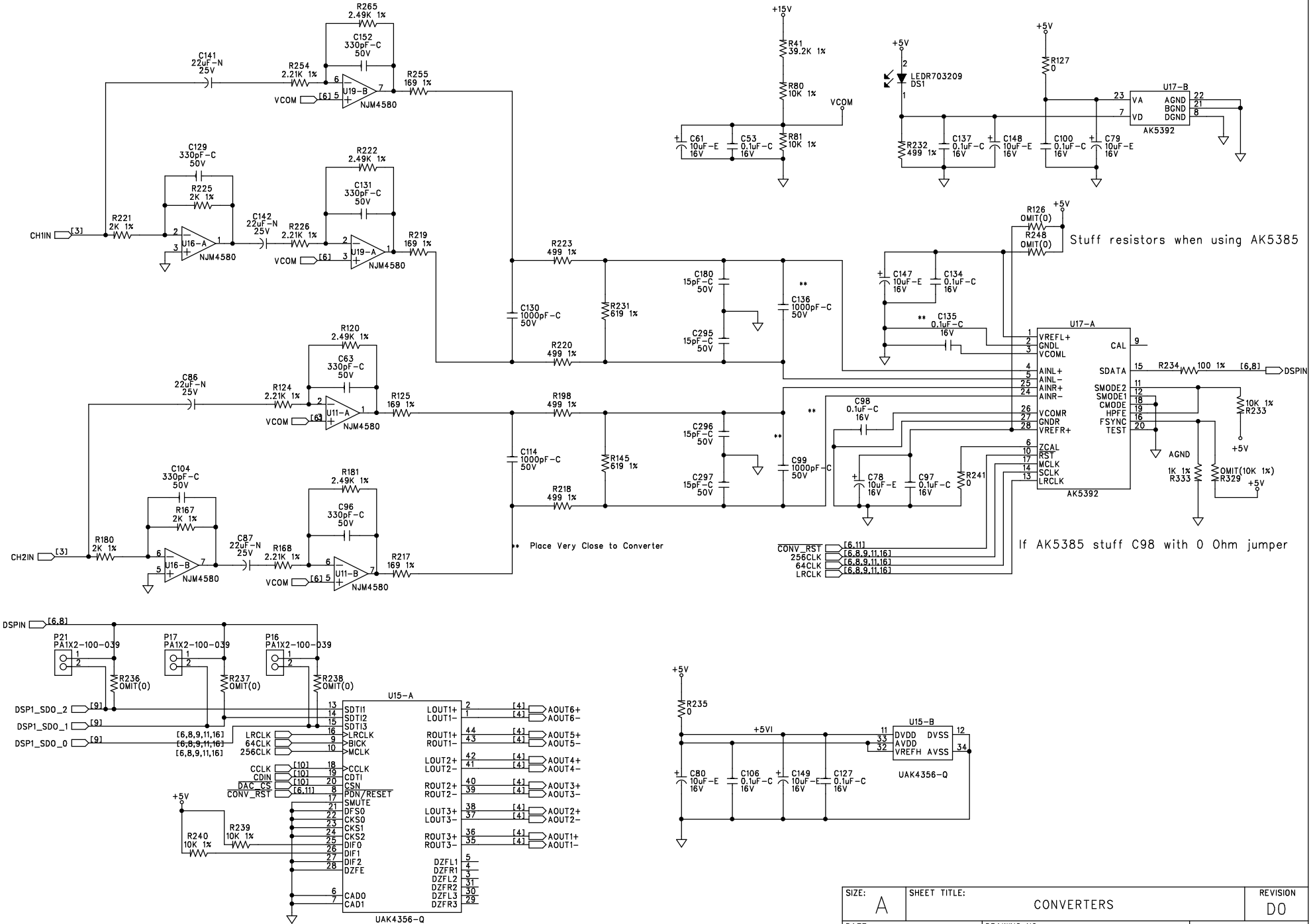
+17.77dB for +22dBu out

+25.8dB w/no jumpers for +30dBu

SIZE: A	SHEET TITLE: ANALOG OUTPUTS 1 - 6	REVISION: D0
START DATE: 12-10-04	DRAWING NO: 05-1796	SHEET: 4 OF 15



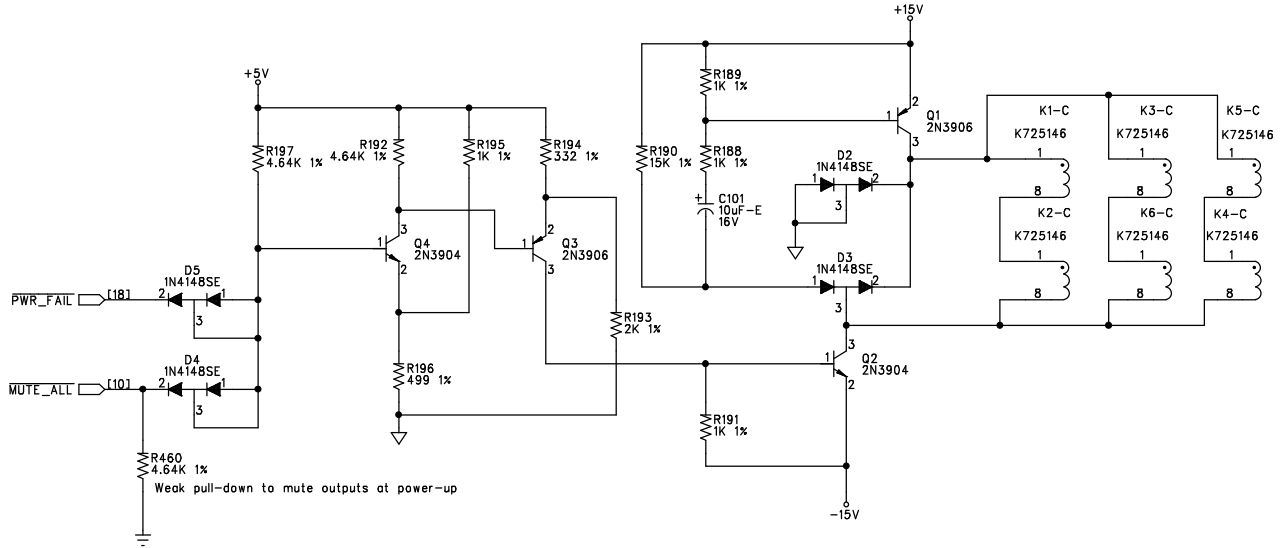
SIZE: A	SHEET TITLE: OUTPUT JACKS	REVISION: D0
DATE: 12-10-04	DRAWING NO: 05-1796	SHEET: 5 OF 20



Stuff resistors when using AK5385

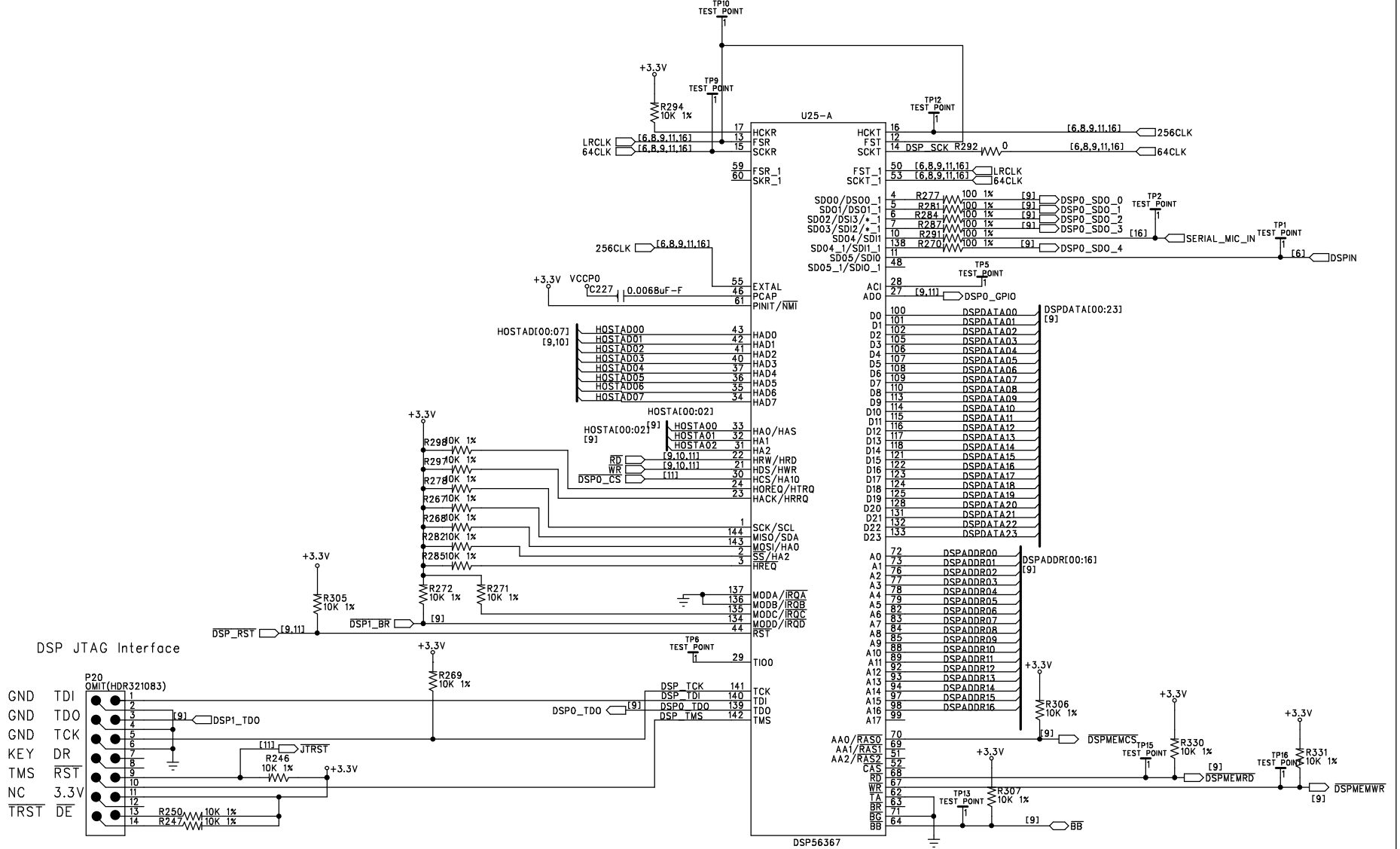
If AK5385 stuff C98 with 0 Ohm jumper

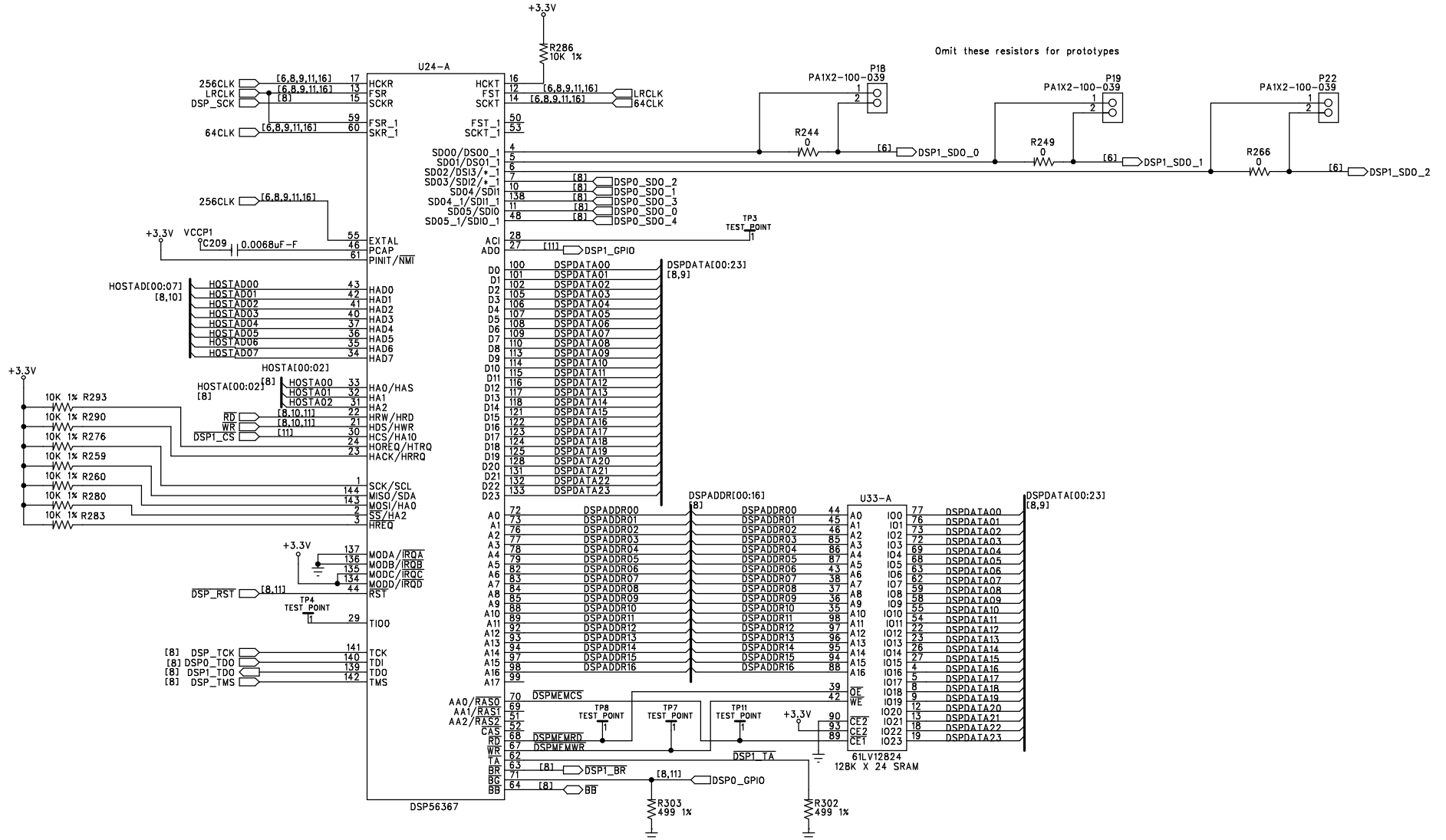
SIZE: A	SHEET TITLE: CONVERTERS	REVISION: D0
DATE: 12-10-04	DRAWING NO: 05-1796	SHEET: 6 OF 20

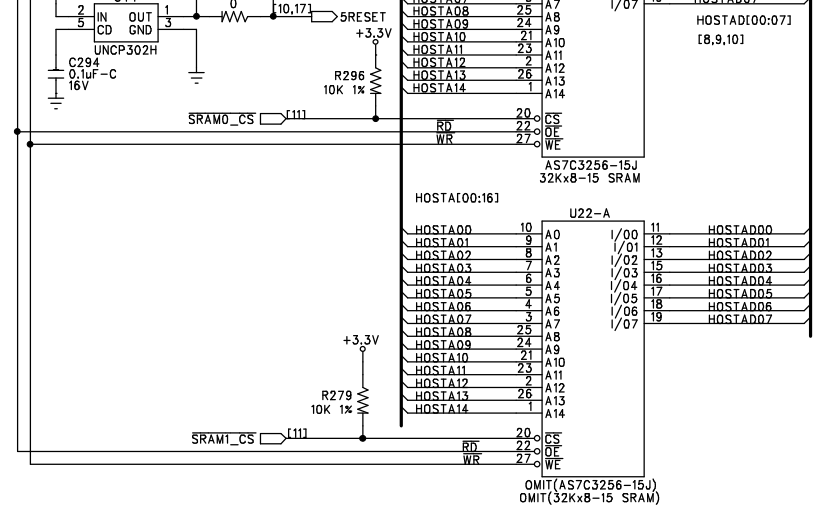
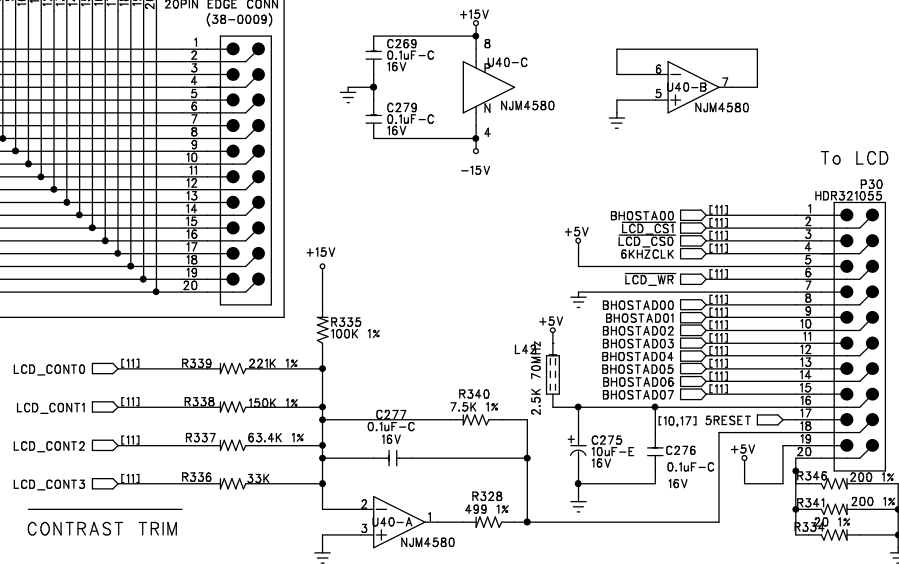
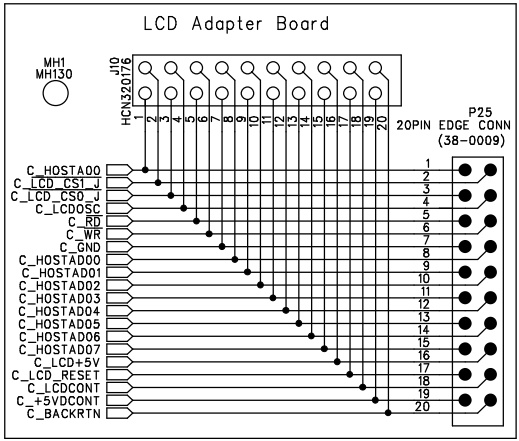
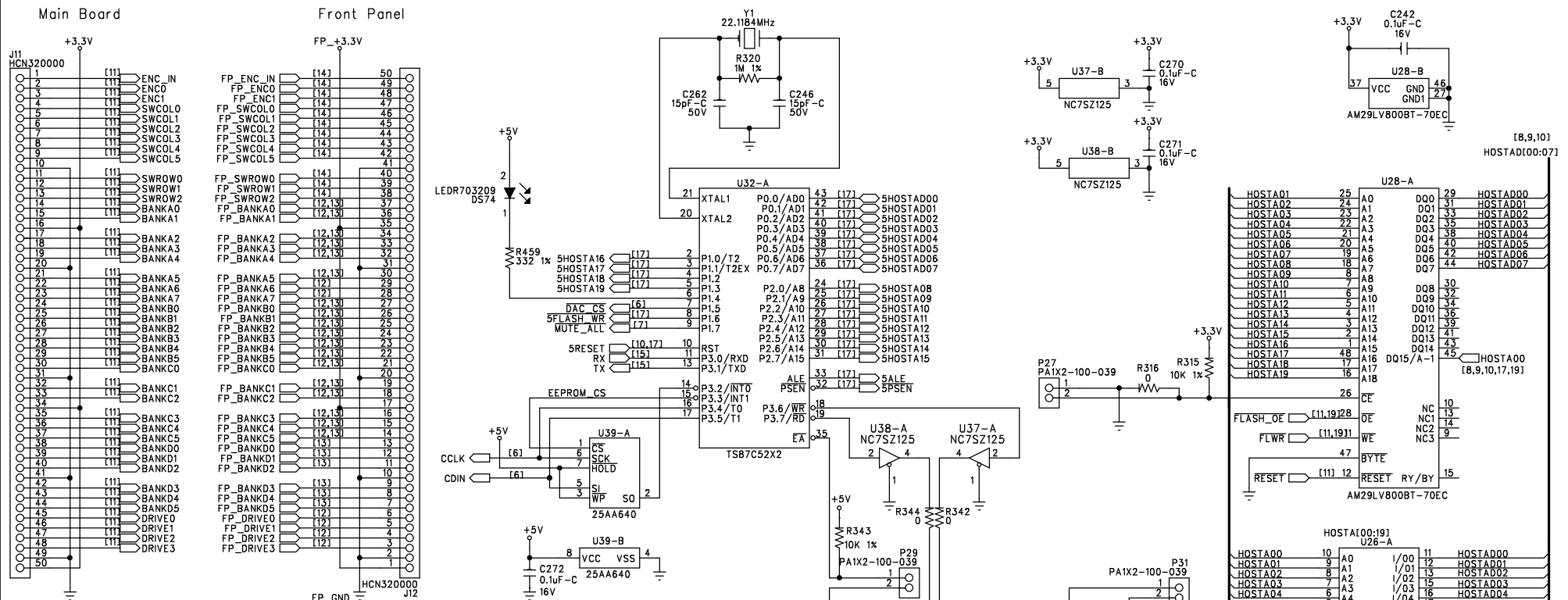


Weak pull-down to mute outputs at power-up

SIZE: A	SHEET TITLE: Mute Control	REVISION: D0
DATE: 12-10-04	DRAWING NO: 05-1796	SHEET: 7 OF 20

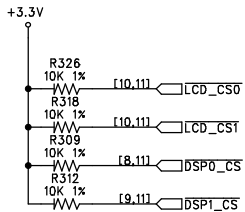
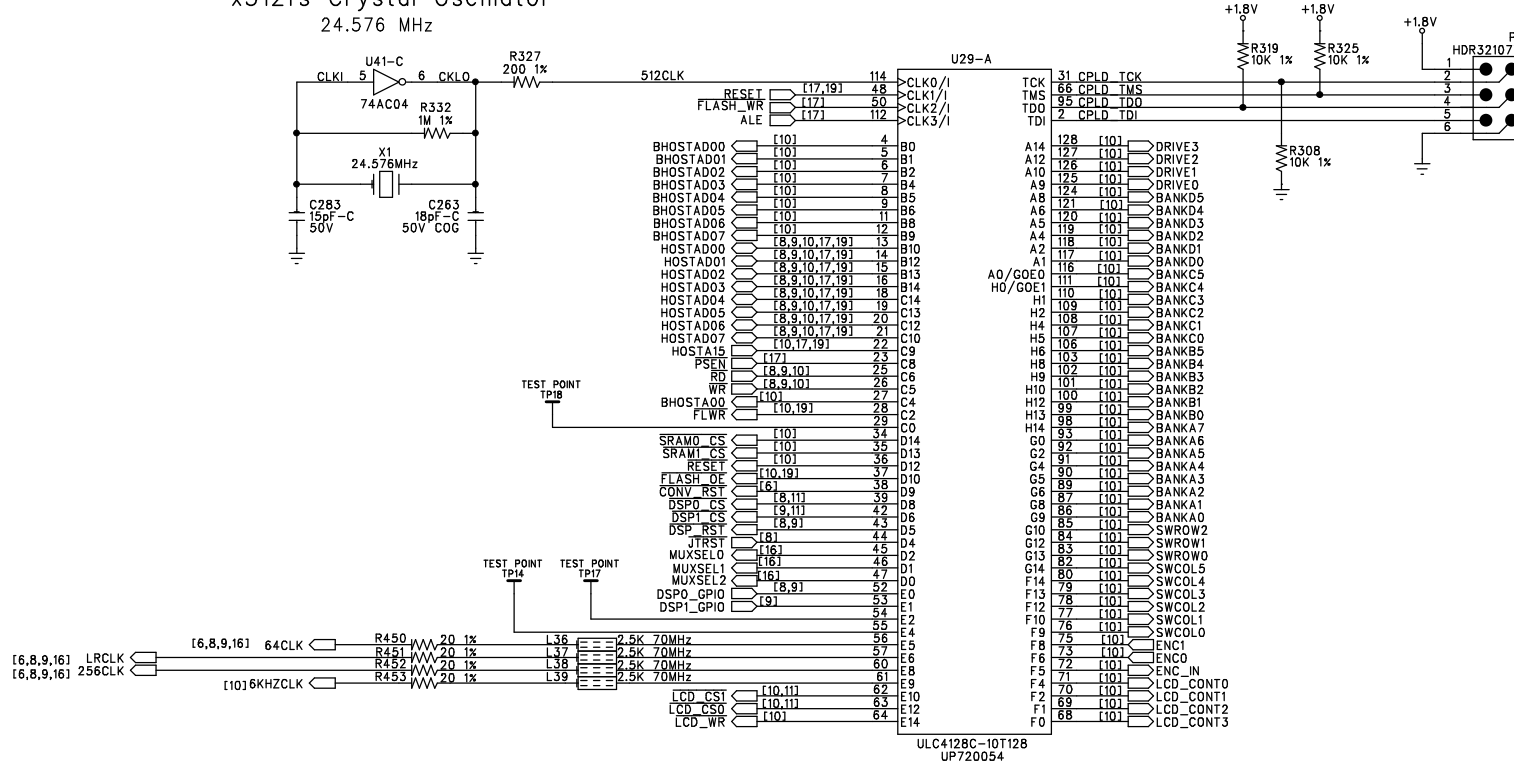


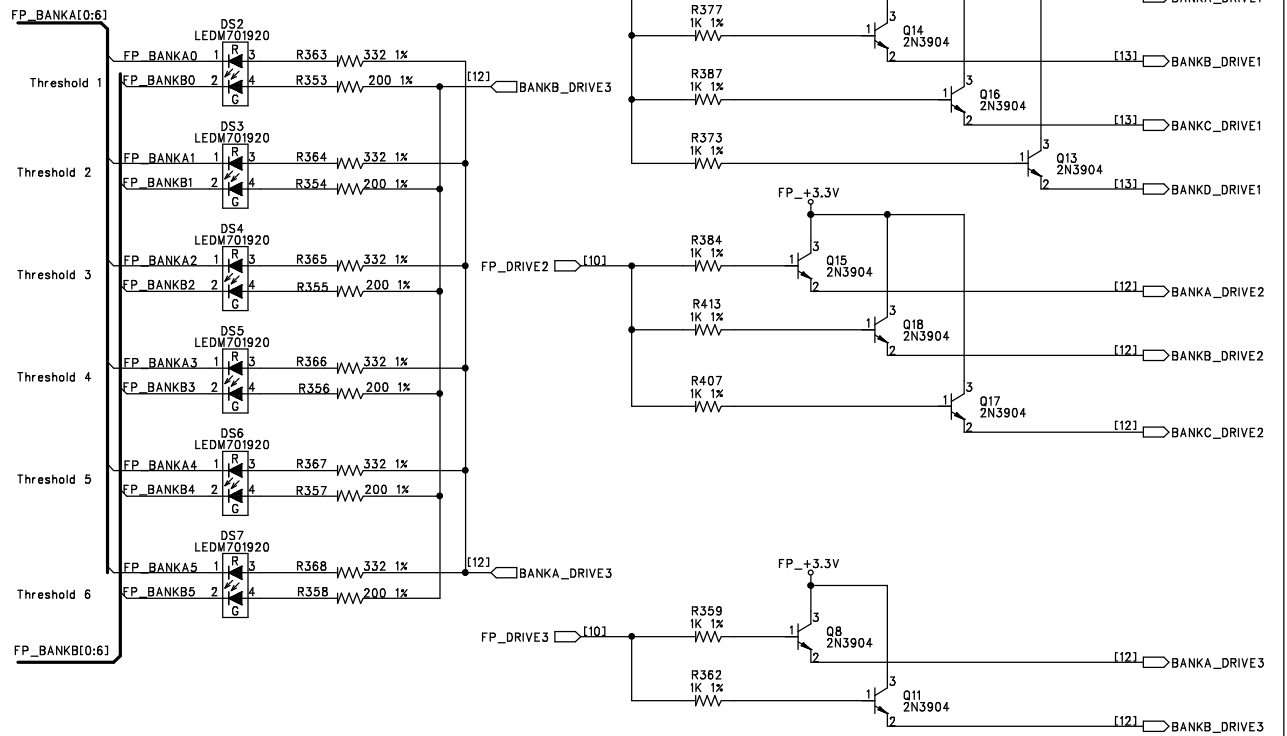
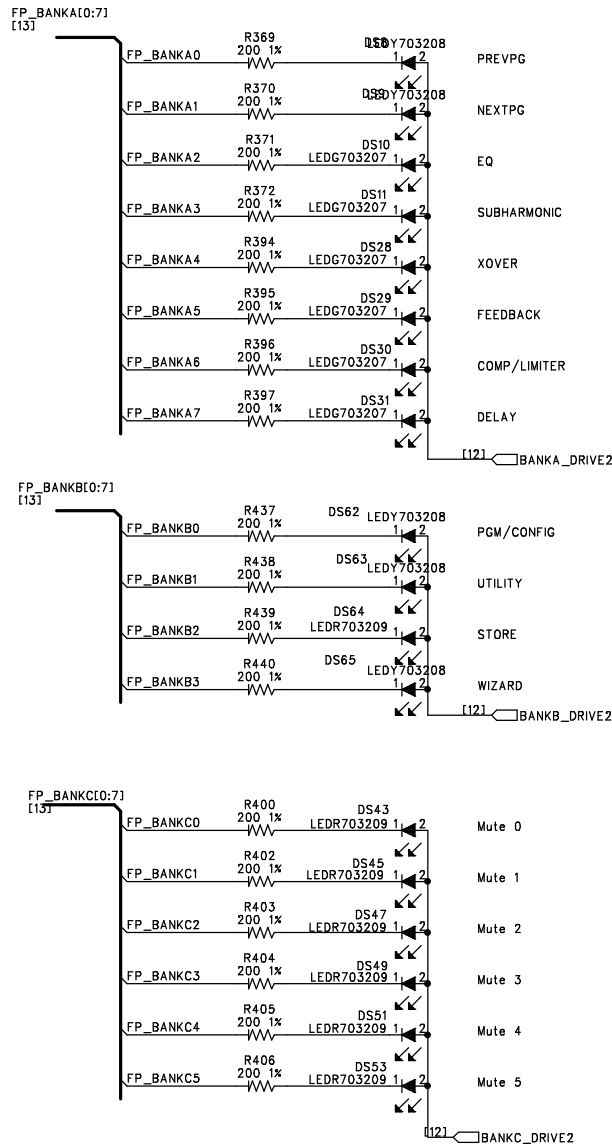


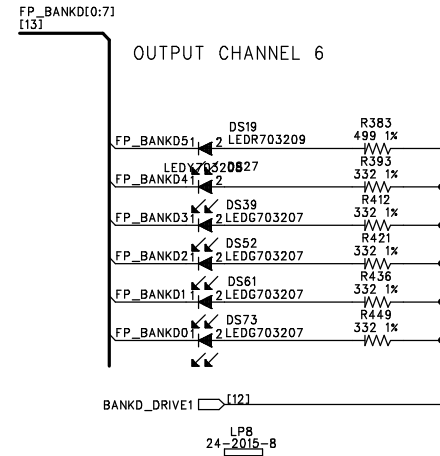
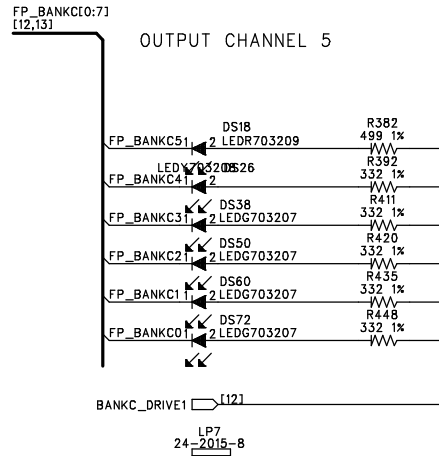
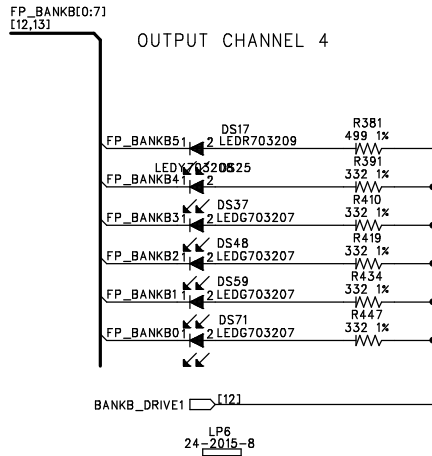
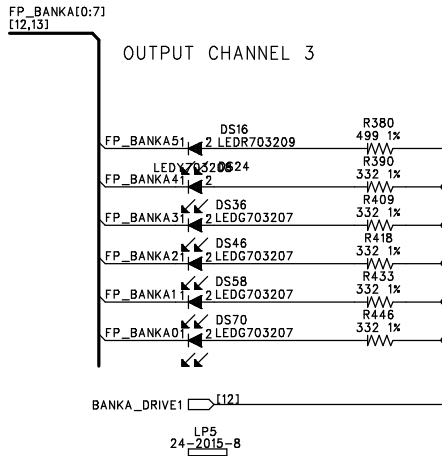
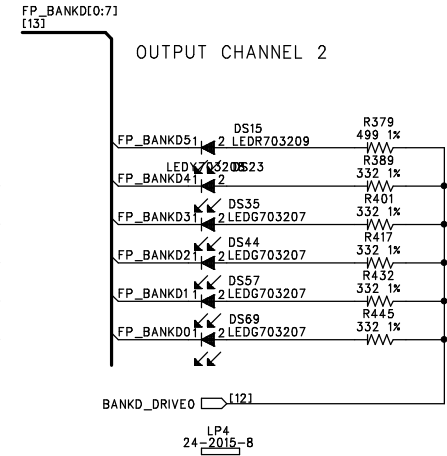
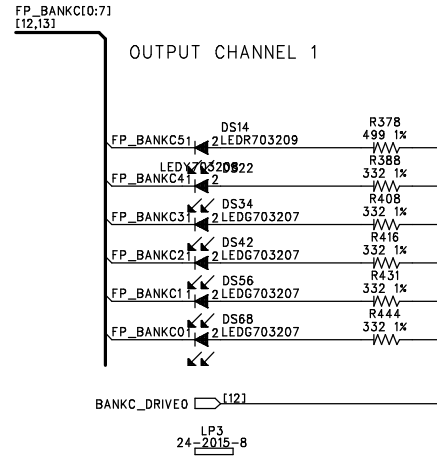
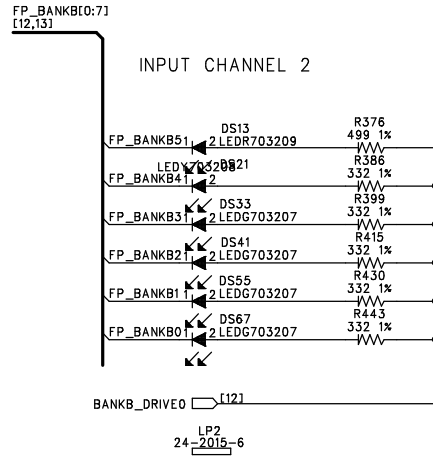
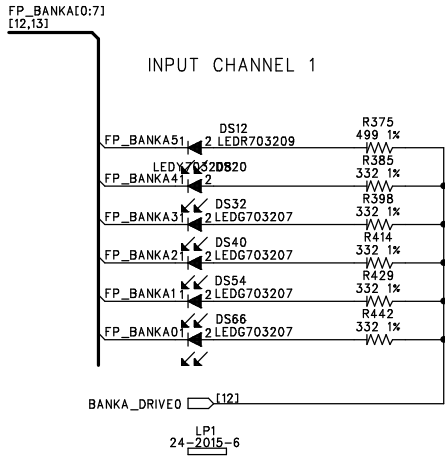


SIZE: A	SHEET TITLE: CPU	REVISION: D0
DATE: 12-10-04	DRAWING NO: 05-1796	SHEET: 10 OF 20

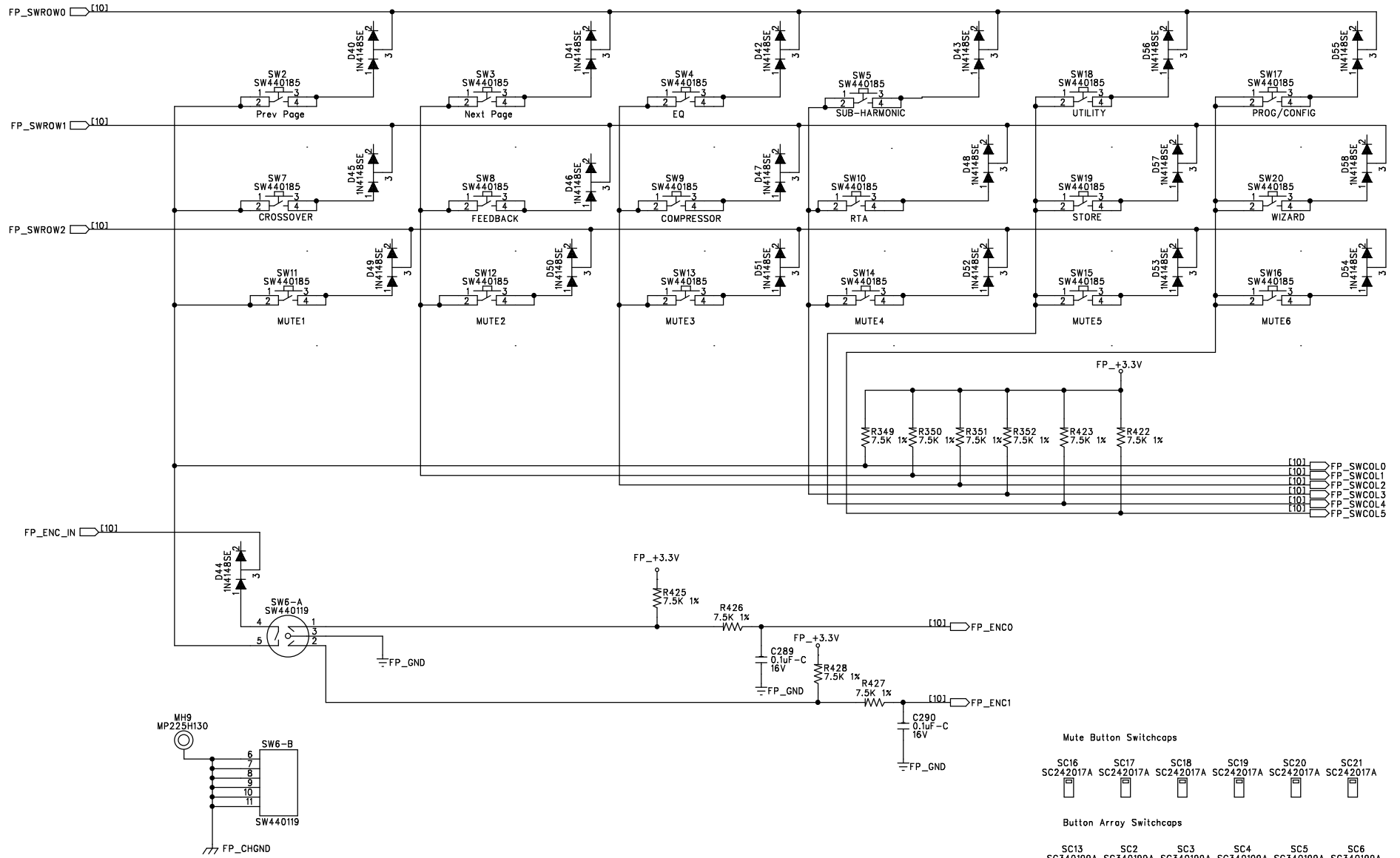
x512fs Crystal Oscillator
24.576 MHz





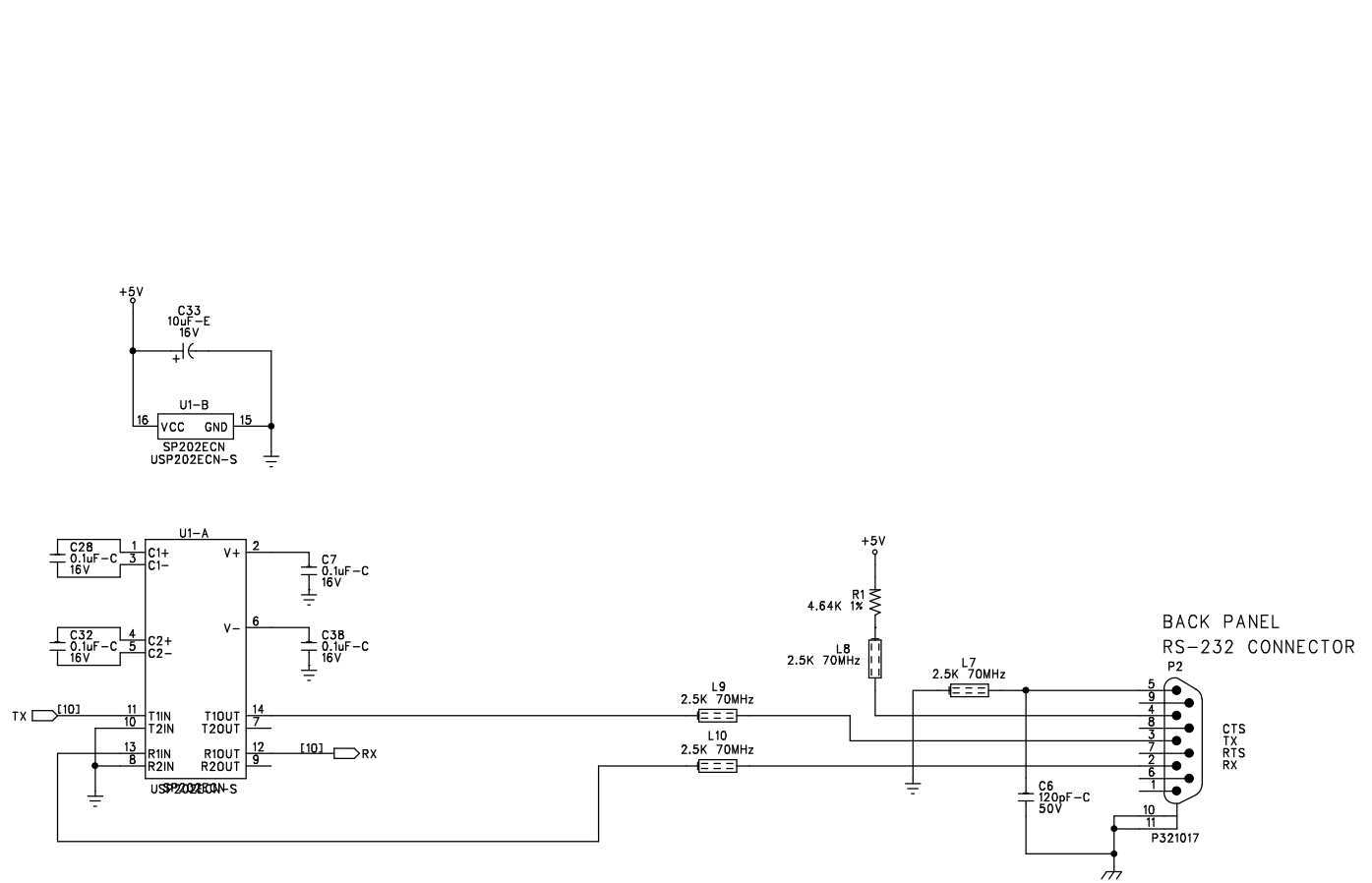


SIZE: A	SHEET TITLE: FRONT PANEL - METER LEDS	REVISION: D0
START DATE: 12-10-04	DRAWING NO: 05-1796	SHEET: 13 OF 20

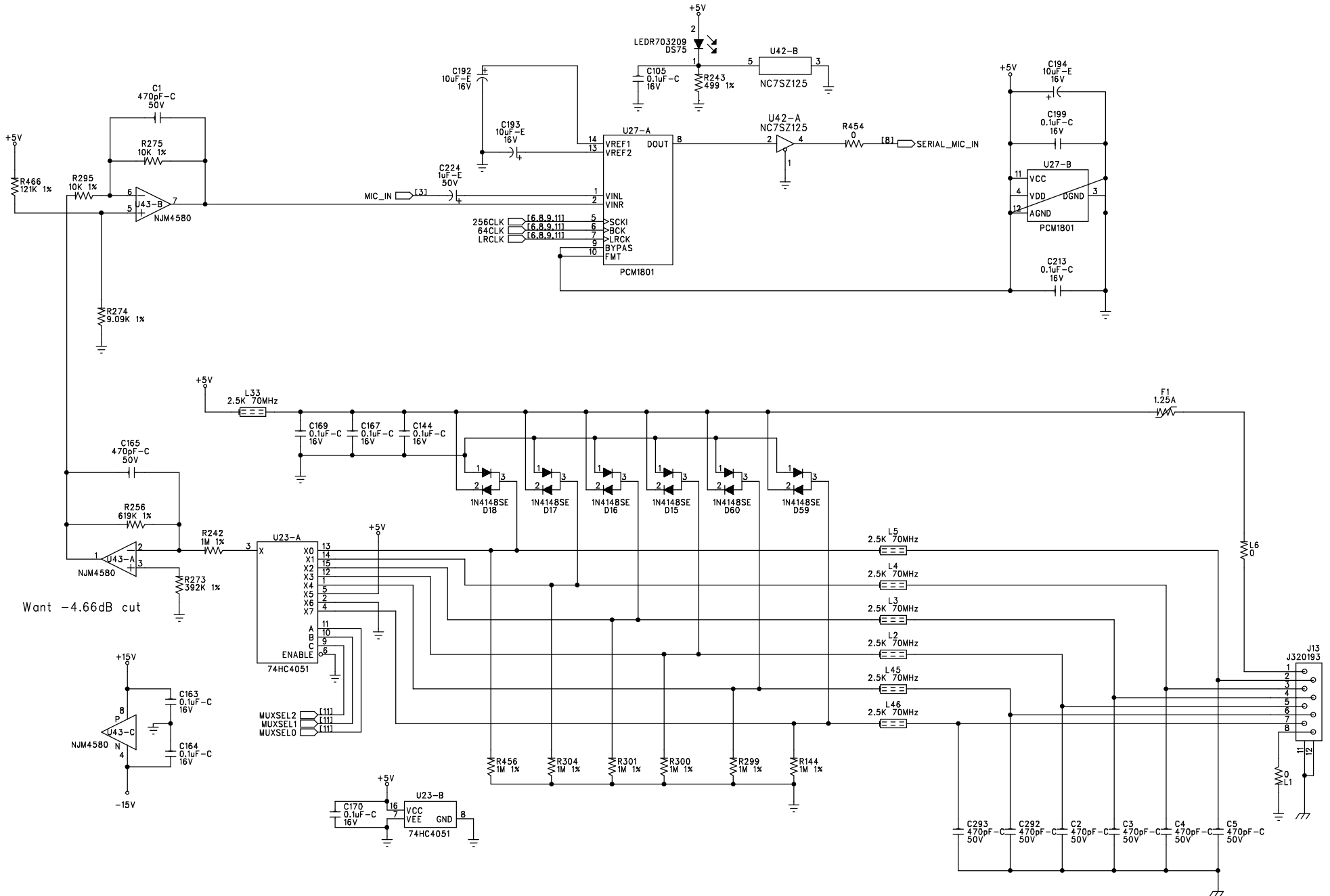


- Mute Button Switchcaps
- | | | | | | |
|-----------|-----------|-----------|-----------|-----------|-----------|
| SC16 | SC17 | SC18 | SC19 | SC20 | SC21 |
| SC242017A | SC242017A | SC242017A | SC242017A | SC242017A | SC242017A |
- Button Array Switchcaps
- | | | | | | |
|-----------|-----------|-----------|-----------|-----------|-----------|
| SC13 | SC2 | SC3 | SC4 | SC5 | SC6 |
| SC340199A | SC340199A | SC340199A | SC340199A | SC340199A | SC340199A |
| SC7 | SC8 | SC9 | SC10 | SC11 | SC12 |
| SC340199A | SC340199A | SC340199A | SC340199A | SC340199A | SC340199A |

SIZE:	DR260 FRONT PANEL - SWITCHES		REV: D0
DATE:	12-10-04	05-1796	SHEET: 14 OF 20

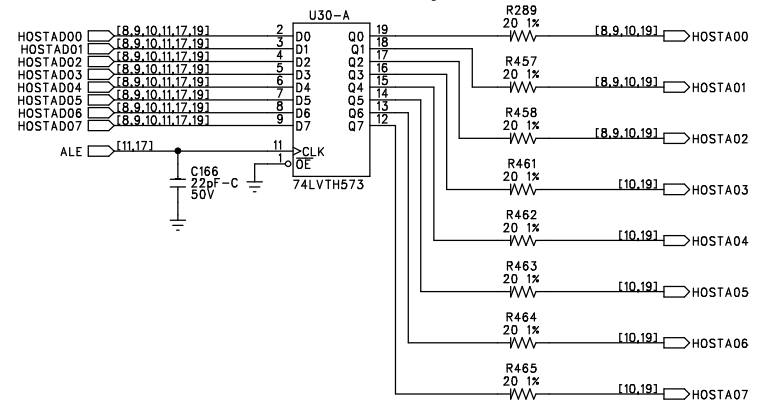
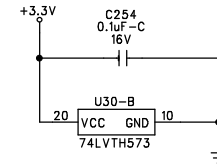
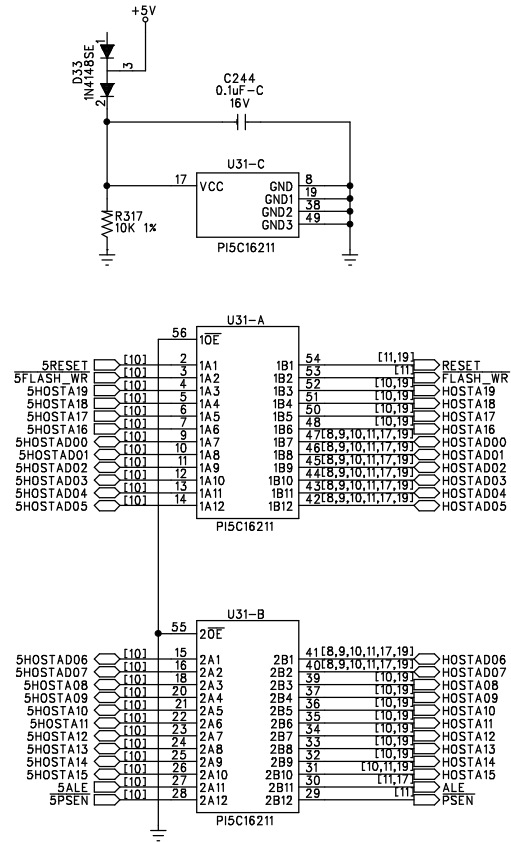


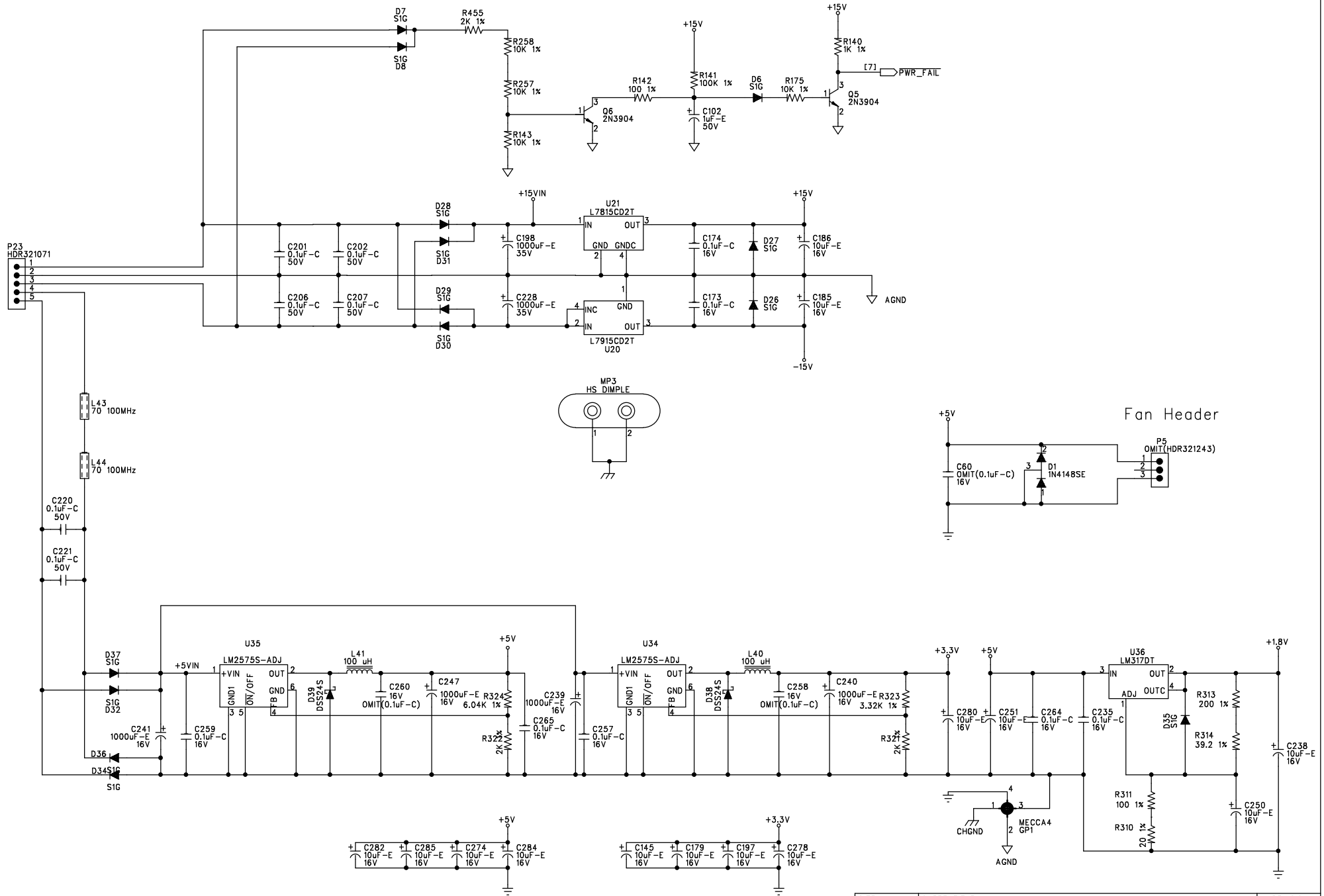
SIZE: A	SHEET TITLE: RS-232	REVISION: D0
DATE: 12-10-04	DRAWING NO: 05-1796	SHEET: 15 OF 20



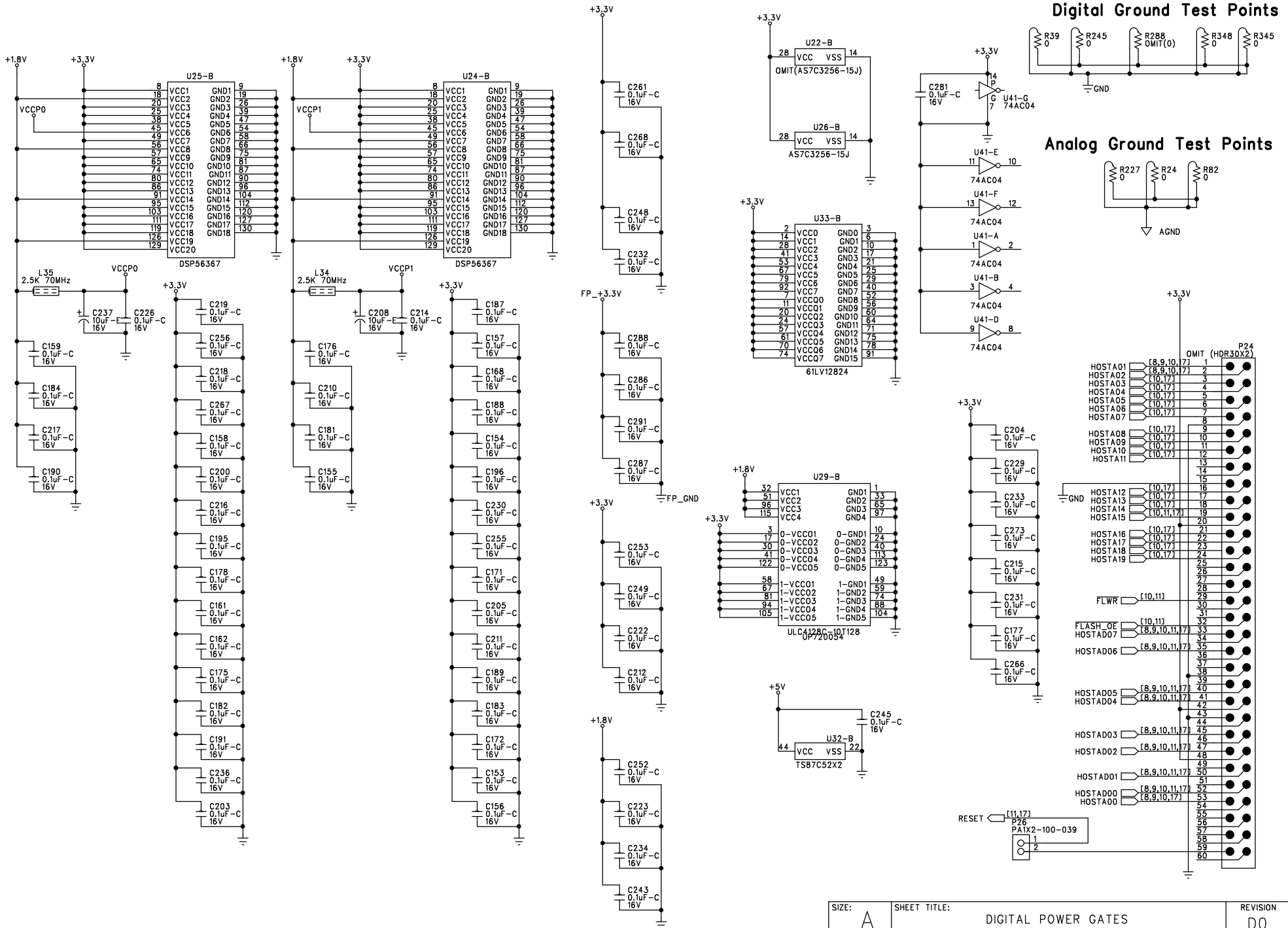
Want -4.66dB cut

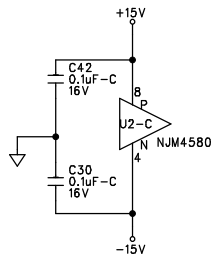
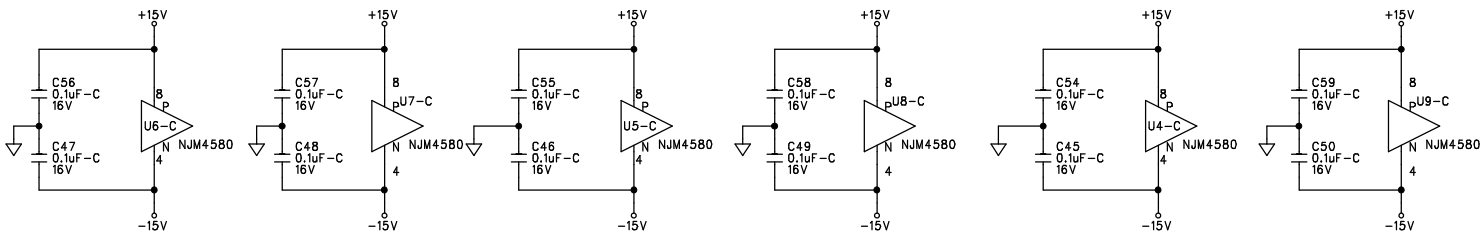
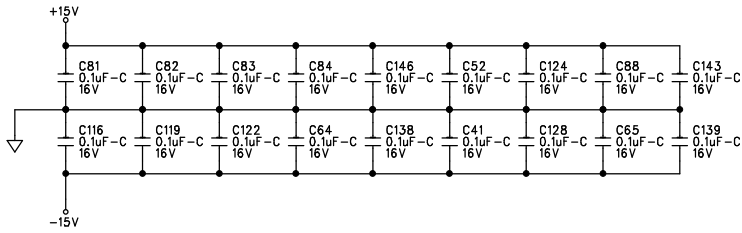
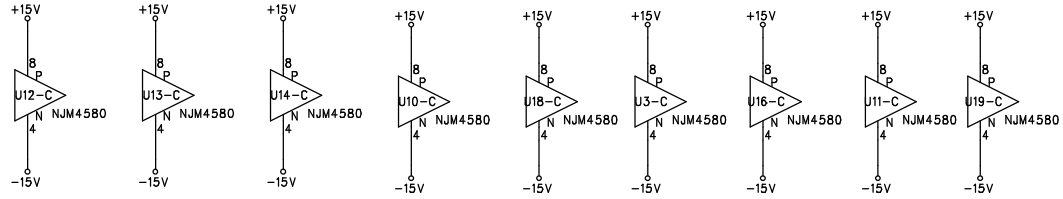
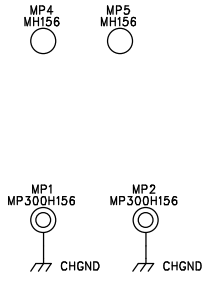
SIZE: A	SHEET TITLE: CONTACT CLOSURE	REVISION: D0
DATE: 12-10-04	DRAWING NO: 05-1796	SHEET: 16 OF 20





SIZE: A	SHEET TITLE: POWER SUPPLY	REVISION: D0
DATE: 12-10-04	DRAWING NO: 05-1796	SHEET: 18 OF 20





SIZE: A	SHEET TITLE: ANALOG POWER GATES	REVISION: D0
START DATE: 12-10-04	DRAWING NO: 05-1796	SHEET: 20 OF 20

Bill Of Materials for 051796D0.sch on Fri Dec 10 13:34:57 2004

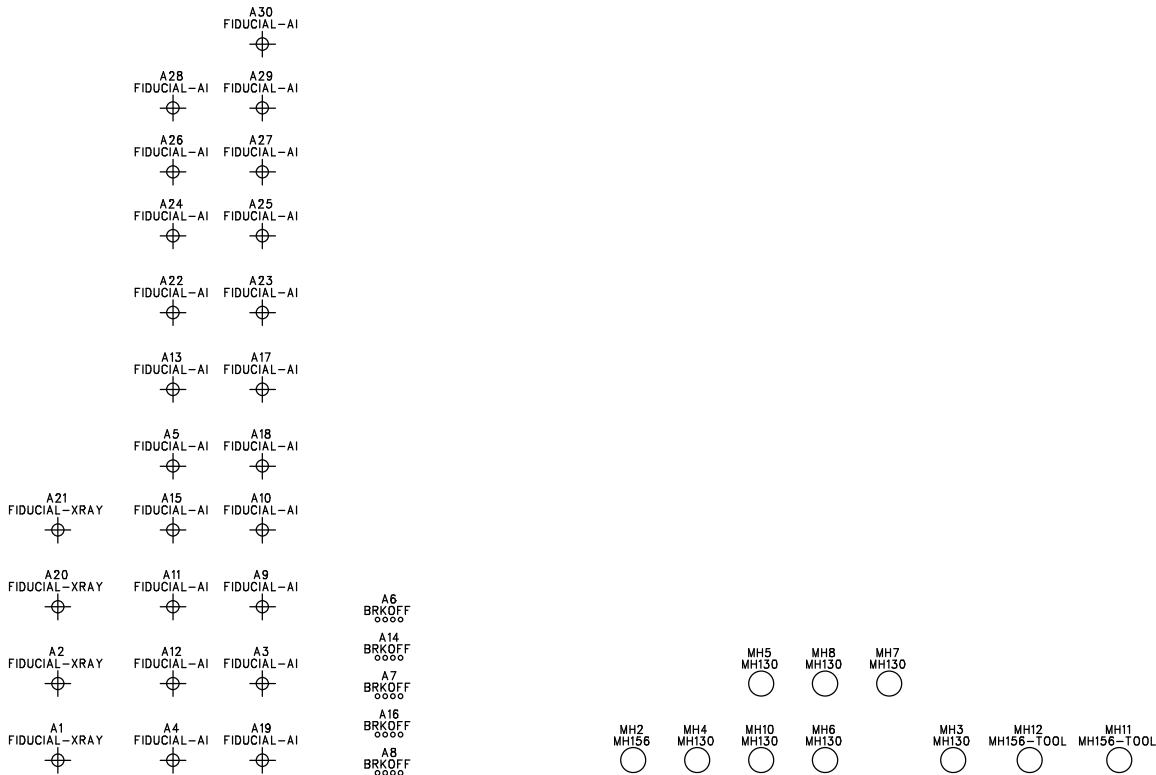
Qty	Reference	HMG#	Description	Audit	Schematic Part	PCB Decal
1	P25	NON-PART	PAD ARRAY EDGE CONN 20 COND 0.1"LS	DWB122	20PIN-FINGERS	20PIN-FINGERS
1	PCB1	80-1796	PCB 80-1796 dbx DRIVERACK 260/261	PT2044	80XXXXYY	BARCODE
5	A6-8 A14 A16	NON-PART	NON-PART, PCB ONLY, BREAKOFF PART	PT1481	BRKOFF	BRKOFF
12	C66 C69-70 C73-74 C77 C115 C117-118 C120-121 C123	56-0000	CAP 0.001uF FILM PTR 100V 5% AF TA	PT1629	C0.001UF100JR	RFCC200
2	C209 C227	56-0005	CAP 0.0068uF FILM PTR 100V 5% RF TA	PT1307	C0.0068UF100JR	RFDC200
2	C103 C150	56-0033	CAP 0.027uF FILM PTR 100V 5% RF TA	PT1282	C0.027UF100JR	RFEF200
142	C7 C28 C30 C32 C38 C41-42 C45-50 C52-59 C64-65 C81-84 C88 C97-98 C100 C105-106 C116 C119 C122 C124 C127-128 C134-135 C137-139 C143-144 C146 C153-159 C161-164 C167-178 C181-184 C187-191 C195-196 C199-200 C203-205 C210-219 C222-223 C226 C229-236 C242-245 C248-249 C252-257 C259 C261 C264-273 C276-277 C279 C281 C286-291 C294	62-1310	CAP 0.1uF CER 16V 20% Y5V 0603 TA	PT2696	C0.1UC16M0603	0603
3	C60 C258 C260	OMIT	OMIT CAP 0.1uF CER 16V 20% Y5V 0603 TA (62-1310)	PT2711	C0.1UC16M06030	0603
6	C201-202 C206-207 C220-221	62-1312	CAP 0.1uF CER 50V +80%/-20% Y5V 0603 TA	PT2687	C0.1UC50Z0603	0603
2	C35-36	56-0012	CAP 0.1uF FILM MTPT 50V 5% RF TA	PT1200	C0.1UF50JR	RFEC200
4	C99 C114 C130 C136	62-1308	CAP 1000pF CER 50V 20% Y5V 0603 TA	PT2651	C1000PC50M0603	0603
4	C239-241 C247	60-0064	CAP 1000uF EL 16V 20% GP 10x17R 5LL TA	PT1334	C1000UE16MR	REM200P
2	C198 C228	60-0063	CAP 1000uF EL 35V 20% GP 13x25R 5LL BK	PT1207	C1000UE35MR	REQ200P
3	C34 C37 C44	60-0201	CAP 100uF EL 16V 20% GP 6x8R 5LS TA	PT1378	C100UE16MR	REG200P
29	C33 C61 C78-80 C101 C145 C147-149 C179 C185-186 C192-194 C197 C208 C237-238 C250-251 C274-275 C278 C280 C282 C284-285	60-0049-01	CAP 10uF EL 16V 20% GP 5x7R 5LS TA	PT1080	C10UE16MR	RED200P
29	C6 C8-27 C29 C31 C39-40 C43 C51 C62 C133	62-1304	CAP 120pF CER 50V 5% NPO 0603 TA	PT2655	C120PC50J0603	0603
7	C180 C246 C262 C283 C295-297	62-1300	CAP 15pF CER 50V 5% NPO 0603 TA	PT2659	C15PC50J0603	0603
1	C263	62-0094	CAP 18pF CER 50V 5% COG 0603 TA	PT2870	C18PC50J0603	0603
2	C102 C224	60-0044-01	CAP 1uF EL 50V 20% GP 5x7R 5LS TA	PT1079	C1UE50MR	RED200P
1	C166	62-1301	CAP 22pF CER 50V 5% NPO 0603 TA	PT2658	C22PC50J0603	0603
10	C67-68 C71-72 C75-76 C86-87 C141-142	60-0402	CAP 22uF ELNLP 25V 20% GP 6x11R 5LS TA	PT1084	C22UN25MR	REG200
8	C63 C95-96 C104 C129 C131 C151-152	62-1306	CAP 330pF CER 50V 10% X7R 0603 TA	PT2653	C330PC50K0603	0603
8	C1-5 C165 C292-293	62-1307	CAP 470pF CER 50V 10% X7R 0603 TA	PT2652	C470PC50K0603	0603
4	C85 C113 C140 C160	60-0054-01	CAP 47uF EL 25V 20% GP 5x11R 5LS TA	PT2959	C47UE25MR1	REE200P
12	C89-94 C107-112	62-1303	CAP 68pF CER 50V 5% NPO 0603 TA	PT2656	C68PC50J0603	0603

051796D0.PPS						
43	D1-5 D9-24 D33 D40-60	70-0113	DIO MMBD4148SE DUAL 75V 600mA SOT-23 TA	PT1326	D1N4148SE-S	SOT-23
14	D6-8 D26-32 D34-37	70-3203	DIO RECT S1G 400V 1.0A SMA TA	PT2081	DS1G-S	DO-214AC/SMA
2	D38-39	70-0068	DIO RECT 40V 2A SCHOTTKY SS24 SM	PT2779	DSS24S	DO-214AA/SMB
1	F1	32-0186	FUSE 1.25A POLY SWITCH RESETABLE	PT2893	F1.25A320186	FUSE6
9	A3-4 A9-12 A15 A18-19	NON-PART	NON-PART FIDUCIAL TARGET FOR AUTO INSERTION	PT2904	FIDUCIAL-AI	FIDUCIAL-AI
4	A1-2 A20-21	NON-PART	NON-PART FIDUCIAL TARGET FOR XRAY	PT2905	FIDUCIAL-XRAY	FIDUCIAL-XRAY
1	P24	OMIT	OMIT (CON HDR 30 X 2 FEMALE AMP SMT)	DWB	HC302V224SPMS	HC302V224SPMS
2	J11-12	32-0000	HCN CONN 50 PIN .5 MM CNTS 1X50 FML RA	PT2824	HCN320000	HC320000
1	J10	32-0176	HCN CONN 20 PIN FEM VRT MNT SMT	PT2773	HCN320176	HC102V079050FS
1	P30	32-1055	HDR 20 PIN 0.1" SPC 2 X 10 VERT MALE	PT1340	HDR321055	HC102
1	P23	32-1071	HDR 5 PIN 0.1" SPC 1 X 5 LCK POL VERT MALE	PT1621	HDR321071	HC51LPM
1	P1	32-1077	HDR 6 PIN 0.1" SPC 2 X 3 VERT MALE	PT1683	HDR321077	HC32
8	P3-4 P8-13	32-1994	HDR 12 PN .1" SPC 2X6 VRT MT	PT2435	HDR321994	HC62V100M
1	P20	OMIT	OMIT HDR 14 PIN 0.1" SPC 2 X 7 VERT MALE (32-1083)	PT2127	HDR321083-0	HC72
1	P5	OMIT	OMIT HDR 3 PIN .098 SPC 3X1 SHROUDED VERTICAL MT. (32-1243)	PT2795	HDR321243-0	HC31V98SP
1	J13	32-0193	CON JACK RJ45 SINGLE PORT 8 PIN R/A PCB MNT SHLD	PT2872	J320193	JRJ45_8P-LONG-SH LD
3	J1-3	32-0206	CON JACK XLR R/A PCA A SERIES	PT1219	J320206	XLRF-1
16	JP1-16	32-1075	JUMPER MINI .1" SPC	PT1415	JP321075	PCBNULL
6	K1-6	72-5146	RELAY DPDT 12VDC POL SM	PT2219	K725146	KSLIM-8P
1	LBL1	30-0121	LABEL BARCODE AUTOINSERTABLE RAW	PT2790	LABEL300121	LABEL300121
38	DS10-11 DS28-42 DS44 DS46 DS48 DS50 DS52 DS54-61 DS66-73	70-3207	LED GREEN D1206 T&R	PT1902	LEDG703207	D1206
6	DS2-7	70-1920	LED RED/GRN WT/DIF SM 1210 TA	PT2428	LEDM701920	LED1210
18	DS1 DS12-19 DS43 DS45 DS47 DS49 DS51 DS53 DS64 DS74-75	70-3209	LED RED D1206 T&R	PT1901	LEDR703209	D1206
13	DS8-9 DS20-27 DS62-63 DS65	70-3208	LED YEL 1206 TA	PT1900	LEDY703208	D1206
2	L43-44	26-0215	IND FBD 70 OHM @ 100MHz RIC200 TA	PT1262	LFB260215	RIC200
34	L2-5 L7-16 L18-19 L21-22 L24-25 L27-28 L30-31 L33-39 L42 L45-46	26-0217	IND FBD 2.5K OHM @ 70MHz 0805 TA	PT1261	LFB260217	0805
2	L40-41	26-0002	IND PWR 100uH 3A	PT2754	LI260002	UP3B
2	LP1-2	NON-PART	NON-PART 6 POS NOT INSTALLED UNTIL MECHANICAL ASSY(LIGHT PIPE)	PT1967	LP242015-6	LP242015-6
6	LP3-8	NON-PART	NON-PART 8 POS NOT INSTALLED UNTIL MECHANICAL ASSY(LIGHT PIPE)	PT1968	LP242015-8	LP242015-8
1	GP1	NON-PART	NON-PART MECCA GND/PWR TIE POINT 4 POS	PT2482	MECCA4	MECCA4
8	MH1 MH3-8 MH10	NON-PART	NON-PART, MOUNTING HOLE, 0.130" NON-PLATED, #4	PT1242	MH130	MH130
3	MH2 MP4-5	NON-PART	NON-PART MOUNTING HOLE 0.156" NON-PLATED #6	PT3000	MH156	MH156
2	MH11-12	NON-PART	NON-PART TOOLING PIN HOLE 156MIL HOLE	PT2794	MH156-TOOL	MH156-TOOL
1	MH9	NON-PART	NON-PART MECHANICAL PLATED HOLE 225 PAD 130 HOLE #4	PT1998	MP225H130	MP225H130
2	MP1-2	NON-PART	NON-PART MECHANICAL PLATED HOLE 300 PAD 156 HOLE #6	PT3001	MP300H156	MP300H156
1	MP3	NON-PART	NON-PART SMT HEATSINK DIMPLE 300P 156H #6	PT2816	MP300H156-HSDMP	MP300H156-HSDMP
6	J4-9	32-0204	CON PLUG XLR R/A PCA A SERIES	PT1218	P320204	XLRM-1
1	P2	32-1017	CON JACK DCONN DUAL PORT 9P RA MALE PC MNT	PT1931	P321017	DCON9PM
14	P6-7 P14-19 P21-22 P26-27 P29 P31	NON-PART	NON-PART PD ARY 2 PN 0.100" SPC 0.039" HLE	PT1645	PA1X2-100-039	PA1X2-100-039
17	Q2 Q4-6 Q8-20	70-1058	XSTR 2N3904 NPN SOT-23 TA	PT1203	Q2N3904-S	SOT-23
2	Q1 Q3	70-1059	XSTR 2N3906 PNP SOT-23 SM TA	PT1057	Q2N3906-S	SOT-23
17	R2-3 R5-6 R78 R123 R230 R241 R244 R249 R266 R292 R316 R342 R344 R347 R454	50-1300	RES 0 5% 1/16W SM 0603 TA	PT2508	R0-B5-0603	0603
7	R122 R126 R229 R236-238 R248	OMIT	OMIT RES 0 5% 1/16W SM 0603 TA (50-1300)	PT2509	R0-B5-06030	0603
10	L1 L6 L17 L20 L23 L26 L29 L32 R127 R235	50-1531	RES 0 5% 1/10W SM 0805 TA	PT1099	R0-C5-0805	0805

7	R24 R39 R82 R227 R245 R345 R348	50-0317	RES 0 5% 1/4W CF RR TA	PT1008 R0-E5-R	RRA200
1	R288	OMIT	OMIT RES 0 5% 1/4W CF RR TA (50-0317)	PT1596 R0-E5-RO	RRA200
2	R25 R40	52-1314	RES 1.5K 1% 1/16W SM 0603 TA	PT2551 R1.5KB1-0603	0603
4	R14 R17 R20 R23	52-1339	RES 10.2K 1% 1/16W SM 0603 TA	PT2591 R10.2KB1-0603	0603
12	R147 R150 R153 R156 R159 R162 R200 R203 R206 R209 R212 R215	52-1340	RES 10.7K 1% 1/16W SM 0603 TA	PT2592 R10.7KB1-0603	0603
15	R33-38 R142 R234 R270 R277 R281 R284 R287 R291 R311	52-1304	RES 100 1% 1/16W SM 0603 TA	PT2512 R100-B1-0603	0603
6	R141 R178-179 R263-264 R335	52-1360	RES 100K 1% 1/16W SM 0603 TA	PT2613 R100KB1-0603	0603
62	R80-81 R84 R87 R90 R93 R96 R99 R102 R105 R108 R111 R114 R117 R143 R175 R233 R239-240 R246-247 R250 R257-260 R267-269 R271-272 R275-276 R278-280 R282-283 R285-286 R290 R293-298 R305-309 R312 R315 R317-319 R325-326 R330-331 R343	52-1338	RES 10K 1% 1/16W SM 0603 TA	PT2584 R10KB1-0603	0603
1	R329	OMIT	OMIT RES 10K 1% 1/16W SM 0603 TA (52-1338)	PT2628 R10KB1-06030	0603
1	R466	52-1361	RES 121K 1% 1/16W SM 0603 TA	PT2614 R121KB1-0603	0603
1	R338	52-1362	RES 150K 1% 1/16W SM 0603 TA	PT2615 R150KB1-0603	0603
17	R9-10 R29-30 R146 R151-152 R157-158 R163 R182-187 R190	52-1344	RES 15K 1% 1/16W SM 0603 TA	PT2596 R15KB1-0603	0603
4	R125 R217 R219 R255	52-1305	RES 169 1% 1/16W SM 0603 TA	PT2513 R169-B1-0603	0603
20	R27 R140 R188-189 R191 R195 R333 R359-362 R373-374 R377 R384 R387 R407 R413 R424 R441	52-1313	RES 1K 1% 1/16W SM 0603 TA	PT2550 R1KB1-0603	0603
1	R79	OMIT	OMIT RES 1K 5% 1/16W SM 0603 TA (50-1313)	PT2535 R1KB5-06030	0603
9	R144 R242 R299-301 R304 R320 R332 R456	52-1372	RES 1M 1% 1/16W SM 0603 TA	PT2625 R1MB1-0603	0603
4	R124 R168 R226 R254	52-1317	RES 2.21K 1% 1/16W SM 0603 TA	PT2555 R2.21KB1-0603	0603
4	R120 R181 R222 R265	52-1318	RES 2.49K 1% 1/16W SM 0603 TA	PT2556 R2.49KB1-0603	0603
6	R44 R50 R56 R62 R68 R74	52-1319	RES 2.67K 1% 1/16W SM 0603 TA	PT2557 R2.67KB1-0603	0603
14	R289 R310 R334 R450-453 R457-458 R461-465	52-1300	RES 20 1% 1/16W SM 0603 TA	PT2507 R20-B1-0603	0603
28	R313 R327 R341 R346 R353-358 R369-372 R394-397 R400 R402-406 R437-440	52-1306	RES 200 1% 1/16W SM 0603 TA	PT2514 R200-B1-0603	0603
1	R339	52-1364	RES 221K 1% 1/16W SM 0603 TA	PT2617 R221KB1-0603	0603
16	R4 R7 R164 R167 R176-177 R180 R193 R221 R225 R251 R261-262 R321-322 R455	52-1316	RES 2K 1% 1/16W SM 0603 TA	PT2553 R2KB1-0603	0603
12	R43 R46 R49 R52 R55 R58 R61 R64 R67 R70 R73 R76	52-1322	RES 3.16K 1% 1/16W SM 0603 TA	PT2560 R3.16KB1-0603	0603
6	R45 R51 R57 R63 R69 R75	52-1323	RES 3.24K 1% 1/16W SM 0603 TA	PT2561 R3.24KB1-0603	0603

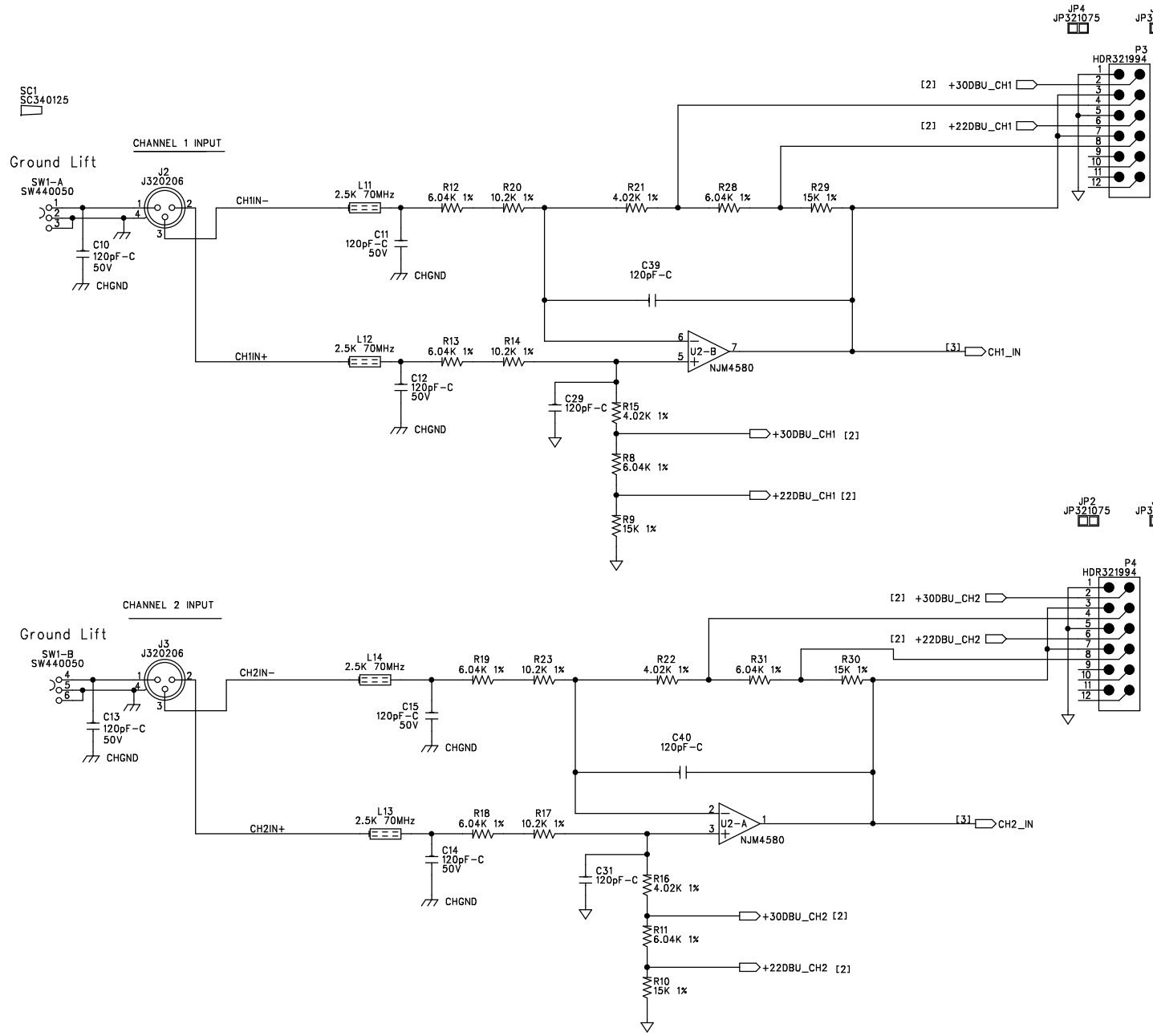
15	R119 R148-149 R154-155 R160-161 R201-202 R207-208 R213-214 R224 R323	52-1324	RES 3.32K 1% 1/16W SM 0603 TA	PT2562 R3.32KB1-0603	0603
50	R26 R32 R194 R363-368 R385-386 R388-393 R398-399 R401 R408-412 R414-421 R429-436 R442-449 R459	52-1307	RES 332 1% 1/16W SM 0603 TA	PT2543 R332-B1-0603	0603
5	R165-166 R252-253 R336	50-1325	RES 33K 5% 1/16W SM 0603 TA	PT2589 R33KB5-0603	0603
1	R314	52-1301	RES 39.2 1% 1/16W SM 0603 TA	PT2515 R39.2-B1-0603	0603
13	R41 R128-133 R169-174	52-1355	RES 39.2K 1% 1/16W SM 0603 TA	PT2608 R39.2KB1-0603	0603
1	R273	52-0000	RES 392K 1% 1/10W SM 0603 TA	PT2892 R392KB1-0603	0603
4	R15-16 R21-22	52-1325	RES 4.02K 1% 1/16W SM 0603 TA	PT2563 R4.02KB1-0603	0603
12	R42 R47-48 R53-54 R59-60 R65-66 R71-72 R77	52-1327	RES 4.53K 1% 1/16W SM 0603 TA	PT2565 R4.53KB1-0603	0603
4	R1 R192 R197 R460	52-1328	RES 4.64K 1% 1/16W SM 0603 TA	PT2568 R4.64KB1-0603	0603
12	R134-139 R199 R204-205 R210-211 R216	52-1329	RES 4.99K 1% 1/16W SM 0603 TA	PT2566 R4.99KB1-0603	0603
18	R196 R198 R218 R220 R223 R232 R243 R302-303 R328 R375-376 R378-383	52-1308	RES 499 1% 1/16W SM 0603 TA	PT2545 R499-B1-0603	0603
6	R86 R92 R98 R104 R110 R116	52-1331	RES 5.76K 1% 1/16W SM 0603 TA	PT2576 R5.76KB1-0603	0603
15	R8 R11-13 R18-19 R28 R31 R85 R91 R97 R103 R109 R115 R324	52-1332	RES 6.04K 1% 1/16W SM 0603 TA	PT2577 R6.04KB1-0603	0603
12	R83 R88-89 R94-95 R100-101 R106-107 R112-113 R118	52-1303	RES 60.4 1% 1/16W SM 0603 TA	PT2511 R60.4-B1-0603	0603
2	R145 R231	52-1309	RES 619 1% 1/16W SM 0603 TA	PT2546 R619-B1-0603	0603
1	R256	52-0196	RES 619K 1% 1/10W SM 0603 TA	PT2894 R619KB1-0603	0603
1	R337	52-1358	RES 63.4K 1% 1/16W SM 0603 TA	PT2611 R63.4KB1-0603	0603
11	R340 R349-352 R422-423 R425-428	52-1335	RES 7.5K 1% 1/16W SM 0603 TA	PT2581 R7.5KB1-0603	0603
2	R121 R228	52-1336	RES 8.06K 1% 1/16W SM 0603 TA	PT2582 R8.06KB1-0603	0603
1	R274	52-1337	RES 9.09K 1% 1/16W SM 0603 TA	PT2583 R9.09KB1-0603	0603
1	SC1	34-0125	SWITCH CAP BLACK ROUND	PT1354 SC340125	SC340125-FPE
6	SC16-21	24-2017-A	SWITCHCAP dbx LIGHTED MUTE BUTTON	PT2025 SC242017A	
12	SC2-13	34-0199-A	SWITCH CAP dbx LIGHTED	PT2024 SC340199A	PCBNULL
1	SW1	44-0050	SWITCH DPDT MINI IN-OUT 6 PIN E-SWITCH	PT1256 SW440050	SW440050
1	SW6	44-0119	SWITCH ENCODER 20mm D-SHAFT 30 POS W/SW VERT MNT	PT1890 SW440119	SW440119
18	SW2-5 SW7-20	44-0185	SWITCH SPST LITE TOUCH MINI W/ PROJECTED PLUNGER SMT	PT1962 SW440185	SW4PTACT-3
18	TP1-18	NON-PART	NON-PART, TEST POINT, ENGINEERING PROBE POINT	PT1653 TESTPOINT	TESTPOINTSM
1	U33	72-1488	IC 128K x 24 STATIC RAM 9ns 3.3V QFP100-14X20	PT2469 U128K24S9-3.3-Q	QFP100-14X20
1	U39	72-0046	IC 25AA640 64K SERIAL EEPROM TA	PT2774 U25AA260	SO8
1	U26	72-6318	IC 32K x 8 SRAM 15ns SOJ28	PT2294 U32K8S15-J	SOJ28-300
1	U22	OMIT	OMIT IC 32K x 8 SRAM 15ns SOJ28 (72-6318)	PT2874 U32K8S15-JO	SOJ28-300
1	U41	72-5426	IC, 74AC04, HEX INVERTER, SO14, T&R	PT1325 U74AC04-S	SO14
1	U23	72-0085	IC 74HC4051 ANALOG MUX/DEMUX SO16	PT1927 U74HC4051-S	SO16
1	U30	72-0063	IC 74LVTH573 3.3V ABT 8-LATCH 3-STATE SSO20 TR	PT2856 U74LVTH573-P	SSOP20
1	U15	72-1485	IC AK4356 192kHz 24 BIT 6 CHANNEL DAC	PT2717 UAK4356-Q	QFP44-10X10
1	U17	72-1464	IC, AK5392, DUAL 24BIT ADC, SO28W	PT1555 UAK5392-S	SO28W
2	U24-25	72-6305	IC DSP56367 DSP 150MHZ QFP144-20X20	PT2452 UDSP56367-Q	QFP144-20X20
1	U21	70-0070	V-REG L7815CD2T +15V 1A TA	PT2817 UL7815CD2T-S	TO263(D2PAK)
1	U20	70-0069	V-REG L7915CD2T -15V 1A TA	PT2819 UL7915CD2T-S	TO263(D2PAK)
2	U34-35	70-0063	V-REG LM2575S-ADJ SWITCHING REG 1A TO-263(5)	PT2739 ULM2575S-ADJ	TO-263(5)

				051796D0.PPS		
1	U36	70-0072	V-REG LM317DT 1.2V TO 37V ADJ 0.5A TA	PT2866	ULM317DT-S	TO252(DPACK)
3	U37-38 U42	72-5434	IC NC7SZ125 TINYLOGIC BUFFER SOT23-5 TA	PT1881	UNC7SZ125-S	SOT23-5
1	U44	72-0068	IC NCP302H VOLTAGE DETECTOR SM SOT23-5	PT2869	UNCP302H	SOT23-5
18	U2-14 U16 U18-19 U40 U43	72-1480	IC NJM4580 DUAL OP-AMP SO8	PT1374	UNJM4580-S	SO8
1	U29	72-0054-00V1	IC CPLD LC4128C-10T128 128 MC 92I/O SM dbx Driverack 260 V1	PT2859	UP720054	TQFP128
1	U32	72-0061-00V1	IC TS87C52X2 8 BIT OTP MICRO 5V 30Mhz dbx Driverack 260 V1	PT2868	UP720061	PLCC-44
1	U28	72-0062-00V1	IC AM29LV800BT 70ns 8 MEG FLASH dbx DRIVERACK 260 V1	PT2827	UP720062	TSOP48
1	U27	72-0055	IC PCM1801 16-BIT ADC 93DB SM	PT2875	UPCM1801-S	SO14
1	U31	72-0059	IC PI5C16211 24 BIT BUS SWITCH 5V-3V TSSOP	PT2860	UPI5C16211-TS	TSSOP56
1	U1	72-0056	IC SP202ECN RS-232 DUAL DRIVER/RECEIVER SM	PT2876	USP202ECN-S	SO16
1	Y1	76-0000	XTAL 22.1184MHz 18pF HC49 SM TR	PT2829	Y22.1184M760000	XTAL2-V
1	X1	76-0006	XTAL 24.576MHz CX16F/CS49G SM TA	PT2919	Y24.576M760006	XTAL2-V



LBL1
30-0121
PCB1
80-1796

REV	DESCRIPTION	ECN #	INIT	DATE
E0	CHANGE ON PCB BOARD, NO CHANGE TO SCHEMATIC	3157	DWB	12-23-04
D0	CHANGED P25 FROM 38-0001 TO EDGE CONNECTOR (38-0009)	3149	DWB	12-10-04
C5	CHANGE L17, L20, L23, L26, L29, L32 TO 0 OHM RESISTORS OMIT P5 FAN HEADER	2554	DWB	5-20-03
C4	DELETED S32 SOCKET 70-3168	2441	DWB	2-10-03
C3	CHANGED VALUES ON R40, R25, R78 AND OMITED R79	2369	BDP	12-23-02
C2	CHANGED COMPONENTS L1 AND L6 FROM 26-0217 TO 50-1531	2366	BDP	12-23-02
C1	CHANGED VALUES OF R456, R304, R301, R300, R299, R144, R256 CHANGED VALUES OF R242, R273, F1	2360	DWB	12-19-02
C0	CHANGED FOOTPRINT TO U29	2351	MRC	11-18-02
B0	RELEASE TO PRODUCTION	XXXX	DWB	11-18-02
A0	RELEASE TO PRODUCTION	2331	DWB	11-18-02
REV	DESCRIPTION	ECN #	INIT	DATE
REVISION HISTORY				
dbx PROFESSIONAL PRODUCTS 8760 South Sandy Parkway Sandy Utah 84070				
TITLE: dbx DriveRack 260 MAIN PCB				
DESIGNER: DAVID W. BYBEE		ENGINEER: ROBERT BOATRIGHT		
SIZE: A	DRAWING NO: 05-1796		REVISION E0	
DATE: 12-23-04	FILENAME: 051796E0.SCH	SHEET: 1 OF 20		



Max cut is -16.33dB for +30dBu in
 -8.26dB cut for +22dBu in
 No jumpers = -.33dB for +14dBu in

SC1
 SC340125

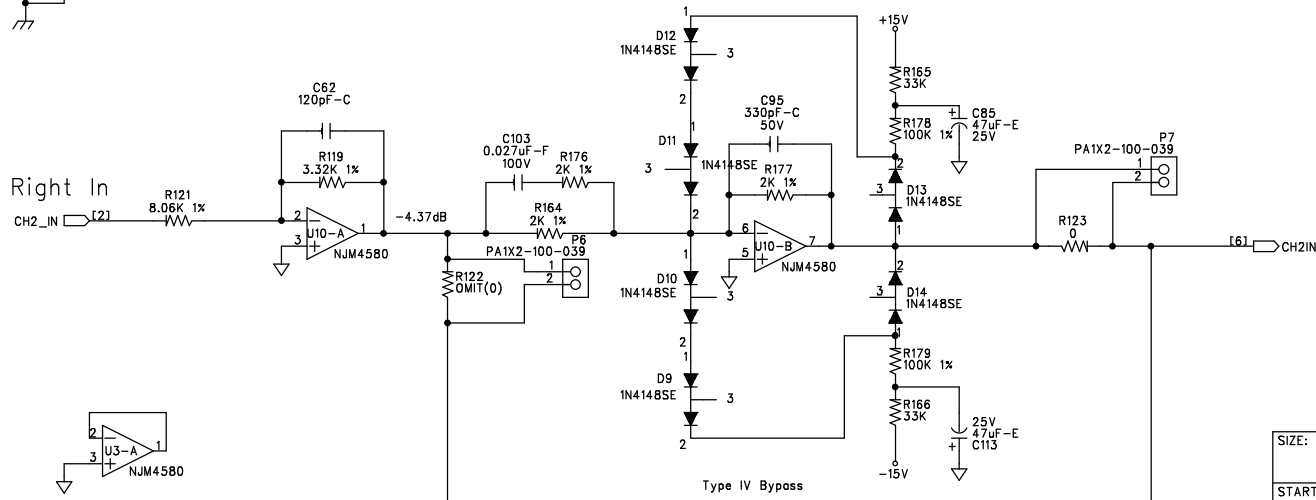
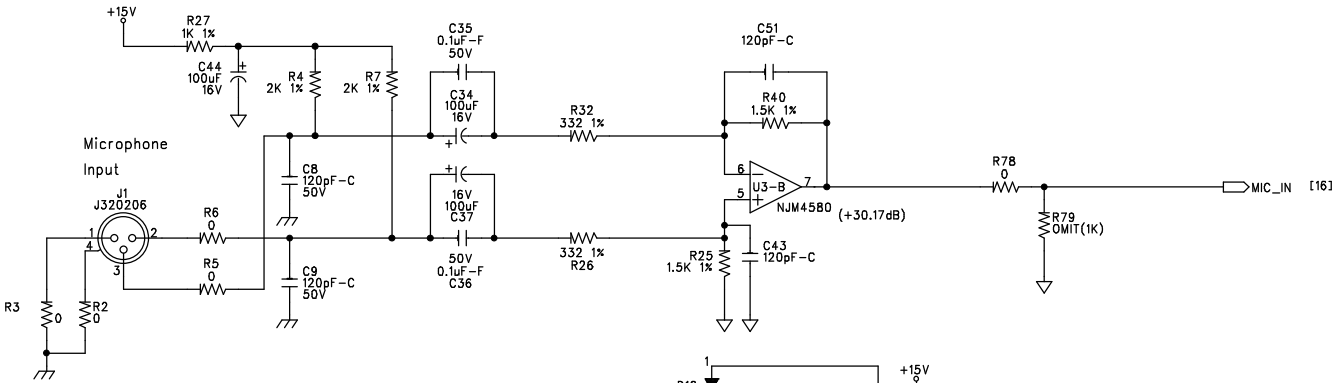
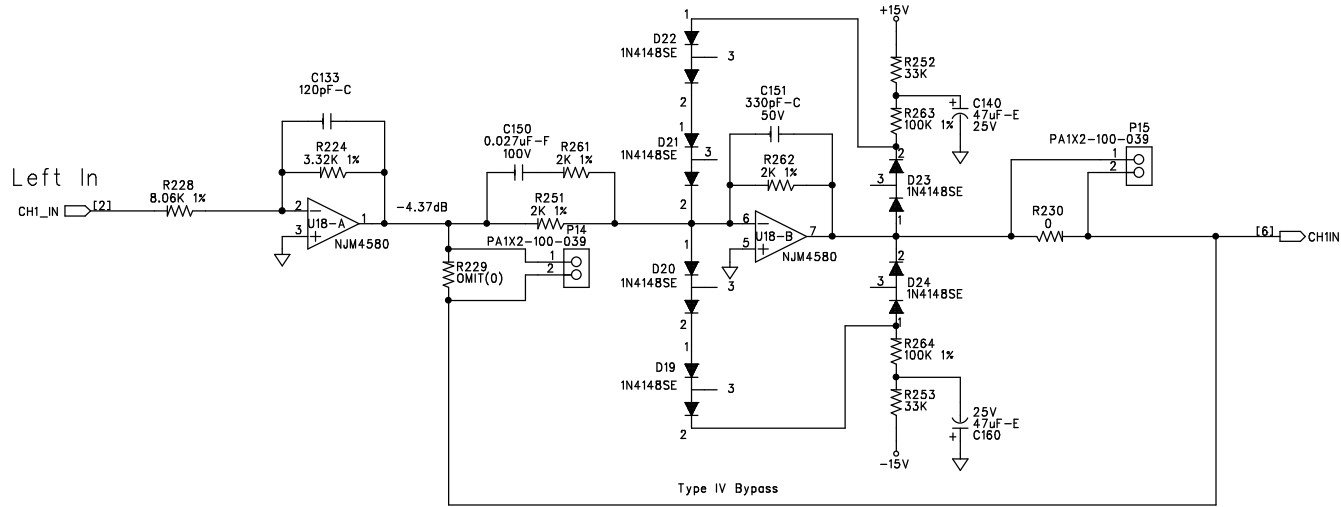
Ground Lift

CHANNEL 1 INPUT

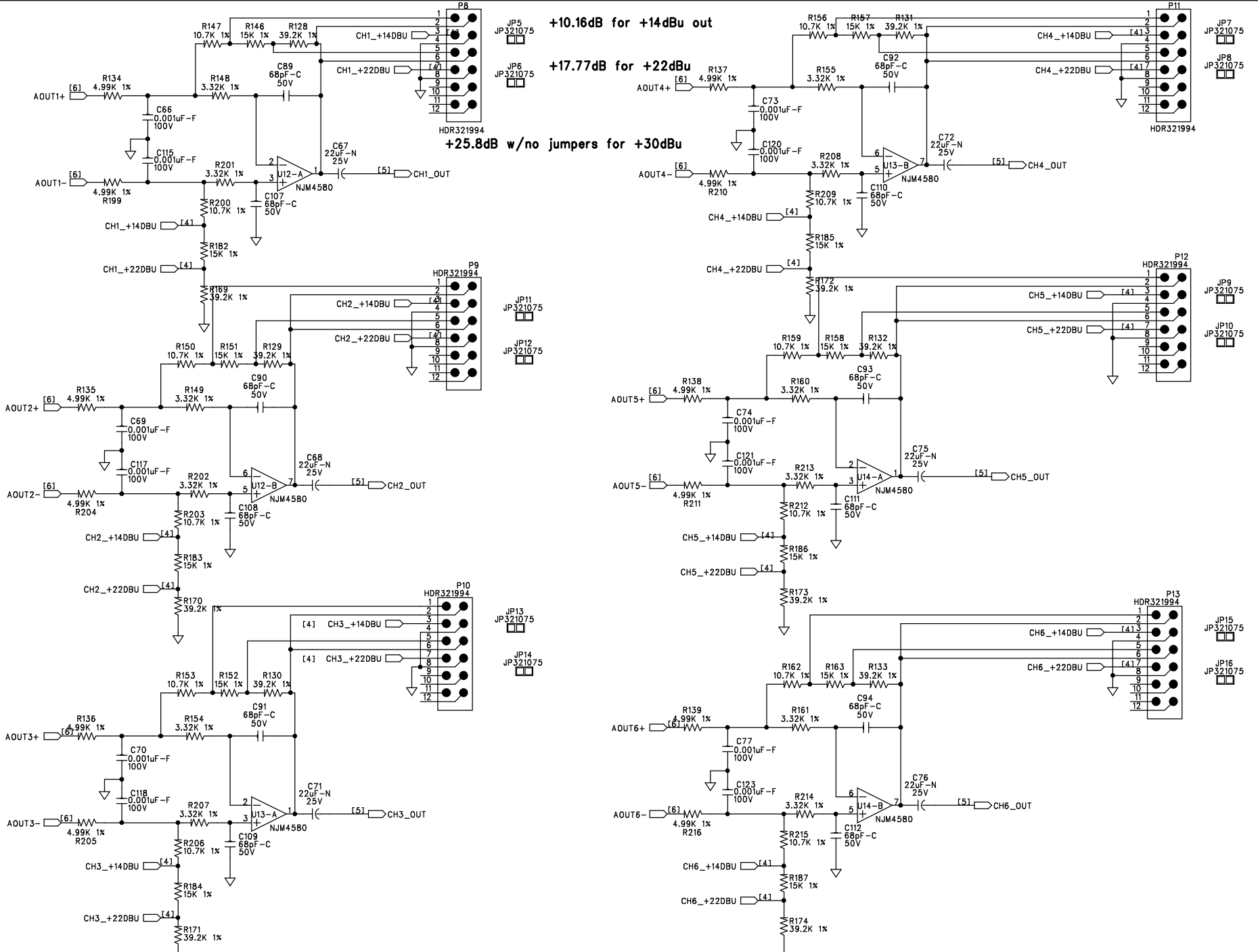
Ground Lift

CHANNEL 2 INPUT

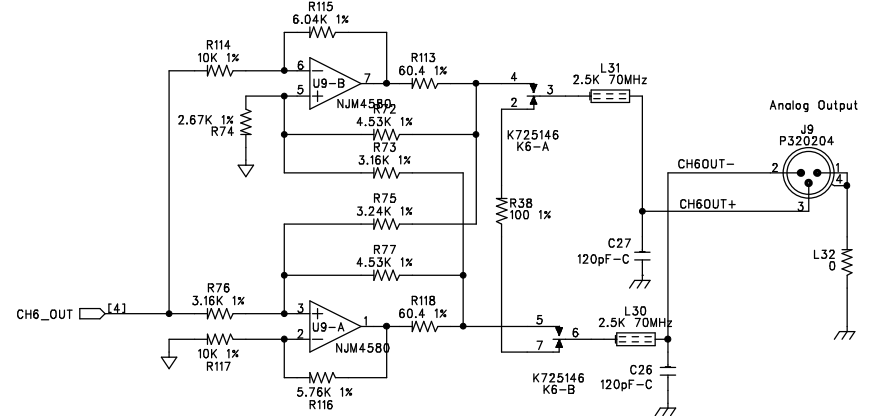
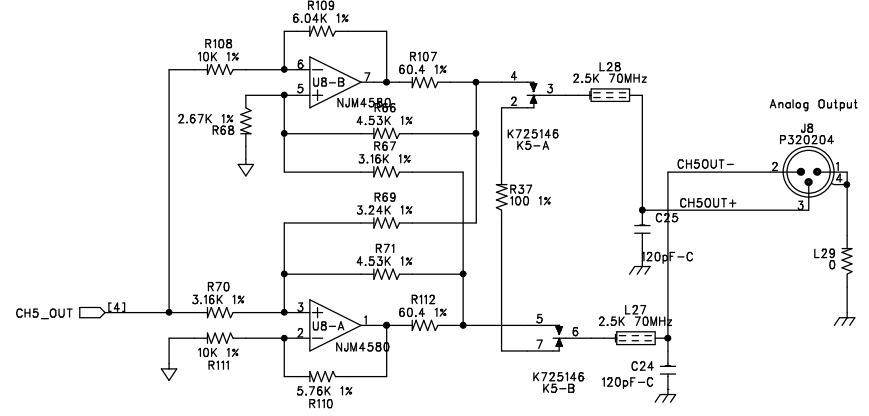
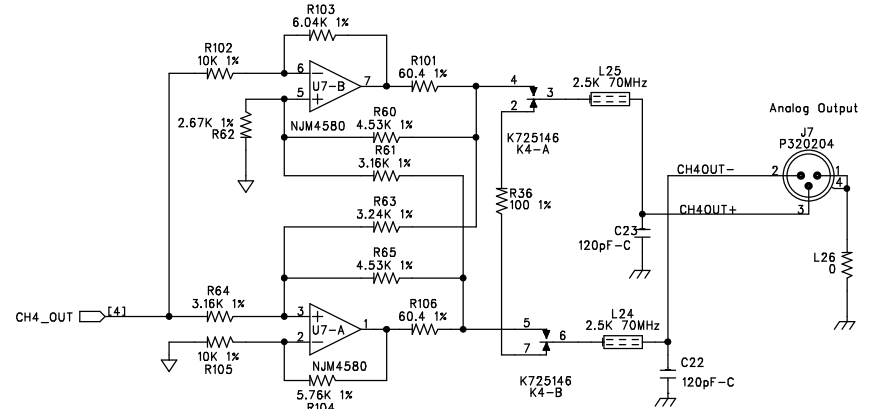
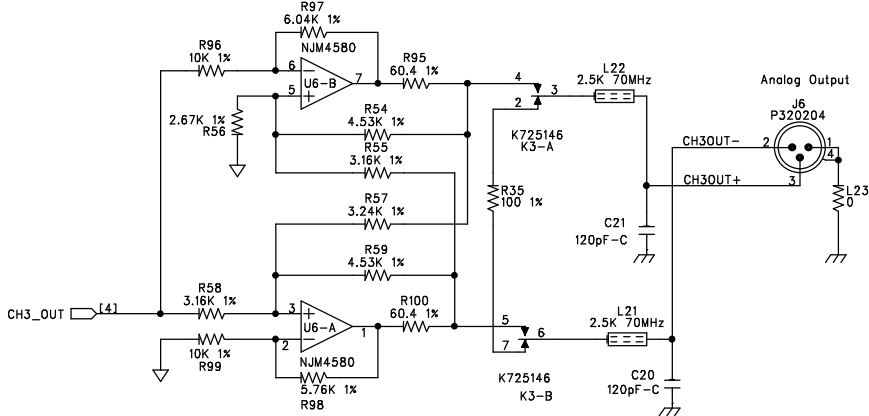
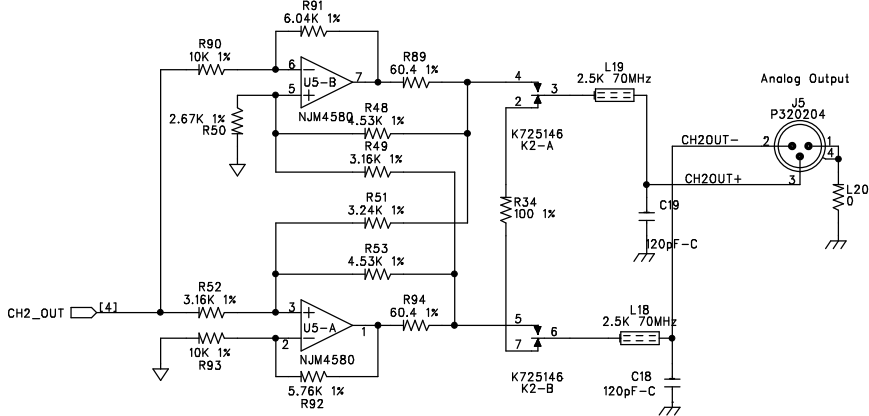
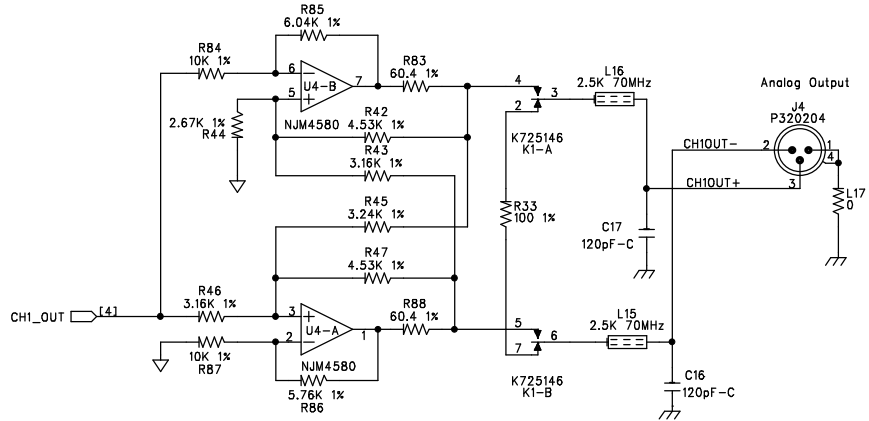
SIZE: A	SHEET TITLE: CHANNEL 1 & 2 INPUTS	REVISION: E0
START DATE: 12-23-04	DRAWING NO: 05-1796	SHEET: 2 OF 20



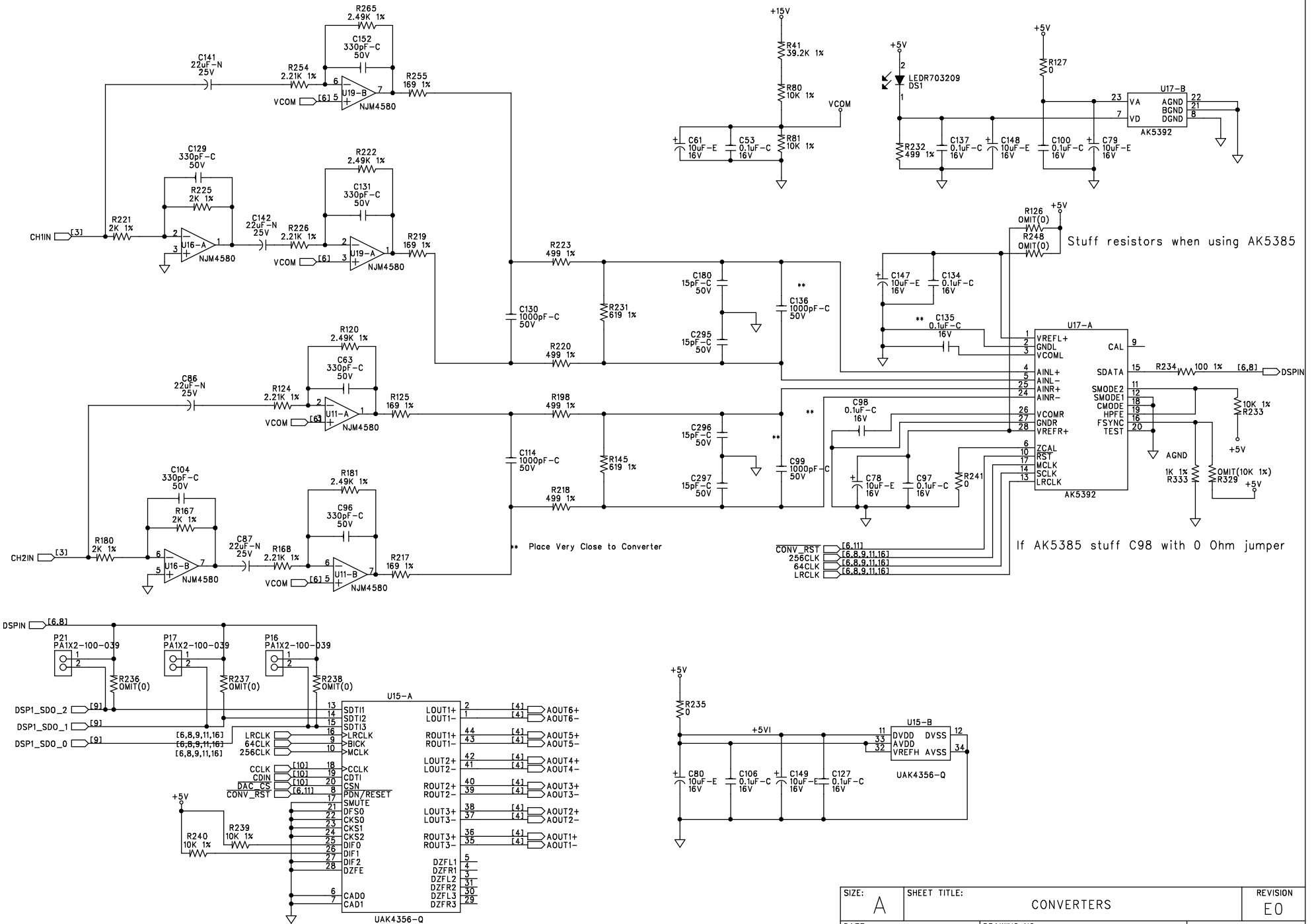
SIZE: A	SHEET TITLE: ANALOG CHANNEL 1 & 2 INPUTS	REVISION: E0
START DATE: 12-23-04	DRAWING NO: 05-1796	SHEET: 3 OF 20



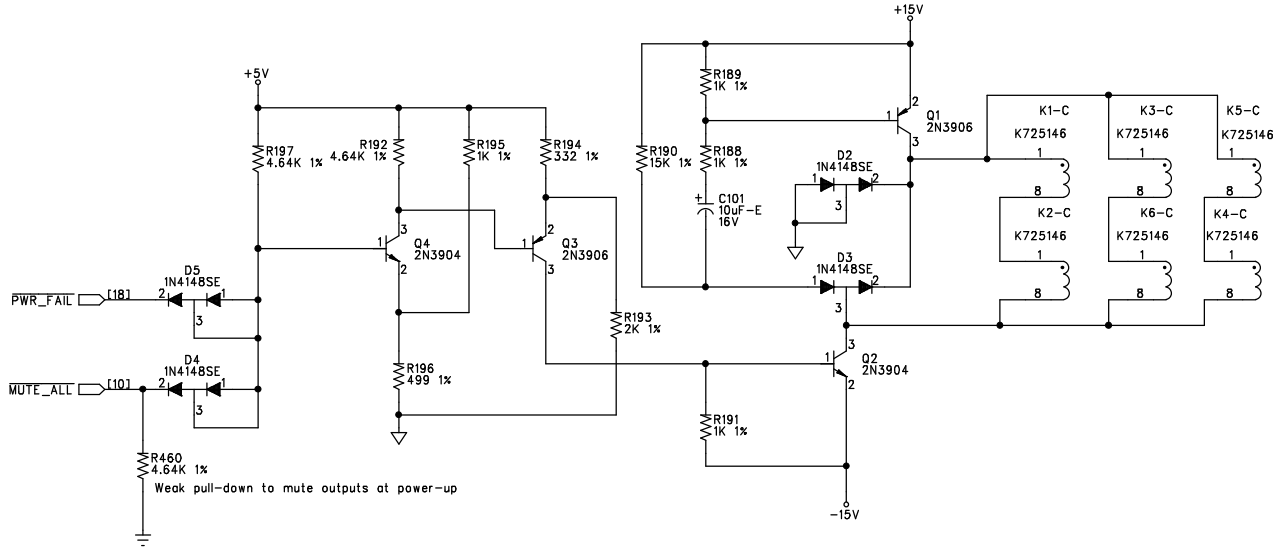
SIZE: A	SHEET TITLE: ANALOG OUTPUTS 1 - 6	REVISION: E0
START DATE: 12-23-04	DRAWING NO: 05-1796	SHEET: 4 OF 15



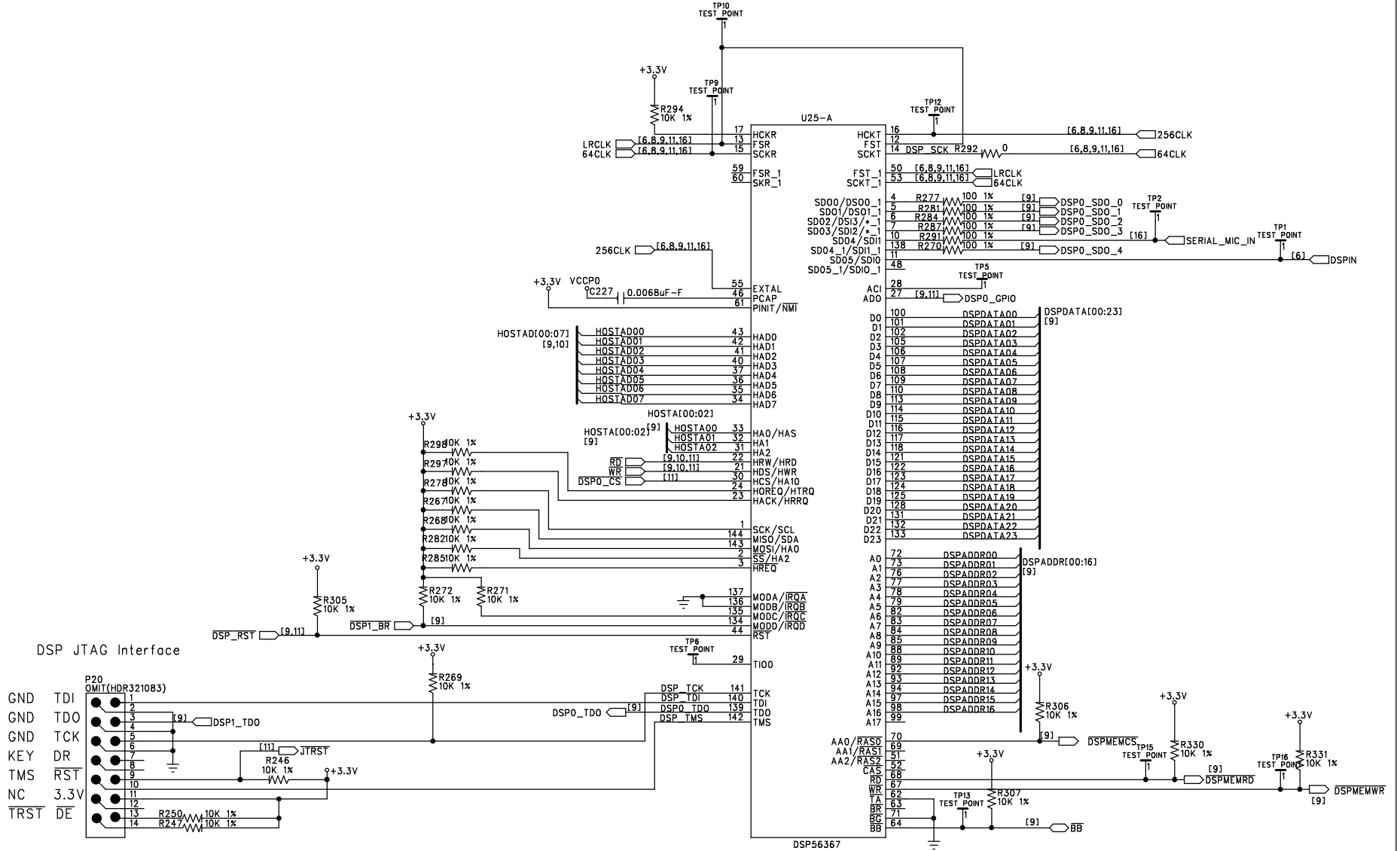
SIZE: A	SHEET TITLE: OUTPUT JACKS	REVISION: E0
DATE: 12-23-04	DRAWING NO: 05-1796	SHEET: 5 OF 20

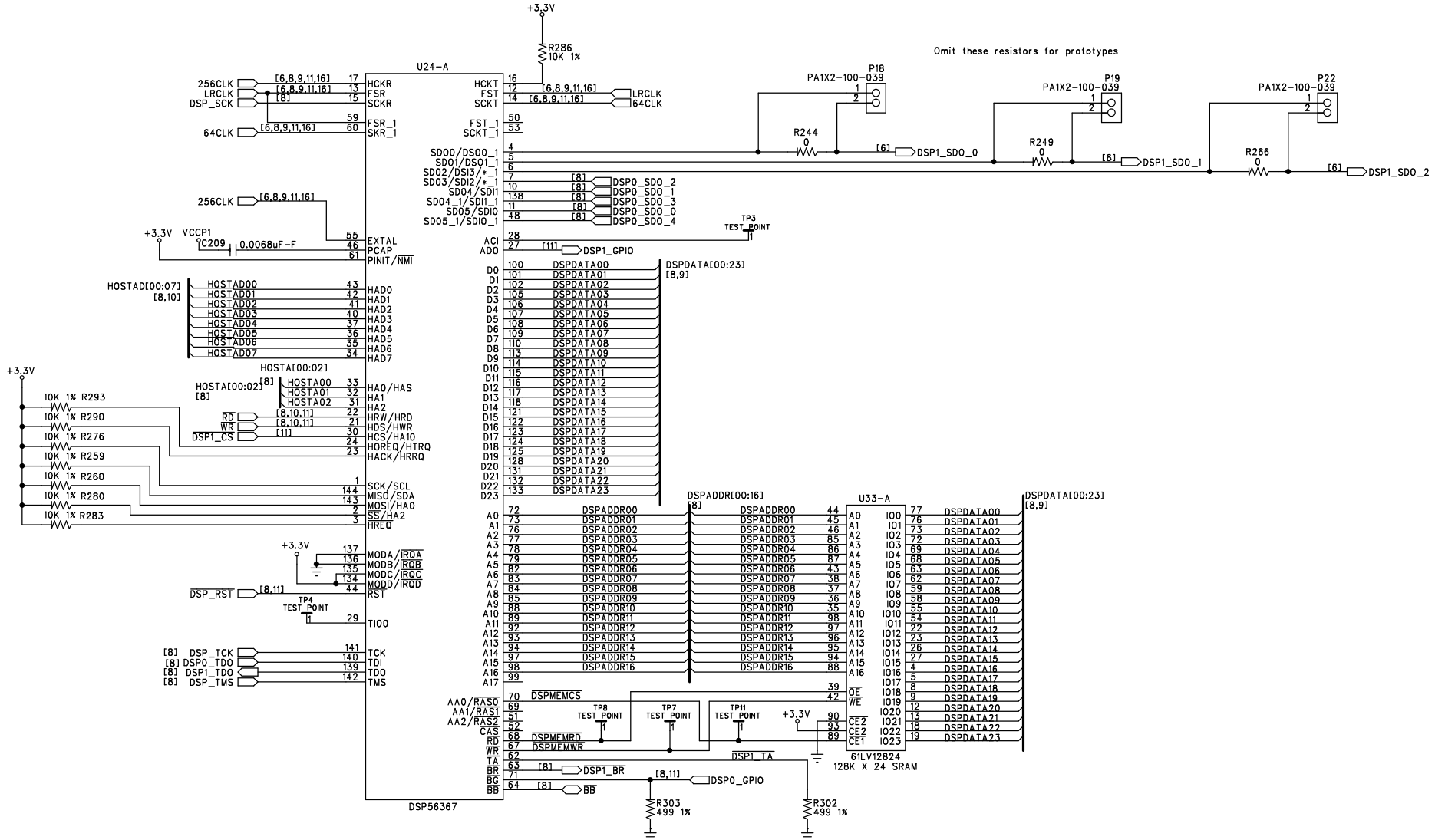


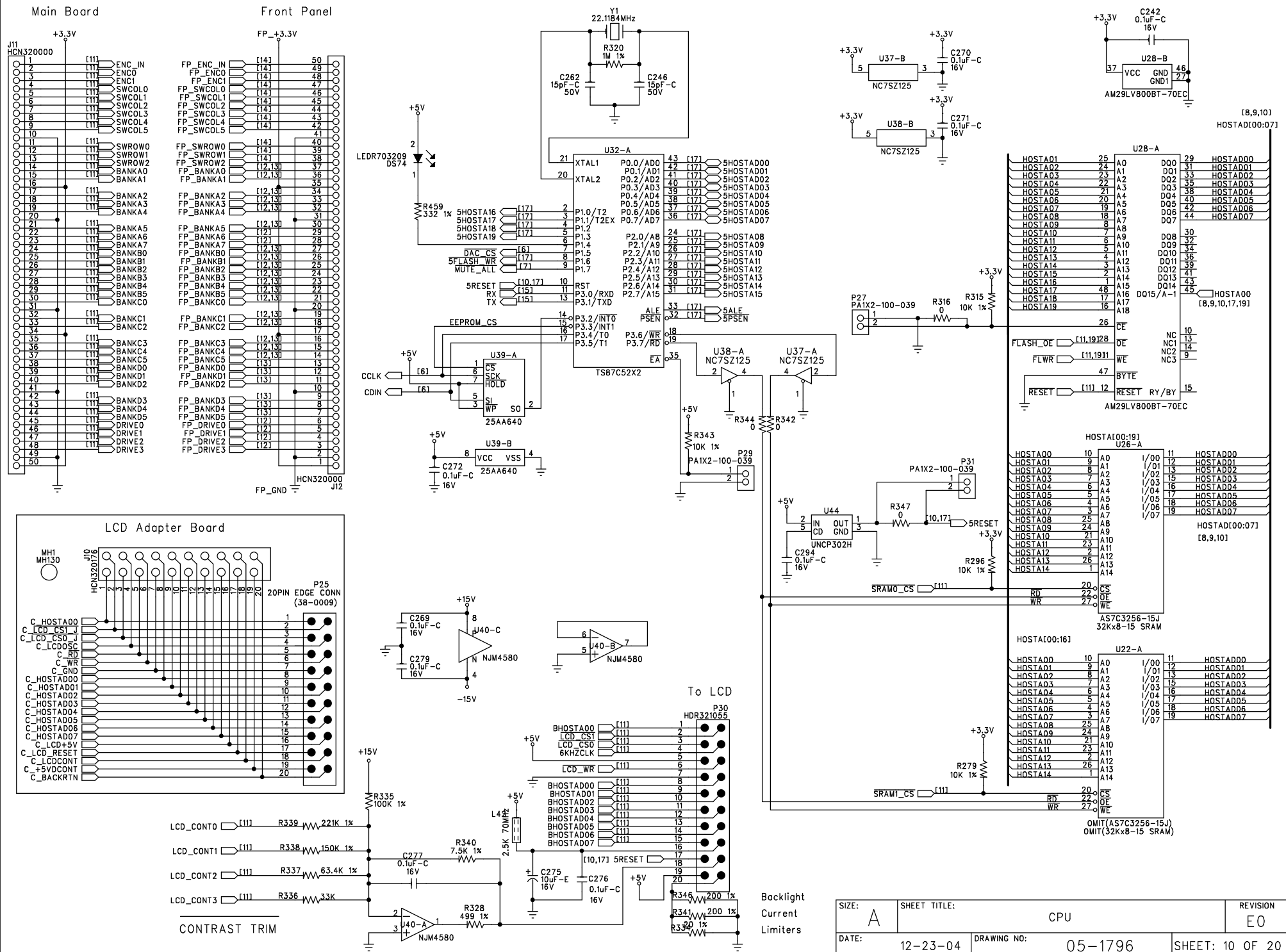
SIZE: A	SHEET TITLE: CONVERTERS	REVISION: E0
DATE: 12-23-04	DRAWING NO: 05-1796	SHEET: 6 OF 20



SIZE: A	SHEET TITLE: Mute Control		REVISION: E0
DATE: 12-23-04	DRAWING NO: 05-1796	SHEET: 7 OF 20	

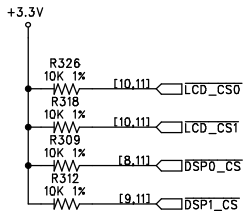
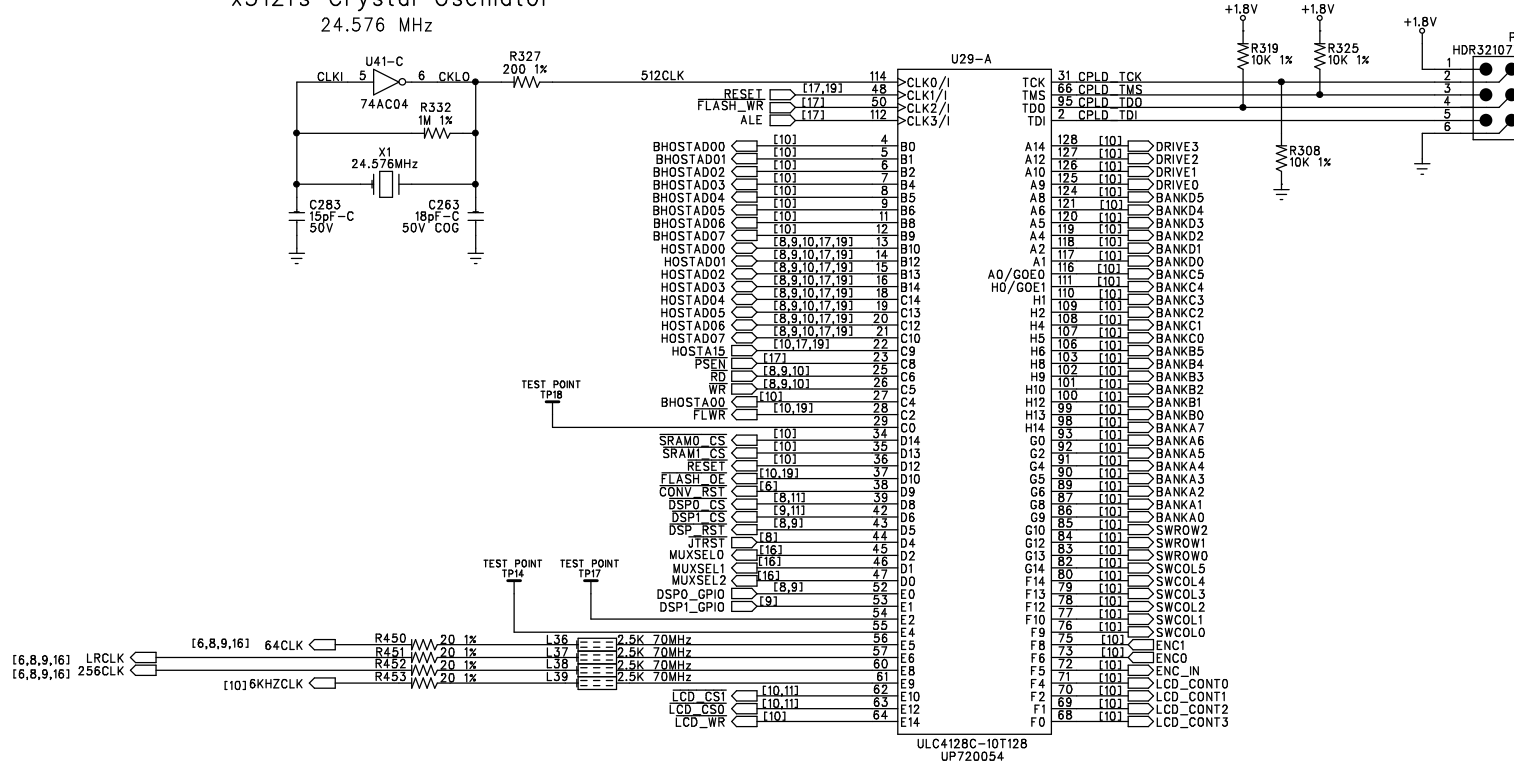


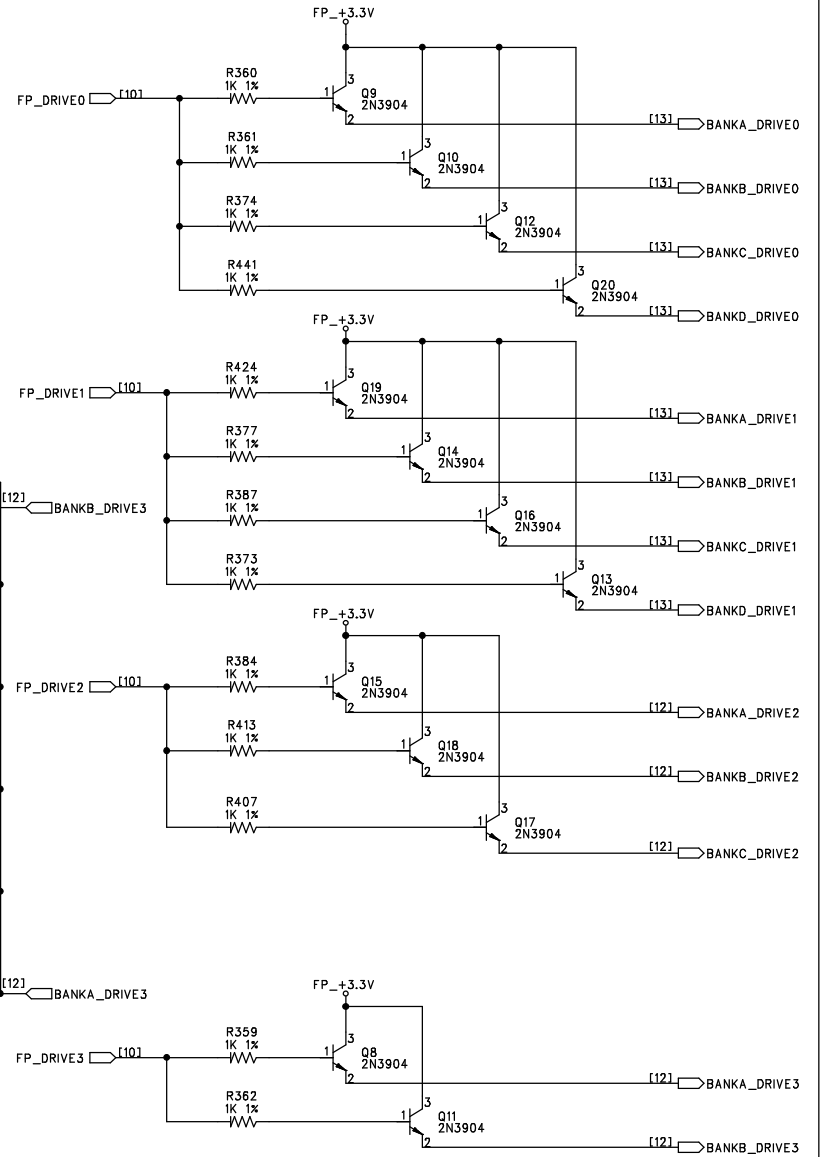
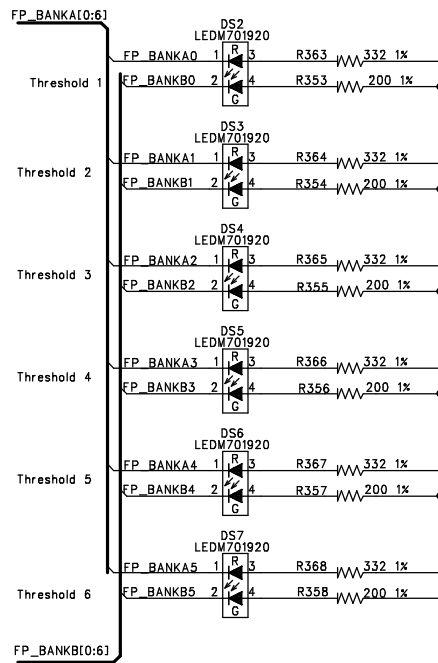
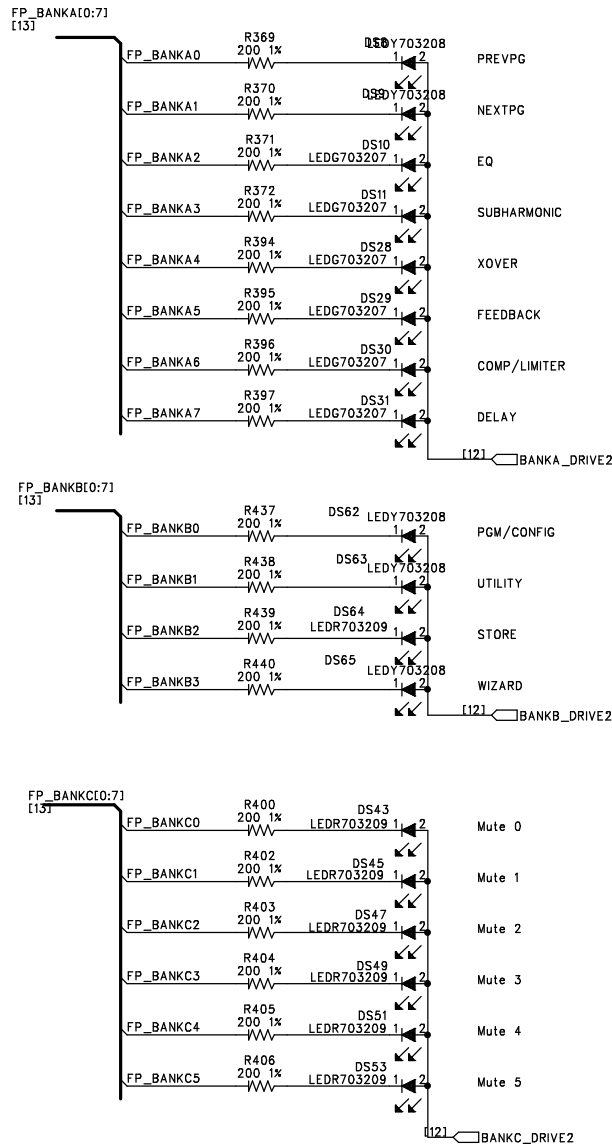


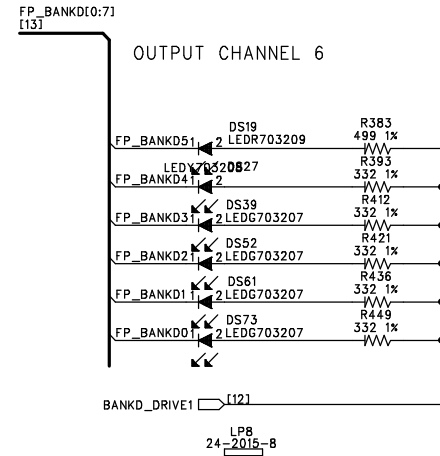
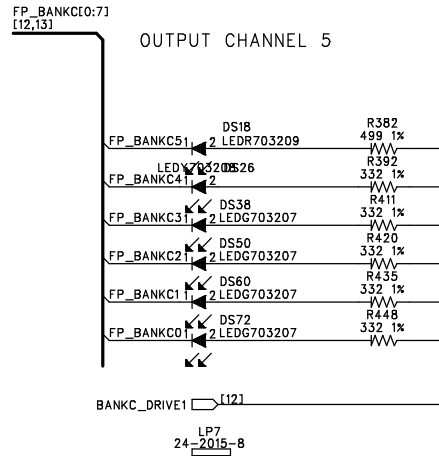
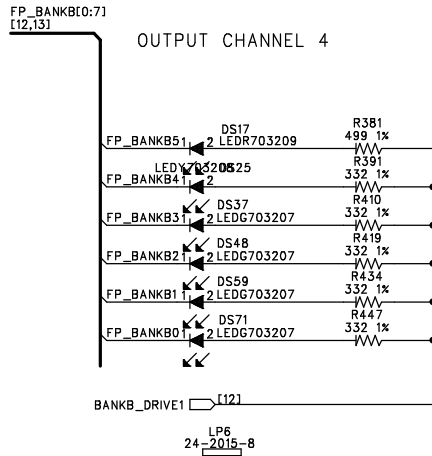
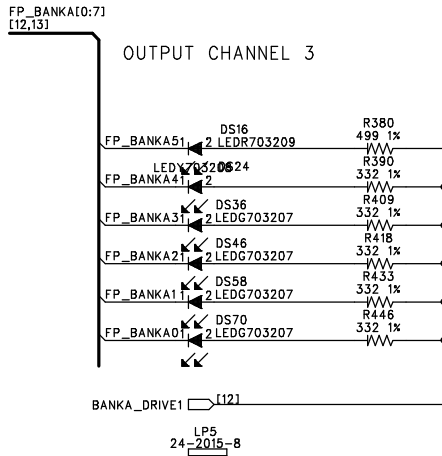
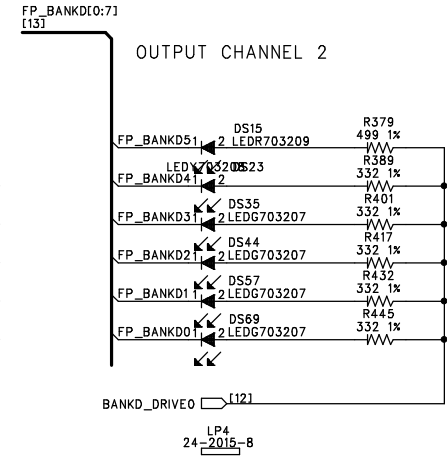
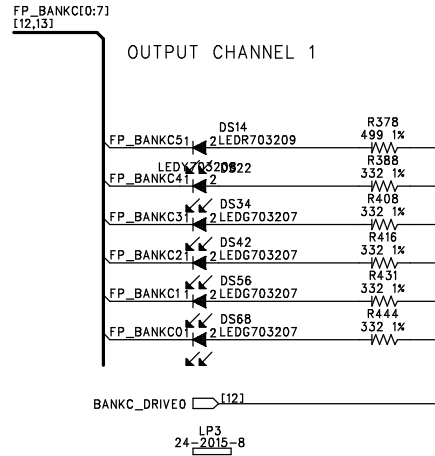
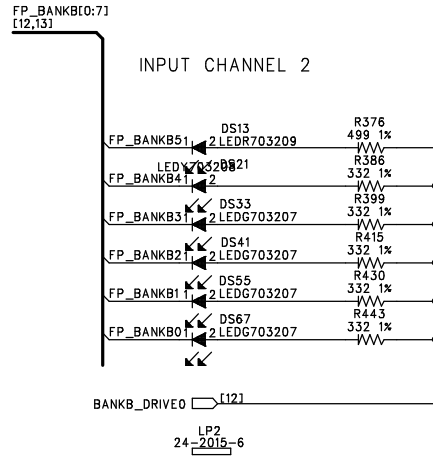
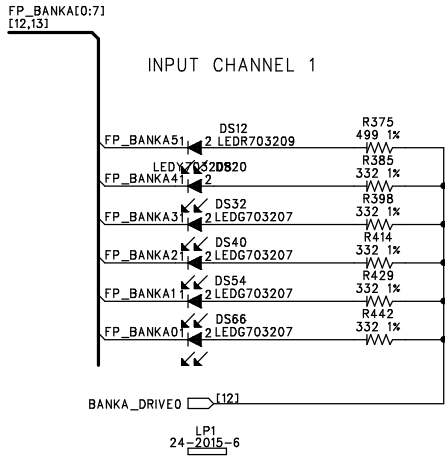


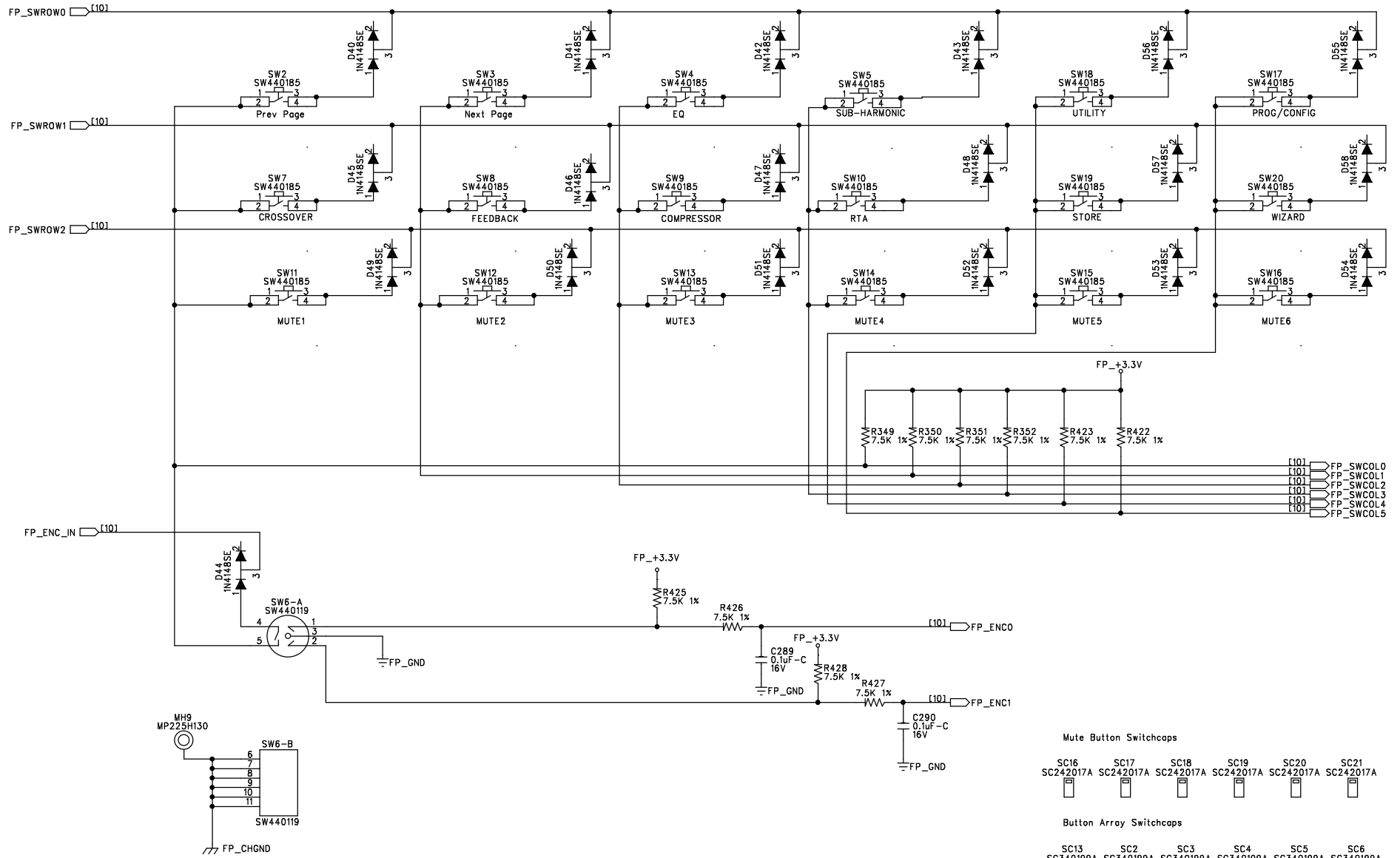
SIZE: A	SHEET TITLE: CPU	REVISION: E0
DATE: 12-23-04	DRAWING NO: 05-1796	SHEET: 10 OF 20

x512fs Crystal Oscillator
24.576 MHz



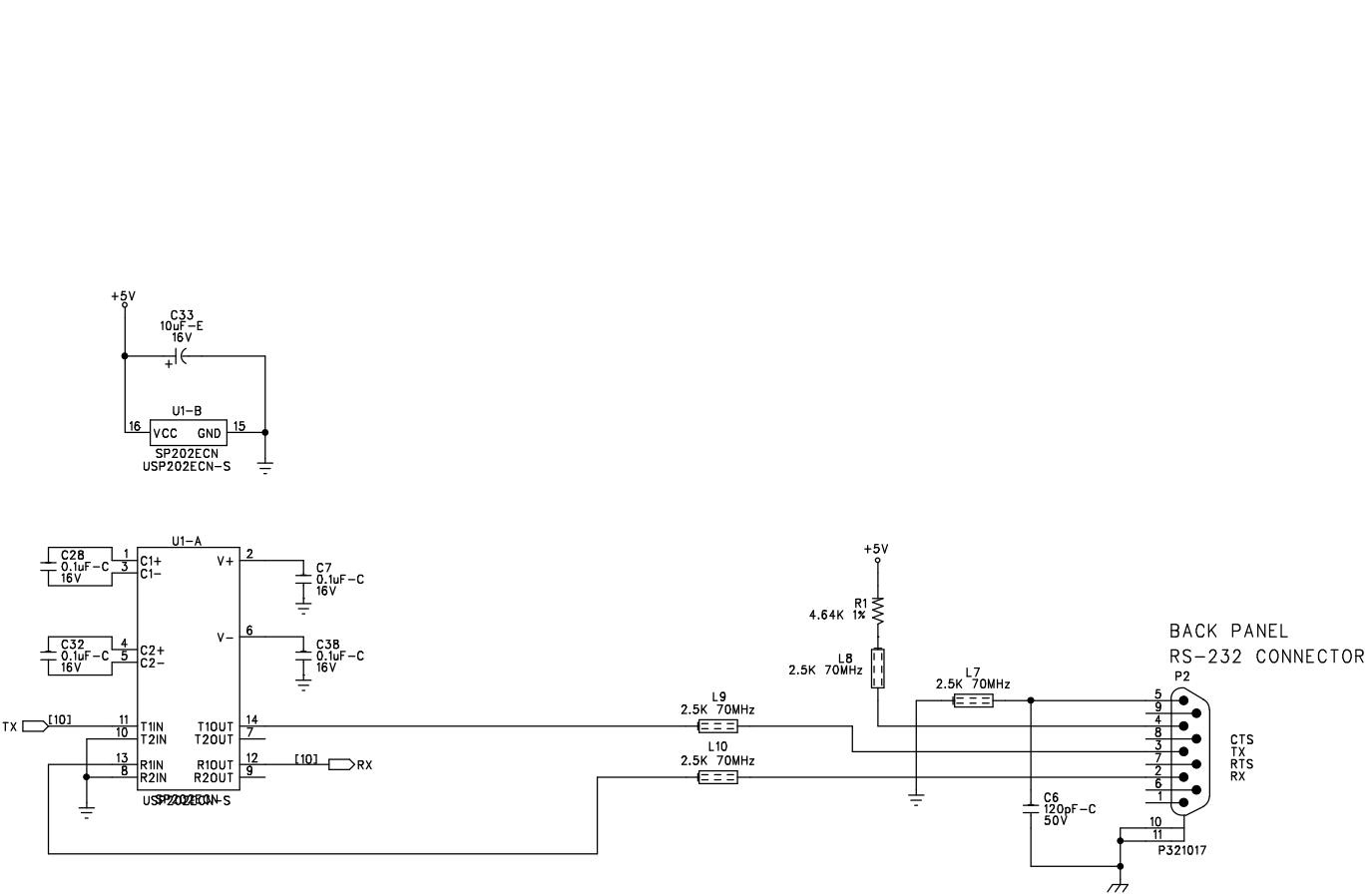




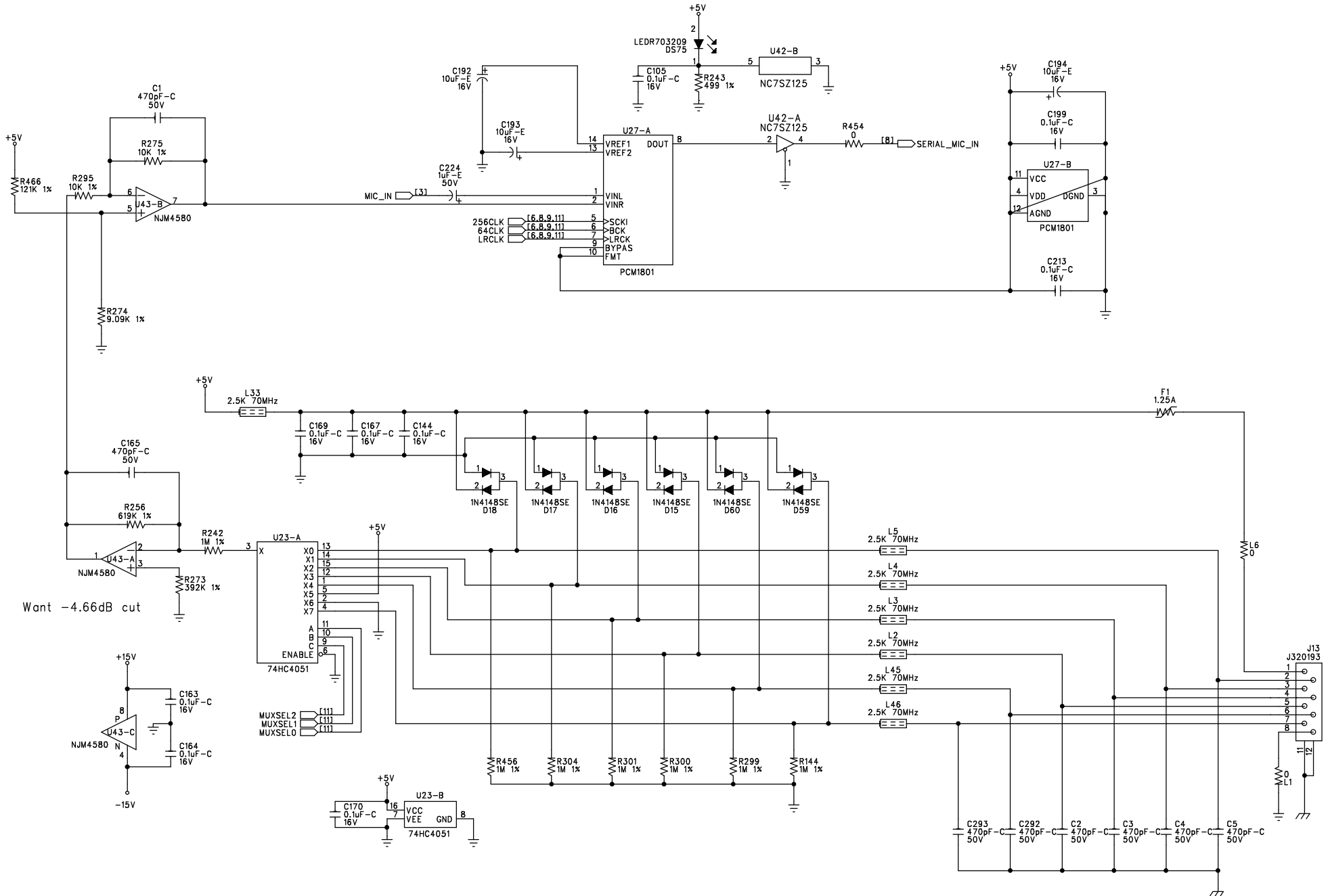


- Mute Button Switchcaps
- SC16 SC17 SC18 SC19 SC20 SC21
 - SC242017A SC242017A SC242017A SC242017A SC242017A SC242017A
- Button Array Switchcaps
- SC13 SC2 SC3 SC4 SC5 SC6
 - SC340199A SC340199A SC340199A SC340199A SC340199A SC340199A
 - SC7 SC8 SC9 SC10 SC11 SC12
 - SC340199A SC340199A SC340199A SC340199A SC340199A SC340199A

SIZE:	DR260 FRONT PANEL - SWITCHES		REV: E0
DATE:	12-23-04	05-1796	SHEET: 14 OF 20

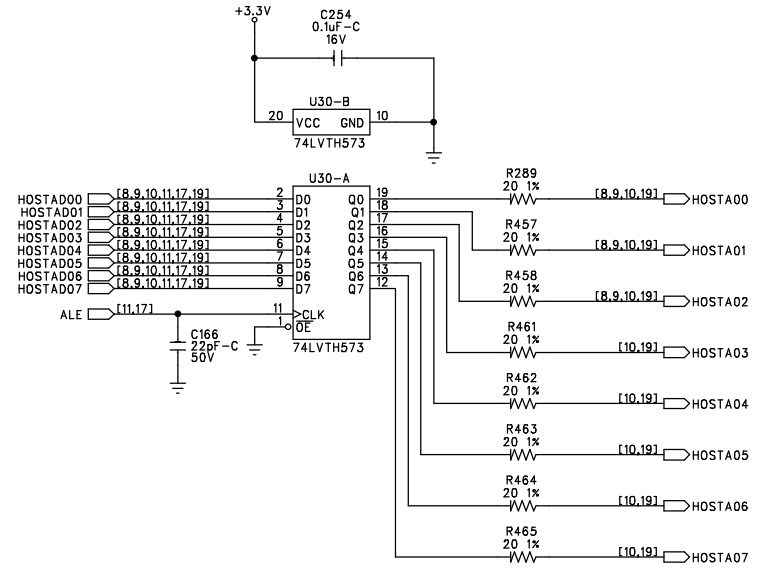
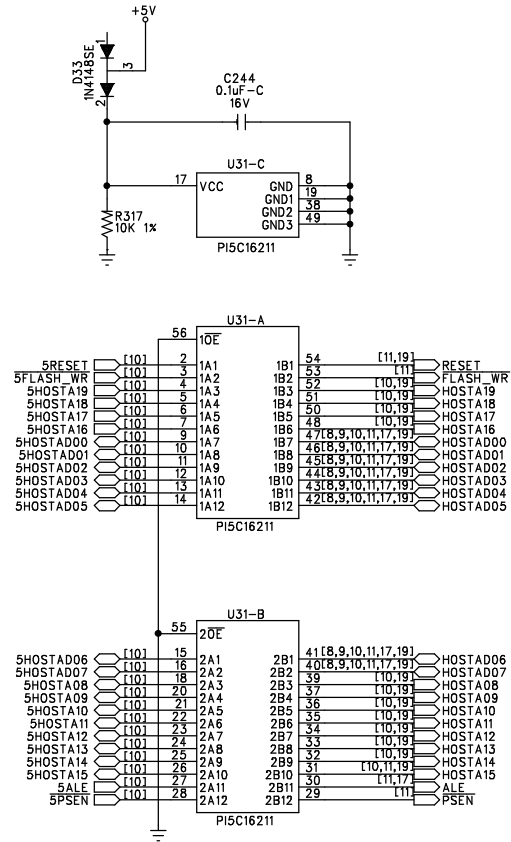


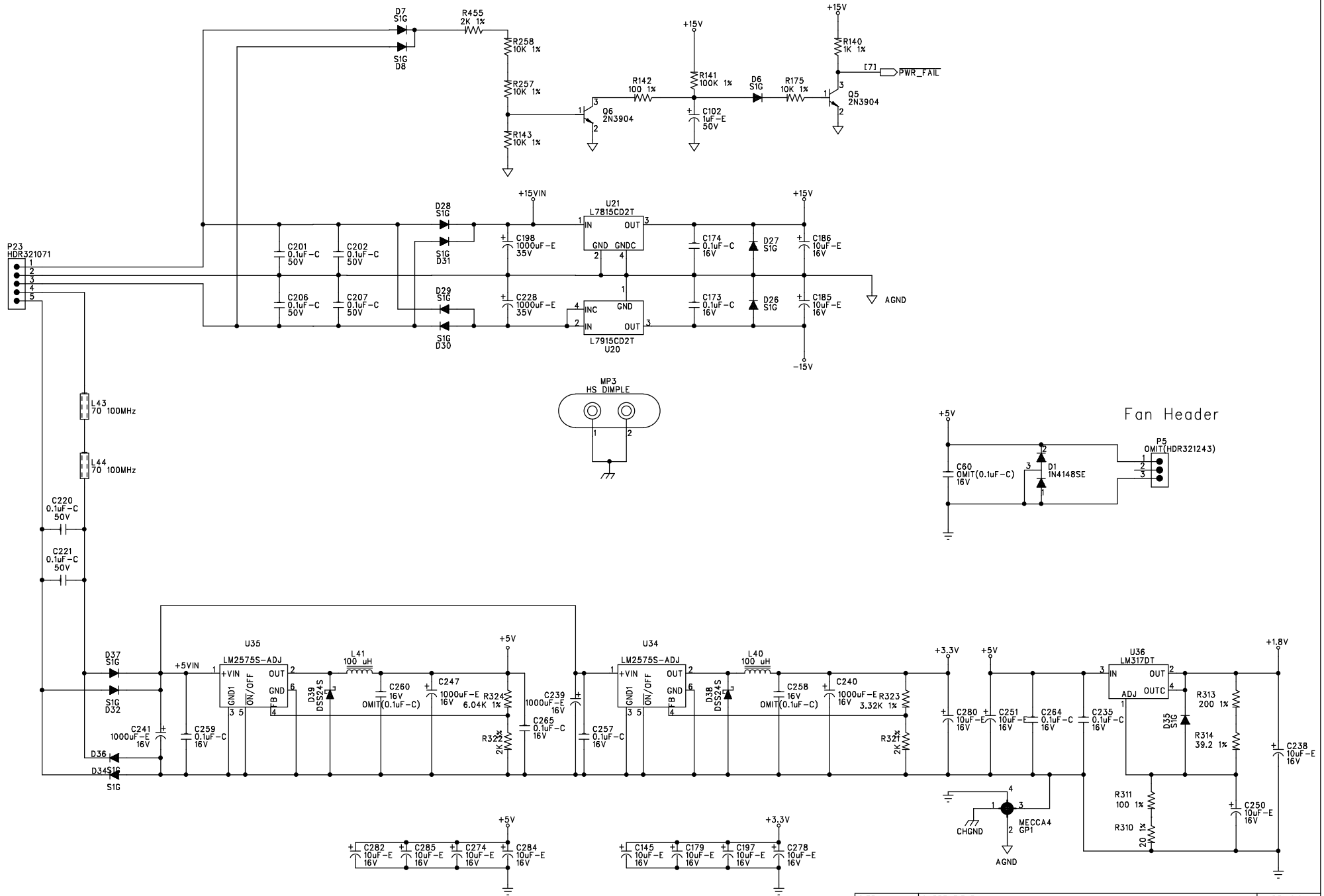
SIZE: A	SHEET TITLE: RS-232	REVISION: E0
DATE: 12-23-04	DRAWING NO: 05-1796	SHEET: 15 OF 20



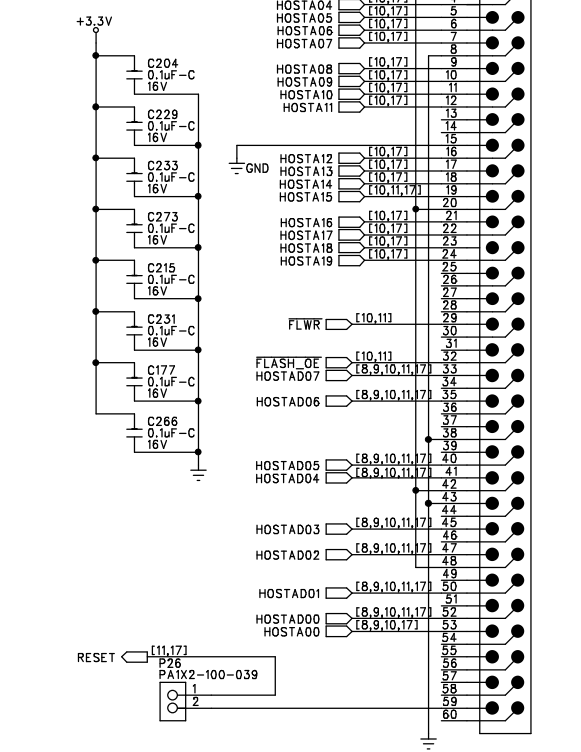
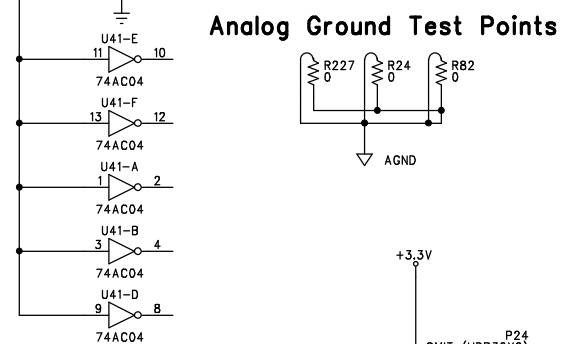
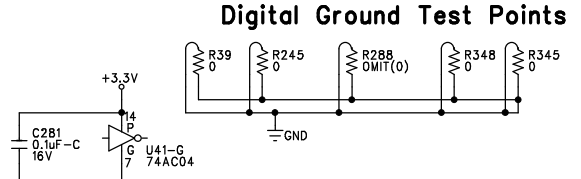
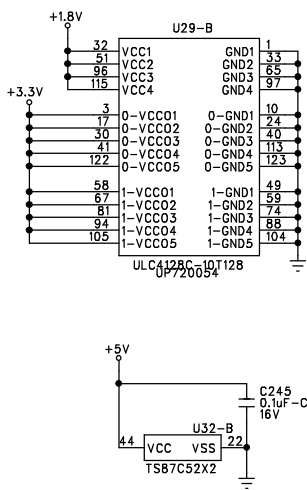
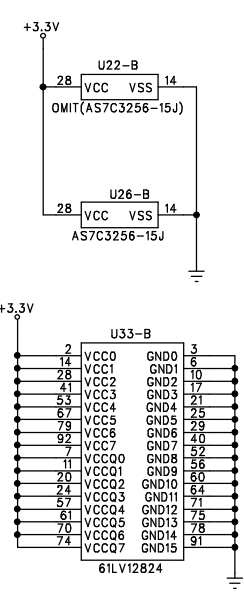
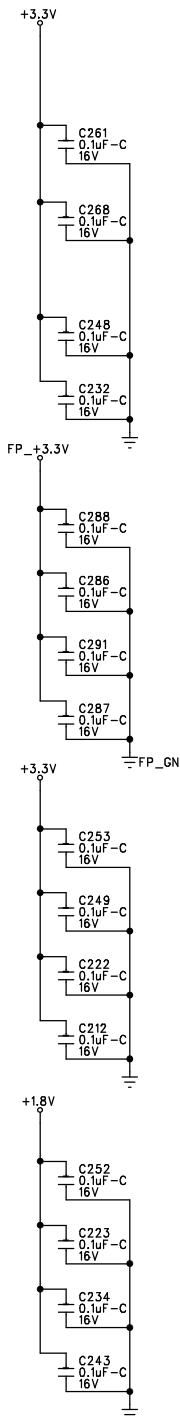
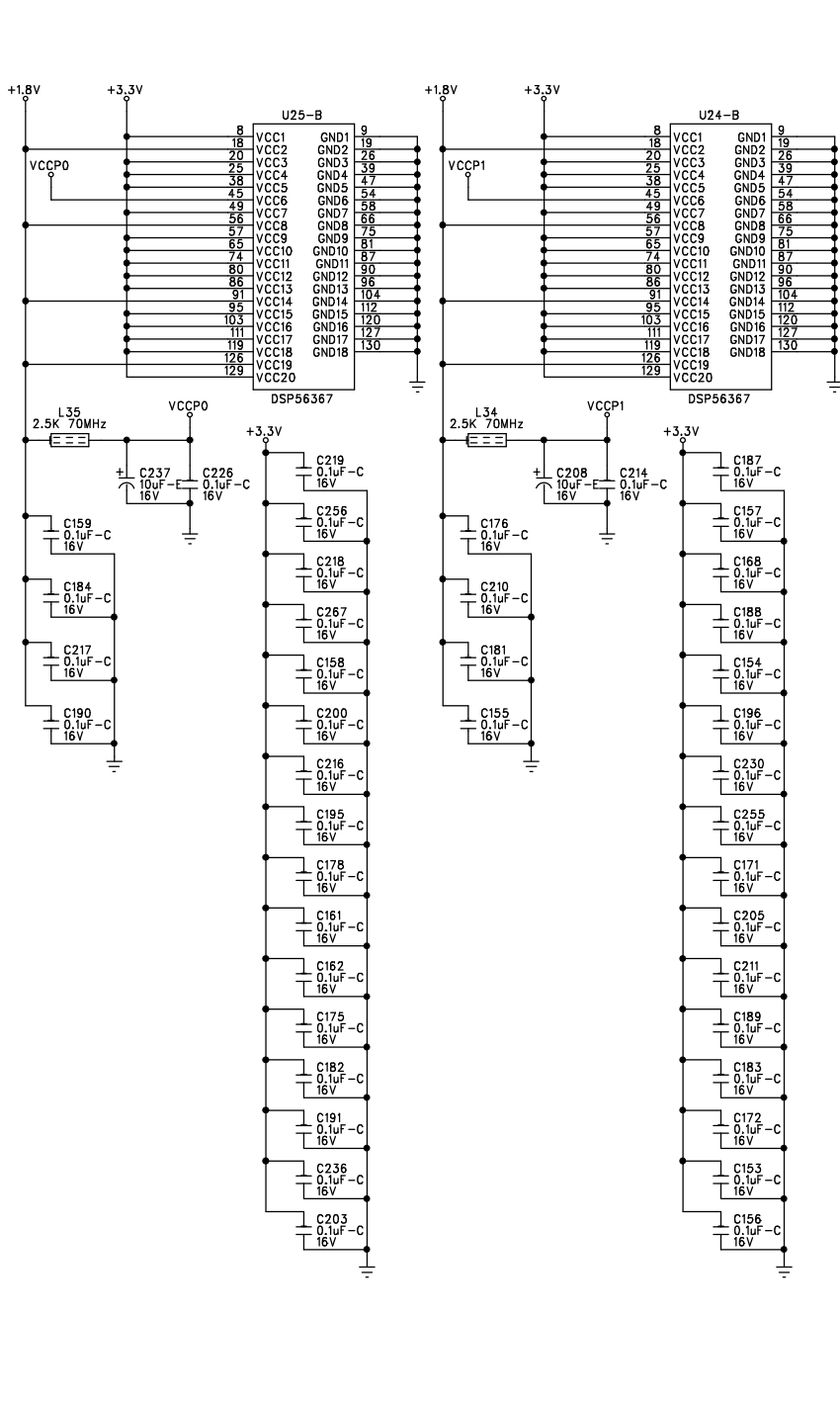
Want -4.66dB cut

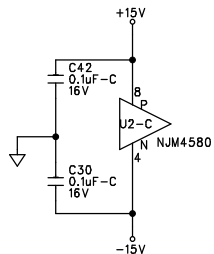
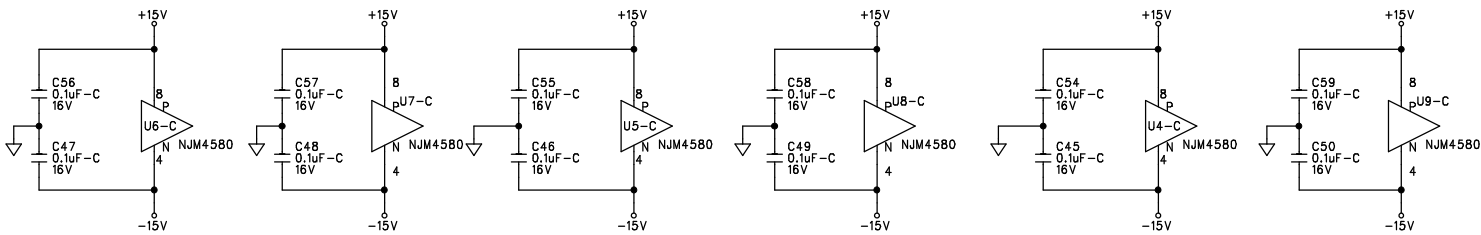
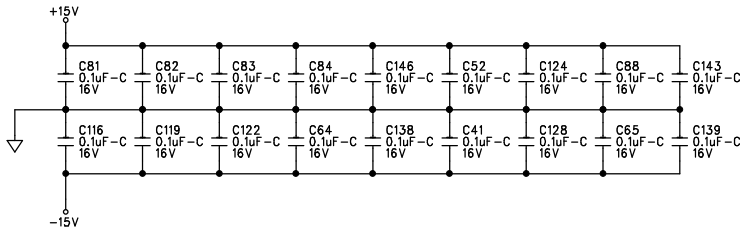
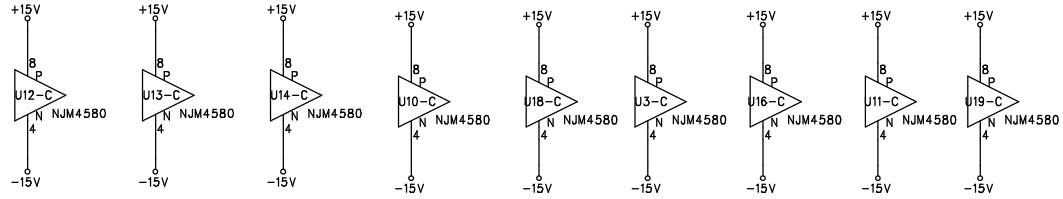
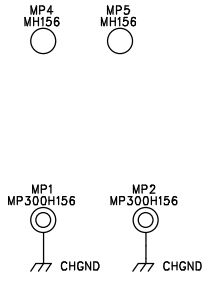
SIZE: A	SHEET TITLE: CONTACT CLOSURE	REVISION: E0
DATE: 12-23-04	DRAWING NO: 05-1796	SHEET: 16 OF 20





SIZE: A	SHEET TITLE: POWER SUPPLY	REVISION: E0
DATE: 12-23-04	DRAWING NO: 05-1796	SHEET: 18 OF 20





SIZE: A	SHEET TITLE: ANALOG POWER GATES	REVISION: E0
START DATE: 12-23-04	DRAWING NO: 05-1796	SHEET: 20 OF 20

Bill Of Materials for 051796E0.sch on Thu Dec 23 10:42:43 2004

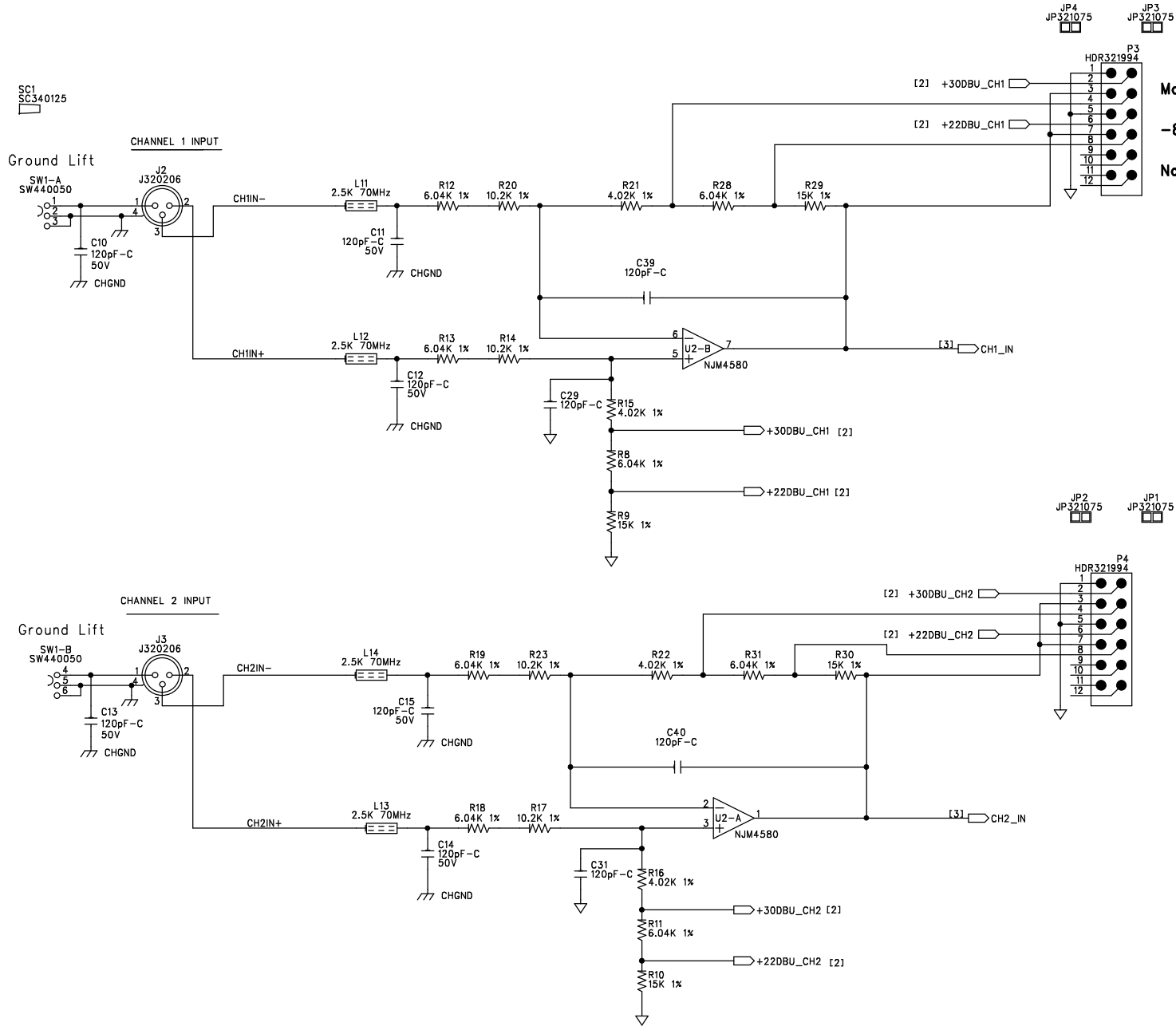
Qty	Reference	HMG#	Description	Audit	Schematic Part	PCB Decal
1	P25	NON-PART	PAD ARRAY EDGE CONN 20 COND 0.1"LS	DWB122	20PIN-FINGERS	20PIN-FINGERS
1	PCB1	80-1796	PCB 80-1796 dbx DRIVERACK 260/261	PT2044	80XXXXYY	BARCODE
5	A6-8 A14 A16	NON-PART	NON-PART, PCB ONLY, BREAKOFF PART	PT1481	BRKOFF	BRKOFF
12	C66 C69-70 C73-74 C77 C115 C117-118 C120-121 C123	56-0000	CAP 0.001uF FILM PTR 100V 5% AF TA	PT1629	C0.001UF100JR	RFCC200
2	C209 C227	56-0005	CAP 0.0068uF FILM PTR 100V 5% RF TA	PT1307	C0.0068UF100JR	RFDC200
2	C103 C150	56-0033	CAP 0.027uF FILM PTR 100V 5% RF TA	PT1282	C0.027UF100JR	RFEF200
142	C7 C28 C30 C32 C38 C41-42 C45-50 C52-59 C64-65 C81-84 C88 C97-98 C100 C105-106 C116 C119 C122 C124 C127-128 C134-135 C137-139 C143-144 C146 C153-159 C161-164 C167-178 C181-184 C187-191 C195-196 C199-200 C203-205 C210-219 C222-223 C226 C229-236 C242-245 C248-249 C252-257 C259 C261 C264-273 C276-277 C279 C281 C286-291 C294	62-1310	CAP 0.1uF CER 16V 20% Y5V 0603 TA	PT2696	C0.1UC16M0603	0603
3	C60 C258 C260	OMIT	OMIT CAP 0.1uF CER 16V 20% Y5V 0603 TA (62-1310)	PT2711	C0.1UC16M06030	0603
6	C201-202 C206-207 C220-221	62-1312	CAP 0.1uF CER 50V +80%/-20% Y5V 0603 TA	PT2687	C0.1UC50Z0603	0603
2	C35-36	56-0012	CAP 0.1uF FILM MTPT 50V 5% RF TA	PT1200	C0.1UF50JR	RFEC200
4	C99 C114 C130 C136	62-1308	CAP 1000pF CER 50V 20% Y5V 0603 TA	PT2651	C1000PC50M0603	0603
4	C239-241 C247	60-0064	CAP 1000uF EL 16V 20% GP 10x17R 5LL TA	PT1334	C1000UE16MR	REM200P
2	C198 C228	60-0063	CAP 1000uF EL 35V 20% GP 13x25R 5LL BK	PT1207	C1000UE35MR	REQ200P
3	C34 C37 C44	60-0201	CAP 100uF EL 16V 20% GP 6x8R 5LS TA	PT1378	C100UE16MR	REG200P
29	C33 C61 C78-80 C101 C145 C147-149 C179 C185-186 C192-194 C197 C208 C237-238 C250-251 C274-275 C278 C280 C282 C284-285	60-0049-01	CAP 10uF EL 16V 20% GP 5x7R 5LS TA	PT1080	C10UE16MR	RED200P
29	C6 C8-27 C29 C31 C39-40 C43 C51 C62 C133	62-1304	CAP 120pF CER 50V 5% NPO 0603 TA	PT2655	C120PC50J0603	0603
7	C180 C246 C262 C283 C295-297	62-1300	CAP 15pF CER 50V 5% NPO 0603 TA	PT2659	C15PC50J0603	0603
1	C263	62-0094	CAP 18pF CER 50V 5% COG 0603 TA	PT2870	C18PC50J0603	0603
2	C102 C224	60-0044-01	CAP 1uF EL 50V 20% GP 5x7R 5LS TA	PT1079	C1UE50MR	RED200P
1	C166	62-1301	CAP 22pF CER 50V 5% NPO 0603 TA	PT2658	C22PC50J0603	0603
10	C67-68 C71-72 C75-76 C86-87 C141-142	60-0402	CAP 22uF ELNLP 25V 20% GP 6x11R 5LS TA	PT1084	C22UN25MR	REG200
8	C63 C95-96 C104 C129 C131 C151-152	62-1306	CAP 330pF CER 50V 10% X7R 0603 TA	PT2653	C330PC50K0603	0603
8	C1-5 C165 C292-293	62-1307	CAP 470pF CER 50V 10% X7R 0603 TA	PT2652	C470PC50K0603	0603
4	C85 C113 C140 C160	60-0054-01	CAP 47uF EL 25V 20% GP 5x11R 5LS TA	PT2959	C47UE25MR1	REE200P
12	C89-94 C107-112	62-1303	CAP 68pF CER 50V 5% NPO 0603 TA	PT2656	C68PC50J0603	0603

051796E0.PPS						
43	D1-5 D9-24 D33 D40-60	70-0113	DIO MMBD4148SE DUAL 75V 600mA SOT-23 TA	PT1326	D1N4148SE-S	SOT-23
14	D6-8 D26-32 D34-37	70-3203	DIO RECT S1G 400V 1.0A SMA TA	PT2081	DS1G-S	DO-214AC/SMA
2	D38-39	70-0068	DIO RECT 40V 2A SCHOTTKY SS24 SM	PT2779	DSS24S	DO-214AA/SMB
1	F1	32-0186	FUSE 1.25A POLY SWITCH RESETABLE	PT2893	F1.25A320186	FUSE6
21	A3-5 A9-13 A15 A17-19 A22-30	NON-PART	NON-PART FIDUCIAL TARGET FOR AUTO INSERTION	PT2904	FIDUCIAL-AI	FIDUCIAL-AI
4	A1-2 A20-21	NON-PART	NON-PART FIDUCIAL TARGET FOR XRAY	PT2905	FIDUCIAL-XRAY	FIDUCIAL-XRAY
1	P24	OMIT	OMIT (CON HDR 30 X 2 FEMALE AMP SMT)	DWB	HC302V224SPMS	HC302V224SPMS
2	J11-12	32-0000	HCN CONN 50 PIN .5 MM CNTS 1X50 FML RA	PT2824	HCN320000	HC320000
1	J10	32-0176	HCN CONN 20 PIN FEM VRT MNT SMT	PT2773	HCN320176	HC102V079050FS
1	P30	32-1055	HDR 20 PIN 0.1" SPC 2 X 10 VERT MALE	PT1340	HDR321055	HC102
1	P23	32-1071	HDR 5 PIN 0.1" SPC 1 X 5 LCK POL VERT MALE	PT1621	HDR321071	HC51LPM
1	P1	32-1077	HDR 6 PIN 0.1" SPC 2 X 3 VERT MALE	PT1683	HDR321077	HC32
8	P3-4 P8-13	32-1994	HDR 12 PN .1" SPC 2X6 VRT MT	PT2435	HDR321994	HC62V100M
1	P20	OMIT	OMIT HDR 14 PIN 0.1" SPC 2 X 7 VERT MALE (32-1083)	PT2127	HDR321083-0	HC72
1	P5	OMIT	OMIT HDR 3 PIN .098 SPC 3X1 SHROUDED VERTICAL MT. (32-1243)	PT2795	HDR321243-0	HC31V98SP
1	J13	32-0193	CON JACK RJ45 SINGLE PORT 8 PIN R/A PCB MNT SHLD	PT2872	J320193	JRJ45_8P-LONG-SH LD
3	J1-3	32-0206	CON JACK XLR R/A PCA A SERIES	PT1219	J320206	XLRF-1
16	JP1-16	32-1075	JUMPER MINI .1" SPC	PT1415	JP321075	PCBNUL
6	K1-6	72-5146	RELAY DPDT 12VDC POL SM	PT2219	K725146	KSLIM-8P
1	LBL1	30-0121	LABEL BARCODE AUTOINSERTABLE RAW	PT2790	LABEL300121	LABEL300121
38	DS10-11 DS28-42 DS44 DS46 DS48 DS50 DS52 DS54-61 DS66-73	70-3207	LED GREEN D1206 T&R	PT1902	LEDG703207	D1206
6	DS2-7	70-1920	LED RED/GRN WT/DIF SM 1210 TA	PT2428	LEDM701920	LED1210
18	DS1 DS12-19 DS43 DS45 DS47 DS49 DS51 DS53 DS64 DS74-75	70-3209	LED RED D1206 T&R	PT1901	LEDR703209	D1206
13	DS8-9 DS20-27 DS62-63 DS65	70-3208	LED YEL 1206 TA	PT1900	LEDY703208	D1206
2	L43-44	26-0215	IND FBD 70 OHM @ 100MHz RIC200 TA	PT1262	LFB260215	RIC200
34	L2-5 L7-16 L18-19 L21-22 L24-25 L27-28 L30-31 L33-39 L42 L45-46	26-0217	IND FBD 2.5K OHM @ 70MHz 0805 TA	PT1261	LFB260217	0805
2	L40-41	26-0002	IND PWR 100uH 3A	PT2754	LI260002	UP3B
2	LP1-2	NON-PART	NON-PART 6 POS NOT INSTALLED UNTIL MECHANICAL ASSY(LIGHT PIPE)	PT1967	LP242015-6	LP242015-6
6	LP3-8	NON-PART	NON-PART 8 POS NOT INSTALLED UNTIL MECHANICAL ASSY(LIGHT PIPE)	PT1968	LP242015-8	LP242015-8
1	GP1	NON-PART	NON-PART MECCA GND/PWR TIE POINT 4 POS	PT2482	MECCA4	MECCA4
8	MH1 MH3-8 MH10	NON-PART	NON-PART, MOUNTING HOLE, 0.130" NON-PLATED, #4	PT1242	MH130	MH130
3	MH2 MP4-5	NON-PART	NON-PART MOUNTING HOLE 0.156" NON-PLATED #6	PT3000	MH156	MH156
2	MH11-12	NON-PART	NON-PART TOOLING PIN HOLE 156MIL HOLE	PT2794	MH156-TOOL	MH156-TOOL
1	MH9	NON-PART	NON-PART MECHANICAL PLATED HOLE 225 PAD 130 HOLE #4	PT1998	MP225H130	MP225H130
2	MP1-2	NON-PART	NON-PART MECHANICAL PLATED HOLE 300 PAD 156 HOLE #6	PT3001	MP300H156	MP300H156
1	MP3	NON-PART	NON-PART SMT HEATSINK DIMPLE 300P 156H #6	PT2816	MP300H156-HSDMP	MP300H156-HSDMP
6	J4-9	32-0204	CON PLUG XLR R/A PCA A SERIES	PT1218	P320204	XLRM-1
1	P2	32-1017	CON JACK DCONN DUAL PORT 9P RA MALE PC MNT	PT1931	P321017	DCON9PM
14	P6-7 P14-19 P21-22 P26-27 P29 P31	NON-PART	NON-PART PD ARY 2 PN 0.100" SPC 0.039" HLE	PT1645	PA1X2-100-039	PA1X2-100-039
17	Q2 Q4-6 Q8-20	70-1058	XSTR 2N3904 NPN SOT-23 TA	PT1203	Q2N3904-S	SOT-23
2	Q1 Q3	70-1059	XSTR 2N3906 PNP SOT-23 SM TA	PT1057	Q2N3906-S	SOT-23
17	R2-3 R5-6 R78 R123 R230 R241 R244 R249 R266 R292 R316 R342 R344 R347 R454	50-1300	RES 0 5% 1/16W SM 0603 TA	PT2508	R0-B5-0603	0603
7	R122 R126 R229 R236-238 R248	OMIT	OMIT RES 0 5% 1/16W SM 0603 TA (50-1300)	PT2509	R0-B5-06030	0603
10	L1 L6 L17 L20 L23 L26 L29 L32 R127 R235	50-1531	RES 0 5% 1/10W SM 0805 TA	PT1099	R0-C5-0805	0805

7	R24 R39 R82 R227 R245 R345 R348	50-0317	RES 0 5% 1/4W CF RR TA	PT1008 R0-E5-R	RRA200
1	R288	OMIT	OMIT RES 0 5% 1/4W CF RR TA (50-0317)	PT1596 R0-E5-RO	RRA200
2	R25 R40	52-1314	RES 1.5K 1% 1/16W SM 0603 TA	PT2551 R1.5KB1-0603	0603
4	R14 R17 R20 R23	52-1339	RES 10.2K 1% 1/16W SM 0603 TA	PT2591 R10.2KB1-0603	0603
12	R147 R150 R153 R156 R159 R162 R200 R203 R206 R209 R212 R215	52-1340	RES 10.7K 1% 1/16W SM 0603 TA	PT2592 R10.7KB1-0603	0603
15	R33-38 R142 R234 R270 R277 R281 R284 R287 R291 R311	52-1304	RES 100 1% 1/16W SM 0603 TA	PT2512 R100-B1-0603	0603
6	R141 R178-179 R263-264 R335	52-1360	RES 100K 1% 1/16W SM 0603 TA	PT2613 R100KB1-0603	0603
62	R80-81 R84 R87 R90 R93 R96 R99 R102 R105 R108 R111 R114 R117 R143 R175 R233 R239-240 R246-247 R250 R257-260 R267-269 R271-272 R275-276 R278-280 R282-283 R285-286 R290 R293-298 R305-309 R312 R315 R317-319 R325-326 R330-331 R343	52-1338	RES 10K 1% 1/16W SM 0603 TA	PT2584 R10KB1-0603	0603
1	R329	OMIT	OMIT RES 10K 1% 1/16W SM 0603 TA (52-1338)	PT2628 R10KB1-06030	0603
1	R466	52-1361	RES 121K 1% 1/16W SM 0603 TA	PT2614 R121KB1-0603	0603
1	R338	52-1362	RES 150K 1% 1/16W SM 0603 TA	PT2615 R150KB1-0603	0603
17	R9-10 R29-30 R146 R151-152 R157-158 R163 R182-187 R190	52-1344	RES 15K 1% 1/16W SM 0603 TA	PT2596 R15KB1-0603	0603
4	R125 R217 R219 R255	52-1305	RES 169 1% 1/16W SM 0603 TA	PT2513 R169-B1-0603	0603
20	R27 R140 R188-189 R191 R195 R333 R359-362 R373-374 R377 R384 R387 R407 R413 R424 R441	52-1313	RES 1K 1% 1/16W SM 0603 TA	PT2550 R1KB1-0603	0603
1	R79	OMIT	OMIT RES 1K 5% 1/16W SM 0603 TA (50-1313)	PT2535 R1KB5-06030	0603
9	R144 R242 R299-301 R304 R320 R332 R456	52-1372	RES 1M 1% 1/16W SM 0603 TA	PT2625 R1MB1-0603	0603
4	R124 R168 R226 R254	52-1317	RES 2.21K 1% 1/16W SM 0603 TA	PT2555 R2.21KB1-0603	0603
4	R120 R181 R222 R265	52-1318	RES 2.49K 1% 1/16W SM 0603 TA	PT2556 R2.49KB1-0603	0603
6	R44 R50 R56 R62 R68 R74	52-1319	RES 2.67K 1% 1/16W SM 0603 TA	PT2557 R2.67KB1-0603	0603
14	R289 R310 R334 R450-453 R457-458 R461-465	52-1300	RES 20 1% 1/16W SM 0603 TA	PT2507 R20-B1-0603	0603
28	R313 R327 R341 R346 R353-358 R369-372 R394-397 R400 R402-406 R437-440	52-1306	RES 200 1% 1/16W SM 0603 TA	PT2514 R200-B1-0603	0603
1	R339	52-1364	RES 221K 1% 1/16W SM 0603 TA	PT2617 R221KB1-0603	0603
16	R4 R7 R164 R167 R176-177 R180 R193 R221 R225 R251 R261-262 R321-322 R455	52-1316	RES 2K 1% 1/16W SM 0603 TA	PT2553 R2KB1-0603	0603
12	R43 R46 R49 R52 R55 R58 R61 R64 R67 R70 R73 R76	52-1322	RES 3.16K 1% 1/16W SM 0603 TA	PT2560 R3.16KB1-0603	0603
6	R45 R51 R57 R63 R69 R75	52-1323	RES 3.24K 1% 1/16W SM 0603 TA	PT2561 R3.24KB1-0603	0603

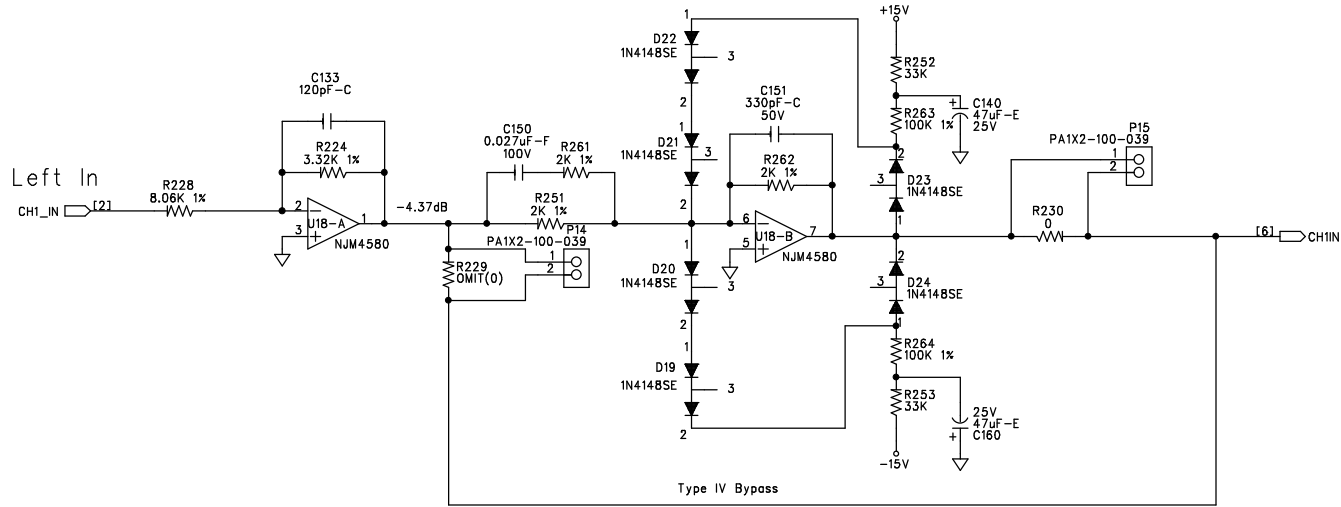
15	R119 R148-149 R154-155 R160-161 R201-202 R207-208 R213-214 R224 R323	52-1324	RES 3.32K 1% 1/16W SM 0603 TA	PT2562 R3.32KB1-0603	0603
50	R26 R32 R194 R363-368 R385-386 R388-393 R398-399 R401 R408-412 R414-421 R429-436 R442-449 R459	52-1307	RES 332 1% 1/16W SM 0603 TA	PT2543 R332-B1-0603	0603
5	R165-166 R252-253 R336	50-1325	RES 33K 5% 1/16W SM 0603 TA	PT2589 R33KB5-0603	0603
1	R314	52-1301	RES 39.2 1% 1/16W SM 0603 TA	PT2515 R39.2-B1-0603	0603
13	R41 R128-133 R169-174	52-1355	RES 39.2K 1% 1/16W SM 0603 TA	PT2608 R39.2KB1-0603	0603
1	R273	52-0000	RES 392K 1% 1/10W SM 0603 TA	PT2892 R392KB1-0603	0603
4	R15-16 R21-22	52-1325	RES 4.02K 1% 1/16W SM 0603 TA	PT2563 R4.02KB1-0603	0603
12	R42 R47-48 R53-54 R59-60 R65-66 R71-72 R77	52-1327	RES 4.53K 1% 1/16W SM 0603 TA	PT2565 R4.53KB1-0603	0603
4	R1 R192 R197 R460	52-1328	RES 4.64K 1% 1/16W SM 0603 TA	PT2568 R4.64KB1-0603	0603
12	R134-139 R199 R204-205 R210-211 R216	52-1329	RES 4.99K 1% 1/16W SM 0603 TA	PT2566 R4.99KB1-0603	0603
18	R196 R198 R218 R220 R223 R232 R243 R302-303 R328 R375-376 R378-383	52-1308	RES 499 1% 1/16W SM 0603 TA	PT2545 R499-B1-0603	0603
6	R86 R92 R98 R104 R110 R116	52-1331	RES 5.76K 1% 1/16W SM 0603 TA	PT2576 R5.76KB1-0603	0603
15	R8 R11-13 R18-19 R28 R31 R85 R91 R97 R103 R109 R115 R324	52-1332	RES 6.04K 1% 1/16W SM 0603 TA	PT2577 R6.04KB1-0603	0603
12	R83 R88-89 R94-95 R100-101 R106-107 R112-113 R118	52-1303	RES 60.4 1% 1/16W SM 0603 TA	PT2511 R60.4-B1-0603	0603
2	R145 R231	52-1309	RES 619 1% 1/16W SM 0603 TA	PT2546 R619-B1-0603	0603
1	R256	52-0196	RES 619K 1% 1/10W SM 0603 TA	PT2894 R619KB1-0603	0603
1	R337	52-1358	RES 63.4K 1% 1/16W SM 0603 TA	PT2611 R63.4KB1-0603	0603
11	R340 R349-352 R422-423 R425-428	52-1335	RES 7.5K 1% 1/16W SM 0603 TA	PT2581 R7.5KB1-0603	0603
2	R121 R228	52-1336	RES 8.06K 1% 1/16W SM 0603 TA	PT2582 R8.06KB1-0603	0603
1	R274	52-1337	RES 9.09K 1% 1/16W SM 0603 TA	PT2583 R9.09KB1-0603	0603
1	SC1	34-0125	SWITCH CAP BLACK ROUND	PT1354 SC340125	SC340125-FPE
6	SC16-21	24-2017-A	SWITCHCAP dbx LIGHTED MUTE BUTTON	PT2025 SC242017A	
12	SC2-13	34-0199-A	SWITCH CAP dbx LIGHTED	PT2024 SC340199A	PCBNULL
1	SW1	44-0050	SWITCH DPDT MINI IN-OUT 6 PIN E-SWITCH	PT1256 SW440050	SW440050
1	SW6	44-0119	SWITCH ENCODER 20mm D-SHAFT 30 POS W/SW VERT MNT	PT1890 SW440119	SW440119
18	SW2-5 SW7-20	44-0185	SWITCH SPST LITE TOUCH MINI W/ PROJECTED PLUNGER SMT	PT1962 SW440185	SW4PTACT-3
18	TP1-18	NON-PART	NON-PART, TEST POINT, ENGINEERING PROBE POINT	PT1653 TESTPOINT	TESTPOINTSM
1	U33	72-1488	IC 128K x 24 STATIC RAM 9ns 3.3V QFP100-14X20	PT2469 U128K24S9-3.3-Q	QFP100-14X20
1	U39	72-0046	IC 25AA640 64K SERIAL EEPROM TA	PT2774 U25AA260	SO8
1	U26	72-6318	IC 32K x 8 SRAM 15ns SOJ28	PT2294 U32K8S15-J	SOJ28-300
1	U22	OMIT	OMIT IC 32K x 8 SRAM 15ns SOJ28 (72-6318)	PT2874 U32K8S15-JO	SOJ28-300
1	U41	72-5426	IC, 74AC04, HEX INVERTER, SO14, T&R	PT1325 U74AC04-S	SO14
1	U23	72-0085	IC 74HC4051 ANALOG MUX/DEMUX SO16	PT1927 U74HC4051-S	SO16
1	U30	72-0063	IC 74LVTH573 3.3V ABT 8-LATCH 3-STATE SSO20 TR	PT2856 U74LVTH573-P	SSOP20
1	U15	72-1485	IC AK4356 192kHz 24 BIT 6 CHANNEL DAC	PT2717 UAK4356-Q	QFP44-10X10
1	U17	72-1464	IC, AK5392, DUAL 24BIT ADC, SO28W	PT1555 UAK5392-S	SO28W
2	U24-25	72-6305	IC DSP56367 DSP 150MHZ QFP144-20X20	PT2452 UDSP56367-Q	QFP144-20X20
1	U21	70-0070	V-REG L7815CD2T +15V 1A TA	PT2817 UL7815CD2T-S	TO263(D2PAK)
1	U20	70-0069	V-REG L7915CD2T -15V 1A TA	PT2819 UL7915CD2T-S	TO263(D2PAK)
2	U34-35	70-0063	V-REG LM2575S-ADJ SWITCHING REG 1A TO-263(5)	PT2739 ULM2575S-ADJ	TO-263(5)

			051796E0.PPS			
1	U36	70-0072	V-REG LM317DT 1.2V TO 37V ADJ 0.5A TA	PT2866	ULM317DT-S	TO252(DPACK)
3	U37-38 U42	72-5434	IC NC7SZ125 TINYLOGIC BUFFER SOT23-5 TA	PT1881	UNC7SZ125-S	SOT23-5
1	U44	72-0068	IC NCP302H VOLTAGE DETECTOR SM SOT23-5	PT2869	UNCP302H	SOT23-5
18	U2-14 U16 U18-19 U40 U43	72-1480	IC NJM4580 DUAL OP-AMP SO8	PT1374	UNJM4580-S	SO8
1	U29	72-0054-00V1	IC CPLD LC4128C-10T128 128 MC 92I/O SM dbx Driverack 260 V1	PT2859	UP720054	TQFP128
1	U32	72-0061-00V1	IC TS87C52X2 8 BIT OTP MICRO 5V 30Mhz dbx Driverack 260 V1	PT2868	UP720061	PLCC-44
1	U28	72-0062-00V1	IC AM29LV800BT 70ns 8 MEG FLASH dbx DRIVERACK 260 V1	PT2827	UP720062	TSOP48
1	U27	72-0055	IC PCM1801 16-BIT ADC 93DB SM	PT2875	UPCM1801-S	SO14
1	U31	72-0059	IC PI5C16211 24 BIT BUS SWITCH 5V-3V TSSOP	PT2860	UPI5C16211-TS	TSSOP56
1	U1	72-0056	IC SP202ECN RS-232 DUAL DRIVER/RECEIVER SM	PT2876	USP202ECN-S	SO16
1	Y1	76-0000	XTAL 22.1184MHz 18pF HC49 SM TR	PT2829	Y22.1184M760000	XTAL2-V
1	X1	76-0006	XTAL 24.576MHz CX16F/CS49G SM TA	PT2919	Y24.576M760006	XTAL2-V

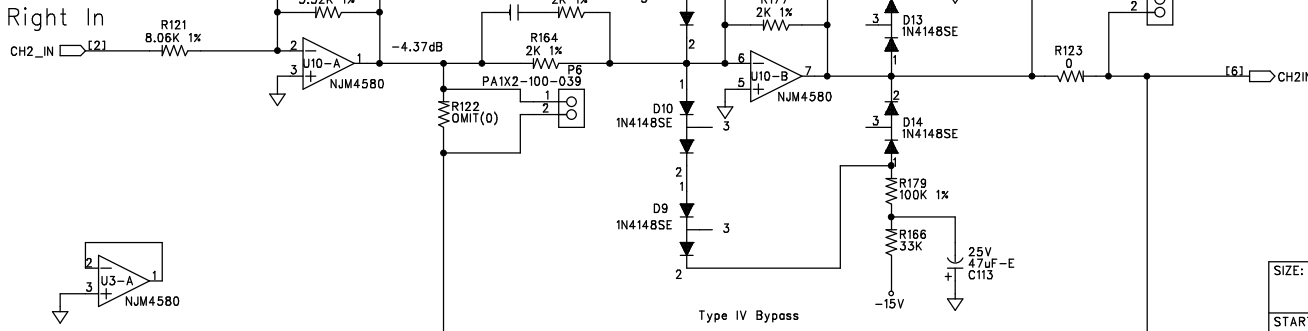
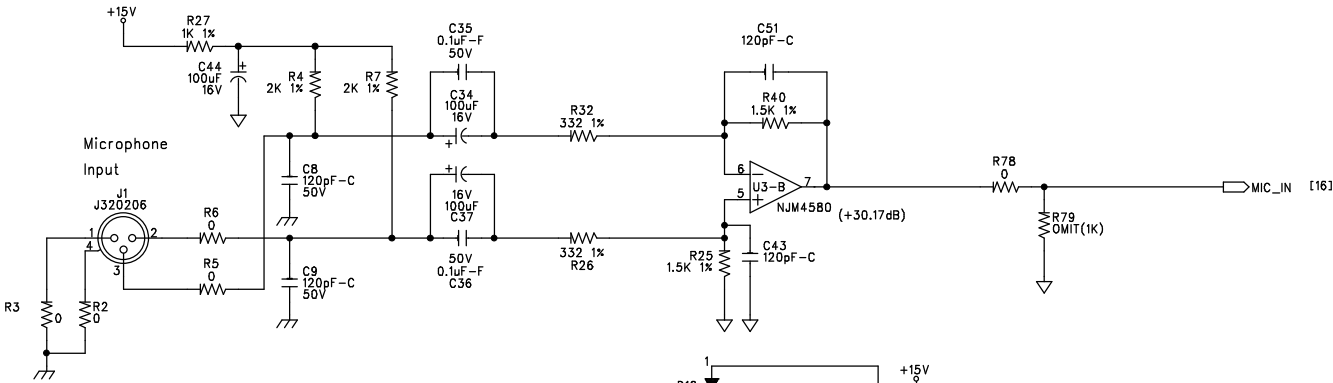


Max cut is -16.33dB for $+30\text{dBu}$ in
 -8.26dB cut for $+22\text{dBu}$ in
 No jumpers = $-.33\text{dB}$ for $+14\text{dBu}$ in

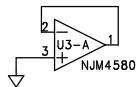
SIZE: A	SHEET TITLE: CHANNEL 1 & 2 INPUTS	REVISION: F0
START DATE: 12-14-05	DRAWING NO: 05-1796	SHEET: 2 OF 20



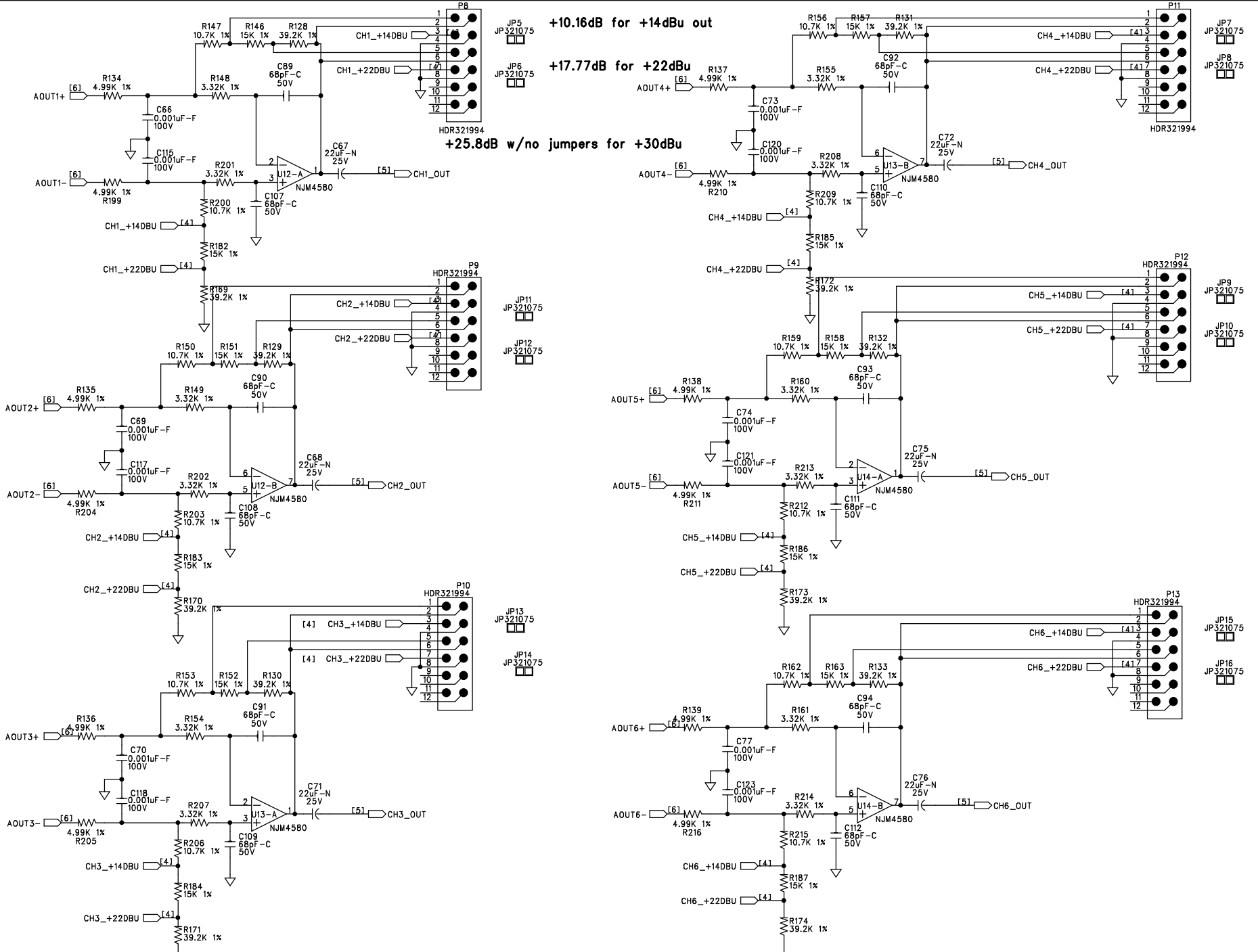
Type IV Bypass



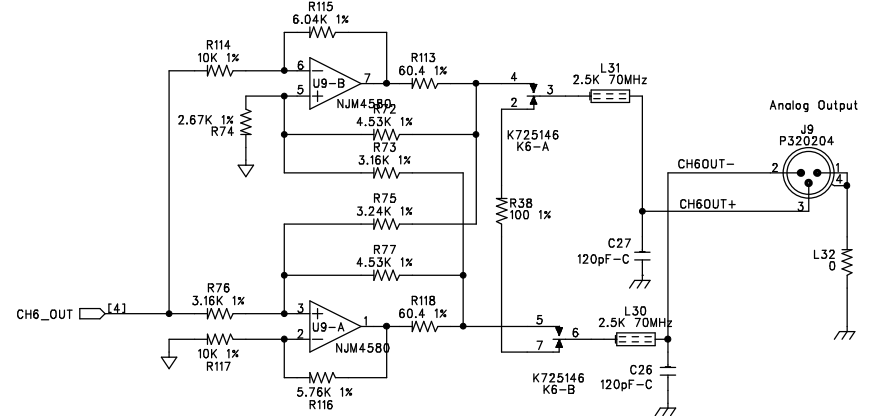
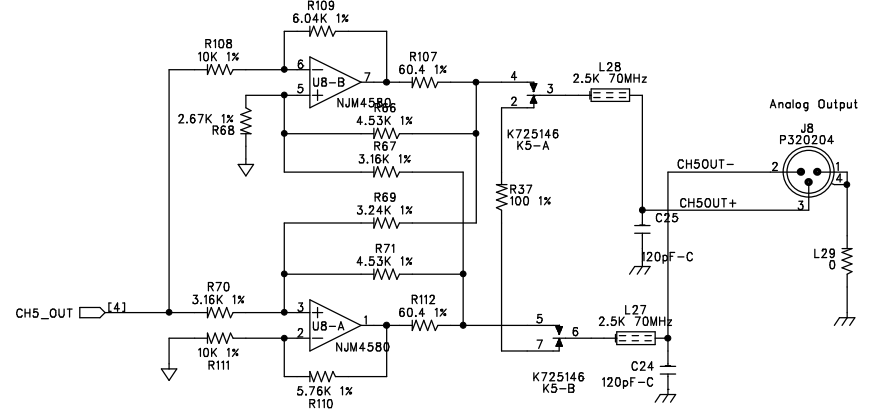
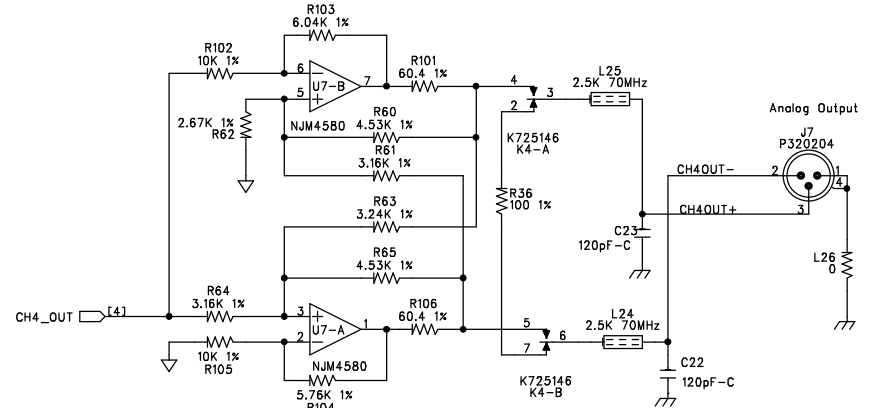
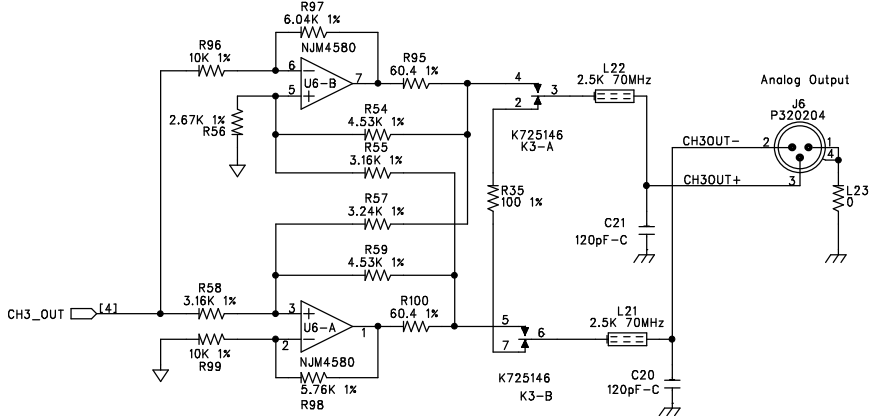
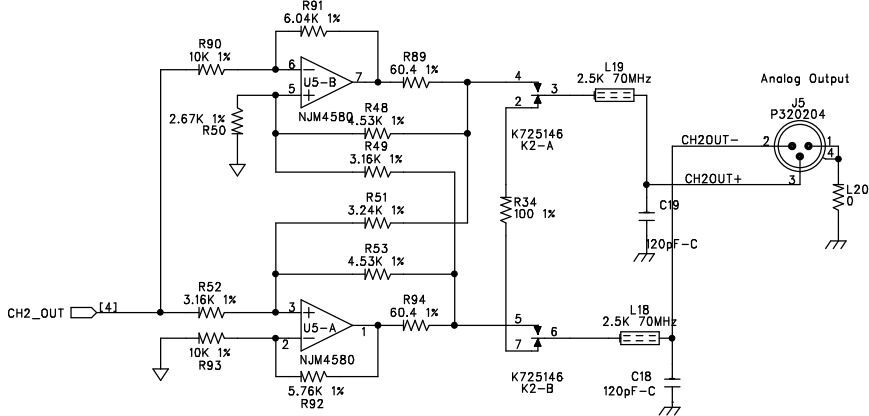
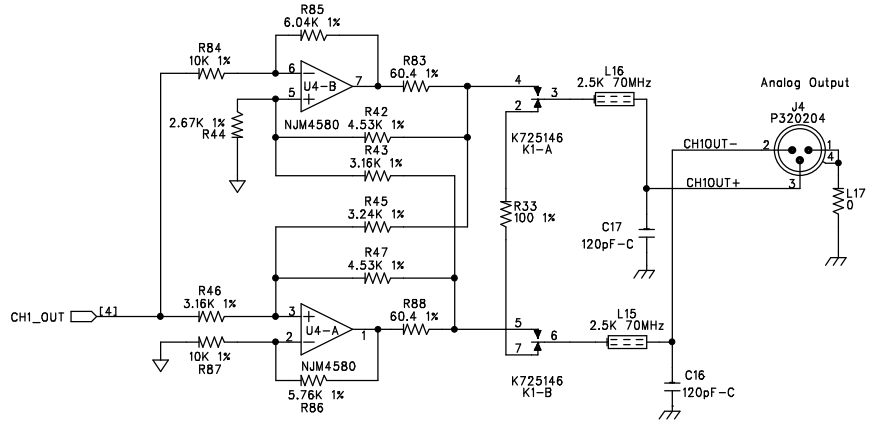
Type IV Bypass



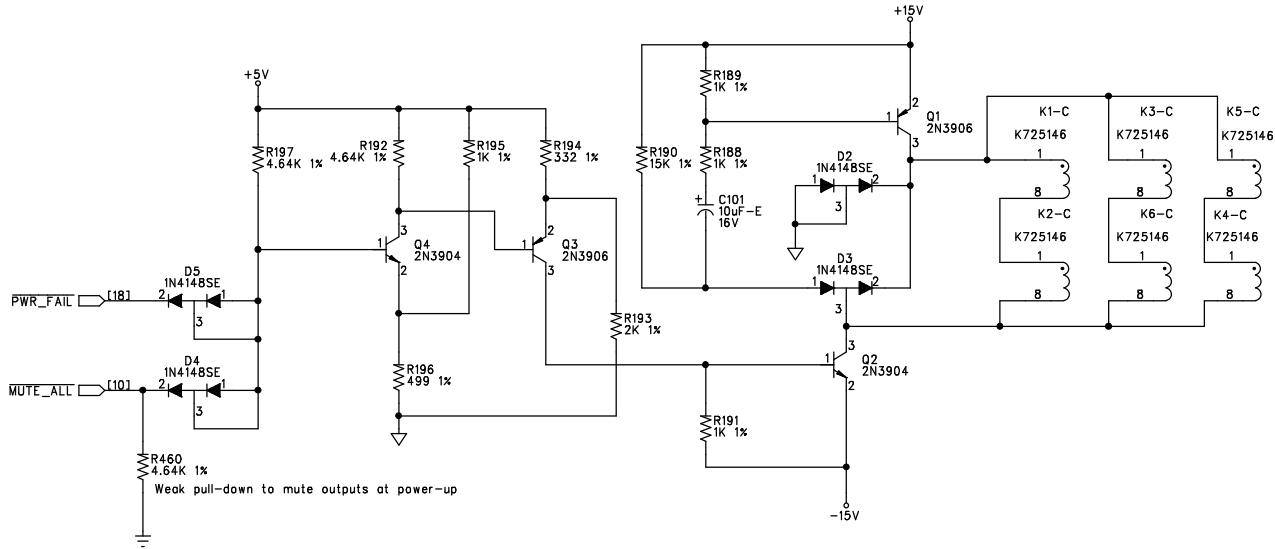
SIZE: A	SHEET TITLE: ANALOG CHANNEL 1 & 2 INPUTS	REVISION: F0
START DATE: 12-14-05	DRAWING NO: 05-1796	SHEET: 3 OF 20



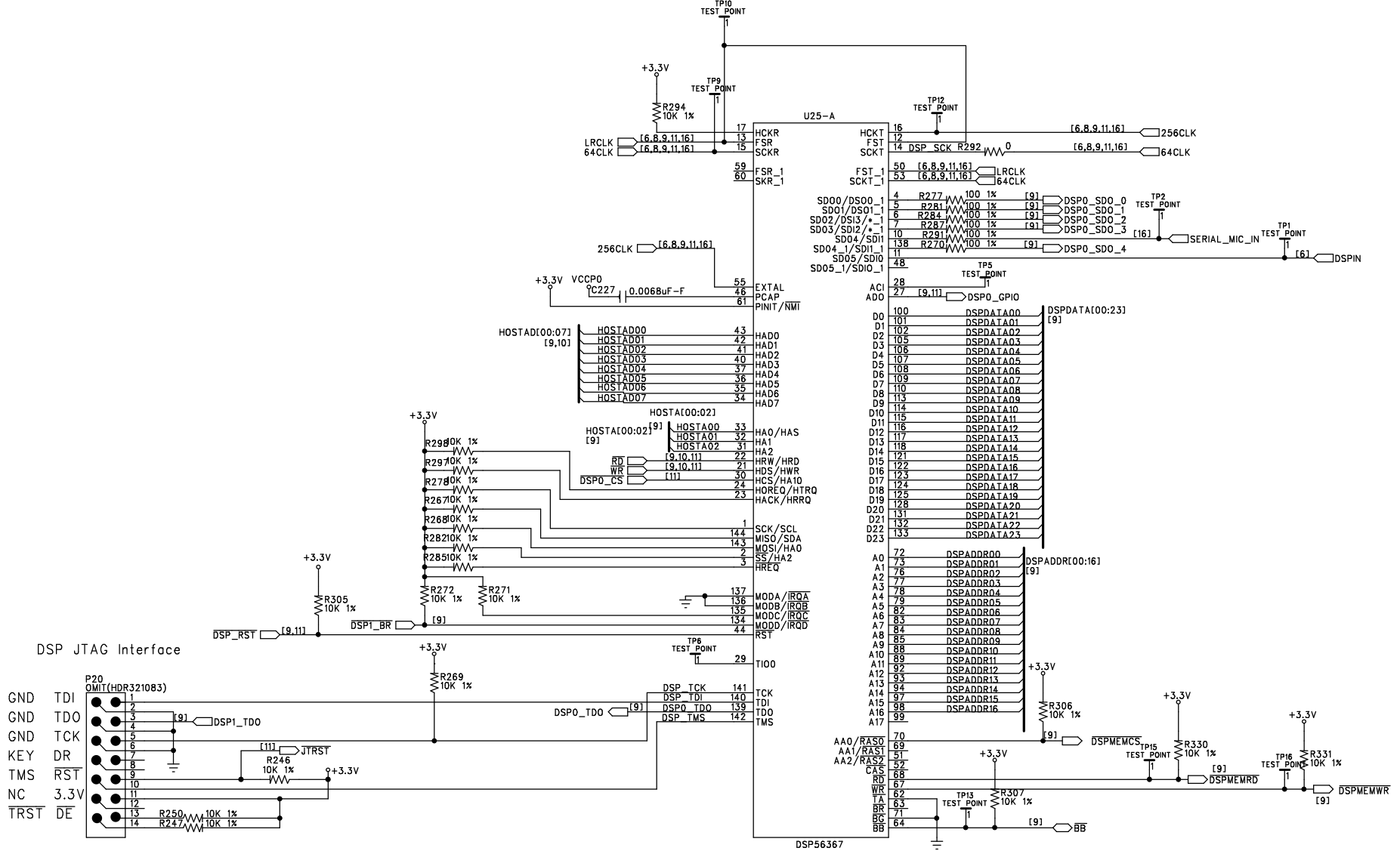
SIZE: A	SHEET TITLE: ANALOG OUTPUTS 1 - 6	REVISION: F0
START DATE: 12-14-05	DRAWING NO: 05-1796	SHEET: 4 OF 15

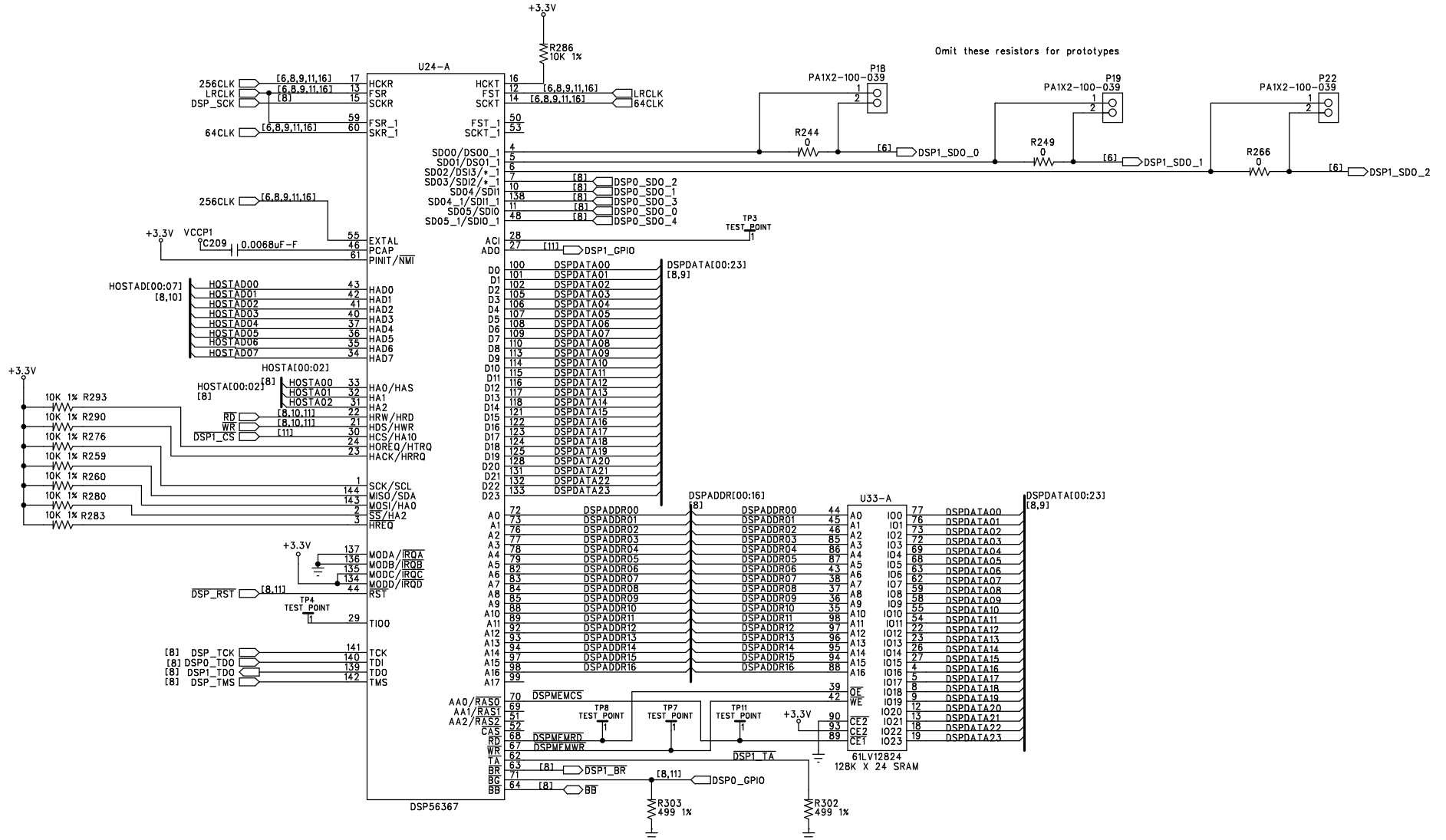


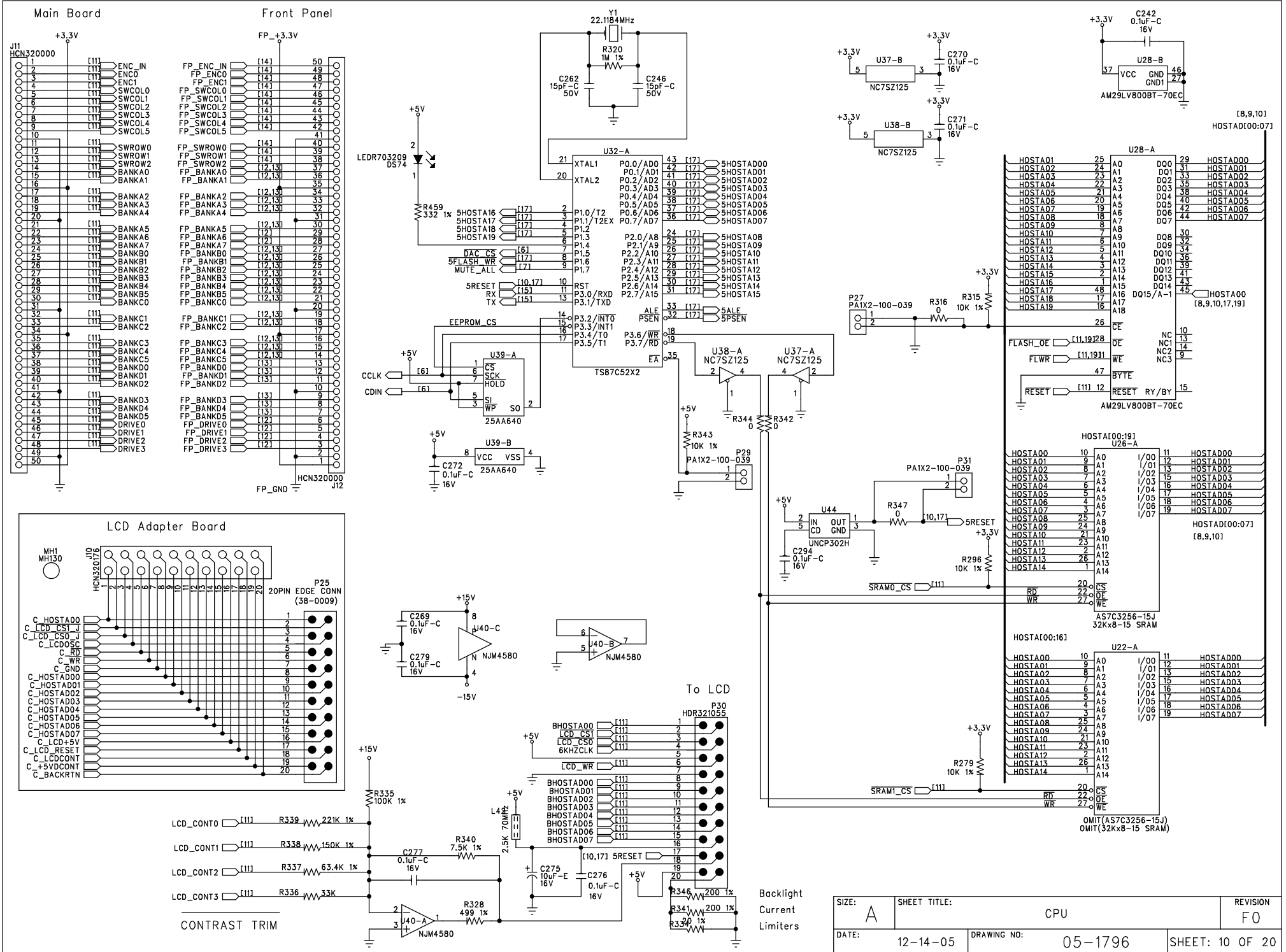
SIZE: A	SHEET TITLE: OUTPUT JACKS	REVISION: F0
DATE: 12-14-05	DRAWING NO: 05-1796	SHEET: 5 OF 20



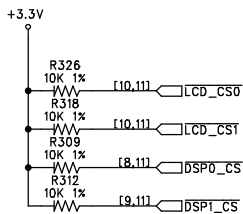
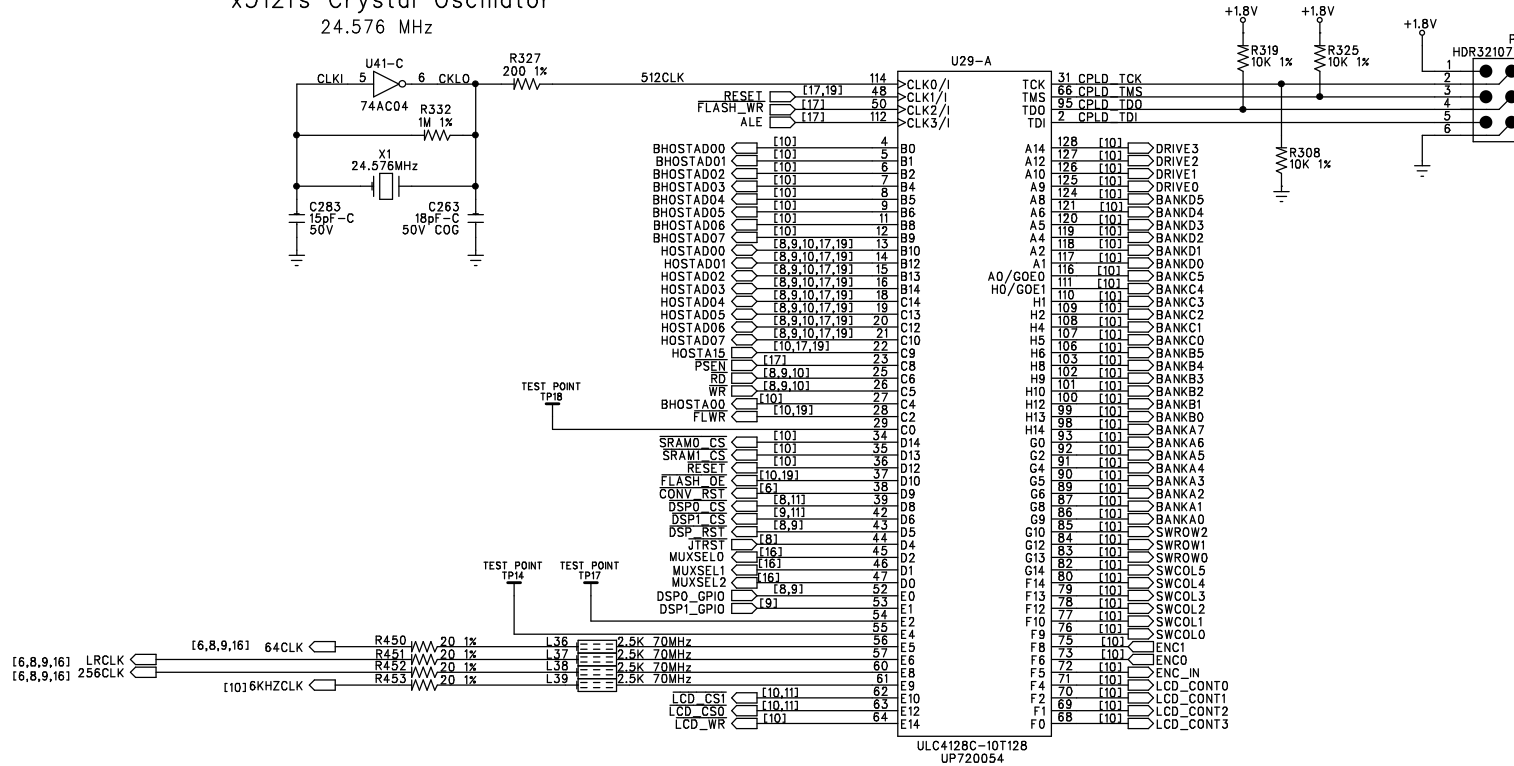
SIZE: A	SHEET TITLE: Mute Control		REVISION F0
DATE: 12-14-05	DRAWING NO: 05-1796	SHEET: 7 OF 20	

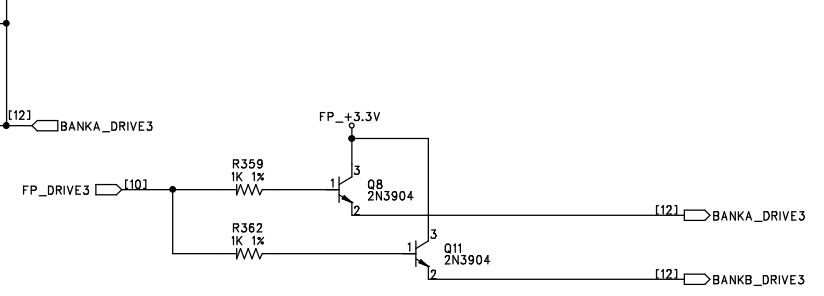
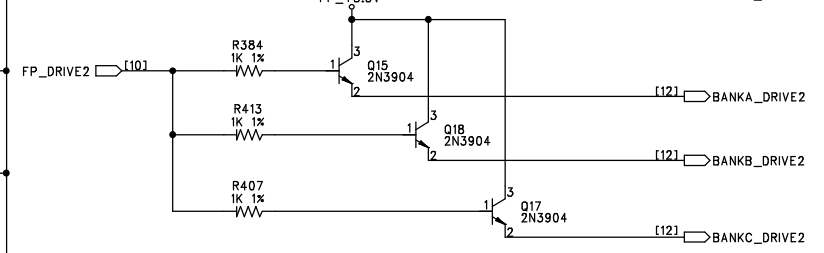
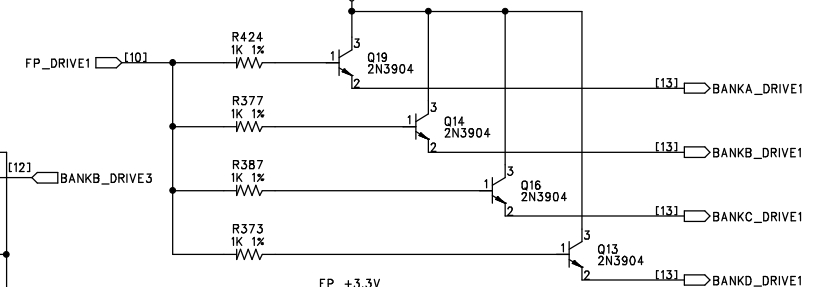
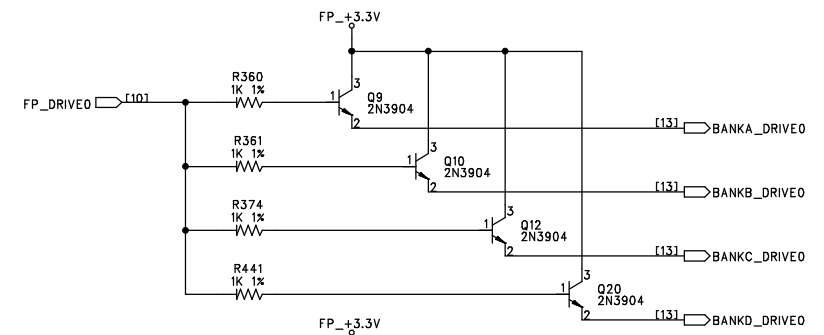
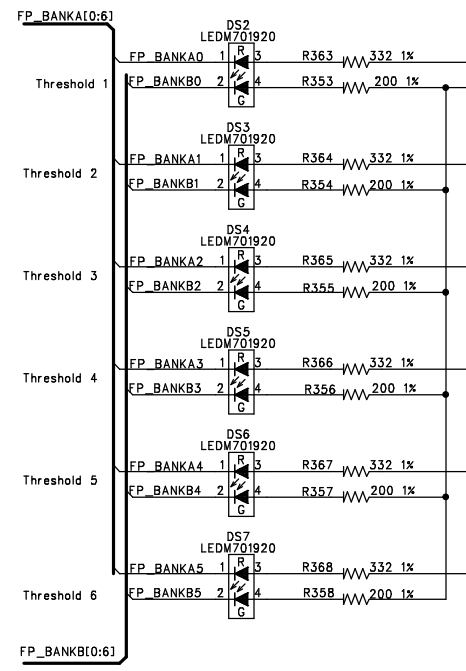
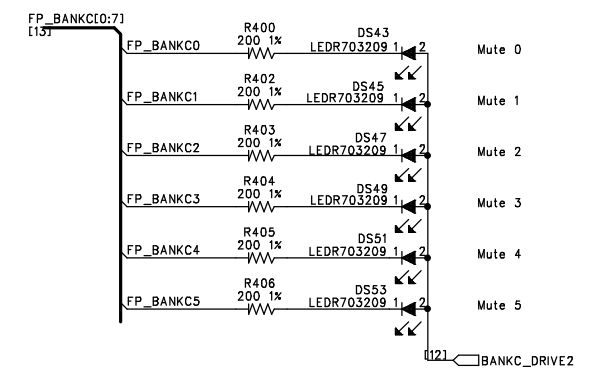
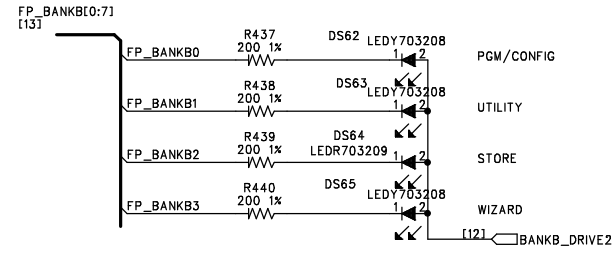
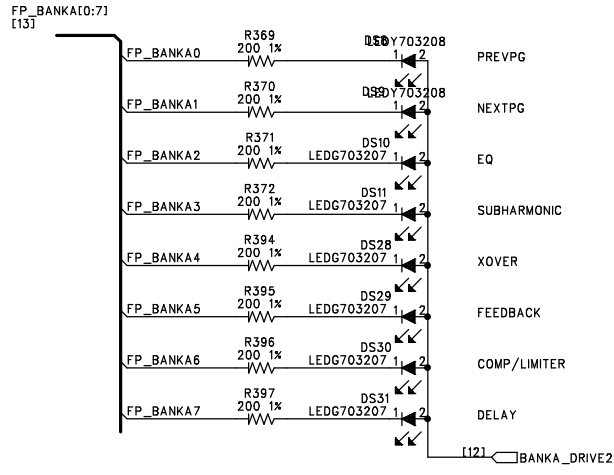


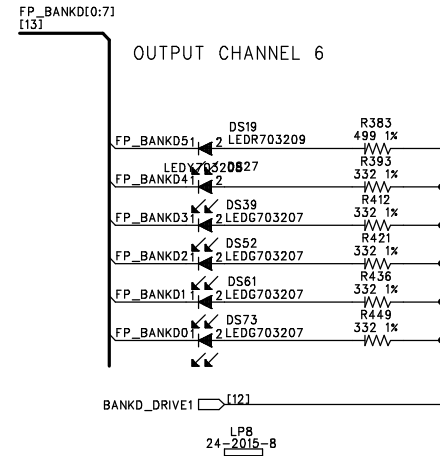
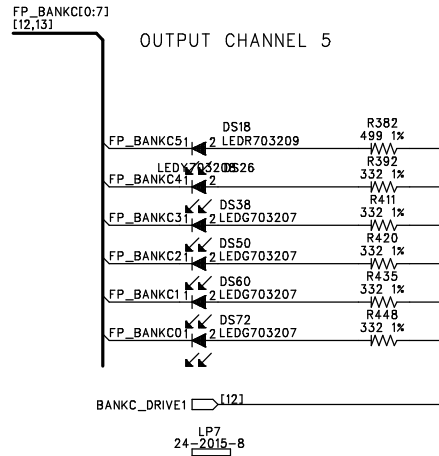
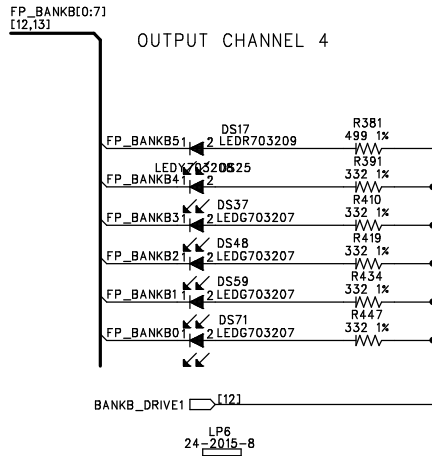
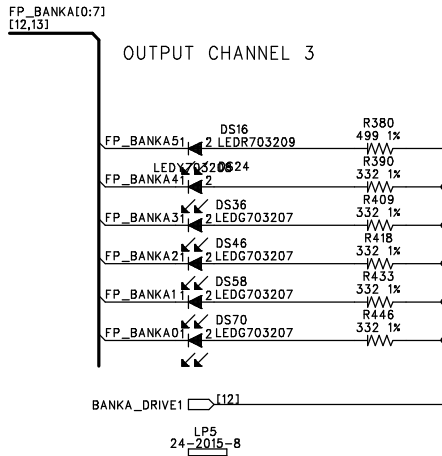
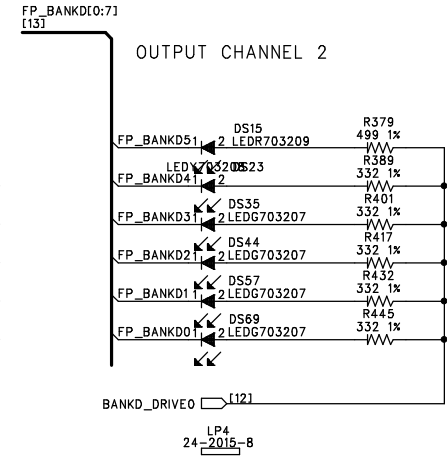
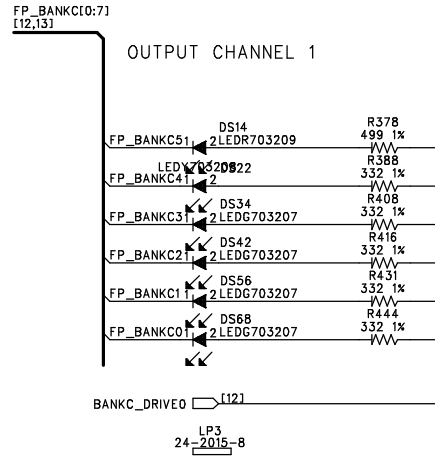
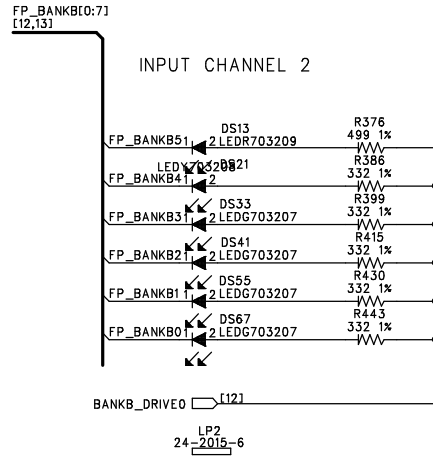
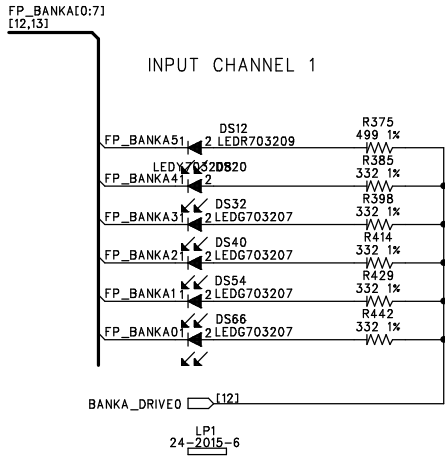




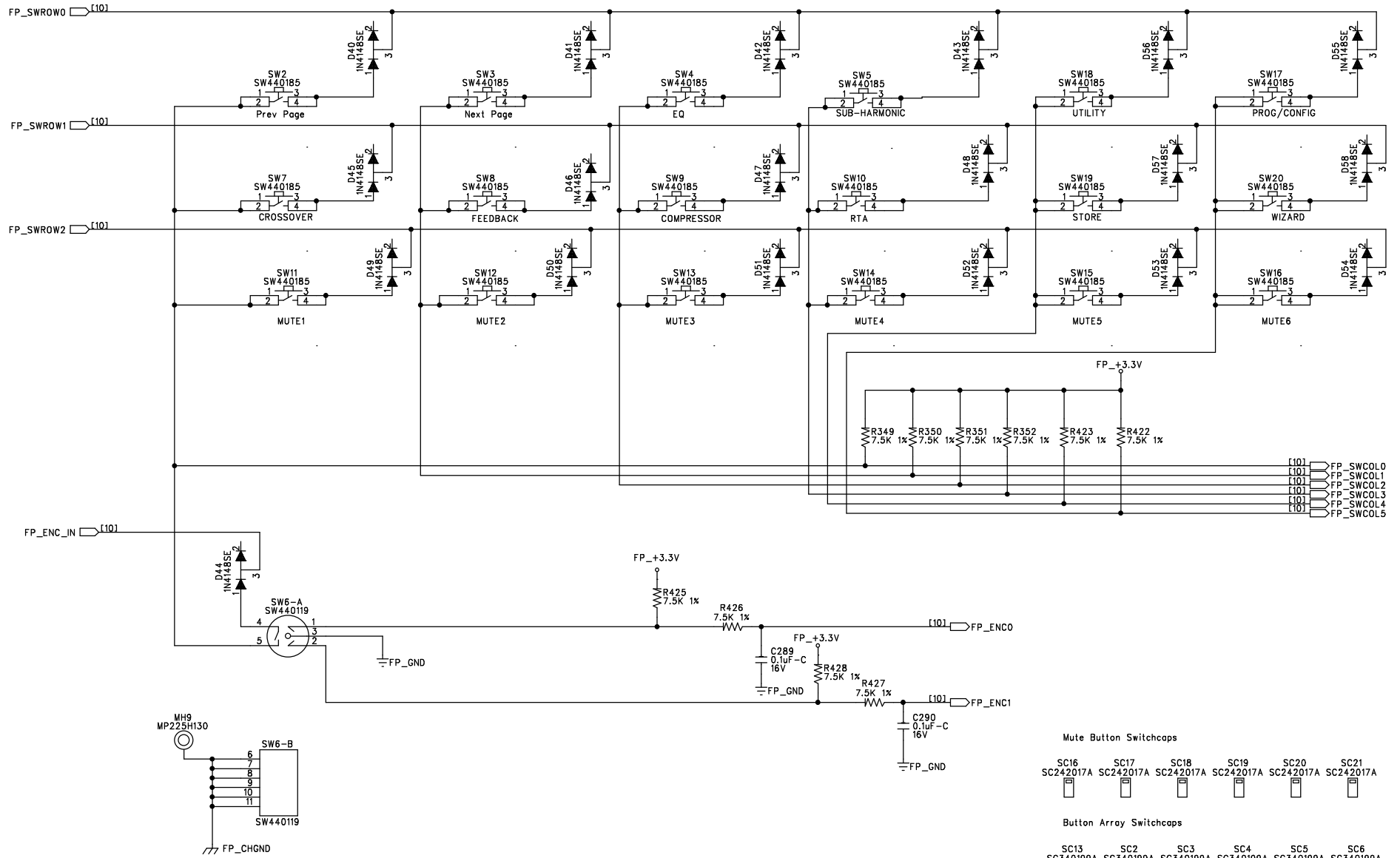
x512fs Crystal Oscillator
24.576 MHz





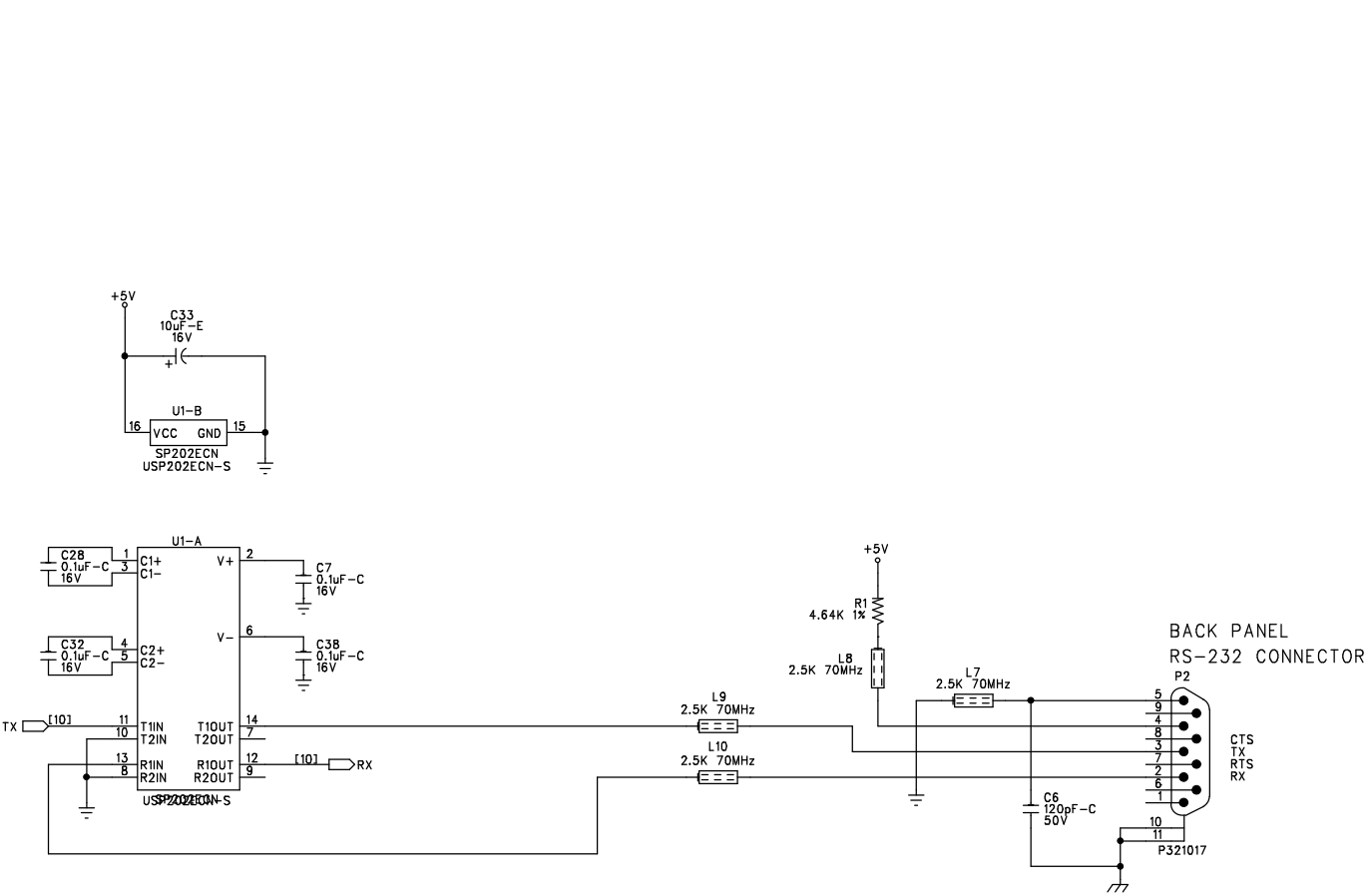


SIZE: A	SHEET TITLE: FRONT PANEL - METER LEDS	REVISION: F0
START DATE: 12-14-05	DRAWING NO: 05-1796	SHEET: 13 OF 20

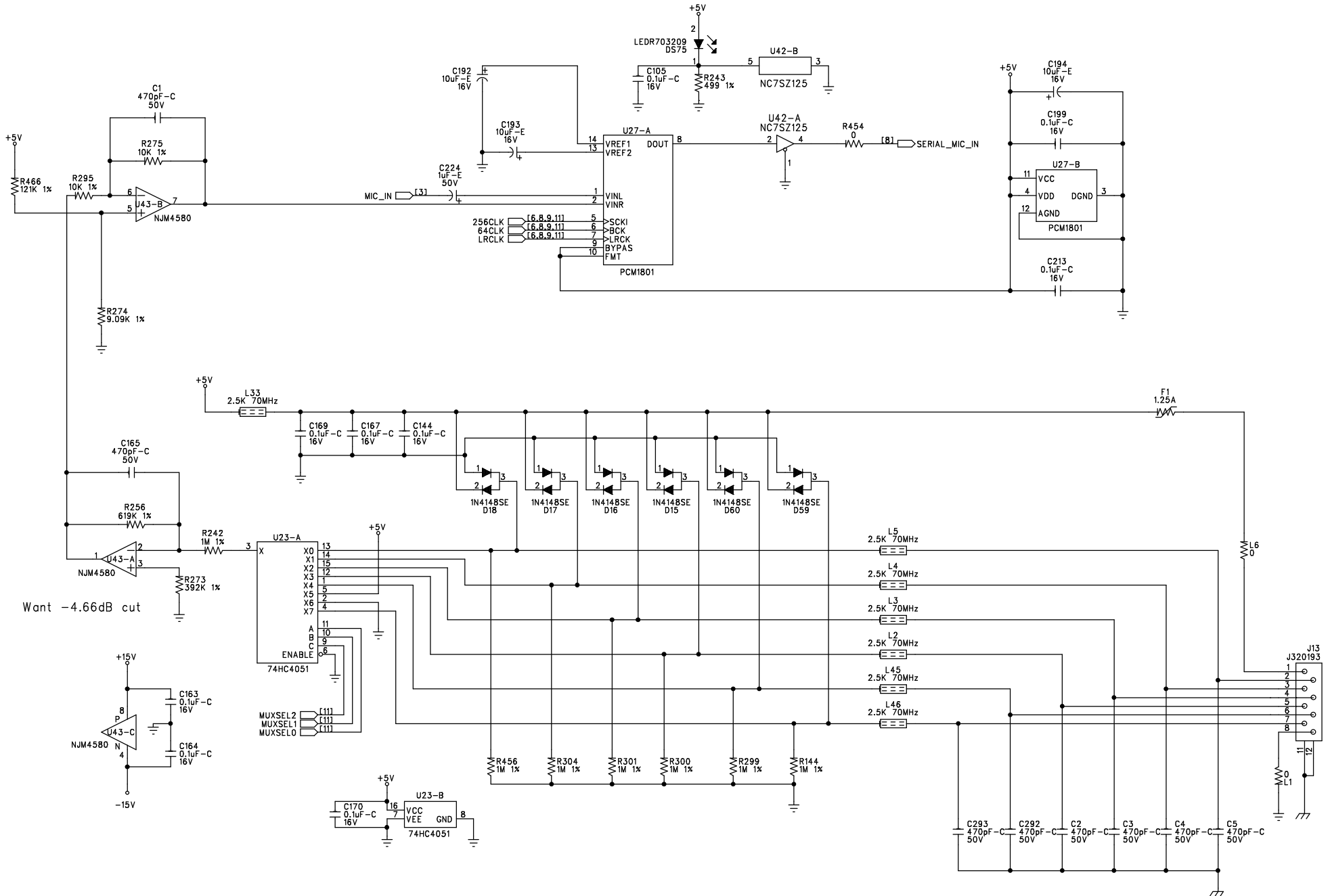


- Mute Button Switchcaps
- | | | | | | |
|-----------|-----------|-----------|-----------|-----------|-----------|
| SC16 | SC17 | SC18 | SC19 | SC20 | SC21 |
| SC242017A | SC242017A | SC242017A | SC242017A | SC242017A | SC242017A |
- Button Array Switchcaps
- | | | | | | |
|-----------|-----------|-----------|-----------|-----------|-----------|
| SC13 | SC2 | SC3 | SC4 | SC5 | SC6 |
| SC340199A | SC340199A | SC340199A | SC340199A | SC340199A | SC340199A |
| SC7 | SC8 | SC9 | SC10 | SC11 | SC12 |
| SC340199A | SC340199A | SC340199A | SC340199A | SC340199A | SC340199A |

SIZE:	DR260 FRONT PANEL - SWITCHES		REV: F0
DATE:	12-14-05	05-1796	SHEET: 14 OF 20

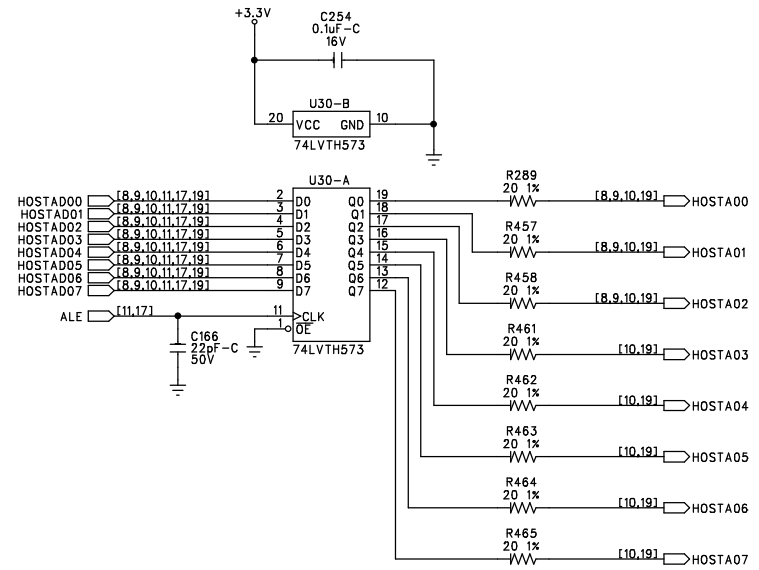
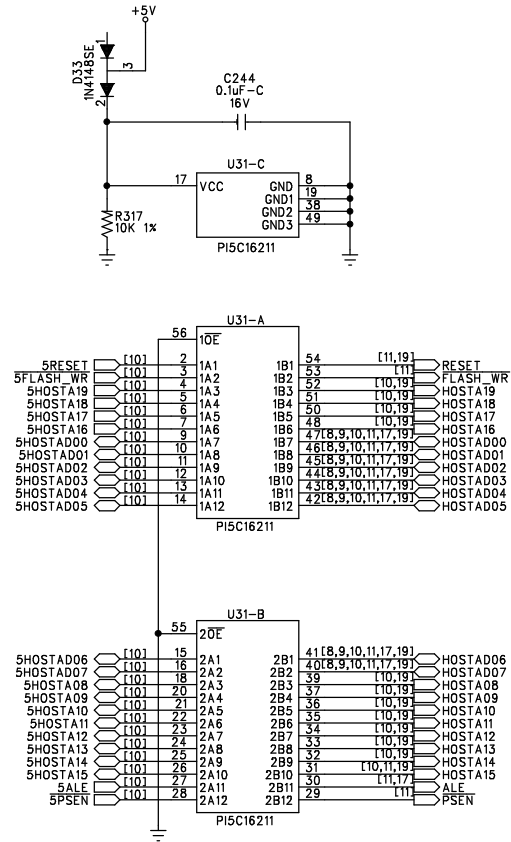


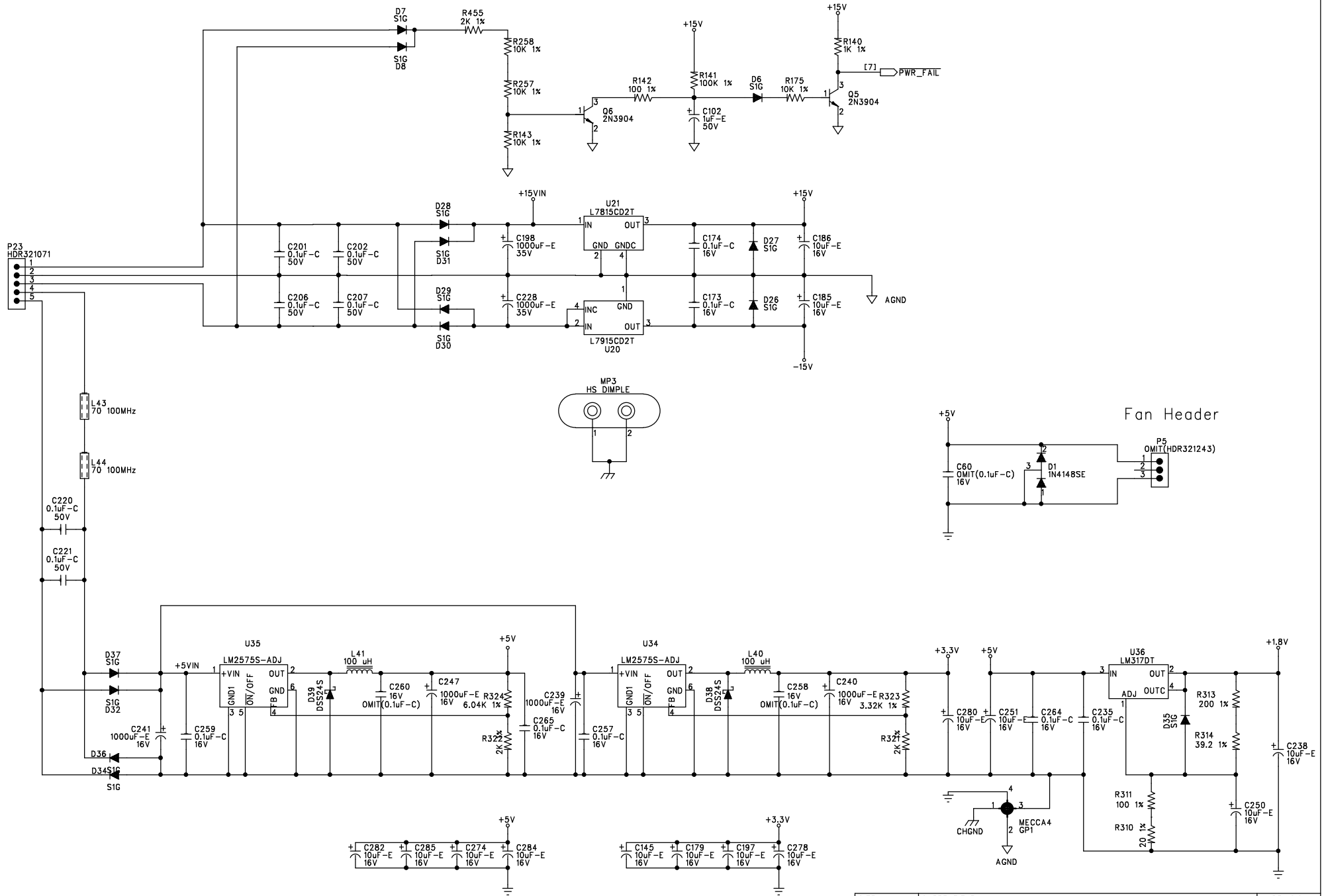
SIZE: A	SHEET TITLE: RS-232	REVISION: F0
DATE: 12-14-05	DRAWING NO: 05-1796	SHEET: 15 OF 20



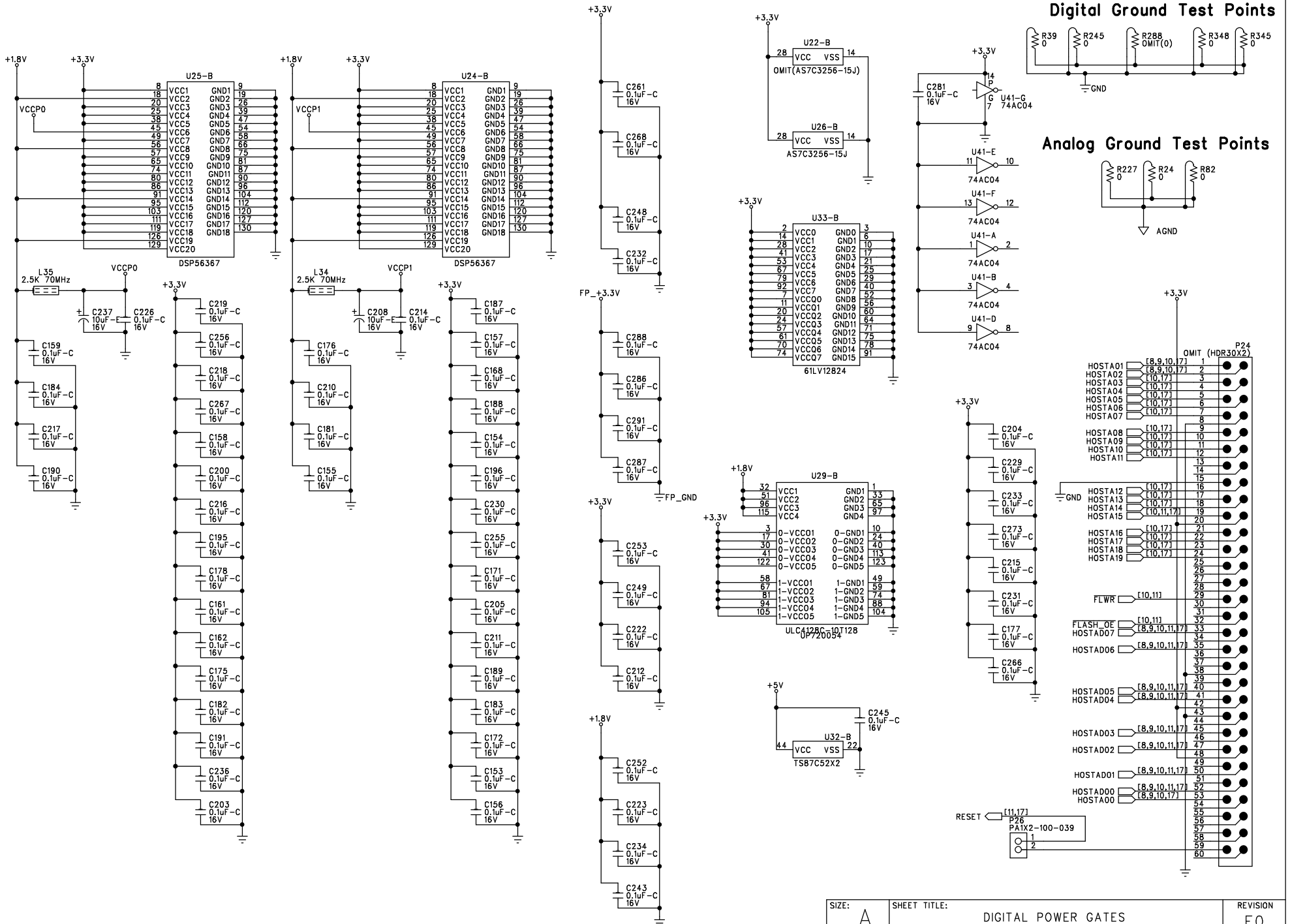
Want -4.66dB cut

SIZE: A	SHEET TITLE: CONTACT CLOSURE	REVISION: F0
DATE: 12-14-05	DRAWING NO: 05-1796	SHEET: 16 OF 20

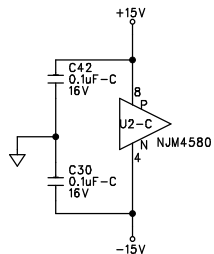
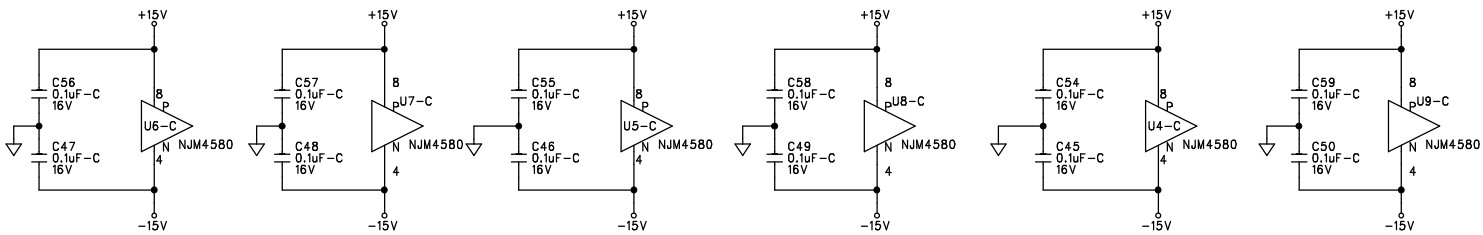
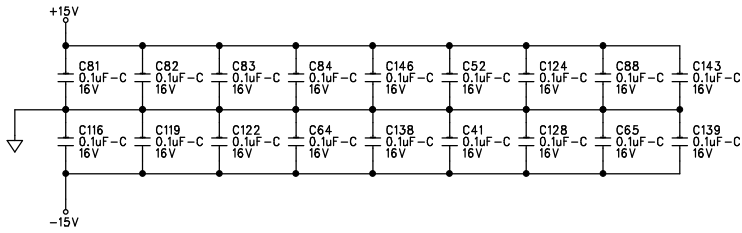
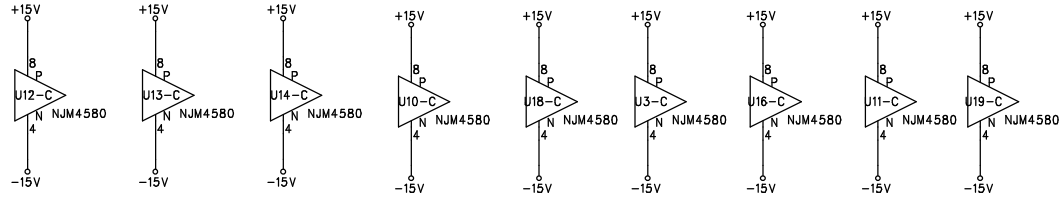
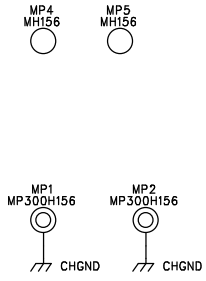




SIZE: A	SHEET TITLE: POWER SUPPLY	REVISION: F0
DATE: 12-14-05	DRAWING NO: 05-1796	SHEET: 18 OF 20



SIZE: A	SHEET TITLE: DIGITAL POWER GATES	REVISION: F0
DATE: 12-14-05	DRAWING NO: 05-1796	SHEET: 19 OF 20



SIZE: A	SHEET TITLE: ANALOG POWER GATES	REVISION: F0
START DATE: 12-14-05	DRAWING NO: 05-1796	SHEET: 20 OF 20

Bill Of Materials for 051796F0.sch on Thu Dec 15 10:00:59 2005

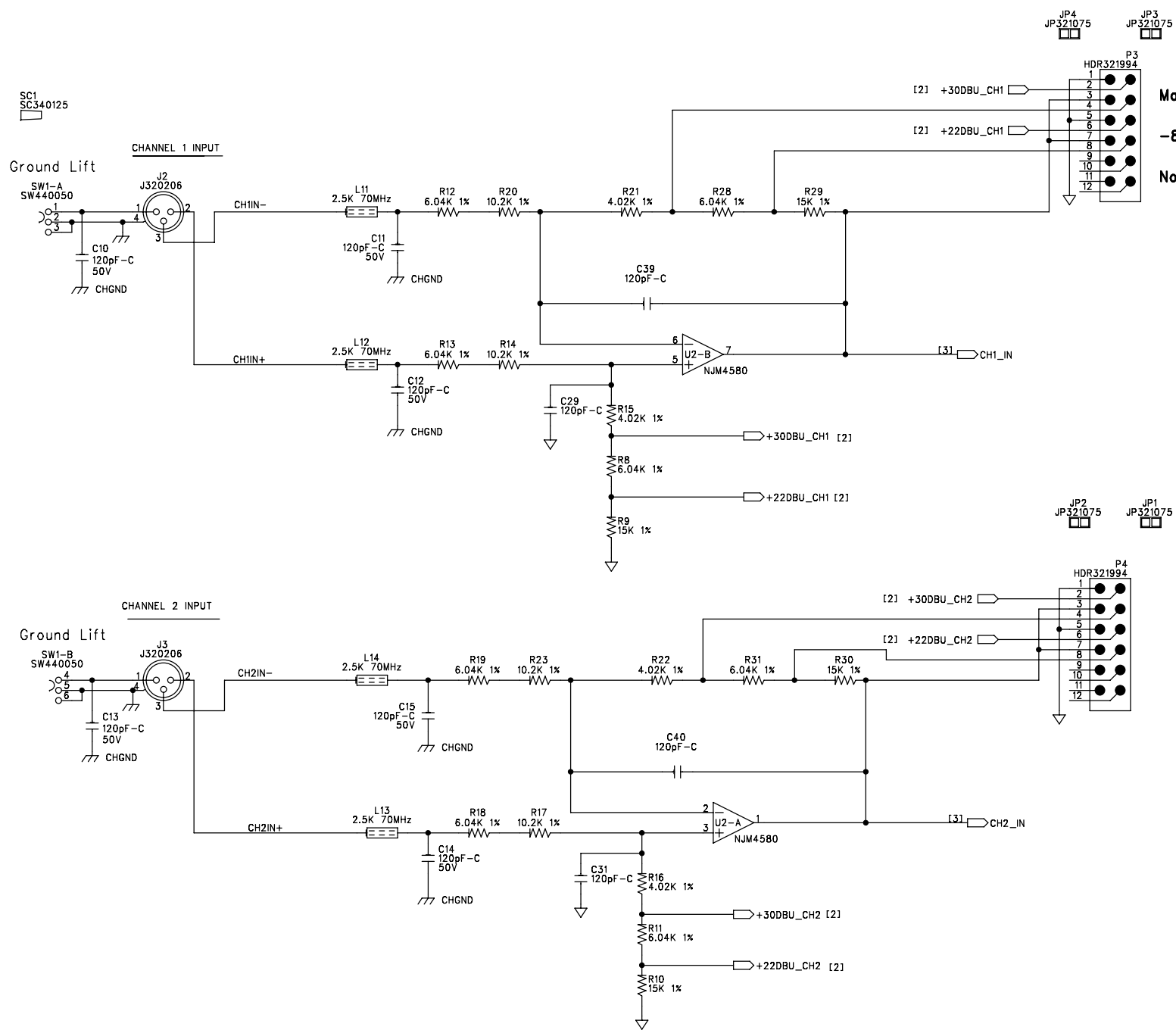
Qty	Reference	HMG#	Description	Audit	Schematic Part	PCB Decal
1	P25	NON-PART	PAD ARRAY EDGE CONN 20 COND 0.1"LS	DWB122	20PIN-FINGERS	20PIN-FINGERS
1	PCB1	80-1796	PCB 80-1796 dbx DRIVERACK 260/261	PT2044	80XXXXYY	BARCODE
5	A6-8 A14 A16	NON-PART	NON-PART, PCB ONLY, BREAKOFF PART	PT1481	BRKOFF	BRKOFF
12	C66 C69-70 C73-74 C77 C115 C117-118 C120-121 C123	56-0000	CAP 0.001uF FILM PTR 100V 5% AF TA	PT1629	C0.001UF100JR	RFCC200
2	C209 C227	56-0005	CAP 0.0068uF FILM PTR 100V 5% RF TA	PT1307	C0.0068UF100JR	RFDC200
2	C103 C150	56-0033	CAP 0.027uF FILM PTR 100V 5% RF TA	PT1282	C0.027UF100JR	RFEF200
142	C7 C28 C30 C32 C38 C41-42 C45-50 C52-59 C64-65 C81-84 C88 C97-98 C100 C105-106 C116 C119 C122 C124 C127-128 C134-135 C137-139 C143-144 C146 C153-159 C161-164 C167-178 C181-184 C187-191 C195-196 C199-200 C203-205 C210-219 C222-223 C226 C229-236 C242-245 C248-249 C252-257 C259 C261 C264-273 C276-277 C279 C281 C286-291 C294	62-1310	CAP 0.1uF CER 16V 20% Y5V 0603 TA	PT2696	C0.1UC16M0603	0603
3	C60 C258 C260	OMIT	OMIT CAP 0.1uF CER 16V 20% Y5V 0603 TA (62-1310)	PT2711	C0.1UC16M06030	0603
6	C201-202 C206-207 C220-221	62-1312	CAP 0.1uF CER 50V +80%/-20% Y5V 0603 TA	PT2687	C0.1UC50Z0603	0603
2	C35-36	56-0012	CAP 0.1uF FILM MTPT 50V 5% RF TA	PT1200	C0.1UF50JR	RFEC200
4	C99 C114 C130 C136	62-1308	CAP 1000pF CER 50V 20% Y5V 0603 TA	PT2651	C1000PC50M0603	0603
4	C239-241 C247	60-0064	CAP 1000uF EL 16V 20% GP 10x17R 5LL TA	PT1334	C1000UE16MR	REM200P
2	C198 C228	60-0063	CAP 1000uF EL 35V 20% GP 13x25R 5LL BK	PT1207	C1000UE35MR	REQ200P
3	C34 C37 C44	60-0201	CAP 100uF EL 16V 20% GP 6x8R 5LS TA	PT1378	C100UE16MR	REG200P
29	C33 C61 C78-80 C101 C145 C147-149 C179 C185-186 C192-194 C197 C208 C237-238 C250-251 C274-275 C278 C280 C282 C284-285	60-0049-01	CAP 10uF EL 16V 20% GP 5x7R 5LS TA	PT1080	C10UE16MR	RED200P
29	C6 C8-27 C29 C31 C39-40 C43 C51 C62 C133	62-1304	CAP 120pF CER 50V 5% NPO 0603 TA	PT2655	C120PC50J0603	0603
7	C180 C246 C262 C283 C295-297	62-1300	CAP 15pF CER 50V 5% NPO 0603 TA	PT2659	C15PC50J0603	0603
1	C263	62-0094	CAP 18pF CER 50V 5% COG 0603 TA	PT2870	C18PC50J0603	0603
2	C102 C224	60-0044-01	CAP 1uF EL 50V 20% GP 5x7R 5LS TA	PT1079	C1UE50MR	RED200P
1	C166	62-1301	CAP 22pF CER 50V 5% NPO 0603 TA	PT2658	C22PC50J0603	0603
10	C67-68 C71-72 C75-76 C86-87 C141-142	60-0402	CAP 22uF ELNP 25V 20% GP 6x11R 5LS TA	PT1084	C22UN25MR	REG200
8	C63 C95-96 C104 C129 C131 C151-152	62-1306	CAP 330pF CER 50V 10% X7R 0603 TA	PT2653	C330PC50K0603	0603
8	C1-5 C165 C292-293	62-1307	CAP 470pF CER 50V 10% X7R 0603 TA	PT2652	C470PC50K0603	0603
4	C85 C113 C140 C160	60-0054-01	CAP 47uF EL 25V 20% GP 5x11R 5LS TA	PT2959	C47UE25MR1	REE200P
12	C89-94 C107-112	62-1303	CAP 68pF CER 50V 5% NPO 0603 TA	PT2656	C68PC50J0603	0603
43	D1-5 D9-24 D33	70-0113	DIO MMBD4148SE DUAL 75V 600mA SOT-23 TA	PT1326	D1N4148SE-S	SOT-23

	D40-60						
14	D6-8 D26-32 D34-37	70-3203	DIO RECT SIG 400V 1.0A SMA TA	PT2081	DS1G-S	DO-214AC/SMA	
2	D38-39	70-0068	DIO RECT 40V 2A SCHOTTKY SS24 SM	PT2779	DSS24S	DO-214AA/SMB	
1	F1	32-0186	FUSE 1.25A POLY SWITCH RESETABLE	PT2893	F1.25A320186	FUSE6	
21	A3-5 A9-13 A15	NON-PART	NON-PART FIDUCIAL TARGET FOR AUTO INSERTION	PT2904	FIDUCIAL-AI	FIDUCIAL-AI	
	A17-19 A22-30						
4	A1-2 A20-21	NON-PART	NON-PART FIDUCIAL TARGET FOR XRAY	PT2905	FIDUCIAL-XRAY	FIDUCIAL-XRAY	
1	P24	OMIT	OMIT (CON HDR 30 X 2 FEMALE AMP SMT)	DWB	HC302V224SPMS	HC302V224SPMS	
2	J11-12	32-0000	HCN CONN 50 PIN .5 MM CNTS 1X50 FML RA	PT2824	HCN320000	HC320000	
1	J10	32-0176	HCN CONN 20 PIN FEM VRT MNT SMT	PT2773	HCN320176	HC102V079050FS	
1	P30	32-1055	HDR 20 PIN 0.1" SPC 2 X 10 VERT MALE	PT1340	HDR321055	HC102	
1	P23	32-1071	HDR 5 PIN 0.1" SPC 1 X 5 LCK POL VERT MALE	PT1621	HDR321071	HC51LPM	
1	P1	32-1077	HDR 6 PIN 0.1" SPC 2 X 3 VERT MALE	PT1683	HDR321077	HC32	
1	P20	OMIT	OMIT HDR 14 PIN 0.1" SPC 2 X 7 VERT MALE (32-1083)	PT2127	HDR321083-O	HC72	
1	P5	OMIT	OMIT HDR 3 PIN .098 SPC 3X1 SHROUDED VERTICAL MT. (32-1243)	PT2795	HDR321243-O	HC31V98SP	
8	P3-4 P8-13	32-1994	HDR 12 PN .1" SPC 2X6 VRT MT	PT2435	HDR321994	HC62V100M	
1	J13	32-0193	CON JACK RJ45 SINGLE PORT 8 PIN R/A PCB MNT SHLD	PT2872	J320193	JRJ45_8P-LONG-SH LD	
3	J1-3	32-0206	CON JACK XLR R/A PCA A SERIES	PT1219	J320206	XLRF-1	
16	JP1-16	32-1075	JUMPER MINI .1" SPC	PT1415	JP321075	PCBNUL	
6	K1-6	72-5146	RELAY DPDT 12VDC POL SM	PT2219	K725146	KSLIM-8P	
1	LBL1	30-0121	LABEL BARCODE AUTOINSERTABLE RAW	PT2790	LABEL300121	LABEL300121	
38	DS10-11 DS28-42	70-3207	LED GREEN D1206 T&R	PT1902	LEDG703207	D1206	
	DS44 DS46 DS48 DS50						
	DS52 DS54-61						
	DS66-73						
6	DS2-7	70-1920	LED RED/GRN WT/DIF SM 1210 TA	PT2428	LEDM701920	LED1210	
18	DS1 DS12-19 DS43	70-3209	LED RED D1206 T&R	PT1901	LEDR703209	D1206	
	DS45 DS47 DS49 DS51						
	DS53 DS64 DS74-75						
13	DS8-9 DS20-27	70-3208	LED YEL 1206 TA	PT1900	LEDY703208	D1206	
	DS62-63 DS65						
2	L43-44	26-0215	IND FBD 70 OHM @ 100MHz RIC200 TA	PT1262	LFB260215	RIC200	
34	L2-5 L7-16 L18-19	26-0217	IND FBD 2.5K OHM @ 70MHz 0805 TA	PT1261	LFB260217	0805	
	L21-22 L24-25						
	L27-28 L30-31						
	L33-39 L42 L45-46						
2	L40-41	26-0002	IND PWR 100uH 3A	PT2754	LI260002	UP3B	
2	LP1-2	NON-PART	NON-PART 6 POS NOT INSTALLED UNTIL MECHANICAL ASSY(LIGHT PIPE)	PT1967	LP242015-6	LP242015-6	
6	LP3-8	NON-PART	NON-PART 8 POS NOT INSTALLED UNTIL MECHANICAL ASSY(LIGHT PIPE)	PT1968	LP242015-8	LP242015-8	
1	GP1	NON-PART	NON-PART MECCA GND/PWR TIE POINT 4 POS	PT2482	MECCA4	MECCA4	
8	MH1 MH3-8 MH10	NON-PART	NON-PART, MOUNTING HOLE, 0.130" NON-PLATED, #4	PT1242	MH130	MH130	
3	MH2 MP4-5	NON-PART	NON-PART MOUNTING HOLE 0.156" NON-PLATED #6	PT3000	MH156	MH156	
1	MH13	NON-PART	NON-PART	DB105	MH156-NOKEEPOUT	MH156-NOKEEPOUT	
2	MH11-12	NON-PART	NON-PART TOOLING PIN HOLE 156MIL HOLE	PT2794	MH156-TOOL	MH156-TOOL	
1	MH9	NON-PART	NON-PART MECHANICAL PLATED HOLE 225 PAD 130 HOLE #4	PT1998	MP225H130	MP225H130	
2	MP1-2	NON-PART	NON-PART MECHANICAL PLATED HOLE 300 PAD 156 HOLE #6	PT3001	MP300H156	MP300H156	
1	MP3	NON-PART	NON-PART SMT HEATSINK DIMPLE 300P 156H #6	PT2816	MP300H156-HSDMP	MP300H156-HSDMP	
6	J4-9	32-0204	CON PLUG XLR R/A PCA A SERIES	PT1218	P320204	XLRM-1	
1	P2	32-1017	CON JACK DCONN DUAL PORT 9P RA MALE PC MNT	PT1931	P321017	DCON9PM	
14	P6-7 P14-19 P21-22	NON-PART	NON-PART PD ARY 2 PN 0.100" SPC 0.039" HLE	PT1645	PA1X2-100-039	PA1X2-100-039	
	P26-27 P29 P31						
17	Q2 Q4-6 Q8-20	70-1058	XSTR 2N3904 NPN SOT-23 TA	PT1203	Q2N3904-S	SOT-23	
2	Q1 Q3	70-1059	XSTR 2N3906 PNP SOT-23 SM TA	PT1057	Q2N3906-S	SOT-23	
17	R2-3 R5-6 R78 R123	50-1300	RES 0 5% 1/16W SM 0603 TA	PT2508	R0-B5-0603	0603	
	R230 R241 R244 R249						
	R266 R292 R316 R342						
	R344 R347 R454						
7	R122 R126 R229	OMIT	OMIT RES 0 5% 1/16W SM 0603 TA (50-1300)	PT2509	R0-B5-0603O	0603	
	R236-238 R248						
10	L1 L6 L17 L20 L23	50-1531	RES 0 5% 1/10W SM 0805 TA	PT1099	R0-C5-0805	0805	
	L26 L29 L32 R127						
	R235						

7	R24 R39 R82 R227 R245 R345 R348	50-0317	RES 0 5% 1/4W CF RR TA	PT1008 R0-E5-R	RRA200
1	R288	OMIT	OMIT RES 0 5% 1/4W CF RR TA (50-0317)	PT1596 R0-E5-RO	RRA200
2	R25 R40	52-1314	RES 1.5K 1% 1/16W SM 0603 TA	PT2551 R1.5KB1-0603	0603
4	R14 R17 R20 R23	52-1339	RES 10.2K 1% 1/16W SM 0603 TA	PT2591 R10.2KB1-0603	0603
12	R147 R150 R153 R156 R159 R162 R200 R203 R206 R209 R212 R215	52-1340	RES 10.7K 1% 1/16W SM 0603 TA	PT2592 R10.7KB1-0603	0603
15	R33-38 R142 R234 R270 R277 R281 R284 R287 R291 R311	52-1304	RES 100 1% 1/16W SM 0603 TA	PT2512 R100-B1-0603	0603
6	R141 R178-179 R263-264 R335	52-1360	RES 100K 1% 1/16W SM 0603 TA	PT2613 R100KB1-0603	0603
62	R80-81 R84 R87 R90 R93 R96 R99 R102 R105 R108 R111 R114 R117 R143 R175 R233 R239-240 R246-247 R250 R257-260 R267-269 R271-272 R275-276 R278-280 R282-283 R285-286 R290 R293-298 R305-309 R312 R315 R317-319 R325-326 R330-331 R343	52-1338	RES 10K 1% 1/16W SM 0603 TA	PT2584 R10KB1-0603	0603
1	R329	OMIT	OMIT RES 10K 1% 1/16W SM 0603 TA (52-1338)	PT2628 R10KB1-06030	0603
1	R466	52-1361	RES 121K 1% 1/16W SM 0603 TA	PT2614 R121KB1-0603	0603
1	R338	52-1362	RES 150K 1% 1/16W SM 0603 TA	PT2615 R150KB1-0603	0603
17	R9-10 R29-30 R146 R151-152 R157-158 R163 R182-187 R190	52-1344	RES 15K 1% 1/16W SM 0603 TA	PT2596 R15KB1-0603	0603
4	R125 R217 R219 R255	52-1305	RES 169 1% 1/16W SM 0603 TA	PT2513 R169-B1-0603	0603
20	R27 R140 R188-189 R191 R195 R333 R359-362 R373-374 R377 R384 R387 R407 R413 R424 R441	52-1313	RES 1K 1% 1/16W SM 0603 TA	PT2550 R1KB1-0603	0603
1	R79	OMIT	OMIT RES 1K 5% 1/16W SM 0603 TA (50-1313)	PT2535 R1KB5-06030	0603
9	R144 R242 R299-301 R304 R320 R332 R456	52-1372	RES 1M 1% 1/16W SM 0603 TA	PT2625 R1MB1-0603	0603
4	R124 R168 R226 R254	52-1317	RES 2.21K 1% 1/16W SM 0603 TA	PT2555 R2.21KB1-0603	0603
4	R120 R181 R222 R265	52-1318	RES 2.49K 1% 1/16W SM 0603 TA	PT2556 R2.49KB1-0603	0603
6	R44 R50 R56 R62 R68 R74	52-1319	RES 2.67K 1% 1/16W SM 0603 TA	PT2557 R2.67KB1-0603	0603
28	R313 R327 R341 R346 R353-358 R369-372 R394-397 R400 R402-406 R437-440	52-1306	RES 200 1% 1/16W SM 0603 TA	PT2514 R200-B1-0603	0603
14	R289 R310 R334 R450-453 R457-458 R461-465	52-1300	RES 20 1% 1/16W SM 0603 TA	PT2507 R20-B1-0603	0603
1	R339	52-1364	RES 221K 1% 1/16W SM 0603 TA	PT2617 R221KB1-0603	0603
16	R4 R7 R164 R167 R176-177 R180 R193 R221 R225 R251 R261-262 R321-322 R455	52-1316	RES 2K 1% 1/16W SM 0603 TA	PT2553 R2KB1-0603	0603
12	R43 R46 R49 R52 R55 R58 R61 R64 R67 R70 R73 R76	52-1322	RES 3.16K 1% 1/16W SM 0603 TA	PT2560 R3.16KB1-0603	0603
6	R45 R51 R57 R63 R69 R75	52-1323	RES 3.24K 1% 1/16W SM 0603 TA	PT2561 R3.24KB1-0603	0603

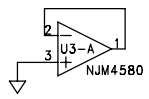
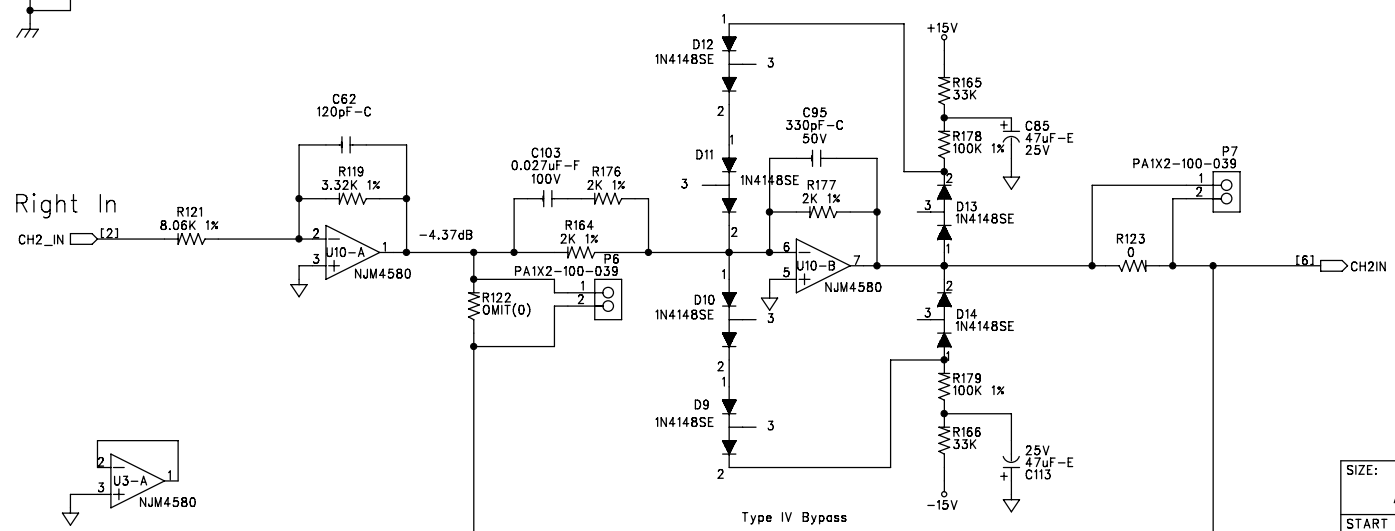
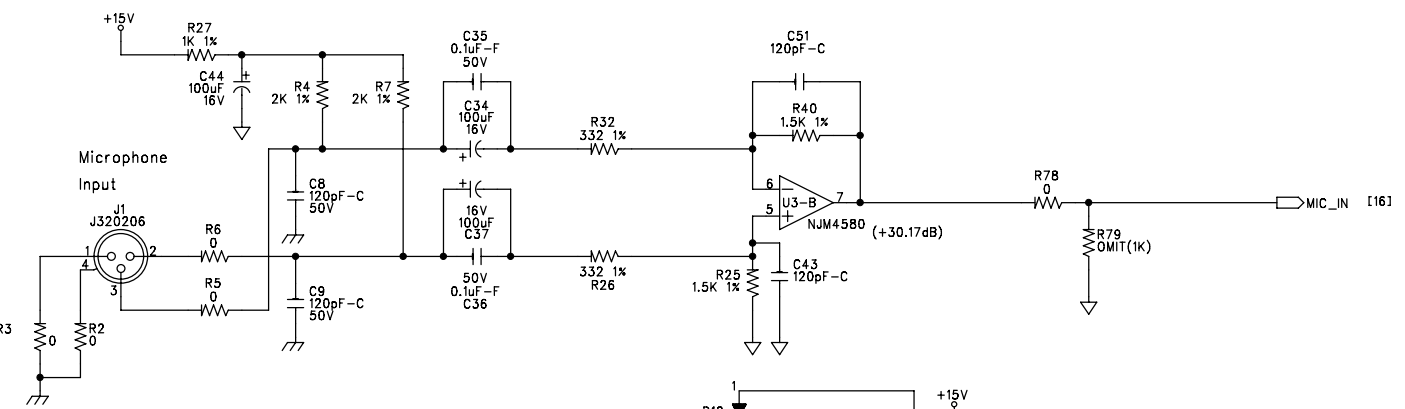
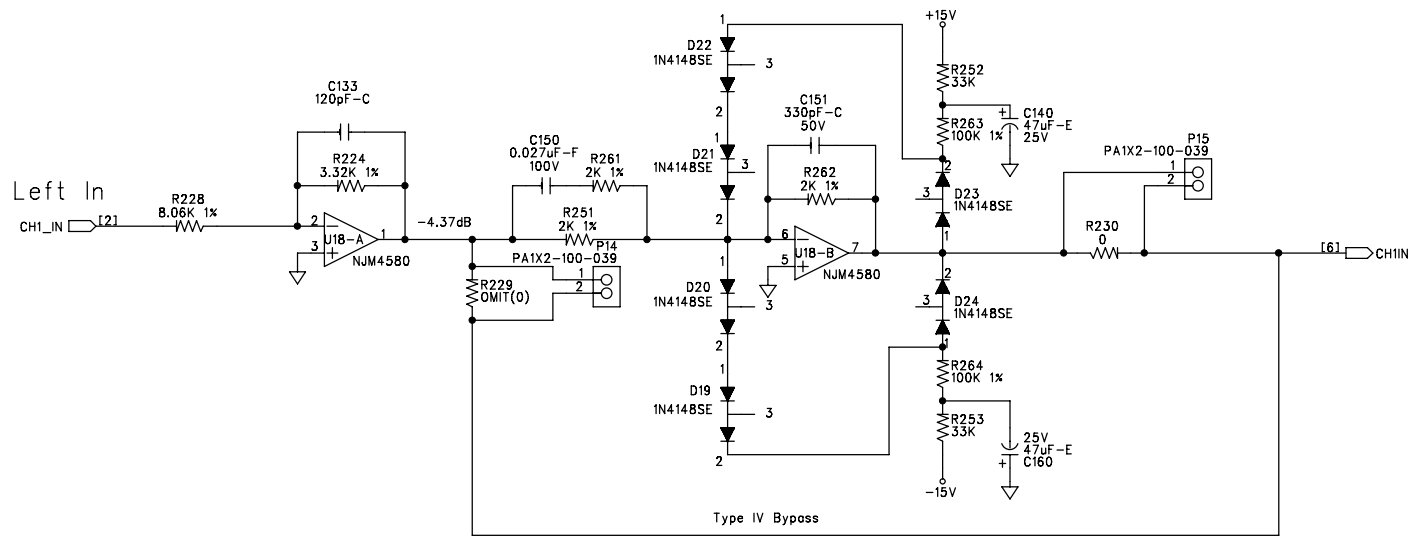
15	R119 R148-149 R154-155 R160-161 R201-202 R207-208 R213-214 R224 R323	52-1324	RES 3.32K 1% 1/16W SM 0603 TA	PT2562 R3.32KB1-0603	0603
50	R26 R32 R194 R363-368 R385-386 R388-393 R398-399 R401 R408-412 R414-421 R429-436 R442-449 R459	52-1307	RES 332 1% 1/16W SM 0603 TA	PT2543 R332-B1-0603	0603
5	R165-166 R252-253 R336	50-1325	RES 33K 5% 1/16W SM 0603 TA	PT2589 R33KB5-0603	0603
1	R314	52-1301	RES 39.2 1% 1/16W SM 0603 TA	PT2515 R39.2-B1-0603	0603
13	R41 R128-133 R169-174	52-1355	RES 39.2K 1% 1/16W SM 0603 TA	PT2608 R39.2KB1-0603	0603
1	R273	52-0000	RES 392K 1% 1/10W SM 0603 TA	PT2892 R392KB1-0603	0603
4	R15-16 R21-22	52-1325	RES 4.02K 1% 1/16W SM 0603 TA	PT2563 R4.02KB1-0603	0603
12	R42 R47-48 R53-54 R59-60 R65-66 R71-72 R77	52-1327	RES 4.53K 1% 1/16W SM 0603 TA	PT2565 R4.53KB1-0603	0603
4	R1 R192 R197 R460	52-1328	RES 4.64K 1% 1/16W SM 0603 TA	PT2568 R4.64KB1-0603	0603
12	R134-139 R199 R204-205 R210-211 R216	52-1329	RES 4.99K 1% 1/16W SM 0603 TA	PT2566 R4.99KB1-0603	0603
18	R196 R198 R218 R220 R223 R232 R243 R302-303 R328 R375-376 R378-383	52-1308	RES 499 1% 1/16W SM 0603 TA	PT2545 R499-B1-0603	0603
6	R86 R92 R98 R104 R110 R116	52-1331	RES 5.76K 1% 1/16W SM 0603 TA	PT2576 R5.76KB1-0603	0603
15	R8 R11-13 R18-19 R28 R31 R85 R91 R97 R103 R109 R115 R324	52-1332	RES 6.04K 1% 1/16W SM 0603 TA	PT2577 R6.04KB1-0603	0603
12	R83 R88-89 R94-95 R100-101 R106-107 R112-113 R118	52-1303	RES 60.4 1% 1/16W SM 0603 TA	PT2511 R60.4-B1-0603	0603
2	R145 R231	52-1309	RES 619 1% 1/16W SM 0603 TA	PT2546 R619-B1-0603	0603
1	R256	52-0196	RES 619K 1% 1/10W SM 0603 TA	PT2894 R619KB1-0603	0603
1	R337	52-1358	RES 63.4K 1% 1/16W SM 0603 TA	PT2611 R63.4KB1-0603	0603
11	R340 R349-352 R422-423 R425-428	52-1335	RES 7.5K 1% 1/16W SM 0603 TA	PT2581 R7.5KB1-0603	0603
2	R121 R228	52-1336	RES 8.06K 1% 1/16W SM 0603 TA	PT2582 R8.06KB1-0603	0603
1	R274	52-1337	RES 9.09K 1% 1/16W SM 0603 TA	PT2583 R9.09KB1-0603	0603
6	SC16-21	24-2017-A	SWITCHCAP dbx LIGHTED MUTE BUTTON	PT2025 SC242017A	
1	SC1	34-0125	SWITCH CAP BLACK ROUND	PT1354 SC340125	SC340125-FPE
12	SC2-13	34-0199-A	SWITCH CAP dbx LIGHTED	PT2024 SC340199A	PCBNULL
1	SW1	44-0050	SWITCH DPDT MINI IN-OUT 6 PIN E-SWITCH	PT1256 SW440050	SW440050
1	SW6	44-0119	SWITCH ENCODER 20mm D-SHAFT 30 POS W/SW VERT MNT	PT1890 SW440119	SW440119
18	SW2-5 SW7-20	44-0185	SWITCH SPST LITE TOUCH MINI W/ PROJECTED PLUNGER SMT	PT1962 SW440185	SW4PTACT-3
18	TP1-18	NON-PART	NON-PART, TEST POINT, ENGINEERING PROBE POINT	PT1653 TESTPOINT	TESTPOINTSM
1	U33	72-1488	IC 128K x 24 STATIC RAM 9ns 3.3V QFP100-14X20	PT2469 U128K24S9-3.3-Q	QFP100-14X20
1	U39	72-0046	IC 25AA640 64K SERIAL EEPROM TA	PT2774 U25AA260	S08
1	U26	72-6318	IC 32K x 8 SRAM 15ns SOJ28	PT2294 U32K8S15-J	SOJ28-300
1	U22	OMIT	OMIT IC 32K x 8 SRAM 15ns SOJ28 (72-6318)	PT2874 U32K8S15-JO	SOJ28-300
1	U41	72-5426	IC, 74AC04, HEX INVERTER, SO14, T&R	PT1325 U74AC04-S	SO14
1	U23	72-0085	IC 74HC4051 ANALOG MUX/DEMUX SO16	PT1927 U74HC4051-S	SO16
1	U30	72-0063	IC 74LVTH573 3.3V ABT 8-LATCH 3-STATE SSO20 TR	PT2856 U74LVTH573-P	SSOP20
1	U15	72-1485	IC AK4356 192kHz 24 BIT 6 CHANNEL DAC	PT2717 UAK4356-Q	QFP44-10X10
1	U17	72-1464	IC, AK5392, DUAL 24BIT ADC, SO28W	PT1555 UAK5392-S	SO28W
2	U24-25	72-6305	IC DSP56367 DSP 150MHZ QFP144-20X20	PT2452 UDSP56367-Q	QFP144-20X20
1	U21	70-0070	V-REG L7815CD2T +15V 1A TA	PT2817 UL7815CD2T-S	TO263(D2PAK)
1	U20	70-0069	V-REG L7915CD2T -15V 1A TA	PT2819 UL7915CD2T-S	TO263(D2PAK)
2	U34-35	70-0063	V-REG LM2575S-ADJ SWITCHING REG 1A TO-263(5)	PT2739 ULM2575S-ADJ	TO-263(5)

1	U36	70-0072	V-REG LM317DT 1.2V TO 37V ADJ 0.5A TA	PT2866	ULM317DT-S	TO252(DPACK)
3	U37-38 U42	72-5434	IC NC7SZ125 TINYLOGIC BUFFER SOT23-5 TA	PT1881	UNC7SZ125-S	SOT23-5
1	U44	72-0068	IC NCP302H VOLTAGE DETECTOR SM SOT23-5	PT2869	UNCP302H	SOT23-5
18	U2-14 U16 U18-19 U40 U43	72-1480	IC NJM4580 DUAL OP-AMP SO8	PT1374	UNJM4580-S	SO8
1	U29	72-0054-00V1	IC CPLD LC4128C-10T128 128 MC 92I/O SM dbx Driverack 260 V1	PT2859	UP720054	TQFP128
1	U32	72-0061-00V1	IC TS87C52X2 8 BIT OTP MICRO 5V 30Mhz dbx Driverack 260 V1	PT2868	UP720061	PLCC-44
1	U28	72-0062-00V1	IC AM29LV800BT 70ns 8 MEG FLASH dbx DRIVERACK 260 V1	PT2827	UP720062	TSOP48
1	U27	72-0055	IC PCM1801 16-BIT ADC 93DB SM	PT2875	UPCM1801-S	SO14
1	U31	72-0059	IC PI5C16211 24 BIT BUS SWITCH 5V-3V TSSOP	PT2860	UPI5C16211-TS	TSSOP56
1	U1	72-0056	IC SP202ECN RS-232 DUAL DRIVER/RECEIVER SM	PT2876	USP202ECN-S	SO16
1	Y1	76-0000	XTAL 22.1184MHz 18pF HC49 SM TR	PT2829	Y22.1184M760000	XTAL2-V
1	X1	76-0006	XTAL 24.576MHz CX16F/CS49G SM TA	PT2919	Y24.576M760006	XTAL2-V

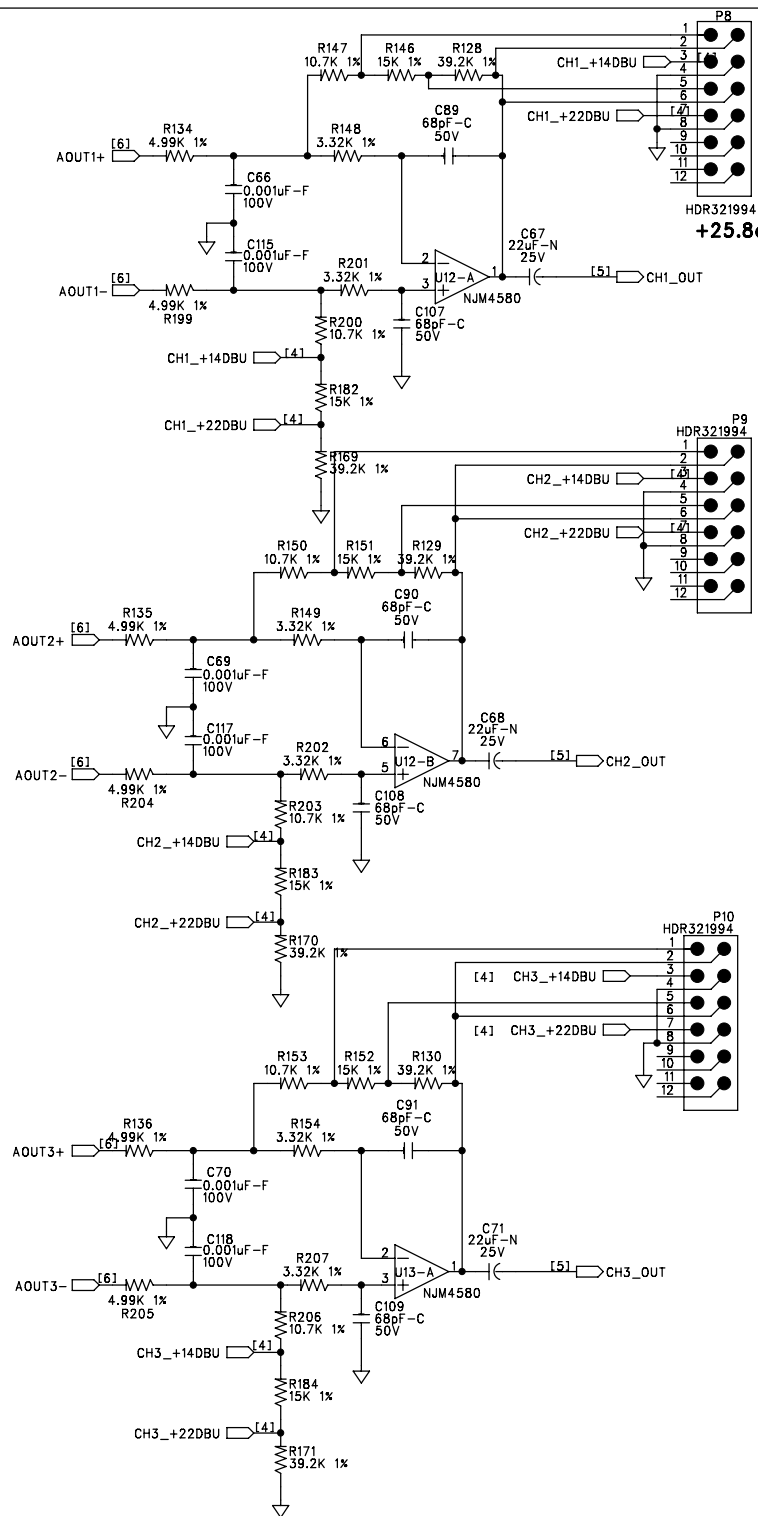


Max cut is -16.33dB for +30dBu in
 -8.26dB cut for +22dBu in
 No jumpers = -.33dB for +14dBu in

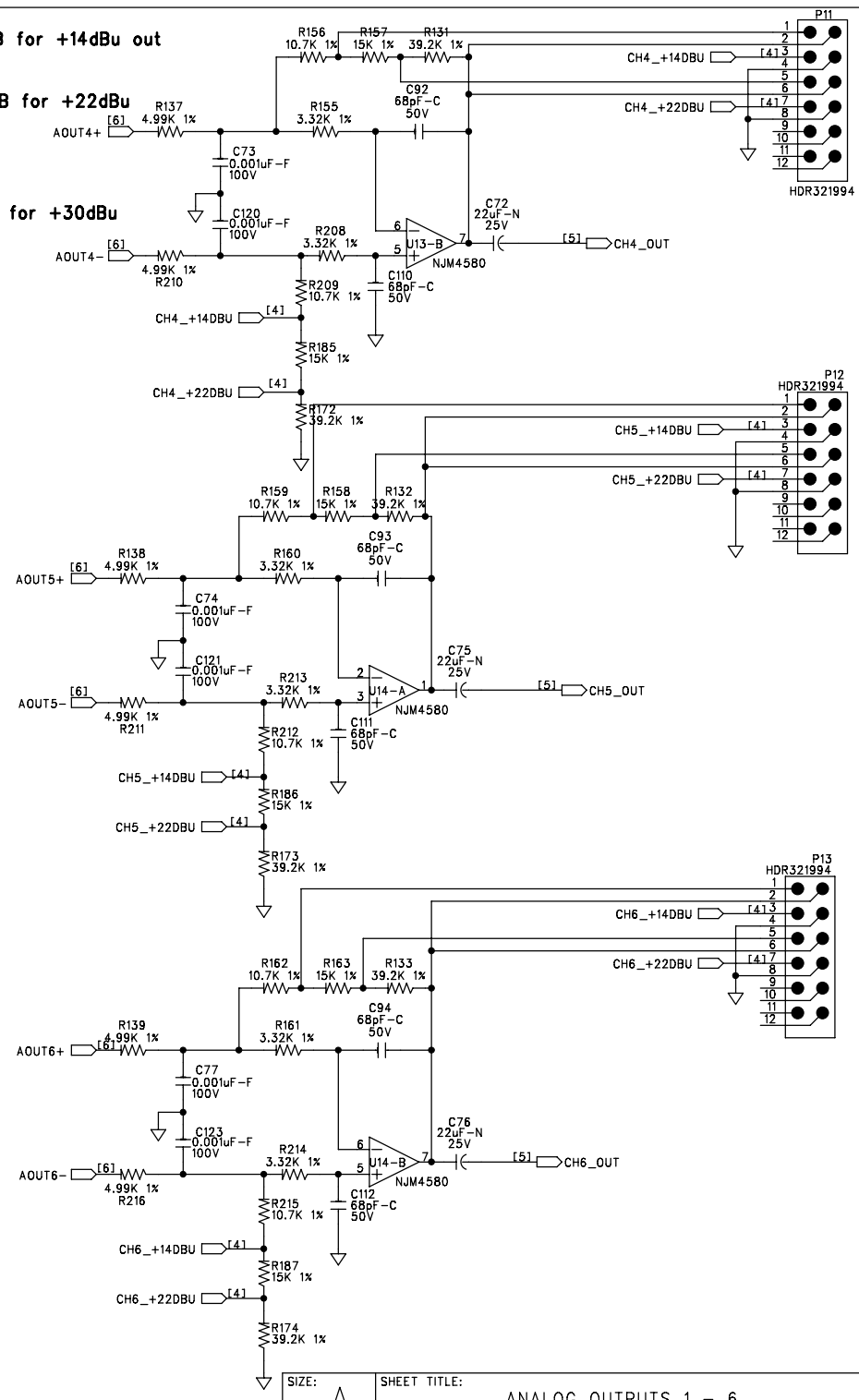
SIZE: A	SHEET TITLE: CHANNEL 1 & 2 INPUTS	REVISION: F2
START DATE: 7-31-06	DRAWING NO: 05-1796	SHEET: 2 OF 20



SIZE: A	SHEET TITLE: ANALOG CHANNEL 1 & 2 INPUTS	REVISION: F2
START DATE: 7-31-06	DRAWING NO: 05-1796	SHEET: 3 OF 20

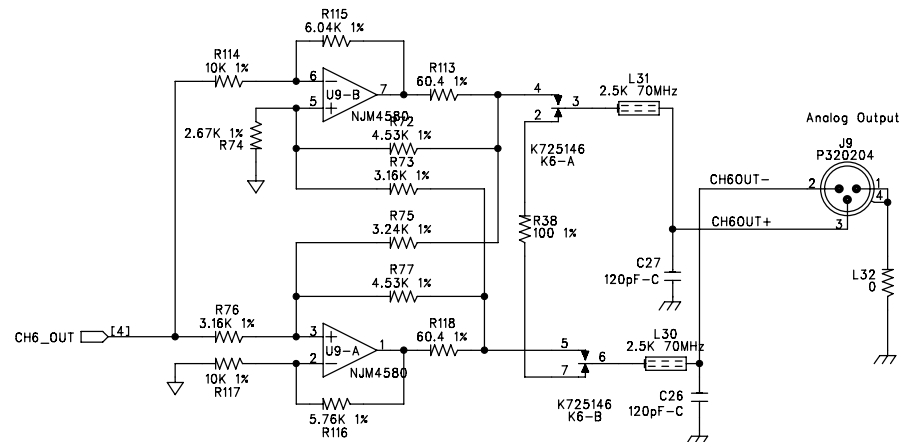
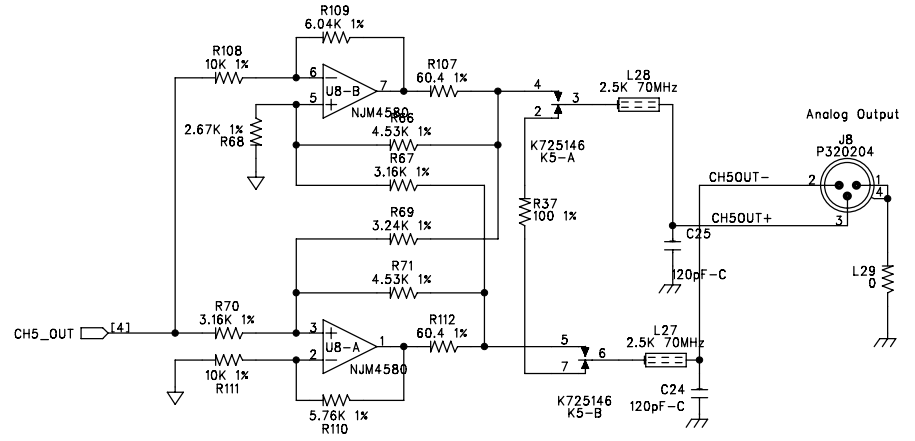
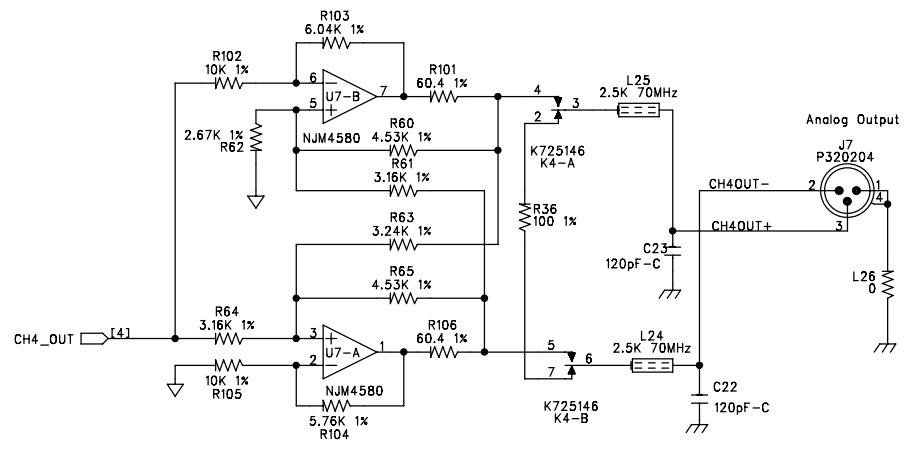
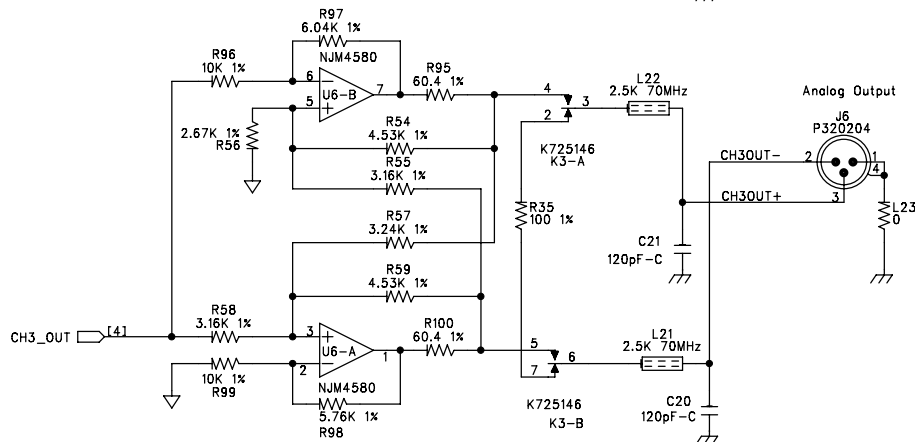
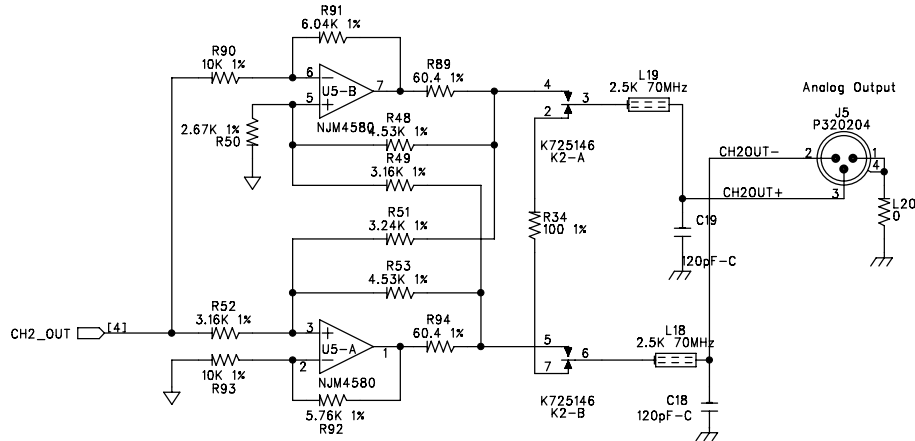
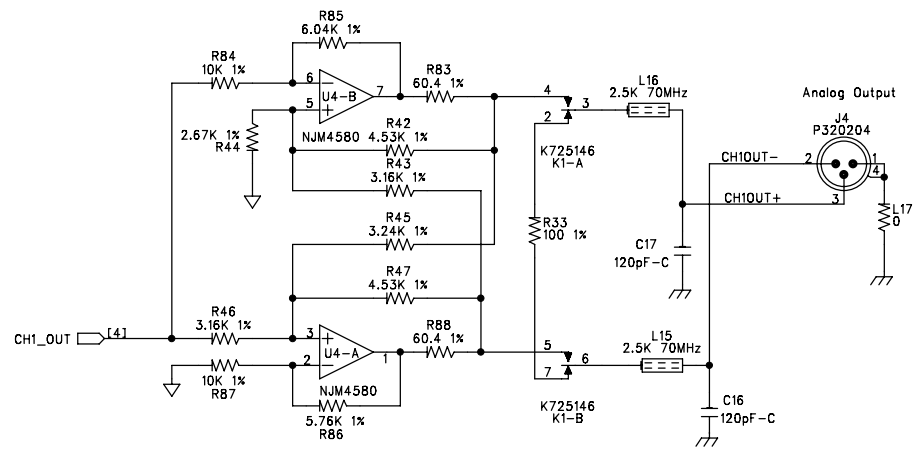


JP5 JP321075
 JP6 JP321075
+10.16dB for +14dBu out
+17.77dB for +22dBu
+25.8dB w/no jumpers for +30dBu

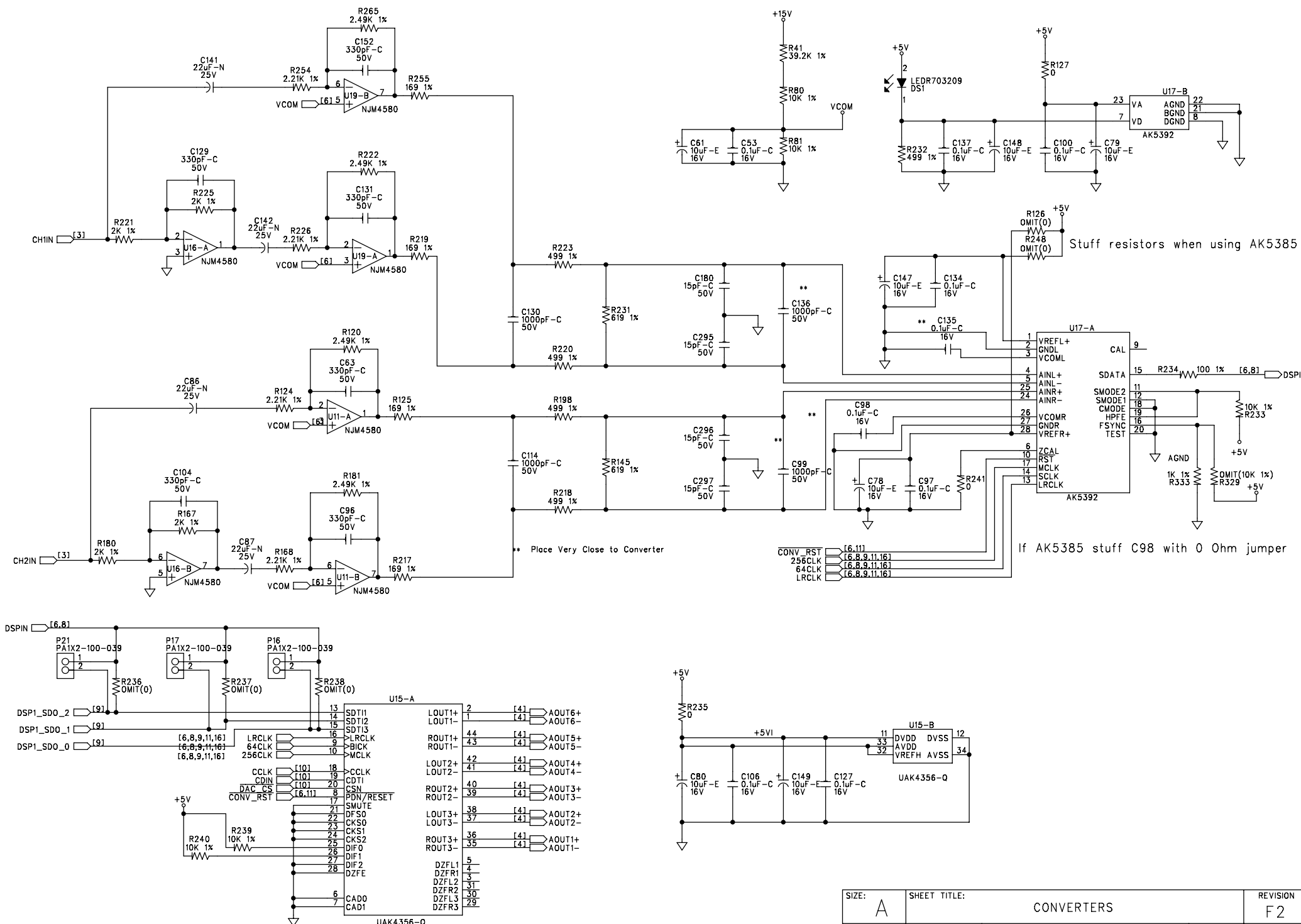


JP11 JP321075
 JP12 JP321075
 JP13 JP321075
 JP14 JP321075
 JP15 JP321075
 JP16 JP321075

SIZE: A	SHEET TITLE: ANALOG OUTPUTS 1 - 6	REVISION: F2
START DATE: 7-31-06	DRAWING NO: 05-1796	SHEET: 4 OF 15



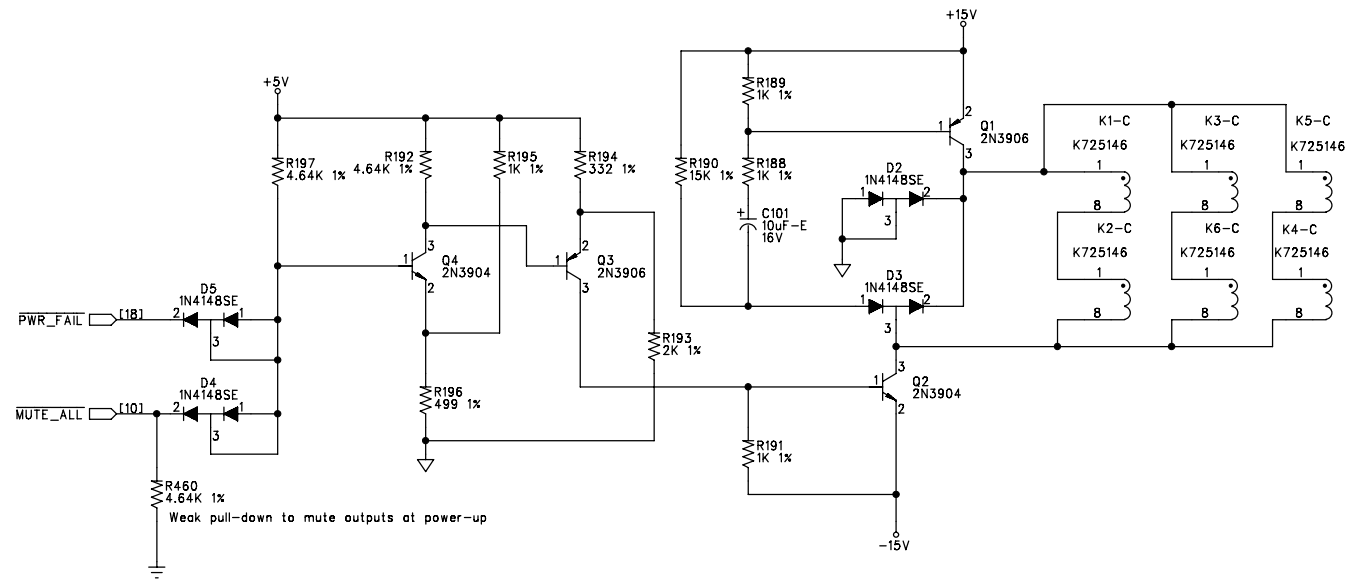
SIZE: A	SHEET TITLE: OUTPUT JACKS	REVISION: F2
DATE: 7-31-06	DRAWING NO: 05-1796	SHEET: 5 OF 20



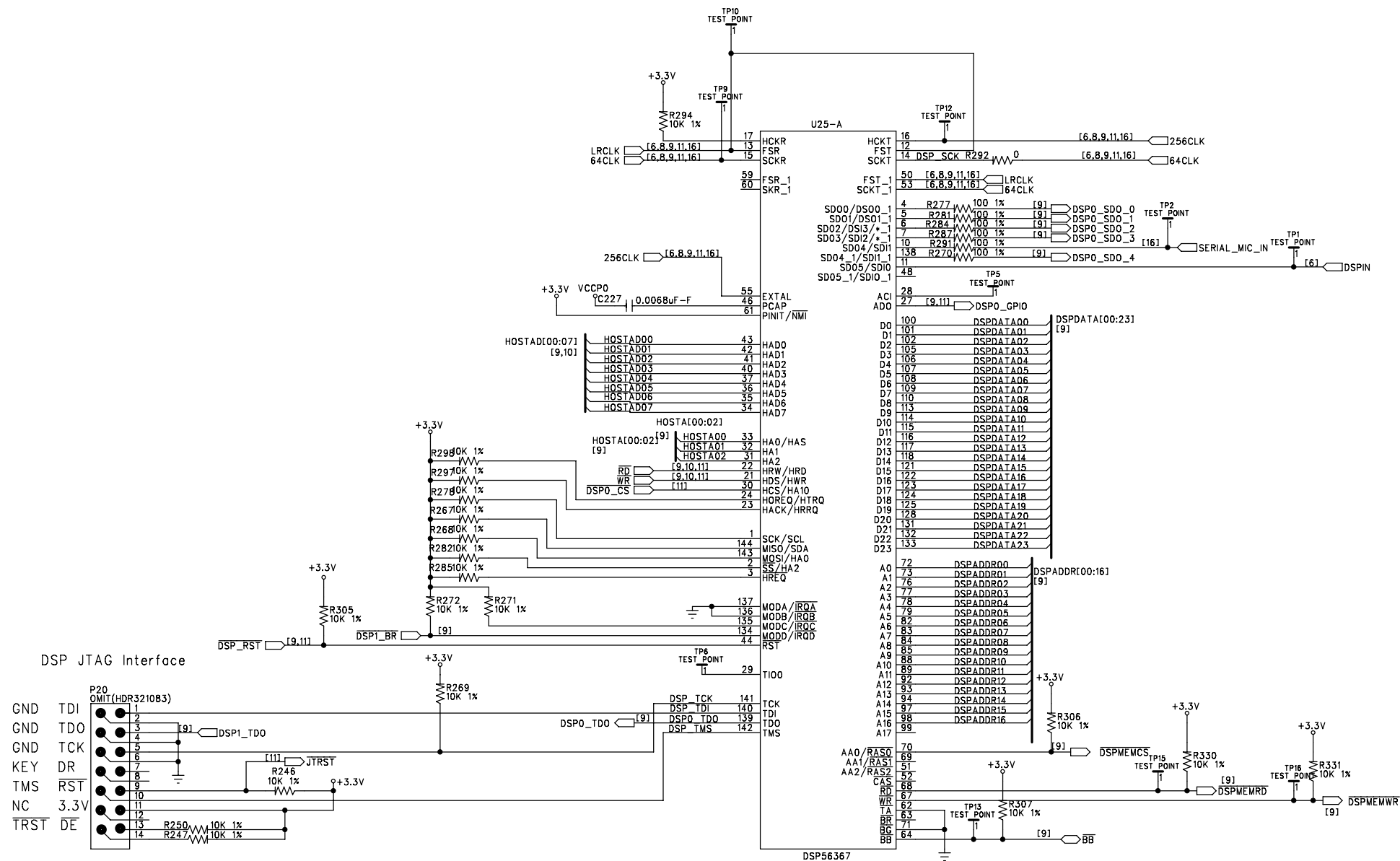
Stuff resistors when using AK5385

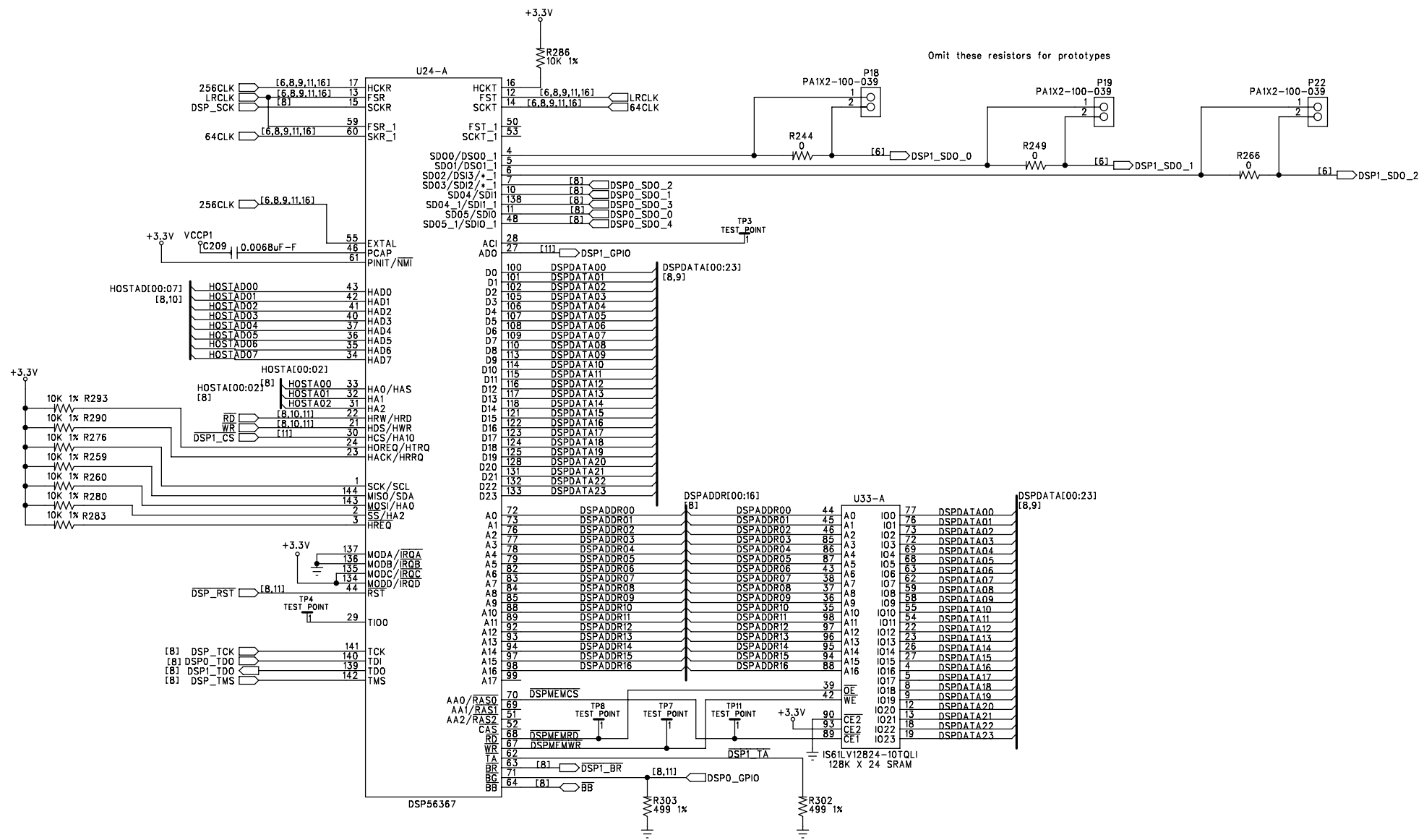
If AK5385 stuff C98 with 0 Ohm jumper

SIZE: A	SHEET TITLE: CONVERTERS	REVISION: F2
DATE: 7-31-06	DRAWING NO: 05-1796	SHEET: 6 OF 20

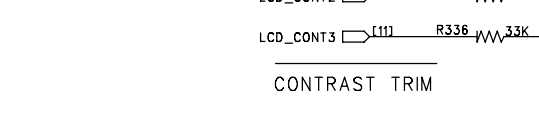
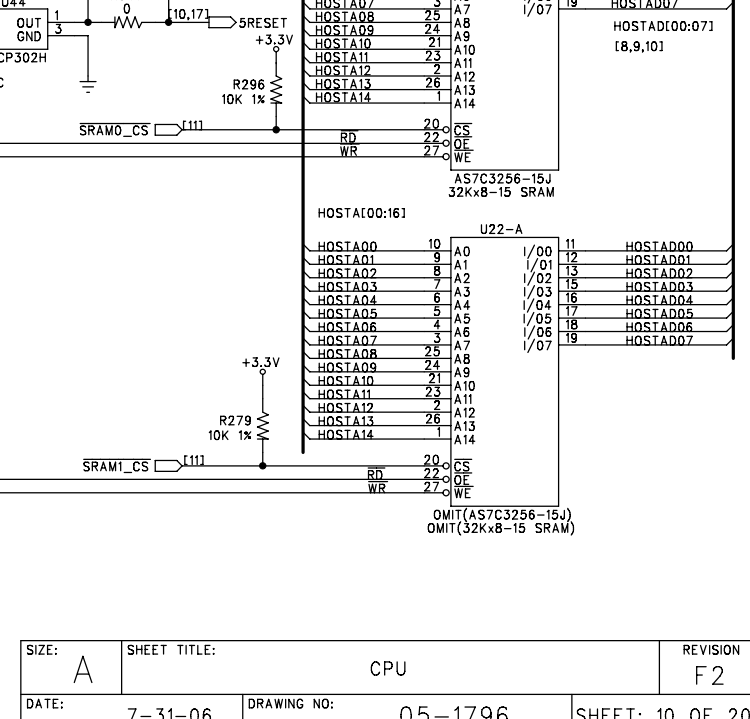
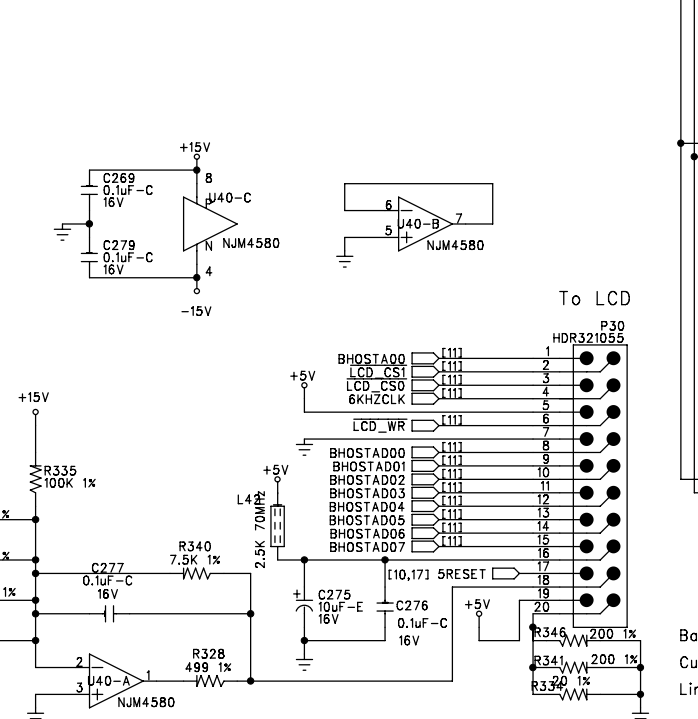
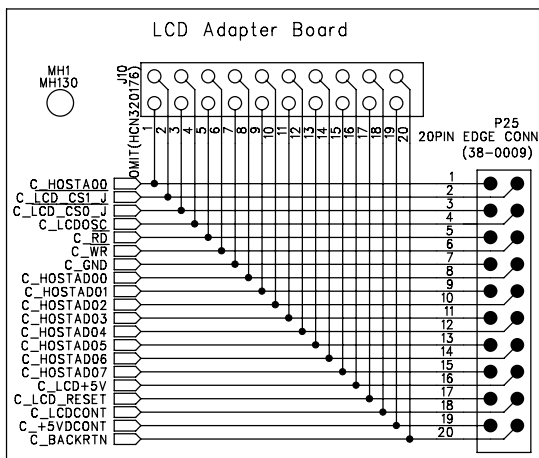
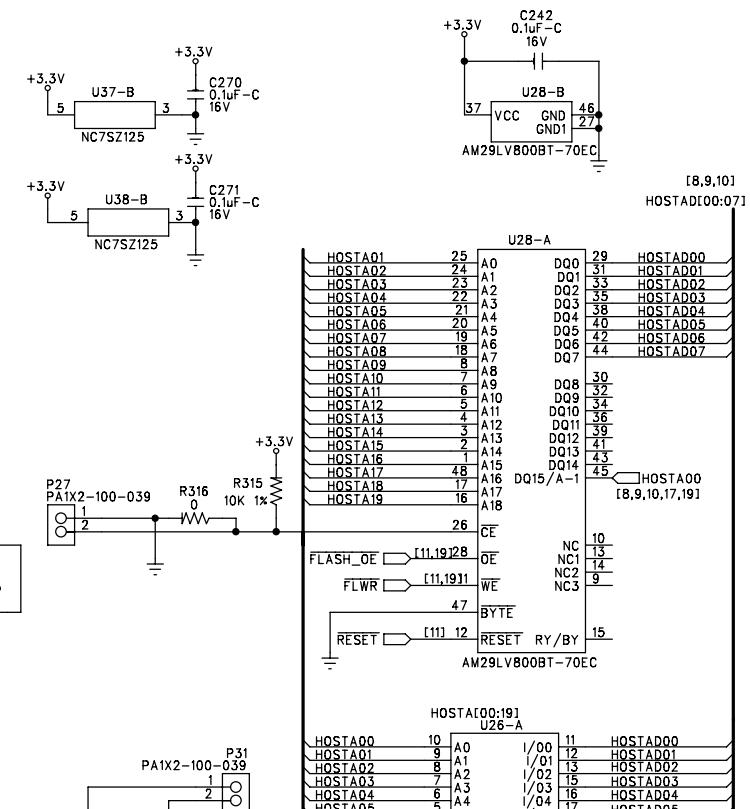
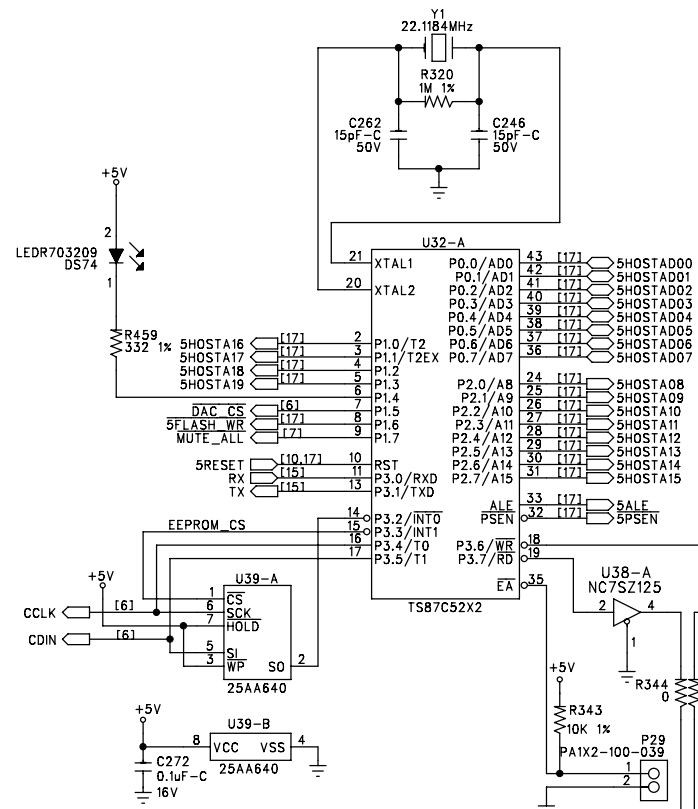
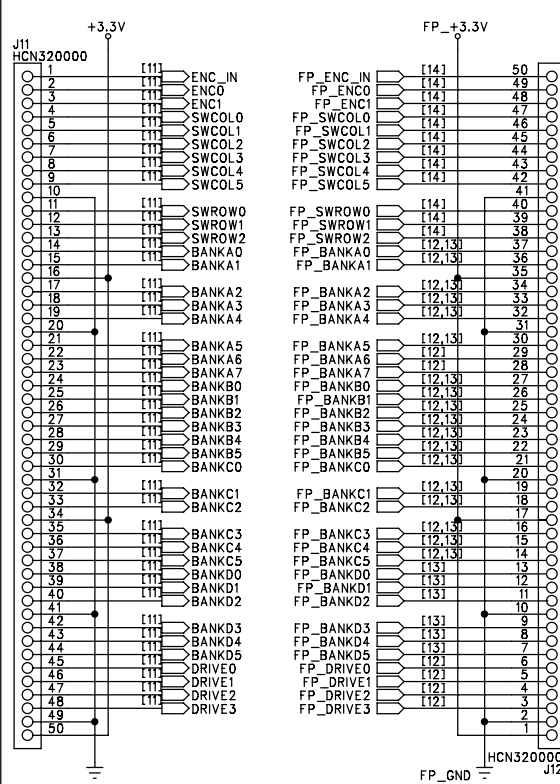


SIZE: A	SHEET TITLE: Mute Control	REVISION: F2
DATE: 7-31-06	DRAWING NO: 05-1796	SHEET: 7 OF 20



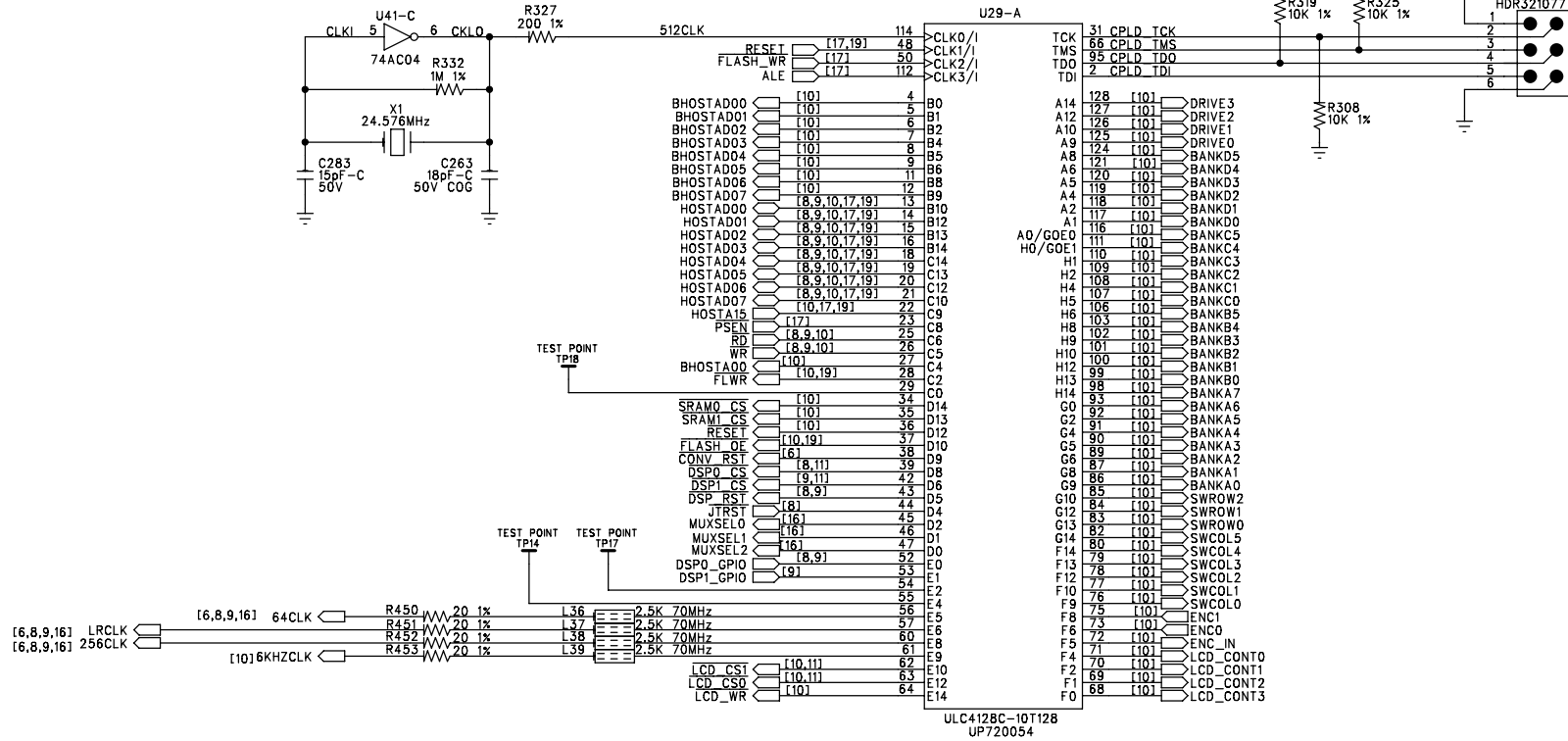


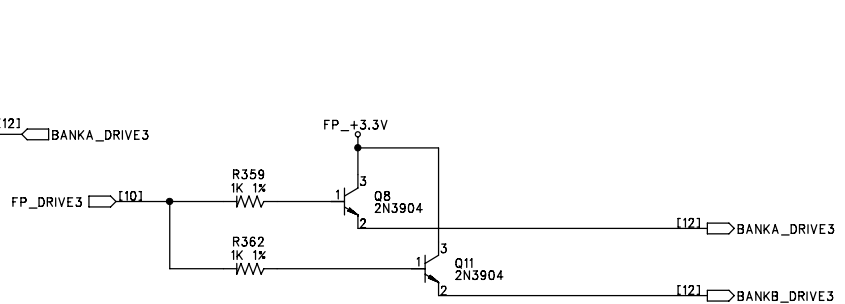
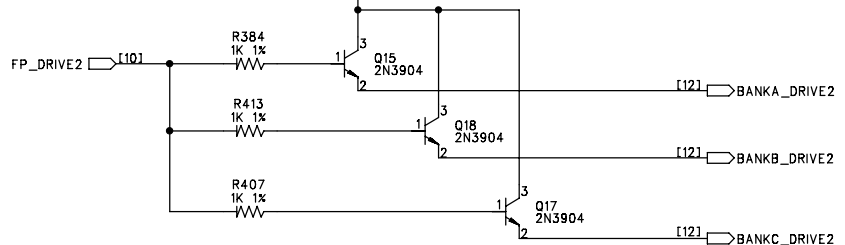
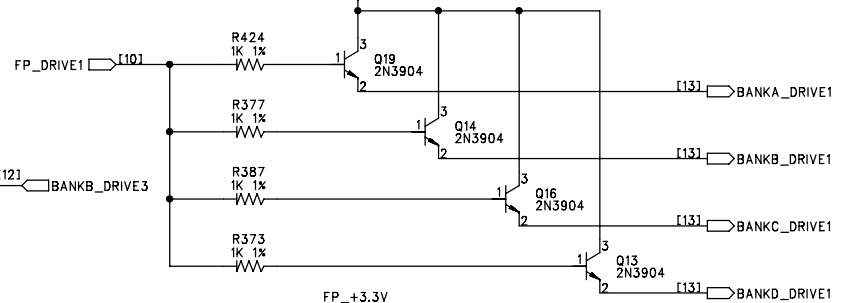
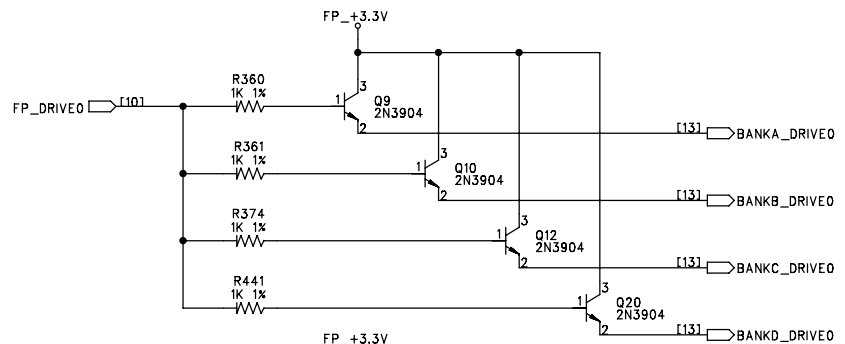
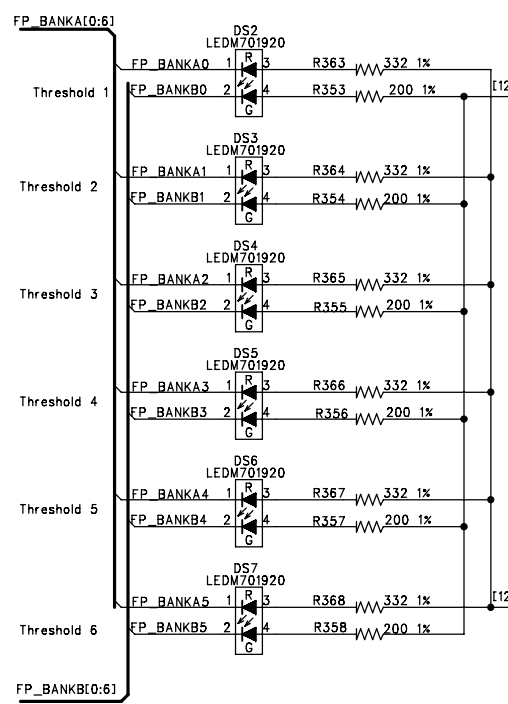
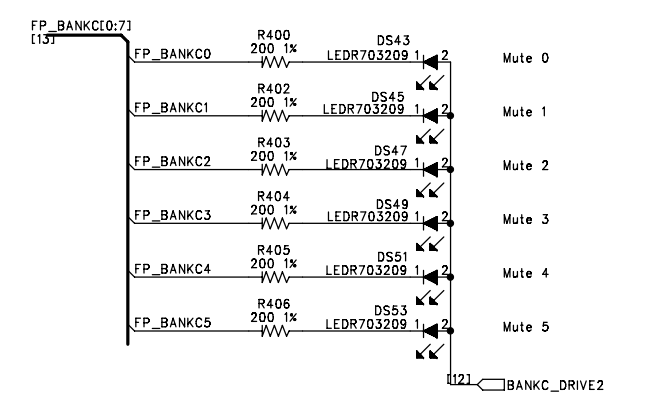
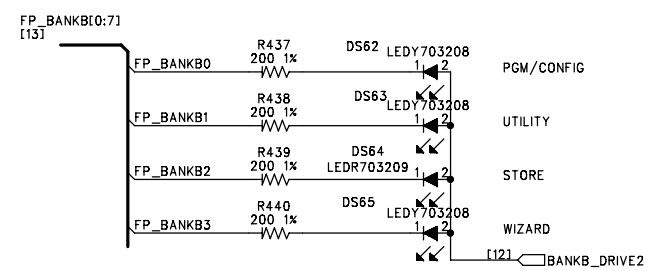
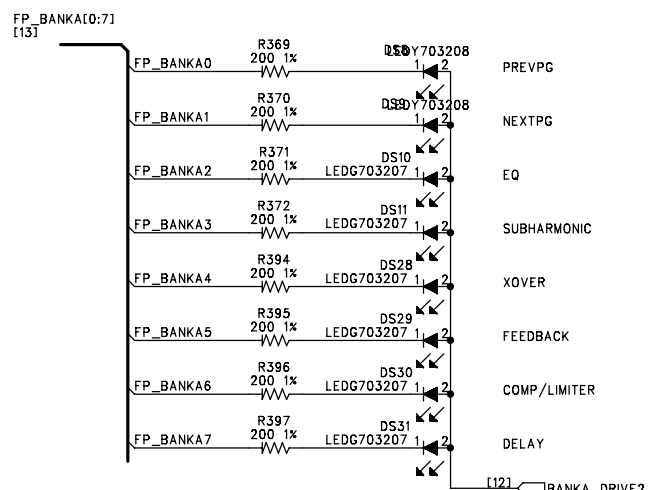
Main Board Front Panel

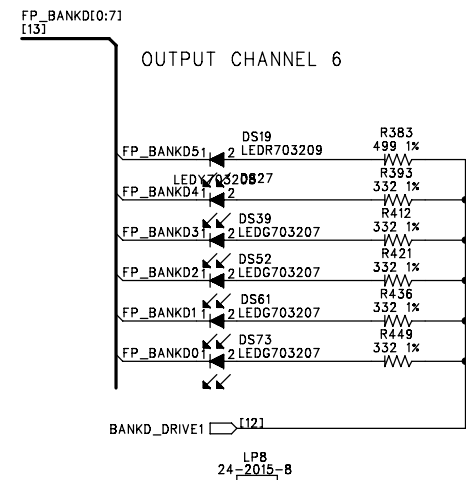
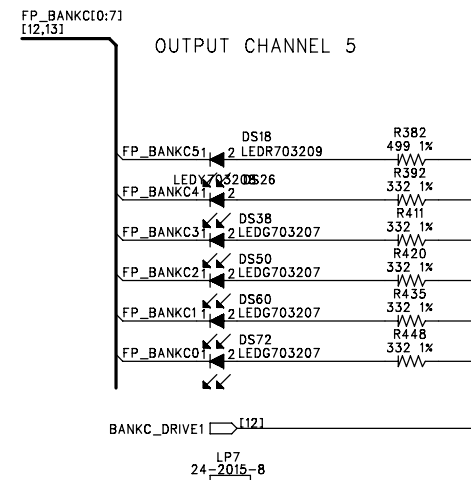
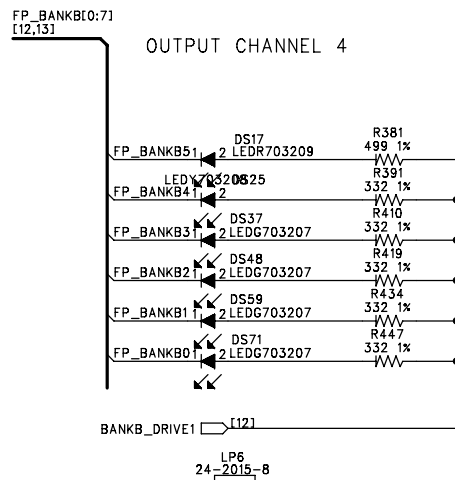
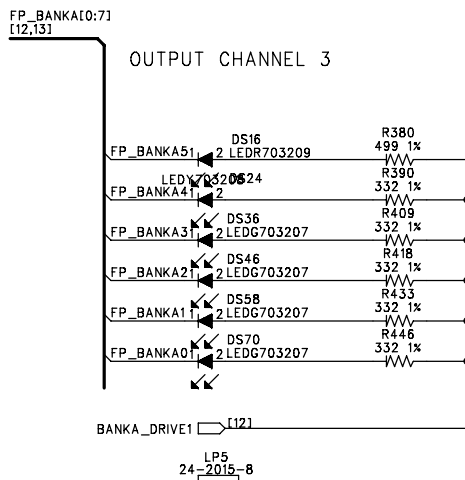
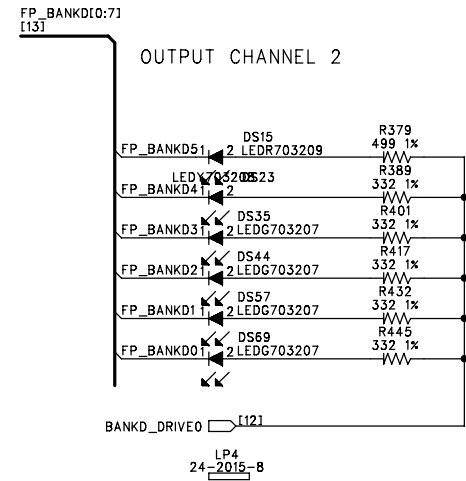
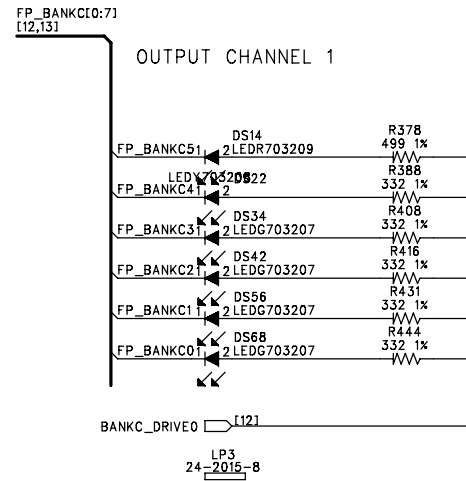
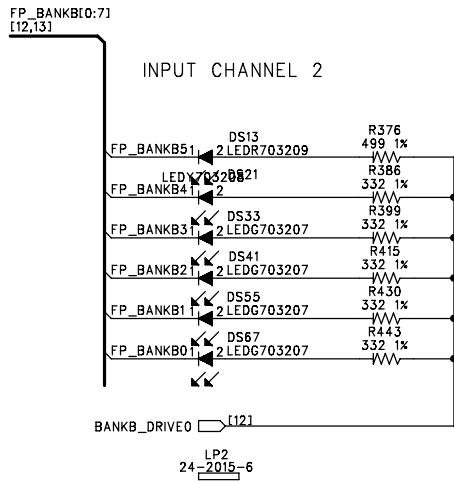
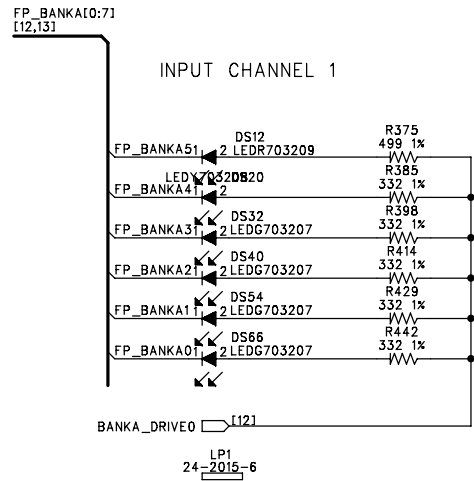


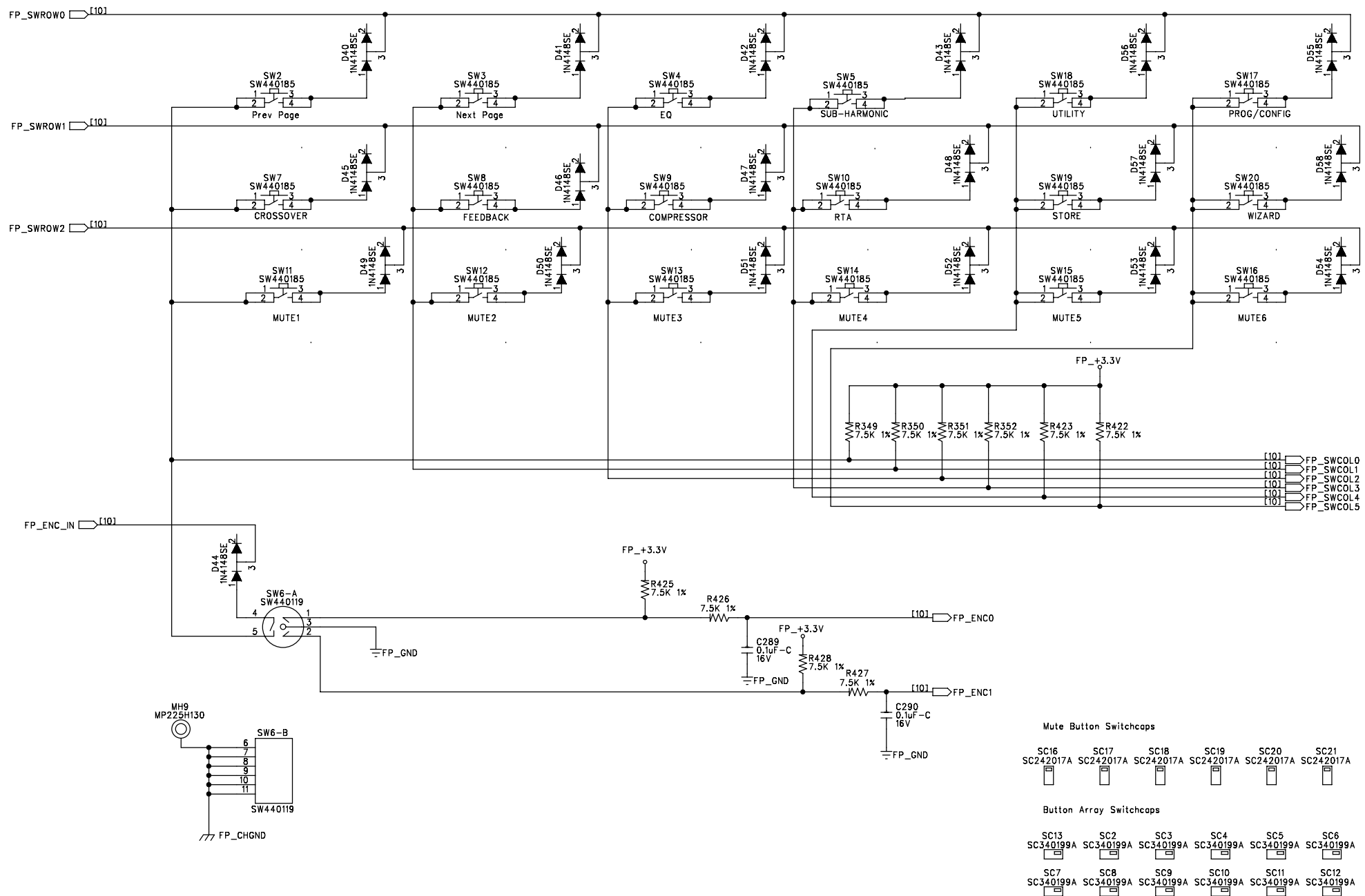
SIZE: A	SHEET TITLE: CPU	REVISION: F2
DATE: 7-31-06	DRAWING NO: 05-1796	SHEET: 10 OF 20

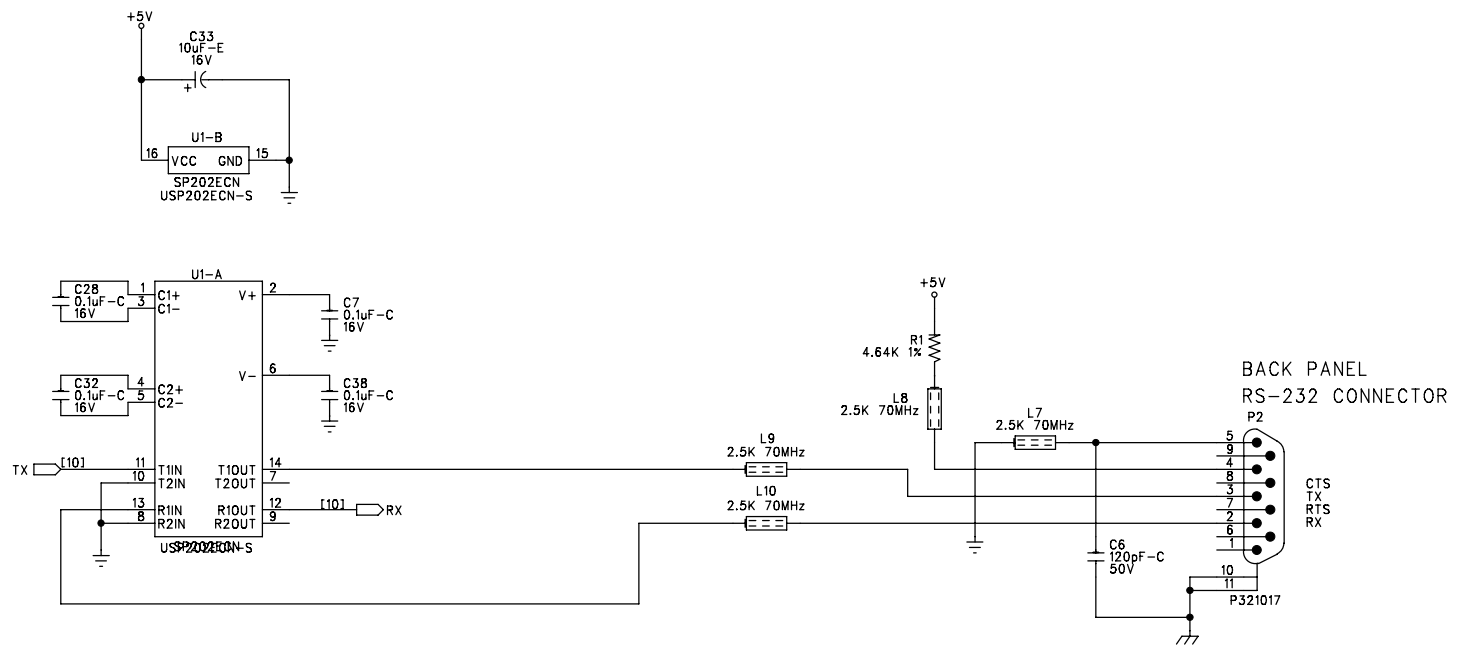
x512fs Crystal Oscillator
24.576 MHz



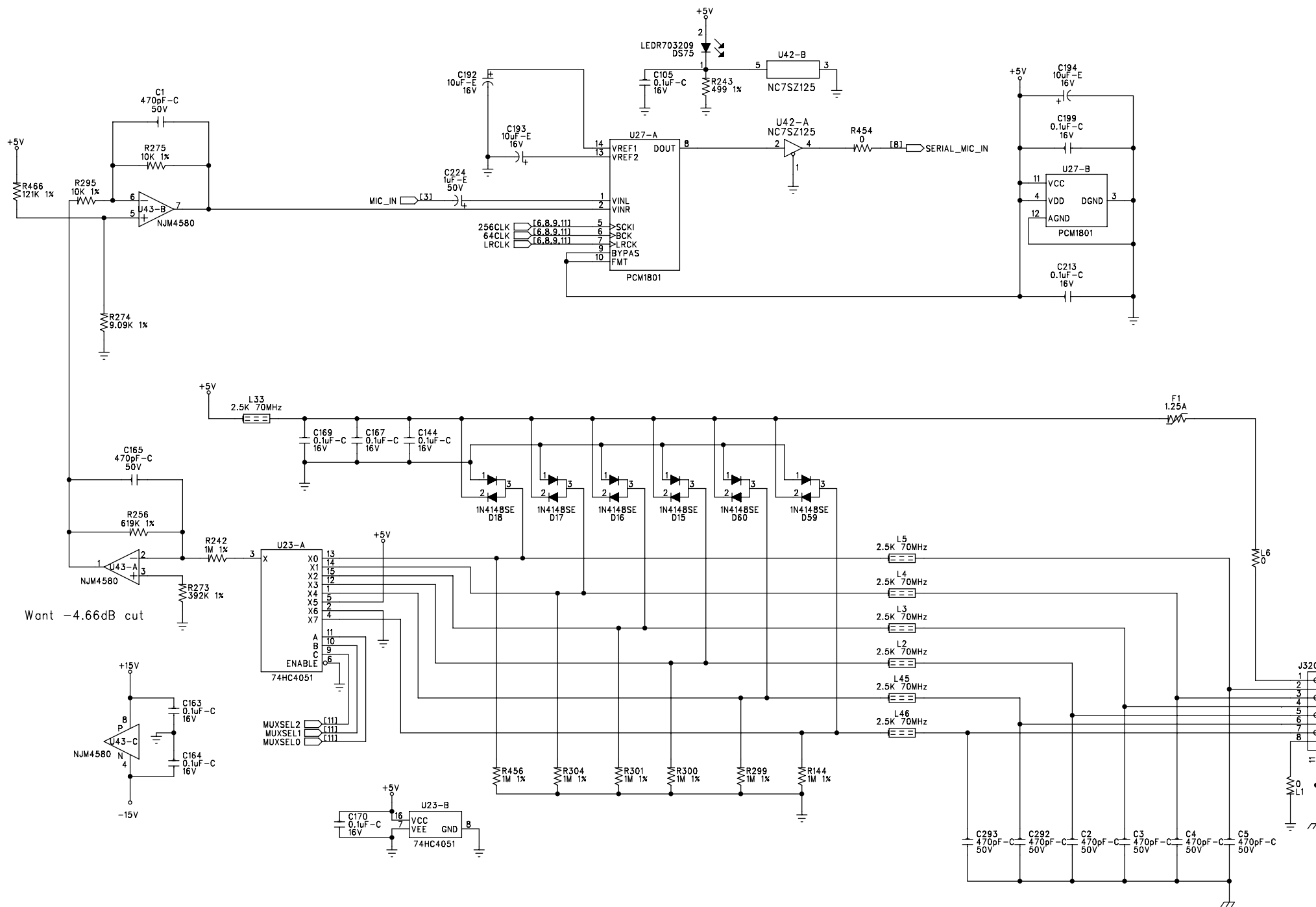






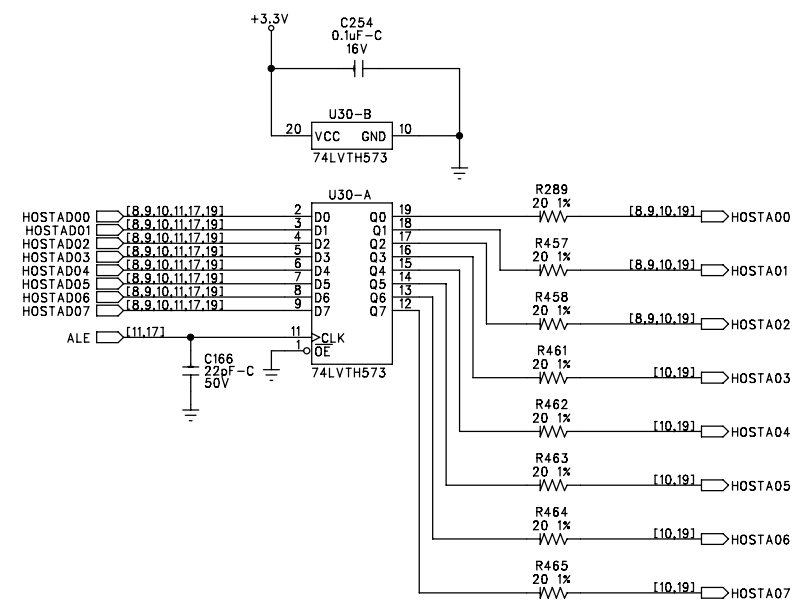
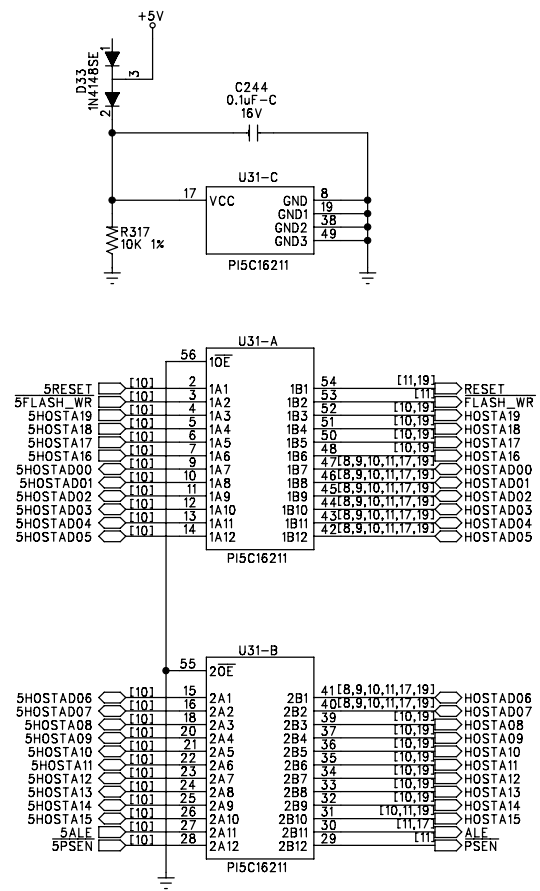


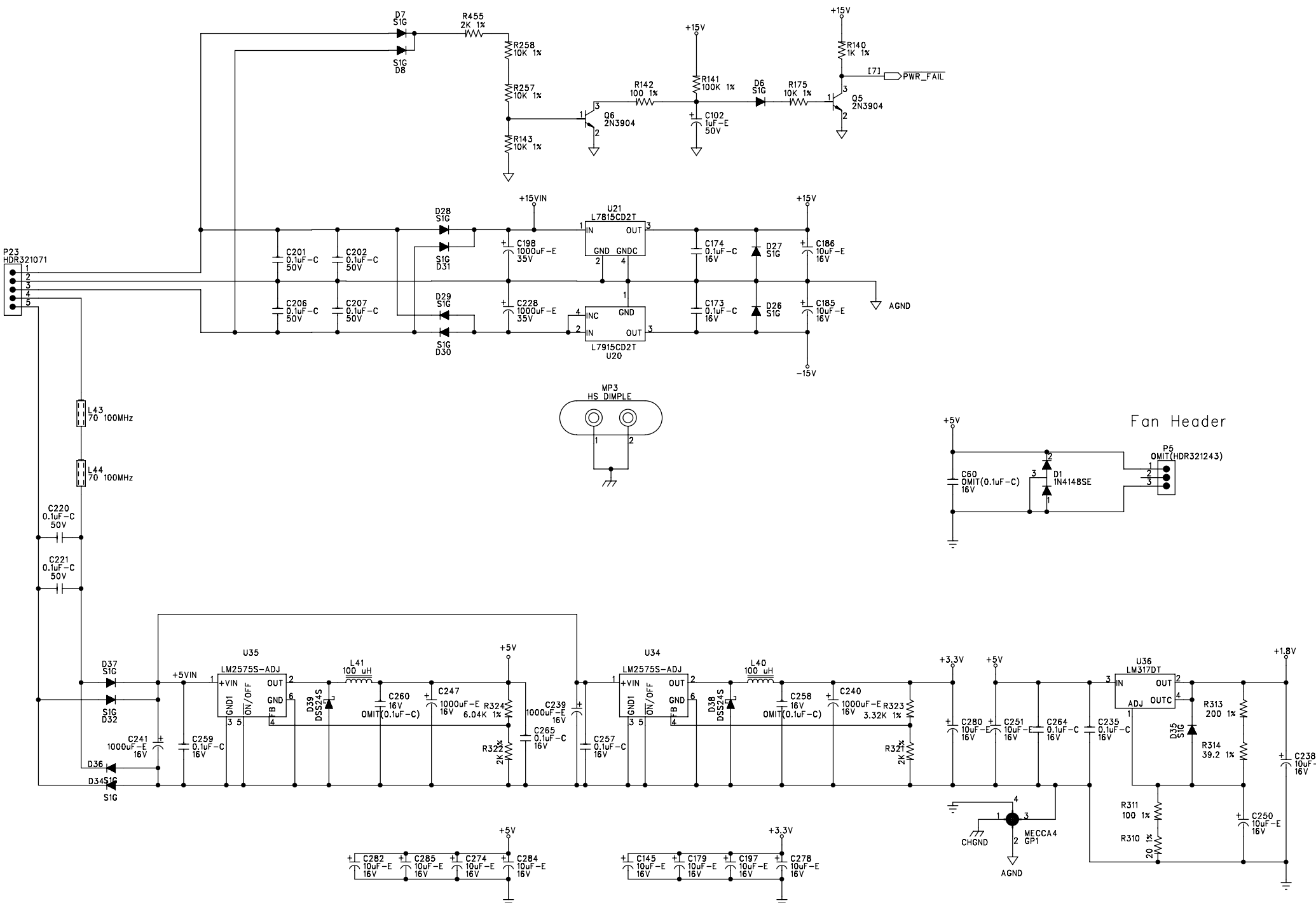
SIZE: A	SHEET TITLE: RS-232	REVISION F2
DATE: 7-31-06	DRAWING NO: 05-1796	SHEET: 15 OF 20



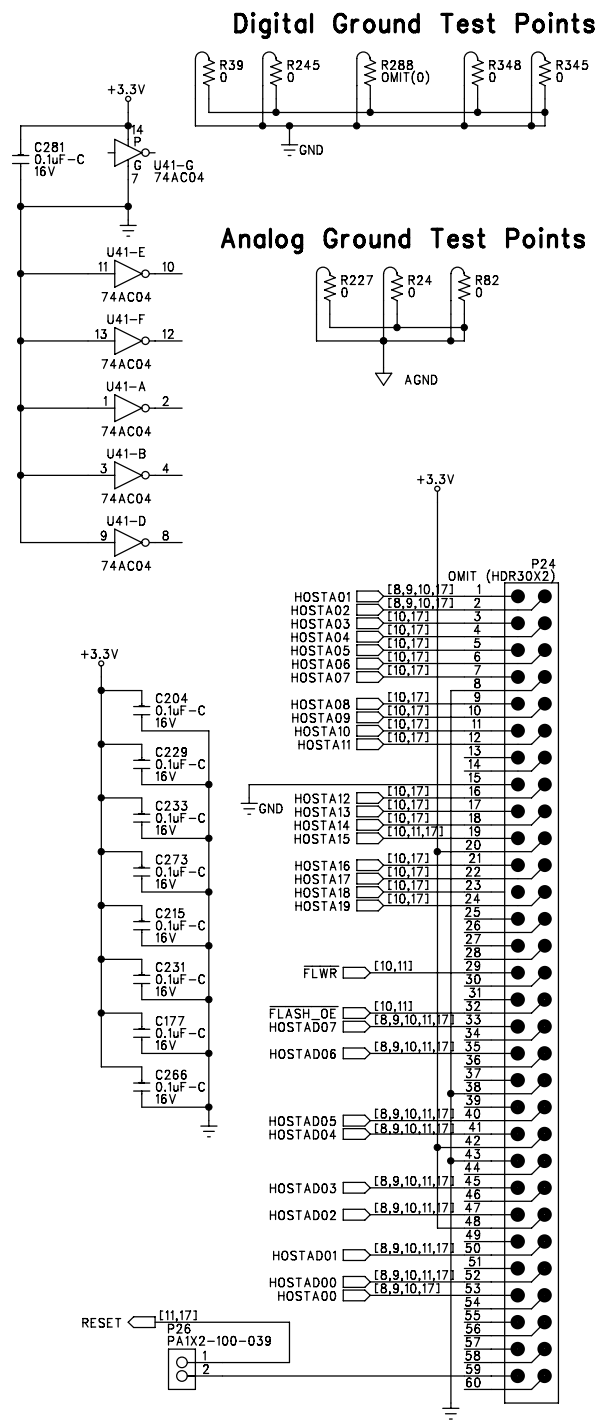
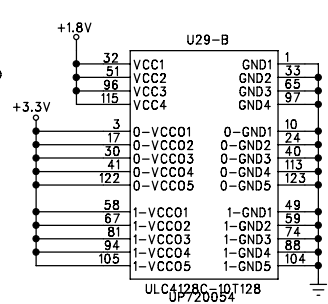
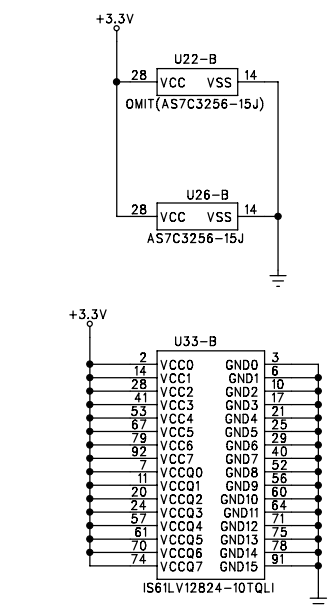
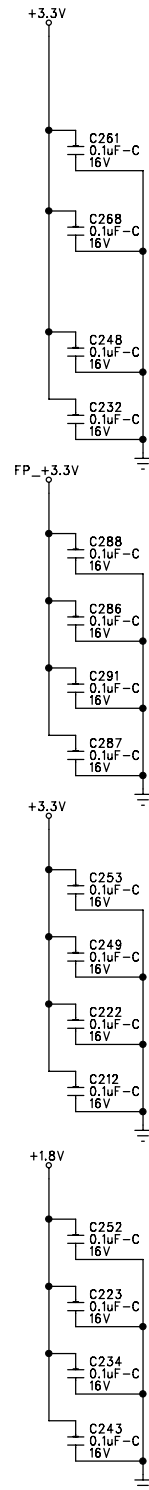
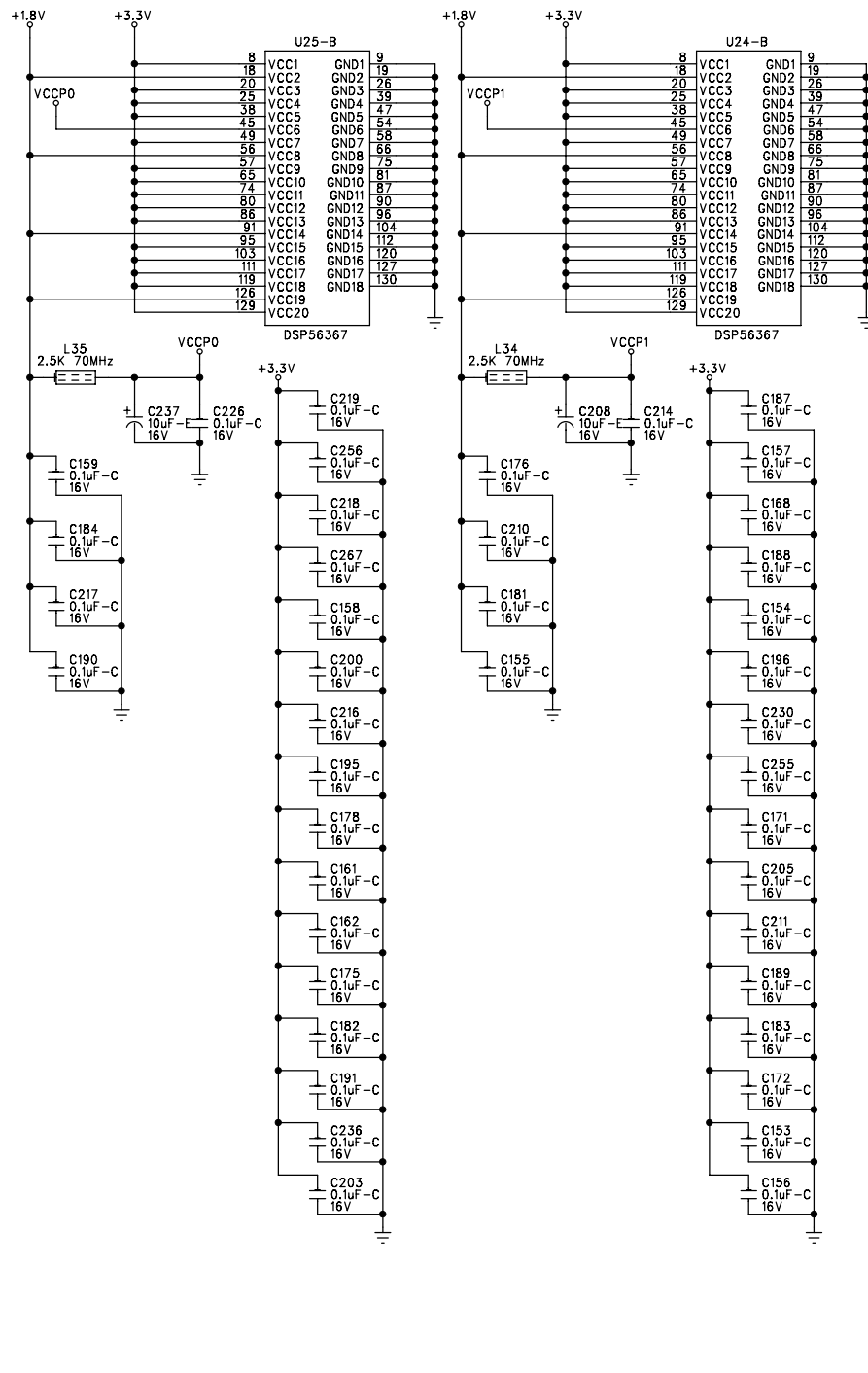
Want -4.66dB cut

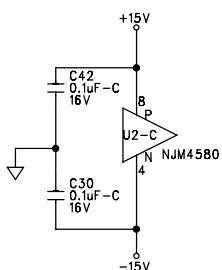
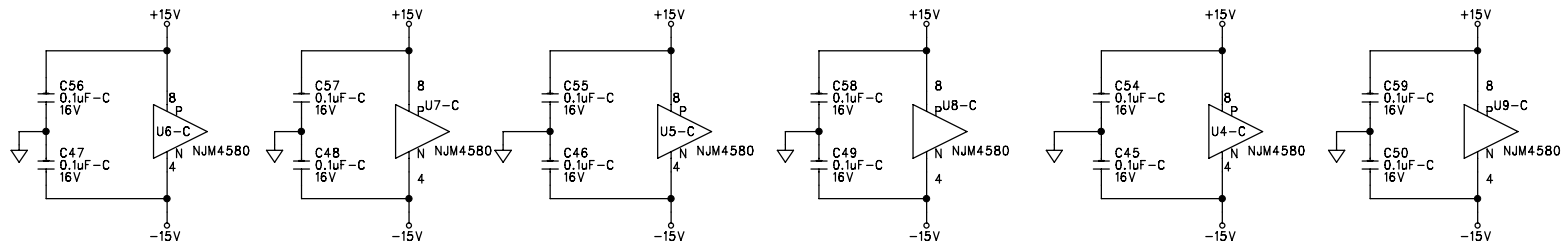
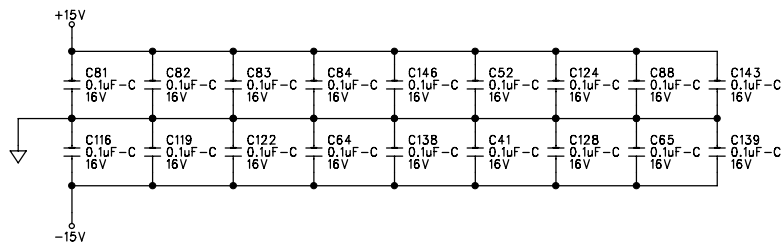
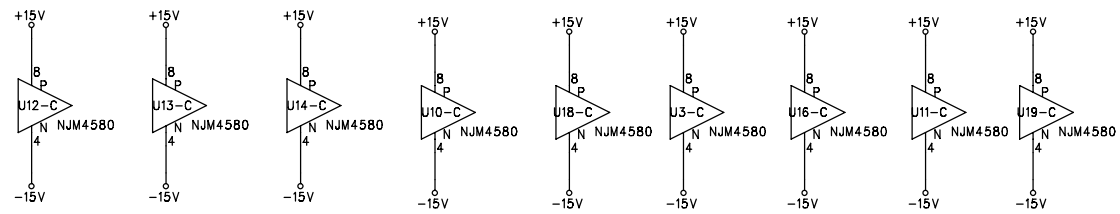
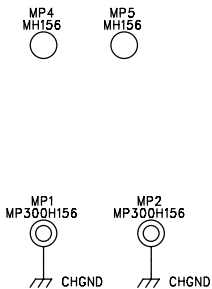
SIZE: A	SHEET TITLE: CONTACT CLOSURE	REVISION: F2
DATE: 7-31-06	DRAWING NO: 05-1796	SHEET: 16 OF 20





SIZE: A	SHEET TITLE: POWER SUPPLY	REVISION: F2
DATE: 7-31-06	DRAWING NO: 05-1796	SHEET: 18 OF 20





SIZE: A	SHEET TITLE: ANALOG POWER GATES	REVISION: F2
START DATE: 7-31-06	DRAWING NO: 05-1796	SHEET: 20 OF 20

Bill Of Materials for 051796F2.sch on Wed Aug 09 11:09:49 2006

Qty	Reference	HMG#	Description	Audit	Schematic Part	PCB Decal
1	P25	NON-PART	PAD ARRAY EDGE CONN 20 COND 0.1"LS	DWB122	20PIN-FINGERS	20PIN-FINGERS
1	PCB1	80-1796	PCB 80-1796 dbx DRIVERACK 260/261	PT2044	80XXXXXY	BARCODE
5	A6-8 A14 A16	NON-PART	NON-PART, PCB ONLY, BREAKOFF PART	PT1481	BRKOFF	BRKOFF
12	C66 C69-70 C73-74 C77 C115 C117-118 C120-121 C123	56-0000	CAP 0.001uF FILM PTR 100V 5% AF TA	PT1629	C0.001UF100JR	RFCC200
2	C209 C227	56-0005	CAP 0.0068uF FILM PTR 100V 5% RF TA	PT1307	C0.0068UF100JR	RFDC200
2	C103 C150	56-0033	CAP 0.027uF FILM PTR 100V 5% RF TA	PT1282	C0.027UF100JR	RFEF200
142	C7 C28 C30 C32 C38 C41-42 C45-50 C52-59 C64-65 C81-84 C88 C97-98 C100 C105-106 C116 C119 C122 C124 C127-128 C134-135 C137-139 C143-144 C146 C153-159 C161-164 C167-178 C181-184 C187-191 C195-196 C199-200 C203-205 C210-219 C222-223 C226 C229-236 C242-245 C248-249 C252-257 C259 C261 C264-273 C276-277 C279 C281 C286-291 C294	62-1310	CAP 0.1uF CER 16V 20% Y5V 0603 TA	PT2696	C0.1UC16M0603	0603
3	C60 C258 C260	OMIT	OMIT CAP 0.1uF CER 16V 20% Y5V 0603 TA (62-1310)	PT2711	C0.1UC16M0603O	0603
6	C201-202 C206-207 C220-221	62-1312	CAP 0.1uF CER 50V +80%/-20% Y5V 0603 TA	PT2687	C0.1UC50Z0603	0603
2	C35-36	56-0012	CAP 0.1uF FILM MTPT 50V 5% RF TA	PT1200	C0.1UF50JR	RFEC200
4	C99 C114 C130 C136	62-1308	CAP 1000pF CER 50V 20% Y5V 0603 TA	PT2651	C1000PC50M0603	0603
4	C239-241 C247	60-0064	CAP 1000uF EL 16V 20% GP 10x17R 5LL TA	PT1334	C1000UE16MR	REM200P
2	C198 C228	60-0063	CAP 1000uF EL 35V 20% GP 13x25R 5LL BK	PT1207	C1000UE35MR	REQ200P
3	C34 C37 C44	60-0201	CAP 100uF EL 16V 20% GP 6x8R 5LS TA	PT1378	C100UE16MR	REG200P
29	C33 C61 C78-80 C101 C145 C147-149 C179 C185-186 C192-194 C197 C208 C237-238 C250-251 C274-275 C278 C280 C282 C284-285	60-0049-01	CAP 10uF EL 16V 20% GP 5x7R 5LS TA	PT1080	C10UE16MR	RED200P
29	C6 C8-27 C29 C31 C39-40 C43 C51 C62 C133	62-1304	CAP 120pF CER 50V 5% NPO 0603 TA	PT2655	C120PC50J0603	0603
7	C180 C246 C262 C283 C295-297	62-1300	CAP 15pF CER 50V 5% NPO 0603 TA	PT2659	C15PC50J0603	0603
1	C263	62-0094	CAP 18pF CER 50V 5% COG 0603 TA	PT2870	C18PC50J0603	0603
2	C102 C224	60-0044-01	CAP 1uF EL 50V 20% GP 5x7R 5LS TA	PT1079	C1UE50MR	RED200P
1	C166	62-1301	CAP 22pF CER 50V 5% NPO 0603 TA	PT2658	C22PC50J0603	0603
10	C67-68 C71-72 C75-76 C86-87 C141-142	60-0402	CAP 22uF ELNP 25V 20% GP 6x11R 5LS TA	PT1084	C22UN25MR	REG200
8	C63 C95-96 C104 C129 C131 C151-152	62-1306	CAP 330pF CER 50V 10% X7R 0603 TA	PT2653	C330PC50K0603	0603
8	C1-5 C165 C292-293	62-1307	CAP 470pF CER 50V 10% X7R 0603 TA	PT2652	C470PC50K0603	0603
4	C85 C113 C140 C160	60-0054-01	CAP 47uF EL 25V 20% GP 5x11R 5LS TA	PT2959	C47UE25MR1	REE200P
12	C89-94 C107-112	62-1303	CAP 68pF CER 50V 5% NPO 0603 TA	PT2656	C68PC50J0603	0603

43	D1-5 D9-24 D33 D40-60	70-0113	DIO MMBD4148SE DUAL 75V 600mA SOT-23 TA	PT1326	D1N4148SE-S	SOT-23
14	D6-8 D26-32 D34-37	70-3203	DIO RECT S1G 400V 1.0A SMA TA	PT2081	DS1G-S	DO-214AC/SMA
2	D38-39	70-0068	DIO RECT 40V 2A SCHOTTKY SS24 SM	PT2779	DSS24S	DO-214AA/SMB
1	F1	32-0186	FUSE 1.25A POLY SWITCH RESETABLE	PT2893	F1.25A320186	FUSE6
21	A3-5 A9-13 A15 A17-19 A22-30	NON-PART	NON-PART FIDUCIAL TARGET FOR AUTO INSERTION	PT2904	FIDUCIAL-AI	FIDUCIAL-AI
4	A1-2 A20-21	NON-PART	NON-PART FIDUCIAL TARGET FOR XRAY	PT2905	FIDUCIAL-XRAY	FIDUCIAL-XRAY
1	P24	OMIT	OMIT (CON HDR 30 X 2 FEMALE AMP SMT)	DWB	HC302V224SPMS	HC302V224SPMS
2	J11-12	32-0000	HCN CONN 50 PIN .5 MM CNTS 1X50 FML RA	PT2824	HCN320000	HC320000
1	J10	OMIT	OMIT HCN CONN 20 PIN FEM VRT MNT SMT (32-0176)	PT3064	HCN320176-O	HC102V079050FS
1	P30	32-1055	HDR 20 PIN 0.1" SPC 2 X 10 VERT MALE	PT1340	HDR321055	HC102
1	P23	32-1071	HDR 5 PIN 0.1" SPC 1 X 5 LCK POL VERT MALE	PT1621	HDR321071	HC51LPM
1	P1	32-1077	HDR 6 PIN 0.1" SPC 2 X 3 VERT MALE	PT1683	HDR321077	HC32
1	P20	OMIT	OMIT HDR 14 PIN 0.1" SPC 2 X 7 VERT MALE (32-1083)	PT2127	HDR321083-O	HC72
1	P5	OMIT	OMIT HDR 3 PIN .098 SPC 3X1 SHROUDED VERTICAL MT. (32-1243)	PT2795	HDR321243-O	HC31V98SP
8	P3-4 P8-13	32-1994	HDR 12 PN .1" SPC 2X6 VRT MT	PT2435	HDR321994	HC62V100M
1	J13	32-0193	CON JACK RJ45 SINGLE PORT 8 PIN R/A PCB MNT SHLD	PT2872	J320193	JRJ45_8P-LONG-SH LD
3	J1-3	32-0206	CON JACK XLR R/A PCA A SERIES	PT1219	J320206	XLRF-1
16	JP1-16	32-1075	JUMPER MINI .1" SPC	PT1415	JP321075	PCBNUL
6	K1-6	72-5146	RELAY DPDT 12VDC POL SM	PT2219	K725146	KSLIM-8P
1	LBL1	30-0121	LABEL BARCODE AUTOINSERTABLE RAW	PT2790	LABEL300121	LABEL300121
38	DS10-11 DS28-42 DS44 DS46 DS48 DS50 DS52 DS54-61 DS66-73	70-3207	LED GREEN D1206 T&R	PT1902	LEDG703207	D1206
6	DS2-7	70-1920	LED RED/GRN WT/DIF SM 1210 TA	PT2428	LEDM701920	LED1210
18	DS1 DS12-19 DS43 DS45 DS47 DS49 DS51 DS53 DS64 DS74-75	70-3209	LED RED D1206 T&R	PT1901	LEDR703209	D1206
13	DS8-9 DS20-27 DS62-63 DS65	70-3208	LED YEL 1206 TA	PT1900	LEDY703208	D1206
2	L43-44	26-0215	IND FBD 70 OHM @ 100MHz RIC200 TA	PT1262	LFB260215	RIC200
34	L2-5 L7-16 L18-19 L21-22 L24-25 L27-28 L30-31 L33-39 L42 L45-46	26-0217	IND FBD 2.5K OHM @ 70MHz 0805 TA	PT1261	LFB260217	0805
2	L40-41	26-0002	IND PWR 100uH 3A	PT2754	LI260002	UP3B
2	LP1-2	NON-PART	NON-PART 6 POS NOT INSTALLED UNTIL MECHANICAL ASSY(LIGHT PIPE)	PT1967	LP242015-6	LP242015-6
6	LP3-8	NON-PART	NON-PART 8 POS NOT INSTALLED UNTIL MECHANICAL ASSY(LIGHT PIPE)	PT1968	LP242015-8	LP242015-8
1	GP1	NON-PART	NON-PART MECCA GND/PWR TIE POINT 4 POS	PT2482	MECCA4	MECCA4
8	MH1 MH3-8 MH10	NON-PART	NON-PART, MOUNTING HOLE, 0.130" NON-PLATED, #4	PT1242	MH130	MH130
3	MH2 MP4-5	NON-PART	NON-PART MOUNTING HOLE 0.156" NON-PLATED #6	PT3000	MH156	MH156
1	MH13	NON-PART	NON-PART	DB105	MH156-NOKEEPOUT	MH156-NOKEEPOUT
2	MH11-12	NON-PART	NON-PART TOOLING PIN HOLE 156MIL HOLE	PT2794	MH156-TOOL	MH156-TOOL
1	MH9	NON-PART	NON-PART MECHANICAL PLATED HOLE 225 PAD 130 HOLE #4	PT1998	MP225H130	MP225H130
2	MP1-2	NON-PART	NON-PART MECHANICAL PLATED HOLE 300 PAD 156 HOLE #6	PT3001	MP300H156	MP300H156
1	MP3	NON-PART	NON-PART SMT HEATSINK DIMPLE 300P 156H #6	PT2816	MP300H156-HSDMP	MP300H156-HSDMP
6	J4-9	32-0204	CON PLUG XLR R/A PCA A SERIES	PT1218	P320204	XLRM-1
1	P2	32-1017	CON JACK DCONN DUAL PORT 9P RA MALE PC MNT	PT1931	P321017	DCON9PM
14	P6-7 P14-19 P21-22 P26-27 P29 P31	NON-PART	NON-PART PD ARY 2 PN 0.100" SPC 0.039" HLE	PT1645	PA1X2-100-039	PA1X2-100-039
17	Q2 Q4-6 Q8-20	70-1058	XSTR 2N3904 NPN SOT-23 TA	PT1203	Q2N3904-S	SOT-23
2	Q1 Q3	70-1059	XSTR 2N3906 PNP SOT-23 SM TA	PT1057	Q2N3906-S	SOT-23
17	R2-3 R5-6 R78 R123 R230 R241 R244 R249 R266 R292 R316 R342 R344 R347 R454	50-1300	RES 0 5% 1/16W SM 0603 TA	PT2508	R0-B5-0603	0603
7	R122 R126 R229 R236-238 R248	OMIT	OMIT RES 0 5% 1/16W SM 0603 TA (50-1300)	PT2509	R0-B5-0603O	0603
10	L1 L6 L17 L20 L23	50-1531	RES 0 5% 1/10W SM 0805 TA	PT1099	R0-C5-0805	0805

	L26 L29 L32 R127 R235							
7	R24 R39 R82 R227 R245 R345 R348	50-0317	RES 0 5% 1/4W CF RR TA		PT1008 R0-E5-R		RRA200	
1	R288	OMIT	OMIT RES 0 5% 1/4W CF RR TA (50-0317)		PT1596 R0-E5-RO		RRA200	
2	R25 R40	52-1314	RES 1.5K 1% 1/16W SM 0603 TA		PT2551 R1.5KB1-0603		0603	
4	R14 R17 R20 R23	52-1339	RES 10.2K 1% 1/16W SM 0603 TA		PT2591 R10.2KB1-0603		0603	
12	R147 R150 R153 R156 R159 R162 R200 R203 R206 R209 R212 R215	52-1340	RES 10.7K 1% 1/16W SM 0603 TA		PT2592 R10.7KB1-0603		0603	
15	R33-38 R142 R234 R270 R277 R281 R284 R287 R291 R311	52-1304	RES 100 1% 1/16W SM 0603 TA		PT2512 R100-B1-0603		0603	
6	R141 R178-179 R263-264 R335	52-1360	RES 100K 1% 1/16W SM 0603 TA		PT2613 R100KB1-0603		0603	
62	R80-81 R84 R87 R90 R93 R96 R99 R102 R105 R108 R111 R114 R117 R143 R175 R233 R239-240 R246-247 R250 R257-260 R267-269 R271-272 R275-276 R278-280 R282-283 R285-286 R290 R293-298 R305-309 R312 R315 R317-319 R325-326 R330-331 R343	52-1338	RES 10K 1% 1/16W SM 0603 TA		PT2584 R10KB1-0603		0603	
1	R329	OMIT	OMIT RES 10K 1% 1/16W SM 0603 TA (52-1338)		PT2628 R10KB1-06030		0603	
1	R466	52-1361	RES 121K 1% 1/16W SM 0603 TA		PT2614 R121KB1-0603		0603	
1	R338	52-1362	RES 150K 1% 1/16W SM 0603 TA		PT2615 R150KB1-0603		0603	
17	R9-10 R29-30 R146 R151-152 R157-158 R163 R182-187 R190	52-1344	RES 15K 1% 1/16W SM 0603 TA		PT2596 R15KB1-0603		0603	
4	R125 R217 R219 R255	52-1305	RES 169 1% 1/16W SM 0603 TA		PT2513 R169-B1-0603		0603	
20	R27 R140 R188-189 R191 R195 R333 R359-362 R373-374 R377 R384 R387 R407 R413 R424 R441	52-1313	RES 1K 1% 1/16W SM 0603 TA		PT2550 R1KB1-0603		0603	
1	R79	OMIT	OMIT RES 1K 5% 1/16W SM 0603 TA (50-1313)		PT2535 R1KB5-06030		0603	
9	R144 R242 R299-301 R304 R320 R332 R456	52-1372	RES 1M 1% 1/16W SM 0603 TA		PT2625 R1MB1-0603		0603	
4	R124 R168 R226 R254	52-1317	RES 2.21K 1% 1/16W SM 0603 TA		PT2555 R2.21KB1-0603		0603	
4	R120 R181 R222 R265	52-1318	RES 2.49K 1% 1/16W SM 0603 TA		PT2556 R2.49KB1-0603		0603	
6	R44 R50 R56 R62 R68 R74	52-1319	RES 2.67K 1% 1/16W SM 0603 TA		PT2557 R2.67KB1-0603		0603	
28	R313 R327 R341 R346 R353-358 R369-372 R394-397 R400 R402-406 R437-440	52-1306	RES 200 1% 1/16W SM 0603 TA		PT2514 R200-B1-0603		0603	
14	R289 R310 R334 R450-453 R457-458 R461-465	52-1300	RES 20 1% 1/16W SM 0603 TA		PT2507 R20-B1-0603		0603	
1	R339	52-1364	RES 221K 1% 1/16W SM 0603 TA		PT2617 R221KB1-0603		0603	
16	R4 R7 R164 R167 R176-177 R180 R193 R221 R225 R251 R261-262 R321-322 R455	52-1316	RES 2K 1% 1/16W SM 0603 TA		PT2553 R2KB1-0603		0603	
12	R43 R46 R49 R52 R55 R58 R61 R64 R67 R70	52-1322	RES 3.16K 1% 1/16W SM 0603 TA		PT2560 R3.16KB1-0603		0603	

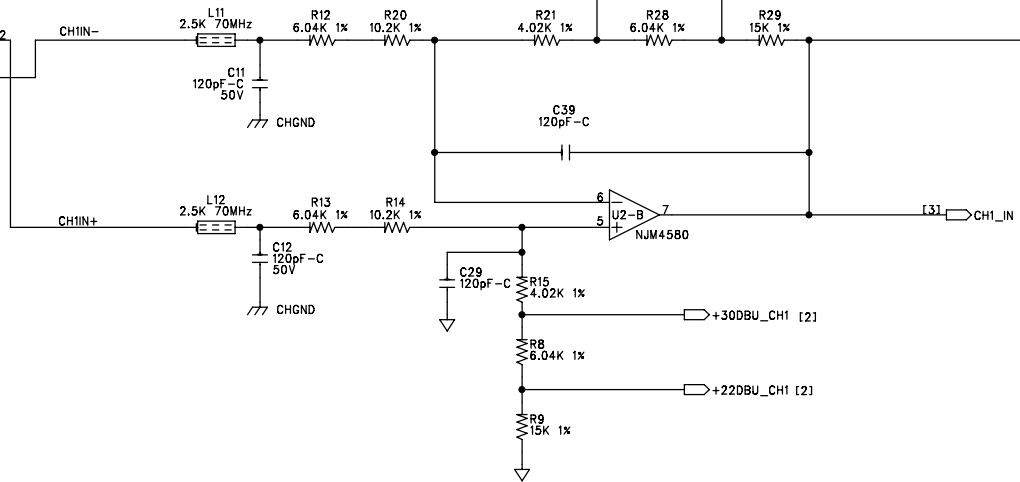
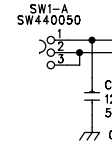
6	R73 R76 R45 R51 R57 R63 R69 R75	52-1323	RES 3.24K 1% 1/16W SM 0603 TA	PT2561 R3.24KB1-0603	0603
15	R119 R148-149 R154-155 R160-161 R201-202 R207-208 R213-214 R224 R323	52-1324	RES 3.32K 1% 1/16W SM 0603 TA	PT2562 R3.32KB1-0603	0603
50	R26 R32 R194 R363-368 R385-386 R388-393 R398-399 R401 R408-412 R414-421 R429-436 R442-449 R459	52-1307	RES 332 1% 1/16W SM 0603 TA	PT2543 R332-B1-0603	0603
5	R165-166 R252-253 R336	50-1325	RES 33K 5% 1/16W SM 0603 TA	PT2589 R33KB5-0603	0603
1	R314	52-1301	RES 39.2 1% 1/16W SM 0603 TA	PT2515 R39.2-B1-0603	0603
13	R41 R128-133 R169-174	52-1355	RES 39.2K 1% 1/16W SM 0603 TA	PT2608 R39.2KB1-0603	0603
1	R273	52-0000	RES 392K 1% 1/10W SM 0603 TA	PT2892 R392KB1-0603	0603
4	R15-16 R21-22	52-1325	RES 4.02K 1% 1/16W SM 0603 TA	PT2563 R4.02KB1-0603	0603
12	R42 R47-48 R53-54 R59-60 R65-66 R71-72 R77	52-1327	RES 4.53K 1% 1/16W SM 0603 TA	PT2565 R4.53KB1-0603	0603
4	R1 R192 R197 R460	52-1328	RES 4.64K 1% 1/16W SM 0603 TA	PT2568 R4.64KB1-0603	0603
12	R134-139 R199 R204-205 R210-211 R216	52-1329	RES 4.99K 1% 1/16W SM 0603 TA	PT2566 R4.99KB1-0603	0603
18	R196 R198 R218 R220 R223 R232 R243 R302-303 R328 R375-376 R378-383	52-1308	RES 499 1% 1/16W SM 0603 TA	PT2545 R499-B1-0603	0603
6	R86 R92 R98 R104 R110 R116	52-1331	RES 5.76K 1% 1/16W SM 0603 TA	PT2576 R5.76KB1-0603	0603
15	R8 R11-13 R18-19 R28 R31 R85 R91 R97 R103 R109 R115 R324	52-1332	RES 6.04K 1% 1/16W SM 0603 TA	PT2577 R6.04KB1-0603	0603
12	R83 R88-89 R94-95 R100-101 R106-107 R112-113 R118	52-1303	RES 60.4 1% 1/16W SM 0603 TA	PT2511 R60.4-B1-0603	0603
2	R145 R231	52-1309	RES 619 1% 1/16W SM 0603 TA	PT2546 R619-B1-0603	0603
1	R256	52-0196	RES 619K 1% 1/10W SM 0603 TA	PT2894 R619KB1-0603	0603
1	R337	52-1358	RES 63.4K 1% 1/16W SM 0603 TA	PT2611 R63.4KB1-0603	0603
11	R340 R349-352 R422-423 R425-428	52-1335	RES 7.5K 1% 1/16W SM 0603 TA	PT2581 R7.5KB1-0603	0603
2	R121 R228	52-1336	RES 8.06K 1% 1/16W SM 0603 TA	PT2582 R8.06KB1-0603	0603
1	R274	52-1337	RES 9.09K 1% 1/16W SM 0603 TA	PT2583 R9.09KB1-0603	0603
6	SC16-21	24-2017-A	SWITCHCAP dbx LIGHTED MUTE BUTTON	PT2025 SC242017A	
1	SC1	34-0125	SWITCH CAP BLACK ROUND	PT1354 SC340125	SC340125-FPE
12	SC2-13	34-0199-A	SWITCH CAP dbx LIGHTED	PT2024 SC340199A	PCBNULL
1	SW1	44-0050	SWITCH DPDT MINI IN-OUT 6 PIN E-SWITCH	PT1256 SW440050	SW440050
1	SW6	44-0119	SWITCH ENCODER 20mm D-SHAFT 30 POS W/SW VERT MNT	PT1890 SW440119	SW440119
18	SW2-5 SW7-20	44-0185	SWITCH SPST LITE TOUCH MINI W/ PROJECTED PLUNGER SMT	PT1962 SW440185	SW4PTACT-3
18	TP1-18	NON-PART	NON-PART, TEST POINT, ENGINEERING PROBE POINT	PT1653 TESTPOINT	TESTPOINTSM
1	U33	72-0209	IC 128K x 24 STATIC RAM 10ns 3.3V QFP100-14X20	DB406 U128K24S10-3.3-Q	QFP100-14X20
1	U39	72-0046	IC 25AA640 64K SERIAL EEPROM TA	PT2774 U25AA260	SO8
1	U26	72-6318	IC 32K x 8 SRAM 15ns SOJ28	PT2294 U32K8S15-J	SOJ28-300
1	U22	OMIT	OMIT IC 32K x 8 SRAM 15ns SOJ28 (72-6318)	PT2874 U32K8S15-JO	SOJ28-300
1	U41	72-5426	IC, 74AC04, HEX INVERTER, SO14, T&R	PT1325 U74AC04-S	SO14
1	U23	72-0085	IC 74HC4051 ANALOG MUX/DEMUX SO16	PT1927 U74HC4051-S	SO16
1	U30	72-0063	IC 74LVTH573 3.3V ABT 8-LATCH 3-STATE SSO20 TR	PT2856 U74LVTH573-P	SSOP20
1	U15	72-1485	IC AK4356 192kHz 24 BIT 6 CHANNEL DAC	PT2717 UAK4356-Q	QFP44-10X10
1	U17	72-1464	IC, AK5392, DUAL 24BIT ADC, SO28W	PT1555 UAK5392-S	SO28W

2	U24-25	72-6305	IC DSP56367 DSP 150MHZ QFP144-20X20	PT2452	UDSP56367-Q	QFP144-20X20
1	U21	70-0070	V-REG L7815CD2T +15V 1A TA	PT2817	UL7815CD2T-S	TO263 (D2PAK)
1	U20	70-0069	V-REG L7915CD2T -15V 1A TA	PT2819	UL7915CD2T-S	TO263 (D2PAK)
2	U34-35	70-0063	V-REG LM2575S-ADJ SWITCHING REG 1A TO-263(5)	PT2739	ULM2575S-ADJ	TO-263(5)
1	U36	70-0072	V-REG LM317DT 1.2V TO 37V ADJ 0.5A TA	PT2866	ULM317DT-S	TO252 (DPAK)
3	U37-38 U42	72-5434	IC NC7SZ125 TINYLOGIC BUFFER SOT23-5 TA	PT1881	UNC7SZ125-S	SOT23-5
1	U44	72-0068	IC NCP302H VOLTAGE DETECTOR SM SOT23-5	PT2869	UNCP302H	SOT23-5
18	U2-14 U16 U18-19 U40 U43	72-1480	IC NJM4580 DUAL OP-AMP SO8	PT1374	UNJM4580-S	SO8
1	U29	72-0054-00V1	IC CPLD LC4128C-10T128 128 MC 92I/O SM dbx Driverack 260 V1	PT2859	UP720054	TQFP128
1	U32	72-0061-00V1	IC TS87C52X2 8 BIT OTP MICRO 5V 30Mhz dbx Driverack 260 V1	PT2868	UP720061	PLCC-44
1	U28	72-0062-00V1	IC AM29LV800BT 70ns 8 MEG FLASH dbx DRIVERACK 260 V1	PT2827	UP720062	TSOP48
1	U27	72-0055	IC PCM1801 16-BIT ADC 93DB SM	PT2875	UPCM1801-S	SO14
1	U31	72-0059	IC PI5C16211 24 BIT BUS SWITCH 5V-3V TSSOP	PT2860	UPI5C16211-TS	TSSOP56
1	U1	72-0056	IC SP202ECN RS-232 DUAL DRIVER/RECEIVER SM	PT2876	USP202ECN-S	SO16
1	Y1	76-0000	XTAL 22.1184MHz 18pF HC49 SM TR	PT2829	Y22.1184M760000	XTAL2-V
1	X1	76-0006	XTAL 24.576MHz CX16F/CS49G SM TA	PT2919	Y24.576M760006	XTAL2-V

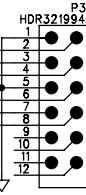
SC1
SC340125

Ground Lift

CHANNEL 1 INPUT



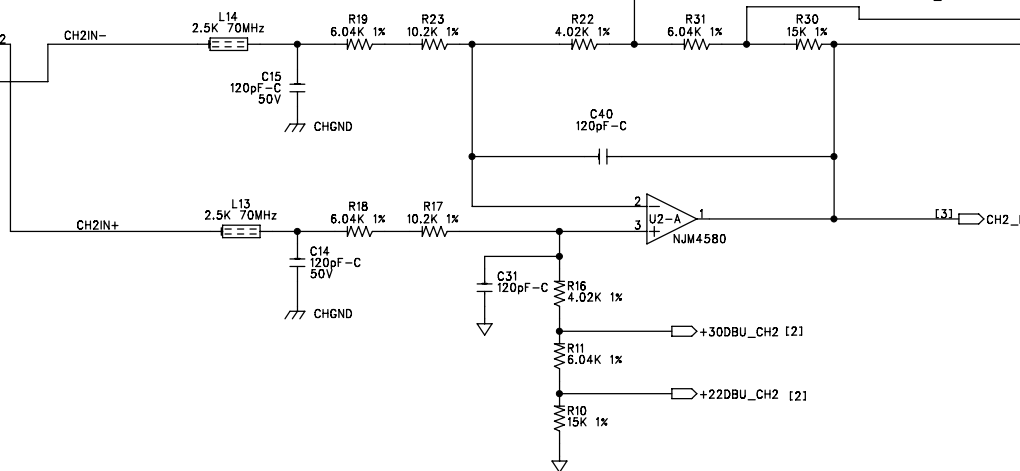
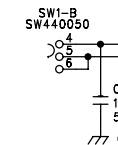
JP4 JP321075 JP3 JP321075



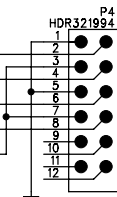
Max cut is -16.33dB for +30dBu in
-8.26dB cut for +22dBu in
No jumpers = -.33dB for +14dBu in

CHANNEL 2 INPUT

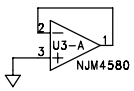
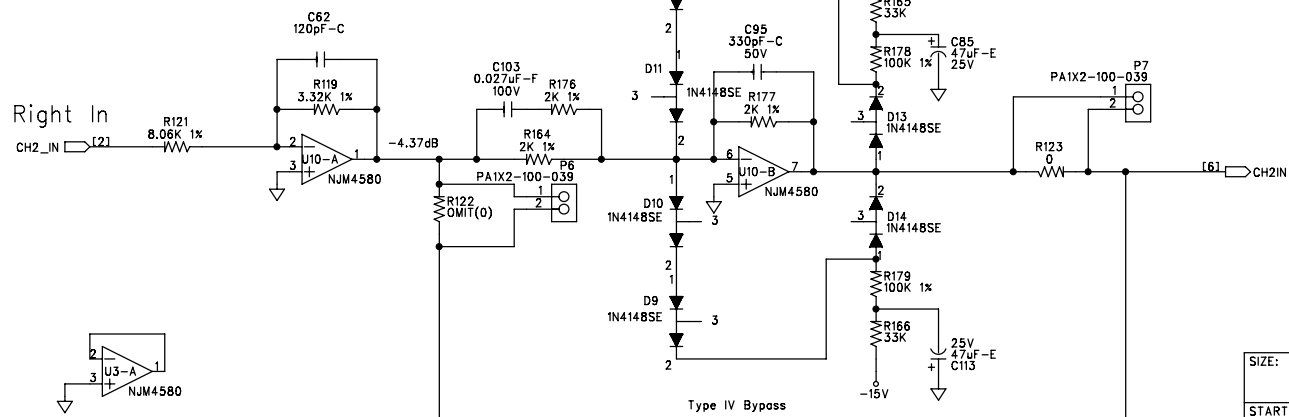
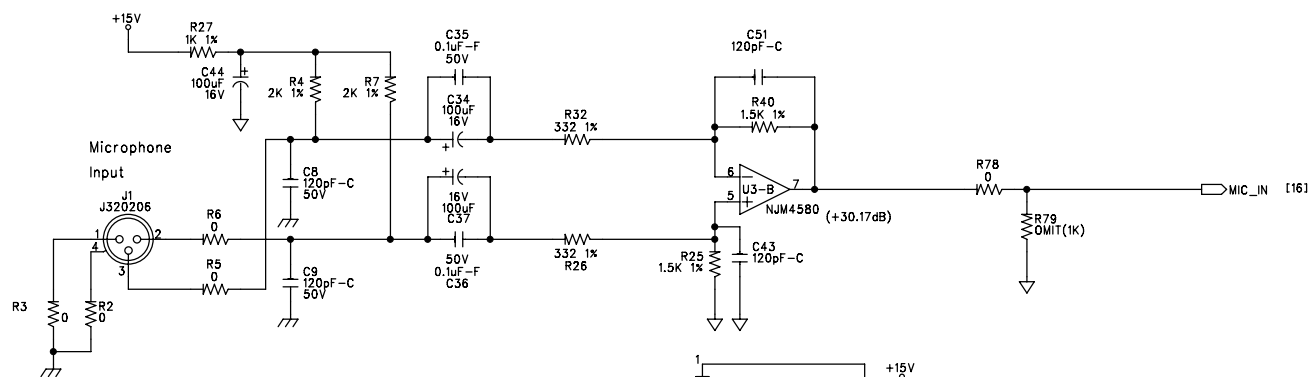
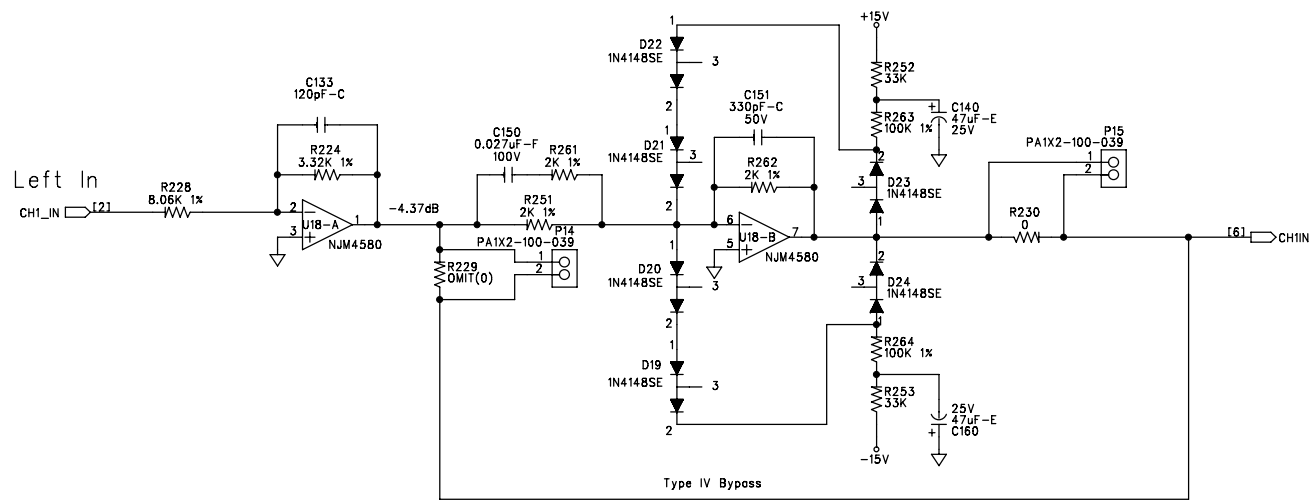
Ground Lift



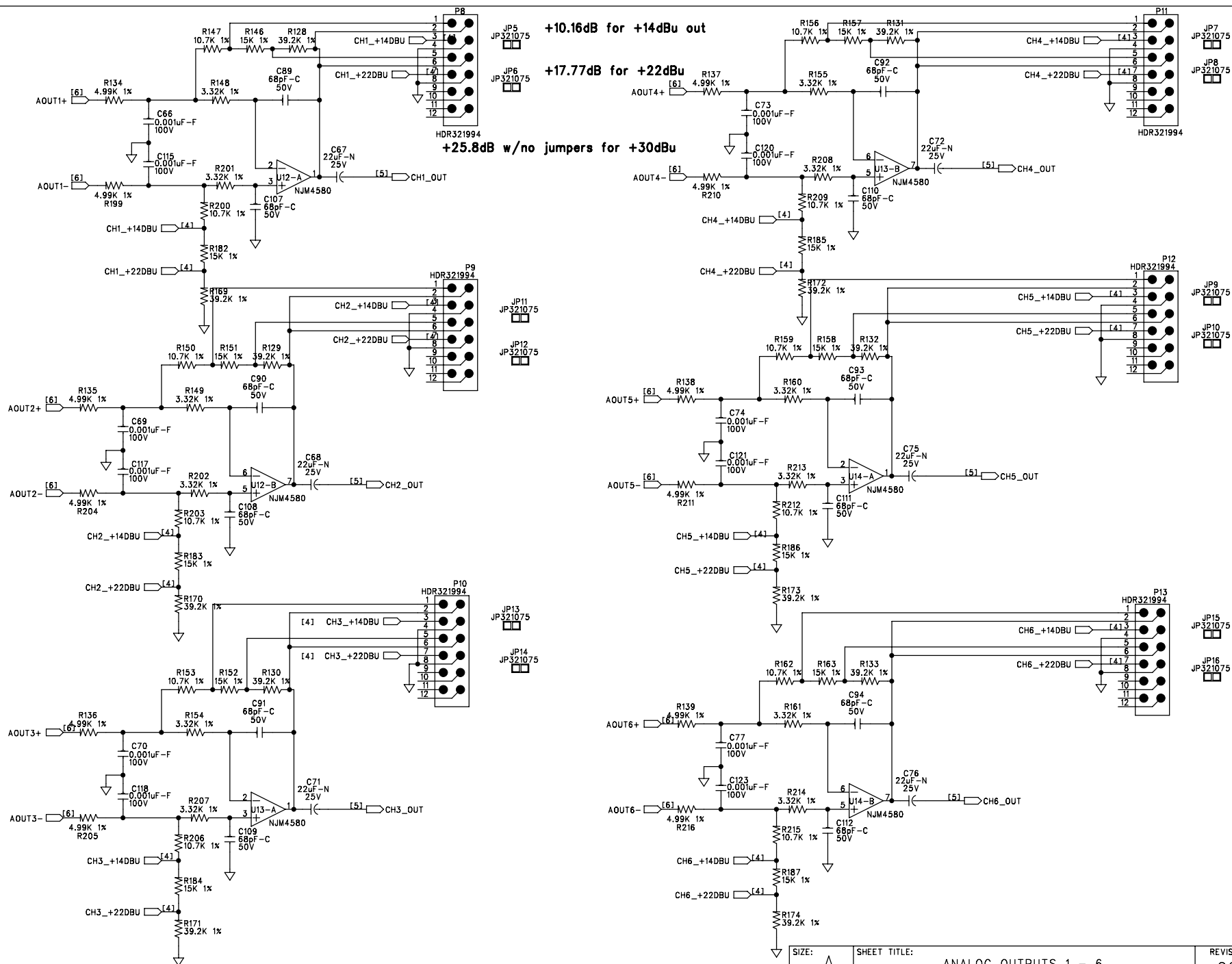
JP2 JP321075 JP1 JP321075



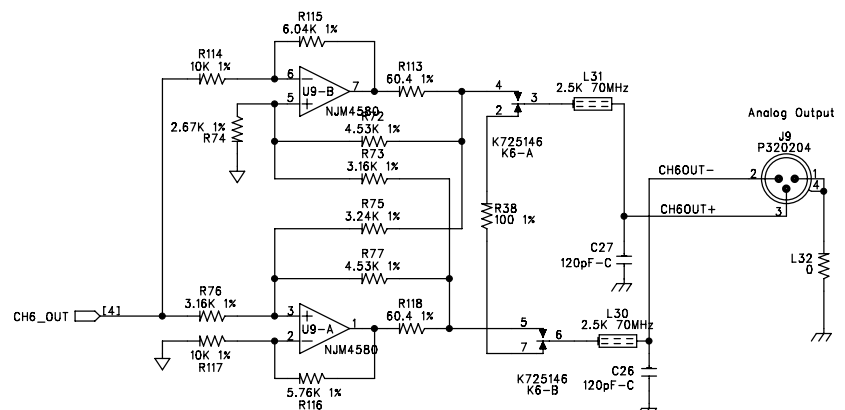
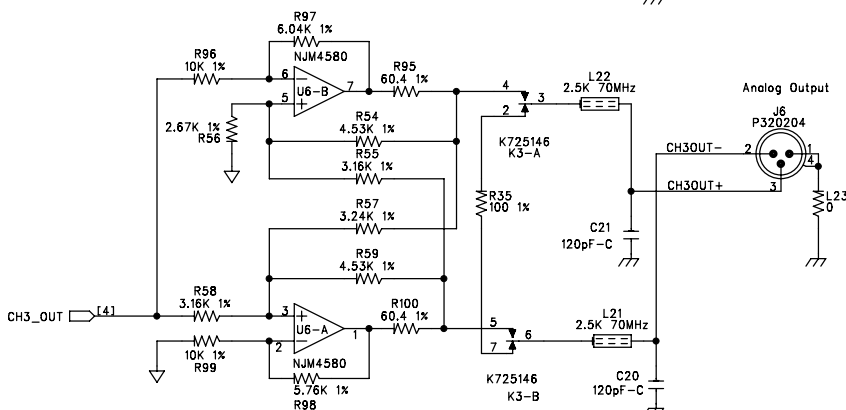
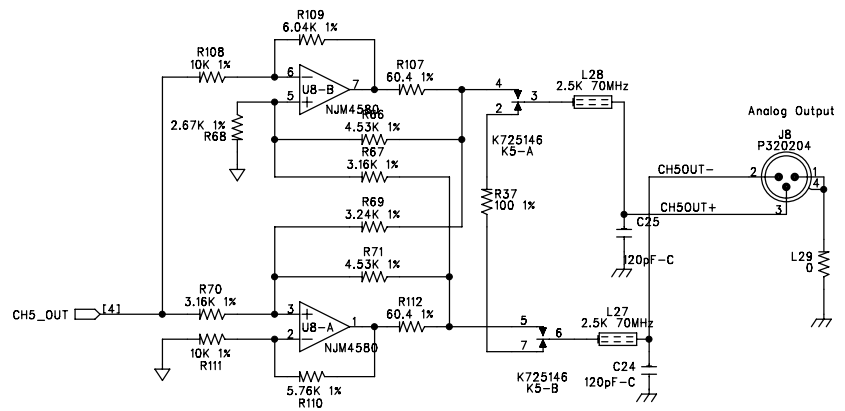
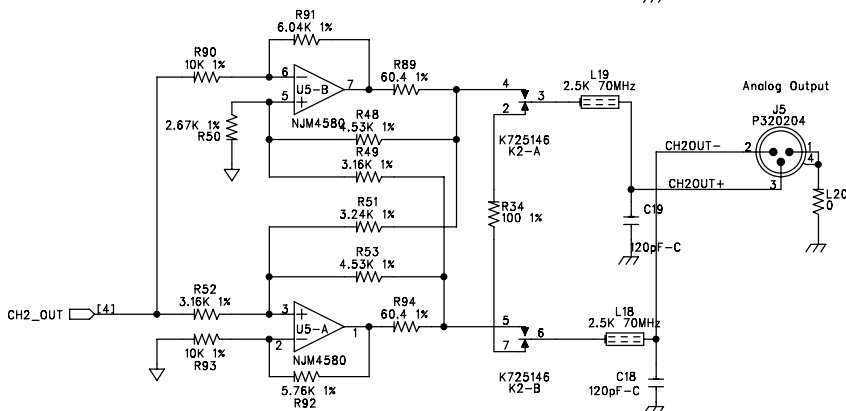
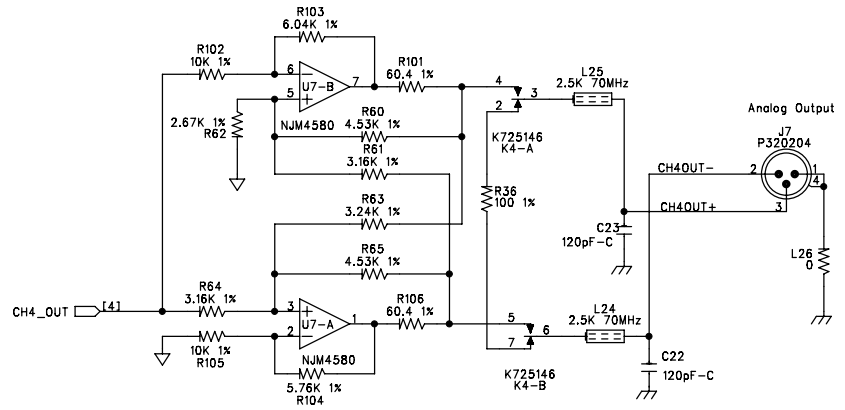
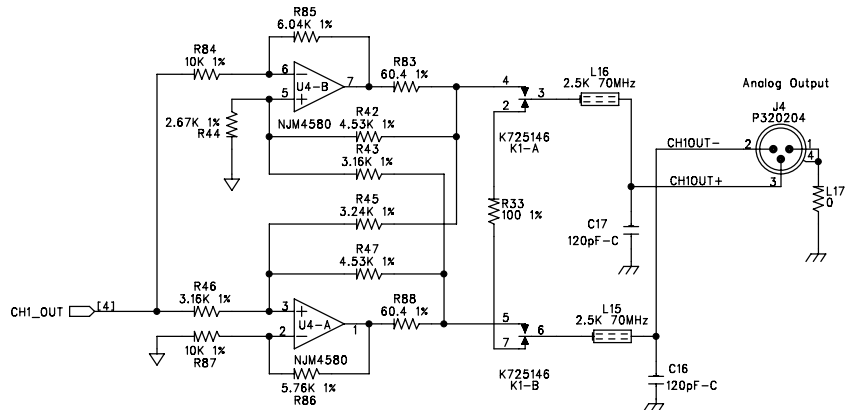
SIZE: A	SHEET TITLE: CHANNEL 1 & 2 INPUTS	REVISION: GO
START DATE: 7-19-06	DRAWING NO: 05-1796	SHEET: 2 OF 20



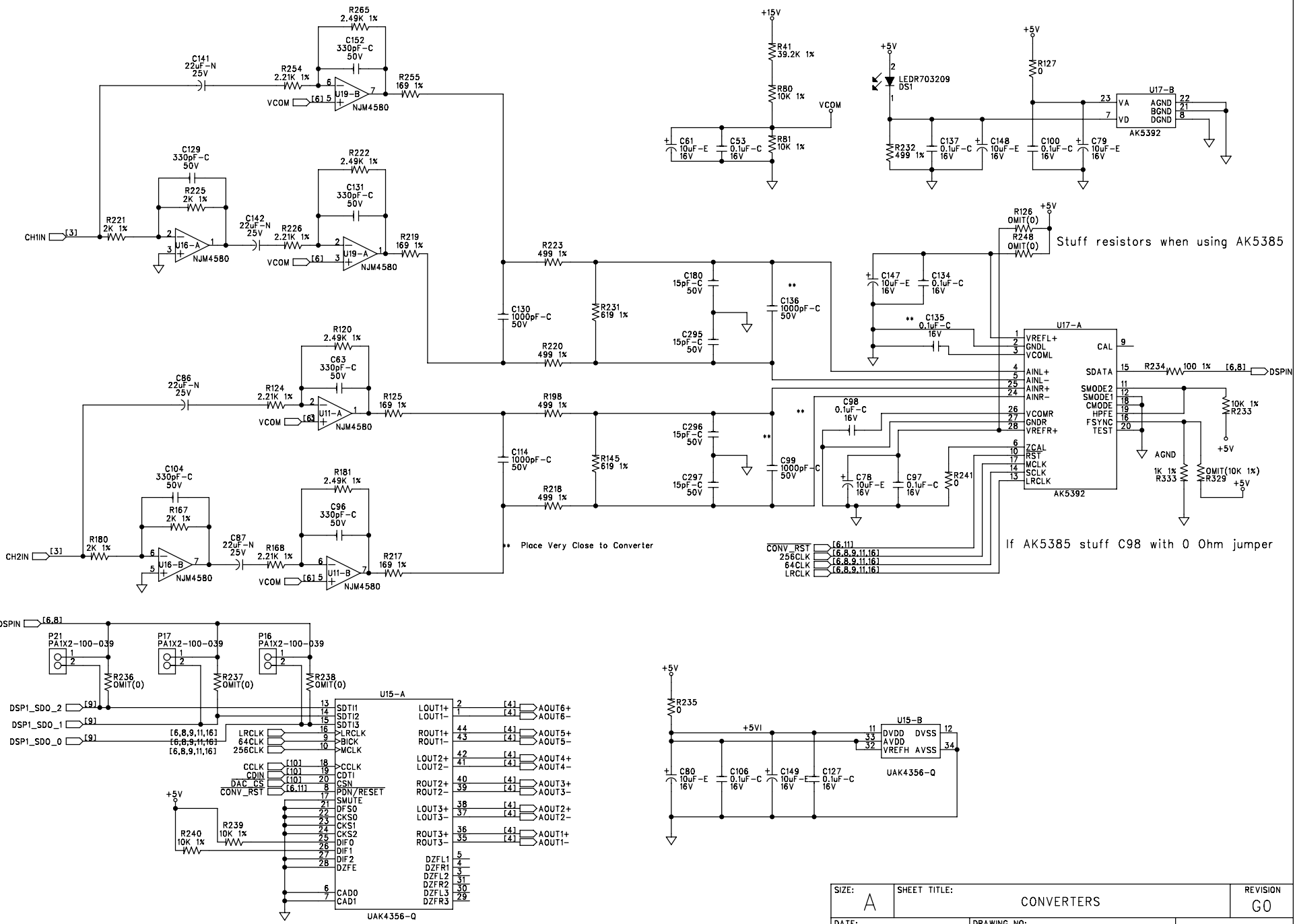
SIZE: A	SHEET TITLE: ANALOG CHANNEL 1 & 2 INPUTS	REVISION: GO
START DATE: 7-19-06	DRAWING NO: 05-1796	SHEET: 3 OF 20



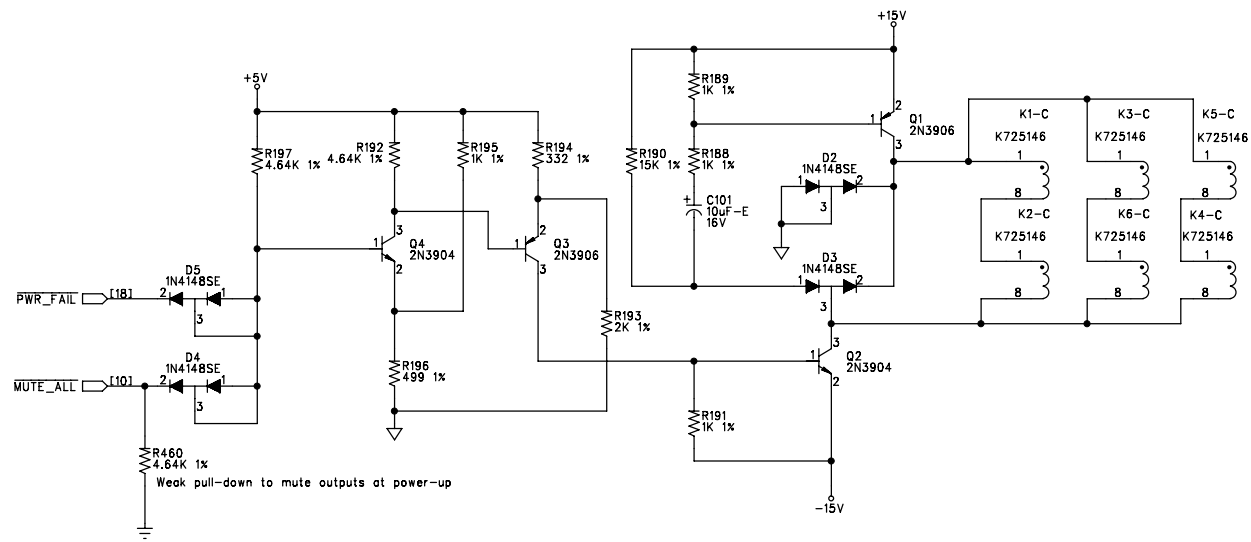
SIZE: A	SHEET TITLE: ANALOG OUTPUTS 1 - 6	REVISION: GO
START DATE: 7-19-06	DRAWING NO: 05-1796	SHEET: 4 OF 15



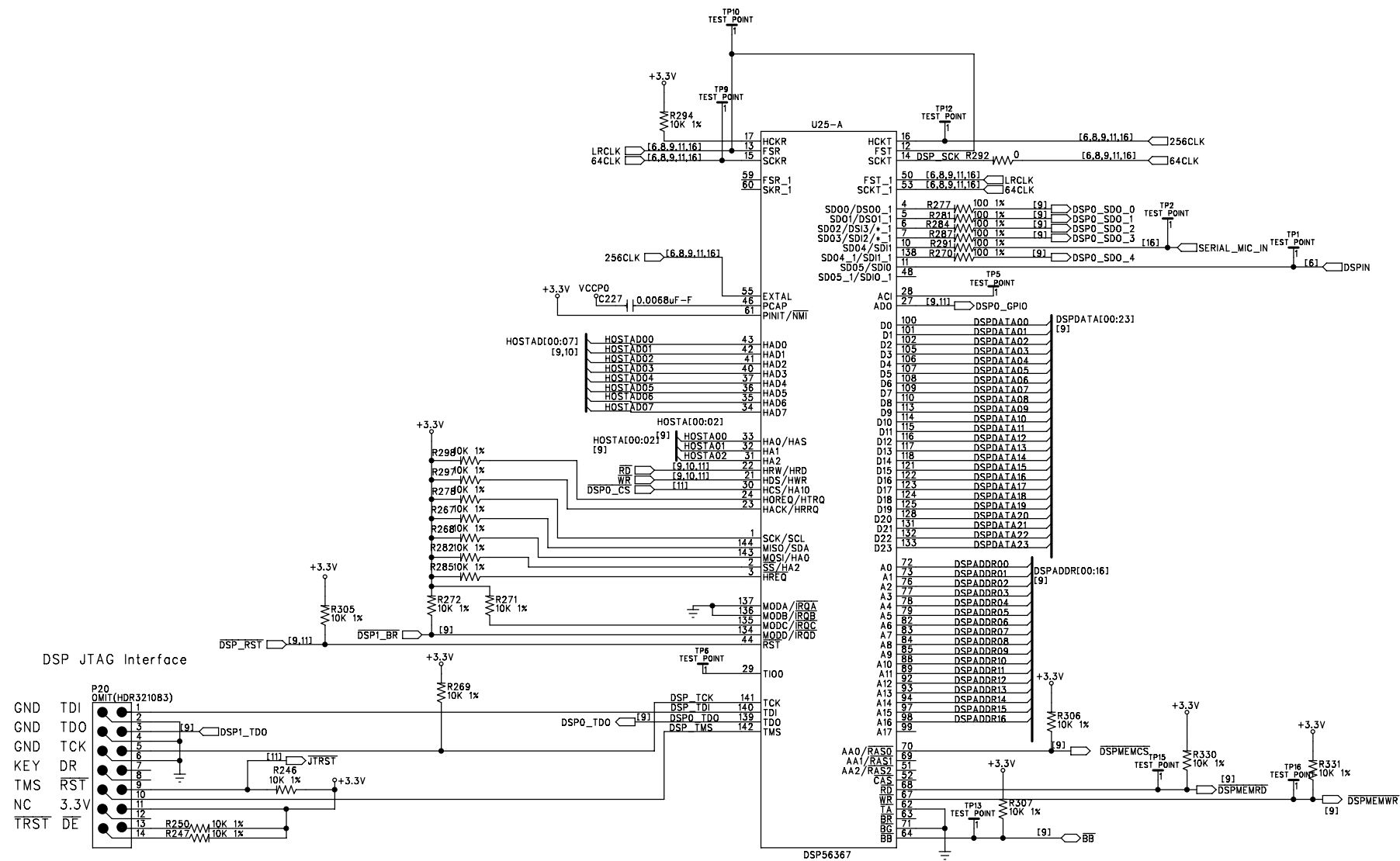
SIZE: A	SHEET TITLE: OUTPUT JACKS	REVISION: G0
DATE: 7-19-06	DRAWING NO: 05-1796	SHEET: 5 OF 20



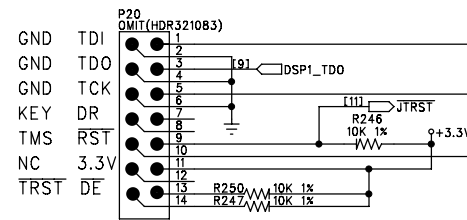
SIZE: A	SHEET TITLE: CONVERTERS	REVISION: G0
DATE: 7-19-06	DRAWING NO: 05-1796	SHEET: 6 OF 20



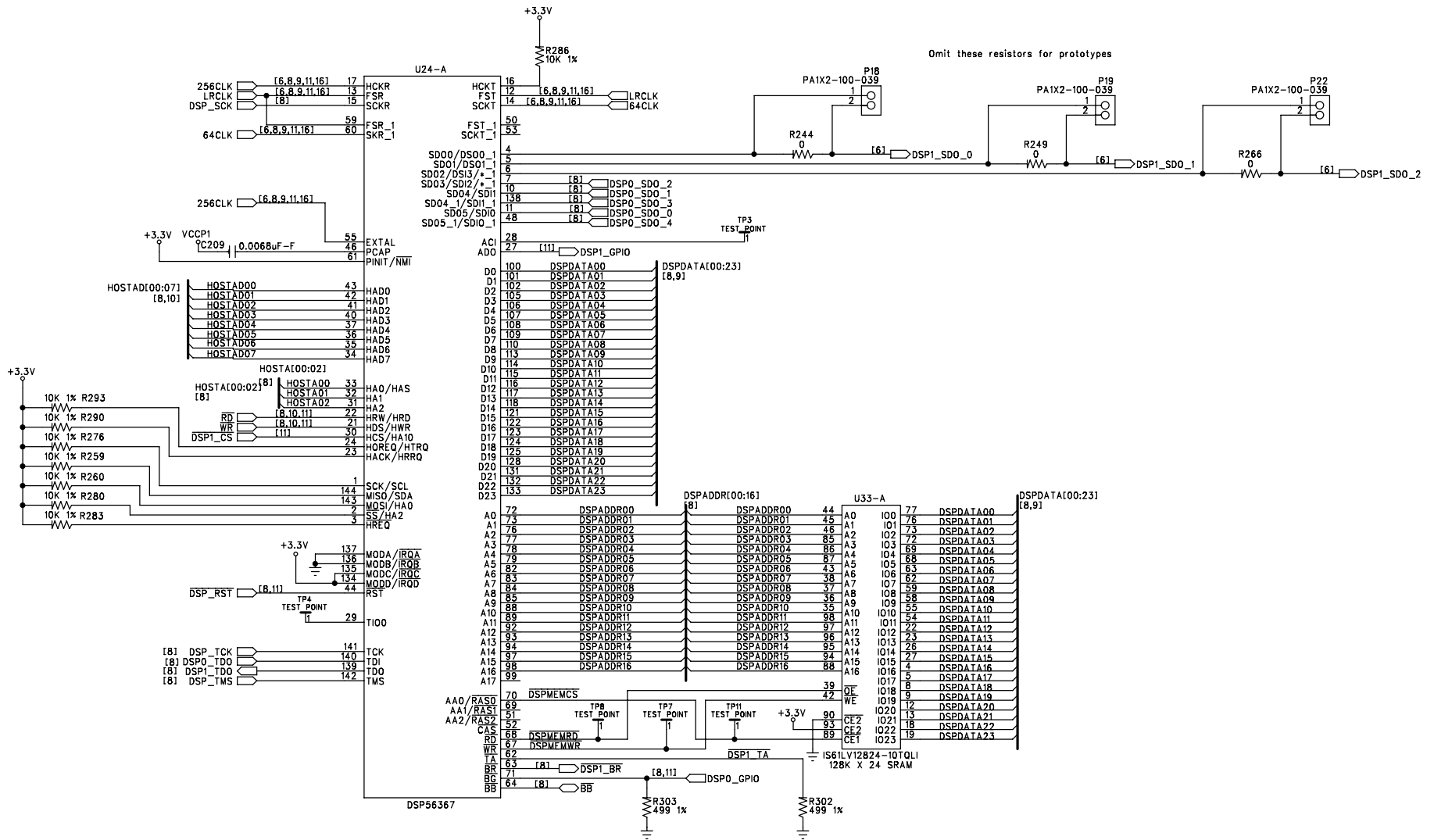
SIZE: A	SHEET TITLE: Mute Control	REVISION GO
DATE: 7-19-06	DRAWING NO: 05-1796	SHEET: 7 OF 20



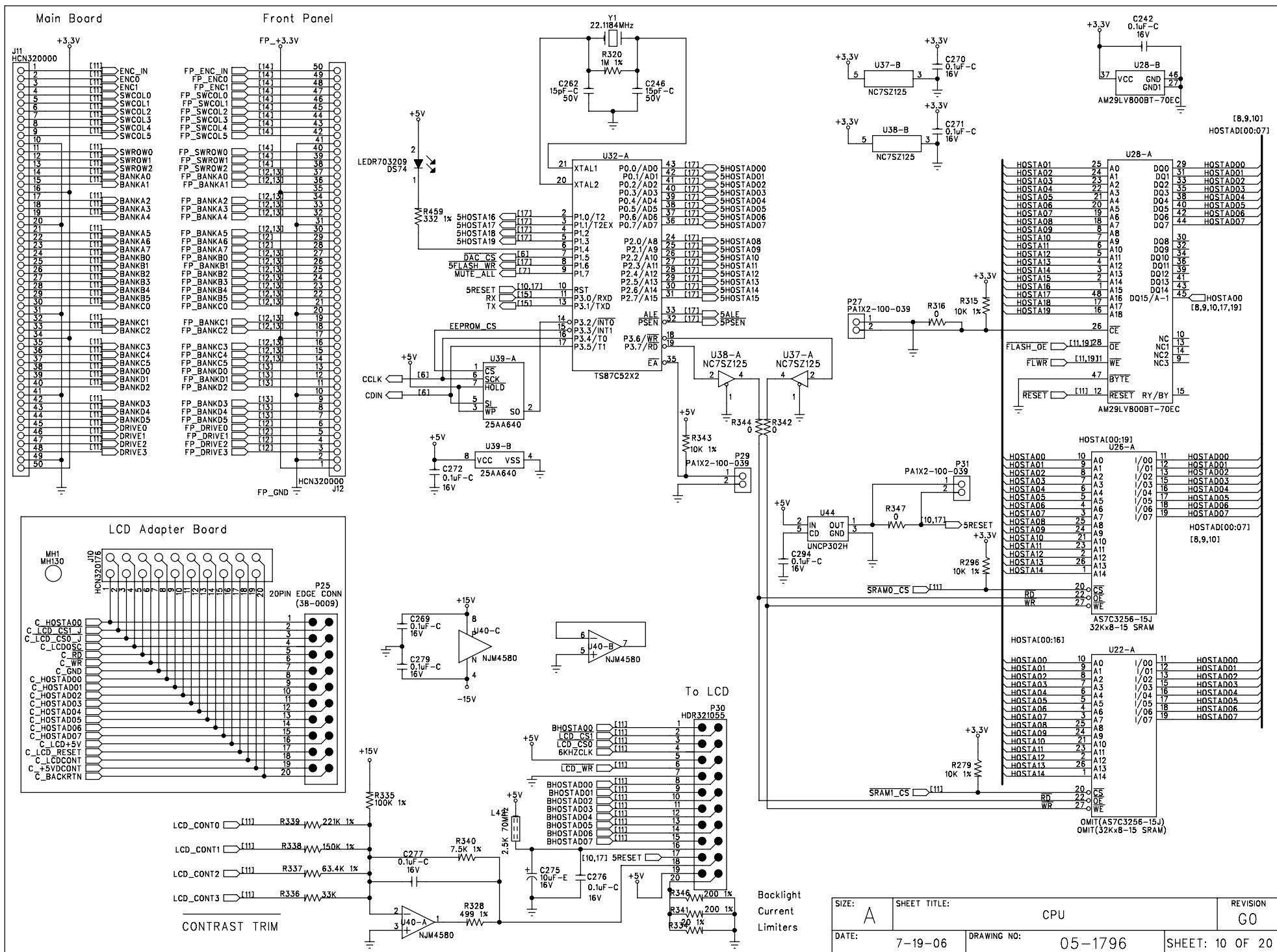
DSP JTAG Interface



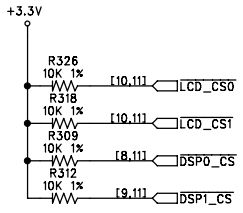
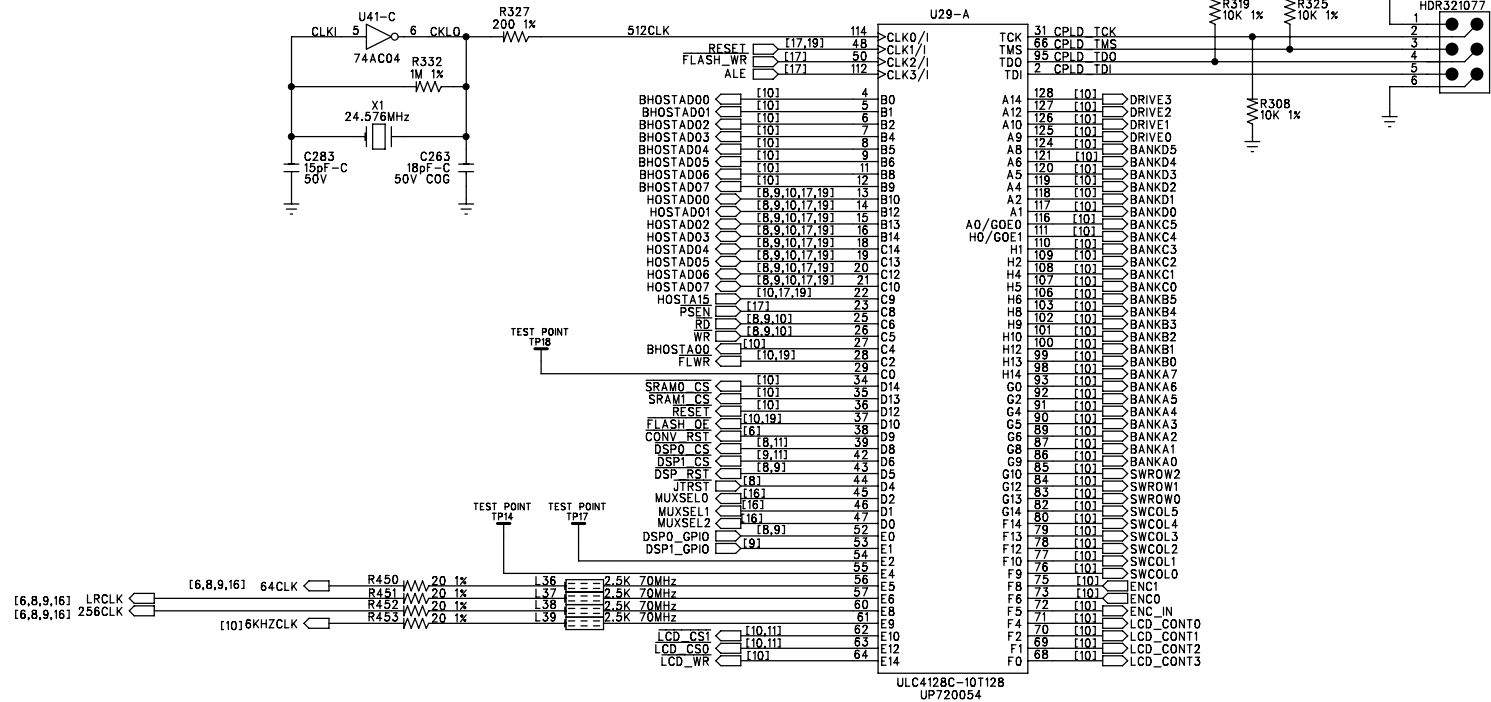
SIZE: A	SHEET TITLE: DSP0	REVISION: GO
DATE: 7-19-06	DRAWING NO: 05-1796	SHEET: 8 OF 20



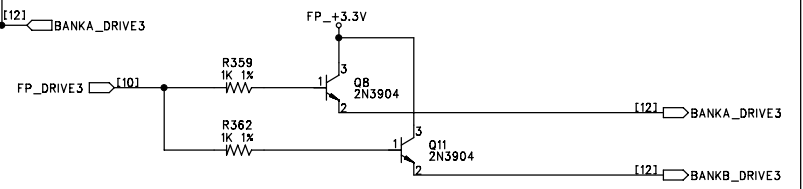
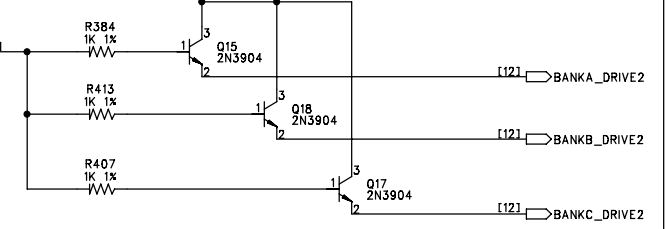
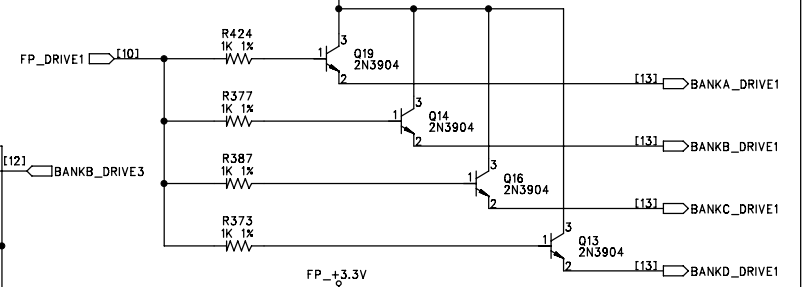
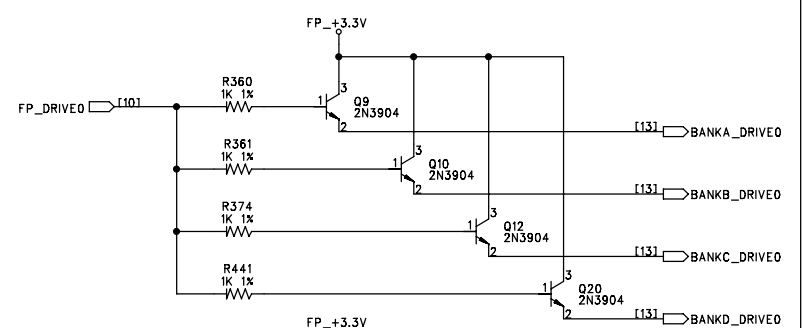
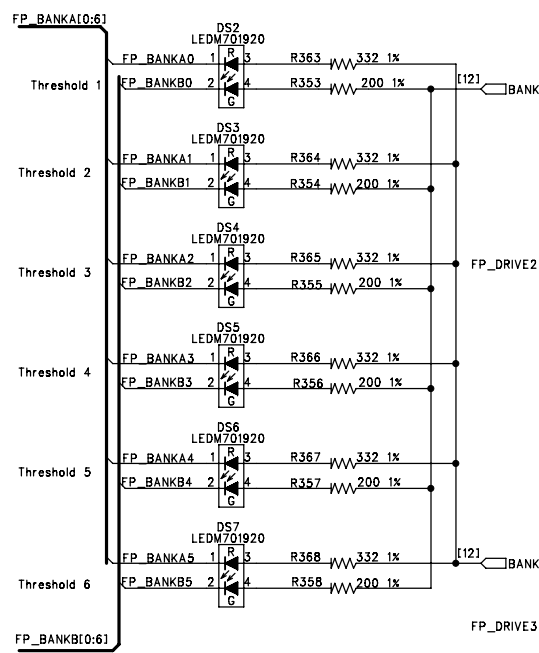
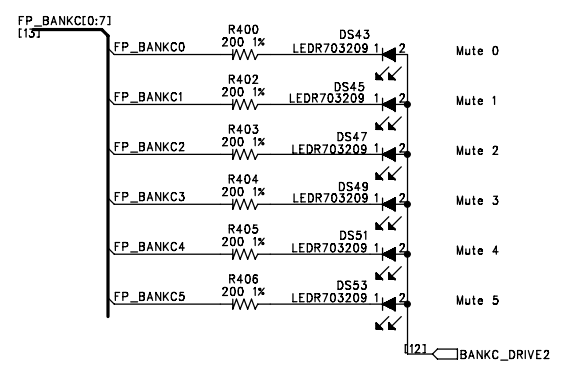
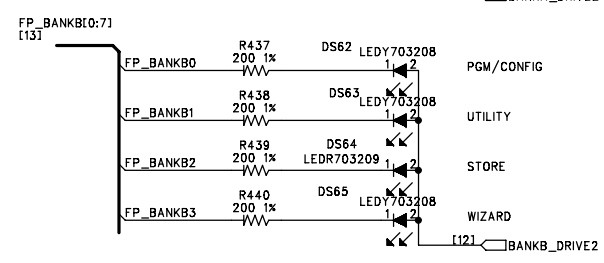
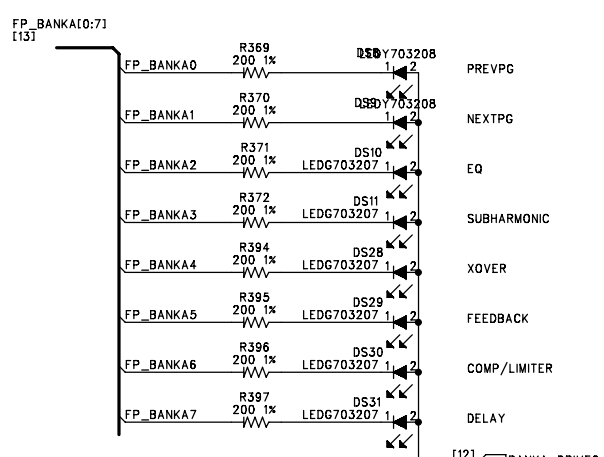
SIZE: A	SHEET TITLE: DSP1	REVISION: GO
DATE: 7-19-06	DRAWING NO: 05-1796	SHEET: 9 OF 20



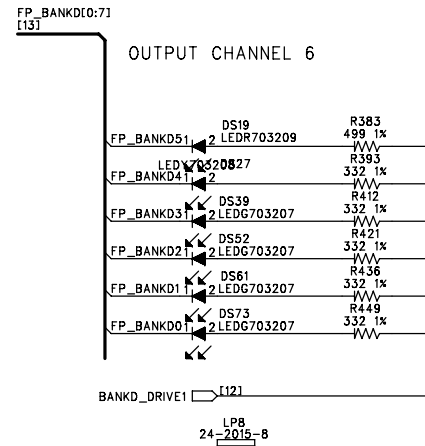
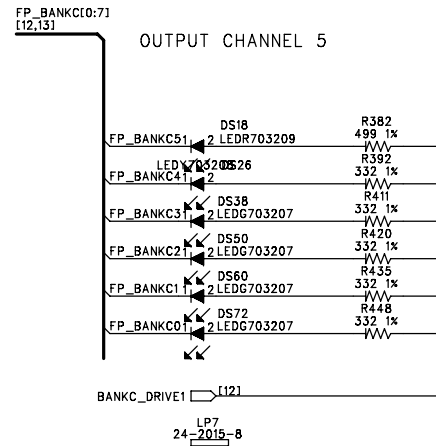
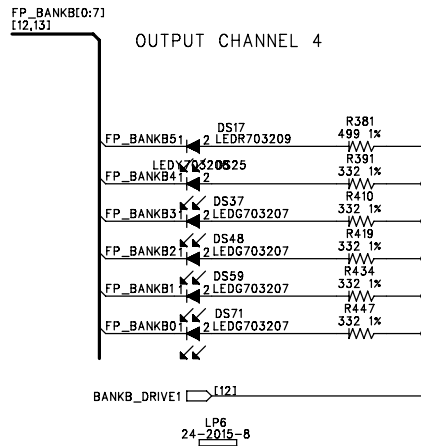
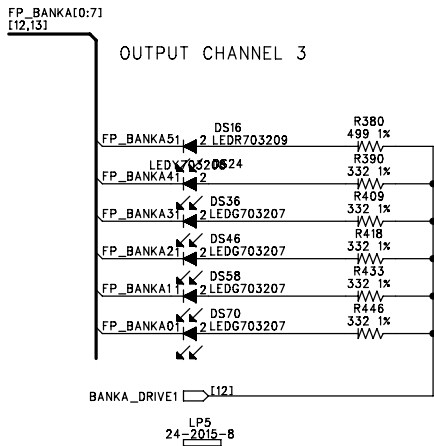
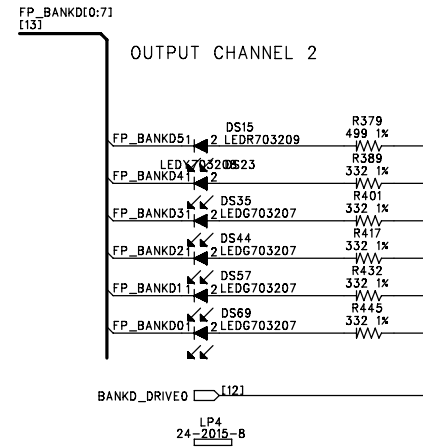
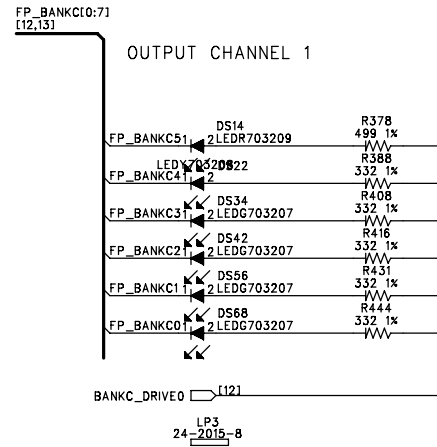
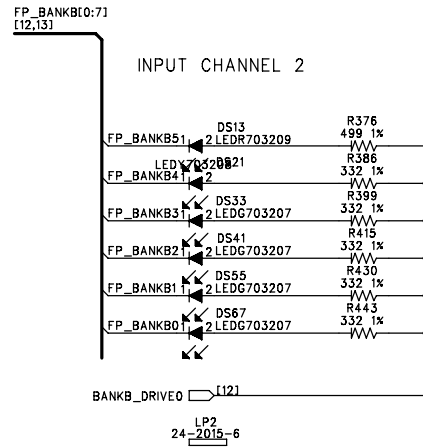
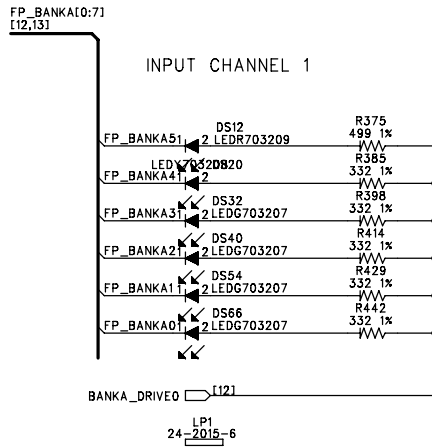
x512fs Crystal Oscillator
24.576 MHz



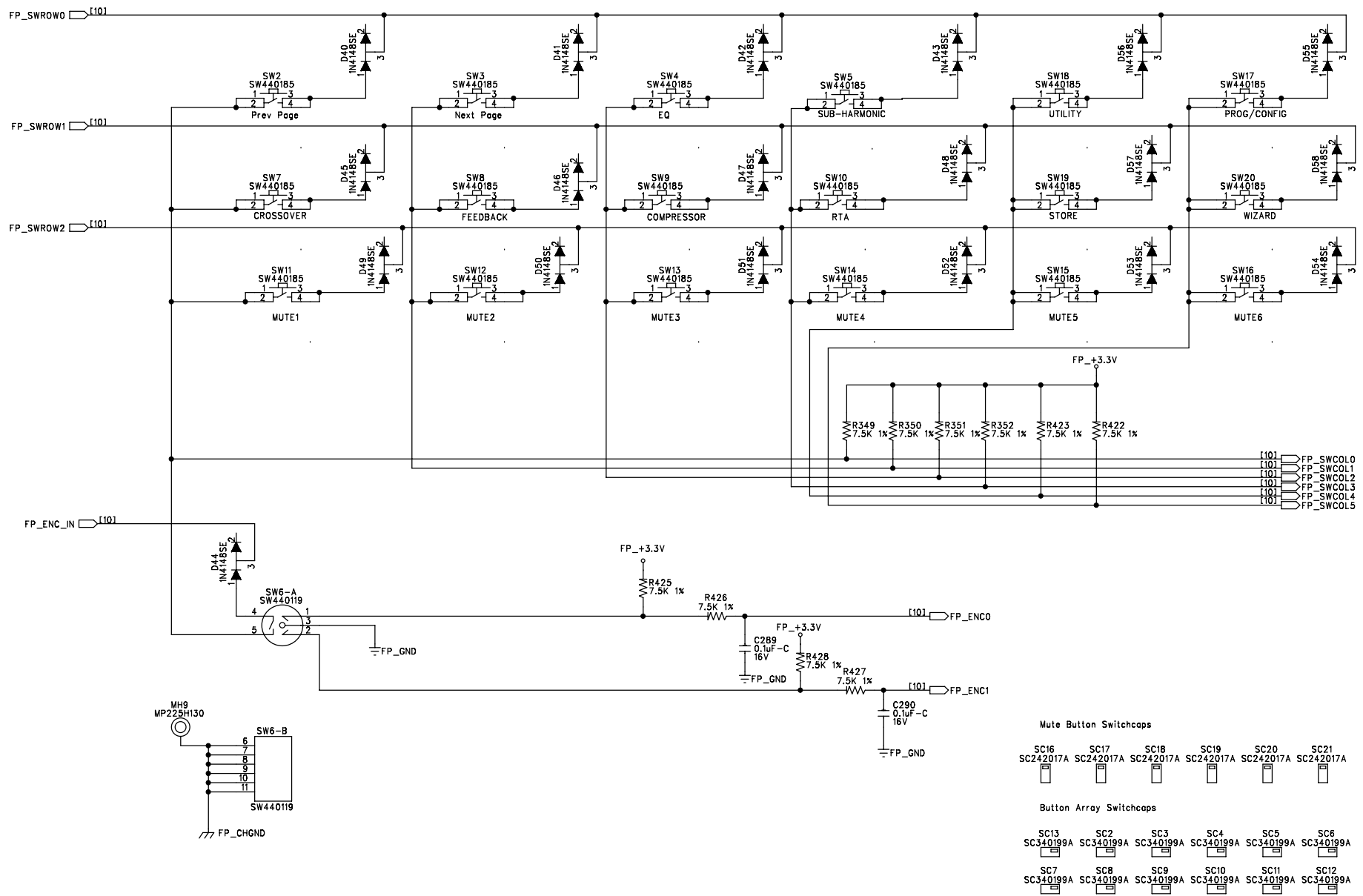
SIZE: A	SHEET TITLE: CPLD	REVISION: GO
DATE: 7-19-06	DRAWING NO: 05-1796	SHEET: 11 OF 20



SIZE: A	SHEET TITLE: FRONT PANEL - BUTTON LEADS	REVISION: GO
DATE: 7-19-06	DRAWING NO: 05-1796	SHEET: 12 OF 20

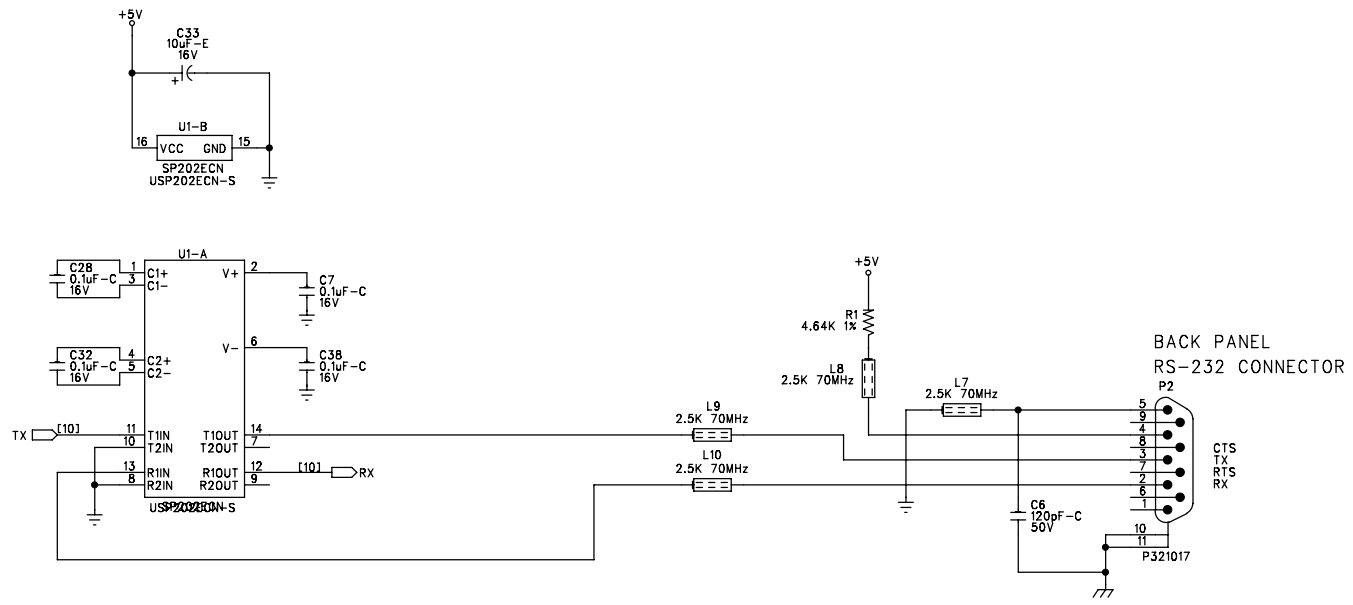


SIZE: A	SHEET TITLE: FRONT PANEL - METER LEDS	REVISION: GO
START DATE: 7-19-06	DRAWING NO: 05-1796	SHEET: 13 OF 20

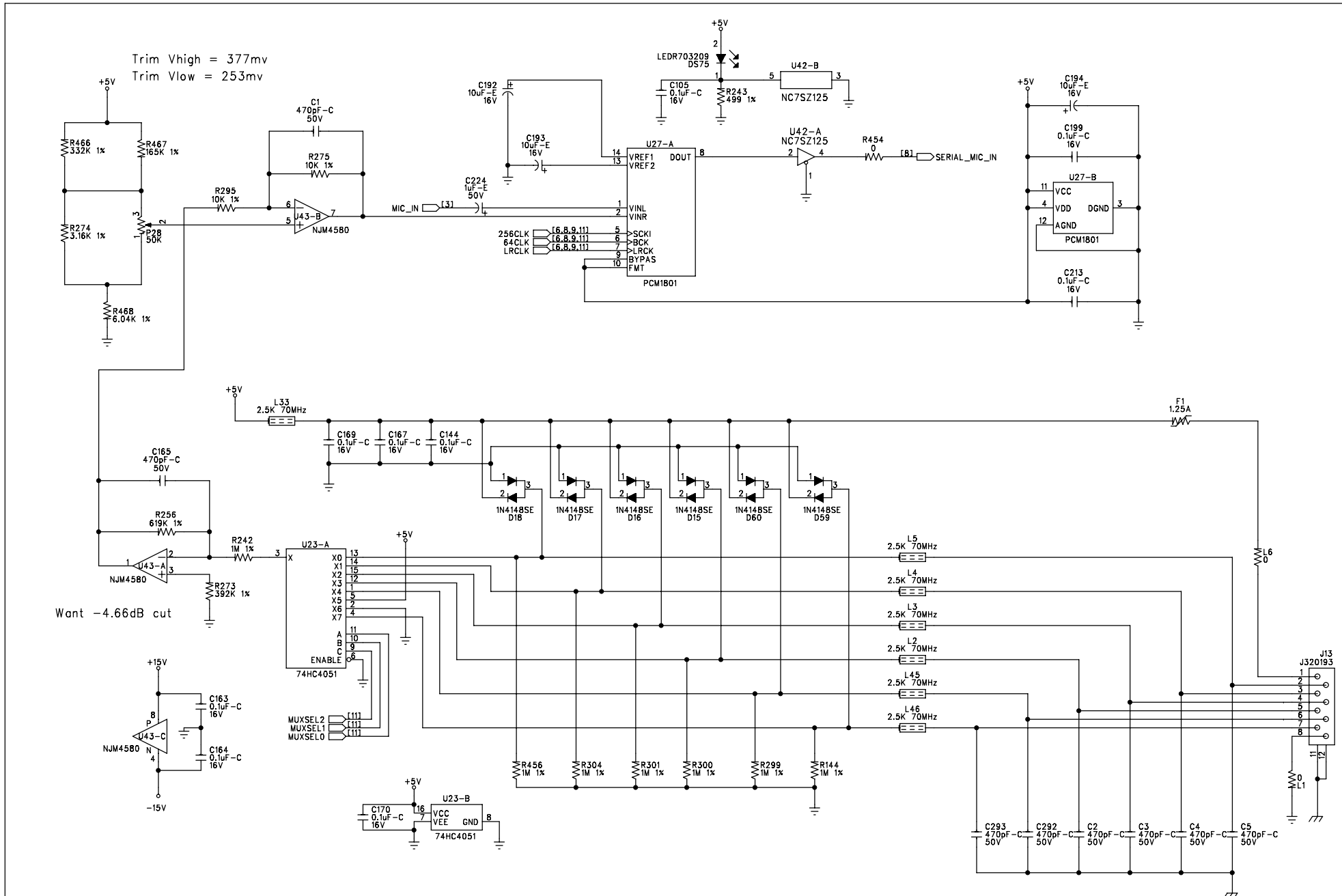


- Mute Button Switchcaps
- | | | | | | |
|-----------|-----------|-----------|-----------|-----------|-----------|
| SC16 | SC17 | SC18 | SC19 | SC20 | SC21 |
| SC242017A | SC242017A | SC242017A | SC242017A | SC242017A | SC242017A |
- Button Array Switchcaps
- | | | | | | |
|-----------|-----------|-----------|-----------|-----------|-----------|
| SC13 | SC2 | SC3 | SC4 | SC5 | SC6 |
| SC340199A | SC340199A | SC340199A | SC340199A | SC340199A | SC340199A |
| SC7 | SC8 | SC9 | SC10 | SC11 | SC12 |
| SC340199A | SC340199A | SC340199A | SC340199A | SC340199A | SC340199A |

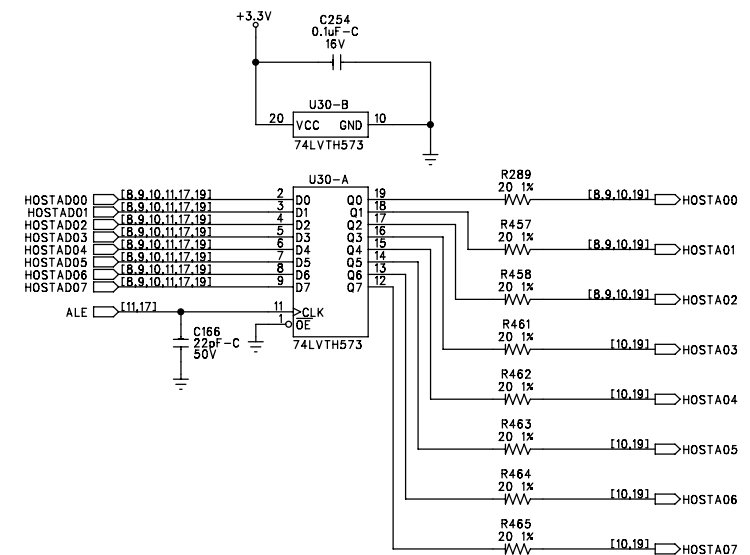
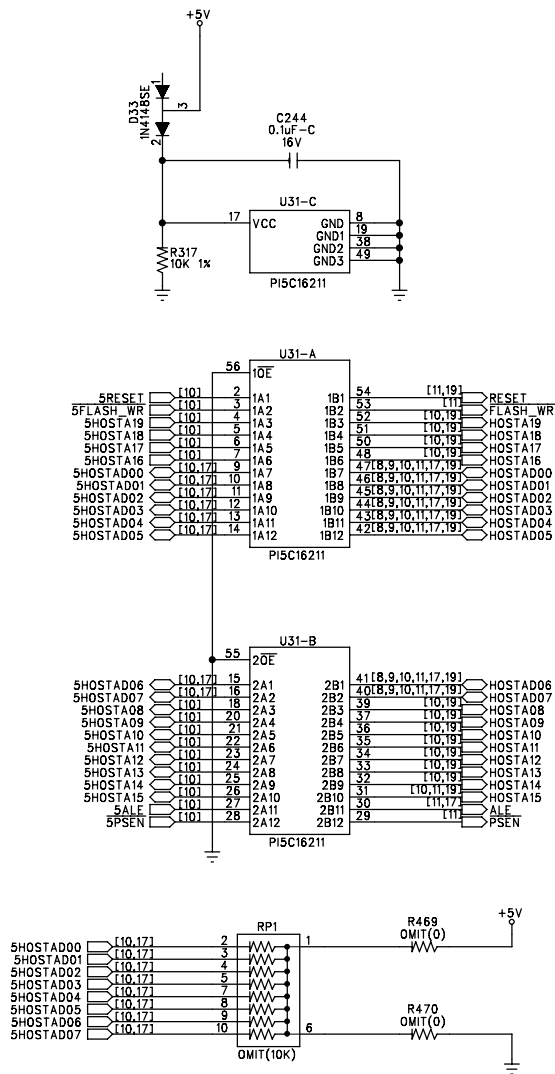
SIZE:	DR260 FRONT PANEL - SWITCHES	REV: GO
DATE: 7-19-06	05-1796	SHEET: 14 OF 20



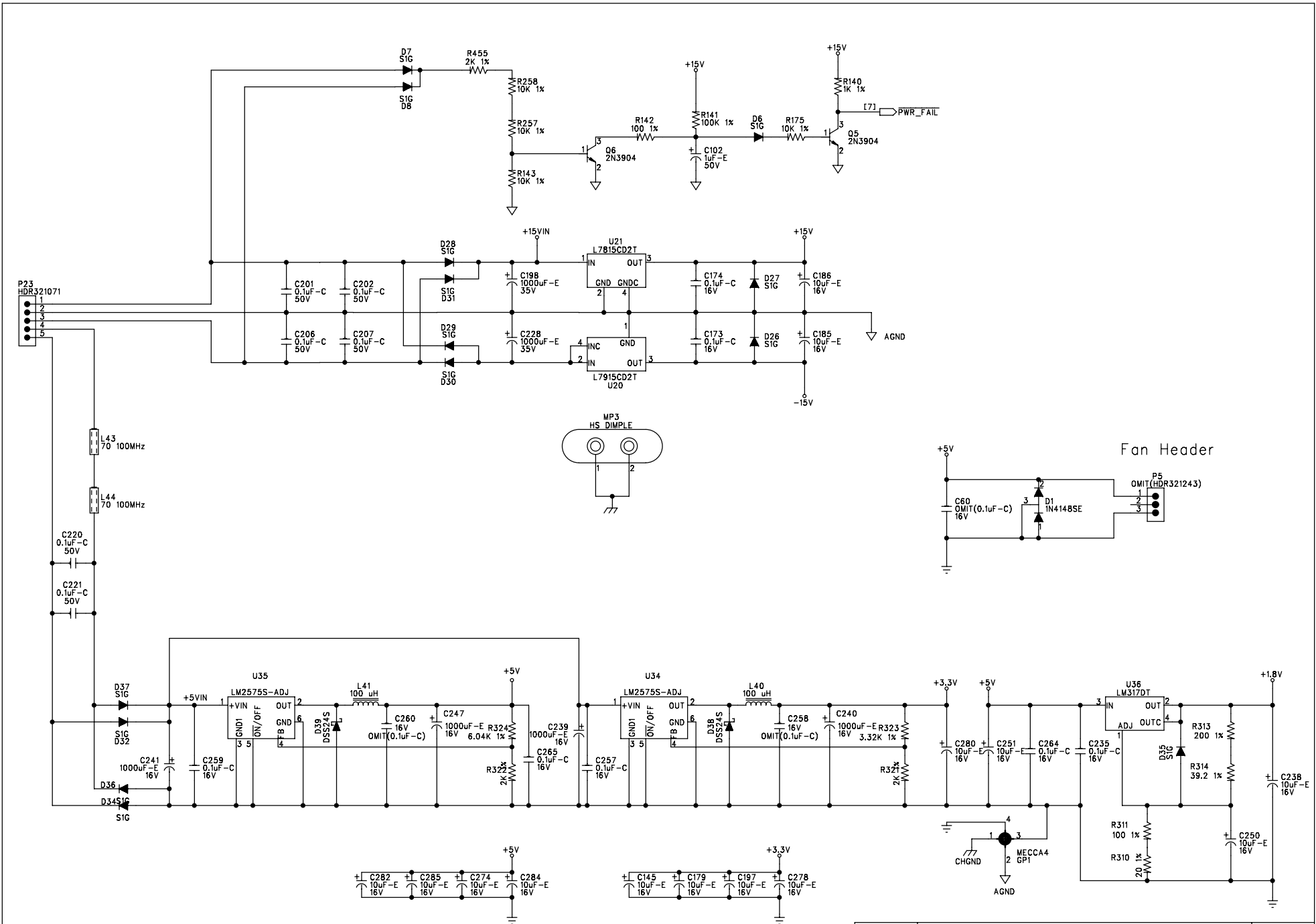
SIZE: A	SHEET TITLE: RS-232	REVISION GO
DATE: 7-19-06	DRAWING NO: 05-1796	SHEET: 15 OF 20



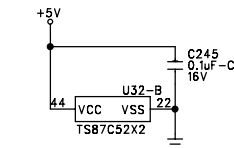
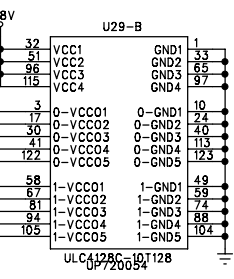
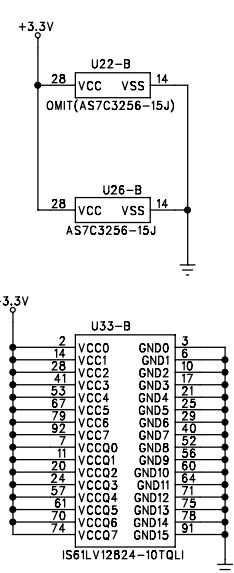
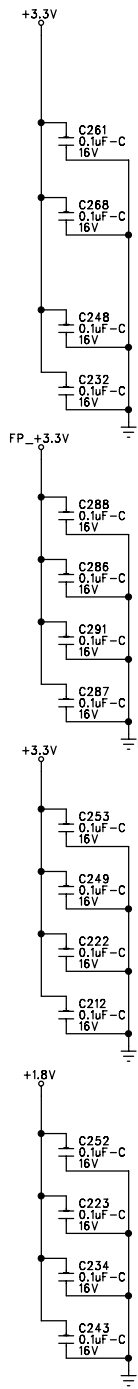
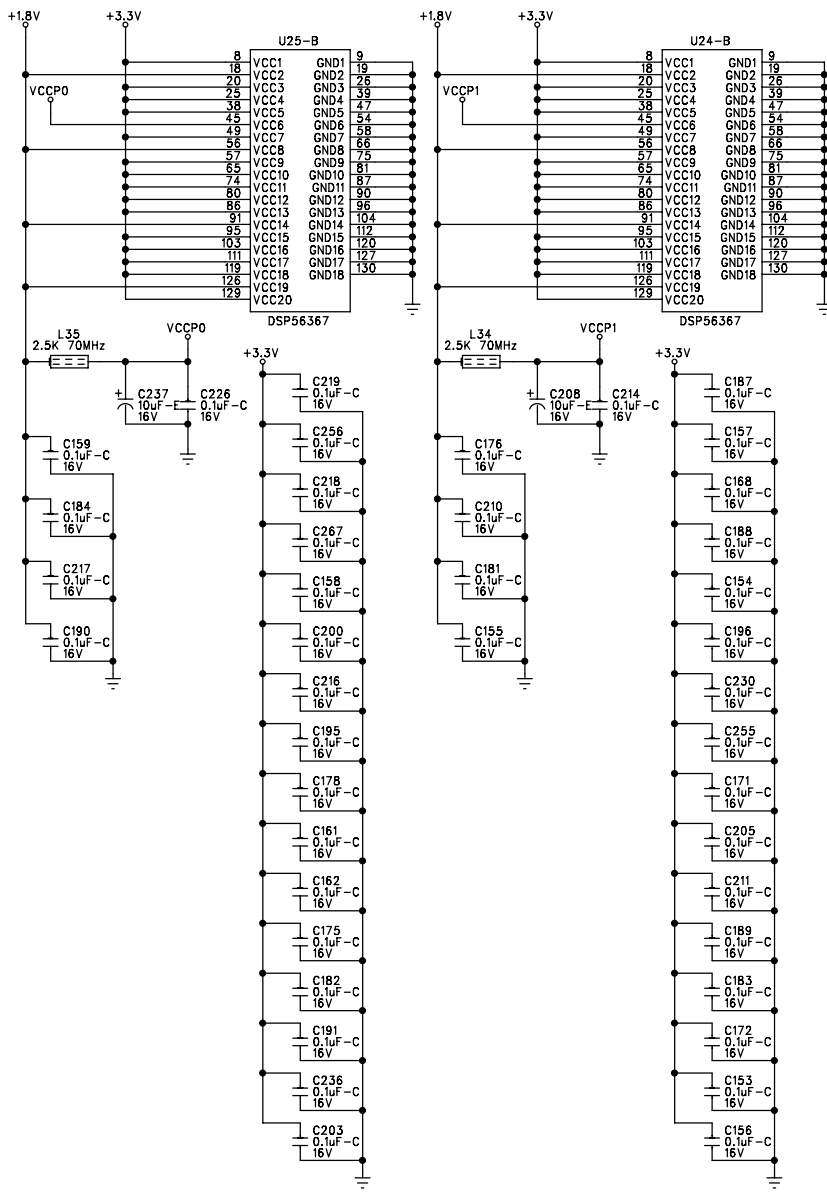
SIZE: A	SHEET TITLE: CONTACT CLOSURE	REVISION: G0
DATE: 7-19-06	DRAWING NO: 05-1796	SHEET: 16 OF 20



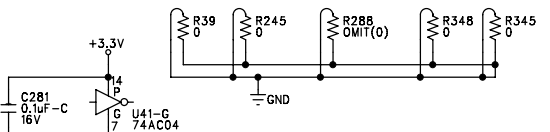
SIZE: A	SHEET TITLE: 5v TO 3V CONVERSION	REVISION: GO
DATE: 7-19-06	DRAWING NO: 05-1796	SHEET: 17 OF 20



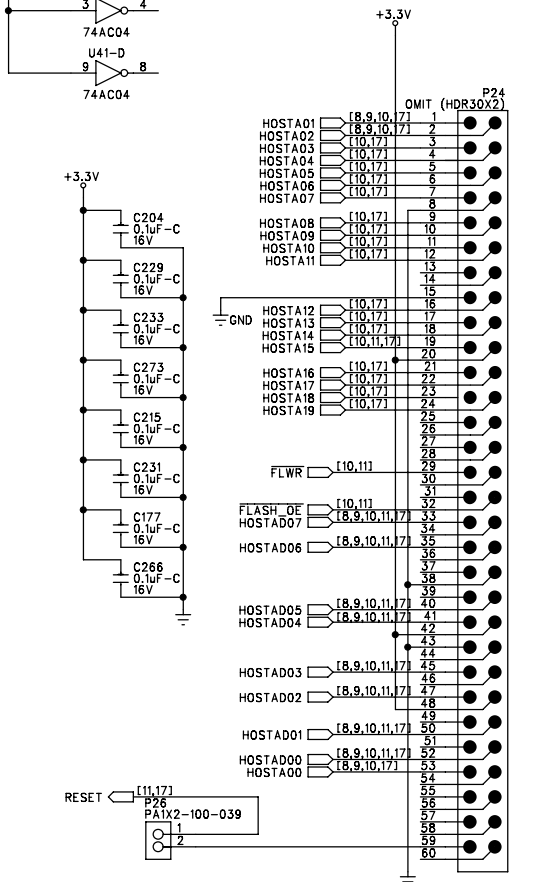
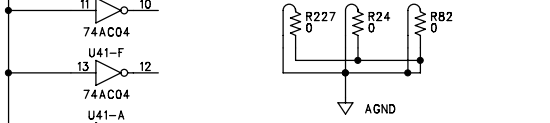
SIZE: A	SHEET TITLE: POWER SUPPLY	REVISION: GO
DATE: 7-19-06	DRAWING NO: 05-1796	SHEET: 18 OF 20

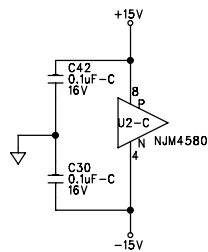
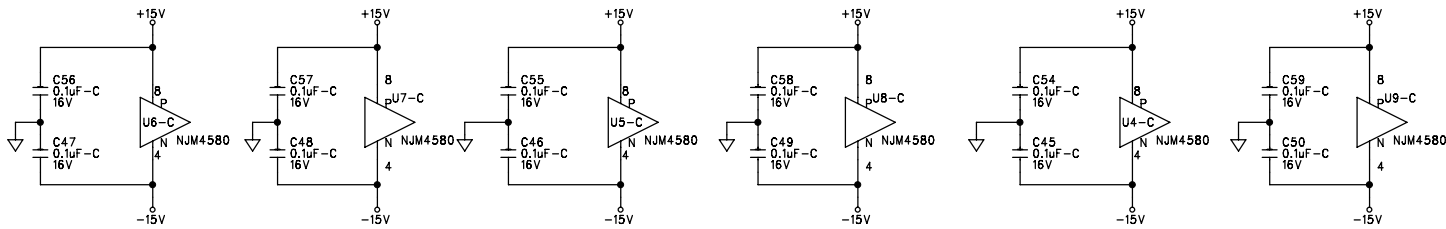
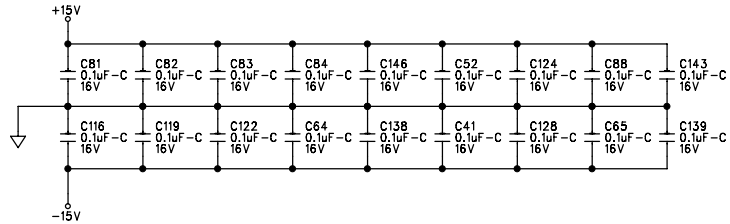
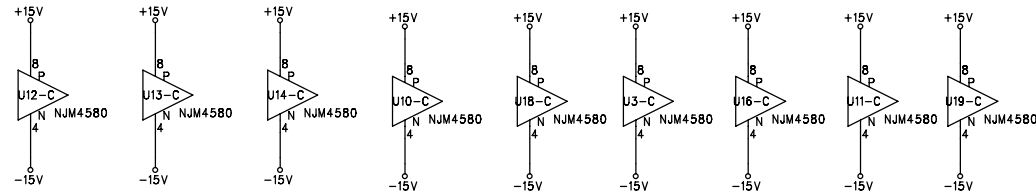
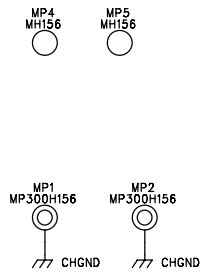


Digital Ground Test Points



Analog Ground Test Points





SIZE: A	SHEET TITLE: ANALOG POWER GATES	REVISION: GO
START DATE: 7-19-06	DRAWING NO: 05-1796	SHEET: 20 OF 20

Bill Of Materials for 051796G0.sch on Sat Aug 12 10:34:57 2006

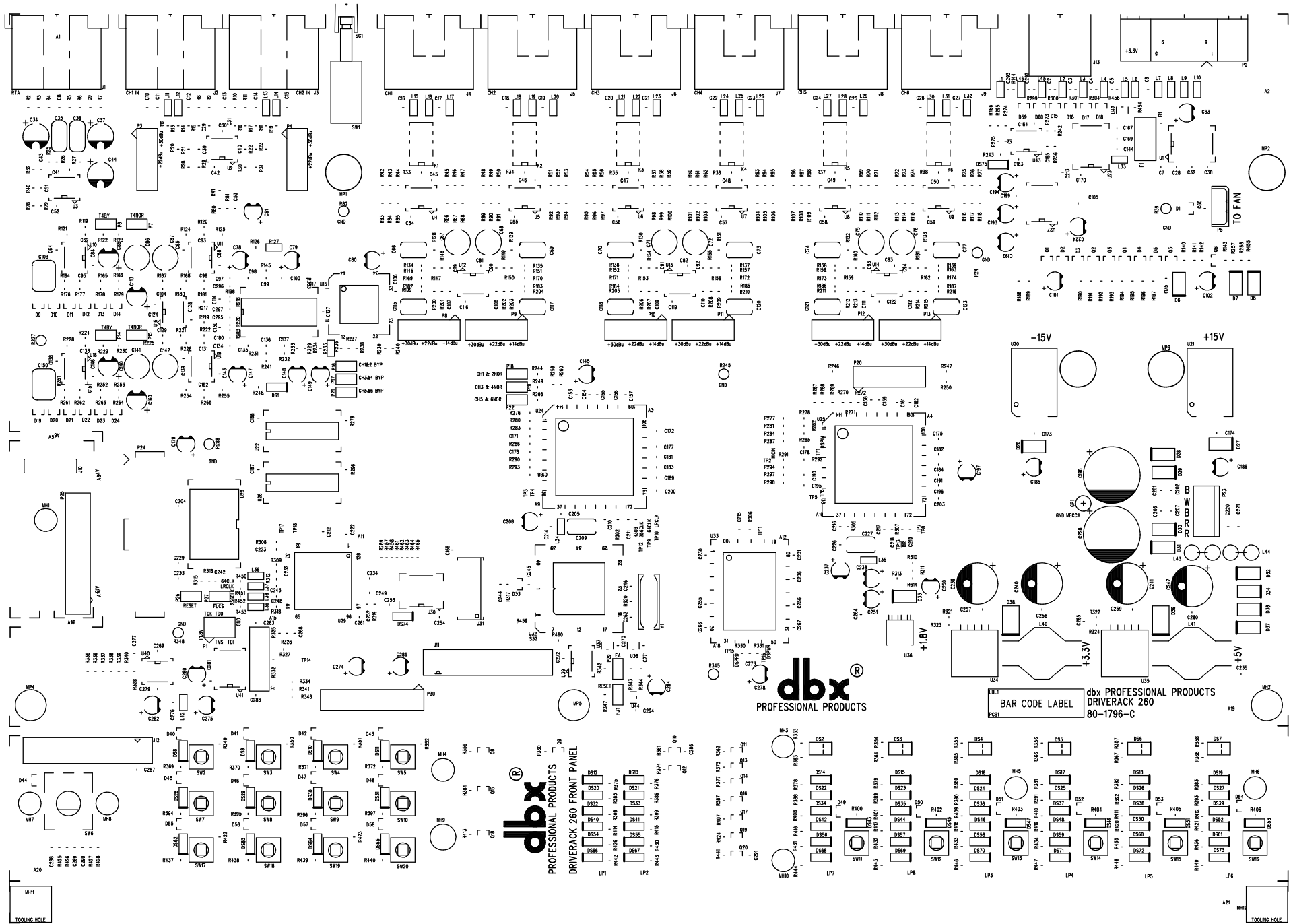
Qty	Reference	HMG#	Description	Audit	Schematic Part	PCB Decal
1	P25	NON-PART	PAD ARRAY EDGE CONN 20 COND 0.1"LS	DWB122	20PIN-FINGERS	20PIN-FINGERS
1	PCB1	80-1796	PCB 80-1796 dbx DRIVERACK 260/261	PT2044	80XXXXXY	BARCODE
5	A6-8 A14 A16	NON-PART	NON-PART, PCB ONLY, BREAKOFF PART	PT1481	BRKOFF	BRKOFF
12	C66 C69-70 C73-74 C77 C115 C117-118 C120-121 C123	56-0000	CAP 0.001uF FILM PTR 100V 5% AF TA	PT1629	C0.001UF100JR	RFCC200
2	C209 C227	56-0005	CAP 0.0068uF FILM PTR 100V 5% RF TA	PT1307	C0.0068UF100JR	RFDC200
2	C103 C150	56-0033	CAP 0.027uF FILM PTR 100V 5% RF TA	PT1282	C0.027UF100JR	RFEF200
142	C7 C28 C30 C32 C38 C41-42 C45-50 C52-59 C64-65 C81-84 C88 C97-98 C100 C105-106 C116 C119 C122 C124 C127-128 C134-135 C137-139 C143-144 C146 C153-159 C161-164 C167-178 C181-184 C187-191 C195-196 C199-200 C203-205 C210-219 C222-223 C226 C229-236 C242-245 C248-249 C252-257 C259 C261 C264-273 C276-277 C279 C281 C286-291 C294	62-1310	CAP 0.1uF CER 16V 20% Y5V 0603 TA	PT2696	C0.1UC16M0603	0603
3	C60 C258 C260	OMIT	OMIT CAP 0.1uF CER 16V 20% Y5V 0603 TA (62-1310)	PT2711	C0.1UC16M0603O	0603
6	C201-202 C206-207 C220-221	62-1312	CAP 0.1uF CER 50V +80%/-20% Y5V 0603 TA	PT2687	C0.1UC50Z0603	0603
2	C35-36	56-0012	CAP 0.1uF FILM MTPT 50V 5% RF TA	PT1200	C0.1UF50JR	RFEC200
4	C99 C114 C130 C136	62-1308	CAP 1000pF CER 50V 20% Y5V 0603 TA	PT2651	C1000PC50M0603	0603
4	C239-241 C247	60-0064	CAP 1000uF EL 16V 20% GP 10x17R 5LL TA	PT1334	C1000UE16MR	REM200P
2	C198 C228	60-0063	CAP 1000uF EL 35V 20% GP 13x25R 5LL BK	PT1207	C1000UE35MR	REQ200P
3	C34 C37 C44	60-0201	CAP 100uF EL 16V 20% GP 6x8R 5LS TA	PT1378	C100UE16MR	REG200P
29	C33 C61 C78-80 C101 C145 C147-149 C179 C185-186 C192-194 C197 C208 C237-238 C250-251 C274-275 C278 C280 C282 C284-285	60-0049-01	CAP 10uF EL 16V 20% GP 5x7R 5LS TA	PT1080	C10UE16MR	RED200P
29	C6 C8-27 C29 C31 C39-40 C43 C51 C62 C133	62-1304	CAP 120pF CER 50V 5% NPO 0603 TA	PT2655	C120PC50J0603	0603
7	C180 C246 C262 C283 C295-297	62-1300	CAP 15pF CER 50V 5% NPO 0603 TA	PT2659	C15PC50J0603	0603
1	C263	62-0094	CAP 18pF CER 50V 5% COG 0603 TA	PT2870	C18PC50J0603	0603
2	C102 C224	60-0044-01	CAP 1uF EL 50V 20% GP 5x7R 5LS TA	PT1079	C1UE50MR	RED200P
1	C166	62-1301	CAP 22pF CER 50V 5% NPO 0603 TA	PT2658	C22PC50J0603	0603
10	C67-68 C71-72 C75-76 C86-87 C141-142	60-0402	CAP 22uF ELNP 25V 20% GP 6x11R 5LS TA	PT1084	C22UN25MR	REG200
8	C63 C95-96 C104 C129 C131 C151-152	62-1306	CAP 330pF CER 50V 10% X7R 0603 TA	PT2653	C330PC50K0603	0603
8	C1-5 C165 C292-293	62-1307	CAP 470pF CER 50V 10% X7R 0603 TA	PT2652	C470PC50K0603	0603
4	C85 C113 C140 C160	60-0054-01	CAP 47uF EL 25V 20% GP 5x11R 5LS TA	PT2959	C47UE25MR1	REE200P
12	C89-94 C107-112	62-1303	CAP 68pF CER 50V 5% NPO 0603 TA	PT2656	C68PC50J0603	0603

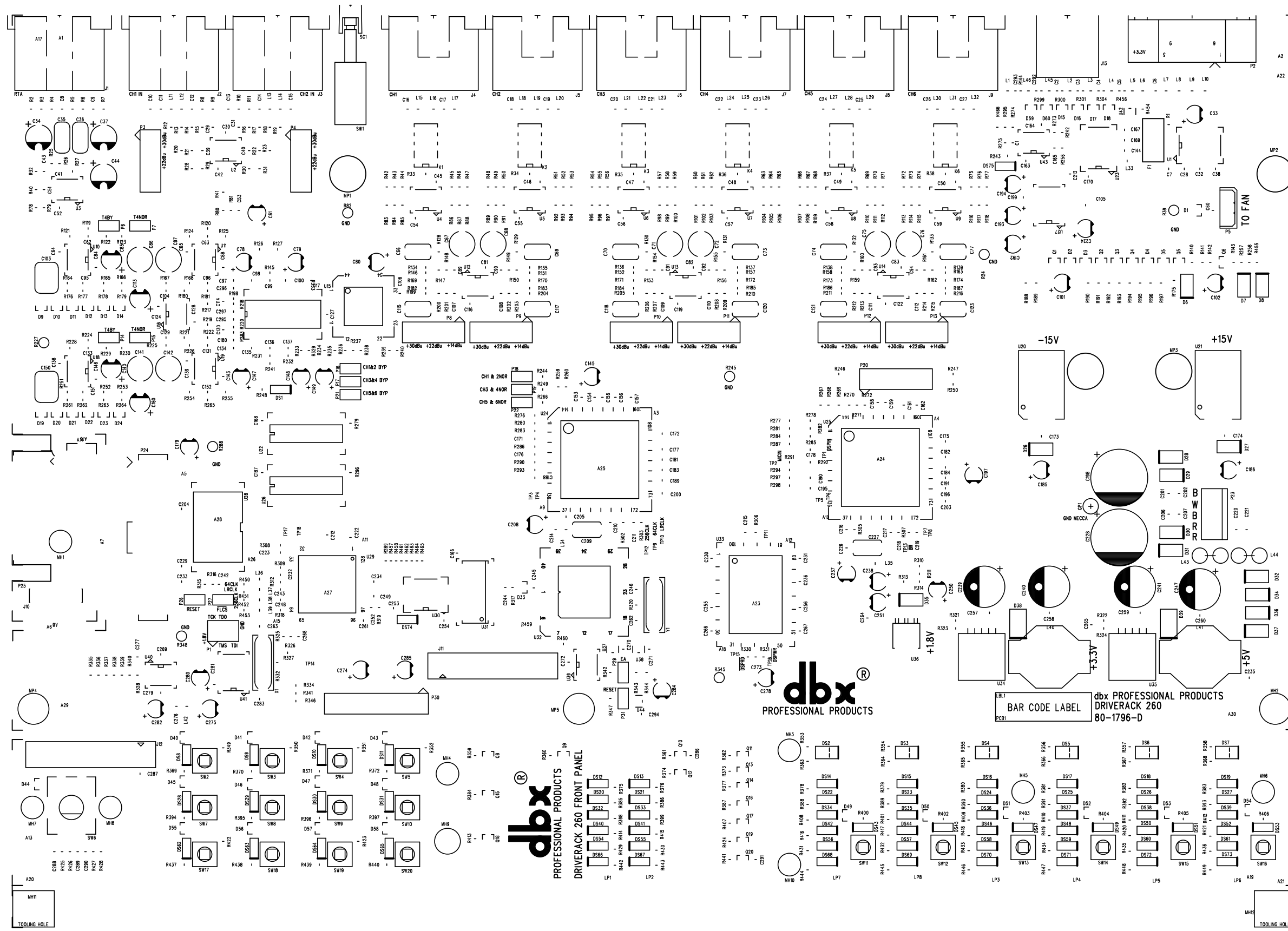
051796G0.pps							
43	D1-5 D9-24 D33 D40-60	70-0113	DIO MMBD4148SE DUAL 75V 600mA SOT-23 TA	PT1326	D1N4148SE-S	SOT-23	
14	D6-8 D26-32 D34-37	70-3203	DIO RECT S1G 400V 1.0A SMA TA	PT2081	DS1G-S	DO-214AC/SMA	
2	D38-39	70-0068	DIO RECT 40V 2A SCHOTTKY SS24 SM	PT2779	DSS24S	DO-214AA/SMB	
1	F1	32-0186	FUSE 1.25A POLY SWITCH RESETABLE	PT2893	F1.25A320186	FUSE6	
21	A3-5 A9-13 A15 A17-19 A22-30	NON-PART	NON-PART FIDUCIAL TARGET FOR AUTO INSERTION	PT2904	FIDUCIAL-AI	FIDUCIAL-AI	
4	A1-2 A20-21	NON-PART	NON-PART FIDUCIAL TARGET FOR XRAY	PT2905	FIDUCIAL-XRAY	FIDUCIAL-XRAY	
1	P24	OMIT	OMIT (CON HDR 30 X 2 FEMALE AMP SMT)	DWB	HC302V224SPMS	HC302V224SPMS	
2	J11-12	32-0000	HCN CONN 50 PIN .5 MM CNTS 1X50 FML RA	PT2824	HCN320000	HC320000	
1	J10	OMIT	OMIT HCN CONN 20 PIN FEM VRT MNT SMT (32-0176)	PT3064	HCN320176-O	HC102V079050FS	
1	P30	32-1055	HDR 20 PIN 0.1" SPC 2 X 10 VERT MALE	PT1340	HDR321055	HC102	
1	P23	32-1071	HDR 5 PIN 0.1" SPC 1 X 5 LCK POL VERT MALE	PT1621	HDR321071	HC51LPM	
1	P1	32-1077	HDR 6 PIN 0.1" SPC 2 X 3 VERT MALE	PT1683	HDR321077	HC32	
1	P20	OMIT	OMIT HDR 14 PIN 0.1" SPC 2 X 7 VERT MALE (32-1083)	PT2127	HDR321083-O	HC72	
1	P5	OMIT	OMIT HDR 3 PN 0.098" SPC 3X1 SHD VRT M (32-1243)	PT2795	HDR321243-O	HC31V98SP	
8	P3-4 P8-13	32-1994	HDR 12 PN .1" SPC 2X6 VRT MT	PT2435	HDR321994	HC62V100M	
1	J13	32-0193	CON JACK RJ45 SINGLE PORT 8 PIN R/A PCB MNT SHLD	PT2872	J320193	JRJ45_8P-LONG-SH LD	
3	J1-3	32-0206	CON JACK XLR R/A PCA A SERIES	PT1219	J320206	XLRF-1	
16	JP1-16	32-1075	JUMPER MINI .1" SPC	PT1415	JP321075	PCBNULL	
6	K1-6	72-5146	RELAY DPDT 12VDC POL SM	PT2219	K725146	KSLIM-8P	
1	LBL1	30-0121	LABEL BARCODE AUTOINSERTABLE RAW	PT2790	LABEL300121	LABEL300121	
38	DS10-11 DS28-42 DS44 DS46 DS48 DS50 DS52 DS54-61 DS66-73	70-3207	LED GREEN D1206 T&R	PT1902	LEDG703207	D1206	
6	DS2-7	70-1920	LED RED/GRN WT/DIF SM 1210 TA	PT2428	LEDM701920	LED1210	
18	DS1 DS12-19 DS43 DS45 DS47 DS49 DS51 DS53 DS64 DS74-75	70-3209	LED RED D1206 T&R	PT1901	LEDR703209	D1206	
13	DS8-9 DS20-27 DS62-63 DS65	70-3208	LED YEL 1206 TA	PT1900	LEDY703208	D1206	
2	L43-44	26-0215	IND FBD 70 OHM @ 100MHz RIC200 TA	PT1262	LFB260215	RIC200	
34	L2-5 L7-16 L18-19 L21-22 L24-25 L27-28 L30-31 L33-39 L42 L45-46	26-0217	IND FBD 2.5K OHM @ 70MHz 0805 TA	PT1261	LFB260217	0805	
2	L40-41	26-0002	IND PWR 100uH 3A	PT2754	LI260002	UP3B	
2	LP1-2	NON-PART	NON-PART 6 POS NOT INSTALLED UNTIL MECHANICAL ASSY(LIGHT PIPE)	PT1967	LP242015-6	LP242015-6	
6	LP3-8	NON-PART	NON-PART 8 POS NOT INSTALLED UNTIL MECHANICAL ASSY(LIGHT PIPE)	PT1968	LP242015-8	LP242015-8	
1	GP1	NON-PART	NON-PART MECCA GND/PWR TIE POINT 4 POS	PT2482	MECCA4	MECCA4	
8	MH1 MH3-8 MH10	NON-PART	NON-PART, MOUNTING HOLE, 0.130" NON-PLATED, #4	PT1242	MH130	MH130	
3	MH2 MP4-5	NON-PART	NON-PART MOUNTING HOLE 0.156" NON-PLATED #6	PT3000	MH156	MH156	
1	MH13	NON-PART	NON-PART	PT3276	MH156-NOKEEPOUT	MH156-NOKEEPOUT	
2	MH11-12	NON-PART	NON-PART TOOLING PIN HOLE 156MIL HOLE	PT2794	MH156-TOOL	MH156-TOOL	
1	MH9	NON-PART	NON-PART MECHANICAL PLATED HOLE 225 PAD 130 HOLE #4	PT1998	MP225H130	MP225H130	
2	MP1-2	NON-PART	NON-PART MECHANICAL PLATED HOLE 300 PAD 156 HOLE #6	PT3001	MP300H156	MP300H156	
1	MP3	NON-PART	NON-PART SMT HEATSINK DIMPLE 300P 156H #6	PT2816	MP300H156-HSDMP	MP300H156-HSDMP	
6	J4-9	32-0204	CON PLUG XLR R/A PCA A SERIES	PT1218	P320204	XLRM-1	
1	P2	32-1017	CON JACK DCONN DUAL PORT 9P RA MALE PC MNT	PT1931	P321017	DCON9PM	
14	P6-7 P14-19 P21-22 P26-27 P29 P31	NON-PART	NON-PART PD ARY 2 PN 0.100" SPC 0.039" HLE	PT1645	PA1X2-100-039	PA1X2-100-039	
17	Q2 Q4-6 Q8-20	70-1058	XSTR 2N3904 NPN SOT-23 TA	PT1203	Q2N3904-S	SOT-23	
2	Q1 Q3	70-1059	XSTR 2N3906 PNP SOT-23 SM TA	PT1057	Q2N3906-S	SOT-23	
17	R2-3 R5-6 R78 R123 R230 R241 R244 R249 R266 R292 R316 R342 R344 R347 R454	50-1300	RES 0 5% 1/16W SM 0603 TA	PT2508	R0-B5-0603	0603	
9	R122 R126 R229 R236-238 R248 R469-470	OMIT	OMIT RES 0 5% 1/16W SM 0603 TA (50-1300)	PT2509	R0-B5-0603O	0603	

10	L1 L6 L17 L20 L23 L26 L29 L32 R127 R235	50-1531	RES 0 5% 1/10W SM 0805 TA		PT1099 R0-C5-0805	0805
7	R24 R39 R82 R227 R245 R345 R348	50-0317	RES 0 5% 1/4W CF RR TA		PT1008 R0-E5-R	RRA200
1	R288	OMIT	OMIT RES 0 5% 1/4W CF RR TA (50-0317)		PT1596 R0-E5-RO	RRA200
2	R25 R40	52-1314	RES 1.5K 1% 1/16W SM 0603 TA		PT2551 R1.5KB1-0603	0603
4	R14 R17 R20 R23	52-1339	RES 10.2K 1% 1/16W SM 0603 TA		PT2591 R10.2KB1-0603	0603
12	R147 R150 R153 R156 R159 R162 R200 R203 R206 R209 R212 R215	52-1340	RES 10.7K 1% 1/16W SM 0603 TA		PT2592 R10.7KB1-0603	0603
15	R33-38 R142 R234 R270 R277 R281 R284 R287 R291 R311	52-1304	RES 100 1% 1/16W SM 0603 TA		PT2512 R100-B1-0603	0603
6	R141 R178-179 R263-264 R335	52-1360	RES 100K 1% 1/16W SM 0603 TA		PT2613 R100KB1-0603	0603
62	R80-81 R84 R87 R90 R93 R96 R99 R102 R105 R108 R111 R114 R117 R143 R175 R233 R239-240 R246-247 R250 R257-260 R267-269 R271-272 R275-276 R278-280 R282-283 R285-286 R290 R293-298 R305-309 R312 R315 R317-319 R325-326 R330-331 R343	52-1338	RES 10K 1% 1/16W SM 0603 TA		PT2584 R10KB1-0603	0603
1	R329	OMIT	OMIT RES 10K 1% 1/16W SM 0603 TA (52-1338)		PT2628 R10KB1-06030	0603
1	R338	52-1362	RES 150K 1% 1/16W SM 0603 TA		PT2615 R150KB1-0603	0603
17	R9-10 R29-30 R146 R151-152 R157-158 R163 R182-187 R190	52-1344	RES 15K 1% 1/16W SM 0603 TA		PT2596 R15KB1-0603	0603
1	R467	52-1363	RES 165K 1% 1/16W SM 0603 TA		PT2616 R165KB1-0603	0603
4	R125 R217 R219 R255	52-1305	RES 169 1% 1/16W SM 0603 TA		PT2513 R169-B1-0603	0603
20	R27 R140 R188-189 R191 R195 R333 R359-362 R373-374 R377 R384 R387 R407 R413 R424 R441	52-1313	RES 1K 1% 1/16W SM 0603 TA		PT2550 R1KB1-0603	0603
1	R79	OMIT	OMIT RES 1K 5% 1/16W SM 0603 TA (50-1313)		PT2535 R1KB5-06030	0603
9	R144 R242 R299-301 R304 R320 R332 R456	52-1372	RES 1M 1% 1/16W SM 0603 TA		PT2625 R1MB1-0603	0603
4	R124 R168 R226 R254	52-1317	RES 2.21K 1% 1/16W SM 0603 TA		PT2555 R2.21KB1-0603	0603
4	R120 R181 R222 R265	52-1318	RES 2.49K 1% 1/16W SM 0603 TA		PT2556 R2.49KB1-0603	0603
6	R44 R50 R56 R62 R68 R74	52-1319	RES 2.67K 1% 1/16W SM 0603 TA		PT2557 R2.67KB1-0603	0603
28	R313 R327 R341 R346 R353-358 R369-372 R394-397 R400 R402-406 R437-440	52-1306	RES 200 1% 1/16W SM 0603 TA		PT2514 R200-B1-0603	0603
14	R289 R310 R334 R450-453 R457-458 R461-465	52-1300	RES 20 1% 1/16W SM 0603 TA		PT2507 R20-B1-0603	0603
1	R339	52-1364	RES 221K 1% 1/16W SM 0603 TA		PT2617 R221KB1-0603	0603
16	R4 R7 R164 R167 R176-177 R180 R193 R221 R225 R251 R261-262 R321-322 R455	52-1316	RES 2K 1% 1/16W SM 0603 TA		PT2553 R2KB1-0603	0603
13	R43 R46 R49 R52 R55	52-1322	RES 3.16K 1% 1/16W SM 0603 TA		PT2560 R3.16KB1-0603	0603

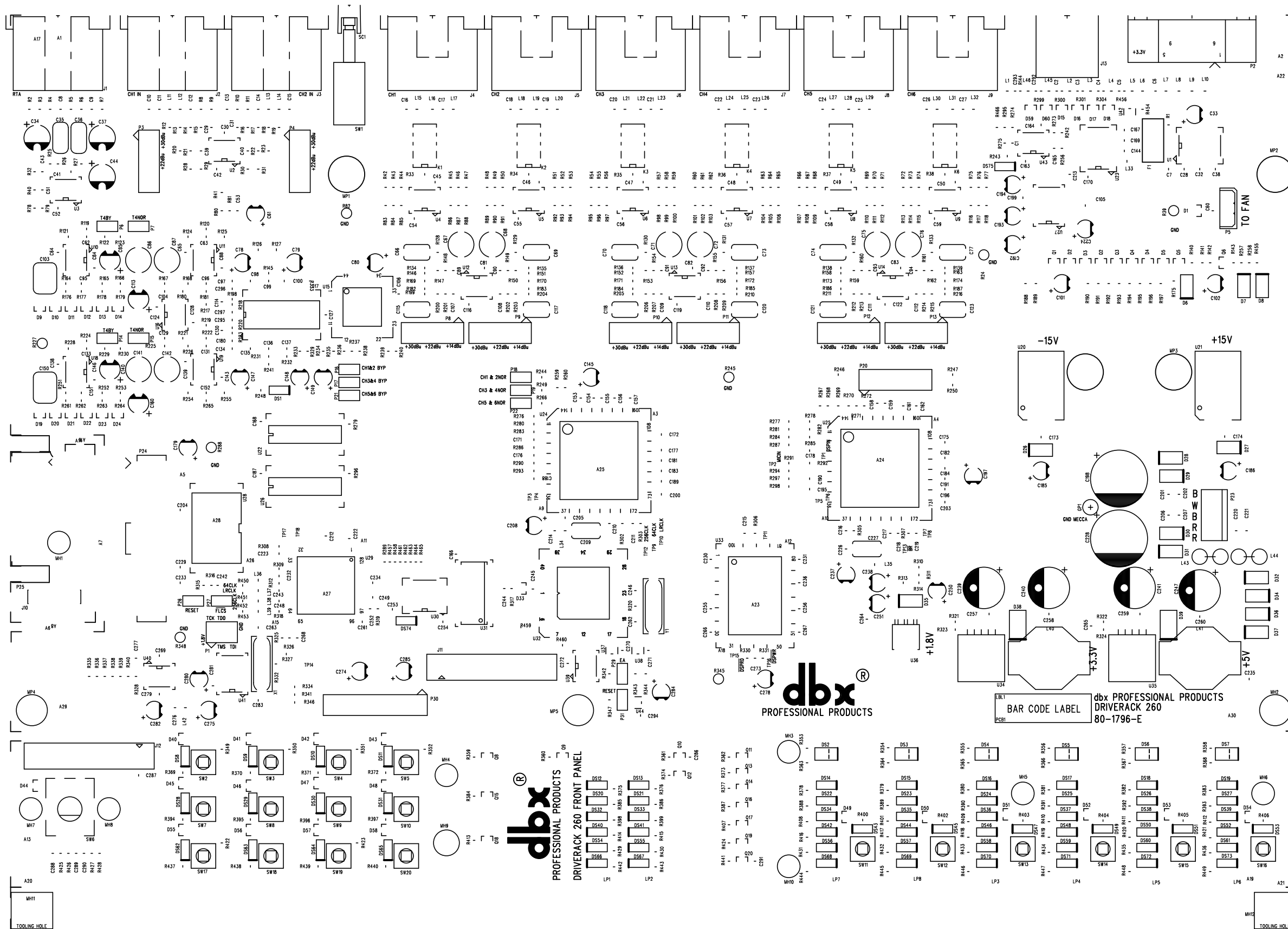
	R58 R61 R64 R67 R70 R73 R76 R274								
6	R45 R51 R57 R63 R69 R75	52-1323	RES 3.24K 1% 1/16W SM 0603 TA		PT2561 R3.24KB1-0603	0603			
15	R119 R148-149 R154-155 R160-161 R201-202 R207-208 R213-214 R224 R323	52-1324	RES 3.32K 1% 1/16W SM 0603 TA		PT2562 R3.32KB1-0603	0603			
50	R26 R32 R194 R363-368 R385-386 R388-393 R398-399 R401 R408-412 R414-421 R429-436 R442-449 R459	52-1307	RES 332 1% 1/16W SM 0603 TA		PT2543 R332-B1-0603	0603			
1	R466	52-1366	RES 332K 1% 1/16W SM 0603 TA		PT2619 R332KB1-0603	0603			
5	R165-166 R252-253 R336	50-1325	RES 33K 5% 1/16W SM 0603 TA		PT2589 R33KB5-0603	0603			
1	R314	52-1301	RES 39.2 1% 1/16W SM 0603 TA		PT2515 R39.2-B1-0603	0603			
13	R41 R128-133 R169-174	52-1355	RES 39.2K 1% 1/16W SM 0603 TA		PT2608 R39.2KB1-0603	0603			
1	R273	52-0000	RES 392K 1% 1/10W SM 0603 TA		PT2892 R392KB1-0603	0603			
4	R15-16 R21-22	52-1325	RES 4.02K 1% 1/16W SM 0603 TA		PT2563 R4.02KB1-0603	0603			
12	R42 R47-48 R53-54 R59-60 R65-66 R71-72 R77	52-1327	RES 4.53K 1% 1/16W SM 0603 TA		PT2565 R4.53KB1-0603	0603			
4	R1 R192 R197 R460	52-1328	RES 4.64K 1% 1/16W SM 0603 TA		PT2568 R4.64KB1-0603	0603			
12	R134-139 R199 R204-205 R210-211 R216	52-1329	RES 4.99K 1% 1/16W SM 0603 TA		PT2566 R4.99KB1-0603	0603			
18	R196 R198 R218 R220 R223 R232 R243 R302-303 R328 R375-376 R378-383	52-1308	RES 499 1% 1/16W SM 0603 TA		PT2545 R499-B1-0603	0603			
6	R86 R92 R98 R104 R110 R116	52-1331	RES 5.76K 1% 1/16W SM 0603 TA		PT2576 R5.76KB1-0603	0603			
16	R8 R11-13 R18-19 R28 R31 R85 R91 R97 R103 R109 R115 R324 R468	52-1332	RES 6.04K 1% 1/16W SM 0603 TA		PT2577 R6.04KB1-0603	0603			
12	R83 R88-89 R94-95 R100-101 R106-107 R112-113 R118	52-1303	RES 60.4 1% 1/16W SM 0603 TA		PT2511 R60.4-B1-0603	0603			
2	R145 R231	52-1309	RES 619 1% 1/16W SM 0603 TA		PT2546 R619-B1-0603	0603			
1	R256	52-0196	RES 619K 1% 1/10W SM 0603 TA		PT2894 R619KB1-0603	0603			
1	R337	52-1358	RES 63.4K 1% 1/16W SM 0603 TA		PT2611 R63.4KB1-0603	0603			
11	R340 R349-352 R422-423 R425-428	52-1335	RES 7.5K 1% 1/16W SM 0603 TA		PT2581 R7.5KB1-0603	0603			
2	R121 R228	52-1336	RES 8.06K 1% 1/16W SM 0603 TA		PT2582 R8.06KB1-0603	0603			
1	RP1	OMIT	OMIT RESNET 10K 5% 62.5mW BUS(1,6) 8E SM TA (54-0551)		PT2429 RP10K8B540551-O	RP1608			
6	SC16-21	24-2017-A	SWITCHCAP dbx LIGHTED MUTE BUTTON		PT2025 SC242017A				
1	SC1	34-0125	SWITCH CAP BLACK ROUND		PT1354 SC340125				SC340125-FPE
12	SC2-13	34-0199-A	SWITCH CAP dbx LIGHTED		PT2024 SC340199A				PCBNULL
1	SW1	44-0050	SWITCH DPDT MINI IN-OUT 6 PIN E-SWITCH		PT1256 SW440050				SW440050
1	SW6	44-0119	SWITCH ENCODER 20mm D-SHAFT 30 POS W/SW VERT MNT		PT1890 SW440119				SW440119
18	SW2-5 SW7-20	44-0185	SWITCH SPST LITE TOUCH MINI W/ PROJECTED PLUNGER SMT		PT1962 SW440185				SW4PTACT-3
18	TP1-18	NON-PART	NON-PART, TEST POINT, ENGINEERING PROBE POINT		PT1653 TESTPOINT				TESTPOINTSM
1	U33	72-0209	IC 128K x 24 STATIC RAM 10ns 3.3V QFP100-14X20		PT3314 U128K24S10-3.3-Q				QFP100-14X20
1	U39	72-0046	IC 25AA640 64K SERIAL EEPROM TA		PT2774 U25AA260				SO8
1	U26	72-6318	IC 32K x 8 SRAM 15ns SOJ28		PT2294 U32K8S15-J				SOJ28-300
1	U22	OMIT	OMIT IC 32K x 8 SRAM 15ns SOJ28 (72-6318)		PT2874 U32K8S15-JO				SOJ28-300
1	U41	72-5426	IC, 74AC04, HEX INVERTER, SO14, T&R		PT1325 U74AC04-S				SO14
1	U23	72-0085	IC 74HC4051 ANALOG MUX/DEMUX SO16		PT1927 U74HC4051-S				SO16

1	U30	72-0063	IC 74LVTH573 3.3V ABT 8-LATCH 3-STATE SSO20 TR	PT2856	U74LVTH573-P	SSOP20
1	U15	72-1485	IC AK4356 192kHz 24 BIT 6 CHANNEL DAC	PT2717	UAK4356-Q	QFP44-10X10
1	U17	72-1464	IC, AK5392, DUAL 24BIT ADC, SO28W	PT1555	UAK5392-S	SO28W
2	U24-25	72-6305	IC DSP56367 DSP 150MHZ QFP144-20X20	PT2452	UDSP56367-Q	QFP144-20X20
1	U21	70-0070	V-REG L7815CD2T +15V 1A TA	PT2817	UL7815CD2T-S	TO263(D2PAK)
1	U20	70-0069	V-REG L7915CD2T -15V 1A TA	PT2819	UL7915CD2T-S	TO263(D2PAK)
2	U34-35	70-0063	V-REG LM2575S-ADJ SWITCHING REG 1A TO-263(5)	PT2739	ULM2575S-ADJ	TO-263(5)
1	U36	70-0072	V-REG LM317DT 1.2V TO 37V ADJ 0.5A TA	PT2866	ULM317DT-S	TO252(DPACK)
3	U37-38 U42	72-5434	IC NC7SZ125 TINYLOGIC BUFFER SOT23-5 TA	PT1881	UNC7SZ125-S	SOT23-5
1	U44	72-0068	IC NCP302H VOLTAGE DETECTOR SM SOT23-5	PT2869	UNCP302H	SOT23-5
18	U2-14 U16 U18-19 U40 U43	72-1480	IC NJM4580 DUAL OP-AMP SO8	PT1374	UNJM4580-S	SO8
1	U29	72-0054-00V1	IC CPLD LC4128C-10T128 128 MC 92I/O SM dbx Driverack 260 V1	PT2859	UP720054	TQFP128
1	U32	72-0061-00V1	IC TS87C52X2 8 BIT OTP MICRO 5V 30Mhz dbx Driverack 260 V1	PT2868	UP720061	PLCC-44
1	U28	72-0062-00V1	IC AM29LV800BT 70ns 8 MEG FLASH dbx DRIVERACK 260 V1	PT2827	UP720062	TSOP48
1	U27	72-0055	IC PCM1801 16-BIT ADC 93DB SM	PT2875	UPCM1801-S	SO14
1	U31	72-0059	IC PI5C16211 24 BIT BUS SWITCH 5V-3V TSSOP	PT2860	UPI5C16211-TS	TSSOP56
1	U1	72-0056	IC SP202ECN RS-232 DUAL DRIVER/RECEIVER SM	PT2876	USP202ECN-S	SO16
1	P28	42-0001	POT 50K TOP ADJ TA	PT1323	VR50K420001	VRTRIM2
1	Y1	76-0000	XTAL 22.1184MHz 18pF HC49 SM TR	PT2829	Y22.1184M760000	XTAL2-V
1	X1	76-0006	XTAL 24.576MHz CX16F/CS49G SM TA	PT2919	Y24.576M760006	XTAL2-V

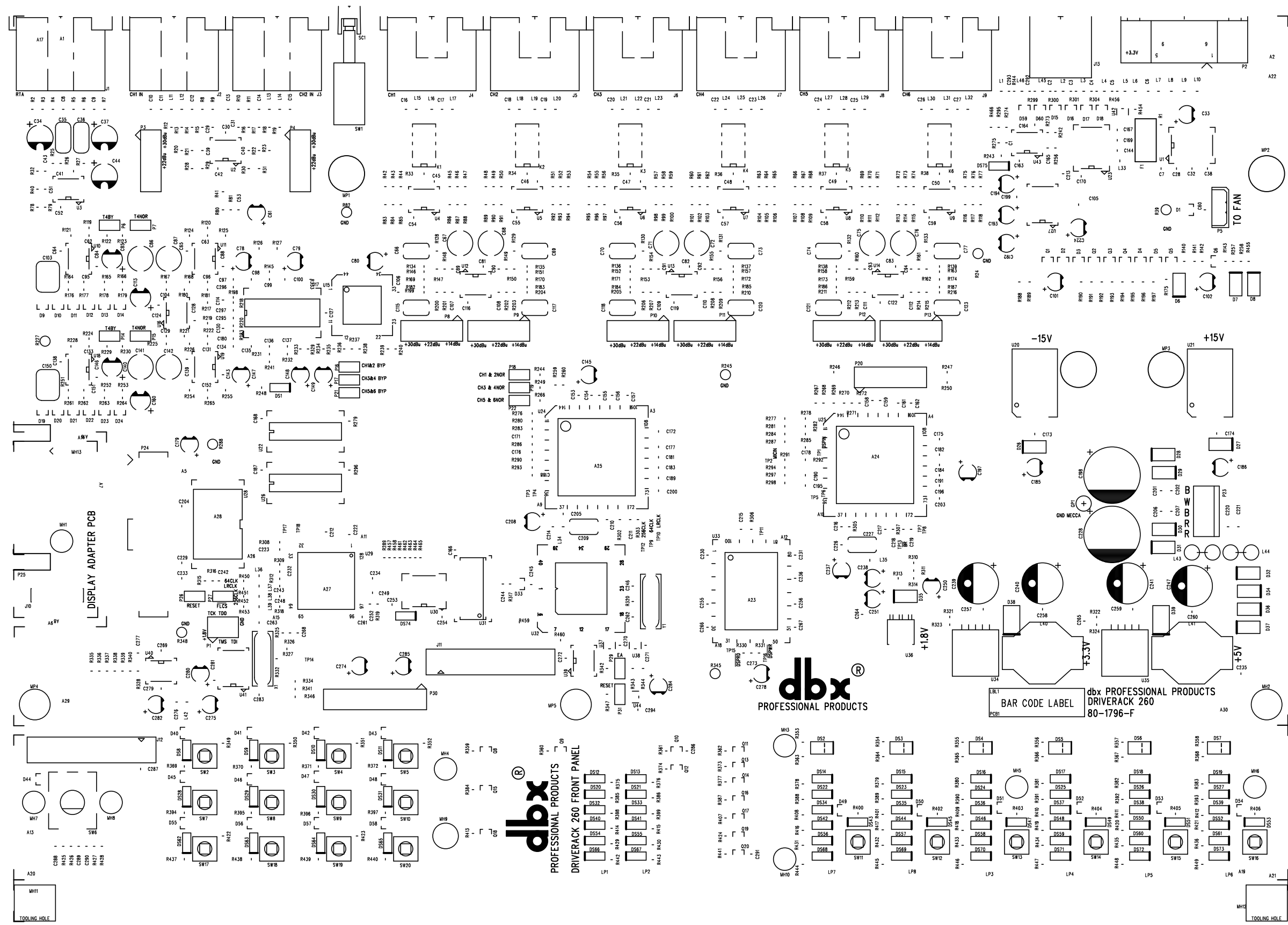




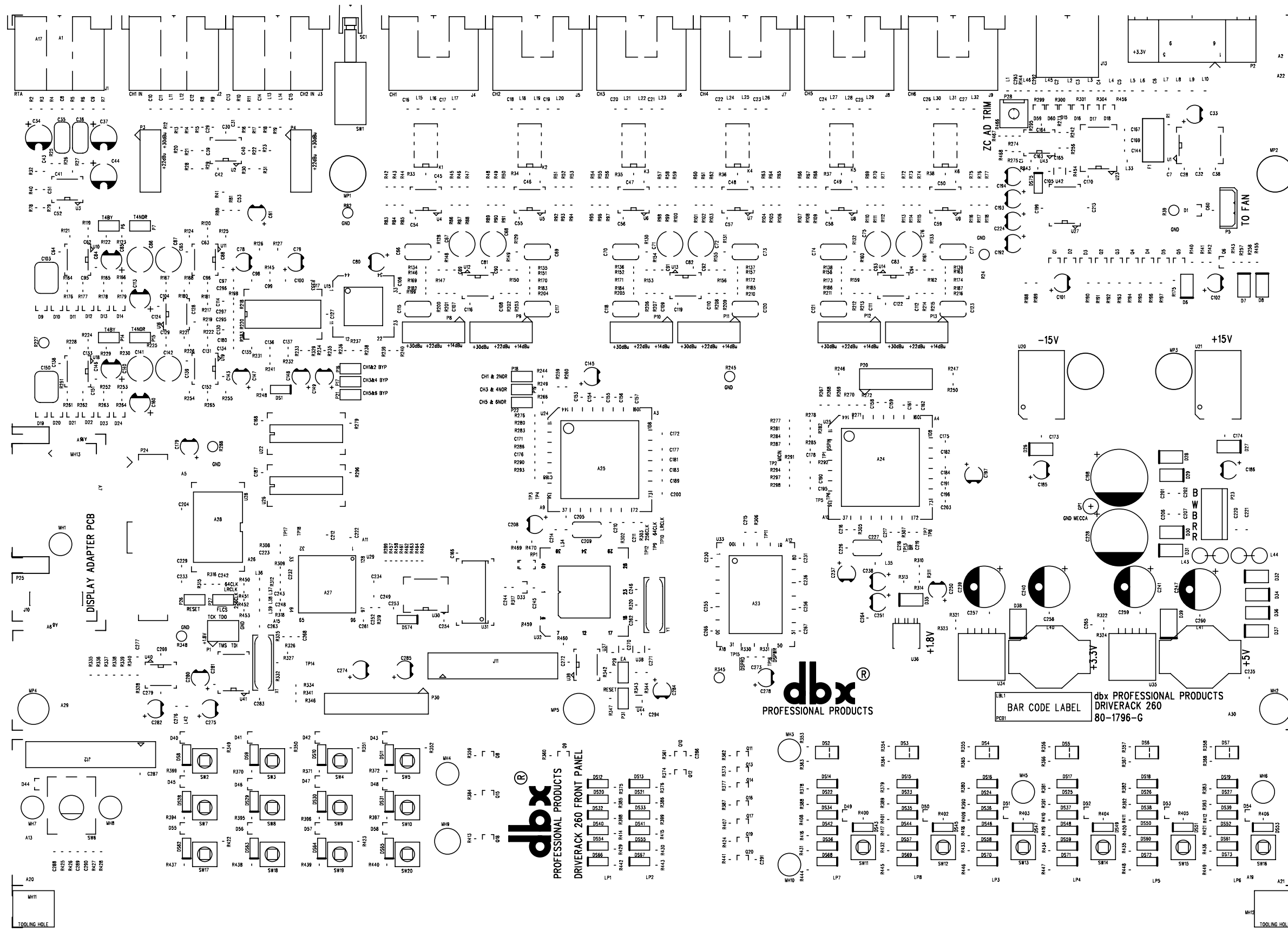
80-1796-D
SILKSCREEN - COMPONENT SIDE



80-1796-E
SILKSCREEN - COMPONENT SIDE



80-1796-F
SILKSCREEN - COMPONENT SIDE



80-1796-G
SILKSCREEN - COMPONENT SIDE

IEC SYSTEM FOR CONFORMITY TESTING
AND CERTIFICATION OF ELECTRICAL
EQUIPMENT (IECEE)
CB SCHEME

SYSTÈME CEI D'ESSAIS DE CONFORMITÉ
ET DE CERTIFICATION DES ÉQUIPEMENTS
ÉLECTRIQUES (IECEE)
MÉTHODE OC

CB TEST CERTIFICATE
CERTIFICAT D'ESSAI OC

Product
Produit

Commercial Audio Equalizer / Speaker Control Processor

Name and address of the applicant
Nom et adresse du demandeur

Harman Music Group
8760 South Sandy Parkway, Sandy, UT 84070, USA

Name and address of the manufacturer
Nom et adresse du fabricant

Harman Music Group
8760 South Sandy Parkway, Sandy, UT 84070, USA

Name and address of the factory
Nom et adresse de l'usine

VTech Communications Ltd., Xia Ling Bei Management Zone, Liao Bu
District, Dongguan, Guangdong, China

Rating and principal characteristics
Valeurs nominales et caractéristiques principales

100-120 V~ / 220-240V~, 50/60 Hz, 18 W

Trade mark (if any)
Marque de fabrique (si elle existe)

dbx

DriveRack 260

Model/type Ref.
Ref. de type

Note: May be provided with suffix 'EU' or 'V'

Additional information (if necessary)
Information complémentaire (si nécessaire)

IEC PUBLICATION 60065 EDITION 1998

A sample of the product was tested and found
to be in conformity with
*Un échantillon de ce produit a été essayé et a été
considéré conforme à la*

National Deviations, AR, AU, CA, DE, DK, GB, IE, IT, JP, KR, NO, SE,
SG, US and Group Differences. CB Bulletin 103A (July 2002)

as shown in the Test Report Ref. No.
which form part of this certificate
*comme indiqué dans le Rapport d'essais numéro
de référence
qui constitue une partie de ce certificat*

CB 160934-1353221 (Edition 3)

This CB Test Certificate is issued by the National Certification Body
Ce Certificat d'essai OC est établi par l'Organisme National de Certification



CSA International
178 Rexdale Boulevard
Toronto, ON M9W 1R3

Date April 1, 2003

Signature  Timo Venalainen, P. Eng.



Harman Music Group
8760 South Sandy Parkway
Sandy, Utah 84070
Phone 801-566-8800
Fax 801-566-7005

Harman Music Group

EMI Test Report



*Audio Signal Processor Measurements
and Results*

Model: dbx260

CONTENTS

SECTION I

TEST REPORT

Scope of Test Report
Instrumentation
Measurements

SECTION II

SHIELD ROOM SETUP

Block diagram of Mains Terminal Disturbance measurement method for associated equipment.
Block diagram of Disturbance Power measurement method for associated equipment.
Photographs of Equipment Under Test

SECTION III

TEST RESULTS: Mains Terminal Disturbance

EN 55013(1990) Test Data and Instrumentation Settings for Mains Terminal Disturbance measurements of associated equipment.

SECTION IV

TEST RESULTS: Disturbance Power

EN 55013(1990) Test Data and Instrumentation Settings for measurements of Disturbance Power External Lead Radiation of associated equipment.

SECTION V

APPENDIX D

EN 55020 Test Data.
Canadian ICES -003

SECTION I

TEST REPORT
Emission of Electromagnetic Disturbances

Equipment: dbx260 Loud Speaker Management System
Manufactured By: Dbx
Test Report By: Harman Music Group
Trade Mark: Dbx
Types: dbx260
Note: Product name may be suffixed by the letters EU, JA, UK, NP, PS.
Rating: 230V, 50Hz
Additional Information: none

STANDARDS AND REGULATIONS

EN 55013:1990
EN 55020:1991

MEASURED RESULTS


A/ Mains Terminal Disturbance Voltage see section III.
B/ Disturbance Power of External Lead Radiation see section IV.

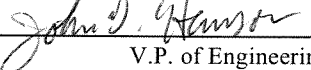
SUMMARY

The equipment meets the limits in EN 55013 and the requirements of EN 55020.

Tested by Dbx Engineering on dates as noted in sections III and IV.

Compiled by:  Date: 12/10/02

Reviewed by: 
Compliance Engineer Manager Date: 12/10/02

Reviewed by: 
V.P. of Engineering Date: 12/10/02

INSTRUMENTATION

A/

Mains Terminal Disturbance voltage in the frequency range 9 kHz to 30 MHz

Test Receiver	Agilent E7401A
In line Attenuator	HP 11947A Transient limiter
Artificial Mains Network, 50 S	LISN, Emco 3810/2

B/

Disturbance Power in the frequency range 30 MHz to 1000 MHz

Test receiver	Agilent E7401A
Absorbing Clamp	Rohde & Schwarz Absorbing Clamp MDS-21

Note: For block diagram of instrumentation layout see section II.

MEASUREMENTS AND MEASURING RESULTS

A/

Mains Terminal Disturbance Voltage in the frequency range 9 kHz to 30 MHz

The Mains Disturbance Voltage was measured in a shielded room. Measurements were performed with a peak detector and, if required, with an average detector.

Permitted limits in the frequency range 9 kHz to 150 kHz are under consideration.

Test results are given in section III.

B/

Disturbance Power External Lead Radiation in the frequency range 30 MHz to 300 MHz

The Radiated Disturbance Power of the external leads was measured in a shielded room with an absorbing clamp moved along the lead under test. Measurements were performed with a peak detector and, if required, with an average detector.

Permitted limits in the frequency range 300 MHz to 1000 MHz are under consideration.

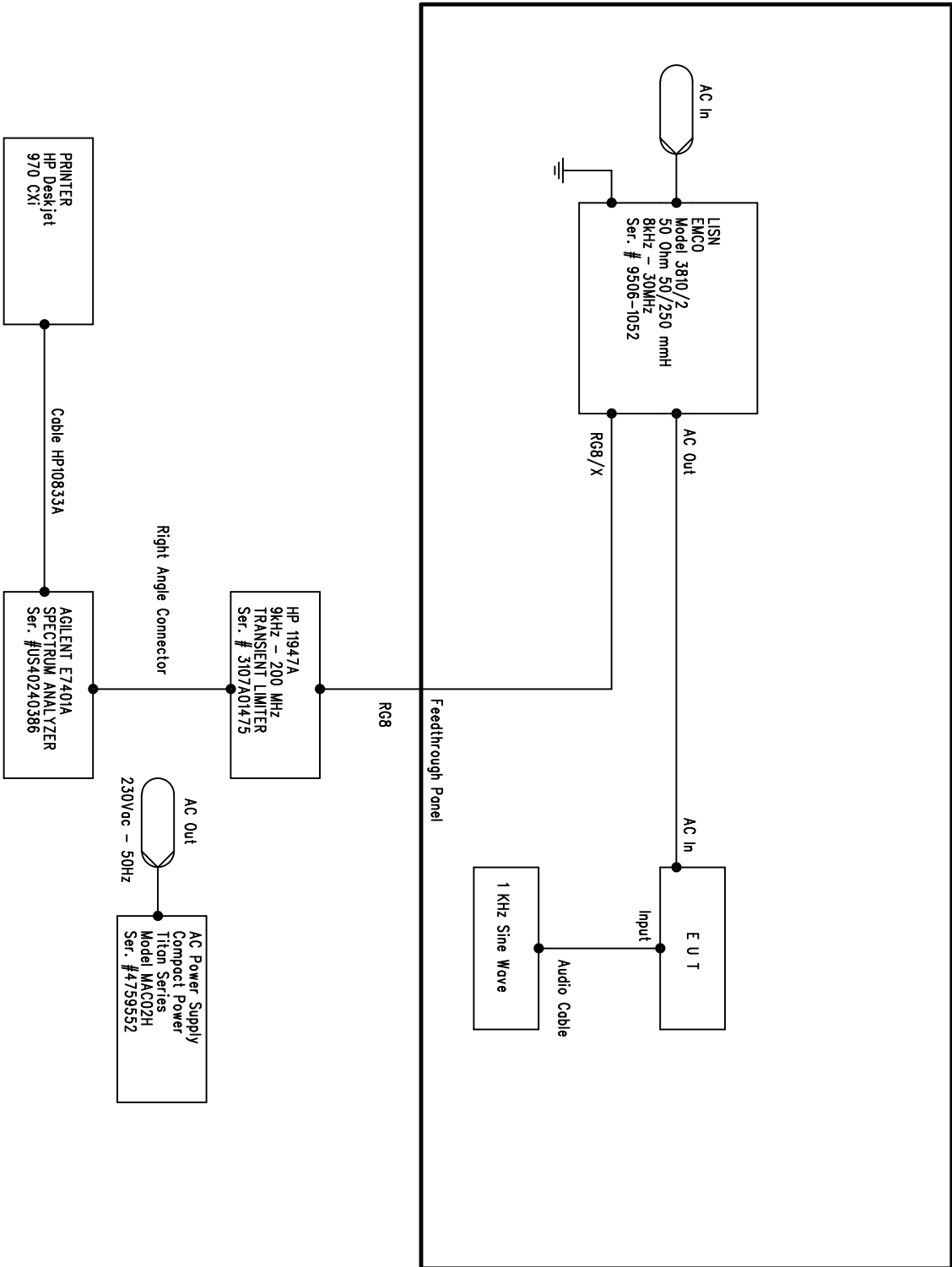
Test results are given in section IV.

SECTION II

INSTRUMENTATION LIST

<u>Brand</u>	<u>Model</u>	<u>Serial Number</u>
Rhode & Schwarz Absorbing Clamp	MDS21	828228/013
Agilent Spectrum Analyzer	E7401A	US40240386
Hewlett Packard Transient Limiter	11947A	3107A01475
Compact Power AC Power Supply	Titan Mac02H	4759552
EMCO LISN	3810/2	9506-1052

SHIELD ROOM



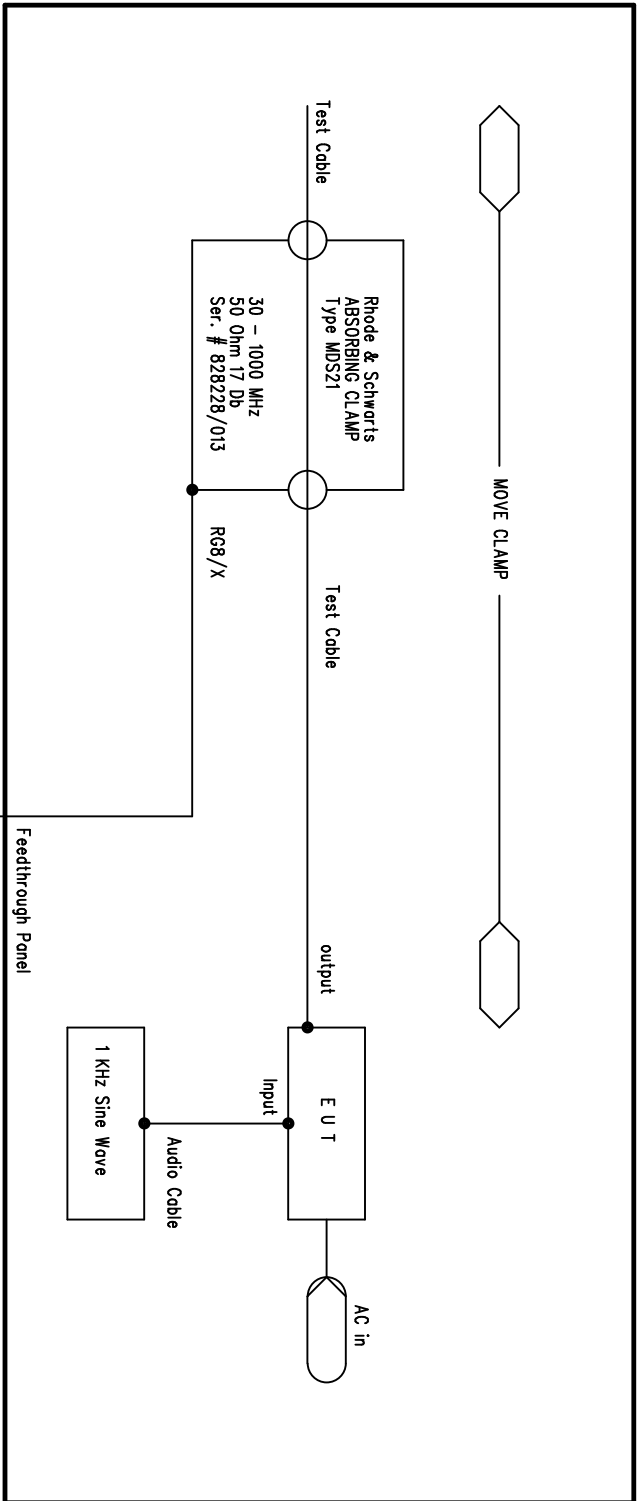
Dod Electronics Corp./ Harmon Music Group
 8760 South Sandy Parkway
 Sandy, Utah 84070

Conducted Setup for Testing Under EN - 55013

Date: Feb. 12, 2001

By: DWB

SHIELD ROOM



PRINTER
HP Deskjet
970 CXi

Cable HP10833A

AGILENT E7401A
SPECTRUM ANALYZER
Ser. #US40240386

AC Out
230V ac - 50Hz

AC Power Supply
Compact Power
Titan Series
Model MAC02H
Ser. #4759552

Dod Electronics Corp./ Harmon Music Group
8760 South Sandy Parkway
Sandy, Utah 84070

Radiated Setup for Testing under EN - 55013

Date: Feb. 12, 2001

By: DWB







SECTION III

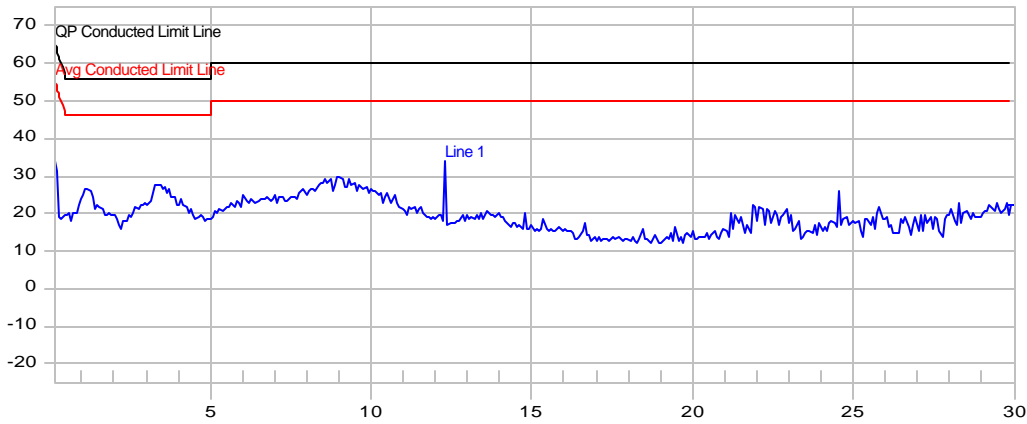
EN55013 Associated Equip. - Mains Terminal

Test Header

Description: Loud Speaker Management System
 Setup Name: HMG Conducted EN55013
 Customer Name: Harman Music Group
 Project Number: 12302258
 Operator Name: E. Morales
 EUT Name: dbx260
 Date Created: 12/3/02 2:48:30 PM
 Date Modified: 12/3/02 3:00:27 PM

Line 1

dBuV



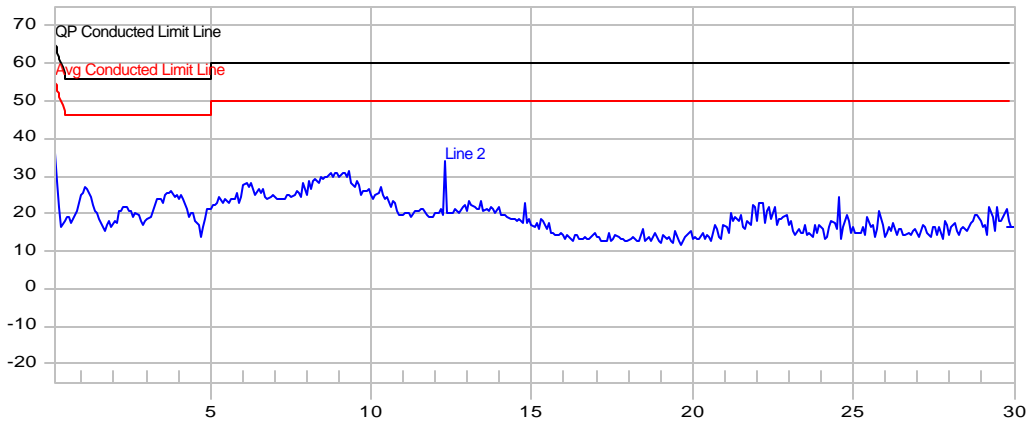
12/3/02 2:58:19 PM

(Start = 0.15, Stop = 30.00) MHz

Frequency MHz	Peak dBuV	D: Pk Dt to Av Lim dB	D: Av Dt to Av Lim dB	D: QP Dt to Av Lim dB
------------------	--------------	--------------------------	--------------------------	--------------------------

Line 2

dBuV



12/3/02 2:59:36 PM

(Start = 0.15, Stop = 30.00) MHz

Frequency MHz	Peak dBuV	D: Pk Dt to Av Lim dB	D: Av Dt to Av Lim dB	D: QP Dt to Av Lim dB
------------------	--------------	--------------------------	--------------------------	--------------------------

Equipment Table

Device	Model	Serial Number	Last Cal Date	Cal Due Date
HP-E7401A	HP-E7401A	US40240386	8/29/01 2:58:37 PM	8/29/02 2:58:37 PM
HP 11947A; Transient Limiter			6/8/99 9:48:46 AM	6/8/99 9:48:46 AM
HP 11967D; LISN (10 A)			5/20/99 3:54:49 PM	5/20/99 3:54:49 PM

Limit Lines

QP Conducted Limit
Average Conducted Limit

Measure Settings

Measure From List: Measure selected signals
Frequency search: Yes
Tune and listen: No
Prompt before measure: No
Update Signals: Always update signal
Signal Path: HMG EN55013 Conducted

Receiver PreAmp: Yes
Autorange Sweep Time: 0.200000 sec
Peak Detector Settings
 Dwell Time: 2.000000 sec
 RBW: Auto
 VBW: Auto
 Attenuation: Auto

Sweep Settings

Trace Name: Untitled Trace
Use CISPR 16 Settings: Yes
Interpolation: Linear
Detector: Peak
Segment Overlap %: 20.000000
Number of Sweeps: 1
Receiver PreAmp: Yes
Video Average: No

Signal Path: HMG EN55013 Conducted
Start Frequency: 0.150000 MHz
Stop Frequency: 30.000000 MHz
RBW: Auto
VBW: Auto
Ref Level: Auto
Attenuation: Auto
Sweep Time: Auto
Segment Size: Auto
Input:

Signal Paths

HMG EN55013 Conducted
 Receiver : HP-E7401A
 Other Devices : HP 11947A; Transient Limiter
 LISN : HP 11967D; LISN (10 A)

LISN 2 - HP 11967D; LISN (10 A) Corrections

Frequency Scale : Linear

Frequency Units : MHz

Frequency Amplitude

0.01	7.7
0.01	6.8
0.02	3.4
0.04	1.8
0.06	1.4
0.08	1.3
0.10	1.2
0.20	1.1
0.40	1.0
1.00	1.0
2.00	1.1
4.00	1.2
6.00	1.2
8.00	1.3
10.00	1.4
20.00	1.7
30.00	2.4

Other Devices 1 - HP 11947A; Transient Limiter Corrections

Frequency Scale : Linear

Frequency Units : MHz

Frequency Amplitude

0.01	10.0
0.01	9.9
0.03	9.8
0.10	9.8
1.00	9.8
10.00	9.9
30.00	9.9
100.00	10.2
150.00	10.4
200.00	10.8

SECTION IV

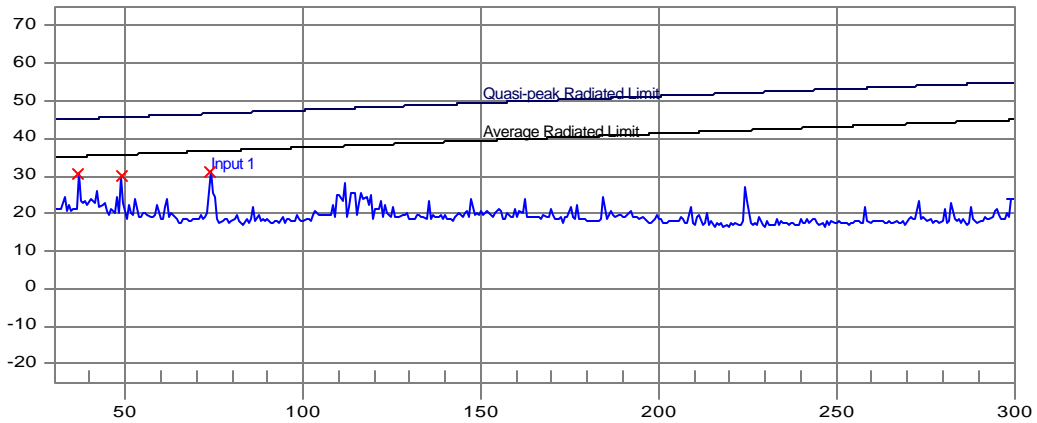
EN55013 Associated Equip. - Radiated Measurements

Test Header

Description: Loud Speaker Management System
 Setup Name: HMG Radiated EN55013
 Customer Name: Harman Music Group
 Project Number: 120302226
 Operator Name: E. Morales
 EUT Name: dbx260
 Date Created: 11/18/02 11:25:24 AM
 Date Modified: 12/3/02 2:47:52 PM

Input 1

dBuV



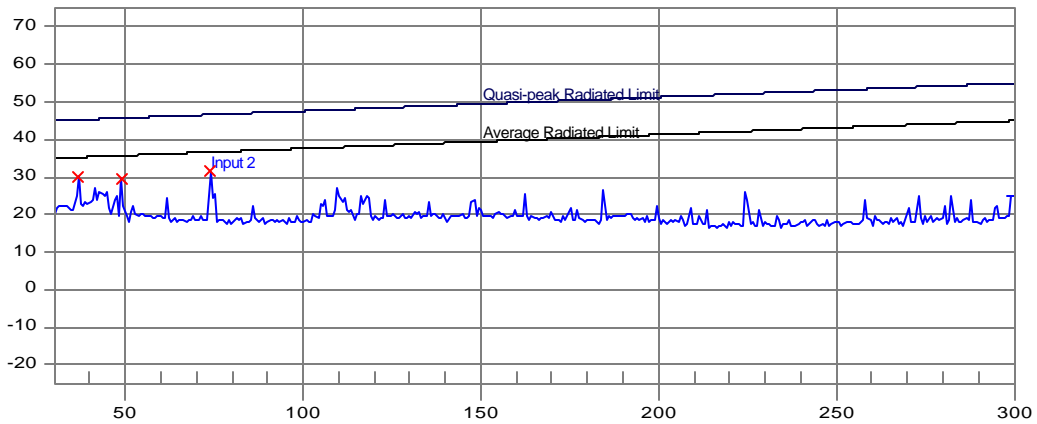
12/3/02 2:28:43 PM

(Start = 30.00, Stop = 300.00) MHz

Frequency MHz	Peak dBuV	D: Pk Dt to Av Lim dB	D: Av Dt to Av Lim dB	D: QP Dt to Av Lim dB
36.750	30.7	-4.6		
48.900	29.9	-5.8		
73.875	31.2	-5.4		

Input 2

dBuV



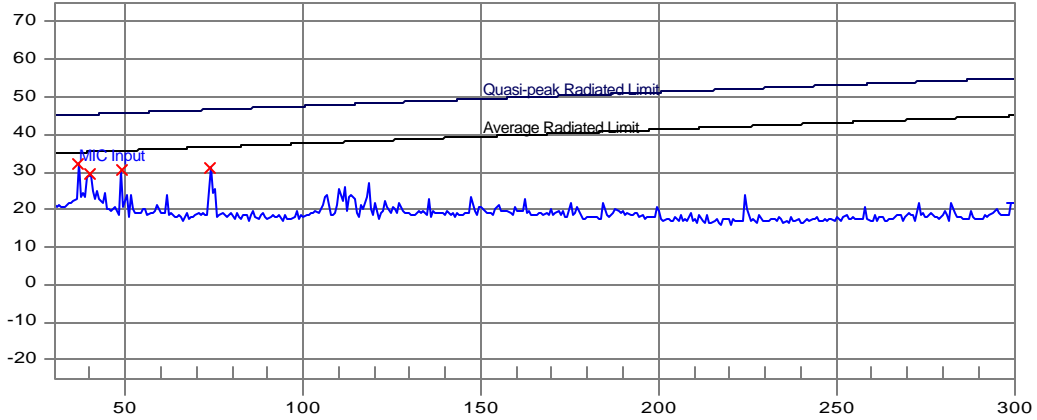
12/3/02 2:29:25 PM

(Start = 30.00, Stop = 300.00) MHz

Frequency MHz	Peak dBuV	D: Pk Dt to Av Lim dB	D: Av Dt to Av Lim dB	D: QP Dt to Av Lim dB
36.750	30.0	-5.2		
48.900	29.6	-6.1		
73.875	31.4	-5.2		

MIC Input

dBuV



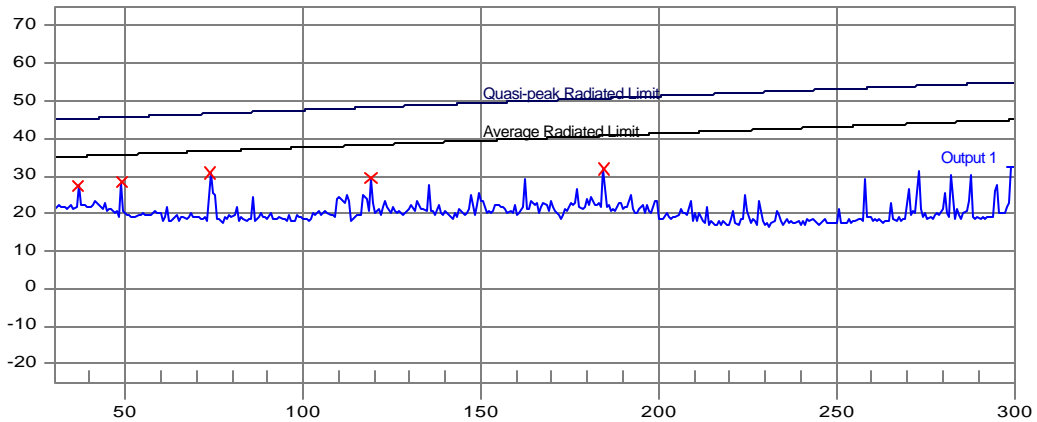
12/3/02 2:27:56 PM

(Start = 30.00, Stop = 300.00) MHz

Frequency MHz	Peak dBuV	D: Pk Dt to Av Lim dB	D: Av Dt to Av Lim dB	D: QP Dt to Av Lim dB
36.750	32.3	-3.0		
40.125	29.4	-6.0		
48.900	30.5	-5.2		
73.875	31.1	-5.5		

Output 1

dBuV



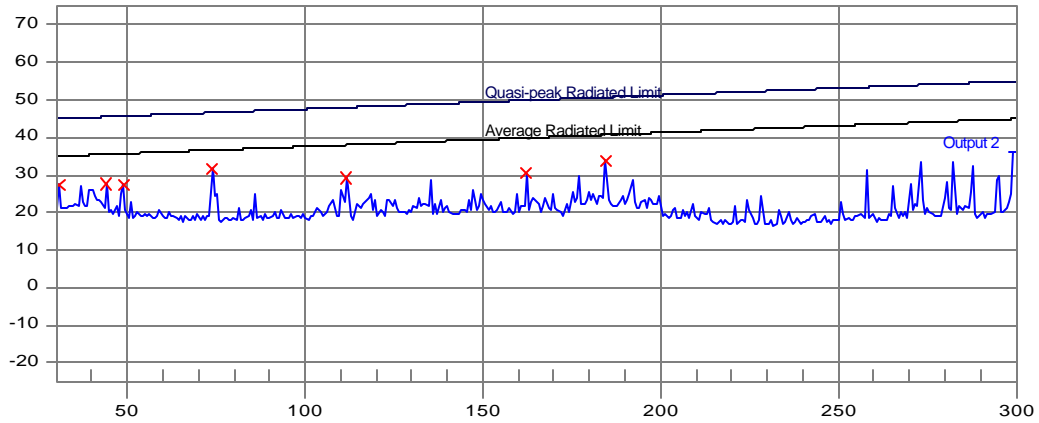
12/3/02 2:30:27 PM

(Start = 30.00, Stop = 300.00) MHz

Frequency MHz	Peak dBuV	D: Pk Dt to Av Lim dB	D: Av Dt to Av Lim dB	D: QP Dt to Av Lim dB
36.750	27.4	-7.8		
48.900	28.3	-7.4		
73.875	30.8	-5.9		
119.100	29.3	-9.0		
184.575	31.8	-8.9		

Output 2

dBuV



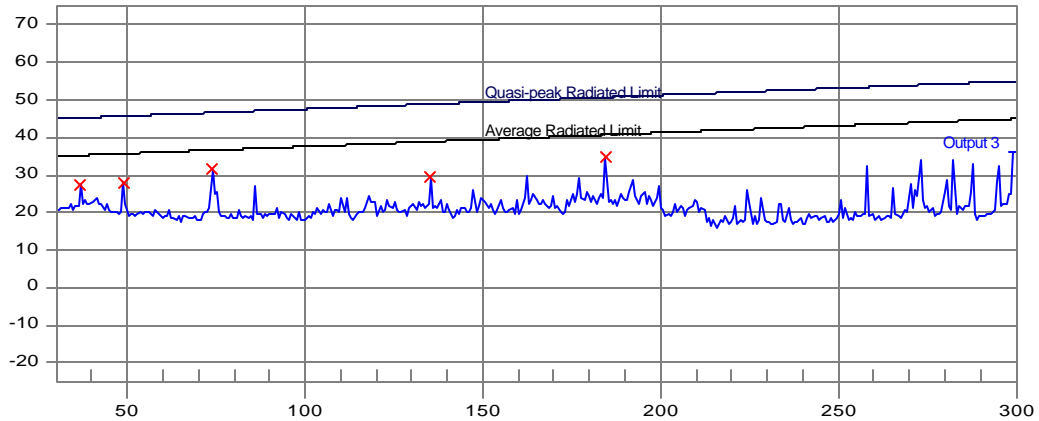
12/3/02 2:31:25 PM

(Start = 30.00, Stop = 300.00) MHz

Frequency MHz	Peak dBuV	D: Pk Dt to Av Lim dB	D: Av Dt to Av Lim dB	D: QP Dt to Av Lim dB
30.675	27.4	-7.7		
44.175	27.6	-7.9		
48.900	27.5	-8.2		
73.875	31.6	-5.0		
111.675	29.1	-8.9		
162.300	30.4	-9.5		
184.575	33.8	-6.9		

Output 3

dBuV



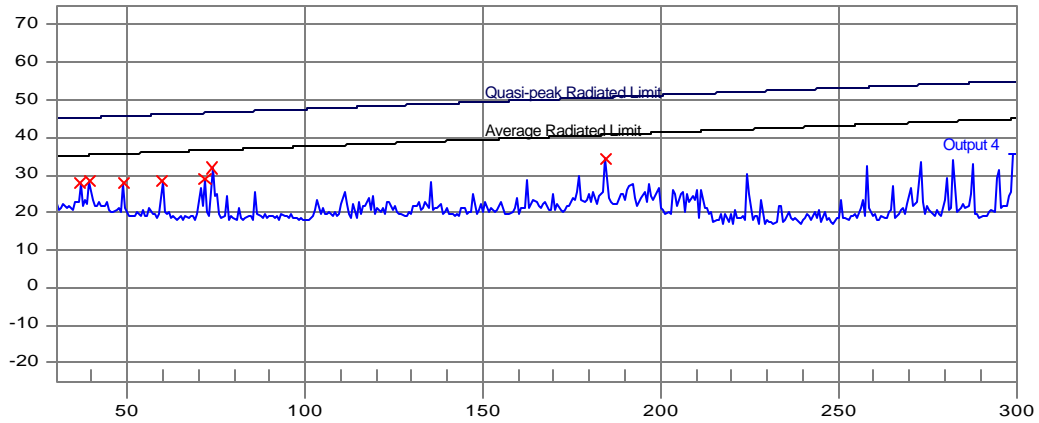
12/3/02 2:32:07 PM

(Start = 30.00, Stop = 300.00) MHz

Frequency MHz	Peak dBuV	D: Pk Dt to Av Lim dB	D: Av Dt to Av Lim dB	D: QP Dt to Av Lim dB
36.750	27.4	-7.8		
48.900	28.0	-7.7		
73.875	31.6	-5.0		
135.300	29.3	-9.6		
184.575	34.6	-6.1		

Output 4

dBuV



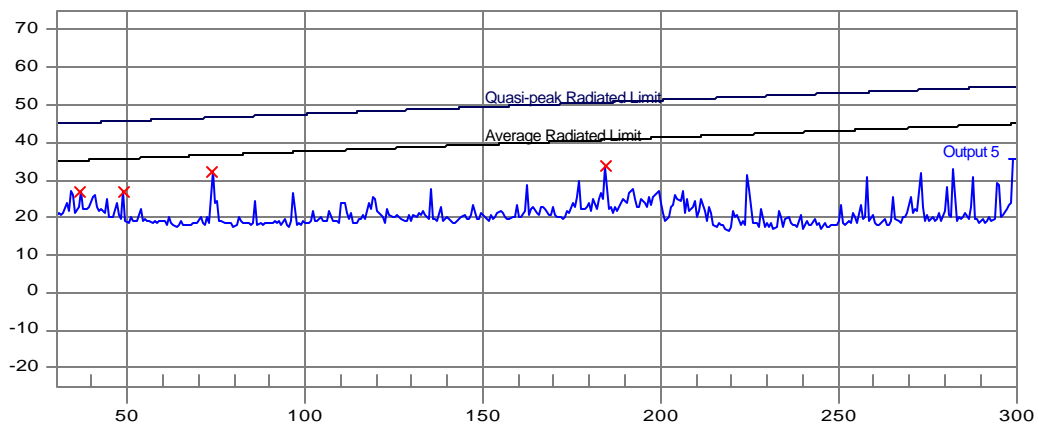
12/3/02 2:32:49 PM

(Start = 30.00, Stop = 300.00) MHz

Frequency MHz	Peak dBuV	D: Pk Dt to Av Lim dB	D: Av Dt to Av Lim dB	D: QP Dt to Av Lim dB
36.750	27.7	-7.5		
39.450	28.2	-7.1		
48.900	27.7	-8.0		
59.700	28.3	-7.8		
71.850	28.7	-7.8		
73.875	31.9	-4.7		
184.575	34.5	-6.3		

Output 5

dBuV



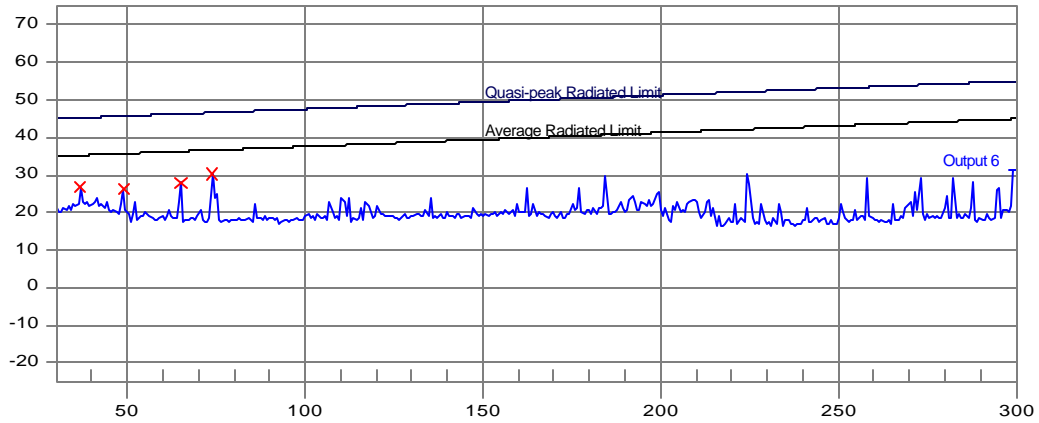
12/3/02 2:33:36 PM

(Start = 30.00, Stop = 300.00) MHz

Frequency MHz	Peak dBuV	D: Pk Dt to Av Lim dB	D: Av Dt to Av Lim dB	D: QP Dt to Av Lim dB
36.750	26.9	-8.3		
48.900	27.0	-8.7		
73.875	32.2	-4.4		
184.575	33.6	-7.1		

Output 6

dBuV



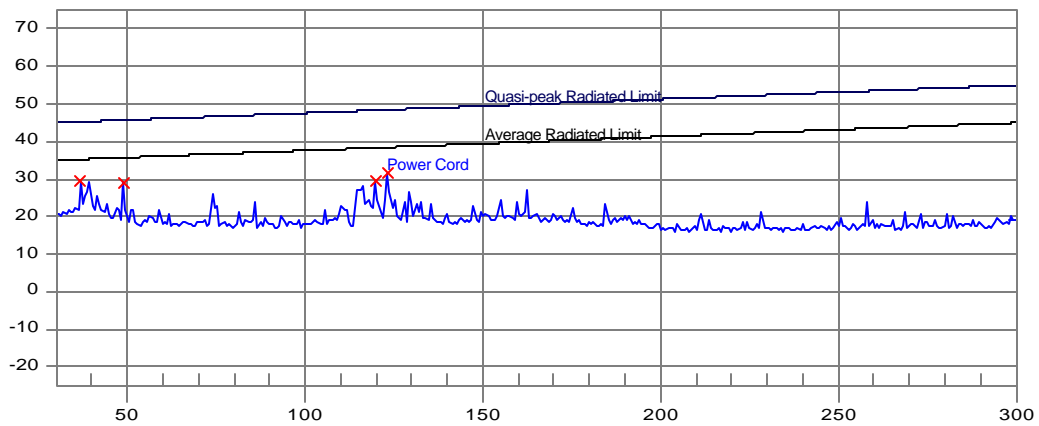
12/3/02 2:34:26 PM

(Start = 30.00, Stop = 300.00) MHz

Frequency MHz	Peak dBuV	D: Pk Dt to Av Lim dB	D: Av Dt to Av Lim dB	D: QP Dt to Av Lim dB
36.750	26.7	-8.5		
48.900	26.1	-9.6		
65.100	28.1	-8.2		
73.875	30.3	-6.3		

Power Cord

dBuV



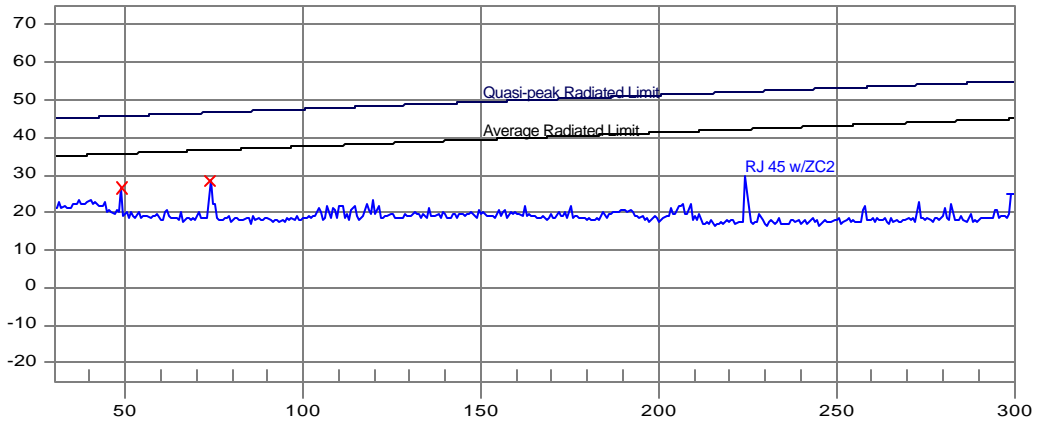
12/3/02 2:42:49 PM

(Start = 30.00, Stop = 300.00) MHz

Frequency MHz	Peak dBuV	D: Pk Dt to Av Lim dB	D: Av Dt to Av Lim dB	D: QP Dt to Av Lim dB
36.750	29.4	-5.8		
48.900	29.0	-6.7		
119.775	29.3	-9.0		
123.150	31.5	-7.0		

RJ45

dBuV



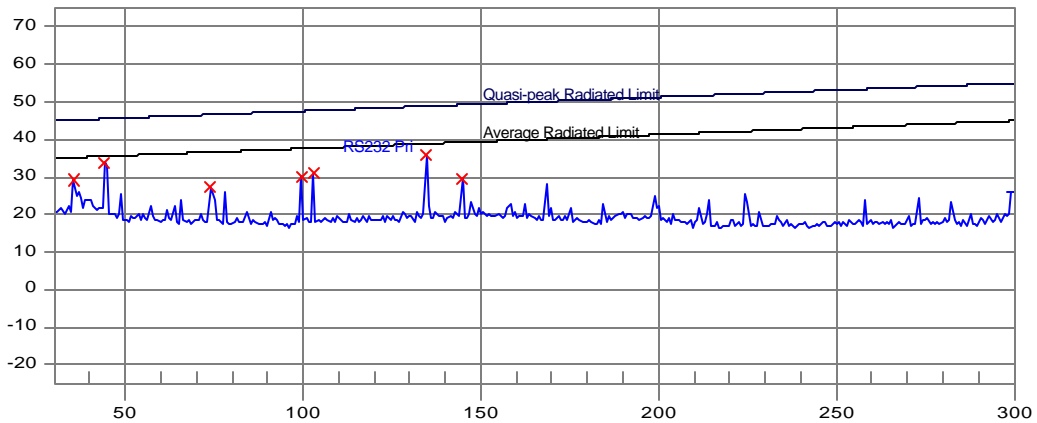
12/3/02 2:37:03 PM

(Start = 30.00, Stop = 300.00) MHz

Frequency MHz	Peak dBuV	D: Pk Dt to Av Lim dB	D: Av Dt to Av Lim dB	D: QP Dt to Av Lim dB
48.900	26.6	-9.1		
73.875	28.5	-8.1		

RS232 Pri

dBuV



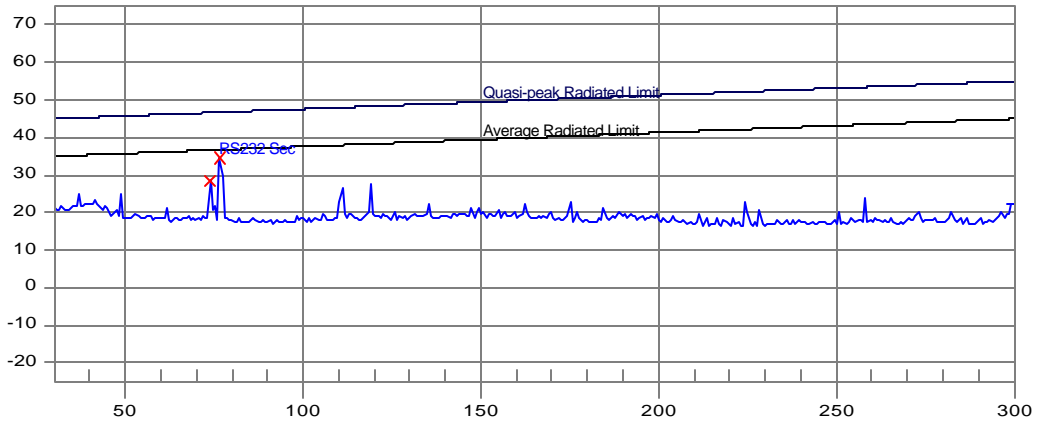
12/3/02 2:39:10 PM

(Start = 30.00, Stop = 300.00) MHz

Frequency MHz	Peak dBuV	D: Pk Dt to Av Lim dB	D: Av Dt to Av Lim dB	D: QP Dt to Av Lim dB
35.400	29.2	-6.0		
44.175	33.8	-1.7		
73.875	27.2	-9.5		
99.525	30.1	-7.5		
102.900	30.9	-6.8		
134.625	35.8	-3.1		
144.750	29.6	-9.7		

RS232 Sec

dBuV



12/3/02 2:40:38 PM

(Start = 30.00, Stop = 300.00) MHz

Frequency MHz	Peak dBuV	D: Pk Dt to Av Lim dB	D: Av Dt to Av Lim dB	D: QP Dt to Av Lim dB
73.875	28.5	-8.1		
76.575	34.5	-2.2		

Limit Lines

QP Radiated Limit
Average Radiated Limit

Equipment Table

Device	Model	Serial Number	Last Cal Date	Cal Due Date
HP-E7401A	HP-E7401A	US40240386	8/29/01 2:58:37 PM	8/29/02 2:58:37 PM
HMG Radiated Cable			10/29/01 3:39:41 PM	10/29/01 3:39:41 PM
HMG ACLAMP Type MDS21	MDS21	828228/013	12/6/01 3:29:46 PM	12/6/01 3:29:46 PM

Measure Settings

Measure From List: Measure selected signals
 Frequency search: No
 Tune and listen: No
 Prompt before measure: No
 Update Signals: Always update signal
 Signal Path: HMG EN55013 Radiated

Receiver PreAmp: Yes
 Autorange Sweep Time: 0.200000 sec
 Average Detector Settings
 Dwell Time: 15.000000 sec
 RBW: 1000000.000000 kHz
 VBW: 1000000.000000 kHz
 Attenuation: 0.000000 dB

Sweep Settings

Trace Name: Trial Run
Use CISPR 16 Settings: Yes
Interpolation: Linear
Detector: Peak
Segment Overlap %: 20.000000
Dwell for: 10.000000 sec
Receiver PreAmp: Yes
Video Average: No

Signal Path: HMG EN55013 Radiated
Start Frequency: 30.000000 MHz
Stop Frequency: 300.000000 MHz
RBW: Auto
VBW: Auto
Ref Level: Auto
Attenuation: Auto
Sweep Time: Auto
Segment Size: Auto
Input:

Signal Paths

HMG EN55013 Radiated
Receiver : HP-E7401A
Cable : HMG Radiated Cable
Transducer : HMG ACLAMP Type MDS21

Cable 6 - HMG Radiated Cable Corrections

Frequency Scale : Linear
Frequency Units : MHz
Frequency Amplitude

29.99	0.0
30.00	0.4
40.00	0.4
50.00	0.4
60.00	0.5
70.00	0.5
80.00	0.5
90.00	0.6
100.00	0.6
110.00	0.7
120.00	0.7
130.00	0.8
140.00	0.7
150.00	0.8
160.00	0.9
170.00	0.9
180.00	0.9
190.00	0.9
200.00	1.0
210.00	0.9
220.00	1.0
230.00	1.0
240.00	0.9
250.00	1.1
260.00	1.0
270.00	0.9
280.00	1.0
290.00	1.1
300.00	1.2
310.00	0.0

Transducer 22 - HMG ACLAMP Type MDS21 Corrections

Frequency Scale : Linear

Frequency Units : MHz

Frequency Amplitude

30.00	2.5
40.00	4.0
50.00	0.0
55.00	0.5
60.00	0.0
65.00	-0.5
70.00	0.0
75.00	-0.5
95.00	-1.0
108.00	-0.3
110.00	-0.8
120.00	-0.5
130.00	-0.1
140.00	-0.3
150.00	-0.1
160.00	0.0
170.00	-1.0
175.00	-1.0
183.00	-1.7
189.00	-0.1
200.00	-2.4
205.00	-2.3
215.00	-2.8
225.00	-2.2
233.00	-2.4
243.00	-1.8
250.00	-2.0
260.00	-1.3
268.00	-1.5
279.00	-1.1
290.00	-1.5
295.00	-1.1
300.00	0.0

SECTION V

EN55020 TEST DATA

SUMMARY

Per EN 55020 (1991), the limits and requirements for testing of Associated Equipment are listed as being Under Consideration. This apparatus under the Associated Equipment is therefore regarded as fulfilling the requirements of immunity testing as prescribed by EN 55020.

Canada:

These results are deemed satisfactory evidence of compliance with **Industry Canada Interference Causing Equipment Standard ICES-003**

Ces essais sont considérés comme suffisants pour prouver la conformité avec la **NMB-003 du Règlement sur le matériel brouilleur du Canada.**

DriveRack 260 Startup Sequence and debug help	
Author:	John Lee
Creation Date:	Jan 15, 2003
Revision:	1.00A
Last Edit Date:	
Description:	This document describes all events that can occur during power up on a 260 DriveRack device. Also included is a list of error values that the 260 may display during operation.

During the startup sequence the input 1 LEDs ramp up. Each stage of this ramp has significance, which is described below.

First LED ch1 input.

Indicates that CPU is running – initialization has begun.

Second LED ch1 input.

Indicates that the A/D have completed their calibration sequence. If this LED does not light, A/D init has FAILED.

Third LED ch1 input.

Indicates that the DACs have been initialized. The CPU will not hold this state based on a pass/fail criterion.

Fourth LED ch1 input

Indicates that the LCD drivers have been tested. The CPU will not hold this state based on a pass/fail criterion.

After these initializations, the timer ISRs is initialized.

The **LED test sequence** is next, which lights all button LED's, and all I/O LED's in progression.

The **dbx banner** and **firmware version** is displayed on the LCD.

The **hard checksum** (user programs) is tested. This tests the user program memory space, which is in FLASH. If it fails, the user is forced into a HARD RESET. A hard reset replaces all user programs with the factory default programs.

The **soft checksum** (system variables) checksum is tested. If the soft checksum fails, the following system variables resume their default settings.

```

device_name = DriveRack 260
output_jumper = JUMPER_22
program_lock = OFF
program_change_mode = Normal
program_list_index = 0
Program_List = u1,u2,u3....
Program_List_Size = 10
pup_mute = current
mute_status = UNMUTED
Security all levels set for LOW CLEARANCE REQUIRED
Security_Level = HIGH CLEARANCE
Intermediate_Security_Password = Hendrix

```

High_Security_Password = SRV
load_stored (PUP Program) = Current
aeq_select_rta_plot
system_locked = FALSE
contrast = default contrast (09)
loaded_prg = U1
zc_panel = none

Munges

If any system, program or global munges are required they are performed next. These may be performed on program updates to modify parameter values as per new FX changes, or initialize new features added in the new firmware version.

- If program parameters are modified, a notification with user acknowledgement will occur.
- If system values are changed, notification will occur.
- If global values with no user access are changed, there will be no notification.

Power Up Keys are acknowledged.

Any MUTE key:	All outputs will mute on startup.
STORE_KEY	Hard reset will be performed after user acknowledgement.
XOVER_KEY then IO_KEY	will show credits – DO NOT TELL USERS ABOUT THIS. If they find it they are special.
UTIL_KEY	Soft reset will be performed after user acknowledgement.
PROG_KEY	Program select on power up. This feature is useful if a program is corrupted and must not be loaded.
RTA_KEY	Locked state can be modified. (not locked, locked, locked with filter clear available)

DSP is loaded with its code.

DSP HOST PORT TEST

cvr0_fail: w:XX r:XX (w:XX, r:XX indicate failed host port interface)

cvr1_fail: w:XX r:XX (w:XX, r:XX indicate failed host port interface)

During the DSP load, the LEDs in output 6 will indicate “retries”. If they are ramping, the DSP has failed to load. If the ramping stops it has succeeded after several retries.

IO-RIMS are loaded just after the DSP has been initialized.

The **device name** is displayed

PUP Program checksum If the PUP program is set to CURRENT and the checksum for the PUP Program fails, the program will load from the user program table and display “Loading Current Program from Flash.”

Successful Boot Count is incremented and stored in EEPROM.

User defined contrast is set. (default is used during startup)

The program is loaded and the program configuration is displayed on the LCD screen. (if the program does not display – check contrast level in Utility)

Normal operation of the 260 continues.

Non critical errors

!:Ramp Fail **XX** the failure value displayed will indicate which portion of the ramp failed. This can indicate a number of different problems, most likely a failure of the host port interface to the DSP. The unit will continue to operate.

Critical failures:

Failed DSP load. On power up if output 6 LEDs are ramping, the DSP is not loading. The following error messages will help debug the host port interface to the DSP.

```
!:
```

`wr_dsp_byte
From ld_pmem-dr_init
STAT WORD
2 23`

Description:

line1: An error occurred during an attempt to write a byte to the DSP host port.

line2: What memory load was being performed (ld_pmem-dr_init, ld_pmem, or ld_ymem).

line3: Header for the data that follows on line4.

line4: STAT = DSP HOST INTERFACE STATUS REGISTER value during the failure.

WORD = Count of the word that was being written when the error occurred.

There are critical failures where the box will lock and the error message will display. The messages displayed are a part of our error handling when no recovery is possible. Contact dbx software engineers Steve Smith or John Lee immediately. In some circumstances, a hard reset will remove the condition that caused the critical failure.

Examples of these are "Stack Collision!", "!:get_evals, cnt>MAX_PARAMS", "!:get_config_fx_nums, cnt>MAX_FX"

Floor tests refer to test manufacturing documents for full procedures.

To enter floor tests, hold down the METER key and then hold down then the DELETE key

- Button Encoder Test - indicates the button pressed to ensure keypad works.
- Meter LED Test - lights all LEDs in various patterns to ensure LEDs work.
- LCD Driver Test - darkens the left half then the right half of the screen. Missing pixels may be detected.
- TRIM I/O levels - allows I/O levels to be trimmed to calibrated levels. Pressing **STORE** key will reset the IO trims to default levels (0.00dB)
- Mute Relay Test - enables/disables the Mute Relays.
- Delay Memory Test - tests dsp memory
- Mic input test - tests contact closures. Output levels have gain that is controlled by contact closure voltage values.
- Loopback test - tests RS232 circuit. Encoder turn cancels test.
- END of floor tests.

DECLARATION OF CONFORMITY

Manufacturer's Name: dbx Professional Products
Manufacturer's Address: 8760 S. Sandy Parkway
Sandy, Utah 84070, USA

declares that the product:

Product name: dbx 260
Note: Product name may be suffixed by the EU.

Product option: None

conforms to the following Product Specifications:

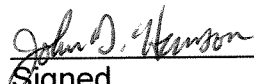
Safety: IEC 60065 (1998)

EMC: EN 55013 (1990)
EN 55020 (1991)

Supplementary Information:

The product herewith complies with the requirements of the Low Voltage Directive 73/23/EEC and the EMC Directive 89/336/EEC as amended by Directive 93/68/EEC.

Vice-President of Engineering
8760 S. Sandy Parkway
Sandy, Utah 84070, USA
Date: November 4, 2002


Signed _____ Date 11-4-02

European Contact: Your local dbx Sales and Service Office or

Harman Music Group
8760 South Sandy Parkway
Sandy, Utah
84070 USA
Ph: (801) 566-8800
Fax: (801) 568-7583

Date: 6-9-00	Project #: 417	Project Engineer: Dwight Curry	ECN # 1275
Product: Drive rack	Reason For Change:		
Assy. Name: Digital PCB	The current rating of the Ferrite (L7) feeding the 5VA was being exceeded. This caused excessive voltage drop across L7 (>.3V).		
Assy. Number: 05-5330, 05-6354, 05-6355	- 05-6354	05-6355	
Revision: A0 To: A1	A0 to A1	A0 to A1	

Instructions:
 Replace L7 with a zero ohm resistor

**** Delete ****		Quantity	
Item Description	Item #	From	To
Ferrite bead SM 2.5k@70mHz	26-0217	5	4

**** Add ****		Quantity	
Item Description	Item #	From	To
Res 0 ohm 5% SM	50-1531	11	12

Reason for Change	Reason:	Effectivity / Priority	Priority:	Signatures	Date
Continuous Improvement	<input checked="" type="checkbox"/> CI	After Depletion of Current	<input type="checkbox"/> ADC	Engineering Manager	6/8/00
Cost Reduction	<input type="checkbox"/> CR	Next Job Release	<input type="checkbox"/> NJR	Materials Set Effectivity	
Component Substitution	<input type="checkbox"/> CS	(2 nd or 4 th Friday of Month)		Below	6/9/00
Marketing Change	<input type="checkbox"/> MC	Rework Parts	<input type="checkbox"/> ROO	Manufacturing Engineering	6/8/00
Manufacturing Release	<input type="checkbox"/> MR	On Order	<input checked="" type="checkbox"/> RIS	Project Engineer	6-13-00
Omission or Error	<input type="checkbox"/> OE	In Stock	<input checked="" type="checkbox"/> RIP	All Documents approved	
Product Enhancement	<input type="checkbox"/> PE	In Process	<input type="checkbox"/> RIF		Effectivity 6/9/2000
Regulatory Requirement	<input type="checkbox"/> RR	In Finished Goods	<input type="checkbox"/> OTH		
Software Update	<input type="checkbox"/> SU	Other: Explain			
Specification Change	<input type="checkbox"/> SC				
Other:	<input type="checkbox"/> OTH				
See Attached Impact Sheet	CostΔ - \$0.045				
				ECN Distribution	