

DECCA

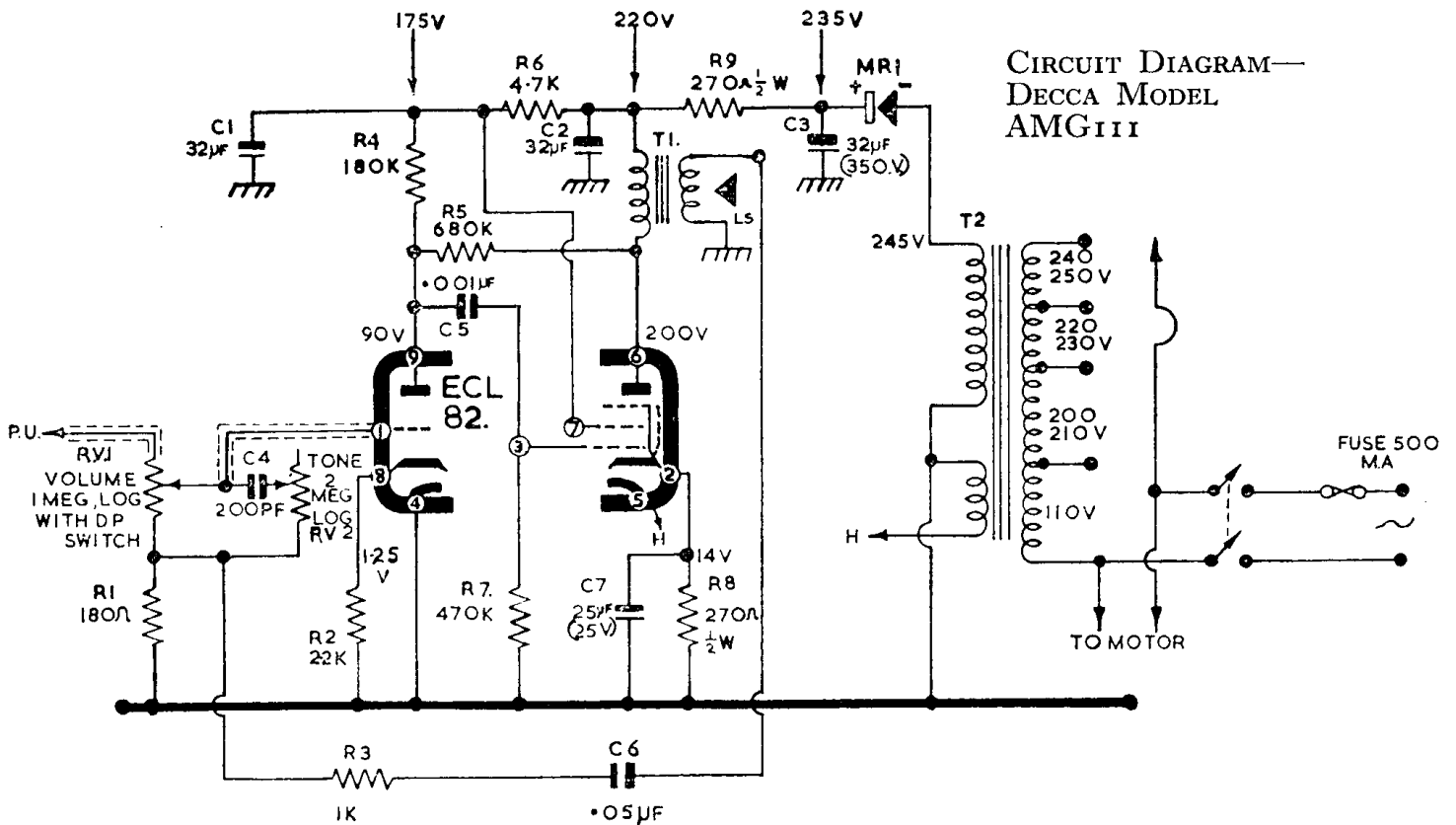
Model AMG III

General Description: Two-stage, single-valve (plus metal rectifier), record reproducer with four-speed, B.S.R. Monarch UA14 auto-record change unit and B.S.R. "Ful-fi" cartridge. Stylii type TC8R (red) microgroove; TC8G (green) 78 r.p.m.

Power Supply: A.C. mains, 110 and 200-250 volts, 50 c/s., 50 watts.

Valves: (V₁) ECL82. SenTerCell metal rectifier Type TYC₂D. Typical voltages shown on circuit diagram with selector plug on 240/250-volt tap.

Pilot Lamp: 6.3 volts, 0.3 amp.



CIRCUIT DIAGRAM—
DECCA MODEL
AMG III