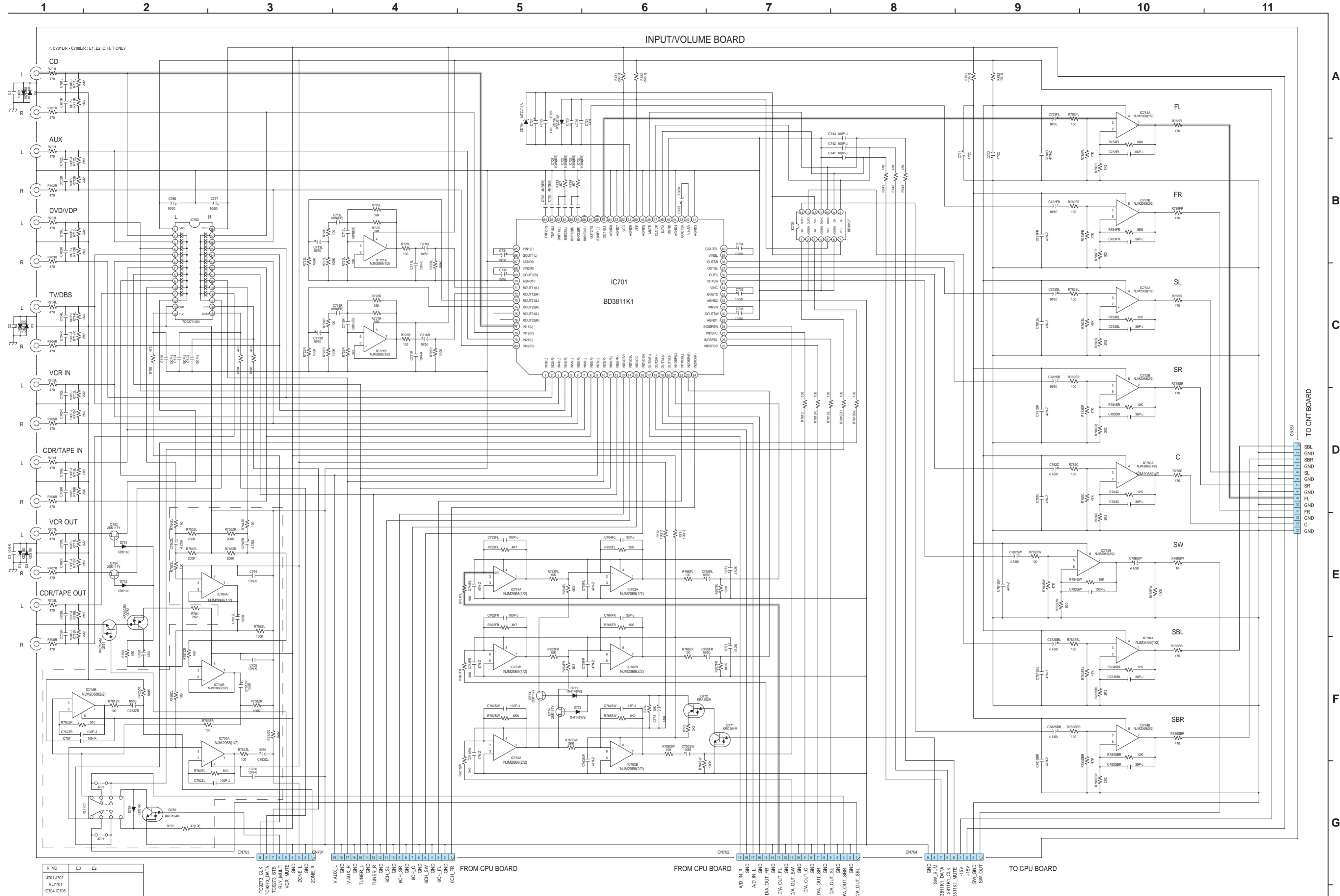
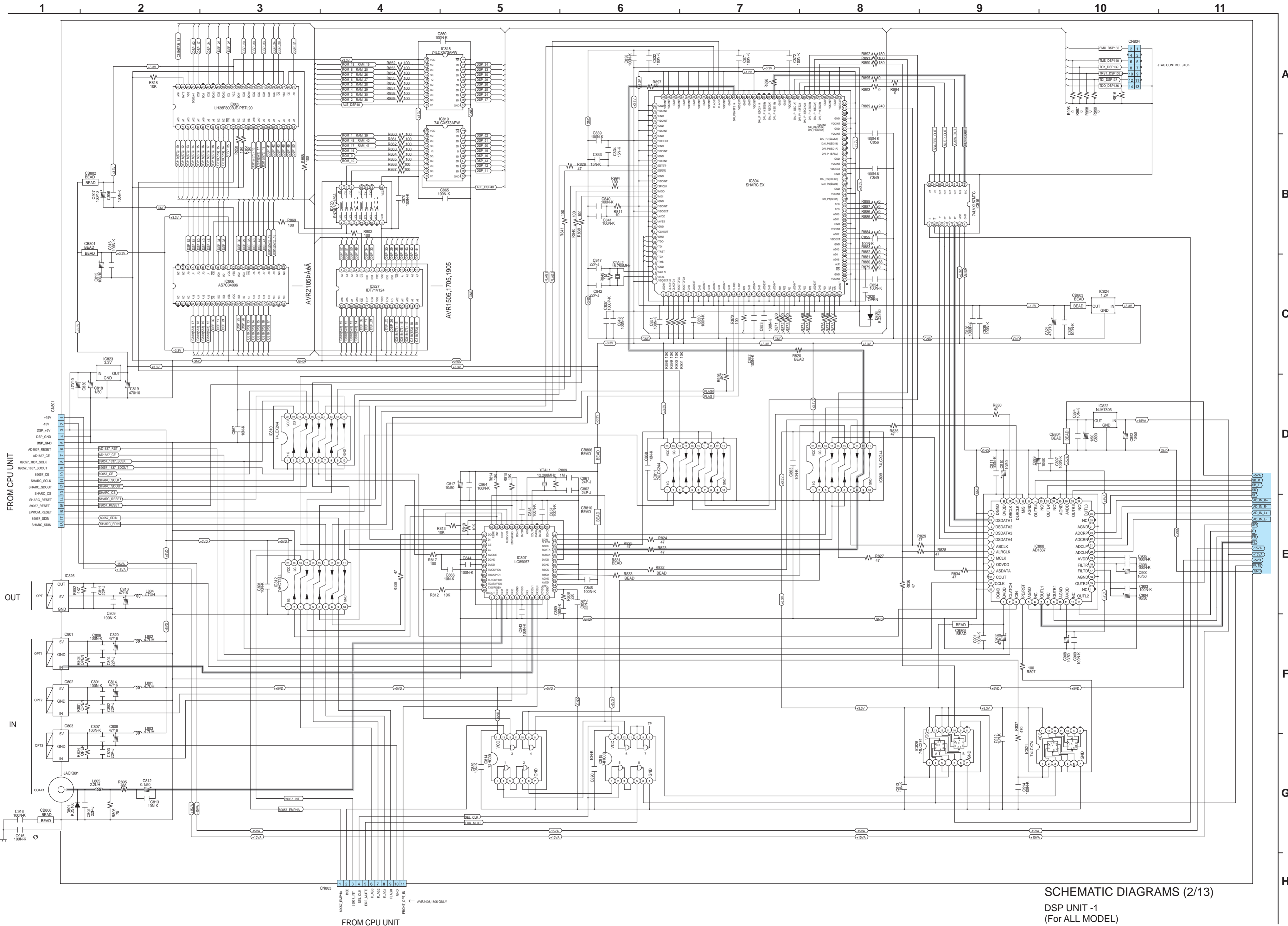


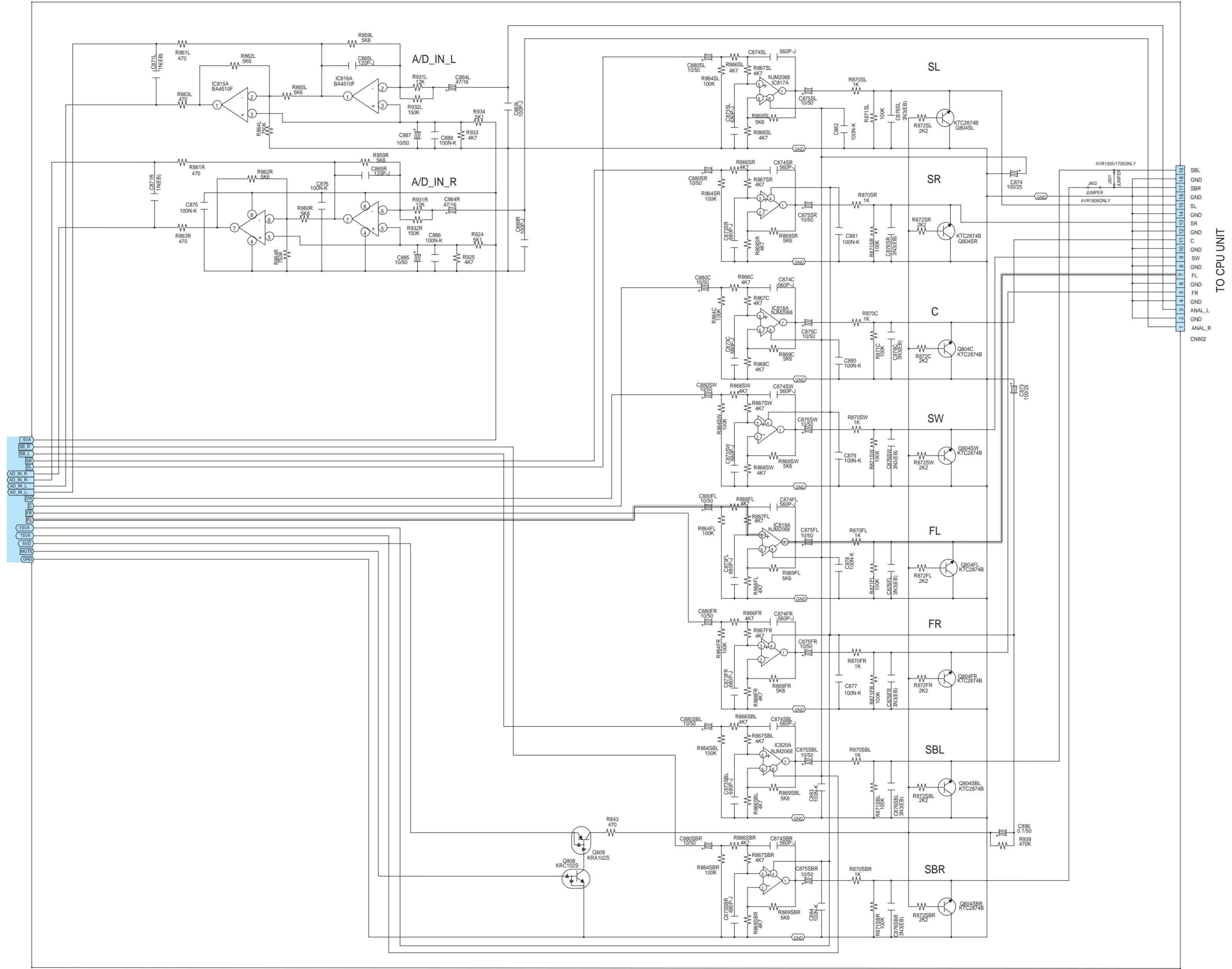
SCHEMATIC DIAGRAMS (1/13) INPUT / VOLUME BOARD





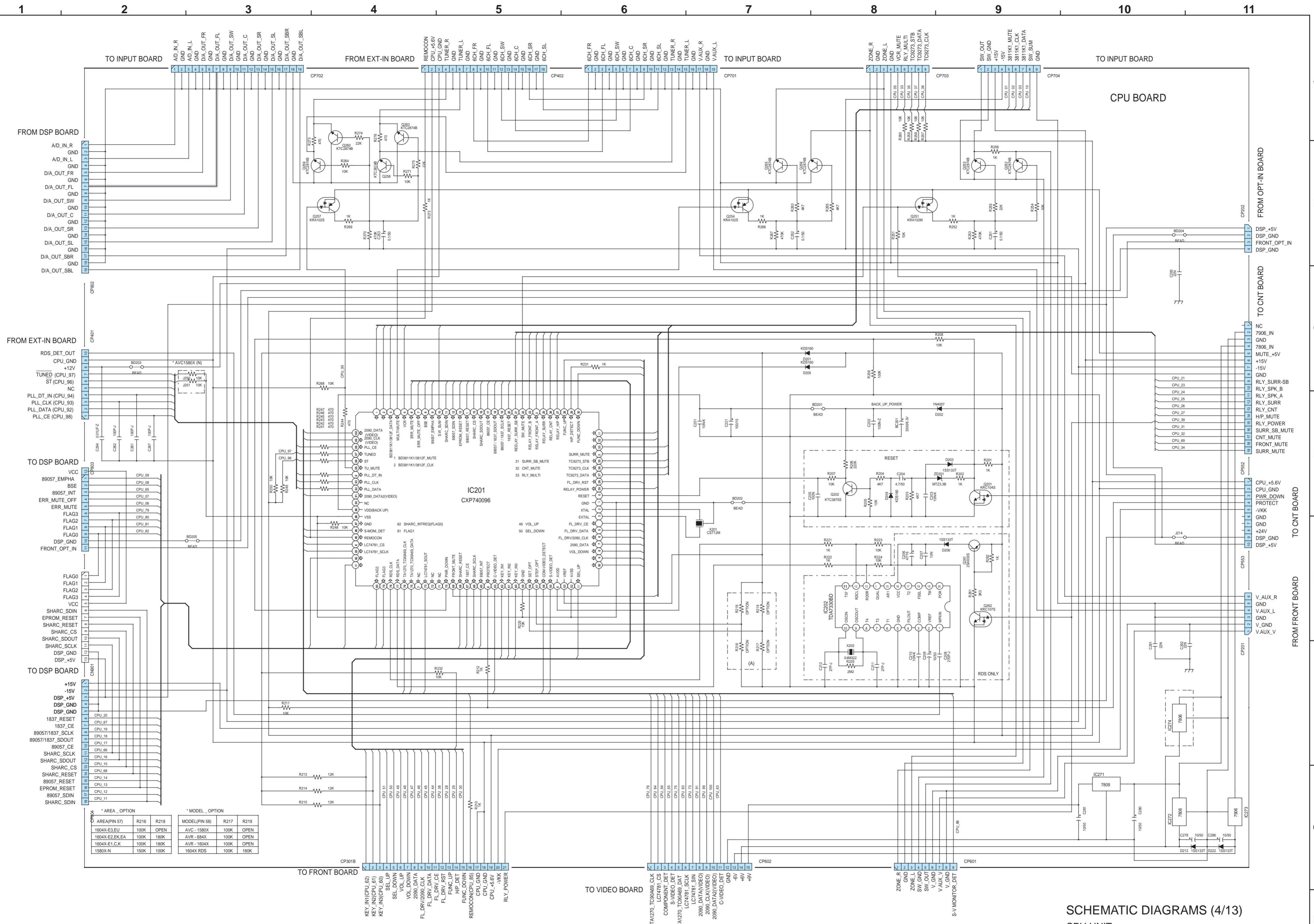
SCHEMATIC DIAGRAMS (2/13)  
DSP UNIT -1  
(For ALL MODEL)

1 2 3 4 5 6 7 8 9 10 11

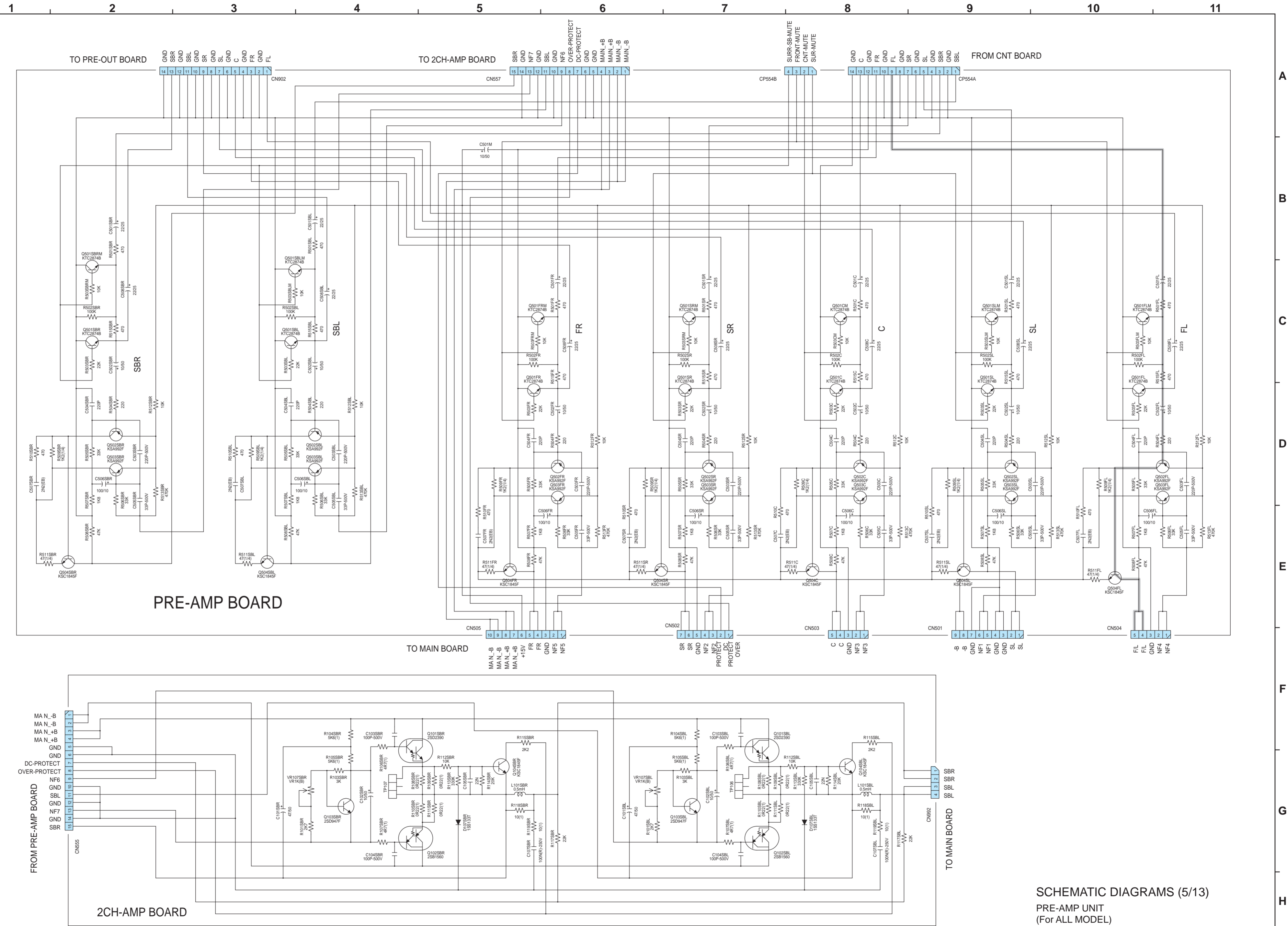


A  
B  
C  
D  
E  
F  
G  
H

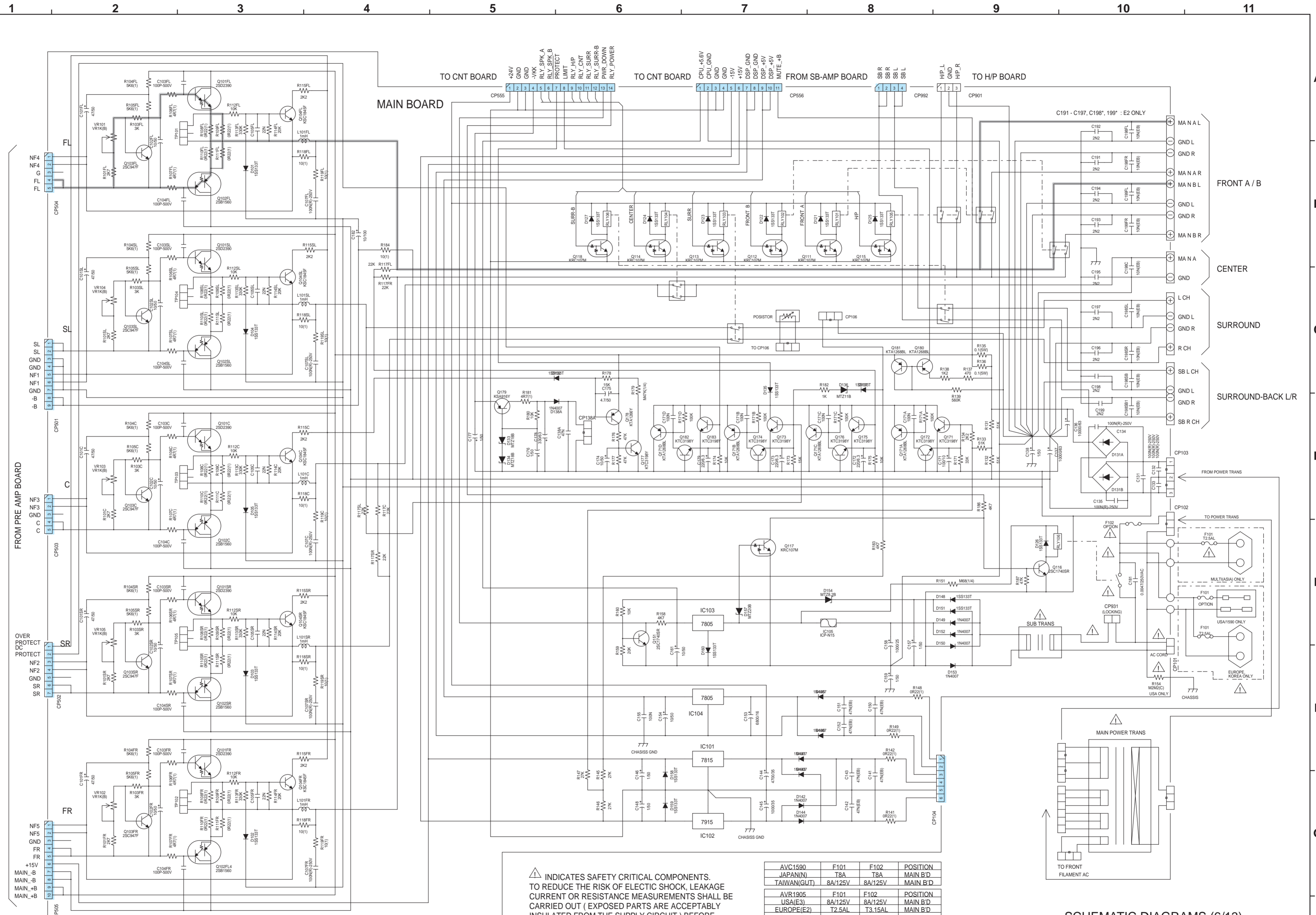
SCHEMATIC DIAGRAMS (3/13)  
DSP UNIT -2  
(For ALL MODEL)



SCHEMATIC DIAGRAMS (4/13)  
CPU UNIT  
(For ALL MODEL)



SCHEMATIC DIAGRAMS (5/13)  
PRE-AMP UNIT  
(For ALL MODEL)

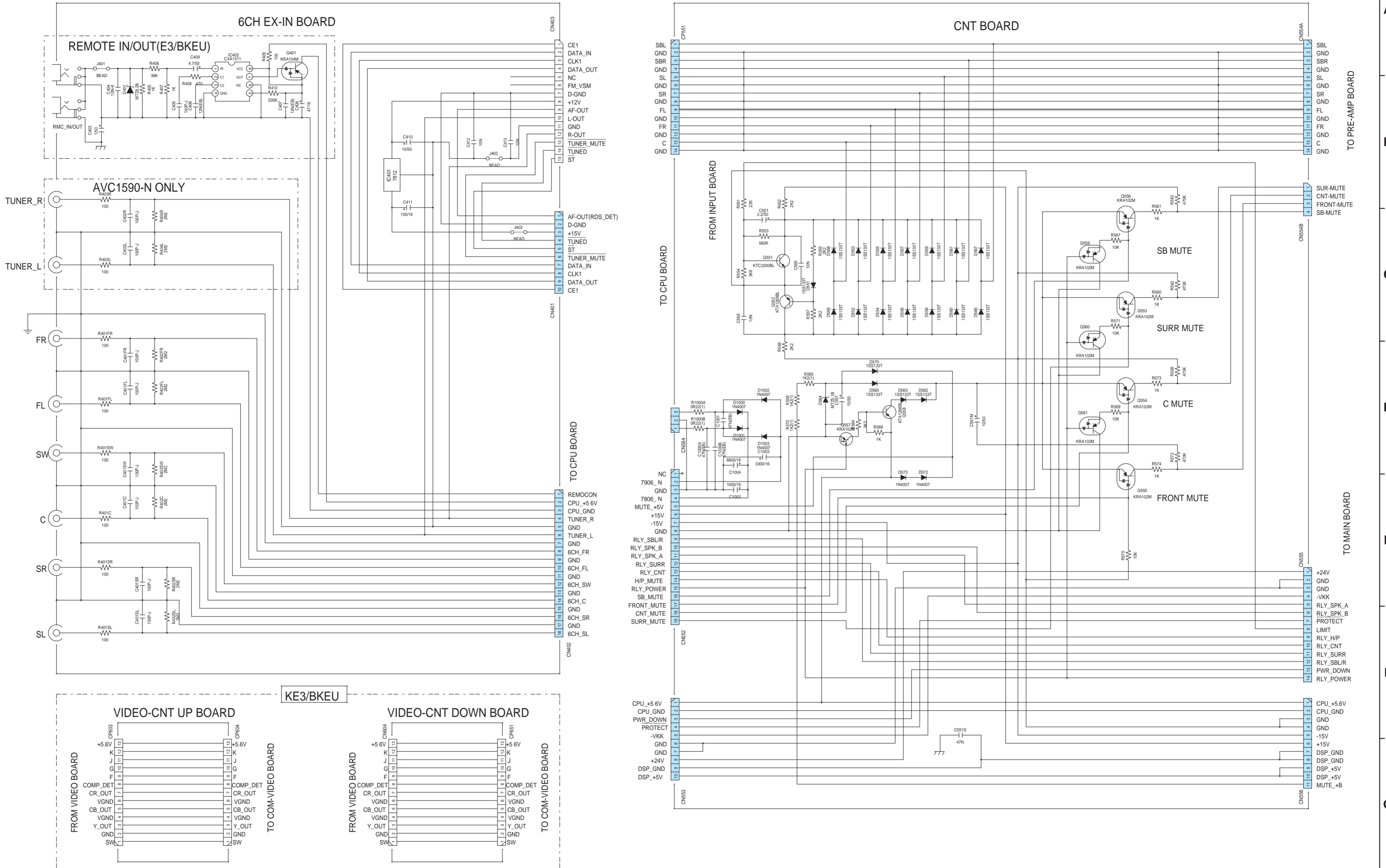


△ INDICATES SAFETY CRITICAL COMPONENTS. TO REDUCE THE RISK OF ELECTRIC SHOCK, LEAKAGE CURRENT OR RESISTANCE MEASUREMENTS SHALL BE CARRIED OUT ( EXPOSED PARTS ARE ACCEPTABLY INSULATED FROM THE SUPPLY CIRCUIT ) BEFORE THE APPLIANCE RETURNED TO THE CUSTOMER.

MODEL	F101	F102	POSITION
AVR1905	F101	F102	POSITION
USA(E3)	8A/125V	8A/125V	MAIN B.D
EUROPE(E2)	T2.5AL	T3.15AL	MAIN B.D
CHINA(C)	X	T3.15AL	MAIN B.D
ASIA(G2A)	T2.5AL	T6.3AL	MAIN B.D
KOREA(K)	T2.5AL	T3.15AL	MAIN B.D

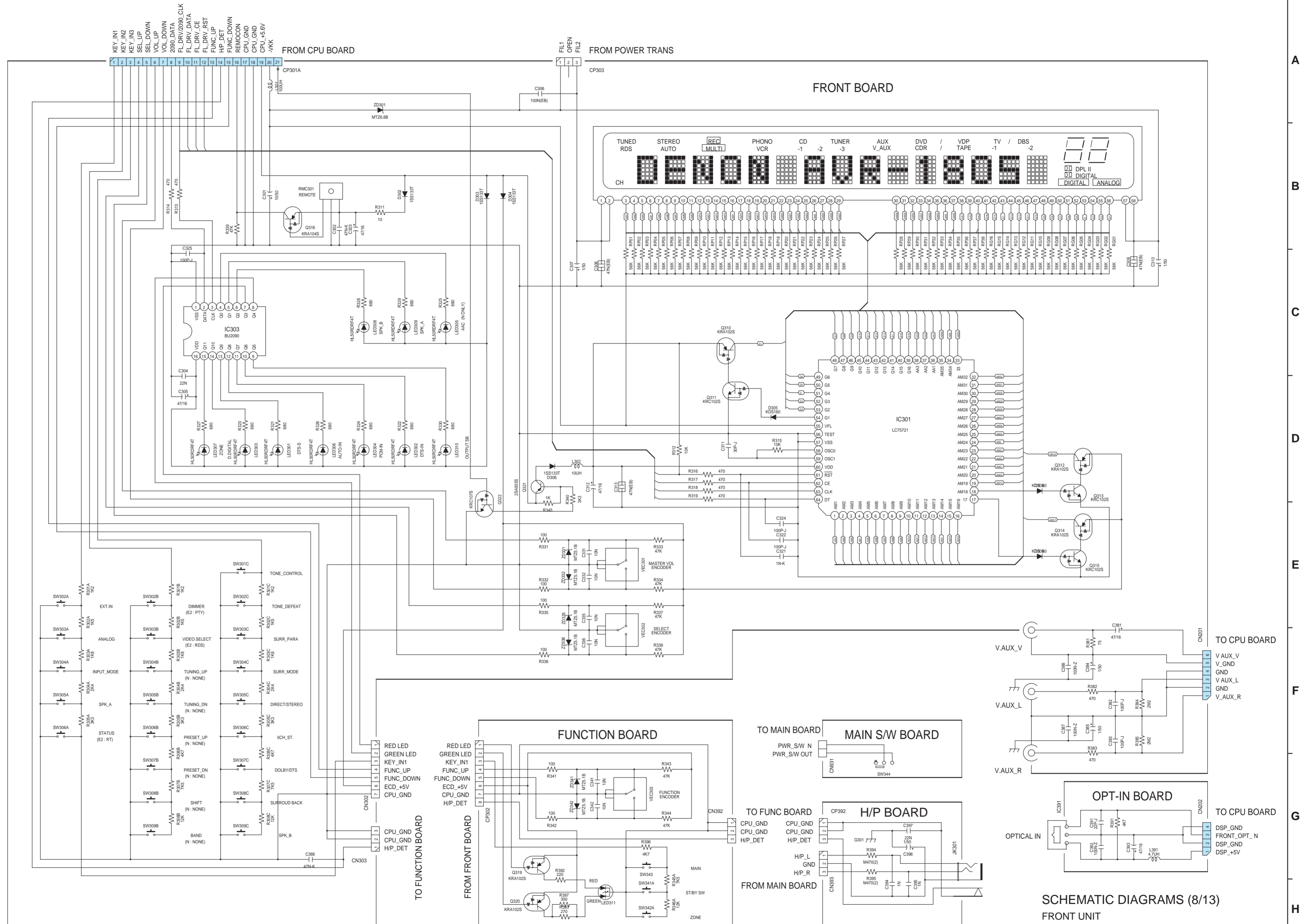
SCHEMATIC DIAGRAMS (6/13)  
MAIN UNIT  
(For ALL MODEL)

1 2 3 4 5 6 7 8 9 10 11



SCHEMATIC DIAGRAMS (7/13)  
CNT/6CH EX-IN UNIT  
(For ALL MODEL)

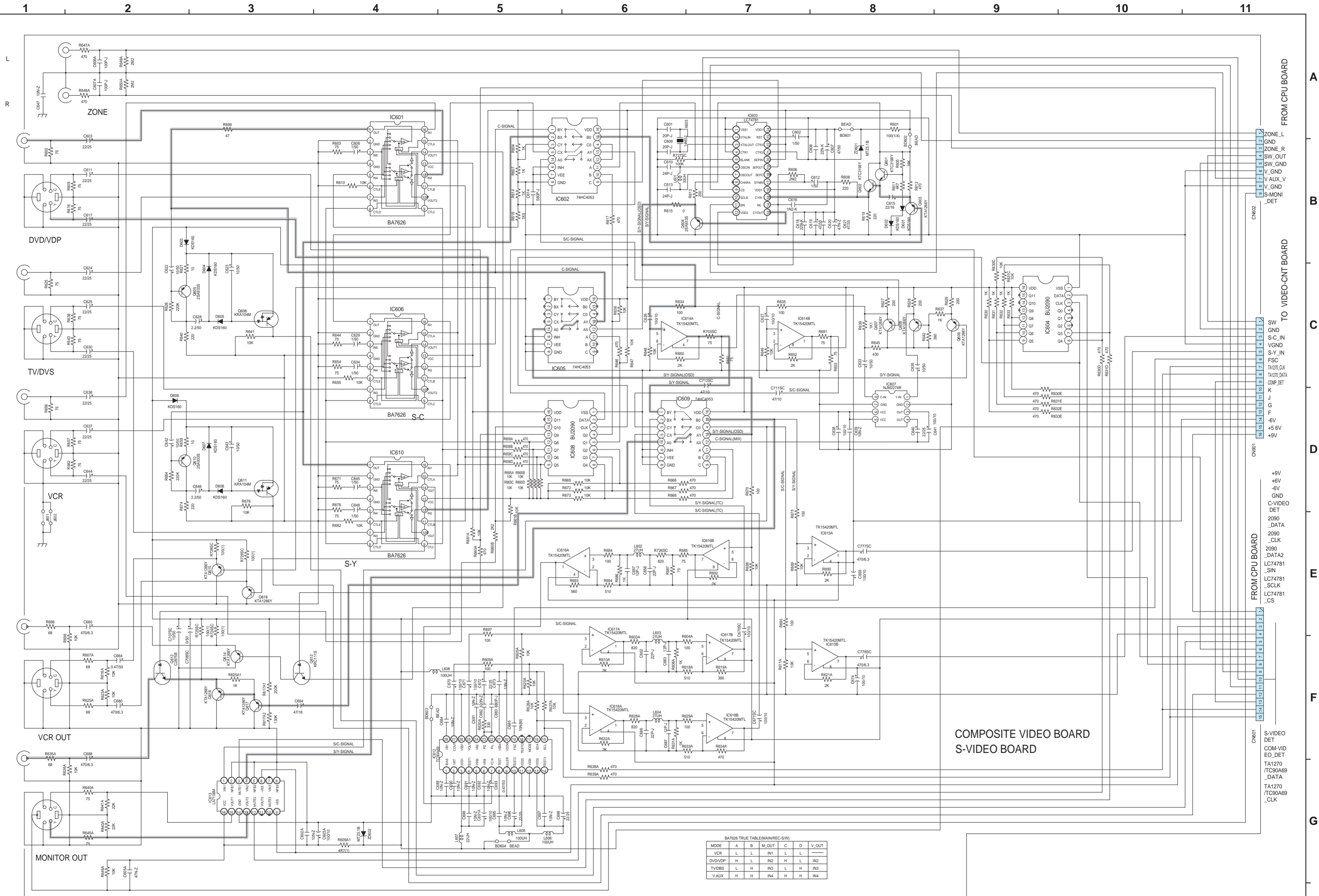
1 2 3 4 5 6 7 8 9 10 11



SCHEMATIC DIAGRAMS (8/13)  
FRONT UNIT  
(For ALL MODEL)

A  
B  
C  
D  
E  
F  
G  
H

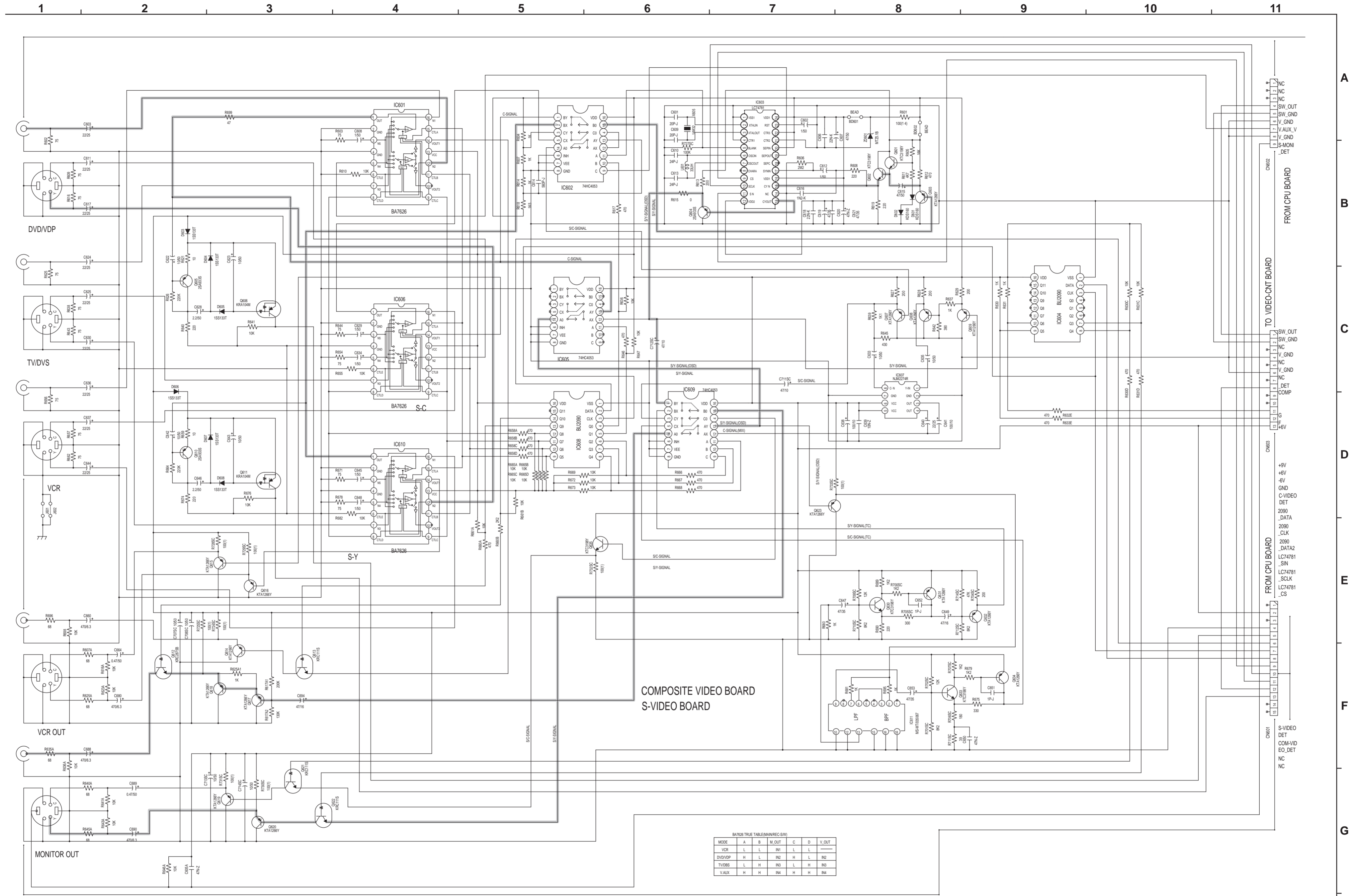




BA7626 TRUE TABLE(MANREC-SW)

MODE	A	B	M	OUT	C	D	V_OUT
VCR	L	L	IN1	L	L	L	IN2
DVD/DP	H	L	IN2	H	L	L	IN2
TV/DVS	L	H	IN3	L	H	IN3	
V.ALK	H	H	IN4	H	H	IN4	

SCHEMATIC DIAGRAMS (9/13)  
COMPOSITE VIDEO/S-VIDEO UNIT  
(For E3 MODEL)

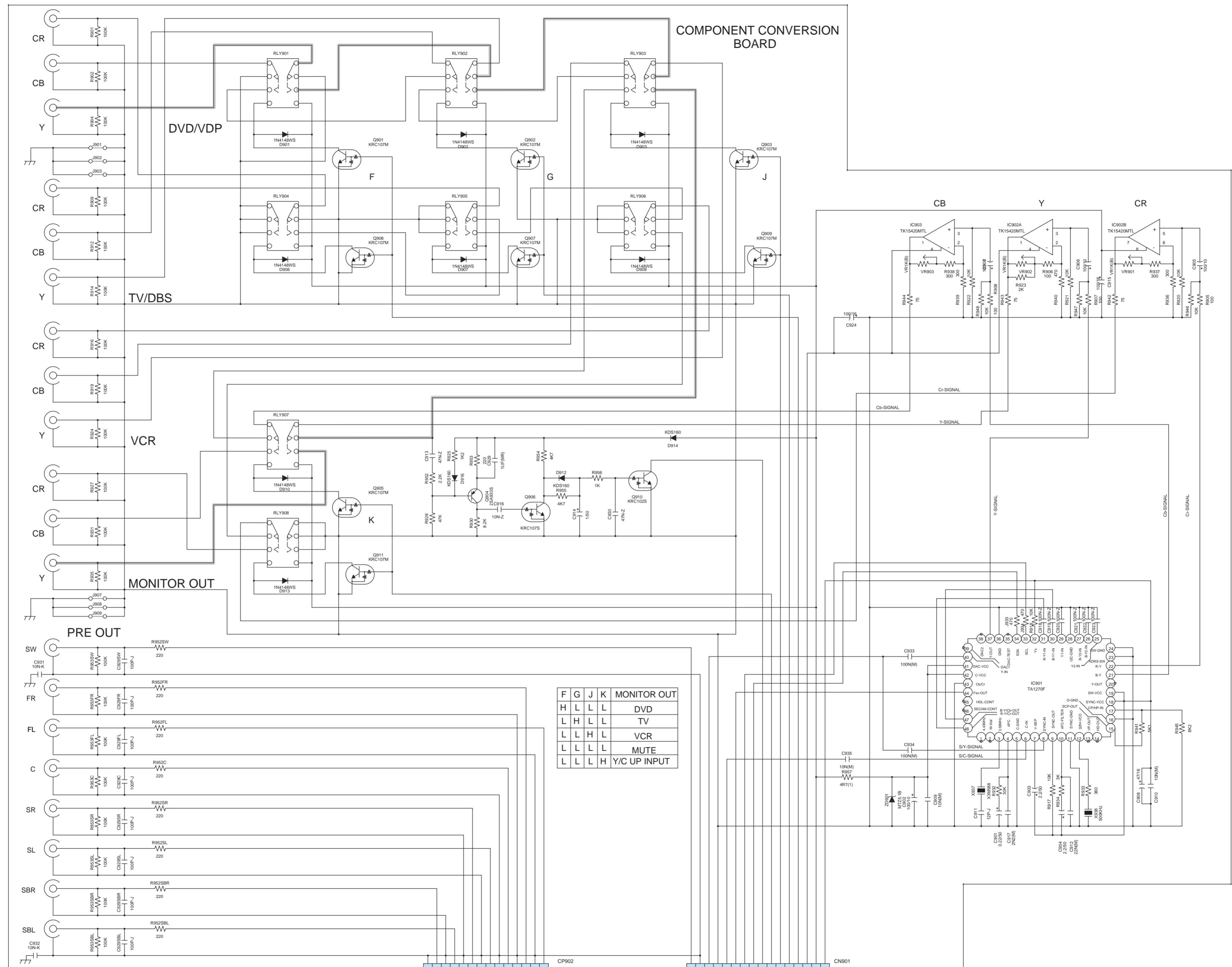


BA7628 TRUE TABLE(MANREC-SW)

MODE	A	B	M. OUT	C	D	V. OUT
VCR	L	L	INI	L	L	---
DVD/VDP	H	L	INI	H	L	INI
TV/DVS	L	H	INI	L	H	INI
V.AUX	H	H	INI	H	H	INI

SCHEMATIC DIAGRAMS (10/13)  
COMPOSITE VIDEO/S-VIDEO UNIT  
(For E2 MODEL)

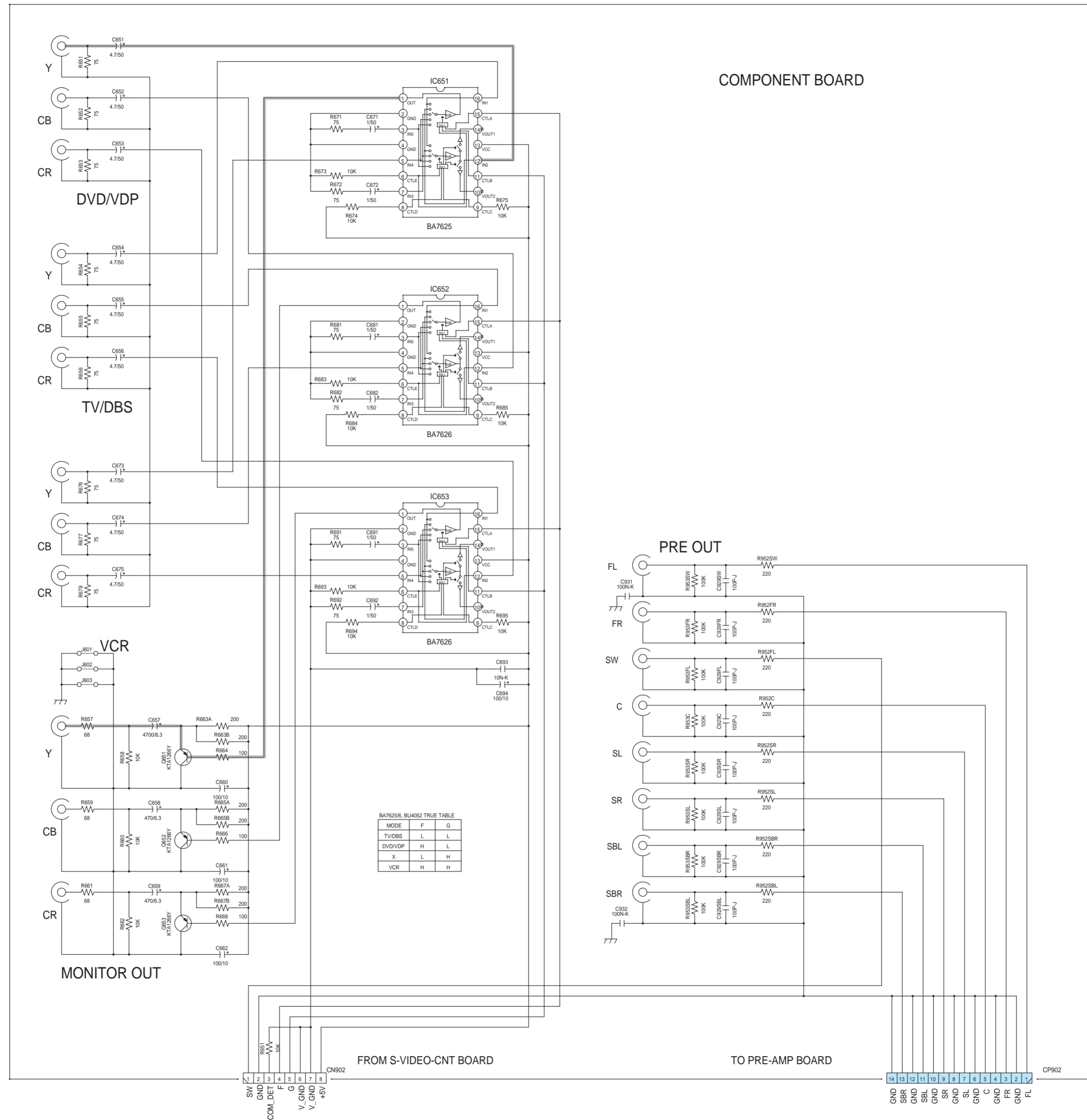
1 2 3 4 5 6 7 8 9 10 11



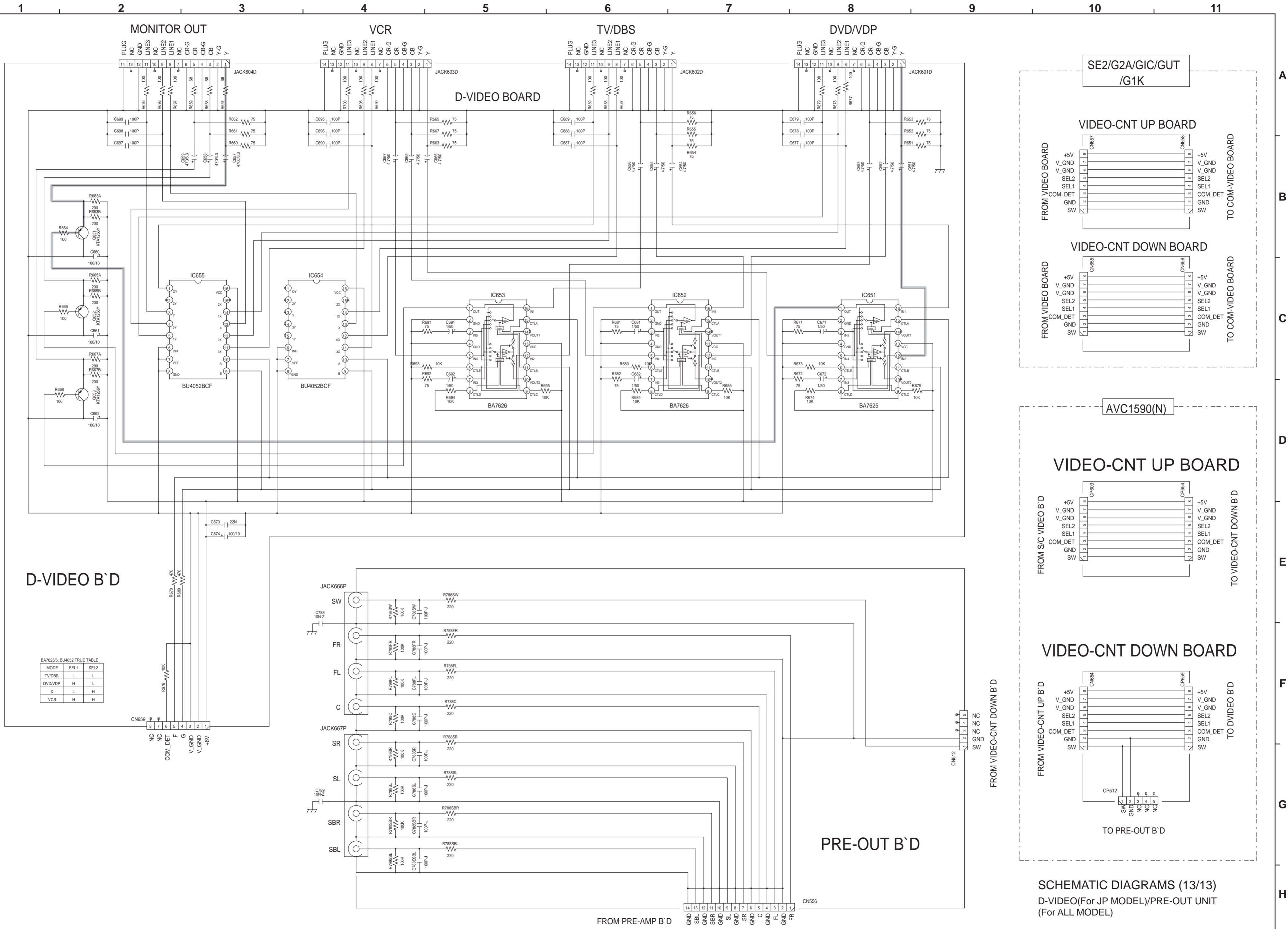
F	G	J	K	MONITOR OUT
H	L	L	L	DVD
L	H	L	L	TV
L	L	H	L	VCR
L	L	L	L	MUTE
L	L	L	H	Y/C UP INPUT

SCHEMATIC DIAGRAMS (11/13)  
COMPONENT UNIT  
(For E3 MODEL)

1 2 3 4 5 6 7 8 9 10 11



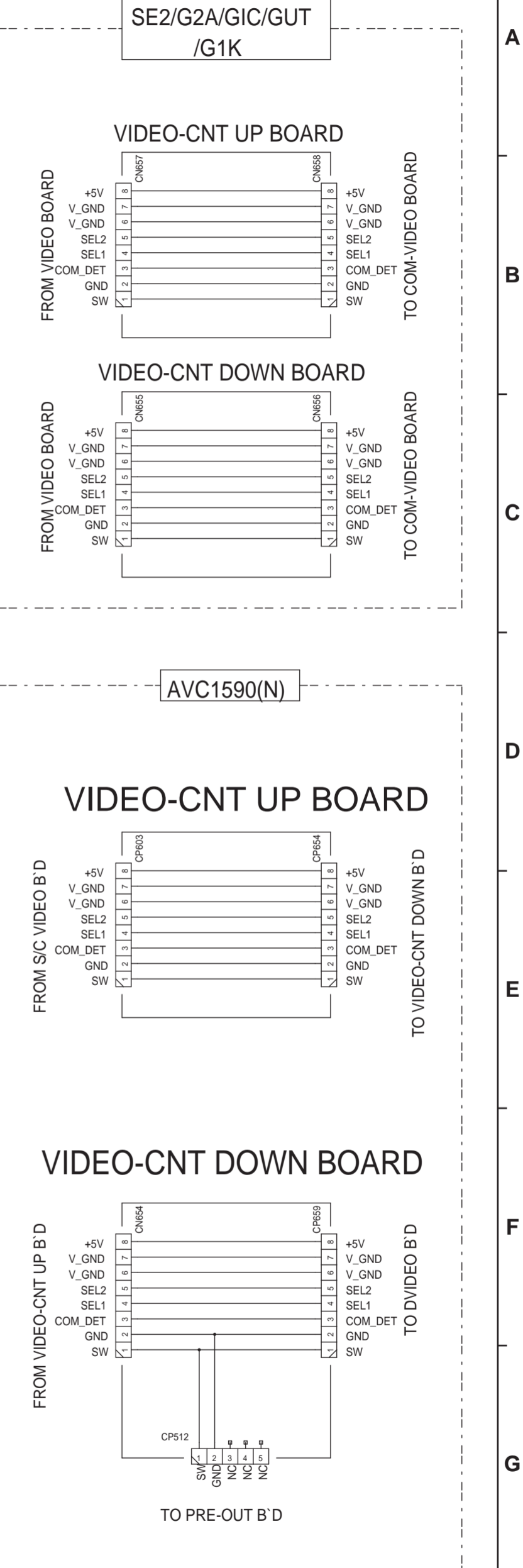
A  
B  
C  
D  
E  
F  
G  
H



D-VIDEO B'D

BA7625/6, BU4052 TRUE TABLE

MODE	SEL1	SEL2
TV/DBS	L	L
DVD/VDP	H	L
X	L	H
VCR	H	H



SCHEMATIC DIAGRAMS (13/13)  
D-VIDEO(For JP MODEL)/PRE-OUT UNIT  
(For ALL MODEL)