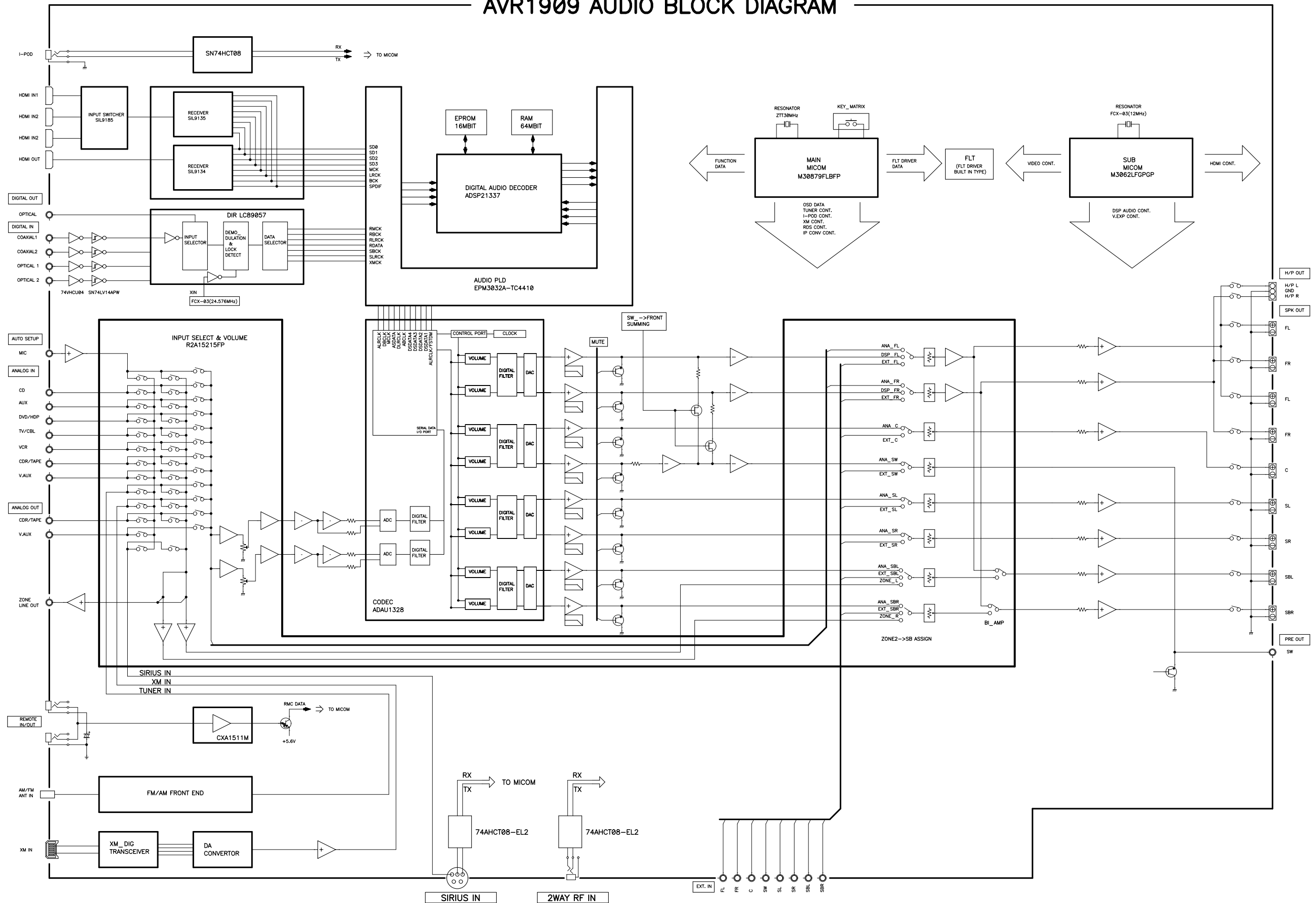


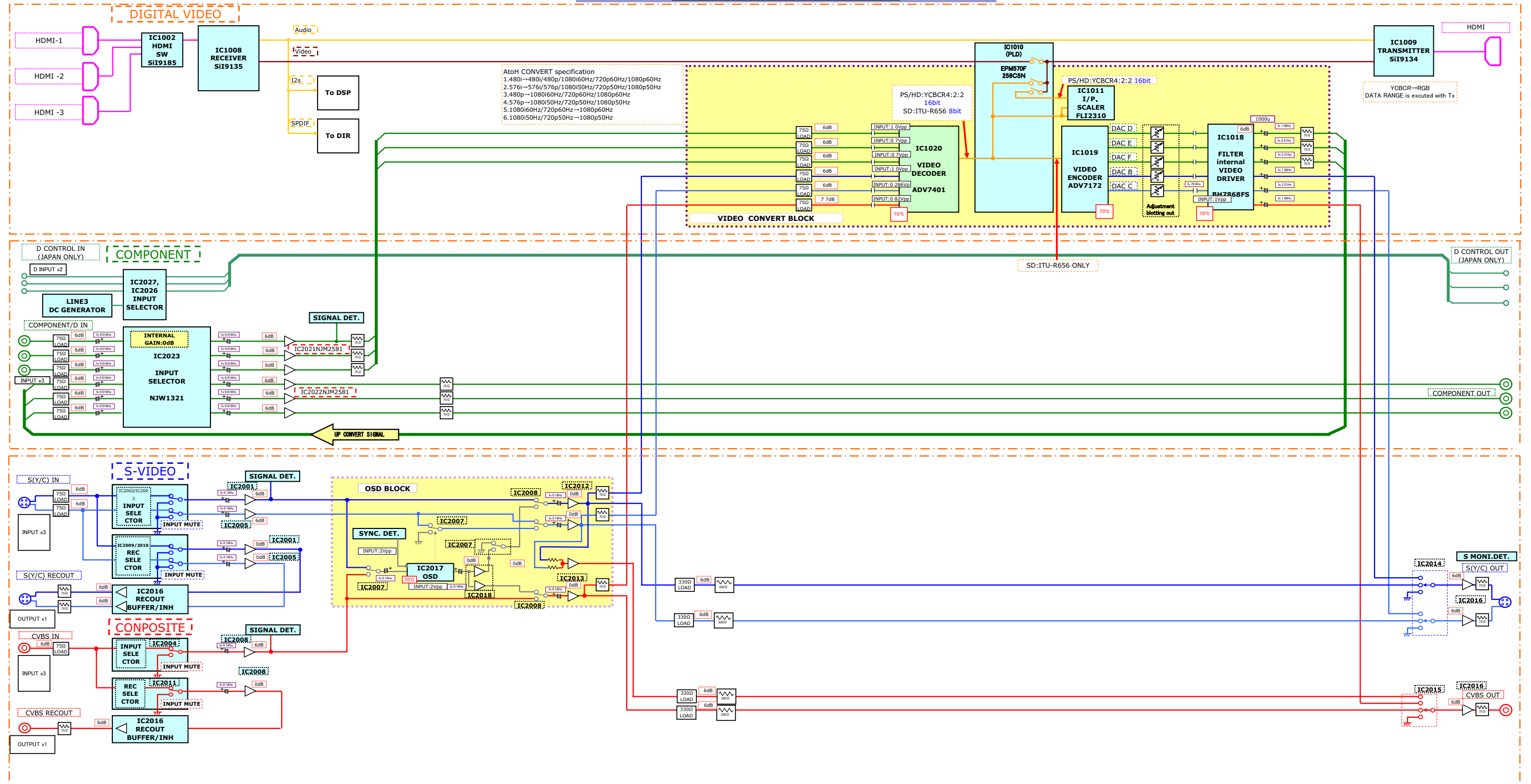
BLOCK DIAGRAM
AUDIO BLOCK DIAGRAM

AVR1909 AUDIO BLOCK DIAGRAM



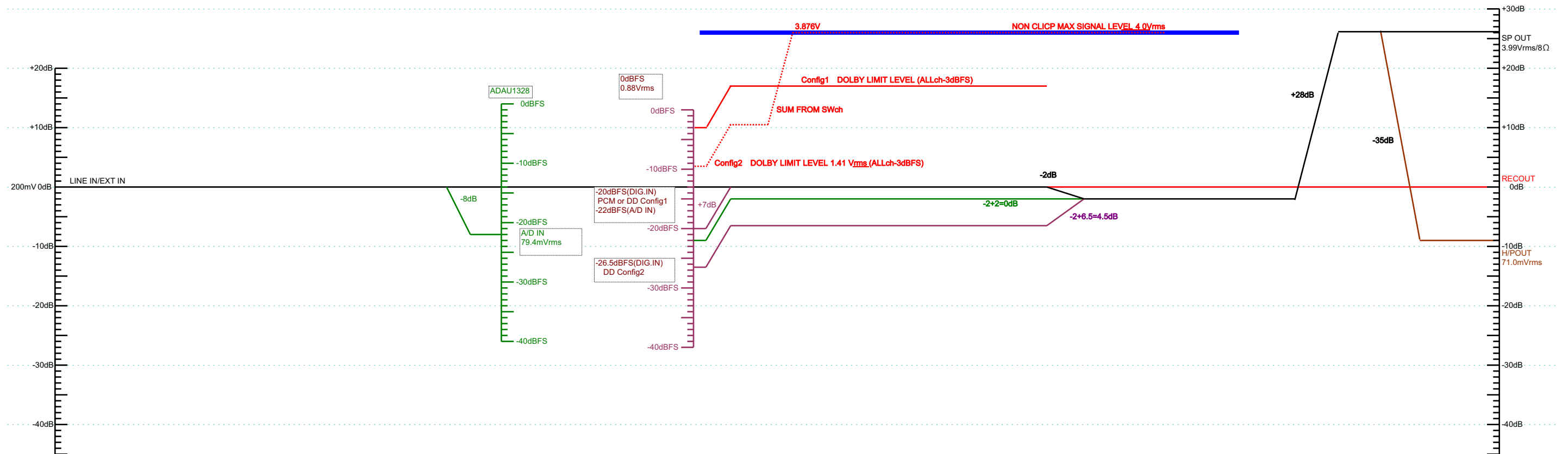
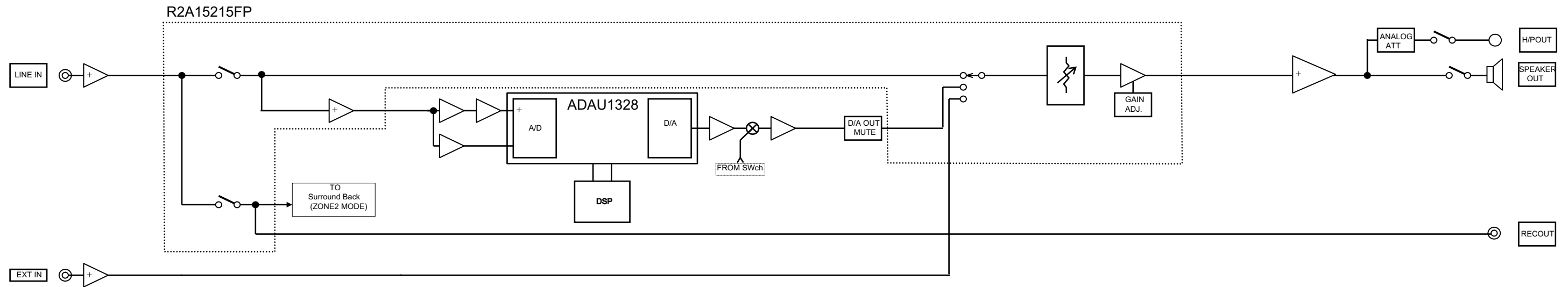
VIDEO BLOCK DIAGRAM

AVR-1909 VIDEO BLOCK DIAGRAM



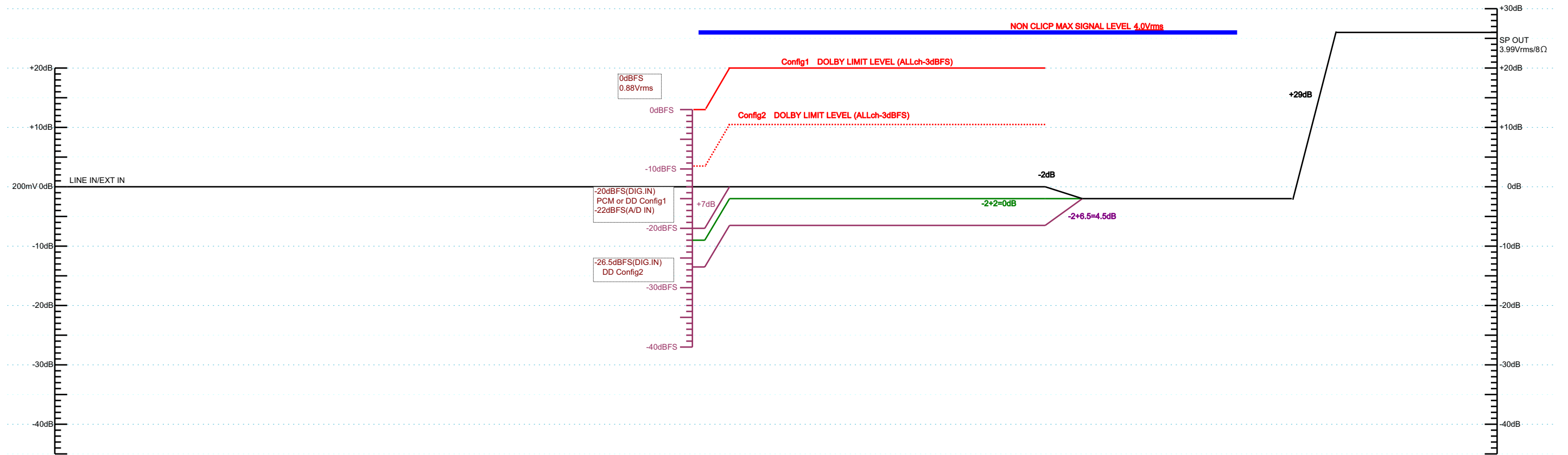
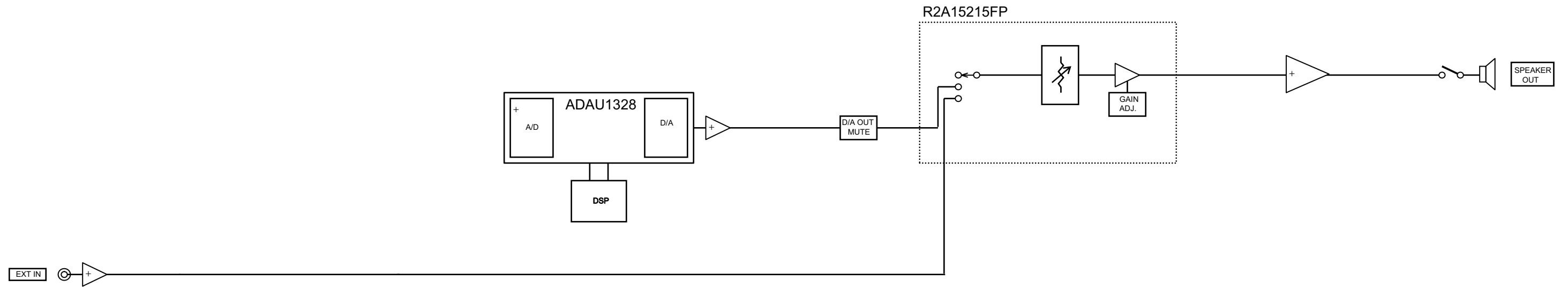
LEVEL DIAGRAMS (1/5)
FRONT LEVEL DIAGRAM

AVR-1909
LEVEL DIAGRAM
FRONT ch



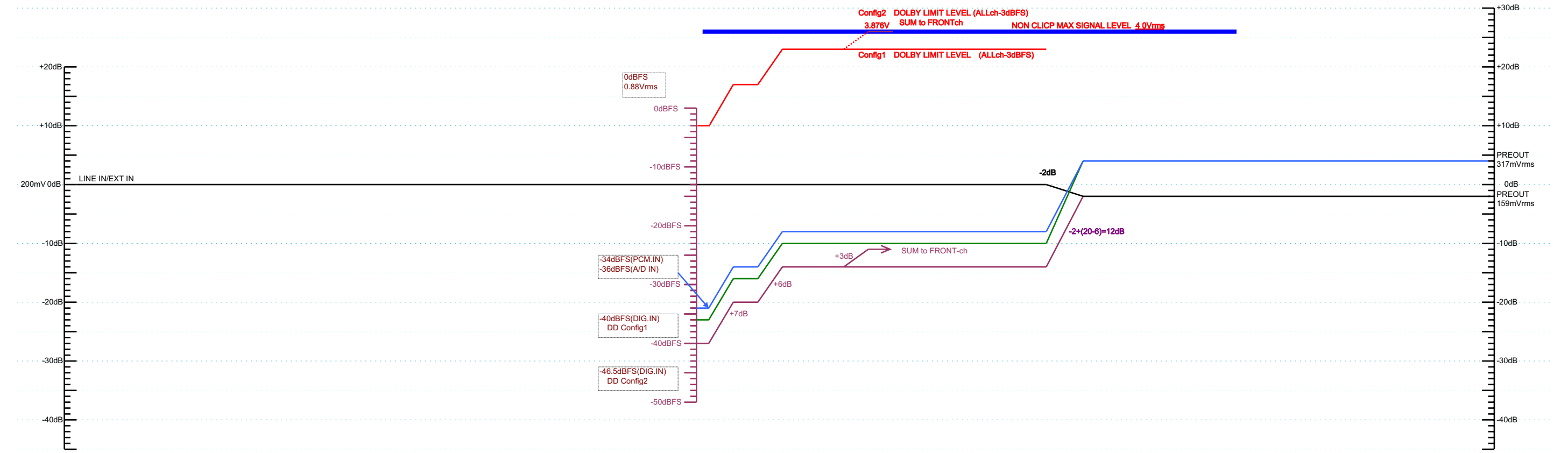
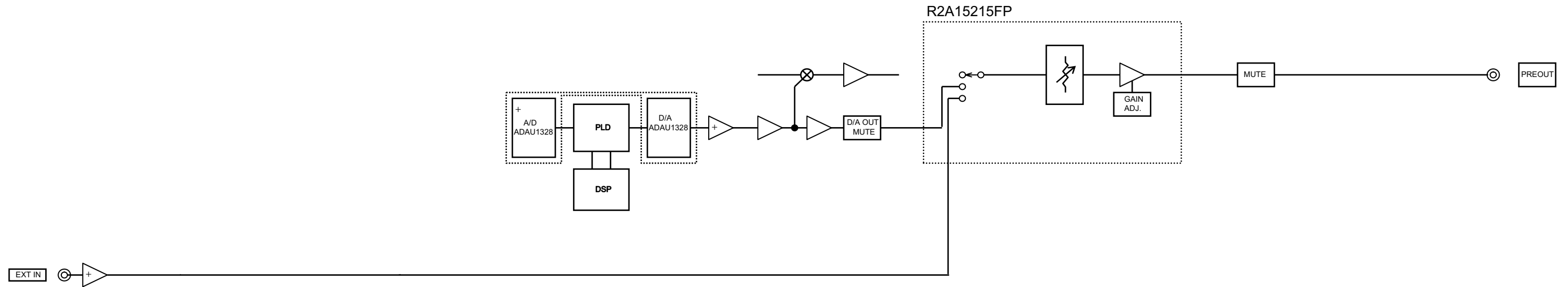
LEVEL DIAGRAMS (2/5)
CENTER LEVEL DIAGRAM

AVR-1909
LEVEL DIAGRAM
CENTER ch



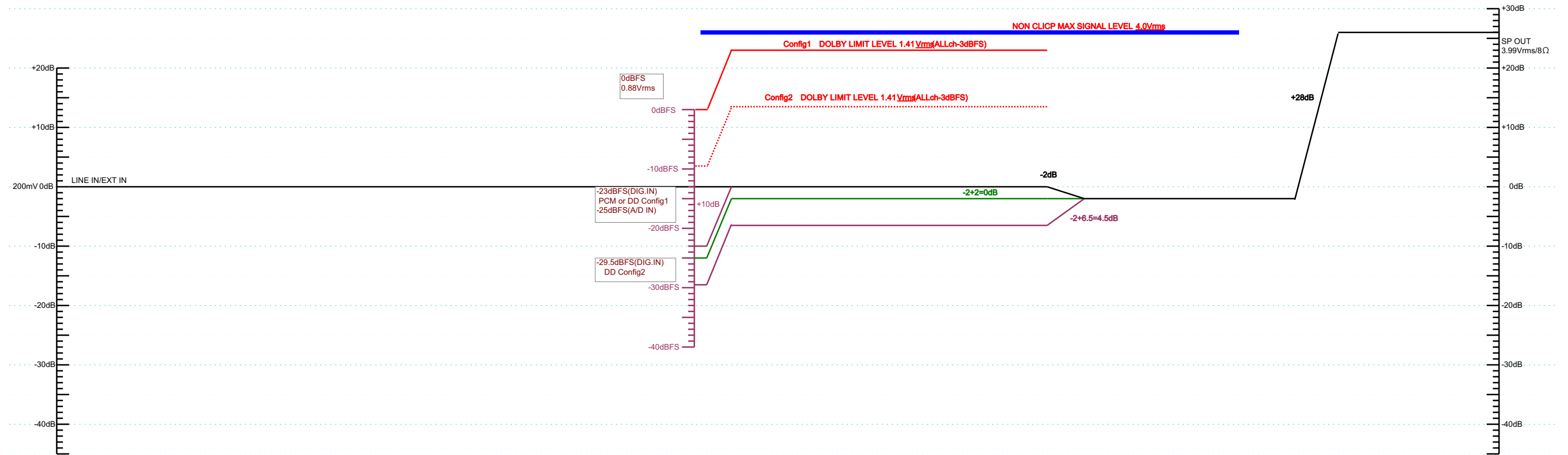
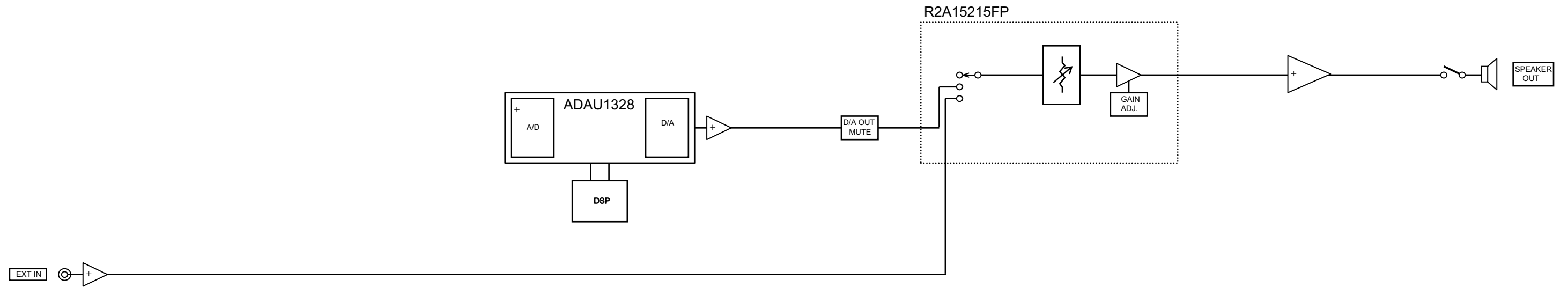
LEVEL DIAGRAMS (3/5)
SUB WOOFER LEVEL DIAGRAM

AVR-1909
LEVEL DIAGRAM
SUBWOOFER ch



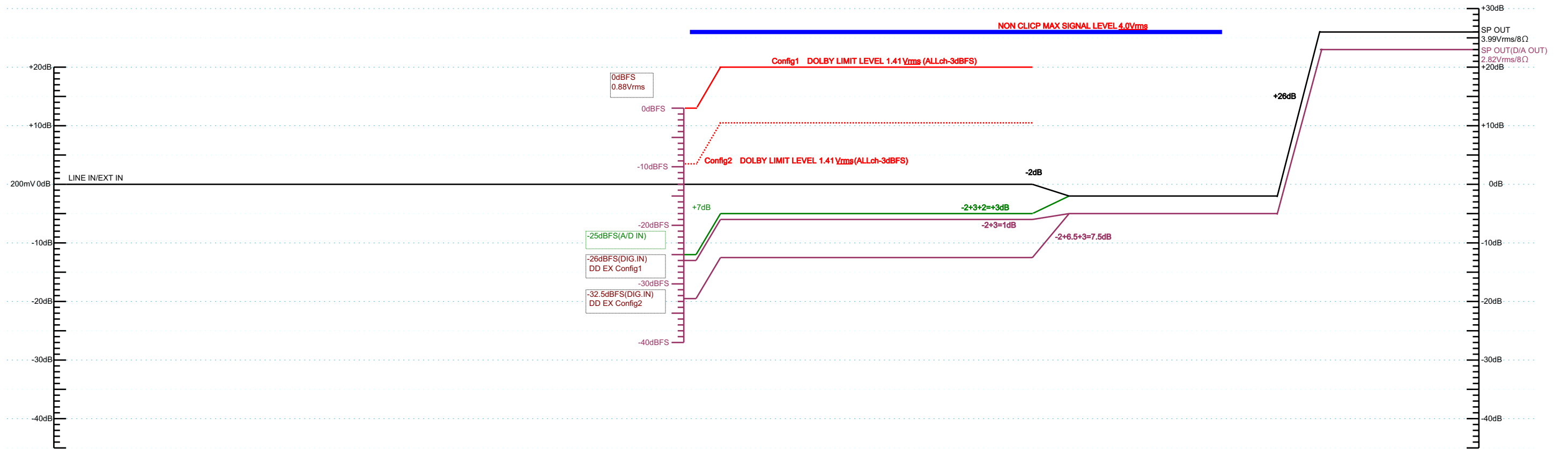
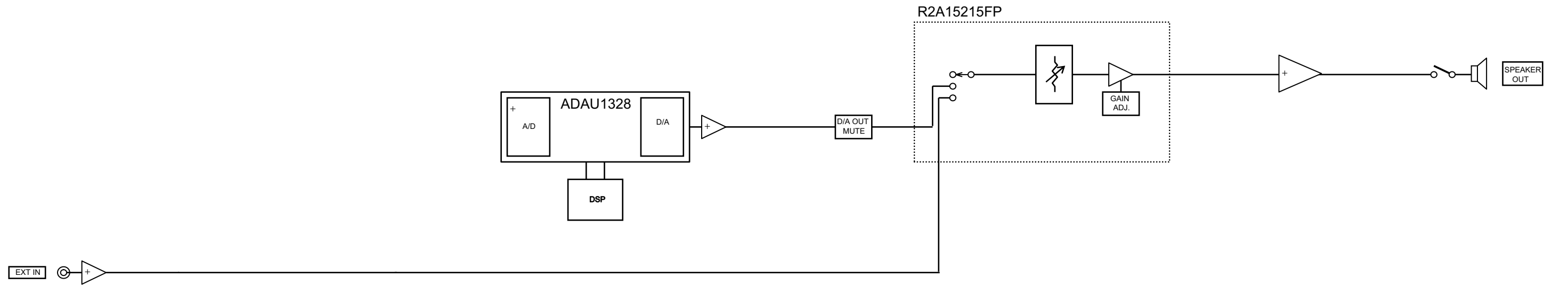
LEVEL DIAGRAMS (4/5)
SURROUND LEVEL DIAGRAM

AVR-1909
LEVEL DIAGRAM
SURROUND ch



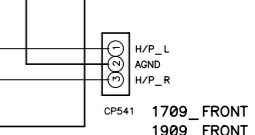
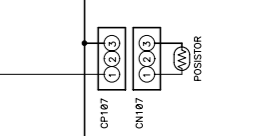
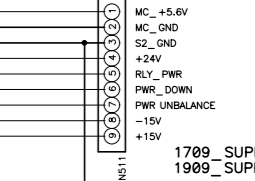
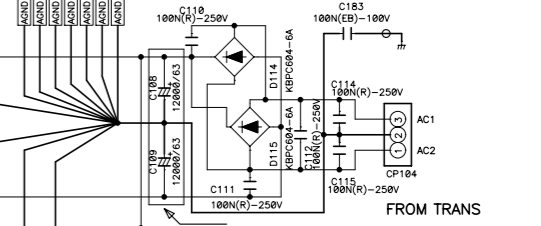
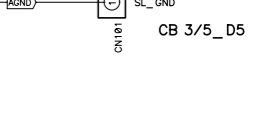
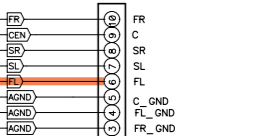
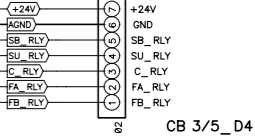
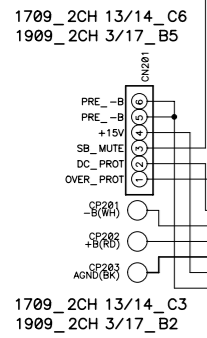
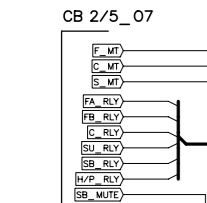
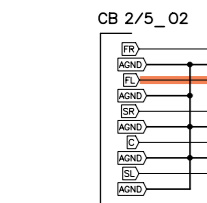
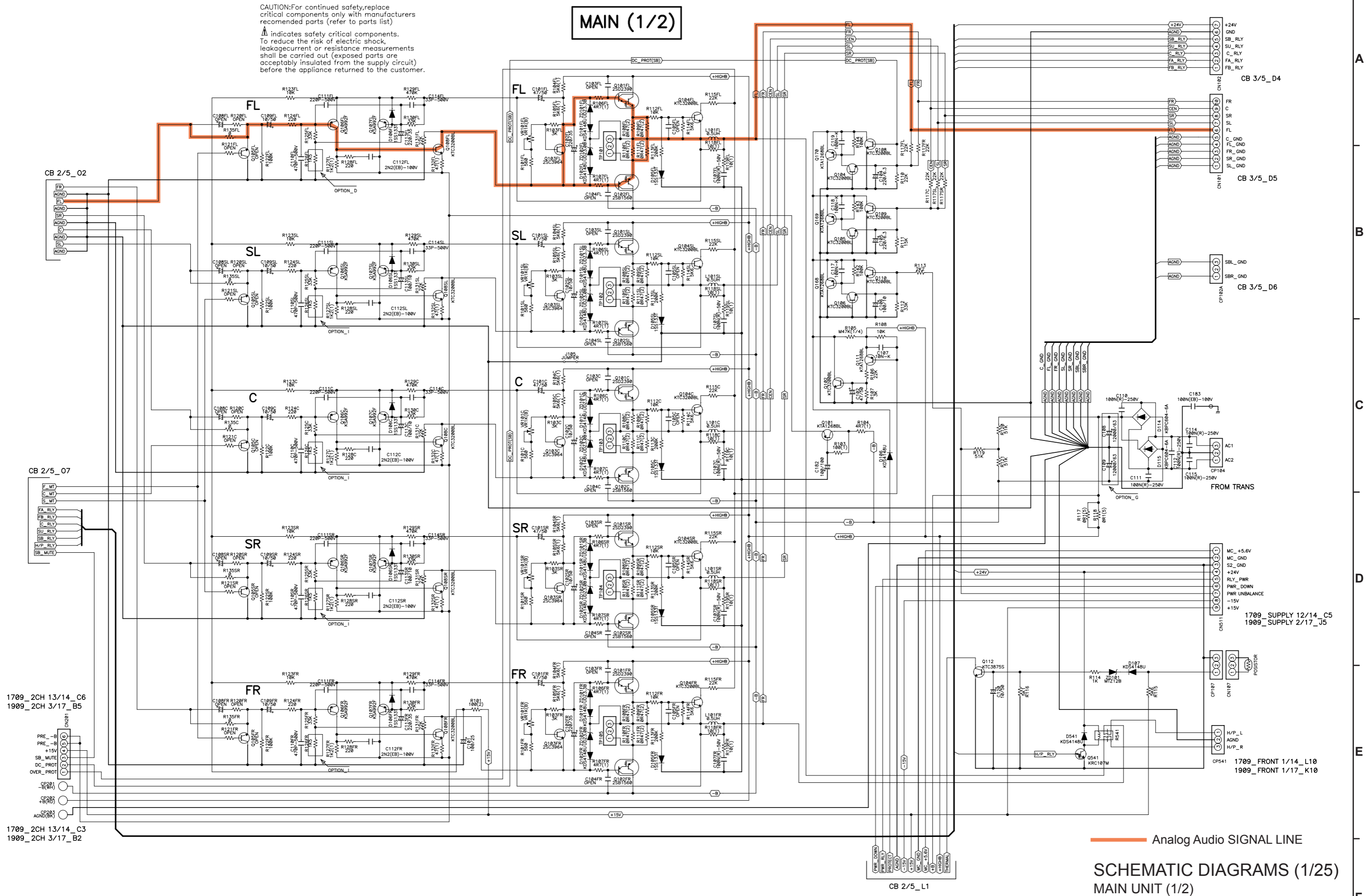
LEVEL DIAGRAMS (5/5)
SURROUND BACK LEVEL DIAGRAM

AVR-1909
LEVEL DIAGRAM
SURR.BACK ch



CAUTION: For continued safety, replace critical components only with manufacturers recommended parts (refer to parts list)
⚠ indicates safety critical components. To reduce the risk of electric shock, leakage current or resistance measurements shall be carried out (exposed parts are acceptably insulated from the supply circuit) before the appliance returned to the customer.

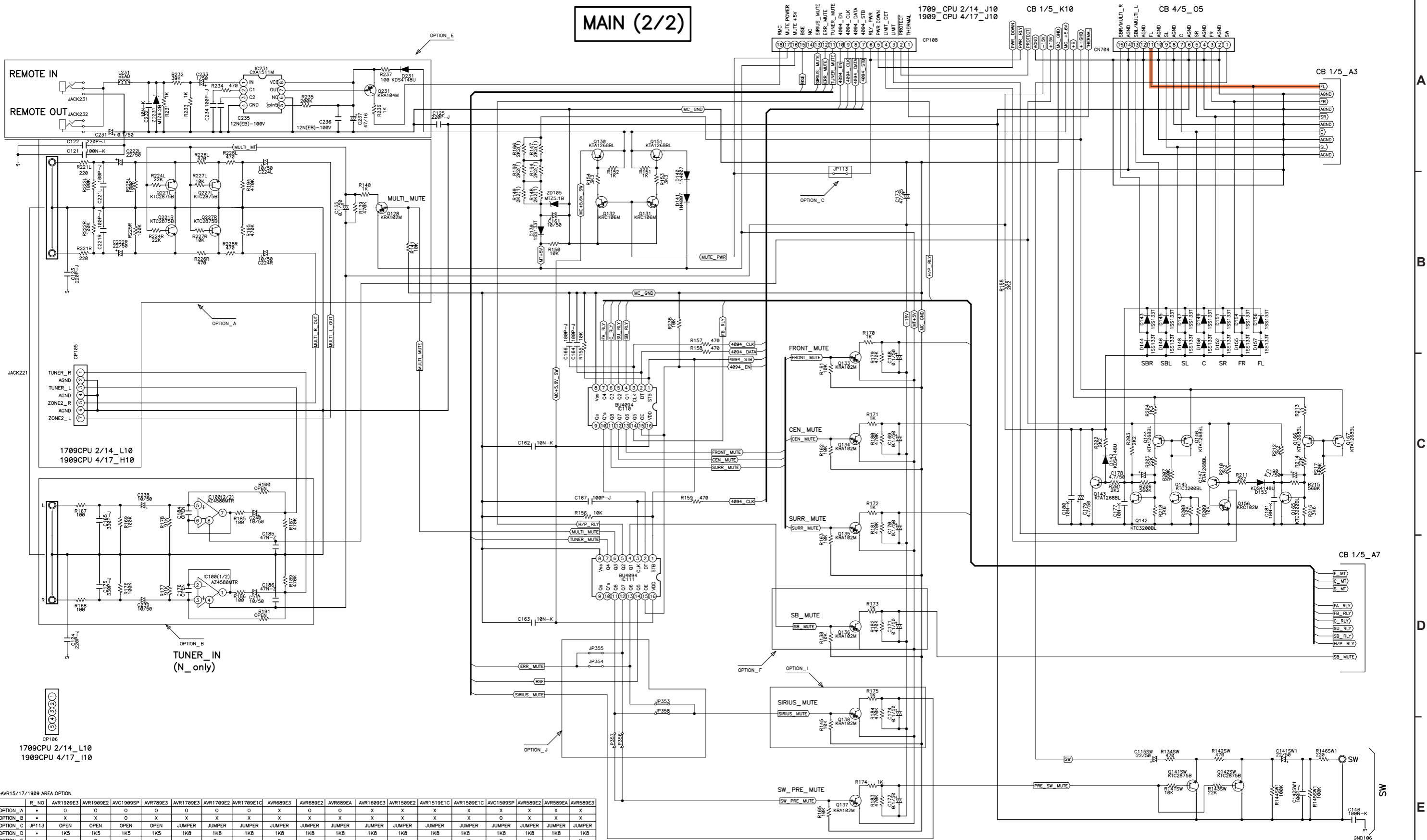
MAIN (1/2)



— Analog Audio SIGNAL LINE

SCHEMATIC DIAGRAMS (1/25)
MAIN UNIT (1/2)

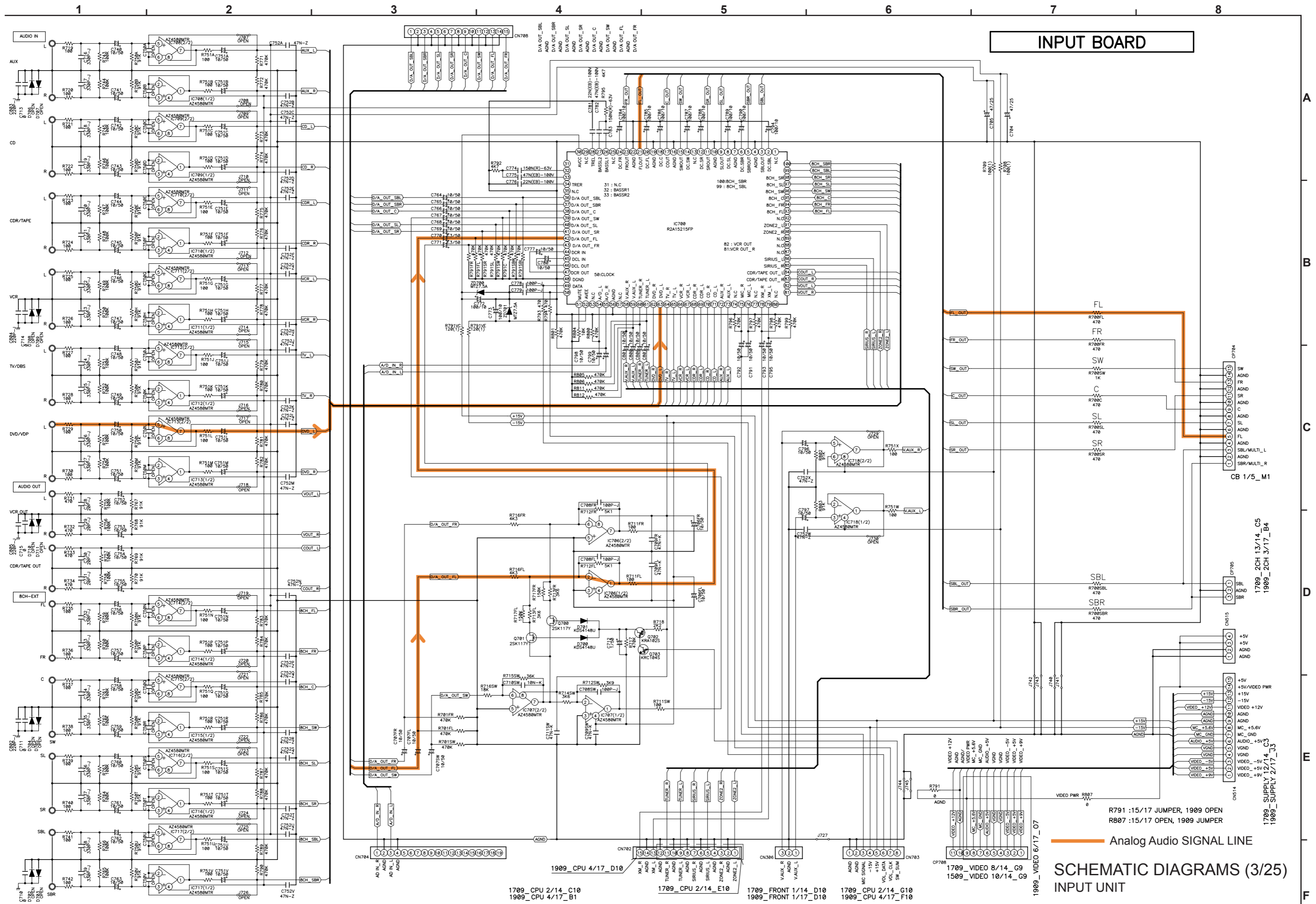
MAIN (2/2)



AVR15/17/1909 AREA OPTION

R_NO	AVR1909E3	AVR1909E3	AVC1909SP	AVR789E3	AVR1709E3	AVR1709E3	AVR1709E1C	AVR689E3	AVR689E2	AVR689E2	AVR689E2	AVR1609E3	AVR1509E2	AVR1519E1C	AVR1509E1C	AVC1509SP	AVR589E2	AVR589E1A	AVR589E3
OPTION_A	*	0	0	0	0	0	0	X	0	X	0	X	X	X	X	X	X	X	X
OPTION_B	*	X	X	X	X	X	X	X	X	X	X	X	X	X	X	0	X	X	X
OPTION_C	JP113	OPEN	OPEN	OPEN	OPEN	JUMPER	JUMPER	JUMPER	JUMPER	JUMPER	JUMPER	JUMPER	JUMPER	JUMPER	JUMPER	JUMPER	JUMPER	JUMPER	JUMPER
OPTION_D	*	1K5	1K5	1K5	1K5	1K5	1K5	1K5	1K5	1K5	1K5	1K5	1K5	1K5	1K5	1K5	1K5	1K5	1K5
OPTION_E	*	0	0	0	0	0	0	0	0	0	0	0	0	0	0	0	0	0	0
OPTION_F	*	0	0	0	0	0	0	0	0	0	0	0	0	0	0	0	0	0	0
OPTION_G	*	12000/63	12000/63	12000/63	12000/63	10000/63	10000/63	10000/63	10000/63	10000/63	10000/63	10000/63	10000/63	10000/63	10000/63	10000/63	10000/63	10000/63	10000/63
OPTION_H	*	0	0	0	0	0	0	0	0	0	0	0	0	0	0	0	0	0	0
OPTION_J	JP353	X	X	X	X	0	0	0	0	0	0	0	0	0	0	0	0	0	0
	JP354	0	0	0	0	0	0	0	0	0	0	0	0	0	0	0	0	0	0
	JP355	X	X	X	X	0	0	0	0	0	0	0	0	0	0	0	0	0	0
	JP356	0	0	0	0	0	0	0	0	0	0	0	0	0	0	0	0	0	0
	JP357	X	X	X	X	0	0	0	0	0	0	0	0	0	0	0	0	0	0
OPTION_J	JP358	0	0	0	0	0	0	0	0	0	0	0	0	0	0	0	0	0	0

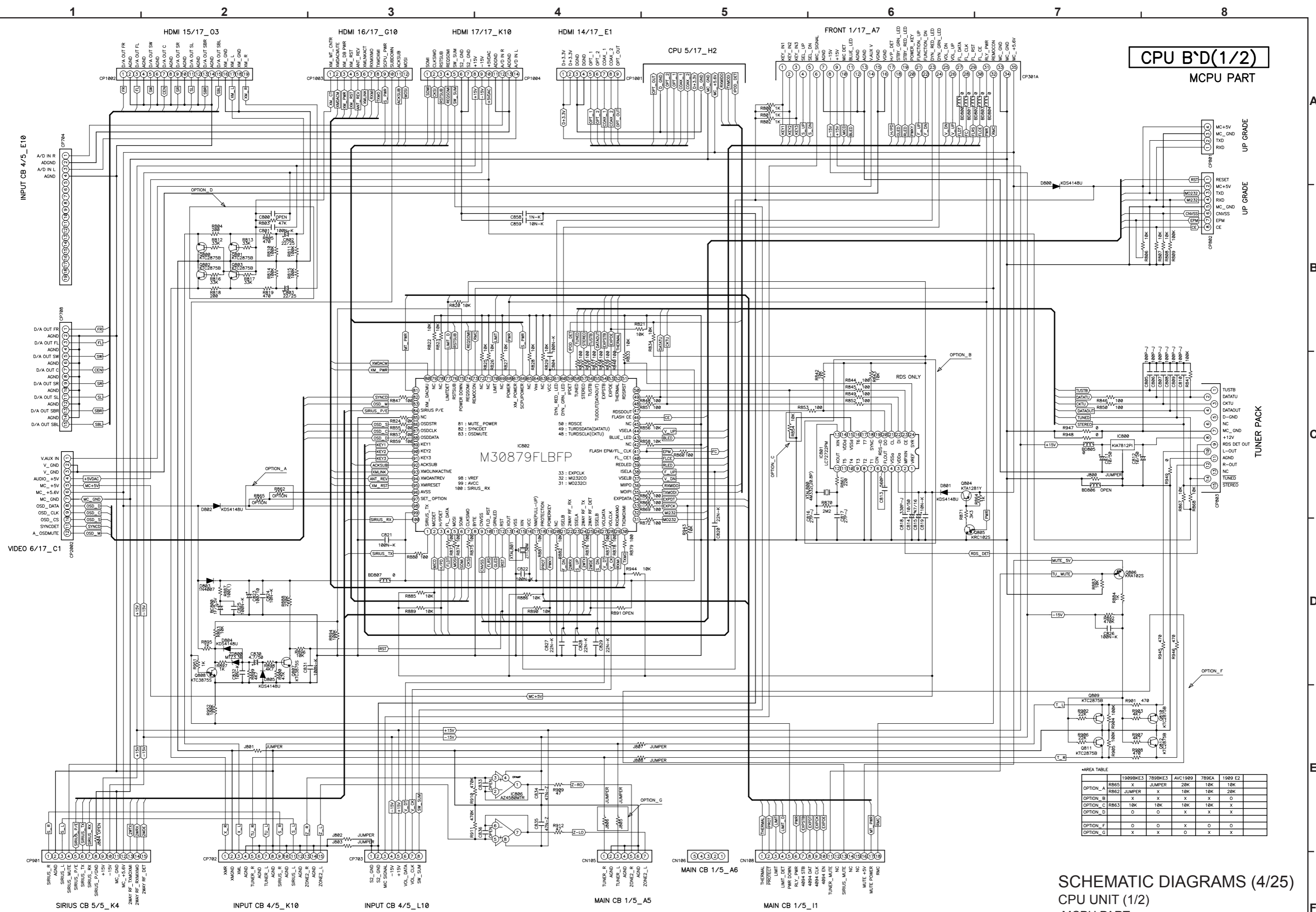
— Analog Audio SIGNAL LINE
 SCHEMATIC DIAGRAMS (2/25)
 MAIN UNIT (2/2)



INPUT BOARD

— Analog Audio SIGNAL LINE

SCHEMATIC DIAGRAMS (3/25)
INPUT UNIT



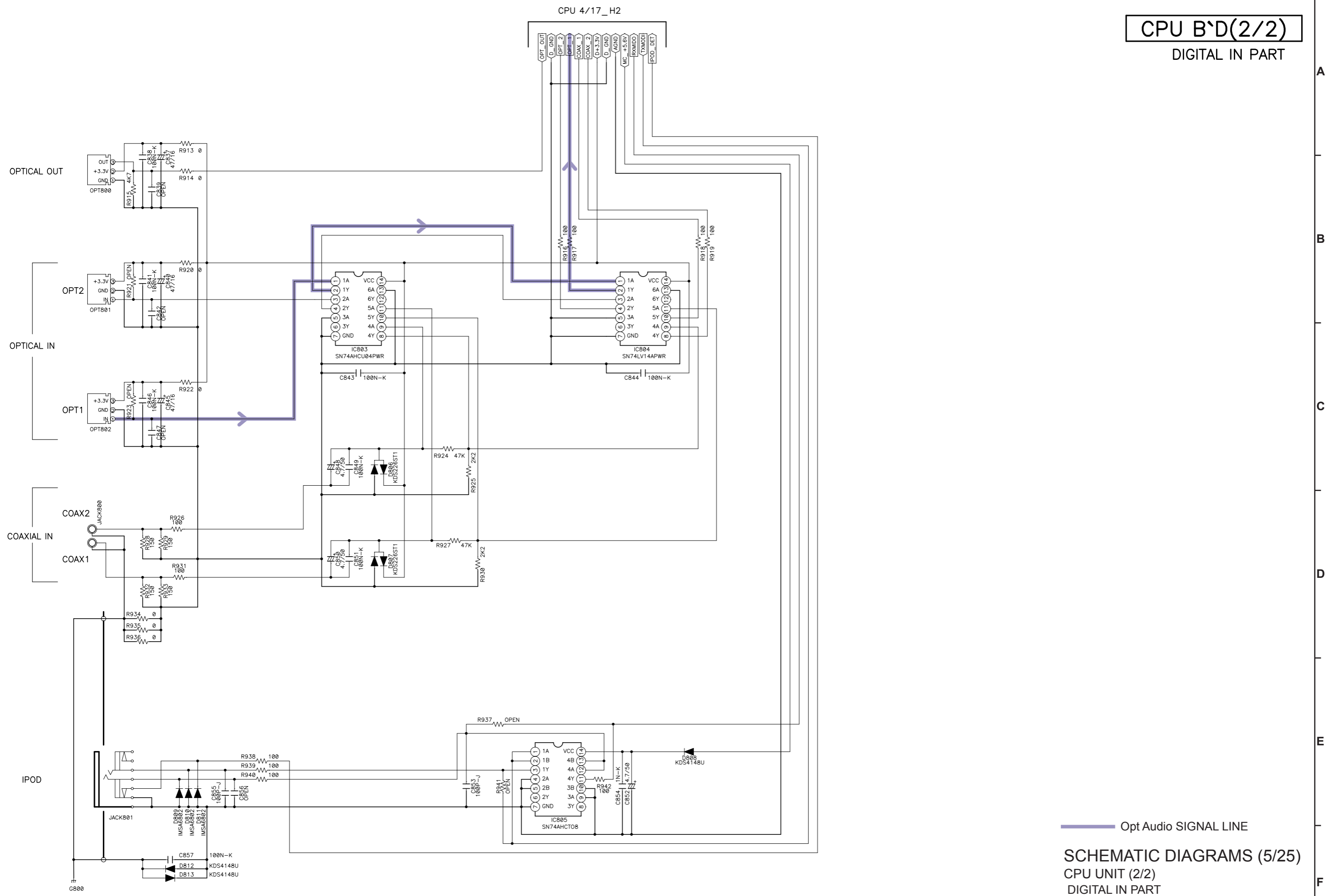
CPU B'D(1/2)
MCPU PART

AREA TABLE

	1909BKE3	7899KE3	AVC1909	789EA	1909 E2
OPTION_A	R865	X	JUMPER	X	18K
OPTION_B	R862	JUMPER	X	18K	28K
OPTION_C	R863	18K	18K	18K	X
OPTION_D	O	O	X	X	X
OPTION_F	O	O	X	O	O
OPTION_G	X	X	O	X	X

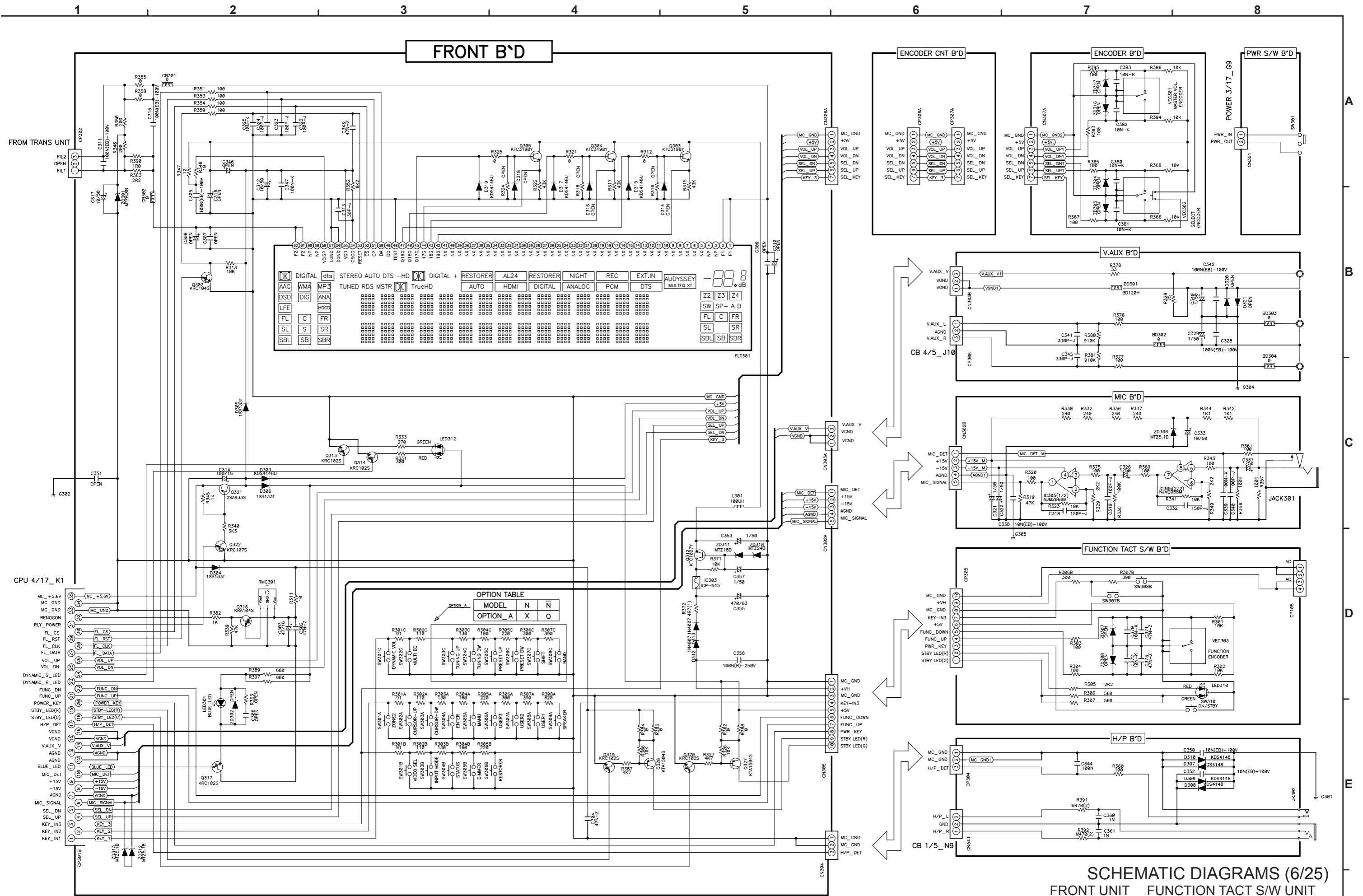
SCHEMATIC DIAGRAMS (4/25)
CPU UNIT (1/2)
MCPU PART

CPU B'D(2/2)
DIGITAL IN PART



Opt Audio SIGNAL LINE

SCHMATIC DIAGRAMS (5/25)
CPU UNIT (2/2)
DIGITAL IN PART



FRONT B'D

ENCODER CNT B'D

ENCODER B'D

PWR S/W B'D

V.AUX B'D

MIC B'D

FUNCTION TACT S/W B'D

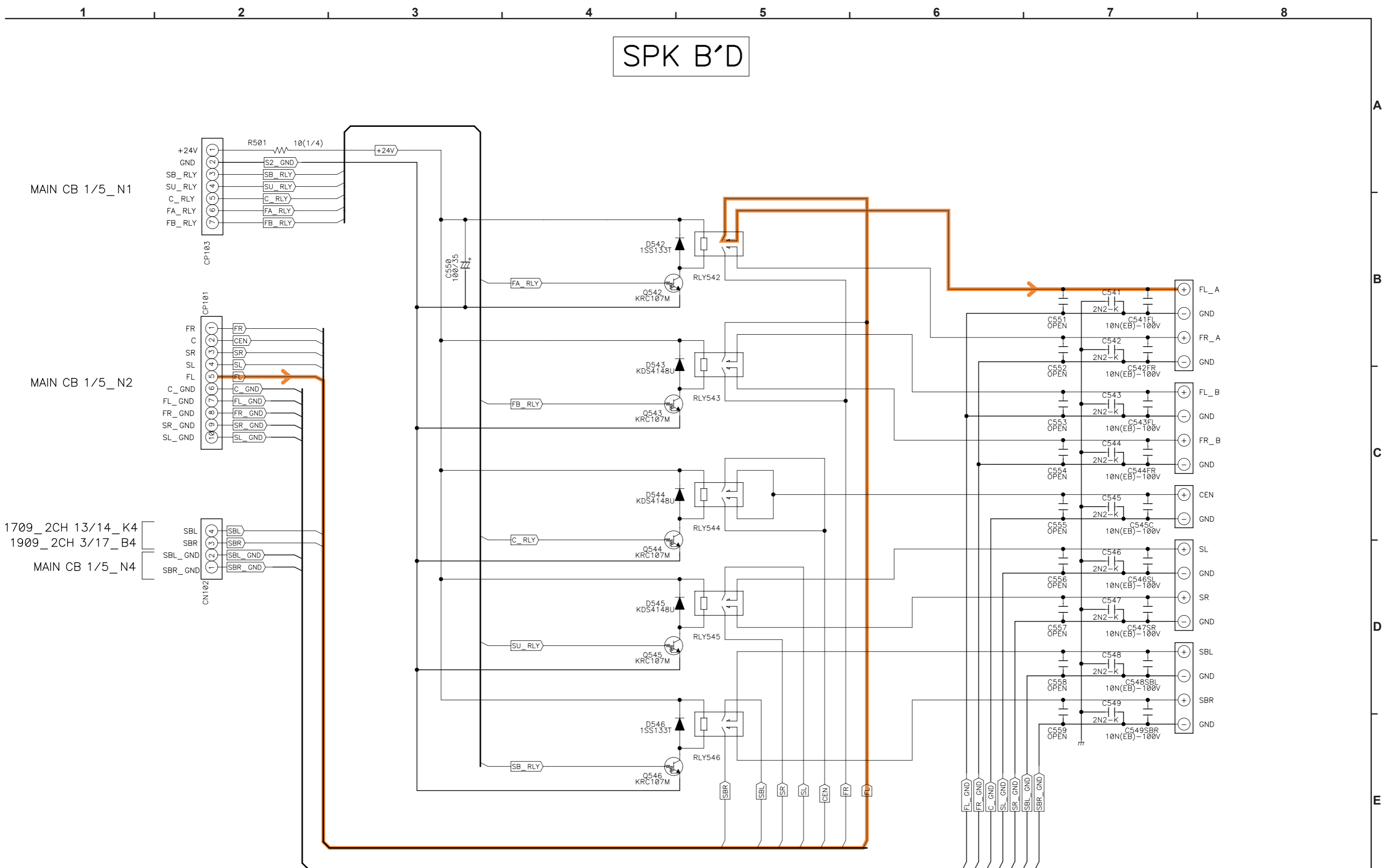
H/P B'D

OPTION TABLE

MODEL	N	N
OPTION_A	X	O

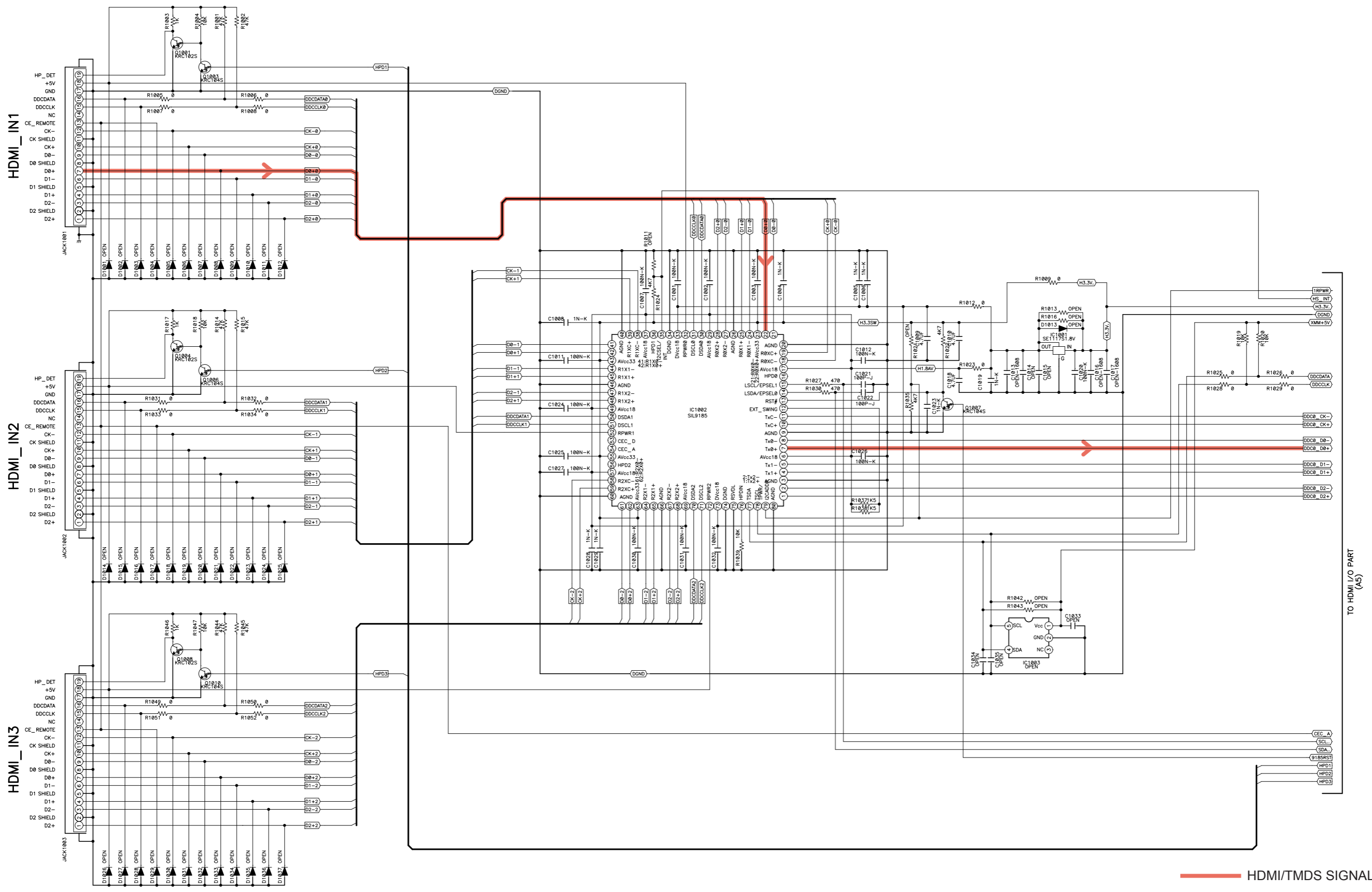
SCHEMATIC DIAGRAMS (6/25)
 FRONT UNIT FUNCTION TACT S/W UNIT
 V.AUX UNIT ENCODER CNT UNIT
 MIC UNIT ENCODER UNIT
 H/P UNIT PWR S/W UNIT

SPK B'D



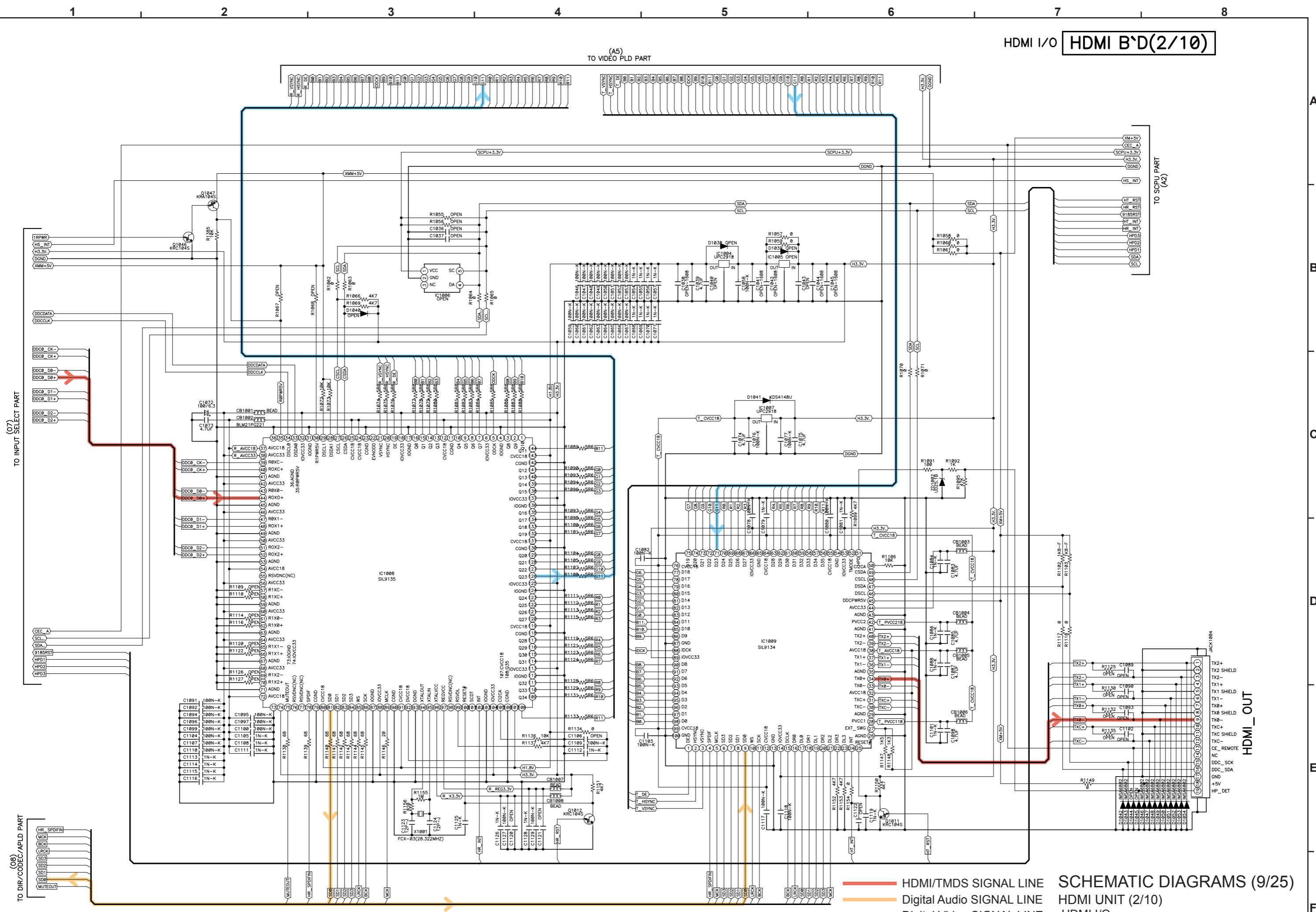
— Analog Audio SIGNAL LINE

SCHEMATIC DIAGRAMS (7/25)
SPK UNIT



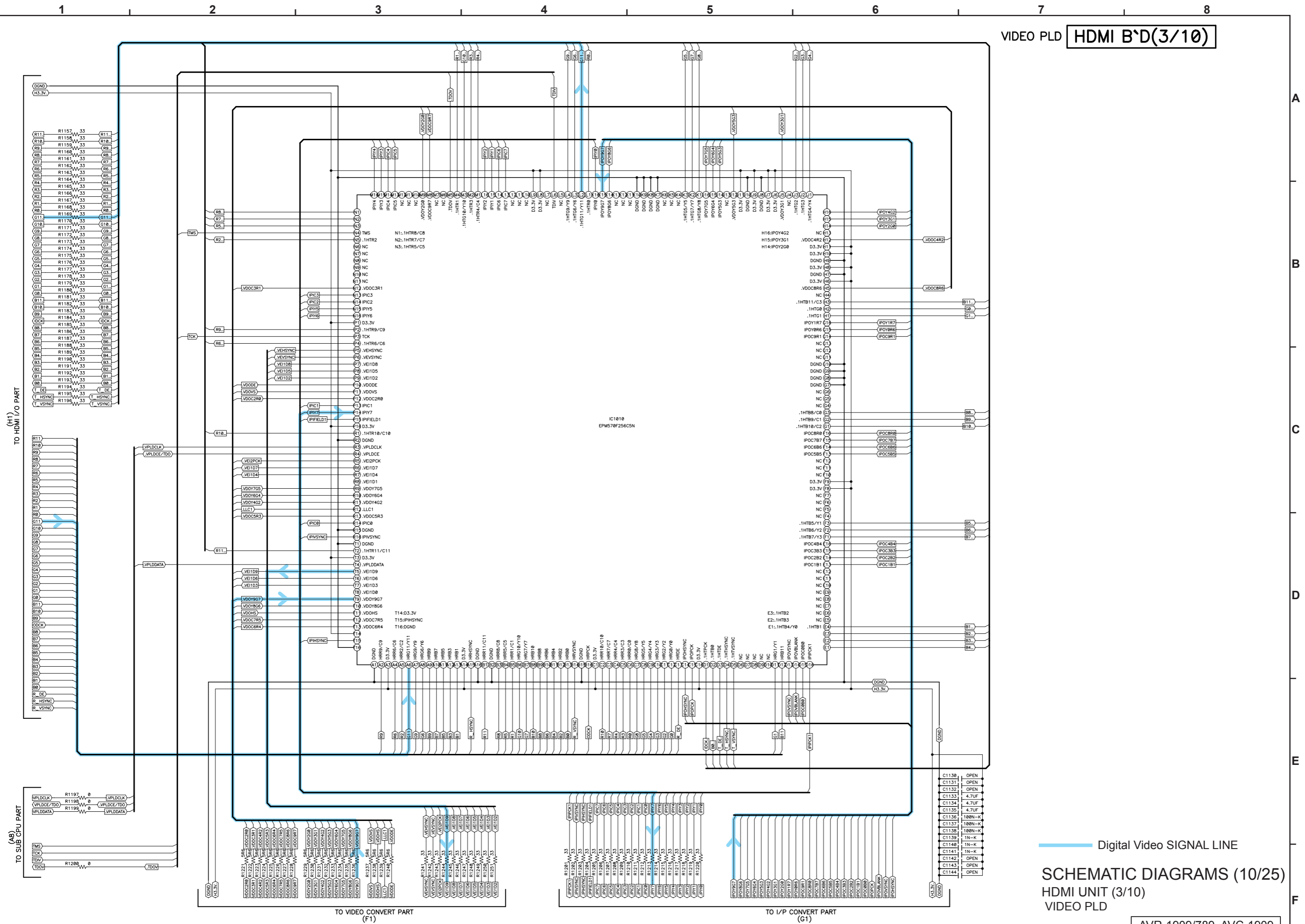
— HDMI/TMDS SIGNAL LINE

SCHEMATIC DIAGRAMS (8/25)
 HDMI UNIT (1/10)
 HDMI INPUT SELECT



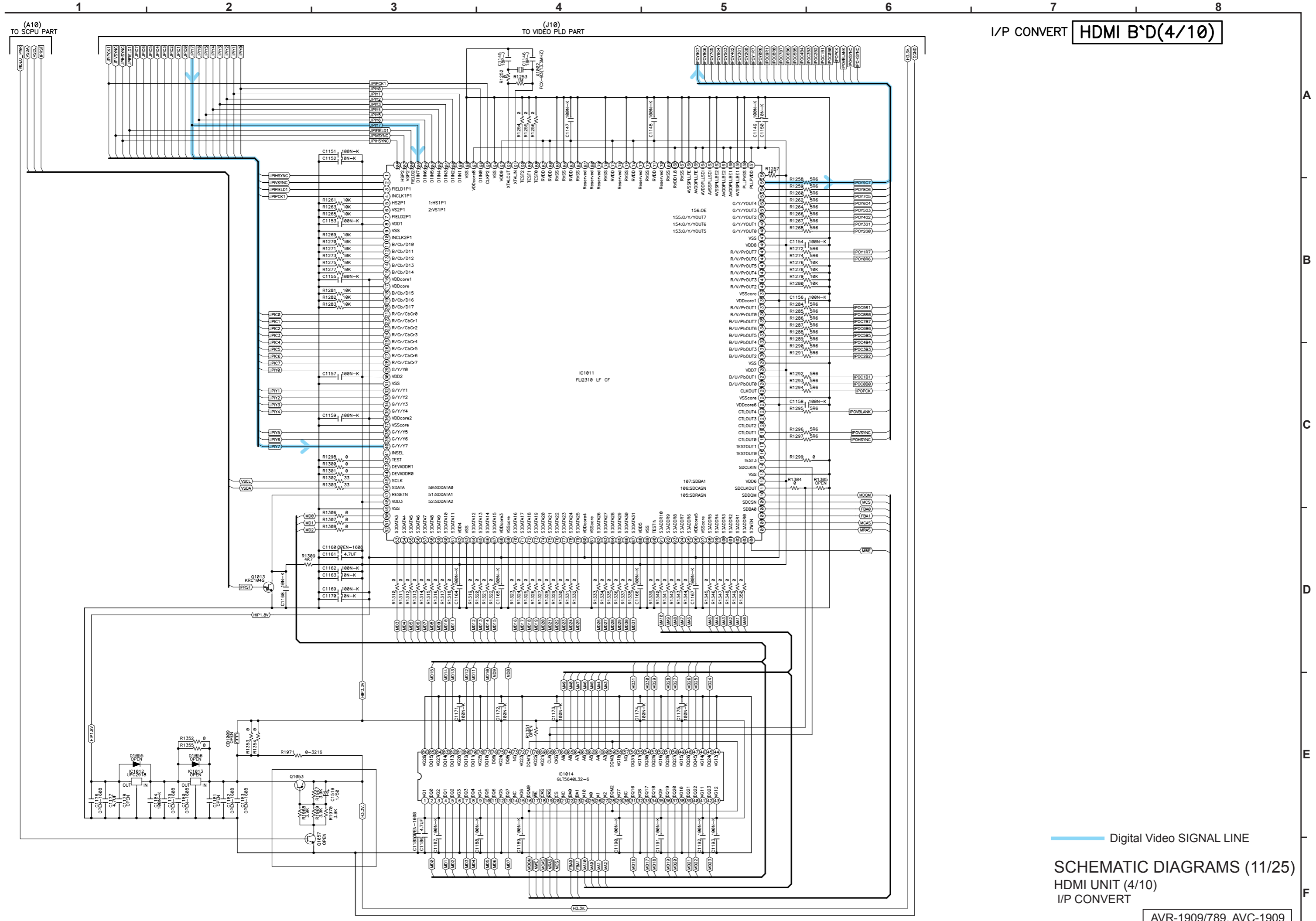
- HDMI/TMDS SIGNAL LINE
- Digital Audio SIGNAL LINE
- Digital Video SIGNAL LINE

SCHEMATIC DIAGRAMS (9/25)
 HDMI UNIT (2/10)
 HDMI I/O



Digital Video SIGNAL LINE

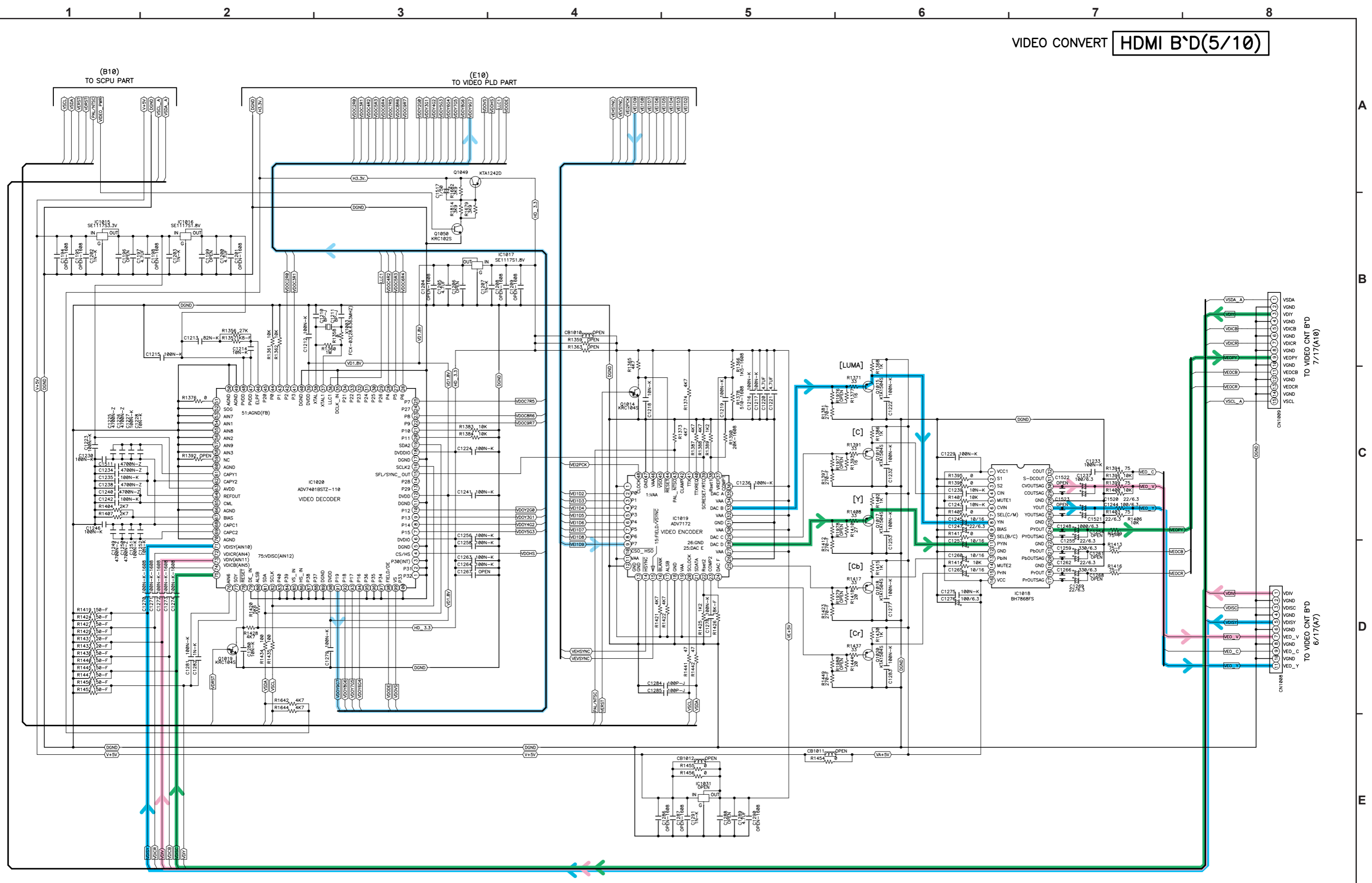
SCHEMATIC DIAGRAMS (10/25)
HDMI UNIT (3/10)
VIDEO PLD



I/P CONVERT **HDMI B'D(4/10)**

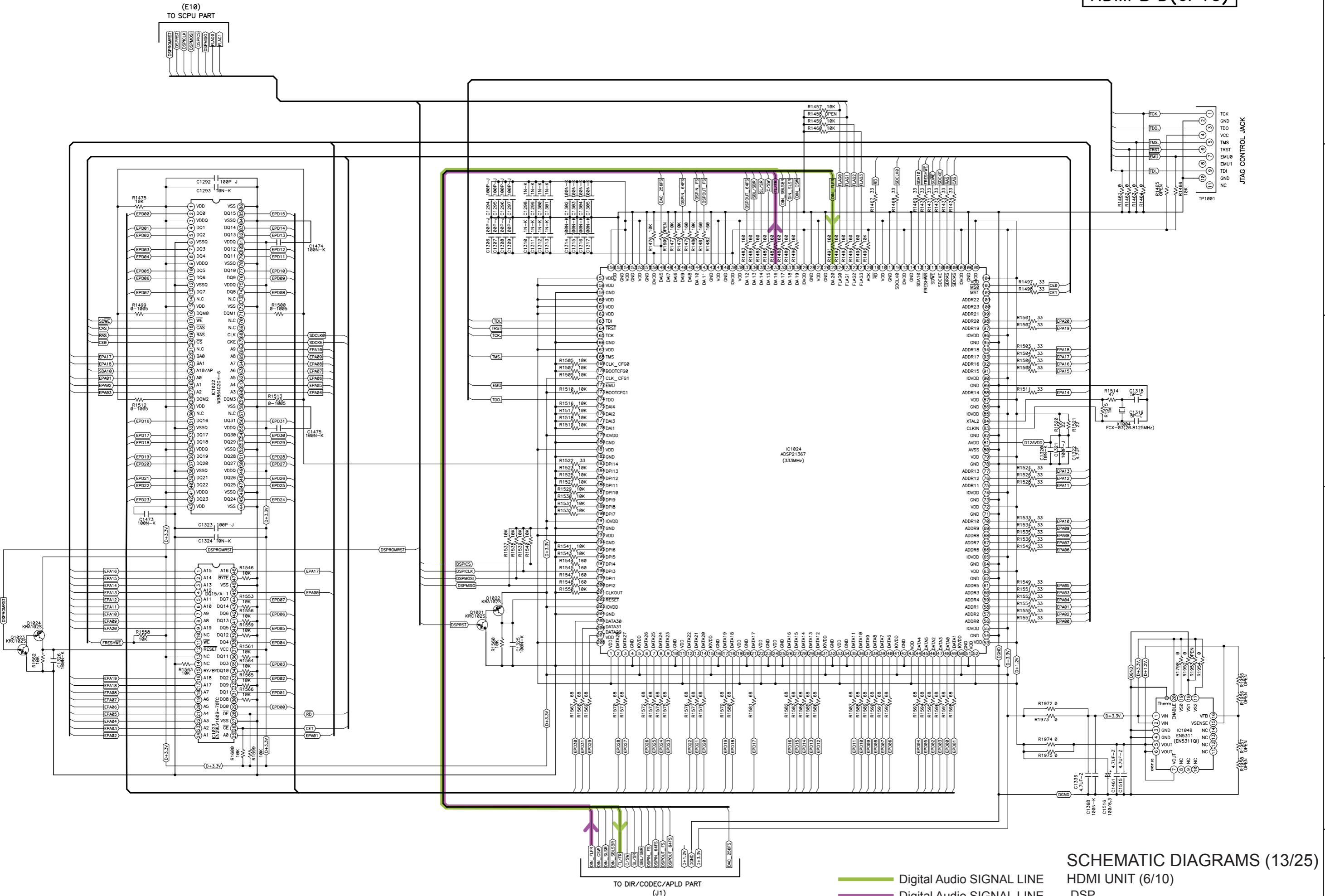
— Digital Video SIGNAL LINE

SCHEMATIC DIAGRAMS (11/25)
 HDMI UNIT (4/10)
 I/P CONVERT



- Digital Video SIGNAL LINE
- Video SIGNAL LINE
- S-Video-Y SIGNAL LINE
- Component-Y SIGNAL LINE

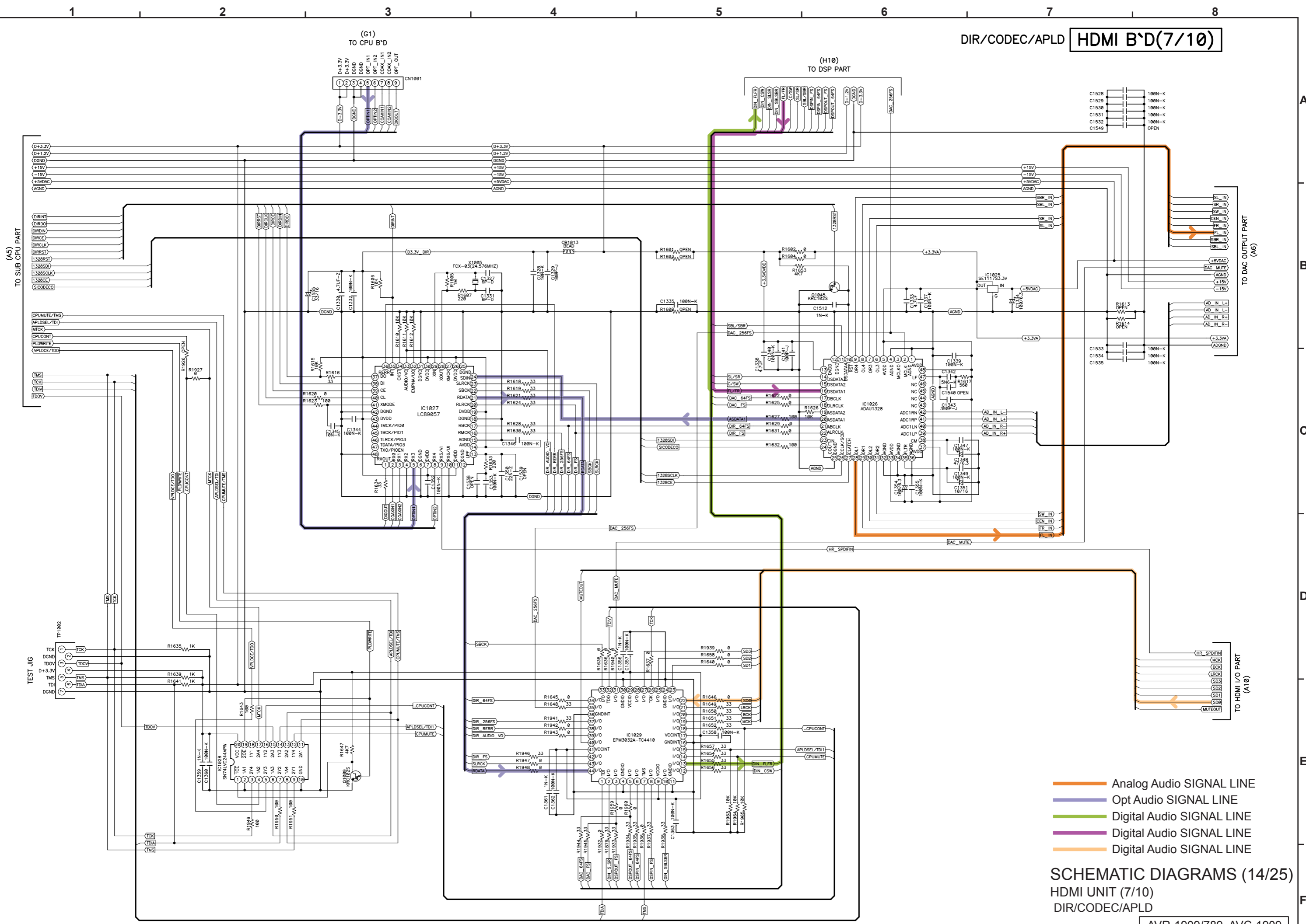
SCHMATIC DIAGRAMS (12/25)
HDMI UNIT (5/10)
VIDEO CONVERT



SCHEMATIC DIAGRAMS (13/25) HDMI UNIT (6/10) DSP

Digital Audio SIGNAL LINE
Digital Audio SIGNAL LINE

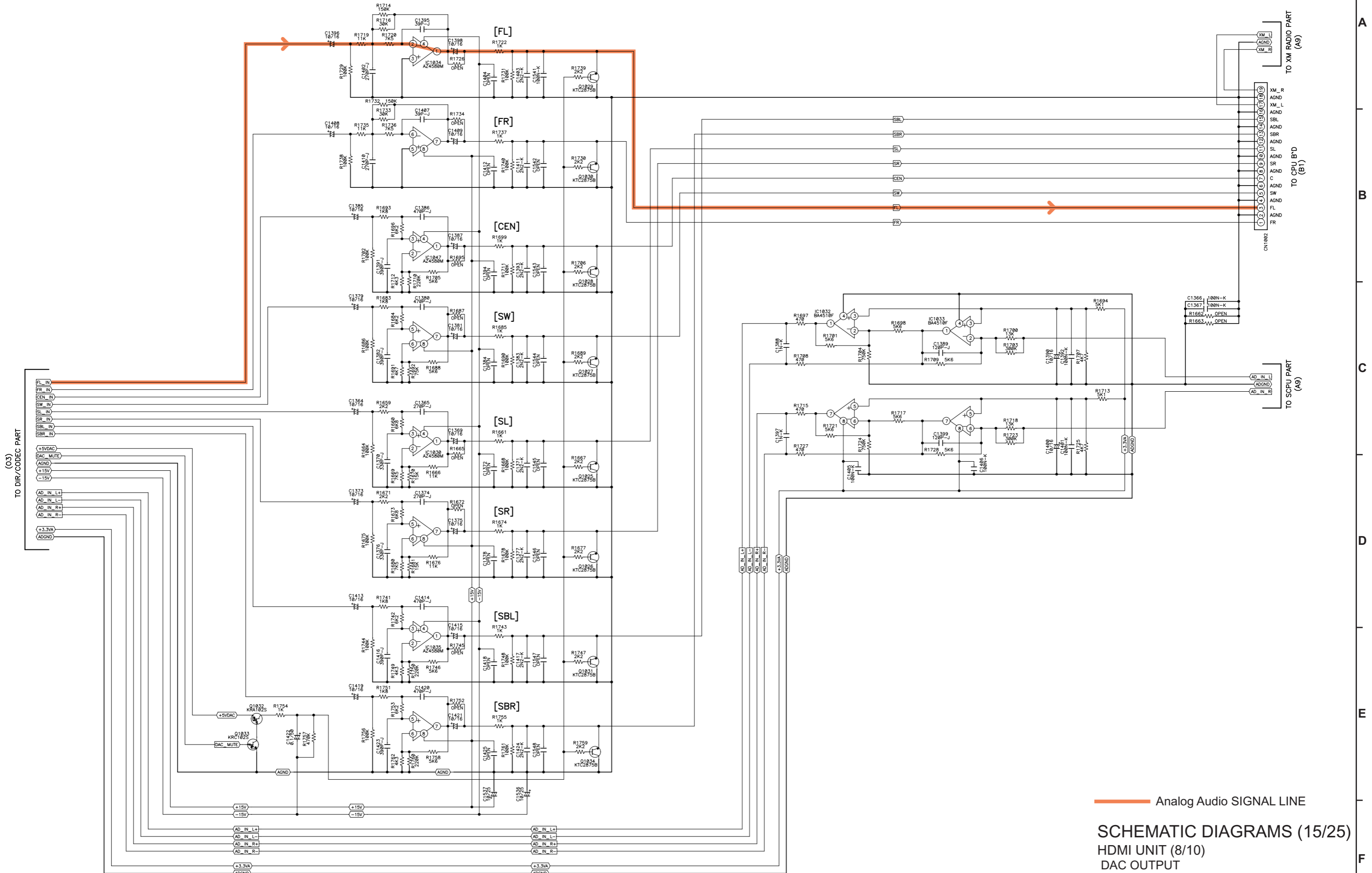
DIR/CODEC/APLD **HDMI B`D(7/10)**



- Analog Audio SIGNAL LINE
- Opt Audio SIGNAL LINE
- Digital Audio SIGNAL LINE
- Digital Audio SIGNAL LINE
- Digital Audio SIGNAL LINE

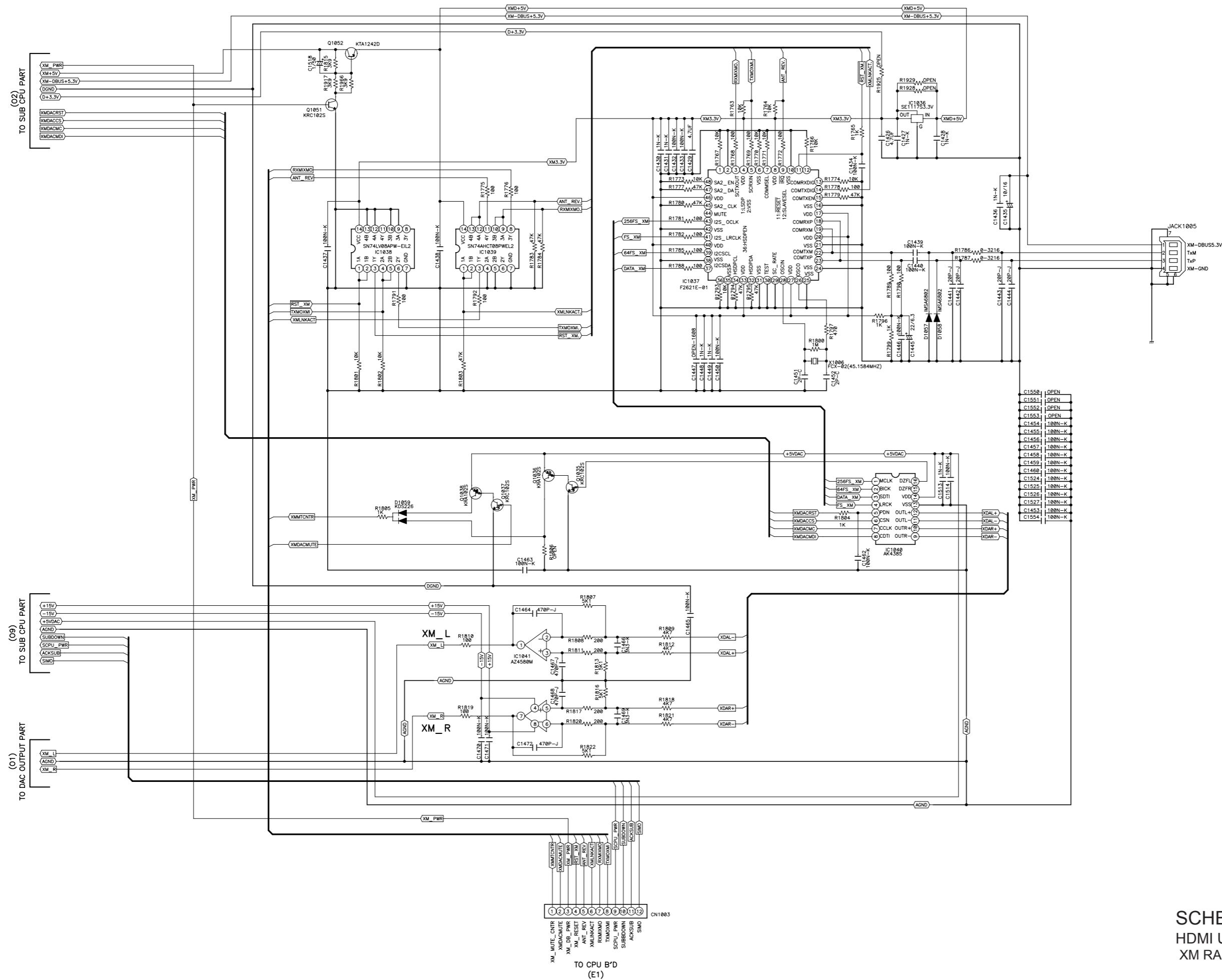
SCHEMATIC DIAGRAMS (14/25)
HDMI UNIT (7/10)
DIR/CODEC/APLD

DAC OUTPUT HDMI B'D(8/10)



— Analog Audio SIGNAL LINE

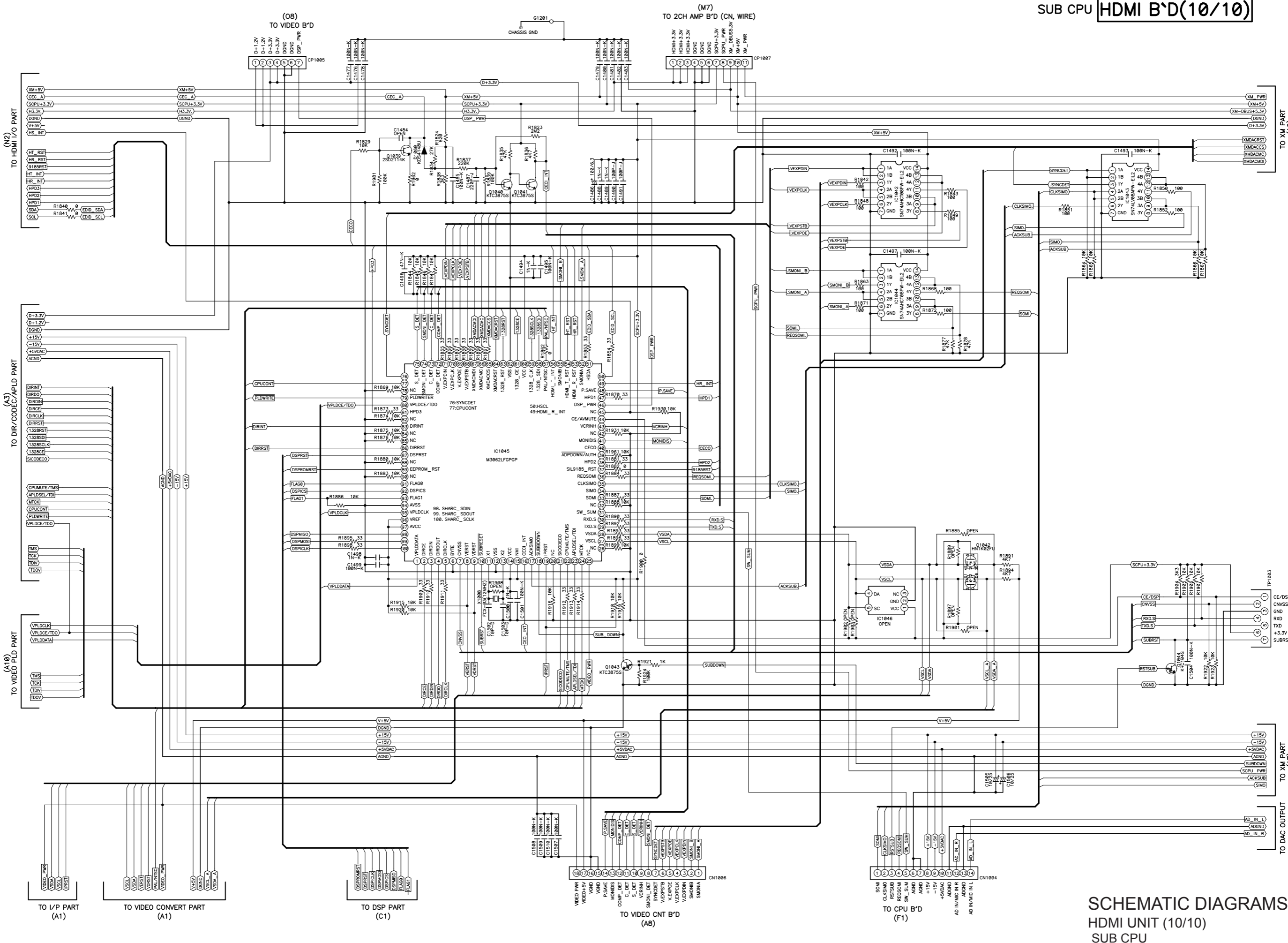
SCHMATIC DIAGRAMS (15/25)
HDMI UNIT (8/10)
DAC OUTPUT



SCHEMATIC DIAGRAMS (16/25)
 HDMI UNIT (9/10)
 XM RADIO (E3 model only)
 AVR-1909/789, AVC-1909

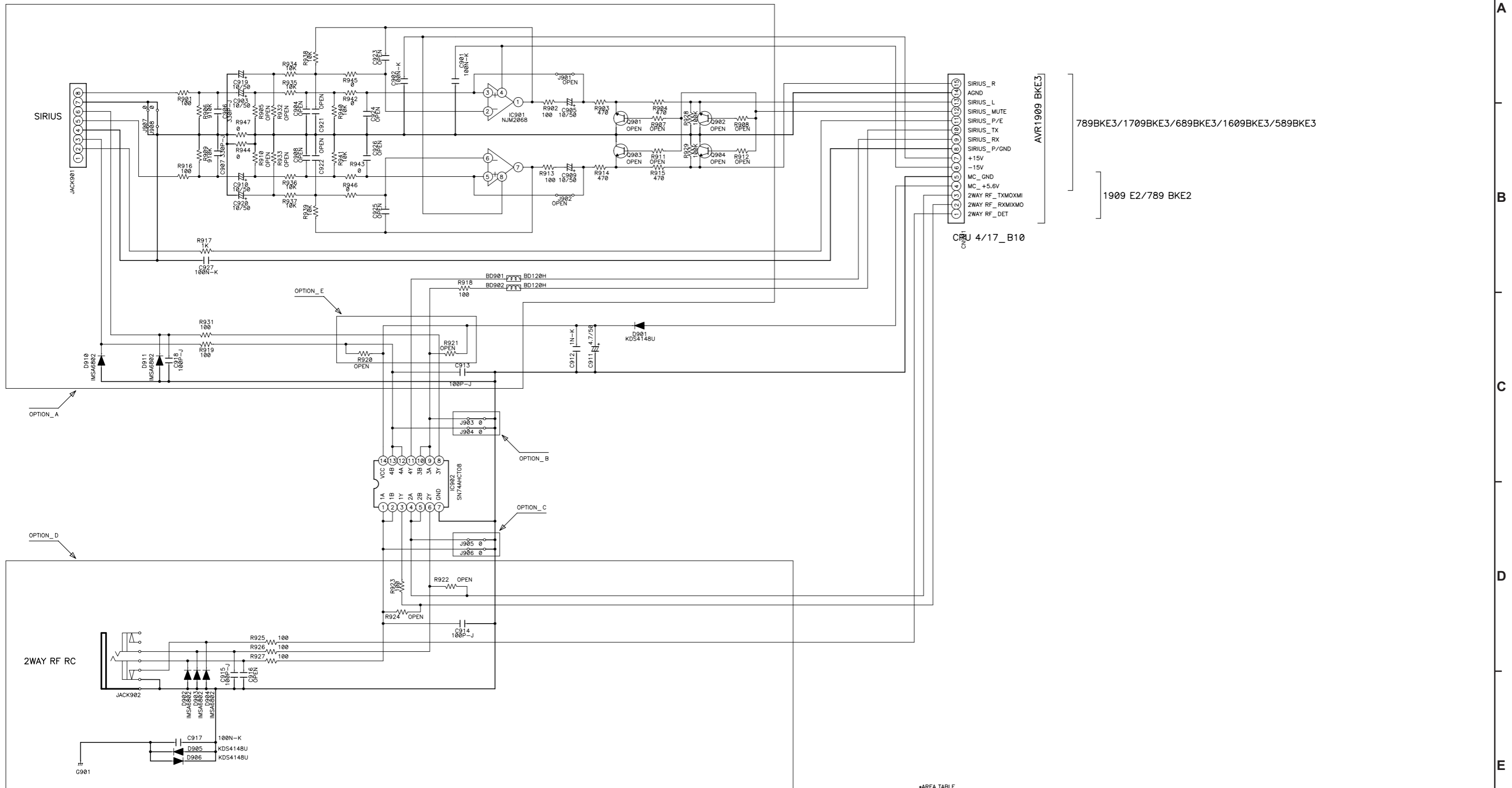
1 2 3 4 5 6 7 8

SUB CPU **HDMI B'D(10/10)**



SCHMATIC DIAGRAMS (17/25)
HDMI UNIT (10/10)
SUB CPU

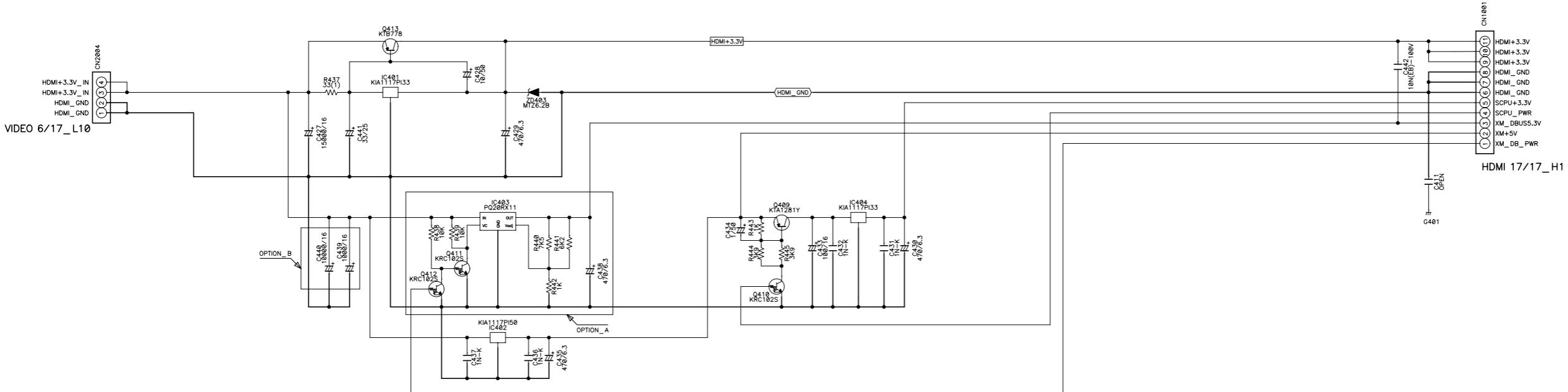
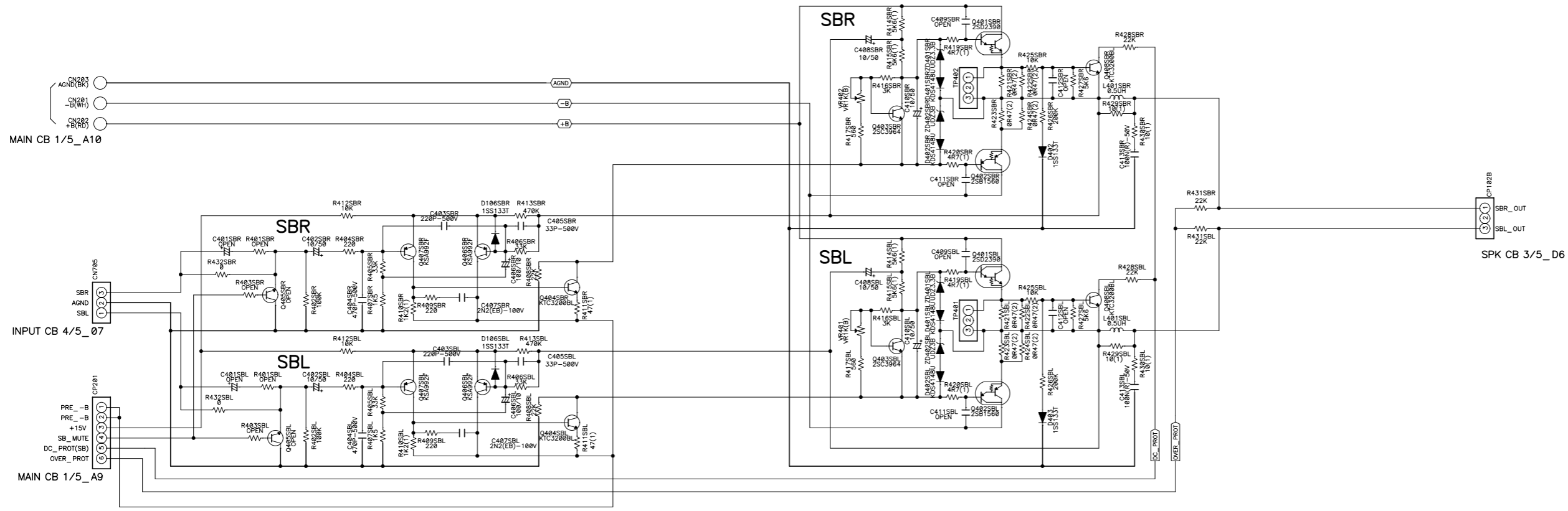
SIRIUS/2WAY RF B'D



*AREA TABLE

	1909BKE3	789BKE3	1909 E2	789BKE2	1909 N	1709BKE3	689BKE3	1609BKE3	589BKE3	15/1709E2	589/689BKE2	1509/1519E1C	1509 N
OPTION_A	0	0	X	X	X	0	0	0	0	X	X	X	X
OPTION_B	X	X	0	0	X	X	X	X	X	X	X	X	X
OPTION_C	X	0	X	X	X	0	0	0	X	X	X	X	X
OPTION_D	0	X	0	0	0	X	X	X	X	X	X	X	X
OPTION_E	0	0	0	0	0	0	0	0	0	0	0	0	0

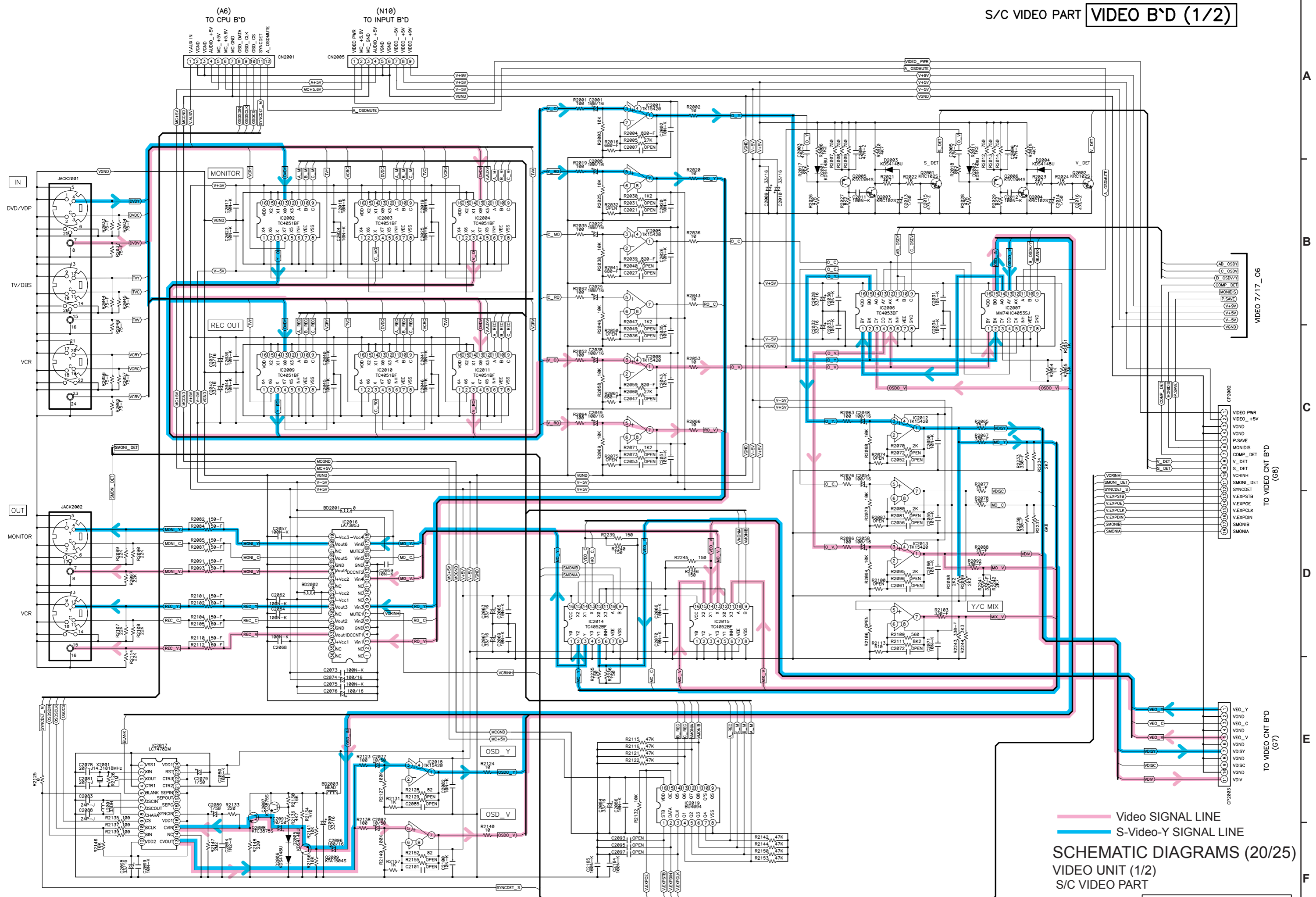
2CH AMP B'D



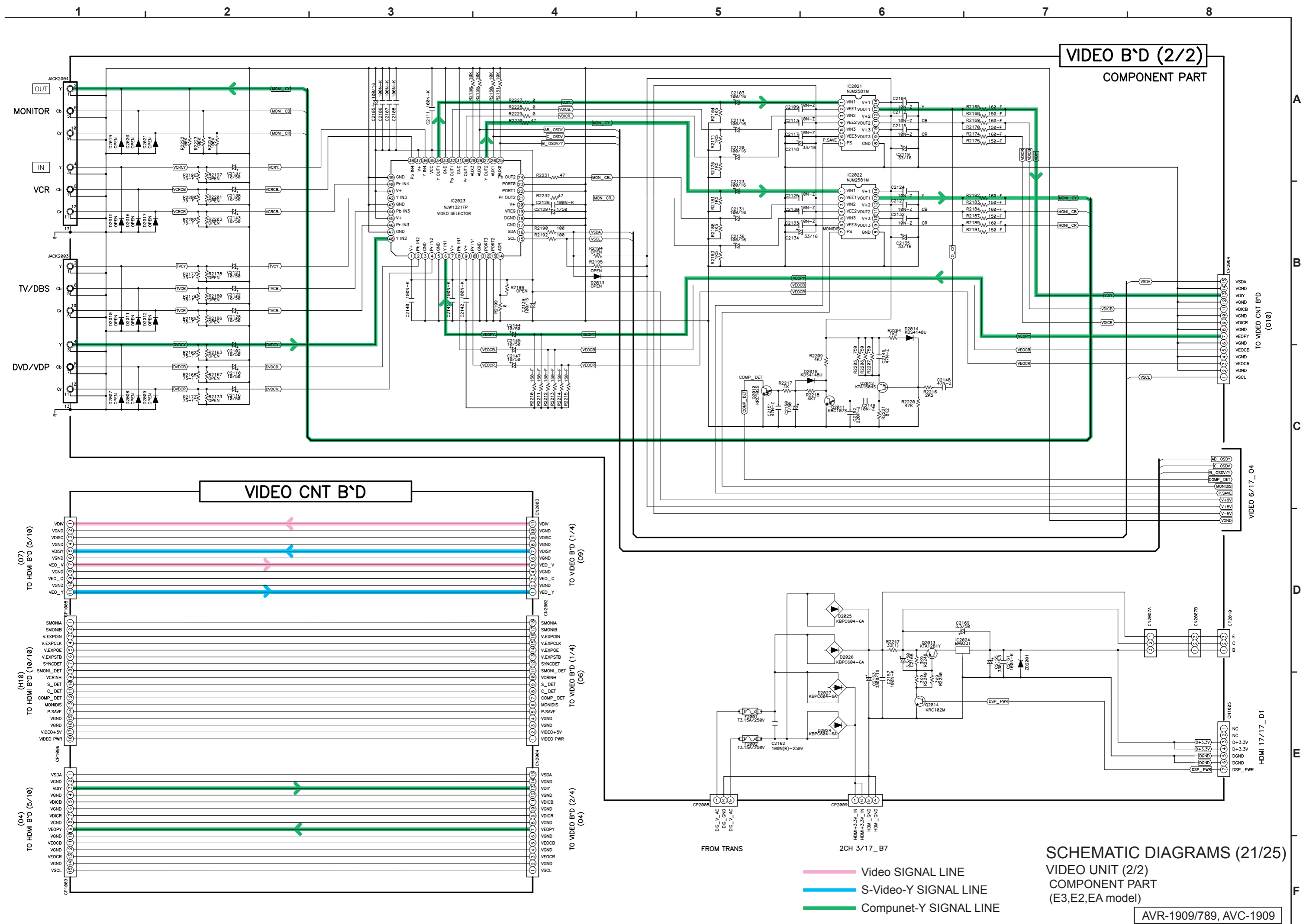
*AREA OPTION

	E3/887	E2	EUT	E1C
OPTION_A	O	X	X	X
OPTION_B	C448	C439	C439	C439

SCHEMATIC DIAGRAMS (19/25)
2CH AMP UNIT



— Video SIGNAL LINE
— S-Video-Y SIGNAL LINE
SCHEMATIC DIAGRAMS (20/25)
VIDEO UNIT (1/2)
S/C VIDEO PART

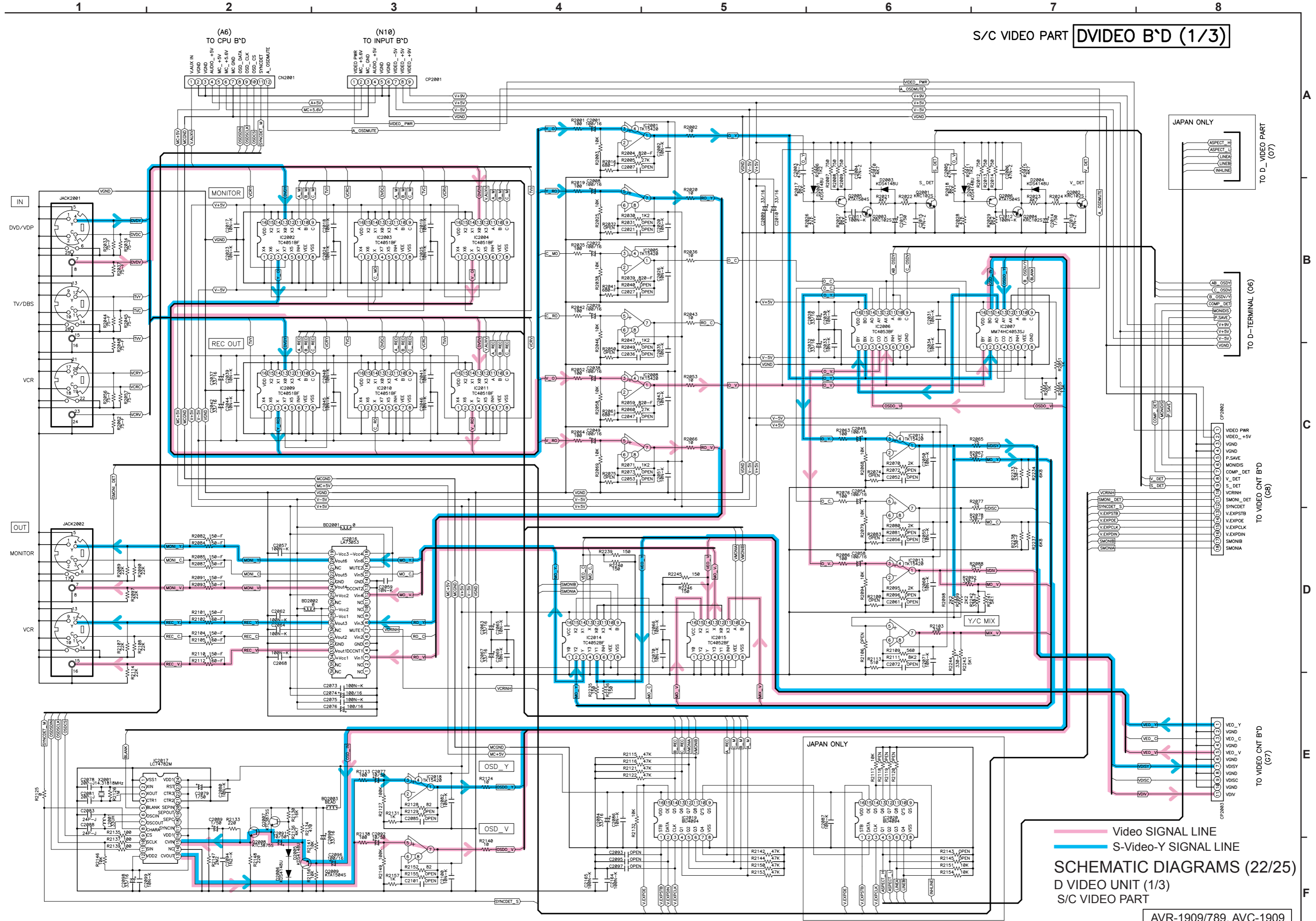


VIDEO B'D (2/2)
COMPONENT PART

VIDEO CNT B'D

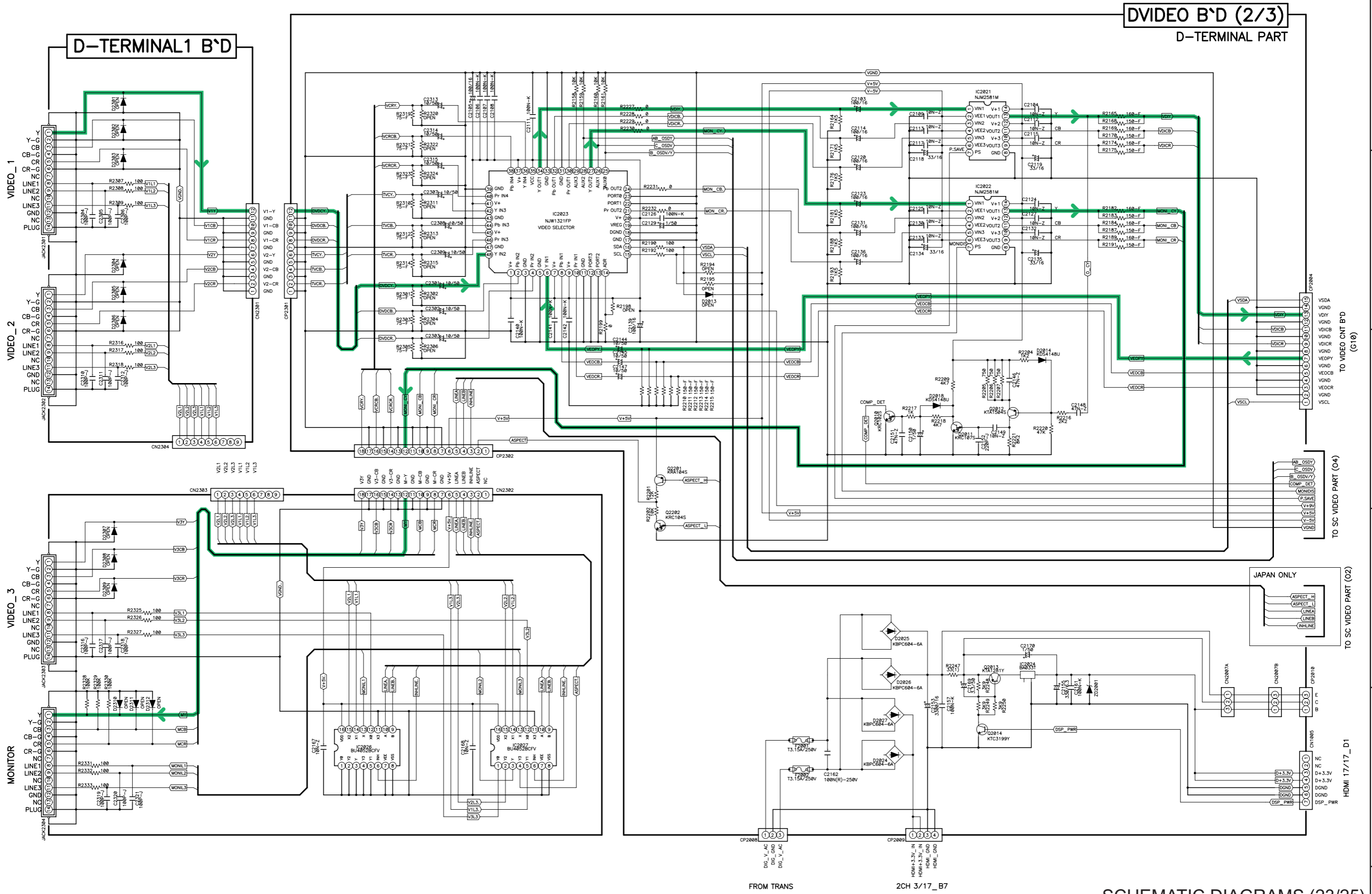
SCHEMATIC DIAGRAMS (21/25)
VIDEO UNIT (2/2)
COMPONENT PART
(E3,E2,EA model)

- Video SIGNAL LINE
- S-Video-Y SIGNAL LINE
- Component-Y SIGNAL LINE



Video SIGNAL LINE
S-Video-Y SIGNAL LINE
SCHEMATIC DIAGRAMS (22/25)
D VIDEO UNIT (1/3)
S/C VIDEO PART

D-TERMINAL2 B'D



DVIDEO B'D (2/3)
D-TERMINAL PART

SCHEMATIC DIAGRAMS (23/25)
 D VIDEO UNIT (2/3) D-TERMINAL1 UNIT
 D-TERMINAL2 UNIT
 (JP model only)
 AVR-1909/789, AVC-1909

Compunet-Y SIGNAL LINE

FROM TRANS 2CH 3/17_B7

HDMI 17/17_D1

TO SC VIDEO PART (O4)

TO VIDEO CNT B'D (G10)

A

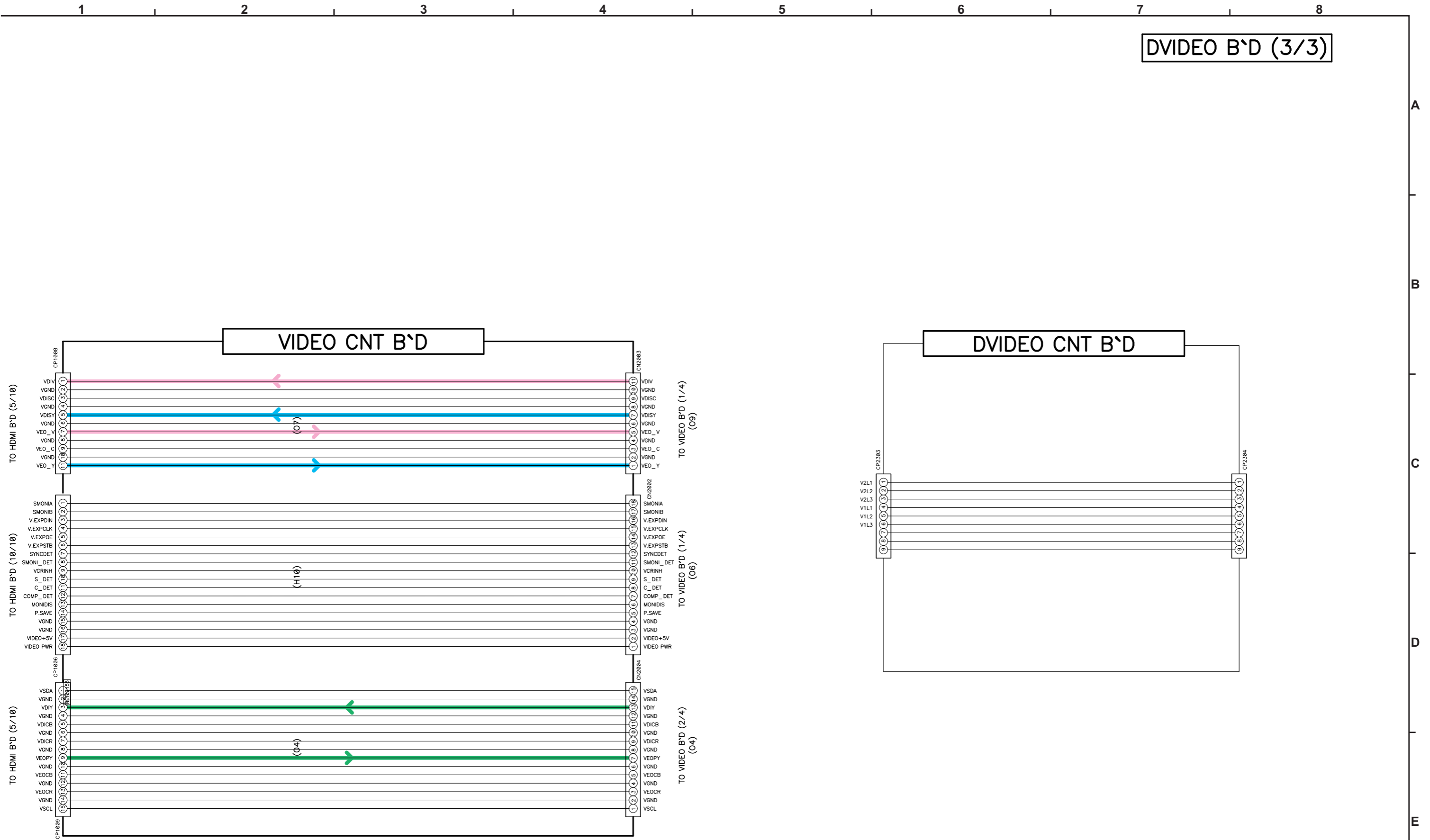
B

C

D

E

F

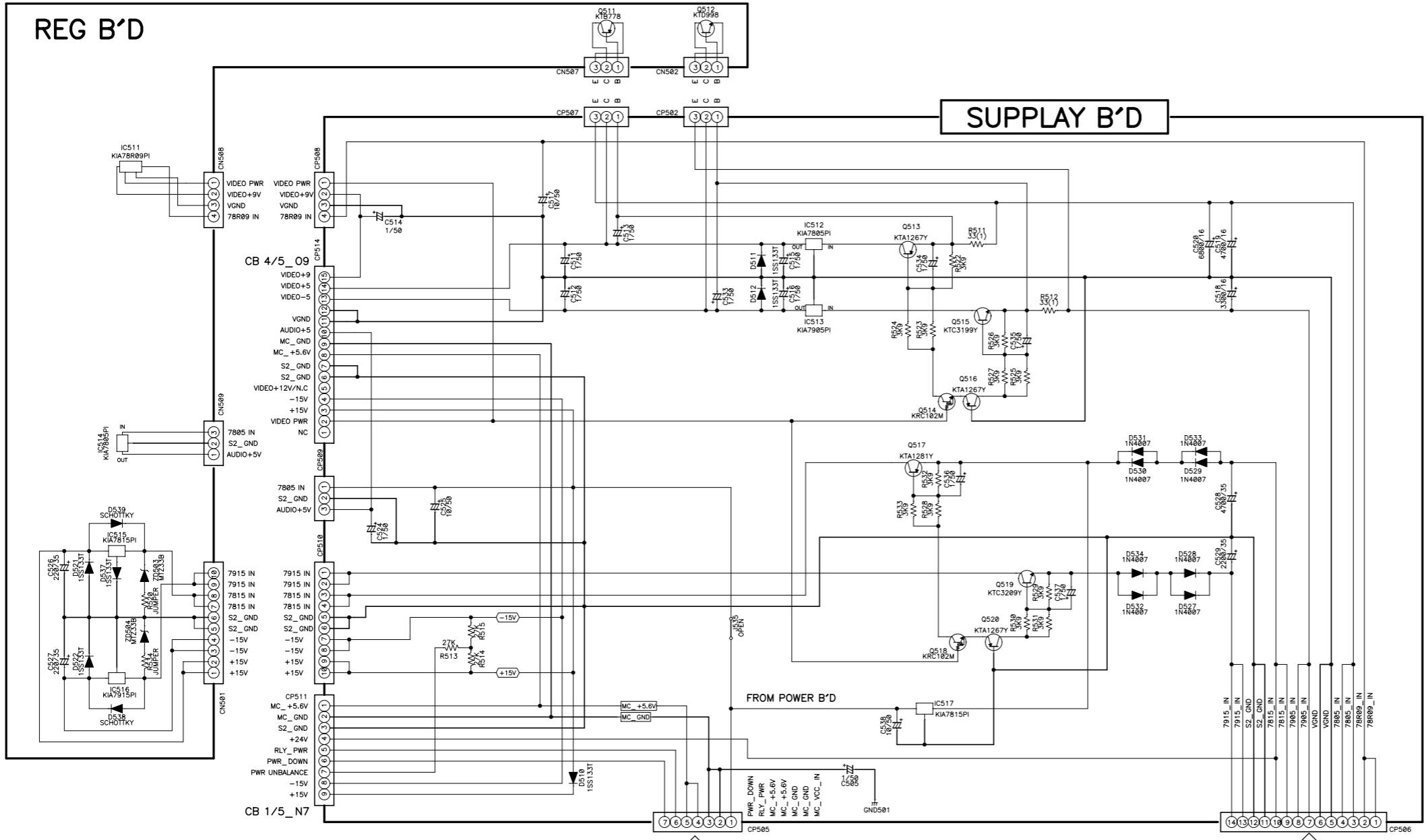


— Video SIGNAL LINE
— S-Video-Y SIGNAL LINE
— Compunet-Y SIGNAL LINE

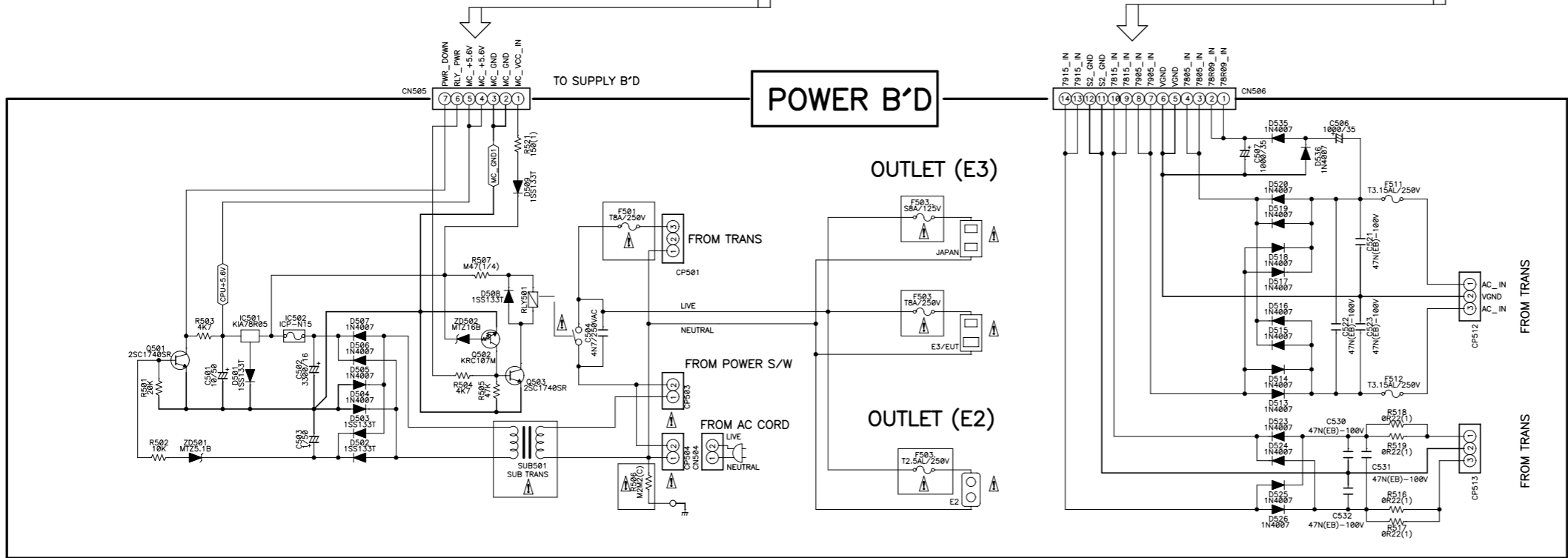
SCHEMATIC DIAGRAMS (24/25)
 D VIDEO UNIT (3/3)
 VIDEO CNT UNIT
 D VIDEO CNT UNIT

REG B'D

SUPPLY B'D



POWER B'D



SCHEMATIC DIAGRAMS (25/25)
POWER UNIT
SUPPLY UNIT
REG UNIT