

DENON

For U.S.A., Canada,
Europe, Asia, China &
Taiwan R.O.C. model

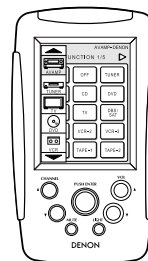
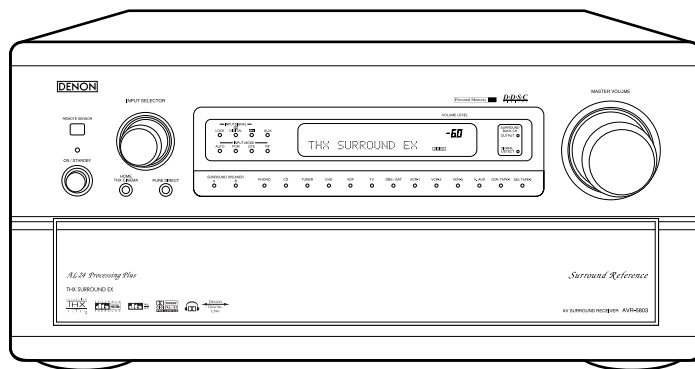
Hi-Fi Component

SERVICE MANUAL

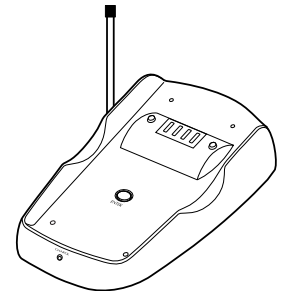
MODEL AVR-5803

MODEL AVC-A1SR

AV SURROUND RECEIVER / AMPLIFIER



Charger Base Station
AVR-5803 model only



• Some illustrations using in this service manual are slightly different from the actual set.

DENON, Ltd.

16-11, YUSHIMA 3-CHOME, BUNKYOU-KU, TOKYO 113-0034 JAPAN
Telephone: 03 (3837) 5321

SAFETY PRECAUTIONS

The following check should be performed for the continued protection of the customer and service technician.

LEAKAGE CURRENT CHECK

Before returning the unit to the customer, make sure you make either (1) a leakage current check or (2) a line to chassis resistance check. If the leakage current exceeds 0.5 milliamps, or if the resistance from chassis to either side of the power cord is less than 460 kohms, the unit is defective.

SPECIFICATIONS

Audio Section

Power amplifier:

Rated output:
(All properties shown are only for the power amplifier stage.)
Dynamic power:

Stereo (2 ch driven)
170 W + 170 W (8 Ω /ohms, 20 Hz ~ 20 kHz with 0.05 % T.H.D.)
200 W + 200 W (6 Ω /ohms, 20 Hz ~ 20 kHz with 0.05 % T.H.D.)
190 W \times 2 ch (8 Ω /ohms)
310 W \times 2 ch (4 Ω /ohms)
390 W \times 2 ch (2 Ω /ohms)

Output terminals:

Front/Center: 6~16 Ω /ohms
Surround: A or B 6 ~ 16 Ω /ohms
A + B 8~ 16 Ω /ohms

Analog:

Input sensitivity/input impedance:
Frequency response:
S/N:
Distortion:
Rated output/maximum output:

200 mV/47 k Ω /kohms
10 Hz ~ 100 kHz: +0, -3 dB (DIRECT mode)
105 dB (DIRECT mode)
0.005 % (20 Hz ~ 20 kHz) (DIRECT mode)
1.2 V/8 V

Digital:

D/A output:

Rated output — 2 V (at 0 dB playback)
Total harmonic distortion — 0.003 % (1 kHz, at 0 dB)
S/N ratio — 115 dB
Dynamic range — 112 dB
Format — Digital audio interface

Digital input:

Phono equalizer (PHONO input — REC OUT):

Input sensitivity:
RIAA deviation:
Signal-to-noise ratio:
Rated output/Maximum output:
Distortion factor:

2.5 mV
 \pm 1 dB (20 Hz to 20 kHz)
74 dB (A weighting, with 5 mV input)
150 mV/8V
0.03 % (1 kHz, 3 V)

Video Section

Standard video jacks

Input/output level and impedance:
Frequency response:

1 Vp-p, 75 Ω /ohms
5 Hz ~ 10 MHz — +0, -3 dB

S-video jacks

Input/output level and impedance:

Y (brightness) signal — 1 Vp-p, 75 Ω /ohms
C (color) signal — 0.286 Vp-p, 75 Ω /ohms
5 Hz ~ 10 MHz — +0, -3 dB

Frequency response:

Color component video terminal:

Input/output level and impedance:

Y (brightness) signal — 1 Vp-p, 75 Ω /ohms
Cb (blue) signal — 0.7 Vp-p, 75 Ω /ohms
Cr (red) signal — 0.7 Vp-p, 75 Ω /ohms
DC ~ 30 MHz — +0, -3 dB

Frequency response:

Tuner Section (AVR-5803 only)

Receiving range:
Usable sensitivity:
50 dB Quieting sensitivity:
Signal to Noise Ratio (IHF-A):
Total Harmonic Distortion (at 1 kHz):

[FM] (note: μ V at 75 Ω /ohms, 0 dBf = 1×10^{-15} W)
87.5 MHz ~ 107.9 MHz
1.0 μ V (11.2 dBf)
MONO 1.6 μ V (15.3 dBf)
STEREO 23 μ V (38.5 dBf)
MONO 80 dB
STEREO 75 dB
MONO 0.15 %
STEREO 0.3 %

[AM]
520 kHz ~ 1710 kHz
18 μ V

50 dB

General

Power supply:

AC 120 V, 60 Hz (U.S.A., Canada & Taiwan R.O.C. model)
AC 230 V, 50 Hz (Europe & Asia model)
AC 220 V, 50 Hz (China model)

Power consumption:

12 A (U.S.A., & Canada model)
720 W (Europe, Asia & China model)
670 W (Taiwan R.O.C. model)

Maximum external dimensions:

434 (W) \times 216 (H) \times 486 (D) mm (17-3/32" \times 8-1/2" \times 19-9/64")

Mass:

29 kg (61 lbs 11.7 oz)

Remote Control Unit (RC-8000) AVR-5803 model / (RC-871) AVC-A1SR model

Batteries:
External dimensions:
Mass:

LR6/AA Type (four batteries)
96 (W) \times 38 (H) \times 168.5 (D) mm (3-25/32" \times 1-1/2" \times 6-41/64")
242 g (Approx. 8.5 oz) (not including batteries)

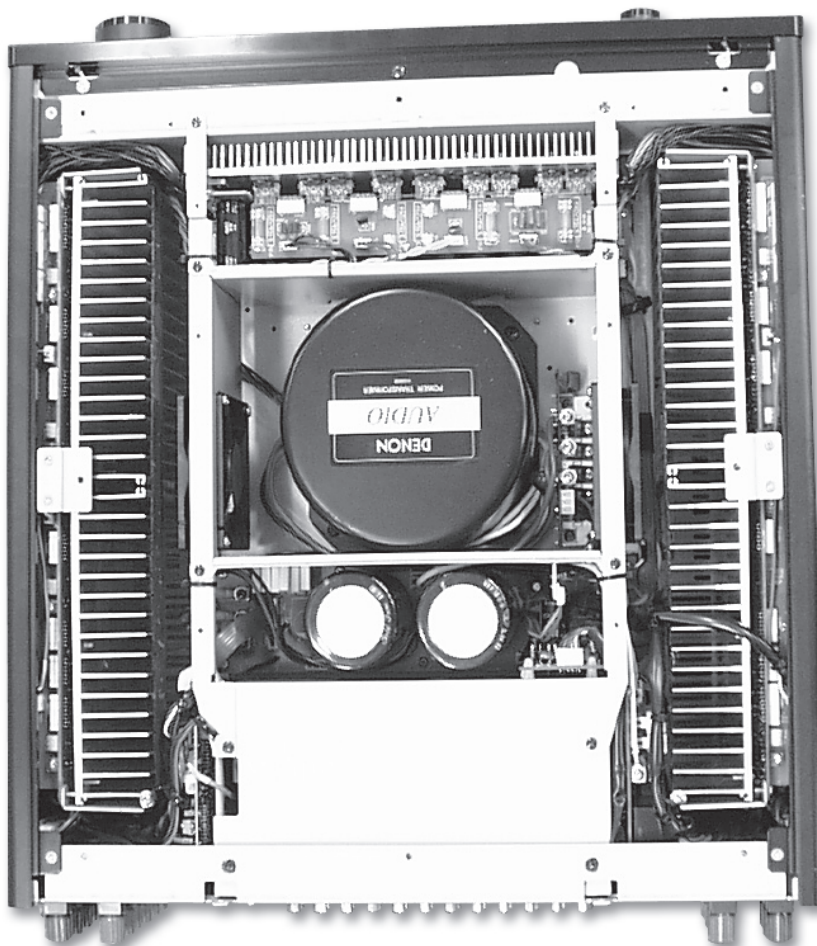
* For purposes of improvement, specifications and design are subject to change without notice.

WIRE ARRANGEMENT

If wire bundles are untied or moved to perform adjustment or parts replacement etc., be sure to rearrange them neatly as they were originally bundled or placed afterward.

Otherwise, incorrect arrangement can be a cause of noise generation.

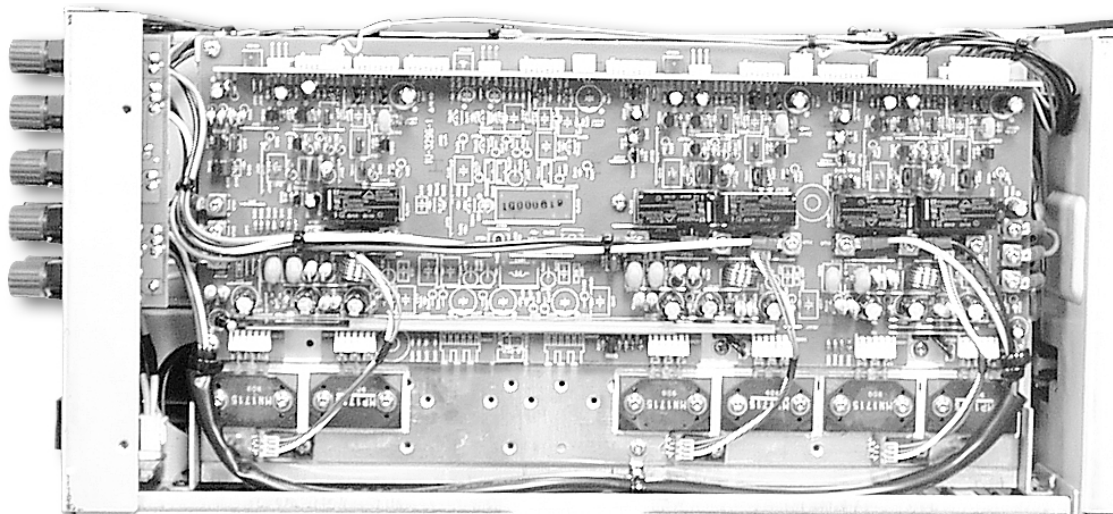
Wire arrangement viewed from the top



Front Panel side

Back Panel side

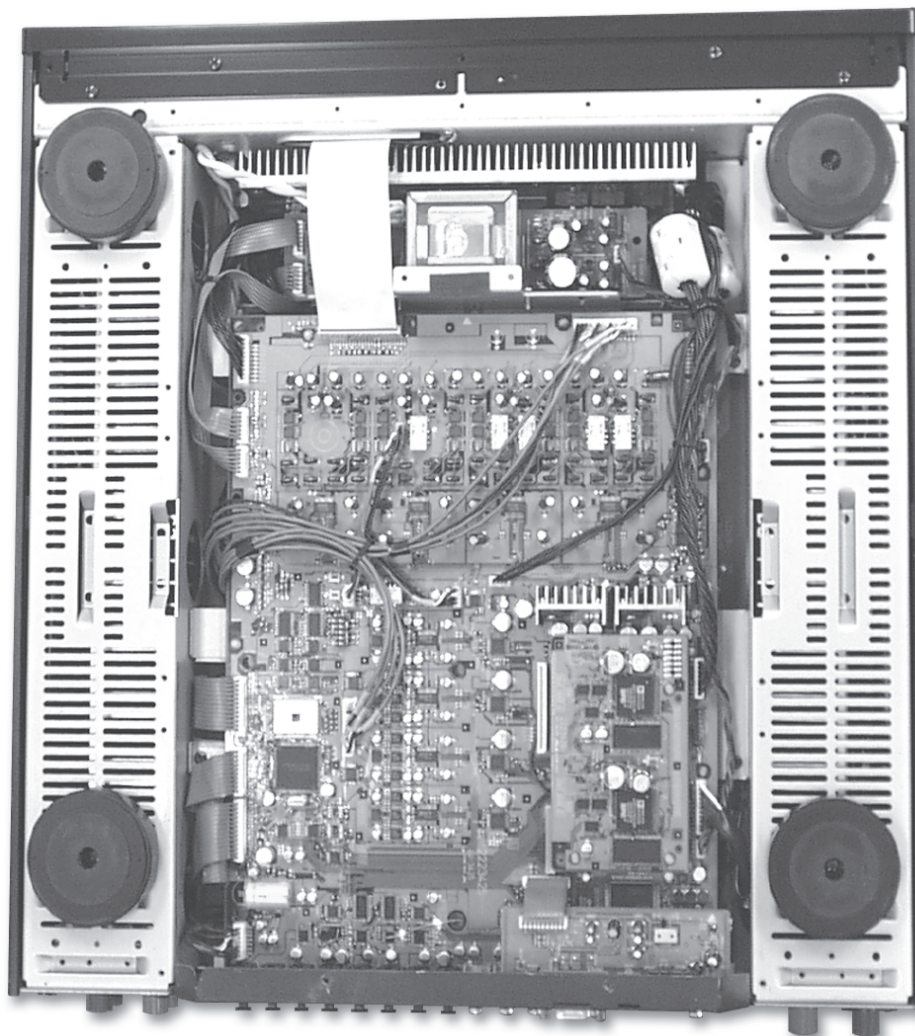
Wire arrangement viewed from the side (left)



Back Panel side

Front Panel side

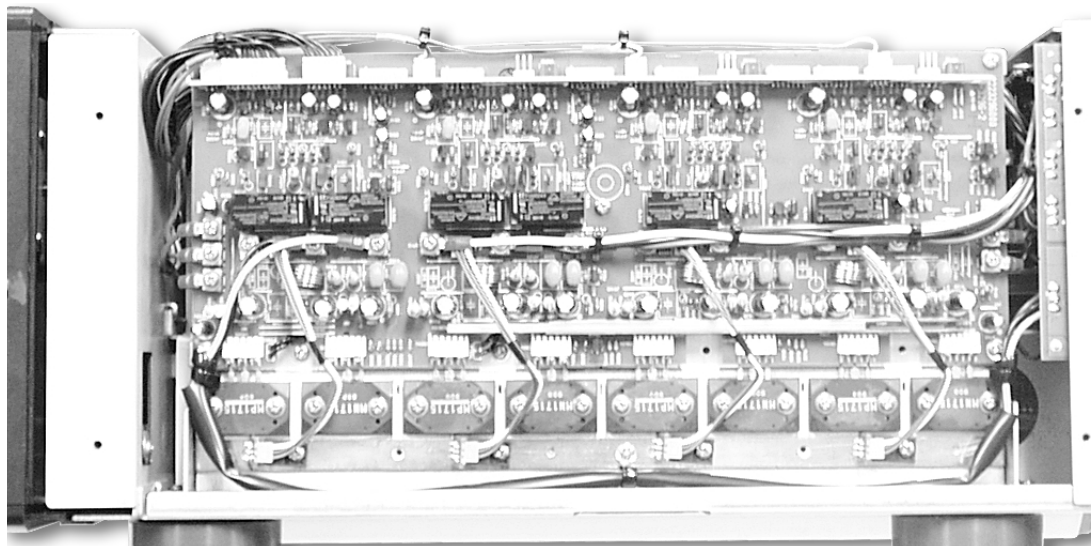
Wire arrangement viewed from the bottom



Front Panel side

Back Panel side

Wire arrangement viewed from the side (right)



Front Panel side

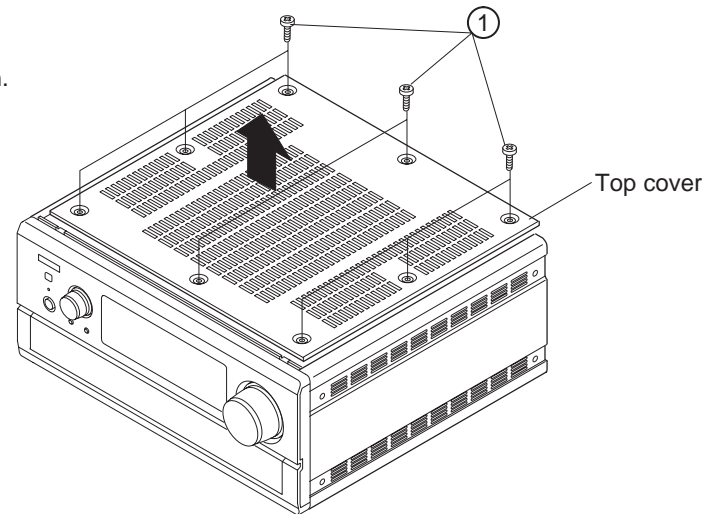
Back Panel side

DISASSEMBLY

(Follow the procedure below in reverse order when reassembling)

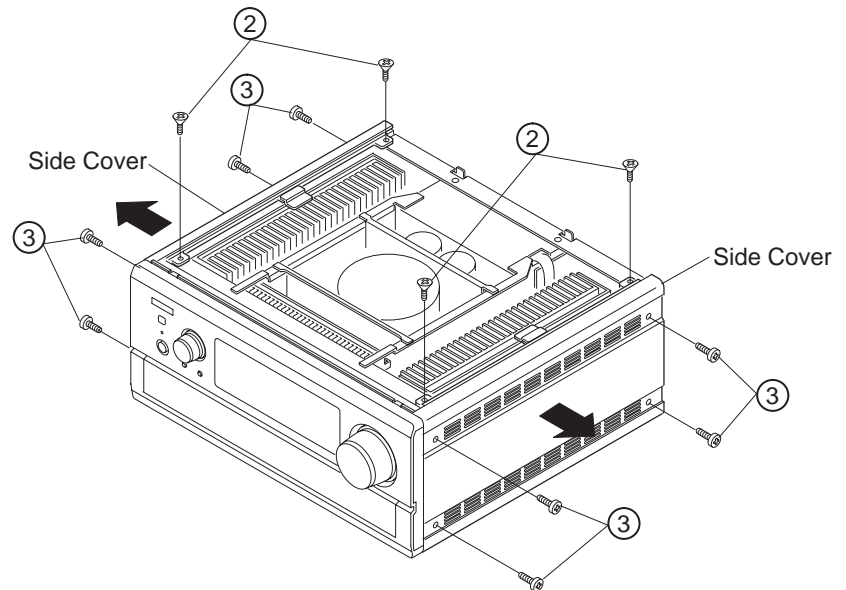
Top Cover

1. Remove 8 screws ① on the top.
2. Detach the Top Cover as shown in the arrow direction.



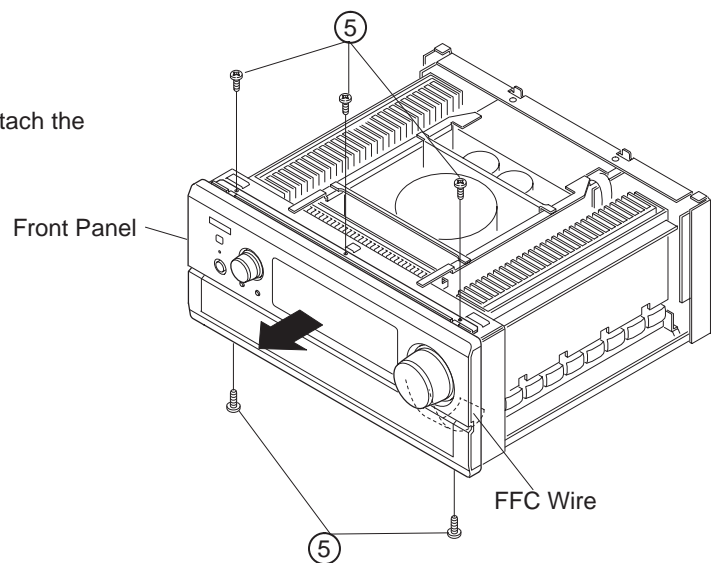
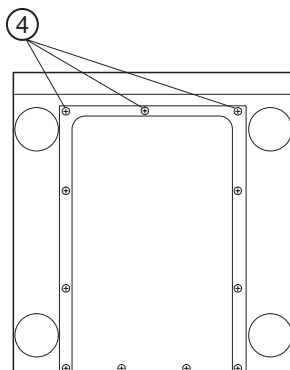
Side Cover

Remove 4 screws ② and 8 screws ③.



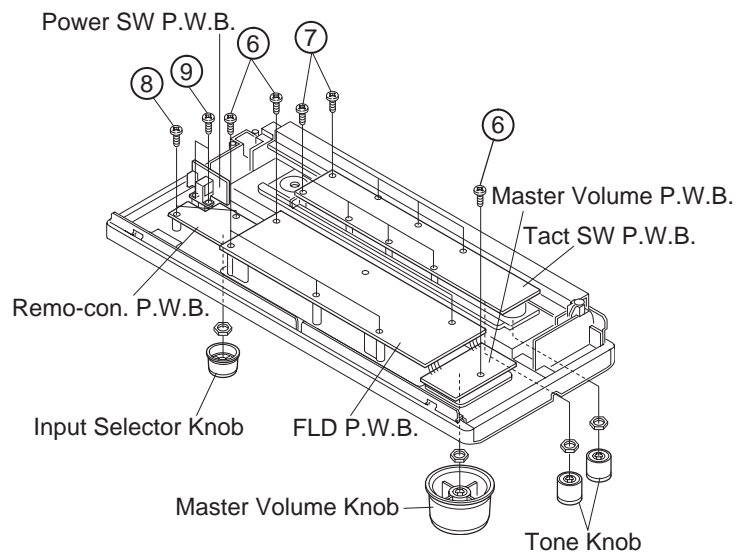
Front Panel

1. Remove 3 screws ④.
2. Remove 5 screws ⑤.
3. Disconnect FFC wire from its connector, and detach the Front Panel in the arrow direction.



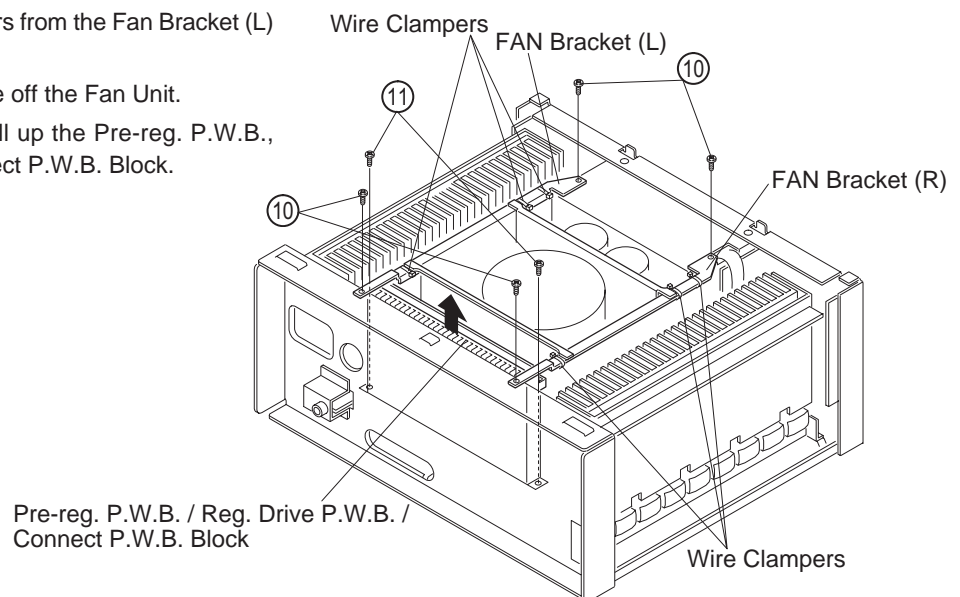
P.W.B.s on Front Panel

1. FLD P.W.B. & Master VR P.W.B.
Remove 6 screws (6) after taking off the master volume knob and nut.
2. Tact SW P.W.B.
Remove 8 screws (7) after taking off the tone volume knobs and nuts.
3. Remo-con. P.W.B.
Remove 2 screws (8) after taking off the input selector knob and nut.
4. Power SW P.W.B.
Remove 2 screws (9).



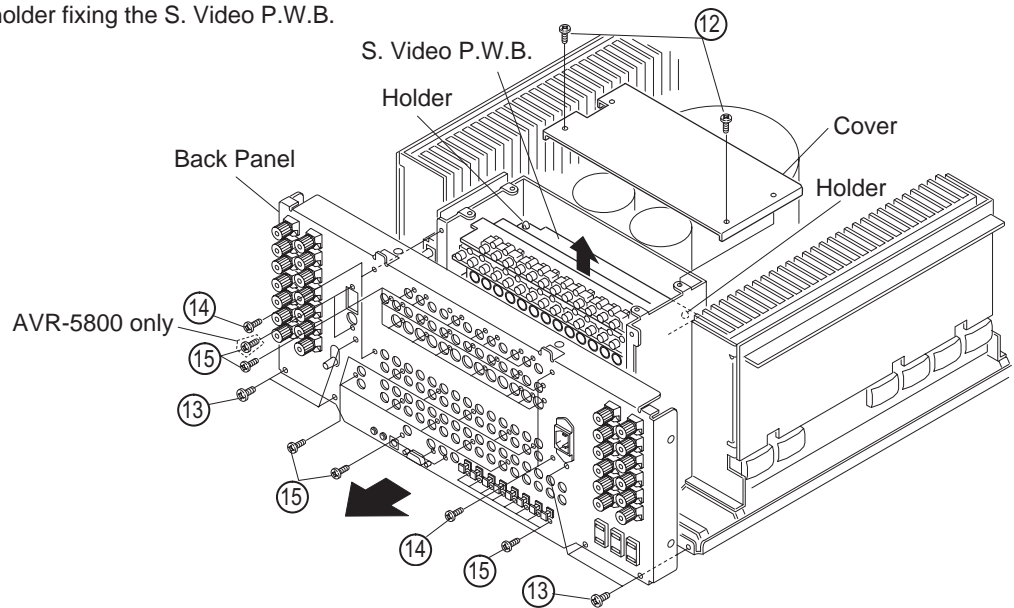
Pre-reg. P.W.B. / Reg. Drive P.W.B. / Connect P.W.B. Block

1. Cut and remove 6 wire clampers from the Fan Bracket (L) and (R).
2. Remove 4 screws (10) and take off the Fan Unit.
3. Remove 2 screws (11) and pull up the Pre-reg. P.W.B., Reg. Drive P.W.B., and Connect P.W.B. Block.



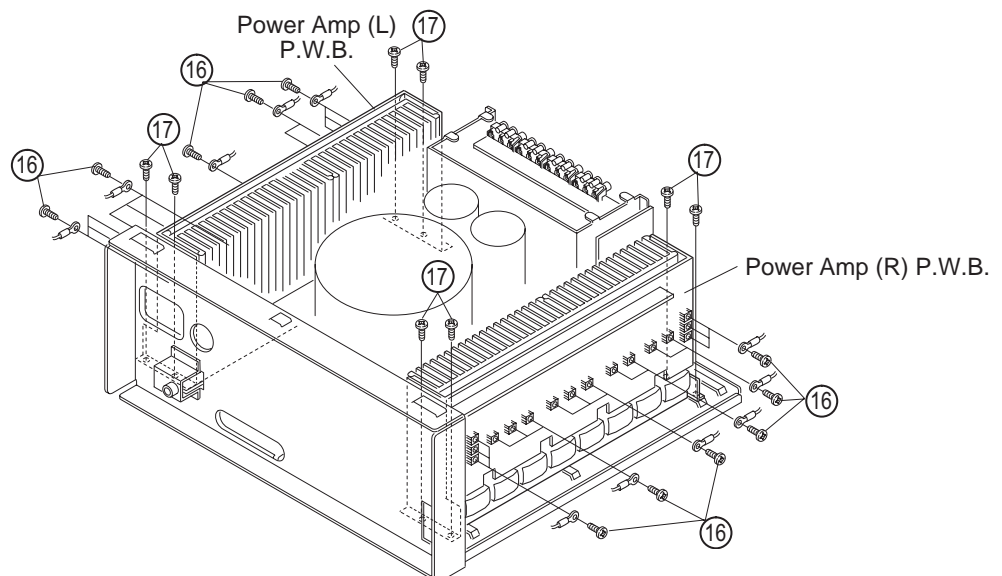
S. Video P.W.B. / C. Video P.W.B. / Comp. Video P.W.B. Block

1. Take off the Fan unit, then remove 2 screws (12) to detach the cover.
2. Remove 6 screws (13), 4 screws (14), 47 screws (15) (45 screws (15) for AVC-A1SE model), and detach the Back Panel.
3. Release 2 hooks of the holder fixing the S. Video P.W.B.



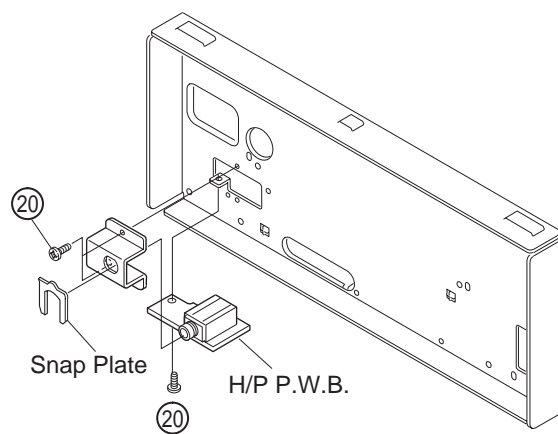
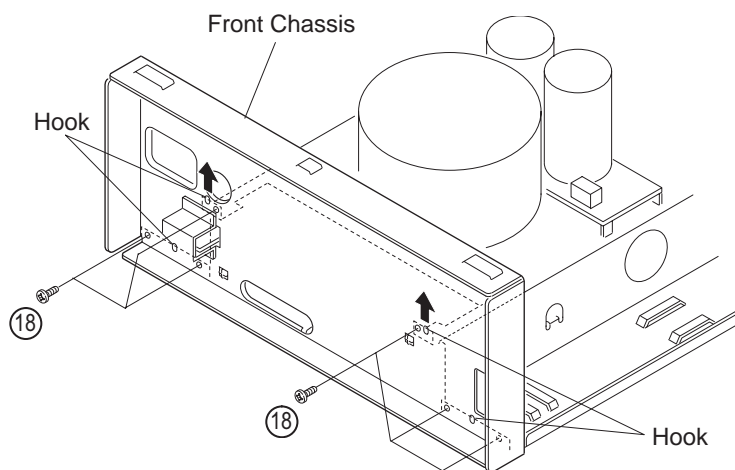
Power Amp L/R P.W.B.

1. Remove 30 screws (16) of the wires connecting to the Power Amp L/R P.W.B. (L side: 14, R side: 16)
2. Remove 8 screws (17) fastening to the chassis.



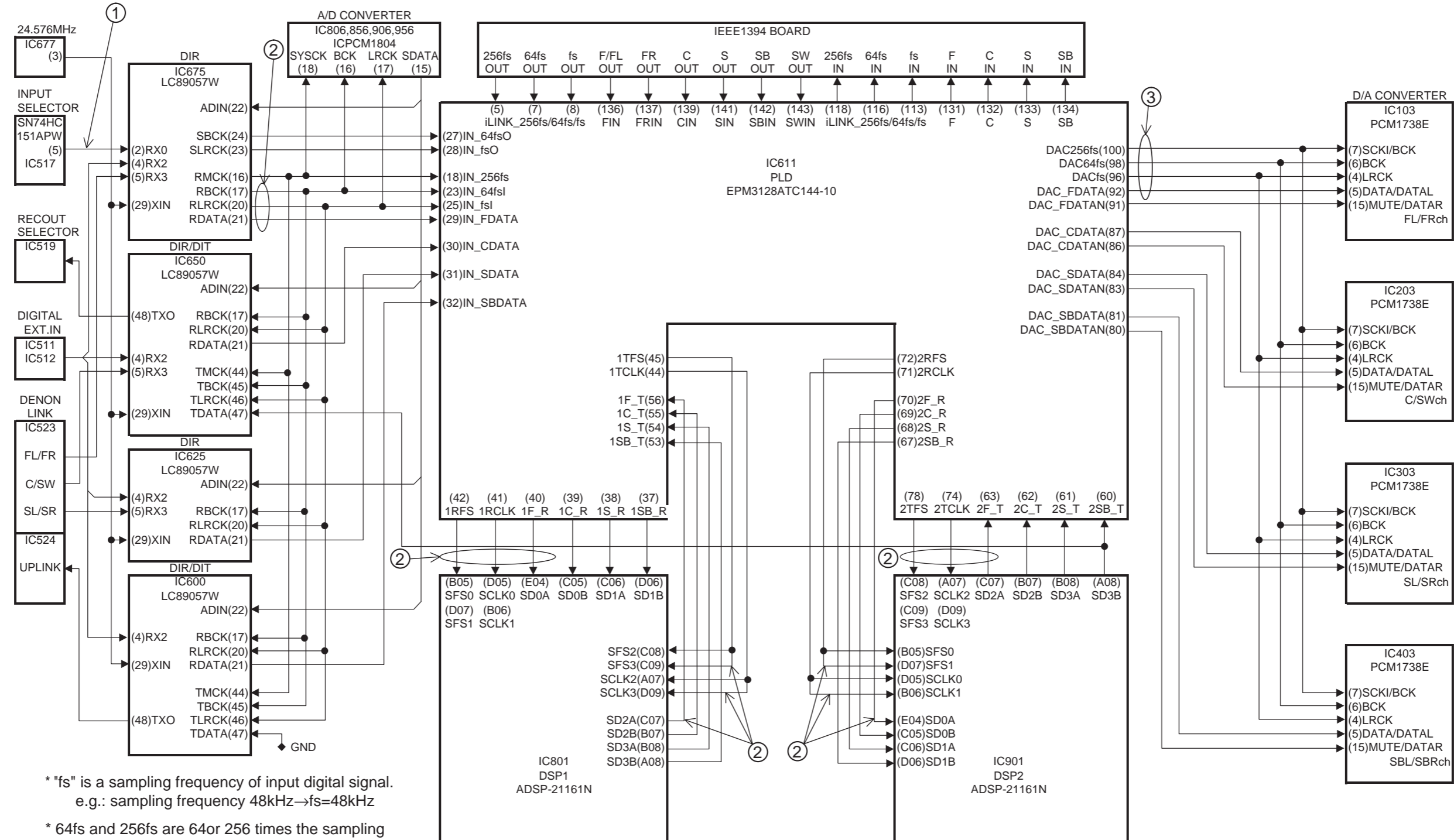
Front Chassis, Primary P.W.B., H/P P.W.B.

1. Remove 6 screws (18).
2. Detach the Front Chassis by pulling upward to release 4 hooks.
3. Remove 3 screws (20) and snap plate, then detach the H/P P.W.B.



CLOCK FLOW & WAVE FORM IN DIGITAL BLOCK

Clock Flow



* "fs" is a sampling frequency of input digital signal.
e.g.: sampling frequency 48kHz→fs=48kHz

* 64fs and 256fs are 64or 256 times the sampling frequency respectively.

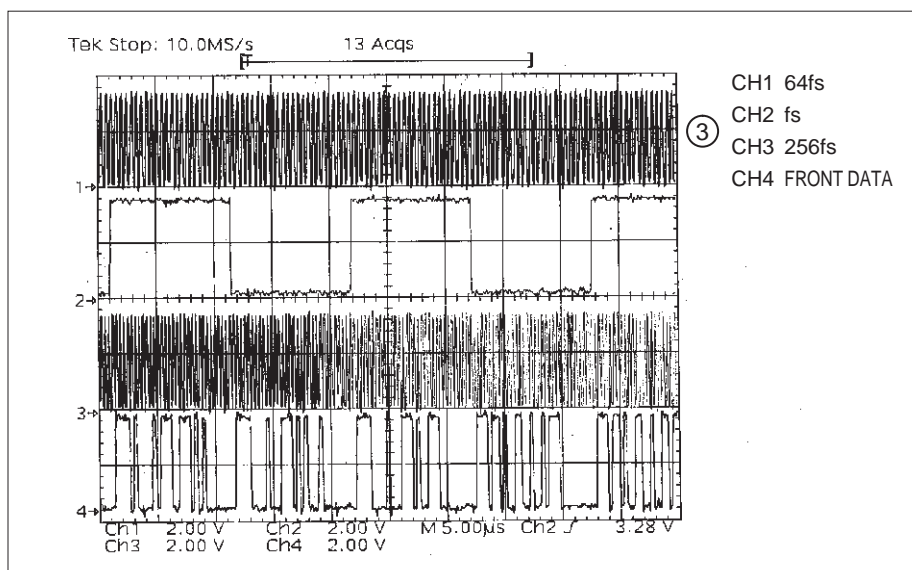
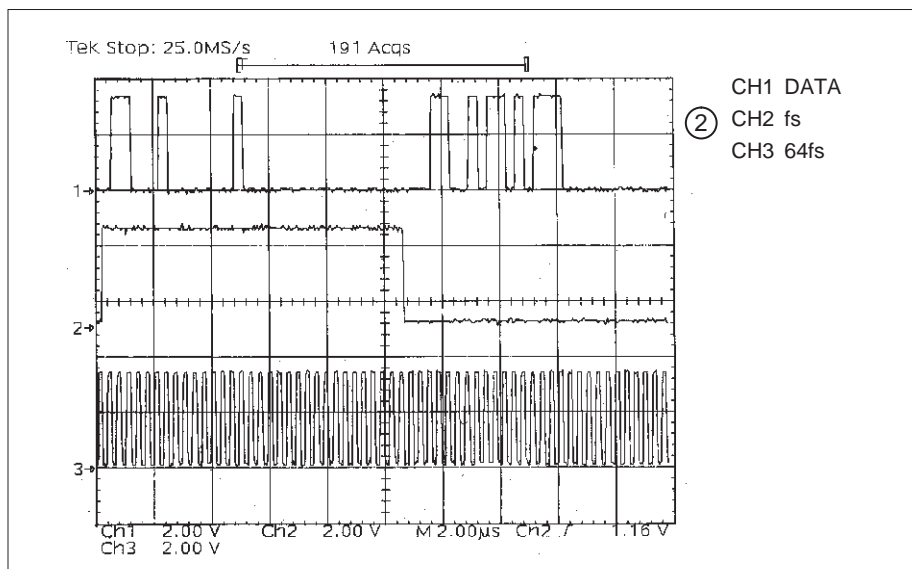
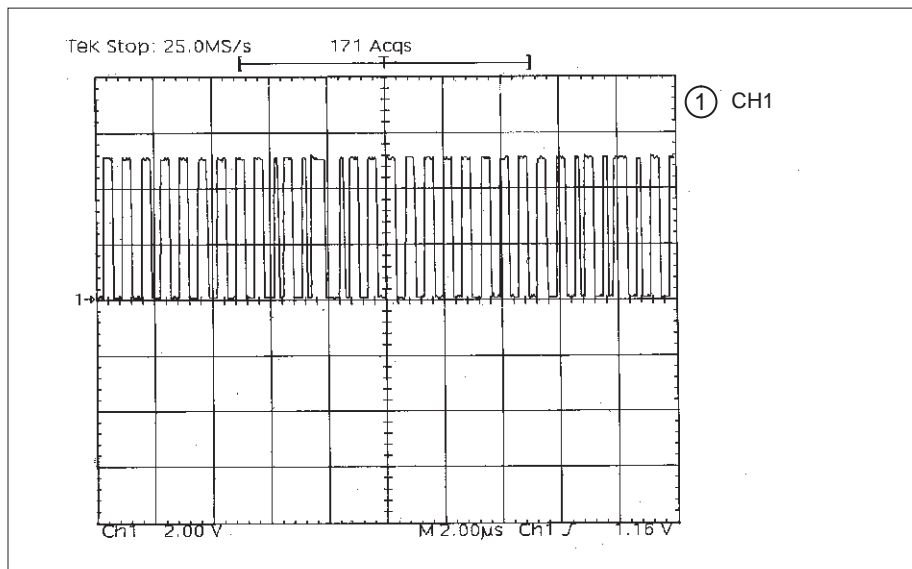
e.g.: sampling frequency 48kHz
64fs: 48kHzX64=3.072MHz
256fs: 48kHzX256=12.288MHz

* The sampling frequency for analog input is fixed to 48kHz internally.

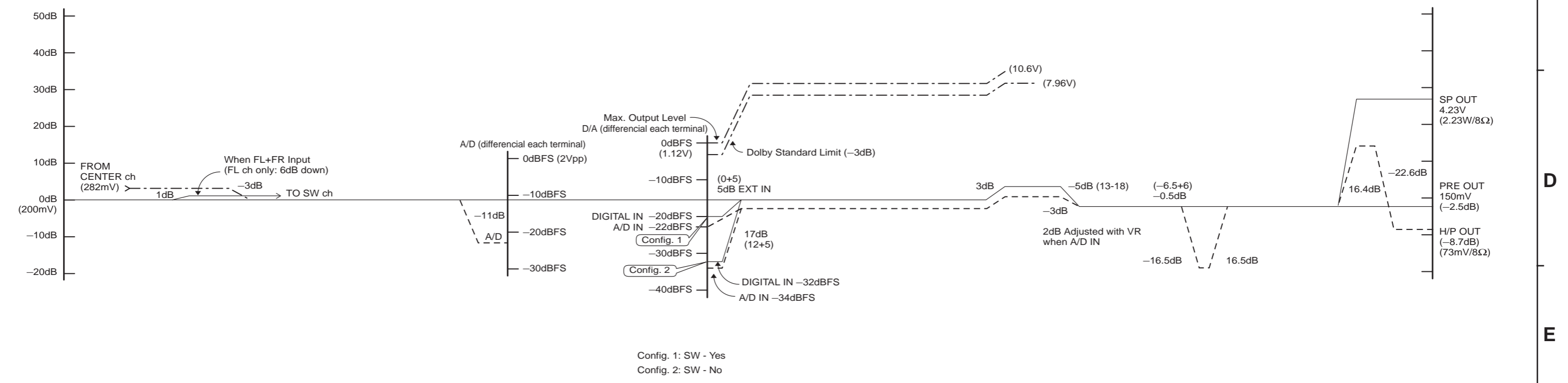
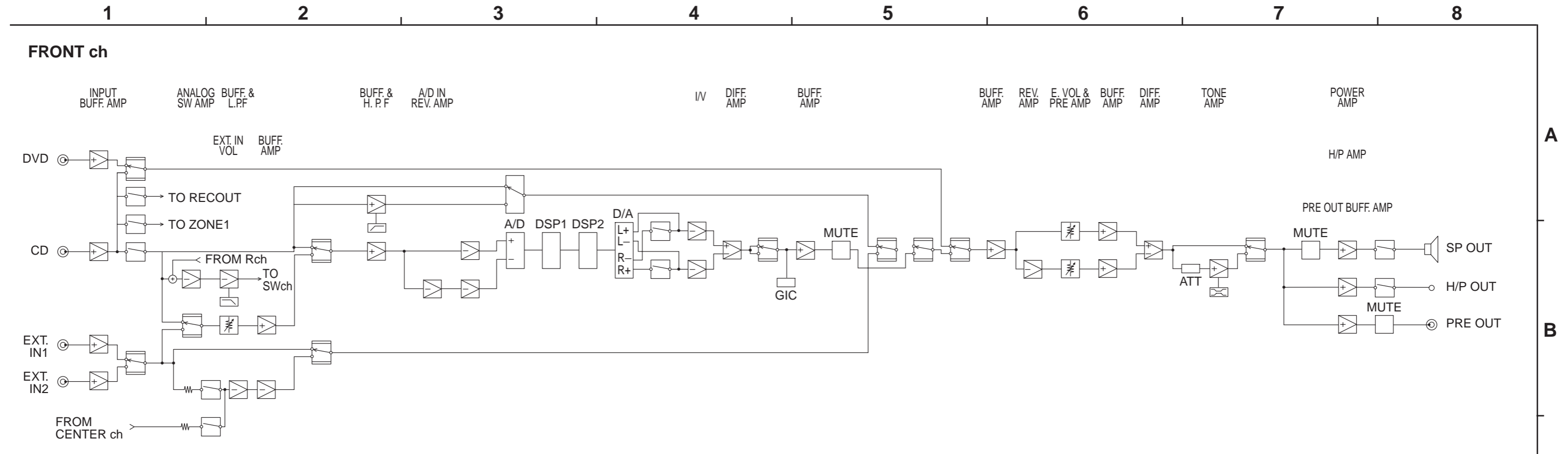
* (No.) indicates the pin number of individual IC.

* The arrow indicates the direction of signal flow, as the input terminal pointed by the arrowhead and the output terminal by the opposite.

Wave Form (fs=48kHz)

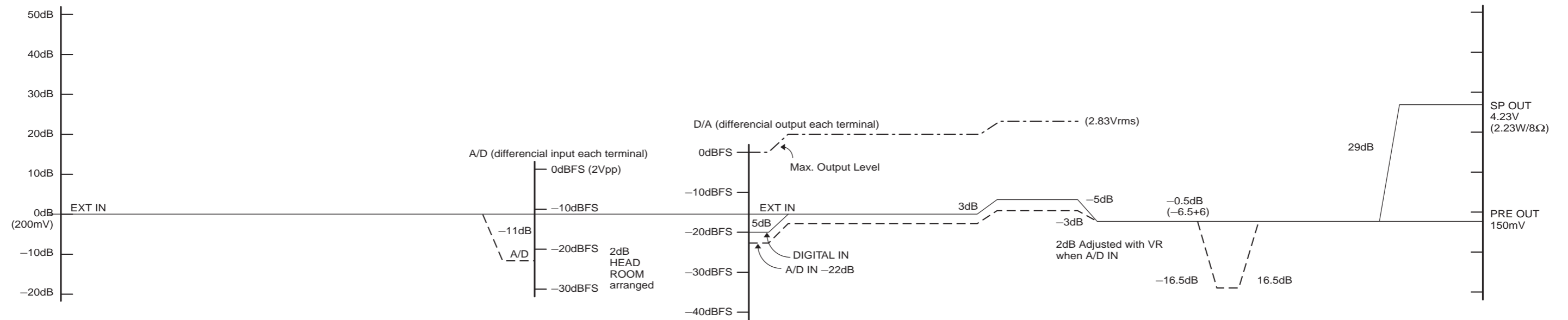
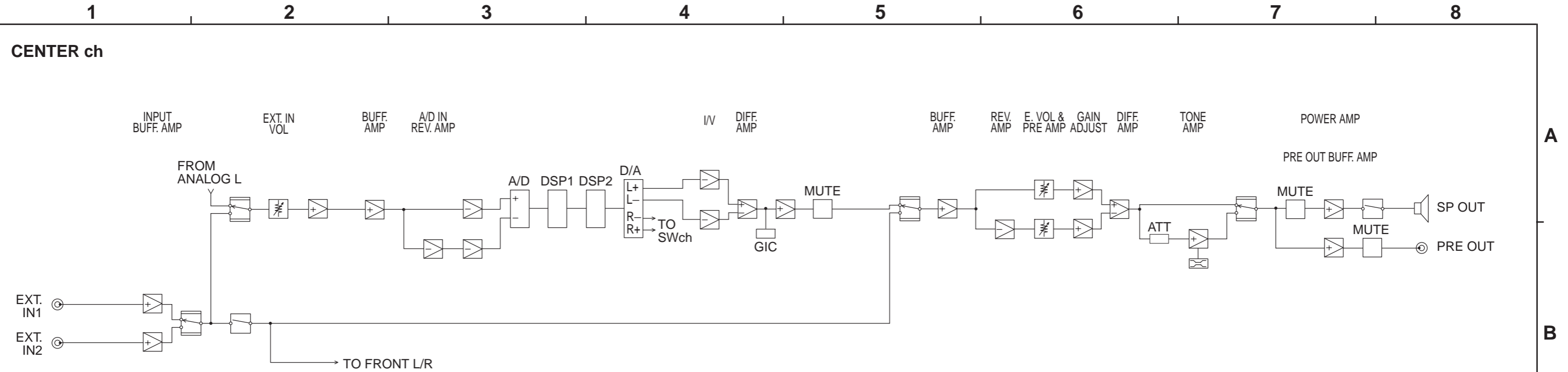


LEVEL DIAGRAMS (1/5)

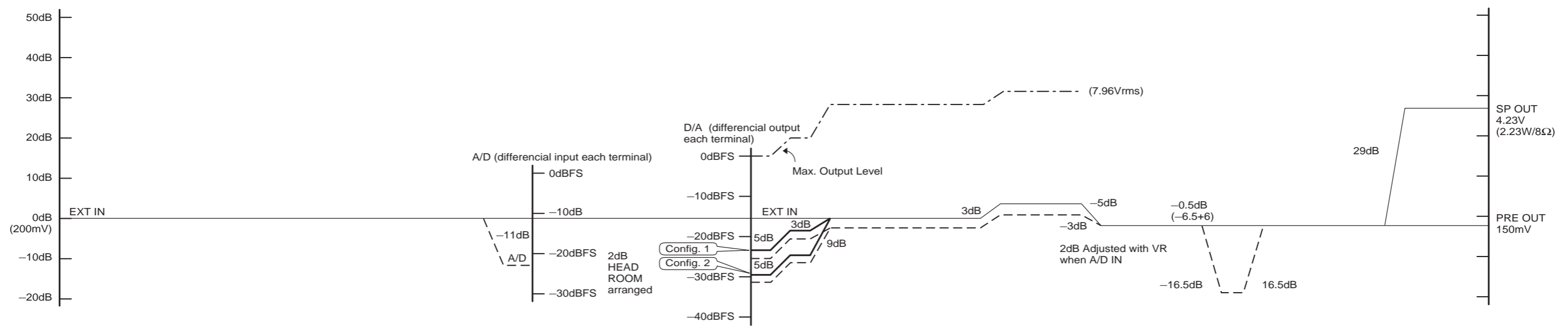
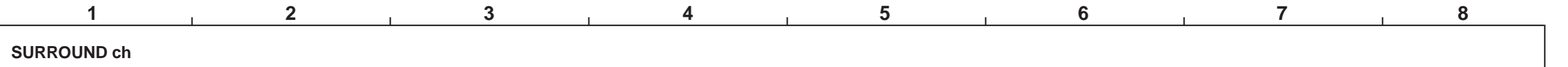


A
B
C
D
E

WIRING DIAGRAMS (2/5)

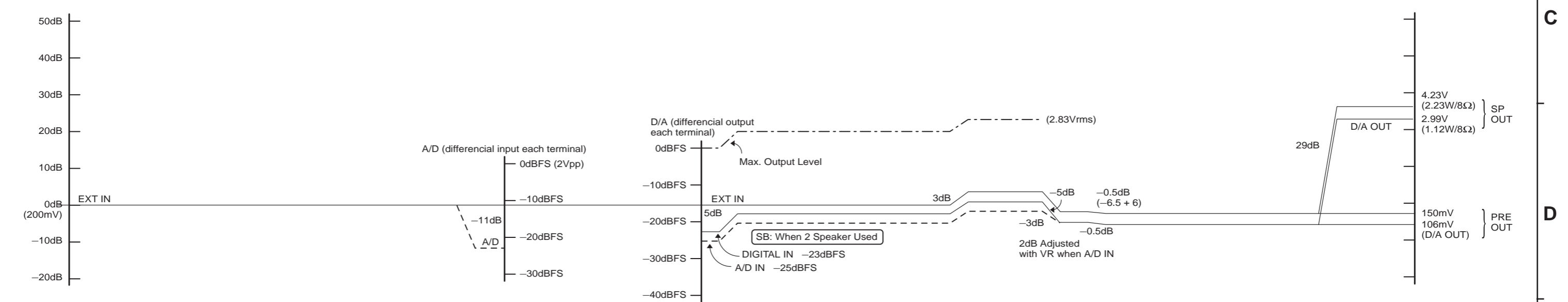
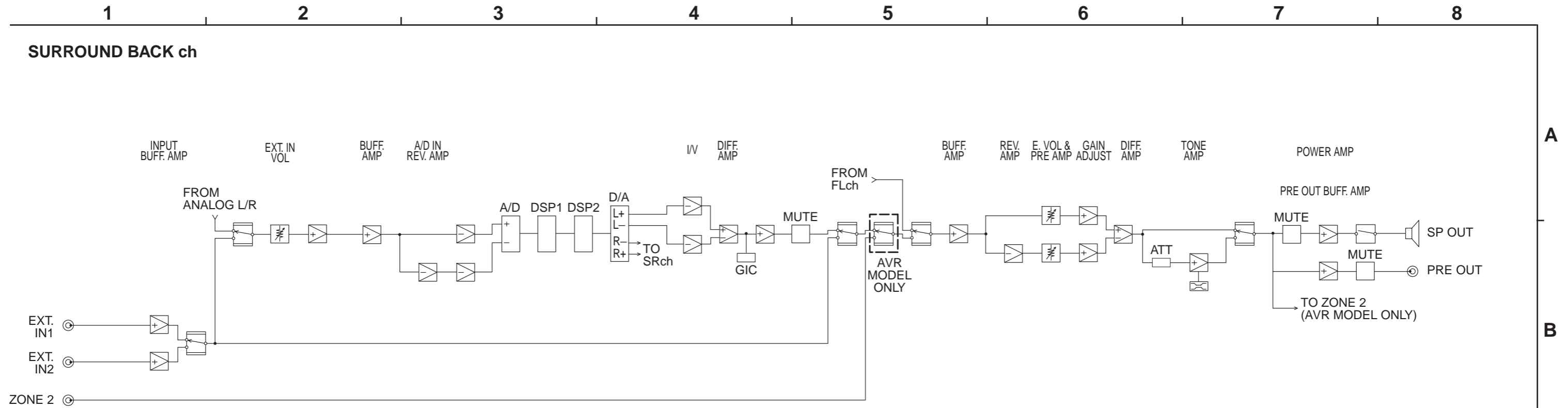


WIRING DIAGRAMS (3/5)

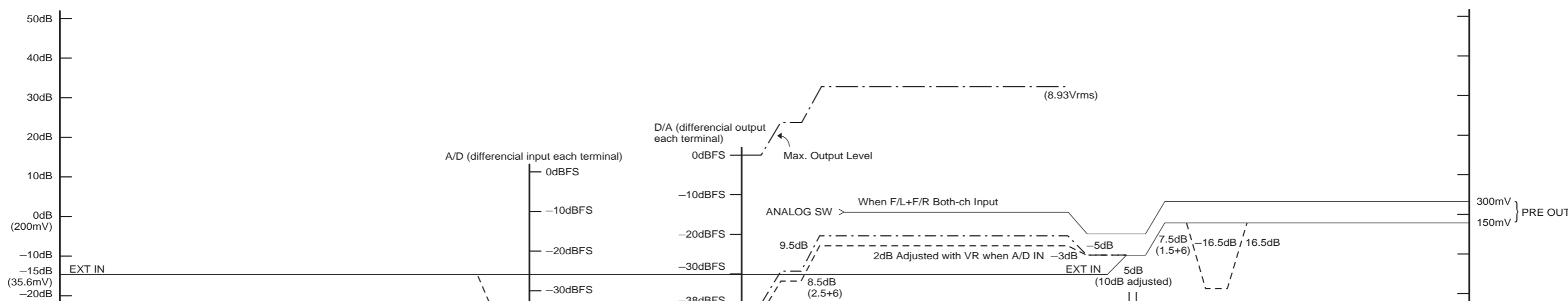
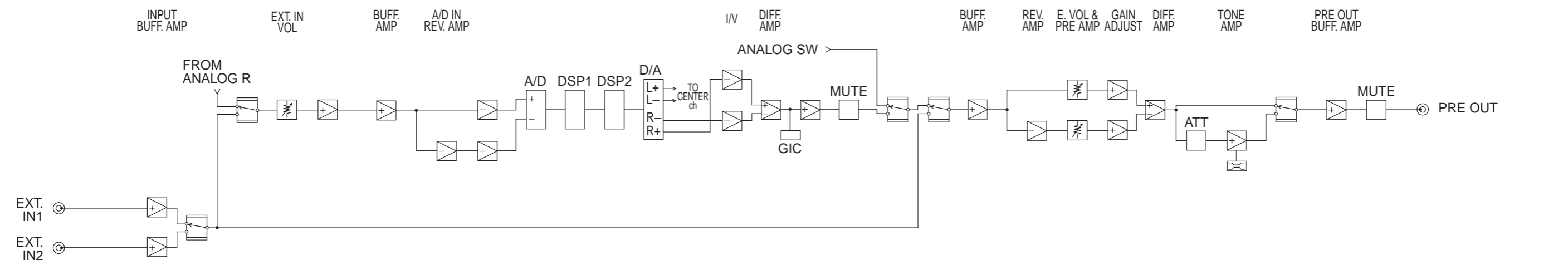
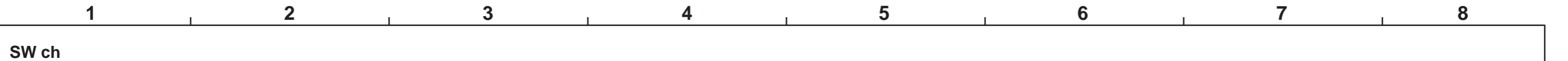


Config. 1 -23dB (A/D IN -25dB)
Config. 2 -29dB (A/D IN -31dB)

WIRING DIAGRAMS (4/5)



WIRING DIAGRAMS (5/5)



EXT IN VOL Adjust Value

Setting	0dB	+5dB	+10dB	+15dB (Default)
Except EXT IN Path	-5dB	0dB	+5dB	+10dB
Through EXT IN A/D	-15dB	-10dB	-5dB	0dB

A

B

C

D

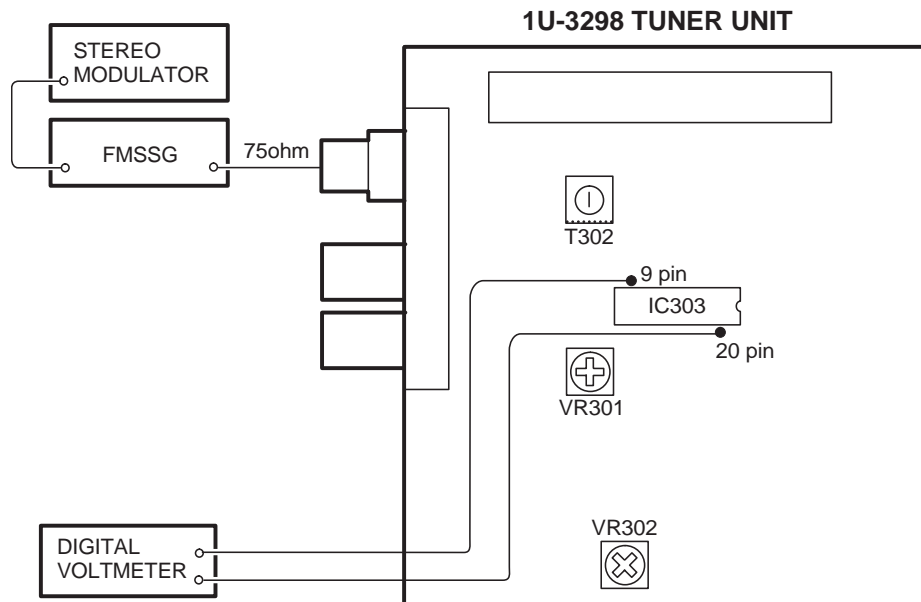
E

ADJUSTMENT

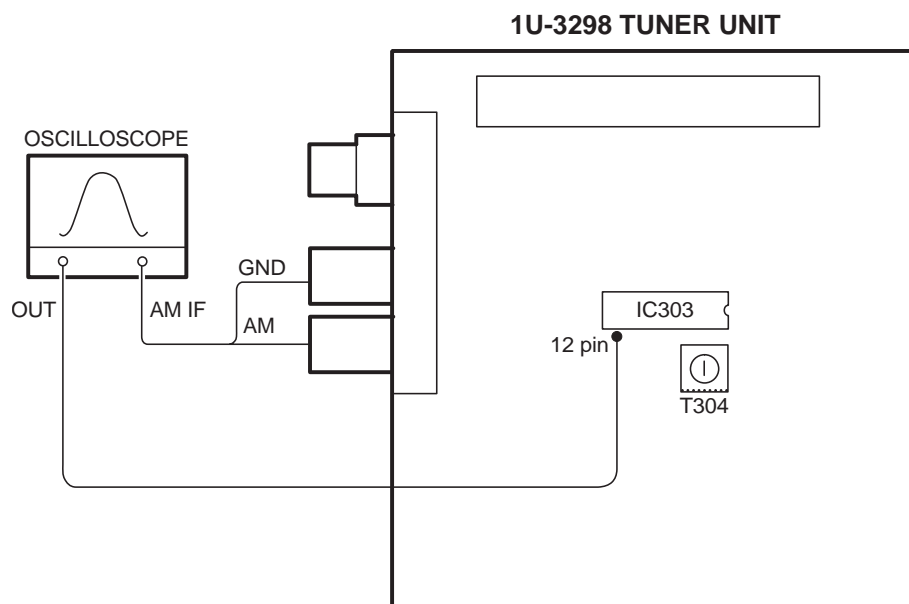
Tuner Section (AVR-5803 only)

CONNECTION DIAGRAM OF MEASURING INSTRUMENTS

● FM



● AM



FM/MPX ALIGNMENT

Step	Alignment Item	Tuning Frequency Setting	Input					Output		Adjust		Remarks
			Type	Frequency	Input Level	Modulation	Coupling	Type	Connect to	Points	Adjust to	
1	Tuning Center	98.1 MHz	FM SSG	98.1 MHz	60 dB μ	None	Antenna Terminal	Digital Voltmeter	IC303 ⑨, ⑳ pin	T302	\pm 50mV	Function : FM Mode : Auto
2	Separation	98.1 MHz	FM SSG	98.1 MHz	60 dB μ	Stereo (L) 1kHz 100%	Antenna Terminal	AC Voltmeter	AUDIO OUT Terminal (R)	VR302	Maximum Separation	—
3	Signal Level	98.1 MHz	FM SSG	98.1 MHz	20 dB μ	Off	Antenna Terminal	—	—	VR301	Light "TUNED" FLD Character	—

AM ALIGNMENT

Step	Alignment Item	Frequency	Input	Output		Adjustment		Remarks
				Type	Connect to	Points	Adjust to	
1	IF	—	IF SWEEP (Input level is not over to work A.G.C.)	Oscilloscope	IC303 12Pin	T304	Maximum height and best symmetry curve	

Audio Section




Idling Current (1U-3296-1, 2)

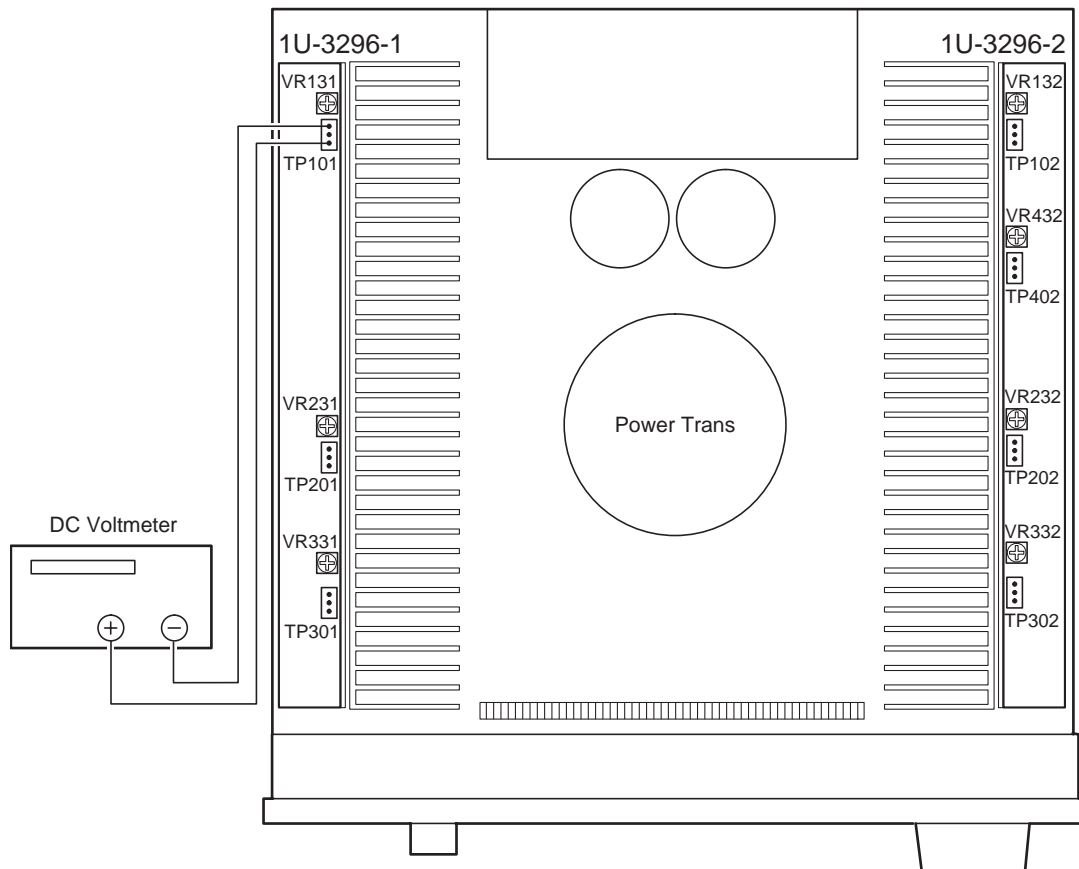
Required measurement equipment : DC Voltmeter

Preparation

- (1) Avoid direct blow from an air conditioner or an electric fan, and adjust the unit at normal room temperature 15 °C ~ 30 °C (59 °F ~ 86 °F).
- (2) Presetting
 - POWER (Power source switch) → OFF
 - SPEAKER (Speaker terminal) → No load (Do not connect speaker, dummy resistor, etc.)

Adjustment

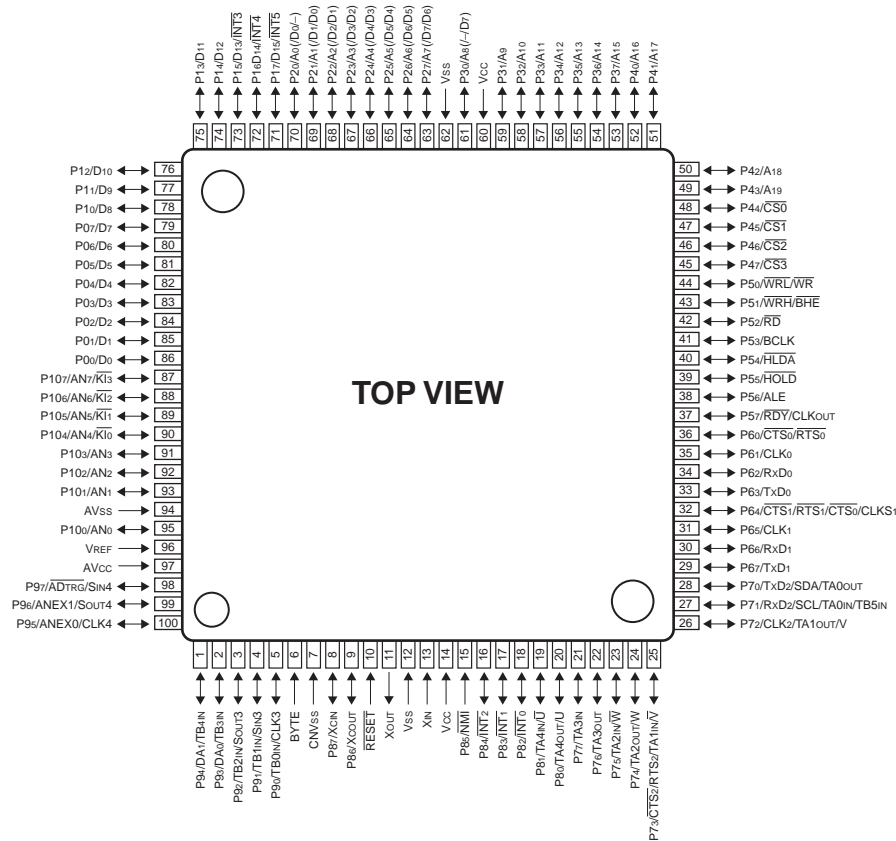
- (1) Remove top cover and set VR131, VR231, VR331 on 1U-3296-1 (Power Amp. L unit), VR132, VR232, VR332, VR432 on 1U-3296-2 (Power Amp. R unit) at full counterclockwise () position.
- (2) Connect DC Voltmeter to test points (FRONT-Lch: TP101, FRONT-Rch: TP102, CENTER ch: TP402, SURROUND-Lch: TP201, SURROUND-Rch: TP202, SURROUND BACK-Lch: TP301, SURROUND BACK-Rch: TP302).
- (3) Connect power cord to AC Line, and turn power switch "ON".
- (4) Presetting.
 - MASTER VOLUME : "---" counterclockwise ( min.)
 - MODE : 5CH/7CH STEREO
 - FUNCTION : CD
- (5) Within 2 minutes after the power on, turn VR131 clockwise () to adjust the TEST POINT voltage to 3 mV \pm 0.5 mV DC.
- (6) After 10 minutes from the preset above, turn VR131 to set the voltage to 3 mV \pm 0.5 mV DC.
- (7) Adjust the Variable Resistors of other channels in the same way.



Pin No.	Pin Name	Symbol	I/O	Type	Det	Ext	Int	Res	Init	Function
25	P84/INT2	_B. DOWN	I	—	E↓&L	—	Eu	Z	—	Power down detect (L: Down)
26	P83/INT1	_PROTECT	I	—	E↑&L	—	Ed	Z	—	Protection detect input (H: Detected)
27	P82/INT0	REMOCON	I	—	E↑&L	—	Ed	Z	—	Remote control signal input
28	P81	SEL A (M)	I	—	Lv	—	Eu	Z	—	Master Volume turn detect input (Rotary encoder)
29	P80	SEL B (M)	I	—	Lv	—	Eu	Z	—	Master Volume turn detect input (Rotary encoder)
30	P77	ADOVER	O	C	—	—	—	Z	L	AD Overload detect control (For subwoofer channel, H: Overload) (5803 only)
31	P76	RSPOWER	O	C	—	—	—	Z	L	Same logic with Power Port
32	P75	V.EXP OE	O	C	—	—	—	Z	L	Port Expander control output for Video circuit (BU4094B)
33	P74	V. EXP STB	O	C	—	—	—	Z	L	Port Expander control output for Video circuit (BU4094B)
34	P73/CTS2	E2P CS/VSDA	O	C	—	—	—	Z	L	EEPROM control/Video IC (Chroma-decoder, 3D Y/C) control terminal (5803 only)
35	P72/CLK2	E2P CLK/VSCL	O	C	—	—	—	Z	L	EEPROM control/Video IC (Chroma-decoder, 3D Y/C) control terminal (5803 only)
36	P71/RXD2	E2P DI/C. DET	I	—	Lv	—	—	Z	—	EEPROM control/Component signal detect port (5803 only)
37	P70/TXD2	E2P DO/V. DET	O/I	N	—	—	—	Z	L	EEPROM control/Video signal detect port (5803 only)
38	P67/TXD1	TxD	O	C	—	—	—	Z	L	Data send output to external
39	VCC	VCC	—	—	—	—	—	—	—	+5V
40	P66/RXD1	RxD	I	—	Lv	—	—	Z	—	Data receive input from external
41	VSS	VSS	—	—	—	—	—	—	—	GND
42	P65/CLK1	RESET2	O	C	—	—	—	Z	L	Output for Sub-mcom reset
43	P64/CTS1	ACK	O	C	—	—	—	Z	—	Main/Sub-mcom comm. control terminal
44	P63/TXD0	MOSI	O	C	—	—	—	Z	L	Main/Sub-mcom comm. control terminal
45	P62/RXD0	MISO	I	—	Lv	—	—	Z	—	Main/Sub-mcom comm. control terminal
46	P61/CLK0	CLK	I/O	(C)	—	—	—	Z	—	Main/Sub-mcom comm. control terminal
47	P60/CTS0	REQ	I	—	Lv	—	Eu	Z	—	Main/Sub-mcom comm. control terminal
48	P137	E2P/VOE	O	C	—	—	—	Z	L	E2P and Video control port (P70~73) switching terminal (5803 only, UPDATE: L fixed)
49	P136	EXP CLK	O	C	—	—	—	Z	L	Expander control CLK output
50	P135	EXP DATA	O	C	—	—	—	Z	L	Expander control DATA output
51	P134	MUTE POWER	O	C	—	—	—	Z	L	Same logic with Power Port (H 30ms before POWER port at ON, but same timing at OFF)
52	P57/RDY	/RDY	I	—	—	—	Eu	Z	—	Not used (Fixed to H)
53	P56/ALE	ALE	O	C	—	—	—	—	L	Not used (NC)
54	P55/HOLD	/HOLD	I	—	—	—	Eu	Z	—	Not used (Fixed to H)
55	P54/HLDA	/HLDA	O	C	—	—	—	H	L	Not used (NC)
56	P133	POWER	O	C	—	—	—	Z	H	Power Relay control output (H: ON)
57	VSS	VSS	—	—	—	—	—	—	—	GND
58	P132	SP. EXP OE	O	C	—	—	—	Z	H	Port Expander control output for speaker output (BU4094B)
59	VCC	VCC	—	—	—	—	—	—	—	+5V
60	P131	FL RST	O	C	—	—	—	Z	H	FLD control terminal (LC75711NE)
61	P130	FL CE	O	C	—	—	—	Z	H	FLD control terminal (LC75711NE)
62	P53/BCLK	BCLK	O	C	—	—	—	Z	L	Not used (NC)
63	P52/RD	/RD	O	C	—	—	—	H	L	Flash ROM control terminal
64	P51/BHE	/BHE	O	C	—	—	—	—	L	Not used (NC)
65	P50/WR	/WR	O	C	—	—	—	H	L	Flash ROM control terminal
66	P127	PL/FL/LED DATA	O	C	—	—	—	Z	L	PLL & FLD & LED control terminal (LC72131 & LC75711NE & M66313)
67	P126	PL/FL/LED CLK	O	C	—	—	—	Z	L	PLL & FLD & LED control terminal (LC72131 & LC75711NE & M66313)
68	P125	PLL STB	O	C	—	—	—	Z	L	PLL control terminal (LC72131)
69	P47/CS0/A23	FLASH CE	O	C	—	—	—	—	L	Control output for Flash ROM
70	P46/CS1/A22	CS1	O	C	—	—	—	—	L	Not used
71	P45/CS2/A21	CS2	O	C	—	—	—	—	L	Not used
72	P44/CS3/A20	CS3	O	C	—	—	—	—	L	Not used
73	P43/A19	NOT USED	O	C	—	—	—	—	L	Not used
74	VCC	VCC	—	—	—	—	—	—	—	+5V
75	P42/A18	MA17	O	C	—	—	—	—	L	Flash ROM control terminal
76	VSS	VSS	—	—	—	—	—	—	—	GND
77	P41/A17	MA16	O	C	—	—	—	—	L	Flash ROM control terminal
78	P40/A16	MA15	O	C	—	—	—	—	L	Flash ROM control terminal
79	P37/A15	MA14	O	C	—	—	—	—	L	Flash ROM control terminal
80	P36/A14	MA13	O	C	—	—	—	—	L	Flash ROM control terminal
81	P35/A13	MA12	O	C	—	—	—	—	L	Flash ROM control terminal
82	P34/A12	MA11	O	C	—	—	—	—	L	Flash ROM control terminal
83	P33/A11	MA10	O	C	—	—	—	—	L	Flash ROM control terminal
84	P32/A10	MA9	O	C	—	—	—	—	L	Flash ROM control terminal
85	P31/A9	MA8	O	C	—	—	—	—	L	Flash ROM control terminal
86	P124	E. VOL CLK	O	C	—	—	—	Z	L	E. VR control output (TC9459)
87	P123	E. VOL DATA	O	C	—	—	—	Z	L	E. VR control output (TC9459)
88	P122	E. VOL STBA	O	C	—	—	—	Z	L	E. VR control output (TC9459)
89	P121	E. VOL STBB	O	C	—	—	—	Z	L	E. VR control output (TC9459)

Pin No.	Pin Name	Symbol	I/O	Type	Det	Ext	Int	Res	Init	Function
90	P120	E. VOL MULTI STB	O	C	—	—	—	Z	L	E. VR control output for Multi Room (TC9459)
91	VCC	VCC	—	—	—	—	—	—	—	+5V
92	P30/A8	MA7	O	C	—	—	—	—	L	Flash ROM control terminal
93	VSS	VSS	—	—	—	—	—	—	—	GND
94	P27/A7	MA6	O	C	—	—	—	—	L	Flash ROM control terminal
95	P26/A6	MA5	O	C	—	—	—	—	L	Flash ROM control terminal
96	P25/A5	MA4	O	C	—	—	—	—	L	Flash ROM control terminal
97	P24/A4	MA3	O	C	—	—	—	—	L	Flash ROM control terminal
98	P23/A3	MA2	O	C	—	—	—	—	L	Flash ROM control terminal
99	P22/A2	MA1	O	C	—	—	—	—	L	Flash ROM control terminal
100	P21/A1	MA0	O	C	—	—	—	—	L	Flash ROM control terminal
101	P20/A0	NOT USED	O	C	—	—	—	—	L	Flash ROM control terminal
102	P17/D15	D15	I/O	C	—	—	—	—	L	Flash ROM control terminal
103	P16/D14	D14	I/O	C	—	—	—	—	L	Flash ROM control terminal
104	P15/D13	D13	I/O	C	—	—	—	—	L	Flash ROM control terminal
105	P14/D12	D12	I/O	C	—	—	—	—	L	Flash ROM control terminal
106	P13/D11	D11	I/O	C	—	—	—	—	L	Flash ROM control terminal
107	P12/D10	D10	I/O	C	—	—	—	—	L	Flash ROM control terminal
108	P11/D9	D9	I/O	C	—	—	—	—	L	Flash ROM control terminal
109	P10/D8	D8	I/O	C	—	—	—	—	L	Flash ROM control terminal
110	P07/D7	D7	I/O	C	—	—	—	—	L	Flash ROM control terminal
111	P06/D6	D6	I/O	C	—	—	—	—	L	Flash ROM control terminal
112	P05/D5	D5	I/O	C	—	—	—	—	L	Flash ROM control terminal
113	P04/D4	D4	I/O	C	—	—	—	—	L	Flash ROM control terminal
114	P114	A/STB. EXP OE	O	C	—	—	—	Z	H	Port Expander control output for Audio Mute and IC Strobe (BU4094B)
115	P113	A. EXP STB	O	C	—	—	—	Z	L	Port Expander control output for Audio Mute (BU4094B)
116	P112	STB EXP STB	O	C	—	—	—	Z	H	Port Expander control output for IC Strobe (BU4094B)
117	P111	SEL F (F)	I	—	Lv	—	Eu	Z	—	Function Encoder turn detect input (Rotary encoder)
118	P110	SEL E (F)	I	—	Lv	—	Eu	Z	—	Function Encoder turn detect input (Rotary encoder)
119	P03/D3	D3	I/O	C	—	—	—	—	L	Flash ROM control terminal
120	P02/D2	D2	I/O	C	—	—	—	—	L	Flash ROM control terminal
121	P01/D1	D1	I/O	C	—	—	—	—	L	Flash ROM control terminal
122	P00/D0	D0	I/O	C	—	—	—	—	L	Flash ROM control terminal
123	P157	SEL H (C)	I	—	Lv	—	Eu	Z	—	Control Encoder turn detect input (Rotary encoder)
124	P156	SEL G (C)	I	—	Lv	—	Eu	Z	—	Control Encoder turn detect input (Rotary encoder)
125	P155	EVOL STBC	O	C	—	—	Eu	Z	—	E. VR control for EXT.IN (5803 only)
126	P154	FUNC/TONE CLK	O	—	—	—	—	Z	L	CLK output for Function switching/Tone IC control
127	P153	FUNC/TONE DATA	O	C	—	—	—	Z	L	CLK output for Function switching/Tone IC control
128	P152	LED LE	O	C	—	—	Eu	Z	L	LED Driver control output
129	P151	LED OE	O	C	—	—	—	Z	H	LED Driver control output, *Set to in-port during STBY
130	VSS	VSS	—	—	—	—	—	—	—	GND
131	P150	STANDBY	O	C	—	—	Ed	Z	H	Standby LED drive output (H: Light)
132	VCC	VCC	—	—	—	—	—	—	—	+5V
133	P107/AN7	KEY1	I	—	Lv	—	Eu	Z	—	Button input 1
134	P106/AN6	KEY2	I	—	Lv	—	Eu	Z	—	Button input 2
135	P105/AN5	KEY3	I	—	Lv	—	Eu	Z	—	Button input 3
136	P104/AN4	KEY4	I	—	Lv	—	Eu	Z	—	Button input 4
137	P103/AN3	ASIGDET	I	—	Lv	—	Eu	Z	—	SB channel signal level detect, set to A/D input
138	P102/AN2	TUNED&STEREO AD IN	I	—	Lv	—	Eu	Z	—	Tuned/Stereo detect (Detect by A/D input)
139	P101/AN1	H/P DET	I	—	Lv	—	Eu	Z	—	H/P detect input (H: Detected)
140	AVSS	AVSS	—	—	—	—	—	—	—	AD GND
141	P100/AN0	MODE	I	—	Lv	—	Eu	Z	—	Destination switching input
142	VREF	VREF	—	—	—	—	—	—	—	AD ref. +5V
143	AVCC	AVCC	—	—	—	—	—	—	—	AD +5V
144	P97/RXD4	RxD MAIN	I	—	Lv	—	—	Z	—	1394 comm. control terminal

M30620FCMGP (IC701) (SUB)



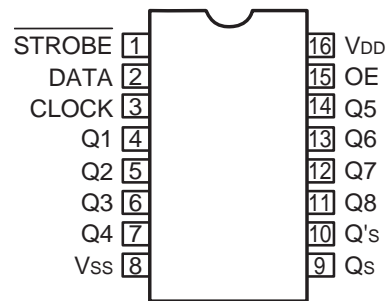
M30620FCMGP Terminal Function

Pin No.	Pin Name	Symbol	I/O	Type	Det	Ext	Int	Res	Init	Function
1	P94	SPIDS2	O	C	—	—	—	Z	H	DSP2 serial control terminal (ADSP21161L)
2	P93	CS SUB	O	C	—	—	—	Z	L	1394 comm. control terminal
3	P92/SOUT3	TxD SUB	O	C	—	—	—	Z	L	1394 comm. control terminal
4	P91/SIN3	RxD SUB	O	C	—	—	—	Z	L	1394 comm. control terminal
5	P90/CLK3	CLK SUB	O	C	—	—	—	Z	L	1394 comm. control terminal
6	BYTE	BYTE	—	—	—	—	—	—	—	GND (Ext. data bus bit width switching, L: 16bit)
7	CNVCS	CNVSS	—	—	—	—	—	—	—	Single-chip/Microprocessor mode switching (L: Single-chip, H: Rewrite boot program)
8	P87	ROM_RST2	O	C	—	—	Od	Z	L	Memory reset for DSP2 (L: Reset)
9	P86	ROM_RST1	O	C	—	—	Od	Z	L	Memory reset for DSP1 (L: Reset)
10	RESET	_RESET	I	—	Lv	lu	—	L	—	Reset input
11	XOUT	X1	O	—	—	—	—	—	—	Oscillator connection
12	VSS	VSS	—	—	—	—	—	—	—	GND
13	XIN	X2	I	—	—	—	—	—	—	Oscillator connection
14	VCC	VCC	—	—	—	—	—	—	—	+3V
15	P85/NMI	_NMI	I	—	—	—	—	—	—	Not used (Fixed to H)
16	P84/INT2	_INT1	I	—	E↓&L	—	—	Z	—	DIR1 control terminal (LC89057W-E)
17	P83/INT1	_ACK	I	—	E↓&L	—	Eu	Z	—	Main/Sub-mcom comm. control input (ACK from mcom L return)
18	P82/INT0	_B. DOWN	I	—	E↓&L	—	Eu	Z	—	Power down detect (L: Down)
19	P81	ADC RESET	O	C	—	—	—	Z	H	A/D control terminal (L: Reset)
20	P80	DIGITAL POWER	O	C	—	—	—	Z	L	Digital power on/off switching
21	P77	DAC DIF	O	C	—	—	—	Z	L	DAC deferential used: H
22	P76	OSR1	O	C	—	—	—	Z	H	A/D control terminal (PCM1804), H:192kHz
23	P75	OSR2	O	C	—	—	—	Z	L	A/D control terminal (PCM1804), H:96kHz
24	P74	DIR CE	O	C	—	—	—	Z	L	DIR control terminal (LC89057W-E), control chip enable output
25	P73/CTS2	DIR_RST	O	C	—	—	—	Z	L	DIR control terminal (LC89057W-E), L: Reset
26	P72/CLK2	DIR_CLK	O	C	—	—	—	Z	L	DIR control terminal (LC89057W-E), control clock output
27	P71/RXD2	DIR DIN	O	N	—	—	Eu	Z	L	DIR control terminal (LC89057W-E), control data output
28	P70/TXD2	DIR DOUT	I	—	Lv	—	—	Z	—	DIR control terminal (LC89057W-E), control data input
29	P67/TXD1	TxD	O	C	—	—	—	Z	L	Data send to external
30	P66/RXD1	RxD	I	—	Lv	—	—	Z	—	Data receive from external
31	P65/CLK1	DACMC	O	C	—	—	—	Z	L	DAC control terminal (PCM1738)

Pin No.	Pin Name	Symbol	I/O	Type	Det	Ext	Int	Res	Init	Function
32	P64/CTS1	REQ	O	C	—	—	Eu	Z	L	Main/Sub-mcom comm. control output (RTS from sub-mcom L)
33	P63/TXD0	MISO	O	C	—	—	—	Z	L	Main/Sub-mcom comm. control terminal (Data output)
34	P62/RXD0	MOSI	I	—	Lv	—	—	Z	L	Main/Sub-mcom comm. control terminal (Data input)
35	P61/CLK0	CLK	I/O	C	—	—	—	Z	L	Main/Sub-mcom comm. control terminal (I2C clock in/output)
36	P60/CTS0	DACMDO	I	—	Lv	—	—	Z	—	DAC control terminal (PCM1738)
37	P57	DACMDI	O	C	—	—	—	Z	L	DAC control terminal (PCM1738)
38	P56	DLINK ON	O	C	—	—	—	Z	L	DENON LINK ON terminal (H: DENON LINK)
39	P55/EPM	FRASH EPM	I	—	Lv	—	—	Z	—	When rewrite boot program on, L input set
40	P54	_INT3	I	—	Lv	—	—	Z	—	DIR3 control terminal (LC89057W-E)
41	P53	_INT4	I	—	Lv	—	—	Z	—	DIR4 control terminal (LC89057W-E)
42	P52	PTMS	I	—	—	—	—	Z	—	ASIC control terminal
43	P51	PTDO	I	—	Lv	—	—	Z	—	ASIC control terminal
44	P50/CE	FRASH CE	I	—	—	—	—	Z	—	When rewrite boot program on, H input set
45	P47	PTCK	I	—	—	—	—	Z	—	ASIC control terminal
46	P46	PTDI	I	—	—	—	—	Z	—	ASIC control terminal
47	P45	D. EXP OE	O	C	—	—	—	Z	L	Port Expander control output for Digital input switching (BU4094B)
48	P44	D. EXP CLK	O	C	—	—	—	Z	L	Port Expander control output for Digital input switching (BU4094B)
49	P43	D. EXP DATA	O	C	—	—	—	Z	L	Port Expander control output for Digital input switching (BU4094B)
50	P42	D. EXP STB	O	C	—	—	—	Z	L	Port Expander control output for Digital input switching (BU4094B)
51	P41	XTALRST	O	C	—	—	—	Z	H	Clock for DIR (L: Osc. stop)
52	P40	DSD SEL	O	C	—	—	—	Z	L	H: DSD
53	P37	iLink DE	O	C	—	—	—	Z	L	iLink control terminal
54	P36	iLink RE	O	C	—	—	—	Z	H	iLink control terminal
55	P35	iLink SEL	O	C	—	—	—	Z	L	iLink control terminal (H: 1394)
56	P34	DSP I/O POWER	O	C	—	—	—	Z	L	H: Power ON (On 10ms later from Digital Power On)
57	P33	DSP OSC ON	O	C	—	—	—	Z	L	H: ON (On 20ms later from Digital Power On)
58	P32	DSP2_RS	O	C	—	—	—	Z	L	DSP2 reset output (L: Reset)
59	P31	DSP1_RS	O	C	—	—	—	Z	L	DSP1 reset output (L: Reset)
60	VCC	VCC	—	—	—	—	—	—	—	+3V
61	P30	FLAG 1A (DSP_ACK1)	I	—	Lv	—	—	Z	—	DSP1 host I/F comm. response input (L: OK)
62	VSS	VSS	—	—	—	—	—	—	—	GND
63	P27	FLAG 2A (BUSY1)	I	—	Lv	—	—	Z	—	DSP operation check flag (ADSP21161L-A: FLAG 2A), L: Normal
64	P26	IRQ1_B1 (DSP_REQ1)	O	C	—	—	—	Z	L	DSP1 (ADSP21161L-A: IRQ 1_), host I/F interrupt request output, L: REQ
65	P25	FLAG 0A (WRITE1)	O	C	—	—	—	Z	L	DSP1 comm. control terminal (H: Data write)
66	P24	IRQ1_B2 (DSP_REQ2)	O	C	—	—	—	Z	L	DSP2 (ADSP21161L-A: IRQ 1_), host I/F interrupt request output, L: REQ
67	P23	FLAG 0B (WRITE2)	O	C	—	—	—	Z	L	DSP2 comm. control terminal (H: Data write)
68	P22	FLAG 1B (DSP_ACK2)	I	—	Lv	—	—	Z	—	DSP2 host I/F comm. response input (L: OK)
69	P21	FLAG 2B (BUSY2)	I	—	Lv	—	—	Z	—	DSP operation check flag (ADSP21161L-B: FLAG 2B), L: Normal
70	P20	FLAG 3A	I	—	Lv	—	—	Z	—	Special flag for ROM update (ADSP21161L-A: FLAG 3A)
71	P17/INT5	AC-3 RF DET.	I	—	E↓&L	—	—	Z	—	AC-3 RF signal check input (H: AC-3 RF data input)
72	P16/INT4	FLAG 3B	I	—	Lv	—	—	Z	—	Special flag for ROM update (ADSP21161L-A: FLAG 3B)
73	P15/INT3	u ERROR	I	—	E↑&L	—	—	Z	—	DIR control input terminal (LC89057W), H: ERR
74	P14/D12	u SELCK	O	C	—	—	—	Z	L	ADC/DIR data, clock switching control terminal (L: ADC)
75	P13/D11	u ERR MUTE	O	C	—	—	—	Z	H	Pop noise preventive mute control output
76	P12/D10	u BSE (AC3 MUTE)	O	C	—	—	—	Z	H	Digital mute control output (L: AC-3 or DTS decode enable)
77	P11/D9	REQ SUB	O	C	—	—	—	Z	L	1394 comm. control terminal
78	P10/D8	ACK SUB	O	C	—	—	—	Z	L	1394 comm. control terminal
79	P07/D7	I/08	I/O	C	—	—	—	Z	L	DSP comm. terminal (ADSP21161N:D23)
80	P06/D6	I/07	I/O	C	—	—	—	Z	L	DSP comm. terminal (ADSP21161N:D22)
81	P05/D5	I/06	I/O	C	—	—	—	Z	L	DSP comm. terminal (ADSP21161N:D21)
82	P04/D4	I/05	I/O	C	—	—	—	Z	L	DSP comm. terminal (ADSP21161N:D20)
83	P03/D3	I/04	I/O	C	—	—	—	Z	L	DSP comm. terminal (ADSP21161N:D19)
84	P02/D2	I/03	I/O	C	—	—	—	Z	L	DSP comm. terminal (ADSP21161N:D18)
85	P01/D1	I/02	I/O	C	—	—	—	Z	L	DSP comm. terminal (ADSP21161N:D17)
86	P00/D0	I/01	I/O	C	—	—	—	Z	L	DSP comm. terminal (ADSP21161N:D16)
87	P107/AN7	DAC-RESET1	O	C	—	—	—	Z	L	DAC control terminal (L: Power down mode, ↑: Reset, H: Normal)
88	P106/AN6	FGAIN	O	C	—	—	—	Z	L	IV Amp Gain switching control output (L: Subwoofer enable)
89	P105/AN5	_INT2	I	—	Lv	—	—	Z	—	DIR2 control terminal (LC89057W-E)
90	P104/AN4	FDACCS	O	C	—	—	—	Z	H	DAC control terminal (PCM1738:Fch chip select)
91	P103/AN3	CDACCS	O	C	—	—	—	Z	H	DAC control terminal (PCM1738:Cch DAC chip select)
92	P102/AN2	SDACCS	O	C	—	—	—	Z	H	DAC control terminal (PCM1738:Sch DAC chip select)
93	P101/AN1	SBDACCS	O	C	—	—	—	Z	H	DAC control terminal (PCM1738:SBch DAC chip select)
94	AVSS	AVSS	—	—	—	—	—	—	—	AD GND
95	P100/AN0	SPIDS1	O	C	—	—	—	Z	H	DSP1 serial control terminal (ADSP21161N)
96	VREF	VREF	—	—	—	—	—	—	—	AD ref. +3V
97	AVCC	AVCC	—	—	—	—	—	—	—	AD +3V
98	P97/SIN4	SPIMISO	I	—	Lv	—	—	Z	—	DSP serial control terminal (ADSP21161N)
99	P96/SOUT4	SPIMOSI	O	C	—	—	—	Z	L	DSP serial control terminal (ADSP21161N)
100	P95/CLK4	SPICLK	O	C	—	—	—	Z	L	DSP serial control terminal (ADSP21161N)

TC4094BF (IC510, 515, 708, 709, 721)

BU4094BCF (IC609, 610, 611, 612, 618, 623, 304, 305, 310, 311, 312)



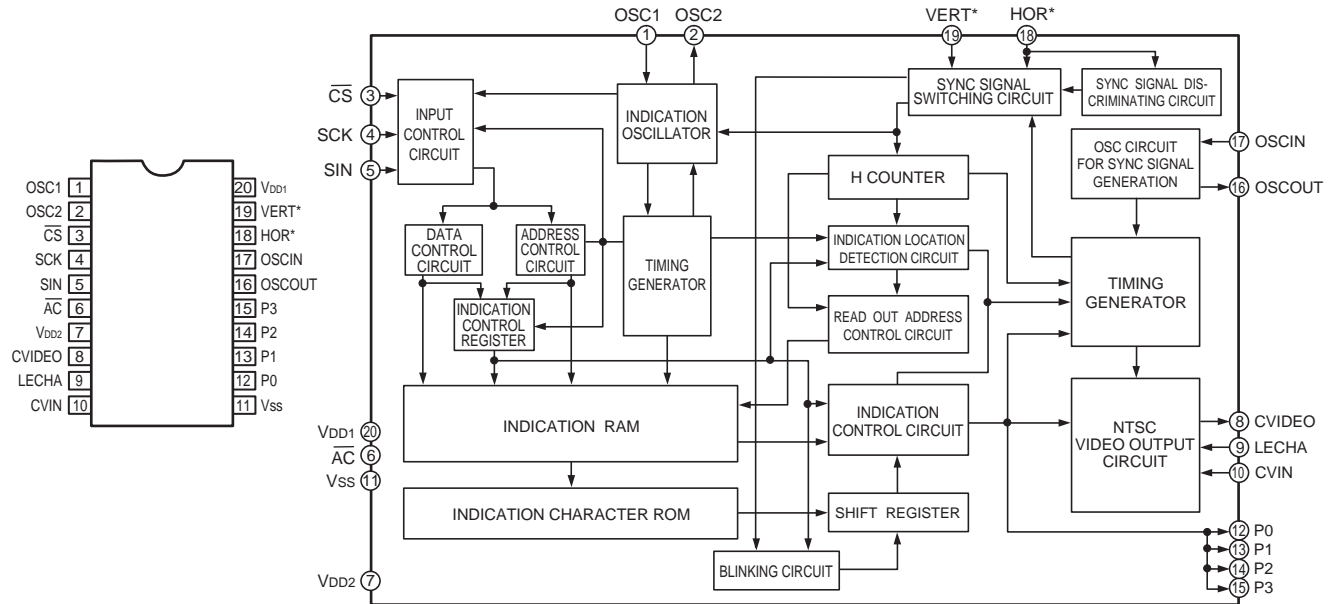
Terminal Function

	Port	Symbol	Function
IC304	EXP1	INA1	VIDEO INPUT SELECT (Selected INA1, INB1, and INC1 combination)
	EXP2	INB1	VIDEO INPUT SELECT (Selected INA1, INB1, and INC1 combination)
	EXP3	INC1	VIDEO INPUT SELECT (Selected INA1, INB1, and INC1 combination)
	EXP4	RECA1	VIDEO RECOUT SELECT (Selected RECA1, RECB1, and RECC1 combination)
	EXP5	RECB1	VIDEO RECOUT SELECT (Selected RECA1, RECB1, and RECC1 combination)
	EXP6	RECC1	VIDEO RECOUT SELECT (Selected RECA1, RECB1, and RECC1 combination)
	EXP7	V1INH	L: VIDEO RECOUT (VCR-1)
	EXP8	V2INH	L: VIDEO RECOUT (VCR-2)
IC305	EXP9	V3INH	L: VIDEO RECOUT (VCR-3)
	EXP10	VRECMUTE	H: VIDEO RECOUT OFF
	EXP11	VSOURCE	H: VIDEO signal selected
	EXP12	VOUTMUTE	H: VIDEO signal unselected
	EXP13	VOSDON	OSD display control (Same control with S1 port)
	EXP14	S1	OSD display
	EXP15	S2	OSD display
	EXP16	VSELTV	COMPONENT VIDEO switch control, H: TV (H: AVC-N, VIDEO2)
IC310	EXP17	VSELDBS	COMPONENT VIDEO switch control, H: DBS (H: AVC-N, VIDEO3)
	EXP18	VSELDVD	COMPONENT VIDEO switch control, H: DVD (H: AVC-N, VIDEO1)
	EXP19	CMULTIA	MULTI1 composite select
	EXP20	CMULTIB	MULTI1 composite select
	EXP21	CMULTIC	MULTI1 composite select
	EXP22	VMULMUTE	H: MULTI1 OFF
	EXP23	NC	Not used
	EXP24	NC	Not used
IC311	EXP25	VOUTSELA	COMPOSITE VIDEO MONITOR1 output switching control (BU4052BCF)
	EXP26	VOUTSELB	COMPOSITE VIDEO MONITOR1 output switching control (BU4052BCF)
	EXP27	NC	Not used
	EXP28	VSEL SSIGUP	COMPONENT VIDEO MONITOR output switching control (RELAY)
	EXP29	VSEL COMPDET	COMPONENT VIDEO input signal detect circuit control (RELAY), Fixed to H
	EXP30	NC	Not used
	EXP31	NC	Not used
	EXP32	NC	Not used
IC312	EXP33	SOUT SELA	Switching control for S MONITOR output (BU4052BCF)
	EXP34	SOUT SELB	Switching control for S MONITOR output (BU4052BCF)
	EXP35	VSOSDSELA	Input signal switching control for OSD IC (BU4052BCF)
	EXP36	VSOSDSELB	Input signal switching control for OSD IC (BU4052BCF)
	EXP37	CROMASELA	Chrome decoder input signal switching control terminal (BU4052BCF)
	EXP38	CROMASELB	Chrome decoder input signal switching control terminal (BU4052BCF)
	EXP39	CROMASELC	Chrome decoder input signal switching control terminal (BU4052BCF)
	EXP40	NC	Not used

	Port	Symbol	Function
IC510	EXP1	DINA	DIGITAL INPUT SELECTOR control
	EXP2	DINB	DIGITAL INPUT SELECTOR control
	EXP3	DINC	DIGITAL INPUT SELECTOR control
	EXP4	DIND	DIGITAL INPUT SELECTOR control
	EXP5	DINE	DIGITAL INPUT SELECTOR control
	EXP6	DINF	DIGITAL INPUT SELECTOR control
	EXP7	DOUTA	DIGITAL RECOU SELECTOR control
	EXP8	DOUTB	DIGITAL RECOU SELECTOR control
IC515	EXP9	DOUTC	DIGITAL RECOU SELECTOR control
	EXP10	DOUTD	DIGITAL RECOU SELECTOR control
	EXP11	DOUTE	DIGITAL RECOU SELECTOR control
	EXP12	DOUTF	DIGITAL RECOU SELECTOR control
	EXP13	DOUTG	DIGITAL RECOU SELECTOR control
	EXP14	DOUTH	DIGITAL RECOU SELECTOR control
	EXP15	_DEMOD_RESET	DEMODULATOR reset output (H: Reset)
	EXP16	DEMOD_ON	DEMODULATOR osc. control output (L: Osc.)
IC609	EXP1	SB VR MUTE	SURROUND BACK AMP input muting control, L: Muting
	EXP2	Z2 MUTE	RCA PINJACK output muting control for ZONE2, L: Muting
	EXP3	TDEF.RL	L: TONE DEFEAT
	EXP4	SUR/SBRL (SB TDF.RL)	Same control with TDEF.RL in normal, L: POWER AMP ASSIGN
	EXP5	H/PRL	H/P RELAY control (H: ON)
	EXP6	LIMIT	Current limiter control for POWER AMP all channel, H: LIMITTER ON
	EXP7	A+B LIMIT	SURROUND AMP current limiter control, H: SURROUND SP A+B
	EXP8	CD/DVDRL	H: INPUT FUNCTION DVD, L: Other than DVD
IC610	EXP9	Z1 MUTE	RCA PINJACK output muting control for ZONE1, L: Muting
	EXP10	SB.MUTE	SURROUND BACK PREOUT output muting control, L: Muting
	EXP11	SUR.MUTE	SURROUND PREOUT output muting control, L: Muting
	EXP12	SW.MUTE	SUBWOOFER PREOUT output muting control, L: Muting
	EXP13	C.MUTE	CENTER PREOUT output muting control, L: Muting
	EXP14	F.MUTE	FRONT PREOUT output muting control, L: Muting
	EXP15	VR.MUTE	POWER AMP input muting control, L: Muting
	EXP16	-6dB MUTE	Fixed to L (VR -6dB Mute/L: Muting)
IC611	EXP1	TSTBF	TONE CONTROL IC STROBE signal (FRONT CH STROBE)
	EXP2	TSTBC	TONE CONTROL IC STROBE signal (CENTER CH STROBE)
	EXP3	TSTBSW	TONE CONTROL IC STROBE signal (SUBWOOFER CH STROBE)
	EXP4	TSTBSUR	TONE CONTROL IC STROBE signal (SURROUND CH STROBE)
	EXP5	TSTBSB	TONE CONTROL IC STROBE signal (SURROUND BACK CH STROBE)
	EXP6	FSTBA	AUDIO FUNCTION SELECTOR IC STROBE signal (IC201 L-CH M-ZONE1&REC/M-ZONE2 SELECTOR)
	EXP7	FSTBB	AUDIO FUNCTION SELECTOR IC STROBE signal (IC202 L/R-CH INPUT SELECTOR)
	EXP8	FSTBC	AUDIO FUNCTION SELECTOR IC STROBE signal (IC203 R-CH M-ZONE1&REC/M-ZONE2 SELECTOR)
IC612	EXP9	FSTBD	AUDIO FUNCTION SELECTOR IC STROBE signal (IC204 L/R-CH REC INH SELECTOR)
	EXP10	FSTBE	EXT.IN INPUT SELECTOR IC STROBE signal (5803 only)
	EXP11	NC	Not used
	EXP12	NC	Not used
	EXP13	NC	Not used
	EXP14	NC	Not used
	EXP15	NC	Not used
	EXP16	NC	Not used

	Port	Symbol	Function
IC618	EXP17	EXT/ANALOGRL	FRONT ch signal switching (Sig. switch EXT.IN/ANALOG), L: EXT.IN, H: Others
	EXP18	DIRECTRL	FRONT ch signal switching (ANALOG DIRECT Sig. switch), L: ANALOG DIRECT, H: Others
	EXP19	DSPOUTRL	All ch signal switching, L: DSP (DIGITAL) Sig. Out, H: ANALOG
	EXP20	EXT1RL	EXTIN-1, EXTIN-2 switching (H: EXTIN-2, L: Others)
	EXP21	LARGERL	SMALL/LARGE switching (L: SMALL)
	EXP22	SWEXTRL	H: EXT.IN, L: Other INPUT MODE (for Subwoofer)
	EXP23	SBACKRL	SURROUND BACK AMP ASSIGN switching (H: ASSIGN, L: Others)
	EXP24	NC	Not used
IC623	EXP25	SLSR_RL	H: When Subwoofer off at Speaker Config. and Surround SP Large (5803 only)
	EXP26	FLFR_RL	H: When Center Norm. or Subwoofer off at Speaker Config. (5803 only)
	EXP27	BYAMPRL	Not used
	EXP28	AD IN SEL RL	Fixed to L (5803 only)
	EXP29	NC	NC
	EXP30	NC	NC
	EXP31	NC	NC
	EXP32	NC	NC
IC708	EXP9	POM WR_MAIN_ucom	ROM rewrite control port (H: Normal, L: Main-mcom selected)
	EXP10	POM WR_SUB_ucom	ROM rewrite control port (H: Normal, L: Sub-mcom selected)
	EXP11	POM WR_DSP1	ROM rewrite control port (H: Normal, L: DSP1-mcom selected)
	EXP12	POM WR_DSP2	ROM rewrite control port (H: Normal, L: DSP2-mcom selected)
	EXP13	POM WR_iLink_ucom	ROM rewrite control port (H: Normal, L: iLink-mcom selected)
	EXP14	POM WR_DSP1/2 SEL	ROM rewrite control port (H: Normal, H: DSP1 selected, L: DSP2 selected)
	EXP15	NC	Not used
	EXP16	NC	Not used
IC709	EXP1	FRONT SP	Relay control for FRONT SP
	EXP2	CENTER SP	Relay control for CENTER SP
	EXP3	SURROUND A SP	Relay control for SURROUND-A SP
	EXP4	SURROUND B SP	Relay control for SURROUND-B SP
	EXP5	SURROUND BACK SP	Relay control for SURROUND BACK SP
	EXP6	ZONE2 OUT SP	Relay control for ZONE2 OUT SP (ZONE2 MULTI ROOM SP)
	EXP7	MULTI ROOM POWER	Power Amp control for MULTI ROOM (H: M-ZONE1 POWER ON)
	EXP8	T-MUTE	Tuner Mute control
IC721	EXP17	AD IN SEL	H: EXT.IN (MODE=DSP) (AVR-5803 only)
	EXP18	SW SEL	Analog Subwoofer output switching relay
	EXP19	ST/MONO	STREO/MONO control signal (L: STREO)
	EXP20	VIDEO POWER	VIDEO Power ON/OFF switching (H: ON)
	EXP21	12V TRIGGER	(SP-EXP7: Same control with MULTI ROOM POWER)
	EXP22	NC	Not used
	EXP23	NC	Not used
	EXP24	NC	Not used

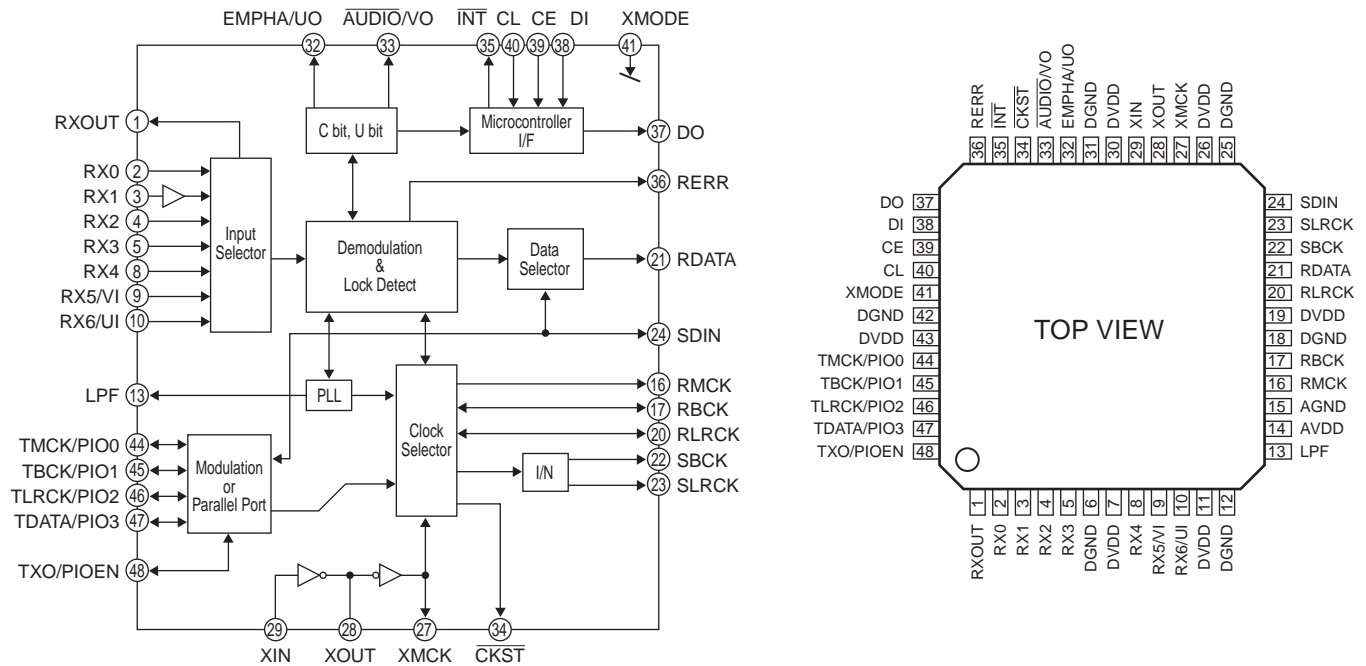
M35015-210SP (IC302)



M35015-210SP Terminal Function

Pin No.	Symbol	Name	I/O	Function
1	OSC1	Osc. circuit ext. terminal.	I	External terminal for indication oscillator circuit. Standard OSC. freq. is approx. 7MHz.
2	OSC2		O	
3	\overline{CS}	Chip select input	I	Chip select terminal and turns to "L" when transfer serial data. Hysteresis input. Pull up resistor is built-in.
4	SCK	Serial clock input	I	Takes in serial data of SIN at SCK rise when CS terminal is in "L". Hysteresis input. Pull up reserist is built-in.
5	SIN	Serial data input	I	Serial input of register for indication control and data, and address for indication data memory. Hysteresis input. Pull up resistor is built-in.
6	\overline{AC}	Auto-clear input	I	Resets internal circuit of IC at "L" mode. Hysteresi input. Pull up resistor is built-in.
7	VDD2	Power supply	—	Power supply terminal of analog system. Connect to +5V.
8	CVIDEO	Combined video output	O	Output terminal of combined video signal. Outputs 2Vp-p combined signal. Character output, etc. Overlap CVIN signal and outputs at superimpose.
9	LECHA	Character level input	I	Input terminal deciding character output level in combined video signal. color of character is white.
10	CVIN	Combined video input	I	Input terminal of external combined video signal. Character output etc. overlap this external combined video signal.
11	VSS	Ground	—	Ground terminal. Connect to GND.
12	P0	Output port p0	O	General output or character background signal BL NK1* output is switchable. Polarity can be selected at ROM mask.
13	P1	Output port P1	O	General output or character background signal CO1* output is switchable. Polarity can be selected at ROM mask.
14	P2	Output port P2	O	General output or character background signal BLNK2* output is switchable. Polarity can be selected at ROM mask.
15	P3	Output port P3	O	General output or character background signal CO2* output is switchable. Polarity can be selected at ROM mask.
16	OSCOUT	Ext. terminal for sync sig. OSC. Circuit	O	Terminal for external use of sync signal OSC. circuit. Use the freq.: 14.32MHz at NTSC system, 17.73MHz at PAL. system, 14.30MHz at MPAL system.
17	OSCIN		I	
18	HOR*	Horizontal sync signal	I	Inputs horizontal sync signal. Hysteresis input.
19	VERT*	Vertical sync signal	I	Input vertical sync signal. Hysteresis input. Polarity can be selected at ROM mask.
20	VDD1	Power supply	—	Power supply terminal of digital system. Connect to +5V.

LC89057W (IC600, 625, 650, 675)



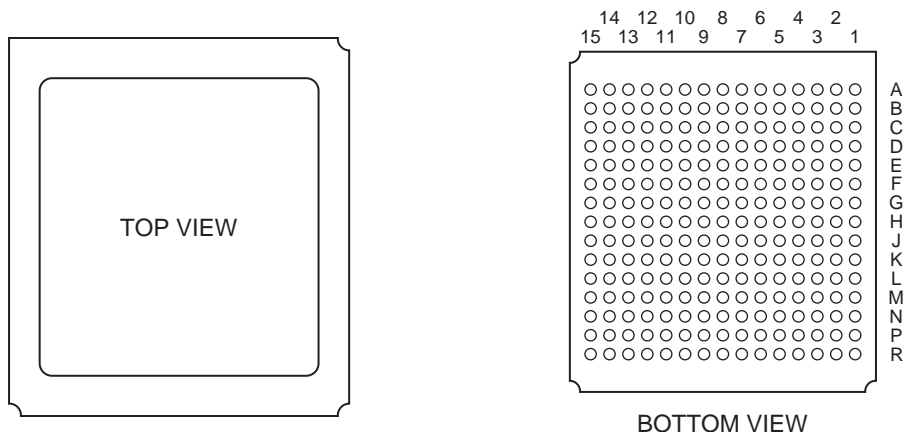
LCW89057W Terminal Function

Pin No.	Pin Name	I/O	Function
1	RXOUT	O	Input bi-phase select data output terminal
2	RX0	I _s	TTL compatible digital data input terminal
3	RX1	I	Coaxial compatible amp built-in digital data input terminal
4	RX2	I _s	TTL compatible digital data input terminal
5	RX3	I _s	TTL compatible digital data input terminal
6	DGND	—	Digital GND
7	DVDD	—	Digital power
8	RX4	I _s	TTL compatible digital data input terminal
9	RX5/VI	I _s	TTL compatible digital data/Validity flag input terminal for modulation
10	RX6/UI	I _s	TTL compatible digital data/User data input terminal for modulation
11	DVDD	—	Digital power for PLL
12	DGND	—	Digital GND for PLL
13	LPF	O	PLL loop filter connecting terminal
14	AVDD	—	Analog power for PLL
15	AGND	—	Analog GND for PLL
16	RMCK	O	RMCK clock output terminal (256fs, 512fs, XIN, VCO)
17	RBCK	O/I	RBCK clock in/output terminal (64fs)
18	DGND	—	Digital GND
19	DVDD	—	Digital power
20	RLRCK	O/I	RLRCK clock in/output terminal (fs)
21	RDATA	O	Serial audio data output terminal
22	SBCK	O	SBCK clock output terminal (32fs, 64fs, 128fs)
23	SLRCK	O	SLRCK clock output terminal (fs/2, fs, 2fs)
24	SDIN	I _s	Serial audio data input terminal
25	DGND	—	Digital GND
26	DVDD	—	Digital power
27	XMCK	O	Osc. amp output terminal

Pin No.	Pin Name	I/O	Function
28	XOUT	O	X'tal osc. connecting output terminal
29	XIN	I	X'tal osc. connection, external clock input terminal (24.576MHz or 12.288MHz)
30	DVDD	—	Digital power
31	DGND	—	Digital GND
32	EMPHA/UO	I/O	Emphasis information/U-data output/Chip address setting terminal
33	AUDIO/VO	I/O	Non-PCM detect/V-flag output/ Chip address setting terminal
34	CKST	I/O	Clock switch transition period output/Demodulation master or slave function switching terminal
35	INT	I/O	Interrupt output for mcom (Interrupt factor selectable)/Modulation or general I/O switching terminal
36	RERR	O	PLL lock error, data error flag output
37	DO	O	μcom I/F, read out data output terminal (3-state)
38	DI	I _s	μcom I/F, write data input terminal
39	CE	I _s	μcom I/F, chip enable input terminal
40	CL	I _s	μcom I/F, clock input terminal
41	XMODE	I _s	System reset input terminal
42	DGND	—	Digital GND
43	DVDD	—	Digital power
44	TMCK/PIO0	I/O	256fs system clock input for modulation/General I/O in/output terminal
45	TBCK/PIO1	I/O	64fs bit clock input for modulation/General I/O in/output terminal
46	TLRCK/PIO2	I/O	fs clock input for modulation/General I/O in/output terminal
47	TDATA/PIO3	I/O	Serial audio data input for modulation/General I/O in/output terminal
48	TXO/PIOEN	O/I	Modulation data output/ General I/O enable input terminal

* For latch-up countermeasure, perform each power supply ON/OFF in the same timing.

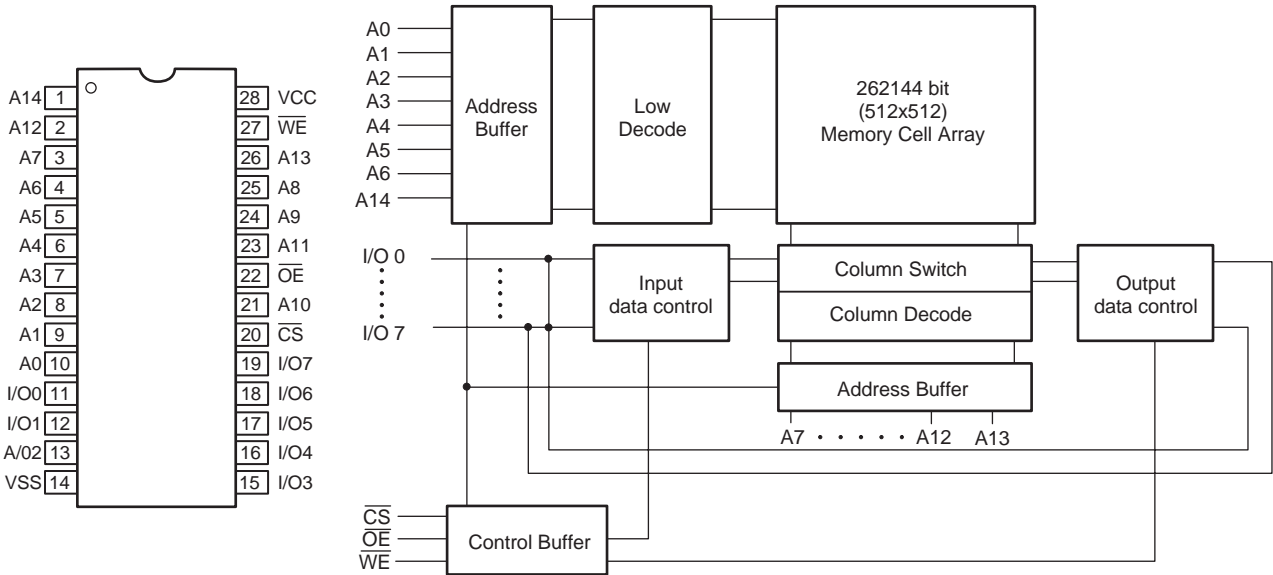
ADSP-21161N (IC801, 901)



ADSP-21161N Terminal Function

Pin Name	Pin No.	Pin Name	Pin No.	Pin Name	Pin No.	Pin Name	Pin No.	Pin Name	Pin No.	Pin Name	Pin No.
NC	A01	SFS0	B05	SFS3	C09	DATA[26]	J12	DATA[21]	K14	NC	R01
BMSTR	A02	SCLK1	B06	L0DAT[6]	C10	DATA[24]	J13	DATA[23]	K15	ADDR[11]	R02
BMS_B	A03	SD2B	B07	L1DAT[7]	C11	DATA[25]	J14	ADDR[13]	P01	ADDR[7]	R03
SPIDS	A04	SD3A	B08	L1DAT[3]	C12	DATA[27]	J15	ADDR[9]	P02	ADDR[3]	R04
EBOOT	A05	L0DAT[7]	B09	L1DAT[1]	C13	ADDR[14]	N01	ADDR[8]	P03	MS3_B	R05
LBOOT	A06	L0CLK	B10	DATA[45]	C14	ADDR[15]	N02	ADDR[4]	P04	PA_B	R06
SCLK2	A07	L0DAT[1]	B11	DATA[47]	C15	ADDR[10]	N03	MS2_B	P05	BR3_B	R07
SD3B	A08	L1DAT[4]	B12	FLAG1	G01	ADDR[5]	N04	SBTS_B	P06	RDL_B	R08
L0DAT[4]	A09	L1ACK	B13	FLAG2	G02	ADDR[1]	N05	BR4_B	P07	CLKOUT	R09
L0ACK	A10	L1DAT[0]	B14	FLAG4	G03	MS0_B	N06	BR1_B	P08	HBR_B	R10
L0DAT[2]	A11	NC	B15	FLAG3	G04	BR5_B	N07	SDCLK1	P09	HBG_B	R11
L1DAT[6]	A12	FLAG5	F01	VDDEXT	G05	BR2_B	N08	SDCLK0	P10	CLKDBL	R12
L1CLK	A13	FLAG7	F02	GND	G06	BRST	N09	REDY	P11	XTAL	R13
L1DAT[2]	A14	FLAG9	F03	GND	G07	SDCKE	N10	CLKIN	P12	SDWE_B	R14
NC	A15	FLAG6	F04	GND	G08	CS_B	N11	DQM	P13	NC	R15
FLAG10	E01	VDDINT	F05	GND	G09	CLK_CFG1	N12	AVSS	P14	DATA[31]	H15
RESET_B	E02	GND	F06	GND	G10	CLK_CFG0	N13	DMAR2_B	P15	ADDR[16]	M01
FLAG8	E03	GND	F07	VDDEXT	G11	AVDD	N14	DATA[32]	G15	ADDR[12]	M02
SD0A	E04	GND	F08	DATA[34]	G12	DMARI1_B	N15	ADDR[19]	L01	ADDR[18]	M03
VDDEXT	E05	GND	F09	DATA[35]	G13	DATA[36]	F15	ADDR[17]	L02	ADDR[6]	M04
VDDINT	E06	GND	F10	DATA[33]	G14	TIMEXP	K01	ADDR[21]	L03	ADDR[0]	M05
VDDEXT	E07	VDDINT	F11	DATA[41]	E15	ADDR[22]	K02	ADDR[2]	L04	MS1_B	M06
VDDINT	E08	DATA[37]	F12	IRQ2_B	J01	ADDR[20]	K03	VDDEXT	L05	BR6_B	M07
VDDEXT	E09	DATA[40]	F13	ID1	J02	ADDR[23]	K04	VDDINT	L06	VDDEXT	M08
VDDINT	E10	DATA[38]	F14	ID2	J03	VDDINT	K05	VDDEXT	L07	WRL_B	M09
VDDEXT	E11	TMS	C01	ID0	J04	GND	K06	VDDINT	L08	SDA10	M10
L0DAT[0]	E12	EMU_B	C02	VDDEXT	J05	GND	K07	VDDEXT	L09	RAS_B	M11
DATA[39]	E13	GND	C03	GND	J06	GND	K08	VDDINT	L10	ACK	M12
DATA[43]	E14	SPICLK	C04	GND	J07	GND	K09	VDDEXT	L11	DATA[17]	M13
TRST_B	B01	SD08	C05	GND	J08	GND	K10	CAS_B	L12	DMAG2_B	M14
TD1	B02	SD1A	C06	GND	J09	VDDINT	K11	DATA[20]	L13	DMAG1_B	M15
RPBA	B03	SD2A	C07	GND	J10	DATA[22]	K12	DATA[16]	L14		
MOSI	B04	SFS2	C08	VDDEXT	J11	DATA[19]	K13	DATA[18]	L15		

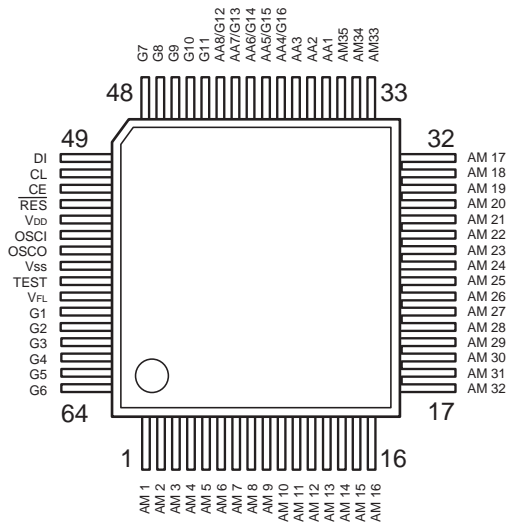
W24257S-70LL (IC528)



Terminal Function

Pin. No.	Symbol	I/O	Function
1 ~ 10	A0 ~ A7, A12, A14	I	32k byte memory address input
11 ~ 13	I/O0 ~ I/O2	I/O	8 bit data input/output
14	Vss	—	GND
15 ~ 19	I/O3 ~ I/O7	I/O	8 bit data input/output
20	CS	I	Chip select control input
21	A10	I	32k byte memory address input
22	OE	I	Output enable control input
23 ~ 26	A8, A9, A11, A13	I	32k byte memory address input
27	WE	I	Write enable control input
28	Vcc	—	+5V power supply

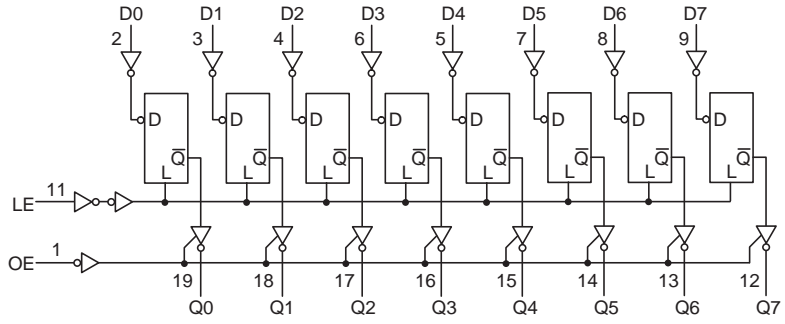
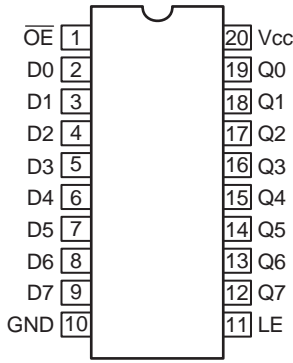
LC75721E (IC102)



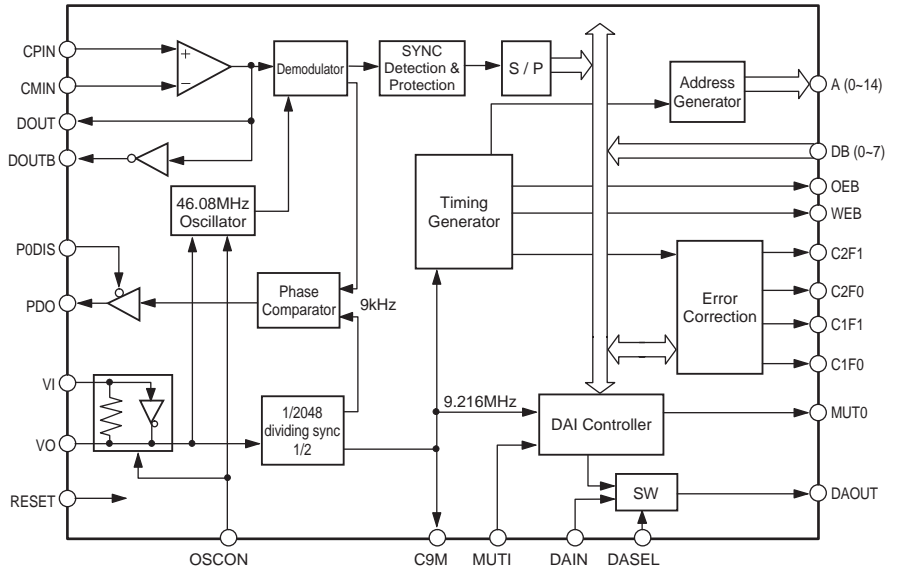
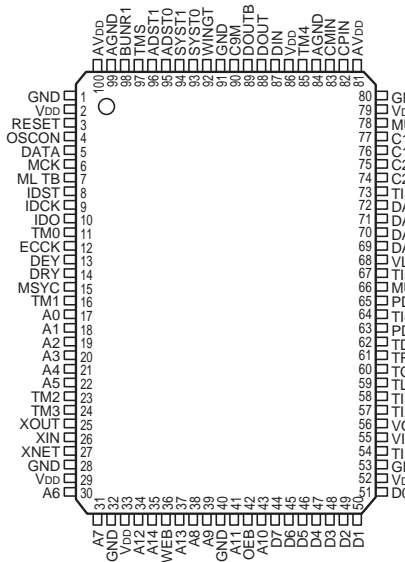
Terminal Function

Symbol	Function
VDD	Power terminal +5V
Vss	Power terminal GND
VFL	Power terminal FL drive
DI	Serial data transfer terminal
CL	DI: Data
CE	CL: Clock
CE	CE: Chip enable
OSCI	External CR connecting terminal
OSCO	
RES	System reset terminal
AM1 ~ AM35	Anode output terminal
AA1 ~ AA3	
AA4/G16	
AA5/G15	Anode/Grid output terminal
AA6/G14	
AA7/G13	
AA8/G12	Grid output terminal
G1 ~ G11	
TEST	

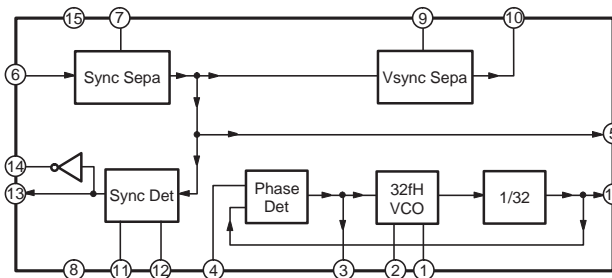
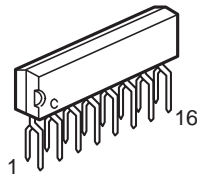
SN74LV573APW (IC803, 804, 903, 904)



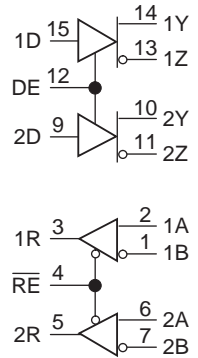
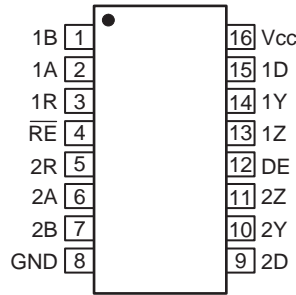
PM4007A (IC527)



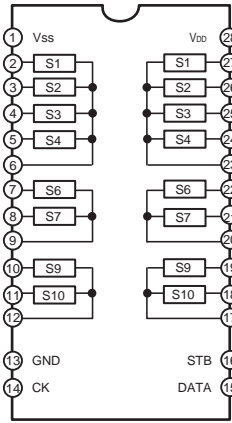
NJM2229S (IC303)



SN65LVDS050D (IC610)



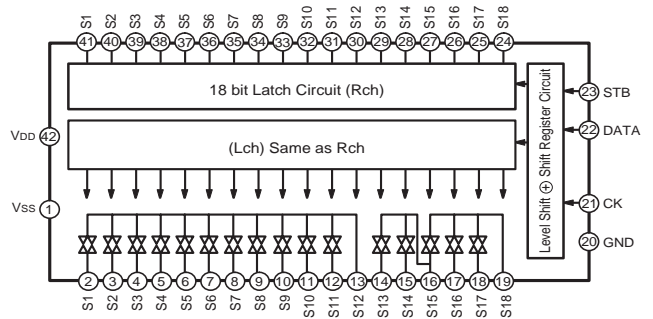
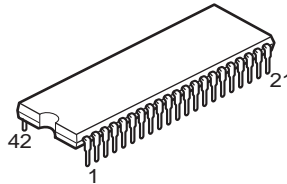
TC9273N-016 (IC110, 204)



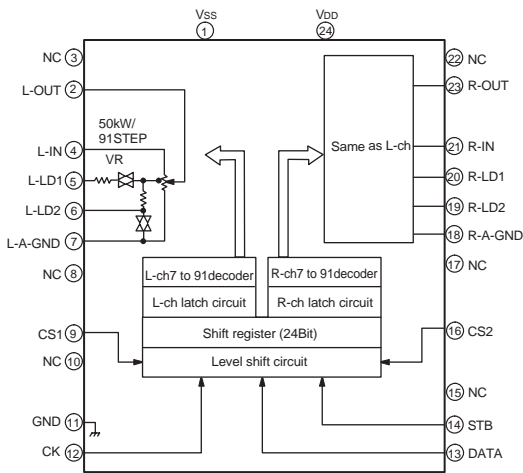
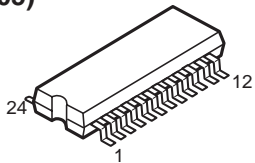
Terminal Function

Pin No.	Symbol	Name	Function	Note
1	Vss	-Power Terminal	Dual Power Use: V _{DD} = 8.0~17V Single Power Use: V _{DD} = 8.0~18V	—
13	GND	Digital Ground	GND = 0V	
28	VDD	+Power Terminal	Vss = GND = 0V Vss = -8.0~17V	
2~12 17~27	S1~11	I/O Terminal	Input terminal of analog switch.	—
14	CK	Clock Input	Clock input for data transfer.	Low level
15	DATA	Data Input	Serial input for switch setting.	Border Input
16	STB	Strobe Input	Strobe input for data writing.	Terminal

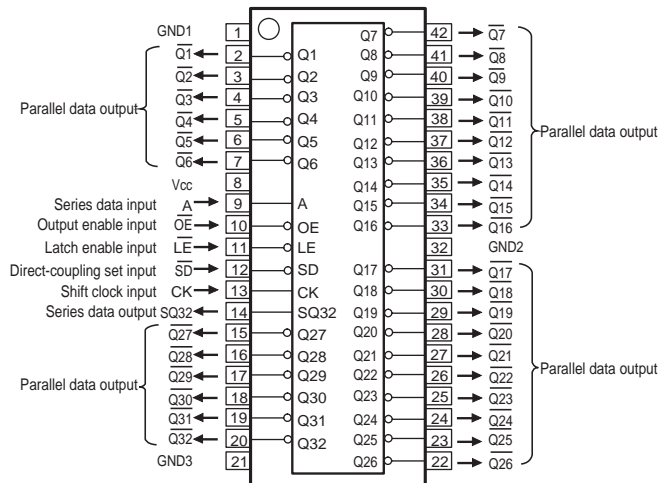
TC9274N-011 (IC201~203)



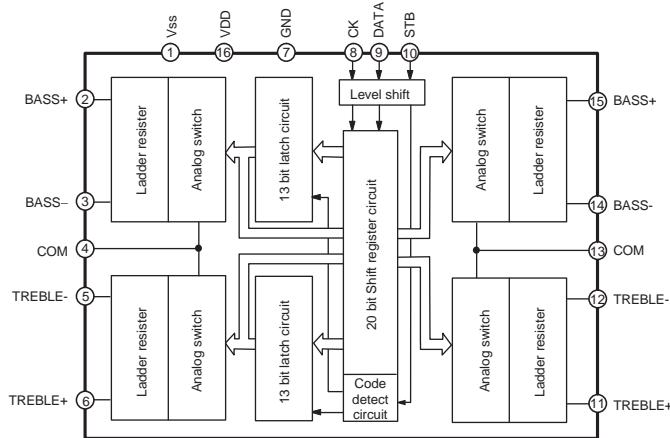
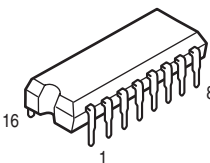
TC9459F (IC205)



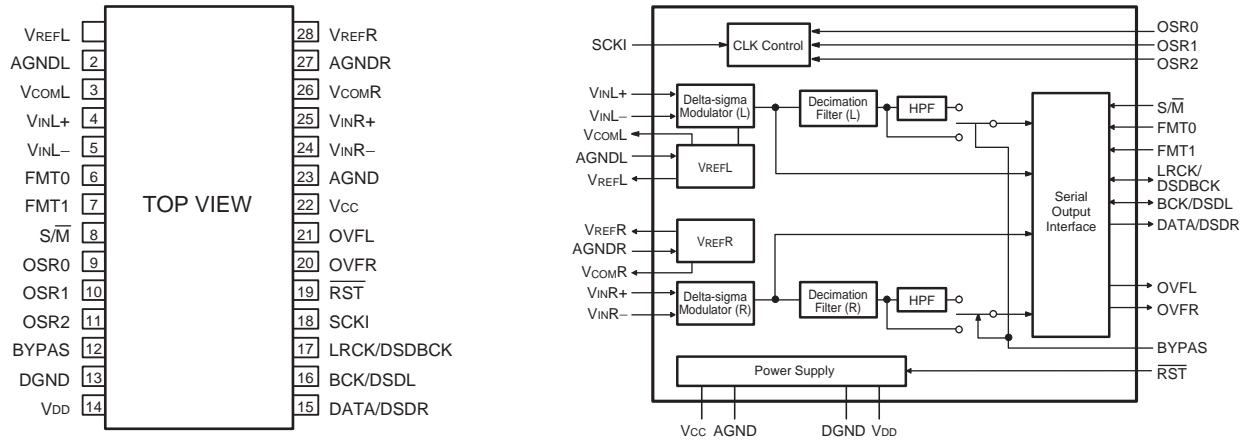
M66313FP (IC101)



TC9184AP (IC613~617)



PCM1804 (IC806, 856, 906, 956)

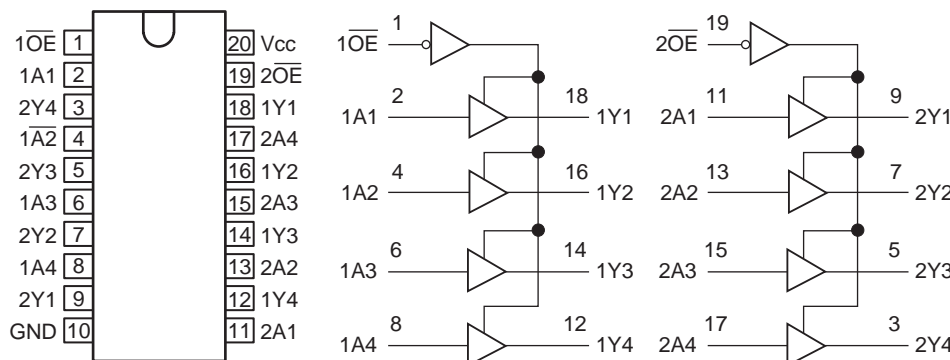


PCM1804 Terminal Function

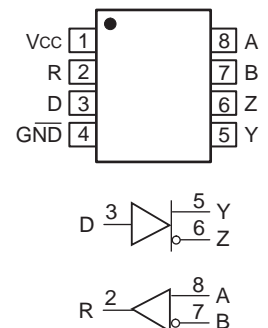
Pin No.	Pin Name	I/O	Function
1	VREFL	—	L-channel voltage reference output, requires capacitors for decoupling to AGND.
2	AGNDL	—	Analog ground for VREFL.
3	VCOML	—	L-channel analog common mode output.
4	VINL+	I	L-channel analog input, positive pin.
5	VINL-	I	L-channel analog input, negative pin.
6	FMT0	I	Audio data format 0. See TABLE V. *
7	FMT1	I	Audio data format 1. See TABLE V. *
8	S/M	I	Master/slave mode selection. See TABLE IV. *
9	OSR0	I	Oversampling ratio 0. See TABLE I. TABLE II. *
10	OSR1	I	Oversampling ratio 1. See TABLE I. TABLE II. *
11	OSR2	I	Oversampling ratio 2. See TABLE I. TABLE II. *
12	BYPAS	I	HPF bypass control. HIGH: HPF disable, LOW: HPF enable. ***
13	DGND	—	Digital ground.
14	VDD	—	Digital power supply.
15	DATA/DSDR	O	L-channel and R-channel audio data output in PCM mode. R-channel Audio data output in DSD mode.(DSD output, when DSD mode)
16	BCK/DSDL	I/O	Bit clock input/output in PCM mode. L-channel audio data output in DSD mode. ***
17	LRCK/DSDBCK	I/O	Sampling clock input/output in PCM and DSD mode. ***
18	SCKI	I	System clock input; 128fs, 256fs, 384fs, 512fs or 768fs. **
19	RST	I	Reset, power down input, active LOW. *
20	OVFR	O	Overflow signal of R-channel in PCM mode. This is available in PCM mode only.
21	OVFL	O	Overflow signal of L-channel in PCM mode. This is available in PCM mode only.
22	VCC	—	Analog power supply.
23	AGND	—	Analog ground.
24	VINR-	I	R-channel analog input, negative pin.
25	VINR+	I	R-channel analog input, positive pin.
26	VCOMR	—	R-channel analog common mode output.
27	AGNDR	—	Analog ground for VREFR.
28	VREFR	—	R-channel voltage reference output, requires capacitors for decoupling to AGND.

* Schmitt trigger input with internal pull-down (51kΩ typically), 5V tolerant.
 ** Schmitt trigger input, 5V tolerant.
 *** Schmitt trigger input.

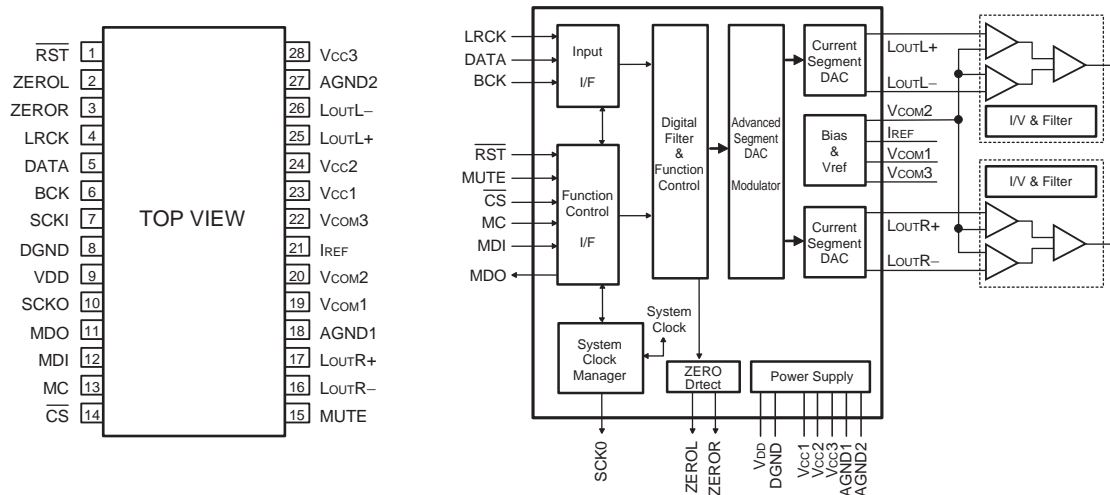
SN74LV244APW (IC613, 614)



SN65LVDS179DGK (IC524)



PCM1738 (IC103, 203, 303, 403)



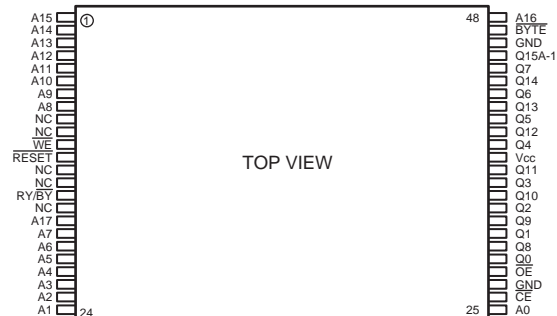
Pin Assignments

Pin No.	Pin Name	Type	Function
1	RST	IN	Reset ⁽¹⁾
2	ZEROL	OUT	Zero Flag for L-channel
3	ZEROR	OUT	Zero Flag for R-channel
4	LRCK	IN	Left and Right Clock(fs). Input for Normal operation. WDCK clock input in External DF mode. Connected to GND in DSD mode. ⁽¹⁾
5	DATA	IN	Serial Audio Data Input for Normal operation. L-channel audio data input for External DF and DSD modes.
6	BCK	IN	Bit Clock Input. Connected GND for DSD mode. ⁽¹⁾
7	SCKI	IN	System Clock Input. BCK(64fs) clock input for DSD mode
8	DGND	—	Digital Ground
9	VDD	—	Digital Supply, +3.3V
10	SCKO	OUT	System Clock Output
11	MDO	OUT	Serial data output for function control register ⁽²⁾
12	MDI	IN	Serial data input for function control register ⁽¹⁾
13	MC	IN	Shift Clock for function control register ⁽¹⁾
14	CS	IN	Mode control chip select and latch signal ⁽¹⁾
15	MUTE	IN	Analog output mute control for normal operation R-channel audio data input for external DF mode and DSD mode.
16	IOUTR-	OUT	R-channel Analog Current Output-
17	IOUTR+	OUT	R-channel Analog Current Output+
18	AGND1	—	Analog Ground
19	VCOM1	—	Internal bias de-coupling pin
20	VCOM2	—	Common voltage for I/V
21	IREF	—	Output current reference bias pin. Connect 16k register to GND
22	VCOM3	—	Internal bias de-coupling pin
23	VCC1	—	Analog Supply, +5.0V
24	VCC2	—	Analog Supply, +5.0V
25	IOUTL+	OUT	L-channel Analog Current Output+
26	IOUTL-	OUT	L-channel Analog Current Output-
27	AGND2	—	Analog Ground
28	VCC3	—	Analog Power Supply, +5.0V

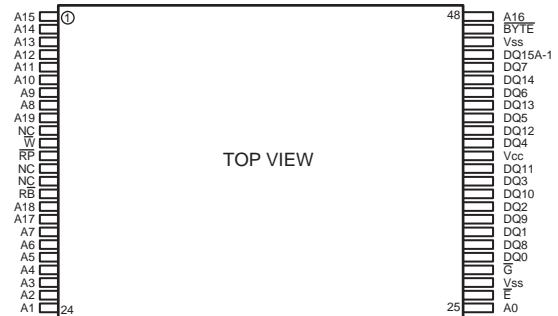
NOTES:

- (1) Schmitt trigger input, 5V tolerant.
- (2) Tristate output.

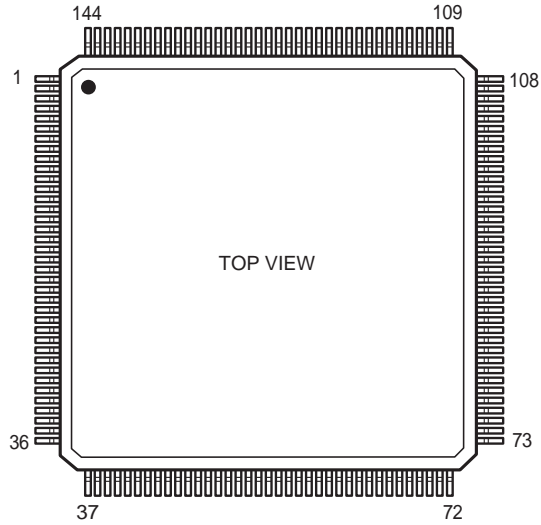
MX29F400TTC (IC712)



M29W160DB (IC805, 905)



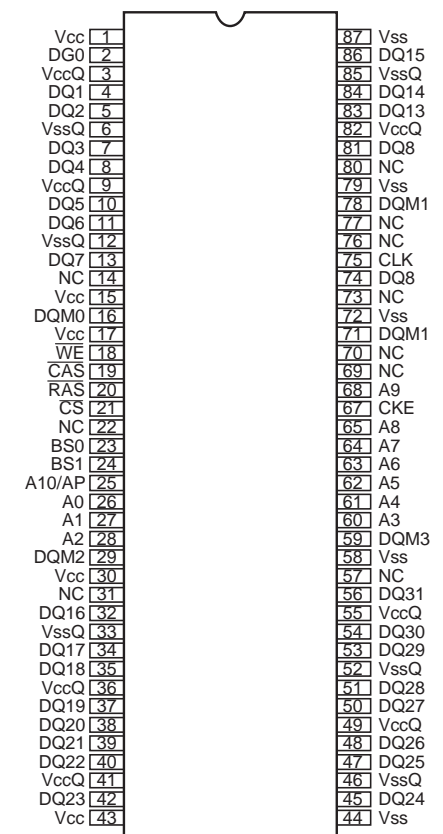
EPM3128A (IC611)



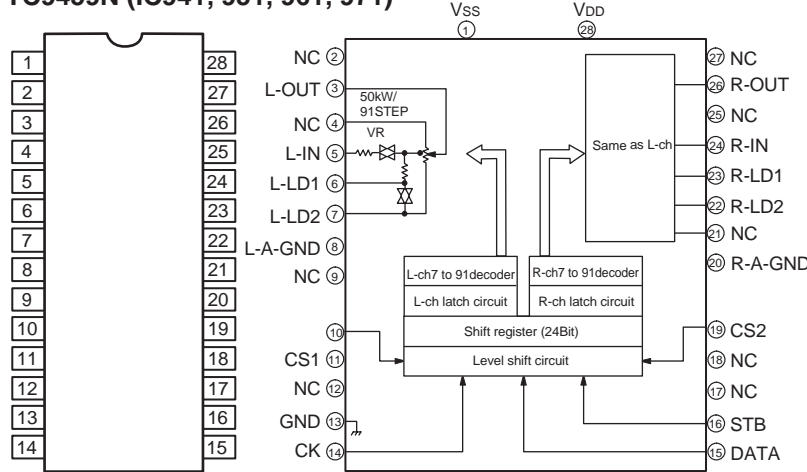
Feature

Usable gates	2,500
Macrocells	128
Logic array blocks	8
Maximum user I/O pins	96
t _{PD} (ns)	5.0
t _{su} (ns)	3.3

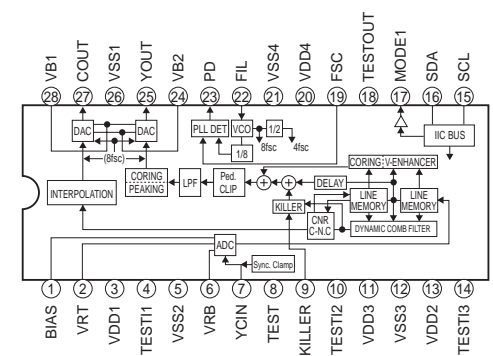
64M SDRAM (TSOP) (IC806, 906)



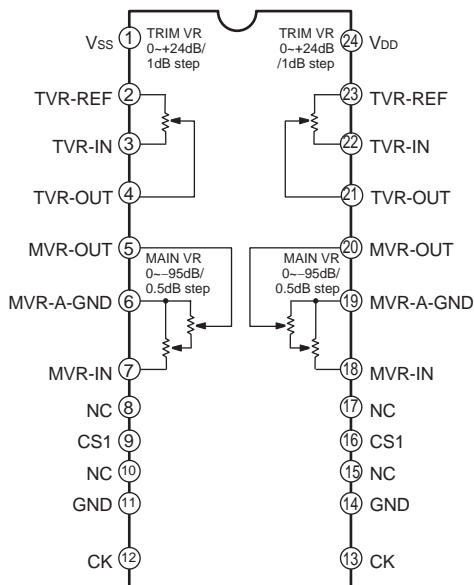
TC9459N (IC941, 951, 961, 971)



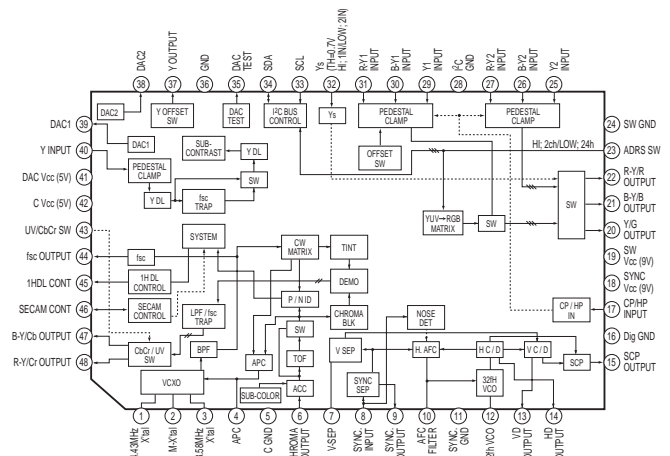
TC90A69F (IC603)



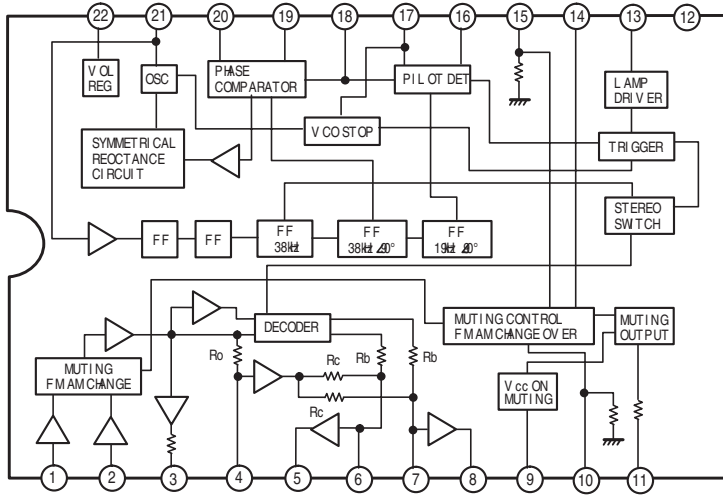
TC94A17F (IC303, 304, 311, 312, 319, 320, 327, 328)



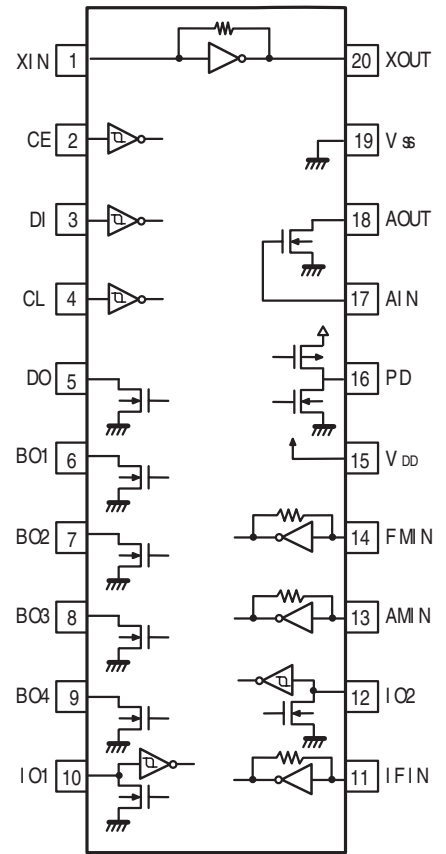
TA1270BF (IC616)



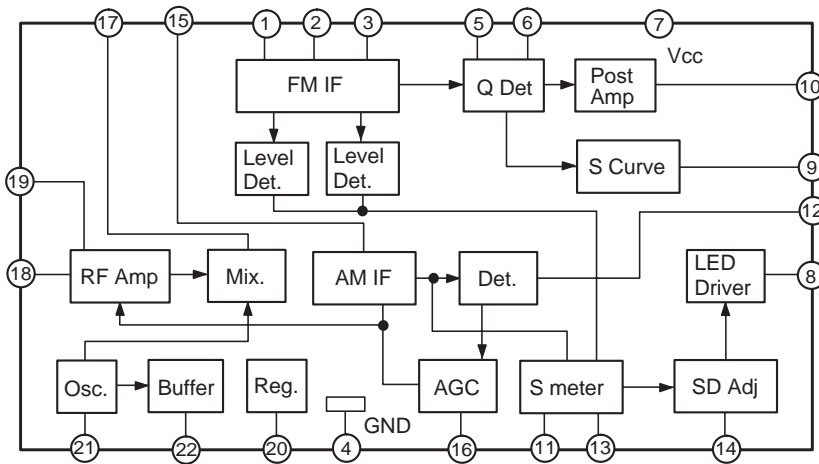
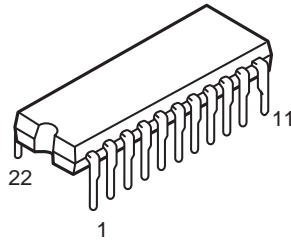
LA3401
(IC302/AVR-5803 only)



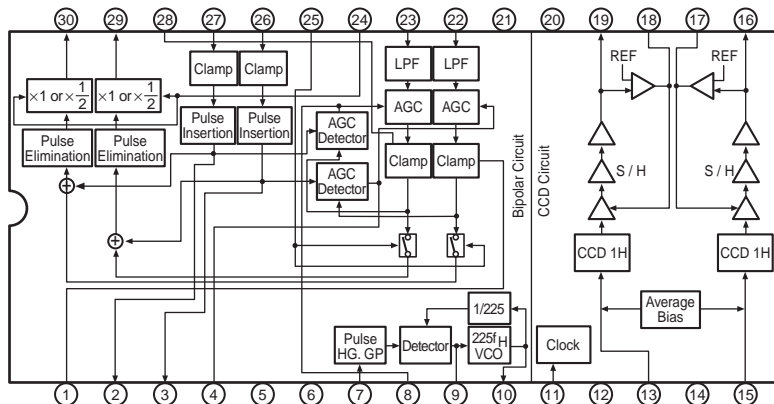
LC72131M
(IC307/AVR-5803 only)



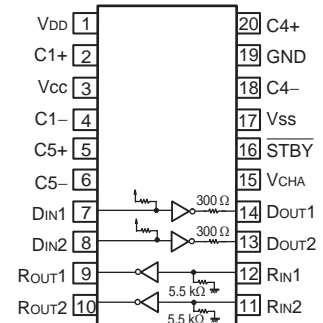
LA1265 (S)
(IC303/AVR-5803 only)



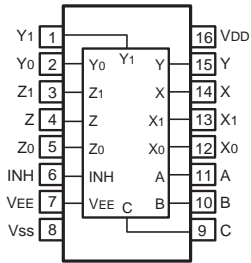
TA8772AN (IC615)



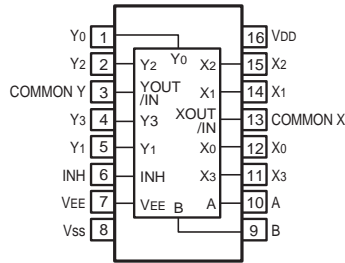
μPD4721GS-GJG (IC501)



BU4053BCF
(IC307, 308, 309, 512, 513)



BU4052BCF
(IC308, 311, 314, 514, 515, 606, 607, 613)

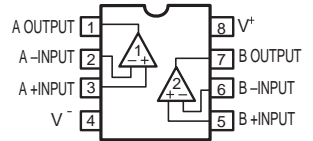


BA15218F (IC206,207,606~608,620,622,820)
BA4510F (IC803~805,853~855,903~905,953~955)
BA4560F (IC525)
LM833MX (IC102~112,802~805)
NJM2068MD (IC101,103,108,109,111~114,201~209, 308,309,408,409,601~604,801,851,901, 942,951,952,962,972)

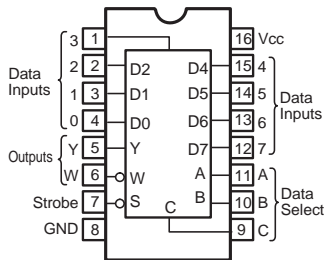
NJM4556AD (IC801)
NJM5532MD (IC106,107,206,207,301,302,305~307,309, 310,313,314,317,318,321,322,325,326,329, 330,406,407)

OP275GSR (IC104,105,204,205,304,305,307,315,323, 331,404,405)

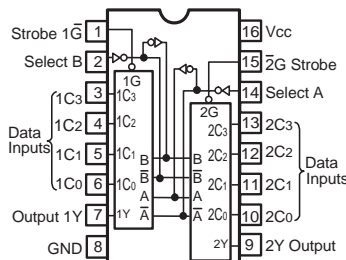
TK15420MTL(IC301~303,306,307,310,313,501~505, 510,511,516,526, 608,609,611,612, 701,702,705,706)



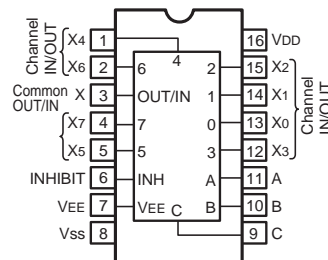
SN74HC151APW
(IC516~519)



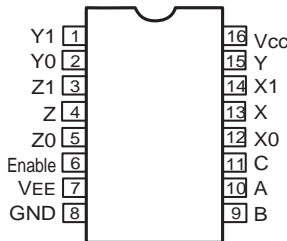
SN74HC153APW
(IC520)



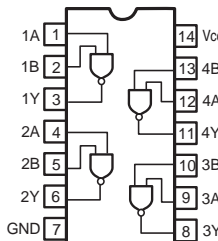
BU4051BCF
(IC304,305,309,506~509)



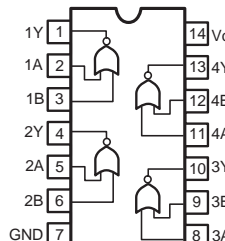
MC74HC4053N (IC301)



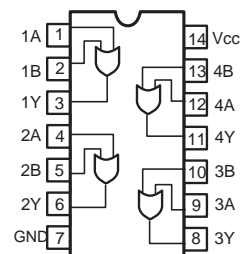
SN74LV00APW
(IC111,707)



SN74LV02APW
(IC802,902)



TC74HC32AF (IC624)
SN74AHCT32PW (IC909,910)
SN65LVDS32PW (IC523)

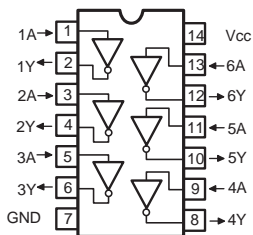


Truth Table

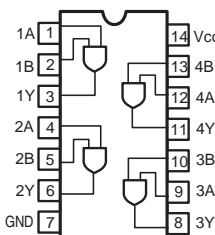
Enable	Control Inputs			ONSwitches
	Select			
	C	B	A	
L	L	L	L	Z0 Y0 X0
L	L	L	H	Z0 Y0 X1
L	L	H	L	Z0 Y1 X0
L	L	H	H	Z0 Y1 X1
L	H	L	L	Z1 Y0 X0
L	H	L	H	Z1 Y0 X1
L	H	H	L	Z1 Y1 X0
L	H	H	H	Z1 Y1 X1
H	X	X	X	None

X = Don't Care

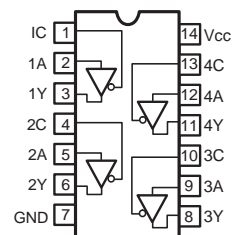
TC74VHCU04FT
(IC511~514)



SN74LV08APW (IC110,710,911)
SN74AHCT08PW (IC706,711)



SN74LV125APW
(IC702~705)



PQ30RV11
(IC201)



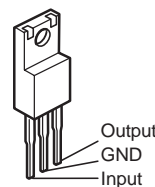
1. VIN
2. VO
3. GND
4. VADJ

PQ018EF01SZ
(IC717,718)

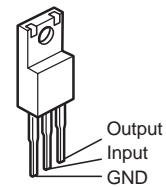


1. VIN
2. VO
3. GND
4. VC

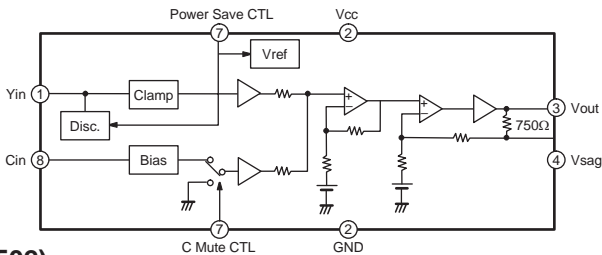
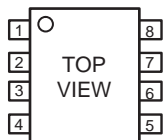
BA033FP (IC715,716,958)
BA033T (IC304)
KIA78R09PI (IC509)
KIA78R12PI (IC723)
NJM7812FA(S)(IC103,107, 302,306,502)
NJM7815FA(S)(IC312)
NJM7820FA(S)(IC501)



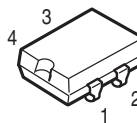
NJM7905FA (IC104,307)
NJM7915FA (IC313)



NJM2274R (IC315)



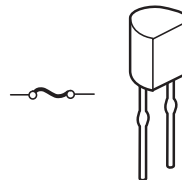
FCX0-03 (IC677,808)



- 1. OE or ST
- 2. GND
- 3. OUT
- 4. VDD

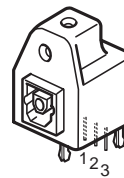
● **IC PROTECTOR**

ICP-N15 (IC101,102,105,106,202)



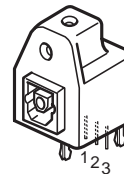
● **OPTICAL**

TORX141 (IC501~506)



- 1. Vcc
- 2. GND
- 3. Vout

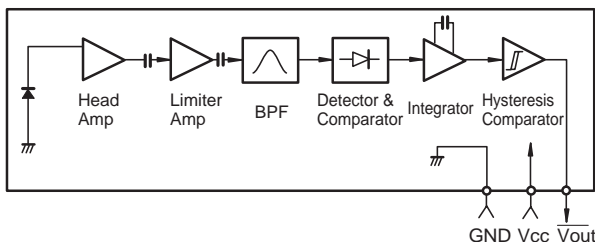
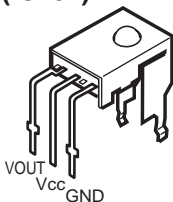
TOTX141 (IC507,508)



- 1. Vin
- 2. Vcc
- 3. GND

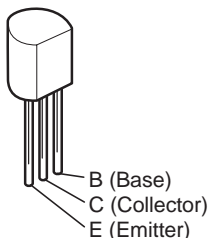
● **OTHERS**

GP1U271X (Remote Control Sensor) (IC401)

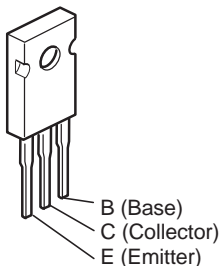


● **TRANSISTORS**

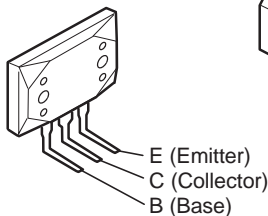
- 2SA988 (E/F)
- 2SA1020 (Y)
- 2SC1740S
- 2SC1841 (E/F)
- 2SC2240 (BL)
- 2SC2655 (Y)
- KTC2874B



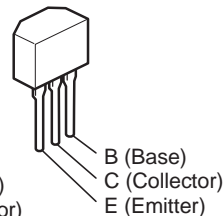
- 2SA1546 (L)
- 2SC4001 (M/L)



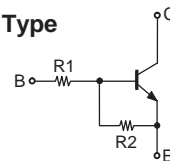
- MN1715
- MP1715
- 2SA1493



- DTC114ES
- DTC144ES



NPN Type



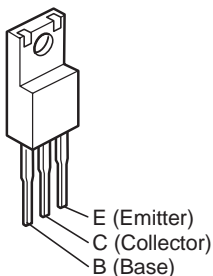
	R1	R2
DTA114ES	10kohm	10kohm
DTA144ES	47kohm	47kohm

2SB1412TL

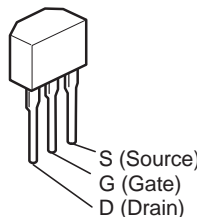


- E (Emitter)
- C (Collector)

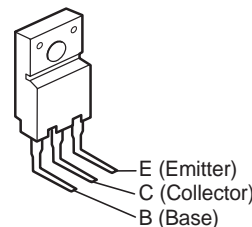
**2SC4495
2SB1186A**



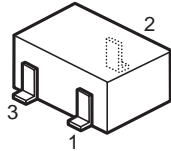
2SK184C (GR)/(BL)



**2SA1907 (O/P/Y)
2SC5099 (O/P/Y)**



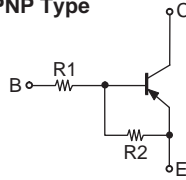
DTA114EK
DTA114TK (AVR-5803 only)
DTC114EK
DTC114YK
DTC143EK
DTC144EK
DTC323TK (AVR-5803 only)
KRC102S
RN2402 (AVR-5803 only)



1: GND/(Emitter)
2: Output/(Collector)
3: Input/(Base)

DTA114EK
DTA114TK
RN2402

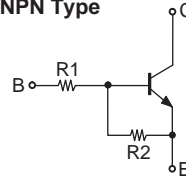
PNP Type



	R1	R2
DTA114EK	10kohm	10kohm
DTA114TK	10kohm	—
RN2402	10kohm	10kohm

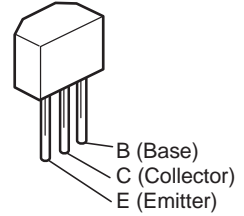
DTC114EK
DTC143EK
DTC144EK
DTC323TK
DTC114YK
KRC102S

NPN Type



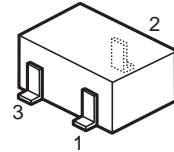
	R1	R2
DTC114EK	10kohm	10kohm
KRC102S	10kohm	10kohm
DTC143EK	4.7kohm	4.7kohm
DTC144EK	47kohm	47kohm
DTC323TK	2.2kohm	—
DTC114YK	10kohm	47kohm

2SA933S (S)
2SC1740S (S)/(E)



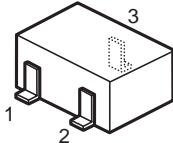
2SA1037K (S/R)
2SA1163
2SA1182 (Y/O)

2SB709A
2SC2412K
2SD601A
2SC2996 (Y)(AVR-5803 only)
2SC2875B



1: (Emitter)
2: (Collector)
3: (Base)

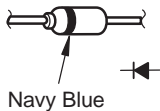
2SK771



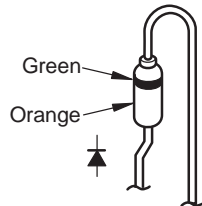
1: S(Source)
2: D(Drain)
3: G(Gate)

● DIODES (LED Included)

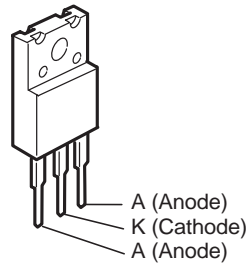
1SS270A



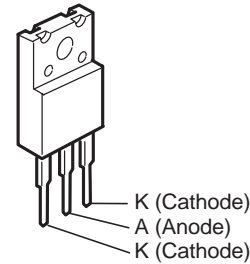
1SR35-400A



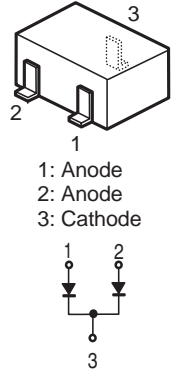
FMG-22S
FCH20A15



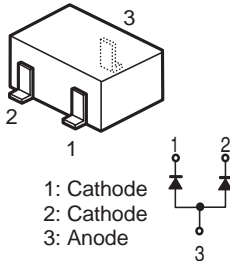
FMG-22R



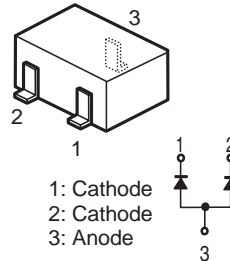
DAN202K
KDS184



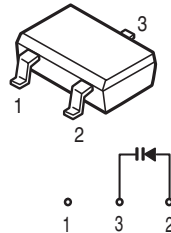
DAP202K
KDS181



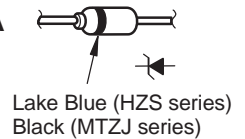
KDS226



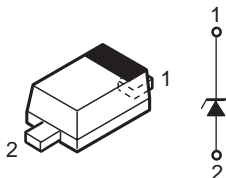
KV1851-TL



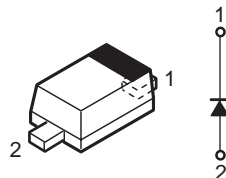
HZS4A-1
HZS4B-2
HZS33-2
MTZJ4.7A
MTZJ6.2A
MTZJ9.1A
MTZJ18A



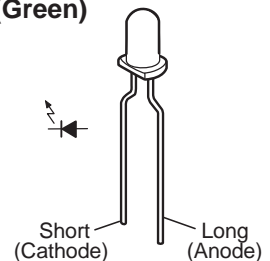
UDZ3.0B
UDZ6.8B
UDZS9.1B
UDZS15B



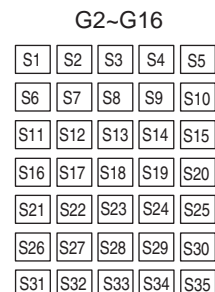
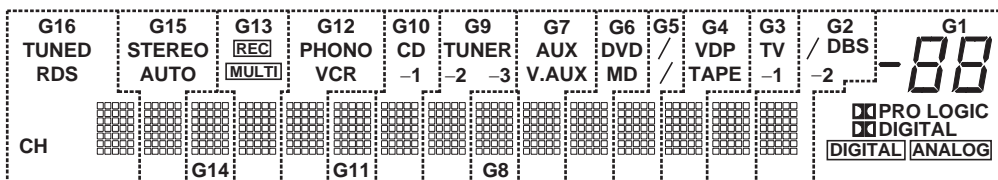
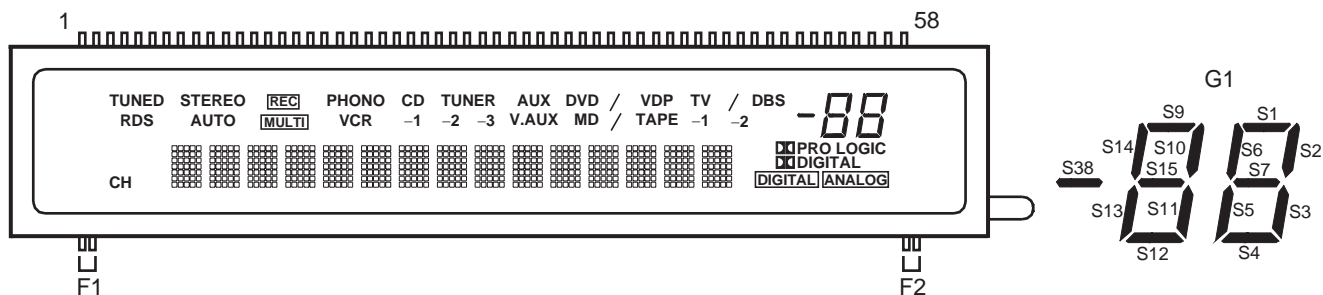
ISR154-400
RB521S-30
RB501V-40



SEL1210S (Red)
SEL1410E (Green)
SEL-4214S
SEL-2E10C



● FL DISPLAY CM1690C (FL101)



Pin Assignment

PIN NO.	1	2	3	4	5	6	7	8	9	10	11	12	13	14	15	16	17	18	19	20
CONNECTION	F1	F1	S1	S2	S3	S4	S5	S6	S7	S8	S9	S10	S11	S12	S13	S14	S15	S16	S17	S18
PIN NO.	21	22	23	24	25	26	27	28	29	30	31	32	33	34	35	36	37	38	39	40
CONNECTION	S19	S20	S21	S22	S23	S24	S25	S26	S27	S28	S29	S30	S31	S32	S33	S34	S35	S36	S37	S38
PIN NO.	41	42	43	44	45	46	47	48	49	50	51	52	53	54	55	56	57	58		
CONNECTION	G16	G15	G14	G13	G12	G11	G10	G9	G8	G7	G6	G5	G4	G3	G2	G1	F2	F2		

F1,F2 : Filament
 G1-G16 : Grid
 S1-S38 : Anode

Anode & Grid Assignment

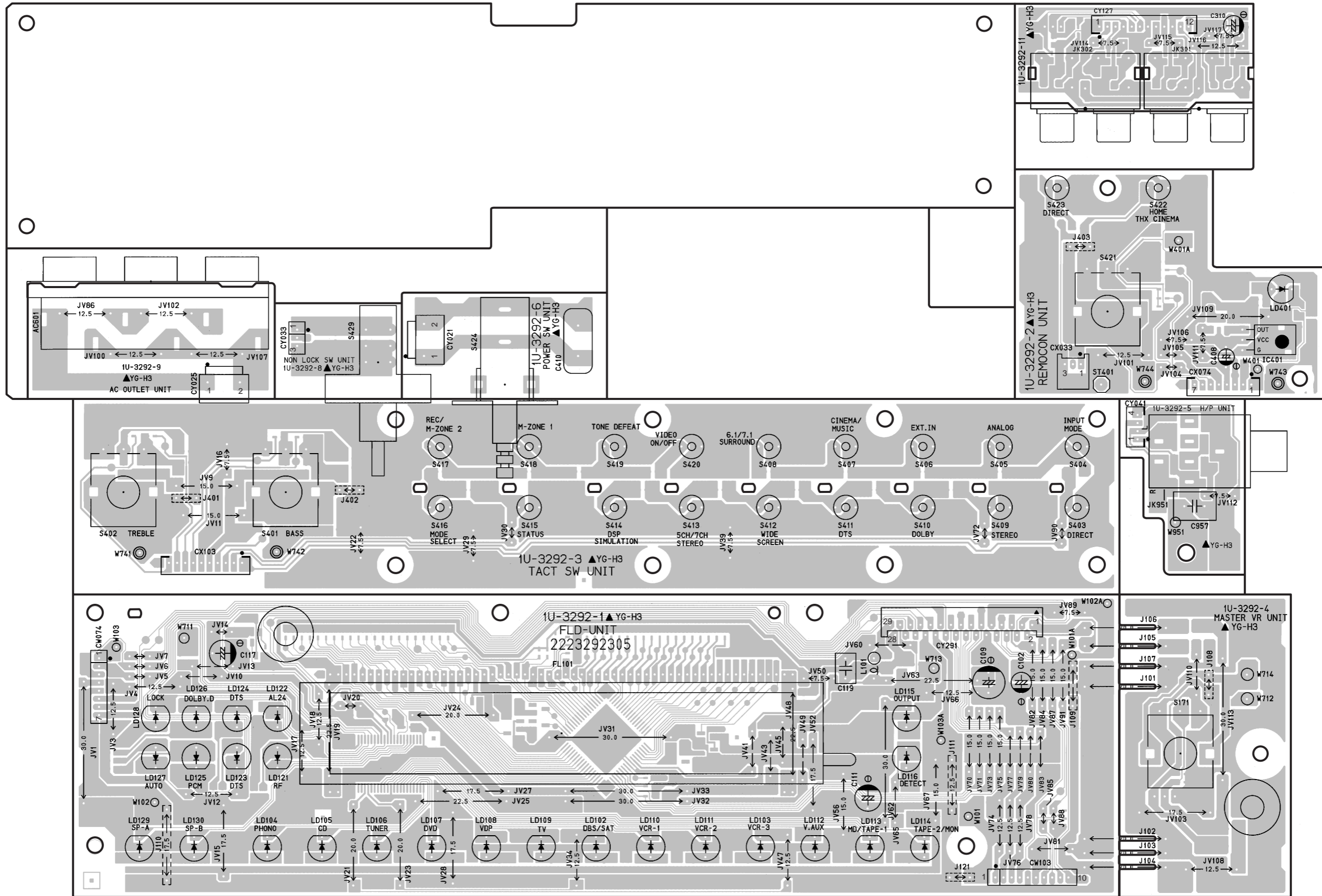
	G1	G2-G16		G1	G2-G16		G1	G2-G16		G1	G2-G16
S1	S1	S1	S10	S10	S10	S19	—	S19	S28	—	S28
S2	S2	S2	S11	S11	S11	S20	—	S20	S29	—	S29
S3	S3	S3	S12	S12	S12	S21	—	S21	S30	—	S30
S4	S4	S4	S13	S13	S13	S22	—	S22	S31	—	S31
S5	S5	S5	S14	S14	S14	S23	—	S23	S32	—	S32
S6	S6	S6	S15	S15	S15	S24	—	S24	S33	—	S33
S7	S7	S7	S16	—	S16	S25	—	S25	S34	—	S34
S8	—	S8	S17	DIGITAL	S17	S26	—	S26	S35	—	S35
S9	S9	S9	S18	PRO LOGIC	S18	S27	—	S27			

	G1	G2	G3	G4	G5	G6	G7	G8	G9	G10	G11	G12	G13	G14	G15	G16
S36	DIGITAL	/	TV	VDP	/(DVD)	DVD	AUX	—	TUNER	CD	—	PHONO	REC	—	STEREO	TUNED
S37	ANALOG	-2	-1	TAPE	/(MD)	MD	V.AUX	—	-2	-1	—	VCR	MULTI	—	AUTO	RDS
S38	S38	DBS	—	—	—	—	—	—	-3	—	—	—	—	—	—	CH

PRINTED WIRING BOARDS

1U-3292 FRONT P.W.B. UNIT

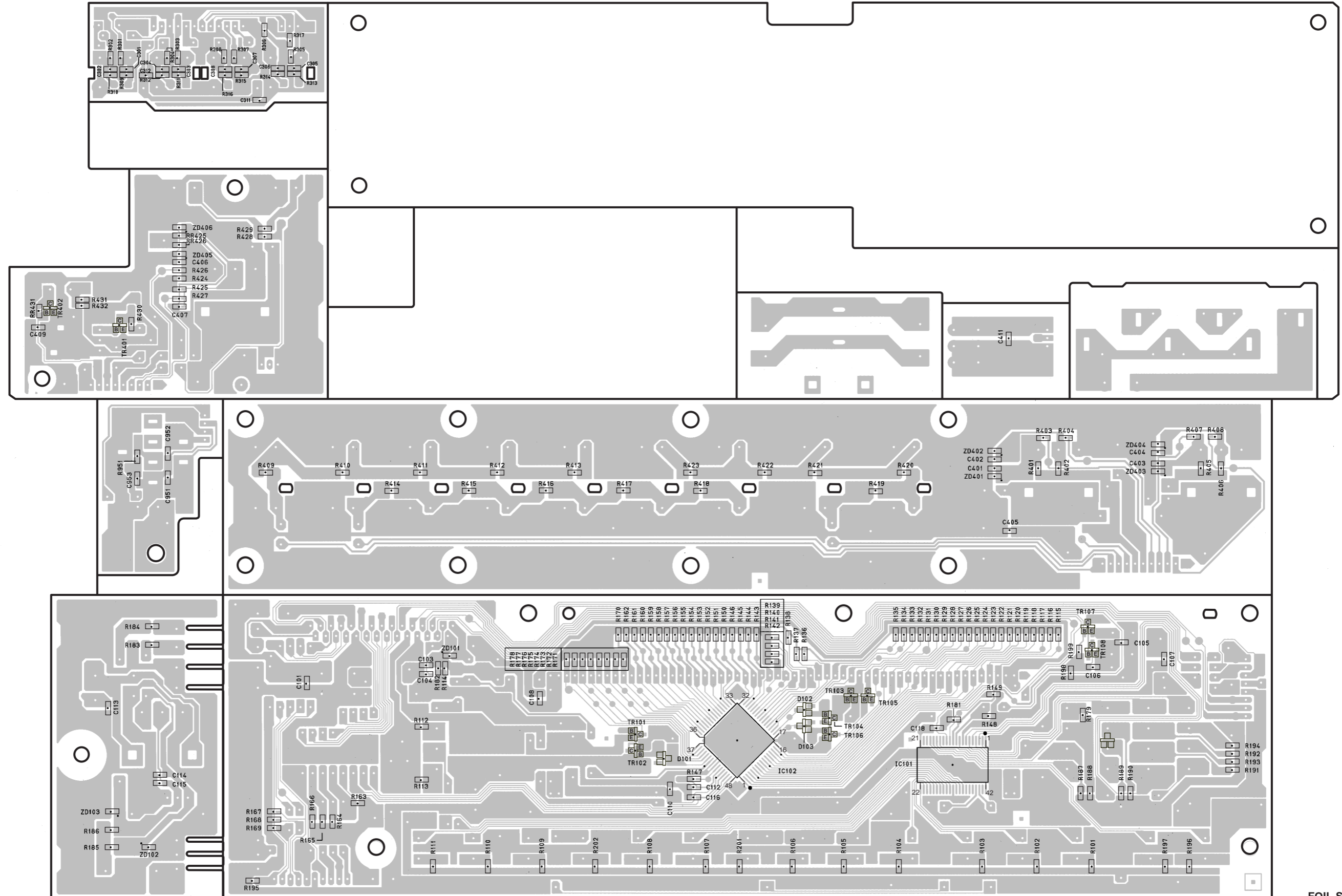
1 2 3 4 5 6 7 8



A
B
C
D
E

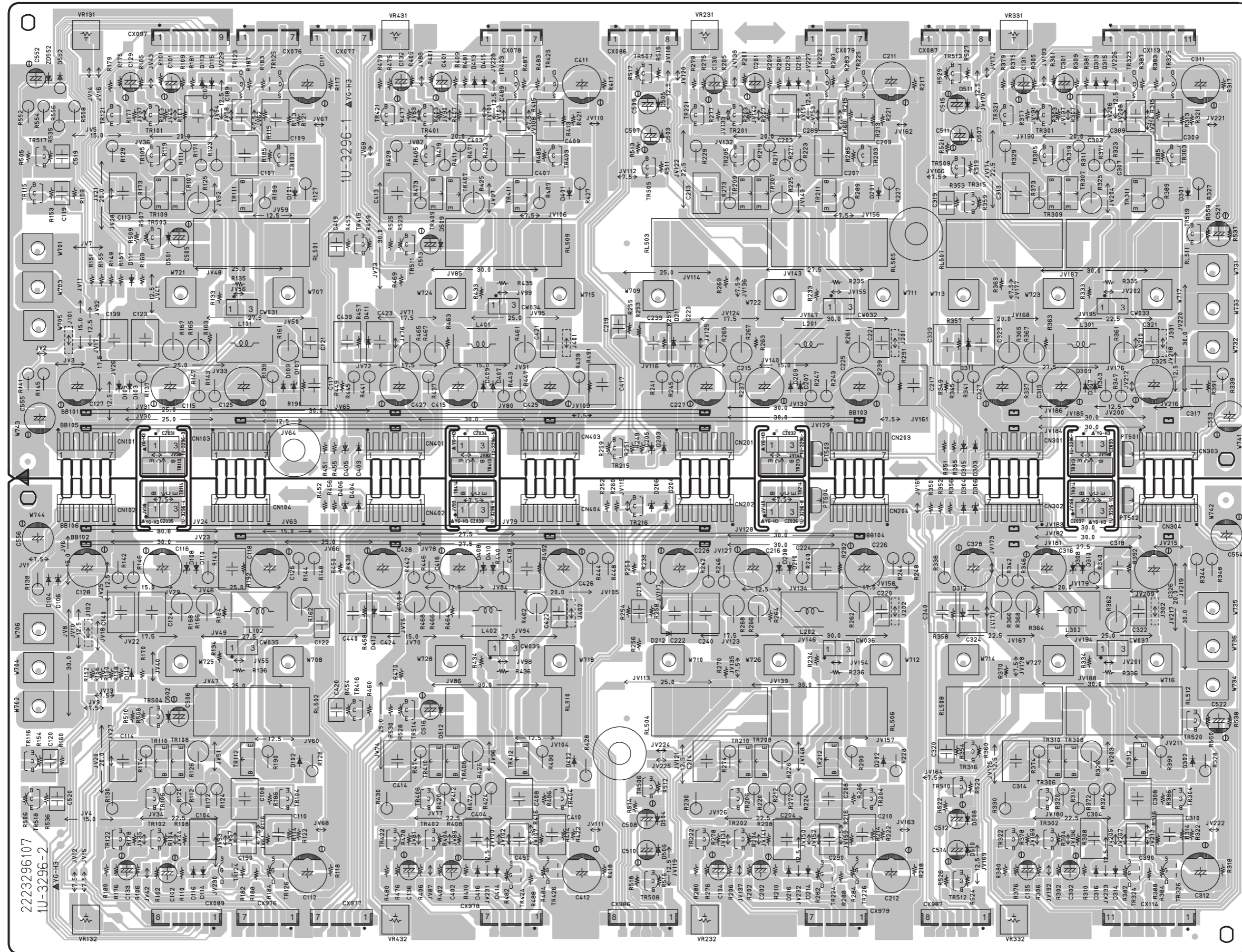
COMPONENT SIDE

1U-3292 FRONT P.W.B. UNIT



FOIL SIDE

1U-3296 POWER AMP P.W.B. UNIT

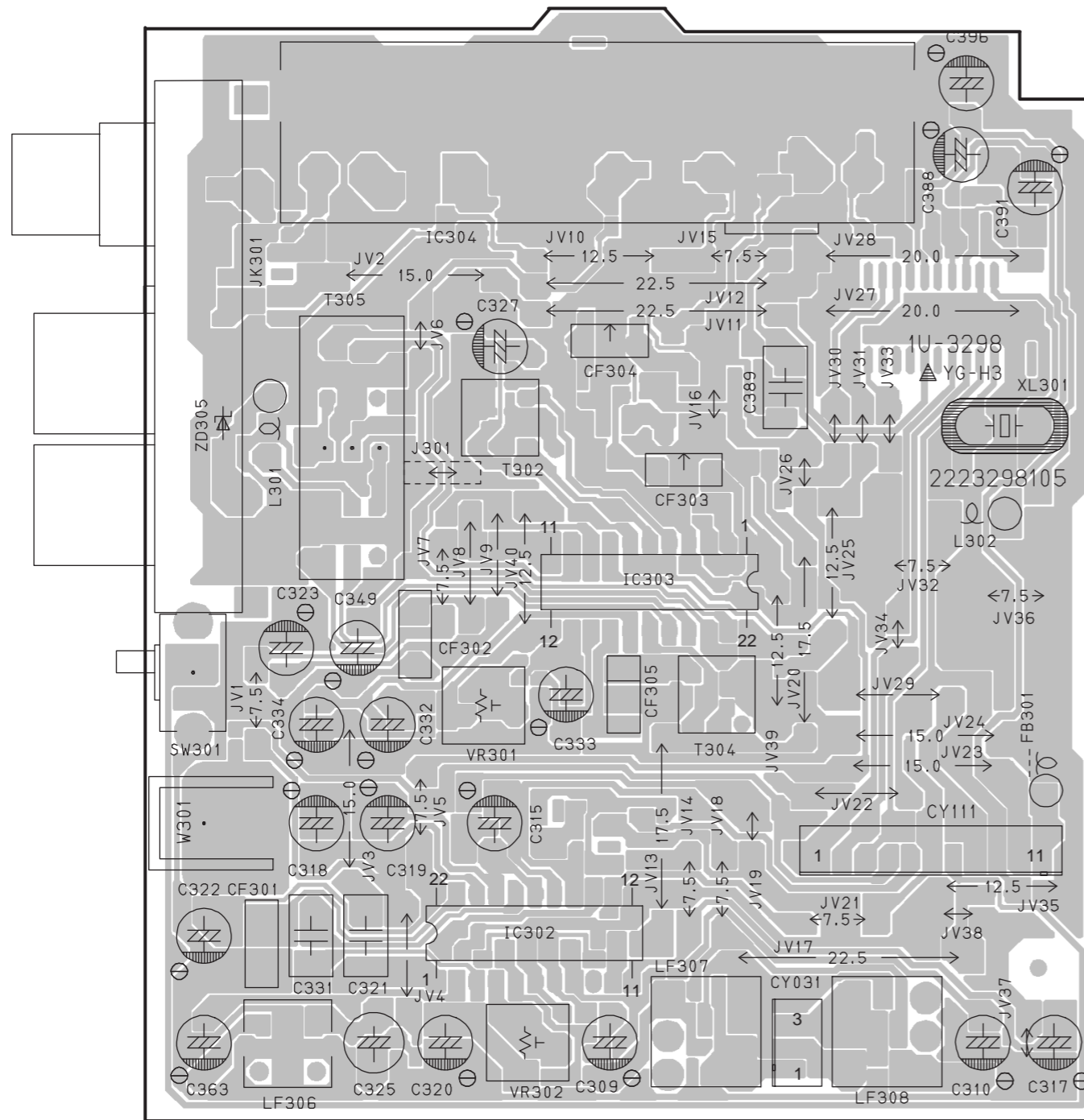


2223296107
1U-3296-2

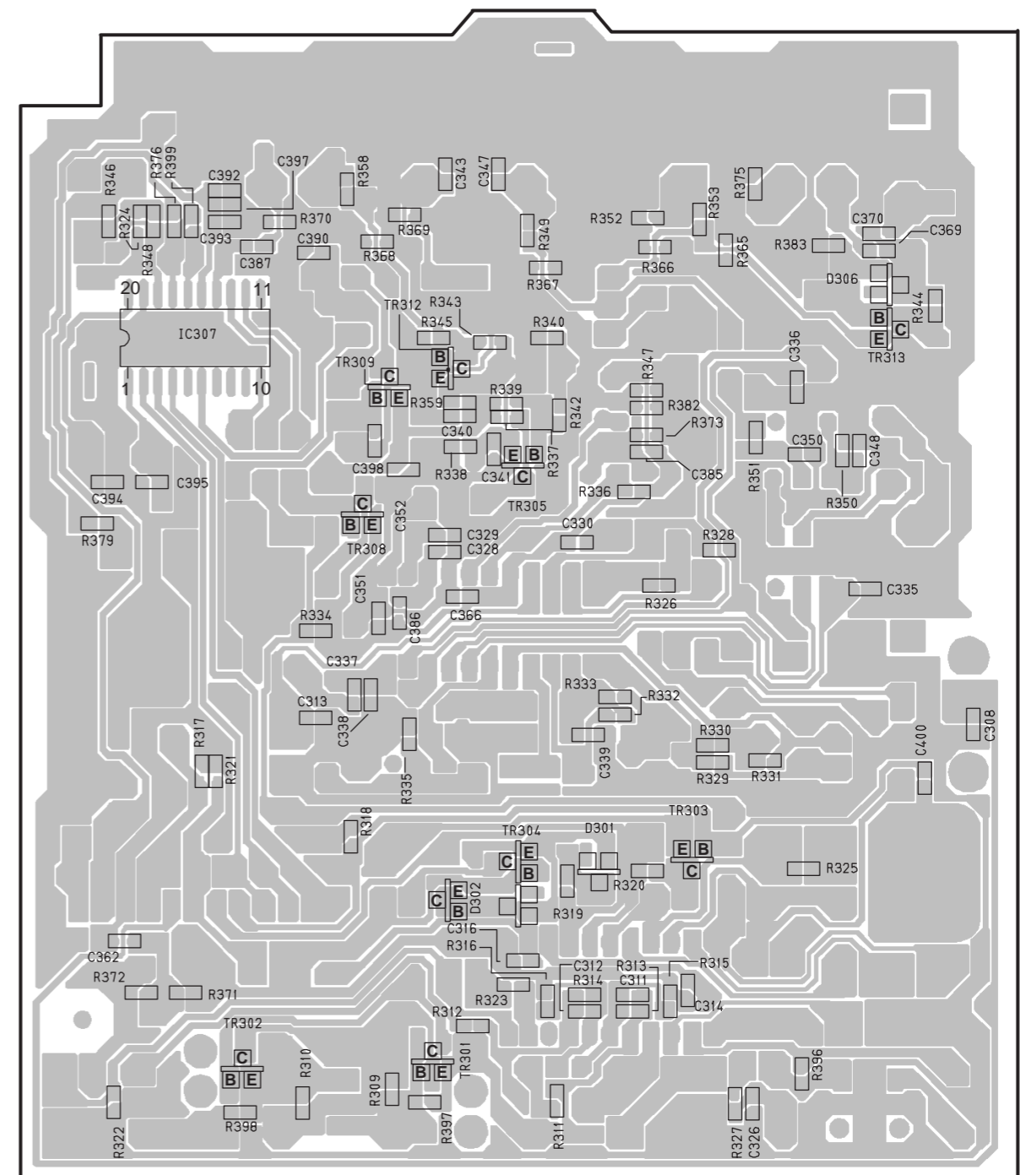
A
B
C
D
E

COMPONENT SIDE

1U-3298 TUNER P.W.B. UNIT (for AVR-5803)



COMPONENT SIDE

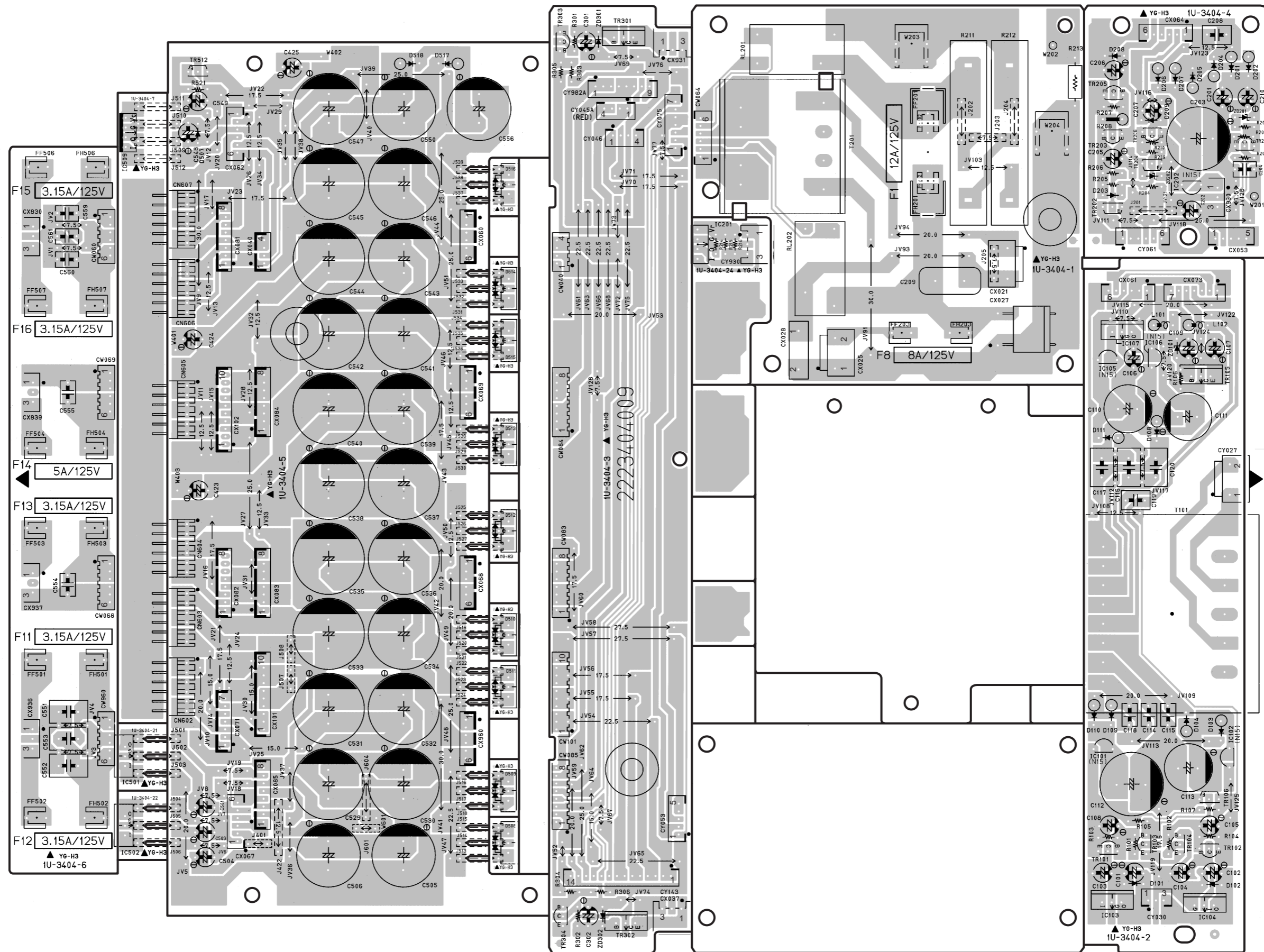


FOIL SIDE

A
B
C
D
E

1U-3404 PRE REG. P.W.B. UNIT

1 2 3 4 5 6 7 8

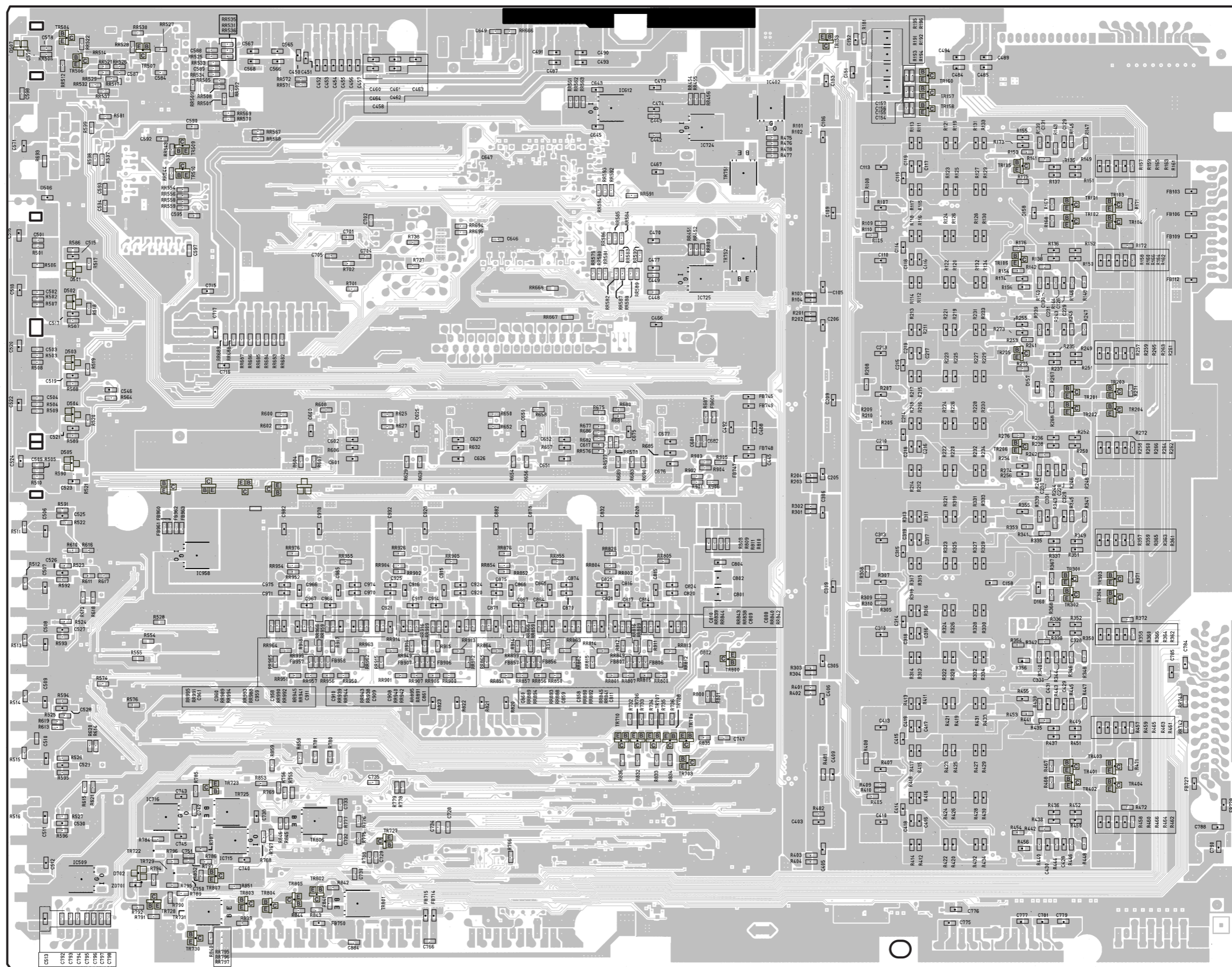


A
B
C
D
E

COMPONENT SIDE

1U-3425 DIGITAL P.W.B. UNIT

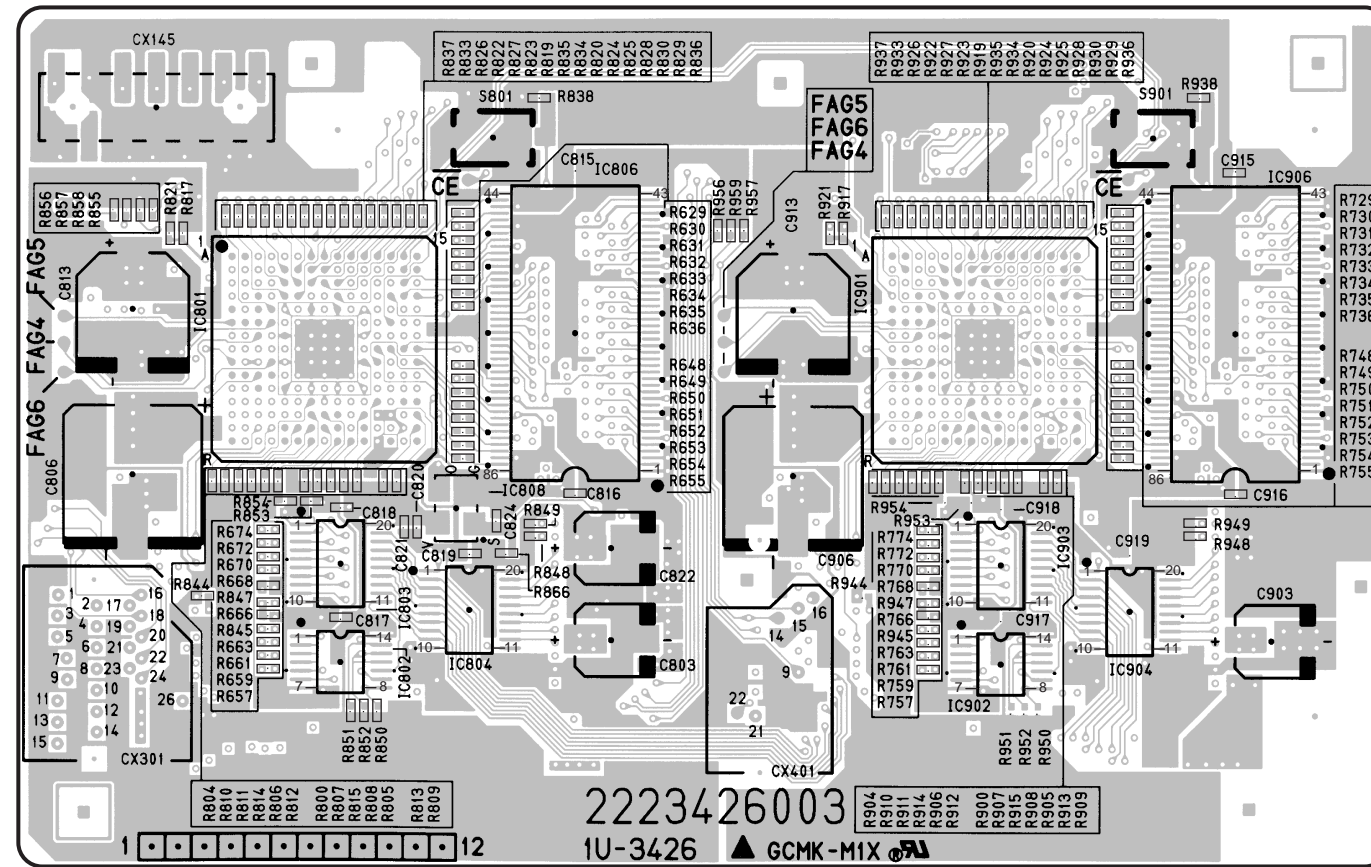
1 2 3 4 5 6 7 8



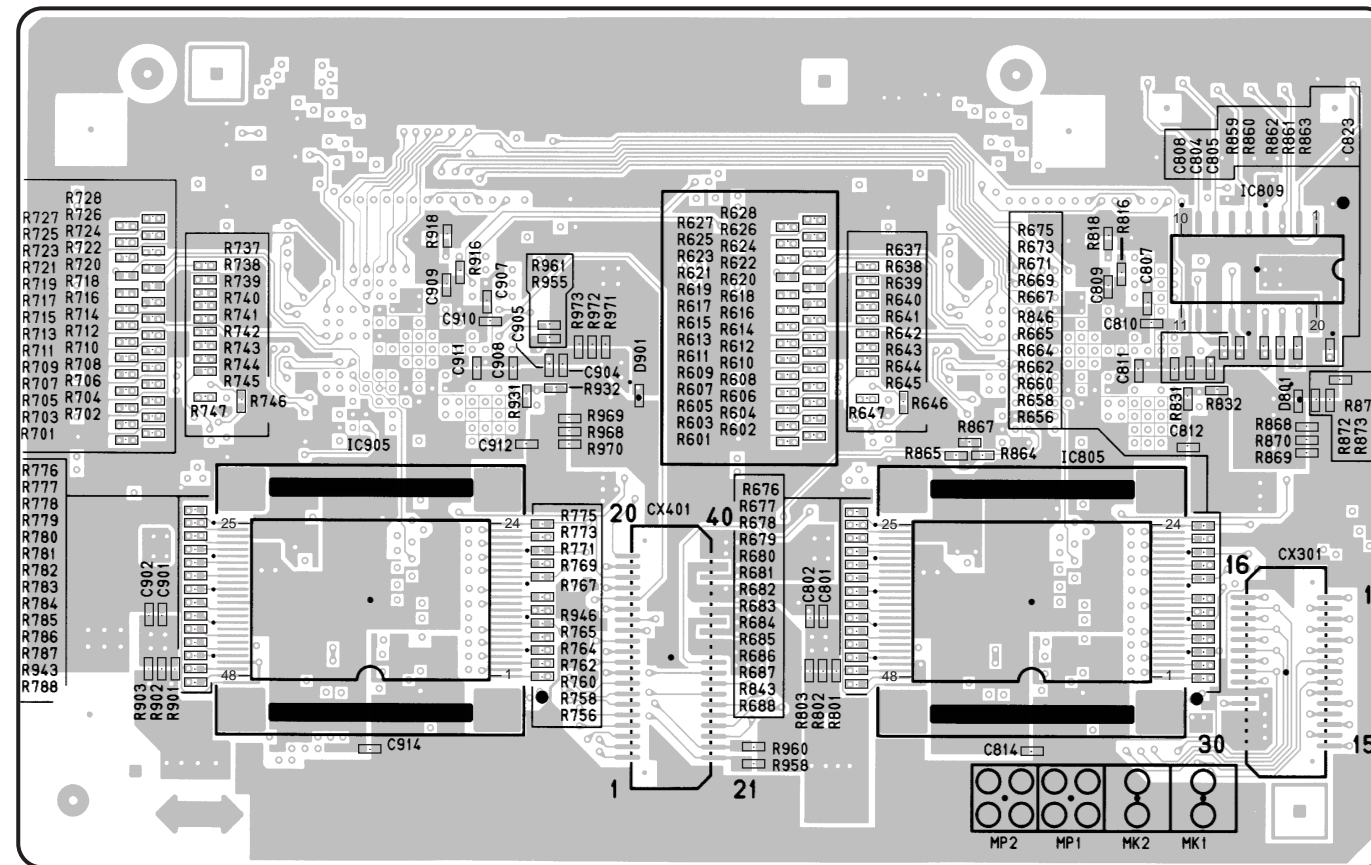
A
B
C
D
E

FOIL SIDE

1U-3426 DSP P.W.B. UNIT



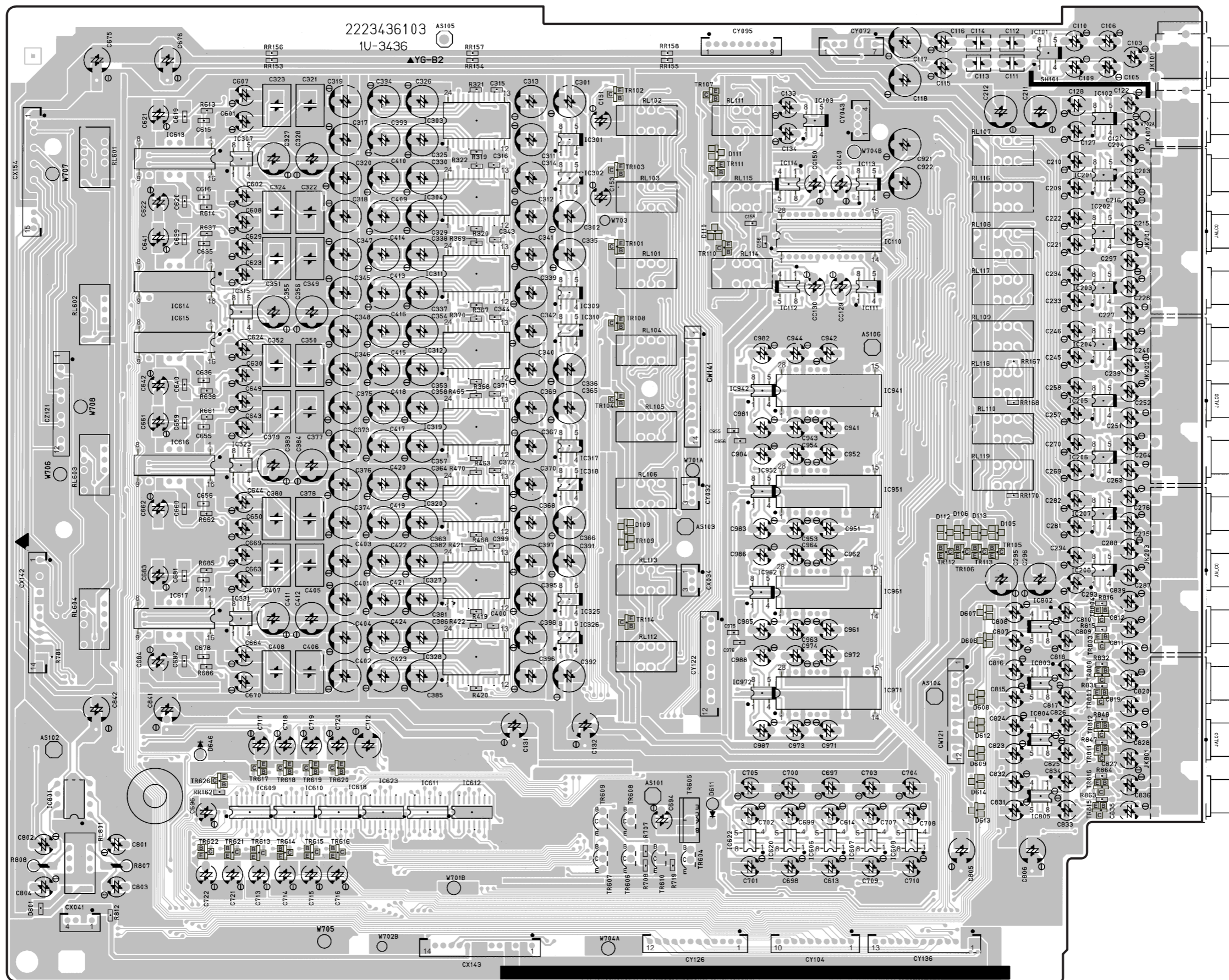
COMPONENT SIDE



FOIL SIDE

A
B
C
D
E

1U-3436 EXT.IN VOL. P.W.B. UNIT



COMPONENT SIDE

1U-3436 EXT.IN VOL. P.W.B. UNIT

1

2

3

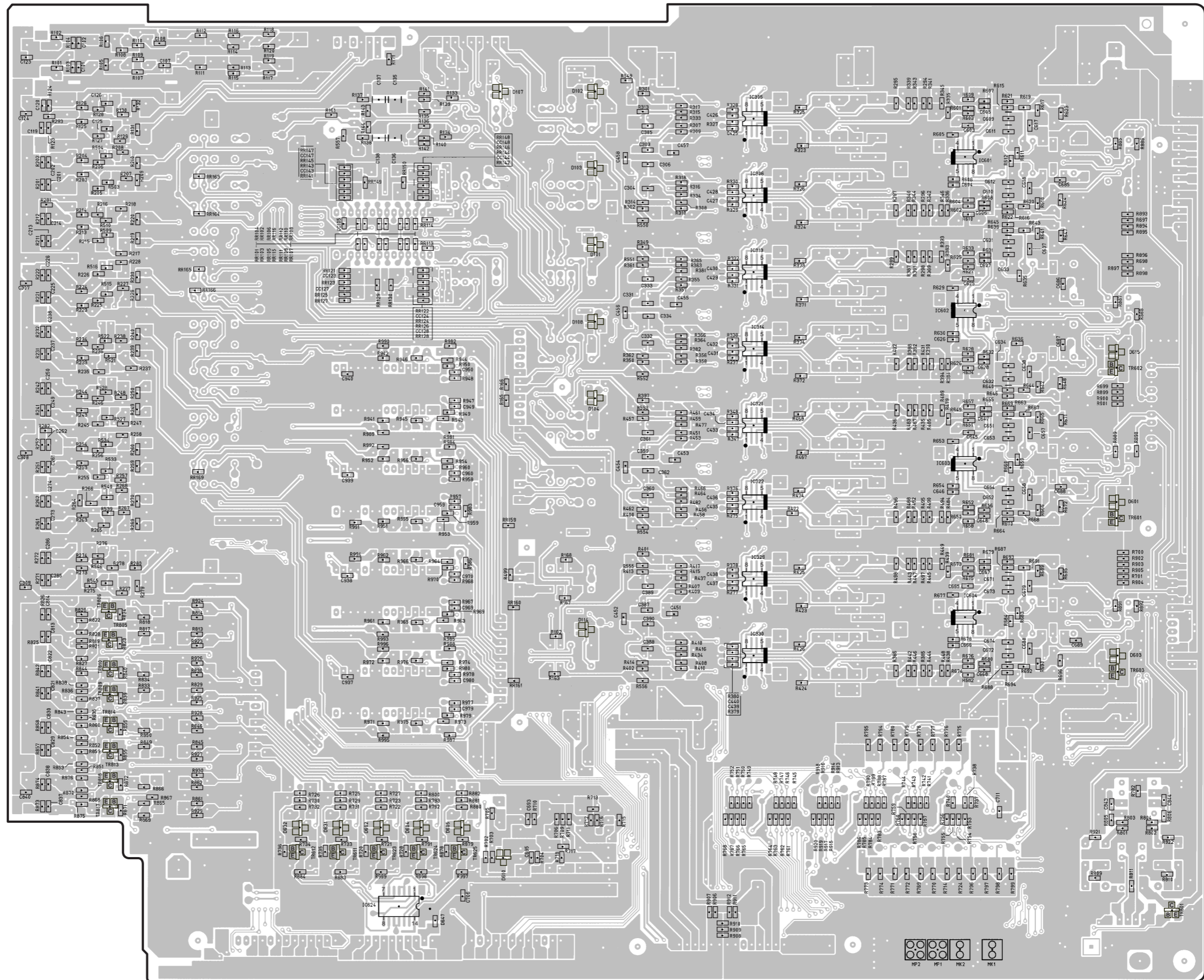
4

5

6

7

8



A

B

C

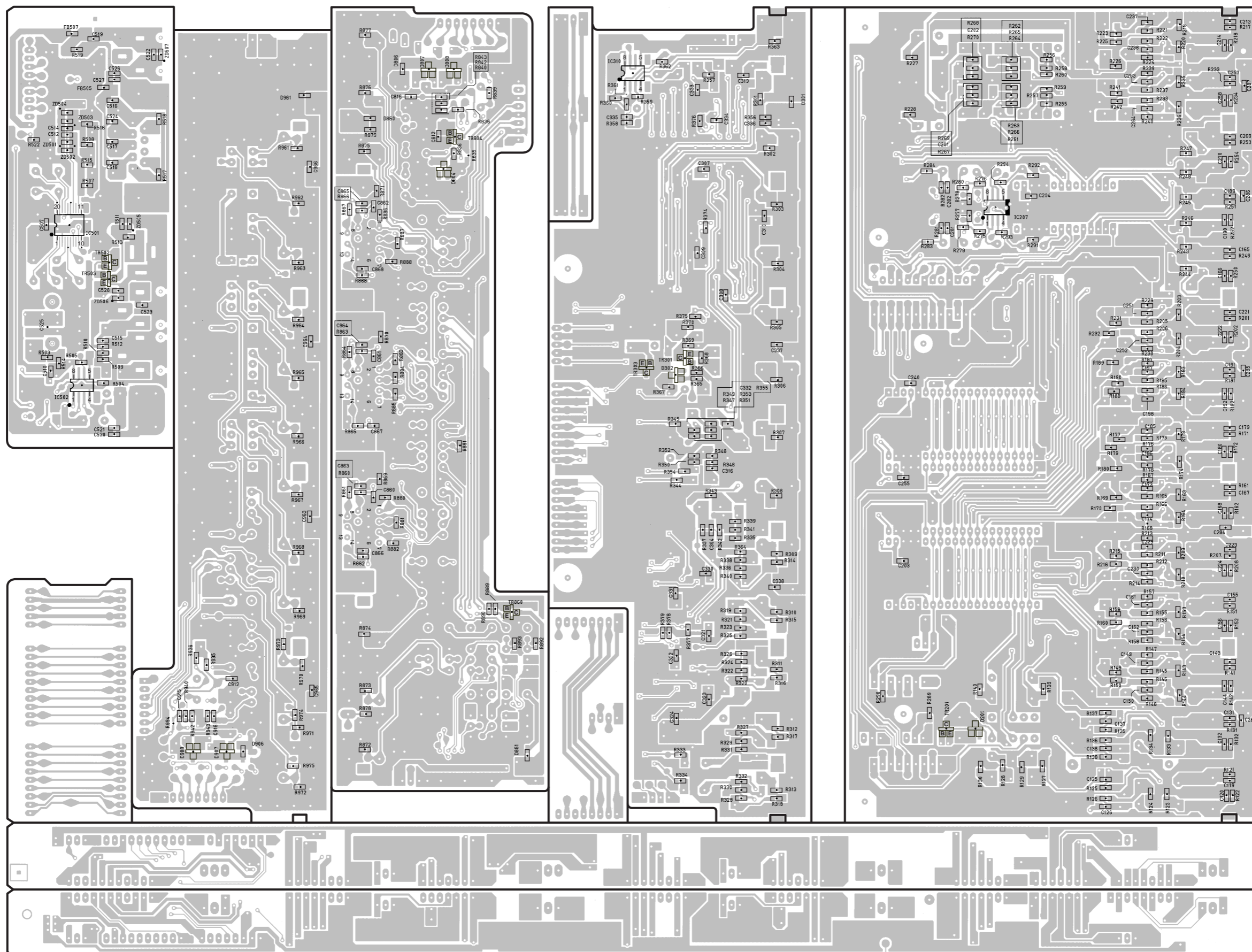
D

E

FOIL SIDE

1U-3437 AUDIO & VIDEO IN P.W.B. UNIT

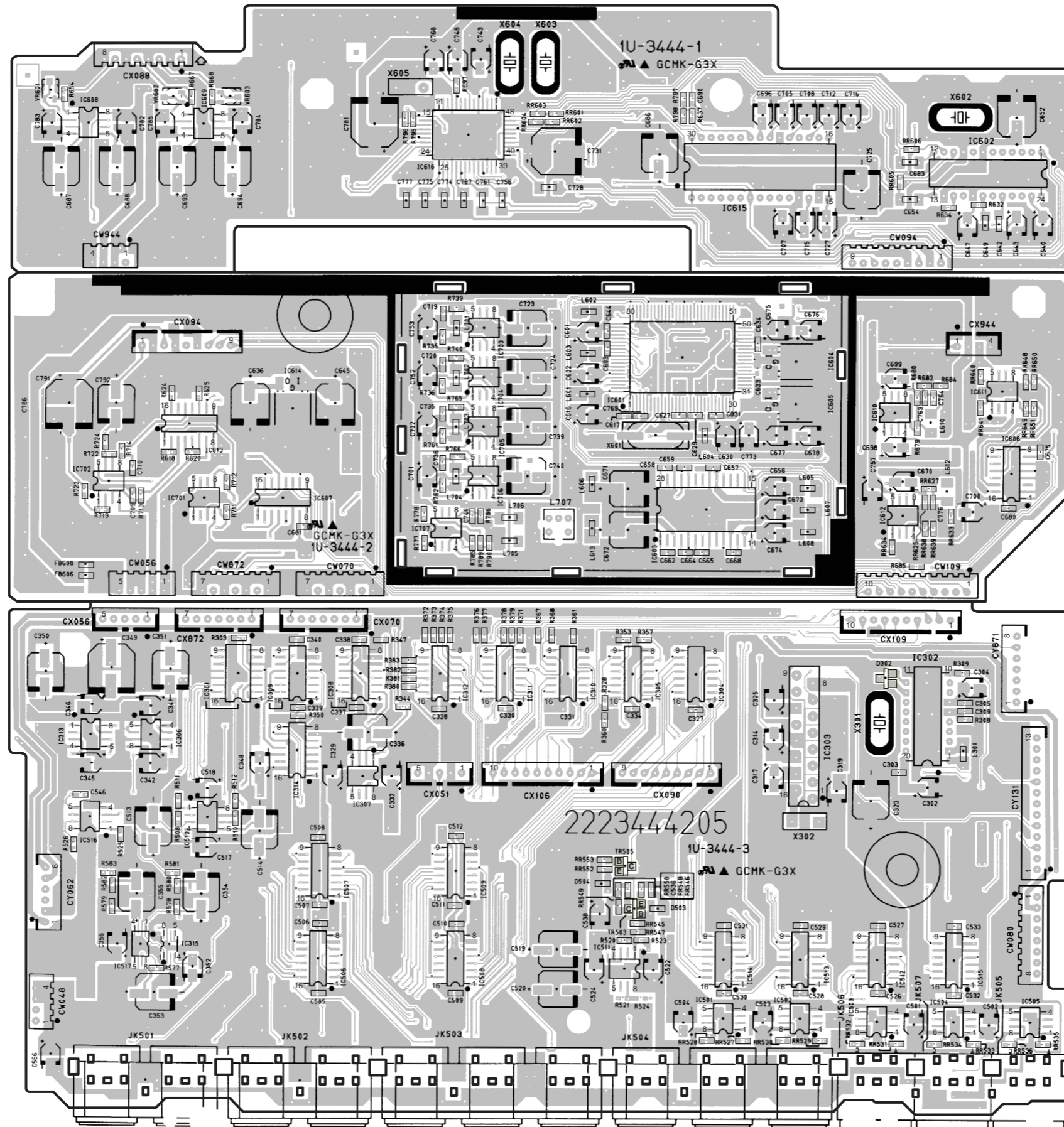
1 2 3 4 5 6 7 8



A
B
C
D
E

FOIL SIDE

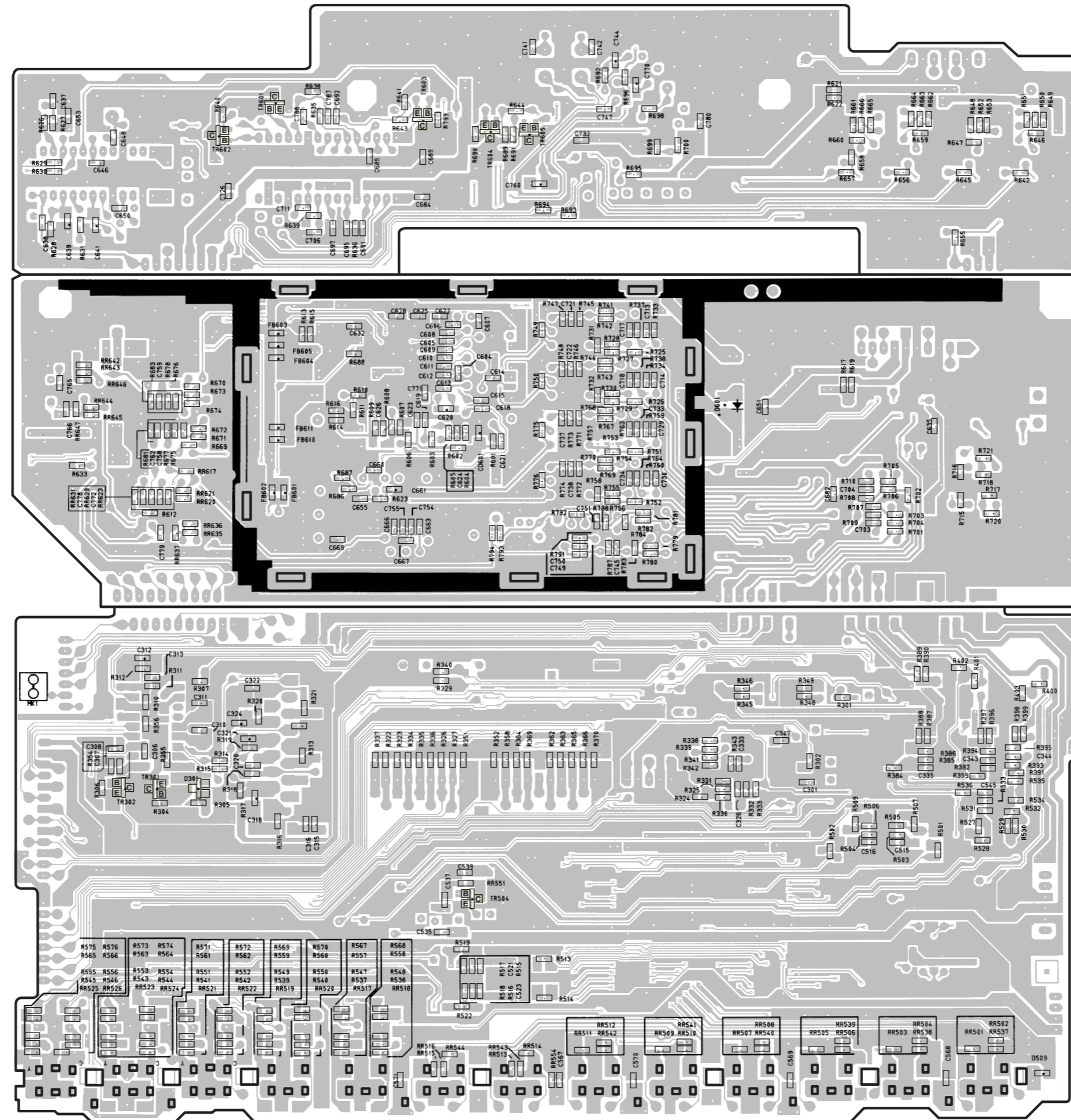
1U-3444 VIDEO CONVERT P.W.B. UNIT



COMPONENT SIDE

A
B
C
D
E

1U-3444 VIDEO CONVERT P.W.B. UNIT



FOIL SIDE

A
B
C
D
E

NOTE FOR PARTS LIST

- Part indicated with the mark "⊙" are not always in stock and possibly to take a long period of time for supplying, or in some case supplying of part may be refused.
- When ordering of part, clearly indicate "1" and "I" (i) to avoid mis-supplying.
- Ordering part without stating its part number can not be supplied.
- Part indicated with the mark "★" is not illustrated in the exploded view.
- Not including Carbon Film ±5%, 1/4W Type in the P.W.Board parts list. (Refer to the Schematic Diagram for those parts.)

WARNING:

Parts marked with this symbol   have critical characteristics.
Use ONLY replacement parts recommended by the manufacturer.

● **Resistors**

Ex.: RN 14K 2E 182 G FR
 Type Shape Power Resist- Allowable Others
 and performance ance error

RD : Carbon	2B : 1/8W	F : ±1%	P : Pulse-resistant type
RC : Composition	2E : 1/4W	G : ±2%	NL : Low noise type
RS : Metal oxide film	2H : 1/2W	J : ±5%	NB : Non-burning type
RW : Winding	3A : 1W	K : ±10%	FR : Fuse-resistor
RN : Metal film	3D : 2W	M : ±20%	F : Lead wire forming
RK : Metal mixture	3F : 3W		
	3H : 5W		

* **Resistance**

1 8 2 ⇒ 1800 ohm = 1.8 kohm
 ↑ ↑ ↑
 1-digit effective number. Indicates number of zeros after effective number.
 2-digit effective number.

• Units: ohm

1 R 2 ⇒ 1.2 ohm
 ↑ ↑ ↑
 1-digit effective number. 1-digit effective number.
 2-digit effective number, decimal point indicated by R.

• Units: ohm

● **Capacitors**

Ex.: CE 04W 1H 2R2 M BP
 Type Shape Dielectric Capacity Allowable Others
 and performance strength error

CE : Aluminum foil electrolytic	0J : 6.3V	F : ±1%	HS : High stability type
CA : Aluminum solid electrolytic	1A : 10V	G : ±2%	BP : Non-polar type
CS : Tantalum electrolytic	1C : 16V	J : ±5%	HR : Ripple-resistant type
CQ : Film	1E : 25V	K : ±10%	DL : For charge and discharge
CK : Ceramic	1V : 35V	M : ±20%	HF : For assuring high frequency
CC : Ceramic	1H : 50V	Z : +80%	U : UL part
CP : Oil	2A : 100V	-20%	C : CSA part
CM : Mica	2B : 125V	P : +100%	W : UL-CSA type
CF : Metallized	2C : 160V	-0%	F : Lead wire forming
CH : Metallized	2D : 200V	C : ±0.25pF	
	2E : 250V	D : ±0.5pF	
	2H : 500V	= : Others	
	2J : 630V		

* **Capacity (electrolyte only)**

2 2 2 ⇒ 2200µF
 ↑ ↑ ↑
 1-digit effective number. Indicates number of zeros after effective number.
 2-digit effective number.

• Units: µF.

2 R 2 ⇒ 2.2µF
 ↑ ↑ ↑
 1-digit effective number. 1-digit effective number.
 2-digit effective number, decimal point indicated by R.

• Units: µF.

* **Capacity (except electrolyte)**

2 2 2 ⇒ 2200pF=0.0022µF
 ↑ ↑ ↑
 (More than 2) Indicates number of zeros after effective number.
 2-digit effective number.

• Units: pF.

2 2 1 ⇒ 220pF
 ↑ ↑ ↑
 (0 or 1) Indicates number of zeros after effective number.
 2-digit effective number.

• Units: pF.

• When the dielectric strength is indicated in AC, "AC" is included after the dielectric strength value.

PARTS LIST OF P.W.B. UNIT ASS'Y

1U-3425/3425A DIGITAL P.W.B. UNIT ASS'Y

Note: The symbol in the column "Remarks" indicate the following destinations.
 EU: U.S.A. model (AVR-5803) E1: Asia model
 EC: Canada model (AVR-5803) E1C: China model
 E2: Europe model EUT: Taiwan R.O.C. model

Ref. No.	Part No.	Part Name	Remarks	Ref. No.	Part No.	Part Name	Remarks
SEMICONDUCTORS GROUP							
IC103	262 3072 905	IC PCM1738-1		IC711	262 2813 903	IC SN74AHCT08PW	
IC104,105	263 1074 908	IC OP275GSR		IC712	262 3075 009	IC MX29F400TTC-90	
IC106,107	263 0898 907	IC NJM5532MD		IC713	262 3074 000	IC M30802S	
IC108,109	263 0896 909	IC NJM2068MD		IC715,716	263 1079 903	IC BA033FP	
IC110	262 2517 908	IC SN74LV08APW		IC717,718	263 1164 009	IC PQ018EF01SZ	
IC111	262 2519 906	IC SN74LV00APW		IC721	262 2375 904	IC TC4094BF	
				IC723	263 1162 001	IC KIA78R12PI	
IC203	262 3072 905	IC PCM1738-1		IC801	263 0896 909	IC NJM2068MD	
IC204,205	263 1074 908	IC OP275GSR		IC802	262 2729 903	IC SN74LV02APW	
IC206,207	263 0898 907	IC NJM5532MD		IC803-805	263 0934 900	IC BA4510F	
IC208,209	263 0896 909	IC NJM2068MD		IC806	262 3069 905	IC PCM1804	
				IC820	263 0615 902	IC BA15218F	
IC303	262 3072 905	IC PCM1738-1		IC851	263 0896 909	IC NJM2068MD	
IC304,305	263 1074 908	IC OP275GSR		IC853-855	263 0934 900	IC BA4510F	
IC306,307	263 0898 907	IC NJM5532MD		IC856	262 3069 905	IC PCM1804	
IC308,309	263 0896 909	IC NJM2068MD					
				IC901	263 0896 909	IC NJM2068MD	
IC403	262 3072 905	IC PCM1738-1		IC903-905	263 0934 900	IC BA4510F	
IC404,405	263 1074 908	IC OP275GSR		IC906	262 3069 905	IC PCM1804	
IC406,407	263 0898 907	IC NJM5532MD		IC909,910	262 3105 908	IC SN74AHCT32PW	
IC408,409	263 0896 909	IC NJM2068MD		IC911	262 2517 908	IC SN74LV08APW	
				IC951	263 0896 909	IC NJM2068MD	
IC501-506	262 3065 006	Optical digital input (TORX141)		IC953-955	263 0934 900	IC BA4510F	
IC507,508	262 3064 007	Optical digital output (TOTX141)		IC956	262 3069 905	IC PCM1804	
IC510	262 2375 904	IC TC4094BF		IC958	263 1079 903	IC BA033FP	
IC511-514	262 3077 900	IC TC74VHCU04FT					
IC515	262 2375 904	IC TC4094BF		TR101-106	273 0460 905	Transistor KTC2875B	
IC516-519	262 2944 908	IC SN74HC151APW		TR107	269 0083 901	Transistor DTA114EK	
IC520	262 2945 907	IC SN74HC153APW		TR108	269 0082 902	Transistor DTC114EK	
IC523	262 3106 907	IC SN65LVDS32PW		TR151	269 0082 902	Transistor DTC114EK	
IC524	262 3125 904	IC SN65LVDS179DGK		TR152	269 0083 901	Transistor DTA114EK	
IC525	263 0687 901	IC BA4560F		TR153	269 0082 902	Transistor DTC114EK	
IC526	263 1082 903	IC TK15420MTL		TR154	269 0083 901	Transistor DTA114EK	
IC527	262 2372 004	IC PM4007A		TR157,158	273 0384 900	Transistor 2SC2412K (S)	
IC528	262 2852 906	IC W24257S-70LL		TR160	273 0384 900	Transistor 2SC2412K (S)	
IC600	262 3066 005	IC LC89057W		TR201-206	273 0460 905	Transistor KTC2875B	
IC610	262 3067 907	IC SN65LVDS050D		TR207	269 0083 901	Transistor DTA114EK	
IC611	262 3068 003	IC EPM3128ATC144-10		TR208	269 0082 902	Transistor DTC114EK	
IC613,614	262 2959 906	IC SN74LV244APW					
IC625	262 3066 005	IC LC89057W		TR301-304	273 0460 905	Transistor KTC2875B	
IC650	262 3066 005	IC LC89057W		TR307	269 0083 901	Transistor DTA114EK	
IC675	262 3066 005	IC LC89057W		TR308	269 0082 902	Transistor DTC114EK	
IC677	262 3062 902	IC FCX0-03 (24.576MHz)					
				TR401-404	273 0460 905	Transistor KTC2875B	
IC701	262 3073 001	IC M30620FCMGP		TR407	269 0083 901	Transistor DTA114EK	
IC702-705	262 2785 905	IC SN74LV125APW		TR408	269 0082 902	Transistor DTC114EK	
IC706	262 2813 903	IC SN74AHCT08PW					
IC707	262 2519 906	IC SN74LV00APW		TR503,504	274 0163 904	Transistor 2SD601A	
IC708,709	262 2375 904	IC TC4094BF		TR505	272 0125 904	Transistor 2SB709A	
IC710	262 2517 908	IC SN74LV08APW		TR506	273 0384 900	Transistor 2SC2412K (S)	

Ref. No.	Part No.	Part Name	Remarks	Ref. No.	Part No.	Part Name	Remarks
TR507	274 0163 904	Transistor 2SD601A		D701,702	276 0559 909	Diode DAP202K	
TR508	272 0125 904	Transistor 2SB709A		D703,704	276 0751 901	Diode 1SR154-400	
TR509,510	269 0082 902	Transistor DTC114EK		D707	247 2009 983	Carbon chip 10kohm 1/16W	RM73B--103J
TR601	269 0083 901	Transistor DTA114EK		D802	276 0559 909	Diode DAP202K	
TR602	269 0082 902	Transistor DTC114EK		ZD701	276 0693 946	Zener diode UDZ3.0B	
TR701	269 0082 902	Transistor DTC114EK		RESISTORS GROUP			
TR702	269 0083 901	Transistor DTA114EK		R101-104	247 2018 903	Carbon chip 0ohm 1/16W	RM73B--0R0K
TR703	269 0082 902	Transistor DTC114EK		R105	247 2009 983	Carbon chip 10kohm 1/16W	RM73B--103J
TR704	269 0083 901	Transistor DTA114EK		R106	247 2018 903	Carbon chip 0ohm 1/16W	RM73B--0R0K
TR705-710	269 0082 902	Transistor DTC114EK		R107	247 0031 937	Carbon chip 16kohm 1/10W	RM73B--163J (AD)
TR711	269 0083 901	Transistor DTA114EK		R109,110	247 2018 903	Carbon chip 0ohm 1/16W	RM73B--0R0K
TR712	273 0384 900	Transistor 2SC2412K (S)		R111-118	247 0029 949	Carbon chip 2.7kohm 1/10W	RM73B--272J (AD)
TR713	269 0054 901	Transistor DTC144EK		R119,120	247 0030 925	Carbon chip 5.6kohm 1/10W	RM73B--562J (AD)
TR714	271 0238 908	Transistor 2SA1037K (S/R)		R121,122	247 0030 912	Carbon chip 5.2kohm 1/10W	RM73B--512J (AD)
TR715-718	273 0384 900	Transistor 2SC2412K (S)		R123,124	247 0030 925	Carbon chip 5.6kohm 1/10W	RM73B--562J (AD)
TR719	271 0238 908	Transistor 2SA1037K (S/R)		R125,126	247 0030 912	Carbon chip 5.2kohm 1/10W	RM73B--512J (AD)
TR720,721	273 0384 900	Transistor 2SC2412K (S)		R127-134	247 0029 936	Carbon chip 2.4kohm 1/10W	RM73B--242J (AD)
TR722	269 0054 901	Transistor DTC144EK		R135-138	247 0029 978	Carbon chip 3.6kohm 1/10W	RM73B--362J (AD)
TR723,724	269 0082 902	Transistor DTC114EK		R139-142	247 2009 909	Carbon chip 4.7kohm 1/16W	RM73B--472J
TR725	272 0161 900	Transistor 2SB1412TL (PQR)		R143,144	247 2006 960	Carbon chip 470ohm 1/16W	RM73B--471J
TR726,727	269 0082 902	Transistor DTC114EK		R145,146	247 2018 903	Carbon chip 0ohm 1/16W	RM73B--0R0K
TR728	274 0163 904	Transistor 2SD601A		R149,150	247 0028 953	Carbon chip 1.1kohm 1/10W	RM73B--112J (AD)
TR729	269 0054 901	Transistor DTC144EK		R151,152	247 0028 924	Carbon chip 820ohm 1/10W	RM73B--821J (AD)
TR730	269 0082 902	Transistor DTC114EK		R155,156	247 0028 940	Carbon chip 1kohm 1/10W	RM73B--102J (AD)
TR731	272 0161 900	Transistor 2SB1412TL (PQR)		R157-160	247 0027 996	Carbon chip 620ohm 1/10W	RM73B--621J (AD)
TR732,733	269 0082 902	Transistor DTC114EK	for EU,EC	R161,162	247 2012 925	Carbon chip 100kohm 1/16W	RM73B--104J
TR734,735	269 0054 901	Transistor DTC144EK		R163-166	247 0027 954	Carbon chip 430ohm 1/10W	RM73B--431J (AD)
TR736-738	269 0082 902	Transistor DTC114EK		R167-170	247 2012 967	Carbon chip 150kohm 1/16W	RM73B--154J
TR739	269 0083 901	Transistor DTA114EK		R171,172	247 2010 943	Carbon chip 18kohm 1/16W	RM73B--183J
TR740,741	269 0054 901	Transistor DTC144EK	for EU,EC	R173,174	247 0027 925	Carbon chip 330ohm 1/10W	RM73B--331J (AD)
TR751,752	272 0161 900	Transistor 2SB1412TL (PQR)		R175,176	247 2008 926	Carbon chip 2.2kohm 1/16W	RM73B--222J
TR753,754	269 0082 902	Transistor DTC114EK		R181	247 2011 942	Carbon chip 47kohm 1/16W	RM73B--473J
TR800	269 0048 904	Transistor DTC143EK		R182-185	247 2009 909	Carbon chip 4.7kohm 1/16W	RM73B--472J
TR801	272 0161 900	Transistor 2SB1412TL (PQR)		R186-189	247 2010 969	Carbon chip 22kohm 1/16W	RM73B--223J
TR802	269 0082 902	Transistor DTC114EK		R191	247 2007 943	Carbon chip 1kohm 1/16W	RM73B--102J
TR803	269 0083 901	Transistor DTA114EK		R192	247 2009 983	Carbon chip 10kohm 1/16W	RM73B--103J
TR804,805	269 0082 902	Transistor DTC114EK		R193	247 2007 943	Carbon chip 1kohm 1/16W	RM73B--102J
TR806	272 0161 900	Transistor 2SB1412TL (PQR)		R194	247 2009 983	Carbon chip 10kohm 1/16W	RM73B--103J
TR807-809	269 0082 902	Transistor DTC114EK		R195	247 2007 943	Carbon chip 1kohm 1/16W	RM73B--102J
TR810	269 0054 901	Transistor DTC144EK		R196	247 2009 983	Carbon chip 10kohm 1/16W	RM73B--103J
D152-155	276 0560 901	Diode DAN202K		R197	247 2018 903	Carbon chip 0ohm 1/16W	RM73B--0R0K
D157,158	276 0559 909	Diode DAP202K		R201-204	247 2018 903	Carbon chip 0ohm 1/16W	RM73B--0R0K
D160	276 0559 909	Diode DAP202K		R206	247 2018 903	Carbon chip 0ohm 1/16W	RM73B--0R0K
D501-505	276 0738 908	Diode KDS226		R207	247 0031 937	Carbon chip 16kohm 1/10W	RM73B--163J (AD)
D507	276 0739 907	Diode KDS181		R209,210	247 2018 903	Carbon chip 0ohm 1/16W	RM73B--0R0K
D508	276 0663 905	Diode KV1851		R211-218	247 0029 949	Carbon chip 2.7kohm 1/10W	RM73B--272J (AD)
				R219,220	247 0030 925	Carbon chip 5.6kohm 1/10W	RM73B--562J (AD)
				R221,222	247 0030 912	Carbon chip 5.2kohm 1/10W	RM73B--512J (AD)

Ref. No.	Part No.	Part Name	Remarks	Ref. No.	Part No.	Part Name	Remarks
R223,224	247 0030 925	Carbon chip 5.6kohm 1/10W	RM73B--562J (AD)	R363-366	247 0027 954	Carbon chip 430ohm 1/10W	RM73B--431J (AD)
R225,226	247 0030 912	Carbon chip 5.2kohm 1/10W	RM73B--512J (AD)	R367-370	247 2012 967	Carbon chip 150kohm 1/16W	RM73B--154J
R227-234	247 0029 936	Carbon chip 2.4kohm 1/10W	RM73B--242J (AD)	R371,372	247 2010 943	Carbon chip 18kohm 1/16W	RM73B--183J
R235-238	247 0029 978	Carbon chip 3.6kohm 1/10W	RM73B--362J (AD)				
R239-242	247 2009 909	Carbon chip 4.7kohm 1/16W	RM73B--472J	R401-404	247 2018 903	Carbon chip 0ohm 1/16W	RM73B--0R0K
R243,244	247 2006 960	Carbon chip 470ohm 1/16W	RM73B--471J	R406	247 2018 903	Carbon chip 0ohm 1/16W	RM73B--0R0K
R245,246	247 2018 903	Carbon chip 0ohm 1/16W	RM73B--0R0K	R407	247 0031 937	Carbon chip 16kohm 1/10W	RM73B--163J (AD)
R249,250	247 0028 953	Carbon chip 1.1kohm 1/10W	RM73B--112J (AD)	R409,410	247 2018 903	Carbon chip 0ohm 1/16W	RM73B--0R0K
R251,252	247 0028 924	Carbon chip 820ohm 1/10W	RM73B--821J (AD)	R411-418	247 0029 949	Carbon chip 2.7kohm 1/10W	RM73B--272J (AD)
R253,254	247 2007 985	Carbon chip 1.5kohm 1/16W	RM73B--152J	R419,420	247 0030 925	Carbon chip 5.6kohm 1/10W	RM73B--562J (AD)
R255-260	247 0027 996	Carbon chip 620ohm 1/10W	RM73B--621J (AD)	R421-423	247 0030 912	Carbon chip 5.2kohm 1/10W	RM73B--512J (AD)
R261,262	247 2012 925	Carbon chip 100kohm 1/16W	RM73B--104J	R424,425	247 0030 925	Carbon chip 5.6kohm 1/10W	RM73B--562J (AD)
R263-266	247 0027 954	Carbon chip 430ohm 1/10W	RM73B--431J (AD)	R426	247 0030 912	Carbon chip 5.2kohm 1/10W	RM73B--512J (AD)
R267-270	247 2012 967	Carbon chip 150kohm 1/16W	RM73B--154J	R427-434	247 0029 936	Carbon chip 2.4kohm 1/10W	RM73B--242J (AD)
R271,272	247 2010 943	Carbon chip 18kohm 1/16W	RM73B--183J	R435-438	247 0029 978	Carbon chip 3.6kohm 1/10W	RM73B--362J (AD)
R273,274	247 0027 954	Carbon chip 430ohm 1/10W	RM73B--431J (AD)	R439-442	247 2009 909	Carbon chip 4.7kohm 1/16W	RM73B--472J
R275,276	247 2008 926	Carbon chip 2.2kohm 1/16W	RM73B--222J	R443,444	247 2006 960	Carbon chip 470ohm 1/16W	RM73B--471J
				R445,446	247 2018 903	Carbon chip 0ohm 1/16W	RM73B--0R0K
R301-304	247 2018 903	Carbon chip 0ohm 1/16W	RM73B--0R0K	R449	247 0028 953	Carbon chip 1.1kohm 1/10W	RM73B--112J (AD)
R306	247 2018 903	Carbon chip 0ohm 1/16W	RM73B--0R0K	R450,451	247 0028 924	Carbon chip 820ohm 1/10W	RM73B--821J (AD)
R307	247 0031 937	Carbon chip 16kohm 1/10W	RM73B--163J (AD)	R452	247 0028 953	Carbon chip 1.1kohm 1/10W	RM73B--112J (AD)
R309,310	247 2018 903	Carbon chip 0ohm 1/16W	RM73B--0R0K	R455,456	247 0040 902	Carbon chip 0ohm 1/10W	RM73B--0R0K (ATD)
R311-318	247 0029 949	Carbon chip 2.7kohm 1/10W	RM73B--272J (AD)	R457-460	247 0027 996	Carbon chip 620ohm 1/10W	RM73B--621J (AD)
R319,320	247 0030 925	Carbon chip 5.6kohm 1/10W	RM73B--562J (AD)	R461,462	247 2012 925	Carbon chip 100kohm 1/16W	RM73B--104J
R321,322	247 0030 912	Carbon chip 5.2kohm 1/10W	RM73B--512J (AD)	R463-466	247 0027 954	Carbon chip 430ohm 1/10W	RM73B--431J (AD)
R323,324	247 0030 925	Carbon chip 5.6kohm 1/10W	RM73B--562J (AD)	R467-470	247 2012 967	Carbon chip 150kohm 1/16W	RM73B--154J
R325,326	247 0030 912	Carbon chip 5.2kohm 1/10W	RM73B--512J (AD)	R471,472	247 2010 943	Carbon chip 18kohm 1/16W	RM73B--183J
R327	247 0029 936	Carbon chip 2.4kohm 1/10W	RM73B--242J (AD)	R475-478	247 2018 903	Carbon chip 0ohm 1/16W	RM73B--0R0K
R328	247 0030 909	Carbon chip 4.7kohm 1/10W	RM73B--472J (AD)				
R329	247 0029 936	Carbon chip 2.4kohm 1/10W	RM73B--242J (AD)	R501-510	247 2005 945	Carbon chip 150ohm 1/16W	RM73B--151J
R330	247 0030 925	Carbon chip 5.6kohm 1/10W	RM73B--562J (AD)	R517-527	247 2018 903	Carbon chip 0ohm 1/16W	RM73B--0R0K
R331	247 0029 936	Carbon chip 2.4kohm 1/10W	RM73B--242J (AD)	R528-531	247 2009 983	Carbon chip 10kohm 1/16W	RM73B--103J
R332	247 0030 925	Carbon chip 5.6kohm 1/10W	RM73B--562J (AD)	R532	247 2012 925	Carbon chip 100kohm 1/16W	RM73B--104J
R333	247 0029 936	Carbon chip 2.4kohm 1/10W	RM73B--242J (AD)	R533	247 2013 940	Carbon chip 330kohm 1/16W	RM73B--334J
R334	247 0030 909	Carbon chip 4.7kohm 1/10W	RM73B--472J (AD)	R534	247 2012 925	Carbon chip 100kohm 1/16W	RM73B--104J
R335	247 0029 978	Carbon chip 3.6kohm 1/10W	RM73B--362J (AD)	R535	247 2013 940	Carbon chip 330kohm 1/16W	RM73B--334J
R336	247 0031 924	Carbon chip 15kohm 1/10W	RM73B--153J (AD)	R536	247 2012 925	Carbon chip 100kohm 1/16W	RM73B--104J
R337	247 0029 978	Carbon chip 3.6kohm 1/10W	RM73B--362J (AD)	R537	247 2013 940	Carbon chip 330kohm 1/16W	RM73B--334J
R338	247 0031 924	Carbon chip 15kohm 1/10W	RM73B--153J (AD)	R538	247 2012 925	Carbon chip 100kohm 1/16W	RM73B--104J
R339-342	247 2009 909	Carbon chip 4.7kohm 1/16W	RM73B--472J	R539	247 2013 940	Carbon chip 330kohm 1/16W	RM73B--334J
R343	247 2006 960	Carbon chip 470ohm 1/16W	RM73B--471J	R540	247 2012 925	Carbon chip 100kohm 1/16W	RM73B--104J
R344	247 2009 938	Carbon chip 6.2kohm 1/16W	RM73B--622J	R541	247 2013 940	Carbon chip 330kohm 1/16W	RM73B--334J
R345,346	247 2018 903	Carbon chip 0ohm 1/16W	RM73B--0R0K	R554-560	247 2009 983	Carbon chip 10kohm 1/16W	RM73B--103J
R349	247 0028 953	Carbon chip 1.1kohm 1/10W	RM73B--112J (AD)	R561-565	247 2018 903	Carbon chip 0ohm 1/16W	RM73B--0R0K
R350	247 0030 909	Carbon chip 4.7kohm 1/10W	RM73B--472J (AD)	R566-571	247 2005 903	Carbon chip 100ohm 1/16W	RM73B--101J
R351	247 0028 924	Carbon chip 820ohm 1/10W	RM73B--821J (AD)	R572	247 2009 983	Carbon chip 10kohm 1/16W	RM73B--103J
R352	247 0029 978	Carbon chip 3.6kohm 1/10W	RM73B--362J (AD)	R573,574	247 2018 903	Carbon chip 0ohm 1/16W	RM73B--0R0K
R354	247 2007 972	Carbon chip 1.3kohm 1/16W	RM73B--132J	R575-579	247 2009 983	Carbon chip 10kohm 1/16W	RM73B--103J
R355	247 0040 902	Carbon chip 0ohm 1/10W	RM73B--0R0K (ATD)	R580	247 2005 903	Carbon chip 100ohm 1/16W	RM73B--101J
R356	247 0028 982	Carbon chip 1.5kohm 1/10W	RM73B--152J (AD)	R581	247 2009 983	Carbon chip 10kohm 1/16W	RM73B--103J
R357-360	247 0027 996	Carbon chip 620ohm 1/10W	RM73B--621J (AD)	R582-585	247 2005 903	Carbon chip 100ohm 1/16W	RM73B--101J
R361,362	247 2012 925	Carbon chip 100kohm 1/16W	RM73B--104J	R597-599	247 2005 903	Carbon chip 100ohm 1/16W	RM73B--101J

Ref. No.	Part No.	Part Name	Remarks	Ref. No.	Part No.	Part Name	Remarks
R600-603	247 2009 909	Carbon chip 4.7kohm 1/16W	RM73B--472J	R753	247 2007 943	Carbon chip 1kohm 1/16W	RM73B--102J
R604	247 2003 989	Carbon chip 33ohm 1/16W	RM73B--330J	R754	247 2013 908	Carbon chip 220kohm 1/16W	RM73B--224J
R605	247 2018 903	Carbon chip 0ohm 1/16W	RM73B--0R0K	R755,756	247 2005 903	Carbon chip 100ohm 1/16W	RM73B--101J
R606	247 0026 984	Carbon chip 220ohm 1/10W	RM73B--221J (AD)	R757,758	247 2009 983	Carbon chip 10kohm 1/16W	RM73B--103J
R607	247 2018 903	Carbon chip 0ohm 1/16W	RM73B--0R0K	R760-765	247 2009 983	Carbon chip 10kohm 1/16W	RM73B--103J
R608	247 2003 989	Carbon chip 33ohm 1/16W	RM73B--330J	R766	247 2012 925	Carbon chip 100kohm 1/16W	RM73B--104J
R609	247 2008 968	Carbon chip 3.3kohm 1/16W	RM73B--332J	R767,768	247 2005 903	Carbon chip 100ohm 1/16W	RM73B--101J for EU,EC
R610-615	247 2010 969	Carbon chip 22kohm 1/16W	RM73B--223J	R771	247 2007 943	Carbon chip 1kohm 1/16W	RM73B--102J
R616-621	247 2011 942	Carbon chip 47kohm 1/16W	RM73B--473J	R772,773	247 2009 909	Carbon chip 4.7kohm 1/16W	RM73B--472J
R625-628	247 2009 909	Carbon chip 4.7kohm 1/16W	RM73B--472J	R774	247 2018 903	Carbon chip 0ohm 1/16W	RM73B--0R0K
R629	247 2003 989	Carbon chip 33ohm 1/16W	RM73B--330J	R775,776	247 2012 925	Carbon chip 100kohm 1/16W	RM73B--104J
R630,631	247 2018 903	Carbon chip 0ohm 1/16W	RM73B--0R0K	R778,779	247 2012 925	Carbon chip 100kohm 1/16W	RM73B--104J
R632	247 0026 984	Carbon chip 220ohm 1/10W	RM73B--221J (AD)	R782	247 2018 903	Carbon chip 0ohm 1/16W	RM73B--0R0K
R650-653	247 2009 909	Carbon chip 4.7kohm 1/16W	RM73B--472J	R784,785	247 2009 983	Carbon chip 10kohm 1/16W	RM73B--103J
R654	247 2003 989	Carbon chip 33ohm 1/16W	RM73B--330J	R786	247 2007 943	Carbon chip 1kohm 1/16W	RM73B--102J
R655,656	247 2018 903	Carbon chip 0ohm 1/16W	RM73B--0R0K	R787-789	247 2009 983	Carbon chip 10kohm 1/16W	RM73B--103J
R657	247 0026 984	Carbon chip 220ohm 1/10W	RM73B--221J (AD)	R790	247 2013 908	Carbon chip 220kohm 1/16W	RM73B--224J
R658	247 2003 989	Carbon chip 33ohm 1/16W	RM73B--330J	R791	247 2009 983	Carbon chip 10kohm 1/16W	RM73B--103J
R675-678	247 2009 909	Carbon chip 4.7kohm 1/16W	RM73B--472J	R792	247 2009 909	Carbon chip 4.7kohm 1/16W	RM73B--472J
R679	247 2003 989	Carbon chip 33ohm 1/16W	RM73B--330J	R794,795	247 2007 943	Carbon chip 1kohm 1/16W	RM73B--102J
R680	247 2008 968	Carbon chip 3.3kohm 1/16W	RM73B--332J	R796	247 2009 983	Carbon chip 10kohm 1/16W	RM73B--103J
R681	247 2009 983	Carbon chip 10kohm 1/16W	RM73B--103J	R797	247 2012 925	Carbon chip 100kohm 1/16W	RM73B--104J
R683,684	247 2018 903	Carbon chip 0ohm 1/16W	RM73B--0R0K	R798,799	247 2009 983	Carbon chip 10kohm 1/16W	RM73B--103J
R685	247 0026 984	Carbon chip 220ohm 1/10W	RM73B--221J (AD)	R802,803	247 2011 955	Carbon chip 51kohm 1/16W	RM73B--513J
R686,687	247 2018 903	Carbon chip 0ohm 1/16W	RM73B--0R0K	R804	247 2011 900	Carbon chip 33kohm 1/16W	RM73B--333J
R688,689	247 2003 989	Carbon chip 33ohm 1/16W	RM73B--330J	R805-807	247 2011 968	Carbon chip 56kohm 1/16W	RM73B--563J
R690	247 2018 903	Carbon chip 0ohm 1/16W	RM73B--0R0K	R808	247 2008 926	Carbon chip 2.2kohm 1/16W	RM73B--222J
R698,699	247 2005 903	Carbon chip 100ohm 1/16W	RM73B--101J	R809	247 2012 925	Carbon chip 100kohm 1/16W	RM73B--104J
R701	247 2009 983	Carbon chip 10kohm 1/16W	RM73B--103J	R810-819	247 2018 903	Carbon chip 0ohm 1/16W	RM73B--0R0K
R703	247 2005 903	Carbon chip 100ohm 1/16W	RM73B--101J	R824,825	247 2009 983	Carbon chip 10kohm 1/16W	RM73B--103J
R704	247 2009 983	Carbon chip 10kohm 1/16W	RM73B--103J	R830	247 2018 903	Carbon chip 0ohm 1/16W	RM73B--0R0K
R705,706	247 2009 909	Carbon chip 4.7kohm 1/16W	RM73B--472J	R831	247 2009 983	Carbon chip 10kohm 1/16W	RM73B--103J
R707	247 2009 983	Carbon chip 10kohm 1/16W	RM73B--103J	R832-836	247 2007 943	Carbon chip 1kohm 1/16W	RM73B--102J
R708-721	247 2005 903	Carbon chip 100ohm 1/16W	RM73B--101J	R837	247 2009 983	Carbon chip 10kohm 1/16W	RM73B--103J
R722-730	247 2009 983	Carbon chip 10kohm 1/16W	RM73B--103J	R839	247 2009 983	Carbon chip 10kohm 1/16W	RM73B--103J
R731	247 2011 942	Carbon chip 47kohm 1/16W	RM73B--473J	R840	247 2007 943	Carbon chip 1kohm 1/16W	RM73B--102J
R732-736	247 2009 983	Carbon chip 10kohm 1/16W	RM73B--103J	R841	247 2009 983	Carbon chip 10kohm 1/16W	RM73B--103J
R737,738	247 2009 909	Carbon chip 4.7kohm 1/16W	RM73B--472J	R842	247 2007 943	Carbon chip 1kohm 1/16W	RM73B--102J
R739	247 2009 983	Carbon chip 10kohm 1/16W	RM73B--103J	R843	247 2009 983	Carbon chip 10kohm 1/16W	RM73B--103J
R740,741	247 2001 981	Carbon chip 4.7ohm 1/16W	RM73B--4R7K	R845	247 2009 983	Carbon chip 10kohm 1/16W	RM73B--103J
R742	247 2012 925	Carbon chip 100kohm 1/16W	RM73B--104J	R846	247 2007 943	Carbon chip 1kohm 1/16W	RM73B--102J
R743	247 2005 903	Carbon chip 100ohm 1/16W	RM73B--101J	R851	247 2009 983	Carbon chip 10kohm 1/16W	RM73B--103J
R744	247 2007 985	Carbon chip 1.5kohm 1/16W	RM73B--152J	R854-856	247 2009 983	Carbon chip 10kohm 1/16W	RM73B--103J
R745	247 2010 927	Carbon chip 15kohm 1/16W	RM73B--153J	R857	247 2005 987	Carbon chip 220ohm 1/16W	RM73B--221J
R746	247 2011 900	Carbon chip 33kohm 1/16W	RM73B--333J	R858,859	247 2018 903	Carbon chip 0ohm 1/16W	RM73B--0R0K
R747	247 2001 981	Carbon chip 4.7ohm 1/16W	RM73B--4R7K	R901	247 2018 903	Carbon chip 0ohm 1/16W	RM73B--0R0K
R748	247 2005 903	Carbon chip 100ohm 1/16W	RM73B--101J	R903	247 2018 903	Carbon chip 0ohm 1/16W	RM73B--0R0K
R749	247 2010 927	Carbon chip 15kohm 1/16W	RM73B--153J	R908	247 2018 903	Carbon chip 0ohm 1/16W	RM73B--0R0K
R750	247 2012 925	Carbon chip 100kohm 1/16W	RM73B--104J				
R751	247 2004 920	Carbon chip 47ohm 1/16W	RM73B--470J				
R752	247 2018 903	Carbon chip 0ohm 1/16W	RM73B--0R0K				

Ref. No.	Part No.	Part Name	Remarks	Ref. No.	Part No.	Part Name	Remarks
RR401-407	247 2018 903	Carbon chip 0ohm 1/16W	RM73B--0R0K	RR622,623	247 2005 903	Carbon chip 100ohm 1/16W	RM73B--101J
RR451,452	247 2018 903	Carbon chip 0ohm 1/16W	RM73B--0R0K	RR624	247 2018 903	Carbon chip 0ohm 1/16W	RM73B--0R0K
RR454-457	247 2018 903	Carbon chip 0ohm 1/16W	RM73B--0R0K	RR625-628	247 2005 903	Carbon chip 100ohm 1/16W	RM73B--101J
RR459	247 2018 903	Carbon chip 0ohm 1/16W	RM73B--0R0K	RR629-631	247 2018 903	Carbon chip 0ohm 1/16W	RM73B--0R0K
RR462	247 2018 903	Carbon chip 0ohm 1/16W	RM73B--0R0K	RR632,633	247 2005 903	Carbon chip 100ohm 1/16W	RM73B--101J
RR476	247 2007 943	Carbon chip 1kohm 1/16W	RM73B--102J	RR634-637	247 2003 989	Carbon chip 33ohm 1/16W	RM73B--330J
RR477,478	247 2005 987	Carbon chip 220ohm 1/16W	RM73B--221J	RR638-641	247 2005 903	Carbon chip 100ohm 1/16W	RM73B--101J
RR479	247 2007 943	Carbon chip 1kohm 1/16W	RM73B--102J	RR642-650	247 2018 903	Carbon chip 0ohm 1/16W	RM73B--0R0K
				RR651-654	247 2003 989	Carbon chip 33ohm 1/16W	RM73B--330J
RR501	247 2009 909	Carbon chip 4.7kohm 1/16W	RM73B--472J	RR655-657	247 2005 903	Carbon chip 100ohm 1/16W	RM73B--101J
RR502	247 2008 984	Carbon chip 3.9kohm 1/16W	RM73B--392J	RR658-662	247 2018 903	Carbon chip 0ohm 1/16W	RM73B--0R0K
RR503	247 2006 986	Carbon chip 560ohm 1/16W	RM73B--561J	RR663	247 2005 903	Carbon chip 100ohm 1/16W	RM73B--101J
RR504	247 2004 991	Carbon chip 91ohm 1/16W	RM73B--910J	RR664-666	247 2007 943	Carbon chip 1kohm 1/16W	RM73B--102J
RR506	247 2008 900	Carbon chip 1.8kohm 1/16W	RM73B--182J	RR667-675	247 2009 983	Carbon chip 10kohm 1/16W	RM73B--103J
RR507	247 2007 943	Carbon chip 1kohm 1/16W	RM73B--102J	RR676-689	247 2018 903	Carbon chip 0ohm 1/16W	RM73B--0R0K
RR508	247 2012 925	Carbon chip 100kohm 1/16W	RM73B--104J				
RR509-511	247 2007 943	Carbon chip 1kohm 1/16W	RM73B--102J	RR701	247 2005 903	Carbon chip 100ohm 1/16W	RM73B--101J
RR512	247 2009 983	Carbon chip 10kohm 1/16W	RM73B--103J	RR702,703	247 2018 903	Carbon chip 0ohm 1/16W	RM73B--0R0K
RR513	247 2007 943	Carbon chip 1kohm 1/16W	RM73B--102J	RR704	247 2009 983	Carbon chip 10kohm 1/16W	RM73B--103J
RR514,515	247 2009 983	Carbon chip 10kohm 1/16W	RM73B--103J	RR705,706	247 2018 903	Carbon chip 0ohm 1/16W	RM73B--0R0K
RR516	247 2007 943	Carbon chip 1kohm 1/16W	RM73B--102J	RR707	247 2009 983	Carbon chip 10kohm 1/16W	RM73B--103J
RR517	247 2009 967	Carbon chip 8.2kohm 1/16W	RM73B--822J	RR708	247 2018 903	Carbon chip 0ohm 1/16W	RM73B--0R0K
RR518	247 2011 942	Carbon chip 47kohm 1/16W	RM73B--473J	RR709	247 2009 983	Carbon chip 10kohm 1/16W	RM73B--103J
RR519	247 2009 909	Carbon chip 4.7kohm 1/16W	RM73B--472J	RR710-712	247 2018 903	Carbon chip 0ohm 1/16W	RM73B--0R0K
RR520	247 2011 942	Carbon chip 47kohm 1/16W	RM73B--473J	RR713,714	247 2005 903	Carbon chip 100ohm 1/16W	RM73B--101J
RR521	247 2007 943	Carbon chip 1kohm 1/16W	RM73B--102J	RR715,716	247 2018 903	Carbon chip 0ohm 1/16W	RM73B--0R0K
RR522	247 2009 909	Carbon chip 4.7kohm 1/16W	RM73B--472J	RR717	247 2005 903	Carbon chip 100ohm 1/16W	RM73B--101J
RR523	247 2005 945	Carbon chip 150ohm 1/16W	RM73B--151J	RR718	247 2018 903	Carbon chip 0ohm 1/16W	RM73B--0R0K
RR524,525	247 2011 942	Carbon chip 47kohm 1/16W	RM73B--473J	RR719	247 2009 983	Carbon chip 10kohm 1/16W	RM73B--103J
RR526	247 2009 909	Carbon chip 4.7kohm 1/16W	RM73B--472J	RR720-722	247 2018 903	Carbon chip 0ohm 1/16W	RM73B--0R0K
RR527	247 2008 926	Carbon chip 2.2kohm 1/16W	RM73B--222J	RR723	247 2005 903	Carbon chip 100ohm 1/16W	RM73B--101J
RR528-530	247 2007 943	Carbon chip 1kohm 1/16W	RM73B--102J	RR724,725	247 2018 903	Carbon chip 0ohm 1/16W	RM73B--0R0K
RR531	247 2005 929	Carbon chip 120ohm 1/16W	RM73B--121J	RR726	247 2009 983	Carbon chip 10kohm 1/16W	RM73B--103J
RR532	247 2008 968	Carbon chip 3.3kohm 1/16W	RM73B--332J	RR727-729	247 2018 903	Carbon chip 0ohm 1/16W	RM73B--0R0K
RR533,534	247 2009 983	Carbon chip 10kohm 1/16W	RM73B--103J	RR730,731	247 2005 903	Carbon chip 100ohm 1/16W	RM73B--101J
RR535	247 2011 984	Carbon chip 68kohm 1/16W	RM73B--683J	RR732-734	247 2018 903	Carbon chip 0ohm 1/16W	RM73B--0R0K
RR536	247 2010 985	Carbon chip 27kohm 1/16W	RM73B--273J	RR736-741	247 2018 903	Carbon chip 0ohm 1/16W	RM73B--0R0K
RR537	247 2007 943	Carbon chip 1kohm 1/16W	RM73B--102J	RR742,743	247 2009 983	Carbon chip 10kohm 1/16W	RM73B--103J
RR538-556	247 2009 983	Carbon chip 10kohm 1/16W	RM73B--103J	RR744-757	247 2018 903	Carbon chip 0ohm 1/16W	RM73B--0R0K
RR557	247 2018 903	Carbon chip 0ohm 1/16W	RM73B--0R0K	RR758	247 2005 903	Carbon chip 100ohm 1/16W	RM73B--101J
RR558,559	247 2009 983	Carbon chip 10kohm 1/16W	RM73B--103J	RR759	247 2006 960	Carbon chip 470ohm 1/16W	RM73B--471J for EU,EC
RR561-566	247 2018 903	Carbon chip 0ohm 1/16W	RM73B--0R0K				
RR569,570	247 2018 903	Carbon chip 0ohm 1/16W	RM73B--0R0K	RR760-786	247 2018 903	Carbon chip 0ohm 1/16W	RM73B--0R0K
RR579-594	247 2003 989	Carbon chip 33ohm 1/16W	RM73B--330J	RR787-790	235 0130 903	EMI filter (11A121)	for EU,EC
				RR791	247 2009 909	Carbon chip 4.7kohm 1/16W	RM73B--472J for EU,EC
RR601	247 2018 903	Carbon chip 0ohm 1/16W	RM73B--0R0K				
RR602-604	247 2005 903	Carbon chip 100ohm 1/16W	RM73B--101J	RR792,793	235 0130 903	EMI filter (11A121)	for EU,EC
RR605	247 2018 903	Carbon chip 0ohm 1/16W	RM73B--0R0K	RR794	247 2008 926	Carbon chip 2.2kohm 1/16W	RM73B--222J for EU,EC
RR606	247 2003 989	Carbon chip 33ohm 1/16W	RM73B--330J				
RR607-610	247 2005 903	Carbon chip 100ohm 1/16W	RM73B--101J	RR795-797	247 2001 949	Carbon chip 3.3ohm 1/16W	RM73B--3R3K
RR611-619	247 2018 903	Carbon chip 0ohm 1/16W	RM73B--0R0K	RR798	247 2009 983	Carbon chip 10kohm 1/16W	RM73B--103J
RR620,621	247 2003 989	Carbon chip 33ohm 1/16W	RM73B--330J				

Ref. No.	Part No.	Part Name	Remarks	Ref. No.	Part No.	Part Name	Remarks
RR800,801	247 2007 943	Carbon chip 1kohm 1/16W	RM73B--102J	RR927	247 2005 903	Carbon chip 100ohm 1/16W	RM73B--101J
RR802	247 2009 983	Carbon chip 10kohm 1/16W	RM73B--103J	RR931	247 2009 970	Carbon chip 9.1kohm 1/16W	RM73B--912J
RR803	247 2018 903	Carbon chip 0ohm 1/16W	RM73B--0R0K	RR932	247 2008 968	Carbon chip 3.3kohm 1/16W	RM73B--332J
RR804,805	247 2009 983	Carbon chip 10kohm 1/16W	RM73B--103J	RR935	247 2008 968	Carbon chip 3.3kohm 1/16W	RM73B--332J
RR806,807	247 2012 925	Carbon chip 100kohm 1/16W	RM73B--104J	RR936	247 2009 970	Carbon chip 9.1kohm 1/16W	RM73B--912J
RR808-811	247 2018 903	Carbon chip 0ohm 1/16W	RM73B--0R0K	RR938-941	247 2008 968	Carbon chip 3.3kohm 1/16W	RM73B--332J
RR816	257 0509 929	Ceramic chip 1000pF/50V	CK73B1H102K	RR942-945	247 2004 933	Carbon chip 51ohm 1/16W	RM73B--510J
RR820,821	247 2009 970	Carbon chip 9.1kohm 1/16W	RM73B--912J	RR946,947	247 2018 903	Carbon chip 0ohm 1/16W	RM73B--0R0K
RR822	247 2009 983	Carbon chip 10kohm 1/16W	RM73B--103J	RR948	247 2009 983	Carbon chip 10kohm 1/16W	RM73B--103J
RR823,824	247 2008 968	Carbon chip 3.3kohm 1/16W	RM73B--332J	RR949	247 2018 903	Carbon chip 0ohm 1/16W	RM73B--0R0K
RR826	247 2009 983	Carbon chip 10kohm 1/16W	RM73B--103J	RR950,951	247 2007 943	Carbon chip 1kohm 1/16W	RM73B--102J
RR827	247 2005 903	Carbon chip 100ohm 1/16W	RM73B--101J	RR952	247 2009 983	Carbon chip 10kohm 1/16W	RM73B--103J
RR831	247 2009 970	Carbon chip 9.1kohm 1/16W	RM73B--912J	RR954	247 2009 983	Carbon chip 10kohm 1/16W	RM73B--103J
RR832	247 2008 968	Carbon chip 3.3kohm 1/16W	RM73B--332J	RR956,957	247 2012 925	Carbon chip 100kohm 1/16W	RM73B--104J
RR835	247 2008 968	Carbon chip 3.3kohm 1/16W	RM73B--332J	RR959	247 2018 903	Carbon chip 0ohm 1/16W	RM73B--0R0K
RR836	247 2009 970	Carbon chip 9.1kohm 1/16W	RM73B--912J	RR966	257 0509 929	Ceramic chip 1000pF/50V	CK73B1H102K
RR838-841	247 2008 968	Carbon chip 3.3kohm 1/16W	RM73B--332J	RR970,971	247 2009 970	Carbon chip 9.1kohm 1/16W	RM73B--912J
RR842-845	247 2004 933	Carbon chip 51ohm 1/16W	RM73B--510J	RR972	247 2009 983	Carbon chip 10kohm 1/16W	RM73B--103J
RR846,847	247 2018 903	Carbon chip 0ohm 1/16W	RM73B--0R0K	RR973,974	247 2008 968	Carbon chip 3.3kohm 1/16W	RM73B--332J
RR848	247 2009 983	Carbon chip 10kohm 1/16W	RM73B--103J	RR976	247 2009 983	Carbon chip 10kohm 1/16W	RM73B--103J
RR849	247 2018 903	Carbon chip 0ohm 1/16W	RM73B--0R0K	RR977	247 2005 903	Carbon chip 100ohm 1/16W	RM73B--101J
RR850,851	247 2007 943	Carbon chip 1kohm 1/16W	RM73B--102J	RR981	247 2009 970	Carbon chip 9.1kohm 1/16W	RM73B--912J
RR852	247 2009 983	Carbon chip 10kohm 1/16W	RM73B--103J	RR982	247 2008 968	Carbon chip 3.3kohm 1/16W	RM73B--332J
RR854	247 2009 983	Carbon chip 10kohm 1/16W	RM73B--103J	RR985	247 2008 968	Carbon chip 3.3kohm 1/16W	RM73B--332J
RR856,857	247 2012 925	Carbon chip 100kohm 1/16W	RM73B--104J	RR986	247 2009 970	Carbon chip 9.1kohm 1/16W	RM73B--912J
RR859	247 2018 903	Carbon chip 0ohm 1/16W	RM73B--0R0K	RR988-991	247 2008 968	Carbon chip 3.3kohm 1/16W	RM73B--332J
RR866	257 0509 929	Ceramic chip 1000pF/50V	CK73B1H102K	RR992-995	247 2004 933	Carbon chip 51ohm 1/16W	RM73B--510J
RR870,871	247 2009 970	Carbon chip 9.1kohm 1/16W	RM73B--912J	RR996,997	247 2018 903	Carbon chip 0ohm 1/16W	RM73B--0R0K
RR872	247 2009 983	Carbon chip 10kohm 1/16W	RM73B--103J	RR998	247 2009 983	Carbon chip 10kohm 1/16W	RM73B--103J
RR873,874	247 2008 968	Carbon chip 3.3kohm 1/16W	RM73B--332J	RR999	247 2018 903	Carbon chip 0ohm 1/16W	RM73B--0R0K
RR876	247 2009 983	Carbon chip 10kohm 1/16W	RM73B--103J	CAPACITORS GROUP			
RR877	247 2005 903	Carbon chip 100ohm 1/16W	RM73B--101J	C105,106	257 3006 924	Metallized chip 0.01uF/16V	CF73=1C103J (ECHU)
RR881	247 2009 970	Carbon chip 9.1kohm 1/16W	RM73B--912J	C107,108	254 4313 921	Electrolytic 22uF/50V	CE04W1H220M (ASF)
RR882	247 2008 968	Carbon chip 3.3kohm 1/16W	RM73B--332J	C109	257 3006 924	Metallized chip 0.01uF/16V	CF73=1C103J (ECHU)
RR885	247 2008 968	Carbon chip 3.3kohm 1/16W	RM73B--332J	C111,112	254 4313 918	Electrolytic 10uF/50V	CE04W1H100M (ASF)
RR886	247 2009 970	Carbon chip 9.1kohm 1/16W	RM73B--912J	C120-127	255 1273 902	Mylar film 100pF/50V	CQ93M1H101J (B)
RR888-891	247 2008 968	Carbon chip 3.3kohm 1/16W	RM73B--332J	C128-131	257 3011 948	Metallized chip 2200pF/50V	CF73=1H222J (ECHU)
RR892-895	247 2004 933	Carbon chip 51ohm 1/16W	RM73B--510J	C132,133	255 1264 911	Mylar film 1200pF/50V	CQ93M1H122J (B)
RR896,897	247 2018 903	Carbon chip 0ohm 1/16W	RM73B--0R0K	C134-137	254 4313 921	Electrolytic 22uF/50V	CE04W1H220M (ASF)
RR898	247 2009 983	Carbon chip 10kohm 1/16W	RM73B--103J	C138,139	254 4313 963	Electrolytic 1uF/50V	CE04W1H010M (ASF)
RR899	247 2018 903	Carbon chip 0ohm 1/16W	RM73B--0R0K	C151	257 3006 924	Metallized chip 0.01uF/16V	CF73=1C103J (ECHU)
RR900,901	247 2007 943	Carbon chip 1kohm 1/16W	RM73B--102J	C153	257 3006 924	Metallized chip 0.01uF/16V	CF73=1C103J (ECHU)
RR902	247 2009 983	Carbon chip 10kohm 1/16W	RM73B--103J	C154-157	257 3013 933	Metallized chip 0.1uF/50V	CF73=1H104J (ECHUC9)
RR904	247 2009 983	Carbon chip 10kohm 1/16W	RM73B--103J	C205,206	257 3006 924	Metallized chip 0.01uF/16V	CF73=1C103J (ECHU)
RR906,907	247 2012 925	Carbon chip 100kohm 1/16W	RM73B--104J	C207,208	254 4313 921	Electrolytic 22uF/50V	CE04W1H220M (ASF)
RR909	247 2018 903	Carbon chip 0ohm 1/16W	RM73B--0R0K	C209	257 3006 924	Metallized chip 0.01uF/16V	CF73=1C103J (ECHU)
RR916	257 0509 929	Ceramic chip 1000pF/50V	CK73B1H102K	C211,212	254 4313 918	Electrolytic 10uF/50V	CE04W1H100M (ASF)
RR920,921	247 2009 970	Carbon chip 9.1kohm 1/16W	RM73B--912J	C220-227	255 1273 902	Mylar film 100pF/50V	CQ93M1H101J (B)
RR922	247 2009 983	Carbon chip 10kohm 1/16W	RM73B--103J	C228-231	257 3011 948	Metallized chip 2200pF/50V	CF73=1H222J (ECHU)
RR923,924	247 2008 968	Carbon chip 3.3kohm 1/16W	RM73B--332J	C232,233	255 1264 911	Mylar film 1200pF/50V	CQ93M1H122J (B)
RR926	247 2009 983	Carbon chip 10kohm 1/16W	RM73B--103J				

Ref. No.	Part No.	Part Name	Remarks	Ref. No.	Part No.	Part Name	Remarks
C234-237	254 4313 921	Electrolytic 22uF/50V	CE04W1H220M (ASF)	C525-530	257 3006 924	Metallized chip 0.01uF/16V	CF73=1C103J (ECHU)
C238,239	254 4313 963	Electrolytic 1uF/50V	CE04W1H010M (ASF)	C531-541	254 4604 973	Electrolytic 4.7uF/50V	CE67W1H4R7M (P.CAP)
C302	254 4601 934	Electrolytic 100uF/6.3V	CE67W0J101M (P.CAP)	C542	254 4465 921	Electrolytic 10uF/16V	CE67C1C100M
C305,306	257 3006 924	Metallized chip 0.01uF/16V	CF73=1C103J (ECHU)	C554-564	257 0516 909	Ceramic chip 0.022uF/25V	CK73B1E223K
C307,308	254 4313 921	Electrolytic 22uF/50V	CE04W1H220M (ASF)	C565-568	257 3014 987	Metallized chip 0.022uF/16V	CF73=1C223J (ECHUB5)
C309	257 3006 924	Metallized chip 0.01uF/16V	CF73=1C103J (ECHU)	C571	257 3006 911	Metallized chip 0.1uF/16V	CF73=1C104J (ECHU)
C311,312	254 4313 918	Electrolytic 10uF/50V	CE04W1H100M (ASF)	C572-574	257 0516 909	Ceramic chip 0.022uF/25V	CK73B1E223K
C320-327	255 1273 902	Mylar film 100pF/50V	CQ93M1H101J (B)	C575	257 0506 951	Ceramic chip 100pF/50V	CC73CH1H101J
C328	257 3012 921	Metallized chip 0.01uF/50V	CF73=1H103J (ECHU)	C576,577	254 3086 903	Electrolytic 1uF/50V	CE67C1H010MBP (MV)
C329	257 3011 948	Metallized chip 2200pF/50V	CF73=1H222J (ECHU)	C578	257 0509 929	Ceramic chip 1000pF/50V	CK73B1H102K
C330	257 3012 921	Metallized chip 0.01uF/50V	CF73=1H103J (ECHU)	C579	257 0512 903	Ceramic chip 0.1uF/25V	CK73F1E104Z
C331	257 3011 948	Metallized chip 2200pF/50V	CF73=1H222J (ECHU)	C580	254 4464 906	Electrolytic 100uF/6.3V	CE67C0J101M
C332	255 1265 936	Mylar film 0.01uF/50V	CQ93M1H103J (B)	C581	254 4465 921	Electrolytic 10uF/16V	CE67C1C100M
C333	255 1264 911	Mylar film 1200pF/50V	CQ93M1H122J (B)	C582	257 0501 901	Ceramic chip 0.01uF/50V	CK73B1H103K
C334-337	254 4313 921	Electrolytic 22uF/50V	CE04W1H220M (ASF)	C583	254 4465 921	Electrolytic 10uF/16V	CE67C1C100M
C338,339	254 4313 963	Electrolytic 1uF/50V	CE04W1H010M (ASF)	C584	257 0506 922	Ceramic chip 75pF/50V	CC73CH1H750J
C402	254 4601 934	Electrolytic 100uF/6.3V	CE67W0J101M (P.CAP)	C585	254 3084 921	Electrolytic 22uF/16V	CE67C1C220MBP
C405,406	257 3006 924	Metallized chip 0.01uF/16V	CF73=1C103J (ECHU)	C586,587	257 0501 901	Ceramic chip 0.01uF/50V	CK73B1H103K
C407,408	254 4313 921	Electrolytic 22uF/50V	CE04W1H220M (ASF)	C588,589	257 0512 903	Ceramic chip 0.1uF/25V	CK73F1E104Z
C409	257 3006 924	Metallized chip 0.01uF/16V	CF73=1C103J (ECHU)	C590-592	257 0516 909	Ceramic chip 0.022uF/25V	CK73B1E223K
C411,412	254 4313 918	Electrolytic 10uF/50V	CE04W1H100M (ASF)	C593	257 0503 967	Ceramic chip 15pF/50V	CC73CH1H150J
C420-427	255 1273 902	Mylar film 100pF/50V	CQ93M1H101J (B)	C595	257 0516 909	Ceramic chip 0.022uF/25V	CK73B1E223K
C428-431	257 3011 948	Metallized chip 2200pF/50V	CF73=1H222J (ECHU)	C596	254 4465 921	Electrolytic 10uF/16V	CE67C1C100M
C432,433	255 1264 911	Mylar film 1200pF/50V	CQ93M1H122J (B)	C597	257 0516 909	Ceramic chip 0.022uF/25V	CK73B1E223K
C434-437	254 4313 921	Electrolytic 22uF/50V	CE04W1H220M (ASF)	C598	257 0512 903	Ceramic chip 0.1uF/25V	CK73F1E104Z
C438,439	254 4313 963	Electrolytic 1uF/50V	CE04W1H010M (ASF)	C599	254 3084 921	Electrolytic 22uF/16V	CE67C1C220MBP
C441	254 4601 918	Electrolytic 470uF/6.3V	CE67W0J471M (P.CAP)	C600	257 3011 919	Metallized chip 1000pF/50V	CF73=1H102J (ECHU)
C444,445	257 0511 904	Ceramic chip 0.01uF/50V	CK73F1H103Z	C601	257 3006 911	Metallized chip 0.1uF/16V	CF73=1C104J (ECHU)
C446	254 4601 918	Electrolytic 470uF/6.3V	CE67W0J471M (P.CAP)	C602	257 3014 929	Metallized chip 4700pF/25V	CF73=1C472J (ECHU)
C450-457	257 3011 919	Metallized chip 1000pF/50V	CF73=1H102J (ECHU)	C603	254 4603 958	Electrolytic 100uF/25V	CE67W1E101M (P.CAP)
C458,459	257 0509 929	Ceramic chip 1000pF/50V	CK73B1H102K for EU,EC	C604-606	254 4464 906	Electrolytic 100uF/6.3V	CE67C0J101M
C460-465	257 3011 919	Metallized chip 1000pF/50V	CF73=1H102J (ECHU) for EU,EC	C613,614	257 0512 903	Ceramic chip 0.1uF/25V	CK73F1E104Z
C466,467	257 3006 924	Metallized chip 0.01uF/16V	CF73=1C103J (ECHU)	C625	257 3011 919	Metallized chip 1000pF/50V	CF73=1H102J (ECHU)
C468,469	254 4601 918	Electrolytic 470uF/6.3V	CE67W0J471M (P.CAP)	C626	257 3006 911	Metallized chip 0.1uF/16V	CF73=1C104J (ECHU)
C471,472	254 4601 934	Electrolytic 100uF/6.3V	CE67W0J101M (P.CAP)	C627	257 3014 929	Metallized chip 4700pF/25V	CF73=1C472J (ECHU)
C475,476	254 4601 934	Electrolytic 100uF/6.3V	CE67W0J101M (P.CAP)	C628	254 4603 958	Electrolytic 100uF/25V	CE67W1E101M (P.CAP)
C485-493	257 3014 987	Metallized chip 0.022uF/16V	CF73=1C223J (ECHUB5)	C641	257 0516 909	Ceramic chip 0.022uF/25V	CK73B1E223K
C506-513	257 3006 924	Metallized chip 0.01uF/16V	CF73=1C103J (ECHU)	C642	254 4465 921	Electrolytic 10uF/16V	CE67C1C100M
C514	254 4465 921	Electrolytic 10uF/16V	CE67C1C100M	C644	254 4465 921	Electrolytic 10uF/16V	CE67C1C100M
C515	257 3006 924	Metallized chip 0.01uF/16V	CF73=1C103J (ECHU)	C646,647	257 0516 909	Ceramic chip 0.022uF/25V	CK73B1E223K
C516	257 3006 911	Metallized chip 0.1uF/16V	CF73=1C104J (ECHU)	C648	254 4465 921	Electrolytic 10uF/16V	CE67C1C100M
C517	257 3006 924	Metallized chip 0.01uF/16V	CF73=1C103J (ECHU)	C649	257 0516 909	Ceramic chip 0.022uF/25V	CK73B1E223K
C519	257 3006 924	Metallized chip 0.01uF/16V	CF73=1C103J (ECHU)	C650	257 3011 919	Metallized chip 1000pF/50V	CF73=1H102J (ECHU)
C521	257 3006 924	Metallized chip 0.01uF/16V	CF73=1C103J (ECHU)	C651	257 3006 911	Metallized chip 0.1uF/16V	CF73=1C104J (ECHU)
C523	257 3006 924	Metallized chip 0.01uF/16V	CF73=1C103J (ECHU)	C652	257 3014 929	Metallized chip 4700pF/25V	CF73=1C472J (ECHU)
C524	257 3006 911	Metallized chip 0.1uF/16V	CF73=1C104J (ECHU)	C653	254 4603 958	Electrolytic 100uF/25V	CE67W1E101M (P.CAP)
				C675	257 3011 919	Metallized chip 1000pF/50V	CF73=1H102J (ECHU)
				C676	257 3006 911	Metallized chip 0.1uF/16V	CF73=1C104J (ECHU)
				C677	257 3014 929	Metallized chip 4700pF/25V	CF73=1C472J (ECHU)
				C678	254 4603 958	Electrolytic 100uF/25V	CE67W1E101M (P.CAP)
				C681	257 0509 929	Ceramic chip 1000pF/50V	CK73B1H102K

Ref. No.	Part No.	Part Name	Remarks	Ref. No.	Part No.	Part Name	Remarks
C682	257 0512 903	Ceramic chip 0.1uF/25V	CK73F1E104Z	C820,821	257 3011 919	Metallized chip 1000pF/50V	CF73=1H102J (ECHU)
C683	254 4465 921	Electrolytic 10uF/16V	CE67C1C100M	C822,823	254 4465 921	Electrolytic 10uF/16V	CE67C1C100M
C686	254 4471 902	Electrolytic 4.7uF/35V	CE67C1V4R7M	C824,825	257 3011 919	Metallized chip 1000pF/50V	CF73=1H102J (ECHU)
C687	254 4465 921	Electrolytic 10uF/16V	CE67C1C100M	C826	254 4465 921	Electrolytic 10uF/16V	CE67C1C100M
C688-691	257 0512 903	Ceramic chip 0.1uF/25V	CK73F1E104Z	C828	257 3011 919	Metallized chip 1000pF/50V	CF73=1H102J (ECHU)
				C832	257 3011 919	Metallized chip 1000pF/50V	CF73=1H102J (ECHU)
C701,702	257 0512 903	Ceramic chip 0.1uF/25V	CK73F1E104Z	C833	254 4465 921	Electrolytic 10uF/16V	CE67C1C100M
C703	254 4464 906	Electrolytic 100uF/6.3V	CE67C0J101M	C853	254 4465 921	Electrolytic 10uF/16V	CE67C1C100M
C704,705	257 0504 908	Ceramic chip 22pF/50V	CC73CH1H220J	C855	254 4465 921	Electrolytic 10uF/16V	CE67C1C100M
C706-713	257 0512 903	Ceramic chip 0.1uF/25V	CK73F1E104Z	C858-861	257 3010 907	Metallized chip 100pF/50V	CF73=1H101J (ECHU)
C716,717	257 3014 987	Metallized chip 0.022uF/16V	CF73=1C223J (ECHUB5)	C862,863	257 3011 919	Metallized chip 1000pF/50V	CF73=1H102J (ECHU)
C718,719	257 0512 903	Ceramic chip 0.1uF/25V	CK73F1E104Z	C868,869	254 4465 921	Electrolytic 10uF/16V	CE67C1C100M
C720	254 4465 921	Electrolytic 10uF/16V	CE67C1C100M	C870,871	257 3011 919	Metallized chip 1000pF/50V	CF73=1H102J (ECHU)
C721	254 4601 905	Electrolytic 330uF/6.3V	CE67W0J331M (P.CAP)	C872,873	254 4465 921	Electrolytic 10uF/16V	CE67C1C100M
C722	254 4465 921	Electrolytic 10uF/16V	CE67C1C100M	C874,875	257 3011 919	Metallized chip 1000pF/50V	CF73=1H102J (ECHU)
C723	257 0512 903	Ceramic chip 0.1uF/25V	CK73F1E104Z	C876	254 4465 921	Electrolytic 10uF/16V	CE67C1C100M
C724	254 4601 905	Electrolytic 330uF/6.3V	CE67W0J331M (P.CAP)	C878	257 3011 919	Metallized chip 1000pF/50V	CF73=1H102J (ECHU)
C725	254 4465 921	Electrolytic 10uF/16V	CE67C1C100M	C882	257 3011 919	Metallized chip 1000pF/50V	CF73=1H102J (ECHU)
C726-730	257 0512 903	Ceramic chip 0.1uF/25V	CK73F1E104Z	C883	254 4465 921	Electrolytic 10uF/16V	CE67C1C100M
C731	254 4464 906	Electrolytic 100uF/6.3V	CE67C0J101M	C884,885	257 0516 909	Ceramic chip 0.022uF/25V	CK73B1E223K
C732,733	257 0503 967	Ceramic chip 15pF/50V	CC73CH1H150J				
C734,735	257 0512 903	Ceramic chip 0.1uF/25V	CK73F1E104Z	C903	254 4465 921	Electrolytic 10uF/16V	CE67C1C100M
C736	254 4464 906	Electrolytic 100uF/6.3V	CE67C0J101M	C904	257 3006 924	Metallized chip 0.01uF/16V	CF73=1C103J (ECHU)
C737	257 0512 903	Ceramic chip 0.1uF/25V	CK73F1E104Z	C905	254 4465 921	Electrolytic 10uF/16V	CE67C1C100M
C739	254 4465 921	Electrolytic 10uF/16V	CE67C1C100M	C906,907	257 3006 924	Metallized chip 0.01uF/16V	CF73=1C103J (ECHU)
C741	254 4465 921	Electrolytic 10uF/16V	CE67C1C100M	C908-911	257 3010 907	Metallized chip 100pF/50V	CF73=1H101J (ECHU)
C742	257 0512 903	Ceramic chip 0.1uF/25V	CK73F1E104Z	C912,913	257 3011 919	Metallized chip 1000pF/50V	CF73=1H102J (ECHU)
C744	254 4465 921	Electrolytic 10uF/16V	CE67C1C100M	C918,919	254 4465 921	Electrolytic 10uF/16V	CE67C1C100M
C746	254 4465 921	Electrolytic 10uF/16V	CE67C1C100M	C920,921	257 3011 919	Metallized chip 1000pF/50V	CF73=1H102J (ECHU)
C747	257 0512 903	Ceramic chip 0.1uF/25V	CK73F1E104Z	C922,923	254 4465 921	Electrolytic 10uF/16V	CE67C1C100M
C748	254 4471 902	Electrolytic 4.7uF/35V	CE67C1V4R7M	C924,925	257 3011 919	Metallized chip 1000pF/50V	CF73=1H102J (ECHU)
C749,750	257 0516 909	Ceramic chip 0.022uF/25V	CK73B1E223K	C926	254 4465 921	Electrolytic 10uF/16V	CE67C1C100M
C751	257 0512 903	Ceramic chip 0.1uF/25V	CK73F1E104Z	C928	257 3011 919	Metallized chip 1000pF/50V	CF73=1H102J (ECHU)
C752	259 0007 003	Back up cap. 8200uF/5.5V	SB CAP==822=	C932	257 3011 919	Metallized chip 1000pF/50V	CF73=1H102J (ECHU)
C753	254 4465 934	Electrolytic 220uF/16V	CE67C1C221M	C933	254 4465 921	Electrolytic 10uF/16V	CE67C1C100M
C754	254 4465 921	Electrolytic 10uF/16V	CE67C1C100M	C953	254 4465 921	Electrolytic 10uF/16V	CE67C1C100M
C766	257 0516 909	Ceramic chip 0.022uF/25V	CK73B1E223K	C955	254 4465 921	Electrolytic 10uF/16V	CE67C1C100M
C768	257 0516 909	Ceramic chip 0.022uF/25V	CK73B1E223K	C958-961	257 3010 907	Metallized chip 100pF/50V	CF73=1H101J (ECHU)
C793,794	247 2018 903	Carbon chip 0ohm 1/16W	RM73B--0R0K	C962,963	257 3011 919	Metallized chip 1000pF/50V	CF73=1H102J (ECHU)
C795	257 0509 929	Ceramic chip 1000pF/50V	CK73B1H102K	C968,969	254 4465 921	Electrolytic 10uF/16V	CE67C1C100M
C799	257 0512 903	Ceramic chip 0.1uF/25V	CK73F1E104Z	C970,971	257 3011 919	Metallized chip 1000pF/50V	CF73=1H102J (ECHU)
				C972,973	254 4465 921	Electrolytic 10uF/16V	CE67C1C100M
C801	257 3013 904	Metallized chip 0.056uF/50V	CF73=1H563J (ECHUC9)	C974,975	257 3011 919	Metallized chip 1000pF/50V	CF73=1H102J (ECHU)
C802	257 3013 933	Metallized chip 0.1uF/50V	CF73=1H104J (ECHUC9)	C976	254 4465 921	Electrolytic 10uF/16V	CE67C1C100M
C803	254 4465 921	Electrolytic 10uF/16V	CE67C1C100M	C978	257 3011 919	Metallized chip 1000pF/50V	CF73=1H102J (ECHU)
C804	257 3012 934	Metallized chip 0.012uF/50V	CF73=1H123J (ECHU)	C981	254 4465 921	Electrolytic 10uF/16V	CE67C1C100M
C805	254 4465 921	Electrolytic 10uF/16V	CE67C1C100M	C982	257 3011 919	Metallized chip 1000pF/50V	CF73=1H102J (ECHU)
C806	254 3086 903	Electrolytic 1uF/50V	CE67C1H010MBP (MV)	C983	254 4465 921	Electrolytic 10uF/16V	CE67C1C100M
C807	254 4465 921	Electrolytic 10uF/16V	CE67C1C100M				
C808-811	257 3010 907	Metallized chip 100pF/50V	CF73=1H101J (ECHU)				
C812,813	257 3011 919	Metallized chip 1000pF/50V	CF73=1H102J (ECHU)				
C818,819	254 4465 921	Electrolytic 10uF/16V	CE67C1C100M				

Ref. No.	Part No.	Part Name	Remarks	Q'ty	Ref. No.	Part No.	Part Name	Remarks	Q'ty
OTHER PARTS GROUP									
CW945	203 6578 009	4P SAN-SAN connector cord		1	FB808,809	235 0130 903	EMI filter (11A121)		2
CX030	205 0343 032	3P connector base (KR-PH)		1	FB812,813	235 0130 903	EMI filter (11A121)		2
CX043	205 0343 045	4P connector base (KR-PH)		1	FB821	235 0049 900	Beads inductor		1
CX045	205 0321 041	4P connector base (RED)		1	FB858,859	235 0130 903	EMI filter (11A121)		2
CX046	205 0343 045	4P connector base (KR-PH)		1	FB862,863	235 0130 903	EMI filter (11A121)		2
CX104,105	205 0375 000	10P connector base (KR-PH)		2	FB908-913	235 0130 903	EMI filter (11A121)		6
CX108	205 0375 000	10P connector base (KR-PH)		1	FB958,959	235 0130 903	EMI filter (11A121)		2
CX111	205 0375 013	11P connector base (KR-PH)	for EU,EC	1	FB962,963	235 0130 903	EMI filter (11A121)		2
CX112	205 0375 013	11P connector base (KR-PH)		1	JK101	204 8648 008	1P pin jack (F-GNDAU)		1
CX122	205 0375 026	12P connector base (KR-PH)		1	JK103	205 1222 000	RJ-45 jack (GND)		1
CX126	205 0375 026	12P connector base (KR-PH)		1	JK104	204 8645 001	4P pin jack (F-GNDAU)		1
CX131	205 0375 039	13P connector base (KR-PH)		1	JK251	204 8517 003	1P pin jack (S-GND)		1
CX141	205 0375 042	14P connector base (KR-PH)		1	L501	261 0152 003	2.88M band pass filter		1
CX144	205 0375 042	14P connector base (KR-PH)		1	L502	235 0070 953	Inductor 68uH		1
CX291,292	205 0736 034	29P FFC connector base		2	RL101,102	214 0222 908	Relay (EE2-24N35)		2
CX871	205 0343 074	7P connector base (KR-PH)		1	RL201,202	214 0222 908	Relay (EE2-24N35)		2
CX975	205 0321 070	7P connector base (RED)		1	RL301	214 0222 908	Relay (EE2-24N35)		1
CX982	205 0343 087	8P connector base (KR-PH)		1	RL801	214 0222 908	Relay (EE2-24N35)		1
CY067	205 0343 061	6P connector base (KR-PH)		1	S701	212 0474 909	5P DIP switch		1
CY073	205 0343 074	7P connector base (KR-PH)		1	S702	212 4807 909	Tact switch		1
CY301	205 1226 909	30P connector base (AXN3) S		1	S703	212 0475 908	2P DIP switch		1
CY401	205 1226 912	40P connector base (AXN3) S		1	S704	212 4807 909	Tact switch		1
FB101-103	247 0040 902	Carbon chip 0ohm 1/10W	RM73B--0R0K (ATD)	3	ST102,103	205 0452 017	Style pin		2
FB104,105	247 2018 903	Carbon chip 0ohm 1/16W	RM73B--0R0K	2	ST105	205 0452 017	Style pin		1
FB106	247 0040 902	Carbon chip 0ohm 1/10W	RM73B--0R0K (ATD)	1	X501	399 0783 900	Crystal 18.432MHz		1
FB107,108	247 2018 903	Carbon chip 0ohm 1/16W	RM73B--0R0K	2	X701	399 0796 900	Crystal 10MHz		1
FB109	247 0040 902	Carbon chip 0ohm 1/10W	RM73B--0R0K (ATD)	1	X702	399 0782 901	Crystal 15MHz		1
FB110,111	247 2018 903	Carbon chip 0ohm 1/16W	RM73B--0R0K	2		001 0128 024	Vinyl wire		1
FB112	247 0040 902	Carbon chip 0ohm 1/10W	RM73B--0R0K (ATD)	1		417 0532 006	Radiator		2
FB113,114	235 0147 909	EMI filter	BLM21PG221SN1	2		473 7002 018	Screw 3x8 CBTS (S)-Z		2
FB121-124	235 0130 903	EMI filter (11A121)		4					
FB221-224	235 0130 903	EMI filter (11A121)		4					
FB321-324	235 0130 903	EMI filter (11A121)		4					
FB421-424	235 0130 903	EMI filter (11A121)		4					
FB565-567	235 0147 909	EMI filter	BLM21PG221SN1	3					
FB601-603	235 0130 903	EMI filter (11A121)		3					
FB701-704	235 0130 903	EMI filter (11A121)		4					
FB705,706	235 0147 909	EMI filter	BLM21PG221SN1	2					
FB707-710	235 0130 903	EMI filter (11A121)		4					
FB714-729	235 0147 909	EMI filter	BLM21PG221SN1	16					
FB730	235 0130 903	EMI filter (11A121)	for EU,EC	1					
FB731-733	235 0147 909	EMI filter	BLM21PG221SN1	3					
			for EU,EC						
FB735-745	235 0147 909	EMI filter	BLM21PG221SN1	11					
FB746	235 0130 903	EMI filter (11A121)		1					
FB747-750	235 0147 909	EMI filter	BLM21PG221SN1	4					
FB800	235 0130 903	EMI filter (11A121)		1					
FB802	235 0130 903	EMI filter (11A121)		1					

1U-3426 DSP P.W.B. UNIT ASS'Y

Ref. No.	Part No.	Part Name	Remarks	Ref. No.	Part No.	Part Name	Remarks
SEMICONDUCTORS GROUP				CAPACITORS GROUP			
IC801	262 3070 004	IC ADSP-21161N		C801	257 5009 974	Ceramic chip 0.1uF/16V	CK73F1C104Z
IC802	262 2729 903	IC SN74LV02APW		C802	257 5006 993	Ceramic chip 1000pF/50V	CK73B1H102K
IC803,804	262 2642 909	IC SN74LV573APW		C803	254 4603 916	Electrolytic 10uF/25V	CE67W1E100M (P.CAP)
IC805	262 3071 003	IC M29W160DB90N1		C804	257 5009 974	Ceramic chip 0.1uF/16V	CK73F1C104Z
IC806	262 2916 004	IC 64M SDRAM		C805	257 5006 993	Ceramic chip 1000pF/50V	CK73B1H102K
IC808	262 3063 901	IC FCX0-03 (25.000MHz)		C806	254 4614 905	Electrolytic 220uF/6.3V	CA67C0J221M (SVP)
IC901	262 3070 004	IC ADSP-21161N		C807-809	257 5009 974	Ceramic chip 0.1uF/16V	CK73F1C104Z
IC902	262 2729 903	IC SN74LV02APW		C810-812	257 5006 993	Ceramic chip 1000pF/50V	CK73B1H102K
IC903,904	262 2642 909	IC SN74LV573APW		C813	254 4601 918	Electrolytic 470uF/6.3V	CE67W0J471M (P.CAP)
IC905	262 3071 003	IC M29W160DB90N1		C814-819	257 5009 932	Ceramic chip 0.022uF/25V	CK73F1E223Z
IC906	262 2916 004	IC 64M SDRAM		C820	257 5009 974	Ceramic chip 0.1uF/16V	CK73F1C104Z
D801	276 0750 902	Diode RB521S-30		C821	257 5006 993	Ceramic chip 1000pF/50V	CK73B1H102K
D901	276 0750 902	Diode RB521S-30		C822	254 4603 916	Electrolytic 10uF/25V	CE67W1E100M (P.CAP)
RESISTORS GROUP				OTHER PARTS GROUP			
R601-645	247 3001 906	Carbon chip 0ohm 1/16W	RM73B--0R0K	CX301	205 1227 908	30P connector base (AXN4) H	1
R646	247 3006 985	Carbon chip 220ohm 1/16W	RM73B--221J	CX401	205 1227 911	40P connector base (AXN4) H	1
R647-688	247 3001 906	Carbon chip 0ohm 1/16W	RM73B--0R0K	S801	212 4807 909	Tact switch	1
R701-745	247 3001 906	Carbon chip 0ohm 1/16W	RM73B--0R0K	S901	212 4807 909	Tact switch	1
R746	247 3006 985	Carbon chip 220ohm 1/16W	RM73B--221J				
R747-788	247 3001 906	Carbon chip 0ohm 1/16W	RM73B--0R0K				
R800	247 3015 963	Carbon chip 1Mohm 1/16W	RM73B--105K				
R801-803	247 3002 947	Carbon chip 3.3ohm 1/16W	RM73B--3R3K				
R804	247 3015 963	Carbon chip 1Mohm 1/16W	RM73B--105K				
R806,807	247 3015 963	Carbon chip 1Mohm 1/16W	RM73B--105K				
R808-810	247 3010 900	Carbon chip 4.7kohm 1/16W	RM73B--472J				
R811,812	247 3015 963	Carbon chip 1Mohm 1/16W	RM73B--105K				
R813	247 3010 900	Carbon chip 4.7kohm 1/16W	RM73B--472J				
R814	247 3015 963	Carbon chip 1Mohm 1/16W	RM73B--105K				
R815	247 3010 900	Carbon chip 4.7kohm 1/16W	RM73B--472J				
R816	247 3001 906	Carbon chip 0ohm 1/16W	RM73B--0R0K				
R818-830	247 3001 906	Carbon chip 0ohm 1/16W	RM73B--0R0K				
R832	247 3010 900	Carbon chip 4.7kohm 1/16W	RM73B--472J				
R833-837	247 3001 906	Carbon chip 0ohm 1/16W	RM73B--0R0K				
R838	247 3012 940	Carbon chip 47kohm 1/16W	RM73B--473J				
R843-845	247 3010 984	Carbon chip 10kohm 1/16W	RM73B--103J				
R846	247 3001 906	Carbon chip 0ohm 1/16W	RM73B--0R0K				
R847-852	247 3010 984	Carbon chip 10kohm 1/16W	RM73B--103J				
R854	247 3010 984	Carbon chip 10kohm 1/16W	RM73B--103J				
R859,860	247 3001 906	Carbon chip 0ohm 1/16W	RM73B--0R0K				
R862,863	247 3001 906	Carbon chip 0ohm 1/16W	RM73B--0R0K				
R864,865	247 3005 928	Carbon chip 47ohm 1/16W	RM73B--470J				
R867	247 3010 984	Carbon chip 10kohm 1/16W	RM73B--103J				
R868-870	247 3009 953	Carbon chip 3kohm 1/16W	RM73B--302J				
R900	247 3015 963	Carbon chip 1Mohm 1/16W	RM73B--105K				

1U-3292G/3292H/3292M FRONT P.W.B. UNIT ASS'Y

Ref. No.	Part No.	Part Name	Remarks	Ref. No.	Part No.	Part Name	Remarks
SEMICONDUCTORS GROUP				CAPACITORS GROUP			
IC101	262 1911 903	IC M66313FP		R201,202	247 2006 986	Carbon chip 560ohm 1/16W	RM73B--561J
IC102	262 2549 002	IC LC75721E		R301-304	247 2006 960	Carbon chip 470ohm 1/16W	RM73B--471J
IC401	499 0290 007	Remocon sensor GP1U271X		R305-308	247 2002 964	Carbon chip 10ohm 1/16W	RM73B--100J
TR101	269 0055 900	Transistor DTA144EK		R309-312	247 2015 964	Carbon chip 2.7Mohm 1/16W	RM73B--275K
TR102	269 0054 901	Transistor DTC144EK		R317	247 2018 903	Carbon chip 0ohm 1/16W	RM73B--0R0K
TR103	269 0055 900	Transistor DTA144EK		R401,402	247 2009 909	Carbon chip 4.7kohm 1/16W	RM73B--472J
TR104	269 0054 901	Transistor DTC144EK		R403,404	247 2005 903	Carbon chip 100ohm 1/16W	RM73B--101J
TR105	269 0055 900	Transistor DTA144EK		R405,406	247 2009 909	Carbon chip 4.7kohm 1/16W	RM73B--472J
TR106	269 0054 901	Transistor DTC144EK		R407,408	247 2005 903	Carbon chip 100ohm 1/16W	RM73B--101J
TR401	269 0055 900	Transistor DTA144EK		R409	247 2005 974	Carbon chip 200ohm 1/16W	RM73B--201J
D101-103	276 0559 909	Diode DAP202K		R410	247 2006 928	Carbon chip 300ohm 1/16W	RM73B--301J
ZD101	276 0683 914	Zener diode UDZS9.1B		R411	247 2006 973	Carbon chip 510ohm 1/16W	RM73B--511J
ZD102,103	276 0694 932	Zener diode UDZ6.8B		R412	247 2007 943	Carbon chip 1kohm 1/16W	RM73B--102J
LD102-114	393 9434 906	LED SEL1210S	Red	R413	247 2008 955	Carbon chip 3kohm 1/16W	RM73B--302J
LD115,116	393 9452 904	LED SEL1410E	Green	R414	247 2005 974	Carbon chip 200ohm 1/16W	RM73B--201J
LD121	393 9434 906	LED SEL1210S	Red	R415	247 2006 928	Carbon chip 300ohm 1/16W	RM73B--301J
LD122	393 9584 908	LED SEL2E10C	Blue	R416	247 2006 973	Carbon chip 510ohm 1/16W	RM73B--511J
LD123-127	393 9434 906	LED SEL1210S	Red	R417	247 2007 943	Carbon chip 1kohm 1/16W	RM73B--102J
LD128-130	393 9452 904	LED SEL1410E	Green	R418	247 2008 955	Carbon chip 3kohm 1/16W	RM73B--302J
LD401	393 9408 903	LED SEL-4214S	Red	R419	247 2005 974	Carbon chip 200ohm 1/16W	RM73B--201J
FL101	393 8033 007	FLD (CM1690C)		R420	247 2006 928	Carbon chip 300ohm 1/16W	RM73B--301J
RESISTORS GROUP				R421	247 2006 973	Carbon chip 510ohm 1/16W	RM73B--511J
R101-111	247 2006 986	Carbon chip 560ohm 1/16W	RM73B--561J	R422	247 2007 943	Carbon chip 1kohm 1/16W	RM73B--102J
R112,113	247 2006 960	Carbon chip 470ohm 1/16W	RM73B--471J	R423	247 2008 955	Carbon chip 3kohm 1/16W	RM73B--302J
R114	247 2010 956	Carbon chip 20kohm 1/16W	RM73B--203J	R426,427	247 2005 903	Carbon chip 100ohm 1/16W	RM73B--101J
R115-130	247 2011 984	Carbon chip 68kohm 1/16W	RM73B--683J	R428	247 2008 913	Carbon chip 2kohm 1/16W	RM73B--202J
R131,132	247 2011 942	Carbon chip 47kohm 1/16W	RM73B--473J	R429	247 2008 955	Carbon chip 3kohm 1/16W	RM73B--302J
R133-146	247 2011 984	Carbon chip 68kohm 1/16W	RM73B--683J	R430	247 2005 903	Carbon chip 100ohm 1/16W	RM73B--101J
R147-149	247 2009 983	Carbon chip 10kohm 1/16W	RM73B--103J	R431,432	247 2006 999	Carbon chip 620ohm 1/16W	RM73B--621J
R150-162	247 2011 984	Carbon chip 68kohm 1/16W	RM73B--683J	R951	247 2005 903	Carbon chip 100ohm 1/16W	RM73B--101J
R163-166	247 2007 943	Carbon chip 1kohm 1/16W	RM73B--102J	RR425,426	247 2009 909	Carbon chip 4.7kohm 1/16W	RM73B--472J
R170-177	247 2011 984	Carbon chip 68kohm 1/16W	RM73B--683J	RR431	247 2018 903	Carbon chip 0ohm 1/16W	RM73B--0R0K
R178	247 2011 942	Carbon chip 47kohm 1/16W	RM73B--473J	CAPACITORS GROUP			
R179	247 2009 983	Carbon chip 10kohm 1/16W	RM73B--103J	C101	257 0512 903	Ceramic chip 0.1uF/25V	CK73F1E104Z
R182	247 2010 956	Carbon chip 20kohm 1/16W	RM73B--203J	C102	254 4538 900	Electrolytic 10uF/16V	CE04W1C100M (SMG/RE3)
R183,184	247 2005 903	Carbon chip 100ohm 1/16W	RM73B--101J	C105	257 0512 903	Ceramic chip 0.1uF/25V	CK73F1E104Z
R185,186	247 2009 909	Carbon chip 4.7kohm 1/16W	RM73B--472J	C106	257 0509 929	Ceramic chip 1000pF/50V	CK73B1H102K
R187	247 2007 927	Carbon chip 820ohm 1/16W	RM73B--821J	C109	254 4525 926	Electrolytic 100uF/50V	CE04W1H101M (SMG/RE3)
R188	247 2006 973	Carbon chip 510ohm 1/16W	RM73B--511J	C110	257 0511 904	Ceramic chip 0.01uF/50V	CK73F1H103Z
R189-194	247 2007 927	Carbon chip 820ohm 1/16W	RM73B--821J	C111	254 4533 947	Electrolytic 330uF/6.3V	CE04W0J331M (SMG/RE3)
R196,197	247 2006 960	Carbon chip 470ohm 1/16W	RM73B--471J	C112	257 0504 937	Ceramic chip 30pF/50V	CC73CH1H300J
R199	247 2018 903	Carbon chip 0ohm 1/16W	RM73B--0R0K	C114,115	257 0501 901	Ceramic chip 0.01uF/50V	CK73B1H103K
				C116	257 0511 904	Ceramic chip 0.01uF/50V	CK73F1H103Z
				C117	254 4536 928	Electrolytic 100uF/10V	CE04W1A101M (SMG/RE3)
				C119	256 1058 971	Metallized 0.1uF/50V	CF93A1H104J (JL)
				C310	254 4524 943	Electrolytic 1uF/50V	CE04W1H010M (SMG/RE3)

1U-3460(1U-3294G)/3460A REG. & SP P.W.B. UNIT ASS'Y

Ref. No.	Part No.	Part Name	Remarks		Ref. No.	Part No.	Part Name	Remarks
C311,312	257 0511 917	Ceramic chip 0.022uF/50V	CK73F1H223Z for E2,E1,E1C,EUT		SEMICONDUCTORS GROUP			
C401-404	257 0501 901	Ceramic chip 0.01uF/50V	CK73B1H103K		IC302	263 0809 006	IC NJM7805FA (S)	
C406,407	257 0501 901	Ceramic chip 0.01uF/50V	CK73B1H103K		IC304	263 1048 002	IC BA033T	
C408	254 4305 968	Electrolytic 1uF/50V	CE04W1H010M (SRE)		IC306	263 0809 006	IC NJM7805FA (S)	
C411	257 0511 904	Ceramic chip 0.01uF/50V	CK73F1H103Z for EU,EC		IC307	263 0554 005	IC NJM7905FA	
C953	257 0511 904	Ceramic chip 0.01uF/50V	CK73F1H103Z		IC312	263 0812 006	IC NJM7815FA (S)	
C957	256 1058 971	Metallized 0.1uF/50V	CF93A1H104J (JL)		IC313	263 0561 001	IC NJM7915FA	
OTHER PARTS GROUP				Q'ty	TR313	273 0303 910	Transistor 2SC1740S (S)	
△ AC601	203 3946 003	AC outlet (POLARIZED)	for EU,EC,EUT	1	TR315	273 0303 910	Transistor 2SC1740S (S)	
CW074	204 2930 000	8P KR-DA connector cord		1	TR317	273 0303 910	Transistor 2SC1740S (S)	
CW103	204 2845 001	10P KR-DA connector cord		1	TR318	271 0192 905	Transistor 2SA933S (S)	
CX033	205 0355 033	3P KR connector base (L)	for EU,EC	1	TR319	271 0117 906	Transistor 2SA1020 (Y)	
CX074	205 0343 087	8P connector base (KR-PH)		1	TR322	271 0117 906	Transistor 2SA1020 (Y)	
CX103	205 0375 000	10P connector base (KR-PH)		1	TR324	271 0117 906	Transistor 2SA1020 (Y)	
CY021	205 1093 006	2P VH connector base	for E2,E1,E1C,EUT	1	TR325	273 0212 904	Transistor 2SC2655 (Y)	
CY025	205 0581 001	2P VH connector base	for EU,EC,EUT	1	TR326-328	269 0020 906	Transistor DTC114ES (10K-10K)	
CY033	203 4834 088	3P KR-DA connector cord	for EU,EC	1	TR501	273 0303 910	Transistor 2SC1740S (S)	
CY041	205 0343 045	4P connector base (KR-PH)		1	D305	276 0432 903	Diode 1SS270A	
CY127	205 0375 026	12P connector base (KR-PH)		1	D307	276 0432 903	Diode 1SS270A	
CY291	205 1101 008	29P FFC connector base (L)		1	D313-316	276 0432 903	Diode 1SS270A	
JK301,302	204 8514 006	4P pin jack (S-GND)		2	D501-504	276 0706 008	Diode FCH20A15	
JK951	204 8217 031	Headphone jack (BK(AU))		1	PT510	279 0034 012	Posistor PTH9M04BG222TS2F333	
L101	235 0060 989	Inductor 120uH		1	RESISTORS GROUP			
S171	212 0415 007	Rotary encoder (EC16B36)		1	R316	241 2376 919	Carbon film 30ohm 1/4W (NB)	RD14B2E300JNBS
S401,402	212 0373 000	Rotary encoder (EC16B)		2	R318	241 2376 919	Carbon film 30ohm 1/4W (NB)	RD14B2E300JNBS
S403-420	212 5604 910	Tact switch		18	R320,321	241 2376 919	Carbon film 30ohm 1/4W (NB)	RD14B2E300JNBS
S421	212 0373 000	Rotary encoder (EC16B)		1	R328,329	241 2376 919	Carbon film 30ohm 1/4W (NB)	RD14B2E300JNBS
S422,423	212 5604 910	Tact switch		2	R506-511	243 2039 032	Winding 0.1ohm 5W	RW99=3H0R1K
△ S424	212 1030 009	Power switch (TV-5)	for E2,E1,E1C,EUT		CAPACITORS GROUP			
S429	212 0420 005	1P push switch (NON LOCK)	for EU,EC	1	C310	254 4524 985	Electrolytic 10uF/50V	CE04W1H100M (SMG/RE3)
W101	203 0605 004	1P SIN connector cord		1	C316	254 4524 943	Electrolytic 1uF/50V	CE04W1H010M (SMG/RE3)
W102	203 0605 059	1P SIN connector cord		1	C318,319	254 4524 943	Electrolytic 1uF/50V	CE04W1H010M (SMG/RE3)
W103	203 0605 046	1P SIN connector cord		1	C320,321	254 4557 936	Electrolytic 10uF/50V	CE04W1H100M (RFS)
W401	203 0605 033	1P SIN connector cord		1	C323	254 4524 943	Electrolytic 1uF/50V	CE04W1H010M (SMG/RE3)
W714	203 0440 065	1P contact Ass'y		1	C327	254 4524 943	Electrolytic 1uF/50V	CE04W1H010M (SMG/RE3)
W744	203 0526 073	1P contact Ass'y		1	C331	254 4524 943	Electrolytic 1uF/50V	CE04W1H010M (SMG/RE3)
					C334	254 4524 943	Electrolytic 1uF/50V	CE04W1H010M (SMG/RE3)
					C336,337	254 4313 963	Electrolytic 1uF/50V	CE04W1H010M (ASF)
					C340-343	254 4524 943	Electrolytic 1uF/50V	CE04W1H010M (SMG/RE3)
					C359,360	254 4524 985	Electrolytic 10uF/50V	CE04W1H100M (SMG/RE3)
					C401-403	255 4232 937	Polypropylene film 1000pF/100V	CQ93P2A102J (NH) for E2,E1,E1C,EUT

Ref. No.	Part No.	Part Name	Remarks	Ref. No.	Part No.	Part Name	Remarks	Q'ty
C405	255 4232 937	Polypropylene film 1000pF/100V	CQ93P2A102J (NH) for E2,E1,E1C,EUT		001 0057 030	Vinyl wire	for EU,EC	1
C406,407	255 1265 936	Mylar film 0.01uF/50V	CQ93M1H103J (B)		203 0689 004	1P SIN-SIN wire		1
C410	255 1265 936	Mylar film 0.01uF/50V	CQ93M1H103J (B)		473 7002 018	Screw 3x8 CBTS (S)-Z		5
C411-413	255 4232 937	Polypropylene film 1000pF/100V	CQ93P2A102J (NH) for E2,E1,E1C,EUT		417 0604 002	Radiator		1
C415	255 1265 936	Mylar film 0.01uF/50V	CQ93M1H103J (B)					
C417	255 1265 936	Mylar film 0.01uF/50V	CQ93M1H103J (B)					
C419	255 1265 936	Mylar film 0.01uF/50V	CQ93M1H103J (B)					
C420,421	255 4232 937	Polypropylene film 1000pF/100V	CQ93P2A102J (NH) for E2,E1,E1C,EUT					
C422	255 1265 936	Mylar film 0.01uF/50V	CQ93M1H103J (B)					
C507-509	256 1042 903	Metallized 0.1uF/250V	CF93A2E104K					
C511	255 1265 936	Mylar film 0.01uF/50V	CQ93M1H103J (B)					
C512	254 4533 947	Electrolytic 330uF/6.3V	CE04W0J331M (SMG/RE3)					
OTHER PARTS GROUP				Q'ty				
CW022	203 2399 017	2P SDN-SDN connector cord						1
CW023	203 2418 008	2P SDN-SDN connector cord						1
CW024	203 2400 016	2P SDN-3T lug wire						1
CW025	203 2401 015	2P SDN-3T lug wire						1
CW026	203 2400 016	2P SDN-3T lug wire						1
CW038	203 5237 008	3P SDN-SDN connector cord						1
CW071	205 0942 022	7P connector socket (TUC-P)						1
CW081,082	205 0885 095	8P connector socket (TUC-P)						2
CW102	205 0885 053	10P connector socket (TUC-P)						1
CW933,934	203 5237 011	3P SDN-SDN connector cord						2
CW935	203 5225 007	3P SAN-SAN connector cord						1
CW936	203 5235 013	3P SDN-3T lug wire						1
CW937	203 5236 012	3P SDN-3T lug wire						1
CW938	203 5235 013	3P SDN-3T lug wire						1
CW939	203 5236 012	3P SDN-3T lug wire						1
CX075	205 0343 074	7P connector base (KR-PH)						1
JK401	205 1202 004	6P SP terminal	for EU,EC					1
JK401	205 1201 005	4P SP terminal	for E2,E1,E1C,EUT					1
JK402	205 1202 004	6P SP terminal						1
JK403	205 1201 005	4P SP terminal						1
JK404	205 1202 004	6P SP terminal	for EU,EC					1
JK404	205 1201 005	4P SP terminal	for E2,E1,E1C,EUT					1
TP501	205 0190 036	3P NH connector base						1
W421	203 0688 005	1P SIN-SIN wire						1
W422	203 0688 018	1P SIN-SIN wire						1
W508-513	205 0864 003	M3 Screw terminal						6
W514-516	205 1034 023	M3 Screw terminal						3
W517,518	205 1034 010	M3 Screw terminal						2
	001 0057 027	Vinyl wire	for EU,EC					2

1U-3404/3404A/3404E/3404F PRE P.W.B. UNIT ASS'Y

Ref. No.	Part No.	Part Name	Remarks	Ref. No.	Part No.	Part Name	Remarks
SEMICONDUCTORS GROUP				RESISTORS GROUP			
△ IC101,102	268 0073 905	IC ICP-N15		ZD202	276 0645 907	Zener diode MTZJ18A	
IC103	263 0809 006	IC NJM7805FA (S)		CAPACITORS GROUP			
IC104	263 0554 005	IC NJM7905FA		R208	241 2379 987	Carbon film 1kohm 1/4W (NB)	RD14B2E102JNBS
△ IC105,106	268 0073 905	IC ICP-N15		R211,212	243 2091 009	Winding 33ohm 10W	RW78A4A330J= (UL)
IC107	263 0809 006	IC NJM7805FA (S)		R213	242 2009 001	Composition 2.2Mohm 1/2W	RC05GF2H225K (UL)
IC201	263 1035 002	IC PQ30RV11		R214	245 2365 980	Metal film 390ohm 1/4W	for EU,EC RN14K2E391F
△ IC202	268 0073 905	IC ICP-N15		R215	245 2367 920	Metal film 1.5kohm 1/4W	RN14K2E152F
IC501	263 0986 000	IC NJM7820FA (S)		CAPACITORS GROUP			
IC502	263 0801 004	IC NJM7812FA (S)	for EU,EC	C101	254 4524 985	Electrolytic 10uF/50V	CE04W1H100M (SMG/RE3)
IC509	263 1163 000	IC KIA78R09PI		C102-109	254 4524 943	Electrolytic 1uF/50V	CE04W1H010M (SMG/RE3)
TR101	271 0117 906	Transistor 2SA1020 (Y)		C110	254 4403 721	Electrolytic 2200uF/25V	CE04W1E222M (SMG)
TR102	273 0212 904	Transistor 2SC2655 (Y)		C111	254 4540 710	Electrolytic 470uF/63V	CE04W1J471M (SMG/RE3)
TR103	273 0303 910	Transistor 2SC1740S (S)		C112	254 4403 734	Electrolytic 4700uF/25V	CE04W1E472M (SMG)
TR104	271 0192 905	Transistor 2SA933S (S)		C113	254 4403 721	Electrolytic 2200uF/25V	CE04W1E222M (SMG)
TR105	272 0115 011	Transistor 2SB1186A (E)		C114,115	256 1058 971	Metallized 0.1uF/50V	CF93A1H104J (JL)
TR106	269 0020 906	Transistor DTC114ES (10K-10K)		C116,117	256 1042 903	Metallized 0.1uF/250V	CF93A2E104K
TR201	273 0303 910	Transistor 2SC1740S (S)		C118,119	256 1058 971	Metallized 0.1uF/50V	CF93A1H104J (JL)
TR202	269 0040 902	Transistor DTC144ES (47K-47K)		C120	256 1042 903	Metallized 0.1uF/250V	CF93A2E104K
TR203	273 0303 910	Transistor 2SC1740S (S)		C201	254 4524 930	Electrolytic 0.47uF/50V	CE04W1HR47M (SMG/RE3)
TR204	269 0020 906	Transistor DTC114ES (10K-10K)		C202	254 4524 985	Electrolytic 10uF/50V	CE04W1H100M (SMG/RE3)
TR205	271 0192 905	Transistor 2SA933S (S)		C203	254 4403 734	Electrolytic 4700uF/25V	CE04W1E472M (SMG)
TR206	273 0303 910	Transistor 2SC1740S (S)		C204	255 1265 936	Mylar film 0.01uF/50V	CQ93M1H103J (B)
TR301,302	273 0445 001	Transistor 2SC4495		C205	254 4525 900	Electrolytic 33uF/50V	CE04W1H330M (SMG/RE3)
TR303,304	271 0192 905	Transistor 2SA933S (S)		C206,207	254 4524 972	Electrolytic 4.7uF/50V	CE04W1H4R7M (SMG/RE3)
TR512	269 0020 906	Transistor DTC114ES (10K-10K)		C208	256 1058 971	Metallized 0.1uF/50V	CF93A1H104J (JL)
D101,102	276 0432 903	Diode 1SS270A		△ C209	253 8022 707	Ceramic 0.01uF/250V (AC)	CK45F2EAC103M
D103,104	276 0704 903	Diode 1SR35-400A		C210	254 4524 927	Electrolytic 0.33uF/50V	CE04W1HR33M (SMG/RE3)
D108-111	276 0704 903	Diode 1SR35-400A		C301,302	254 4524 943	Electrolytic 1uF/50V	CE04W1H010M (SMG/RE3)
D201,202	276 0704 903	Diode 1SR35-400A		C501	254 4524 943	Electrolytic 1uF/50V	CE04W1H010M (SMG/RE3)
D203	276 0432 903	Diode 1SS270A		C503,504	254 4524 943	Electrolytic 1uF/50V	CE04W1H010M (SMG/RE3)
D204-207	276 0704 903	Diode 1SR35-400A		C505,506	254 4523 708	Electrolytic 3300uF/35V	for EU,EC CE04W1V332M (SMG/RE3)
D208,209	276 0432 903	Diode 1SS270A		C529-536	254 4504 714	Electrolytic 3300uF/35V	CE04W1V332M (ASF)
D507	276 0432 903	Diode 1SS270A		C537-540	254 4452 714	Electrolytic 2200uF/16V	CE04W1C222M (ASF)
D508-510	276 0681 000	Diode FMG-22S		C541-547	254 4612 703	Electrolytic 10000uF/20V	CE04W--103M (SMG)
D511,512	276 0682 009	Diode FMG-22R		C548,549	254 4524 943	Electrolytic 1uF/50V	CE04W1H010M (SMG/RE3)
D513,514	276 0681 000	Diode FMG-22S		C550	254 4523 708	Electrolytic 3300uF/35V	CE04W1V332M (SMG/RE3)
D515,516	276 0682 009	Diode FMG-22R		C551-553	256 1042 903	Metallized 0.1uF/250V	CF93A2E104K
D517,518	276 0704 903	Diode 1SR35-400A		C554,555	256 1058 971	Metallized 0.1uF/50V	CF93A1H104J (JL)
ZD101	276 0484 919	Zener diode HZS33-2		C556	254 4523 708	Electrolytic 3300uF/35V	CE04W1V332M (SMG/RE3)
ZD201	276 0637 902	Zener diode MTZJ6.2A		C559-561	256 1058 971	Metallized 0.1uF/50V	CF93A1H104J (JL)

Ref. No.	Part No.	Part Name	Remarks	Q'ty	Ref. No.	Part No.	Part Name	Remarks	Q'ty
OTHER PARTS GROUP									
CN602-607	205 1230 063	6P pin header (6035)		6	△ F13	206 1039 089	Fuse 3.15A	for EU,EC,EUT	1
CW040	205 0885 082	4P connector socket (TUC-P)		1	△ F13	206 1015 074	Fuse 3.15A	for E2,E1,E1C	1
CW060	205 0942 019	6P connector socket (TUC-P)		1	△ F14	206 1046 027	Fuse 5A	for EU,EC,EUT	1
CW064	205 0343 061	6P connector base (KR-PH)		1	△ F14	206 1015 090	Fuse 5A	for E2,E1,E1C	1
CW068,069	205 0942 019	6P connector socket (TUC-P)		2	△ F15,16	206 1039 089	Fuse 3.15A	for EU,EC,EUT	2
CW083-085	205 0885 095	8P connector socket (TUC-P)		3	△ F15,16	206 1015 074	Fuse 3.15A	for E2,E1,E1C	2
CW101	205 0885 053	10P connector socket (TUC-P)		1	FF201	EP-5870	Fuse holder	for EU,EC,EUT	1
CW960	205 0942 019	6P connector socket (TUC-P)		1	FF202	202 0040 909	Fuse clip	for E2,E1,E1C	1
CX021	205 1093 006	2P VH connector base	for E2,E1,E1C,EUT	1	FF203	202 0040 909	Fuse clip	for EU,EC,E2,E1,EUT	1
CX025	205 0581 001	2P VH connector base	for EU,EC,E2,E1,EUT	1	FF501-504	202 0040 909	Fuse clip		4
CX027	205 0453 003	2P VH connector base(L)		1	FF506,507	202 0040 909	Fuse clip		2
CX028	205 0606 025	2P wrapping terminal		1	FH201	EP-5870	Fuse holder	for EU,EC,EUT	1
CX037	205 0234 031	3P EH SID connector base		1	FH202	202 0040 909	Fuse clip	for E2,E1,E1C	1
CX040	205 0884 083	4P connector base (TUC-P)		1	FH203	202 0040 909	Fuse clip	for EU,EC,E2,E1,EUT	1
CX053	205 0343 058	5P connector base (KR-PH)		1	FH501-504	202 0040 909	Fuse clip		4
CX060	205 0943 018	6P connector base (TUC-P)		1	FH506,507	202 0040 909	Fuse clip		2
CX061,062	205 0343 061	6P connector base (KR-PH)		2	L101,102	235 0060 918	Inductor 4.7uH		2
CX064	205 0343 061	6P connector base (KR-PH)		1	RL201,202	214 0221 006	Relay (TV-8)		2
CX067	205 0343 061	6P connector base (KR-PH)		1	△ T101	233 6408 002	Sub trans (583E3)	for EU,EC,EUT	1
CX068,069	205 0943 018	6P connector base (TUC-P)		2	△ T101	233 6411 002	Sub trans (A1SRE1E2)	for E2,E1	1
CX071	205 0943 021	7P connector base (TUC-P)		1	△ T101	233 6414 009	Sub trans (A1SRE1C)	for E1C	1
CX073	205 0343 074	7P connector base (KR-PH)		1	△ T201	233 6410 003	Mini trans. (583E3)	for EU,EC,EUT	1
CX081-085	205 0884 096	8P connector base (TUC-P)		5	△ T201	233 6420 006	Mini trans. (A1SRE1E2)	for E2,E1	1
CX101,102	205 0884 054	10P connector base (TUC-P)		2	△ T201	233 6421 005	Mini trans. (A1SRE1C)	for E1C	1
CX830	205 0278 039	3P EH connector base (BK)		1	W203,204	205 1034 023	M3 Screw terminal		2
CX839	205 0276 031	3P EH connector base (BU)		1		415 0299 000	Condenser cover (for C209)	for E2,E1,E1C	1
CX930	205 0233 032	3P EH connector base		1		513 3730 080	Fuse label (T6.3AL), for F1	for E2,E1,E1C	1
CX931	205 0234 031	3P EH SID connector base		1		513 3730 048	Fuse label (T2.5AL), for F8	for E2,E1	1
CX936	205 0277 030	3P EH connector base (RD)		1		513 2654 086	Fuse label (5A/125V), for F11,12	for EU,EC,EUT	2
CX937	205 0296 037	3P EH connector base (YW)		1		513 3730 077	Fuse label (T5AL), for F11,12,14	for E2,E1,E1C	3
CX960	205 0943 018	6P connector base (TUC-P)		1		513 3730 051	Fuse label (T3.15AL), for F13,15,16	for E2,E1,E1C	3
CY027	205 0581 001	2P VH connector base		1					
CY030	205 0343 032	3P connector base (KR-PH)		1					
CY045	205 0321 041	4P connector base (RED)		1					
CY046	205 0343 045	4P connector base (KR-PH)		1					
CY053	205 0343 058	5P connector base (KR-PH)		1					
CY061	205 0343 061	6P connector base (KR-PH)		1					
CY075	205 0343 074	7P connector base (KR-PH)		1					
CY143	205 0375 042	14P connector base (KR-PH)		1					
CY930	205 0234 031	3P EH SID connector base		1					
CY982	205 0343 087	8P connector base (KR-PH)		1					
△ F1	206 1051 009	Fuse 12A	for EU,EC,EUT	1					
△ F1	206 1036 011	Fuse 6.3A	for E2,E1,E1C	1					
△ F8	206 1046 014	Fuse 8A	for EU,EC,EUT	1					
△ F8	206 1015 032	Fuse 2.5A	for E2,E1	1					
△ F11,12	206 1046 027	Fuse 5A	for EU,EC,EUT	2					
△ F11,12	206 1015 090	Fuse 5A	for E2,E1,E1C	2					

1U-3296G/3296H POWER AMP P.W.B. UNIT ASS'Y

Ref. No.	Part No.	Part Name	Remarks	Ref. No.	Part No.	Part Name	Remarks
SEMICONDUCTORS GROUP				SEMICONDUCTORS GROUP			
TR101,102	273 0459 903	Transistor KTC2874B		D301-304	276 0432 903	Diode 1SS270A	
TR103-106	273 0235 923	Transistor 2SC1841 (E/F)		D305,306	276 0455 906	Zener diode HZS4A-1	
TR107-110	271 0304 007	Transistor 2SA1546 (M/L)		D307,308	276 0456 918	Zener diode HZS4B-2	
TR111,112	273 0453 006	Transistor 2SC4001 (M/L)		D309-316	276 0432 903	Diode 1SS270A	
TR113,114	273 0445 001	Transistor 2SC4495		D402	276 0432 903	Diode 1SS270A	
TR115,116	273 0235 923	Transistor 2SC1841 (E/F)		D404	276 0432 903	Diode 1SS270A	
TR123-126	275 0055 015	FET 2SK184C (GR)/(BL)		D406	276 0455 906	Zener diode HZS4A-1	
				D408	276 0456 918	Zener diode HZS4B-2	
TR201,202	273 0459 903	Transistor KTC2874B		D410	276 0432 903	Diode 1SS270A	
TR203-206	273 0235 923	Transistor 2SC1841 (E/F)		D412	276 0432 903	Diode 1SS270A	
TR207-210	271 0304 007	Transistor 2SA1546 (M/L)		D414	276 0432 903	Diode 1SS270A	
TR211,212	273 0453 006	Transistor 2SC4001 (M/L)		D416	276 0432 903	Diode 1SS270A	
TR213,214	273 0445 001	Transistor 2SC4495		D501-508	276 0432 903	Diode 1SS270A	
TR215,216	273 0235 923	Transistor 2SC1841 (E/F)		D510,511	276 0432 903	Diode 1SS270A	for EU,EC
TR223-226	275 0055 015	FET 2SK184C (GR)/(BL)		D512	276 0432 903	Diode 1SS270A	
				D552	276 0704 903	Diode 1SR35-400A	
TR301,302	273 0459 903	Transistor KTC2874B		ZD552	276 0643 970	Zener diode MTZJ4.7A	
TR303-306	273 0235 923	Transistor 2SC1841 (E/F)		PT501,502	279 0034 067	Posistor PTH9M04BB222TS2F333	
TR307-310	271 0304 007	Transistor 2SA1546 (M/L)		PT503,504	279 0034 070	Posistor PTH9M04BE222TS2F333	
TR311,312	273 0453 006	Transistor 2SC4001 (M/L)		RESISTORS GROUP			
TR313,314	273 0445 001	Transistor 2SC4495		R111,112	241 2378 962	Carbon film 330ohm 1/4W (NB)	RD14B2E331JNBS
TR315,316	273 0235 923	Transistor 2SC1841 (E/F)		R119,120	241 2378 962	Carbon film 330ohm 1/4W (NB)	RD14B2E331JNBS
TR323-326	275 0055 015	FET 2SK184C (GR)/(BL)		R123,124	241 2315 983	Carbon film 330ohm 1/4W (FR)	RD14B2E331GFRS
				R125,126	244 2671 914	Metal oxide 15kohm 2W (NB)	RS14B3D153JNBS (S)
TR402	273 0459 903	Transistor KTC2874B		R127,128	241 2371 930	Carbon film 160ohm 1/4W (FR)	RD14B2E161GFRS
TR404	273 0235 923	Transistor 2SC1841 (E/F)		R129,130	241 2315 983	Carbon film 330ohm 1/4W (FR)	RD14B2E331GFRS
TR406	273 0235 923	Transistor 2SC1841 (E/F)		R137-140	241 2387 940	Carbon film 4.7ohm 1/4W (NB)	RD14B2E4R7JNBS
TR408	271 0304 007	Transistor 2SA1546 (M/L)		R141-148	244 2671 943	Metal oxide 0.22ohm 2W (NB)	RS14B3DR22JNBS (S)
TR410	271 0304 007	Transistor 2SA1546 (M/L)		R165-168	244 2671 930	Metal oxide 22ohm 2W (NB)	RS14B3D220JNBS (S)
TR412	273 0453 006	Transistor 2SC4001 (M/L)		R171,172	241 2380 918	Carbon film 1.3kohm 1/4W (NB)	RD14B2E132JNBS
TR414	273 0445 001	Transistor 2SC4495		R173,174	241 2377 921	Carbon film 82ohm 1/4W (NB)	RD14B2E820JNBS
TR416	273 0235 923	Transistor 2SC1841 (E/F)		R189,190	241 2371 930	Carbon film 160ohm 1/4W (FR)	RD14B2E161GFRS
TR424	275 0055 015	FET 2SK184C (GR)/(BL)		R211,212	241 2378 962	Carbon film 330ohm 1/4W (NB)	RD14B2E331JNBS
TR426	275 0055 015	FET 2SK184C (GR)/(BL)		R219,220	241 2378 962	Carbon film 330ohm 1/4W (NB)	RD14B2E331JNBS
			for EU,EC	R223,224	241 2315 983	Carbon film 330ohm 1/4W (FR)	RD14B2E331GFRS
TR503-510	273 0388 906	Transistor 2SC1740S (E)		R225,226	244 2671 914	Metal oxide 15kohm 2W (NB)	RS14B3D153JNBS (S)
TR512,513	273 0388 906	Transistor 2SC1740S (E)		R227,228	241 2371 930	Carbon film 160ohm 1/4W (FR)	RD14B2E161GFRS
TR514	273 0388 906	Transistor 2SC1740S (E)		R229,230	241 2315 983	Carbon film 330ohm 1/4W (FR)	RD14B2E331GFRS
TR517,518	271 0131 924	Transistor 2SA988 (E/F)		R237-240	241 2387 940	Carbon film 4.7ohm 1/4W (NB)	RD14B2E4R7JNBS
TR519,520	273 0388 906	Transistor 2SC1740S (E)		R241-248	244 2671 943	Metal oxide 0.22ohm 2W (NB)	RS14B3DR22JNBS (S)
				R265-268	244 2671 930	Metal oxide 22ohm 2W (NB)	RS14B3D220JNBS (S)
D101-104	276 0432 903	Diode 1SS270A		R271,272	241 2380 918	Carbon film 1.3kohm 1/4W (NB)	RD14B2E132JNBS
D105,106	276 0455 906	Zener diode HZS4A-1		R273,274	241 2377 921	Carbon film 82ohm 1/4W (NB)	RD14B2E820JNBS
D107,108	276 0456 918	Zener diode HZS4B-2		R289,290	241 2371 930	Carbon film 160ohm 1/4W (FR)	RD14B2E161GFRS
D109-116	276 0432 903	Diode 1SS270A		R311,312	241 2378 962	Carbon film 330ohm 1/4W (NB)	RD14B2E331JNBS
D201-204	276 0432 903	Diode 1SS270A					
D205,206	276 0455 906	Zener diode HZS4A-1					
D207,208	276 0456 918	Zener diode HZS4B-2					
D209-216	276 0432 903	Diode 1SS270A					

Ref. No.	Part No.	Part Name	Remarks	Ref. No.	Part No.	Part Name	Remarks
R319,320	241 2378 962	Carbon film 330ohm 1/4W (NB)	RD14B2E331JNBS	C125-128	254 4527 995	Electrolytic 22uF/100V	CE04W2A220M (SMG/RE3)
R323,324	241 2315 983	Carbon film 330ohm 1/4W (FR)	RD14B2E331GFRS	C129-131	254 4313 976	Electrolytic 2.2uF/50V	CE04W1H2R2M (ASF)
R325,326	244 2671 914	Metal oxide 15kohm 2W (NB)	RS14B3D153JNBS (S)	C133-136	254 4313 976	Electrolytic 2.2uF/50V	CE04W1H2R2M (ASF)
R327,328	241 2371 930	Carbon film 160ohm 1/4W (FR)	RD14B2E161GFRS	C139,140	255 4235 976	Polypropylene film 0.015uF/100V	CQ93P2A153J (NH)
R329,330	241 2315 983	Carbon film 330ohm 1/4W (FR)	RD14B2E331GFRS	C203,204	255 1273 902	Mylar film 100pF/50V	CQ93M1H101K (B)
R337-340	241 2387 940	Carbon film 4.7ohm 1/4W (NB)	RD14B2E4R7JNBS	C207,208	255 1264 940	Mylar film 2200pF/50V	CQ93M1H222J (B)
R341-348	244 2671 943	Metal oxide 0.22ohm 2W (NB)	RS14B3DR22JNBS (S)	C209,210	255 4242 969	Polypropylene film 27pF/100V	CQ93P2A270J (NH)
R365-368	244 2671 930	Metal oxide 22ohm 2W (NB)	RS14B3D220JNBS (S)	C211,212	254 4313 976	Electrolytic 2.2uF/50V	CE04W1H2R2M (ASF)
R371,372	241 2380 918	Carbon film 1.3kohm 1/4W (NB)	RD14B2E132JNBS	C213,214	253 4484 909	Ceramic 39pF/500V	CC45SL2H390J
R373,374	241 2377 921	Carbon film 82ohm 1/4W (NB)	RD14B2E820JNBS	C215,216	254 4527 995	Electrolytic 22uF/100V	CE04W2A220M (SMG/RE3)
R389,390	241 2371 930	Carbon film 160ohm 1/4W (FR)	RD14B2E161GFRS	C218,219	255 1265 936	Mylar film 0.01uF/50V	CQ93M1H103J (B)
R412	241 2378 962	Carbon film 330ohm 1/4W (NB)	RD14B2E331JNBS	C222,223	255 4235 976	Polypropylene film 0.015uF/100V	CQ93P2A153J (NH)
R420	241 2378 962	Carbon film 330ohm 1/4W (NB)	RD14B2E331JNBS	C225-228	254 4527 995	Electrolytic 22uF/100V	CE04W2A220M (SMG/RE3)
R424	241 2315 983	Carbon film 330ohm 1/4W (FR)	RD14B2E331GFRS	C239,240	255 4235 976	Polypropylene film 0.015uF/100V	CQ93P2A153J (NH)
R426	244 2671 914	Metal oxide 15kohm 2W (NB)	RS14B3D153JNBS (S)	C303,304	255 1273 902	Mylar film 100pF/50V	CQ93M1H101K (B)
R428	241 2371 930	Carbon film 160ohm 1/4W (FR)	RD14B2E161GFRS	C307,308	255 1264 940	Mylar film 2200pF/50V	CQ93M1H222J (B)
R430	241 2315 983	Carbon film 330ohm 1/4W (FR)	RD14B2E331GFRS	C309,310	255 4242 969	Polypropylene film 27pF/100V	CQ93P2A270J (NH)
R438	241 2387 940	Carbon film 4.7ohm 1/4W (NB)	RD14B2E4R7JNBS	C311,312	254 4313 976	Electrolytic 2.2uF/50V	CE04W1H2R2M (ASF)
R440	241 2387 940	Carbon film 4.7ohm 1/4W (NB)	RD14B2E4R7JNBS	C313,314	253 4484 909	Ceramic 39pF/500V	CC45SL2H390J
R442	244 2671 943	Metal oxide 0.22ohm 2W (NB)	RS14B3DR22JNBS (S)	C315,316	254 4527 995	Electrolytic 22uF/100V	CE04W2A220M (SMG/RE3)
R444	244 2671 943	Metal oxide 0.22ohm 2W (NB)	RS14B3DR22JNBS (S)	C319,320	255 1265 936	Mylar film 0.01uF/50V	CQ93M1H103J (B)
R446	244 2671 943	Metal oxide 0.22ohm 2W (NB)	RS14B3DR22JNBS (S)	C323,324	255 4235 976	Polypropylene film 0.015uF/100V	CQ93P2A153J (NH)
R448	244 2671 943	Metal oxide 0.22ohm 2W (NB)	RS14B3DR22JNBS (S)	C325-328	254 4527 995	Electrolytic 22uF/100V	CE04W2A220M (SMG/RE3)
R466	244 2671 930	Metal oxide 22ohm 2W (NB)	RS14B3D220JNBS (S)	C339,340	255 4235 976	Polypropylene film 0.015uF/100V	CQ93P2A153J (NH)
R468	244 2671 930	Metal oxide 22ohm 2W (NB)	RS14B3D220JNBS (S)	C404	255 1273 902	Mylar film 100pF/50V	CQ93M1H101K (B)
R472	241 2380 918	Carbon film 1.3kohm 1/4W (NB)	RD14B2E132JNBS	C408	255 1264 940	Mylar film 2200pF/50V	CQ93M1H222J (B)
R474	241 2377 921	Carbon film 82ohm 1/4W (NB)	RD14B2E820JNBS	C410	255 4242 969	Polypropylene film 27pF/100V	CQ93P2A270J (NH)
R490	241 2371 930	Carbon film 160ohm 1/4W (FR)	RD14B2E161GFRS	C412	254 4313 976	Electrolytic 2.2uF/50V	CE04W1H2R2M (ASF)
R552	244 2051 974	Metal oxide 1kohm 1W (NB)	RS14B3A102JNBS (S)	C414	253 4484 909	Ceramic 39pF/500V	CC45SL2H390J
R554	244 2051 974	Metal oxide 1kohm 1W (NB)	RS14B3A102JNBS (S)	C416	254 4527 995	Electrolytic 22uF/100V	CE04W2A220M (SMG/RE3)
R556	244 2051 974	Metal oxide 1kohm 1W (NB)	RS14B3A102JNBS (S)	C420	255 1265 936	Mylar film 0.01uF/50V	CQ93M1H103J (B)
R558	244 2051 974	Metal oxide 1kohm 1W (NB)	RS14B3A102JNBS (S)	C424	255 4235 976	Polypropylene film 0.015uF/100V	CQ93P2A153J (NH)
VR131,132	211 6129 909	Semi fixed resistor 4.7kohm	K06QB472	C426	254 4527 995	Electrolytic 22uF/100V	CE04W2A220M (SMG/RE3)
VR231,232	211 6129 909	Semi fixed resistor 4.7kohm	K06QB472	C428	254 4527 995	Electrolytic 22uF/100V	CE04W2A220M (SMG/RE3)
VR331,332	211 6129 909	Semi fixed resistor 4.7kohm	K06QB472	C440	255 4235 976	Polypropylene film 0.015uF/100V	CQ93P2A153J (NH)
VR432	211 6129 909	Semi fixed resistor 4.7kohm	K06QB472	C505-512	254 4524 985	Electrolytic 10uF/50V	CE04W1H100M (SMG/RE3)
CAPACITORS GROUP				C514,515	254 4524 985	Electrolytic 10uF/50V	CE04W1H100M (SMG/RE3) for EU,EC
C103,104	255 1273 902	Mylar film 100pF/50V	CQ93M1H101K (B)	C516	254 4524 985	Electrolytic 10uF/50V	CE04W1H100M (SMG/RE3)
C107,108	255 1264 940	Mylar film 2200pF/50V	CQ93M1H222J (B)	C519,520	255 1265 936	Mylar film 0.01uF/50V	CQ93M1H103J (B)
C109,110	255 4242 969	Polypropylene film 27pF/100V	CQ93P2A270J (NH)	C521,522	254 4533 947	Electrolytic 330uF/6.3V	CE04W0J331M (SMG/RE3)
C111,112	254 4313 976	Electrolytic 2.2uF/50V	CE04W1H2R2M (ASF)	C552	254 4524 985	Electrolytic 10uF/50V	CE04W1H100M (SMG/RE3)
C113,114	253 4484 909	Ceramic 39pF/500V	CC45SL2H390J	C553-556	254 4524 943	Electrolytic 1uF/50V	CE04W1H010M (SMG/RE3)
C115,116	254 4527 995	Electrolytic 22uF/100V	CE04W2A220M (SMG/RE3)				
C119,120	255 1265 936	Mylar film 0.01uF/50V	CQ93M1H103J (B)				
C123,124	255 4235 976	Polypropylene film 0.015uF/100V	CQ93P2A153J (NH)				

1U-3436/3436A EXT. IN VOL P.W.B. UNIT ASS'Y

Ref. No.	Part No.	Part Name	Remarks	Q'ty	Ref. No.	Part No.	Part Name	Remarks	
OTHER PARTS GROUP					SEMICONDUCTORS GROUP				
CN101-104	205 1230 063	6P pin header (6035)		4	IC101	263 0896 909	IC NJM2068MD	for E2,E1,E1C,EUT	
CN201-204	205 1230 063	6P pin header (6035)		4	IC102	263 1098 900	IC LM833MX		
CN301-304	205 1230 063	6P pin header (6035)		4	IC103	263 0896 909	IC NJM2068MD		
CN402	205 1230 063	6P pin header (6035)		1	IC110	262 2726 003	IC TC9273N-***B		
CN404	205 1230 063	6P pin header (6035)		1	IC111-114	263 0896 909	IC NJM2068MD		
CW031-033	203 5225 007	3P SAN-SAN connector cord		3	IC201-208	263 0896 909	IC NJM2068MD		
CW035-037	203 5225 007	3P SAN-SAN connector cord		3	IC301,302	263 0898 907	IC NJM5532MD		
CW039	203 5225 007	3P SAN-SAN connector cord		1	IC303,304	262 3107 906	IC TC94A17F		
CX076-079	205 0943 021	7P connector base (TUC-P)		4	IC305,306	263 0898 907	IC NJM5532MD		
CX086,087	205 0884 096	8P connector base (TUC-P)		2	IC307	263 1074 908	IC OP275GSR		
CX089	205 0884 096	8P connector base (TUC-P)		1	IC309,310	263 0898 907	IC NJM5532MD		
CX097	205 0884 038	9P connector base (TUC-P)		1	IC311,312	262 3107 906	IC TC94A17F		
CX113,114	205 0884 067	11P connector base (TUC-P)		2	IC313,314	263 0898 907	IC NJM5532MD		
CX976-979	205 0943 021	7P connector base (TUC-P)		4	IC315	263 1074 908	IC OP275GSR		
CX986,987	205 0884 096	8P connector base (TUC-P)		2	IC317,318	263 0898 907	IC NJM5532MD		
L101,102	235 0068 004	Inductor 1uH		2	IC319,320	262 3107 906	IC TC94A17F		
L201,202	235 0068 004	Inductor 1uH		2	IC321,322	263 0898 907	IC NJM5532MD		
L301,302	235 0068 004	Inductor 1uH		2	IC323	263 1074 908	IC OP275GSR		
L402	235 0068 004	Inductor 1uH		1	IC325,326	263 0898 907	IC NJM5532MD		
RL501-508	214 0209 002	Relay (FTR-F1AD024V)		8	IC327,328	262 3107 906	IC TC94A17F		
RL510	214 0209 002	Relay (FTR-F1AD024V)		1	IC329,330	263 0898 907	IC NJM5532MD		
RL511,512	214 0209 002	Relay (FTR-F1AD024V)	for EU,EC	2	IC331	263 1074 908	IC OP275GSR		
W701-714	205 0864 003	M3 Screw terminal		14	IC601-604	263 0896 909	IC NJM2068MD		
W716-718	205 0864 003	M3 Screw terminal		3	IC606-608	263 0615 902	IC BA15218F		
W721-723	205 0864 003	M3 Screw terminal		3	IC609-612	263 1040 903	IC BU4094BCF		
W725-728	205 0864 003	M3 Screw terminal		4	IC613-617	262 2616 003	IC TC9184AP		
W731-736	205 0864 003	M3 Screw terminal		6	IC618	263 1040 903	IC BU4094BCF		
009 0185 100		Bus bar (3P)		6	IC620	263 0615 902	IC BA15218F		
415 0309 026		P.V.C. tube (L=20)		8	IC622	263 0615 902	IC BA15218F		
449 0080 076		Edging (CE-012S)		2	IC623	263 1040 903	IC BU4094BCF		
					IC624	262 1636 903	IC TC74HC32AF		
					IC801	263 0995 004	IC NJM4556AD		
					IC802-805	263 1098 900	IC LM833MX		
					IC941	262 2662 002	IC TC9459N		
					IC942	263 0896 909	IC NJM2068MD		
					IC951	262 2662 002	IC TC9459N		
					IC952	263 0896 909	IC NJM2068MD		
					IC961	262 2662 002	IC TC9459N		
					IC962	263 0896 909	IC NJM2068MD		
					IC971	262 2662 002	IC TC9459N		
					IC972	263 0896 909	IC NJM2068MD		
					TR101-111	269 0048 904	Transistor DTC143EK		
					TR601-603	269 0048 904	Transistor DTC143EK		
					TR604	271 0131 924	Transistor 2SA988 (E/F)		

Ref. No.	Part No.	Part Name	Remarks	Ref. No.	Part No.	Part Name	Remarks
TR605	273 0445 001	Transistor 2SC4495		R201-204	247 2012 925	Carbon chip 100kohm 1/16W	RM73B--104J
TR606,607	271 0131 924	Transistor 2SA988 (E/F)		R205,206	247 2006 960	Carbon chip 470ohm 1/16W	RM73B--471J
TR608,609	273 0187 916	Transistor 2SC2240 (BL)		R207,208	247 2004 920	Carbon chip 47ohm 1/16W	RM73B--470J
TR610	271 0131 924	Transistor 2SA988 (E/F)		R209,210	247 2011 942	Carbon chip 47kohm 1/16W	RM73B--473J
TR611,612	269 0054 901	Transistor DTC144EK		R211-214	247 2012 925	Carbon chip 100kohm 1/16W	RM73B--104J
TR613-622	269 0083 901	Transistor DTA114EK		R215,216	247 2006 960	Carbon chip 470ohm 1/16W	RM73B--471J
TR623-625	269 0054 901	Transistor DTC144EK		R217,218	247 2004 920	Carbon chip 47ohm 1/16W	RM73B--470J
				R219,220	247 2011 942	Carbon chip 47kohm 1/16W	RM73B--473J
TR801	269 0048 904	Transistor DTC143EK		R221-224	247 2012 925	Carbon chip 100kohm 1/16W	RM73B--104J
TR803-818	273 0460 905	Transistor KTC2875B		R225,226	247 2006 960	Carbon chip 470ohm 1/16W	RM73B--471J
				R227,228	247 2004 920	Carbon chip 47ohm 1/16W	RM73B--470J
D101-111	276 0559 909	Diode DAP202K		R229,230	247 2011 942	Carbon chip 47kohm 1/16W	RM73B--473J
				R231-234	247 2012 925	Carbon chip 100kohm 1/16W	RM73B--104J
D601	276 0740 909	Diode KDS184		R235,236	247 2006 960	Carbon chip 470ohm 1/16W	RM73B--471J
D602	276 0738 908	Diode KDS226		R237,238	247 2004 920	Carbon chip 47ohm 1/16W	RM73B--470J
D603	276 0740 909	Diode KDS184		R239,240	247 2011 942	Carbon chip 47kohm 1/16W	RM73B--473J
D604-609	276 0738 908	Diode KDS226		R241-244	247 2012 925	Carbon chip 100kohm 1/16W	RM73B--104J
D610	276 0559 909	Diode DAP202K		R245,246	247 2006 960	Carbon chip 470ohm 1/16W	RM73B--471J
D611	276 0704 903	Diode 1SR35-400A		R247,248	247 2004 920	Carbon chip 47ohm 1/16W	RM73B--470J
D612-614	276 0738 908	Diode KDS226		R249,250	247 2011 942	Carbon chip 47kohm 1/16W	RM73B--473J
D615	276 0740 909	Diode KDS184		R251-254	247 2012 925	Carbon chip 100kohm 1/16W	RM73B--104J
D631,632	276 0738 908	Diode KDS226		R255,256	247 2006 960	Carbon chip 470ohm 1/16W	RM73B--471J
D647	276 0751 901	Diode 1SR154-400		R257,258	247 2004 920	Carbon chip 47ohm 1/16W	RM73B--470J
				R259,260	247 2011 942	Carbon chip 47kohm 1/16W	RM73B--473J
D801	276 0740 909	Diode KDS184		R261-264	247 2012 925	Carbon chip 100kohm 1/16W	RM73B--104J
				R265,266	247 2006 960	Carbon chip 470ohm 1/16W	RM73B--471J
				R267,268	247 2004 920	Carbon chip 47ohm 1/16W	RM73B--470J
				R269,270	247 2011 942	Carbon chip 47kohm 1/16W	RM73B--473J
				R271-274	247 2012 925	Carbon chip 100kohm 1/16W	RM73B--104J
				R275,276	247 2006 960	Carbon chip 470ohm 1/16W	RM73B--471J
				R277,278	247 2004 920	Carbon chip 47ohm 1/16W	RM73B--470J
				R279,280	247 2011 942	Carbon chip 47kohm 1/16W	RM73B--473J
				R281,282	247 2018 903	Carbon chip 0ohm 1/16W	RM73B--0R0K
				R293-299	247 2018 903	Carbon chip 0ohm 1/16W	RM73B--0R0K
				R301,302	247 2012 996	Carbon chip 200kohm 1/16W	RM73B--204J
				R307,308	247 2009 909	Carbon chip 4.7kohm 1/16W	RM73B--472J
				R309,310	247 2004 920	Carbon chip 47ohm 1/16W	RM73B--470J
				R313,314	247 2009 909	Carbon chip 4.7kohm 1/16W	RM73B--472J
				R315,316	247 2008 926	Carbon chip 2.2kohm 1/16W	RM73B--222J
				R317,318	247 2004 920	Carbon chip 47ohm 1/16W	RM73B--470J
				R319-326	247 2012 925	Carbon chip 100kohm 1/16W	RM73B--104J
				R327-332	247 2013 982	Carbon chip 470kohm 1/16W	RM73B--474J
				R333,334	247 2009 909	Carbon chip 4.7kohm 1/16W	RM73B--472J
				R337,338	247 2013 982	Carbon chip 470kohm 1/16W	RM73B--474J
				R339-342	247 2008 997	Carbon chip 4.3kohm 1/16W	RM73B--432J
				R343-346	247 2008 926	Carbon chip 2.2kohm 1/16W	RM73B--222J
				R347,348	247 2013 982	Carbon chip 470kohm 1/16W	RM73B--474J
				R349,350	247 2012 996	Carbon chip 200kohm 1/16W	RM73B--204J
				R355	247 2009 909	Carbon chip 4.7kohm 1/16W	RM73B--472J
				R356	247 2007 943	Carbon chip 1kohm 1/16W	RM73B--102J
				R357,358	247 2004 920	Carbon chip 47ohm 1/16W	RM73B--470J
RESISTORS GROUP							
R101,102	247 2006 944	Carbon chip 390ohm 1/16W	RM73B--391J				
R103,104	247 2011 984	Carbon chip 68kohm 1/16W	RM73B--683J				
R105,106	247 2012 967	Carbon chip 150kohm 1/16W	RM73B--154J				
R107,108	247 2004 920	Carbon chip 47ohm 1/16W	RM73B--470J				
R109,110	247 2005 990	Carbon chip 240ohm 1/16W	RM73B--241J				
R111,112	247 2012 954	Carbon chip 130kohm 1/16W	RM73B--134J				
R113,114	247 2009 996	Carbon chip 11kohm 1/16W	RM73B--113J				
R115,116	247 2003 947	Carbon chip 22ohm 1/16W	RM73B--220J				
R117,118	247 2005 903	Carbon chip 100ohm 1/16W	RM73B--101J				
R119,120	247 2011 942	Carbon chip 47kohm 1/16W	RM73B--473J				
R123-126	247 2012 925	Carbon chip 100kohm 1/16W	RM73B--104J				
			for E2,E1,E1C,EUT				
R127,128	247 2005 903	Carbon chip 100ohm 1/16W	RM73B--101J				
			for E2,E1,E1C,EUT				
R129,130	247 2004 920	Carbon chip 47ohm 1/16W	RM73B--470J				
			for E2,E1,E1C,EUT				
R131,132	247 2011 942	Carbon chip 47kohm 1/16W	RM73B--473J				
			for E2,E1,E1C,EUT				
R133,134	247 2012 925	Carbon chip 100kohm 1/16W	RM73B--104J				
R135,136	247 2005 903	Carbon chip 100ohm 1/16W	RM73B--101J				
R137,138	247 2010 998	Carbon chip 30kohm 1/16W	RM73B--303J				
R139,140	247 2010 927	Carbon chip 15kohm 1/16W	RM73B--153J				
R161-163	247 2018 903	Carbon chip 0ohm 1/16W	RM73B--0R0K				
R165,166	247 2018 903	Carbon chip 0ohm 1/16W	RM73B--0R0K				
R171	247 2018 903	Carbon chip 0ohm 1/16W	RM73B--0R0K				

Ref. No.	Part No.	Part Name	Remarks	Ref. No.	Part No.	Part Name	Remarks
R361	247 2009 909	Carbon chip 4.7kohm 1/16W	RM73B--472J	R489	247 2008 926	Carbon chip 2.2kohm 1/16W	RM73B--222J
R363	247 2008 926	Carbon chip 2.2kohm 1/16W	RM73B--222J	R490	247 2008 997	Carbon chip 4.3kohm 1/16W	RM73B--432J
R364	247 2018 903	Carbon chip 0ohm 1/16W	RM73B--0R0K	R492	247 2008 926	Carbon chip 2.2kohm 1/16W	RM73B--222J
R365,366	247 2004 920	Carbon chip 47ohm 1/16W	RM73B--470J	R494	247 2008 926	Carbon chip 2.2kohm 1/16W	RM73B--222J
R367-374	247 2012 925	Carbon chip 100kohm 1/16W	RM73B--104J	R495-498	247 2018 903	Carbon chip 0ohm 1/16W	RM73B--0R0K
R375-380	247 2013 982	Carbon chip 470kohm 1/16W	RM73B--474J				
R381	247 2009 909	Carbon chip 4.7kohm 1/16W	RM73B--472J	R549-556	247 2012 996	Carbon chip 200kohm 1/16W	RM73B--204J
R382	247 2007 943	Carbon chip 1kohm 1/16W	RM73B--102J				
R385,386	247 2018 903	Carbon chip 0ohm 1/16W	RM73B--0R0K	R601,602	247 2008 968	Carbon chip 3.3kohm 1/16W	RM73B--332J
R387	247 2008 997	Carbon chip 4.3kohm 1/16W	RM73B--432J	R603,604	247 2006 986	Carbon chip 560ohm 1/16W	RM73B--561J
R388	247 2007 956	Carbon chip 1.1kohm 1/16W	RM73B--112J	R605-608	247 2013 982	Carbon chip 470kohm 1/16W	RM73B--474J
R389	247 2008 997	Carbon chip 4.3kohm 1/16W	RM73B--432J	R609,610	247 2012 909	Carbon chip 82kohm 1/16W	RM73B--823J
R390	247 2007 956	Carbon chip 1.1kohm 1/16W	RM73B--112J	R611,612	247 2009 909	Carbon chip 4.7kohm 1/16W	RM73B--472J
R391	247 2008 926	Carbon chip 2.2kohm 1/16W	RM73B--222J	R613,614	247 2011 926	Carbon chip 39kohm 1/16W	RM73B--393J
R392	247 2007 998	Carbon chip 1.6kohm 1/16W	RM73B--162J	R615,616	247 2014 907	Carbon chip 560kohm 1/16W	RM73B--564J
R393	247 2008 926	Carbon chip 2.2kohm 1/16W	RM73B--222J	R617,618	247 2009 925	Carbon chip 5.6kohm 1/16W	RM73B--562J
R394	247 2007 998	Carbon chip 1.6kohm 1/16W	RM73B--162J	R619,620	247 2010 985	Carbon chip 27kohm 1/16W	RM73B--273J
R397	247 2012 996	Carbon chip 200kohm 1/16W	RM73B--204J	R621,622	247 2007 943	Carbon chip 1kohm 1/16W	RM73B--102J
				R623,624	247 2009 983	Carbon chip 10kohm 1/16W	RM73B--103J
R400-402	247 2012 996	Carbon chip 200kohm 1/16W	RM73B--204J	R625,626	247 2008 968	Carbon chip 3.3kohm 1/16W	RM73B--332J
R407,408	247 2009 909	Carbon chip 4.7kohm 1/16W	RM73B--472J	R627,628	247 2006 986	Carbon chip 560ohm 1/16W	RM73B--561J
R409,410	247 2004 920	Carbon chip 47ohm 1/16W	RM73B--470J	R629-632	247 2013 982	Carbon chip 470kohm 1/16W	RM73B--474J
R413,414	247 2009 909	Carbon chip 4.7kohm 1/16W	RM73B--472J	R633,634	247 2012 909	Carbon chip 82kohm 1/16W	RM73B--823J
R415,416	247 2008 926	Carbon chip 2.2kohm 1/16W	RM73B--222J	R635,636	247 2009 909	Carbon chip 4.7kohm 1/16W	RM73B--472J
R417,418	247 2004 920	Carbon chip 47ohm 1/16W	RM73B--470J	R637,638	247 2011 926	Carbon chip 39kohm 1/16W	RM73B--393J
R419-426	247 2012 925	Carbon chip 100kohm 1/16W	RM73B--104J	R639,640	247 2014 907	Carbon chip 560kohm 1/16W	RM73B--564J
R431,432	247 2005 903	Carbon chip 100ohm 1/16W	RM73B--101J	R641,642	247 2009 925	Carbon chip 5.6kohm 1/16W	RM73B--562J
R434	247 2009 909	Carbon chip 4.7kohm 1/16W	RM73B--472J	R643,644	247 2010 985	Carbon chip 27kohm 1/16W	RM73B--273J
R435,436	247 2018 903	Carbon chip 0ohm 1/16W	RM73B--0R0K	R645,646	247 2007 943	Carbon chip 1kohm 1/16W	RM73B--102J
R437	247 2009 909	Carbon chip 4.7kohm 1/16W	RM73B--472J	R647,648	247 2009 983	Carbon chip 10kohm 1/16W	RM73B--103J
R442-445	247 2008 997	Carbon chip 4.3kohm 1/16W	RM73B--432J	R649,650	247 2008 968	Carbon chip 3.3kohm 1/16W	RM73B--332J
R446-449	247 2008 926	Carbon chip 2.2kohm 1/16W	RM73B--222J	R651,652	247 2006 986	Carbon chip 560ohm 1/16W	RM73B--561J
R451	247 2009 909	Carbon chip 4.7kohm 1/16W	RM73B--472J	R653-656	247 2013 982	Carbon chip 470kohm 1/16W	RM73B--474J
R453	247 2004 920	Carbon chip 47ohm 1/16W	RM73B--470J	R657,658	247 2012 909	Carbon chip 82kohm 1/16W	RM73B--823J
R456,457	247 2009 909	Carbon chip 4.7kohm 1/16W	RM73B--472J	R659,660	247 2009 909	Carbon chip 4.7kohm 1/16W	RM73B--472J
R458	247 2004 920	Carbon chip 47ohm 1/16W	RM73B--470J	R661,662	247 2011 926	Carbon chip 39kohm 1/16W	RM73B--393J
R459	247 2008 926	Carbon chip 2.2kohm 1/16W	RM73B--222J	R663,664	247 2014 907	Carbon chip 560kohm 1/16W	RM73B--564J
R461	247 2004 920	Carbon chip 47ohm 1/16W	RM73B--470J	R665,666	247 2009 925	Carbon chip 5.6kohm 1/16W	RM73B--562J
R462	247 2009 909	Carbon chip 4.7kohm 1/16W	RM73B--472J	R667,668	247 2010 985	Carbon chip 27kohm 1/16W	RM73B--273J
R463	247 2012 925	Carbon chip 100kohm 1/16W	RM73B--104J	R669,670	247 2007 943	Carbon chip 1kohm 1/16W	RM73B--102J
R464	247 2008 926	Carbon chip 2.2kohm 1/16W	RM73B--222J	R671,672	247 2009 983	Carbon chip 10kohm 1/16W	RM73B--103J
R465	247 2012 925	Carbon chip 100kohm 1/16W	RM73B--104J	R673,674	247 2008 968	Carbon chip 3.3kohm 1/16W	RM73B--332J
R466	247 2004 920	Carbon chip 47ohm 1/16W	RM73B--470J	R675,676	247 2006 986	Carbon chip 560ohm 1/16W	RM73B--561J
R467-470	247 2012 925	Carbon chip 100kohm 1/16W	RM73B--104J	R677-680	247 2013 982	Carbon chip 470kohm 1/16W	RM73B--474J
R472	247 2012 925	Carbon chip 100kohm 1/16W	RM73B--104J	R681,682	247 2012 909	Carbon chip 82kohm 1/16W	RM73B--823J
R474	247 2012 925	Carbon chip 100kohm 1/16W	RM73B--104J	R683,684	247 2009 909	Carbon chip 4.7kohm 1/16W	RM73B--472J
R477	247 2009 909	Carbon chip 4.7kohm 1/16W	RM73B--472J	R685,686	247 2011 926	Carbon chip 39kohm 1/16W	RM73B--393J
R482	247 2009 909	Carbon chip 4.7kohm 1/16W	RM73B--472J	R687,688	247 2014 907	Carbon chip 560kohm 1/16W	RM73B--564J
R483	247 2008 997	Carbon chip 4.3kohm 1/16W	RM73B--432J	R689,690	247 2009 925	Carbon chip 5.6kohm 1/16W	RM73B--562J
R485	247 2008 997	Carbon chip 4.3kohm 1/16W	RM73B--432J	R691,692	247 2010 985	Carbon chip 27kohm 1/16W	RM73B--273J
R487	247 2008 926	Carbon chip 2.2kohm 1/16W	RM73B--222J	R693,694	247 2007 943	Carbon chip 1kohm 1/16W	RM73B--102J
R488	247 2008 997	Carbon chip 4.3kohm 1/16W	RM73B--432J	R695,696	247 2009 983	Carbon chip 10kohm 1/16W	RM73B--103J

Ref. No.	Part No.	Part Name	Remarks	Ref. No.	Part No.	Part Name	Remarks
R697-701	247 2018 903	Carbon chip 0ohm 1/16W	RM73B--0R0K	R800	247 2012 925	Carbon chip 100kohm 1/16W	RM73B--104J
R702,703	247 2008 926	Carbon chip 2.2kohm 1/16W	RM73B--222J	R801,802	247 2012 996	Carbon chip 200kohm 1/16W	RM73B--204J
R704	247 2008 968	Carbon chip 3.3kohm 1/16W	RM73B--332J	R803,804	247 2007 943	Carbon chip 1kohm 1/16W	RM73B--102J
R705	247 2008 926	Carbon chip 2.2kohm 1/16W	RM73B--222J	R805,806	247 2009 925	Carbon chip 5.6kohm 1/16W	RM73B--562J
R706	247 2014 907	Carbon chip 560kohm 1/16W	RM73B--564J	R807,808	244 2051 961	Metal oxide 100ohm 1W (NB)	RS14B3A101JNBS (S)
R707	247 2018 903	Carbon chip 0ohm 1/16W	RM73B--0R0K	R809,810	247 2009 909	Carbon chip 4.7kohm 1/16W	RM73B--472J
R708	247 2007 972	Carbon chip 1.3kohm 1/16W	RM73B--132J	R811	247 2018 903	Carbon chip 0ohm 1/16W	RM73B--0R0K
R709	247 2010 969	Carbon chip 22kohm 1/16W	RM73B--223J	R813,814	247 2012 996	Carbon chip 200kohm 1/16W	RM73B--204J
R710	247 2008 971	Carbon chip 3.6kohm 1/16W	RM73B--362J	R815,816	247 2009 909	Carbon chip 4.7kohm 1/16W	RM73B--472J
R711	247 2014 907	Carbon chip 560kohm 1/16W	RM73B--564J	R817,818	247 2005 987	Carbon chip 220ohm 1/16W	RM73B--221J
R712,713	247 2009 983	Carbon chip 10kohm 1/16W	RM73B--103J	R819,820	247 2011 942	Carbon chip 47kohm 1/16W	RM73B--473J
R714	247 2005 987	Carbon chip 220ohm 1/16W	RM73B--221J	R821,822	247 2005 987	Carbon chip 220ohm 1/16W	RM73B--221J
R715-718	247 2009 983	Carbon chip 10kohm 1/16W	RM73B--103J	R823,824	247 2010 969	Carbon chip 22kohm 1/16W	RM73B--223J
R719	247 2006 915	Carbon chip 270ohm 1/16W	RM73B--271J	R825,826	247 2012 925	Carbon chip 100kohm 1/16W	RM73B--104J
R720	247 2011 926	Carbon chip 39kohm 1/16W	RM73B--393J	R827,828	247 2002 964	Carbon chip 10ohm 1/16W	RM73B--100J
R721	247 2009 909	Carbon chip 4.7kohm 1/16W	RM73B--472J	R829,830	247 2012 996	Carbon chip 200kohm 1/16W	RM73B--204J
R722	247 2013 924	Carbon chip 270kohm 1/16W	RM73B--274J	R831,832	247 2009 909	Carbon chip 4.7kohm 1/16W	RM73B--472J
R723	247 2011 997	Carbon chip 75kohm 1/16W	RM73B--753J	R833,834	247 2005 987	Carbon chip 220ohm 1/16W	RM73B--221J
R724	247 2013 908	Carbon chip 220kohm 1/16W	RM73B--224J	R835,836	247 2011 942	Carbon chip 47kohm 1/16W	RM73B--473J
R725-727	247 2012 925	Carbon chip 100kohm 1/16W	RM73B--104J	R837,838	247 2005 987	Carbon chip 220ohm 1/16W	RM73B--221J
R728	247 2011 926	Carbon chip 39kohm 1/16W	RM73B--393J	R839,840	247 2010 969	Carbon chip 22kohm 1/16W	RM73B--223J
R729,730	247 2011 997	Carbon chip 75kohm 1/16W	RM73B--753J	R841,842	247 2012 925	Carbon chip 100kohm 1/16W	RM73B--104J
R731,732	247 2013 924	Carbon chip 270kohm 1/16W	RM73B--274J	R843,844	247 2002 964	Carbon chip 10ohm 1/16W	RM73B--100J
R733,734	247 2009 909	Carbon chip 4.7kohm 1/16W	RM73B--472J	R845,846	247 2012 996	Carbon chip 200kohm 1/16W	RM73B--204J
R735,736	247 2011 926	Carbon chip 39kohm 1/16W	RM73B--393J	R847,848	247 2009 909	Carbon chip 4.7kohm 1/16W	RM73B--472J
R737,738	247 2009 983	Carbon chip 10kohm 1/16W	RM73B--103J	R849,850	247 2005 987	Carbon chip 220ohm 1/16W	RM73B--221J
R740-768	247 2009 983	Carbon chip 10kohm 1/16W	RM73B--103J	R851,852	247 2011 942	Carbon chip 47kohm 1/16W	RM73B--473J
R769	247 2005 987	Carbon chip 220ohm 1/16W	RM73B--221J	R853,854	247 2005 987	Carbon chip 220ohm 1/16W	RM73B--221J
R770	247 2013 908	Carbon chip 220kohm 1/16W	RM73B--224J	R855,856	247 2010 969	Carbon chip 22kohm 1/16W	RM73B--223J
R771	247 2005 987	Carbon chip 220ohm 1/16W	RM73B--221J	R857,858	247 2012 925	Carbon chip 100kohm 1/16W	RM73B--104J
R772	247 2013 908	Carbon chip 220kohm 1/16W	RM73B--224J	R859,860	247 2002 964	Carbon chip 10ohm 1/16W	RM73B--100J
R773	247 2005 987	Carbon chip 220ohm 1/16W	RM73B--221J	R861,862	247 2012 996	Carbon chip 200kohm 1/16W	RM73B--204J
R774	247 2013 908	Carbon chip 220kohm 1/16W	RM73B--224J	R863,864	247 2009 909	Carbon chip 4.7kohm 1/16W	RM73B--472J
R775	247 2005 987	Carbon chip 220ohm 1/16W	RM73B--221J	R865,866	247 2005 987	Carbon chip 220ohm 1/16W	RM73B--221J
R776	247 2013 908	Carbon chip 220kohm 1/16W	RM73B--224J	R867,868	247 2011 942	Carbon chip 47kohm 1/16W	RM73B--473J
R777	247 2005 987	Carbon chip 220ohm 1/16W	RM73B--221J	R869,870	247 2005 987	Carbon chip 220ohm 1/16W	RM73B--221J
R778	247 2013 908	Carbon chip 220kohm 1/16W	RM73B--224J	R871,872	247 2010 969	Carbon chip 22kohm 1/16W	RM73B--223J
R779	247 2005 987	Carbon chip 220ohm 1/16W	RM73B--221J	R873,874	247 2012 925	Carbon chip 100kohm 1/16W	RM73B--104J
R780	247 2013 908	Carbon chip 220kohm 1/16W	RM73B--224J	R875,876	247 2002 964	Carbon chip 10ohm 1/16W	RM73B--100J
R781,782	247 2018 903	Carbon chip 0ohm 1/16W	RM73B--0R0K	R878	247 2011 926	Carbon chip 39kohm 1/16W	RM73B--393J
R783-790	247 2009 983	Carbon chip 10kohm 1/16W	RM73B--103J	R879	247 2009 909	Carbon chip 4.7kohm 1/16W	RM73B--472J
R791	247 2009 909	Carbon chip 4.7kohm 1/16W	RM73B--472J	R880	247 2013 924	Carbon chip 270kohm 1/16W	RM73B--274J
R792	247 2013 924	Carbon chip 270kohm 1/16W	RM73B--274J	R881	247 2011 997	Carbon chip 75kohm 1/16W	RM73B--753J
R793	247 2011 997	Carbon chip 75kohm 1/16W	RM73B--753J	R882	247 2012 925	Carbon chip 100kohm 1/16W	RM73B--104J
R794	247 2005 987	Carbon chip 220ohm 1/16W	RM73B--221J	R883,884	247 2009 983	Carbon chip 10kohm 1/16W	RM73B--103J
R795	247 2013 908	Carbon chip 220kohm 1/16W	RM73B--224J	R885-892	247 2005 903	Carbon chip 100ohm 1/16W	RM73B--101J
R796	247 2005 987	Carbon chip 220ohm 1/16W	RM73B--221J	R893-905	247 2018 903	Carbon chip 0ohm 1/16W	RM73B--0R0K
R797	247 2013 908	Carbon chip 220kohm 1/16W	RM73B--224J	R908-910	247 2018 903	Carbon chip 0ohm 1/16W	RM73B--0R0K
R798	247 2005 987	Carbon chip 220ohm 1/16W	RM73B--221J	R913-920	247 2009 983	Carbon chip 10kohm 1/16W	RM73B--103J
R799	247 2013 908	Carbon chip 220kohm 1/16W	RM73B--224J	R921-930	247 2012 996	Carbon chip 200kohm 1/16W	RM73B--204J
				R941-944	247 2011 942	Carbon chip 47kohm 1/16W	RM73B--473J

Ref. No.	Part No.	Part Name	Remarks	Ref. No.	Part No.	Part Name	Remarks
R945,946	247 2005 903	Carbon chip 100ohm 1/16W	RM73B--101J	C133,134	254 4313 918	Electrolytic 10uF/50V	CE04W1H100M (ASF)
R947,948	247 2018 903	Carbon chip 0ohm 1/16W	RM73B--0R0K	C135-138	257 3013 933	Metallized chip 0.1uF/50V	CF73=1H104J (ECHUC9)
R951-954	247 2011 942	Carbon chip 47kohm 1/16W	RM73B--473J	C155,156	257 3012 921	Metallized chip 0.01uF/50V	CF73=1H103J (ECHUB5)
R955,956	247 2005 903	Carbon chip 100ohm 1/16W	RM73B--101J	C201,202	257 0506 951	Ceramic chip 100pF/50V	CC73CH1H101J for E2,E1,E1C,EUT
R957,958	247 2018 903	Carbon chip 0ohm 1/16W	RM73B--0R0K	C203,204	254 4313 918	Electrolytic 10uF/50V	CE04W1H100M (ASF)
R961-964	247 2011 942	Carbon chip 47kohm 1/16W	RM73B--473J	C209,210	254 4492 907	Electrolytic 47uF/25V	CE04W1E470M (ASF)
R965,966	247 2005 903	Carbon chip 100ohm 1/16W	RM73B--101J	C211,212	254 4313 963	Electrolytic 1uF/50V	CE04W1H010M (ASF)
R967,968	247 2018 903	Carbon chip 0ohm 1/16W	RM73B--0R0K	C213,214	257 0506 951	Ceramic chip 100pF/50V	CC73CH1H101J for E2,E1,E1C,EUT
R971-974	247 2011 942	Carbon chip 47kohm 1/16W	RM73B--473J	C215,216	254 4313 918	Electrolytic 10uF/50V	CE04W1H100M (ASF)
R975,976	247 2005 903	Carbon chip 100ohm 1/16W	RM73B--101J	C221,222	254 4492 907	Electrolytic 47uF/25V	CE04W1E470M (ASF)
R977,978	247 2018 903	Carbon chip 0ohm 1/16W	RM73B--0R0K	C225,226	257 0506 951	Ceramic chip 100pF/50V	CC73CH1H101J for E2,E1,E1C,EUT
R981-988	247 2012 925	Carbon chip 100kohm 1/16W	RM73B--104J	C227,228	254 4313 918	Electrolytic 10uF/50V	CE04W1H100M (ASF)
R997-999	247 2009 983	Carbon chip 10kohm 1/16W	RM73B--103J	C233,234	254 4492 907	Electrolytic 47uF/25V	CE04W1E470M (ASF)
RR101,102	247 2010 930	Carbon chip 16kohm 1/16W	RM73B--163J	C237,238	257 0506 951	Ceramic chip 100pF/50V	CC73CH1H101J for E2,E1,E1C,EUT
RR103	247 2010 969	Carbon chip 22kohm 1/16W	RM73B--223J	C239,240	254 4313 918	Electrolytic 10uF/50V	CE04W1H100M (ASF)
RR105,106	247 2009 954	Carbon chip 7.5kohm 1/16W	RM73B--752J	C245,246	254 4492 907	Electrolytic 47uF/25V	CE04W1E470M (ASF)
RR107,108	247 2010 930	Carbon chip 16kohm 1/16W	RM73B--163J	C249,250	257 0506 951	Ceramic chip 100pF/50V	CC73CH1H101J for E2,E1,E1C,EUT
RR109,110	247 2009 954	Carbon chip 7.5kohm 1/16W	RM73B--752J	C251,252	254 4313 918	Electrolytic 10uF/50V	CE04W1H100M (ASF)
RR111	247 2009 909	Carbon chip 4.7kohm 1/16W	RM73B--472J	C257,258	254 4492 907	Electrolytic 47uF/25V	CE04W1E470M (ASF)
RR113	247 2010 969	Carbon chip 22kohm 1/16W	RM73B--223J	C261,262	257 0506 951	Ceramic chip 100pF/50V	CC73CH1H101J for E2,E1,E1C,EUT
RR115	247 2009 909	Carbon chip 4.7kohm 1/16W	RM73B--472J	C263,264	254 4313 918	Electrolytic 10uF/50V	CE04W1H100M (ASF)
RR121,122	247 2010 930	Carbon chip 16kohm 1/16W	RM73B--163J	C269,270	254 4492 907	Electrolytic 47uF/25V	CE04W1E470M (ASF)
RR123-126	247 2009 909	Carbon chip 4.7kohm 1/16W	RM73B--472J	C273,274	257 0506 951	Ceramic chip 100pF/50V	CC73CH1H101J for E2,E1,E1C,EUT
RR127,128	247 2004 920	Carbon chip 47ohm 1/16W	RM73B--470J	C275,276	254 4313 918	Electrolytic 10uF/50V	CE04W1H100M (ASF)
RR129,130	247 2012 925	Carbon chip 100kohm 1/16W	RM73B--104J	C281,282	254 4492 907	Electrolytic 47uF/25V	CE04W1E470M (ASF)
RR141,142	247 2010 930	Carbon chip 16kohm 1/16W	RM73B--163J	C285,286	257 0506 951	Ceramic chip 100pF/50V	CC73CH1H101J for E2,E1,E1C,EUT
RR143-146	247 2009 909	Carbon chip 4.7kohm 1/16W	RM73B--472J	C287,288	254 4313 918	Electrolytic 10uF/50V	CE04W1H100M (ASF)
RR147,148	247 2004 920	Carbon chip 47ohm 1/16W	RM73B--470J	C293,294	254 4492 907	Electrolytic 47uF/25V	CE04W1E470M (ASF)
RR149,150	247 2012 925	Carbon chip 100kohm 1/16W	RM73B--104J	C295,296	254 4313 963	Electrolytic 1uF/50V	CE04W1H010M (ASF)
RR154	247 2018 903	Carbon chip 0ohm 1/16W	RM73B--0R0K	C297	254 4524 943	Electrolytic 1uF/50V	CE04W1H010M (SMG/RE3)
RR157	247 2018 903	Carbon chip 0ohm 1/16W	RM73B--0R0K	C301,302	254 4313 918	Electrolytic 10uF/50V	CE04W1H100M (ASF)
RR162-170	247 2018 903	Carbon chip 0ohm 1/16W	RM73B--0R0K	C307-309	257 0511 917	Ceramic chip 0.022uF/50V	CK73F1H223Z for E2,E1,E1C,EUT
CAPACITORS GROUP				C311-314	254 4313 918	Electrolytic 10uF/50V	CE04W1H100M (ASF)
C101,102	257 0507 934	Ceramic chip 220pF/50V	CC73CH1H221J	C317-320	254 4313 918	Electrolytic 10uF/50V	CE04W1H100M (ASF)
C103	254 4524 943	Electrolytic 1uF/50V	CE04W1H010M (SMG/RE3)	C321-324	255 1273 944	Mylar film 220pF/50V	CQ93M1H221J (B)
C105,106	254 4524 985	Electrolytic 10uF/50V	CE04W1H100M (SMG/RE3)	C325,326	254 4313 934	Electrolytic 47uF/50V	CE04W1H470M (ASF)
C107,108	257 0506 951	Ceramic chip 100pF/50V	CC73CH1H101J	C327,328	254 4313 918	Electrolytic 10uF/50V	CE04W1H100M (ASF)
C109,110	254 4536 931	Electrolytic 220uF/10V	CE04W1A221M (SMG/RE3)	C329,330	254 4313 934	Electrolytic 47uF/50V	CE04W1H470M (ASF)
C111,112	255 4199 999	Mylar film 0.024uF/50V	CQ92M1H243J (MRZ)	C332	257 3010 907	Metallized chip 100pF/50V	CF73=1H101J (ECHUB5)
C113,114	255 1265 907	Mylar film 6800pF/50V	CQ93M1H682J (B)	C335,336	254 4313 918	Electrolytic 10uF/50V	CE04W1H100M (ASF)
C115,116	254 4524 985	Electrolytic 10uF/50V	CE04W1H100M (SMG/RE3)	C337,338	254 4313 934	Electrolytic 47uF/50V	CE04W1H470M (ASF)
C117,118	254 4313 963	Electrolytic 1uF/50V	CE04W1H010M (ASF)				
C119,120	257 0506 951	Ceramic chip 100pF/50V	CC73CH1H101J for E2,E1,E1C,EUT				
C121,122	254 4524 985	Electrolytic 10uF/50V	CE04W1H100M (SMG/RE3) for E2,E1,E1C,EUT				
C123,124	257 0511 917	Ceramic chip 0.022uF/50V	CK73F1H223Z for E2,E1,E1C,EUT				
C127,128	254 4524 985	Electrolytic 10uF/50V	CE04W1H100M (SMG/RE3) for E2,E1,E1C,EUT				

Ref. No.	Part No.	Part Name	Remarks	Ref. No.	Part No.	Part Name	Remarks
C339-342	254 4313 918	Electrolytic 10uF/50V	CE04W1H100M (ASF)	C663,664	254 4313 976	Electrolytic 2.2uF/50V	CE04W1H2R2M (ASF)
C345-348	254 4313 918	Electrolytic 10uF/50V	CE04W1H100M (ASF)	C667,668	257 0506 951	Ceramic chip 100pF/50V	CC73CH1H101J
C349	255 1273 944	Mylar film 220pF/50V	CQ93M1H221J (B)	C669,670	254 4313 905	Electrolytic 3.3uF/50V	CE04W1H3R3M (ASF)
C350	255 1273 944	Mylar film 220pF/50V	CQ93M1H221K (B)	C671,672	257 3013 904	Metallized chip 0.056uF/50V	CF73=1H563J (ECHUC9)
C351	255 1273 944	Mylar film 220pF/50V	CQ93M1H221J (B)	C673,674	257 3012 905	Metallized chip 6800pF/50V	CF73=1H682J (ECHUB5)
C352	255 1273 944	Mylar film 220pF/50V	CQ93M1H221K (B)	C677,678	257 3012 934	Metallized chip 0.012uF/50V	CF73=1H123J (ECHUB5)
C353,354	254 4313 934	Electrolytic 47uF/50V	CE04W1H470M (ASF)	C679,680	257 3011 951	Metallized chip 2700pF/50V	CF73=1H272J (ECHUB5)
C355,356	254 4313 918	Electrolytic 10uF/50V	CE04W1H100M (ASF)	C681,682	257 3012 963	Metallized chip 0.022uF/50V	CF73=1H223J (ECHUB5)
C357,358	254 4313 934	Electrolytic 47uF/50V	CE04W1H470M (ASF)	C683,684	254 4313 947	Electrolytic 4.7uF/50V	CE04W1H4R7M (ASF)
C363,364	254 4313 934	Electrolytic 47uF/50V	CE04W1H470M (ASF)	C693	257 0501 901	Ceramic chip 0.01uF/50V	CK73B1H103K
C365-370	254 4313 918	Electrolytic 10uF/50V	CE04W1H100M (ASF)	C694	254 4524 956	Electrolytic 2.2uF/35V	CE04W1H2R2M (SMG/RE3)
C373-376	254 4313 918	Electrolytic 10uF/50V	CE04W1H100M (ASF)	C695	257 0501 901	Ceramic chip 0.01uF/50V	CK73B1H103K
C377-380	255 1273 944	Mylar film 220pF/50V	CQ93M1H221J (B)	C696	254 4538 939	Electrolytic 47uF/16V	CE04W1C470M (SMG/RE3)
C381,382	254 4313 934	Electrolytic 47uF/50V	CE04W1H470M (ASF)	C697	254 4313 947	Electrolytic 4.7uF/50V	CE04W1H4R7M (ASF)
C383,384	254 4313 918	Electrolytic 10uF/50V	CE04W1H100M (ASF)	C698,699	254 4524 943	Electrolytic 1uF/50V	CE04W1H010M (SMG/RE3)
C385,386	254 4313 934	Electrolytic 47uF/50V	CE04W1H470M (ASF)				
C391-398	254 4313 918	Electrolytic 10uF/50V	CE04W1H100M (ASF)	C700	254 4313 947	Electrolytic 4.7uF/50V	CE04W1H4R7M (ASF)
				C701,702	254 4524 943	Electrolytic 1uF/50V	CE04W1H010M (SMG/RE3)
C401-404	254 4313 918	Electrolytic 10uF/50V	CE04W1H100M (ASF)	C703-705	254 4313 947	Electrolytic 4.7uF/50V	CE04W1H4R7M (ASF)
C405-408	255 1273 944	Mylar film 220pF/50V	CQ93M1H221J (B)	C707-710	254 4524 943	Electrolytic 1uF/50V	CE04W1H010M (SMG/RE3)
C409-424	254 4313 918	Electrolytic 10uF/50V	CE04W1H100M (ASF)	C712	254 4522 958	Electrolytic 100uF/35V	CE04W1V101M (SMG/RE3)
C425-440	257 0502 971	Ceramic chip 5pF/50V	CC73CH1H5R0C	C713-722	254 4313 963	Electrolytic 1uF/50V	CE04W1H010M (ASF)
C451-458	257 3012 921	Metallized chip 0.01uF/50V	CF73=1H103J (ECHUB5)				
				C801,802	254 4313 947	Electrolytic 4.7uF/50V	CE04W1H4R7M (ASF)
C601,602	254 4313 976	Electrolytic 2.2uF/50V	CE04W1H2R2M (ASF)	C803,804	254 4538 942	Electrolytic 100uF/16V	CE04W1C101M (SMG/RE3)
C605,606	257 0506 951	Ceramic chip 100pF/50V	CC73CH1H101J	C807,808	254 4313 947	Electrolytic 4.7uF/50V	CE04W1H4R7M (ASF)
C607,608	254 4313 905	Electrolytic 3.3uF/50V	CE04W1H3R3M (ASF)	C809-812	254 4524 998	Electrolytic 22uF/50V	CE04W1H220M (SMG/RE3)
C609,610	257 3013 904	Metallized chip 0.056uF/50V	CF73=1H563J (ECHUC9)	C815,816	254 4313 947	Electrolytic 4.7uF/50V	CE04W1H4R7M (ASF)
C611,612	257 3012 905	Metallized chip 6800pF/50V	CF73=1H682J (ECHUB5)	C817-820	254 4524 998	Electrolytic 22uF/50V	CE04W1H220M (SMG/RE3)
C613,614	254 4524 943	Electrolytic 1uF/50V	CE04W1H010M (SMG/RE3)	C823,824	254 4313 947	Electrolytic 4.7uF/50V	CE04W1H4R7M (ASF)
C615,616	257 3012 934	Metallized chip 0.012uF/50V	CF73=1H123J (ECHUB5)	C825-828	254 4524 998	Electrolytic 22uF/50V	CE04W1H220M (SMG/RE3)
C617,618	257 3011 951	Metallized chip 2700pF/50V	CF73=1H272J (ECHUB5)	C831,832	254 4313 947	Electrolytic 4.7uF/50V	CE04W1H4R7M (ASF)
C619,620	257 3012 963	Metallized chip 0.022uF/50V	CF73=1H223J (ECHUB5)	C833-836	254 4524 998	Electrolytic 22uF/50V	CE04W1H220M (SMG/RE3)
C621,622	254 4313 947	Electrolytic 4.7uF/50V	CE04W1H4R7M (ASF)	C839	254 4524 943	Electrolytic 1uF/50V	CE04W1H010M (SMG/RE3)
C623,624	254 4313 976	Electrolytic 2.2uF/50V	CE04W1H2R2M (ASF)	C841,842	254 4347 748	Electrolytic 1uF/50V	CE04W1H010MC(ARSA)
C627,628	257 0506 951	Ceramic chip 100pF/50V	CC73CH1H101J				
C629,630	254 4313 905	Electrolytic 3.3uF/50V	CE04W1H3R3M (ASF)	C921,922	254 4313 963	Electrolytic 1uF/50V	CE04W1H010M (ASF)
C631,632	257 3013 904	Metallized chip 0.056uF/50V	CF73=1H563J (ECHUC9)	C941,942	254 4524 998	Electrolytic 22uF/50V	CE04W1H220M (SMG/RE3)
C633,634	257 3012 905	Metallized chip 6800pF/50V	CF73=1H682J (ECHUB5)	C943,944	254 4524 985	Electrolytic 10uF/50V	CE04W1H100M (SMG/RE3)
C635,636	257 3012 934	Metallized chip 0.012uF/50V	CF73=1H123J (ECHUB5)	C951,952	254 4524 998	Electrolytic 22uF/50V	CE04W1H220M (SMG/RE3)
C637,638	257 3011 951	Metallized chip 2700pF/50V	CF73=1H272J (ECHUB5)	C953,954	254 4524 985	Electrolytic 10uF/50V	CE04W1H100M (SMG/RE3)
C639,640	257 3012 963	Metallized chip 0.022uF/50V	CF73=1H223J (ECHUB5)	C955,956	257 3012 921	Metallized chip 0.01uF/50V	CF73=1H103J (ECHUB5)
C641,642	254 4313 947	Electrolytic 4.7uF/50V	CE04W1H4R7M (ASF)	C961,962	254 4524 998	Electrolytic 22uF/50V	CE04W1H220M (SMG/RE3)
C643,644	254 4313 976	Electrolytic 2.2uF/50V	CE04W1H2R2M (ASF)	C963,964	254 4524 985	Electrolytic 10uF/50V	CE04W1H100M (SMG/RE3)
C647,648	257 0506 951	Ceramic chip 100pF/50V	CC73CH1H101J	C971,972	254 4524 998	Electrolytic 22uF/50V	CE04W1H220M (SMG/RE3)
C649,650	254 4313 905	Electrolytic 3.3uF/50V	CE04W1H3R3M (ASF)	C973,974	254 4524 985	Electrolytic 10uF/50V	CE04W1H100M (SMG/RE3)
C651,652	257 3013 904	Metallized chip 0.056uF/50V	CF73=1H563J (ECHUC9)	C975,976	257 3012 921	Metallized chip 0.01uF/50V	CF73=1H103J (ECHUB5)
C653,654	257 3012 905	Metallized chip 6800pF/50V	CF73=1H682J (ECHUB5)	C981-988	254 4524 985	Electrolytic 10uF/50V	CE04W1H100M (SMG/RE3)
C655,656	257 3012 934	Metallized chip 0.012uF/50V	CF73=1H123J (ECHUB5)				
C657,658	257 3011 951	Metallized chip 2700pF/50V	CF73=1H272J (ECHUB5)	CC123,124	257 0504 940	Ceramic chip 33pF/50V	CC73CH1H330J
C659,660	257 3012 963	Metallized chip 0.022uF/50V	CF73=1H223J (ECHUB5)	CC127,128	257 0506 951	Ceramic chip 100pF/50V	CC73CH1H101J
C661,662	254 4313 947	Electrolytic 4.7uF/50V	CE04W1H4R7M (ASF)	CC129,130	254 4524 985	Electrolytic 10uF/50V	CE04W1H100M (SMG/RE3)

1U-3437/3437A A&V IN P.W.B. UNIT ASS'Y

Ref. No.	Part No.	Part Name	Remarks		Ref. No.	Part No.	Part Name	Remarks
CC143,144	257 0504 940	Ceramic chip 33pF/50V	CC73CH1H330J		SEMICONDUCTORS GROUP			
CC147,148	257 0506 951	Ceramic chip 100pF/50V	CC73CH1H101J		IC102-112	263 1098 900	IC LM833MX	
CC149,150	254 4524 985	Electrolytic 10uF/50V	CE04W1H100M (SMG/RE3)		IC201-203	262 2545 006	IC TC9274N-011	
OTHER PARTS GROUP				Q'ty	IC204	262 2726 003	IC TC9273N-***B	
AS101,102	205 0452 017	Style pin		2	IC205	262 2540 904	IC TC9459F	
AS104	205 0452 017	Style pin		1	IC206,207	263 0615 902	IC BA15218F	
AS106	205 0452 017	Style pin		1	IC301-303	263 1082 903	IC TK15420MTL	
CW121	204 6732 000	12P SAN-SAN connector cord		1	IC304,305	262 2826 903	IC BU4051BCF	
CW141	204 6733 009	14P PH-SAN connector cord		1	IC306	263 1082 903	IC TK15420MTL	
CX034	205 0406 034	3P connector base (KR-PH)		1	IC307	262 2013 907	IC BU4053BCF	
CX041	205 0343 045	4P connector base (KR-PH)		1	IC308	262 2012 908	IC BU4052BCF	
CX142,143	205 0375 042	14P connector base (KR-PH)		2	IC309	262 2826 903	IC BU4051BCF	
CX154	205 0375 055	15P connector base (KR-PH)		1	IC310	263 1082 903	IC TK15420MTL	
CY032	205 0321 038	3P connector base (RED)		1	IC311	262 2012 908	IC BU4052BCF	
CY043	205 0343 045	4P connector base (KR-PH)		1	IC501	262 2114 903	IC UPD4721GS-GJG	
CY072	205 0343 074	7P connector base (KR-PH)		1	IC502	262 2580 906	IC CXA1511M	
CY095	205 0343 090	9P connector base (KR-PH)		1	TR201	269 0048 904	Transistor DTC143EK	
CY104	205 0375 000	10P connector base (KR-PH)		1	TR203-210	273 0460 905	Transistor KTC2875B	
CY122	205 0375 026	12P connector base (KR-PH)		1	TR301	271 0238 908	Transistor 2SA1037K (S/R)	
CY126	205 0375 026	12P connector base (KR-PH)		1	TR302,303	269 0192 902	Transister KRC102S (10K-10K)	
CY136	205 0375 039	13P connector base (KR-PH)		1	TR501	269 0055 900	Transistor DTA144EK	
JK101	204 8562 016	2P pin jack (S-GND)		1	TR502	269 0082 902	Transistor DTC114EK	
JK102	204 8562 016	2P pin jack (S-GND)	for E2,E1,E1C,EUT	1	TR503	269 0083 901	Transistor DTA114EK	
JK201-203	204 8513 007	6P pin jack (S-GND)		3	TR904	269 0192 902	Transister KRC102S (10K-10K)	
JK801	204 8513 007	6P pin jack (S-GND)		1	TR905	269 0144 905	Transistor DTC114YK	
RL101-111	214 0223 004	Relay (EC2-24N35)		11	TR906	271 0310 907	Transistor 2SA1163 (BL)	
RL113-115	214 0223 004	Relay (EC2-24N35)		3	TR907-911	273 0426 907	Transistor 2SC2412KLN	
RL601-604	214 0223 004	Relay (EC2-24N35)		4	D201	276 0559 909	Diode DAP202K	
RL801	214 0223 004	Relay (EC2-24N35)		1	D302,303	276 0739 907	Diode KDS181	
SH101	414 0799 109	Shield plate		1	D904-908	276 0740 909	Diode KDS184	
	203 0711 008	1P SIN-SIN wire		1	ZD505,506	276 0694 932	Zener diode UDZ6.8B	
					ZD507	276 0683 956	Zener diode UDZS15B	
					RESISTORS GROUP			
					R121-124	247 2012 925	Carbon chip 100kohm 1/16W	RM73B--104J
					R125,126	247 2005 903	Carbon chip 100ohm 1/16W	RM73B--101J
					R127,128	247 2004 920	Carbon chip 47ohm 1/16W	RM73B--470J
					R129,130	247 2011 942	Carbon chip 47kohm 1/16W	RM73B--473J
					R131-134	247 2012 925	Carbon chip 100kohm 1/16W	RM73B--104J
					R135,136	247 2005 903	Carbon chip 100ohm 1/16W	RM73B--101J
					R137,138	247 2004 920	Carbon chip 47ohm 1/16W	RM73B--470J

Ref. No.	Part No.	Part Name	Remarks	Ref. No.	Part No.	Part Name	Remarks
R139,140	247 2011 942	Carbon chip 47kohm 1/16W	RM73B--473J	R277,278	247 2011 942	Carbon chip 47kohm 1/16W	RM73B--473J
R141-144	247 2012 925	Carbon chip 100kohm 1/16W	RM73B--104J	R279,280	247 2005 987	Carbon chip 220ohm 1/16W	RM73B--221J
R145,146	247 2005 903	Carbon chip 100ohm 1/16W	RM73B--101J	R281,282	247 2012 925	Carbon chip 100kohm 1/16W	RM73B--104J
R147,148	247 2004 920	Carbon chip 47ohm 1/16W	RM73B--470J	R283,284	247 2002 964	Carbon chip 10ohm 1/16W	RM73B--100J
R149,150	247 2011 942	Carbon chip 47kohm 1/16W	RM73B--473J	R285,286	247 2010 969	Carbon chip 22kohm 1/16W	RM73B--223J
R151-154	247 2012 925	Carbon chip 100kohm 1/16W	RM73B--104J	R287,288	247 2011 942	Carbon chip 47kohm 1/16W	RM73B--473J
R155,156	247 2005 903	Carbon chip 100ohm 1/16W	RM73B--101J	R289,290	247 2018 903	Carbon chip 0ohm 1/16W	RM73B--0R0K
R157,158	247 2004 920	Carbon chip 47ohm 1/16W	RM73B--470J	R291,292	247 2012 925	Carbon chip 100kohm 1/16W	RM73B--104J
R159,160	247 2011 942	Carbon chip 47kohm 1/16W	RM73B--473J	R293,294	247 2006 960	Carbon chip 470ohm 1/16W	RM73B--471J
R161-164	247 2012 925	Carbon chip 100kohm 1/16W	RM73B--104J	R301-308	247 2004 975	Carbon chip 75ohm 1/16W	RM73B--750J
R165,166	247 2005 903	Carbon chip 100ohm 1/16W	RM73B--101J	R309-313	247 2010 969	Carbon chip 22kohm 1/16W	RM73B--223J
R167,168	247 2004 920	Carbon chip 47ohm 1/16W	RM73B--470J	R314-318	247 2004 975	Carbon chip 75ohm 1/16W	RM73B--750J
R169,170	247 2011 942	Carbon chip 47kohm 1/16W	RM73B--473J	R319,320	247 2008 913	Carbon chip 2kohm 1/16W	RM73B--202J
R171-174	247 2012 925	Carbon chip 100kohm 1/16W	RM73B--104J	R323,324	247 2009 983	Carbon chip 10kohm 1/16W	RM73B--103J
R175,176	247 2005 903	Carbon chip 100ohm 1/16W	RM73B--101J	R325,326	247 2005 903	Carbon chip 100ohm 1/16W	RM73B--101J
R177,178	247 2004 920	Carbon chip 47ohm 1/16W	RM73B--470J	R327,328	247 2008 913	Carbon chip 2kohm 1/16W	RM73B--202J
R179,180	247 2011 942	Carbon chip 47kohm 1/16W	RM73B--473J	R331,332	247 2009 983	Carbon chip 10kohm 1/16W	RM73B--103J
R181-184	247 2012 925	Carbon chip 100kohm 1/16W	RM73B--104J	R333,334	247 2005 903	Carbon chip 100ohm 1/16W	RM73B--101J
R185,186	247 2005 903	Carbon chip 100ohm 1/16W	RM73B--101J	R335	247 2006 973	Carbon chip 510ohm 1/16W	RM73B--511J
R187,188	247 2004 920	Carbon chip 47ohm 1/16W	RM73B--470J	R337,338	247 2009 983	Carbon chip 10kohm 1/16W	RM73B--103J
R189,190	247 2011 942	Carbon chip 47kohm 1/16W	RM73B--473J	R339	247 2006 986	Carbon chip 560ohm 1/16W	RM73B--561J
R201-204	247 2012 925	Carbon chip 100kohm 1/16W	RM73B--104J	R340	247 2008 913	Carbon chip 2kohm 1/16W	RM73B--202J
R205,206	247 2005 903	Carbon chip 100ohm 1/16W	RM73B--101J	R342	247 2002 964	Carbon chip 10ohm 1/16W	RM73B--100J
R207-210	247 2012 925	Carbon chip 100kohm 1/16W	RM73B--104J	R343,344	247 2005 903	Carbon chip 100ohm 1/16W	RM73B--101J
R211,212	247 2005 903	Carbon chip 100ohm 1/16W	RM73B--101J	R345	247 2002 964	Carbon chip 10ohm 1/16W	RM73B--100J
R213,214	247 2004 920	Carbon chip 47ohm 1/16W	RM73B--470J	R346	247 2009 983	Carbon chip 10kohm 1/16W	RM73B--103J
R215,216	247 2011 942	Carbon chip 47kohm 1/16W	RM73B--473J	R347	247 2006 999	Carbon chip 620ohm 1/16W	RM73B--621J
R217-220	247 2012 925	Carbon chip 100kohm 1/16W	RM73B--104J	R350	247 2008 913	Carbon chip 2kohm 1/16W	RM73B--202J
R221,222	247 2005 903	Carbon chip 100ohm 1/16W	RM73B--101J	R351	247 2006 973	Carbon chip 510ohm 1/16W	RM73B--511J
R223,224	247 2004 920	Carbon chip 47ohm 1/16W	RM73B--470J	R353	247 2009 983	Carbon chip 10kohm 1/16W	RM73B--103J
R225,226	247 2011 942	Carbon chip 47kohm 1/16W	RM73B--473J	R354	247 2002 964	Carbon chip 10ohm 1/16W	RM73B--100J
R227,228	247 2012 925	Carbon chip 100kohm 1/16W	RM73B--104J	R355	247 2005 903	Carbon chip 100ohm 1/16W	RM73B--101J
R229,230	247 2004 920	Carbon chip 47ohm 1/16W	RM73B--470J	R356	247 2002 964	Carbon chip 10ohm 1/16W	RM73B--100J
R231,232	247 2011 942	Carbon chip 47kohm 1/16W	RM73B--473J	R357	247 2005 903	Carbon chip 100ohm 1/16W	RM73B--101J
R233-236	247 2012 925	Carbon chip 100kohm 1/16W	RM73B--104J	R358	247 2009 983	Carbon chip 10kohm 1/16W	RM73B--103J
R237,238	247 2005 903	Carbon chip 100ohm 1/16W	RM73B--101J	R359	247 2006 973	Carbon chip 510ohm 1/16W	RM73B--511J
R239,240	247 2004 920	Carbon chip 47ohm 1/16W	RM73B--470J	R360	247 2006 986	Carbon chip 560ohm 1/16W	RM73B--561J
R241,242	247 2011 942	Carbon chip 47kohm 1/16W	RM73B--473J	R362	247 2004 975	Carbon chip 75ohm 1/16W	RM73B--750J
R243-248	247 2006 960	Carbon chip 470ohm 1/16W	RM73B--471J	R363	247 2010 969	Carbon chip 22kohm 1/16W	RM73B--223J
R249-254	247 2015 964	Carbon chip 2.7Mohm 1/16W	RM73B--275K	R364	247 2005 903	Carbon chip 100ohm 1/16W	RM73B--101J
R255,256	247 2012 925	Carbon chip 100kohm 1/16W	RM73B--104J	R365	247 2009 967	Carbon chip 8.2kohm 1/16W	RM73B--822J
R257,258	247 2007 930	Carbon chip 910ohm 1/16W	RM73B--911J	R366	247 2011 942	Carbon chip 47kohm 1/16W	RM73B--473J
R259,260	247 2009 909	Carbon chip 4.7kohm 1/16W	RM73B--472J	R367	247 2007 969	Carbon chip 1.2kohm 1/16W	RM73B--122J
R261,262	247 2005 987	Carbon chip 220ohm 1/16W	RM73B--221J	R368	247 2005 987	Carbon chip 220ohm 1/16W	RM73B--221J
R263,264	247 2011 942	Carbon chip 47kohm 1/16W	RM73B--473J	R369	247 2009 967	Carbon chip 8.2kohm 1/16W	RM73B--822J
R265,266	247 2005 987	Carbon chip 220ohm 1/16W	RM73B--221J	R371,372	247 2009 909	Carbon chip 4.7kohm 1/16W	RM73B--472J
R267,268	247 2002 964	Carbon chip 10ohm 1/16W	RM73B--100J	R373	247 2007 943	Carbon chip 1kohm 1/16W	RM73B--102J
R269,270	247 2012 925	Carbon chip 100kohm 1/16W	RM73B--104J	R501	247 2018 903	Carbon chip 0ohm 1/16W	RM73B--0R0K
R271,272	247 2009 909	Carbon chip 4.7kohm 1/16W	RM73B--472J	R502	247 2006 960	Carbon chip 470ohm 1/16W	RM73B--471J
R273,274	247 2010 969	Carbon chip 22kohm 1/16W	RM73B--223J	R503	247 2003 947	Carbon chip 22ohm 1/16W	RM73B--220J
R275,276	247 2005 987	Carbon chip 220ohm 1/16W	RM73B--221J				

Ref. No.	Part No.	Part Name	Remarks	Ref. No.	Part No.	Part Name	Remarks
R504	247 2018 903	Carbon chip 0ohm 1/16W	RM73B--0R0K	C191,192	257 0506 951	Ceramic chip 100pF/50V	CC73CH1H101J for E2,E1,E1C,EUT
R505	247 2012 996	Carbon chip 200kohm 1/16W	RM73B--204J	C193,194	254 4524 985	Electrolytic 10uF/50V	CE04W1H100M (SMG/RE3)
R509	247 2007 943	Carbon chip 1kohm 1/16W	RM73B--102J	C199,200	254 4525 913	Electrolytic 47uF/50V	CE04W1H470M (SMG/RE3)
R510	247 2011 926	Carbon chip 39kohm 1/16W	RM73B--393J	C207,208	254 4524 985	Electrolytic 10uF/50V	CE04W1H100M (SMG/RE3)
R511	247 2011 942	Carbon chip 47kohm 1/16W	RM73B--473J	C211,212	254 4524 985	Electrolytic 10uF/50V	CE04W1H100M (SMG/RE3)
R512	247 2007 943	Carbon chip 1kohm 1/16W	RM73B--102J	C213,214	257 0506 951	Ceramic chip 100pF/50V	CC73CH1H101J for E2,E1,E1C,EUT
R513	247 2005 987	Carbon chip 220ohm 1/16W	RM73B--221J	C215,216	254 4313 963	Electrolytic 1uF/50V	CE04W1H010M (ASF)
R514	247 2003 947	Carbon chip 22ohm 1/16W	RM73B--220J	C217-220	254 4538 913	Electrolytic 22uF/16V	CE04W1C220M (SMG/RE3)
R515,516	247 2007 943	Carbon chip 1kohm 1/16W	RM73B--102J	C221-224	257 0506 951	Ceramic chip 100pF/50V	CC73CH1H101J for E2,E1,E1C,EUT
R519	247 2018 903	Carbon chip 0ohm 1/16W	RM73B--0R0K	C225,226	254 4524 985	Electrolytic 10uF/50V	CE04W1H100M (SMG/RE3)
R519	235 0130 903	EMI filter (11A121)	for E2,E1,E1C,EUT	C227,228	254 4538 900	Electrolytic 10uF/16V	CE04W1C100M (SMG/RE3)
R521	247 2018 903	Carbon chip 0ohm 1/16W	RM73B--0R0K	C231,232	254 4525 913	Electrolytic 47uF/50V	CE04W1H470M (SMG/RE3)
R935	247 2007 943	Carbon chip 1kohm 1/16W	RM73B--102J	C233,234	254 4524 985	Electrolytic 10uF/50V	CE04W1H100M (SMG/RE3)
R936,937	247 2009 909	Carbon chip 4.7kohm 1/16W	RM73B--472J	C239	254 4524 985	Electrolytic 10uF/50V	CE04W1H100M (SMG/RE3)
R939	247 2005 987	Carbon chip 220ohm 1/16W	RM73B--221J	C241	254 4524 943	Electrolytic 1uF/50V	CE04W1H010M (SMG/RE3)
R940	247 2009 967	Carbon chip 8.2kohm 1/16W	RM73B--822J	C243,244	254 4525 913	Electrolytic 47uF/50V	CE04W1H470M (SMG/RE3)
R941	247 2007 969	Carbon chip 1.2kohm 1/16W	RM73B--122J	C245,246	254 4313 963	Electrolytic 1uF/50V	CE04W1H010M (ASF)
R942	247 2011 942	Carbon chip 47kohm 1/16W	RM73B--473J	C248	254 4524 985	Electrolytic 10uF/50V	CE04W1H100M (SMG/RE3)
R943	247 2008 926	Carbon chip 2.2kohm 1/16W	RM73B--222J	C253,254	254 4525 913	Electrolytic 47uF/50V	CE04W1H470M (SMG/RE3)
R944-953	247 2009 909	Carbon chip 4.7kohm 1/16W	RM73B--472J	C256	254 4524 943	Electrolytic 1uF/50V	CE04W1H010M (SMG/RE3)
R961-972	247 2012 925	Carbon chip 100kohm 1/16W	RM73B--104J	C257,258	257 0506 951	Ceramic chip 100pF/50V	CC73CH1H101J for E2,E1,E1C,EUT
R973-975	247 2018 903	Carbon chip 0ohm 1/16W	RM73B--0R0K	C259,260	254 4524 985	Electrolytic 10uF/50V	CE04W1H100M (SMG/RE3)
R994	247 2018 903	Carbon chip 0ohm 1/16W	RM73B--0R0K	C265,266	254 4525 913	Electrolytic 47uF/50V	CE04W1H470M (SMG/RE3)
CAPACITORS GROUP				C268	254 4524 943	Electrolytic 1uF/50V	CE04W1H010M (SMG/RE3)
C119,120	257 0506 951	Ceramic chip 100pF/50V	CC73CH1H101J for E2,E1,E1C,EUT	C277-280	254 4524 985	Electrolytic 10uF/50V	CE04W1H100M (SMG/RE3)
C121,122	254 4313 918	Electrolytic 10uF/50V	CE04W1H100M (ASF)	C283-287	247 2018 903	Carbon chip 0ohm 1/16W	RM73B--0R0K for E2,E1,E1C,EUT
C127,128	254 4313 934	Electrolytic 47uF/50V	CE04W1H470M (ASF)	C301,302	254 4538 939	Electrolytic 47uF/16V	CE04W1C470M (SMG/RE3)
C129,130	254 4313 963	Electrolytic 1uF/50V	CE04W1H010M (ASF)	C303	254 4536 928	Electrolytic 100uF/10V	CE04W1A101M (SMG/RE3)
C131,132	257 0506 951	Ceramic chip 100pF/50V	CC73CH1H101J for E2,E1,E1C,EUT	C305,306	254 4538 939	Electrolytic 47uF/16V	CE04W1C470M (SMG/RE3)
C133,134	254 4313 918	Electrolytic 10uF/50V	CE04W1H100M (ASF)	C307-310	257 0511 904	Ceramic chip 0.01uF/50V	CK73F1H103Z
C139,140	254 4313 934	Electrolytic 47uF/50V	CE04W1H470M (ASF)	C311,312	254 4536 928	Electrolytic 100uF/10V	CE04W1A101M (SMG/RE3)
C143,144	257 0506 951	Ceramic chip 100pF/50V	CC73CH1H101J for E2,E1,E1C,EUT	C313,314	254 4538 939	Electrolytic 47uF/16V	CE04W1C470M (SMG/RE3)
C145,146	254 4524 985	Electrolytic 10uF/50V	CE04W1H100M (SMG/RE3)	C315	254 4536 928	Electrolytic 100uF/10V	CE04W1A101M (SMG/RE3)
C151,152	254 4525 913	Electrolytic 47uF/50V	CE04W1H470M (SMG/RE3)	C317,318	254 4536 928	Electrolytic 100uF/10V	CE04W1A101M (SMG/RE3)
C155,156	257 0506 951	Ceramic chip 100pF/50V	CC73CH1H101J for E2,E1,E1C,EUT	C319	257 0512 903	Ceramic chip 0.1uF/25V	CK73F1E104Z
C157,158	254 4524 985	Electrolytic 10uF/50V	CE04W1H100M (SMG/RE3)	C320	254 4524 943	Electrolytic 1uF/50V	CE04W1H010M (SMG/RE3)
C163,164	254 4525 913	Electrolytic 47uF/50V	CE04W1H470M (SMG/RE3)	C321-324	257 0511 904	Ceramic chip 0.01uF/50V	CK73F1H103Z
C167,168	257 0506 951	Ceramic chip 100pF/50V	CC73CH1H101J for E2,E1,E1C,EUT	C325	256 1058 939	Metallized 0.047uF/50V	CF93A1H473J (JL)
C169,170	254 4524 985	Electrolytic 10uF/50V	CE04W1H100M (SMG/RE3)	C326	256 1058 971	Metallized 0.1uF/50V	CF93A1H104J (JL)
C175,176	254 4525 913	Electrolytic 47uF/50V	CE04W1H470M (SMG/RE3)	C327	256 1058 939	Metallized 0.047uF/50V	CF93A1H473J (JL)
C179,180	257 0506 951	Ceramic chip 100pF/50V	CC73CH1H101J for E2,E1,E1C,EUT	C328	254 4524 943	Electrolytic 1uF/50V	CE04W1H010M (SMG/RE3)
C181,182	254 4524 985	Electrolytic 10uF/50V	CE04W1H100M (SMG/RE3)	C329	256 1058 939	Metallized 0.047uF/50V	CF93A1H473J (JL)
C187,188	254 4525 913	Electrolytic 47uF/50V	CE04W1H470M (SMG/RE3)	C330,331	257 0511 904	Ceramic chip 0.01uF/50V	CK73F1H103Z
				C333,334	257 0511 904	Ceramic chip 0.01uF/50V	CK73F1H103Z
				C336-338	257 0512 903	Ceramic chip 0.1uF/25V	CK73F1E104Z

Ref. No.	Part No.	Part Name	Remarks	Ref. No.	Part No.	Part Name	Remarks	Q'ty
C501-503	254 4305 900	Electrolytic 0.1uF/50V	CE04W1H0R1M (SRE)	CX096	205 0884 038	9P connector base (TUC-P)		1
C504	257 0506 951	Ceramic chip 100pF/50V	CC73CH1H101J	CX107	205 0884 054	10P connector base (TUC-P)		1
C505	257 0511 904	Ceramic chip 0.01uF/50V	CK73F1H103Z	CX127	205 0375 026	12P connector base (KR-PH)		1
C506	254 4306 925	Electrolytic 10uF/50V	CE04W1H100M (SRE)	CX136	205 0375 039	13P connector base (KR-PH)		1
C507	257 0512 903	Ceramic chip 0.1uF/25V	CK73F1E104Z	CX502	205 1153 001	9P S sub connector		1
C508	254 4299 964	Electrolytic 47uF/16V	CE04W1C470M (SRE)	CX831-836	205 0343 032	3P connector base (KR-PH)		6
C509	254 4305 900	Electrolytic 0.1uF/50V	CE04W1H0R1M (SRE)	CX838	205 0343 032	3P connector base (KR-PH)		1
C510	257 0511 904	Ceramic chip 0.01uF/50V	CK73F1H103Z	CX971	205 0343 074	7P connector base (KR-PH)		1
C511	254 4305 900	Electrolytic 0.1uF/50V	CE04W1H0R1M (SRE)	CX981	205 0343 087	8P connector base (KR-PH)		1
C513	254 4305 968	Electrolytic 1uF/50V	CE04W1H010M (SRE)	CX985	205 0884 096	8P connector base (TUC-P)		1
C515	257 0511 904	Ceramic chip 0.01uF/50V	CK73F1H103Z					
C516-518	257 0506 951	Ceramic chip 100pF/50V	CC73CH1H101J	CY034	205 0406 034	3P connector base (KR-PH)		1
C519	257 0516 954	Ceramic chip 0.1uF/25V	CK73B1E104K	CY088	205 1228 004	8P FJ connector base		1
C522	257 0516 954	Ceramic chip 0.1uF/25V	CK73B1E104K	CY105	205 0375 000	10P connector base (KR-PH)		1
C523	257 0512 903	Ceramic chip 0.1uF/25V	CK73F1E104Z	CY108	205 0375 000	10P connector base (KR-PH)		1
C525	257 0516 954	Ceramic chip 0.1uF/25V	CK73B1E104K	CY112	205 0375 013	11P connector base (KR-PH)		1
C526,527	257 0511 917	Ceramic chip 0.022uF/50V	CK73F1H223Z					
C912	257 0516 941	Ceramic chip 0.047uF/25V	CK73B1E473K	FB201	235 0049 900	Beads inductor	for EU,EC	1
C913	254 4524 943	Electrolytic 1uF/50V	CE04W1H010M (SMG/RE3)	FB501-505	235 0147 909	EMI filter	BLM21PG221SN1	5
C914	256 1059 996	Metallized 1uF/50V	CF93A1H105J (JL)	FB507-509	235 0147 909	EMI filter	BLM21PG221SN1	3
C915	257 0516 954	Ceramic chip 0.1uF/25V	CK73B1E104K	JK101-104	204 8513 007	6P pin jack (S-GND)		4
C916	257 0516 941	Ceramic chip 0.047uF/25V	CK73B1E473K	JK105	204 8514 006	4P pin jack (S-GND)		1
C961	257 0512 903	Ceramic chip 0.1uF/25V	CK73F1E104Z	JK301-303	204 8515 005	4P pin jack (S-GND)		3
C962	254 4524 943	Electrolytic 1uF/50V	CE04W1H010M (SMG/RE3)	JK304,305	204 8512 011	1P pin jack (GOLD)		2
C963-966	257 0512 903	Ceramic chip 0.1uF/25V	CK73F1E104Z	JK501	204 8289 001	DC Power jack		1
				JK502,503	204 8260 004	Mini jack		2
				JK504	204 8649 007	Mini jack (RD)		1
				JK901-904	204 8607 007	3P pin jack (S-GND)		4
				RL101	214 0223 004	Relay (EC2-24N35)		1
				RL901-908	214 0223 004	Relay (EC2-24N35)		8
				RL910	214 0223 004	Relay (EC2-24N35)		1
				SW501	212 0408 001	Slide switch		1
				TP101,102	205 0133 035	3 P NH connector base		2
				TP201,202	205 0133 035	3 P NH connector base		2
				TP301,302	205 0133 035	3 P NH connector base		2
				TP402	205 0133 035	3 P NH connector base		1
				W502	205 1034 007	M3 Screw terminal		1
OTHER PARTS GROUP				Q'ty				
AS101	205 0452 017	Style pin						1
CW042	205 0885 082	4P connector socket (TUC-P)						1
CW047	205 0885 082	4P connector socket (TUC-P)						1
CW049	205 0885 082	4P connector socket (TUC-P)						1
CW051,052	205 0885 008	5P connector socket (TUC-P)						2
CW076-079	205 0942 022	7P connector socket (TUC-P)						4
CW086,087	205 0885 095	8P connector socket (TUC-P)						2
CW089	205 0885 095	8P connector socket (TUC-P)						1
CW090	205 0885 037	9P connector socket (TUC-P)						1
CW096,097	205 0885 037	9P connector socket (TUC-P)						2
CW106,107	205 0885 053	10P connector socket (TUC-P)						2
CW113,114	205 0885 066	11P connector socket (TUC-P)						2
CW976-979	205 0942 022	7P connector socket (TUC-P)						4
CW985-987	205 0885 095	8P connector socket (TUC-P)						3
CX031	205 0343 032	3P connector base (KR-PH)	for EU,EC					1
CX032	205 0321 038	3P connector base (RED)						1
CX042	205 0884 083	4P connector base (TUC-P)						1
CX047-049	205 0884 083	4P connector base (TUC-P)						3
CX052	205 0884 009	5P connector base (TUC-P)						1
CX072	205 0343 074	7P connector base (KR-PH)						1
CX080	205 0884 096	8P connector base (TUC-P)						1
CX095	205 0343 090	9P connector base (KR-PH)						1

1U-3444/3444A VIDEO CONVERT P.W.B. UNIT ASS'Y

Ref. No.	Part No.	Part Name	Remarks	Ref. No.	Part No.	Part Name	Remarks
SEMICONDUCTORS GROUP							
IC301	262 2827 902	IC MM74HC4053SJ		R307	247 2008 926	Carbon chip 2.2kohm 1/16W	RM73B--222J
IC302	262 2808 002	IC M35015-210SP		R308	247 2002 964	Carbon chip 10ohm 1/16W	RM73B--100J
IC303	263 0682 003	IC NJM2229S		R309	247 2003 934	Carbon chip 20ohm 1/16W	RM73B--200J
IC304,305	263 1040 903	IC BU4094BCF		R310	247 2007 943	Carbon chip 1kohm 1/16W	RM73B--102J
IC306,307	263 1082 903	IC TK15420MTL		R311	247 2008 900	Carbon chip 1.8kohm 1/16W	RM73B--182J
IC308,309	262 2013 907	IC BU4053BCF		R312	247 2007 943	Carbon chip 1kohm 1/16W	RM73B--102J
IC310-312	263 1040 903	IC BU4094BCF		R313	247 2013 982	Carbon chip 470kohm 1/16W	RM73B--474J
IC313	263 1082 903	IC TK15420MTL		R314,315	247 2018 903	Carbon chip 0ohm 1/16W	RM73B--0R0K
IC314	262 2012 908	IC BU4052BCF		R316	247 2006 944	Carbon chip 390ohm 1/16W	RM73B--391J
IC315	263 1165 901	IC NJM2274R		R317	247 2007 985	Carbon chip 1.5kohm 1/16W	RM73B--152J
IC501-505	263 1082 903	IC TK15420MTL		R318	247 2009 983	Carbon chip 10kohm 1/16W	RM73B--103J
IC506-509	262 2826 903	IC BU4051BCF		R319	247 2011 955	Carbon chip 51kohm 1/16W	RM73B--513J
IC510,511	263 1082 903	IC TK15420MTL		R320	247 2009 954	Carbon chip 7.5kohm 1/16W	RM73B--752J
IC512,513	262 2013 907	IC BU4053BCF		R321	247 2011 900	Carbon chip 33kohm 1/16W	RM73B--333J
IC514,515	262 2012 908	IC BU4052BCF		R322,323	247 2009 983	Carbon chip 10kohm 1/16W	RM73B--103J
IC516	263 1082 903	IC TK15420MTL		R324	247 2002 964	Carbon chip 10ohm 1/16W	RM73B--100J
IC603	262 3110 906	IC TC90A69F		R325	247 2004 920	Carbon chip 47ohm 1/16W	RM73B--470J
IC606,607	262 2012 908	IC BU4052BCF		R326-329	247 2009 983	Carbon chip 10kohm 1/16W	RM73B--103J
IC608,609	263 1082 903	IC TK15420MTL		R331	247 2007 956	Carbon chip 1.1kohm 1/16W	RM73B--112J
IC611,612	263 1082 903	IC TK15420MTL		R332	247 2009 983	Carbon chip 10kohm 1/16W	RM73B--103J
IC613	262 2012 908	IC BU4052BCF		R333	247 2005 903	Carbon chip 100ohm 1/16W	RM73B--101J
IC615	263 1167 006	IC TA8772AN	for E2,E1,E1C,EUT	R334-337	247 2009 983	Carbon chip 10kohm 1/16W	RM73B--103J
IC616	262 3108 002	IC TA1270BF		R338	247 2002 964	Carbon chip 10ohm 1/16W	RM73B--100J
IC701,702	263 1082 903	IC TK15420MTL		R339	247 2008 913	Carbon chip 2kohm 1/16W	RM73B--202J
IC705,706	263 1082 903	IC TK15420MTL		R340	247 2009 983	Carbon chip 10kohm 1/16W	RM73B--103J
TR301,302	273 0384 900	Transistor 2SC2412K (S)		R343	247 2009 983	Carbon chip 10kohm 1/16W	RM73B--103J
TR503	271 0238 908	Transistor 2SA1037K (S/R)		R344	247 2005 903	Carbon chip 100ohm 1/16W	RM73B--101J
TR504,505	269 0082 902	Transistor DTC114EK		R345,346	247 2018 903	Carbon chip 0ohm 1/16W	RM73B--0R0K
TR601,602	273 0426 907	Transistor 2SC2412KLN	for E2,E1,E1C,EUT	R347	247 2004 975	Carbon chip 75ohm 1/16W	RM73B--750J
TR603	271 0238 908	Transistor 2SA1037K (S/R)	for E2,E1,E1C,EUT	R348,349	247 2018 903	Carbon chip 0ohm 1/16W	RM73B--0R0K
TR604,605	271 0238 908	Transistor 2SA1037K (S/R)		R350	247 2004 975	Carbon chip 75ohm 1/16W	RM73B--750J
D301	276 0559 909	Diode DAP202K		R351-353	247 2009 983	Carbon chip 10kohm 1/16W	RM73B--103J
D302	276 0740 909	Diode KDS184		R354	247 2006 915	Carbon chip 270ohm 1/16W	RM73B--271J
D503,504	276 0739 907	Diode KDS181		R355,356	247 2018 903	Carbon chip 0ohm 1/16W	RM73B--0R0K
D601	276 0773 905	Diode RB501V-40		R357,358	247 2009 983	Carbon chip 10kohm 1/16W	RM73B--103J
RESISTORS GROUP							
R301	247 2005 903	Carbon chip 100ohm 1/16W	RM73B--101J	R359	247 2018 903	Carbon chip 0ohm 1/16W	RM73B--0R0K
R302	247 2002 964	Carbon chip 10ohm 1/16W	RM73B--100J	R360-383	247 2009 983	Carbon chip 10kohm 1/16W	RM73B--103J
R303,304	247 2009 983	Carbon chip 10kohm 1/16W	RM73B--103J	R384	247 2018 903	Carbon chip 0ohm 1/16W	RM73B--0R0K
R305	247 2009 967	Carbon chip 8.2kohm 1/16W	RM73B--822J	R385	247 2009 983	Carbon chip 10kohm 1/16W	RM73B--103J
R306	247 2006 915	Carbon chip 270ohm 1/16W	RM73B--271J	R387	247 2008 913	Carbon chip 2kohm 1/16W	RM73B--202J
				R389	247 2002 964	Carbon chip 10ohm 1/16W	RM73B--100J
				R390	247 2009 983	Carbon chip 10kohm 1/16W	RM73B--103J
				R391	247 2004 975	Carbon chip 75ohm 1/16W	RM73B--750J
				R392,393	247 2009 983	Carbon chip 10kohm 1/16W	RM73B--103J
				R396	247 2008 913	Carbon chip 2kohm 1/16W	RM73B--202J
				R399	247 2008 913	Carbon chip 2kohm 1/16W	RM73B--202J
				R400	247 2004 975	Carbon chip 75ohm 1/16W	RM73B--750J
				R401	247 2004 959	Carbon chip 62ohm 1/16W	RM73B--620J
				R402,403	247 2004 975	Carbon chip 75ohm 1/16W	RM73B--750J
				R501,502	247 2005 903	Carbon chip 100ohm 1/16W	RM73B--101J

Ref. No.	Part No.	Part Name	Remarks	Ref. No.	Part No.	Part Name	Remarks
R503,504	247 2009 983	Carbon chip 10kohm 1/16W	RM73B--103J	R655	247 2002 964	Carbon chip 10ohm 1/16W	RM73B--100J
R505	247 2006 960	Carbon chip 470ohm 1/16W	RM73B--471J	R656,657	247 2005 903	Carbon chip 100ohm 1/16W	RM73B--101J
R506	247 2006 944	Carbon chip 390ohm 1/16W	RM73B--391J	R658-660	247 2009 983	Carbon chip 10kohm 1/16W	RM73B--103J
R507	247 2006 986	Carbon chip 560ohm 1/16W	RM73B--561J	R661-663	247 2006 928	Carbon chip 300ohm 1/16W	RM73B--301J
R509	247 2006 973	Carbon chip 510ohm 1/16W	RM73B--511J	R666	247 2006 928	Carbon chip 300ohm 1/16W	RM73B--301J
R511,512	247 2002 964	Carbon chip 10ohm 1/16W	RM73B--100J	R667,668	247 2004 975	Carbon chip 75ohm 1/16W	RM73B--750J
R513,514	247 2005 903	Carbon chip 100ohm 1/16W	RM73B--101J	R686,687	247 2009 983	Carbon chip 10kohm 1/16W	RM73B--103J
R515,516	247 2009 983	Carbon chip 10kohm 1/16W	RM73B--103J	R689	247 2009 941	Carbon chip 6.8kohm 1/16W	RM73B--682J
R517	247 2006 973	Carbon chip 510ohm 1/16W	RM73B--511J	R690,691	247 2008 926	Carbon chip 2.2kohm 1/16W	RM73B--222J
R518	247 2006 960	Carbon chip 470ohm 1/16W	RM73B--471J	R692	247 2010 998	Carbon chip 30kohm 1/16W	RM73B--303J
R519	247 2006 986	Carbon chip 560ohm 1/16W	RM73B--561J	R693,694	247 2018 903	Carbon chip 0ohm 1/16W	RM73B--0R0K
R521	247 2006 986	Carbon chip 560ohm 1/16W	RM73B--561J	R695,696	247 2009 983	Carbon chip 10kohm 1/16W	RM73B--103J
R523-526	247 2002 964	Carbon chip 10ohm 1/16W	RM73B--100J	R697	247 2008 955	Carbon chip 3kohm 1/16W	RM73B--302J
R527	247 2004 920	Carbon chip 47ohm 1/16W	RM73B--470J	R698	247 2006 931	Carbon chip 360ohm 1/16W	RM73B--361J
R530	247 2004 920	Carbon chip 47ohm 1/16W	RM73B--470J	R699	247 2018 903	Carbon chip 0ohm 1/16W	RM73B--0R0K
R531,532	247 2007 914	Carbon chip 750ohm 1/16W	RM73B--751J	R701,702	247 2018 903	Carbon chip 0ohm 1/16W	RM73B--0R0K
R533,534	247 2009 983	Carbon chip 10kohm 1/16W	RM73B--103J	R703	247 2006 986	Carbon chip 560ohm 1/16W	RM73B--561J
R535,536	247 2005 903	Carbon chip 100ohm 1/16W	RM73B--101J	R706	247 2006 986	Carbon chip 560ohm 1/16W	RM73B--561J
R537-546	247 2008 913	Carbon chip 2kohm 1/16W	RM73B--202J	R707,708	247 2006 973	Carbon chip 510ohm 1/16W	RM73B--511J
R557-566	247 2009 983	Carbon chip 10kohm 1/16W	RM73B--103J	R709,710	247 2009 983	Carbon chip 10kohm 1/16W	RM73B--103J
R567-576	247 2005 903	Carbon chip 100ohm 1/16W	RM73B--101J	R711-714	247 2005 903	Carbon chip 100ohm 1/16W	RM73B--101J
R577	247 2018 903	Carbon chip 0ohm 1/16W	RM73B--0R0K	R715,716	247 2009 983	Carbon chip 10kohm 1/16W	RM73B--103J
R580	247 2007 943	Carbon chip 1kohm 1/16W	RM73B--102J	R719	247 2008 913	Carbon chip 2kohm 1/16W	RM73B--202J
R581	247 2007 956	Carbon chip 1.1kohm 1/16W	RM73B--112J	R722	247 2008 913	Carbon chip 2kohm 1/16W	RM73B--202J
R582,583	247 2007 943	Carbon chip 1kohm 1/16W	RM73B--102J	R723-727	247 2018 903	Carbon chip 0ohm 1/16W	RM73B--0R0K
R612	247 2004 975	Carbon chip 75ohm 1/16W	RM73B--750J	R729	247 2018 903	Carbon chip 0ohm 1/16W	RM73B--0R0K
R618	247 2004 975	Carbon chip 75ohm 1/16W	RM73B--750J	R731,732	247 2018 903	Carbon chip 0ohm 1/16W	RM73B--0R0K
R620	247 2004 975	Carbon chip 75ohm 1/16W	RM73B--750J	R751,752	247 2002 964	Carbon chip 10ohm 1/16W	RM73B--100J
R621,622	247 2018 903	Carbon chip 0ohm 1/16W	RM73B--0R0K	R753	247 2006 960	Carbon chip 470ohm 1/16W	RM73B--471J
R623	247 2006 902	Carbon chip 330ohm 1/16W	RM73B--331J	R755	247 2006 973	Carbon chip 510ohm 1/16W	RM73B--511J
R624,625	247 2004 975	Carbon chip 75ohm 1/16W	RM73B--750J	R757,758	247 2006 960	Carbon chip 470ohm 1/16W	RM73B--471J
R633	247 2005 945	Carbon chip 150ohm 1/16W	RM73B--151J	R761,762	247 2005 903	Carbon chip 100ohm 1/16W	RM73B--101J
R635	247 2007 943	Carbon chip 1kohm 1/16W	RM73B--102J	R763,764	247 2007 943	Carbon chip 1kohm 1/16W	RM73B--102J
R636	247 2009 983	Carbon chip 10kohm 1/16W	RM73B--103J for E2,E1,E1C,EUT	R765,766	247 2007 927	Carbon chip 820ohm 1/16W	RM73B--821J
R637-640	247 2007 943	Carbon chip 1kohm 1/16W	RM73B--102J for E2,E1,E1C,EUT	R767	247 2008 913	Carbon chip 2kohm 1/16W	RM73B--202J
R641	247 2013 924	Carbon chip 270kohm 1/16W	RM73B--274J for E2,E1,E1C,EUT	R769	247 2008 913	Carbon chip 2kohm 1/16W	RM73B--202J
R642	247 2005 903	Carbon chip 100ohm 1/16W	RM73B--101J	R773,774	247 2009 983	Carbon chip 10kohm 1/16W	RM73B--103J
R643	247 2010 985	Carbon chip 27kohm 1/16W	RM73B--273J for E2,E1,E1C,EUT	R775,776	247 2005 903	Carbon chip 100ohm 1/16W	RM73B--101J
R644	247 2008 942	Carbon chip 2.7kohm 1/16W	RM73B--272J	R777-779	247 2018 903	Carbon chip 0ohm 1/16W	RM73B--0R0K
R645	247 2005 903	Carbon chip 100ohm 1/16W	RM73B--101J	R781	247 2018 903	Carbon chip 0ohm 1/16W	RM73B--0R0K
R646,647	247 2009 983	Carbon chip 10kohm 1/16W	RM73B--103J	R783,784	247 2018 903	Carbon chip 0ohm 1/16W	RM73B--0R0K
R649	247 2006 960	Carbon chip 470ohm 1/16W	RM73B--471J	R795	247 2009 912	Carbon chip 5.1kohm 1/16W	RM73B--512J
R650	247 2005 916	Carbon chip 110ohm 1/16W	RM73B--111J	R796	247 2009 967	Carbon chip 8.2kohm 1/16W	RM73B--822J
R651	247 2008 913	Carbon chip 2kohm 1/16W	RM73B--202J	R797	247 2011 942	Carbon chip 47kohm 1/16W	RM73B--473J
R653	247 2008 913	Carbon chip 2kohm 1/16W	RM73B--202J	R798	247 2010 998	Carbon chip 30kohm 1/16W	RM73B--303J for E2,E1,E1C,EUT
R654	247 2004 975	Carbon chip 75ohm 1/16W	RM73B--750J	R799	247 2012 925	Carbon chip 100kohm 1/16W	RM73B--104J for E2,E1,E1C,EUT
				RR501	247 2004 975	Carbon chip 75ohm 1/16W	RM73B--750J

Ref. No.	Part No.	Part Name	Remarks	Ref. No.	Part No.	Part Name	Remarks
RR502	247 2005 945	Carbon chip 150ohm 1/16W	RM73B--151J	VR601-603	211 6138 903	Semi fixed resistor 1kohm	V03PB102M (RH03ADC)
RR503	247 2004 975	Carbon chip 75ohm 1/16W	RM73B--750J	CAPACITORS GROUP			
RR504	247 2005 945	Carbon chip 150ohm 1/16W	RM73B--151J	C301	257 0501 901	Ceramic chip 0.01uF/50V	CK73B1H103K
RR505	247 2004 975	Carbon chip 75ohm 1/16W	RM73B--750J	C302	254 4464 951	Electrolytic 22uF/6.3V	CE67C0J220M (MV-B)
RR506	247 2005 945	Carbon chip 150ohm 1/16W	RM73B--151J	C303	257 0501 901	Ceramic chip 0.01uF/50V	CK73B1H103K
RR507	247 2004 975	Carbon chip 75ohm 1/16W	RM73B--750J	C304	254 4464 951	Electrolytic 22uF/6.3V	CE67C0J220M (MV-B)
RR508	247 2005 945	Carbon chip 150ohm 1/16W	RM73B--151J	C305	257 0501 901	Ceramic chip 0.01uF/50V	CK73B1H103K
RR509	247 2004 975	Carbon chip 75ohm 1/16W	RM73B--750J	C306-308	257 0504 940	Ceramic chip 33pF/50V	CC73CH1H330J
RR510	247 2005 945	Carbon chip 150ohm 1/16W	RM73B--151J	C309	257 0510 918	Ceramic chip 3300pF/50V	CK73B1H332K
RR511	247 2004 975	Carbon chip 75ohm 1/16W	RM73B--750J	C310,311	257 0503 941	Ceramic chip 12pF/50V	CC73CH1H120J
RR512	247 2005 945	Carbon chip 150ohm 1/16W	RM73B--151J	C312	257 3014 987	Metallized chip 0.022uF/16V	CF73=1C223J (ECHUB5)
RR513	247 2004 975	Carbon chip 75ohm 1/16W	RM73B--750J	C313	257 0506 951	Ceramic chip 100pF/50V	CC73CH1H101J
RR514	247 2005 945	Carbon chip 150ohm 1/16W	RM73B--151J	C314	254 4572 908	Electrolytic 10uF/16V	CE67C1C100M (MV-B)
RR515	247 2004 975	Carbon chip 75ohm 1/16W	RM73B--750J	C315	257 0510 918	Ceramic chip 3300pF/50V	CK73B1H332K
RR516	247 2005 945	Carbon chip 150ohm 1/16W	RM73B--151J	C316	257 0508 917	Ceramic chip 470pF/50V	CC73CH1H471J
RR517-526	247 2010 969	Carbon chip 22kohm 1/16W	RM73B--223J	C317	254 4571 912	Electrolytic 1uF/50V	CE67C1H010M (MV-B)
RR527-536	247 2004 975	Carbon chip 75ohm 1/16W	RM73B--750J	C318	257 3015 944	Metallized chip 0.068uF/16V	CF73=1C683J (ECHUB5)
RR537-544	247 2005 945	Carbon chip 150ohm 1/16W	RM73B--151J	C319	254 4571 912	Electrolytic 1uF/50V	CE67C1H010M (MV-B)
RR545	247 2009 967	Carbon chip 8.2kohm 1/16W	RM73B--822J	C320	257 0506 993	Ceramic chip 150pF/50V	CC73CH1H151J
RR546	247 2007 969	Carbon chip 1.2kohm 1/16W	RM73B--122J	C321	257 3011 922	Metallized chip 1200pF/50V	CF73=1H122J (ECHUB5)
RR547	247 2011 942	Carbon chip 47kohm 1/16W	RM73B--473J	C322	257 0501 901	Ceramic chip 0.01uF/50V	CK73B1H103K
RR548	247 2005 987	Carbon chip 220ohm 1/16W	RM73B--221J	C323	254 4464 906	Electrolytic 100uF/6.3V	CE67C0J101M
RR549	247 2009 967	Carbon chip 8.2kohm 1/16W	RM73B--822J	C324	257 3011 919	Metallized chip 1000pF/50V	CF73=1H102J (ECHUB5)
RR551,552	247 2009 909	Carbon chip 4.7kohm 1/16W	RM73B--472J	C325	254 4572 908	Electrolytic 10uF/16V	CE67C1C100M (MV-B)
RR553	247 2007 943	Carbon chip 1kohm 1/16W	RM73B--102J	C327,328	257 0501 901	Ceramic chip 0.01uF/50V	CK73B1H103K
RR554	247 2002 964	Carbon chip 10ohm 1/16W	RM73B--100J	C329	254 4464 951	Electrolytic 22uF/6.3V	CE67C0J220M (MV-B)
RR601	247 2018 903	Carbon chip 0ohm 1/16W	RM73B--0R0K for E2,E1,E1C,EUT	C330,331	257 0501 901	Ceramic chip 0.01uF/50V	CK73B1H103K
RR602	247 2004 946	Carbon chip 56ohm 1/16W	RM73B--560J for E2,E1,E1C,EUT	C332	254 4464 951	Electrolytic 22uF/6.3V	CE67C0J220M (MV-B)
RR603,604	247 2018 903	Carbon chip 0ohm 1/16W	RM73B--0R0K for EU,EC	C334	257 0501 901	Ceramic chip 0.01uF/50V	CK73B1H103K
RR605,606	247 2018 903	Carbon chip 0ohm 1/16W	RM73B--0R0K for E2,E1,E1C,EUT	C336	254 4464 906	Electrolytic 100uF/6.3V	CE67C0J101M
RR617	247 2018 903	Carbon chip 0ohm 1/16W	RM73B--0R0K	C337-340	257 0501 901	Ceramic chip 0.01uF/50V	CK73B1H103K
RR620	247 2006 973	Carbon chip 510ohm 1/16W	RM73B--511J	C341,342	254 4464 951	Electrolytic 22uF/6.3V	CE67C0J220M (MV-B)
RR623	247 2006 986	Carbon chip 560ohm 1/16W	RM73B--561J	C345,346	254 4464 951	Electrolytic 22uF/6.3V	CE67C0J220M (MV-B)
RR627	247 2005 903	Carbon chip 100ohm 1/16W	RM73B--101J	C347	257 0501 901	Ceramic chip 0.01uF/50V	CK73B1H103K
RR629	247 2007 943	Carbon chip 1kohm 1/16W	RM73B--102J	C348	254 4572 908	Electrolytic 10uF/16V	CE67C1C100M (MV-B)
RR631	247 2007 927	Carbon chip 820ohm 1/16W	RM73B--821J	C351	254 4464 906	Electrolytic 100uF/6.3V	CE67C0J101M
RR633	247 2004 975	Carbon chip 75ohm 1/16W	RM73B--750J	C352	254 4464 951	Electrolytic 22uF/6.3V	CE67C0J220M (MV-B)
RR634	247 2018 903	Carbon chip 0ohm 1/16W	RM73B--0R0K	C353	254 4464 906	Electrolytic 100uF/6.3V	CE67C0J101M
RR635	247 2008 913	Carbon chip 2kohm 1/16W	RM73B--202J	C354,355	257 3006 911	Metallized chip 0.1uF/16V	CF73=1C104J (ECHUB5)
RR638	247 2009 983	Carbon chip 10kohm 1/16W	RM73B--103J	C356	254 4464 951	Electrolytic 22uF/6.3V	CE67C0J220M (MV-B)
RR639	247 2005 903	Carbon chip 100ohm 1/16W	RM73B--101J	C501-504	254 4464 951	Electrolytic 22uF/6.3V	CE67C0J220M (MV-B)
RR640,641	247 2018 903	Carbon chip 0ohm 1/16W	RM73B--0R0K	C505-512	257 0501 901	Ceramic chip 0.01uF/50V	CK73B1H103K
RR642	247 2008 913	Carbon chip 2kohm 1/16W	RM73B--202J	C513,514	254 4464 906	Electrolytic 100uF/6.3V	CE67C0J101M
RR645	247 2008 913	Carbon chip 2kohm 1/16W	RM73B--202J	C517,518	254 4464 951	Electrolytic 22uF/6.3V	CE67C0J220M (MV-B)
RR648,649	247 2009 983	Carbon chip 10kohm 1/16W	RM73B--103J	C519,520	254 4464 906	Electrolytic 100uF/6.3V	CE67C0J101M
RR650,651	247 2005 903	Carbon chip 100ohm 1/16W	RM73B--101J	C522	254 4464 951	Electrolytic 22uF/6.3V	CE67C0J220M (MV-B)
				C524	254 4464 951	Electrolytic 22uF/6.3V	CE67C0J220M (MV-B)
				C526-533	257 0501 901	Ceramic chip 0.01uF/50V	CK73B1H103K
				C535	257 0516 941	Ceramic chip 0.047uF/25V	CK73B1E473K
				C536	257 0516 954	Ceramic chip 0.1uF/25V	CK73B1E104K

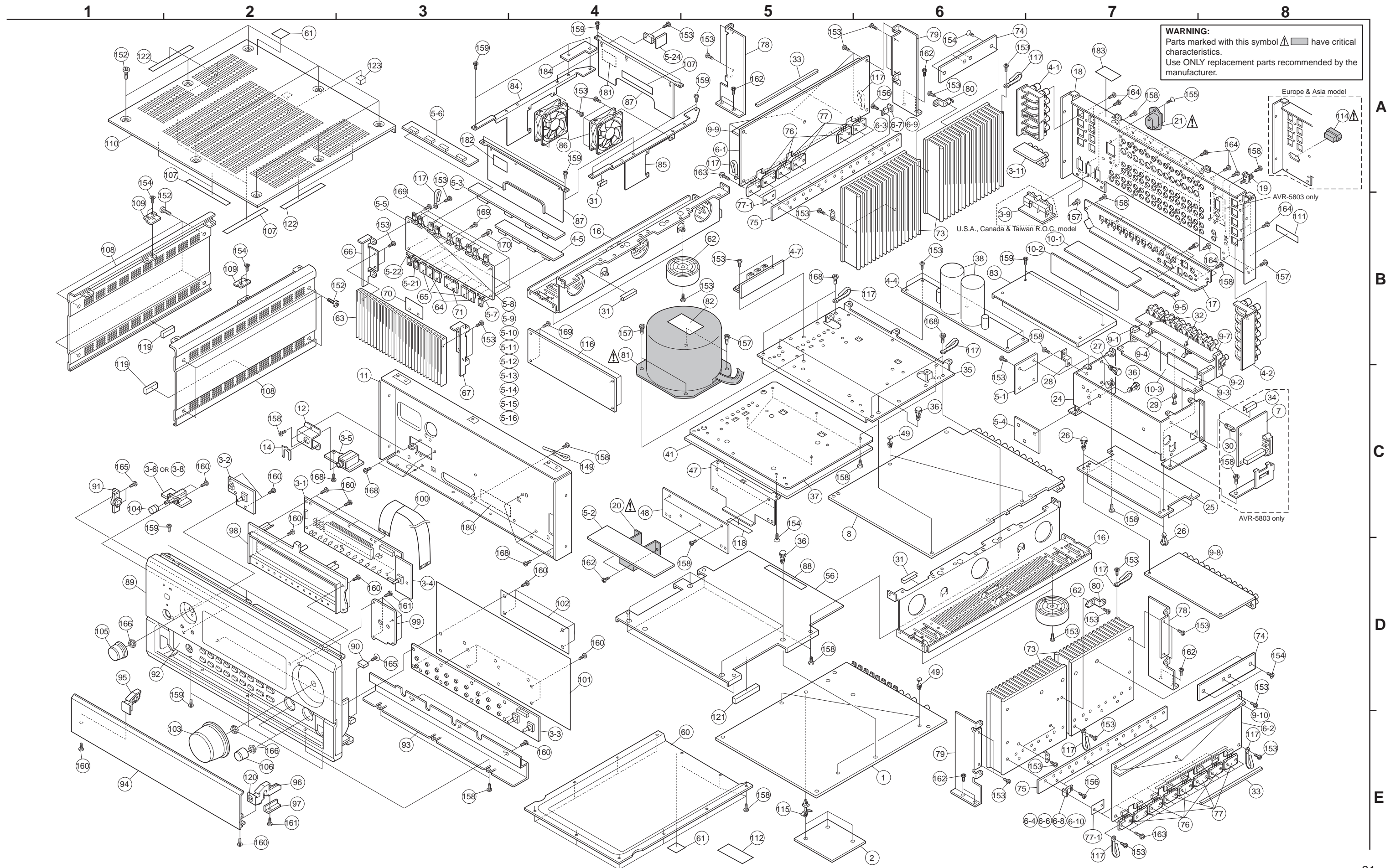
Ref. No.	Part No.	Part Name	Remarks	Ref. No.	Part No.	Part Name	Remarks
C537	257 0516 941	Ceramic chip 0.047uF/25V	CK73B1E473K	C725	254 4465 918	Electrolytic 47uF/16V	CE67C1C470M
C538	254 4571 912	Electrolytic 1uF/50V	CE67C1H010M (MV-B)				for E2,E1,E1C,EUT
C539	257 0516 941	Ceramic chip 0.047uF/25V	CK73B1E473K	C726	257 0501 901	Ceramic chip 0.01uF/50V	CK73B1H103K
C566	254 4571 912	Electrolytic 1uF/50V	CE67C1H010M (MV-B)				for E2,E1,E1C,EUT
C567-571	257 0516 954	Ceramic chip 0.1uF/25V	CK73B1E104K	C727	254 4571 938	Electrolytic 0.47uF/50V	CE67C1HR47M (MV-B)
							for E2,E1,E1C,EUT
C635	257 0501 901	Ceramic chip 0.01uF/50V	CK73B1H103K	C728	257 3006 911	Metallized chip 0.1uF/16V	CF73=1C104J (ECHUB5)
C655	257 0516 954	Ceramic chip 0.1uF/25V	CK73B1E104K	C731	257 4010 906	Electrolytic 100uF/16V	CE67C1C101M
C656	254 4464 951	Electrolytic 22uF/6.3V	CE67C0J220M (MV-B)	C732	257 0501 901	Ceramic chip 0.01uF/50V	CK73B1H103K
C657-660	257 0501 901	Ceramic chip 0.01uF/50V	CK73B1H103K	C733,734	257 0503 941	Ceramic chip 12pF/50V	CC73CH1H120J
C661	257 3006 953	Metallized chip 680pF/50V	CF73=1H681J (ECHUB5)	C735,736	257 0504 908	Ceramic chip 22pF/50V	CC73CH1H220J
C662-665	257 0501 901	Ceramic chip 0.01uF/50V	CK73B1H103K	C739,740	254 4464 906	Electrolytic 100uF/6.3V	CE67C0J101M
C666,667	257 0516 954	Ceramic chip 0.1uF/25V	CK73B1E104K	C741,742	257 0503 941	Ceramic chip 12pF/50V	CC73CH1H120J
C668,669	257 0501 901	Ceramic chip 0.01uF/50V	CK73B1H103K	C743	254 4571 909	Electrolytic 0.22uF/50V	CE67C1HR22M (MV-B)
C670	254 4571 938	Electrolytic 0.47uF/50V	CE67C1HR47M (MV-B)	C744	257 3011 948	Metallized chip 2200pF/50V	CF73=1H222J (ECHUB5)
C671,672	254 4464 906	Electrolytic 100uF/6.3V	CE67C0J101M	C747	257 0501 901	Ceramic chip 0.01uF/50V	CK73B1H103K
C673,674	254 4464 951	Electrolytic 22uF/6.3V	CE67C0J220M (MV-B)	C748	254 4571 925	Electrolytic 2.2uF/50V	CE67C1H2R2M (MV-B)
C679-682	257 0501 901	Ceramic chip 0.01uF/50V	CK73B1H103K	C752,753	254 4464 951	Electrolytic 22uF/6.3V	CE67C0J220M (MV-B)
C684,685	257 0501 901	Ceramic chip 0.01uF/50V	CK73B1H103K	C754,755	257 0501 901	Ceramic chip 0.01uF/50V	CK73B1H103K
			for E2,E1,E1C,EUT	C756	257 3006 911	Metallized chip 0.1uF/16V	CF73=1C104J (ECHUB5)
C686	254 4465 918	Electrolytic 47uF/16V	CE67C1C470M	C760,761	257 3006 911	Metallized chip 0.1uF/16V	CF73=1C104J (ECHUB5)
			for E2,E1,E1C,EUT	C767	257 3006 911	Metallized chip 0.1uF/16V	CF73=1C104J (ECHUB5)
C687,688	254 4464 906	Electrolytic 100uF/6.3V	CE67C0J101M	C768	254 4571 925	Electrolytic 2.2uF/50V	CE67C1H2R2M (MV-B)
C689	257 0501 901	Ceramic chip 0.01uF/50V	CK73B1H103K	C770	257 3014 987	Metallized chip 0.022uF/16V	CF73=1C223J (ECHUB5)
			for E2,E1,E1C,EUT	C774,775	257 3006 911	Metallized chip 0.1uF/16V	CF73=1C104J (ECHUB5)
C690-692	257 0516 954	Ceramic chip 0.1uF/25V	CK73B1E104K	C776	257 0503 941	Ceramic chip 12pF/50V	CC73CH1H120J
			for E2,E1,E1C,EUT	C777	257 3006 911	Metallized chip 0.1uF/16V	CF73=1C104J (ECHUB5)
C693,694	254 4464 906	Electrolytic 100uF/6.3V	CE67C0J101M	C778	257 0504 908	Ceramic chip 22pF/50V	CC73CH1H220J
C695	257 0516 954	Ceramic chip 0.1uF/25V	CK73B1E104K	C780	257 0516 954	Ceramic chip 0.1uF/25V	CK73B1E104K
			for E2,E1,E1C,EUT	C781	257 4010 906	Electrolytic 100uF/16V	CE67C1C101M
C696	254 4571 938	Electrolytic 0.47uF/50V	CE67C1HR47M (MV-B)	C782-785	254 4464 951	Electrolytic 22uF/6.3V	CE67C0J220M (MV-B)
			for E2,E1,E1C,EUT	C791	254 4464 919	Electrolytic 470uF/6.3V	CE67C0J471M
C697	257 0516 954	Ceramic chip 0.1uF/25V	CK73B1E104K	C792	254 4464 906	Electrolytic 100uF/6.3V	CE67C0J101M
			for E2,E1,E1C,EUT				
C701,702	254 4464 951	Electrolytic 22uF/6.3V	CE67C0J220M (MV-B)				
C705	254 4571 938	Electrolytic 0.47uF/50V	CE67C1HR47M (MV-B)				
			for E2,E1,E1C,EUT				
C706	257 0516 954	Ceramic chip 0.1uF/25V	CK73B1E104K				
			for E2,E1,E1C,EUT				
C707	254 4572 908	Electrolytic 10uF/16V	CE67C1C100M (MV-B)				
			for E2,E1,E1C,EUT				
C708	254 4571 912	Electrolytic 1uF/50V	CE67C1H010M (MV-B)				
			for E2,E1,E1C,EUT				
C711	257 0516 954	Ceramic chip 0.1uF/25V	CK73B1E104K				
			for E2,E1,E1C,EUT				
C712	254 4571 912	Electrolytic 1uF/50V	CE67C1H010M (MV-B)				
			for E2,E1,E1C,EUT				
C715	254 4571 938	Electrolytic 0.47uF/50V	CE67C1HR47M (MV-B)				
			for E2,E1,E1C,EUT				
C716	254 4571 912	Electrolytic 1uF/50V	CE67C1H010M (MV-B)				
			for E2,E1,E1C,EUT				

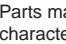
1U-3298G TUNER P.W.B. UNIT ASS'Y (AVR-5803 model only)

Ref. No.	Part No.	Part Name	Remarks	Q'ty	Ref. No.	Part No.	Part Name	Remarks	
OTHER PARTS GROUP					SEMICONDUCTORS GROUP				
CW048	205 0885 082	4P connector socket (TUC-P)		1	IC302	263 0439 007	IC LA3401		
CW056	205 0885 008	5P connector socket (TUC-P)		1	IC303	263 0891 001	IC LA1265 (S)		
CW070	205 0942 022	7P connector socket (TUC-P)		1	IC304	216 0102 008	Front end		
CW080	205 0885 095	8P connector socket (TUC-P)		1	IC307	262 2450 900	IC LC72131M-TLM		
CW094	205 0885 037	9P connector socket (TUC-P)		1					
CW109	205 0885 053	10P connector socket (TUC-P)		1	TR301,302	269 0066 902	Transistor DTC323TK		
CW872	205 0942 022	7P connector socket (TUC-P)		1	TR303	269 0054 901	Transistor DTC144EK		
CW944	205 0885 082	4P connector socket (TUC-P)		1	TR304	269 0086 908	Transistor DTA114TK		
					TR305	273 0411 909	Transistor 2SC2996-Y		
CX051	205 0884 009	5P connector base (TUC-P)		1	TR308	269 0083 901	Transistor DTA114EK		
CX056	205 0884 009	5P connector base (TUC-P)		1	TR309	269 0114 906	Transistor RN2402		
CX070	205 0943 021	7P connector base (TUC-P)		1	TR313	269 0083 901	Transistor DTA114EK		
CX088	205 1229 003	8P FJ connector plug		1					
CX090	205 0884 038	9P connector base (TUC-P)		1	D301,302	276 0559 909	Diode DAP202K		
CX094	205 0884 038	9P connector base (TUC-P)		1	D306	276 0559 909	Diode DAP202K		
CX106	205 0884 054	10P connector base (TUC-P)		1					
CX109	205 0884 054	10P connector base (TUC-P)		1	ZD305	276 0644 937	Zener diode MTZJ9.1A		
CX872	205 0943 021	7P connector base (TUC-P)		1					
CX944	205 0884 083	4P connector base (TUC-P)		1					
					RESISTORS GROUP				
CY062	205 0343 061	6P connector base (KR-PH)		1	R309,310	247 2010 969	Carbon chip 22kohm 1/16W	RM73B--223J	
CY131	205 0375 039	13P connector base (KR-PH)		1	R311,312	247 2008 968	Carbon chip 3.3kohm 1/16W	RM73B--332J	
CY871	205 0343 074	7P connector base (KR-PH)		1	R313,314	247 2012 925	Carbon chip 100kohm 1/16W	RM73B--104J	
					R315,316	247 2012 941	Carbon chip 120kohm 1/16W	RM73B--124J	
FB601,602	235 0106 908	EMI filter (21A05)		2	R317	247 2009 925	Carbon chip 5.6kohm 1/16W	RM73B--562J	
FB606	235 0106 908	EMI filter (21A05)		1	R318	247 2009 983	Carbon chip 10kohm 1/16W	RM73B--103J	
FB608	235 0106 908	EMI filter (21A05)		1	R319	247 2010 969	Carbon chip 22kohm 1/16W	RM73B--223J	
					R320	247 2012 925	Carbon chip 100kohm 1/16W	RM73B--104J	
JK501,502	204 8414 009	2P S-terminal (AU)		2	R321	247 2009 983	Carbon chip 10kohm 1/16W	RM73B--103J	
JK503,504	204 8415 008	3P S-terminal (AU)		2	R322	247 2012 925	Carbon chip 100kohm 1/16W	RM73B--104J	
JK505-507	205 0906 000	1P S-terminal (AU.SW)		3	R323	247 2011 971	Carbon chip 62kohm 1/16W	RM73B--623J	
					R324	247 2007 943	Carbon chip 1kohm 1/16W	RM73B--102J	
L301	235 0150 909	Chip inductor 15uH	LQH32MN150J21L	1	R325	247 2008 968	Carbon chip 3.3kohm 1/16W	RM73B--332J	
L605	235 0150 954	Chip inductor 100uH	LQH32MN101J21L	1	R326	247 2005 929	Carbon chip 120ohm 1/16W	RM73B--121J	
L606	235 0150 925	Chip inductor 22uH	LQH32MN220J21L	1	R327	247 2008 942	Carbon chip 2.7kohm 1/16W	RM73B--272J	
L607,608	235 0150 954	Chip inductor 100uH	LQH32MN101J21L	2	R328	247 2010 943	Carbon chip 18kohm 1/16W	RM73B--183J	
L612	235 0150 938	Chip inductor 27uH	LQH32MN270J21L	1	R329	247 2008 968	Carbon chip 3.3kohm 1/16W	RM73B--332J	
L703,704	235 0150 938	Chip inductor 27uH	LQH32MN270J21L	2	R330,331	247 2009 983	Carbon chip 10kohm 1/16W	RM73B--103J	
					R332	247 2009 941	Carbon chip 6.8kohm 1/16W	RM73B--682J	
X301	399 0153 006	Crystal 14.32MHz		1	R333	247 2009 925	Carbon chip 5.6kohm 1/16W	RM73B--562J	
X302	399 0105 009	Ceramic resonator	CSB503F2	1	R334	247 2018 903	Carbon chip 0ohm 1/16W	RM73B--0R0K	
X603	399 0809 004	Crystal 4.43MHz		1	R335	247 2011 984	Carbon chip 68kohm 1/16W	RM73B--683J	
X604	399 0802 001	Crystal 3.58MHz		1	R336	247 2010 927	Carbon chip 15kohm 1/16W	RM73B--153J	
X605	399 0810 006	Ceramic resonator	CSB503F30	1	R337	247 2006 902	Carbon chip 330ohm 1/16W	RM73B--331J	
					R338	247 2007 969	Carbon chip 1.2kohm 1/16W	RM73B--122J	
					R339	247 2009 909	Carbon chip 4.7kohm 1/16W	RM73B--472J	
					R340	247 2006 960	Carbon chip 470ohm 1/16W	RM73B--471J	
					R342	247 2005 987	Carbon chip 220ohm 1/16W	RM73B--221J	
					R343	247 2005 903	Carbon chip 100ohm 1/16W	RM73B--101J	
					R344,345	247 2007 943	Carbon chip 1kohm 1/16W	RM73B--102J	
					R346	247 2009 925	Carbon chip 5.6kohm 1/16W	RM73B--562J	
					R347,348	247 2018 903	Carbon chip 0ohm 1/16W	RM73B--0R0K	

Ref. No.	Part No.	Part Name	Remarks	Ref. No.	Part No.	Part Name	Remarks	
R349	247 2007 943	Carbon chip 1kohm 1/16W	RM73B--102J	C390	257 0501 901	Ceramic chip 0.01uF/50V	CK73B1H103K	
R350	247 2012 925	Carbon chip 100kohm 1/16W	RM73B--104J	C391	254 4524 943	Electrolytic 1uF/50V	CE04W1H010M (SMG/RE3)	
R351	247 2007 943	Carbon chip 1kohm 1/16W	RM73B--102J	C392	257 0501 901	Ceramic chip 0.01uF/50V	CK73B1H103K	
R358	247 2018 903	Carbon chip 0ohm 1/16W	RM73B--0R0K	C393	257 0506 951	Ceramic chip 100pF/50V	CC73CH1H101J	
R365-373	247 2018 903	Carbon chip 0ohm 1/16W	RM73B--0R0K	C394,395	257 0503 967	Ceramic chip 15pF/50V	CC73CH1H150J	
R376	247 2007 943	Carbon chip 1kohm 1/16W	RM73B--102J	C396	254 4524 943	Electrolytic 1uF/50V	CE04W1H010M (SMG/RE3)	
R379	247 2002 964	Carbon chip 10ohm 1/16W	RM73B--100J	C397	257 0511 904	Ceramic chip 0.01uF/50V	CK73F1H103Z	
R382	247 2018 903	Carbon chip 0ohm 1/16W	RM73B--0R0K	C398	257 0506 951	Ceramic chip 100pF/50V	CC73CH1H101J	
R383	247 2002 964	Carbon chip 10ohm 1/16W	RM73B--100J	C400	257 0509 929	Ceramic chip 1000pF/50V	CK73B1H102K	
R397,398	247 2018 903	Carbon chip 0ohm 1/16W	RM73B--0R0K	OTHER PARTS GROUP				Q'ty
R399	247 2007 943	Carbon chip 1kohm 1/16W	RM73B--102J	CF301	261 0079 005	Ceramic resonator CSB456F11	1	
VR301	211 6132 925	Semi fixed resistor 10ohm	V06PB103	CF302	261 0031 001	Ceramic filter BFU450C4	1	
VR302	211 6132 983	Semi fixed resistor 100ohm	V06PB104	CF303	261 0136 906	Ceramic filter MS2G	1	
CAPACITORS GROUP				CF304	261 0135 907	Ceramic filter MA8	1	
C309,310	254 4306 925	Electrolytic 10uF/50V	CE04W1H100M (SRE)	CF305	261 0116 007	Ceramic filter SFU450B3	1	
C311,312	257 0508 962	Ceramic chip 750pF/50V	CC73CH1H751J	CY031	205 0343 032	3P connector base (KR-PH)	1	
C314	257 0511 904	Ceramic chip 0.01uF/50V	CK73F1H103Z	CY111	205 0375 013	11P connector base (KR-PH)	1	
C315	254 4524 943	Electrolytic 1uF/50V	CE04W1H010M (SMG/RE3)	JK301	205 0603 015	3P antenna terminal	1	
C316	257 0509 929	Ceramic chip 1000pF/50V	CK73B1H102K	L301	235 0060 905	Inductor 2.2uH	1	
C317	254 4305 984	Electrolytic 2.2uF/50V	CE04W1H2R2M (SRE)	L302	235 0060 950	Inductor 10uH	1	
C318	254 4524 943	Electrolytic 1uF/50V	CE04W1H010M (SMG/RE3)	LF306	232 9010 009	Antibirdie filter	1	
C319	254 4524 914	Electrolytic 0.22uF/50V	CE04W1HR22M (SMG/RE3)	T302	231 2085 009	FM DET trans.	1	
C320	254 4538 913	Electrolytic 22uF/16V	CE04W1C220M (SMG/RE3)	T304	231 1138 009	AM IFT	1	
C321	256 1058 942	Metallized 0.056uF/50V	CF93A1H563J (JL)	T305	231 2096 001	MW ant.-osc. coil	1	
C322	254 4538 939	Electrolytic 47uF/16V	CE04W1C470M (SMG/RE3)	XL301	399 0075 003	Crystal 7.2MHz	1	
C323	254 4524 943	Electrolytic 1uF/50V	CE04W1H010M (SMG/RE3)					
C325	254 3053 910	Electrolytic 22uF/16V	CE04D1C220MBP					
C328,329	257 0501 901	Ceramic chip 0.01uF/50V	CK73B1H103K					
C330	257 0010 942	Ceramic chip 0.022uF/50V	CK73B1H223K					
C331	256 1058 939	Metallized 0.047uF/50V	CF93A1H473J (JL)					
C332	254 4524 985	Electrolytic 10uF/50V	CE04W1H100M (SMG/RE3)					
C333	254 4524 943	Electrolytic 1uF/50V	CE04W1H010M (SMG/RE3)					
C334	254 4524 930	Electrolytic 0.47uF/50V	CE04W1HR47M (SMG/RE3)					
C335-337	257 0501 901	Ceramic chip 0.01uF/50V	CK73B1H103K					
C338	257 0506 951	Ceramic chip 100pF/50V	CC73CH1H101J					
C339	257 0010 942	Ceramic chip 0.022uF/50V	CK73B1H223K					
C340,341	257 0501 901	Ceramic chip 0.01uF/50V	CK73B1H103K					
C343	257 0501 901	Ceramic chip 0.01uF/50V	CK73B1H103K					
C347	257 0501 901	Ceramic chip 0.01uF/50V	CK73B1H103K					
C348	257 0503 941	Ceramic chip 12pF/50V	CC73CH1H120J					
C349	254 4524 985	Electrolytic 10uF/50V	CE04W1H100M (SMG/RE3)					
C350	257 0501 901	Ceramic chip 0.01uF/50V	CK73B1H103K					
C351,352	257 0010 984	Ceramic chip 0.047uF/50V	CK73B1H473K					
C363	254 4538 913	Electrolytic 22uF/16V	CE04W1C220M (SMG/RE3)					
C366	257 0011 996	Ceramic chip 0.1uF/25V	CK73B1E104K					
C369,370	257 0509 929	Ceramic chip 1000pF/50V	CK73B1H102K					
C387	257 0501 901	Ceramic chip 0.01uF/50V	CK73B1H103K					
C388	254 4538 939	Electrolytic 47uF/16V	CE04W1C470M (SMG/RE3)					

EXPLODED VIEW



WARNING:
 Parts marked with this symbol  have critical characteristics.
 Use **ONLY** replacement parts recommended by the manufacturer.

Europe & Asia model

AVR-5803 only

U.S.A., Canada & Taiwan R.O.C. model

AVR-5803 only

A

B

C

D

E

PARTS LIST OF EXPLODED VIEW

Note: The symbol in the column "Remarks" indicate the following destinations.

EU: U.S.A. model (AVR-5803)

E1: Asia model

EC: Canada model (AVR-5803)

E1C: China model

E2: Europe model

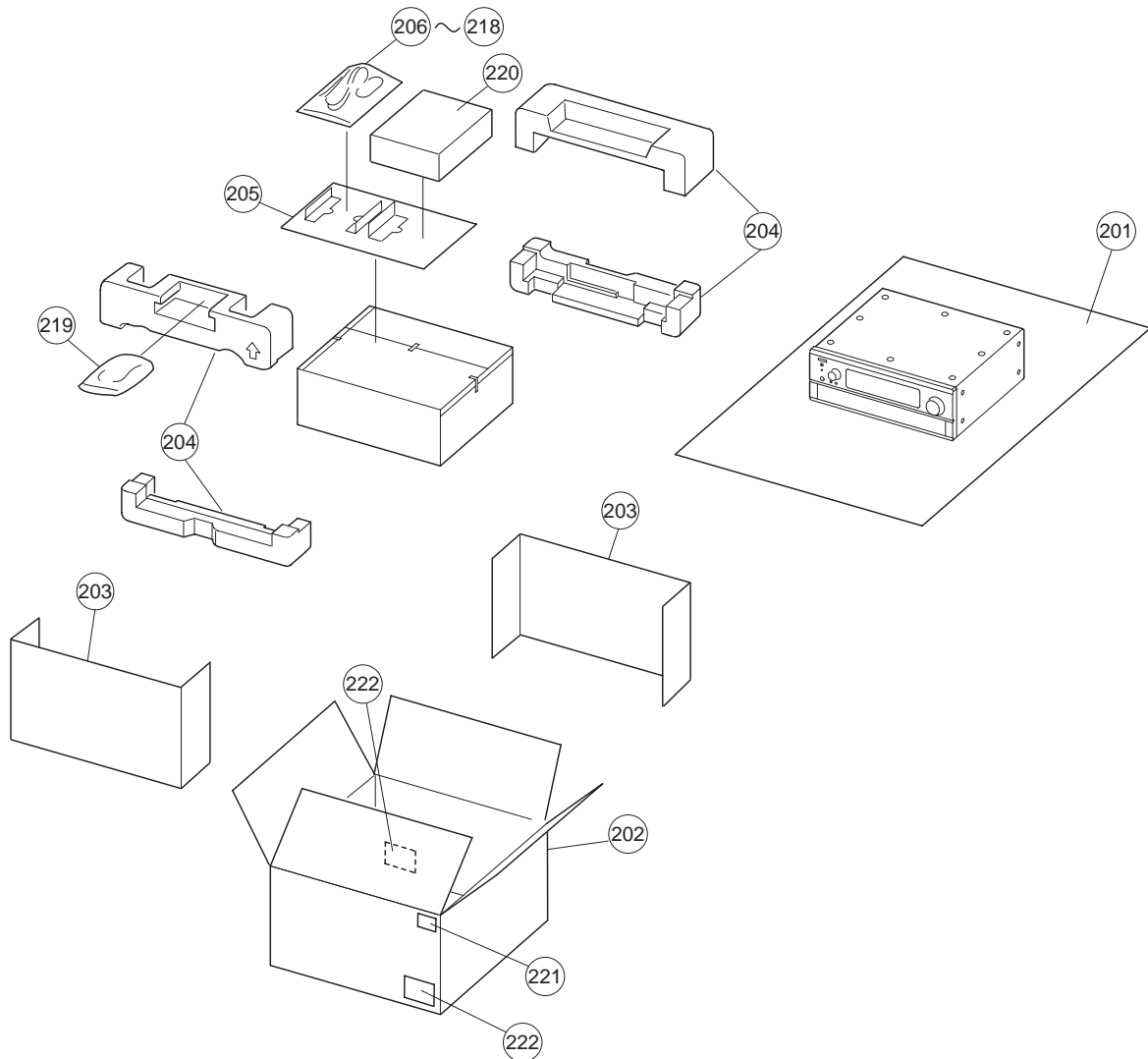
EUT: Taiwan R.O.C. model

Ref. No.	Part No.	Part Name	Remarks	Q'ty	Ref. No.	Part No.	Part Name	Remarks	Q'ty
1	1U-3425	Digital unit Ass'y	for EU,EC	1	6-8		TR214 unit		
1	1U-3425A	Digital unit Ass'y	for E2,E1,E1C,EUT	1	6-9		TR314 unit		
2	1U-3426	DSP unit Ass'y		1	6-10		TR414 unit		
3	1U-3292G	Front unit Ass'y	for EU,EC	1	7	1U-3298G	Tuner unit Ass'y	for EU,EC	1
3	1U-3292H	Front unit Ass'y	for E2,E1,E1C	1	8	1U-3436	Ext. in vol. unit Ass'y	for EU,EC	1
3	1U-3292M	Front unit Ass'y	for EUT	1	8	1U-3436A	Ext. in vol. unit Ass'y	for E2,E1,E1C,EUT	1
3-1		FLD unit			9	1U-3437	Audio & video in unit Ass'y	for EU,EC	1
3-2		Remocon unit			9	1U-3437A	Audio & video in unit Ass'y	for E2,E1,E1C,EUT	1
3-3		Tact switch unit			9-1		V. conn. -1 unit		
3-4		Master volume unit			9-2		V. conn. -2 unit		
3-5		H/P unit			9-3		V. conn. -3 unit		
3-6		Power switch unit	for E2,E1,E1C,EUT		9-4		C. video unit		
3-8		Non lock switch unit	for EU,EC		9-5		232C unit		
3-9		AC outlet unit	for EU,EC,EUT		9-7		Comp. RGB unit		
3-11		Multi out unit			9-8		Audio in unit		
4	1U-3460	Reg. & SP unit Ass'y	for EU,EC	1	9-9		Amp. conn. L unit		
	(1U-3294G)				9-10		Amp. conn. R unit		
4	1U-3460A	Reg. & SP unit Ass'y	for E2,E1,E1C,EUT	1	10	1U-3444	Video convert unit Ass'y	for EU,EC	1
4-1		SP unit-1			10	1U-3444A	Video convert unit Ass'y	for E2,E1,E1C,EUT	1
4-2		SP unit-2			10-1		Convert unit Ass'y		
4-4		Rectifier unit			10-2		Y/C sep. unit		
4-5		Reg. drive unit			10-3		S. video unit		
4-7		Diode unit			11	411 1939 105	Front chassis	for EU,EC	1
5	1U-3404	Pre reg. unit Ass'y	for EU,EC	1	11	411 1939 118	Front chassis	for E2,E1,E1C,EUT	1
5	1U-3404A	Pre reg. unit Ass'y	for E2,E1	1	12	412 4473 108	Headphone bracket		1
5	1U-3404F	Pre reg. unit Ass'y	for E1C	1	★ 13	203 6385 056	4P KR-KR ribbon 150	CY041	1
5	1U-3404E	Pre reg. unit Ass'y	for EUT	1	14	441 1793 009	Snap plate		1
5-1		Primary unit			★ 15	204 2543 057	7P KR-KR ribbon 150	CN072	1
5-2		FLAC unit			16	411 1938 203	Side chassis	for EU,EC	2
5-3		Reg. conn. unit			16	411 1938 216	Side chassis	for E2,E1,E1C,EUT	2
5-4		M5V unit			17	105 1344 222	Back plate	for EU,EC	1
5-5		Pre reg. unit			17	105 1344 235	Back plate	for E2,E1,E1C,EUT	1
5-6		Pre fuse unit			18	105 1342 279	Back panel (EU)	for EU,EC	1
5-7		IC509 unit			18	105 1342 295	Back panel (E2/E1)	for E2,E1	1
5-8		D508 unit			18	105 1406 005	Back panel (E1C)	for E1C	1
5-9		D509 unit			18	105 1406 018	Back panel (EUT)	for EUT	1
5-10		D510 unit			19	205 1116 006	Terminal Ass'y		1
5-11		D511 unit			⚠ 20	233 6408 002	Sub trans (583E3)	for EU,EC,EUT	1
5-12		D512 unit			⚠ 20	233 6411 002	Sub trans (A1SRE1E2)	for E2,E1	1
5-13		D513 unit			⚠ 20	233 6414 009	Sub trans (A1SRE1C)	for E1C	1
5-14		D514 unit			⚠ 21	203 3970 008	AC inlet		1
5-15		D515 unit			★ 22	203 2417 009	2P VA-VA connector cord	CN025, for EU,EC,EUT	1
5-16		D516 unit			★ 23	445 8004 007	Wire clamber		24
5-21		IC501 unit			24	414 0900 202	Shield cover (A)	for EU,EC	1
5-22		IC502 unit			24	414 0900 215	Shield cover (A)	for E2,E1,E1C,EUT	1
5-24		IC201 unit			25	414 0901 201	Shield plate (AV)		1
6	1U-3296G	Power amp. unit Ass'y	for EU,EC	1	26	412 2741 007	P.W.B. holder (H=8)		4
6	1U-3296H	Power amp. unit Ass'y	for E2,E1,E1C,EUT	1	27	412 2741 036	P.W.B. holder (H=10)		3
6-1		Power amp. L unit			28	412 4127 001	P.W.B. bracket (B)	for EU,EC	1
6-2		Power amp. R unit			28	412 4127 014	P.W.B. bracket (B)	for E2,E1,E1C,EUT	1
6-3		TR113 unit			29	412 2814 002	Card spacer (L=8)		2
6-4		TR213 unit			30	449 0133 017	P.W.B. holder	for EU,EC	1
6-5		TR313 unit			31	449 0114 010	Edging (CE-016)		3
6-7		TR114 unit							

Ref. No.	Part No.	Part Name	Remarks	Q'ty	Ref. No.	Part No.	Part Name	Remarks	Q'ty	
	32	412 2741 052	P.W.B. holder (H=22)			78	412 4610 107	Radiator bracket (A)	for EU,EC	2
	33	449 0080 076	Edging (CE-012S)			78	412 4610 110	Radiator bracket (A)	for E2,E1,E1C,EUT	2
	34	449 0096 086	Edging	for EU,EC		79	412 4611 106	Radiator bracket (B)	for EU,EC	2
	35	412 4607 107	Trans plate	for EU,EC		79	412 4611 119	Radiator bracket (B)	for E2,E1,E1C,EUT	2
	35	412 4607 110	Trans plate	for E2,E1,E1C,EUT		80	412 4248 003	P.W.B. bracket (D)		2
	36	412 2741 010	P.W.B. holder (H=6)		▲	81	233 6409 001	Main trans (583E3)	for EU,EC,EUT	1
	37	414 0905 003	Shield plate (T)		▲	81	233 6412 001	Main trans (A1SRE1E2)	for E2,E1	1
	38	254 6219 007	Electrolytic 33000uF/71V	C503,504	▲	81	233 6415 008	Main trans (A1SRE1C)	for E1C	1
★	39	203 5238 007	3C cord Ass'y	L=320		82	513 3333 005	Label (trans)		1
★	40	203 5238 010	3C cord Ass'y	L=450		83	414 0902 006	Shield cover (B)	for EU,EC	1
	41	414 0905 016	Shield plate (T)			83	414 0902 019	Shield cover (B)	for E2,E1,E1C,EUT	1
★	42	204 2928 009	9P PH-PH connector cord	CN095		84	412 4697 007	Fan bracket (L)	for EU,EC	1
★	43	204 6356 062	13P KR-KR ribbon 175	CN136		84	412 4697 010	Fan bracket (L)	for E2,E1,E1C,EUT	1
★	44	204 6613 019	12P PH-PH connector cord	CN127		85	412 4698 006	Fan bracket (R)	for EU,EC	1
★	45	203 5094 076	3P PH-PH connector cord	CN032		85	412 4698 019	Fan bracket (R)	for E2,E1,E1C,EUT	1
★	46	203 5283 007	3P PH-PH connector cord	CN034		86	421 0749 005	Fan (80x80) 24V		2
	47	412 4695 106	Trans support			87	414 0908 000	Fan plate	for EU,EC	2
	48	414 0906 109	Shield plate (F)			87	414 0908 013	Fan plate	for E2,E1,E1C,EUT	2
	49	412 2814 044	Card spacer (L=6)			88	461 0413 009	Rubber sheet	130x6x6	1
★	50	204 6657 004	15P PH-PH connector cord	CN154		89	144 2711 341	Front panel Ass'y	for EU,EC	1
★	51	204 6730 002	14P PH-PH connector cord	CN142		89	144 2711 338	Front panel Ass'y	Black model for E2	1
★	52	204 6731 001	12P PH-PH connector cord	CN122		89	144 2711 325	Front panel Ass'y	Gold model for E2,E1,E1C,EUT	1
★	53	203 6585 005	4P PH-PH connector cord	CN043		90	341 0051 002	Clamp magnet		1
★	54	204 2929 008	10P PH-PH connector cord	CN104		91	421 0763 007	Gear damper		1
★	55	204 6353 049	12P KR-KR ribbon 125	CN126		92	144 2718 001	Inner panel Ass'y	Black model	1
	56	414 0899 106	Shield plate (DSP)			92	144 2718 014	Inner panel Ass'y	Gold model	1
★	57	204 2552 006	10P KR-KR ribbon 70	CN108		93	412 4617 207	Inner bracket		1
★	58	204 2870 005	10P PH-PH connector cord	CN105		94	144 2714 131	Door	for EU,EC	1
★	59	204 6652 009	11P PH-PH connector cord	CN112		94	144 2714 160	Door	Black model for E2	1
	60	105 1377 008	Bottom cover	for EU,EC		94	144 2714 157	Door	Gold model for E2,E1,E1C,EUT	1
	60	105 1377 011	Bottom cover	for E2,E1,E1C,EUT		95	401 0188 206	Hinge (L)	Black model	1
	61	513 8266 009	Dangerous mark	for EU,EC		95	401 0188 219	Hinge (L)	Gold model	1
	62	146 2088 119	Foot Ass'y			96	401 0189 205	Hinge (R)	Black model	1
	63	417 0627 005	Radiator	for EU,EC		96	401 0189 218	Hinge (R)	Gold model	1
	63	417 0627 018	Radiator	for E2,E1,E1C,EUT		97	441 1929 200	Catch plate		1
	64	273 0457 002	Transistor 2SC5099 (O/P/Y)	TR603,607		98	146 2194 100	FLD frame Ass'y	Black model	1
	65	271 0298 003	Transistor 2SA1907 (O/P/Y) (LF)	TR602,606,604		98	146 2194 113	FLD frame Ass'y	Gold model	1
	66	412 4608 229	Radiator bracket (L)	for EU,EC		99	412 4177 006	Volume bracket		1
	66	412 4608 232	Radiator bracket (L)	for E2,E1,E1C,EUT		100	009 0191 000	29P FFC cable		1
	67	412 4609 228	Radiator bracket (R)	for EU,EC		101	415 0849 007	Safety sheet (A)		1
	67	412 4609 231	Radiator bracket (R)	for E2,E1,E1C,EUT		102	415 0850 009	Safety sheet (B)		1
★	68	414 0904 208	Earth plate (TU)	for EU,EC		103	112 0828 019	Knob Ass'y (M)	Black model	1
★	69	204 0378 088	6P KR-KR ribbon 225	CN067		103	112 0828 006	Knob Ass'y (M)	Gold model	1
	70	415 9044 007	Insulating sheet			104	113 1792 105	Power knob Ass'y	Black model	1
	71	271 0220 000	Transistor 2SA1493 (O/Y)	TR605		104	113 1792 118	Power knob Ass'y	Gold model	1
★	72	415 0655 039	UL tube (12.7) BK			105	112 0773 106	Knob Ass'y (F)	Black model	1
	73	417 0594 206	Radiator	for EU,EC		105	112 0773 119	Knob Ass'y (F)	Gold model	1
	73	417 0594 219	Radiator	for E2,E1,E1C,EUT		106	112 0787 037	Knob (MARU) Ass'y	Black model	2
	74	412 4702 002	Radiator support	for EU,EC		106	112 0787 024	Knob (MARU) Ass'y	Gold model	2
	74	412 4702 015	Radiator support	for E2,E1,E1C,EUT		107	461 0501 005	Rubber sheet		5
	75	417 0595 108	CU plate			108	144 2716 100	Side cover	Black model	2
	76	271 0296 005	Transistor MP1715			108	144 2716 113	Side cover	Gold model	2
	77	273 0452 007	Transistor MN1715			109	412 4620 003	Screw bracket	for EU,EC	2
77-1	-	Mica sheet	Accessories for transistor			109	412 4620 016	Screw bracket	for E2,E1,E1C,EUT	2

Ref. No.	Part No.	Part Name	Remarks	Q'ty	Ref. No.	Part No.	Part Name	Remarks	Q'ty
110	102 0632 101	Top cover	Black model	1	SCREWS				
110	102 0632 114	Top cover	Gold model	1	★ 151	470 0009 022	Screw 3x6 CPS (SW.W) ZNP		35
111	513 1581 011	Serial no. sheet	for EU,EC,E2,E1,E1C	1	152	471 9043 011	Special screw	Black model	16
111	513 2481 000	Serial no. sheet (T)	for EUT	1	152	471 9043 024	Special screw	Gold model	16
112	GEN 5251 H1	License label Ass'y		1	153	473 7002 018	Screw 3x8 CBTS (S)-Z		48
★ 113	203 5094 063	3P PH-PH connector cord	CN111, for EU,EC	1	154	473 7003 004	Screw 3x8 CFTS (S)-Z		18
△ 114	203 3981 000	AC outlet (E2)	for E2,E1	1	155	473 7003 017	Screw 3x8 CFTS (S)-B		2
115	412 2404 043	P.W.B holder (WLS-13)		3	156	473 7005 002	Screw 3x10 CBTS (S)-Z		17
116	417 0628 004	CU plate		1	157	473 7007 000	Screw 4x8 CBTS (S)-B		10
117	445 0048 016	Cord holder (L=50)		17	158	473 7015 005	Screw 3x6 CBTS (S)-B		39
118	461 0330 001	Rubber cushion	28x10x1	1	159	473 7015 018	Screw 3x8 CBTS (S)-B		16
119	461 9036 005	Spacer		2	160	473 7500 015	Screw 3x8 CBTS (P)-Z		31
120	477 0231 024	4W (S)		1	161	473 7505 007	Screw 2.6x8 CBTS (P)-Z		7
121	461 0334 007	Rubber sheet	130x8x4	1	162	473 8007 025	Cup screw 3x8		8
122	461 0315 068	Cushion sheet	50x5x1	4	163	473 8007 038	Cup screw 3x14		28
123	461 0607 022	Rubber sheet	20x20x12	1	164	477 0064 107	Fixing screw	for EU,EC	61
★ 124	342 0030 000	Ferrite core	for E2,E1,E1C,EUT	1	164	477 0064 107	Fixing screw	for E2,E1,E1C	58
★ 125	415 0845 001	SP rivet	for E2,E1C	18	164	477 0064 107	Fixing screw	for EUT	60
★ 126	001 0224 009	Vinyl wire	L=60, INLET WHT	1	165	477 0262 019	Special screw		3
★ 127	001 0224 012	Vinyl wire	L=60, INLET YEW	1	166	-	9 nut		4
★ 128	204 0560 003	6P PH-PH connector cord	CN064	1	★ 167	477 0153 005	Screw 3x10 CPS SW W		6
★ 129	203 2416 000	2P VA-VA connector cord	CN027	1	168	473 7004 016	Screw 4x6 CBTS (S)-Z		12
★ 130	203 5281 012	3P EH-EH connector cord	CN930	1	169	473 8034 098	Screw 3x10 CBTS (B)-B		15
★ 131	204 6356 088	13P KR-KR ribbon 225	CN131	1	170	477 0153 018	Screw 3x16 CPTS(B) SW W		7
★ 132	204 2925 002	7P PH-PH connector cord	CN871	1					
★ 133	204 0559 001	6P PH-SMP connector cord	CN062	1					
★ 134	204 6739 003	11P PH-PH connector cord	CN111, for EU,EC	1					
★ 135	204 0379 032	6P KR-KR ribbon 350	CN061	1					
★ 136	204 2543 060	7P KR-KR ribbon 175	CN073	1					
★ 137	203 5282 008	3P PH-PH connector cord	CN030	1					
★ 139	204 0561 002	6P PH-SMR connector cord	CN062	1					
★ 140	204 6729 000	14P PH-PH connector cord	CN143	1					
★ 141	204 2544 027	7P KR-KR ribbon 325	CN075	1					
★ 142	203 6584 019	4P PH-PH connector cord	CN045	1					
★ 143	342 0032 024	Ferrite clamp (RFC-9)	for EU,EC	3					
★ 143	342 0032 024	Ferrite clamp (RFC-9)	for E2,E1,E1C,EUT	2					
★ 144	204 2927 000	8P PH-PH connector cord	CN982	1					
★ 145	203 6584 006	4P PH-PH connector cord	CN046	1					
★ 146	203 8342 039	5P KR-KR ribbon 350	CN053	1					
★ 147	203 0457 003	1P contact Ass'y		1					
149	445 0048 003	Cord holder (L=76)		3					
180	513 3801 003	IC caution label (A)	for EU,EC	1					
181	513 3802 002	IC caution label (B)	for EU,EC	1					
182	513 3803 001	Fuse caution label (A)	for EU,EC	1					
183	513 3804 000	Fuse caution label (B)	for EU,EC	1					
184	415 0888 000	Insulating sheet		1					
★ 185	113 1945 004	RJ45 dust cover		1					
★ 186	513 2482 009	Caution label (T)	for EUT	1					
★ 187	513 3497 022	KOLIN rating label	for EUT	1					

PACKING VIEW



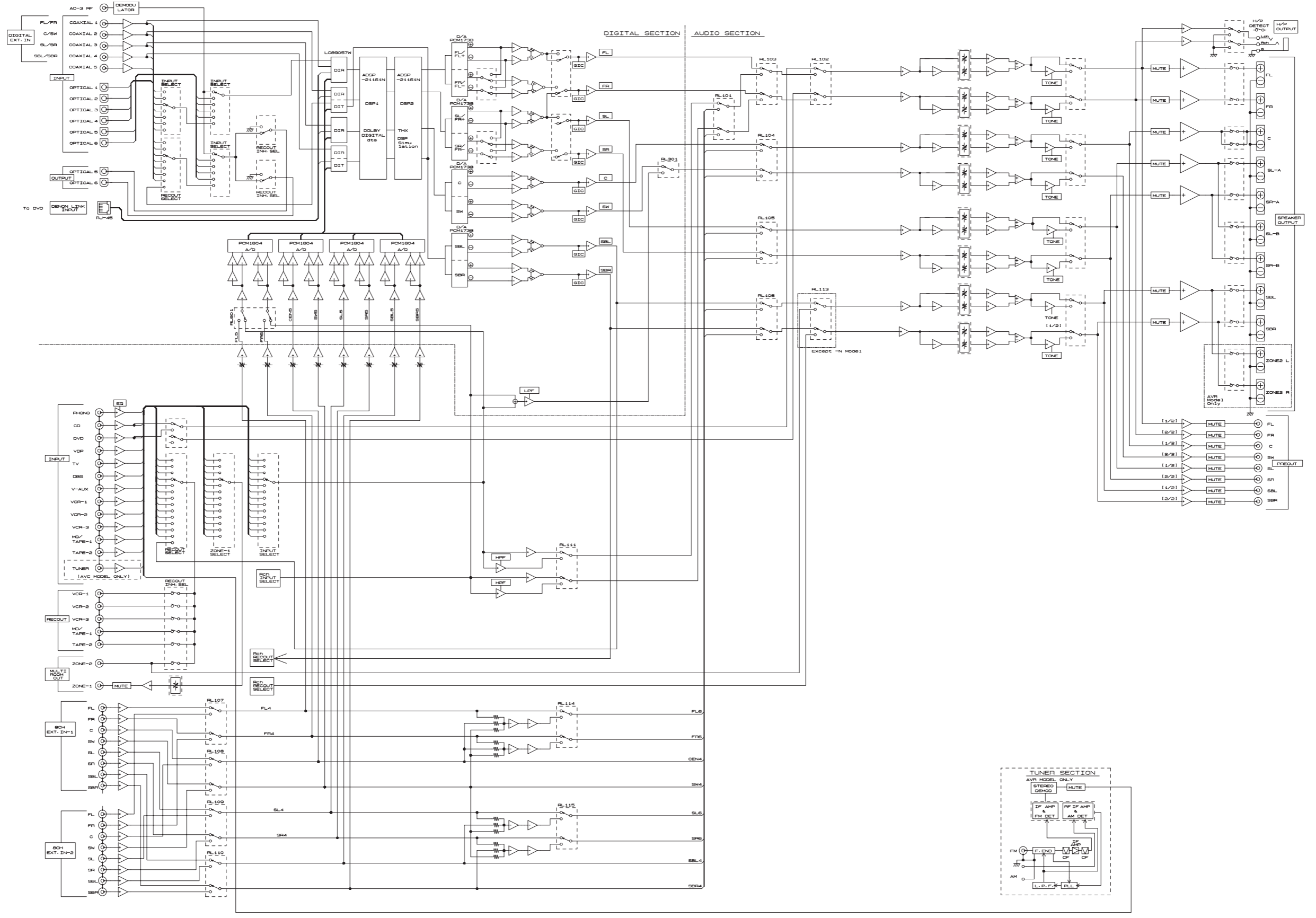
Note: The symbol in the column "Remarks" indicate the following destinations.
 EU: U.S.A. model (AVR-5803) E1: Asia model
 EC: Canada model (AVR-5803) E1C: China model
 E2: Europe model EUT: Taiwan R.O.C. model

PARTS LIST OF PACKING & ACCESSORIES

Ref. No.	Part No.	Part Name	Remarks	Q'ty	Ref. No.	Part No.	Part Name	Remarks	Q'ty
201	504 0192 106	Cabinet sheet		1	212	515 0817 009	DEL warranty home	for EU	1
202	501 2102 014	Carton case	for EU,EC	1	▲ 213	206 2157 009	AC cord	for EU,EC,EUT	1
202	501 2102 030	Carton case	for E2,E1,E1C,EUT	1	▲ 213	206 2210 001	AC cord	for E2,E1	1
203	501 1950 157	Spacer		2	▲ 213	206 2189 006	AC cord	for E1C	1
204	503 1361 108	Cushion Ass'y		1	▲ 214	206 2209 009	AC cord (BS3P)	for E1	1
205	501 2098 005	Pad		1	215	231 0922 009	Loop antenna	for EU,EC	1
206	505 8006 019	Envelope		1	216	395 0019 009	FM antenna Ass'y	for EU,EC	1
207	511 3874 005	Instruction manual (EU)	for EU,EC	1	217	529 0079 008	FM ant. adapter	for EU,EC	1
207	511 3910 008	Instruction manual (E2)	for E2	1	218	—	Battery (LR6/AA)		2
207	511 3901 004	Instruction manual (E1)	for E1,E1C,EUT	1	219	399 0623 109	Remocon RC-8000	for EU,EC	1
208	511 3887 005	Instruction manual (EC)	for EC	1	219	399 0623 112	Remocon RC-871	for E2,E1,E1C,EUT	1
209	511 3672 003	Instruction manual (RC-8000)	for EU,EC	1	220	399 0652 015	Charger base station RC-8001ST	for EU,EC	1
209	511 3728 009	Instruction manual (RC-871)	for E2	1	221	—	Bar code label	for EU,EC,E2	1
209A	511 3808 000	Instruction sheet (RC-8000)	for EU,EC	1	222	—	Control card		1
209A	511 3811 000	Instruction sheet (RC-871)	for E2	1	★ 223	515 0627 105	DCI warranty home	for EC	1
209A	511 3810 001	Instruction sheet (RC-871)	for E1,E1C,EUT	1	★ 224	513 9111 001	Color label (gold)	Gold model	2
210	511 3687 001	Instruction manual (RC-8001ST)	for EU,EC	1	★ 225	513 3518 066	Carton label (C)	for E1C	1
211	515 0921 005	S.S. list (EX)		1	★ 226	513 3549 064	Carton label (T)	for EUT	1

BLOCK DIAGRAMS (1/2)

1 2 3 4 5 6 7 8



A

B

C

D

E

BLOCK DIAGRAMS (2/2)

1

2

3

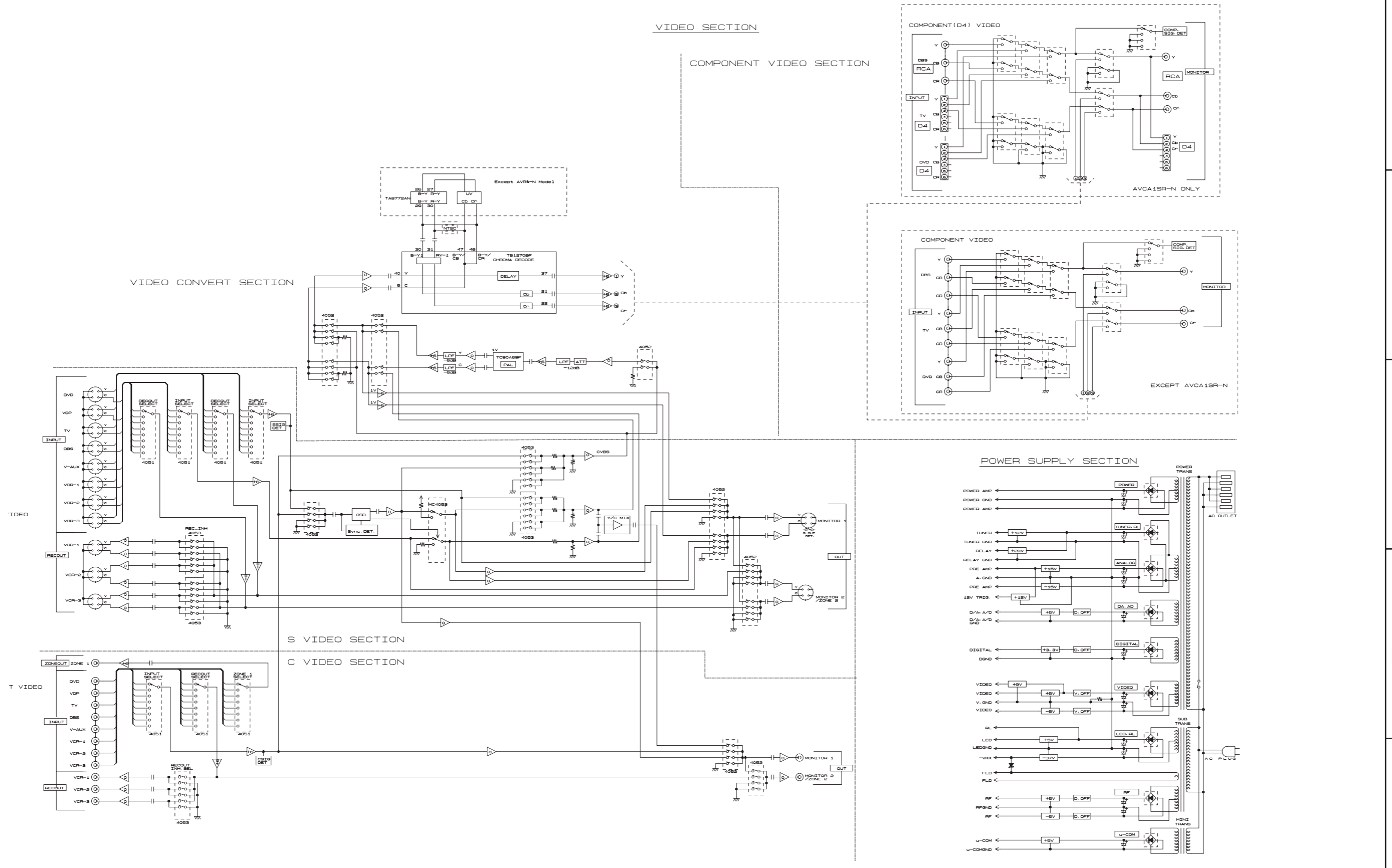
4

5

6

7

8



A

B

C

D

E

WIRING DIAGRAM

1

2

3

4

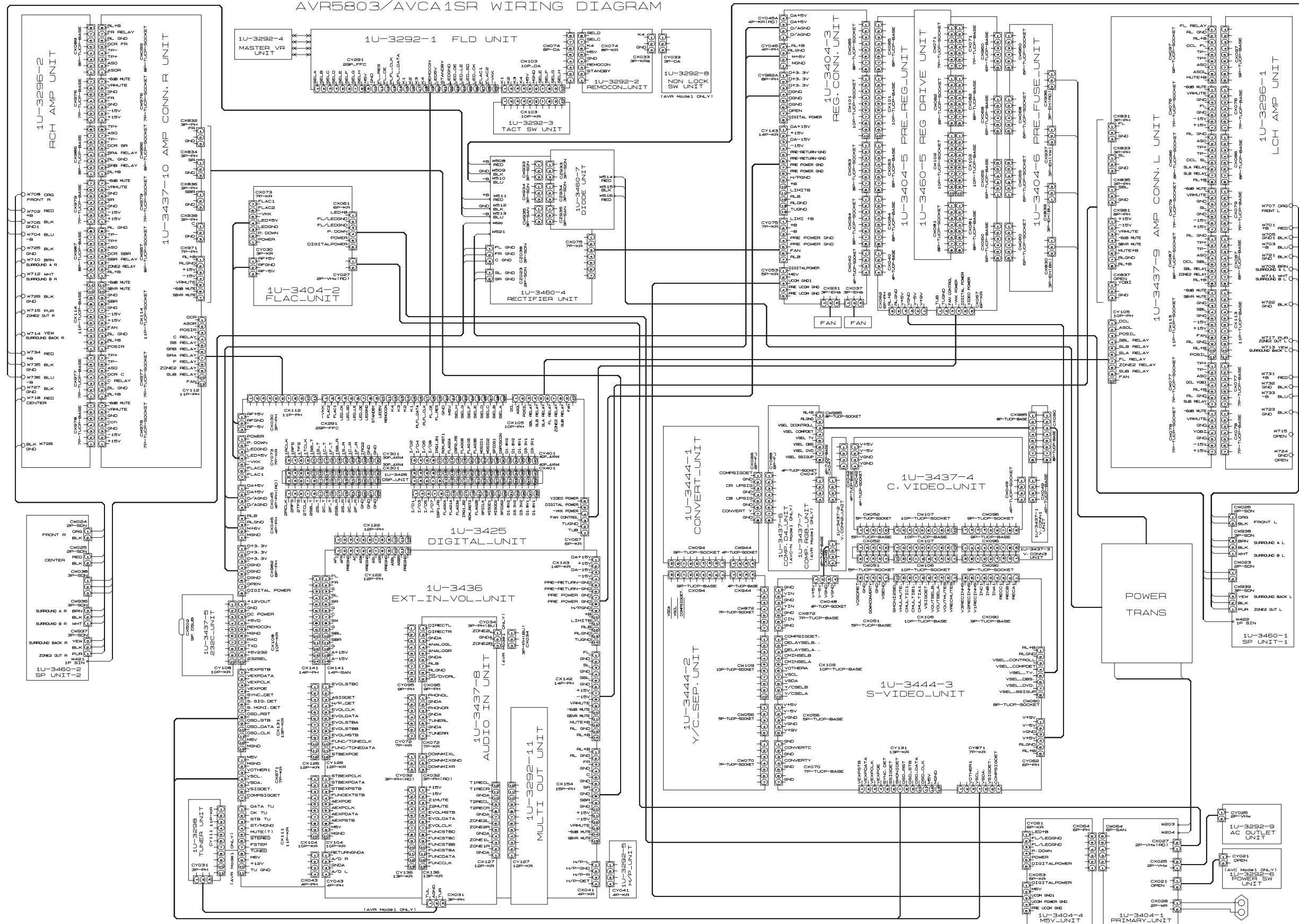
5

6

7

8

AVR5803/AVCA1SR WIRING DIAGRAM



A

B

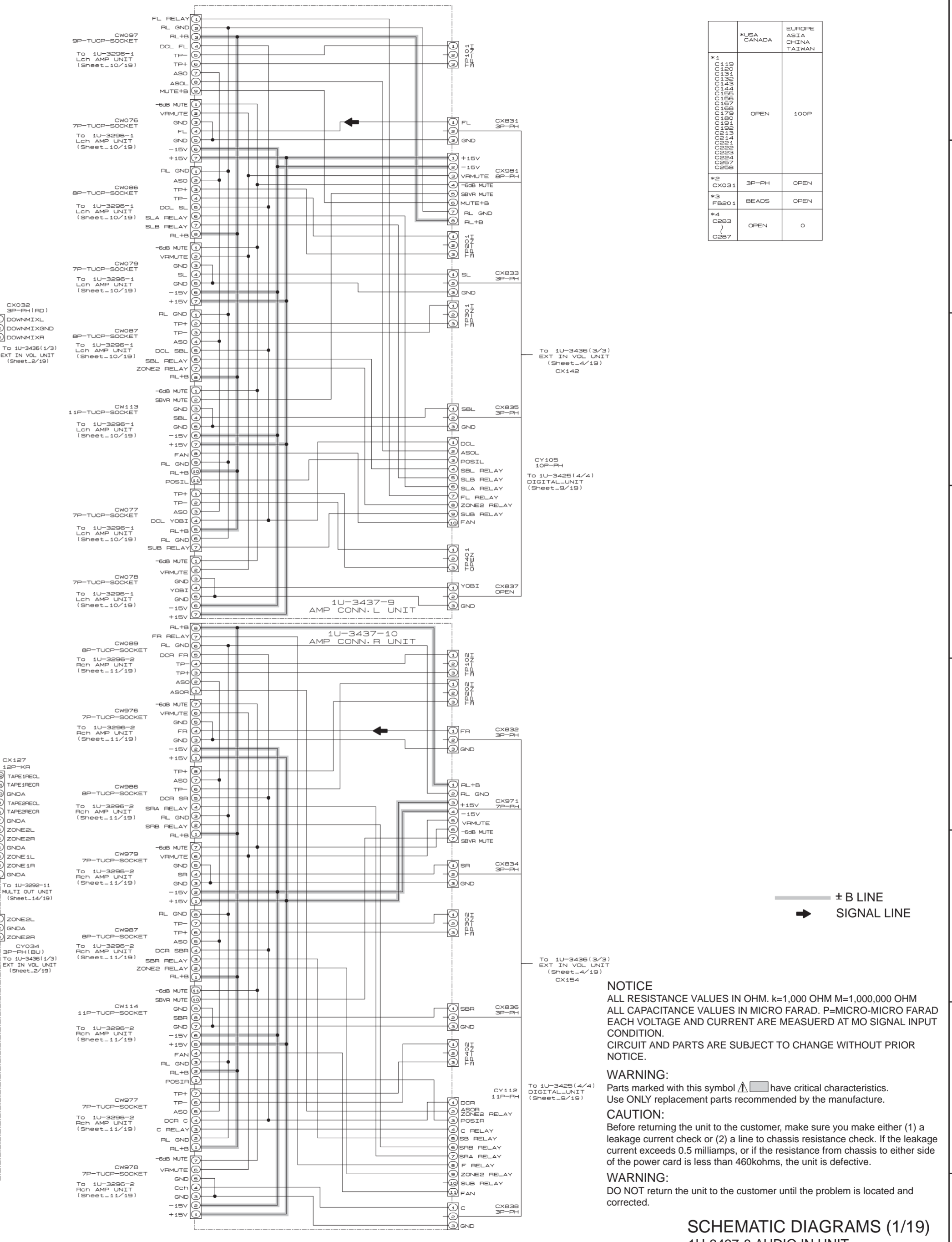
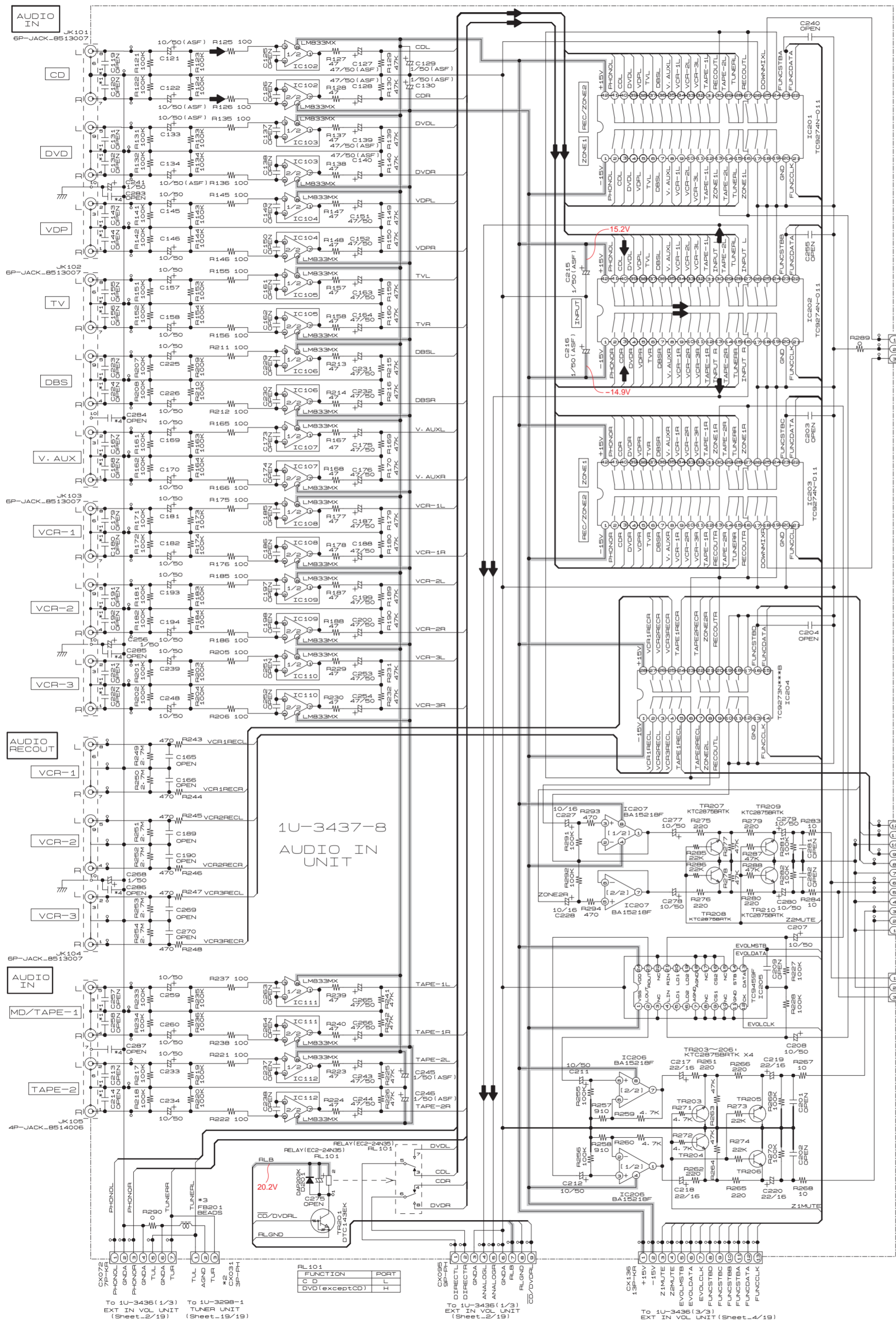
C

D

E

SCHEMATIC DIAGRAMS (1/19)

1 2 3 4 5 6 7 8 9 10 11



	USA CANADA	EUROPE ASIA CHINA TAIWAN
*1 C100 C101 C102 C103 C104 C105 C106 C107 C108 C109 C110 C111 C112 C113 C114 C115 C116 C117 C118 C119 C120 C121 C122 C123 C124 C125 C126 C127 C128 C129 C130 C131 C132 C133 C134 C135 C136 C137 C138 C139 C140 C141 C142 C143 C144 C145 C146 C147 C148 C149 C150 C151 C152 C153 C154 C155 C156 C157 C158 C159 C160 C161 C162 C163 C164 C165 C166 C167 C168 C169 C170 C171 C172 C173 C174 C175 C176 C177 C178 C179 C180 C181 C182 C183 C184 C185 C186 C187 C188 C189 C190 C191 C192 C193 C194 C195 C196 C197 C198 C199 C200 C201 C202 C203 C204 C205 C206 C207 C208 C209 C210 C211 C212 C213 C214 C215 C216 C217 C218 C219 C220 C221 C222 C223 C224 C225 C226 C227 C228 C229 C230 C231 C232 C233 C234 C235 C236 C237 C238 C239 C240 C241 C242 C243 C244 C245 C246 C247 C248 C249 C250 C251 C252 C253 C254 C255 C256 C257 C258 C259 C260 C261 C262 C263 C264 C265 C266 C267 C268 C269 C270 C271 C272 C273 C274 C275 C276 C277 C278 C279 C280 C281 C282 C283 C284 C285 C286 C287 C288 C289 C290 C291 C292 C293 C294 C295 C296 C297 C298 C299 C300 C301 C302 C303 C304 C305 C306 C307 C308 C309 C310 C311 C312 C313 C314 C315 C316 C317 C318 C319 C320 C321 C322 C323 C324 C325 C326 C327 C328 C329 C330 C331 C332 C333 C334 C335 C336 C337 C338 C339 C340 C341 C342 C343 C344 C345 C346 C347 C348 C349 C350 C351 C352 C353 C354 C355 C356 C357 C358 C359 C360 C361 C362 C363 C364 C365 C366 C367 C368 C369 C370 C371 C372 C373 C374 C375 C376 C377 C378 C379 C380 C381 C382 C383 C384 C385 C386 C387 C388 C389 C390 C391 C392 C393 C394 C395 C396 C397 C398 C399 C400 C401 C402 C403 C404 C405 C406 C407 C408 C409 C410 C411 C412 C413 C414 C415 C416 C417 C418 C419 C420 C421 C422 C423 C424 C425 C426 C427 C428 C429 C430 C431 C432 C433 C434 C435 C436 C437 C438 C439 C440 C441 C442 C443 C444 C445 C446 C447 C448 C449 C450 C451 C452 C453 C454 C455 C456 C457 C458 C459 C460 C461 C462 C463 C464 C465 C466 C467 C468 C469 C470 C471 C472 C473 C474 C475 C476 C477 C478 C479 C480 C481 C482 C483 C484 C485 C486 C487 C488 C489 C490 C491 C492 C493 C494 C495 C496 C497 C498 C499 C500 C501 C502 C503 C504 C505 C506 C507 C508 C509 C510 C511 C512 C513 C514 C515 C516 C517 C518 C519 C520 C521 C522 C523 C524 C525 C526 C527 C528 C529 C530 C531 C532 C533 C534 C535 C536 C537 C538 C539 C540 C541 C542 C543 C544 C545 C546 C547 C548 C549 C550 C551 C552 C553 C554 C555 C556 C557 C558 C559 C560 C561 C562 C563 C564 C565 C566 C567 C568 C569 C570 C571 C572 C573 C574 C575 C576 C577 C578 C579 C580 C581 C582 C583 C584 C585 C586 C587 C588 C589 C590 C591 C592 C593 C594 C595 C596 C597 C598 C599 C600 C601 C602 C603 C604 C605 C606 C607 C608 C609 C610 C611 C612 C613 C614 C615 C616 C617 C618 C619 C620 C621 C622 C623 C624 C625 C626 C627 C628 C629 C630 C631 C632 C633 C634 C635 C636 C637 C638 C639 C640 C641 C642 C643 C644 C645 C646 C647 C648 C649 C650 C651 C652 C653 C654 C655 C656 C657 C658 C659 C660 C661 C662 C663 C664 C665 C666 C667 C668 C669 C670 C671 C672 C673 C674 C675 C676 C677 C678 C679 C680 C681 C682 C683 C684 C685 C686 C687 C688 C689 C690 C691 C692 C693 C694 C695 C696 C697 C698 C699 C700 C701 C702 C703 C704 C705 C706 C707 C708 C709 C710 C711 C712 C713 C714 C715 C716 C717 C718 C719 C720 C721 C722 C723 C724 C725 C726 C727 C728 C729 C730 C731 C732 C733 C734 C735 C736 C737 C738 C739 C740 C741 C742 C743 C744 C745 C746 C747 C748 C749 C750 C751 C752 C753 C754 C755 C756 C757 C758 C759 C760 C761 C762 C763 C764 C765 C766 C767 C768 C769 C770 C771 C772 C773 C774 C775 C776 C777 C778 C779 C780 C781 C782 C783 C784 C785 C786 C787 C788 C789 C790 C791 C792 C793 C794 C795 C796 C797 C798 C799 C800 C801 C802 C803 C804 C805 C806 C807 C808 C809 C810 C811 C812 C813 C814 C815 C816 C817 C818 C819 C820 C821 C822 C823 C824 C825 C826 C827 C828 C829 C830 C831 C832 C833 C834 C835 C836 C837 C838 C839 C840 C841 C842 C843 C844 C845 C846 C847 C848 C849 C850 C851 C852 C853 C854 C855 C856 C857 C858 C859 C860 C861 C862 C863 C864 C865 C866 C867 C868 C869 C870 C871 C872 C873 C874 C875 C876 C877 C878 C879 C880 C881 C882 C883 C884 C885 C886 C887 C888 C889 C890 C891 C892 C893 C894 C895 C896 C897 C898 C899 C900 C901 C902 C903 C904 C905 C906 C907 C908 C909 C910 C911 C912 C913 C914 C915 C916 C917 C918 C919 C920 C921 C922 C923 C924 C925 C926 C927 C928 C929 C930 C931 C932 C933 C934 C935 C936 C937 C938 C939 C940 C941 C942 C943 C944 C945 C946 C947 C948 C949 C950 C951 C952 C953 C954 C955 C956 C957 C958 C959 C960 C961 C962 C963 C964 C965 C966 C967 C968 C969 C970 C971 C972 C973 C974 C975 C976 C977 C978 C979 C980 C981 C982 C983 C984 C985 C986 C987 C988 C989 C990 C991 C992 C993 C994 C995 C996 C997 C998 C999 C1000	OPEN	100P
*2 CX031	3P-PH	OPEN
*3 FB201	BEADS	OPEN
*4 C833 C837	OPEN	0

NOTICE
 ALL RESISTANCE VALUES IN OHM. k=1,000 OHM M=1,000,000 OHM
 ALL CAPACITANCE VALUES IN MICRO FARAD. P=MICRO-MICRO FARAD
 EACH VOLTAGE AND CURRENT ARE MEASURED AT MO SIGNAL INPUT
 CONDITION.
 CIRCUIT AND PARTS ARE SUBJECT TO CHANGE WITHOUT PRIOR
 NOTICE.

WARNING:
 Parts marked with this symbol have critical characteristics.
 Use ONLY replacement parts recommended by the manufacturer.

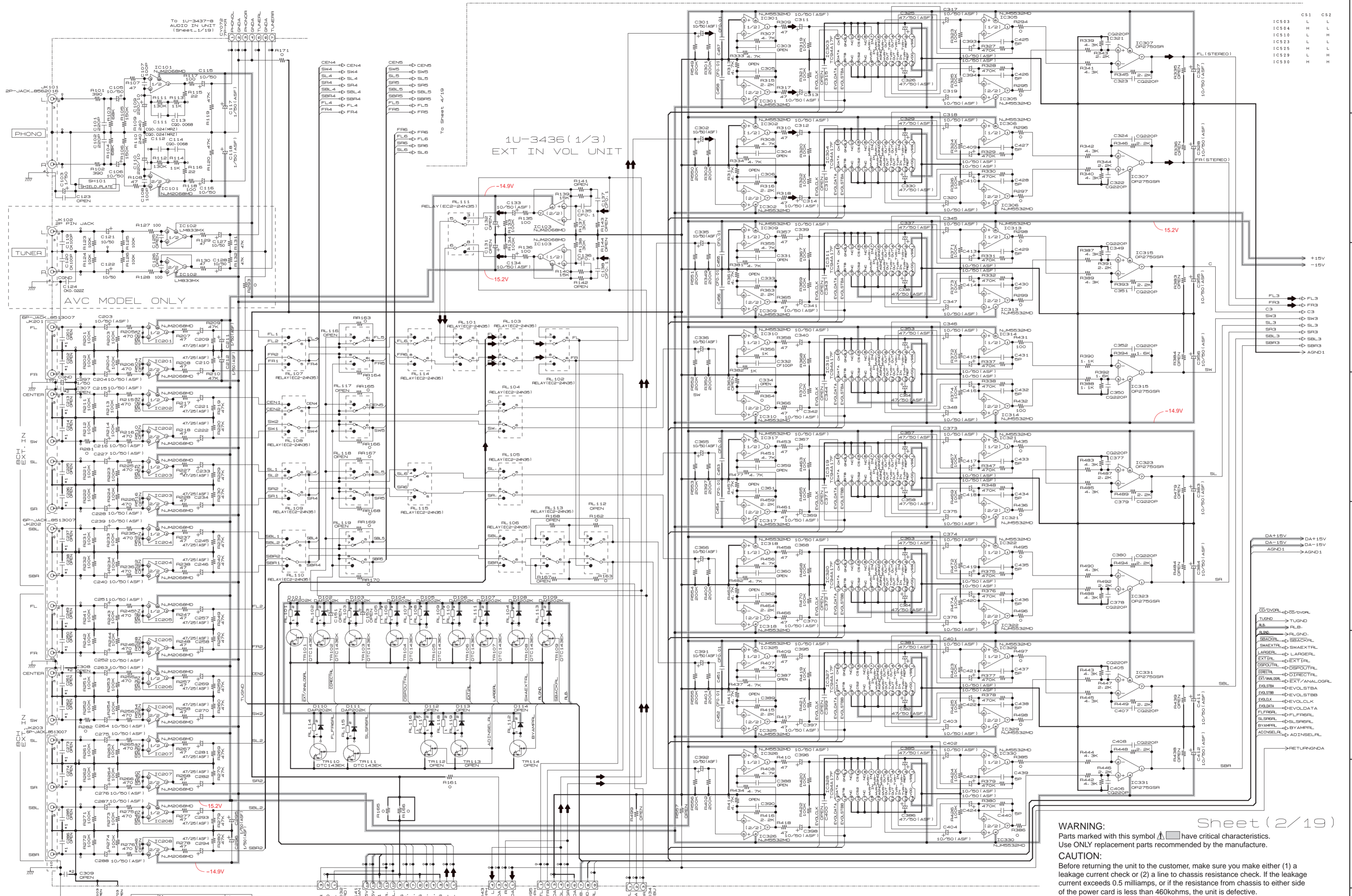
CAUTION:
 Before returning the unit to the customer, make sure you make either (1) a
 leakage current check or (2) a line to chassis resistance check. If the leakage
 current exceeds 0.5 milliamps, or if the resistance from chassis to either side
 of the power card is less than 460kohms, the unit is defective.

WARNING:
 DO NOT return the unit to the customer until the problem is located and
 corrected.

SCHEMATIC DIAGRAMS (1/19)
 1U-3437-8 AUDIO IN UNIT
 1U-3437-9 AMP CONN. L UNIT
 1U-3437-10 AMP CONN. R UNIT

SCHEMATIC DIAGRAMS (2/19)

1 2 3 4 5 6 7 8 9 10 11



USA	OPEN	OPEN
CANADA	OPEN	OPEN
ASIA	100P	OKO, 0282
EUROPE		

To 1U-3437-B AUDIO IN UNIT (Sheet 1/19)

To 1U-3425(3/4) DIGITAL UNIT (Sheet 2/19)

To 1U-3425(1/4) DIGITAL UNIT (Sheet 2/19)

To 1U-3437-B AUDIO IN UNIT (Sheet 1/19)

To 1U-3437-B AUDIO IN UNIT (Sheet 1/19)

1U-3436 (1/3)

NOTICE
 ALL RESISTANCE VALUES IN OHM. K=1,000 OHM M=1,000,000 OHM
 ALL CAPACITANCE VALUES IN MICRO FARAD. P=MICRO-MICRO FARAD
 EACH VOLTAGE AND CURRENT ARE MEASURED AT MO SIGNAL INPUT CONDITION.
 CIRCUIT AND PARTS ARE SUBJECT TO CHANGE WITHOUT PRIOR NOTICE.

± B LINE
 SIGNAL LINE

SCHEMATIC DIAGRAMS (2/19)
 1U-3436 EXT. IN VOL UNIT (1/3)

WARNING:
 Parts marked with this symbol have critical characteristics. Use ONLY replacement parts recommended by the manufacturer.

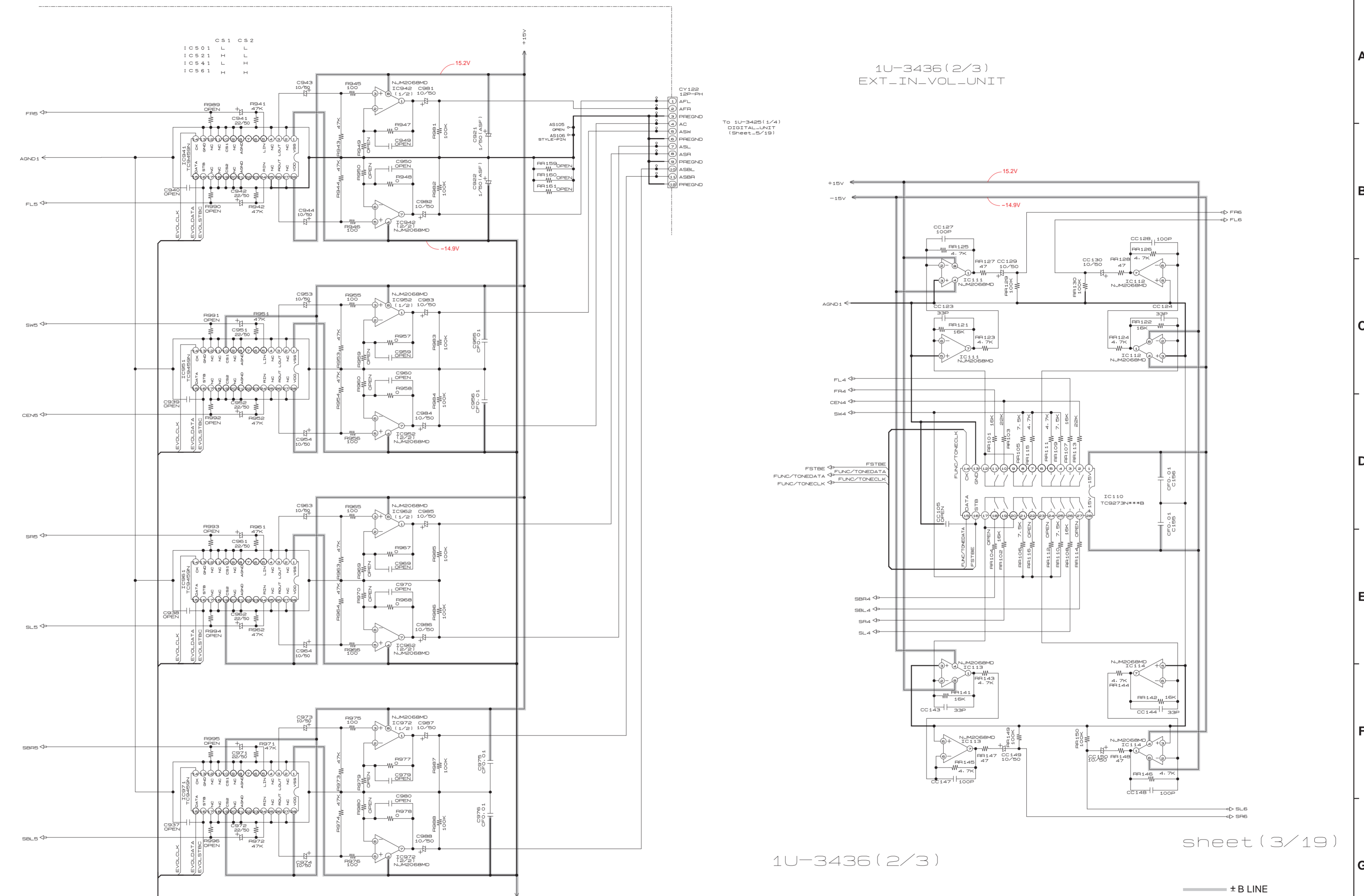
CAUTION:
 Before returning the unit to the customer, make sure you make either (1) a leakage current check or (2) a line to chassis resistance check. If the leakage current exceeds 0.5 milliamperes, or if the resistance from chassis to either side of the power card is less than 460kohms, the unit is defective.

WARNING:
 DO NOT return the unit to the customer until the problem is located and corrected.

Sheet (2/19)

SCHMATIC DIAGRAMS (3/19)

1 2 3 4 5 6 7 8 9 10 11



1U-3436 (2/3)
EXT_IN_VOL_UNIT

1U-3436 (2/3)

sheet (3/19)

+B LINE

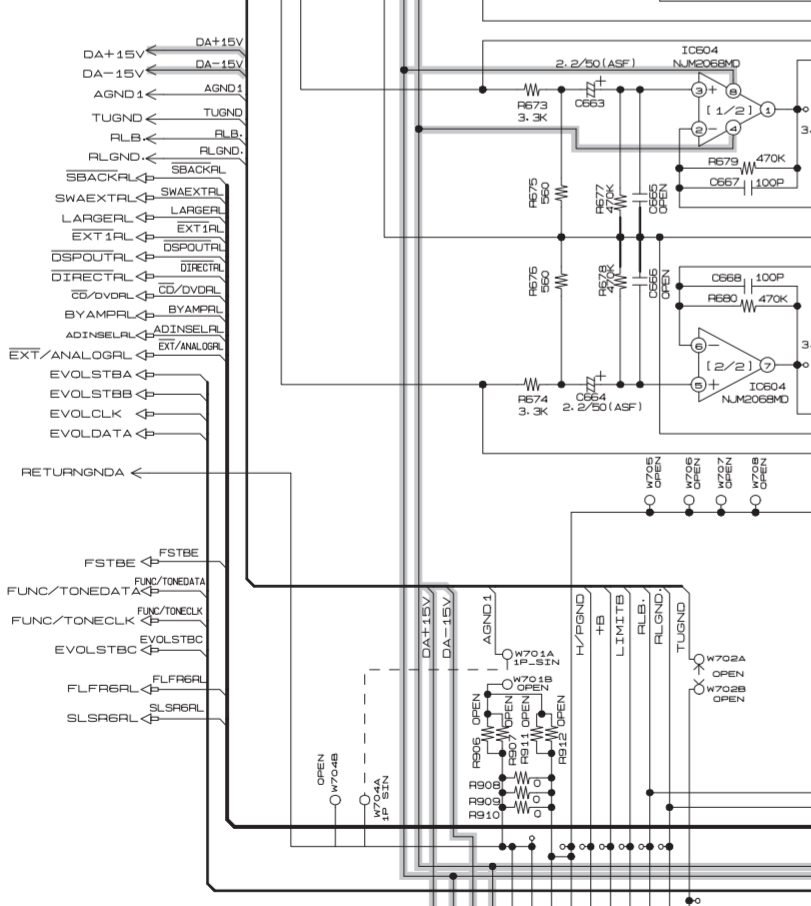
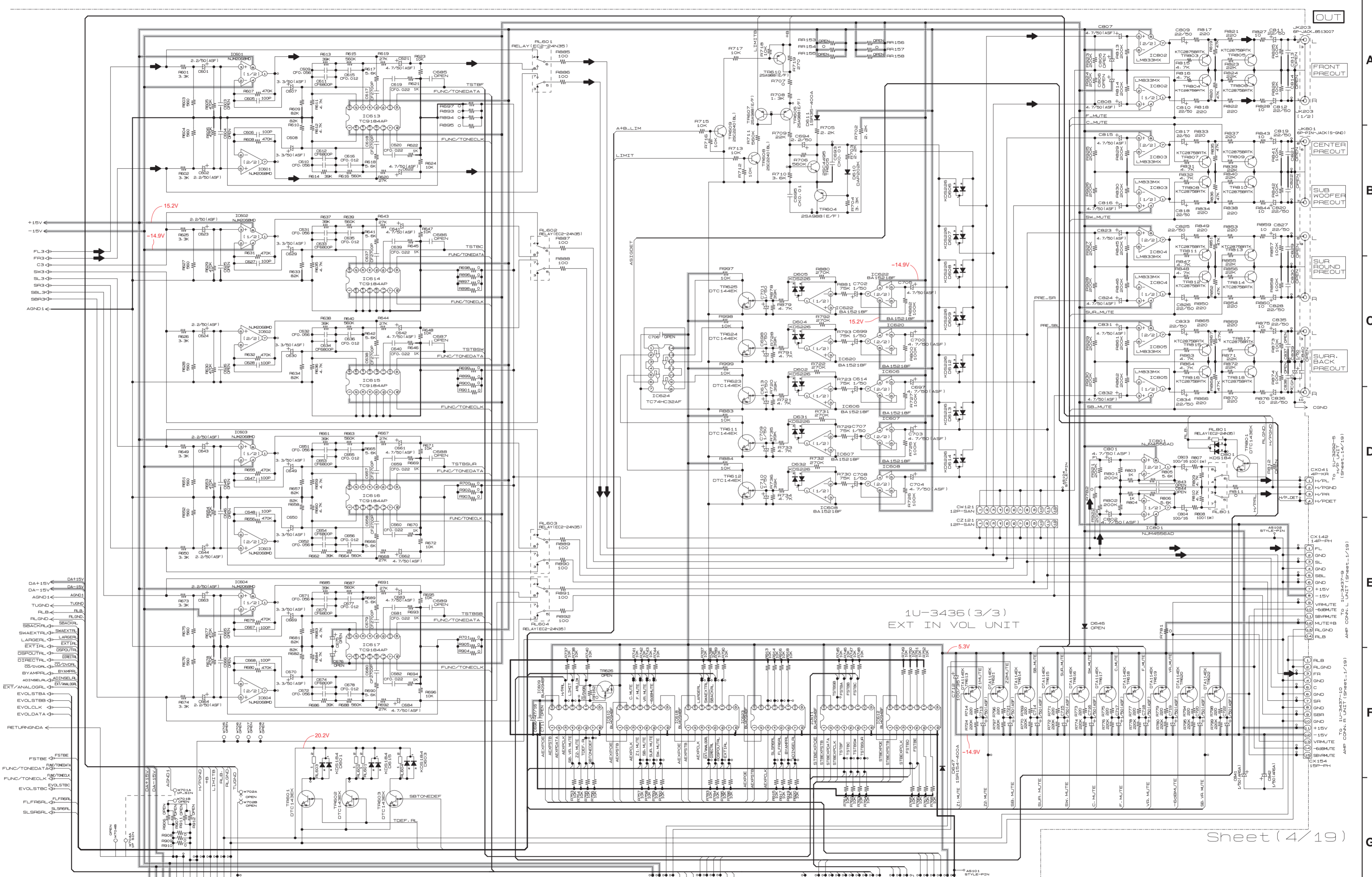
NOTICE
ALL RESISTANCE VALUES IN OHM. k=1,000 OHM M=1,000,000 OHM
ALL CAPACITANCE VALUES IN MICRO FARAD. P=MICRO-MICRO FARAD
EACH VOLTAGE AND CURRENT ARE MEASURED AT MO SIGNAL INPUT
CONDITION.
CIRCUIT AND PARTS ARE SUBJECT TO CHANGE WITHOUT PRIOR
NOTICE.

WARNING:
Parts marked with this symbol Δ have critical characteristics.
Use ONLY replacement parts recommended by the manufacture.
CAUTION:
Before returning the unit to the customer, make sure you make either (1) a
leakage current check or (2) a line to chassis resistance check. If the leakage
current exceeds 0.5 milliamps, or if the resistance from chassis to either side
of the power card is less than 460kohms, the unit is defective.

WARNING:
DO NOT return the unit to the customer until the problem is located and
corrected.

SCHEMATIC DIAGRAMS (4/19)

1 2 3 4 5 6 7 8 9 10 11

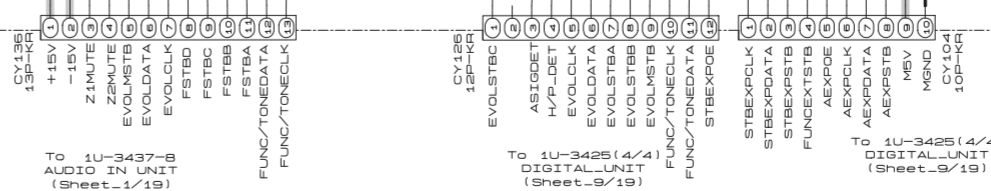


NOTICE
 ALL RESISTANCE VALUES IN OHM. k=1,000 OHM M=1,000,000 OHM
 ALL CAPACITANCE VALUES IN MICRO FARAD. P=MICRO-MICRO FARAD
 EACH VOLTAGE AND CURRENT ARE MEASURED AT MO SIGNAL INPUT CONDITION.
 CIRCUIT AND PARTS ARE SUBJECT TO CHANGE WITHOUT PRIOR NOTICE.

WARNING:
 Parts marked with this symbol have critical characteristics. Use ONLY replacement parts recommended by the manufacturer.

CAUTION:
 Before returning the unit to the customer, make sure you make either (1) a leakage current check or (2) a line to chassis resistance check. If the leakage current exceeds 0.5 milliamps, or if the resistance from chassis to either side of the power card is less than 460kohms, the unit is defective.

WARNING:
 DO NOT return the unit to the customer until the problem is located and corrected.



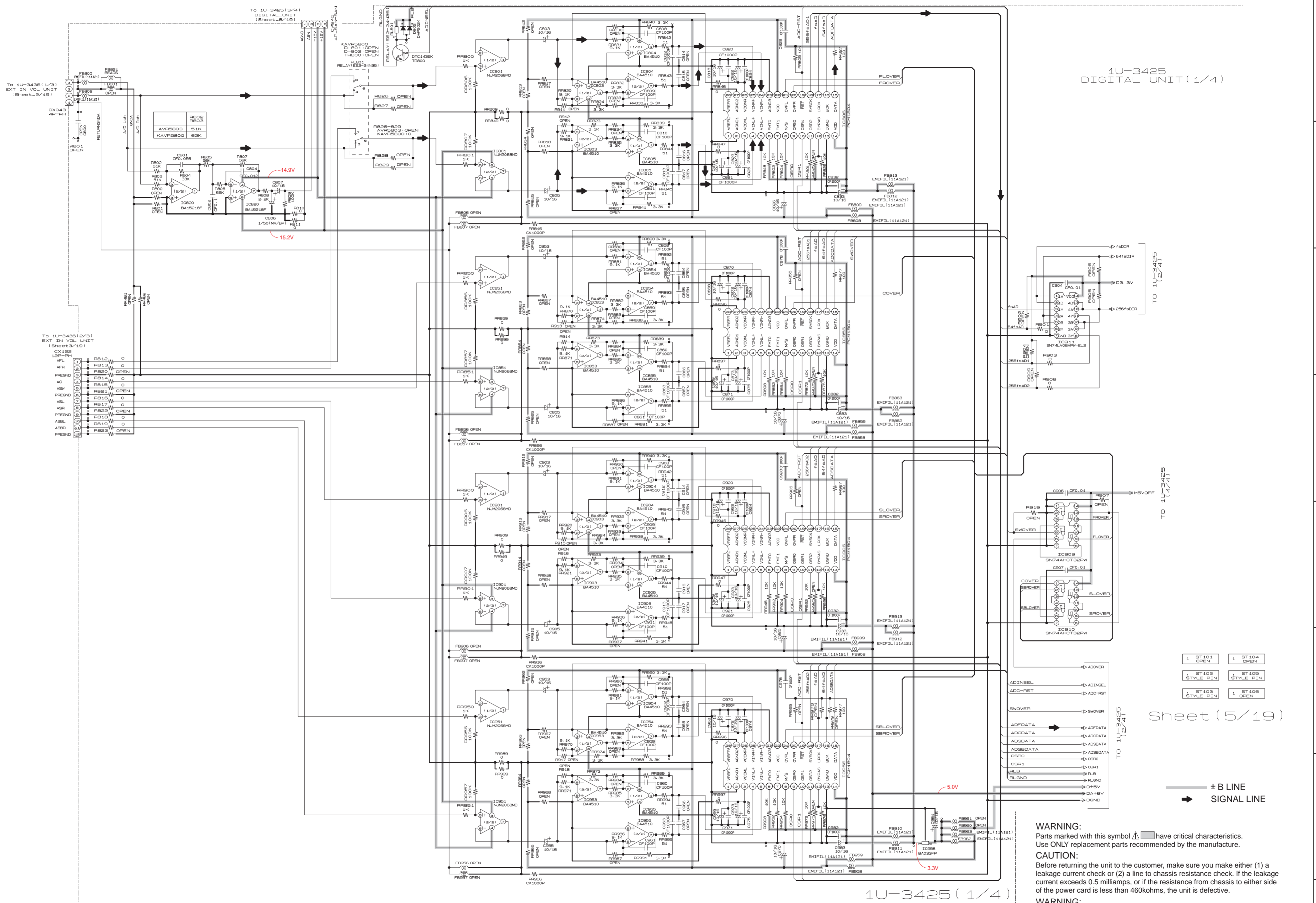
1U-3436 (3/3)

+B LINE
 SIGNAL LINE

SCHEMATIC DIAGRAMS (4/19)
 1U-3436 EXT. IN VOL UNIT (3/3)

SCHEMATIC DIAGRAMS (5/19)

1 2 3 4 5 6 7 8 9 10 11



1U-3425
DIGITAL UNIT (1/4)

TO 1U-3425 (2/4)
TO 1U-3425 (4/4)

TO 1U-3425 (1/4)
TO 1U-3425 (4/4)

- 1 ST101 OPEN
- 1 ST104 OPEN
- 1 ST102 STYLE PIN
- 1 ST105 STYLE PIN
- 1 ST103 STYLE PIN
- 1 ST106 OPEN

Sheet (5/19)

± B LINE
SIGNAL LINE

WARNING:
Parts marked with this symbol Δ have critical characteristics. Use ONLY replacement parts recommended by the manufacturer.

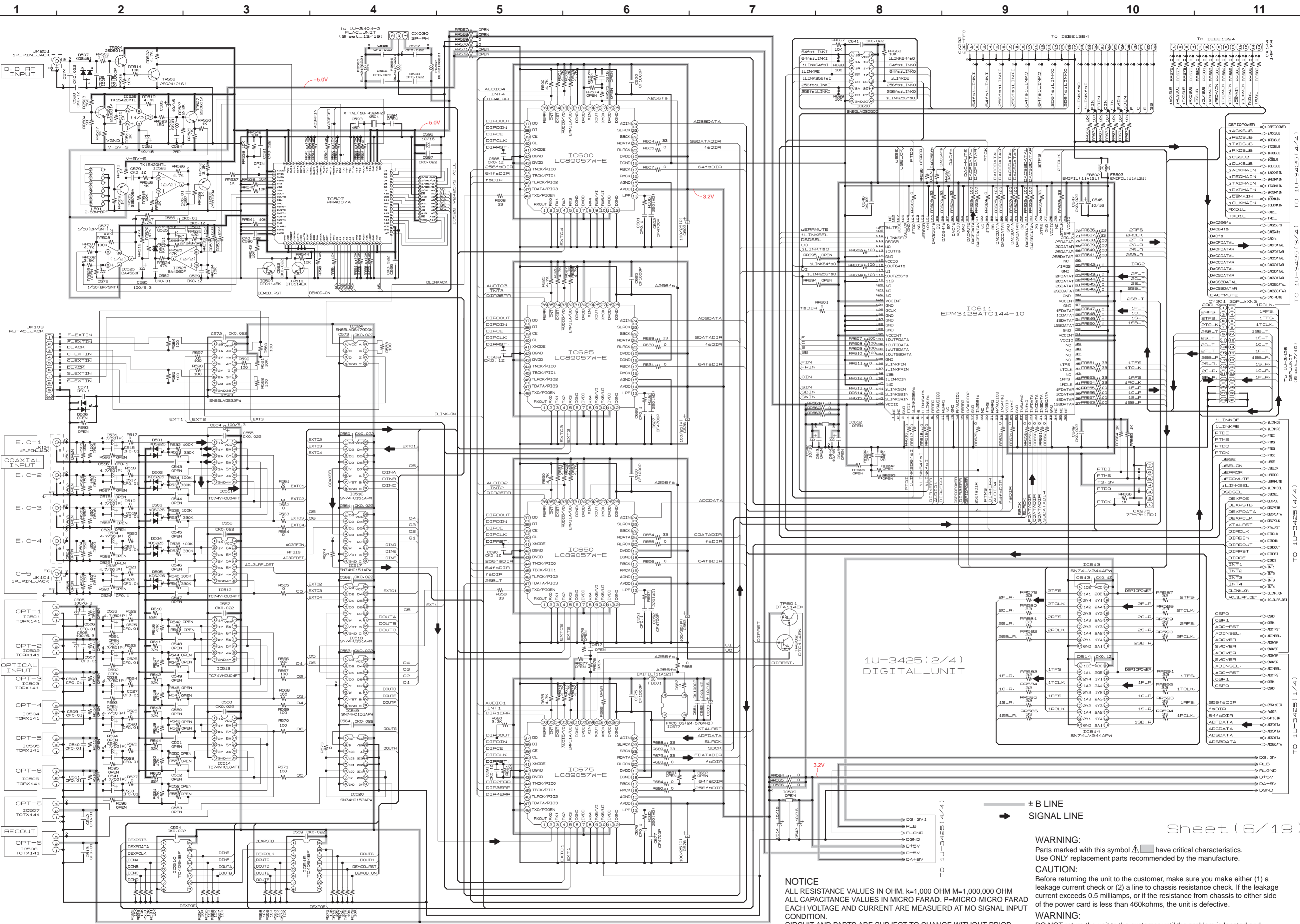
CAUTION:
Before returning the unit to the customer, make sure you make either (1) a leakage current check or (2) a line to chassis resistance check. If the leakage current exceeds 0.5 milliamps, or if the resistance from chassis to either side of the power card is less than 460kohms, the unit is defective.

WARNING:
DO NOT return the unit to the customer until the problem is located and corrected.

NOTICE
ALL RESISTANCE VALUES IN OHM. k=1,000 OHM M=1,000,000 OHM
ALL CAPACITANCE VALUES IN MICRO FARAD. P=MICRO-MICRO FARAD
EACH VOLTAGE AND CURRENT ARE MEASURED AT MO SIGNAL INPUT CONDITION.
CIRCUIT AND PARTS ARE SUBJECT TO CHANGE WITHOUT PRIOR NOTICE.

SCHEMATIC DIAGRAMS (5/19)
1U-3425 DIGITAL UNIT (1/4)

SCHMATIC DIAGRAMS (6/19)



1U-3425 (2/4)
DIGITAL UNIT

➔ +B LINE
➔ SIGNAL LINE

Sheet (6/19)

NOTICE
ALL RESISTANCE VALUES IN OHM. k=1,000 OHM M=1,000,000 OHM
ALL CAPACITANCE VALUES IN MICRO FARAD. P=MICRO-MICRO FARAD
EACH VOLTAGE AND CURRENT ARE MEASURED AT NO SIGNAL INPUT CONDITION.
CIRCUIT AND PARTS ARE SUBJECT TO CHANGE WITHOUT PRIOR NOTICE.

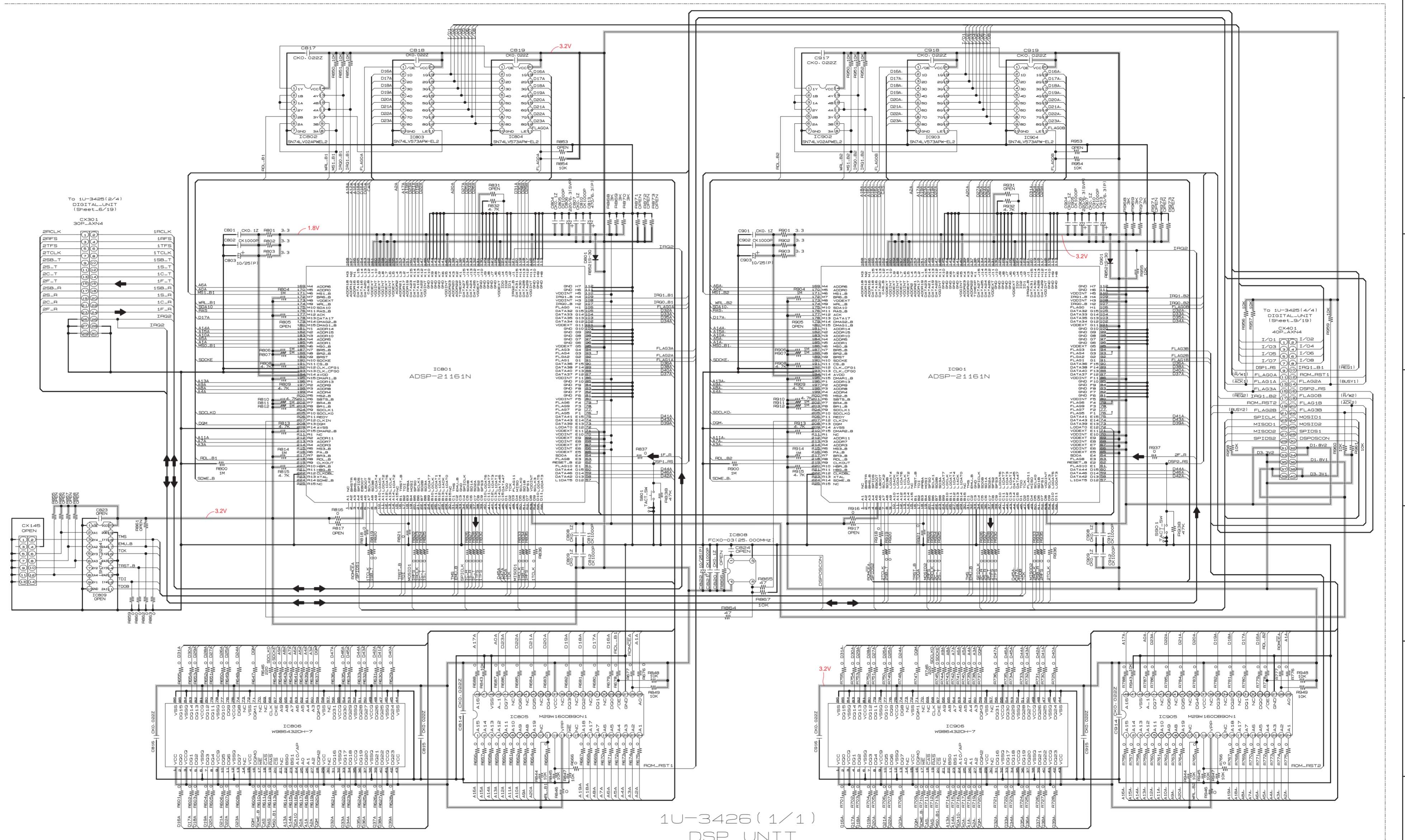
WARNING:
Parts marked with this symbol [triangle] must have critical characteristics.
Use ONLY replacement parts recommended by the manufacturer.

CAUTION:
Before returning the unit to the customer, make sure you make either (1) a leakage current check or (2) a line to chassis resistance check. If the leakage current exceeds 0.5 milliamperes, or if the resistance from chassis to either side of the power card is less than 460kohms, the unit is defective.

WARNING:
DO NOT return the unit to the customer until the problem is located and corrected.

SCHEMATIC DIAGRAMS (7/19)

1 2 3 4 5 6 7 8 9 10 11



1U-3426 (1/1)
DSP UNIT

1U-3426 (1/1)

Sheet (7/19)

NOTICE
 ALL RESISTANCE VALUES IN OHM. k=1,000 OHM M=1,000,000 OHM
 ALL CAPACITANCE VALUES IN MICRO FARAD. P=MICRO-MICRO FARAD
 EACH VOLTAGE AND CURRENT ARE MEASURED AT MO SIGNAL INPUT CONDITION.
 CIRCUIT AND PARTS ARE SUBJECT TO CHANGE WITHOUT PRIOR NOTICE.

WARNING:
 Parts marked with this symbol Δ have critical characteristics.
 Use ONLY replacement parts recommended by the manufacture.

CAUTION:
 Before returning the unit to the customer, make sure you make either (1) a leakage current check or (2) a line to chassis resistance check. If the leakage current exceeds 0.5 milliamperes, or if the resistance from chassis to either side of the power card is less than 460kohms, the unit is defective.

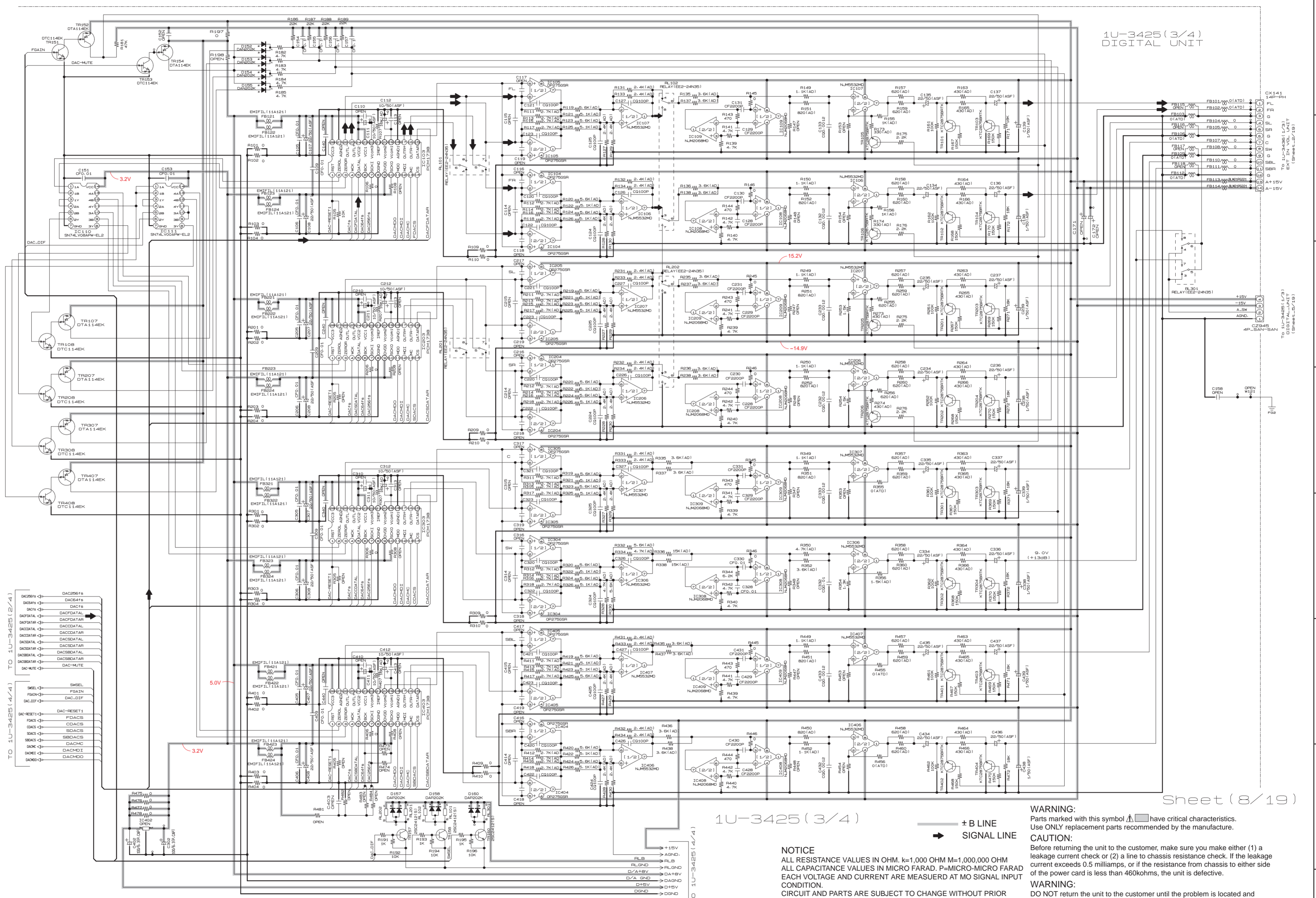
WARNING:
 DO NOT return the unit to the customer until the problem is located and corrected.

— + B LINE
 → SIGNAL LINE

SCHEMATIC DIAGRAMS (8/19)

1 2 3 4 5 6 7 8 9 10 11

1U-3425 (3/4)
DIGITAL UNIT



Sheet (8/19)

WARNING:
Parts marked with this symbol have critical characteristics. Use ONLY replacement parts recommended by the manufacturer.

CAUTION:
Before returning the unit to the customer, make sure you make either (1) a leakage current check or (2) a line to chassis resistance check. If the leakage current exceeds 0.5 milliamps, or if the resistance from chassis to either side of the power card is less than 460kohms, the unit is defective.

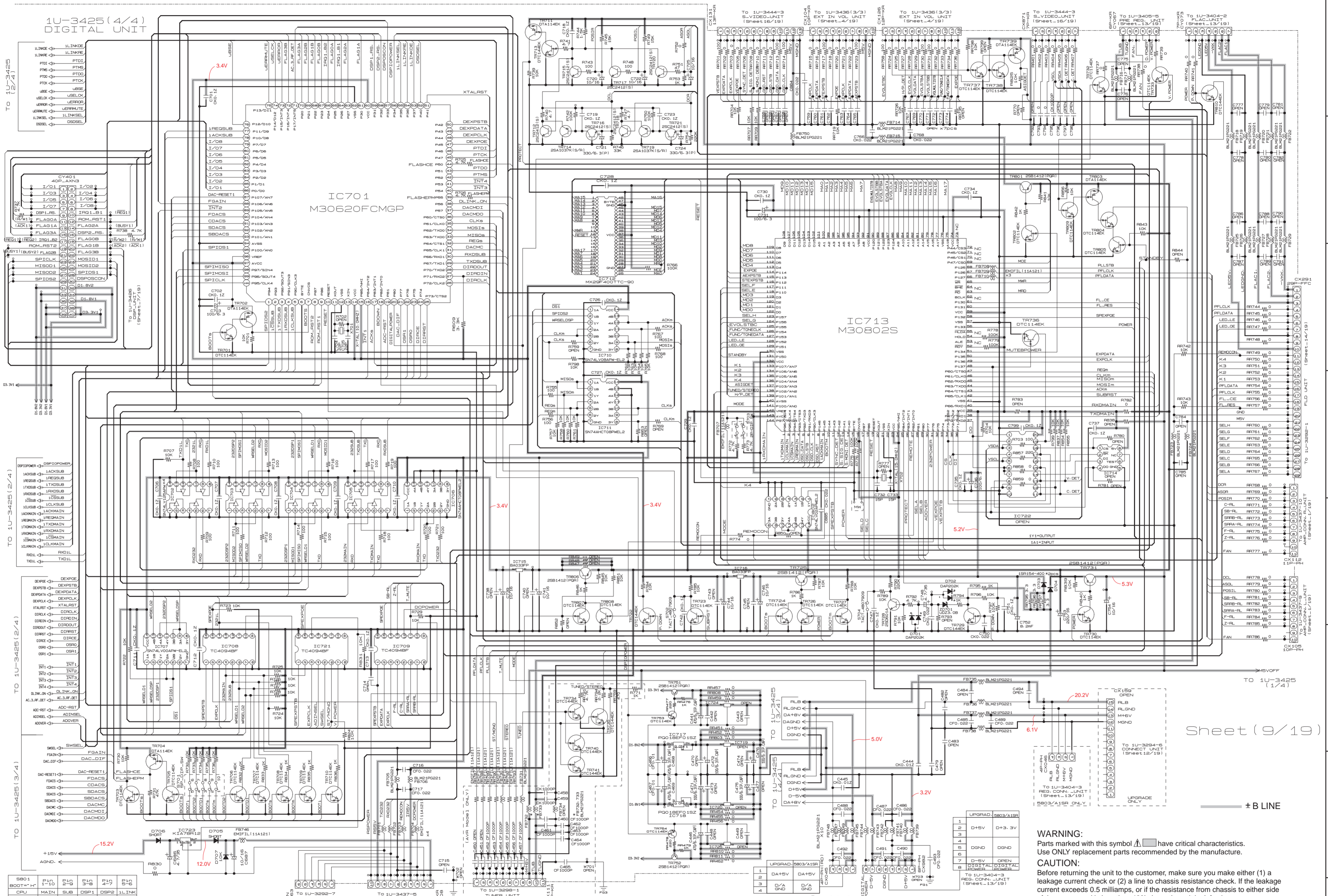
WARNING:
DO NOT return the unit to the customer until the problem is located and corrected.

NOTICE
ALL RESISTANCE VALUES IN OHM. k=1,000 OHM M=1,000,000 OHM
ALL CAPACITANCE VALUES IN MICRO FARAD. P=MICRO-MICRO FARAD
EACH VOLTAGE AND CURRENT ARE MEASURED AT MO SIGNAL INPUT CONDITION.
CIRCUIT AND PARTS ARE SUBJECT TO CHANGE WITHOUT PRIOR NOTICE.

SCHEMATIC DIAGRAMS (8/19)
1U-3425 DIGITAL UNIT (3/4)

SCHEMATIC DIAGRAMS (9/19)


1 2 3 4 5 6 7 8 9 10 11



Sheet (9/19)

+ B LINE

NOTICE
 ALL RESISTANCE VALUES IN OHM, k=1,000 OHM M=1,000,000 OHM
 ALL CAPACITANCE VALUES IN MICRO FARAD. P=MICRO-MICRO FARAD
 EACH VOLTAGE AND CURRENT ARE MEASURED AT MO SIGNAL INPUT
 CONDITION.
 CIRCUIT AND PARTS ARE SUBJECT TO CHANGE WITHOUT PRIOR
 NOTICE.

WARNING:
 Parts marked with this symbol  have critical characteristics. Use ONLY replacement parts recommended by the manufacturer.

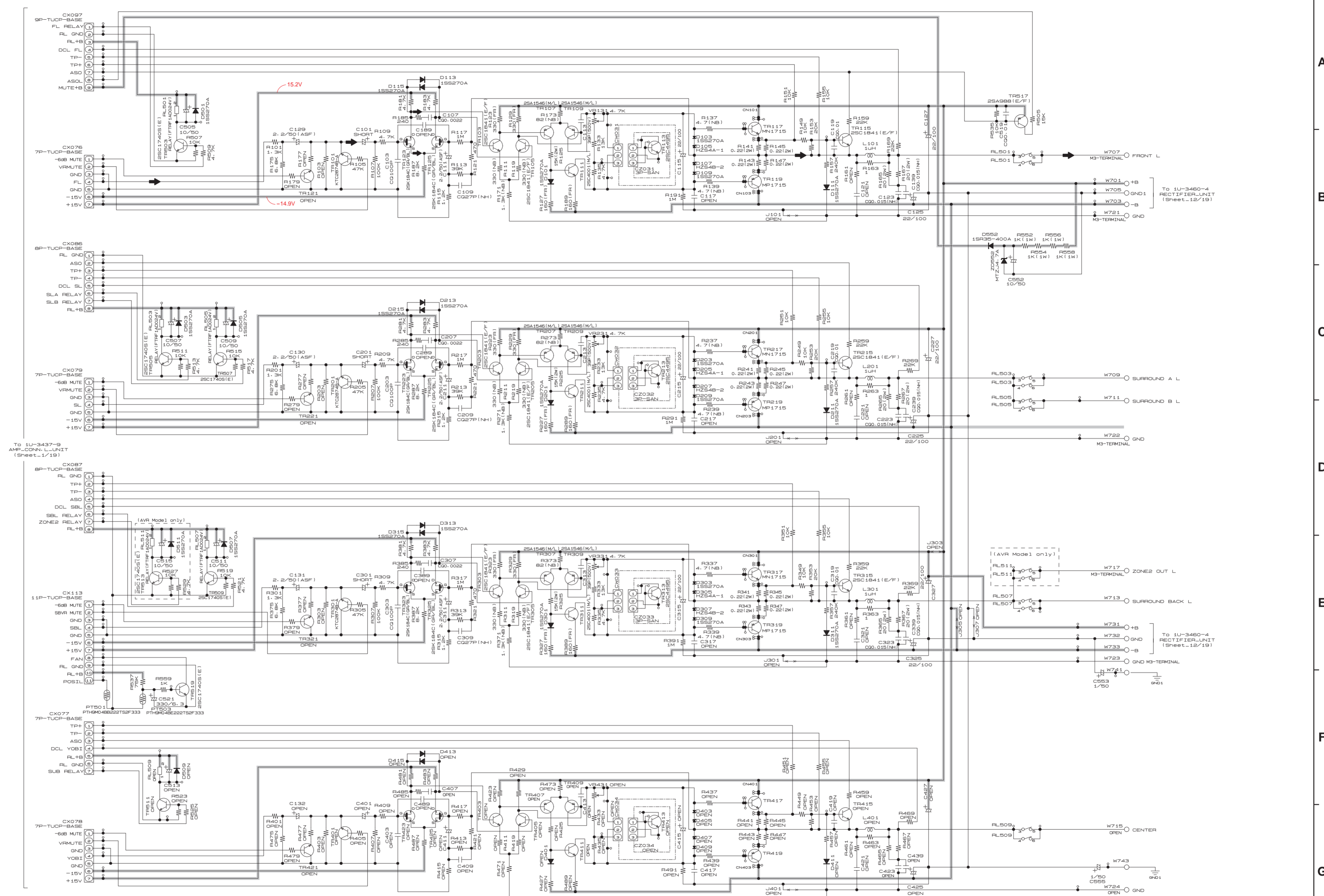
CAUTION:
 Before returning the unit to the customer, make sure you make either (1) a leakage current check or (2) a line to chassis resistance check. If the leakage current exceeds 0.5 milliamps, or if the resistance from chassis to either side of the power card is less than 460kohms, the unit is defective.

WARNING:
 DO NOT return the unit to the customer until the problem is located and corrected.

SCHEMATIC DIAGRAMS (9/19)
1U-3425 DIGITAL UNIT (4/4)

SCHEMATIC DIAGRAMS (10/19)

1 2 3 4 5 6 7 8 9 10 11



1U-3296-1 LCH AMP UNIT

NOTICE
 ALL RESISTANCE VALUES IN OHM. K=1,000 OHM M=1,000,000 OHM
 ALL CAPACITANCE VALUES IN MICRO FARAD. P=MICRO-MICRO FARAD
 EACH VOLTAGE AND CURRENT ARE MEASURED AT MO SIGNAL INPUT
 CONDITION.
 CIRCUIT AND PARTS ARE SUBJECT TO CHANGE WITHOUT PRIOR
 NOTICE.

WARNING:
 Parts marked with this symbol Δ have critical characteristics.
 Use ONLY replacement parts recommended by the manufacture.
CAUTION:
 Before returning the unit to the customer, make sure you make either (1) a
 leakage current check or (2) a line to chassis resistance check. If the leakage
 current exceeds 0.5 milliamps, or if the resistance from chassis to either side
 of the power card is less than 460kohms, the unit is defective.

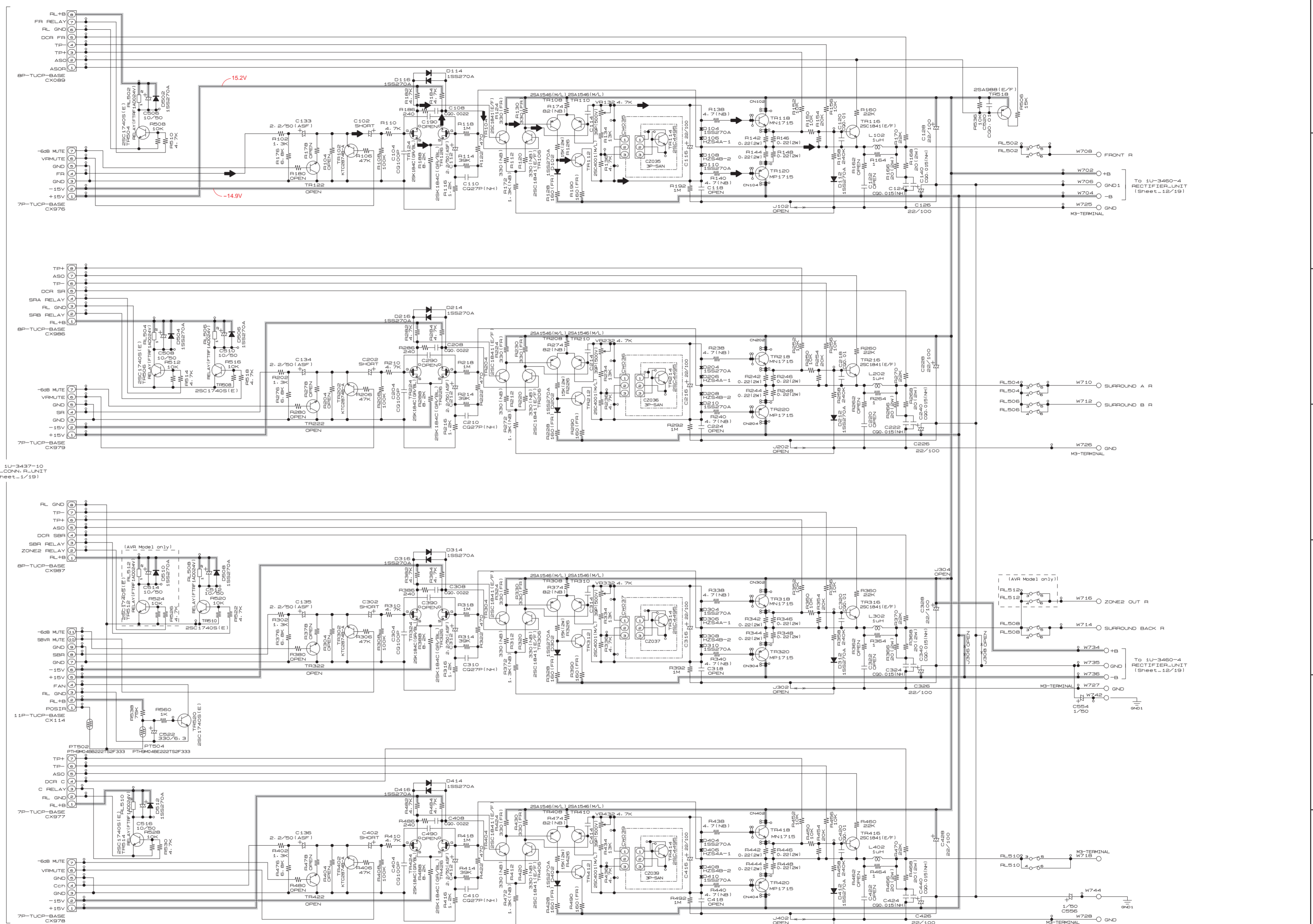


WARNING:
 DO NOT return the unit to the customer until the problem is located and
 corrected.

SCHEMATIC DIAGRAMS (10/19)
1U-3296 POWER AMP UNIT (1/2)

SCHEMATIC DIAGRAMS (11/19)

1 2 3 4 5 6 7 8 9 10 11



To 1U-3437-10
AMP-CONV. FLX UNIT
(Sheet-1/19)

To 1U-3460-4
RECTIFIER UNIT
(Sheet-12/19)

To 1U-3460-4
RECTIFIER UNIT
(Sheet-12/19)

To 1U-3460-4
RECTIFIER UNIT
(Sheet-12/19)

To 1U-3460-4
RECTIFIER UNIT
(Sheet-12/19)

1U-3296-2
RCH AMP UNIT

NOTICE
 ALL RESISTANCE VALUES IN OHM. k=1,000 OHM M=1,000,000 OHM
 ALL CAPACITANCE VALUES IN MICRO FARAD. p=MICRO-MICRO FARAD
 EACH VOLTAGE AND CURRENT ARE MEASURED AT MO SIGNAL INPUT
 CONDITION.
 CIRCUIT AND PARTS ARE SUBJECT TO CHANGE WITHOUT PRIOR
 NOTICE.

WARNING:
 Parts marked with this symbol Δ have critical characteristics.
 Use ONLY replacement parts recommended by the manufacturer.

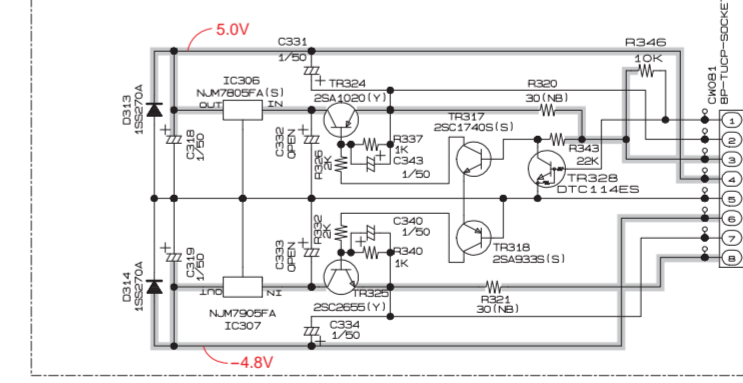
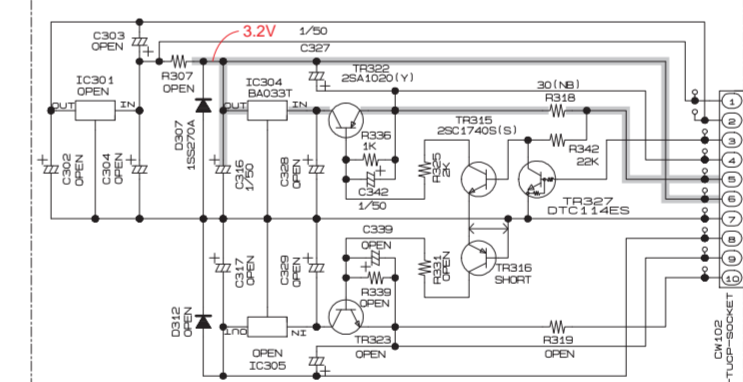
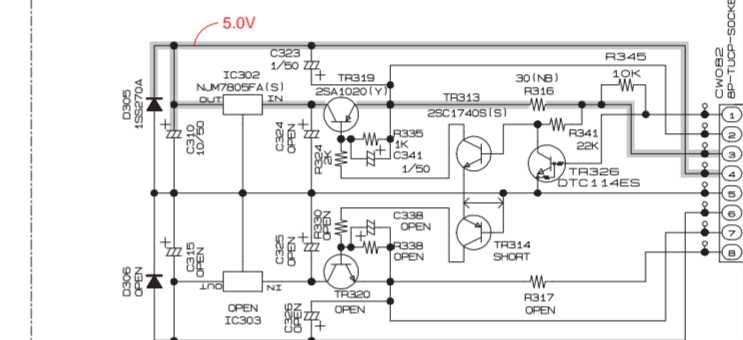
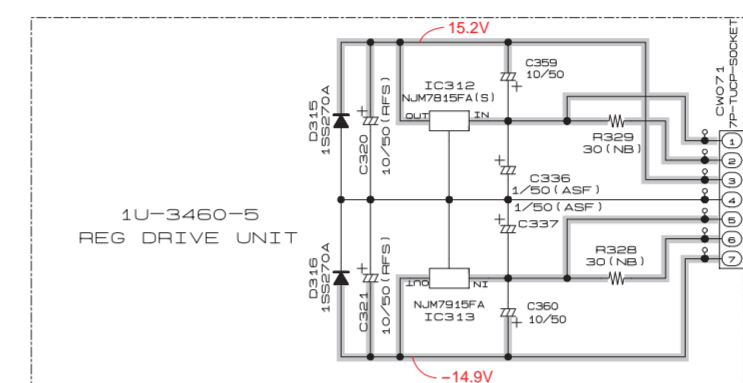
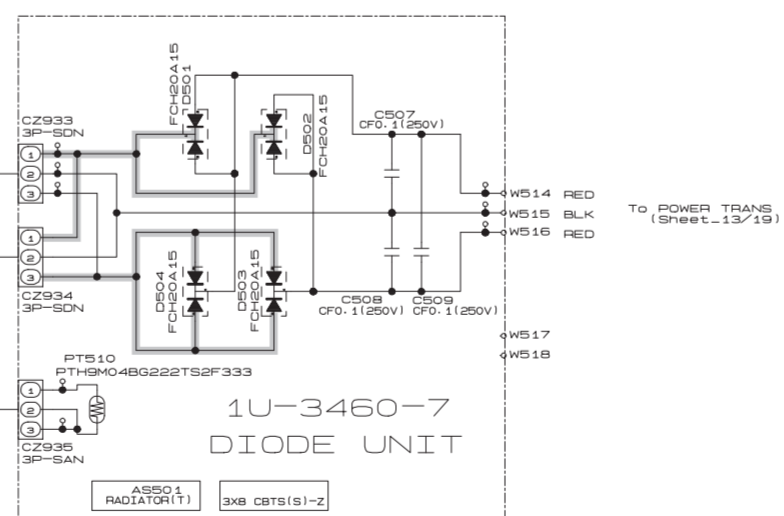
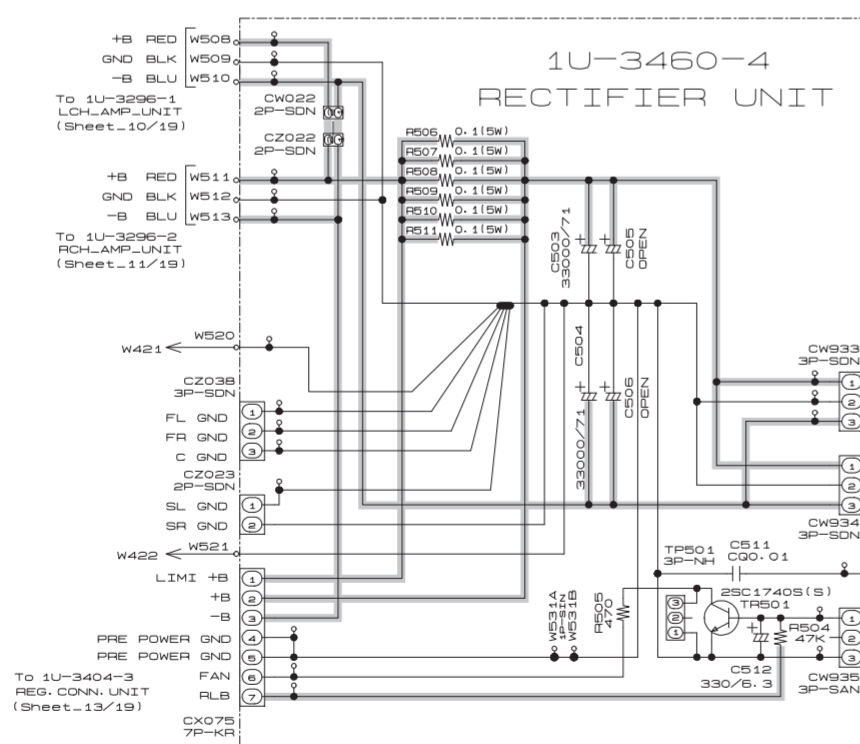
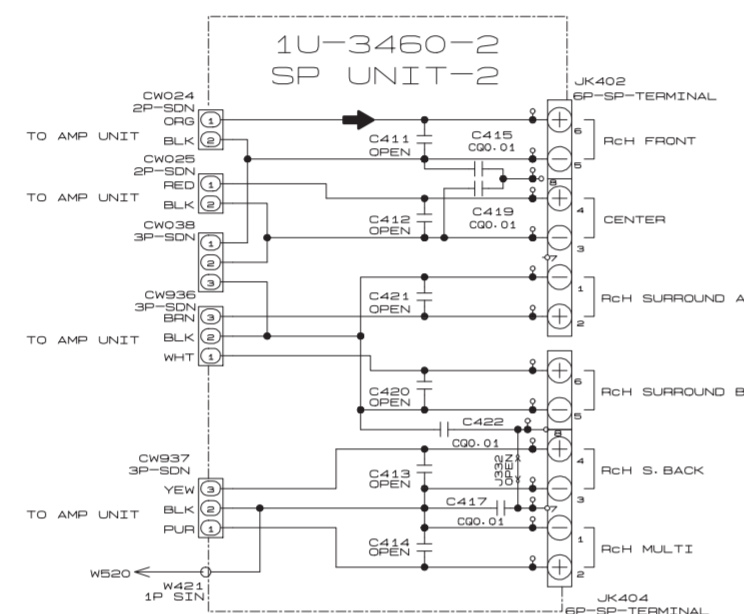
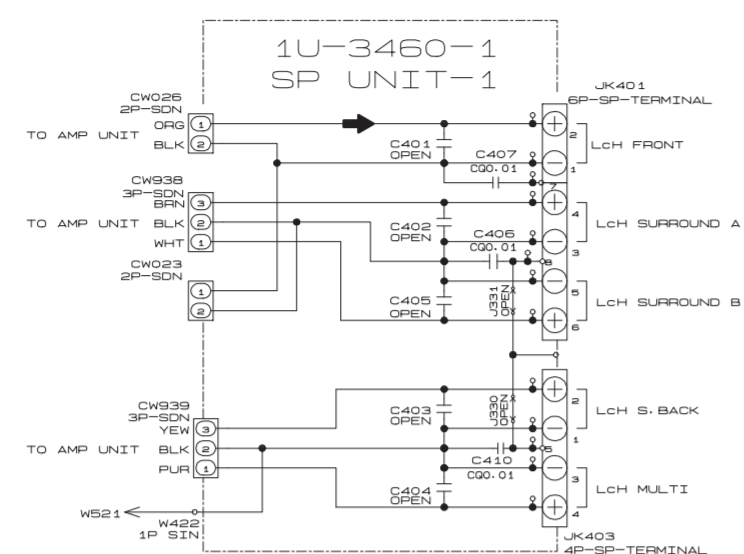
CAUTION:
 Before returning the unit to the customer, make sure you make either (1) a
 leakage current check or (2) a line to chassis resistance check. If the leakage
 current exceeds 0.5 milliamps, or if the resistance from chassis to either side
 of the power card is less than 460kohms, the unit is defective.

WARNING:
 DO NOT return the unit to the customer until the problem is located and
 corrected.

±B LINE
 SIGNAL LINE

SCHEMATIC DIAGRAMS (12/19)

1 2 3 4 5 6 7 8 9 10 11



— +B LINE
→ SIGNAL LINE

NOTICE
ALL RESISTANCE VALUES IN OHM. k=1,000 OHM M=1,000,000 OHM
ALL CAPACITANCE VALUES IN MICRO FARAD. P=MICRO-MICRO FARAD
EACH VOLTAGE AND CURRENT ARE MEASURED AT MO SIGNAL INPUT
CONDITION.
CIRCUIT AND PARTS ARE SUBJECT TO CHANGE WITHOUT PRIOR
NOTICE.

WARNING:
Parts marked with this symbol have critical characteristics.
Use ONLY replacement parts recommended by the manufacturer.

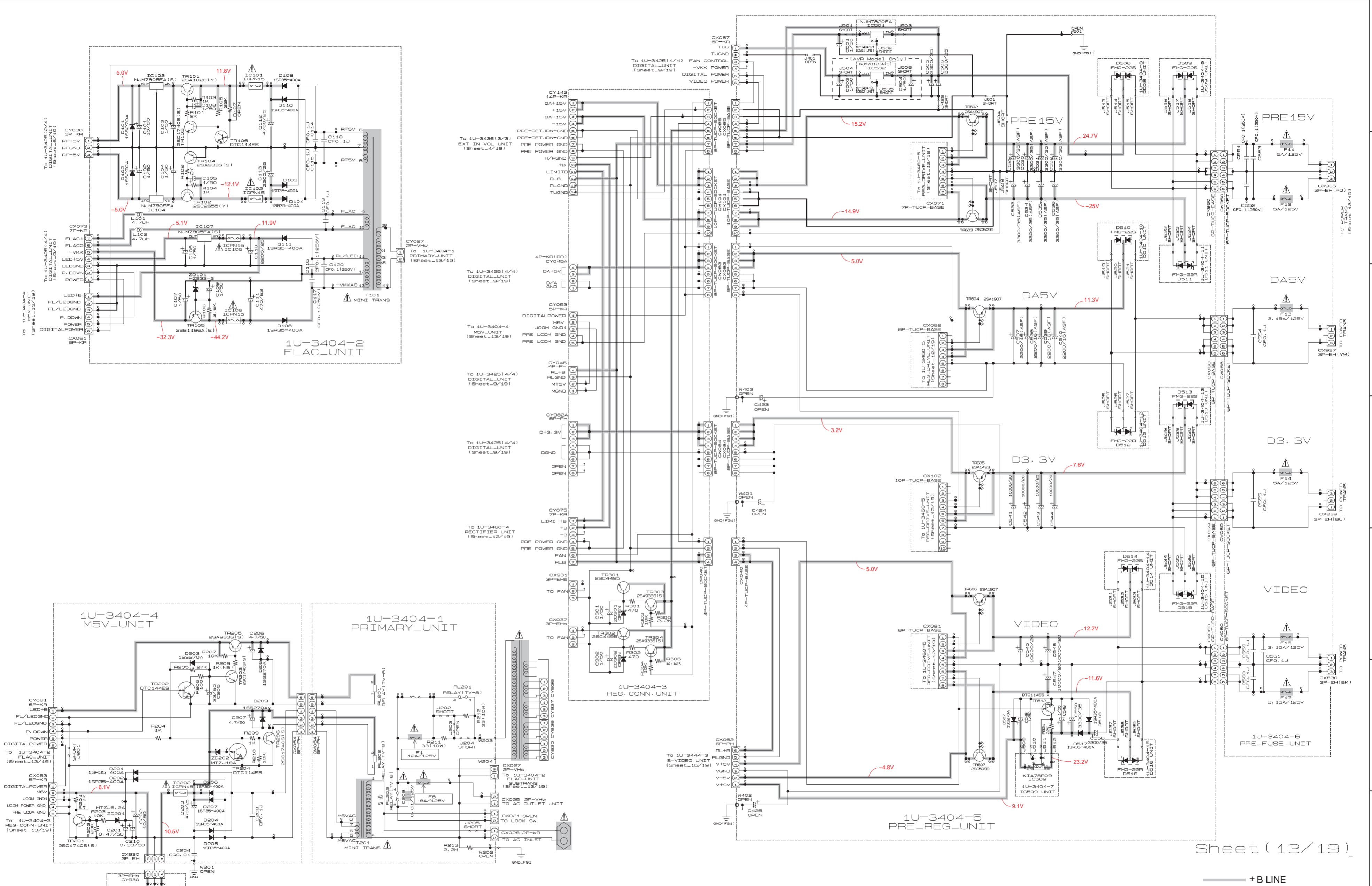
CAUTION:
Before returning the unit to the customer, make sure you make either (1) a leakage current check or (2) a line to chassis resistance check. If the leakage current exceeds 0.5 millamps, or if the resistance from chassis to either side of the power card is less than 460kohms, the unit is defective.

WARNING:
DO NOT return the unit to the customer until the problem is located and corrected.

SCHEMATIC DIAGRAMS (12/19)
1U-3460-1 SP UNIT-1
1U-3460-2 SP UNIT-2
1U-3460-4 RECTIFIER UNIT
1U-3460-5 REG DRIVE UNIT
1U-3460-7 DIODE UNIT

SCHEMATIC DIAGRAMS (13/19)

1 2 3 4 5 6 7 8 9 10 11



Sheet (13/19)

+B LINE

NOTICE
 ALL RESISTANCE VALUES IN OHM. k=1,000 OHM M=1,000,000 OHM
 ALL CAPACITANCE VALUES IN MICRO FARAD. P=MICRO-MICRO FARAD
 EACH VOLTAGE AND CURRENT ARE MEASURED AT MO SIGNAL INPUT
 CONDITION.
 CIRCUIT AND PARTS ARE SUBJECT TO CHANGE WITHOUT PRIOR
 NOTICE.

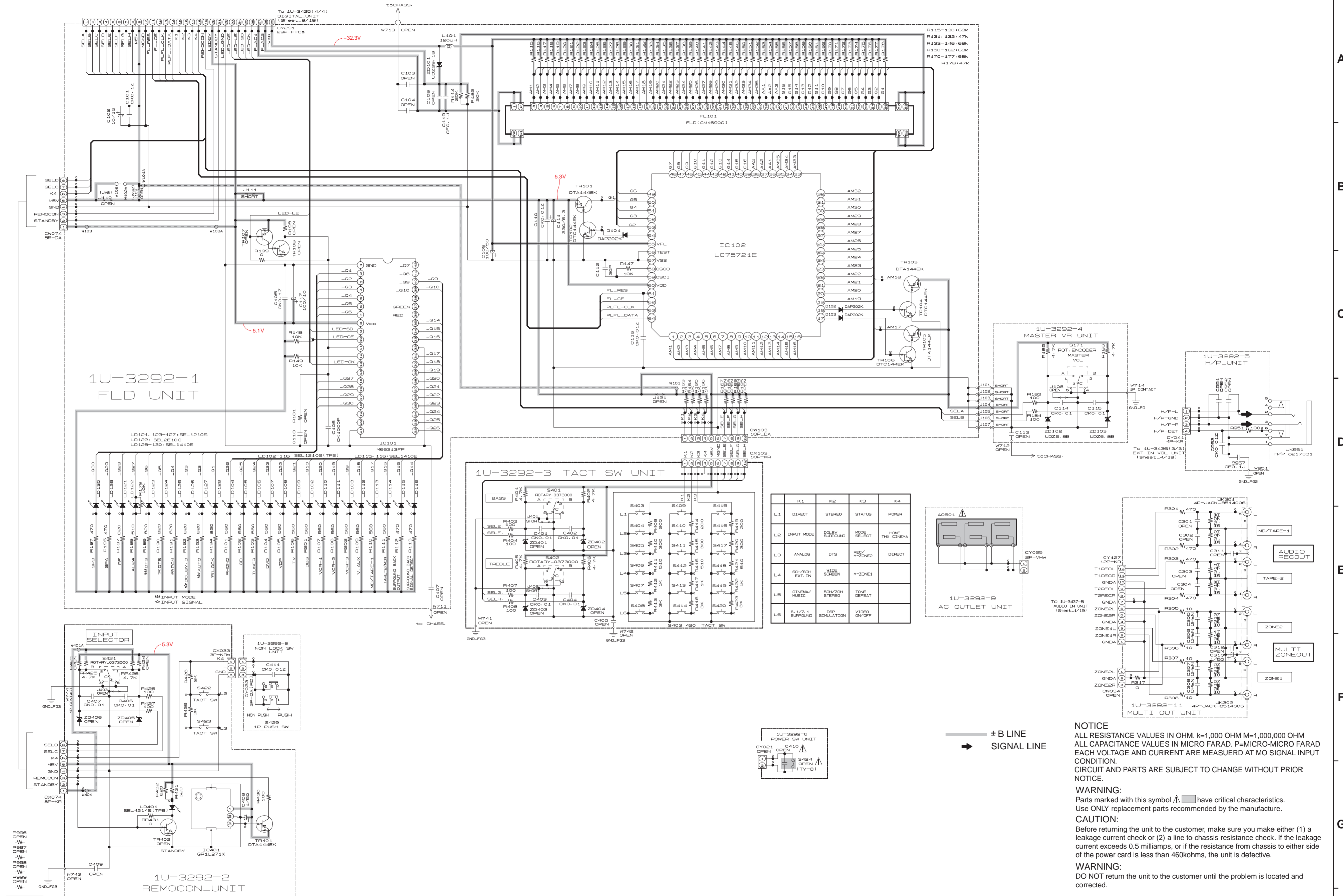
WARNING:
 Parts marked with this symbol have critical characteristics.
 Use ONLY replacement parts recommended by the manufacture.
CAUTION:
 Before returning the unit to the customer, make sure you make either (1) a
 leakage current check or (2) a line to chassis resistance check. If the leakage
 current exceeds 0.5 milliamperes, or if the resistance from chassis to either side
 of the power card is less than 460kohms, the unit is defective.
WARNING:
 DO NOT return the unit to the customer until the problem is located and
 corrected.

SCHEMATIC DIAGRAMS (13/19)

1U-3404-1 PRIMARY UNIT	1U-3404-6 PRE FUSE UNIT	1U-3404-13 D513 UNIT
1U-3404-2 FLAC UNIT	1U-3404-7 IC509 UNIT	1U-3404-14 D514 UNIT
1U-3404-3 REG. CONN. UNIT	1U-3404-8 D508 UNIT	1U-3404-15 D515 UNIT
1U-3404-4 M5V UNIT	1U-3404-9 D509 UNIT	1U-3404-16 D516 UNIT
1U-3404-5PRE REG UNIT	1U-3404-10 D510 UNIT	1U-3404-21 IC501 UNIT
	1U-3404-11 D511 UNIT	1U-3404-22 IC502 UNIT
	1U-3404-12 D512 UNIT	1U-3404-24 IC201 UNIT

SCHEMATIC DIAGRAMS (14/19)

1 2 3 4 5 6 7 8 9 10 11



1U-3292-1 FLD UNIT

1U-3292-2 REMOCON UNIT

1U-3292-3 TACT SW UNIT

1U-3292-4 MASTER VR UNIT

1U-3292-5 H/P UNIT

1U-3292-9 AC OUTLET UNIT

1U-3292-11 MULTI OUT UNIT

	K1	K2	K3	K4
L1	DIRECT	STEREO	STATUS	POWER
L2	INPUT MODE	DOLBY SURROUND	MODE SELECT	HOME THX CINEMA
L3	ANALOG	DTS	REC/M-ZONE2	DIRECT
L4	6CH/8CH EXT. IN	WIDE SCREEN	M-ZONE1	
L5	CINEMA/MUSIC	50%/70% STEREO	ZONE DEFEAT	
L6	5.1/7.1 SURROUND	DSP SIMULATION	VIDEO ON/OFF	

± B LINE
 → SIGNAL LINE

NOTICE
 ALL RESISTANCE VALUES IN OHM. k=1,000 OHM M=1,000,000 OHM
 ALL CAPACITANCE VALUES IN MICRO FARAD. P=MICRO-MICRO FARAD
 EACH VOLTAGE AND CURRENT ARE MEASURED AT NO SIGNAL INPUT
 CONDITION.
 CIRCUIT AND PARTS ARE SUBJECT TO CHANGE WITHOUT PRIOR
 NOTICE.

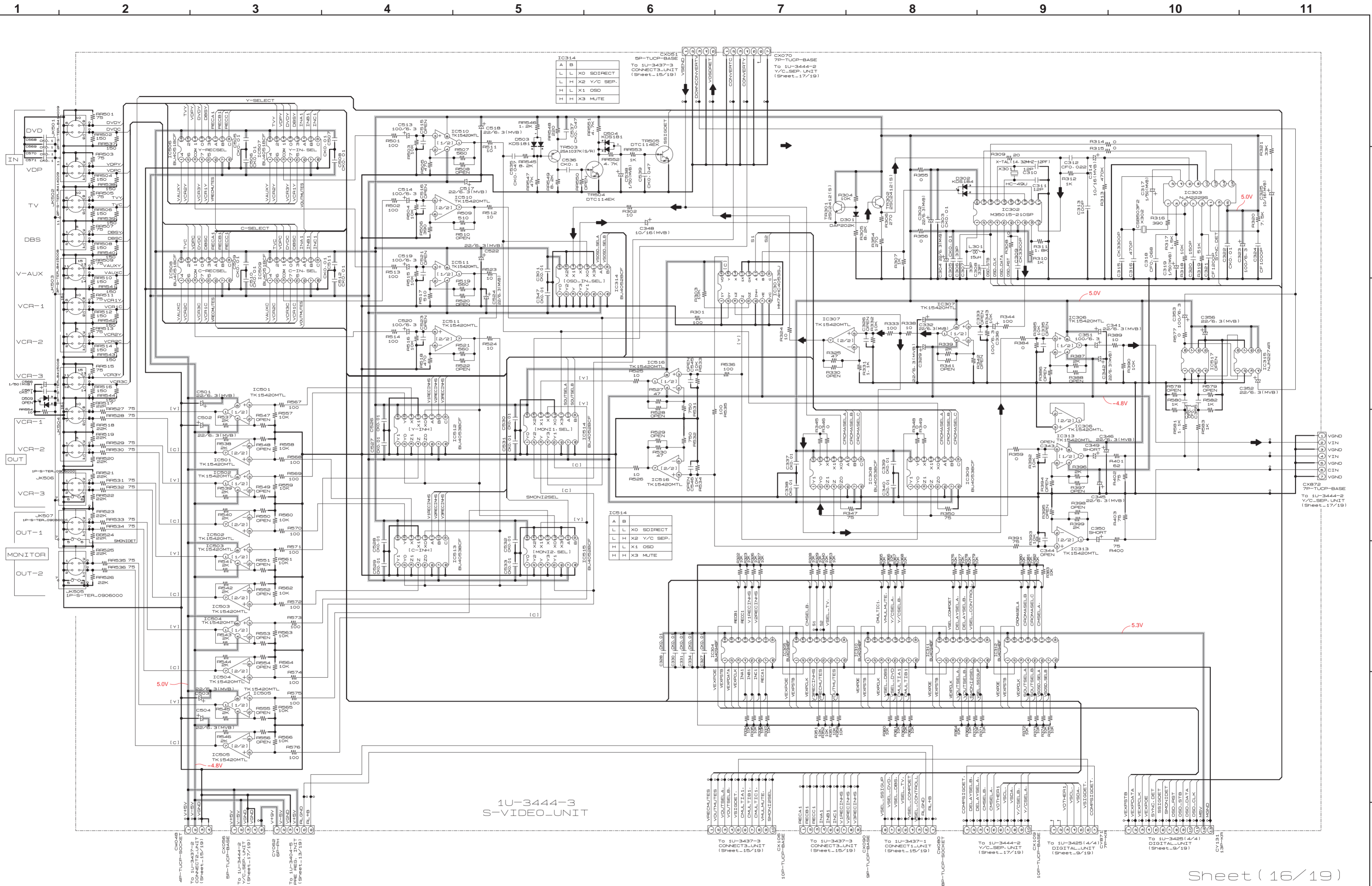
WARNING:
 Parts marked with this symbol have critical characteristics.
 Use ONLY replacement parts recommended by the manufacture.

CAUTION:
 Before returning the unit to the customer, make sure you make either (1) a
 leakage current check or (2) a line to chassis resistance check. If the leakage
 current exceeds 0.5 millamps, or if the resistance from chassis to either side
 of the power card is less than 460kohms, the unit is defective.

WARNING:
 DO NOT return the unit to the customer until the problem is located and
 corrected.

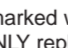
- SCHEMATIC DIAGRAMS (14/19)**
- 1U-3292-1 FLD UNIT
 - 1U-3292-2 REMOCON UNIT
 - 1U-3292-3 TACT SWITCH UNIT
 - 1U-3292-4 MASTER VR UNIT
 - 1U-3292-5 H/P UNIT
 - 1U-3292-6 POWER SWITCH UNIT
 - 1U-3292-8 NON LOCK SWITCH UNIT
 - 1U-3292-9 AC OUTLET UNIT
 - 1U-3292-11 MULTI OUT UNIT

SCHEMATIC DIAGRAMS (16/19)



1U-3444-3 S-VIDEO UNIT

Sheet (16/19)

WARNING:
Parts marked with this symbol  have critical characteristics. Use ONLY replacement parts recommended by the manufacturer.

CAUTION:
Before returning the unit to the customer, make sure you make either (1) a leakage current check or (2) a line to chassis resistance check. If the leakage current exceeds 0.5 milliamps, or if the resistance from chassis to either side of the power card is less than 460kohms, the unit is defective.

WARNING:
DO NOT return the unit to the customer until the problem is located and corrected.

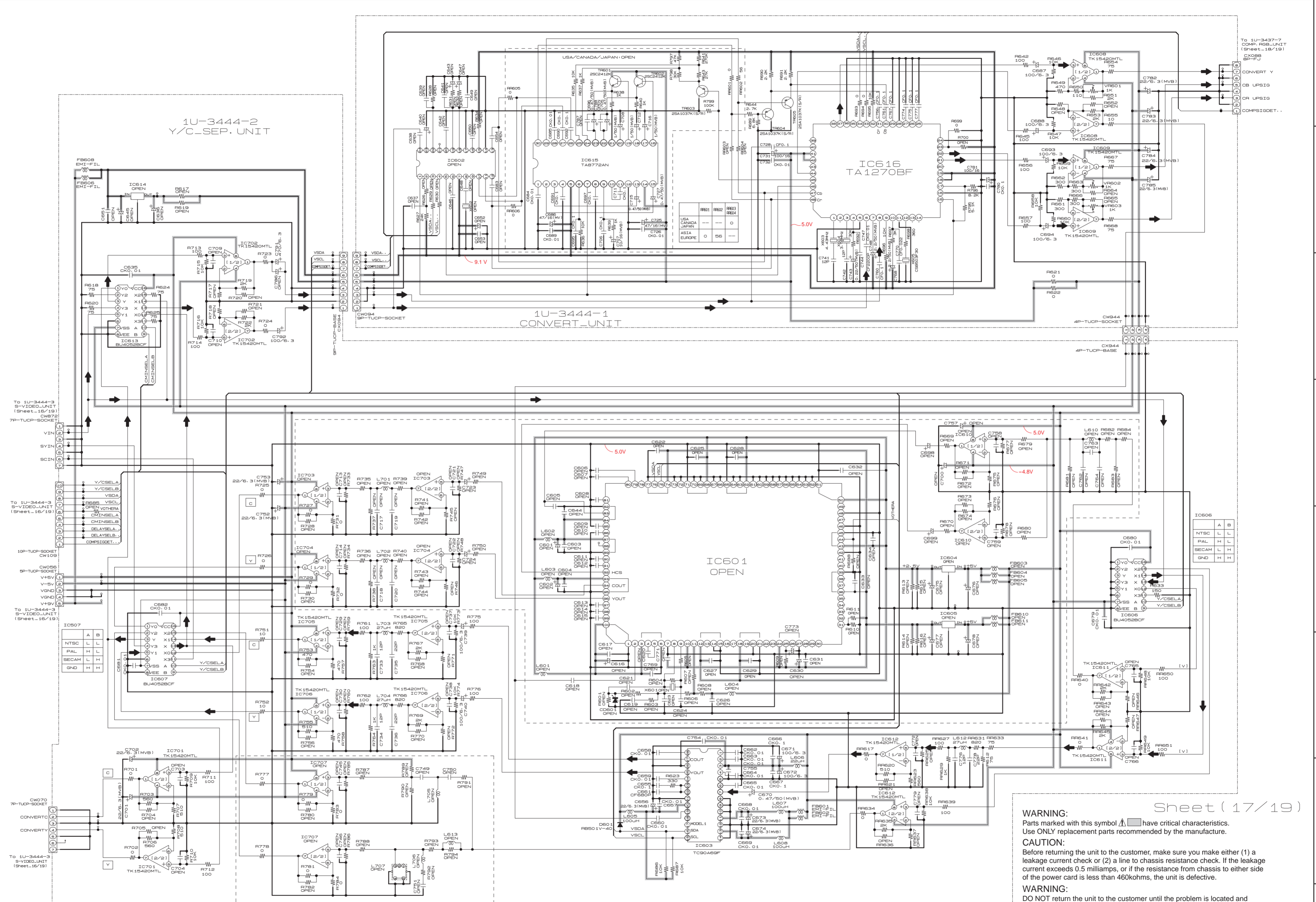
NOTICE
ALL RESISTANCE VALUES IN OHM. k=1,000 OHM M=1,000,000 OHM
ALL CAPACITANCE VALUES IN MICRO FARAD. P=MICRO-MICRO FARAD
EACH VOLTAGE AND CURRENT ARE MEASURED AT NO SIGNAL INPUT CONDITION.
CIRCUIT AND PARTS ARE SUBJECT TO CHANGE WITHOUT PRIOR NOTICE.

± B LINE
→ SIGNAL LINE

SCHEMATIC DIAGRAMS (16/19)
1U-3444-3 S-VIDEO UNIT

SCHEMATIC DIAGRAMS (17/19)

1 2 3 4 5 6 7 8 9 10 11



TO 1U-3437-7
COMP. RGB UNIT
(Sheet-18/19)
CX608
BP-FJ
CONVERT Y
CB UPSIG
CR UPSIG
COMP SIGDET.

TO 1U-3444-3
S-VIDEO UNIT
(Sheet-16/19)
CW872
7P-TUCP-SOCKET

VIN
SVIN
SCIN

Y/CSEL A
Y/CSEL B
VSDA
FB55 VSC L
FB56 VSC R
FB57 OTHER A
FB58 OTHER B
CMINSEL A
CMINSEL B
DELAYSEL
COMP SIGDET.

10P-TUCP-SOCKET
CW109

SP-TUCP-SOCKET
V45V
V-5V
VIND
VOND
V45V

TO 1U-3444-3
S-VIDEO UNIT
(Sheet-16/19)

IC507

NTSC	A	B
PAL	L	L
SECAM	L	H
SECAM	L	H
GND	H	H

IC607
BU4052BCF

Y/CSEL A
Y/CSEL B
VSDA
FB55 VSC L
FB56 VSC R
FB57 OTHER A
FB58 OTHER B
CMINSEL A
CMINSEL B
DELAYSEL
COMP SIGDET.

7P-TUCP-SOCKET
CW070

CONVERT C
CONVERT Y

TO 1U-3444-3
S-VIDEO UNIT
(Sheet-16/19)

Sheet (17/19)

WARNING:
Parts marked with this symbol have critical characteristics.
Use ONLY replacement parts recommended by the manufacturer.

CAUTION:
Before returning the unit to the customer, make sure you make either (1) a leakage current check or (2) a line to chassis resistance check. If the leakage current exceeds 0.5 millamps, or if the resistance from chassis to either side of the power card is less than 460kohms, the unit is defective.

WARNING:
DO NOT return the unit to the customer until the problem is located and corrected.

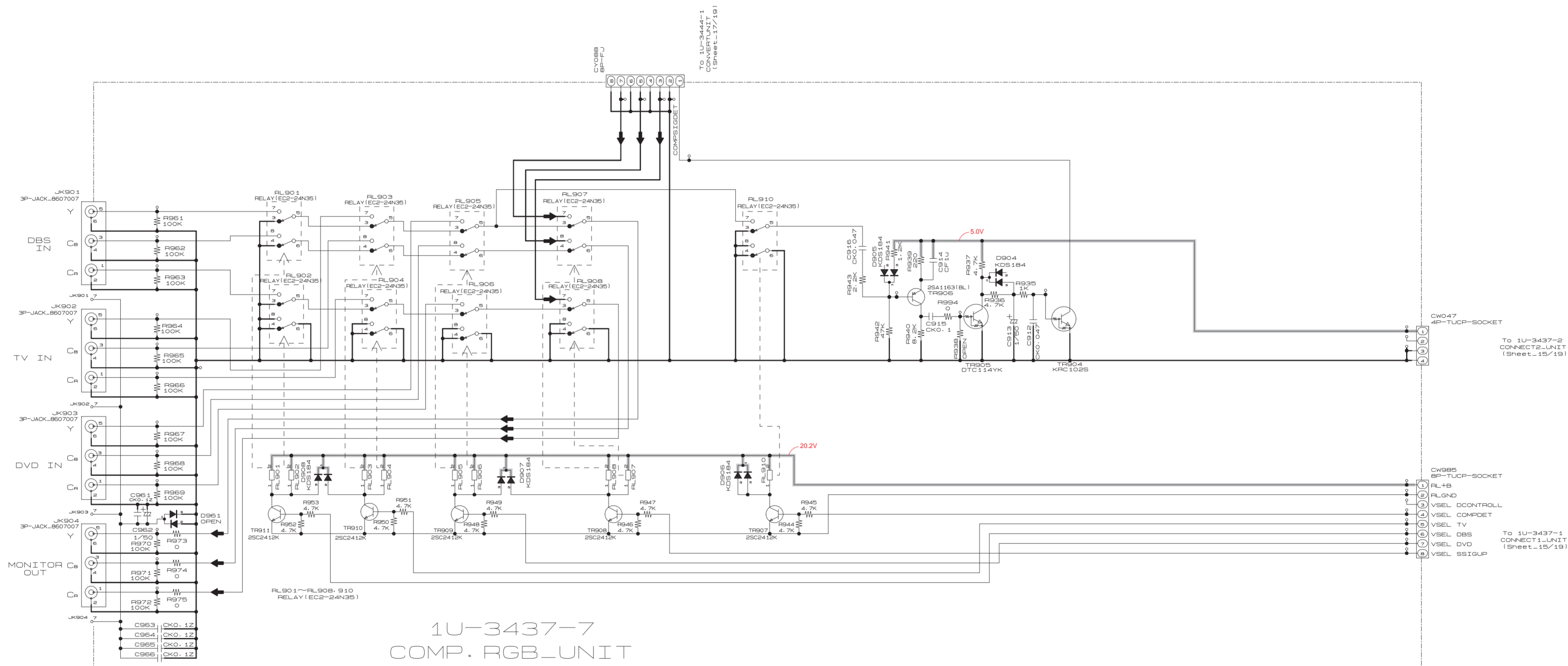
NOTICE
ALL RESISTANCE VALUES IN OHM. K=1,000 OHM M=1,000,000 OHM
ALL CAPACITANCE VALUES IN MICRO FARAD. P=MICRO-MICRO FARAD
EACH VOLTAGE AND CURRENT ARE MEASURED AT MO SIGNAL INPUT CONDITION.
CIRCUIT AND PARTS ARE SUBJECT TO CHANGE WITHOUT PRIOR NOTICE.

→ +B LINE
→ SIGNAL LINE

SCHEMATIC DIAGRAMS (17/19)
1U-3444-1 CONVERT UNIT
1U-3444-2 Y/C SEP. UNIT

SCHEMATIC DIAGRAMS (18/19)

1 2 3 4 5 6 7 8 9 10 11



Sheet (18 / 19)

— + B LINE
→ SIGNAL LINE

NOTICE

ALL RESISTANCE VALUES IN OHM. k=1,000 OHM M=1,000,000 OHM
ALL CAPACITANCE VALUES IN MICRO FARAD. P=MICRO-MICRO FARAD
EACH VOLTAGE AND CURRENT ARE MEASURED AT NO SIGNAL INPUT
CONDITION.
CIRCUIT AND PARTS ARE SUBJECT TO CHANGE WITHOUT PRIOR
NOTICE.

WARNING:

Parts marked with this symbol have critical characteristics.
Use ONLY replacement parts recommended by the manufacturer.

CAUTION:

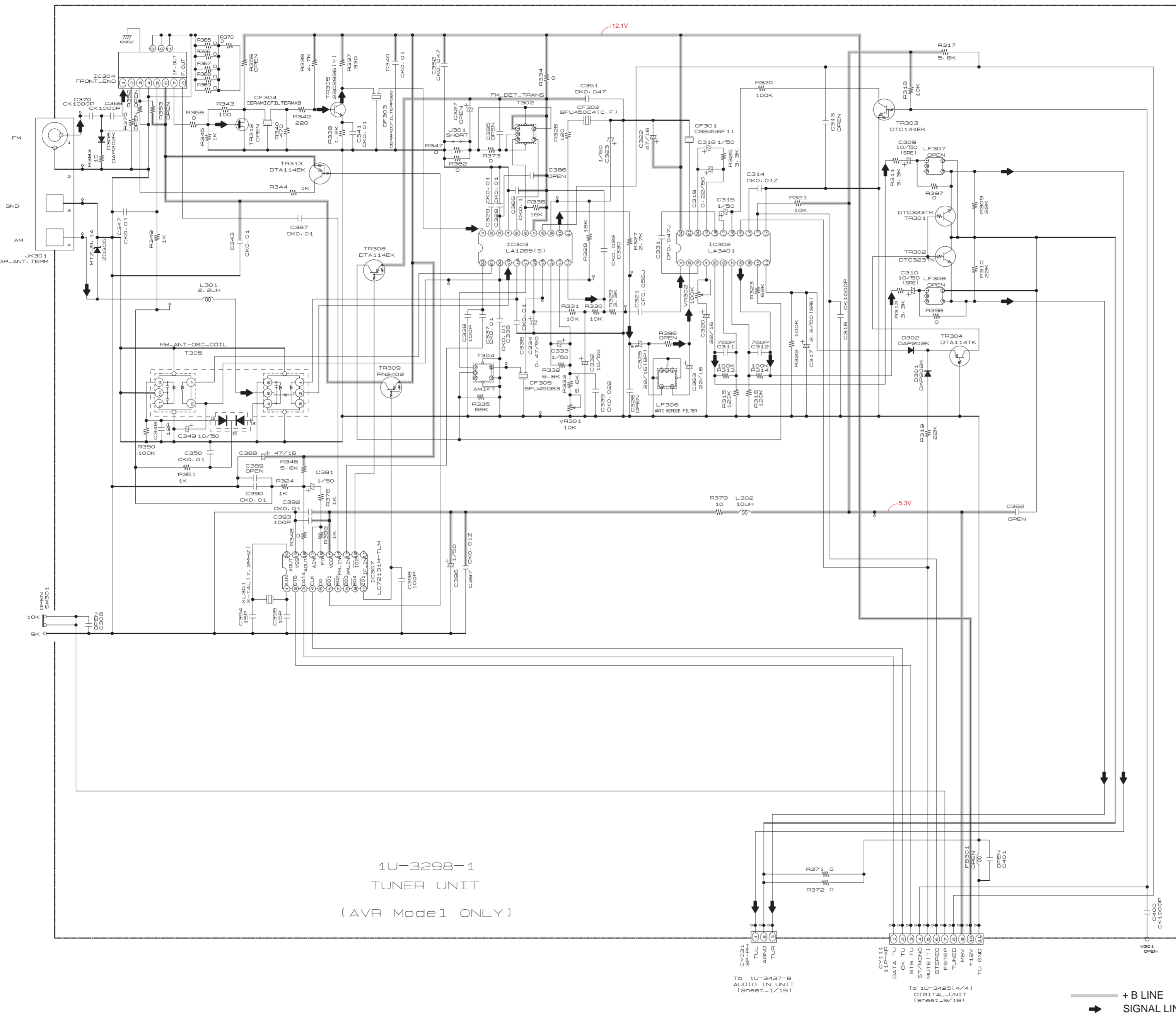
Before returning the unit to the customer, make sure you make either (1) a leakage current check or (2) a line to chassis resistance check. If the leakage current exceeds 0.5 milliamps, or if the resistance from chassis to either side of the power card is less than 460kohms, the unit is defective.

WARNING:

DO NOT return the unit to the customer until the problem is located and corrected.

SCHEMATIC DIAGRAMS (19/19)

1 2 3 4 5 6 7 8 9 10 11



1U-3298-1
TUNER UNIT
(AVR Mode 1 ONLY)

NOTICE
ALL RESISTANCE VALUES IN OHM. k=1,000 OHM M=1,000,000 OHM
ALL CAPACITANCE VALUES IN MICRO FARAD. P=MICRO-MICRO FARAD
EACH VOLTAGE AND CURRENT ARE MEASURED AT MO SIGNAL INPUT
CONDITION.
CIRCUIT AND PARTS ARE SUBJECT TO CHANGE WITHOUT PRIOR
NOTICE.

WARNING:
Parts marked with this symbol  have critical characteristics.
Use ONLY replacement parts recommended by the manufacturer.

CAUTION:
Before returning the unit to the customer, make sure you make either (1) a
leakage current check or (2) a line to chassis resistance check. If the leakage
current exceeds 0.5 milliamps, or if the resistance from chassis to either side
of the power card is less than 460kohms, the unit is defective.

WARNING:
DO NOT return the unit to the customer until the problem is located and
corrected.

➔ + B LINE
SIGNAL LINE