

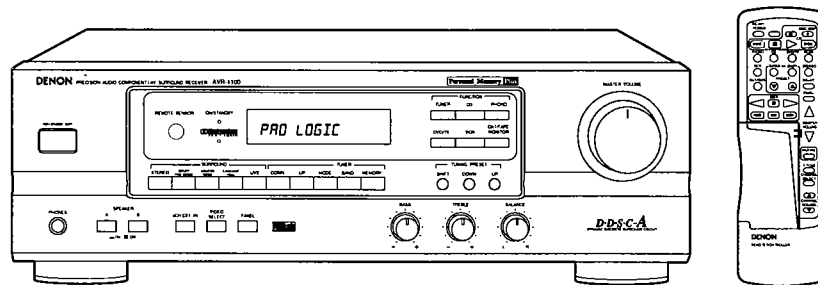
DENON

Hi-Fi AV Surround Receiver

SERVICE MANUAL

MODEL AVR-1100/1100RD/ 1150/1160/ 1170/1180

AV SURROUND RECEIVER



— TABLE OF CONTENTS —

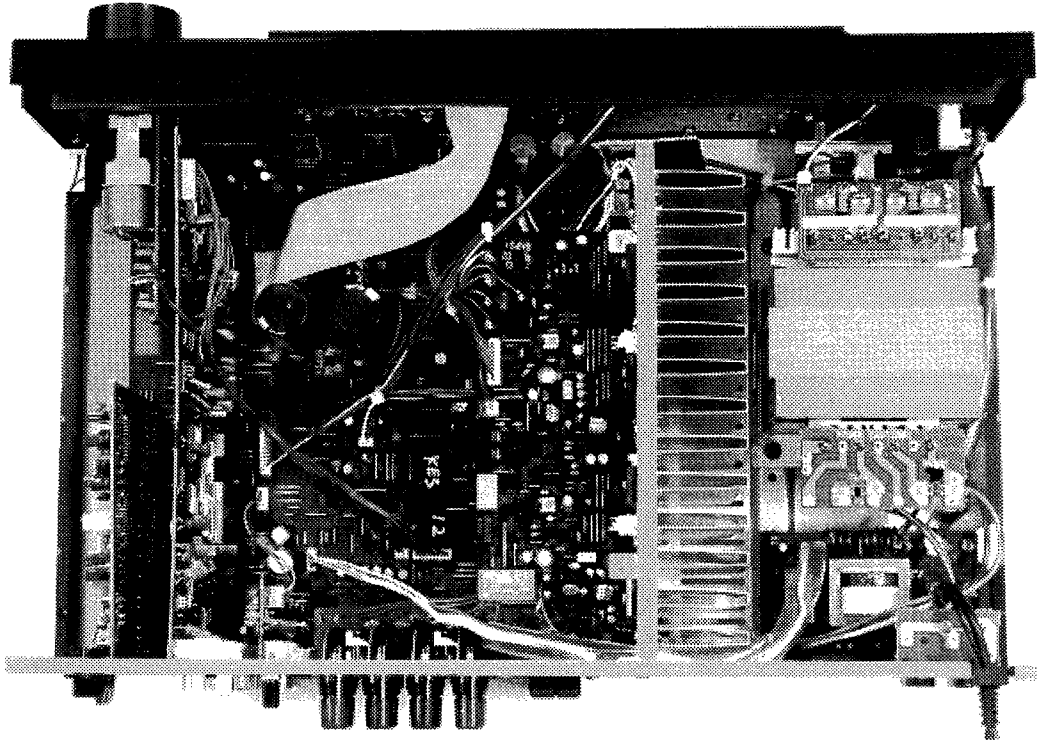
WIRE ARRANGEMENT	2
DISASSEMBLY	3
CONNECTION DIAGRAM OF MEASURING INSTRUMENTS	4, 5
SEMICONDUCTORS	6-14
NOTE FOR PARTS LIST	15
PARTS LIST OF P.W.B. UNIT	16-25
PRINTED WIRING BOARD	25-27
EXPLODED VIEW	28
PARTS LIST OF EXPLODED VIEW	29
ADDENDUM PARTS LIST	29
BLOCK DIAGRAM	30
WIRING DIAGRAM	31
REMOTE CONTROL UNIT (RC-841)	32
SCHEMATIC DIAGRAM	33-35, 37-39

● Some illustrations using in this service manual are slightly different from the actual set.

NIPPON COLUMBIA CO., LTD.

WIRE ARRANGEMENT

In case of wires require unclasping or loosening to move the location the perform adjustment or part replacement, be sure to rearrange them neatly to restore properly in the same location as they were originally placed, or causing to produce a noise may occasionally occur.

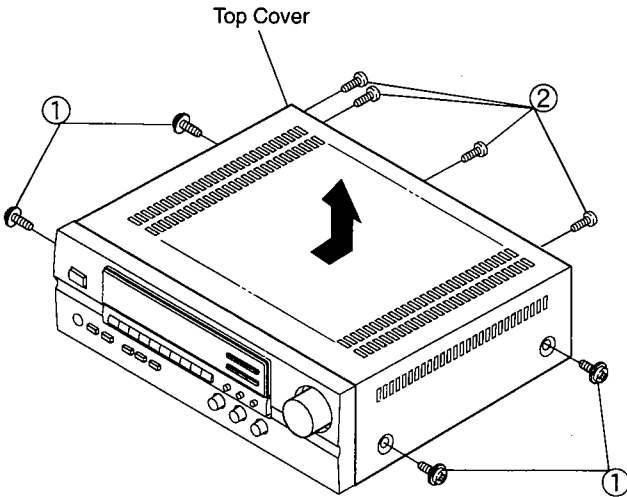


DISASSEMBLY

(To reassemble reverse disassembly)

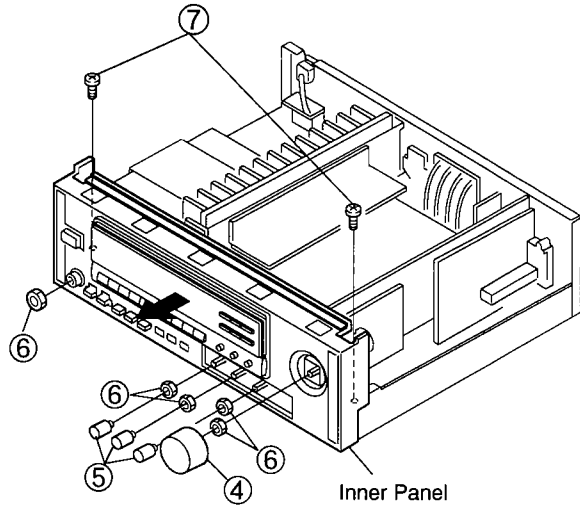
1. Top Cover

Remove 4 screws ① and 4 screws ②, then detach the Top Cover in the arrow direction.



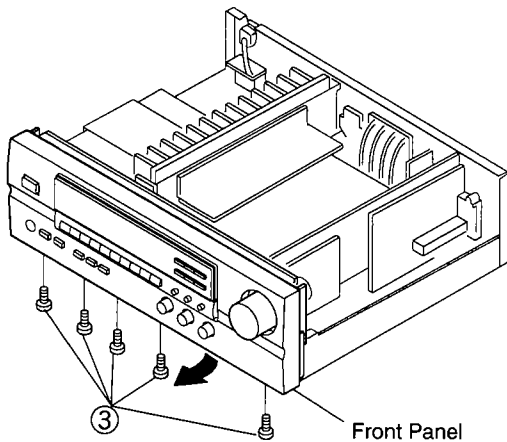
3. Inner Panel

- (1) Pull off the Volume Knob ④ and 3 Control Knobs ⑤.
- (2) Remove 5 nuts ⑥.
- (3) Detach the Inner Panel in the arrow direction after removing 2 screws ⑦.



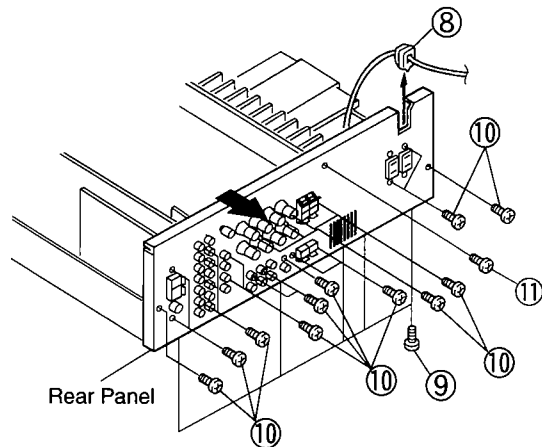
2. Front Panel

Remove 5 screws ③ fixing the Front Panel at its bottom edge, then detach it in the arrow direction.



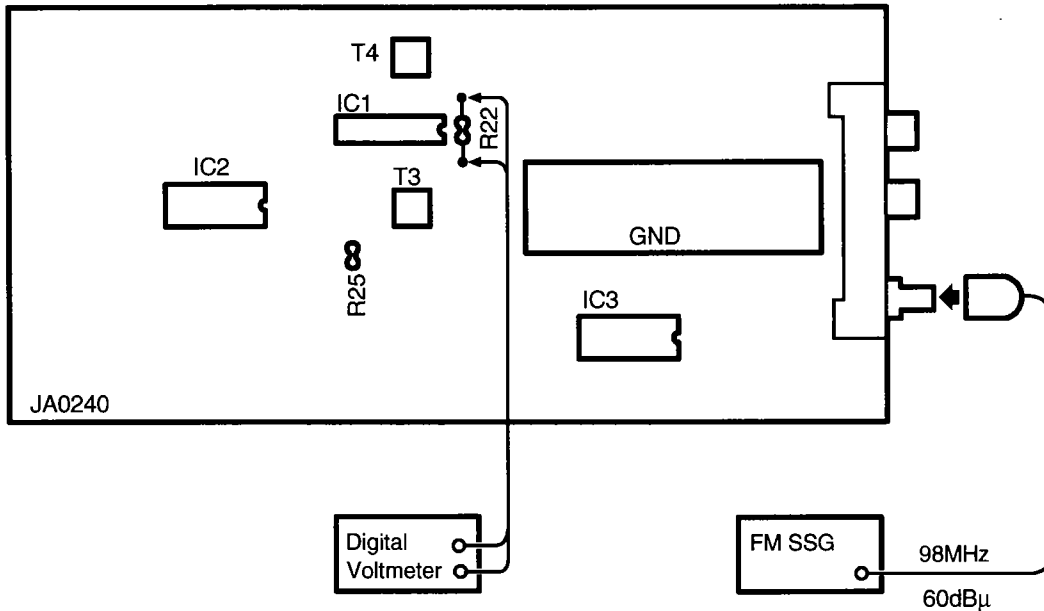
4. Rear Panel

- (1) Take off the Cord Bush ⑧.
- (2) Remove 5 lower screws ⑨ and 21 screws ⑩.
- (3) Detach the Rear Panel in the arrow direction after removing 1 screw ⑪.



CONNECTION DIAGRAM OF MEASURING INSTRUMENTS

● FM SECTION



Adjust T4 potential difference across R22 to be within 30mV.

● Initiating (Memory clearing) Method

To clear memory contents of microcomputer and restore to the initial state, take the following steps;

1. Press power switch, turn off power of the unit, and set to standby mode.
2. Pull out power cord from wall outlet temporarily.
3. Insert power cord into outlet while simultaneously pressing two keys of VIDEO SELECT and TUNER.
4. Press power switch to confirm that memory contents are cleared.

By completion of the above, the initial state is restored. In case the memory can not be cleared due to some reasons, repeat steps 1 through 3.

Note:

When in the Standby mode, the unit is in the Power OFF state when turn Power SW ON with remote control.

● AUDIO SECTION


Idling Current (JA0241)

Required measurement equipment: DC Voltmeter

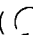
Arrangement

(1) Avoid direct blow from an air conditioner or an electric fan, and adjust the unit at normal room temperature 15°C ~ 30°C. (59°F ~ 86°F).

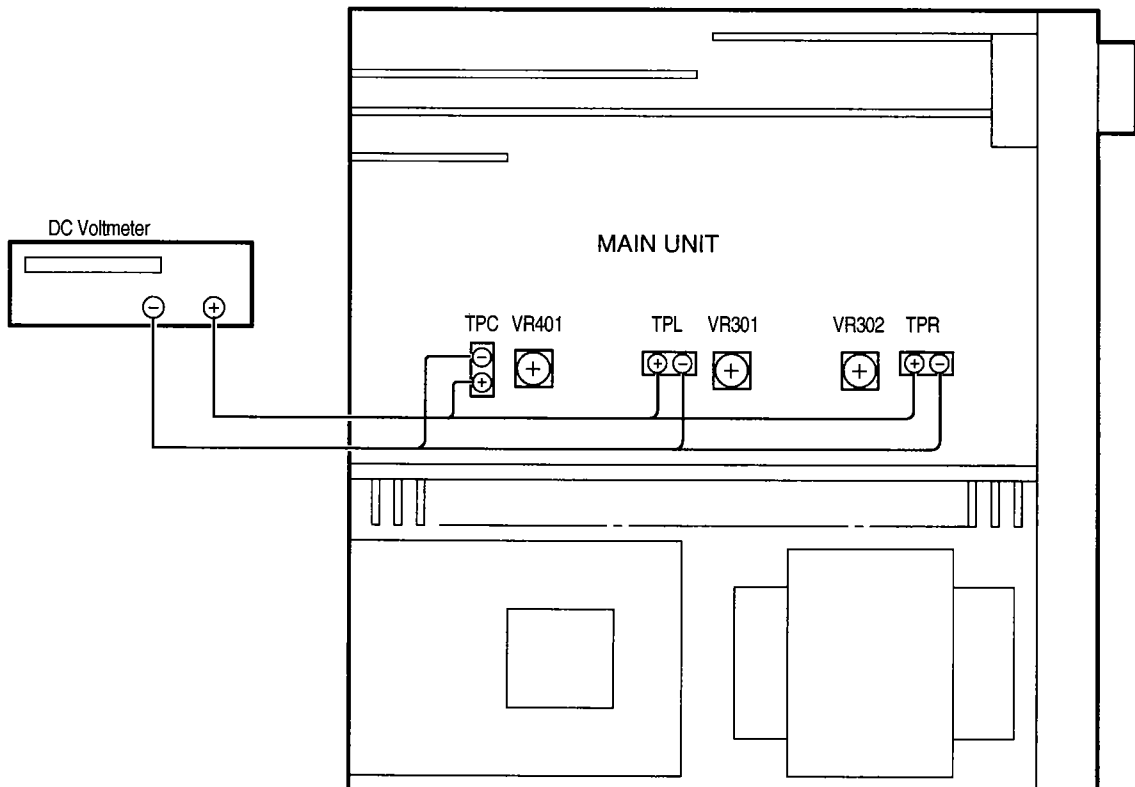
(2) Presetting

- | | | |
|--------------------------------|---|---|
| ● POWER (Power source switch) | → | ON |
| ● MODE (Mode button) | → | STEREO |
| ● FUNCTION (Function button) | → | CD |
| ● VOLUME (Volume control) | → | 0: fully counterclockwise ( min.) |
| ● BASS, TREBLE (Tone control) | → | 0: (Controls to center) |
| ● SPEAKERS (Speaker terminal) | → | No load (Do not connect speaker, dummy resistor, etc.) |

Adjustment

- Remove top cover and set VR401, VR301 and VR302 of JA0241 (Main Unit) at counterclockwise fully.
- Connect DC Voltmeter to test points (Lch TPL, Rch TPR, CENTER ch TPC).
- Connect power cord to AC Line, and turn power switch "ON".
- Allow 15 minutes, and turn VR301, VR302 and VR401 clockwise () and adjust the TEST POINTS voltage to 1.5 mV \pm 0.5 mV DC.
- After 2 minutes from preset, turn VR301, VR302 and VR401 to set the voltage to 3 mV \pm 0.5mV DC.

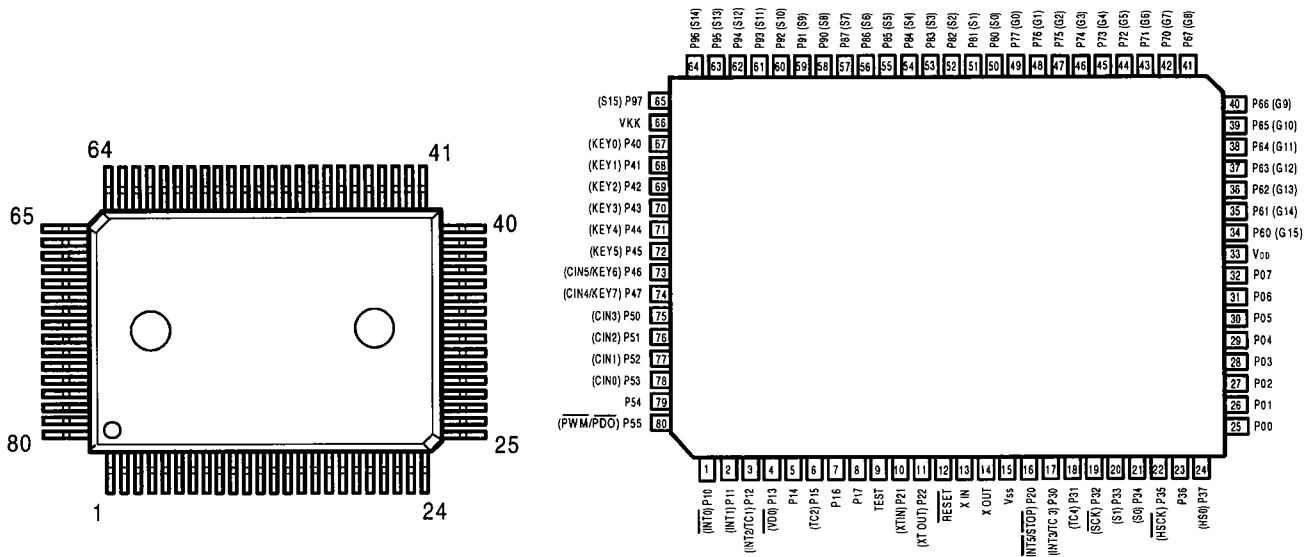
JA0241 Main Unit (Component Side)



SEMICONDUCTORS

● IC's

TMP87CM71F-6668 (IC701)



TMP87CM71F-6668 Terminal Function

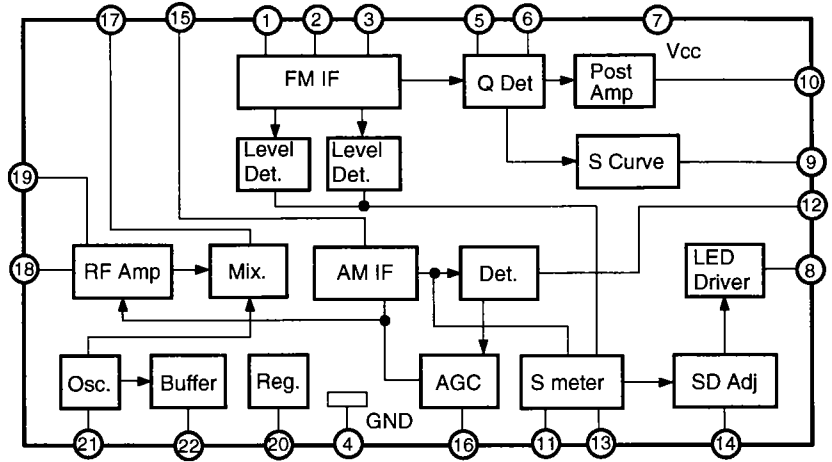
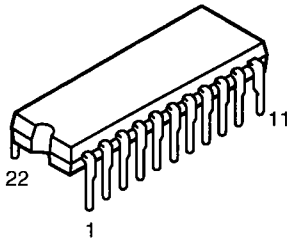
Pin No.	Symbol	I/O	Type	Op	Det	Res	Init	Function
1	STOP	I	—	Eu	Lv	Z	—	Detect power stop ("L" at power stop)
2	PROTECTION	I	—	Eu	E&L	Z	—	Protection input ("H" at protection)
3	EXP. DATA	O	C	—	—	Z	L	Port expand data output
4	EXP. CK	O	C	—	—	Z	L	Port expand clock output
5	EXP. STB	O	C	—	—	Z	L	Port expand strobe output
6	VR. CK	O	C	—	S	Z	L	TC9176 (electron VR) control clock output
7	VR. DATA	O	C	—	S	Z	L	TC9176 (electron VR) control data output
8	VR. STB	O	C	—	—	Z	L	TC9176 (electron VR) control strobe output
9	TEST	I	—	GND	—	—	—	Connect to ground.
10	TUNED	I	—	Eu	Lv	Z	—	"L" at stereo receive
11		O	—	—	—	Z	L	Fixed output on "L"
12	RESET	I	—	Eu	Lv	Z	—	Reset input
13	X IN	I	—	—	—	—	—	Oscillator circuit (4MHz)
14	X OUT	O	—	—	—	—	—	Oscillator circuit (4MHz)
15	GND	I	—	GND	—	—	—	Ground
16	RDS START	I	—	Eu	Ed	Z	—	RDS data, Start signal input (LC7074)*
17	REMOCON	I	—	Eu	E&L	Z	—	Remote control signal input
18	STEREO	I	—	Eu	—	Z	L	"L" at TUNER stereo receive
19	RDS. CK	I	—	Eu	S	Z	—	RDS clock input (LC7074)
20	RDS. DATA	I	—	Eu	S	Z	—	RDS data input (LC7074)*
21	RDS. RESET	O	N	Eu	—	Z	L	RDS reset signal output (LC7074)*
22	PLL. CK	O	N	Eu	—	Z	L	LM7001 control clock output
23	PLL. STB	O	N	Eu	—	Z	L	LM7001 control strobe output
24	PLL. DATA	O	N	Eu	—	Z	L	LM7001 control data output
25	FUNC. DATA	O	C	—	—	Z	L	LC7822 (Function IC) control data output
26	FUNC. CK	O	C	—	—	Z	L	LC7822 (Function IC) control clock output
27	FUNC. STB	O	C	—	—	Z	L	LC7822 (Function IC) control strobe output
28	ST/MONO	O	C	—	—	Z	L	TUNER STEREO/MONO control output ("L" at STEREO)
29	POWER OFF	O	C	—	—	Z	L	"L" at ON
30	VOL. DOWN	O	C	—	—	Z	L	Electrically-drive volume control output (BA6208S)

* port is fixed "L" at RDS non-selection mode.

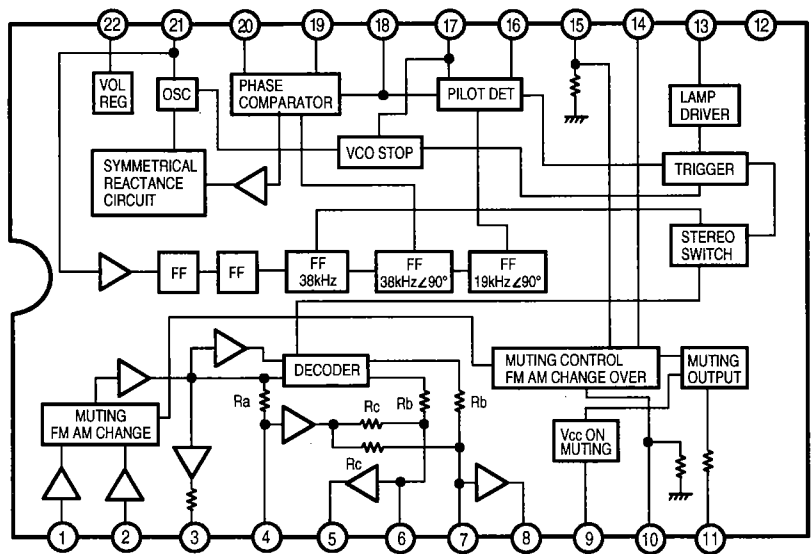
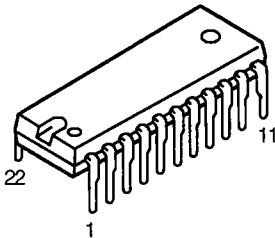
Pin No.	Symbol	I/O	Type	Op	Det	Res	Init	Function
31	VOL. UP	O	C	—	—	Z	L	Electrically-driven volume control output. (BA6208S)
32	SP-FRONT	O	C	—	—	Z	L	Front speaker relay control output.
33	V _{DD}	I	—	—	—	—	—	Connect to +5V.
34	LED. PRO	O	P	Id	—	Z	H	DOLBY PROLOGIC indicating LED drive output. ("H" at light)
35	LED. STBY	O	P	Id	—	Z	H	Standby indicating LED drive output. ("H" at light)
36	1G	O	P	Id	—	L	L	FLD control output.
37	2G	O	P	Id	—	L	L	FLD control output.
38	3G	O	P	Id	—	L	H	FLD control output.
39	4G	O	P	Id	—	L	H	FLD control output.
40	5G	O	P	Id	—	L	L	FLD control output.
41	6G	O	P	Id	—	L	L	FLD control output.
42	7G	O	P	Id	—	L	H	FLD control output.
43	8G	O	P	Id	—	L	L	FLD control output.
44	9G	O	P	Id	—	L	L	FLD control output.
45	10G	O	P	Id	—	L	L	FLD control output.
46	11G	O	P	Id	—	L	H	FLD control output.
47	12G	O	P	Id	—	L	L	FLD control output.
48	13G	O	P	Id	—	L	H	FLD control output.
49	14G	O	P	Id	—	L	H	FLD control output.
50	P (a)	O	P	Id	—	L	H	FLD control output.
51	P (b)	O	P	Id	—	L	H	FLD control output.
52	P (c)	O	P	Id	—	L	H	FLD control output.
53	P (d)	O	P	Id	—	L	H	FLD control output.
54	P (e)	O	P	Id	—	L	L	FLD control output.
55	P (f)	O	P	Id	—	L	L	FLD control output.
56	P (g)	O	P	Id	—	L	L	FLD control output.
57	P (h)	O	P	Id	—	L	L	FLD control output.
58	P (i)	O	P	Id	—	L	L	FLD control output.
59	P (k)	O	P	Id	—	L	L	FLD control output.
60	P (m)	O	P	Id	—	L	L	FLD control output.
61	P (n)	O	P	Id	—	L	L	FLD control output.
62	P (p)	O	P	Id	—	L	L	FLD control output.
63	P (q)	O	P	Id	—	L	L	FLD control output.
64	P (r)	O	P	Id	—	L	L	FLD control output.
65	P (s)	O	P	Id	—	L	L	FLD control output.
66	VKK	I	—	—	—	—	—	Connect to VKK.
67	DD.CK	O	N	Eu	—	Z	H	NJU9701G (Delay time) control clock output.
68	DD. REQ	O	N	Eu	—	Z	H	NJU9701G (Delay time) control request output.
69	DD.DATA	O	N	Eu	—	Z	H	NJU9701G (Delay time) control data output.
70	MODE2	I	N	Eu	—	Z	—	Select occurring or no RDS function. ("H" at occurring RDS function)
71	VIDEO A	O	N	Eu	—	Z	H	BU4066 (Video shift) control output. ("L" at selecting)
72	VIDEO B	O	N	Eu	—	Z	H	BU4066 (Video shift) control output. ("L" at selecting)
73	KEY 5	I	—	Eu	Lv	Z	—	Button input 5.
74	KEY 4	I	—	Eu	Lv	Z	—	Button input 4.
75	KEY 3	I	—	Eu	Lv	Z	—	Button input 3.
76	KEY 2	I	—	Eu	Lv	Z	—	Button input 2.
77	KEY 1	I	—	Eu	Lv	Z	—	Button input 1.
78	MODE 1	I	—	Eu	Lv	Z	—	Model version change input.
79	TU MUTE	O	N	Eu	—	Z	L	Tuner muting output. ("L" at muting)
80		O	N	Eu	—	Z	H	Fixed output on "H".

* port is fixed "L" at RDS non-selection mode.

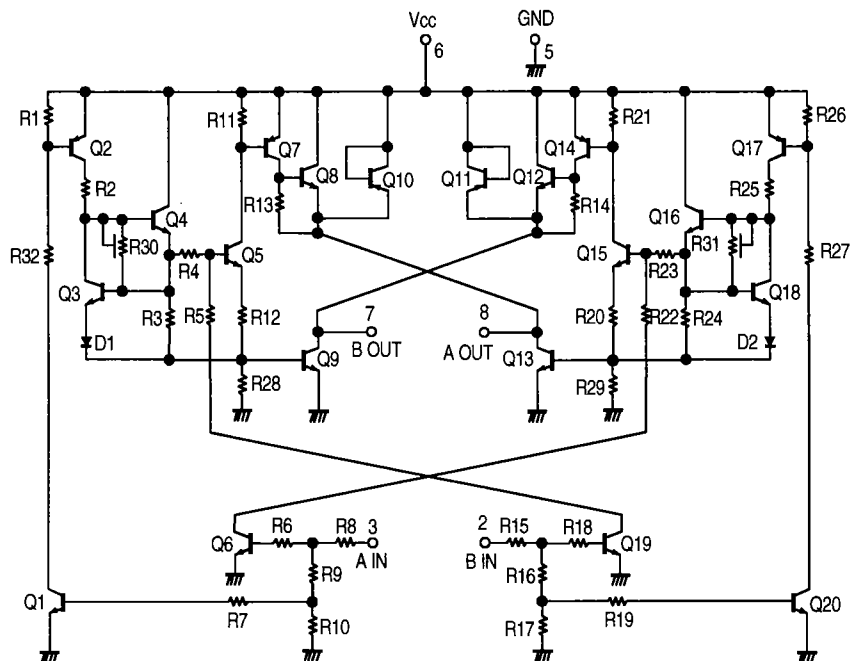
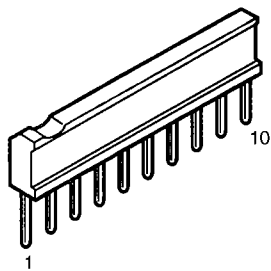
LA1265 (S)
(IC001)



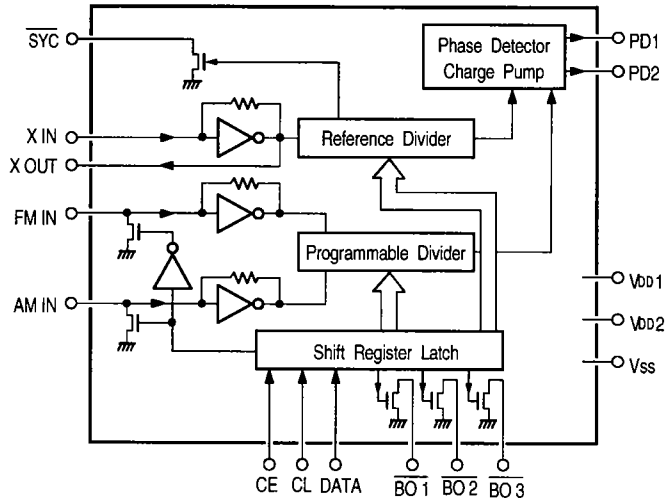
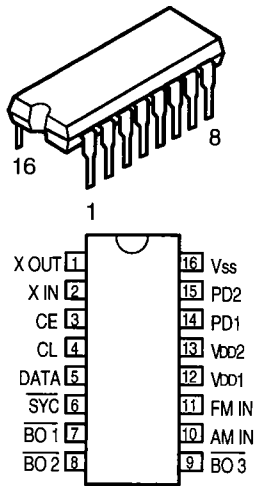
LA3401
(IC002)



BA6208S
(IC265)



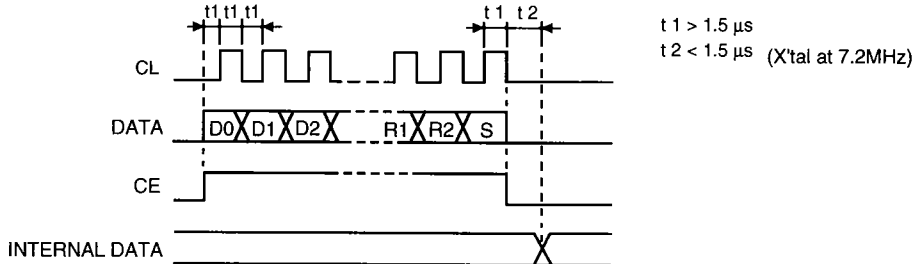
LM7001 (IC003)



Terminal Description

- SYNC : Clock for controller (400 kHz).
- XIN, XOUT : X'tal OSC (7.2 MHz).
- FMIN, AMIN : Station oscillation signal input.
- CE, CL, DATA : Data input.
- BO1, BO2, BO3 : Band data output. BO1 is feasible for time base output (8 Hz).
- VDD1, VDD2, VSS : Power supply. (VDD2 is for back-up).
- PD1, PD2 : Charge pump output.

Data Input



— Input from D0.

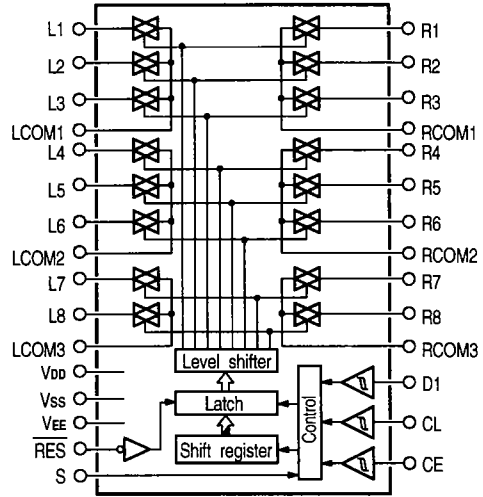
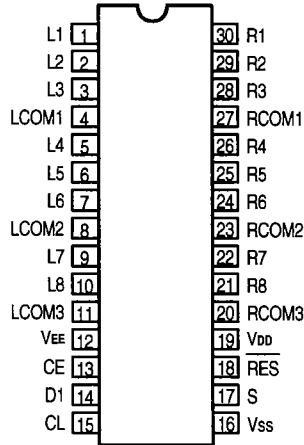
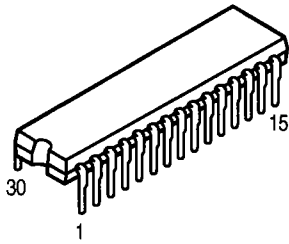
D0	D1	D2	D3	D4	D5	D6	D7	D8	D9	D10	D11	D12	D13	T0	T1	B0	B1	B2	TB	R0	R1	R2
----	----	----	----	----	----	----	----	----	----	-----	-----	-----	-----	----	----	----	----	----	----	----	----	----

(1) D0(LSB)~D13(MSB) : Frequency dividend data
 For FMIN, use D0~D13; for AMIN, use D4~D13.

D0	D1	D2	D3	D4	D5	D6	D7	D8	D9	D10	D11	D12	D13	
1	0	1	0	0	0	0	0	0	1	0	1	1	1	→ FMIN Frequency dividend nnumber = 14853
LSB													MSB	
x	x	x	x	0	0	0	0	0	1	0	1	1	1	→ FMIN Frequency dividend nnumber = 928
LSB													MSB	

(2) T0, T1 : For test of LSI (0,0)

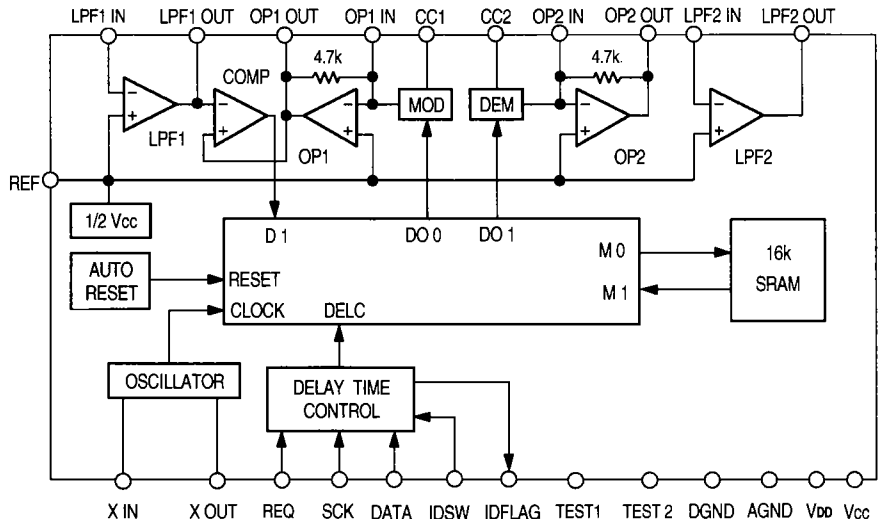
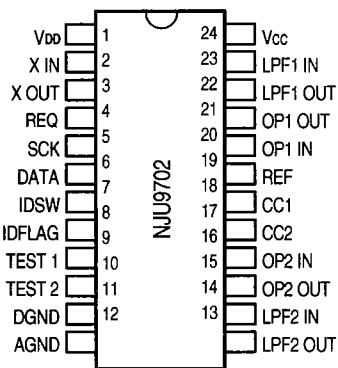
LC78212 (IC102)



LC78212 Terminal Function

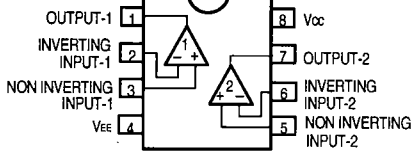
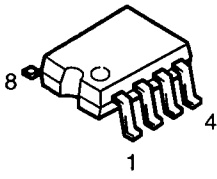
Name of Terminal	I/O	Equivalent Internal Circuit	Function of Terminal																					
V _{DD} , V _{SS} , V _{EE}			Power terminal.																					
L1~L8, R1~R8 LCOM1~LCOM4, BCOM1~BCOM4		Refer to block diagram	In/Out terminal of analog switch.																					
CL, DI, CE	I		Serial data input terminal (schmidt buffer). CL=Clock input terminal. DI=Data input terminal/ CE=Chip enable terminal.																					
S	I		Selection terminal for using of two. Address will be shifted as per below table when switching S terminal to L or H. <table border="1" style="margin: 10px auto;"> <thead> <tr> <th rowspan="2">Name of Item</th> <th rowspan="2">S Terminal</th> <th colspan="4">Address</th> </tr> <tr> <th>A0</th> <th>A1</th> <th>A2</th> <th>A3</th> </tr> </thead> <tbody> <tr> <td rowspan="2">LC78212</td> <td>L</td> <td>0</td> <td>1</td> <td>0</td> <td>1</td> </tr> <tr> <td>H</td> <td>1</td> <td>1</td> <td>0</td> <td>1</td> </tr> </tbody> </table>	Name of Item	S Terminal	Address				A0	A1	A2	A3	LC78212	L	0	1	0	1	H	1	1	0	1
Name of Item	S Terminal	Address																						
		A0	A1	A2	A3																			
LC78212	L	0	1	0	1																			
	H	1	1	0	1																			
RES	I		Reset terminal. Condition of analog switch is not fixed at the time of turning on the power. When shift this terminal to L, all analog switches become OFF.																					

NJU9702 (IC202)

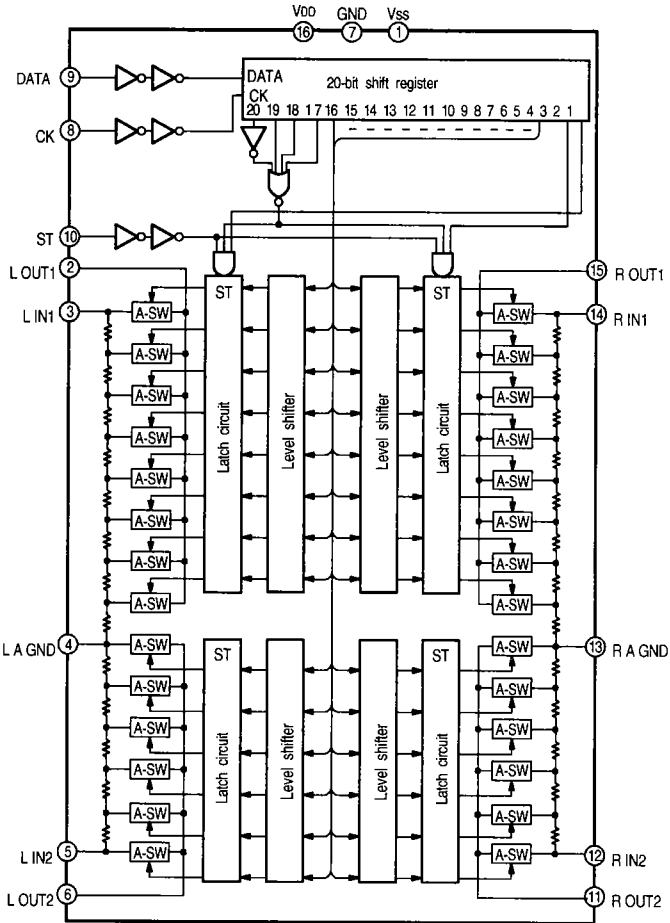
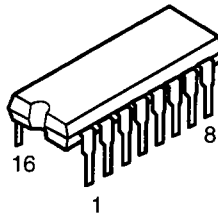
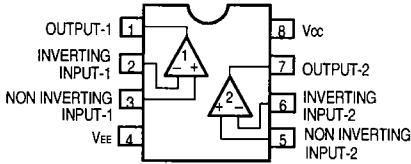
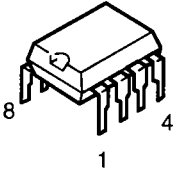


BA4558F (IC101, 103, 261~264, 651~653)

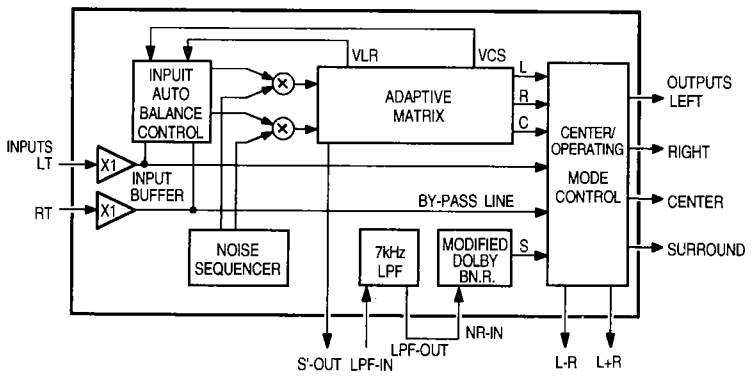
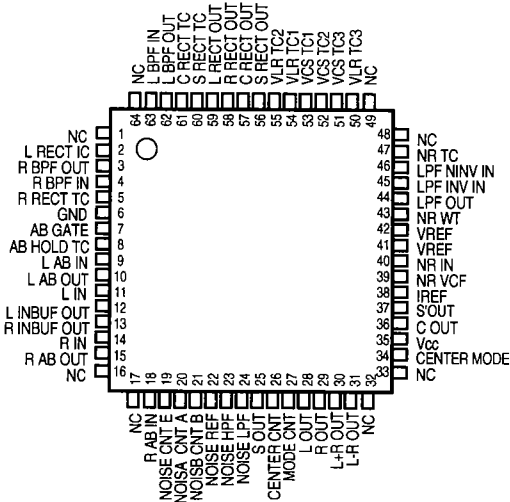
TC9176P (IC266, 267)



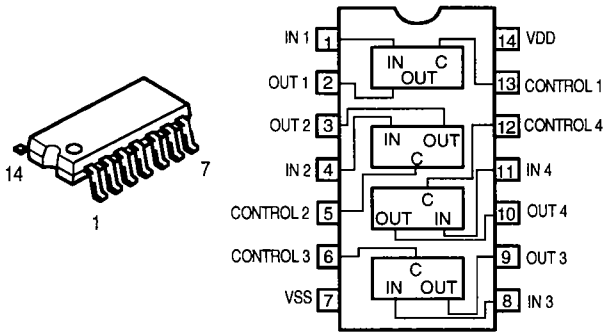
BA15218 (IC451)



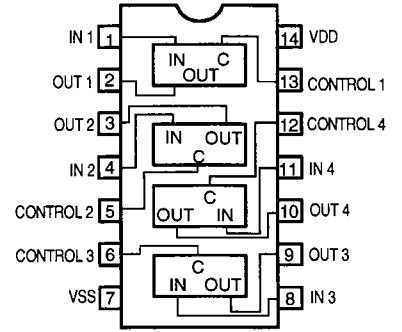
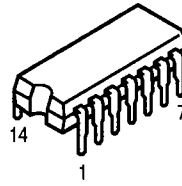
NJM2177AF (IC201)



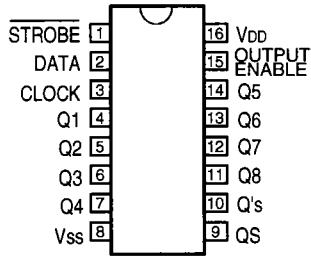
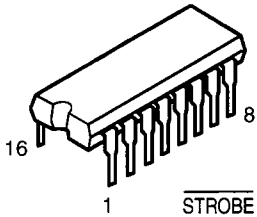
BU4066BCF
(IC203, 205~208, 601, 654)



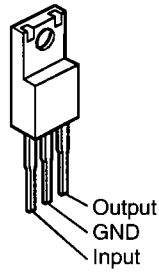
BU4066BC
(IC601)



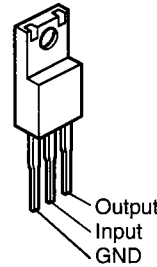
BU4094BC
(IC913, 914)



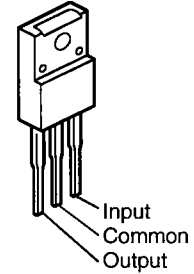
NJM7812FA
(IC573)



NJM7912FA
(IC574)

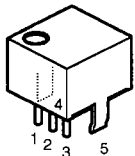


KIA7806PI
(IC575)

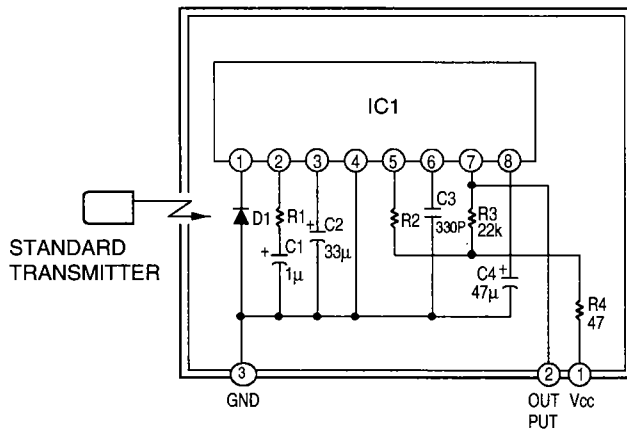


● **OTHER**

SBX1910 (Remote Control Receiver)



- 1. Vcc
- 2. Output
- 3. GND
- 4. Case Fin
- 5. Case Fin



- IC1 : CX20106A Chip
- D1 : PIN Photo Diode Chip
- C1,C2,C4 : Aluminum Electrolytic Capacitor
- C3 : SL Characteristic ±5%
- R1 : Gain control resistor
- R2 : for control resistor (Using±1%)
- R (Other than above items) : ±5%

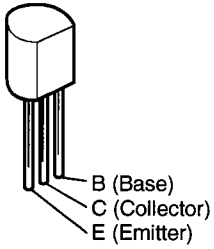
● **POSISTOR**

PTH9M04B222TS2F333

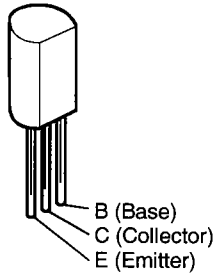


● TRANSISTORS

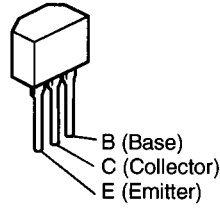
2SA970 (BL)
2SA988 (E/F)
2SA1015 (GR)
2SC1815 (GR)
2SC1841 (E/F)
2SC2058 (Q)
2SC2878 (A/B)



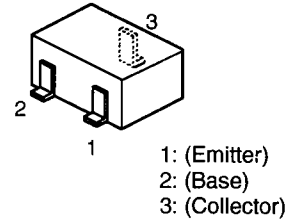
2SB647A (C)
2SD667A (C)



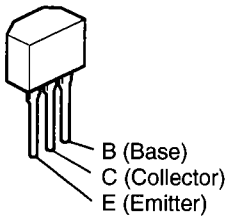
2SC2458



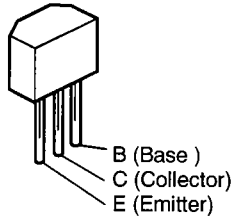
2SA1037K (S/R)
2SC2412K (S)



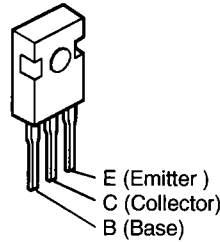
DTA114ES
DTA114TS
DTC114ES
DTC124ES
DTC144TS
DTC323TS



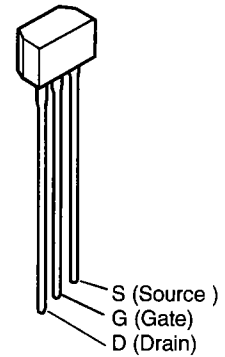
2SA933S (S)
2SC1740 (S)



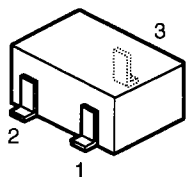
2SA1633
2SC4278



2SK365 (BL/GR)

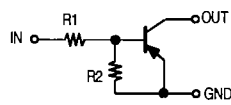


DTA114EKA
DTC143EKA
DTC144EKA



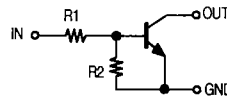
1: GND/Emitter
2: In/Base
3: Out/Collector

DTA114EKA



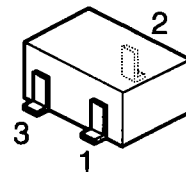
	R1	R2
DTA114EKA	10 Kohm	10 Kohm

DTC143EKA
DTC144EKA



	R1	R2
DTC143EKA	4.7 Kohm	4.7 Kohm
DTC144EKA	47 Kohm	47 Kohm

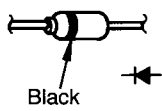
DTC143EK
DTC144EK



1: GND/Emitter
2: Out/Collector
3: In/Base

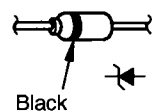
● DIODES (included LED)

1S2471



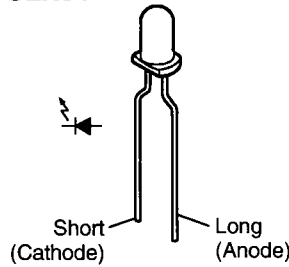
Black

HZS9A
HZS6C
HZS27



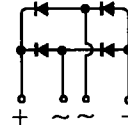
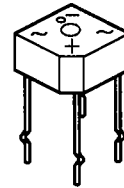
Black

SLR54

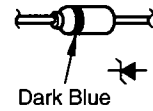


Short (Cathode) Long (Anode)

S4VB20

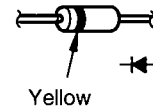


MTZJ3.3A



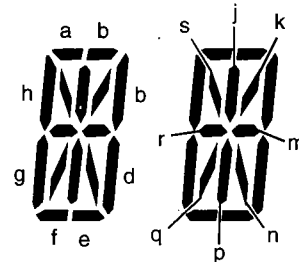
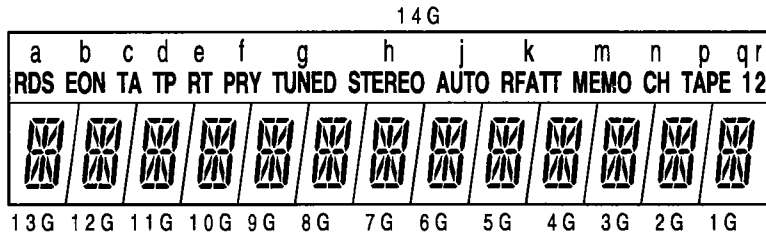
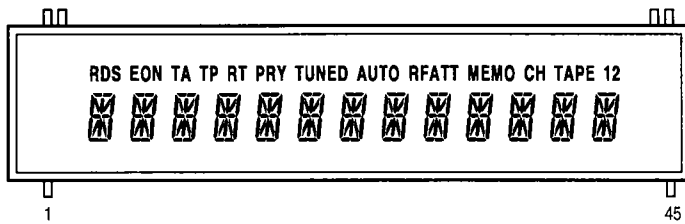
Dark Blue

1SS133



Yellow

● FLD (FL701)



PIN CONNECTION

Pin No.	1	2	3	4	5	6	7	8	9	10	11	12	13	14	15	16	17	18	19	20	21	22	23	24	25	26	27	28	29	30
Connection	F1	F1	NP	NP	NC	NC	NC	NC	NC	NC	NC	P16	P15	P14	P13	P12	P11	P10	P9	P8	P7	P6	P5	P4	P3	P2	P1	14G	13G	12G

Pin No.	31	32	33	34	35	36	37	38	39	40	41	42	43	44	45
Connection	11G	10G	9G	8G	7G	6G	5G	4G	3G	2G	1G	NP	NP	F2	F2

Note 1) F1, F2 Filament
 2) NP No pin
 3) NC No connection
 4) DL Datum line
 5) 1G~14G Gird


ANODE CONNECTION

	14G	13G	12G	11G	10G	9G	8G	7G	6G	5G	4G	3G	2G	1G
P1	RDS	a1	a1	a1	a1	a1	a1	a1	a1	a1	a1	a1	a1	a1
P2	EON	a2	a2	a2	a2	a2	a2	a2	a2	a2	a2	a2	a2	a2
P3	TA	b	b	b	b	b	b	b	b	b	b	b	b	b
P4	TP	c	c	c	c	c	c	c	c	c	c	c	c	c
P5	RT	d2	d2	d2	d2	d2	d2	d2	d2	d2	d2	d2	d2	d2
P6	PTY	d1	d1	d1	d1	d1	d1	d1	d1	d1	d1	d1	d1	d1
P7	TUNED	e	e	e	e	e	e	e	e	e	e	e	e	e
P8	STEREO	f	f	f	f	f	f	f	f	f	f	f	f	f
P9	AUTO	j	j	j	j	j	j	j	j	j	j	j	j	j
P10	RFATT	k	k	k	k	k	k	k	k	k	k	k	k	k
P11	MEMO	m	m	m	m	m	m	m	m	m	m	m	m	m
P12	CH	n	n	n	n	n	n	n	n	n	n	n	n	n
P13	TAPE	p	p	p	p	p	p	p	p	p	p	p	p	p
P14	1	r	r	r	r	r	r	r	r	r	r	r	r	r
P15	2	g	g	g	g	g	g	g	g	g	g	g	g	g
P16	—	h	h	h	h	h	h	h	h	h	h	h	h	h

NOTE FOR PARTS LIST

- Part indicated with the mark "⊙" are not always in stock and possibly to take a long period of time for supplying, or in some case supplying of part may be refused.
- When ordering of part, clearly indicate "1" and "1" (i) to avoid mis-supplying.
- Ordering part without stating its part number can not be supplied.
- Part indicated with the mark "★" is not illustrated in the exploded view.
- Not including Carbon Film ±5%, 1/4W Type in the P.W.Board parts list. (Refer to the Schematic Diagram for those parts.)

WARNING:

Parts marked with this symbol  have critical characteristics. Use ONLY replacement parts recommended by the manufacturer.

● **Resistors**

Ex.: **RN** **14K** **2E** **182** **G** **FR**
 Type Shape Power Resistance Allowable Others
 and performance error

RD : Carbon	2B : 1/8W	F : ±1%	P : Pulse-resistant type
RC : Composition	2E : 1/4W	G : ±2%	NL : Low noise type
RS : Metal oxide film	2H : 1/2W	J : ±5%	NB : Non-burning type
RW : Winding	3A : 1W	K : ±10%	FR : Fuse-resistor
RN : Metal film	3D : 2W	M : ±20%	F : Lead wire forming
RK : Metal mixture	3F : 3W		
	3H : 5W		

* **Resistance**

$1 \underline{8} \underline{2} \Rightarrow 1800 \text{ ohm} = 1.8 \text{ kohm}$
 Indicates number of zeros after effective number.
 2-digit effective number.

• Units: ohm

$1 \underline{R} \underline{2} \Rightarrow 1.2 \text{ ohm}$
 1-digit effective number.
 2-digit effective number, decimal point indicated by R.

• Units: ohm

● **Capacitors**

Ex.: **CE** **04W** **1H** **2R2** **M** **BP**
 Type Shape Dielectric Capacity Allowable Others
 and performance strength error

CE : Aluminum foil electrolytic	0J : 6.3V	F : ±1%	HS : High stability type
CA : Aluminum solid electrolytic	1A : 10V	G : ±2%	BP : Non-polar type
CS : Tantalum electrolytic	1C : 16V	J : ±5%	HR : Ripple-resistant type
CQ : Film	1E : 25V	K : ±10%	DL : For charge and discharge
CK : Ceramic	1V : 35V	M : ±20%	HF : For assuring high frequency
CC : Ceramic	1H : 50V	Z : +80%	U : UL part
CP : Oil	2A : 100V	-20%	C : CSA part
CM : Mica	2B : 125V	P : +100%	W : UL-CSA type
CF : Metallized	2C : 160V	-0%	F : Lead wire forming
CH : Metallized	2D : 200V	C : ±0.25pF	
	2E : 250V	D : ±0.5pF	
	2H : 500V	= : Others	
	2J : 630V		

* **Capacity (electrolyte only)**

$2 \underline{2} \underline{2} \Rightarrow 2200\mu\text{F}$
 Indicates number of zeros after effective number.
 2-digit effective number.

• Units: μF.

$2 \underline{R} \underline{2} \Rightarrow 2.2\mu\text{F}$
 1-digit effective number.
 2-digit effective number, decimal point indicated by R.

• Units: μF.

* **Capacity (except electrolyte)**

$2 \underline{2} \underline{2} \Rightarrow 2200\text{pF} = 0.0022\mu\text{F}$
 (More than 2) — Indicates number of zeros after effective number.
 2-digit effective number.

• Units: μF.

$2 \underline{2} \underline{1} \Rightarrow 220\text{pF}$
 (0 or 1) — Indicates number of zeros after effective number.
 2-digit effective number.

• Units: pF.

• When the dielectric strength is indicated in AC, "AC" is included after the dielectric strength value.

**PARTS LIST OF P.W.B. UNIT
MAIN P.W.B. ASS'Y**

Ref. No.	Part No.	Part Name	Remarks	Ref. No.	Part No.	Part Name	Remarks
SEMICONDUCTORS GROUP							
IC451	263 0615 902	IC BA15218F		TR601,602	273 0317 906	Transistor 2SC2458(BL)	
IC573	263 0516 001	IC NJM7812FA		TR603,604	271 0102 021	Transistor 2SA1015(GR)	
IC574	263 0641 002	IC NJM7912FA		TR651	273 0253 028	Transistor 2SC2878(B)	
IC575	9LC P024 12	IC KIA7806PI		TR652	269 0054 901	Transistor DTC144EK	
IC601	262 1875 007	IC BU4066BCF		TR654	269 0054 901	Transistor DTC144EK	
IC651~653	263 0672 903	IC BA4558F		TR655	UDM D010 434	Transistor DTA114EKA	
IC654	262 1875 007	IC BU4066BCF		TR656	UDM D010 434	Transistor DTA114EKA	
IC911	262 1701 906	IC SA6579T	Europe & U.K models only	TR801	269 0048 904	Transistor DTC143EK	
IC912	9LC K447 1	IC LC7074M	Europe & U.K models only	TR802	273 0384 900	Transistor 2SC2412K(Q/R)	
IC913,914	9LC K089 01R	IC BU4094BCF		TR803	UDM D010 434	Transistor DTA114EKA	
TR301~304	271 0094 016	Transistor 2SA970(BL)		TR903,904	UDM D010 434	Transistor DTA114EKA	
TR305,306	271 0131 005	Transistor 2SA988(E/F)		D301~306	276 0401 905	Diode 1SS133	
TR307~312	273 0235 020	Transistor 2SC1841(E/F)		D307~310	9L2 3312 32M	Diode 1S2471B	
TR313,314	273 0325 008	Transistor 2SC1815(GR)		D311,312	276 0401 905	Diode 1SS133	
TR315,316	274 0060 007	Transistor 2SD667A(C)		D351	276 0338 007	Diode S4VB20	
TR317,318	272 0053 005	Transistor 2SB647A(C)		D352	276 0401 905	Diode 1SS133	
TR319,320	273 0430 003	Transistor 2SC4278(E/F)		D401	276 0401 905	Diode 1SS133	
TR321,322	271 0276 009	Transistor 2SA1633(E/F)		D403	276 0401 905	Diode 1SS133	
TR323,324	273 0235 020	Transistor 2SC1841(E/F)		D405	276 0401 905	Diode 1SS133	
TR325	271 0131 005	Transistor 2SA988(E/F)		D407	9L2 3312 32M	Diode 1S2471B	
TR351,352	271 0131 005	Transistor 2SA988(E/F)		D409	9L2 3312 32M	Diode 1S2471B	
TR353	273 0384 900	Transistor 2SC2412K(Q/R)		D410	9L2 3980 61	Diode 1N4002	
TR354	271 0238 908	Transistor 2SA1037K(Q/R)		D411	276 0401 905	Diode 1SS133	
TR355	9L2 3286 25	Transistor 2SB647(C)		D441	276 0401 905	Diode 1SS133	
TR401	271 0094 016	Transistor 2SA970(BL)		D481~483	276 0401 905	Diode 1SS133	
TR403	271 0094 016	Transistor 2SA970(BL)		D484	9L2 2000 03R	Diode SDC-1SS355	
TR405	271 0131 005	Transistor 2SA988(E/F)		D616,617	276 0401 905	Diode 1SS133	
TR407	273 0235 020	Transistor 2SC1841(E/F)		D753~756	9L2 3980 64	Diode IN4001-U01	
TR409	273 0235 020	Transistor 2SC1841(E/F)		D801	9L2 3980 64	Diode IN4001-U01	
TR411	273 0235 020	Transistor 2SC1841(E/F)		D802~804	276 0401 905	Diode 1SS133	
TR413	273 0325 008	Transistor 2SC1815(GR)		D905	276 0401 905	Diode 1SS133	
TR415	274 0060 007	Transistor 2SD667A(C)		D911	276 0401 905	Diode 1SS133	Europe & U.K models only
TR417	9L2 3286 25	Transistor 2SB647(C)		D912	276 0401 905	Diode 1SS133	
TR419	273 0430 003	Transistor 2SC4278(E/F)		ZD301,302	DB8 00-0 112	Zener diode HZS6C2L	
TR421	271 0276 009	Transistor 2SA1633(E/F)		ZD351	9W2 3392 23	Zener diode HZS27-3L	
TR423	273 0235 020	Transistor 2SC1841(E/F)		ZD401	DB8 00-0 112	Zener diode HZS6C2L	
TR442	269 0082 902	Transistor DTA114EKA		ZD551	DB8 00-0 112	Zener diode HZS6C2L	
TR443	269 0048 904	Transistor DTC143EK		ZD571	DB8 00-0 112	Zener diode HZS6C2L	
TR481~486	273 0384 900	Transistor 2SC2412K(Q/R)		ZD801	276 0634 905	Zener diode MTZJ3.3A	
TR487	271 0238 908	Transistor 2SA1037K(Q/R)		TH531	9LC J001 51	PTH9M04B222TS2F333	
TR488	269 0054 901	Transistor DTC144EK					
TR531	273 0384 900	Transistor 2SC2412K(Q/R)					
TR551	273 0384 900	Transistor 2SC2412K(Q/R)					

Ref. No.	Part No.	Part Name	Remarks	Ref. No.	Part No.	Part Name	Remarks
RESISTORS GROUP				R424		Chip 270kohm	RNC274J1-16
R301,302		Chip 10kohm	RNC103J1-16	R425		Carbon 4.7ohm	RD1-4R7J1-16L
R303,304		Chip 470ohm	RNC471J1-16				Except Europe & U.K models
R305,306		Carbon film 12kohm	RD14S1J123JQ	R425		Carbon 2.2ohm	RD1-2R2J1-16L
R307,308		Chip 30ohm	RMC73M-1F300JR				Europe & U.K models only
R309,310		Carbon film 10kohm	RD14S1J103JQ	R426		Chip 22kohm	RNC223J1-16
R311,312		Chip 47ohm	RNC470J1-16	R427		Chip 20kohm	RMC73M-1F203JR
R313,314		Chip 430ohm	RMC73M-1F431JR	R428,429		Chip 10kohm	RNC103J1-16
R315-318	241 2380 963	Carbon 2.2kohm	RD14S2E222J(NB)	R431	244 2051 987	4.7ohm 1W	RE-4R7J0001N
R319,320	241 2315 967	Carbon film 68ohm 1/4W (NB)	RD45B2E680JNB-FR	R433,434	244 2051 987	4.7ohm 1W	RE-4R7J0001N
R321-324	241 2377 976	Carbon 130ohm	RD14S2E131J(NB)	R437		Chip 10kohm	RNC103J1-16
R325,356		Chip 5.6kohm	RNC562J1-16	R438		Chip 13kohm	RMC73M-1F133JR
R327,328		Chip 75kohm	RMC73M-1F753JR	R442		Carbon film 1kohm 1W (NB)	RE-102J000IS
R329,330		Carbon 9.1kohm	RDL-912J1-16LQ	R443		Chip 2.2kohm	RNC222J1-16
R331,332	241 2378 920	Carbon 220ohm	RD14S2E221J(NB)	R445		Chip 2.2kohm	RNC222J1-16
R333-340	244 2043 982	0.22ohm 1W	RE-R22J0001N	R451,452		Chip 470ohm	RNC471J1-16
R341-344		Chip 20kohm	RMC73M-1F203JR	R453,454		Chip 62kohm	RMC73M-1F623JR
R345,346		Chip 10kohm	RNC103J1-16	R457,458		Chip 62kohm	RMC73M-1F623JR
R347,348		Chip 270kohm	RNC274J1-16	R463,464		Chip 1.2kohm	RNC122J1-16
R349,350	241 2407 082	Carbon film 2.2ohm	RDL-2R2J1-16L	R465,466		Chip 220ohm	RNC221J1-16
R351,352		Chip 22kohm	RNC223J1-16	R467,468		Chip 11kohm	RMC73M-1F113JR
R353,354		Chip 20kohm	RMC73M-1F203JR	R469,470		Chip 1.8kohm	RNC182J1-16
R358,359		Chip 10kohm	RNC103J1-16	R471,472		Chip 6.8ohm	RNC6R8J1-16
R361,362	244 2043 050	Metal oxide 470ohm 1W	RS08B3A471JS	R473,474		Chip 200ohm	RMC73M-1F201JR
R371-374	244 2043 982	0.22ohm 1W	RE-R22J0001N	R475,476		Chip 39ohm	RNC390J1-16
R375		Chip 820ohm	RMZ73M-1F821JR	R477,478		Chip 100ohm	RNC101J1-16
R376		Chip 560kohm	RNC564J1-16	R481,482		Carbon 1ohm	RD14S2E010J(NB)
R377		Chip 22kohm	RNC223J1-16	R484		Chip 10kohm	RNC103J1-16
R378		Chip 470ohm	RNC471J1-16	R485		Chip 4.7kohm	RNC4R7J1-16
R379		Chip 3.6kohm	RMC73M-1F362JR	R486		Chip 10kohm	RNC103J1-16
R380		Chip 470ohm	RNC471J1-16	R488		Chip 10kohm	RNC103J1-16
R381		Chip 560kohm	RNC564J1-16	R489		Chip 47ohm	RNC470J1-16
R383	241 2400 063	Carbon 7.5kohm	RDL-752J1-16LQ	R490		Chip 4.7kohm	RNC472J1-16
R384	241 2315 967	Metal film 68ohm 1/4W	RN45B2E680JB-FR	R491		Chip 1kohm	RNC102J1-16
R397,398	241 2402 003	Carbon 30kohm	RDL-303J1-16LQ	R492		Chip 10kohm	RNC103J1-16
R401		Chip 10kohm	RNC103J1-16	R493,494		Chip 47kohm	RNC473J1-16
R402		Chip 1.5kohm	RNC152J1-16	R496-498		Chip 4.7kohm	RNC472J1-16
R403		Carbon film 12kohm	RD14S1J123JQ	R499		Chip 47ohm	RNC470J1-16
R404		Chip 100ohm	RNC101J1-16	R583		Carbon 1ohm	RD14S2E010J(NB)
R405		Carbon film 10kohm	RD14S1J103JQ	R584		Chip 390kohm	RNC394J1-16
R406		Chip 47ohm	RNC470J1-16	R585		Chip 10kohm	RNC103J1-16
R407		Chip 430ohm	RMC73M-1F431JR	R586		Chip 20kohm	RMC73M-1F203JR
R408,409	241 2380 963	Carbon 2.2kohm	RD14S2E222J(NB)	R587		Chip 4.7kohm	RNC472J1-16
R410	241 2315 967	Metal film 68ohm 1/4W	RN45B2E680JNB-FR	R601	241 2395 097	Carbon 75ohm	RDL-750J1-16LQ
R411,412	241 2377 976	Carbon 130ohm	RD14S2E131J(NB)	R603	241 2395 097	Carbon 75ohm	RDL-750J1-16LQ
R413		Chip 5.6kohm	RNC562J1-16	R604	241 2400 995	Carbon 10kohm	RDL-103J1-16LQ
R414		Chip 75kohm	RMC73M-1F753JR	R608	241 2400 979	Carbon 8.2kohm	RDL-822J1-16LQ
R415		Carbon 9.1kohm	RDL-912J1-16LQ	R611,612	241 2400 979	Carbon 8.2kohm	RDL-822J1-16LQ
R416	241 2378 920	Carbon 220ohm	RD14S2E221J(NB)	R613,614	241 2400 995	Carbon 10kohm	RDL-103J1-16LQ
R417-420	244 2043 982	0.22ohm 1W	RE-R22J0001N	R615,616	241 2397 008	Carbon 220ohm	RDL-221J1-16LQ
R421,422		Chip 20kohm	RMC73M-1F203JR				

Ref. No.	Part No.	Part Name	Remarks	Ref. No.	Part No.	Part Name	Remarks
R617,618	241 2398 007	Carbon 620ohm	RDL-621J1-16LQ	C399	255 1134 054	Mylar film 0.1µF/50V	CQ92M1H104KB
R619,620	241 2397 008	Carbon 220ohm	RDL-221J1-16LQ	C401	254 4256 004	Electrolytic 10µF/25V	CE04W1E100MB(SSL)
R621,622	241 2395 097	Carbon 75ohm	RDL-750J1-16LQ	C402		Ceramic chip 2200pF/50V	CK73MSL1H222K
R623-626	241 2400 995	Carbon 10kohm	RDL-103J1-16LQ	C403		Ceramic chip 220pF/50V	CC73MSL1H221J
R651-656		Chip 12kohm	RNC123J1-16	C404		Ceramic chip 0.012µF/50V	CK73MB1H123K
R657-662		Chip 33kohm	RNC333J1-16	C405		Ceramic chip 100pF/50V	CC73MSL1H101J
R663-668		Chip 100ohm	RNC101J1-16	C406	254 4256 059	Electrolytic 220µF/25V	CE04W1E221MB(SSL)
R669-674		Chip 47kohm	RNC473J1-16	C407,408	255 4199 986	Mylar film 1000pF/50V	CQ92M1H102KB
R675		Chip 1kohm	RNC102J1-16	C409		Ceramic chip 33pF/500V	CC45SL2H330KB
R676		Chip 47kohm	RNC473J1-16				Except Europe & U.K models
R680-682		Chip 15kohm	RNC153J1-16	C409		Ceramic 18pF/500V	CC45SL2H180KB
R683		Chip 910ohm	RMC73M-1F911JR				Europe & U.K models only
R677		Chip 2.2kohm	RNC222J1-16	C410	254 4260 045	Electrolytic 1µF/50V	CE04W1H1R0MB(SSL)
R738-740		Chip 2.2kohm	RNC222J1-16	C411	255 4213 972	Mylar film 0.01µF/50V	CQ92M1H103KB
R747		Chip 2.2kohm	RNC222J1-16	C421,422	254 4260 074	Electrolytic 4.7µF/50V	CE04W1H4R7MB(SSL)
R748,749		Chip 6.8kohm	RNC682J1-16	C425	253 1028 009	Ceramic 220pF/500V	CK45B2H221KB
R802		Chip 10kohm	RNC103J1-16	C428		Mylar film 0.047µF/50V	CQ92M1H473KB
R803-805		Chip 1kohm	RNC102J1-16	C431	255 1134 054	Mylar film 0.1µF/50V	CQ92M1H104KEB
R806,807		Chip 4.7kohm	RNC472J1-16	C432		Ceramic chip 0.01µF	CCT103M16D3
R808		Chip 220kohm	RNC224J1-16	C433,434	255 4224 945	Mylar film 0.1µF/50V	CQ92M1H104KEB
R809,810		Chip 10kohm	RNC103J1-16	C451,452	254 4256 004	Electrolytic 10µF/25V	CE04W1E100MB(SSL)
VR301,302	9LA W001 61R	Semi fixed resistor 5 kohm	RT6-3H502T	C453,454		Ceramic chip 100pF/50V	CC73MSL1H101J
VR401	9LA W001 61R	Semi fixed resistor 5 kohm	RT6-3H502T	C455,456		Ceramic chip 100pF/50V	CC73MSL1H101J
VR451	9LA Y001 81	Variable resistor 100 kohm	BALANCE	C457,458	254 4256 033	Electrolytic 47µF/25V	CE04W1E470MB(SSL)
VR452	9LA Y001 82	Variable resistor 30 kohm	BASS	C459,460		Ceramic chip 2200pF/50V	CK73MB1H222K
VR453	9LA Y001 83	Variable resistor 10 kohm	TREBLE	C461,462	256 1034 004	Mylar film 0.18µF	CQM-184J500R
CAPACITORS GROUP				C463,464	254 4260 045	Electrolytic 1µF/50V	CE04W1H1R0MB(SSL)
C301,302	254 4256 004	Electrolytic 10µF/25V	CE04W1E100MB(SSL)	C467,468		Ceramic chip 0.012µF/50V	CK73MB1H123K
C303-306		Ceramic chip 220pF/50V	CC73MSL1H221J	C469,470		Ceramic chip 0.056µF/16V	CK73MB1C563K
C307,308		Ceramic chip 6800pF/50V	CK73MB1H682J	C471,472	254 4196 928	Electrolytic 0.33µF/50V	CE04W1HR33(SRA)
C309,310		Ceramic chip 100pF/50V	CC73MSL1H101J	C473		Ceramic chip 0.047µF/50V	CK73MF1H473Z
C311,312	254 4256 059	Electrolytic 220µF/25V	CE04W1E221MB(SSL)	C474		Ceramic chip 0.022µF/50V	CK73MF1H223Z
C313-316	255 4199 986	Mylar film 1000pF/50V	CQ92M1H102KB	C481	254 4256 033	Electrolytic 47µF/25V	CE04W1E470MB(SSL)
C317,318		Ceramic 18pF/100V	CC45SL2H180KB	C482	254 4256 042	Electrolytic 330µF/6.3V	CE04W0J331MB
C319,320	254 4260 045	Electrolytic 1µF/50V	CE04W1H1R0MB(SSL)	C498,499		Ceramic chip 0.1µF/25V	CK73MF1E104Z
C321,322	255 1134 025	Mylar film 0.01µF/50V	CQ92M1H103KB	C513,514		Mylar film 0.033µF/50V	CQ92M1H333KB
C325,326	253 1028 009	Ceramic 220pF/500V	CK45B2H221KB	C523		Ceramic chip 0.01µF	CCT103M16D3
C327	255 1134 025	Mylar film 0.01µF/50V	CQ92M1H103KB	C526		Ceramic chip 0.01µF	CCT103M16D3
C331-334	254 4260 074	Electrolytic 4.7µF/50V	CE04W1H4R7MB(SSL)	C585	256 1034 076	Mylar film 0.1µF/100V	MYL-ECQB2104KF3
C351,352	9LA L004 71	10000µ/50v		C586,587	254 4261 772	Electrolytic 2200µF	CE04W1F222
C355	255 1131 002	Mylar film 0.1µF/100V	MYL-ECQB2104KF3	C588,589	254 4256 004	Electrolytic 10µF/25V	CE04W1E100MB(SSL)
C356,357	255 1134 054	Mylar film 0.1µF/50V	CQ92M1H104KB	C590,591		Ceramic chip 0.01µF/50V	CK73MB1H103K
C358,359	254 4260 045	Electrolytic 1µF/50V	CE04W1H1R0MB(SSL)	C592	254 4256 033	Electrolytic 47µF/25V	CE04W1E470MB(SSL)
C360		Electrolytic 10µF/35V	CE04W1F100MB(SSL)	C593	254 4256 004	Electrolytic 10µF/25V	CE04W1E100MB(SSL)
C361-364		Mylar film 0.033µF/50V	CQ92M1H333KB	C594		Ceramic chip 0.01µF/50V	CK73MB1H103K
C365,366		Ceramic chip 0.01µF	CCT103M16D3	C601,602	254 4256 033	Electrolytic 47µF/25V	CE04W1E470MB(SSL)
				C604	254 4254 080	Electrolytic 470µF/25V	CE04W1E471MF

Ref. No.	Part No.	Part Name	Remarks	Ref. No.	Part No.	Part Name	Remarks	Q'ty
C605,606		Ceramic chip 5pF	CCT5R050D3	CN18B		2P TXL B-C connector	L=350	1
C607,608	254 4252 079	Electrolytic 1000µF/10V	CE04W1A102MF	CN25A	9LE D007 92	FFC connector		1
C609		Ceramic chip 0.01µF	CCT103M16D3	CN26		3P MX pinpost		1
			Europe & U.K models only	CN27		5P MX pinpost		1
C651-656	254 4256 004	Electrolytic 10µF/25V	CE04W1E100MB(SSL)	CN501B		2P PH B-C connector	L=160	1
C657-662		Ceramic chip 220pF/50V	CC73MSL1H221J	CN502B		9P PH B-C connector	L=120	1
C663-670	254 4256 004	Electrolytic 10µF/25V	CE04W1E100MB(SSL)	JK2	9LE R002 41	1P USPIN jack		1
C671-674		Ceramic chip 0.01µF/50V	CK73MB1H103K	Δ JK501	9LE Y004 91	AC outlet	U.S.A & Canada models only	1
C675		Electrolytic 100µF/25V	CE04W1E101MB(SSL)	JK502	9L2 6950 13	Headphones jack		1
C801	254 4250 084	Electrolytic 3300µF/6.3V	CE04W0J332M	JK601	9LE R002 33	4P USPIN jack		1
C802,803		Ceramic chip 0.01µF/50V	CK73MB1H103K	JK651	9LE R002 23	6P USPIN jack		1
C804		Electrolytic 0.47µF/50V	CE04W1HR47MB(SRA)	L301,302	9L2 2273 63	Audio trap coil		2
C805	255 4199 915	Mylar film 0.12µF	CQM-124J500R	L401	9L2 2273 63	Audio trap coil		1
C806		Electrolytic 1000µF/6.3V	CE04W0J102M	RL481,482	9L2 6413 21	Speaker relay	DC24V	2
C807		Ceramic chip 0.01µF/50V	CK73MB1H103K	SW1	9LF E001 81	Speaker switch		1
C911,912		Ceramic chip 27pF/50V	CC73MCH1H270J	SP3	9LE U004 01	Speaker terminal		1
			Europe & U.K models only	SP301	9LE U003 81	Speaker terminal		1
C913	254 4256 004	Electrolytic 10µF/25V	CE04W1E100MB(SSL)	SP501	9LE U000 86	Speaker terminal		1
			Europe & U.K models only	TP-L		3P MX pinpost		1
C914		Electrolytic 2.2µF/650V	CE04W1H2R2MB	TP-R		3P MX pinpost		1
			Europe & U.K models only	TP-C		3P MX pinpost		1
C915		Ceramic chip 560pF/50V	CC73MSL1H561J	XT911		Cristal 4.332M	Europe & U.K models only	1
C918	254 4256 004	Electrolytic 10µF/25V	CE04W1E100MB(SSL)	XT912		Cristal 4.0MGM	Europe & U.K models only	1
			Europe & U.K models only			Heat sink bracket		1
C919		Ceramic chip 0.01µF/50V	CK73MB1H103K			Insuration sheet		6
			Europe & U.K models only			Screw 3 10 BT bind		11
C921	254 4256 033	Electrolytic 47µF/25V	CE04W1E470MB(SSL)					
OTHER PARTS GROUP				Q'ty				
CN4A		4P PH pinpost		1				
CN4B		4P PH B-C Connector	L=80	1				
CN5A		4P MX pinpost		1				
CN6A		6P PIN header		1				
CN7A		8P PIN header		1				
CN8A		7P PIN header		1				
CN9A		10P PH pinpost	Except Europe & U.K models	1				
CN10A		10P PIN header		1				
CN11A		8P PH pinpost		1				
CN12A		2P PH pinpost		1				
CN13A		13P PIN header		1				
CN14A		14P PH pinpost	Europe & U.K models only	1				
CN15C		10P PIN header		1				
CN15D		10P PIN header		1				
CN16A		10P PIN header		1				
CN17		6P TSB connector	L=100	1				
CN18A		2P TXL pinpost		1				

FL P.W.B. ASS'Y

Ref. No.	Part No.	Part Name	Remarks
SEMICONDUCTORS GROUP			
IC1	263 0891 001	IC LA1265S	
IC2	9LC P030 61	IC LA3401	
IC3	262 0719 009	IC LM7001	
IC101	263 0672 903	IC BA4558F	
IC102	9LC P030 51	IC LC78212	
IC103	263 0672 903	IC BA4558F	
IC201	263 0906 006	IC NJM2177AF	
IC202	9LC K050 32	IC NJU9702G	
IC203	262 1875 900	IC BU4066BCF	
IC205~208	262 1875 900	IC BU4066BCF	
IC261~264	263 0672 903	IC BA4558F	
IC265	263 0905 007	IC BA6208F	
IC266,267	262 0625 009	IC TC9176P	
IC701	9LC K092 61	IC TMP87CM71F-***	
IC702	9LH N000 31	IC SBX1910-52	
TR1		Transistor 2SK161Y	Europe & U.K models only
TR2	273 0434 902	Transistor 2SC2058S(Q)	
TR3,4	269 0046 906	Transistor DTA114ES	
TR5	273 0325 008	Transistor 2SC1815GR	
TR6	275 0053 004	Transistor 2SK365(BL/GR)	
TR7,8	269 0072 909	Transistor DTC323TS	
TR9	269 0079 902	Transistor DTC144TS	
TR10	269 0080 904	Transistor DTA114TS	
TR201	UDM D010 439	Transistor DTA114EKA	
TR202,203	269 0054 901	Transistor DTC144EKA	
TR205	269 0054 901	Transistor DTC144EKA	
TR206	269 0049 904	Transistor DTC143EKA	
TR207~209	269 0054 901	Transistor DTC144EKA	
TR210	273 0303 910	Transistor 2SC1740S(S)	
TR211	UDM D010 439	Transistor DTA114EKA	
TR212	269 0054 901	Transistor DTC144EKA	
TR552	273 0303 910	Transistor 2SC1740S(S)	
TR701,702	269 0020 906	Transistor DTC114ES	
TR703	269 0062 906	Transistor DTC124ES	
D1~3	276 0401 002	Diode 1SS133	
D6	9L2 3980 64	Diode 1N4001-U01	
D7	276 0401 002	Diode 1SS133	
D202~205	276 0401 002	Diode 1SS133	
D261	276 0401 002	Diode 1SS133	
D551	276 0401 002	Diode 1SS133	
D552~557	9L2 3980 64	Diode 1N4001-U01	

Ref. No.	Part No.	Part Name	Remarks
D701~703	276 0401 002	Diode 1SS133	
ZD201	9L2 3390 31Q	Zener diode HZS6C1L	
ZD701	9L2 3390 73Q	Zener diode HZS9A3L	
LD701,702	9L2 3984 05	LED SLR54VC3F	
RESISTORS GROUP			
R2	241 2400 034	Carbon 5.6kohm	RDL-562J1-16LQ Europe & U.K models only
R4	241 2400 995	Carbon 10kohm	RDL-103J1-16LQ Europe & U.K models only
R5	241 2398 052	Carbon 1kohm	RDL-102J1-16LQ Except Europe & U.K models
R5	241 2397 066	Carbon 390ohm	RDL-391J1-16LQ Europe & U.K models only
R6		Carbon 330ohm	RDL-331J1-16LQ Europe & U.K models only
R7	241 2400 911	Carbon 4.7kohm	RDL-472J1-16LQ
R8	241 2397 943	Carbon 330ohm	RDL-331J1-16LQ
R9	241 2397 008	Carbon 220ohm	RDL-221J1-16LQ
R10	241 2399 019	Carbon 1.8kohm	RDL-182J1-16LQ
R11		Carbon 330ohm	RDL-331J1-16LQ
R14	241 2396 025	Carbon 100ohm	RDL-101J1-16LQ
R15	241 2400 979	Carbon 8.2kohm	RDL-822J1-16LQ
R16	241 2399 996	Carbon 3.9kohm	RDL-392J1-16LQ
R17	241 2397 066	Carbon 390ohm	RDL-391J1-16LQ
R18	241 2396 960	Carbon 150ohm	RDL-151J1-16LQ
R19	241 2396 025	Carbon 100ohm	RDL-101J1-16LQ
R20	241 2401 936	Carbon 15kohm	RDL-153J1-16LQ
R21	241 2396 944	Carbon 120ohm	RDL-121J1-16LQ
R22	241 2401 059	Carbon 18kohm	RDL-183J1-16LQ U.S.A & Canada models only
R22	241 2402 935	Carbon 39kohm	RDL-393J1-16LQ Except U.S.A & Canada models
R23		Carbon 1.2kohm	RDL-122J1-16LQ Europe & U.K models only
R24	241 2400 953	Carbon 6.8kohm	RDL-682J1-16LQ
R25,26	241 2400 995	Carbon 10kohm	RDL-103J1-16LQ
R27	241 2399 970	Carbon 3.3kohm	RDL-332J1-16LQ
R28		Carbon 11kohm	RDL-113J1-16LQ
R29	241 2402 090	Carbon 68kohm	RDL-683J1-16LQ
R30,31	241 2402 980	Carbon 62kohm	RDL-623J1-16LQ
R32	241 2403 934	Carbon 100kohm	RDL-104J1-16LQ Except Europe & U.K models
R32		Carbon 150kohm	RDL-154J1-16LQ Europe & U.K models only
R33	241 2403 950	Carbon 120kohm	RDL-124J1-16LQ Except Europe & U.K models

Ref. No.	Part No.	Part Name	Remarks	Ref. No.	Part No.	Part Name	Remarks
R33		Carbon 180kohm	RDL-184J1-16LQ Europe & U.K models only	R205		Chip 47kohm	RNC473J1-16
R34	241 2403 950	Carbon 120kohm	RDL-124J1-16LQ Except Europe & U.K models	R206		Chip 15kohm	RNC153J1-16
R34		Carbon 180kohm	RDL-184J1-16LQ Europe & U.K models only	R207		Chip 4.7Mohm	RMC73M-1F475JR
R35	241 2403 934	Carbon 100kohm	RDL-104J1-16LQ Except Europe & U.K models	R208,209		Chip 56kohm	RNC563J1-16
R35		Carbon 150kohm	RDL-154J1-16LQ Europe & U.K models only	R210,211		Chip 100kohm	RNC104J1-16
R36	241 2399 970	Carbon 3.3kohm	RDL-332J1-16LQ	R212		Chip 15kohm	RNC153J1-16
R37,38	241 2403 934	Carbon 100kohm	RDL-104J1-16LQ	R213		Chip 8.2kohm	RNC822J1-16
R39,40	241 2399 019	Carbon 1.8kohm	RDL-182J1-16LQ	R214		Chip 15kohm	RNC153J1-16
R41	241 2400 953	Carbon 6.8kohm	RDL-682J1-16LQ Except Europe & U.K models	R215		Chip 330kohm	RNC334J1-16
R41	241 2400 911	Carbon 4.7kohm	RDL-472J1-16LQ Europe & U.K models only	R218~220		Chip 47kohm	RNC473J1-16
R42	241 2400 953	Carbon 6.8kohm	RDL-682J1-16LQ Except Europe & U.K models	R221~223		Chip 8.2kohm	RNC822J1-16
R42	241 2400 911	Carbon 4.7kohm	RDL-472J1-16LQ Europe & U.K models only	R224		Chip 1Mohm	RNC105J1-16
R43	241 2401 059	Carbon 18kohm	RDL-183J1-16LQ	R225		Chip 15kohm	RNC153J1-16
R44,45	241 2400 995	Carbon 10kohm	RDL-103J1-16LQ	R226		Chip 18kohm	RNC183J1-16
R46	241 2400 034	Carbon 5.6kohm	RDL-562J1-16LQ	R227		Chip 15kohm	RNC153J1-16
R50	241 2396 025	Carbon 100ohm	RDL-101J1-16LQ Except Europe & U.K models	R228,229		Chip 20ohm	RMC73M-1F200JR
R51,52	241 2403 934	Carbon 100kohm	RDL-104J1-16LQ	R230		Chip 7.5kohm	RMC73M-1F752JR
R65	241 2400 911	Carbon 4.7kohm	RDL-472J1-16LQ	R231		Chip 5.6kohm	RNC562J1-16
R101,102		Chip 390ohm	RNC391J1-16	R232		Chip 18kohm	RNC183J1-16
R103,104		Chip 68kohm	RNC683J1-16	R233~235		Chip 47kohm	RNC473J1-16
R105,106		Chip 150kohm	RNC154J1-16	R236	241 2321 045	Carbon 220ohm	RD14S2E221J(NB)
R107,108		Chip 47ohm	RNC470J1-16	R237		Chip 1kohm	RNC102J1-16
R109,110		Chip 750ohm	RNC751J1-16	R239,240		Chip 100ohm	RNC101J1-16
R111,112		Chip 560kohm	RNC564J1-16	R241,242		Chip 47kohm	RNC473J1-16
R113,114		Chip 47kohm	RNC473J1-16	R243		Chip 100kohm	RNC104J1-16
R115,116		Chip 22ohm	RNC220J1-16	R251		Chip 1.5kohm	RNC152J1-16
R117,118		Chip 100ohm	RNC101J1-16	R252		Chip 2.2kohm	RNC222J1-16
R119,120		Chip 470kohm	RNC474J1-16	R253,254		Chip 4.7kohm	RNC472J1-16
R121~128		Chip 1Mohm	RNC105J1-16	R256		Chip 47kohm	RNC473J1-16
R133~144		Chip 470ohm	RNC471J1-16	R258		Chip 3.3kohm	RNC332J1-16
R145		Chip 680kohm	RNC684J1-16	R259		Chip 100ohm	RNC101J1-16
R151,152		Chip 12kohm	RNC123J1-16	R261		Chip 33kohm	RNC333J1-16
R153,154		Chip 56kohm	RNC563J1-16	R262		Chip 5.6kohm	RNC562J1-16
R155,156		Chip 100kohm	RNC104J1-16	R263		Chip 470kohm	RNC474J1-16
R157~160		Chip 100ohm	RNC101J1-16	R264		Chip 1kohm	RNC102J1-16
R161,162	241 2400 911	Carbon 4.7kohm	RDL-472J1-16LQ Europe & U.K models only	R265		Chip 220kohm	RNC224J1-16
R201		Chip 7.5kohm	RMC73M-1F752JR	R266		Chip 1kohm	RNC102J1-16
R202		Chip 47kohm	RNC473J1-16	R267		Chip 3.3kohm	RNC332J1-16
R203		Chip 15kohm	RNC153J1-16	R268		Chip 100ohm	RNC101J1-16
R204		Chip 7.5kohm	RMC73M-1F752JR	R269,270		Chip 100kohm	RNC104J1-16
				R271		Chip 220kohm	RNC224J1-16
				R272		Chip 1kohm	RNC102J1-16
				R273		Chip 3.3kohm	RNC332J1-16
				R274		Chip 100ohm	RNC101J1-16
				R275		Chip 100kohm	RNC104J1-16
				R276		Chip 100ohm	RNC101J1-16
				R277		Chip 3.3kohm	RNC332J1-16
				R278		Chip 1kohm	RNC102J1-16
				R279		Chip 220kohm	RNC224J1-16
				R280		Chip 100ohm	RNC101J1-16
				R281		Chip 470kohm	RNC474J1-16
				R282		Chip 1kohm	RNC102J1-16
				R283		Chip 5.6kohm	RNC562J1-16

Ref. No.	Part No.	Part Name	Remarks
R284		Chip 33kohm	RNC333J1-16
R285		Chip 470kohm	RNC474J1-16
R286		Chip 100ohm	RNC101J1-16
R287		Chip 1kohm	RNC102J1-16
R288		Chip 5.6kohm	RNC562J1-16
R289		Chip 100kohm	RNC104J1-16
R290,291		Chip 33kohm	RNC333J1-16
R292		Chip 470kohm	RNC474J1-16
R293		Chip 100ohm	RNC101J1-16
R294		Chip 1kohm	RNC102J1-16
R295		Chip 5.6kohm	RNC562J1-16
R296,297		Chip 10kohm	RNC103J1-16
R298	241 2321 032	Carbon 4.7ohm	RD14S2E4R7J(NB)
R299		Chip 220kohm	RNC224J1-16
R300		Chip 1kohm	RNC102J1-16
R301-303	241 2396 025	Carbon 100ohm	RDL-101J1-16
R590	241 2400 911	Carbon 4.7kohm	RDL-472J1-16LQ
R591	241 2400 911	Carbon 10kohm	RDL-103J1-16LQ
R592	241 2375 978	Carbon 20ohm	RD14S2E200J(NB)
R593		2.7 Mohm 1/2W	RC14GF2H275KBF0 U.S.A & Canada models only
R701	241 2398 052	Carbon 1kohm	RDL-102J1-16LQ
R702	241 2396 979	Carbon 200ohm	RDL-201J1-16LQ
R703	241 2397 037	Carbon 300ohm	RDL-301J1-16LQ
R704	241 2397 082	Carbon 510ohm	RDL-511J1-16LQ
R705	241 2398 052	Carbon 1kohm	RDL-102J1-16LQ Europe & U.K models only
R706	241 2399 064	Carbon 3kohm	RDL-302J1-16LQ Europe & U.K models only
R707	241 2398 052	Carbon 1kohm	RDL-102J1-16LQ
R708	241 2396 999	Carbon 200ohm	RDL-201J1-16LQ
R709	241 2397 037	Carbon 300ohm	RDL-301J1-16LQ
R710	241 2397 082	Carbon 510ohm	RDL-511J1-16LQ
R711	241 2398 052	Carbon 1kohm	RDL-102J1-16LQ
R712	241 2399 064	Carbon 3kohm	RDL-302J1-16LQ
R713	241 2398 052	Carbon 1kohm	RDL-102J1-16LQ
R714	241 2396 999	Carbon 200ohm	RDL-201J1-16LQ
R719	241 2398 052	Carbon 1kohm	RDL-102J1-16LQ
R720	241 2396 999	Carbon 200ohm	RDL-201J1-16LQ
R721	241 2397 037	Carbon 300ohm	RDL-301J1-16LQ
R722	241 2397 082	Carbon 510ohm	RDL-511J1-16LQ
R723	241 2398 052	Carbon 1kohm	RDL-102J1-16LQ
R724	241 2399 064	Carbon 3kohm	RDL-302J1-16LQ
R725	241 2398 052	Carbon 1kohm	RDL-102J1-16LQ
R726	241 2396 979	Carbon 200ohm	RDL-201J1-16LQ
R727	241 2397 037	Carbon 300ohm	RDL-301J1-16LQ
R728	241 2397 082	Carbon 510ohm	RDL-511J1-16LQ
R729	241 2398 052	Carbon 1kohm	RDL-102J1-16LQ
R730	241 2399 064	Carbon 3kohm	RDL-302J1-16LQ
R731	241 2400 911	Carbon 4.7kohm	RDL-472J1-16LQ

Ref. No.	Part No.	Part Name	Remarks
R732	241 2398 052	Carbon 1kohm	RDL-102J1-16LQ
R733	241 2396 999	Carbon 200ohm	RDL-201J1-16LQ Except U.S.A & Canada models
R734-737	241 2400 092	Carbon 10kohm	RDL-103J1-16LQ
R742-744	241 2397 943	Carbon 330ohm	RDL-331J1-16LQ
R745	241 2400 092	Carbon 10kohm	RDL-103J1-16LQ
VR261	9LA Y001 72	Variable resistor 100kohm	

CAPACITORS GROUP

C4		Ceramic 12pF/50V	CCT120J50D3
C6		Ceramic 0.01µF/16V	CCT103M16D3 Europe & U.K models only
C7,8		Ceramic 0.01µF/16V	CCT103M16D3
C11	254 3056 917	Electrolytic 1µF/50V	CE04W1H1R0MB(BP)
C13	254 4196 009	Electrolytic 0.1µF/50V	CE04W1H0R1M(SRA)
C14		Ceramic 0.022µF/50V	CCT223Z50D3
C16		Ceramic 100pF/50V	CCT101Z50D3
C17,18		Ceramic 0.01µF/16V	CCT103M16D3
C19	254 4260 032	Electrolytic 0.47µF/50V	CE04W1HR47MB(SSL)
C20	254 4260 045	Electrolytic 1µF/50V	CE04W1H1R0MB(SSL)
C21	254 4260 087	Electrolytic 10µF/50V	CE04W1H100MB(SSL)
C22		Ceramic 0.022µF/50V	CCT223Z50D3
C23		Ceramic 100pF/50V	CCT101J50D3
C24	255 1135 095	Mylar film 0.056µF/50V	CQ92M1H563JB
C25	254 4260 993	Electrolytic 22µF/50V	CE04W1H220MB(SSL)
C26	254 4260 993	Electrolytic 22µF/50V	CE04W1H220MB(SSL) Europe & U.K models only
C27	254 4260 993	Electrolytic 22µF/50V	CE04W1H220MB(SSL)
C28		Electrolytic 220µF/6.3V	CE04W0J221MB(SSL)
C29		Ceramic 0.01µF/16V	CCT103M16D3
C30		Ceramic 560pF/50V	CCT561K50D3
C31		Ceramic 0.01µF/16V	CCT103M16D3
C33,34	253 3125 007	Ceramic 15pF/50V	CCT150J50D3
C35	255 1134 041	Mylar film 0.047µF/50V	CQ92M1H473JB
C36,37		Ceramic 0.01µF/16V	CCT103M16D3
C39		Ceramic 0.01µF/16V	CCT103M16D3
C40	254 4260 045	Electrolytic 1µF/50V	CE04W1H1R0MB(SSL)
C41	254 4256 033	Electrolytic 47µF/25V	CE04W1E470MB(SSL)
C42	254 4260 045	Electrolytic 1µF/50V	CE04W1H1R0MB(SSL)
C43	254 4196 012	Electrolytic 0.22µF/50V	CE04W1HR22(SRA)
C44	254 4260 045	Electrolytic 1µF/50V	CE04W1H1R0MB(SSL)
C45		Ceramic 0.01µF/16V	CCT103M16D3
C46,47	254 4260 058	Electrolytic 2.2µF/50V	CE04W1H2R2MB(SSL)
C48	254 4260 045	Electrolytic 1µF/50V	CE04W1H1R0MB(SSL)
C49		Ceramic 0.01µF/16V	CCT103M16D3
C51	254 4260 058	Electrolytic 2.2µF/50V	CE04W1H2R2MB(SSL)
C52	254 4260 087	Electrolytic 10µF/50V	CE04W1H100MB(SSL)
C53		Ceramic 680pF/50V	CCT681K50D3 Except Europe & U.K models
C53		Ceramic 330pF/50V	CCT331K50D3 Europe & U.K models only

Ref. No.	Part No.	Part Name	Remarks	Ref. No.	Part No.	Part Name	Remarks
C54		Ceramic 680pF/50V	CCT681K50D3 Except Europe & U.K models	C224		Ceramic chip 2200pF/50V	CK73MB1H222K
C54		Ceramic 330pF/50V	CCT331K50D3 Europe & U.K models only	C225	254 4260 045	Electrolytic 1μF/50V	CE04W1H1R0MB(SSL)
C55		Ceramic 120pF/50V	CCT121J50D3 Europe & U.K models only	C226	256 1035 075	Mylar film 0.068μF/50V	CQM-684J500HB
C56,57		Ceramic 0.01μF/16V	CCT103M16D3	C227-229	255 4212 009	Mylar film 0.22μF/50V	CQ92M1H224KB
C59,60		Ceramic 0.01μF/16V	CCT103M16D3	C230,231	254 4260 074	Electrolytic 4.7μF/50V	CE04W1H4R7MB(SSL)
C61,62		Ceramic 4700pF/25V	CCT472M25D3 Europe & U.K models only	C232	255 4212 009	Mylar film 0.22μF/50V	CQ92M1H224KB
C65		Ceramic 0.01μF/16V	CCT103M16D3	C233-236	255 4224 945	Mylar film 0.1μF/50V	CQ92M1H104KB
C101,102		Ceramic chip 2200pF/50V	CC73MB1H222M	C237,238	255 4223 962	Mylar film 0.022μF/50V	CQ92M1H223JB
C103,104	254 4256 004	Electrolytic 10μF/25V	CE04W1E100MB(SSL)	C239-241	254 4260 045	Electrolytic 1μF/50V	CE04W1H1R0MB(SSL)
C105,106		Ceramic chip 100pF/50V	CC73MSL1H101J	C242		Ceramic chip 0.1μF/25V	CK73MF1E104Z
C107,108	254 4254 022	Electrolytic 33μF/16V	CE04W1C330MB(SSL)	C243,244	254 4260 045	Electrolytic 1μF/50V	CE04W1H1R0MB(SSL)
C109,110	255 1251 982	Mylar film 5600pF/50V	CQ92M1H562JB	C245		Ceramic chip 470pF/50V	CC73MSL1H471J
C111,112		Mylar film 1500pF/50V	CQ92M1H152KB	C246		Ceramic chip 3300pF/50V	CK73MB1H332K
C113,114		Ceramic chip 0.01μF/50V	CK73MF1H103Z	C247-249		Ceramic chip 0.1μF/16V	CK73MB1C104K
C115,116	254 4260 058	Electrolytic 2.2μF/50V	CE04W1H2R2MB(SSL)	C250	254 4256 033	Electrolytic 47μF/25V	CE04W1E470MB(SSL)
C121-128		Ceramic chip 56pF/50V	CC73MSL1H560J Europe & U.K models only	C251		Ceramic chip 0.1μF/16V	CK73MB1C104K
C129-131		Ceramic chip 0.1μF/25V	CK73MF1E104Z	C252		Ceramic chip 470pF/50V	CC73MSL1H471J
C133	254 4260 045	Electrolytic 1μF/50V	CE04W1H1R0MB(SSL)	C253,254		Ceramic chip 5600pF/50V	CK73MB1H562K
C136-138		Ceramic chip 0.022μF/50V	CK73MF1H223Z	C255		Ceramic chip 0.1μF/25V	CK73MF1E104Z
C139		Ceramic chip 2200pF/50V	CK73MB1H222M	C256	254 4256 004	Electrolytic 10μF/25V	CE04W1E100MB(SSL)
C140,141		Ceramic chip 1000pF/50V	CK73MF1H102Z Europe & U.K models only	C257	254 4252 037	Electrolytic 100μF/10V	CE04W1A101MB
C147,148		Ceramic chip 100pF/50V	CC73MSL1H101J Europe & U.K models only	C258	254 4256 033	Electrolytic 47μF/25V	CE04W1E470MB(SSL)
C151,152	254 4256 004	Electrolytic 10μF/25V	CE04W1E100MB(SSL)	C259,260		Ceramic chip 220pF/50V	CC73MCH1H221J
C153,154		Ceramic chip 100pF/50V	CC73MSL1H101J	C261,262	254 4260 045	Electrolytic 1μF/50V	CE04W1H1R0MB(SSL)
C155,156	254 4260 045	Electrolytic 1μF/50V	CE04W1H1R0MB(SSL)	C263-268	254 4256 004	Electrolytic 10μF/25V	CE04W1E100MB(SSL)
C201,202	255 4224 945	Mylar film 0.1μF/50V	CQ92M1H104KB	C269		Ceramic chip 470pF/50V	CC73MSL1H471J
C203		Ceramic chip 680pF/50V	CC73MSL1H681J	C270,271	254 4256 004	Electrolytic 10μF/25V	CE04W1E100MB(SSL)
C204	255 4212 054	Mylar film 0.047μF/50V	CQ92M1H473KB	C272		Ceramic chip 470pF/50V	CC73MSL1H471J
C205,206	255 4224 945	Mylar film 0.1μF/50V	CQ92M1H104KB	C273,274	254 4256 004	Electrolytic 10μF/25V	CE04W1E100MB(SSL)
C207		Ceramic chip 680pF/50V	CC73MSL1H681J	C275		Ceramic chip 470pF/50V	CC73MSL1H471J
C208	255 4212 054	Mylar film 0.047μF/50V	CQ92M1H473KB	C276,277	245 4256 004	Electrolytic 10μF/25V	CE04W1E100MB(SSL)
C209	254 4260 993	Electrolytic 22μF/50V	CE04W1H220MB(SSL)	C279	245 4256 004	Electrolytic 10μF/25V	CE04W1E100MB(SSL)
C210,211	254 4256 004	Electrolytic 10μF/25V	CE04W1E100MB(SSL)	C281	245 4256 004	Electrolytic 10μF/25V	CE04W1E100MB(SSL)
C212	254 4252 037	Electrolytic 100μF/10V	CE04W1A101MB	C283	245 4256 004	Electrolytic 10μF/25V	CE04W1E100MB(SSL)
C213	255 1251 940	Mylar film 4700pF/50V	CQ92M1H472JB	C284		Ceramic chip 0.022μF/50V	CK73MF1H223Z
C214	254 4260 993	Electrolytic 22μF/50V	CE04W1H220MB(SSL)	C285	254 4256 004	Electrolytic 10μF/25V	CE04W1E100MB(SSL)
C215	254 4256 004	Electrolytic 10μF/25V	CE04W1E100MB(SSL)	C286		Ceramic chip 0.022μF/50V	CK73MF1H223Z
C216	255 4212 009	Mylar film 0.22μF/50V	CQ92M1H224KB	C287	254 4196 944	Electrolytic 1μF/50V	CE04W1H1R0MB(SSL)
C217,218	254 4256 004	Electrolytic 10μF/25V	CE04W1E100MB(SSL)	C288		Ceramic chip 0.01μF/50V	CK73MF1H103Z
C219	254 4256 046	Electrolytic 100μF/25V	CE04W1E101MB	C289		Ceramic chip 0.1μF/25V	CK73MF1E104Z
C220	255 1251 982	Mylar film 5600pF/50V	CQ92M1H562JB	C290		Ceramic chip 0.01μF/50V	CK73MF1H103Z
C221	254 4250 055	Electrolytic 470μF/6.3V	CE04W0J471MB	C291,292	254 4260 087	Electrolytic 10μF/25V	CE04W1E100MB(SSL)
C222	255 4212 054	Mylar film 0.047μF/50V	CQ92M1H473JB	C293		Ceramic chip 470pF/50V	CC73MSL1H471J
C223		Ceramic chip 470pF/50V	CC73MSL1H471J	C294	254 4260 087	Electrolytic 10μF/25V	CE04W1E100MB(SSL)
				C295,296		Ceramic chip 220pF/50V	CC73MSL1H221J
				C297,298	254 4260 087	Electrolytic 10μF/25V	CE04W1E100MB(SSL)
				C554	254 4260 045	Electrolytic 1μF/50V	CE04W1H1R0MB(SSL)
				C555	254 4256 088	Electrolytic 1000μF/25V	CE04W1E102MF
				C556,557	253 1181 904	Ceramic 0.01μF/50V	CK45F1H103ZB
				C558		Electrolytic 1μF/50V	CE04W1H1R0MB Except U.S.A & Canada models

Ref. No.	Part No.	Part Name	Remarks	Q'ty	Ref. No.	Part No.	Part Name	Remarks	Q'ty
C559		Ceramic 4700pF/250V	CC-472M251F-D Except U.S.A & Canada models		E705	9LN J017 11	FL holder		1
C559		Mylar film 0.01µ F/250V	CQ-103M251MHS U.S.A & Canada models only		FL701	9LD D000 41	FL tube		1
C563	255 4224 945	Mylar film 0.1µ F/50V	CQ92M1H104KB Except Asia model		S552,553	9LF G000 11	Voltage selector	Asia model only	2
C703	254 4260 074	Electrolytic 4.7µ F/50V	CE04W1H4R7MB(SSL)		SW2	9L2 6225 21	Slide switch	Asia model only	1
C705	254 4250 929	Electrolytic 100µ F/6.3V	CE04W0J101MB		SW702-704	9L2 6396 82R	Tact switch		3
C706		Ceramic 0.01µ F/16V	CCT103M16D3		SW705-707	9L2 6396 82R	Tact switch	Europe & U.K models only	3V
C707	254 4256 046	Electrolytic 10µ F/25V	CE04W1E100MB(SSL)		SW708-714	9L2 6396 82R	Tact switch		7
C708		0.01µ F/16V	CG14Y1C103MB		SW719-730	9L2 6396 82R	Tact switch		12
OTHER PARTS GROUP				Q'ty	SW731	9LF E002 03	Push switch		1
CF1	261 0135 907	Ceramic filter SFE10.7MA-8	Except Europe & U.K models	1	JK101	9LE R002 23	6P US pin Jack		1
CF1	261 0064 007	Ceramic filter SFT10.7MS2-A	Europe & U.K models only	1	JK102	9LE R002 22	8P US pin Jack		1
CF2	261 0136 906	Ceramic filter SFE10.7MS2G-A	Except Europe & U.K models	1	L201	9L2 1222 54F	Choke coil 120µH		1
CF2	261 0064 007	Ceramic filter SFT10.7MS2-A	Europe & U.K models only	1	LF1		Anti-birdie filter (114kHz)	Europe & U.K models only	1
CF3	9LB P005 01	Ceramic filter BFU450C4N(C.F)		1	LF2,3		Low pass filter (19kHz)	Europe & U.K models only	2
CF4	9LB P004 91	Ceramic filter CMU2-456A16		1	LF101,102		Low pass filter (19kHz)	Europe & U.K models only	2
CN1A		2P MX pin post	Asia model only	1	RL551	9LF J000 51	Power relay		1
CN1B		2P MX B-C connector L=350	Asia model only	1	PG001	-	2P VH pin post		1
CN2A		2P TXL B-C connector L=100		1	T3	9LB J002 51	AM IFT		1
CN2B		2P TXL Pin post		1	T4	9L2 1370 33	FM DET trans		1
CN3A		2P PH B-C connector L=270		1	T501	9LB T005 31	Sub power trans	U.S.A & Canada models	1
CN3B		2P PH pin post		1	T501	9LB T005 32	Sub power trans	Europe & U.K models	1
CN5B		4P MX B-C connector L=350		1	T501	9LB T005 33	Sub power trans	Asia model	1
CN6B		6P socket		1	TU1	9LH H000 31	Tuner pack (FE340-A01)	Except Europe & U.K models	1
CN7B		8P socket		1	TU1	9L2 4286 51	Tuner pack (FE415-G11)	Europe & U.K models only	1
CN8B		7P socket		1	XT1	9L2 1701 32	Crystal 7.2MHz		1
CN9B		10P PH B-C connector L=300	Except Europe & U.K models	1	XT201	399 0223 907	Crystal CSA2.00MG		1
CN10B		10P socket		1	XT701	399 9018 003	Crystal 4MHz		1
CN11B		8P PH B-C connector L=300		1	W3		1P board-in connector (WHT)		1
CN12B		2P PH B-C connector L=330		1	W4		1P board-in connector (ORG)		1
CN13B		13P socket		1	W5		1P board-in connector (BRN)	U.S.A & Canada models	1
CN14B		14P PH B-C connector L=300	Europe & U.K models only	1	W6		1P board-in connector (BLU)	U.S.A & Canada models	1
CN15A		10P socket		1	W7		1P board-in connector (GRY)		1
CN15B		10P socket		1	W8		1P board-in connector (RED)	Asia model only	1
CN16B		10P socket		1	W9		1P board-in connector (ORG)	Asia model only	1
CN25B	9LE D008 22	25P FFC connector		1	W10		1P board-in connector (BLU)	Asia model only	1
E001,002	9L2 7292 52R	Fuse holder	U.S.A & Canada models only	2	W11		1P board-in connector (GRY)	Asia model only	1
E003,004	9L2 7292 52R	Fuse holder		2	W12		1P board-in connector (WHT)	Asia model only	1
E005,006	9L2 7292 52R	Fuse holder	Asia model only	2	W13		1P board-in connector (GRY)	Asia model only	1
E007		LUG terminal	Except Asia model only	1	W14		1P board-in connector (BLU)	Asia model only	1
E500-503	9L2 7292 52R	Fuse holder		4	W15		1P board-in connector (WHT)	Asia model only	1
					AT001	9LE U000 11	ANT terminal		1
					BL001	9LB H005 31	MW ANT OSC Coil		1

SU P.W.B. ASS'Y

Ref. No.	Part No.	Part Name	Remarks	Ref. No.	Part No.	Part Name	Remarks
SEMICONDUCTORS GROUP				CAPACITORS GROUP			
TR501~504	271 0094 016	Transistor 2SA970 (BL)		C501,502	254 4256 004	Electrolytic 10µF/25V	CE04W1E100MB(SSL)
TR505,506	273 0235 020	Transistor 2SC1841 (E/F)		C503,504		Ceramic chip 2200pF/50V	CK73MSL1H222K
TR507,508	271 0131 005	Transistor 2SA988 (E/F)		C505,506		Ceramic chip 220pF/50V	CC73MSL1H221J
TR509~512	273 0235 020	Transistor 2SC1841 (E/F)		C507,508		Ceramic chip 6800pF/50V	CK73MB1H682J
TR513,514	273 0325 008	Transistor 2SC1815 (GR)		C509,510		Ceramic chip 100pF/50V	CC73MSL1H101J
TR515,516	274 0060 007	Transistor 2SD667A (C)		C511,512	254 4256 059	Electrolytic 220µF/25V	CE04W1E221MB(SSL)
TR517,518	272 0053 005	Transistor 2SB647A (C)		C513~516	255 4199 986	Mylar film 1000pF/50V	CQ92M1H102KB
TR519,520	273 0430 003	Transistor 2SC4278 (E/F)		C517,518		Ceramic 18pF/500V	CC45SL2H180KB
TR521,522	271 0276 009	Transistor 2SA1633 (E/F)		C519,520	254 4260 045	Electrolytic 1µF/50V	CE04W1H1R0MB(SSL)
TR523,524	273 0235 020	Transistor 2SC1841 (E/F)		C521,522	253 1028 009	Ceramic 220pF/500V	CK45B2H221KB
D501~506	276 0401 905	Diode 1SS133		C523~526	254 4260 074	Electrolytic 4.7µF/50V	CE04W1H4R7MB(SSL)
D507~510	9L2 3312 32M	Diode 1S2471B		C527,528	255 4213 972	Mylar film 0.01µF/50V	CQ92M1H103KB
D511~513	276 0401 905	Diode 1SS133		C529,530	255 1134 054	Mylar film 0.1µF/50V	CQ92M1H104KB
D514	276 0338 007	Diode S4VB20		C531	256 1034 076	Mylar film 0.1µF/100V	MYL-ECQB2104KF3
D515	9L2 2000 03R	Diode SDC-1SS355					
RESISTORS GROUP				OTHER PARTS GROUP			
R501~504		Chip 10kohm	RNC103J1-16	L501,502		Audio trap coil	2
R505,506		Carbon 12kohm	RDL-123J1-16LQ	CN501A		2P PH pinpost	1
R507,508		Chip 30ohm	RMC73M-1F300JR	CN502A		9P PH pinpost	1
R509~512		Carbon 2.2kohm	RD14S2E222J(NB)	RL501	9L2 6413 21	Speaker relay DC24V	1
R513,514	241 2400 995	Carbon 10kohm	RDL-103J1-16LQ	TP-SL		3P MX pinpost	1
R515,516		Chip 47ohm	RNC470J1-16	TP-SR		3P MX pinpost	1
R517,518		Chip 430ohm	RMC73M-1F431JR			Heat sink bracket (S)	1
R519,520		Carbon 130ohm	RD14S2E131J(NB)			Insulation sheet	4
R521,522		Carbon 68ohm	RD45B2E680JNB-FR			Screw 3 10 BT bind	6
R523,524		Carbon 130ohm	RD14S2E131J(NB)				
R527,528		Chip 5.6kohm	RNC562J1-16				
R529,530		Chip 75kohm	RMC73M-1F753JR				
R531,532	241 2400 089	Carbon 9.1kohm	RDL-912J1-16LQ				
R533,534	241 2321 045	Carbon 220ohm	RD14S2E221J(NB)				
R535~542	244 2043 982	0.22ohm 1W	RE-R22J0001N				
R543~546		Chip 10kohm	RNC103J1-16				
R547~550		Chip 20kohm	RNC73M-1F203JR				
R551,552		Chip 270kohm	RNC274J1-16				
R553,554		Chip 22kohm	RNC223J1-16				
R555,556		Carbon 4.7ohm	RD14S2E4R7J(NB)				
R557,558	244 2051 987	4.7ohm 1W	RE-4R7J0001N				
R559,560		Chip 20kohm	RMC73M-1F203JR				
VR501,502	9LA W001 61F	Semi fixed resistor 5 kohm	RT6-3H502T				

1 2 3 4

MAIN P.W.B. Ass'y Unit

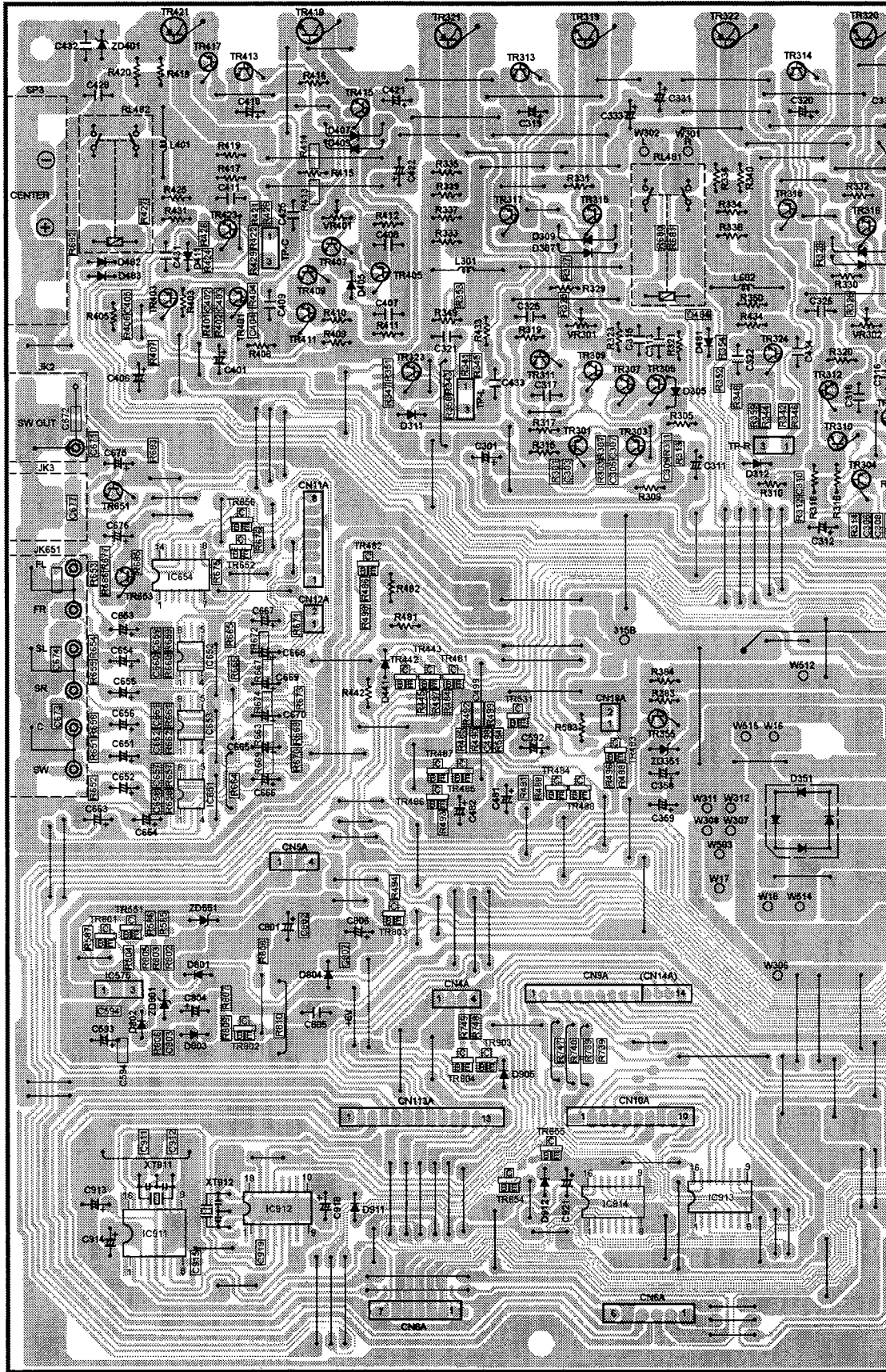
A

B

C

D

E



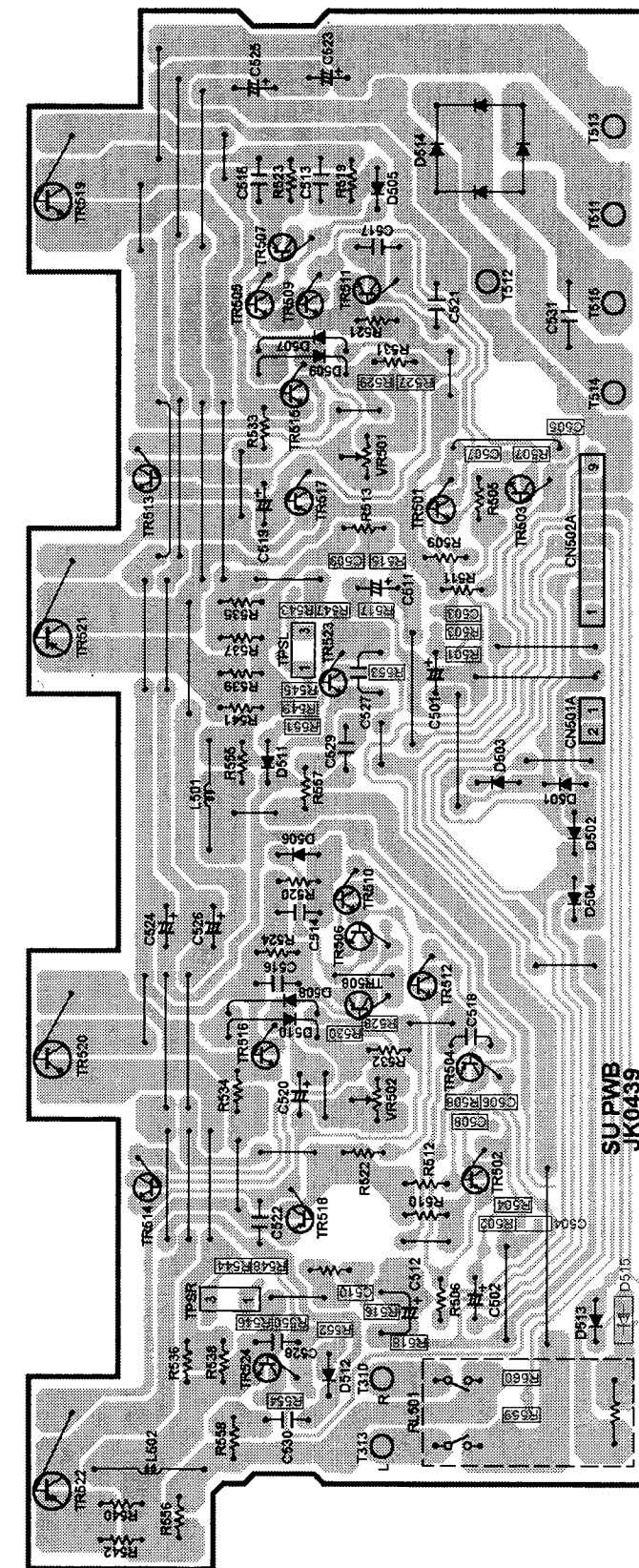
PRINTED WIRING BOARD

1 2 3 4

SU P.W.B. ASS'Y

Ref. No.	Part No.	Part Name	Remarks	Ref. No.	Part No.	Part Name	Remarks	Q'ty
SEMICONDUCTORS GROUP				CAPACITORS GROUP				
TR501-504	271 0094 016	Transistor 2SA970 (BL)		C501,502	254 4256 004	Electrolytic 10µF/25V	CE04W1E100MB(SSL)	
TR505,506	273 0235 020	Transistor 2SC1841 (E/F)		C503,504		Ceramic chip 2200pF/50V	CK73MSL1H222K	
TR507,508	271 0131 005	Transistor 2SA988 (E/F)		C505,506		Ceramic chip 220pF/50V	CC73MSL1H221J	
TR509-512	273 0235 020	Transistor 2SC1841 (E/F)		C507,508		Ceramic chip 6800pF/50V	CK73MB1H682J	
TR513,514	273 0325 008	Transistor 2SC1815 (GR)		C509,510		Ceramic chip 100pF/50V	CC73MSL1H101J	
TR515,516	274 0060 007	Transistor 2SD667A (C)		C511,512	254 4256 059	Electrolytic 220µF/25V	CE04W1E221MB(SSL)	
TR517,518	272 0053 005	Transistor 2SB647A (C)		C513-516	255 4199 986	Mylar film 1000pF/50V	CQ92M1H102KB	
TR519,520	273 0430 003	Transistor 2SC4278 (E/F)		C517,518		Ceramic 18pF/500V	CC45SL2H180KB	
TR521,522	271 0276 009	Transistor 2SA1633 (E/F)		C519,520	254 4260 045	Electrolytic 1µF/50V	CE04W1H1R0MB(SSL)	
TR523,524	273 0235 020	Transistor 2SC1841 (E/F)		C521,522	253 1028 009	Ceramic 220pF/500V	CK45B2H221KB	
D501-506	276 0401 905	Diode 1SS133		C523-526	254 4260 074	Electrolytic 4.7µF/50V	CE04W1H4R7MB(SSL)	
D507-510	9L2 3312 32M	Diode 1S2471B		C527,528	255 4213 972	Mylar film 0.01µF/50V	CQ92M1H103KB	
D511-513	276 0401 905	Diode 1SS133		C529,530	255 1134 054	Mylar film 0.1µF/50V	CQ92M1H104KB	
D514	276 0338 007	Diode S4VB20		C531	256 1034 076	Mylar film 0.1µF/100V	MYL-ECQB2104KF3	
D515	9L2 2000 03R	Diode SDC-1SS355		OTHER PARTS GROUP				
RESISTORS GROUP				L501,502		Audio trap coil		2
R501-504		Chip 10kohm	RNC103J1-16	CN501A		2P PH pinpost		1
R505,506		Carbon 12kohm	RDL-123J1-16LQ	CN502A		9P PH pinpost		1
R507,508		Chip 30ohm	RMC73M-1F300JR	RL501	9L2 6413 21	Speaker relay DC24V		1
R509-512		Carbon 2.2kohm	RD14S2E222J(NB)	TP-SL		3P MX pinpost		1
R513,514	241 2400 995	Carbon 10kohm	RDL-103J1-16LQ	TP-SR		3P MX pinpost		1
R515,516		Chip 47ohm	RNC470J1-16			Heat sink bracket (S)		1
R517,518		Chip 430ohm	RMC73M-1F431JR			Insulation sheet		4
R519,520		Carbon 130ohm	RD14S2E131J(NB)			Screw 3 10 BT bind		6
R521,522		Carbon 68ohm	RD45B2E680JNB-FR					
R523,524		Carbon 130ohm	RD14S2E131J(NB)					
R527,528		Chip 5.6kohm	RNC562J1-16					
R529,530		Chip 75kohm	RMC73M-1F753JR					
R531,532	241 2400 089	Carbon 9.1kohm	RDL-912J1-16LQ					
R533,534	241 2321 045	Carbon 220ohm	RD14S2E221J(NB)					
R535-542	244 2043 982	0.22ohm 1W	RE-R22J0001N					
R543-546		Chip 10kohm	RNC103J1-16					
R547-550		Chip 20kohm	RMC73M-1F203JR					
R551,552		Chip 270kohm	RNC274J1-16					
R553,554		Chip 22kohm	RNC223J1-16					
R555,556		Carbon 4.7ohm	RD14S2E4R7J(NB)					
R557,558	244 2051 987	4.7ohm 1W	RE-4R7J0001N					
R559,560		Chip 20kohm	RMC73M-1F203JR					
VR501,502	9LA W001 61F	Semi fixed resistor 5 kohm	RT6-3H502T					

SU P.W.B. Ass'y Unit



1

2

3

4

5

6

7

8

MAIN P.W.B. Ass'y Unit

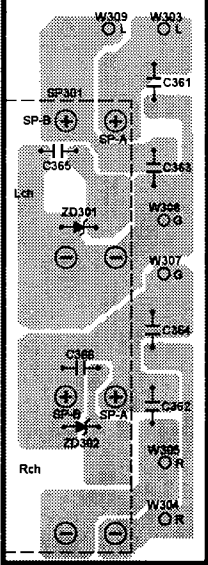
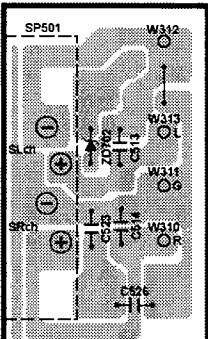
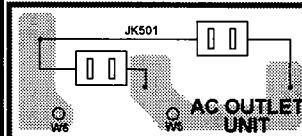
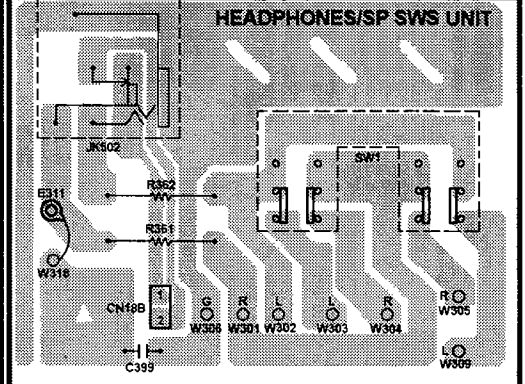
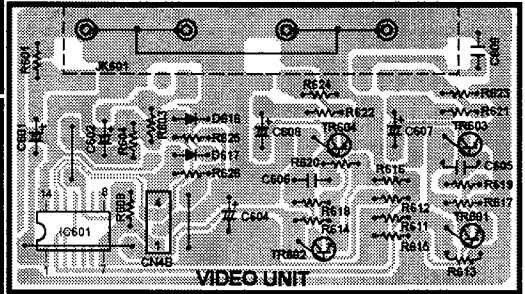
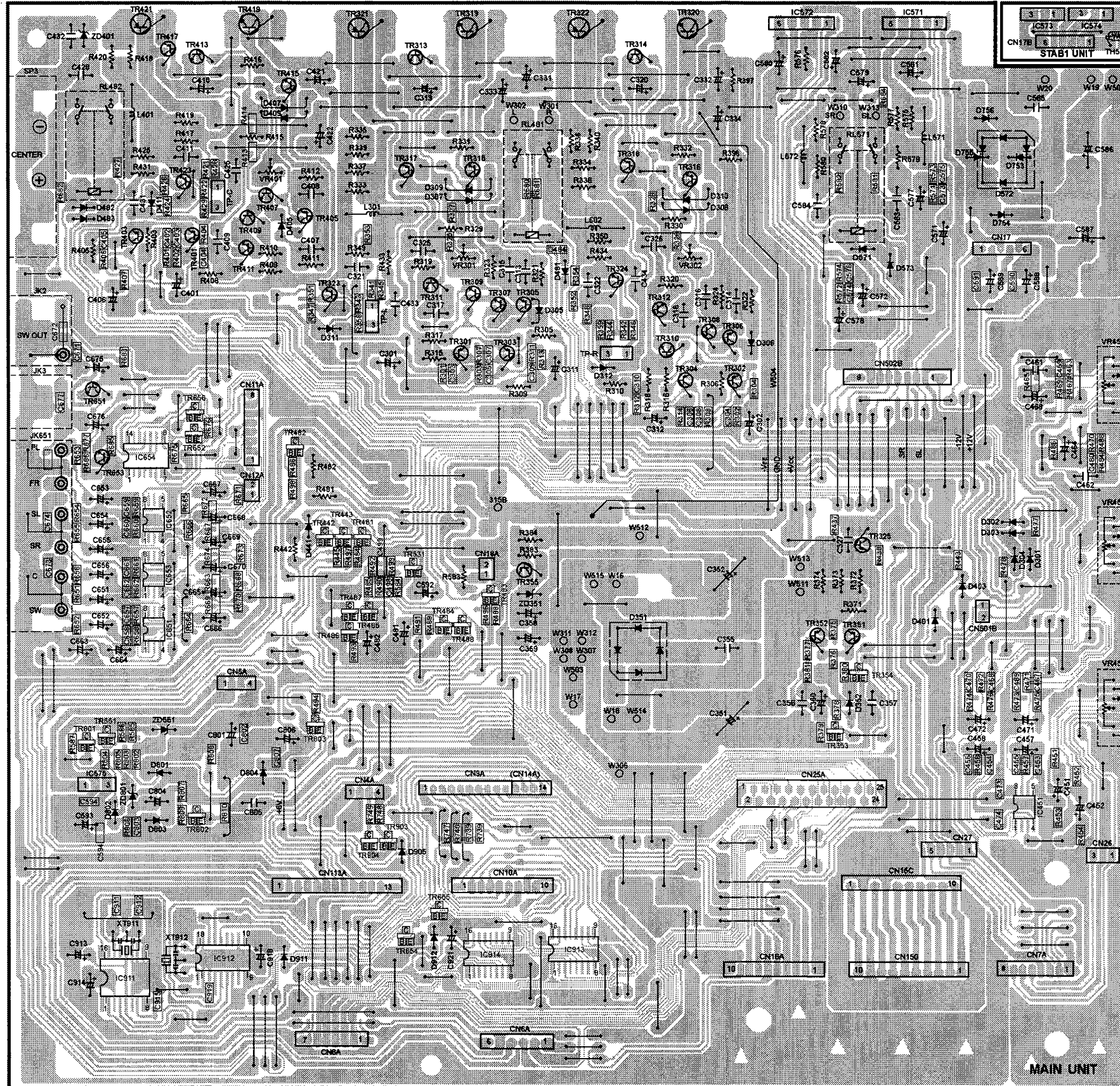
A

B

C

D

E

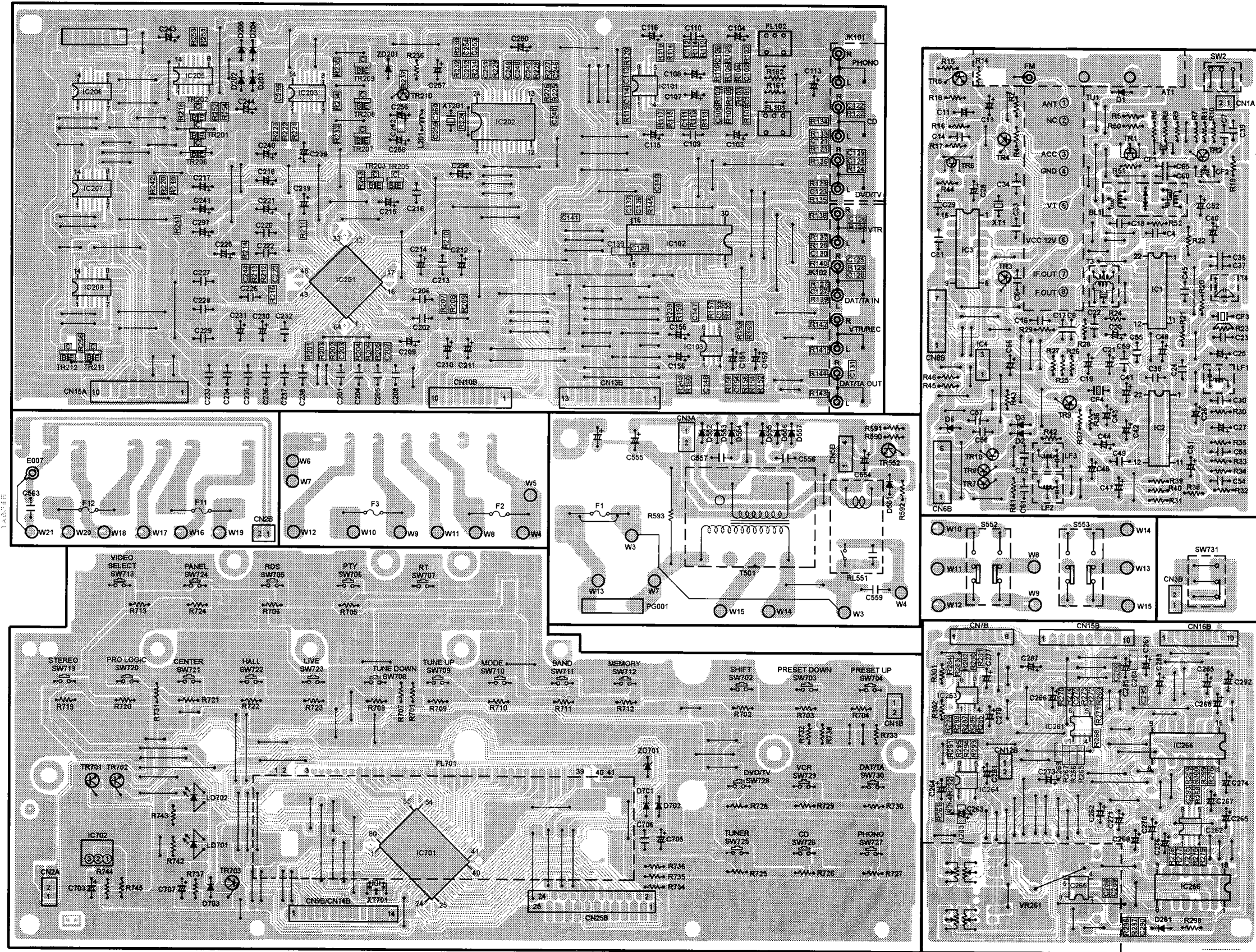


MAIN UNIT

FRONT/REAR SP TERMINAL UNIT

1 2 3 4 5 6 7 8

FLD P.W.B. Ass'y Unit



A
B
C
D
E

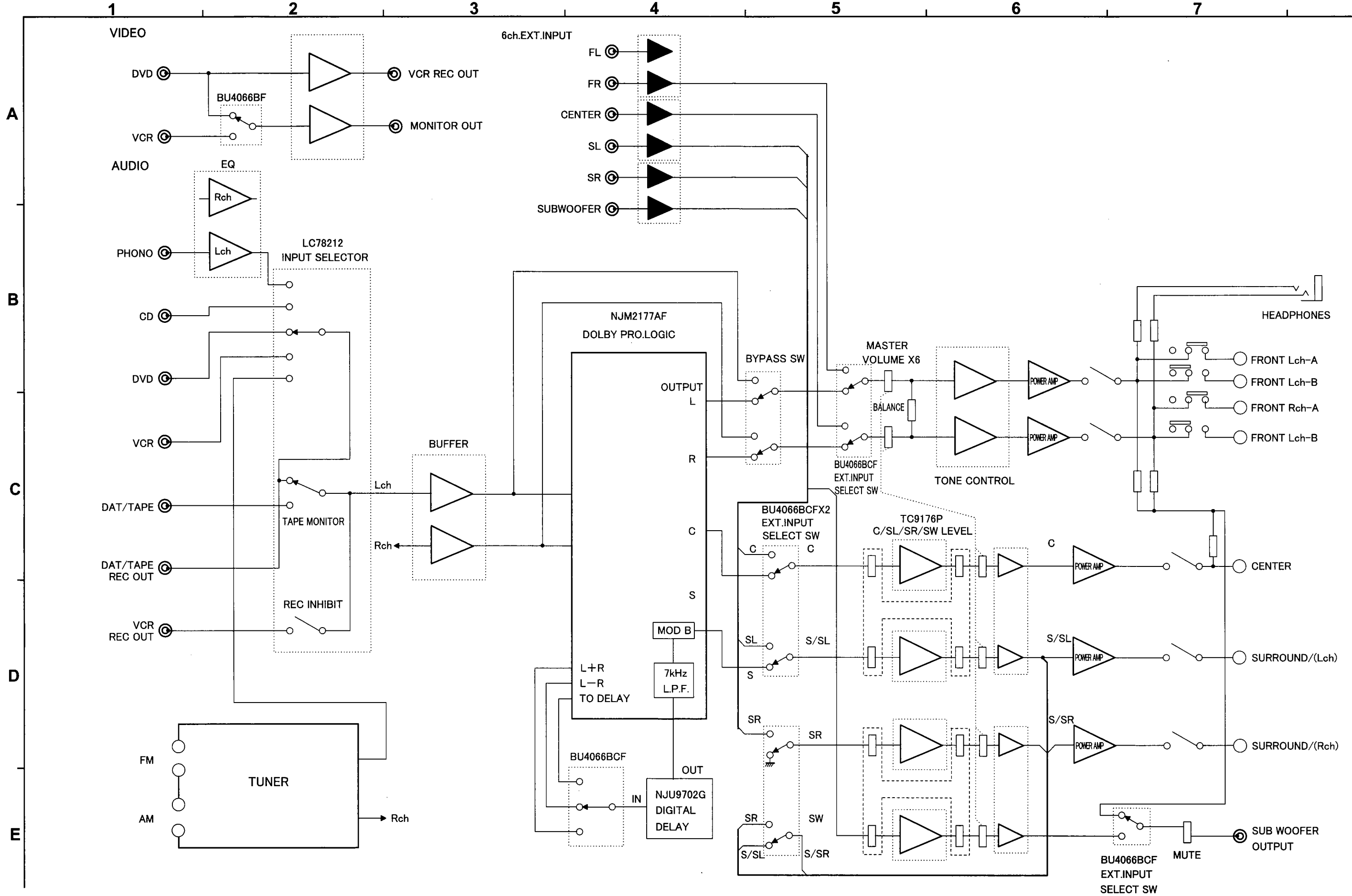
PARTS LIST OF EXPLODED VIEW

Ref. No.	Part No.	Part Name	Remarks	Q'ty	Ref. No.	Part No.	Part Name	Remarks	Q'ty
1	-	Main P.W.B. Ass'y		1	△ 23	Note	Fuse T1.6A 125V	F12	1
1-1	-	Main P.W.B. unit			△	Note	Fuse T1A	F12	1
1-2	-	Video P.W.B. unit			△ 24	Note	Fuse T6A 125V	F1	1
1-3★	-	AC Outlet P.W.B. unit	America & Canada models only		△ 25	Note	Fuse T5A 125 V	F2	1
1-4	-	Headphons/sp sw P.W.B. unit			△	Note	Fuse T5A	F2	1
1-5	-	SP terminal P.W.B. unit			△	Note	Fuse T2.5A	F2	1
1-6★	-	Protect P.W.B. unit			△	Note	Fuse T2.5A	F3	1
1-7	-	STABI unit			27	9LN B003 11	Heat sink		1
2	-	FL P.W.B. Ass'y		1	28	9LE K001 18	25P FFC Cable		1
2-1	-	FL P.W.B. unit			29	9LM L002 51	Mini PWB post		6
2-2	-	Audio P.W.B. unit			30	-	Spacer		2
2-3	-	Power supply P.W.B. unit			31	9LM L002 61	PWB support L		3
2-4	-	Voltage select sw P.W.B. unit	Asia model only		35	9LN A253 62	Heat sink bracket		1
2-5	-	Tuner P.W.B. unit			△ 36	Note	Mini trans		1
2-6	-	Master volume P.W.B. unit			37	9LN A255 32	Heat sink bracket (S)		1
2-7	-	Power switch P.W.B. unit			★	9LP P002 41	Side wood L	Gold Asia model only	1
2-8	-	TF-PRI P.W.B. unit			★	9LP P002 31	Side wood R	Gold Asia model only	1
2-9	-	TF-SEC P.W.B. unit			★	-	Origin label		1
6	-	SU P.W.B. Ass'y		1	★	-	Origin label (C)	China model only	1
6-1	-	SU P.W.B. unit			★	-	Number sheet		1
3	9LQ A004 81	Bottom chassis		1	★	-	Preset label	Asia model	1
4	104 0194 205	Foot		4	★	-	Rating sheet		1
	9LQ J002 12	Foot	China model only	4	★	-	Fuse caution label	America & Canada models only	1
5	9LP C018 13	RDS button	Gold only	1	★	-	Spacer		1
	9LP C018 12	RDS button	Black Asia & America & Canada models only	1					
	9LP C018 12	RDS button	Europe model only	2					
△ 7	Note	AC Cord		1					
8	9LN X016 21	Phono earth terminal		1					
9	Note	Inner panel		1					
10	9LP H051 71	Clear panel		1					
11	9LP C025 01	Function button		1					
12	9LP C017 63	Tuner button	Gold only	1					
	9LP C017 61		Black only	1					
13	9LP C017 72	Tuning button	Gold only	1					
	9LP C017 71		Black only	1					
14	9LP C017 82	Power button	Gold only	1					
	9LP C017 81		Black only	1					
15	9LP C017 92	SP button	Gold only	2					
	9LP C017 91		Black only	2					
16	Note	Front panel		1					
△ 17	Note	Power trans		1					
18	9LP C025 12	VOL knob	Gold only	1					
	9LP C025 11		Black only	1					
19	9LP C017 42	BASS knob	Gold only	3					
	9LP C017 41		Black only	3					
20	9LQ A004 94	Top cover	Gold Asia model only	1					
	9LQ A004 93		Gold Europe & Taiwan models only	1					
	9LQ A004 92		Black only	1					
21	Note	Rear plate		1					
△ 22	Note	Fuse T1.6A 125V	F11	1					
△	Note	Fuse T1A	F11	1					

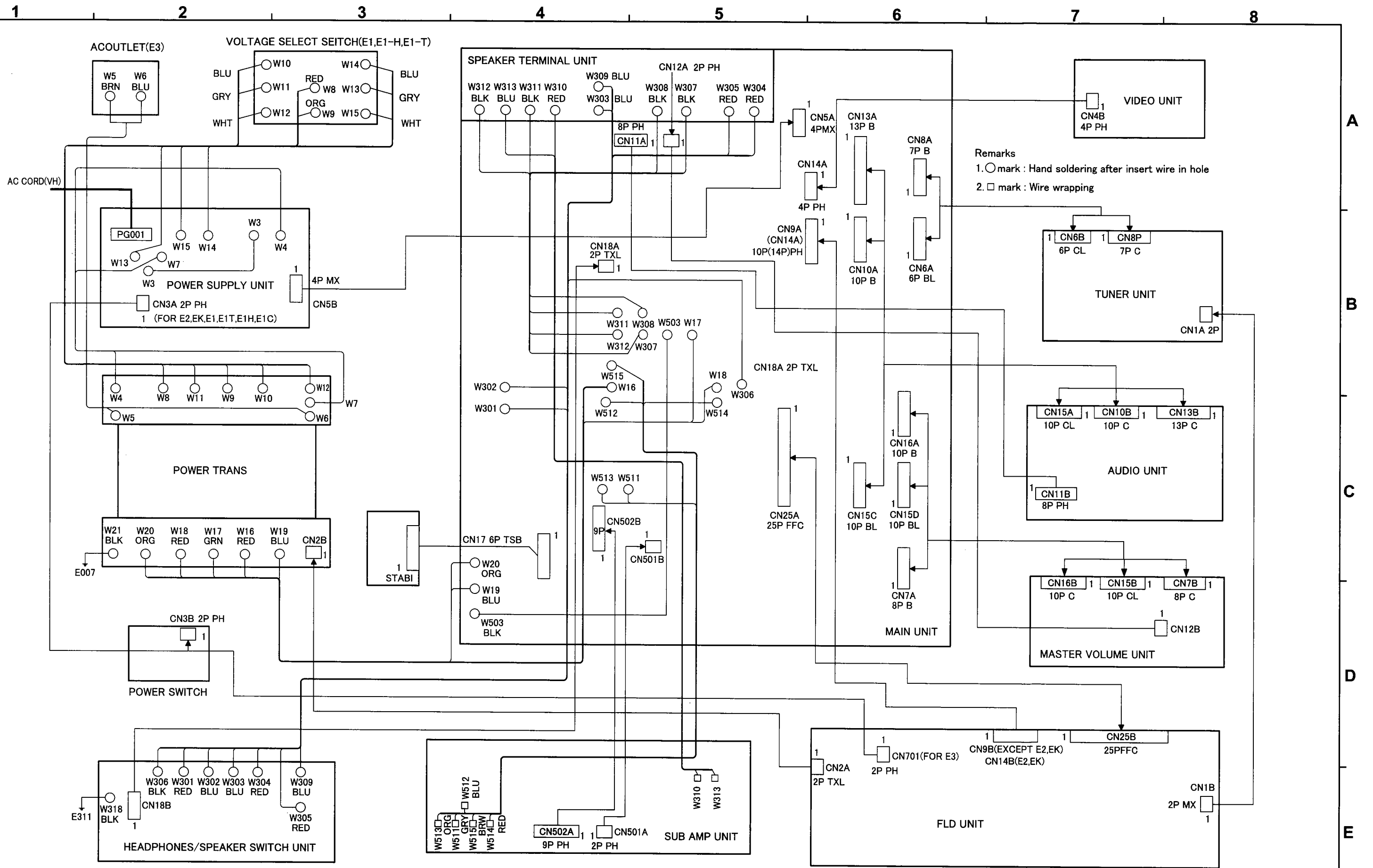
ADDENDUM PARTS LIST

Ref. No.	Part Name	Part No.			
		America & Canada	Europe	China	Asia
△ 7	AC Cord	9LE V005 84	9LE V005 86	9LE V005 88	9LE V005 86
9	Inner panel (Gold)	-	9LP H051 83	9LP H051 84	9LP H051 83
	Inner panel (Black)	9LP H051 81	9LP H051 81	9LP H051 82	9LP H051 81
16	Front panel (Gold)	-	9LP H051 93	9LP H051 97	9LP H051 96
	Front panel (Black)	9LP H051 91	9LP H051 92	9LP H051 95	9LP H051 94
△ 17	Power trans	9LB T010 31	9LB T010 32	9LB T010 32	9LB T010 33
21	Rear plate (Gold)	-	9LQ A010 02	9LQ A010 06	9LQ A010 05
	Rear plate (Black)	9LQ A010 01	9LQ A010 02	9LQ A010 04	9LQ A010 03
△ 22	Fuse T1.6A 125V	9L2 7224 13	-	-	-
△ 22	Fuse T1A	-	9L2 7280 77	9L2 7280 77	9L2 7280 77
△ 23	Fuse T1.6A 125V	9L2 7224 13	-	-	-
△ 23	Fuse T1A	-	9L2 7280 77	9L2 7280 77	9L2 7280 77
△ 24	Fuse T6A 125V	9L2 7224 19	-	-	-
△ 25	Fuse T5A 125V	9L2 7224 18	-	-	-
△ 25	Fuse T5A	-	-	-	9L2 7280 70
△ 25	Fuse T2.5A	-	9L2 7277 22	9L2 7277 22	-
△ 26	Fuse T2.5A	-	-	-	9L2 7277 22
△ 36	Mini trans	9LB T005 31	9LB T005 32	9LB T005 32	9LB T005 33
PACKING AND ACCSSEORIES					
207	Carton box	9LS G072 81	9LS G072 82	9LS G072 84	9LS G072 83

BLOCK DIAGRAM



WIRING DIAGRAM



REMOTE CONTROL UNIT (RC-841)

KEY POSITION	KEY No.	SYSTEM CODE D ₀ D ₄	KEY DATA CODE D ₅ D ₁₄	FUNCTION
1	K01	01000	100000 1100	POWER
2				(NO FUNCTION)
3	K03	00010	101110 1000	PAUSE
4	K04	00010	110101 1000	DISK SKIP +
5	K05	00010	100110 1000	AUTO SEARCH ◀◀
6	K06	00010	011110 1000	STOP ■
7	K07	00010	001110 1000	PLAY ▶
8	K08	00010	000110 1000	AUTO SERCH ▶▶
9	K09	01000	110000 1100	PHONO
10	K10	01000	001000 1100	CD
11	K11	01000	010100 1100	DVD/TV
12	K12	01000	011001 1100	MODE
13	K13	01000	101100 1100	VCR
14	K14	01000	101000 1100	TUNER
15	K15	00110	101100 1100	SHIFT
16	K16	01000	111001 1100	STEREO
17	K17	01000	010010 1100	DAT/TAPE
18	K18	00110	101010 1100	PRESET ▼
19	K19	00110	011010 1100	PRESET ▲
20	K20	01000	100101 1100	PANEL
21	K21	00100	111010 1000	PLAY ◀
22	K22	00100	011110 1000	STOP ■
23	K23	00100	001110 1000	PLAY ▶
24	K24	01000	011110 1100	DELAY
25	K25	00100	110110 1000	REW ◀◀
26	K26	00100	110010 1000	A/B
27	K27	00100	010110 1000	FF ▶▶
28	K28	01000	100011 1100	MASTER VOL ▲
35	K29	01000	010011 1100	MASTER VOL ▼
39	K30	01000	000011 1100	MUTING
43	K31	01000	010101 1100	T. TONE
47	K32	00110	111101 0100	CANNEL SELECT
51	K33	00110	000011 0100	CANNEL VOL ▲
55	K34	00110	100011 0100	CANNEL VOL ▼

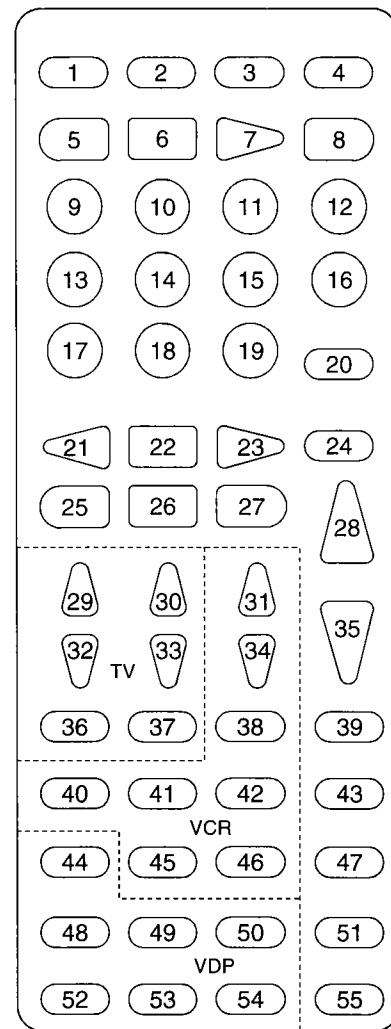
VDP

KEY POSITION	KEY No.	SYSTEM CODE D ₀ D ₄	KEY DATA CODE D ₅ D ₁₄	FUNCTION
44	K57	01100	100000 0100	POWER (VDP)
48	K60	01100	100110 0100	◀◀ (VDP)
49	K59	01100	000100 0100	▶▶ (VDP)
50	K58	01100	001000 0100	▶ (VDP)
52	K63	01100	111000 0100	◀◀ (VDP)
53	K62	01100	011000 0100	▶▶ (VDP)
54	K61	01100	110000 0100	■ (VDP)

TV

KEY POSITION	KEY No.	DATA CODE D ₀ D ₇	FUNCTION
29	K43	0100 1000	12 VOLUME ▲ (TV)
30	K45	1001 1000	19 CHANNEL ▲ (TV)
32	K44	1010 1000	15 VOLUME ▼ (TV)
33	K46	0001 1000	18 CHANNEL ▼ (TV)
36	K41	1110 1000	17 POWER (TV)
37	K42	1001 0000	09 TV/VCR (TV)

CUSTOM CODE=50-AF: C_0 0000 C_7 1010 C_0 1111 C_7 0101

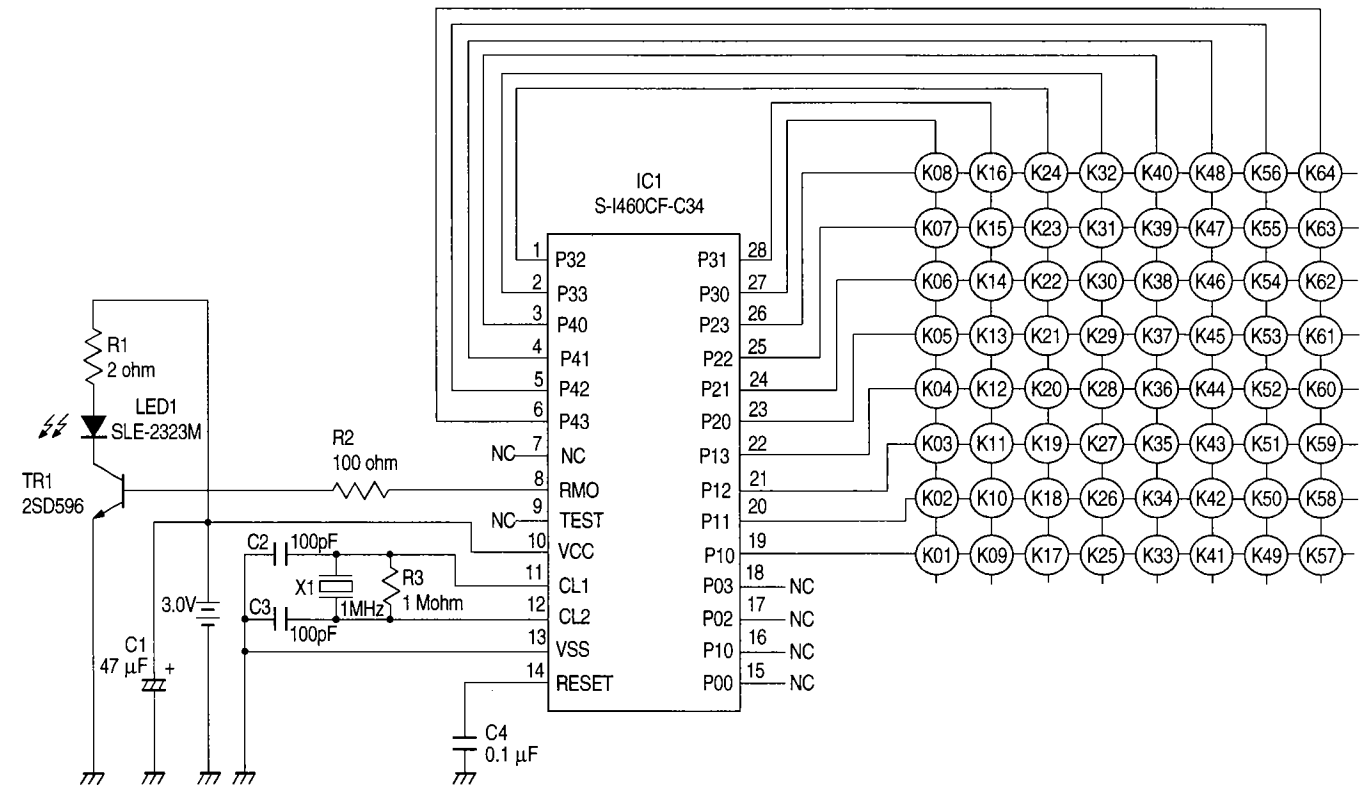


KEY POSITION

VCR

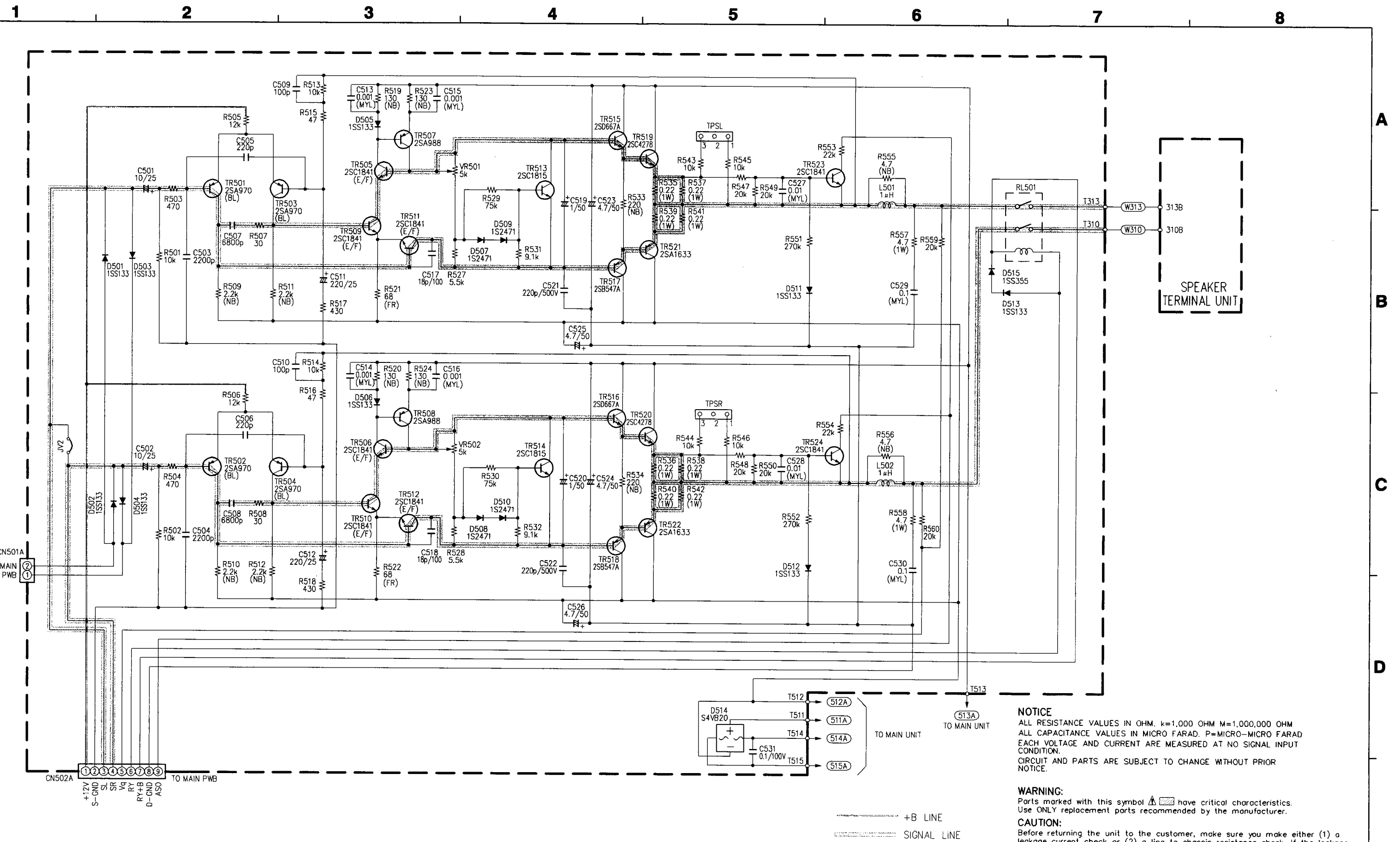
KEY POSITION	KEY No.	DATA CODE D ₀ D ₇	FUNCTION
31	K55	1001 1000	19 CHANNEL ▲ (VCR)
34	K56	0001 1000	18 CHANNEL ▼ (VCR)
38	K52	0101 1000	1A (VCR)
40	K49	1110 1000	17 POWER (VCR)
41	K51	1101 0000	0B ■ (VCR)
42	K50	0010 1000	14 ▶ (VCR)
45	K54	0101 0000	0A ◀◀ (VCR)
46	K53	1001 0000	09 ▶▶ (VCR)

CUSTOM CODE=60-9F: C_0 0000 C_7 0110 C_0 1111 C_7 1001



KEY No.

SCHEMATIC DIAGRAM (1/6)



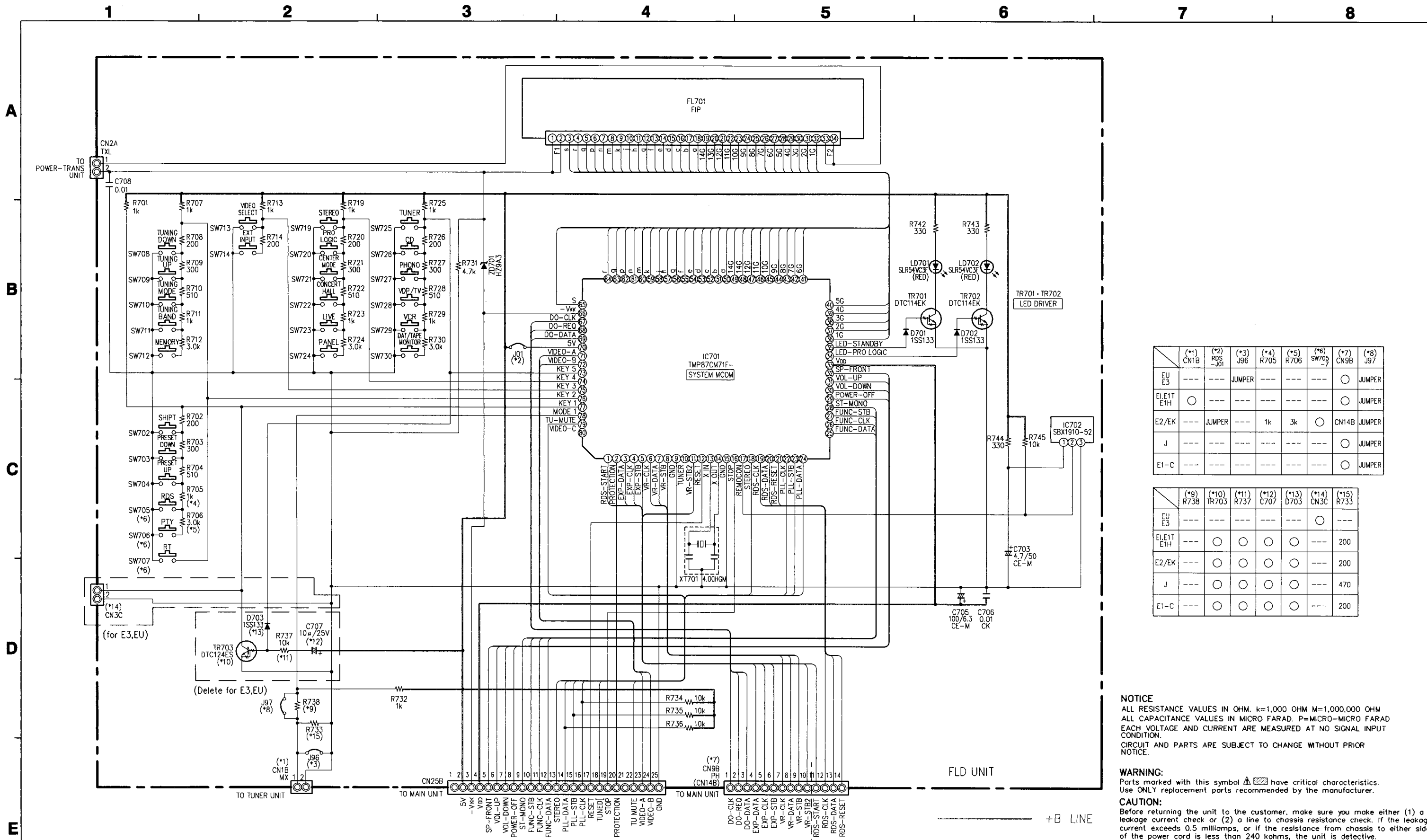
NOTICE
 ALL RESISTANCE VALUES IN OHM. k=1,000 OHM M=1,000,000 OHM
 ALL CAPACITANCE VALUES IN MICRO FARAD. P=MICRO-MICRO FARAD
 EACH VOLTAGE AND CURRENT ARE MEASURED AT NO SIGNAL INPUT
 CONDITION.
 CIRCUIT AND PARTS ARE SUBJECT TO CHANGE WITHOUT PRIOR
 NOTICE.

WARNING:
 Parts marked with this symbol  have critical characteristics.
 Use ONLY replacement parts recommended by the manufacturer.

CAUTION:
 Before returning the unit to the customer, make sure you make either (1) a
 leakage current check or (2) a line to chassis resistance check. If the leakage
 current exceeds 0.5 milliamps, or if the resistance from chassis to either side
 of the power cord is less than 240 kohms, the unit is defective.

WARNING:
 DO NOT return the unit to the customer unit the problem is located and
 corrected.

SCHEMATIC DIAGRAM (2/6)



	(*1) CN1B	(*2) RDS -J01	(*3) J96	(*4) R705	(*5) R706	(*6) SW705 -7	(*7) CN9B	(*8) J97
EU E3	---	---	JUMPER	---	---	---	○	JUMPER
E1E1T E1H	○	---	---	---	---	---	○	JUMPER
E2/EK	---	JUMPER	---	1k	3k	○	CN14B	JUMPER
J	---	---	---	---	---	---	○	JUMPER
E1-C	---	---	---	---	---	---	○	JUMPER

	(*9) R738	(*10) TR703	(*11) R737	(*12) C707	(*13) D703	(*14) CN3C	(*15) R733
EU E3	---	---	---	---	---	○	---
E1E1T E1H	---	○	○	○	○	---	200
E2/EK	---	○	○	○	○	---	200
J	---	○	○	○	○	---	470
E1-C	---	○	○	○	○	---	200

NOTICE
ALL RESISTANCE VALUES IN OHM. k=1,000 OHM M=1,000,000 OHM
ALL CAPACITANCE VALUES IN MICRO FARAD. P=MICRO-MICRO FARAD
EACH VOLTAGE AND CURRENT ARE MEASURED AT NO SIGNAL INPUT
CONDITION.
CIRCUIT AND PARTS ARE SUBJECT TO CHANGE WITHOUT PRIOR
NOTICE.

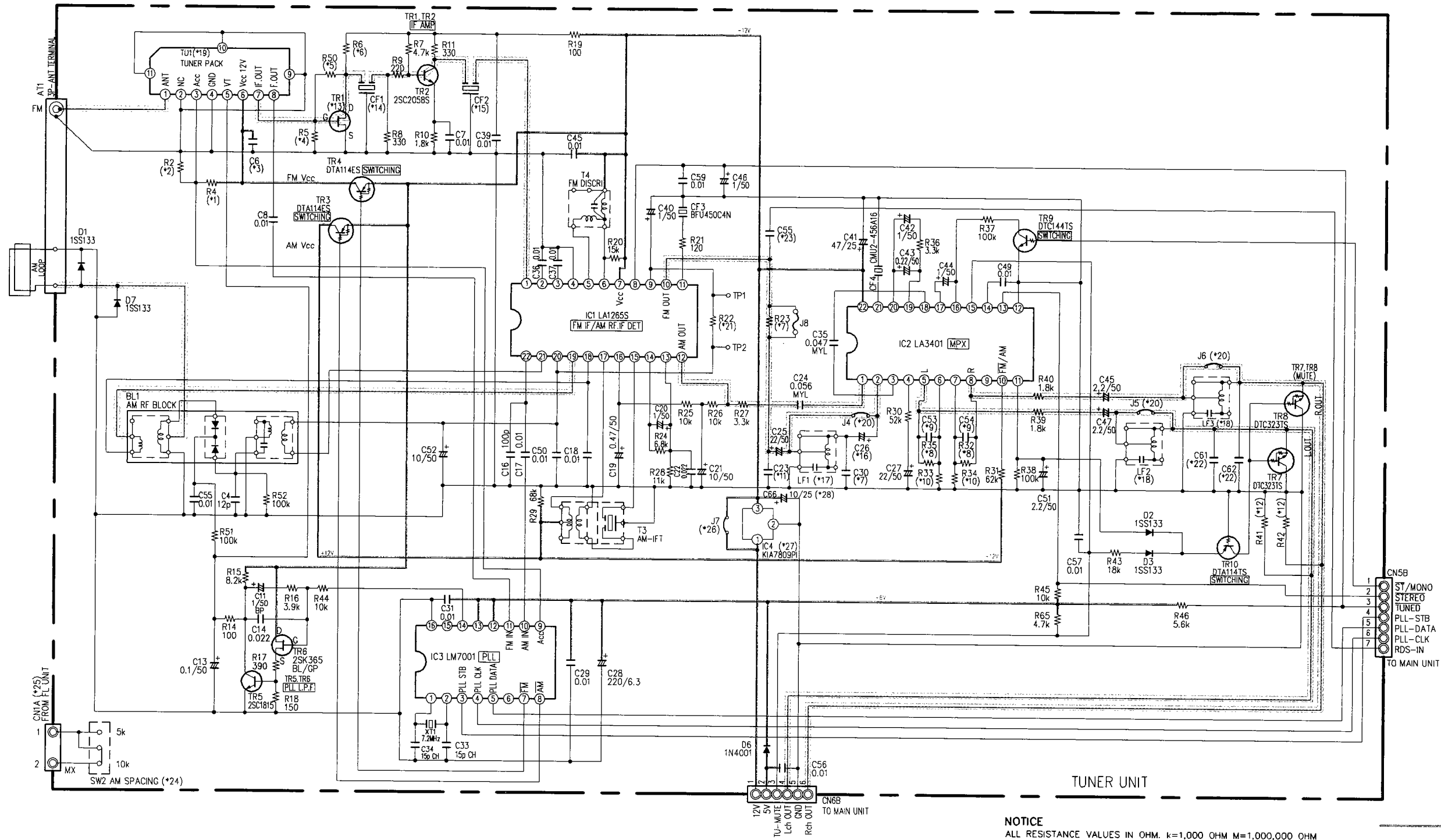
WARNING:
Parts marked with this symbol have critical characteristics.
Use ONLY replacement parts recommended by the manufacturer.

CAUTION:
Before returning the unit to the customer, make sure you make either (1) a
leakage current check or (2) a line to chassis resistance check. If the leakage
current exceeds 0.5 milliamperes, or if the resistance from chassis to either side
of the power cord is less than 240 kohms, the unit is defective.

WARNING:
DO NOT return the unit to the customer until the problem is located and
corrected.

SCHEMATIC DIAGRAM (3/6)

1 2 3 4 5 6 7 8



A
B
C
D

	*1	*2	*3	*4	*5	*6	*7	*8	*9	*10	*11	*12	*13	*14	*15	*16	*17	*18	*19	*20	*21	*22	*23	*24	*25	*26	*27	*28
	R4	R2	C6	R5	R50	R6	R23	R32,R35	C53,C54	R33,R34	C23	R41,R42	TR1	CF1	CF2	C26	LF1,C30(560p)	LF2,LF3	TU1	J4,5,6	R22	C61,C62	C55	SW2	CN1A	J7	IC4	C66
E2/EK	10k	5.6k	0.01	390	---	330	1.2k	150k	330p	180k	---	4.7k	2SK161	SF10.7 MA-B	SF10.7 MS2-A	22/50	○	○	4-TUNE	---	39k	0.0047	120p	---	---	○	---	---
EU E3	---	---	---	1k	100	---	JUMPER	100k	680p	120k	100p	6.8k	---	SFE10.7 MA-B	SFE10.7 MS2G-A	---	---	---	3-TUNE	JUMPER	18k	---	---	---	○	---	---	---
E1E1T E1H	---	---	---	1k	100	---	JUMPER	100k	680p	120k	100p	6.8k	---	SFE10.7 MA-B	SFT10.7 MS2G-A	---	---	---	3-TUNE	JUMPER	39k	---	---	○	○	---	---	---
E1-C	---	---	---	1k	100	---	JUMPER	100k	680p	120k	100p	6.8k	---	SFE10.7 MA-B	SFE10.7 MS2G-A	---	---	---	3-TUNE	JUMPER	39k	---	---	---	○	---	---	---
J	---	---	---	1k	100	---	JUMPER	150k	330p	180k	100p	6.8k	---	SFE10.7 MA-B	SFE10.7 MS2G-A	---	---	---	3-TUNE	JUMPER	18k	---	---	---	---	○	○	---

NOTICE
ALL RESISTANCE VALUES IN OHM. k=1,000 OHM M=1,000,000 OHM
ALL CAPACITANCE VALUES IN MICRO FARAD. P=MICRO-MICRO FARAD
EACH VOLTAGE AND CURRENT ARE MEASURED AT NO SIGNAL INPUT
CONDITION.
CIRCUIT AND PARTS ARE SUBJECT TO CHANGE WITHOUT PRIOR
NOTICE.

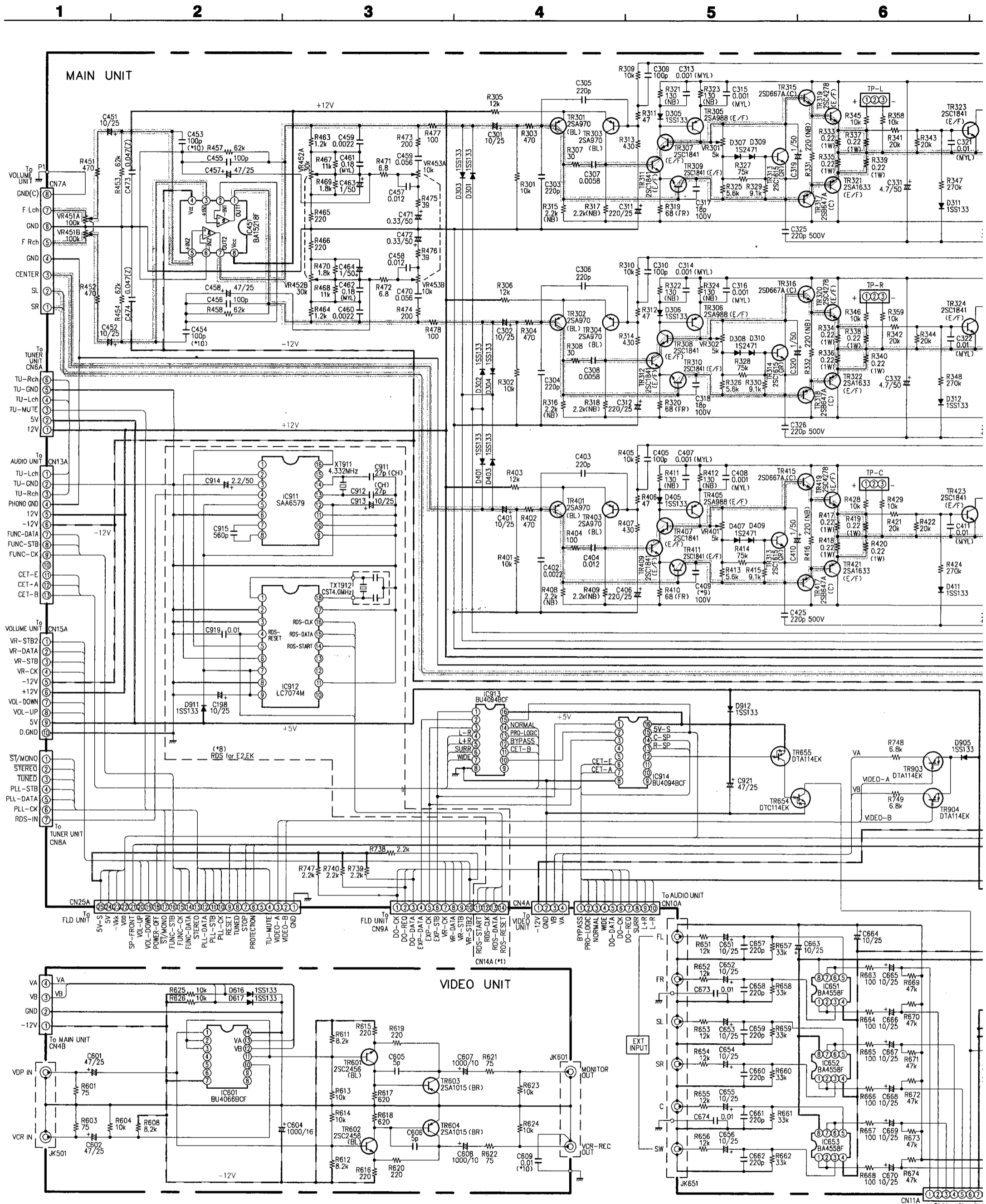
WARNING:
Parts marked with this symbol have critical characteristics.
Use ONLY replacement parts recommended by the manufacturer.

CAUTION:
Before returning the unit to the customer, make sure you make either (1) a
leakage current check or (2) a line to chassis resistance check. If the leakage
current exceeds 0.5 milliamps, or if the resistance from chassis to either side
of the power cord is less than 240 kohms, the unit is defective.


WARNING:
DO NOT return the unit to the customer unit the problem is located and
corrected.

----- +B LINE
----- SIGNAL LINE

SCHEMATIC DIAGRAM (4/6)



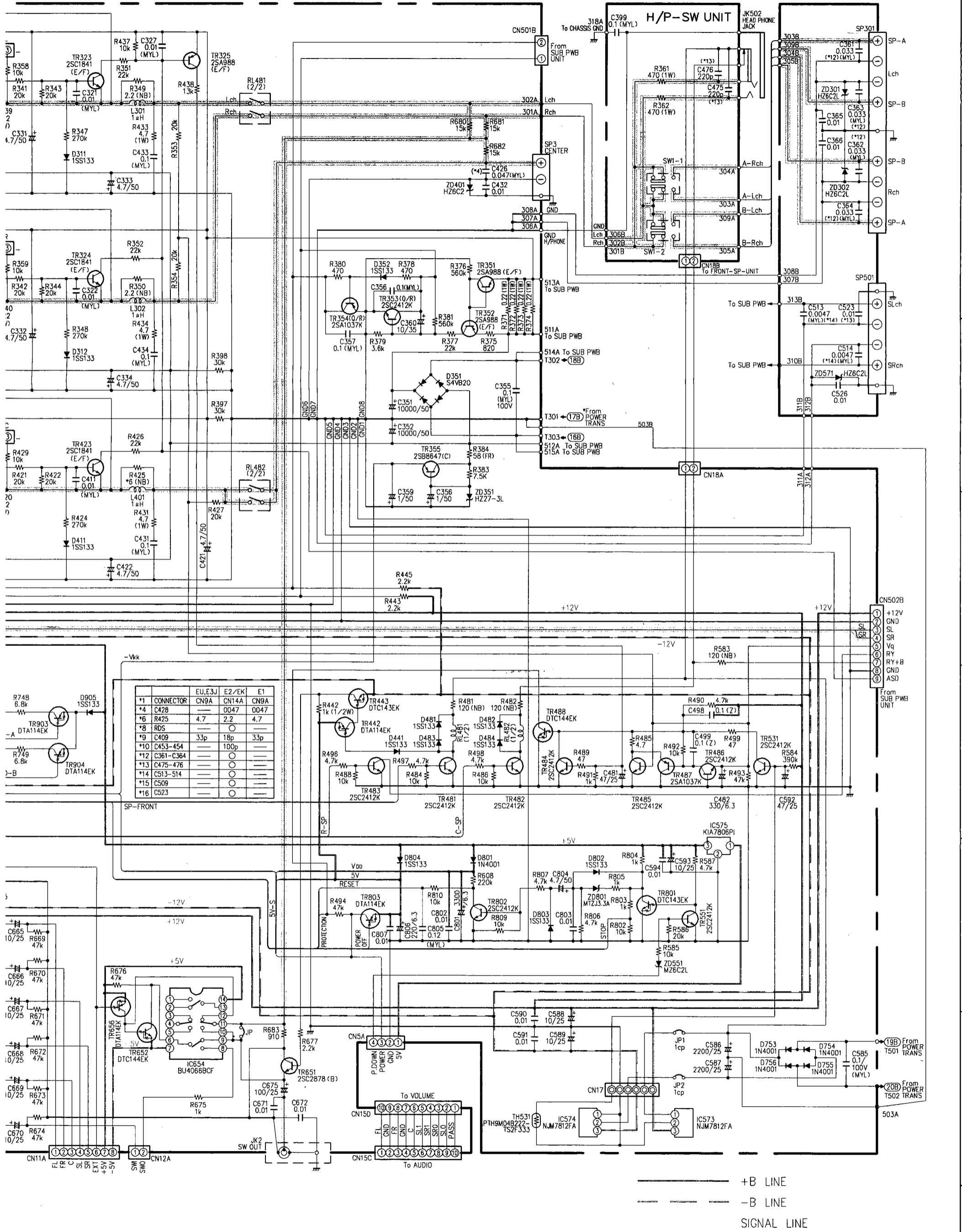
NOTICE
 ALL RESISTANCE VALUES IN OHM. k=1,000 OHM M=1,000,000 OHM
 ALL CAPACITANCE VALUES IN MICRO FARAD. P=MICRO-MICRO FARAD
 EACH VOLTAGE AND CURRENT ARE MEASURED AT NO SIGNAL INPUT
 CONDITION.
 CIRCUIT AND PARTS ARE SUBJECT TO CHANGE WITHOUT PRIOR
 NOTICE.

WARNING:
 Parts marked with this symbol  have critical characteristics.
 Use ONLY replacement parts recommended by the manufacturer.

CAUTION:
 Before returning the unit to the customer, make sure you make either (1) a leakage current check or (2) a line to chassis resistance check. If the leakage current exceeds 0.5 millamps, or if the resistance from chassis to either side of the power cord is less than 240 kohms, the unit is defective.

WARNING:
 DO NOT return the unit to the customer unit the problem is located and corrected.

5 7 8 9 10 11



	CONNECTOR	EU, E3J	E2/EK	E1
*1	CN9A	CN14A	CN9A	
*4	C428	0047	0047	
*6	R425	4.7	2.2	4.7
*8	RDS			
*9	C409	33p	18p	33p
*10	C453-454		100p	
*12	C361-C364			
*13	C475-476			
*14	C513-514			
*15	C509			
*16	C523			

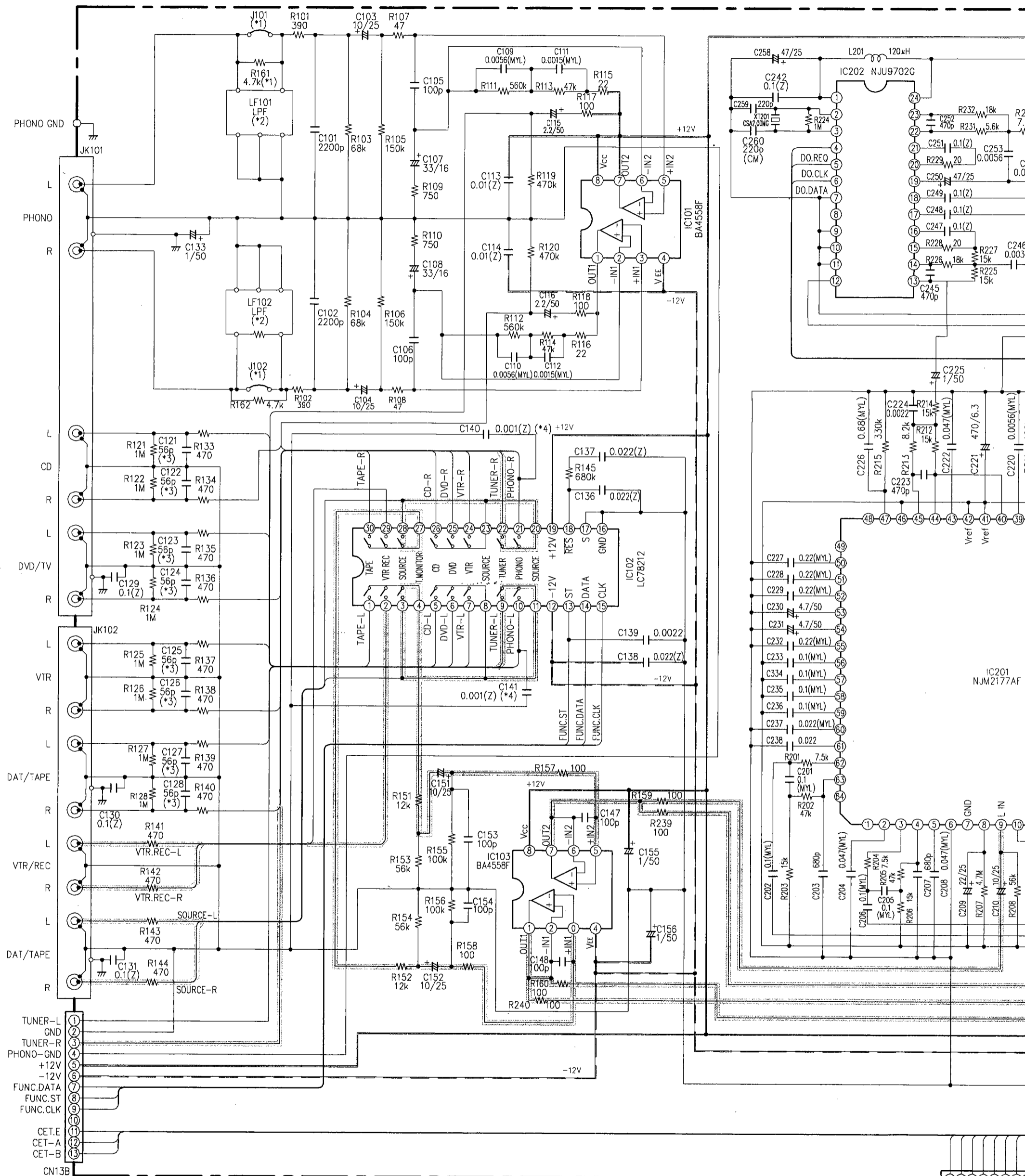
——— +B LINE
 - - - - -B LINE
 ——— SIGNAL LINE

A
B
C
D
E
F
G
H

SCHEMATIC DIAGRAM (5/6)

1 2 3 4 5 6

A
B
C
D
E
F
G
H
I
J
K
L
M
N
O
P
Q
R
S
T
U
V
W
X
Y
Z



NOTICE
 ALL RESISTANCE VALUES IN OHM. k=1,000 OHM M=1,000,000 OHM
 ALL CAPACITANCE VALUES IN MICRO FARAD. P=MICRO-MICRO FARAD
 EACH VOLTAGE AND CURRENT ARE MEASURED AT NO SIGNAL INPUT CONDITION.
 CIRCUIT AND PARTS ARE SUBJECT TO CHANGE WITHOUT PRIOR NOTICE.

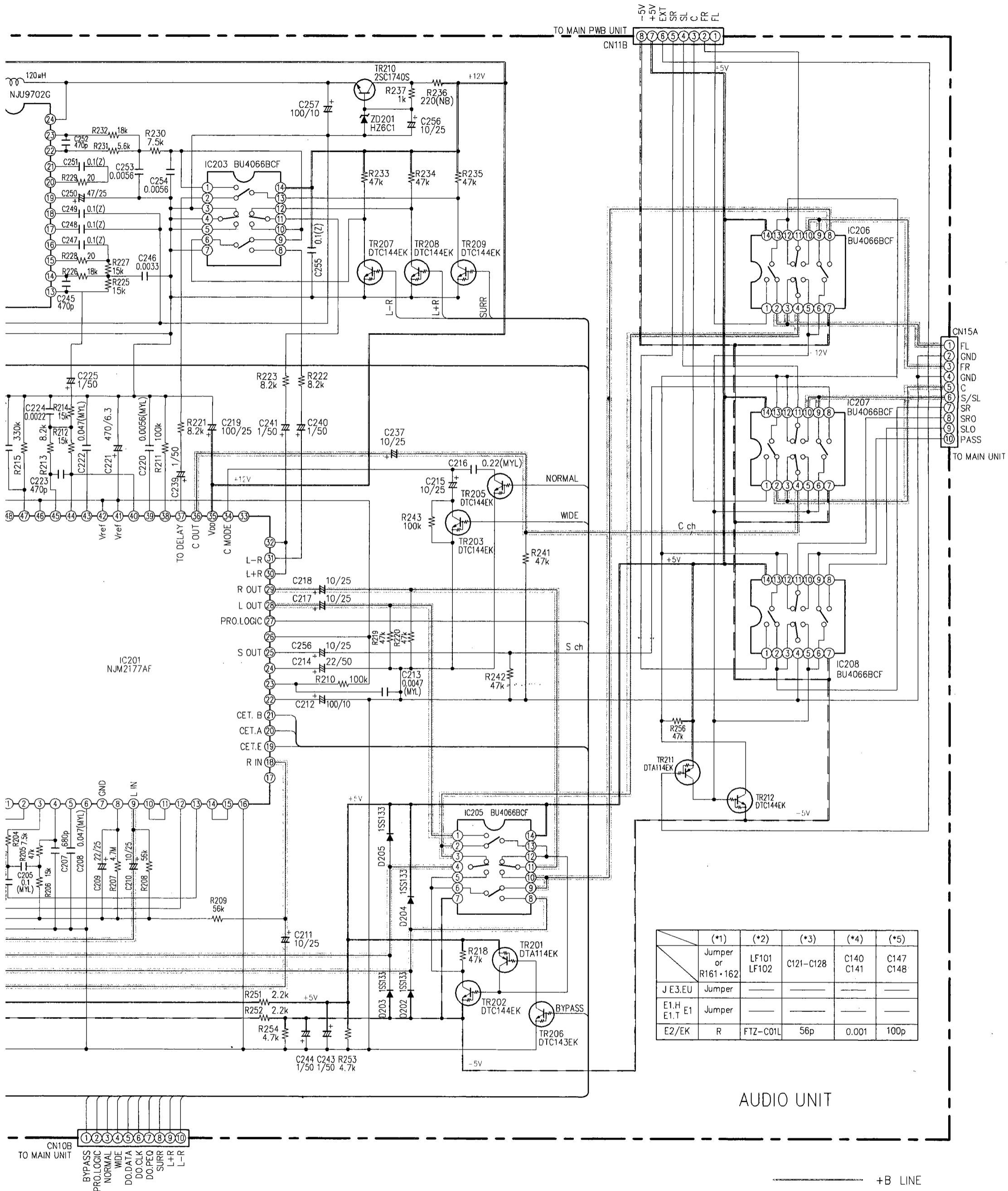
WARNING:
 Parts marked with this symbol have critical characteristics. Use ONLY replacement parts recommended by the manufacturer.

CAUTION:
 Before returning the unit to the customer, make sure you make either (1) a leakage current check or (2) a line to chassis resistance check. If the leakage current exceeds 0.5 milliamps, or if the resistance from chassis to either side of the power cord is less than 240 kohms, the unit is defective.

WARNING:
 DO NOT return the unit to the customer unit the problem is located and corrected.

CN10B TO MAIN UNIT

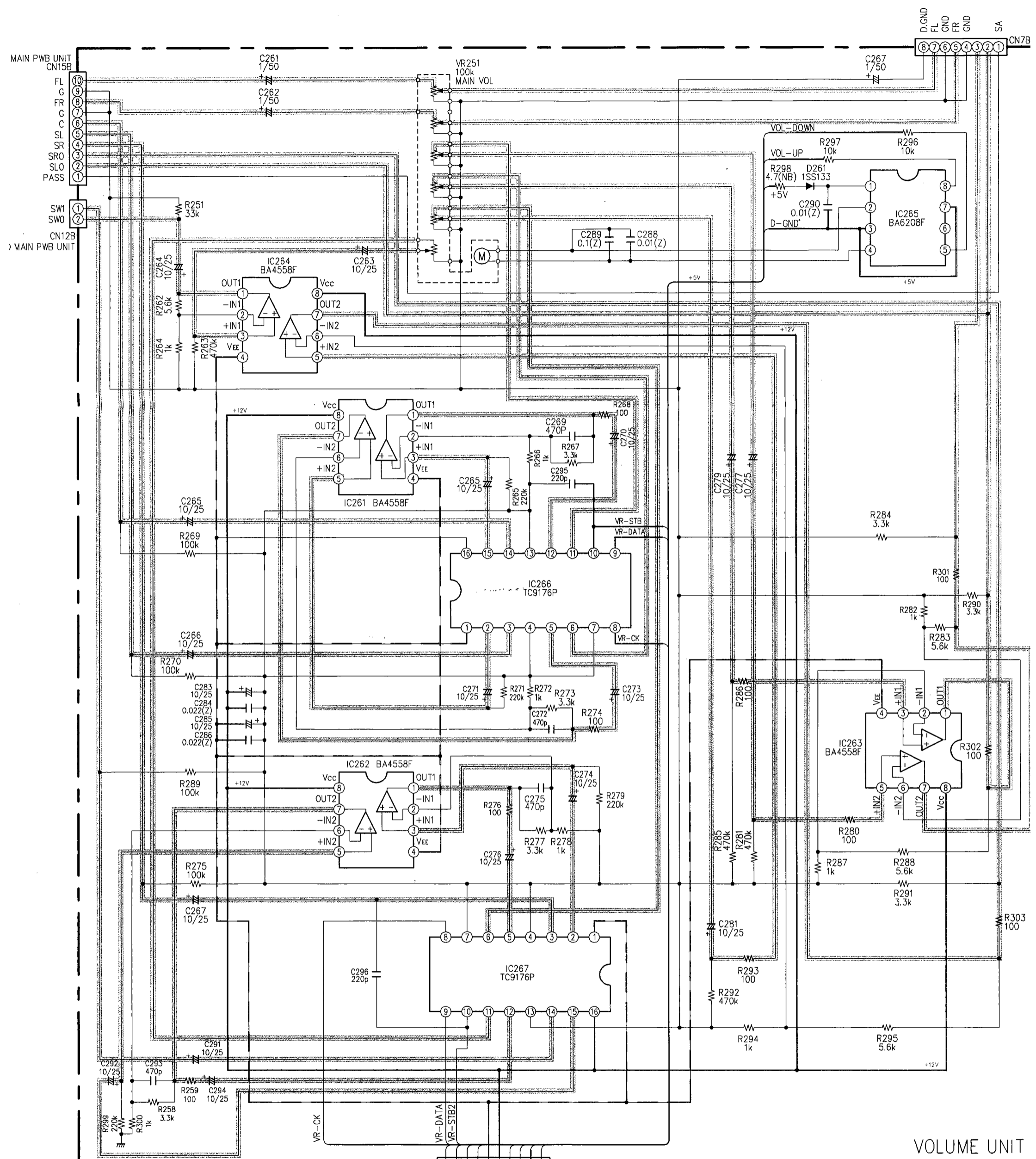
1 2 3 4 5 6 7 8
 BYPASS
 PRO.LOGIC
 NORMAL
 WIDE
 DO.DATA
 DO.CLK
 DO.PEQ
 CURP



	(*1)	(*2)	(*3)	(*4)	(*5)
	Jumper or R161-162	LF101 LF102	C121-C128	C140 C141	C147 C148
J E3/EU	Jumper	---	---	---	---
E1.H E1.T	Jumper	---	---	---	---
E2/EK	R	FTZ-C01L	56p	0.001	100p

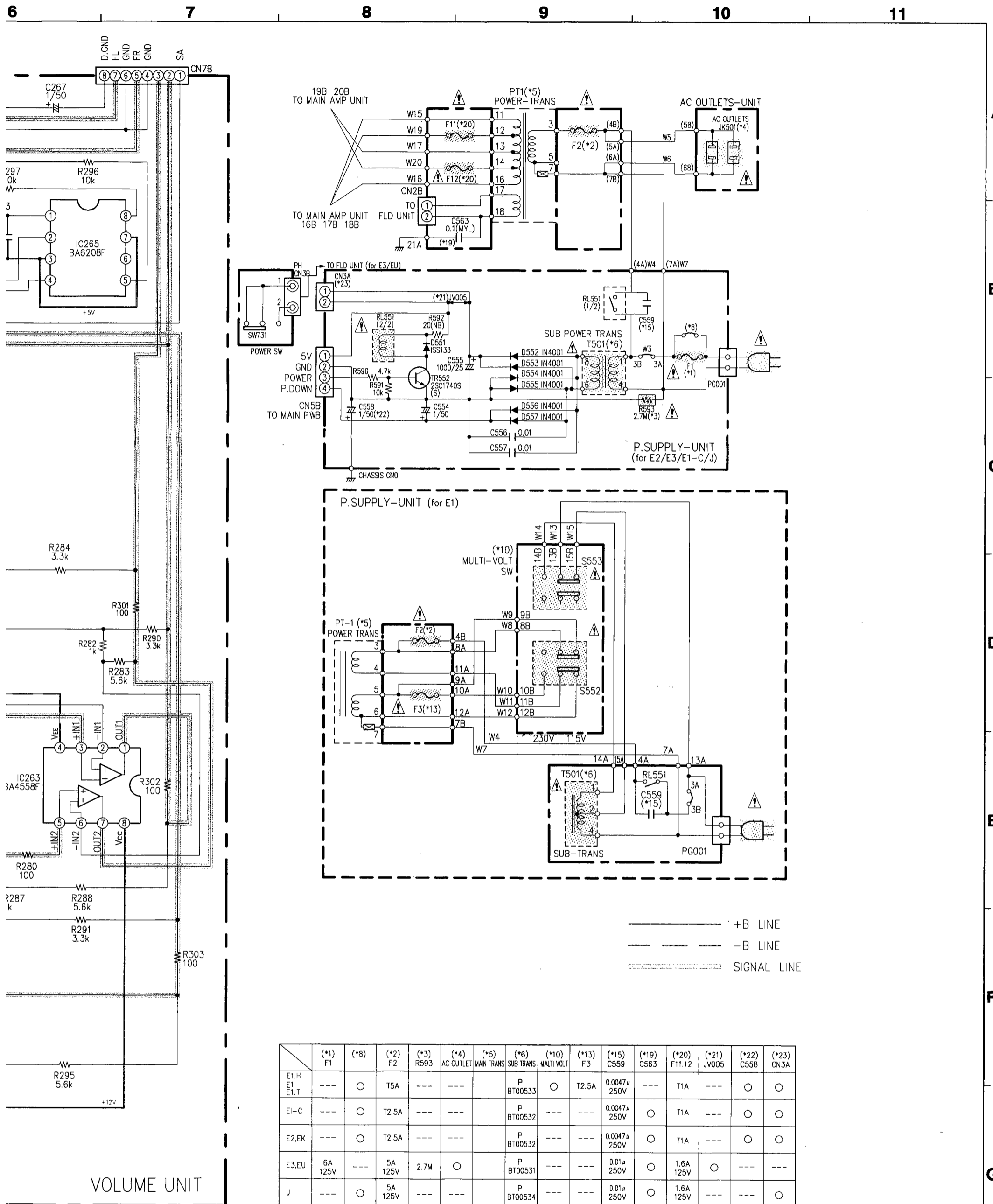
AUDIO UNIT

——— +B LINE
 - - - - - -B LINE
 SIGNAL LINE



VOLUME UNIT

NOTICE
 ALL RESISTANCE VALUES IN OHM. k=1,000 OHM M=1,000,000 OHM
 ALL CAPACITANCE VALUES IN MICRO FARAD. P=MICRO-MICRO FARAD
 EACH VOLTAGE AND CURRENT ARE MEASURED AT NO SIGNAL INPUT
 CONDITION.
 CIRCUIT AND PARTS ARE SUBJECT TO CHANGE WITHOUT PRIOR
 NOTICE.



	(*1) F1	(*8)	(*2) F2	(*3) R593	(*4) AC OUTLET	(*5) MAIN TRANS	(*6) SUB TRANS	(*10) MULTI VOLT	(*13) F3	(*15) C559	(*19) C563	(*20) F11.12	(*21) JV005	(*22) C558	(*23) CN3A
E1.H E1.T	---	○	T5A	---	---		P BT00533	○	T2.5A	0.0047μ 250V	---	T1A	---	○	○
E1-C	---	○	T2.5A	---	---		P BT00532	---	---	0.0047μ 250V	○	T1A	---	○	○
E2.EK	---	○	T2.5A	---	---		P BT00532	---	---	0.0047μ 250V	○	T1A	---	○	○
E3.EU	6A 125V	---	5A 125V	2.7M	○		P BT00531	---	---	0.01μ 250V	○	1.6A 125V	○	---	---
J	---	○	5A 125V	---	---		P BT00534	---	---	0.01μ 250V	○	1.6A 125V	---	---	○

OHM. k=1,000 OHM M=1,000,000 OHM
 μ MICRO FARAD. P=MICRO-MICRO FARAD
 T ARE MEASURED AT NO SIGNAL INPUT

SUBJECT TO CHANGE WITHOUT PRIOR

WARNING:
 Parts marked with this symbol have critical characteristics.
 Use ONLY replacement parts recommended by the manufacturer.

CAUTION:
 Before returning the unit to the customer, make sure you make either (1) a
 leakage current check or (2) a line to chassis resistance check. If the leakage
 current exceeds 0.5 milliamps, or if the resistance from chassis to either side
 of the power cord is less than 240 kohms, the unit is defective.

WARNING:
 DO NOT return the unit to the customer until the problem is located and
 corrected.

A
B
C
D
E
F
G
H