

## NOTE FOR SCHEMATIC DIAGRAM

### WARNING:

Parts marked with this symbol  $\triangle$  have critical characteristics. Use ONLY replacement parts recommended by the manufacturer.

### CAUTION:

Before returning the unit to the customer, make sure you make either (1) a leakage current check or (2) a line to chassis resistance check. If the leakage current exceeds 0.5 milliamps, or if the resistance from chassis to either side of the power cord is less than 460 kohms, the unit is defective.

### WARNING:

DO NOT return the unit to the customer until the problem is located and corrected.

### NOTICE:

ALL RESISTANCE VALUES IN OHM. k=1,000 OHM  
M=1,000,000 OHM  
ALL CAPACITANCE VALUES IN MICRO FARAD.  
P=MICRO-MICRO FARAD  
EACH VOLTAGE AND CURRENT ARE MEASURED AT  
NO SIGNAL INPUT CONDITION.  
CIRCUIT AND PARTS ARE SUBJECT TO CHANGE  
WITHOUT PRIOR NOTICE.

## 配線図について

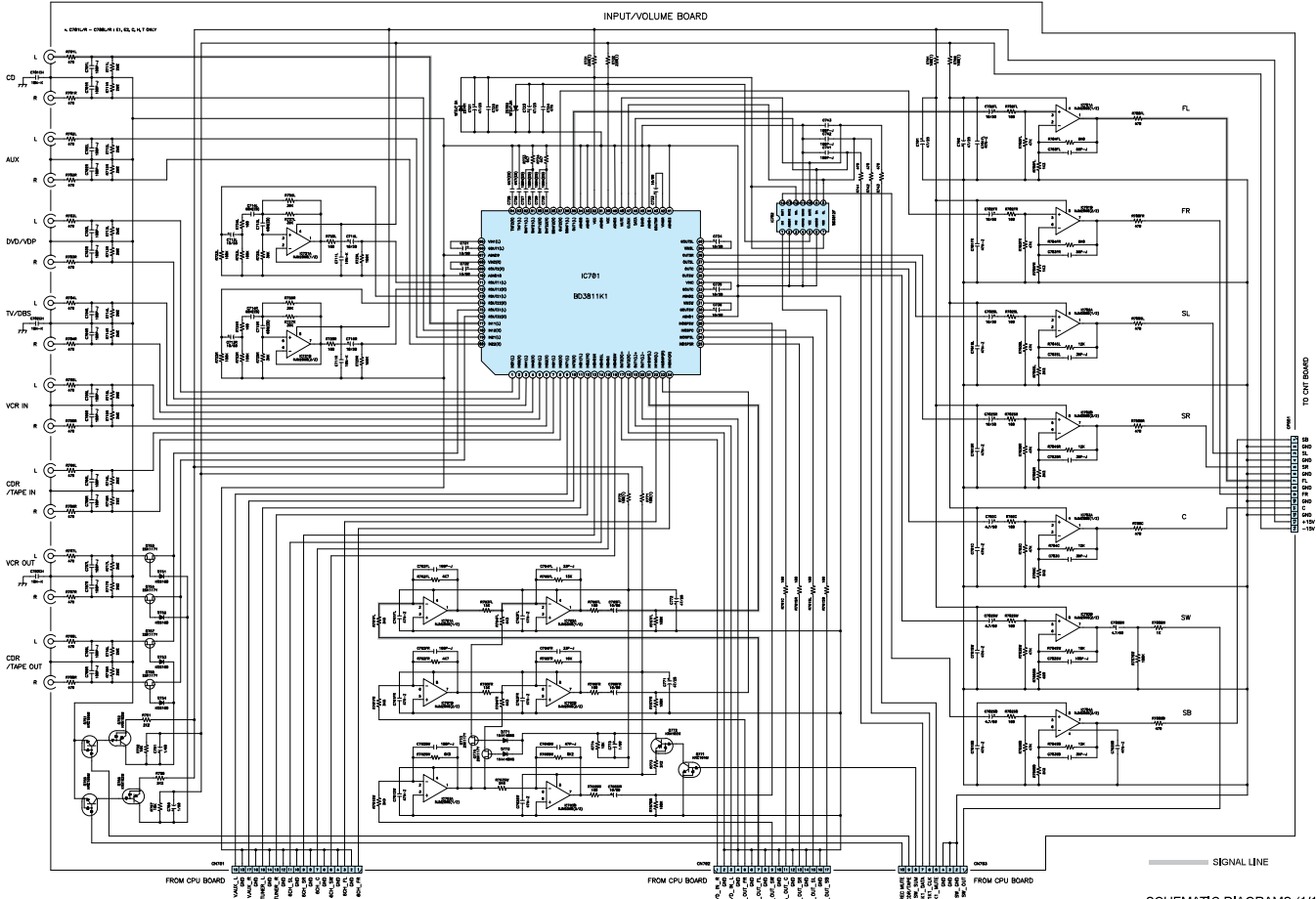
$\triangle$ 印の部品は安全を維持するために重要な部品です。従って交換時は必ず指定の部品を使用してください。

### 注)

- (1) 指定なき抵抗値は  $\Omega$ 、k は k  $\Omega$ 、M は M  $\Omega$  を示す。
- (2) 指定なきコンデンサーの値は  $\mu\text{F}$ 、p は pF を示す。
- (3) 各部の電圧は無信号の値を示す。
- (4) この配線図は基本配線図です。改良等のため変更することがありますのでご了承ください。

SCHEMATIC DIAGRAMS (1/10)

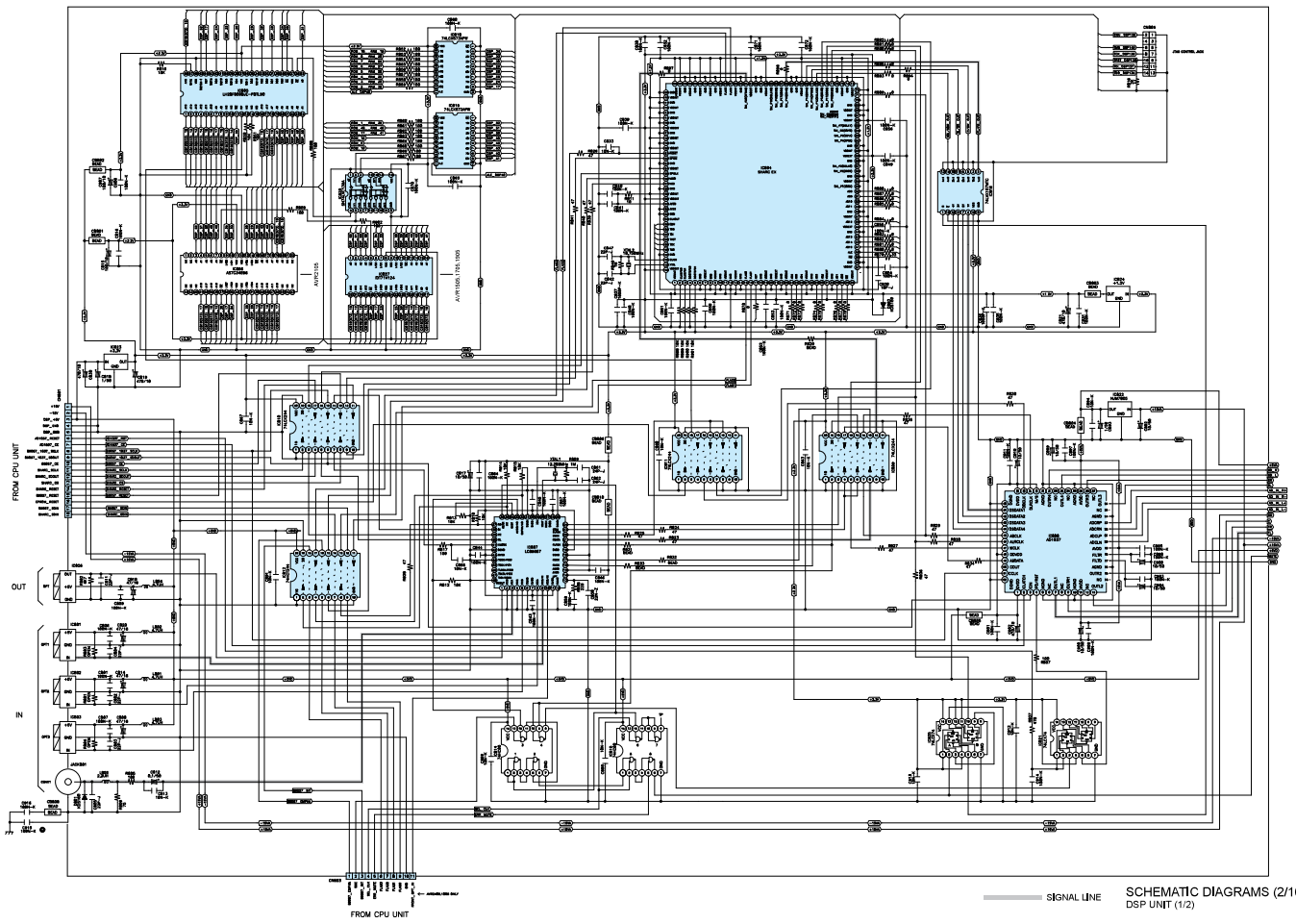
1 2 3 4 5 6 7 8 9 10 11



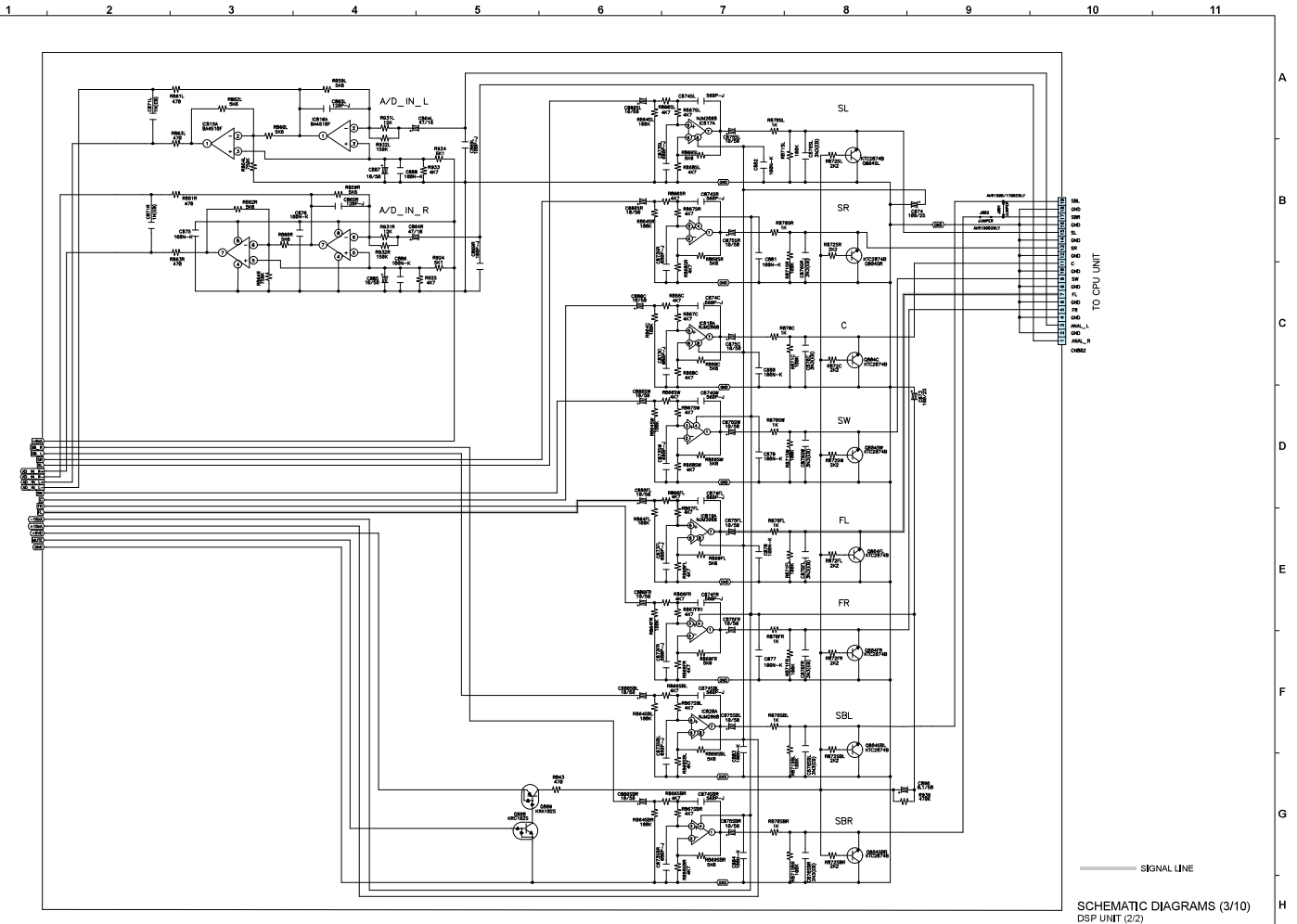
SCHEMATIC DIAGRAMS (1/10)  
INPUT/VOLUME UNIT

A  
B  
C  
D  
E  
F  
G  
H

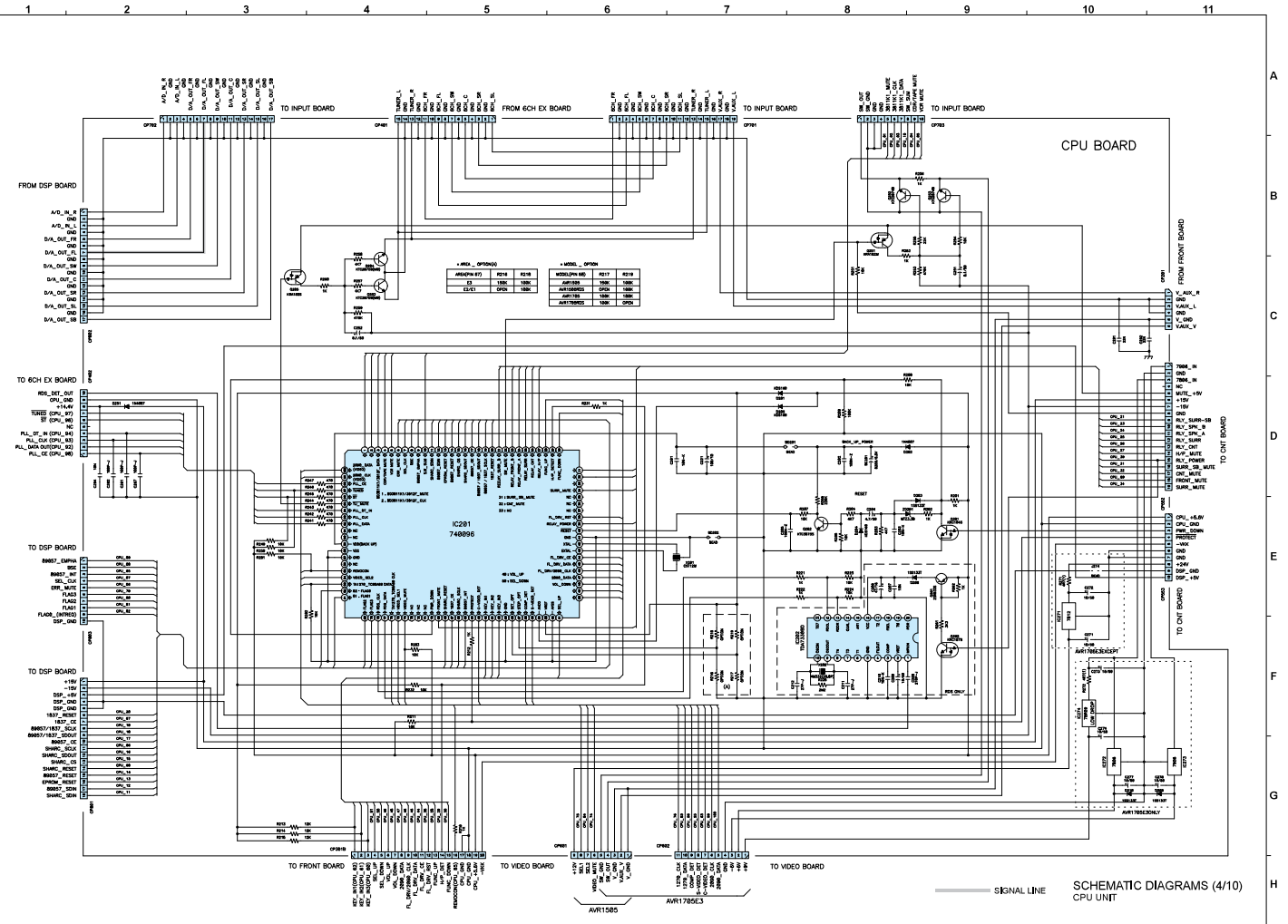
1 2 3 4 5 6 7 8 9 10 11



A  
B  
C  
D  
E  
F  
G  
H



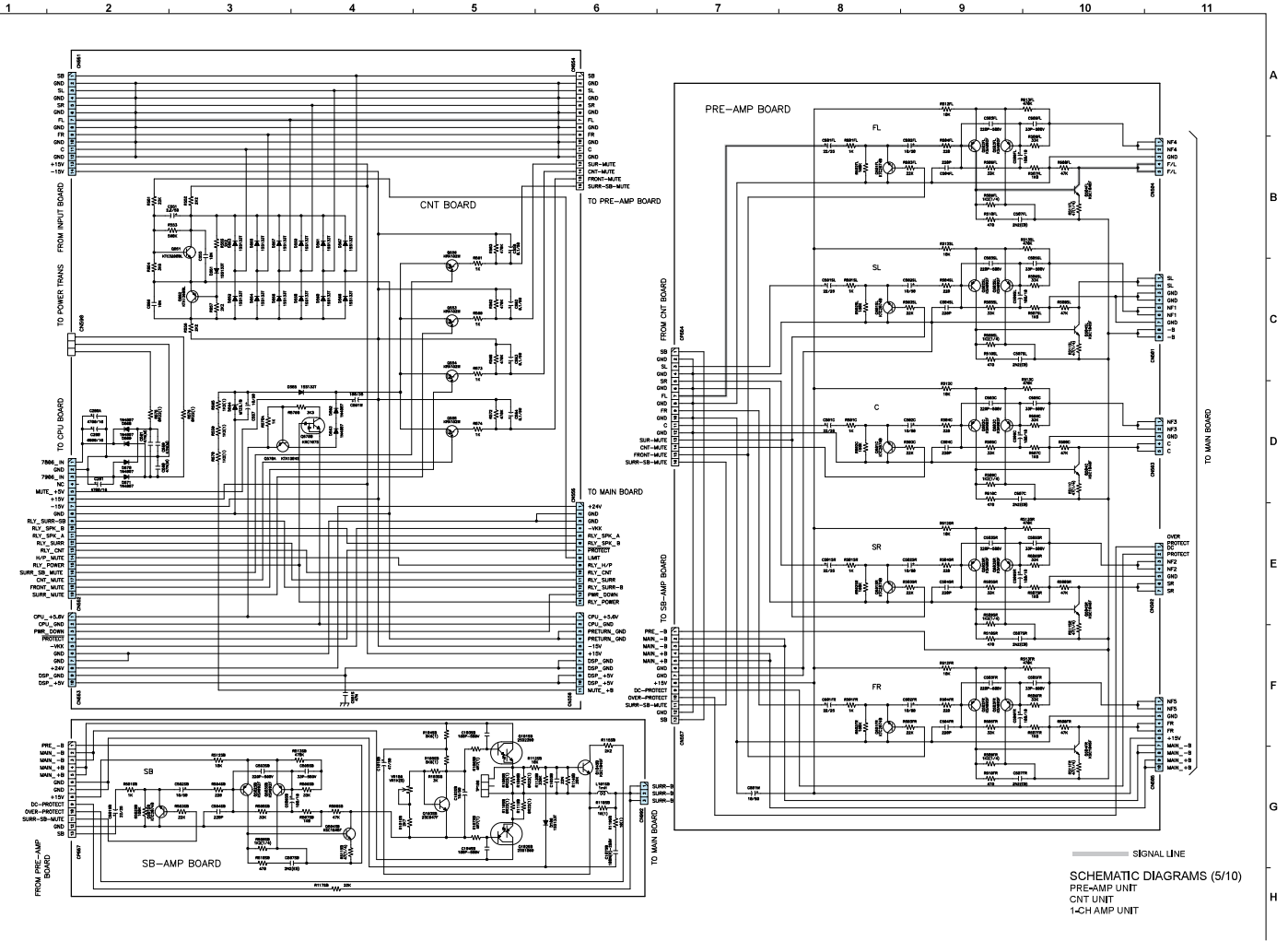
SCHEMATIC DIAGRAMS (3/10)  
DSP UNIT (2/2)



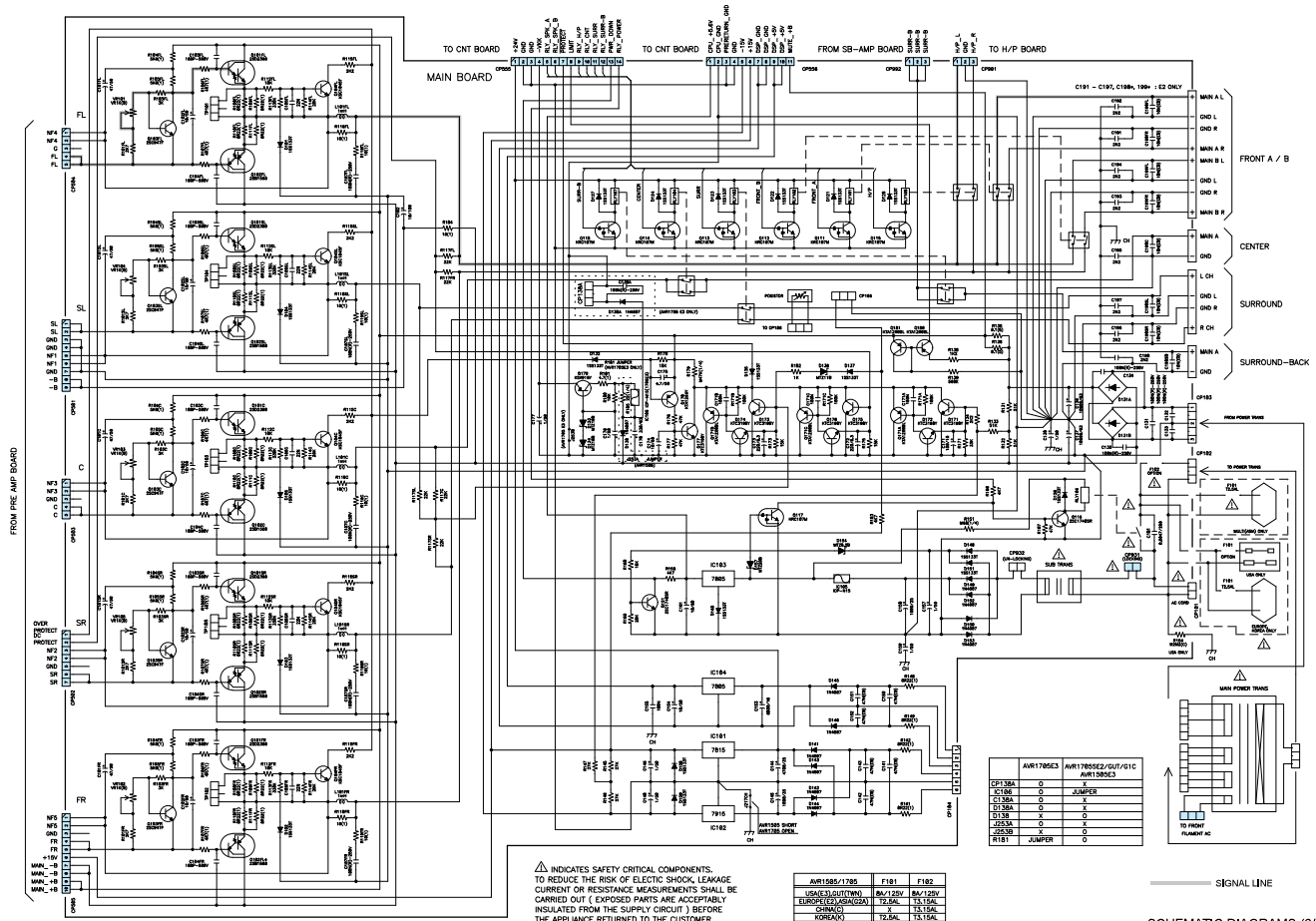
1 2 3 4 5 6 7 8 9 10 11

A  
B  
C  
D  
E  
F  
G  
H

SCHEMATIC DIAGRAMS (5/10)



1 2 3 4 5 6 7 8 9 10 11



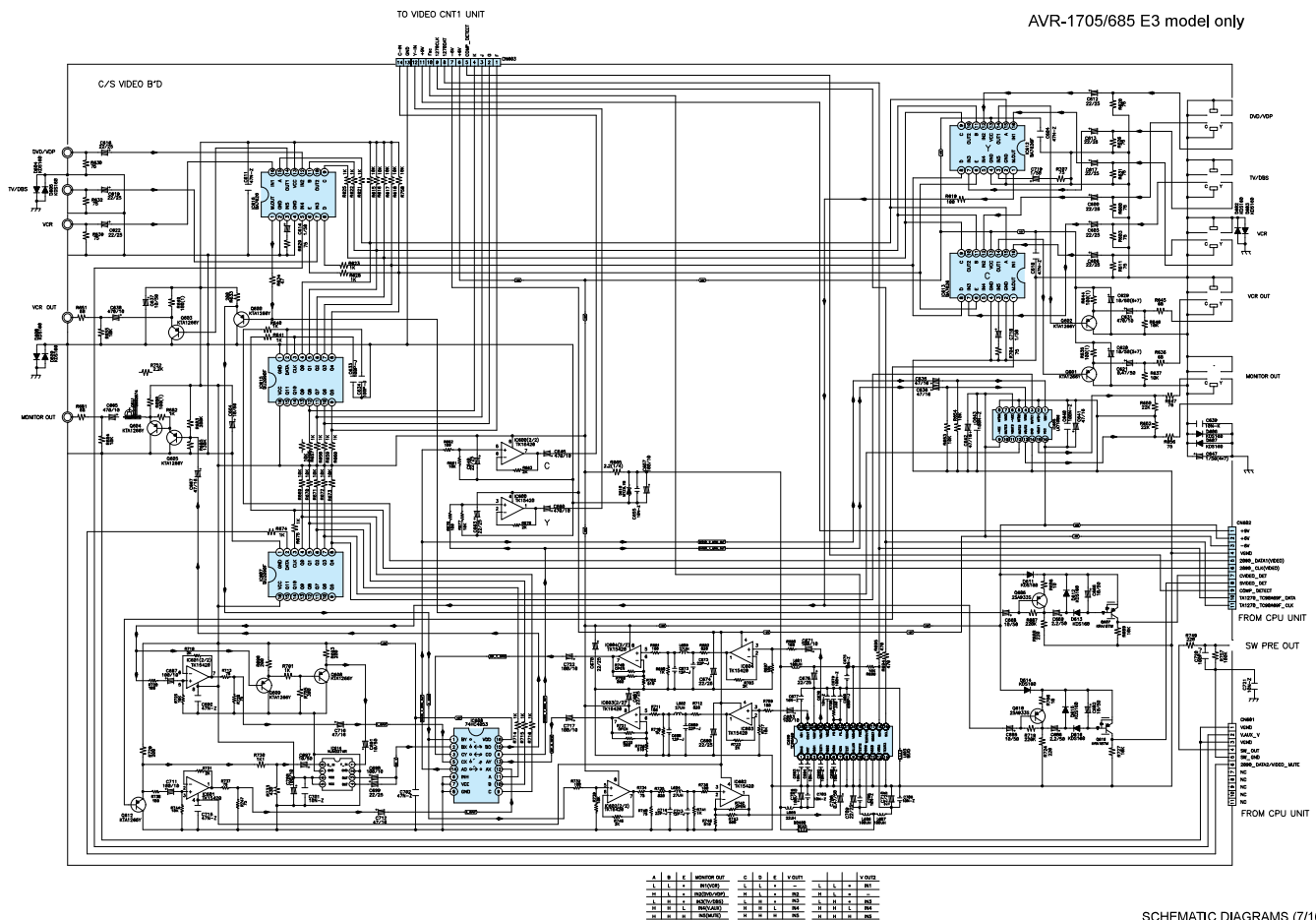
⚠ INDICATES SAFETY CRITICAL COMPONENTS. TO REDUCE THE RISK OF ELECTRIC SHOCK, LEAKAGE CURRENT OR RESISTANCE MEASUREMENTS SHALL BE CARRIED OUT ( EXPOSED PARTS ARE ACCEPTABLY INSULATED FROM THE SUPPLY CIRCUIT ) BEFORE THE APPLIANCE RETURNED TO THE CUSTOMER.

AVR1585/1795	F181	F182
USA/CA/CHINA	8A/125V	8A/125V
EUROPE/AS/SA/CA/2	12.5A/125V	12.5A/125V
CHINA	12.5A/125V	12.5A/125V
KOREA/2	12.5A/125V	12.5A/125V

	AVR1705ES	AVR1705ES/OUT/61C	AVR1505ES3
CP138	0	0	JUMPER
CP139	0	0	JUMPER
CP136	0	X	0
CP137	0	0	0
CP135	X	X	0
CP134	0	0	0
CP131	JUMPER	0	0

— SIGNAL LINE

1 2 3 4 5 6 7 8 9 10 11

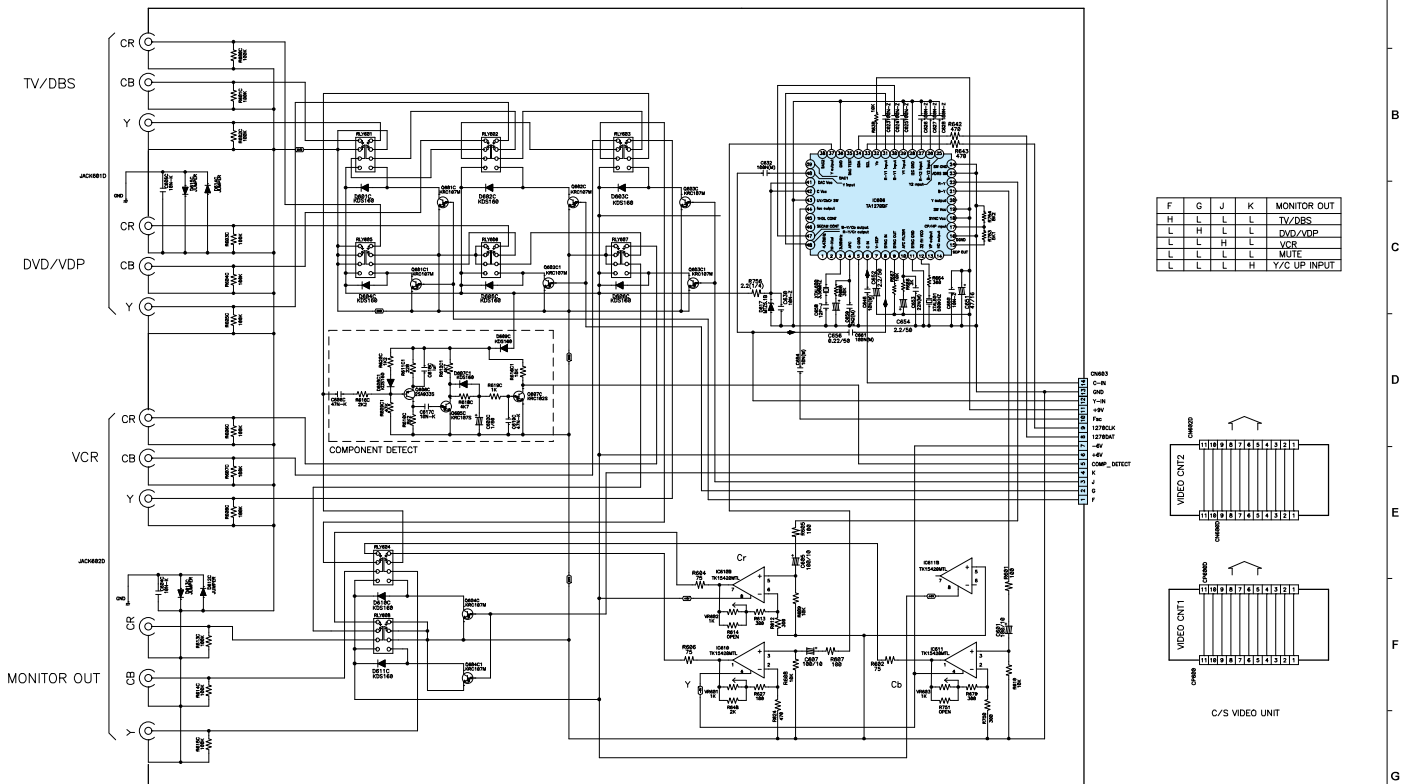


SCHEMATIC DIAGRAMS (7/10)  
C-S VIDEO 2 UNIT

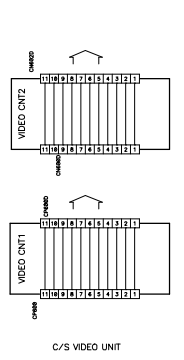


1 2 3 4 5 6 7 8 9 10 11

AVR-1705/685 E3 model only



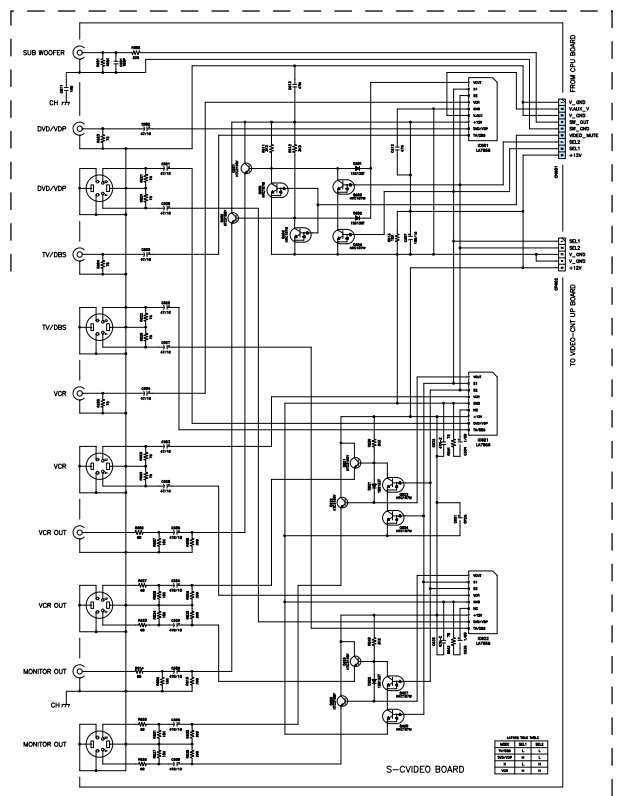
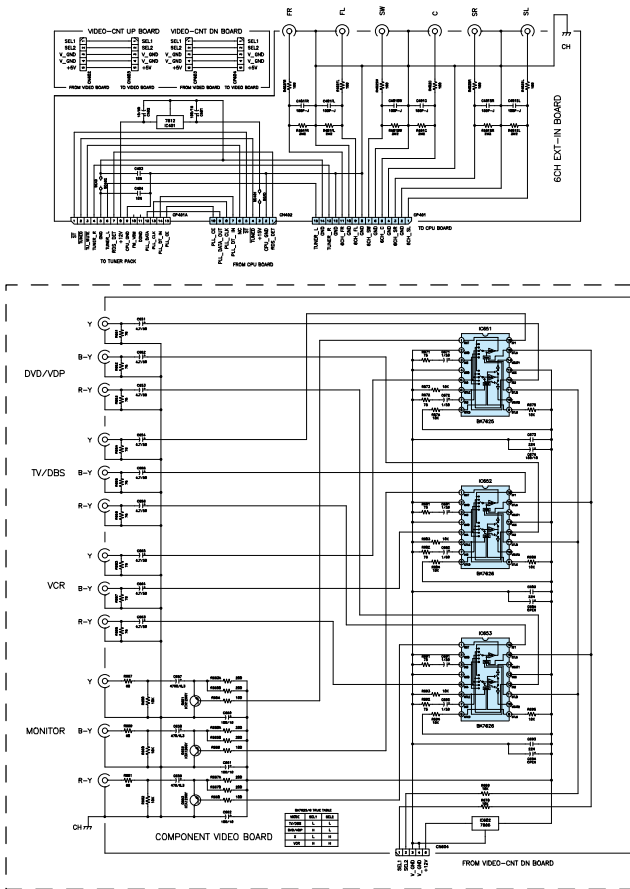
F	G	J	K	MONITOR OUT
H	L	L	L	TV/DBS
L	H	L	L	DVD/VDP
L	L	L	L	VCR
L	L	L	L	MUTE
L	L	L	H	Y/C UP INPUT



SCHEMATIC DIAGRAMS (8/10)  
COMP-4/2 UNIT  
V CNT UP 2 UNIT  
V CNT DOWN 2 UNIT

1 2 3 4 5 6 7 8 9 10 11

AVR-1705E2, E1C, EUT, AVR-1505/484E3 model only



SCHEMATIC DIAGRAMS (9/10)  
 CS VIDEO 1 UNIT  
 COMP-V1 UNIT  
 6-CH EXT UNIT  
 V-CNT UP 1 UNIT  
 V-CNT DOWN 1 UNIT

