

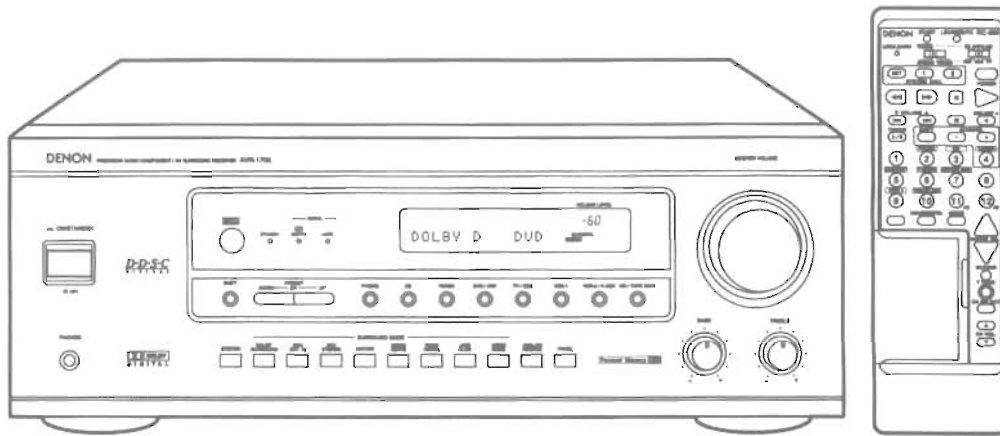
DENON

Hi-Fi AV Surround Receiver

SERVICE MANUAL

MODEL AVR-1700

AV SURROUND RECEIVER



This service manual is supplement for AVR-1700. For servicing, refer to the service manual of AVR-2700 (For U.S.A. model) already issued at the same time.

— TABLE OF CONTENTS —

SPECIFICATIONS	2
SEMICONDUCTORS	3~4
NOTE FOR PARTS LIST	4
PARTS LIST OF P.W.B. UNIT ASS'Y	5~15
EXPLODED VIEW OF CHASSIS AND CABINET	16
PARTS LIST OF EXPLODED VIEW AND REMOTE CONTROL UNIT	17,18
SCHEMATIC DIAGRAM	19~27

• Some illustrations using in this service manual are slightly different from the actual set.

NIPPON COLUMBIA CO., LTD.

SAFETY PRECAUTIONS

The following check should be performed for the continued protection of the customer and service technician.

LEAKAGE CURRENT CHECK

Before returning the unit to the customer, make sure you make either (1) a leakage current check or (2) a line to chassis resistance check. If the leakage current exceeds 0.5 milliamps, or if the resistance from chassis to either side of the power cord is less than 460 kohms, the unit is defective.

SPECIFICATIONS

Audio section

(Power amplifier)

Rated output:	Front:	70 W + 70 W	(8 Ω /ohms, 20 Hz-20 kHz with 0.05 % T.H.D.)
		100 W + 100 W	(6 Ω /ohms, 1 kHz with 0.7 % T.H.D.)
	Center:	70 W	(8 Ω /ohms, 20 Hz-20 kHz with 0.05 % T.H.D.)
		100 W	(6 Ω /ohms, 1 kHz with 0.7 % T.H.D.)
Surround:	70 W + 70 W	(8 Ω /ohms, 20 Hz-20 kHz with 0.05 % T.H.D.)	
	100 W + 100 W	(6 Ω /ohms, 1 kHz with 0.7 % T.H.D.)	
Dynamic power:	90 W x 2 ch	(8 Ω /ohms)	
	150 W x 2 ch	(4 Ω /ohms)	
	180 W x 2 ch	(2 Ω /ohms)	
Output terminals:	Front/Center:	A or B or Bi-wiring	6 to 16 Ω /ohms
		A + B	12 to 16 Ω /ohms
	Surround:		6 to 16 Ω /ohms

(Analog)

LINE input - PRE OUT

Input sensitivity/Input impedance:	200 mV/47 k Ω /kohms
Frequency response:	10 Hz-50 kHz: +1, -3dB
S/N ratio:	96 dB (IHF-A weighted)
Total harmonic distortion:	0.05 % (20 Hz-20kHz)
Rated output:	1.2V

PHONO input - REC OUT

Input sensitivity/Input impedance:	2.5 mV/47 k Ω /kohms
RIAA deviation:	\pm 1 dB (20 Hz-20 kHz)
S/N ratio:	74 dB (IHF-A weighted, with 5 mV input)
Total harmonic distortion:	0.03 % (1 kHz, 3 V)
Rated output/Maximum output:	150 mV/7 V
Maximum headphones output:	27 mW (8 Ω /ohms)

(Digital)

D/A output

Rated output:	2 V (at 0 dB playback)
Total harmonic distortion:	0.01 % (1 kHz, at 0 dB)
S/N ratio:	102 dB (IHF-A weighted)
Dynamic range:	93 dB
Digital input:	Format - Digital audio interface

Video section

(standard video jacks)

Input/output level and impedance:	1 V p-p, 75 Ω /ohms
Frequency response:	5 Hz-10MHz: +1, -3 dB

Tuner section

Receiving range:	[FM] (note: μ V at 75 Ω /ohms, 0 dBf= 1×10^{-15} W)	[AM]
Usable sensitivity:	87.50 MHz-107.90 MHz	520 kHz-1710 kHz
50 dB quieting sensitivity:	1.0 μ V (11.2 dBf)	
S/N ratio:	MONO	1.6 μ V (15.3 dBf)
	STEREO	23 μ V (38.5 dBf)
Total harmonic distortion:	MONO	80 dB (IHF-A weighted)
	STEREO	75 dB (IHF-A weighted)
	MONO	0.15 % (1 kHz)
	STEREO	0.3 % (1 kHz)

General

Power supply:	AC120 V, 60 Hz
Power Consumption:	4.1 A
Maximum external dimensions:	434 (W) x 161 (H) x 416 (D) mm (17-3/32" x 6-11/32" x 16-3/8")
Weight:	10.9 kg (24 lbs)

Remote control unit (RC-855)

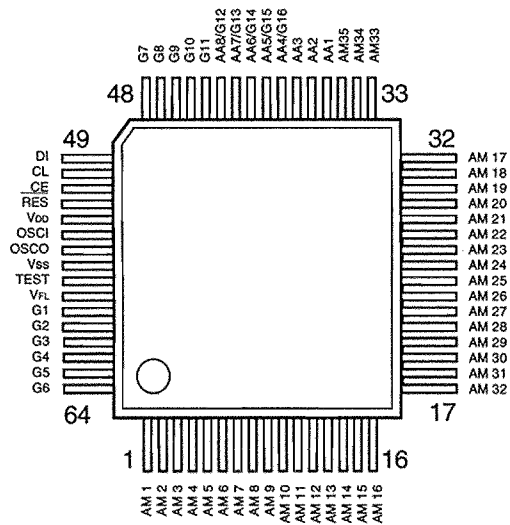
Batteries:	R6P/AA Type (two batteries)
External dimensions:	70 (W) x 215 (H) x 19 (D) mm (2-3/3" x 8-15/32" x 3/4")
Weight:	180 g (Approx. 6 oz) (including batteries)

*For purposes of improvement, specifications and design are subject to change without notice.

SEMICONDUCTORS

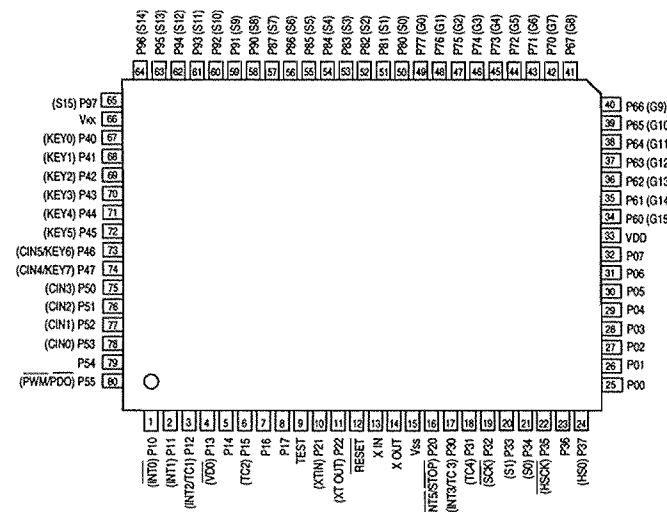
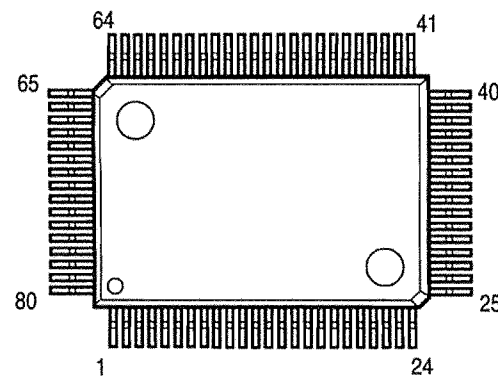
● IC's

LC75721NE (VI: IC102)



Symbol	Function
V _{DD}	Power terminal +5V
V _{SS}	Power terminal GND
V _{FL}	Power terminal FL drive
DI CL CE	Serial data transfer terminal DI: Data CL: Clock CE: Chip enable
OSCI OSCO	External CR connecting terminal
RES	System reset terminal
AM1~AM35 AA1~AA3	Anode output terminal
AA4/G16 AA5/G15 AA6/G14 AA7/G13 AA8/G12	Anode/Grid output terminal
G1~G11	Grid output terminal
TEST	LSI test terminal

TMP87CS71F-**** (CO: IC113)



TMP87CS71F-**** (IC113) Terminal Function

Pin No.	Port Name	Symbol	I/O	Type	Op	Det	Res	Init	Function
1	P10/INT 0	PROTECTION IN	I	—	Eu	E&L	Z	—	Protection detecting input. (L: Detection)
2	P11/INT 1	DSP CLK IN	I	—	Eu	Ed	Z	—	DSP control terminal.
3	P12/INT 2	RDS START	I	—	Eu	Ed	Z	H	RDS data input (LC7074). *Europe model only.
4	P13/DVO	STEREO/MONO	O	C	—	—	Z	L	STEREO/MONO control signal. (L: STEREO receiving)
5	P14	PLL-ST	O	C	—	—	Z	L	LC72131 control output.
6	P15/TC2	TAPE MONITOR	O	C	—	—	Z	H	Tape monitor control output. (H: Tape monitor ON).
7	P16		O	C	—	—	Z	L	
8	P17	TUNED SIGNAL	I	—	Eu	Lv	Z	—	Tuning detection. (L: Tuning)
9	TEST	TEST	I	—	GND	S	—	—	Connect to ground.
10	P21/XTIN	STEREO SIGNAL	I	—	Eu	Lv	Z	—	STEREO control signal. (L: STEREO receiving)
11	P22/XTO	SCL	O	N	Eu	—	Z	H	MAIN-SUB microcomputer communication control terminal.
12	RESET	RESET	I	—	Eu	Lv	L	—	Reset input.
13	XIN	XIN	I	—	—	—	—	—	Oscillator circuit terminal. (4MHz)
14	XOUT	XOUT	O	—	—	—	—	—	Oscillator circuit terminal. (4MHz)
15	VSS	VSS	I	—	GND	—	—	—	Ground.
16	P20/INT 5	POWER OFF	I	—	Eu	Lv	Z	—	Power OFF detection terminal. (L: Power OFF)
17	P30/INT 3	REMOCON	I	—	Ed	E&L	Z	—	Remote signal input.
18	P31/TC4	SDA	O	N	Eu	S	Z	H	MAIN-SUB microcomputer communication control terminal.
19	P32/SCK	RDS CLK	I	—	—	S	Z	—	RDS clock input (LC7074). * Europe model only.
20	P33/SI	RDS DATA	I	—	—	S	Z	—	RDS data input (LC7074). * Europe model only.
21	P34/SO	RDS RES	O	N	Eu	—	Z	H	RDS reset output (LC7074). * Europe model only.
22	P35/HSCK		O	N	—	—	Z	L	
23	P36		O	N	—	—	Z	L	
24	P37/HSO		O	N	—	—	Z	L	
25	P00		O	C	—	—	Z	L	
26	P01	FL RES	O	C	—	—	Z	L	Fluorescent display control output. (LC75721NE)
27	P02	FLPL DATA	O	C	—	S	Z	H	Fluorescent display & PLL control output. (LC75721NE & LC72131)
28	P03	FLPL CLK	O	C	—	S	Z	H	Fluorescent display & PLL control output. (LC75721NE & LC72131)
29	P04	FUNC ST2	O	C	—	—	Z	L	Function control output. (NJU7313AL) 5.1CH decoder.
30	P05	FUNC CK	O	C	—	S	Z	L	Function control output. (TC9273N, NJU7313AL)
31	P06	FUNC DATA	O	C	—	S	Z	L	Function control output. (TC9273N, NJU7313AL)
32	P07	FUNC ST1	O	C	—	—	Z	L	Function control output. (TC9273N).
33	VDD	VDD	I	—	—	—	—	—	Connect to +5V power supply.
34	P60	E. VOL CE2	O	P	Id	—	L	L	Electronic volume control output. (LC7536) (Center/Sub woofer, Surround L/R)
35	P61	E. VOL CE1	O	P	Id	—	L	L	Electronic volume control output. (LC7536) (Front L/R)
36	P62	E. VOL CK	O	P	Id	—	L	H	Electronic volume control output. (LC7536)
37	P63	E. VOL DATA	O	P	Id	—	L	H	Electronic volume control output. (LC7536)
38	P64		O	P	Id	—	L	L	
39	P65	ERR MUTE	O	P	Id	—	L	H	Pop noise prevention control terminal. (H: Power ON)
40	P66	96DET	I	—	Id	—	L	L	Sampling frequency detection terminal. (H: 96kHz)
41	P67	SELCK	O	P	Id	—	L	H	DIR control terminal. (CS8414) (H: Digital, L: Analog)
42	P70	TUNER MUTE	O	P	Id	—	H	H	Tuner mute output. (H: Mute)
43	P71	SEL	O	P	Id	—	L	H	DIR control terminal. (CS8414)
44	P72	FL CE	O	P	Id	—	L	H	Fluorescent display control output. (LC75721NE)
45	P73	STANDBY LED	O	P	Id	—	L	H	Standby indication LED drive output. (H: Lighting)
46	P74	DOLBY DIGITAL LED	O	P	Id	—	L	L	Dolby Digital indication LED drive output. (H: Lighting)
47	P75	LOCK LED	O	P	Id	—	L	L	Lock indication LED drive output. (H: Lighting)
48	P76		O	P	Id	—	L	L	
49	P77	VOL MUTE	O	P	Id	—	L	L	Control signal at minus infinite of master volume. (L: infinite)
50	P80	SW-MUTE	O	P	Id	—	L	H	Subwoofer mute output. (L: Mute)
51	P81	SP-A	O	P	Id	—	L	H	Front speaker relay control output. (L: Mute)
52	P82	RL-C	O	P	Id	—	L	H	Center speaker relay control output. (L: Mute)
53	P83	RL-S	O	P	Id	—	L	L	Surround speaker relay control output. (L: Mute)
54	P84	H/P MUTE	O	P	Id	—	L	H	Headphone relay control output. (L: Mute)
55	P85		O	P	Id	—	L	L	

Pin No.	Port Name	Symbol	I/O	Type	Op	Det	Res	Ini	Function
56	P86	POWER	O	P	Id	—	L	H	Power supply relay control output. (H: ON)
57	P87	AC-3 MUTE	O	P	Id	—	L	H	Digital mute control terminal (L: AC-3).
58	P90		I	—	Id	—	L	L	
59	P91	AC-3 DET.	I	—	Id	—	L	—	AC-3 decode data input terminal. (L: AC-3 decode)
60	P92	F0	I	—	—	—	L	—	DIR control input terminal. (CS8414)
61	P93	F1	I	—	—	—	L	—	DIR control input terminal. (CS8414)
62	P94	F2	I	—	—	—	L	—	DIR control input terminal. (CS8414)
63	P95	CSI	I	—	Id	—	L	—	DIR control input terminal. (ZR38600) (L: PCM)
64	P96	ERR	I	—	Id	—	L	—	DIR control input terminal. (ZR38600) (H: ERR)
65	P97		O	P	Id	—	L	L	
66	VKK	VKK	I	—	—	—	—	—	Connect to ground.
67	P40/KEY0		O	N	—	—	L	L	
68	P41/KEY1		O	N	—	—	L	L	
69	P42/KEY2		O	N	—	—	L	L	
70	P43/KEY3	MVOL SELB	I	—	Eu	Lv	Z	H	Master volume setting signal. (Rotary encode)
71	P44/KEY4	MVOL SELA	I	—	Eu	Lv	Z	H	Master volume setting signal. (Rotary encode)
72	P45/KEY5		O	N	—	—	L	L	
73	P46/CIN5	MODE	I	—	Eu	Lv	Z	—	Export country mode switching input.
74	P47/CIN4	DAC PD	O	N	Eu	—	L	—	DAC power down control terminal. (L: Power down).
75	P50/CIN3	KEY4	I	—	Eu	Lv	Z	H	Key input 4.
76	P51/CIN2	KEY3	I	—	Eu	Lv	Z	H	Key input 3.
77	P52/CIN1	KEY2	I	—	Eu	Lv	Z	H	Key input 2.
78	P53/CIN0	KEY1	I	—	Eu	Lv	Z	H	Key input 1.
79	P54	SUB SYNC 1	I	—	Eu	Lv	Z	H	SUB microcomputer sync input.
80	P55/PMW	SO/ZORAN	I	—	Eu	Lv	Z	H	DSP data input terminal. (ZR38600)

NOTE:

- Pin No. : Terminal number of microcomputer.
- Port Name : The name entered in the data sheet of microcomputer.
- Symbol : Symbolized interface function.
- I/O : Input or out of part.
- Type : Composition of port in case of output port.
 - "I" = Input port
 - "O" = Output port
 - "C" = CMOS output
 - "N" = NMOS open drain output
 - "P" = PMOS open drain output
- Op : Pull up/Pull down selection information.
 - "Iu" = Inner microcomputer pull up
 - "Id" = Inner microcomputer pull down
 - "Eu" = External microcomputer pull up
 - "Ed" = External microcomputer pull down
- Det : Indicates judging state of input port. Level detection is "LV"; Edge detection is "Ed"; Detection by both shifting is "E&L"; Serial data detection is "S" (Serial data output is also "S").
- Res : State at reset.
 - "H" = Outputs High Level at reset
 - "L" = Outputs Low Level at reset
 - "Z" = Becomes High impedance mode at reset
- Ini : Initial output state.
- Function : Function and logical level explanation of signals to be interface.

NOTE FOR PARTS LIST

- Part indicated with the mark "⊙" are not always in stock and possibly to take a long period of time for supplying, or in some case supplying of part may be refused.
- When ordering of part, clearly indicate "1" and "I" (i) to avoid mis-supplying.
- Ordering part without stating its part number can not be supplied.
- Part indicated with the mark "★" is not illustrated in the exploded view.
- Not including Carbon Film ±5%, 1/4W Type in the P.W.Board parts list. (Refer to the Schematic Diagram for those parts.)

WARNING:

Parts marked with this symbol have critical characteristics. Use ONLY replacement parts recommended by the manufacturer.

● **Resistors**

Ex.: RN 14K 2E 182 G ER
 Type Shape and performance Power Resistance Allowable error Others

RD : Carbon	2B : 1/8W	F : ±1%	P : Pulse-resistant type
RC : Composition	2E : 1/4W	G : ±2%	NL : Low noise type
RS : Metal oxide film	2H : 1/2W	J : ±5%	NB : Non-burning type
RW : Winding	3A : 1W	K : ±10%	FR : Fuse-resistor
RN : Metal film	3D : 2W	M : ±20%	F : Lead wire forming
RK : Metal mixture	3F : 3W		
	3H : 5W		

* Resistance

$\overset{1}{\text{8}}\overset{2}{\text{2}} \Rightarrow 1800 \text{ ohm} = 1.8 \text{ kohm}$
 Indicates number of zeros after effective number.
 2-digit effective number.
 • Units: ohm

$\overset{1}{\text{R}}\overset{2}{\text{2}} \Rightarrow 1.2 \text{ ohm}$
 1-digit effective number.
 2-digit effective number, decimal point indicated by R.
 • Units: ohm

● **Capacitors**

Ex.: CE 04W 1H 2R2 M BP
 Type Shape and performance Dielectric Capacity Allowable error Others

CE : Aluminum foil electrolytic	0J : 6.3V	F : ±1%	HS : High stability type
CA : Aluminum solid electrolytic	1A : 10V	G : ±2%	BP : Non-polar type
CS : Tantalum electrolytic	1C : 16V	J : ±5%	HR : Ripple-resistant type
CO : Film	1E : 25V	K : ±10%	DL : For charge and discharge
CK : Ceramic	1V : 35V	M : ±20%	HF : For assuring high frequency
CC : Ceramic	1H : 50V	Z : +80%	U : UL part
CP : Oil	2A : 100V		C : CSA part
CM : Mica	2B : 125V	P : +100%	W : UL-CSA type
CF : Metallized	2C : 160V		F : Lead wire forming
CH : Metallized	2D : 200V	C : ±0.25pF	
	2E : 250V	D : ±0.5pF	
	2H : 500V		
	2J : 630V		

* Capacity (electrolyte only)

$\overset{2}{\text{2}}\overset{2}{\text{2}} \Rightarrow 2200\mu\text{F}$
 Indicates number of zeros after effective number.
 2-digit effective number.
 • Units: μF.

$\overset{2}{\text{R}}\overset{2}{\text{2}} \Rightarrow 2.2\mu\text{F}$
 1-digit effective number.
 2-digit effective number, decimal point indicated by R.
 • Units: μF.

* Capacity (except electrolyte)

$\overset{2}{\text{2}}\overset{2}{\text{2}} \Rightarrow 2200\text{pF} = 0.0022\mu\text{F}$
 (More than 2) — Indicates number of zeros after effective number.
 2-digit effective number.
 • Units: μF.

$\overset{2}{\text{2}}\overset{1}{\text{1}} \Rightarrow 220\text{pF}$
 (0 or 1) — Indicates number of zeros after effective number.
 2-digit effective number.
 • Units: pF.

• When the dielectric strength is indicated in AC, "AC" is included after the dielectric strength value.

**PARTS LIST OF P.W.BOARD
1U-3105F TUNER AMP. UNIT ASS'Y**

Ref. No.	Part No.	Part Name	Remarks	Ref. No.	Part No.	Part Name	Remarks
SEMICONDUCTORS GROUP							
IC101	262 2214 007	IC LC7536		R137,138	247 0005 905	Carbon chip 100 ohm 1/10W	RM73B-101J
IC103-106	263 0896 909	IC NJM2068MD		R139,140	247 0007 916	Carbon chip 750 ohm 1/10W	RM73B-751J
IC107,108	262 2214 007	IC LC7536		R141	247 0009 901	Carbon chip 4.7 kohm 1/10W	RM73B-472J
IC109,110	263 0896 909	IC NJM2068MD		R142	247 0009 985	Carbon chip 10 kohm 1/10W	RM73B-103J
IC501	216 0102 008	Front end		R143,144	247 0005 905	Carbon chip 100 ohm 1/10W	RM73B-101J
IC502	263 0891 001	IC LA1265(S)		R145,146	247 0012 927	Carbon chip 100 kohm 1/10W	RM73B-104J
IC503	263 0439 007	IC LA3401		R147,148	247 0011 944	Carbon chip 47 kohm 1/10W	RM73B-473J
IC507	262 2450 900	IC LC72131M-TLM		R149,150	247 0013 900	Carbon chip 220 kohm 1/10W	RM73B-224J
IC705	262 1853 100	IC NJU7313AL		R151,152	247 0011 944	Carbon chip 47 kohm 1/10W	RM73B-473J
TR401,402	273 0253 918	Transistor 2SC2878(A/B)		R153,154	247 0005 905	Carbon chip 100 ohm 1/10W	RM73B-101J
TR403-406	271 0094 919	Transistor 2SA970(BL)		R155,156	247 0012 927	Carbon chip 100 kohm 1/10W	RM73B-104J
TR409,410	273 0281 906	Transistor 2SC2705(O)/(Y)		R157,158	247 0005 905	Carbon chip 100 ohm 1/10W	RM73B-101J
TR421,422	273 0253 918	Transistor 2SC2878(A/B)		R159,160	247 0007 916	Carbon chip 750 ohm 1/10W	RM73B-751J
TR423-426	271 0094 919	Transistor 2SA970(BL)		R161,162	247 0009 901	Carbon chip 4.7 kohm 1/10W	RM73B-472J
TR429,430	273 0281 906	Transistor 2SC2705(O)/(Y)		R163,164	247 0005 905	Carbon chip 100 ohm 1/10W	RM73B-101J
TR441	273 0253 918	Transistor 2SC2878(A/B)		R165,166	247 0012 927	Carbon chip 100 kohm 1/10W	RM73B-104J
TR442,443	271 0094 919	Transistor 2SA970(BL)		R167,168	247 0011 944	Carbon chip 47 kohm 1/10W	RM73B-473J
TR445	273 0281 906	Transistor 2SC2705(O)/(Y)		R181-186	247 0018 905	Carbon chip 0 ohm 1/10W	RM73B-0R0K
TR502	273 0438 908	Transistor 2SC2413K(Q)		R429,430	241 2376 964	Carbon film 47 ohm 1/4W(NB)	RD14B2E470JNBS
TR503,504	269 0083 901	Transistor DTA114EK		R501	247 0002 966	Carbon chip 10 ohm 1/10W	RM73B-100J
TR505	269 0114 906	Transistor RN2402		R503	247 0007 945	Carbon chip 1 kohm 1/10W	RM73B-102J
TR508	269 0054 901	Transistor DTC144EK		R504,505	247 0018 905	Carbon chip 0 ohm 1/10W	RM73B-0R0K
TR509,510	269 0066 902	Transistor DTC323TK		R507-512	247 0018 905	Carbon chip 0 ohm 1/10W	RM73B-0R0K
TR511	269 0086 908	Transistor DTA114TK		R514,515	247 0005 905	Carbon chip 100 ohm 1/10W	RM73B-101J
D501	276 0401 905	Diode 1SS133		R516	247 0007 945	Carbon chip 1 kohm 1/10W	RM73B-102J
D503-505	276 0401 905	Diode 1SS133		R518	247 0005 989	Carbon chip 220 ohm 1/10W	RM73B-221J
ZD502	276 0644 937	Zener diode MTZJ9.1A	9.1V	R519	247 0006 962	Carbon chip 470 ohm 1/10W	RM73B-471J
RESISTORS GROUP							
R101	247 0009 901	Carbon chip 4.7 kohm 1/10W	RM73B-472J	R520	247 0007 945	Carbon chip 1 kohm 1/10W	RM73B-102J
R102	247 0008 960	Carbon chip 3.3 kohm 1/10W	RM73B-332J	R521	247 0009 901	Carbon chip 4.7 kohm 1/10W	RM73B-472J
R111,112	247 0011 944	Carbon chip 47 kohm 1/10W	RM73B-473J	R522	247 0006 920	Carbon chip 330 ohm 1/10W	RM73B-331J
R113,114	247 0013 900	Carbon chip 220 kohm 1/10W	RM73B-224J	R523	247 0007 961	Carbon chip 1.2 kohm 1/10W	RM73B-122J
R115,116	247 0011 944	Carbon chip 47 kohm 1/10W	RM73B-473J	R524	247 0012 927	Carbon chip 100 kohm 1/10W	RM73B-104J
R117,118	247 0005 905	Carbon chip 100 ohm 1/10W	RM73B-101J	R525	247 0007 945	Carbon chip 1 kohm 1/10W	RM73B-102J
R119,120	247 0012 927	Carbon chip 100 kohm 1/10W	RM73B-104J	R526	247 0009 927	Carbon chip 5.6 kohm 1/10W	RM73B-562J
R121,122	247 0005 905	Carbon chip 100 ohm 1/10W	RM73B-101J	R527	247 0009 985	Carbon chip 10 kohm 1/10W	RM73B-103J
R123-126	247 0007 945	Carbon chip 1 kohm 1/10W	RM73B-102J	R528	247 0008 944	Carbon chip 2.7 kohm 1/10W	RM73B-272J
R127,128	247 0005 905	Carbon chip 100 ohm 1/10W	RM73B-101J	R529	247 0007 945	Carbon chip 1 kohm 1/10W	RM73B-102J
R129,130	247 0011 944	Carbon chip 47 kohm 1/10W	RM73B-473J	R531,532	247 0018 905	Carbon chip 0 ohm 1/10W	RM73B-0R0K
R131,132	247 0013 900	Carbon chip 220 kohm 1/10W	RM73B-224J	R533	247 0010 929	Carbon chip 15 kohm 1/10W	RM73B-153J
R133,134	247 0005 905	Carbon chip 100 ohm 1/10W	RM73B-101J	R534	247 0005 921	Carbon chip 120 ohm 1/10W	RM73B-121J
R135,136	247 0012 927	Carbon chip 100 kohm 1/10W	RM73B-104J	R535	247 0010 945	Carbon chip 18 kohm 1/10W	RM73B-183J
				R536	247 0018 905	Carbon chip 0 ohm 1/10W	RM73B-0R0K
				R537	247 0011 986	Carbon chip 68 kohm 1/10W	RM73B-683J
				R539	247 0009 927	Carbon chip 5.6 kohm 1/10W	RM73B-562J
				R539	247 0009 943	Carbon chip 6.8 kohm 1/10W	RM73B-682J
				R540	247 0009 985	Carbon chip 10 kohm 1/10W	RM73B-103J
				R541	247 0009 985	Carbon chip 10 kohm 1/10W	RM73B-103J
				R542,543	247 0008 960	Carbon chip 3.3 kohm 1/10W	RM73B-332J
				R544,545	247 0012 927	Carbon chip 100 kohm 1/10W	RM73B-104J
				R546	247 0011 973	Carbon chip 62 kohm 1/10W	RM73B-623J

Ref. No.	Part No.	Part Name	Remarks
R547	247 0012 927	Carbon chip 100 kohm 1/10W	RM73B-104J
R548	247 0009 985	Carbon chip 10 kohm 1/10W	RM73B-103J
R549	247 0012 927	Carbon chip 100 kohm 1/10W	RM73B-104J
R550	247 0009 927	Carbon chip 5.6 kohm 1/10W	RM73B-562J
R551	247 0009 985	Carbon chip 10 kohm 1/10W	RM73B-103J
R553,554	247 0008 960	Carbon chip 3.3 kohm 1/10W	RM73B-332J
R555,556	247 0009 927	Carbon chip 5.6 kohm 1/10W	RM73B-562J
R571,572	247 0015 966	Carbon chip 2.7 Mohm 1/10W	RM73B-275J
R575,576	247 0012 943	Carbon chip 120 kohm 1/10W	RM73B-124J
R577	247 0010 961	Carbon chip 22 kohm 1/10W	RM73B-223J
R578-582	247 0018 905	Carbon chip 0 ohm 1/10W	RM73B-0R0K
R592,593	247 0006 962	Carbon chip 470 ohm 1/10W	RM73B-471J
R595	247 0018 905	Carbon chip 0 ohm 1/10W	RM73B-0R0K
R609,610	241 2376 964	Carbon film 47 ohm 1/4W(NB)	RD14B2E470JNBS
R644-649	247 0018 905	Carbon chip 0 ohm 1/10W	RM73B-0R0K
R674	241 2376 964	Carbon film 47 ohm 1/4W(NB)	RD14B2E470JNBS
R701,702	247 0015 966	Carbon chip 2.7 Mohm 1/10W	RM73B-275J
R705,706	247 0006 962	Carbon chip 470 ohm 1/10W	RM73B-471J
R717,718	247 0015 966	Carbon chip 2.7 Mohm 1/10W	RM73B-275J
R721,722	247 0006 962	Carbon chip 470 ohm 1/10W	RM73B-471J
R733,734	247 0015 966	Carbon chip 2.7 Mohm 1/10W	RM73B-275J
R737,738	247 0006 962	Carbon chip 470 ohm 1/10W	RM73B-471J
R739	247 0018 905	Carbon chip 0 ohm 1/10W	RM73B-0R0K
R793-798	247 0018 905	Carbon chip 0 ohm 1/10W	RM73B-0R0K
VR501	211 6132 925	Semi fixed resistor 10 kohm	V06PB103
VR502	211 6132 983	Semi fixed resistor 100 kohm	V06PB104
CAPACITORS GROUP			
C103,104	254 4260 977	Electrolytic 4.7µF/50V	CE04W1H4R7M
C109-112	254 4260 980	Electrolytic 10µF/50V	CE04W1H100M
C117,118	254 4260 980	Electrolytic 10µF/50V	CE04W1H100M
C119,120	257 0004 961	Ceramic chip 100 pF/50V	CC73SL1H101J
C125,126	254 4260 948	Electrolytic 1µF/50V	CE04W1H010M
C127,128	254 4254 909	Electrolytic 10µF/16V	CE04W1C100M
C131,132	254 4254 909	Electrolytic 10µF/16V	CE04W1C100M
C134	257 0012 966	Ceramic chip 0.01µF/50V	CK73F1H103Z
C137,138	254 4254 909	Electrolytic 10µF/16V	CE04W1C100M
C141,142	257 0004 961	Ceramic chip 100 pF/50V	CC73SL1H101J
C147,148	254 4260 948	Electrolytic 1µF/50V	CE04W1H010M
C149,150	254 4254 909	Electrolytic 10µF/16V	CE04W1C100M
C153,154	254 4254 909	Electrolytic 10µF/16V	CE04W1C100M
C159,160	254 4254 909	Electrolytic 10µF/16V	CE04W1C100M
C163,164	257 0004 961	Ceramic chip 100 pF/50V	CC73SL1H101J
C401,402	254 4260 980	Electrolytic 10µF/50V	CE04W1H100M
C403,404	253 4538 949	Ceramic 100 pF/50V	CC45SL1H101J(DD-3)
C405,406	253 4537 924	Ceramic 33 pF/50V	CC45SL1H330J(DD-3)
C407,408	253 4482 901	Ceramic 33 pF/500V	CC45SL2H330J

Ref. No.	Part No.	Part Name	Remarks
C409,410	254 4254 938	Electrolytic 47µF/16V	CE04W1C470M
C411,412	255 4202 941	Polypropylene film 1000 pF/50V	CQ93P1H102J
C413	254 4260 980	Electrolytic 10µF/50V	CE04W1H100M
C415,416	254 4254 912	Electrolytic 22µF/16V	CE04W1C220M
C431,432	254 4260 980	Electrolytic 10µF/50V	CE04W1H100M
C433,434	253 4538 949	Ceramic 100 pF/50V	CC45SL1H101J(DD-3)
C435,436	253 4537 924	Ceramic 33 pF/50V	CC45SL1H330J(DD-3)
C437,438	253 4482 901	Ceramic 33 pF/500V	CC45SL2H330J
C439,440	255 4202 941	Polypropylene film 1000 pF/50V	CQ93P1H102J
C441,442	254 4254 912	Electrolytic 22µF/16V	CE04W1C220M
C455,456	254 4254 938	Electrolytic 47µF/16V	CE04W1C470M
C460	254 4260 980	Electrolytic 10µF/50V	CE04W1H100M
C461	253 4538 949	Ceramic 100 pF/50V	CC45SL1H101J(DD-3)
C462	253 4537 924	Ceramic 33 pF/50V	CC45SL1H330J(DD-3)
C463	253 4482 901	Ceramic 33 pF/500V	CC45SL2H330J
C464	254 4254 938	Electrolytic 47µF/16V	CE04W1C470M
C465	255 4202 941	Polypropylene film 1000 pF/50V	CQ93P1H102J
C466	254 4254 912	Electrolytic 22µF/16V	CE04W1C220M
C501,502	257 0008 983	Ceramic chip 1000 pF/50V	CK73B1H102K
C503-505	257 0010 900	Ceramic chip 0.01µF/50V	CK73B1H103K
C507,508	257 0010 900	Ceramic chip 0.01µF/50V	CK73B1H103K
C509	257 0002 947	Ceramic chip 12 pF/50V	CC73SL1H120J
C510	257 0010 900	Ceramic chip 0.01µF/50V	CK73B1H103K
C511	254 4254 938	Electrolytic 47µF/16V	CE04W1C470M
C512	257 0010 900	Ceramic chip 0.01µF/50V	CK73B1H103K
C513	254 4260 948	Electrolytic 1µF/50V	CE04W1H010M
C514	257 0012 966	Ceramic chip 0.01µF/50V	CK73F1H103Z
C515	254 4254 938	Electrolytic 47µF/16V	CE04W1C470M
C516,517	257 0010 900	Ceramic chip 0.01µF/50V	CK73B1H103K
C520	257 0004 961	Ceramic chip 100 pF/50V	CC73SL1H101J
C521-523	257 0010 900	Ceramic chip 0.01µF/50V	CK73B1H103K
C524	254 4260 935	Electrolytic 0.47µF/50V	CE04W1HR47M
C525	254 4260 980	Electrolytic 10µF/50V	CE04W1H100M
C526	257 0010 942	Ceramic chip 0.022µF/50V	CK73B1H223K
C527	254 4260 948	Electrolytic 1µF/50V	CE04W1H010M
C528	254 4254 938	Electrolytic 47µF/16V	CE04W1C470M
C529	254 4260 948	Electrolytic 1µF/50V	CE04W1H010M
C530	254 4260 919	Electrolytic 0.22µF/50V	CE04W1HR22M
C531	254 4260 948	Electrolytic 1µF/50V	CE04W1H010M
C532	257 0010 900	Ceramic chip 0.01µF/50V	CK73B1H103K
C533	256 1058 939	Metalized 0.047µF/50V	CF93A1H473J (JL)
C534	256 1058 942	Metalized 0.056µF/50V	CF93A1H563J (JL)
C535	254 3053 910	Electrolytic 22µF/16V	CE04D1C220MBP
C536	257 0004 961	Ceramic chip 100 pF/50V	CC73SL1H101J
C538	254 4254 912	Electrolytic 22µF/16V	CE04W1C220M
C539,540	257 0006 972	Ceramic chip 750 pF/50V	CC73SL1H751J
C541	254 4260 951	Electrolytic 2.2µF/50V	CE04W1H2R2M
C544	257 0010 900	Ceramic chip 0.01µF/50V	CK73B1H103K
C545,546	254 4254 909	Electrolytic 10µF/16V	CE04W1C100M
C557,558	257 0002 963	Ceramic chip 15 pF/50V	CC73SL1H150J
C559	254 4260 948	Electrolytic 1µF/50V	CE04W1H010M

1U-3106F DISPLAY VIDEO UNIT ASS'Y

Ref. No.	Part No.	Part Name	Remarks
C561	257 0012 966	Ceramic chip 0.01 μ F/50V	CK73F1H103Z
C562	257 0014 935	Ceramic chip 0.1 μ F/25V	CK73F1E104Z
C570	254 4254 909	Electrolytic 10 μ F/16V	CE04W1C100M
C571	254 4260 948	Electrolytic 1 μ F/50V	CE04W1H010M
C574	257 0004 961	Ceramic chip 100 pF/50V	CC73SL1H101J
C587	257 0014 935	Ceramic chip 0.1 μ F/25V	CK73F1E104Z
C588	256 1058 900	Metalized 0.027 μ F/50V	CF93A1H273J (JL)
C731	257 0014 935	Ceramic chip 0.1 μ F/25V	CK73F1E104Z
C753,754	254 4260 977	Electrolytic 4.7 μ F/50V	CE04W1H4R7M

OTHER PARTS	Q'ty
-------------	------

CF501	261 0135 907	Ceramic filter MA8	1
CF502	261 0136 906	Ceramic filter MS2G	1
CF503	261 0079 005	Ceramic resonator CSB456F11	1
CF504	261 0031 001	Ceramic filter BFU450C4	1
CF505	261 0116 007	Ceramic filter SFU450B3	1
CW052-055	205 0885 008	5P connector socket (TUC-P)	4
CW082	205 0885 095	8P connector socket (TUC-P)	1
CW101	205 0885 053	10P connector socket (TUC-P)	1
CW112,113	205 0885 066	11P connector socket (TUC-P)	2
CW121	205 0885 079	12P connector socket (TUC-P)	1
CW142	205 0885 011	14P connector socket (TUC-P)	1
CW154	205 0885 040	15P connector socket (TUC-P)	1
CW961	205 0942 019	6P connector socket (TUC-P)	1
CX931	205 0190 036	3P NH connector base	1
FB501	235 0049 900	Beads inductor	1
JK501	205 0847 004	3P antenna terminal (PAL/F)	1
JK502	204 8562 003	2P pin jack (S-GND)	1
JK701	204 8513 010	6P pin jack (S-GND)	1
L504	235 0060 905	Inductor 2.2 μ H	1
L510	235 0060 950	Inductor 10 μ H	1
T501	231 2096 001	MW ant.-osc. coil	1
T502	231 2085 009	FM DET trans.	1
T503	231 1138 009	AM IFT	1
XL503	399 0075 003	Crystal 7.2 MHz	1
	205 1034 010	M3 Screw terminal	1
	414 0847 006	Earth plate	1

Ref. No.	Part No.	Part Name	Remarks
SEMICONDUCTORS GROUP			
IC101	499 0290 007	Remocon sensor GP1U271X	
IC102	262 2549 002	IC LC75721E	
IC201	263 0609 002	IC NJM2068DDC	
IC303	262 2579 001	IC SN74HC151N	
IC306	269 0172 003	Optical connector GP1F37R	
IC307	262 2578 002	IC SN74HCU04N	
IC401	263 0856 004	IC BA7625	
TR101-103	269 0020 906	Transistor DTC114ES(10K-10K)	
TR106	269 0046 906	Transistor DTA114ES(10K-10K)	
TR107	269 0054 901	Transistor DTC144EK	
TR108	269 0055 900	Transistor DTA144EK	
TR109	269 0054 901	Transistor DTC144EK	
TR110	269 0055 900	Transistor DTA144EK	
TR111	269 0054 901	Transistor DTC144EK	
TR112	269 0055 900	Transistor DTA144EK	
TR402-404	271 0290 904	Transistor 2PA1015GR	
D101,102	276 0559 909	Diode DAP202K	
D103	276 0401 905	Diode 1SS133	
D301	276 0401 905	Diode 1SS133	
D308	276 0401 905	Diode 1SS133	
ZD101,102	276 0637 902	Zener diode MTZJ6.2A	6.2V
ZD103	276 0644 937	Zener diode MTZJ9.1A	9.1V
LD101,102	393 9434 906	LED SEL1210S	Red
LD103	393 9452 904	LED SEL1410E	Green
FL101	393 8033 007	FLD (CM1690C)	

Ref. No.	Part No.	Part Name	Remarks
RESISTORS GROUP			
R124,125	247 0011 944	Carbon chip 47 kohm 1/10W	RM73B-473J
R142	247 0009 985	Carbon chip 10 kohm 1/10W	RM73B-103J
R198	247 0011 944	Carbon chip 47 kohm 1/10W	RM73B-473J
VR201	211 0883 018	Variable resistor 30 kohm	V14P25FC303K
VR202	211 0883 005	Variable resistor 10 kohm	V14P25FC103K

Ref. No.	Part No.	Part Name	Remarks	Ref. No.	Part No.	Part Name	Remarks	Q'ty
CAPACITORS GROUP				OTHER PARTS				
C102	254 4254 909	Electrolytic 10μF/16V	CE04W1C100M	CW081	204 2422 026	8P KR-DA connector cord		1
C104	254 4196 944	Electrolytic 1μF/50V	CE04W1H010M (SRA)	CW103	204 2253 020	10P KR-DA connector cord		1
C106	254 4261 921	Electrolytic 100μF/50V	CE04W1H101M	CW122	205 0885 079	12P connector socket (TUC-P)		1
C107	257 0012 966	Ceramic chip 0.01μF/50V	CK73F1H103Z	CW132	205 0942 006	13P connector socket (TUC-P)		1
C108	254 4250 945	Electrolytic 330μF/6.3V	CE04W0J331M	CW962	205 0942 019	6P connector socket (TUC-P)		1
C109	257 0003 933	Ceramic chip 30 pF/50V	CC73SL1H300J	CX025	205 0644 003	2P wrapping terminal		1
C110,111	253 1181 904	Ceramic 0.01μF/50V	CK45F1H103Z(DD-3)	CX181	205 1055 031	18P connector base (TKC-V)		1
C117	256 1058 971	Metalized 0.1μF/50V	CF93A1H104J (JL)	FB101	235 0049 900	Beads inductor		1
C121	257 0008 983	Ceramic chip 1000 pF/50V	CK73B1H102K	JK301	204 8552 000	2P pin jack (FG-DIG)		1
C201,202	254 4260 948	Electrolytic 1μF/50V	CE04W1H010M	JK401,402	204 8516 017	3P pin jack		2
C203,204	254 4254 938	Electrolytic 47μF/16V	CE04W1C470M	JK403	204 8512 008	1P pin jack		1
C205,206	253 4537 924	Ceramic 33 pF/50V	CC45SL1H330J(DD-3)	L302	235 0060 905	Inductor 2.2μH		1
C207,208	255 1264 940	Mylar film 2200 pF/50V	CQ93M1H222J(B)	L303	235 0060 918	Inductor 4.7μH		1
C209,210	256 1059 909	Metalized 0.18μF/50V	CF93A1H184J (JL)	L305	235 0060 905	Inductor 2.2μH		1
C211,212	254 4260 948	Electrolytic 1μF/50V	CE04W1H010M	S101~122	212 4809 907	Tact switch (MARU)		22
C215,216	255 1265 949	Mylar film 0.012μF/50V	CQ93M1H123J(B)	S128	212 0373 000	Rotary encoder EC16B		1
C217,218	256 1058 942	Metalized 0.056μF/50V	CF93A1H563J (JL)	414 0846 007		Shield plate (F)		1
C219,220	254 4260 922	Electrolytic 0.33μF/50V	CE04W1HR33M					
C231,232	253 4538 949	Ceramic 100 pF/50V	CC45SL1H101J(DD-3)					
C233,234	254 4260 980	Electrolytic 10μF/50V	CE04W1H100M					
C301	253 9039 906	Ceramic 0.1μF/25V	CK45=1E104Z(DD-3)					
C302	254 4254 938	Electrolytic 47μF/16V	CE04W1C470M					
C304	254 4254 925	Electrolytic 33μF/16V	CE04W1C330M					
C307	253 1181 904	Ceramic 0.01μF/50V	CK45F1H103Z(DD-3)					
C308	254 4254 909	Electrolytic 10μF/16V	CE04W1C100M					
C309	253 1181 904	Ceramic 0.01μF/50V	CK45F1H103Z(DD-3)					
C358	253 1181 904	Ceramic 0.01μF/50V	CK45F1H103Z(DD-3)					
C360	253 1181 904	Ceramic 0.01μF/50V	CK45F1H103Z(DD-3)					
C391	254 4254 925	Electrolytic 33μF/16V	CE04W1C330M					
C393,394	253 1181 904	Ceramic 0.01μF/50V	CK45F1H103Z(DD-3)					
C395,396	253 4536 983	Ceramic 22 pF/50V	CC45SL1H220J(DD-3)					
C401~404	254 4260 977	Electrolytic 4.7μF/50V	CE04W1H4R7M					
C407~409	254 4250 958	Electrolytic 470μF/6.3V	CE04W0J471M					
C411	254 4254 909	Electrolytic 10μF/16V	CE04W1C100M					
C413	254 4254 909	Electrolytic 10μF/16V	CE04W1C100M					
C415	254 4252 930	Electrolytic 100μF/10V	CE04W1A101M					
C416	253 1181 917	Ceramic 0.022μF/50V	CK45F1H223Z(DD-3)					
C417	254 4260 948	Electrolytic 1μF/50V	CE04W1H010M					
C418	254 4254 909	Electrolytic 10μF/16V	CE04W1C100M					

1U-3107F CONTROL UNIT ASS'Y

Ref. No.	Part No.	Part Name	Remarks	Ref. No.	Part No.	Part Name	Remarks
SEMICONDUCTORS GROUP				SEMICONDUCTORS GROUP			
IC113	262 2548 003	IC TMP87CS71F-****	MAIN-UCOM	R171-173	247 0007 945	Carbon chip 1 kohm 1/10W	RM73B-102J
IC281	263 0896 909	IC NJM2068MD		R174	247 0009 985	Carbon chip 10 kohm 1/10W	RM73B-103J
IC282	263 0615 902	IC BA15218F		R186-189	247 0009 985	Carbon chip 10 kohm 1/10W	RM73B-103J
TR102	269 0083 901	Transistor DTA114EK		R190	247 0012 927	Carbon chip 100 kohm 1/10W	RM73B-104J
TR103	269 0054 901	Transistor DTC144EK		R191-193	247 0009 901	Carbon chip 4.7 kohm 1/10W	RM73B-472J
TR104	274 0163 904	Transistor 2SD601A		R194	247 0009 985	Carbon chip 10 kohm 1/10W	RM73B-103J
TR105	269 0054 901	Transistor DTC144EK		R198	247 0009 985	Carbon chip 10 kohm 1/10W	RM73B-103J
TR106	271 0131 924	Transistor 2SA988(E/F)		R201	247 0009 985	Carbon chip 10 kohm 1/10W	RM73B-103J
TR112,113	269 0046 906	Transistor DTA114ES(10K-10K)		R202	247 0013 900	Carbon chip 220 kohm 1/10W	RM73B-224J
TR114	269 0054 901	Transistor DTC144EK		R203	247 0009 985	Carbon chip 10 kohm 1/10W	RM73B-103J
TR115	269 0055 900	Transistor DTA144EK		R204	247 0009 901	Carbon chip 4.7 kohm 1/10W	RM73B-472J
TR116,117	275 0094 908	FET 2SK209-GR		R205	247 0009 985	Carbon chip 10 kohm 1/10W	RM73B-103J
TR118	269 0055 900	Transistor DTA144EK		R206	247 0009 901	Carbon chip 4.7 kohm 1/10W	RM73B-472J
TR120	269 0020 906	Transistor DTC114ES(10K-10K)		R207-209	247 0007 945	Carbon chip 1 kohm 1/10W	RM73B-102J
TR281	269 0054 901	Transistor DTC144EK		R210	241 2387 940	Carbon film 4.7 ohm 1/4W(NB)	RD14B2E4R7JNBS
TR282	269 0055 900	Transistor DTA144EK		R212	241 2387 940	Carbon film 4.7 ohm 1/4W(NB)	RD14B2E4R7JNBS
TR283	275 0094 908	FET 2SK209-GR		R224-226	244 2055 996	Metal oxide 1.2 kohm 1W	RS14B3A122JNBS(S)
TR567,568	273 0253 918	Transistor 2SC2878(A/B)		R231	247 0011 944	Carbon chip 47 kohm 1/10W	RM73B-473J
TR603,604	271 0131 924	Transistor 2SA988(E/F)		R281-286	247 0009 901	Carbon chip 4.7 kohm 1/10W	RM73B-472J
TR605	273 0445 001	Transistor 2SC4495		R287,288	247 0005 905	Carbon chip 100 ohm 1/10W	RM73B-101J
TR606	271 0131 924	Transistor 2SA988(E/F)		R289,290	247 0012 927	Carbon chip 100 kohm 1/10W	RM73B-104J
D102	276 0553 905	Diode 1SR35-200A		R291	247 0009 901	Carbon chip 4.7 kohm 1/10W	RM73B-472J
D103	276 0401 905	Diode 1SS133		R292	247 0009 927	Carbon chip 5.6 kohm 1/10W	RM73B-562J
D105	276 0401 905	Diode 1SS133		R293	247 0009 901	Carbon chip 4.7 kohm 1/10W	RM73B-472J
D106,107	276 0553 905	Diode 1SR35-200A		R294	247 0009 930	Carbon chip 6.2 kohm 1/10W	RM73B-622J
D125,126	276 0553 905	Diode 1SR35-200A		R295	247 0005 905	Carbon chip 100 ohm 1/10W	RM73B-101J
D128-131	276 0401 905	Diode 1SS133		R296	247 0012 927	Carbon chip 100 kohm 1/10W	RM73B-104J
D280	276 0401 905	Diode 1SS133		R297	247 0011 944	Carbon chip 47 kohm 1/10W	RM73B-473J
D601-611	276 0401 905	Diode 1SS133		R299	247 0010 916	Carbon chip 13 kohm 1/10W	RM73B-133J
ZD100	276 0645 978	Zener diode MTZJ36A	36V	R751,752	244 2052 960	Metal oxide 220 ohm 1W	RS14B3A221JNBS(S)
ZD102	276 0643 996	Zener diode MTZJ5.6A	5.6V				
ZD103	276 0634 905	Zener diode MTZJ3.3A	3.3V				
RESISTORS GROUP				CAPACITORS GROUP			
R152,153	247 0009 985	Carbon chip 10 kohm 1/10W	RM73B-103J	C101	257 0012 966	Ceramic chip 0.01µF/50V	CK73F1H103Z
R155,156	247 0009 985	Carbon chip 10 kohm 1/10W	RM73B-103J	C141	257 0008 983	Ceramic chip 1000 pF/50V	CK73B1H102K
R158	247 0018 905	Carbon chip 0 ohm 1/10W	RM73B-0R0K	C147-149	257 0008 983	Ceramic chip 1000 pF/50V	CK73B1H102K
R160	247 0008 928	Carbon chip 2.2 kohm 1/10W	RM73B-222J	C158,159	257 0004 903	Ceramic chip 56 pF/50V	CC73SL1H560J
R161-165	247 0009 985	Carbon chip 10 kohm 1/10W	RM73B-103J	C172	257 0014 935	Ceramic chip 0.1µF/25V	CK73F1E104Z
R167	247 0009 985	Carbon chip 10 kohm 1/10W	RM73B-103J	C173	254 4254 909	Electrolytic 10µF/16V	CE04W1C100M
				C174	254 4250 932	Electrolytic 220µF/6.3V	CE04W0J221M
				C175	256 1058 984	Metalized 0.12µF/50V	CF93A1H124J (JL)
				C176	254 4260 977	Electrolytic 4.7µF/50V	CE04W1H4R7M
				C177	257 0012 966	Ceramic chip 0.01µF/50V	CK73F1H103Z
				C178	259 0007 702	Back up cap. 8200µF/5.5V	SB CAP==822=C
				C179	257 0012 966	Ceramic chip 0.01µF/50V	CK73F1H103Z
				C181	254 4252 969	Electrolytic 470µF/10V	CE04W1A471M
				C186	257 0008 983	Ceramic chip 1000 pF/50V	CK73B1H102K
				C188	257 0008 983	Ceramic chip 1000 pF/50V	CK73B1H102K
				C191,192	254 4260 948	Electrolytic 1µF/50V	CE04W1H010M

Ref. No.	Part No.	Part Name	Remarks
C218,219	254 4260 977	Electrolytic 4.7μF/50V	CE04W1H4R7M
C220	254 4260 980	Electrolytic 10μF/50V	CE04W1H100M
C232	257 0008 983	Ceramic chip 1000 pF/50V	CK73B1H102K
C237,238	257 0004 961	Ceramic chip 100 pF/50V	CC73SL1H101J
C241	257 0008 983	Ceramic chip 1000 pF/50V	CK73B1H102K
C247	257 0008 983	Ceramic chip 1000 pF/50V	CK73B1H102K
C251	257 0008 983	Ceramic chip 1000 pF/50V	CK73B1H102K
C253,254	257 0008 983	Ceramic chip 1000 pF/50V	CK73B1H102K
C260,261	257 0008 983	Ceramic chip 1000 pF/50V	CK73B1H102K
C270-276	257 0008 983	Ceramic chip 1000 pF/50V	CK73B1H102K
C283,284	254 4254 909	Electrolytic 10μF/16V	CE04W1C100M
C285	254 4260 948	Electrolytic 1μF/50V	CE04W1H010M
C287	254 4260 948	Electrolytic 1μF/50V	CE04W1H010M
C291	254 4254 909	Electrolytic 10μF/16V	CE04W1C100M
C293-296	257 0004 961	Ceramic chip 100 pF/50V	CC73SL1H101J
C615	253 1181 904	Ceramic 0.01μF/50V	CK45F1H103Z(DD-3)
C617	254 4254 912	Electrolytic 22μF/16V	CE04W1C220M
C619	254 4260 948	Electrolytic 1μF/50V	CE04W1H010M
C620	253 1181 904	Ceramic 0.01μF/50V	CK45F1H103Z(DD-3)
C621-624	254 4254 938	Electrolytic 47μF/16V	CE04W1C470M
C633,634	253 1180 921	Ceramic 1000 pF/50V	CK45B1H102K(DD-3)
C637	254 4260 980	Electrolytic 10μF/50V	CE04W1H100M
C638,639	253 1181 904	Ceramic 0.01μF/50V	CK45F1H103Z(DD-3)

OTHER PARTS			Q'ty
CW051	205 0885 008	5P connector socket (TUC-P)	1
CW091	205 0885 037	9P connector socket (TUC-P)	1
CW111	205 0885 066	11P connector socket (TUC-P)	1
CW153	205 0885 040	15P connector socket (TUC-P)	1
CW156	205 0885 040	15P connector socket (TUC-P)	1
CW181	205 1056 030	18P connector socket (TKC-V)	1
CW963	205 0942 019	6P connector socket (TUC-P)	1
CX041	205 0884 083	4P connector base (TUC-P)	1
CX071	205 0943 021	7P connector base (TUC-P)	1
CX081	205 0343 087	8P connector base (KR-PH)	1
CX082	205 0884 096	8P connector base (TUC-P)	1
CX101,102	205 0884 054	10P connector base (TUC-P)	2
CX113,114	205 0884 067	11P connector base (TUC-P)	2
CX121,122	205 0884 070	12P connector base (TUC-P)	2
CX132	205 0943 005	13P connector base (TUC-P)	1
CX142	205 0884 012	14P connector base (TUC-P)	1
CX151	205 0884 041	15P connector base (TUC-P)	1
CX155-157	205 0884 041	15P connector base (TUC-P)	3
CX961-963	205 0943 018	6P connector base (TUC-P)	3

Ref. No.	Part No.	Part Name	Remarks	Q'ty
CY021	205 0581 001	2P VH connector base		1
CY033	205 0343 032	3P connector base (KR-PH)		1
FB101,102	235 0049 900	Beads inductor		2
FB120,121	235 0049 900	Beads inductor		2
FB122,123	235 0106 908	Chip emifil (21A05)		2
FB126	235 0106 908	Chip emifil (21A05)		1
FB127	235 0049 900	Beads inductor		1
FB502	235 0049 900	Beads inductor		1
JK501	204 8545 004	4P pin jack (GND)		1
JK502	204 8264 013	Headphones jack (NI)		1
Δ S501	212 1031 008	Power switch (TV-5)		1
T101,102	205 1034 010	M3 Screw terminal		2
W710	203 0525 029	1P SIN cord Ass'y	L=210,BLK	1
X103	399 0191 903	Ceramic 4.00 MHz	CST4.00MGW -TF01	1

1U-3108F POWER AMP. UNIT ASS'Y

Ref. No.	Part No.	Part Name	Remarks	Ref. No.	Part No.	Part Name	Remarks
SEMICONDUCTORS GROUP				CAPACITORS GROUP			
IC501	268 0073 905	IC ICP-N15		R619,620	241 2378 962	Carbon film 330 ohm 1/4W(NB)	RD14B2E331JNBS
IC502	263 0793 002	IC NJM7806FA(S)		R621-624	241 2387 908	Carbon film 1 ohm 1/4W(NB)	RD14B2E010JNBS
IC503	263 0801 004	IC NJM7812FA(S)		R625-632	244 2043 982	Metal oxide 0.22 ohm 1W	RS14B3AR22JNBS(S)
IC504	263 0641 002	IC NJM7912FA		R639,640	244 2043 937	Metal oxide 10 ohm 1W	RS14B3A100JNBS(S)
IC505	263 0793 002	IC NJM7806FA(S)		R672,673	244 2052 957	Metal oxide 5.6 kohm 1W	RS14B3A562JNBS(S)
IC506,507	263 0809 006	IC NJM7805FA(S)		R679	241 2378 962	Carbon film 330 ohm 1/4W(NB)	RD14B2E331JNBS
TR507,508	273 0303 910	Transistor 2SC1740S(S)		R680,681	241 2387 908	Carbon film 1 ohm 1/4W(NB)	RD14B2E010JNBS
TR511,512	274 0151 929	Transistor 2SD2004(Q)		R682-685	244 2043 982	Metal oxide 0.22 ohm 1W	RS14B3AR22JNBS(S)
TR513,514	272 0107 922	Transistor 2SB1328(Q)		R690	244 2043 937	Metal oxide 10 ohm 1W	RS14B3A100JNBS(S)
TR519,520	273 0235 923	Transistor 2SC1841(E/F)		R714,715	243 2039 032	Winding 0.1 ohm 5W	RW99=3H0R1K
TR527,528	273 0303 910	Transistor 2SC1740S(S)		R734	242 2009 001	Composition 2.2 Mohm 1/2W	RC05GF2H225K(UL)
TR531,532	274 0151 929	Transistor 2SD2004(Q)		R744,745	241 2376 919	Carbon film 30 ohm 1/4W(NB)	RD14B2E300JNBS
TR533,534	272 0107 922	Transistor 2SB1328(Q)		R757,758	244 2052 960	Metal oxide 220 ohm 1W	RS14B3A221JNBS(S)
TR539,540	273 0235 923	Transistor 2SC1841(E/F)		VR501-505	211 6132 909	Semi fixed resistor 4.7 kohm	V06PB472
TR544	273 0303 910	Transistor 2SC1740S(S)					
TR546	274 0151 929	Transistor 2SD2004(Q)					
TR547	272 0107 922	Transistor 2SB1328(Q)					
TR550	273 0235 923	Transistor 2SC1841(E/F)					
TR551	271 0131 924	Transistor 2SA988(E/F)					
TR552	273 0429 904	Transistor 2SC3311A					
TR554	273 0429 904	Transistor 2SC3311A					
TR555	271 0192 905	Transistor 2SA933S(S)					
TR556,557	273 0429 904	Transistor 2SC3311A					
TR558	271 0192 905	Transistor 2SA933S(S)					
TR559-565	273 0429 904	Transistor 2SC3311A					
TR566	271 0254 018	Transistor 2SA1725(O/P/Y)					
TR569	271 0254 018	Transistor 2SA1725(O/P/Y)					
D501-505	276 0401 905	Diode 1SS133					
D507-512	276 0553 905	Diode 1SR35-200A					
D513-517	276 0401 905	Diode 1SS133					
D518-520	276 0305 001	Diode S4VB20					
D521-523	276 0401 905	Diode 1SS133					
D524-527	276 0553 905	Diode 1SR35-200A					
ZD501	276 0644 911	Zener diode MTZJ7.5A	7.5V				
SC501	279 0016 904	Thyristor SF0R1A42					
RESISTORS GROUP							
R525-528	244 2052 957	Metal oxide 5.6 kohm 1W	RS14B3A562JNBS(S)	C513,514	254 4261 918	Electrolytic 47μF/50V	CE04W1H470M
R537,538	241 2378 962	Carbon film 330 ohm 1/4W(NB)	RD14B2E331JNBS	C515,516	254 4263 987	Electrolytic 10μF/100V	CE04W2A100M
R539-542	241 2387 908	Carbon film 1 ohm 1/4W(NB)	RD14B2E010JNBS	C517-520	253 4494 902	Ceramic 100 pF/500V	CC45SL2H101J
R543-550	244 2043 982	Metal oxide 0.22 ohm 1W	RS14B3AR22JNBS(S)	C521,522	256 1058 971	Metalized 0.1μF/50V	CF93A1H104J (JL)
R557,558	244 2043 937	Metal oxide 10 ohm 1W	RS14B3A100JNBS(S)	C541,542	254 4261 918	Electrolytic 47μF/50V	CE04W1H470M
R571	244 2043 937	Metal oxide 10 ohm 1W	RS14B3A100JNBS(S)	C543,544	253 4494 902	Ceramic 100 pF/500V	CC45SL2H101J
R605-608	244 2052 957	Metal oxide 5.6 kohm 1W	RS14B3A562JNBS(S)	C545,546	254 4263 987	Electrolytic 10μF/100V	CE04W2A100M
				C547,548	253 4494 902	Ceramic 100 pF/500V	CC45SL2H101J
				C549,550	256 1058 971	Metalized 0.1μF/50V	CF93A1H104J (JL)
				C566	254 4261 918	Electrolytic 47μF/50V	CE04W1H470M
				C567	254 4263 987	Electrolytic 10μF/100V	CE04W2A100M
				C568,569	253 4494 902	Ceramic 100 pF/500V	CC45SL2H101J
				C570	256 1058 971	Metalized 0.1μF/50V	CF93A1H104J (JL)
				C573	253 1181 904	Ceramic 0.01μF/50V	CK45F1H103Z(DD-3)
				C581	254 4254 938	Electrolytic 47μF/16V	CE04W1C470M
				C582	253 9039 906	Ceramic 0.1μF/25V	CK45=1E104Z(DD-3)
				C583	254 4254 909	Electrolytic 10μF/16V	CE04W1C100M
				C584	253 9039 906	Ceramic 0.1μF/25V	CK45=1E104Z(DD-3)
				C585	254 4250 945	Electrolytic 330μF/6.3V	CE04W0J331M
				C586	253 9039 906	Ceramic 0.1μF/25V	CK45=1E104Z(DD-3)
				C587	254 4250 945	Electrolytic 330μF/6.3V	CE04W0J331M
				C589	254 4254 909	Electrolytic 10μF/16V	CE04W1C100M
				C590	254 4260 948	Electrolytic 1μF/50V	CE04W1H010M
				C594	254 4403 721	Electrolytic 2200μF/25V	CE04W1E222MC (SMG)
				C595	254 4260 948	Electrolytic 1μF/50V	CE04W1H010M
				C599	256 1058 971	Metalized 0.1μF/50V	CF93A1H104J (JL)
				C601	254 4260 948	Electrolytic 1μF/50V	CE04W1H010M
				C602	254 6213 702	Electrolytic 10000μF/56V	CE68W==103MC(DL)
				C605	254 6213 702	Electrolytic 10000μF/56V	CE68W==103MC(DL)
				C606-608	256 1042 903	Metalized 0.1μF/250V	CF93A2E104K
				C609-612	253 1181 904	Ceramic 0.01μF/50V	CK45F1H103Z(DD-3)

Ref. No.	Part No.	Part Name	Remarks
C635	254 4254 938	Electrolytic 47μF/16V	CE04W1C470M
C639,640	254 4256 936	Electrolytic 47μF/25V	CE04W1E470M
C641	254 4260 948	Electrolytic 1μF/50V	CE04W1H010M
C642	254 4403 705	Electrolytic 6800μF/25V	CE04W1E682MC(SMG)
C643	254 4403 718	Electrolytic 1000μF/25V	CE04W1E102MC(SMG)
C644,645	256 1058 971	Metalized 0.1μF/50V	CF93A1H104J(JL)
C646	254 4262 784	Electrolytic 470μF/63V	CE04W1J471MC
C647	256 1058 971	Metalized 0.1μF/50V	CF93A1H104J(JL)
C648	253 8014 702	Ceramic 0.01μF/400V(AC)	CK45F2GAC103MC
C660	254 4260 948	Electrolytic 1μF/50V	CE04W1H010M
C665	254 4406 702	Electrolytic 3300μF/16V	CE04W1C332MC(SMG)
C666	254 4254 938	Electrolytic 47μF/16V	CE04W1C470M
C668	254 4260 906	Electrolytic 0.1μF/50V	CE04W1H0R1M
C670	254 4256 936	Electrolytic 47μF/25V	CE04W1E470M
C672	254 4260 948	Electrolytic 1μF/50V	CE04W1H010M

OTHER PARTS			Q'ty
Δ AC501	203 3976 002	AC outlet (2P)	1
CW155	205 0885 040	15P connector socket (TUC-P)	1
CX021	205 0581 001	2P VH connector base	1
CX022	205 0606 025	2P wrapping terminal	1
CX024	205 0606 025	2P wrapping terminal	1
CX033	205 0343 032	3P connector base (KR-PH)	1
CX051-055	205 0884 009	5P connector base (TUC-P)	5
CX057	205 0233 058	5P EH connector base	1
CX061-069	205 1082 062	6P pin header (6035) V	9
CX091	205 0884 038	9P connector base (TUC-P)	1
CX111,112	205 0884 067	11P connector base (TUC-P)	2
CX153,154	205 0884 041	15P connector base (TUC-P)	2
CX960	205 1082 062	6P pin header (6035) V	1
CY032	205 0087 039	3P wrapping terminal	1
Δ F1	206 1046 001	Fuse 6.3A UL 20mm	1
Δ F8	206 1046 014	Fuse 8A	1
Δ F11-13	206 1039 076	Fuse 2.5A	3
FH501-505	202 0040 909	Fuse clip	10
L501-505	235 0068 004	Inductor 1μH	5
RL501	214 0127 003	Relay (RY-12W)	1
RL502-504	214 0195 006	Relay FTR-F1	3
RL505	214 0188 000	Relay VS-12MBNR-SM2(TV-8)	1
Δ T501	233 6073 000	Power trans. (Mini)-EU	1

Ref. No.	Part No.	Part Name	Remarks	Q'ty
TH501	279 0034 067	Posistor PTH9M04BB222TS2F333		1
TM501,502	205 0472 013	8P SP terminal (EAEK)		2
TP501-505	205 0190 036	3P NH connector base		5
	415 0309 026	P.V.C. tube (L=20)	for TH501	2

1U-3109F AUDIO IN DSP UNIT ASS'Y

Ref. No.	Part No.	Part Name	Remarks	Ref. No.	Part No.	Part Name	Remarks
SEMICONDUCTORS GROUP				RESISTORS GROUP			
IC601	263 0896 909	IC NJM2068MD		R519-522	247 0006 962	Carbon chip 470 ohm 1/10W	RM73B-471J
IC603	262 2034 009	IC TC9273N-007		R523-526	247 0015 966	Carbon chip 2.7 Mohm 1/10W	RM73B-275J
IC606	263 0896 909	IC NJM2068MD		R601,602	247 0018 905	Carbon chip 0 ohm 1/10W	RM73B-0R0K
IC701	262 2490 902	IC PCM1716E	DAC	R603,604	247 0006 946	Carbon chip 390 ohm 1/10W	RM73B-391J
IC702,703	263 0896 909	IC NJM2068MD		R605,606	247 0011 986	Carbon chip 68 kohm 1/10W	RM73B-683J
IC731	263 0615 902	IC BA15218F		R607,608	247 0012 969	Carbon chip 150 kohm 1/10W	RM73B-154J
IC751	262 2490 902	IC PCM1716E	DAC	R609,610	247 0004 922	Carbon chip 47 ohm 1/10W	RM73B-470J
IC752,753	263 0896 909	IC NJM2068MD		R611,612	247 0005 992	Carbon chip 240 ohm 1/10W	RM73B-241J
IC801	262 2490 902	IC PCM1716E	DAC	R613,614	247 0012 956	Carbon chip 130 kohm 1/10W	RM73B-134J
IC802-804	263 0896 909	IC NJM2068MD		R615,616	247 0009 998	Carbon chip 11 kohm 1/10W	RM73B-113J
IC851,852	263 0934 900	IC BA4510F		R617,618	247 0003 949	Carbon chip 22 ohm 1/10W	RM73B-220J
IC854	262 2426 905	IC AK5351-VF		R619,620	247 0005 905	Carbon chip 100 ohm 1/10W	RM73B-101J
IC855	399 0515 000	Crystal 12.288 MHz	SG-8002DCPT(12.288M)	R621,622	247 0011 944	Carbon chip 47 kohm 1/10W	RM73B-473J
IC900	263 1048 002	IC BA033T		R625-634	247 0015 966	Carbon chip 2.7 Mohm 1/10W	RM73B-275J
IC901	262 2370 103	IC ZR38600 (B6)		R635-644	247 0006 962	Carbon chip 470 ohm 1/10W	RM73B-471J
IC902	262 2376 903	IC TC74HCT7007AF		R663,664	247 0006 962	Carbon chip 470 ohm 1/10W	RM73B-471J
IC903	262 2489 007	IC TMP87CM43N-****	SUB-UCON	R665,666	247 0015 966	Carbon chip 2.7 Mohm 1/10W	RM73B-275J
IC904	262 2575 908	IC SN74HC00NS		R667,668	247 0012 927	Carbon chip 100 kohm 1/10W	RM73B-104J
IC905	262 1348 903	IC TC74HC123AF		R671-674	247 0018 905	Carbon chip 0 ohm 1/10W	RM73B-0R0K
IC906	262 2385 907	IC SN74HC14NS		R677,678	247 0005 905	Carbon chip 100 ohm 1/10W	RM73B-101J
IC907	262 1348 903	IC TC74HC123AF		R679,680	247 0012 927	Carbon chip 100 kohm 1/10W	RM73B-104J
IC908	262 2284 901	IC TC74HCT157AF		R683,684	247 0012 927	Carbon chip 100 kohm 1/10W	RM73B-104J
IC909	262 2576 907	IC SN74HC74NS		R685,686	247 0005 905	Carbon chip 100 ohm 1/10W	RM73B-101J
IC910	262 2577 906	IC SN74HC157NS		R691,692	247 0005 905	Carbon chip 100 ohm 1/10W	RM73B-101J
IC911	262 2491 901	IC CS8414-CS	DIR	R701-708	247 0009 901	Carbon chip 4.7 kohm 1/10W	RM73B-472J
TR703,704	273 0414 906	Transistor 2SC3326(A/B)		R709,710	247 0012 927	Carbon chip 100 kohm 1/10W	RM73B-104J
TR707	269 0083 901	Transistor DTA114EK		R711	247 0007 945	Carbon chip 1 kohm 1/10W	RM73B-102J
TR731	275 0094 908	FET 2SK209-GR		R712	247 0006 962	Carbon chip 470 ohm 1/10W	RM73B-471J
TR732	269 0055 900	Transistor DTA144EK		R713,714	247 0012 927	Carbon chip 100 kohm 1/10W	RM73B-104J
TR733	269 0054 901	Transistor DTC144EK		R715,716	247 0005 989	Carbon chip 220 ohm 1/10W	RM73B-221J
TR753,754	273 0414 906	Transistor 2SC3326(A/B)		R717-720	247 0005 976	Carbon chip 200 ohm 1/10W	RM73B-201J
TR757	269 0083 901	Transistor DTA114EK		R723,724	247 0008 960	Carbon chip 3.3 kohm 1/10W	RM73B-332J
TR803,804	273 0414 906	Transistor 2SC3326(A/B)		R725,726	247 0012 927	Carbon chip 100 kohm 1/10W	RM73B-104J
TR807	269 0083 901	Transistor DTA114EK		R727-730	247 0009 943	Carbon chip 6.8 kohm 1/10W	RM73B-682J
TR852	269 0083 901	Transistor DTA114EK		R735,736	247 0005 905	Carbon chip 100 ohm 1/10W	RM73B-101J
TR901,902	269 0082 902	Transistor DTC114EK		R737,738	247 0012 927	Carbon chip 100 kohm 1/10W	RM73B-104J
TR903,904	269 0054 901	Transistor DTC144EK		R741-743	247 0011 944	Carbon chip 47 kohm 1/10W	RM73B-473J
D731	276 0559 909	Diode DAP202K		R744,745	247 0010 974	Carbon chip 24 kohm 1/10W	RM73B-243J
D856,857	276 0560 901	Diode DAN202K		R746	247 0005 905	Carbon chip 100 ohm 1/10W	RM73B-101J
D859	276 0560 901	Diode DAN202K		R747	247 0012 927	Carbon chip 100 kohm 1/10W	RM73B-104J
D901,902	276 0559 909	Diode DAP202K		R748	247 0011 944	Carbon chip 47 kohm 1/10W	RM73B-473J
				R751	247 0009 901	Carbon chip 4.7 kohm 1/10W	RM73B-472J
				R752	247 0009 985	Carbon chip 10 kohm 1/10W	RM73B-103J
				R753	247 0009 901	Carbon chip 4.7 kohm 1/10W	RM73B-472J
				R754	247 0009 985	Carbon chip 10 kohm 1/10W	RM73B-103J
				R755-758	247 0009 901	Carbon chip 4.7 kohm 1/10W	RM73B-472J
				R759,760	247 0012 927	Carbon chip 100 kohm 1/10W	RM73B-104J
				R761	247 0007 945	Carbon chip 1 kohm 1/10W	RM73B-102J
				R762	247 0006 962	Carbon chip 470 ohm 1/10W	RM73B-471J

Ref. No.	Part No.	Part Name	Remarks
R763,764	247 0012 927	Carbon chip 100 kohm 1/10W	RM73B-104J
R765,766	247 0005 989	Carbon chip 220 ohm 1/10W	RM73B-221J
R767-770	247 0005 976	Carbon chip 200 ohm 1/10W	RM73B-201J
R770	247 0005 976	Carbon chip 200 ohm 1/10W	RM73B-201J
R773,774	247 0008 960	Carbon chip 3.3 kohm 1/10W	RM73B-332J
R775,776	247 0010 932	Carbon chip 16 kohm 1/10W	RM73B-163J
R777,778	247 0005 905	Carbon chip 100 ohm 1/10W	RM73B-101J
R781	247 0018 905	Carbon chip 0 ohm 1/10W	RM73B-0R0K
R782	247 0009 914	Carbon chip 5.1 kohm 1/10W	RM73B-512J
R784	247 0009 901	Carbon chip 4.7 kohm 1/10W	RM73B-472J
R785,786	247 0005 905	Carbon chip 100 ohm 1/10W	RM73B-101J
R787,788	247 0012 927	Carbon chip 100 kohm 1/10W	RM73B-104J
R789,790	247 0007 990	Carbon chip 1.6 kohm 1/10W	RM73B-162J
R801-808	247 0009 901	Carbon chip 4.7 kohm 1/10W	RM73B-472J
R809,810	247 0012 927	Carbon chip 100 kohm 1/10W	RM73B-104J
R811	247 0007 945	Carbon chip 1 kohm 1/10W	RM73B-102J
R812	247 0006 962	Carbon chip 470 ohm 1/10W	RM73B-471J
R813,814	247 0012 927	Carbon chip 100 kohm 1/10W	RM73B-104J
R815,816	247 0005 989	Carbon chip 220 ohm 1/10W	RM73B-221J
R817-820	247 0005 976	Carbon chip 200 ohm 1/10W	RM73B-201J
R823,824	247 0008 960	Carbon chip 3.3 kohm 1/10W	RM73B-332J
R825,826	247 0010 932	Carbon chip 16 kohm 1/10W	RM73B-163J
R827,828	247 0005 905	Carbon chip 100 ohm 1/10W	RM73B-101J
R831,832	247 0018 905	Carbon chip 0 ohm 1/10W	RM73B-0R0K
R835,836	247 0005 905	Carbon chip 100 ohm 1/10W	RM73B-101J
R837,838	247 0012 927	Carbon chip 100 kohm 1/10W	RM73B-104J
R839,840	247 0007 990	Carbon chip 1.6 kohm 1/10W	RM73B-162J
R851-854	247 0009 901	Carbon chip 4.7 kohm 1/10W	RM73B-472J
R855,856	247 0011 944	Carbon chip 47 kohm 1/10W	RM73B-473J
R857-860	247 0009 998	Carbon chip 11 kohm 1/10W	RM73B-113J
R861-864	247 0009 901	Carbon chip 4.7 kohm 1/10W	RM73B-472J
R865-868	247 0006 920	Carbon chip 330 ohm 1/10W	RM73B-331J
R873	247 0009 901	Carbon chip 4.7 kohm 1/10W	RM73B-472J
R874,875	247 0018 905	Carbon chip 0 ohm 1/10W	RM73B-0R0K
R878-880	247 0005 905	Carbon chip 100 ohm 1/10W	RM73B-101J
R882	247 0011 944	Carbon chip 47 kohm 1/10W	RM73B-473J
R883,884	247 0005 905	Carbon chip 100 ohm 1/10W	RM73B-101J
R885-887	247 0010 916	Carbon chip 13 kohm 1/10W	RM73B-133J
R889	247 0010 916	Carbon chip 13 kohm 1/10W	RM73B-133J
R892,893	247 0018 905	Carbon chip 0 ohm 1/10W	RM73B-0R0K
R894,895	247 0005 905	Carbon chip 100 ohm 1/10W	RM73B-101J
R896,897	247 0012 927	Carbon chip 100 kohm 1/10W	RM73B-104J
R899	247 0012 969	Carbon chip 150 kohm 1/10W	RM73B-154J
R900	247 0012 969	Carbon chip 150 kohm 1/10W	RM73B-154J
R901	247 0009 985	Carbon chip 10 kohm 1/10W	RM73B-103J
R902	247 0004 922	Carbon chip 47 ohm 1/10W	RM73B-470J
R904,905	247 0004 922	Carbon chip 47 ohm 1/10W	RM73B-470J
R906,907	247 0018 905	Carbon chip 0 ohm 1/10W	RM73B-0R0K
R908	247 0009 901	Carbon chip 4.7 kohm 1/10W	RM73B-472J
R909,910	247 0018 905	Carbon chip 0 ohm 1/10W	RM73B-0R0K

Ref. No.	Part No.	Part Name	Remarks
R914,915	247 0018 905	Carbon chip 0 ohm 1/10W	RM73B-0R0K
R916,917	247 0012 927	Carbon chip 100 kohm 1/10W	RM73B-104J
R918	247 0018 905	Carbon chip 0 ohm 1/10W	RM73B-0R0K
R920	247 0014 967	Carbon chip 1 Mohm 1/10W	RM73B-105J
R921	247 0011 902	Carbon chip 33 kohm 1/10W	RM73B-333J
R922	247 0011 944	Carbon chip 47 kohm 1/10W	RM73B-473J
R929	247 0018 905	Carbon chip 0 ohm 1/10W	RM73B-0R0K
R931-933	247 0004 922	Carbon chip 47 ohm 1/10W	RM73B-470J
R934	247 0011 944	Carbon chip 47 kohm 1/10W	RM73B-473J
R935	247 0004 922	Carbon chip 47 ohm 1/10W	RM73B-470J
R936	247 0018 905	Carbon chip 0 ohm 1/10W	RM73B-0R0K
R937,938	247 0004 922	Carbon chip 47 ohm 1/10W	RM73B-470J
R939-942	247 0018 905	Carbon chip 0 ohm 1/10W	RM73B-0R0K
R943	247 0007 945	Carbon chip 1 kohm 1/10W	RM73B-102J
R944	247 0018 905	Carbon chip 0 ohm 1/10W	RM73B-0R0K
R951	247 0009 901	Carbon chip 4.7 kohm 1/10W	RM73B-472J
R952	247 0009 985	Carbon chip 10 kohm 1/10W	RM73B-103J
R953-955	247 0004 922	Carbon chip 47 ohm 1/10W	RM73B-470J
R956-958	247 0011 944	Carbon chip 47 kohm 1/10W	RM73B-473J
R964	247 0009 985	Carbon chip 10 kohm 1/10W	RM73B-103J
R985,986	247 0010 916	Carbon chip 13 kohm 1/10W	RM73B-133J


CAPACITORS GROUP

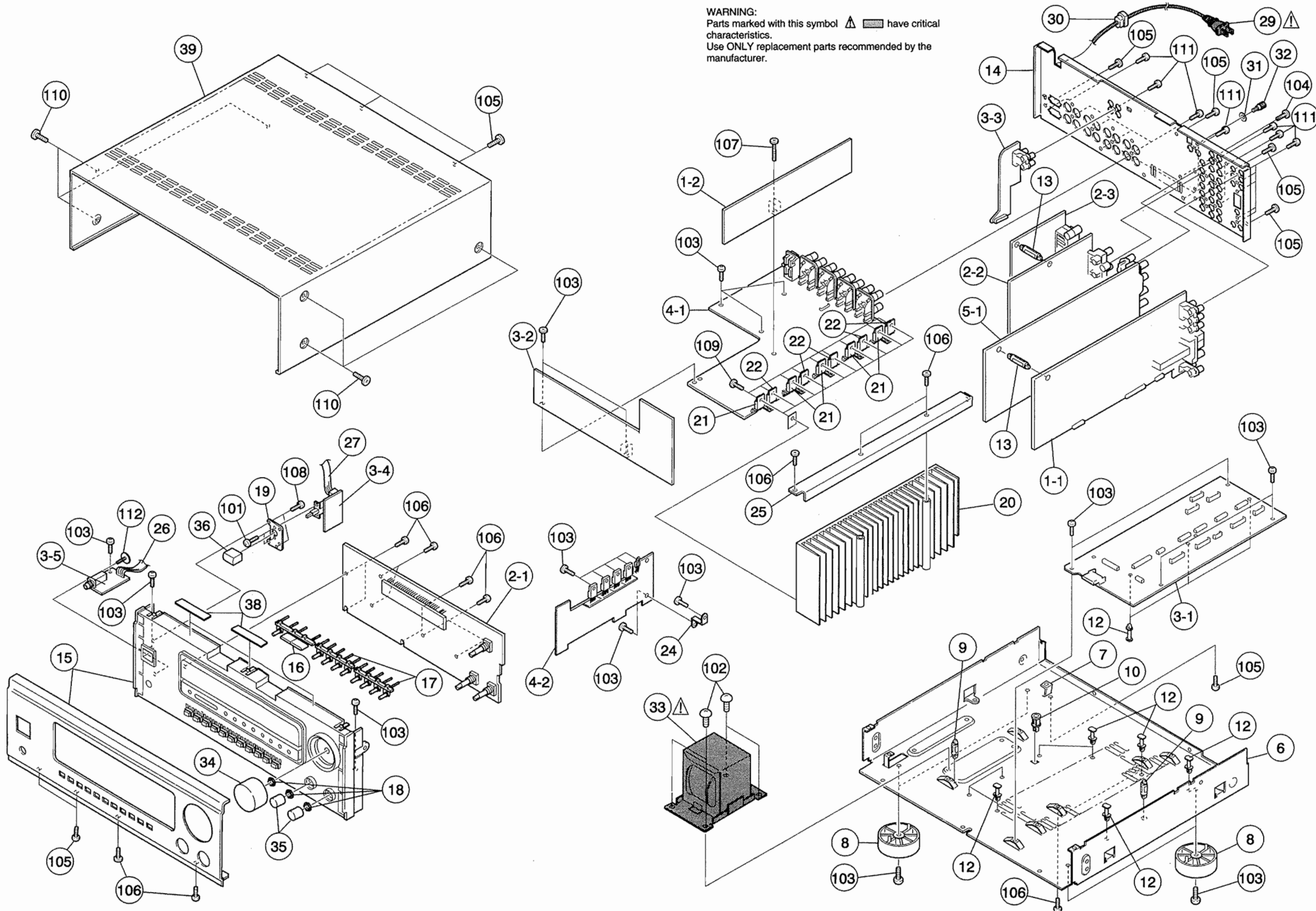
C601,602	257 0005 944	Ceramic chip 220 pF/50V	CC73SL1H221J
C603,604	254 4254 909	Electrolytic 10µF/16V	CE04W1C100M
C605,606	257 0004 961	Ceramic chip 100 pF/50V	CC73SL1H101J
C607,608	254 4250 932	Electrolytic 220µF/6.3V	CE04W0J221M
C609,610	255 4199 999	Mylar film 0.024µF/50V	CQ92M1H243J(MRZ)
C611,612	255 1265 907	Mylar film 6800 pF/50V	CQ93M1H682J(B)
C613,614	254 4260 977	Electrolytic 4.7µF/50V	CE04W1H4R7M
C615,616	257 0012 982	Ceramic chip 0.022µF/50V	CK73F1H223Z
C649	254 4260 977	Electrolytic 4.7µF/50V	CE04W1H4R7M
C651	254 4260 977	Electrolytic 4.7µF/50V	CE04W1H4R7M
C655,656	254 4254 909	Electrolytic 10µF/16V	CE04W1C100M
C657,658	254 4260 948	Electrolytic 1µF/50V	CE04W1H010M
C671,672	254 4254 909	Electrolytic 10µF/16V	CE04W1C100M
C701-704	254 4254 909	Electrolytic 10µF/16V	CE04W1C100M
C705-708	257 0006 969	Ceramic chip 680 pF/50V	CC73SL1H681J
C711,712	254 4254 909	Electrolytic 10µF/16V	CE04W1C100M
C713,714	255 1265 952	Mylar film 0.015µF/50V	CQ93M1H153J(B)
C715,716	254 4254 938	Electrolytic 47µF/16V	CE04W1C470M
C717,718	254 4254 909	Electrolytic 10µF/16V	CE04W1C100M
C721,722	257 0003 988	Ceramic chip 47 pF/50V	CC73SL1H470J
C733	256 1058 942	Metalized 0.056µF/50V	CF93A1H563J (JL)
C734	256 1058 984	Metalized 0.12µF/50V	CF93A1H124J (JL)
C737	254 4254 909	Electrolytic 10µF/16V	CE04W1C100M
C742	254 4254 909	Electrolytic 10µF/16V	CE04W1C100M
C743,744	257 0014 935	Ceramic chip 0.1µF/25V	CK73F1E104Z
C745-747	254 4254 909	Electrolytic 10µF/16V	CE04W1C100M
C751-754	254 4254 909	Electrolytic 10µF/16V	CE04W1C100M

EXPLODED VIEW

1 2 3 4 5 6 7 8

A
B
C
D
E

WARNING:
Parts marked with this symbol  have critical characteristics.
Use ONLY replacement parts recommended by the manufacturer.

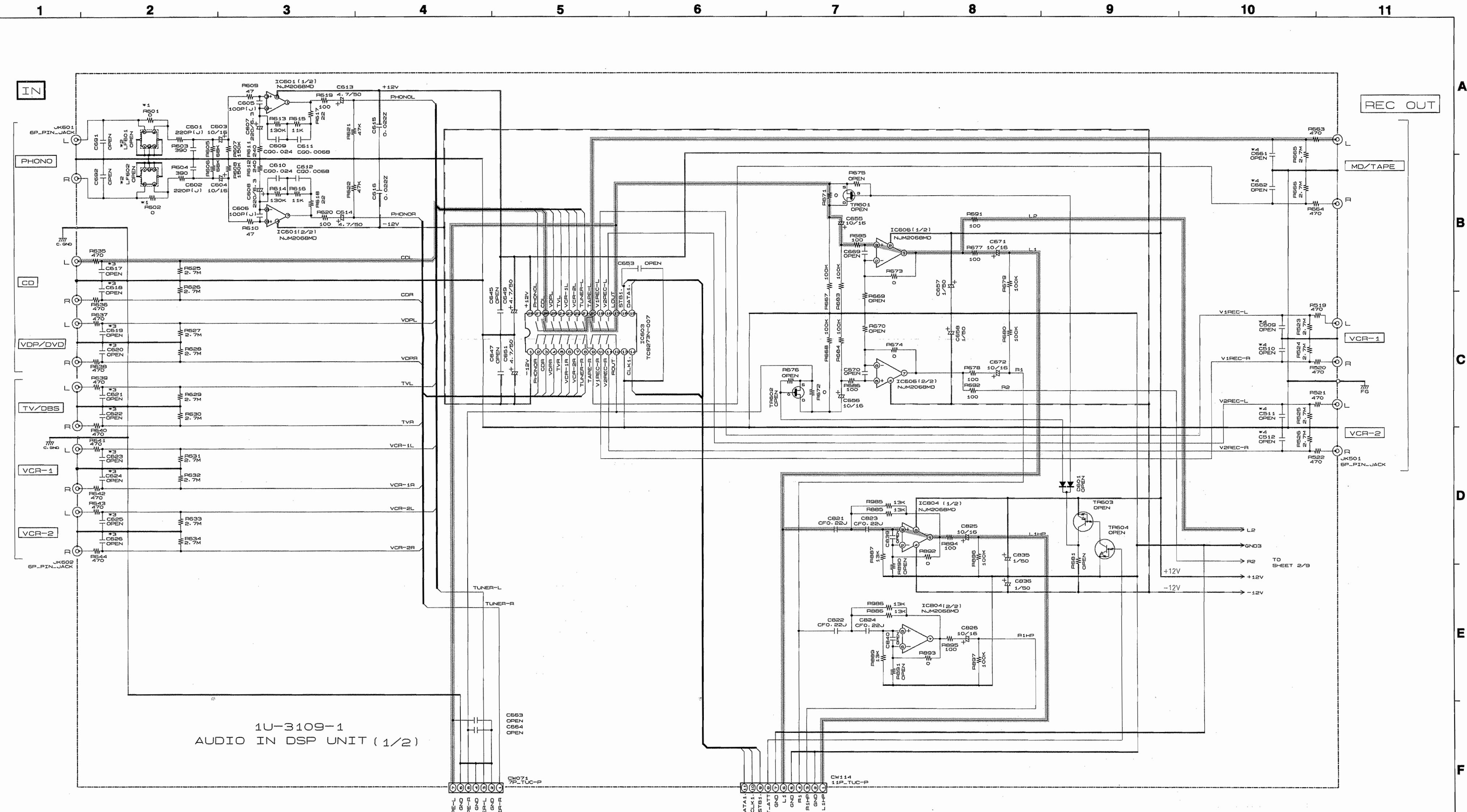


PARTS LIST OF EXPLODED VIEW

Ref. No.	Part No.	Part Name	Remarks	Q'ty	Ref. No.	Part No.	Part Name	Remarks	Q'ty
1	1U-3105F	Tuner amp. unit ass'y		1	SCREWS				
1-1	1U-3105F-1	Tuner VR unit			101	471 3303 016	Screw 3x6 CBS-Z		2
1-2	1U-3105F-2	Amp. unit			102	473 7004 016	Screw 4x6 CBTS (S)-Z		4
2	1U-3106F	Display video unit ass'y		1	103	473 7005 002	Screw 3x10 CBTS(S)-Z		22
2-1	1U-3106F-1	Display unit			104	473 7006 043	Screw 3x14 CBTS (S)-B		1
2-2	1U-3106F-2	C - video unit			105	473 7015 018	Screw 3x8 CBTS(S)-B		13
2-3	1U-3106F-3	Digital in unit			106	473 7501 001	Screw 3x10 CBTS (P)-Z		14
3	1U-3107F	Control unit ass'y		1	107	473 7501 030	Screw 3x20 CBTS (P)-Z		1
3-1	1U-3107F-1	Control unit			108	473 7505 007	Screw 2.6x8 CBTS(P)-Z		2
3-2	1U-3107F-2	Connect unit			109	473 8007 009	Cup screw 3x12		10
3-3	1U-3107F-3	Preout unit			110	473 8064 000	Screw 4x8 CBTS(B)-B-3P		6
3-4	1U-3107F-4	Power switch unit			111	477 0064 107	Fixing screw		20
3-5	1U-3107F-5	Headphones unit			112	477 0262 006	Special screw		1
4	1U-3108F	Power amp. unit ass'y		1	PACKING & ACCESSORIES				
4-1	1U-3108F-1	Power amp. unit			201	504 9102 029	Stylen paper		1
4-2	1U-3108F-2	Regulator unit			202	505 9102 019	Poly. cover		1
5	1U-3109F	Audio in DSP unit ass'y		1	203	503 1307 007	Cushion ass'y		1
5-1	1U-3109F-1	Audio in DSP unit			204	505 8006 019	Envelope		1
6	411 1372 416	Main chassis		1	205	511 3355 003	Instruction manual		1
7	412 4210 002	Bracket		1	206	231 0922 009	Loop antenna		1
8	104 0194 205	Foot ass'y		4	207	395 0023 008	FM antenna ass'y		1
9	449 0133 017	PWB holder		2	208	399 0509 003	RC-855 remocon unit		1
10	412 3548 005	P.W.B. catcher		1	209	515 0671 601	Service station list (EX)		1
12	412 2814 028	Card spacer (L=10)		11	210	529 0079 008	FM ant. adapter		1
13	449 0133 004	PWB holder		2	211	501 2027 018	Carton case		1
14	105 1302 002	Back panel		1	212	513 1389 006	Control card base		1
15	146 2065 077	Inner panel ass'y		1	213	513 1349 004	Thermal carbon film		1
16	113 1804 006	Tuning knob		1	214	515 0817 009	DEL warranty home		1
17	113 1805 005	Function knob		2	215	517 1382 005	UPC label		1
18	—	9 nut							
19	412 4163 007	Switch bracket		1					
20	417 0569 008	Power radiator		1					
21	273 0389 031	Transistor 2SC3855 LB(O/P/Y)(Z)		5					
22	271 0240 035	Transistor 2SA1491 LB(O/P/Y)(Z)		5					
24	412 4127 001	P.W.B. bracket (B)		1					
25	412 4296 000	Radiator bracket		1					
26	203 4871 067	3P KR-KR ribbon 175	CN033	1					
27	203 2374 029	2P VA-VA cord	CN021	1					
28	445 8004 007	Wire clasper		2					
△	29	206 2161 008	AC cord sol. N/I E3	1					
	30	445 0056 008	Cord bush	1					
	31	477 0018 014	Washer (P-87) D10	1					
	32	205 0071 016	Terminal ass'y	1					
△	33	233 6284 006	Power trans. (EU/EC)	1					
	34	112 0744 164	VR. knob ass'y	1					
	35	112 0685 100	Knob (MARU)	2					
	36	113 9213 000	P. knob (P) ass'y	1					
	37	513 3156 004	Caution label	1					
	38	461 0976 012	Rubber sheet	3					
	39	102 0598 009	Top cover	1					

PARTS LIST OF REMOTE CONTROL UNIT (RC-855)

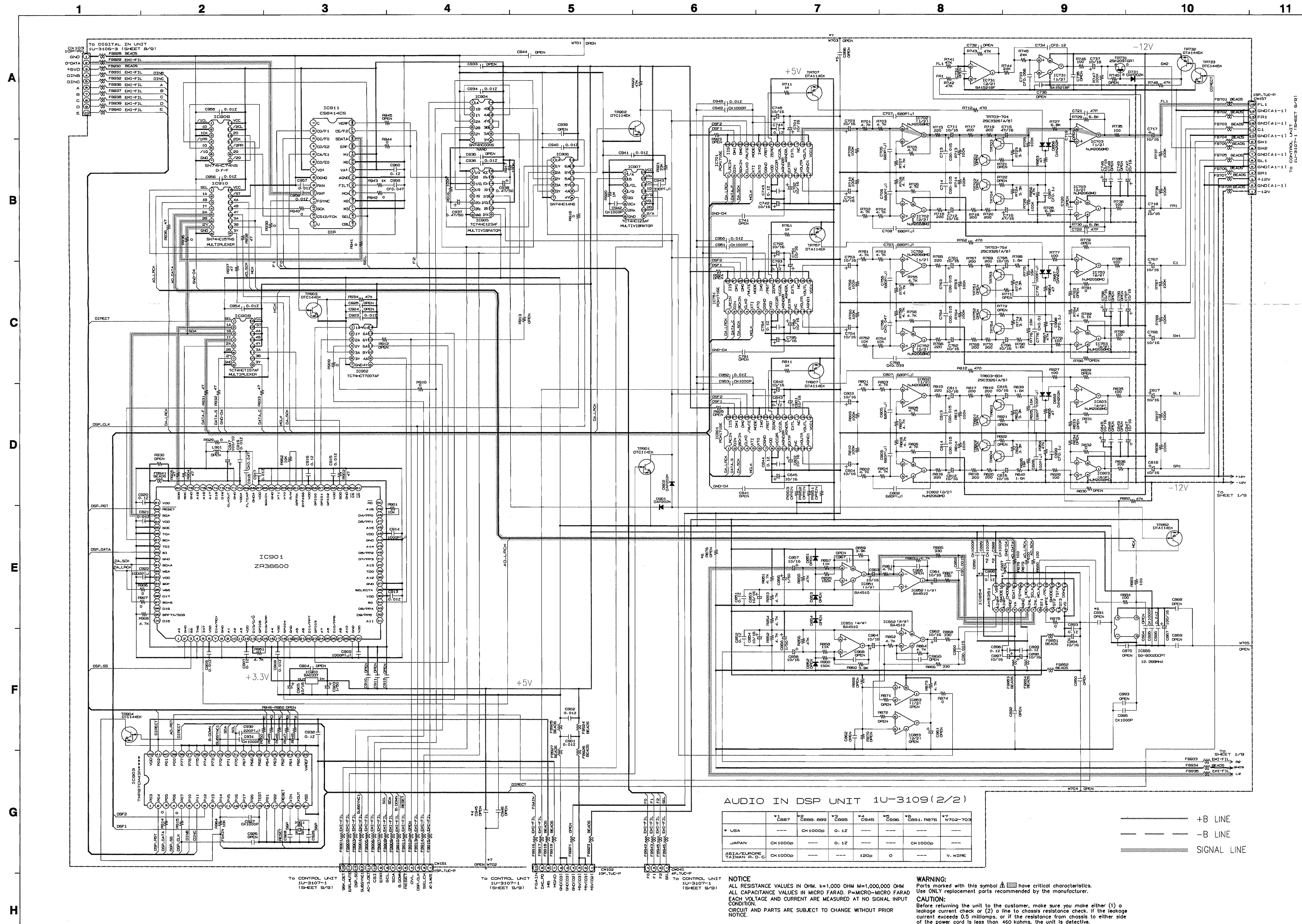
Ref. No.	Part No.	Part Name	Remarks	Q'ty
● 1	—	Top Case (RC855) Ass'y		1s
● 2	9H3 1000 168	Cover		1
● 3	—	Switch Rubber		1
● 4	9H3 1000 166	Bottom Case		1
● 5	9H3 1000 167	Battery Cover		1
● 6	9H3 1000 148	Filter		1
7	9H3 1000 150	Slide Knob		2
8	9H3 1000 152	Coil Spring		1
12	9H3 1000 185	Tapping Screw 2x5		1
13	9H3 1000 107	Tapping Screw 2x5		1
14	9H3 1000 195	Main P.W.B. Ass'y		
IC1	9H3 1000 194	IC μ PD17204GC-568	μ -Com	1
IC2	9H3 1000 158	IC RH5VA10AA	vol. Detector	1
Q1	9H3 1000 070	Transistor 2SC2982	Chip	1
D1,2	9H3 1000 028	LED TLR124	Visible-Red	2
D4	9H3 1000 131	LED SE1003-C	Infrared	1
D5	9H3 1000 087	Diode 1SS281		1
D6	9H3 1000 029	Diode PH310	Photo-PIN	1
D7	9H3 1000 071	Diode DA119	Chip	1
X1	9H3 1000 088	Ceramic Resonator	KBR4.0M503	1
SW1	9H3 1000 089	Slide Switch		1
SW2	9H3 1000 074	Slide Switch		1
C1	254 4213 034	Electrolytic 100 μ F/6.3V	CE04W0J101M	1
C3	254 4213 021	Electrolytic 47 μ F/6.3V	CE04W0J470M	1



	*1	*2	*3	*4
	R601, 602	LF601, 602	C617~626	C609~612, C651, 652
USA TAIWAN R. O. C. JAPAN	0	-	-	-
ASIA EUROPE	1.3K	L. P. F.	330p	100p

NOTICE
 ALL RESISTANCE VALUES IN OHM. k=1,000 OHM M=1,000,000 OHM
 ALL CAPACITANCE VALUES IN MICRO FARAD. P=MICRO-MICRO FARAD
 EACH VOLTAGE AND CURRENT ARE MEASURED AT NO SIGNAL INPUT
 CONDITION.
 CIRCUIT AND PARTS ARE SUBJECT TO CHANGE WITHOUT PRIOR
 NOTICE.

WARNING:
 Parts marked with this symbol Δ have critical characteristics.
 Use ONLY replacement parts recommended by the manufacturer.
CAUTION:
 Before returning the unit to the customer, make sure you make either (1) a
 leakage current check or (2) a line to chassis resistance check. If the leakage
 current exceeds 0.5 milliamps, or if the resistance from chassis to either side
 of the power cord is less than 460 kohms, the unit is defective.
WARNING:
 DO NOT return the unit to the customer until the problem is located and
 corrected.



AUDIO IN DSP UNIT 1U-3109(2/2)

	* C887	* C888, C889	* C895	* C945	* C996	* C991, R876	* W702-703
* USA	---	CK1000p	0.12	---	---	CK1000p	---
JAPAN	---	CK1000p	0.12	---	---	CK1000p	---
ASIA/EUROPE TAIWAN R.O.C.	---	CK1000p	---	120p	0	---	V. WIPE

——— +B LINE
 - - - - -B LINE
 ——— SIGNAL LINE

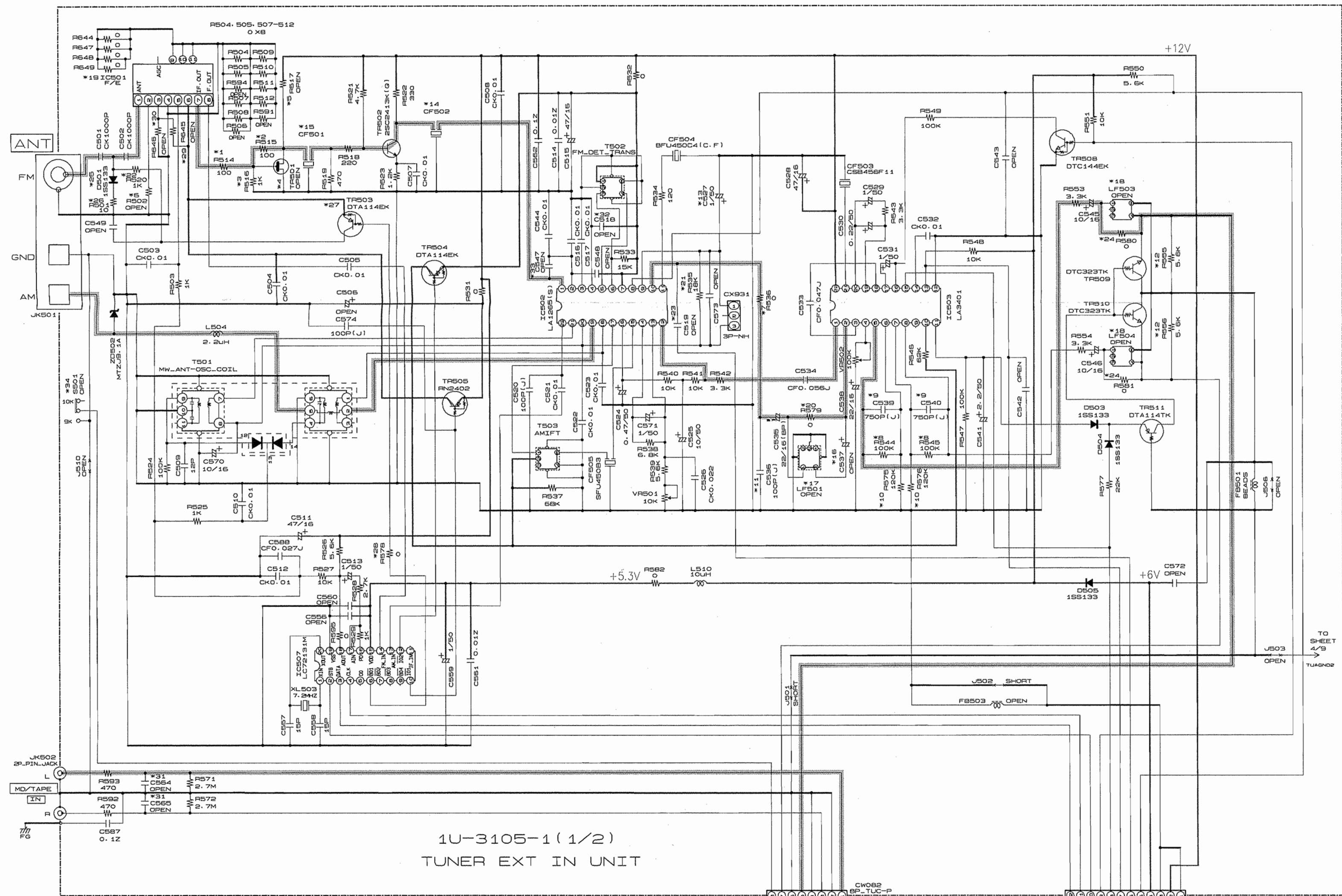
NOTICE
 ALL RESISTANCE VALUES IN OHM. k=1,000 OHM M=1,000,000 OHM
 ALL CAPACITANCE VALUES IN MICRO FARAD. P=PICTO-MICRO FARAD
 EACH VOLTAGE AND CURRENT ARE MEASURED AT NO SIGNAL INPUT
CONDITION:
 CIRCUIT AND PARTS ARE SUBJECT TO CHANGE WITHOUT PRIOR NOTICE.

WARNING:
 Parts marked with this symbol Δ have critical characteristics.
 Use ONLY replacement parts recommended by the manufacturer.

CAUTION:
 Before returning the unit to the customer, make sure you make either (1) a leakage current check or (2) a line to chassis resistance check. If the leakage current exceeds 0.5 milliamps, or if the resistance from chassis to either side of the power cord is less than 460 kohms, the unit is defective.

WARNING:
 DO NOT return the unit to the customer until the problem is located and corrected.

1 2 3 4 5 6 7 8 9 10 11



1U-3105-1 (1/2)
TUNER EXT IN UNIT

NOTICE
ALL RESISTANCE VALUES IN OHM, K=1,000 OHM M=1,000,000 OHM
ALL CAPACITANCE VALUES IN MICRO FARAD, P=MICRO-MICRO FARAD
EACH VOLTAGE AND CURRENT ARE MEASURED AT NO SIGNAL INPUT
CONDITION.
CIRCUIT AND PARTS ARE SUBJECT TO CHANGE WITHOUT PRIOR
NOTICE.

WARNING:
Parts marked with this symbol have critical characteristics.
Use ONLY replacement parts recommended by the manufacturer.

CAUTION:
Before returning the unit to the customer, make sure you make either (1) a leakage current check or (2) a line to chassis resistance check. If the leakage current exceeds 0.5 milliamps, or if the resistance from chassis to either side of the power cord is less than 460 kohms, the unit is defective.

WARNING:
DO NOT return the unit to the customer until the problem is located and corrected.

TO CONTROL UNIT
1U-3107-1
(SHEET 8/9)

TO CONTROL UNIT
1U-3107-1
(SHEET 8/9)

+B LINE
SIGNAL LINE

NO	USA	TAIWAN R.O.C.	ASIA	EUROPE	JAPAN
1	R514	100		100	0
2	R515	100			100
3	R516	1K		330	330
4	TR501			2SK211(GR1)	
5	R517			330	
6	R502			0	
7	R536	0		2.7K	0
8	R544, 545	100K		150K	130K
9	C539, 540	750p	510p	330P	390p
10	R575, 576	120K		200K	160K
11	C536	100p			100p
12	R555, 556	5.6K		3.3K	3.3K
13	C527	1/50	0.33/50	0.33/50	0.33/50
14	CF502	SFE 10.7MS2G		SFT 10.7MS2	SFE 10.7MS2G
15	CF501	SFE 10.7MAB		SFT 10.7MS2	SFE 10.7MAB
16	C537			22/16	
17	LF501			ANTI BITDIE FILTER	
18	LF503, 504			LFP 2320085004	LFP 2320085004
19	IC501	F/E 2160102008		F/E 2169013004	F/E 2169012005
20	R579	0			0
21	R535	18K	39K	39K	18K
22	R520	1K		1K	
23	C519			CK100p	
24	R580, 581	0			
25	D501	1SS270A		1SS270A	
26	R501	10		10	
27	TR503	DTA114EK		DTA114EK	
28	R578	0		0	
29	R645			10K	
30	R646			5.6K	
31	C564, 565		330P	330P	
32	C518			270P	
33	C547				100P
34	S501		SLIDE SW		

1 2 3 4 5 6 7 8 9 10 11

A

B

C

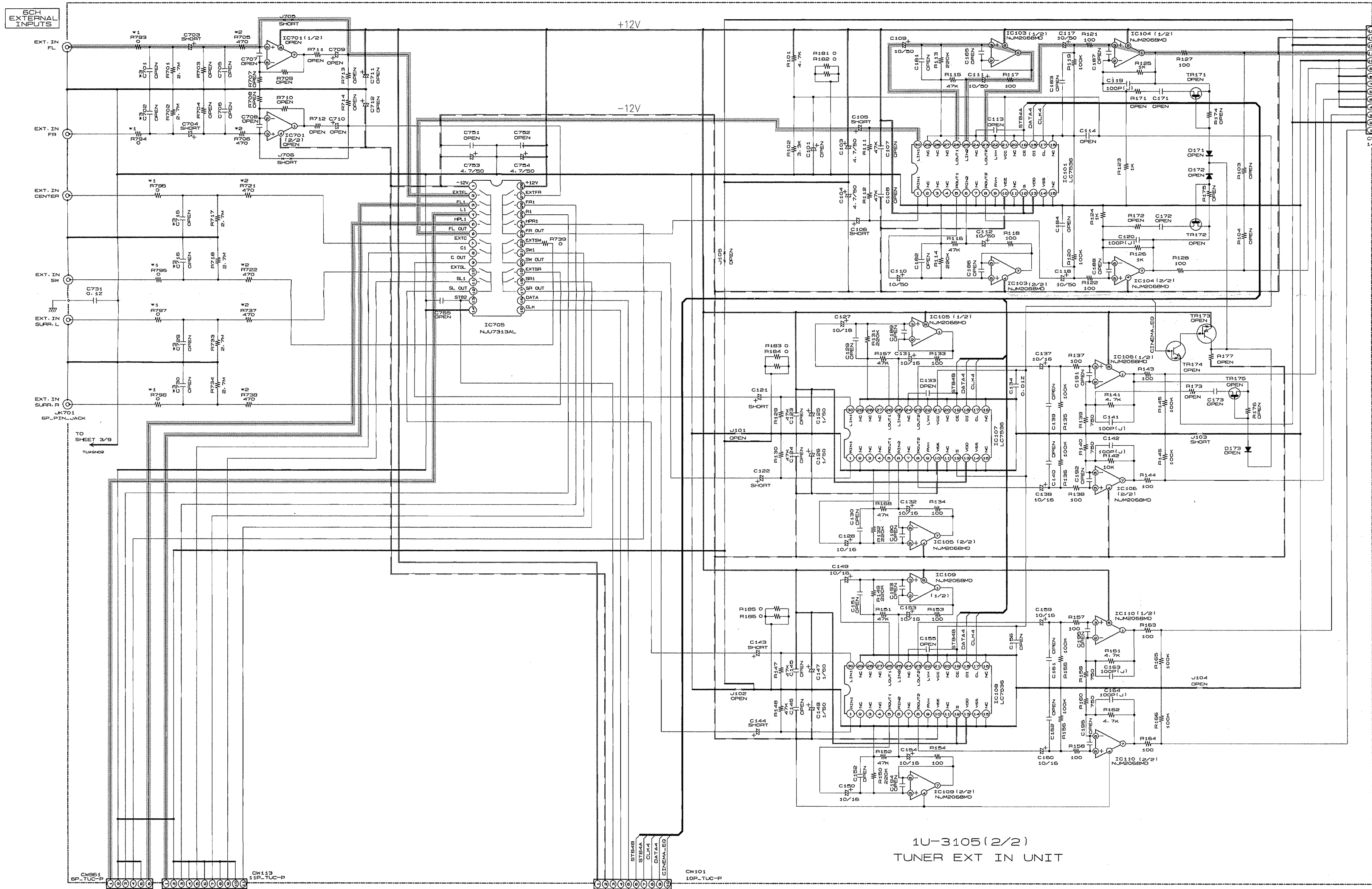
D

E

F

G

H



TO CONNECT UNIT
1U-3107-2
(SHEET 6/9)

1U-3105(2/2)
TUNER EXT IN UNIT

TO CONTROL UNIT
1U-3107-1
(SHEET 9/9)

TO CONTROL UNIT
1U-3107-1
(SHEET 9/9)

TO CONTROL UNIT
1U-3107-1
(SHEET 9/9)

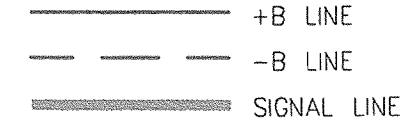
	*1 R793~798	*2 R705, 706, 721, 722, 737, 738	*3 C701, 702, 715, 716, 729, 730
USA TAIWAN R.O.C JAPAN	0	470	---
ASIA EUROPE	470	100	330P

NOTICE
ALL RESISTANCE VALUES IN OHM, k=1,000 OHM M=1,000,000 OHM
ALL CAPACITANCE VALUES IN MICRO FARAD, P=MICRO-MICRO FARAD
EACH VOLTAGE AND CURRENT ARE MEASURED AT NO SIGNAL INPUT
CONDITION.
CIRCUIT AND PARTS ARE SUBJECT TO CHANGE WITHOUT PRIOR
NOTICE.

WARNING:
Parts marked with this symbol have critical characteristics.
Use ONLY replacement parts recommended by the manufacturer.

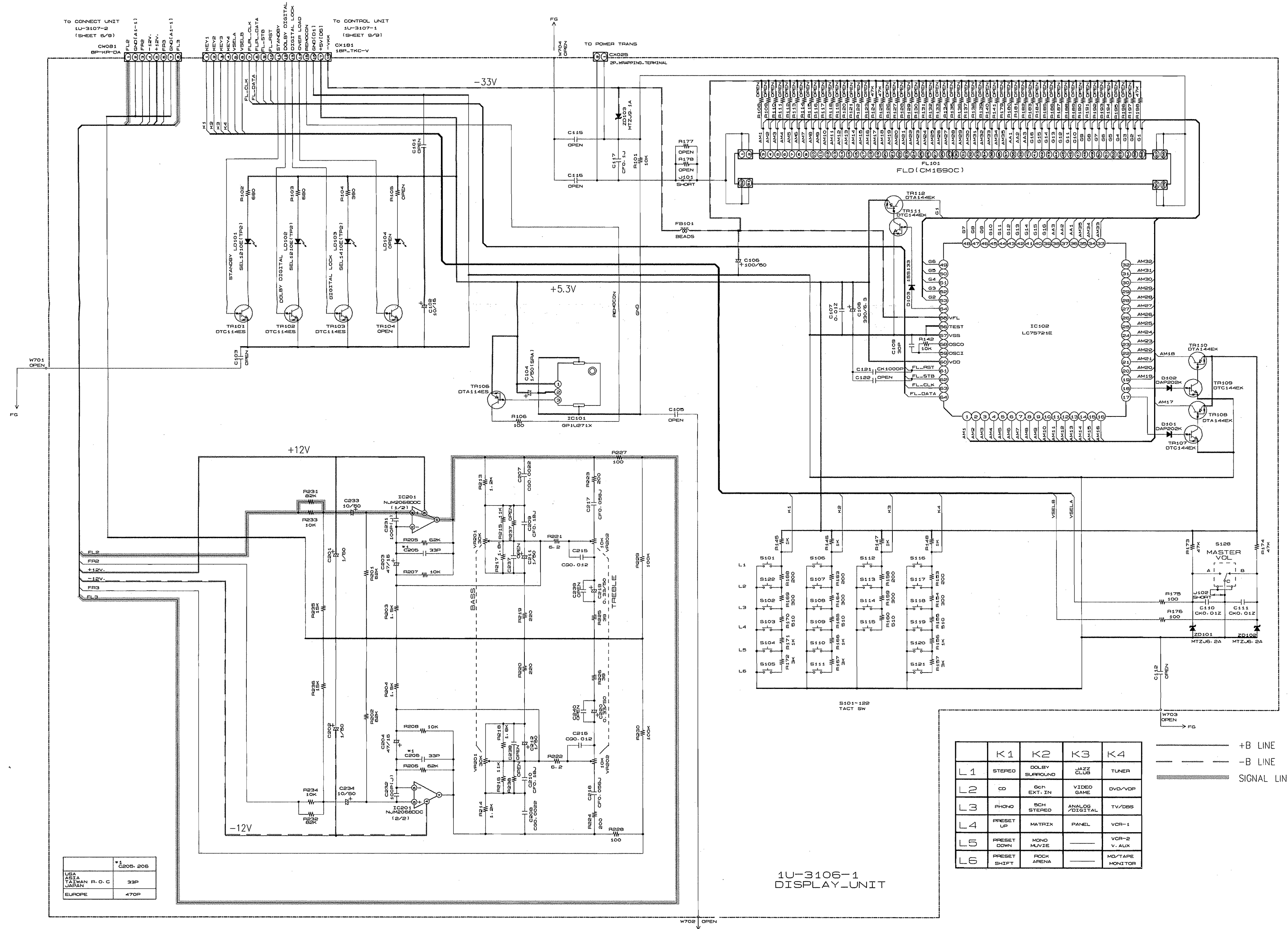
CAUTION:
Before returning the unit to the customer, make sure you make either (1) a
leakage current check or (2) a line to chassis resistance check. If the leakage
current exceeds 0.5 milliamps, or if the resistance from chassis to either side
of the power cord is less than 460 kohms, the unit is defective.

WARNING:
DO NOT return the unit to the customer until the problem is located and
corrected.



SCHEMATIC DIAGRAM (5/9)

1 2 3 4 5 6 7 8 9 10 11



USA	*1	205, 206
ASIA		
TAIWAN R.O.C		33P
JAPAN		
EUROPE		470P

NOTICE
 ALL RESISTANCE VALUES IN OHM. k=1,000 OHM M=1,000,000 OHM
 ALL CAPACITANCE VALUES IN MICRO FARAD. P=MICRO-MICRO FARAD
 EACH VOLTAGE AND CURRENT ARE MEASURED AT NO SIGNAL INPUT CONDITION.
 CIRCUIT AND PARTS ARE SUBJECT TO CHANGE WITHOUT PRIOR NOTICE.

WARNING:
 Parts marked with this symbol Δ have critical characteristics. Use ONLY replacement parts recommended by the manufacturer.

CAUTION:
 Before returning the unit to the customer, make sure you make either (1) a leakage current check or (2) a line to chassis resistance check. If the leakage current exceeds 0.5 millamps, or if the resistance from chassis to either side of the power cord is less than 460 kohms, the unit is defective.

WARNING:
 DO NOT return the unit to the customer until the problem is located and corrected.

	K1	K2	K3	K4
L1	STEREO	DOLBY SURROUND	JAZZ CLUB	TUNER
L2	CD	SCH EXT. IN	VIDEO GAME	DVD/VCR
L3	PHONO	SCH STEREO	ANALOG/DIGITAL	TV/OBS
L4	PRESET UP	MATRIX	PANEL	VCR-1
L5	PRESET DOWN	MONO MOVIE		VCR-2
L6	PRESET SHIFT	POCK ARENA		MD/TAPE MONITOR

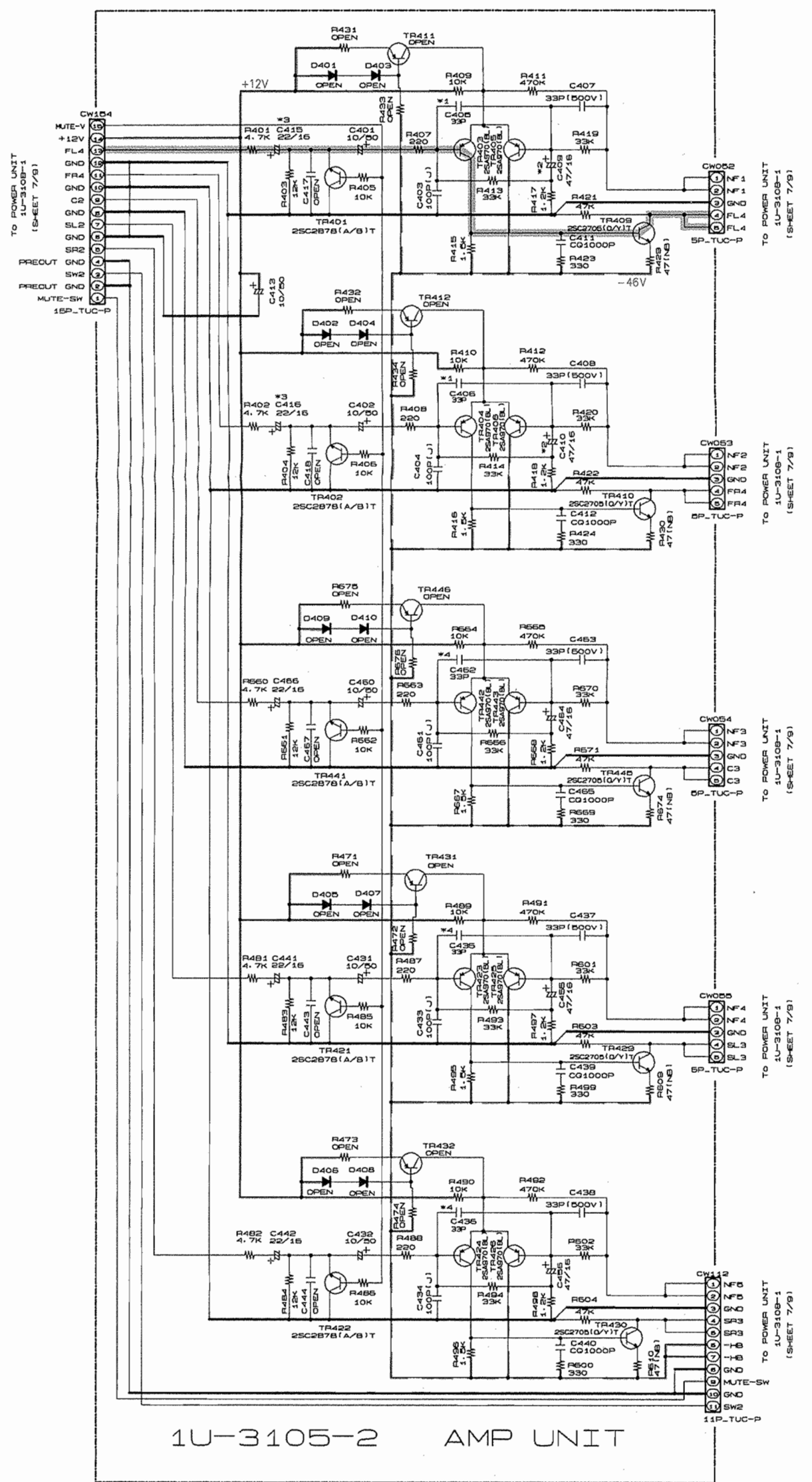
— +B LINE
 - - - -B LINE
 ——— SIGNAL LINE

1U-3106-1
DISPLAY_UNIT

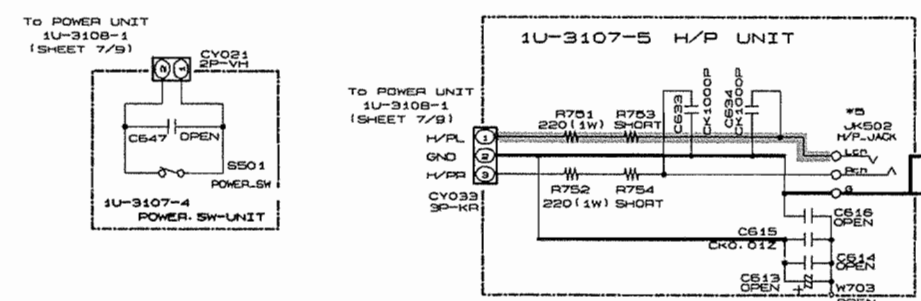
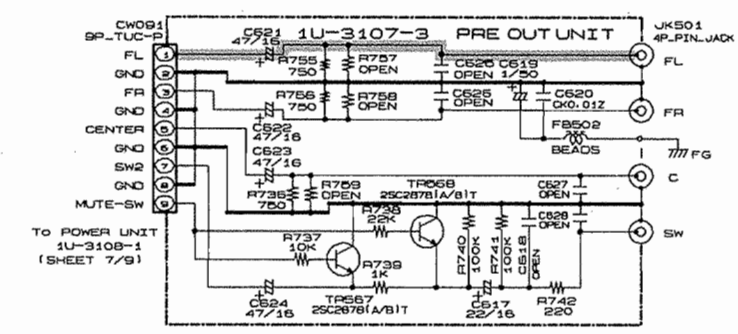
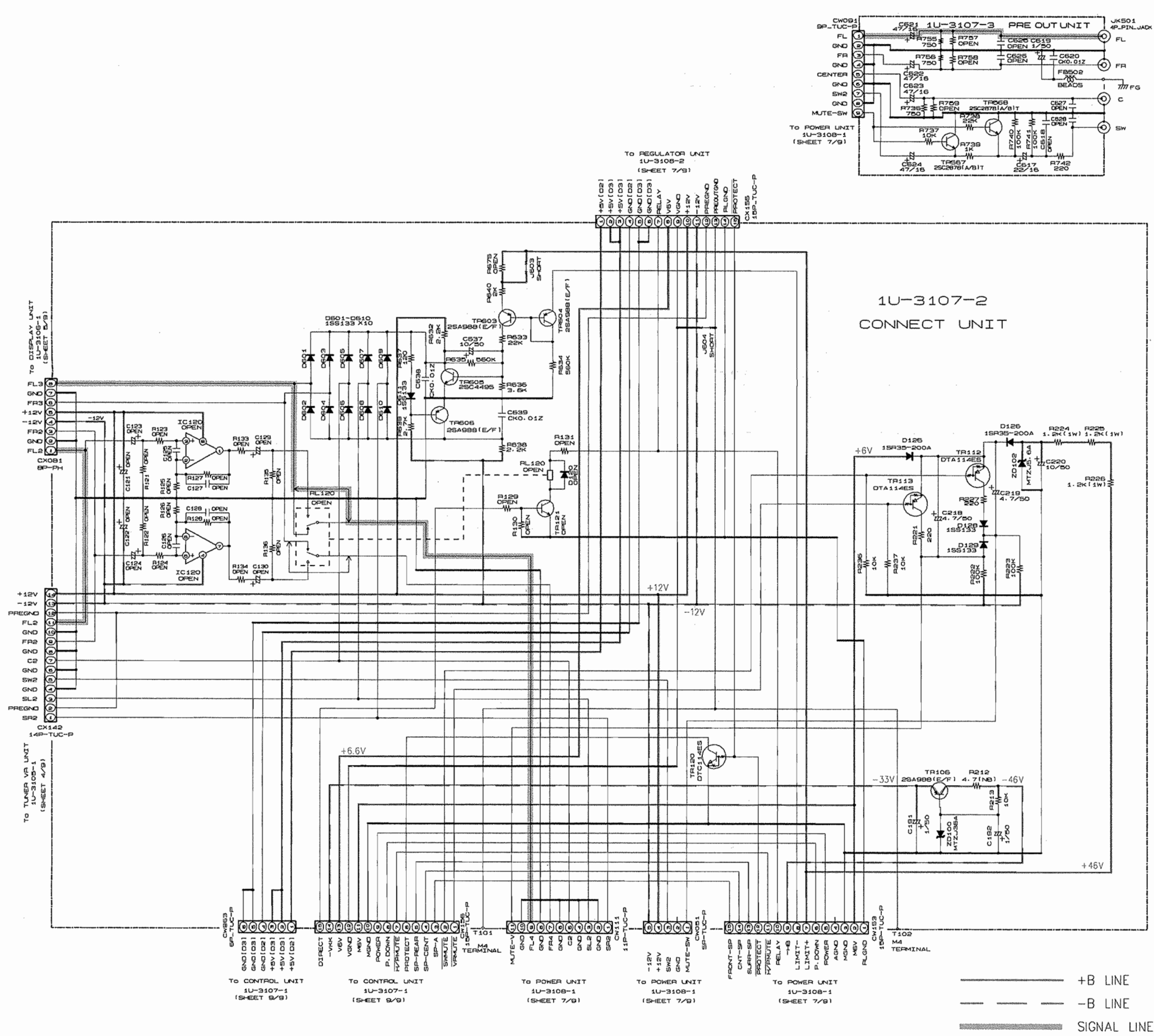
SCHEMATIC DIAGRAM (6/9)

1 2 3 4 5 6 7 8 9 10 11

A
B
C
D
E
F
G
H



	*1 C405-406	*2 C409-410	*3 C415-416	*4 C435-436-462	*5 JK501
USA TAIWAN R. O. C. JAPAN	33P	47/16	22/16	33P	N1
EUROPE	220P	100/16	47/16	220P	N1
ASIA	220P	47/16	22/16	220P	0010



NOTICE
ALL RESISTANCE VALUES IN OHM. k=1,000 OHM M=1,000,000 OHM
ALL CAPACITANCE VALUES IN MICRO FARAD. P=MICRO-MICRO FARAD
EACH VOLTAGE AND CURRENT ARE MEASURED AT NO SIGNAL INPUT
CONDITION.
CIRCUIT AND PARTS ARE SUBJECT TO CHANGE WITHOUT PRIOR
NOTICE.

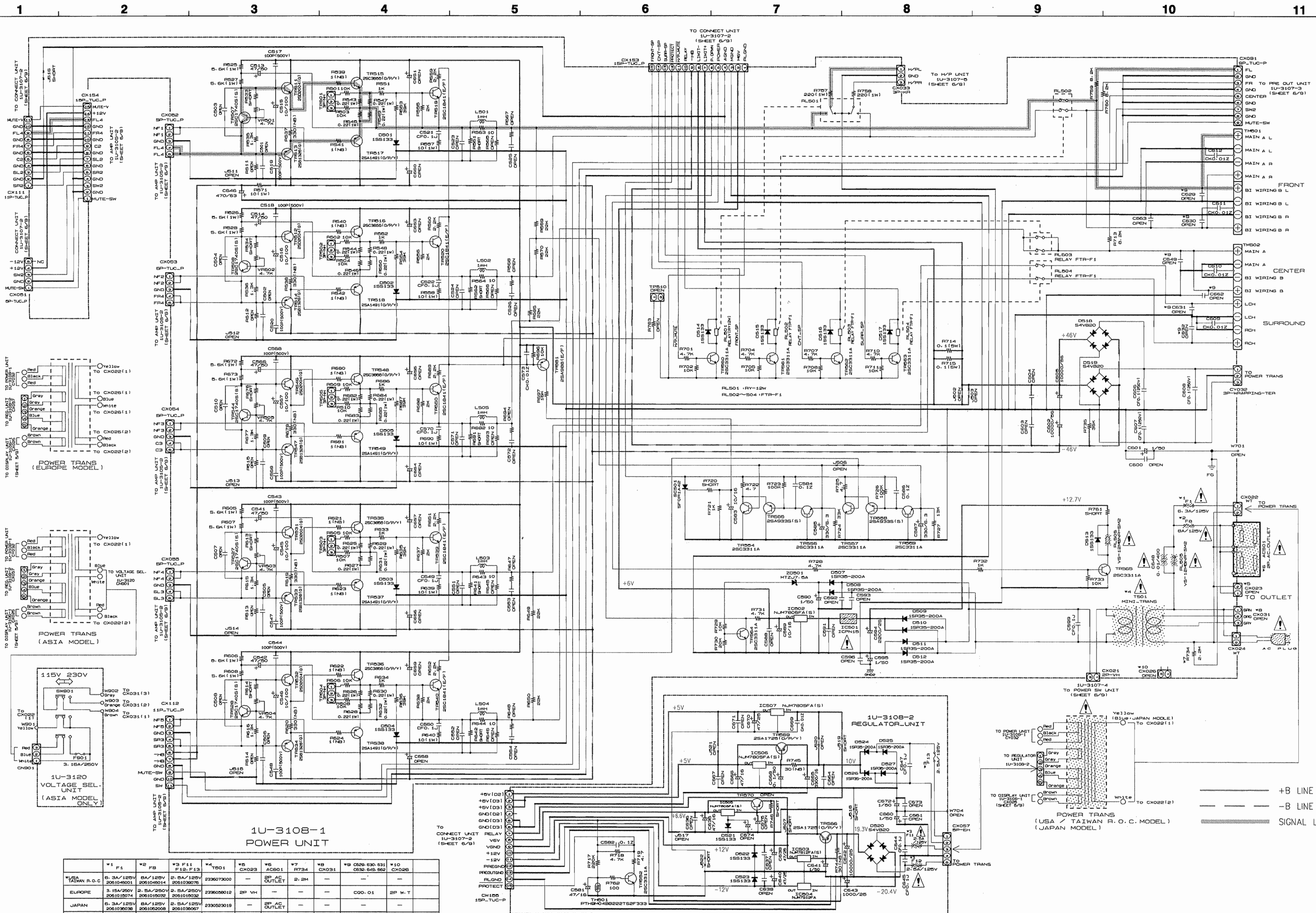
WARNING:
Parts marked with this symbol Δ have critical characteristics.
Use ONLY replacement parts recommended by the manufacturer.

CAUTION:
Before returning the unit to the customer, make sure you make either (1) a leakage current check or (2) a line to chassis resistance check. If the leakage current exceeds 0.5 milliamps, or if the resistance from chassis to either side of the power cord is less than 460 kohms, the unit is defective.

WARNING:
DO NOT return the unit to the customer until the problem is located and corrected.

SCHEMATIC DIAGRAM (6/9)

SCHEMATIC DIAGRAM (7/9)



	*1 F1	*2 F2	*3 F11 F12, F13	*4 T001	*5 CX023	*6 AC601	*7 R734	*8 CX031	*9 C920, 930, 931 C920, 646, 662	*10 CX026
*USA TAIWAN R.O.C.	6. 3A/125V 2061046001	8A/125V 2061046014	2. 5A/250V 2061039076	2336073000	—	SP AC OUTLET	2. 2M	—	—	—
EUROPE	1. 15A/250V 2061010074	2. 5A/250V 2061010029	3. 5A/250V 2061010030	2336090012	2P VH	—	—	COO. 01	SP W.T	—
JAPAN	6. 3A/125V 2061036036	8A/125V 2061036008	2. 5A/250V 2061036007	2336030018	—	SP AC OUTLET	—	—	—	—
ASIA	6. 3A/250V 2061036011	2. 5A/250V 2061036011	2. 5A/250V 2061036011	2336278009	2P VH	—	—	SP W.T	COO. 01	—

NOTICE
 ALL RESISTANCE VALUES IN OHM. k=1,000 OHM M=1,000,000 OHM
 ALL CAPACITANCE VALUES IN MICRO FARAD. P=MICRO-MICRO FARAD
 EACH VOLTAGE AND CURRENT ARE MEASURED AT NO SIGNAL INPUT CONDITION.
 CIRCUIT AND PARTS ARE SUBJECT TO CHANGE WITHOUT PRIOR NOTICE.

WARNING:
 Parts marked with this symbol have critical characteristics. Use ONLY replacement parts recommended by the manufacturer.

CAUTION:
 Before returning the unit to the customer, make sure you make either (1) a leakage current check or (2) a line to chassis resistance check. If the leakage current exceeds 0.5 millamps, or if the resistance from chassis to either side of the power cord is less than 460 kohms, the unit is defective.

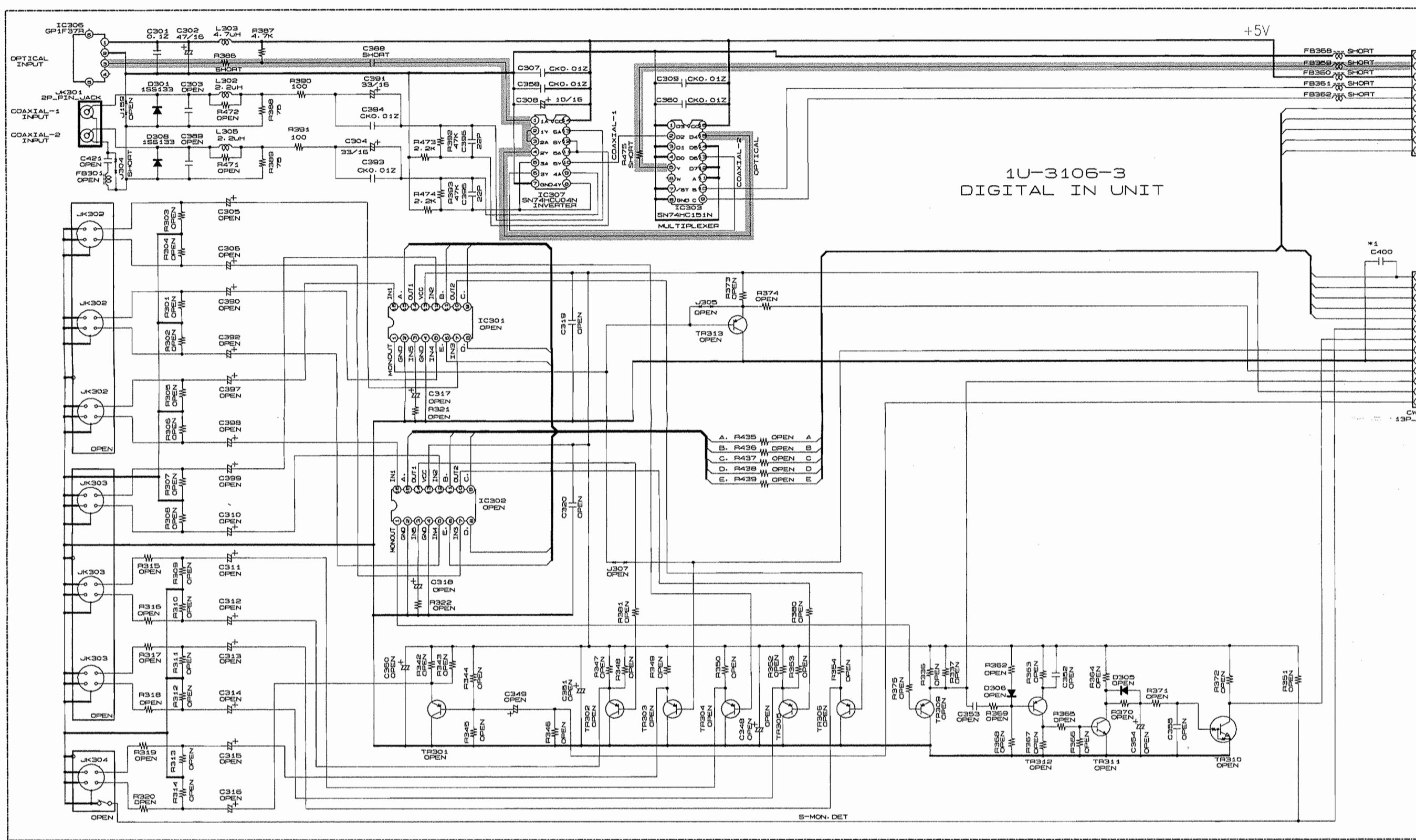
WARNING:
 DO NOT return the unit to the customer until the problem is located and corrected.

SCHEMATIC DIAGRAM (7/9)

SCHEMATIC DIAGRAM (8/9)

1 2 3 4 5 6 7 8 9 10 11

A
B
C
D
E
F
G
H



TO AUDIO IN DSP UNIT
1U-3108-1
(SHEET 2/3)

TO CONTROL UNIT
1U-3107-1
(SHEET 8/9)

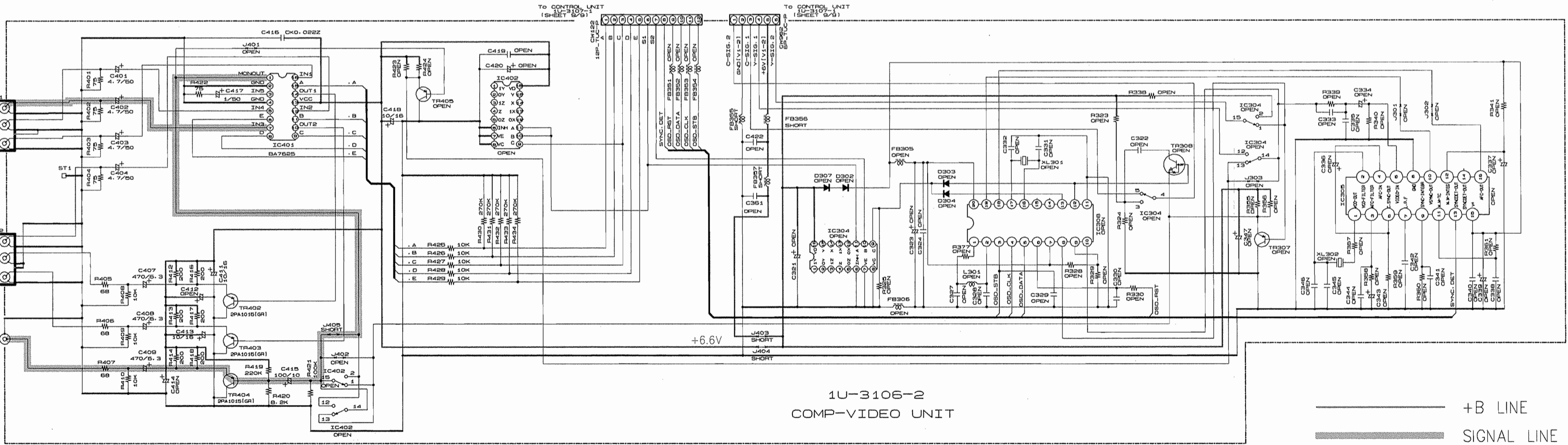
15P-TUC-P

USA	*1 C400
USA	
TAIWAN	
JAPAN	CK1000P

NOTICE
ALL RESISTANCE VALUES IN OHM. k=1,000 OHM M=1,000,000 OHM
ALL CAPACITANCE VALUES IN MICRO FARAD. p=MICRO-MICRO FARAD
EACH VOLTAGE AND CURRENT ARE MEASURED AT NO SIGNAL INPUT
CONDITION.
CIRCUIT AND PARTS ARE SUBJECT TO CHANGE WITHOUT PRIOR
NOTICE.

WARNING:
Parts marked with this symbol have critical characteristics.
Use ONLY replacement parts recommended by the manufacturer.
CAUTION:
Before returning the unit to the customer, make sure you make either (1) a
leakage current check or (2) a line to chassis resistance check. If the leakage
current exceeds 0.5 milliamperes, or if the resistance from chassis to either side
of the power cord is less than 460 kohms, the unit is defective.

WARNING:
DO NOT return the unit to the customer until the problem is located and
corrected.



— +B LINE
— SIGNAL LINE

SCHEMATIC DIAGRAM (8/9)

