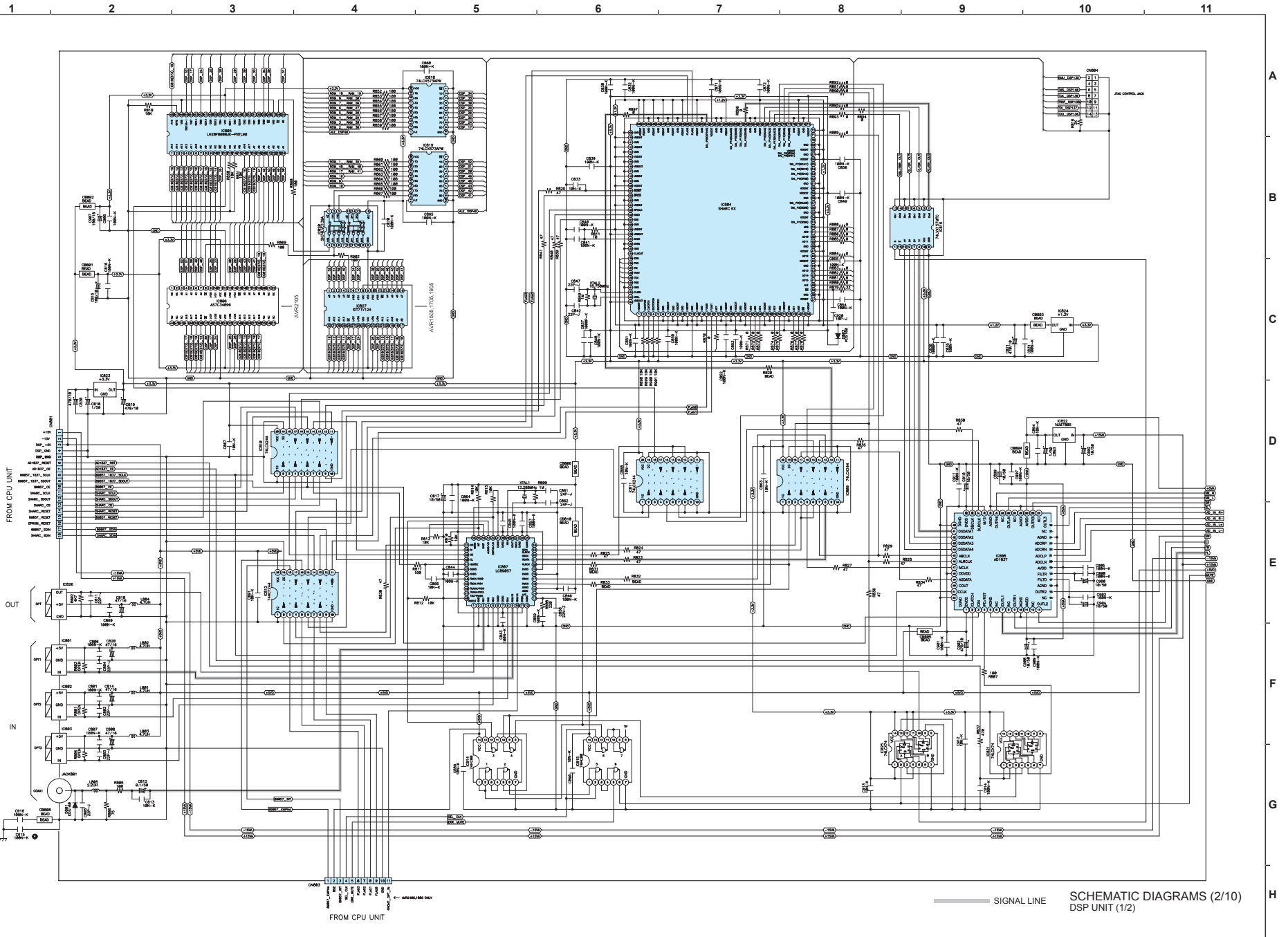
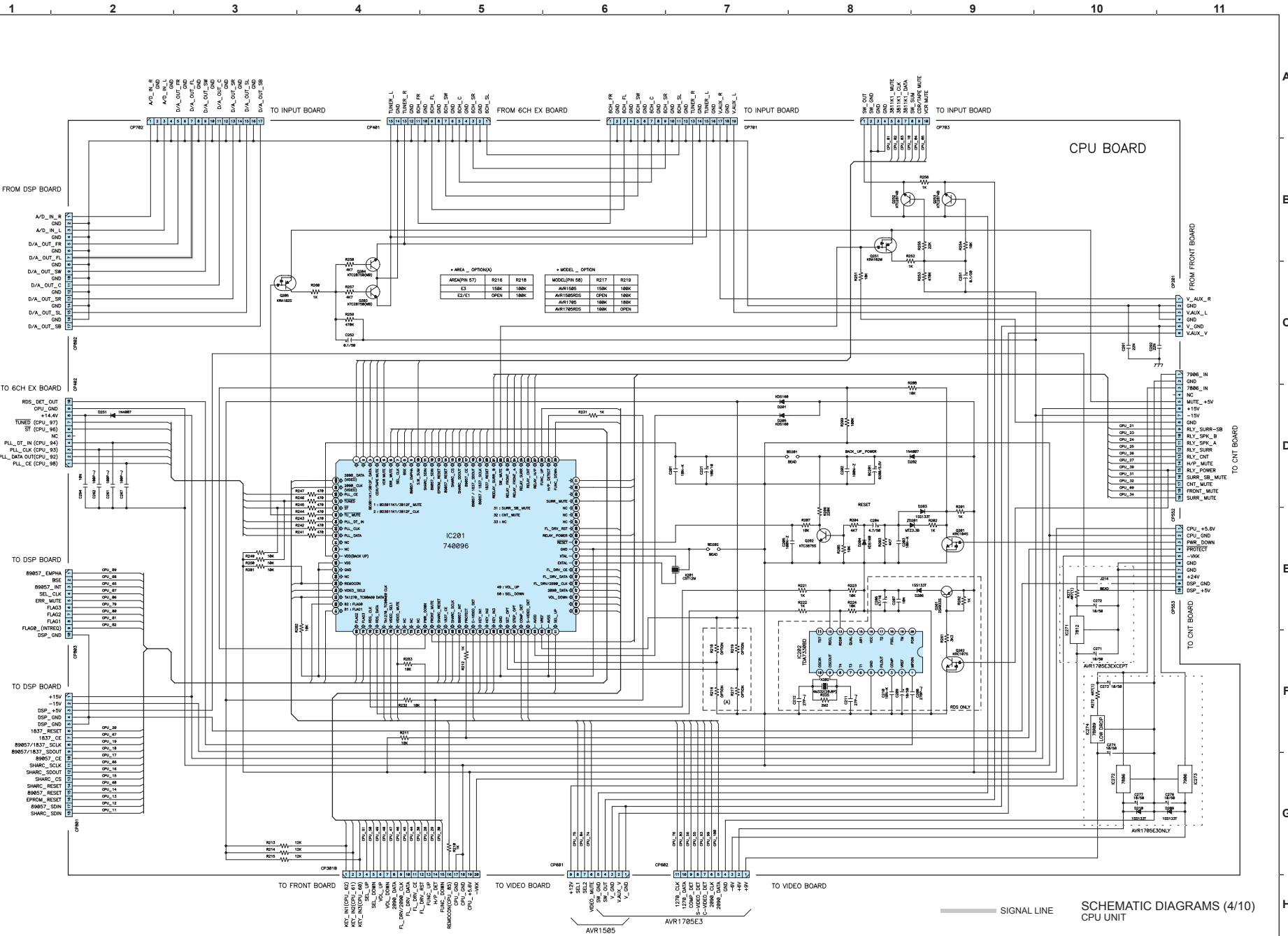


SCHEMATIC DIAGRAMS (1/10)
INPUT/VOLUME UNIT

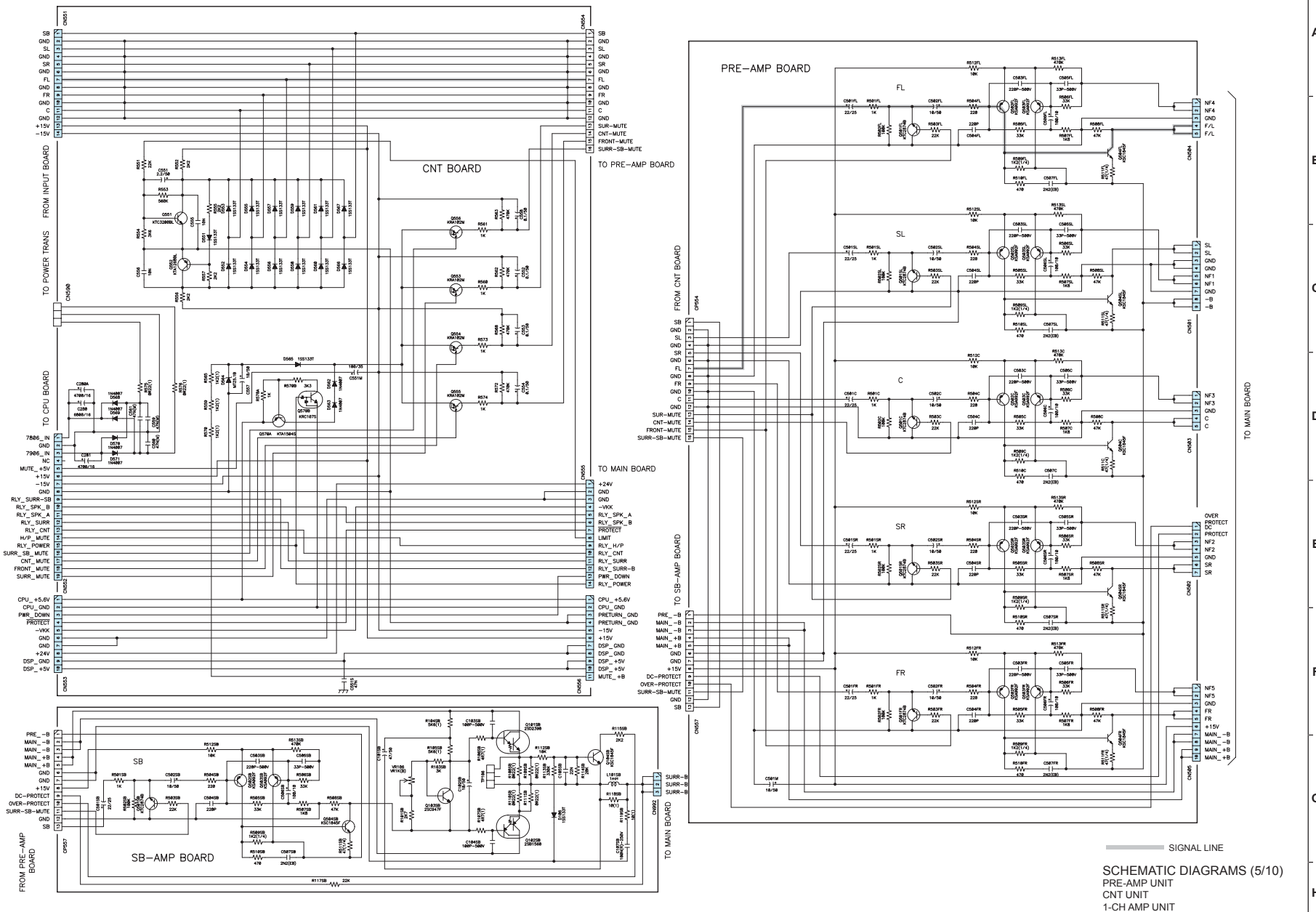


SCHEMATIC DIAGRAMS (4/10)

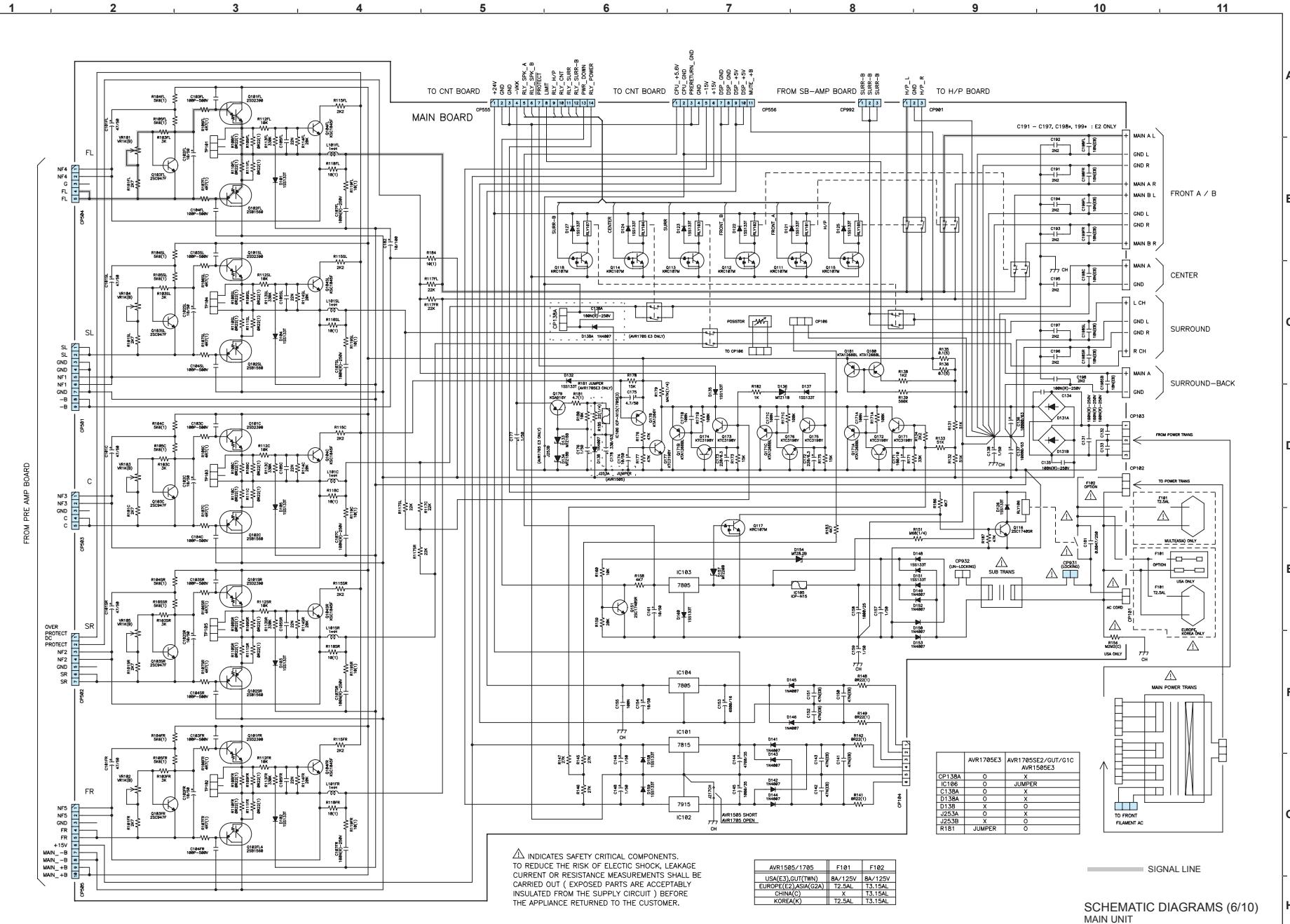


SCHEMATIC DIAGRAMS (5/10)

1 2 3 4 5 6 7 8 9 10 11



SCHMATIC DIAGRAMS (6/10)

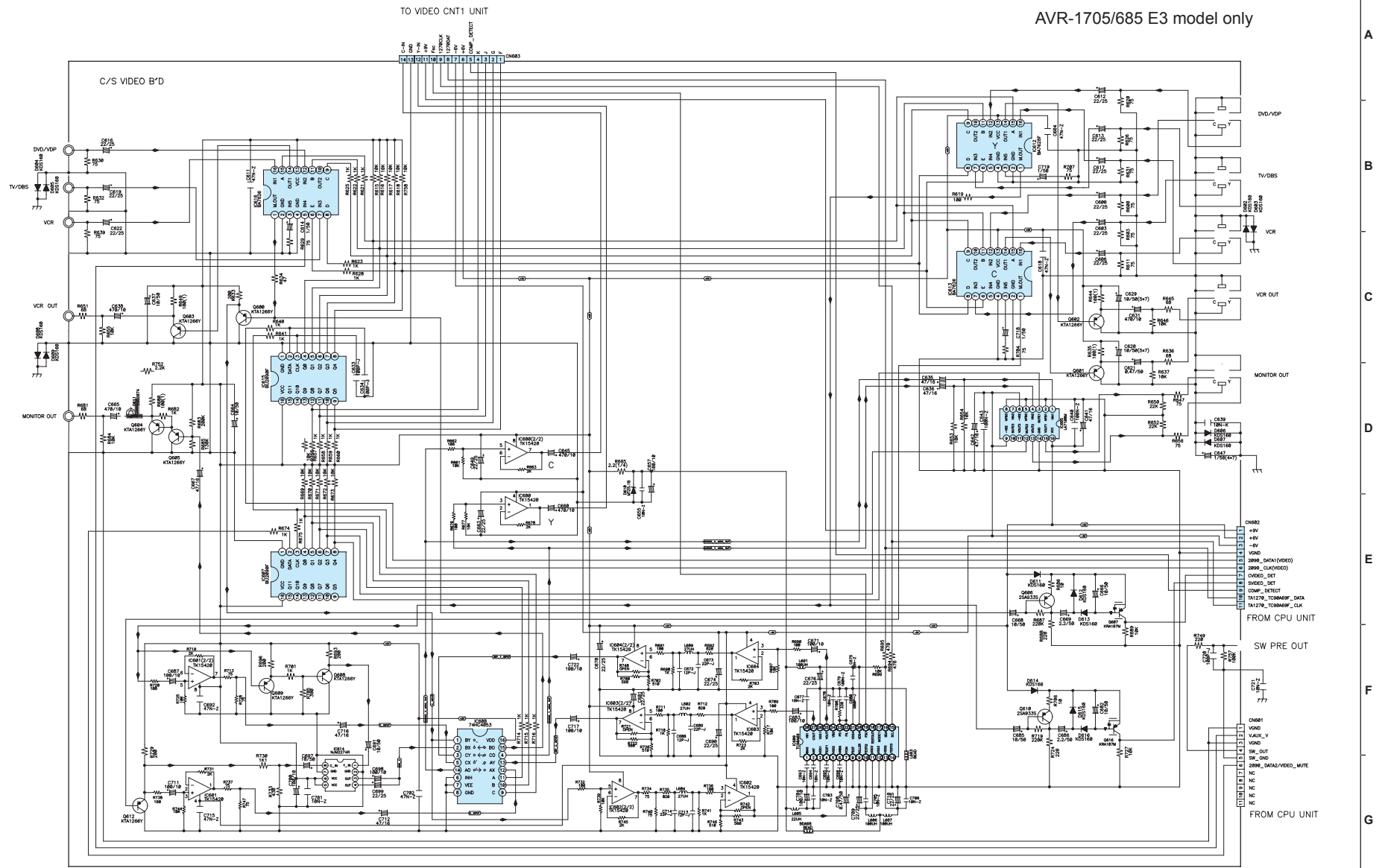


⚠ INDICATES SAFETY CRITICAL COMPONENTS:
 TO REDUCE THE RISK OF ELECTRIC SHOCK, LEAKAGE
 CURRENT OR RESISTANCE MEASUREMENTS SHALL BE
 CARRIED OUT (EXPOSED PARTS ARE ACCEPTABLY
 INSULATED FROM THE SUPPLY CIRCUIT) BEFORE
 THE APPLIANCE RETURNED TO THE CUSTOMER.

AVR1505/1705	F101	F102
USA(E), GUT(TWN)	BA/125V	BA/125V
EUROPE(C), ASIA(GZ)	T2.5AL	T3.15AL
CHINA(C)	X	T3.15AL
KOREA(K)	T2.5AL	T3.15AL

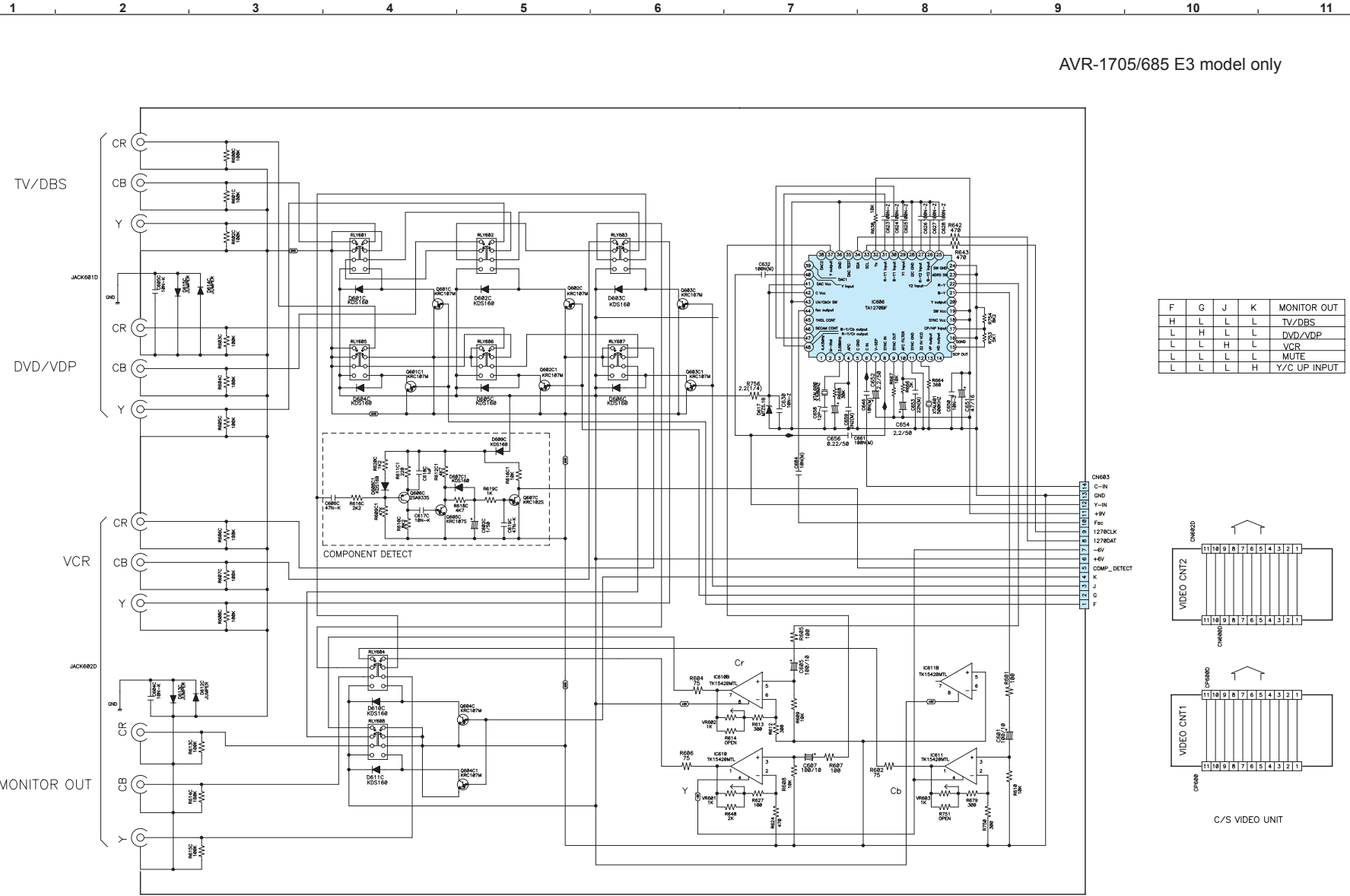
	AVR1705E3	AVR1705E2/GUT/G1C	AVR1505E3
CP138A	○	X	
IC106	○	X	JUMPER
C138A	○	X	
D138A	○	X	
D138	X	○	
J253A	○	X	
J253B	X	○	
R181	JUMPER	○	

SCHMATIC DIAGRAMS (6/10)
 MAIN UNIT



A	B	E	MONITOR OUT	C	D	E	V OUT1	L	L	L	V	OUT2
L	L	L	INT(DVD)	L	L	L	INT	L	L	L	-	
L	L	L	INT(DVD/VIDEO)	L	L	L	INT	L	L	L	-	
L	L	L	INT(TV/VIDEO)	L	L	L	INT	L	L	L	-	
H	H	H	INT(CAS)	H	H	H	INT	H	H	H	-	
H	H	H	INT(CAS)	H	H	H	INT	H	H	H	-	

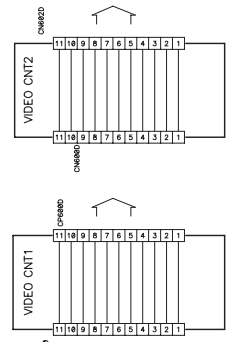
SCHMATIC DIAGRAMS (7/10)
C-S VIDEO 2 UNIT



AVR-1705/685 E3 model only

F	G	J	K	MONITOR OUT
H	L	L	L	TV/DBS
L	H	L	L	DVD/VDP
L	L	H	L	VCR
L	L	L	L	MUTE
L	L	L	H	Y/C UP INPUT

- CH683
- C-IN
- GND
- V-IN
- +9V
- Fac
- 127RCLK
- 127RDATA
- +6V
- COMP_DETECT
- J
- K
- G
- F



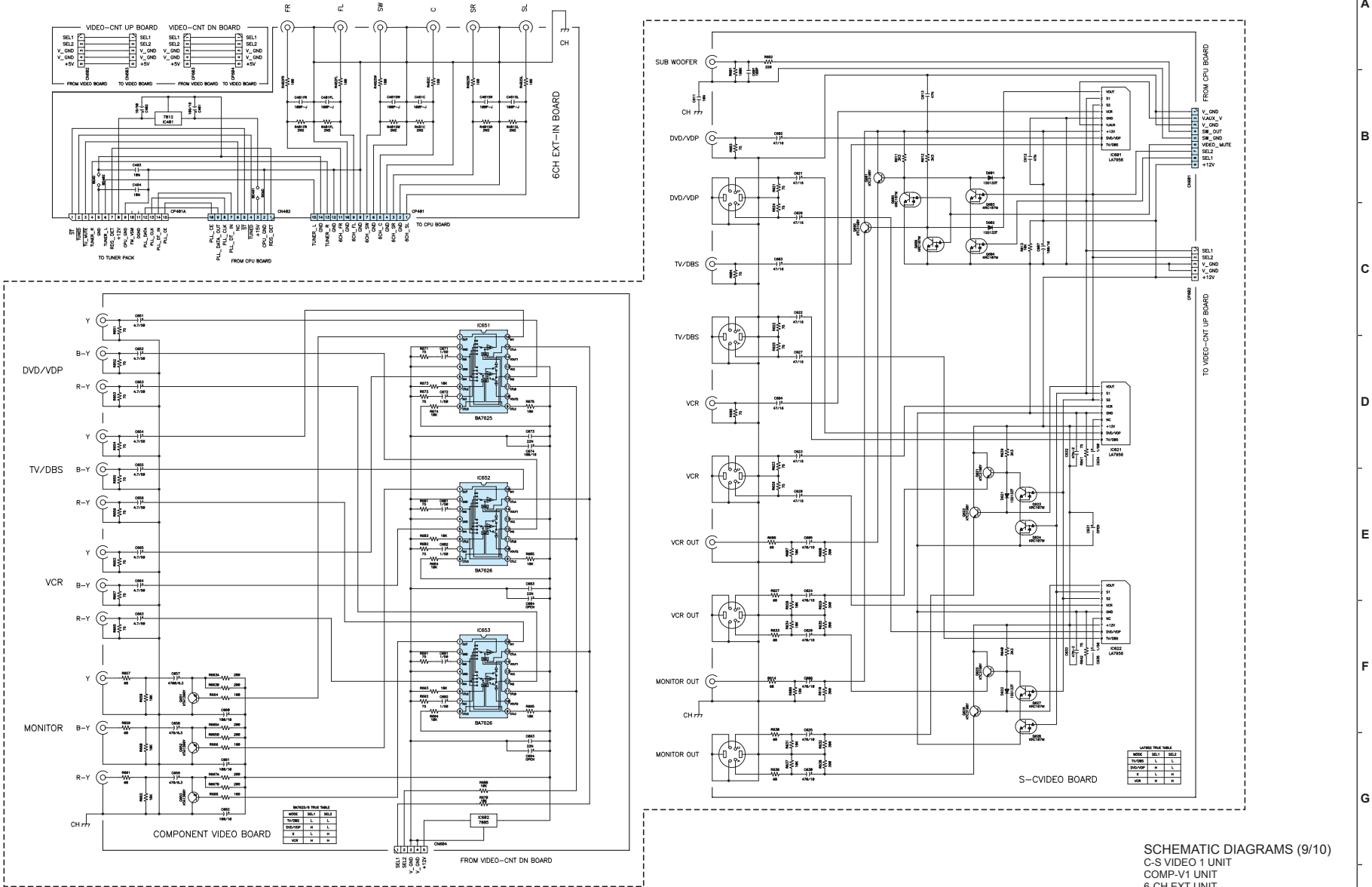
C/S VIDEO UNIT

SCHMATIC DIAGRAMS (8/10)
 COMP-V2 UNIT
 V-CNT UP 2 UNIT
 V CNT DOWN 2 UNIT

SCHMATIC DIAGRAMS (9/10)

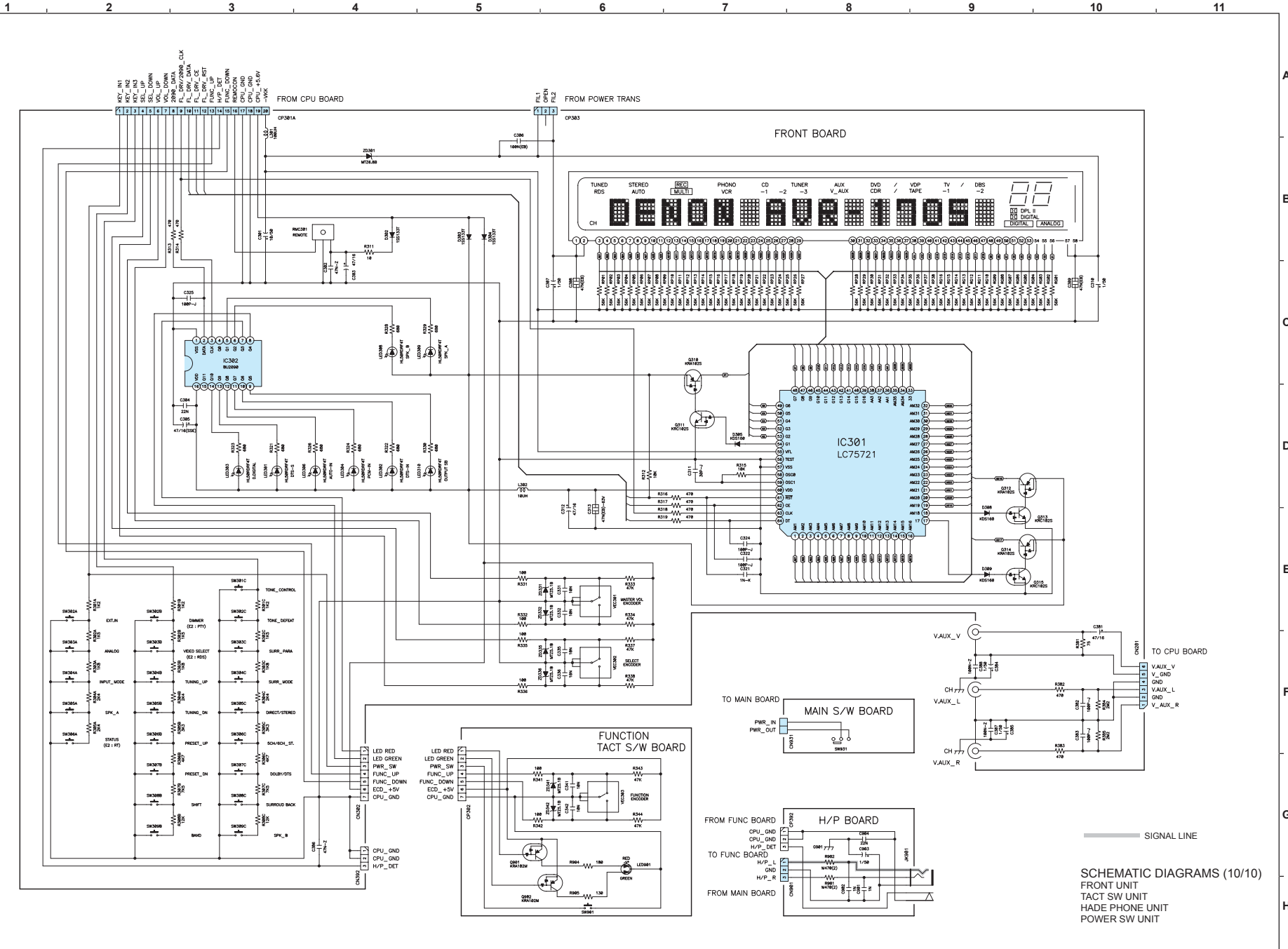
1 2 3 4 5 6 7 8 9 10 11

AVR-1705E2, E1C, EUT, AVR-1505/484E3 model only



SCHMATIC DIAGRAMS (9/10)
 C-S VIDEO 1 UNIT
 COMP-V1 UNIT
 6-CH EXT UNIT
 V-CNT UP 1 UNIT
 V-CNT DOWN 1 UNIT

SCHEMATIC DIAGRAMS (10/10)



SCHEMATIC DIAGRAMS (10/10)
FRONT UNIT
TACT SW UNIT
HADE PHONE UNIT
POWER SW UNIT