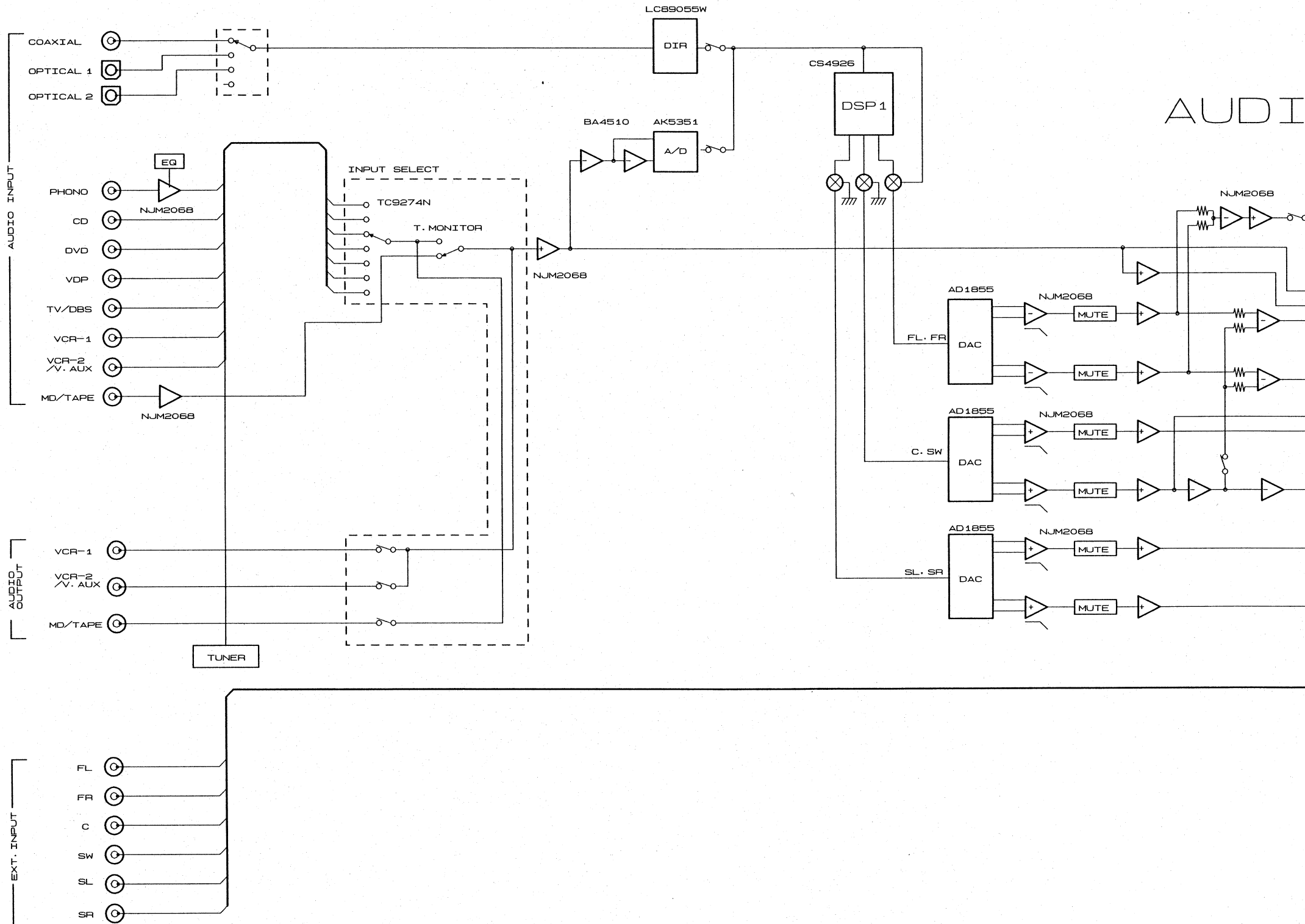
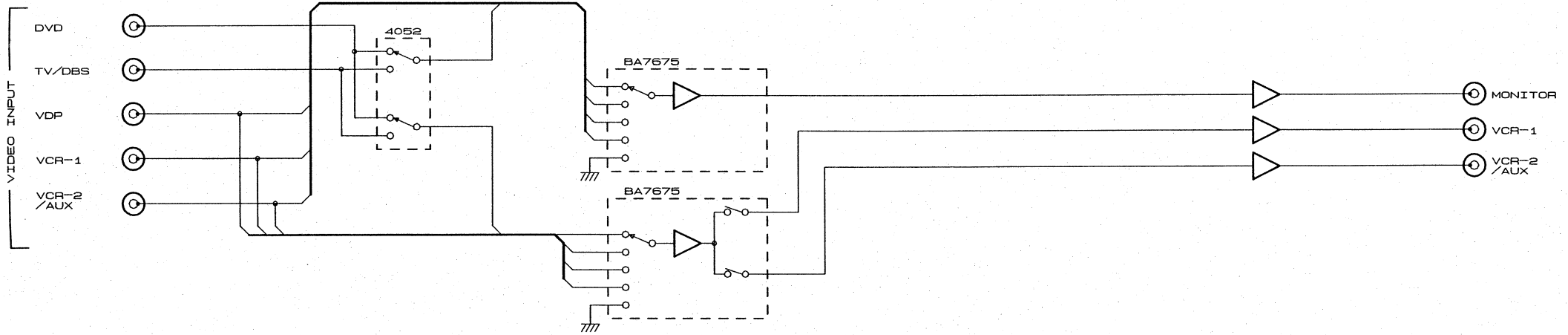


BLOCK DIAGRAM

1 | 2 | 3 | 4 | 5 | 6

C-VIDEO



7

8

9

10

11

A

B

C

D

E

F

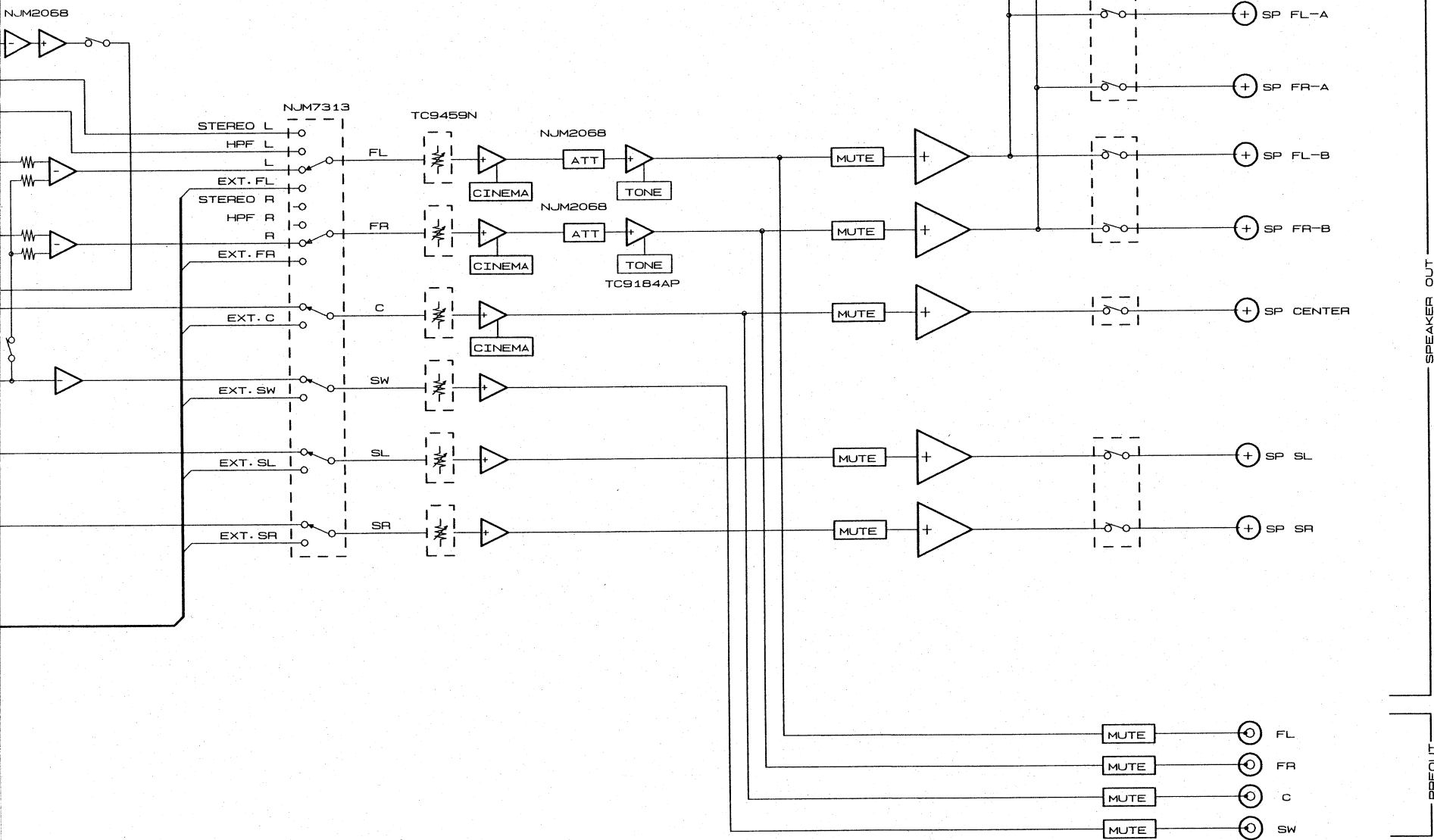
G

H

MONITOR
VCR-1
VCR-2
AUX

VIDEO OUT

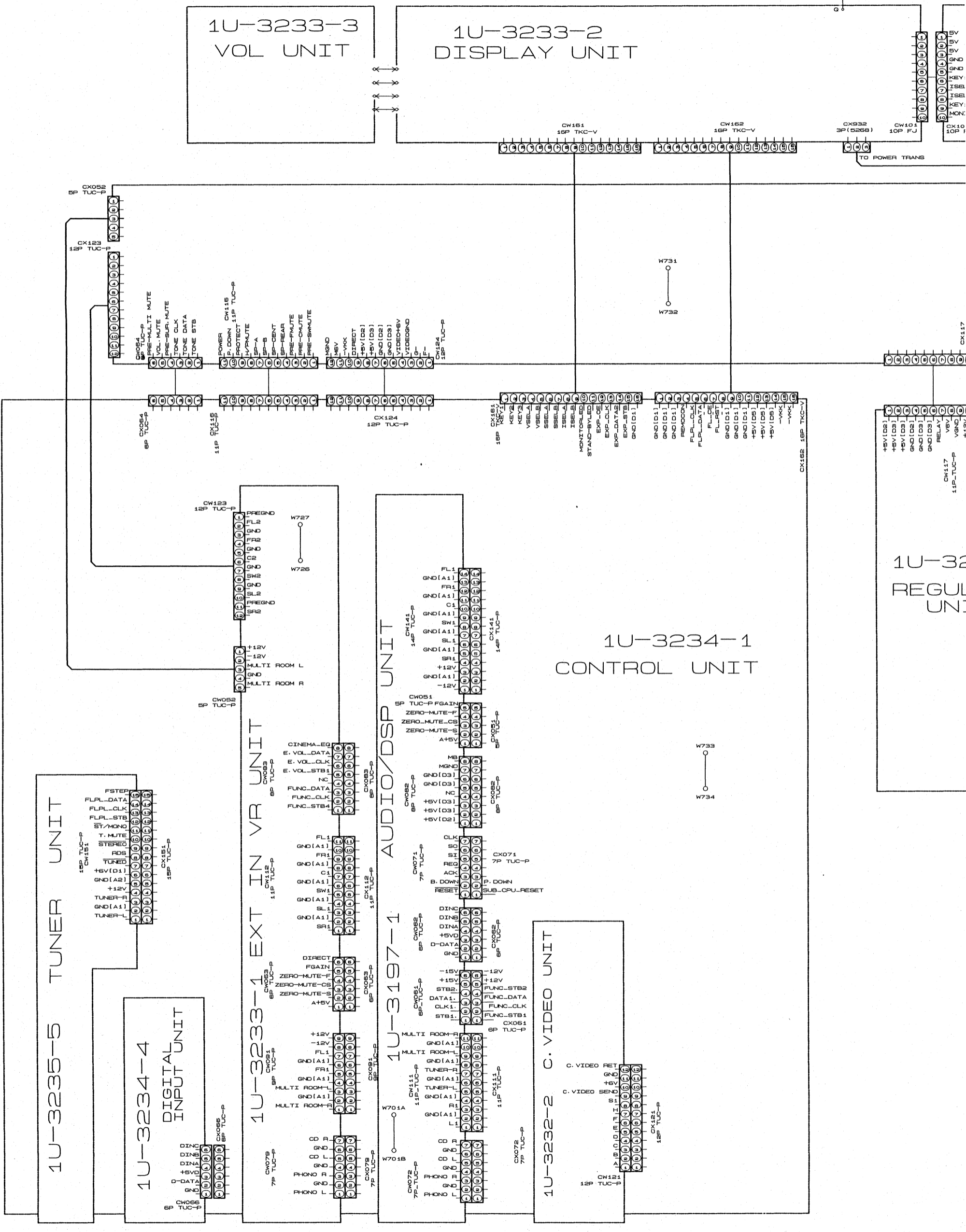
AUDIO SIGNAL

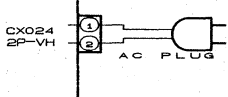
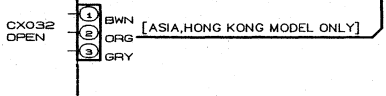
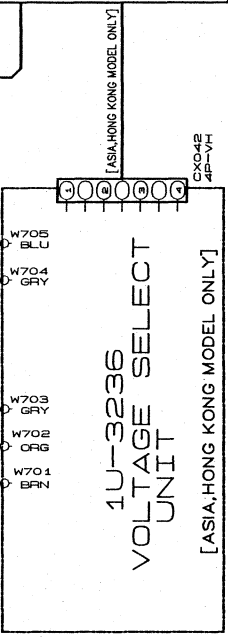
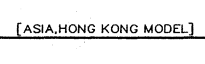
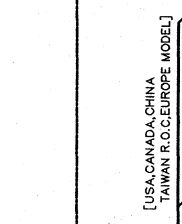
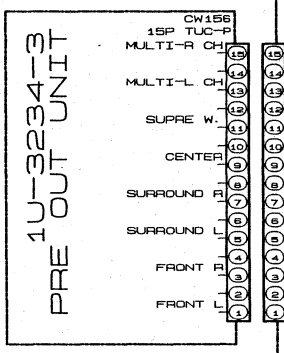
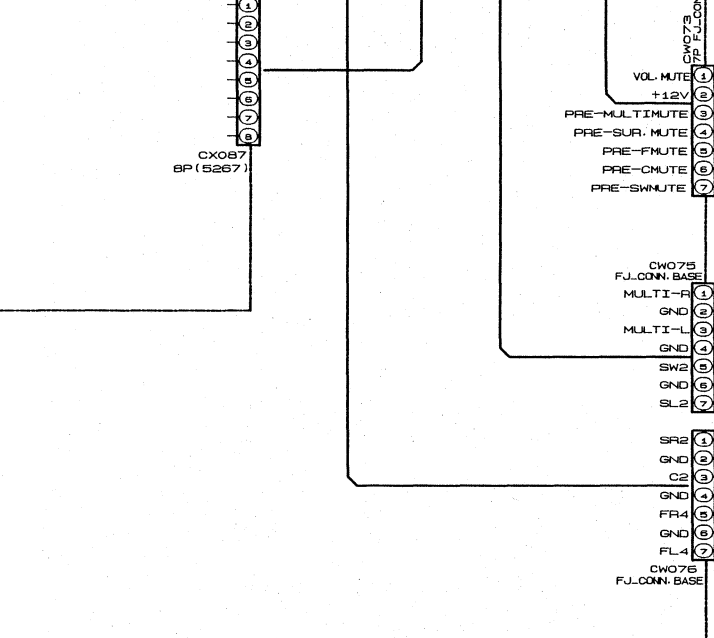
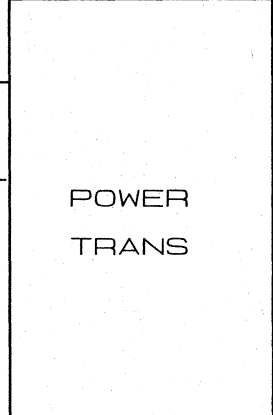
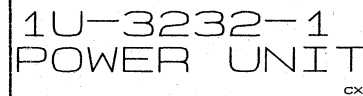
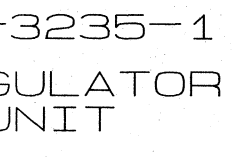
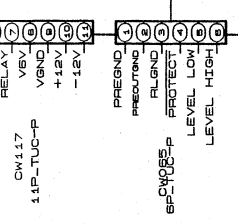
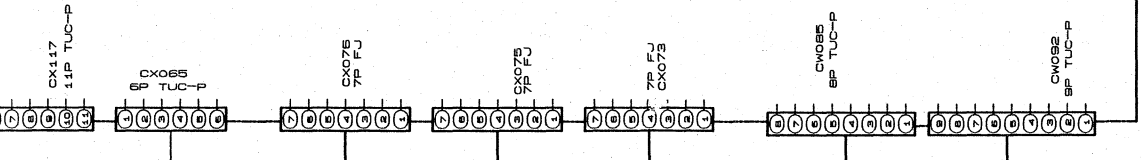
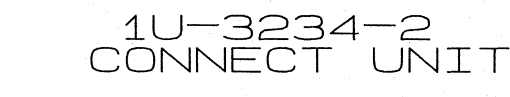
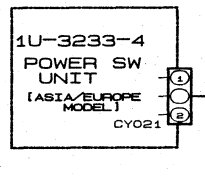
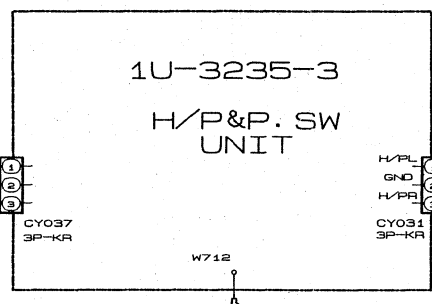
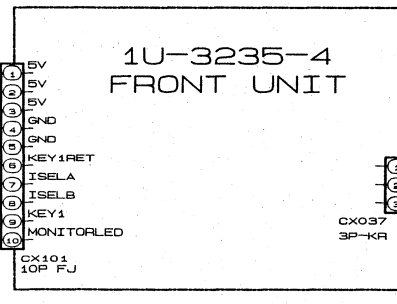


WIRING DIAGRAM

1 2 3 4 5 6

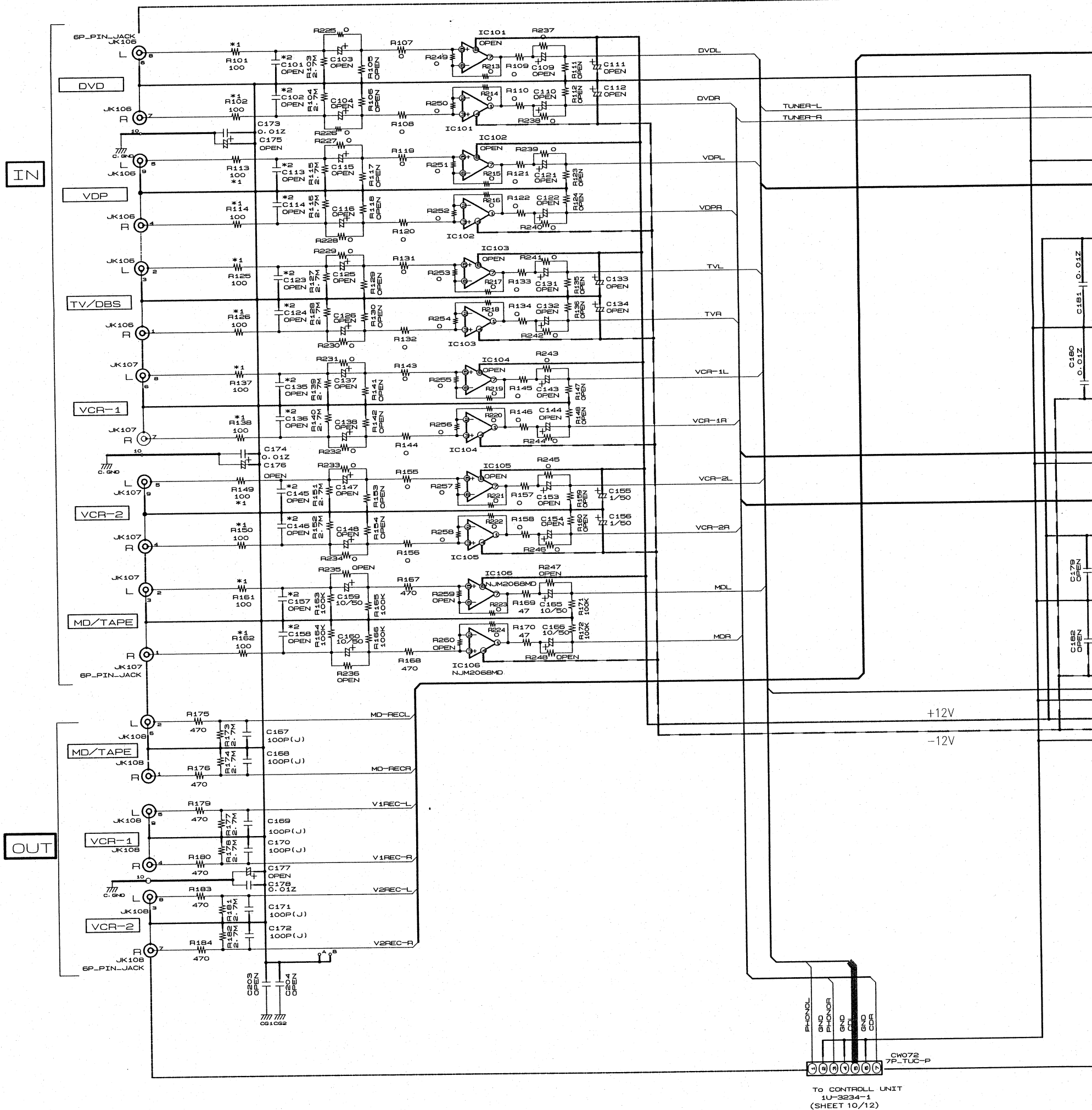
A B C D E F G H





SCHEMATIC DIAGRAMS (1/12)

1 2 3 4 5 6

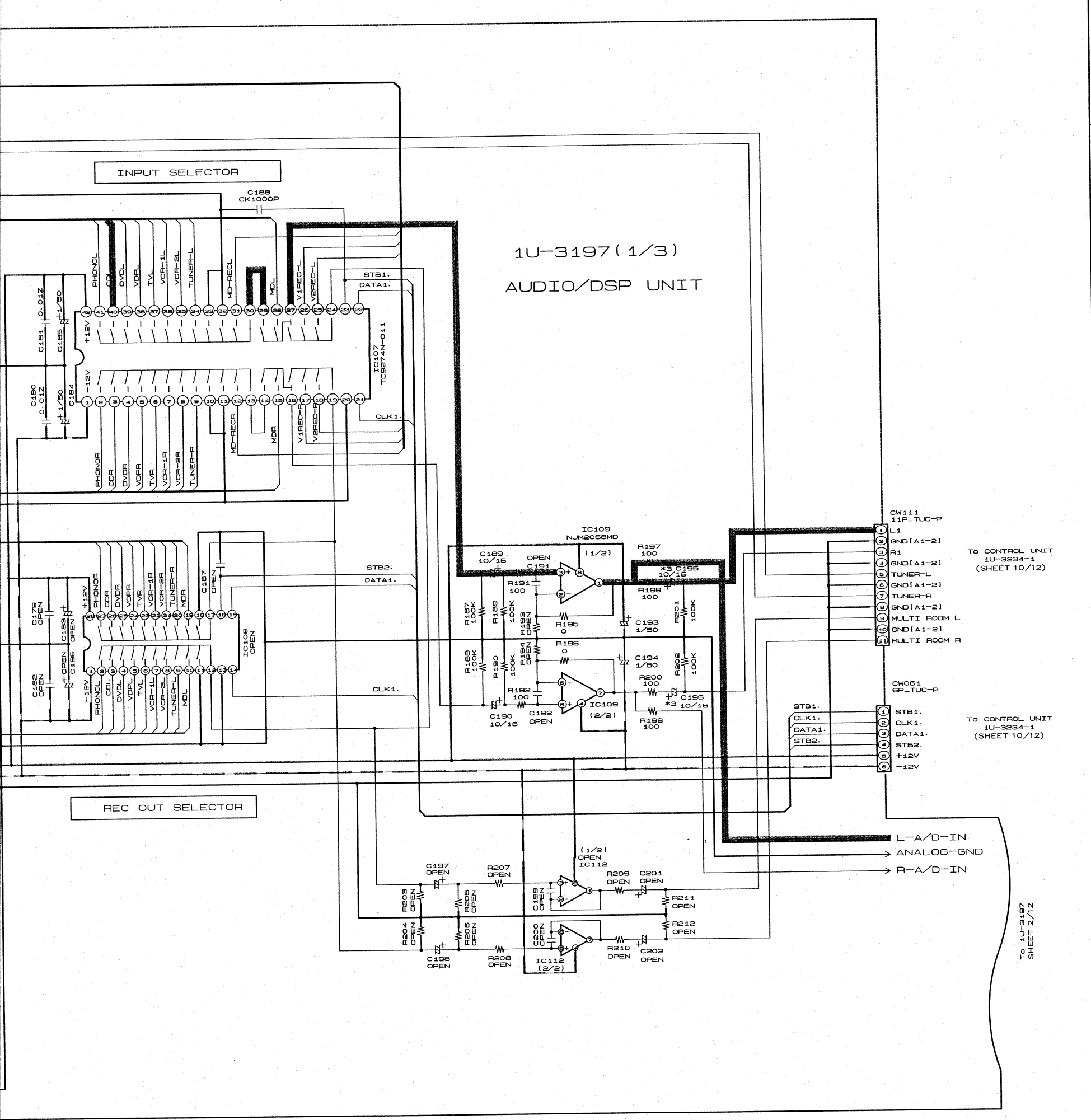


	*1	*2	*3
	R101, 102, 113, 114, 125, 126, 137, 138, 149, 150, 161, 162	C101, 102, 113, 114, 123, 124, 135, 136, 145, 146, 157, 158	C195, 196
* USA CANADA ASIA	100	OPEN	10/16
EUROPE	470	330P	100/16

NOTICE
 ALL RESISTANCE VALUES IN OHM. k=1,000 OHM M=1,000,000 OHM
 ALL CAPACITANCE VALUES IN MICRO FARAD. P=MICRO-MICRO FARAD
 EACH VOLTAGE AND CURRENT ARE MEASURED AT NO SIGNAL INPUT
 CONDITION.
 CIRCUIT AND PARTS ARE SUBJECT TO CHANGE WITHOUT PRIOR
 NOTICE.

7 8 9 10 11

A
B
C
D
E
F
G
H



_____ +B LINE
 - - - - - -B LINE
 _____ SIGNAL LINE

WARNING:
Parts marked with this symbol have critical characteristics. Use ONLY replacement parts recommended by the manufacturer.

CAUTION:
Before returning the unit to the customer, make sure you make either (1) a leakage current check or (2) a line to chassis resistance check. If the leakage current exceeds 0.5 milliamps, or if the resistance from chassis to either side of the power cord is less than 460 kohms, the unit is defective.

WARNING:
DO NOT return the unit to the customer until the problem is located and corrected.

SCHEMATIC DIAGRAMS (1/12)
1U-3197 AUDIO / DSP UNIT (1/3)

SCHEMATIC DIAGRAMS

1 2 3 4 5 6

A

B

C

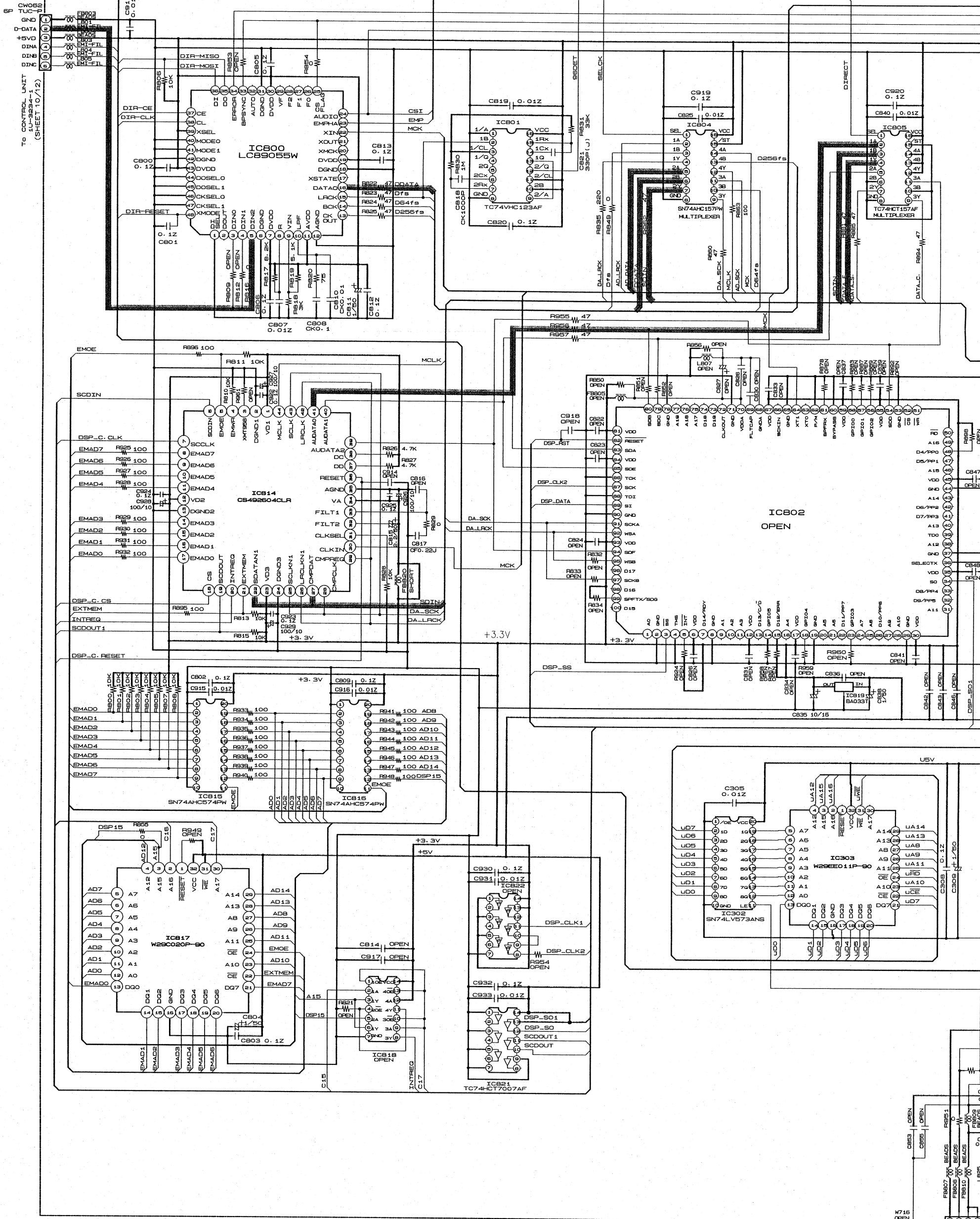
D

E

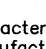
F

G

H



NOTICE
 ALL RESISTANCE VALUES IN OHM. K=1,000 OHM M=1,000,000 OHM
 ALL CAPACITANCE VALUES IN MICRO FARAD. P=MICRO-MICRO FARAD
 EACH VOLTAGE AND CURRENT ARE MEASURED AT NO SIGNAL INPUT
 CONDITION.
 CIRCUIT AND PARTS ARE SUBJECT TO CHANGE WITHOUT PRIOR
 NOTICE.

WARNING:
 Parts marked with this symbol  have critical characteristics.
 Use ONLY replacement parts recommended by the manufacturer.

CAUTION:
 Before returning the unit to the customer, make sure you make either (1) a
 leakage current check or (2) a chassis resistance check. If the leakage
 current exceeds 0.5 milliamps, or if the resistance from chassis to either side
 of the power cord is less than 460 kohms, the unit is defective.

WARNING:
 DO NOT return the unit to the customer until the problem is located and
 corrected.

TO CONTROL UNIT
 1U-3234-1
 (SHEET 10/12)

1U-3197 (2/3)
AUDIO/DSP UNIT

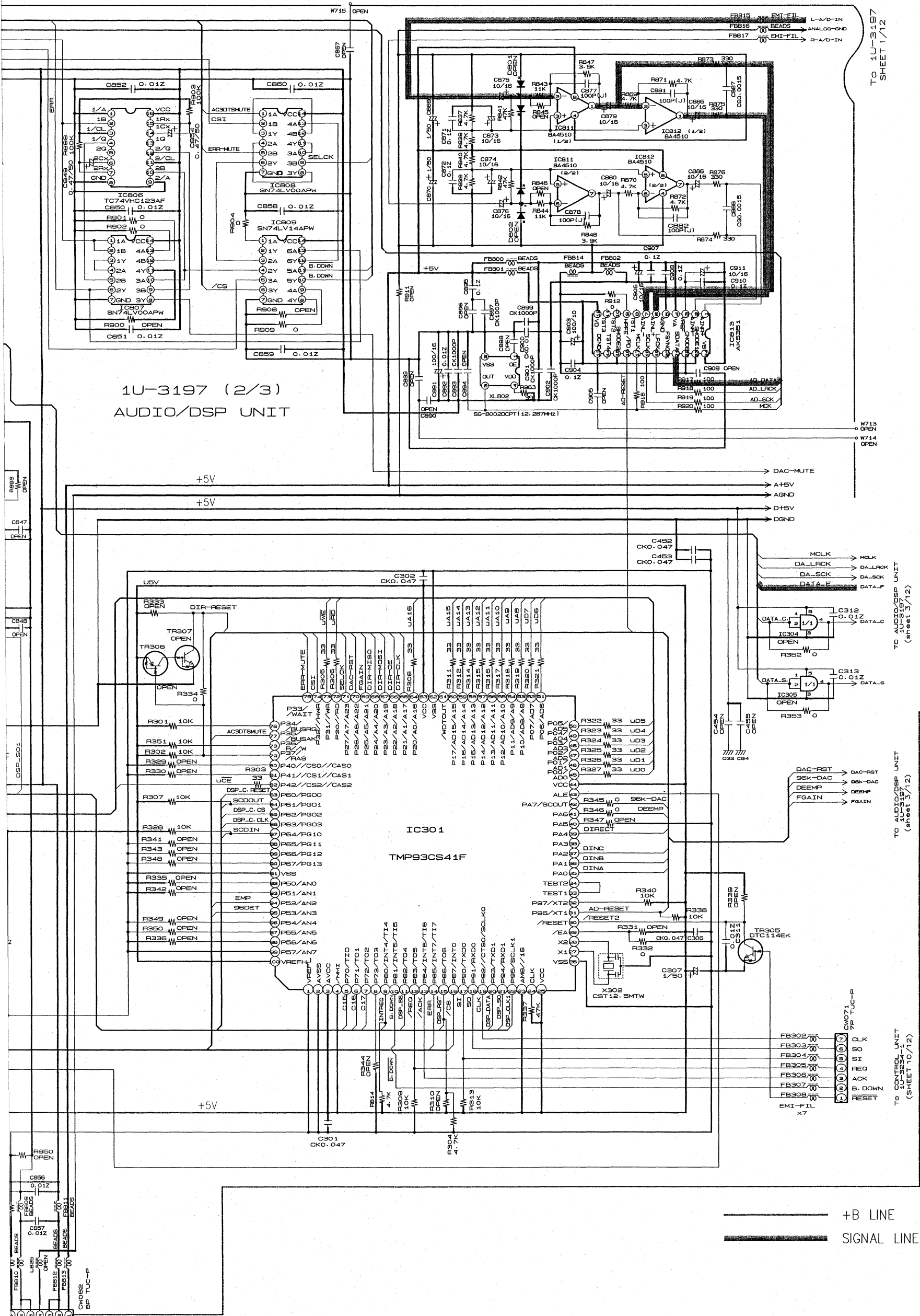
TO 1U-3197
SHEET 1/12

TO AUDIO/DSP UNIT
1U-3197
(sheet 3/12)

TO AUDIO/DSP UNIT
1U-3197
(sheet 3/12)

TO CONTROL UNIT
1U-3197
(sheet 10/12)

— +B LINE
— SIGNAL LINE

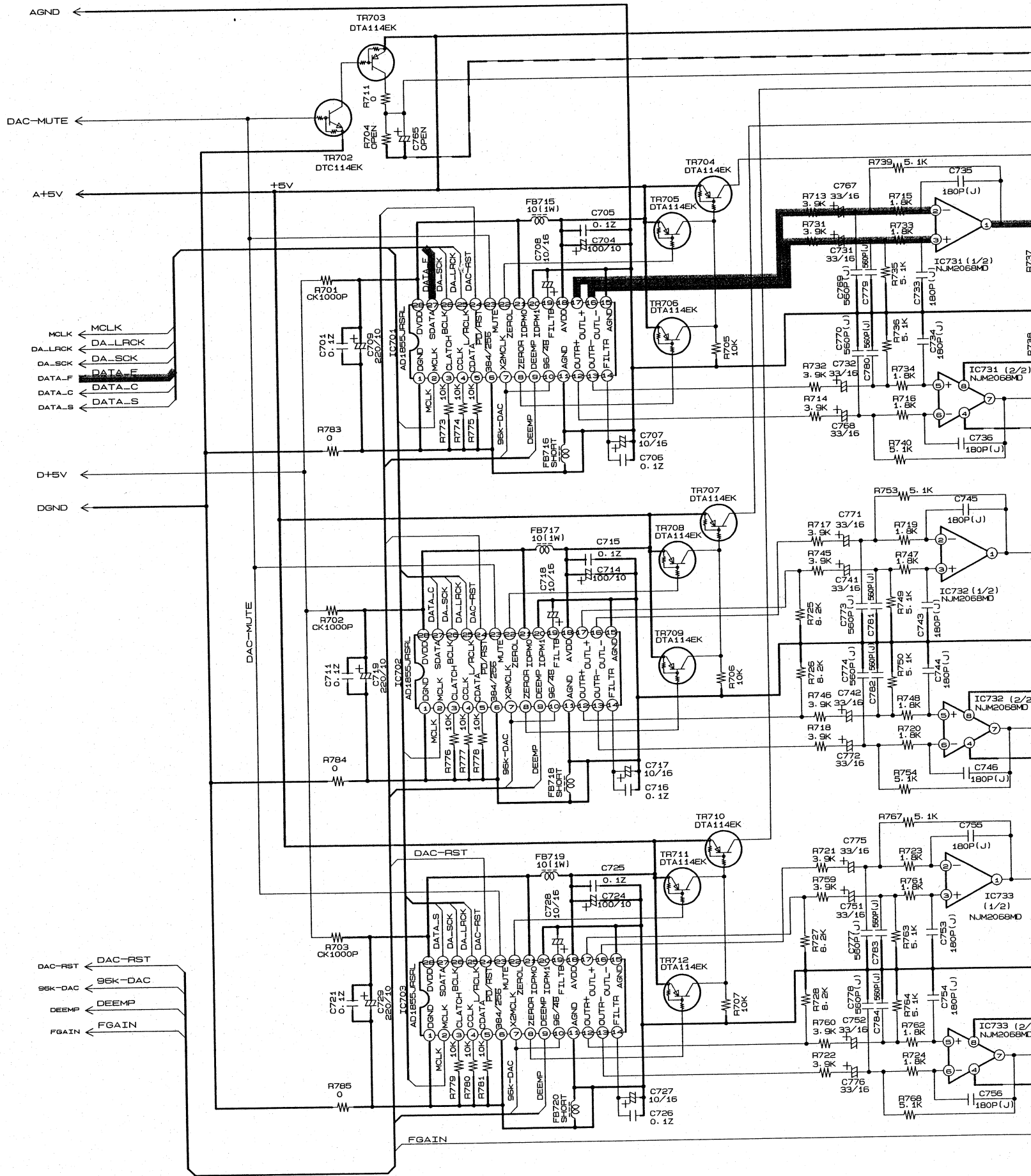


1U-3197 (3/3)
AUDIO/DSP UNIT

To 1U-3197 (2/3)
AUDIO/DSP UNIT
SHEET 2/12

To 1U-3197 (2/3)
AUDIO/DSP UNIT
SHEET 2/12

To 1U-3197 (2/3)
AUDIO/DSP UNIT
SHEET 2/12



7

8

9

10

11

A

B

C

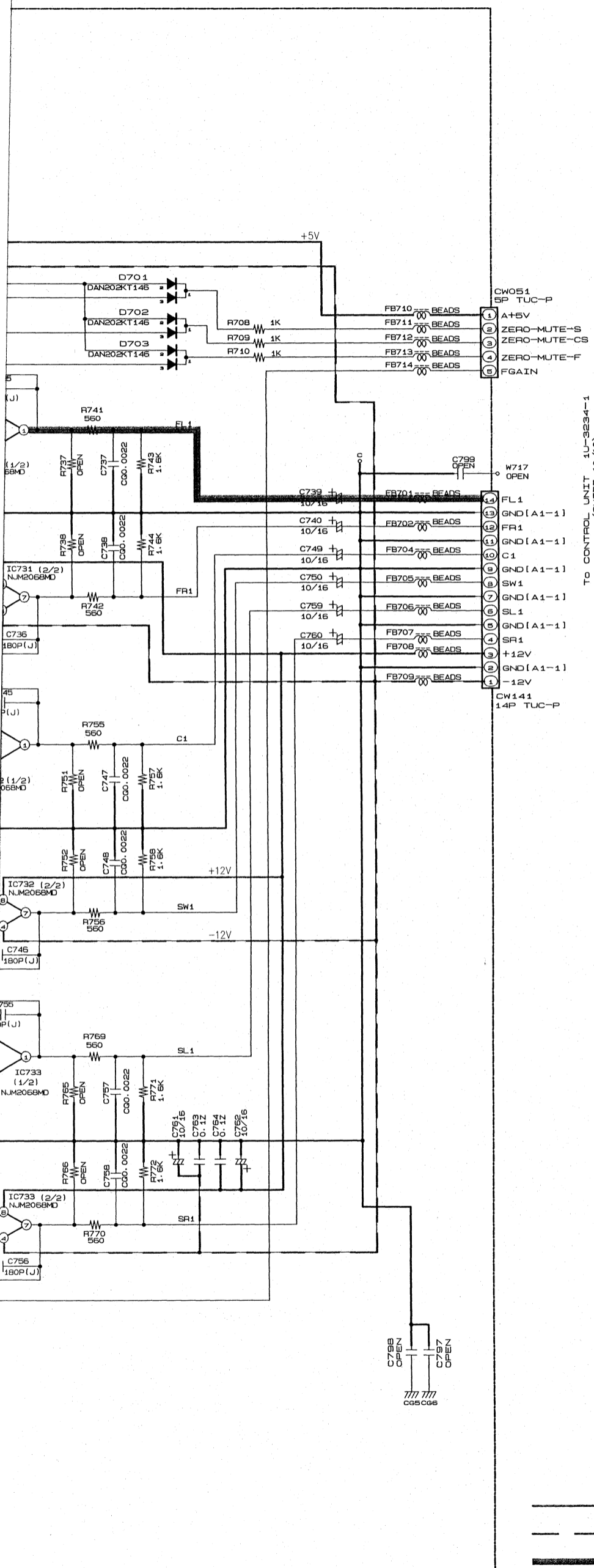
D

E

F

G

H



TO CONTROL UNIT 1U-3234-1
(SHEET 10/12)

NOTICE

ALL RESISTANCE VALUES IN OHM. k=1,000 OHM M=1,000,000 OHM
ALL CAPACITANCE VALUES IN MICRO FARAD. P=MICRO-MICRO FARAD
EACH VOLTAGE AND CURRENT ARE MEASURED AT NO SIGNAL INPUT
CONDITION.
CIRCUIT AND PARTS ARE SUBJECT TO CHANGE WITHOUT PRIOR
NOTICE.

WARNING:

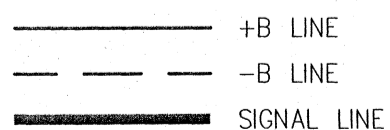
Parts marked with this symbol have critical characteristics.
Use ONLY replacement parts recommended by the manufacturer.

CAUTION:

Before returning the unit to the customer, make sure you make either (1) a leakage current check or (2) a line to chassis resistance check. If the leakage current exceeds 0.5 milliamps, or if the resistance from chassis to either side of the power cord is less than 460 kohms, the unit is defective.

WARNING:

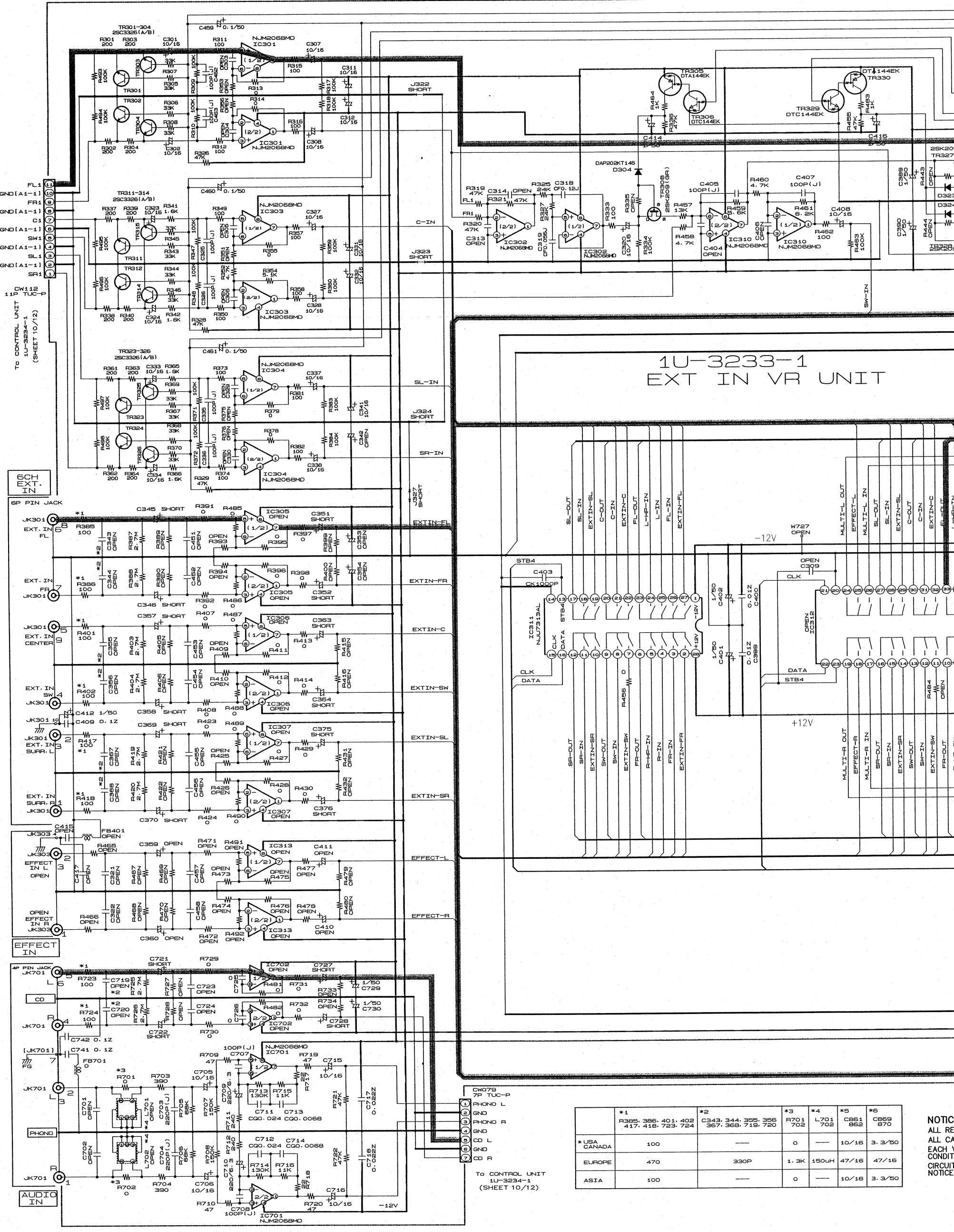
DO NOT return the unit to the customer until the problem is located and corrected.



SCHEMATIC DIAGRAMS (4/12)

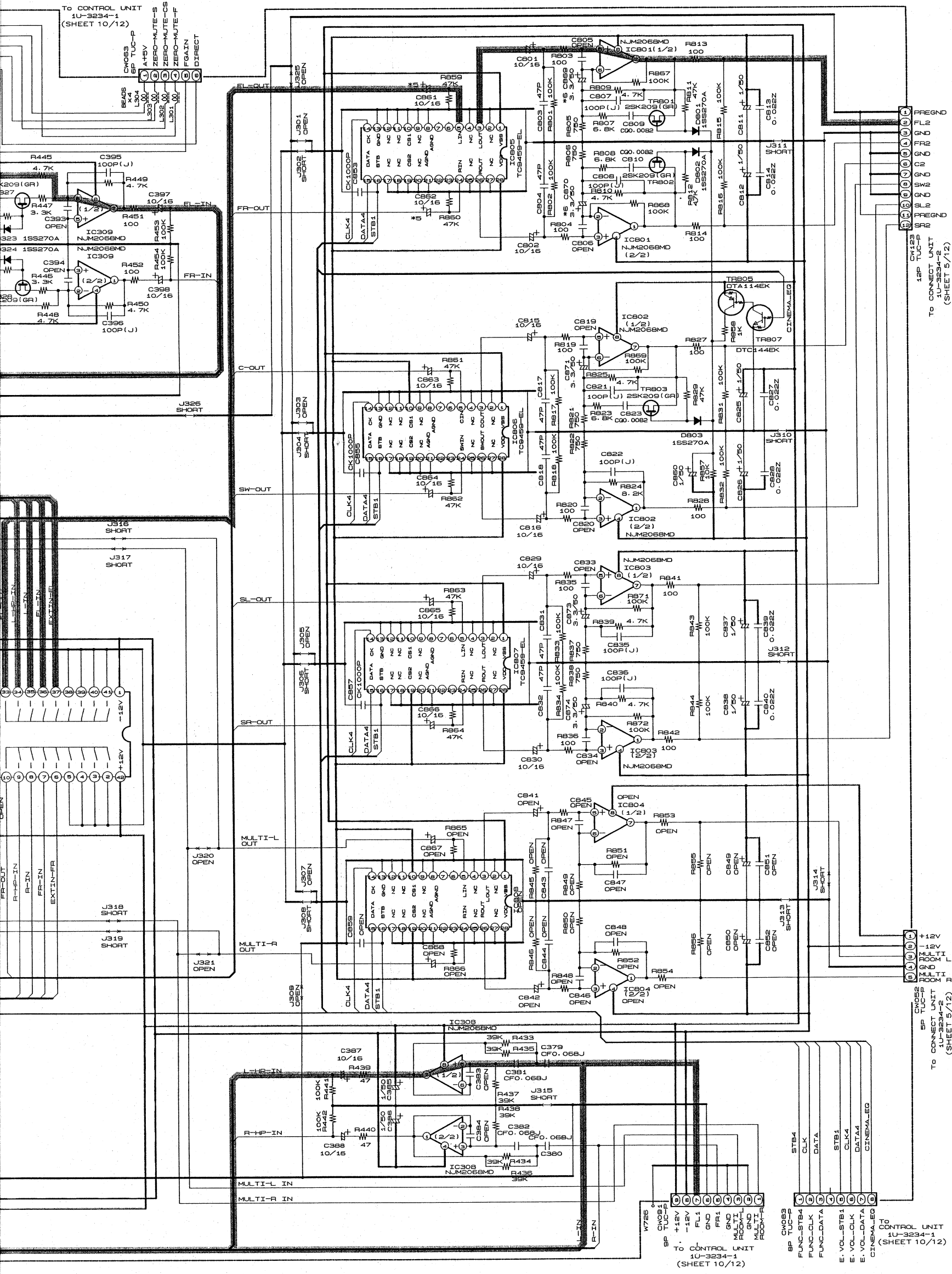
1 2 3 4 5 6

A
B
C
D
E
F
G
H



	*1	*2	*3	*4	*5	*6
	R385, 386, 401, 402 417, 418, 723, 724	C343, 344, 355, 356 367, 368, 719, 720	R701 702	L701 702	C851 852	C859 870
* USA	100	---	0	---	10/16	3/3/50
EUROPE	470	330P	1.3K	150uH	47/16	47/16
ASIA	100	---	0	---	10/16	3/3/50

NOTICE
ALL RES
ALL CAP
EACH VC
CONDIC
CIRCUIT
NOTICE.



RESISTANCE VALUES IN OHM. K=1,000 OHM M=1,000,000 OHM
 CAPACITANCE VALUES IN MICRO FARAD. P=MICRO-MICRO FARAD
 VOLTAGE AND CURRENT ARE MEASURED AT NO SIGNAL INPUT
 CONDITION.
 CIRCUIT AND PARTS ARE SUBJECT TO CHANGE WITHOUT PRIOR
 NOTICE.

WARNING:
 Parts marked with this symbol Δ have critical characteristics.
 Use ONLY replacement parts recommended by the manufacturer.

CAUTION:
 Before returning the unit to the customer, make sure you make either (1) a
 leakage current check or (2) a line to chassis resistance check. If the leakage
 current exceeds 0.5 milliamps, or if the resistance from chassis to either side
 of the power cord is less than 460 kohms, the unit is defective.

WARNING:
 DO NOT return the unit to the customer until the problem is located and
 corrected.

— +B LINE
 - - - - - -B LINE
 ——— SIGNAL LINE

SCHEMATIC DIAGRAMS (4/12)
 1U-3233-1 EXT IN VR UNIT

SCHEMATIC DIAGRAMS (5/12)

1

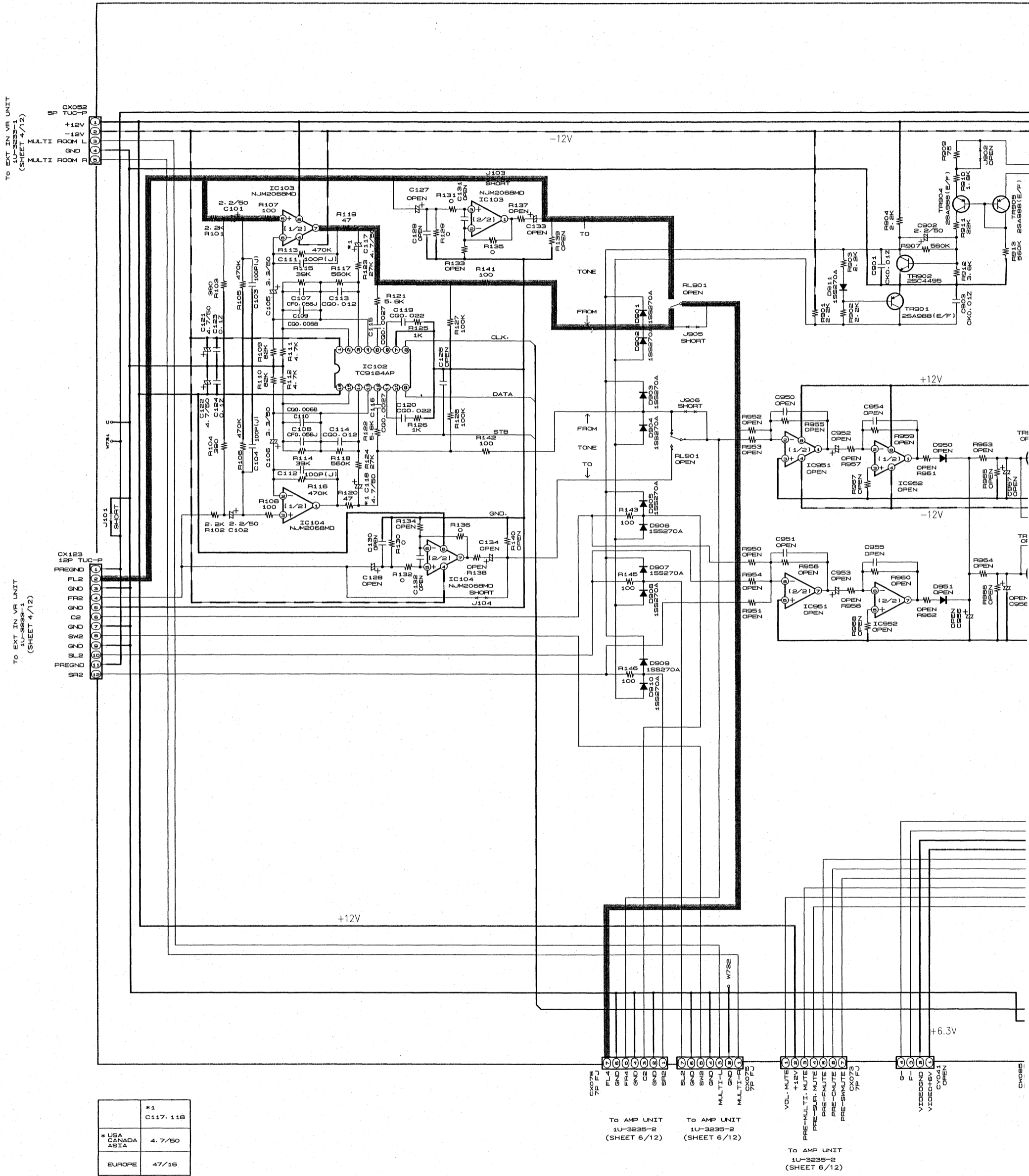
2

3

4

5

6



	*1
	C117-118
* USA	4.7/50
CANADA	
ASIA	
EUROPE	47/16

NOTICE
 ALL RESISTANCE VALUES IN OHM. k=1,000 OHM M=1,000,000 OHM
 ALL CAPACITANCE VALUES IN MICRO FARAD. P=MICRO-MICRO FARAD
 EACH VOLTAGE AND CURRENT ARE MEASURED AT NO SIGNAL INPUT
 CONDITION.
 CIRCUIT AND PARTS ARE SUBJECT TO CHANGE WITHOUT PRIOR
 NOTICE.

WARNING:
 Parts marked with
 Use ONLY replacement
CAUTION:
 Before returning the
 leakage current check
 current exceeds 0.1
 of the power cord
WARNING:
 DO NOT return the
 corrected.

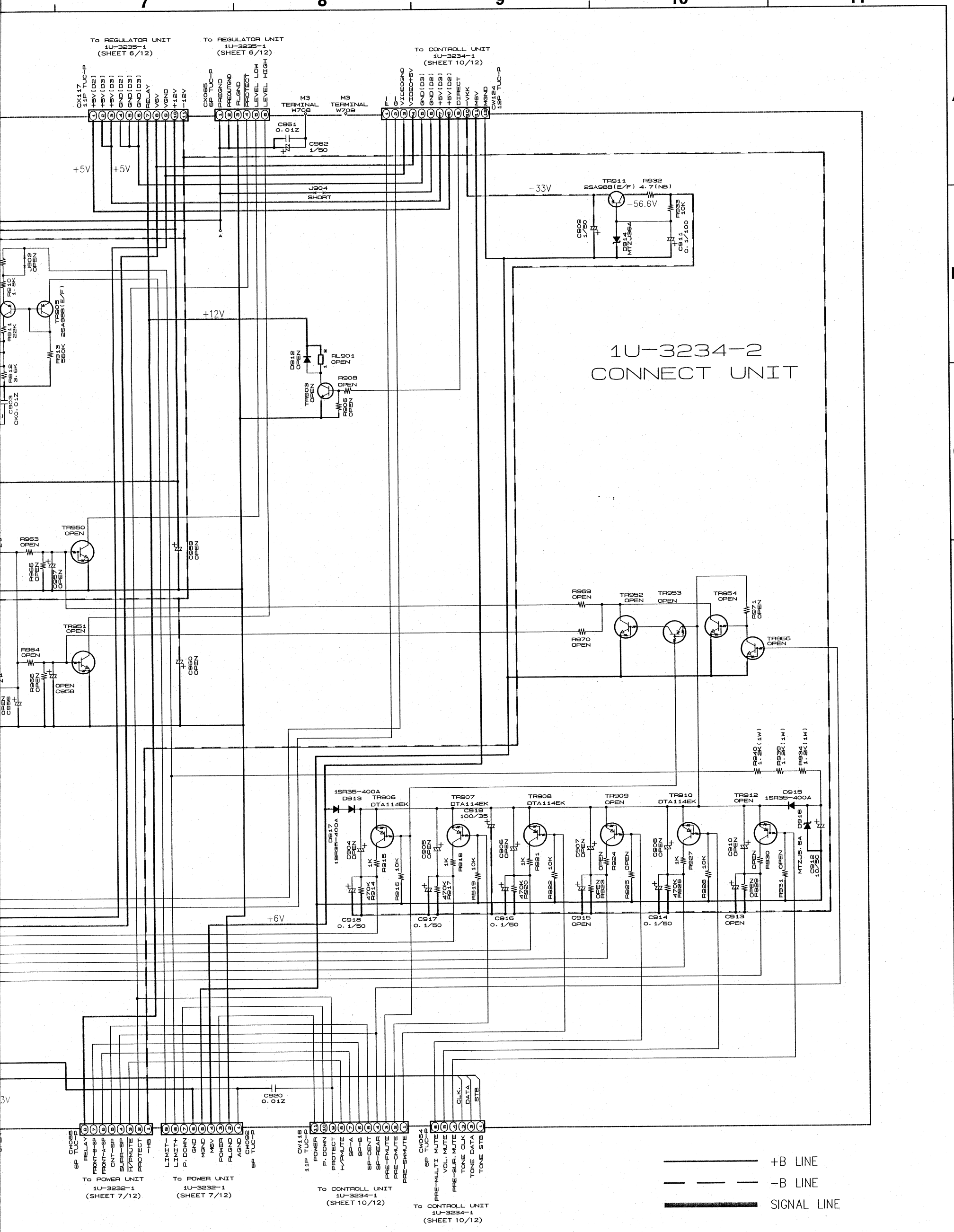
7

8


9

10

11



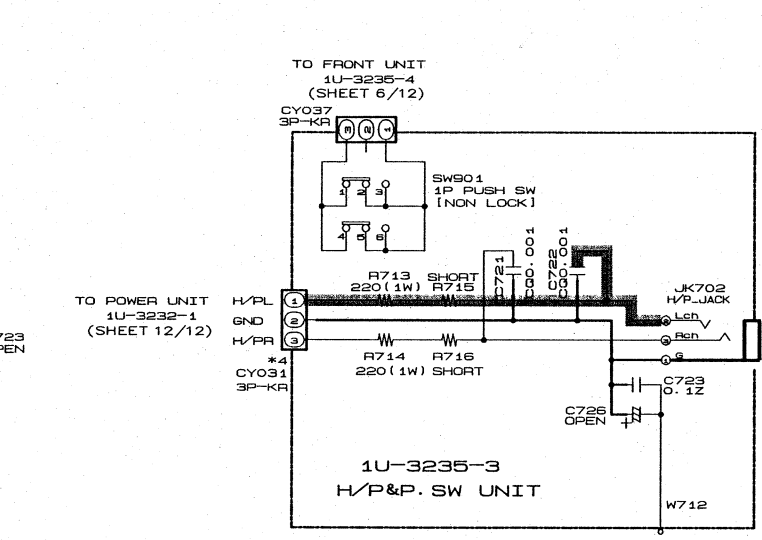
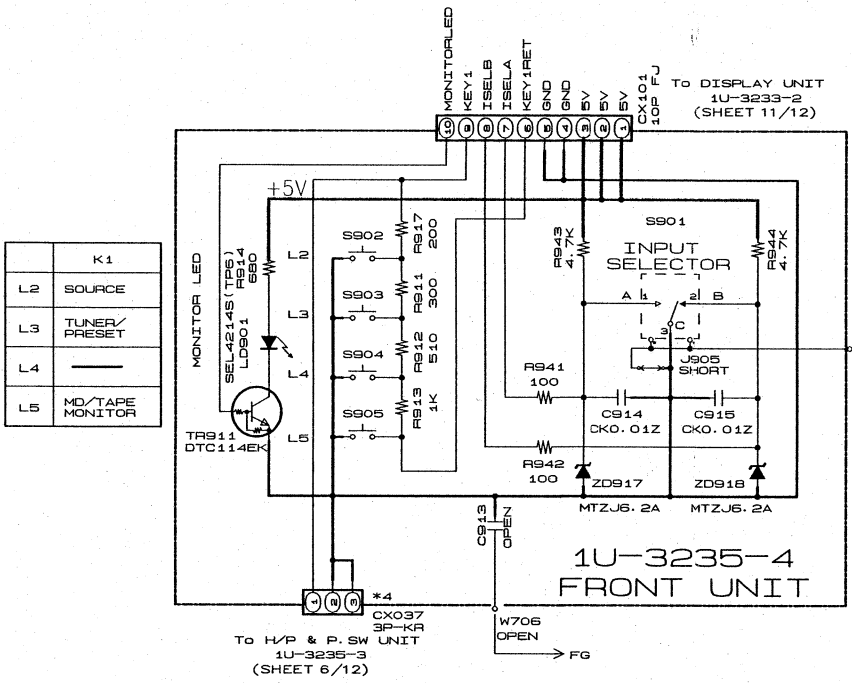
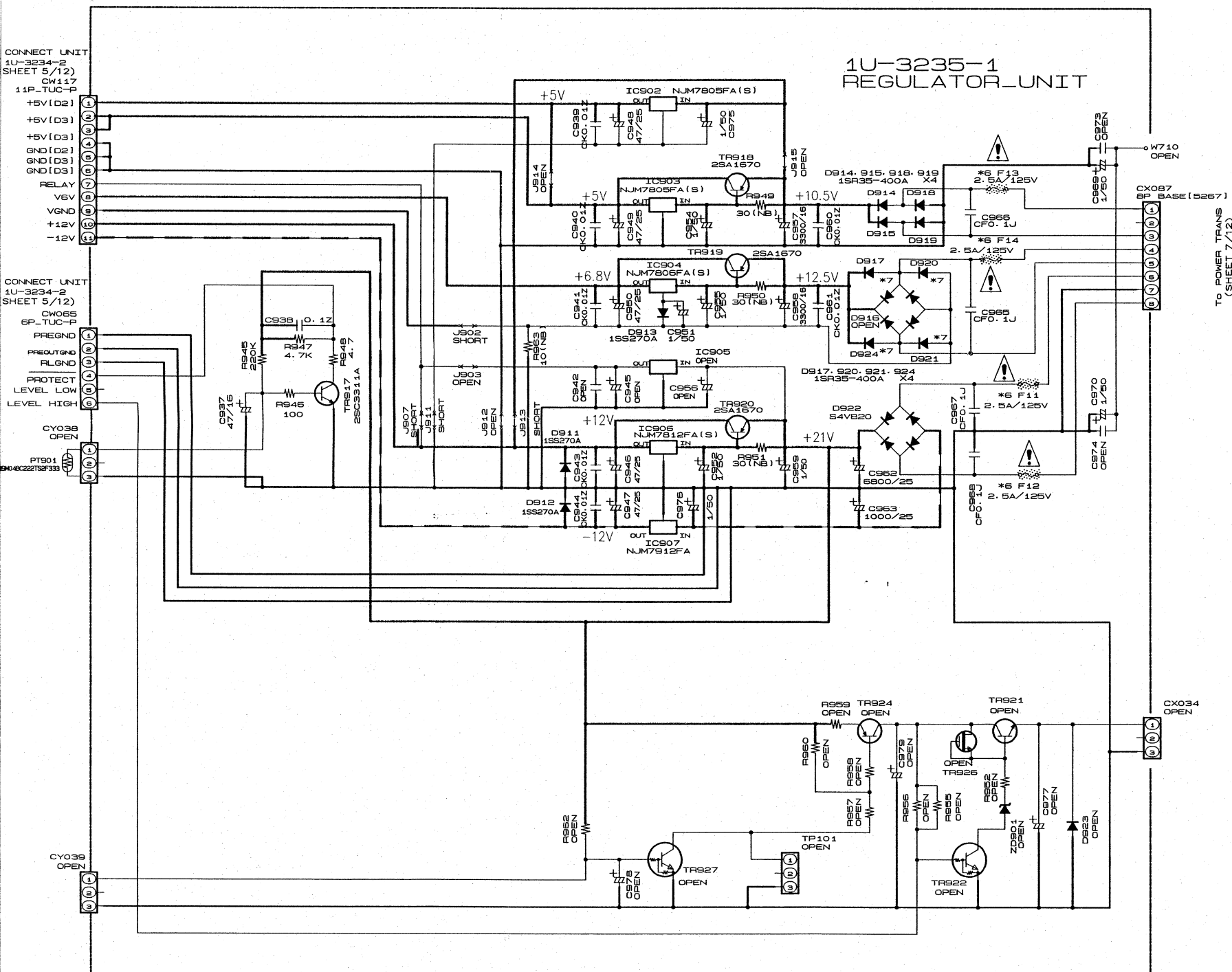
A
B
C
D
E
F
G
H

WARNING:
Parts marked with this symbol  have critical characteristics. Use ONLY replacement parts recommended by the manufacturer.

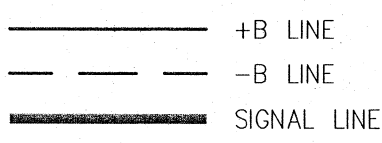
CAUTION:
Before returning the unit to the customer, make sure you make either (1) a package current check or (2) a line to chassis resistance check. If the leakage current exceeds 0.5 millamps, or if the resistance from chassis to either side of the power cord is less than 460 kohms, the unit is defective.

WARNING:
Do NOT return the unit to the customer until the problem is located and corrected.

SCHEMATIC DIAGRAMS (5/12)
1U-3234-2 CONNECT UNIT

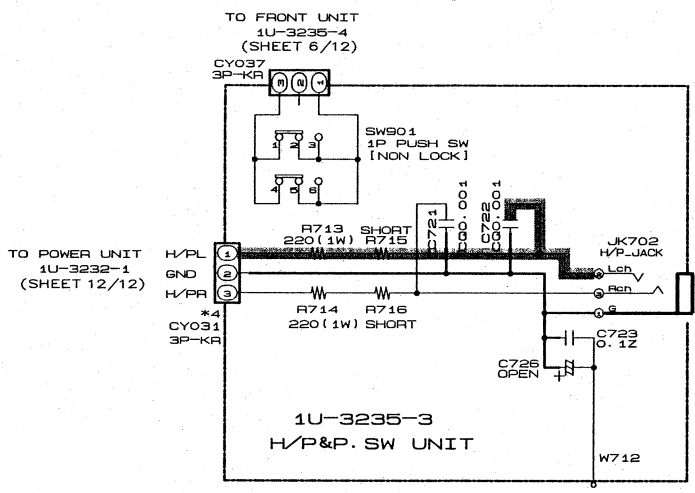
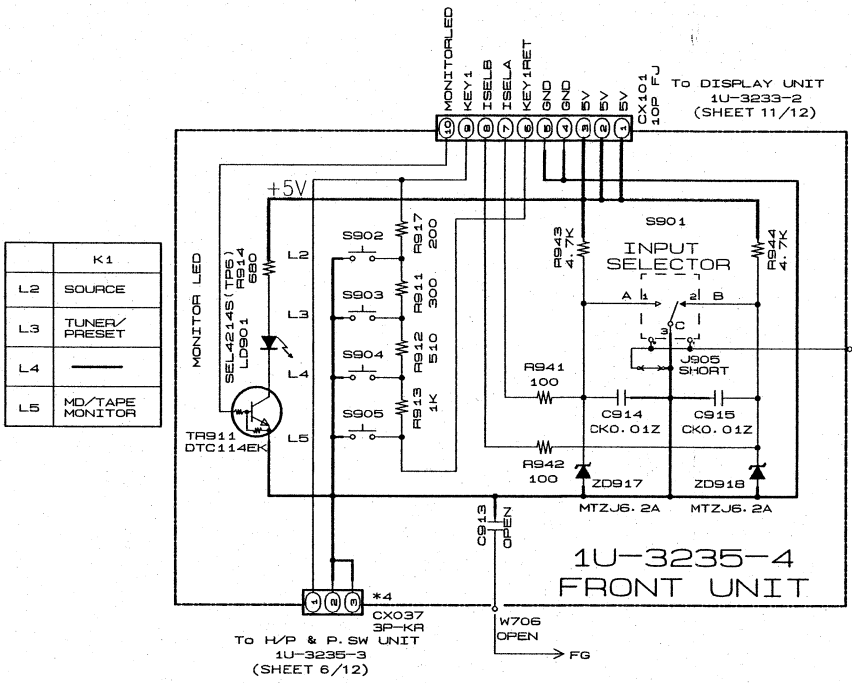
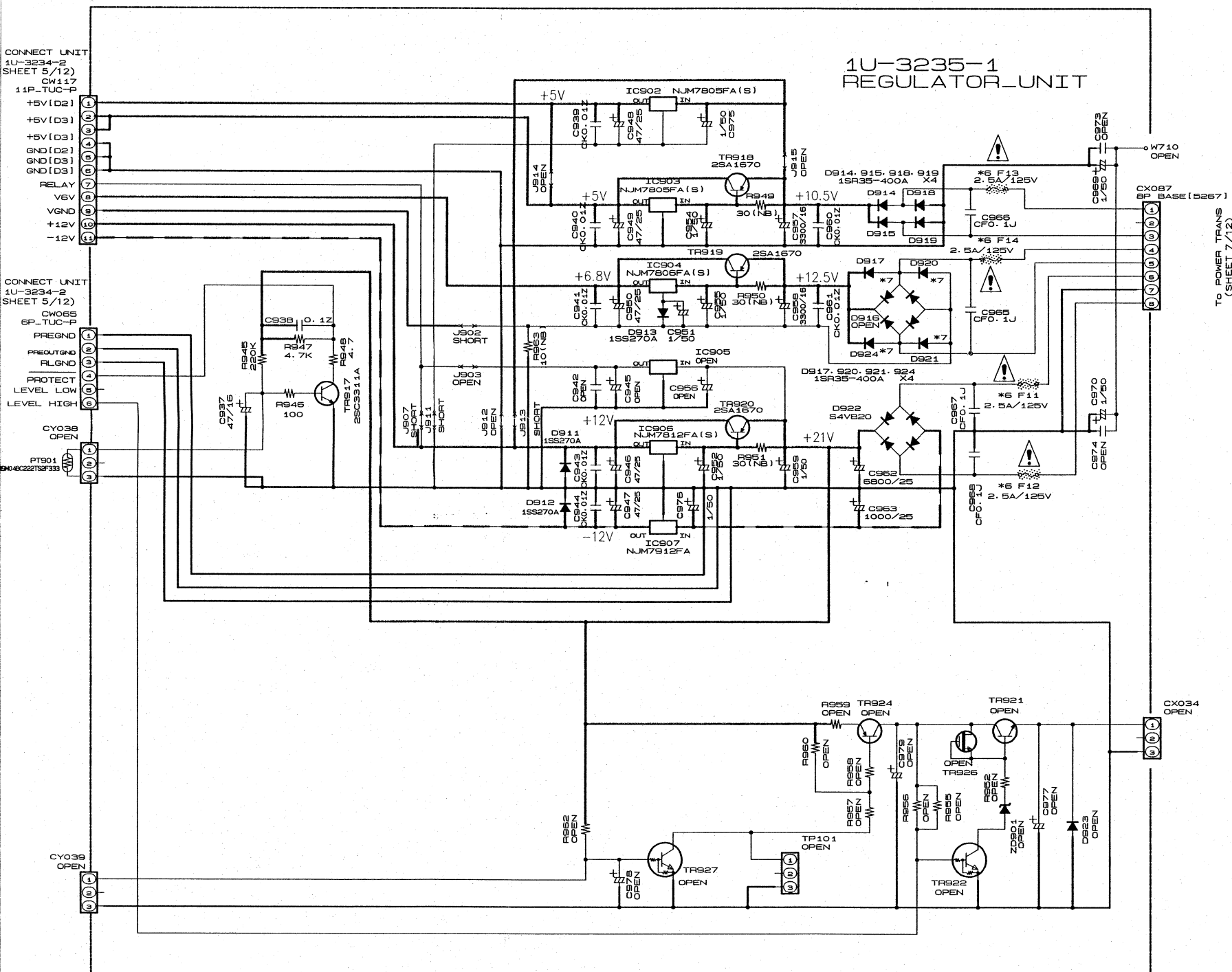


K1
L2 SOURCE
L3 TUNER/PRESET
L4
L5 MD/TAPE MONITOR



⚠ have critical characteristics.
 is recommended by the manufacturer.
 the customer, make sure you make either (1) a
) a line to chassis resistance check. If the leakage
 ps, or if the resistance from chassis to either side
 than 460 kohms, the unit is defective.
 the customer until the problem is located and

SCHEMATIC DIAGRAMS (6/12)
 1U-3235-1 REGULATOR UNIT
 1U-3235-2 AMP UNIT
 1U-3235-3 H/P & P. SW UNIT
 1U-3235-4 FRONT UNIT



⚠ have critical characteristics. Recommended by the manufacturer.

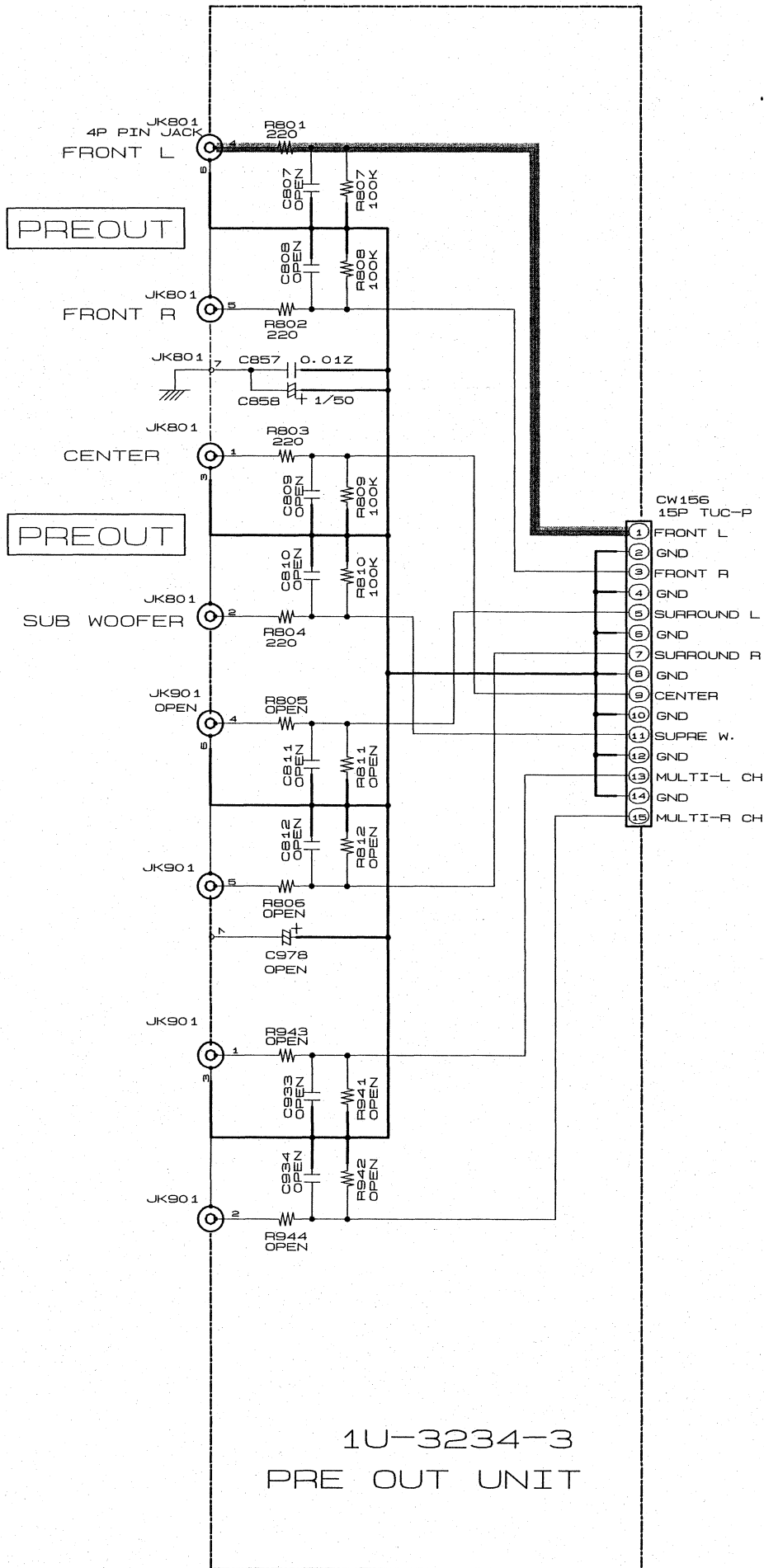
the customer, make sure you make either (1) a line to chassis resistance check. If the leakage is more than 460 kohms, the unit is defective.

the customer until the problem is located and

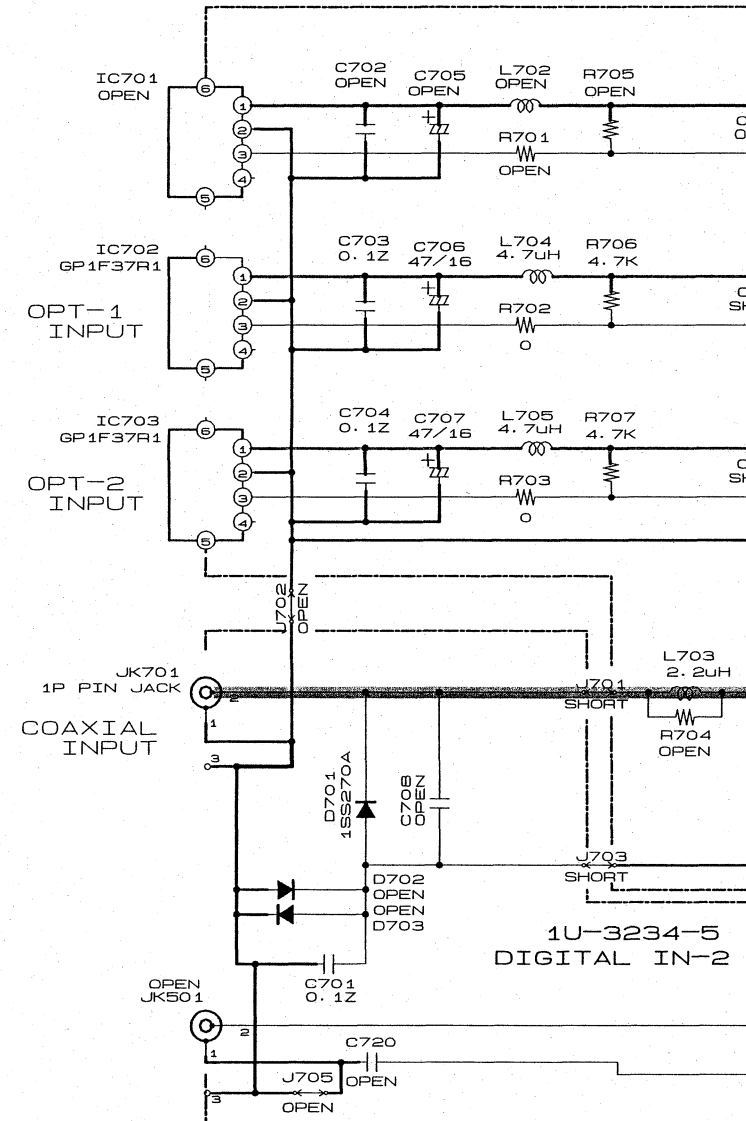
SCHEMATIC DIAGRAMS (8/12)

1 2 3 4 5 6


A
B
C
D
E
F
G
H



TO AMP UNIT
1U-3235-2
(SHEET 6/12)



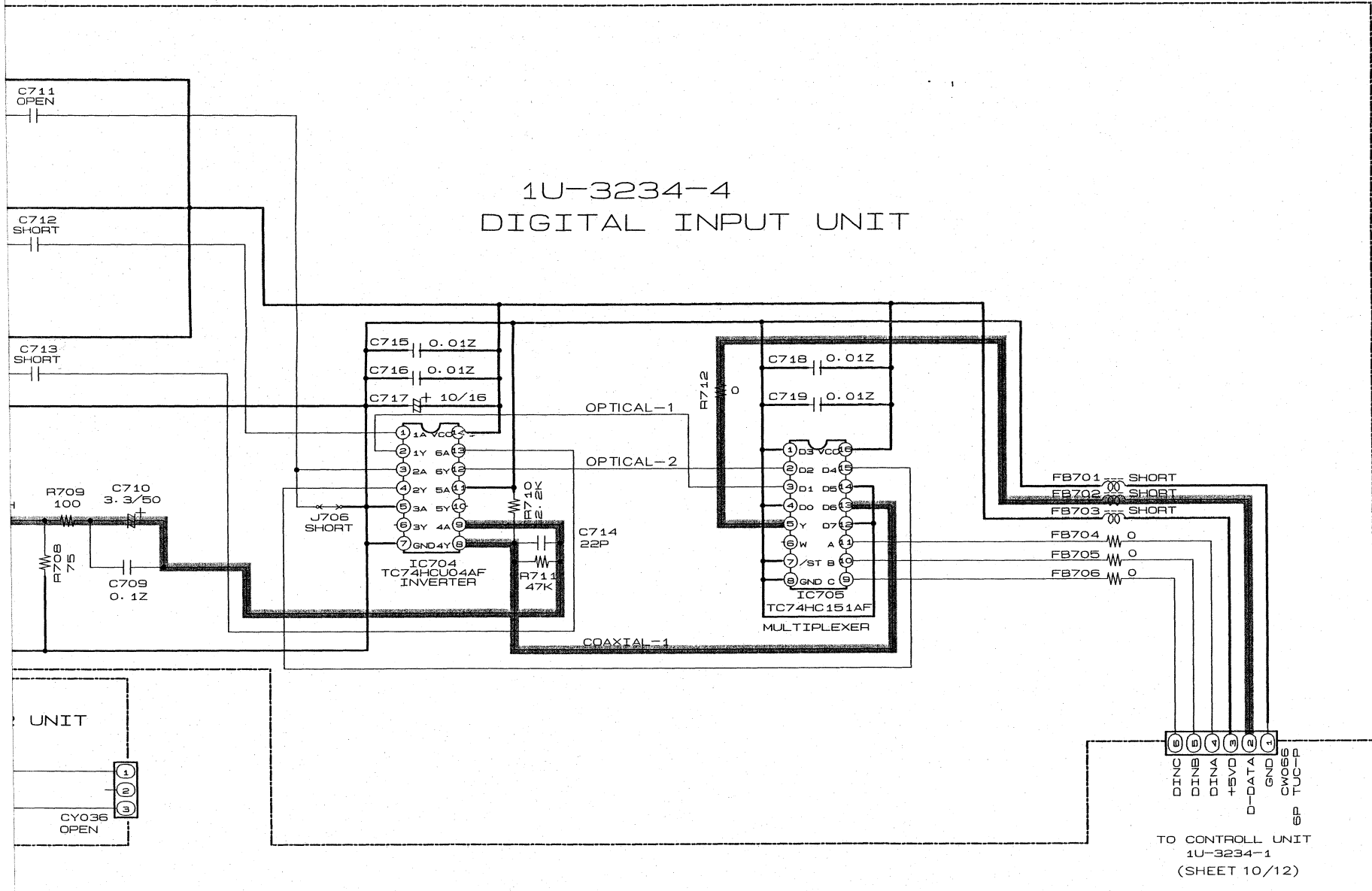
NOTICE
ALL RESISTANCE VALUES IN OHM. k=1,000 OHM M=1,000,000 OHM
ALL CAPACITANCE VALUES IN MICRO FARAD. P=MICRO-MICRO FARAD
EACH VOLTAGE AND CURRENT ARE MEASURED AT NO SIGNAL INPUT CONDITION.
CIRCUIT AND PARTS ARE SUBJECT TO CHANGE WITHOUT PRIOR NOTICE.

WARNING:
Parts marked with this symbol  have critical characteristics. Use ONLY replacement parts recommended by the manufacturer.

CAUTION:
Before returning the unit to the customer, make sure you make either (1) a leakage current check or (2) a line to chassis resistance check. If the leakage current exceeds 0.5 milliamps, or if the resistance from chassis to either side of the power cord is less than 460 kohms, the unit is defective.

WARNING:
DO NOT return the unit to the customer until the problem is located and corrected.

1U-3234-4 DIGITAL INPUT UNIT



SCHEMATIC DIAGRAMS (9/12)

1

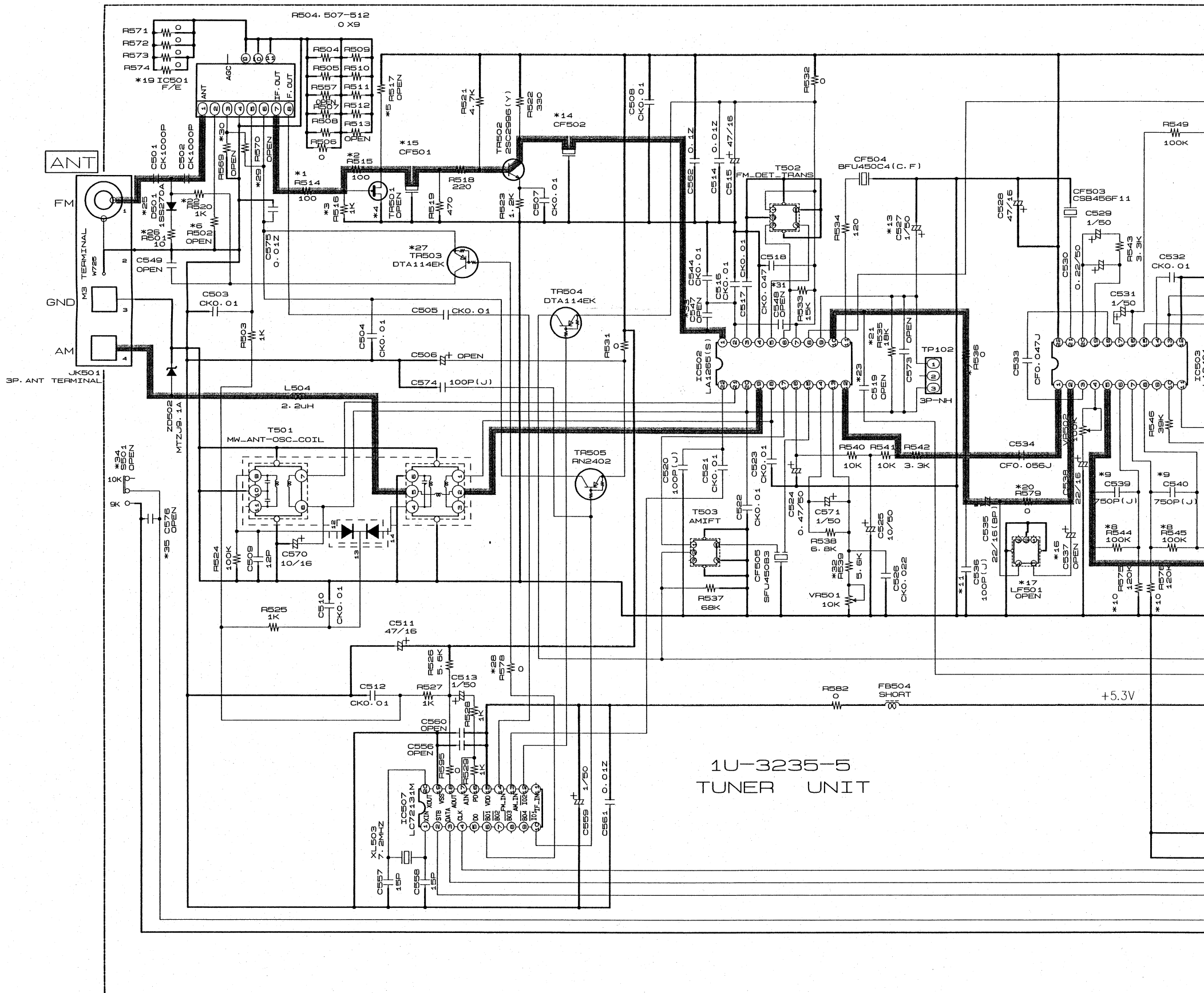
2

3

4

5

6



1U-3235-5
TUNER UNIT

NOTICE

ALL RESISTANCE VALUES IN OHM. k=1,000 OHM M=1,000,000 OHM
ALL CAPACITANCE VALUES IN MICRO FARAD. P=MICRO-MICRO FARAD
EACH VOLTAGE AND CURRENT ARE MEASURED AT NO SIGNAL INPUT
CONDITION.
CIRCUIT AND PARTS ARE SUBJECT TO CHANGE WITHOUT PRIOR
NOTICE.

WARNING:

Parts marked with this symbol have critical characteristics.
Use ONLY replacement parts recommended by the manufacturer.

CAUTION:

Before returning the unit to the customer, make sure you make either (1) a leakage current check or (2) a line to chassis resistance check. If the leakage current exceeds 0.5 milliamps, or if the resistance from chassis to either side of the power cord is less than 460 kohms, the unit is defective.

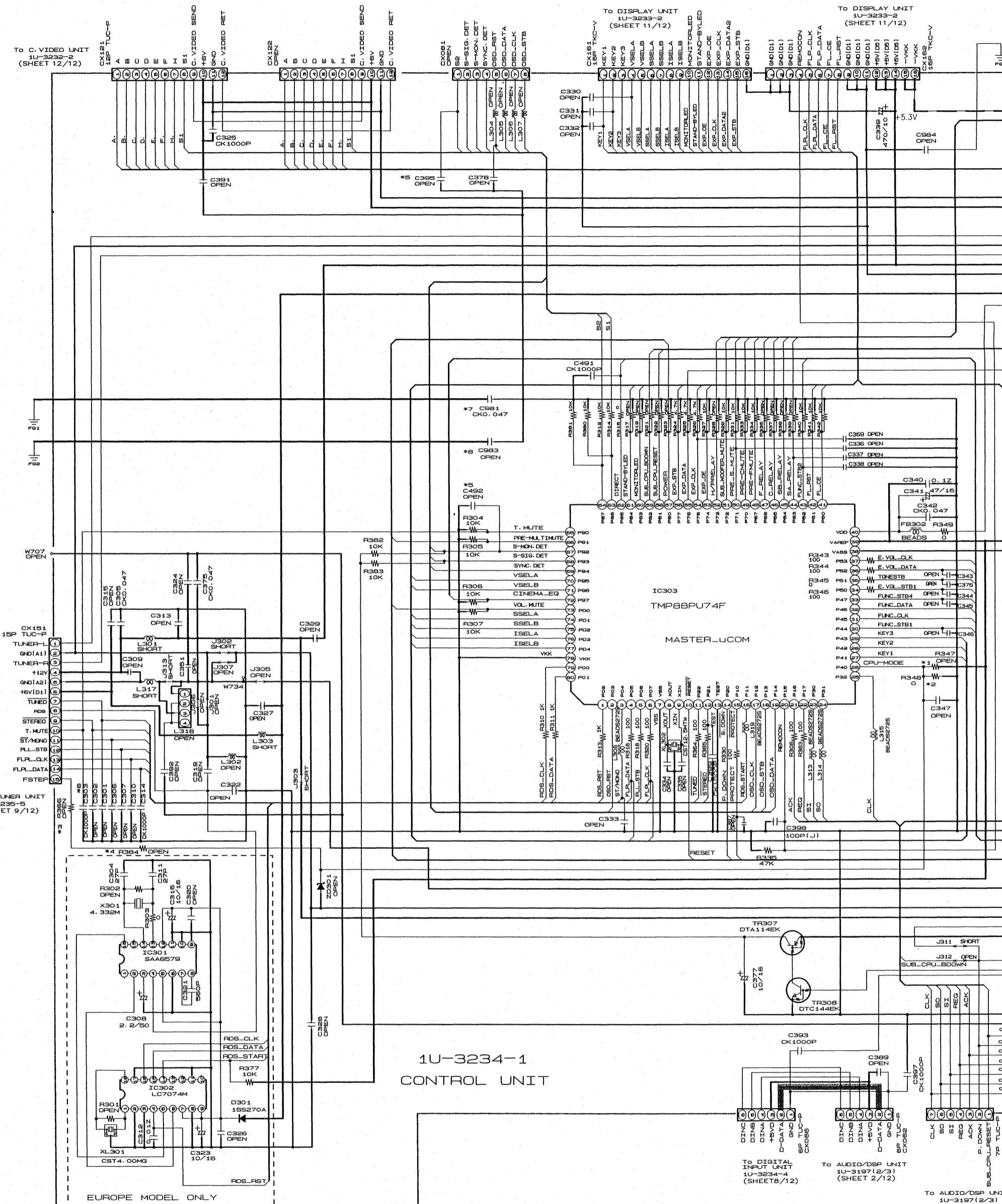
WARNING:

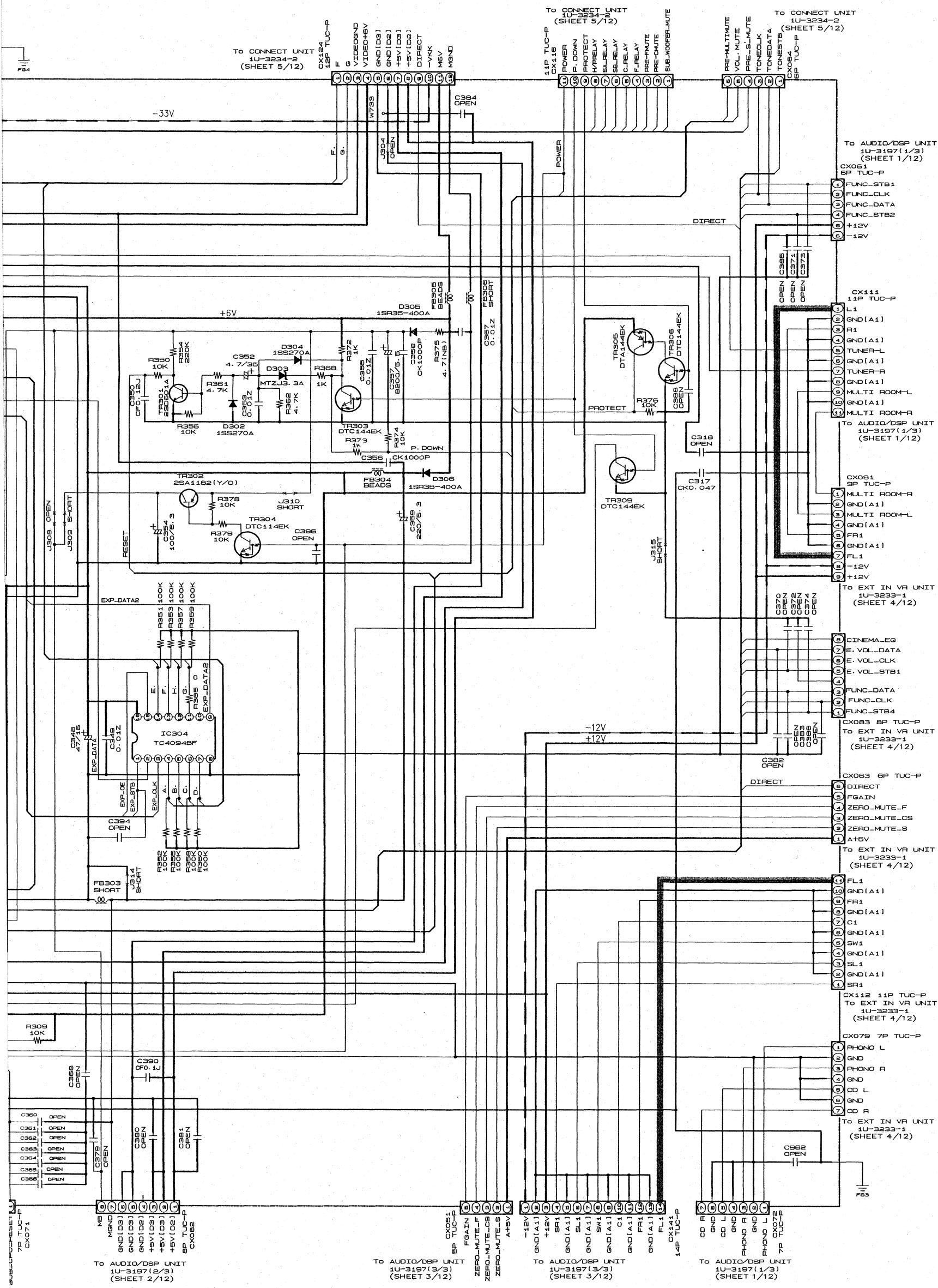
DO NOT return the unit to the customer until the problem is located and corrected.

SCHEMATIC DIAGRAMS (10/12)

1 2 3 4 5 6

A
B
C
D
E
F
G
H





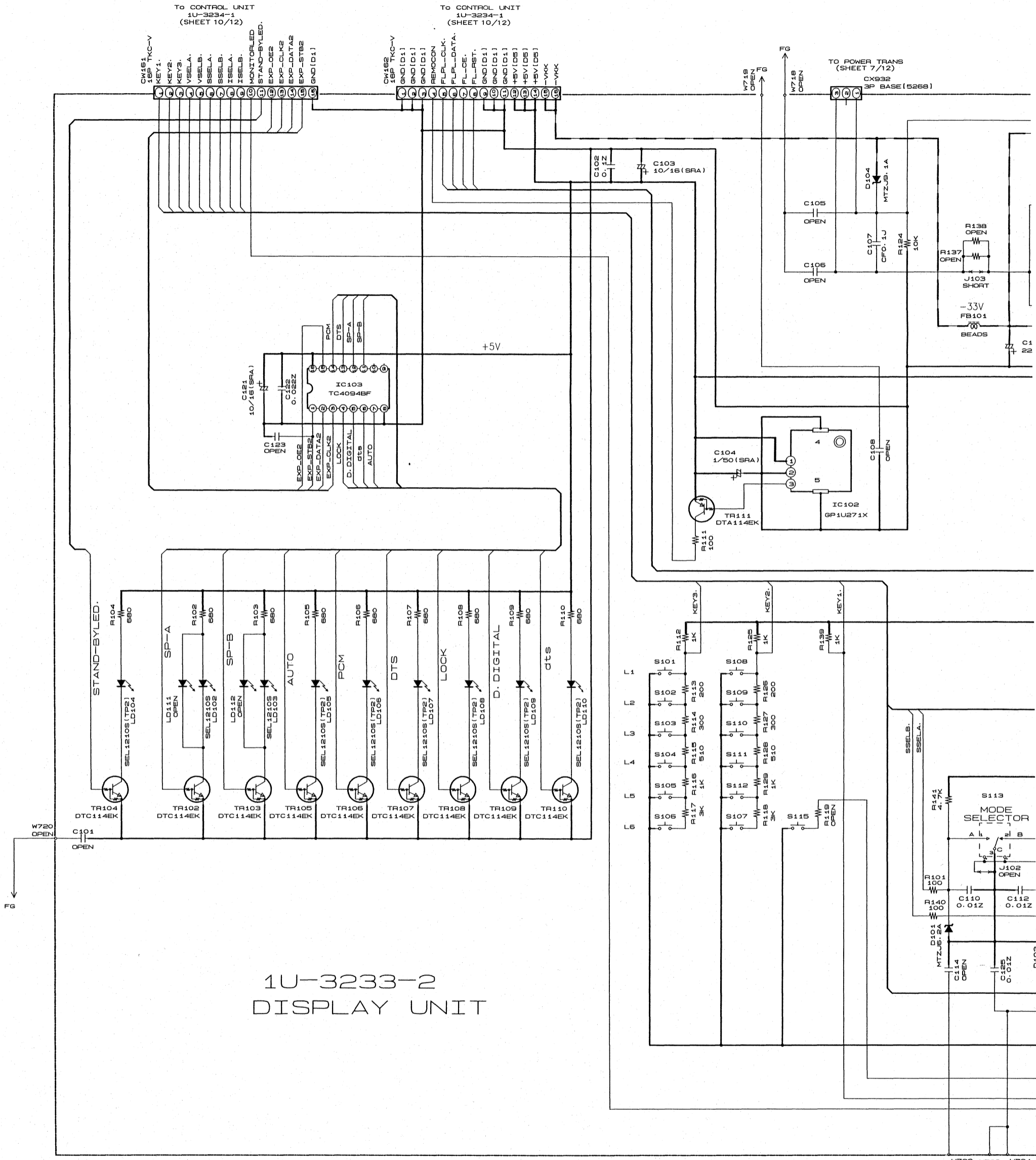
NOTICE
 ALL RESISTANCE VALUES IN OHM. k=1,000 OHM M=1,000,000 OHM
 ALL CAPACITANCE VALUES IN MICRO FARAD. P=MICRO-MICRO FARAD
 EACH VOLTAGE AND CURRENT ARE MEASURED AT NO SIGNAL INPUT
 CONDITION.
 CIRCUIT AND PARTS ARE SUBJECT TO CHANGE WITHOUT PRIOR
 NOTICE.

WARNING:
 Parts marked with this symbol  have critical characteristics.
 Use ONLY replacement parts recommended by the manufacturer.

CAUTION:
 Before returning the unit to the customer, make sure you make either (1) a
 leakage current check or (2) a line to chassis resistance check. If the leakage
 current exceeds 0.5 milliamps, or if the resistance from chassis to either side
 of the power cord is less than 460 kohms, the unit is defective.

WARNING:
 DO NOT return the unit to the customer until the problem is located and
 corrected.

— +B LINE
 - - - -B LINE
 ——— SIGNAL LINE



NOTICE
 ALL RESISTANCE VALUES IN OHM. k=1,000 OHM M=1,000,000 OHM
 ALL CAPACITANCE VALUES IN MICRO FARAD. P=MICRO-MICRO FARAD
 EACH VOLTAGE AND CURRENT ARE MEASURED AT NO SIGNAL INPUT
 CONDITION.
 CIRCUIT AND PARTS ARE SUBJECT TO CHANGE WITHOUT PRIOR
 NOTICE.

WARNING:
 Parts marked with this symbol have critical characteristics.
 Use ONLY replacement parts recommended by the manufacturer.

CAUTION:
 Before returning the unit to the customer, make sure you make either (1) a
 leakage current check or (2) a line to chassis resistance check. If the leakage
 current exceeds 0.5 milliamps, or if the resistance from chassis to either side
 of the power cord is less than 460 kohms, the unit is defective.

WARNING:
 DO NOT return the unit to the customer until the problem is located and
 corrected.

W722 W728 W724
 OPEN

7

8

9

10

11

A

B

C

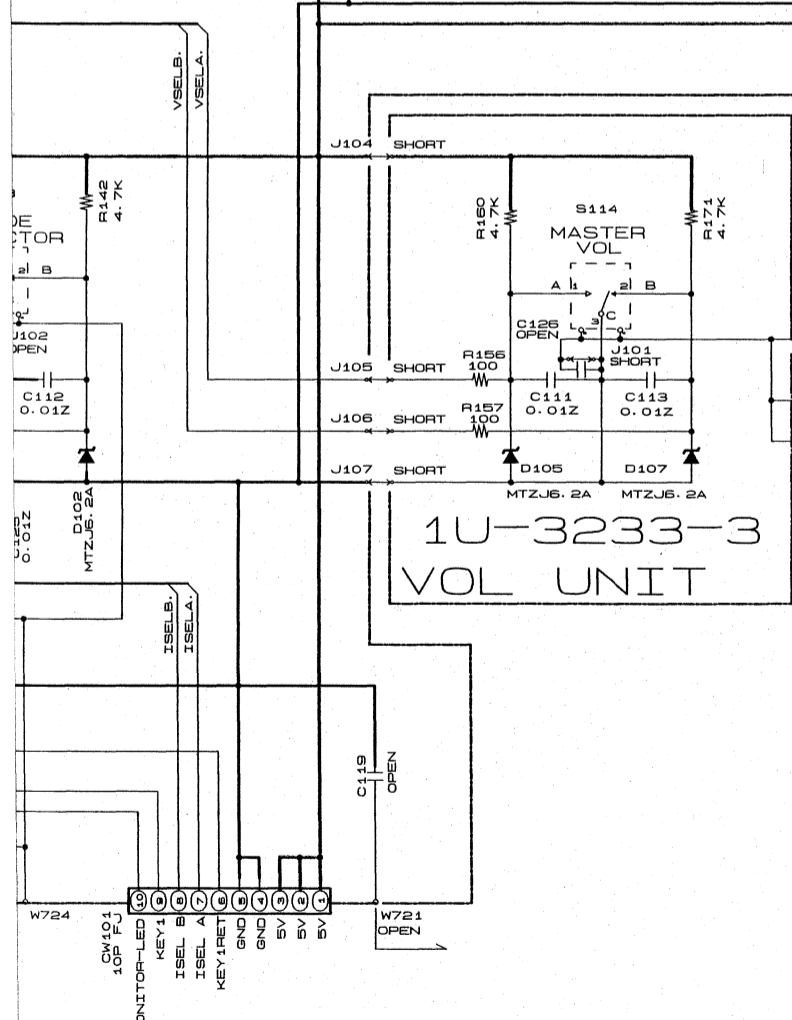
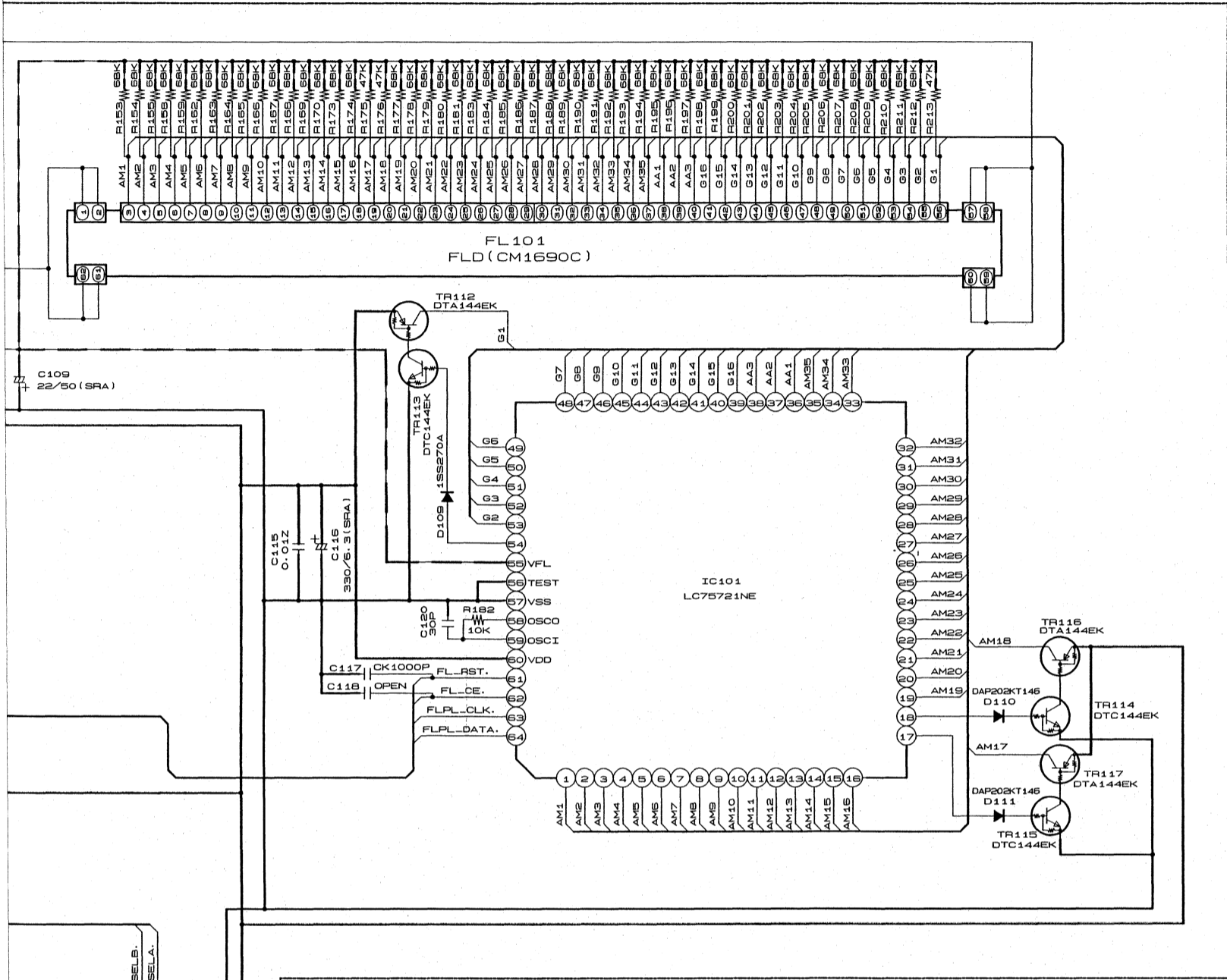
D

E

F

G

H



	K1	K2	K3
L1	POWER	SP A	SP B
L2	SOURCE	INPUT MODE	STATUS
L3	TUNER PRESET	ANALOG	SURROUND MODE
L4	---	EXT. IN	SURROUND PARAMETER
L5	MD/TAPE MONITOR	VIDEO SELECT	CH. VOL
L6	---	DIMMER	TO NE CONTROL

— +B LINE
 - - - -B LINE

To FRONT UNIT
 1U-3233-4
 (SHEET 6/12)

SCHEMATIC DIAGRAMS (12/12)

1 2 3 4 5 6

A

B

C

D

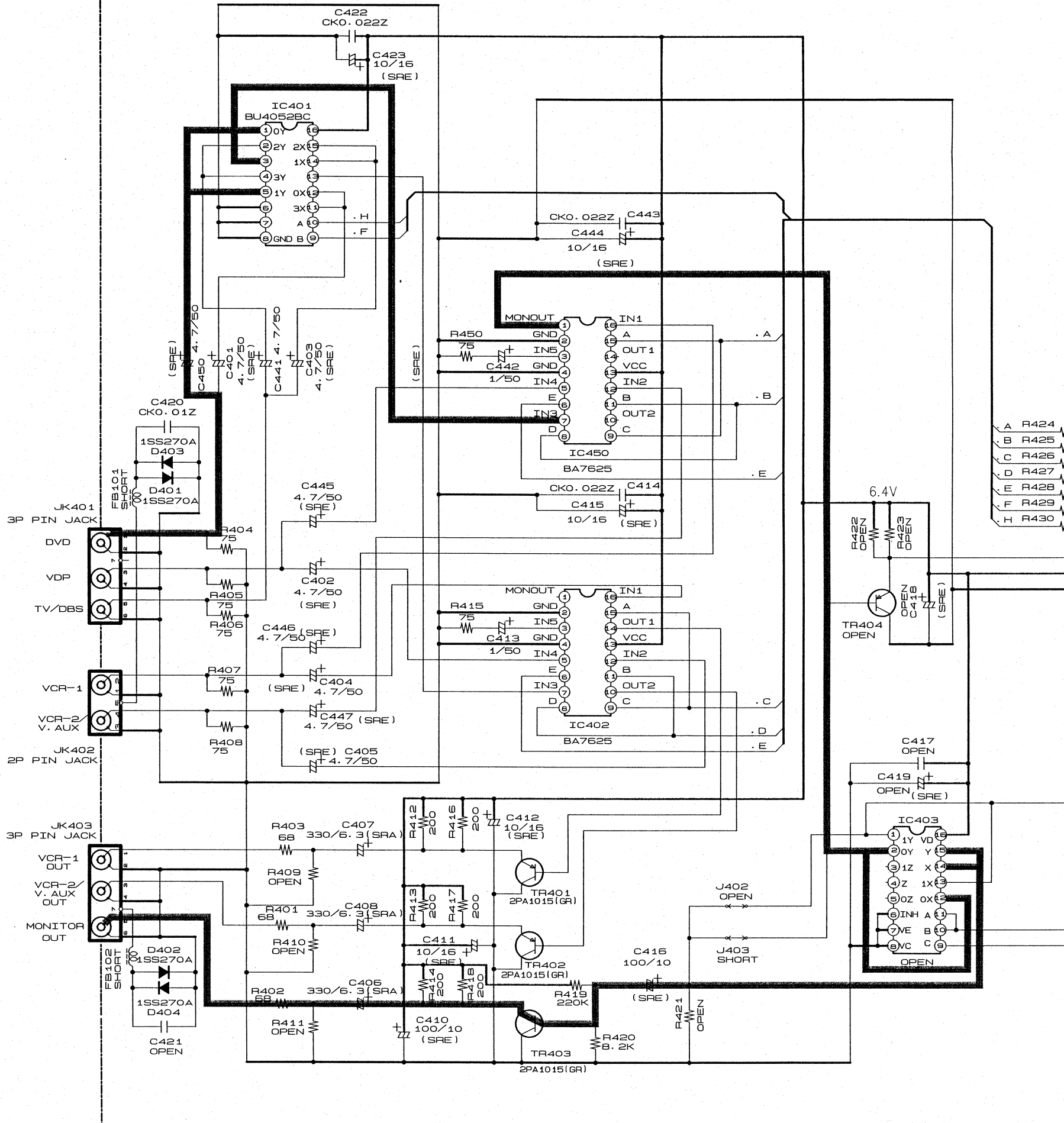
E

F


G

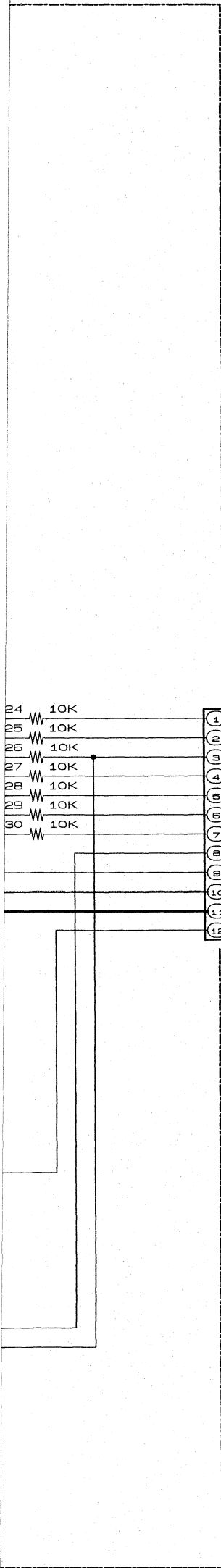
H

1U-3232-2
C. VIDEO UNIT



NOTICE
ALL RESISTANCE VALUES IN OHM. K=1,000 OHM M=1,000,000 OHM
ALL CAPACITANCE VALUES IN MICRO FARAD. P=MICRO-MICRO FARAD
EACH VOLTAGE AND CURRENT ARE MEASURED AT NO SIGNAL INPUT
CONDITION.
CIRCUIT AND PARTS ARE SUBJECT TO CHANGE WITHOUT PRIOR
NOTICE.

WARNING:
Parts marked with this symbol  have critical characteristics. Use ONLY replacement parts recommended by the manufacturer.
CAUTION:
Before returning the unit to the customer, make sure you make a leakage current check or (2) a line to chassis resistance check. If current exceeds 0.5 milliamps, or if the resistance from chassis to line of the power cord is less than 460 kohms, the unit is defective.
WARNING:
DO NOT return the unit to the customer until the problem is located and corrected.



CW121
12P TUC-P

- 1 A
- 2 B
- 3 C
- 4 D
- 5 E
- 6 F
- 7 H
- 8 S1
- 9 C. VIDEO SEND
- 10 +6V
- 11 GND
- 12 C. VIDEO RET

TO CONTROL UNIT
1U-3234-1
(SHEET 10/12)

————— +B LINE
————— SIGNAL LINE

istics.
urer.

make either (1) a
neck. If the leakage
occurs to either side
active.

is located and