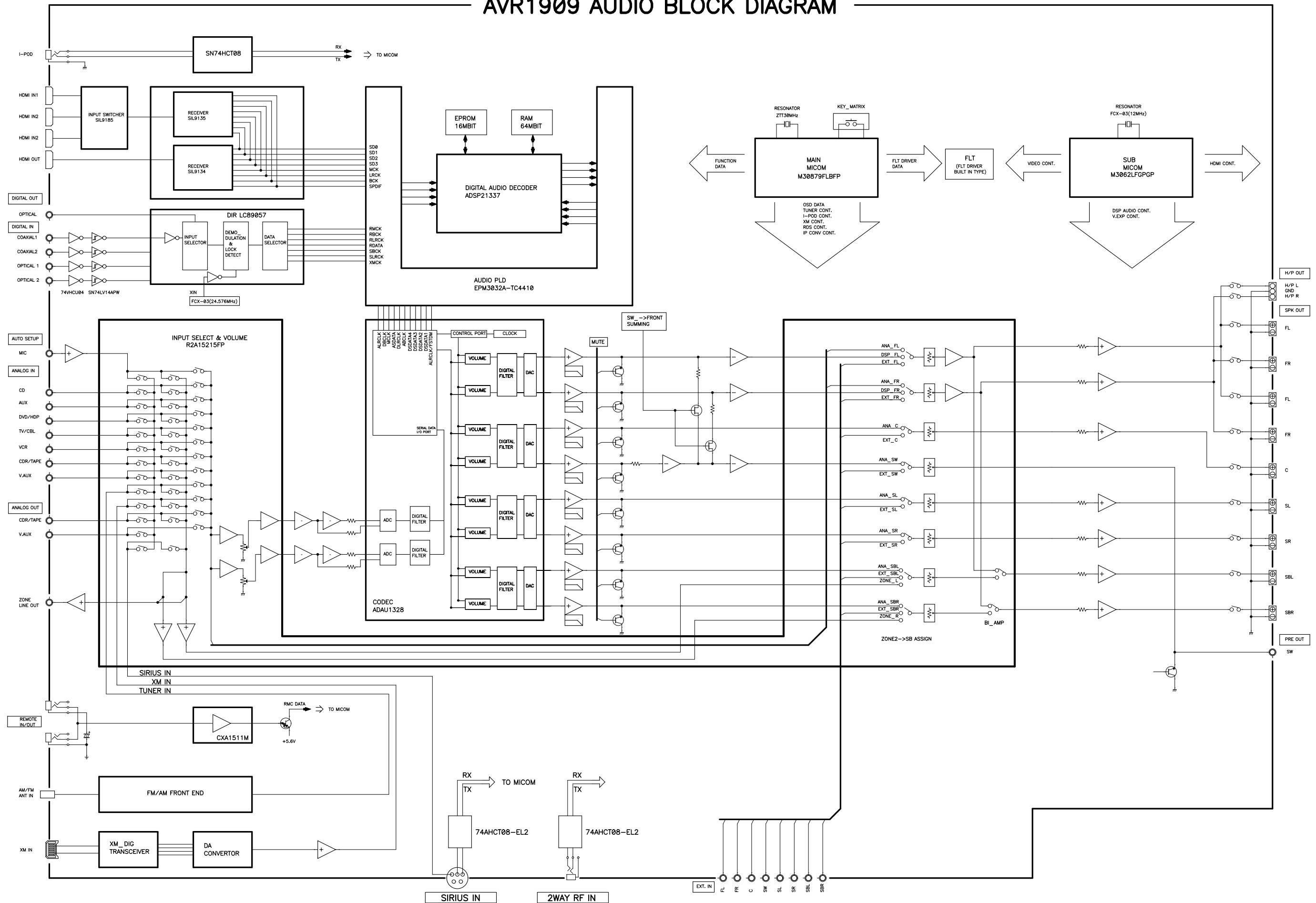


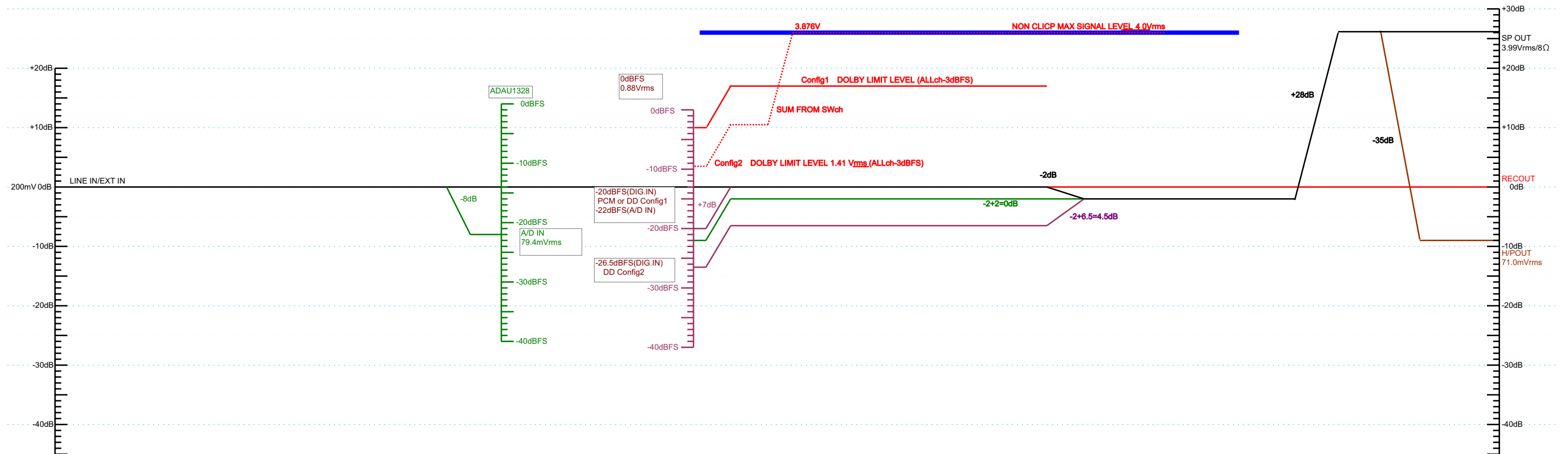
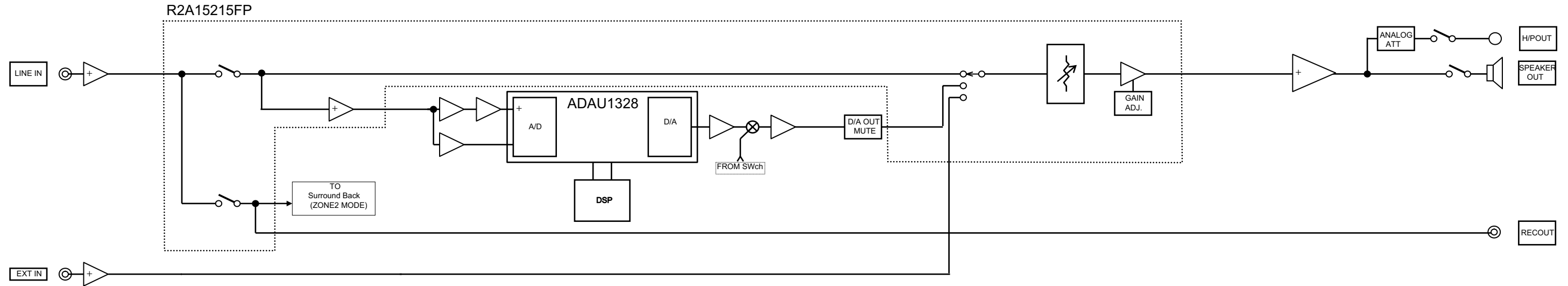
BLOCK DIAGRAM
AUDIO BLOCK DIAGRAM

AVR1909 AUDIO BLOCK DIAGRAM



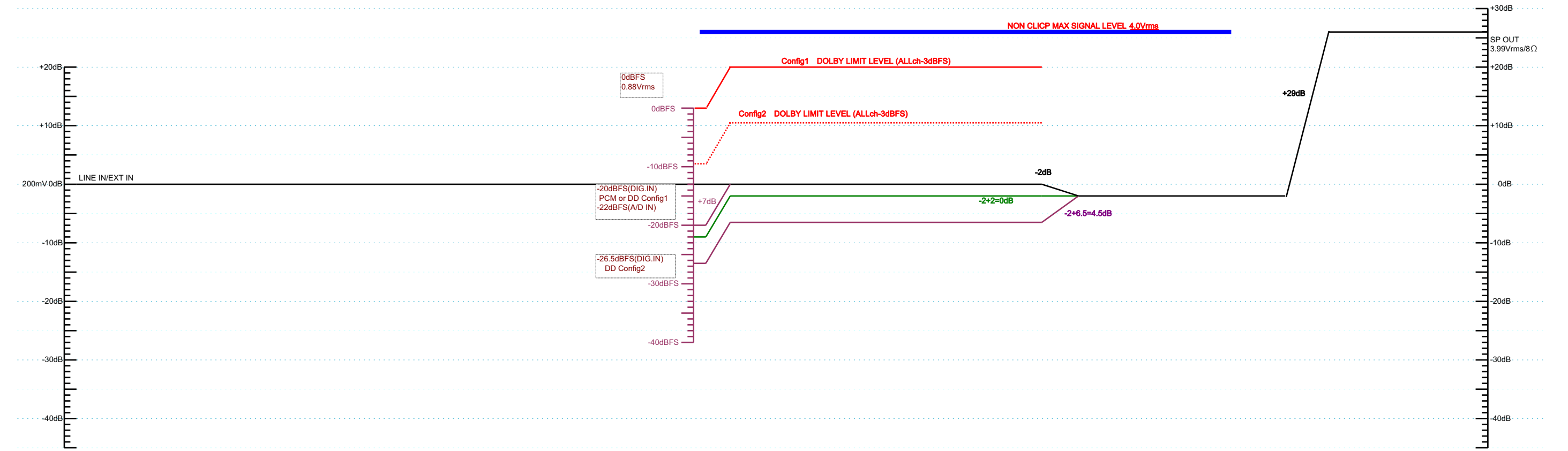
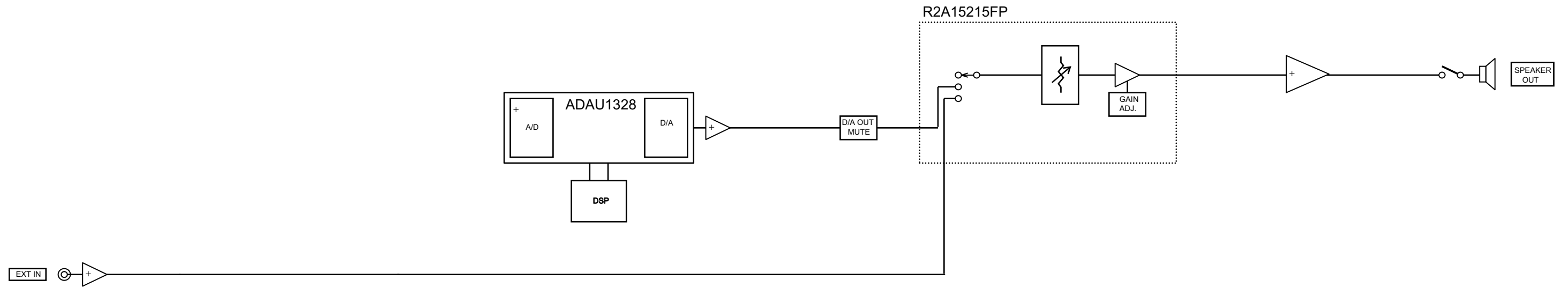
LEVEL DIAGRAMS (1/5)
FRONT LEVEL DIAGRAM

AVR-1909
LEVEL DIAGRAM
FRONT ch



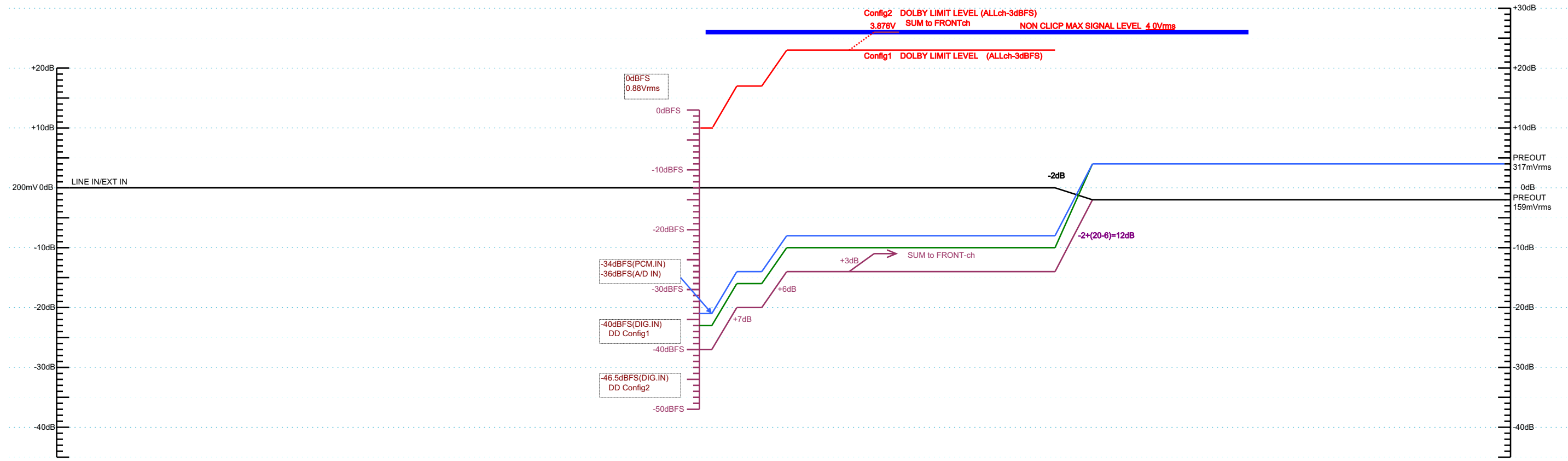
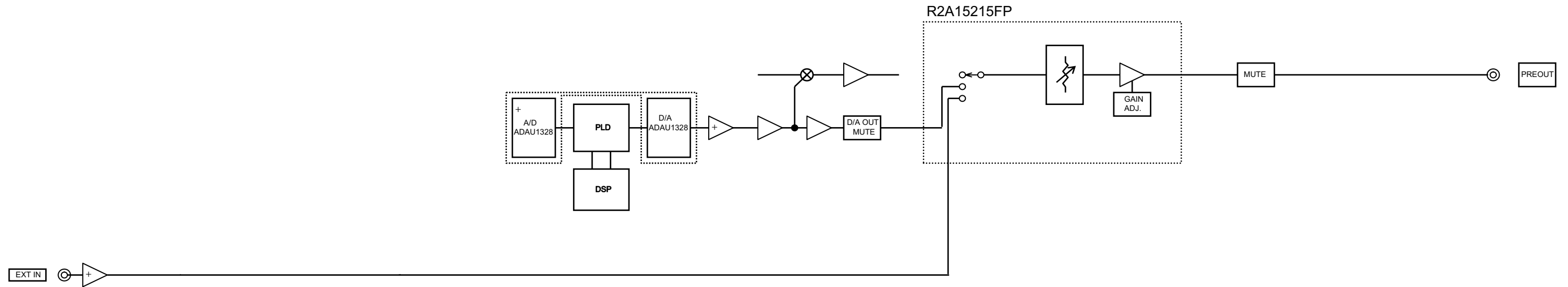
LEVEL DIAGRAMS (2/5)
CENTER LEVEL DIAGRAM

AVR-1909
LEVEL DIAGRAM
CENTER ch



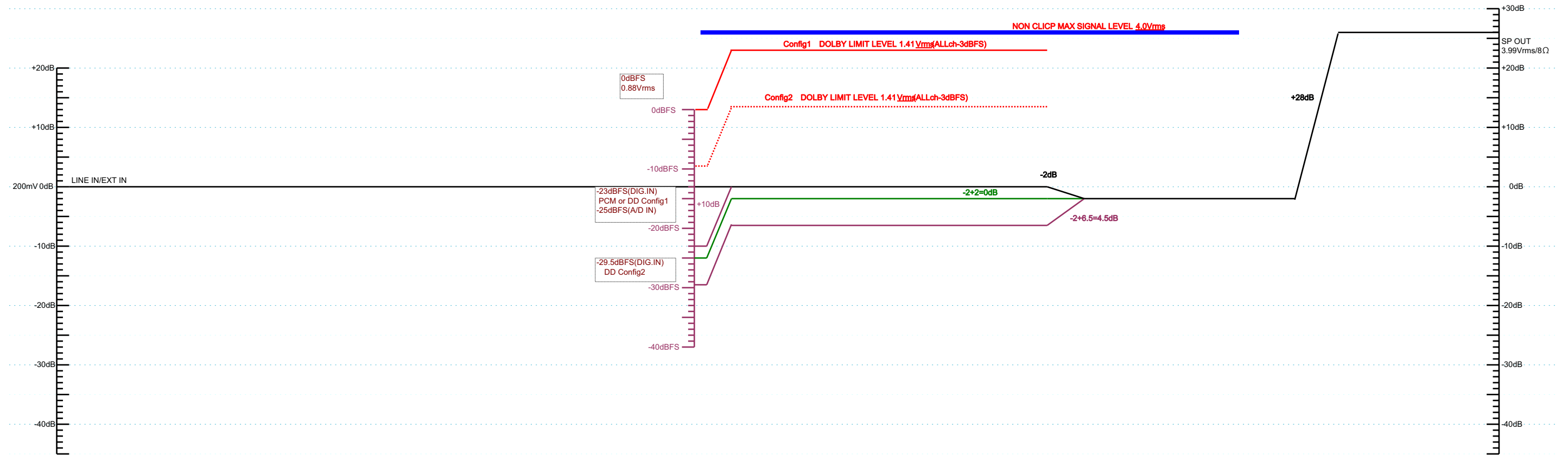
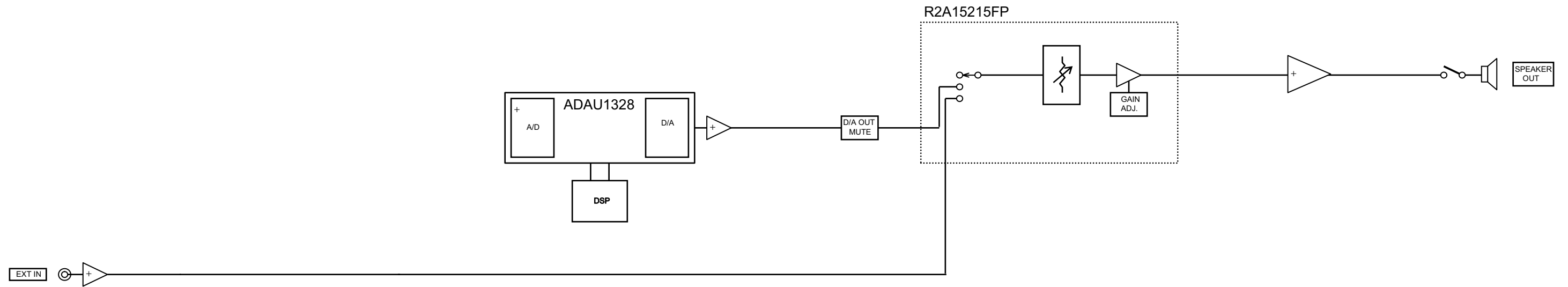
LEVEL DIAGRAMS (3/5)
SUB WOOFER LEVEL DIAGRAM

AVR-1909
LEVEL DIAGRAM
SUBWOOFER ch



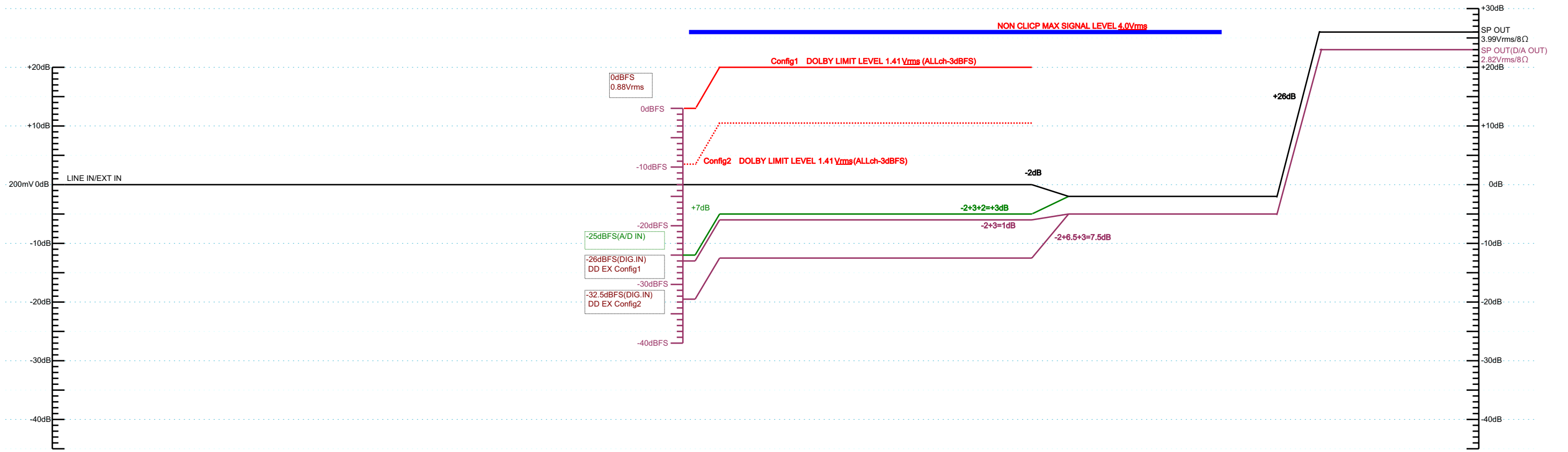
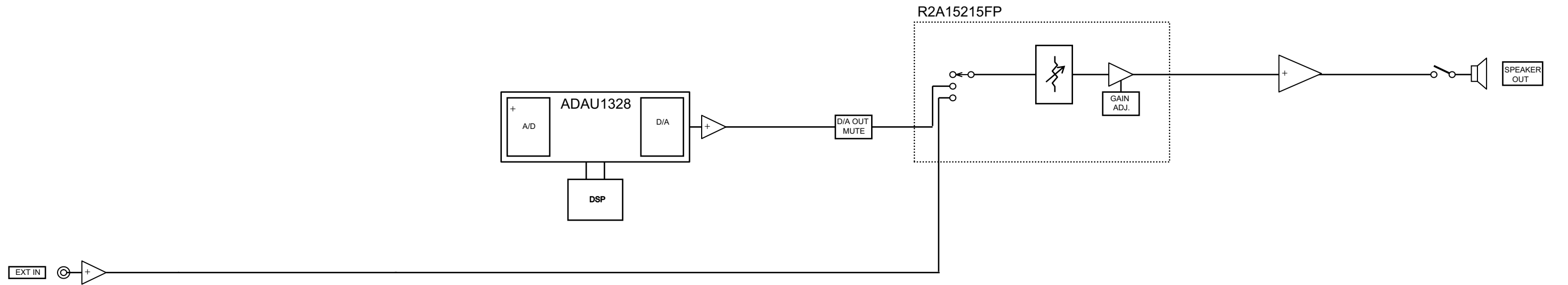
LEVEL DIAGRAMS (4/5)
SURROUND LEVEL DIAGRAM

AVR-1909
LEVEL DIAGRAM
SURROUND ch



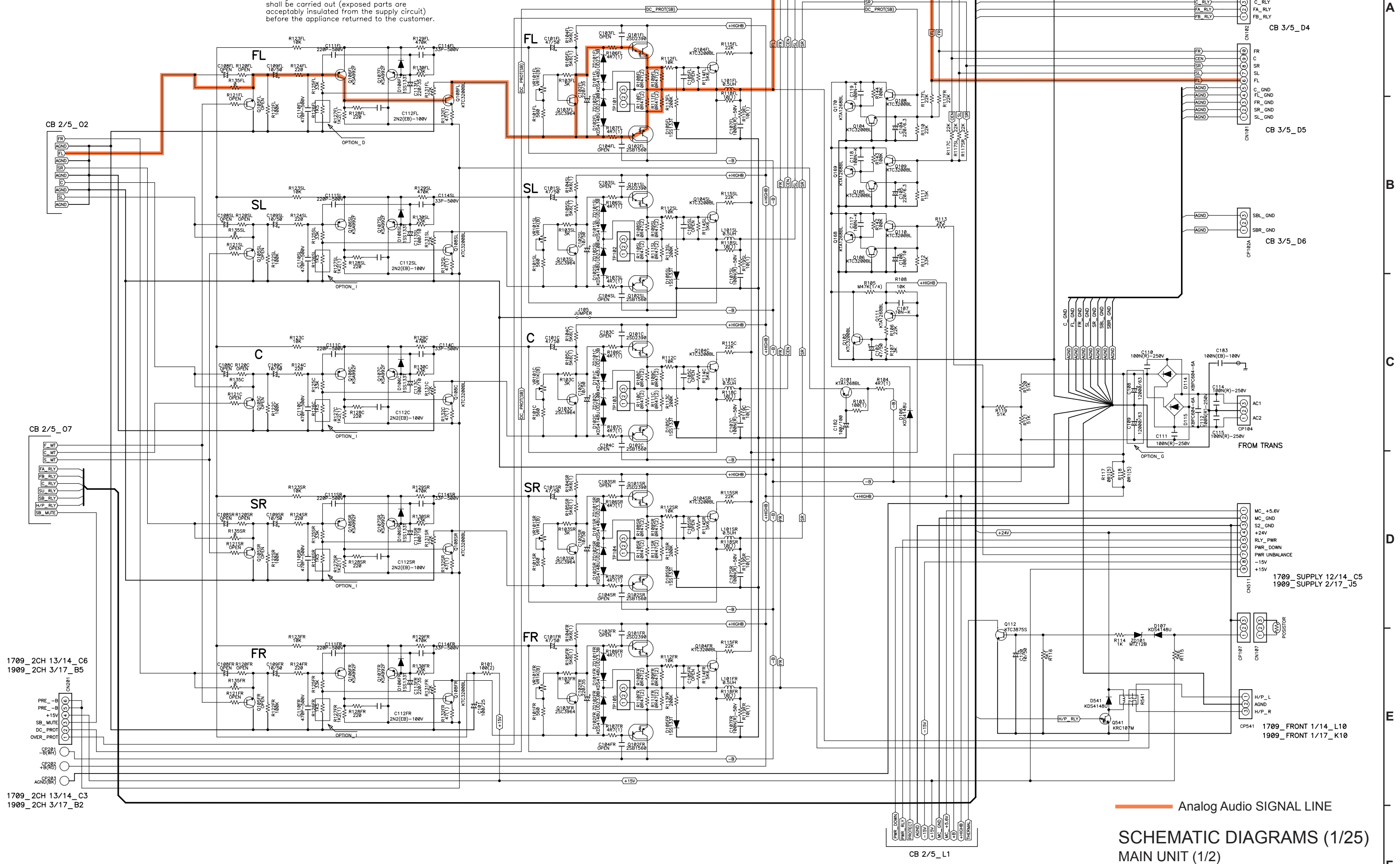
LEVEL DIAGRAMS (5/5)
SURROUND BACK LEVEL DIAGRAM

AVR-1909
LEVEL DIAGRAM
SURR.BACK ch

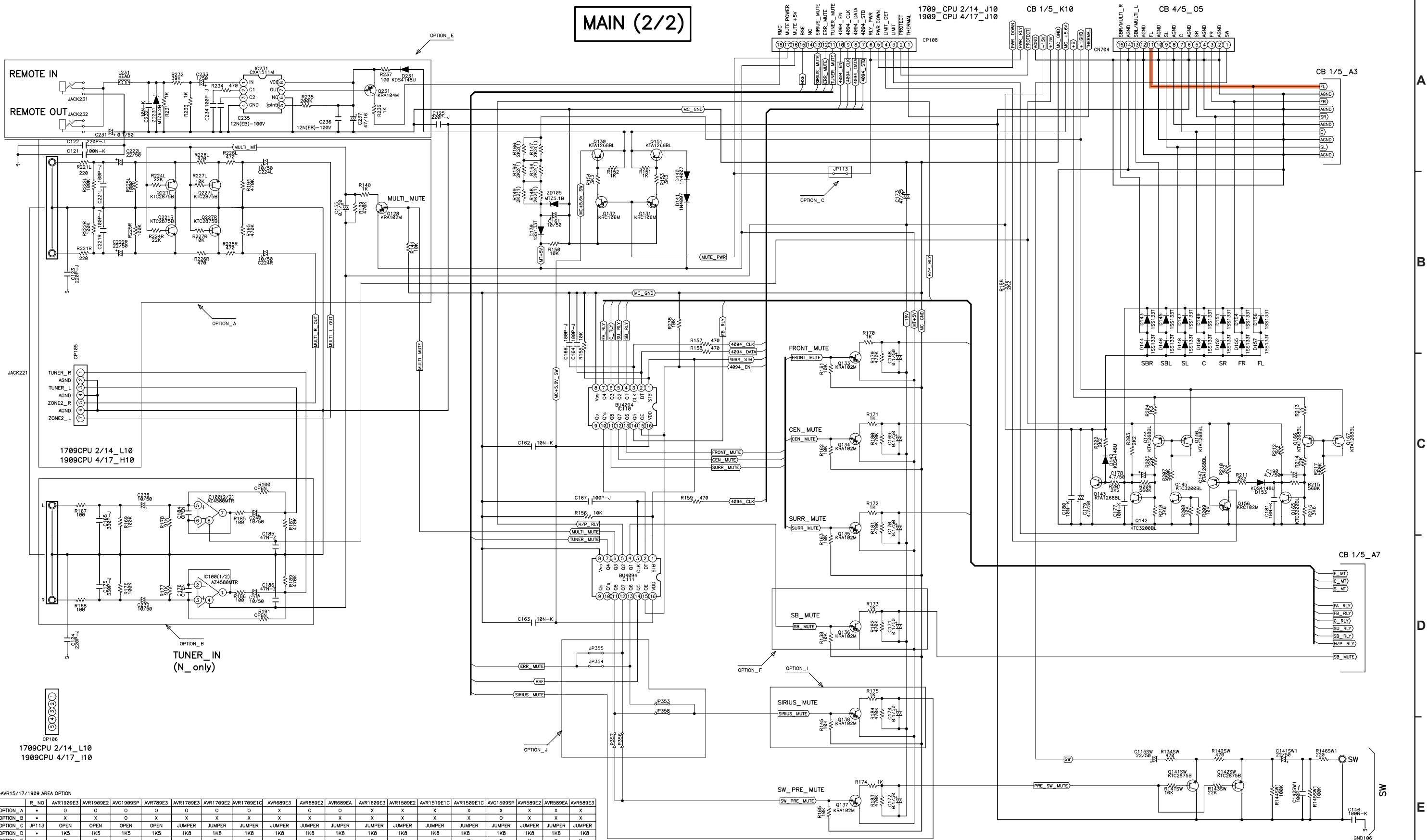


CAUTION: For continued safety, replace critical components only with manufacturers recommended parts (refer to parts list)
⚠ indicates safety critical components. To reduce the risk of electric shock, leakage current or resistance measurements shall be carried out (exposed parts are acceptably insulated from the supply circuit) before the appliance returned to the customer.

MAIN (1/2)



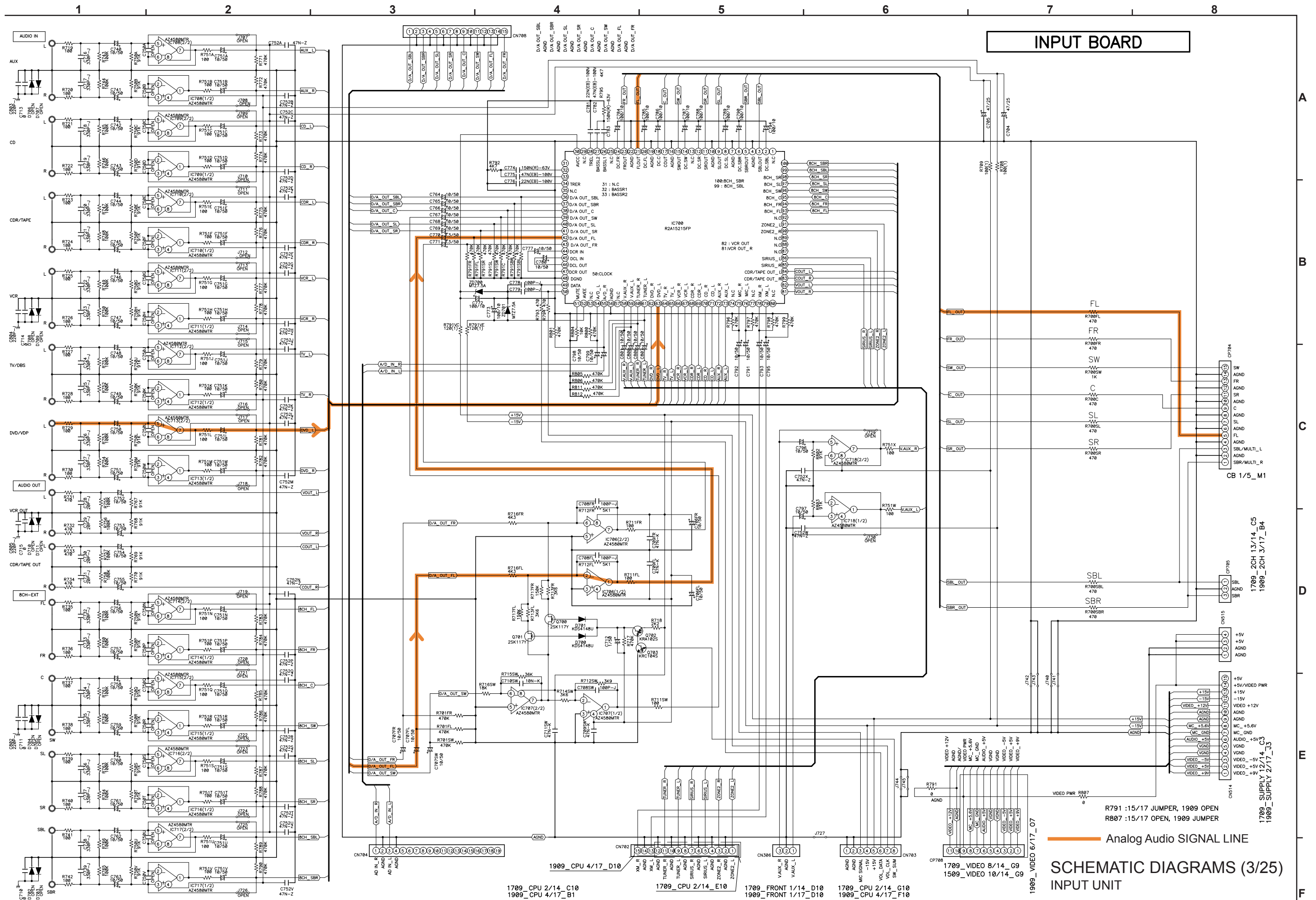
MAIN (2/2)



AVR15/17/1909 AREA OPTION

R_NO	AVR1909E3	AVR1909E2	AVC1909SP	AVR789E3	AVR1709E3	AVR1709E2	AVR1709E1C	AVR689E3	AVR689E2	AVR689E1	AVR1609E3	AVR1509E2	AVR1519E1C	AVR1509E1C	AVC1509SP	AVR589E2	AVR589E1	AVR589E3
OPTION_A	*	0	0	0	0	0	0	X	0	X	X	X	X	X	X	X	X	X
OPTION_B	*	X	X	X	X	X	X	X	X	X	X	X	X	X	0	X	X	X
OPTION_C	JP113	OPEN	OPEN	OPEN	OPEN	JUMPER	JUMPER	JUMPER	JUMPER	JUMPER	JUMPER	JUMPER	JUMPER	JUMPER	JUMPER	JUMPER	JUMPER	JUMPER
OPTION_D	*	1K5	1K5	1K5	1K5	1K5	1K5	1K5	1K5	1K5	1K5	1K5	1K5	1K5	1K5	1K5	1K5	1K5
OPTION_E	*	0	0	0	0	0	0	0	0	0	0	0	0	0	0	0	0	0
OPTION_F	*	0	0	0	0	0	0	0	0	0	0	0	0	0	0	0	0	0
OPTION_G	*	12000/63	12000/63	12000/63	12000/63	10000/63	10000/63	10000/63	10000/63	10000/63	10000/63	10000/63	10000/63	10000/63	10000/63	10000/63	10000/63	10000/63
OPTION_H	*	0	0	0	0	0	0	0	0	0	0	0	0	0	0	0	0	0
OPTION_J	JP353	X	X	X	X	0	0	0	0	0	0	0	0	0	0	0	0	0
	JP354	0	0	0	0	0	0	X	X	X	X	X	X	X	X	X	X	X
	JP355	X	X	X	X	0	0	0	0	0	0	0	0	0	0	0	0	0
	JP356	0	0	0	0	0	0	X	X	X	X	X	X	X	X	X	X	X
	JP357	X	X	X	X	0	0	0	0	0	0	0	0	0	0	0	0	0
JP358	0	0	0	0	0	0	0	X	X	X	X	X	X	X	X	X	X	X

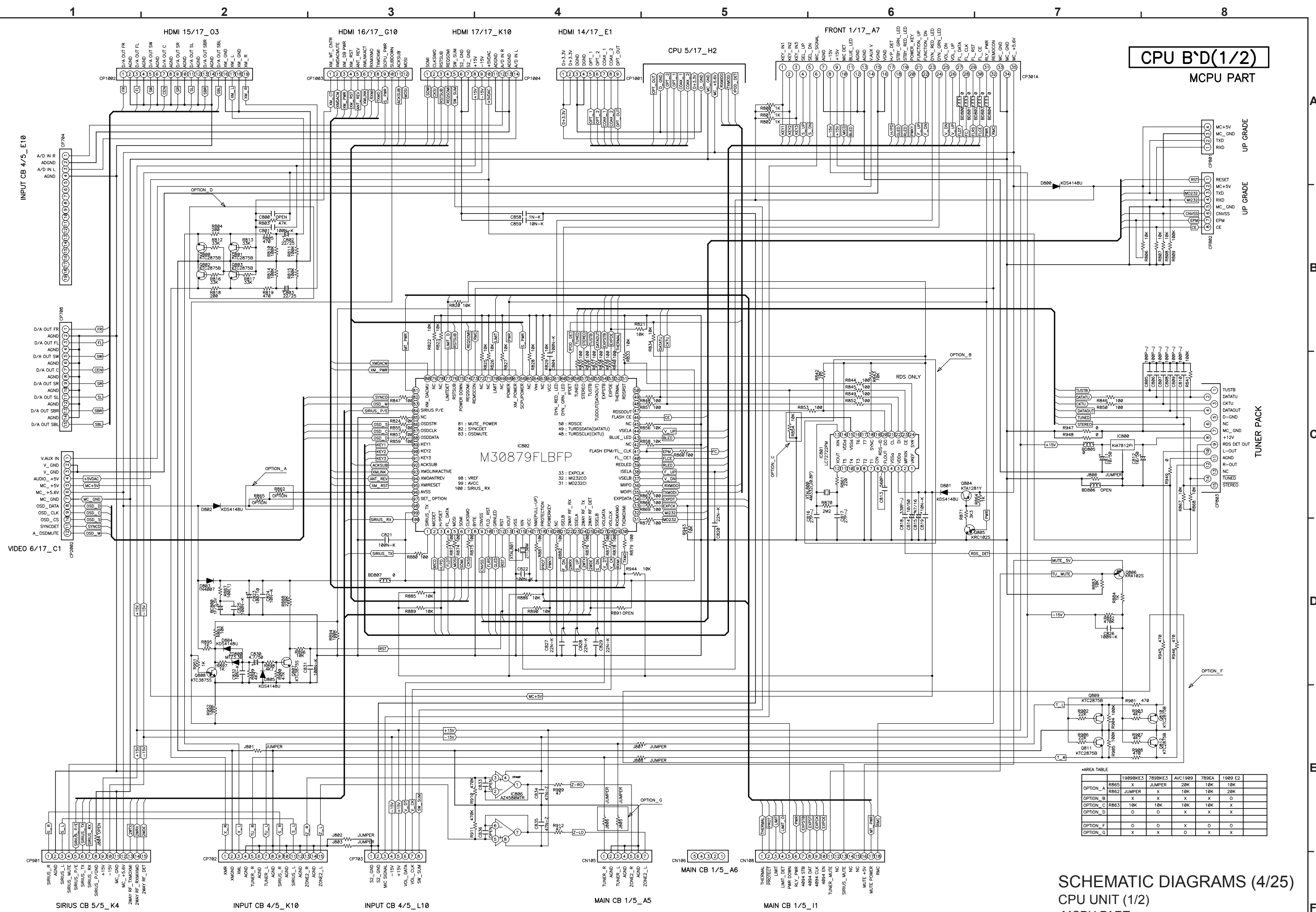
— Analog Audio SIGNAL LINE
SCHEMATIC DIAGRAMS (2/25)
 MAIN UNIT (2/2)



INPUT BOARD

— Analog Audio SIGNAL LINE

SCHEMATIC DIAGRAMS (3/25)
INPUT UNIT



CPU B'D(1/2)
MCPU PART

AREA TABLE

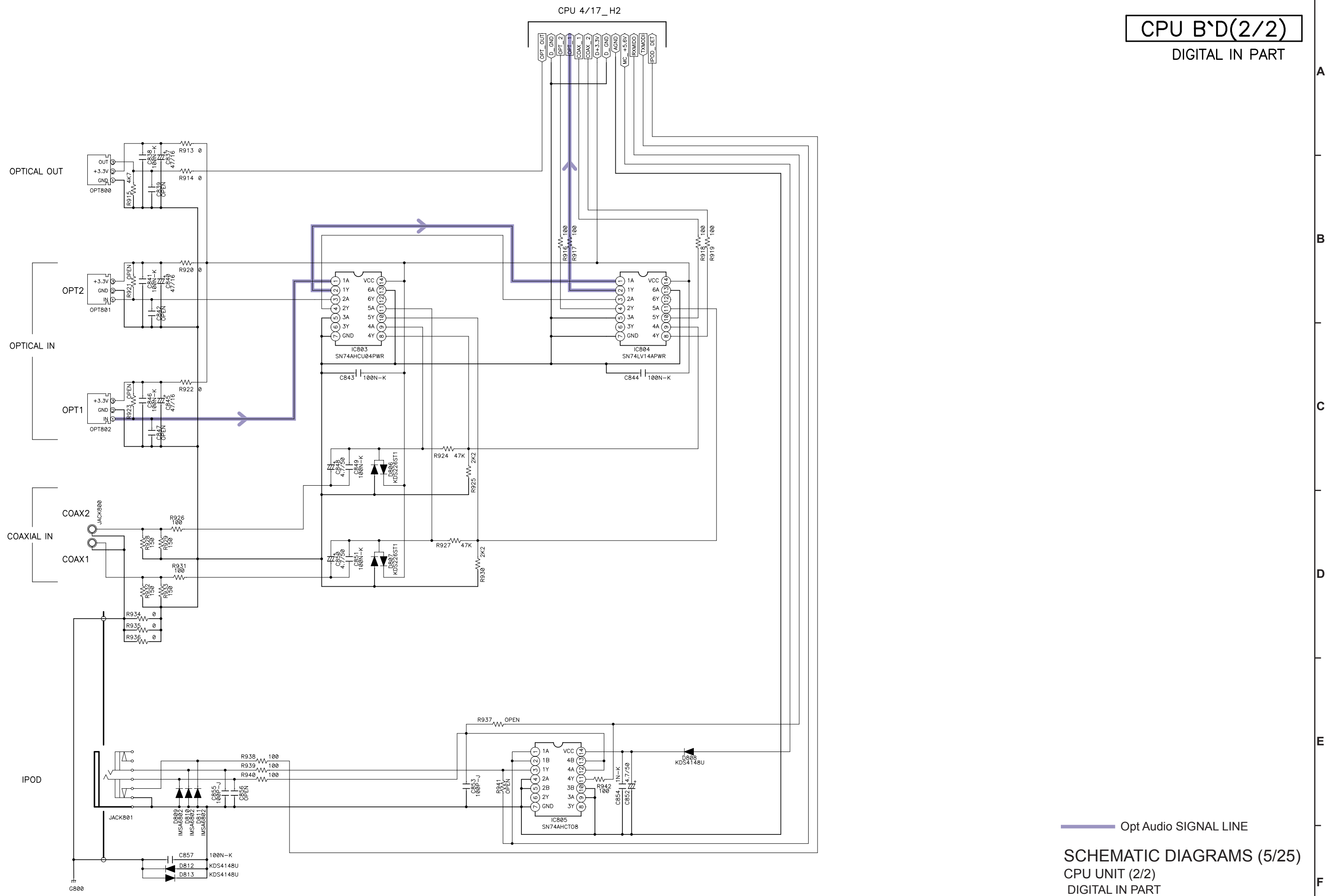
	1909BKE3	7899KE3	AVC1909	7899EA	1909 E2
OPTION_A	R865	X	JUMPER	X	18K
OPTION_B	R862	JUMPER	X	18K	28K
OPTION_C	R863	10K	10K	10K	X
OPTION_D	O	O	X	X	X
OPTION_F	O	O	X	O	O
OPTION_G	X	X	O	X	X

SCHEMATIC DIAGRAMS (4/25)
CPU UNIT (1/2)
MCPU PART

AVR-1909/789, AVC-1909

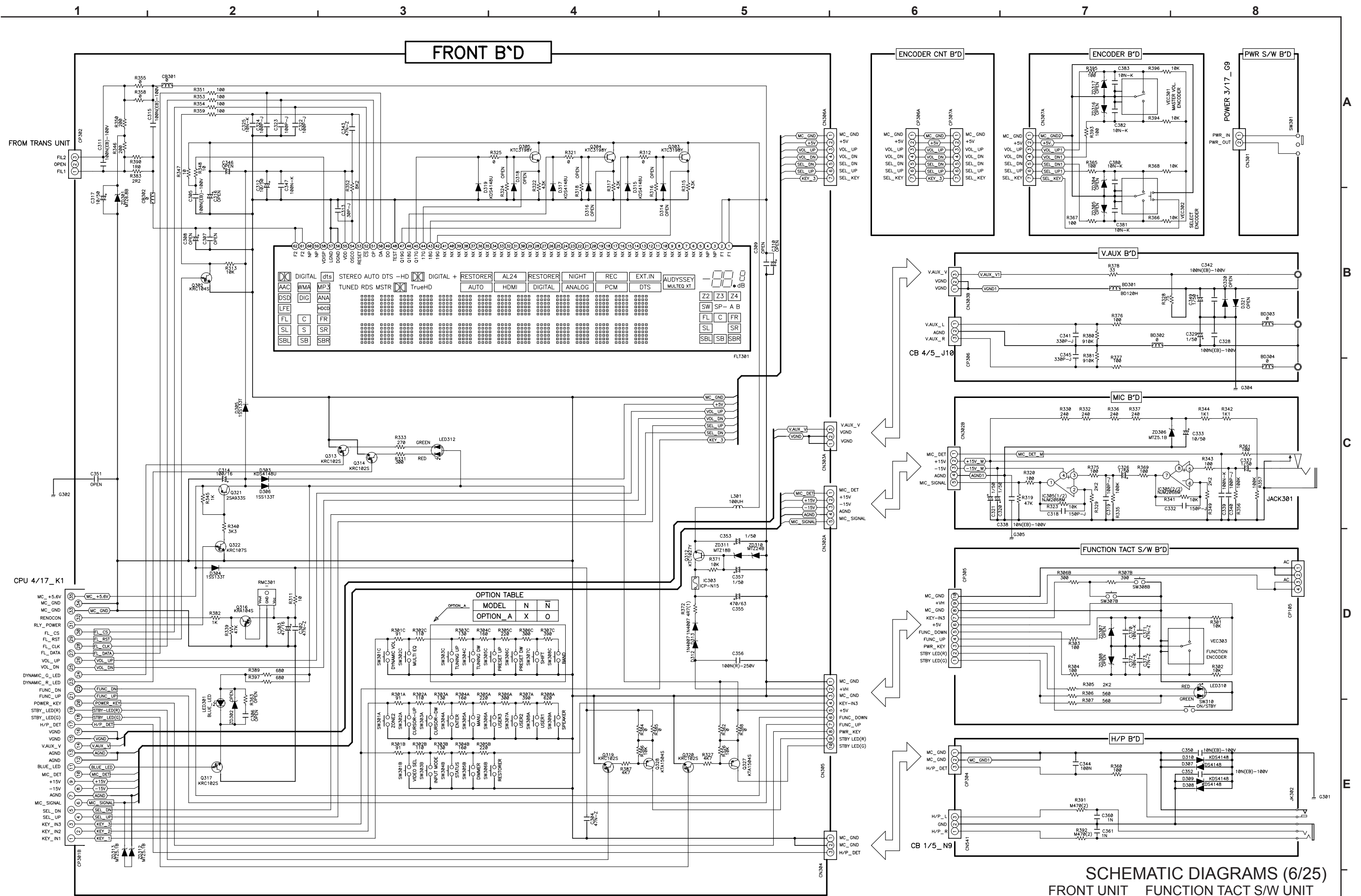
CPU B'D(2/2)

DIGITAL IN PART



Opt Audio SIGNAL LINE

SCHMATIC DIAGRAMS (5/25)
CPU UNIT (2/2)
DIGITAL IN PART



- FROM TRANS UNIT
- FIL2
OPEN
FIL1
- CPU 4/17_K1
- MC_+5.6V
 - MC_GND
 - MC_GND
 - RENOCON
 - RLY_POWER
 - FL_CS
 - FL_RST
 - FL_CLK
 - FL_DATA
 - VOL_UP
 - VOL_DN
 - DYNAMIC_G_LED
 - DYNAMIC_R_LED
 - FUNC_DN
 - FUNC_UP
 - POWER_KEY
 - STBY_LED(R)
 - STBY_LED(G)
 - H/P_DET
 - VOND
 - V.AUX_V
 - AGND
 - AGND
 - BLUE_LED
 - MIC_DET
 - +15V
 - 15V
 - AGND
 - MIC_SIGNAL
 - SEL_DN
 - SEL_UP
 - KEY_IN3
 - KEY_IN2
 - KEY_IN1

FRONT B'D

ENCODER CNT B'D

ENCODER B'D

PWR S/W B'D

V.AUX B'D

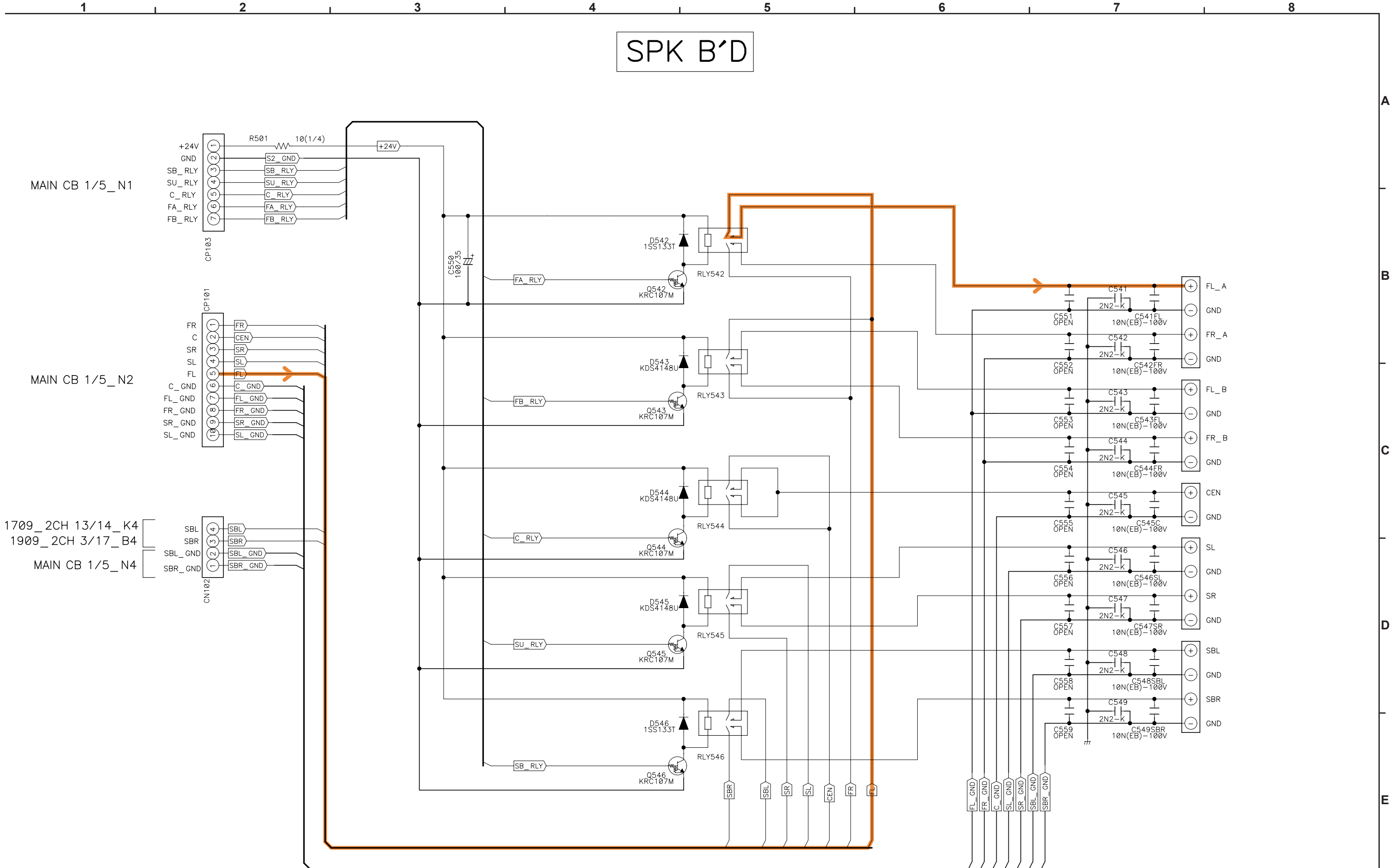
MIC B'D

FUNCTION TACT S/W B'D

H/P B'D

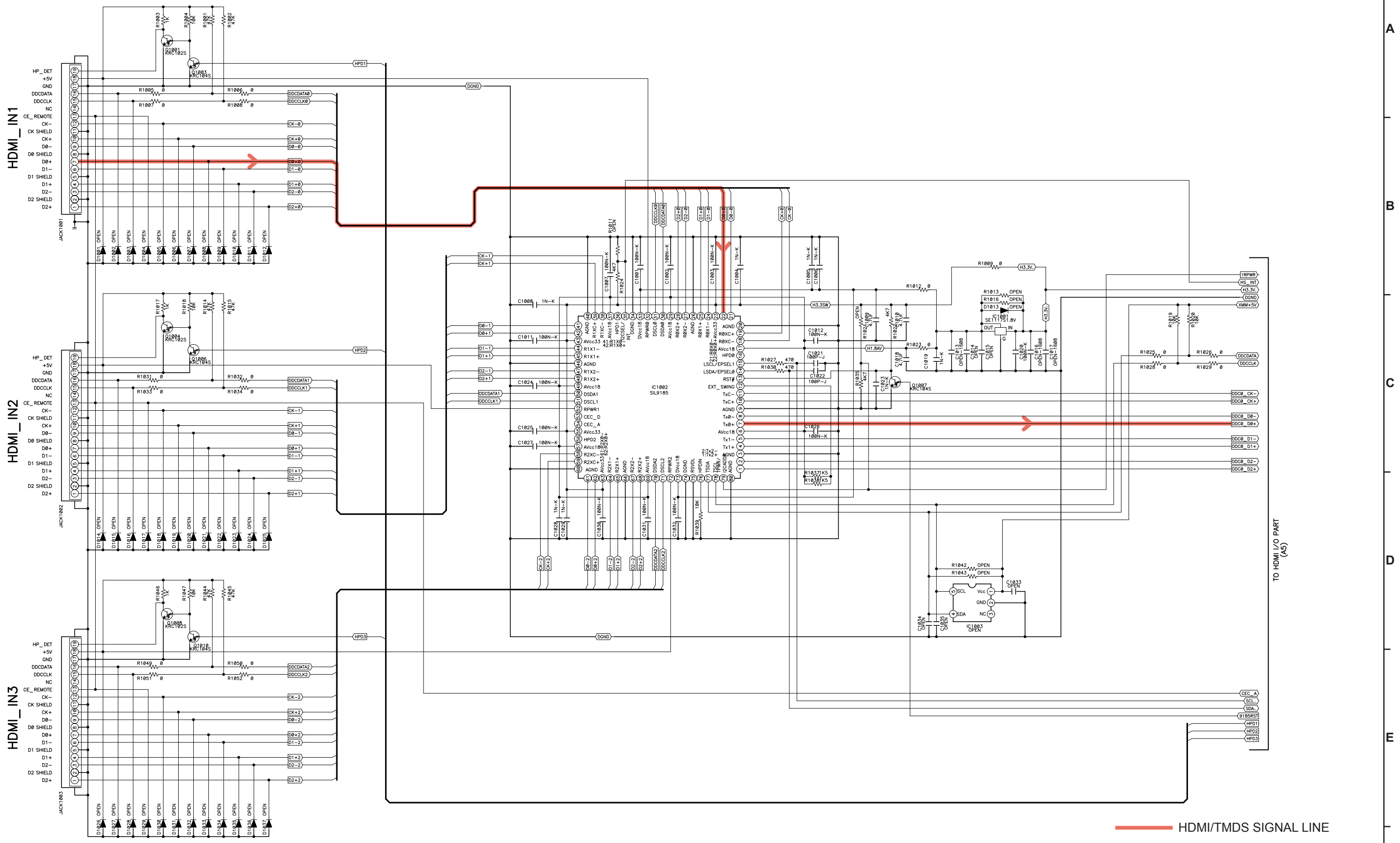
SCHEMATIC DIAGRAMS (6/25)
 FRONT UNIT FUNCTION TACT S/W UNIT
 V.AUX UNIT ENCODER CNT UNIT
 MIC UNIT ENCODER UNIT
 H/P UNIT PWR S/W UNIT

SPK B'D



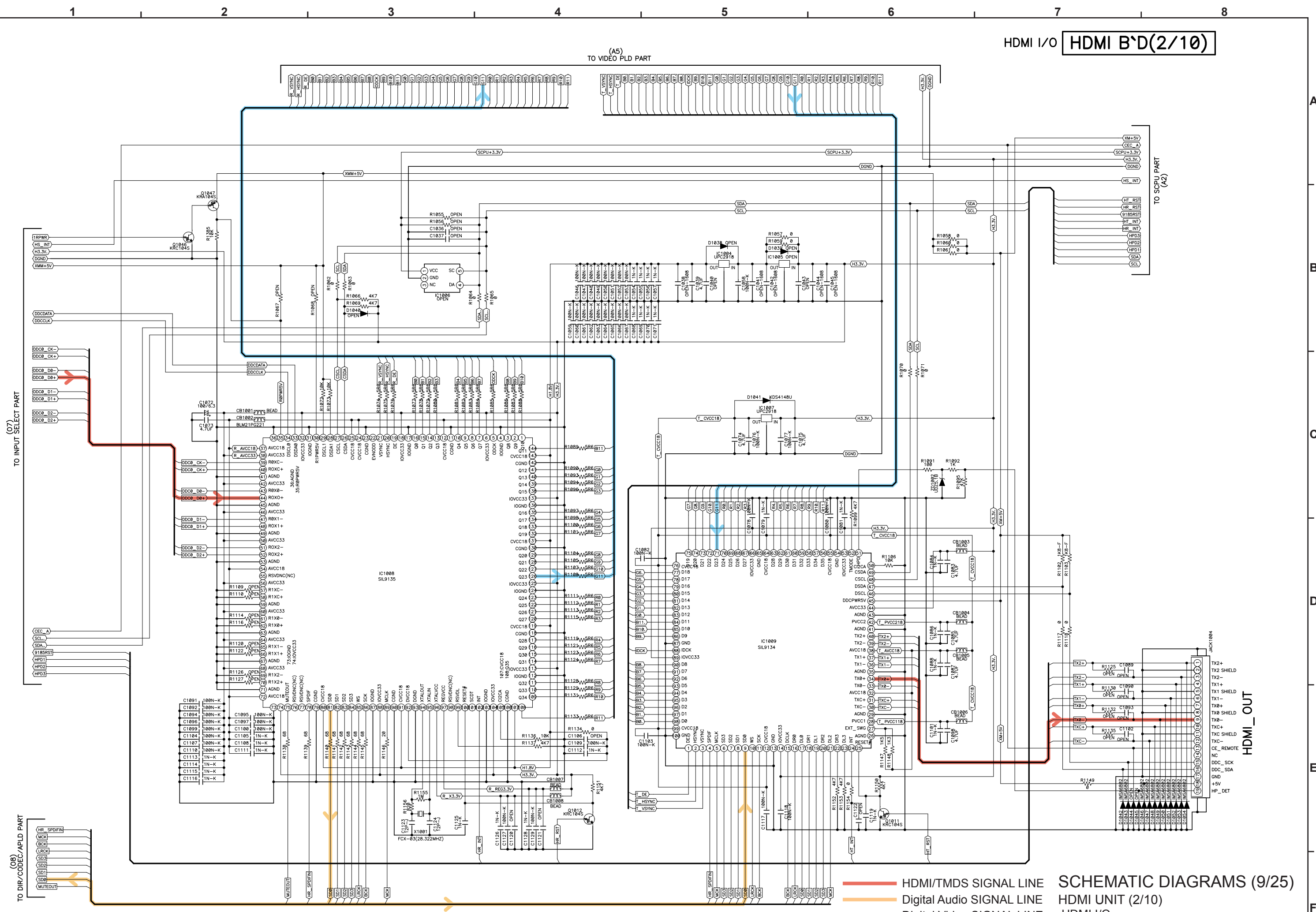
— Analog Audio SIGNAL LINE

SCHEMATIC DIAGRAMS (7/25)
SPK UNIT



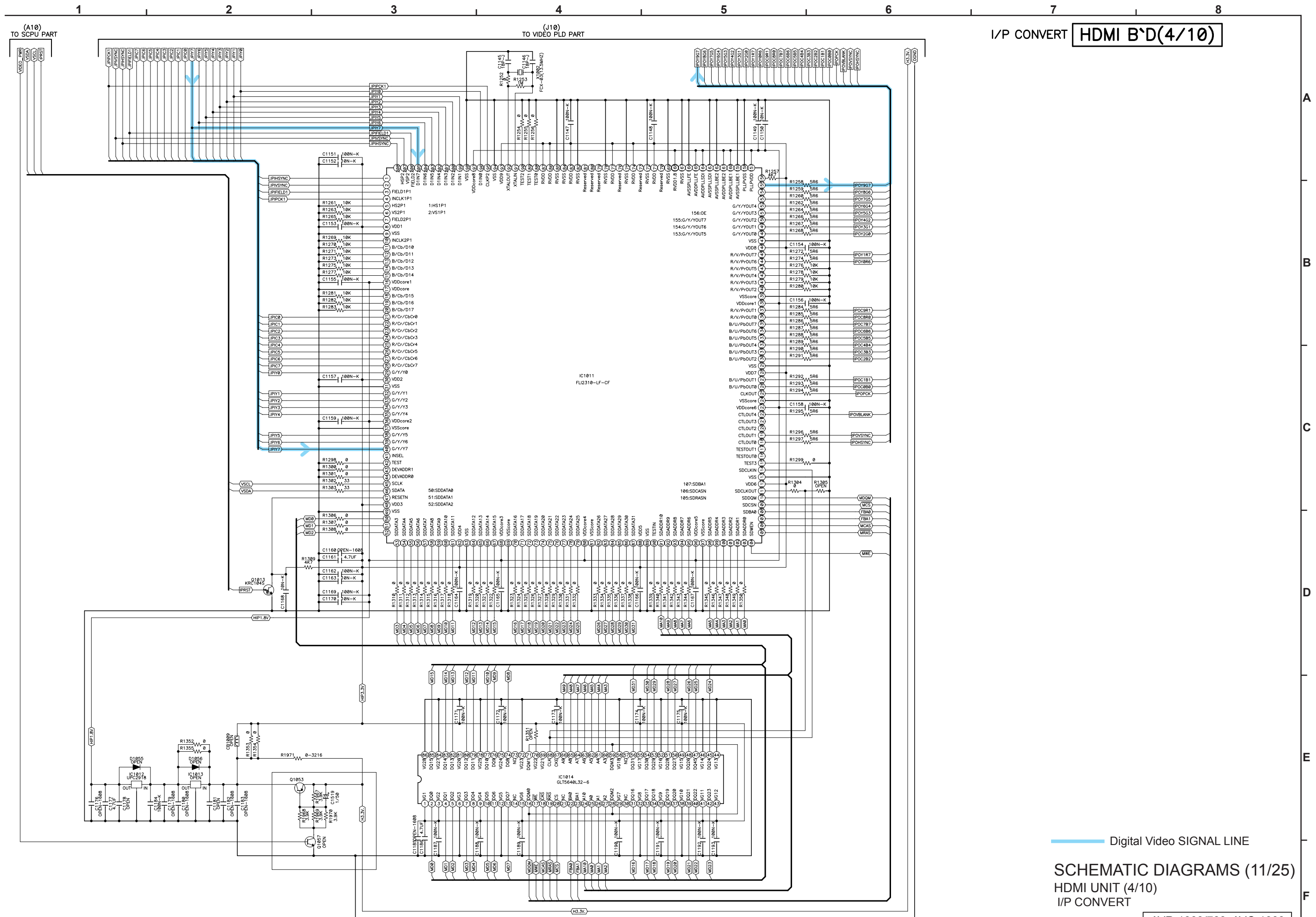
HDMI/TMDs SIGNAL LINE

SCHEMATIC DIAGRAMS (8/25)
HDMI UNIT (1/10)
HDMI INPUT SELECT



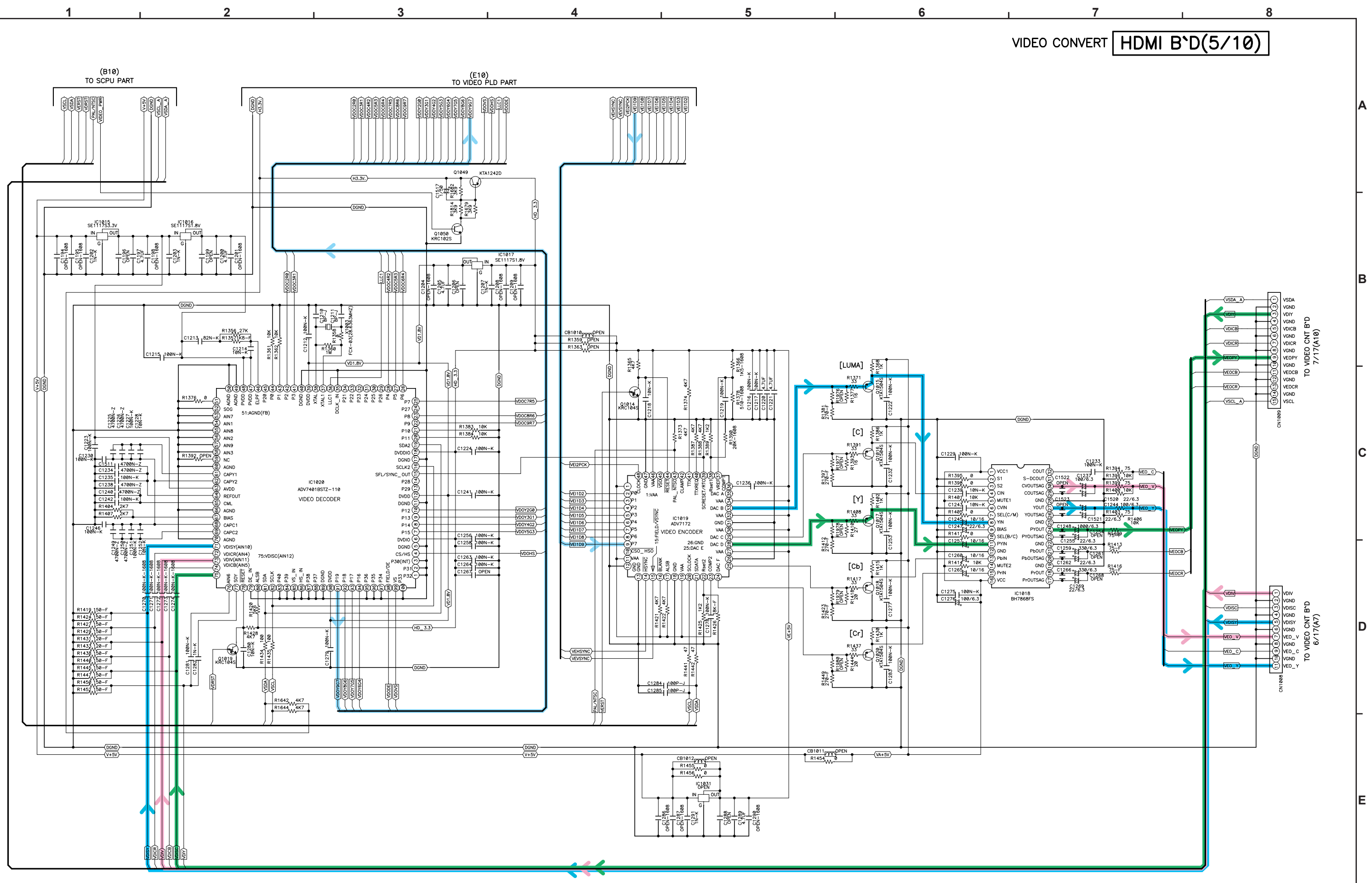
- HDMI/TMDS SIGNAL LINE
- Digital Audio SIGNAL LINE
- Digital Video SIGNAL LINE

SCHEMATIC DIAGRAMS (9/25)
 HDMI UNIT (2/10)
 HDMI I/O



I/P CONVERT **HDMI B'D(4/10)**

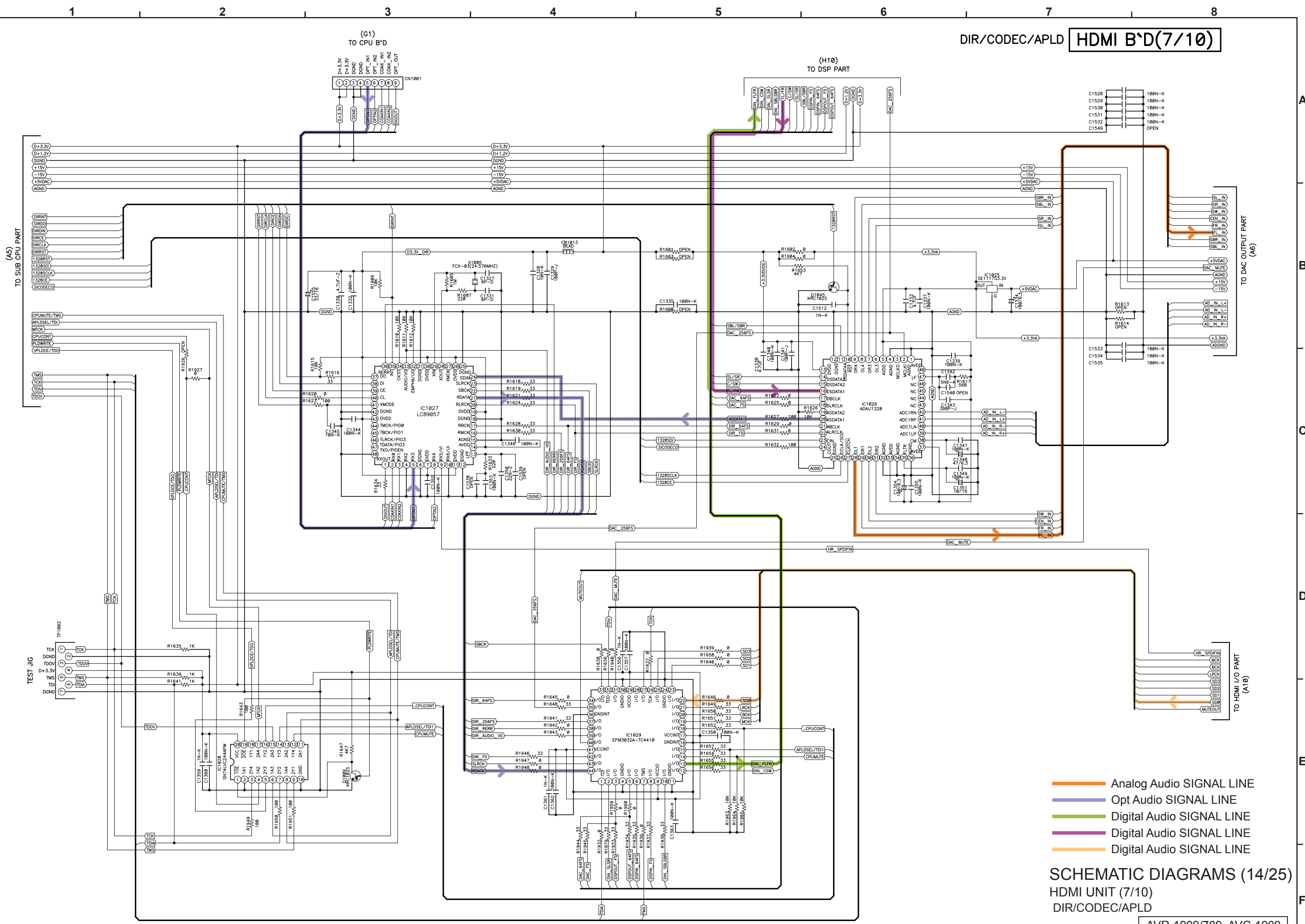
— Digital Video SIGNAL LINE
SCHEMATIC DIAGRAMS (11/25)
 HDMI UNIT (4/10)
 I/P CONVERT



- Digital Video SIGNAL LINE
- Video SIGNAL LINE
- S-Video-Y SIGNAL LINE
- Component-Y SIGNAL LINE

SCHMATIC DIAGRAMS (12/25)
HDMI UNIT (5/10)
VIDEO CONVERT

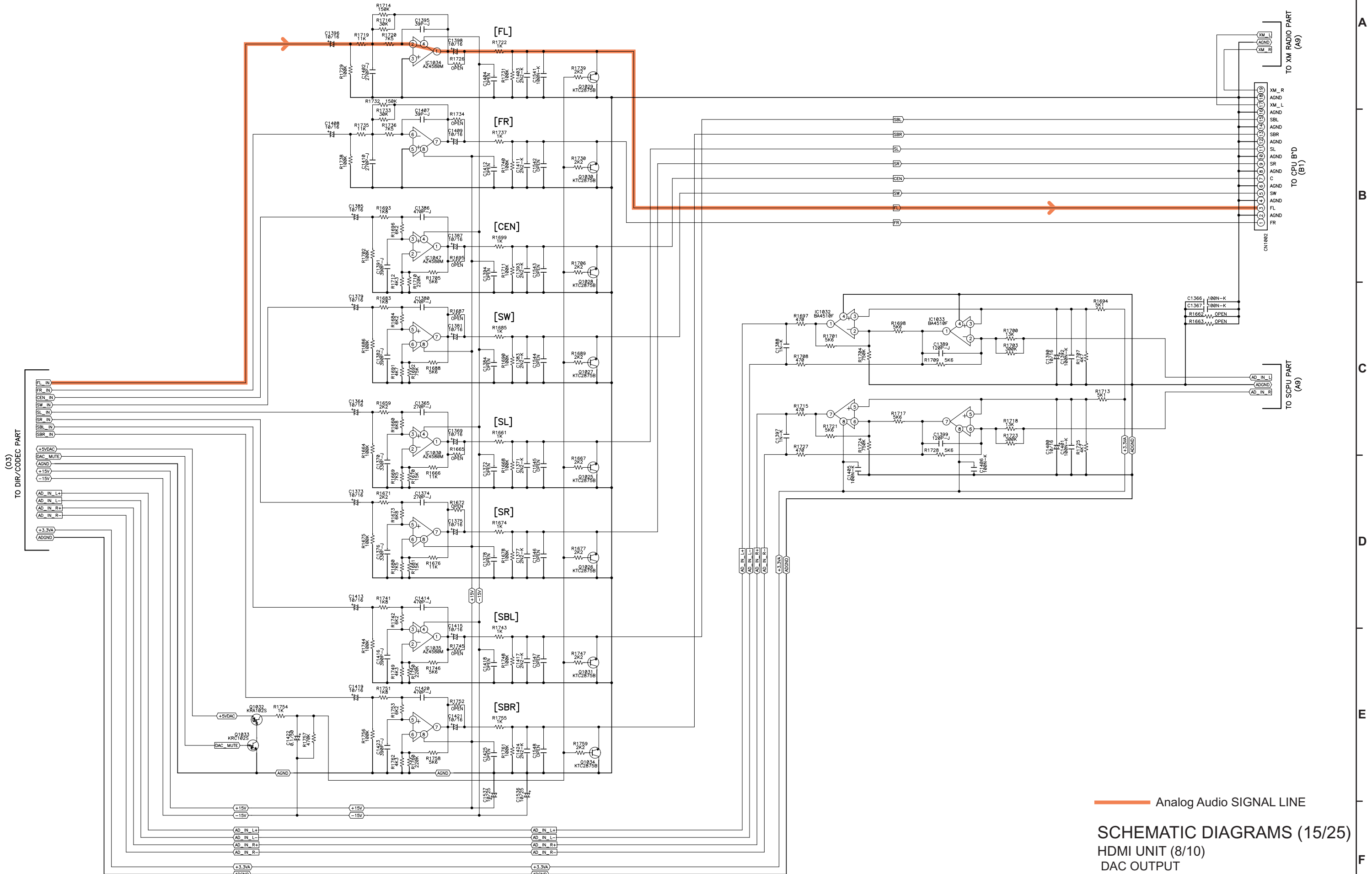
DIR/CODEC/APLD **HDMI B`D(7/10)**



- Analog Audio SIGNAL LINE
- Opt Audio SIGNAL LINE
- Digital Audio SIGNAL LINE
- Digital Audio SIGNAL LINE

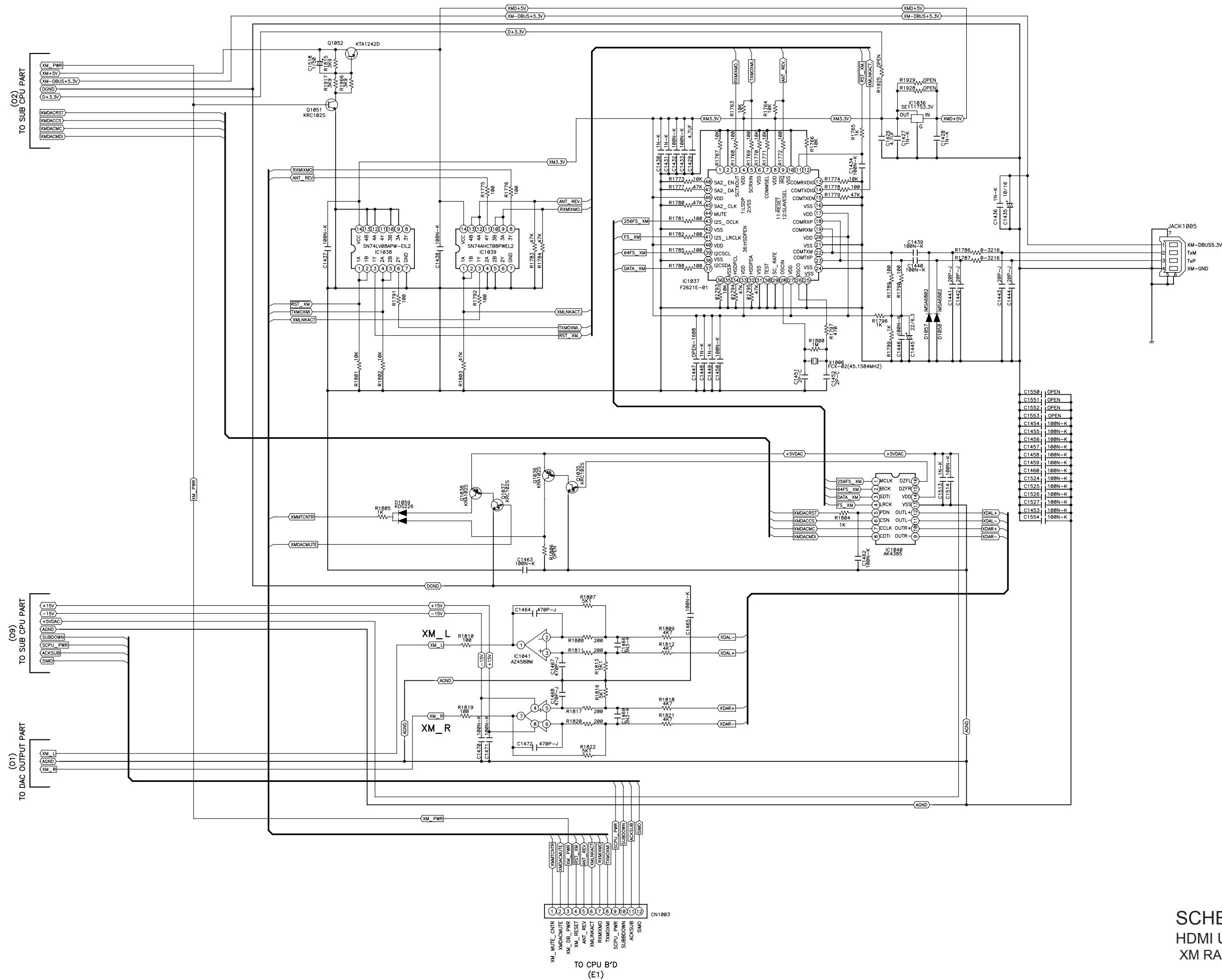
SCHEMATIC DIAGRAMS (14/25)
HDMI UNIT (7/10)
DIR/CODEC/APLD

DAC OUTPUT **HDMI B'D(8/10)**



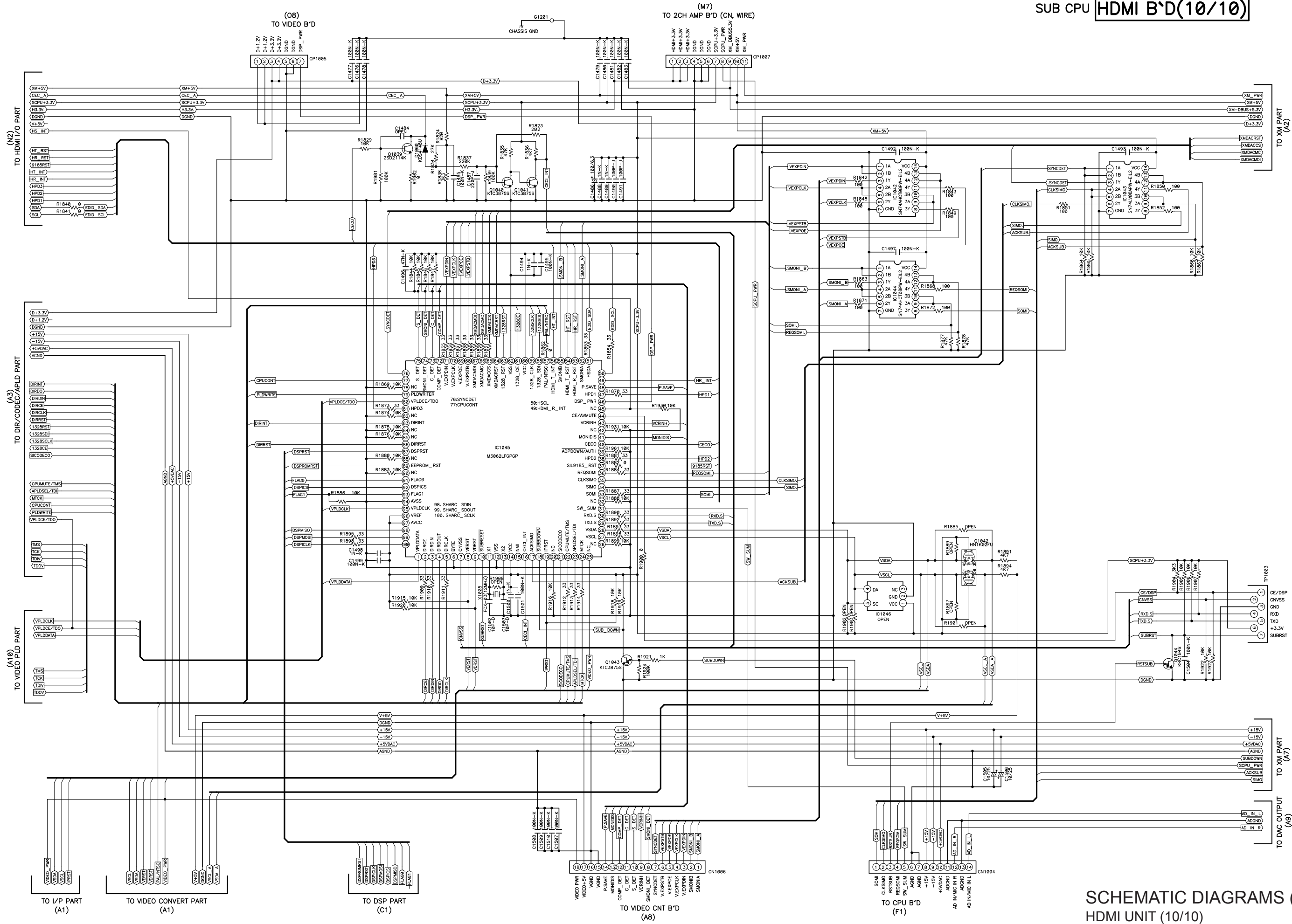
— Analog Audio SIGNAL LINE

SCHEMATIC DIAGRAMS (15/25)
 HDMI UNIT (8/10)
 DAC OUTPUT



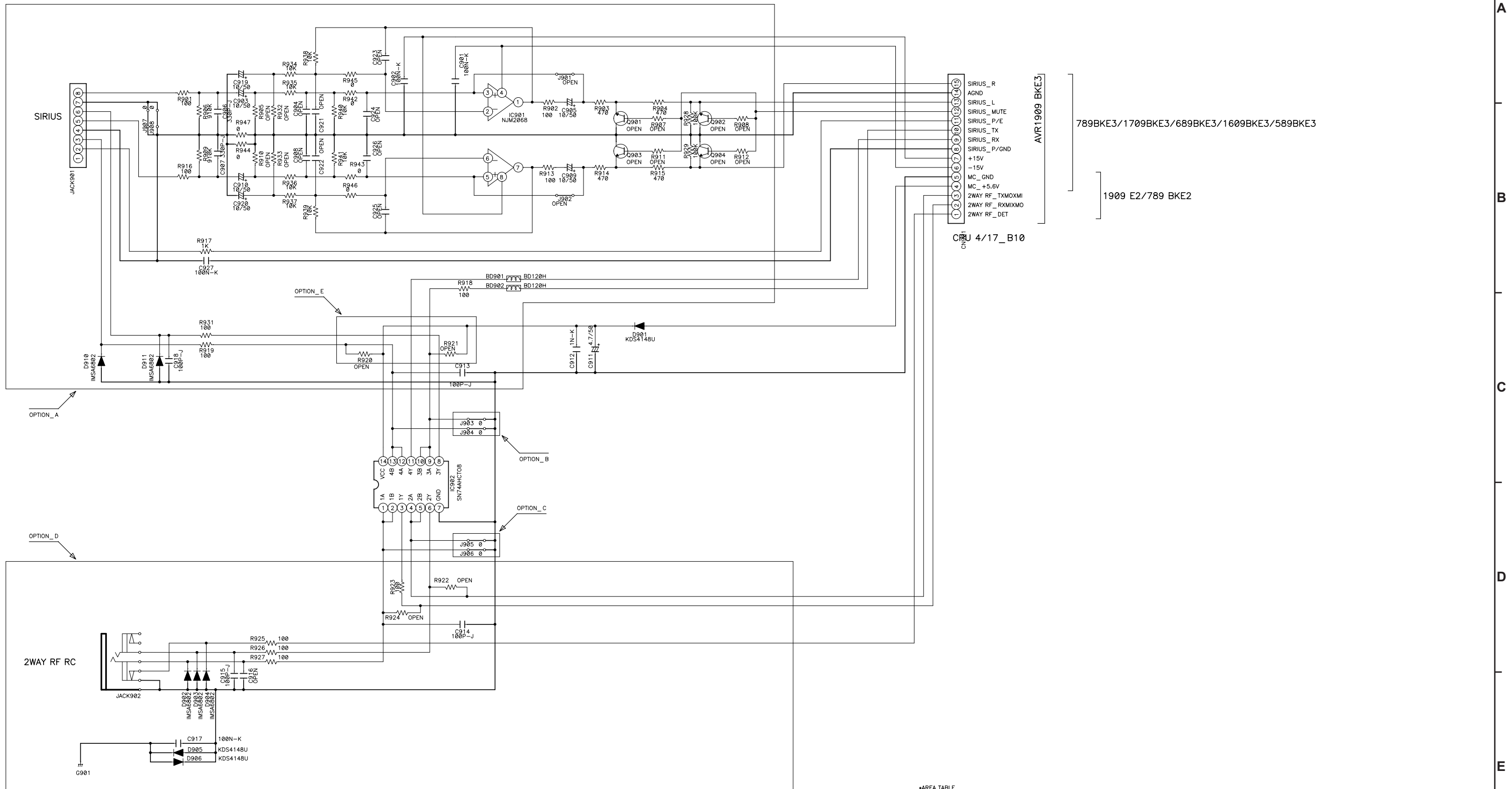
SCHEMATIC DIAGRAMS (16/25)
 HDMI UNIT (9/10)
 XM RADIO (E3 model only)
 AVR-1909/789, AVC-1909

SUB CPU **HDMI B'D(10/10)**



SCHEMATIC DIAGRAMS (17/25)
HDMI UNIT (10/10)
SUB CPU

SIRIUS/2WAY RF B'D



AVR1909 BKE3

1	SIRIUS_R
2	ACND
3	SIRIUS_L
4	SIRIUS_MUTE
5	SIRIUS_P/E
6	SIRIUS_TX
7	SIRIUS_RX
8	SIRIUS_P/GND
9	+15V
10	-15V
11	MC_GND
12	MC_+5.6V
13	2WAY RF_TXMXMI
14	2WAY RF_RXMIXMO
15	2WAY RF_DET

789BKE3/1709BKE3/689BKE3/1609BKE3/589BKE3

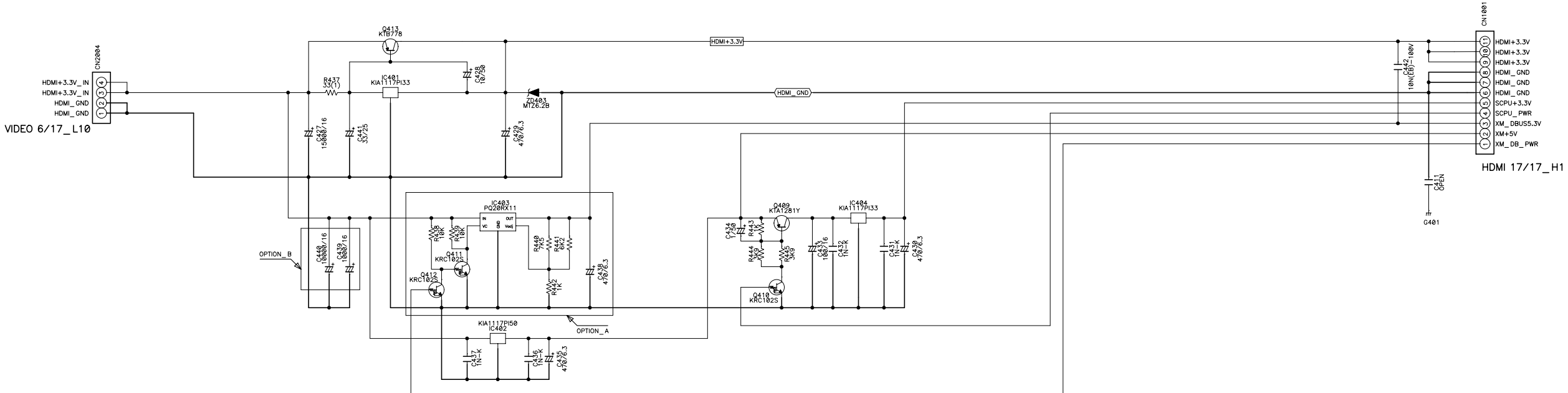
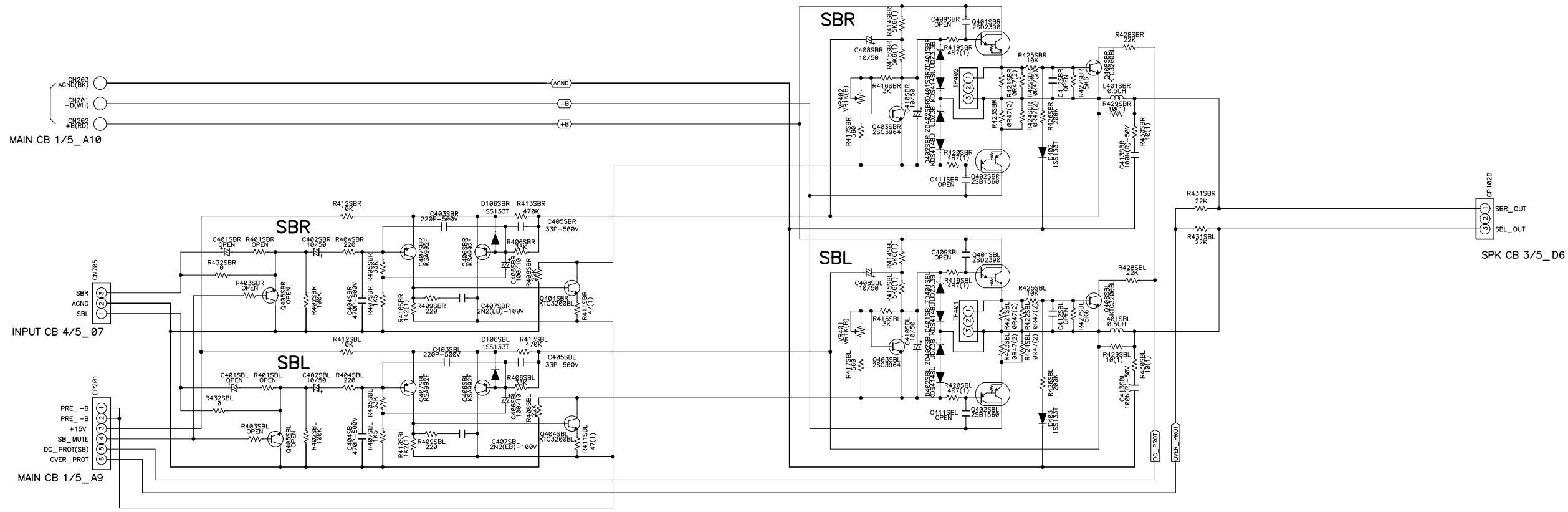
1909 E2/789 BKE2

CPU 4/17_B10

*AREA TABLE

	1909BKE3	789BKE3	1909 E2	789BKE2	1909 N	1709BKE3	689BKE3	1609BKE3	589BKE3	15/1709E2	589/689BKE2	1509/1519E1C	1509 N
OPTION_A	0	0	X	X	X	0	0	0	0	X	X	X	X
OPTION_B	X	X	0	0	X	X	X	X	X	X	X	X	X
OPTION_C	X	0	X	X	X	0	0	0	0	X	X	X	X
OPTION_D	0	X	0	0	0	X	X	X	X	X	X	X	X
OPTION_E	0	0	0	0	0	0	0	0	0	0	0	0	0

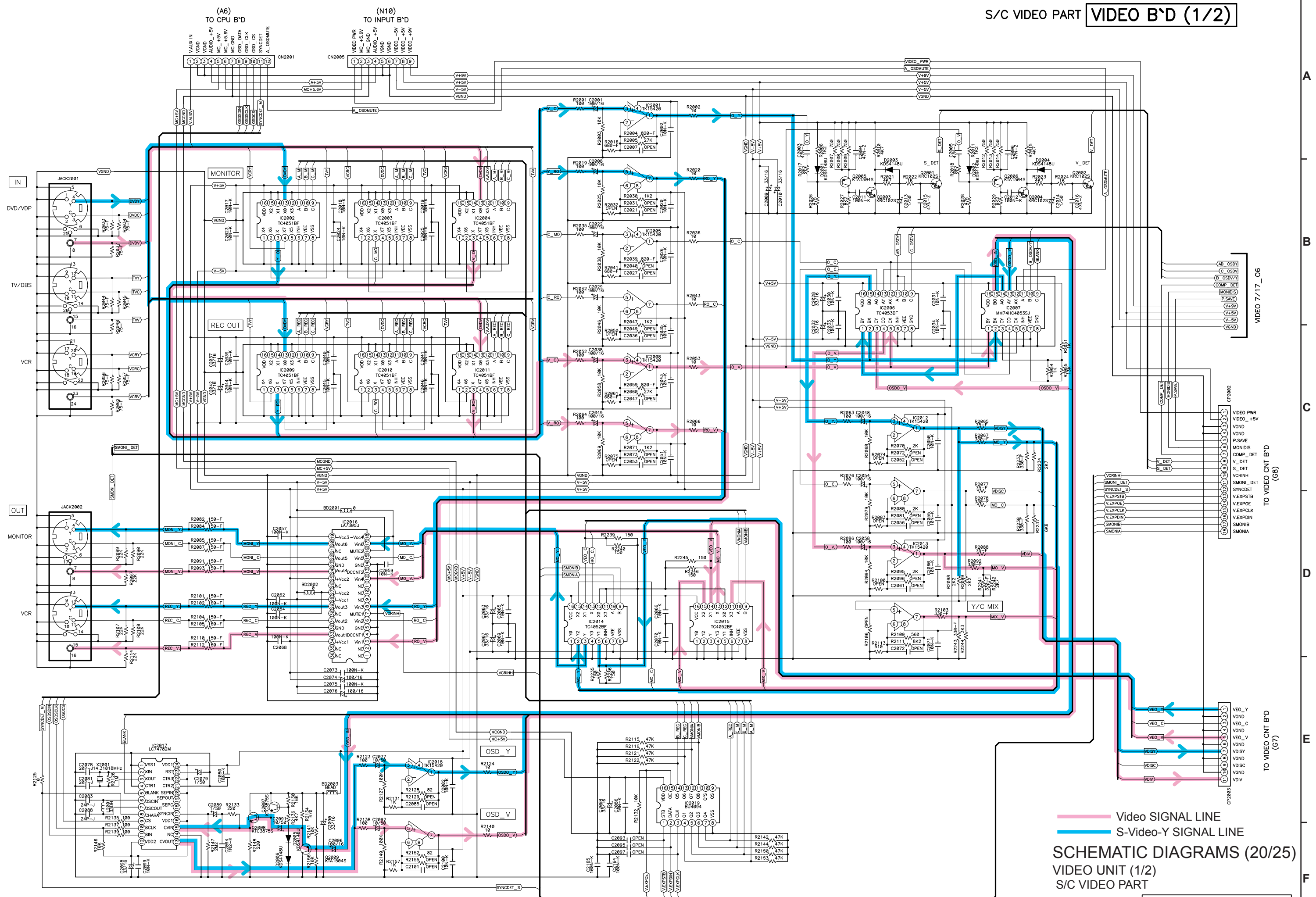
2CH AMP B'D



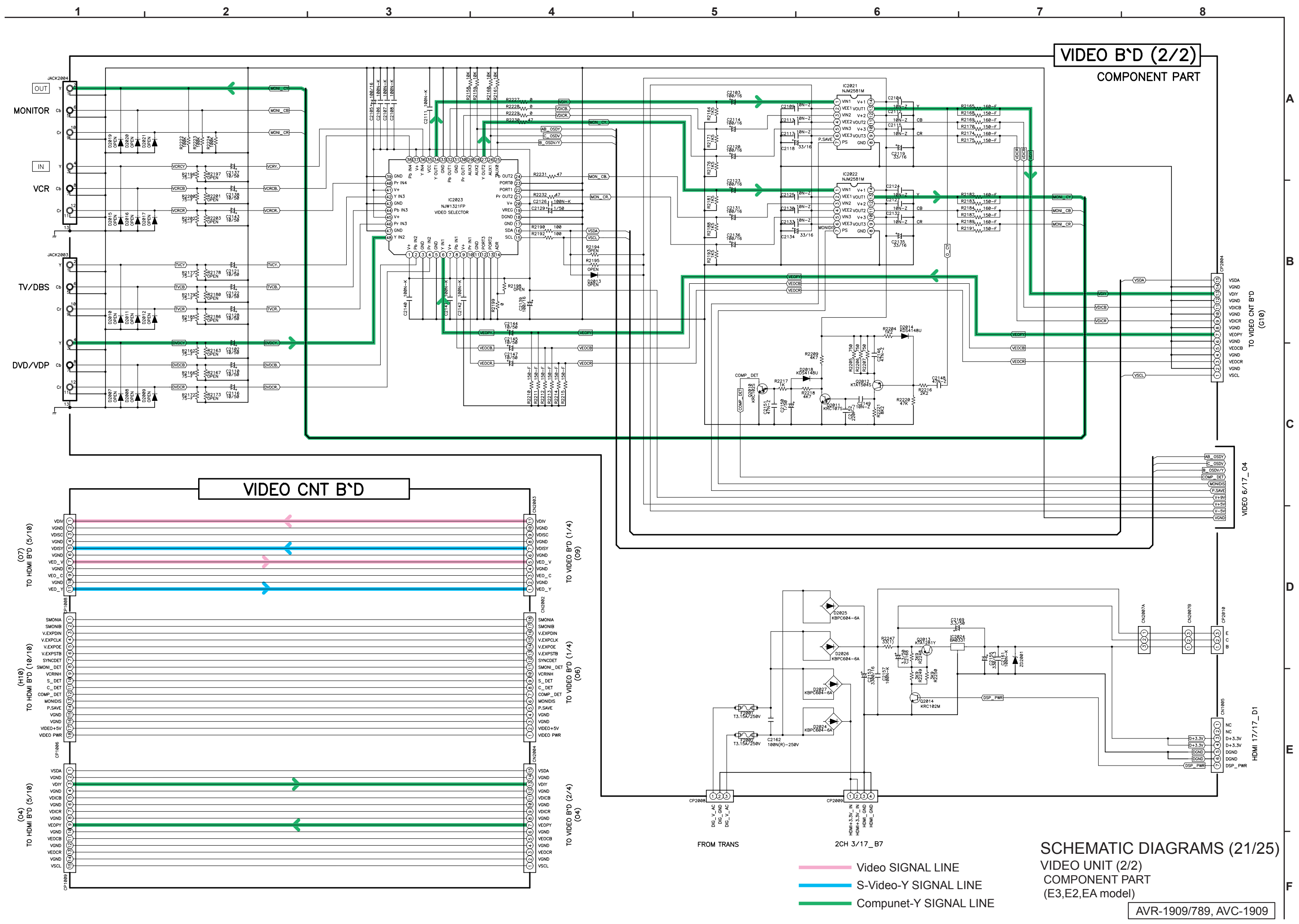
*AREA OPTION

	E3/887	E2	EUT	E1C
OPTION_A	O	X	X	X
OPTION_B	C448	C439	C439	C439

SCHEMATIC DIAGRAMS (19/25)
2CH AMP UNIT



— Video SIGNAL LINE
— S-Video-Y SIGNAL LINE
SCHEMATIC DIAGRAMS (20/25)
VIDEO UNIT (1/2)
 S/C VIDEO PART



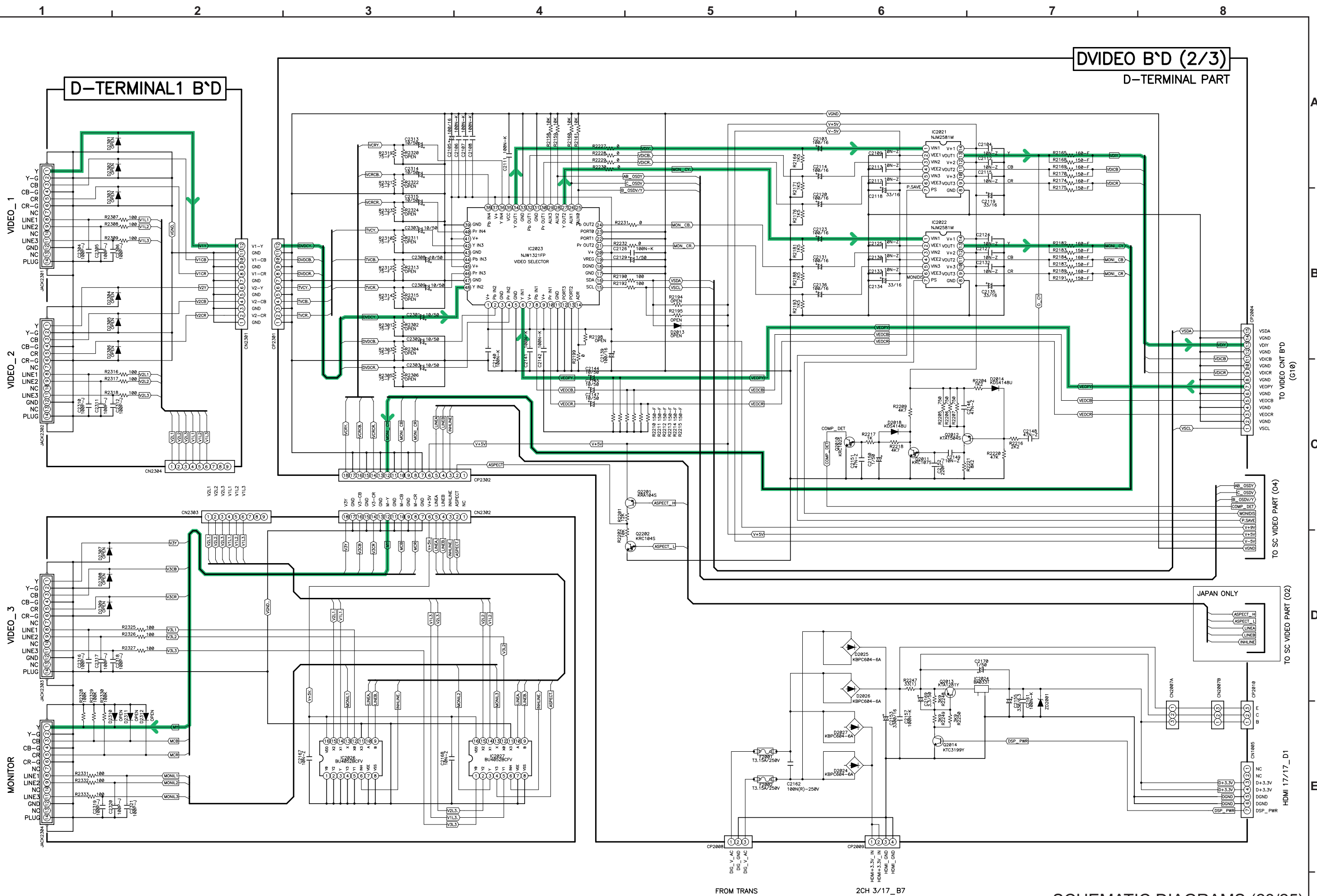
VIDEO B'D (2/2)
COMPONENT PART

VIDEO CNT B'D

SCHEMATIC DIAGRAMS (21/25)
VIDEO UNIT (2/2)
COMPONENT PART
(E3,E2,EA model)

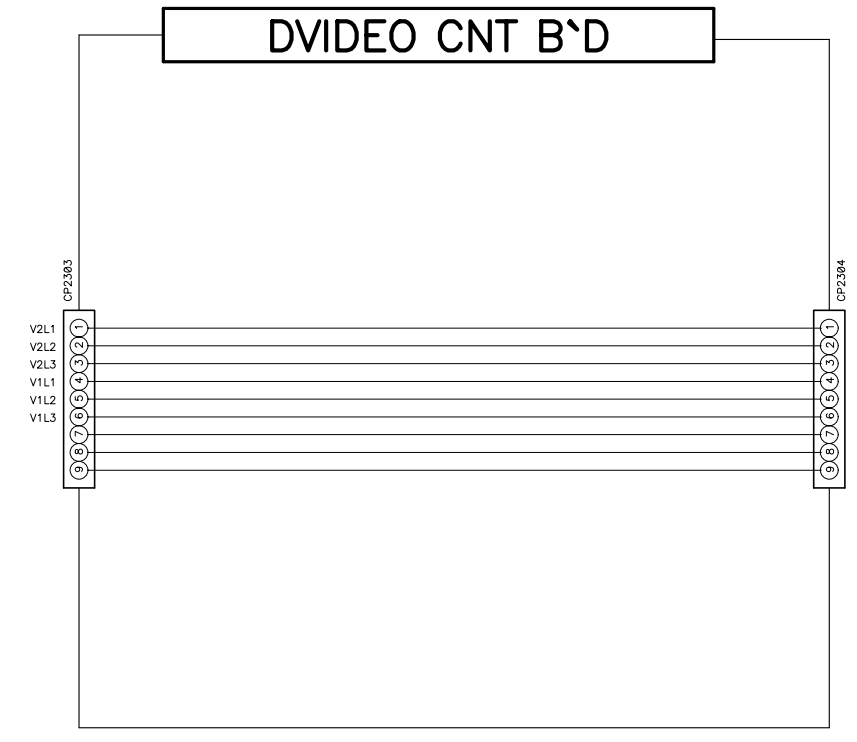
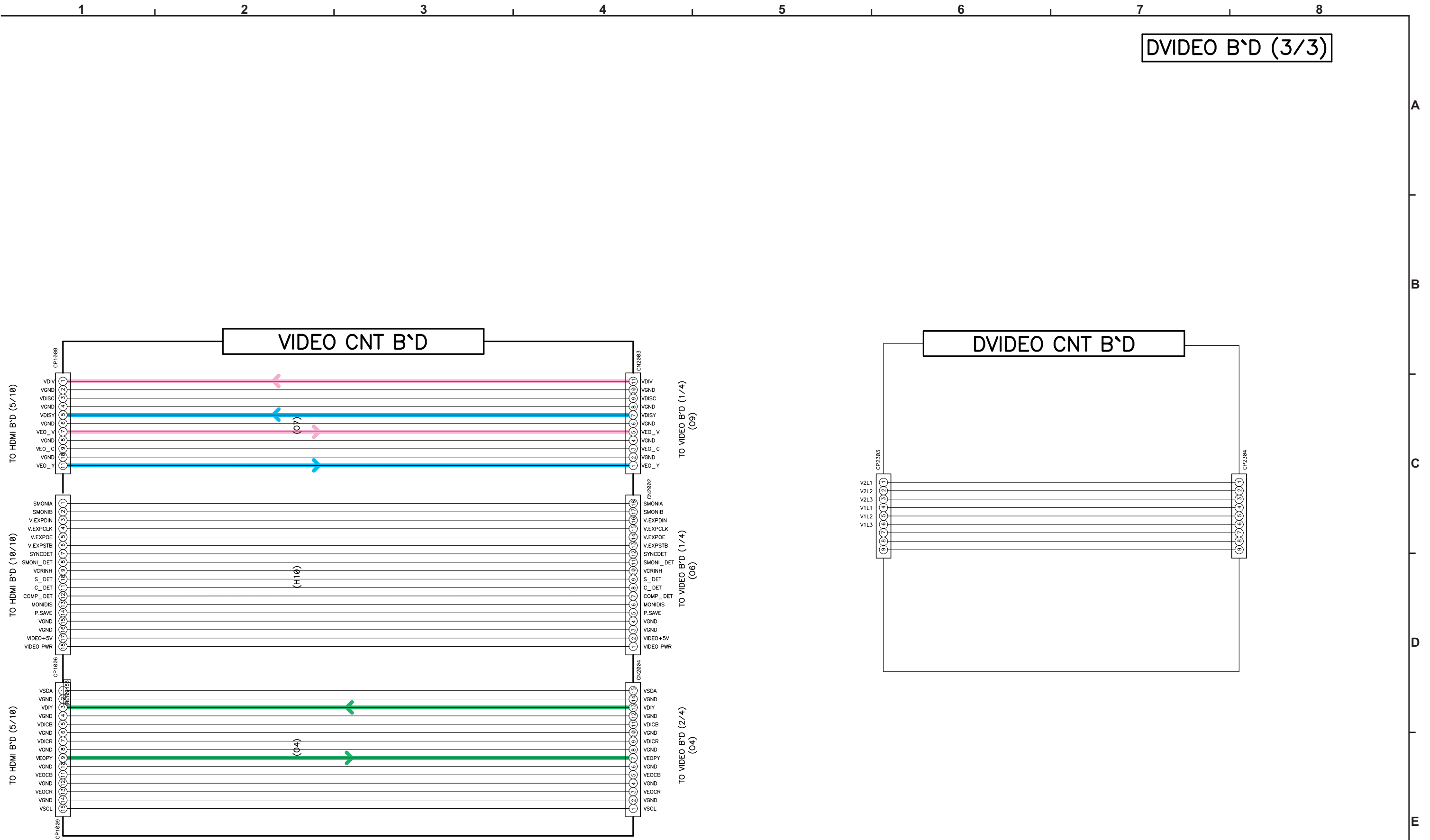
- Video SIGNAL LINE
- S-Video-Y SIGNAL LINE
- Component-Y SIGNAL LINE

D-TERMINAL2 B'D



SCHEMATIC DIAGRAMS (23/25)
 D VIDEO UNIT (2/3) D-TERMINAL1 UNIT
 D-TERMINAL PART D-TERMINAL2 UNIT
 (JP model only)
 AVR-1909/789, AVC-1909

Compunet-Y SIGNAL LINE

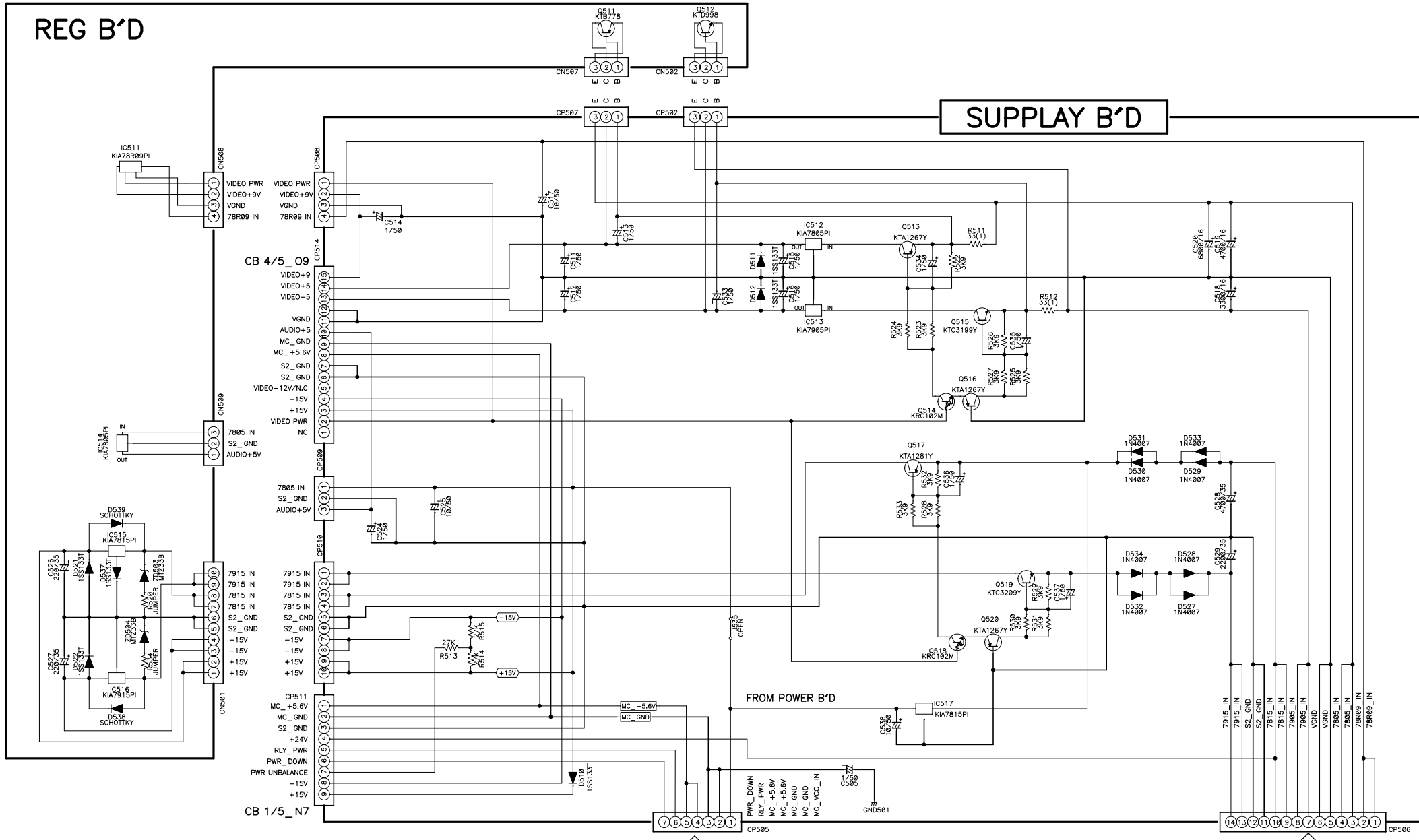


- Video SIGNAL LINE
- S-Video-Y SIGNAL LINE
- Compunet-Y SIGNAL LINE

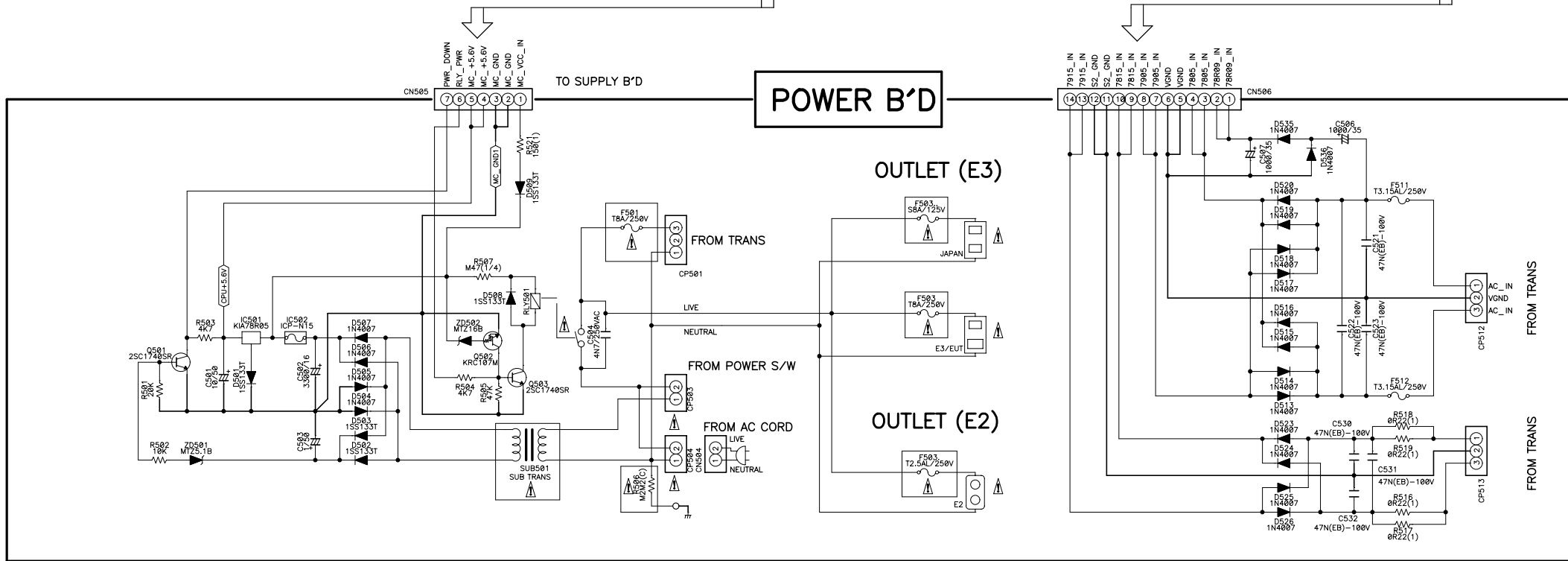
SCHEMATIC DIAGRAMS (24/25)
 D VIDEO UNIT (3/3)
 VIDEO CNT UNIT
 D VIDEO CNT UNIT

REG B'D

SUPPLY B'D



POWER B'D



SCHEMATIC DIAGRAMS (25/25)
POWER UNIT
SUPPLY UNIT
REG UNIT