

# DENON

Ver. 6

Please refer to the  
MODIFICATION NOTICE.

## SERVICE MANUAL

MODEL	JP	E3	E2	EK	EA	E1	E1K	E1C
AVR-1912		✓	✓ △2		✓ △2			✓ △2
AVR-2112CI <sub>△2</sub>		✓						

## INTEGRATED NETWORK AV RECEIVER

• For purposes of improvement, specifications and design are subject to change without notice.

• Please use this service manual with referring to the operating instructions without fail.

• Some illustrations using in this service manual are slightly different from the actual set.

# DENON

D&M Holdings Inc.

# CONTENTS

<b>SAFETY PRECAUTIONS</b> .....	3
<b>NOTE FOR SCHEMATIC DIAGRAM</b> .....	4
<b>TECHNICAL SPECIFICATIONS</b> .....	5
<b>DIMENSION</b> .....	5
<b>CAUTIONS IN SERVICING</b> .....	7
Initializing INTEGRATED NETWORK AV RECEIVER .....	7
Service Jig .....	7
<b>DISASSEMBLY</b> .....	8
1. FRONT PANEL ASSY .....	10
2. PCB RS232C (AVR-2112CI only) .....	11
3. PCB HDMI .....	12
4. POWER TRANS MAIN .....	13
5. PCB AUDIO_VIDEO ASSY .....	13
6. PCB SMPS/PCB SPK .....	14
7. PCB REG/PCB REG_CNT .....	15
8. RADIATOR ASSY .....	16
<b>SPECIAL MODE</b> .....	18
Special mode setting button (for 1912E3 model) .....	18
Special mode setting button (for AVR-1912E2/EA/E1C,2112CIE3 model) .....	19
1. $\mu$ com/DSP Version display mode .....	20
2. Errors checking mode (Displaying the protection history) .....	23
3. Remote ID Setup mode .....	25
4. DIAGNOSTIC MODE (Video/Audio (signal) path confirmation mode) .....	27
<b>BLOCK DIAGRAM</b> .....	29
<b>JIG FOR SERVICING</b> .....	43
<b>WHEN THE MICROPROCESSOR IS REPLACED WITH A NEW ONE</b> .....	45
<b>PROCEDURE FOR UPGRADING THE VERSION OF THE FIRMWARE</b> .....	45
1. How to update by DFW .....	45
2. How to update by DPMS .....	49
<b>ADJUSTMENT</b> .....	56
<b>SURROUND MODES AND PARAMETERS</b> .....	57
<b>TROUBLE SHOOTING</b> .....	61
1. POWER .....	61
2. Analog video .....	62
3. HDMI/DVI .....	68
4. AUDIO .....	77
5. Network/USB .....	80
6. SMPS .....	83
<b>CLOCK FLOW &amp; WAVE FORM IN DIGITAL BLOCK</b> .....	86
<b>LEVEL DIAGRAM</b> .....	87
<b>PRINTED WIRING BOARDS</b> .....	93
7CH AMP .....	93
SMPS .....	94
SPK .....	95
REG .....	97
FRONT_CNT .....	97
SIDE_CNT .....	98
REG_CNT .....	98
RS232C (AVR-2112CI model) .....	99
SIRIUS (AVR-2112CI model) .....	99
FRONT .....	100
FUNCTION (1912E3 model) .....	101
USB (1912E3 model) .....	101
FUNCTION (Except the 1912E3 model) .....	101
USB (Except the 1912E3 model) .....	101
FUNCTION CNT (1912E3 model) .....	102
FUNCTION CNT (Except the 1912E3 model) .....	102
V.AUX .....	102
H/P .....	102
AUDIO_VIDEO .....	103
HDMI .....	104

<b>SCHEMATIC DIAGRAMS</b> .....	106
7CH-AMP UNIT (1/2) .....	106
7CH-AMP UNIT (2/2) .....	107
SPK UNIT .....	108
SMPS UNIT .....	109
REG UNIT .....	110
SIDE_CNT UNIT .....	111
FRONT_CNT UNIT .....	112
SIRIUS UNIT (AVR-2112CI ONLY) .....	113
RS232C UNIT (AVR-2112CI ONLY) .....	113
AUDIO_VIDEO UNIT (1/3) .....	114
AUDIO_VIDEO UNIT (2/3) .....	115
AUDIO_VIDEO UNIT (3/3) .....	116
HDMI UNIT (1/13) .....	117
HDMI UNIT (2/13) .....	118
HDMI UNIT (3/13) .....	119
HDMI UNIT (4/13) .....	120
HDMI UNIT (5/13) .....	121
HDMI UNIT (6/13) .....	122
HDMI UNIT (7/13) .....	123
HDMI UNIT (8/13) .....	124
HDMI UNIT (9/13) .....	125
HDMI UNIT (10/13) .....	126
HDMI UNIT (11/13) .....	127
HDMI UNIT (12/13) .....	128
HDMI UNIT (13/13) .....	129
FRONT UNIT .....	130
V.AUX UNIT .....	130
FUNCTION_CNT UNIT .....	130
FUNCTION UNIT .....	130
H/P UNIT .....	130
USB UNIT .....	131
<b>WIRING DIAGRAM</b> .....	132
<b>EXPLODED VIEW</b> .....	133
<b>PARTS LIST OF EXPLODED VIEW</b> .....	135
<b>PACKING VIEW</b> .....	138
<b>PARTS LIST OF PACKING &amp; ACCESSORIES</b> .....	138
<b>SEMICONDUCTORS</b> .....	140
1. IC's .....	140
2. FL DISPLAY .....	171
<b>PARTS LIST OF P.C.B. UNIT</b> .....	173
PCB 7CH_AMP ASS'Y .....	173
PCB SPK ASS'Y .....	177
PCB REG_CNT ASS'Y .....	180
PCB FRONT ASS'Y .....	182
PCB AUDIO_VIDEO ASS'Y .....	185
PCB HDMI ASS'Y .....	188

## SAFETY PRECAUTIONS

The following items should be checked for continued protection of the customer and the service technician.

### LEAKAGE CURRENT CHECK

Before returning the set to the customer, be sure to carry out either (1) a leakage current check or (2) a line to chassis resistance check. If the leakage current exceeds 0.5 milliamps, or if the resistance from chassis to either side of the power cord is less than 460 kohms, the set is defective.

Be sure to test for leakage current with the AC plug in both polarities, in addition, when the set's power is in each state (on, off and standby mode), if applicable.

### **CAUTION** Please heed the following cautions and instructions during servicing and inspection.

#### ⊙ Heed the cautions!

Cautions which are delicate in particular for servicing are labeled on the cabinets, the parts and the chassis, etc. Be sure to heed these cautions and the cautions described in the handling instructions.

#### ⊙ Cautions concerning electric shock!

- (1) An AC voltage is impressed on this set, so if you touch internal metal parts when the set is energized, you may get an electric shock. Avoid getting an electric shock, by using an isolating transformer and wearing gloves when servicing while the set is energized, or by unplugging the power cord when replacing parts, for example.
- (2) There are high voltage parts inside. Handle with extra care when the set is energized.

#### ⊙ Caution concerning disassembly and assembly!

Through great care is taken when parts were manufactured from sheet metal, there may be burrs on the edges of parts. The burrs could cause injury if fingers are moved across them in some rare cases. Wear gloves to protect your hands.

#### ⊙ Use only designated parts!

The set's parts have specific safety properties (fire resistance, voltage resistance, etc.). Be sure to use parts which have the same properties for replacement. The burrs have the same properties. In particular, for the important safety parts that are indicated by the  $\triangle$  mark on schematic diagrams and parts lists, be sure to use the designated parts.

#### ⊙ Be sure to mount parts and arrange the wires as they were originally placed!

For safety reasons, some parts use tapes, tubes or other insulating materials, and some parts are mounted away from the surface of printed circuit boards. Care is also taken with the positions of the wires by arranging them and using clamps to keep them away from heating and high voltage parts, so be sure to set everything back as it was originally placed.

#### ⊙ Make a safety check after servicing!

Check that all screws, parts and wires removed or disconnected when servicing have been put back in their original positions, check that no serviced parts have deteriorate the area around. Then make an insulation check on the external metal connectors and between the blades of the power plug, and otherwise check that safety is ensured.

(Insulation check procedure)

Unplug the power cord from the power outlet, disconnect the antenna, plugs, etc., and on the power. Using a 500V insulation resistance tester, check that the insulation resistance value between the inplug and the externally exposed metal parts (antenna terminal, headphones terminal, input terminal, etc.) is  $1M\Omega$  or greater. If it is less, the set must be inspected and repaired.

### **CAUTION** Concerning important safety parts

Many of the electric and the structural parts used in the set have special safety properties. In most cases these properties are difficult to distinguish by sight, and the use of replacement parts with higher ratings (rated power and withstand voltage) does not necessarily guarantee that safety performance will be preserved. Parts with safety properties are indicated as shown below on the wiring diagrams and the parts list in this service manual. Be sure to replace them with the parts which have the designated part number.

- (1) Schematic diagrams.....Indicated by the  $\triangle$  mark.
- (2) Parts lists.....Indicated by the  $\triangle$  mark.

The use of parts other than the designated parts could cause electric shocks, fires or other dangerous situations.

## NOTE FOR SCHEMATIC DIAGRAM

**WARNING:**

Parts indicated by the  $\triangle$  mark have critical characteristics. Use ONLY replacement parts recommended by the manufacturer.

**CAUTION:**

Before returning the set to the customer, be sure to carry out either (1) a leakage current check or (2) a line to chassis resistance check. If the leakage current exceeds 0.5 milliamps, or if the resistance from chassis to either side of the power cord is less than 460 kohms, the set is defective.

**WARNING:**

DO NOT return the set to the customer unless the problem is identified and remedied.

**NOTICE:**

ALL RESISTANCE VALUES IN OHM. k=1,000 OHM / M=1,000,000 OHM

ALL CAPACITANCE VALUES ARE EXPRESSED IN MICRO FARAD, UNLESS OTHERWISE INDICATED. P INDICATES MICRO-MICRO FARAD. EACH VOLTAGE AND CURRENT ARE MEASURED AT NO SIGNAL INPUT CONDITION. CIRCUIT AND PARTS ARE SUBJECT TO CHANGE WITHOUT PRIOR NOTICE.

## NOTE FOR PARTS LIST

1. Parts indicated by "nsp" on this table cannot be supplied.
  2. When ordering a part, make a clear distinction between "1" and "I" (i) to avoid mis-supplying.
  3. A part ordered without specifying its part number can not be supplied.
  4. Part indicated by "★" mark is not illustrated in the exploded view.
  5. General-purpose Carbon Film Resistor in the P.W.Board parts list. (Refer to the Schematic Diagram for those parts.)
  6. General-purpose Carbon Chip Resistors are not included in the P.W.Board parts list. (Refer to the Schematic Diagram for those parts.)
- WARNING:** Parts indicated by the  $\triangle$  mark have critical characteristics. Use ONLY replacement parts recommended by the manufacturer.

# TECHNICAL SPECIFICATIONS

## □ Audio Section

### • Power amplifier

Rated output :

Front :

90 W + 90 W (8 Ω, 20 Hz – 20 kHz with 0.08 % T.H.D.)

125 W + 125 W (6 Ω, 1 kHz with 0.7 % T.H.D.)

Center :

90 W (8 Ω, 20 Hz – 20 kHz with 0.08 % T.H.D.)

125 W (6 Ω, 1 kHz with 0.7 % T.H.D.)

Surround :

90 W + 90 W (8 Ω, 20 Hz – 20 kHz with 0.08 % T.H.D.)

125 W + 125 W (6 Ω, 1 kHz with 0.7 % T.H.D.)

Surround back :

90 W + 90 W (8 Ω, 20 Hz – 20 kHz with 0.08 % T.H.D.)

125 W + 125 W (6 Ω, 1 kHz with 0.7 % T.H.D.)

Output connectors : 6 – 16 Ω

### • Analog

Input sensitivity/Input impedance : 200 mV/47 kΩ

Frequency response : 10 Hz – 100 kHz — +1, –3 dB (DIRECT mode)

S/N : 100 dB (IHF–A weighted, DIRECT mode)

## □ Video section

### • Standard video connectors

Input/output level and impedance : 1 Vp-p, 75 Ω

Frequency response : 5 Hz – 10 MHz — 0, –3 dB

## □ Tuner section

[FM](Note: μV at 75 Ω, 0 dBf =  $1 \times 10^{-16}$  W)

Receiving Range (for E3 model) :

[FM] 87.5 MHz – 107.9 MHz      [AM]520 kHz – 1710 kHz

Receiving Range (for E2, EA, E1C model) :

[FM] 87.5 MHz – 108.0 MHz      [AM]522 kHz – 1611 kHz

Usable Sensitivity :

[FM]1.2 μV (12.8 dBf)


[AM]18 μV

50 dB Quieting Sensitivity (for E3 model) :

[FM]MONO 2.8 μV (20.2 dBf)

50 dB Quieting Sensitivity (for E2, EA, E1C model) :

[FM]MONO 2.0 μV (17.3 dBf)

STEREO 34.5μV(42dBf) 

S/N (IHF–A) (for E3 model) :

[FM]MONO 70 dB

STEREO 67 dB

S/N (IHF–A) (for E2, EA, E1C model) :

[FM]MONO 72 dB (DIRECT mode)

STEREO 67 dB (DIRECT mode)

Total harmonic Distortion (at 1 kHz) (for E3 model) :

[FM]MONO 0.7 %

STEREO 1.0 %

Total harmonic Distortion (at 1 kHz) (for E2, EA, E1C model) :

[FM]MONO 0.3 %

STEREO 0.7 %

## □ General

Power supply (for E3 model) : AC 120 V, 60 Hz

Power supply (for E2, EA model) : AC 230 V, 50/60 Hz

Power supply (for E1C model) : AC 220 V, 50 Hz

Power consumption :

460 W

0.1 W (Standby)

3 W (CEC standby)

Maximum external dimensions (for 1912E3 model) :

435 (W) x 162 (H) x 382 (D) mm

Weight : 10.2 kg

Maximum external dimensions

(for 1912E2,EA,E1C,2112CIE3 model) :

435 (W) x 167 (H) x 382 (D) mm

Weight : 10.3 kg

## □ Remote Control Unit (RC-1156)

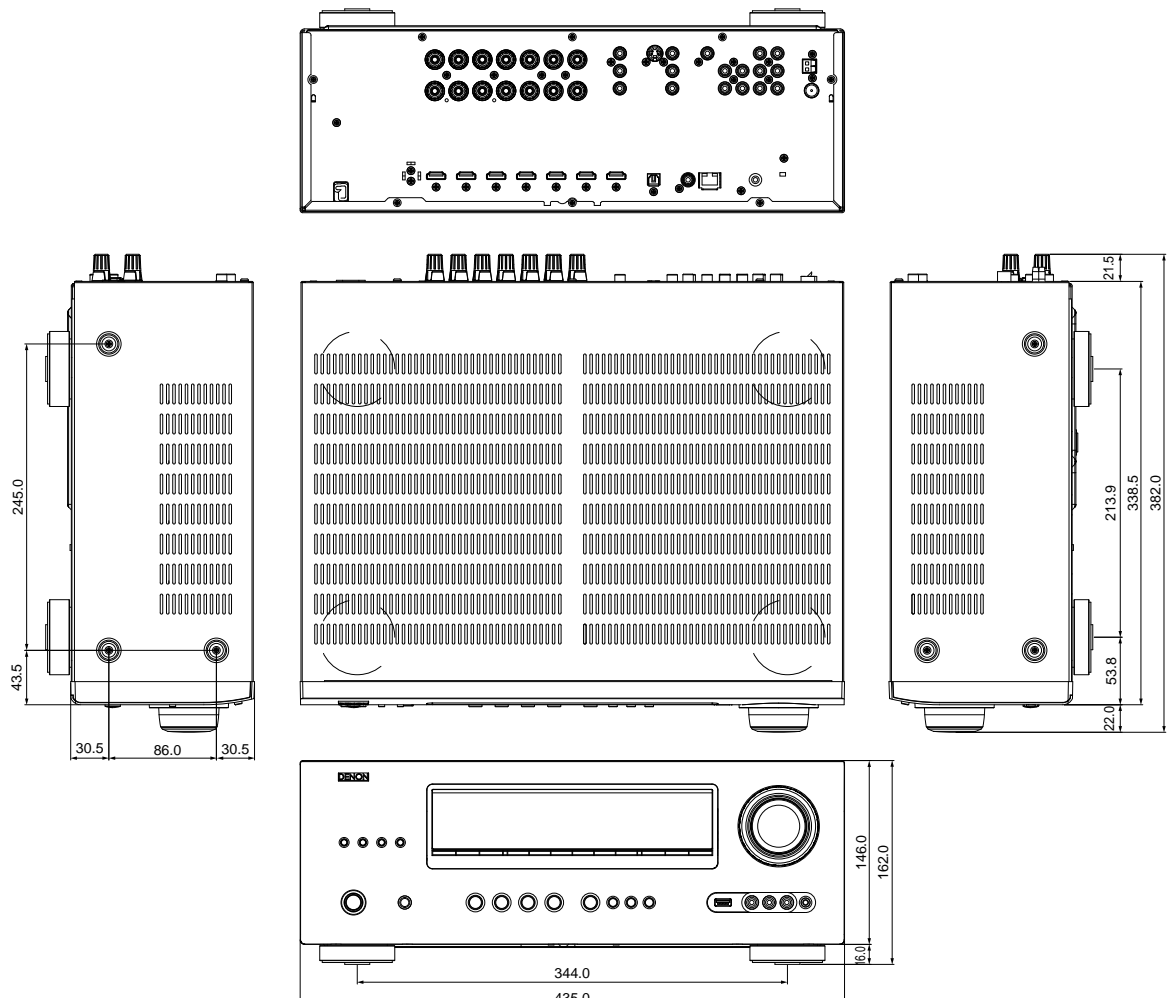
Batteries : R6/AA Type (two batteries)

Maximum external dimensions : 53 (W) x 224 (H) x 28 (D) mm

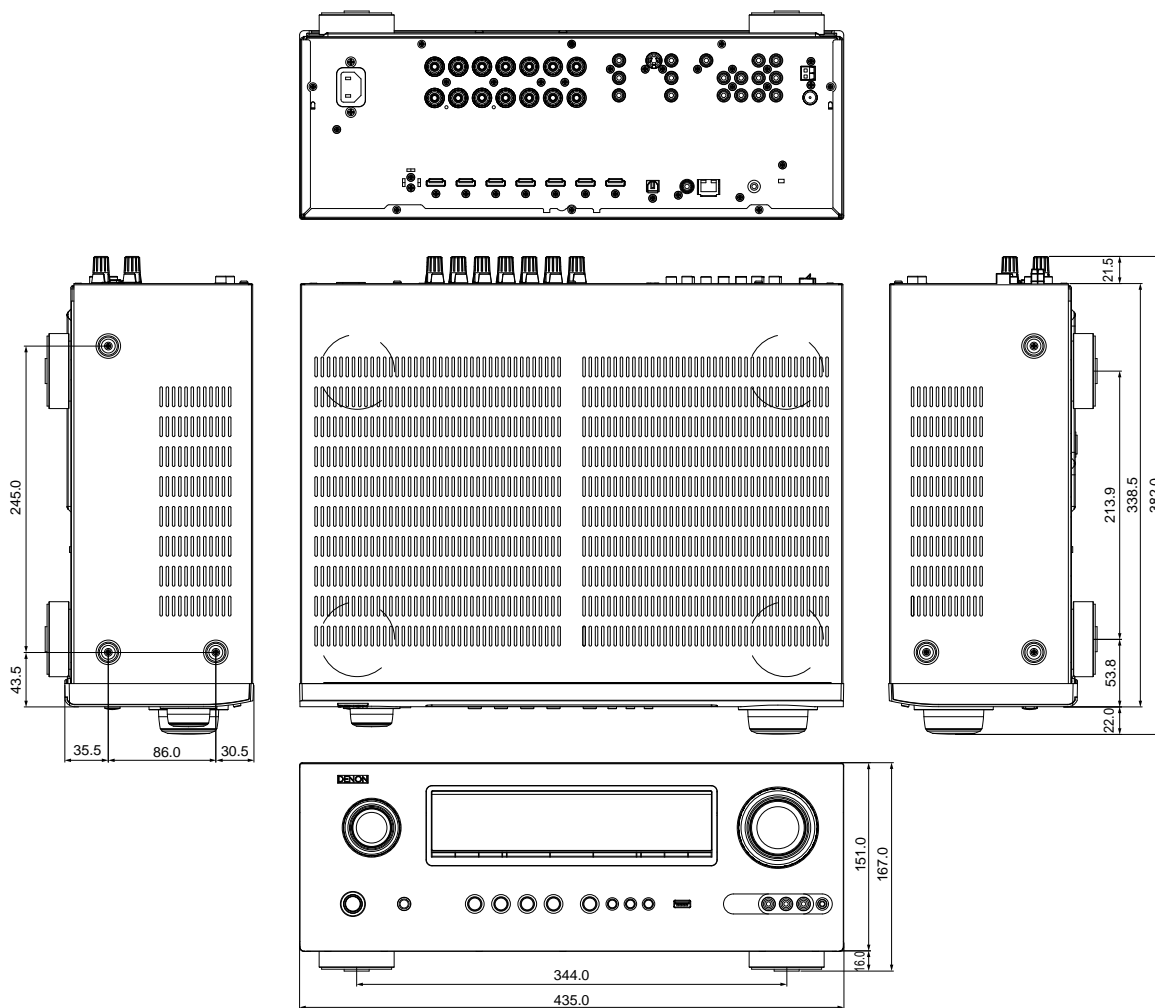
Weight : 160 g (including batteries)

# DIMENSION

[AVR-1912E3 model]



[AVR-1912E2/EA/E1C,2112CIE3 model] 



# CAUTIONS IN SERVICING

## Initializing INTEGRATED NETWORK AV RECEIVER

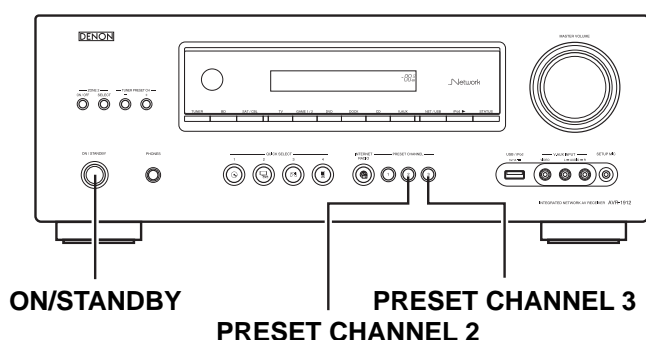
INTEGRATED NETWORK AV RECEIVER initialization should be performed when the  $\mu$ com, peripheral parts of  $\mu$ com, and Digital P.W.B. were replaced.

1. Turn off the power pressing ON/STANDBY button.
2. Press ON/STANDBY button while simultaneously while pressing PRESET CHANNEL 2 and PRESET CHANNEL 3 buttons.
3. Check that the entire display is flashing at intervals of about 1 second, and then release the 2 buttons.  
The microprocessor will be initialized.

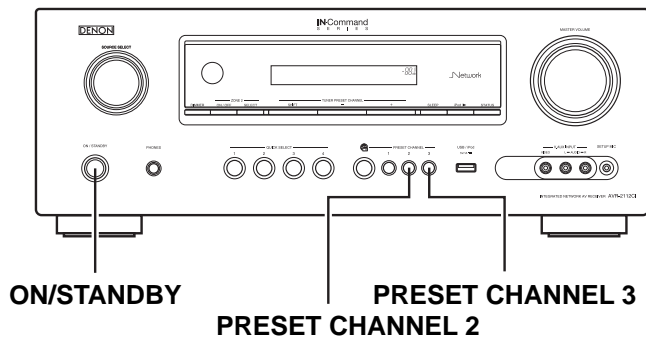
Note:

- If step 3 fails, start over from step 1.
- All user settings will be lost and the factory setting will be recovered after the set is initialized. So make sure to note down your setting beforehand for restoring after the initialization.

### [AVR-1912E3 model]



### [AVR-1912E2/EA/E1C,2112CIE3 model]



## Service Jig

When you repair the printing board, you can use the following JIG (Extension cable kit). Please order it from Denon Official Service Distributor in your region if necessary.

8U-110084S : EXTENSION UNIT KIT : 1 Set  
(Refer to 43 page.)

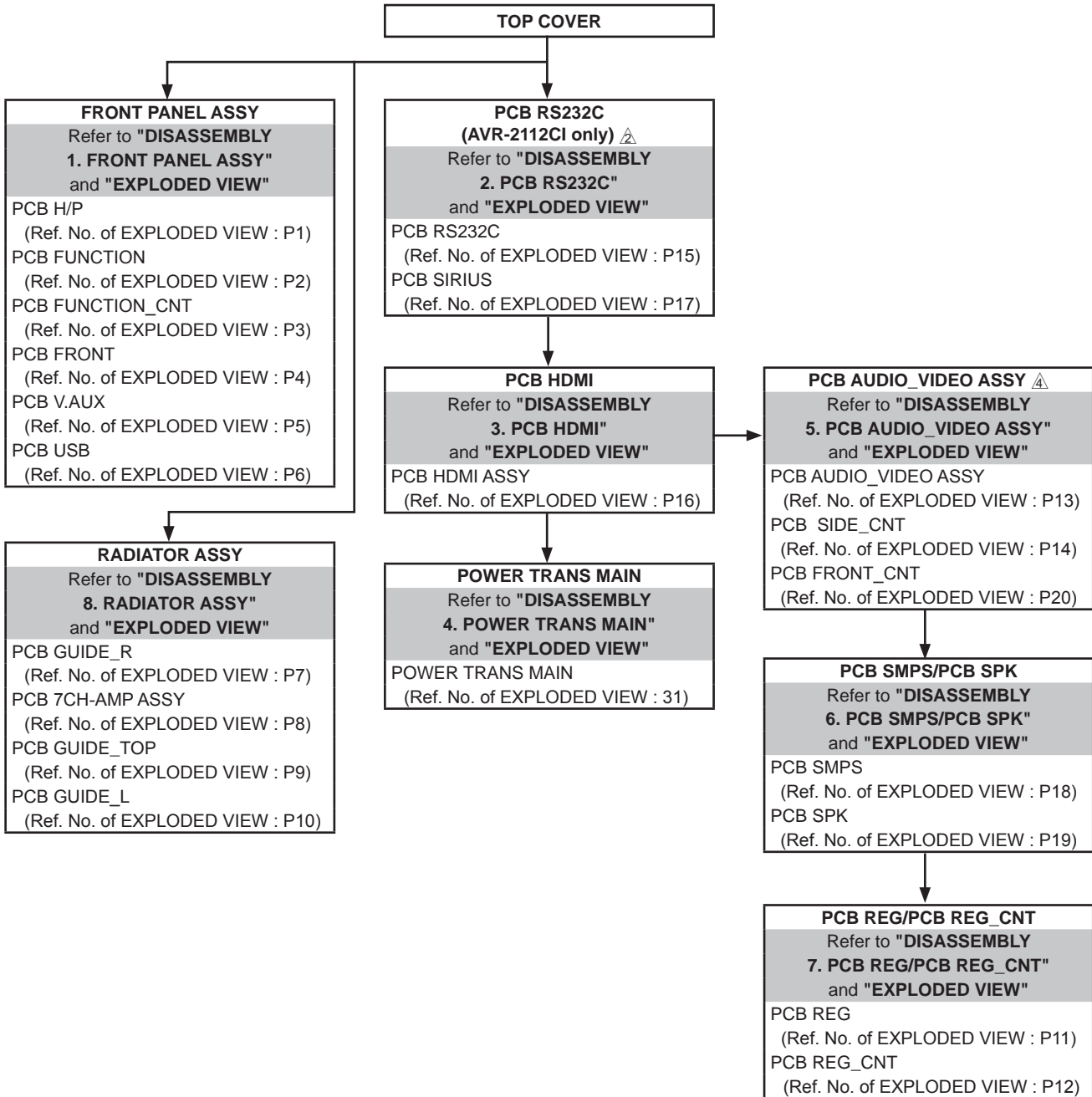
When you update the firmware by DFW, you can use the following JIG (RS232C to internal connector conversion adapter with 4P FFC cable kit).

Please order it from Denon Official Service Distributor in your region if necessary.

8U-210100S : WRITING KIT : 1 Set  
(Refer to 45 page.)

# DISASSEMBLY

- Disassemble in order of the arrow in the following figure.
- In the case of the re-assembling, assemble it in order of the reverse of the following flow.
- In the case of the re-assembling, observe "attention of assembling".
- If wire bundles are untied or moved to perform adjustment or replace parts etc., be sure to rearrange them neatly as they were originally bundled or placed afterward.  
Otherwise, incorrect arrangement can be a cause of noise generation.



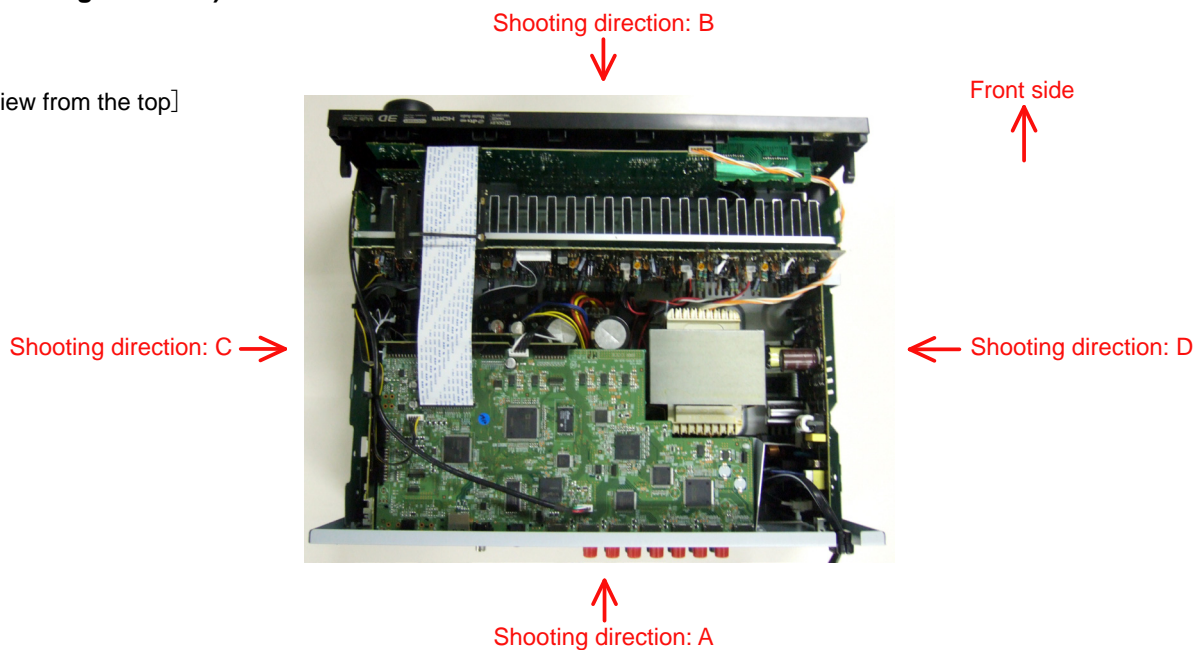


## About the photos used for "descriptions of the DISASSEMBLY" section

- The shooting direction of each photograph used herein is indicated on the left side of the respective photograph as "Shooting direction: \*\*\*\*".
- Refer to the diagram below about the shooting direction of each photograph.
- Photographs with no shooting direction indicated were taken from the top of the set.
- The photograph is AVR-1912 E3 model.

### The viewpoint of each photograph (Shooting direction)

[View from the top]

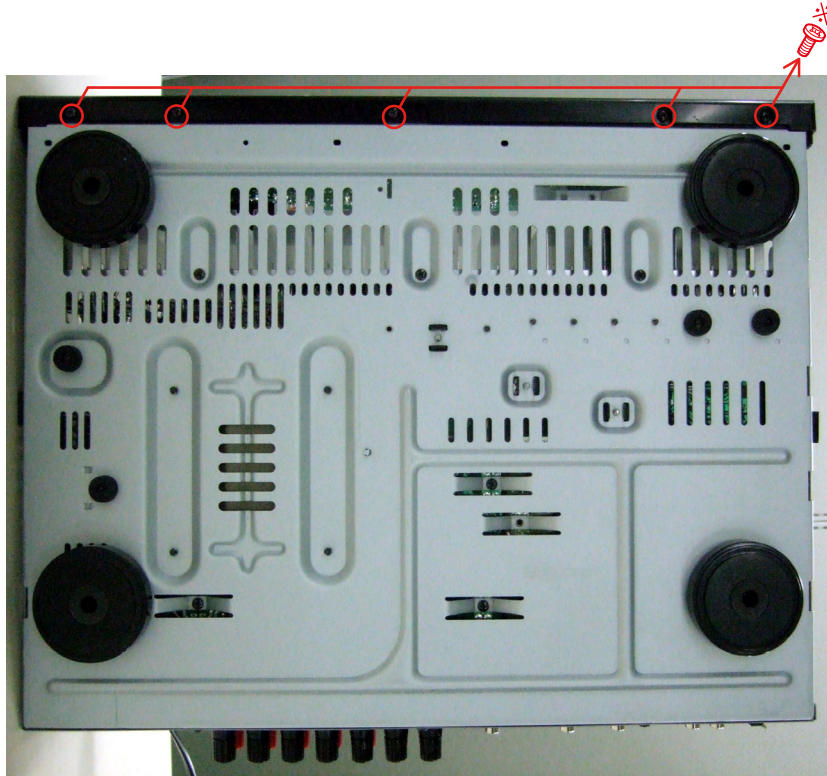


# 1. FRONT PANEL ASSY

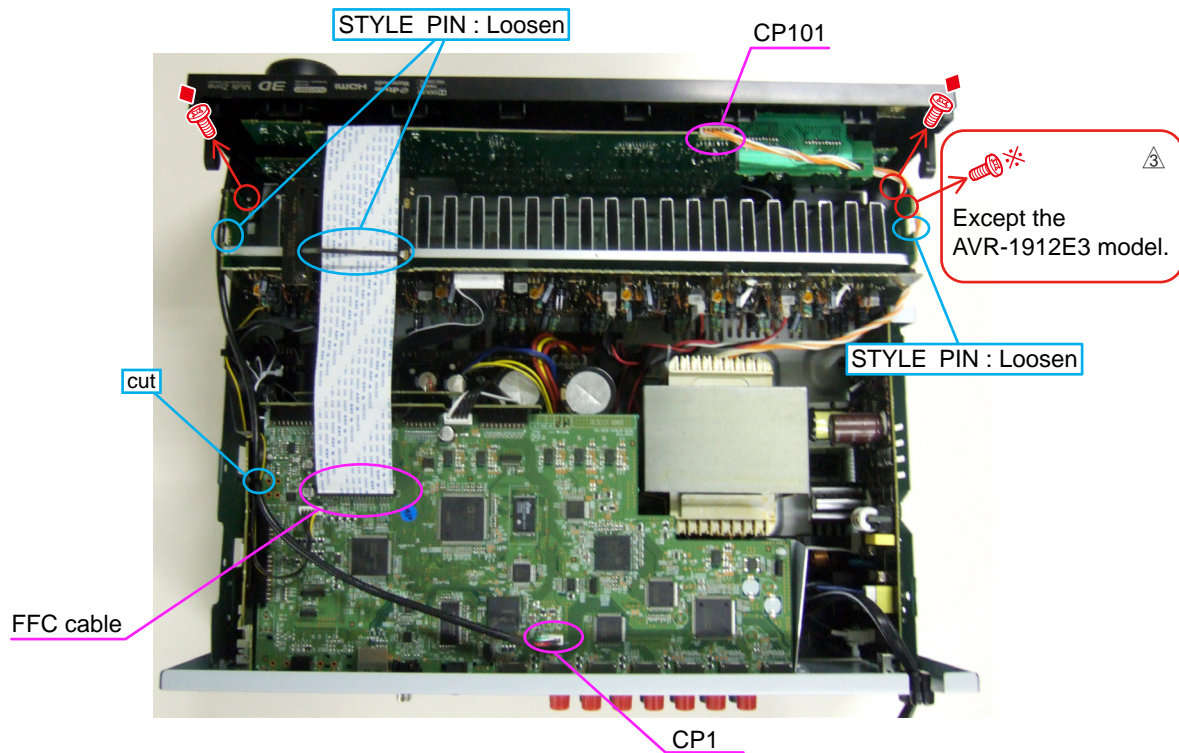
Proceeding : **TOP COVER** → **FRONT PANEL ASSY**

(1) Remove the screws.

View from the bottom



(2) Cut the wire clamp band, then disconnect the connector wires and FFC cable. Remove the screws.



Please refer to "EXPLODED VIEW" for the disassembly method of each P.W.B included in FRONT PANEL ASSY.

## 2. PCB RS232C (AVR-2112CI only) ⚠

Proceeding : **TOP COVER** → **PCB RS232C (AVR-2112CI only)**

(1) Remove the screws.



Please refer to "EXPLODED VIEW" for the disassembly method of PCB RS232C.

### 3. PCB HDMI

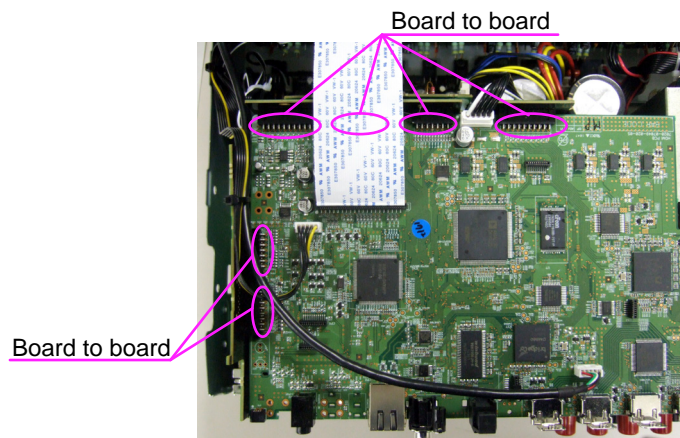
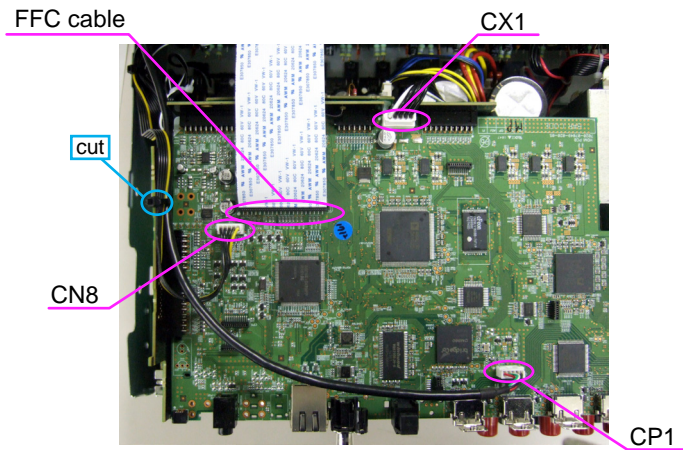
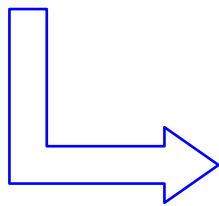
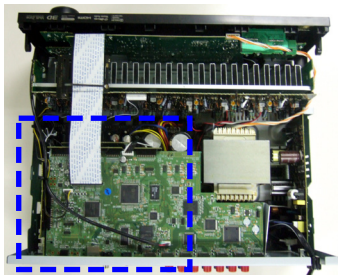
Proceeding : **TOP COVER** → **PCB RS232C (AVR-2112CI only)** → **PCB HDMI**

(1) Remove the screws.



Shooting of photograph: A

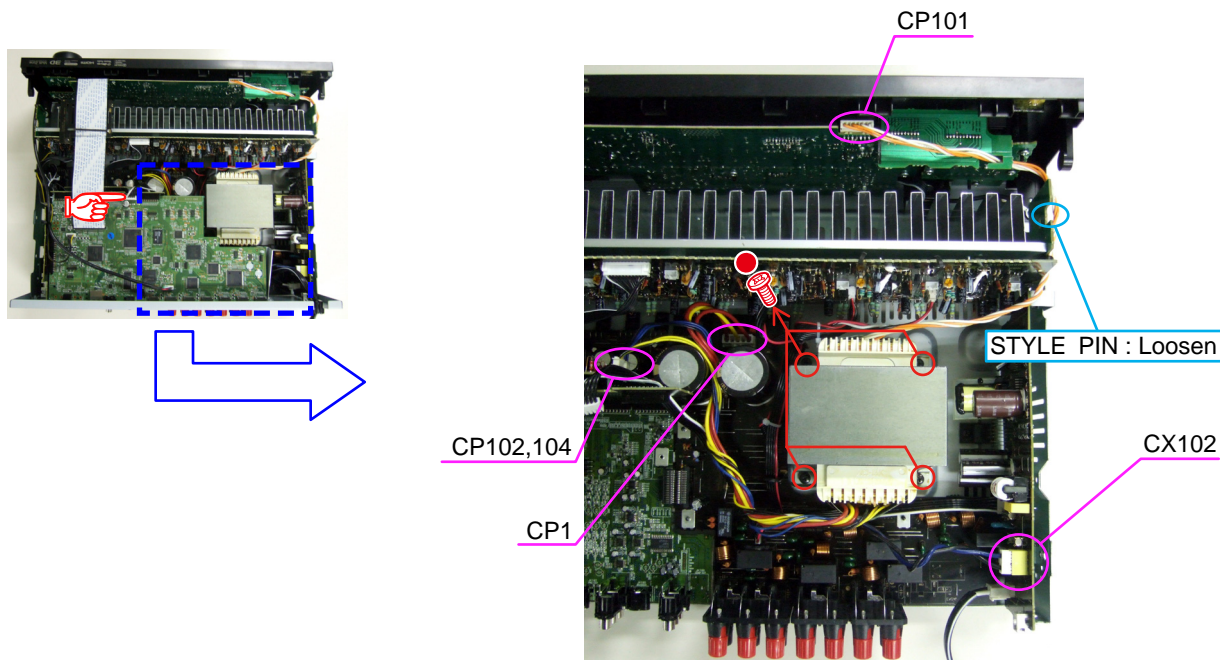
(2) Cut the wire clamp band, then disconnect the connector wires and FFC cable. Disconnect the connector board.



#### 4. POWER TRANS MAIN

Proceeding : **TOP COVER** → **PCB RS232C (AVR-2112CI only)** → **PCB HDMI**  
 → **POWER TRANS MAIN**

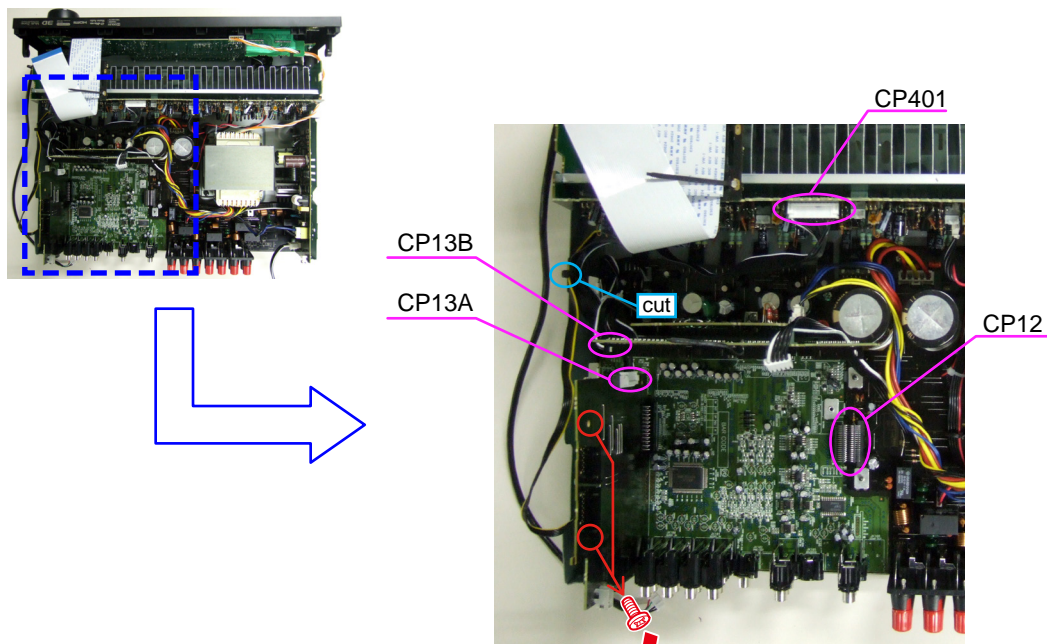
(1) Disconnect the connector wires, then remove the screws.



#### 5. PCB AUDIO\_VIDEO ASSY <sup>⚠</sup>

Proceeding : **TOP COVER** → **PCB RS232C (AVR-2112CI only)** → **PCB HDMI**  
 → **PCB AUDIO\_VIDEO ASSY**

(1) Cut the wire clamp band, then disconnect the connector wires. Remove the screws.



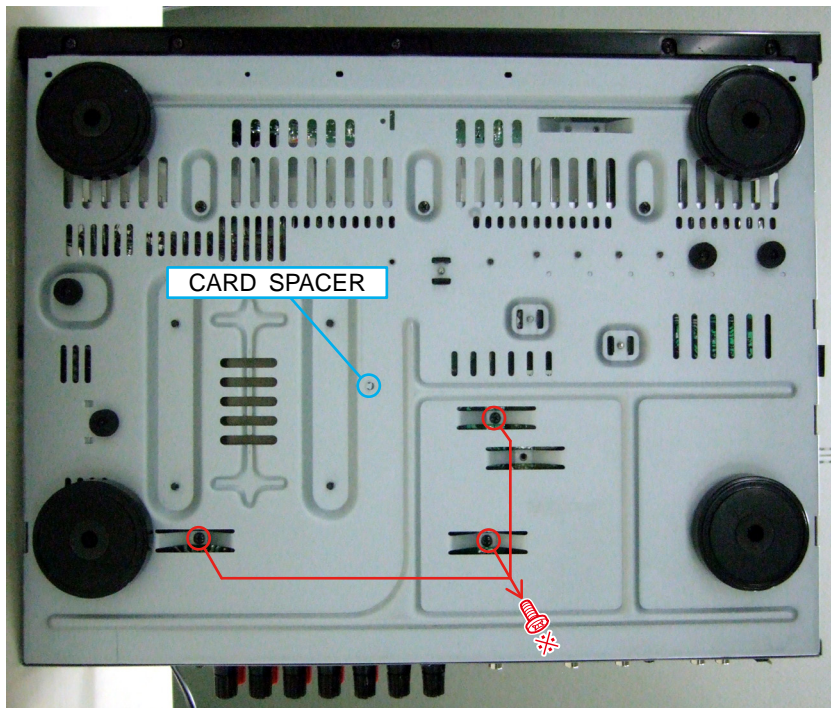
Please refer to "EXPLODED VIEW" for the disassembly method of each P.W.B.

## 6. PCB SMPS/PCB SPK

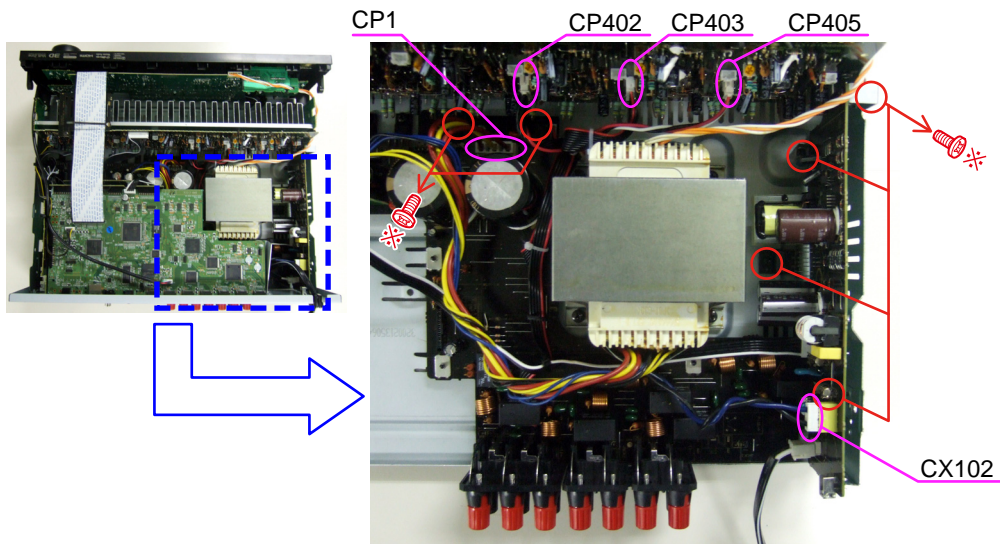
Proceeding : **TOP COVER** → **PCB RS232C (AVR-2112CI only)** → **PCB HDMI**  
→ **PCB AUDIO\_VIDEO ASSY** → **PCB SMPS/PCB SPK**

(1) Remove the screws and CARD SPACER.

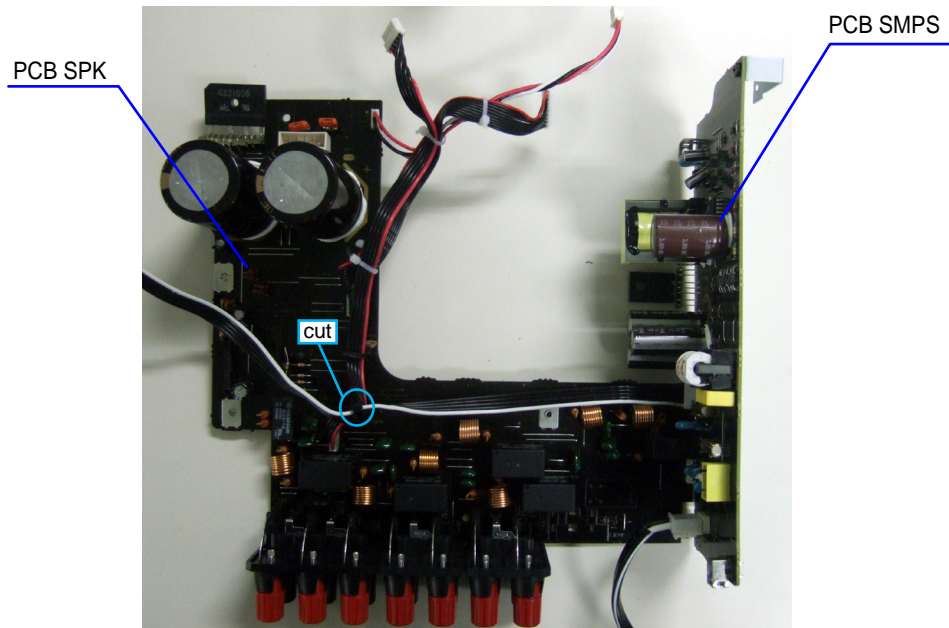
View from the bottom



(2) Disconnect the connector wires, then remove the screws.



(3) Remove the PCB SMPS/PCB SPK from the CHASSIS, then cut the wire clamp band.

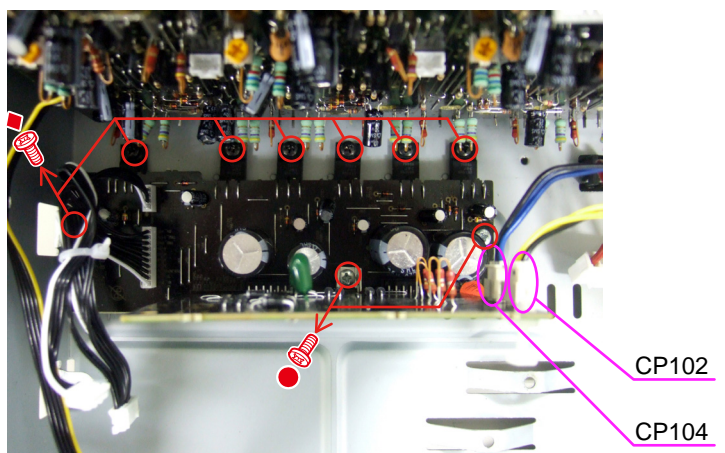
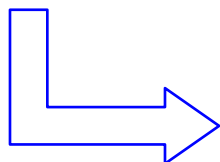
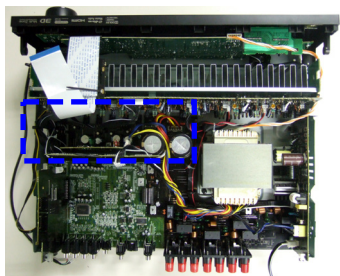


Please refer to "EXPLODED VIEW" for the disassembly method of each P.W.B.

## 7. PCB REG/PCB REG\_CNT

Proceeding : **TOP COVER** → **PCB RS232C (AVR-2112CI only)** → **PCB HDMI**  
→ **PCB AUDIO\_VIDEO ASSY** → **PCB SMPS/PCB SPK**  
→ **PCB REG/PCB REG\_CNT**

(1) Disconnect the connector wires, then remove the screws.

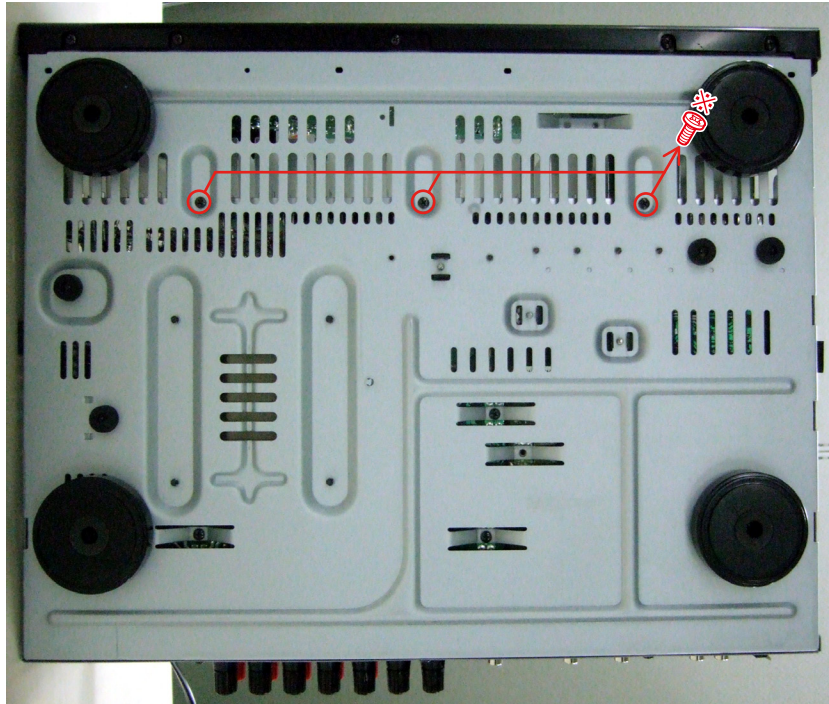


## 8. RADIATOR ASSY

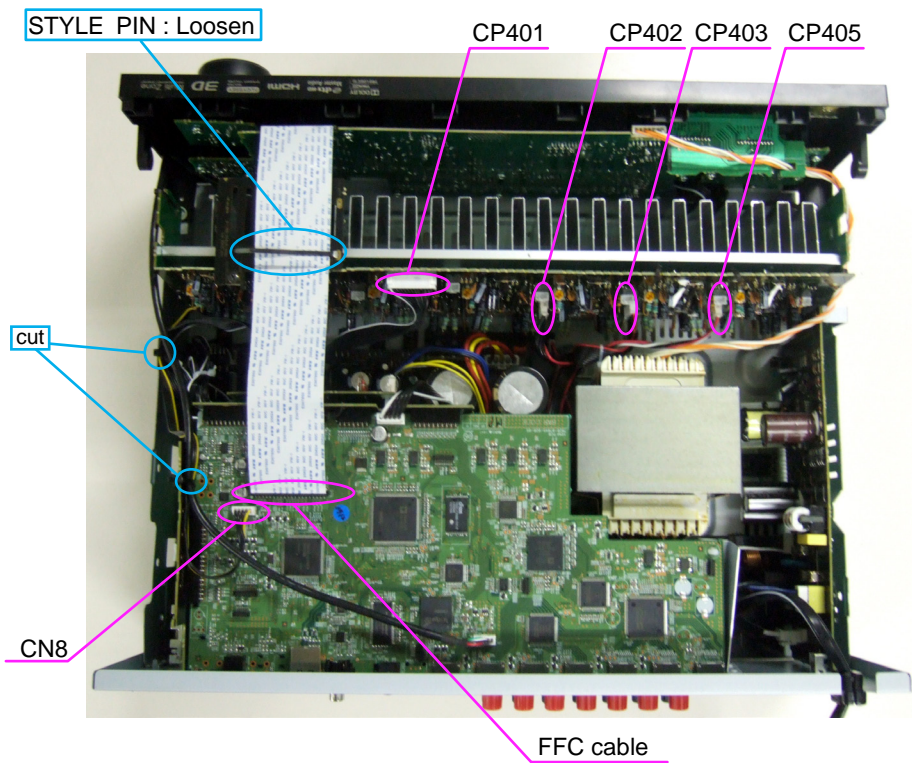
Proceeding : **TOP COVER** → **RADIATOR ASSY**

(1) Remove the screws.

View from the bottom

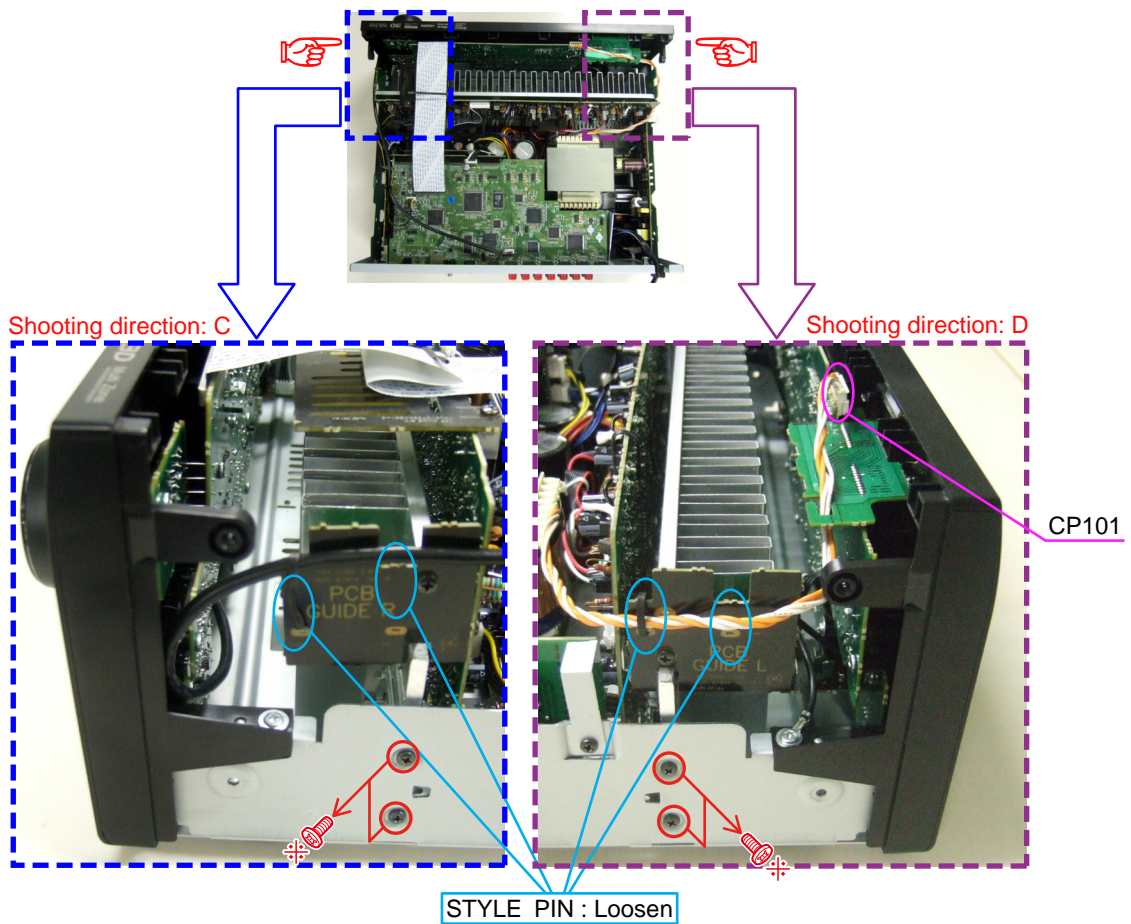


(2) Disconnect the connector wires and FFC cable.





(3) Remove the screws.



Please refer to "EXPLODED VIEW" for the disassembly method of each P.W.B included in RADIATOR ASSY.

# SPECIAL MODE

## Special mode setting button (for 1912E3 model)

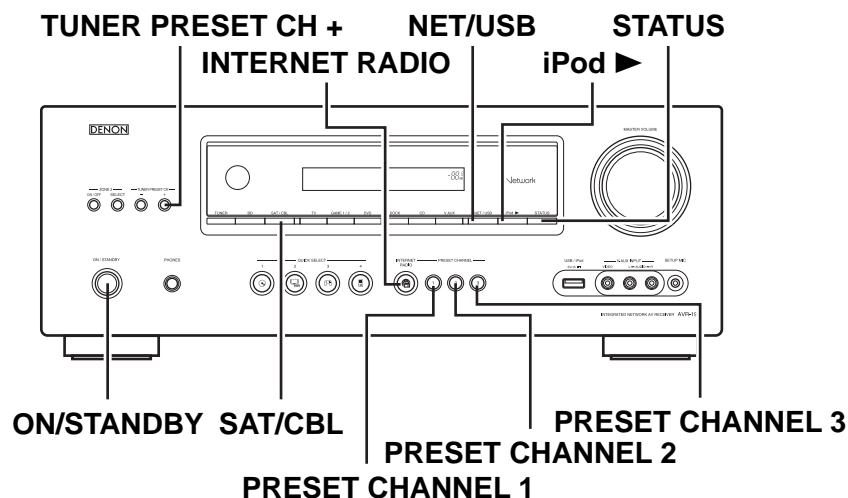
- ※ No.1 - 10 : Press the ON/STANDBY button to turn on the power while pressing both the button A and the button B at the same time.
- ※ No.11 : Turn on the power, then press and hold down the A and B buttons for over 3 seconds.

No.	Mode	Button A	Button B	Contents
1	Version display (μcom/DSP Error Display)	STATUS	iPod ▶	Firmware versions such as Main or DSP are displayed in the FL Display. Errors are displayed when they occur. (Refer to 20 page)
2	Displaying the protection history mode	STATUS	NET/USB	The protection history is displayed. (Refer to 23 page)
3	User Initialization mode (Installer Setup settings are not initialized.)	PRESET CHANNEL 2	PRESET CHANNEL 3	Backup data initialization is carried out. (Installer Setup settings are not initialized.)
4	Factory Initialization mode (Installer Setup settings are also initialized.)	PRESET CHANNEL 1	PRESET CHANNEL 2	Backup data initialization is carried out. (Installer Setup settings are also initialized.)
5	Mode for switching tuner frequency step (E2 model Only)	-	-	Change tuner frequency step to FM:200kHz/AM:10kHzSTEP
6	Mode for preventing remote control acceptance	PRESET CHANNEL 1	INTERNET RADIO	Operations using the remote control are rejected. (Mode cancellation: Turn off the power and execute the same button operations as when performing setup.)
7	Panel lock mode	PRESET CHANNEL 2	TUNER PRESET CH +	Operations using the main unit panel buttons or the master volume knob are rejected.
8	Panel lock mode (Master volume is not locked.)	PRESET CHANNEL 2	NET/USB	Operations using the main unit panel buttons are rejected.
9	Cancellation of panel lock mode	PRESET CHANNEL 2	SAT/CBL	Panel lock mode is cancelled.
10	Diagnostic mode	PRESET CHANNEL 1	STATUS	This mode is used for confirming the Video and Audio (signal) paths. (Troubleshooting) The signal paths of the set can be easily confirmed after repair.
11	Remote ID Setup mode	PRESET CHANNEL 1	STATUS	When using multiple DENON AV receivers in the same room, make this setting so that only the desired AV receiver operates.(Refer to 25 page)

### NOTE:

If " REC " is displayed on the fluorescent display, the set is in the special developer's mode and the RS-232C communications are not possible.

Turn on the power, then press and hold down the "PRESET CHANNEL 2" and " STATUS " buttons for over 3 seconds to turn off "REC" on the display. RS-232C communications are now enabled.



## Special mode setting button (for AVR-1912E2/EA/E1C,2112CIE3 model)

※ No.1 - 10, 12 : Press the ON/STANDBY button to turn on the power while pressing both the button A and the button B at the same time.

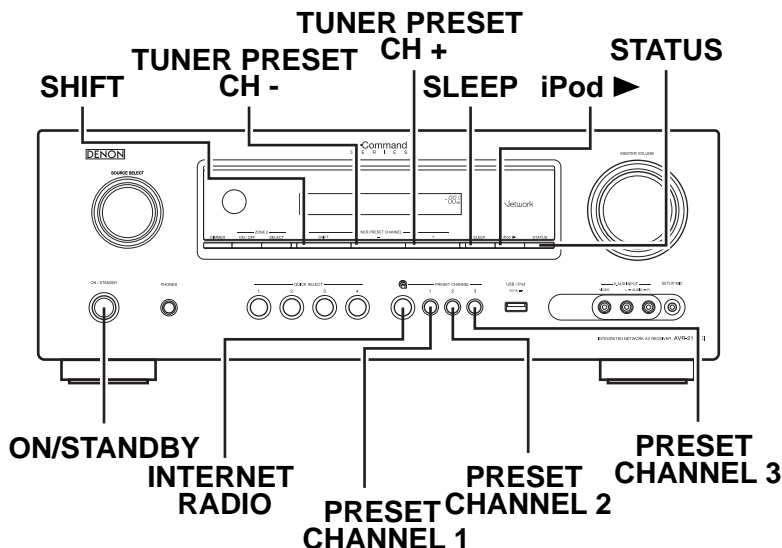
※ No.11 : Turn on the power, then press and hold down the A and B buttons for over 3 seconds.

No.	Mode	Button A	Button B	Contents
1	Version display (μcom/DSP Error Display)	STATUS	iPod ▶	Firmware versions such as Main or DSP are displayed in the FL Display. Errors are displayed when they occur. (Refer to 20 page)
2	Displaying the protection history mode	STATUS	SLEEP	The protection history is displayed. (Refer to 23 page)
3	User Initialization mode (Installer Setup settings are not initialized.)	PRESET CHANNEL 2	PRESET CHANNEL 3	Backup data initialization is carried out. (Installer Setup settings are not initialized.)
4	Factory Initialization mode (Installer Setup settings are also initialized.)	PRESET CHANNEL 1	PRESET CHANNEL 2	Backup data initialization is carried out. (Installer Setup settings are also initialized.)
5	Mode for switching tuner frequency step (E2 model Only)	TUNER PRESET CH +	TUNER PRESET CH -	Change tuner frequency step to FM:200kHz/AM:10kHzSTEP
6	Mode for preventing remote control acceptance	PRESET CHANNEL 1	INTERNET RADIO	Operations using the remote control are rejected. (Mode cancellation: Turn off the power and execute the same button operations as when performing setup.)
7	Panel lock mode	PRESET CHANNEL 2	TUNER PRESET CH +	Operations using the main unit panel buttons or the master volume knob are rejected.
8	Panel lock mode (Master volume is not locked.)	PRESET CHANNEL 2	SLEEP	Operations using the main unit panel buttons are rejected.
9	Cancellation of panel lock mode	PRESET CHANNEL 2	STATUS	Panel lock mode is cancelled.
10	Diagnostic mode	PRESET CHANNEL 1	STATUS	This mode is used for confirming the Video and Audio (signal) paths. (Troubleshooting) The signal paths of the set can be easily confirmed after repair.
11	Remote ID Setup mode	PRESET CHANNEL 1	STATUS	When using multiple DENON AV receivers in the same room, make this setting so that only the desired AV receiver operates.(Refer to 25 page)
12	Installer Setup mode (AVR-2112CI model only)	SHIFT	STATUS	Access the Remote Maintenance mode via the internet.Installer Setup is displayed on GUI/Option Menu. ※ Refer to AVR_RemoteMaintenance_.pdf of SDI.

### NOTE:

If " REC " is displayed on the fluorescent display, the set is in the special developer's mode and the RS-232C communications are not possible.

Turn on the power, then press and hold down the "PRESET CHANNEL 2" and " STATUS " buttons for over 3 seconds to turn off "REC" on the display. RS-232C communications are now enabled.



# 1. $\mu$ com/DSP Version display mode

## 1.1. Operation specifications

### $\mu$ com/DSP version display mode:

When the set is started up in this mode, the version information is displayed.

### Starting up:

Press the "ON/STANDBY" button to turn on the power while pressing the "STATUS" and "iPod ▶" buttons. Now, press the "STATUS" button to the display the 2nd item information on the FL Display.

※ When the version is displayed on the FL Display, the version list is also displayed on the OSD.

## 1.2. Display Order

Error information(Refer to 1.3. Error display) → ① Model destination information → ② Firmware Package Version

→ ③ Main  $\mu$ -com → ④ Main 1st Boot Loader → ⑤ DSP ROM → ⑥ Audio PLD → ⑦ OSD SFLASH

→ \*⑧ Ethernet(DM860) 1st Boot Loader, Hardware ID → \*⑨ Ethernet(DM860) 2nd Boot Loader, Rhapsody Flag

→ \*⑩ Ethernet(DM860) IMAGE → \*⑪ Ethernet(DM860)MAC ADDRESS information → ⑫ iPod Version

① Model destination information :

Model	FLD
AVR-1912 E3 model	A V R 1 9 1 2 E 3 : * * * * *
AVR-1912 E2/EA model	A V R 1 9 1 2 E 2 / E A
AVR-1912 E1C model	A V R 1 9 1 2 E 1 C
AVR-2112CI E3 model	A V R 2 1 1 2 E 3

② Firmware Package Version :

FLD	F i r m w e r . : * * * * *
-----	-----------------------------

③ Main  $\mu$ -com :

FLD	M a i n : * * * * *
-----	---------------------

④ Main 1st Boot Loader :

FLD	M a i n F B L : * * . * *
-----	---------------------------

⑤ DSP ROM :

FLD	D S P : * * . * *
-----	-------------------

⑥ Audio PLD :

FLD	A u d i o P L D : * * . * *
-----	-----------------------------

⑦ OSD SFLASH :

Model	FLD
AVR-1912 E3 model	O S D : 4 9 1 8 * * * *
AVR-1912 E2/EA model	O S D : 4 9 1 2 * * * *
AVR-1912 E1C model	O S D : 4 9 1 5 * * * *
AVR-2112CI E3 model	O S D : 4 9 1 1 * * * *

⑧ Ethernet(DM860) 1st Boot Loader, Hardware ID :

FLD		E	t	h	e	r	n	e	t		F	B	L			
-----	--	---	---	---	---	---	---	---	---	--	---	---	---	--	--	--



Press the "STATUS" button.

FLD	*	*	*	*	*	*	*	*	*	-	b	d					⚠
-----	---	---	---	---	---	---	---	---	---	---	---	---	--	--	--	--	---

⑨ Ethernet(DM860) 2nd Boot Loader, Rhapsody Flag :

FLD		E	t	h	e	r	n	e	t		S	B	L			
-----	--	---	---	---	---	---	---	---	---	--	---	---	---	--	--	--



Press the "STATUS" button.

FLD	*	*	*	*	*	*	*	*	*	*	*	*	*	*	-	0	A	⚠
-----	---	---	---	---	---	---	---	---	---	---	---	---	---	---	---	---	---	---

⑩ Ethernet(DM860) IMAGE :

FLD		E	t	h	e	r	n	e	t		I	M	G			
-----	--	---	---	---	---	---	---	---	---	--	---	---	---	--	--	--



Press the "STATUS" button.

FLD	*	*	*	*	*	*	*	*	*	*	*	*	*			
-----	---	---	---	---	---	---	---	---	---	---	---	---	---	--	--	--

⑪ Ethernet(DM860)MAC ADDRESS information :

FLD	*	E	t	h	e	r	n	e	t		M	A	C			
-----	---	---	---	---	---	---	---	---	---	--	---	---	---	--	--	--



Press the "STATUS" button.

FLD		*	*	*	*	*	*	-		*	*	*	*	*	*	
-----	--	---	---	---	---	---	---	---	--	---	---	---	---	---	---	--

⑫ iPod Version :

FLD	*	i	P	o	d		D	o	c	k	:	*	*	.	*	*
-----	---	---	---	---	---	--	---	---	---	---	---	---	---	---	---	---

### 1.3. Error display

See the following table for each "Error information" display and its explanation (status).  
 Display order is ①,②,③,④,⑤.

Condition	Status	FL Display	Trouble shooting																
① Firm Check NG	Compared with the destination setting on the board. This is displayed when the model name or destination information written into the firmware does not match. (※)	<table border="1"> <tr> <td></td><td></td><td></td><td>F</td><td>I</td><td>R</td><td>M</td><td>E</td><td>R</td><td>R</td><td>O</td><td>R</td><td></td><td></td><td></td> </tr> </table>				F	I	R	M	E	R	R	O	R				<ul style="list-style-type: none"> <li>• Please check the destination-resistors (R773/R776, HDMI B'D).</li> <li>• Please write the firmware of correct destination.</li> </ul>	
			F	I	R	M	E	R	R	O	R								
② DIR NG	No response from DIR.	<table border="1"> <tr> <td></td><td></td><td></td><td>D</td><td>I</td><td>R</td><td></td><td></td><td></td><td>E</td><td>R</td><td>R</td><td>O</td><td>R</td><td>0</td><td>1</td> </tr> </table>				D	I	R				E	R	R	O	R	0	1	<ul style="list-style-type: none"> <li>• Please check DIR (IC21, HDMI B'D) and around circuits.</li> </ul>
			D	I	R				E	R	R	O	R	0	1				
③ DSP NG	When DSP code boot is performed, the DSP FLAG0 port does not change to "H" even if DSP reset is executed.	<table border="1"> <tr> <td></td><td></td><td></td><td>D</td><td>S</td><td>P</td><td></td><td></td><td></td><td>E</td><td>R</td><td>R</td><td>O</td><td>R</td><td>0</td><td>1</td> </tr> </table>				D	S	P				E	R	R	O	R	0	1	<ul style="list-style-type: none"> <li>• Please check DSP (U8, HDMI B'D) and around circuits.</li> </ul>
				D	S	P				E	R	R	O	R	0	1			
	Before DSP command is issued, the DSP BUSY port does not change to "L". ▲	<table border="1"> <tr> <td></td><td></td><td></td><td>D</td><td>S</td><td>P</td><td></td><td></td><td></td><td>E</td><td>R</td><td>R</td><td>O</td><td>R</td><td>0</td><td>2</td> </tr> </table>				D	S	P				E	R	R	O	R	0	2	
				D	S	P				E	R	R	O	R	0	2			
	When DSP data read is performed, executing WRITE="L" does not result in ACK="H".	<table border="1"> <tr> <td></td><td></td><td></td><td>D</td><td>S</td><td>P</td><td></td><td></td><td></td><td>E</td><td>R</td><td>R</td><td>O</td><td>R</td><td>0</td><td>3</td> </tr> </table>				D	S	P				E	R	R	O	R	0	3	
				D	S	P				E	R	R	O	R	0	3			
When DSP data read is performed, executing REQ="L" does not result in ACK="L".	<table border="1"> <tr> <td></td><td></td><td></td><td>D</td><td>S</td><td>P</td><td></td><td></td><td></td><td>E</td><td>R</td><td>R</td><td>O</td><td>R</td><td>0</td><td>4</td> </tr> </table>				D	S	P				E	R	R	O	R	0	4		
			D	S	P				E	R	R	O	R	0	4				
When DSP data writing is performed, executing WRITE="H" does not result in ACK="H".	<table border="1"> <tr> <td></td><td></td><td></td><td>D</td><td>S</td><td>P</td><td></td><td></td><td></td><td>E</td><td>R</td><td>R</td><td>O</td><td>R</td><td>0</td><td>5</td> </tr> </table>				D	S	P				E	R	R	O	R	0	5		
			D	S	P				E	R	R	O	R	0	5				
When DSP data writing is performed, executing REQ="L" does not result in ACK="L".	<table border="1"> <tr> <td></td><td></td><td></td><td>D</td><td>S</td><td>P</td><td></td><td></td><td></td><td>E</td><td>R</td><td>R</td><td>O</td><td>R</td><td>0</td><td>6</td> </tr> </table>				D	S	P				E	R	R	O	R	0	6		
			D	S	P				E	R	R	O	R	0	6				
④ EEPROM NG	Error occurs in EEPROM checksum.(*** is a block address number.)	<table border="1"> <tr> <td></td><td></td><td></td><td>E</td><td>E</td><td>P</td><td>R</td><td>O</td><td>M</td><td>E</td><td>R</td><td>R</td><td>*</td><td>*</td><td>*</td> </tr> </table>				E	E	P	R	O	M	E	R	R	*	*	*		
			E	E	P	R	O	M	E	R	R	*	*	*					
⑤ Both DSP / EEPROM OK		(No error display, version display only)																	

Status	FL Display																																																											
※ The written Firmware and product settings (model name, brand name, destination) are compared. If Firmware that is not designed for this product is written, ▲ is displayed in the first column, as shown on the right. ▲	<table border="1"> <tr> <td>▲</td><td>M</td><td>a</td><td>i</td><td>n</td><td></td><td>:</td><td>*</td><td>*</td><td>*</td><td>*</td><td>*</td><td>*</td><td>*</td><td>*</td> </tr> <tr> <td>▲</td><td>D</td><td>S</td><td>P</td><td></td><td></td><td>:</td><td>*</td><td>*</td><td>*</td><td>.</td><td>*</td><td>*</td><td>*</td> </tr> <tr> <td>▲</td><td>A</td><td>u</td><td>d</td><td>i</td><td>o</td><td>P</td><td>L</td><td>D</td><td>:</td><td>*</td><td>*</td><td>.</td><td>*</td><td>*</td> </tr> <tr> <td>▲</td><td>O</td><td>S</td><td>D</td><td></td><td></td><td>:</td><td>*</td><td>*</td><td>*</td><td>*</td><td>*</td><td>*</td><td>*</td><td>*</td> </tr> </table>	▲	M	a	i	n		:	*	*	*	*	*	*	*	*	▲	D	S	P			:	*	*	*	.	*	*	*	▲	A	u	d	i	o	P	L	D	:	*	*	.	*	*	▲	O	S	D			:	*	*	*	*	*	*	*	*
▲	M	a	i	n		:	*	*	*	*	*	*	*	*																																														
▲	D	S	P			:	*	*	*	.	*	*	*																																															
▲	A	u	d	i	o	P	L	D	:	*	*	.	*	*																																														
▲	O	S	D			:	*	*	*	*	*	*	*	*																																														

## 2. Errors checking mode (Displaying the protection history)

### 2.1. Operation specifications

#### Error mode (Displaying the protection history):

When the set is started up in this mode, the error information is displayed.

#### Starting up:

##### [AVR-1912E3 model]

Press the "ON/STANDBY" button to turn on the power while pressing the "STATUS" and "NET/USB" buttons. The error (protection history display) mode is set.

Now, press the "STATUS" button to turn on the FL display.

##### [AVR-1912E2/EA/E1C,2112CIE3 model] ⚠

Press the "ON/STANDBY" button to turn on the power while pressing the "STATUS" and "SLEEP" buttons. The error (protection history display) mode is set.

Now, press the "STATUS" button to turn on the FL display.

### 2.2. About the display on the FL display

When the "STATUS" button is pressed after the error (protection history display) mode is set, a history like the one shown below is displayed, depending on the conditions.

- (1) Normal (when there has been no protection incident)

FLD	N	O		P	R	O	T	E	C	T									
-----	---	---	--	---	---	---	---	---	---	---	--	--	--	--	--	--	--	--	--

- (2) For ASO (when the last protection incident was ASO protection)

FLD	P	R	T	:	A	S	O												
-----	---	---	---	---	---	---	---	--	--	--	--	--	--	--	--	--	--	--	--

**Cause:** The line between speaker terminals is shorted, or speakers with impedance of less than the rated value.

**Supplementary information:** As the excess current is detected after operation of the speaker relay, a short on the speaker terminal and the connected speaker can be identified.

If the power is turned on without correcting the abnormality, the protection function will work about 5 seconds later and the power supply will be shut off.

- (3) For DC (when the last protection incident was DC protection)

FLD	P	R	T	:	D	C													
-----	---	---	---	---	---	---	--	--	--	--	--	--	--	--	--	--	--	--	--

**Cause:** DC output of the power amplifier is abnormal.

If the power is turned on without correcting the abnormality, the protection function will work about 5 seconds later and the power supply will be shut off.

- (4) For THERMAL (when the last protection incident was THERMAL(A) or THERMAL(B) protection)

FLD	P	R	T	:	T	H	E	R	M	A	L		A						
-----	---	---	---	---	---	---	---	---	---	---	---	--	---	--	--	--	--	--	--

FLD	P	R	T	:	T	H	E	R	M	A	L		B						
-----	---	---	---	---	---	---	---	---	---	---	---	--	---	--	--	--	--	--	--

**Cause:** The temperature of the heat sink is excessive.

If the power is turned on without correcting the abnormality, the protection function will work about 5 seconds later and the power supply will be shut off.

※ Additional causes of protection can be due to loose connections, associated components, Microprocessor, etc.

When the "STATUS" button is pressed again after the protection history as shown above is displayed, the normal display reappears.

### 2.3. Clearing the protection history

There are two ways to clear the protection history, as described below.

- (1) Start up the set in error (protection display) mode and display the error, then press and hold down the "INTERNET RADIO" button for 3 seconds.

FLD	F	R	T	:	D	C													
-----	---	---	---	---	---	---	--	--	--	--	--	--	--	--	--	--	--	--	--

↓ Press and hold down "INTERNET RADIO" button for 3 seconds.

FLD	F	R	T	:	C	L	E	A	R										
-----	---	---	---	---	---	---	---	---	---	--	--	--	--	--	--	--	--	--	--

↓ The above is displayed and the protection history is cleared.

FLD	N	O		P	R	O	T	E	C	T									
-----	---	---	--	---	---	---	---	---	---	---	--	--	--	--	--	--	--	--	--

- (2) Initialize. (Refer to "Initializing INTEGRATED NETWORK AV RECEIVER" 7 page.)

※ If you want to save a backup, perform the method in 2.3.(1).

### Warning indication by the POWER LED

If the power is turned off when a protection incident has been detected, the POWER LED (red) flashes as a warning according to the conditions in which the protection incident occurred.

- (1) ASO/DC PROTECTION : Flashes at intervals of 0.5 seconds (0.25 seconds lit, 0.25 seconds off)
- (2) THERMAL (A/B) PROTECTION : Flashes at intervals of 2 seconds (1 second lit, 1 second off)



### 3. Remote ID Setup mode

#### 3.1. Specifications

When using multiple DENON AV receivers in the same room, make this setting so that only the desired AV receiver operates.

When you change the remote ID, make sure that the remote control unit and the remote ID of the main unit are exactly the same.

#### 3.2. Setting the AV receivers

##### Starting up:

Turn on the power, then press and hold down the "STATUS" and "PRESET CHANNEL 1" buttons for over 3 seconds.

(1) When Remote ID Setup mode is started, the following is displayed.

FLD				R	E	M	O	T	E		I	D		?		
-----	--	--	--	---	---	---	---	---	---	--	---	---	--	---	--	--

(2) Press the "QUICK SELECT 1 - 4" button that corresponds to the number you want to set.

Button	FL Display																
QUICK SELECT 1	<table border="1"> <tr> <td></td><td></td><td></td><td>R</td><td>E</td><td>M</td><td>O</td><td>T</td><td>E</td><td></td><td>I</td><td>D</td><td></td><td>1</td><td></td><td></td> </tr> </table>				R	E	M	O	T	E		I	D		1		
			R	E	M	O	T	E		I	D		1				
QUICK SELECT 2	<table border="1"> <tr> <td></td><td></td><td></td><td>R</td><td>E</td><td>M</td><td>O</td><td>T</td><td>E</td><td></td><td>I</td><td>D</td><td></td><td>2</td><td></td><td></td> </tr> </table>				R	E	M	O	T	E		I	D		2		
			R	E	M	O	T	E		I	D		2				
QUICK SELECT 3	<table border="1"> <tr> <td></td><td></td><td></td><td>R</td><td>E</td><td>M</td><td>O</td><td>T</td><td>E</td><td></td><td>I</td><td>D</td><td></td><td>3</td><td></td><td></td> </tr> </table>				R	E	M	O	T	E		I	D		3		
			R	E	M	O	T	E		I	D		3				
QUICK SELECT 4	<table border="1"> <tr> <td></td><td></td><td></td><td>R</td><td>E</td><td>M</td><td>O</td><td>T</td><td>E</td><td></td><td>I</td><td>D</td><td></td><td>4</td><td></td><td></td> </tr> </table>				R	E	M	O	T	E		I	D		4		
			R	E	M	O	T	E		I	D		4				

(3) Turn off the power using "ON/STANDBY" button.

(4) Turn on the power using "ON/STANDBY" button.

※ When Remote ID Setup mode is running, operations other than the "QUICK SELECT 1 - 4" buttons or "ON/STANDBY" buttons on the main unit are not received.


#### 3.3. Setting the Remote control unit

(1) Press and hold both "ZONE/DEVICE (1)" button for over 3 seconds.

The zone mode indicator flashes twice.

(2) Press the "AMP" button.

The zone mode indicator flashes twice.

(3) Press the "1, 2, 3 or 4" button. 

The zone mode indicator flashes twice.

##### NOTE:

If the IDs do not match, "AVAMP\*" (\* is the main unit's remote control ID) appears on the display when the remote control unit is operated.





#### 4.5. Audio system confirmation items

fig.XX : Refer to the block diagram of the fig.XXth.

Confirmation item	Setting and display	Details of how to operate remote controller	Output sequence of remote control codes ※ It is useful to form a macro program.	Contents of confirmation	Remarks
1 Analog (signal) Path  <b>fig.7</b>	Input Mode : Fixed ANALOG SURROUND mode : DIRECT Amp assign : NORMAL Display: A01 [ ] [ ] [ ] [ ] DVD [ ] [ ] [ ] [ ] [ ] [ ] [ ] [ ] [ ] [ ]	1.Press [AMP] 2.Press [ZONE SELECT] , Select "ZONE2" 3.Press [ZONE OFF] 4.Press [ZONE SELECT], Select "MAIN" 5.Press [7/PQRS]  8.Press [DVD]	①ZONE2 POWER OFF  ②KEY 7/PQRS (Main Zone) Initialization & Amp assign NORMAL& Input Mode Fixed ANALOG & SURROUND mode DIRECT  ④DVD (Main Zone)	·Input : Analog / Output : Speakers (Front L/R) (※ As the input source, you can switch from DVD to other ones.)	
2 DIGITAL (signal) Path (MAIN)  <b>fig.8</b>	Input Mode : Fixed DIGITAL Amp assign : NORMAL Display: A02 [ ] [ ] [ ] [ ] DVD [ ] [ ] [ ] [ ] [ ] [ ] [ ] [ ] [ ] [ ]	1.Press [AMP] 2.Press [ZONE SELECT] , Select "ZONE2" 3.Press [ZONE OFF] 4.Press [ZONE SELECT], Select "MAIN" 5.Press [8/TUV]  6.Press [DVD]	①ZONE2 POWER OFF  ②KEY 8/TUV (Main Zone) Initialization & Amp assign NORMAL& Input Mode Fixed DIGITAL  ③DVD (Main Zone)	·Input : Digital / Output : Speakers (Front L/R) (※ As the input source, you can switch from DVD to other ones.)	
3 DIGITAL (signal) Path (ZONE2 : NET / USB)  <b>fig.9</b>	Input Mode : Fixed DIGITAL Amp assign : ZONE2 ZONE2 Function : Source Display: A03 [ ] [ ] [ ] [ ] NET/USB [ ] [ ] [ ] [ ] [ ] [ ] [ ] [ ] [ ] [ ]	1.Press [AMP] 2.Press [ZONE SELECT] , Select "ZONE2" 3.Press [ZONE OFF] 4.Press [ZONE SELECT], Select "MAIN" 5.Press [9/WXYZ]  6.Press [ZONE SELECT], Select "ZONE2" 7.Press [ZONE ON] 8.Press [ZONE SELECT], Select "MAIN" 9.Press [NET/USB]	①ZONE2 POWER OFF  ②KEY 9/WXYZ (Main Zone) Initialization & Amp assign ZONE2 & Input Mode Fixed DIGITAL  ③ZONE2 POWER ON  ④NET/USB (Main Zone)	·Input : Digital / Output : Speakers (SURR BACK L/R) ·Input : Digital / Output : LINE OUT(ZONE2 L/R) AVR-2112 model only (※ As the input source, you must select NET/USB.)	Except the AVR-1712 model.
4 HDMI (signal) Path  <b>fig.10</b>	Input Mode : Fixed HDMI Amp assign : NORMAL Display: A05 [ ] [ ] [ ] [ ] DVD [ ] [ ] [ ] [ ] [ ] [ ] [ ] [ ] [ ] [ ]	1.Press [AMP] 2.Press [ZONE SELECT] , Select "ZONE2" 3.Press [ZONE OFF] 4.Press [ZONE SELECT], Select "MAIN" 5.Press [MOVIE]  6.Press [DVD]	①ZONE2 POWER OFF  ②MOVIE Select Initialization & Amp assign NORMAL & Input Mode Fixed HDMI  ③DVD (Main Zone)	·Input : HDMI / Output : Speakers (Front L/R) (※ As the input source, you can switch from DVD to other ones.)	
5 A/D (signal) Path (Main Zone)  <b>fig.11</b>	Amp assign : NORMAL SURROUND mode : Multi ch STEREO Vol -20dB Speaker Config : SSSSY (Front/Center/Surround/SourroundBack : Small, SW : Yes) Display: A06 [ ] [ ] [ ] [ ] DVD [ ] [ ] [ ] [ ] [ ] [ ] [ ] [ ] [ ] [ ]	1.Press [AMP] 2.Press [ZONE SELECT] , Select "ZONE2" 3.Press [ZONE OFF] 4.Press [ZONE SELECT], Select "MAIN" 5.Press [MUSIC]  6.Press [DVD]	①ZONE2 POWER OFF  ②MUSIC Initialization & Amp assign NORMAL & SURROUND mode : Multi ch STEREO & Volume -20dB  ④DVD (Main Zone)	·Input : Analog / Output : Speakers (Front L/R) ·Input : Analog / Output : SW(20Hz) (※ As the input source, you can switch from DVD to other ones.)	
6 Amp Assign (signal) Path (Amp Assign : ZONE2)  <b>fig.12</b>	Amp assign : ZONE2 ZONE2 Function : Source Zone2 Vol -20dB Display: A07 [ ] [ ] [ ] [ ] DVD [ ] [ ] [ ] [ ] [ ] [ ] [ ] [ ] [ ] [ ]	1.Press [AMP] 2.Press [ZONE SELECT] , Select "ZONE2" 3.Press [ZONE OFF] 4.Press [ZONE SELECT], Select "MAIN" 5.Press [GAME]  6.Press [ZONE SELECT], Select "ZONE2" 7.Press [ZONE ON] 8.Press [ZONE SELECT], Select "MAIN" 9.Press [DVD]	①ZONE2 POWER OFF  ②GAME Initialization & Amp assign ZONE2 & SURROUND mode : Multi ch STEREO & ZONE2 Volume -20dB  ③ZONE2 POWER ON  ④DVD (Main Zone)	·Input : Analog / Output : Speakers (SURR BACK L/R) ·Input : Analog / Output : LINE OUT(ZONE2 L/R) AVR-2112 model only (※ As the input source, you can switch from DVD to other ones.)	
7 Amp Assign (signal) Path (Amp Assign : BiAMP)  <b>fig.13</b>	Amp assign : BiAMP SURROUND mode : Multi ch STEREO Vol -20dB Display: A11 [ ] [ ] [ ] [ ] DVD [ ] [ ] [ ] [ ] [ ] [ ] [ ] [ ] [ ] [ ]	1.Press [AMP] 2.Press [ZONE SELECT] , Select "ZONE2" 3.Press [ZONE OFF] 4.Press [ZONE SELECT], Select "MAIN" 5.Press [◀◀]  6.Press [DVD]	①ZONE2 POWER OFF  ②◀◀ Initialization & Amp assign BiAMP & SURROUND mode : Multi ch STEREO & Volume -20dB  ③DVD (Main Zone)	·Input : Analog / Output : Speakers (SURR BACK L/R) (※ As the input source, you can switch from DVD to other ones.)	

BLOCK DIAGRAM

fig.1

VIDEO BLOCK DIAGRAM

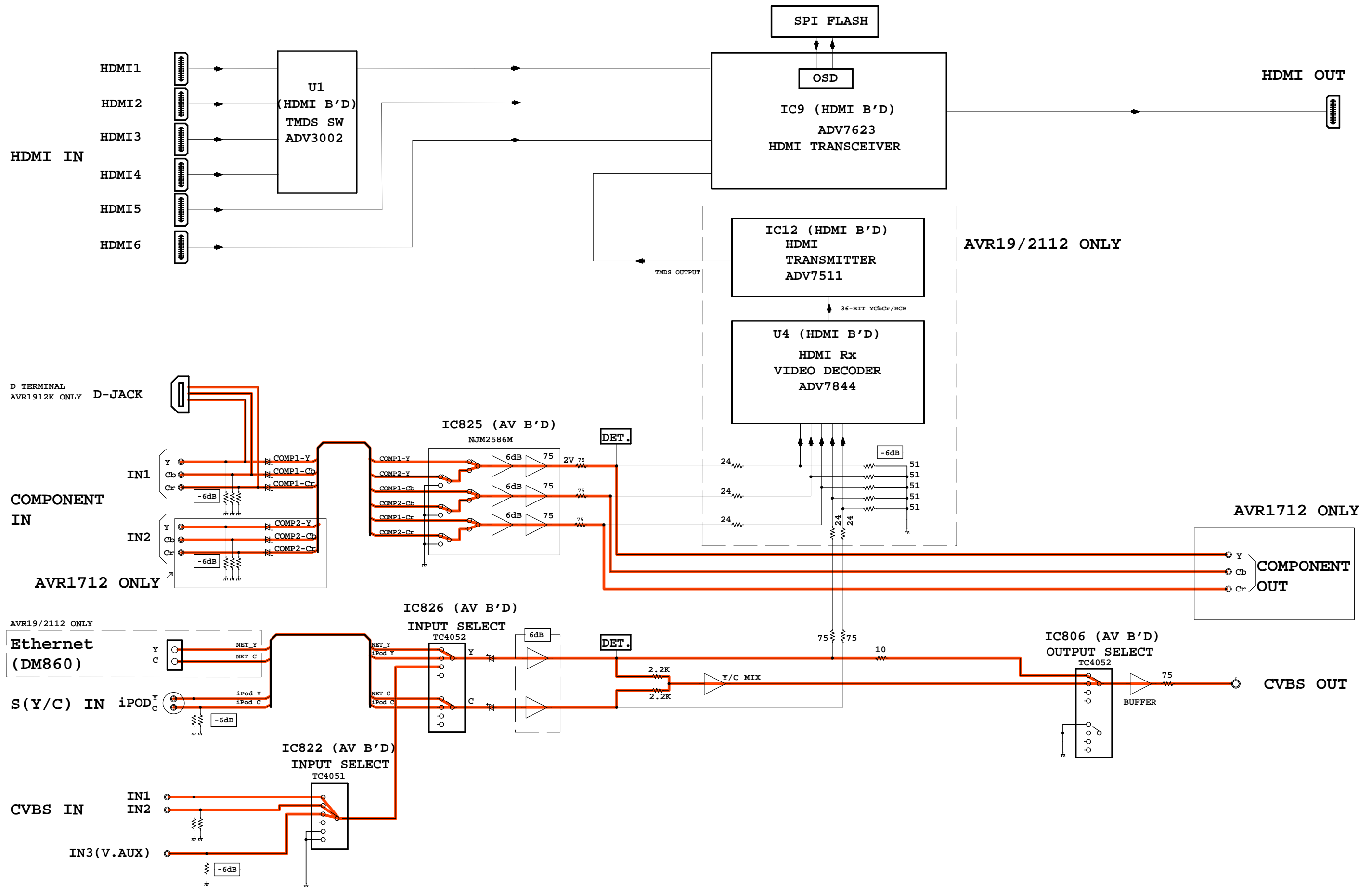


fig.2

VIDEO BLOCK DIAGRAM

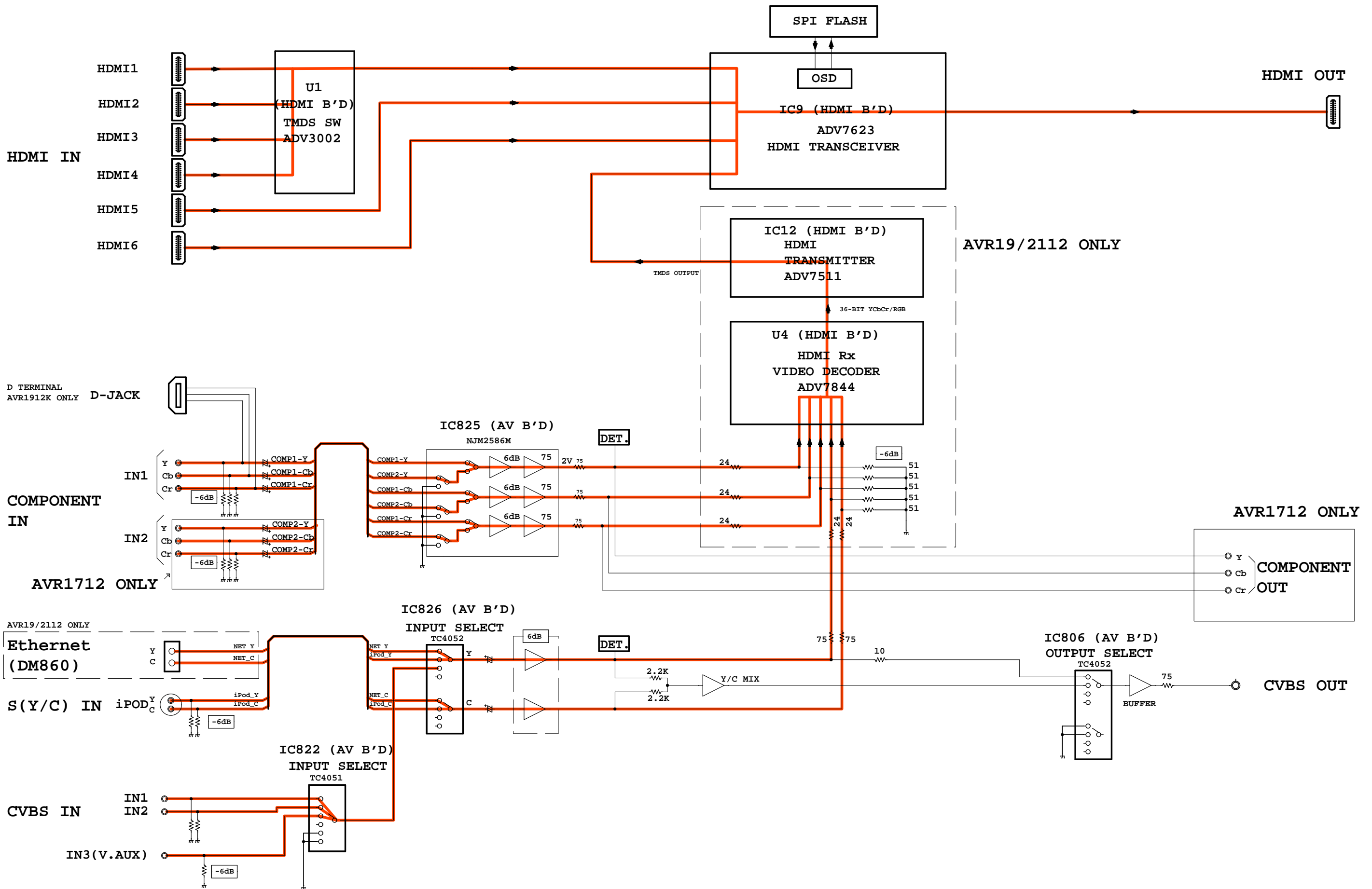


fig.3

VIDEO BLOCK DIAGRAM

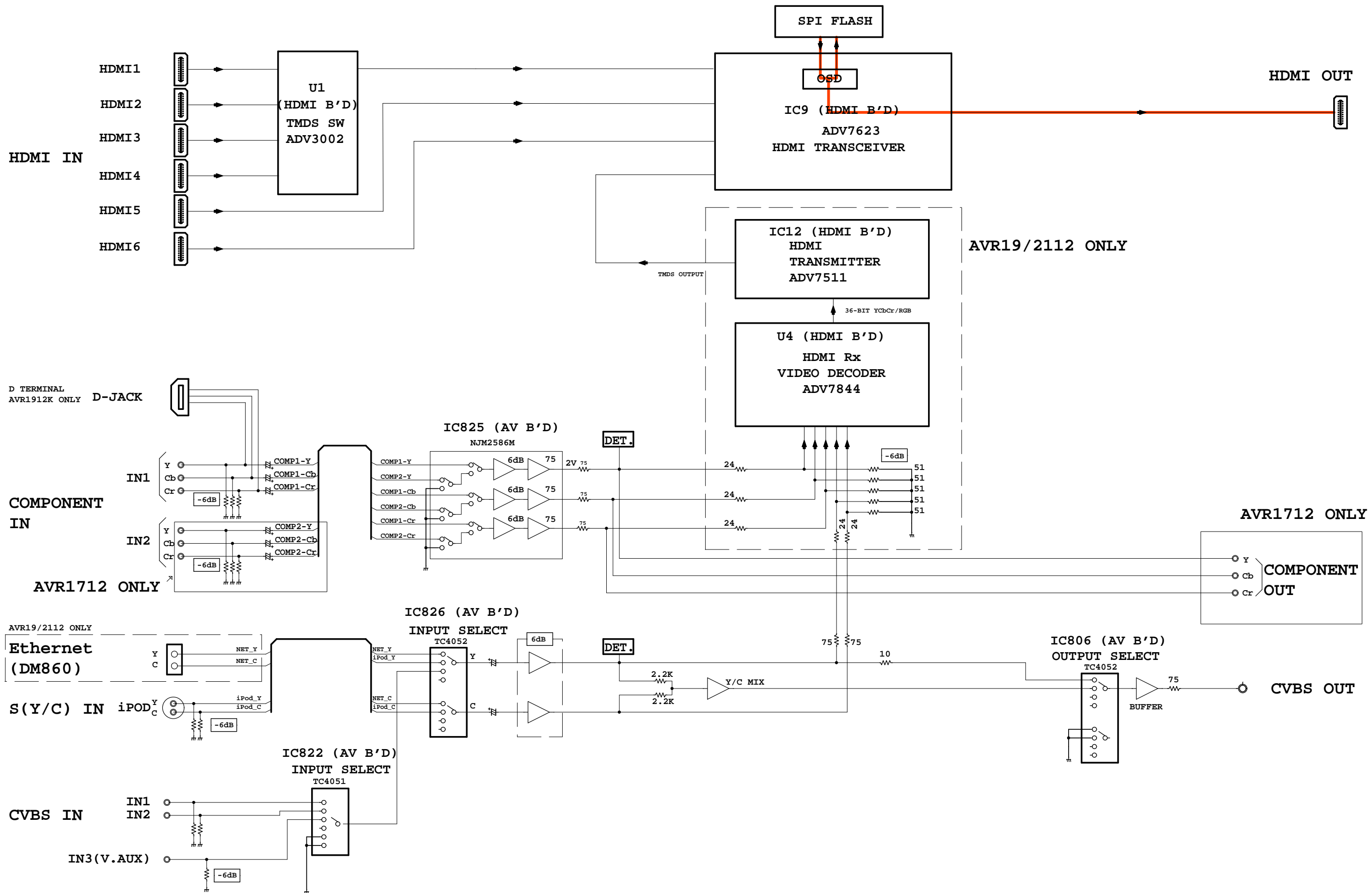


fig.4

VIDEO BLOCK DIAGRAM

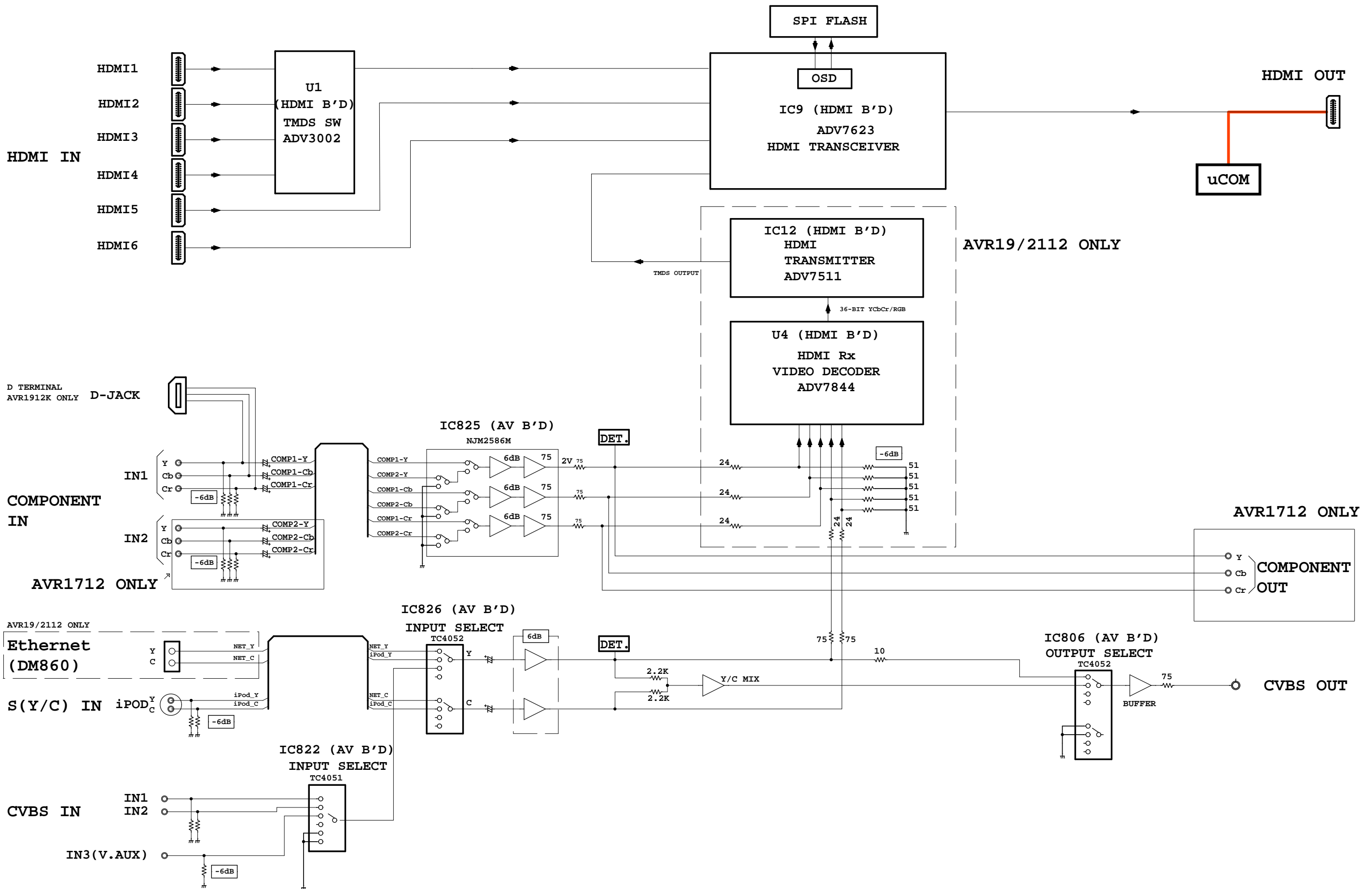




fig.5

AUDIO BLOCK DIAGRAM

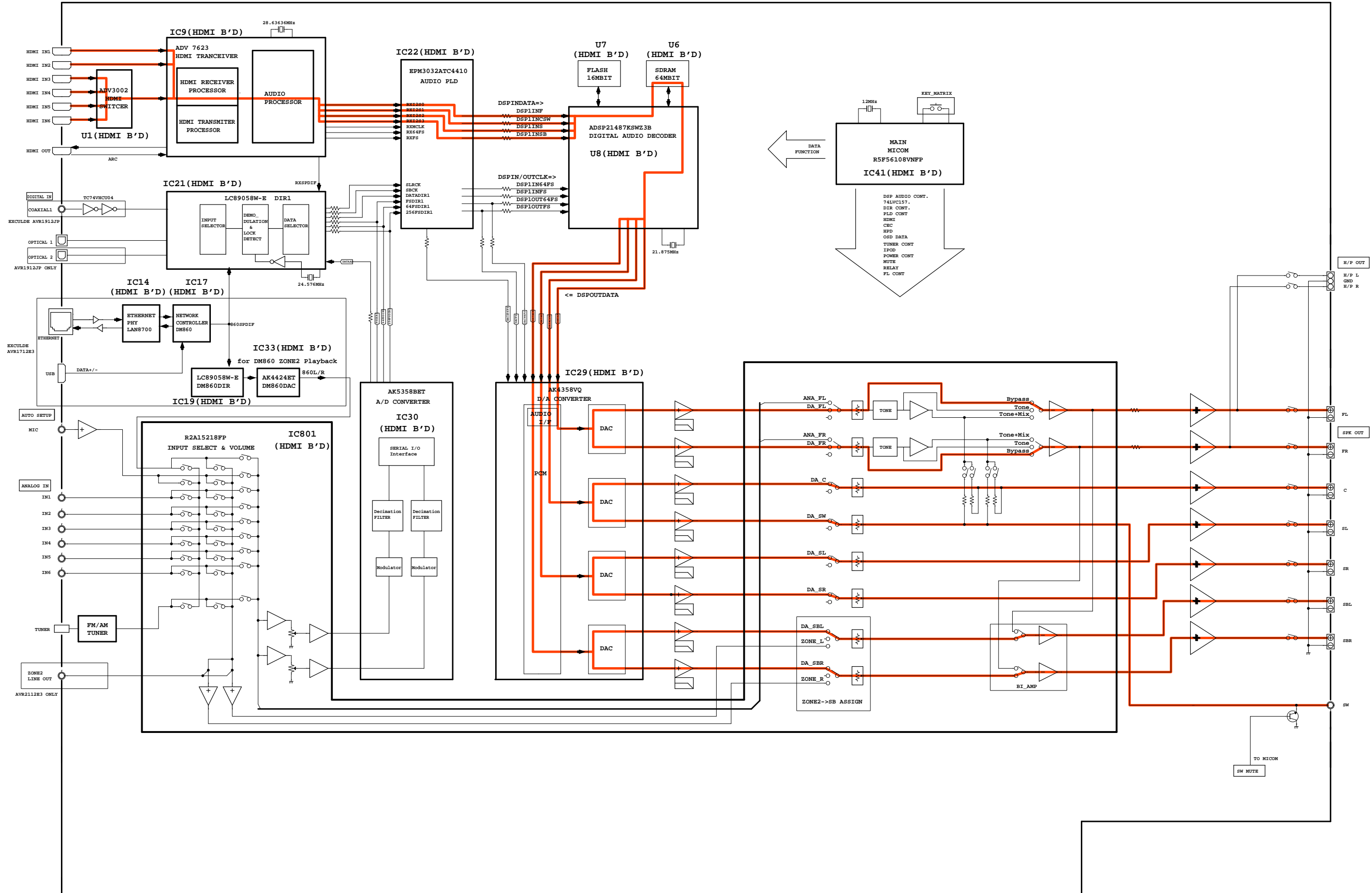


fig.6

AUDIO BLOCK DIAGRAM

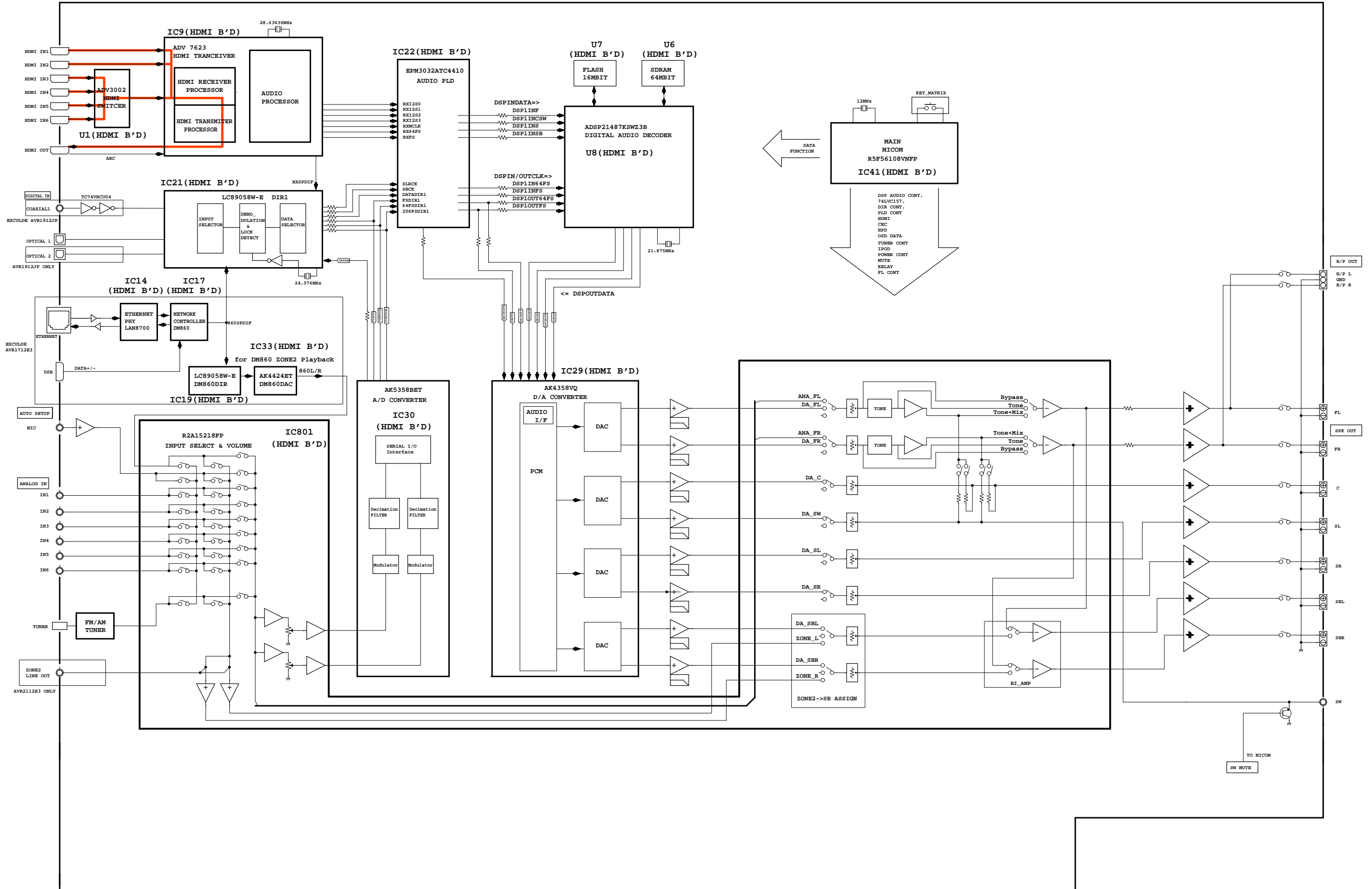


fig.7

AUDIO BLOCK DIAGRAM

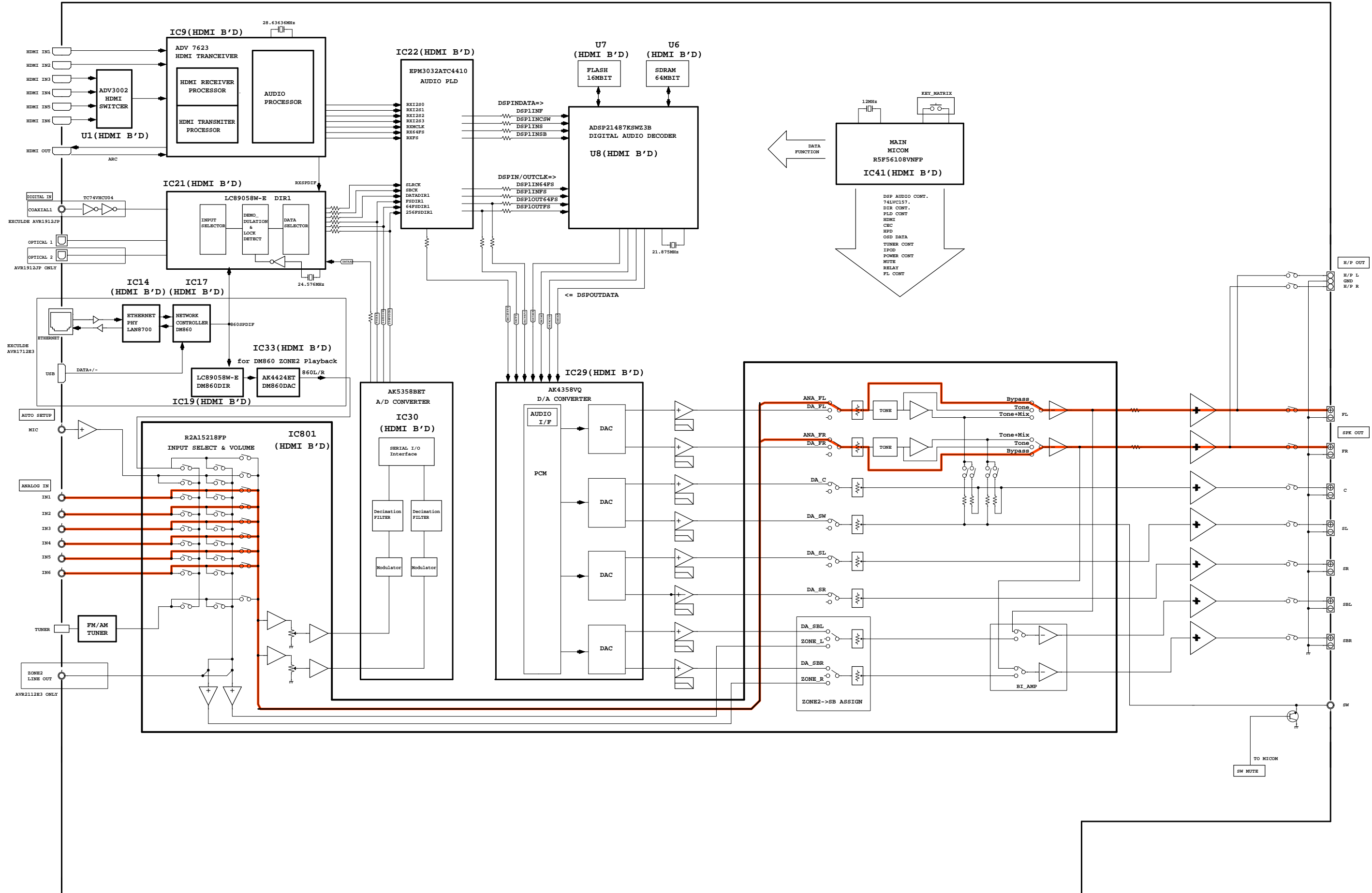


fig.8

AUDIO BLOCK DIAGRAM

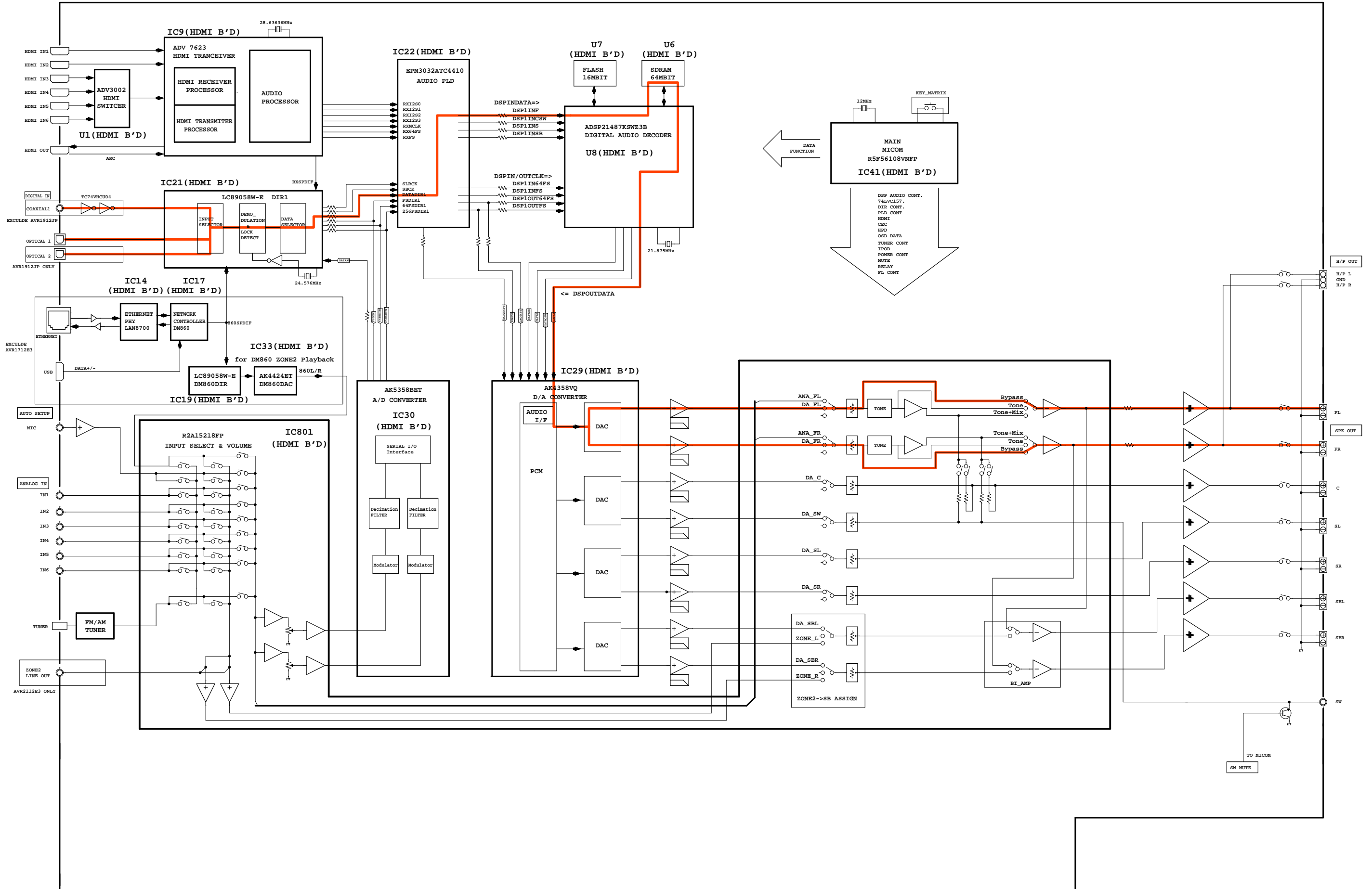


fig.9

AUDIO BLOCK DIAGRAM

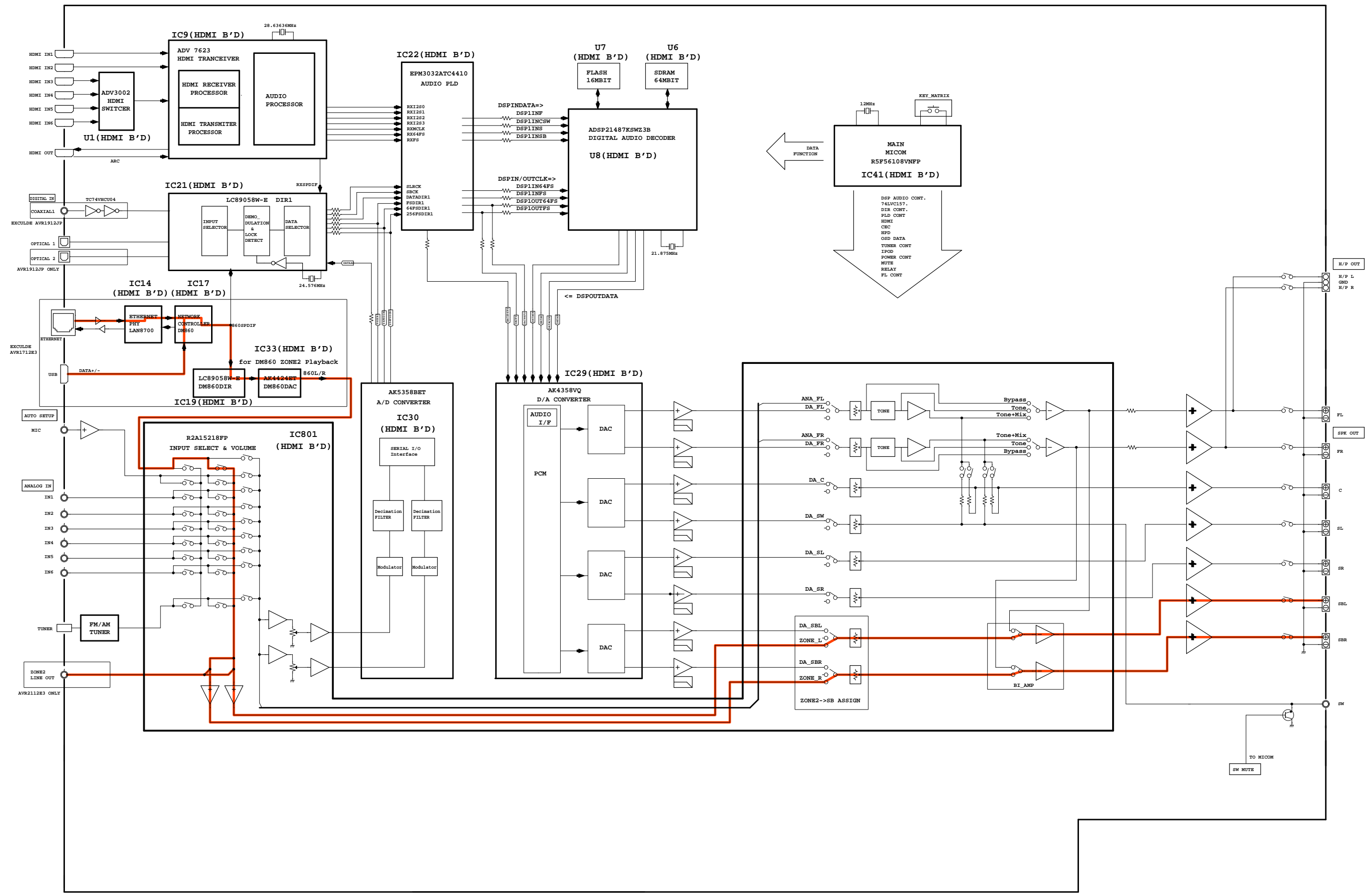


fig.10

AUDIO BLOCK DIAGRAM

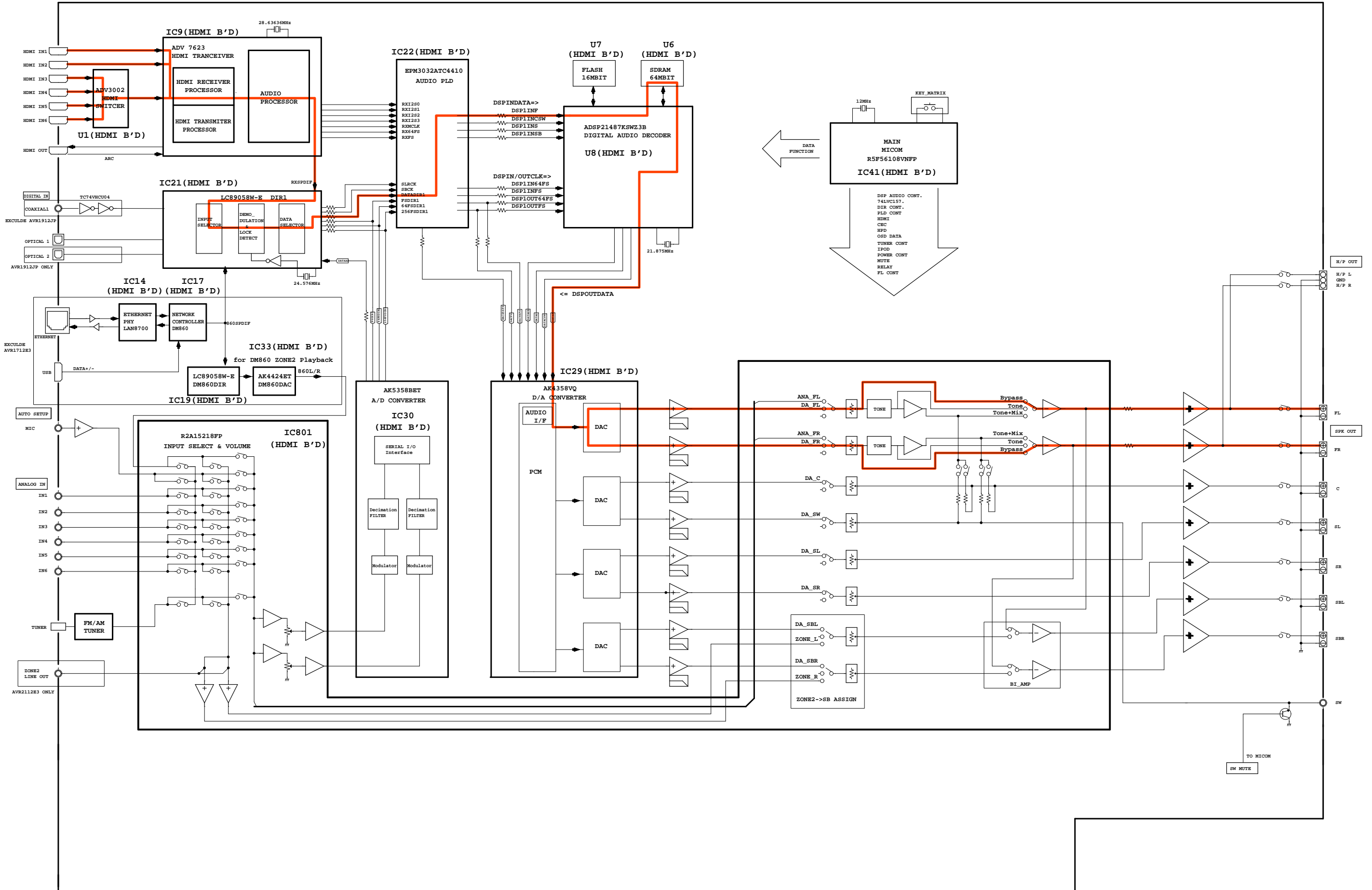


fig.11

AUDIO BLOCK DIAGRAM

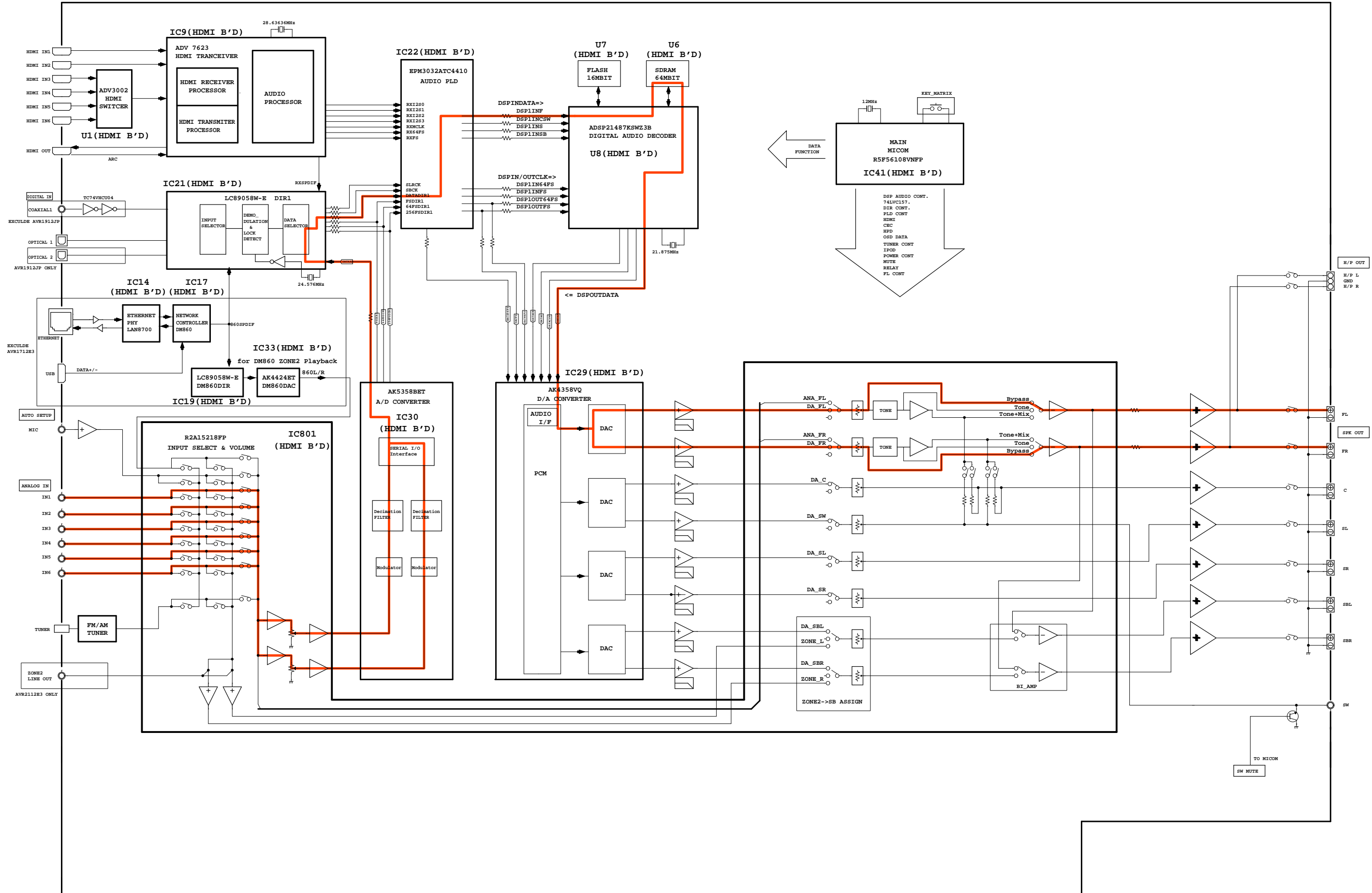


fig.12

AUDIO BLOCK DIAGRAM

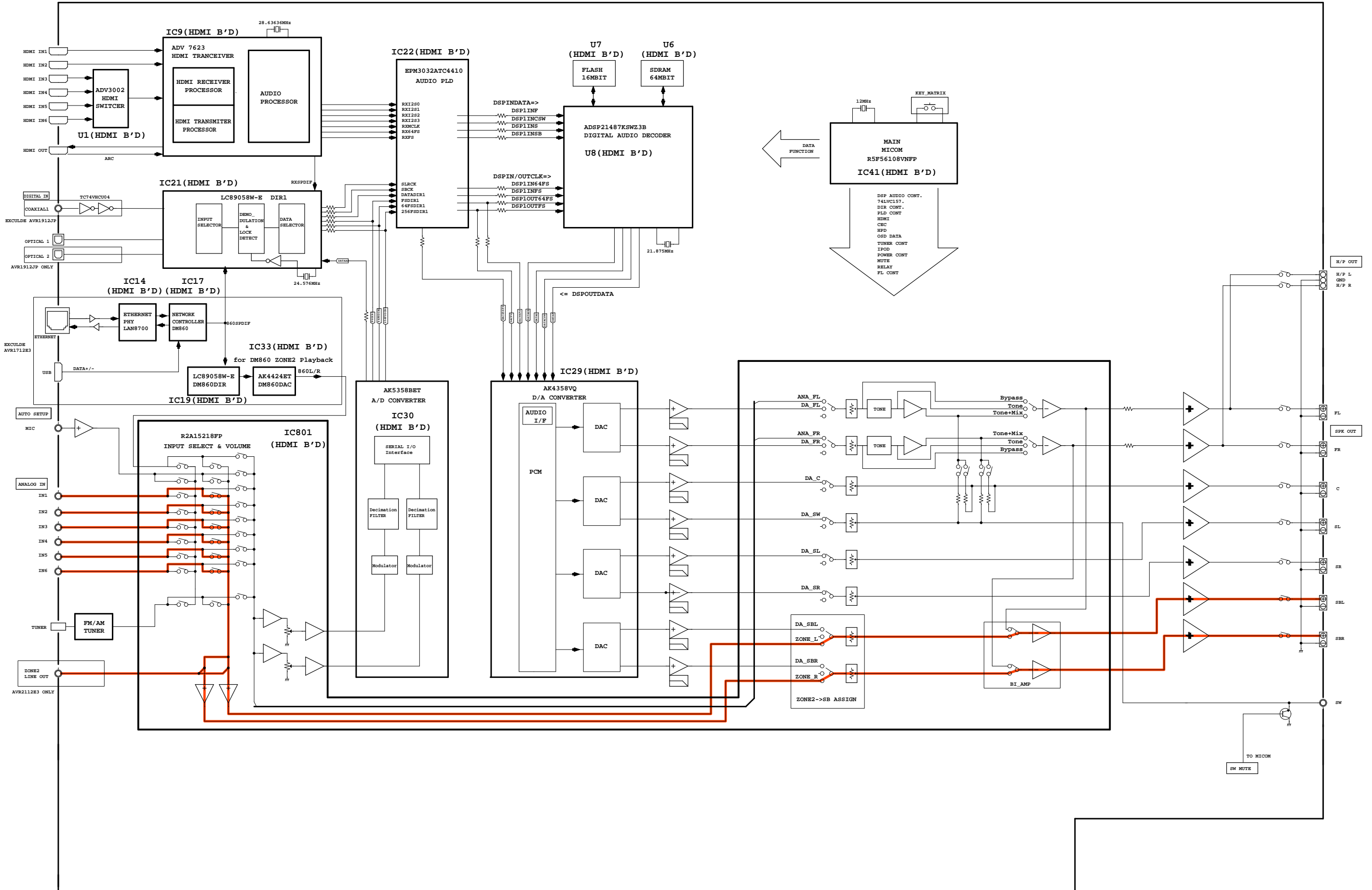
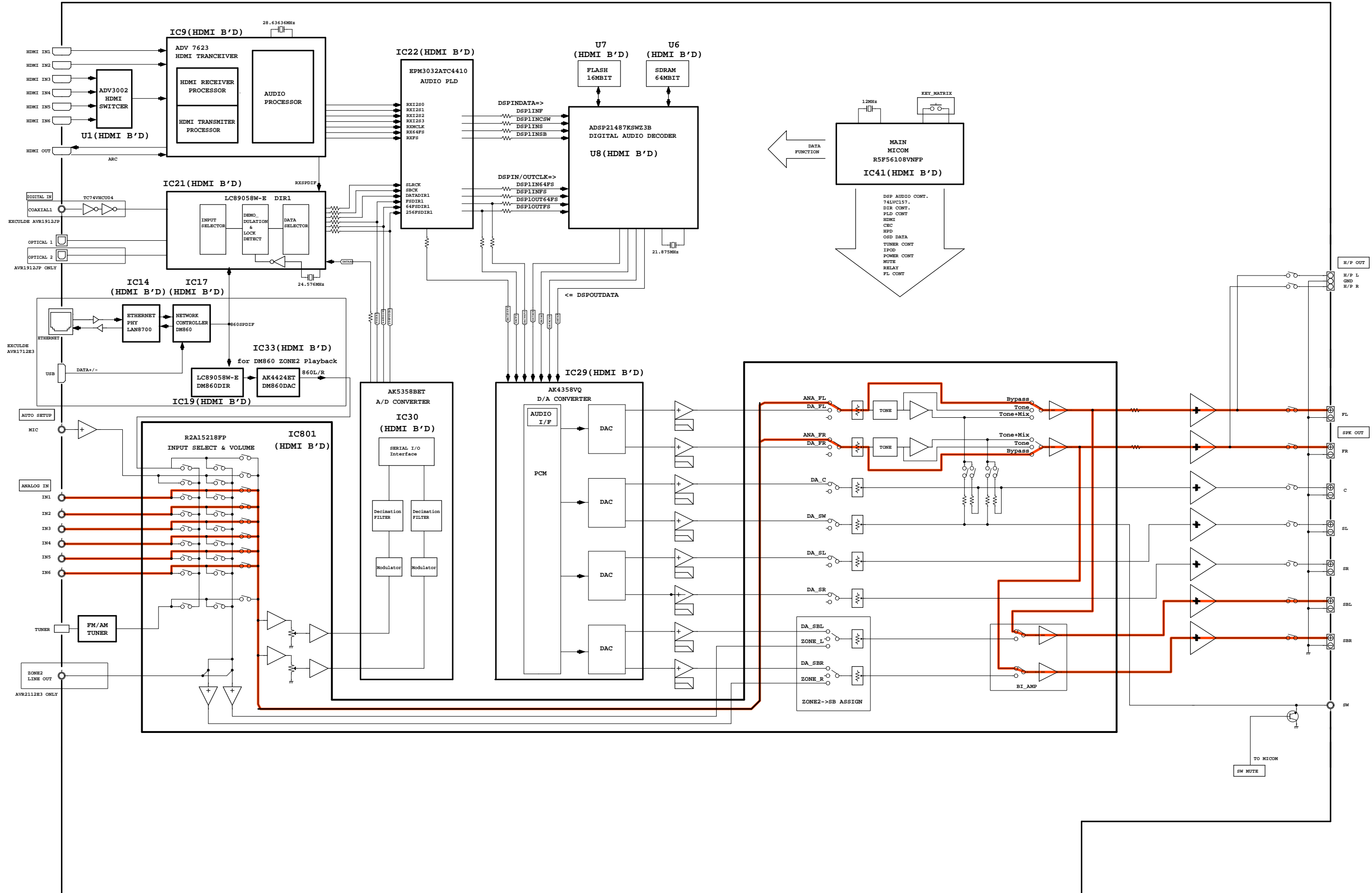


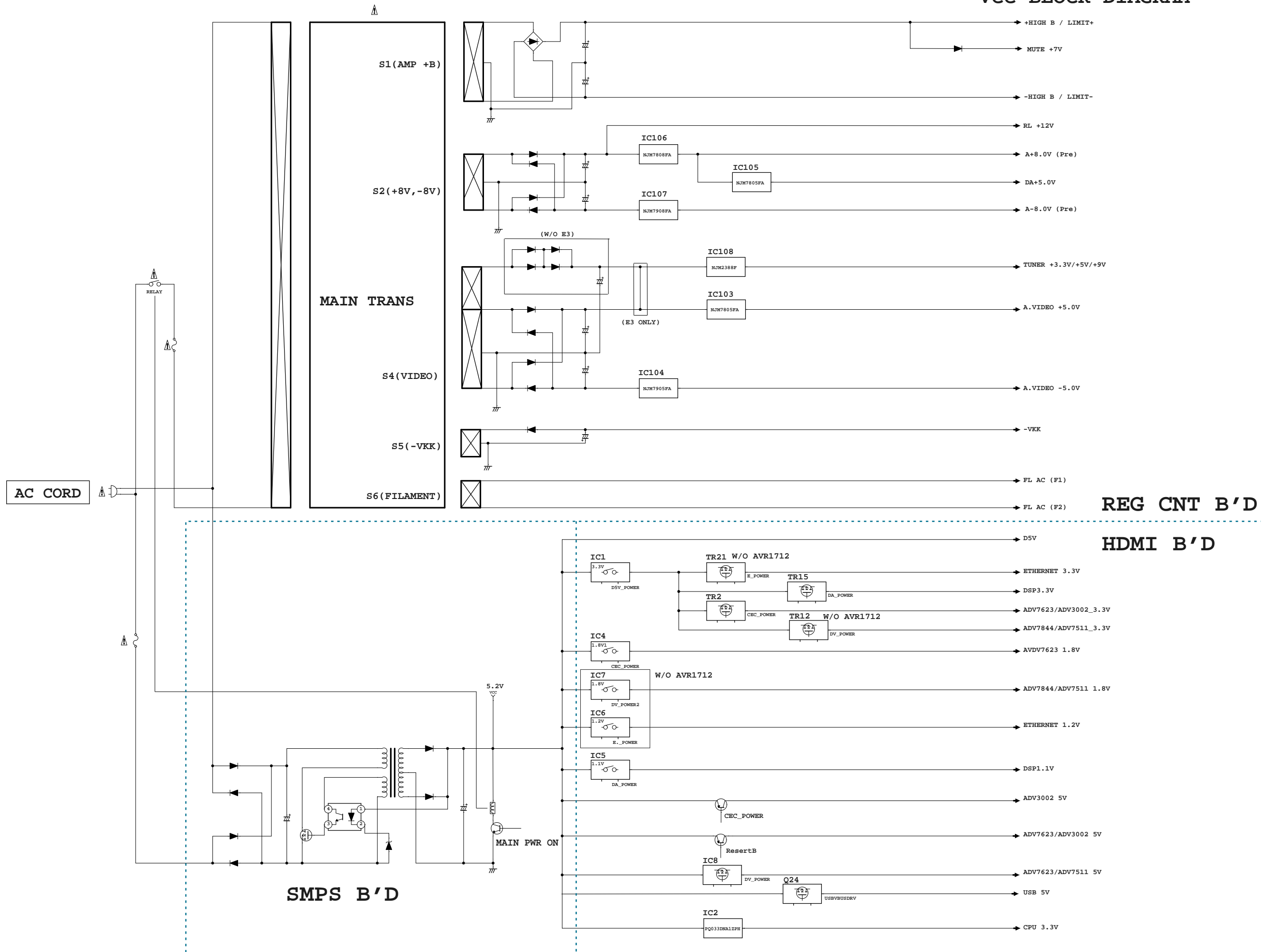


fig.13

AUDIO BLOCK DIAGRAM



VCC BLOCK DIAGRAM



REG CNT B'D

HDMI B'D

# JIG FOR SERVICING

When you repair the printing board, you can use the following JIG (Extension cable kit). Please order it from DENON Official Service. Distributor in your region if necessary.

**NOTE:** The incorrect connection with in the JIG (EXTENSION UNIT KIT) may cause damage.

8U-110084S : EXTENSION UNIT KIT : 1 Set

## • Connection of PCB HDMI JIG

### -Preparation-

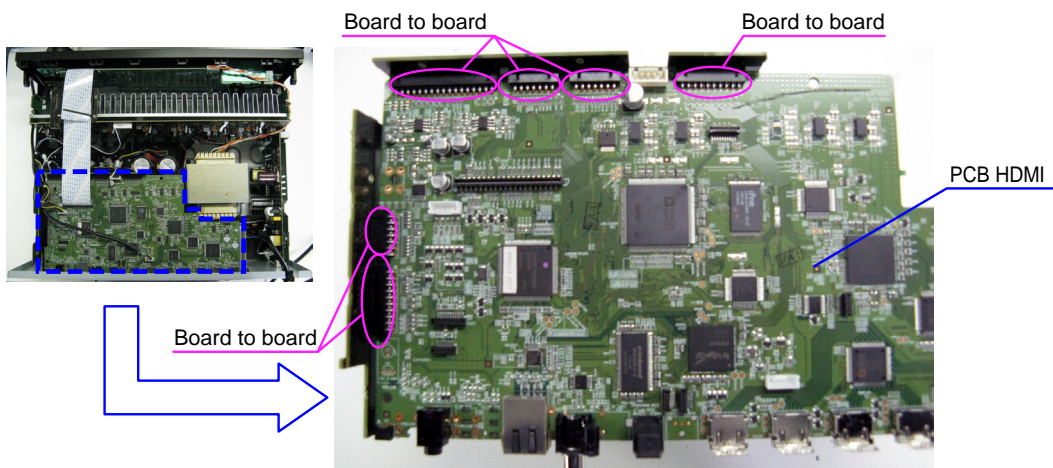
8U-110084S : EXTENSION UNIT KIT : 1 Set  
 Insulation sheet (Do not supply it) : 1 sheet  
 Ground lead (Do not supply it) : 1 pc

### -Procedures-

(1) Remove the screws.



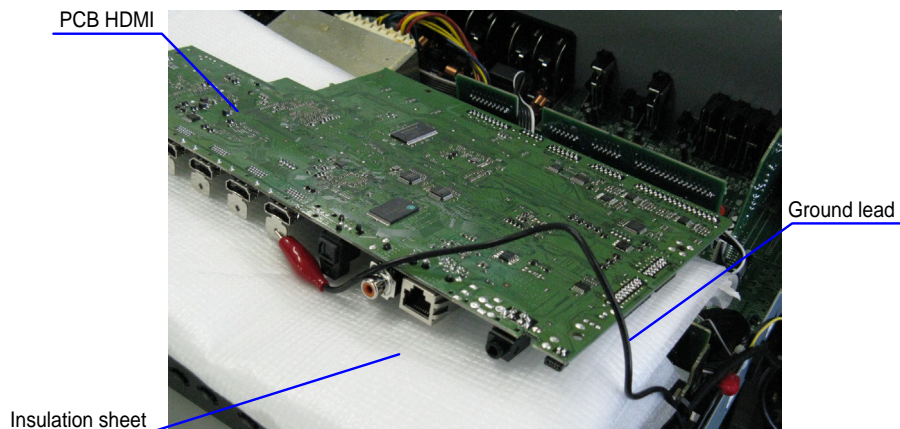
(2) Disconnect the connector board.



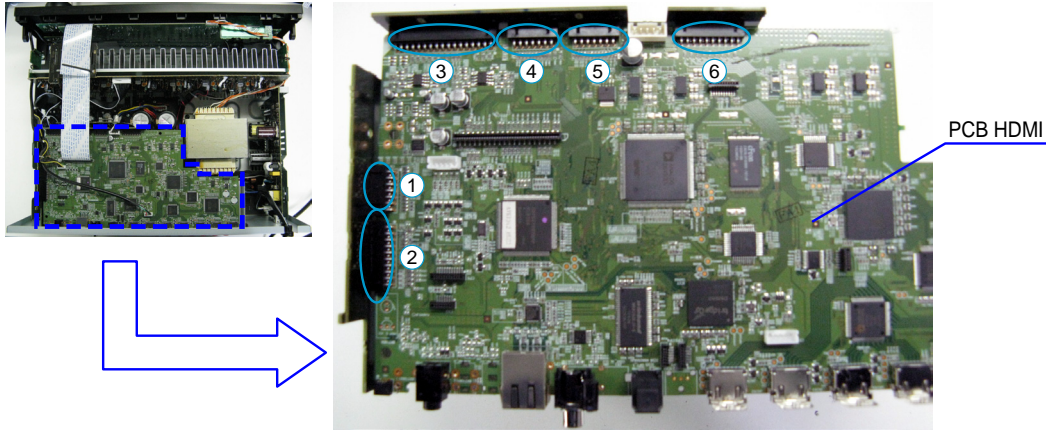
(3) Detach PCB HDMI from the chassis, and turn it over.

Please put an insulation sheet that is larger than PCB HDMI under PCB.

※ Connect the ground point of PCB to the chassis with a ground lead or the like.



(4) Connect the six extension jig cables.



Connection table of Board to Board

No.	Pin	Ref. No.	PCB		Ref. No.	PCB
①	13 pin	CP3	SIDE CNT	↔	CN3	HDMI
②	19 pin	CP5	SIDE CNT	↔	CN5	HDMI
③	33 pin	CP11	FRONT CNT	↔	CN2	HDMI
④	13 pin	CP10	FRONT CNT	↔	CN6	HDMI
⑤	13 pin	CP9	FRONT CNT	↔	CN7	HDMI
⑥	19 pin	CP8	FRONT CNT	↔	CN4	HDMI

# WHEN THE MICROPROCESSOR IS REPLACED WITH A NEW ONE

When the U-PRO (Microprocessor) or the Flash ROM is replaced, confirm the following.

PWB Name	Ref. No.	Description	After replaced	Remark
HDMI	IC41	R5F56108VNFP	B	SOFTWARE: Main
HDMI	U7	EN29LV160BB-70TIP	B	SOFTWARE: DSP ROM
HDMI	IC22	EPM3032A-TC44	B	SOFTWARE: AUDIO PLD
HDMI	IC11	MX25L3206EM2I-12G	B	SOFTWARE: OSD ROM (E3 model)
HDMI	IC11	MX25L6406EM2I-12G	B	SOFTWARE: OSD ROM (E2,EA,E1C model)
HDMI	IC18	H27U1G8F2BTR	B	SOFTWARE: DM860 ROM

After replacing

**A** : Mask ROM (With software). No need for write-in of software to the microprocessor.

**B** : Flash ROM (With software). Usually, no need for write-in of software. But, when the software was updated, you should write the new software on the microprocessor or flash ROM. Please check the software version.

**C** : Empty Flash ROM (Without software). You should write the software on the microprocessor or flash ROM. Refer to "Update procedure" or "writing procedure", when you write the software.

## PROCEDURE FOR UPGRADING THE VERSION OF THE FIRMWARE

**NOTE:** When the following are replaced, always rewrite with updated firmware using DFW. (Refer to parts list of "PCB HDMI ASS'Y" (188 page)

- PCB HDMI ASSY
- IC11 (MX25L3206EM2I-12G/MX25L6406EM2I-12G)
- IC18 (H27U1G8F2BTR)
- IC22 (EPM3032A-TC44)
- IC41 (R5F64169DFDFP)
- U7 (EN29LV160BB-70TIP)

### 1. How to update by DFW

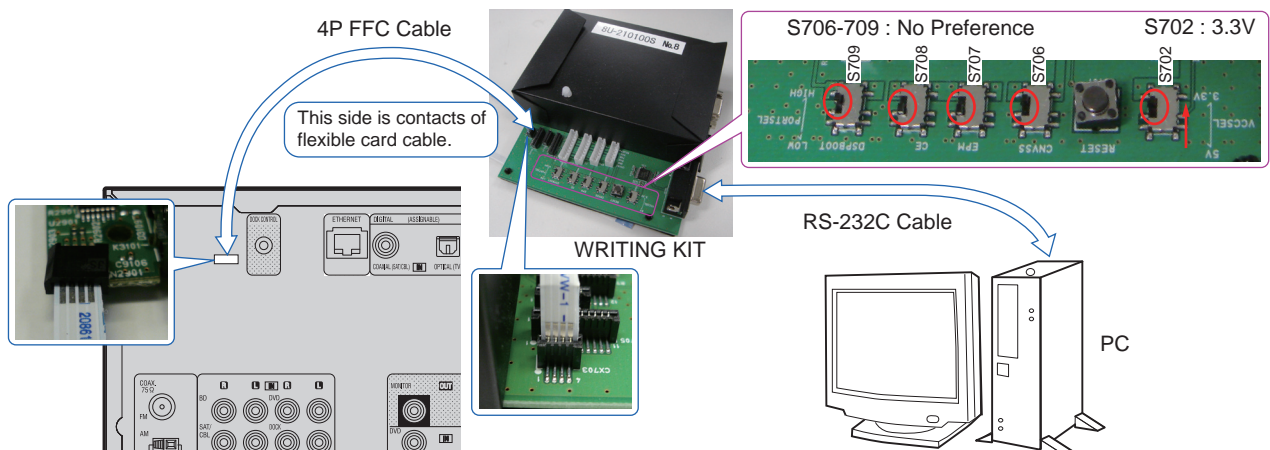
[AVR-1912 model]

#### 1.1. Preparations before starting the operation

- (1) Personal Computer (Installed "DFW\_0049\_AVR1912\_2112\_(Rev.X.X.X).exe".
  - (2) RS-232 cable (9P (Male ), Straight).
  - (3) 8U-210100S WRITING KIT.
- Replacement:606050103005S (FFC 4P 300mm 1mm)

#### 1.2. Connection of AV receiver

- (1) Confirm the power on/off switch of the AV receiver is turning off.
- (2) Connect the update terminal of AV receiver with the "WRITING KIT".
- (3) Connect the RS-232C cable from PC with the "WRITING KIT".





(3) When connection is good, then you can see the "Communication check OK." message.



(4) If connection is not good, then you can see the "Communication check NG" message.

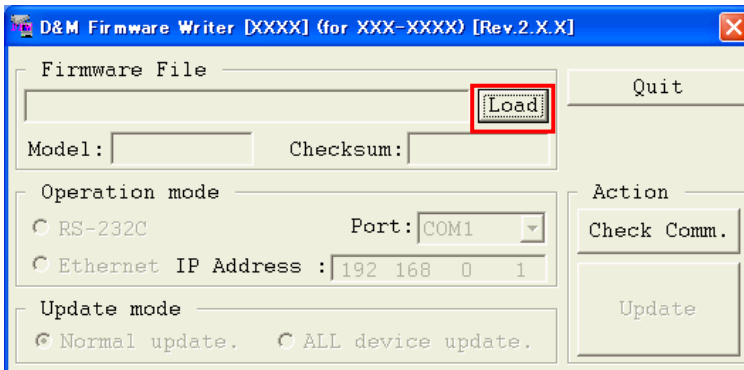


Please confirm the following

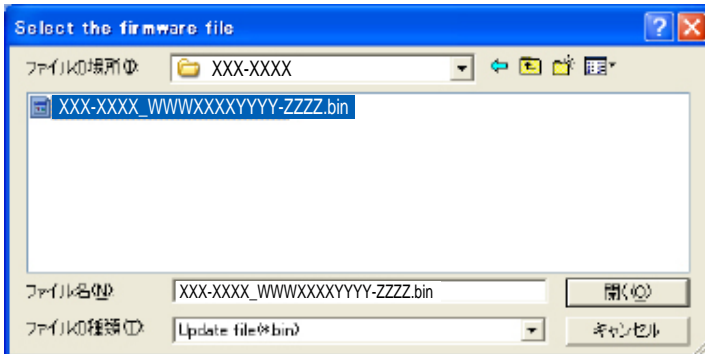
- (a) Check the connection of the AV receiver and PC. (refer to "1.2. Connection of the AV receiver" )
- (b) Check the operation mode of the AV receiver. (refer to "1.3.Turn on the AV receiver")
- (c) Check the selection of the RS-232C port number of PC.

## 1.6. Download the firmware

(1) Click the "Load" button.

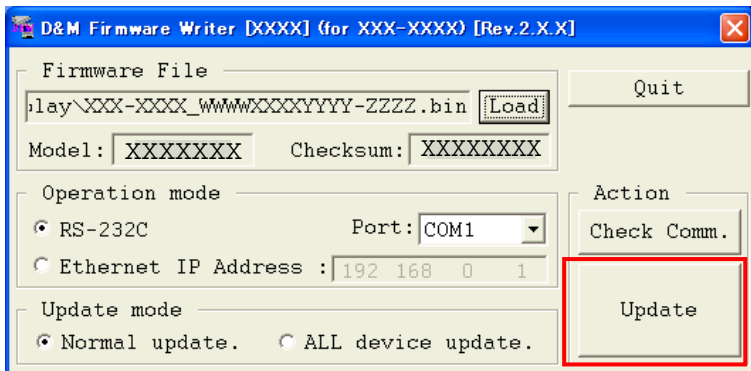


(2) Download the firmware from the specified download source to PC.

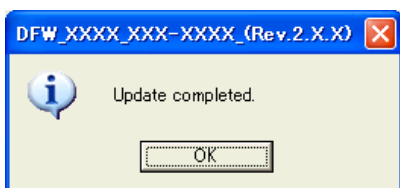


### 1.7. Complete the firmware updating

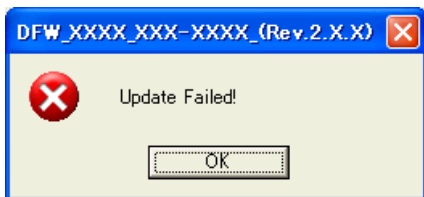
(1) Click the "Update" button.



(2) When writing of the firmware is completed, the power of AV receiver turns on automatically and you can see the "Update completed" message.



(3) If you can't complete the firmware update, please retry the firmware update from "1.3. Turn on the AV receiver".



### 1.8. Notice:

Please keep the following notice for firmware update.

- (a) Keep the PC environment
- (b) Avoid the communication cable from the electrical noise source.  
(e.g. telephone cable, AC line, a fluorescent light)
- (c) Don't remove cable during update.
- (d) Don't turn off the power during update.
- (e) Don't run other PC application during update.
- (f) Stop the resident program on PC (Virus checker and System check utility, etc)
- (g) Stop the screen saver on PC.
- (h) Stop the power save ability on PC.
- (i) In case of laptop PC, Use the AC adaptor.

### Confirming the firmware's number after upgraded

After updating the firmware, check the version. Refer to "1.  $\mu$ com/DSP Version display mode" (20 page ).



## 2. How to update by DPMS

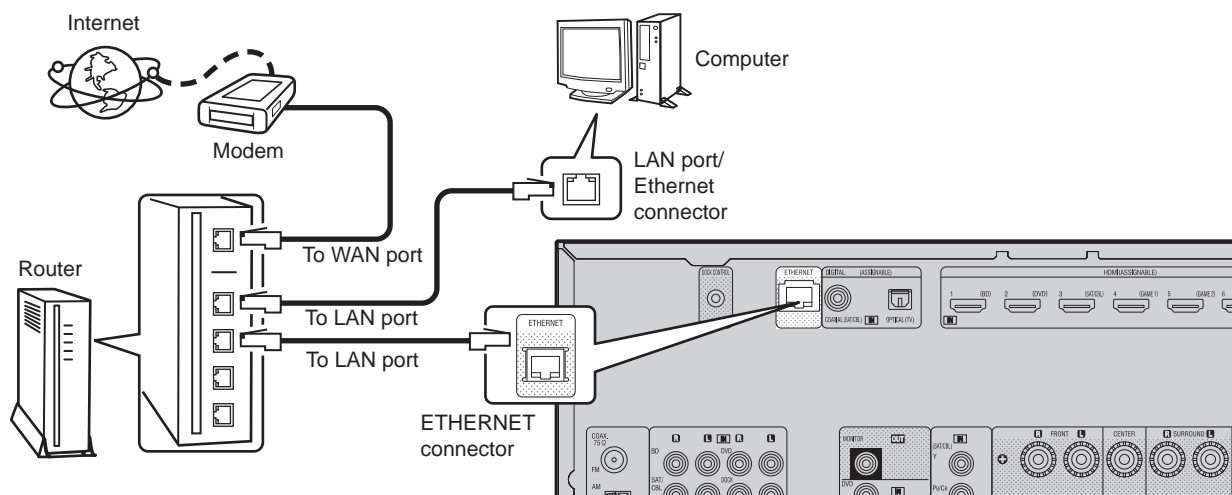
You can update the firmware by downloading the latest version from the Internet.

### 2.1. Connecting to the Network

#### (1) System requirements

- Internet Connection by Broadband Circuit
- Modem
- Router
- Ethernet cable (CAT-5 or greater recommended)

#### (2) Setting



### 2.2. Checking and updating the firmware

Check if the latest firmware exists. You can also check approximately time required to complete an update.

- (1) Press the MENU button on the remote control to display the GUI menu.
- (2) Use the cursor buttons to select "System Setup" → "Option Setup" → "Firmware Update" → "Check For Update". ⚠
- (3) Press the ENTER button.
  - The latest version of the firmware on the website is displayed.
  - If the firmware on the website is latest, proceed to (4).
  - If the latest firmware has been already installed, press the MENU button to close the menu.
- (4) Use the cursor buttons to select "Update", then press the ENTER button.
  - During update, the power indicator lights in red and the GUI screen disappears. And an approximately remaining time is indicated on the display.
  - When updating is complete the power indicator lights in green and normal status is resumed.

#### --- Cautions on Firmware Update ---

- In order to update the firmware, you must have the correct system requirements and settings for a broadband Internet connection.
- Do not turn off the power until updating is completed.  
Even with a broadband connection to the Internet, approximately 1 hour is required for the updating procedure to be completed.  
Once updating starts, normal operations on the AVR-1912/2112CI cannot be performed until updating is completed. Also, setting items of the GUI menu of AVR-1912/2112CI or setting items of the image adjustment may be initialized. Note down the settings before updating, and set them again after updating.

### 2.3. About the error code

See the table below for error codes, details of faults, and coping strategies when the firmware is updated through DPMS (Denon Product Management Server).

Error Code	Details of Error code	Display	Coping strategies
01	Log-in to DPMS failed.	Login failed 01	Reset and update again. Carry out the update in an environment that has little network load.
02	Line, etc., is busy when logging into DPMS.	Server is busy 02	Carry out the update in an environment that has little network load.
03	Connection to DPMS failed.	ConnectionFailed 03	Check the network connection. Carry out the update in an environment that has little network load.
04	Firmware file data was requested but error message was received.	ConnectionFailed 04	Check the network connection. Carry out the update in an environment that has little network load.
05	Firmware file data was requested but it timed out.	ConnectionFailed 05	Check the network connection. Carry out the update in an environment that has little network load.
06	Firmware file data was requested but error message was received.	ConnectionFailed 06	Check the network connection. Carry out the update in an environment that has little network load.
07	All firmware file data was requested but it timed out.	ConnectionFailed 07	Check the network connection. Carry out the update in an environment that has little network load.
08	Firmware file data of Main CPU was requested but error message was received.	ConnectionFailed 08	Check the network connection. Carry out the update in an environment that has little network load.
09	Firmware file data of Main CPU was requested but it timed out.	ConnectionFailed 09	Check the network connection. Carry out the update in an environment that has little network load.
0A	Error (NG) message was received when firmware of Main CPU was downloaded.	Download failed 0A	Check the network connection. Carry out the update in an environment that has little network load.
0B	Error (line congestion) message was received when firmware of Main CPU was downloaded.	Download failed 0B	Check the network connection. Carry out the update in an environment that has little network load.
0C	Error (connection failure) message was received when firmware of Main CPU was downloaded.	Download failed 0C	Check the network connection. Carry out the update in an environment that has little network load.
0D	Received Package Version is wrong.	Download failed 0D	Check the network connection. Carry out the update in an environment that has little network load.
0E	Connection to DPMS failed. (can not get NTP)	ConnectionFailed 0E	Check the network connection. Carry out the update in an environment that has little network load.
10	Main CPU failed to receive firmware for rewriting sent from DM860 (when timed out).	Updating failed 10	Turn off and on the power. Updating starts automatically.

Error Code	Details of Error code	Display	Coping strategies
11	Main CPU failed to receive firmware for rewriting sent from DM860 (when an error occurred).	Updating failed 11	Turn off and on the power. Updating starts automatically.
12	There was invalid data in the firmware for rewriting sent from DM860 to Main CPU (when a Check Sum error occurred).	Updating failed 12	Turn off and on the power. Updating starts automatically.
13	The deletion of block data failed before Main CPU was rewritten.	Erase failed 13	Turn off and on the power. Updating starts automatically.
14	The rewriting of block data failed when Main CPU was rewritten.	Updating failed 14	Turn off and on the power. Updating starts automatically.
15	The data verification was invalid after Main CPU was rewritten.	UpdateCheckNG 15	Turn off and on the power. Updating starts automatically.
20	Failure to acquire (Boot Loader Mode) IP address before rewriting DM860 (AutoIP).	ConnectionFailed 20	Check the network connection. Carry out the update in an environment that has little network load.
21	Failure to acquire (Boot Loader Mode) IP address before rewriting DM860 (when timed out).	ConnectionFailed 21	Check the network connection. Carry out the update in an environment that has little network load.
22	Log-in to DPMS failed.	Login failed 22	Reset and update again. Carry out the update in an environment that has little network load.
23	Line, etc., is busy when logging into DPMS.	Server is busy 23	Carry out the update in an environment that has little network load.
24	Connection to DPMS failed.	ConnectionFailed 24	Check the network connection. Carry out the update in an environment that has little network load.
25	Mode change failure of DM860.	ConnectionFailed 25	Reset and update again.
26	Data acquisition failed (timed out) when firmware of Main CPU was downloaded. Received Package Version is wrong.	Downloaded failed 26	Check the network connection. Carry out the update in an environment that has little network load.
27	Mode change failure of DM860.	Downloaded failed 27	Reset and update again.
36	Log-in to DPMS failed when Main CPU was rewritten.	Login failed 36	Carry out the update in an environment that has little network load.
37	Line, etc., is busy when logging into DPMS when Main CPU was rewritten.	Server is busy 37	Carry out the update in an environment that has little network load.
38	Connection to DPMS failed when Main CPU was rewritten.	ConnectionFailed 38	Check the network connection. Carry out the update in an environment that has little network load.

Error Code	Details of Error code	Display	Coping strategies
39	Connection to DPMS timed out when Main CPU was rewritten.	ConnectionFail139	Check the network connection. Carry out the update in an environment that has little network load.
3A	Error (NG) message was received when firmware was downloaded or Main CPU was rewritten.	Download fail 13A	Turn off and on the power. Updating starts automatically. Carry out the update in an environment that has little network load.
3B	Error (line congestion) message received when downloading firmware when Main CPU was rewritten.	Download fail 13B	Turn off and on the power. Updating starts automatically. Carry out the update in an environment that has little network load.
3C	Error (connection failure) message received when downloading firmware when Main CPU was rewritten.	Download fail 13C	Turn off and on the power. Updating starts automatically. Carry out the update in an environment that has little network load.
3D	Failure to acquire (Boot Loader Mode) IP address before rewriting DM860 (AutoIP).	ConnectionFail13D	Check the network connection. Carry out the update in an environment that has little network load.
3E	Failure to acquire (Boot Loader Mode) IP address before rewriting DM860 (when timed out).	ConnectionFail13E	Check the network connection. Carry out the update in an environment that has little network load.
50	Log-in to DPMS failed when firmware such as DSP and PLD was rewritten.	Login failed 50	Carry out the update in an environment that has little network load.
51	Line, etc., is busy when the log-in to DPMS when firmware such as DSP and PLD was rewritten.	Server is busy 51	Carry out the update in an environment that has little network load.
52	Connection to DPMS failed when firmware such as DSP and PLD was rewritten.	ConnectionFail52	Check the network connection. Carry out the update in an environment that has little network load.
54	Error message received regarding firmware data after the log-in to DPMS when firmware such as DSP and PLD was rewritten.	Updating fail 54	Turn off and on the power. Updating starts automatically. Carry out the update in an environment that has little network load.
55	When firmware such as DSP and PLD was rewritten, request was made for firmware data after the log-in to DPMS, but it timed out.	Updating fail 55	Turn off and on the power. Updating starts automatically. Carry out the update in an environment that has little network load.
56	Downloading firmware failed after the log-in to DPMS when firmware such as DSP and PLD was rewritten.	Download fail 56	Turn off and on the power. Updating starts automatically. Carry out the update in an environment that has little network load.
57	Firmware download error received (line congestion) after the log-in to DPMS when firmware such as DSP and PLD was rewritten.	Download fail 57	Turn off and on the power. Updating starts automatically. Carry out the update in an environment that has little network load.
58	Firmware download error received (connection failure) after the log-in to DPMS when firmware such as DSP and PLD was rewritten.	Download fail 58	Turn off and on the power. Updating starts automatically. Carry out the update in an environment that has little network load.
5A	NACK was received when "C" command sent to DSP, PLD etc.	ConnectionFail5A	Turn off and on the power. Updating starts automatically.
5B	NACK was received when "L" command sent to DSP, PLD etc.	Updating fail 5B	Turn off and on the power. Updating starts automatically.

Error Code	Details of Error code	Display	Coping strategies
5C	DSP, PLD etc. failed to receive firmware for rewriting sent from DM860 (when timed out).	Updating failed 5C	Turn off and on the power. Updating starts automatically.
5D	DSP, PLD etc. failed to receive firmware for rewriting sent from DM860 (when an error occurred).	Updating failed 5D	Turn off and on the power. Updating starts automatically.
5E	Data in firmware such as DSP and PLD for rewriting sent from DM860 was invalid (when a Check Sum error occurred).	Updating failed 5E	Turn off and on the power. Updating starts automatically.
5F	Invalid data in firmware such as DSP and PLD for rewriting sent from DM860 was invalid (invalid data was received).	Updating failed 5F	Turn off and on the power. Updating starts automatically.
60	NACK was received when "P" command sent to DSP, PLD etc.	Updating failed 60	Turn off and on the power. Updating starts automatically.
61	NACK was received when "I" command sent to DSP, PLD etc.	Update checking 61	Turn off and on the power. Updating starts automatically.
80	Acquisition of serial flash data failed before serial flash was deleted.	Updating failed 80	Turn off and on the power. Updating starts automatically.
81	Deleting data failed before serial flash was rewritten.	Updating failed 81	Turn off and on the power. Updating starts automatically.
82	Receiving firmware for rewriting serial flash sent by DM860 failed (when timed out).	Updating failed 82	Turn off and on the power. Updating starts automatically.
83	Receiving firmware for rewriting serial flash sent by DM860 failed (when an error).	Updating failed 83	Turn off and on the power. Updating starts automatically.
84	Receiving firmware for rewriting serial flash sent by DM860 failed (when a Check Sum error).	Updating failed 84	Turn off and on the power. Updating starts automatically.
85	Receiving firmware for rewriting serial flash sent by DM860 failed (when invalid data was received).	Updating failed 85	Turn off and on the power. Updating starts automatically.
86	The data verification was invalid after serial flash was rewritten.	Updating failed 86	Turn off and on the power. Updating starts automatically.
A0	Acquisition of (Application Mode) IP address failed before DM860 was rewritten (AutoIP).	Connection failed A0	Check the network connection. Carry out the update in an environment that has little network load.
A1	Acquisition of (Application Mode) IP address failed before DM860 was rewritten (when timed out).	Connection failed A1	Check the network connection. Carry out the update in an environment that has little network load.
A2	Invalid login via DPMS access was notified when DM860 related firmware was rewritten (Application Mode).	Login failed A2	Check the network connection. Carry out the update in an environment that has little network load.

Error Code	Details of Error code	Display	Coping strategies
A3	Line congestion via DPMS access was notified when DM860 related firmware was rewritten (Application Mode).	S E R V E R I S B U S Y A 3	Check the network connection. Carry out the update in an environment that has little network load.
A4	Connection failure via DPMS access was notified when DM860 related firmware was rewritten (Application Mode).	C O N N E C T I O N F A I L A 4	Check the network connection. Carry out the update in an environment that has little network load.
A6	Firmware data error message was received after DPMS login when DM860 related firmware was rewritten (Application Mode).	U P D A T I N G F A I L A 6	Turn off and on the power. Updating starts automatically. Carry out the update in an environment that has little network load.
A7	When DM860 related firmware was rewritten (Application Mode), request was made for firmware data after DPMS login but it timed out.	U P D A T I N G F A I L A 7	Turn off and on the power. Updating starts automatically. Carry out the update in an environment that has little network load.
AE	Firmware download error message received (when download fails) when DM860 related firmware was rewritten (Boot Loader Mode).	D O W N L O A D F A I L A E	Turn off and on the power. Updating starts automatically. Carry out the update in an environment that has little network load.
AF	Firmware download error message received (line congestion) when DM860 related firmware was rewritten (Boot Loader Mode).	D O W N L O A D F A I L A F	Turn off and on the power. Updating starts automatically. Carry out the update in an environment that has little network load.
B0	Firmware download error message received (connection failure) when DM860 related firmware was rewritten (Boot Loader Mode).	D O W N L O A D F A I L B 0	Turn off and on the power. Updating starts automatically. Carry out the update in an environment that has little network load.
B1	Firmware download error message. (Timeout failure)	D O W N L O A D F A I L B 1	Turn off and on the power. Updating starts automatically. Carry out the update in an environment that has little network load.
B2	Error message received when DM860 related firmware was rewritten.	D O W N L O A D F A I L B 2	Turn off and on the power. Updating starts automatically. Carry out the update in an environment that has little network load.
B3	Firmware writing error message. (Timeout failure)	U P D A T I N G F A I L B 3	Turn off and on the power. Updating starts automatically. Carry out the update in an environment that has little network load.
B4	Mode change failure of DM860. (Boot Loader Mode)	U P D A T I N G F A I L B 4	Reset and update again.
B5	Mode change failure of DM860. (Application Mode)	U P D A T I N G F A I L B 5	Reset and update again.

### Device display during firmware update

Display of target device during firmware update.

Target device	Display	Error code when an error occurs
Main	Ma i n # * * %     * * * n i n	08 - 0C 10 - 15 22 - 24 36 - 3E
Audio PLD	A P L D # * * %     * * * n i n	50 - 52 54 - 58 5A - 61
DSP	D S P   # * * %     * * * n i n	50 - 52 54 - 58 5A - 61
OSD Serial Flash	O S D   # * * %     * * * n i n	50 - 52 54 - 58 5A - 61 80 - 86
DM860 Boot Loader	E S B L # * * %     * * * n i n	A0 - A4 A6 - A7 AE - B5
DM860 Image	E I M G # * * %     * * * n i n	A0 - A4 A6 - A7 AE - B5

### Confirming the firmware's number after upgraded

After updating the firmware, check the version. Refer to "1.  $\mu$ com/DSP Version display mode" (20 page ).

# ADJUSTMENT

## Audio Section

### Adjusting Idling Current

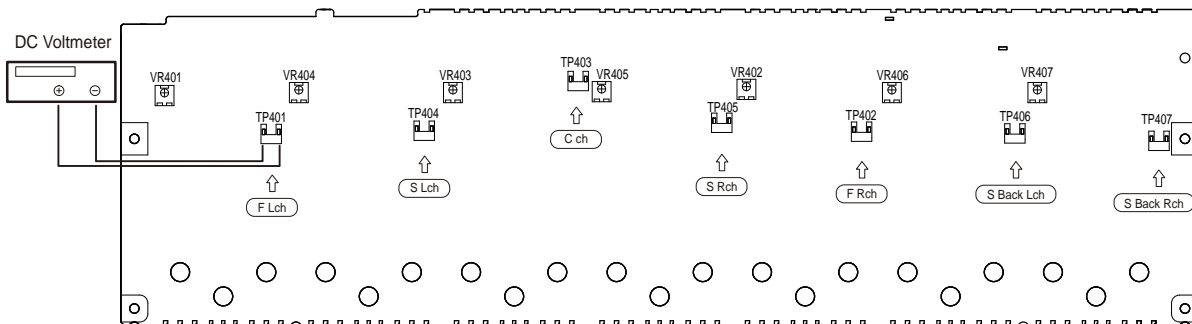
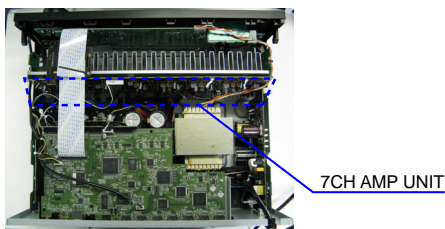
Required measurement equipment: DC Voltmeter

#### 1. Preparation

- (1) Temperature should be at avoid direct blow from an air conditioner or an electric fan and humidity should be moderate, and place the set at normal usage environment.  
15 °C ~ 30 °C (59 °F ~ 86 °F)
- (2) Presetting
  - POWER (Power source switch)      STANDBY
  - SPEAKER (Speaker terminal)      No load  
(Do not connect speaker, dummy resistor, etc.)

#### 2. Adjustment

- (1) Remove the top cover and set VR401, VR402, VR403, VR404, VR405, VR406, VR407 on at fully 7CH AMP UNIT at fully counterclockwise (↺) position.
- (2) Connect DC Voltmeter to test points (FRONT-Lch: TP401, FRONT-Rch: TP402, CENTER ch: TP403, SURROUND-Lch: TP404, SURROUND-Rch: TP405, SURROUND-BACK Lch: TP406, SURROUND-BACK Rch: TP407).
- (3) Connect the power cord to AC Line, and set the power switch to "ON".
- (4) Presetting.
  - MASTER VOLUME                    : "----" counterclockwise (↺ min.)
  - SPEAKER (Speaker terminal)    : No load  
(Do not connect speaker, dummy resistor, etc.)
  - MODE                                : MCH STEREO
  - FUNCTION                         : DVD
- (5) Within 2 minutes after the power on, turn VR401 clockwise (↻) to adjust the TEST POINT voltage to  $2.0\text{mV} \pm 0.5\text{mV DC}$ .
- (6) After 10 minutes from the preset above, turn VR401 to set the voltage to  $3.0\text{mV} \pm 0.5\text{mV DC}$ .
- (7) Adjust the Variable Resistors of each channel in the same way.





# SURROUND MODES AND PARAMETERS

## Surround modes and surround parameters

This table shows the speakers that can be used in each surround mode and the surround parameters adjustable in each surround mode.

### Symbols in the table

- This indicates the audio output channels or surround parameters that can be set.
- ⊙ This indicates the audio output channels. The output channels depend on the settings of "Speaker Config."

Surround mode	Channel output					Surr.Parameter								
	Front L/R	Center	Surround L/R	Surround Back L/R	Front Height L/R	Subwoofer	Mode	Cinema EQ.	DRC *9	D. Comp *10	LFE *11	Delay Time	Effect Level	Room Size
DIRECT/PURE DIRECT (2channel)*1	○					⊙*4			○	○				
DIRECT/PURE DIRECT (Multi-channel)*1	○	⊙	⊙*2	⊙*2	⊙*2	○			○	○	○			
STEREO	○					○			○	○	○			
MULTI CH IN	○	⊙	⊙	⊙	⊙*3	○	○*5	○*6	○	○	○			
DOLBY PRO LOGIC IIz	○	⊙	⊙	⊙	⊙	○			○	○				
DOLBY PRO LOGIC IIx	○	⊙	⊙	⊙	⊙	○		○*8	○	○				
DOLBY PRO LOGIC II	○	⊙	⊙	⊙	⊙	○		○*7	○	○				
DTS NEO:6	○	⊙	⊙	⊙	⊙	○		○*8	○	○				
DOLBY DIGITAL	○	⊙	⊙	⊙	⊙*3	○		○*6	○	○	○			
DOLBY DIGITAL Plus	○	⊙	⊙	⊙	⊙*3	○		○*6	○	○	○			
DOLBY TrueHD	○	⊙	⊙	⊙	⊙*3	○		○*6	○	○	○			
DTS SURROUND	○	⊙	⊙	⊙	⊙*3	○		○*6	○	○	○			
DTS 96/24	○	⊙	⊙	⊙	⊙*3	○		○*6	○	○	○			
DTS-HD	○	⊙	⊙	⊙	⊙*3	○		○*6	○	○	○			
DTS Express	○	⊙	⊙	⊙	⊙*3	○		○*6	○	○	○			
MULTI CH STEREO	○	⊙	⊙	⊙	⊙	○			○	○	○			○
ROCK ARENA	○	⊙	⊙	⊙	⊙	○			○	○	○			○
JAZZ CLUB	○	⊙	⊙	⊙	⊙	○			○	○	○			○
MONO MOVIE	○	⊙	⊙	⊙	⊙	○			○	○	○			○
VIDEO GAME	○	⊙	⊙	⊙	⊙	○			○	○	○			○
MATRIX	○	⊙	⊙	⊙	⊙	○			○	○	○			○
VIRTUAL	○	⊙	⊙	⊙	⊙	○			○	○	○			○

\*1 During playback in PURE DIRECT mode, the surround parameters are the same as in DIRECT mode.

\*2 A signal for each channel contained in an input signal is output as audio.

\*3 If "Surr.Parameter" - "PLIIz Height" is set to "ON", sound is output from the front height speakers.

\*4 Only when "Subwoofer Mode" is set to "LFE+Main", sound is output from the subwoofer.

\*5 If this surround mode is selected, only the "Height" mode setting is available for "Surr.Parameter" - "Mode".

\*6 This item cannot be set when "Surr.Parameter" - "S.Back" is set to "PLIIx Music".

\*7 This item can be selected when "Surr.Parameter" - "Mode" is set to "Cinema" or "Pro Logic".

\*8 This item can be selected when "Surr.Parameter" - "Mode" is set to "Cinema" or "Pro Logic".

\*9 This item can be selected when a Dolby TrueHD signal is played.

\*10 This item can be selected when a Dolby Digital or DTS signal is played.

\*11 This item can be selected when a Dolby Digital or DVD-Audio is played.

Surround mode	Surr. Parameter										Audyssey Settings*17			RESTORER *20
	Height Gain	PLIIz Height *13	AFDM *14	S.Back	Subwoofer ○*4	PRO LOGIC II/IIx Music mode only			Tone *15	MultEQ® XT	Dynamic EQ® *18	Dynamic Volume® *19		
						Panorama	Dimension	C.Width					NEO:6 Music mode only	
DIRECT/PURE DIRECT (2channel)*1														
DIRECT/PURE DIRECT (Multi-channel)*1														
STEREO														
MULTI CH IN	○*12	○												○
DOLBY PRO LOGIC IIz	○	○												○
DOLBY PRO LOGIC IIx				○	○	○	○	○	○	○	○	○	○	○
DOLBY PRO LOGIC II				○	○	○	○	○	○	○	○	○	○	○
DTS NEO:6				○	○	○	○	○	○	○	○	○	○	○
DOLBY DIGITAL	○*12	○	○	○	○	○	○	○	○	○	○	○	○	○
DOLBY DIGITAL Plus	○*12	○	○	○	○	○	○	○	○	○	○	○	○	○
DOLBY TrueHD	○*12	○	○	○	○	○	○	○	○	○	○	○	○	○
DTS SURROUND	○*12	○	○	○	○	○	○	○	○	○	○	○	○	○
DTS 96/24	○*12	○	○	○	○	○	○	○	○	○	○	○	○	○
DTS-HD	○*12	○	○	○	○	○	○	○	○	○	○	○	○	○
DTS Express	○*12	○	○	○	○	○	○	○	○	○	○	○	○	○
MULTI CH STEREO									○*16	○	○	○	○	○
ROCK ARENA										○	○	○	○	○
JAZZ CLUB										○	○	○	○	○
MONO MOVIE										○	○	○	○	○
VIDEO GAME										○	○	○	○	○
MATRIX										○	○	○	○	○
VIRTUAL										○	○	○	○	○

\*1 During playback in PURE DIRECT mode, the surround parameters are the same as in DIRECT mode.

\*4 Only when "Subwoofer Mode" is set to "LFE+Main", sound is output from the subwoofer.

\*12 This item can be selected when "Surr. Parameter" – "PLIIz Height" is set to "ON".

\*13 If "Speaker Config." – "F.Height" is set to "None", this item cannot be selected.

\*14 This item can be selected when a Dolby Digital or DTS signal is played.

\*15 This item cannot be set when "Dynamic EQ®" is set to "ON".

\*16 In this surround mode, bass is +6 dB, and treble is +4 dB. (Default)

\*17 For HD Audio whose sampling frequency of an input signal is more than 96 kHz, this sound parameter cannot be set.

\*18 This item cannot be set when "MultEQ® XT" is set to "OFF" or "Manual".

\*19 This item cannot be set when "Dynamic EQ®" is set to "OFF".

\*20 This item can be set when the input signal is analog, PCM 48 kHz or 44.1 kHz.



Surround mode	NOTE	Input signal types and formats													
		ANALOG		PCM		DTS-HD		DTS		DOLBY		DOLBY DIGITAL			
		PCM (multi ch)	PCM (2ch)	DTS-HD Master Audio	DTS-HD High Resolution Audio	DTS EXPRESS	DTS ES DSCRT (With Flag)	DTS ES MTRX (With Flag)	DTS (5.1ch)	DTS 96/24	DOLBY TrueHD	DOLBY DIGITAL Plus EX (With Flag)	DOLBY DIGITAL EX (With no Flag)	DOLBY DIGITAL (5.1/5.4ch/3ch)	DOLBY DIGITAL (2ch)
MULTI CH IN															
MULTI CH IN		●													
MULTI CH IN + PLIIx CINEMA	*2*3	○													
MULTI CH IN + PLIIx MUSIC	*1*3	○													
MULTI CH IN + PLIIz	*4	○													
MULTI CH IN + Dolby EX	*1*3	○													
MULTI CH IN 7.1	*3	●	◎ (7.1)												
DIRECT															
DIRECT		○	○	○	○	○	○	○	○	○	○	○	○	○	○
PURE DIRECT		○	○	○	○	○	○	○	○	○	○	○	○	○	○
PURE DIRECT		○	○	○	○	○	○	○	○	○	○	○	○	○	○
DSP SIMULATION		○	○	○	○	○	○	○	○	○	○	○	○	○	○
MULTI CH STEREO		○	○	○	○	○	○	○	○	○	○	○	○	○	○
ROCK ARENA		○	○	○	○	○	○	○	○	○	○	○	○	○	○
JAZZ CLUB		○	○	○	○	○	○	○	○	○	○	○	○	○	○
MONO MOVIE		○	○	○	○	○	○	○	○	○	○	○	○	○	○
VIDEO GAME		○	○	○	○	○	○	○	○	○	○	○	○	○	○
MATRIX		○	○	○	○	○	○	○	○	○	○	○	○	○	○
VIRTUAL		○	○	○	○	○	○	○	○	○	○	○	○	○	○
STEREO		○	○	○	○	○	○	○	○	○	○	○	○	○	○
STEREO		●	●	○	○	○	○	○	○	○	○	○	○	○	○

\*1 If "Speaker Config." – "S.Back" is set to "None", this surround mode cannot be selected.

\*2 If "Speaker Config." – "S.Back" is set to "1.spkr" or "None", this surround mode cannot be selected.

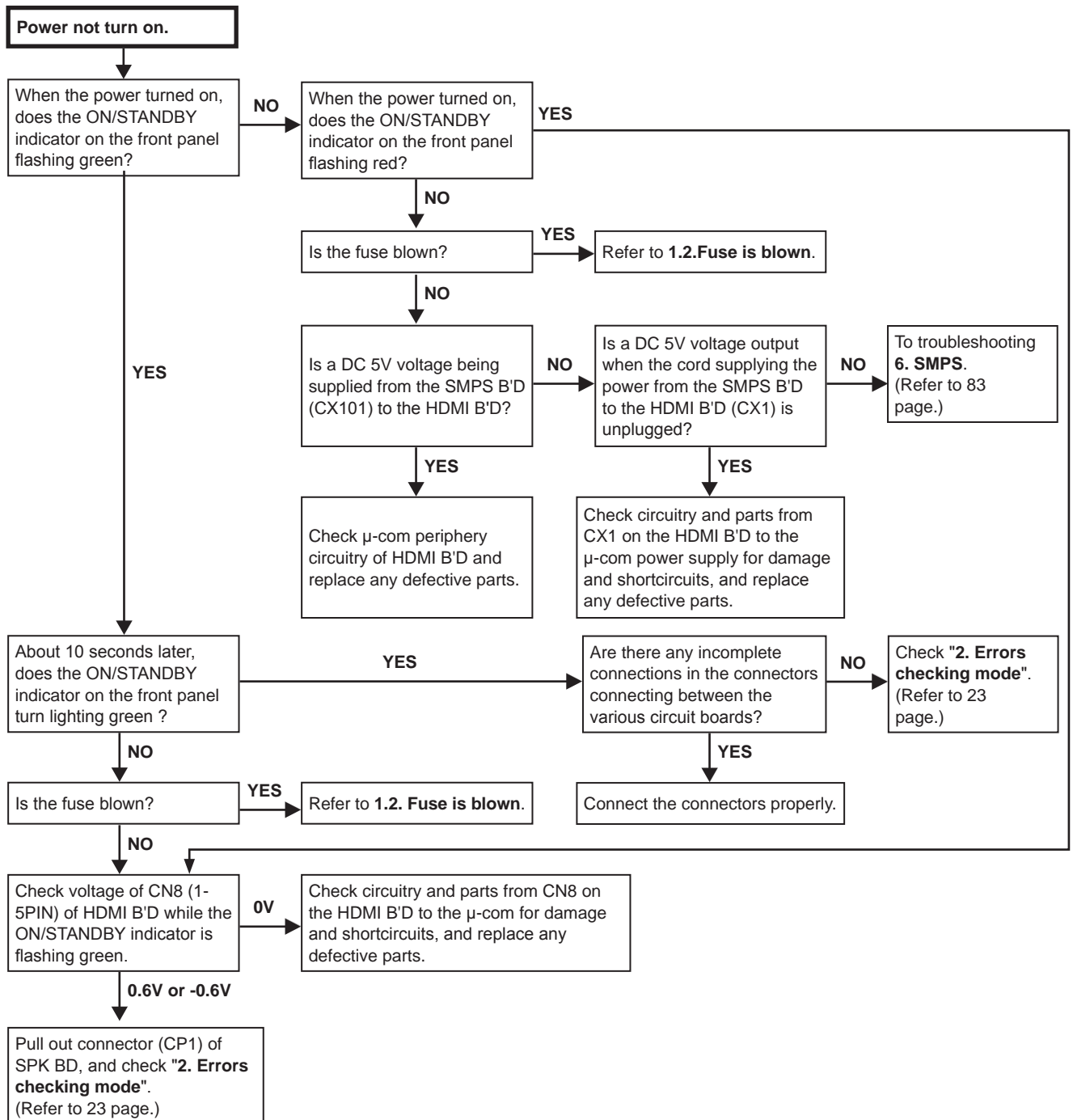
\*3 This surround mode can be selected when "Amp Assign" is set to "NORMAL".

\*4 If "Speaker Config." – "F.Height" is set to "None", this surround mode cannot be selected.

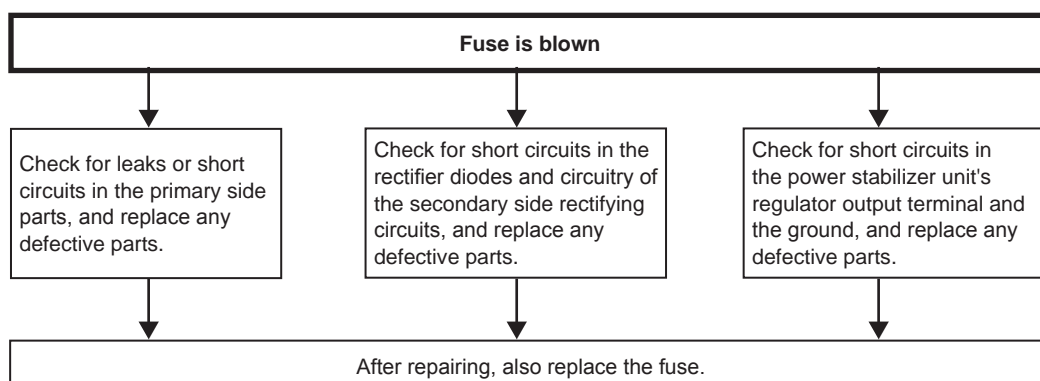
# TROUBLE SHOOTING

## 1. POWER

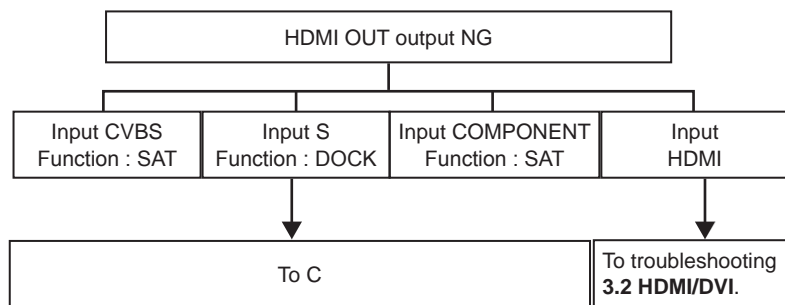
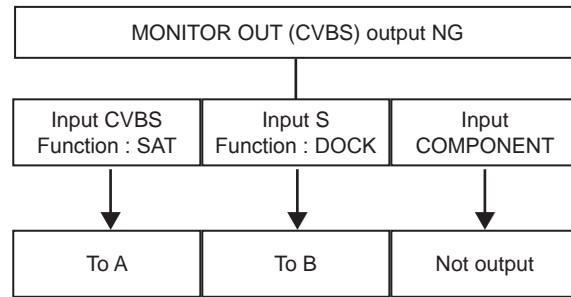
### 1.1. Power not turn on

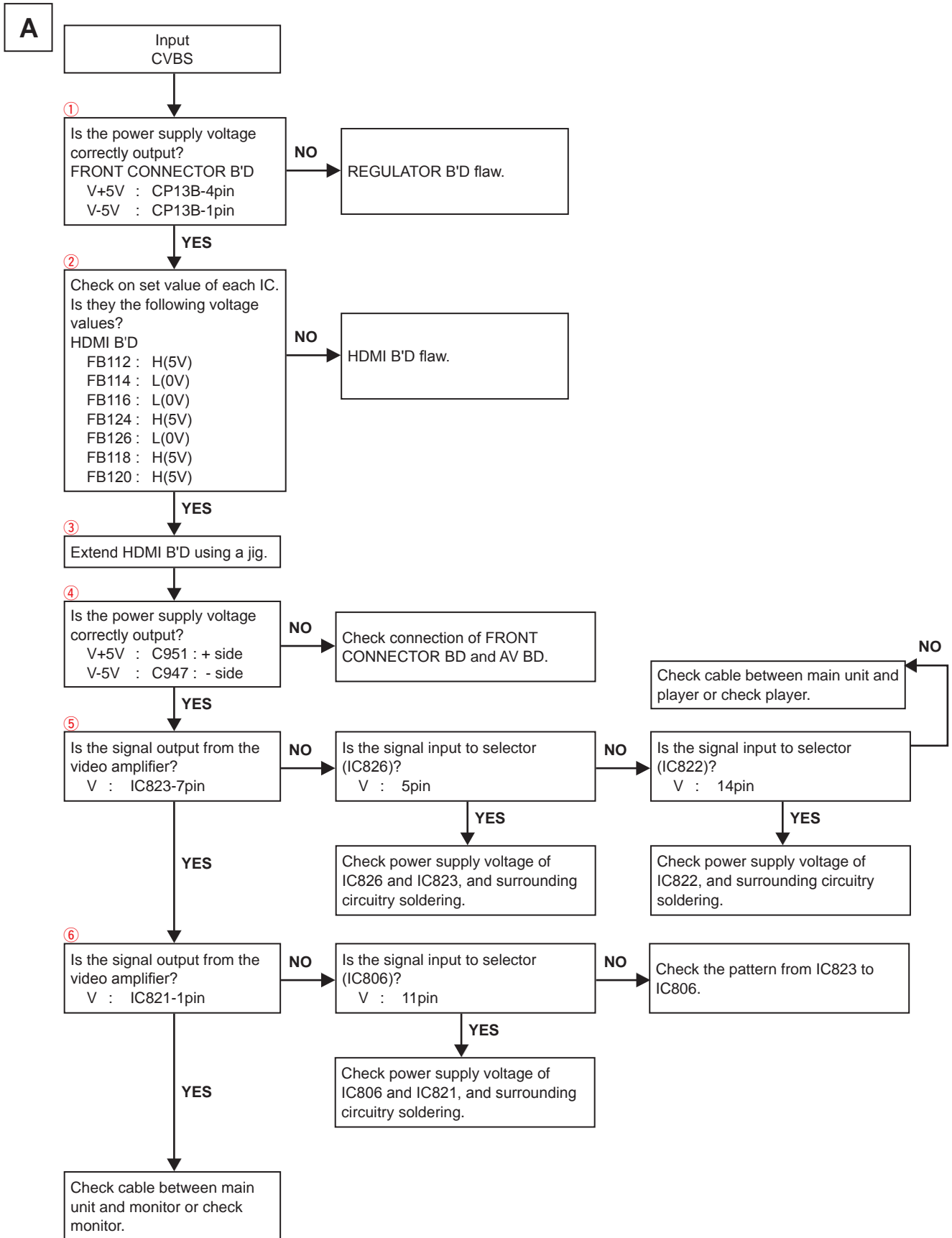


### 1.2. Fuse is blown

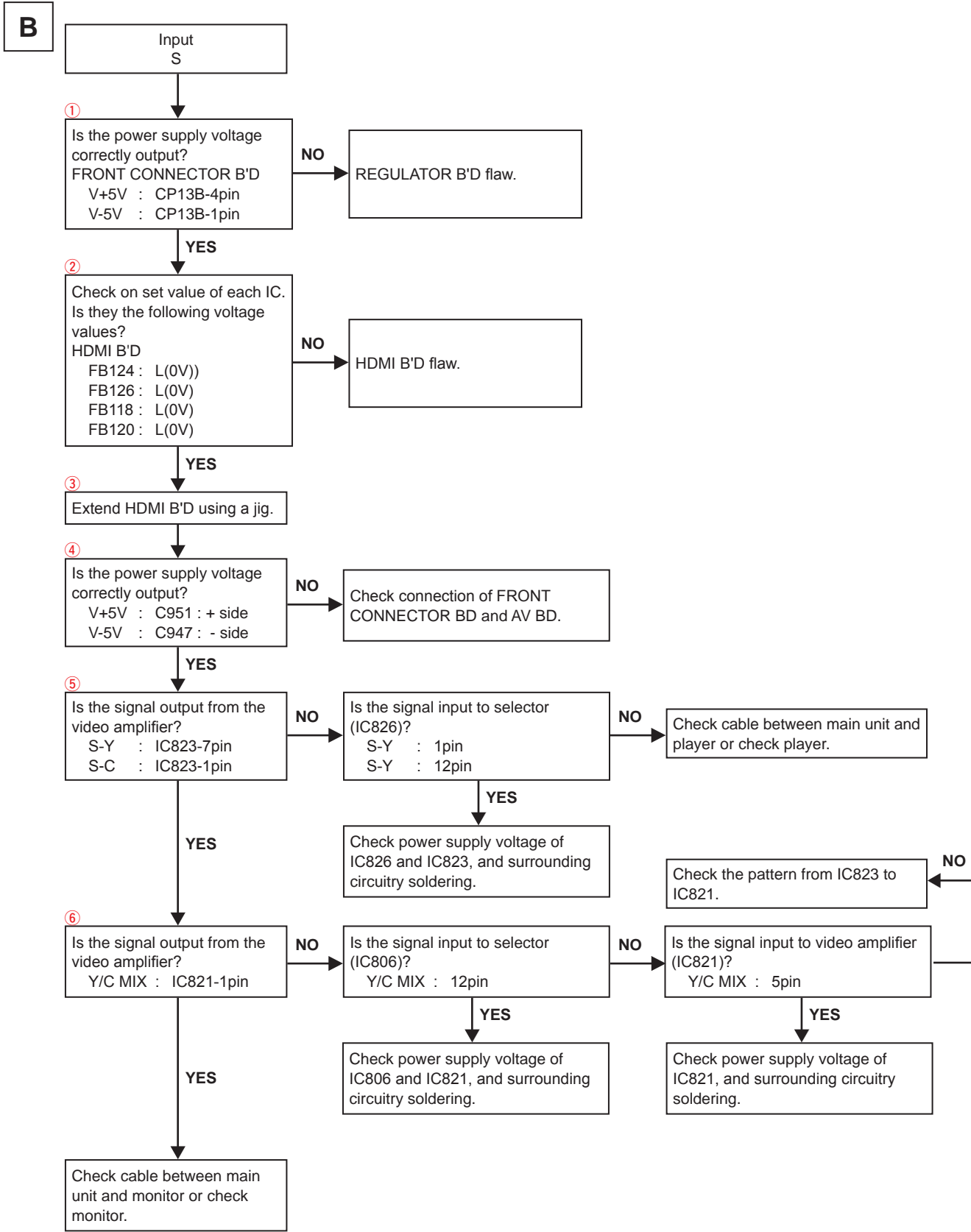


## 2. Analog video





※ Unless specified, AV B'D part.



※ Unless specified, AV B'D part.



**C**

Input  
CVBS/S/COMPONENT

①  
Check the input signal to  
VIDEO DECODER.  
Is signal confirmed for the  
following point?  
HDMI B'D  
V : FB68  
S-Y : FB68  
S-C : FB70  
COMPONENT-Y : FB66  
COMPONENT-Cb : FB64  
COMPONENT-Cr : FB62

**YES**

To troubleshooting 3.2. HDMI/  
DVI.

**NO**

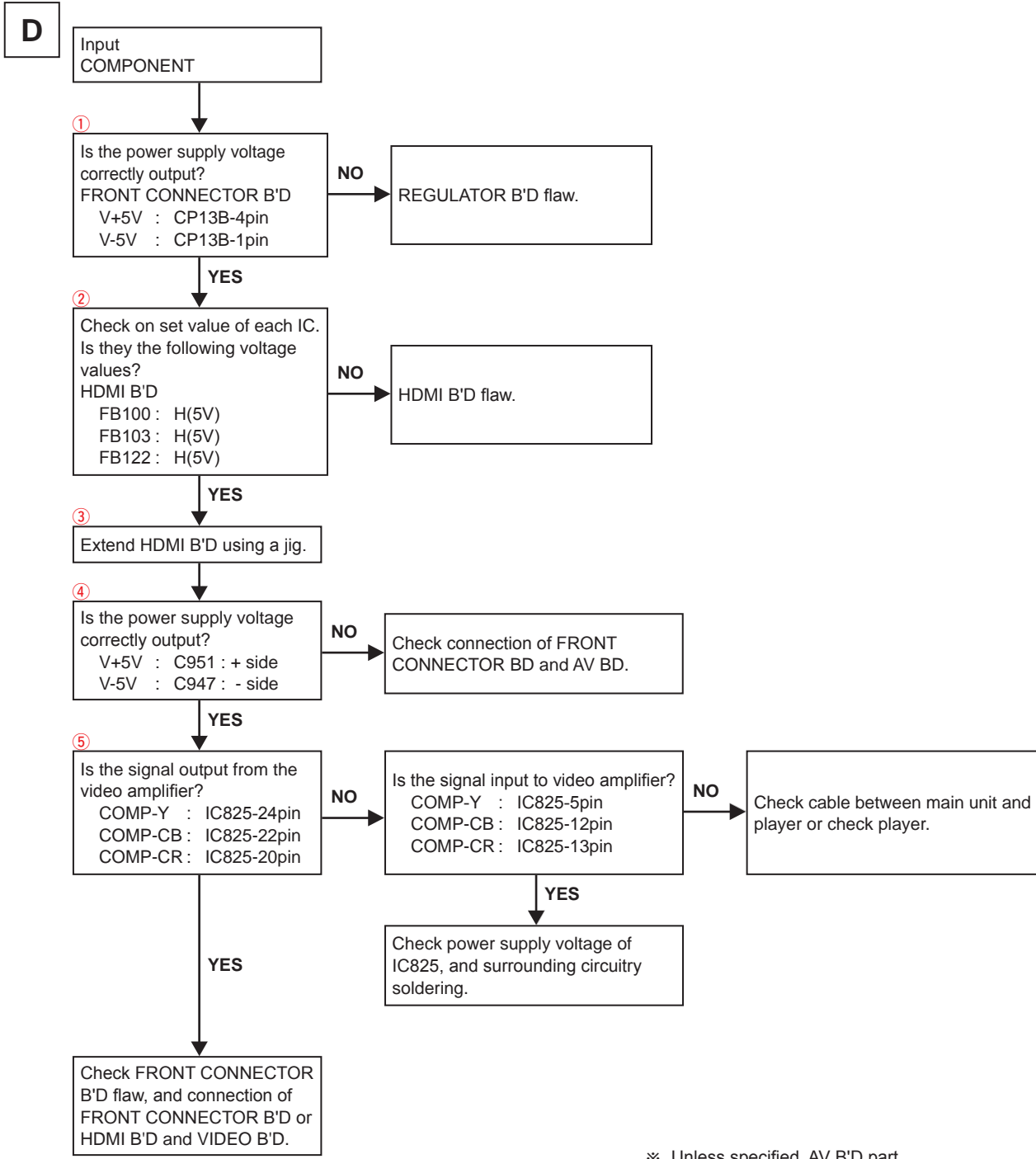
Check the signal of signal DET.  
Is they the following voltage values?  
V/S\_FB109 : H(+3.3V)  
COMPONENT\_FB106 : H(+3.3V)

**YES**

Check FRONT CONNECTOR B'D  
flaw, and connection of FRONT  
CONNECTOR B'D or HDMI B'D and  
VIDEO B'D.

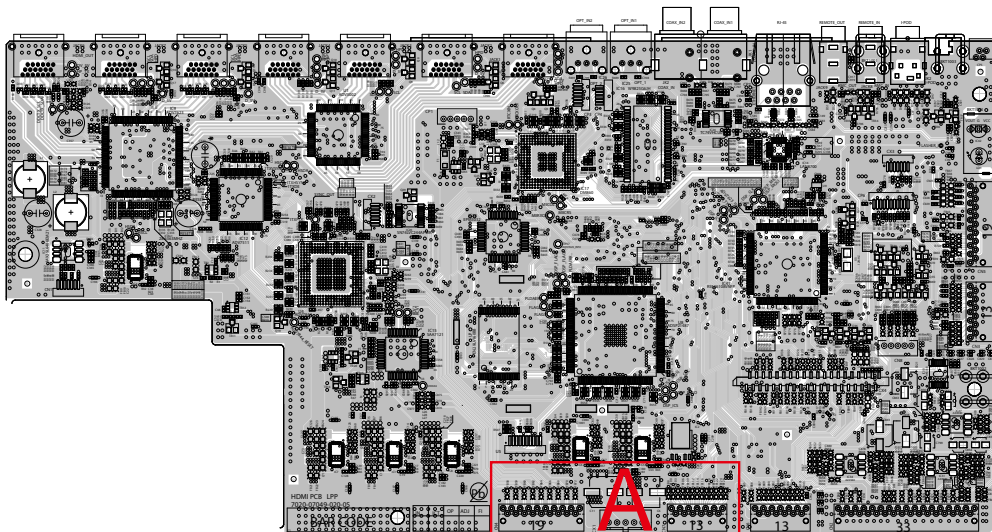
**NO**

Input CVBS : Check **A-① - ⑤**  
Input S : Check **B-① - ⑤**  
If no problems are found in the  
checks above, check the connections  
between boards.  
Input COPONENT : to **D**



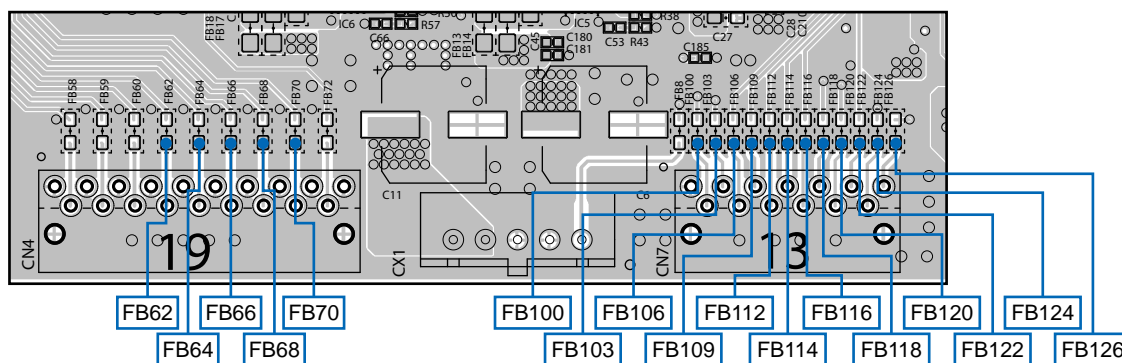
※ Unless specified, AV B'D part.

HDMI test point

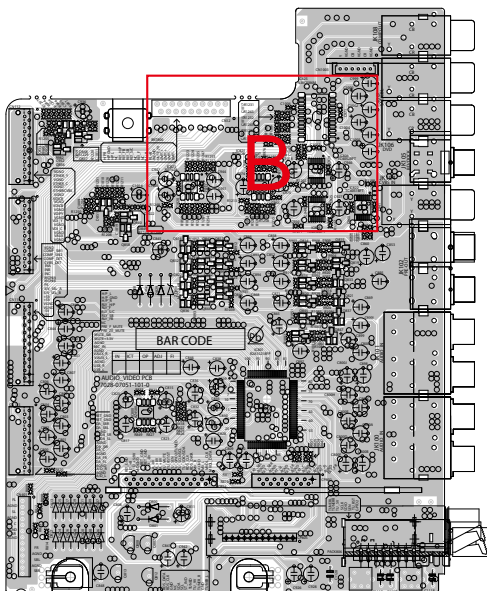


(COMPONENT SIDE)

Detail A

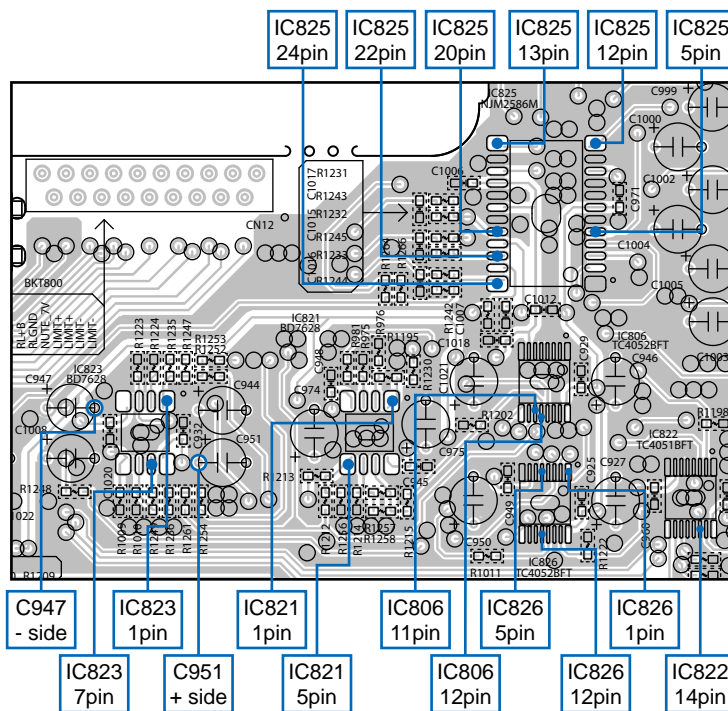


VIDEO test point



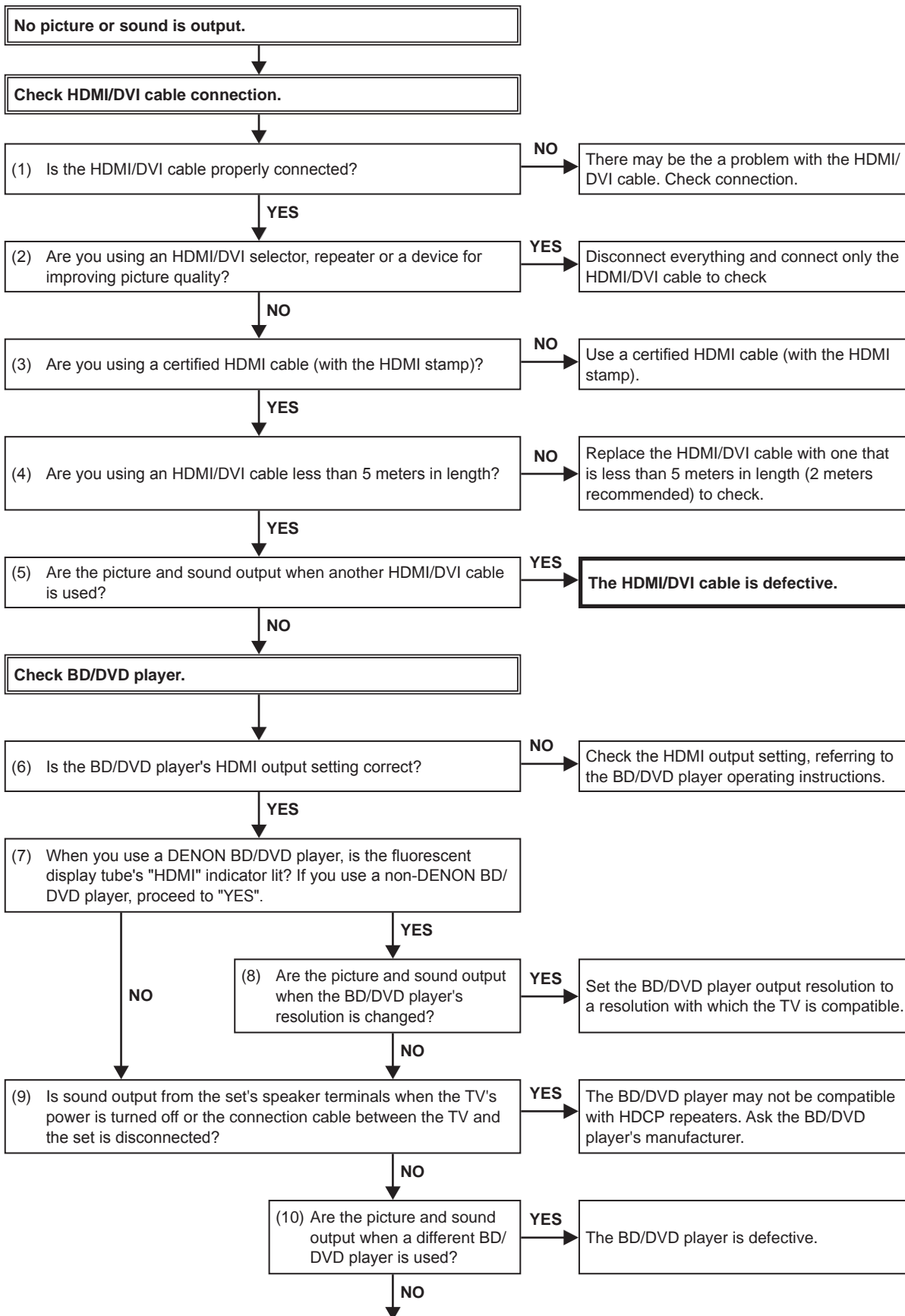
(COMPONENT SIDE)

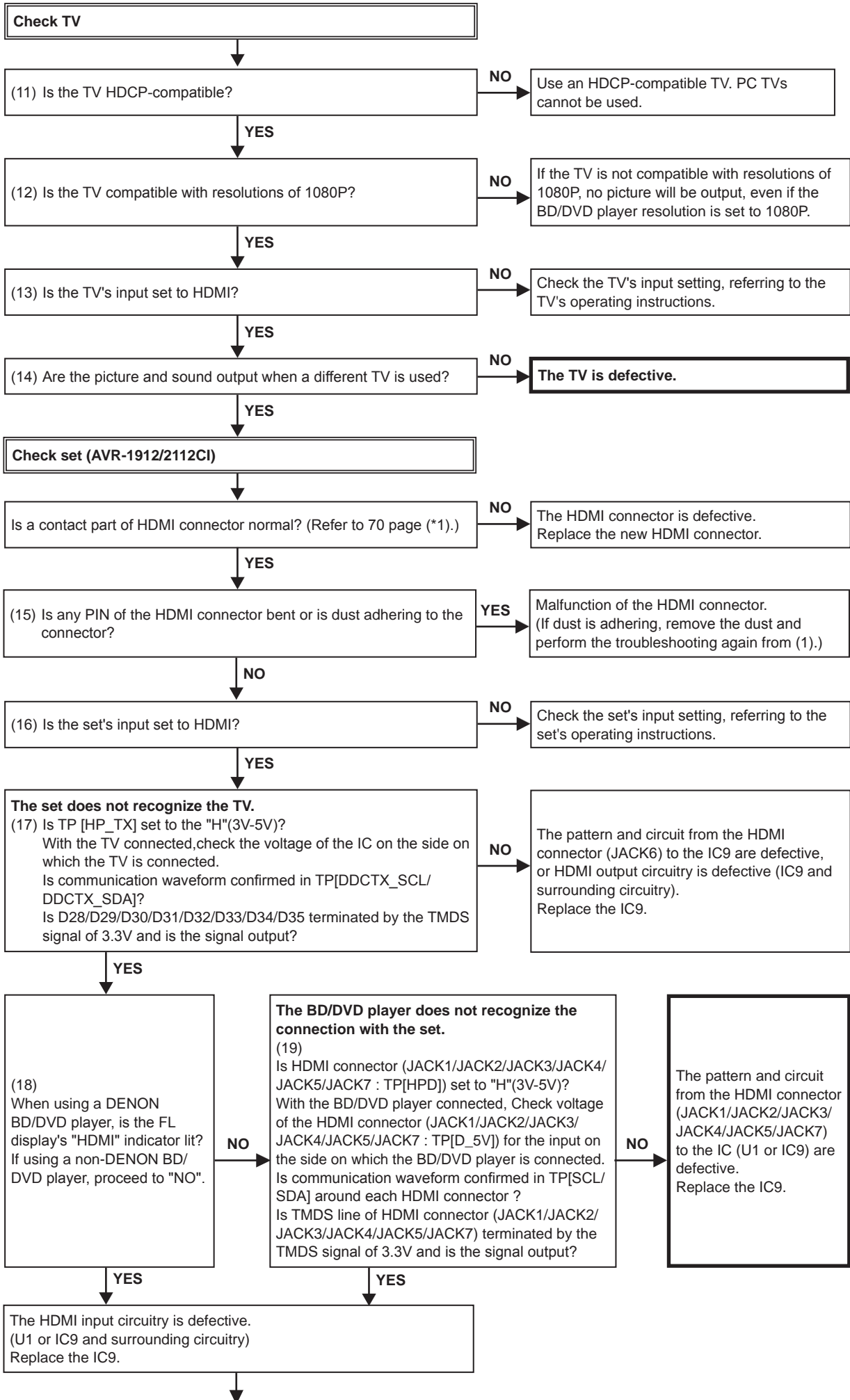
Detail B



### 3. HDMI/DVI

#### 3.1. No picture or sound is output (HDMI to HDMI) ⚠ ⚠





**Check operation of each device.**  
(AMP source : BD / Video input of player : 480P / Connect the TV.)

**Check operation of U1(ADV3002).**

(20) Check power supply.  
Are 5V or 3.3V supplied to U1 (each power supply pin)?  
Refer to [Detail C] of the substrate for test point.

**NO** → The power supply circuitry is defective.

**YES**

(21) Check RESET.  
Is RESET waveform confirmed in U1 (36pin), when the power is turned on?(If the waveform is not the reference waveform, proceed to NO.)

**NO** → The RESET circuitry (Q7 and surrounding circuitry) or U1 is defective.

**YES**

(22) Check Control signal (I2C).  
Is waveform confirmed in TP[H\_SCL/H\_SDA], when the power is turned on? (If the waveform is not the reference waveform, proceed to NO.)

**NO** → The pattern is defective of the H\_SCL/H\_SDA line.

**YES**

(23) Check output signal.  
Is TMDs waveform confirmed in 25pin/26pin/28pin/29pin/31pin/32pin/34pin/35pin.  
Is communication waveform of DDC\_SCL/DDC\_SDA confirmed in 67pin/68pin? (If the waveform is not the reference waveform, proceed to NO.)

**NO** → The U1 is defective.

**YES**

**Check operation of IC9(ADV7623)**

(24) Check power supply.  
Are 1.8V or 3.3V supplied to IC9(each power supply pin)?  
Refer to [Detail D] of the substrate for test point.

**NO** → The power supply circuitry is defective.

**YES**

(25) Check xtal oscillator.  
Is oscillation of XTAL1(28.6363MHz) transmitted?

**NO** → The XTAL1 or IC9 is defective.  
Replace the new parts.

**YES**

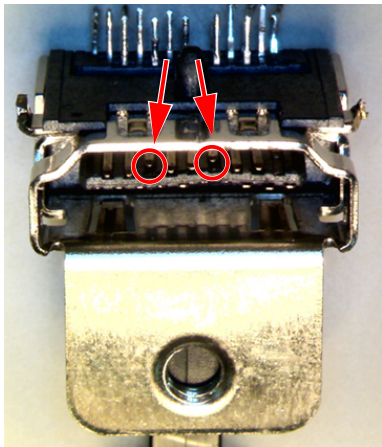
(26) Check RESET.  
Is RESET waveform confirmed in IC9 (97pin), when the power is turned on? (If not reference waveform, proceed to "NO".)

**NO** → The RESET circuitry (Q18 and surrounding circuitry) or IC9 is defective.  
Replace the new parts.

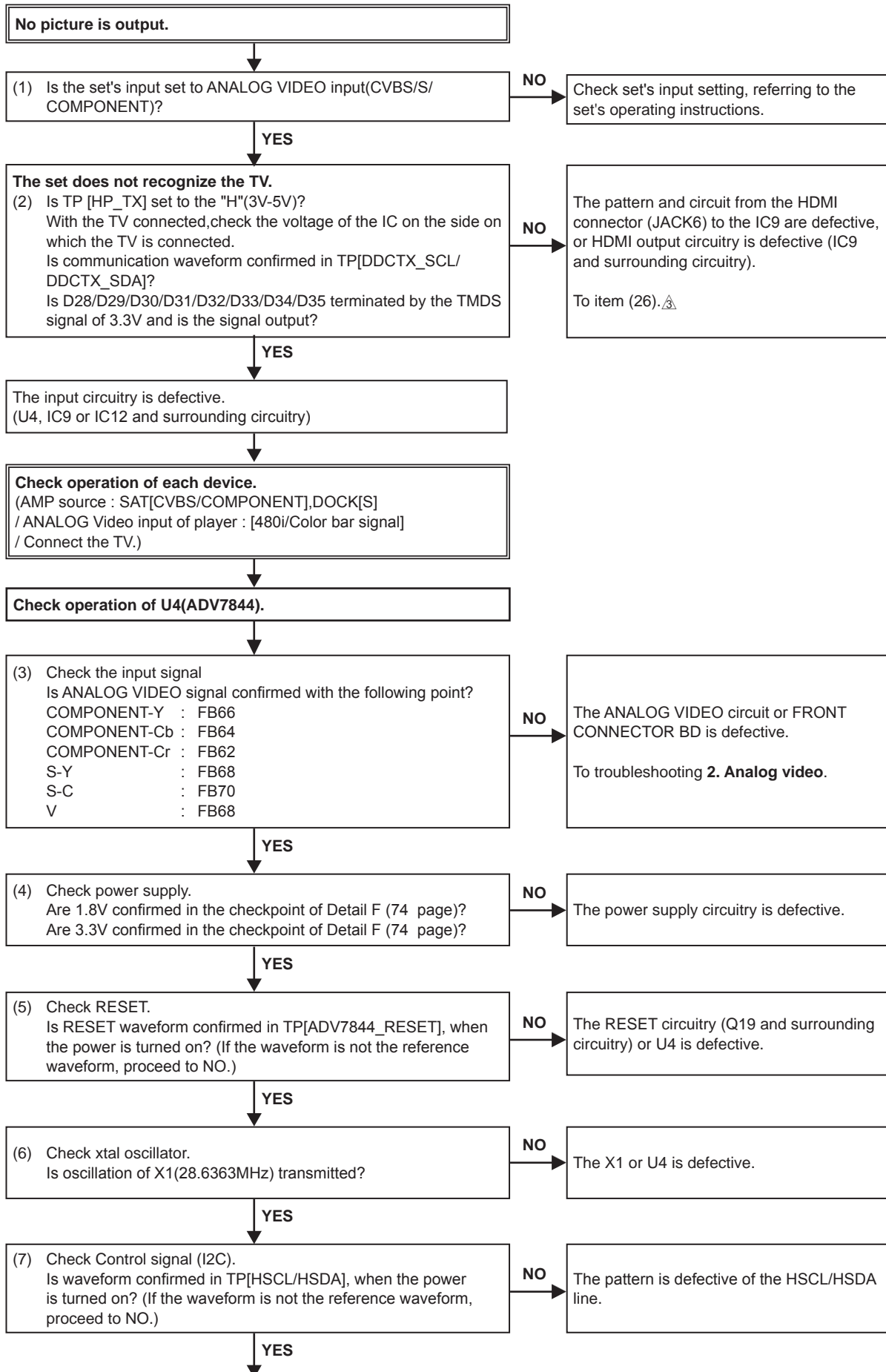
**YES**

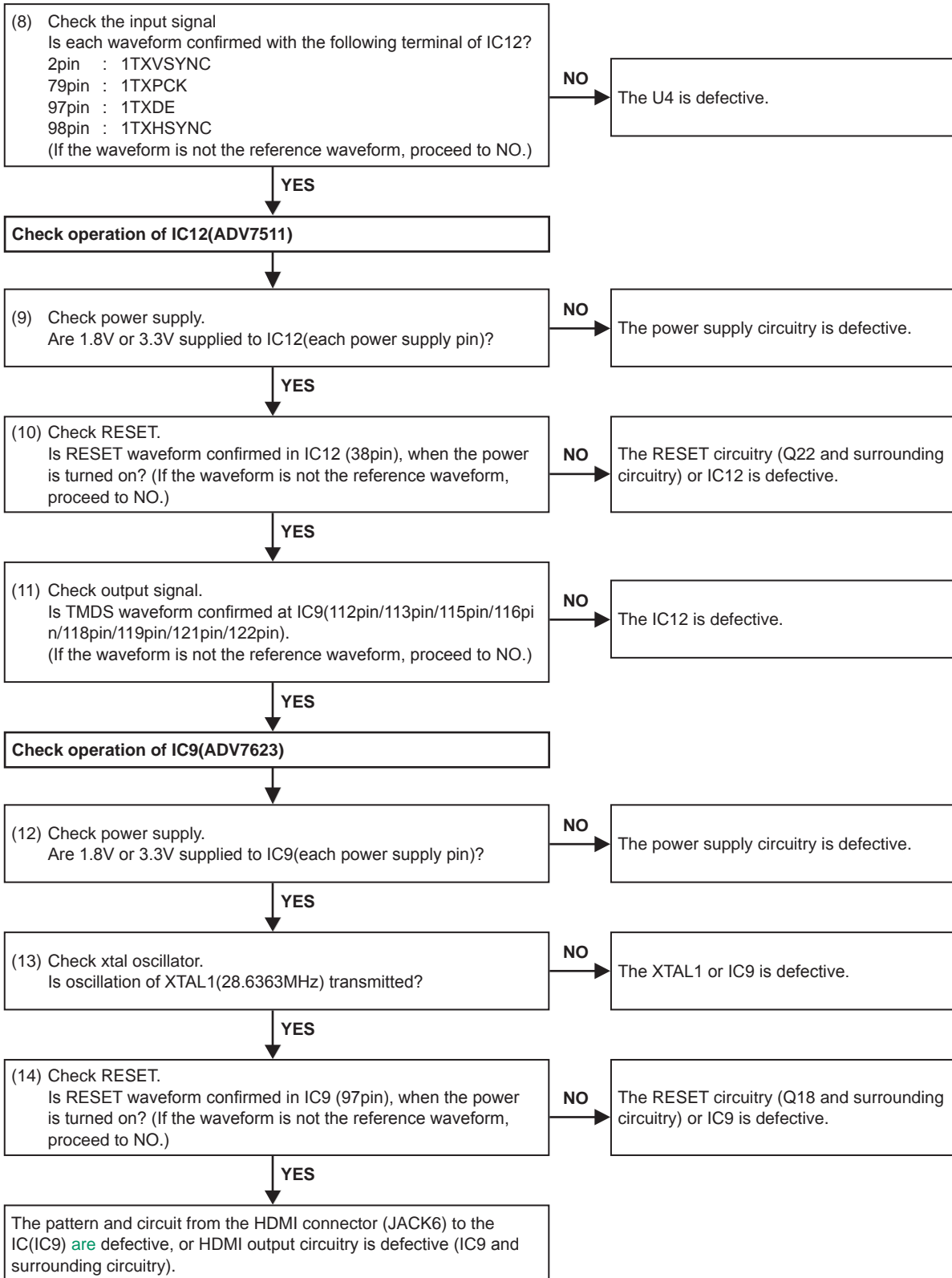
The pattern and circuit from the HDMI connector (JACK6) to the IC(IC9) is defective, or HDMI output circuitry is defective (IC9 and surrounding circuitry).  
Replace the IC9.

(\*1) Abnormal sample of HDMI connector : The internal terminal has bent.



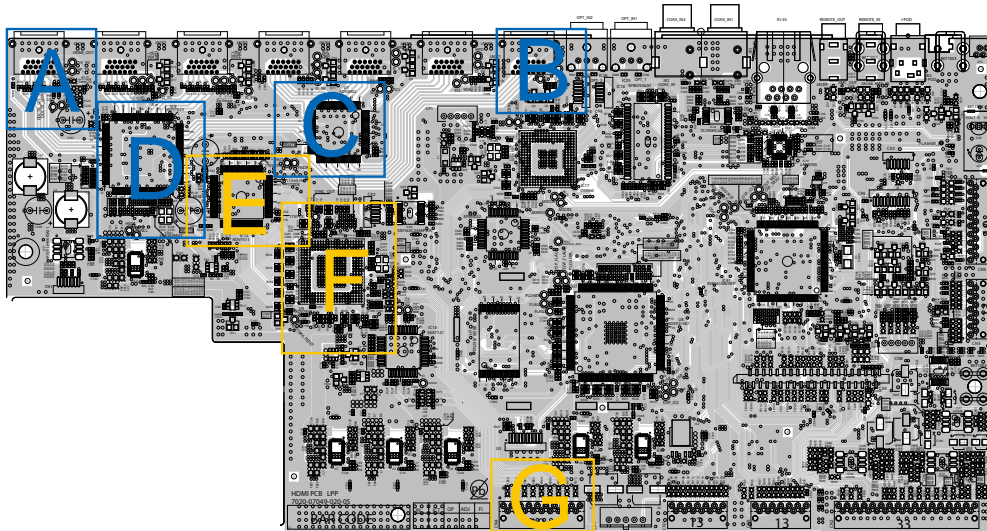
### 3.2. No picture is output (Analog to HDMI)





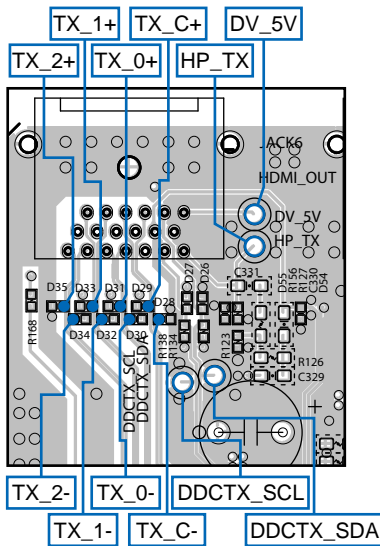


### 3.2. HDMI test point and waveforms

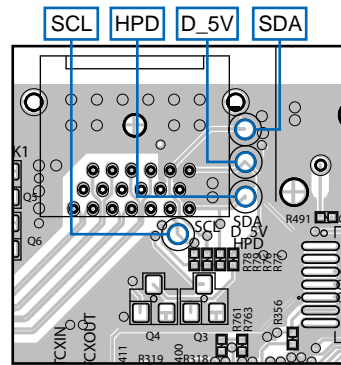


(COMPONENT SIDE)

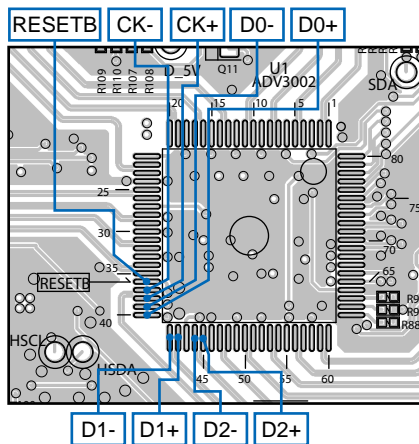
Detail A



Detail B

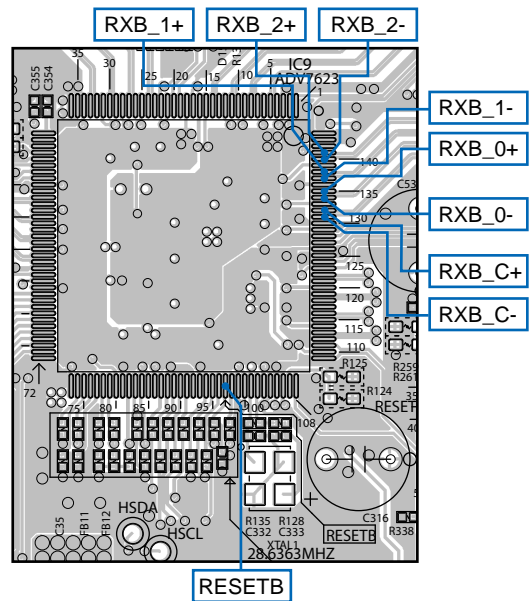


Detail C

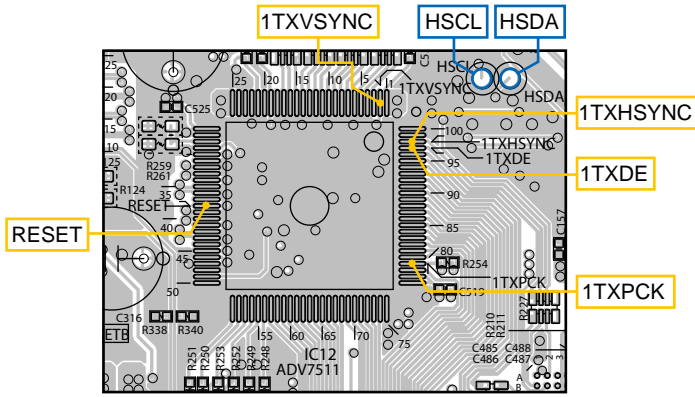


U1 [ADV3002] Power pin  
5V : 64pin  
3.3V : 9pin / 18pin / 33pin / 43pin / 52pin

Detail D

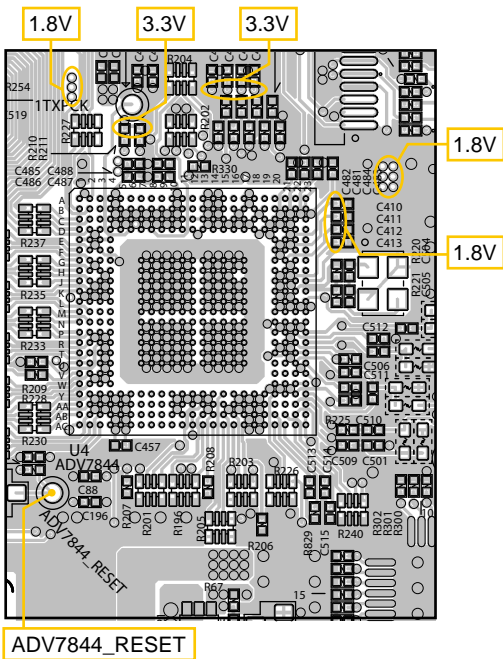


Detail E

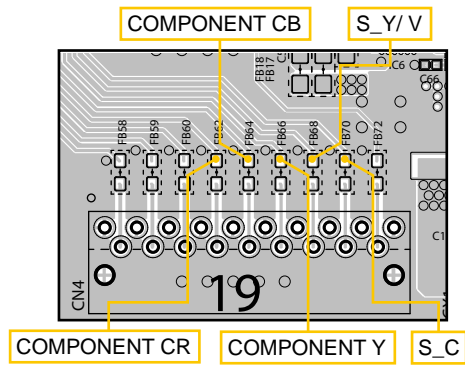


IC12 [ADV7511] Power pin  
 3.3V : 47pin  
 1.8V : 1pin / 19pin / 21pin / 24pin / 25pin / 26pin /  
 29pin / 34pin / 41pin / 49pin / 76pin / 77pin

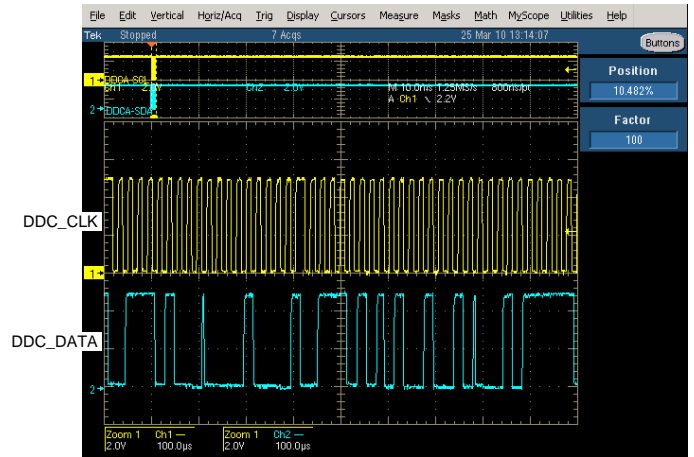
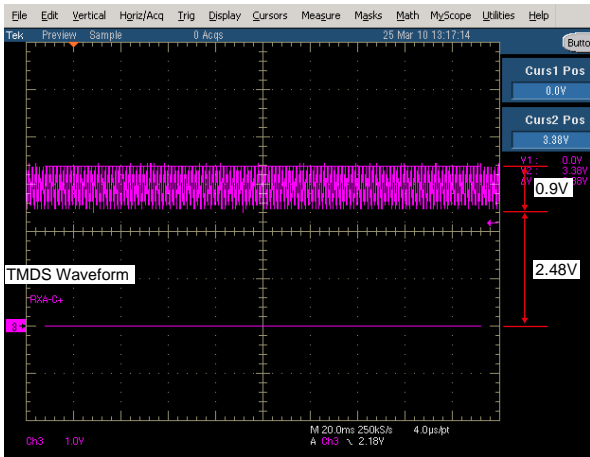
Detail F



Detail G

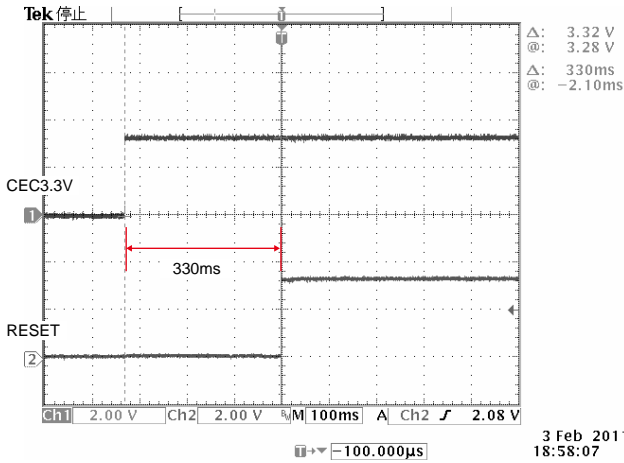


DDC\_CLK/DDC\_DATA/TMDS : Check items HDMI to HDMI (17)/(19)/(23), Check items Analog to HDMI (2)/(11)

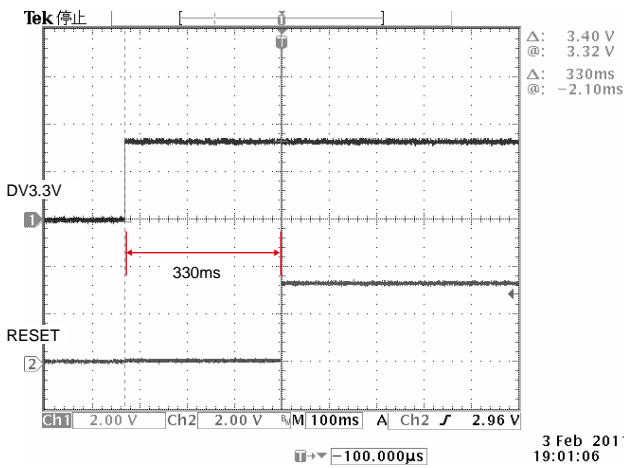


Timing waveform illustration from the start of CEC3.3V to when reset is released :

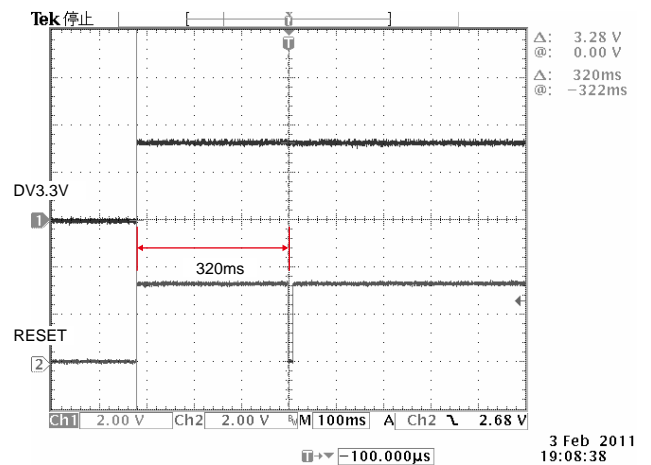
Check items HDMI to HDMI (21)/(26),  
Check item Analog to HDMI (14)



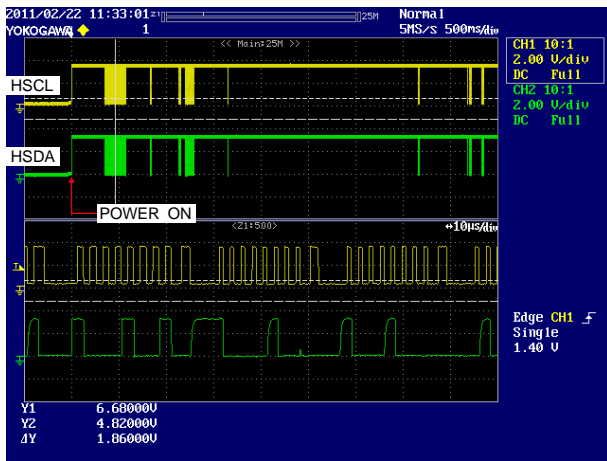
Check item Analog to HDMI (5)



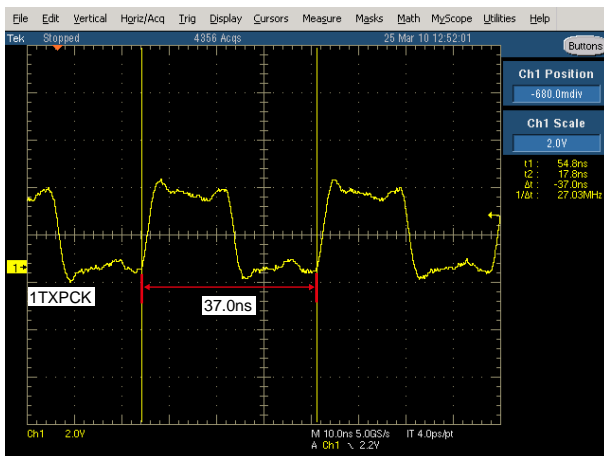
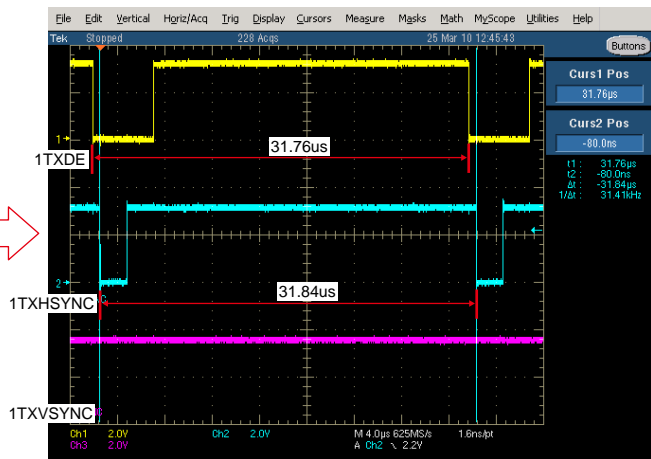
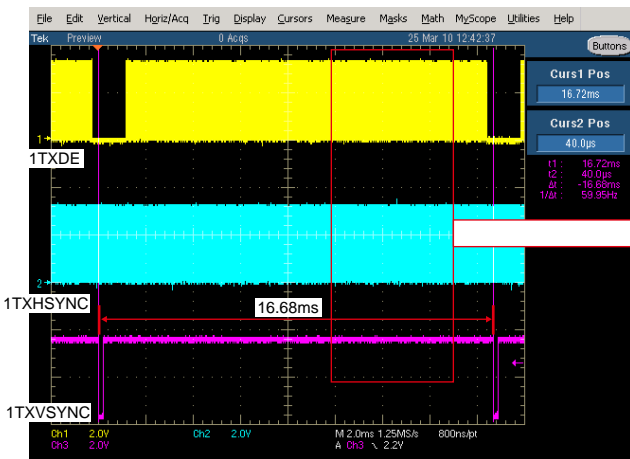
Check item Analog to HDMI (10)



Controlled waveform(I2C), when power is turned on : Check item HDMI to HDMI (22), Check item Analog to HDMI (7)

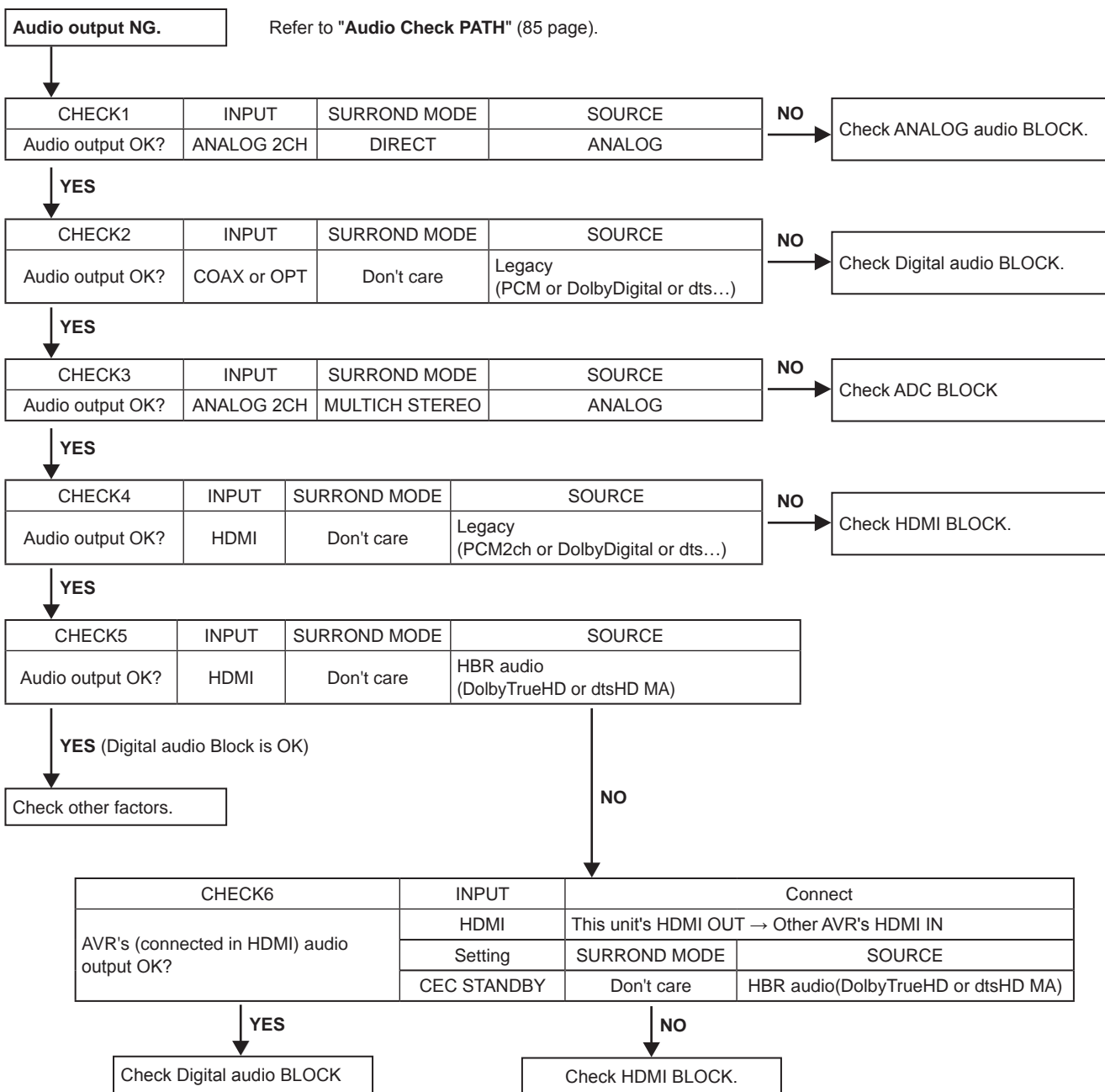


1TXDE/1TXVSYNC/1TXHSYNC/1TXPCK : Check item Analog to HDMI (8)

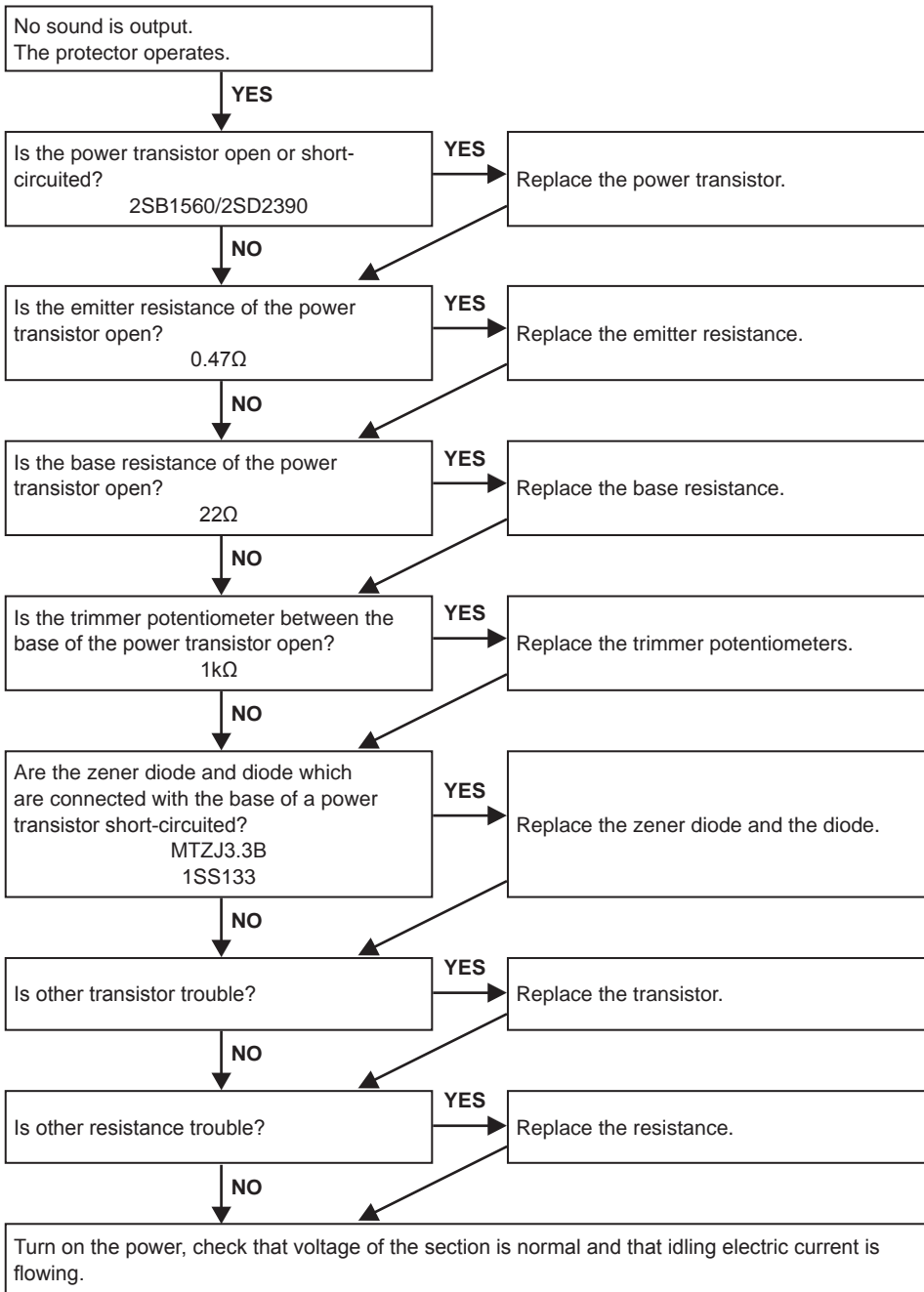


## 4. AUDIO

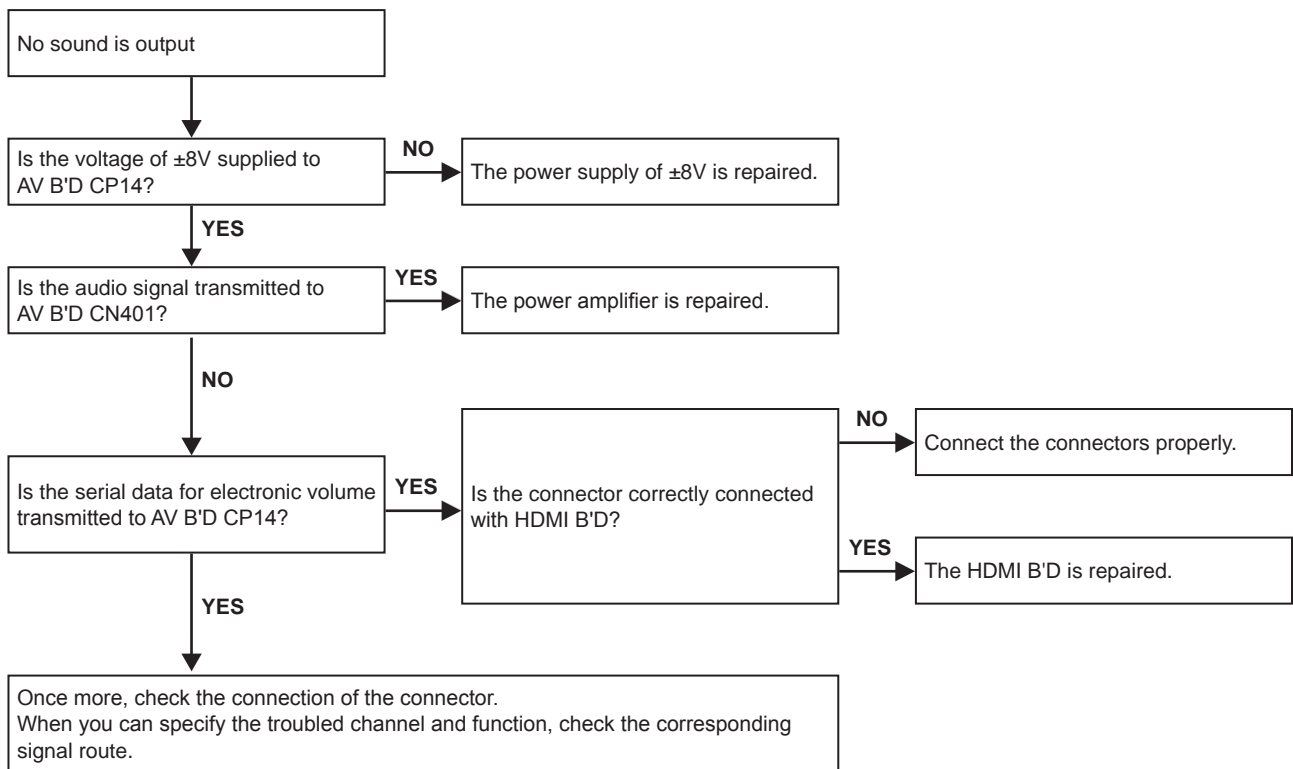
### 4.1. AUDIO CHECK



## 4.2. Power AMP (MAIN UNIT)

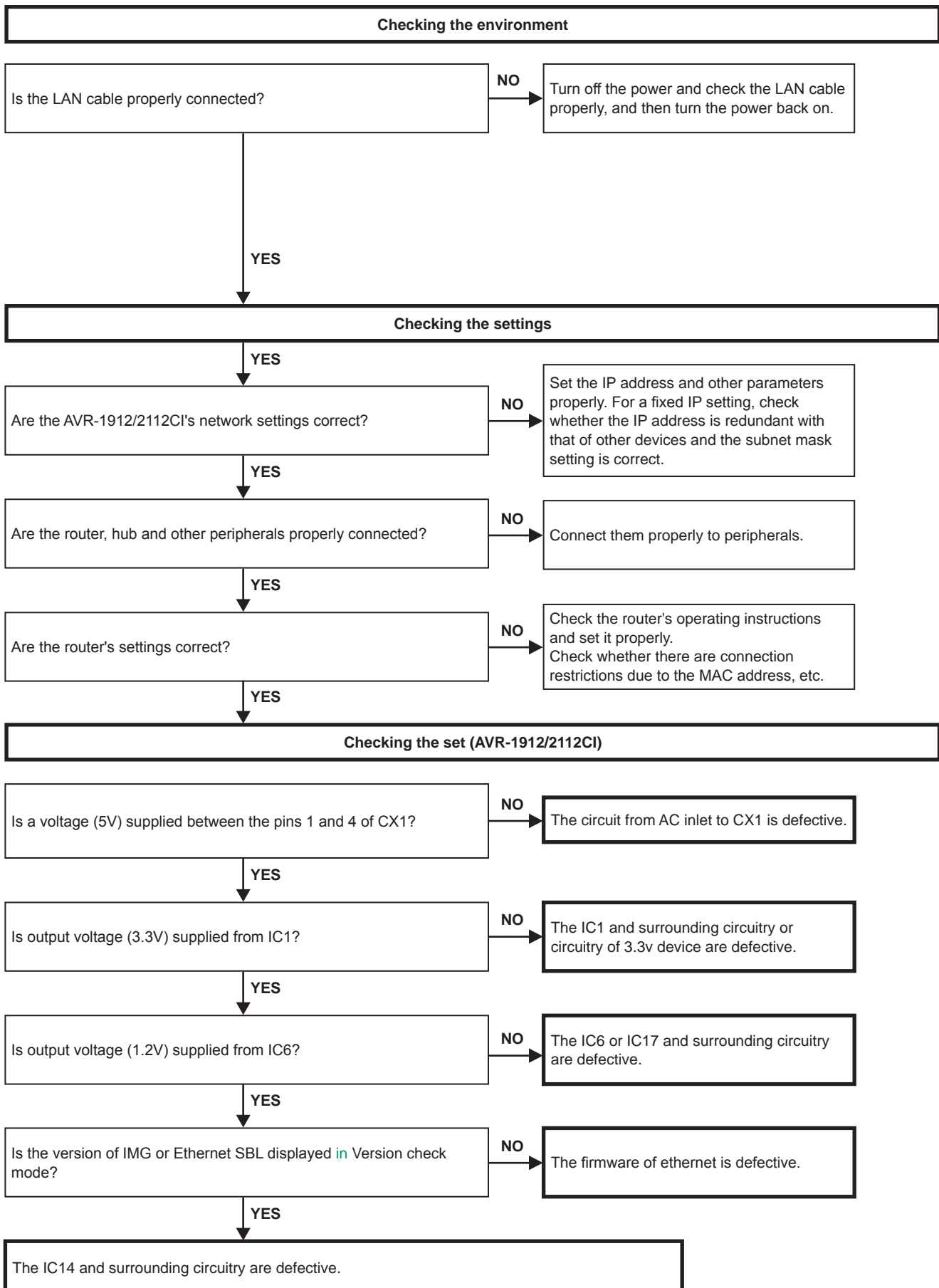


### 4.3. Analog audio



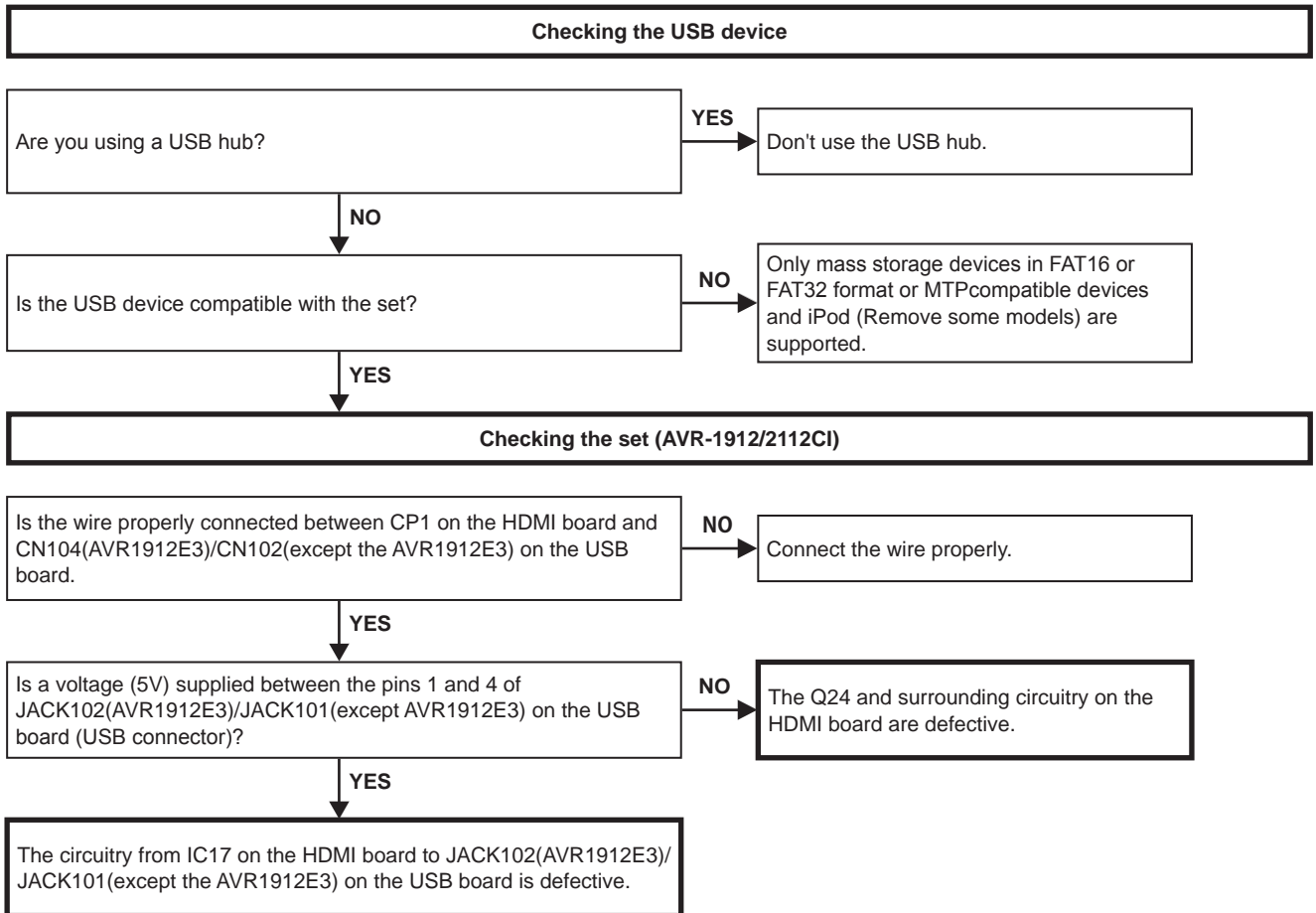
## 5. Network/USB

### 5.1. Cannot connect to network

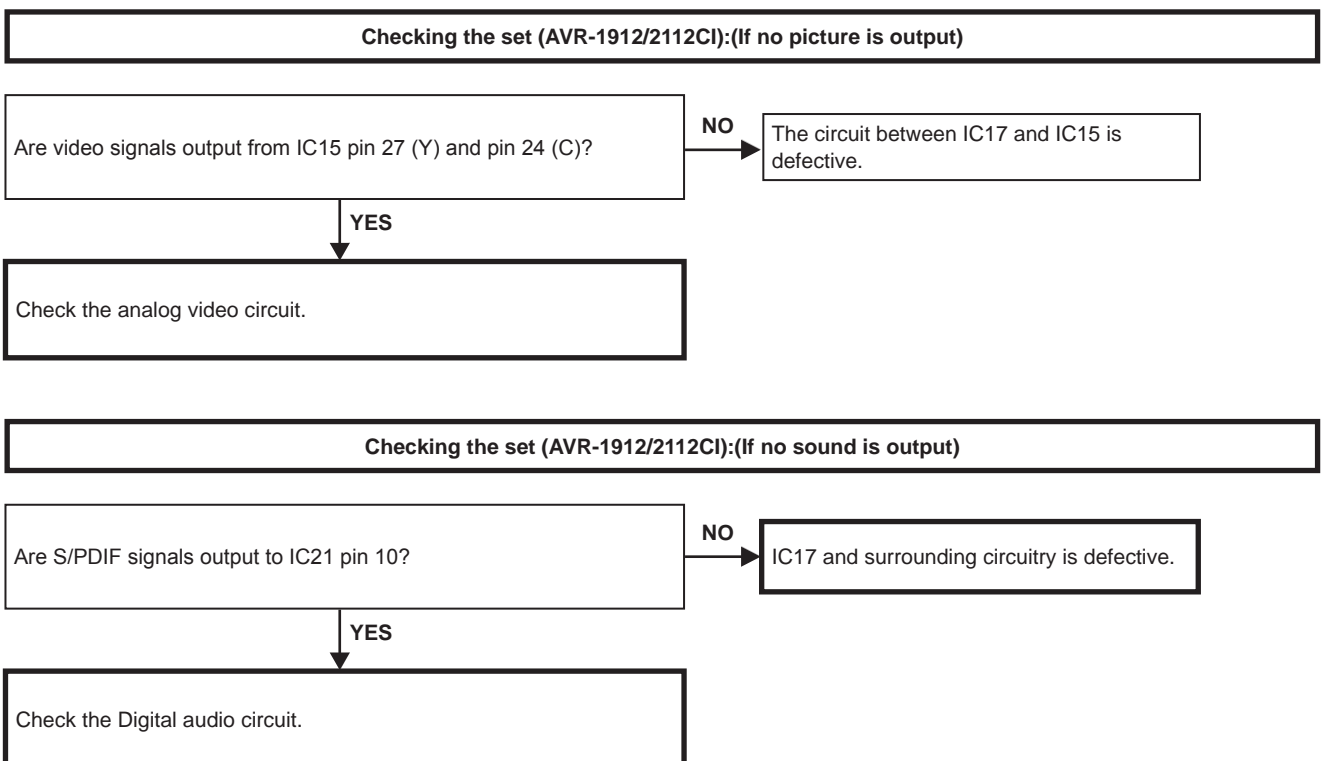




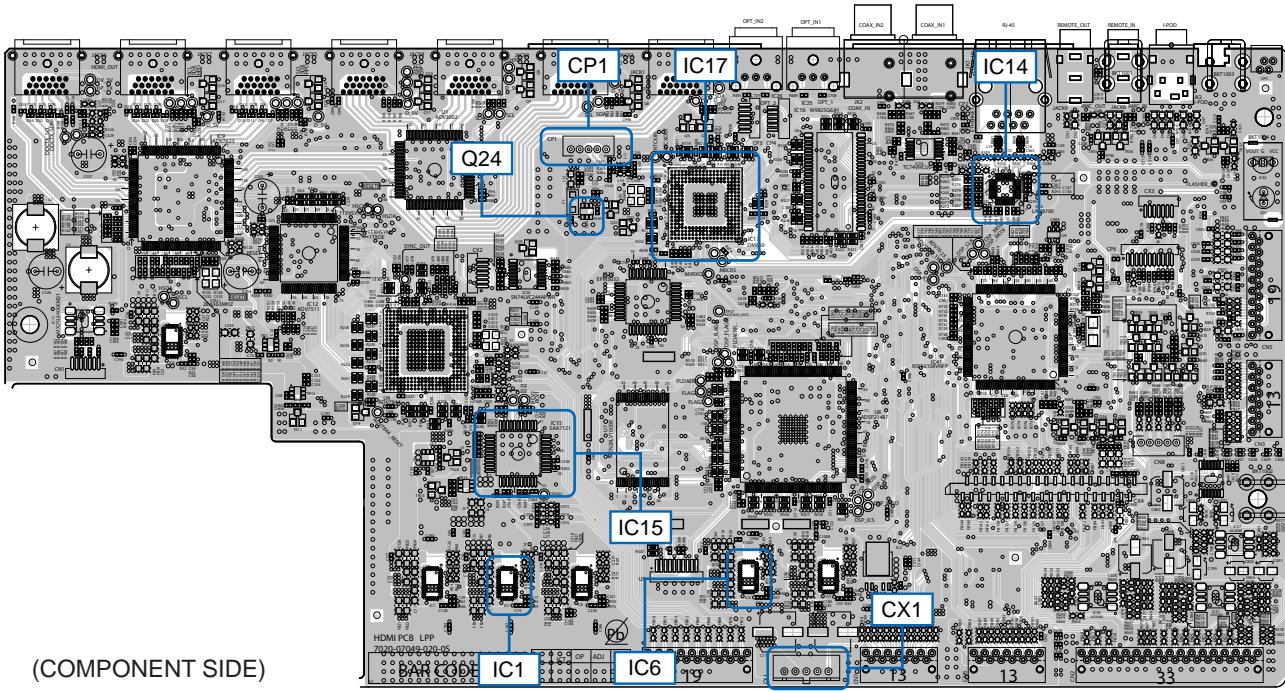
## 5.2. USB device is not recognized



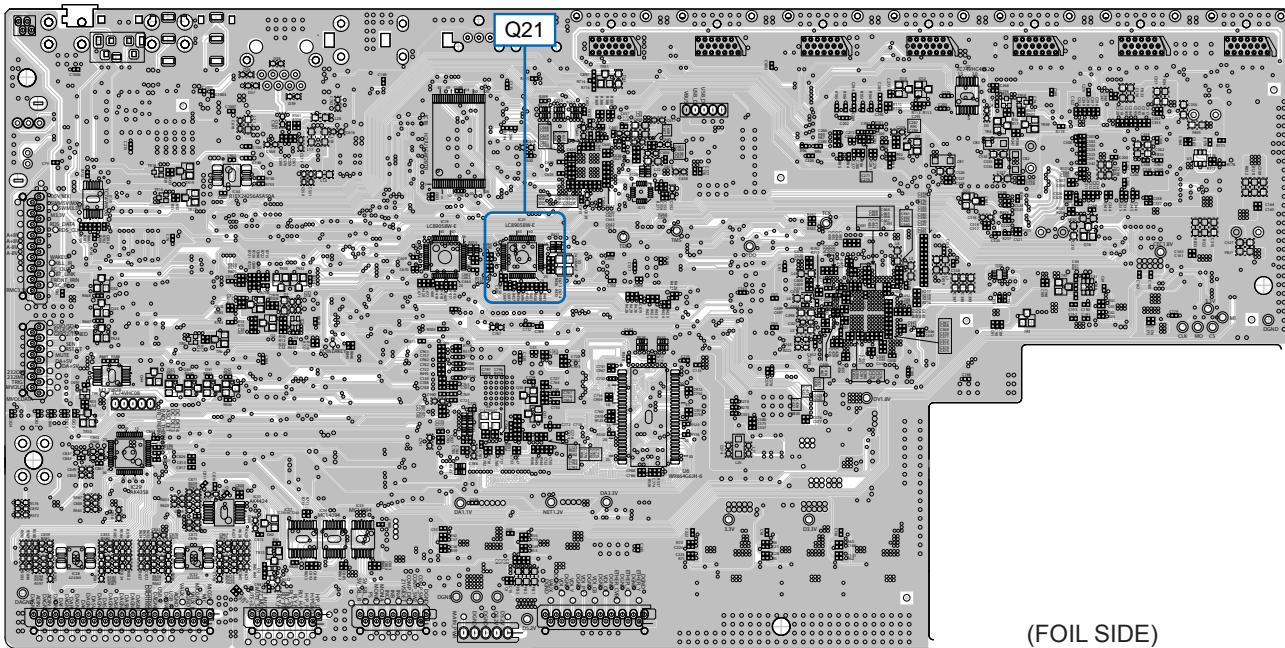
## 5.3. No picture or no sound is output



## HDMI test point

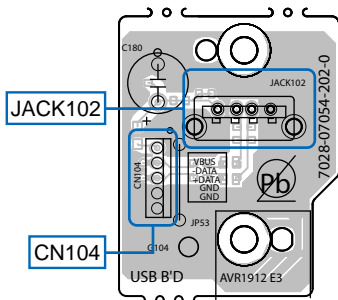


(COMPONENT SIDE)



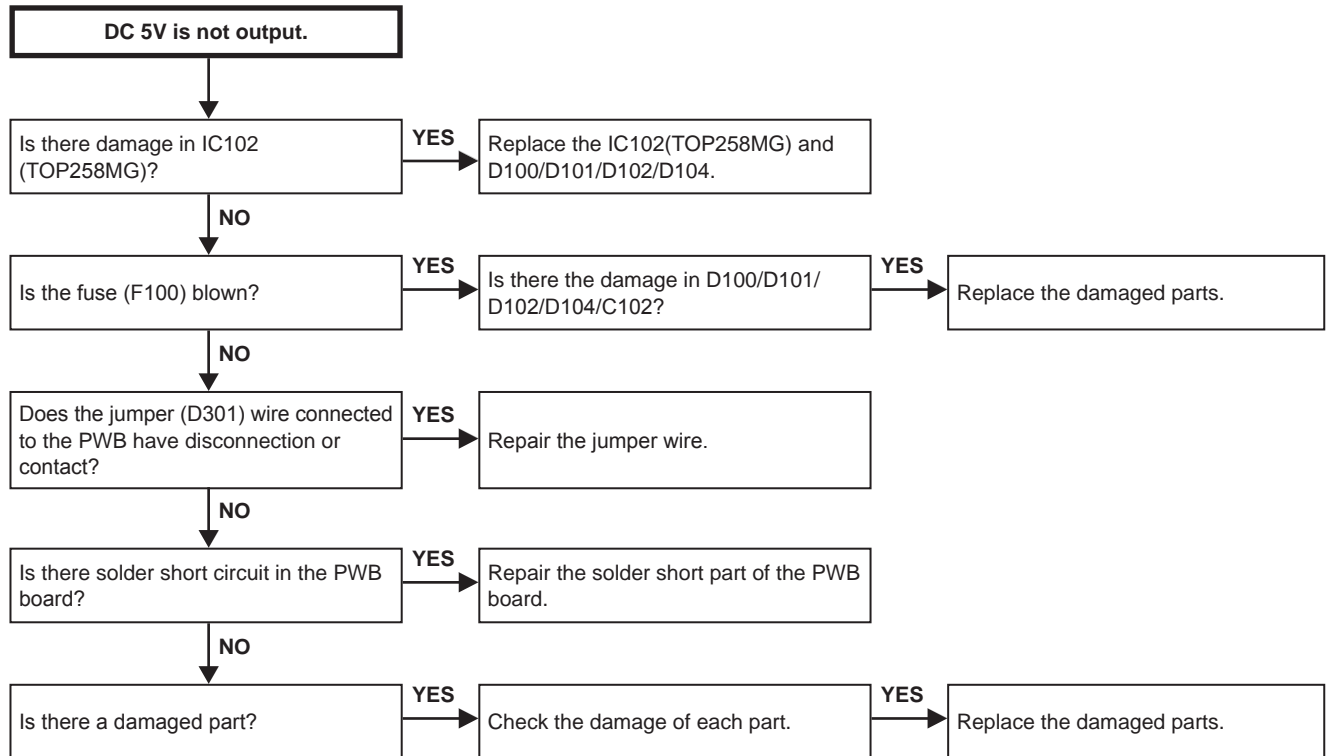
(FOIL SIDE)

## USB test point

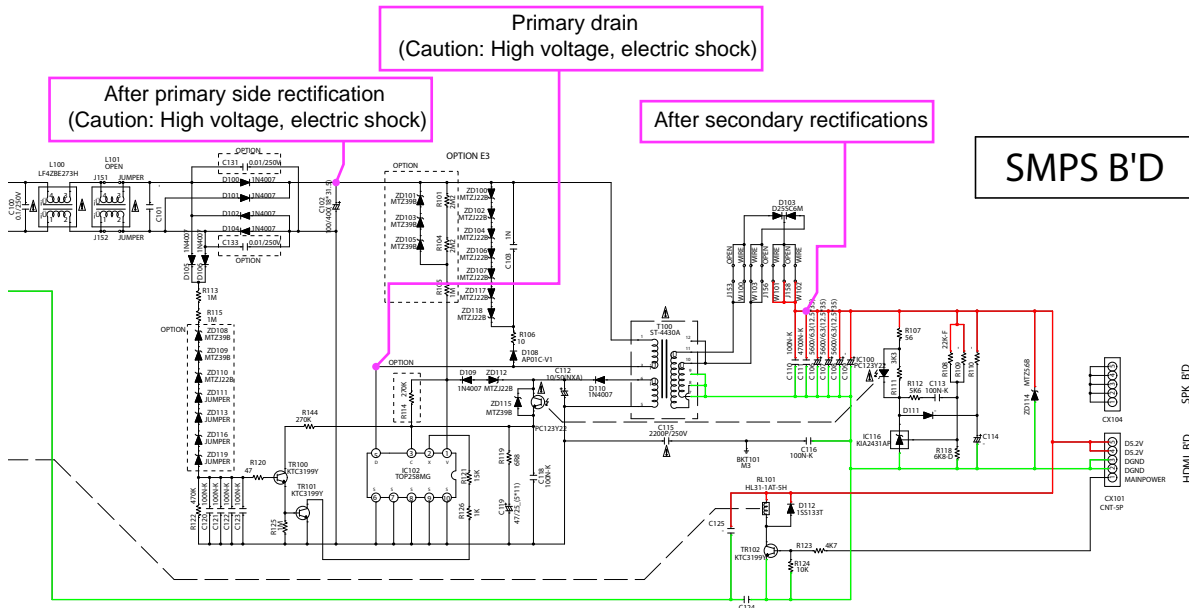


(COMPONENT SIDE)

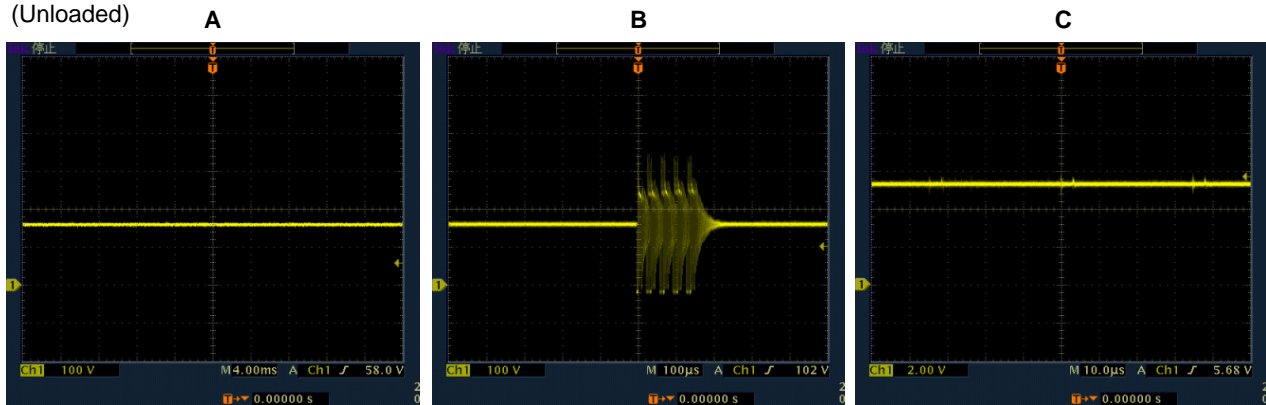
## 6. SMPS



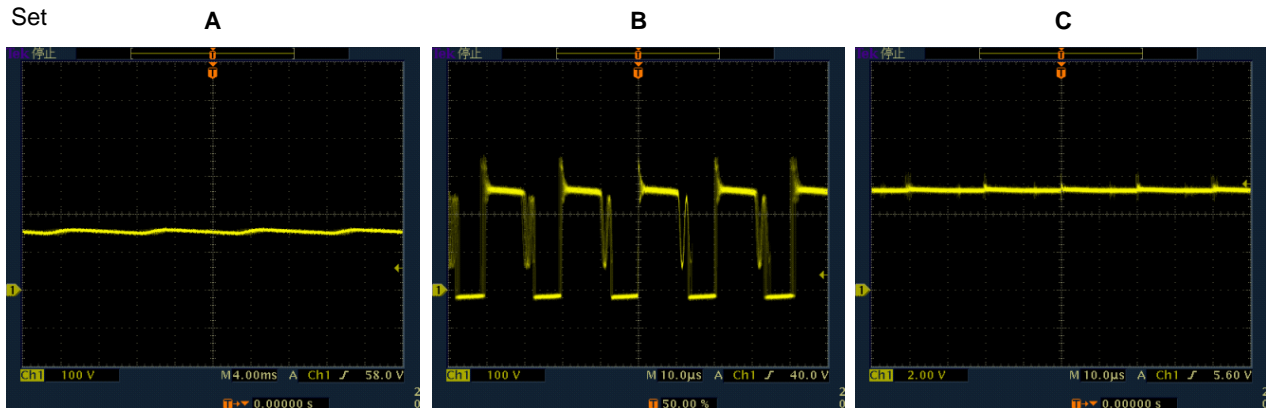
# Operation waveform for each part



SMPS unit  
(Unloaded)

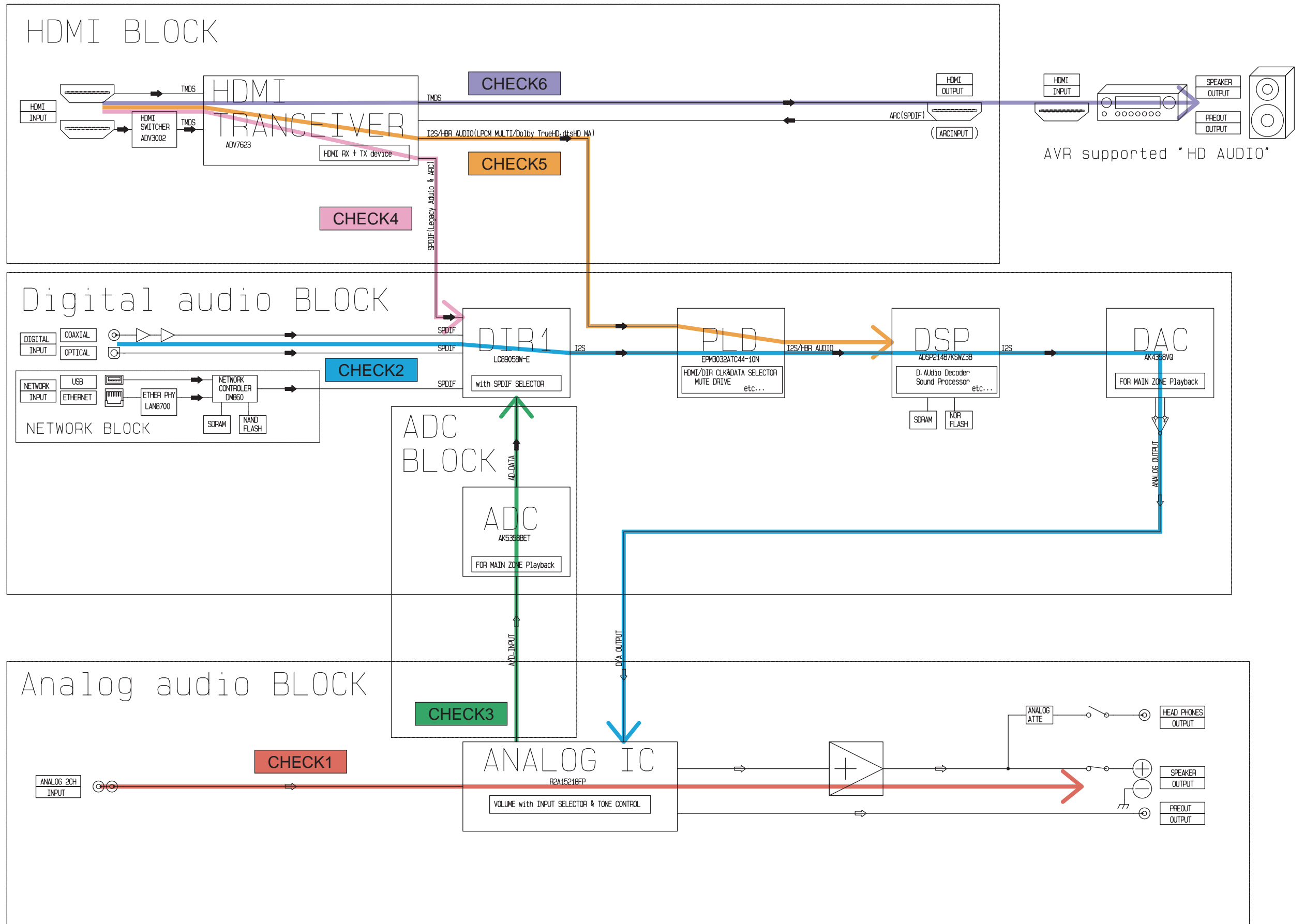


Set



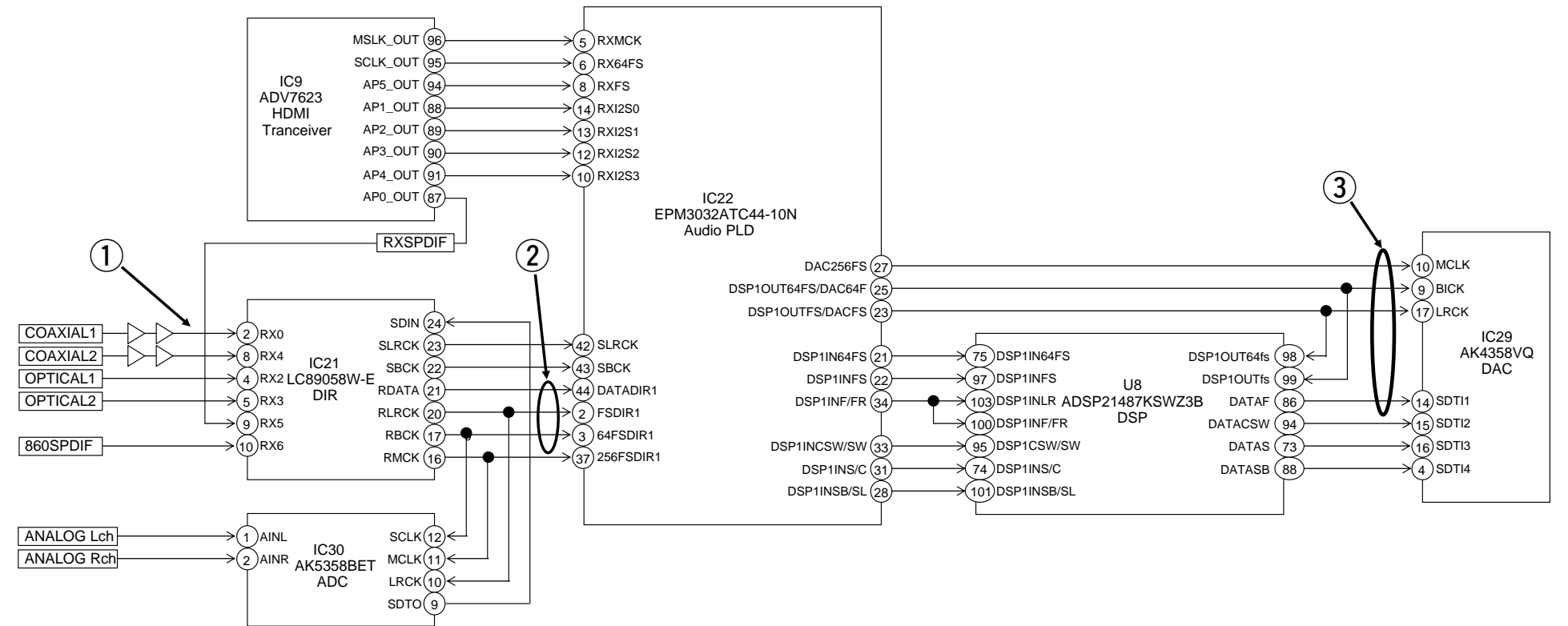
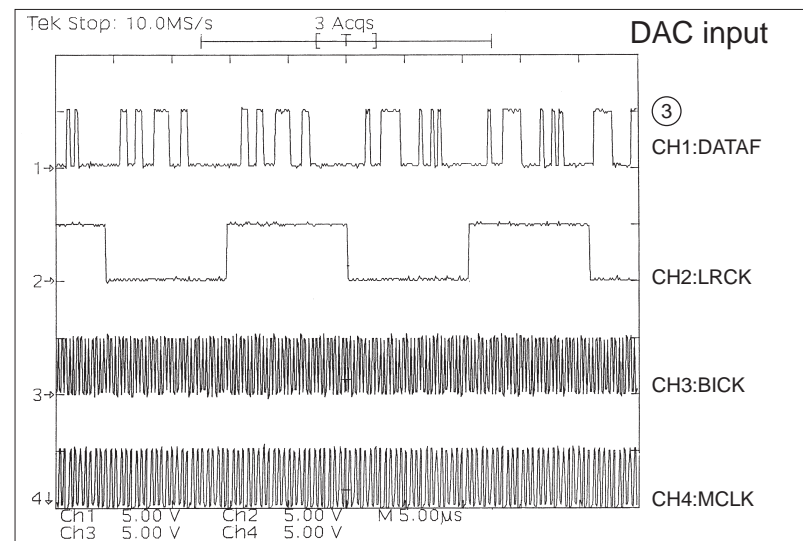
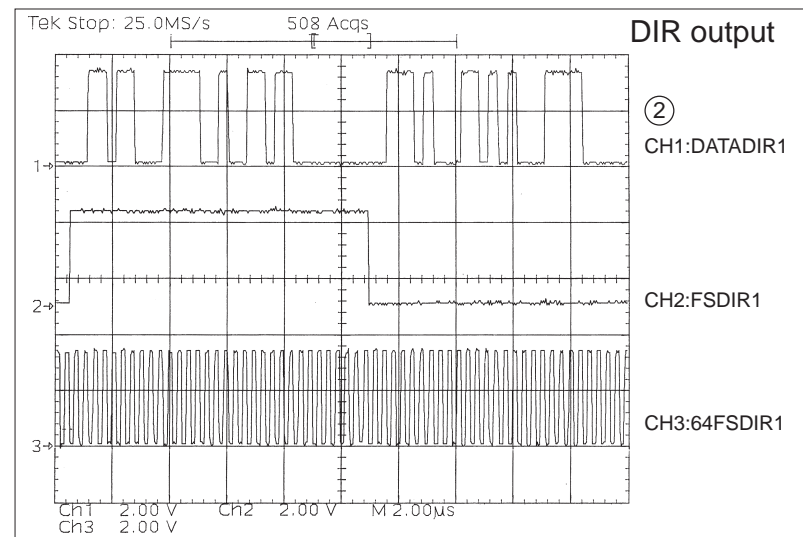
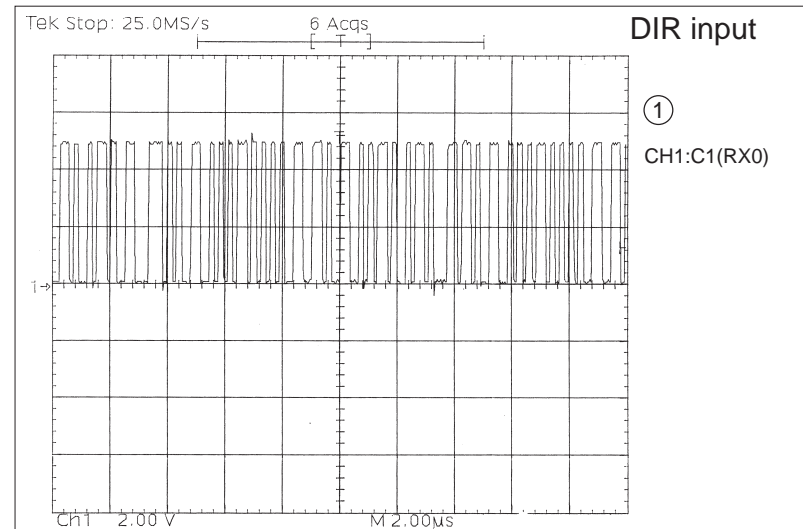
# Audio Check PATH

Refer to troubleshooting "4.1. AUDIO CHECK"(77 page).

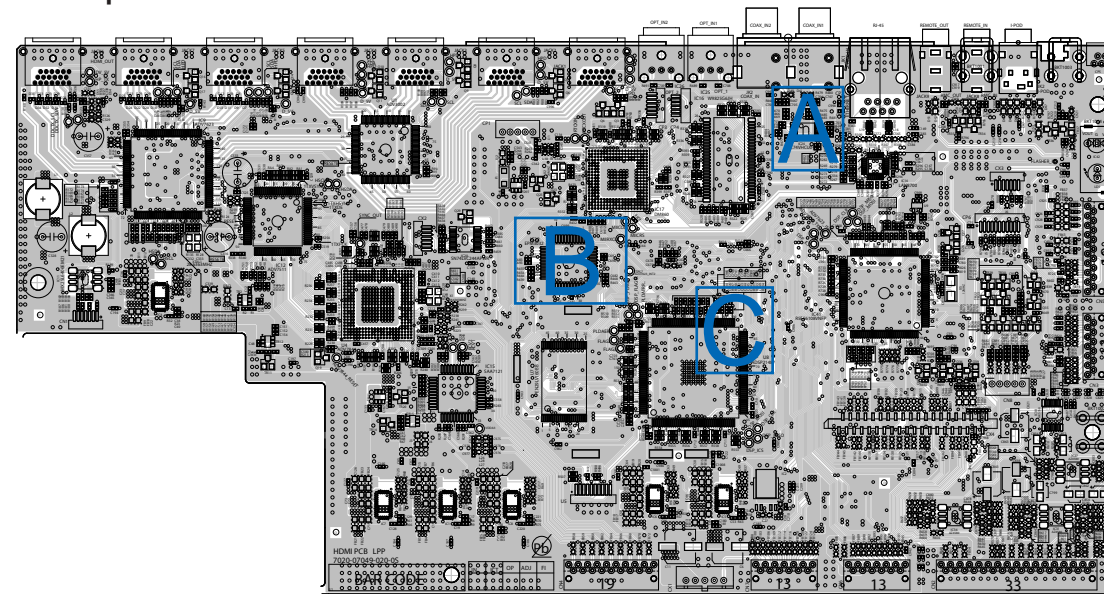


# CLOCK FLOW & WAVE FORM IN DIGITAL BLOCK

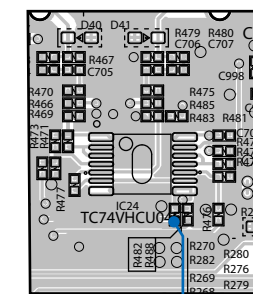
## WAVE FORM



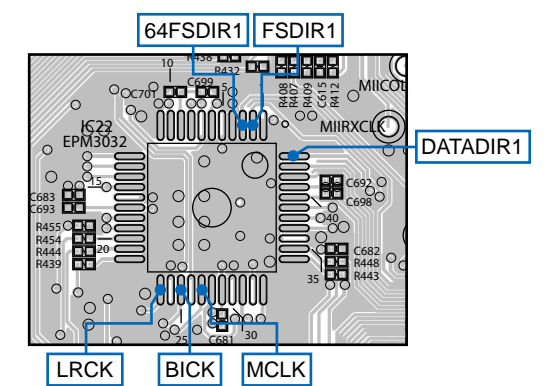
## Test point



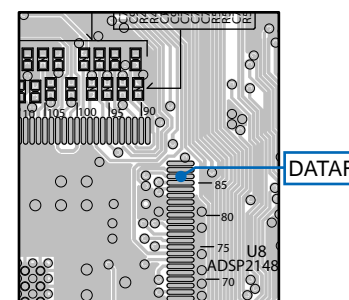
## Detail A



## Detail B

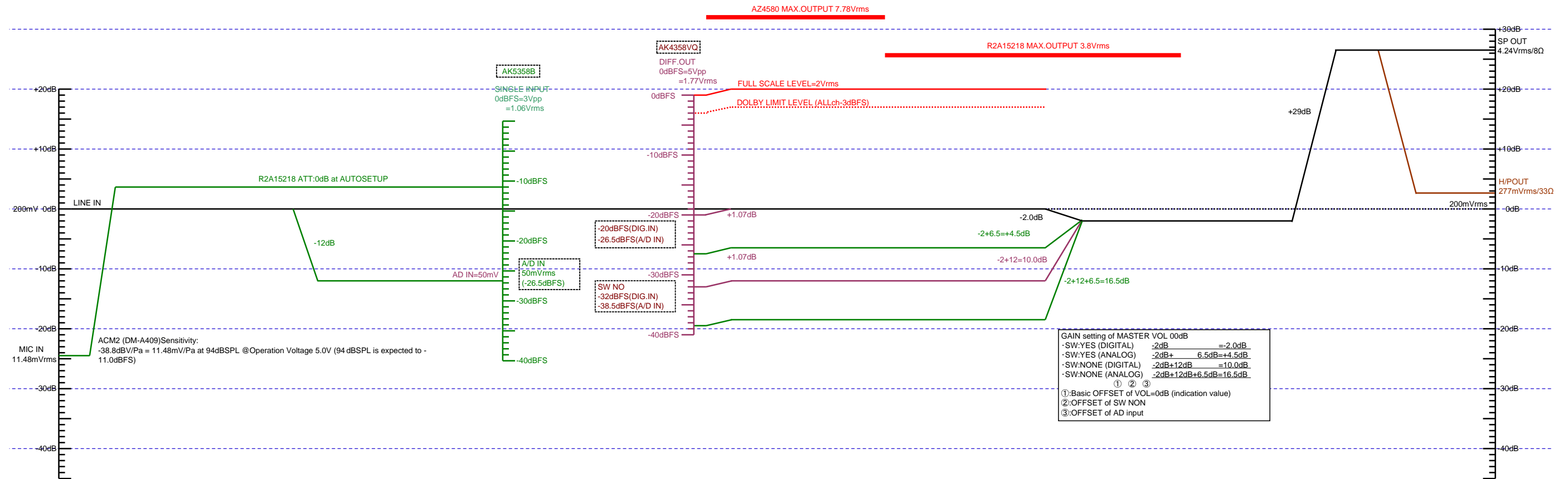
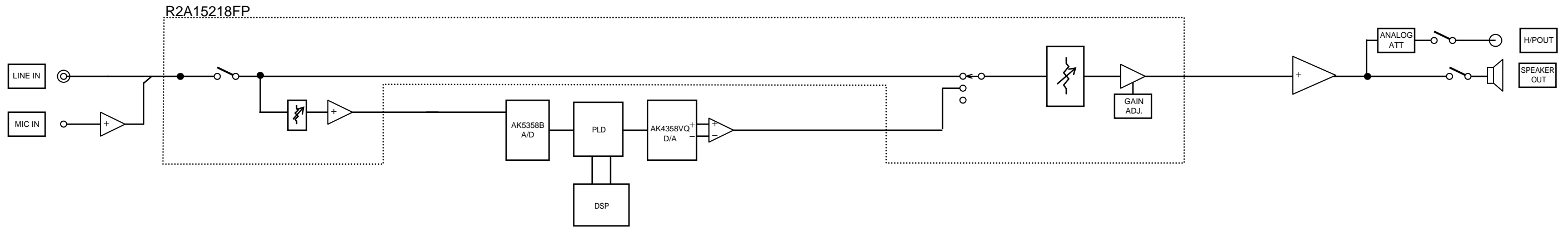


## Detail C

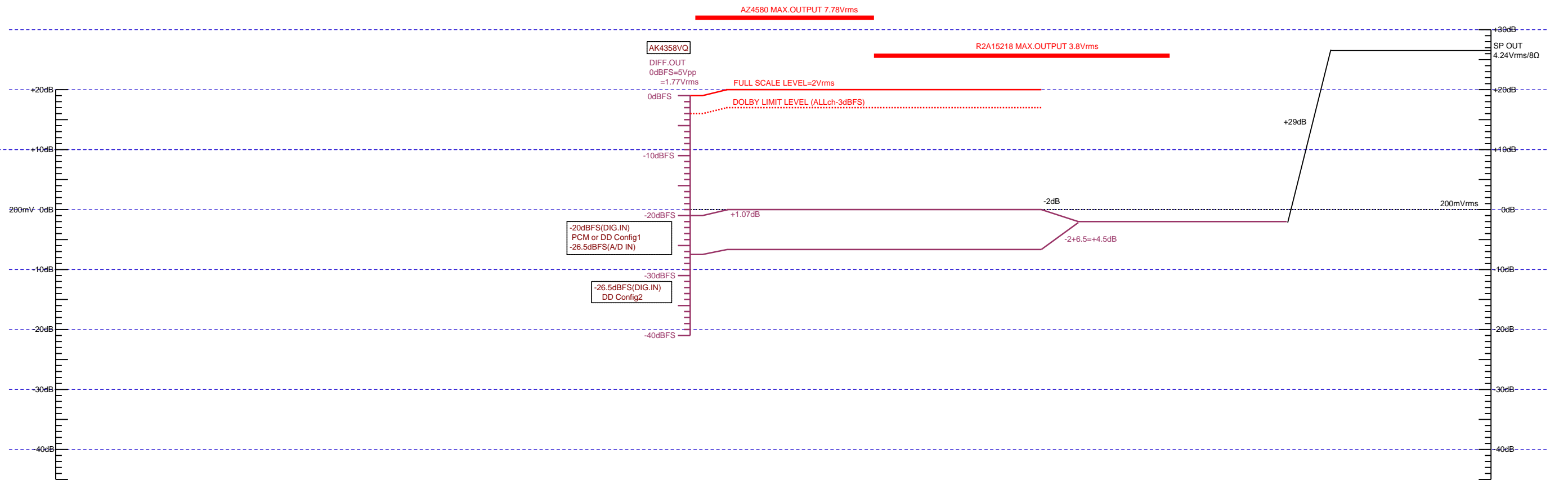
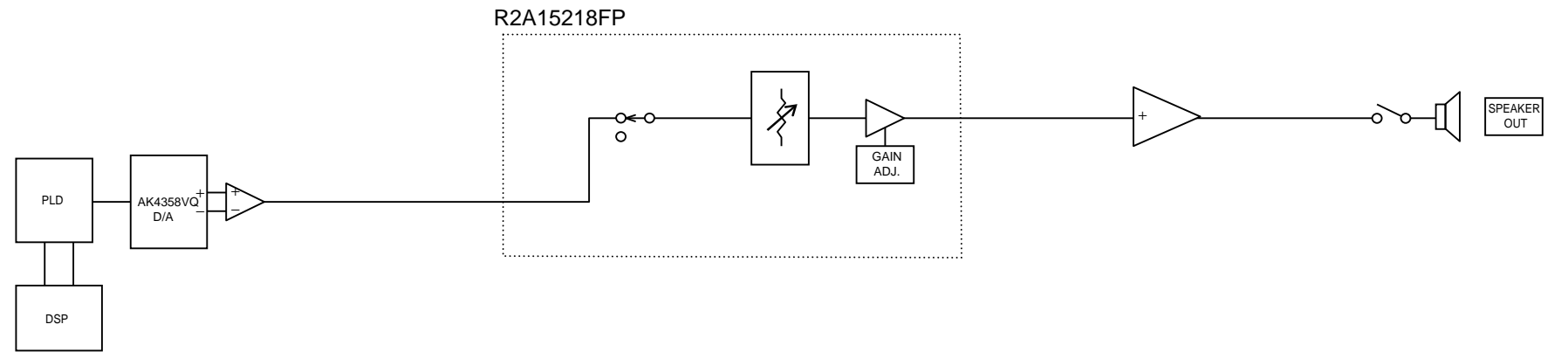


# LEVEL DIAGRAM

## LEVEL DIAGRAM FRONT ch

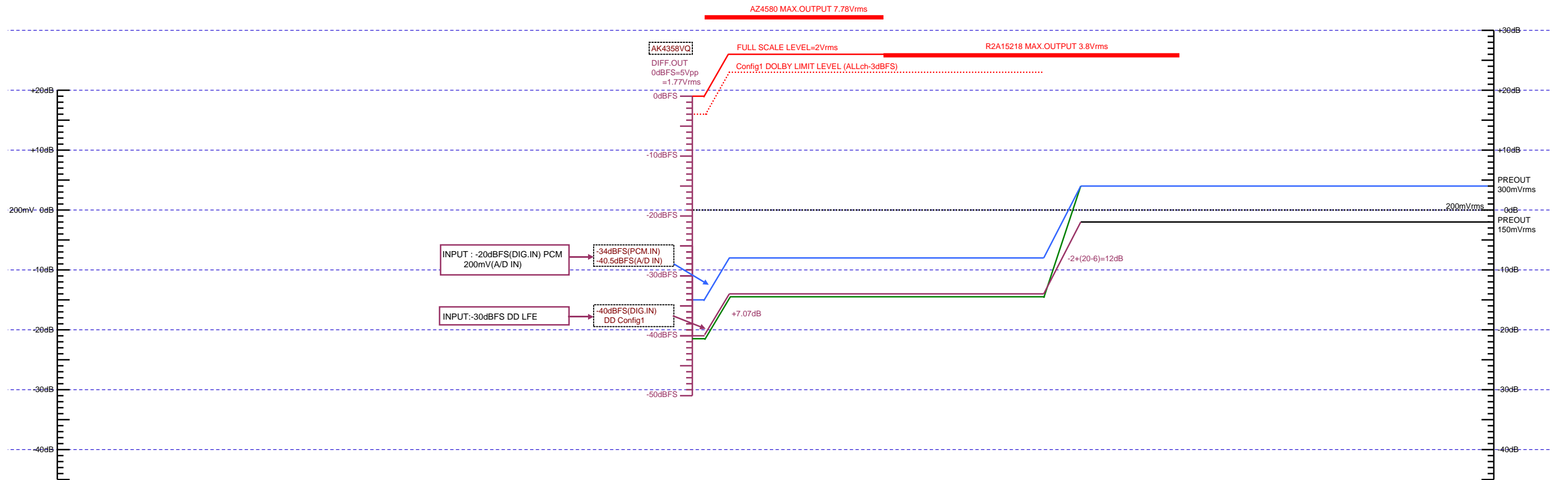
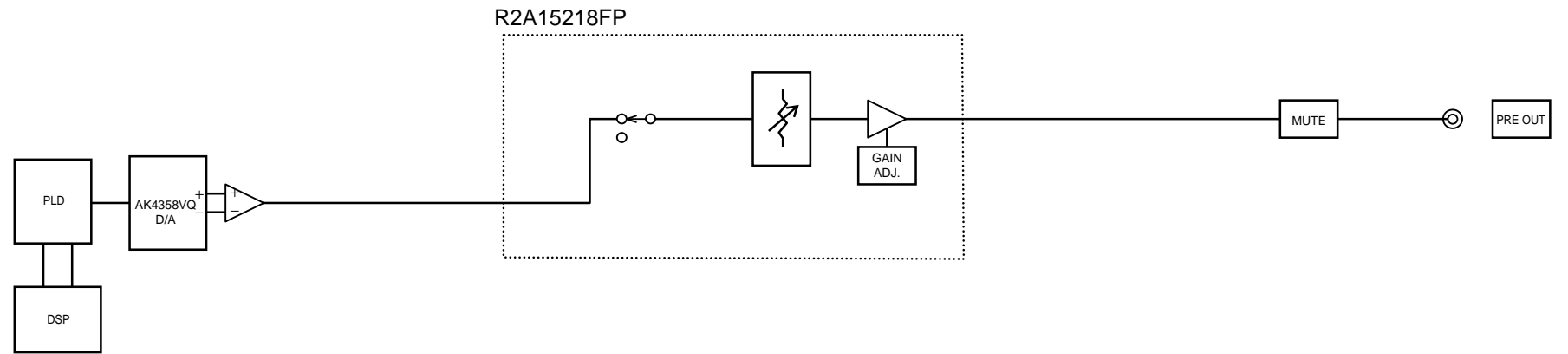


**LEVEL DIAGRAM**  
**CENTER ch**

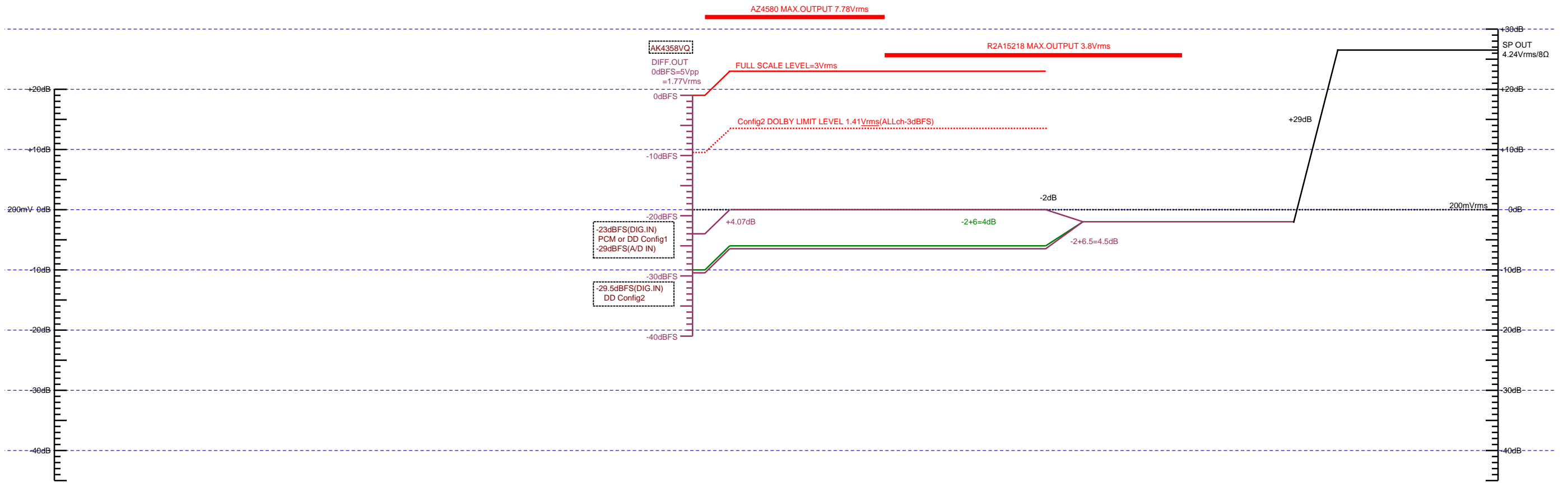
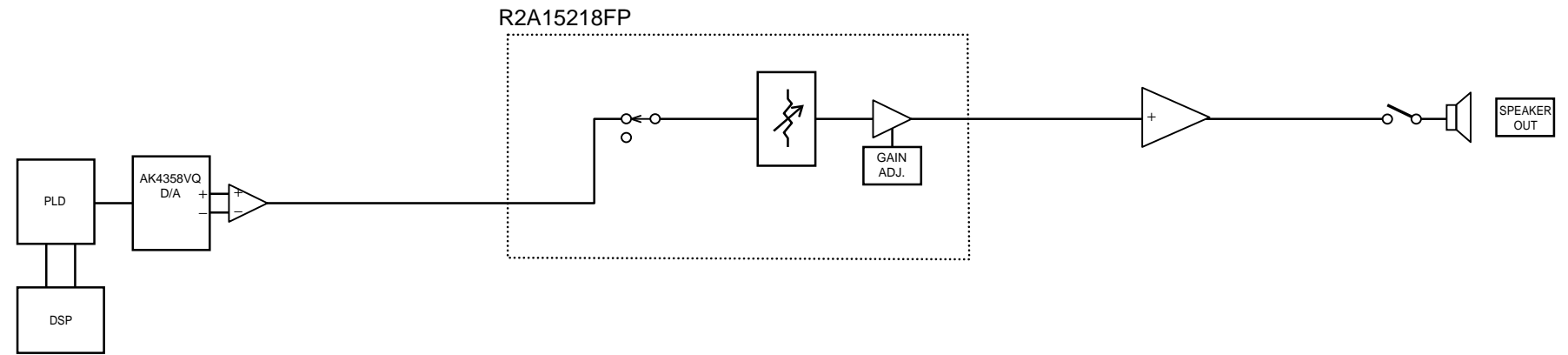




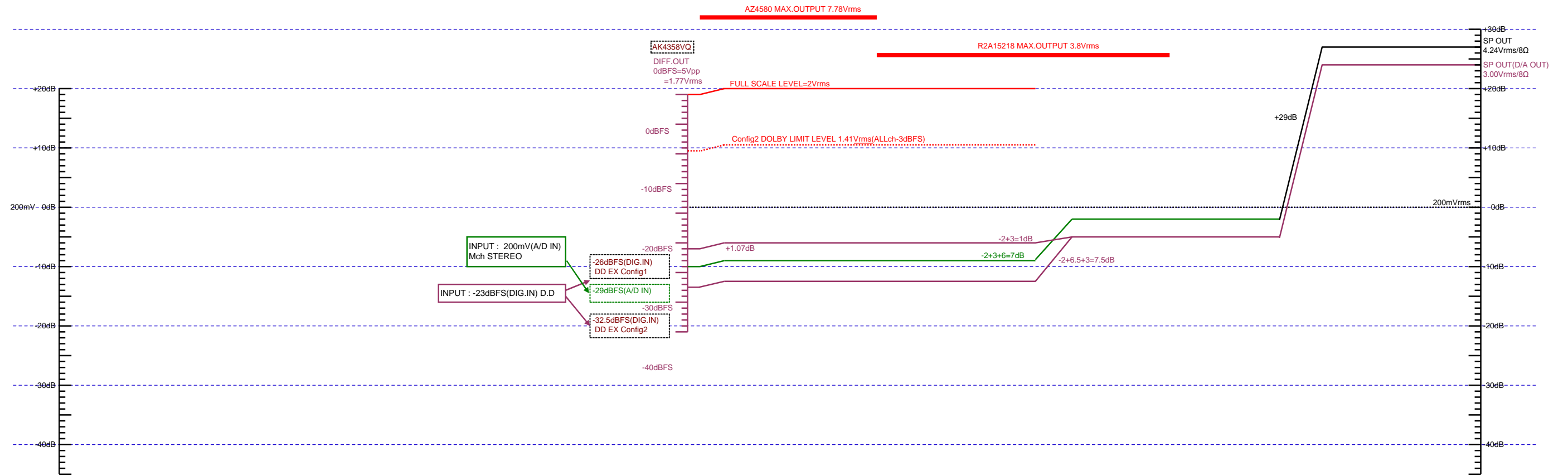
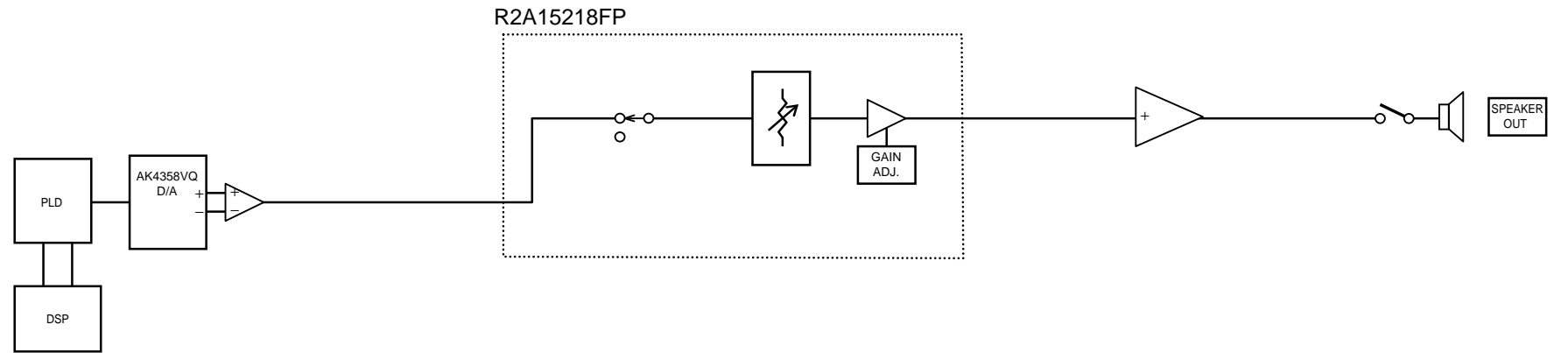
**LEVEL DIAGRAM**  
**SUBWOOFER ch**



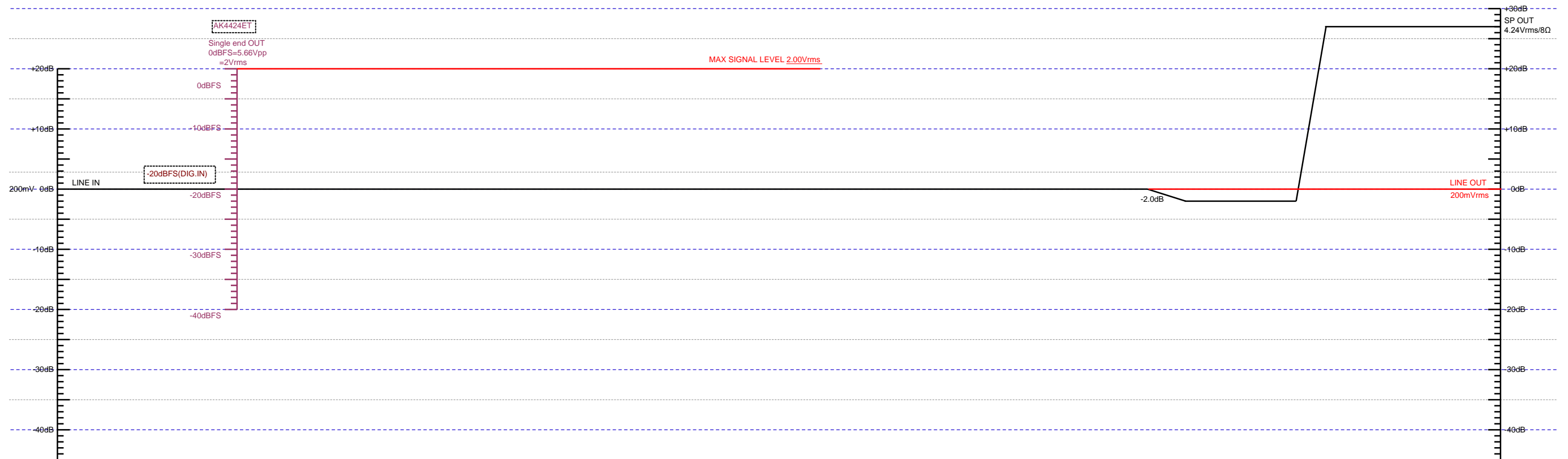
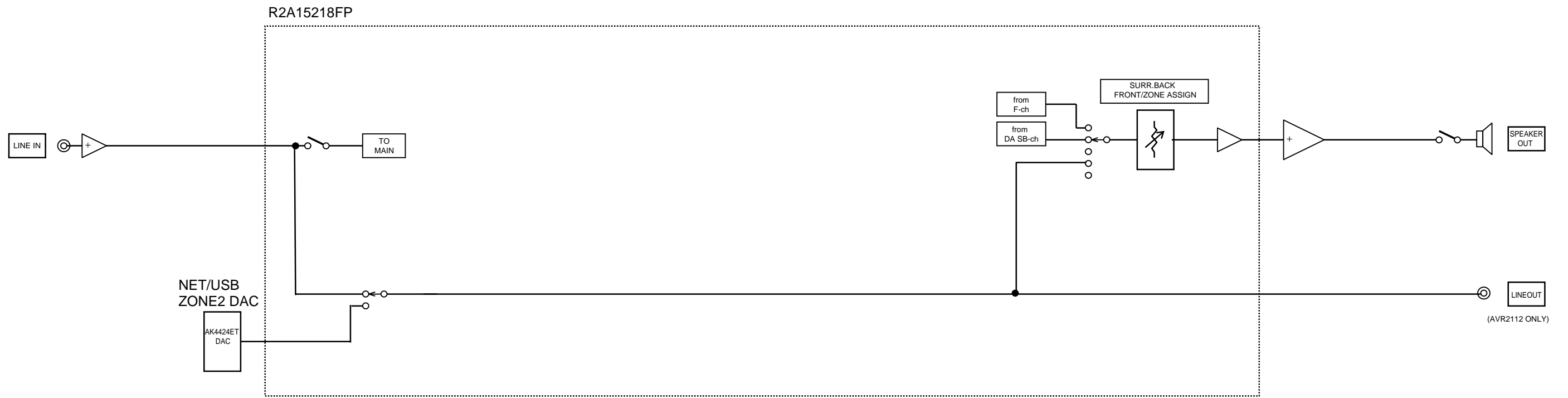
**LEVEL DIAGRAM**  
**SURROUND ch**



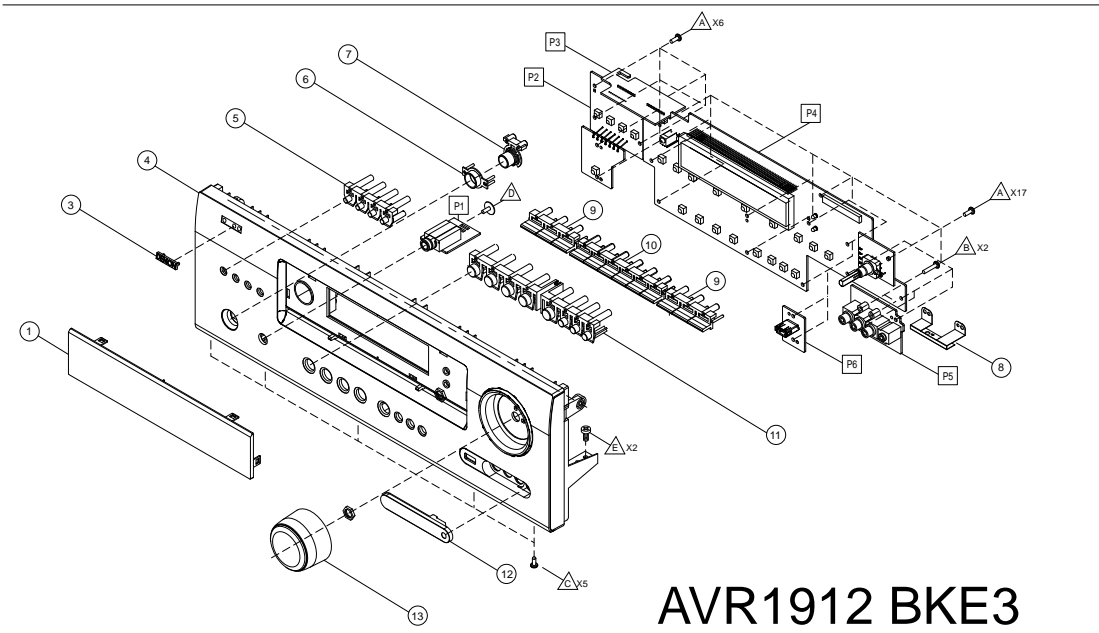
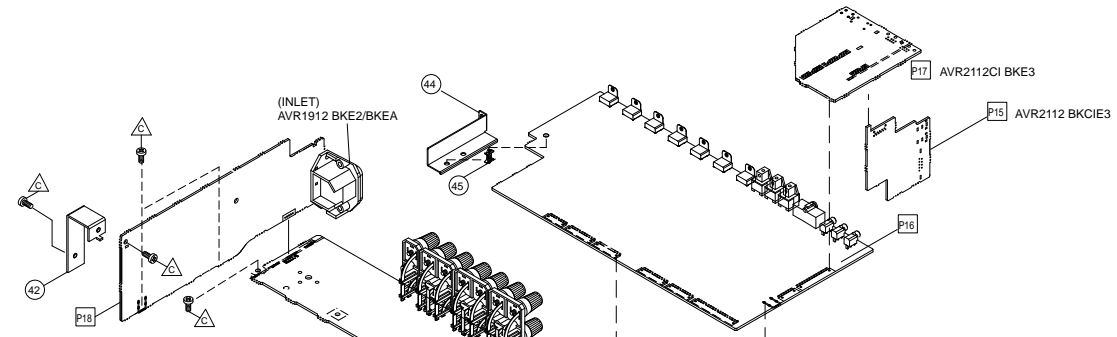
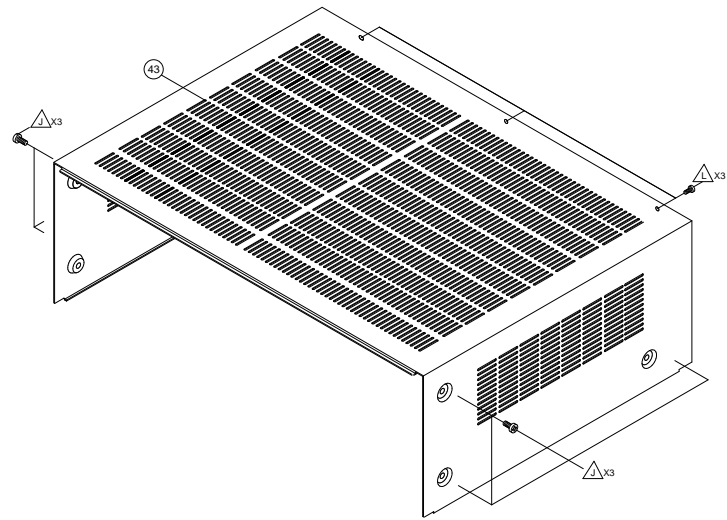
**LEVEL DIAGRAM**  
**SURR.BACK ch**



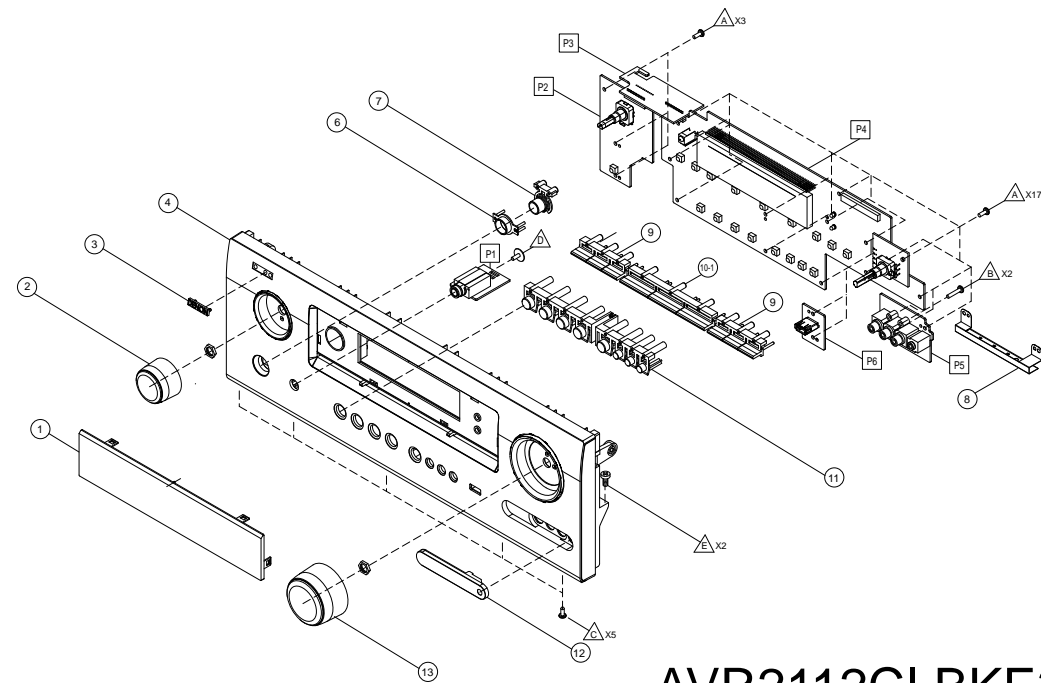
LEVEL DIAGRAM  
ZONE2



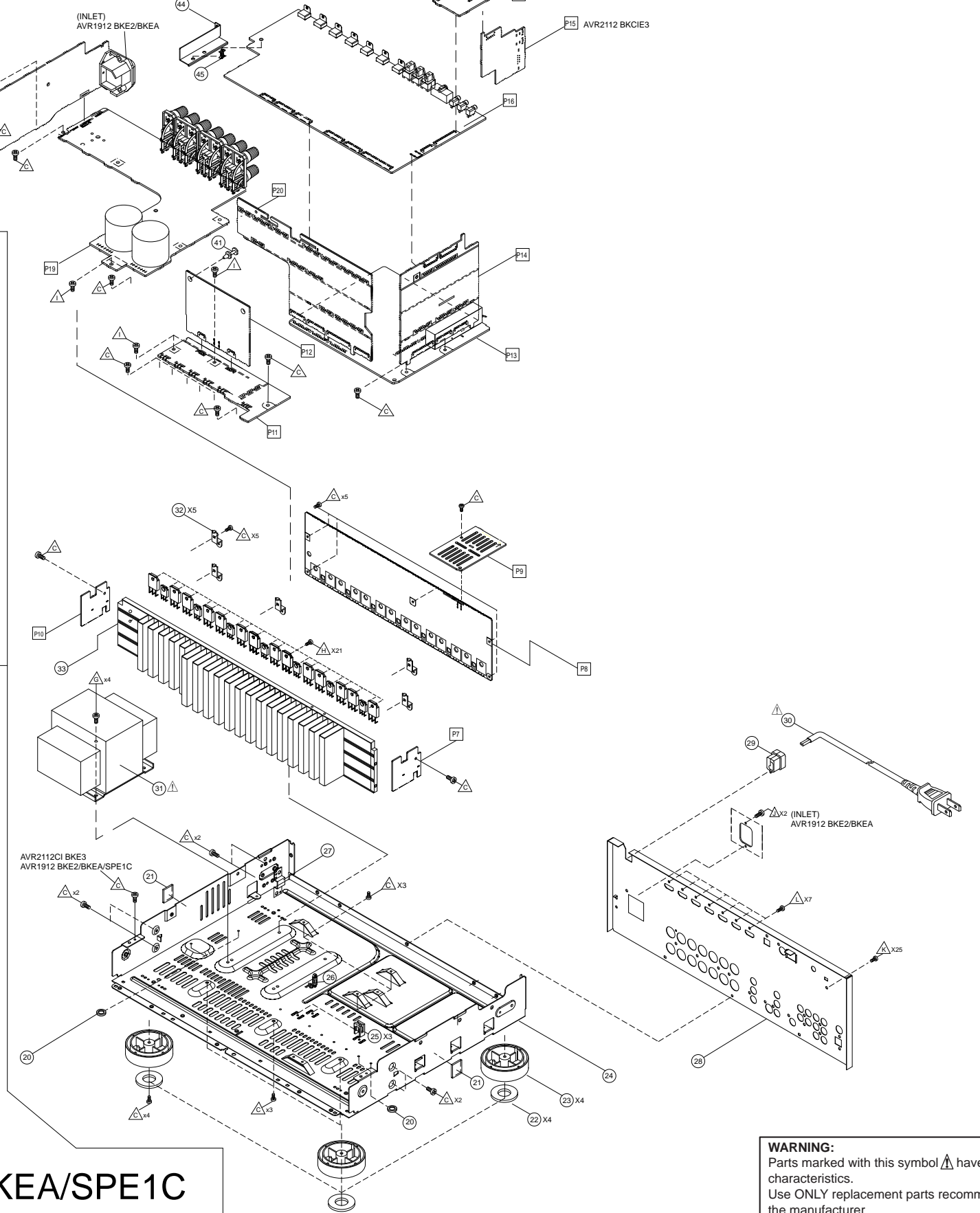
EXPLODED VIEW  



AVR1912 BKE3



AVR2112CI BKE3  
AVR1912 BKE2/BKEA/SPE1C





# PARTS LIST OF EXPLODED VIEW

\*Parts indicated by "nsp" on this table cannot be supplied.

\*P.W.B. ASS'Y indicated by "nsp" on this table cannot be supplied. When repairing the P.W.B. ASS'Y, check the board parts list and order replacement parts.

\*Parts indicated by the "★" mark are not illustrated in the exploded view.

\*The parts listed below are only for maintenance. Therefore they might differ from the parts used in the unit in appearances or dimensions.

Note: The symbols in the column "Remarks" indicate the following destinations.

1912E3 : U.S.A. & Canada model

1912E2 : Europe model

1912EA : Australia model

1912E1C : China model

2311CIE3 : U.S.A. & Canada model

BK : Black model

SP : Premium Silver model

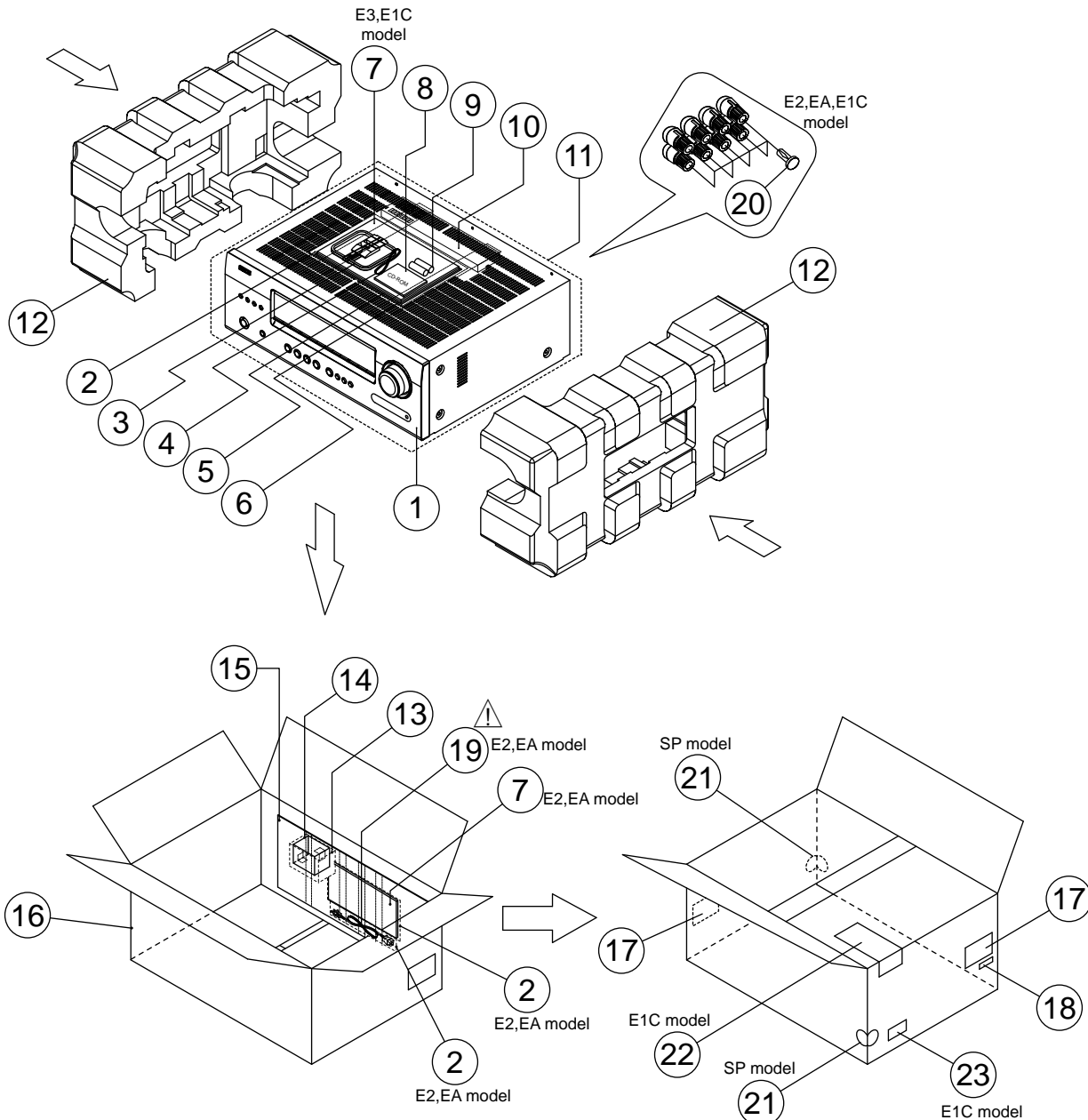
Ref. No.	Part No.	Part Name	Remarks	Q'ty	New
P4A	nsp	PCB FRONT ASSY	1912BKE3	7025HK1015063	1 *
P4A	nsp	PCB FRONT ASSY	2112CIBKE3	7025HK1015013	1 *
P4A	nsp	PCB FRONT ASSY	1912BKE2,1912BKEA	7025HK1015053	1 *
P4A	nsp	PCB FRONT ASSY	1912SPE1C	7025HK1015023	1 *
P1	-	PCB H/P		-	
P2	-	PCB FUNCTION		-	
P3	-	PCB FUNCTION CNT		-	
P4	-	PCB FRONT		-	
P5	-	PCB V.AUX		-	
P6	-	PCB USB		-	
P7	-	PCB GUIDE R		-	
P9	-	PCB GUIDE TOP		-	
P10	-	PCB GUIDE L		-	
P8	nsp	PCB 7CH_AMP ASSY	1912BKE3	7025HK1015060	1
P8	nsp	PCB 7CH_AMP ASSY	2112CIBKE3	7025HK1015010	1
P8	nsp	PCB 7CH_AMP ASSY	1912BKE2,1912BKEA	7025HK1015050	1
P8	nsp	PCB 7CH_AMP ASSY	1912SPE1C	7025HK1015020	1
P19A	nsp	PCB SPK ASSY	1912BKE3	7025HK1015061	1 *
P19A	nsp	PCB SPK ASSY	2112CIBKE3	7025HK1015011	1 *
P19A	nsp	PCB SPK ASSY	1912BKE2,1912BKEA	7025HK1015051	1 *
P19A	nsp	PCB SPK ASSY	1912SPE1C	7025HK1015021	1 *
P19	-	PCB SPK		-	
P18	-	PCB SMPS		-	
P12A	nsp	PCB REG_CNT ASSY	1912BKE3	7025HK1015062	1 *
P12A	nsp	PCB REG_CNT ASSY	2112CIBKE3	7025HK1015012	1 *
P12A	nsp	PCB REG_CNT ASSY	1912BKE2,1912BKEA	7025HK1015052	1 *
P12A	nsp	PCB REG_CNT ASSY	1912SPE1C	7025HK1015022	1 *
P11	-	PCB REG		-	
P12	-	PCB REG_CNT		-	
P14	-	PCB_SIDE_CNT		-	
P15	-	PCB RS232C ASSY	2112CIBKE3	-	*
P17	-	PCB SIRIUS ASSY	2112CIBKE3	-	*
P20	-	PCB FRONT_CNT		-	
P13	nsp	PCB AUDIO_VIDEO ASSY	1912BKE3	7025HK1015064	1 *
P13	nsp	PCB AUDIO_VIDEO ASSY	2112CIBKE3	7025HK1015014	1 *
P13	nsp	PCB AUDIO_VIDEO ASSY	1912BKE2,1912BKEA	7025HK1015054	1 *
P13	nsp	PCB AUDIO_VIDEO ASSY	1912SPE1C	7025HK1015024	1 *
P16	8U6331008300D	PCB HDMI ASSY	AVR1912BKE3	7025HK1015065	1 *
P16	8U6331008400D	PCB HDMI ASSY	AVR2112CIBKE3	7025HK1015015	1 *

Ref. No.	Part No.	Part Name	Remarks	Q'ty	New																					
P16	8U6331008500D	PCB HDMI ASSY	1912BKE2,1912BKEA	7025HK1015055	1 *																					
P16	nsp	PCB HDMI ASSY	1912SPE1C	7025HK1015025	1 *																					
<p><b>NOTE :</b>  When replacing the 1912SPE1C PCB HDMI ASSY, use the 1912BKE2/1912BKEA PCB HDMI ASSY (8U6331008500D).  Please change the parts when changing 1912BKE2/1912BKEA PCB HDMI ASSY to 1912SPE1C. (Refer to the table below)  Please refer to parts 127 , 128 page. (SCHEMATIC DIAGRAMS : 22/26, 23/26)</p> <table border="1"> <thead> <tr> <th></th> <th>R701(22/26)</th> <th>R702(22/26)</th> <th>R709(22/26)</th> <th>R710(22/26)</th> <th>R773(23/26)</th> <th>R776(23/26)</th> </tr> </thead> <tbody> <tr> <td>1912BKE2/1912BKEA</td> <td>OPEN</td> <td>OPEN</td> <td>OPEN</td> <td>OPEN</td> <td>OPEN</td> <td>0</td> </tr> <tr> <td>1912SPE1C</td> <td>470k</td> <td>470k</td> <td>470k</td> <td>470k</td> <td>10k</td> <td>10K</td> </tr> </tbody> </table> <p>After replacing the PCB HDMI ASSY in 1912SPE1C, overwrite the firmware with the newest E1C version firmware.  (Refer to "PROCEDURE FOR UPGRADING THE VERSION OF THE FIRMWARE" (45 page).)  [ IC11 ] [ IC18 ] [ IC22 ] [ IC41 ] [ U7 ] (Refer to parts list of "PCB HDMI ASS'Y" (188 page).)</p>							R701(22/26)	R702(22/26)	R709(22/26)	R710(22/26)	R773(23/26)	R776(23/26)	1912BKE2/1912BKEA	OPEN	OPEN	OPEN	OPEN	OPEN	0	1912SPE1C	470k	470k	470k	470k	10k	10K
	R701(22/26)	R702(22/26)	R709(22/26)	R710(22/26)	R773(23/26)	R776(23/26)																				
1912BKE2/1912BKEA	OPEN	OPEN	OPEN	OPEN	OPEN	0																				
1912SPE1C	470k	470k	470k	470k	10k	10K																				
1	963416013480D	WINDOW DISPLAY	1912BKE3	5077213153020S	1 *																					
1	963416013460D	WINDOW DISPLAY	2112CIBKE3,1912BKE2, 1912BKEA,1912SPE1C	5077213153000S	1 *																					
2	963412000570D	KNOB FUNCTION(KD)	BK	5080211761000SZ	1																					
2	943412100640D	KNOB FUNCTION	SP	CBN1A254C73	1 *																					
3	00D9630362109	BADGE DENON	BK	5630210028300S	1																					
3	00D9630362202	BADGE DENON	SP	5630210028400S	1																					
4	963402013360D	PANEL FRONT	1912BKE3	3067215191000S	1 *																					
4	963402013350D	PANEL FRONT	2112CIBKE3	3067215201000S	1 *																					
4	963402013380D	PANEL FRONT	1912BKE2,1912BKEA	3067215201110S	1 *																					
4	963402013390D	PANEL FRONT	1912SPE1C	3067215201200S	1 *																					
5	963411002810S	BUTTON 4KEY	1912BKE3	5097213731000S	1																					
6	00D9630137807	LENS STANDBY		3710210503000S	1																					
7	963411002820S	BUTTON-ASSY STANDBY(KD)	BK	5098212361000SZ	1																					
7	00D9630221904	BUTTON-ASSY STANDBY	SP	5097212368030SZ	1																					
8	nsp	PLATE EARTH USB	1912BKE3	4470212106000S	1 *																					
8	nsp	PLATE EARTH USB	2112CIBKE3,1912BKE2, 1912BKEA,1912SPE1C	4470212116000S	1 *																					
9	00D9630365002	BUTTON WIN 3KEY	BK	5097213371000S	2																					
9	00D9630365301	BUTTON WIN 3KEY	SP	5097213371110S	2																					
10	00D9630365404	BUTTON WIN 6KEY	1912BKE3	5097213361000S	1																					
10-1	963411003400D	BUTTON WIN 3KEY C	2112CIBKE3,1912BKE2, 1912BKEA	5097213831000S	1																					
10-1	963411003690D	BUTTON WIN 3KEY C	1912SPE1C	5097213831100S	1																					
11	963411013450D	BUTTON 8KEY	1912BKE3	5097214661000S	1 *																					
11	963411013430D	BUTTON 8KEY	2112CIBKE3,1912BKE2, 1912BKEA	5090214671000S	1 *																					
11	963411013440D	BUTTON 8KEY	1912SPE1C	5090214671100S	1 *																					
12	963419100040D	COVER RCA	1912BKE3	4317215141010S	1 *																					
12	963419013410D	COVER RCA	2112CIBKE3,1912BKE2, 1912BKEA	4317215361000S	1 *																					
12	963419013420D	COVER RCA	1912SPE1C	4317215361100S	1 *																					
13	963412000560D	KNOB VOLUME(KD)	BK	5080211751000SZ	1																					
13	943412009850D	KNOB VOLUME	SP	CBN1A249C73	1 *																					
20	nsp	CUSHION SCREW		4050213025000S	4																					
21	nsp	CUSHION SIDE		4050213095000S	2																					
22	00D9630214607	CUSHION FOOT		4050211295000S	4																					
23	963407100030D	FOOT	1912BKE3	4000210641000S	4 *																					
23	963407100200D	FOOT	2112CIBKE3,1912BKE2, 1912BKEA,1912SPE1C	4000210261000S	4 *																					
24	nsp	CHASSIS MAIN	1912BKE3	3200213506400S	1																					
24	nsp	CHASSIS MAIN	2112CIBKE3,1912BKE2, 1912BKEA,1912SPE1C	3200213506500S	1 *																					
25	nsp	SUPPORTER PCB		4070001601010S	3																					
26	nsp	SUPPORTER P.C.		4070210192000S	1																					



Ref. No.	Part No.	Part Name	Remarks		Q'ty	New
	27	nsp	BRACKET SIDE		4010210686000S	1
	28	nsp	CHASSIS BACK	1912BKE3	3207213806100S	1 *
	28	nsp	CHASSIS BACK	2112CIBKE3	3207213806000S	1 *
	28	nsp	CHASSIS BACK	1912BKE2,1912BKEA	3207213806200S	1 *
	28	nsp	CHASSIS BACK	1912SPE1C	3207213806300S	1 *
	29	nsp	STOPPER CORD AC	E3,E1C	4380210002000S	1
△	30	00D9630292205	CORD ASSY	E3	L068125100020S	1
△	30	963611500410S	CORD ASSY	E1C	L068250060011S	1 *
△	31	963101100020S	POWER TRANS MAIN	E3	8200960611030S	1 *
△	31	963101101010S	POWER TRANS MAIN	E2,EA	8200960610770S	1 *
△	31	963101101020S	POWER TRANS MAIN	E1C	8200960610780S	1 *
	32	nsp	BRACKET H SINK		4010056906010S	5
	33	nsp	HEAT SINK MAIN		2120211988000S	1
	★ 34	00D9960018706	TR 2SB1560-Y	Q410,Q422,Q434,Q446, Q458,Q470,Q482	J5011560Y0000S	7
	★ 35	00D9960018706	TR 2SD2390-Y	Q404,Q416,Q428,Q440, Q452,Q464,Q476	J5032390Y0000S	7
	★ 36	00D9630280107	TR 2SC3964	Q409,Q421,Q433,Q445, Q457,Q469,Q481	J502396400000S	7
	41	nsp	SPACER CARD		4300210062000S	1
	42	nsp	BRACKET SMPS		4010214886000S	1
	43	963403100020S	CABINET TOP	BK	3007211916000S	1 *
	43	963403100480S	CABINET TOP	SP	3007211916010S	1 *
	44	nsp	BRACKET HDMI		4010215226000S	1 *
	45	nsp	SUPPORTER PCB		4070211653000S	1
	★ 50	963606010490S	CABLE,FLAT CARD 1.0MM		N711402912480S	1
	★ 51	nsp	CLAMP CABLE		4330040343010S	8
	★ 52	nsp	CLAMP WIRE(MTG)		4330000310000S	1
<b>SCREWS</b>						
	A	nsp	SCREW +2S 3X8 B-TYPE(DA CHENG) ZNW/BH	1912BKE3	B020030081B10D	23
	A	nsp	SCREW +2S 3X8 B-TYPE(DA CHENG) ZNW/BH	2112CIBKE3,1912BKE2, 1912BKEA,1912SPE1C	B020030081B10D	20
	B	nsp	SCREW +2S 3X15 B-TYPE ZNW/BH		B020030151B10S	2
	C	nsp	SCREW +2S 3X8(ROUND)(DA CHENG) BK/BH	1912BKE3	B020230083B10D	49
	C	nsp	SCREW +2S 3X8(ROUND)(DA CHENG) BK/BH	2112CIBKE3,1912BKE2, 1912BKEA,1912SPE1C	B020230083B10D	50
	D	nsp	SCREW +2S 3X8 ZnY WASHER PI12		1500001456010S	1
	E	nsp	SCREW +2S 3X8 PI9.5 B-TYPE ZNW		1500001206010S	2
	G	nsp	SCREW +3S 4X10 P+S-WASHER(ROUND)BK/BH		B028940101B11S	4
	H	nsp	SCREW +2S 3X14 P(Φ6)+S-WASHER ZNY/HH		B018230141H11S	21
	I	nsp	SCREW +2S 3X17 B-TYPE(DA CHENG) BK/BH		B020030171B10D	3
	J	nsp	SCREW +2S 4X8 B-TYPE(DOT)(DACHENG) BK/BH	2112CIBKE3,1912BKE3	1500040083B10D	6
	J	nsp	SCREW +2S 4X8 B-TYPE(DOT)(DACHENG) BK/BH	1912BKE2,1912BKEA	1500040083B10D	8
	J	nsp	SCREW +2S 4X8 B-TYPE(DOT)(DACHENG) NI/BH	1912SPE1C	1500040084B10S	6
	K	nsp	SCREW +2S 3X10 B-TYPE(DOT)(DA CHENG) BK/BH		B020030103B11D	25
	L	nsp	SCREW +3S 3X6(DOT)CBTS(S)-B		B020930063B10S	10

## PACKING VIEW



## PARTS LIST OF PACKING & ACCESSORIES

\*Parts indicated by "nsp" on this table cannot be supplied.

\*Parts indicated by the "★" mark are not illustrated in the exploded view.

\*The parts listed below are only for maintenance. Therefore they might differ from the parts used in the unit in appearances or dimensions.

Note: The symbols in the column "Remarks" indicate the following destinations.

1912E3 : U.S.A. & Canada model

1912E2 : Europe model

1912EA : Australia model

1912E1C : China model

2311CIE3 : U.S.A. & Canada model

BK : Black model

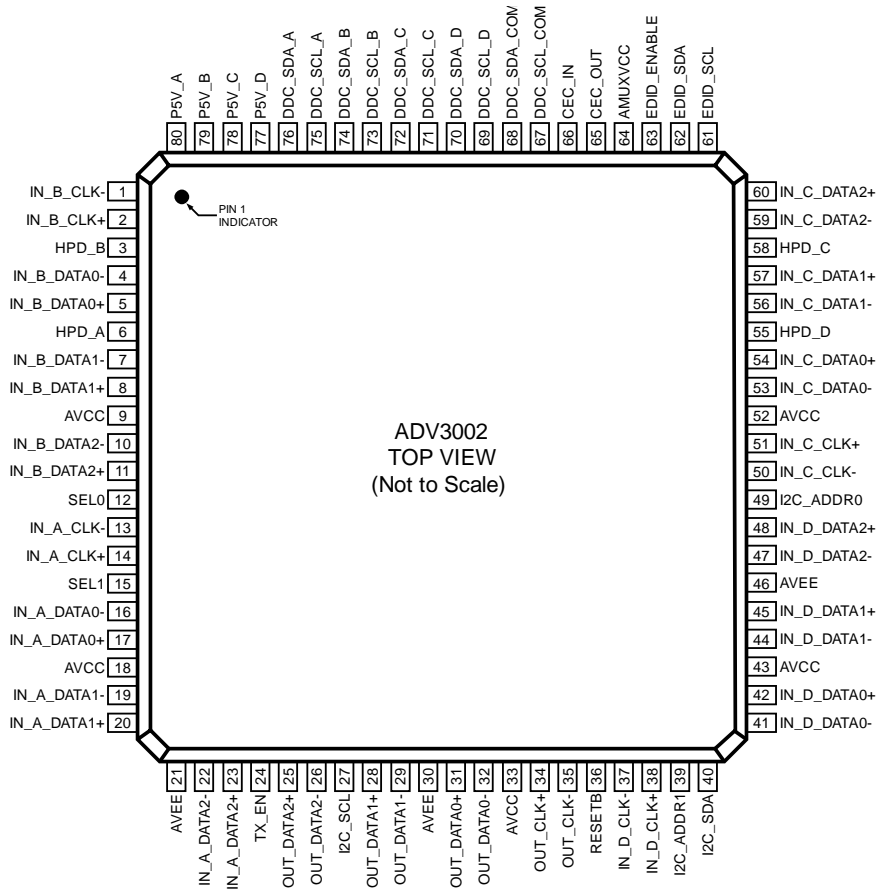
SP : Premium Silver model

Ref. No.	Part No.	Part Name	Remarks	Q'ty	New
1	-	set		-	
2	nsp	POLY BAG	1912BKE3,1912SPE1C, 2112CIE3	6330000240000S	1
2	nsp	POLY BAG	1912BKE2,1912BKEA	6330000240000S	3
3	90M-ZA000260R	ANTENNA LOOP WIRE 9.5UH		E601016000010S	1
3	963116100070S	or ANTENNA LOOP WIRE 9.5UH		E601019000010S	1

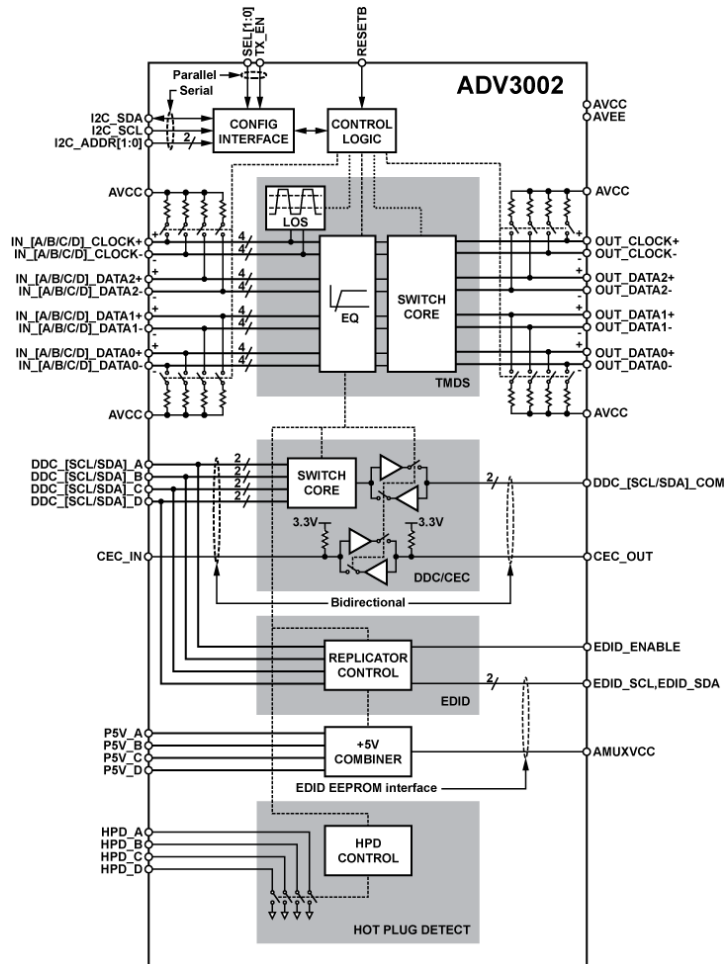
Ref. No.	Part No.	Part Name	Remarks		Q'ty	New	
	4	00D9600187308	ANTENNA WIRE (FM)		E605010070001S	1	
	4	963116100080S	or ANTENNA WIRE (FM)		E605010140010S	1	*
	5	nsp	CARD S.S LIST		577700162001GS	1	
	6	nsp	WARRANTY CARD	1912BKE3	5727000003010S	1	
	6	nsp	WARRANTY CARD	2112CIBKE3	54311000300AD	1	*
	7	542110056008D	GETTING STARTED	1912BKE3	5707000005260S	1	*
	7	542110055005D	GETTING STARTED	2112CIBKE3	5707000005270S	1	*
	7	54211005710AD	GETTING STARTED	1912BKE2,1912BKEA	5707000005281S	1	*
	7	541110696007D	GETTING STARTED	1912SPE1C	5707000005370S	1	*
	8	352010020009D	CD-ROM (OWNER'S MANUAL)	1912BKE3	6517000000000S	1	*
	8	352010019009D	CD-ROM (OWNER'S MANUAL)	2112CIBKE3	6517000000010S	1	*
	8	35201002110AD	CD-ROM (OWNER'S MANUAL)	1912BKE2,1912BKEA	6517000000022S	1	*
	8	352010025004D	CD-ROM (OWNER'S MANUAL)	1912SPE1C	6517000000090S	1	*
	9	nsp	BATTERY DRY (AA)		G670001R50230S	2	
	10	307010087002D	REMOTE CONTROL( RC-1156)		8300115600010S	1	*
	11	nsp	PE SHEET		6327040059000S	1	
	12	963533013490D	CUSHION SNOW L/R		6230212954000S	1	*
	13	nsp	POLY BAG ACCESSORY		6330210222000S	1	
	14	324010001003D	MIC CONDENSER		M040000310040S	1	
	15	963537100020D	PAD BOX BACK		6240210730000S	1	
	16	963531013510D	BOX GIFT	1912BKE3	6007211860000S	1	*
	16	963531013500D	BOX GIFT	2112CIBKE3	6007211860010S	1	*
	16	963531013530D	BOX GIFT	1912BKE2,1912BKEA	6007211860040S	1	*
	16	963531013540D	BOX GIFT	1912SPE1C	6007211860020S	1	*
	17	nsp	LABEL DENON CONTROL		5507000007000S	1	
	18	nsp	LABEL MAC ADDRESS		5507000002920S	1	
⚠	19	90M-ZC000600R	AC CORD	E2	L068250160020S	1	
⚠	19	963611001490S	AC CORD	EA	L068250100070S	1	
	20	nsp	BUSHING	E2,EA,E1C	2410040353010S	14	
	21	nsp	COLOR LABEL	E1C	5507020170680S	2	
	22	nsp	WARRANTY CARD	E1C	5727000000400S	1	*
	23	nsp	LABEL PRODUCTION-BOX	E1C	5507100500970S	1	



# ADV3002BSTZ (HDMI : U1)



## ADV3002BSTZ Block diagram





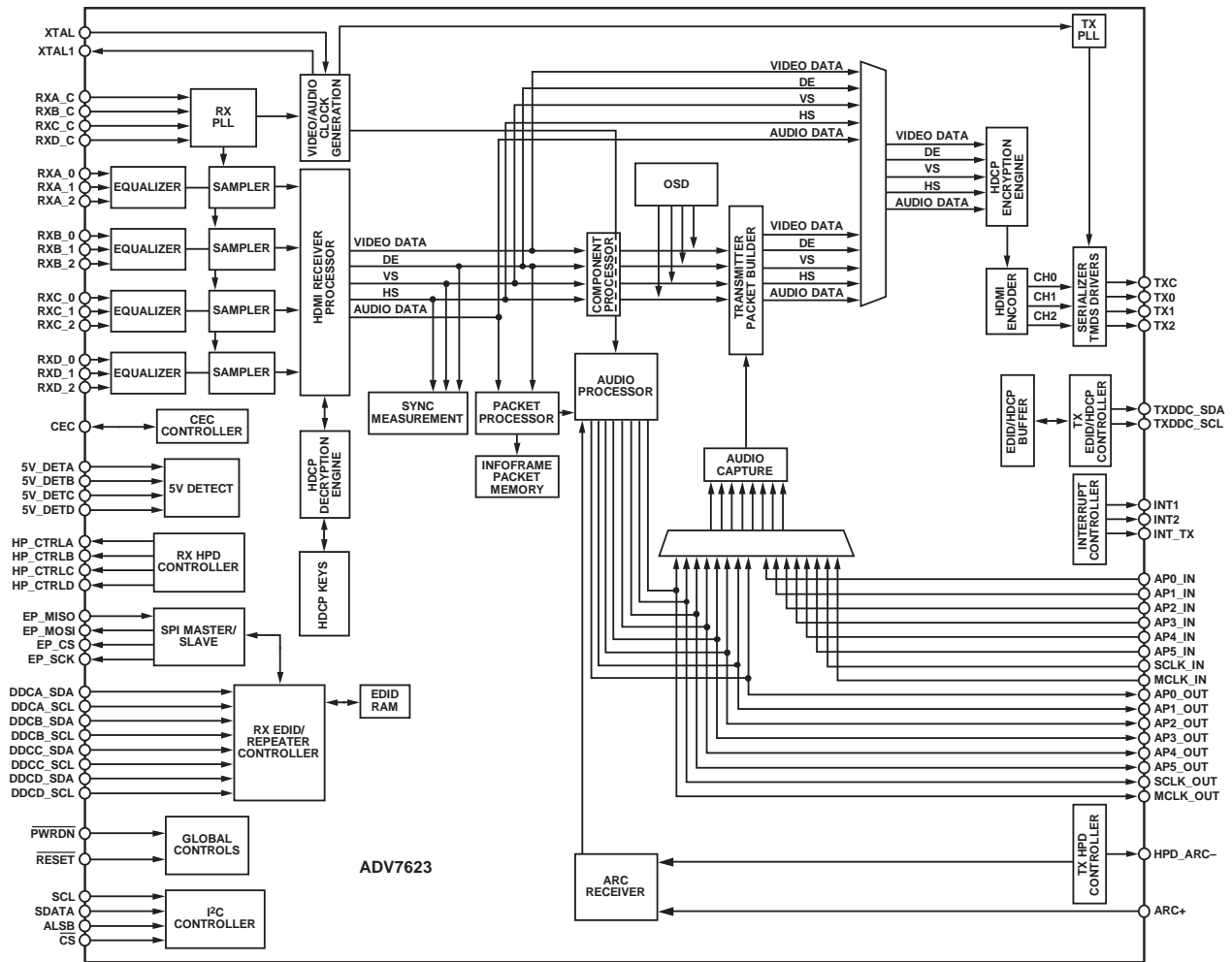
Pin No.	Mnemonic	Type	Description
13	RXC_2-	HDMI input	Digital Input Channel 2 Complement of Port C in the HDMI Interface.
14	RXC_2+	HDMI input	Digital Input Channel 2 True of Port C in the HDMI Interface.
15	HP_CTRLD	Digital output	Hot Plug Detect for Port D.
16	5V_DETD	Digital input	5 V Detect Pin for Port D in the HDMI Interface.
17	DGND	Ground	DVDD Ground.
18	DVDD	Power	Digital Supply Voltage (1.8 V).
19	DDCD_SDA	Digital I/O	HDCP Slave Serial Data Port D. DDCD_SDA is a 3.3 V input/output that is 5 V tolerant.
20	DDCD_SCL	Digital input	HDCP Slave Serial Clock Port D. DDCD_SCL is a 3.3 V input that is 5 V tolerant.
21	CVDD	Power	Receiver Comparator Supply Voltage (1.8 V).
22	CGND	Ground	TVDD and CVDD Ground.
23	RXD_C-	HDMI input	Digital Input Clock Complement of Port D in the HDMI Interface.
24	RXD_C+	HDMI input	Digital Input Clock True of Port D in the HDMI Interface.
25	TVDD	Power	Receiver Terminator Supply Voltage (3.3 V).
26	RXD_0-	HDMI input	Digital Input Channel 0 Complement of Port D in the HDMI Interface.
27	RXD_0+	HDMI input	Digital Input Channel 0 True of Port D in the HDMI Interface.
28	CGND	Ground	TVDD and CVDD Ground.
29	RXD_1-	HDMI input	Digital Input Channel 1 Complement of Port D in the HDMI Interface.
30	RXD_1+	HDMI input	Digital Input Channel 1 True of Port D in the HDMI Interface.
31	TVDD	Power	Receiver Terminator Supply Voltage (3.3 V).
32	RXD_2-	HDMI input	Digital Input Channel 2 Complement of Port D in the HDMI Interface.
33	RXD_2+	HDMI input	Digital Input Channel 2 True of Port D in the HDMI Interface.
34	CVDD	Power	Receiver Comparator Supply Voltage (1.8 V).
35	CGND	Ground	TVDD and CVDD Ground.
36	TXPVDD	Power	1.8 V Power Supply for Digital and I/O Power Supply. This pin supplies power to the digital logic and I/Os. It should be filtered and as quiet as possible.
37	TXPLVDD	Power	1.8 V Power Supply.
38	TXGND	Ground	TXPVDD Ground.
39	TXPGND	Ground	TXPLVDD Ground.
40	EXT_SWING	Analog input	This pin sets the internal reference currents. Place an 887 $\Omega$ resistor (1% tolerance) between this pin and ground.
41	HPD_ARC-	Analog input	Hot Plug Detect Signal. This pin indicates to the interface whether the receiver is connected. It supports 1.8 V to 5 V CMOS logic levels.
42	ARC+	Analog input	Audio Return Channel Input (5 V Tolerant).
43	TXDDC_SDA	Digital I/O	Serial Port Data I/O to Receiver. This pin serves as the master to the DDC bus. It supports a 5 V CMOS logic level.
44	TXDDC_SCL	Digital output	Serial Port Data Clock to Receiver. This pin serves as the master clock for the DDC bus. It supports a 5 V CMOS logic level.
45	TXAVDD	Power	1.8 V Power Supply for TMDS Outputs.
46	TXGND	Ground	TXAVDD Ground.
47	TXC-	HDMI output	Differential Clock Output. Differential clock output at the TMDS clock rate; supports TMDS logic level.
48	TXC+	HDMI output	Differential Clock Output. Differential clock output at the TMDS clock rate; supports TMDS logic level.
49	TXGND	Ground	TXAVDD Ground.
50	TX0-	HDMI output	Differential Output Channel 0 Complement. Differential output of the red data at 10 $\times$ the pixel clock rate; supports TMDS logic level.
51	TX0+	HDMI output	Differential Output Channel 0 True. Differential output of the red data at 10 $\times$ the pixel clock rate; supports TMDS logic level.
52	TXGND	Ground	TXAVDD Ground.
53	TX1-	HDMI output	Differential Output Channel 1 Complement. Differential output of the red data at 10 $\times$ the pixel clock rate; supports TMDS logic level.
54	TX1+	HDMI output	Differential Output Channel 1 True. Differential output of the red data at 10 $\times$ the pixel clock rate; supports TMDS logic level.
55	TXAVDD	Power	1.8 V Power Supply for TMDS Outputs.

Pin No.	Mnemonic	Type	Description
13	RXC_2-	HDMI input	Digital Input Channel 2 Complement of Port C in the HDMI Interface.
14	RXC_2+	HDMI input	Digital Input Channel 2 True of Port C in the HDMI Interface.
15	HP_CTRLD	Digital output	Hot Plug Detect for Port D.
16	5V_DETD	Digital input	5 V Detect Pin for Port D in the HDMI Interface.
17	DGND	Ground	DVDD Ground.
18	DVDD	Power	Digital Supply Voltage (1.8 V).
19	DDCD_SDA	Digital I/O	HDCP Slave Serial Data Port D. DDCD_SDA is a 3.3 V input/output that is 5 V tolerant.
20	DDCD_SCL	Digital input	HDCP Slave Serial Clock Port D. DDCD_SCL is a 3.3 V input that is 5 V tolerant.
21	CVDD	Power	Receiver Comparator Supply Voltage (1.8 V).
22	CGND	Ground	TVDD and CVDD Ground.
23	RXD_C-	HDMI input	Digital Input Clock Complement of Port D in the HDMI Interface.
24	RXD_C+	HDMI input	Digital Input Clock True of Port D in the HDMI Interface.
25	TVDD	Power	Receiver Terminator Supply Voltage (3.3 V).
26	RXD_0-	HDMI input	Digital Input Channel 0 Complement of Port D in the HDMI Interface.
27	RXD_0+	HDMI input	Digital Input Channel 0 True of Port D in the HDMI Interface.
28	CGND	Ground	TVDD and CVDD Ground.
29	RXD_1-	HDMI input	Digital Input Channel 1 Complement of Port D in the HDMI Interface.
30	RXD_1+	HDMI input	Digital Input Channel 1 True of Port D in the HDMI Interface.
31	TVDD	Power	Receiver Terminator Supply Voltage (3.3 V).
32	RXD_2-	HDMI input	Digital Input Channel 2 Complement of Port D in the HDMI Interface.
33	RXD_2+	HDMI input	Digital Input Channel 2 True of Port D in the HDMI Interface.
34	CVDD	Power	Receiver Comparator Supply Voltage (1.8 V).
35	CGND	Ground	TVDD and CVDD Ground.
36	TXPVDD	Power	1.8 V Power Supply for Digital and I/O Power Supply. This pin supplies power to the digital logic and I/Os. It should be filtered and as quiet as possible.
37	TXPLVDD	Power	1.8 V Power Supply.
38	TXGND	Ground	TXPVDD Ground.
39	TXPGND	Ground	TXPLVDD Ground.
40	EXT_SWING	Analog input	This pin sets the internal reference currents. Place an 887 $\Omega$ resistor (1% tolerance) between this pin and ground.
41	HPD_ARC-	Analog input	Hot Plug Detect Signal. This pin indicates to the interface whether the receiver is connected. It supports 1.8 V to 5 V CMOS logic levels.
42	ARC+	Analog input	Audio Return Channel Input (5 V Tolerant).
43	TXDDC_SDA	Digital I/O	Serial Port Data I/O to Receiver. This pin serves as the master to the DDC bus. It supports a 5 V CMOS logic level.
44	TXDDC_SCL	Digital output	Serial Port Data Clock to Receiver. This pin serves as the master clock for the DDC bus. It supports a 5 V CMOS logic level.
45	TXAVDD	Power	1.8 V Power Supply for TMDS Outputs.
46	TXGND	Ground	TXAVDD Ground.
47	TXC-	HDMI output	Differential Clock Output. Differential clock output at the TMDS clock rate; supports TMDS logic level.
48	TXC+	HDMI output	Differential Clock Output. Differential clock output at the TMDS clock rate; supports TMDS logic level.
49	TXGND	Ground	TXAVDD Ground.
50	TX0-	HDMI output	Differential Output Channel 0 Complement. Differential output of the red data at 10x the pixel clock rate; supports TMDS logic level.
51	TX0+	HDMI output	Differential Output Channel 0 True. Differential output of the red data at 10x the pixel clock rate; supports TMDS logic level.
52	TXGND	Ground	TXAVDD Ground.
53	TX1-	HDMI output	Differential Output Channel 1 Complement. Differential output of the red data at 10x the pixel clock rate; supports TMDS logic level.
54	TX1+	HDMI output	Differential Output Channel 1 True. Differential output of the red data at 10x the pixel clock rate; supports TMDS logic level.
55	TXAVDD	Power	1.8 V Power Supply for TMDS Outputs.

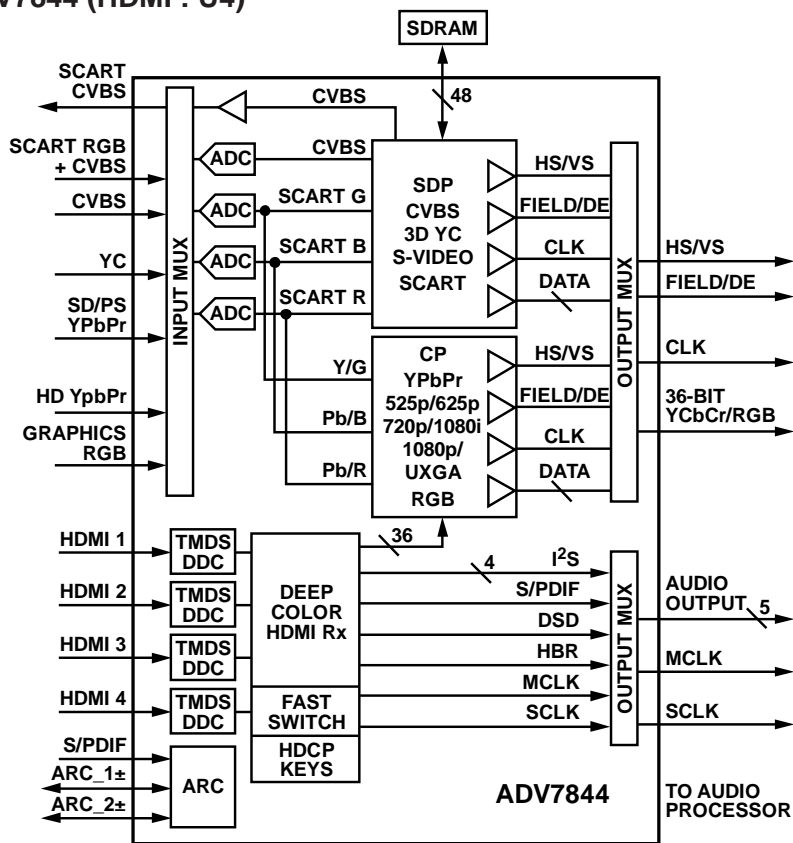


Pin No.	Mnemonic	Type	Description
99	PGND	Ground	PVDD Ground.
100	PVDD	Power	PLL Supply Voltage (1.8 V).
101	XTAL	Miscellaneous analog	Input pin for 28.63636 MHz crystal or an external 1.8 V 28.63636 MHz clock oscillator source to clock the ADV7623.
102	XTAL1	Miscellaneous analog	Crystal Output Pin. This pin should be left floating if a clock oscillator is used.
103	PVDD	Power	PLL Supply Voltage (1.8 V).
104	PGND	Ground	PVDD Ground.
105	HP_CTRLA	Digital output	Hot Plug Detect for Port A.
106	5V_DETA	Digital input	5 V Detect Pin for Port A in the HDMI Interface.
107	RTERM	Miscellaneous analog	This pin sets the internal termination resistance. A 500 $\Omega$ resistor between this pin and ground should be used.
108	DDCA_SDA	Digital I/O	HDCP Slave Serial Data Port A. DDCA_SDA is a 3.3 V input/output that is 5 V tolerant.
109	DDCA_SCL	Digital input	HDCP Slave Serial Clock Port A. DDCA_SCL is a 3.3 V input that is 5 V tolerant.
110	CVDD	Power	Receiver Comparator Supply Voltage (1.8 V).
111	CGND	Ground	TVDD and CVDD Ground.
112	RXA_C-	HDMI input	Digital Input Clock Complement of Port A in the HDMI Interface.
113	RXA_C+	HDMI input	Digital Input Clock True of Port A in the HDMI Interface.
114	TVDD	Power	Receiver Terminator Supply Voltage (3.3 V).
115	RXA_0-	HDMI input	Digital Input Channel 0 Complement of Port A in the HDMI Interface.
116	RXA_0+	HDMI input	Digital Input Channel 0 True of Port A in the HDMI Interface.
117	CGND	Ground	TVDD and CVDD Ground.
118	RXA_1-	HDMI input	Digital Input Channel 1 Complement of Port A in the HDMI Interface.
119	RXA_1+	HDMI input	Digital Input Channel 1 True of Port A in the HDMI Interface.
120	TVDD	Power	Receiver Terminator Supply Voltage (3.3 V).
121	RXA_2-	HDMI input	Digital Input Channel 2 Complement of Port A in the HDMI Interface.
122	RXA_2+	HDMI input	Digital Input Channel 2 True of Port A in the HDMI Interface.
123	HP_CTRLB	Digital output	Hot Plug Detect for Port B.
124	5V_DETB	Digital input	5 V Detect Pin for Port B in the HDMI Interface.
125	DGND	Ground	DVDD Ground.
126	DVDD	Power	Digital Supply Voltage (1.8 V).
127	DDCB_SDA	Digital I/O	HDCP Slave Serial Data Port B. DDCB_SDA is a 3.3 V input/output that is 5 V tolerant.
128	DDCB_SCL	Digital input	HDCP Slave Serial Clock Port B. DDCB_SCL is a 3.3 V input that is 5 V tolerant.
129	CVDD	Power	Receiver Comparator Supply Voltage (1.8 V).
130	CGND	Ground	TVDD and CVDD Ground.
131	RXB_C-	HDMI input	Digital Input Clock Complement of Port B in the HDMI Interface.
132	RXB_C+	HDMI input	Digital Input Clock True of Port B in the HDMI Interface.
133	TVDD	Power	Receiver Terminator Supply Voltage (3.3 V).
134	RXB_0-	HDMI input	Digital Input Channel 0 Complement of Port B in the HDMI Interface.
135	RXB_0+	HDMI input	Digital Input Channel 0 True of Port B in the HDMI Interface.
136	CGND	Ground	TVDD and CVDD Ground.
137	RXB_1-	HDMI input	Digital Input Channel 1 Complement of Port B in the HDMI Interface.
138	RXB_1+	HDMI input	Digital Input Channel 1 True of Port B in the HDMI Interface.
139	TVDD	Power	Receiver Terminator Supply Voltage (3.3 V).
140	RXB_2-	HDMI input	Digital Input Channel 2 Complement of Port B in the HDMI Interface.
141	RXB_2+	HDMI input	Digital Input Channel 2 True of Port B in the HDMI Interface.
142	HP_CTRLC	Digital output	Hot Plug Detect for Port C.
143	5V_DETC	Digital input	5 V Detect Pin for Port C in the HDMI Interface.
144	DDCC_SDA	Digital I/O	HDCP Slave Serial Data Port C. DDCC_SDA is a 3.3 V input/output that is 5 V tolerant.

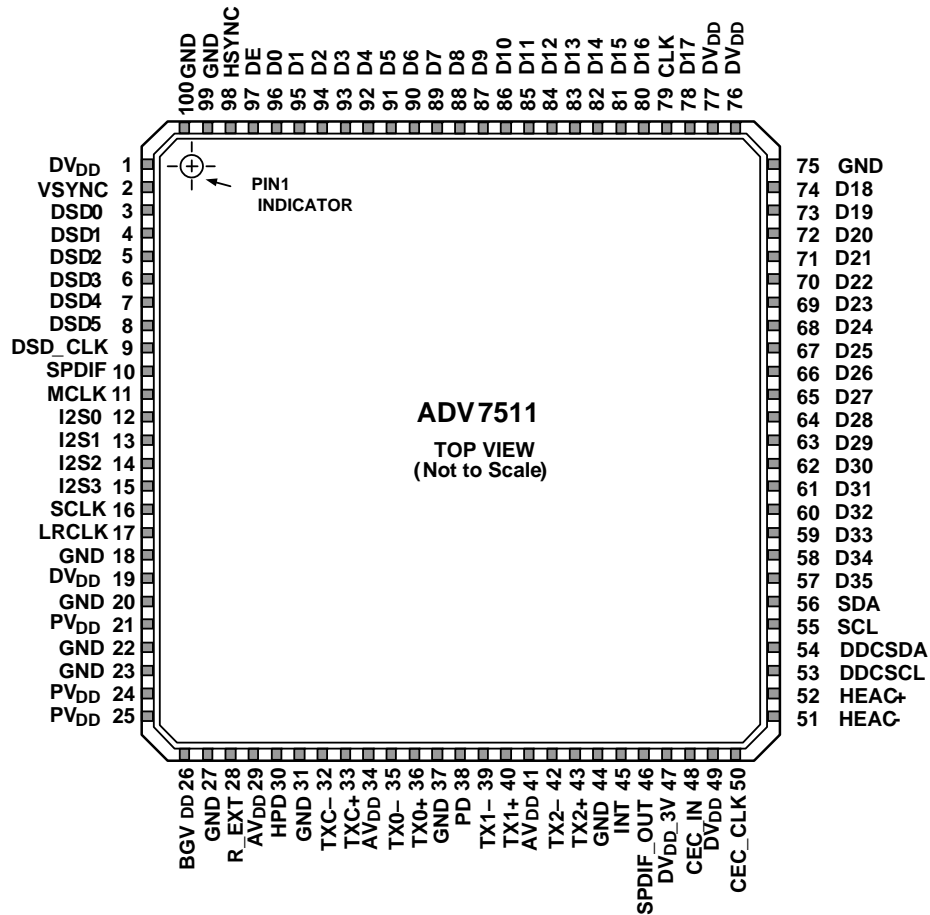
### ADV7623 Block diagram



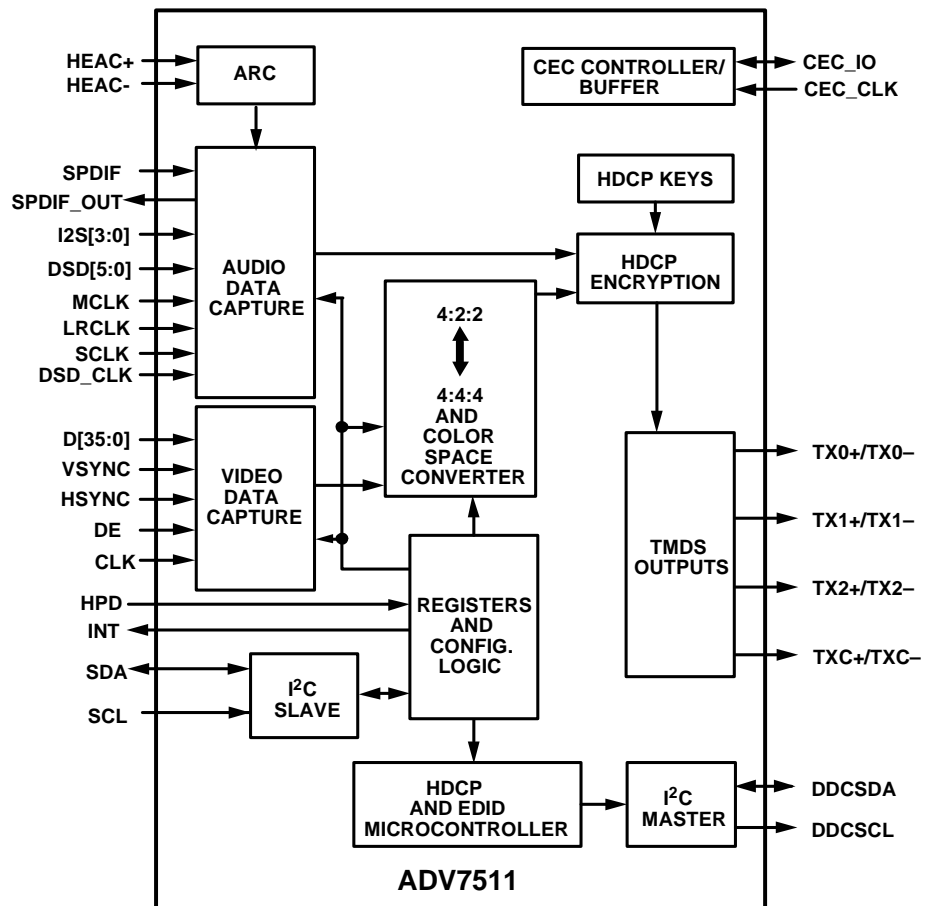
### ADV7844 (HDMI : U4)



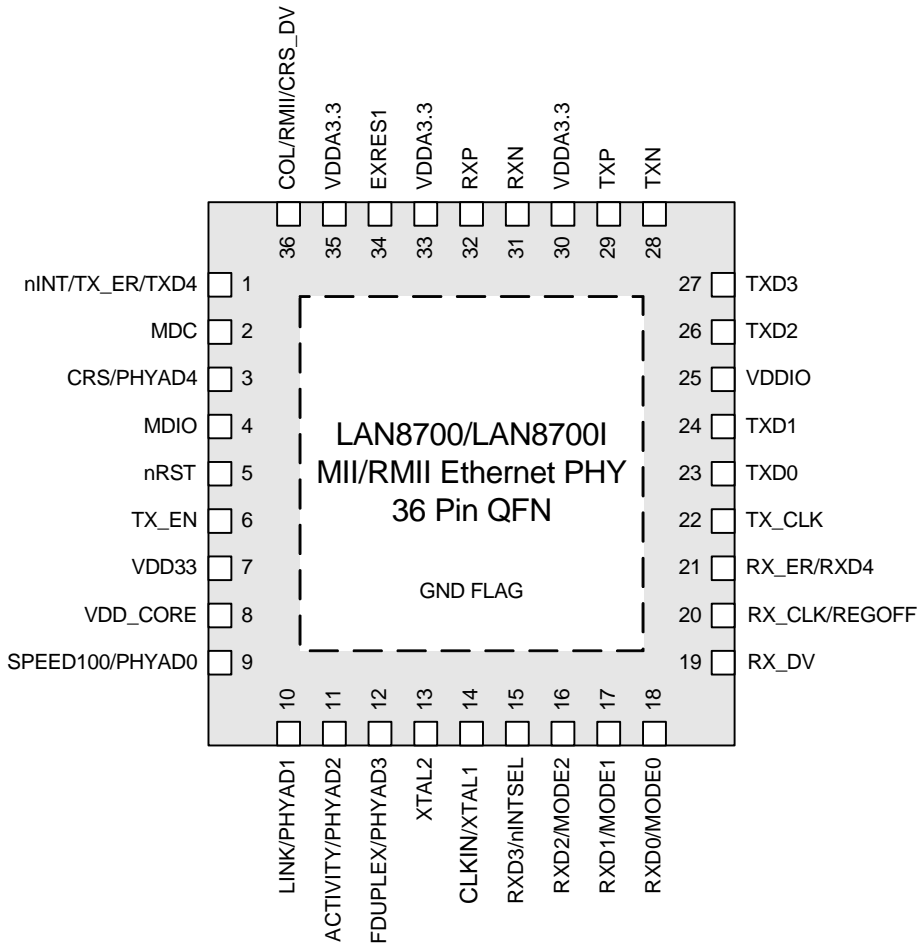
# ADV7511BSTZ (HDMI : IC12)



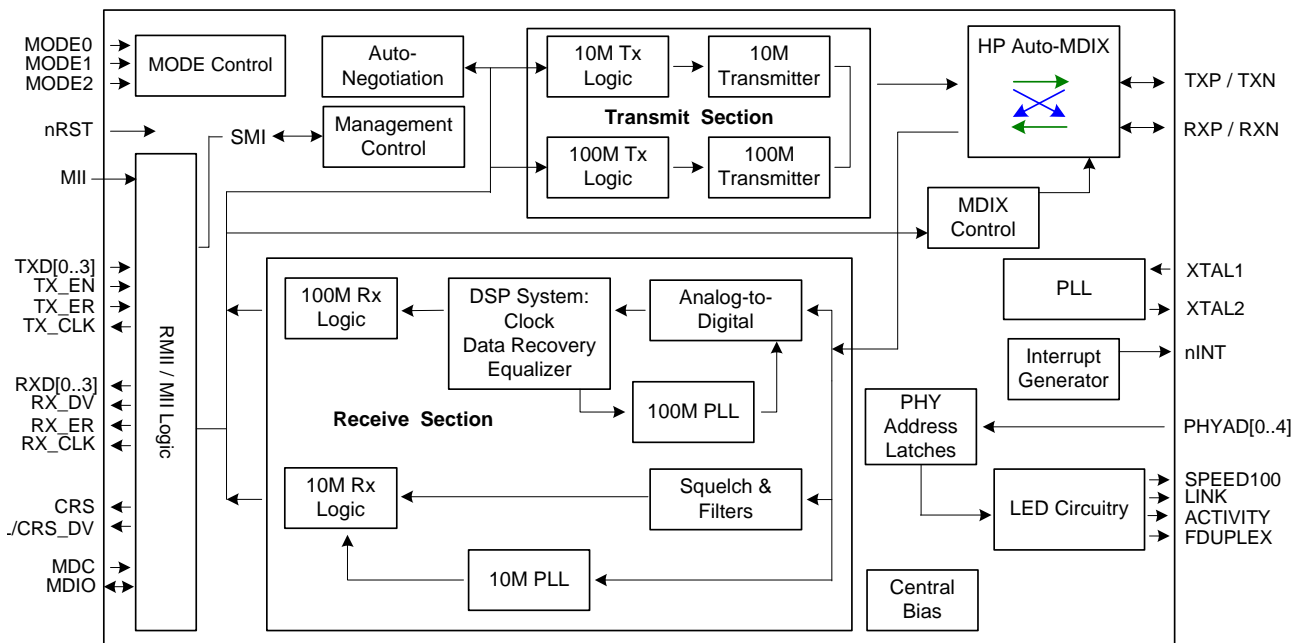
## ADV7511BSTZ Block diagram



## LAN8700-AEZG-TR (HDMI : IC14)



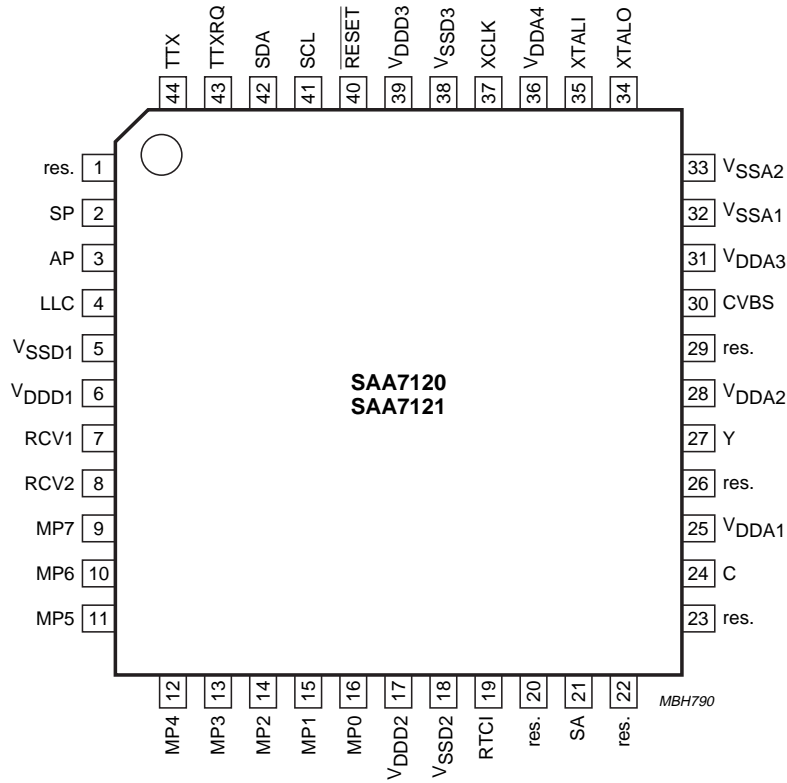
## LAN8700-AEZG-TR Block Diagram



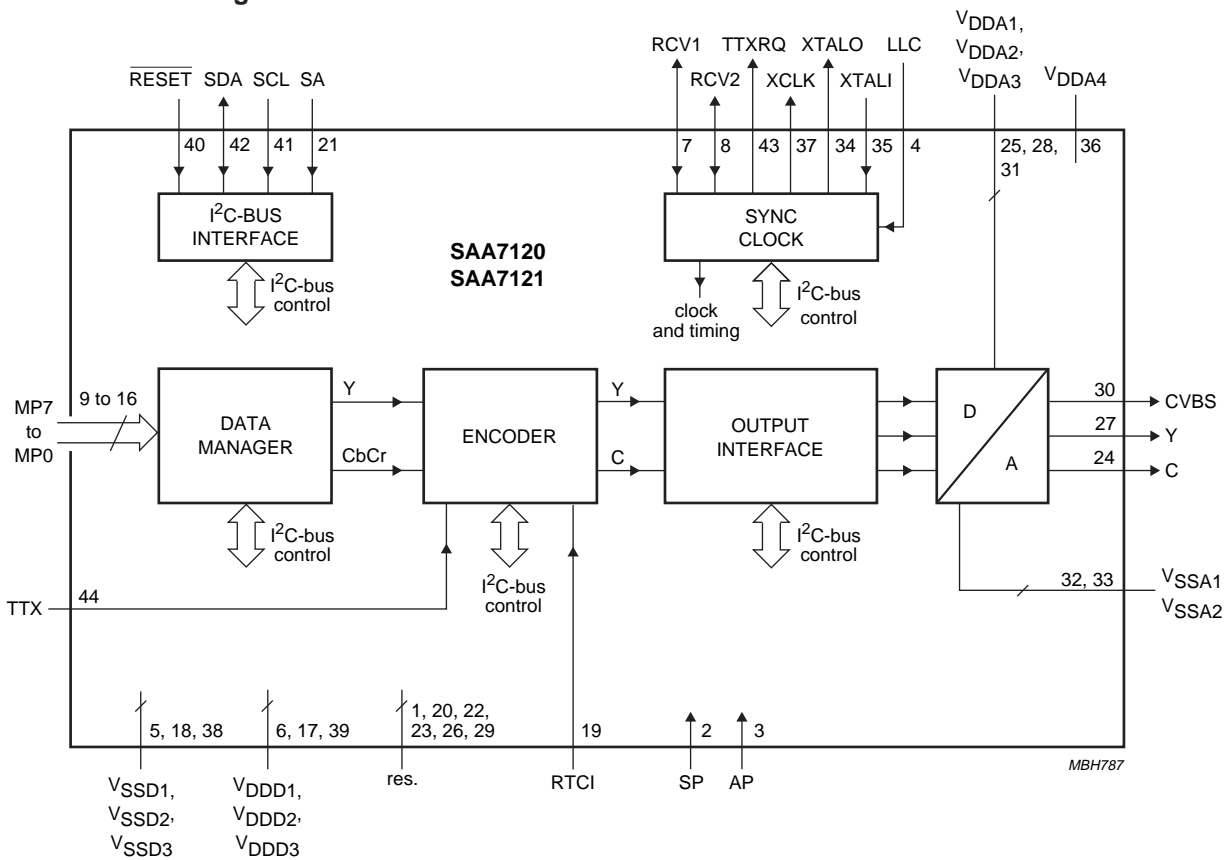
## LAN8700-AEZG-TR Pin Description

PIN NO.	PIN NAME	PIN NO.	PIN NAME
1	nINT/TX_ER/TXD4	19	RX_DV
2	MDC	20	RX_CLK/REGOFF
3	CRS/PHYAD4	21	RX_ER/RXD4
4	MDIO	22	TXCLK
5	nRST	23	TXD0
6	TX_EN	24	TXD1
7	VDD33	25	VDDIO
8	VDD_CORE	26	TXD2
9	SPEED100/PHYAD0	27	TXD3
10	LINK/PHYAD1	28	TXN
11	ACTIVITY/PHYAD2	29	TXP
12	FDUPLEX/PHYAD3	30	VDDA3.3
13	XTAL2	31	RXN
14	CLKIN/XTAL1	32	RXP
15	RXD3/nINTSEL	33	VDDA3.3
16	RXD2/MODE2	34	EXRES1
17	RXD1/MODE1	35	VDDA3.3
18	RXD0/MODE0	36	COL/RMII/CRS_DV

# SAA7121H (HDMI : IC15)



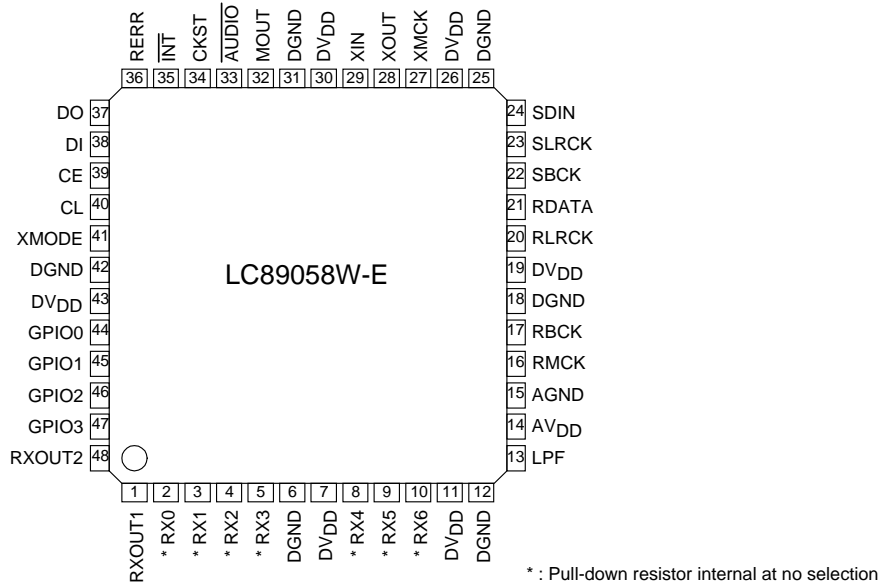
## SAA7121H Block Diagram



## SAA7121H Pin Description

SYMBOL	PIN	I/O	DESCRIPTION
res.	1	–	reserved
SP	2	I	test pin; connected to digital ground for normal operation
AP	3	I	test pin; connected to digital ground for normal operation
LLC	4	I	line-locked clock; this is the 27 MHz master clock for the encoder
V <sub>SSD1</sub>	5	I	digital ground 1
V <sub>DD1</sub>	6	I	digital supply voltage 1
RCV1	7	I/O	raster control 1 for video port; this pin receives/provides a VS/FS/FSEQ signal
RCV2	8	I/O	raster control 2 for video port; this pin provides an HS pulse of programmable length or receives an HS pulse
MP7	9	I	MPEG port; it is an input for "CCIR 656" style multiplexed Cb Y, Cr data
MP6	10	I	
MP5	11	I	
MP4	12	I	
MP3	13	I	
MP2	14	I	
MP1	15	I	
MP0	16	I	
V <sub>DD2</sub>	17	I	digital supply voltage 2
V <sub>SS2</sub>	18	I	digital ground 2
RTCI	19	I	Real Time Control input; if the LLC clock is provided by an SAA7111 or SAA7151B, RTCI should be connected to pin RTCO of the decoder to improve the signal quality
res.	20	–	reserved
SA	21	I	the I <sup>2</sup> C-bus slave address select input pin; LOW: slave address = 88H, HIGH = 8CH
res.	22	–	reserved
res.	23	–	reserved
C	24	O	analog output of the chrominance signal
V <sub>DDA1</sub>	25	I	analog supply voltage 1 for the C DAC
res.	26	–	reserved
Y	27	O	analog output of VBS signal
V <sub>DDA2</sub>	28	I	analog supply voltage 2 for the Y DAC
res.	29	–	reserved
CVBS	30	O	analog output of the CVBS signal
V <sub>DDA3</sub>	31	I	analog supply voltage 3 for the CVBS DAC
V <sub>SSA1</sub>	32	I	analog ground 1 for the DACs
V <sub>SSA2</sub>	33	I	analog ground 2 for the oscillator and reference voltage
XTALO	34	O	crystal oscillator output (to crystal)
XTALI	35	I	crystal oscillator input (from crystal); if the oscillator is not used, this pin should be connected to ground
V <sub>DDA4</sub>	36	I	analog supply voltage 4 for the oscillator and reference voltage
XCLK	37	O	clock output of the crystal oscillator

## LC89058W-E (HDMI : IC19,21)



### Pin Functions

Pin No.	Name	I/O	Function
1	RXOUT1	O	RX0-6 input S/PDIF through output pin 1
2	RX0	I <sub>s</sub> (pd)	5V withstand voltage TTL input level compatible S/PDIF input pin (connected to GND when RX1 is set)
3	RX1	I(pd)	Co-axial compatible S/PDIF input pin (supported demodulation sampling frequency of up to 96kHz)
4	RX2	I <sub>s</sub> (pd)	5V withstand voltage TTL input level compatible S/PDIF input pin (connected to GND when RX1 is set)
5	RX3	I <sub>s</sub> (pd)	5V withstand voltage TTL input level compatible S/PDIF input pin
6	DGND		Digital GND
7	DVDD		Digital power supply (3.3V)
8	RX4	I <sub>s</sub> (pd)	5V tolerable TTL input level compatible S/PDIF input pin
9	RX5	I <sub>s</sub> (pd)	5V tolerable TTL input level compatible S/PDIF input pin
10	RX6	I <sub>s</sub> (pd)	5V tolerable TTL input level compatible S/PDIF input pin
11	DVDD		Digital power supply (3.3V)
12	DGND		Digital GND
13	LPF	O	PLL loop filter connection pin
14	AVDD		Analog power supply (3.3V)
15	AGND		Analog GND
16	RMCK	O	R system clock output pin (VCO, 512fs, XIN)
17	RBCK	O/I	R system bit clock I/O pin (64fs)
18	DGND		Digital GND
19	DVDD		Digital power supply (3.3V)
20	RLRCK	O/I	R system LR clock I/O pin (fs)
21	RDATA	O	Serial audio data output pin
22	SBCK	O	S system bit clock output pin (16fs, 32fs, 64fs, 128fs)
23	SLRCK	O	S system LR clock output pin (fs/4, fs/2, fs, 2fs)
24	SDIN	I <sub>s</sub>	External serial audio data input pin



Pin No.	Name	I/O	Function
25	DGND		Digital GND
26	DVDD		Digital power supply (3.3V)
27	XMCK	O	Oscillation amplifier clock output pin
28	XOUT	O	Output pin connected to the resonator
29	XIN	I	External clock input pin, connected to the resonator (12.288MHz/24.576MHz)
30	DVDD		Digital power supply
31	DGND		Digital GND
32	MOUT	I/O	Emphasis information    Input fs monitor output    Chip address setting input pin
33	AUDIO	I/O	Channel status bit 1 output    Chip address setting input pin
34	CKST	I/O	Clock switching transition period signal output    Master/slave setting input pin
35	INT	I/O	Microcontroller interrupt signal output    Pins44-48 I/O setting input pin
36	RERR	O	PLL lock error, data error flag output pin
37	DO	O	CCB microcontroller I/F, read data output pin (3-state)
38	DI	I <sub>s</sub>	CCB microcontroller I/F, write data input pin
39	CE	I <sub>s</sub>	CCB microcontroller I/F, chip enable input pin
40	CL	I <sub>s</sub>	CCB microcontroller I/F, clock input pin
41	XMODE	I <sub>s</sub>	System reset input pin
42	DGND		Digital GND
43	DVDD		Digital power supply (3.3V)
44	GPIO0	O/I	General-purpose I/O pin    Selector input pin (output referred to RDATA pin)
45	GPIO1	O/I	General-purpose I/O pin    Selector input pin (output referred to RLRCK pin)
46	GPIO2	O/I	General-purpose I/O pin    Selector input pin (output referred to RBCK pin)
47	GPIO3	O/I	General-purpose I/O pin    Selector input pin (output referred to RMCK pin)
48	RXOUT2	O	RX0-6 input S/PDIF through output pin 2

\* Input voltage: I= -0.3 to 3.6V, I<sub>5</sub> = -0.3 to 5.5V

\* Output voltage: O= -0.3 to 3.6V

\* Pins 2, 4, 5, 8, 9, 10, 24, 38, 39, 40, and 41 have an internal pull-down resistor (pd).

Their level is fixed when they are unselected.

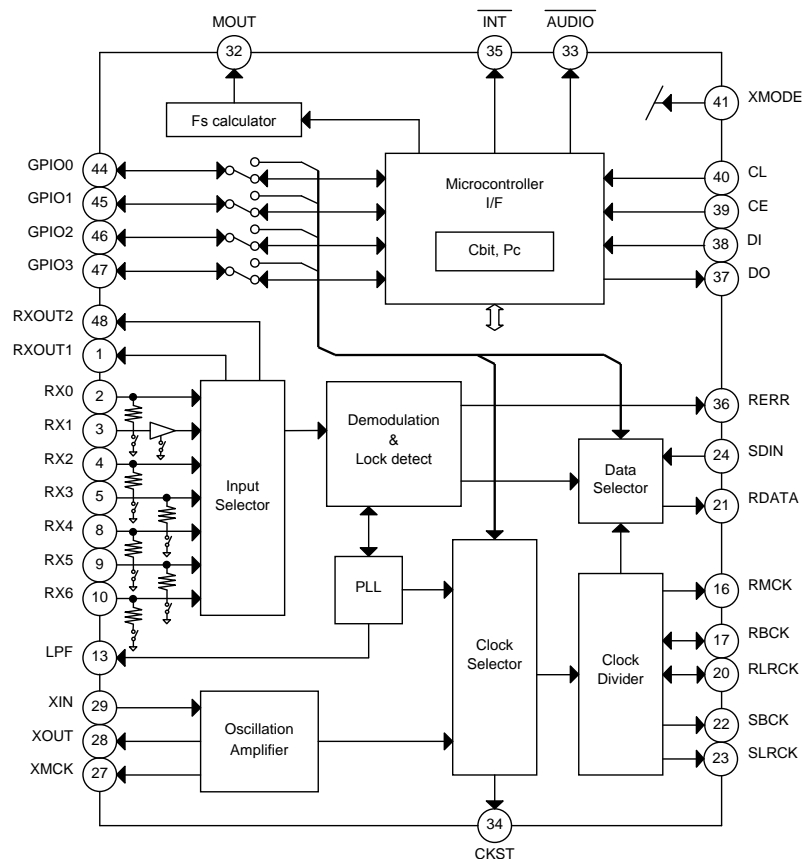
\* Pins 32 and 33 are input pins for chip address setting when pin 41 is held at the low level.

\* Pin 34 serves as the input pin for designating as the master or slave when pin 41 is held at the low level.

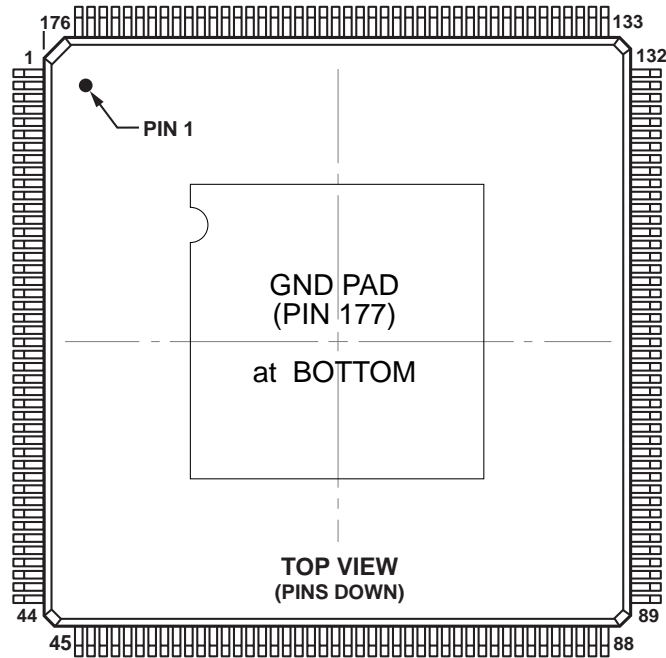
\* Pin 35 serves as the input pin for configuring the I/O of pins 44 to 47 when pin 41 is held at the low level.

\* The DVDD and AVDD pins must be held at the same level and turned on and off at the same timing to preclude Latch-up conditions.

### LC89058W-E Block diagram



# ADSP21487KSWZ3B (HDMI : U8)

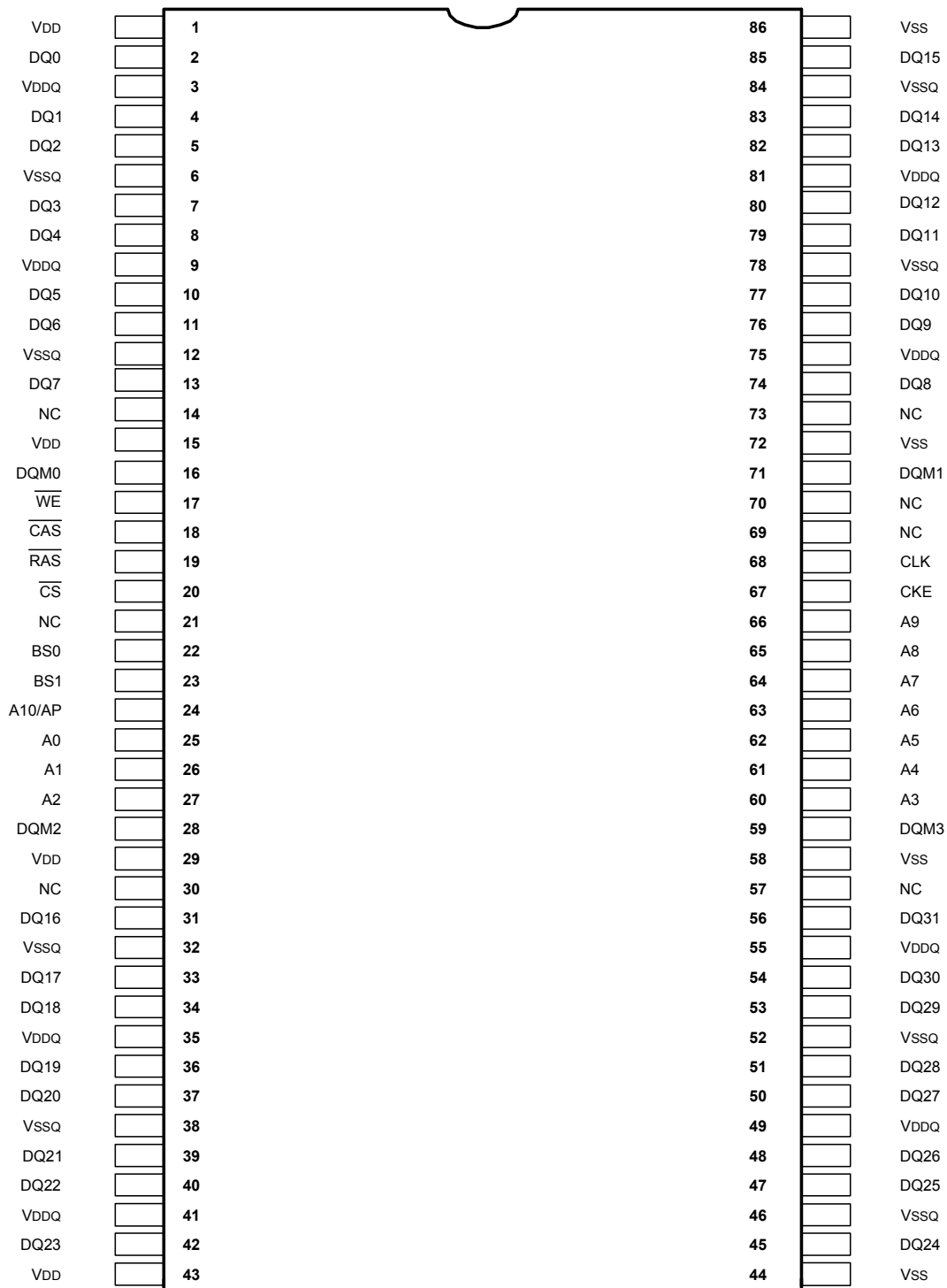


## ADSP21487KSWZ3B Terminal Function

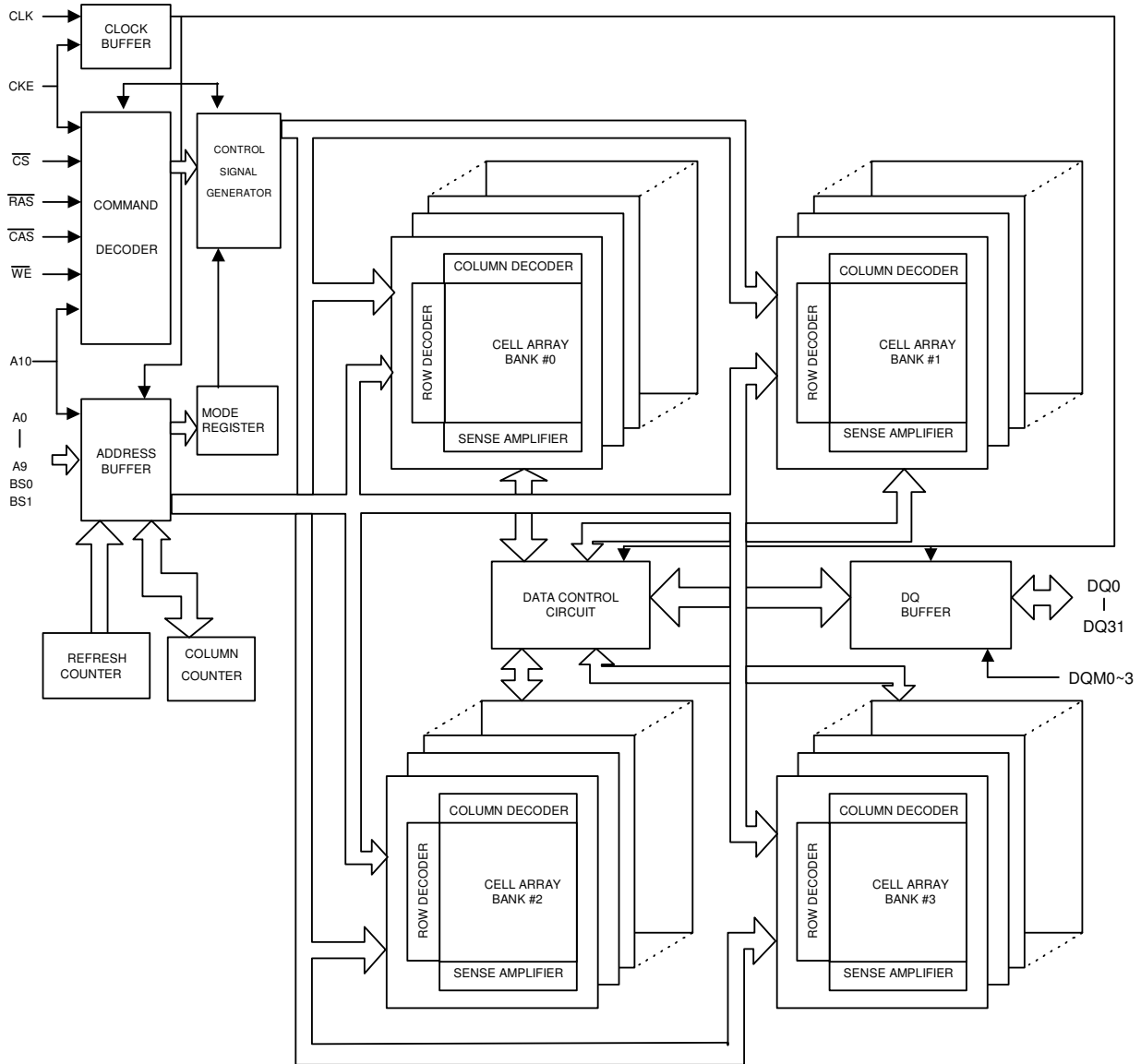
Pin Name	Pin No.	Pin Name	Pin No.	Pin Name	Pin No.	Pin Name	Pin No.
SDDQM	1	V <sub>DD_EXT</sub>	45	DAI_P10	89	V <sub>DD_INT</sub>	133
MS0	2	DPI_P08	46	V <sub>DD_INT</sub>	90	FLAG0	134
SDCKE	3	DPI_P07	47	V <sub>DD_EXT</sub>	91	FLAG1	135
V <sub>DD_INT</sub>	4	V <sub>DD_INT</sub>	48	DAI_P20	92	FLAG2	136
CLK_CFG1	5	DPI_P09	49	V <sub>DD_INT</sub>	93	NC	137
ADDR0	6	DPI_P10	50	DAI_P08	94	FLAG3	138
BOOT_CFG0	7	DPI_P11	51	DAI_P14	95	NC	139
V <sub>DD_EXT</sub>	8	DPI_P12	52	DAI_P04	96	NC	140
ADDR1	9	DPI_P13	53	DAI_P18	97	V <sub>DD_EXT</sub>	141
ADDR2	10	DPI_P14	54	DAI_P17	98	NC	142
ADDR3	11	DAI_P03	55	DAI_P16	99	V <sub>DD_INT</sub>	143
ADDR4	12	NC	56	DAI_P12	100	TRST	144
ADDR5	13	V <sub>DD_EXT</sub>	57	DAI_P15	101	NC	145
BOOT_CFG1	14	NC	58	V <sub>DD_INT</sub>	102	EMU	146
GND	15	NC	59	DAI_P11	103	DATA0	147
ADDR6	16	NC	60	V <sub>DD_EXT</sub>	104	DATA1	148
ADDR7	17	NC	61	V <sub>DD_INT</sub>	105	DATA2	149
NC	18	V <sub>DD_INT</sub>	62	BOOT_CFG2	106	DATA3	150
NC	19	NC	63	V <sub>DD_INT</sub>	107	TDO	151
ADDR8	20	NC	64	AMI_ACK	108	DATA4	152
ADDR9	21	V <sub>DD_INT</sub>	65	GND	109	V <sub>DD_EXT</sub>	153
CLK_CFG0	22	NC	66	THD_M	110	DATA5	154
V <sub>DD_INT</sub>	23	NC	67	THD_P	111	DATA6	155
CLKIN	24	V <sub>DD_INT</sub>	68	V <sub>DD_THD</sub>	112	V <sub>DD_INT</sub>	156
XTAL	25	NC	69	V <sub>DD_INT</sub>	113	DATA7	157
ADDR10	26	WDRSTO	70	V <sub>DD_INT</sub>	114	TDI	158
SDA10	27	NC	71	MST	115	SDCLK	159
V <sub>DD_EXT</sub>	28	V <sub>DD_EXT</sub>	72	V <sub>DD_INT</sub>	116	V <sub>DD_EXT</sub>	160
V <sub>DD_INT</sub>	29	DAI_P07	73	WDT_CLKO	117	DATA8	161
ADDR11	30	DAI_P13	74	WDT_CLKIN	118	DATA9	162
ADDR12	31	DAI_P19	75	V <sub>DD_EXT</sub>	119	DATA10	163
ADDR17	32	DAI_P01	76	ADDR23	120	TCK	164
ADDR13	33	DAI_P02	77	ADDR22	121	DATA11	165
V <sub>DD_INT</sub>	34	V <sub>DD_INT</sub>	78	ADDR21	122	DATA12	166
ADDR18	35	NC	79	V <sub>DD_INT</sub>	123	DATA14	167
RESETOUT/RUNRSTIN	36	NC	80	ADDR20	124	DATA13	168
V <sub>DD_INT</sub>	37	NC	81	ADDR19	125	V <sub>DD_INT</sub>	169
DPI_P01	38	NC	82	V <sub>DD_EXT</sub>	126	DATA15	170
DPI_P02	39	NC	83	ADDR16	127	SDWE	171
DPI_P03	40	V <sub>DD_EXT</sub>	84	ADDR15	128	SDRAS	172
V <sub>DD_INT</sub>	41	V <sub>DD_INT</sub>	85	V <sub>DD_INT</sub>	129	RESET	173
DPI_P05	42	DAI_P06	86	ADDR14	130	TMS	174
DPI_P04	43	DAI_P05	87	AMI_WR	131	SDCAS	175
DPI_P06	44	DAI_P09	88	AMI_RD	132	V <sub>DD_INT</sub>	176
						GND	177*

\* at BOTTOM

# W9864G6JH-6 (HDMI : U6)



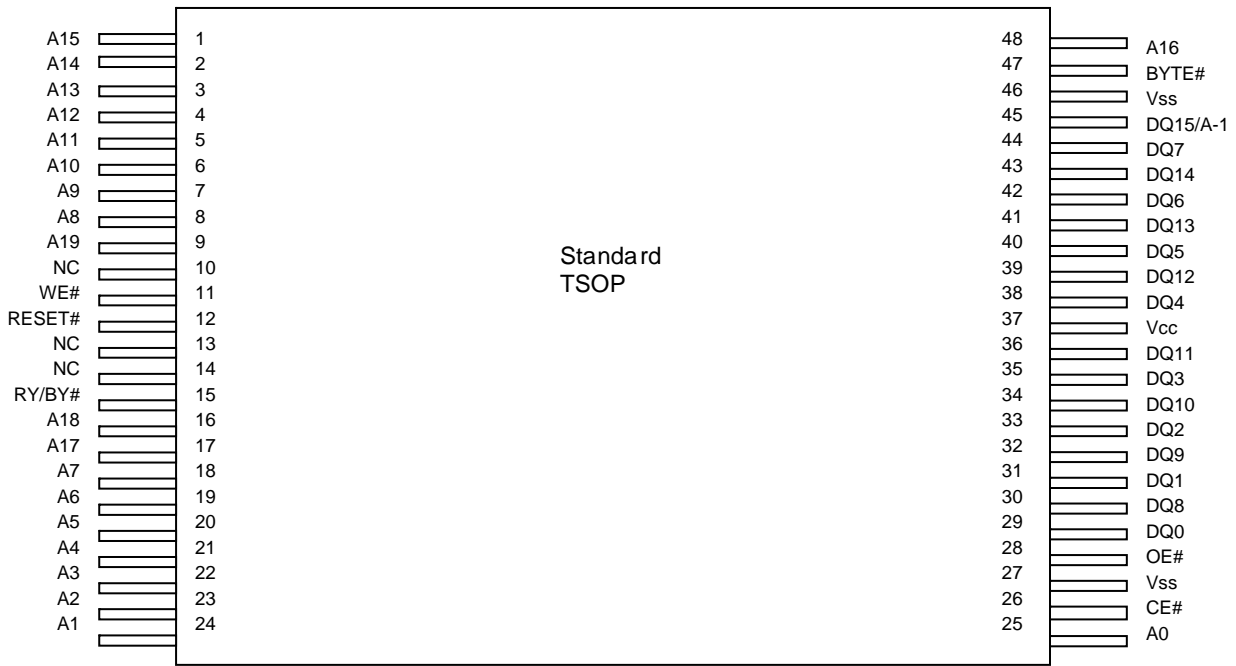
# W9864G6JH-6 Block diagram



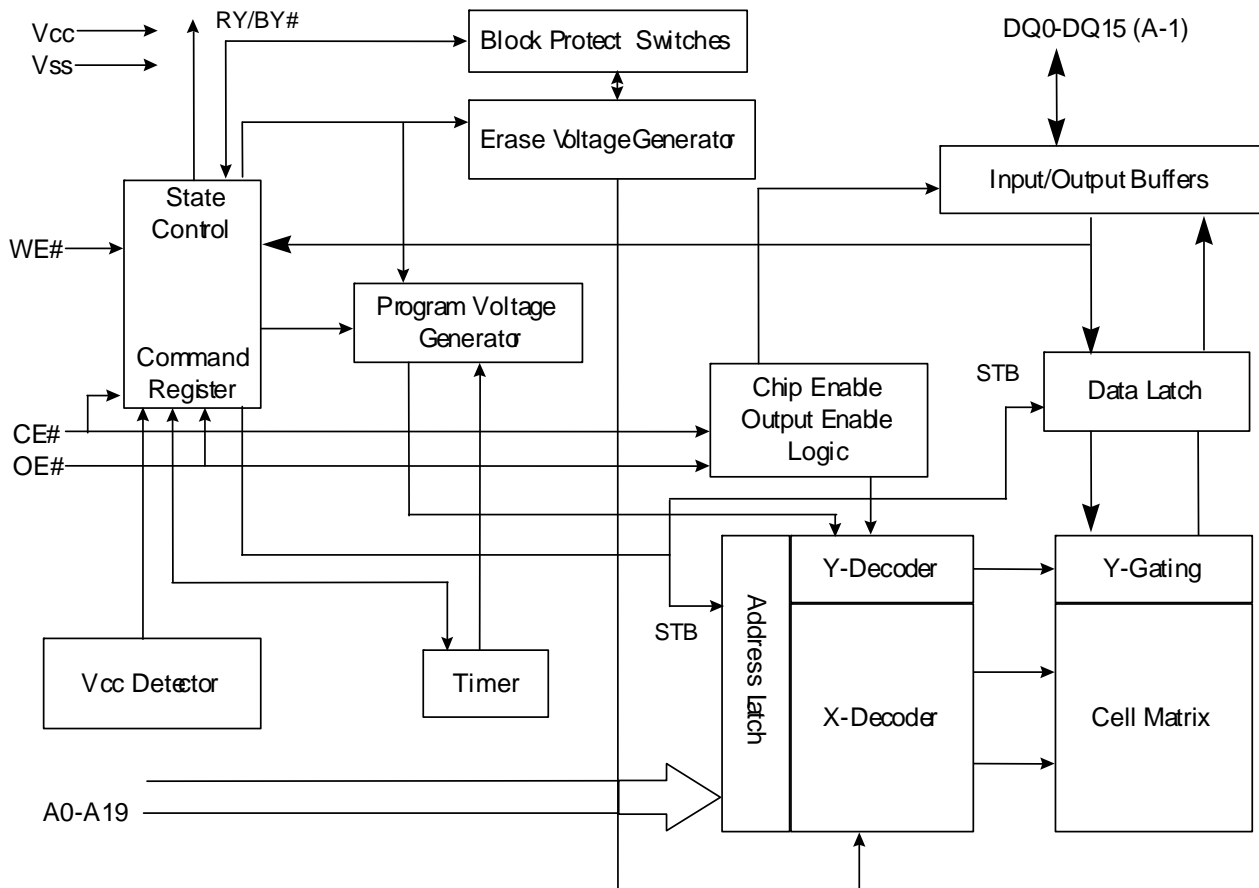
**W9864G6JH-6 Pin description**

PIN NUMBER	PIN NAME	FUNCTION	DESCRIPTION
24, 25, 26, 27, 60, 61, 62, 63, 64, 65, 66	A0–A10	Address	Multiplexed pins for row and column address. Row address: A0–A10. Column address: A0–A7. A10 is sampled during a precharge command to determine if all banks are to be precharged or bank selected by BS0, BS1.
22, 23	BS0, BS1	Bank Select	Select bank to activate during row address latch time, or bank to read/write during address latch time.
2, 4, 5, 7, 8, 10, 11, 13, 31, 33, 34, 36, 37, 39, 40, 42, 45, 47, 48, 50, 51, 53, 54, 56, 74, 76, 77, 79, 80, 82, 83, 85	DQ0–DQ31	Data Input/ Output	Multiplexed pins for data output and input.
20	$\overline{\text{CS}}$	Chip Select	Disable or enable the command decoder. When command decoder is disabled, new command is ignored and previous operation continues.
19	$\overline{\text{RAS}}$	Row Address Strobe	Command input. When sampled at the rising edge of the clock $\overline{\text{RAS}}$ , $\overline{\text{CAS}}$ and $\overline{\text{WE}}$ define the operation to be executed.
18	$\overline{\text{CAS}}$	Column Address Strobe	Referred to $\overline{\text{RAS}}$
17	$\overline{\text{WE}}$	Write Enable	Referred to $\overline{\text{RAS}}$
16, 28, 59, 71	DQM0–DQM3	Input/Output Mask	The output buffer is placed at Hi-Z (with latency of 2) when DQM is sampled high in read cycle. In write cycle, sampling DQM high will block the write operation with zero latency.
68	CLK	Clock Inputs	System clock used to sample inputs on the rising edge of clock.
67	CKE	Clock Enable	CKE controls the clock activation and deactivation. When CKE is low, Power Down mode, Suspend mode, or Self Refresh mode is entered.
1, 15, 29, 43	VDD	Power	Power for input buffers and logic circuit inside DRAM.
44, 58, 72, 86	VSS	Ground	Ground for input buffers and logic circuit inside DRAM.
3, 9, 35, 41, 49, 55, 75, 81	VDDQ	Power for I/O Buffer	Separated power from VDD, to improve DQ noise immunity.
6, 12, 32, 38, 46, 52, 78, 84	VSSQ	Ground for I/O Buffer	Separated ground from VSS, to improve DQ noise immunity.
14, 21, 30, 57, 69, 70, 73	NC	No Connection	No connection.

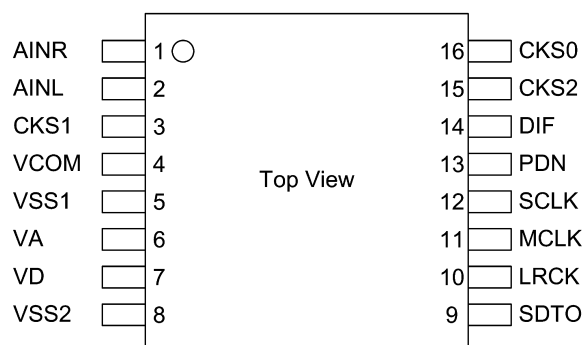
# EN29LV160BB-70TIP (HDMI : U7)



## EN29LV160BB-70TIP Block Diagram



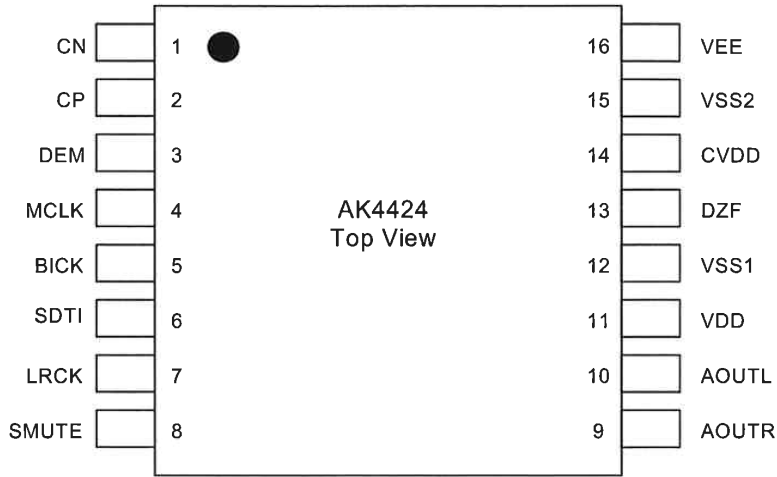
### AK5358BET (HDMI : IC30)



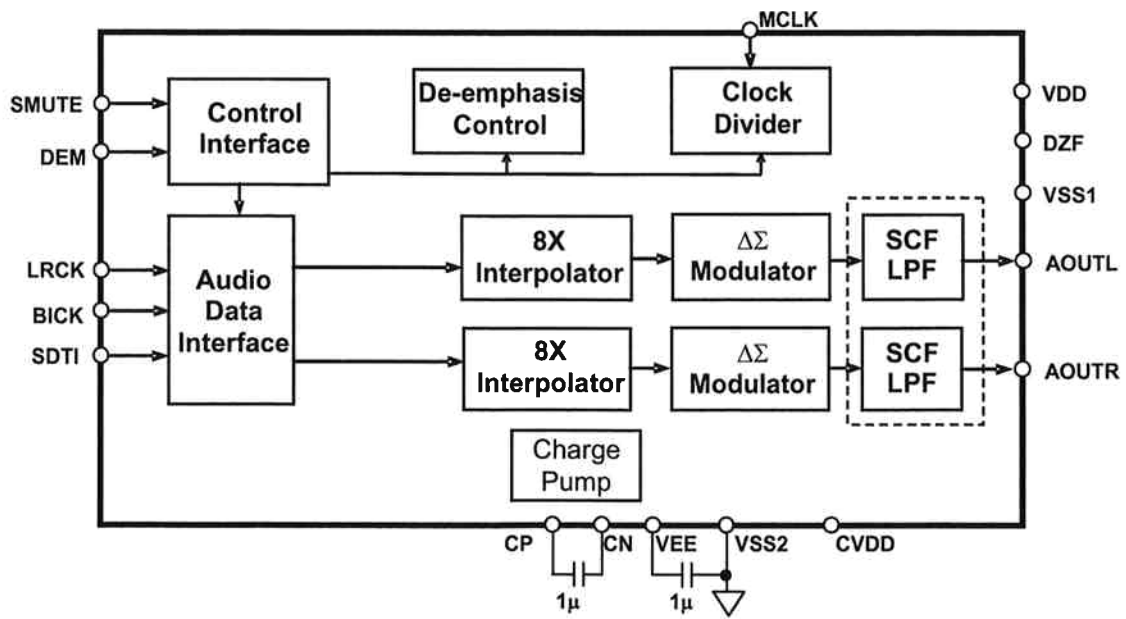
### AK5358BET Pin Function

No.	Pin Name	I/O	Function
1	AINR	I	Rch Analog Input Pin
2	AINL	I	Lch Analog Input Pin
3	CKS1	I	Mode Select 1 Pin
4	VCOM	O	Common Voltage Output Pin, VA/2 Bias voltage of ADC input.
5	VSS1	-	Ground Pin
6	VA	-	Analog Power Supply Pin, 4.5 ~ 5.5V
7	VD	-	Digital Power Supply Pin, 2.7 ~ 5.5V
8	VSS2	-	Ground Pin
9	SDTO	O	Audio Serial Data Output Pin “L” Output at Power-down mode.
10	LRCK	I/O	Output Channel Clock Pin “L” Output in Master Mode at Power-down mode.
11	MCLK	I	Master Clock Input Pin
12	SCLK	I/O	Audio Serial Data Clock Pin “L” Output in Master Mode at Power-down mode.
13	PDN	I	Power Down Mode & Reset Pin “H”: Power up, “L”: Power down & Reset
14	DIF	I	Audio Interface Format Pin “H”: 24bit I <sup>2</sup> S Compatible, “L”: 24bit MSB justified
15	CKS2	I	Mode Select 2 Pin
16	CKS0	I	Mode Select 0 Pin

# AK4424ET (HDMI : IC33)

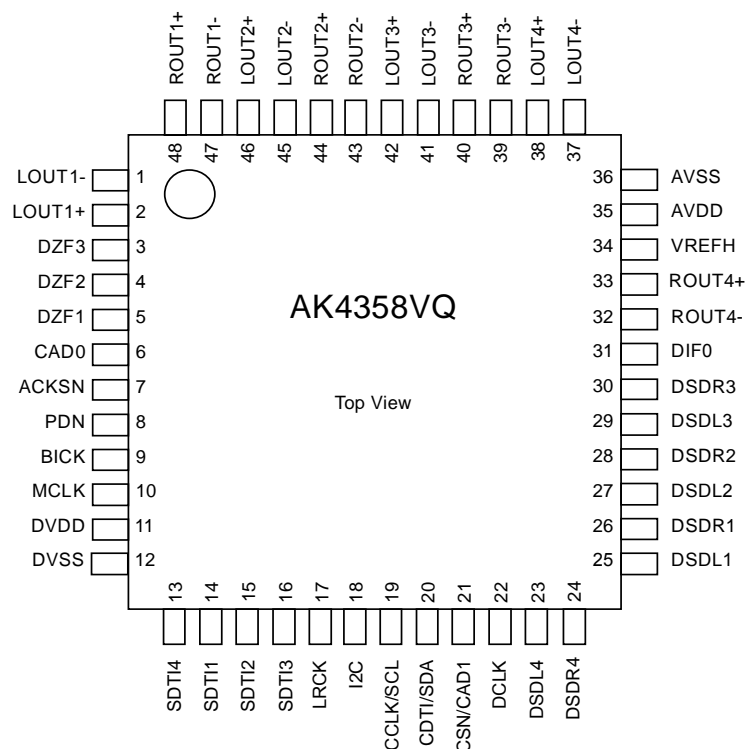


## AK4424ET Block Diagram





## AK4358VQ (HDMI : IC29)



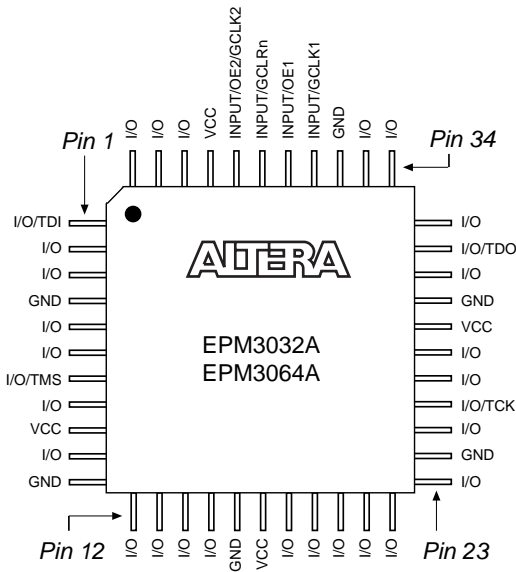
### AK4358VQ Pin Function

No.	Pin Name	I/O	Function
1	LOUT1-	O	DAC1 Lch Negative Analog Output Pin
2	LOUT1+	O	DAC1 Lch Positive Analog Output Pin
3	DZF3	O	Zero Input Detect 3 Pin
4	DZF2	O	Zero Input Detect 2 Pin
5	DZF1	O	Zero Input Detect 1 Pin
6	CAD0	I	Chip Address 0 Pin
7	ACKSN	I	Auto Setting Mode Disable Pin (Pull-down Pin) “L”: Auto Setting Mode, “H”: Manual Setting Mode
8	PDN	I	Power-Down Mode Pin When at “L”, the AK4358 is in the power-down mode and is held in reset. The AK4358 should always be reset upon power-up.
9	BICK	I	Audio Serial Data Clock Pin
10	MCLK	I	Master Clock Input Pin An external TTL clock should be input on this pin.
11	DVDD	-	Digital Power Supply Pin, +4.75~+5.25V
12	DVSS	-	Digital Ground Pin
13	SDTI4	I	DAC4 Audio Serial Data Input Pin
14	SDTI1	I	DAC1 Audio Serial Data Input Pin
15	SDTI2	I	DAC2 Audio Serial Data Input Pin
16	SDTI3	I	DAC3 Audio Serial Data Input Pin
17	LRCK	I	L/R Clock Pin
18	I2C	I	Control Mode Select Pin “L”: 3-wire Serial, “H”: I <sup>2</sup> C Bus
19	CCLK/SCL	I	Control Data Clock Pin I2C = “L”: CCLK (3-wire Serial), I2C = “H”: SCL (I <sup>2</sup> C Bus)
20	CDTI/SDA	I/O	Control Data Input Pin I2C = “L”: CDTI (3-wire Serial), I2C = “H”: SDA (I <sup>2</sup> C Bus)
21	CSN/CAD1	I	Chip Select Pin I2C = “L”: CSN (3-wire Serial), I2C = “H”: CAD1 (I <sup>2</sup> C Bus)
22	DCLK	I	DSD Clock Pin
23	DSDL4	I	DAC4 DSD Lch Data Input Pin
24	DSDR4	I	DAC4 DSD Rch Data Input Pin
25	DSDL1	I	DAC1 DSD Lch Data Input Pin
26	DSDR1	I	DAC1 DSD Rch Data Input Pin
27	DSDL2	I	DAC2DSD Lch Data Input Pin
28	DSDR2	I	DAC2 DSD Rch Data Input Pin

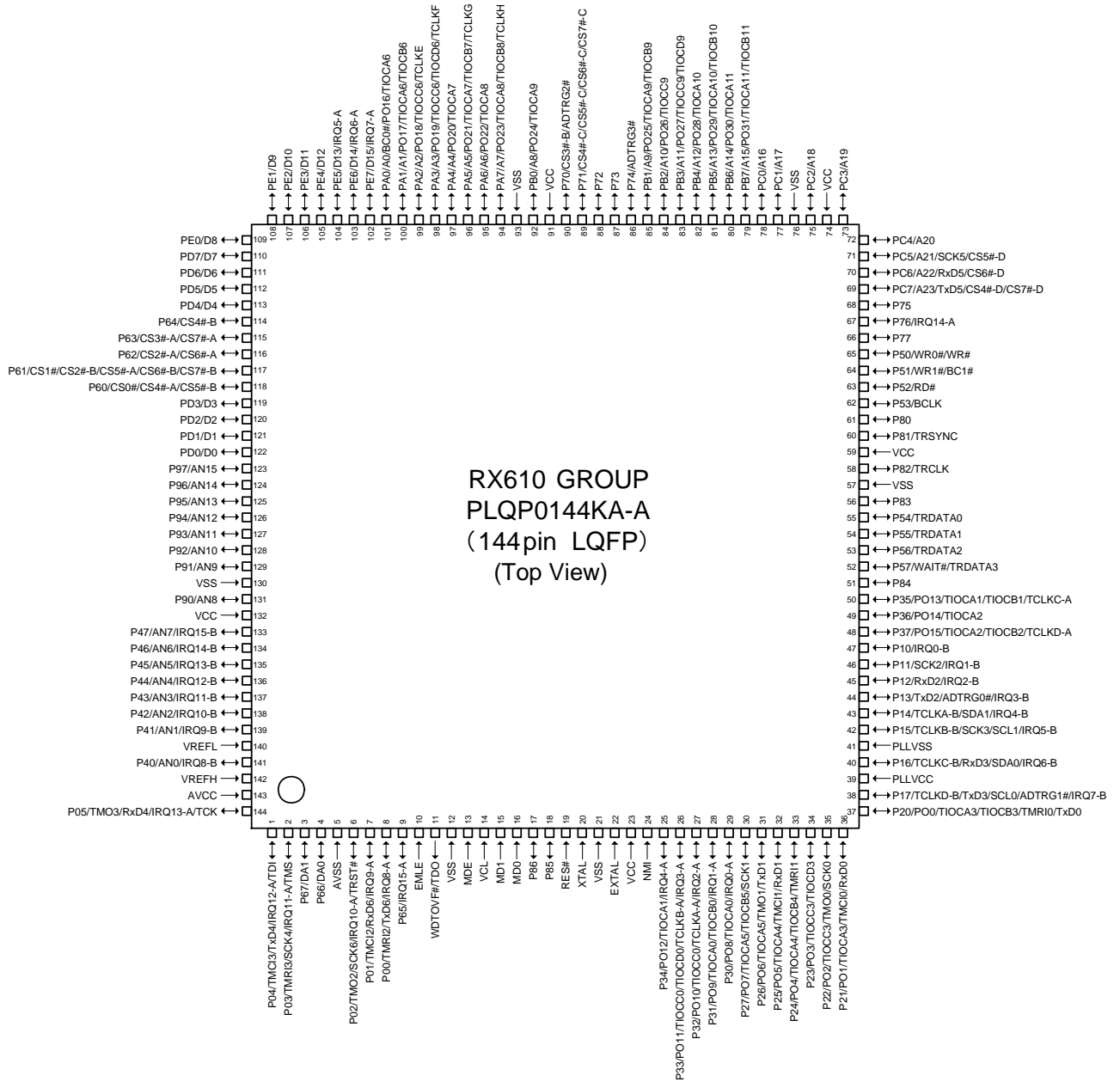
29	DSDL3	I	DAC3 DSD Lch Data Input Pin
30	DSDR3	I	DAC3 DSD Rch Data Input Pin
31	DIF0	I	Audio Data Interface Format 0 Pin
32	ROUT4-	O	DAC4 Rch Negative Analog Output Pin
33	ROUT4+	O	DAC4 Rch Positive Analog Output Pin
34	VREFH	I	Positive Voltage Reference Input Pin
35	AVDD	-	Analog Power Supply Pin, +4.75~+5.25V
36	AVSS	-	Analog Ground Pin
37	LOUT4-	O	DAC4 Lch Negative Analog Output Pin
38	LOUT4+	O	DAC4 Lch Positive Analog Output Pin
39	ROUT3-	O	DAC3 Rch Negative Analog Output Pin
40	ROUT3+	O	DAC3 Rch Positive Analog Output Pin
41	LOUT3-	O	DAC3 Lch Negative Analog Output Pin
42	LOUT3+	O	DAC3 Lch Positive Analog Output Pin
43	ROUT2-	O	DAC2 Rch Negative Analog Output Pin
44	ROUT2+	O	DAC2 Rch Positive Analog Output Pin
45	LOUT2-	O	DAC2 Lch Negative Analog Output Pin
46	LOUT2+	O	DAC2 Lch Positive Analog Output Pin
47	ROUT1-	O	DAC1 Rch Negative Analog Output Pin
48	ROUT1+	O	DAC1 Rch Positive Analog Output Pin

Note: All input pins except pull-down pin should not be left floating.

### EPM3032A (HDMI : IC 22)



# R5F56108VNFP (HDMI : IC41)



**RX610 GROUP  
PLQP0144KA-A  
(144pin LQFP)  
(Top View)**

## R5F56108VNFP Terminal Functions

Pin	Pin Name	Symbol	I/O	Pull up/down	LvCnv	STBY	CEC STBY	Function
1	P04/IRQ12-A/TMCI3/TxD4/TDI	NC	I	M3VPu	-	I	I	NC
2	P03/IRQ11-A/TMRI3/SCK4/TMS	NC	I	M3VPu	-	I	I	NC
3	P67/DA1	HIN SELA	O	-	-	L	L	For HDMI 4/5/6/F selection(TC4052)
4	P66/DA0	HIN SELB	O	-	-	L	L	For HDMI 4/5/6/F selection(TC4052)
5	AVSS	AVSS	-	-	-	-	-	GND
6	P02/IRQ10-A/TMO2/SCK6/TRST#	NC	I	Pd	-	I	I	NC
7	P01/IRQ9-A/TMCI2/RxD6	RXD MI2320	I	M3VPu	-	I	I	Data received from the external pin(AMX)/MITSUBISHI writer rewrite
8	P00/IRQ8-A/TMRI2/TxD6	TXD MO2321	O	-	-	L	L	Data transfer to external pin(AMX)/MITSUBISHI writer rewrite
9	P65/IRQ15-A	POWER KEY	I	M3VPu	-	I	I	POWER KEY (WAIT MODE cancel, interrupt port)
10	EMLE	EMLE	I	Pd	-	-	-	Emulator communication pin
11	WDTOVF#/TDO	TDO/WDTOVF#	O/O	-	-	-	-	Emulator communication pin
12	VSS	VSS	I	-	-	-	-	GND
13	MDE	MDE	I	Pd	-	-	-	NC

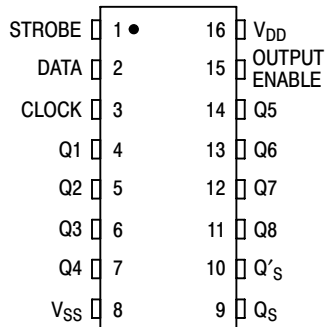
Pin	Pin Name	Symbol	I/O	Pull up/ down	LvCnv	STBY	CEC STBY	Function
14	VCL	VCL	I	-	-	-	-	Smoothing capacitor connection pin
15	MD1	MD1	I	M3VPu	-	-	-	NC
16	MD0	MD0	I	M3VPu	-	-	-	NC
17	P86	(MUTE POWER)	O	-	-	L	L	Reserve (PRE MUTE control)
18	P85	REMOTE POWER(232C)	O	-	-	L	L	232C POWER control pin(ON: H)
19	RES#	RESET	I	-	-	-	-	Reset input pin (reset: L)
20	XTAL	XTAL	I	-	-	-	-	Clock input
21	VSS	VSS	-	-	-	-	-	GND
22	EXTAL	EXTAL	-	-	-	-	-	Clock output
23	VCC	VCC	-	-	-	-	-	+3.3V
24	NMI	NMI	I	M3VPu	-	-	-	NC
25	P34/IRQ4-A/PO12/ TIOCA1	BDOWN	I	-	-	I	I	Power failure detection pin(Power failure:L)
26	P33/IRQ3-A/PO11/ TIOCC0/TIOCD0/ TCLKB-A	PLDAERR	I	-	-	L	L	PLD ERROR detection pin
27	P32/IRQ2-A/PO10/ TIOCC0/TCLKA-A	NC	O	-	-	L	L	NC
28	P31/IRQ1-A/PO9/TIOCA0/ TIOCB0	ADV7623 INT1	I	-	-	I	I	HDMI transmitter /receiver / OSD (ADV7623) INT1 output pin
29	P30/IRQ0-A/PO8/TIOCA0	RC IN	I	-	-	I	I	Remote control signal input pin
30	P27/PO7/TIOCA5/ TIOCB5/SCK1	ADV7511 RST	O	SW3VPu	-	L	H	HDMI transmitter RESET control pin (ADV7511)
31	P26/PO6/TIOCA5/TMO1/ TxD1	iPod TXD	O	-	3->5	L	L	IPOD communication control pin
32	P25/PO5/TIOCA4/TMCI1/ RxD1	iPod RXD	I	-	5->3	L	L	IPOD communication control pin
33	P24/PO4/TIOCA4/ TIOCB4/TMR1	TU RST/(TU STEREO)	O/I	SW3VPu	-	L/L	L/L	TUNER RESET pin (E3 model) /TUNER ST control pin (E2,EA,E1C,JP models)
34	P23/PO3/TIOCC3/TIOCD3	E RESET	O	-	-	L	L	ETHERNET RESET control pin (DM860)
35	P22/PO2/TIOCC3/TMO0/ SCK0	E POWER	O	-	-	L	L	ETHERNET POWER control pin (DM860)
36	P21/PO1/TIOCA3/TMCI0/ RxD0	E_RXDMIEO	O	-	-	L	L	ETHERNET communication control pin (DM860)
37	P20/PO0/TIOCA3/ TIOCB3/TMR10/TxD0	E_TXDMOEI	O	-	-	L	L	ETHERNET communication control pin (DM860)
38	P17/IRQ7-B/TCLKD-B/ TxD3/SCL0/ADTRG1#	TU SCLK/TU SCL	O/O	SW3VPu	-	L/L	L/L	TUNER control pin
39	PLLVCC	PLLVCC	-	-	-	-	-	+3.3V
40	P16/IRQ6-B/TCLKC-B/ RxD3/SDA0	TU SDIO/TU SDA	O/I_O	SW3VPu	-	L/L	L/L	TUNER control pin
41	PLLVSS	PLLVSS	-	-	-	-	-	GND
42	P15/IRQ5-B/TCLKB-B/ SCK3/SCL1	HSCL (400k)	O	CEC3VPu	-	L	L	VIDEO I2C- HDMI TX,RX,OSD(ADV7623)/ HDMI_TX(ADV7511)/HDMI SW(ADV3002)/A to H decoder(ADV7844)
43	P14/IRQ4-B/TCLKA-B/ SDA1	HSDA (400k)	I_O	CEC3VPu	-	L	L	VIDEO I2C- HDMI TX,RX,OSD(ADV7623)/ HDMI_TX(ADV7511)/HDMI SW(ADV3002)/A to H decoder(ADV7844)
44	P13/IRQ3-B/TxD2/ ADTRG0#	ADV7623 SPI MO	O	-	-	L	L	OSD control pin (ADV7623)
45	P12/IRQ2-B/RxD2	ADV7623 SPI MI	I	-	-	L	L	OSD control pin (ADV7623)
46	P11/IRQ1-B/SCK2	ADV7623 SPI CLK	O	-	-	L	L	OSD control pin (ADV7623)
47	P10/IRQ0-B	ADV7623 SPI CS	O	-	-	L	L	OSD control pin (ADV7623)
48	P37/PO15/TIOCA2/ TIOCB2/TCLKD-A	EEPROM SDA	I_O	M3VPu	-	I	I	EEPROM control pin
49	P36/PO14/TIOCA2	EEPROM SCL	O	M3VPu	-	I	I	EEPROM control pin
50	P35/PO13/TIOCA1/ TIOCB1/TCLKC-A	ADV7844 RST	O	SW3VPu	-	L	H	HDMI decoder RESET control pin (ADV7844)
51	P84	CEC_OUT	O	-	-	L	-	CEC-D signal input pin
52	P57/WAIT#/TRDATA3	ADV3002 RST	O	SW3VPu	-	L	L	HDMI switcher RESET control pin (ADV3002)
53	P56/TRDATA2	E SPI MOEI	O	N3VPu	-	L	L	ETHERNET communication control pin (DM860)
54	P55/TRDATA1	ADV7623 RST	O	SW3VPu	-	L	L	HDMI Tx/Rx/OSD RESET control pin (ADV7623)
55	P54/TRDATA0	E SPI MIEO	I	N3VPu	-	L	L	ETHERNET communication control pin (DM860)
56	P83	E SPI CLK	O	N3VPu	-	L	L	ETHERNET communication control pin (DM860)
57	VSS	VSS	-	-	-	-	-	GND
58	P82/TRCLK	FL CE	O	-	-	L	L	FL control order pin
59	VCC	VCC	-	-	-	-	-	+3.3V

Pin	Pin Name	Symbol	I/O	Pull up/down	LvCnv	STBY	CEC STBY	Function
60	P81/TRSYNC	FL RST	O	-	-	L	L	FL control order pin
61	P80	S VSEL B	O	-	-	L	L	S VIDEO switcher control pin (TC4052)
62	BCLK/P53	iPod DET	I	SW3VPu	-	L	L	MINI JACK connection detection pin for DOCK connection(Connection:H)
63	P52/RD#	COMPS DET	I	SW3VPu	-	L	L	COMPONENT IN signal presence detection pin
64	P51/WR1#/BC1#	Z1 VSIG.DET	I	SW3VPu	-	L	L	VIDEO IN signal presence detection pin (input:H)
65	P50/WR0#/WR#	NC	O	-	-	L	L	NC
66	P77	S VSEL A	O	-	-	L	L	S VIDEO switcher control pin (TC4052)
67	P76/IRQ14-A	TU GPIO2_INT/(TUNED)	I	SW3VPu	-	L/L	L/L	TUNER GPIO2 input pin (E3 model) /TUNER TUNED input pin (E2,EA,E1C,JP models)
68	P75	DSP ROMRST	O	-	-	L	L	Memory reset for DSP (Reset : L)
69	PC7/A23/CS4#-D/CS7#-D/TxD5	DSP MOSI	O	DA3VPu	-	L	L	DSP control pin (ADSP21487KSWZ-3B)
70	PC6/A22/CS6#-D/RxD5	DSP MISO	I	DA3VPu	-	L	L	DSP control pin (ADSP21487KSWZ-3B)
71	PC5/A21/CS5#-D/SCK5	DSPI CLK	O	DA3VPu	-	L	L	DSP control pin (ADSP21487KSWZ-3B)
72	PC4/A20	DSP RST	O	-	-	L	L	DSP(ADSP21487KSWZ-3B) reset output pin (Reset : L)
73	PC3/A19	DSP FLAG0	I	Pd	-	L	L	DSP control pin (ADSP21487KSWZ-3B)
74	VCC	VCC	-	-	-	-	-	+3.3V
75	PC2/A18	DSP ICS	O	DA3VPu	-	L	L	DSP control pin (ADSP21487KSWZ-3B)
76	VSS	VSS	-	-	-	-	-	GND
77	PC1/A17	GRN LED	O	-	-	L	L	POWER LED control pin(ON:H)
78	PC0/A16	RED LED	O	-	-	L	L	POWER/STANDBY LED control pin (ON:H)
79	PB7/A15/PO31/TIOCA11/TIOCB11	H/P RL	O	-	-	L	L	HEADPHONE RLY control pin
80	PB6/A14/PO30/TIOCA11	FRONT RL	O	-	-	L	L	LRELAY control pin
81	PB5/A13/PO29/TIOCA10/TIOCB10	T.MUTE	O	-	-	L	L	TUNER MUTE control pin(MUTE:L)
82	PB4/A12/PO28/TIOCA10	TU_SEN (E3 Model)/ NC(E2,EA,E1C,JP Model)	O/O	-	-	L/L	L/L	TUNER control pin (E3 Model) / NC(E2,EA,E1C,JP Model)
83	PB3/A11/PO27/TIOCC9/TIOCD9	C/S RL	O	-	-	L	L	LRELAY control pin
84	PB2/A10/PO26/TIOCC9	SB RL	O	-	-	L	L	LRELAY control pin
85	PB1/A9/PO25/TIOCA9/TIOCB9	D5V POWER	O	-	-	L	H	Digital 5V power supply control pin
86	P74/ADTRG3#	DIR CE	O	-	-	L	L	DIR control pin (LC89058W-E)
87	P73	DIR DIN	O	-	-	L	L	DIR control pin (LC89058W-E)
88	P72	DIR DOUT	I	DA3VPu	-	I	I	DIR control pin (LC89058W-E)
89	P71/CS4#-C/CS5#-C/CS6#-C/CS7#-C	DIR CLK	O	-	-	L	L	DIR control pin (LC89058W-E)
90	P70/CS3#-B/ADTRG2#	DIR RST1	O	-	-	L	L	DIR control pin (LC89058W-E)
91	VCC	VCC	-	-	-	-	-	+3.3V
92	PB0/A8/PO24/TIOCA9	7623 ROM HOLD	O	-	-	L	L	SPI FLASH ROM HOLD control pin (ADV7623)
93	VSS	VSS	-	-	-	-	-	GND
94	PA7/A7/PO23/TIOCA8/TIOCB8/TCLKH	DIR(ETHER) RST	O	-	-	L	L	DIR (ETHER) RESET control pin (LC89058W)
95	PA6/A6/PO22/TIOCA8	VSEL A	I	-	-	I	I	Master Volume rotation detection pin(Rotary encoder)
96	PA5/A5/PO21/TIOCA7/TIOCB7/TCLKG	VSEL B	I	-	-	I	I	Master Volume rotation detection pin(Rotary encoder)
97	PA4/A4/PO20/TIOCA7	DIR(ETHER) CE	O	-	-	L	L	DIR (ETHER) CE control pin (LC89058W)
98	PA3/A3/PO19/TIOCC6/TIOCD6/TCLKF	DAC(ETHER) MUTE	O	-	-	L	L	DAC (ETHER) MUTE control pin (AK4424ET)
99	PA2/A2/PO18/TIOCC6/TCLKE	PRE Z2 MUTE	O	-	-	L	L	PRE OUT MUTE control pin
100	PA1/A1/PO17/TIOCA6/TIOCB6	NC	O	-	-	L	L	NC
101	PA0/A0/BC0#/PO16/TIOCA6	PRE SW MUTE	O	-	-	L	L	PRE OUT MUTE control pin / NC (AVR1712)
102	PE7/IRQ7-A/D15	ADV7623 INT2	I	-	-	I	I	HDMI RECEIVER INT2 output pin (ADV7623)
103	PE6/IRQ6-A/D14	ADV7623 Tx INT	I	-	-	I	I	HDMI signal detection pin (ADV7623)
104	PE5/IRQ5-A/D13	ADV7511 Tx INT	O	-	-	L	L	HDMI signal detection pin (ADV7511)
105	PE4/D12	ISEL A(AVR1912E2,AVR2112)/ NC(AVR1912E3)	I/O	SW3Pu-	-	L/L	L/L	Input Selector rotation detection pin(Rotary encoder) / NC (AVR1912E3)
106	PE3/D11	ISEL A(AVR1912E2,AVR2112)/ NC(AVR1912E3)	I/O	SW3Pu-	-	L/L	L/L	Input Selector rotation detection pin(Rotary encoder) / NC (AVR1912E3)
107	PE2/D10	VOL CLK	O	-	-	L	L	FUNCTION/VOLUME control pin(R2A15218)
108	PE1/D9	VOL DATA	O	-	-	L	L	FUNCTION/VOLUME control pin(R2A15218)
109	PE0/D8	PLD WRITE	O	-	-	L	L	A.PLD /JTAG switching control pin

Pin	Pin Name	Symbol	I/O	Pull up/ down	LvCnv	STBY	CEC STBY	Function
110	PD7/D7	JTAG TDO	I	-	-	L	L	A.PLD rewriting control pin(JTAG)
111	PD6/D6	JTAG TMS/APLD CS	O	-	-	L	L	A.PLD rewriting & control pin
112	PD5/D5	JTAG TDI/APLD DATA/DAC DATA	O	-	-	L	L	A.PLD rewriting & control /DAC control pin
113	PD4/D4	JTAG TCK/APLD CLK/DAC CLK	O	-	-	L	L	A.PLD rewriting & control /DAC control pin
114	P64/CS4#-B	ADC RST	O	-	-	L	L	A/D converter control pin(AK5358B)
115	P63/CS3#-A/CS7#-A	E SPI REQ	I	Pd	-	L	L	ETHERNET communication control pin(DM860)
116	P62/CS2#-A/CS6#-A	E SPI CS	O	N3VPu	-	L	L	ETHERNET communication control pin(DM860)
117	P61/CS1#-A/CS2#-B/ CS5#-A/CS6#-B/CS7#-B	DAC MS	O	-	-	L	L	A/D converter control pin(AK4358VQ)
118	P60/CS0#-A/CS4#-A/ CS5#-B	DAC RST	O	-	-	L	L	A/D converter control pin(AK4358VQ)
119	PD3/D3	VEXP STB	O	-	3->5	L	L	VIDEO expander control pin(MC14094BD)
120	PD2/D2	VEXP OE	O	Pd	3->5	L	L	VIDEO expander control pin(MC14094BD)
121	PD1/D1	VEXP CLK/FL CLK	O	-	3->5/-	L	L	VIDEO expander control (MC14094BD) & FL control pin
122	PD0/D0	VEXP DIN/FL DATA	O	-	3->5/-	L	L	VIDEO expander control (MC14094BD) & FL control pin
123	P97/AN15	DA POWER	O	-	-	L	L	Digital power supply (DA3.3V & DA1.2V) control pin (ON:H)
124	P96/AN14	CEC POWER	O	-	-	L	H	CEC power supply (CEC5V & CEC3.3V & CEC1.8V) control pin for CEC STANDBY.
125	P95/AN13	DV POWER	O	-	-	L	※	Digital (VIDEO) power supply (DV5V & DV3.3V) control pin. *CEC STANDBY:MODE1=H, MODE2=L
126	P94/AN12	DV POWER2	O	-	-	L	※	Digital (VIDEO) power supply (DV1.8V) control pin. *CEC STANDBY:MODE1=H, MODE2=L
127	P93/AN11	MAIN POWER	O	-	-	L	L	MAIN POWER control pin
128	P92/AN10	CPU POWER	O	-	-	L	L	MAIN CPU POWER pin (POWER ON: H CEC ON = STANDBY: H)
129	P91/AN9	MODEL	I	-	-	I	I	MODEL switch input pin (No assign)
130	VSS	VSS	-	-	-	-	-	GND
131	P90/AN8	MODE	I	-	-	I	I	Destination detection pin
132	VCC	VCC	-	-	-	-	-	+3.3V
133	P47/IRQ15-B/AN7	THERMAL B/DC DET/ASO	I	-	-	I	I	ASO PROTECT / DC PROTECT / HEAT PROTECT-B detection pin
134	P46/IRQ14-B/AN6	H/P DET / MIC DET/THERMAL A	I	-	-	I	I	MIC detectionion / Headphone detectionion / HEAT PROTECT-A detection pin
135	P45/IRQ13-B/AN5	KEY3	I	SW3VPu	-	I	I	Button input 3
136	P44/IRQ12-B/AN4	KEY2	I	SW3VPu	-	I	I	Button input 2
137	P43/IRQ11-B/AN3	KEY1	I	SW3VPu	-	I	I	Button input 1
138	P42/IRQ10-B/AN2	RDS DATA(EU)/NC(KST-MW MODEL)	I/I	-	5->3	I/I	I/I	NC / RDS control (E2 Model)
139	P41/IRQ9-B/AN1	RDS CLK(EU)/NC(KST-MW MODEL)	I/I	-	5->3	I/I	I/I	NC / RDS control (E2 Model)
140	AVSS	AVSS	-	-	-	-	-	GND
141	P40/IRQ8-B/AN0	CEC_IN	I	SW3VPu	-	I	I	CEC-D signal input pin
142	VREF	VREF	-	-	-	-	-	Reference voltage (+3.3V) input pin for A/D port
143	AVCC	AVCC	-	-	-	-	-	+3.3V
144	P05/IRQ13-A/TMO3/ Rx/D4/TCK	NC	I	M3VPu	-	I	I	NC

# MC14094BDTR2G (HDMI : IC35)

## PIN ASSIGNMENT



## TRUTH TABLE

Clock	Output Enable	Strobe	Data	Parallel Outputs		Serial Outputs	
				Q1	Q <sub>N</sub>	Q <sub>S</sub> <sup>+</sup>	Q' <sub>S</sub>
	0	X	X	Z	Z	Q7	No Chg.
	0	X	X	Z	Z	No Chg.	Q7
	1	0	X	No Chg.	No Chg.	Q7	No Chg.
	1	1	0	0	Q <sub>N</sub> -1	Q7	No Chg.
	1	1	1	1	Q <sub>N</sub> -1	Q7	No Chg.
	1	1	1	No Chg.	No Chg.	No Chg.	Q7

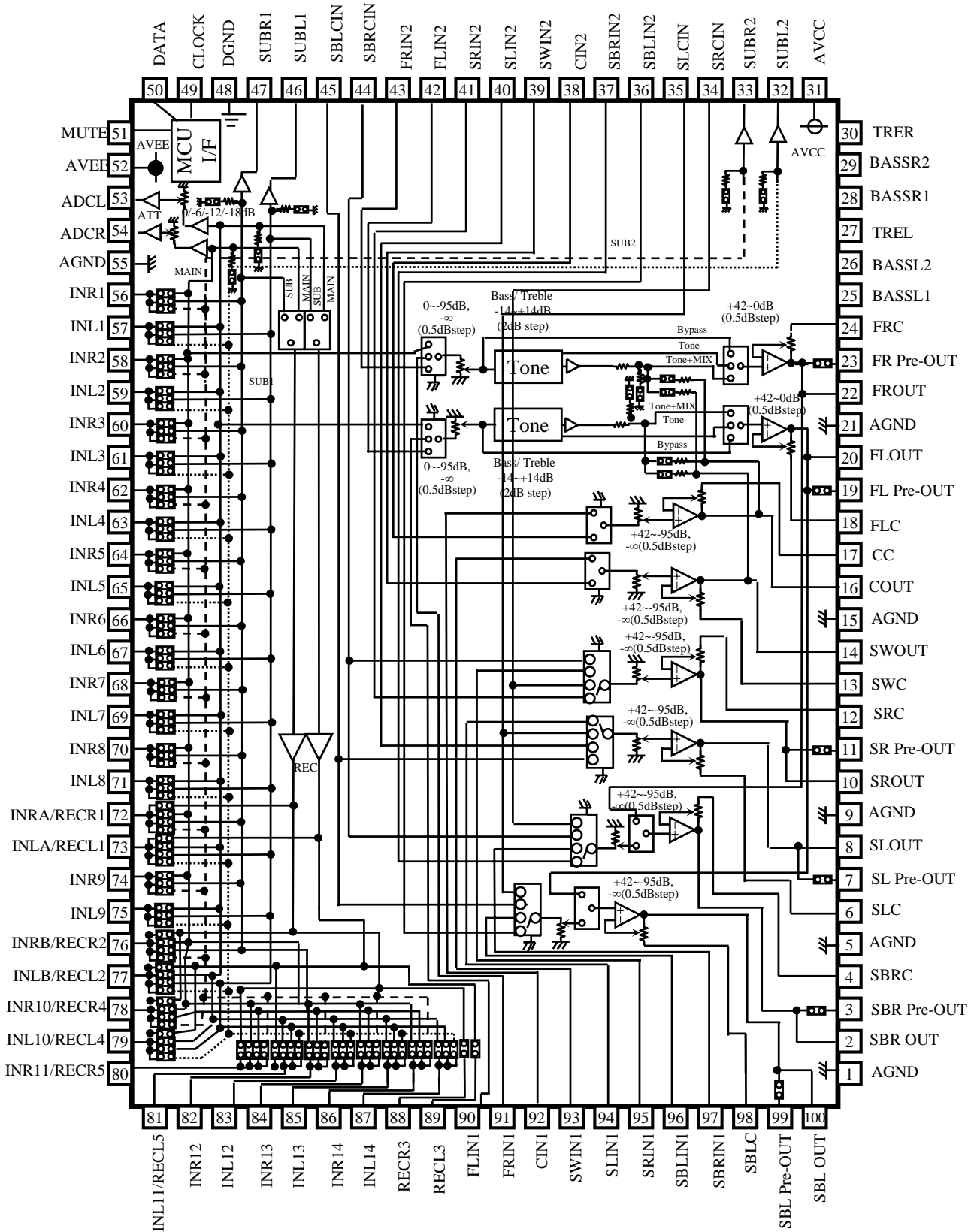
Z = High Impedance X = Don't Care

\* At the positive clock edge, information in the 7th shift register stage is transferred to Q8 and Q<sub>S</sub>.

## MC14094BDTR2G Terminal Function

Device	Pin	Pin Name	Symbol	I/O	Function
HDMI:IC35	4	EXP1 (Q1)	VINA	O	CVBS input select control pin (TC4051)
	5	EXP2 (Q2)	VINB	O	CVBS input select control pin (TC4051)
	6	EXP3 (Q3)	VINC	O	CVBS input select control pin (TC4051)
	7	EXP4 (Q4)	P.SAVE	O	COMPONENT output MUTE control pin (NJM2586)
	11	EXP5 (Q8)	COMP SW2	O	VIDEO SELECT IC(NJW2586)
	12	EXP6 (Q7)	COMP SW1	O	VIDEO SELECT IC(NJW2586)
	13	EXP7 (Q6)	MONIB	O	CVBS monitor output signal control pin(TC4052)
	14	EXP8 (Q5)	MONIA	O	CVBS monitor output signal control pin(TC4052)

R2A15218FP (AV : IC801)

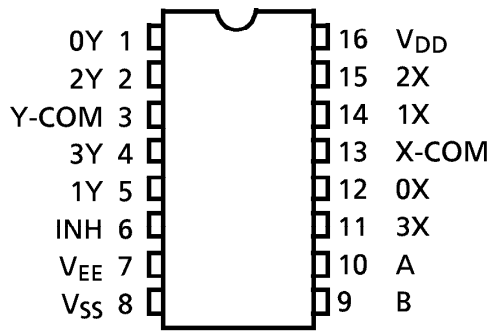




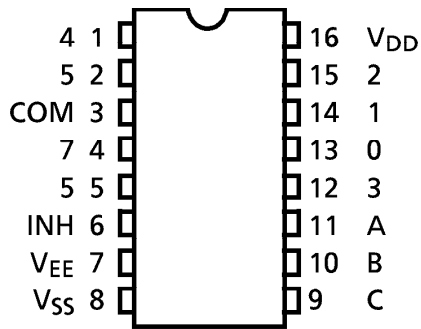
## R2A15218FP Pin Function

PIN No.	Name	Function
22,20, 16,14, 10, 8, 2, 100	FROUT,FLOUT, COUT,SWOUT, SROUT, SLOUT, SBROUT,SBLOUT	Output pin of FL/FR/C/SW/SL/SR/SBL/SBR channel
23,19, 11, 7, 3, 99	FR Pre-out,FL Pre-out, SR Pre-out, SL Pre-out, SBR Pre-out,SBL Pre-out	Pre-output pin of FL/FR/SL/SR/SBL/SBR channel
24,18, 17,13, 12, 6, 4, 98	FRC,FLC, CC,SWC, SRC,SLC, SBRC,SBLC	Connects capacitor for reducing click noise of L/R/C/SW/SL/SR/SBL/SBR channel volume
1,5,9,15, 21,55,98	AGND	Analog ground of internal circuit
27,30	TREL, TRER	Frequency characteristic setting pin of L/R channel tone control (Treble)
25,26, 28,29	BASSL1,BASSL2 BASSR1,BASSR2	Frequency characteristic setting pin of L/R channel tone control (Bass)
31	AVCC	Positive power supply to internal circuit
43,42, 41,40, 39,38, 37,36	FRIN2, FLIN2, SRN2,SLIN2, SWIN2,CIN2, SBRIN2,SBLIN2	Multi Input pin of L/R/C/SW/SL/SR/SBL/SBR channel (Multi IN 1/2)
90,91, 92,93, 94,95, 96,97	FLIN1, FRIN1, CIN1,SWIN1, SLIN1,SRIN1, SBLIN1,SBRIN1	
48	DGND	Digital ground of internal circuit
49	DATA	Input pin of control data
50	CLOCK	Input pin of control clock
52	AVEE	Negative power supply to internal circuit
57,59,61,63, 65,67,69,71, 75,83,85,87	INL1,INL2, INL3,INL4, INL5,INL6,INL7,INL8, INL9,INL12,INL13,INL14	Input pin of L/R channel (Input Selector)
56,58,60,62, 64,66,68,70, 74,82,84,86	INR1,INR2, INR3,INR4, INR5,INR6,INR7,INR8, INR9,INR12,INR13,INR14	
51	MUTE	Outside Mute Control PIN
44,45 34,35	SBRCIN,SBLCIN SRCIN,SLCIN	3 <sup>rd</sup> Multi Input pin for SBL/SBR/SL/SR channel Volume that is able to swap SBR/SBL with SR/SL
46,47 33,32	SUBL1,SUBR1 SUBL2,SUBR2	Output pin for L/R channel SUB1/SUB2 Output
53,54	ADCL, ADCR	Output pin for L/R channel ADC
88,89	RECR3,RECL3	Output pin for L/R channel REC Output
72,73, 76,77, 78,79 80,81	INRA/RECR1,INLA/RECL1, INRB/RECR2,INLB/RECL2, INR10/RECR4,INL10/RECL4, INR11/RECR5,INL11/RECL5	Input pin of L/R channel (Input Selector)/ Output pin for L/R channel REC Output

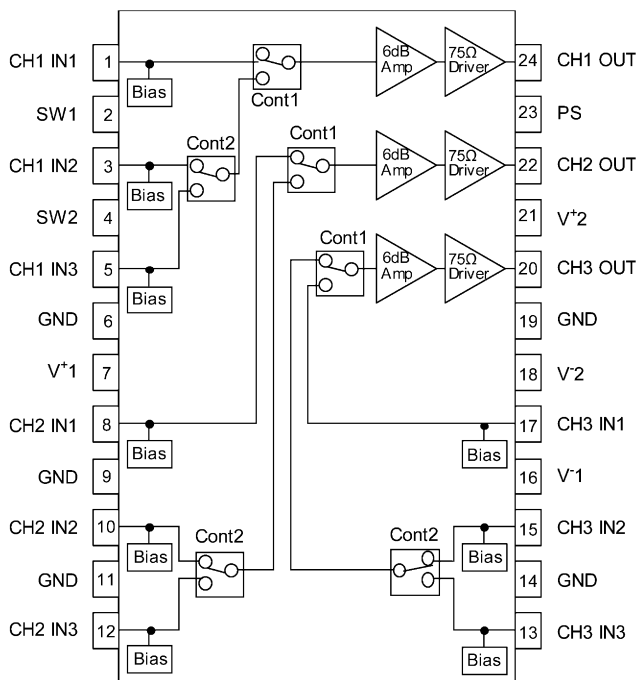
**TC4052BFT (AV : IC806,826)**



**TC4051BFT (AV : IC822)**



**NJM2586AM (AV : IC825)**





# ANODE CONNECTION

	1G	2G	3G	4G	5G	6G	7G	8G	9G	10G	11G	12G	13G	14G	15G	16G	17G	18G
D0	1-1	1-1	1-1	1-1	1-1	1-1	1-1	1-1	1-1	1-1	1-1	1-1	1-1	1-1	1-1	1-1	S1	PCM
D1	2-1	2-1	2-1	2-1	2-1	2-1	2-1	2-1	2-1	2-1	2-1	2-1	2-1	2-1	2-1	2-1	3d	AAC
D2	3-1	3-1	3-1	3-1	3-1	3-1	3-1	3-1	3-1	3-1	3-1	3-1	3-1	3-1	3-1	3-1	2d	S2
D3	4-1	4-1	4-1	4-1	4-1	4-1	4-1	4-1	4-1	4-1	4-1	4-1	4-1	4-1	4-1	4-1	3e	EQ
D4	5-1	5-1	5-1	5-1	5-1	5-1	5-1	5-1	5-1	5-1	5-1	5-1	5-1	5-1	5-1	5-1	2e	VOL
D5	1-2	1-2	1-2	1-2	1-2	1-2	1-2	1-2	1-2	1-2	1-2	1-2	1-2	1-2	1-2	1-2	3c	DYN
D6	2-2	2-2	2-2	2-2	2-2	2-2	2-2	2-2	2-2	2-2	2-2	2-2	2-2	2-2	2-2	2-2	2c	XT
D7	3-2	3-2	3-2	3-2	3-2	3-2	3-2	3-2	3-2	3-2	3-2	3-2	3-2	3-2	3-2	3-2	3g	MULTEQ
D8	4-2	4-2	4-2	4-2	4-2	4-2	4-2	4-2	4-2	4-2	4-2	4-2	4-2	4-2	4-2	4-2	2g	AUDYSSEY
D9	5-2	5-2	5-2	5-2	5-2	5-2	5-2	5-2	5-2	5-2	5-2	5-2	5-2	5-2	5-2	5-2	3f	X
D10	1-3	1-3	1-3	1-3	1-3	1-3	1-3	1-3	1-3	1-3	1-3	1-3	1-3	1-3	1-3	1-3	2f	II
D11	2-3	2-3	2-3	2-3	2-3	2-3	2-3	2-3	2-3	2-3	2-3	2-3	2-3	2-3	2-3	2-3	3b	PL
D12	3-3	3-3	3-3	3-3	3-3	3-3	3-3	3-3	3-3	3-3	3-3	3-3	3-3	3-3	3-3	3-3	2b	DD (PL)
D13	4-3	4-3	4-3	4-3	4-3	4-3	4-3	4-3	4-3	4-3	4-3	4-3	4-3	4-3	4-3	4-3	3a	+
D14	5-3	5-3	5-3	5-3	5-3	5-3	5-3	5-3	5-3	5-3	5-3	5-3	5-3	5-3	5-3	5-3	2a	MASTER
D15	1-4	1-4	1-4	1-4	1-4	1-4	1-4	1-4	1-4	1-4	1-4	1-4	1-4	1-4	1-4	1-4	Dp	RDS
D16	2-4	2-4	2-4	2-4	2-4	2-4	2-4	2-4	2-4	2-4	2-4	2-4	2-4	2-4	2-4	2-4	dB	AUTO
D17	3-4	3-4	3-4	3-4	3-4	3-4	3-4	3-4	3-4	3-4	3-4	3-4	3-4	3-4	3-4	3-4	1d	TUNED
D18	4-4	4-4	4-4	4-4	4-4	4-4	4-4	4-4	4-4	4-4	4-4	4-4	4-4	4-4	4-4	4-4	1e	STEREO
D19	5-4	5-4	5-4	5-4	5-4	5-4	5-4	5-4	5-4	5-4	5-4	5-4	5-4	5-4	5-4	5-4	1c	Neo:6
D20	1-5	1-5	1-5	1-5	1-5	1-5	1-5	1-5	1-5	1-5	1-5	1-5	1-5	1-5	1-5	1-5	1g	HD
D21	2-5	2-5	2-5	2-5	2-5	2-5	2-5	2-5	2-5	2-5	2-5	2-5	2-5	2-5	2-5	2-5	1f	dtb
D22	3-5	3-5	3-5	3-5	3-5	3-5	3-5	3-5	3-5	3-5	3-5	3-5	3-5	3-5	3-5	3-5	1b	-
D23	4-5	4-5	4-5	4-5	4-5	4-5	4-5	4-5	4-5	4-5	4-5	4-5	4-5	4-5	4-5	4-5	1a	-
D24	5-5	5-5	5-5	5-5	5-5	5-5	5-5	5-5	5-5	5-5	5-5	5-5	5-5	5-5	5-5	5-5	SP-	-
D25	1-6	1-6	1-6	1-6	1-6	1-6	1-6	1-6	1-6	1-6	1-6	1-6	1-6	1-6	1-6	1-6	A	-
D26	2-6	2-6	2-6	2-6	2-6	2-6	2-6	2-6	2-6	2-6	2-6	2-6	2-6	2-6	2-6	2-6	B	-
D27	3-6	3-6	3-6	3-6	3-6	3-6	3-6	3-6	3-6	3-6	3-6	3-6	3-6	3-6	3-6	3-6	Z2	-
D28	4-6	4-6	4-6	4-6	4-6	4-6	4-6	4-6	4-6	4-6	4-6	4-6	4-6	4-6	4-6	4-6	Q1	-
D29	5-6	5-6	5-6	5-6	5-6	5-6	5-6	5-6	5-6	5-6	5-6	5-6	5-6	5-6	5-6	5-6	Q2	-
D30	1-7	1-7	1-7	1-7	1-7	1-7	1-7	1-7	1-7	1-7	1-7	1-7	1-7	1-7	1-7	1-7	Q3	-
D31	2-7	2-7	2-7	2-7	2-7	2-7	2-7	2-7	2-7	2-7	2-7	2-7	2-7	2-7	2-7	2-7	-	-
D32	3-7	3-7	3-7	3-7	3-7	3-7	3-7	3-7	3-7	3-7	3-7	3-7	3-7	3-7	3-7	3-7	-	-
D33	4-7	4-7	4-7	4-7	4-7	4-7	4-7	4-7	4-7	4-7	4-7	4-7	4-7	4-7	4-7	4-7	-	DIG.
D34	5-7	5-7	5-7	5-7	5-7	5-7	5-7	5-7	5-7	5-7	5-7	5-7	5-7	5-7	5-7	5-7	-	ANA.
AD1	-	-	-	-	-	-	AUTO	-	HDMI	DIGITAL	-	ANALOG	-	-	-	MUTE	-	DDIGITAL
AD2	-	-	-	-	-	-	HDMI	-	RSTR	REC	-	SBACK	-	-	-	SLEEP	-	DDTTruHD

# PARTS LIST OF P.C.B. UNIT

\*Parts indicated by "nsp" on this table cannot be supplied.

\*The parts listed below are only for maintenance. Therefore they might differ from the parts used in the unit in appearances or dimensions.

Note: The symbols in the column "Remarks" indicate the following destinations.  
 1912E3 : U.S.A. & Canada model      1912E2 : Europe model      1912EA : Australia model  
 1912E1C : China model      2311CIE3 : U.S.A. & Canada model  
 BK : Black model      SP : Premium Silver model

## PCB 7CH\_AMP ASS'Y

Ref. No.	Part No.	Part Name	Remarks	Q'ty	New
<b>SEMICONDUCTORS GROUP</b>					
Q401	00D2710314903	TR 2SA KTA1024Y		J5001024Y0050S	
Q403	00D2710318909	TR 2SA 2N5401S		J520254010010S	
Q405	00D2710318909	TR 2SA 2N5401S		J520254010010S	
Q406	00D2730479909	TR 2SC 2N5551S		J522255510010S	
Q407,408	00D9600196205	TR 2SA KSA992F		J5000992F0050S	
Q412	00D2730471907	TR 2SC KTC3206Y		J5023206Y0050S	
Q413	00D2710314903	TR 2SA KTA1024Y		J5001024Y0050S	
Q415	00D2710318909	TR 2SA 2N5401S		J520254010010S	
Q417	00D9600196205	TR 2SA KSA992F		J5000992F0050S	
Q418	00D2730479909	TR 2SC 2N5551S		J522255510010S	
Q419,420	00D9600196205	TR 2SA KSA992F		J5000992F0050S	
Q424	00D2730471907	TR 2SC KTC3206Y		J5023206Y0050S	
Q425	00D2710314903	TR 2SA KTA1024Y		J5001024Y0050S	
Q427	00D2710318909	TR 2SA 2N5401S		J520254010010S	
Q430	00D2730479909	TR 2SC 2N5551S		J522255510010S	
Q431,432	00D9600196205	TR 2SA KSA992F		J5000992F0050S	
Q436	00D2730471907	TR 2SC KTC3206Y		J5023206Y0050S	
Q437	00D2710314903	TR 2SA KTA1024Y		J5001024Y0050S	
Q439	00D2710318909	TR 2SA 2N5401S		J520254010010S	
Q442	00D2730479909	TR 2SC 2N5551S		J522255510010S	
Q443,444	00D9600196205	TR 2SA KSA992F		J5000992F0050S	
Q448	00D2730471907	TR 2SC KTC3206Y		J5023206Y0050S	
Q449	00D2710314903	TR 2SA KTA1024Y		J5001024Y0050S	
Q451	00D2710318909	TR 2SA 2N5401S		J520254010010S	
Q454	00D2730479909	TR 2SC 2N5551S		J522255510010S	
Q455,456	00D9600196205	TR 2SA KSA992F		J5000992F0050S	
Q460	00D2730471907	TR 2SC KTC3206Y		J5023206Y0050S	
Q461	00D2710314903	TR 2SA KTA1024Y		J5001024Y0050S	
Q463	00D2710318909	TR 2SA 2N5401S		J520254010010S	
Q466	00D2730479909	TR 2SC 2N5551S		J522255510010S	
Q467,468	00D9600196205	TR 2SA KSA992F		J5000992F0050S	
Q472	00D2730471907	TR 2SC KTC3206Y		J5023206Y0050S	
Q473	00D2710314903	TR 2SA KTA1024Y		J5001024Y0050S	
Q475	00D2710318909	TR 2SA 2N5401S		J520254010010S	
Q478	00D2730479909	TR 2SC 2N5551S		J522255510010S	
Q479,480	00D9600196205	TR 2SA KSA992F		J5000992F0050S	
Q484	00D2730471907	TR 2SC KTC3206Y		J5023206Y0050S	
D402-404	00D2760401905	D,SWITCHING 1SS133T		K000013300520S	
D408-410	00D2760401905	D,SWITCHING 1SS133T		K000013300520S	
D414-416	00D2760401905	D,SWITCHING 1SS133T		K000013300520S	
D420-422	00D2760401905	D,SWITCHING 1SS133T		K000013300520S	
D426-428	00D2760401905	D,SWITCHING 1SS133T		K000013300520S	
D432-434	00D2760401905	D,SWITCHING 1SS133T		K000013300520S	
D438-440	00D2760401905	D,SWITCHING 1SS133T		K000013300520S	
ZD401	00D2760643983	D,ZENER MTZJ5.1A		K06005R134520S	
ZD402,403	00D9630047502	D,ZENER MTZJ3.3B		K06003R344520S	
ZD404	00D2760643983	D,ZENER MTZJ5.1A		K06005R134520S	
ZD405,406	00D9630047502	D,ZENER MTZJ3.3B		K06003R344520S	
ZD407	00D2760643983	D,ZENER MTZJ5.1A		K06005R134520S	
ZD408,409	00D9630047502	D,ZENER MTZJ3.3B		K06003R344520S	
ZD410	00D2760643983	D,ZENER MTZJ5.1A		K06005R134520S	
ZD411,412	00D9630047502	D,ZENER MTZJ3.3B		K06003R344520S	

Ref. No.	Part No.	Part Name	Remarks		Q'ty	New
ZD413	00D2760643983	D,ZENER MTZJ5.1A		K06005R134520S		
ZD414,415	00D9630047502	D,ZENER MTZJ3.3B		K06003R344520S		
ZD416	00D2760643983	D,ZENER MTZJ5.1A		K06005R134520S		
ZD417,418	00D9630047502	D,ZENER MTZJ3.3B		K06003R344520S		
ZD419	00D2760643983	D,ZENER MTZJ5.1A		K06005R134520S		
ZD420,421	00D9630047502	D,ZENER MTZJ3.3B		K06003R344520S		
<b>RESISTORS GROUP</b>						
R404	nsp	R,FIXED 1WJ-5.6K		N113135656220S		
R406	963252004160S	POSISTOR 18BC471QB5RB		F320184710050S		
R408	nsp	R,FIXED 1WJ-5.6K		N113135656220S		
R415	963125012630S	R,METAL FILM 22-J,1W	FLAME RETARDANT	C060022065050S		
R424,425	00D9630345903	R,FIXED 2WJ-0.47	FLAME RETARDANT	N113136647820S		
R430,431	00D9630345903	R,FIXED 2WJ-0.47	FLAME RETARDANT	N113136647820S		
R434	nsp	R,METAL FILM 3.3K-J,1W		C060033265050S		
R439	963125012630S	R,METAL FILM 22-J,1W	FLAME RETARDANT	C060022065050S		
R441	nsp	R,METAL FILM 1.2K-J,1W		C060012265050S		
R443	nsp	R,METAL FILM 47-J,1W		C060047065060S		
R445	nsp	R,FIXED 1WJ-5.6K		N113135656220S		
R450	963252004160S	POSISTOR 18BC471QB5RB		F320184710050S		
R451	nsp	R,FIXED 1WJ-5.6K		N113135656220S		
R458	963125012630S	R,METAL FILM 22-J,1W	FLAME RETARDANT	C060022065050S		
R467,468	00D9630345903	R,FIXED 2WJ-0.47	FLAME RETARDANT	N113136647820S		
R474,475	00D9630345903	R,FIXED 2WJ-0.47	FLAME RETARDANT	N113136647820S		
R478	nsp	R,METAL FILM 3.3K-J,1W		C060033265050S		
R483	963125012630S	R,METAL FILM 22-J,1W	FLAME RETARDANT	C060022065050S		
R485	nsp	R,METAL FILM 1.2K-J,1W		C060012265050S		
R487	nsp	R,METAL FILM 47-J,1W		C060047065060S		
R489	nsp	R,FIXED 1WJ-5.6K		N113135656220S		
R493	00D9630337908	R,METAL 33-J,1W	FLAME RETARDANT	C060033065050S		
R494	963252004160S	POSISTOR 18BC471QB5RB		F320184710050S		
R495	nsp	R,FIXED 1WJ-5.6K		N113135656220S		
R502	963125012630S	R,METAL FILM 22-J,1W	FLAME RETARDANT	C060022065050S		
R511,512	00D9630345903	R,FIXED 2WJ-0.47	FLAME RETARDANT	N113136647820S		
R517,518	00D9630345903	R,FIXED 2WJ-0.47	FLAME RETARDANT	N113136647820S		
R521	nsp	R,METAL FILM 3.3K-J,1W		C060033265050S		
R526	963125012630S	R,METAL FILM 22-J,1W	FLAME RETARDANT	C060022065050S		
R528	nsp	R,METAL FILM 1.2K-J,1W		C060012265050S		
R530	nsp	R,METAL FILM 47-J,1W		C060047065060S		
R534	nsp	R,FIXED 1WJ-5.6K		N113135656220S		
R537	963252004160S	POSISTOR 18BC471QB5RB		F320184710050S		
R538	nsp	R,FIXED 1WJ-5.6K		N113135656220S		
R545	963125012630S	R,METAL FILM 22-J,1W	FLAME RETARDANT	C060022065050S		
R551	00D9639005639	R,METAL FILM 100-J,1W	FLAME RETARDANT	C060010165060S		
R554,555	00D9630345903	R,FIXED 2WJ-0.47	FLAME RETARDANT	N113136647820S		
R561,562	00D9630345903	R,FIXED 2WJ-0.47	FLAME RETARDANT	N113136647820S		
R564	nsp	R,METAL FILM 3.3K-J,1W		C060033265050S		
R569	963125012630S	R,METAL FILM 22-J,1W	FLAME RETARDANT	C060022065050S		
R571	nsp	R,METAL FILM 1.2K-J,1W		C060012265050S		
R573	nsp	R,METAL FILM 47-J,1W		C060047065060S		
R577	nsp	R,FIXED 1WJ-5.6K		N113135656220S		
R580	963252004160S	POSISTOR 18BC471QB5RB		F320184710050S		
R581	nsp	R,FIXED 1WJ-5.6K		N113135656220S		
R588	963125012630S	R,METAL FILM 22-J,1W	FLAME RETARDANT	C060022065050S		
R597,598	00D9630345903	R,FIXED 2WJ-0.47	FLAME RETARDANT	N113136647820S		
R603,604	00D9630345903	R,FIXED 2WJ-0.47	FLAME RETARDANT	N113136647820S		
R607	nsp	R,METAL FILM 3.3K-J,1W		C060033265050S		
R612	963125012630S	R,METAL FILM 22-J,1W	FLAME RETARDANT	C060022065050S		
R614	nsp	R,METAL FILM 1.2K-J,1W		C060012265050S		
R616	nsp	R,METAL FILM 47-J,1W		C060047065060S		
R620	nsp	R,FIXED 1WJ-5.6K		N113135656220S		
R623	963252004160S	POSISTOR 18BC471QB5RB		F320184710050S		
R624	nsp	R,FIXED 1WJ-5.6K		N113135656220S		
R631	963125012630S	R,METAL FILM 22-J,1W	FLAME RETARDANT	C060022065050S		
R640,641	00D9630345903	R,FIXED 2WJ-0.47	FLAME RETARDANT	N113136647820S		
R646,647	00D9630345903	R,FIXED 2WJ-0.47	FLAME RETARDANT	N113136647820S		

Ref. No.	Part No.	Part Name	Remarks		Q'ty	New
R650	nsp	R,METAL FILM 3.3K-J,1W		C060033265050S		
R655	963125012630S	R,METAL FILM 22-J,1W	FLAME RETARDANT	C060022065050S		
R657	nsp	R,METAL FILM 1.2K-J,1W		C060012265050S		
R659	nsp	R,METAL FILM 47-J,1W		C060047065060S		
R663	nsp	R,FIXED 1WJ-5.6K		N113135656220S		
R666	963252004160S	POSISTOR 18BC471QB5RB		F320184710050S		
R667	nsp	R,FIXED 1WJ-5.6K		N113135656220S		
R674	963125012630S	R,METAL FILM 22-J,1W	FLAME RETARDANT	C060022065050S		
R683,684	00D9630345903	R,FIXED 2WJ-0.47	FLAME RETARDANT	N113136647820S		
R689,690	00D9630345903	R,FIXED 2WJ-0.47	FLAME RETARDANT	N113136647820S		
R694	nsp	R,METAL FILM 3.3K-J,1W		C060033265050S		
R698	963125012630S	R,METAL FILM 22-J,1W	FLAME RETARDANT	C060022065050S		
R700	nsp	R,METAL FILM 1.2K-J,1W		C060012265050S		
R702	nsp	R,METAL FILM 47-J,1W		C060047065060S		
VR401-407	963161012400S	VR,SEMI CARBON EVN-DCAA03B 1KB		C541102315000S		
<b>CAPACITORS GROUP</b>						
C401	nsp	C,CERAMIC 0.1UF-K/50V		D011104577160S		
C403	nsp	C,CERAMIC 0.01UF-K/50V		D010103777160S		
C404	00D9630234506	C,ELECT 47UF-M/50V (Pb Free)		D040470087070S		
C405	nsp	C,CERAMIC 100PF-J/50V		D010101167160S		
C406	nsp	C,CERAMIC SL220PF-J/500V		D00022106D051S		
C407	00D9630234506	C,ELECT 47UF-M/50V (Pb Free)	1912E3,1912E1C, 2112CIE3	D040470087070S		
C407	00D2544574919	C,ELECT 47UF-M/50V RA3	1912E2,1912EA	D040470087330S		
C408	00D9630224503	C,ELECT 22UF-M/50V		D040220087060S		
C410	00D9609009937	C,ELECT 100UF-M/50V		D040101087060S		
C412	nsp	C,CERAMIC 470PF-K/500V		D00447127D050S		
C413	nsp	C,CERAMIC X7R2200PF-K/50V		D011222777200S		
C415,416	00D9630234302	C,ELECT 10UF-M/100V		D04010008C050S		
C418	nsp	C,CERAMIC 0.1UF-K/50V		D011104577160S		
C419	00D9630324005	C,ELECT 100UF-M/100V		D04010108C240S		
C420	00D9630234506	C,ELECT 47UF-M/50V (Pb Free)		D040470087070S		
C421	nsp	C,CERAMIC 100PF-J/50V		D010101167160S		
C422	nsp	C,CERAMIC SL220PF-J/500V		D00022106D051S		
C423	00D9630234506	C,ELECT 47UF-M/50V (Pb Free)	1912E3,1912E1C, 2112CIE3	D040470087070S		
C423	00D2544574919	C,ELECT 47UF-M/50V RA3	1912E2,1912EA	D040470087330S		
C424	00D9630224503	C,ELECT 22UF-M/50V		D040220087060S		
C426	00D9609009937	C,ELECT 100UF-M/50V		D040101087060S		
C428	nsp	C,CERAMIC 470PF-K/500V		D00447127D050S		
C429	nsp	C,CERAMIC X7R2200PF-K/50V		D011222777200S		
C434	nsp	C,CERAMIC 0.1UF-K/50V		D011104577160S		
C436	00D9630234506	C,ELECT 47UF-M/50V (Pb Free)		D040470087070S		
C437	nsp	C,CERAMIC 100PF-J/50V		D010101167160S		
C438	nsp	C,CERAMIC SL220PF-J/500V		D00022106D051S		
C439	00D9630234506	C,ELECT 47UF-M/50V (Pb Free)		D040470087070S		
C440	00D9630224503	C,ELECT 22UF-M/50V		D040220087060S		
C442	00D9609009937	C,ELECT 100UF-M/50V		D040101087060S		
C444	nsp	C,CERAMIC 470PF-K/500V		D00447127D050S		
C445	nsp	C,CERAMIC X7R2200PF-K/50V		D011222777200S		
C450	nsp	C,CERAMIC 0.1UF-K/50V		D011104577160S		
C452	00D9630234506	C,ELECT 47UF-M/50V (Pb Free)		D040470087070S		
C453	nsp	C,CERAMIC 100PF-J/50V		D010101167160S		
C454	nsp	C,CERAMIC SL220PF-J/500V		D00022106D051S		
C455	00D9630234506	C,ELECT 47UF-M/50V (Pb Free)		D040470087070S		
C456	00D9630224503	C,ELECT 22UF-M/50V		D040220087060S		
C458	00D9609009937	C,ELECT 100UF-M/50V		D040101087060S		
C460	nsp	C,CERAMIC 470PF-K/500V		D00447127D050S		
C461	nsp	C,CERAMIC X7R2200PF-K/50V		D011222777200S		
C466	nsp	C,CERAMIC 0.1UF-K/50V		D011104577160S		
C468	00D9630234506	C,ELECT 47UF-M/50V (Pb Free)		D040470087070S		
C469	nsp	C,CERAMIC 100PF-J/50V		D010101167160S		
C470	nsp	C,CERAMIC SL220PF-J/500V		D00022106D051S		

Ref. No.	Part No.	Part Name	Remarks		Q'ty	New
C471	00D9630234506	C,ELECT 47UF-M/50V (Pb Free)		D040470087070S		
C472	00D9630224503	C,ELECT 22UF-M/50V		D040220087060S		
C474	00D9609009937	C,ELECT 100UF-M/50V		D040101087060S		
C476	nsp	C,CERAMIC 470PF-K/500V		D00447127D050S		
C477	nsp	C,CERAMIC X7R2200PF-K/50V		D011222777200S		
C479,480	00D9630234302	C,ELECT 10UF-M/100V		D04010008C050S		
C482	nsp	C,CERAMIC 0.1UF-K/50V		D011104577160S		
C484	00D9630234506	C,ELECT 47UF-M/50V (Pb Free)		D040470087070S		
C485	nsp	C,CERAMIC 100PF-J/50V		D010101167160S		
C486	nsp	C,CERAMIC SL220PF-J/500V		D00022106D051S		
C487	00D9630234506	C,ELECT 47UF-M/50V (Pb Free)		D040470087070S		
C488	00D9630224503	C,ELECT 22UF-M/50V		D040220087060S		
C490	00D9609009937	C,ELECT 100UF-M/50V		D040101087060S		
C492	nsp	C,CERAMIC 470PF-K/500V		D00447127D050S		
C493	nsp	C,CERAMIC X7R2200PF-K/50V		D011222777200S		
C498	nsp	C,CERAMIC 0.1UF-K/50V		D011104577160S		
C500	00D9630234506	C,ELECT 47UF-M/50V (Pb Free)		D040470087070S		
C501	nsp	C,CERAMIC 100PF-J/50V		D010101167160S		
C502	nsp	C,CERAMIC SL220PF-J/500V		D00022106D051S		
C503	00D9630234506	C,ELECT 47UF-M/50V (Pb Free)		D040470087070S		
C504	00D9630224503	C,ELECT 22UF-M/50V		D040220087060S		
C506	00D9609009937	C,ELECT 100UF-M/50V		D040101087060S		
C508	nsp	C,CERAMIC 470PF-K/500V		D00447127D050S		
C509	nsp	C,CERAMIC X7R2200PF-K/50V		D011222777200S		
C511,512	00D9630234302	C,ELECT 10UF-M/100V		D04010008C050S		
C513,514	00D9630338402	C,ELECT 330UF-M/6.3V		D040331081050S		
C515	00D9630324607	C,ELECT 47UF-M/10V (Pb Free)		D040470082060S		
<b>OTHERS PARTS GROUP</b>						
BKT400	nsp	BRACKET 0.8t/SCREW		4010210196100S		
CN404	nsp	CN.WIRE 240MM/5P		L025241052620S		
CP401	nsp	CN.WAFER 13P STRAIGHT		L101200101310S		
CP402	nsp	CN.WAFER 5P 5267-05A		L102526700500S		
CP403	nsp	CN.WAFER 10P STRAIGHT		L101200101010S		
CP405	nsp	CN.WAFER 3P 5267-03A		L102526700300S		
G400	nsp	CN.WIRE 60MM/1P		L025600012040S		
G402	nsp	CN.WIRE 60MM/1P		L025600012040S		
J538	nsp	CN.WIRE 1P		L045061000050S		
TP401-407	nsp	CN.WAFER 3P		L101200100320S		



# PCB SPK ASS'Y

Ref. No.	Part No.	Part Name	Remarks	Q'ty	New
<b>SEMICONDUCTORS GROUP</b>					
△ IC100	963239010480S	IC PC123X2YFZ (DIP4P SHARP)		K614123000010S	
△ IC102	231010091708S	IC TOP258MG		G200258000010S	
IC116	212050010508S	IC KIA2431AP		J126243118010S	
Q1-5	943215500020S	TR 2SA RT1P141C		CVTRT1P141C	
Q8-12	943216500020S	TR 2SC RT1N141C		CVTRT1N141C	
TR100-102	00D9630255802	TR 2SC KTC3199Y		J5023199Y0010S	
D1-5	00D9630355401	D,SWITCHING KDS4148U		K005041480030S	
D8	00D2760401905	D,SWITCHING 1SS133T		K000013300520S	
D12	00D9600262304	D,RECTIFIER BRIDGE		K047100600010S	
D100-102	00D9630328409	D,SWITCHING 1N4007		K000400700010S	
D103	203050018706S	D,SCHOTTKY D25SC6M 60V 25A		K120256000010S	
D104-106	00D9630328409	D,SWITCHING 1N4007		K000400700010S	
D108	963209010430S	D,FAST RECOVERY AP01C-V1 52RE-AX		K050000015000S	
D109,110	00D9630328409	D,SWITCHING 1N4007		K000400700010S	
D112	00D2760401905	D,SWITCHING 1SS133T		K000013300520S	
ZD100	963202010440S	D,ZENER MTZJ22B		K06022R044520S	
ZD101	00D2760762958	D,ZENER MTZJ39B	2112CIE3,1912E3	K06039R044520S	
ZD102	963202010440S	D,ZENER MTZJ22B		K06022R044520S	
ZD103	00D2760762958	D,ZENER MTZJ39B	2112CIE3,1912E3	K06039R044520S	
ZD104	963202010440S	D,ZENER MTZJ22B		K06022R044520S	
ZD105	00D2760762958	D,ZENER MTZJ39B	2112CIE3,1912E3	K06039R044520S	
ZD106,107	963202010440S	D,ZENER MTZJ22B		K06022R044520S	
ZD108,109	nsp	R,CARBON FILM 1M-J,1/5W	1912E2,1912EA, 1912E1C	C00001056P520S	
ZD110	963202010440S	D,ZENER MTZJ22B	2112CIE3,1912E3	K06022R044520S	
ZD110	00D2760762958	D,ZENER MTZJ39B	1912E2,1912EA, 1912E1C	K06039R044520S	
ZD111	00D2760762958	D,ZENER MTZJ39B	1912E2,1912EA, 1912E1C	K06039R044520S	
ZD112	963202010440S	D,ZENER MTZJ22B		K06022R044520S	
ZD113	00D2760762958	D,ZENER MTZJ39B	1912E2,1912EA, 1912E1C	K06039R044520S	
ZD114	00D9600095607	D,ZENER MTZJ5.6B		K06005R644520S	
ZD115	00D2760762958	D,ZENER MTZJ39B		K06039R044520S	
ZD116	00D2760762958	D,ZENER MTZJ39B	1912E2,1912EA, 1912E1C	K06039R044520S	
ZD117,118	963202010440S	D,ZENER MTZJ22B		K06022R044520S	
ZD119	00D2760762958	D,ZENER MTZJ39B	1912E2,1912EA, 1912E1C	K06039R044520S	
DZ1	00D9600095801	D,ZENER MTZJ6.8B		K06006R844520S	
<b>RESISTORS GROUP</b>					
R5-18	963125010100S	R,METAL FILM 10-J 2W		C060010066050S	
R28-33	00D9630310404	R,METAL FILM 2.2K-J,1W		C060022265050S	
R34	nsp	R,METAL FILM 10K-J,1/4W		C060103063050S	
R35,36	nsp	R,METAL FILM 47K-J,1/4W	2112E3,1912E3, 1912E1C	C060047363050S	△
R37,38	963125010110S	R,METAL FILM 470-J,2W		C060047166060S	
<b>CAPACITORS GROUP</b>					
C1	nsp	C,FILM MI-0.047UF-J/50V		D020473167050S	
C2	nsp	C,CERAMIC 2200PF-K/50V		D011222777160S	
C4	nsp	C,FILM MI-0.047UF-J/50V		D020473167050S	
C5	nsp	C,CERAMIC 2200PF-K/50V		D011222777160S	
C7	nsp	C,CERAMIC 2200PF-K/50V		D011222777160S	
C9	nsp	C,FILM MI-0.047UF-J/50V		D020473167050S	

Ref. No.	Part No.	Part Name	Remarks	Q'ty	New
C10	nsp	C,CERAMIC 2200PF-K/50V		D011222777160S	
C12	nsp	C,FILM MI-0.047UF-J/50V		D020473167050S	
C13	nsp	C,CERAMIC 2200PF-K/50V		D011222777160S	
C15	nsp	C,CERAMIC 2200PF-K/50V		D011222777160S	
C17	nsp	C,FILM MI-0.047UF-J/50V		D020473167050S	
C18	nsp	C,CERAMIC 2200PF-K/50V		D011222777160S	
C22	nsp	C,FILM MI-0.047UF-J/50V		D020473167050S	
C25	nsp	C,FILM MI-0.047UF-J/50V		D020473167050S	
C27	nsp	C,CERAMIC 1000PF-K/50V		D011102777160S	
C30	nsp	C,CERAMIC 1000PF-K/50V		D011102777160S	
C33	nsp	C,CERAMIC 1000PF-K/50V		D011102777160S	
C36	nsp	C,CERAMIC 1000PF-K/50V		D011102777160S	
C39	nsp	C,CERAMIC 1000PF-K/50V		D011102777160S	
C42	nsp	C,CERAMIC 1000PF-K/50V		D011102777160S	
C45	nsp	C,CERAMIC 1000PF-K/50V		D011102777160S	
C53	00D9609009937	C,ELECT 100UF-M/50V		D040101087060S	
C54	nsp	C,FILM MI-0.047UF-J/50V		D020473167050S	
C55	963134010180S	C,ELECT 12000UF-M/71V		D040123089550S	
C56	nsp	C,FILM MI-0.047UF-J/50V		D020473167050S	
C57	00D9630234205	C,ELECT 10UF-M/50V		D040100087070S	
C58	963134010180S	C,ELECT 12000UF-M/71V		D040123089550S	
C59	nsp	C,FILM MI-0.047UF-J/50V		D020473167050S	
C60	00D9630244606	C,ELECT 0.1UF-M/50V (Pb Free)		D040R10087080S	
C61	nsp	C,FILM MI-0.047UF-J/50V		D020473167050S	
C63	nsp	C,CERAMIC 1000PF-K/50V		D011102777160S	
C64	nsp	C,FILM MI-0.047UF-J/50V		D020473167050S	
C65,66	nsp	C,FILM 0.1UF-K/250V		D02010407H080S	
C67,68	nsp	C,FILM MI-0.047UF-J/50V		D020473167050S	
C100	nsp	C,FILM 0.1UF-K/275V		D02110407H010S	
C102	963134010200S	C,ELECT 100UF-M/400V		D04110108K000S	
C103	963132010120S	C,CERAMIC DEHR33A102KB2B		D00810207Q010S	
△ C104,105	963134011730S	C,CERAMIC DE1B3KX471KB4BL01 AC250V		D00847127H010S	
C106-108	963134010220S	C,ELECT5600UF-M/6.3V		D041562081001S	
C110	nsp	C,CERAMIC 0.1UF-K/25V		D011104774161S	
C111	nsp	C,CERAMIC 4.7UF-K/6.3V		D011475571160S	
C112	963134010190S	C,ELECT 10UF-M/50V		D041100087050S	
C113	nsp	C,CERAMIC 0.1UF-K/25V		D011104774161S	
△ C115	963132011930S	C,CERAMIC DE1E3KX222MB4BL01 AC250V		D00822248H010S	
C116	nsp	C,CERAMIC 0.1UF-K/25V		D011104774161S	
△ C117	963132011940S	C,CERAMIC DE2F3KY103MB3BM02 AC250V		D008103589010S	
C118	nsp	C,CERAMIC 0.1UF-K/25V		D011104774161S	
C119	963134010210S	C,ELECT 47UF-M/25V		D041470084050S	
C120-123	nsp	C,CERAMIC 0.1UF-K/25V		D011104774161S	
C131	963132011940S	C,CERAMIC DE2F3KY103MB3BM02 AC250V	1912E2,1912EA, 1912E1C	D008103589010S	
C133	963132011940S	C,CERAMIC DE2F3KY103MB3BM02 AC250V	1912E2,1912EA, 1912E1C	D008103589010S	
<b>OTHERS PARTS GROUP</b>					
BKT1-3	nsp	BRACKET t1.0+Sn plating /PCB MTG		4010214876000S	
BKT100	nsp	BRACKET 0.8t/SCREW		4010210196100S	
BKT101	nsp	BRACKET SCREW		4010210196000S	
CLAMP3	nsp	CLAMP WIRE(SOLDER)		4330000120000S	
CN1	nsp	CN.WIRE 230MM/5P		L025231052650S	
CN2	nsp	CN.WIRE 160MM/3P		L025161032050S	
CN3	nsp	CN.WIRE 170MM/10P		L025171102620S	
CP1	nsp	CN.WAFER 7.92MM 35328-0360		L108353280360S	
CP12	nsp	CN.FPC 1.25MM 19P 127301119K2		L131019100010S	
CP22	nsp	CN.WAFER 5P TUC-P05P		L101100040510S	

	Ref. No.	Part No.	Part Name	Remarks		Q'ty	New
⚠	F100	963652010510S	FUSE T2A/250V	2112CIE3,1912E3	N751502001160S		
⚠	F100	963652010500S	FUSE T1.6A/250V	1912E2,1912EA, 1912E1C	N751501601160S		
⚠	F101	963652010520S	FUSE T6.3A/250V	2112CIE3,1912E3	N751506301160S		
⚠	F101	963652010910S	FUSE T3.15A/250V	1912E2,1912EA, 1912E1C	N751503151160S		
	JACK1	963643010360S	TER, BOARD 6P JB-602A-02		G613602A0200YS		
	JACK2	963646001690S	TER, BOARD 8P MST-108V1		G614108V1010MS		
	JK100	963641011240S	SOCKET,POWER AC	1912E2,1912EA	G4300152P0001S		
	L1-7	nsp	COIL INDUCTOR 0.5UH		D330R50000000S		
⚠	L100	963111010230S	COIL LINE FILTER LF-4ZB-E273H 27mH		D320402730020S		
⚠	RL101	963682010370S	RELAY HL31-1AT-5H 5V 1A		G680050102020S		
	RLY1	00D9630218409	RELAY BC3-12 24V 2A		G680240202030S		
<div style="border: 1px solid black; padding: 5px; display: inline-block;"> <b>NOTE :</b> Two kinds of relays can be used. Please choose suitable resistors to each kind of relay. </div>							
① .RELAY_A							
	RLY2-5	963682003410S	RELAY HL3-2A-12S 12V 5A		G680120503020S		
	R20-23	nsp	R,CARBON FILM//22-J,1/5W-52RE-AX		C00002206P520S		
② .RELAY_B							
	RLY2-5	963682002440S	RELAY G5PA-28MC 12V		G680120502050S		
	R20-23	nsp	R,CARBON FILM//20-J,1/5W-52RE-AX		C00002006P520S		
	CX100	nsp	CN.WAFER 7.92MM	2112CIE3,1912E3, 1912E1C	L108202000220S		
	CX101	nsp	CN.WIRE 370MM/5P		L025371052050S		
	CX102	nsp	CN.WAFER 7.92MM 35328-0263	2112CIE3,1912E3, 1912E1C	L108353280290S		
	CX102	nsp	CN.WAFER 7.92MM LWBP1143-02P	1912E2,1912EA	L108011430210S		
	CX104	nsp	CN.WAFER 5P TUC-P05X		L101100030510S		
⚠	T100	963102100020S	TRANS,SWITCHING EER2834		E060283405520S		*
	W100-103	nsp	CN.WIRE 40MM/1P		L025400012440S		
		nsp	HOLDER,FUSE CLIP	F100_1	G645000050010S		
		nsp	HOLDER,FUSE CLIP	F100_2	G645000050010S		
		nsp	HOLDER,FUSE CLIP	F101_1	G645000050010S		
		nsp	HOLDER,FUSE CLIP	F101_2	G645000050010S		
		nsp	FUSE LABEL T1.6A/250V	1912E2,1912EA, 1912E1C	5507000006790S		
		nsp	FUSE LABEL T3.15A/250V	1912E2,1912EA, 1912E1C	5507000006800S		

PCB REG\_CNT ASS'Y

Ref. No.	Part No.	Part Name	Remarks	Q'ty	New
<b>SEMICONDUCTORS GROUP</b>					
IC103	00D2630553006	IC NJM7805FA		J126780500130S	
IC104	00D2630554005	IC NJM7905FA		J126790500020S	
IC105	00D2630553006	IC NJM7805FA		J126780500130S	
IC106	00D2630810008	IC NJM7808FA		J126780800030S	
IC107	00D2630503001	IC NJM7908FA		J126790800020S	
IC108	963239003420S	IC NJM2388F05	2112CIE3,1912E3	J126238800050S	
IC108	963239010770S	IC NJM2388F09	1912E2,1912EA, 1912E1C	J126238800090S	
IC404	236810090504S	IC ILX3232D	2112CIE3	J046323200020S	
D114	00D9630236504	D,SCHOTTKY RB721Q-40		K120072140010S	
D115,116	00D2760401905	D,SWITCHING 1SS133T		K000013300520S	
D117,118	00D9630236504	D,SCHOTTKY RB721Q-40		K120072140010S	
D119-121	00D2760401905	D,SWITCHING 1SS133T		K000013300520S	
D122	00D9630236504	D,SCHOTTKY RB721Q-40		K120072140010S	
D123	00D2760401905	D,SWITCHING 1SS133T		K000013300520S	
D124-126	00D9630328409	D,SWITCHING 1N4007	1912E2,1912EA, 1912E1C	K000400700010S	
D127-134	00D9630328409	D,SWITCHING 1N4007		K000400700010S	
D137-144	00D9630328409	D,SWITCHING 1N4007		K000400700010S	
D145	00D9630328409	D,SWITCHING 1N4007	1912E2,1912EA, 1912E1C	K000400700010S	
ZD117,118	00D9600096004	D,ZENER MTZJ33B		K06033R044520S	
<b>RESISTORS GROUP</b>					
R123,124	nsp	R,METAL 0.22-J,1W-R		C060R22065050S	
<b>CAPACITORS GROUP</b>					
C126	963134011290S	C,ELECT 4700UF-M/16V	2112CIE3,1912E3	D040472083020S	
C126	00D9630217002	C,ELECT 3300UF-M/16V	1912E2,1912EA, 1912E1C	D040332083010S	
C127,128	00D9630234205	C,ELECT 10UF-M/50V		D040100087070S	
C129	00D9630217002	C,ELECT 3300UF-M/16V		D040332083010S	
C130	00D9630333203	C,ELECT 100UF-M/16V	2112E3,1912E3, 1912E1C	D040101083090S	⚠
C130	00D2544577945	C,ELECT 100UF-M/16V RA3	1912E2,1912EA	D040101083220S	⚠
C131	00D9630234205	C,ELECT 10UF-M/50V		D040100087070S	
C132	00D9630333203	C,ELECT 100UF-M/16V	2112E3,1912E3, 1912E1C	D040101083090S	⚠
C132	00D2544577945	C,ELECT 100UF-M/16V RA3	1912E2,1912EA	D040101083220S	⚠
C133	90M-OA000500R	C,ELECT 4700UF-M/25V(MHA)		D040472084240S	
C134	00D9630333203	C,ELECT 100UF-M/16V	2112E3,1912E3, 1912E1C	D040101083090S	⚠
C134	00D2544577945	C,ELECT 100UF-M/16V RA3	1912E2,1912EA	D040101083220S	⚠
C135	90M-OA000500R	C,ELECT 4700UF-M/25V(MHA)		D040472084240S	
C136	00D9630333203	C,ELECT 100UF-M/16V		D040101083090S	
C137	00D9630234205	C,ELECT 10UF-M/50V		D040100087070S	
C139,140	963134011280S	C,ELECT 470UF-M/25V	1912E2,1912EA, 1912E1C	D040471084060S	
C143	nsp	C,FILM 0.1UF-J/50V		D020104167050S	
C147	nsp	C,FILM 0.1UF-J/50V		D020104167050S	
C448-451	nsp	C,CERAMIC 0.1UF-K/50V	2112CIE3	D011104577160S	
C452	00D9630234205	C,ELECT 10UF-M/50V	2112CIE3	D040100087070S	
C453	nsp	C,CERAMIC 0.1UF-K/50V	2112CIE3	D011104577160S	
C456	nsp	C,CERAMIC 33PF-J/50V	2112CIE3	D010330167160S	
C459	nsp	C,CERAMIC 33PF-J/50V	2112CIE3	D010330167160S	
C467	nsp	C,CERAMIC 0.1UF-K/50V	2112CIE3	D011104577160S	
<b>OTHERS PARTS GROUP</b>					
BKT100	nsp	BRACKET SCREW		4010210196000S	

Ref. No.	Part No.	Part Name	Remarks		Q'ty	New
BKT401	nsp	BRACKET 0.8t/SCREW	2112CIE3	4010210196100S		
BKT402	nsp	BRACKET 0.8t/SCREW	1912E3,1912E2, 1912EA,1912E1C	4010210196100S		
CN13A	nsp	CN.WIRE 120MM/10P		L025121102620S		
CN13B	nsp	CN.WIRE 120MM/4P.		L025121042620S		
CN14	nsp	CN.WAFER 23P C125Z2-23		L109012522310S		
CN100	nsp	CN,WAFER 13P C125Z2-13		L109012521310S		
CN101	nsp	CN,WAFER 9P C125Z2-09		L109012520910S		
CN401	nsp	CN,WAFER 9P	2112CIE3	L109012520910S		
CN402	nsp	CN,WAFER 11P	2112CIE3	L109012521110S		
CP3	nsp	CN,WAFER 13P C125Z1-13		L109012511310S		
CP5	nsp	CN,WAFER 19P C125Z1-19		L109012511910S		
CP8	nsp	CN,WAFER 19P C125Z1-19		L109012511910S		
CP9,10	nsp	CN,WAFER 13P C125Z1-13		L109012511310S		
CP11	nsp	CN.WAFER 33P C125Z1-33		L109012513310S		
CP13A	nsp	CN.WAFER 10P 20010WR-10A00		L101200101020S		
CP13B	nsp	CN.WAFER 4P 20010WR-04		L101200100420S		
CP100	nsp	CN.WAFER 13P C125Z1-13		L109012511310S		
CP101	nsp	CN.WAFER 9P C125Z1-09		L109012510910S		
CP102	nsp	CN.WAFER 4P 5267-04A		L102526700400S		
CP104	nsp	CN.WAFER 3P 5267-03A		L102526700300S		
CP112,113	nsp	CN,WAFER 19P C125Z1-19		L109012511910S		
CP114	nsp	CN,WAFER 21P C125Z1-21		L109012512110S		
CP115	nsp	CN,WAFER 17P C125Z1-17		L109012511710S		
CP401	nsp	CN,WAFER 9P	2112CIE3	L109012510910S		
CP402	nsp	CN,WAFER 11P	2112CIE3	L109012511110S		
⚠ F104	963652500120S	FUSE T1.25A/250V	1912E2,1912EA, 1912E1C	N751501251160S		*
⚠ F105	963652010500S	FUSE T1.6A/250V		N751501601160S		
⚠ F106	963652010500S	FUSE T1.6A/250V		N751501601160S		
F104A,104B	nsp	HOLDER,FUSE CLIP	1912E2,1912EA, 1912E1C	G645000050010S		
F105A,105B	nsp	HOLDER,FUSE CLIP		G645000050010S		
F106A,106B	nsp	HOLDER,FUSE CLIP		G645000050010S		
JACK404	00D2051305008	CN.WAFER 9P	2112CIE3	L103090090030S		

## PCB FRONT ASS'Y

	Ref. No.	Part No.	Part Name	Remarks		Q'ty	New
<b>SEMICONDUCTORS GROUP</b>							
	IC100	00D2631289900	IC AZ4580M		J121458000020S		
	IC102	00D2631289900	IC AZ4580M		J121458000020S		
	Q100,101	943214500020S	TR 2SC 2SC3052		CVT2SC3052		
	Q102	00D9600133103	TR 2SA KSA916Y		J5000916Y0050S		
	Q106	943216500050S	TR 2SC RT1N441C		CVTRT1N441C		
	Q107,108	963212500030S	TR 2SA ISA1530AC1		J520015301210S		*
	Q109	943215500030S	TR 2SA RT1P441C		CVTRT1P441C		
	Q111,112	943216500020S	TR 2SC RT1N141C		CVTRT1N141C		
	D100,101	00D9630328409	D,SWITCHING 1N4007		K000400700010S		
	D102,103	00D9630355401	D,SWITCHING KDS4148U		K005041480030S		
	D111-114	00D9630355401	D,SWITCHING KDS4148U		K005041480030S		
	D115,116	963209003510S	D,ESD CDS3C05HDM1	2112CIE3,1912E2, 1912EA,1912E1C	K067030500010S		
	D117	963209500020S	D,ESD CDS3C15GTA	2112CIE3,1912E2, 1912EA,1912E1C	K067031500010S		*
	D118,119	00D9630355401	D,SWITCHING KDS4148U		K005041480030S		
	D123,124	963209003510S	D,ESD CDS3C05HDM1	1912E3	K067030500010S		
	D125	963209500020S	D,ESD CDS3C15GTA	1912E3	K067031500010S		*
	ZD100	00D9600095500	D,ZENER MTZJ5.1B		K06005R144520S		
	ZD101	00D9600095801	D,ZENER MTZJ6.8B		K06006R844520S		
	ZD102	00D9630046202	D,ZENER MTZJ18B		K06018R044520S		
	ZD103	00D2760665903	D,ZENER MTZJ16B		K06016R044520S		
	ZD104,105	00D9600095500	D,ZENER MTZJ5.1B		K06005R144520S		
	LED101	963262010460S	LED SIR-341ST3F 3PI	2112CIE3	K505341300010S		
	LED103	00D9630366108	LED BL-BEG204-L 5PI	2112CIE3,1912E2, 1912EA,1912E1C	K500052004010S		
	LED104	00D9630366108	LED BL-BEG204-L 5PI	1912E3	K500052004010S		
<b>RESISTORS GROUP</b>							
	R127	00D9639006272	R,FIXED RSD-R1-1WJ-4.7		N113135647920S		
<b>CAPACITORS GROUP</b>							
	C100	00D9630234205	C,ELECT 10UF-M/50V		D040100087070S		
	C101	nsp	C,FILM 0.1UF-J/100V		D02010406C060S		
	C103	00D9630293602	C,ELECT 1UF-M/50V (Pb Free)		D040010087150S		
	C104	nsp	C,CERAMIC 0.047UF-Z/50V		D011473597160S		
	C105	nsp	C,CERAMIC 0.1UF-K/50V		D011104577160S		
	C106	nsp	C,CERAMIC 100PF-J/50V		D010101167160S		
	C107	nsp	C,CERAMIC COG82PF-J/50V		D010820167160S		
	C108	nsp	C,FILM 0.047UF-J/100V		D02047306C060S		
	C109	nsp	C,FILM 0.1UF-J/100V		D02010406C060S		
	C110	nsp	C,CERAMIC 0.047UF-Z/50V		D011473597160S		
	C111	nsp	C,CERAMIC 1UF-Z/50V		D011105597160S		
	C112	00D9630234205	C,ELECT 10UF-M/50V		D040100087070S		
	C113	nsp	C,FILM 0.1UF-K/250V		D02010407H080S		
	C114	nsp	C,CERAMIC 330PF-J/50V		D010331167160S		
	C115	nsp	C,CERAMIC0.047UF-K/25V		D011473774161S		
	C116	00D9630293602	C,ELECT 1UF-M/50V (Pb Free)		D040010087150S		
	C117	nsp	C,ELECT 470UF-M/63V		D040471088010S		
	C118	00D9630293602	C,ELECT 1UF-M/50V (Pb Free)		D040010087150S		
	C119	nsp	C,FILM 0.1UF-K/250V		D02010407H080S		
	C120	nsp	C,CERAMIC 330PF-J/50V		D010331167160S		
	C121	nsp	C,CERAMIC 0.1UF-K/50V		D011104577160S		
	C122	00D9630234205	C,ELECT 10UF-M/50V		D040100087070S		
	C123	00D9630293602	C,ELECT 1UF-M/50V (Pb Free)		D040010087150S		
	C124-126	nsp	C,CERAMIC 100PF-J/50V		D010101167160S		
	C127	nsp	C,CERAMIC0.047UF-K/25V		D011473774161S		
	C129	00D9630293602	C,ELECT 1UF-M/50V (Pb Free)		D040010087150S		

Ref. No.	Part No.	Part Name	Remarks	Q'ty	New
C130	00D9630234205	C,ELECT 10UF-M/50V		D040100087070S	
C131	nsp	C,CERAMIC 0.1UF-K/50V		D011104577160S	
C132	00D9630293602	C,ELECT 1UF-M/50V (Pb Free)		D040010087150S	
C133	nsp	C,CERAMIC 0.047UF-Z/50V		D011473597160S	
C134	00D9630293602	C,ELECT 1UF-M/50V (Pb Free)		D040010087150S	
C137	nsp	C,CERAMIC 0.047UF-Z/50V		D011473597160S	
C139	nsp	C,CERAMIC0.01UF-K/50V		D011103777160S	
C142	nsp	C,FILM 0.047UF-J/100V		D02047306C060S	
C145	nsp	C,FILM 0.047UF-J/100V		D02047306C060S	
C146	nsp	C,CERAMIC 0.1UF-K/50V		D011104577160S	
C147	00D9630234205	C,ELECT 10UF-M/50V		D040100087070S	
C148,149	nsp	C,CERAMIC0.01UF-K/50V		D011103777160S	
C150	nsp	C,CERAMIC 0.047UF-Z/50V		D011473597160S	
C151	nsp	C,ELECT 47UF-M/16V		D040470083080S	
C152	nsp	C,CERAMIC 0.047UF-Z/50V		D011473597160S	
C153	nsp	C,FILM ST-0.01UF-J/100V		D02010306C060S	
C154	nsp	C,CERAMIC 0.1UF-K/50V		D011104577160S	
C155	nsp	C,FILM ST-0.01UF-J/100V		D02010306C060S	
C156,157	nsp	C,CERAMIC 1000PF-K/50V		D011102777160S	
C158	nsp	C,CERAMIC 0.01UF-K/50V	2112CIE3,1912E2, 1912EA,1912E1C	D011103777160S	
C159	nsp	C,CERAMIC 0.047UF-Z/50V	2112CIE3,1912E2, 1912EA,1912E1C	D011473597160S	
C160	nsp	C,CERAMIC 0.01UF-K/50V	2112CIE3,1912E2, 1912EA,1912E1C	D011103777160S	
C161	nsp	C,CERAMIC 0.047UF-Z/50V	2112CIE3,1912E2, 1912EA,1912E1C	D011473597160S	
C163	nsp	C,CERAMIC 0.1UF-K/50V	2112CIE3,1912E2, 1912EA,1912E1C	D011104577160S	
C164	nsp	C,ELECT 220UF-M/6.3V	2112CIE3,1912E2, 1912EA,1912E1C	D040221081070S	
C165	nsp	C,CERAMIC0.01UF-K/50V		D011103777160S	
C166	00D9630293709	C,ELECT 100UF-M/10V		D040101082070S	
C167	nsp	C,CERAMIC 0.1UF-K/50V	1912E3	D011104577160S	
C172	nsp	C,CERAMIC 0.001UF-J/50V	2112CIE3,1912E2, 1912EA,1912E1C	D010102167160S	
C180	nsp	C,ELECT 220UF-M/6.3V	1912E3	D040221081070S	
C183	nsp	C,CERAMIC 0.001UF-J/50V	1912E3	D010102167160S	
<b>OTHERS PARTS GROUP</b>					
BD100-104	nsp	R,CHIP 0-J, 1/16W		C20000006M160S	
BD105	nsp	COIL,BEAD CBW160808U121T		D340160811210S	
BD107-109	nsp	R,CHIP 0-J, 1/16W		C20000006M160S	
BD110	nsp	COIL,BEAD BLM21PG221SN1	2112CIE3,1912E2, 1912EA,1912E1C	D340201212210S	
BD111,112	nsp	R,CHIP 0-J, 1/16W	2112CIE3,1912E2, 1912EA,1912E1C	C20000006M160S	
BD113	nsp	COIL,BEAD BLM21PG221SN1	1912E3	D340201212210S	
BD114,115	nsp	R,CHIP 0-J, 1/16W	1912E3	C20000006M160S	
CB100,101	nsp	R,CHIP 0-J, 1/16W		C20000006M160S	
CLAMP111	nsp	CLAMP WIRE(SOLDER)		4330000120000S	
CLAMP113-116	nsp	CLAMP WIRE(SOLDER)		4330000120000S	
CN100	nsp	CN.WIRE 80MM/5P		L025800052620S	
CN102	nsp	CN.WIRE 570MM/5P	2112CIE3,1912E2, 1912EA,1912E1C	L025571052820S	
CN103	nsp	CN.WIRE 40MM/10P		L025400102620S	
CN104	nsp	CN.WIRE 570MM/5P	1912E3	L025571052820S	
CN104_1	nsp	CN.WAFER 11P	1912E2,1912EA, 1912E1C,212CIE3	L101100031110S	
CN104_2	nsp	CN.WAFER 11P	1912E3	L101100031110S	
CN104_22	nsp	CN.WAFER 11P	1912E2,1912EA, 1912E1C,212CIE3	L101100031110S	
CP100	nsp	CN.WAFER 5P 20010-05		L101200100510S	

Ref. No.	Part No.	Part Name	Remarks	Q'ty	New
CP101	nsp	CN.WAFER 5268-07A 7P		L102526800700S	
CP104_1	nsp	CN.WAFER 11P	1912E3	L101100041110S	
CP104_2	nsp	CN.WAFER 11P	1912E3	L101100041110S	
CP104_11	nsp	CN.WAFER 11P	1912E2,1912EA, 1912E1C,2112CIE3	L101100041110S	
CP104_22	nsp	CN.WAFER 11P	1912E2,1912EA, 1912E1C,2112CIE3	L101100041110S	
⚠ F102	963652500020S	FUSE 6125FF500-R 500mA		G657612505030S	*
G101	nsp	CN.WIRE 100MM/1P		8410101012240S	
JACK100	00D9630367802	JACK,D3.5 EARPHONE		G401PJ354H40YS	
JACK101	963643100110S	CN.PLUG USB A TYPE DIP4P	2112CIE3,1912E2, 1912EA,1912E1C	G480040040060S	*
JACK102	963643100110S	CN.PLUG USB A TYPE DIP4P	1912E3	G480040040060S	*
JACK103	00D9630146403	TER,RCA 3PIN		G606308HG110YS	
JACK104	963643013700S	JACK,D6.5 PHONE		G402PJ612AG1YS	
L100	nsp	COIL INDUCTOR 100UH		D330101001020S	
RMC100	963262010290S	MODULE,REMOCON R34FS9A		E940349003810S	
SW100-103	00D9630095305	SW,TACT SKHV10910D01		G180040500010S	
SW104,105	00D9630095305	SW,TACT SKHV10910D01	1912E3	G180040500010S	
SW106	00D9630095305	SW,TACT SKHV10910D01	2112CIE3,1912E2, 1912EA,1912E1C	G180040500010S	
SW107-111	00D9630095305	SW,TACT SKHV10910D01		G180040500010S	
SW112,113	00D9630095305	SW,TACT SKHV10910D01	1912E3	G180040500010S	
SW114-116	00D9630095305	SW,TACT SKHV10910D01		G180040500010S	
SW117	00D9630095305	SW,TACT SKHV10910D01	2112CIE3,1912E2, 1912EA,1912E1C	G180040500010S	
SW118-122	00D9630095305	SW,TACT SKHV10910D01	1912E3	G180040500010S	
SW123	00D9630095305	SW,TACT SKHV10910D01	2112CIE3,1912E2, 1912EA,1912E1C	G180040500010S	
SW124,125	00D9630095305	SW,TACT SKHV10910D01		G180040500010S	
SW126,127	00D9630095305	SW,TACT SKHV10910D01	1912E3	G180040500010S	
SW128	00D9630095305	SW,TACT SKHV10910D01	2112CIE3,1912E2, 1912EA,1912E1C	G180040500010S	
VEC100	00D9630387408	SW,ENCODER EC16B24SO		G121162400070S	
VEC101	00D9630387408	SW,ENCODER EC16B24SO	2112CIE3,1912E2, 1912EA,1912E1C	G121162400070S	
U1	nsp	CN.FPC 1.0MM 1.0-11S-40PW 40P		L130100114050S	
U100	963172010470S	DISPLAY,FLT 18-ST-13GINK		K530180130010S	
JP210	nsp	R,CHIP 0-J,1/8W		C200000061300S	
JP212	nsp	R,CHIP 0-J,1/8W		C200000061300S	
	nsp	HOLDER FLT		4320200026000S	



# PCB AUDIO\_VIDEO ASS'Y

Ref. No.	Part No.	Part Name	Remarks	Q'ty	New
<b>SEMICONDUCTORS GROUP</b>					
IC801	963239000650S	IC R2A15218FP		J084152180010S	
IC806	963233100020S	IC TC4052BFT		J040405205510S	*
IC821	232810005504S	IC BD7628F-E2		J127762800010S	
IC822	00D2623445901	IC TC4051BFT		J040405105510S	
IC823	232810005504S	IC BD7628F-E2		J127762800010S	
IC825	963239003470S	IC NJM2586AM		J171258600010S	
IC826	963233100020S	IC TC4052BFT		J040405205510S	*
Q821	943214500030S	TR 2SC INC2001AC1		CVTINC2001AC1	
Q822,823	943215500020S	TR 2SA RT1P141C		CVTRT1P141C	
Q836	943215500020S	TR 2SA RT1P141C	2112CIE3	CVTRT1P141C	
Q837	943214500030S	TR 2SC INC2001AC1	2112CIE3	CVTINC2001AC1	
Q842	943216500020S	TR 2SC RT1N141C		CVTRT1N141C	
Q844	943216500020S	TR 2SC RT1N141C	2112CIE3	CVTRT1N141C	
Q846	943215500020S	TR 2SA RT1P141C	2112CIE3	CVTRT1P141C	
Q847	943214500030S	TR 2SC INC2001AC1	2112CIE3	CVTINC2001AC1	
Q855	963212500030S	TR 2SA ISA1530AC1		J520015301210S	*
Q856-858	943216500020S	TR 2SC RT1N141C		CVTRT1N141C	
Q859	963212500030S	TR 2SA ISA1530AC1		J520015301210S	*
Q860	963216500060S	TR 2SC RT1N144C		J522101441210S	
D800,801	00D9630328409	D,SWITCHING 1N4007		K000400700010S	
D828,829	00D9630328409	D,SWITCHING 1N4007		K000400700010S	
D841	00D9630328409	D,SWITCHING 1N4007		K000400700010S	
D848-851	00D9630355401	D,SWITCHING KDS4148U		K005041480030S	
ZD800	00D2760760905	D,ZENER MTZJ3.6B-0.5W/5MA		K06003R644520S	
<b>CAPACITORS GROUP</b>					
C800,801	00D9630234205	C,ELECT 10UF-M/50V	1912E3,1912E1C, 2112CIE3	D040100087070S	
C800,801	963134501230S	C,ELECT 10UF-M/50V RA3	1912E2,1912EA	D040100087380S	*
C802-807	00D9630234205	C,ELECT 10UF-M/50V		D040100087070S	
C808	00D9630333203	C,ELECT 100UF-M/16V		D040101083090S	
C809,810	00D9630234205	C,ELECT 10UF-M/50V		D040100087070S	
C811	00D9630333203	C,ELECT 100UF-M/16V		D040101083090S	
C812,813	nsp	C,CERAMIC 330PF-J/50V		D010331167160S	
C823	00D2544583942	C,ELECT 10/50(ROB )	1912E2,1912EA	D040100087140S	
C825	00D2544583942	C,ELECT 10/50(ROB )	1912E2,1912EA	D040100087140S	
C826	nsp	C,CERAMIC 330PF-J/50V		D010331167160S	
C828	nsp	C,ELECT 47UF-M/16V	2112E3,19112E3, 1912E1C	D040470083080S	
C828	00D2544577932	C,ELECT 47/16(RA3)	1912E2,1912EA	D040470084330S	
C829	nsp	C,CERAMIC 330PF-J/50V		D010331167160S	
C830	nsp	C,ELECT 47UF-M/16V		D040470083080S	
C832	nsp	C,ELECT 47UF-M/16V	2112E3,19112E3, 1912E1C	D040470083080S	
C832	00D2544577932	C,ELECT 47/16(RA3)	1912E2,1912EA	D040470084330S	
C834	nsp	C,CERAMIC 330PF-J/50V		D010331167160S	
C835,836	nsp	C,ELECT 47UF-M/16V		D040470083080S	
C837	nsp	C,CERAMIC 330PF-J/50V		D010331167160S	
C838,839	nsp	C,ELECT 47UF-M/16V		D040470083080S	
C840	00D9630234205	C,ELECT 10UF-M/50V		D040100087070S	
C842	nsp	C,CERAMIC 330PF-J/50V		D010331167160S	
C844,845	00D9630234205	C,ELECT 10UF-M/50V		D040100087070S	
C846	nsp	C,ELECT 47UF-M/16V		D040470083080S	
C847	nsp	C,CERAMIC 330PF-J/50V		D010331167160S	
C850,851	00D9630234205	C,ELECT 10UF-M/50V		D040100087070S	
C854	nsp	C,CERAMIC 330PF-J/50V		D010331167160S	
C856	nsp	C,CERAMIC 330PF-J/50V		D010331167160S	
C861	nsp	C,CERAMIC 330PF-J/50V	2112CIE3	D010331167160S	
C862-864	nsp	C,CERAMIC 0.01UF-K/50V		D010103777160S	
C865	00D9630224503	C,ELECT 22UF-M/50V	2112CIE3	D040220087060S	

Ref. No.	Part No.	Part Name	Remarks	Q'ty	New
C866	00D9630244606	C,ELECT 0.1UF-M/50V (Pb Free)	2112CIE3	D040R10087080S	
C867	nsp	C,CERAMIC 0.01UF-K/50V		D010103777160S	
C868,869	00D9630224503	C,ELECT 22UF-M/50V		D040220087060S	
C870	nsp	C,CERAMIC 100PF-J/50V		D010101167160S	
C871	00D9630244606	C,ELECT 0.1UF-M/50V (Pb Free)		D040R10087080S	
C896	nsp	C,CERAMIC 330PF-J/50V	2112CIE3	D010331167160S	
C897-899	00D9630224503	C,ELECT 22UF-M/50V	2112CIE3	D040220087060S	
C918	nsp	C,CERAMIC 100PF-J/50V	2112CIE3,1912E3	D010101167160S	
C919	nsp	C,CERAMIC 33PF-J/50V	1912E2,1912EA, 1912E1C	D010330167160S	
C921	nsp	C,CERAMIC 100PF-J/50V	1912E2,1912EA	D010101167160S	
C925	nsp	C,CERAMIC 0.01UF-K/50V		D010103777160S	
C926	00D9630234205	C,ELECT 10UF-M/50V		D040100087070S	
C927	nsp	C,ELECT 47UF-M/16V		D040470083080S	
C928	00D9630234205	C,ELECT 10UF-M/50V		D040100087070S	
C929	nsp	C,CERAMIC 0.01UF-K/50V		D010103777160S	
C930,931	nsp	C,CERAMIC 100PF-J/50V	2311E3,1912E3	D010101167160S	
C932	nsp	C,CERAMIC 0.01UF-K/50V		D010103777160S	
C933	nsp	C,CERAMIC 0.047UF-Z/50V		D011473597160S	
C935	nsp	C,CERAMIC 100PF-J/50V	1912E2,1912EA, 1912E1C	D010101167160S	
C936	00D9630293602	C,ELECT 1UF-M/50V (Pb Free)		D040010087150S	
C937	nsp	C,CERAMIC 100PF-J/50V	1912E2,1912EA	D010101167160S	
C938	nsp	C,CERAMIC 0.1UF-K/50V	2112CIE3,1912E3	D011104577160S	
C939,940	nsp	C,CERAMIC 100PF-J/50V	2112CIE3,1912E3	D010101167160S	
C941	nsp	C,CERAMIC 0.01UF-K/50V		D010103777160S	
C943	nsp	C,CERAMIC 100PF-J/50V	1912E2,1912EA, 1912E1C	D010101167160S	
C944	00D9630293709	C,ELECT 100UF-M/10V		D040101082070S	
C945	nsp	C,CERAMIC 0.01UF-K/50V		D010103777160S	
C946	nsp	C,ELECT 47UF-M/16V		D040470083080S	
C947	00D9630224503	C,ELECT 22UF-M/50V		D040220087060S	
C948,949	nsp	C,CERAMIC 0.01UF-K/50V		D010103777160S	
C950	nsp	C,ELECT 47UF-M/16V		D040470083080S	
C951	00D9630224503	C,ELECT 22UF-M/50V		D040220087060S	
C952	nsp	C,CERAMIC 0.1UF-K/50V		D011104577160S	
C953	nsp	C,CERAMIC 100PF-J/50V	1912E2,1912EA, 1912E1C	D010101167160S	
C959	nsp	C,CERAMIC 0.047UF-Z/50V		D011473597160S	
C960	nsp	C,CERAMIC 0.01UF-K/50V		D010103777160S	
C971	nsp	C,CERAMIC 0.1UF-K/50V		D011104577160S	
C974,975	00D9630293709	C,ELECT 100UF-M/10V		D040101082070S	
C999,1000	00D9630293602	C,ELECT 1UF-M/50V (Pb Free)		D040010087150S	
C1002	00D9630293602	C,ELECT 1UF-M/50V (Pb Free)		D040010087150S	
C1006,1007	nsp	C,CERAMIC 0.1UF-K/50V		D011104577160S	
C1008	00D9630293709	C,ELECT 100UF-M/10V		D040101082070S	
C1009-1011	nsp	C,CERAMIC 0.047UF-Z/50V		D011473597160S	
C1012	nsp	C,CERAMIC 0.1UF-K/50V		D011104577160S	
C1013	nsp	C,CERAMIC 0.01UF-K/50V		D010103777160S	
C1014	00D9630293602	C,ELECT 1UF-M/50V (Pb Free)		D040010087150S	
C1015-1017	nsp	C,CERAMIC 68PF-J/50V		D010680167160S	
C1018	nsp	C,CERAMIC 0.01UF-K/50V		D010103777160S	
C1019	nsp	C,CERAMIC 220PF-J/50V		D010221167160S	
C1020	nsp	C,CERAMIC 0.01UF-K/50V		D010103777160S	
C1021	nsp	C,ELECT 47UF-M/16V		D040470083080S	
C1022	nsp	C,CERAMIC 0.047UF-Z/50V		D011473597160S	
C1117,1118	nsp	C,FILM 0.0047UF	1912E2,1912EA	D02047206C060S	
C1119,1120	nsp	C,FILM 0.0082UF	1912E2,1912EA	D02082206C060S	
<b>OTHERS PARTS GROUP</b>					
BD803	nsp	COIL,BEAD CBW160808U121T		D340160811210S	
CN12	nsp	CN.FPC 19P TWG-P19P-A1		L131019000010S	
CN112,113	nsp	CN.WAFER 19P C125Z2-19		L109012521910S	
CN114	nsp	CN.WAFER 21P C125Z2-21		L109012522110S	
CN115	nsp	CN.WAFER 17P C125Z2-17		L109012521710S	

Ref. No.	Part No.	Part Name	Remarks		Q'ty	New
CN401	nsp	CN.WIRE 290MM/13P		L025291132620S		
CP14	nsp	CN.WAFER 23P C125Z1-23		L109012512310S		
CP805	963183011320S	TUNER,FM/AM KST-MT104MV1-2	1912E2,1912EA, 1912E1C	E903104100110S		
JK100	963643010330S	TER,RCA 6PIN		G603615A0700YS		
JK101	963643010320S	TER,RCA 4PIN	1912E3,1912E2, 1912EA,1912E1C	G603615A0207YS		
JK101	963643010330S	TER,RCA 6PIN	2112CIE3	G603615A0700YS		
JK102	00D963014600S	TER,RCA 1PIN		G600107A0000YS		
JK104	963643010350S	TER,RCA 3PIN		G606305B1400YS		
JK105	963643010310S	TER,RCA 1PIN		G600000020020S		
JK107	963643010340S	TER,RCA 3PIN		G606305B0200YS		
L1000,1001	nsp	FILTER,LC MPX	1912E2,1912EA	E401010020020S		
PACK806	963183012380S	TUNER,FM/AM KST-MW004MV1-S63SV	2112CIE3,1912E3	E903004100031S		

## PCB HDMI ASS'Y

**NOTE:** When replacing the AVR1912E2, EA, E1C IC18 or IC41, use the AVR2112CIE3, AVR1912E3 IC18(963248100110S) or IC41(963243100070S).  
 When replacing the AVR1912E1C IC11, use the AVR1912E2 (EA) IC11(963248100710S).  
 When the following are replaced, always rewrite with updated firmware using DFW.  
 (Refer to "PROCEDURE FOR UPGRADING THE VERSION OF THE FIRMWARE" (45 page).)



- PCB HDMI ASSY
- IC11 (MX25L3206EM2I-12G/MX25L6406EM2I-12G)
- IC18 (H27U1G8F2BTR)
- IC22 (EPM3032A-TC44)
- IC41 (R5F64169DFDFP)
- U7 (EN29LV160BB-70TIP)

Ref. No.	Part No.	Part Name	Remarks	Q'ty	New
<b>SEMICONDUCTORS GROUP</b>					
IC1	nsp	IC EX3AV	<b>NOTE :</b> When update Firmware, please confirm a last version in SDI. Use the service board after updating it.	J048030030010S	
IC2	231310009508S	IC PQ033DNA1ZPH		J126033010010S	
IC3	234810015507S	IC BU4248F		J126424800010S	
IC4-7	nsp	IC EX3AV		J048030030010S	
IC9	943236012460S	IC ADV7623		CVIADV7623BSTZ	
IC11	963248100120S	IC MEMORY FLASH (MX25L3206EM2I-12G)	2112CIE3,1912E3	8952191200040	*
IC11	963248100710S	IC MEMORY FLASH (MX25L6406EM2I-12G)	1912E2,1912EA	8952191200060	*
IC11	nsp	IC MEMORY FLASH (MX25L6406EM2I-12G)	1912E1C	-	
<b>NOTE :</b> When replacing the 1912E1C parts, use the 1912E2(EA) parts. After replacing the parts, overwrite the firmware with the newest 1912E1C version firmware.					
IC12	963239010410S	IC ADV7511BSTZ-225		J040751100010S	
IC13	nsp	IC MFI341S2164		J044341216410S	
IC14	nsp	IC LAN8700-AEZG-TR		J127870010010S	
IC15	00D2623711004	IC LOGIC SAA7121H		J045712100010S	
IC16	246810063608S	IC MEMORY-RAM (W9825G6JH-6)		J001982566010S	
IC17	nsp	IC,ANALOG DM860		J080860005510S	
IC18	963248100110S	IC MEMORY FLASH (H27U1G8F2BTR)	2112CIE3,1912E3	8952191200030	*
IC18	nsp	IC MEMORY FLASH (H27U1G8F2BTR)	1912E2,1912EA, 1912E1C	-	
<b>NOTE :</b> When replacing the 1912E2(EA) or E1C parts, use the 1912E3/2112CIE3 parts. After replacing the parts, overwrite the firmware with the newest 1912E2(EA) or E1C version firmware.					
IC19	236810062608S	IC LC89058W-E		J046890580020S	
IC20	963239002150S	IC SN74LVC244APWR		J040742440230S	
IC21	236810062608S	IC LC89058W-E		J046890580020S	
IC22	943236100020S	IC EPM3032A-TC44		CVIANAM1570AV	
IC24	00D2623077900	IC TC74VHCU04FT		J040740405580S	
IC25	00D9630237503	MODULE JSR1165-C		E100116500040S	
IC28	00D2631289900	IC AZ4580M	2112E3,1912E3, 1912E1C	J121458000020S	
IC28	00D2623555901	IC SA5532ADR	1912E2,1912EA	J121553200050S	
IC29	236810073509S	IC AK4358VQ-L		J042435800010S	
IC30	236810086505S	IC AK5358BET-E2		J043535805520S	
IC31,32	00D2631289900	IC AZ4580M		J121458000020S	
IC33	236810070500S	IC AK4424ET-E2 TSSOP16		J042442405520S	
IC34	00D2631289900	IC AZ4580M		J121458000020S	
IC35	234810014504S	IC MC14094BDTR2G		J040140940020S	
IC37	00D2623437906	IC TC74VHCT244AFT		J040742445540S	
IC38	00D2623444902	IC TC74VHC08FT	1912E3,1912E2, 1912EA,1912E1C	J040740800280S	
IC39	00D2623444902	IC TC74VHC08FT		J040740800280S	
IC40	246810026500S	IC R1EX24256ASAS0A		J000242565550S	



Ref. No.	Part No.	Part Name	Remarks	Q'ty	New
IC41	963243100070S	IC CPU MICRO PROCESS (R5F56108VNFP)	2112CIE3,1912E3	8952191200010	*
IC41	nsp	IC CPU MICRO PROCESS (R5F56108VNFP)	1912E2,1912EA,1912E1C	-	
<p><b>NOTE :</b> When replacing the 1912E2(EA) or E1C parts, use the 1912E3/2112CIE3 parts. After replacing the parts, overwrite the firmware with the newest 1912E2(EA) or E1C version firmware.</p>					
U1	236810057606S	IC LOGIC ADV3002BSTZ		J040300205510S	
U2	234810018506S	IC LOGIC TC74VHC4052AFT		J040744052080S	
U4	nsp	IC LOGIC ADV7844 HDMI		J040784405510S	
U6	943246012690S	IC MEMORY-RAM (W9864G6JH-6)		CVIW9864G6JH-6	
U7	963248100100S	IC EN29LV160BB-70TIP		8952191200020	*
U8	nsp	IC ANALOG ADSP21487KSWZ-3B3018	1912E3,1912E2,1912EA,1912E1C	J080214875510S	
U8	nsp	IC,ANALOG ADSP21487KSWZ-3B3017	2112CIE3	J080214875520S	
Q1	943214500020S	TR 2SC 2SC3052		CVT2SC3052	
Q3	943216500020S	TR 2SC RT1N141C		CVTRT1N141C	
Q4	943216500050S	TR 2SC RT1N441C		CVTRT1N441C	
Q5	943216500020S	TR 2SC RT1N141C		CVTRT1N141C	
Q6,7	943216500050S	TR 2SC RT1N441C		CVTRT1N441C	
Q8	943216500020S	TR 2SC RT1N141C		CVTRT1N141C	
Q9	943216500050S	TR 2SC RT1N441C		CVTRT1N441C	
Q10	943216500020S	TR 2SC RT1N141C		CVTRT1N141C	
Q11-13	943216500050S	TR 2SC RT1N441C		CVTRT1N441C	
Q14	943216500020S	TR 2SC RT1N141C		CVTRT1N141C	
Q15	943216500050S	TR 2SC RT1N441C		CVTRT1N441C	
Q16	943216500020S	TR 2SC RT1N141C		CVTRT1N141C	
Q17-19	943216500050S	TR 2SC RT1N441C		CVTRT1N441C	
Q20	00D275011090S	SEMI HN1K02FU		J543102000020S	
Q22	943216500020S	TR 2SC RT1N141C		CVTRT1N141C	
Q24	963219004200S	CHIP FDC608PZ P-CH		J543608000010S	
Q25	943216500020S	TR 2SC RT1N141C		CVTRT1N141C	
Q26	943215500020S	TR 2SA RT1P141C		CVTRT1P141C	
Q27	943216500020S	TR 2SC RT1N141C		CVTRT1N141C	
Q29	943216500020S	TR 2SC RT1N141C		CVTRT1N141C	
Q30	943215500020S	TR 2SA RT1P141C		CVTRT1P141C	
Q31-39	943216500020S	TR 2SC RT1N141C		CVTRT1N141C	
Q40-43	943215500030S	TR 2SA RT1P441C		CVTRT1P441C	
Q44	943216500020S	TR 2SC RT1N141C		CVTRT1N141C	
TR1	943216500050S	TR 2SC RT1N441C		CVTRT1N441C	
TR2	963219004200S	CHIP FDC608PZ P-CH		J543608000010S	
TR3	00D2710326904	TR 2SA 2SA1954		J520195405510S	
TR4	943216500020S	TR 2SC RT1N141C		CVTRT1N141C	
TR5	00D2710326904	TR 2SA 2SA1954		J520195405510S	
TR6	943216500020S	TR 2SC RT1N141C		CVTRT1N141C	
TR7	943216500050S	TR 2SC RT1N441C		CVTRT1N441C	
TR8	963219004200S	CHIP FDC608PZ P-CH		J543608000010S	
TR9	00D2710326904	TR 2SA 2SA1954		J520195405510S	
TR10	943216500020S	TR 2SC RT1N141C		CVTRT1N141C	
TR11	943216500050S	TR 2SC RT1N441C		CVTRT1N441C	
TR12	963219004200S	CHIP FDC608PZ P-CH		J543608000010S	
TR14	943216500050S	TR 2SC RT1N441C		CVTRT1N441C	
TR15	963219004200S	CHIP FDC608PZ P-CH		J543608000010S	
TR16	00D2710326904	TR 2SA 2SA1954		J520195405510S	
TR17	943216500020S	TR 2SC RT1N141C		CVTRT1N141C	
TR20	943216500050S	TR 2SC RT1N441C		CVTRT1N441C	
TR21	963219004200S	CHIP FDC608PZ P-CH		J543608000010S	
TR22-28	943214500020S	TR 2SC 2SC3052		CVT2SC3052	
TR29,30	963212500030S	TR 2SA ISA1530AC1		J520015301210S	*
TR31	963219002180S	TR 2SD2114KT146W		J5232114K0010S	
TR32,33	943214500020S	TR 2SC 2SC3052		CVT2SC3052	
TR34	943214500020S	TR 2SC 2SC3052	2112CIE3	CVT2SC3052	
TR35	943215500030S	TR 2SA RT1P441C	2112CIE3	CVTRT1P441C	

Ref. No.	Part No.	Part Name	Remarks	Q'ty	New
TR38	00D2710326904	TR 2SA 2SA1954		J520195405510S	
TR39	943216500020S	TR 2SC RT1N141C		CVTRT1N141C	
D1	00D9630355401	D,SWITCHING KDS4148U		K005041480030S	
D3	00D9630328603	D,SCHOTTKY RB521S-30		K125521300010S	
D42	00D2760740909	D CHIP KDS184S(B3)		K005018400020S	
D43-45	00D9630355401	D,SWITCHING KDS4148U		K005041480030S	
D49	00D9630328603	D,SCHOTTKY RB521S-30	2112CIE3	K125521300010S	
D50	00D9630355401	D,SWITCHING KDS4148U	2112CIE3	K005041480030S	
D51	00D9630328603	D,SCHOTTKY RB521S-30	2112CIE3	K125521300010S	
D901	00D9630328603	D,SCHOTTKY RB521S-30		K125521300010S	
<b>RESISTORS GROUP</b>					
RA1-4	nsp	R,NETWORK WA04		C180103042100S	
<b>CAPACITORS GROUP</b>					
C1-3	nsp	C,CERAMIC 10UF-K/16V		D011106573200S	
C6	00D9630325402	C,ELECT 470UF-MVG/6.3V	1912E3,1912E1C, 2112CIE3	D050471081200S	
C6	963134501220S	C,ELECT 470UF-MVG/6.3V (RV0)	1912E2,1912EA	D050471081330S	*
C8,9	nsp	C,CERAMIC 0.1UF-K/50V		D011104177101S	
C12,13	nsp	C,CERAMIC 0.1UF-K/50V		D011104177101S	
C14	nsp	C,CERAMIC 10PF-J/50V		D010100167161S	
C17	nsp	C,CERAMIC 0.01UF-K/50V		D011103177101S	
C18,19	nsp	C,CERAMIC 0.1UF-K/50V		D011104177101S	
C22-24	nsp	C,CERAMIC 10UF-K/16V		D011106573200S	
C25	nsp	C,CERAMIC 1UF-K/10V		D011105772161S	
C26	nsp	C,CERAMIC 0.1UF-K/50V		D011104177101S	
C27,28	nsp	C,CERAMIC 1UF-K/10V		D011105772161S	
C29	nsp	C,CERAMIC X7R0.015UF-K/50V		D011153777160S	
C30,31	nsp	C,CERAMIC 0.1UF-K/50V		D011104177101S	
C34	nsp	C,CERAMIC 0.1UF-K/50V		D011104177101S	
C37	nsp	C,CERAMIC 15PF-J/50V		D010150167160S	
C38	nsp	C,CERAMIC 0.01UF-K/50V		D011103177101S	
C39-41	nsp	C,CERAMIC 0.1UF-K/50V		D011104177101S	
C44	nsp	C,CERAMIC 0.1UF-K/50V		D011104177101S	
C45-47	nsp	C,CERAMIC 10UF-K/16V		D011106573200S	
C48	nsp	C,CERAMIC 0.1UF-K/50V		D011104177101S	
C49	nsp	C,CERAMIC 15PF-J/50V		D010150167160S	
C52,53	nsp	C,CERAMIC 0.1UF-K/50V		D011104177101S	
C54	nsp	C,CERAMIC 0.01UF-K/50V		D011103177101S	
C55	nsp	C,CERAMIC 0.1UF-K/50V		D011104177101S	
C58-60	nsp	C,CERAMIC 10UF-K/16V		D011106573200S	
C61,62	nsp	C,CERAMIC 0.1UF-K/50V		D011104177101S	
C63	nsp	C,CERAMIC 15PF-J/50V		D010150167160S	
C66	nsp	C,CERAMIC 0.1UF-K/50V		D011104177101S	
C67	nsp	C,CERAMIC 0.01UF-K/50V		D011103177101S	
C68	nsp	C,CERAMIC 0.1UF-K/50V		D011104177101S	
C71-73	nsp	C,CERAMIC 10UF-K/16V		D011106573200S	
C74	nsp	C,CERAMIC 0.1UF-K/50V		D011104177101S	
C125	nsp	C,CERAMIC 15PF-J/50V		D010150167160S	
C128	nsp	C,CERAMIC 0.1UF-K/50V		D011104177101S	
C129	nsp	C,CERAMIC 0.01UF-K/50V		D011103177101S	
C130	nsp	C,CERAMIC 0.1UF-K/50V		D011104177101S	
C167	nsp	C,CERAMIC 0.1UF-K/50V		D011104177101S	
C216	nsp	C,CERAMIC 0.01UF-K/50V		D011103177101S	
C225	nsp	C,CERAMIC 1000PF-K/50V		D011102177101S	
C277,278	nsp	C,CERAMIC 0.1UF-K/50V		D011104177101S	
C279	nsp	C,CERAMIC 4.7UF-K/6.3V		D011475571160S	
C287	nsp	C,CERAMIC 0.1UF-K/50V		D011104177101S	
C288	nsp	C,CERAMIC 1000PF-K/50V		D011102177101S	
C289-292	nsp	C,CERAMIC 0.1UF-K/50V		D011104177101S	
C293	nsp	C,CERAMIC 0.01UF-K/50V		D011103177101S	
C294	nsp	C,CERAMIC 0.1UF-K/50V		D011104177101S	
C295	nsp	C,CERAMIC 0.01UF-K/50V		D011103177101S	

Ref. No.	Part No.	Part Name	Remarks	Q'ty	New
C296	nsp	C,CERAMIC 0.1UF-K/50V		D011104177101S	
C297	nsp	C,CERAMIC 0.01UF-K/50V		D011103177101S	
C298	nsp	C,CERAMIC 0.1UF-K/50V		D011104177101S	
C299	nsp	C,CERAMIC 0.01UF-K/50V		D011103177101S	
C300	nsp	C,CERAMIC 0.1UF-K/50V		D011104177101S	
C301	nsp	C,CERAMIC 0.01UF-K/50V		D011103177101S	
C302	nsp	C,CERAMIC 0.1UF-K/50V		D011104177101S	
C303	nsp	C,CERAMIC 0.01UF-K/50V		D011103177101S	
C304	nsp	C,CERAMIC 0.1UF-K/50V		D011104177101S	
C305	nsp	C,CERAMIC 0.01UF-K/50V		D011103177101S	
C306	nsp	C,CERAMIC 0.1UF-K/50V		D011104177101S	
C307	nsp	C,CERAMIC 0.01UF-K/50V		D011103177101S	
C308-310	nsp	C,CERAMIC 10UF-K/16V		D011106573200S	
C311	nsp	C,CERAMIC 0.1UF-K/50V		D011104177101S	
C312	nsp	C,CERAMIC 0.01UF-K/50V		D011103177101S	
C313	nsp	C,CERAMIC 0.1UF-K/50V		D011104177101S	
C314	nsp	C,CERAMIC 0.01UF-K/50V		D011103177101S	
C315	nsp	C,CERAMIC 10UF-K/16V		D011106573200S	
C317	nsp	C,CERAMIC 0.1UF-K/50V		D011104177101S	
C318	nsp	C,CERAMIC 0.01UF-K/50V		D011103177101S	
C319	nsp	C,CERAMIC 0.1UF-K/50V		D011104177101S	
C320	nsp	C,CERAMIC 0.01UF-K/50V		D011103177101S	
C321	nsp	C,CERAMIC 0.1UF-K/50V		D011104177101S	
C322	nsp	C,CERAMIC 0.01UF-K/50V		D011103177101S	
C323	nsp	C,CERAMIC 0.1UF-K/50V		D011104177101S	
C324	nsp	C,CERAMIC 0.01UF-K/50V		D011103177101S	
C325	nsp	C,CERAMIC 0.1UF-K/50V		D011104177101S	
C326	nsp	C,CERAMIC 0.01UF-K/50V		D011103177101S	
C327	nsp	C,CERAMIC 10UF-K/16V		D011106573200S	
C328	00D2544554984	C,ELECT 10UF-M/50V RA3	1912E2,1912EA	D040100087380S	
C330,331	nsp	C,CERAMIC 1UF-K/10V		D011105772161S	
C332,333	nsp	C,CERAMIC 15PF-J/50V		D011150167101S	
C334	nsp	C,CERAMIC 1000PF-K/50V		D011102177101S	
C335	nsp	C,CERAMIC 0.1UF-K/50V		D011104177101S	
C336	nsp	C,CERAMIC 0.01UF-K/50V		D011103177101S	
C337	nsp	C,CERAMIC 0.1UF-K/50V		D011104177101S	
C338	nsp	C,CERAMIC 0.01UF-K/50V		D011103177101S	
C339	nsp	C,CERAMIC 10UF-K/16V		D011106573200S	
C340	nsp	C,CERAMIC 0.1UF-K/50V		D011104177101S	
C341	nsp	C,CERAMIC 0.01UF-K/50V		D011103177101S	
C342	nsp	C,CERAMIC 0.1UF-K/50V		D011104177101S	
C343	nsp	C,CERAMIC 0.01UF-K/50V		D011103177101S	
C344	nsp	C,CERAMIC 0.1UF-K/50V		D011104177101S	
C345	nsp	C,CERAMIC 0.01UF-K/50V		D011103177101S	
C346	nsp	C,CERAMIC 0.1UF-K/50V		D011104177101S	
C347	nsp	C,CERAMIC 0.01UF-K/50V		D011103177101S	
C348	nsp	C,CERAMIC 0.1UF-K/50V		D011104177101S	
C349	nsp	C,CERAMIC 0.01UF-K/50V		D011103177101S	
C350,351	nsp	C,CERAMIC 10UF-K/16V		D011106573200S	
C352	nsp	C,CERAMIC 0.01UF-K/50V		D011103177101S	
C353,354	nsp	C,CERAMIC 0.1UF-K/50V		D011104177101S	
C355	nsp	C,CERAMIC 0.01UF-K/50V		D011103177101S	
C356	nsp	C,CERAMIC 10UF-K/16V		D011106573200S	
C358	nsp	C,CERAMIC 0.1UF-K/50V		D011104177101S	
C359	nsp	C,CERAMIC 0.01UF-K/50V		D011103177101S	
C360	nsp	C,CERAMIC 0.1UF-K/50V		D011104177101S	
C361	nsp	C,CERAMIC 0.01UF-K/50V		D011103177101S	
C362	nsp	C,CERAMIC 10UF-K/16V		D011106573200S	
C365	nsp	C,CERAMIC 0.1UF-K/50V		D011104177101S	
C366,367	nsp	C,CERAMIC 0.01UF-K/50V		D011103177101S	
C368	nsp	C,CERAMIC 0.1UF-K/50V		D011104177101S	
C369	nsp	C,CERAMIC 0.01UF-K/50V		D011103177101S	
C370	nsp	C,CERAMIC 0.1UF-K/50V		D011104177101S	
C371	nsp	C,CERAMIC 0.01UF-K/50V		D011103177101S	
C372	nsp	C,CERAMIC 0.1UF-K/50V		D011104177101S	
C373	nsp	C,CERAMIC 0.01UF-K/50V		D011103177101S	
C374	nsp	C,CERAMIC 0.1UF-K/50V		D011104177101S	



Ref. No.	Part No.	Part Name	Remarks		Q'ty	New
C375	nsp	C,CERAMIC 0.01UF-K/50V		D011103177101S		
C376	nsp	C,CERAMIC 0.1UF-K/50V		D011104177101S		
C377	nsp	C,CERAMIC 0.01UF-K/50V		D011103177101S		
C378	nsp	C,CERAMIC 0.1UF-K/50V		D011104177101S		
C379	nsp	C,CERAMIC 0.01UF-K/50V		D011103177101S		
C380	nsp	C,CERAMIC 0.1UF-K/50V		D011104177101S		
C381	nsp	C,CERAMIC 0.01UF-K/50V		D011103177101S		
C382	nsp	C,CERAMIC 0.1UF-K/50V		D011104177101S		
C383	nsp	C,CERAMIC 0.01UF-K/50V		D011103177101S		
C384	nsp	C,CERAMIC 0.1UF-K/50V		D011104177101S		
C385	nsp	C,CERAMIC 0.01UF-K/50V		D011103177101S		
C386	nsp	C,CERAMIC 0.1UF-K/50V		D011104177101S		
C387	nsp	C,CERAMIC 0.01UF-K/50V		D011103177101S		
C388	nsp	C,CERAMIC 0.1UF-K/50V		D011104177101S		
C389	nsp	C,CERAMIC 0.01UF-K/50V		D011103177101S		
C390	nsp	C,CERAMIC 0.1UF-K/50V		D011104177101S		
C391	nsp	C,CERAMIC 0.01UF-K/50V		D011103177101S		
C392	nsp	C,CERAMIC 0.1UF-K/50V		D011104177101S		
C393	nsp	C,CERAMIC 0.01UF-K/50V		D011103177101S		
C394	nsp	C,CERAMIC 0.1UF-K/50V		D011104177101S		
C395	nsp	C,CERAMIC 0.01UF-K/50V		D011103177101S		
C396	nsp	C,CERAMIC 0.1UF-K/50V		D011104177101S		
C397-399	nsp	C,CERAMIC 10UF-K/16V		D011106573200S		
C400	nsp	C,CERAMIC 0.01UF-K/50V		D011103177101S		
C401	nsp	C,CERAMIC 0.1UF-K/50V		D011104177101S		
C402	nsp	C,CERAMIC 0.01UF-K/50V		D011103177101S		
C403	nsp	C,CERAMIC 0.1UF-K/50V		D011104177101S		
C404	nsp	C,CERAMIC 0.01UF-K/50V		D011103177101S		
C405	nsp	C,CERAMIC 0.1UF-K/50V		D011104177101S		
C406	nsp	C,CERAMIC 0.01UF-K/50V		D011103177101S		
C407	nsp	C,CERAMIC 0.1UF-K/50V		D011104177101S		
C408	nsp	C,CERAMIC 0.01UF-K/50V		D011103177101S		
C409	nsp	C,CERAMIC 0.1UF-K/50V		D011104177101S		
C410	nsp	C,CERAMIC 0.01UF-K/50V		D011103177101S		
C411	nsp	C,CERAMIC 0.1UF-K/50V		D011104177101S		
C412	nsp	C,CERAMIC 0.01UF-K/50V		D011103177101S		
C413	nsp	C,CERAMIC 0.1UF-K/50V		D011104177101S		
C414	nsp	C,CERAMIC 0.01UF-K/50V		D011103177101S		
C415	nsp	C,CERAMIC 0.1UF-K/50V		D011104177101S		
C416	nsp	C,CERAMIC 0.01UF-K/50V		D011103177101S		
C417	nsp	C,CERAMIC 0.1UF-K/50V		D011104177101S		
C418	nsp	C,CERAMIC 0.01UF-K/50V		D011103177101S		
C419	nsp	C,CERAMIC 0.1UF-K/50V		D011104177101S		
C420	nsp	C,CERAMIC 1UF-K/10V		D011105772101S		
C421	nsp	C,CERAMIC 4.7UF-K/6.3V		D011475571160S		
C422-426	nsp	C,CERAMIC 0.1UF-K/50V		D011104177101S		
C427	nsp	C,CERAMIC 0.01UF-K/50V		D011103177101S		
C428-430	nsp	C,CERAMIC 0.1UF-K/50V		D011104177101S		
C431	nsp	C,CERAMIC 0.01UF-K/50V		D011103177101S		
C434	nsp	C,CERAMIC 0.01UF-K/50V		D011103177101S		
C435	nsp	C,CERAMIC 0.1UF-K/50V		D011104177101S		
C436	nsp	C,CERAMIC 0.01UF-K/50V		D011103177101S		
C437	nsp	C,CERAMIC 0.1UF-K/50V		D011104177101S		
C438	nsp	C,CERAMIC 1UF-K/10V		D011105772101S		
C439	nsp	C,CERAMIC 0.01UF-K/50V		D011103177101S		
C440	nsp	C,CERAMIC 0.1UF-K/50V		D011104177101S		
C441	nsp	C,CERAMIC 0.01UF-K/50V		D011103177101S		
C442	nsp	C,CERAMIC 0.1UF-K/50V		D011104177101S		
C443	nsp	C,CERAMIC 0.01UF-K/50V		D011103177101S		
C444	nsp	C,CERAMIC 0.1UF-K/50V		D011104177101S		
C445	nsp	C,CERAMIC 0.01UF-K/50V		D011103177101S		
C446	nsp	C,CERAMIC 0.1UF-K/50V		D011104177101S		
C447	nsp	C,CERAMIC 0.01UF-K/50V		D011103177101S		
C448	nsp	C,CERAMIC 0.1UF-K/50V		D011104177101S		
C449	nsp	C,CERAMIC 0.01UF-K/50V		D011103177101S		
C450	nsp	C,CERAMIC 0.1UF-K/50V		D011104177101S		
C451	nsp	C,CERAMIC 0.01UF-K/50V		D011103177101S		



Ref. No.	Part No.	Part Name	Remarks	Q'ty	New
C452	nsp	C,CERAMIC 0.1UF-K/50V		D011104177101S	
C453	nsp	C,CERAMIC 0.01UF-K/50V		D011103177101S	
C454	nsp	C,CERAMIC 0.1UF-K/50V		D011104177101S	
C455	nsp	C,CERAMIC 0.01UF-K/50V		D011103177101S	
C456	nsp	C,CERAMIC 0.1UF-K/50V		D011104177101S	
C457	nsp	C,CERAMIC 0.01UF-K/50V		D011103177101S	
C458	nsp	C,CERAMIC 0.1UF-K/50V		D011104177101S	
C459	nsp	C,CERAMIC 10UF-K/16V		D011106573200S	
C460	nsp	C,CERAMIC 0.01UF-K/50V		D011103177101S	
C461	nsp	C,CERAMIC 0.1UF-K/50V		D011104177101S	
C462	nsp	C,CERAMIC 0.01UF-K/50V		D011103177101S	
C463	nsp	C,CERAMIC 0.1UF-K/50V		D011104177101S	
C464	nsp	C,CERAMIC 0.01UF-K/50V		D011103177101S	
C465	nsp	C,CERAMIC 0.1UF-K/50V		D011104177101S	
C466	nsp	C,CERAMIC 0.01UF-K/50V		D011103177101S	
C467	nsp	C,CERAMIC 0.1UF-K/50V		D011104177101S	
C468	nsp	C,CERAMIC 0.01UF-K/50V		D011103177101S	
C469	nsp	C,CERAMIC 0.1UF-K/50V		D011104177101S	
C470	nsp	C,CERAMIC 0.01UF-K/50V		D011103177101S	
C471	nsp	C,CERAMIC 0.1UF-K/50V		D011104177101S	
C472	nsp	C,CERAMIC 0.01UF-K/50V		D011103177101S	
C473	nsp	C,CERAMIC 0.1UF-K/50V		D011104177101S	
C474	nsp	C,CERAMIC 0.01UF-K/50V		D011103177101S	
C475	nsp	C,CERAMIC 0.1UF-K/50V		D011104177101S	
C476	nsp	C,CERAMIC 0.01UF-K/50V		D011103177101S	
C477	nsp	C,CERAMIC 0.1UF-K/50V		D011104177101S	
C478	nsp	C,CERAMIC 0.01UF-K/50V		D011103177101S	
C479	nsp	C,CERAMIC 0.1UF-K/50V		D011104177101S	
C480	nsp	C,CERAMIC 0.01UF-K/50V		D011103177101S	
C481	nsp	C,CERAMIC 0.1UF-K/50V		D011104177101S	
C482	nsp	C,CERAMIC 0.01UF-K/50V		D011103177101S	
C483	nsp	C,CERAMIC 0.1UF-K/50V		D011104177101S	
C484	nsp	C,CERAMIC 0.01UF-K/50V		D011103177101S	
C485	nsp	C,CERAMIC 0.1UF-K/50V		D011104177101S	
C486	nsp	C,CERAMIC 0.01UF-K/50V		D011103177101S	
C487	nsp	C,CERAMIC 0.1UF-K/50V		D011104177101S	
C488	nsp	C,CERAMIC 0.01UF-K/50V		D011103177101S	
C489	nsp	C,CERAMIC 0.1UF-K/50V		D011104177101S	
C490	nsp	C,CERAMIC 0.01UF-K/50V		D011103177101S	
C491	nsp	C,CERAMIC 0.1UF-K/50V		D011104177101S	
C492	nsp	C,CERAMIC 0.01UF-K/50V		D011103177101S	
C493	nsp	C,CERAMIC 0.1UF-K/50V		D011104177101S	
C494	nsp	C,CERAMIC 0.01UF-K/50V		D011103177101S	
C495	nsp	C,CERAMIC 0.1UF-K/50V		D011104177101S	
C496	nsp	C,CERAMIC 1UF-K/10V		D011105772101S	
C497	nsp	C,CERAMIC 0.1UF-K/50V		D011104177101S	
C498	nsp	C,CERAMIC 10UF-K/16V		D011106573200S	
C499	nsp	C,CERAMIC 0.1UF-K/50V		D011104177101S	
C500	nsp	C,CERAMIC 1000PF-K/50V		D011102177101S	
C501-503	nsp	C,CERAMIC 0.1UF-K/50V		D011104177101S	
C504,505	nsp	C,CERAMIC 15PF-J/50V		D011150167101S	
C506-509	nsp	C,CERAMIC 0.1UF-K/50V		D011104177101S	
C510	nsp	C,CERAMIC 1000PF-K/50V		D011102177101S	
C511,512	nsp	C,CERAMIC 0.1UF-K/50V		D011104177101S	
C513-515	nsp	R,CHIP 0-J,1/16W		C20000006M101S	
C516	nsp	C,CERAMIC 4.7UF-K/6.3V		D011475571160S	
C519-525	nsp	C,CERAMIC 0.1UF-K/50V		D011104177101S	
C526	nsp	C,CERAMIC 10UF-K/16V		D011106573200S	
C529-532	nsp	C,CERAMIC 0.1UF-K/50V		D011104177101S	
C533	00D2544554984	C,ELECT 10UF-M/50V RA3	1912E2,1912EA	D040100087380S	
C534	nsp	C,CERAMIC 10UF-K/16V		D011106573200S	
C537	nsp	C,CERAMIC 10UF-K/16V		D011106573200S	
C539,540	nsp	C,CERAMIC 0.1UF-K/50V		D011104177101S	
C541,542	nsp	C,CERAMIC 1PF-C/50V		D011010107100S	
C543	nsp	C,CERAMIC 0.1UF-K/50V		D011104177101S	
C546	nsp	C,CERAMIC 0.1UF-K/50V		D011104177101S	
C548,549	nsp	C,CERAMIC 0.1UF-K/50V		D011104177101S	

△

Ref. No.	Part No.	Part Name	Remarks	Q'ty	New
C550-552	nsp	C,CERAMIC 4.7UF-K/6.3V		D011475571160S	
C554	nsp	C,CERAMIC 0.1UF-K/50V		D011104177101S	
C555,556	nsp	C,CERAMIC 1000PF-K/50V		D011102177101S	
C557-564	nsp	C,CERAMIC 0.1UF-K/50V		D011104177101S	
C565	nsp	C,CERAMIC10PF-J/50V		D011100167101S	
C566,567	nsp	C,CERAMIC 0.1UF-K/50V		D011104177101S	
C568	nsp	C,CERAMIC 4.7UF-K/6.3V		D011475571160S	
C571	nsp	C,CERAMIC 4.7UF-K/6.3V		D011475571160S	
C572	nsp	C,CERAMIC10PF-J/50V		D011100167101S	
C573	nsp	C,CERAMIC 0.1UF-K/50V		D011104177101S	
C574	nsp	C,CERAMIC 4.7UF-K/6.3V		D011475571160S	
C581	nsp	C,CERAMIC 0.022UF-K/25V		D011223777160S	
C583	nsp	C,CERAMIC 1000PF-K/50V		D011102177101S	
C584	nsp	C,CERAMIC 4.7UF-K/6.3V		D011475571160S	
C585	nsp	C,CERAMIC 1000PF-K/50V		D011102177101S	
C586	nsp	C,CERAMIC 4.7UF-K/6.3V		D011475571160S	
C587-593	nsp	C,CERAMIC 0.1UF-K/50V		D011104177101S	
C594	nsp	C,CERAMIC 1000PF-K/50V		D011102177101S	
C595	nsp	C,CERAMIC 12PF-J/50V		D011120167101S	
C597	nsp	C,CERAMIC 12PF-J/50V		D011120167101S	
C598,599	nsp	C,CERAMIC 0.1UF-K/50V		D011104177101S	
C605	nsp	C,CERAMIC 0.1UF-K/50V		D011104177101S	
C616-619	nsp	C,CERAMIC 4.7UF-K/6.3V		D011475571160S	
C620-633	nsp	C,CERAMIC 0.1UF-K/50V		D011104177101S	
C635	nsp	C,CERAMIC 4.7UF-K/6.3V		D011475571160S	
C638-641	nsp	C,CERAMIC 4.7UF-K/6.3V		D011475571160S	
C642-654	nsp	C,CERAMIC 0.1UF-K/50V		D011104177101S	
C656	nsp	C,CERAMIC 4.7UF-K/6.3V		D011475571160S	
C659	nsp	C,CERAMIC 4.7UF-K/6.3V		D011475571160S	
C662,663	nsp	C,CERAMIC 0.1UF-K/50V		D011104177101S	
C664	nsp	C,CERAMIC 1000PF-K/50V		D011102177101S	
C665-671	nsp	C,CERAMIC 0.1UF-K/50V		D011104177101S	
C672	nsp	C,CERAMIC 0.022UF-K/25V		D011223174101S	
C673,674	nsp	C,CERAMIC 10PF-D/50V		D011100117101S	
C675	nsp	C,CERAMIC 0.1UF-K/50V		D011104177101S	
C676	nsp	C,CERAMIC 4.7UF-K/6.3V		D011475571160S	
C678	nsp	C,CERAMIC 1000PF-K/50V		D011102177101S	
C679-683	nsp	C,CERAMIC 0.1UF-K/50V		D011104177101S	
C684	nsp	C,CERAMIC 1000PF-K/50V		D011102177101S	
C685-696	nsp	C,CERAMIC 0.1UF-K/50V		D011104177101S	
C697	nsp	C,CERAMIC 0.022UF-K/25V		D011223174101S	
C698-701	nsp	C,CERAMIC 0.1UF-K/50V		D011104177101S	
C702	nsp	C,CERAMIC 4.7UF-K/6.3V		D011475571160S	
C703	nsp	C,CERAMIC 0.1UF-K/50V		D011104177101S	
C706	nsp	C,CERAMIC 0.01UF-K/50V		D011103177101S	
C708	nsp	C,CERAMIC 0.1UF-K/50V		D011104177101S	
C710-735	nsp	C,CERAMIC 1000PF-K/50V		D011102177101S	
C736-785	nsp	C,CERAMIC 0.1UF-K/50V		D011104177101S	
C786,787	nsp	C,CERAMIC 4.7UF-K/6.3V		D011475571160S	
C790,791	nsp	C,CERAMIC 4.7UF-K/6.3V		D011475571160S	
C792	nsp	C,CERAMIC 0.1UF-K/50V		D011104177101S	
C796,797	nsp	C,CERAMIC 9PF-D/50V		D011090117101S	
C799	00D9630338606	C,ELECT 10UF-MVG/16V		D050100083470S	
C801	nsp	C,CERAMIC0.01UF-K/50V		D011103777160S	
C804,805	nsp	C,CERAMIC 0.1UF-K/50V		D011104177101S	
C806-830	nsp	C,CERAMIC 1000PF-K/50V		D011102177101S	
C831	00D9630338606	C,ELECT 10UF-MVG/16V		D050100083470S	
C833	nsp	C,CERAMIC0.01UF-K/50V		D011103777160S	
C834	nsp	C,CERAMIC X7R3900PF-K/50V		D011392777160S	
C835	nsp	C,CERAMIC 680PF-J/50V		D010681167163S	
C837	nsp	C,CERAMIC 680PF-J/50V		D010681167163S	
C838	963134000450S	C,ELECT 100UF-MVG/16V		D050101083660S	
C839	nsp	C,CERAMIC 680PF-J/50V		D010681167163S	
C840	nsp	CHIP RES. 1KJ 1/16W1005REEL		C20001026M101S	
C841	nsp	C,CERAMIC 0.1UF-K/50V		D011104177101S	
C843	963134000450S	C,ELECT 100UF-MVG/16V		D050101083660S	
C845	nsp	C,CERAMIC 4.7UF-K/6.3V		D011475571160S	

Ref. No.	Part No.	Part Name	Remarks	Q'ty	New
C846	nsp	C,CERAMIC X7R3900PF-K/50V		D011392777160S	
C847	nsp	C,CERAMIC 4.7UF-K/6.3V		D011475571160S	
C849,850	nsp	C,CERAMIC 1UF-K/10V		D011105772161S	
C851	nsp	C,CERAMIC 680PF-J/50V		D010681167163S	
C853	nsp	C,CERAMIC X7R3900PF-K/50V		D011392777160S	
C854,855	nsp	C,CERAMIC 680PF-J/50V		D010681167163S	
C857	nsp	C,CERAMIC 680PF-J/50V		D010681167163S	
C858	nsp	C,CERAMIC 1000PF-K/50V		D011102177101S	
C859	nsp	C,CERAMIC X7R3900PF-K/50V		D011392777160S	
C862	nsp	C,CERAMIC 4.7UF-K/6.3V		D011475571160S	
C863	963134000450S	C,ELECT 100UF-MVG/16V		D050101083660S	
C864	nsp	C,CERAMIC 680PF-J/50V		D010681167163S	
C865	nsp	C,CERAMIC X7R3900PF-K/50V		D011392777160S	
C866	nsp	C,CERAMIC 1UF-K/10V		D011105772161S	
C867,868	nsp	C,CERAMIC 470PF-J/50V		D010471167163S	
C869	nsp	C,CERAMIC 2200PF-K/50V		D011222777160S	
C870	nsp	C,CERAMIC 470PF-J/50V		D010471167163S	
C871	nsp	C,CERAMIC 2200PF-K/50V		D011222777160S	
C872	nsp	C,CERAMIC X7R3900PF-K/50V		D011392777160S	
C873	nsp	C,CERAMIC 470PF-J/50V		D010471167163S	
C874,875	nsp	C,CERAMIC 4.7UF-K/6.3V		D011475571160S	
C876	nsp	C,CERAMIC 1UF-K/10V		D011105772161S	
C877	nsp	C,CERAMIC X7R3900PF-K/50V		D011392777160S	
C878-880	nsp	C,CERAMIC 680PF-J/50V		D010681167163S	
C881	nsp	C,CERAMIC X7R3900PF-K/50V		D011392777160S	
C882	nsp	C,CERAMIC 680PF-J/50V		D010681167163S	
C883	nsp	C,CERAMIC 0.1UF-K/50V		D011104177101S	
C885-887	nsp	C,CERAMIC 0.1UF-K/50V		D011104177101S	
C888-892	nsp	C,CERAMIC 0.01UF-K/50V		D011103177101S	
C893	nsp	C,CERAMIC 0.1UF-K/50V		D011104177101S	
C895	nsp	C,CERAMIC 0.1UF-K/50V	1912E3,1912E2, 1912EA,1912E1C	D011104177101S	
C896	nsp	C,CERAMIC 0.1UF-K/50V		D011104177101S	
C898	nsp	C,CERAMIC 0.1UF-K/50V		D011104177101S	
C899	nsp	C,CERAMIC 220PF-K/50V		D011221177101S	
C900-908	nsp	C,CERAMIC 0.1UF-K/50V		D011104177101S	
C910,911	nsp	C,CERAMIC 0.1UF-K/50V		D011104177101S	
C912	nsp	C,CERAMIC 1000PF-K/50V	2112CIE3	D011102177101S	
C915,916	nsp	C,CERAMIC 12PF-J/50V		D011120167101S	
C917	nsp	C,CERAMIC 1000PF-K/50V	2112CIE3	D011102177101S	
C918	nsp	C,CERAMIC 4.7UF-K/6.3V		D011475571160S	
C919	nsp	C,CERAMIC 0.1UF-K/50V	2112CIE3	D011104177101S	
C933-940	nsp	C,CERAMIC 100PF-J/50V		D011101167101S	
C947-973	nsp	C,CERAMIC 1000PF-K/50V		D011102177101S	
C976	nsp	C,CERAMIC 560PF-K/50V		D011561177101S	
C977	nsp	C,CERAMIC 390PF-K/50V		D011391177101S	
C978	nsp	C,CERAMIC 560PF-K/50V		D011561177101S	
C979	nsp	C,CERAMIC 390PF-K/50V		D011391177101S	
C982-987	nsp	C,CERAMIC 1000PF-K/50V		D011102177101S	
C994-1001	nsp	C,CERAMIC 1000PF-K/50V		D011102177101S	
C1003-1008	nsp	C,CERAMIC 1000PF-K/50V		D011102177101S	
<b>OTHERS PARTS GROUP</b>					
CB1-3	nsp	COIL,CHIP FLC32C220K		D307322205520S	
CN2	nsp	CN.WAFER 33P C125Z2		L109012523310S	
CN3	nsp	CN.WAFER 13P C125Z2-13		L109012521310S	
CN4,5	nsp	CN.WAFER 19P C125Z2-19		L109012521910S	
CN6,7	nsp	CN.WAFER 13P C125Z2-13		L109012521310S	
CN8	nsp	CN.WAFER 5P 20010-05		L101200100510S	
CP1	nsp	CN.WAFER 5P 20010-05		L101200100510S	
CP2	963643100130S	JACK,MODULAR RJ45		G4060RJ450120S	*
CP5	nsp	CN.FPC 4P 1.0-9-4PW	1912E3,1912E2, 1912EA,1912E1C	L130100090450S	

Ref. No.	Part No.	Part Name	Remarks		Q'ty	New
F1	00D2790055907	SW,POLY MICROSMD175F		G300017500010S		
JACK1-7	963643100120S	HDMI CONNECTOR 19P		L109100190160S		*
JACK8,9	00D9630244703	JACK,D3.5 EARPHONE	2112CIE3	G40130802000YS		
JK1	963643003580S	TER,RCA 1PIN		G600107C0020YS		
JK2	00D9630294601	JACK,D3.5 EARPHONE		G40100350000YS		
L3-8	nsp	COIL,BEAD BLM21PG221SN1		D340201212210S		
L10	nsp	COIL,CHIP DLW21SN181SQ2L		D311201211810S		
L12	nsp	R,CHIP THICK 0-J,1/10W		C200000060200S		
L14	nsp	COIL,BEAD BLM21PG221SN1		D340201212210S		
L15	nsp	COIL,BEAD CBW160808U121T		D340160811210S		
L16	nsp	COIL,CHIP DLW21SN900HQ2L		D311201219000S		
L17,18	nsp	COIL,BEAD BLM21PG221SN1		D340201212210S		
L19	nsp	COIL,CHIP DLW21SN900HQ2L		D311201219000S		
L20-24	nsp	COIL,BEAD BLM21PG221SN1		D340201212210S		
L27,28	nsp	R,CHIP 0-J, 1/16W		C20000006M160S		
X1	141810044504S	CRYSTAL CHIP FCX-04(28.63636MHz)		E80528R636380S		
X2	963141010990S	CRYSTAL CHIP FCX-04(24MHz)		E80524R000080S		
X3	141810046500S	CRYSTAL CHIP FCX-04(24.576MHz)		E80524R576080S		
X4	943141100020S	CRYSTAL CHIP FCX-04(21.875MHz)		COX21875I070SR		
X5	00D3991038900	CRYSTAL CHIP FCX-03(12MHz)		E805120000020S		
XTAL1	141810044504S	CRYSTAL CHIP FCX-04(28.63636MHz)		E80528R636380S		
CX1	nsp	CN.WAFER 5P SMW250-5P		L102050010040S		
CX4	nsp	CN.FPC 40P 10022HS-40C		L130100220400S		
FB1-5	nsp	COIL,BEAD BLM21PG221SN1		D340201212210S		
FB6,7	nsp	R,CHIP THICK 0-J,1/10W		C200000060200S		
FB8	nsp	COIL,BEAD CBW160808U121T		D340160811210S		
FB9,10	nsp	COIL,BEAD BLM21PG221SN1		D340201212210S		
FB11,12	nsp	R,CHIP THICK 0-J,1/10W		C200000060200S		
FB13,14	nsp	COIL,BEAD BLM21PG221SN1		D340201212210S		
FB15,16	nsp	R,CHIP THICK 0-J,1/10W		C200000060200S		
FB17,18	nsp	COIL,BEAD BLM21PG221SN1		D340201212210S		
FB19,20	nsp	R,CHIP THICK 0-J,1/10W		C200000060200S		
FB21,22	nsp	COIL,BEAD BLM21PG221SN1		D340201212210S		
FB23,24	nsp	R,CHIP THICK 0-J,1/10W		C200000060200S		
FB29-36	nsp	COIL,BEAD BLM21PG221SN1		D340201212210S		
FB37-44	nsp	R,CHIP THICK 0-J,1/10W		C200000060200S		
FB45-80	nsp	R,CHIP 0-J, 1/16W		C20000006M160S		
FB81-84	nsp	R,CHIP THICK 0-J,1/10W		C200000060200S		
FB85-103	nsp	R,CHIP 0-J, 1/16W		C20000006M160S		
FB105-145	nsp	R,CHIP 0-J, 1/16W		C20000006M160S		