

NOTE FOR SCHEMATIC DIAGRAM

WARNING:

Parts marked with this symbol \triangle have critical characteristics.

Use ONLY replacement parts recommended by the manufacturer.

CAUTION:

Before returning the unit to the customer, make sure you make either (1) a leakage current check or (2) a line to chassis resistance check. If the leakage current exceeds 0.5 milliamps, or if the resistance from chassis to either side of the power cord is less than 460 kohms, the unit is defective.

WARNING:

DO NOT return the unit to the customer until the problem is located and corrected.

NOTICE:

ALL RESISTANCE VALUES IN OHM. k=1,000 OHM

M=1,000,000 OHM

ALL CAPACITANCE VALUES IN MICRO FARAD.

P=MICRO-MICRO FARAD

EACH VOLTAGE AND CURRENT ARE MEASURED AT NO SIGNAL INPUT CONDITION.

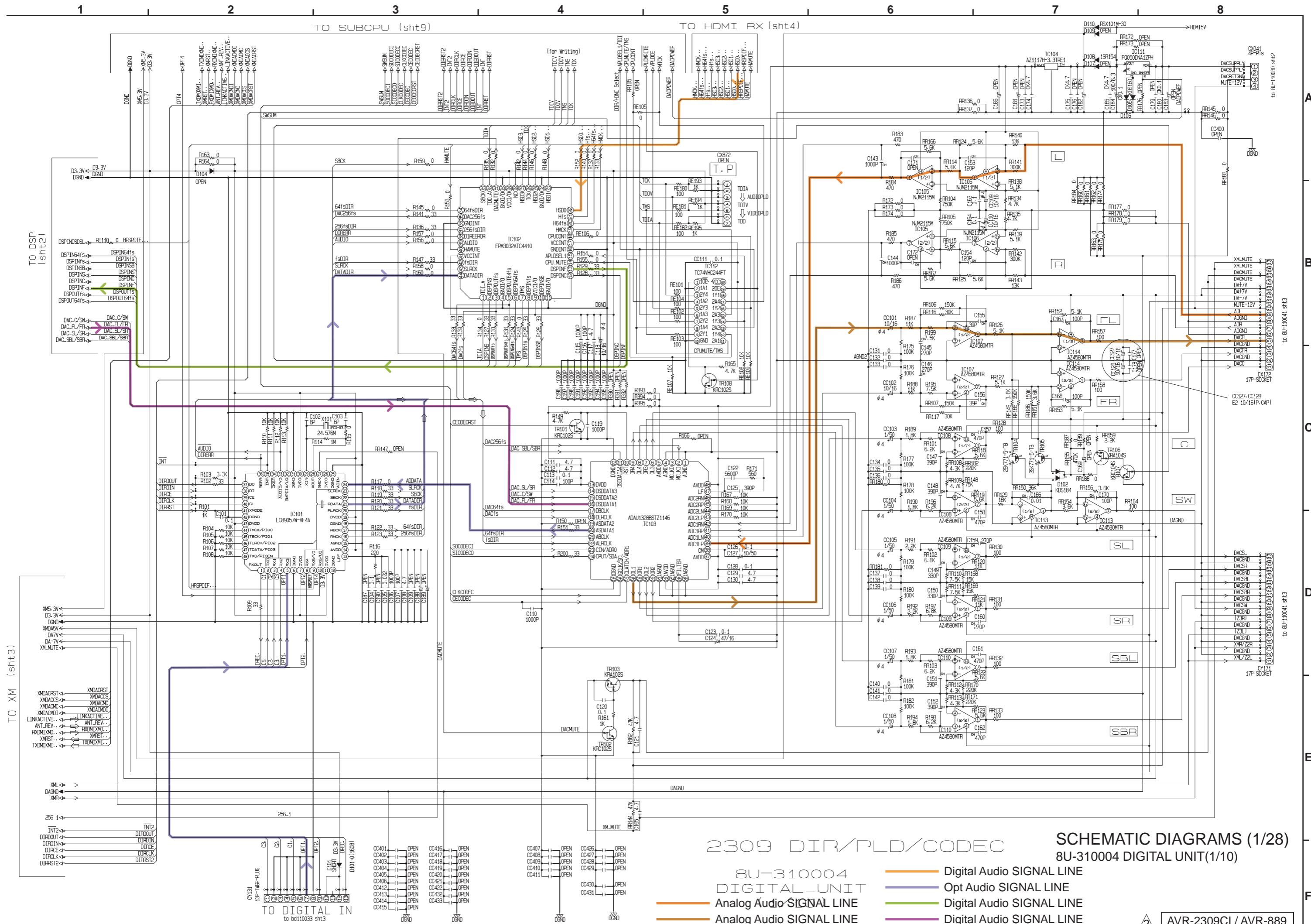
CIRCUIT AND PARTS ARE SUBJECT TO CHANGE WITHOUT PRIOR NOTICE.

配線図について

\triangle 印の部品は安全を維持するために重要な部品です。従って交換時は必ず指定の部品を使用してください。

注)

- (1) 指定なき抵抗値は Ω 、k は k Ω 、M は M Ω を示す。
- (2) 指定なきコンデンサーの値は μF 、p は pF を示す。
- (3) 各部の電圧は無信号の値を示す。
- (4) この配線図は基本配線図です。改良等のため変更することがありますのでご了承ください。

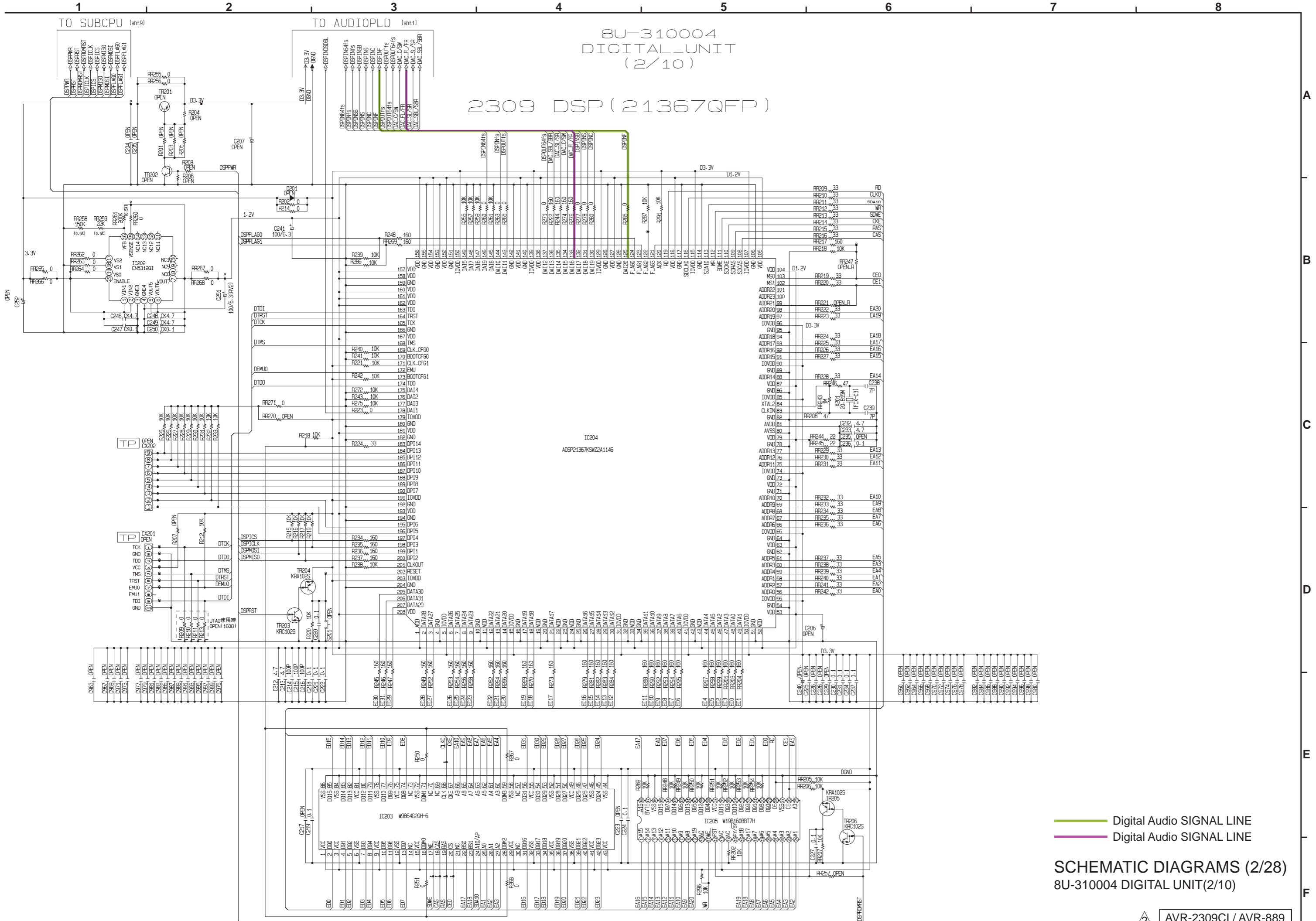


2309 DIR/PLD/CODEC

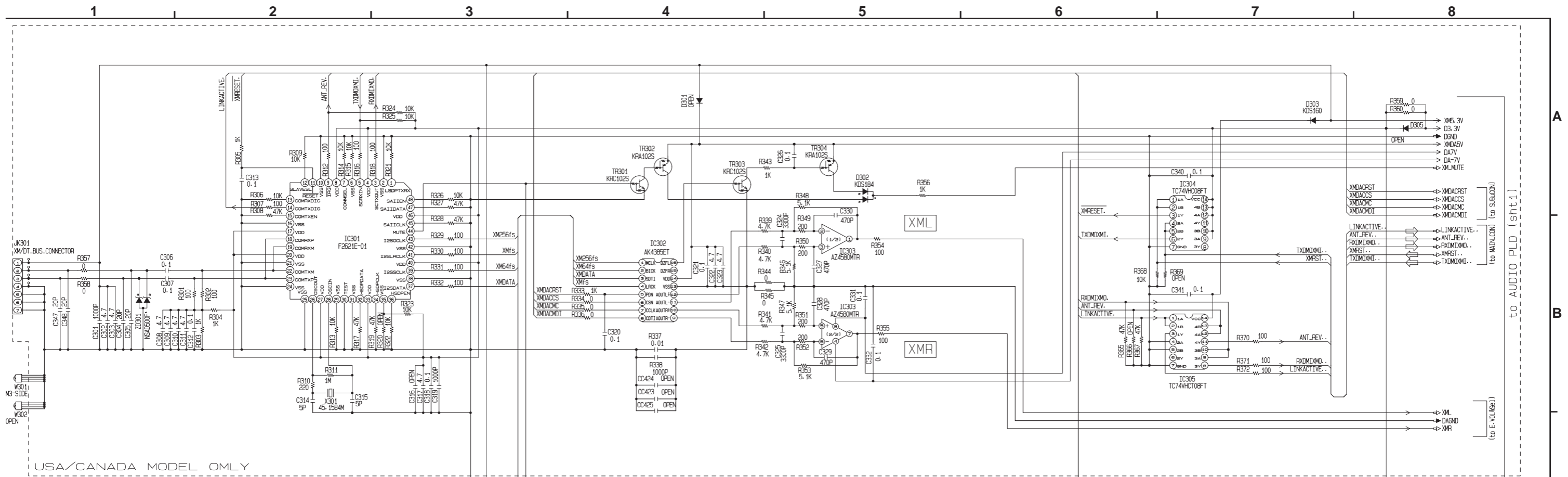
8U-31004 DIGITAL_UNIT

- Digital Audio SIGNAL LINE
- Opt Audio SIGNAL LINE
- Analog Audio SIGNAL LINE
- Digital Audio SIGNAL LINE
- Digital Audio SIGNAL LINE

SCHEMATIC DIAGRAMS (1/28)
8U-31004 DIGITAL UNIT(1/10)

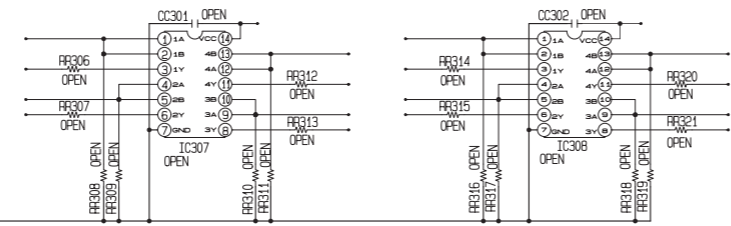
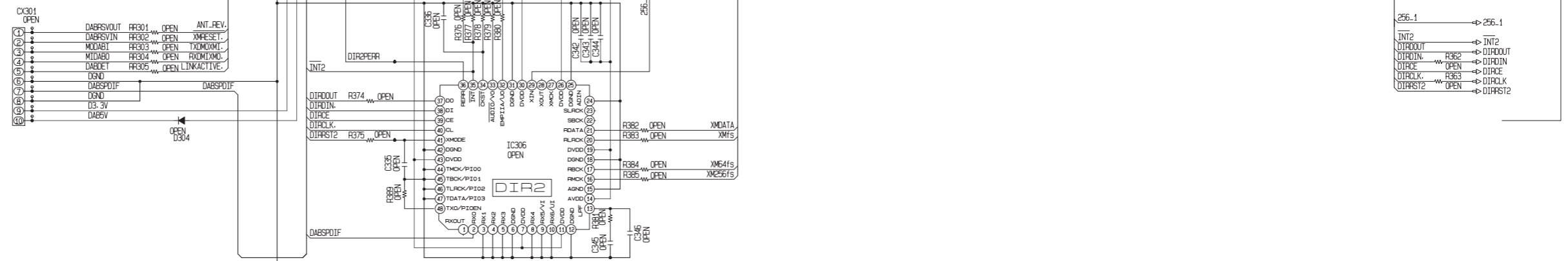


SCHEMATIC DIAGRAMS (2/28)
8U-310004 DIGITAL UNIT(2/10)



USA/CANADA MODEL ONLY

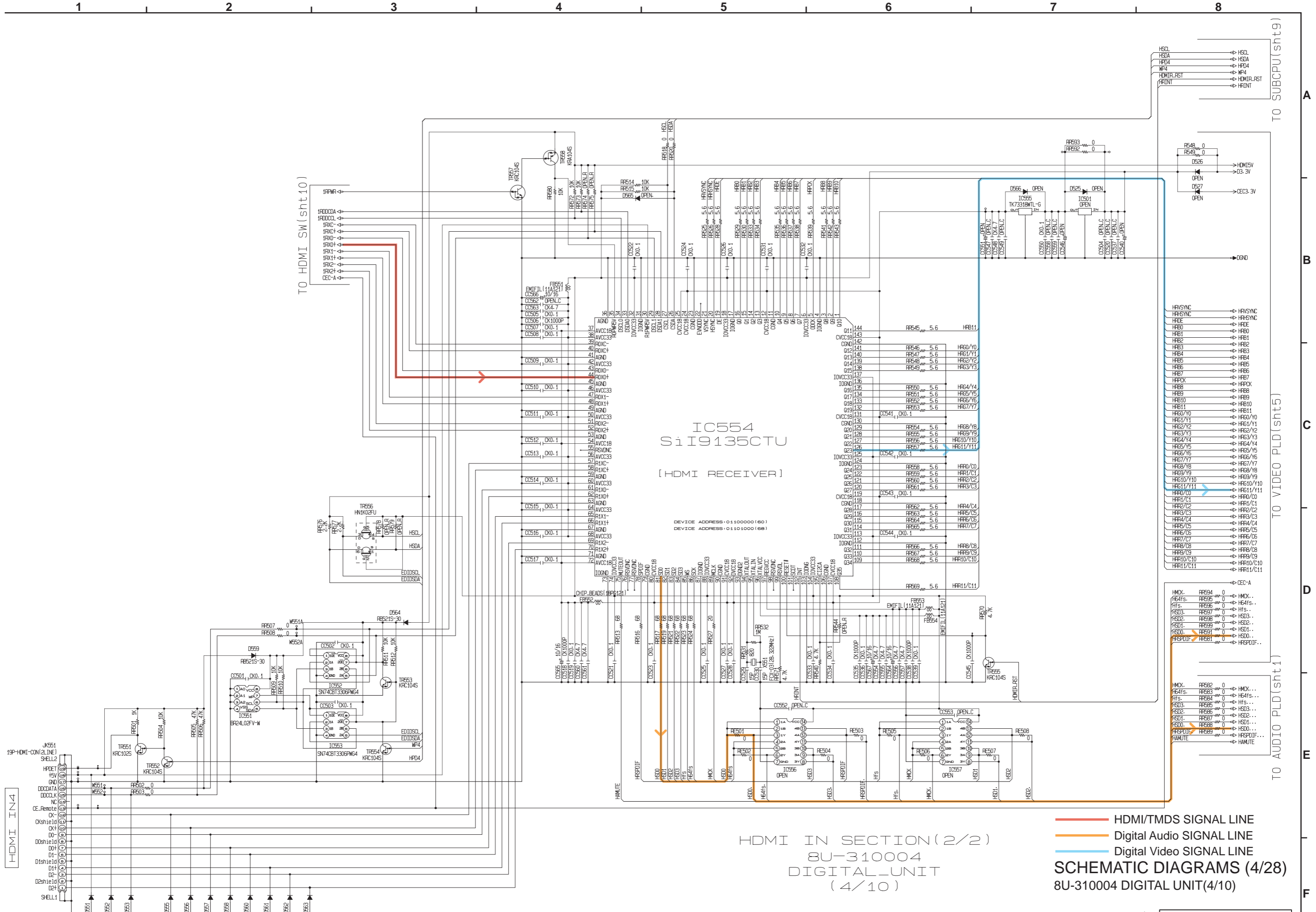
EUROPE MODEL ONLY



8U-31004
DIGITAL UNIT
(3/10)

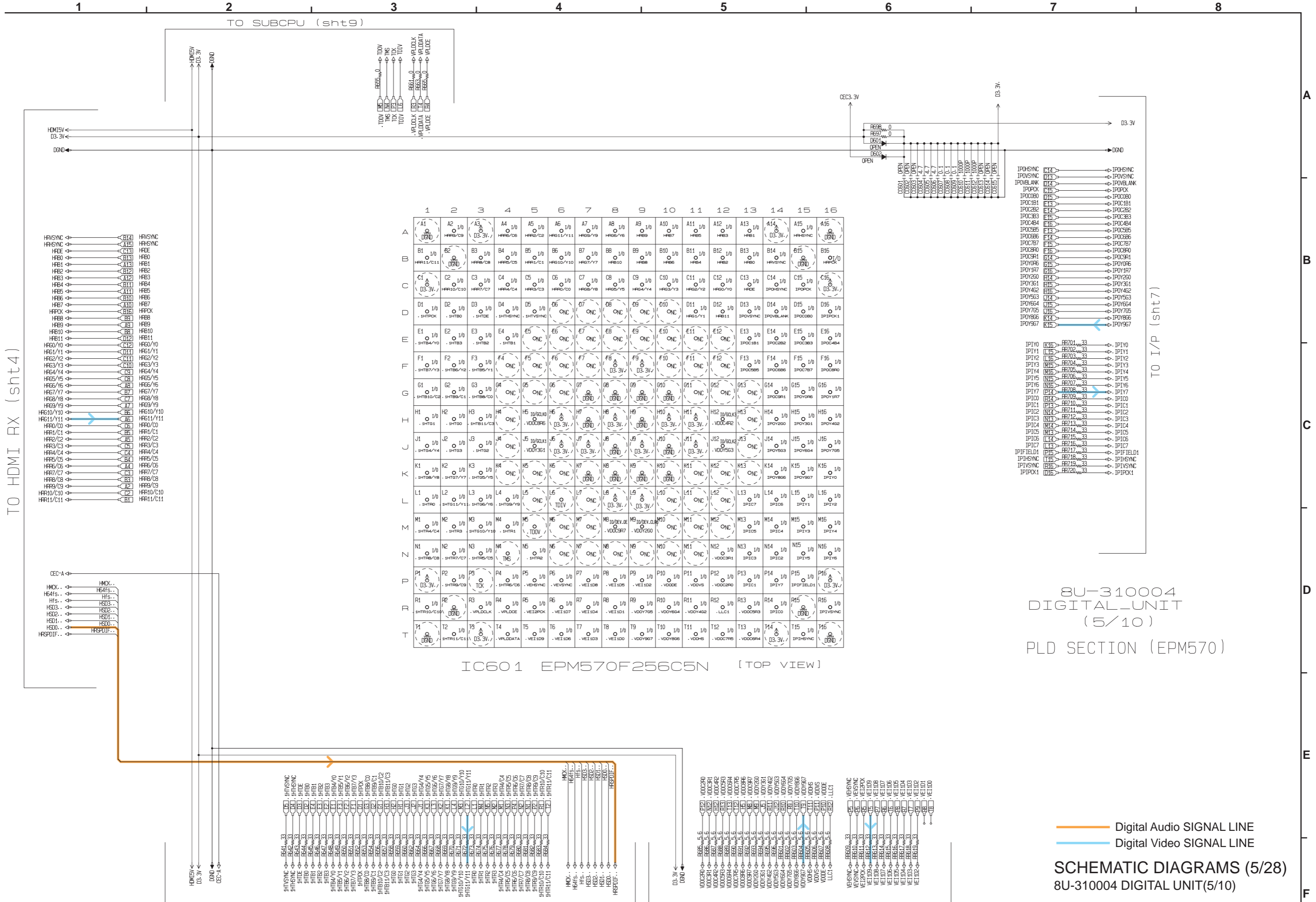
2309 XM

SCHEMATIC DIAGRAMS (3/28)
8U-31004 DIGITAL UNIT(3/10)



HDMI IN SECTION (2/2)
8U-310004
DIGITAL_UNIT
(4/10)

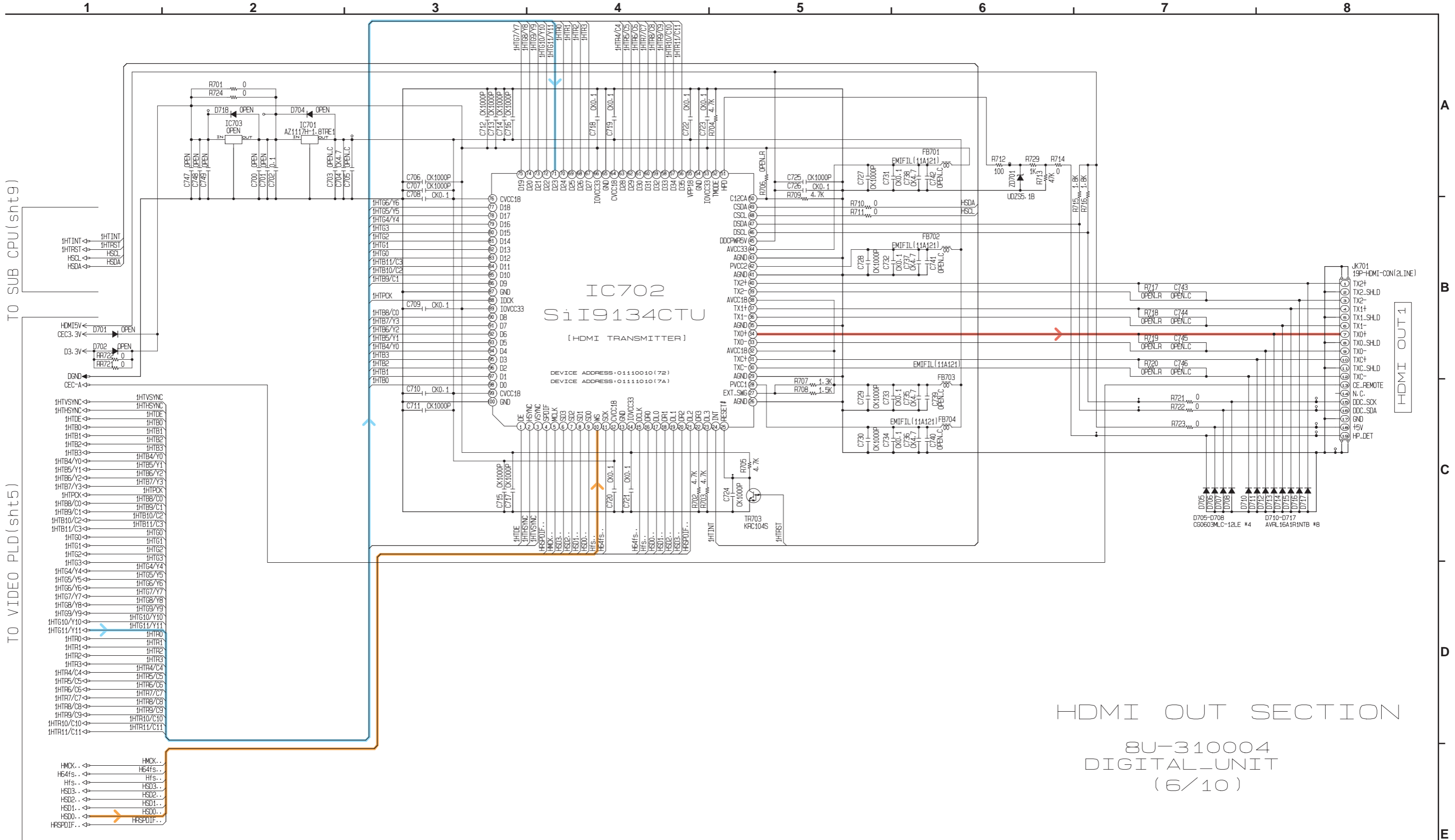
— HDMI/TMDS SIGNAL LINE
— Digital Audio SIGNAL LINE
— Digital Video SIGNAL LINE
SCHEMATIC DIAGRAMS (4/28)
8U-310004 DIGITAL UNIT(4/10)



8U-310004
DIGITAL_UNIT
(5/10)
PLD SECTION (EPM570)

— Digital Audio SIGNAL LINE
— Digital Video SIGNAL LINE

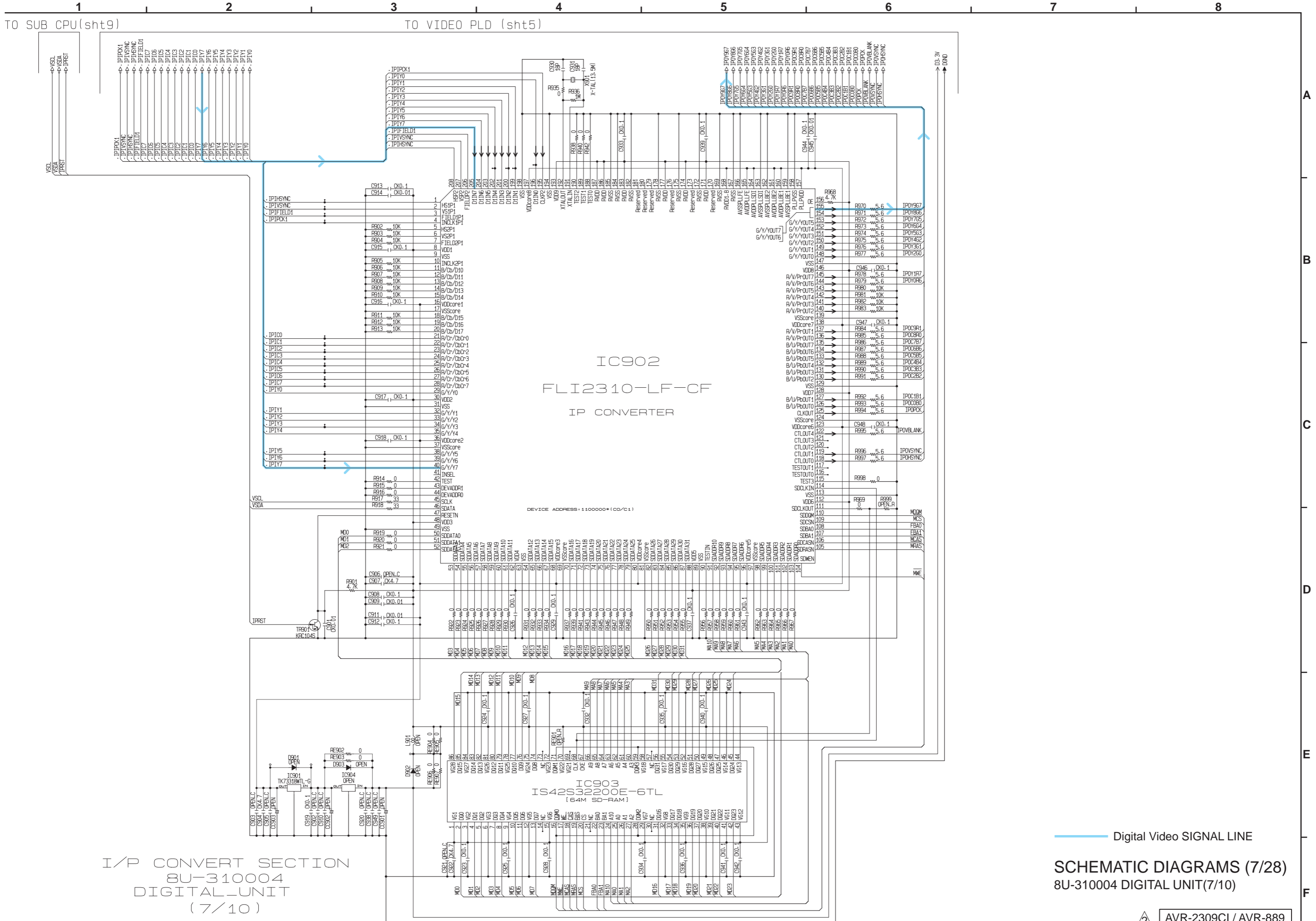
SCHEMATIC DIAGRAMS (5/28)
8U-310004 DIGITAL UNIT(5/10)



HDMI OUT SECTION
8U-310004
DIGITAL UNIT
(6/10)

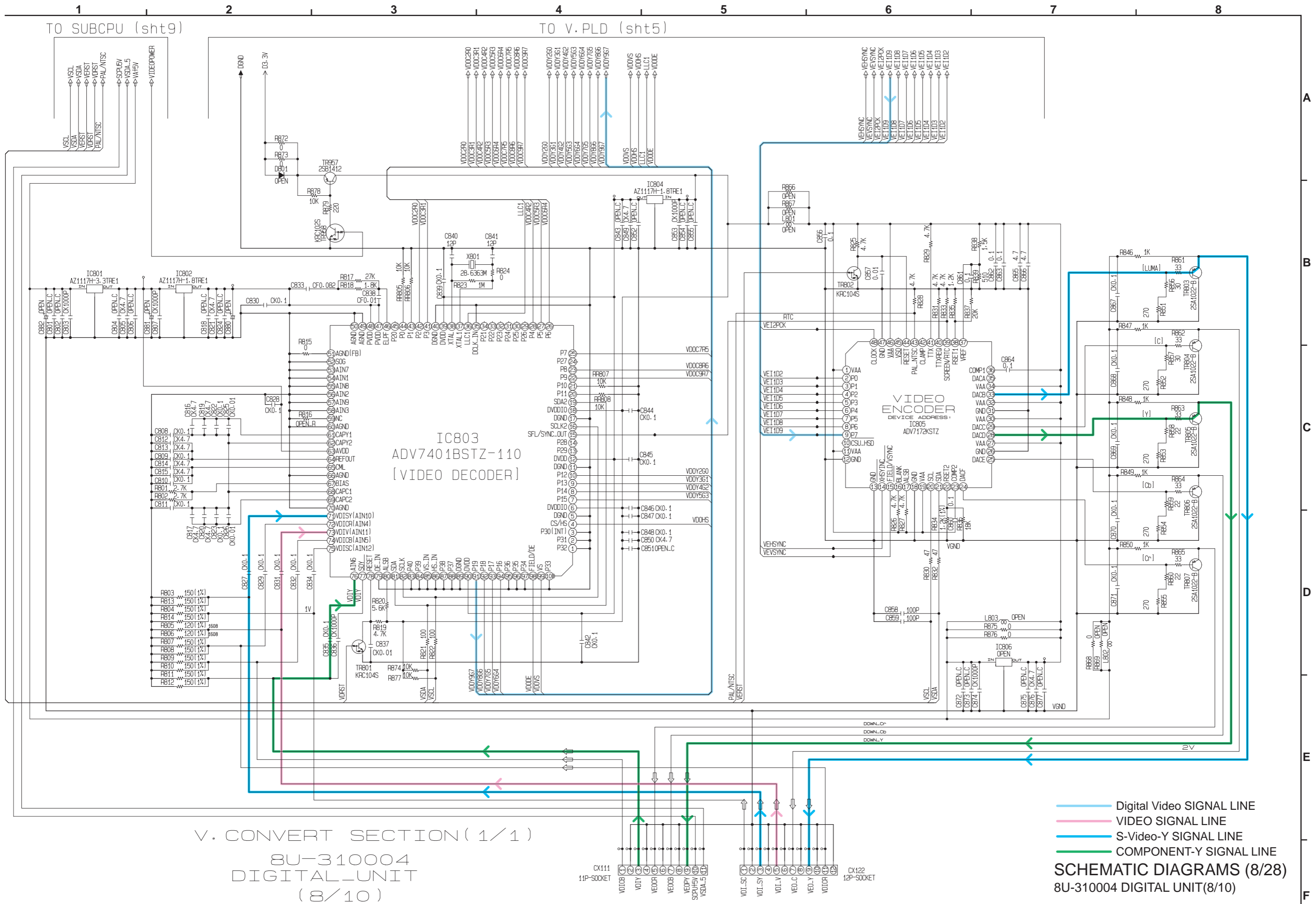
- HDMI/TMDS SIGNAL LINE
- Digital Audio SIGNAL LINE
- Digital Video SIGNAL LINE

SCHEMATIC DIAGRAMS (6/28)
8U-310004 DIGITAL UNIT(6/10)



I/P CONVERT SECTION
 BU-310004
 DIGITAL_UNIT
 (7/10)

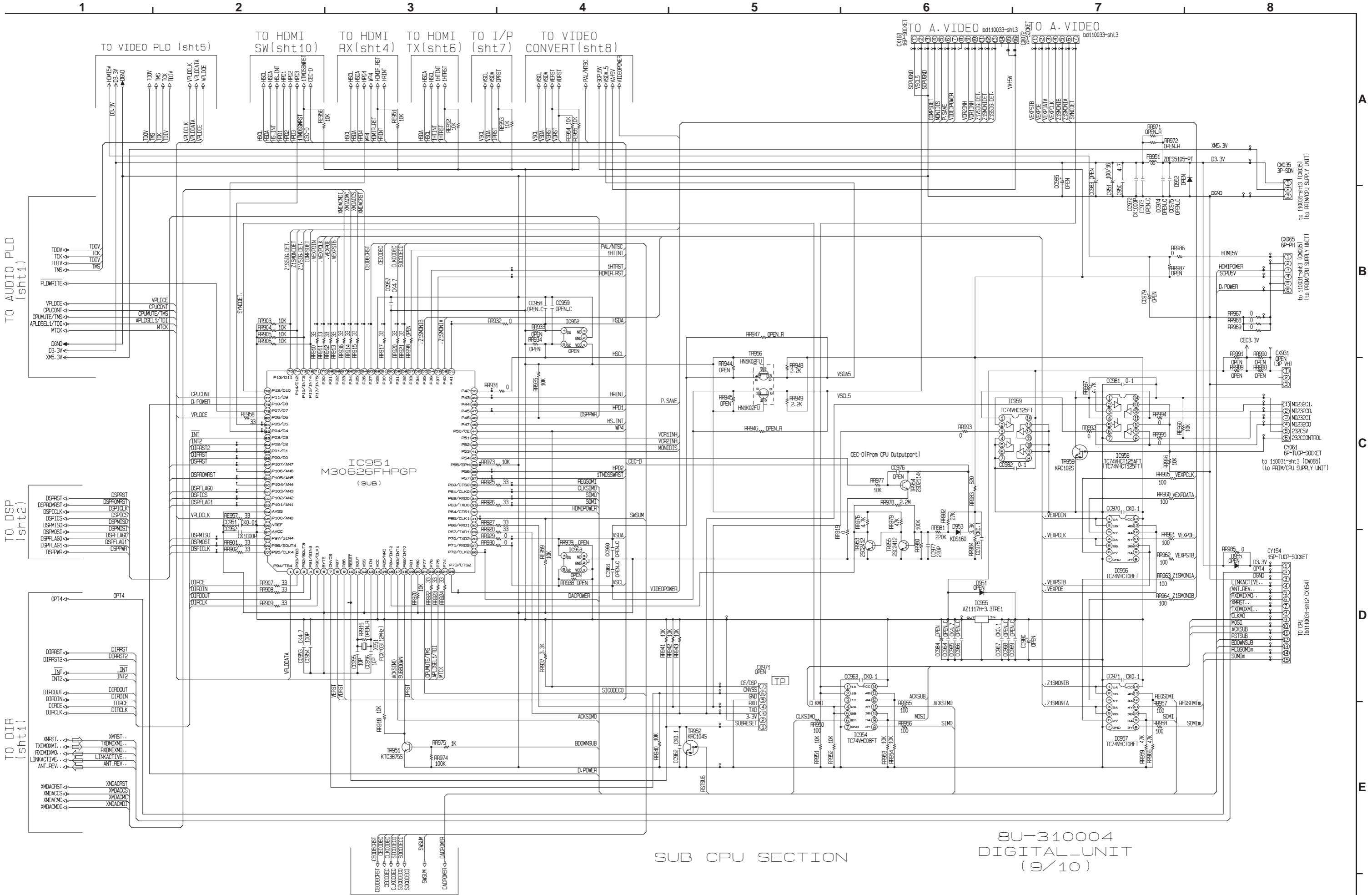
Digital Video SIGNAL LINE
 SCHEMATIC DIAGRAMS (7/28)
 8U-310004 DIGITAL UNIT(7/10)



V. CONVERT SECTION (1/1)
 8U-310004
 DIGITAL UNIT
 (8/10)

— Digital Video SIGNAL LINE
— VIDEO SIGNAL LINE
— S-Video-Y SIGNAL LINE
— COMPONENT-Y SIGNAL LINE
SCHEMATIC DIAGRAMS (8/28)
 8U-310004 DIGITAL UNIT(8/10)

to bd110033-sht3
 (to V. JOINT UNIT)

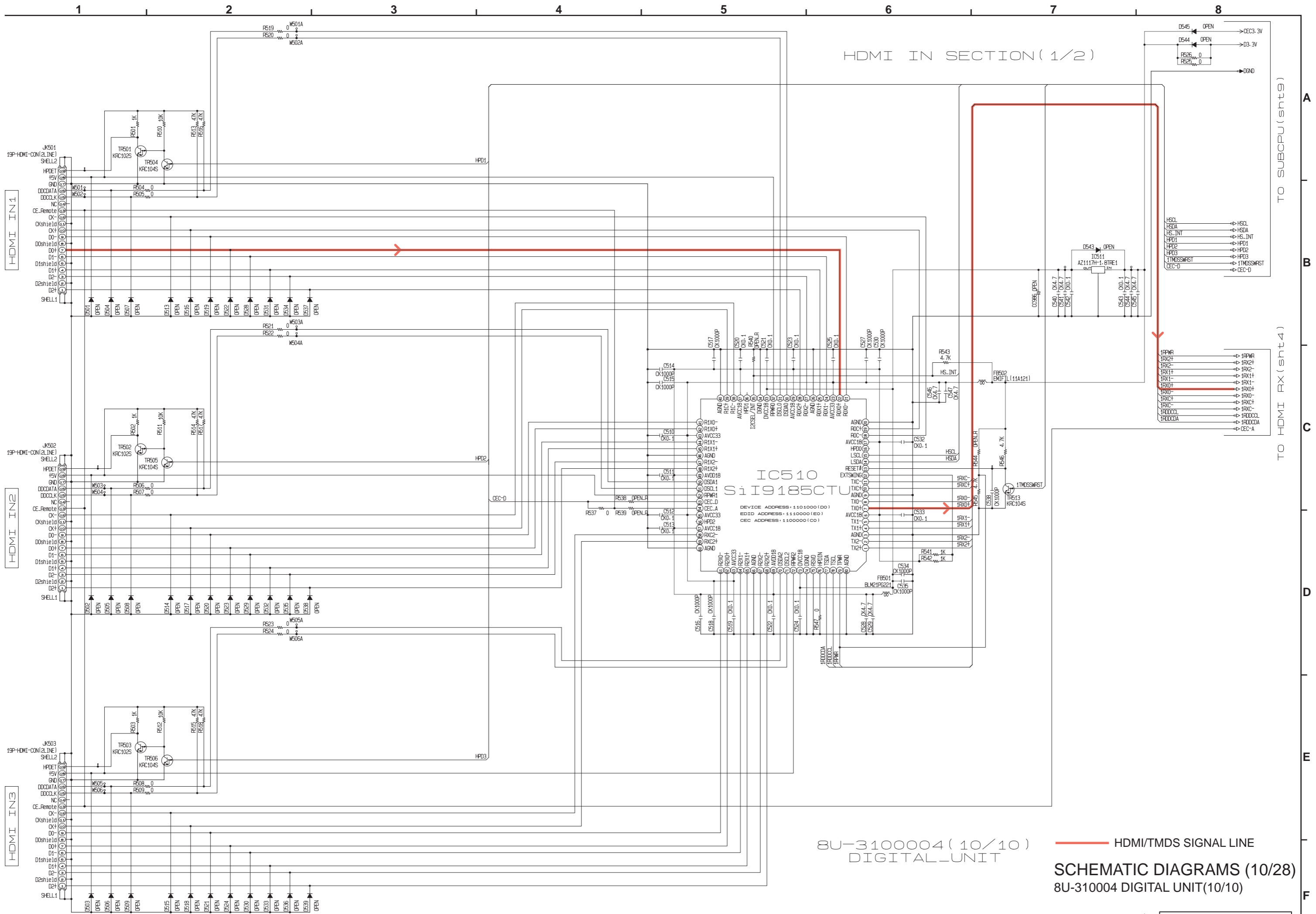


TO DAC/ADC (sht1)

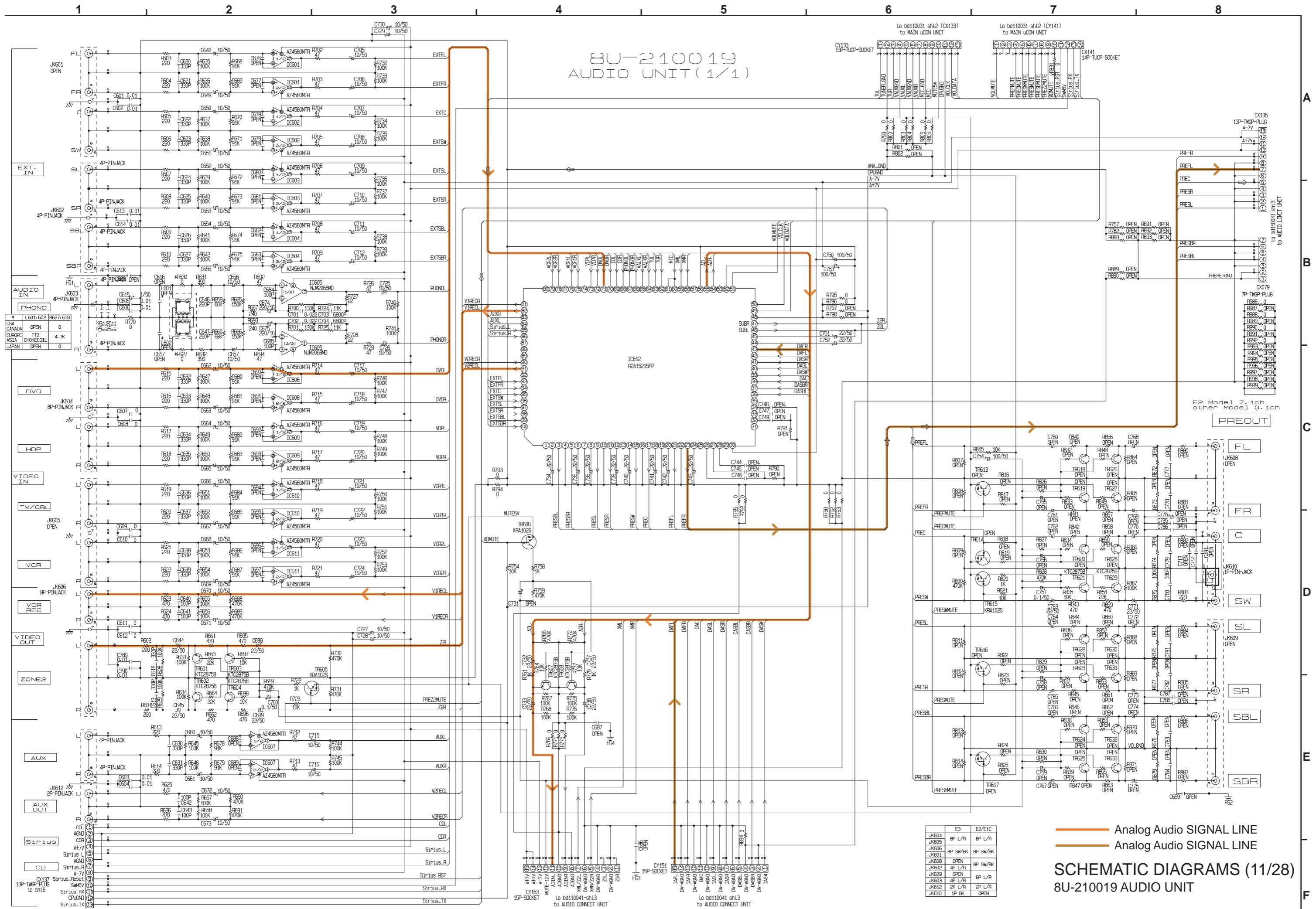
SUB CPU SECTION

8U-310004
DIGITAL UNIT
(9/10)

SCHEMATIC DIAGRAMS (9/28)
8U-310004 DIGITAL UNIT(9/10)



SCHEMATIC DIAGRAMS (10/28)
 8U-310004 DIGITAL UNIT(10/10)

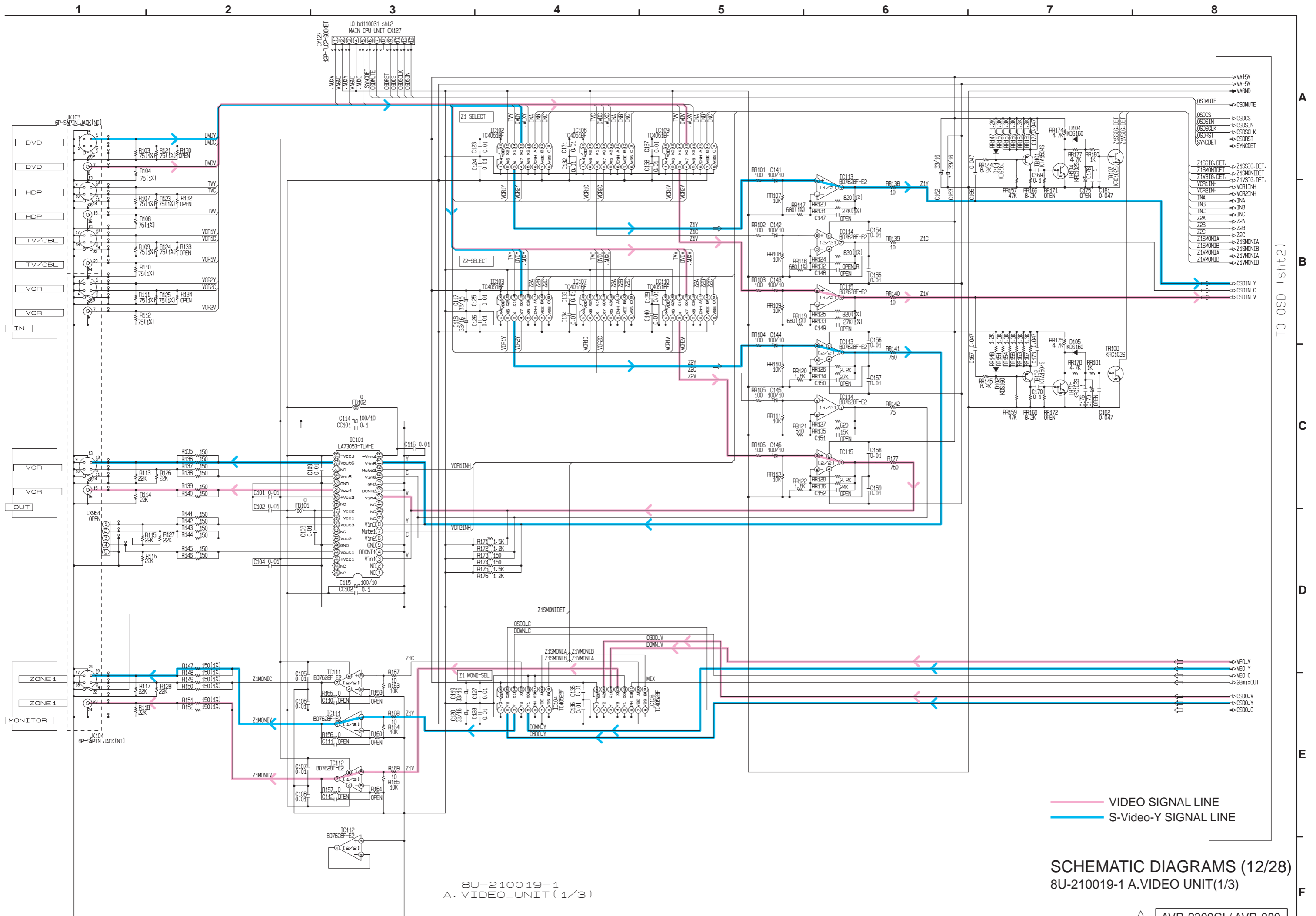


	L601-602	R627-630
USA	OPEN	0
CANADA	OPEN	0
EUROPE	FTZ	4.7K
ASIA	CHOKED	0.1
JAPAN	OPEN	0

	E3	E2/E1C
JK604	BP L/R	BP L/R
JK605	BP SW/BK	BP SW/BK
JK606	BP SW/BK	BP SW/BK
JK607	OPEN	BP SW/BK
JK608	4P L/R	BP SW/BK
JK609	OPEN	BP L/R
JK610	4P L/R	BP L/R
JK611	2P L/R	2P L/R
JK612	2P L/R	2P L/R
JK613	1P BK	OPEN

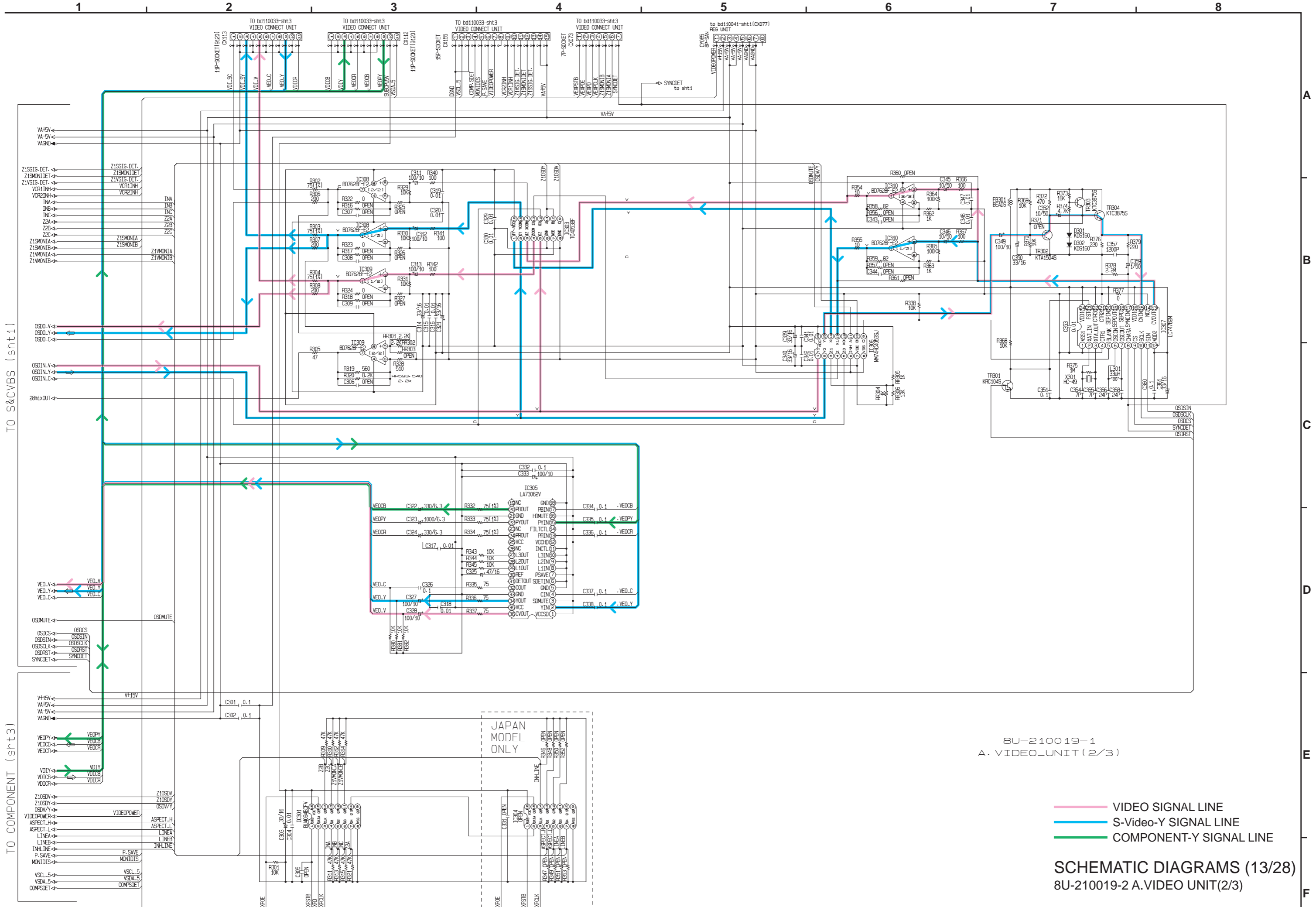
— Analog Audio SIGNAL LINE
— Analog Audio SIGNAL LINE

SCHEMATIC DIAGRAMS (11/28) 8U-210019 AUDIO UNIT



BU-210019-1
A. VIDEO UNIT (1/3)

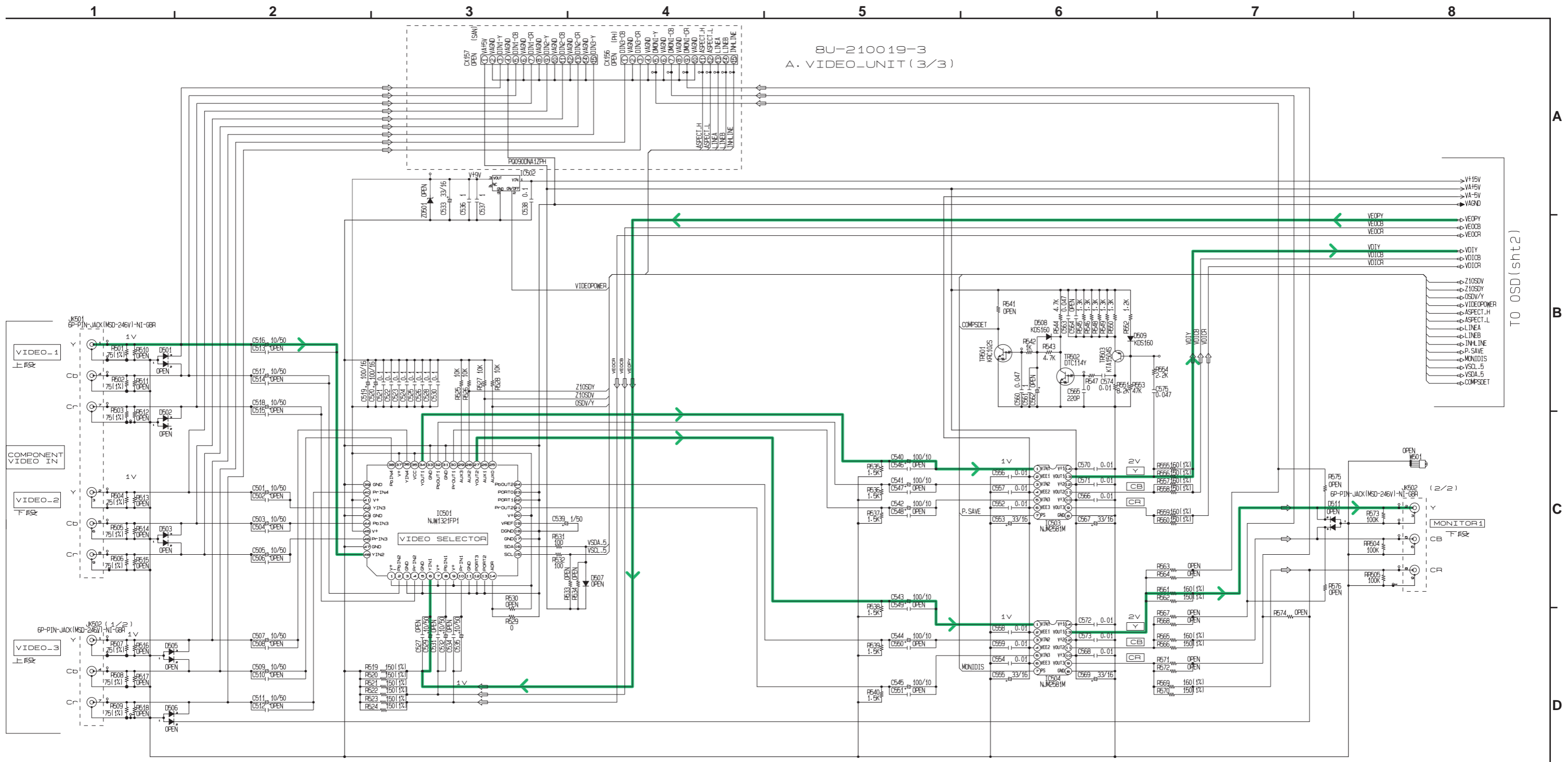
SCHEMATIC DIAGRAMS (12/28)
8U-210019-1 A.VIDEO UNIT(1/3)



8U-210019-1
A. VIDEO_UNIT (2/3)

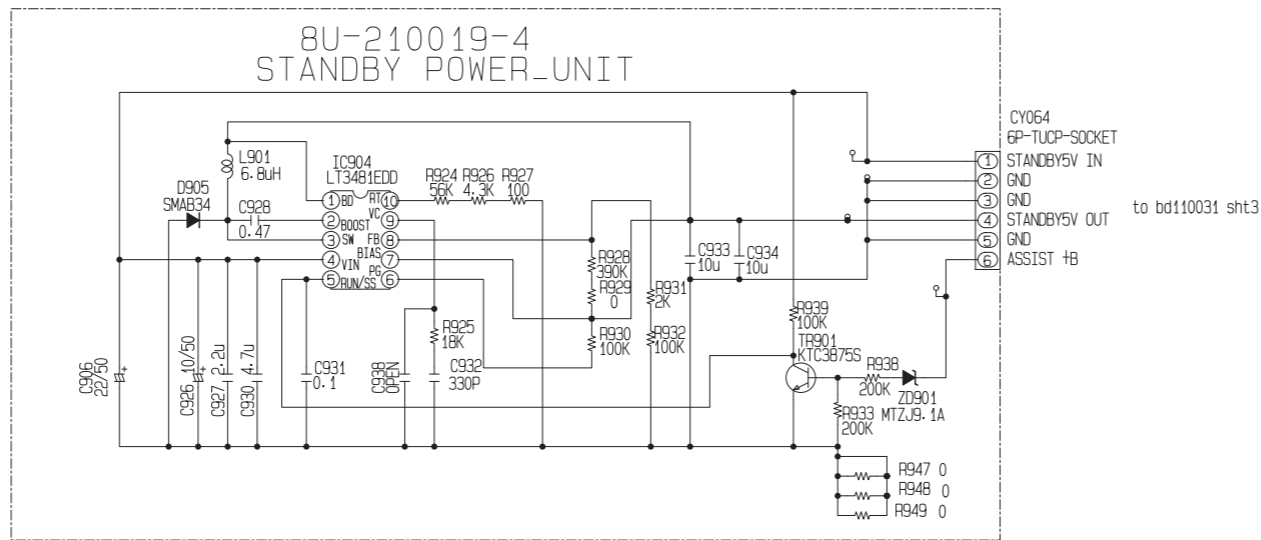
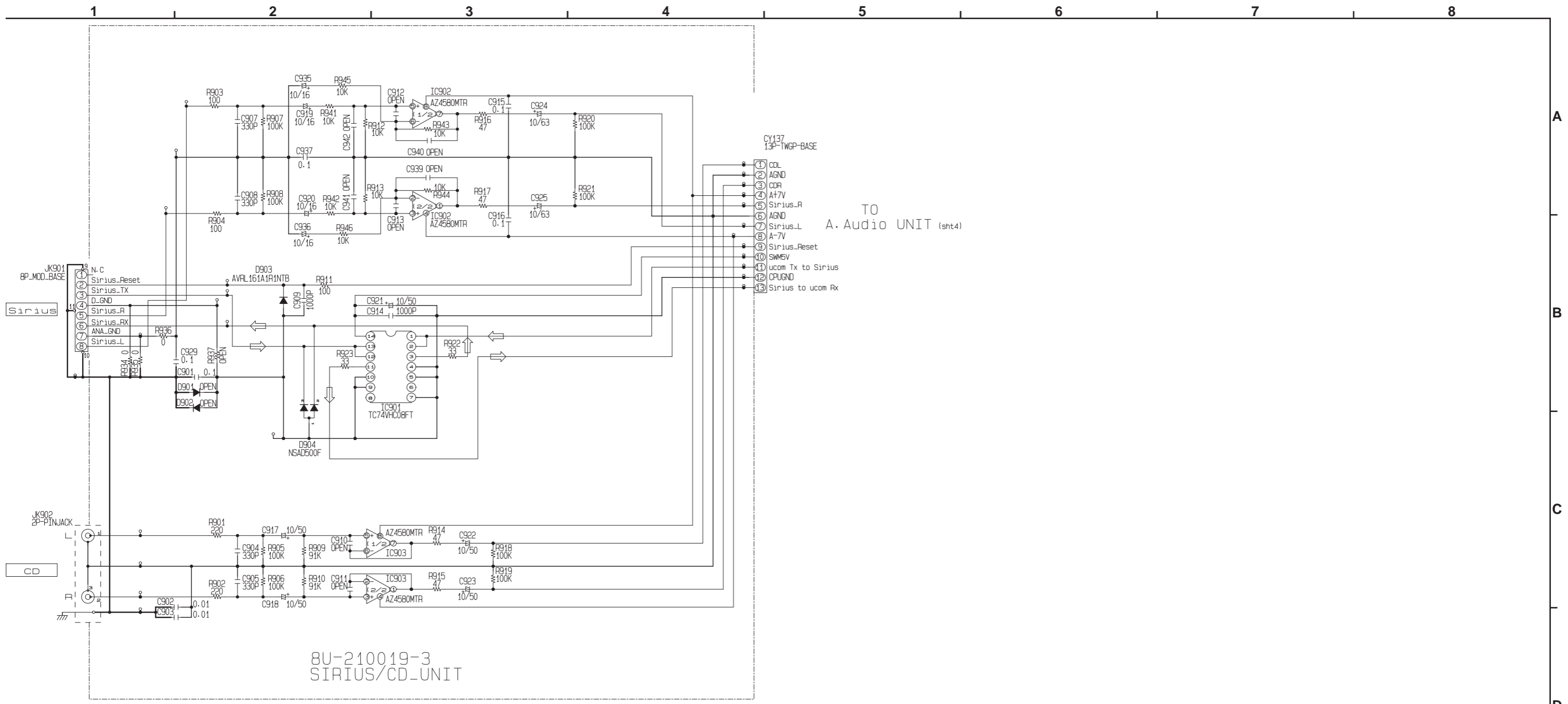
- VIDEO SIGNAL LINE
- S-Video-Y SIGNAL LINE
- COMPONENT-Y SIGNAL LINE

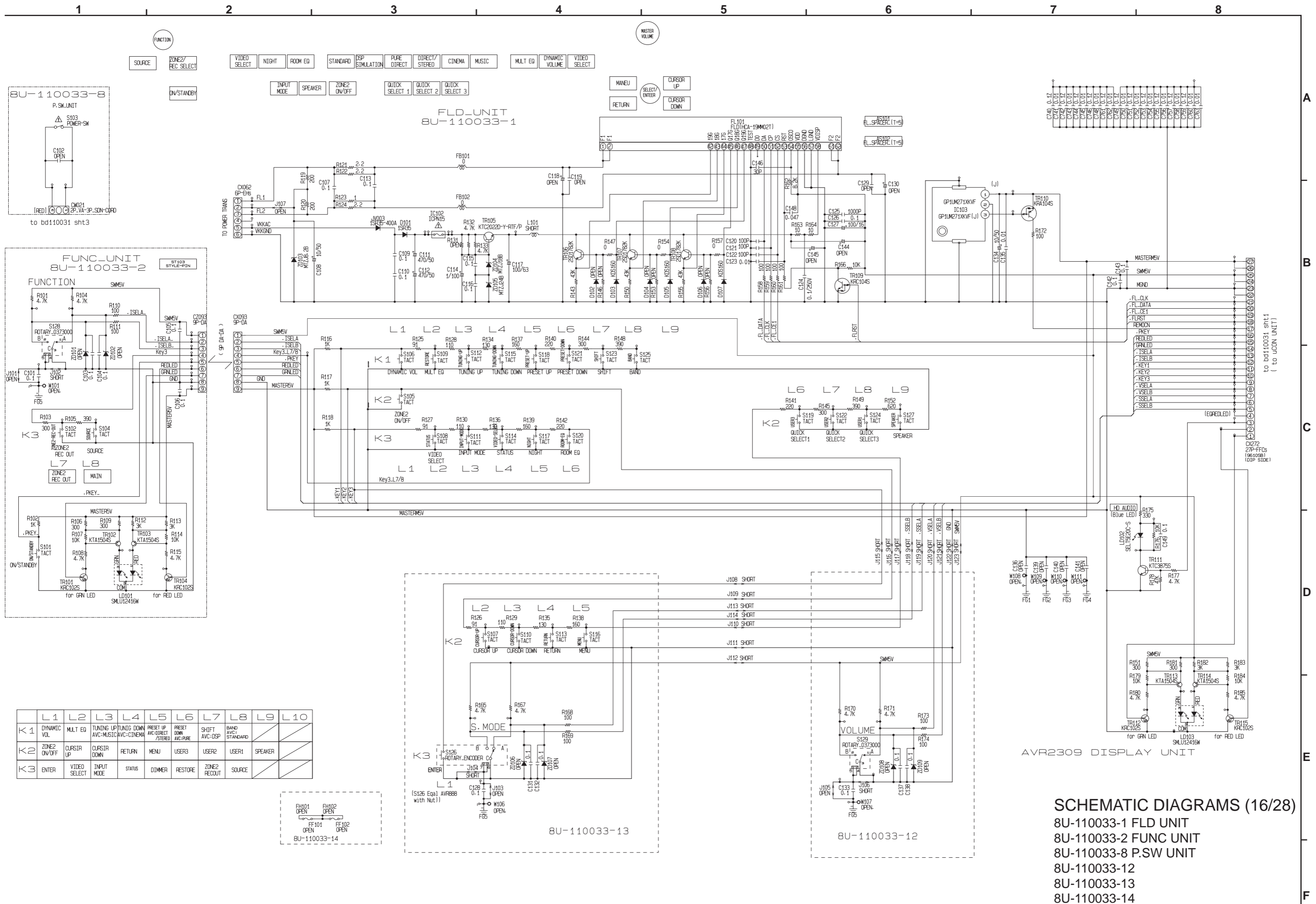
SCHEMATIC DIAGRAMS (13/28)
8U-210019-2 A.VIDEO_UNIT(2/3)



— COMPONENT-Y SIGNAL LINE

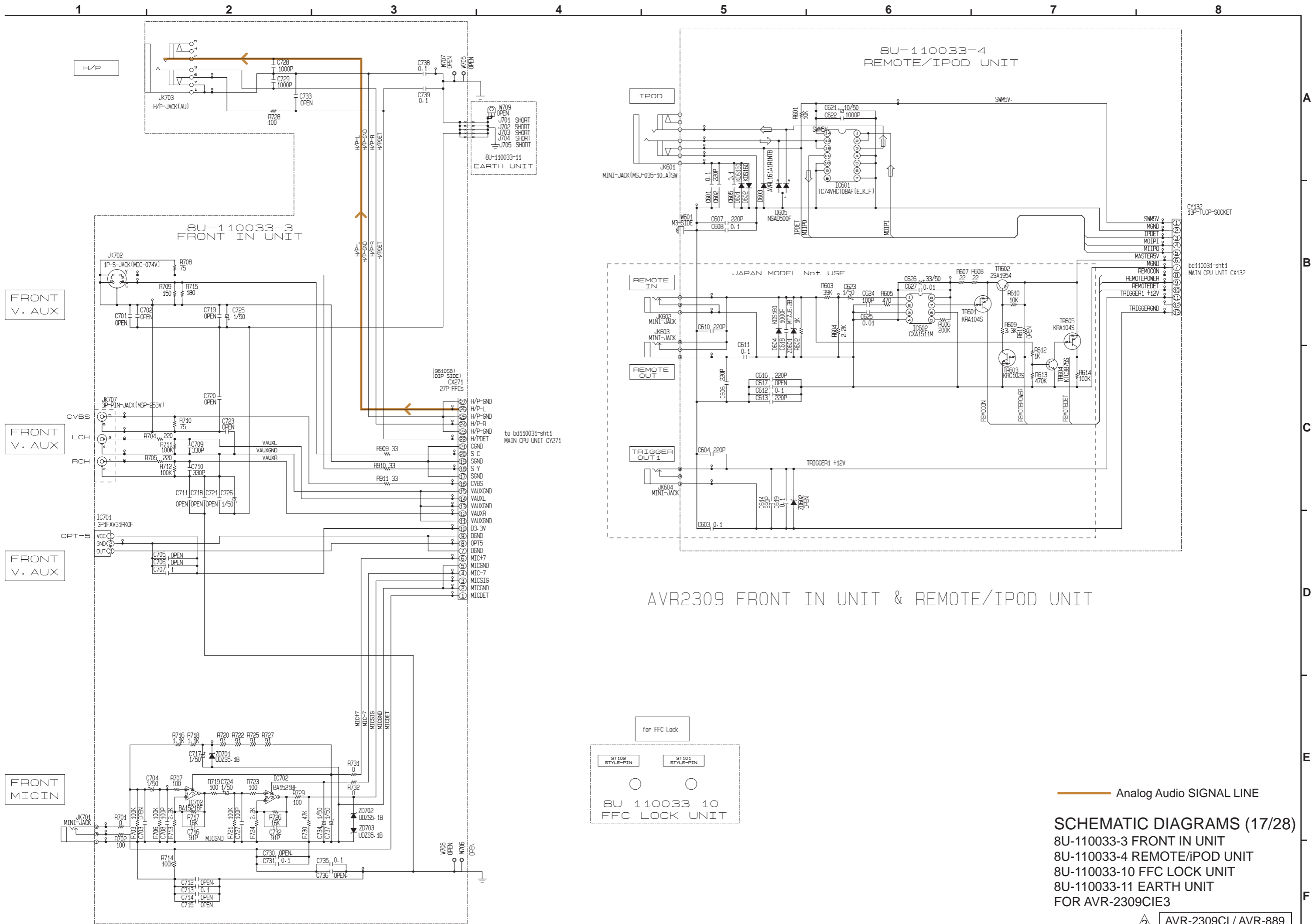
SCHEMATIC DIAGRAMS (14/28)
 8U-210019-2 A.VIDEO UNIT(3/3)





	L1	L2	L3	L4	L5	L6	L7	L8	L9	L10
K1	DYNAMIC VOL	MULT EQ	TUNING UP AVC-MUSIC	TUNING DOWN AVC-CINEMA	PRESET UP AVC-DIRECT/STEREO	PRESET DOWN AVC-PURE	SHIFT AVC-DSP	BAND AVC-STANDARD		
K2	ZONE2 ON/OFF	CURSIR UP	CURSIR DOWN	RETURN	MENU	USER3	USER2	USER1	SPEAKER	
K3	ENTER	VIDEO SELECT	INPUT MODE	STATUS	DIMMER	RESTORE	ZONE2 RECOUT	SOURCE		

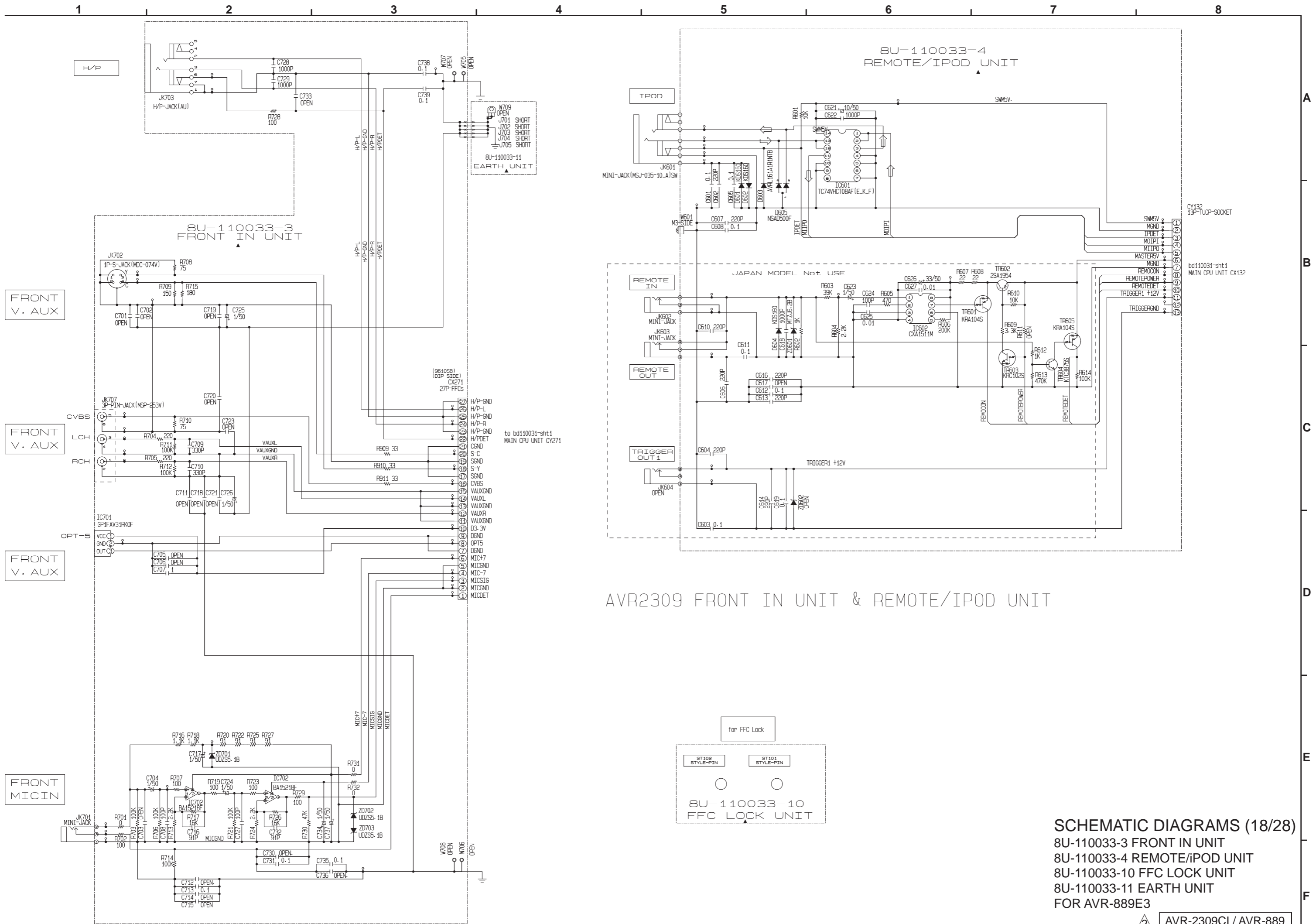
SCHEMATIC DIAGRAMS (16/28)
 8U-110033-1 FLD UNIT
 8U-110033-2 FUNC UNIT
 8U-110033-8 P.S.W UNIT
 8U-110033-12
 8U-110033-13
 8U-110033-14



AVR2309 FRONT IN UNIT & REMOTE/IPOD UNIT

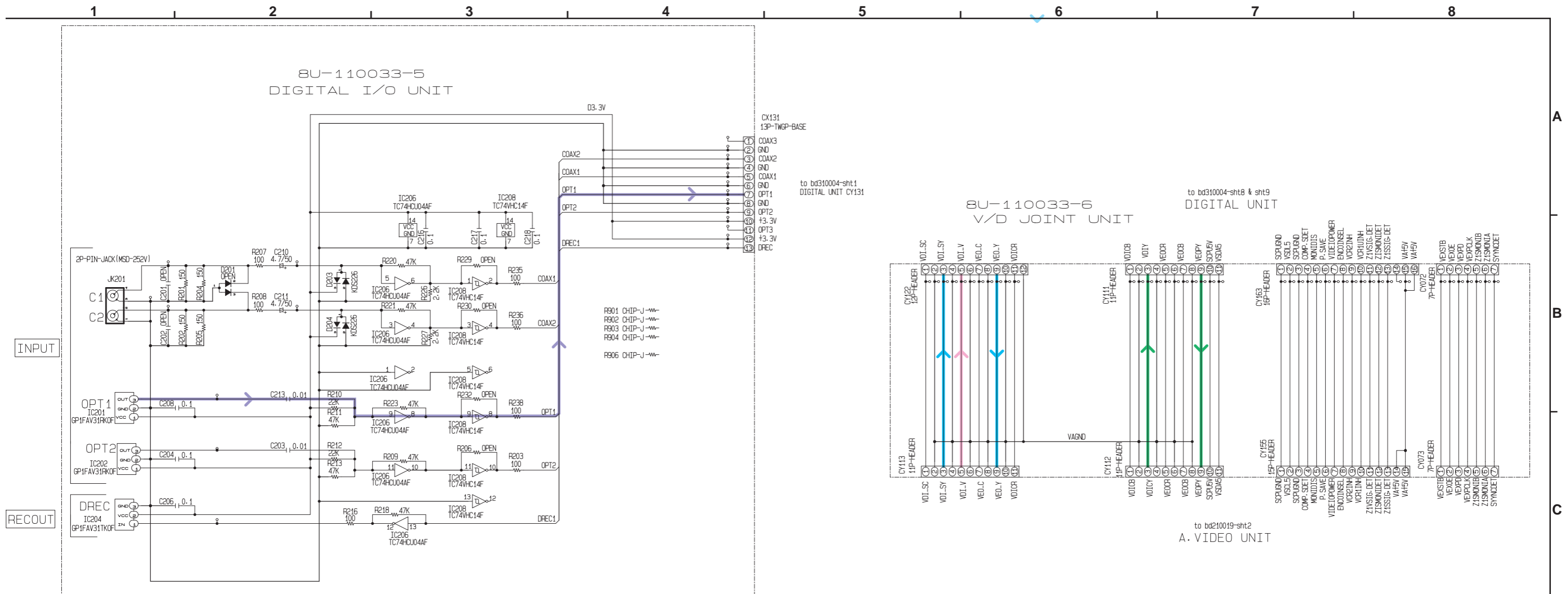
— Analog Audio SIGNAL LINE

SCHEMATIC DIAGRAMS (17/28)
 8U-110033-3 FRONT IN UNIT
 8U-110033-4 REMOTE/IPOD UNIT
 8U-110033-10 FFC LOCK UNIT
 8U-110033-11 EARTH UNIT
 FOR AVR-2309CIE3

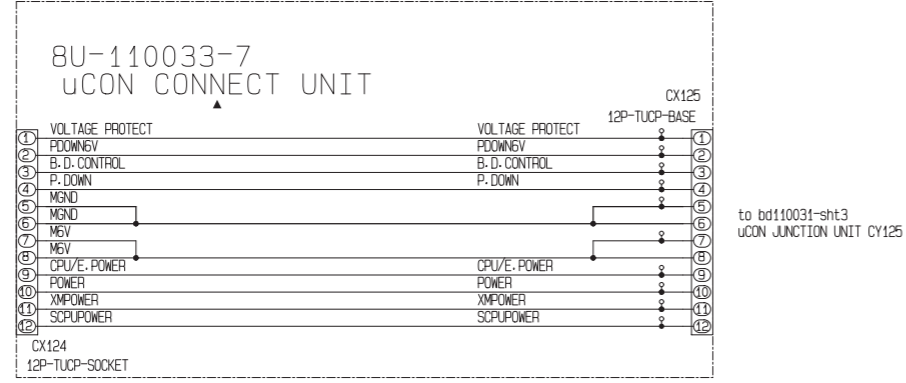


AVR2309 FRONT IN UNIT & REMOTE/IPOD UNIT

SCHEMATIC DIAGRAMS (18/28)
 8U-110033-3 FRONT IN UNIT
 8U-110033-4 REMOTE/IPOD UNIT
 8U-110033-10 FFC LOCK UNIT
 8U-110033-11 EARTH UNIT
 FOR AVR-889E3



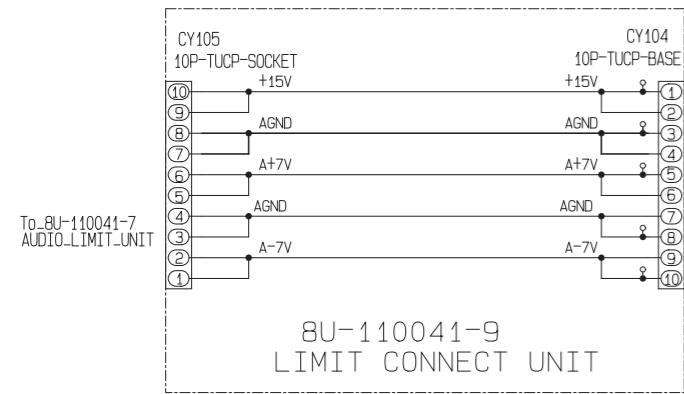
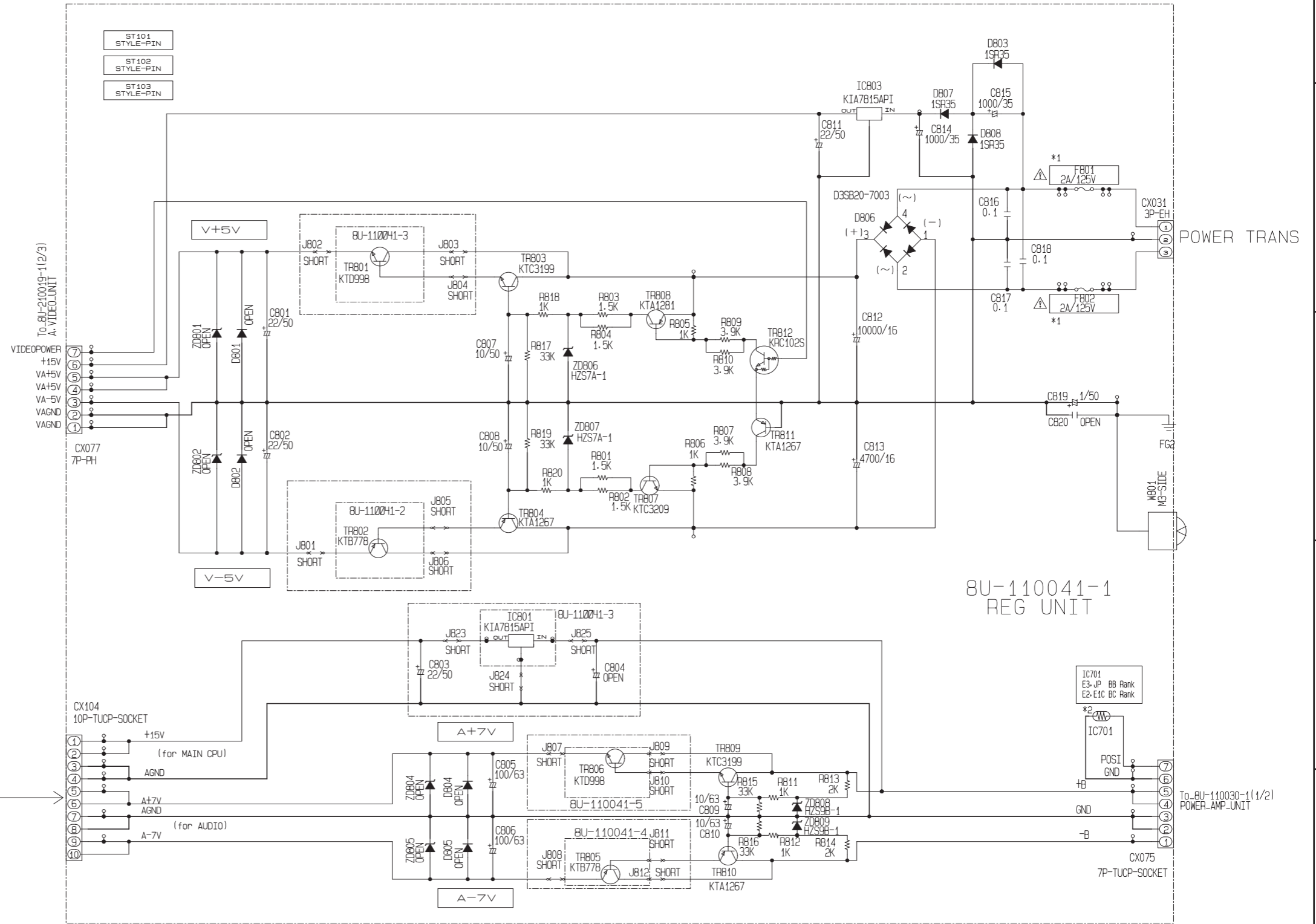
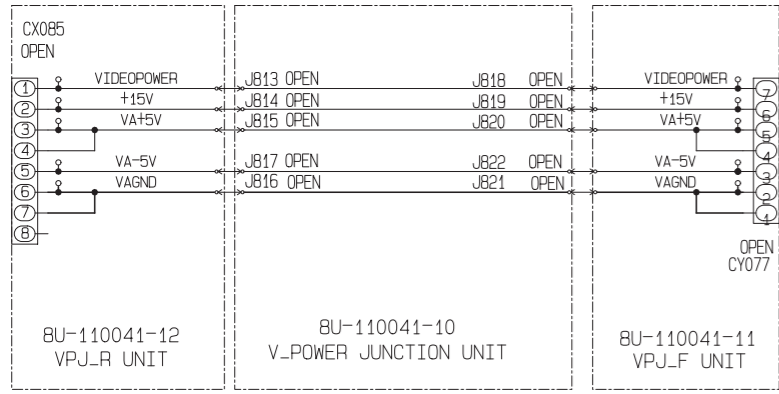
AVR2309 JUNCTION & DIGITAL IN/OUT



- VIDEO SIGNAL LINE
- S-Video-Y SIGNAL LINE
- COMPONENT-Y SIGNAL LINE
- Opt. Audio SIGNAL LINE

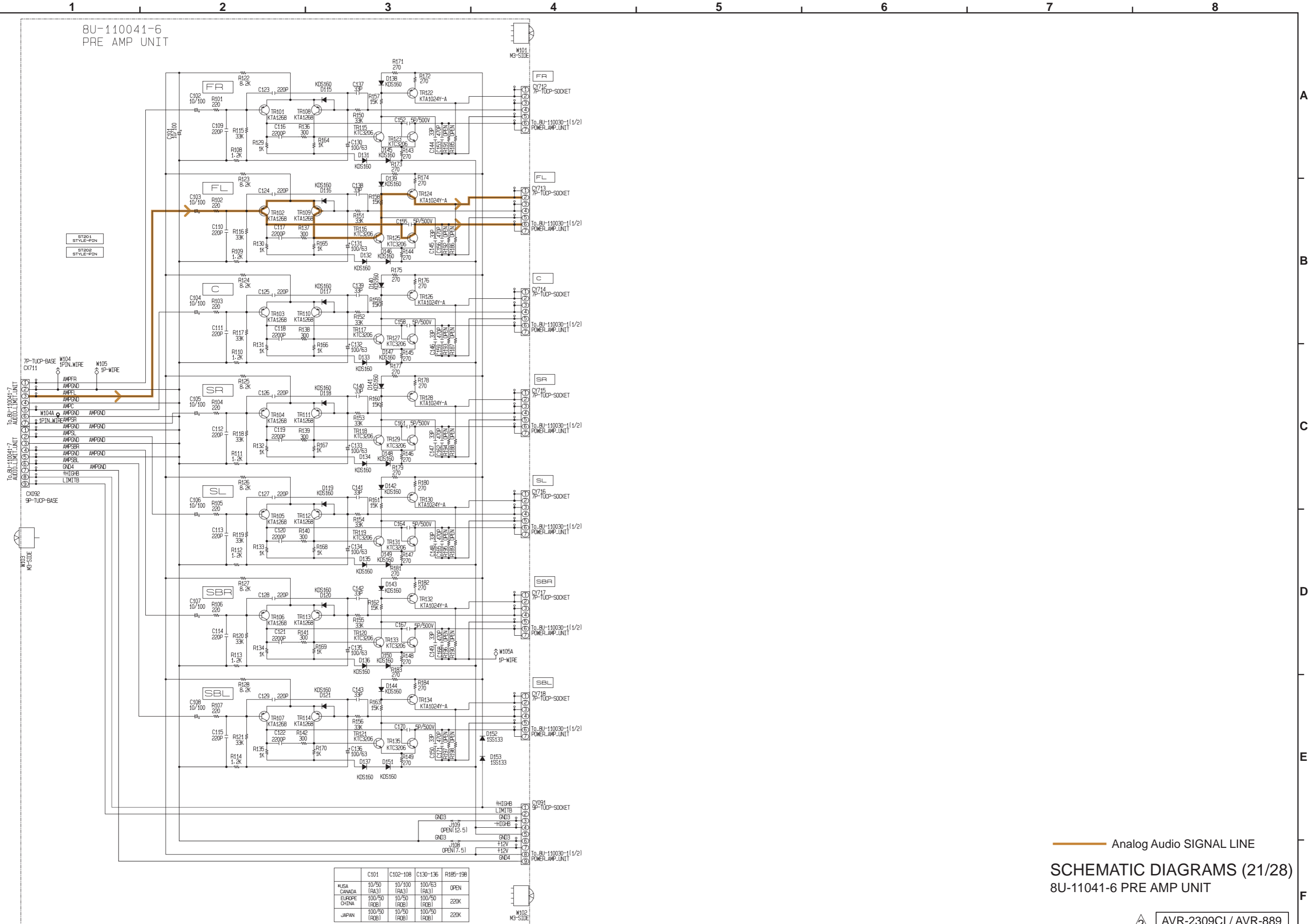
SCHEMATIC DIAGRAMS (19/28)
 8U-110033-5 DIGITAL I/O UNIT
 8U-110033-6 V/D JOINT UNIT
 8U-110033-7 uCON CONNECT UNIT

	*1	*2
	F801, B02	IC701
*USA CANADA	2A/125V	BB
EUROPE	2A/250V	BC
CHINA	2A/250V	BC
JAPAN	2A/125V	BB



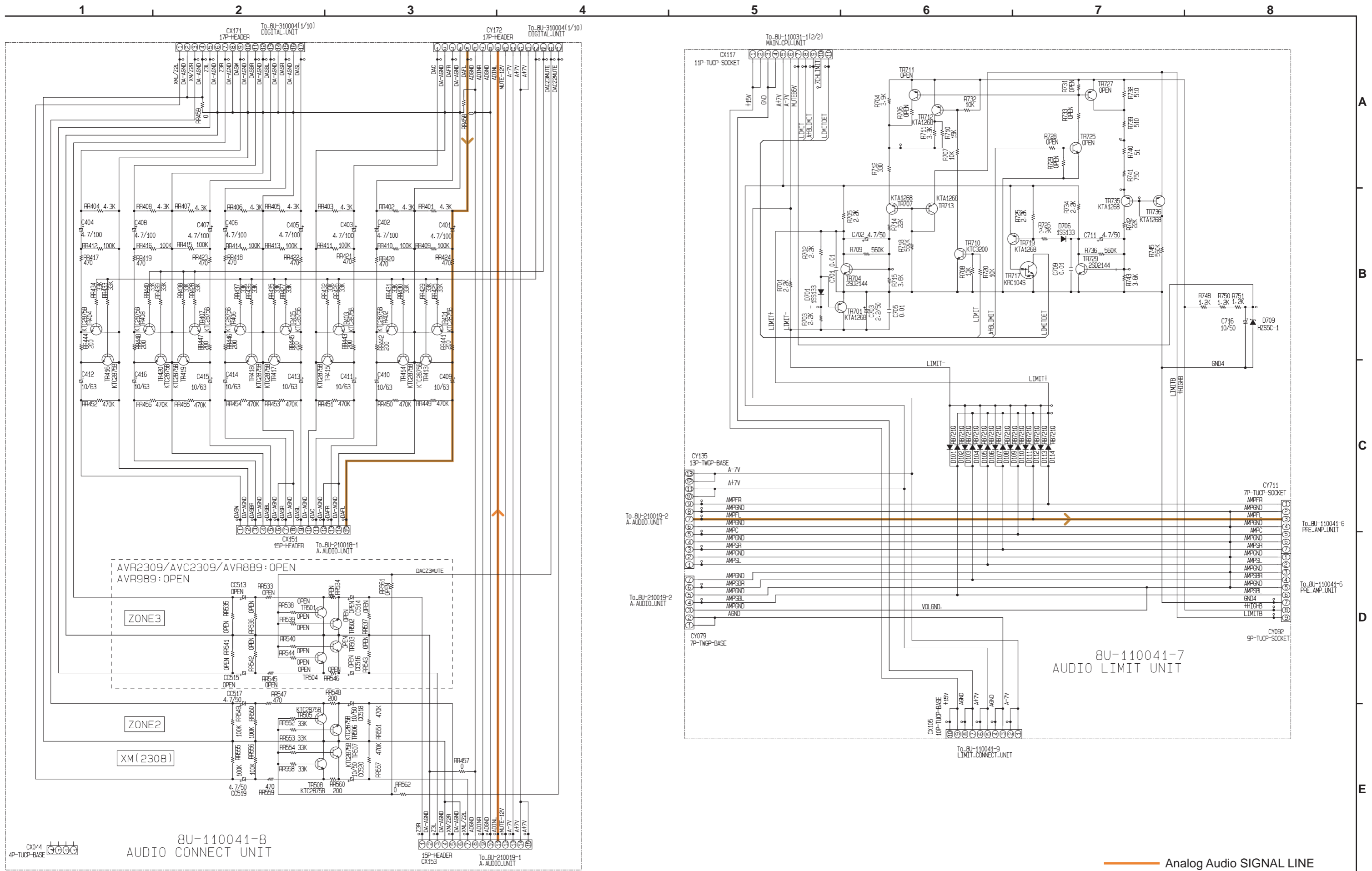
SCHEMATIC DIAGRAMS (20/28)
 8U-110041-1 REG UNIT
 8U-110041-9 LIMIT CONNECT UNIT
 8U-110041-10 V_POWER JUNCTION UNIT
 8U-110041-11 VPJ F UNIT (AVR-889 only)
 8U-110041-12 VPJ R UNIT (AVR-889 only)

BU-110041-6
PRE AMP UNIT



	C101	C102-108	C130-136	R185-198
*USA	10/50 (RA3)	10/100 (RA3)	100/63 (RA3)	OPEN
CANADA	10/50 (RA3)	10/100 (RA3)	100/63 (RA3)	OPEN
EUROPE	100/50 (ROB)	10/50 (ROB)	100/50 (ROB)	220K
CHINA	100/50 (ROB)	10/50 (ROB)	100/50 (ROB)	220K
JAPAN	100/50 (ROB)	10/50 (ROB)	100/50 (ROB)	220K

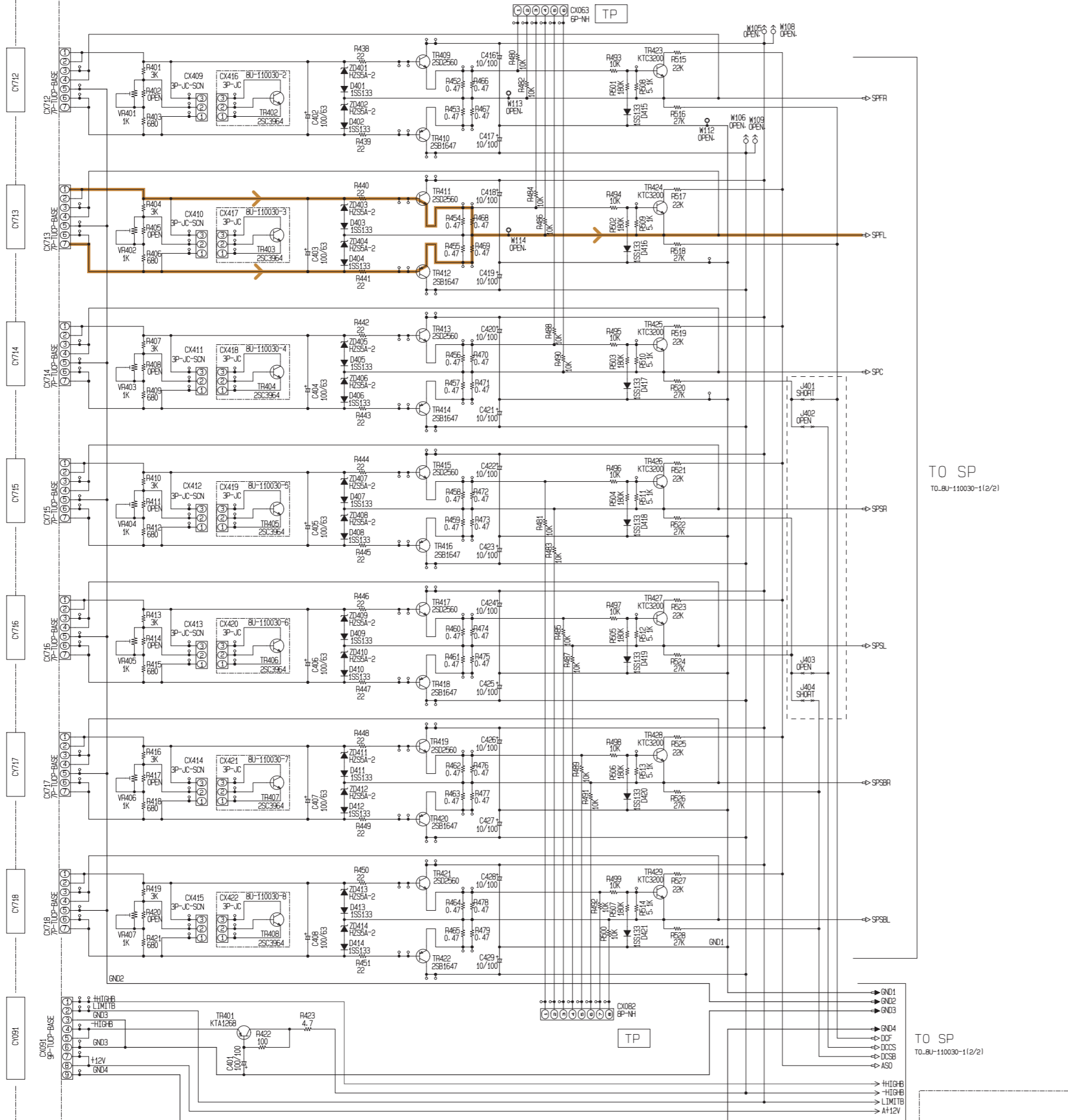
— Analog Audio SIGNAL LINE
SCHEMATIC DIAGRAMS (21/28)
 BU-11041-6 PRE AMP UNIT



— Analog Audio SIGNAL LINE
 — Analog Audio SIGNAL LINE

SCHEMATIC DIAGRAMS (22/28)
 8U-11041-7 AUDIO CONNECT UNIT
 8U-11041-8 AUDIO LIMIT UNIT

8U-110041-6
PRE_AMP_UNIT



M101
MS-SIDE
BU-110030-11
HOLD UNIT

TO SP
TO_BU-110030-1(2/2)

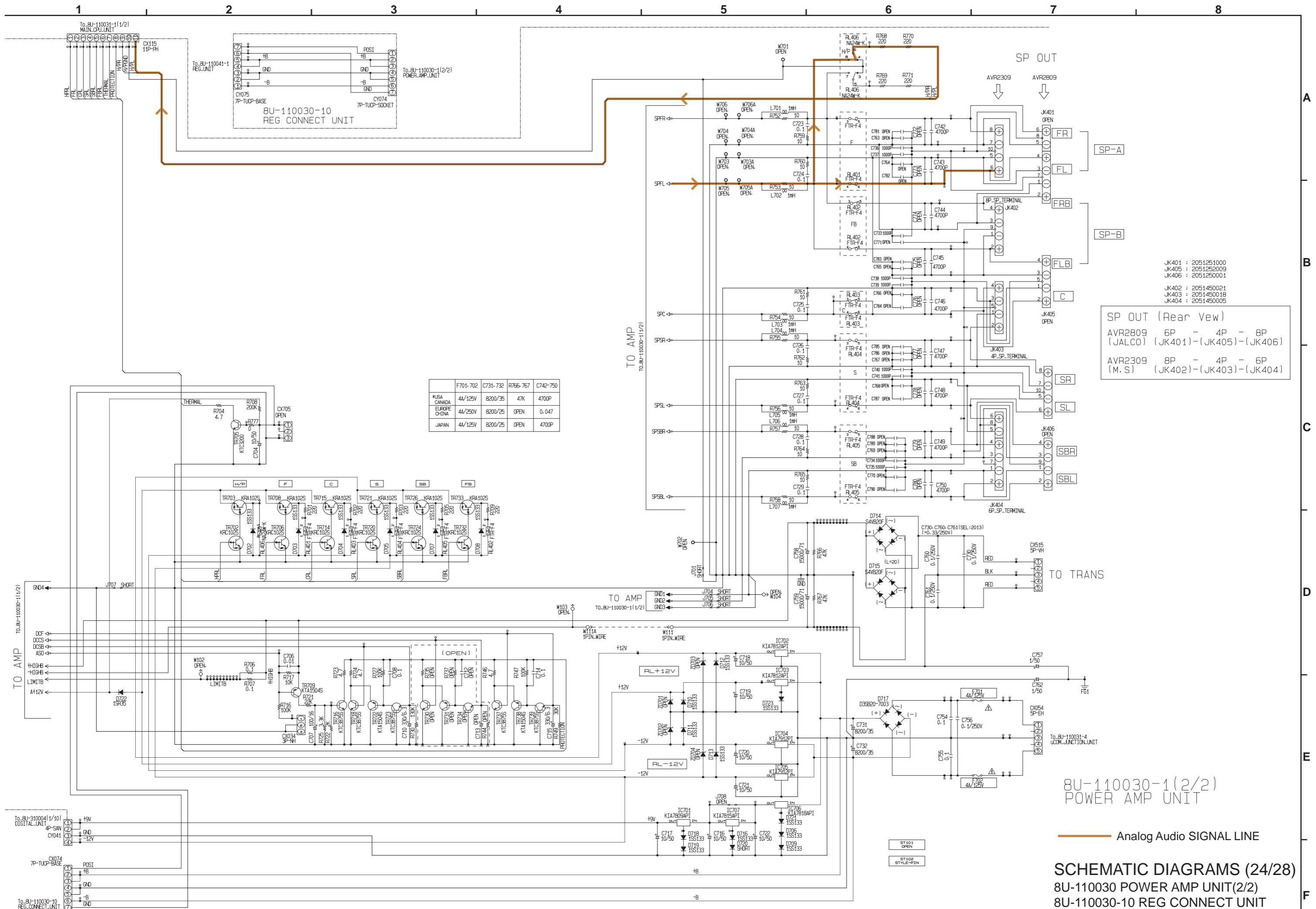
TO SP
TO_BU-110030-1(2/2)

— Analog Audio SIGNAL LINE

SCHEMATIC DIAGRAMS (23/28)
8U-110030 POWER AMP UNIT(1/2)
8U-110030-11 HOLD UNIT

AVR-2309CI / AVR-889

8U-110030-1(1/2)
POWER AMP UNIT



	F701-702	C731-732	R766-767	C742-750
*USA	4M/125V	8200/35	47K	4700P
CANADA				
EUROPE	4M/250V	8200/25	OPEN	0.047
CHINA				
JAPAN	4M/125V	8200/25	OPEN	4700P

JK401 : 2051251000
 JK405 : 2051252009
 JK406 : 2051250001

SP OUT (Rear View)
 AVR2809 6P - 4P - 8P
 (JALCO) (JK401)-(JK405)-(JK406)

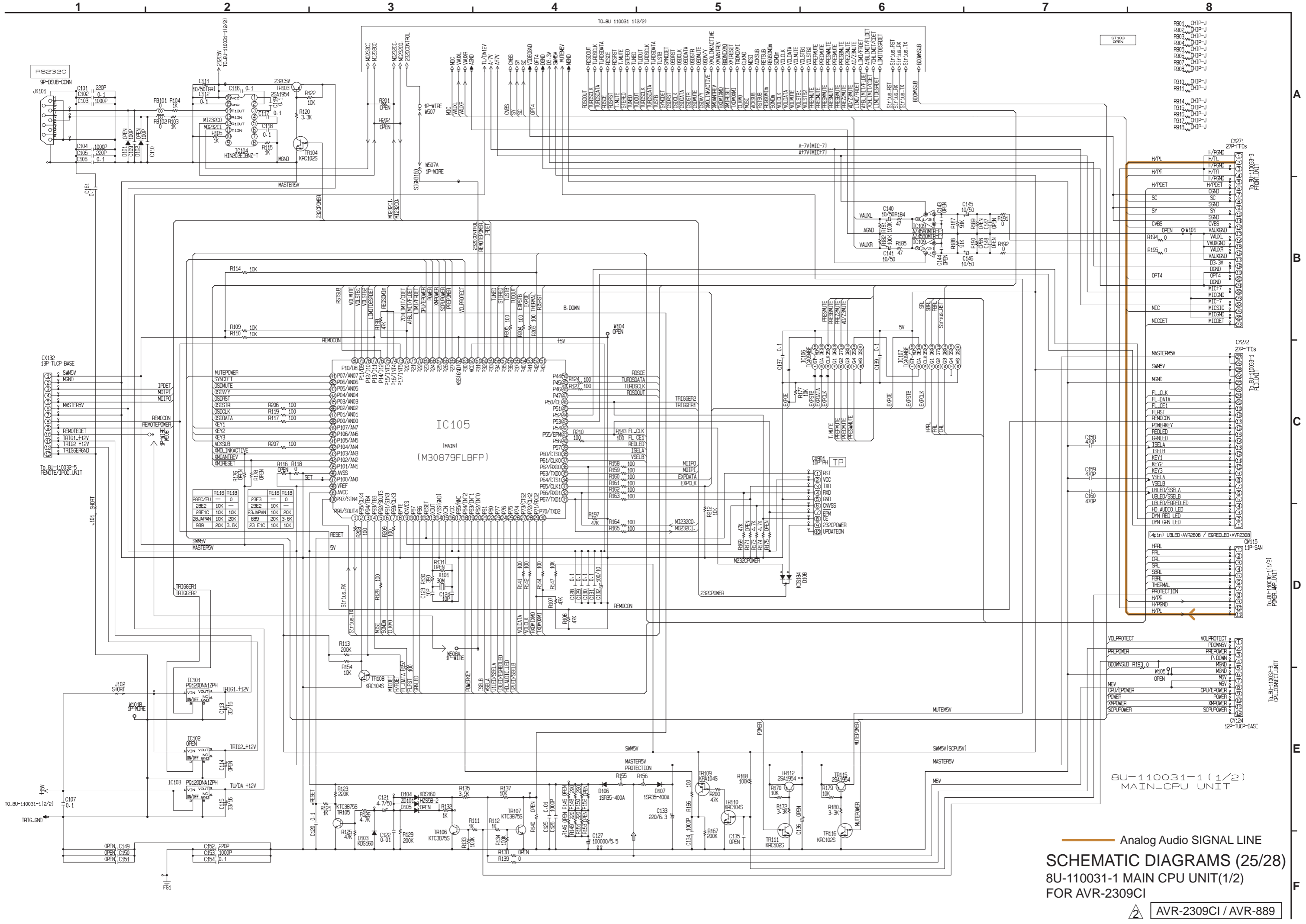
AVR2309 8P - 4P - 6P
 (M.S) (JK402)-(JK403)-(JK404)

8U-110030-1(2/2)
 POWER AMP UNIT

— Analog Audio SIGNAL LINE

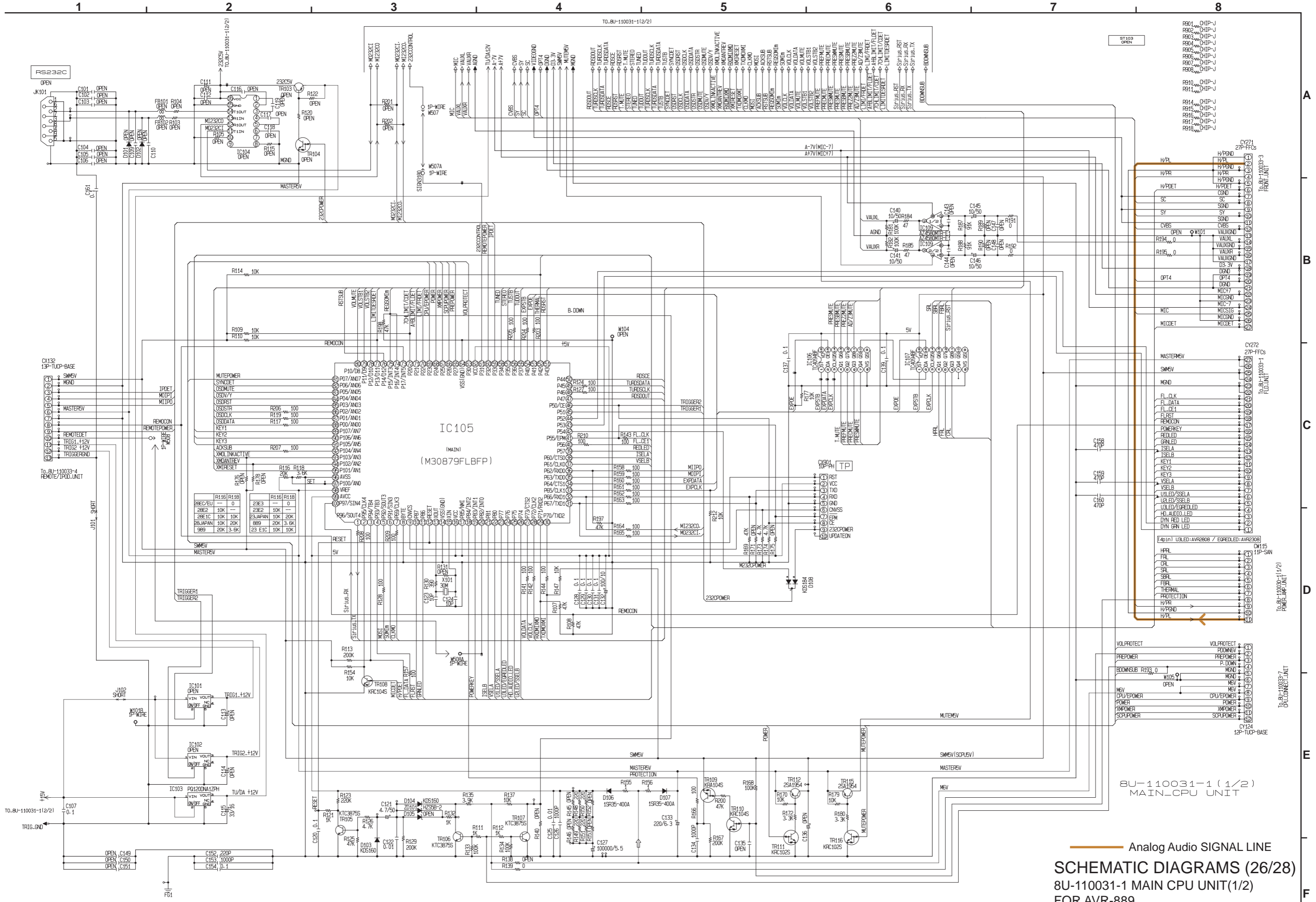
SCHEMATIC DIAGRAMS (24/28)
 8U-110030 POWER AMP UNIT(2/2)
 8U-110030-10 REG CONNECT UNIT

AVR-2309CI / AVR-889



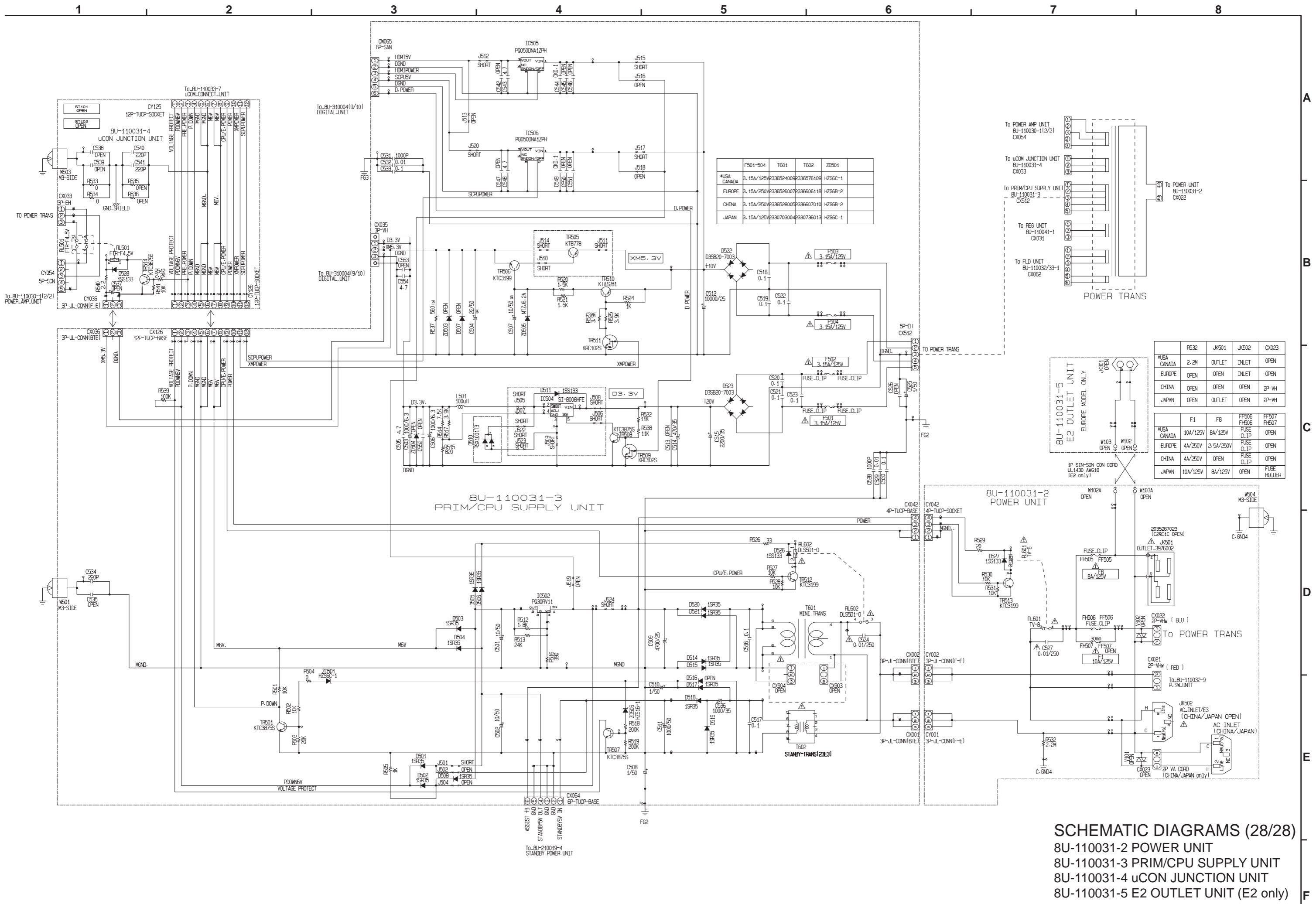
8U-110031-1 (1/2)
MAIN_CPU UNIT

— Analog Audio SIGNAL LINE
SCHEMATIC DIAGRAMS (25/28)
 8U-110031-1 MAIN CPU UNIT(1/2)
 FOR AVR-2309CI



8U-110031-1 (1/2)
MAIN_CPU UNIT

— Analog Audio SIGNAL LINE
SCHEMATIC DIAGRAMS (26/28)
 8U-110031-1 MAIN CPU UNIT(1/2)
 FOR AVR-889



SCHEMATIC DIAGRAMS (28/28)
 8U-110031-2 POWER UNIT
 8U-110031-3 PRIM/CPU SUPPLY UNIT
 8U-110031-4 uCON JUNCTION UNIT
 8U-110031-5 E2 OUTLET UNIT (E2 only)