

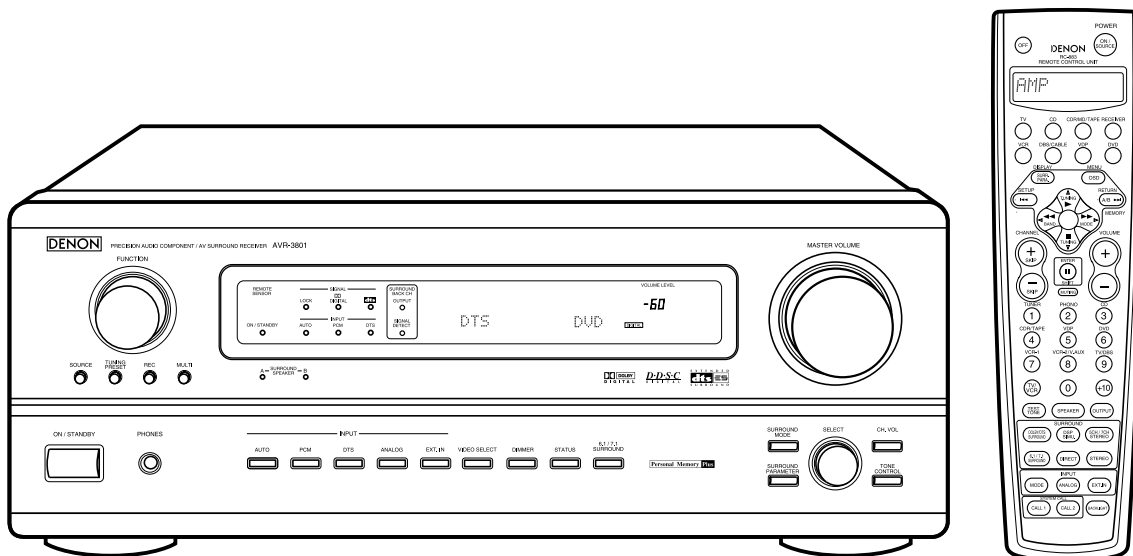
DENON

Hi-Fi Component

SERVICE MANUAL

MODEL AVR-3801

AV SURROUND RECEIVER



● Some illustrations using in this service manual are slightly different from the actual set.

NIPPON COLUMBIA CO. LTD.

SAFETY PRECAUTIONS

The following check should be performed for the continued protection of the customer and service technician.

LEAKAGE CURRENT CHECK

Before returning the unit to the customer, make sure you make either (1) a leakage current check or (2) a line to chassis resistance check. If the leakage current exceeds 0.5 milliamps, or if the resistance from chassis to either side of the power cord is less than 460 kohms, the unit is defective.

SPECIFICATIONS

AUDIO SECTION

Power Amplifier

Rated output:	Front: 105W + 105W (8Ω/ohms, 20Hz ~ 20kHz with 0.05% T.H.D.) 150W + 150W (6Ω/ohms, 1kHz with 0.7% T.H.D.) 180W + 180W (6Ω/ohms, EIAJ)
	Center: 105W (8Ω/ohms, 20Hz ~ 20kHz with 0.05% T.H.D.) 150W (6Ω/ohms, 1kHz with 0.7% T.H.D.) 180W + 180W (6Ω/ohms, EIAJ)
	Surround: 105W + 105W (8Ω/ohms, 20Hz ~ 20kHz with 0.05% T.H.D.) 150W + 150W (6Ω/ohms, 1kHz with 0.7% T.H.D.) 180W + 180W (6Ω/ohms, EIAJ)
	Surround Back: 105W + 105W (8Ω/ohms, 20 Hz ~ 20kHz with 0.05% T.H.D.) 150W + 150W (6Ω/ohms, 1kHz with 0.7% T.H.D.) 180W + 180W (6Ω/ohms, EIAJ)
Dynamic power:	140W × 2ch (8Ω/ohms) 210W × 2ch (4Ω/ohms) 240W × 2ch (2Ω/ohms)
Output terminals:	Front, Center, Surr. Back/Multi Zone: 6 ~ 16Ω/ohms Surround: A or B 6 ~ 16Ω/ohms A + B 8 ~ 16Ω/ohms

Analog

Input sensitivity/input impedance:	200mV/47kΩ/kohms
Frequency response:	10Hz ~ 100kHz: +0, -3dB (DIRECT mode)
S/N:	102dB (DIRECT mode)
Distortion:	0.005% (20Hz ~ 20kHz) (DIRECT mode)
Rated output:	1.2V

Digital

D/A output:	Rated output — 2V (at 0dB playback) Total harmonic distortion — 0.008% (1 kHz, at 0 dB) S/N ratio — 102dB Dynamic range — 96dB Format — Digital audio interface
Digital input:	Format — Digital audio interface

Phono equalizer (PHONO input) — REC OUT

Input sensitivity:	2.5mV
RIAA deviation:	±1dB (20Hz to 20kHz)
Signal-to-noise ratio:	74dB (A weighting, with 5mV input)
Rated output/Maximum output:	150mV/8V
Distortion factor:	0.03% (1kHz, 3V)

VIDEO SECTION

Standard video jacks

Input/output level and impedance:	1Vp-p, 75Ω/ohms
Frequency response:	5Hz ~ 10MHz — +0, -3dB

S-video jacks

Input/output level and impedance:	Y (brightness) signal — 1Vp-p, 75Ω/ohms C (color) signal — 0.286Vp-p, 75Ω/ohms
Frequency response:	5Hz ~ 10MHz — +0, -3dB

Color component video jacks

Input/output level and impedance:	Y (brightness) signal — 1Vp-p, 75Ω/ohms CB (blue) signal — 0.7Vp-p, 75Ω/ohms CR (red) signal — 0.7Vp-p, 75Ω/ohms
Frequency response:	5Hz ~ 27MHz — +0, -3dB

TUNER SECTION

Receiving Range:	[FM] (note: μV at 75Ω/ohms, 0dBf=1 × 10 ⁻¹⁵ W) 87.50MHz ~ 107.90MHz (for North America and multiple voltage models) 87.50MHz ~ 108.00MHz (for Europe, China, Hong Kong, Taiwan R.O.C. and Multiple voltage models)	[AM] 520kHz ~ 1710kHz (for North America and Multiple voltage models) 522kHz ~ 1611kHz (for Europe, China, Hong Kong, Taiwan R.O.C. and multiple voltage models) 18μV
Usable Sensitivity:	1.0μV (11.2dBf)	
50dB Quieting Sensitivity:	MONO: 1.6μV (15.3dBf) STEREO: 23μV (38.5dBf)	
S/N (IHF-A):	MONO: 80dB STEREO: 75dB	
Total Harmonic Distortion (at 1kHz):	MONO: 0.15% STEREO: 0.3%	

GENERAL

Power supply:	AC120V, 60Hz (for North America and Taiwan R.O.C. models) AC230V, 50Hz (for Europe model) AC220V, 50Hz (for China model) AC115V/230V, 50/60Hz (for Hong Kong and Multiple voltage models)
Power consumption:	7.0A (for North America model) 400W (for Europe, China, Hong Kong and Multiple voltage models) 360W (for Taiwan R.O.C. model) 2.0W Max (Standby)
Maximum external dimensions:	434 (W) × 171 (H) × 416 (D)mm (17-3/32" × 6-11/32" × 16-3/8")
Weight:	17.0kg (37 lbs 8 oz)

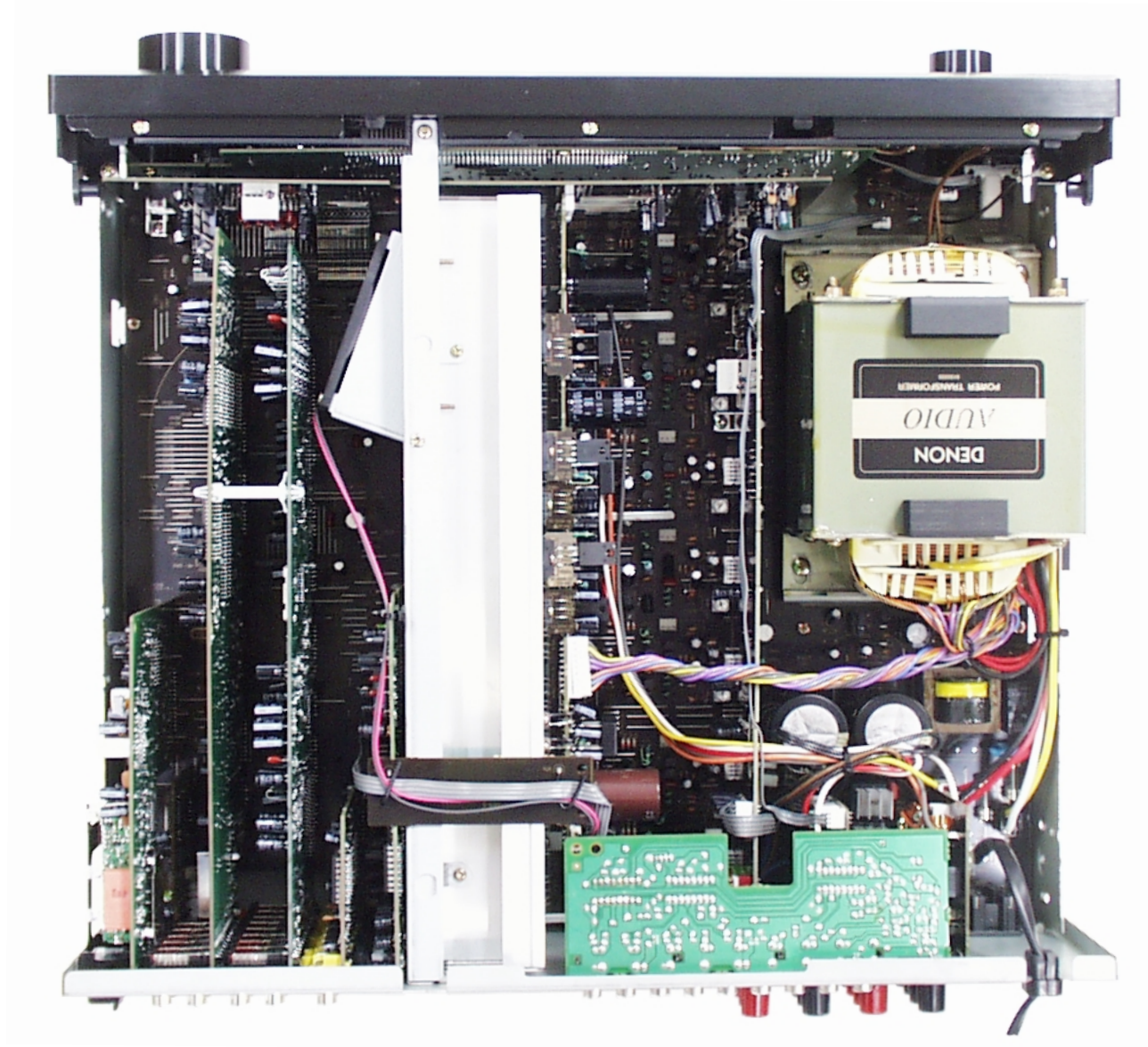
REMOTE CONTROL UNIT (RC-883: for North America, China, Hong Kong, Taiwan R.O.C. and Multiple voltage models) (RC-884: for Europe model)

Batteries:	R6P/AA Type (three batteries)
External dimensions:	61 (W) × 230 (H) × 34 (D)mm (2-13/32" × 9-1/16" × 1-11/32")
Weight:	200g (Approx. 7 oz) (including batteries)

WIRE ARRANGEMENT

If wire bundles are untied or moved to perform adjustment or parts replacement etc., be sure to rearrange them neatly as they were originally bundled or placed afterward. Otherwise, incorrect arrangement can be a cause of noise generation.

Wire arrangement viewed from the top

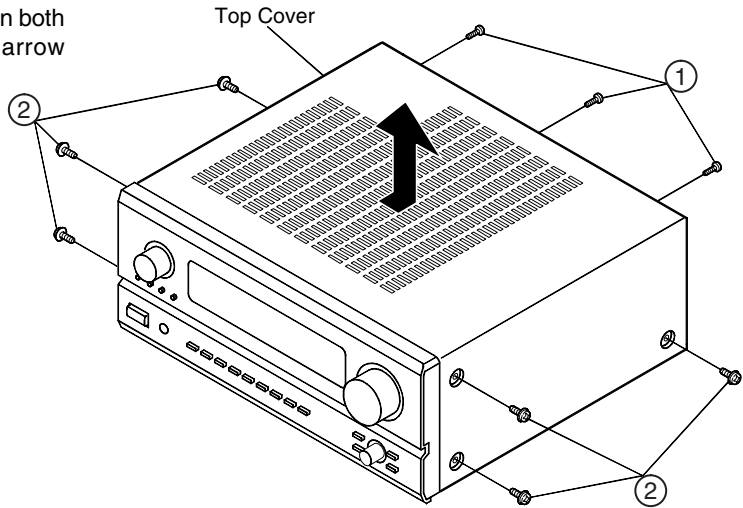


DISASSEMBLY

(Follow the procedure below in reverse order when reassembling)

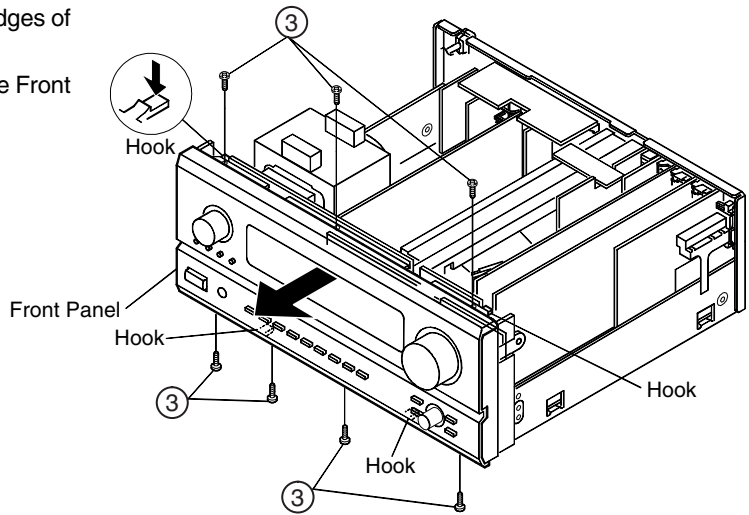
1. Top Cover

Remove 3 screws ① on the rear and 6 screws ② on both sides to detach the Top Cover as shown in the arrow direction.



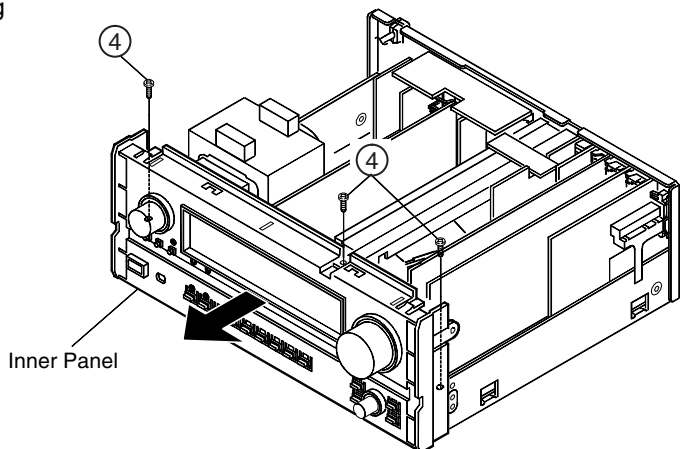
2. Front Panel

- (1) Remove 7 screws ③ from the top and bottom edges of the Front Panel.
- (2) Release 4 top and bottom hooks, then detach the Front Panel as shown in the arrow direction.



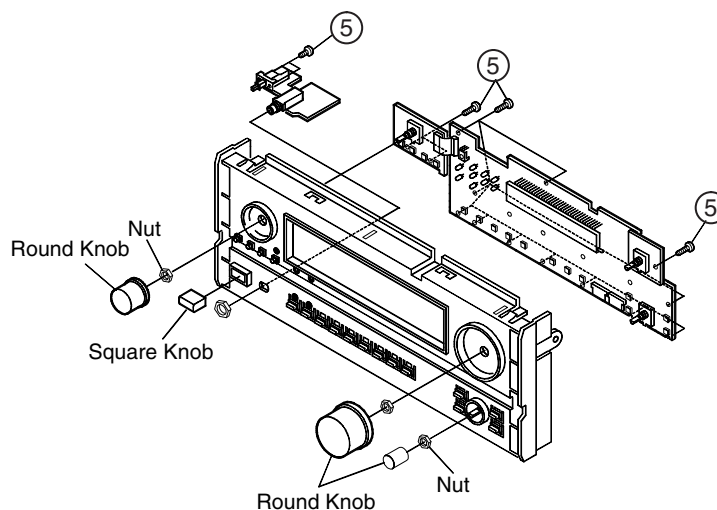
3. Inner Panel

Pull out the Inner Panel in the arrow direction after removing 3 screws ④.



4. Inner Panel Ass'y

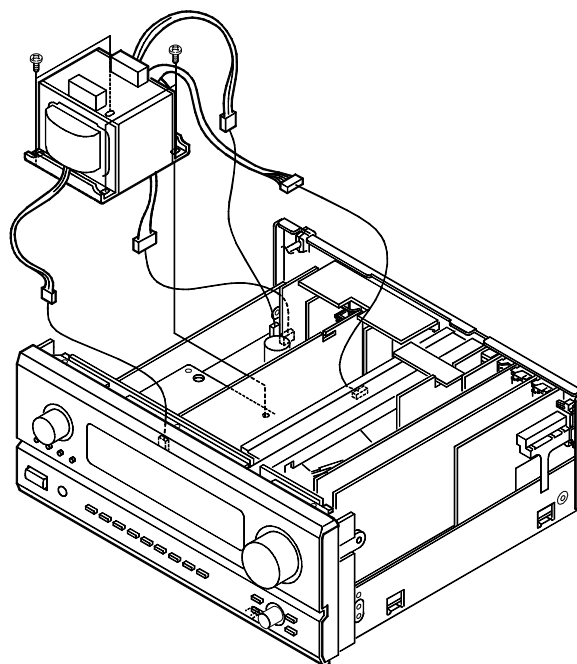
- (1) Remove 3 round and 1 square knobs, and unscrew 4 nuts.
- (2) Remove 15 screws (5) fixing each P.W.B.



Before proceeding to the next step, take off the Power Transformer.

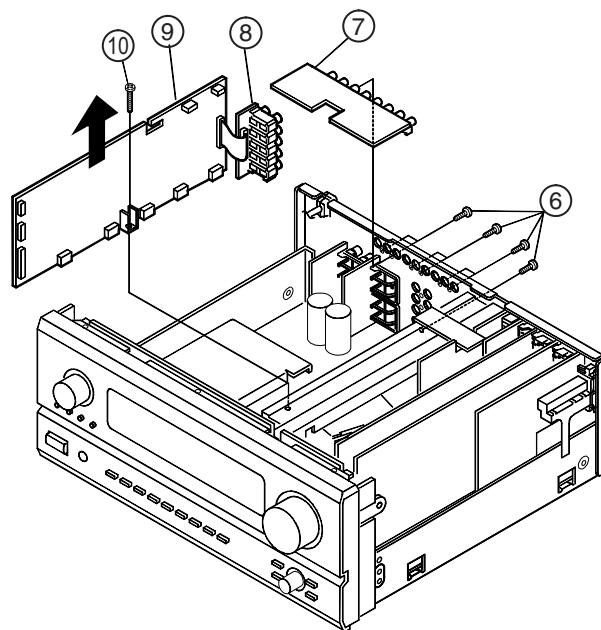
5. Power Transformer

- (1) Remove 4 screws fixing the Power Transformer and 4 connectors.
- (2) Be careful when removing the Power Transformer as it is heavy.



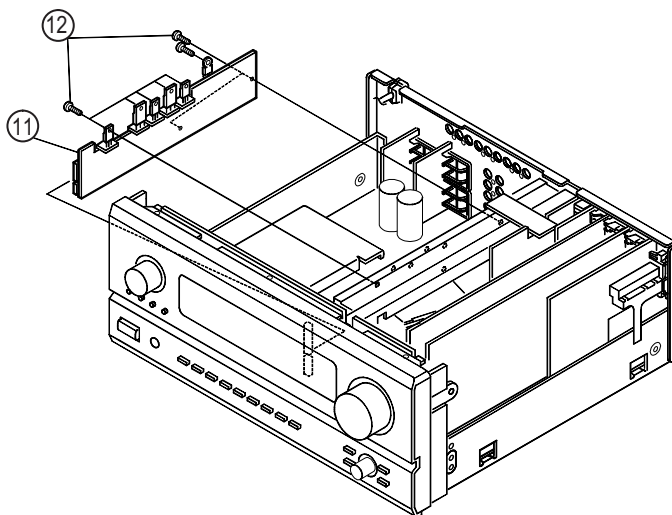
6. Component Video Unit / PRE-OUT Unit / AMP Connect Unit

- (1) Remove 9 screws (6) to detach Component Video Unit (7) and Pre-out Unit (8).
- (2) Take off the Amp Connect Unit (9) as shown in the arrow direction after removing 1 screw (10).



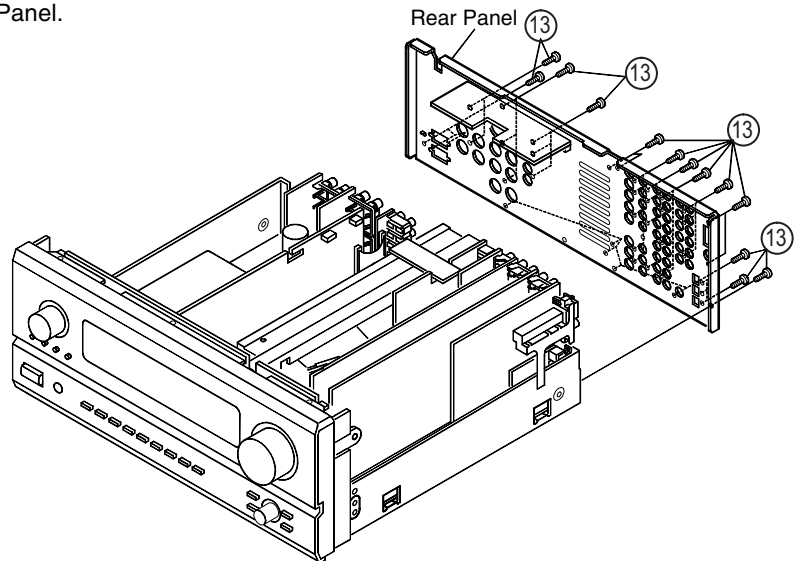
7. Regulator Unit

- Take off the Regulator Unit (11) as shown in the arrow direction after removing 8 screws (12).



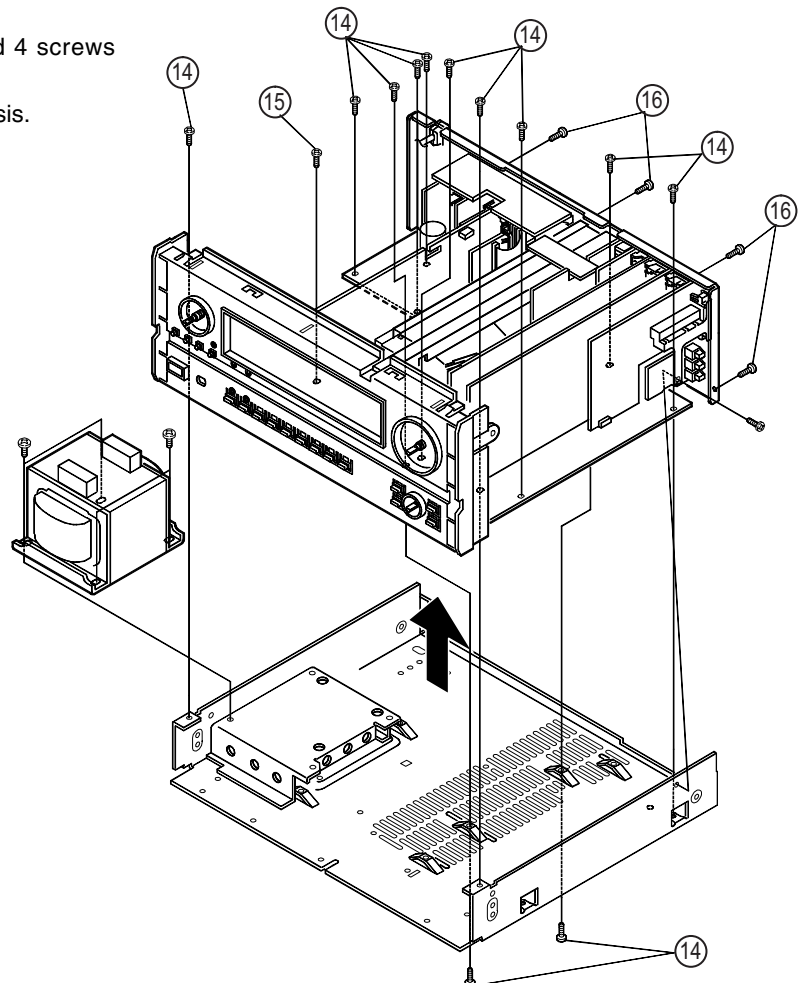
8. S-Video / C-video / Audio-in & DSP / Ext-in & VR / Digital-in / Tuner Unit

- (1) Remove 37 screws (13) to detach the Rear Panel.
- (2) Take off the objective P.W.B. upward.



9. How to Check Power Amp / μ -com Unit with Power-on

- (1) Remove 12 screws (14), 1 screw (15), and 4 screws (16) fixing to the Chassis.
- (2) Pull up the Unit to separate from the Chassis.

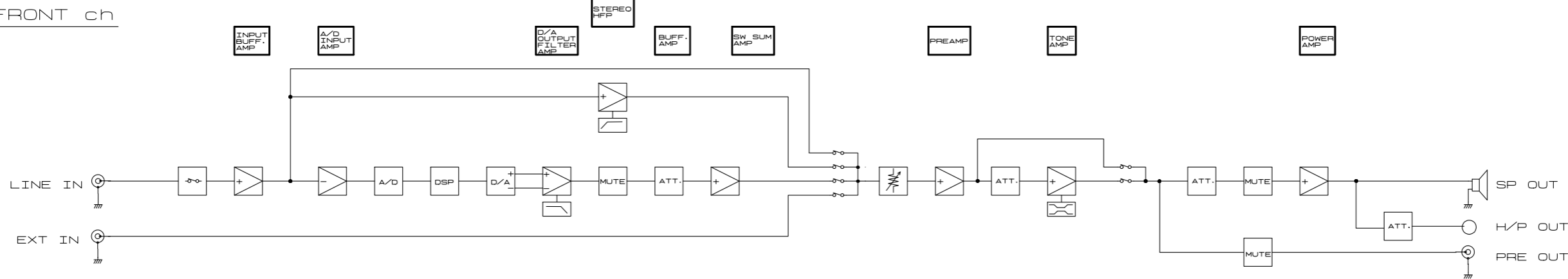


LEVEL DIAGRAMS

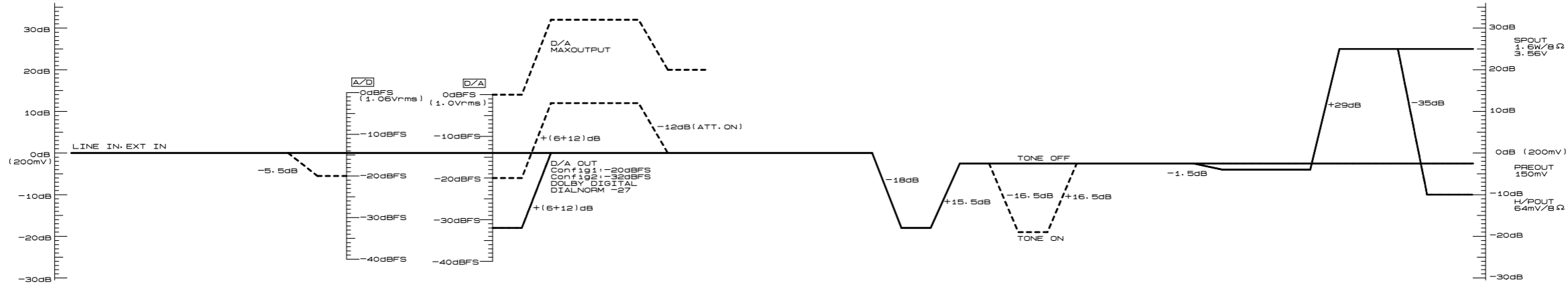


A

FRONT ch

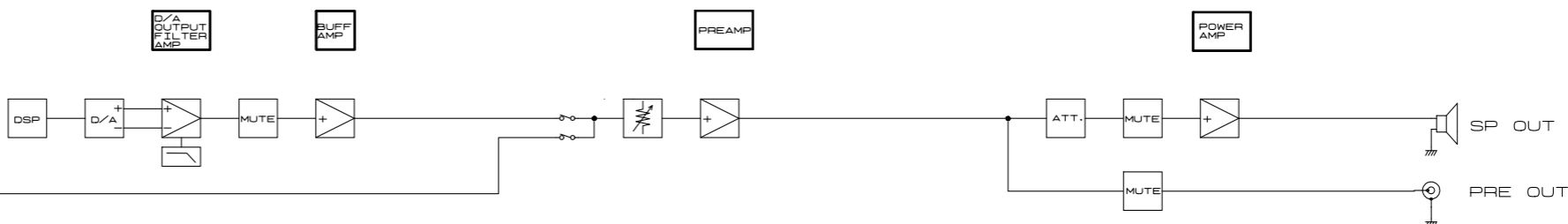


B

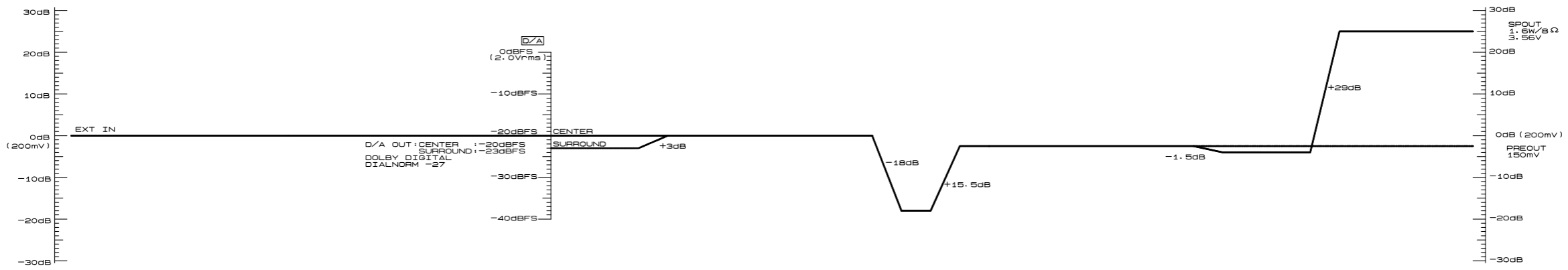


C

CENTER/SURROUND ch



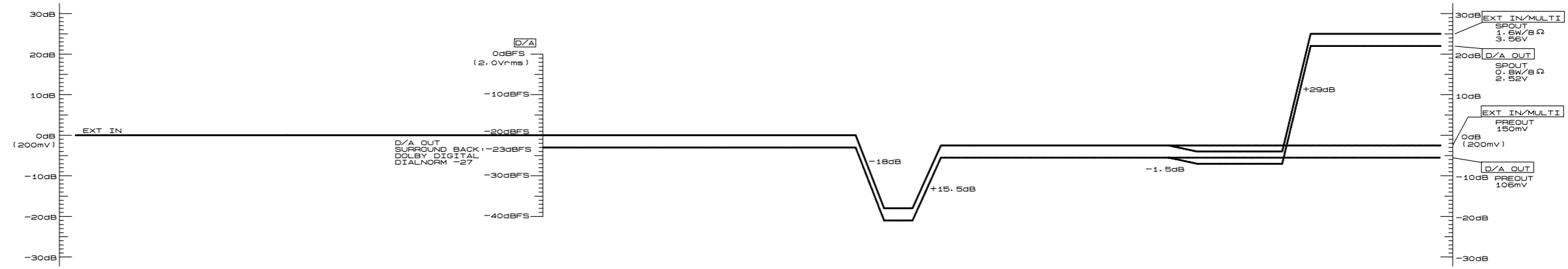
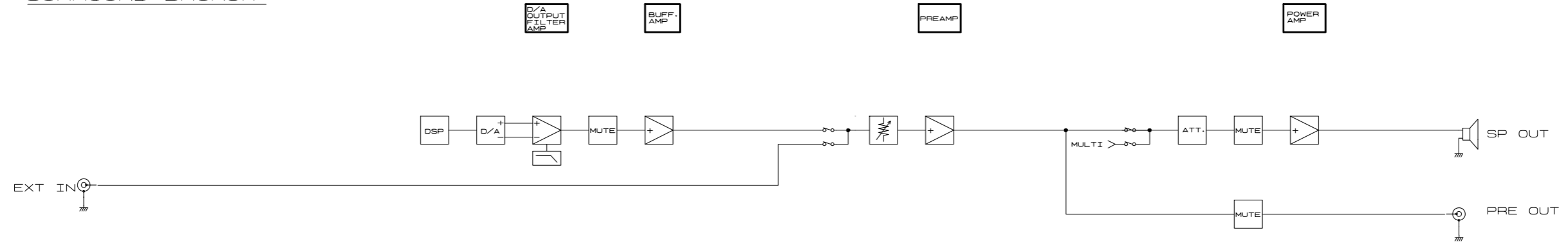
D



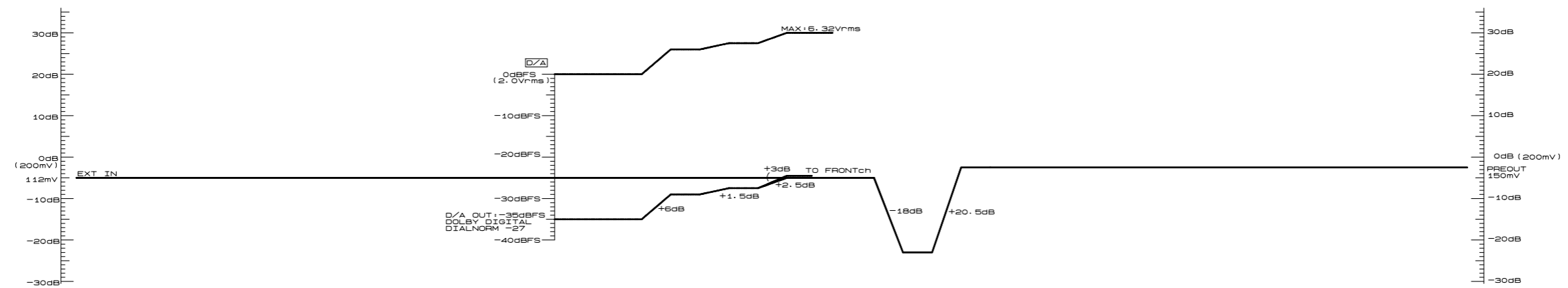
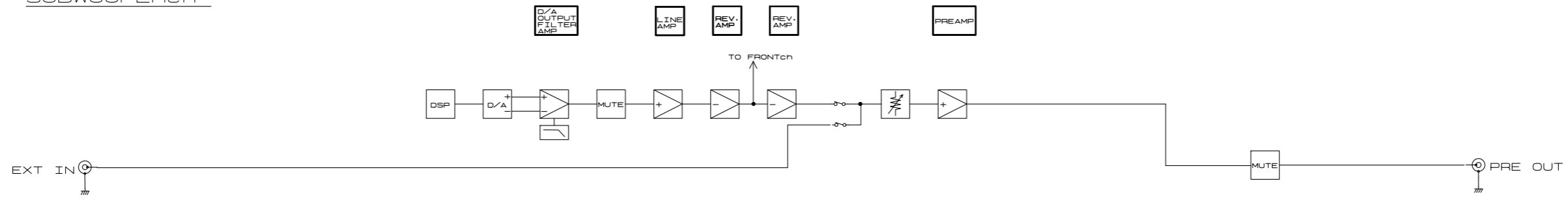
E

1 2 3 4 5 6 7 8

SURROUND BACKch



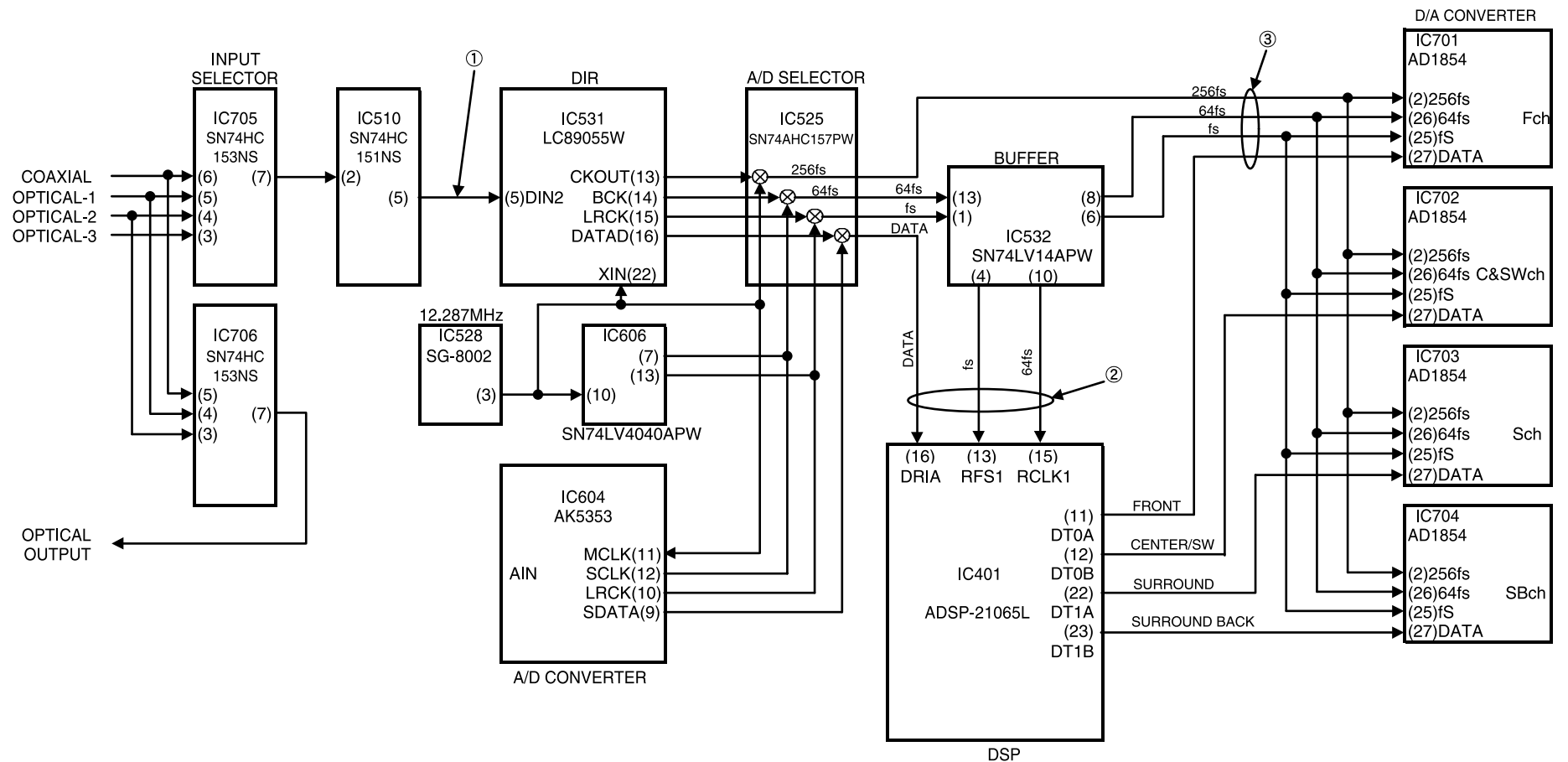
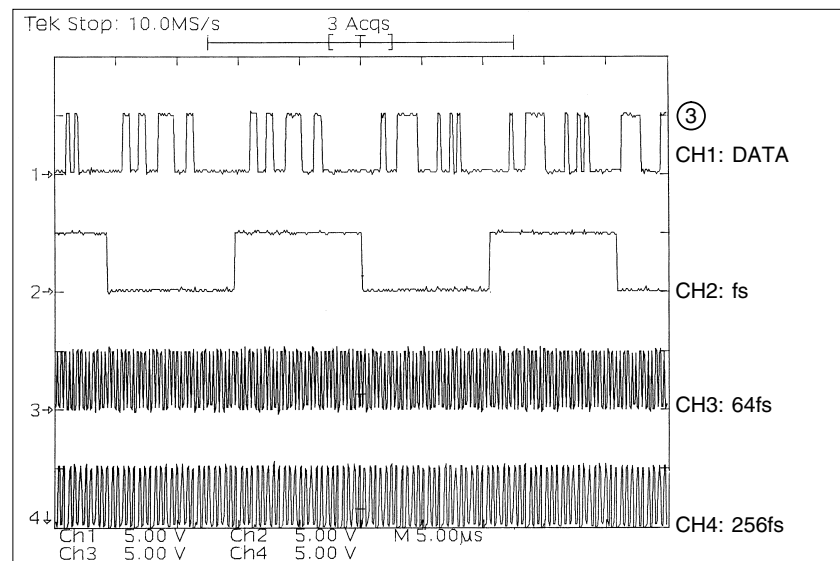
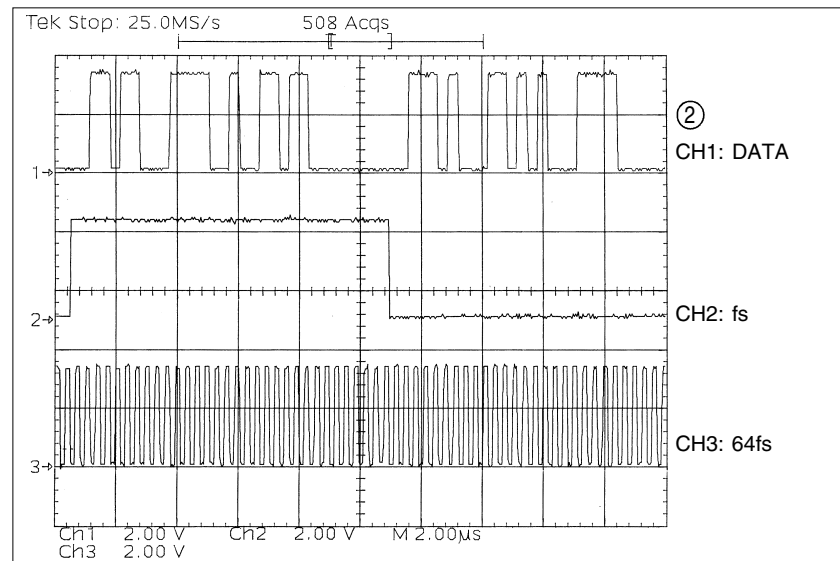
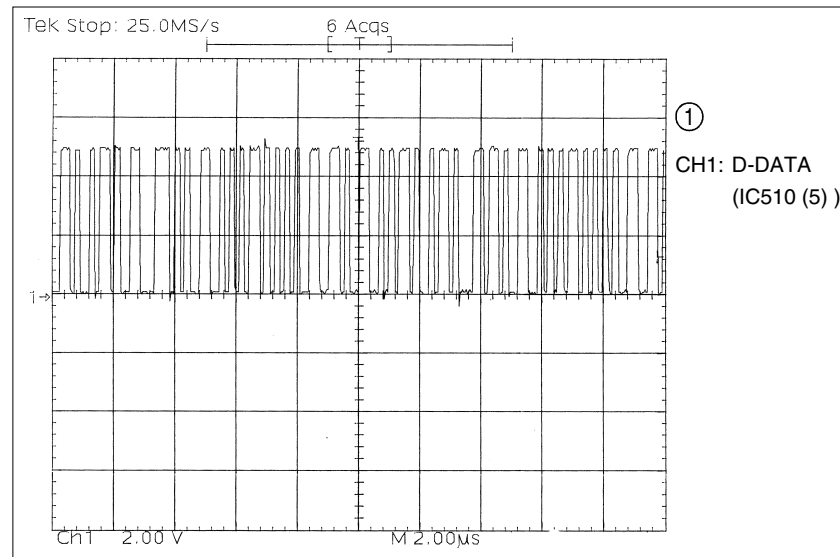
SUBWOOFERch



A
B
C
D
E

CLOCK FLOW & WAVE FORM IN DIGITAL BLOCK

Wave Form



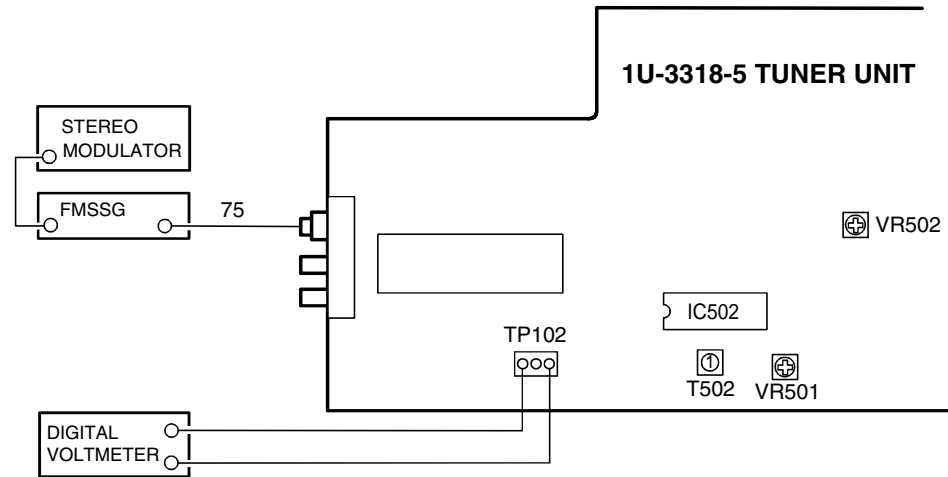
- DOLBY DIGITAL DECODE
- DTS DECODE
- DOWN MIX PROCESSING
- BASS MANAGEMENT
- DSP SIMULATION
- TIME ALIGNMENT
- DE EMPHASIS
- 96-24PCM

ADJUSTMENT

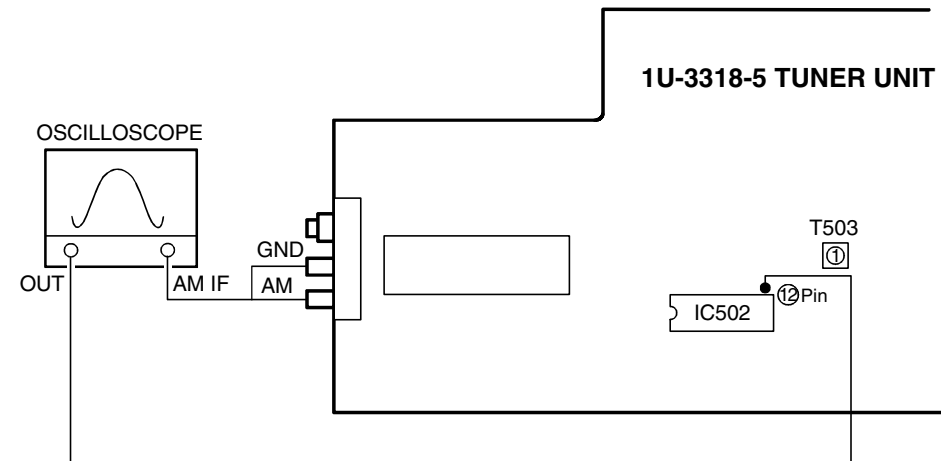
Tuner Section

CONNECTION DIAGRAM OF MEASURING INSTRUMENTS

● FM



● AM



FM/MPX ALIGNMENT

Step	Alignment Item	Tuning Frequency Setting	Input					Output		Adjust		Remarks
			Type	Frequency	Input Level	Modulation	Coupling	Type	Connect to	Points	Adjust to	
1	Tuning Center	98.1 MHz	FM SSG	98.1 MHz	60 dB	None	Antenna Terminal	Digital Voltmeter	TP102 (JV36-JV67)	T502	± 50mV	Function : FM Mode : Auto
2	Separation	98.1 MHz	FM SSG	98.1 MHz	60 dB	Stereo (L) 1KHz 100%	Antenna Terminal	AC Voltmeter	AUDIO OUT Terminal (R)	VR502	Maximum Separation	
3	Signal Level	98.1 MHz	FM SSG	98.1 MHz	20 dB	Off	Antenna Terminal			VR501	Light "TUNED" FLD Character	

AM ALIGNMENT

Step	Alignment Item	Frequency	Input	Output		Adjustment		Remarks
				Type	Connect to	Points	Adjust to	
1	IF		IF SWEEP (Input level is not over to work A.G.C.)	Oscilloscope	IC502 12Pin	T503	Maximum height and best symmetry curve	

Audio Section

Idling Current (1U-3315-1)

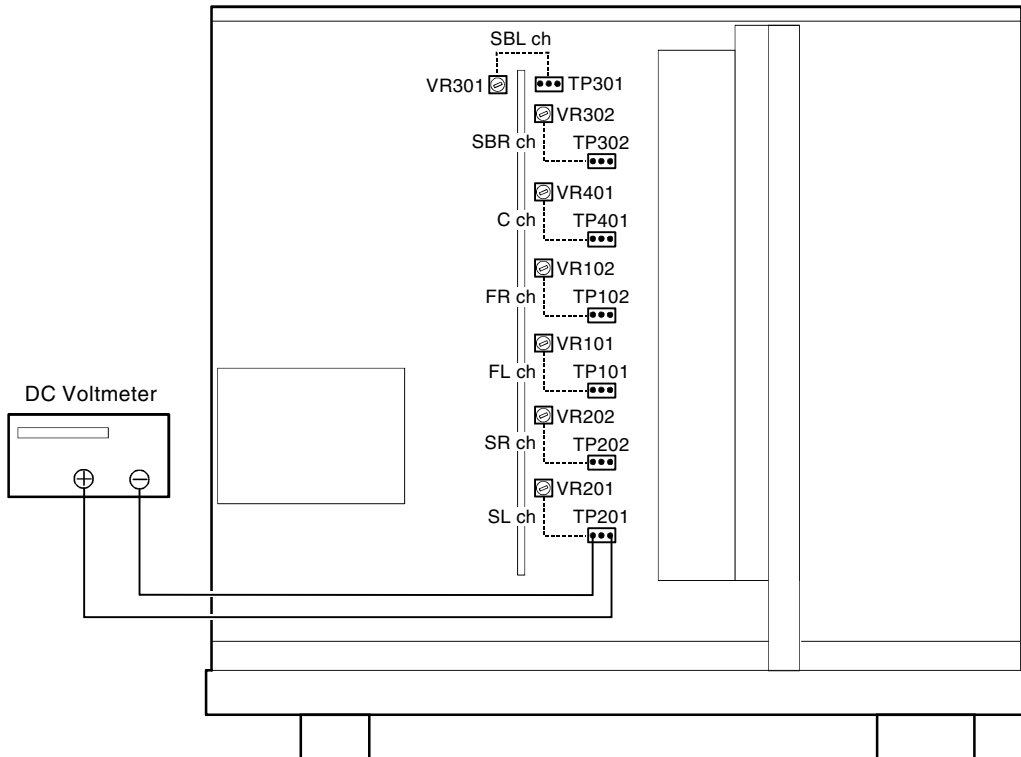
Required measurement equipment : DC Voltmeter

Preparation

- (1) Avoid direct blow from an air conditioner or an electric fan, and adjust the unit at normal room temperature 15 °C ~ 30 °C (59 °F ~ 86 °F).
- (2) Presetting
 - POWER (Power source switch) OFF
 - SPEAKER (Speaker terminal) No load (Do not connect speaker, dummy resistor, etc.)

Adjustment

- (1) Remove top cover and set VR101, VR102, VR201, VR202, VR301, VR302, VR401, on 1U-3315-1 (Power Unit) at fully counterclockwise (◯).
- (2) Connect DC Voltmeter to test points (FRONT-Lch: TP101, FRONT-Rch: TP102, CENTER ch: TP401, SURROUND-Lch: TP201, SURROUND-Rch: TP202, SURROUND BACK-Lch: TP301, SURROUND BACK-Rch: TP302).
- (3) Connect power cord to AC Line, and turn power switch "ON".
- (4) Presetting. MASTER VOLUME : "---" counterclockwise (◯ min.)
 MODE : 7CH STEREO
 FUNCTION : CD
- (5) Allow 2 minutes, and turn VR101 clockwise (◯) to adjust the TEST POINT voltage to 6.5 mV ±0.5 mV DC.
- (6) After 10 minutes from preset, turn VR101 to set the voltage to 8 mV ±0.5 mV DC.
- (7) Adjust the Variable Resistors of other channels in the same way.
- (8) After 5 minutes from (6), turn VR101 to set the voltage to 8 mV ±0.5 mV DC.
- (9) Adjust the Variable Resistors of other channels in the same way.



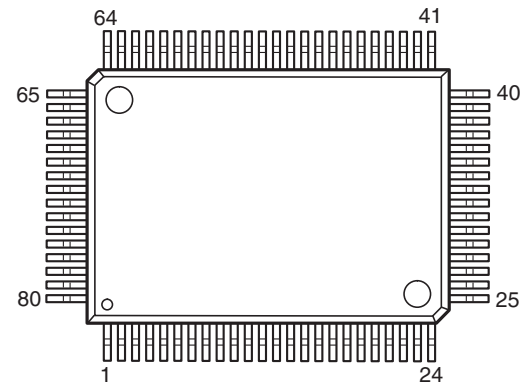
SEMICONDUCTORS

● IC's

Note: Abbreviation ahead of IC No. indicates the name of P.W.B.

- PO: Power P.W.B. RE: Regulator P.W.B.
- EX: Exit in P.W.B. AU: Audio/DSP P.W.B.
- CO: Control P.W.B. AC: Amp Connect P.W.B.

TMP88CU74F (CO: IC303)



TMP88CU74F Terminal Function

Pin No.	Name	Symbol	I/O	Type	Op	Det	Res	Init	Function
1	P02/S01	RDS RESET	O	C	---	---	Z	L	RDS reset output (LC7074)
2	P03	OSD RST	O	C	---	---	Z	H	OSD control output (M35015)
3	P04	ST/MONO	O	C	---	---	Z	L	STEREO/MONO control signal, L: STEREO
4	P05	PLFL DATA	O	C	---	---	Z	L	PLL, FL control terminal (LC72131 & LC75721NE)
5	P06	PLL STB	O	C	---	---	Z	L	PLL control terminal (LC72131)
6	P07	PLFL CLK	O	C	---	---	Z	L	PLL, FL control terminal (LC72131 & LC75721NE)
7	Vss	Vss	I	---	GND	---	---	L	GND
8	Xout	Xout	O	---	---	---	---	---	XTAL
9	Xin	Xin	I	---	---	---	---	---	XTAL
10	RESET_	RESET_	I	---	Eu	Lv	L	---	Reset input
11	P22/XTOUT	TUNED_	I	---	Eu	Lv	Z	---	Tuning detect, L: Tuned
12	P21/XTIN	STEREO_	I	---	Eu	Lv	Z	---	L: At stereo receive
13	TEST	TEST	I	---	GND	S	---	---	Connect to GND
14	P20/INT5_	B.DOWN_	I	---	Eu	Lv	Z	---	Power down detect, L: Power down
15	P10/INT0_	PROTECT_	I	---	Ed	E&L	Z	---	PROTECTION detect input, H: Detect
16	P11/INT1	RDS START	I	---	---	---	Z	L	RDS data input (LC7074)
17	P12	OSD CLK	O	C	---	---	Z	H	OSD control output (M35015)
18	P13	OSD CS	O	C	---	---	Z	H	OSD control output (M35015)
19	P14	OSD DATA	O	C	---	---	Z	L	OSD control output (M35015)
20	P15/INT3	REMOCON	I	---	Ed	E&L	Z	---	Remote control signal input
21	P16/INT2	ACK	O	C	---	---	Z	L	MAIN-SUB CPU comm. control terminal
22	P17/INT4	REQ	I	---	Eu	---	Z	L	MAIN-SUB CPU comm. control terminal
23	P30/SCL	SI	I	---	---	---	---	---	MAIN-SUB CPU comm. control terminal
24	P31/SDA	SO	O	C	---	---	---	---	MAIN-SUB CPU comm. control terminal
25	P32/SCK0_	CLK	O	C	---	---	---	---	MAIN-SUB CPU comm. control terminal
26	P40/AIN0	MODE	I	---	Eu	Lv	Z	---	Destination switching input
27	P41/AIN1	KEY1	I	---	Eu	Lv	Z	---	Button input 1
28	P42/AIN2	KEY2	I	---	Eu	Lv	Z	---	Button input 2
29	P43/AIN3	KEY3	I	---	Eu	Lv	Z	---	Button input 3
30	P44/AIN4	FUNC STB1	O	C	---	---	Z	L	Function control output, REC OUT (TC9274-011), EXT/SOURCE (TC9274-012)
31	P45/AIN5	FUNC/T. CON CLK	O	C	---	---	Z	L	Function control output (TC9274N, TC9273), TONE control output (TC9184P)
32	P46/AIN6	FUNC/T. CON DATA	O	C	---	---	Z	L	Function control output (TC9274N, TC9273), TONE control output (TC9184P)
33	P47/AIN7	E.VOL STB2	O	C	---	---	Z	L	Multi Elect. volume control output (TC9459)
34	P50/AIN8	E.VOL STB1	O	C	---	---	L	L	Elect. volume control output (TC9459)
35	P51/AIN9	TONE STB	O	C	---	---	L	L	TONE control output (TC9184P)
36	P52/AIN10	E.VOL DATA	O	C	---	---	L	H	Elect. volume control output (TC9459)
37	P53/AIN11	E.VOL CLK	O	C	---	---	L	H	Elect. volume control output (TC9459)

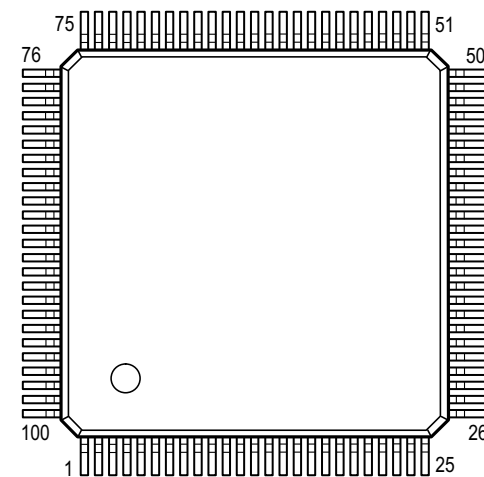
Pin No.	Name	Symbol	I/O	Type	Op	Det	Res	Init	Function
38	VASS	VASS	I						Ref. volt (GND)
39	VAREF	VAREF	I						Ref. volt (VDD)
40	VDD	VDD	I						Power supply
41	P60	FL CE	O	P	Ed	S	L	H	FL display control output (LC75721NE)
42	P61	FL RES	O	P	Ed	S	L	H	FL display control output (LC75721NE)
43	P62	FUNC STB2	O	P	Ed	---	Z	L	Function control output (TC9273), INPUT (TC9273)
44	P63	SA-RELAY	O	P	Id	---	L	L	Surround SP relay A control terminal, L: Mute
45	P64	SB-RELAY	O	P	Id	---	L	L	Surround SP relay B control terminal, L: Mute
46	P65	C-RELAY	O	P	Id	---	L	L	Center SP relay control terminal, L: Mute
47	P66	F-RELAY	O	P	Id	---	L	H	Front SP relay control terminal, L: Mute
48	P67	PRE F MUTE	O	P	Ed	---	L	H	Front PRE OUT mute control terminal, L: Mute
49	P70	PRE C MUTE	O	P	Ed	---	L	L	Center PRE OUT mute control terminal, L: Mute
50	P71	PRE S MUTE	O	P	Ed	---	L	L	Surround PRE OUT mute control terminal, L: Mute
51	P72	SUB WOOFER MUTE	O	P	Ed	---	L	H	Sub-woofer PRE OUT mute control terminal, L: Mute
52	P73	H/P RELAY	O	P	Id	---	L	H	H/P OUT relay control terminal, L: Mute
53	P74	EXP OE	O	P	Ed	---	L	H	Port expander control terminal (BU4094)
54	P75	EXP CLK	O	P	Ed	---	L	L	Port expander control terminal (BU4094)
55	P76	EXP DATA	O	P	Ed	---	L	L	Port expander control terminal (BU4094)
56	P77	EXP STB	O	P	Ed	---	L	L	Port expander control terminal (BU4094)
57	P80	POWER	O	P	Id	---	L	H	Power relay control output, H: ON
58	P81	RESET2	O	P	Id	---	L	L	Reset signal output to sub-CPU, H: Reset
59	P82	PRE S.BACK MUTE	O	P	Id	---	L	L	Surround Back PRE PUT mute control terminal, L: Mute
60	P83	S.BACK VOL MUTE	O	P	Id	---	L	L	Surround Back volume mute, L: Mute
61	P84	STANDBY	O	P	Id	---	L	H	Standby LED drive output H: Light
62	P85	S.BACK RELAY	O	P	Id	---	L	L	Surround Back SP relay control terminal, L: Mute
63	P86	LED CK	O	P	Id	---	L	L	LED control terminal (BU2090F)
64	P87	LED DATA	O	P	Id	---	L	L	LED control terminal (BU2090F)
65	P90	TUNER MUTE	O	P	Ed	---	L	H	TUNER mute control terminal, H: Mute
66	P91	MULTI MUTE	O	P	Id	---	L	H	MULTI PREOUT mute control terminal, H: Mute
67	P92	S MONI DET	I	---	Eu	Lv	Z	---	S monitor connection detect input, L: Connected
68	P93	S SIG DET	I	---	Eu	Lv	Z	---	S signal detect input, H: Detected
69	P94	SYNC DET.	I	---	Eu	Lv	Z	---	Sync detect input, H: Ext. sync
70	P95	SEL A (M)	I	---	Eu	Lv	Z	---	Master volume rotation detect input (rotary encoder)
71	P96	SEL B (M)	I	---	Eu	Lv	Z	---	Master volume rotation detect input (rotary encoder)
72	P97	CINEMA EQ	O	P	Eu	Lv	Z	L	CINEMA EQ control output, H: ON
73	PD0	VOL MUTE	O	P	Ed	---	L	L	Master volume minimum control, L: Min.
74	PD1	SEL C (S)	I	---	Eu	Lv	Z	---	Surround mode rotation detect input (rotary encoder)
75	PD2	SEL D (S)	I	---	Eu	Lv	Z	---	Surround mode rotation detect input (rotary encoder)
76	PD3	SEL E (F)	I	---	Eu	Lv	Z	---	Input selector switch rotation detect input (rotary encoder)
77	PD4	SEL F (F)	I	---	Eu	Lv	Z	---	Input selector switch rotation detect input (rotary encoder)
78	Vkk	Vkk	---	---	---	---	---	---	GND fixed
79	P00/SCK1_	RDS CLK	I	---	---	S	Z	---	RDS clock input (LC7074)
80	P01/SI1	RDS DATA	I	---	---	S	Z	---	RDS data input (LC7074)

NOTE:

- Pin No. : Terminal number of microcomputer.
- Port Name : The name entered in the data sheet of microcomputer.
- Symbol : Symbolized interface function.
- I/O : Input or out of part.
- Type : Composition of port in case of output port.
- Op : Pull up/Pull down selection information.
- Det : Indicates judging state of input port. Level detection is "LV"; Edge detection is "Ed"; Detection by both shifting is "E&L"; Serial data detection is "S" (Serial data output is also "S").
- Res : State at reset.
- Ini : Initial output state.
- Function : Function and logical level explanation of signals to be interface.

- "I" = Input port
- "O" = Output port
- "C" = CMOS output
- "N" = NMOS open drain output
- "P" = PMOS open drain output
- "lu" = Inner microcomputer pull up
- "ld" = Inner microcomputer pull down
- "Eu" = External microcomputer pull up
- "Ed" = External microcomputer pull down
- "H" = Outputs High Level at reset
- "L" = Outputs Low Level at reset
- "Z" = Becomes High impedance mode at reset

TMP93CS41F (AU: IC301)

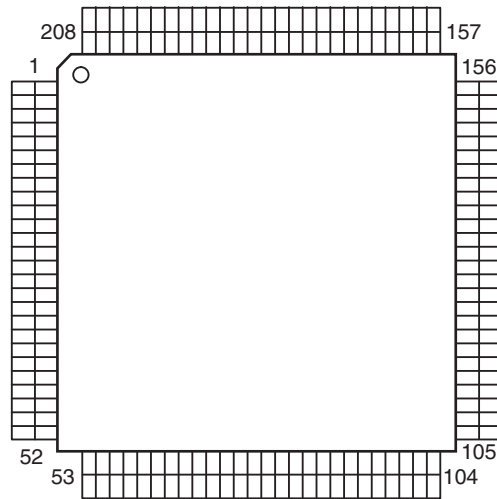


TMP93CS41F Terminal Function

Pin No.	Name	Symbol	I/O	Type	Op	Det	Res	Init	Function
1	V REFL		—	—	—	—	—	—	A/D ref. GND
2	A Vss	←	—	—	—	—	—	—	A/D GND
3	A Vcc	←	—	—	—	—	—	—	AD +5V
4	_NMI		I	—	—	—	—	—	Not used (fixed to H)
5	P70/TI0	_DEMOD RESET	O	C	Ed	—	L	L	Demodulator reset output (L: Reset)
6	P71/TO1	DEMOD ON	O	C	Ed	—	L	L	Demodulator osc. control output (H: Osc.)
7	P72/TO2	FAN1	O	C	Ed	—	L	L	FAN control output (H: ON, L: OFF)
8	P73/TO3	FAN2	O	C	Ed	—	L	L	FAN control output (H: Hi, L: Low & off)
9	P80/INT4/TI4	B.DOWN_	I	—	Eu	E↓&L	Z	—	Power down detect (L: Detected)
10	P81/INT5/TI5	DSP ACK	I	—	—	E↑&L	—	—	Host I/F comm. response input (L: OK)
11	P82/TO4	AC-3 RF DET	I	—	—	E↓&L	—	—	AC-3 RF signal judge input (L: AC-3 data input)
12	P83/TO5	_REQ	O	C	Eu	—	H	L	MAIN-SUB CPU comm. control output (L: Comm. request from sub)
13	P84/INT6/TI6	_ACK	I	—	Eu	E↓&L	—	—	MAIN-SUB CPU comm. control input (L: Ack. return from main)
14	P85/INT7/TI7	ERR	I	—	—	E↑&L	—	—	DIR control input terminal (LC89055Q)(H: ERR)
15	P86/TO6	_DSP RESET	O	C	Ed	—	L	L	DSP reset output terminal (L: Reset)
16	P97/INT0	_CS	I	—	Ed	E↑&L	—	—	DIR control input terminal (LC89055Q), when CH status change L→H
17	P90/TXD0	SI	O	C	—	—	Z	L	MAIN-SUB CPU comm. control terminal (data output)
18	P91/RXD0	SO	I	—	—	—	—	—	MAIN-SUB CPU comm. control terminal (data input)
19	P92/_CTS0/SCLK0	CLK	I/O	C	—	—	Z	L	MAIN-SUB CPU comm. control terminal (I2C clock in/output)
20	P93/TXD1		O	C	—	—	Z	L	
21	P94/RXD1	DIR MISO	I	—	—	Lv	—	—	DIR control input terminal (LC89055Q) control data input
22	P95/SCLK1	DIR CLK	O	C	—	—	Z	L	DIR control terminal (LC89055Q) control clock output
23	AM8/_16	←	—	—	—	—	—	—	Fixed to +5V
24	CLK		O	C	Eu	—	—	—	
25	Vcc	←	—	—	—	—	—	—	+5V
26	Vss	I/O1	—	—	—	—	—	—	GND
27	X1	Xin	I	—	—	—	—	—	X'tal connection
28	X2	Xout	O	—	—	—	—	—	X'tal connection
29	_EA	←	—	—	—	—	—	—	Fixed to +5V
30	_RESET	RESET2_	I	—	Eu	Lv	L	—	Reset input (controlled by main CPU)
31	P96/XT1	A/D RESET	O	N	Eu	—	H	H	A/D control terminal (L: Reset)
32	P97/XT2	ASIC-RESET	O	N	Eu	—	H	H	ASIC control terminal (L: Reset)
33	TEST1	←	I	—	—	—	—	—	Connected to TEST2
34	TEST2	←	I	—	—	—	—	—	Connected to TEST1
35	PA0	DINA	O	C	Ed	—	L	L	Digital input switching control output
36	PA1	DINB	O	C	Ed	—	L	L	Digital input switching control output
37	PA2	DINC	O	C	Ed	—	L	L	Digital input switching control output
38	PA3	DIND	O	C	Ed	—	L	L	Digital input switching control output
39	PA4	DOUTA	O	C	Ed	—	L	L	Digital output switching control output
40	PA5	DOUTB	O	C	Ed	—	L	L	Digital output switching control output

Pin No.	Name	Symbol	I/O	Type	Op	Det	Res	Init	Function
41	PA6		O	C	Ed	—	L	L	
42	PA7/SCOUT	96k-DAC	O	C	Ed	—	L	L	DAC control terminal (H: Sample frequency 96kHz)
43	ALE	←	O	C	—	—	L	L	Address latch enable
44	Vcc		—	—	—	—	—	—	+5V
45	P00/AD0	AD0	I/O	C	—	—	Z	L	EPROM data in D0 / address out A0
46	P01/AD1	AD1	I/O	C	—	—	Z	L	EPROM data in D1 / address out A1
47	P02/AD2	AD2	I/O	C	—	—	Z	L	EPROM data in D2 / address out A2
48	P03/AD3	AD3	I/O	C	—	—	Z	L	EPROM data in D3 / address out A3
49	P04/AD4	AD4	I/O	C	—	—	Z	L	EPROM data in D4 / address out A4
50	P05/AD5	AD5	I/O	C	—	—	Z	L	EPROM data in D5 / address out A5
51	P06/AD6	AD6	I/O	C	—	—	Z	L	EPROM data in D6 / address out A6
52	P07/AD7	AD7	I/O	C	—	—	Z	L	EPROM data in D7 / address out A7
53	P10/AD8/A8	A8	O	C	—	—	Z	L	EPROM address out A8
54	P11/AD9/A9	A9	O	C	—	—	Z	L	EPROM address out A9
55	P12/AD10/A10	A10	O	C	—	—	Z	L	EPROM address out A10
56	P13/AD11/A11	A11	O	C	—	—	Z	L	EPROM address out A11
57	P14/AD12/A12	A12	O	C	—	—	Z	L	EPROM address out A12
58	P15/AD13/A13	A13	O	C	—	—	Z	L	EPROM address out A13
59	P16/AD14/A14	A14	O	C	—	—	Z	L	EPROM address out A14
60	P17/AD15/A15	A15	O	C	—	—	Z	L	EPROM address out A15
61	_WDTOUT	←	O	C	—	—	Z	H	Watch dog output
62	Vss	←	—	—	—	—	—	—	GND
63	Vcc	←	—	—	—	—	—	—	+5V
64	P20/A0/A16	A16	O	C	—	—	Z	L	EPROM address out A16
65	P21/A1/A17		O	C	—	—	Z	L	
66	P22/A2/A18	ADIRCE	O	C	—	—	Z	L	DIR control terminal (LC89055Q) control chip enable output
67	P23/A3/A19	DIR MOSI	O	C	—	—	Z	L	DIR control terminal (LC89055Q) control data output
68	P24/A4/A20		O	C	—	—	Z	L	
69	P25/A5/A21	FGAIN	O	C	Ed	—	L	L	FRONT ch GAIN switching control output (H: SW=NO)
70	P26/A6/A22	DAC-RESET	O	C	Ed	—	L	L	DAC control terminal (L: Power down mode, ↑(rising edge) Reset)
71	P27/A7/A23	SEL CK	O	C	—	—	Z	L	ADC/DIR data clock switching control terminal (L: ADC)
72	P30/_RD	_RD	O	C	—	—	Z	L	Flash memory control terminal
73	P31/_WR	_WR	O	C	—	—	Z	L	Flash memory control terminal
74	P32/_HWR	CSI	I	—	—	Lv	—	—	DIR control input terminal (L: PCM)
75	P33/_WAIT	ERR MUTE_	O	C	Ed	—	L	L	Pop noise preventive mute control output (L: Mute)
76	P34/_BUSRQ	_DSP REQUEST	O	C	—	—	Z	L	(ADSP21065L:IRQ1_) host I/F interrupt request output (L: REQ)
77	P35/_BUSRQ	DIG.(AC39 MUTE	O	C	Ed	—	Z	L	Digital mute control output (L: AC-3 or DTS decode enable)
78	P36/_R/W	WRITE	O	C	—	—	Z	L	DSP comm. control terminal (H: Data write)
79	P37/_RAS	DIR RESET	O	C	—	—	Z	L	DIR control output (LC89055Q) (L: Reset)
80	P40/_CS0/_CAS0		O	C	—	—	Z	L	
81	P41/_CS1/_CAS1		O	C	—	—	Z	L	
82	P42/_CS2/_CAS2	_CS0	O	C	—	—	Z	L	Flash memory control terminal
83	P60/PG00	I/O1	I/O	C	—	—	Z	L	DSP comm. terminal (ADSP21065L: D16)
84	P61/PG01	I/O2	I/O	C	—	—	Z	L	DSP comm. terminal (ADSP21065L: D17)
85	P62/PG02	I/O3	I/O	C	—	—	Z	L	DSP comm. terminal (ADSP21065L: D18)
86	P63/PG03	I/O4	I/O	C	—	—	Z	L	DSP comm. terminal (ADSP21065L: D19)
87	P64/PG10	I/O5	I/O	C	—	—	Z	L	DSP comm. terminal (ADSP21065L: D20)
88	P65/PG11	I/O6	I/O	C	—	—	Z	L	DSP comm. terminal (ADSP21065L: D21)
89	P66/PG12	I/O7	I/O	C	—	—	Z	L	DSP comm. terminal (ADSP21065L: D22)
90	P67/PG13	I/O8	I/O	C	—	—	Z	L	DSP comm. terminal (ADSP21065L: D23)
91	Vss	←	—	—	—	—	—	—	GND
92	P50/AN0	AUDIO LEVEL	I	—	Eu	Lv	Z	—	Signal level detect, set to A/D input
93	P51/AN1	POSI (FAN)	I	—	Eu	Lv	Z	—	Temperature detect, set to A/D input
94	P52/AN2	EMP	I	—	—	Lv	—	—	H: EMP on
95	P53/AN3	96K DET	I	—	—	Lv	—	—	96k signal detect input, H: 96k
96	P54/AN4	BUSY1	I	—	—	Lv	—	—	(ADSP21065L:FLAG2A)
97	P55/AN5	FLAG 3A	I	—	—	Lv	—	—	(ADSP21065L:FLAG3A)
98	P56/AN6		I	—	—	Lv	—	—	
99	P57/AN7		I	—	—	Lv	—	—	
100	V REFH	←	—	—	—	—	—	—	AD ref. +5V

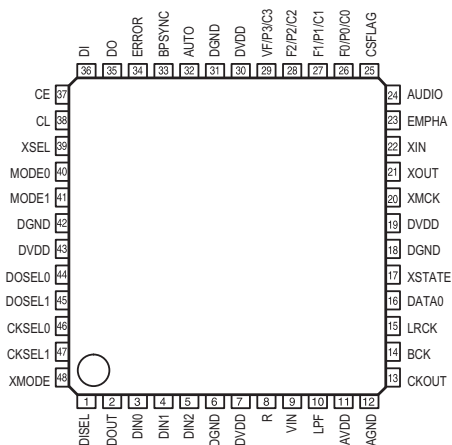
ADSP-21065L (AU: IC400)



ADSP-21065L Terminal Function

Pin No.	Pin Name	Pin	Pin Name	Pin	Pin Name	Pin	Pin Name	Pin	Pin Name	Pin No.	Pin Name
1	VDD	36	VDD	71	MS1	106	GND	141	VDD	176	VDD
2	RFS0	37	SDCLK0	72	GND	107	DATA15	142	NC	177	GND
3	GND	38	DMAR1	73	GND	108	DATA16	143	ID1	178	ADDR11
4	RCLK0	39	DMAR2	74	MS2	109	DATA17	144	ID0	179	ADDR10
5	DR0A	40	HBR	75	MS3	110	VDD	145	EMU	180	ADDR9
6	DR0B	41	GND	76	FLAG11	111	DATA18	146	TDO	181	GND
7	TFS0	42	RAS	77	VDD	112	DATA19	147	TRST	182	VDD
8	TCLK0	43	CAS	78	FLAG10	113	DATA20	148	TDI	183	ADDR8
9	VDD	44	SDWE	79	FLAG9	114	GND	149	TMS	184	ADDR7
10	GND	45	VDD	80	FLAG8	115	NC	150	GND	185	ADDR6
11	DT0A	46	DQM	81	GND	116	DATA21	151	TCK	186	GND
12	DT0B	47	SDCKE	82	DATA0	117	DATA22	152	BSEL	187	GND
13	RFS1	48	SDA10	83	DATA1	118	DATA23	153	BMS	188	ADDR5
14	GND	49	GND	84	DATA2	119	GND	154	GND	189	ADDR4
15	RCLK1	50	DMAG1	85	VDD	120	VDD	155	GND	190	ADDR3
16	DR1A	51	DMAG2	86	DATA3	121	DATA24	156	VDD	191	VDD
17	DR1B	52	HBG	87	DATA4	122	DATA25	157	RESET	192	VDD
18	TFS1	53	BMSTR	88	DATA5	123	DATA26	158	VDD	193	ADDR2
19	TCLK1	54	VDD	89	GND	124	VDD	159	GND	194	ADDR1
20	VDD	55	CS	90	DATA6	125	GND	160	ADDR23	195	ADDR0
21	VDD	56	SBTS	91	DATA7	126	DATA27	161	ADDR22	196	GND
22	DT1A	57	GND	92	DATA8	127	DATA28	162	ADDR21	197	FLAG0
23	DT1B	58	WR	93	VDD	128	DATA29	163	VDD	198	FLAG1
24	PWM_EVENT1	59	RD	94	GND	129	GND	164	ADDR20	199	FLAG2
25	GND	60	GND	95	VDD	130	VDD	165	ADDR19	200	VDD
26	PWM_EVENT0	61	VDD	96	DATA9	131	VDD	166	ADDR18	201	FLAG3
27	BR1	62	GND	97	DATA10	132	DATA30	167	GND	202	NC
28	BR2	63	REDY	98	DATA11	133	DATA31	168	GND	203	NC
29	VDD	64	SW	99	GND	134	FLAG7	169	ADDR17	204	GND
30	CLKIN	65	CPA	100	DATA12	135	GND	170	ADDR16	205	IRQ0
31	XTAL	66	VDD	101	DATA13	136	FLAG6	171	ADDR15	206	IRQ1
32	VDD	67	VDD	102	NC	137	FLAG5	172	VDD	207	IRQ2
33	GND	68	GND	103	NC	138	FLAG4	173	ADDR14	208	NC
34	SDCLK1	69	ACK	104	DATA14	139	GND	174	ADDR13		
35	GND	70	MS0	105	VDD	140	VDD	175	ADDR12		

LC89055W (AU: IC531)

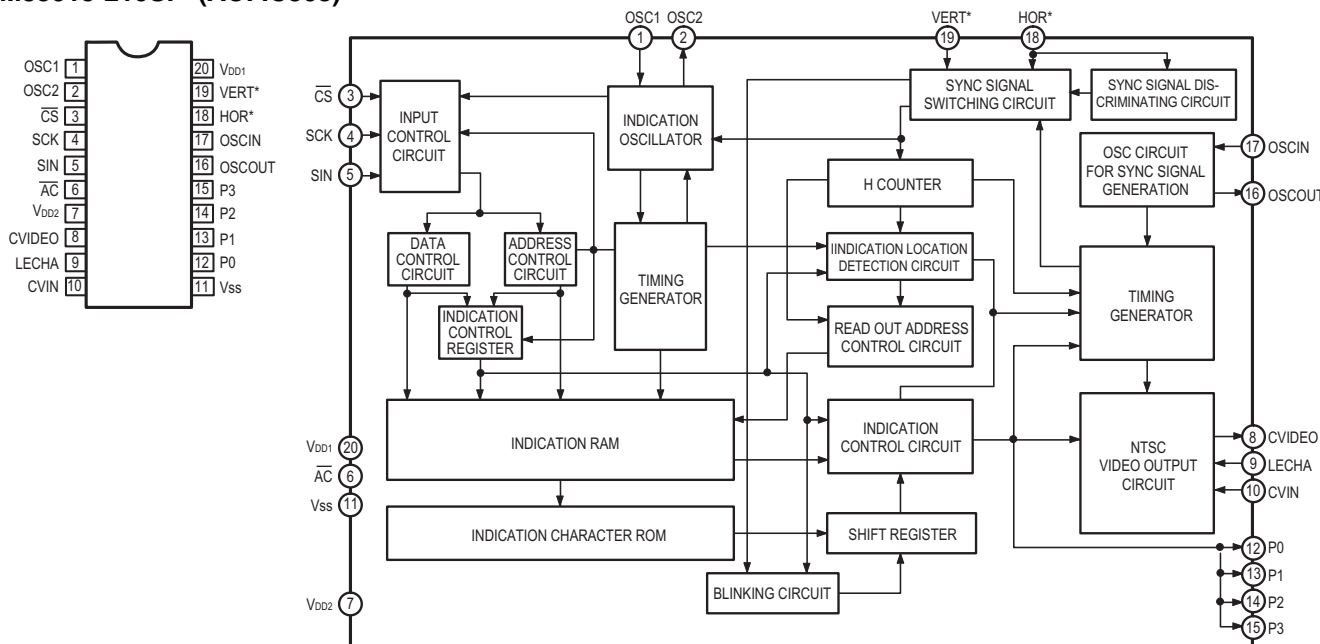


LC89055W Terminal Function

Pin No.	Pin Name	I/O	Function
1	DISSEL	I	Data input terminal (select input pin of DIN0, DIN1)
2	DOUT	O	Input bi-phase data through output terminal
3	DIN0	I	Amp built-in coaxial/optical input correspond data input terminal
4	DIN1	I	Amp built-in coaxial/optical input correspond data input terminal
5	DIN2	I	Optical input correspond data input terminal
6	DGND		Digital GND
7	DVDD		Digital power supply
8	R	I	VCO gain control input terminal
9	VIN	I	VCO free-run frequency setting input terminal
10	LPF	O	PLL loop filter setting terminal
11	AVDD		Analog power supply
12	AGND		Analog GND
13	CKOUT	O	Clock output terminal (256fs, 384fs, 512fs, X'tal osc., VCO free-run osc.)
14	BCK	O	64fs clock output terminal
15	LRCK	O	fs clock output terminal (L: Rch, H: Lch, I ² S: Reverse)
16	DATAO	O	Data output terminal
17	XSTATE	O	Input data detecting result output terminal
18	DGND		Digital GND
19	DVDD		Digital power supply
20	XMCK	O	X'tal osc. clock output terminal (24.576MHz or 12.288MHz)
21	XOUT	O	X'tal osc. connection output terminal
22	XIN	I	X'tal osc. connection input terminal, external signal input possible (24.576MHz or 12.288MHz)
23	EMPHA	O	Emphasis information output terminal of channel status
24	AUDIO	O	Bit1 output terminal of channel status
25	CSFLAG	O	Top 40bit revise flag output terminal of channel status
26	F0/P0/C0	O	Input fs cal. sig. out / data type out / input word inf. output terminal
27	F1/P1/C1	O	Input fs cal. sig. out / data type out / input word inf. output terminal
28	F2/P2/C2	O	Input fs cal. sig. out / data type out / input word inf. output terminal
29	VF/P3/C3	O	Validity flag out / data type out / input word inf. output terminal
30	DVDD		Digital power supply
31	DGND		Digital GND
32	AUTO	O	Non PCM burst data transfer detect sig. output terminal
33	BPSYNC	O	Non PCM burst data preamble Pa, Pb, Pc, Pd sync sig. output terminal
34	ERROR	O	PLL lock error, data error flag output terminal
35	DO	O	CPU I/F read data output terminal
36	DI	I	CPU I/F write data input terminal
37	CE	I	CPU I/F chip enable input terminal
38	CL	I	CPU I/F clock input terminal
39	XSEL	I	Frequency select input pin of XIN X'tal osc. (24.576MHz or 12.288MHz)
40	MODE0	I	Mode setting input terminal
41	MODE1	I	Mode setting input terminal
42	DGND		Digital GND
43	DVDD		Digital power supply
44	DOSEL0	I	Data output format select input terminal
45	DOSEL1	I	Data output format select input terminal
46	CKSEL0	I	Output clock select input terminal
47	CKSEL1	I	Output clock select input terminal
48	XMODE	I	Reset input terminal

* For latch-up countermeasure, set digital (DVDD) and analog (AVDD) power on/off in the same timing.

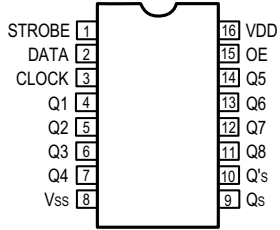
M35015-210SP (AC: IC308)



M35015-210SP Terminal Function

Pin No.	Symbol	Name	I/O	Function
1	OSC1	Osc. circuit ext. terminal.	I	External terminal for indication oscillator circuit. Standard OSC. freq. is approx. 7MHz. With this OSC. freq., decides horizontal indicatin and character width.
2	OSC2		O	
3	\overline{CS}	Chip select input	I	Chip select terminal and turns to "L" when transfer serial data. Hysteresis input. Pull up resistor is built-in.
4	SCK	Serial clock input	I	Takes in serial data of SIN at SCK rise when CS terminal is in "L". Hysteresis input. Pull up rersist is built-in.
5	SIN	Serial data input	I	Serial input of register for indication control and data, and address for indication data memory. Hysteresis input. Pull up rersistor is built-in.
6	\overline{AC}	Auto-clear input	I	Resets internal circuit of IC at "L" mode. Hysteresi input. Pull up resistor is built-in.
7	V _{DD2}	Power supply	—	Power supply terminal of analog system. Connect to +5V.
8	CVIDEO	Combined video output	O	Output terminal of combined video signal. Outputs 2Vp-p combined signal. Character output, etc. Overlap CVIN signal and outputs at superimpose.
9	LECHA	Character level input	I	Input terminal deciding character output level in combined video signal. color of character is white.
10	CVIN	Combined video input	I	Input terminal of external combined video signal. Character output etc. overlap this external combined video signal.
11	V _{SS}	Ground	—	Ground terminal. Connect to GND.
12	P0	Output port p0	O	General output or character background signal BL NK1* output is switchable. Polarity can be selected at ROM mask.
13	P1	Output port P1	O	General output or character background signal CO1* output is switchable. Polarity can be selected at ROM mask.
14	P2	Output port P2	O	General output or character background signal BLNK2* output is switchable. Polarity can be selected at ROM mask.
15	P3	Output port P3	O	General output or character background signal CO2* output is switchable. Polarity can be selected at ROM mask.
16	OSCOUT	Ext. terminal for sync sig. OSC. Circuit	O	Terminal for external use of sync signal OSC. circuit. Use the freq.: 14.32MHz at NTSC system, 17.73MHz at PAL. system, 14.30MHz at MPAL system.
17	OSCIN		I	
18	HOR*	Horizontal sync signal	I	Inputs horizontal sync signal. Hysteresis input.
19	VERT*	Vertical sync signal	—	Input vertical sync signal. Hysteresis input. Polarity can be selected at ROM mask.
20	V _{DD1}	Power supply	I	Power supply terminal of digital system. Connect to +5V.

BU4094BCF (CO: IC304, 305)



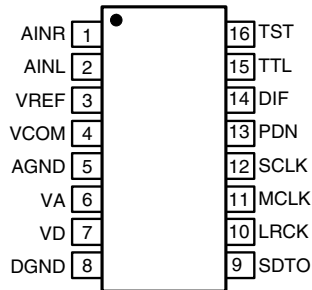
CO: IC304

Port	Symbol	Function
Q1	A	Video input switching
Q2	B	Video input switching
Q3	C	Video input switching
Q4	D	Video output switching
Q5	E	Video output switching
Q6	F	Video output switching
Q7	H	Video output switching
Q8	G	Video output switching

CO: IC305

Port	Symbol	Function
Q1	DIRECT	DIRECT relay control (H: DIRECT)
Q2	S1	Video signal switching control output
Q3	S2	Video signal switching control output
Q4	SB/MULTI	S.BACK/MULTI switching control (H: MULTI (Power AMP Assignment))
Q5	NC	
Q6	NC	
Q7	NC	
Q8	NC	

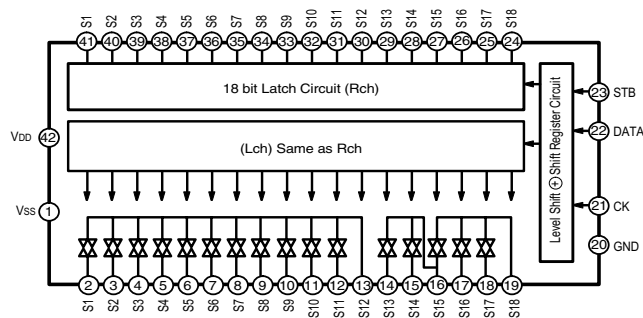
AK5353 (AU: IC604)



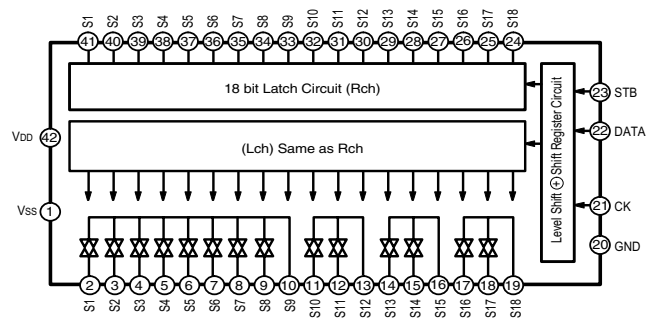
Terminal Function

No.	Name	I/O	Function
1	AINR	I	Rch analog input pin
2	AINL	I	Lch analog input pin
3	VREF	O	Ref. V out pin
4	VCOM	O	Common V out pin
5	AGND	—	Analog GND pin
6	VA	—	Analog power pin, +2.7~+5.5V
7	VD	—	Digital power pin, +2.7~+5.5V
8	DGND	—	Digital GND pin
9	SDTO	O	Serial data out pin, 2's complement, MSB first out, at power down: L
10	LRCK	I	L/R clock pin
11	MCLK	I	Master clock input pin
12	SCLK	I	Serial data clock input pin, A/D data out at SCLK falling edge
13	PDN	I	Power down pin, L: Power down mode
14	DIF	I	Serial interface format pin (L: Firward, H: I ² S)
15	TTL	I	Digital input level select pin, L: CMOS level, H: TTL level
16	TST	I	Test pin (internal pull-down)

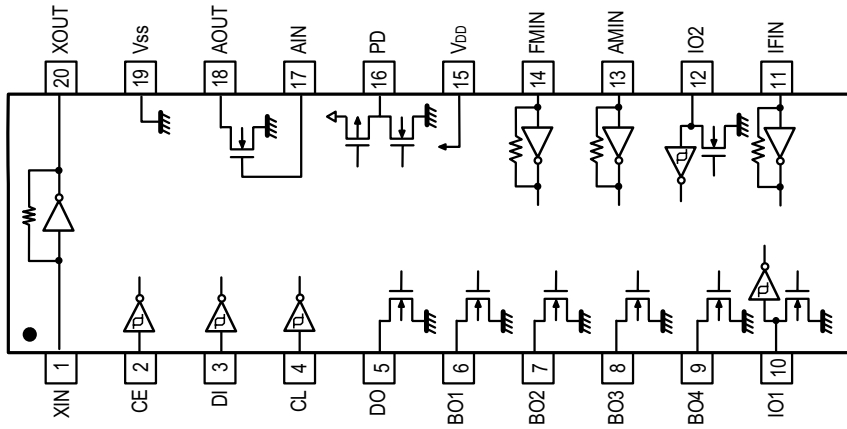
TC9274N-011 (AU: IC107)



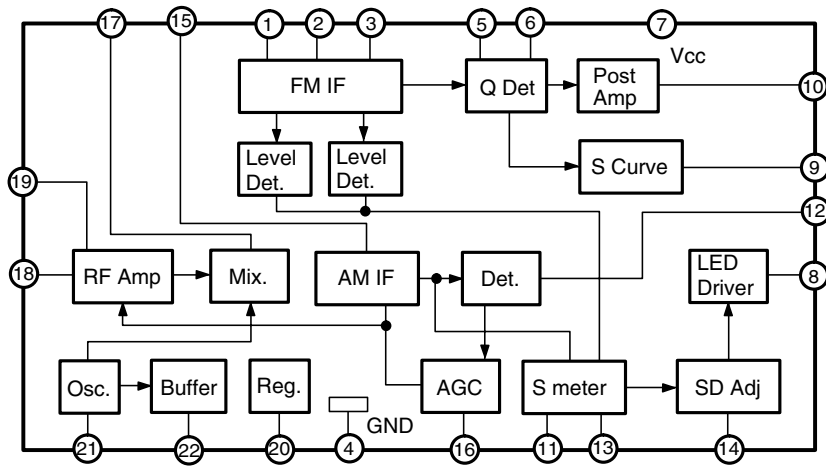
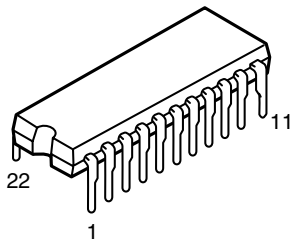
TC9274N-012 (IC312)



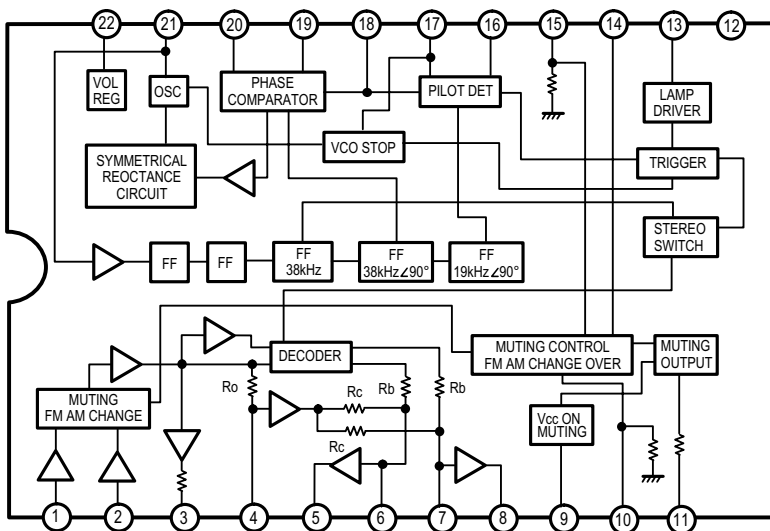
LC72131M (AC: IC507)



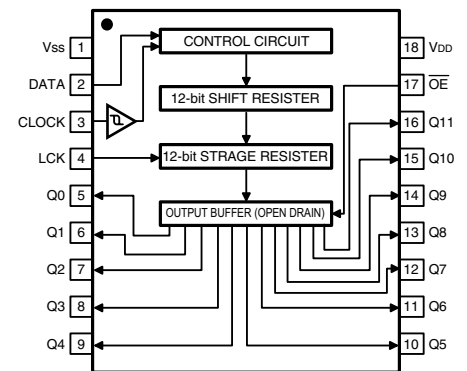
**LA1265 (S)
(AC: IC502)**



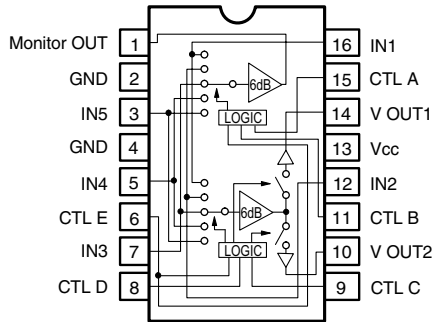
LA3401 (AC: 503)



BU2090F (EX: IC103)



BA7625 (AC: IC302, 377) (RE: 402, 450, 451)
BA7626 (AC: IC301, 376) (RE: 452, 453)



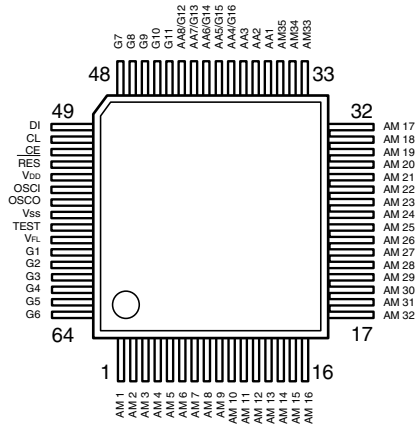
A	B	E	MONITOR OUT
L	L	*	IN1
H	L	*	IN2
L	H	*	IN3
H	H	L	IN4
H	H	H	IN5

C	D	E	V OUT1
L	L	*	—
H	L	*	IN2
L	H	*	IN3
H	H	L	IN4
H	H	H	IN5

C	D	E	MONITOR OUT
L	L	*	IN1
H	L	*	—
L	H	*	IN3
H	H	L	IN4
H	H	H	IN5

Note 1: * mark means that feasible for either H or L.
 Note 2: Each input terminal is provided with sink chip clamp (BA7625).
 Each input terminal takes 20kohm at the end (BA7626).

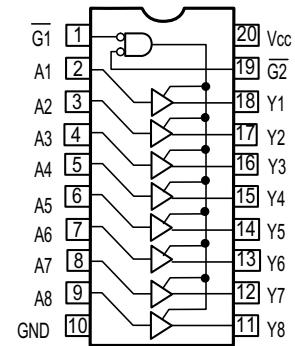
LC75721E (EX: IC101)



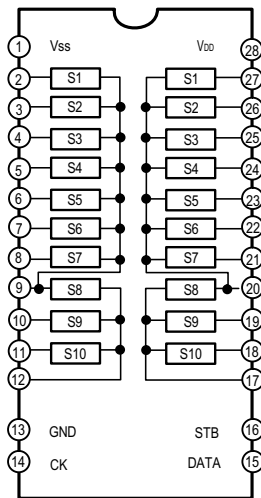
LC75721E Terminal Function

Symbol	Function
V _{DD}	Power terminal +5V
V _{SS}	Power terminal GND
V _{FL}	Power terminal FL drive
DI	Serial data transfer terminal
CL	CL: Clock
CE	CE: Chip enable
OSC1	External CR connecting terminal
OSC0	
RES	System reset terminal
AM1-AM35	Anode output terminal
AA1-AA3	
AA4/G16	
AA5/G15	
AA6/G14	Anode/Grid output terminal
AA7/G13	
AA8/G12	
G1-G11	Grid output terminal
TEST	LSI test terminal

74VHC541MTC (AU: IC413)
SN74AHCT541PW (AU: IC414)



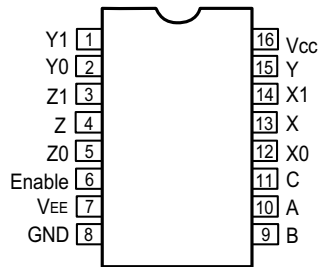
TC9273N-004 (AU: IC108)



TC9273N Terminal Function

Pin No	Symbol	Name	Function	
1	V _{SS}	+Power Terminal	Dual Power Use: VDD = 8.0~17 V	Single Power Use: VDD = 8.0~18V GND=0V
13	GND	Digital Ground	GND=0V	
28	V _{DD}	+Power Terminal	V _{SS} =8.0~17V	
2-12 12-27	S1-S10	I/O Terminal	Input terminal of analog switch.	
14	CK	Clock Input	Clock input for data transfer.	Low level Border Input Terminal
15	DATA	Data Input	Serial input for switch setting.	
16	STB	Strobe Input	Strobe Input Strobe input for data writing.	

MC74HC4053N (AC: IC304)



Truth Table

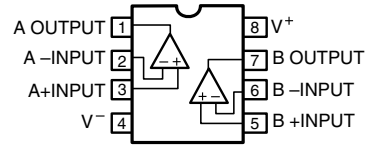
Enable	Control Inputs			ON Switches		
	Select			Z0	Y0	X0
	C	B	A			
L	L	L	L	Z0	Y0	X0
L	L	L	H	Z0	Y0	X1
L	L	H	L	Z0	Y1	X0
L	L	H	H	Z0	Y1	X1
L	H	L	L	Z1	Y0	X0
L	H	L	H	Z1	Y0	X1
L	H	H	L	Z1	Y1	X0
L	H	H	H	Z1	Y1	X1
H	X	X	X	None		

X = Don't Care

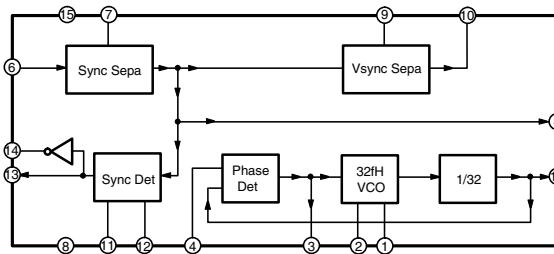
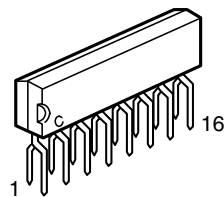
BA15218 (EX: IC810)
(AU: IC112)

UPC4570GE (EX: IC301, 308, 701)
(AU: IC109, 731~734)

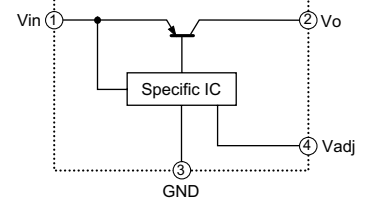
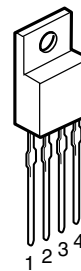
BA4510F (AU: IC603)
LM833MX (EX: IC801~804)
(CO: IC103)



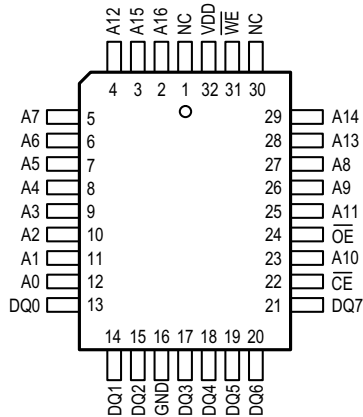
NJM2229S (AC: IC305)



PQ15RW11 (RE: IC907)



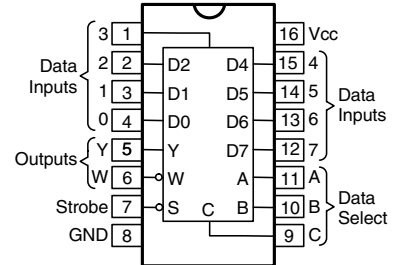
W29EE011P-90 (AU: IC303)



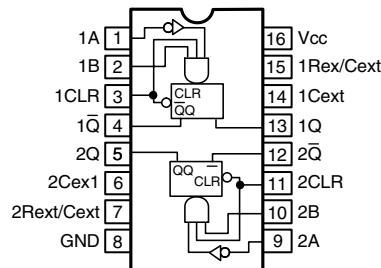
Terminal Function

Name	Function
A0 - A16	Address input
DQ0 - DQ7	Data in/output
CE	Chip enable
OE	Output enable
WE	Write enable
VDD	Power terminal
GND	GND
NC	No connection

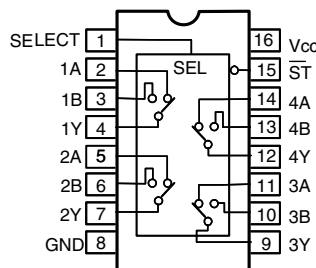
SN74HC151NS (AU: IC510)



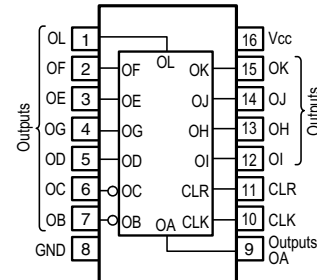
74VHC123A (AU: IC517)



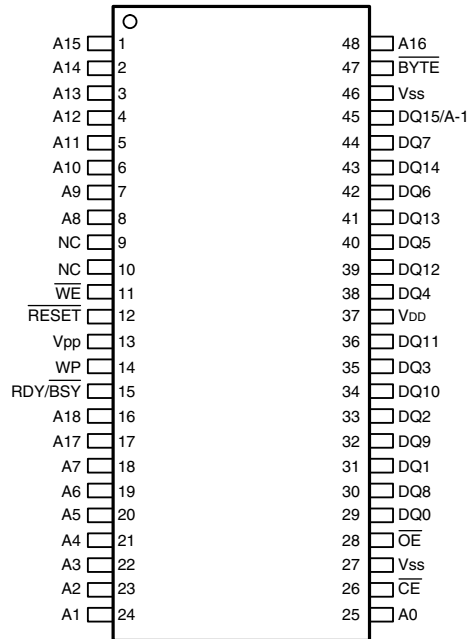
74LVX157 (AU: IC525)



SN74LV4040APW (AU: IC606)



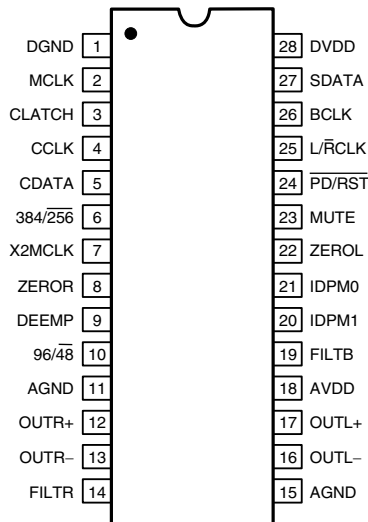
LH28F800BVE-BTL90 (AU: IC403)



Terminal Function

Symbol	Function Name
A0~A18	Address input
DQ0~DQ14	Data in/output
DQ15A-1	Data in/output/Address input
CE	Chip enable input
OE	Output enable input
BYTE	Word/bute select input
WE	Write enable input
RDY/BSY	Ready/busy output
RESET	Hardware reset input
WP	Write protect input
NC	No connection
Vdd, Vpp	Power
Vss	GND

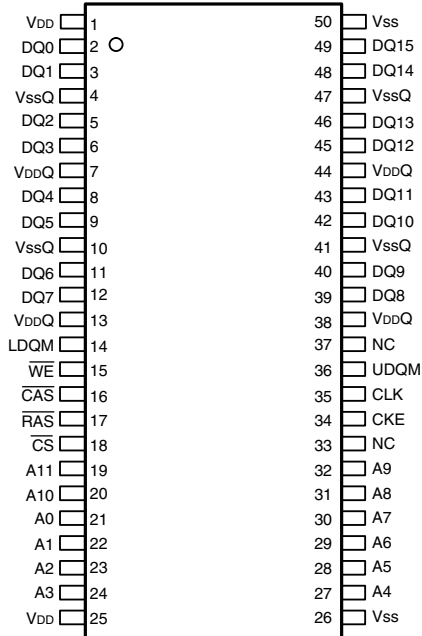
AD1854 (AU: IC701, 702, 703, 704)



Terminal Function

No.	Name	I/O	Function
1	DGND	I	Digital Ground.
2	MCLK	I	Master Clock Input
3	CLATCH	I	Latch input for control data
4	CCLK	I	Control clock input for control data
5	CDATA	I	Serial control input
6	384/256	I	Selects the master clock mode
7	X2MCLK	I	Selects internal clock doubler (LO) or internal clock=MCLK (HI)
8	ZEROR	O	Right Channel Zero Flag Output
9	DEEMP	I	De-Emphasis
10	96/48	I	Selects 48kHz (LO) or 96kHz Sample Frequency Control
11,15	AGND	I	Analog Ground
12	OUTR+	O	Right Channel Positive line level analog output
13	OUTR-	O	Right Channel Negative line level analog output
14	FILTR	O	Voltage Reference Filter Capacitor Connection
16	OUTL-	O	Left Channel Negative line level analog output
17	OUTL+	O	Left Channel Positive line level analog output
18	AVDD	I	Analog Power supply
19	FILTB	O	Filter Capacitor connection
20	IDPM1	I	Input serial data port mode control one
21	IDPM0	I	Input serial data port mode control zero
22	ZEROL	O	Left Channel Zero Flag output
23	MUTE	I	Mute. Assert HI to mute both stereo analog output
24	PD/RST	I	Power-Down/Reset
25	L/R CLK	I	Left/Right clock input for input data
26	BCLK	I	Bit clock input for input data
27	SDATA	I	Serial input
28	DVDD	I	Digital Power Supply

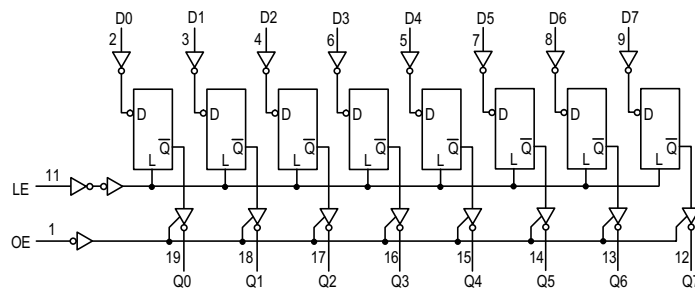
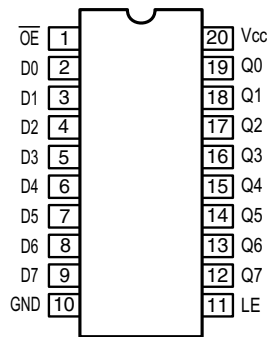
HY57V16160D (AU: IC417, 418)



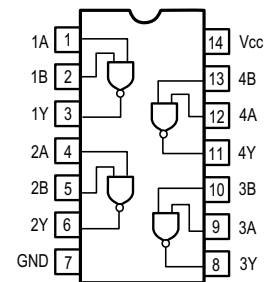
Terminal Function

Pin	Pin Name	Description
CLK	Clock	The system clock input. All other inputs are referenced to the SDRAM on the rising edge of CLK.
CKE	Clock Enable	Controls internal clock signal and when deactivated, the SDRAM will be one of the states among power down, suspend or self refresh
CS	Chip Select	Command input enable or mask except CLK, CKE and DQM
BA	Bank Address	Select either one of banks during both RAS and CAS activity
A0-A10	Address	Row Address: RA0-RA10, Column Address: CA0-CA7, Auto-Pre charge flag: A10
RAS, CAS, WE	Row Address Strobe, Column Address Strobe, Write Enable	RAS, CAS and WE define the operation. Refer function truth table for details
LDQM, UDQM	Data Input/Output Mask	DQM control output buffer in read mode and mask input data in write mode
DQ0-DQ15	Data Input/Output	Multiplexed data input/output pin
VDD/VSS	Power Supply/Ground	Power supply for internal circuit and input buffer
VDDQ/VSSQ	Data Output Power/Ground	Power supply for DQ
NC	No Connection	No connection

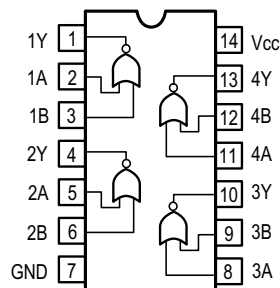
**SN74AHCT573PW (AU: IC411)
SN74LV573ANS (AU: IC302, 412)**



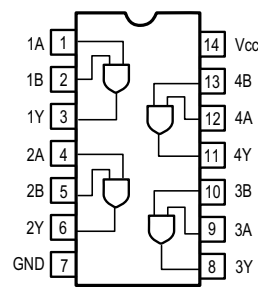
SN74LV00APW (AU: IC408, 529)



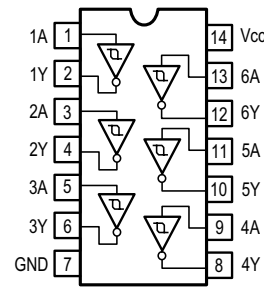
74VHC02MTC (AU: IC410)



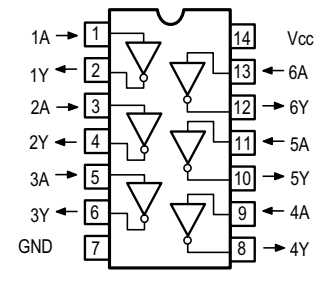
SN74AHCT08PW (AU: IC421, 422)



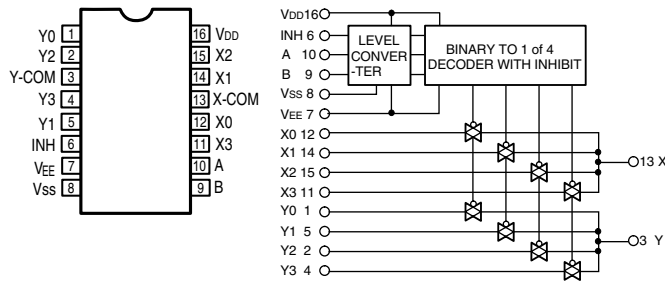
SN74LV14APW (AU: IC530, 532)



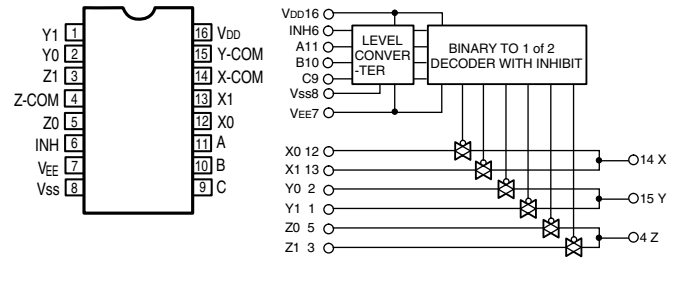
MM74HCU04SJ (RE: IC704)



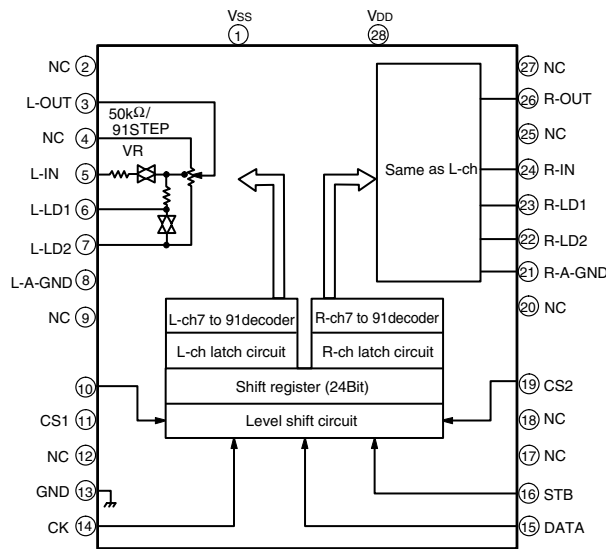
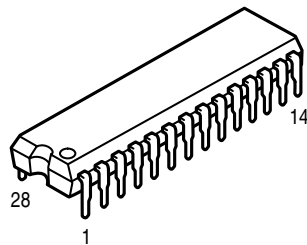
MM74HC4052N
(AC: IC371, 375)
(RE: IC401)



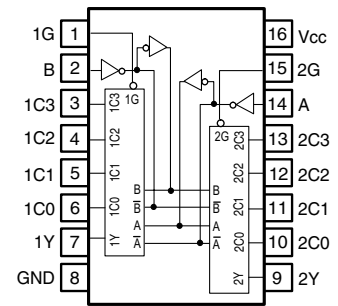
MM74HC4053N
(RE: IC403)



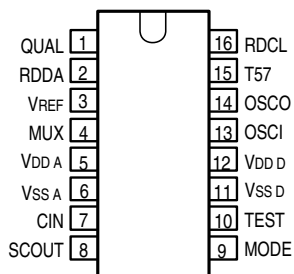
TC9459N
(EX: IC805~809)



SN74HC153NS
(RE: IC705, 706)



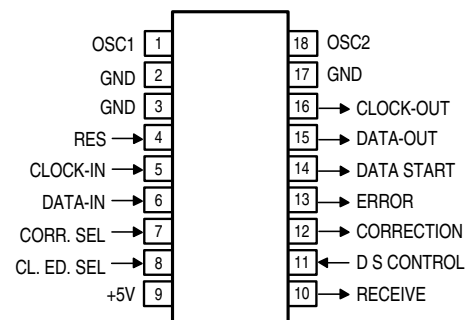
Europe model only
SAA6579T (CO: IC301)



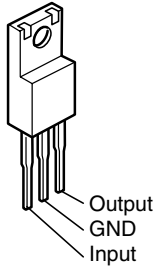
SAA6579T Terminal Function

Pin No.	Symbol	Function
1	QUAL	Quality indication output.
2	RDDA	RDS data output.
3	VREF	Reference voltage output (0.5 V _{DD A}).
4	MUX	Multiplex signal input.
5	VDD A	+5V power supply for analog part.
6	VSS A	Ground for analog part (0V).
7	CIN	Subcarrier input to comparator.
8	SCOUT	Subcarrier output of reconstruction filter.
9	MODE	Oscillation mode/test control input.
10	TEST	Test enable input.
11	VSS D	Ground for digital part (0V).
12	VDD D	+5V power supply for digital part.
13	OSCI	Oscillator input.
14	OSCO	Oscillator output.
15	T57	57kHz clock signal output.
16	RDCL	RDS clock output.

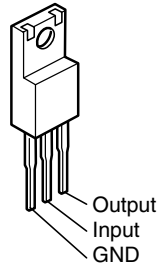
Europe model only
LC7074M (CO: IC302)



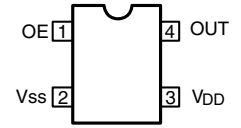
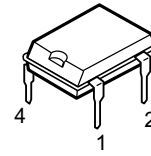
NJM7805FA (S) (RE: IC901)
 NJM7815FA (S) (RE: IC905)
 BA033T (AU: IC601)
 BA05T (RE: IC902)
 KIA7806API (PO: IC501)
 KIA7812API (CO: IC402)
 KIA7820API (RE: IC904)



NJM7912FA (RE: IC906)

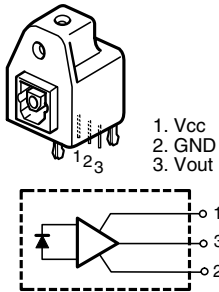


SG-8002DCPT (12.287MHz)
 (AU: IC605)

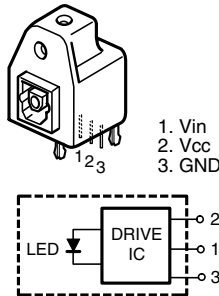


● OPTICAL

INPUT
 GP1F37R1 (RE: IC701~703)

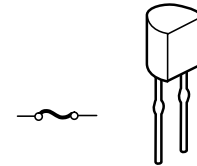


OUTPUT
 GP1F38T2 (RE: IC707)



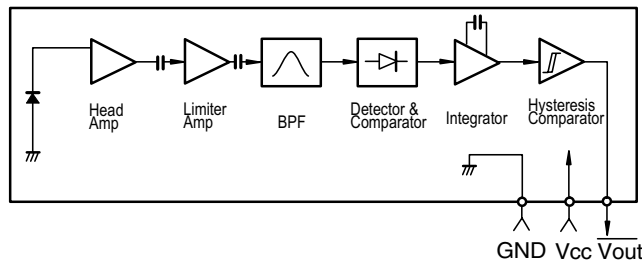
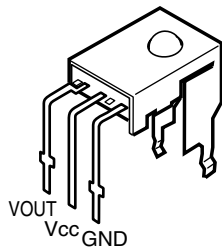
● IC PROTECTOR

ICP-N15 (PO: IC502)

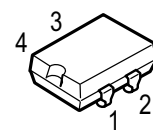


● OTHERS

GP1U27X (Remote Control Sensor)
 (EX: IC102)



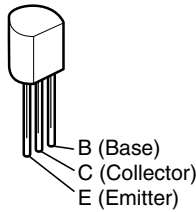
HG-8002JA (X'tal Oscillator)
 (AU: IC406)



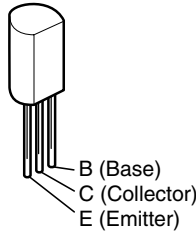
1. OE or ST
 2. GND
 3. OUT
 4. VDD

● TRANSISTORS

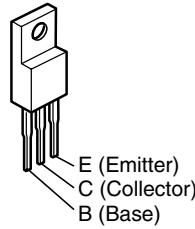
2SA970 (BL)
2SA988 (E/F)
2SA1015GR
2PA1015GR
2SC3200BL
2PC1815 (BL)
KTC2874B



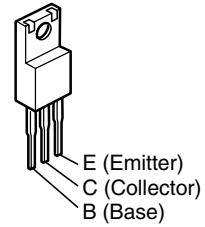
2SA1145 (O/Y)
2SC2705 (O/Y)



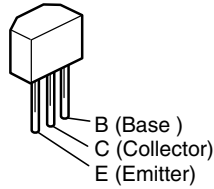
2SA1670 (O/P/Y)



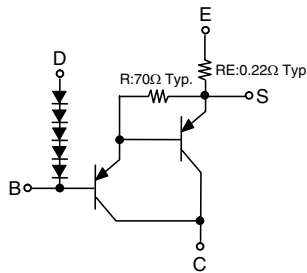
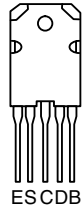
2SC4495



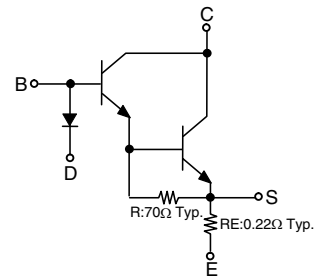
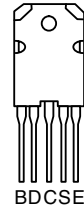
DTC114ES



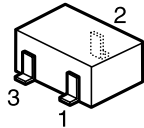
MP15P



MN15N



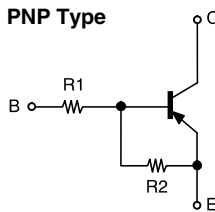
DTA114TK
DTA114EK
DTA144EK
DTC114EK
DTC144EK
DTC323TK
KRA102S



1: GND/Emitter
2: Out/Collector
3: In/Base

DTA114TK
DTA114EK
DTA144EK
KRA102S

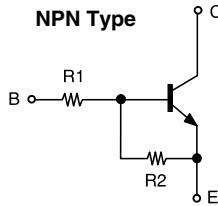
PNP Type



	R1	R2
DTA114TK	10kohm	-
DTA114EK	10kohm	10kohm
DTA144EK	47kohm	47kohm
KRA102S	10kohm	10kohm

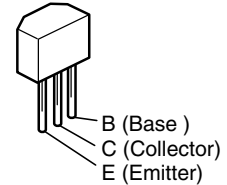
DTC114EK
DTC144EK
DTC323TK

NPN Type

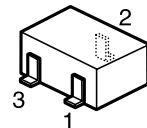


	R1	R2
DTC114EK	10kohm	10kohm
DTC144EK	47kohm	47kohm
DTC323TK	2.2kohm	-

2SA933S (S)
2SC3311A
2SD2144STPU



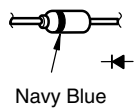
2SA1505Y
2SC2996 (Y)
KTC2875B
2SD601A



1: Emitter
2: Collector
3: Base

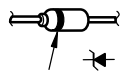
● DIODES (included LED)

1SS270A



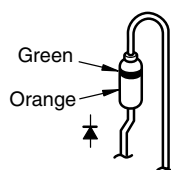
Navy Blue

MTZJ3.3A MTZJ18A
MTZJ5.6A MTZJ36A
MTZJ6.2A HZS5C-1
MTZJ7.5A HZS6A-1
MTZJ9.1A HZS9B-2
MTZJ12A

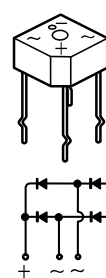


Dark Blue (HZS series)
Black (MTZJ series)

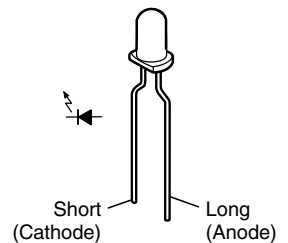
1SR35-400A



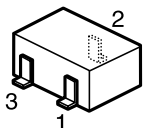
S4VB20



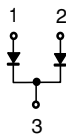
SEL1210S (Red)
SEL1410E (Green)



DAN202K

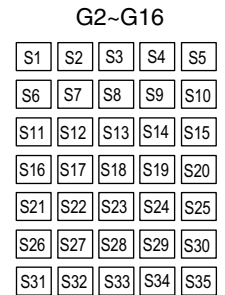
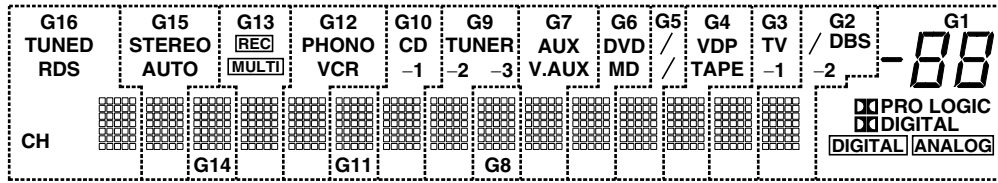
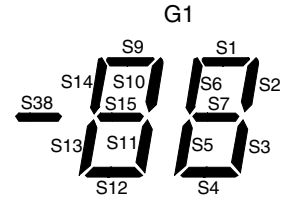
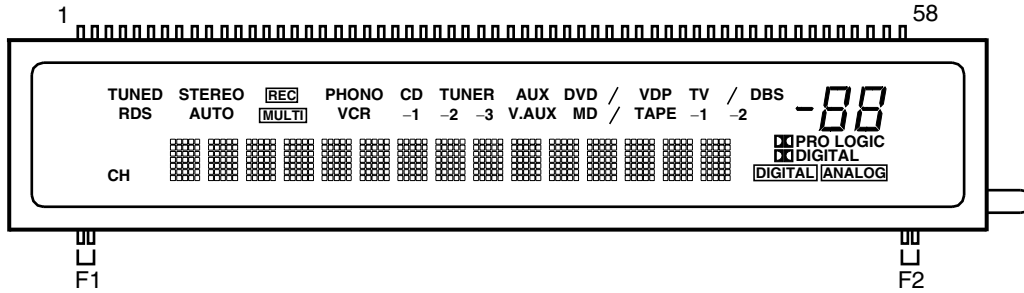


1: Anode
2: Anode
3: Cathode



● FL DISPLAY

CM1690C (EX: FL101)



Pin Assignment

PIN NO.	1	2	3	4	5	6	7	8	9	10	11	12	13	14	15	16	17	18	19	20
CONNECTION	F1	F1	S1	S2	S3	S4	S5	S6	S7	S8	S9	S10	S11	S12	S13	S14	S15	S16	S17	S18
PIN NO.	21	22	23	24	25	26	27	28	29	30	31	32	33	34	35	36	37	38	39	40
CONNECTION	S19	S20	S21	S22	S23	S24	S25	S26	S27	S28	S29	S30	S31	S32	S33	S34	S35	S36	S37	S38
PIN NO.	41	42	43	44	45	46	47	48	49	50	51	52	53	54	55	56	57	58		
CONNECTION	G16	G15	G14	G13	G12	G11	G10	G9	G8	G7	G6	G5	G4	G3	G2	G1	F2	F2		

F1,F2 : Filament
 G1~G16 : Grid
 S1~S38 : Anode

Anode & Grid Assignment

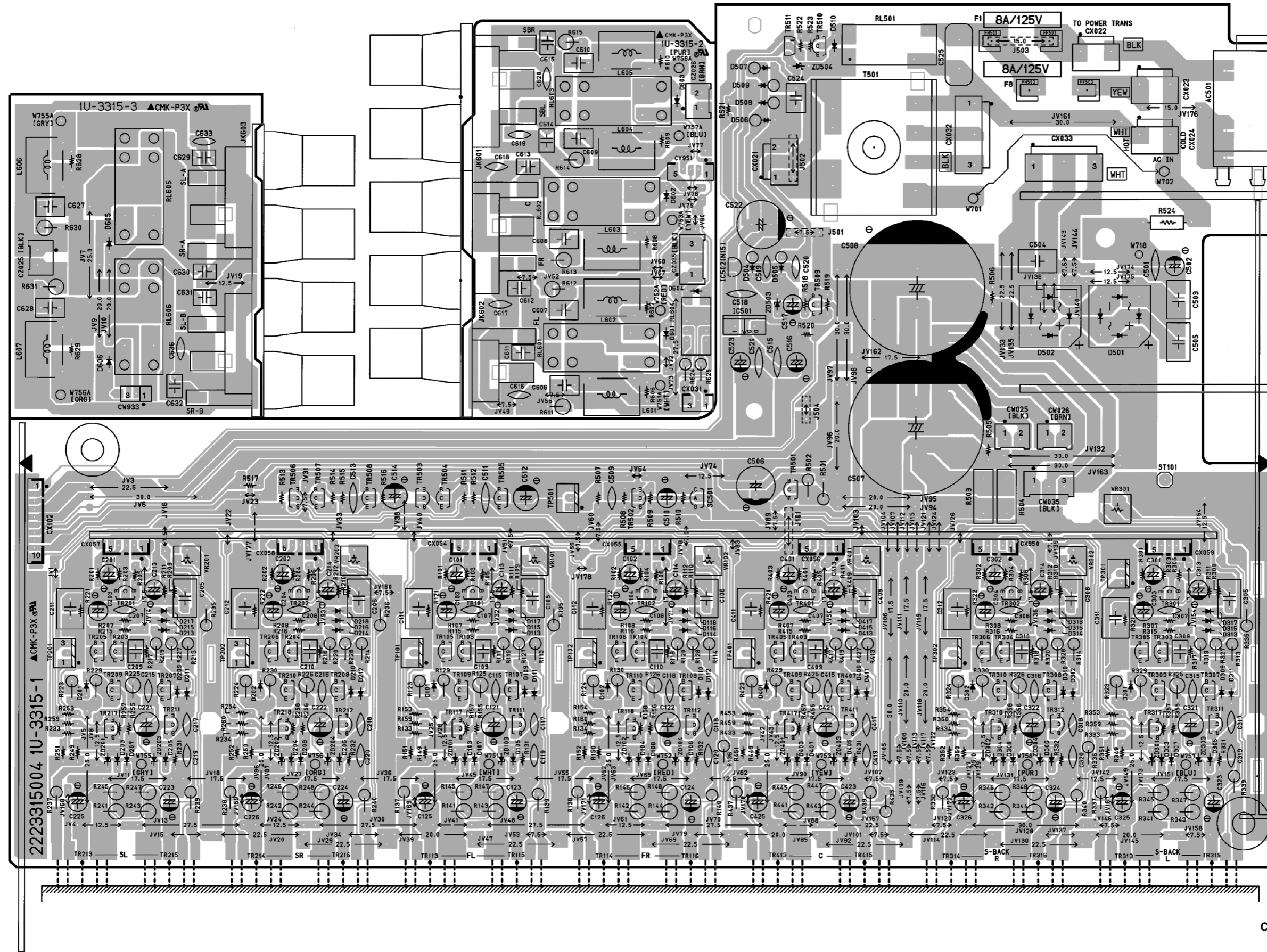
	G1	G2~G16		G1	G2~G16		G1	G2~G16		G1	G2~G16
S1	S1	S1	S10	S10	S10	S19	---	S19	S28	---	S28
S2	S2	S2	S11	S11	S11	S20	---	S20	S29	---	S29
S3	S3	S3	S12	S12	S12	S21	---	S21	S30	---	S30
S4	S4	S4	S13	S13	S13	S22	---	S22	S31	---	S31
S5	S5	S5	S14	S14	S14	S23	---	S23	S32	---	S32
S6	S6	S6	S15	S15	S15	S24	---	S24	S33	---	S33
S7	S7	S7	S16	---	S16	S25	---	S25	S34	---	S34
S8	---	S8	S17	PRO LOGIC	S17	S26	---	S26	S35	---	S35
S9	S9	S9	S18	PRO LOGIC	S18	S27	---	S27			

	G1	G2	G3	G4	G5	G6	G7	G8	G9	G10	G11	G12	G13	G14	G15	G16
S36	DIGITAL	/	TV	VDP	/(DVD)	DVD	AUX	---	TUNER	CD	---	PHONO	REC	---	STEREO	TUNED
S37	ANALOG	-2	-1	TAPE	/(MD)	MD	V.MAX	---	-2	-1	---	VCR	MULTI	---	AUTO	RDS
S38	S38	DBS	---	---	---	---	---	---	-3	---	---	---	---	---	---	CH

PRINTED WIRING BOARDS

1 2 3 4 5 6 7 8

1U-3315



A
B
C
D
E

COMPONENT SIDE

1U-3316

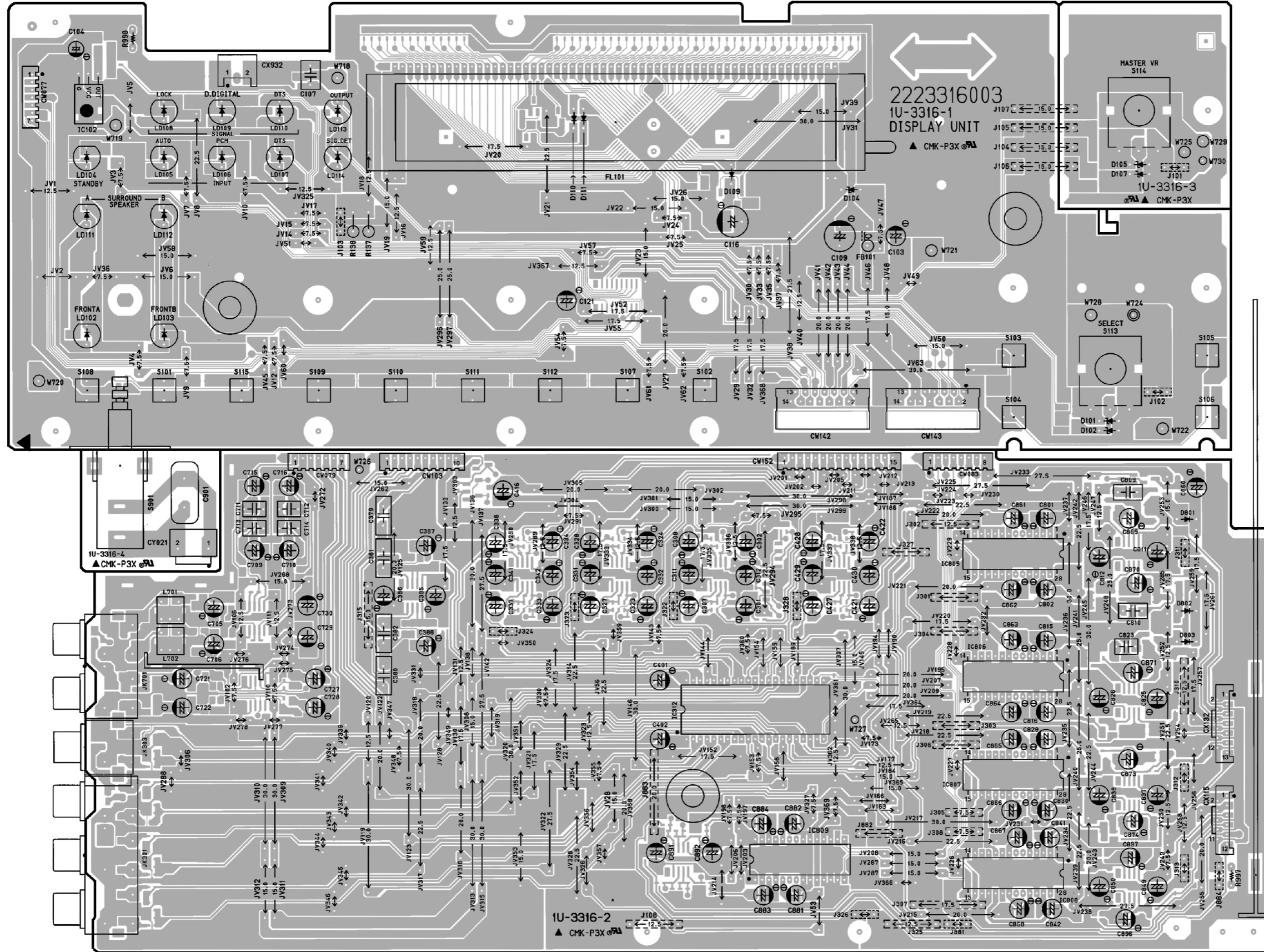
A

B

C

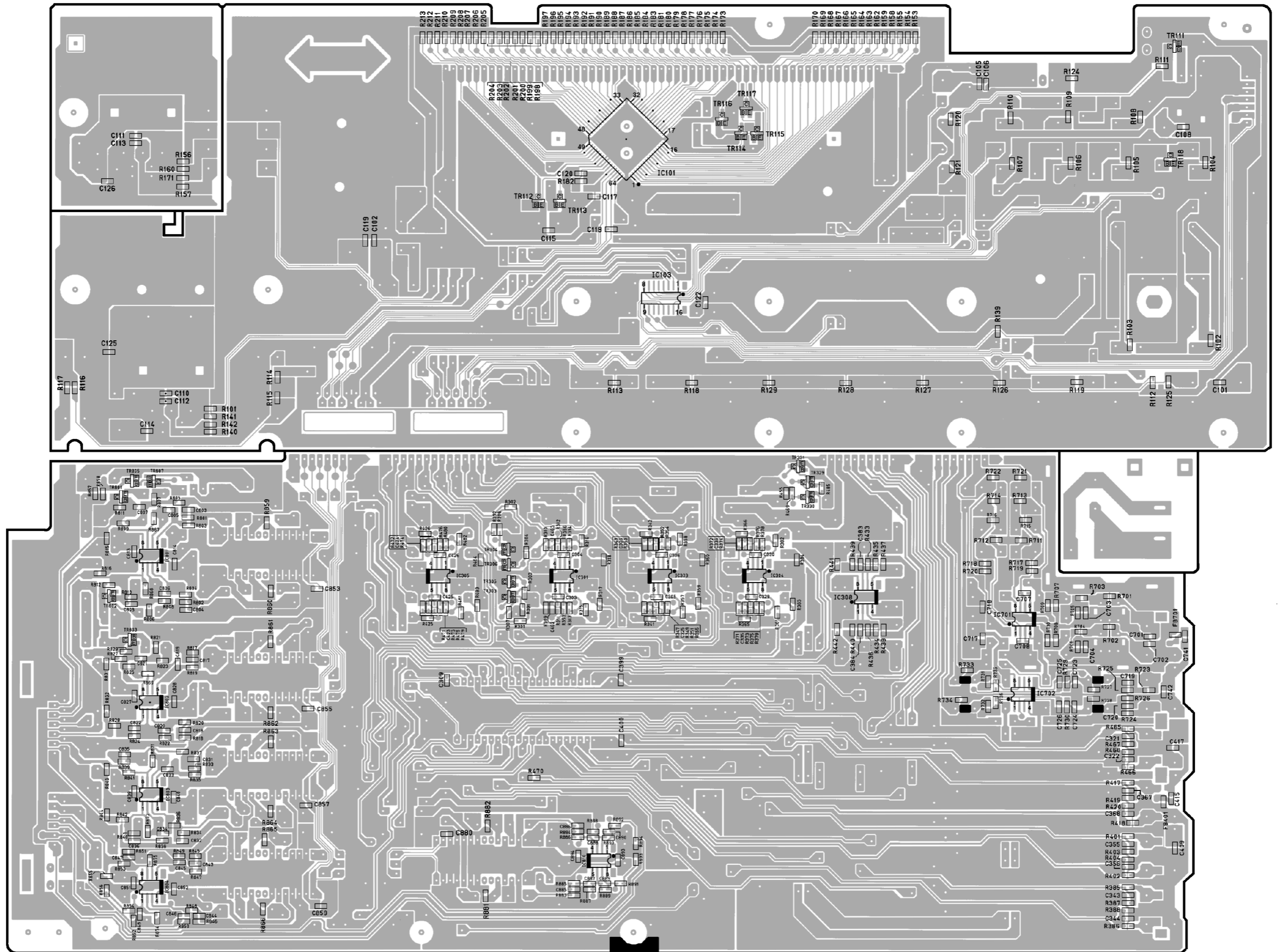
D

E



COMPONENT SIDE

1 2 3 4 5 6 7 8



A
B
C
D
E

FOIL SIDE

1U-3317

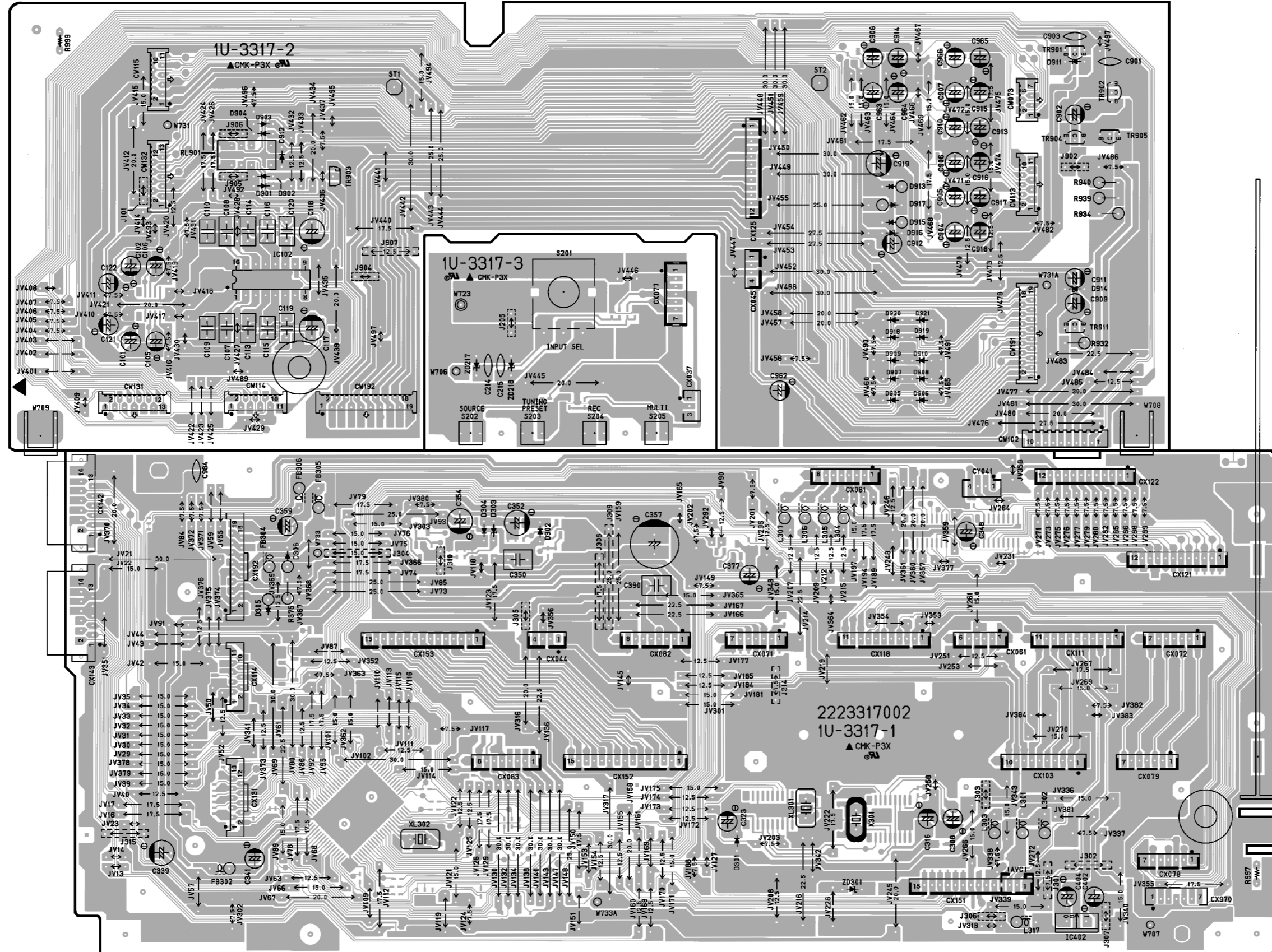
A

B

C

D

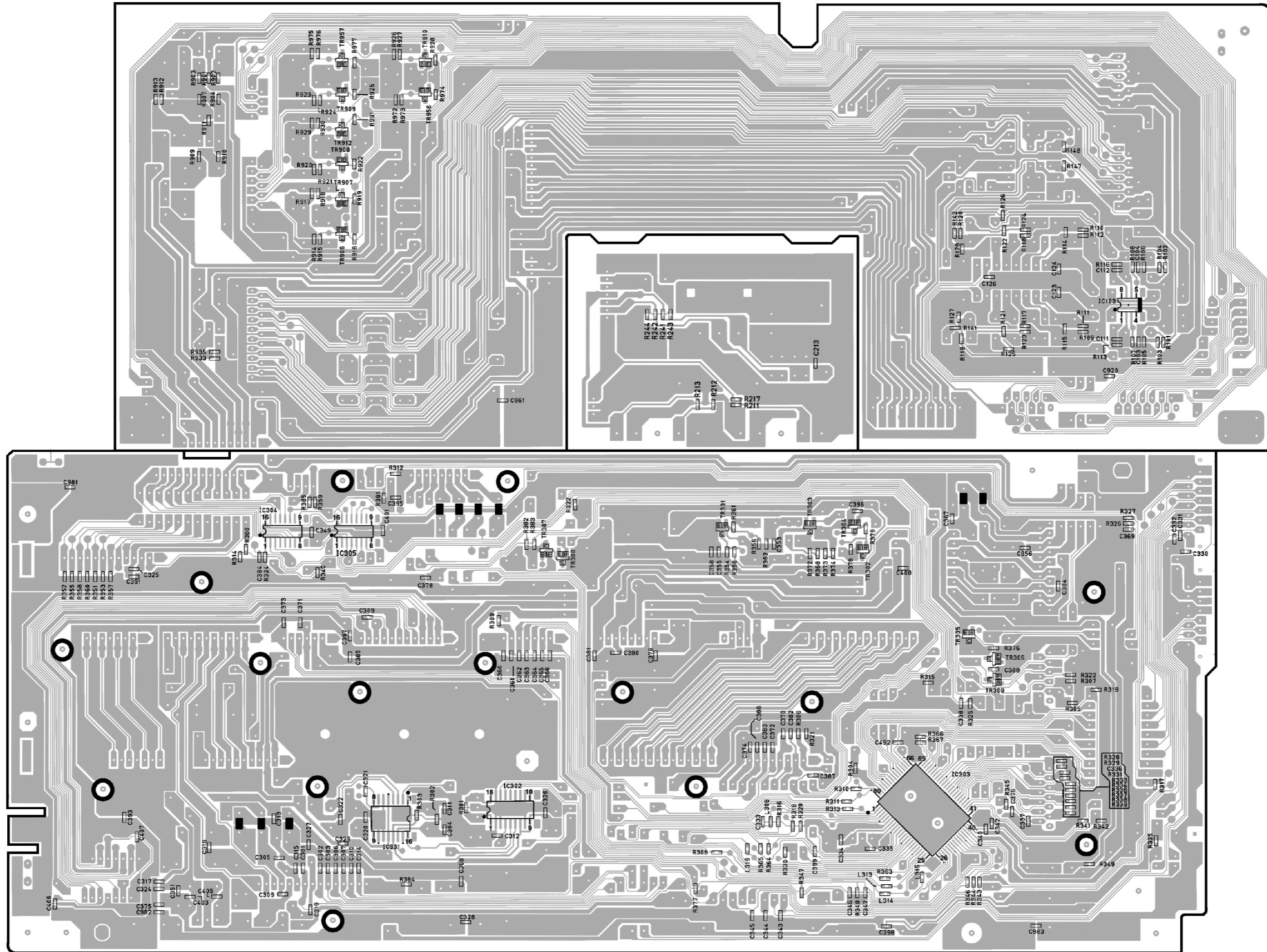
E



COMPONENT SIDE

1 2 3 4 5 6 7 8

A
B
C
D
E



FOIL SIDE

1 2 3 4 5 6 7 8

1U-3318

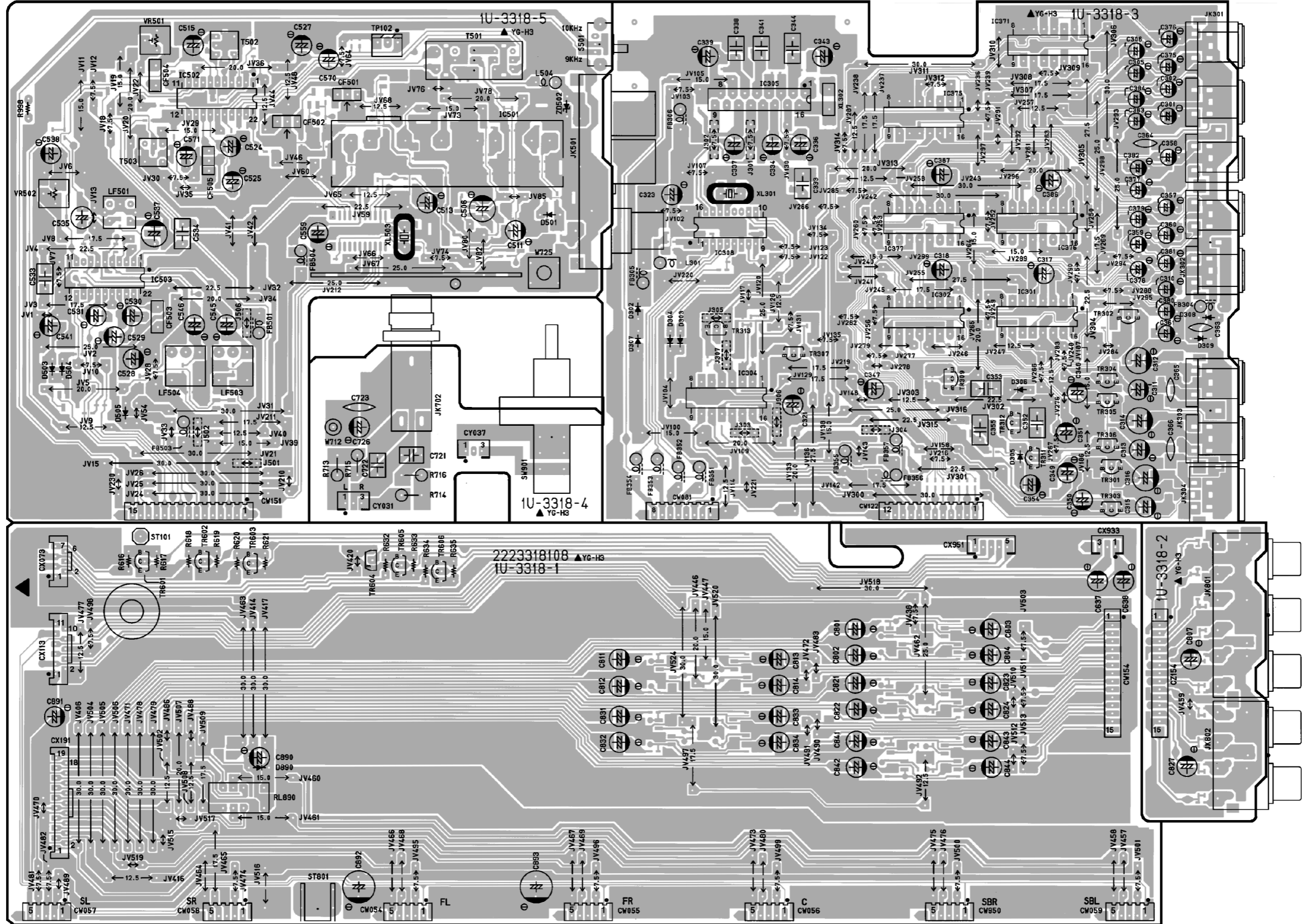
A

B

C

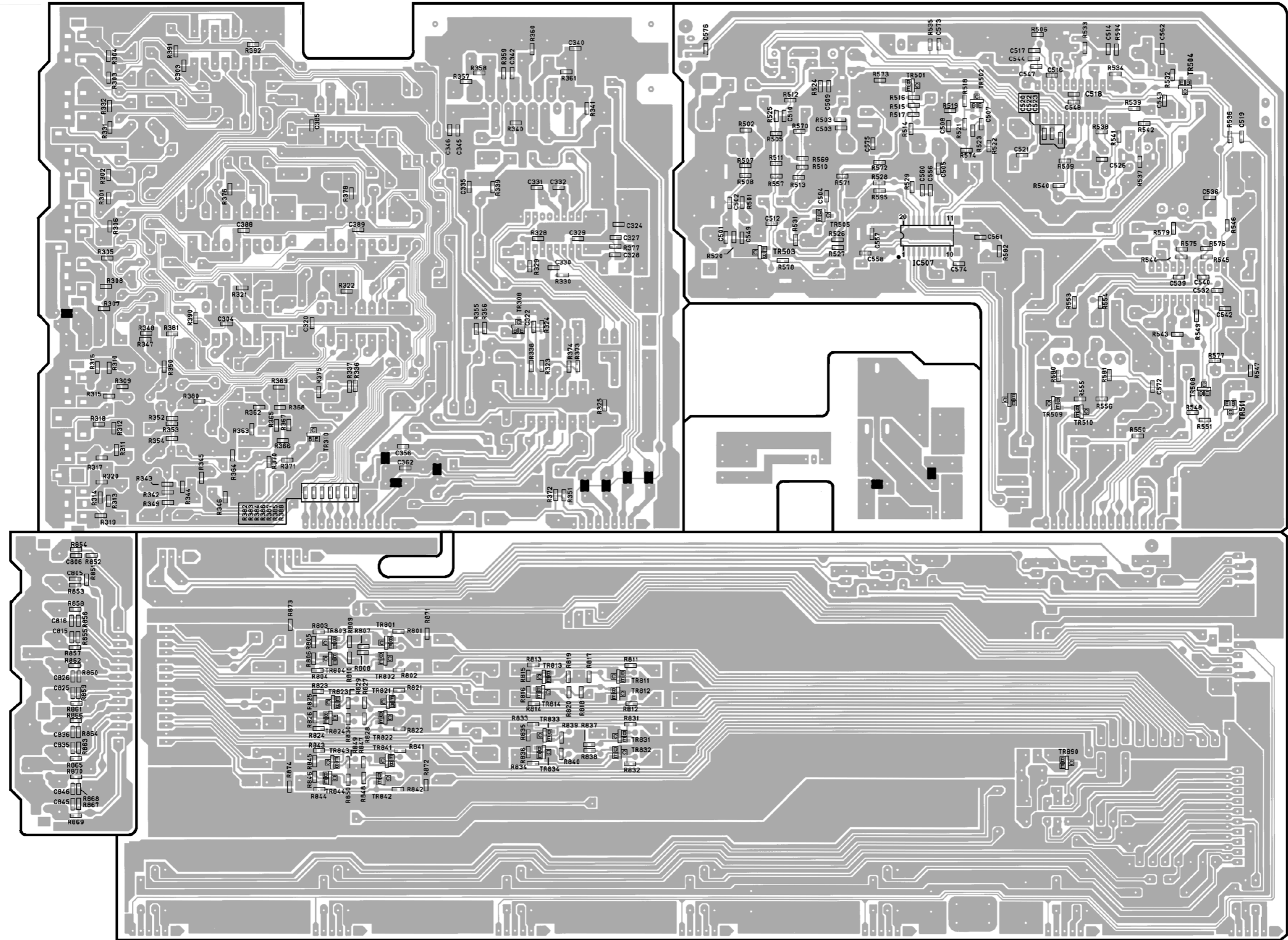
D

E



COMPONENT SIDE

1 2 3 4 5 6 7 8



A
B
C
D
E

1 2 3 4 5 6 7 8

A

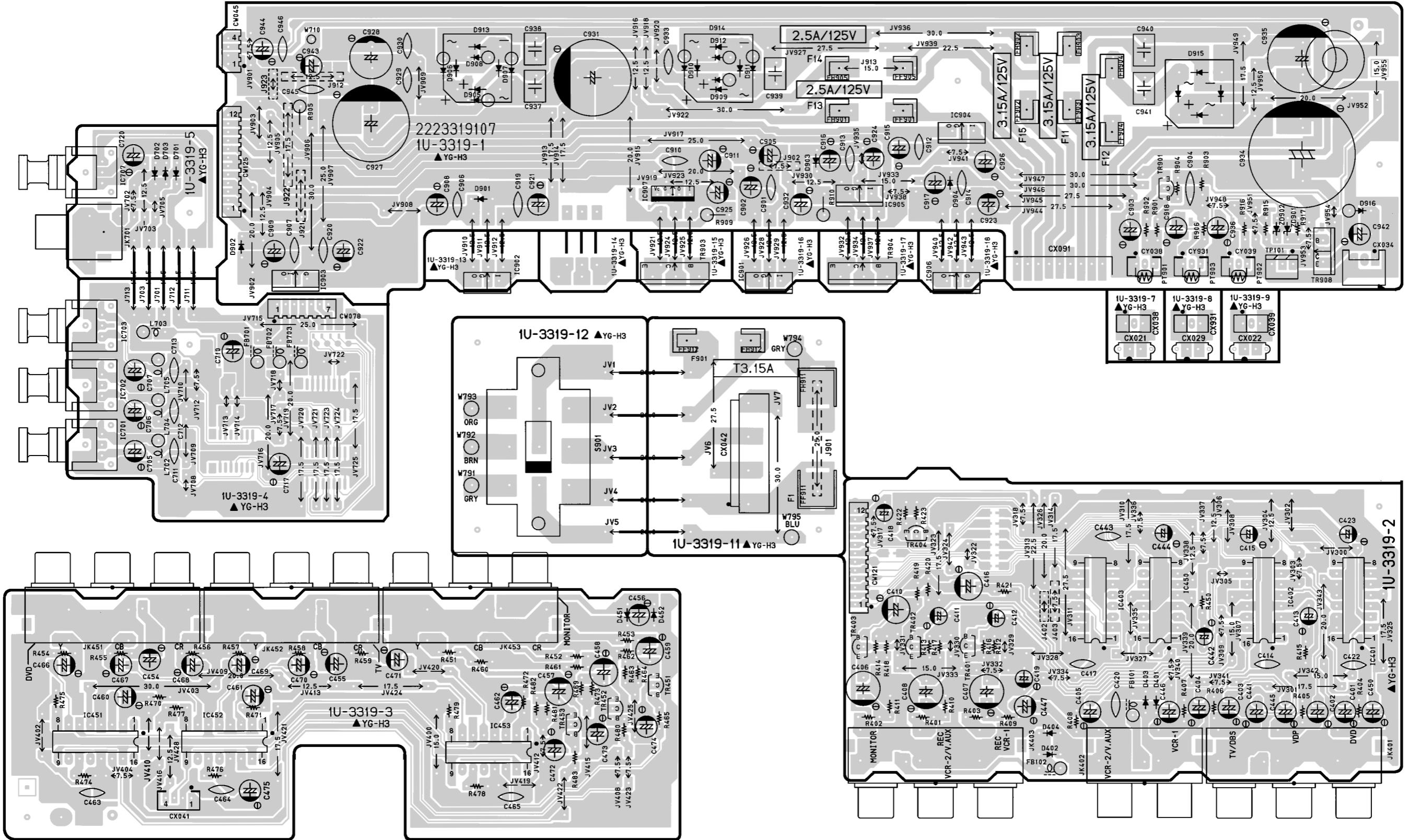
B

C

D

E

1U-3319



COMPONENT SIDE

1 2 3 4 5 6 7 8

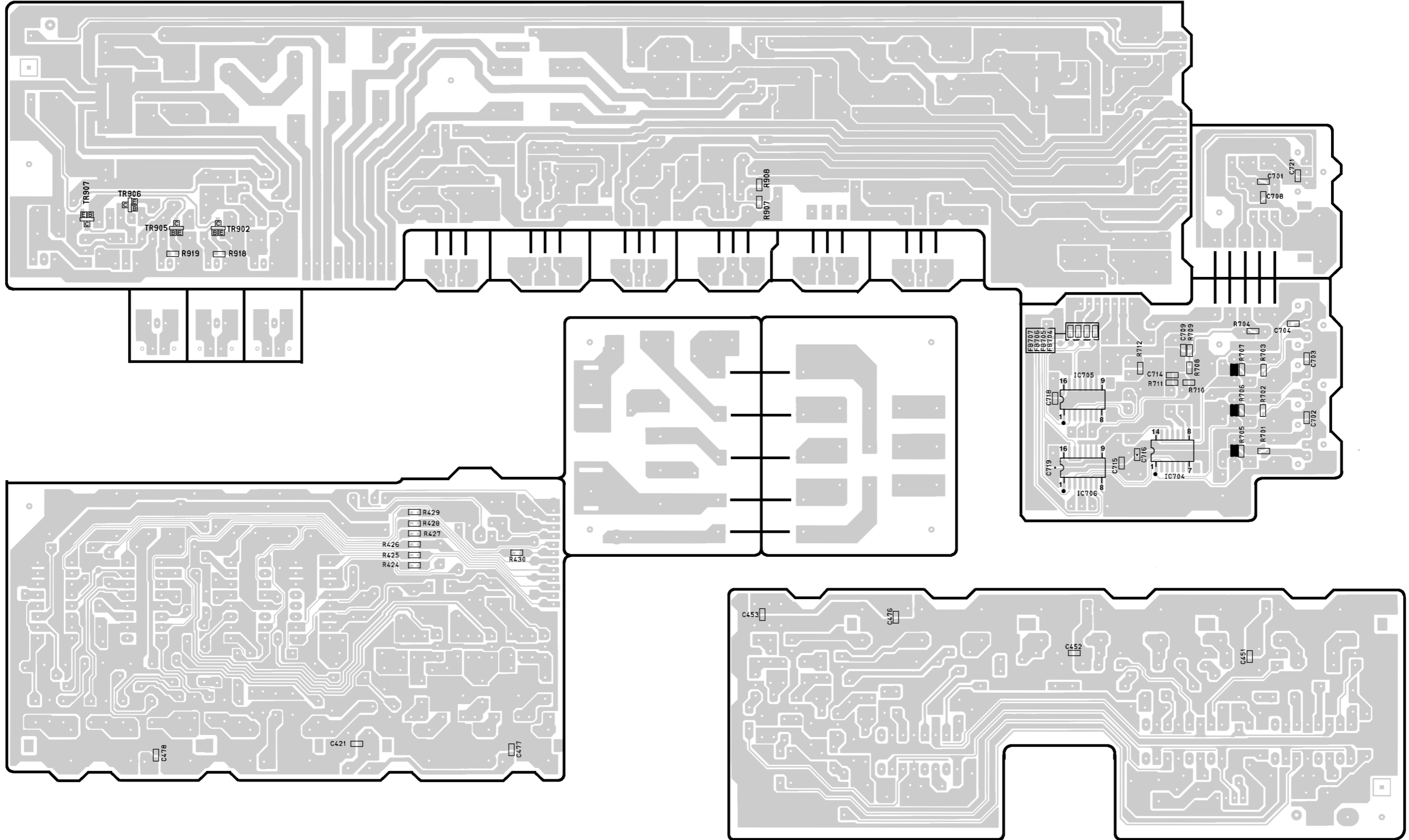
A

B

C

D

E



1

2

3

4

5

6

7

8

1U-3320

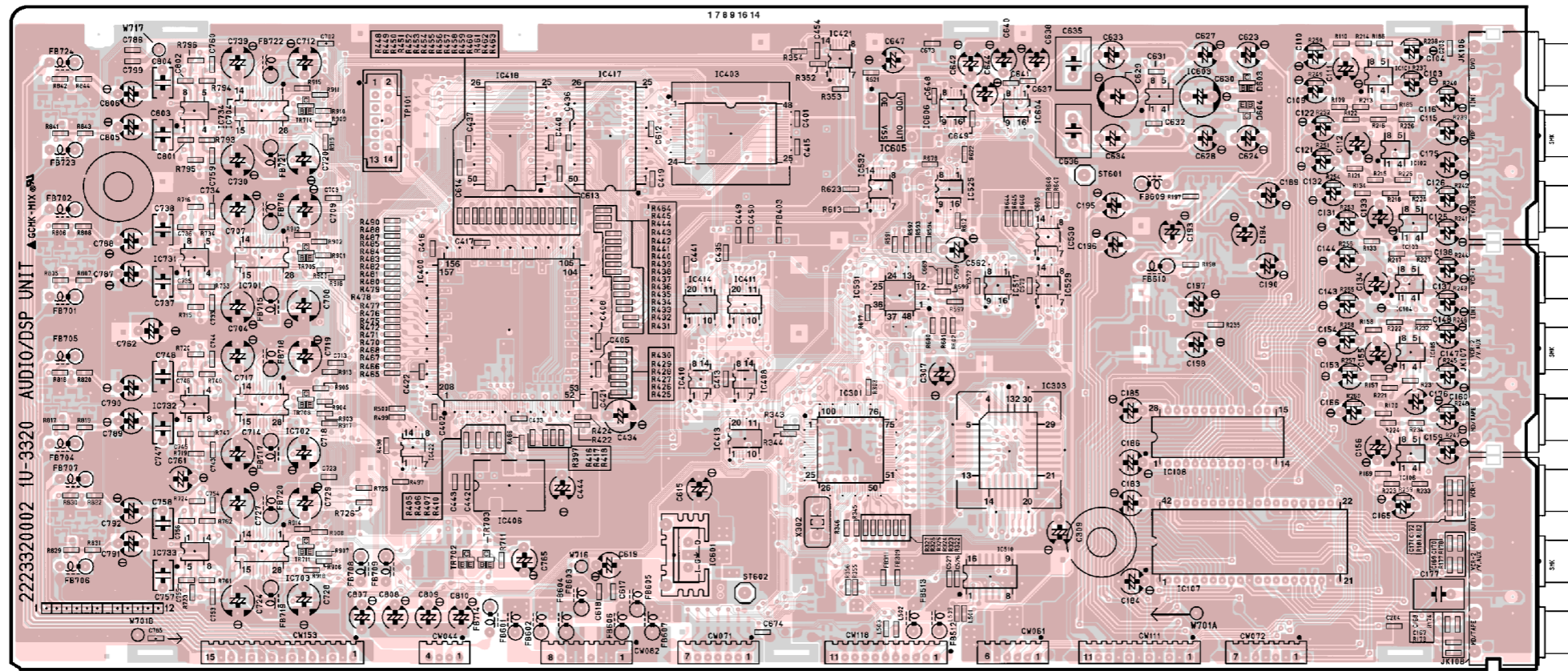
A

B

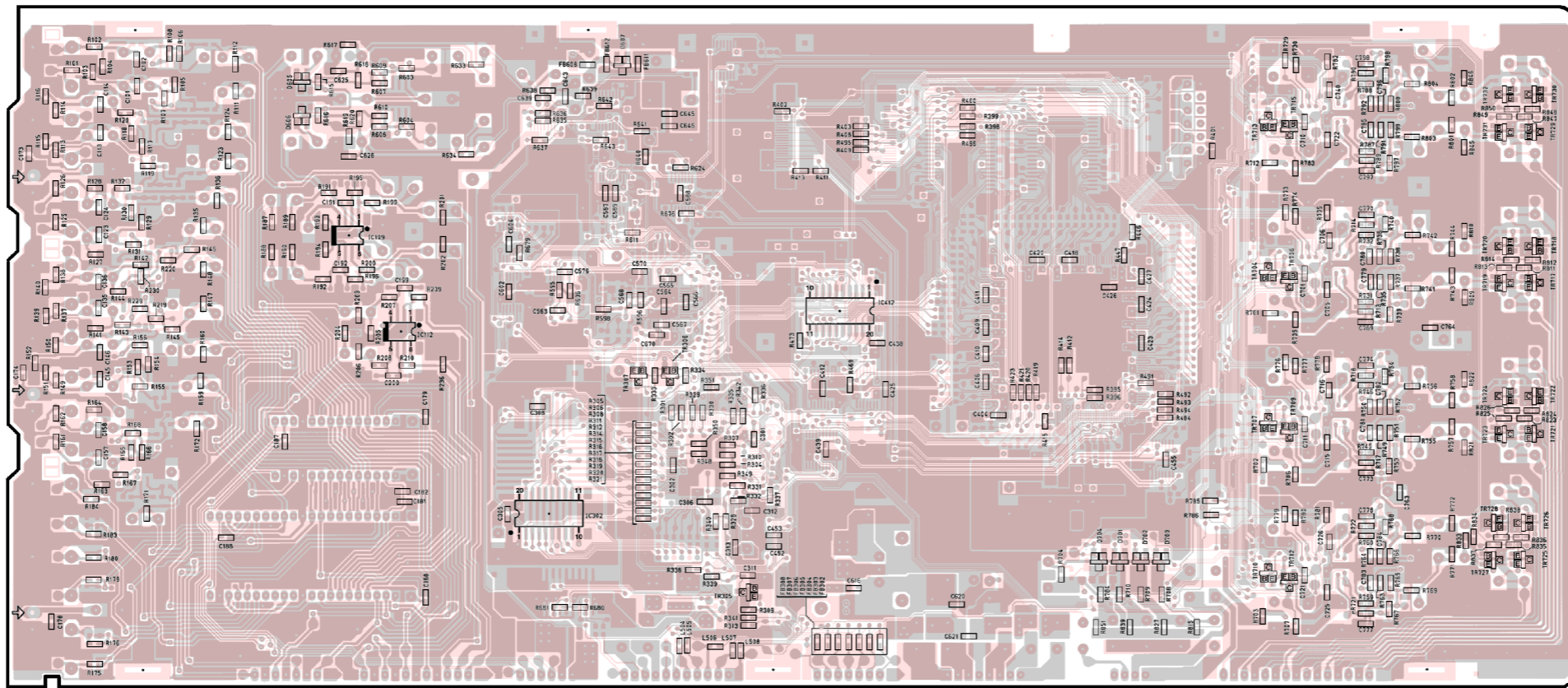
C

D

E



COMPONENT SIDE



FOIL SIDE

NOTE FOR PARTS LIST

- | Part indicated with the mark "⊖" are not always in stock and possibly to take a long period of time for supplying, or in some case supplying of part may be refused.
- | When ordering of part, clearly indicate "1" and "I" (i) to avoid mis-supplying.
- | Ordering part without stating its part number can not be supplied.
- | Part indicated with the mark "★" is not illustrated in the exploded view.
- | Not including Carbon Film ±5%, 1/4W Type in the P.W.Board parts list. (Refer to the Schematic Diagram for those parts.)

WARNING:

Parts marked with this symbol \triangle have critical characteristics.
 Use ONLY replacement parts recommended by the manufacturer.

● **Resistors**

Ex.: RN 14K 2E 182 G FR
 Type Shape Power Resist- Allowable FR
 and- ance error Others
 performance

RD : Carbon	2B : 1/8W	F : ±1%	P : Pulse-resistant type
RC : Composition	2E : 1/4W	G : ±2%	NL : Low noise type
RS : Metal oxide film	2H : 1/2W	J : ±5%	NB : Non-burning type
RW : Winding	3A : 1W	K : ±10%	FR : Fuse-resistor
RN : Metal film	3D : 2W	M : ±20%	F : Lead wire forming
RK : Metal mixture	3F : 3W		
	3H : 5W		

* **Resistance**

18 2 ⇒ 1800 ohm = 1.8 kohm
 Indicates number of zeros after effective number.
 2-digit effective number.

• Units: ohm

1R 2 ⇒ 1.2 ohm
 1-digit effective number.
 2-digit effective number, decimal point indicated by R.

• Units: ohm

● **Capacitors**

Ex.: CE 04W 1H 2R2 M BP
 Type Shape Dielectric Capacity Allowable BP
 and- strength error Others
 performance

CE : Aluminum foil electrolytic	0J : 6.3V	F : ±1%	HS : High stability type
CA : Aluminum solid electrolytic	1A : 10V	G : ±2%	BP : Non-polar type
CS : Tantalum electrolytic	1C : 16V	J : ±5%	HR : Ripple-resistant type
CQ : Film	1E : 25V	K : ±10%	DL : For change and discharge
CK : Ceramic	1V : 35V	M : ±20%	HF : For assuring high frequency
CC : Ceramic	1H : 50V	Z : +80%	U : UL part
CP : Oil	2A : 100V	20%	C : CSA part
CM : Mica	2B : 125V	P : +100%	W : UL-CSA type
CF : Metallized	2C : 160V	0%	F : Lead wire forming
CH : Metallized	2D : 200V	C : ±0.25pF	
	2E : 250V	D : ±0.5pF	
	2H : 500V	= : Others	
	2J : 630V		

* **Capacity (electrolyte only)**

22 2 ⇒ 2200μF
 Indicates number of zeros after effective number.
 2-digit effective number.

• Units: μF.

2R 2 ⇒ 2.2μF
 1-digit effective number.
 2-digit effective number, decimal point indicated by R.

• Units: μF.

* **Capacity (except electrolyte)**

22 2 ⇒ 2200pF=0.0022μF
 (More than 2) — Indicates number of zeros after effective number.
 2-digit effective number.

• Units: μF.

22 1 ⇒ 220pF
 (0 or 1) — Indicates number of zeros after effective number.
 2-digit effective number.

• Units: pF.

• When the dielectric strength is indicated in AC, "AC" is included after the dielectric strength value.

PARTS LIST OF P.W.B. UNIT 1U-3315 POWER UNIT ASS'Y

Note: The symbols in the column "Remarks" indicate the following destinations.
 EU: U.S.A. model E1C: China model
 EC: Canada model E1H: Hong Kong model
 E2: Europe model EUT: Taiwan R.O.C.model
 E1: Asia model

Ref. No.	Part No.	Part Name	Remarks	Ref. No.	Part No.	Part Name	Remarks
SEMICONDUCTORS				RESISTORS			
IC501	263 1100 018	IC KIA7806API		D403	276 0432 903	Diode DSM1A2 TYPE2 (TAPE)	
△ IC502	268 0073 905	IC ICP-N15T		D405	276 0432 903	Diode DSM1A2 TYPE2 (TAPE)	
TR101,102	273 0459 903	Transistor KTC2874B-AT		D407	276 0432 903	Diode DSM1A2 TYPE2 (TAPE)	
TR103~106	271 0094 919	Transistor 2SA970(BL)TPE2		D413	276 0432 903	Diode DSM1A2 TYPE2 (TAPE)	
TR107,108	273 0281 906	Transistor 2SC2705 (O)/(Y)TPE6		D415	276 0432 903	Diode DSM1A2 TYPE2 (TAPE)	
TR109,110	271 0168 900	Transistor 2SA1145 (O)/(Y)TPE6		D501,502	276 0338 007	Diode S4VB20F	
TR111,112	273 0281 906	Transistor 2SC2705 (O)/(Y)TPE6		D504~509	276 0704 903	Diode DSM1A2 TYPE2 (TAPE)	
TR117,118	273 0458 904	Transistor 2SC/KTC3200BL-AT		D510	276 0432 903	Diode DSM1A2 TYPE2 (TAPE)	
TR201,202	273 0459 903	Transistor KTC2874B-AT		D601~606	276 0432 903	Diode DSM1A2 TYPE2 (TAPE)	
TR203~206	271 0094 919	Transistor 2SA970(BL)TPE2		ZD101,102	276 0460 904	Zener diode HZS5C-1TD	
TR207,208	273 0281 906	Transistor 2SC2705 (O)/(Y)TPE6		ZD103,104	276 0461 903	Zener diode HZS6A-1TD	
TR209,210	271 0168 900	Transistor 2SA1145 (O)/(Y)TPE6		ZD201,202	276 0460 904	Zener diode HZS5C-1TD	
TR211,212	273 0281 906	Transistor 2SC2705 (O)/(Y)TPE6		ZD203,204	276 0461 903	Zener diode HZS6A-1TD	
TR217,218	273 0458 904	Transistor 2SC/KTC3200BL-AT		ZD301,302	276 0460 904	Zener diode HZS5C-1TD	
TR301,302	273 0459 903	Transistor KTC2874B-AT		ZD303,304	276 0461 903	Zener diode HZS6A-1TD	
TR303~306	271 0094 919	Transistor 2SA970(BL)TPE2		ZD401	276 0460 904	Zener diode HZS5C-1TD	
TR307,308	273 0281 906	Transistor 2SC2705 (O)/(Y)TPE6		ZD403	276 0461 903	Zener diode HZS6A-1TD	
TR309,310	271 0168 900	Transistor 2SA1145 (O)/(Y)TPE6		ZD503	276 0644 911	Zener diode MTZJ7.5A T77	
TR311,312	273 0281 906	Transistor 2SC2705 (O)/(Y)TPE6		ZD504	276 0645 907	Zener diode MTZJ18A T77	
TR317,318	273 0458 904	Transistor 2SC/KTC3200BL-AT		SC501	279 0016 904	Thyristor SF0R1A42(TPE2)	
TR401	273 0459 903	Transistor KTC2874B-AT		RESISTORS			
TR403	271 0094 919	Transistor 2SA970(BL)TPE2		R113,114	241 2379 987	Carbon film 1 kohm 1/4W(NB)	RD14B2E102JNBST
TR405	271 0094 919	Transistor 2SA970(BL)TPE2		R119,120	241 2379 987	Carbon film 1 kohm 1/4W(NB)	RD14B2E102JNBST
TR407	273 0281 906	Transistor 2SC2705 (O)/(Y)TPE6		R123,124	241 2378 920	Carbon film 220 ohm 1/4W(NB)	RD14B2E221JNBST
TR409	271 0168 900	Transistor 2SA1145 (O)/(Y)TPE6		R125,126	244 2671 914	Metal oxide 15 kohm 2W(NB)	RS14B3D153JNBST(S)
TR411	273 0281 906	Transistor 2SC2705 (O)/(Y)TPE6		R127,128	241 2378 946	Carbon film 270 ohm 1/4W(NB)	RD14B2E271JNBST
TR417	273 0458 904	Transistor 2SC/KTC3200BL-AT		R129,130	241 2378 920	Carbon film 220 ohm 1/4W(NB)	RD14B2E221JNBST
TR501	271 0094 919	Transistor 2SA970(BL)TPE2		R137~140	241 2376 964	Carbon film 47 ohm 1/4W(NB)	RD14B2E470JNBST
TR502	271 0131 924	Transistor 2SA988-T(E/F)		R141~148	244 2671 956	Metal oxide 0.47 ohm 2W(NB)	RS14B3DR47JNBST(S)
TR503	273 0429 904	Transistor 2SC3311A (TA)		R213,214	241 2379 987	Carbon film 1 kohm 1/4W(NB)	RD14B2E102JNBST
TR504	271 0192 905	Transistor 2SA933S(S)TP		R219,220	241 2379 987	Carbon film 1 kohm 1/4W(NB)	RD14B2E102JNBST
TR505,506	273 0429 904	Transistor 2SC3311A (TA)		R223,224	241 2378 920	Carbon film 220 ohm 1/4W(NB)	RD14B2E221JNBST
TR507	271 0192 905	Transistor 2SA933S(S)TP		R225,226	244 2671 914	Metal oxide 15 kohm 2W(NB)	RS14B3D153JNBST(S)
TR508~510	273 0429 904	Transistor 2SC3311A (TA)		R227,228	241 2378 946	Carbon film 270 ohm 1/4W(NB)	RD14B2E271JNBST
TR511	269 0020 906	Transistor DTC114ES(10K-10K)T		R229,230	241 2378 920	Carbon film 220 ohm 1/4W(NB)	RD14B2E221JNBST
D101~108	276 0432 903	Diode DSM1A2 TYPE2 (TAPE)		R237~240	241 2376 964	Carbon film 47 ohm 1/4W(NB)	RD14B2E470JNBST
D113~116	276 0432 903	Diode DSM1A2 TYPE2 (TAPE)		R241~248	244 2671 956	Metal oxide 0.47 ohm 2W(NB)	RS14B3DR47JNBST(S)
D201~208	276 0432 903	Diode DSM1A2 TYPE2 (TAPE)		R313,314	241 2379 987	Carbon film 1 kohm 1/4W(NB)	RD14B2E102JNBST
D213~216	276 0432 903	Diode DSM1A2 TYPE2 (TAPE)		R319,320	241 2379 987	Carbon film 1 kohm 1/4W(NB)	RD14B2E102JNBST
D301~308	276 0432 903	Diode DSM1A2 TYPE2 (TAPE)		R323,324	241 2378 920	Carbon film 220 ohm 1/4W(NB)	RD14B2E221JNBST
D313~316	276 0432 903	Diode DSM1A2 TYPE2 (TAPE)		R325,326	244 2671 914	Metal oxide 15 kohm 2W(NB)	RS14B3D153JNBST(S)
D401	276 0432 903	Diode DSM1A2 TYPE2 (TAPE)					

Ref. No.	Part No.	Part Name	Remarks	Ref. No.	Part No.	Part Name	Remarks
R327,328	241 2378 946	Carbon film 270 ohm 1/4W(NB)	RD14B2E271JNBST	C209,210	255 1264 908	Mylar film 1000pF/50V	CQ93M1H102JT(B)
R329,330	241 2378 920	Carbon film 220 ohm 1/4W(NB)	RD14B2E221JNBST	C211,212	253 4482 901	Ceramic 33pF/500V	CC45SL2H330JT
R337~340	241 2376 964	Carbon film 47 ohm 1/4W(NB)	RD14B2E470JNBST	C213,214	254 4538 942	Electrolytic 100µF/16V	CE04W1C101MT SMG/RE3
R341~348	244 2671 956	Metal oxide 0.47 ohm 2W(NB)	RS14B3DR47JNBST(S)	C215,216	253 4486 907	Ceramic 47pF/500V	CC45SL2H470JT
				C217,218	253 4465 902	Ceramic 5pF/500V	CC45SL2H050CT
R413	241 2379 987	Carbon film 1 kohm 1/4W(NB)	RD14B2E102JNBST	C219,220	253 4486 907	Ceramic 47pF/500V	CC45SL2H470JT
R419	241 2379 987	Carbon film 1 kohm 1/4W(NB)	RD14B2E102JNBST	C221,222	254 4527 982	Electrolytic 10µF/100V	CE04W2A100MT SMG/RE3
R423	241 2378 920	Carbon film 220 ohm 1/4W(NB)	RD14B2E221JNBST	C223~226	254 4527 940	Electrolytic 1µF/100V	CE04W2A010MT SMG/RE3
R425	244 2671 914	Metal oxide 15 kohm 2W(NB)	RS14B3D153JNBST(S)				
R427	241 2378 946	Carbon film 270 ohm 1/4W(NB)	RD14B2E271JNBST	C301,302	254 4538 939	Electrolytic 47µF/16V	CE04W1C470MT SMG/RE3
R429	241 2378 920	Carbon film 220 ohm 1/4W(NB)	RD14B2E221JNBST	C303,304	254 4524 985	Electrolytic 10µF/50V	CE04W1H100MT SMG/RE3
R437	241 2376 964	Carbon film 47 ohm 1/4W(NB)	RD14B2E470JNBST	C305~308	253 1179 945	Ceramic 220pF/50V	CK45B1H221KT(DD-3)
R439	241 2376 964	Carbon film 47 ohm 1/4W(NB)	RD14B2E470JNBST	C309,310	255 1264 908	Mylar film 1000pF/50V	CQ93M1H102JT(B)
R441	244 2671 956	Metal oxide 0.47 ohm 2W(NB)	RS14B3DR47JNBST(S)	C311,312	253 4482 901	Ceramic 33pF/500V	CC45SL2H330JT
R443	244 2671 956	Metal oxide 0.47 ohm 2W(NB)	RS14B3DR47JNBST(S)	C313,314	254 4538 942	Electrolytic 100µF/16V	CE04W1C101MT SMG/RE3
R445	244 2671 956	Metal oxide 0.47 ohm 2W(NB)	RS14B3DR47JNBST(S)	C315,316	253 4486 907	Ceramic 47pF/500V	CC45SL2H470JT
R447	244 2671 956	Metal oxide 0.47 ohm 2W(NB)	RS14B3DR47JNBST(S)	C317,318	253 4465 902	Ceramic 5pF/500V	CC45SL2H050CT
				C319,320	253 4486 907	Ceramic 47pF/500V	CC45SL2H470JT
R501	241 2387 940	Carbon film 4.7 ohm 1/4W(NB)	RD14B2E4R7JNBST	C321,322	254 4527 982	Electrolytic 10µF/100V	CE04W2A100MT SMG/RE3
R502	244 2051 961	Metal oxide 100 ohm 1W(NB)	RS14B3A101JNBST(S)	C323~326	254 4527 940	Electrolytic 1µF/100V	CE04W2A010MT SMG/RE3
R503,504	243 2039 032	Winding 0.1 ohm 5W	RW99=3HOR1K				
R524	242 2009 001	Composition 1/2W	RC05GF2H225K(UL) for EU,EC	C401	254 4538 939	Electrolytic 47µF/16V	CE04W1C470MT SMG/RE3
				C403	254 4524 985	Electrolytic 10µF/50V	CE04W1H100MT SMG/RE3
				C405	253 1179 945	Ceramic 220pF/50V	CK45B1H221KT(DD-3)
R611~615	244 2671 901	Metal oxide 10 ohm 2W(NB)	RS14B3D100JNBST(S)	C407	253 1179 945	Ceramic 220pF/50V	CK45B1H221KT(DD-3)
R624,625	244 2052 960	Metal oxide 220 ohm 1W(NB)	RS14B3A221JNBST(S)	C409	255 1264 908	Mylar film 1000pF/50V	CQ93M1H102JT(B)
R630,631	244 2671 901	Metal oxide 10 ohm 2W(NB)	RS14B3D100JNBST(S)	C411	253 4482 901	Ceramic 33pF/500V	CC45SL2H330JT
				C413	254 4538 942	Electrolytic 100µF/16V	CE04W1C101MT SMG/RE3
VR101,102	211 6131 926	Semi fixed resistor 220 ohm	V06PB221T	C415	253 4486 907	Ceramic 47pF/500V	CC45SL2H470JT
				C417	253 4465 902	Ceramic 5pF/500V	CC45SL2H050CT
VR201,202	211 6131 926	Semi fixed resistor 220 ohm	V06PB221T	C419	253 4486 907	Ceramic 47pF/500V	CC45SL2H470JT
				C421	254 4527 982	Electrolytic 10µF/100V	CE04W2A100MT SMG/RE3
VR301,302	211 6131 926	Semi fixed resistor 220 ohm	V06PB221T	C423	254 4527 940	Electrolytic 1µF/100V	CE04W2A010MT SMG/RE3
				C425	254 4527 940	Electrolytic 1µF/100V	CE04W2A010MT SMG/RE3
VR401	211 6131 926	Semi fixed resistor 220 ohm	V06PB221T	C502	254 4524 943	Electrolytic 1µF/50V	CE04W1H010MT SMG/RE3
CAPACITORS				C503~505	256 1042 903	Metalized 0.1µF/250V	CF93A2E104KT
C101,102	254 4538 939	Electrolytic 47µF/16V	CE04W1C470MT SMG/RE3	C506	254 4528 729	Electrolytic 100µF/100V	CE04W2A101MC SMG/RE3
C103,104	254 4524 985	Electrolytic 10µF/50V	CE04W1H100MT SMG/RE3	C507,508	254 6223 006	Electrolytic 12000µF/71V	CE68W==123MC(DL)
C105~108	253 1179 945	Ceramic 220pF/50V	CK45B1H221KT(DD-3)	C509	253 1181 904	Ceramic 0.01µF/50V	CK45F1H103ZT(DD-3)
C109,110	255 1264 908	Mylar film 1000pF/50V	CQ93M1H102JT(B)	C510	254 4538 900	Electrolytic 10µF/16V	CE04W1C100MT SMG/RE3
C111,112	253 4482 901	Ceramic 33pF/500V	CC45SL2H330JT	C511	253 9039 906	Ceramic 0.1µF/25V	CK45=1E104ZT(DD-3)
C113,114	254 4538 942	Electrolytic 100µF/16V	CE04W1C101MT SMG/RE3	C512	254 4533 947	Electrolytic 330µF/6.3V	CE04W0J331MT SMG/RE3
C115,116	253 4486 907	Ceramic 47pF/500V	CC45SL2H470JT	C513	253 9039 906	Ceramic 0.1µF/25V	CK45=1E104ZT(DD-3)
C117,118	253 4465 902	Ceramic 5pF/500V	CC45SL2H050CT	C514	254 4533 947	Electrolytic 330µF/6.3V	CE04W0J331MT SMG/RE3
C119,120	253 4486 907	Ceramic 47pF/500V	CC45SL2H470JT	C516	254 4538 900	Electrolytic 10µF/16V	CE04W1C100MT SMG/RE3
C121,122	254 4527 982	Electrolytic 10µF/100V	CE04W2A100MT SMG/RE3	C517	254 4524 943	Electrolytic 1µF/50V	CE04W1H010MT SMG/RE3
C123~126	254 4527 940	Electrolytic 1µF/100V	CE04W2A010MT SMG/RE3	C519,520	253 1181 904	Ceramic 0.01µF/50V	CK45F1H103ZT(DD-3)
				C522	254 4403 721	Electrolytic 2200µF/25V	CE04W1E222MC (SMG)
C201,202	254 4538 939	Electrolytic 47µF/16V	CE04W1C470MT SMG/RE3	C523	254 4524 943	Electrolytic 1µF/50V	CE04W1H010MT SMG/RE3
C203,204	254 4524 985	Electrolytic 10µF/50V	CE04W1H100MT SMG/RE3	C524	256 1058 971	Metalized 0.1µF/50V	CF93A1H104JT (JL)
C205~208	253 1179 945	Ceramic 220pF/50V	CK45B1H221KT(DD-3)	C525	253 8022 707	Ceramic 0.01µF/250V(AC)	CK45F2EAC103MC

Ref. No.	Part No.	Part Name	Remarks	Q'ty	Ref. No.	Part No.	Part Name	Remarks	Q'ty
C606-610	256 1058 939	Metalized 0.047μF/50V	CF93A1H473JT (JL)		△ T501	233 6073 107	Power trans (Mini)	for EU,EC,EUT	1
C611-615	255 1265 936	Mylar film 0.01μF/50V	CQ93M1H103JT(B)		△ T501	233 6278 009	Power trans (Mini)	for GE1,G1H	1
C616-620	253 1181 904	Ceramic 0.01μF/50V	CK45F1H103ZT(DD-3)		△ T501	233 6317 009	Power trans (Mini)	for E1C	1
C627,628	256 1058 939	Metalized 0.047μF/50V	CF93A1H473JT (JL)		△ T501	233 6058 025	Power trans (Mini)	for E2	1
C629-631	255 1265 936	Mylar film 0.01μF/50V	CQ93M1H103JT(B)		TP101,102	205 0190 036	3P NH connector base		2
C633	253 1181 904	Ceramic 0.01μF/50V	CK45F1H103ZT(DD-3)		TP201,202	205 0190 036	3P NH connector base		2
C636	253 1181 904	Ceramic 0.01μF/50V	CK45F1H103ZT(DD-3)		TP301,302	205 0190 036	3P NH connector base		2
OTHERS				Q'ty	TP401	205 0190 036	3P NH connector base		1
CW025	203 2399 033	2P SDN-SDN cord (BLK)	CW025-CZ025	1	TP501	205 0190 036	3P NH connector base		1
CW026	203 2399 020	2P SDN-SDN cord (BRN)	CW026-CZ026	1	W701	203 0548 006	1P contact Ass'y	W701-W702	1
CW035	203 5237 024	3P SDN-SDN cord (BLK)	CW035-CZ035	1	W751	203 0699 007	1P SIN-SIN wire (WHT)	W751-W751A	1
CW933	203 5047 010	3P PH-SAN cord (L=175)		1	W752	203 0699 010	1P SIN-SIN wire (RED)	W752-W752A	1
CX021	205 0581 001	2P VH connector base	for E1,E1H, E1C,EUT,E2	1	W753	203 0699 023	1P SIN-SIN wire (YEW)	W753-W753A	1
CX022	205 0581 056	2P VH connector base		1	W755	203 0699 036	1P SIN-SIN wire (GRY)	W755-W755A	1
CX023	205 1093 006	2P VH connector base	for E1,E1H,E2	1	W756	203 0699 049	1P SIN-SIN wire (ORG)	W756-W756A	1
CX024	205 0581 001	2P VH connector base		1	W757	203 0699 052	1P SIN-SIN wire (BLU)	W757-W757A	1
CX031	205 0343 032	3P connector base (KR-PH)		1	W758	203 0699 065	1P SIN-SIN wire (PUR)	W758-W758A	1
CX032	205 0841 000	3P AC connector base (BK)	for E1,E1H	1	△ AC501	203 3976 002	AC outlet (2P)	for EU,EC,EUT	1
CX033	205 0825 000	3P AC connector base		1		513 2654 057	Fuse label (T 6.3A)	F1 for E1,E1H	1
CX054-059	205 0884 009	5P connector base TUC-P		6		513 2585 045	Fuse label (T 3.15A)	F1 for E1C,E2	1
CX102	205 0884 054	10P connector base TUC-P		1		513 2585 074	Fuse label (T 2.5A)	F8 for E1,E1H,E2	1
CX950	205 0884 009	5P connector base TUC-P		1		415 0299 000	Condenser cover	C525 for E1, E1H,E1C,E2	1
CY951	205 0343 058	5P connector base (KR-PH)		1		417 0401 001	Radiator	for D501,502	2
△ F1	206 1046 014	Fuse 8A	for EU,EC,EUT	1		477 0153 018	Screw 3X16 CPTS(B) SW W	for D501,502	2
△ F1	206 1036 001	Fuse 6.3A	for E1,E1H	1					
△ F1	206 1015 074	Fuse 3.15A	for E1C,E2	1					
△ F8	206 1046 014	Fuse 8A	for EU,EC,EUT	1					
△ F8	206 1015 032	Fuse 2.5A	for E1,E1H,E2	1					
FF501	202 0040 909	Fuse clip (tape)		1					
FF502	202 0040 909	Fuse clip (tape)	for EU,EC,E1, E1H,EUT,E2	1					
FH501	202 0040 909	Fuse clip (tape)		1					
FH502	202 0040 909	Fuse clip (tape)	for EU,EC,E1, E1H,EUT,E2	1					
JK601	205 0550 003	4P terminal		1					
JK602	205 1108 001	6P SP terminal (E3)		1					
JK603	205 0472 026	8P SP terminal (EA,EK)		1					
L601-607	235 0068 004	Inductor 1μH		7					
RL501	214 0202 009	Relay DG1U TV-8		1					
RL601-603	214 0209 002	Relay FTR-F1AD024V		3					
RL604	214 0208 003	Relay (NA24W-K)		1					
RL605,606	214 0209 002	Relay FTR-F1AD024V		2					

1U-3316 EXT.IN UNIT ASS'Y

Ref. No.	Part No.	Part Name	Remarks
SEMICONDUCTORS			
IC101	262 2549 002	IC LC75721E	
IC102	499 0290 007	IC GP1U271X	
IC103	262 2745 903	IC BU2090F(E2)	
IC301	263 0674 901	IC UPC4570G2-E2	
IC308	263 0674 901	IC UPC4570G2-E2	
IC312	262 2667 007	IC TC9274N-012	
IC701	263 0674 901	IC UPC4570G2-E2	
IC801~804	263 1098 900	IC LM833MX	
IC805~809	262 2662 002	IC TC9459N	
IC810	263 0615 902	IC BA15218F-DXE2	
TR111	269 0083 901	Transistor DTA114EKT96	
TR112	269 0055 900	Transistor DTA144EKT96	
TR113~115	269 0054 901	Transistor DTC144EKT96	
TR116,117	269 0055 900	Transistor DTA144EKT96	
TR118	269 0082 902	Transistor DTC114EKT96	
TR303,304	273 0460 905	Transistor KTC2875B-RTK	
TR329	269 0054 901	Transistor DTC144EKT96	
TR330	269 0055 900	Transistor DTA144EKT96	
TR331	269 0054 901	Transistor DTC144EKT96	
D101,102	276 0637 902	Zener diode MTZJ6.2AT77	
D104	276 0644 937	Zener diode MTZJ9.1A T77	
D105	276 0637 902	Zener diode MTZJ6.2AT77	
D107	276 0637 902	Zener diode MTZJ6.2AT77	
D109~111	276 0432 903	Diode 1SS270A TE (TAPE)	
LD104~107	393 9434 906	LED SEL1210S(TP2)	
LD108	393 9452 904	LED SEL1410E(TP2)	
LD109,110	393 9434 906	LED SEL1210S(TP2)	
LD111~114	393 9452 904	LED SEL1410E(TP2)	
RESISTORS			
R101	247 2005 903	Carbon chip 100 ohm 1/16W	RM73B--101JT
R102,103	247 2006 960	Carbon chip 470 ohm 1/16W	RM73B--471JT
R104~107	247 2007 927	Carbon chip 820 ohm 1/16W	RM73B--821JT
R108	247 2007 901	Carbon chip 680 ohm 1/16W	RM73B--681JT
R109,110	247 2007 927	Carbon chip 820 ohm 1/16W	RM73B--821JT
R111	247 2005 903	Carbon chip 100 ohm 1/16W	RM73B--101JT
R112	247 2007 943	Carbon chip 1 kohm 1/16W	RM73B--102JT
R113	247 2005 974	Carbon chip 200 ohm 1/16W	RM73B--201JT
R114	247 2006 928	Carbon chip 300 ohm 1/16W	RM73B--301JT
R115	247 2006 973	Carbon chip 510 ohm 1/16W	RM73B--511JT
R116	247 2007 943	Carbon chip 1 kohm 1/16W	RM73B--102JT
R117~119	247 2008 955	Carbon chip 3 kohm 1/16W	RM73B--302JT
R120,121	247 2007 901	Carbon chip 680 ohm 1/16W	RM73B--681JT
R124	247 2009 983	Carbon chip 10 kohm 1/16W	RM73B--103JT

Ref. No.	Part No.	Part Name	Remarks
R125	247 2007 943	Carbon chip 1 kohm 1/16W	RM73B--102JT
R126	247 2005 974	Carbon chip 200 ohm 1/16W	RM73B--201JT
R127	247 2006 928	Carbon chip 300 ohm 1/16W	RM73B--301JT
R128	247 2006 973	Carbon chip 510 ohm 1/16W	RM73B--511JT
R129	247 2007 943	Carbon chip 1 kohm 1/16W	RM73B--102JT
R137	241 2387 979	Carbon film 7.5 ohm 1/4W(NB)	RD14B2E7R5JNBST
R139	247 2007 943	Carbon chip 1 kohm 1/16W	RM73B--102JT
R140	247 2005 903	Carbon chip 100 ohm 1/16W	RM73B--101JT
R141,142	247 2009 909	Carbon chip 4.7 kohm 1/16W	RM73B--472JT (1608)
R153~155	247 2011 984	Carbon chip 68 kohm 1/16W	RM73B--683JT
R156,157	247 2005 903	Carbon chip 100 ohm 1/16W	RM73B--101JT
R158,159	247 2011 984	Carbon chip 68 kohm 1/16W	RM73B--683JT
R160	247 2009 909	Carbon chip 4.7 kohm 1/16W	RM73B--472JT (1608)
R162~170	247 2011 984	Carbon chip 68 kohm 1/16W	RM73B--683JT
R171	247 2009 909	Carbon chip 4.7 kohm 1/16W	RM73B--472JT (1608)
R173,174	247 2011 984	Carbon chip 68 kohm 1/16W	RM73B--683JT
R175,176	247 2011 942	Carbon chip 47 kohm 1/16W	RM73B--473JT
R177~181	247 2011 984	Carbon chip 68 kohm 1/16W	RM73B--683JT
R182	247 2009 983	Carbon chip 10 kohm 1/16W	RM73B--103JT
R183~212	247 2011 984	Carbon chip 68 kohm 1/16W	RM73B--683JT
R213	247 2011 942	Carbon chip 47 kohm 1/16W	RM73B--473JT
R301,302	247 2007 956	Carbon chip 1.1 kohm 1/16W	RM73B--112JT
R303,304	247 2007 901	Carbon chip 680 ohm 1/16W	RM73B--681JT
R307,308	247 2007 969	Carbon chip 1.2 kohm 1/16W	RM73B--122JT
R309,310	247 2012 925	Carbon chip 100 kohm 1/16W	RM73B--104JT
R311,312	247 2005 903	Carbon chip 100 ohm 1/16W	RM73B--101JT
R313,314	247 2007 969	Carbon chip 1.2 kohm 1/16W	RM73B--122JT
R315,316	247 2005 903	Carbon chip 100 ohm 1/16W	RM73B--101JT
R317,318	247 2012 925	Carbon chip 100 kohm 1/16W	RM73B--104JT
R341,342	247 2018 903	Carbon chip 0 ohm 1/16W	RM73B--0R0KT
R349,350	247 2018 903	Carbon chip 0 ohm 1/16W	RM73B--0R0KT
R353	247 2009 983	Carbon chip 10 kohm 1/16W	RM73B--103JT
R354,355	247 2018 903	Carbon chip 0 ohm 1/16W	RM73B--0R0KT
R356	247 2009 983	Carbon chip 10 kohm 1/16W	RM73B--103JT
R357,358	247 2018 903	Carbon chip 0 ohm 1/16W	RM73B--0R0KT
R365,366	247 2018 903	Carbon chip 0 ohm 1/16W	RM73B--0R0KT
R373,374	247 2018 903	Carbon chip 0 ohm 1/16W	RM73B--0R0KT
R378,379	247 2018 903	Carbon chip 0 ohm 1/16W	RM73B--0R0KT
R381,382	247 2018 903	Carbon chip 0 ohm 1/16W	RM73B--0R0KT
R385,386	247 2005 903	Carbon chip 100 ohm 1/16W	RM73B--101JT for EU,EC,E1,E1H,E1C
R385,386	247 2006 960	Carbon chip 470 ohm 1/16W	RM73B--471JT for EUT,E2
R387,388	247 2015 964	Carbon chip 2.7 Mohm 1/16W	RM73B--275KT
R401,402	247 2005 903	Carbon chip 100 ohm 1/16W	RM73B--101JT for EU,EC,E1,E1H,E1C
R401,402	247 2006 960	Carbon chip 470 ohm 1/16W	RM73B--471JT for EUT,E2
R403,404	247 2015 964	Carbon chip 2.7 Mohm 1/16W	RM73B--275KT

Ref. No.	Part No.	Part Name	Remarks	Ref. No.	Part No.	Part Name	Remarks
R417,418	247 2005 903	Carbon chip 100 ohm 1/16W	RM73B--101JT for EU,EC,E1,E1H,E1C	R825	247 2009 909	Carbon chip 4.7 kohm 1/16W	RM73B--472JT (1608)
R417,418	247 2006 960	Carbon chip 470 ohm 1/16W	RM73B--471JT for EUT,E2	R827,828	247 2005 903	Carbon chip 100 ohm 1/16W	RM73B--101JT
R419,420	247 2015 964	Carbon chip 2.7 Mohm 1/16W	RM73B--275KT	R831,832	247 2012 925	Carbon chip 100 kohm 1/16W	RM73B--104JT
R425,426	247 2018 903	Carbon chip 0 ohm 1/16W	RM73B--0R0KT	R833,834	247 2011 942	Carbon chip 47 kohm 1/16W	RM73B--473JT
R433-438	247 2011 926	Carbon chip 39 kohm 1/16W	RM73B--393JT	R835,836	247 2005 903	Carbon chip 100 ohm 1/16W	RM73B--101JT
R439,440	247 2004 920	Carbon chip 47 ohm 1/16W	RM73B--470JT	R837,838	247 2007 914	Carbon chip 750 ohm 1/16W	RM73B--751JT
R441,442	247 2012 925	Carbon chip 100 kohm 1/16W	RM73B--104JT	R839,840	247 2009 909	Carbon chip 4.7 kohm 1/16W	RM73B--472JT (1608)
R455	247 2011 942	Carbon chip 47 kohm 1/16W	RM73B--473JT	R841,842	247 2005 903	Carbon chip 100 ohm 1/16W	RM73B--101JT
R465,466	247 2005 903	Carbon chip 100 ohm 1/16W	RM73B--101JT for EU,EC,E1,E1H,E1C	R843,844	247 2012 925	Carbon chip 100 kohm 1/16W	RM73B--104JT
R465,466	247 2006 960	Carbon chip 470 ohm 1/16W	RM73B--471JT for EUT,E2	R845,846	247 2011 942	Carbon chip 47 kohm 1/16W	RM73B--473JT
R467,468	247 2015 964	Carbon chip 2.7 Mohm 1/16W	RM73B--275KT	R847,848	247 2005 903	Carbon chip 100 ohm 1/16W	RM73B--101JT
R469	247 2007 943	Carbon chip 1 kohm 1/16W	RM73B--102JT	R849,850	247 2007 914	Carbon chip 750 ohm 1/16W	RM73B--751JT
R470	247 2018 903	Carbon chip 0 ohm 1/16W	RM73B--0R0KT	R851,852	247 2009 909	Carbon chip 4.7 kohm 1/16W	RM73B--472JT (1608)
R473,474	247 2018 903	Carbon chip 0 ohm 1/16W	RM73B--0R0KT	R853,854	247 2005 903	Carbon chip 100 ohm 1/16W	RM73B--101JT
R479-482	247 2018 903	Carbon chip 0 ohm 1/16W	RM73B--0R0KT	R855,856	247 2012 925	Carbon chip 100 kohm 1/16W	RM73B--104JT
R485	247 2009 983	Carbon chip 10 kohm 1/16W	RM73B--103JT	R859-869	247 2011 942	Carbon chip 47 kohm 1/16W	RM73B--473JT
R701,702	247 2018 903	Carbon chip 0 ohm 1/16W	RM73B--0R0KT for EU,EC,E1,E1H,E1C	R871,872	247 2011 942	Carbon chip 47 kohm 1/16W	RM73B--473JT
R701,702	247 2007 972	Carbon chip 1.3 kohm 1/16W	RM73B--132JT for EUT,E2	R874,875	247 2011 942	Carbon chip 47 kohm 1/16W	RM73B--473JT
R703,704	247 2006 944	Carbon chip 390 ohm 1/16W	RM73B--391JT	R881-884	247 2011 942	Carbon chip 47 kohm 1/16W	RM73B--473JT
R705,706	247 2011 984	Carbon chip 68 kohm 1/16W	RM73B--683JT	R885,886	247 2005 903	Carbon chip 100 ohm 1/16W	RM73B--101JT
R707,708	247 2012 967	Carbon chip 150 kohm 1/16W	RM73B--154JT	R887,888	247 2007 914	Carbon chip 750 ohm 1/16W	RM73B--751JT
R709,710	247 2004 920	Carbon chip 47 ohm 1/16W	RM73B--470JT	R889,890	247 2008 997	Carbon chip 4.3 kohm 1/16W	RM73B--432JT
R711,712	247 2005 990	Carbon chip 240 ohm 1/16W	RM73B--241JT	R891,892	247 2005 903	Carbon chip 100 ohm 1/16W	RM73B--101JT
R713,714	247 2012 954	Carbon chip 130 kohm 1/16W	RM73B--134JT	R893,894	247 2012 925	Carbon chip 100 kohm 1/16W	RM73B--104JT
R715,716	247 2009 996	Carbon chip 11 kohm 1/16W	RM73B--113JT	CAPACITORS			
R717,718	247 2003 947	Carbon chip 22 ohm 1/16W	RM73B--220JT	C102	257 0512 903	Ceramic chip 0.1µF/25V	CK73F1E104ZT
R719,720	247 2004 920	Carbon chip 47 ohm 1/16W	RM73B--470JT	C103	254 4193 905	Electrolytic 10µF/16V	CE04W1C100MT (SRA)
R721,722	247 2011 942	Carbon chip 47 kohm 1/16W	RM73B--473JT	C104	254 4196 944	Electrolytic 1µF/50V	CE04W1H010MT (SRA)
R723,724	247 2005 903	Carbon chip 100 ohm 1/16W	RM73B--101JT for EU,EC,E1,E1H,E1C	C107	256 1058 971	Metalized 0.1µF/50V	CF93A1H104JT (JL)
R723,724	247 2006 960	Carbon chip 470 ohm 1/16W	RM73B--471JT for EUT,E2	C109	254 4196 999	Electrolytic 22µF/50V	CE04W1H220MT (SRA)
R725,726	247 2015 964	Carbon chip 2.7 Mohm 1/16W	RM73B--275KT	C110-113	257 0511 904	Ceramic chip 0.01µF/50V	CK73F1H103ZT
R729-732	247 2018 903	Carbon chip 0 ohm 1/16W	RM73B--0R0KT	C115	257 0511 904	Ceramic chip 0.01µF/50V	CK73F1H103ZT
R735,736	247 2018 903	Carbon chip 0 ohm 1/16W	RM73B--0R0KT	C117	257 0509 929	Ceramic chip 1000pF/50V	CK73B1H102KT
R801,802	247 2011 942	Carbon chip 47 kohm 1/16W	RM73B--473JT	C120	257 0504 937	Ceramic chip 30pF/50V	CC73CH1H300JT
R803,804	247 2005 903	Carbon chip 100 ohm 1/16W	RM73B--101JT	C121	254 4193 905	Electrolytic 10µF/16V	CE04W1C100MT (SRA)
R805,806	247 2007 914	Carbon chip 750 ohm 1/16W	RM73B--751JT	C122	257 0511 917	Ceramic chip 0.022µF/50V	CK73F1H223ZT
R809,810	247 2009 909	Carbon chip 4.7 kohm 1/16W	RM73B--472JT (1608)	C125	257 0511 904	Ceramic chip 0.01µF/50V	CK73F1H103ZT
R815,816	247 2012 925	Carbon chip 100 kohm 1/16W	RM73B--104JT	C126	257 0509 929	Ceramic chip 1000pF/50V	CK73B1H102KT
R817,818	247 2011 942	Carbon chip 47 kohm 1/16W	RM73B--473JT	C301,302	254 4538 900	Electrolytic 10µF/16V	CE04W1C100MT SMG/RE3
R819,820	247 2005 903	Carbon chip 100 ohm 1/16W	RM73B--101JT	C305,306	247 2018 903	Carbon chip 0 ohm 1/16W	RM73B--0R0KT
R821,822	247 2007 914	Carbon chip 750 ohm 1/16W	RM73B--751JT	C307,308	254 4538 900	Electrolytic 10µF/16V	CE04W1C100MT SMG/RE3
R824	247 2009 967	Carbon chip 8.2 kohm 1/16W	RM73B--822JT	C309	257 0509 929	Ceramic chip 1000pF/50V	CK73B1H102KT
				C311,312	254 4538 900	Electrolytic 10µF/16V	CE04W1C100MT SMG/RE3
				C321,322	257 0507 976	Ceramic chip 330pF/50V	CC73CH1H331JT for EUT,E2
				C329,330	247 2018 903	Carbon chip 0 ohm 1/16W	RM73B--0R0KT
				C343,344	257 0507 976	Ceramic chip 330pF/50V	CC73CH1H331JT for EUT,E2
				C355,356	257 0507 976	Ceramic chip 330pF/50V	CC73CH1H331JT for EUT,E2

Ref. No.	Part No.	Part Name	Remarks
C367,368	257 0507 976	Ceramic chip 330pF/50V	CC73CH1H331JT for EUT,E2
C379~382	256 1058 955	Metalized 0.068μF/50V	CF93A1H683JT (JL)
C385,386	254 4524 943	Electrolytic 1μF/50V	CE04W1H010MT SMG/RE3
C387,388	254 4538 900	Electrolytic 10μF/16V	CE04W1C100MT SMG/RE3
C401,402	254 4524 943	Electrolytic 1μF/50V	CE04W1H010MT SMG/RE3
C409	257 0512 903	Ceramic chip 0.1μF/25V	CK73F1E104ZT
C416	254 4524 943	Electrolytic 1μF/50V	CE04W1H010MT SMG/RE3
C425,426	247 2018 903	Carbon chip 0 ohm 1/16W	RM73B--0R0KT
C703,704	257 0507 934	Ceramic chip 220pF/50V	CC73CH1H221JT
C705,706	254 4538 900	Electrolytic 10μF/16V	CE04W1C100MT SMG/RE3
C707,708	257 0506 951	Ceramic chip 100pF/50V	CC73CH1H101JT
C709,710	254 4533 934	Electrolytic 220μF/6.3V	CE04W0J221MT SMG/RE3
C711,712	255 4199 999	Mylar film 0.024μF/50V	CQ92M1H243JT(MRZ)
C713,714	255 1265 907	Mylar film 6800pF/50V	CQ93M1H682JT(B)
C715,716	254 4538 900	Electrolytic 10μF/16V	CE04W1C100MT SMG/RE3
C717,718	257 0511 917	Ceramic chip 0.022μF/50V	CK73F1H223ZT
C719,720	257 0507 976	Ceramic chip 330pF/50V	CC73CH1H331JT for EUT,E2
C725,726	247 2018 903	Carbon chip 0 ohm 1/16W	RM73B--0R0KT
C729,730	254 4524 943	Electrolytic 1μF/50V	CE04W1H010MT SMG/RE3
C741,742	257 0512 903	Ceramic chip 0.1μF/25V	CK73F1E104ZT
C801,802	254 4538 900	Electrolytic 10μF/16V	CE04W1C100MT SMG/RE3
C811,812	254 4524 943	Electrolytic 1μF/50V	CE04W1H010MT SMG/RE3
C815,816	254 4538 900	Electrolytic 10μF/16V	CE04W1C100MT SMG/RE3
C825,826	254 4524 943	Electrolytic 1μF/50V	CE04W1H010MT SMG/RE3
C829,830	254 4538 900	Electrolytic 10μF/16V	CE04W1C100MT SMG/RE3
C837,838	254 4524 943	Electrolytic 1μF/50V	CE04W1H010MT SMG/RE3
C841,842	254 4538 900	Electrolytic 10μF/16V	CE04W1C100MT SMG/RE3
C849,850	254 4524 943	Electrolytic 1μF/50V	CE04W1H010MT SMG/RE3
C861,862	254 4538 900	Electrolytic 10μF/16V	CE04W1C100MT SMG/RE3
C861,862	254 4538 939	Electrolytic 47μF/16V	CE04W1C470MT SMG/RE3 for E2
C863~868	254 4538 900	Electrolytic 10μF/16V	CE04W1C100MT SMG/RE3
C869,870	254 4524 985	Electrolytic 10μF/50V	CE04W1H100MT SMG/RE3 for EU,EC,E1,E1H,E1C,EUT
C869,870	254 4538 939	Electrolytic 47μF/16V	CE04W1C470MT SMG/RE3 for E2
C871	254 4524 985	Electrolytic 10μF/50V	CE04W1H100MT SMG/RE3
C873,874	254 4524 985	Electrolytic 10μF/50V	CE04W1H100MT SMG/RE3
C881~884	254 4538 900	Electrolytic 10μF/16V	CE04W1C100MT SMG/RE3
C891,892	254 4524 943	Electrolytic 1μF/50V	CE04W1H010MT SMG/RE3
C896,897	254 4524 985	Electrolytic 10μF/50V	CE04W1H100MT SMG/RE3

Ref. No.	Part No.	Part Name	Remarks	Q'ty
OTHERS				
CW077	205 1000 015	7P FJ connector plug		1
CW079	205 0942 022	7P connector socket (TUC-P)		1
CW083	205 0885 095	8P connector socket (TUC-P)		1
CW103	205 0885 053	10P connector socket TUC-P		1
CW142,143	205 1165 002	14P connector plug TMC-D		2
CW152	205 0885 040	15P connector socket TUC-P		1
CX115	205 1091 024	11P connector base TWG-P		1
CX132	205 1091 037	13P connector base TWG-P		1
CX932	205 1121 033	3P connector base-L(5268)		1
CY021	205 0581 001	2P VH connector base	for E1,E1H, E1C,EUT,E2	1
FB101	235 0049 900	Beads inductor tape		1
FB701	247 2018 903	Carbon chip 0ohm 1/16W	RM73B--0R0KT	1
FL101	393 8033 007	FLD (CM1690C)		1
JK301	204 8611 006	6P pin jack		1
JK303	204 8611 006	6P pin jack		1
L701,702	235 9003 002	FTZ choke coil	for EUT,E2	2
S101-112	212 0440 904	Tact switch (TSTB-2)		12
S113	212 0373 000	Rotary encorder-EC16B		1
S114	212 0422 003	Rotary encorder		1
S115	212 0440 904	Tact switch (TSTB-2)		1
S901	212 1030 009	Power switch (TV-5)	for E1,E1H, E1C,EUT,E2	1
W724	203 0526 002	1P contact Ass'y		1
	414 0799 109	Shield plate		1

1U-3317 CONTROL UNIT ASS'Y

Ref. No.	Part No.	Part Name	Remarks	Ref. No.	Part No.	Part Name	Remarks
SEMICONDUCTORS							
IC102	262 2616 003	IC TC9184AP		R116	247 2013 982	Carbon chip 470 kohm 1/16W	RM73B--474JT
IC103	263 1098 900	IC LM833MX		R117,118	247 2014 907	Carbon chip 560 kohm 1/16W	RM73B--564JT
IC301	262 1701 906	IC SAA6579T-T	for E2	R119,120	247 2004 920	Carbon chip 47 ohm 1/16W	RM73B--470JT
IC302	262 1929 908	IC LC7074M-TE-R	for E2	R121,122	247 2009 925	Carbon chip 5.6 kohm 1/16W	RM73B--562JT
IC303	262 2856 009	IC TMP88CU74-1B58		R123,124	247 2010 985	Carbon chip 27 kohm 1/16W	RM73B--273JT
IC304,305	263 1040 903	IC BU4094BCF-E2		R125,126	247 2007 943	Carbon chip 1 kohm 1/16W	RM73B--102JT
IC402	263 1100 021	IC KIA7812API		R127,128	247 2012 925	Carbon chip 100 kohm 1/16W	RM73B--104JT
TR301	274 0163 904	Transistor 2SD601A		R141,142	247 2005 903	Carbon chip 100 ohm 1/16W	RM73B--101JT
TR302	271 0299 905	Transistor 2SA1505Y-RTK		R147,148	247 2005 903	Carbon chip 100 ohm 1/16W	RM73B--101JT
TR303	269 0054 901	Transistor DTC144EKT96		R211	247 2006 928	Carbon chip 300 ohm 1/16W	RM73B--301JT
TR304	269 0082 902	Transistor DTC114EKT96		R212	247 2006 973	Carbon chip 510 ohm 1/16W	RM73B--511JT
TR305	269 0055 900	Transistor DTA114EKT96		R213	247 2007 943	Carbon chip 1 kohm 1/16W	RM73B--102JT
TR306	269 0054 901	Transistor DTC144EKT96		R217	247 2005 974	Carbon chip 200 ohm 1/16W	RM73B--201JT
TR307	269 0083 901	Transistor DTA114EKT96		R241,242	247 2005 903	Carbon chip 100 ohm 1/16W	RM73B--101JT
TR308,309	269 0054 901	Transistor DTC144EKT96		R243,244	247 2009 909	Carbon chip 4.7 kohm 1/16W	RM73B--472JT (1608)
TR901	271 0131 924	Transistor 2SA988-T(E/F)		R303	247 2018 903	Carbon chip 0 ohm 1/16W	RM73B--0R0KT for E2
TR902	274 0160 907	Transistor 2SD2144STPU		R304--307	247 2009 983	Carbon chip 10 kohm 1/16W	RM73B--103JT
TR903	269 0020 906	Transistor DTC114ES(10K-10K)T		R308	247 2005 903	Carbon chip 100 ohm 1/16W	RM73B--101JT
TR904,905	271 0131 924	Transistor 2SA988-T(E/F)		R309	247 2009 983	Carbon chip 10 kohm 1/16W	RM73B--103JT
TR906~910	269 0083 901	Transistor DTA114EKT96		R310,311	247 2007 943	Carbon chip 1 kohm 1/16W	RM73B--102JT
TR911	271 0131 924	Transistor 2SA988-T(E/F)		R312	247 2009 983	Carbon chip 10 kohm 1/16W	RM73B--103JT
TR912	269 0083 901	Transistor DTA114EKT96		R313	247 2007 943	Carbon chip 1 kohm 1/16W	RM73B--102JT for E2
TR956,957	269 0083 901	Transistor DTA114EKT96		R314	247 2009 983	Carbon chip 10 kohm 1/16W	RM73B--103JT
D301	276 0432 903	Diode 1SS270A TE (TAPE)	for E2	R316	247 2005 903	Carbon chip 100 ohm 1/16W	RM73B--101JT
D302	276 0432 903	Diode 1SS270A TE (TAPE)		R318	247 2005 903	Carbon chip 100 ohm 1/16W	RM73B--101JT
D303	276 0634 905	Zener diode MTZJ3.3AT77		R319	247 2009 983	Carbon chip 10 kohm 1/16W	RM73B--103JT
D304	276 0432 903	Diode 1SS270A TE (TAPE)		R320	247 2005 903	Carbon chip 100 ohm 1/16W	RM73B--101JT
D305,306	276 0704 903	Diode 1SR35-400A(T93X)		R321	247 2009 983	Carbon chip 10 kohm 1/16W	RM73B--103JT
D901~912	276 0432 903	Diode 1SS270A TE (TAPE)		R324~326	247 2009 909	Carbon chip 4.7 kohm 1/16W	RM73B--472JT (1608)
D913	276 0704 903	Diode 1SR35-400A(T93X)		R327	247 2009 983	Carbon chip 10 kohm 1/16W	RM73B--103JT
D914	276 0645 978	Zener diode MTZJ36A T77		R329	247 2009 983	Carbon chip 10 kohm 1/16W	RM73B--103JT
D915	276 0704 903	Diode 1SR35-400A(T93X)		R330	247 2005 903	Carbon chip 100 ohm 1/16W	RM73B--101JT
D916	276 0643 996	Zener diode MTZJ5.6A T77		R331	247 2009 983	Carbon chip 10 kohm 1/16W	RM73B--103JT
D917	276 0704 903	Diode 1SR35-400A(T93X)		R333,334	247 2009 983	Carbon chip 10 kohm 1/16W	RM73B--103JT
D918~921	276 0432 903	Diode 1SS270A TE (TAPE)		R335	247 2011 942	Carbon chip 47 kohm 1/16W	RM73B--473JT
RESISTORS				R340~342	247 2009 983	Carbon chip 10 kohm 1/16W	RM73B--103JT
R101,102	247 2008 968	Carbon chip 3.3 kohm 1/16W	RM73B--332JT	R343,344	247 2005 903	Carbon chip 100 ohm 1/16W	RM73B--101JT
R103,104	247 2006 986	Carbon chip 560 ohm 1/16W	RM73B--561JT	R345	247 2018 903	Carbon chip 0 ohm 1/16W	RM73B--0R0KT
R105,106	247 2013 982	Carbon chip 470 kohm 1/16W	RM73B--474JT	R346	247 2005 903	Carbon chip 100 ohm 1/16W	RM73B--101JT
R107,108	247 2005 903	Carbon chip 100 ohm 1/16W	RM73B--101JT	R347	247 2007 943	Carbon chip 1 kohm 1/16W	RM73B--102JT for E1,E1H
R109,110	247 2012 909	Carbon chip 82 kohm 1/16W	RM73B--823JT	R347	247 2018 903	Carbon chip 0 ohm 1/16W	RM73B--0R0KT for E2
R111,112	247 2009 909	Carbon chip 4.7 kohm 1/16W	RM73B--472JT (1608)	R347,348	247 2009 909	Carbon chip 4.7 kohm 1/16W	RM73B--472JT (1608) for E1C,EUT
R113	247 2013 982	Carbon chip 470 kohm 1/16W	RM73B--474JT	R348	247 2018 903	Carbon chip 0 ohm 1/16W	RM73B--0R0KT for EU,EC
R114,115	247 2011 926	Carbon chip 39 kohm 1/16W	RM73B--393JT				

Ref. No.	Part No.	Part Name	Remarks
R348	247 2009 912	Carbon chip 5.1 kohm 1/16W	RM73B--512JT for E1,E1H
R349	247 2018 903	Carbon chip 0 ohm 1/16W	RM73B--0R0KT
R350	247 2009 983	Carbon chip 10 kohm 1/16W	RM73B--103JT
R351~353	247 2012 925	Carbon chip 100 kohm 1/16W	RM73B--104JT
R354	247 2013 908	Carbon chip 220 kohm 1/16W	RM73B--224JT
R355	247 2012 925	Carbon chip 100 kohm 1/16W	RM73B--104JT
R356	247 2009 983	Carbon chip 10 kohm 1/16W	RM73B--103JT
R357~360	247 2012 925	Carbon chip 100 kohm 1/16W	RM73B--104JT
R361,362	247 2009 909	Carbon chip 4.7 kohm 1/16W	RM73B--472JT (1608)
R363~365	247 2005 903	Carbon chip 100 ohm 1/16W	RM73B--101JT
R366,367	247 2009 983	Carbon chip 10 kohm 1/16W	RM73B--103JT
R368	247 2007 943	Carbon chip 1 kohm 1/16W	RM73B--102JT
R372,373	247 2007 943	Carbon chip 1 kohm 1/16W	RM73B--102JT
R374	247 2009 983	Carbon chip 10 kohm 1/16W	RM73B--103JT
R375	241 2387 940	Carbon film 4.7 ohm 1/4W(NB)	RD14B2E4R7JNBST
R376	247 2009 983	Carbon chip 10 kohm 1/16W	RM73B--103JT
R377	247 2009 983	Carbon chip 10 kohm 1/16W	RM73B--103JT for E2
R378~383	247 2009 983	Carbon chip 10 kohm 1/16W	RM73B--103JT
R384	247 2007 972	Carbon chip 1.3 kohm 1/16W	RM73B--132JT for E1,E1H
R385	247 2018 903	Carbon chip 0 ohm 1/16W	RM73B--0R0KT
R901~904	247 2008 926	Carbon chip 2.2 kohm 1/16W	RM73B--222JT
R907	247 2014 907	Carbon chip 560 kohm 1/16W	RM73B--564JT
R909	247 2006 928	Carbon chip 300 ohm 1/16W	RM73B--301JT
R910	247 2008 926	Carbon chip 2.2 kohm 1/16W	RM73B--222JT
R911	247 2010 969	Carbon chip 22 kohm 1/16W	RM73B--223JT
R912	247 2008 971	Carbon chip 3.6 kohm 1/16W	RM73B--362JT
R913	247 2014 907	Carbon chip 560 kohm 1/16W	RM73B--564JT
R914	247 2013 982	Carbon chip 470 kohm 1/16W	RM73B--474JT
R915	247 2007 943	Carbon chip 1 kohm 1/16W	RM73B--102JT
R916	247 2009 983	Carbon chip 10 kohm 1/16W	RM73B--103JT
R917	247 2013 982	Carbon chip 470 kohm 1/16W	RM73B--474JT
R918	247 2007 943	Carbon chip 1 kohm 1/16W	RM73B--102JT
R919	247 2009 983	Carbon chip 10 kohm 1/16W	RM73B--103JT
R920	247 2013 982	Carbon chip 470 kohm 1/16W	RM73B--474JT
R921	247 2007 943	Carbon chip 1 kohm 1/16W	RM73B--102JT
R922	247 2009 983	Carbon chip 10 kohm 1/16W	RM73B--103JT
R923	247 2013 982	Carbon chip 470 kohm 1/16W	RM73B--474JT
R924	247 2007 943	Carbon chip 1 kohm 1/16W	RM73B--102JT
R925	247 2009 983	Carbon chip 10 kohm 1/16W	RM73B--103JT
R926	247 2013 982	Carbon chip 470 kohm 1/16W	RM73B--474JT
R927	247 2007 943	Carbon chip 1 kohm 1/16W	RM73B--102JT
R928	247 2009 983	Carbon chip 10 kohm 1/16W	RM73B--103JT
R929	247 2013 982	Carbon chip 470 kohm 1/16W	RM73B--474JT
R930	247 2007 943	Carbon chip 1 kohm 1/16W	RM73B--102JT
R931	247 2009 983	Carbon chip 10 kohm 1/16W	RM73B--103JT
R932	241 2387 940	Carbon film 4.7 ohm 1/4W(NB)	RD14B2E4R7JNBST
R933	247 2010 956	Carbon chip 20 kohm 1/16W	RM73B--203JT
R934	244 2055 996	Metal oxide 1.2 kohm 1W(NB)	RS14B3A122JNBST(S)

Ref. No.	Part No.	Part Name	Remarks
R935	247 2010 956	Carbon chip 20 kohm 1/16W	RM73B--203JT
R939,940	244 2055 996	Metal oxide 1.2 kohm 1W(NB)	RS14B3A122JNBST(S)
R972	247 2013 982	Carbon chip 470 kohm 1/16W	RM73B--474JT
R973	247 2007 943	Carbon chip 1 kohm 1/16W	RM73B--102JT
R974	247 2009 983	Carbon chip 10 kohm 1/16W	RM73B--103JT
R975	247 2013 982	Carbon chip 470 kohm 1/16W	RM73B--474JT
R976	247 2007 943	Carbon chip 1 kohm 1/16W	RM73B--102JT
R977	247 2009 983	Carbon chip 10 kohm 1/16W	RM73B--103JT

CAPACITORS

C101,102	254 4524 956	Electrolytic 2.2µF/50V	CE04W1H2R2MT SMG/RE3
C105,106	254 4524 969	Electrolytic 3.3µF/50V	CE04W1H3R3MT SMG/RE3
C107,108	256 1058 942	Metalized 0.056µF/50V	CF93A1H563JT (JL)
C109,110	255 1265 907	Mylar film 6800pF/50V	CQ93M1H682JT(B)
C111,112	257 0506 951	Ceramic chip 100pF/50V	CC73CH1H101JT
C113,114	255 1265 949	Mylar film 0.012µF/50V	CQ93M1H123JT(B)
C115,116	255 1264 953	Mylar film 2700pF/50V	CQ93M1H272JT(B)
C117,118	254 4524 972	Electrolytic 4.7µF/50V	CE04W1H4R7MT SMG/RE3 for EU,EC,E1,E1H,E1C,EUT
C117,118	254 4538 939	Electrolytic 47µF/16V	CE04W1C470MT SMG/RE3 for E2
C119,120	255 1265 978	Mylar film 0.022µF/50V	CQ93M1H223JT(B)
C121,122	254 4524 972	Electrolytic 4.7µF/50V	CE04W1H4R7MT SMG/RE3
C214,215	253 1181 904	Ceramic 0.01µF/50V	CK45F1H103ZT(DD-3)
C303	257 0509 929	Ceramic chip 1000pF/50V	CK73B1H102KT for EU,EC
C304	257 0504 924	Ceramic chip 27pF/50V	CC73CH1H270JT for E2
C308	254 4524 956	Electrolytic 2.2µF/50V	CE04W1H2R2MT SMG/RE3 for E2
C310	257 0506 951	Ceramic chip 100pF/50V	CC73CH1H101JT
C311	257 0504 924	Ceramic chip 27pF/50V	CC73CH1H270JT for E2
C312	257 0511 904	Ceramic chip 0.01µF/50V	CK73F1H103ZT for E2
C315	257 0509 929	Ceramic chip 1000pF/50V	CK73B1H102KT for EU,EC
C316	254 4538 900	Electrolytic 10µF/16V	CE04W1C100MT SMG/RE3 for E2
C321	257 0508 933	Ceramic chip 560pF/50V	CC73CH1H561JT for E2
C323	254 4538 900	Electrolytic 10µF/16V	CE04W1C100MT SMG/RE3 for E2
C326	257 0509 929	Ceramic chip 1000pF/50V	CK73B1H102KT for E1,E1H,E1C,EUT
C334,335	257 0503 983	Ceramic chip 18pF/50V	CC73CH1H180JT for E1,E1H,E1C,EUT,E2
C339	254 4536 957	Electrolytic 470µF/10V	CE04W1A471MT SMG/RE3
C340	257 0512 903	Ceramic chip 0.1µF/25V	CK73F1E104ZT
C341	254 4538 939	Electrolytic 47µF/16V	CE04W1C470MT SMG/RE3

Ref. No.	Part No.	Part Name	Remarks	Ref. No.	Part No.	Part Name	Remarks	Q'ty	
C342	257 0511 920	Ceramic chip 0.047μF/50V	CK73F1H473ZT	OTHERS					
C348	254 4538 939	Electrolytic 47μF/16V	CE04W1C470MT SMG/RE3	CW073	205 1092 010	7P connector plug (TWG-P)		1	
C349	257 0511 904	Ceramic chip 0.01μF/50V	CK73F1H103ZT	CW102	205 0885 053	10P connector socket (TUC-P)		1	
C350	256 1058 984	Metalized 0.12μF/50V	CF93A1H124JT (JL)	CW113-115	205 1092 023	11P connector plug (TWG-P)		3	
C352	254 4522 903	Electrolytic 4.7μF/35V	CE04W1V4R7MT SMG/RE3	CW131,132	205 1092 036	13P connector plug (TWG-P)		2	
C353	257 0511 904	Ceramic chip 0.01μF/50V	CK73F1H103ZT	CW191,192	205 1092 007	19P connector plug (TWG-P)		2	
C354	254 4213 937	Electrolytic 100μF/6.3V	CE04W0J101MT (SRA)	CX037	205 0343 032	3P connector base (KR-PH)	for EU,EC	1	
C355	257 0511 904	Ceramic chip 0.01μF/50V	CK73F1H103ZT	CX044,045	205 0884 083	4P connector base (TUC-P)		2	
C356	257 0509 929	Ceramic chip 1000pF/50V	CK73B1H102KT	CX061	205 0943 018	6P connector base (TUC-P)		1	
C357	254 4534 713	Electrolytic 3300μF/6.3V	CE04W0J332MC SMG/RE3	CX071,072	205 0943 021	7P connector base (TUC-P)		2	
C357	259 0007 702	Back up cap.8200μF/5.5V	SB CAP==822=C for E1,E1H,E1C,EUT,E2	CX077	205 1081 018	7P FJ connector base		1	
C358	257 0509 929	Ceramic chip 1000pF/50V	CK73B1H102KT	CX078,079	205 0943 021	7P connector base (TUC-P)		2	
C359	254 4533 934	Electrolytic 220μF/6.3V	CE04W0J221MT SMG/RE3	CX081-083	205 0884 096	8P connector base (TUC-P)		3	
C375	257 0511 920	Ceramic chip 0.047μF/50V	CK73F1H473ZT for EU,EC	CX103	205 0884 054	10P connector base (TUC-P)		1	
C375	257 0509 929	Ceramic chip 1000pF/50V	CK73B1H102KT for E1,E1H,E1C,EUT,E2	CX111	205 0884 067	11P connector base (TUC-P)		1	
C377	254 4538 900	Electrolytic 10μF/16V	CE04W1C100MT SMG/RE3	CX114	205 1091 024	11P connector base (TWG-P)		1	
C385	257 0509 929	Ceramic chip 1000pF/50V	CK73B1H102KT for EU, EC	CX118	205 0884 067	11P connector base (TUC-P)		1	
C387	257 0509 929	Ceramic chip 1000pF/50V	CK73B1H102KT	CX121,122	205 0884 070	12P connector base (TUC-P)		2	
C390	256 1058 971	Metalized 0.1μF/50V	CF93A1H104JT (JL)	CX125	205 0884 070	12P connector base (TUC-P)		1	
C393	257 0509 929	Ceramic chip 1000pF/50V	CK73B1H102KT	CX131	205 1091 037	13P connector base (TWG-P)		1	
C396	257 0509 929	Ceramic chip 1000pF/50V	CK73B1H102KT for E1,E1H,E1C,EUT,E2	CX142,143	205 1164 003	14P connector socket (TMC-D)		2	
C397	257 0509 929	Ceramic chip 1000pF/50V	CK73B1H102KT for EU,EC	CX151-153	205 0884 041	15P connector base (TUC-P)		3	
C398	257 0506 951	Ceramic chip 100pF/50V	CC73CH1H101JT	CX192	205 1091 008	19P connector base (TWG-P)		1	
C399	257 0509 929	Ceramic chip 1000pF/50V	CK73B1H102KT	CY041	205 0343 045	4P connector base (KR-PH)		1	
C401	257 0511 904	Ceramic chip 0.01μF/50V	CK73F1H103ZT	FB304,305	235 0049 900	Beads inductor tape		2	
C402	254 4524 985	Electrolytic 10μF/50V	CE04W1H100MT SMG/RE3	L308	247 2005 987	Carbon chip 220 ohm 1/16W	RM73B--221JT	1	
C404	254 4524 985	Electrolytic 10μF/50V	CE04W1H100MT SMG/RE3	L313-315	247 2005 987	Carbon chip 220 ohm 1/16W	RM73B--221JT	3	
C407,408	257 0509 929	Ceramic chip 1000pF/50V	CK73B1H102KT for E1,E1H,E1C,EUT,E2	L319	247 2005 987	Carbon chip 220 ohm 1/16W	RM73B--221JT	1	
C492	257 0509 929	Ceramic chip 1000pF/50V	CK73B1H102KT for E1,E1H,E1C,EUT,E2	RL901	214 0208 003	Relay (NA24W-K)		1	
C901	253 1181 904	Ceramic 0.01μF/50V	CK45F1H103ZT(DD-3)	S201	212 0373 000	Rotary encorder-EC16B		1	
C902	254 4524 956	Electrolytic 2.2μF/50V	CE04W1H2R2MT SMG/RE3	S202-205	212 0440 904	Tact switch (TSTB-2)		4	
C903	253 1181 904	Ceramic 0.01μF/50V	CK45F1H103ZT(DD-3)	W708,709	205 1034 010	M3 screw terminal		2	
C909	254 4524 943	Electrolytic 1μF/50V	CE04W1H010MT SMG/RE3	X301	399 0178 007	Crystal 4.332 MHz	for E2	1	
C911	254 4527 908	Electrolytic 0.1μF/100V	CE04W2A0R1MT SMG/RE3	XL301	399 0191 903	Ceramic 4MHz	CST4.00MGW-TF01 for E2	1	
C912	254 4524 985	Electrolytic 10μF/50V	CE04W1H100MT SMG/RE3	XL302	399 0532 902	Ceramic 12.5MHz	CST12.5MTW-TF01 for EU,EC	1	
C913-918	254 4524 901	Electrolytic 0.1μF/50V	CE04W1H0R1MT SMG/RE3	XL302	399 0607 002	Crystal 12.5MHz	for E1,E1H, E1C,EUT,E2	1	
C919	254 4522 958	Electrolytic 100μF/35V	CE04W1V101MT SMG/RE3						
C964,965	254 4524 901	Electrolytic 0.1μF/50V	CE04W1H0R1MT SMG/RE3						
C982,983	257 0509 929	Ceramic chip 1000pF/50V	CK73B1H102KT for E1,E1H,E1C,EUT,E2						

1U-3318 CONNECT UNIT ASS'Y

Ref. No.	Part No.	Part Name	Remarks
SEMICONDUCTORS			
IC301	263 0857 003	IC BA7626	
IC302	263 0856 004	IC BA7625	
IC304	262 2067 005	IC MC74HC4053N	
IC305	263 0682 003	IC NJM2229S	
IC308	262 2808 002	IC M35015-210SP	
IC371	262 2871 000	IC MM74HC4052N	
IC375	262 2871 000	IC MM74HC4052N	
IC376	263 0857 003	IC BA7626	
IC377	263 0856 004	IC BA7625	
IC501	216 0102 008	Front end	for EU,EC,E1,E1H,E1C,EUT
IC501	216 9013 004	FM FRONT END (U) S	for E2
IC502	263 0891 001	IC LA1265(S)	
IC503	263 0439 007	IC LA3401	
IC507	262 2450 900	IC LC72131M-TLM	
TR301~307	271 0290 904	Transistor 2PA1015GR(TAPE)	
TR309	271 0290 904	Transistor 2PA1015GR(TAPE)	
TR310	269 0082 902	Transistor DTC323TKT96	
TR311	273 0446 903	Transistor 2PC1815BL(TAPE)	
TR312,313	271 0290 904	Transistor 2PA1015GR(TAPE)	
TR501	275 0074 902	FET 2SK211-Y/GR	for E2
TR502	273 0411 909	Transistor 2SC2996-Y(TE85L)	
TR503,504	269 0083 901	Transistor DTA114EKT96	
TR505	269 0184 907	Transistor KRA102S-RTK	
TR508	269 0054 901	Transistor DTC144EKT96	
TR509,510	269 0066 902	Transistor DTC323TKT96	
TR511	269 0086 908	Transistor DTA114TKT96	
TR601~603	273 0429 904	Transistor 2SC3311A (TA)	
TR604	269 0020 906	Transistor DTC114ES(10K-10K)T	
TR605,606	273 0429 904	Transistor 2SC3311A (TA)	
TR801~804	273 0460 905	Transistor KTC2875B-RTK	
TR811~814	273 0460 905	Transistor KTC2875B-RTK	
TR821~824	273 0460 905	Transistor KTC2875B-RTK	
TR831~834	273 0460 905	Transistor KTC2875B-RTK	
TR841~844	273 0460 905	Transistor KTC2875B-RTK	
TR890	269 0082 902	Transistor DTC323TKT96	
D302~309	276 0432 903	Diode 1SS270A TE (TAPE)	
D501	276 0432 903	Diode 1SS270A TE (TAPE)	
D503~505	276 0432 903	Diode 1SS270A TE (TAPE)	
D890	276 0432 903	Diode 1SS270A TE (TAPE)	
ZD502	276 0468 919	Zener diode HZS9B-2TD	

Ref. No.	Part No.	Part Name	Remarks
RESISTORS			
R301~308	247 2004 975	Carbon chip 75 ohm 1/16W	RM73B--750JT
R309~314	247 2009 983	Carbon chip 10 kohm 1/16W	RM73B--103JT
R315~320	247 2004 962	Carbon chip 68 ohm 1/16W	RM73B--680JT
R321,322	247 2004 975	Carbon chip 75 ohm 1/16W	RM73B--750JT
R323	247 2007 943	Carbon chip 1 kohm 1/16W	RM73B--102JT
R324	247 2007 914	Carbon chip 750 ohm 1/16W	RM73B--751JT
R325	247 2007 943	Carbon chip 1 kohm 1/16W	RM73B--102JT
R328	247 2007 943	Carbon chip 1 kohm 1/16W	RM73B--102JT
R329	247 2008 900	Carbon chip 1.8 kohm 1/16W	RM73B--182JT
R330	247 2002 964	Carbon chip 10 ohm 1/16W	RM73B--100JT
R331,332	247 2004 975	Carbon chip 75 ohm 1/16W	RM73B--750JT
R336,337	247 2005 974	Carbon chip 200 ohm 1/16W	RM73B--201JT
R338	247 2009 983	Carbon chip 10 kohm 1/16W	RM73B--103JT
R339	247 2007 943	Carbon chip 1 kohm 1/16W	RM73B--102JT
R340	247 2013 982	Carbon chip 470 kohm 1/16W	RM73B--474JT
R341	247 2011 900	Carbon chip 33 kohm 1/16W	RM73B--333JT
R342,343	247 2005 974	Carbon chip 200 ohm 1/16W	RM73B--201JT
R344	247 2013 908	Carbon chip 220 kohm 1/16W	RM73B--224JT
R345	247 2009 967	Carbon chip 8.2 kohm 1/16W	RM73B--822JT
R346	247 2012 925	Carbon chip 100 kohm 1/16W	RM73B--104JT
R347~350	247 2005 974	Carbon chip 200 ohm 1/16W	RM73B--201JT
R352~356	247 2005 974	Carbon chip 200 ohm 1/16W	RM73B--201JT
R357	247 2006 944	Carbon chip 390 ohm 1/16W	RM73B--391JT
R358	247 2007 985	Carbon chip 1.5 kohm 1/16W	RM73B--152JT
R359	247 2009 983	Carbon chip 10 kohm 1/16W	RM73B--103JT
R360	247 2011 955	Carbon chip 51 kohm 1/16W	RM73B--513JT
R361	247 2009 954	Carbon chip 7.5 kohm 1/16W	RM73B--752JT
R362	247 2007 969	Carbon chip 1.2 kohm 1/16W	RM73B--122JT
R363	247 2005 987	Carbon chip 220 ohm 1/16W	RM73B--221JT
R364	247 2009 909	Carbon chip 4.7 kohm 1/16W	RM73B--472JT (1608)
R365	247 2011 942	Carbon chip 47 kohm 1/16W	RM73B--473JT
R366	247 2009 983	Carbon chip 10 kohm 1/16W	RM73B--103JT
R367	247 2009 967	Carbon chip 8.2 kohm 1/16W	RM73B--822JT
R368	247 2011 942	Carbon chip 47 kohm 1/16W	RM73B--473JT
R369	247 2009 967	Carbon chip 8.2 kohm 1/16W	RM73B--822JT
R370	247 2009 909	Carbon chip 4.7 kohm 1/16W	RM73B--472JT (1608)
R371	247 2007 943	Carbon chip 1 kohm 1/16W	RM73B--102JT
R373	247 2005 974	Carbon chip 200 ohm 1/16W	RM73B--201JT
R374~376	247 2004 975	Carbon chip 75 ohm 1/16W	RM73B--750JT
R377	247 2018 903	Carbon chip 0 ohm 1/16W	RM73B--0R0KT
R378	247 2004 975	Carbon chip 75 ohm 1/16W	RM73B--750JT
R380,381	247 2005 903	Carbon chip 100 ohm 1/16W	RM73B--101JT
R382~388	247 2009 983	Carbon chip 10 kohm 1/16W	RM73B--103JT
R390~392	247 2018 903	Carbon chip 0 ohm 1/16W	RM73B--0R0KT
R501	247 2002 964	Carbon chip 10 ohm 1/16W	RM73B--100JT
R502	247 2018 903	Carbon chip 0 ohm 1/16W	RM73B--0R0KT for E2
R503	247 2007 943	Carbon chip 1 kohm 1/16W	RM73B--102JT
R504~512	247 2018 903	Carbon chip 0 ohm 1/16W	RM73B--0R0KT
R514	247 2005 903	Carbon chip 100 ohm 1/16W	RM73B--101JT

Ref. No.	Part No.	Part Name	Remarks	Ref. No.	Part No.	Part Name	Remarks
R515	247 2005 903	Carbon chip 100 ohm 1/16W	RM73B--101JT for EU,EC,E1,E1H,E1C,EUT	R575,576	247 2012 941	Carbon chip 120 kohm 1/16W	RM73B--124JT for EU,EC,E1,E1H,E1C,EUT
R516	247 2007 943	Carbon chip 1 kohm 1/16W	RM73B--102JT for EU,EC,E1,E1H,E1C,EUT	R575,576	247 2012 996	Carbon chip 200 kohm 1/16W	RM73B--204JT for E2
R516,517	247 2006 902	Carbon chip 330 ohm 1/16W	RM73B--331JT (1608) for E2	R577	247 2010 969	Carbon chip 22 kohm 1/16W	RM73B--223JT
R518	247 2005 987	Carbon chip 220 ohm 1/16W	RM73B--221JT	R578	247 2018 903	Carbon chip 0 ohm 1/16W	RM73B--0R0KT
R519	247 2006 960	Carbon chip 470 ohm 1/16W	RM73B--471JT	R579-581	247 2018 903	Carbon chip 0 ohm 1/16W	RM73B--0R0KT for EU,EC,E1,E1H,E1C,EUT
R520	247 2007 943	Carbon chip 1 kohm 1/16W	RM73B--102JT	R582	247 2018 903	Carbon chip 0 ohm 1/16W	RM73B--0R0KT
R521	247 2009 909	Carbon chip 4.7 kohm 1/16W	RM73B--472JT (1608)	R595	247 2018 903	Carbon chip 0 ohm 1/16W	RM73B--0R0KT
R522	247 2006 902	Carbon chip 330 ohm 1/16W	RM73B--331JT (1608)	R713,714	244 2052 960	Metal oxide 220 ohm 1W(NB)	RS14B3A221JNBST(S)
R523	247 2007 969	Carbon chip 1.2 kohm 1/16W	RM73B--122JT	R801-804	247 2006 960	Carbon chip 470 ohm 1/16W	RM73B--471JT
R524	247 2012 925	Carbon chip 100 kohm 1/16W	RM73B--104JT	R805,806	247 2012 925	Carbon chip 100 kohm 1/16W	RM73B--104JT
R525	247 2007 943	Carbon chip 1 kohm 1/16W	RM73B--102JT	R807,808	247 2009 983	Carbon chip 10 kohm 1/16W	RM73B--103JT
R526	247 2009 925	Carbon chip 5.6 kohm 1/16W	RM73B--562JT	R809,810	247 2010 969	Carbon chip 22 kohm 1/16W	RM73B--223JT
R527-529	247 2007 943	Carbon chip 1 kohm 1/16W	RM73B--102JT	R811-814	247 2006 960	Carbon chip 470 ohm 1/16W	RM73B--471JT
R531,532	247 2018 903	Carbon chip 0 ohm 1/16W	RM73B--0R0KT	R815,816	247 2012 925	Carbon chip 100 kohm 1/16W	RM73B--104JT
R533	247 2010 927	Carbon chip 15 kohm 1/16W	RM73B--153JT	R817,818	247 2009 983	Carbon chip 10 kohm 1/16W	RM73B--103JT
R534	247 2005 929	Carbon chip 120 ohm 1/16W	RM73B--121JT	R819,820	247 2010 969	Carbon chip 22 kohm 1/16W	RM73B--223JT
R535	247 2010 943	Carbon chip 18 kohm 1/16W	RM73B--183JT for EU,EC	R821-824	247 2006 960	Carbon chip 470 ohm 1/16W	RM73B--471JT
R535	247 2011 926	Carbon chip 39 kohm 1/16W	RM73B--393JT for E1,E1H,E1C,EUT,E2	R825,826	247 2012 925	Carbon chip 100 kohm 1/16W	RM73B--104JT
R536	247 2018 903	Carbon chip 0 ohm 1/16W	RM73B--0R0KT for EU,EC,E1,E1H,E1C,EUT	R827,828	247 2009 983	Carbon chip 10 kohm 1/16W	RM73B--103JT
R536	247 2008 942	Carbon chip 2.7 kohm 1/16W	RM73B--272JT for E2	R829,830	247 2010 969	Carbon chip 22 kohm 1/16W	RM73B--223JT
R537	247 2011 984	Carbon chip 68 kohm 1/16W	RM73B--683JT	R831-834	247 2006 960	Carbon chip 470 ohm 1/16W	RM73B--471JT
R538	247 2009 941	Carbon chip 6.8 kohm 1/16W	RM73B--682JT	R835,836	247 2012 925	Carbon chip 100 kohm 1/16W	RM73B--104JT
R539	247 2009 925	Carbon chip 5.6 kohm 1/16W	RM73B--562JT	R837,838	247 2009 983	Carbon chip 10 kohm 1/16W	RM73B--103JT
R540,541	247 2009 983	Carbon chip 10 kohm 1/16W	RM73B--103JT	R839,840	247 2010 969	Carbon chip 22 kohm 1/16W	RM73B--223JT
R542,543	247 2008 968	Carbon chip 3.3 kohm 1/16W	RM73B--332JT	R841-844	247 2006 960	Carbon chip 470 ohm 1/16W	RM73B--471JT
R544,545	247 2012 925	Carbon chip 100 kohm 1/16W	RM73B--104JT for EU,EC,E1,E1H,E1C,EUT	R845,846	247 2012 925	Carbon chip 100 kohm 1/16W	RM73B--104JT
R544,545	247 2012 967	Carbon chip 150 kohm 1/16W	RM73B--154JT for E2	R847,848	247 2009 983	Carbon chip 10 kohm 1/16W	RM73B--103JT
R546	247 2011 926	Carbon chip 39 kohm 1/16W	RM73B--393JT	R849,850	247 2010 969	Carbon chip 22 kohm 1/16W	RM73B--223JT
R547	247 2012 925	Carbon chip 100 kohm 1/16W	RM73B--104JT	R851,852	247 2012 925	Carbon chip 100 kohm 1/16W	RM73B--104JT
R548	247 2009 983	Carbon chip 10 kohm 1/16W	RM73B--103JT	R853,854	247 2005 987	Carbon chip 220 ohm 1/16W	RM73B--221JT
R549	247 2012 925	Carbon chip 100 kohm 1/16W	RM73B--104JT	R855,856	247 2012 925	Carbon chip 100 kohm 1/16W	RM73B--104JT
R550	247 2009 925	Carbon chip 5.6 kohm 1/16W	RM73B--562JT	R857,858	247 2005 987	Carbon chip 220 ohm 1/16W	RM73B--221JT
R551	247 2009 983	Carbon chip 10 kohm 1/16W	RM73B--103JT	R859,860	247 2012 925	Carbon chip 100 kohm 1/16W	RM73B--104JT
R553,554	247 2008 968	Carbon chip 3.3 kohm 1/16W	RM73B--332JT	R861,862	247 2005 987	Carbon chip 220 ohm 1/16W	RM73B--221JT
R555,556	247 2009 925	Carbon chip 5.6 kohm 1/16W	RM73B--562JT for EU,EC,E1,E1H,E1C,EUT	R863,864	247 2012 925	Carbon chip 100 kohm 1/16W	RM73B--104JT
R555,556	247 2008 968	Carbon chip 3.3 kohm 1/16W	RM73B--332JT for E2	R865,866	247 2005 987	Carbon chip 220 ohm 1/16W	RM73B--221JT
R569	247 2009 925	Carbon chip 5.6 kohm 1/16W	RM73B--562JT for E2	R867,868	247 2012 925	Carbon chip 100 kohm 1/16W	RM73B--104JT
R570	247 2009 983	Carbon chip 10 kohm 1/16W	RM73B--103JT for E2	R869,870	247 2005 987	Carbon chip 220 ohm 1/16W	RM73B--221JT
R571-574	247 2018 903	Carbon chip 0 ohm 1/16W	RM73B--0R0KT	VR501	211 6132 925	Semi fixed resistor 10 kohm	V06PB103T
				VR502	211 6132 983	Semi fixed resistor 100 kohm	V06PB104T

Ref. No.	Part No.	Part Name	Remarks	Ref. No.	Part No.	Part Name	Remarks
CAPACITORS				C507,508	257 0501 901	Ceramic chip 0.01 μ F/50V	CK73B1H103KT (1608)
C301,302	254 4195 916	Electrolytic 4.7 μ F/35V	CE04W1V4R7MT (SRA)	C509	257 0503 941	Ceramic chip 12pF/50V	CC73CH1H120JT
C303,304	257 0511 917	Ceramic chip 0.022 μ F/50V	CK73F1H223ZT	C510	257 0501 901	Ceramic chip 0.01 μ F/50V	CK73B1H103KT (1608)
C305,306	254 4195 916	Electrolytic 4.7 μ F/35V	CE04W1V4R7MT (SRA)	C511	254 4538 939	Electrolytic 47 μ F/16V	CE04W1C470MT SMG/RE3
C310	254 4195 916	Electrolytic 4.7 μ F/35V	CE04W1V4R7MT (SRA)	C512	257 0501 901	Ceramic chip 0.01 μ F/50V	CK73B1H103KT (1608)
C311	254 4533 934	Electrolytic 220 μ F/6.3V	CE04W0J21MT SMG/RE3	C513	254 4524 943	Electrolytic 1 μ F/50V	CE04W1H010MT SMG/RE3
C312	254 4533 950	Electrolytic 470 μ F/6.3V	CE04W0J471MT SMG/RE3	C514	257 0511 904	Ceramic chip 0.01 μ F/50V	CK73F1H103ZT
C313	254 4533 934	Electrolytic 220 μ F/6.3V	CE04W0J21MT SMG/RE3	C515	254 4538 939	Electrolytic 47 μ F/16V	CE04W1C470MT SMG/RE3
C314	254 4533 950	Electrolytic 470 μ F/6.3V	CE04W0J471MT SMG/RE3	C516,517	257 0501 901	Ceramic chip 0.01 μ F/50V	CK73B1H103KT (1608)
C315	254 4533 934	Electrolytic 220 μ F/6.3V	CE04W0J21MT SMG/RE3	C518	257 0010 984	Ceramic chip 0.047 μ F/50V	CK73B1H473KT
C316	254 4533 950	Electrolytic 470 μ F/6.3V	CE04W0J471MT SMG/RE3	C519	257 0506 951	Ceramic chip 100pF/50V	CC73SL1H101JT for E2
C317,318	254 4524 943	Electrolytic 1 μ F/50V	CE04W1H010MT SMG/RE3	C520	257 0506 951	Ceramic chip 100pF/50V	CC73CH1H101JT
C320	257 0511 917	Ceramic chip 0.022 μ F/50V	CK73F1H223ZT	C521-523	257 0501 901	Ceramic chip 0.01 μ F/50V	CK73B1H103KT (1608)
C321	254 4538 900	Electrolytic 10 μ F/16V	CE04W1C100MT SMG/RE3	C524	254 4524 930	Electrolytic 0.47 μ F/50V	CE04W1HR47MT SMG/RE3
C323	254 4536 928	Electrolytic 100 μ F/10V	CE04W1A101MT SMG/RE3	C525	254 4524 985	Electrolytic 10 μ F/50V	CE04W1H100MT SMG/RE3
C324	257 0511 904	Ceramic chip 0.01 μ F/50V	CK73F1H103ZT	C526	257 0010 942	Ceramic chip 0.022 μ F/50V	CK73B1H223KT
C327-329	257 0504 940	Ceramic chip 33pF/50V	CC73CH1H330JT	C527	254 4524 943	Electrolytic 1 μ F/50V	CE04W1H010MT SMG/RE3 for EU,EC
C330	257 0501 901	Ceramic chip 0.01 μ F/50V	CK73B1H103KT (1608)	C527	254 4524 927	Electrolytic 0.33 μ F/50V	CE04W1HR33MT SMG/RE3 for E1,E1H,E1C,EUT,E2
C331	257 0503 925	Ceramic chip 10pF/50V	CC73CH1H100DT	C528	254 4538 939	Electrolytic 47 μ F/16V	CE04W1C470MT SMG/RE3
C332	257 0503 941	Ceramic chip 12pF/50V	CC73CH1H120JT	C529	254 4524 943	Electrolytic 1 μ F/50V	CE04W1H010MT SMG/RE3
C333	255 1265 978	Mylar film 0.022 μ F/50V	CQ93M1H223JT(B)	C530	254 4524 914	Electrolytic 0.22 μ F/50V	CE04W1HR22MT SMG/RE3
C334	254 4524 972	Electrolytic 4.7 μ F/50V	CE04W1H4R7MT SMG/RE3	C531	254 4524 943	Electrolytic 1 μ F/50V	CE04W1H010MT SMG/RE3
C335	257 0506 951	Ceramic chip 100pF/50V	CC73CH1H101JT	C532	257 0501 901	Ceramic chip 0.01 μ F/50V	CK73B1H103KT (1608)
C336	254 4524 943	Electrolytic 1 μ F/50V	CE04W1H010MT SMG/RE3	C533	256 1058 939	Metalized 0.047 μ F/50V	CF93A1H473JT (JL)
C337	254 4538 900	Electrolytic 10 μ F/16V	CE04W1C100MT SMG/RE3	C534	256 1058 942	Metalized 0.056 μ F/50V	CF93A1H563JT (JL)
C338	255 1264 908	Mylar film 1000pF/50V	CQ93M1H102JT(B)	C535	254 3053 910	Electrolytic 22 μ F/16V	CE04D1C220MBPT (SME)
C339	254 4536 928	Electrolytic 100 μ F/10V	CE04W1A101MT SMG/RE3	C536	257 0506 951	Ceramic chip 100pF/50V	CC73CH1H101JT for EU,EC,E1,E1H,E1C,EUT
C340	257 0511 904	Ceramic chip 0.01 μ F/50V	CK73F1H103ZT	C537	254 4524 972	Electrolytic 4.7 μ F/50V	CE04W1H4R7MT SMG/RE3 for E2
C341	255 1264 911	Mylar film 1200pF/50V	CQ93M1H122JT(B)	C538	254 4538 913	Electrolytic 22 μ F/16V	CE04W1C220MT SMG/RE3
C342	257 0506 993	Ceramic chip 150pF/50V	CC73CH1H151JT	C539,540	257 0508 962	Ceramic chip 750pF/50V	CC73CH1H751JT for EU,EC
C343	254 4524 943	Electrolytic 1 μ F/50V	CE04W1H010MT SMG/RE3	C539,540	257 0508 920	Ceramic chip 510pF/50V	CC73CH1H511JT for E1,E1H,E1C,EUT
C344	256 1058 955	Metalized 0.068 μ F/50V	CF93A1H683JT (JL)	C539,540	257 0507 976	Ceramic chip 330pF/50V	CC73CH1H331JT for E2
C345	257 0508 917	Ceramic chip 470pF/50V	CC73CH1H471JT	C541	254 4524 956	Electrolytic 2.2 μ F/50V	CE04W1H2R2MT SMG/RE3
C346	257 0510 918	Ceramic chip 3300pF/50V	CK73B1H332KT	C544	257 0501 901	Ceramic chip 0.01 μ F/50V	CK73B1H103KT (1608)
C347	254 4538 900	Electrolytic 10 μ F/16V	CE04W1C100MT SMG/RE3	C545,546	254 4538 900	Electrolytic 10 μ F/16V	CE04W1C100MT SMG/RE3
C348	254 4538 942	Electrolytic 100 μ F/16V	CE04W1C101MT SMG/RE3	C557,558	257 0503 967	Ceramic chip 15pF/50V	CC73CH1H150JT
C349,350	254 4536 928	Electrolytic 100 μ F/10V	CE04W1A101MT SMG/RE3	C559	254 4524 943	Electrolytic 1 μ F/50V	CE04W1H010MT SMG/RE3
C351	254 4538 942	Electrolytic 100 μ F/16V	CE04W1C101MT SMG/RE3	C561	257 0511 904	Ceramic chip 0.01 μ F/50V	CK73F1H103ZT
C352,353	256 1058 939	Metalized 0.047 μ F/50V	CF93A1H473JT (JL)	C562	257 0512 903	Ceramic chip 0.1 μ F/25V	CK73F1E104ZT
C354	254 4524 943	Electrolytic 1 μ F/50V	CE04W1H010MT SMG/RE3	C570	254 4538 900	Electrolytic 10 μ F/16V	CE04W1C100MT SMG/RE3
C355	256 1058 939	Metalized 0.047 μ F/50V	CF93A1H473JT (JL)	C571	254 4524 943	Electrolytic 1 μ F/50V	CE04W1H010MT SMG/RE3
C356	257 0511 904	Ceramic chip 0.01 μ F/50V	CK73F1H103ZT	C574	257 0506 951	Ceramic chip 100pF/50V	CC73CH1H101JT
C357-361	254 4195 916	Electrolytic 4.7 μ F/35V	CE04W1V4R7MT (SRA)	C575	257 0511 904	Ceramic chip 0.01 μ F/50V	CK73F1H103ZT
C362	257 0511 904	Ceramic chip 0.01 μ F/50V	CK73F1H103ZT				
C363-366	253 1181 904	Ceramic 0.01 μ F/50V	CK45F1H103ZT(DD-3)				
C375-384	254 4195 916	Electrolytic 4.7 μ F/35V	CE04W1V4R7MT (SRA)				
C385	257 0511 917	Ceramic chip 0.022 μ F/50V	CK73F1H223ZT				
C386,387	254 4524 943	Electrolytic 1 μ F/50V	CE04W1H010MT SMG/RE3				
C388,389	257 0511 917	Ceramic chip 0.022 μ F/50V	CK73F1H223ZT				
C501,502	257 0509 929	Ceramic chip 1000pF/50V	CK73B1H102KT				
C503-505	257 0501 901	Ceramic chip 0.01 μ F/50V	CK73B1H103KT (1608)				

Ref. No.	Part No.	Part Name	Remarks	Q'ty	Ref. No.	Part No.	Part Name	Remarks	Q'ty
C576	257 0509 929	Ceramic chip 1000pF/50V	CK73B1H102KT for GE1,G1H		L301	235 0060 963	Inductor 15μH		1
C721,722	255 1264 908	Mylar film 1000pF/50V	CQ93M1H102JT(B) for E2		LF501	232 9010 009	Antibirdie filter		1
C723	253 9039 906	Ceramic 0.1μF/25V	CK45=1E104ZT(DD-3)		LF503,504	232 0085 004	LPF	for E2	2
C801~804	254 4538 913	Electrolytic 22μF/16V	CE04W1C220MT SMG/RE3		RL890	214 0208 003	Relay (NA24W-K)		1
C807	254 4524 943	Electrolytic 1μF/50V	CE04W1H010MT SMG/RE3		ST101	205 0452 004	Style pin		1
C811~814	254 4538 913	Electrolytic 22μF/16V	CE04W1C220MT SMG/RE3		ST801	205 1034 010	M3 screw terminal		1
C821~824	254 4538 913	Electrolytic 22μF/16V	CE04W1C220MT SMG/RE3		SW901	212 0420 005	1P push switch (non lock)	for EU,EC	1
C831~834	254 4538 913	Electrolytic 22μF/16V	CE04W1C220MT SMG/RE3		S501	212 0408 001	Slide switch	for E1,E1H	1
C841~844	254 4538 913	Electrolytic 22μF/16V	CE04W1C220MT SMG/RE3						
OTHERS				Q'ty					
CF501	261 0135 907	Ceramic filter MA8	for EU,EC,E1, E1H,E1C,EUT	1	T501	231 2096 001	MW ant.-osc. coil		1
CF502	261 0136 906	Ceramic filter MS2G	for EU,EC,E1, E1H,E1C,EUT	1	T502	231 2085 009	FM det. trans.		1
CF501,502	261 0146 006	Ceramic filter FMCFSK107M2-A	for E2	2	T503	231 1138 009	AM IFT		1
CF503	261 0079 005	Ceramic resonator CSB456F11		1	W712	203 0526 002	1P contact Ass'y		1
CF504	261 0031 001	Ceramic filter BFU450C4		1	XL301	399 0153 006	Crystal 14.32MHZ-12PF		1
CF505	261 0116 007	Ceramic filter SFU450B3		1	XL302	399 0105 009	Ceramic resonator CSB503F2		1
CW054~059	205 0885 008	5P connector socket (TUC-P)		6	XL503	399 0075 003	Crystal 7.2 MHz		1
CW081	205 0885 095	8P connector socket (TUC-P)		1					
CW122	205 0885 079	12P connector socket (TUC-P)		1					
CW151	205 0885 040	15P connector socket (TUC-P)		1					
CW154	204 6669 005	15P DA-DA connector cord		1					
CW950	205 0885 008	5P connector socket (TUC-P)		1					
CX073	205 1091 011	7P connector base (TWG-P)		1					
CX113	205 1091 024	11P connector base (TWG-P)		1					
CX191	205 1091 008	19P connector base(TWG-P)		1					
CX933	205 0321 038	3P connector base (RED)		1					
CX951	205 0343 058	5P connector base (KR-PH)		1					
CY031	205 0343 032	3P connector base (KR-PH)		1					
CY037	205 0343 032	3P connecto rbase (KR-PH)	for EU,EC	1					
FB305,306	235 0049 900	Beads inductor tape		2					
JK301	204 8415 011	3P S-terminal		1					
JK302,303	204 8414 012	2P S-terminal		2					
JK304	205 0902 004	1P S-terminal (SW)		1					
JK501	205 0847 004	3P antenna term (PAL/F)		1					
JK702	204 8264 013	Head phone jack (NI)	for EU,EC	1					
JK702	204 8264 071	Head phone jack (Gold)	for E1,E1H, E1C,EUT,E2	1					
JK801	204 8611 006	6P pin jack		1					
JK802	204 8610 007	4P pinjack		1					

1U-3319 REGULATOR UNIT ASS'Y

Ref. No.	Part No.	Part Name	Remarks
SEMICONDUCTORS			
IC401	262 2871 000	IC MM74HC4052N	
IC402	263 0856 004	IC BA7625	
IC403	262 2872 009	IC MM74HC4053N	
IC450,451	263 0856 004	IC BA7625	
IC452,453	263 0857 003	IC BA7626	
IC701~703	269 0178 007	Optical connector GP1F37R1	
IC704	262 2860 901	IC MM74HCU04SXX	
IC705,706	262 2806 907	IC SN74HC153NS(TAPE)	
IC707	269 0177 008	Optical connector GP1F38T2	
IC901	263 0809 006	IC NJM7805FA(S)	
IC902	263 1092 003	IC BA05T	
IC904	263 1100 047	IC KIA7820API	
IC905	263 0812 006	IC NJM7815FA(S)	
IC906	263 0561 001	IC NJM7915FA	
IC907	263 1065 001	IC PQ15RW11	
TR401~404	271 0290 904	Transistor 2PA1015GR(TAPE)	
TR451~453	271 0102 924	Transistor 2SA1015GR(TAPE)	
TR901	273 0429 904	Transistor 2SC3311A (TA)	
TR902	269 0082 902	Transistor DTC114EKT96	
TR903,904	271 0262 000	Transistor 2SA1670(O/P/Y)	
TR905,906	269 0082 902	Transistor DTC114EKT96	
TR907	269 0083 901	Transistor DTA114EKT96	
TR908	273 0445 001	Transistor 2SC4495	
D401~404	276 0432 903	Diode 1SS270A TE (TAPE)	
D451,452	276 0432 903	Diode 1SS270A TE (TAPE)	
D701	276 0432 903	Diode 1SS270A TE (TAPE)	
D903,904	276 0432 903	Diode 1SS270A TE (TAPE)	
D913~915	276 0305 001	Diode S4VB20	
D916	276 0704 903	Diode 1SR35-400A(T93X)	
ZD901	276 0644 966	Zener diode MTZJ12A T77	
ZD902	276 0644 937	Zener diode MTZJ9.1A T77	
PT901	279 0034 070	Thermistor PTH9M04BE222TS2F333	
PT902	279 0034 025	Thermistor PTH9M04BF222TS2F333	(CX022)
PT903	279 0034 025	Thermistor PTH9M04BF222TS2F333	(CX029)
RESISTORS			
R424~430	247 2009 983	Carbon chip 10 kohm 1/16W	RM73B--103JT
R701~703	247 2018 903	Carbon chip 0 ohm 1/16W	RM73B--0R0KT
R705~707	247 2009 909	Carbon chip 4.7 kohm 1/16W	RM73B--472JT (1608)
R708	247 2004 975	Carbon chip 75 ohm 1/16W	RM73B--750JT
R709	247 2005 903	Carbon chip 100 ohm 1/16W	RM73B--101JT

Ref. No.	Part No.	Part Name	Remarks
R711	247 2008 926	Carbon chip 2.2 kohm 1/16W	RM73B--222JT
R712	247 2018 903	Carbon chip 0 ohm 1/16W	RM73B--0R0KT
R905	241 2375 907	Carbon film 10 ohm 1/4W(NB)	RD14B2E100JNBST
R907	247 2008 955	Carbon chip 3 kohm 1/16W	RM73B--302JT
R908	247 2008 913	Carbon chip 2 kohm 1/16W	RM73B--202JT
R909,910	241 2376 919	Carbon film 30 ohm 1/4W(NB)	RD14B2E300JNBST
R918,919	247 2018 903	Carbon chip 0 ohm 1/16W	RM73B--0R0KT
CAPACITORS			
C401~405	254 4306 909	Electrolytic 4.7μF/50V	CE04W1H4R7MT(SRE)
C406~408	254 6190 906	Electrolytic 330μF/6.3V	CE04W0J331MT (SRA)
C410	254 4302 974	Electrolytic 100μF/10V	CE04W1A101MT(SRE)
C411,412	254 4299 906	Electrolytic 10μF/16V	CE04W1C100MT(SRE)
C413	254 4305 968	Electrolytic 1μF/50V	CE04W1H010MT(SRE)
C414	253 1181 917	Ceramic 0.022μF/50V	CK45F1H223ZT(DD-3)
C415	254 4299 906	Electrolytic 10μF/16V	CE04W1C100MT(SRE)
C416	254 4302 974	Electrolytic 100μF/10V	CE04W1A101MT(SRE)
C417	253 1181 904	Ceramic 0.01μF/50V	CK45F1H103ZT(DD-3)
C418,419	254 4299 906	Electrolytic 10μF/16V	CE04W1C100MT(SRE)
C420	253 1181 904	Ceramic 0.01μF/50V	CK45F1H103ZT(DD-3)
C422	253 1181 917	Ceramic 0.022μF/50V	CK45F1H223ZT(DD-3)
C423	254 4299 906	Electrolytic 10μF/16V	CE04W1C100MT(SRE)
C441	254 4306 909	Electrolytic 4.7μF/50V	CE04W1H4R7MT(SRE)
C442	254 4305 968	Electrolytic 1μF/50V	CE04W1H010MT(SRE)
C443	253 1181 917	Ceramic 0.022μF/50V	CK45F1H223ZT(DD-3)
C444	254 4299 906	Electrolytic 10μF/16V	CE04W1C100MT(SRE)
C445~447	254 4306 909	Electrolytic 4.7μF/50V	CE04W1H4R7MT(SRE)
C450	254 4306 909	Electrolytic 4.7μF/50V	CE04W1H4R7MT(SRE)
C451~453	257 0512 903	Ceramic chip 0.1μF/25V	CK73F1E104ZT
C454~456	254 4524 943	Electrolytic 1μF/50V	CE04W1H010MT SMG/RE3
C457	254 4534 726	Electrolytic 4700μF/6.3V	CE04W0J472MC SMG/RE3
C458,459	254 4533 950	Electrolytic 470μF/6.3V	CE04W0J471MT SMG/RE3
C460~462	254 4524 943	Electrolytic 1μF/50V	CE04W1H010MT SMG/RE3
C463~465	253 1181 917	Ceramic 0.022μF/50V	CK45F1H223ZT(DD-3)
C466~471	254 4524 972	Electrolytic 4.7μF/50V	CE04W1H4R7MT SMG/RE3
C472~475	254 4538 942	Electrolytic 100μF/16V	CE04W1C101MT SMG/RE3
C701~704	257 0512 903	Ceramic chip 0.1μF/25V	CK73F1E104ZT
C705~707	254 4538 939	Electrolytic 47μF/16V	CE04W1C470MT SMG/RE3
C709	257 0512 903	Ceramic chip 0.1μF/25V	CK73F1E104ZT
C710	254 4524 969	Electrolytic 3.3μF/50V	CE04W1H3R3MT SMG/RE3
C714	257 0504 908	Ceramic chip 22pF/50V	CC73CH1H220JT
C715,716	257 0511 904	Ceramic chip 0.01μF/50V	CK73F1H103ZT
C717	254 4538 900	Electrolytic 10μF/16V	CE04W1C100MT SMG/RE3
C718,719	257 0511 904	Ceramic chip 0.01μF/50V	CK73F1H103ZT
C720	254 4538 939	Electrolytic 47μF/16V	CE04W1C470MT SMG/RE3
C721	257 0512 903	Ceramic chip 0.1μF/25V	CK73F1E104ZT
C902	254 4541 939	Electrolytic 47μF/25V	CE04W1E470MT SMG/RE3
C903	254 4538 939	Electrolytic 47μF/16V	CE04W1C470MT SMG/RE3
C904	253 9039 906	Ceramic 0.1μF/25V	CK45=1E104ZT(DD-3)

Ref. No.	Part No.	Part Name	Remarks
C905	254 4524 943	Electrolytic 1μF/50V	CE04W1H010MT SMG/RE3
C906	253 1181 904	Ceramic 0.01μF/50V	CK45F1H103ZT(DD-3)
C908	254 4541 939	Electrolytic 47μF/25V	CE04W1E470MT SMG/RE3
C910	253 1181 904	Ceramic 0.01μF/50V	CK45F1H103ZT(DD-3)
C911	254 4541 939	Electrolytic 47μF/25V	CE04W1E470MT SMG/RE3
C915-917	254 4541 939	Electrolytic 47μF/25V	CE04W1E470MT SMG/RE3
C918	254 4538 942	Electrolytic 100μF/16V	CE04W1C101MT SMG/RE3
C919	253 1181 904	Ceramic 0.01μF/50V	CK45F1H103ZT(DD-3)
C921	254 4524 943	Electrolytic 1μF/50V	CE04W1H010MT SMG/RE3
C923-926	254 4524 943	Electrolytic 1μF/50V	CE04W1H010MT SMG/RE3
C927	254 4442 711	Electrolytic 10000μF/16V	CE04W1C103MC(SMG)
C931	254 4442 711	Electrolytic 10000μF/16V	CE04W1C103MC(SMG)
C932	254 4524 943	Electrolytic 1μF/50V	CE04W1H010MT SMG/RE3
C934	254 4566 707	Electrolytic 6800μF/35V	CE04W1V682MC(ASF)
C935	254 4504 701	Electrolytic 2200μF/35V	CE04W1V222MC(ASF)
C936	254 4538 942	Electrolytic 100μF/16V	CE04W1C101MT SMG/RE3
C937-941	256 1058 971	Metalized 0.1μF/50V	CF93A1H104JT (JL)
C942	254 4524 985	Electrolytic 10μF/50V	CE04W1H100MT SMG/RE3

OTHERS				Q'ty
CW045	205 0885 082	4P connector socket (TUC-P)		1
CW078	205 0942 022	7P connector socket(TUC-P)		1
CW121	205 0885 079	12P connector socket (TUC-P)		1
CW125	205 0885 079	12P connector socket (TUC-P)		1
CX022	205 0185 025	2P wire holder		1
CX029	205 0185 025	2P wire holder		1
CX034	205 0234 031	3P EH SID connector base		1
CX039	203 5226 035	3P PH-SAN connector cord		1
CX041	205 0343 045	4P connector base (KR-PH)		1
CX042	205 0581 030	4P VH connector base (WHT)	for E1,E1H	1
CX091	205 0233 090	9P EH connector base		1
CX931	203 5226 022	3P PH-SAN connector cord		1
CY039	205 0406 034	3P connector base (KR-PH)		1
CY931	205 0323 036	3P connector base (BLK)		1
△ F11,12	206 1039 089	Fuse 3.15A	for EU,EC,EUT	2
△ F11,12	206 1015 074	Fuse 3.15A	for E1,E1H,E1C,E2	2
△ F13,14	206 1039 076	Fuse 2.5A	for EU,EC,EUT	2
△ F13,14	206 1015 032	Fuse 2.5A	for E1,E1H,E1C,E2	2
△ F15	206 1039 089	Fuse 3.15A	for EU,EC,EUT	1
△ F15	206 1015 074	Fuse 3.15A	for E1,E1H,E1C,E2	1
△ F901	206 1015 074	Fuse 3.15A	for E1,E1H	1
FB701-703	235 0049 900	Beads inductor	for E1,E1H, E1C,EUT,E2	3
FB704-707	247 2018 903	Carbon chip 0 ohm 1/16W	RM73B--0R0KT for EU,EC	4
FB704-707	235 0103 903	Chip emifil (11A121)	for E1,E1H, E1C,EUT,E2	4

Ref. No.	Part No.	Part Name	Remarks	Q'ty
FF901-905	202 0040 909	Fuse clip (tape)		5
FF912	202 0040 909	Fuse clip (tape)	for E1,E1H	1
FH901-905	202 0040 909	Fuse clip (tape)		5
FH912	202 0040 909	Fuse clip (tape)	for E1,E1H	1
				1
JK401	204 8516 017	3P pin jack		1
JK402	204 8583 008	2P pin jack (video)		1
JK403	204 8516 017	3P pin jack		1
JK451-453	204 8581 000	3P pin jack (NI-COM.V)		3
JK701	204 8593 001	1P pin jack (OR,NI)		1
L702	235 0060 918	Inductor 4.7μH		1
L703	235 0060 905	Inductor 2.2μH		1
L704,705	235 0060 918	Inductor 4.7μH		2
S801	212 4810 006	Slide switch	for E1,E1H	1
ST003,004	205 0452 004	Style pin		2
TP101	205 0190 036	3P NH connector base		1
W791-793	203 8505 009	5P VH connector cord (GRY)	(W791:GRY) for E1,E1H	1
			(W792:BRN) for E1,E1H	1
			(W793:ORG) for E1,E1H	1
W794,795	203 5220 002	3P VH connector cord (GRY)	(W794:GRY) for E1,E1H	1
			(W795:BLU) for E1,E1H	1
	415 0309 026	P.V.C. tube (L=20)	for PT901	1
	513 2585 045	Fuse label (T 3.15A)	F011,012,015 for E1,E1H,E1C,E2	3
	513 2585 074	Fuse label (T 2.5A)	F013,014 for E1,E1H,E1C,E2	2

1U-3320 AUDIO/DSP UNIT ASS'Y

Ref. No.	Part No.	Part Name	Remarks	Ref. No.	Part No.	Part Name	Remarks
SEMICONDUCTORS							
IC107	262 2545 006	IC TC9274N-011		R103,104	247 2015 964	Carbon chip 2.7 Mohm 1/16W	RM73B--275KT
IC108	262 2033 000	IC TC9273N-004		R107~110	247 2018 903	Carbon chip 0 ohm 1/16W	RM73B--0R0KT
IC109	263 0674 901	IC UPC4570G2-E2		R113,114	247 2005 903	Carbon chip 100 ohm 1/16W	RM73B--101JT for EU,EC,E1,E1H,E1C
IC112	263 0615 902	IC BA15218F-DXE2		R113,114	247 2006 960	Carbon chip 470 ohm 1/16W	RM73B--471JT for EUT,E2
IC301	262 2615 004	IC TMP93CS41F		R115,116	247 2015 964	Carbon chip 2.7 Mohm 1/16W	RM73B--275KT
IC302	262 2682 901	IC SN74LV573ANS-EL2		R119~122	247 2018 903	Carbon chip 0 ohm 1/16W	RM73B--0R0KT
IC303	262 2632 003	IC W29EE011P-90		R125,126	247 2005 903	Carbon chip 100 ohm 1/16W	RM73B--101JT for EU,EC,E1,E1H,E1C
IC400	262 2853 002	IC ADSP-21065L		R125,126	247 2006 960	Carbon chip 470 ohm 1/16W	RM73B--471JT for EUT,E2
IC403	262 2779 005	IC LH28F800BVE-BTL90		R127,128	247 2015 964	Carbon chip 2.7 Mohm 1/16W	RM73B--275KT
IC406	262 2854 904	IC HG-8002JA33MHZPCCX		R131~134	247 2018 903	Carbon chip 0 ohm 1/16W	RM73B--0R0KT
IC408	262 2519 906	IC SN74LV00APW-EL2		R137,138	247 2005 903	Carbon chip 100 ohm 1/16W	RM73B--101JT for EU,EC,E1,E1H,E1C
IC410	262 2859 909	IC 74VHC02MTCX		R137,138	247 2006 960	Carbon chip 470 ohm 1/16W	RM73B--471JT for EUT,E2
IC411	262 2606 903	IC SN74AHCT573PW		R139,140	247 2015 964	Carbon chip 2.7 Mohm 1/16W	RM73B--275KT
IC412	262 2682 901	IC SN74LV573ANS-EL2		R143~146	247 2018 903	Carbon chip 0 ohm 1/16W	RM73B--0R0KT
IC413	262 2862 909	IC 74VHC541MTCX		R149,150	247 2005 903	Carbon chip 100 ohm 1/16W	RM73B--101JT for EU,EC,E1,E1H,E1C
IC414	262 2780 900	IC SN74AHCT541PW-EL2		R149,150	247 2006 960	Carbon chip 470 ohm 1/16W	RM73B--471JT for EUT,E2
IC417,418	262 2855 000	IC HY57V16160DTC-8		R151,152	247 2015 964	Carbon chip 2.7 Mohm 1/16W	RM73B--275KT
IC421,422	262 2813 903	IC SN74AHCT08PW-EL2		R155~158	247 2018 903	Carbon chip 0 ohm 1/16W	RM73B--0R0KT
IC510	262 2386 906	IC SN74HC151NS(TAPE)		R161,162	247 2005 903	Carbon chip 100 ohm 1/16W	RM73B--101JT for EU,EC,E1,E1H,E1C
IC517	262 2861 900	IC 74VHC123AMTCX		R161,162	247 2006 960	Carbon chip 470 ohm 1/16W	RM73B--471JT for EUT,E2
IC525	262 2870 904	IC 74LVX157MTC		R163,164	247 2015 964	Carbon chip 2.7 Mohm 1/16W	RM73B--275KT
IC529	262 2519 906	IC SN74LV00APW-EL2		R167~170	247 2018 903	Carbon chip 0 ohm 1/16W	RM73B--0R0KT
IC530	262 2557 900	IC SN74LV14APW-EL2		R173,174	247 2015 964	Carbon chip 2.7 Mohm 1/16W	RM73B--275KT
IC531	262 2675 015	IC LC89055W-RA8		R175,176	247 2006 960	Carbon chip 470 ohm 1/16W	RM73B--471JT
IC532	262 2557 900	IC SN74LV14APW-EL2		R177,178	247 2015 964	Carbon chip 2.7 Mohm 1/16W	RM73B--275KT
IC601	263 1048 002	IC BA033T		R179,180	247 2006 960	Carbon chip 470 ohm 1/16W	RM73B--471JT
IC603	263 0934 900	IC BA4510F-E2		R181,182	247 2015 964	Carbon chip 2.7 Mohm 1/16W	RM73B--275KT
IC604	262 2772 905	IC AK5353		R183,184	247 2006 960	Carbon chip 470 ohm 1/16W	RM73B--471JT
IC605	399 0575 008	IC SG-8002DPCPT(12.287M)		R185,186	247 2018 903	Carbon chip 0 ohm 1/16W	RM73B--0R0KT
IC606	262 2781 909	IC SN74LV4040APW-EL2		R187~190	247 2012 996	Carbon chip 200 kohm 1/16W	RM73B--204JT
IC701~704	262 2747 901	IC AD1854JRSRL		R191,192	247 2005 903	Carbon chip 100 ohm 1/16W	RM73B--101JT
IC731~734	263 0674 901	IC UPC4570G2-E2		R195,196	247 2018 903	Carbon chip 0 ohm 1/16W	RM73B--0R0KT
TR305	269 0082 902	Transistor DTC114EKT96		R197~200	247 2005 903	Carbon chip 100 ohm 1/16W	RM73B--101JT
TR702	269 0082 902	Transistor DTC114EKT96		R201,202	247 2012 925	Carbon chip 100 kohm 1/16W	RM73B--104JT
TR703~715	269 0083 901	Transistor DTA114EKT96		R203~206	247 2012 996	Carbon chip 200 kohm 1/16W	RM73B--204JT
TR717~732	273 0460 905	Transistor KTC2875B-RTK		R207~210	247 2005 903	Carbon chip 100 ohm 1/16W	RM73B--101JT
D701~704	276 0560 901	Diode DAN202KT146		R213~260	247 2018 903	Carbon chip 0 ohm 1/16W	RM73B--0R0KT
RESISTORS							
R101,102	247 2005 903	Carbon chip 100 ohm 1/16W	RM73B--101JT for EU,EC,E1,E1H,E1C	R301,302	247 2009 983	Carbon chip 10 kohm 1/16W	RM73B--103JT
R101,102	247 2006 960	Carbon chip 470 ohm 1/16W	RM73B--471JT for EUT,E2	R303	247 2003 989	Carbon chip 33 ohm 1/16W	RM73B--330JT
				R304	247 2009 909	Carbon chip 4.7 kohm 1/16W	RM73B--472JT (1608)

Ref. No.	Part No.	Part Name	Remarks	Ref. No.	Part No.	Part Name	Remarks
R305,306	247 2003 989	Carbon chip 33 ohm 1/16W	RM73B--330JT	R599	247 2004 975	Carbon chip 75 ohm 1/16W	RM73B--750JT
R307	247 2009 983	Carbon chip 10 kohm 1/16W	RM73B--103JT	R602	247 2018 903	Carbon chip 0 ohm 1/16W	RM73B--0R0KT
R308	247 2003 989	Carbon chip 33 ohm 1/16W	RM73B--330JT	R603,604	247 2009 938	Carbon chip 6.2 kohm 1/16W	RM73B--622JT
R309	247 2009 983	Carbon chip 10 kohm 1/16W	RM73B--103JT	R606	247 2011 900	Carbon chip 33 kohm 1/16W	RM73B--333JT
R311,312	247 2003 989	Carbon chip 33 ohm 1/16W	RM73B--330JT	R607,608	247 2010 914	Carbon chip 13 kohm 1/16W	RM73B--133JT
R313	247 2009 983	Carbon chip 10 kohm 1/16W	RM73B--103JT	R609,610	247 2013 924	Carbon chip 270 kohm 1/16W	RM73B--274JT
R314~327	247 2003 989	Carbon chip 33 ohm 1/16W	RM73B--330JT	R611	247 2004 920	Carbon chip 47 ohm 1/16W	RM73B--470JT
R328	247 2018 903	Carbon chip 0 ohm 1/16W	RM73B--0R0KT	R612	247 2005 903	Carbon chip 100 ohm 1/16W	RM73B--101JT
R332	247 2018 903	Carbon chip 0 ohm 1/16W	RM73B--0R0KT	R613	247 2004 920	Carbon chip 47 ohm 1/16W	RM73B--470JT
R334	247 2018 903	Carbon chip 0 ohm 1/16W	RM73B--0R0KT	R615~617	247 2009 909	Carbon chip 4.7 kohm 1/16W	RM73B--472JT (1608)
R335,336	247 2009 983	Carbon chip 10 kohm 1/16W	RM73B--103JT	R618	247 2011 942	Carbon chip 47 kohm 1/16W	RM73B--473JT
R337	247 2011 942	Carbon chip 47 kohm 1/16W	RM73B--473JT	R619	247 2009 909	Carbon chip 4.7 kohm 1/16W	RM73B--472JT (1608)
R338	247 2009 983	Carbon chip 10 kohm 1/16W	RM73B--103JT	R620	247 2011 942	Carbon chip 47 kohm 1/16W	RM73B--473JT
R340	247 2009 983	Carbon chip 10 kohm 1/16W	RM73B--103JT	R622	247 2005 903	Carbon chip 100 ohm 1/16W	RM73B--101JT
R341	247 2009 909	Carbon chip 4.7 kohm 1/16W	RM73B--472JT (1608)	R623	247 2004 920	Carbon chip 47 ohm 1/16W	RM73B--470JT
R342	247 2009 983	Carbon chip 10 kohm 1/16W	RM73B--103JT	R624	247 2005 903	Carbon chip 100 ohm 1/16W	RM73B--101JT
R345,346	247 2018 903	Carbon chip 0 ohm 1/16W	RM73B--0R0KT	R633,634	247 2006 960	Carbon chip 470 ohm 1/16W	RM73B--471JT
R348~351	247 2009 983	Carbon chip 10 kohm 1/16W	RM73B--103JT	R635,636	247 2009 983	Carbon chip 10 kohm 1/16W	RM73B--103JT
R352~354	247 2004 920	Carbon chip 47 ohm 1/16W	RM73B--470JT	R637	247 2005 903	Carbon chip 100 ohm 1/16W	RM73B--101JT
R395~400	247 2009 983	Carbon chip 10 kohm 1/16W	RM73B--103JT	R638	247 2018 903	Carbon chip 0 ohm 1/16W	RM73B--0R0KT
R401	247 2008 913	Carbon chip 2 kohm 1/16W	RM73B--202JT	R640~643	247 2005 903	Carbon chip 100 ohm 1/16W	RM73B--101JT
R402,403	247 2009 983	Carbon chip 10 kohm 1/16W	RM73B--103JT	R645	247 2018 903	Carbon chip 0 ohm 1/16W	RM73B--0R0KT
R404	247 2018 903	Carbon chip 0 ohm 1/16W	RM73B--0R0KT	R648	247 2018 903	Carbon chip 0 ohm 1/16W	RM73B--0R0KT
R405~407	247 2004 920	Carbon chip 47 ohm 1/16W	RM73B--470JT	R676	247 2005 903	Carbon chip 100 ohm 1/16W	RM73B--101JT
R408,409	247 2009 983	Carbon chip 10 kohm 1/16W	RM73B--103JT	R677	247 2009 983	Carbon chip 10 kohm 1/16W	RM73B--103JT
R410	247 2004 920	Carbon chip 47 ohm 1/16W	RM73B--470JT	R678	247 2005 903	Carbon chip 100 ohm 1/16W	RM73B--101JT
R411~414	247 2009 983	Carbon chip 10 kohm 1/16W	RM73B--103JT	R679	247 2018 903	Carbon chip 0 ohm 1/16W	RM73B--0R0KT
R415	247 2003 989	Carbon chip 33 ohm 1/16W	RM73B--330JT	R681	247 2018 903	Carbon chip 0 ohm 1/16W	RM73B--0R0KT
R416~418	247 2009 983	Carbon chip 10 kohm 1/16W	RM73B--103JT	R701~703	247 2018 903	Carbon chip 0 ohm 1/16W	RM73B--0R0KT
R419~424	247 2003 989	Carbon chip 33 ohm 1/16W	RM73B--330JT	R705~707	247 2009 983	Carbon chip 10 kohm 1/16W	RM73B--103JT
R425	247 2009 983	Carbon chip 10 kohm 1/16W	RM73B--103JT	R708~710	247 2007 943	Carbon chip 1 kohm 1/16W	RM73B--102JT
R426,427	247 2003 989	Carbon chip 33 ohm 1/16W	RM73B--330JT	R711,712	247 2018 903	Carbon chip 0 ohm 1/16W	RM73B--0R0KT
R428	247 2009 983	Carbon chip 10 kohm 1/16W	RM73B--103JT	R713,714	247 2008 984	Carbon chip 3.9 kohm 1/16W	RM73B--392JT
R429~446	247 2003 989	Carbon chip 33 ohm 1/16W	RM73B--330JT	R715,716	247 2008 900	Carbon chip 1.8 kohm 1/16W	RM73B--182JT
R447	247 2009 983	Carbon chip 10 kohm 1/16W	RM73B--103JT	R717,718	247 2008 984	Carbon chip 3.9 kohm 1/16W	RM73B--392JT
R448~468	247 2003 989	Carbon chip 33 ohm 1/16W	RM73B--330JT	R719,720	247 2008 900	Carbon chip 1.8 kohm 1/16W	RM73B--182JT
R469	247 2009 983	Carbon chip 10 kohm 1/16W	RM73B--103JT	R721,722	247 2008 968	Carbon chip 3.3 kohm 1/16W	RM73B--332JT
R470~472	247 2003 989	Carbon chip 33 ohm 1/16W	RM73B--330JT	R723,724	247 2008 900	Carbon chip 1.8 kohm 1/16W	RM73B--182JT
R473	247 2009 983	Carbon chip 10 kohm 1/16W	RM73B--103JT	R725,726	247 2018 903	Carbon chip 0 ohm 1/16W	RM73B--0R0KT
R475~485	247 2003 989	Carbon chip 33 ohm 1/16W	RM73B--330JT	R729,730	247 2009 983	Carbon chip 10 kohm 1/16W	RM73B--103JT
R486	247 2004 920	Carbon chip 47 ohm 1/16W	RM73B--470JT	R731,732	247 2008 984	Carbon chip 3.9 kohm 1/16W	RM73B--392JT
R487,488	247 2003 989	Carbon chip 33 ohm 1/16W	RM73B--330JT	R733,734	247 2008 900	Carbon chip 1.8 kohm 1/16W	RM73B--182JT
R490	247 2003 989	Carbon chip 33 ohm 1/16W	RM73B--330JT	R735,736	247 2010 927	Carbon chip 15 kohm 1/16W	RM73B--153JT
R491~496	247 2009 983	Carbon chip 10 kohm 1/16W	RM73B--103JT	R739,740	247 2010 927	Carbon chip 15 kohm 1/16W	RM73B--153JT
R497~500	247 2005 903	Carbon chip 100 ohm 1/16W	RM73B--101JT	R741,742	247 2006 986	Carbon chip 560 ohm 1/16W	RM73B--561JT
R591~594	247 2004 920	Carbon chip 47 ohm 1/16W	RM73B--470JT	R743,744	247 2012 925	Carbon chip 100 kohm 1/16W	RM73B--104JT
R595	247 2014 965	Carbon chip 1 Mohm 1/16W	RM73B--105JT	R745,746	247 2008 984	Carbon chip 3.9 kohm 1/16W	RM73B--392JT
R596	247 2009 967	Carbon chip 8.2 kohm 1/16W	RM73B--822JT	R747,748	247 2008 900	Carbon chip 1.8 kohm 1/16W	RM73B--182JT
R597	247 2008 955	Carbon chip 3 kohm 1/16W	RM73B--302JT	R749	247 2009 912	Carbon chip 5.1 kohm 1/16W	RM73B--512JT
R598	247 2009 912	Carbon chip 5.1 kohm 1/16W	RM73B--512JT	R750	247 2010 943	Carbon chip 18 kohm 1/16W	RM73B--183JT

Ref. No.	Part No.	Part Name	Remarks
R753	247 2009 912	Carbon chip 5.1 kohm 1/16W	RM73B--512JT
R754	247 2010 943	Carbon chip 18 kohm 1/16W	RM73B--183JT
R755,756	247 2006 986	Carbon chip 560 ohm 1/16W	RM73B--561JT
R757	247 2008 926	Carbon chip 2.2 kohm 1/16W	RM73B--222JT
R758	247 2012 925	Carbon chip 100 kohm 1/16W	RM73B--104JT
R759,760	247 2008 968	Carbon chip 3.3 kohm 1/16W	RM73B--332JT
R761,762	247 2008 900	Carbon chip 1.8 kohm 1/16W	RM73B--182JT
R763,764	247 2009 912	Carbon chip 5.1 kohm 1/16W	RM73B--512JT
R767,768	247 2009 912	Carbon chip 5.1 kohm 1/16W	RM73B--512JT
R769,770	247 2006 986	Carbon chip 560 ohm 1/16W	RM73B--561JT
R771,772	247 2012 925	Carbon chip 100 kohm 1/16W	RM73B--104JT
R773~783	247 2009 983	Carbon chip 10 kohm 1/16W	RM73B--103JT
R784	247 2007 943	Carbon chip 1 kohm 1/16W	RM73B--102JT
R787~790	247 2008 984	Carbon chip 3.9 kohm 1/16W	RM73B--392JT
R791,792	247 2009 912	Carbon chip 5.1 kohm 1/16W	RM73B--512JT
R793~796	247 2008 900	Carbon chip 1.8 kohm 1/16W	RM73B--182JT
R797,798	247 2009 912	Carbon chip 5.1 kohm 1/16W	RM73B--512JT
R801,802	247 2008 926	Carbon chip 2.2 kohm 1/16W	RM73B--222JT
R803,804	247 2006 986	Carbon chip 560 ohm 1/16W	RM73B--561JT
R805~808	247 2005 974	Carbon chip 200 ohm 1/16W	RM73B--201JT
R809,810	247 2012 925	Carbon chip 100 kohm 1/16W	RM73B--104JT
R811~814	247 2011 900	Carbon chip 33 kohm 1/16W	RM73B--333JT
R815	247 2011 942	Carbon chip 47 kohm 1/16W	RM73B--473JT
R817~820	247 2005 974	Carbon chip 200 ohm 1/16W	RM73B--201JT
R821,822	247 2012 925	Carbon chip 100 kohm 1/16W	RM73B--104JT
R823~826	247 2011 900	Carbon chip 33 kohm 1/16W	RM73B--333JT
R827	247 2011 942	Carbon chip 47 kohm 1/16W	RM73B--473JT
R829~832	247 2005 974	Carbon chip 200 ohm 1/16W	RM73B--201JT
R833,834	247 2012 925	Carbon chip 100 kohm 1/16W	RM73B--104JT
R835-838	247 2011 900	Carbon chip 33 kohm 1/16W	RM73B--333JT
R839	247 2011 942	Carbon chip 47 kohm 1/16W	RM73B--473JT
R841~844	247 2005 974	Carbon chip 200 ohm 1/16W	RM73B--201JT
R845,846	247 2012 925	Carbon chip 100 kohm 1/16W	RM73B--104JT
R847~850	247 2011 900	Carbon chip 33 kohm 1/16W	RM73B--333JT
R851	247 2011 942	Carbon chip 47 kohm 1/16W	RM73B--473JT
R900~919	247 2018 903	Carbon chip 0 ohm 1/16W	RM73B--0R0KT

CAPACITORS



C101,102	257 0507 976	Ceramic chip 330pF/50V	CC73SL1H331JT for EUT,E2
C113,114	257 0507 976	Ceramic chip 330pF/50V	CC73SL1H331JT for EUT,E2
C123,124	257 0507 976	Ceramic chip 330pF/50V	CC73SL1H331JT for EUT,E2
C135,136	257 0507 976	Ceramic chip 330pF/50V	CC73SL1H331JT for EUT,E2
C145,146	257 0507 976	Ceramic chip 330pF/50V	CC73SL1H331JT for EUT,E2
C157,158	257 0507 976	Ceramic chip 330pF/50V	CC73SL1H331JT for EUT,E2

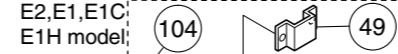
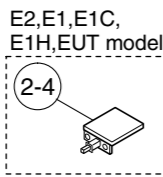
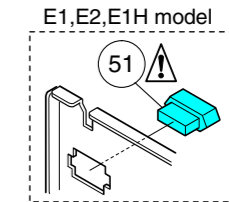
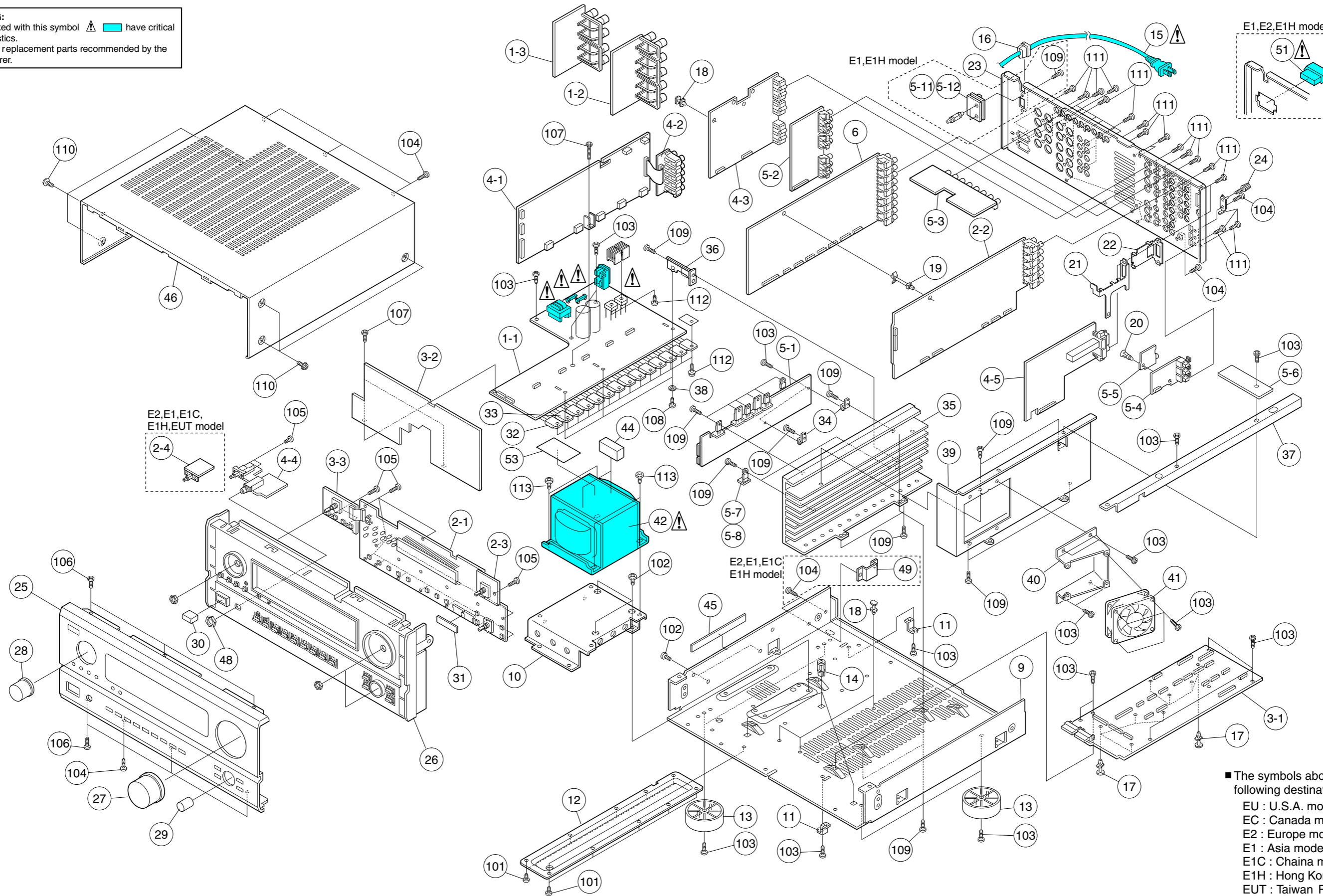
Ref. No.	Part No.	Part Name	Remarks
C167~172	257 0506 951	Ceramic chip 100pF/50V	CC73CH1H101JT
C173,174	257 0511 904	Ceramic chip 0.01µF/50V	CK73F1H103ZT
C177	256 1059 954	Metalized 0.47µF/50V	CF93A1H474JT (JL)
C178	257 0511 904	Ceramic chip 0.01µF/50V	CK73F1H103ZT
C183,184	254 4524 943	Electrolytic 1µF/50V	CE04W1H010MT SMG/RE3
C188	257 0509 929	Ceramic chip 1000pF/50V	CK73B1H102KT
C189,190	254 4538 900	Electrolytic 10µF/16V	CE04W1C100MT SMG/RE3
C193,194	254 4524 943	Electrolytic 1µF/50V	CE04W1H010MT SMG/RE3
C195,196	254 4538 900	Electrolytic 10µF/16V	CE04W1C100MT SMG/RE3 for EU,EC,E1,E1H,E1C,EUT
C195,196	254 4538 942	Electrolytic 100µF/16V	CE04W1C101MT SMG/RE3 for E2
C197,198	254 4538 900	Electrolytic 10µF/16V	CE04W1C100MT SMG/RE3
C301,302	257 0512 903	Ceramic chip 0.1µF/25V	CK73F1E104ZT
C305	257 0511 904	Ceramic chip 0.01µF/50V	CK73F1H103ZT
C306	257 0512 903	Ceramic chip 0.1µF/25V	CK73F1E104ZT
C307	254 4524 943	Electrolytic 1µF/50V	CE04W1H010MT SMG/RE3
C308	257 0512 903	Ceramic chip 0.1µF/25V	CK73F1E104ZT
C309	254 4524 943	Electrolytic 1µF/50V	CE04W1H010MT SMG/RE3
C311	257 0511 904	Ceramic chip 0.01µF/50V	CK73F1H103ZT
C401~406	257 0512 903	Ceramic chip 0.1µF/25V	CK73F1E104ZT
C408~411	257 0512 903	Ceramic chip 0.1µF/25V	CK73F1E104ZT
C412,413	257 0511 904	Ceramic chip 0.01µF/50V	CK73F1H103ZT
C415~424	257 0512 903	Ceramic chip 0.1µF/25V	CK73F1E104ZT
C425	257 0511 904	Ceramic chip 0.01µF/50V	CK73F1H103ZT
C426,427	257 0512 903	Ceramic chip 0.1µF/25V	CK73F1E104ZT
C434	254 4533 950	Electrolytic 470µF/6.3V	CE04W0J471MT SMG/RE3
C435	257 0511 904	Ceramic chip 0.01µF/50V	CK73F1H103ZT
C436,437	257 0512 903	Ceramic chip 0.1µF/25V	CK73F1E104ZT
C438,439	257 0511 904	Ceramic chip 0.01µF/50V	CK73F1H103ZT
C440	257 0512 903	Ceramic chip 0.1µF/25V	CK73F1E104ZT
C441,442	257 0511 904	Ceramic chip 0.01µF/50V	CK73F1H103ZT
C443	257 0509 929	Ceramic chip 1000pF/50V	CK73B1H102KT
C444	254 4533 921	Electrolytic 100µF/6.3V	CE04W0J101MT SMG/RE3
C454,455	257 0511 904	Ceramic chip 0.01µF/50V	CK73F1H103ZT
C526	257 0511 904	Ceramic chip 0.01µF/50V	CK73F1H103ZT
C562	254 4524 943	Electrolytic 1µF/50V	CE04W1H010MT SMG/RE3
C563	257 0509 929	Ceramic chip 1000pF/50V	CK73B1H102KT
C564~567	257 0512 903	Ceramic chip 0.1µF/25V	CK73F1E104ZT
C568	257 0501 901	Ceramic chip 0.01µF/50V	CK73B1H103KT (1608)
C569	257 0011 996	Ceramic chip 0.1µF/25V	CK73B1E104KT
C570	257 0512 903	Ceramic chip 0.1µF/25V	CK73F1E104ZT
C572,573	257 0511 904	Ceramic chip 0.01µF/50V	CK73F1H103ZT
C576	257 0507 976	Ceramic chip 330pF/50V	CC73CH1H331JT
C587~589	257 0511 904	Ceramic chip 0.01µF/50V	CK73F1H103ZT
C602~604	257 0511 904	Ceramic chip 0.01µF/50V	CK73F1H103ZT
C612~614	257 0511 904	Ceramic chip 0.01µF/50V	CK73F1H103ZT
C615	254 4538 900	Electrolytic 10µF/16V	CE04W1C100MT SMG/RE3

Ref. No.	Part No.	Part Name	Remarks	Ref. No.	Part No.	Part Name	Remarks
C619	254 4524 943	Electrolytic 1μF/50V	CE04W1H010MT SMG/RE3	C761,762	254 4538 900	Electrolytic 10μF/16V	CE04W1C100MT SMG/RE3
C620,621	257 0511 904	Ceramic chip 0.01μF/50V	CK73F1H103ZT	C763,764	257 0512 903	Ceramic chip 0.1μF/25V	CK73F1E104ZT
C623,624	254 4538 900	Electrolytic 10μF/16V	CE04W1C100MT SMG/RE3	C769,770	257 0508 933	Ceramic chip 560pF/50V	CC73CH1H561JT
C625,626	257 0512 903	Ceramic chip 0.1μF/25V	CK73F1E104ZT	C773,774	257 0508 933	Ceramic chip 560pF/50V	CC73CH1H561JT
C627~629	254 4538 900	Electrolytic 10μF/16V	CE04W1C100MT SMG/RE3	C777~784	257 0508 933	Ceramic chip 560pF/50V	CC73CH1H561JT
C631,632	257 0506 951	Ceramic chip 100pF/50V	CC73CH1H101JT	C787~792	254 4538 900	Electrolytic 10μF/16V	CE04W1C100MT SMG/RE3
C633,634	254 3056 917	Electrolytic 1μF/50V	CE04D1H010MBPT (SME)	C795~798	257 0508 933	Ceramic chip 560pF/50V	CC73CH1H561JT
C635,636	255 1264 940	Mylar film 2200pF/50V	CQ93M1H222JT(B)	C801,802	257 0507 918	Ceramic chip 180pF/50V	CC73CH1H181JT
C637	257 0512 903	Ceramic chip 0.1μF/25V	CK73F1E104ZT	C803,804	255 1264 940	Mylar film 2200pF/50V	CQ93M1H222JT(B)
C638	254 4522 903	Electrolytic 4.7μF/35V	CE04W1V4R7MT SMG/RE3	C805,806	254 4538 900	Electrolytic 10μF/16V	CE04W1C100MT SMG/RE3
C639	257 0512 903	Ceramic chip 0.1μF/25V	CK73F1E104ZT	C807~810	254 4524 901	Electrolytic 0.1μF/50V	CE04W1H010MT SMG/RE3
C640	254 4522 903	Electrolytic 4.7μF/35V	CE04W1V4R7MT SMG/RE3	OTHERS			
C641	257 0512 903	Ceramic chip 0.1μF/25V	CK73F1E104ZT	Q'ty			
C642	254 4538 900	Electrolytic 10μF/16V	CE04W1C100MT SMG/RE3	CW44	205 0885 082	4P connector socket (TUC-P)	1
C643	257 0512 903	Ceramic chip 0.1μF/25V	CK73F1E104ZT	CW61	205 0942 019	6P connector socket (TUC-P)	1
C644	254 4538 900	Electrolytic 10μF/16V	CE04W1C100MT SMG/RE3	CW71,72	205 0942 022	7P connector socket (TUC-P)	2
C645	257 0509 929	Ceramic chip 1000pF/50V	CK73B1H102KT	CW82	205 0885 095	8P connector socket(TUC-P)	1
C646	257 0511 904	Ceramic chip 0.01μF/50V	CK73F1H103ZT	CW111	205 0885 066	11P connector socket (TUC-P)	1
C647	254 4533 921	Electrolytic 100μF/6.3V	CE04W0J101MT SMG/RE3	CW118	205 0885 066	11P connector socket (TUC-P)	1
C648,649	257 0511 904	Ceramic chip 0.01μF/50V	CK73F1H103ZT	CW153	205 0885 040	15P connector socket (TUC-P)	1
C669	257 0501 901	Ceramic chip 0.01μF/50V	CK73B1H103KT (1608)	FB302-309	235 0130 903	Chip emifil (11A121)	8
C670	257 0512 903	Ceramic chip 0.1μF/25V	CK73F1E104ZT	FB311	235 0130 903	Chip emifil (11A121)	1
C701	257 0512 903	Ceramic chip 0.1μF/25V	CK73F1E104ZT	FB403	235 0130 903	Chip emifil (11A121)	1
C704	254 4538 900	Electrolytic 10μF/16V	CE04W1C100MT SMG/RE3	FB512,513	235 0049 900	Beads inductor	2
C705,706	257 0512 903	Ceramic chip 0.1μF/25V	CK73F1E104ZT	FB601~607	235 0049 900	Beads inductor	7
C707,708	254 4538 900	Electrolytic 10μF/16V	CE04W1C100MT SMG/RE3	FB608	235 0130 903	Chip emifil (11A121)	1
C709	254 4536 931	Electrolytic 220μF/10V	CE04W1A221MT SMG/RE3	FB609,610	235 0049 900	Beads inductor tape	2
C710,711	257 0512 903	Ceramic chip 0.1μF/25V	CK73F1E104ZT	FB612	235 0130 903	Chip emifil (11A121)	1
C712	254 4536 931	Electrolytic 220μF/10V	CE04W1A221MT SMG/RE3	FB708,709	235 0049 900	Beads inductor tape	2
C714	254 4538 900	Electrolytic 10μF/16V	CE04W1C100MT SMG/RE3	FB714	235 0049 900	Beads inductor tape	1
C715,716	257 0512 903	Ceramic chip 0.1μF/25V	CK73F1E104ZT	FB715	253 1180 920	Ceramic 1000pF/50V	CK45B1H102KT
C717~719	254 4538 900	Electrolytic 10μF/16V	CE04W1C100MT SMG/RE3	FB717	253 1180 920	Ceramic 1000pF/50V	CK45B1H102KT
C720	254 4538 900	Electrolytic 10μF/16V	CE04W1C100MT SM6/RE3	FB719	253 1180 920	Ceramic 1000pF/50V	CK45B1H102KT
C721,722	257 0512 903	Ceramic chip 0.1μF/25V	CK73F1E104ZT	FB721	253 1180 920	Ceramic 1000pF/50V	CK45B1H102KT
C724	254 4538 900	Electrolytic 10μF/16V	CE04W1C100MT SMG/RE3	JK106~108	204 8611 006	6P pin jack	3
C725,726	257 0512 903	Ceramic chip 0.1μF/25V	CK73F1E104ZT	L501~505	235 0130 903	Chip emifil (11A121)	5
C727,728	254 4538 900	Electrolytic 10μF/16V	CE04W1C100MT SMG/RE3	X302	399 0532 902	Ceramic 12.5MHz	CST12.5MTW-TF01
C729	254 4536 931	Electrolytic 220μF/10V	CE04W1A221MT SMG/RE3	IC303	207 0021 004	IC SOCKET(IC160)	1
C730	254 4538 900	Electrolytic 10μF/16V	CE04W1C100MT SM6/RE3	IC403	207 0020 005	IC SOCKET(IC197)	1
C733~736	257 0506 919	Ceramic chip 68pF/50V	CC73CH1H680JT				
C737,738	255 1264 940	Mylar film 2200pF/50V	CQ93M1H222JT(B)				
C739	254 4538 900	Electrolytic 10μF/16V	CE04W1C100MT SMG/RE3				
C740	257 0512 903	Ceramic chip 0.1μF/25V	CK73F1E104ZT				
C743	257 0507 918	Ceramic chip 180pF/50V	CC73CH1H181JT				
C744	257 0504 982	Ceramic chip 47pF/50V	CC73CH1H470JT				
C745	257 0507 918	Ceramic chip 180pF/50V	CC73CH1H181JT				
C746	257 0504 982	Ceramic chip 47pF/50V	CC73CH1H470JT				
C747,748	255 1264 940	Mylar film 2200pF/50V	CQ93M1H222JT(B)				
C753~756	257 0506 993	Ceramic chip 150pF/50V	CC73CH1H151JT				
C757,758	255 1264 940	Mylar film 2200pF/50V	CQ93M1H222JT(B)				
C759,760	257 0507 918	Ceramic chip 180pF/50V	CC73CH1H181JT				

EXPLODED VIEW

1 2 3 4 5 6 7 8

WARNING:
 Parts marked with this symbol   have critical characteristics.
 Use ONLY replacement parts recommended by the manufacturer.



- The symbols above indicate the following destinations.
- EU : U.S.A. model
- EC : Canada model
- E2 : Europe model
- E1 : Asia model
- E1C : China model
- E1H : Hong Kong model
- EUT : Taiwan R.O.C.model

A
B
C
D
E

Note: The symbols in the column "Remarks" indicate the following destinations.
 EU: U.S.A. model E1C: China model
 EC: Canada model E1H: Hong Kong model
 E2: Europe model EUT: Taiwan R.O.C.model
 E1: Asia model

PARTS LIST OF EXPLODED VIEW

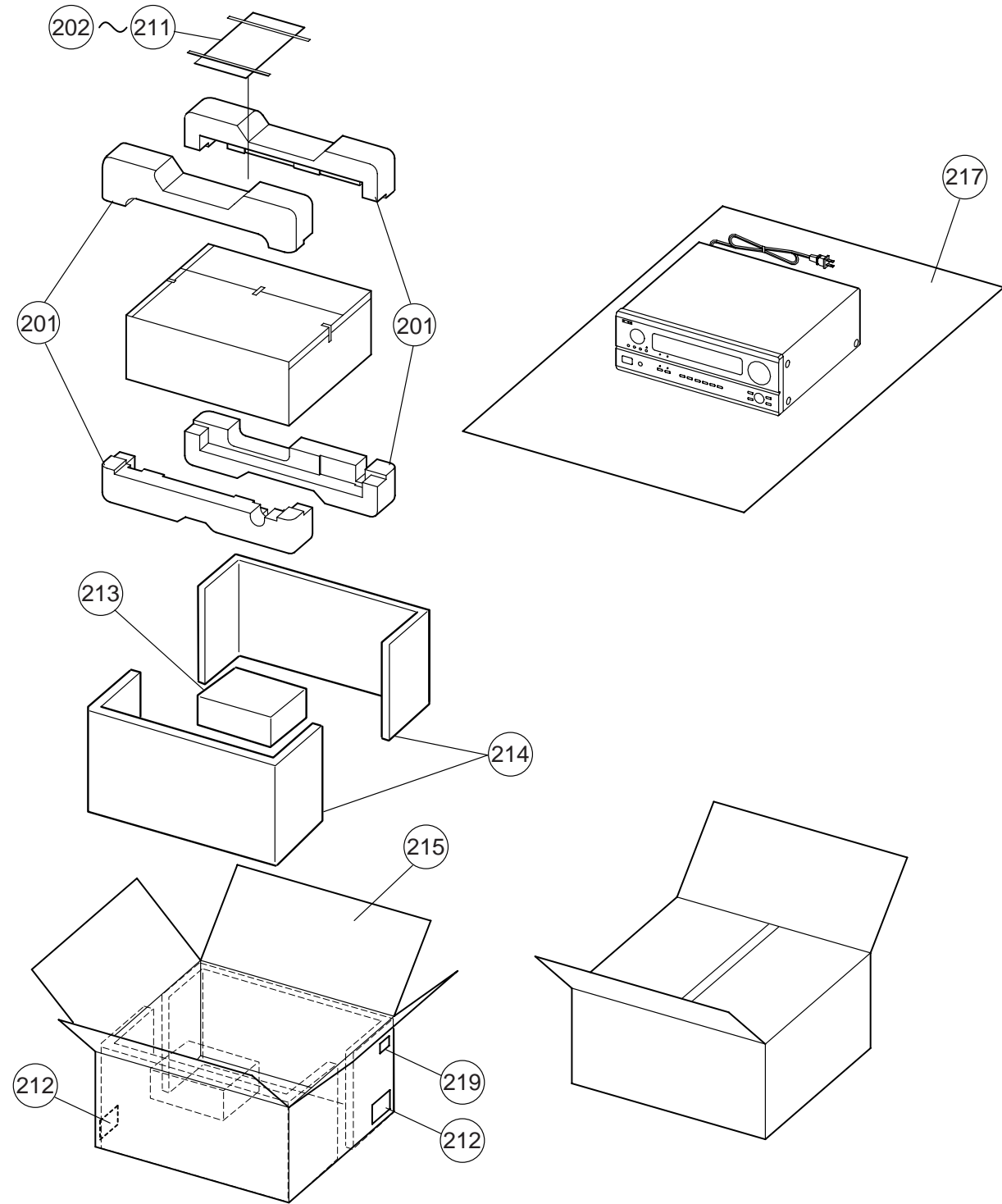
Ref. No.	Part No.	Part Name	Remarks	Q'ty	Ref. No.	Part No.	Part Name	Remarks	Q'ty
1	1U-3315	Power unit Ass'y	for EU,EC	1	11	412 4210 002	Bracket		2
	1U-3315 A		for E1,E1H		12	412 4716 001	Support bracket		1
	1U-3315 B		for E2		13	104 0194 289	Foot Ass'y		4
	1U-3315 E		for EUT		14	412 3548 005	P.W.B catcher		3
	1U-3315 F		for E1C		△ 15	206 2160 009	AC cord	for EU,EC,EUT	1
1-1	1U-3315-1	Power unit		1	△ 206 2089 106	AC cord	for E2	1	
	1-2	1U-3315-2	SP F unit		△ 206 2175 007	AC cord	for E1	1	
	1-3	1U-3315-3	SP S unit		△ 206 2174 008	AC cord	for E1C	1	
	2	1U-3316	EXT.IN unit Ass'y		△ 206 2177 005	AC cord	for E1H	1	
2	1U-3316 A		for EU,EC	1	16	445 0056 008	Cord bush		1
	1U-3316 A		for E1,E1H,E1C		17	412 2814 028	Card spacer (L=10)		9
	1U-3316 B		for E2		18	412 2814 031	Card spacer (L=4)		1
	1U-3316 E		for EUT		19	409 0052 019	Holder (A)		1
2-1	1U-3316-1	Display unit		1	20	412 2741 007	P.W.B. holder (H=8)		1
	2-2	1U-3316-2	EXT IN VR unit		21	412 4557 105	Earth plate (A)		1
2-3	1U-3316-3	VOL. unit		1	22	412 4713 004	Earth plate (B)		1
	2-4	1U-3316-4	Power SW unit		for E1,E1H,E1C,EUT,E2	23	105 1353 103	Back panel	for EU,EC
3	1U-3317	Control unit Ass'y	for EU,EC	1	105 1353 129	Back panel	for E2	1	
	1U-3317 A		for E1,E1H		105 1353 158	Back panel	for E1C	1	
	1U-3317 B		for E2		105 1353 132	Back panel	for E1,E1H	1	
	1U-3317 E		for EUT		105 1353 145	Back panel	for EUT	1	
	1U-3317 F		for E1C		24	205 1116 006	Terminal Ass'y		1
3-1	1U-3317-1	Control unit		1	25	144 2745 003	Front panel Ass'y	for EU,EC	1
	3-2	1U-3317-2	Connect unit		144 2745 032	Front panel Ass'y (BK)	for E2	1	
3-3	1U-3317-3	Front unit		1	144 2745 045	Front panel Ass'y (G)	for E2	1	
	4	1U-3318	AMP connect unit Ass'y		for EU,EC	144 2745 029	Front panel Ass'y	for E1,E1H,EUT,E1C	1
4	1U-3318 A		for E1,E1H	1	26	146 2221 002	Inner panel Ass'y	for EU,EC	1
	1U-3318 B		for E2		146 2221 015	Inner panel Ass'y	for E2,E1,E1H,EUT,E1C	1	
	1U-3318 E		for EUT,E1C		27	112 0844 006	Knob (M) Ass'y (BK)	for EU,EC	1
4-1	1U-3318-1	AMP connect unit		1	112 0844 019	Knob (M) Ass'y (G)	for E2,E1,E1C,E1H,EUT	1	
	4-2	1U-3318-2	PRE OUT unit		28	112 0846 004	Knob (F) Ass'y (BK)	for EU,EC	1
4-3	1U-3318-3	S-video unit		1	112 0846 017	Knob (F) Ass'y (G)	for E2,E1,E1C,E1H,EUT	1	
	4-4	1U-3318-4	P.SW & H/P unit		29	112 0848 002	Knob (S) Ass'y (BK)	for EU,EC	1
4-5	1U-3318-5	Tuner unit		1	112 0848 015	Knob (S) Ass'y (G)	for E2,E1,E1C,E1H,EUT	1	
	5	1U-3319	Regulator unit Ass'y		for EU,EC	30	113 1873 105	Push knob (BK)	for EU,EC
5	1U-3319 A		for E1,E1H	1	113 1873 118	Push knob (G)	for E2,E1,E1C,E1H,EUT	1	
	1U-3319 B		for E2,E1C		31	441 0949 090	Spacer		1
	1U-3319 E		for EUT		32	272 0157 008	MP15P	TR113,114,213, 214,313,314,413	7
	1U-3319 F		for E1C		33	274 0196 007	MN15N	TR115,116,215, 216,315,316,415	7
5-1	1U-3319-1	Regulator unit		1	34	412 4127 001	PWB bracket (B)		2
	5-2	1U-3319-2	C.video unit		35	417 0602 208	Radiator		1
5-3	1U-3319-3	COMP.video unit		1	36	412 4629 004	Radiator bracket (L)		3
	5-4	1U-3319-4	Digital In-1 unit		37	412 4296 107	Radiator bracket		1
5-5	1U-3319-5	Digital In-2 unit		1	38	415 0505 008	F.S.washer		3
	5-6	1U-3319-6	Holder unit		39	412 4690 004	Fan bracket		1
5-7	1U-3319-8	PT903 unit		1	40	412 4691 003	Fan cover		1
	5-8	1U-3319-9	PT902 unit		41	421 0767 003	Fan (80X80) 24V		1
5-11	1U-3319-11	Voltage select-1 unit	for E1,E1H	1	△ 42	233 6352 006	Power trans	for EU,EC,EUT	1
	5-12	1U-3319-12	Voltage select-2 unit		for E1,E1H	△ 233 6356 002	Power trans	for E2	1
6	1U-3320	AUDIO/DSP unit Ass'y	for EU,EC	1	△ 233 6357 001	Power trans	for E1,E1H	1	
	1U-3320A		for E1,E1H,E1C		△ 233 6317 009	Power trans	for E1C	1	
	1U-3320 B		for E2		43	445 8004 007	Wire clammer		4
9	411 1372 733	Main chassis		1					
10	412 4692 002	Trans bracket		1					

Ref. No.	Part No.	Part Name	Remarks	Q'ty
44	461 0635 052	Spacer rubber		2
45	461 0334 036	Rubber sheet		1
46	102 0638 040	Top cover (BK)	for EU,EC,E2	1
	102 0638 053	Top cover (G)	for E2,E1,E1C,E1H,EUT	1
47	441 1945 006	Plate (T/C)		1
48	475 6124 003	12 NUT		1
49	412 2955 107	Side bracket	for E2,E1,E1C,E1H	1
50	477 0096 007	Push rivet		14
51	203 3981 000	AC outlet	for E2,E1,E1H	1
52	499 0133 017	P.W.B. holder	for E1,E1C,E1H	2
★ 53	513 3333 005	Label (trans)		1
★	203 8341 043	5P KR-KR connector	CN951	1
★	203 4871 038	3P KR-KR connector	CN037 for EU,EC	1
★	203 4872 053	3P KR-KR connector	CN031	1
★	203 6386 013	4P KR-KR connector	CN041	1
★	203 5177 029	3P VH connector cord	for E2,E1,E1H,EUT	1
★	203 2374 029	2P VA-VA cord	for E2,E1,E1C,E1H,EUT	1

SCREWS

Ref. No.	Part No.	Part Name	Remarks	Q'ty
101	473 7002 005	Screw 3X6 CBTS(S)-Z		10
102	473 7004 016	Screw 4X6 CBTS (S)-Z		8
103	473 7005 002	Screw 3X10 CBTS (S)-Z		29
104	473 7015 018	Screw 3X8 CBTS (S)-B		11
105	473 7500 015	Screw 3X8 CBTS (P)-Z		15
106	473 7501 001	Screw 3X10 CBTS (P)-Z		7
107	473 7501 030	Screw 3X20 CBTS (P)-Z		3
108	473 8007 009	Screw 3X12 CUP SCREW		3
109	473 8034 030	Screw 3X10 CBTS(B)-Z		19
110	473 8064 000	Screw 4X8 CBTS(B)-B-3P	for Black model	6
110	473 8064 013	Screw 4X8 CBTS(B)-N-3P	for Gold model	6
111	477 0064 107	Fixing screw		39
112	477 0153 018	Screw 3X16 CPTS(B) SW W		16
113	477 0263 005	3P. Swelling screw		4

PACKING VIEW

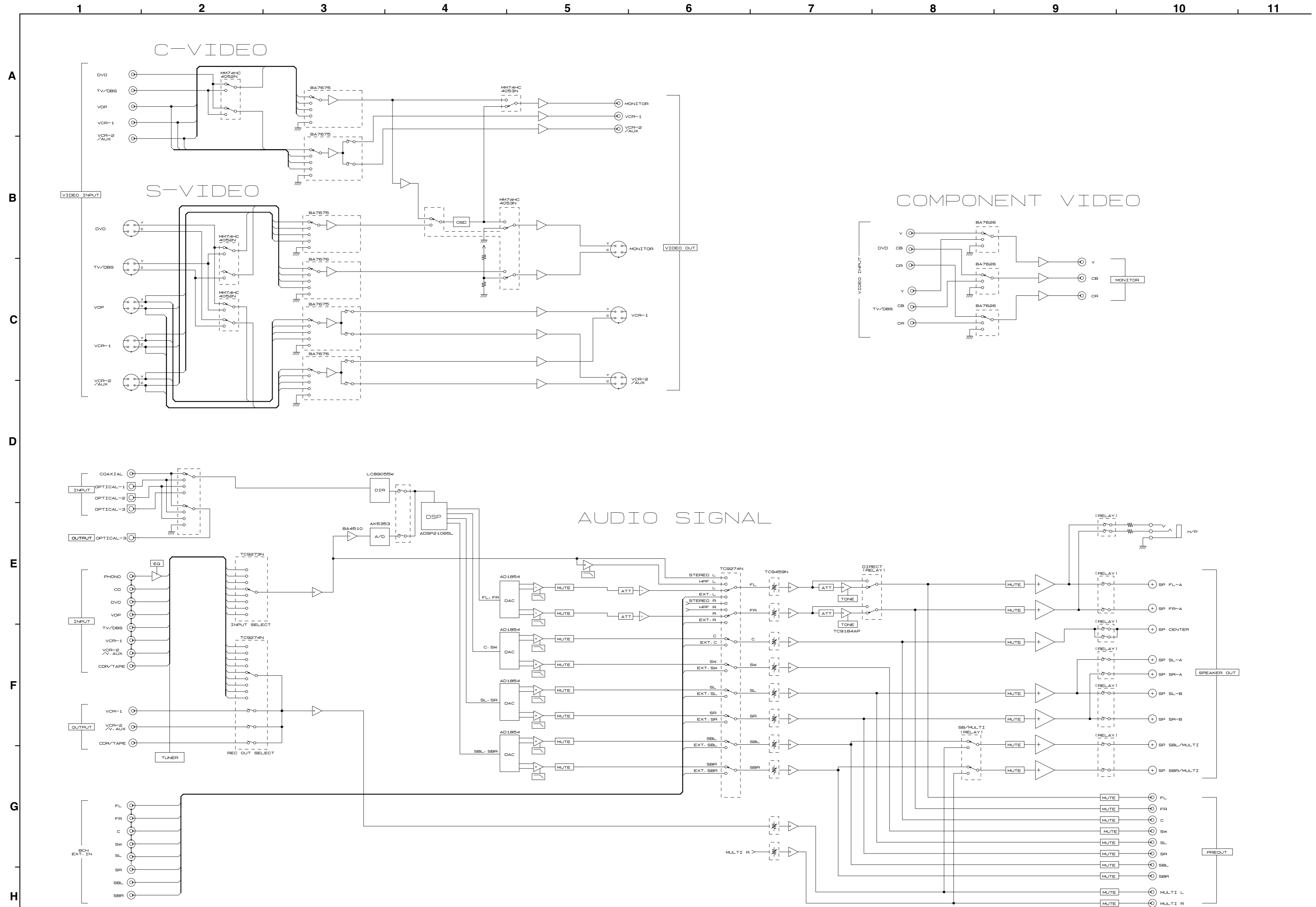


PARTS LIST OF PACKING & ACCESSORIES

Note: The symbols in the column "Remarks" indicate the following destinations.
 EU: U.S.A. model E1C: China model
 EC: Canada model E1H: Hong Kong model
 E2: Europe model EUT: Taiwan R.O.C.model
 E1: Asia model

Ref. No.	Part No.	Part Name	Remarks	Q'ty
201	503 1330 003	Cushion Ass'y		1
202	505 8006 019	Envelope		1
203	511 3663 009	Inst manual (E3)	for EU,EC	1
	511 3729 008	Inst manual (EC)	for EC	1
	511 3709 002	Inst manual (E2)	for E2	1
	511 3708 003	Inst manual (E1)	for E1,E1H,EUT	1
	511 3710 004	Inst manual (E1C)	for E1C	1
204	511 3722 005	Inst sheet		1
205	515 0867 101	Service station list		1
206	515 0817 009	DEL warranty home	for EU	1
207	504 0192 106	Cabinet sheet		1
208	231 0922 009	Loop antenna		1
209	395 0023 008	*FM antenna Ass'y		1
210	529 0079 008	FM antenna adapter		1
211	399 0642 009	Remote control RC-883	for EU,EC,E1,E1H E1C,EUT	1
	399 0643 008	Remote control RC-884	for E2	1
212		Control card		1
213	502 0948 008	Pad		1
214	501 1950 160	Spacer		2
215	501 2100 029	Carton case	for EU,EC,E1,E2,EUT	1
	501 2100 032	Carton case	for E1H	1
★	502 0933 000	Pad	for E1H	2
★	513 9111 001	Color label (Gold)	for Gold model	2
217	504 0192 106	Cabinet sheet		1
218		Battery (R6P/AA)×2		1
219		Bar code label	for EU,EC,E2	1
★	513 3322 003	Label (RDS)	for E2	2
★	513 3549 006	Carton label (T)	for EUT	1
★	513 3518 008	Carton label (C)	for E1C	1
★	515 0627 105	DCI warranty home	for EC	1

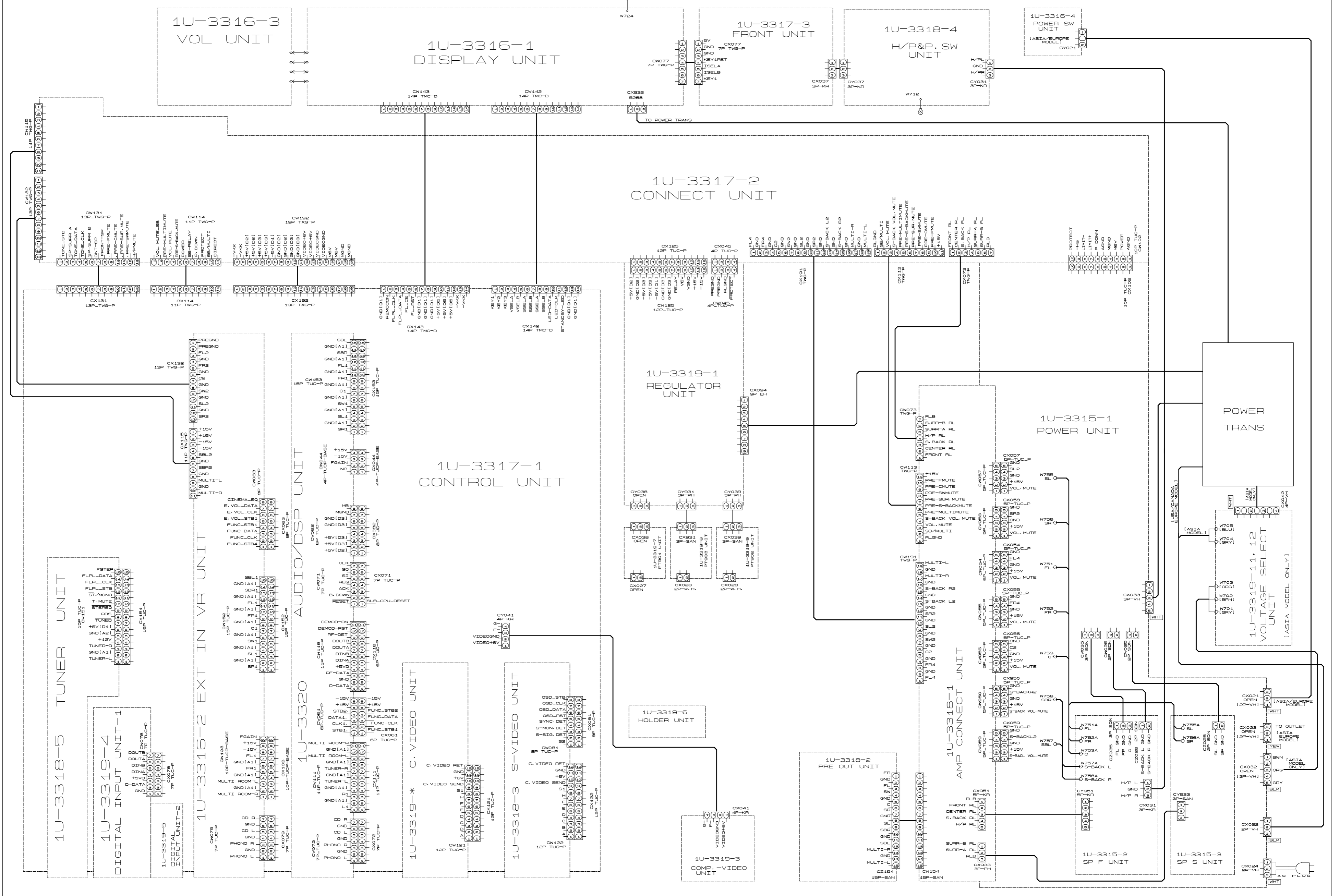
BLOCK DIAGRAM



WIRING DIAGRAM

1 2 3 4 5 6 7 8 9 10 11

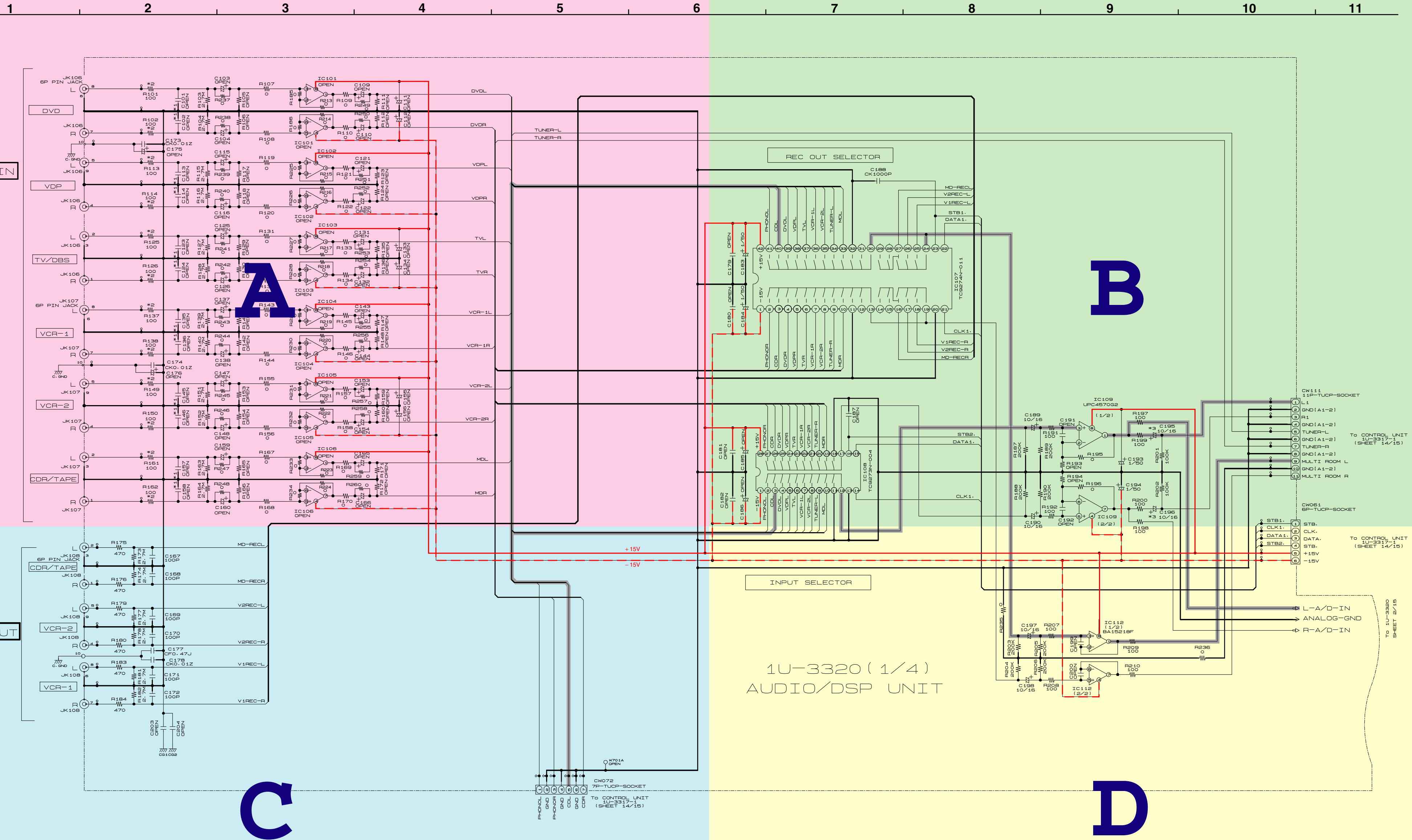
AVR3801 WIRING DIAGRAM



A
B
C
D
E
F
G
H

avr381wd.c1r/001.sht

SCHEMATIC DIAGRAMS (1/15)



	*1	*2	*3
	0.0, 101, 102, 123, 124, 145, 146, 147, 158	101, 102, 126, 137, 138, 149, 150, 161, 162	C195, 196
*USA			
CANADA			
ASIA	OPEN	OPEN	10/15
HONG KONG			
CHINA			
EUROPE	330P	470	100/15
TAIWAN R. O. C.	330P	470	10/15

WARNING:
Parts marked with this symbol Δ have critical characteristics. Use ONLY replacement parts recommended by the manufacturer.

CAUTION:
Before returning the unit to the customer, make sure you make either (1) a leakage current check or (2) a line to chassis resistance check. If the leakage current exceeds 0.5 millamps, or if the resistance from chassis to either side of the power card is less than 460 kohms, the unit is defective.

WARNING:
DO NOT return the unit to the customer until the problem is located and corrected.

NOTICE
ALL RESISTANCE VALUES IN OHM. k=1,000 OHM M=1,000,000 OHM
ALL CAPACITANCE VALUES IN MICRO FARAD. P=MICRO-MICRO FARAD
EACH VOLTAGE AND CURRENT ARE MEASURED AT NO SIGNAL INPUT CONDITION.
CIRCUIT AND PARTS ARE SUBJECT TO CHANGE WITHOUT PRIOR NOTICE.

1U-3320 (1/4)
AUDIO/DSP UNIT

— + B LINE
- - - - - B LINE
— SIGNAL

SCHEMATIC DIAGRAMS (1/15)
1U-3320 (1/4) AUDIO/DSP UNIT

SCHEMATIC DIAGRAMS (1/15)

1

2

3

4

5

6

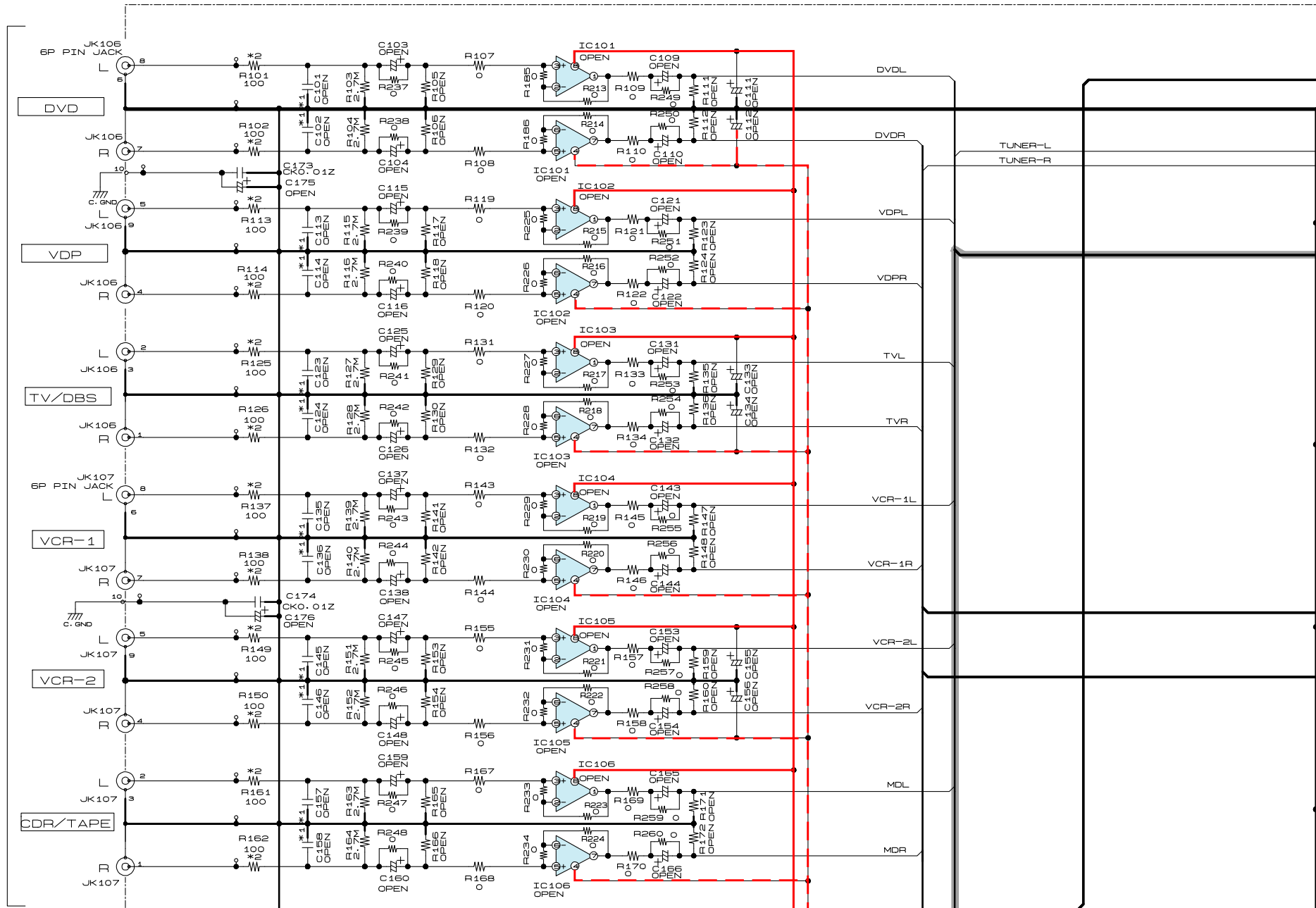
A

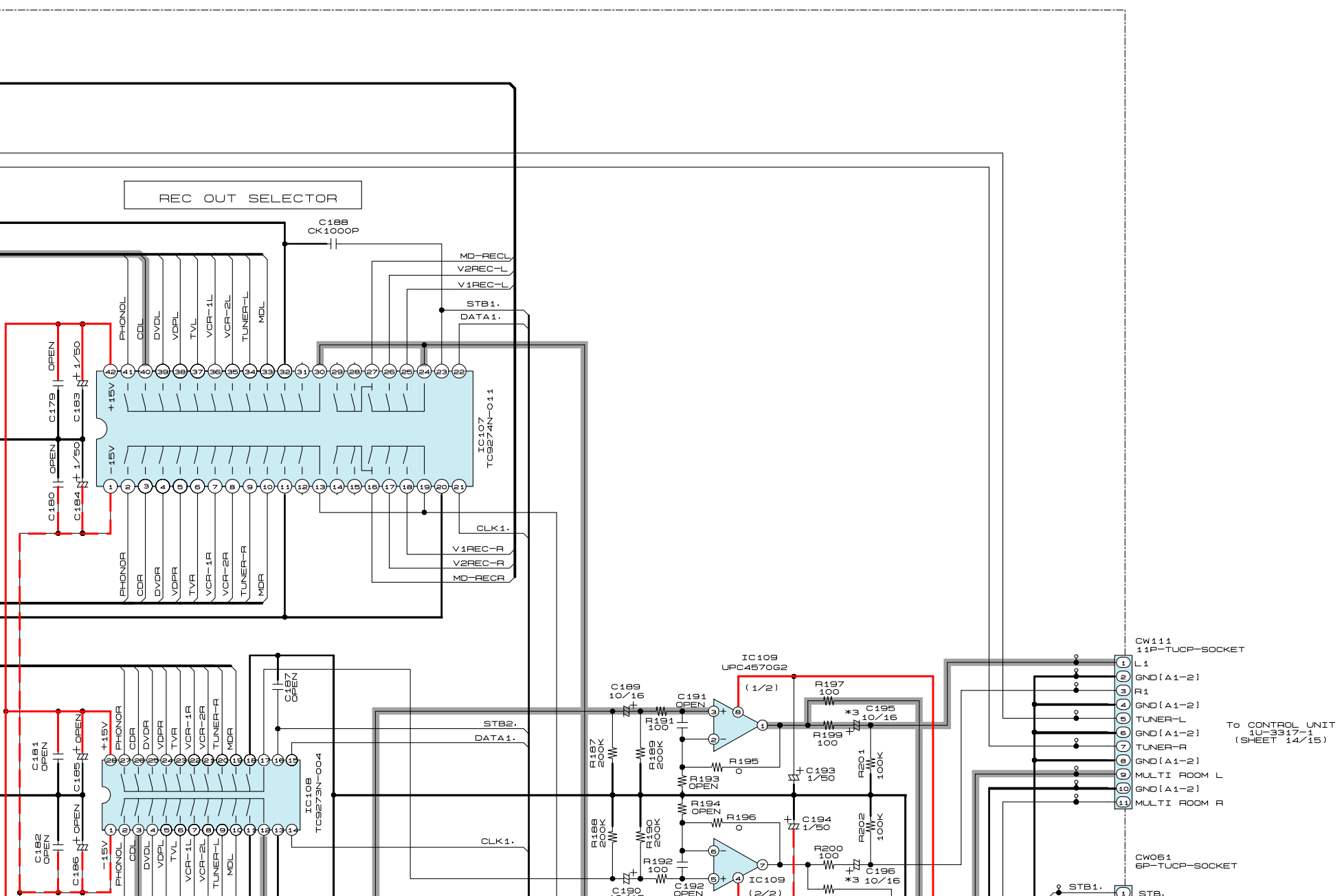
B

C

D

IN





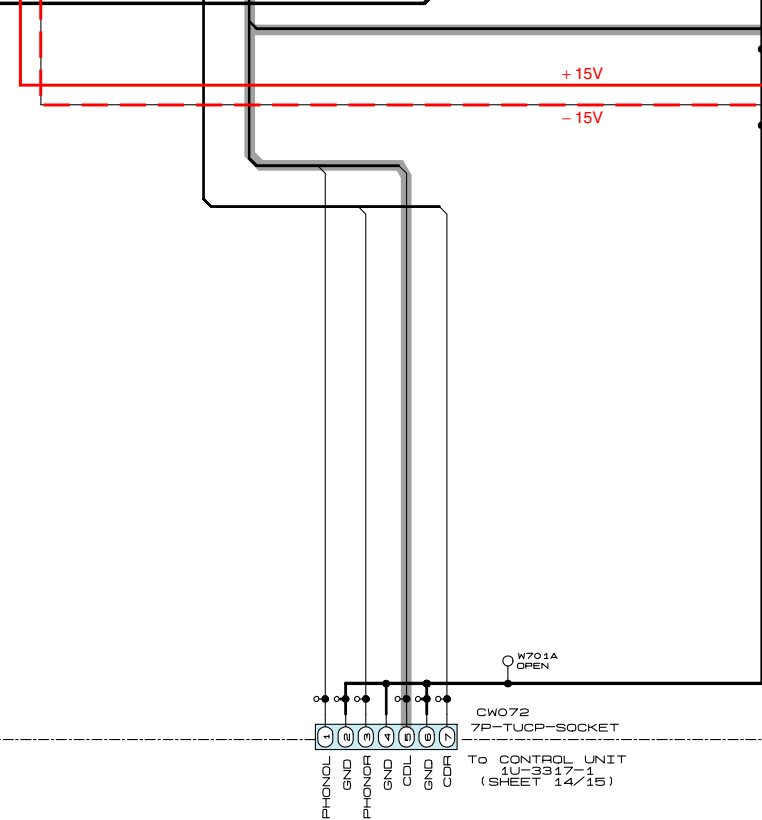
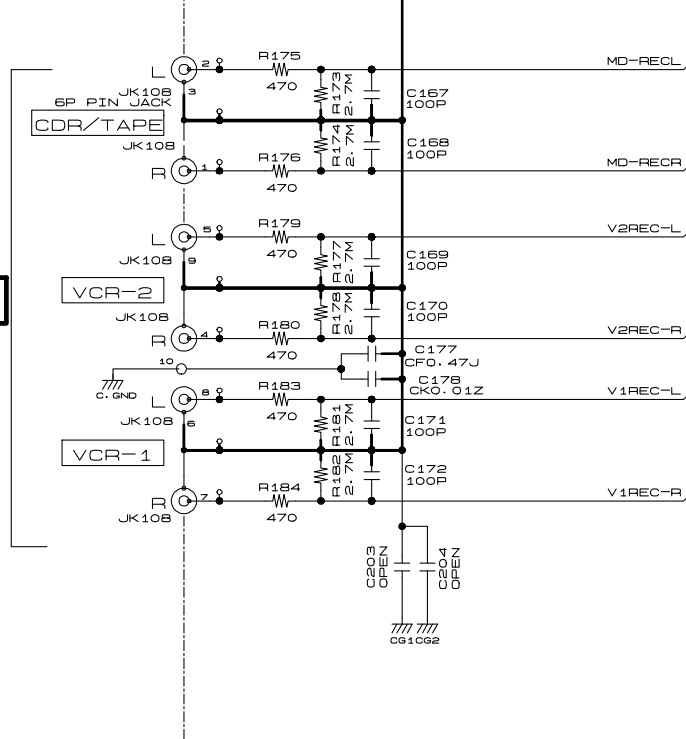
E

F

G

H

OUT





	*1	*2	*3
	C101, 102, 113, 114 C123, 124, 135, 136 C145, 146, 157, 158	R101, 102, 113, 114 R125, 126, 137, 138 R149, 150, 161, 162	C195, 196
*USA CANADA ASIA HONG KONG CHINA	OPEN	OPEN	10/16
EUROPE	330P	470	100/16
TAIWAN R. O. C	330P	470	10/16

NOTICE

ALL RESISTANCE VALUES IN OHM. k=1,000 OHM M=1,000,000 OHM
 ALL CAPACITANCE VALUES IN MICRO FARAD. P=MICRO-MICRO FARAD
 EACH VOLTAGE AND CURRENT ARE MEASURED AT NO SIGNAL INPUT
 CONDITION.
 CIRCUIT AND PARTS ARE SUBJECT TO CHANGE WITHOUT PRIOR
 NOTICE.

WARNING:

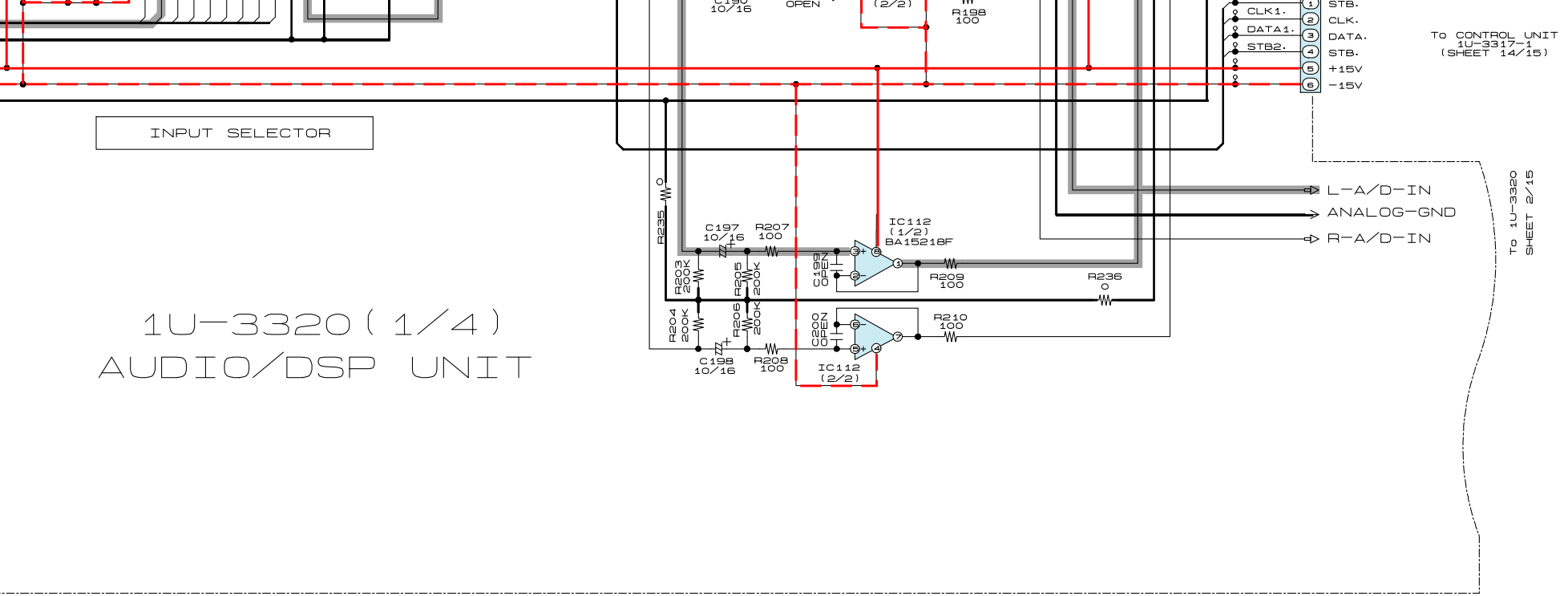
Parts marked with this symbol   have critical characteristics.
 Use ONLY replacement parts recommended by the manufacturer.

CAUTION:

Before returning the unit to the customer, make sure you make either (1) a leakage current check or (2) a line to chassis resistance check. If the leakage current exceeds 0.5 milliamps, or if the resistance from chassis to either side of the power card is less than 460 kohms, the unit is defective.

WARNING:

DO NOT return the unit to the customer until the problem is located and corrected.



1U-3320 (1/4)
AUDIO/DSP UNIT

- + B LINE
- - - - B LINE
- SIGNAL

SCHEMATIC DIAGRAMS (1/15)
1U-3320 (1/4) AUDIO/DSP UNIT

SCHEMATIC DIAGRAMS (2/15)

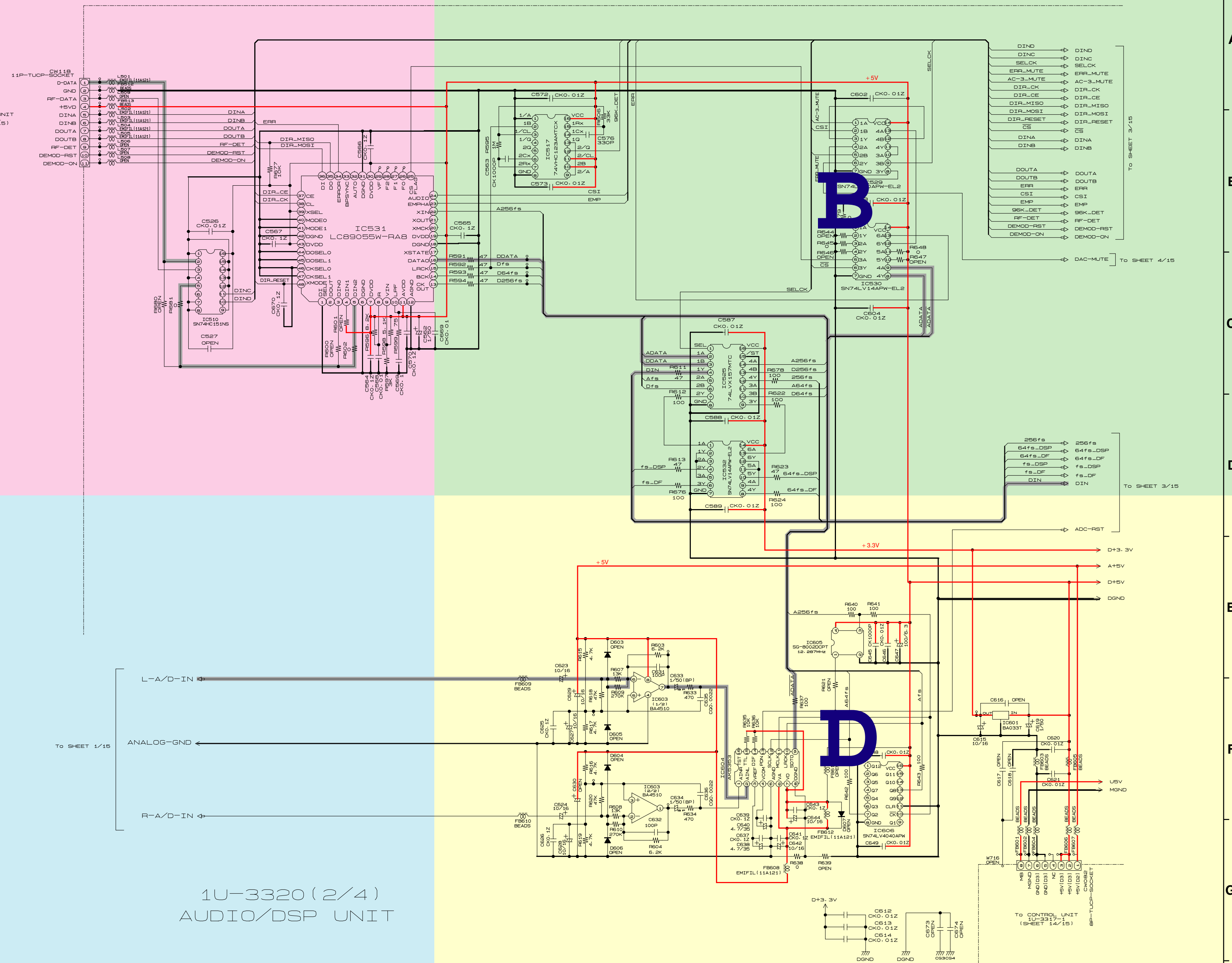
1 2 3 4 5 6 7 8 9 10 11

A

B

C

D



1U-3320 (2/4) AUDIO/DSP UNIT

NOTICE
 ALL RESISTANCE VALUES IN OHM. K=1,000 OHM M=1,000,000 OHM
 ALL CAPACITANCE VALUES IN MICRO FARAD. P=MICRO-MICRO FARAD
 EACH VOLTAGE AND CURRENT ARE MEASURED AT NO SIGNAL INPUT
 CONDITION.
 CIRCUIT AND PARTS ARE SUBJECT TO CHANGE WITHOUT PRIOR
 NOTICE.

WARNING:
 Parts marked with this symbol Δ have critical characteristics.
 Use ONLY replacement parts recommended by the manufacture.

CAUTION:
 Before returning the unit to the customer, make sure you make either (1) a
 leakage current check or (2) a line to chassis resistance check. If the leakage
 current exceeds 0.5 milliamps, or if the resistance from chassis to either side
 of the power card is less than 460 kohms, the unit is defective.

WARNING:
 DO NOT return the unit to the customer until the problem is located and
 corrected.

— + B LINE
 — SIGNAL

SCHEMATIC DIAGRAMS (2/15)
 1U-3320 (2/4) AUDIO DSP UNIT

SCHEMATIC DIAGRAMS (2/15)

1

2

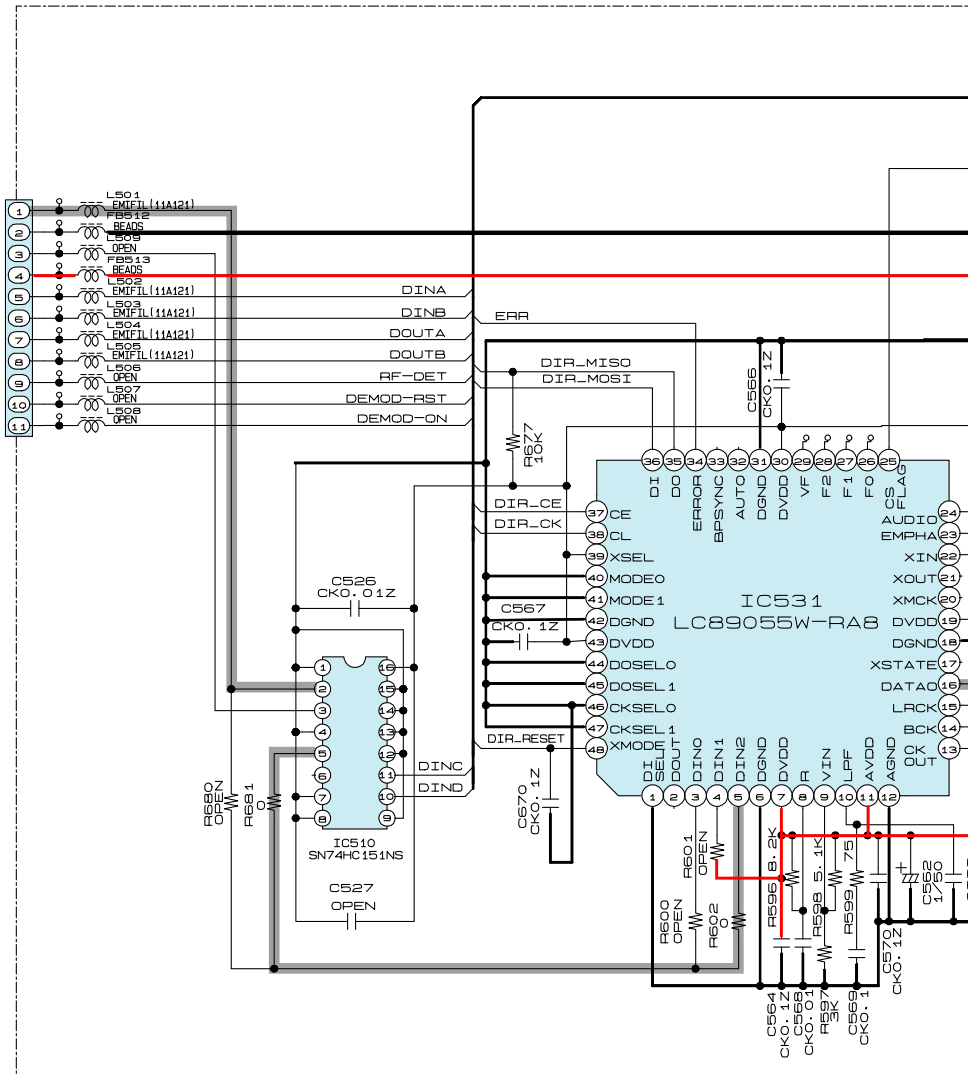
3

4

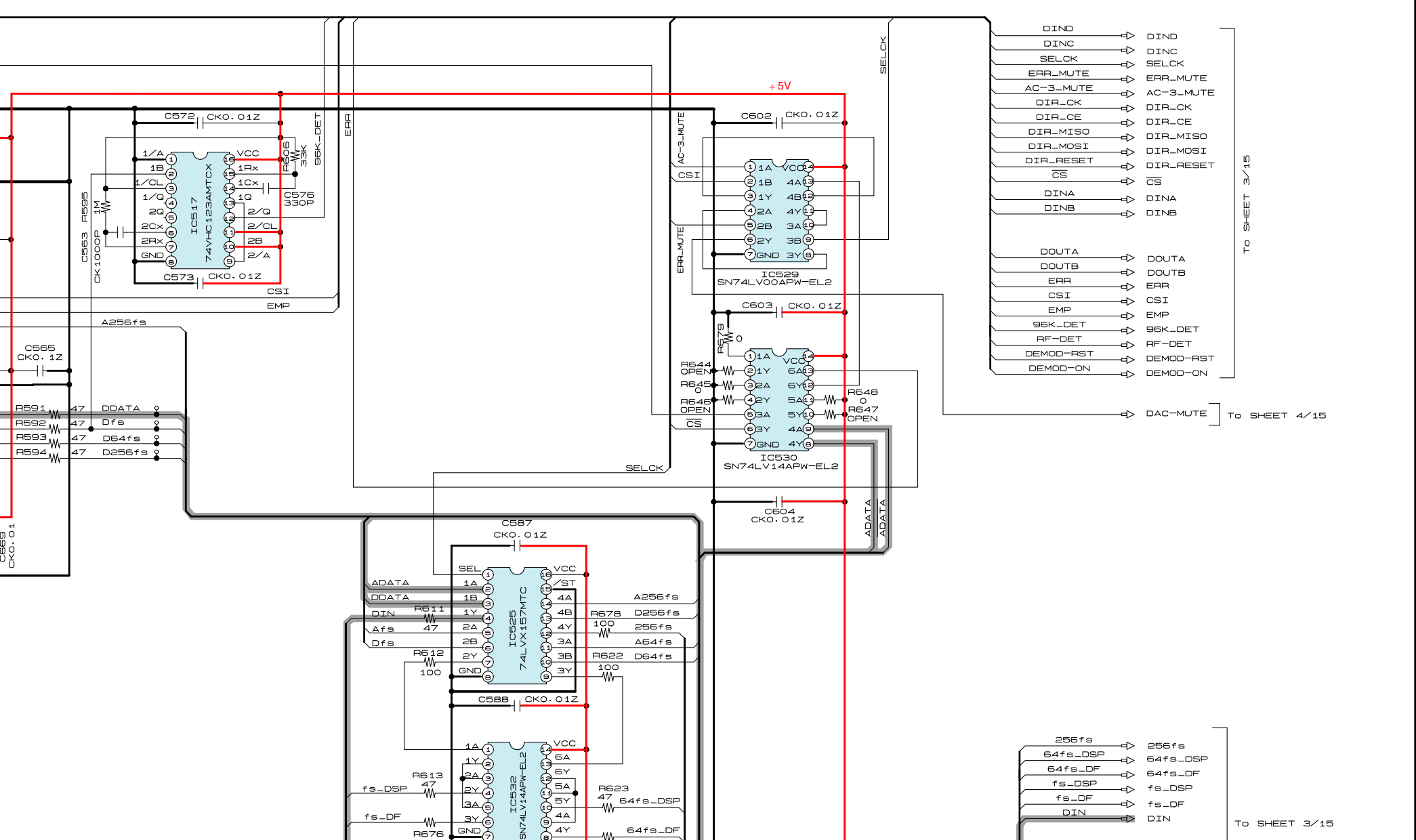
5

To CONTROL UNIT
1U-3317-1
(SHEET 14/15)

- 11P-TUCP-SOCKET
- 0
- 1 D-DATA
- 2 GND
- 3 RF-DATA
- 4 +SVD
- 5 DINA
- 6 DINB
- 7 DOUTA
- 8 DOUTB
- 9 RF-DET
- 10 DEMOD-RST
- 11 DEMOD-ON



6 7 8 9 10 11



- DIND → DIND
- DINC → DINC
- SELCK → SELCK
- ERR_MUTE → ERR_MUTE
- AC-3_MUTE → AC-3_MUTE
- DIR_CK → DIR_CK
- DIR_CE → DIR_CE
- DIR_MISO → DIR_MISO
- DIR_MOSI → DIR_MOSI
- DIR_RESET → DIR_RESET
- CS → CS
- DINA → DINA
- DINB → DINB

- DOUTA → DOUTA
- DOUTB → DOUTB
- ERR → ERR
- CSI → CSI
- EMP → EMP
- 96K_DET → 96K_DET
- RF_DET → RF_DET
- DEMOD_RST → DEMOD_RST
- DEMOD_ON → DEMOD_ON

To SHEET 3/15

To SHEET 4/15

- 256fs → 256fs
- 64fs_DSP → 64fs_DSP
- 64fs_DF → 64fs_DF
- fs_DSP → fs_DSP
- fs_DF → fs_DF
- DIN → DIN

To SHEET 3/15

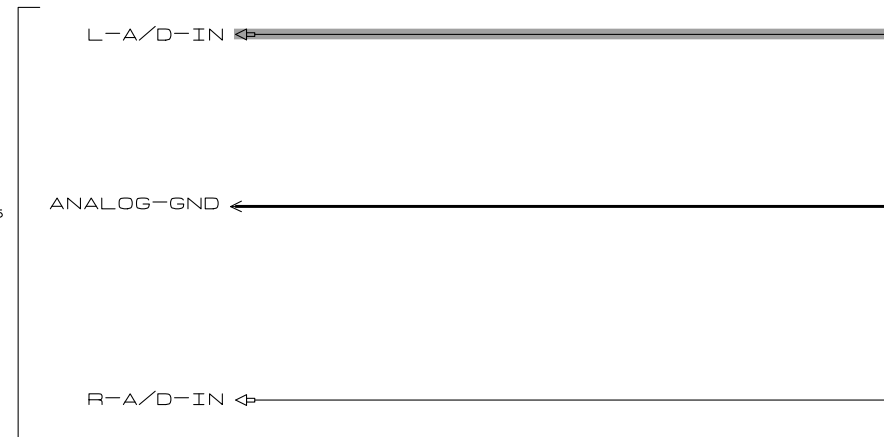
A

B

C

D

To SHEET 1/15



NOTICE

ALL RESISTANCE VALUES IN OHM. k=1,000 OHM M=1,000,000 OHM
ALL CAPACITANCE VALUES IN MICRO FARAD. P=MICRO-MICRO FARAD
EACH VOLTAGE AND CURRENT ARE MEASURED AT NO SIGNAL INPUT
CONDITION.
CIRCUIT AND PARTS ARE SUBJECT TO CHANGE WITHOUT PRIOR
NOTICE.

WARNING:

Parts marked with this symbol  have critical characteristics.
Use ONLY replacement parts recommended by the manufacture.

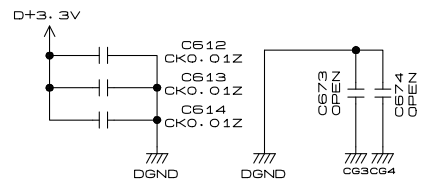
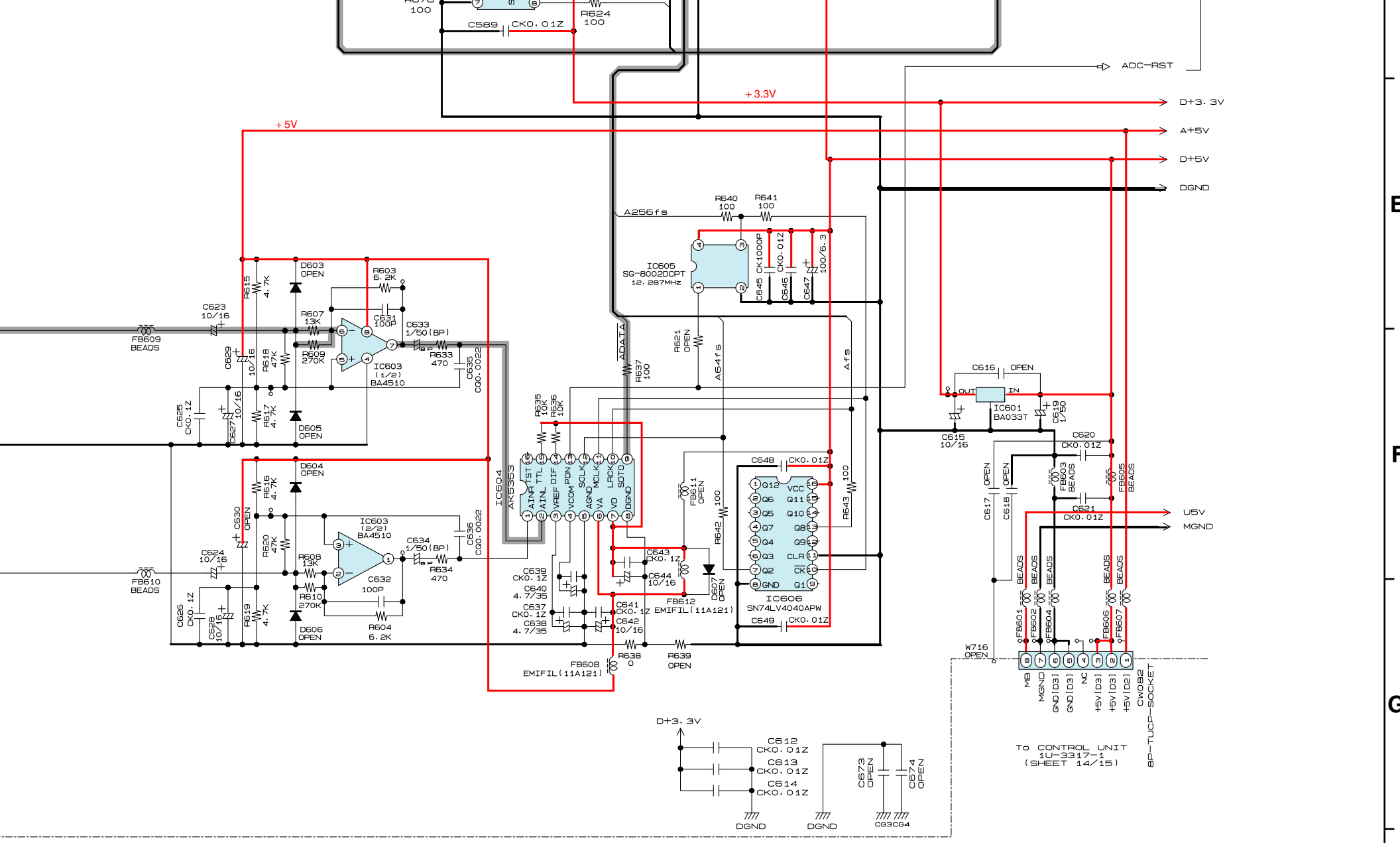
CAUTION:

Before returning the unit to the customer, make sure you make either (1) a leakage current check or (2) a line to chassis resistance check. If the leakage current exceeds 0.5 milliamps, or if the resistance from chassis to either side of the power card is less than 460 kohms, the unit is defective.

WARNING:

DO NOT return the unit to the customer until the problem is located and corrected.

1U-3320 (2/4)
AUDIO/DSP UNIT



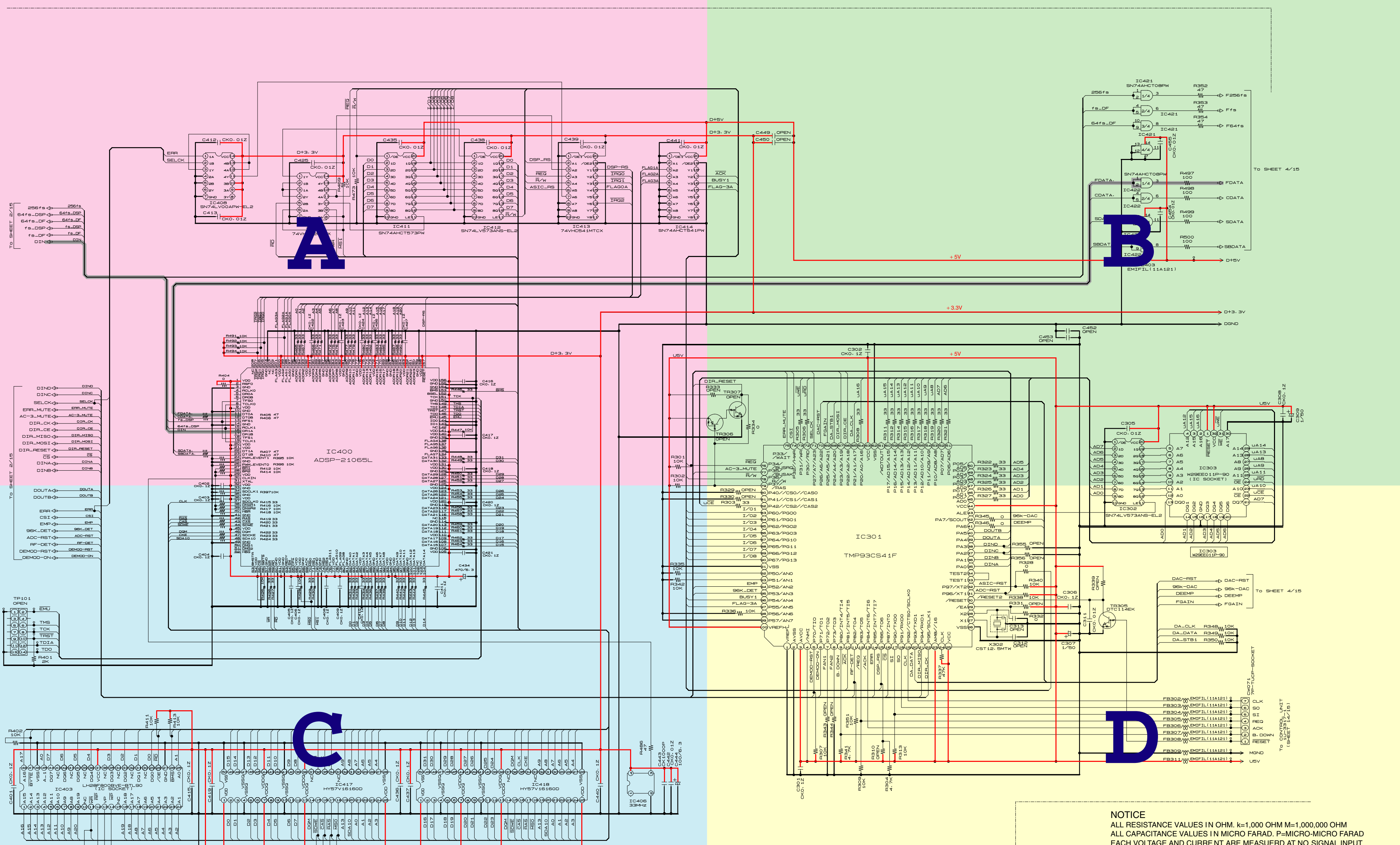
SCHEMATIC DIAGRAMS (2/15)
 1U-3320 (2/4) AUDIO DSP UNIT

E
F
G
H

SCHEMATIC DIAGRAMS (3/15)

1 2 3 4 5 6 7 8 9 10 11

A B C D E F G H



1U-3320 (3/4)
AUDIO/DSP UNIT

— + B LINE
— SIGNAL

SCHEMATIC DIAGRAMS (3/15)
1U-3320 (3/4) AUDIO/DSP UNIT

NOTICE
ALL RESISTANCE VALUES IN OHM. k=1,000 OHM M=1,000,000 OHM
ALL CAPACITANCE VALUES IN MICRO FARAD. P=MICRO-MICRO FARAD
EACH VOLTAGE AND CURRENT ARE MEASURED AT NO SIGNAL INPUT
CONDITION.
CIRCUIT AND PARTS ARE SUBJECT TO CHANGE WITHOUT PRIOR
NOTICE.

WARNING:
Parts marked with this symbol have critical characteristics.
Use ONLY replacement parts recommended by the manufacturer.

CAUTION:
Before returning the unit to the customer, make sure you make either (1) a
leakage current check or (2) a line to chassis resistance check. If the leakage
current exceeds 0.5 milliamps, or if the resistance from chassis to either side
of the power card is less than 460 kohms, the unit is defective.

WARNING:
DO NOT return the unit to the customer until the problem is located and
corrected.

SCHEMATIC DIAGRAMS (3/15)

1

2

3

4

5

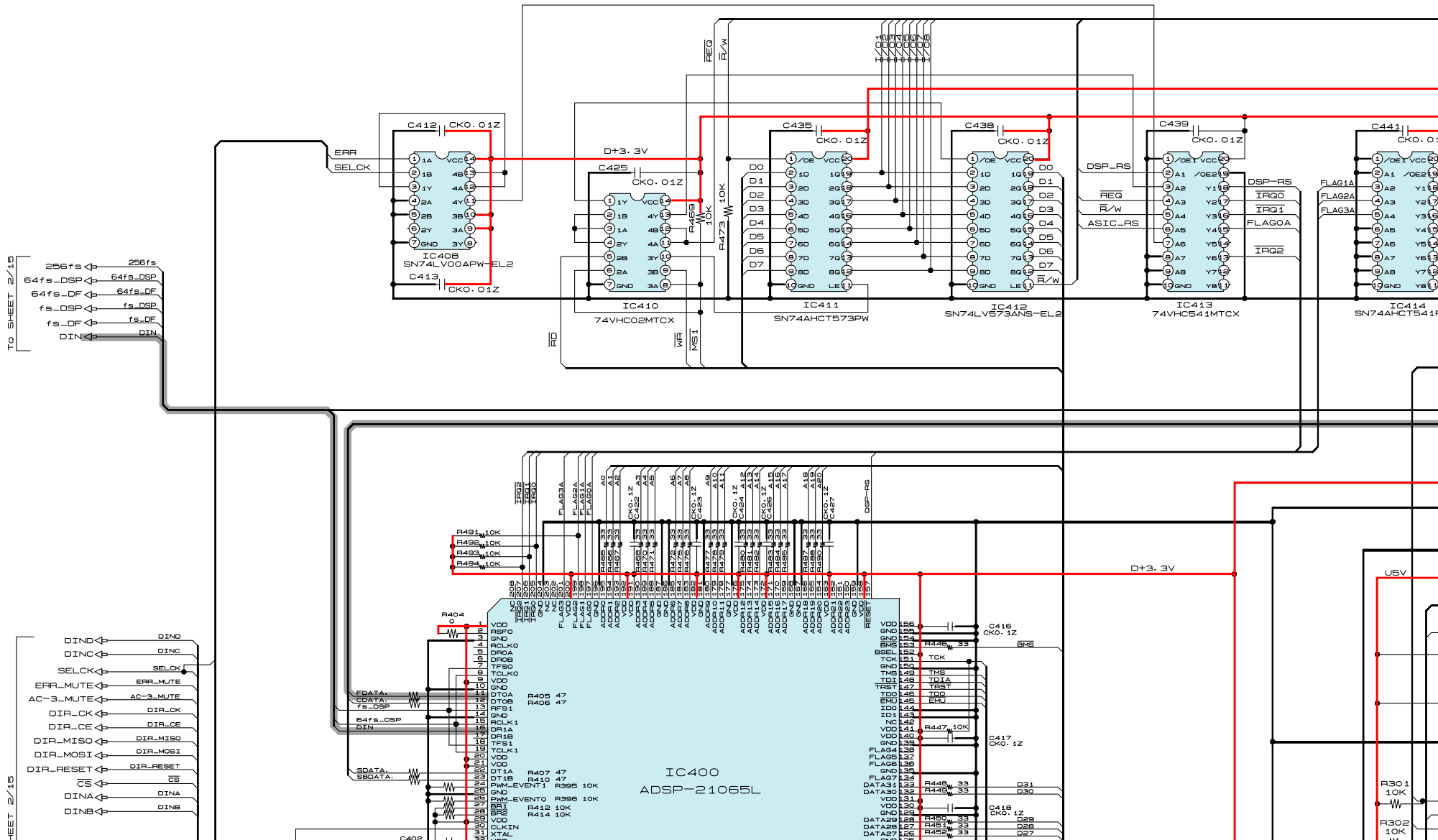
6

A

B

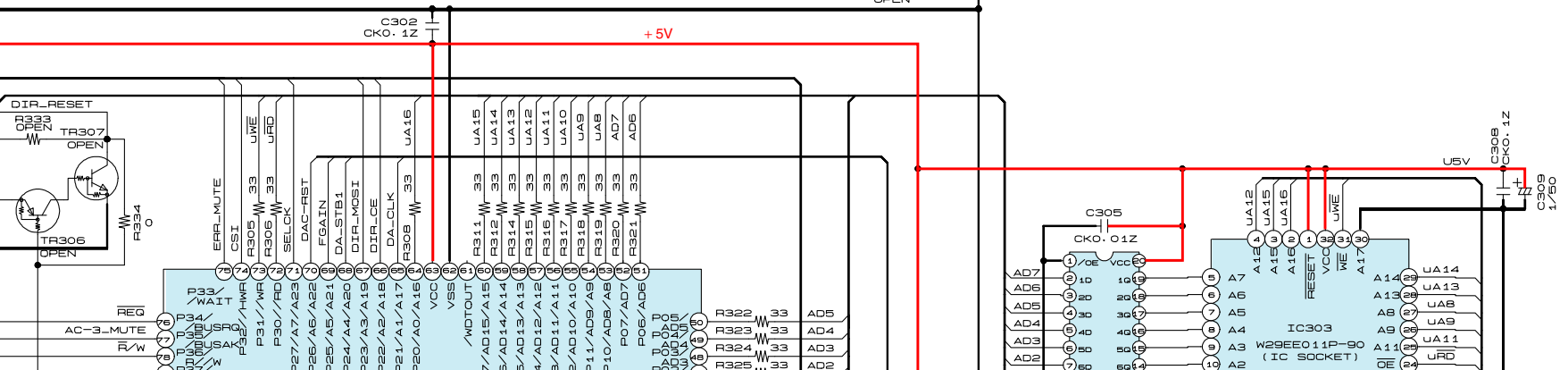
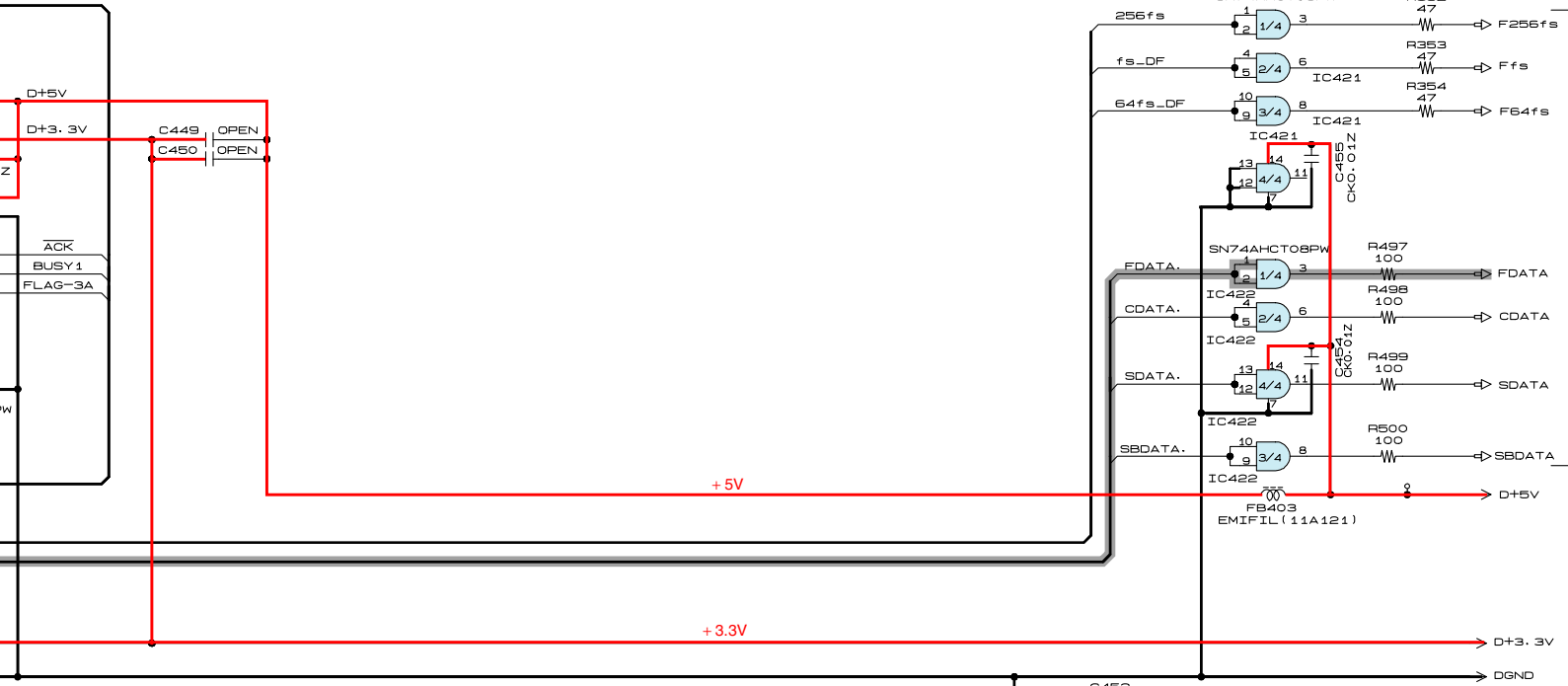
C

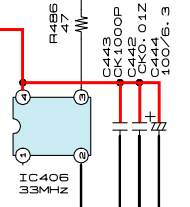
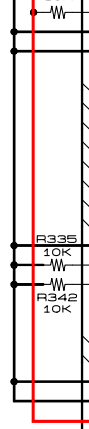
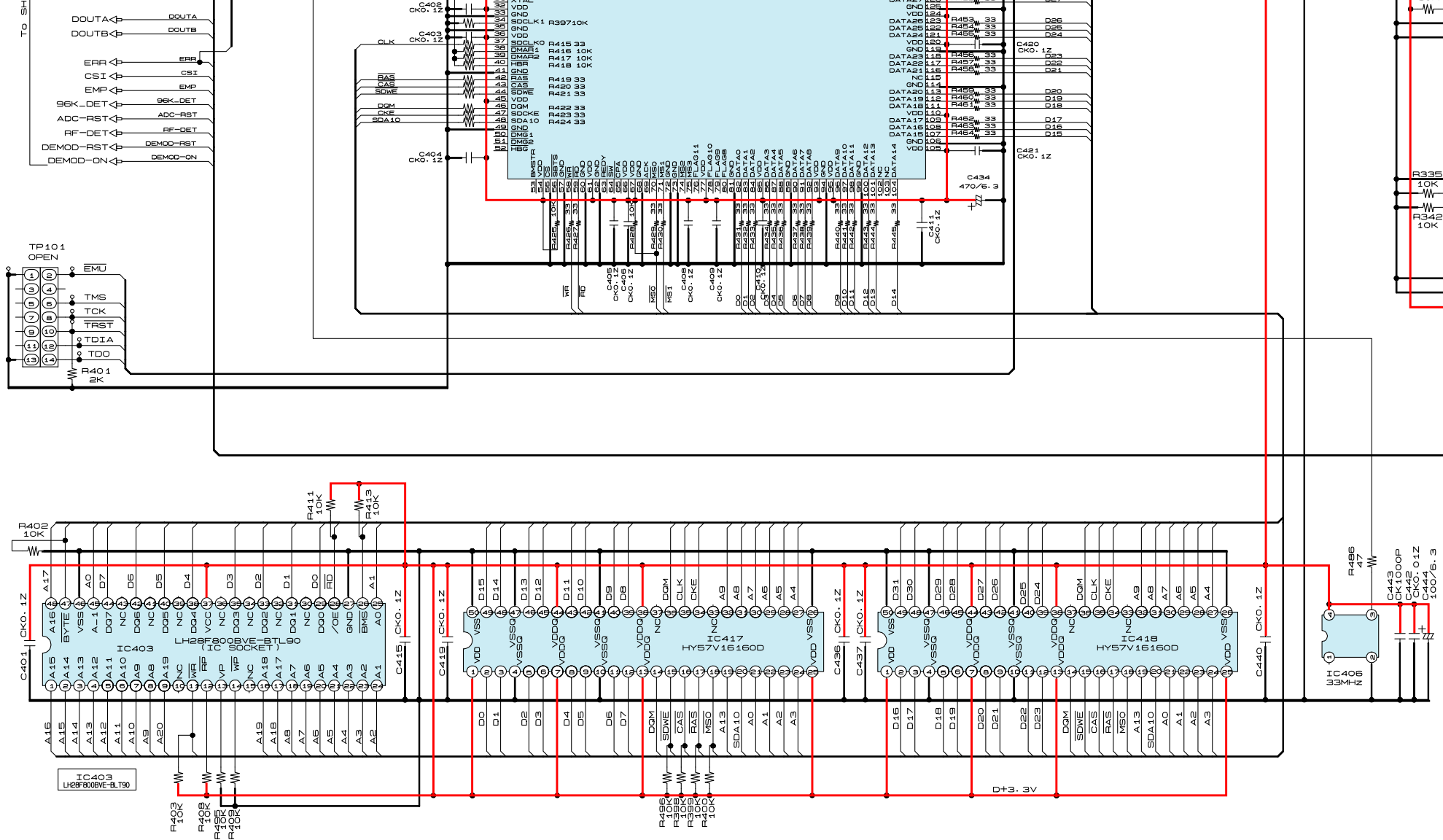
D

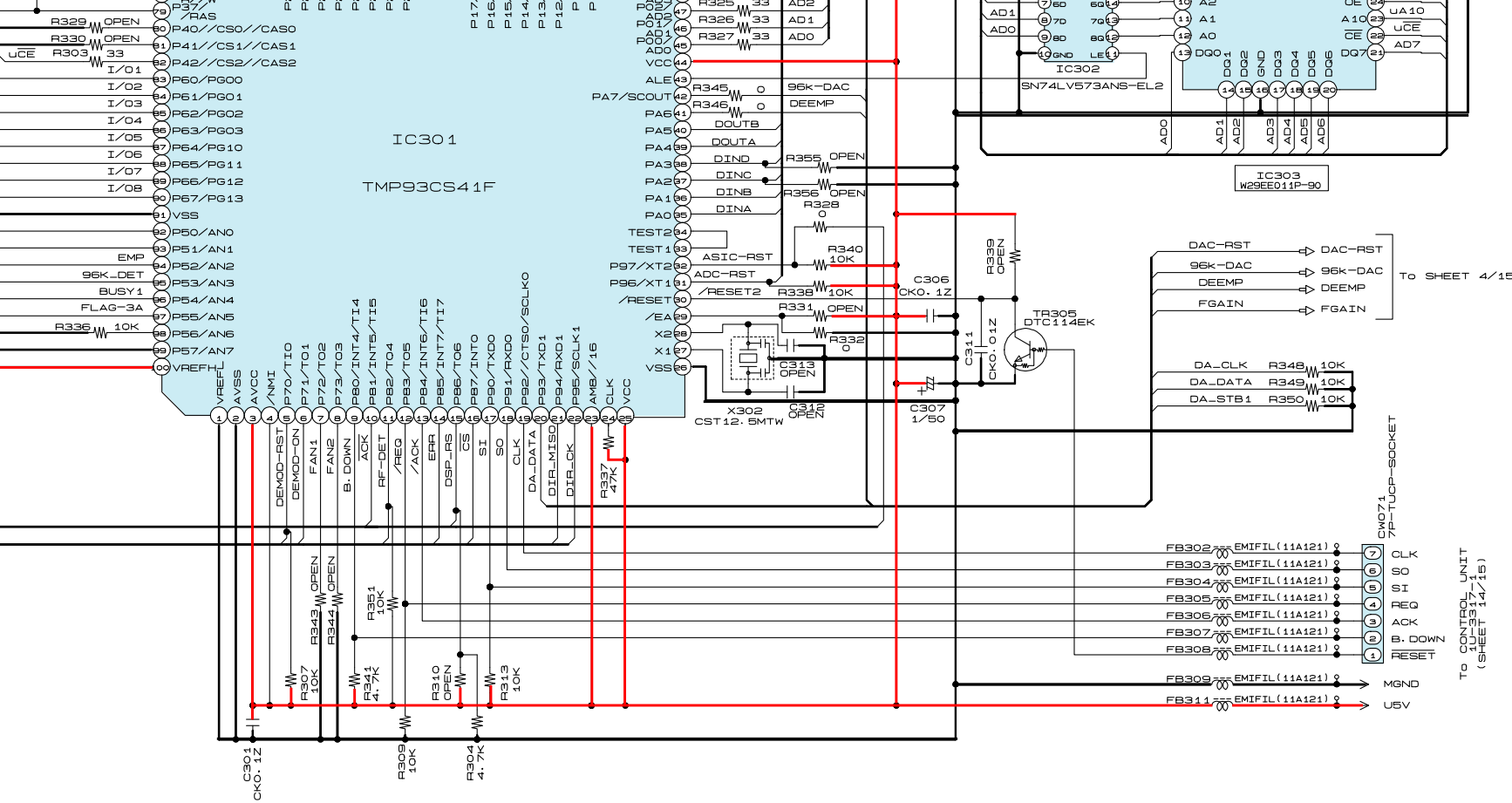


TO SHEET 2/15

SHEET 2/15







1U-3320 (3/4)
AUDIO/DSP UNIT

— + B LINE
— SIGNAL

SCHEMATIC DIAGRAMS (3/15)
1U-3320 (3/4) AUDIO/DSP UNIT

NOTICE
ALL RESISTANCE VALUES IN OHM. k=1,000 OHM M=1,000,000 OHM
ALL CAPACITANCE VALUES IN MICRO FARAD. P=MICRO-MICRO FARAD
EACH VOLTAGE AND CURRENT ARE MEASURED AT NO SIGNAL INPUT CONDITION.
CIRCUIT AND PARTS ARE SUBJECT TO CHANGE WITHOUT PRIOR NOTICE.

WARNING:
Parts marked with this symbol have critical characteristics. Use ONLY replacement parts recommended by the manufacture.

CAUTION:
Before returning the unit to the customer, make sure you make either (1) a leakage current check or (2) a line to chassis resistance check. If the leakage current exceeds 0.5 milliamps, or if the resistance from chassis to either side of the power card is less than 460 kohms, the unit is defective.

WARNING:
DO NOT return the unit to the customer until the problem is located and corrected.

To SHEET 4/15

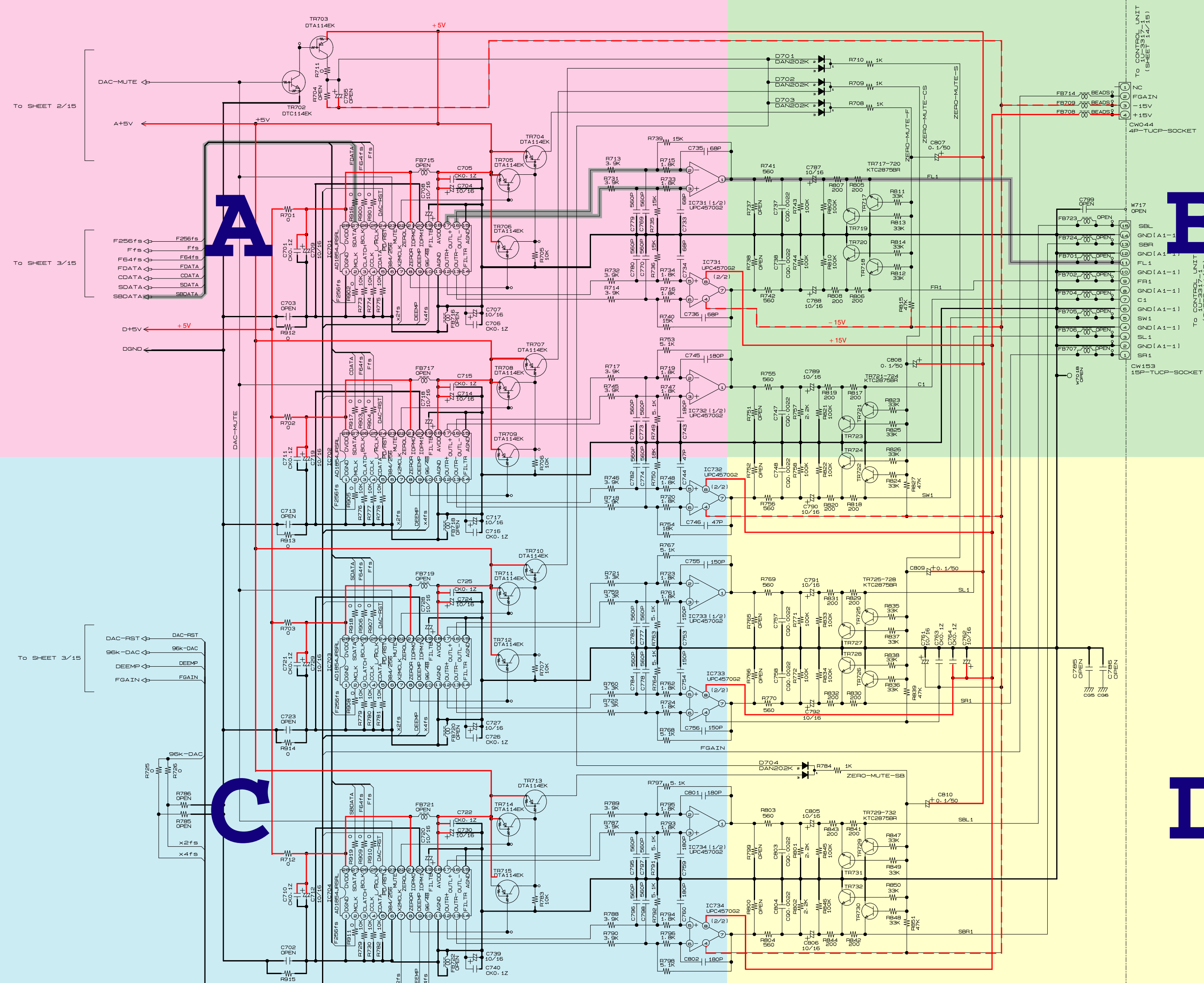
To CONTROL UNIT
(SHEET 14/15)

SCHEMATIC DIAGRAMS (4/15)

1 2 3 4 5 6 7 8 9 10 11

1U-3320 (4/4)
AUDIO/DSP UNIT

	C709, 713 C715, 723	FB715, 717 FB719, 721
USA CAN/USA	10/16	—
EUROPE ASIA	220/10	1000p
TAIWAN R.O.C		



— + B LINE
 - - - - - B LINE
 — SIGNAL

NOTICE
 ALL RESISTANCE VALUES IN OHM. k=1,000 OHM M=1,000,000 OHM
 ALL CAPACITANCE VALUES IN MICRO FARAD. P=MICRO-MICRO FARAD
 EACH VOLTAGE AND CURRENT ARE MEASURED AT NO SIGNAL INPUT
 CONDITION.
 CIRCUIT AND PARTS ARE SUBJECT TO CHANGE WITHOUT PRIOR
 NOTICE.

WARNING:
 Parts marked with this symbol Δ have critical characteristics.
 Use ONLY replacement parts recommended by the manufacture.

CAUTION:
 Before returning the unit to the customer, make sure you make either (1) a
 leakage current check or (2) a line to chassis resistance check. If the leakage
 current exceeds 0.5 milliamps, or if the resistance from chassis to either side
 of the power card is less than 460 kohms, the unit is defective.

WARNING:
 DO NOT return the unit to the customer until the problem is located and
 corrected.

SCHEMATIC DIAGRAMS (4/15)

1

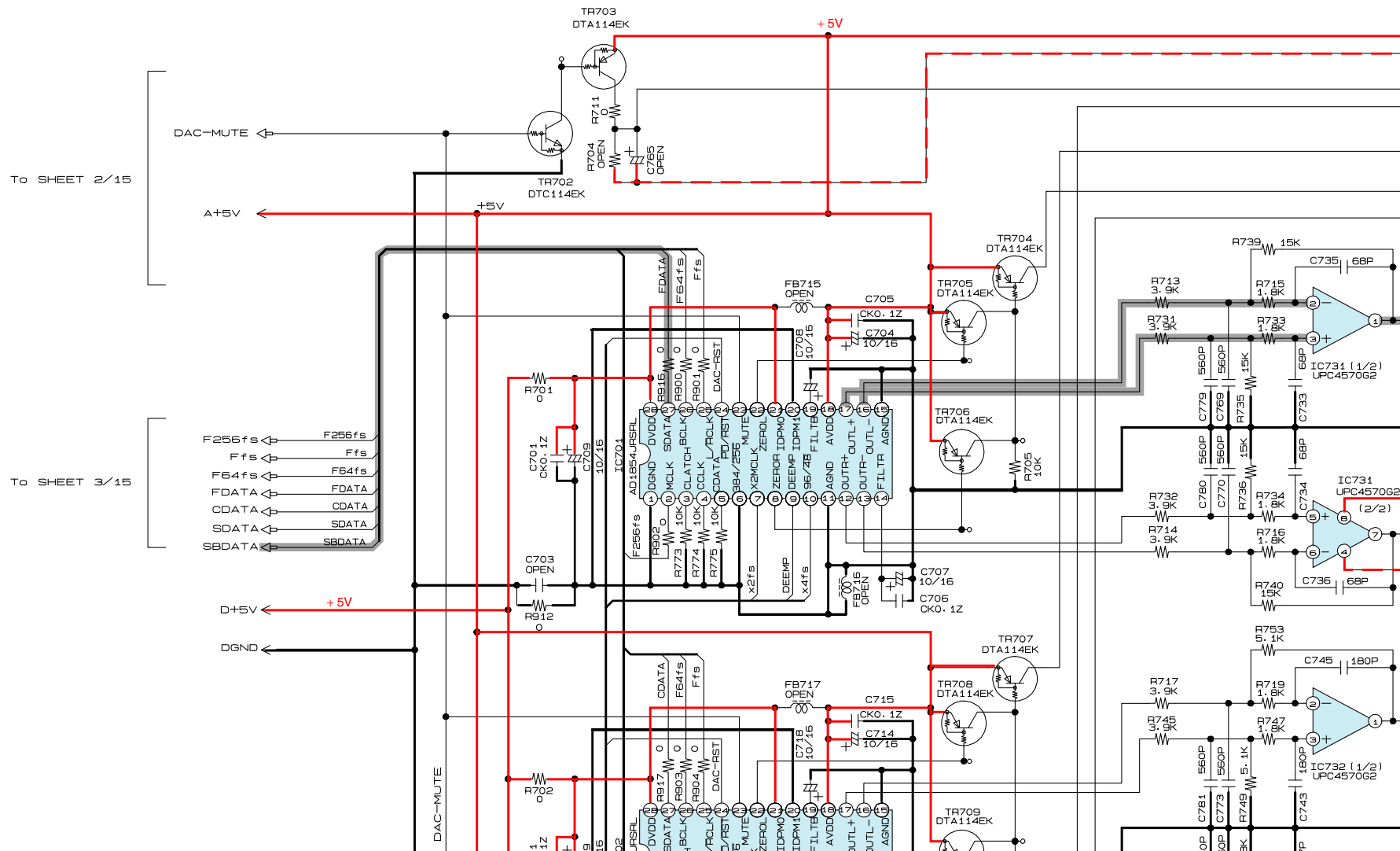
2

3

4

5

1U-3320 (4/4) AUDIO/DSP UNIT



6

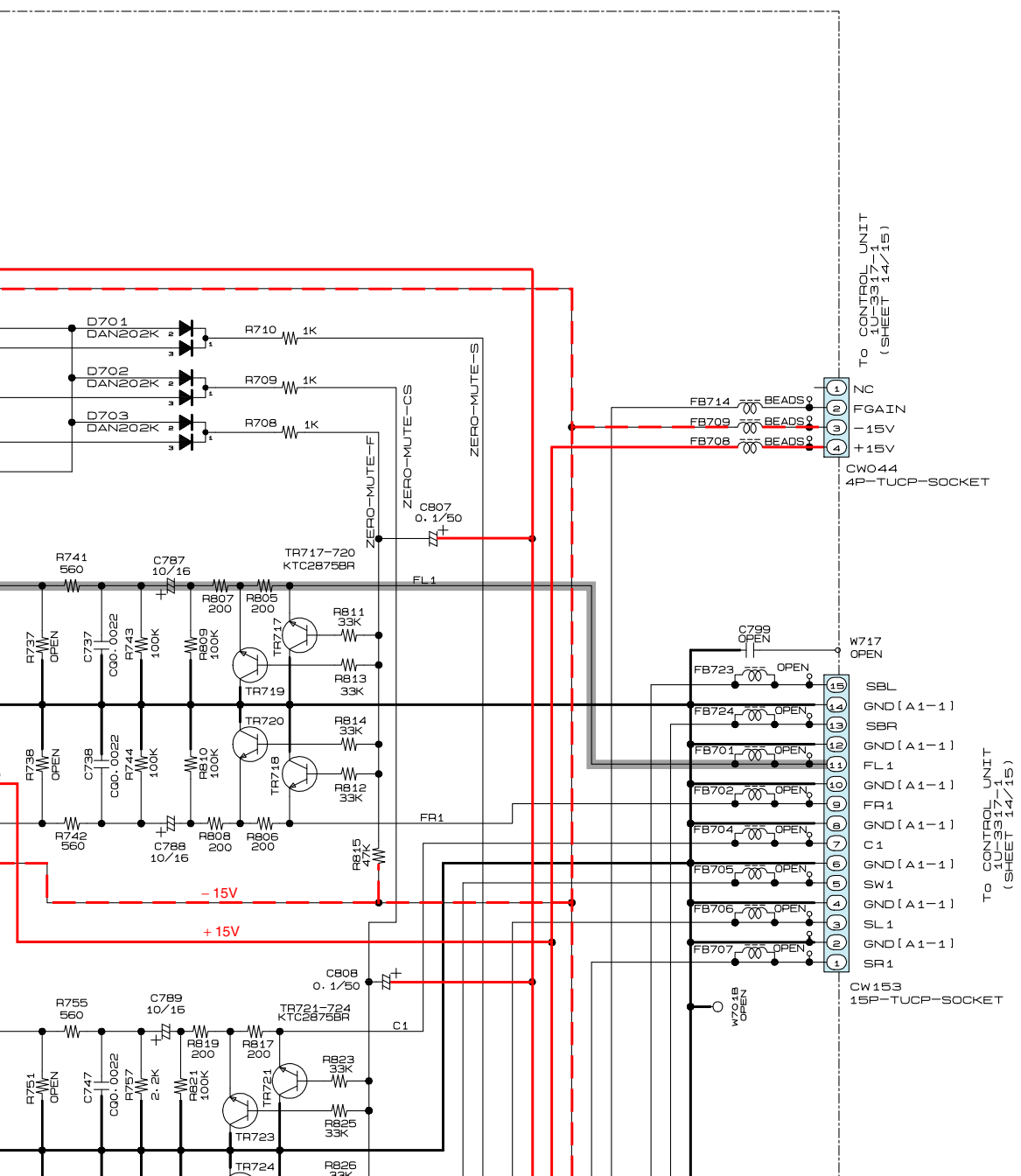
7

8

9

10

11



	C709, 712 C719, 729	FB715, 717 FB719, 721
USA CAN/CA	10/16	—
EUROPE ASIA TAIWAN R.O.C	220/10	1000p

TO CONTROL UNIT
(SHEET 14/15)

- ① NC
- ② FGAIN
- ③ -15V
- ④ +15V

CW044
4P-TUCP-SOCKET

W717
OPEN

- ①5 SBL
- ①4 GND [A1-1]
- ①3 SBR
- ①2 GND [A1-1]
- ①1 FL 1
- ①0 GND [A1-1]
- ① FR 1
- ① GND [A1-1]
- ① SW 1
- ① GND [A1-1]
- ① SL 1
- ① GND [A1-1]
- ① SR 1

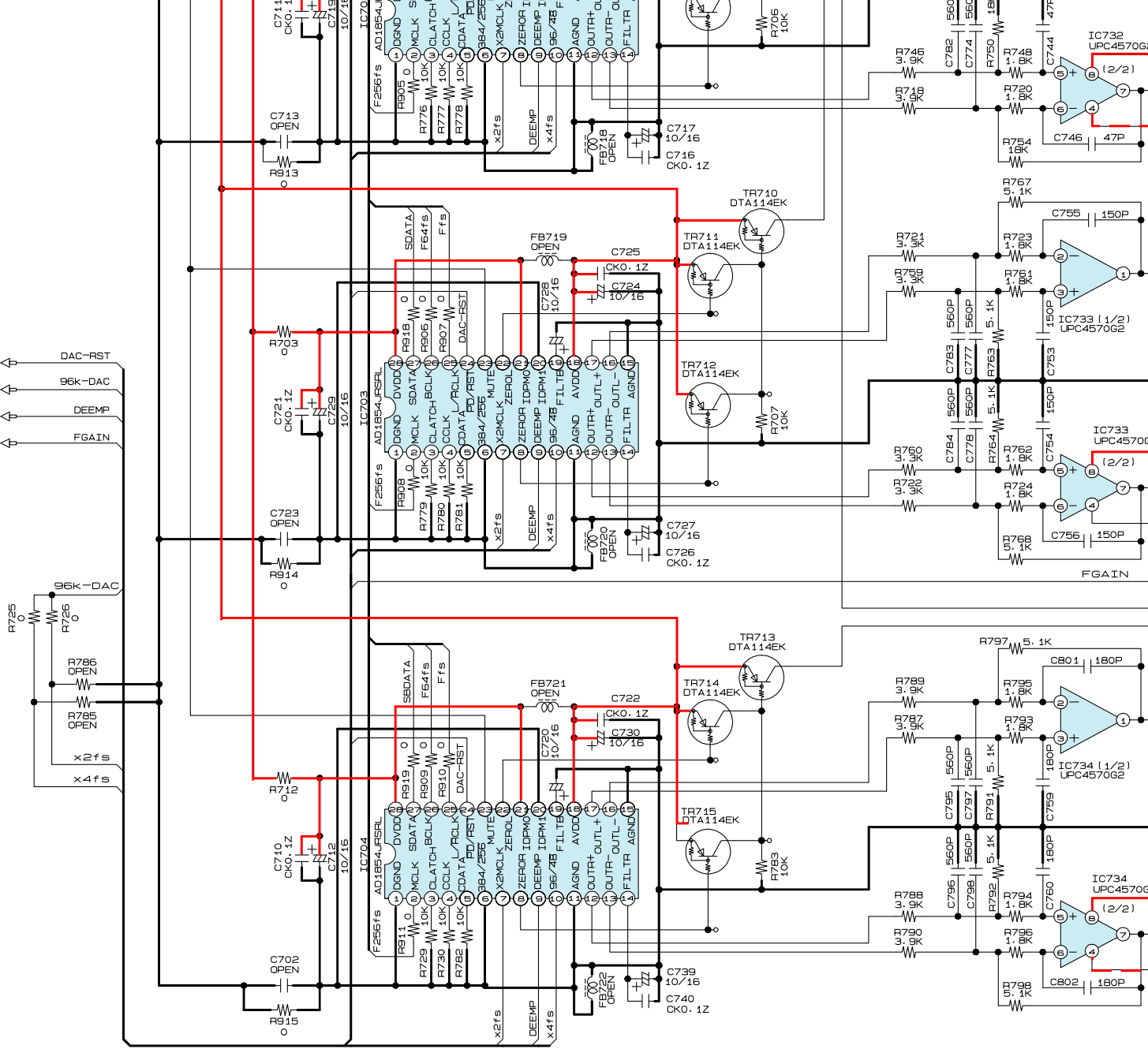
CW153
15P-TUCP-SOCKET

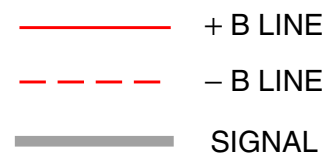
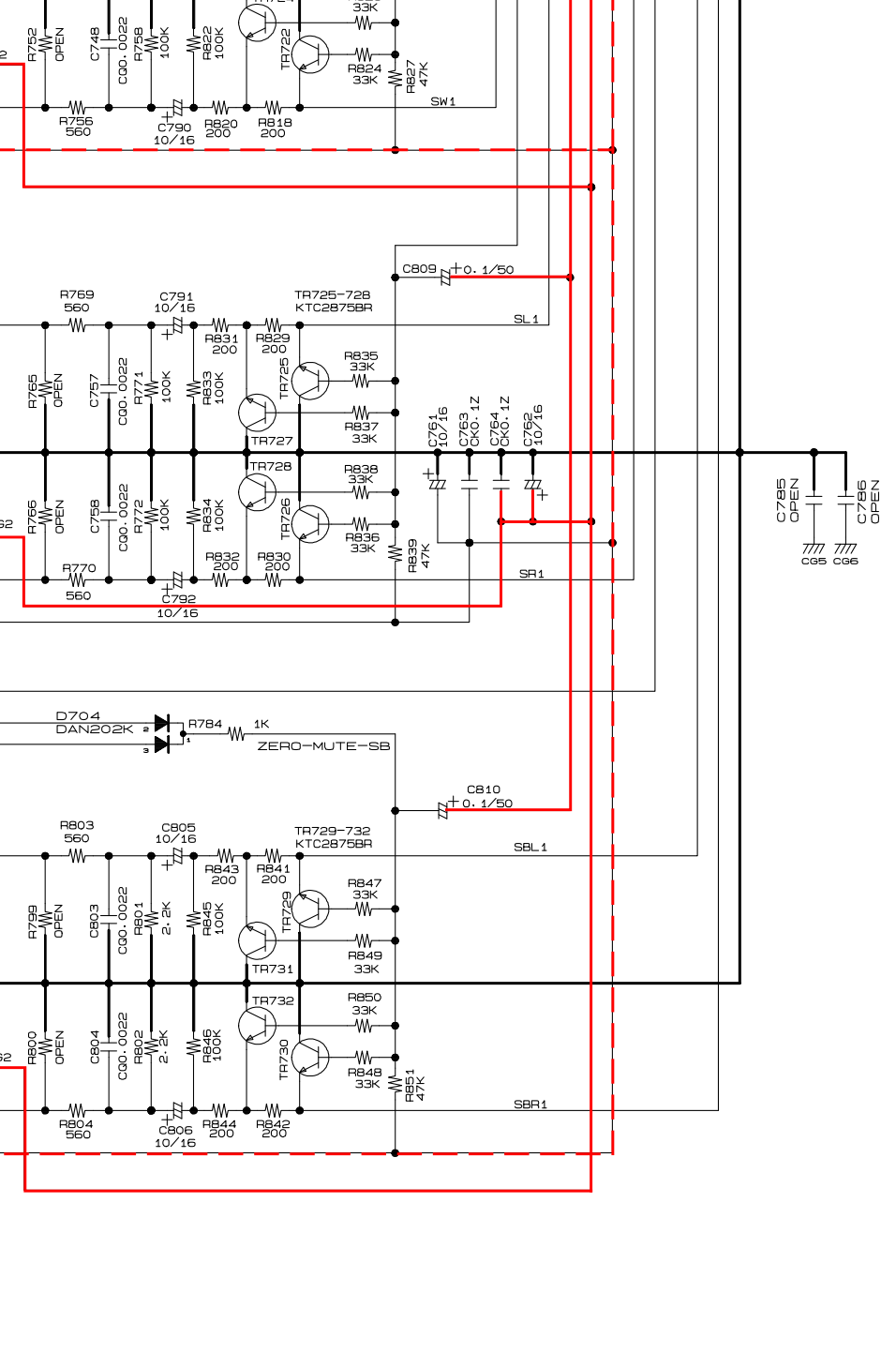
TO CONTROL UNIT
(SHEET 14/15)

A
B
C
D


TO SHEET 3/15

DAC-RST ← DAC-RST
96K-DAC ← 96K-DAC
DEEMP ← DEEMP
FGAIN ← FGAIN





NOTICE
 ALL RESISTANCE VALUES IN OHM. k=1,000 OHM M=1,000,000 OHM
 ALL CAPACITANCE VALUES IN MICRO FARAD. P=MICRO-MICRO FARAD
 EACH VOLTAGE AND CURRENT ARE MEASURED AT NO SIGNAL INPUT
 CONDITION.
 CIRCUIT AND PARTS ARE SUBJECT TO CHANGE WITHOUT PRIOR
 NOTICE.

WARNING:
 Parts marked with this symbol  have critical characteristics.
 Use ONLY replacement parts recommended by the manufacture.

CAUTION:
 Before returning the unit to the customer, make sure you make either (1) a
 leakage current check or (2) a line to chassis resistance check. If the leakage
 current exceeds 0.5 milliamps, or if the resistance from chassis to either side
 of the power card is less than 460 kohms, the unit is defective.

WARNING:
 DO NOT return the unit to the customer until the problem is located and
 corrected.

SCHEMATIC DIAGRAMS (4/15)
 1U-3320 (4/4) AUDIO DSP UNIT

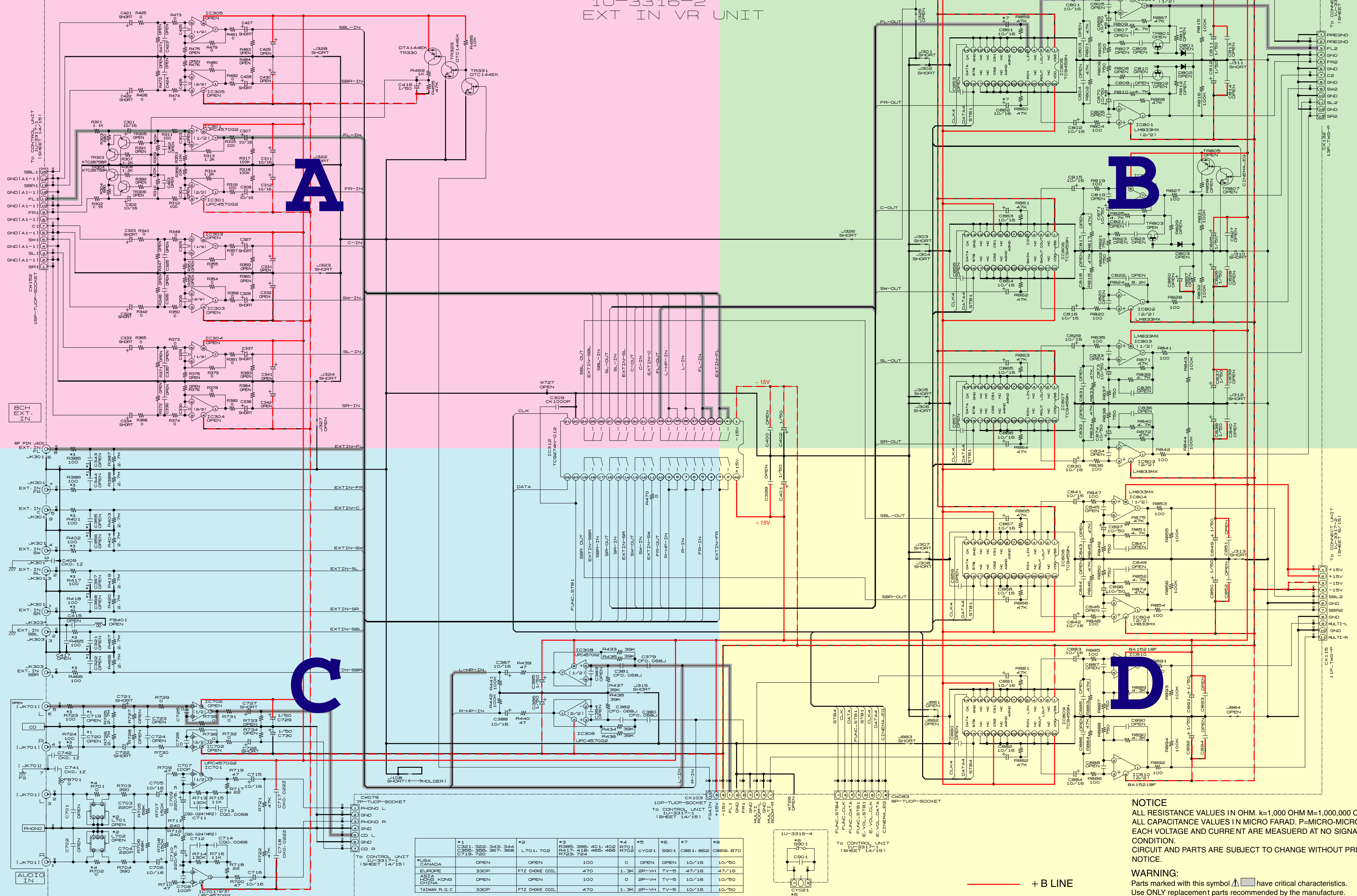
E
F
G
H

SCHEMATIC DIAGRAMS (5/15)

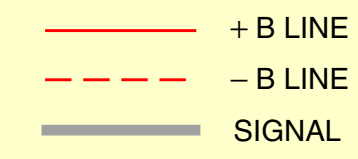
1 2 3 4 5 6 7 8 9 10 11

A B C D E F G H

1U-3316-2
EXT IN VR UNIT



	*1	*2	*3	*4	*5	*6	*7	*8
USA	C301, 302, 343, 344	L701, 702	R305, 306, 401, 402	R701	CY021	S901	CB61, 662	CB69, 670
CANADA	OPEN	OPEN	100	0	OPEN	OPEN	10/16	10/50
EUROPE	330P	FTZ CHOKE COIL	470	1.3K	2P-VH	TV-5	47/16	47/16
ASIA	OPEN	OPEN	100	0	2P-VH	TV-5	10/16	10/50
CHINA	OPEN	OPEN	100	0	2P-VH	TV-5	10/16	10/50
TAIWAN R.O.C.	330P	FTZ CHOKE COIL	470	1.3K	2P-VH	TV-5	10/16	10/50



NOTICE
 ALL RESISTANCE VALUES IN OHM. k=1,000 OHM M=1,000,000 OHM
 ALL CAPACITANCE VALUES IN MICRO FARAD. P=MICRO-MICRO FARAD
 EACH VOLTAGE AND CURRENT ARE MEASURED AT NO SIGNAL INPUT CONDITION.
 CIRCUIT AND PARTS ARE SUBJECT TO CHANGE WITHOUT PRIOR NOTICE.

WARNING:
 Parts marked with this symbol have critical characteristics. Use ONLY replacement parts recommended by the manufacturer.

CAUTION:
 Before returning the unit to the customer, make sure you make either (1) a leakage current check or (2) a line to chassis resistance check. If the leakage current exceeds 0.5 millamps, or if the resistance from chassis to either side of the power card is less than 460 kohms, the unit is defective.

WARNING:
 DO NOT return the unit to the customer until the problem is located and corrected.

SCHEMATIC DIAGRAMS (5/15)
1U-3316 EXT IN VR UNIT

SCHEMATIC DIAGRAMS (5/15)

1

2

3

4

5

6

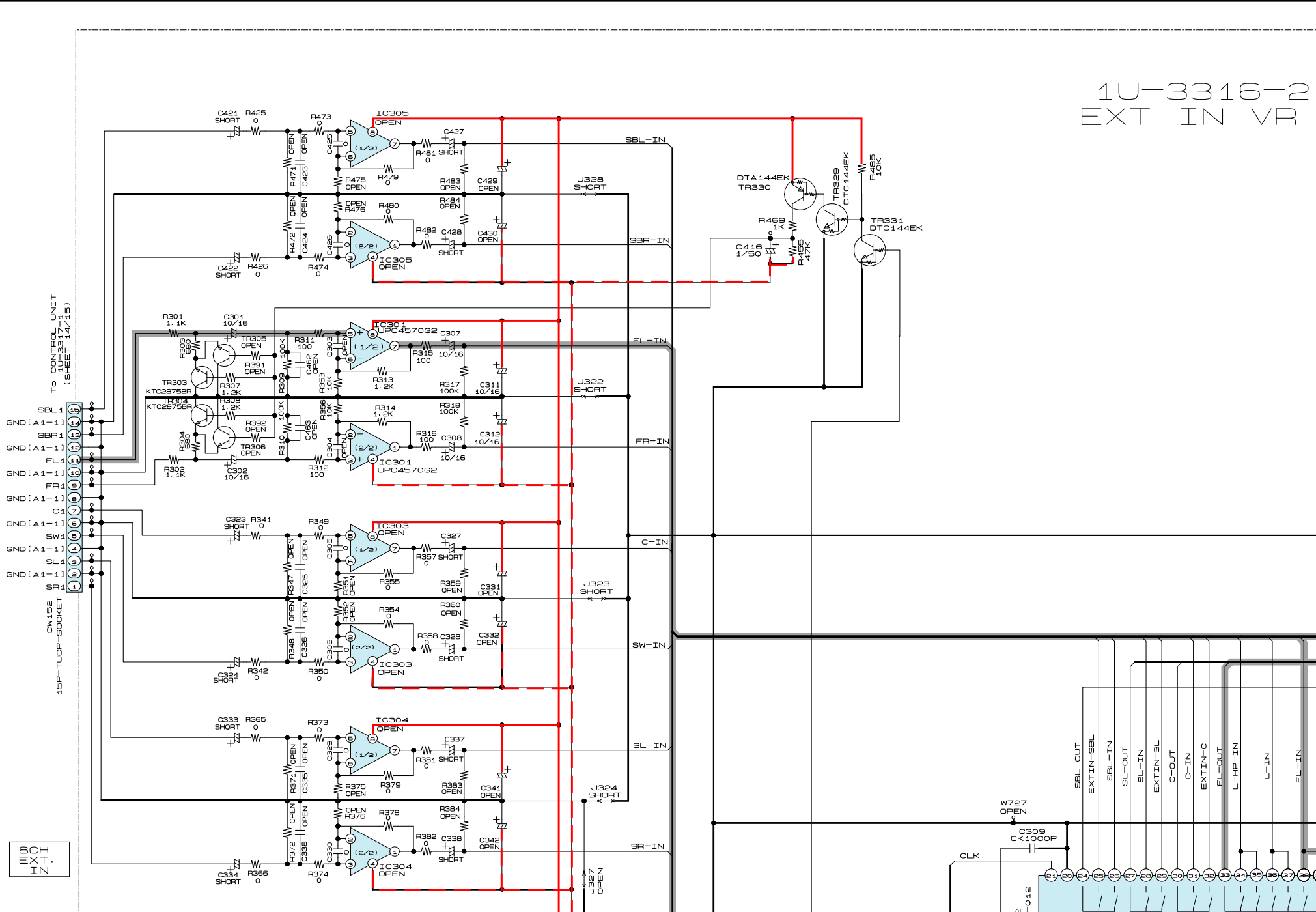
1U-3316-2
EXT IN VR

A

B

C

D



To CONTROL UNIT
(SHEET 14/15)

CW152
SOCKET

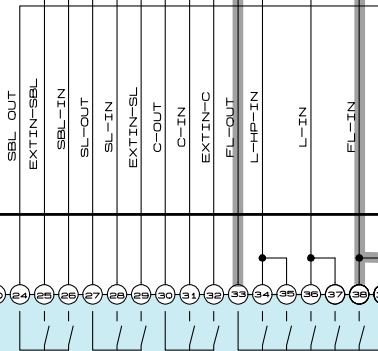
8CH
EXT.
IN

6P FIN JACK

CLK

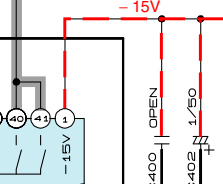
C309
CK100OP

1U-3316-2

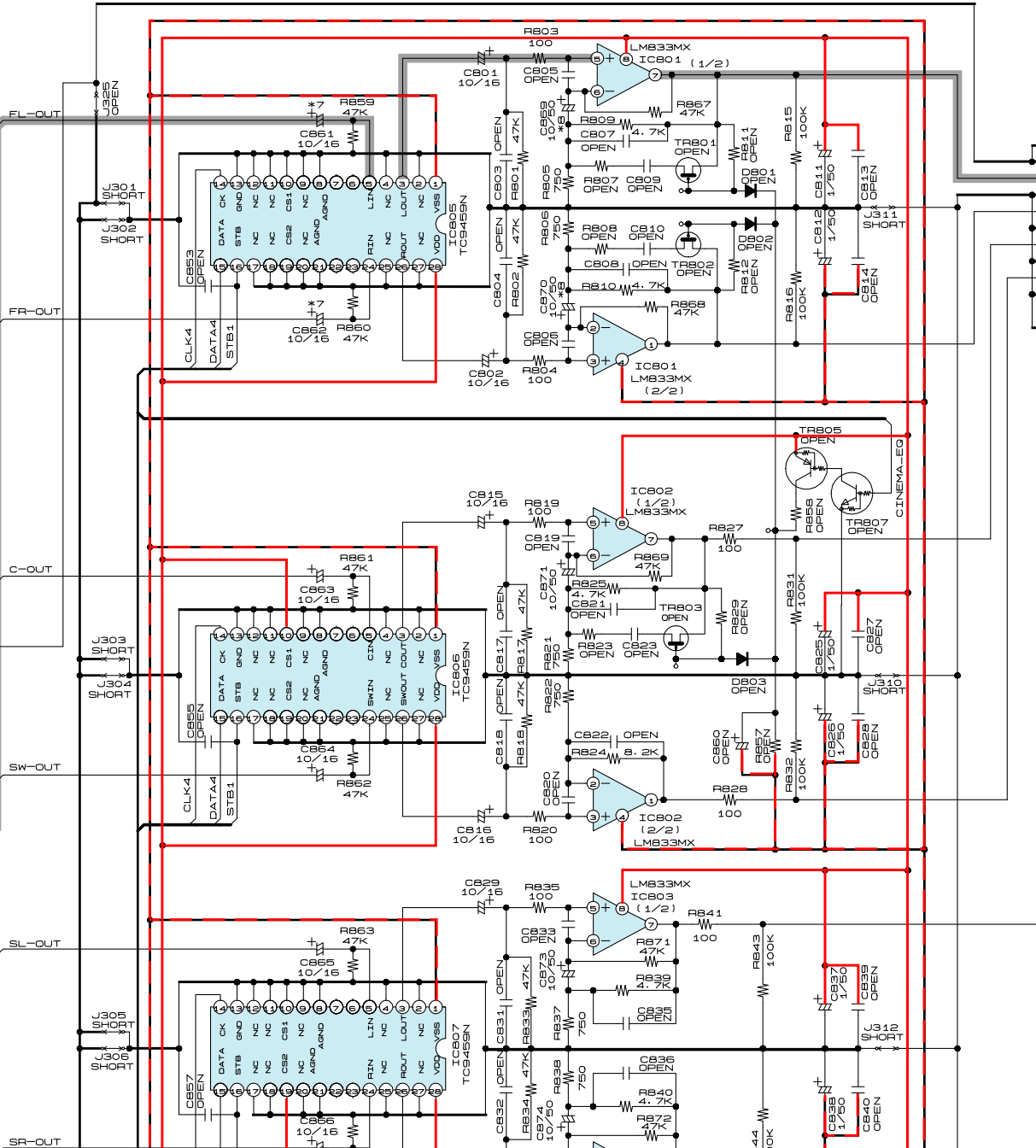


UNIT

EXTINFL



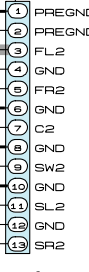
J326 SHORT



CX132

13P-TW6-P

TO CONNECT UNIT
(SHEET 6/15)

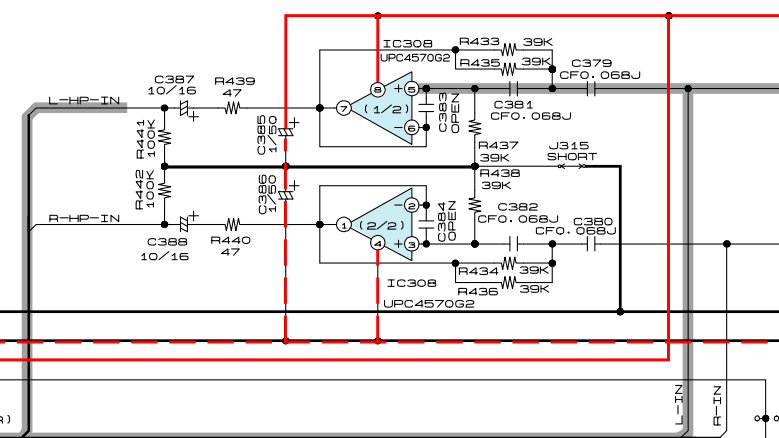
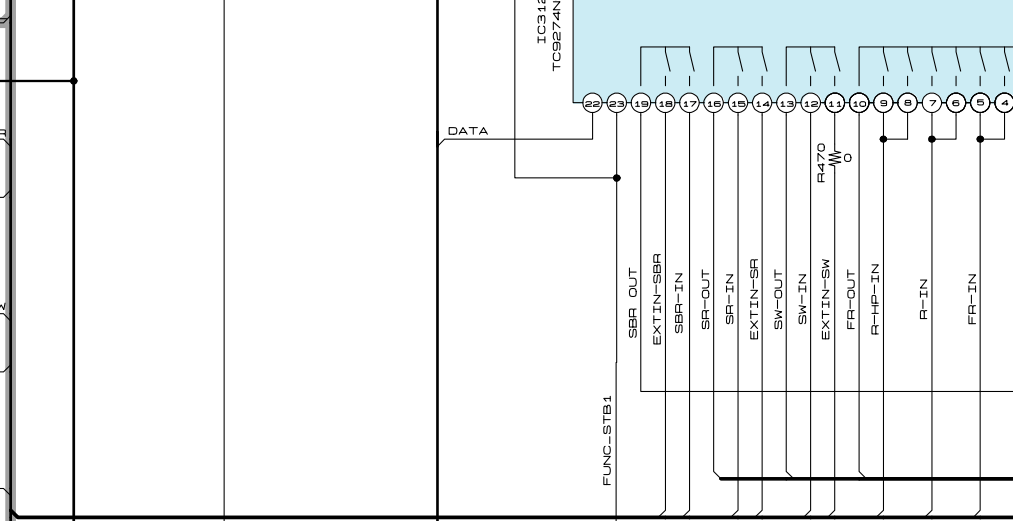
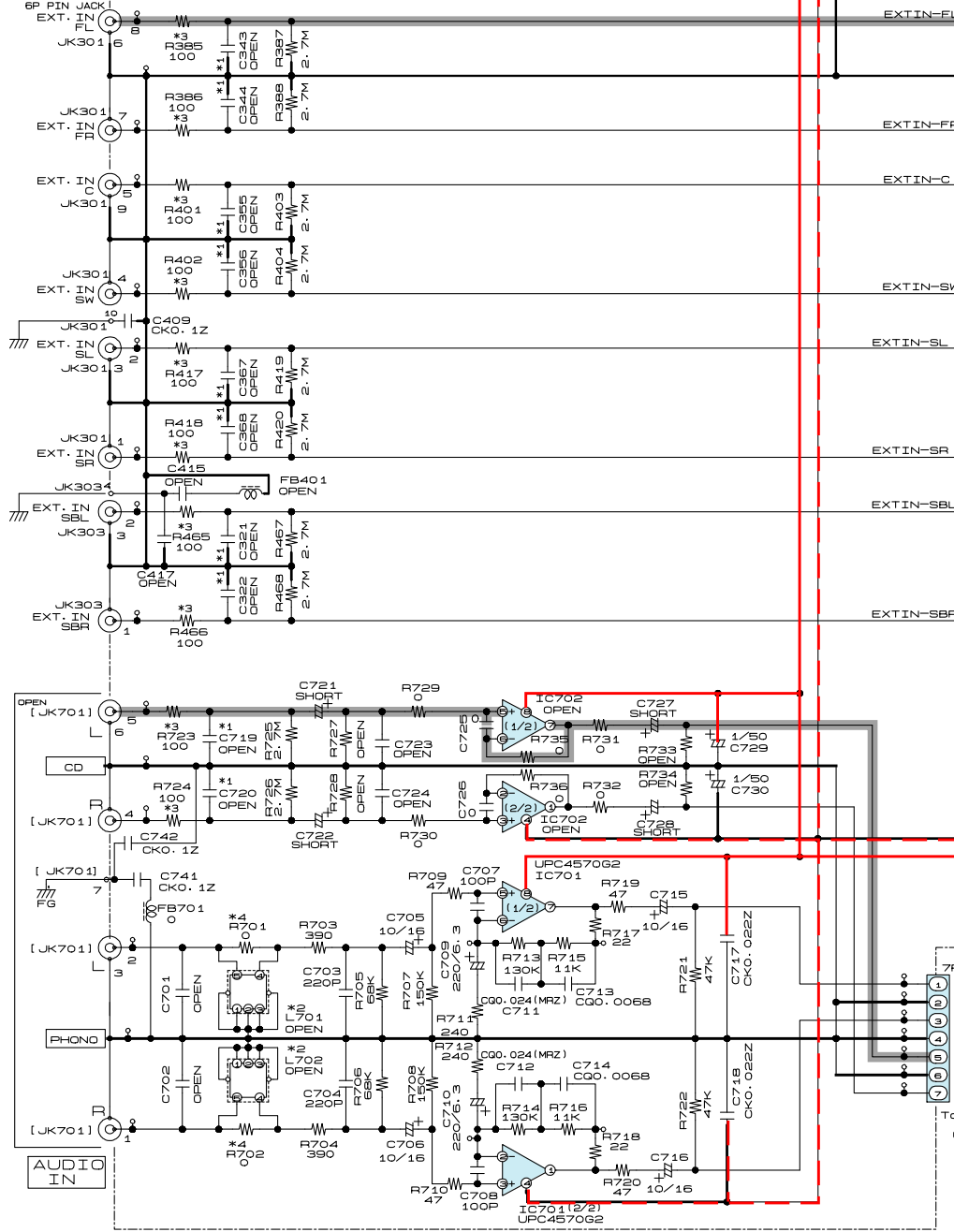


E

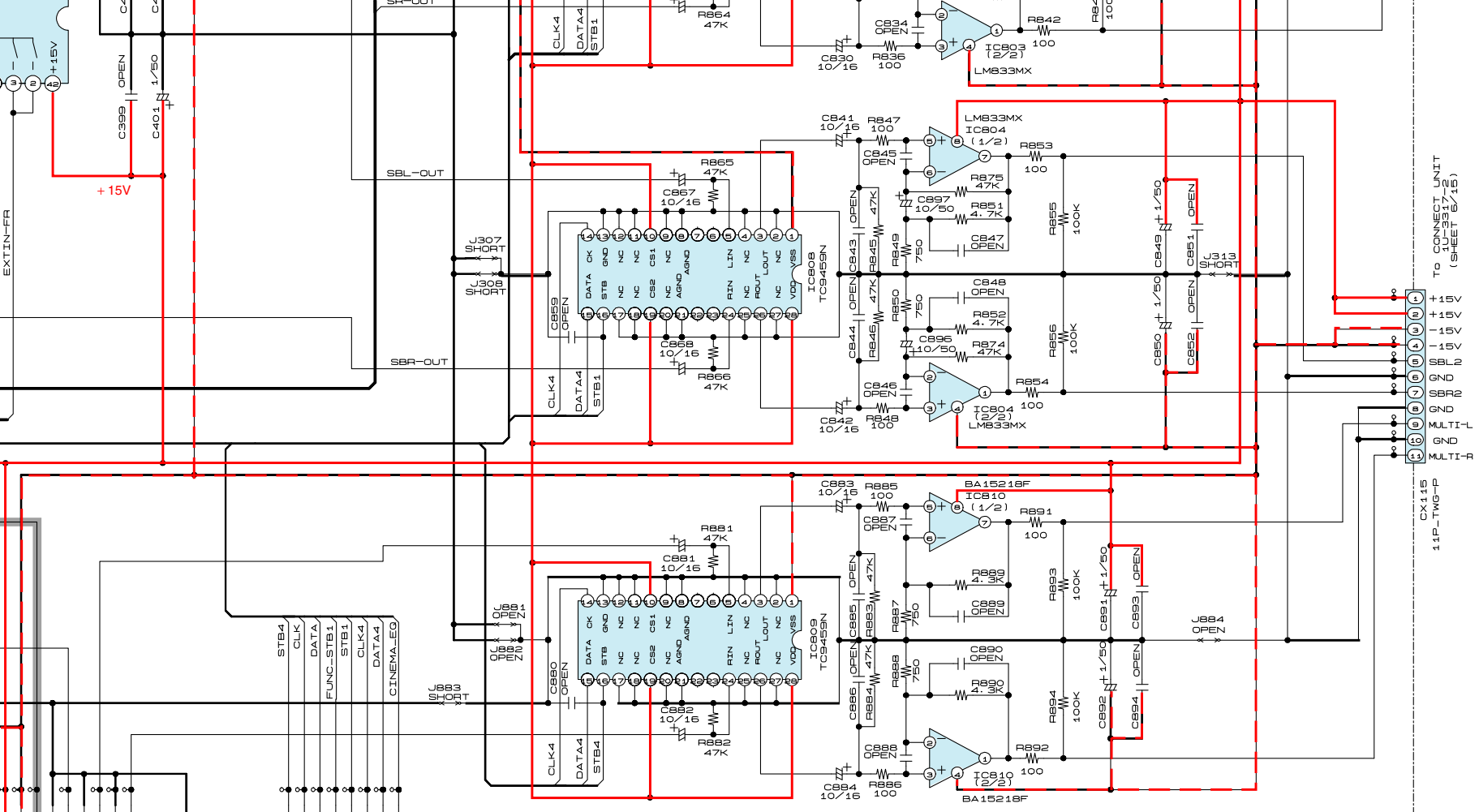
F

G

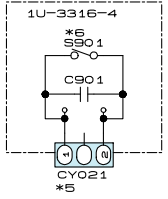
H



	*1	*2	*3	*4	*5	*6	*7	
*USA	C321, 322, 343, 344	L701, 702	R395, 396, 401, 402	R701	CY021	S901	C851, 862	
CANADA	C355, 356, 367, 368		R471, 418, 465, 466	R702				
EUROPE	C719, 720							
ASIA								
HONG KONG								
CHINA								
TAIWAN R.O.C								



*8
C869, 870
10/50
47/16
10/50
10/50



To CONTROL UNIT
1U-3317-2
(SHEET 14/15)

- + B LINE
- - - - B LINE
- SIGNAL

NOTICE

ALL RESISTANCE VALUES IN OHM. k=1,000 OHM M=1,000,000 OHM
 ALL CAPACITANCE VALUES IN MICRO FARAD. P=MICRO-MICRO FARAD
 EACH VOLTAGE AND CURRENT ARE MEASURED AT NO SIGNAL INPUT
 CONDITION.
 CIRCUIT AND PARTS ARE SUBJECT TO CHANGE WITHOUT PRIOR
 NOTICE.

WARNING:

Parts marked with this symbol have critical characteristics.
 Use ONLY replacement parts recommended by the manufacturer.

CAUTION:

Before returning the unit to the customer, make sure you make either (1) a leakage current check or (2) a line to chassis resistance check. If the leakage current exceeds 0.5 milliamps, or if the resistance from chassis to either side of the power card is less than 460 kohms, the unit is defective.

WARNING:

DO NOT return the unit to the customer until the problem is located and corrected.

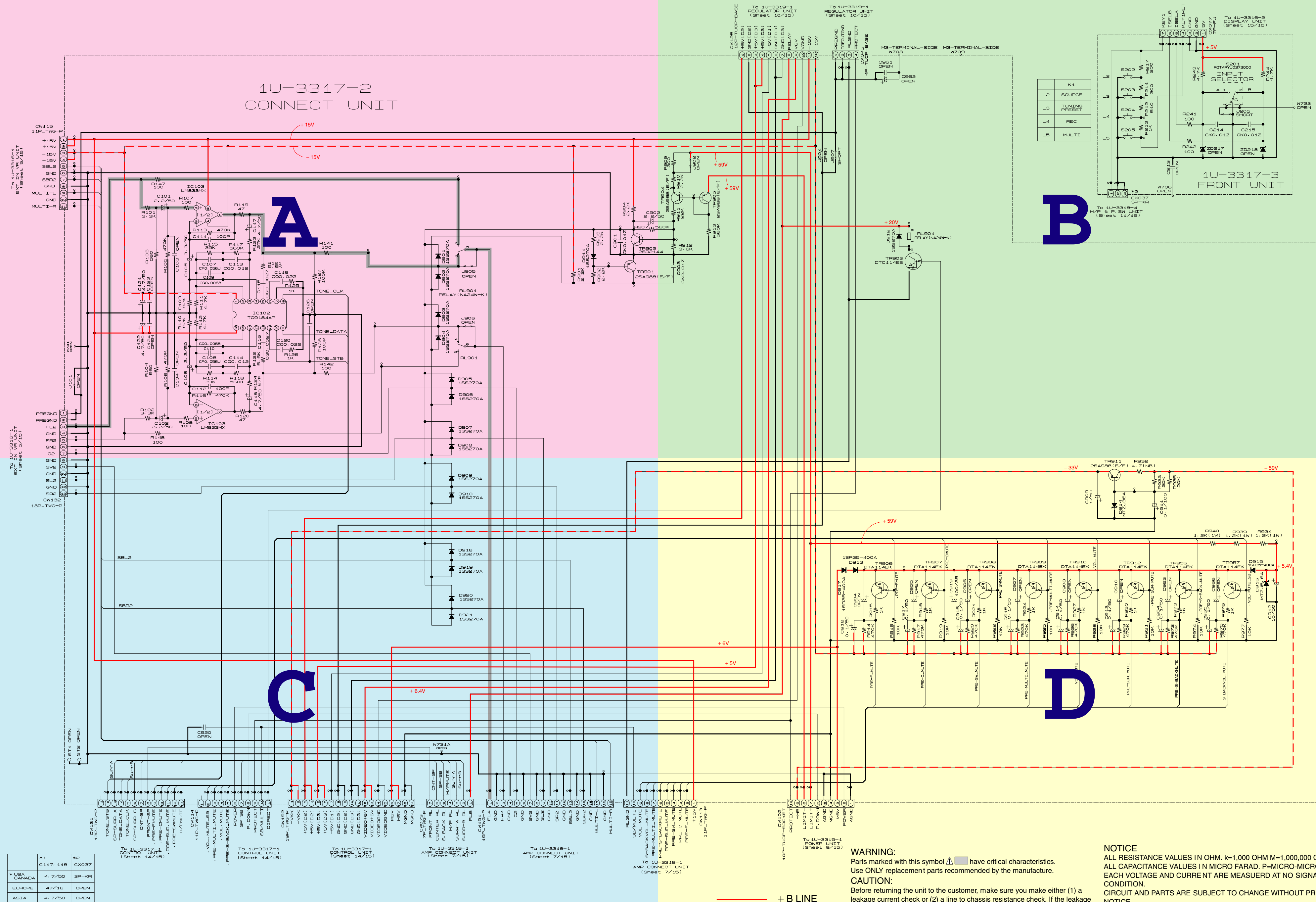
SCHEMATIC DIAGRAMS (5/15)
 1U-3316 EXT IN VR UNIT

To CONNECT UNIT
1U-3317-2
(SHEET 6/15)

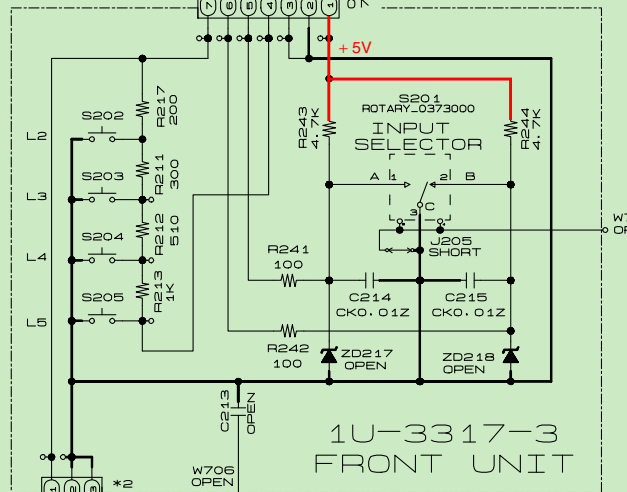
CX1415
11P-TW6-P

SCHEMATIC DIAGRAMS (6/15)

1 2 3 4 5 6 7 8 9 10 11



K1	
L2	SOURCE
L3	TUNING PRESET
L4	REC
L5	MULTI



1U-3317-2 CONNECT UNIT

1U-3317-3 FRONT UNIT

A

B

C

D

	#1	#2
	C117, 118	CX037
* USA CANADA	4.7/50	3P-KR
EUROPE	47/16	OPEN
ASIA	4.7/50	OPEN

- + B LINE
- - - - B LINE
- SIGNAL

WARNING:
Parts marked with this symbol have critical characteristics. Use ONLY replacement parts recommended by the manufacturer.

CAUTION:
Before returning the unit to the customer, make sure you make either (1) a leakage current check or (2) a line to chassis resistance check. If the leakage current exceeds 0.5 milliamps, or if the resistance from chassis to either side of the power card is less than 460 kohms, the unit is defective.

WARNING:
DO NOT return the unit to the customer until the problem is located and corrected.

NOTICE
ALL RESISTANCE VALUES IN OHM. k=1,000 OHM M=1,000,000 OHM
ALL CAPACITANCE VALUES IN MICRO FARAD. P=MICRO-MICRO FARAD
EACH VOLTAGE AND CURRENT ARE MEASURED AT NO SIGNAL INPUT CONDITION.
CIRCUIT AND PARTS ARE SUBJECT TO CHANGE WITHOUT PRIOR NOTICE.

SCHEMATIC DIAGRAMS (6/15)
1U-3317-2 CONNECT UNIT
1U-3317-3 FRONT UNIT

A
B
C
D
E
F
G
H

SCHEMATIC DIAGRAMS (6/15)

1

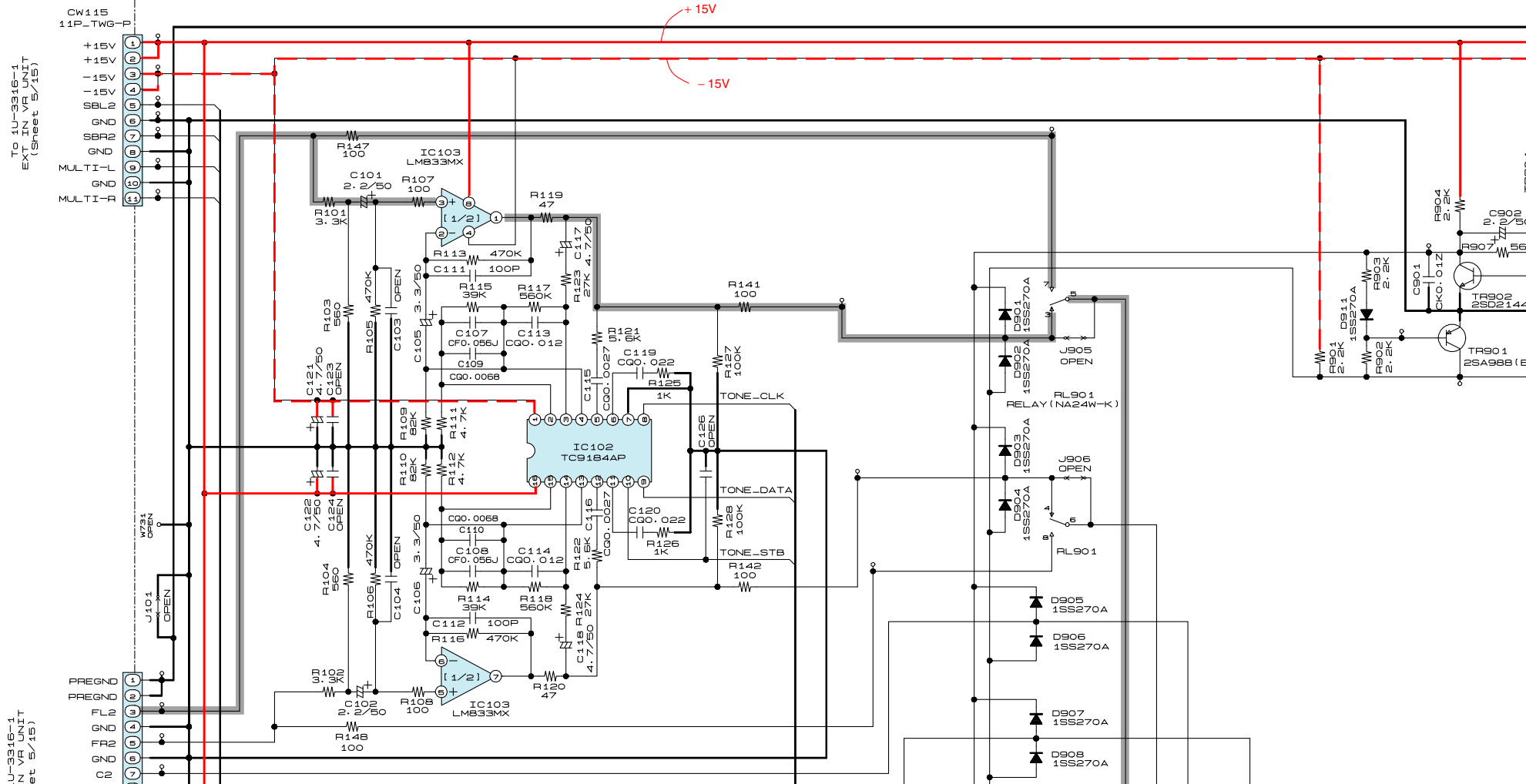
2

3

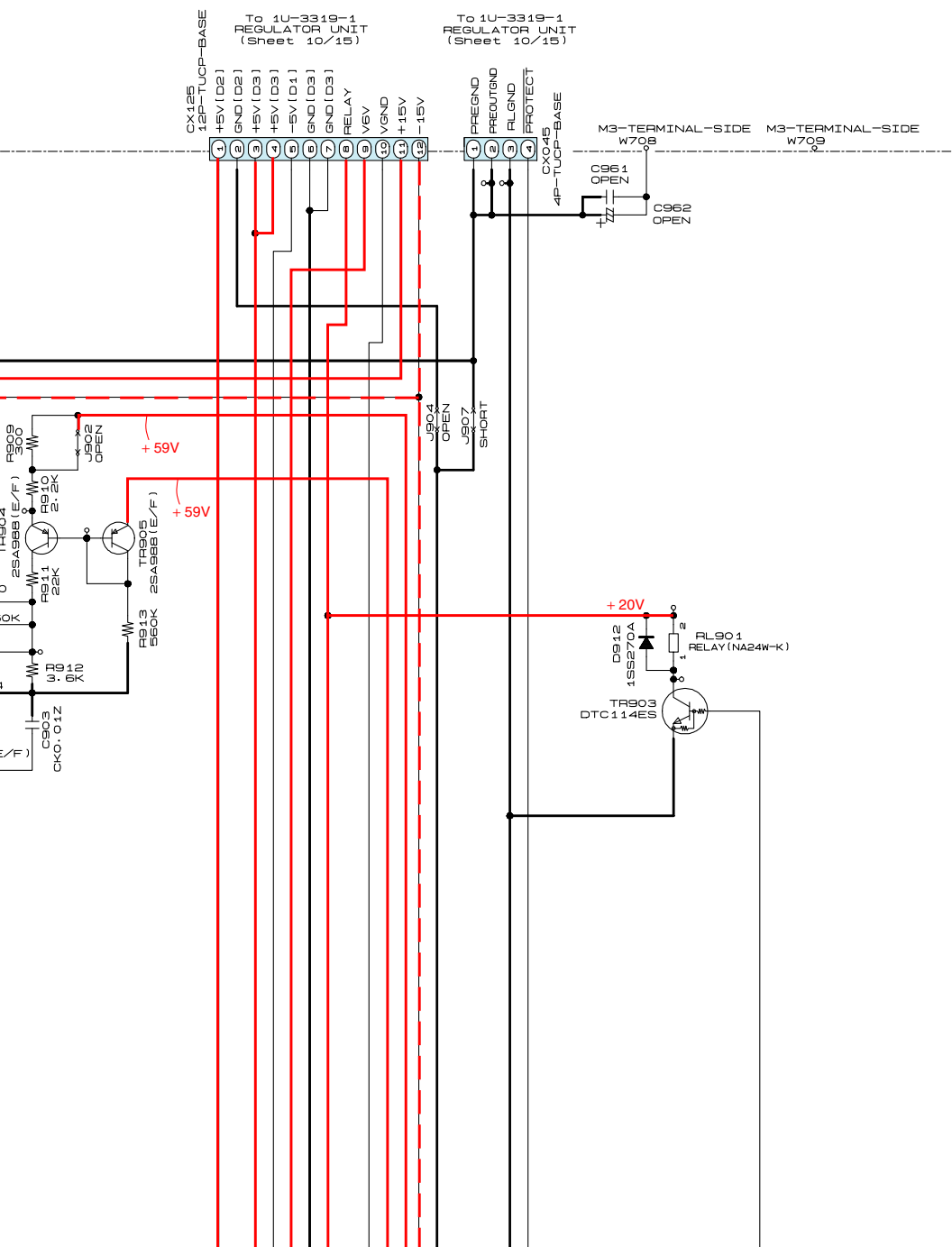
4

5

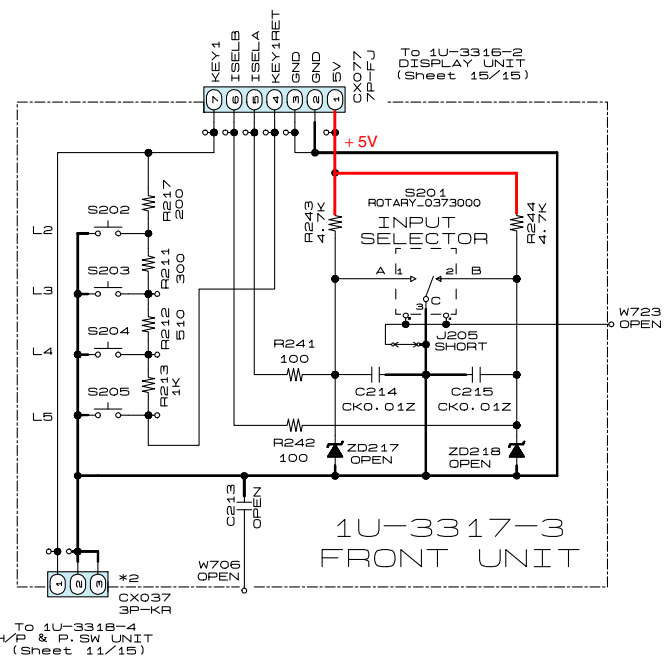
1U-3317-2 CONNECT UNIT



6 7 8 9 10 11

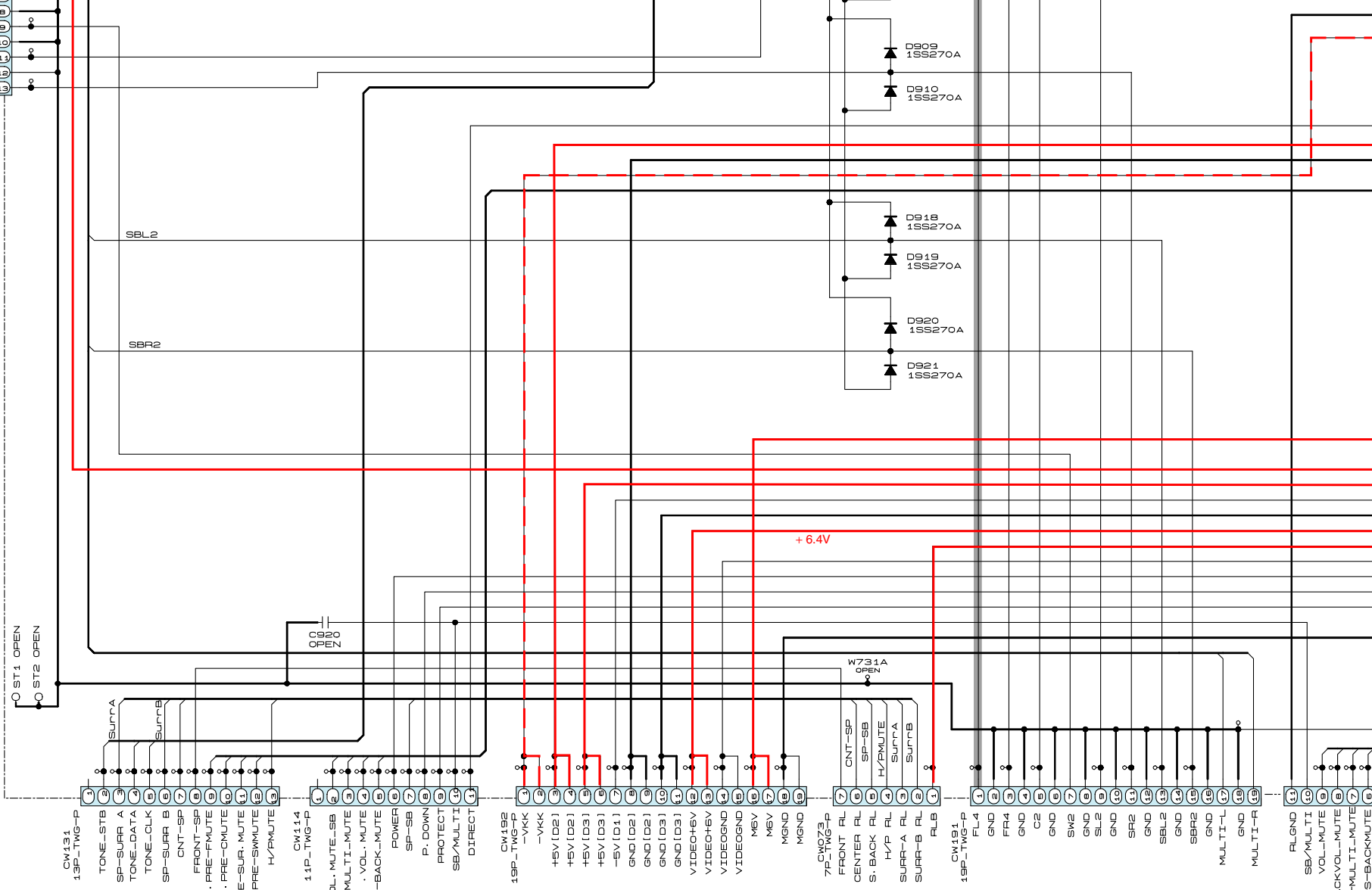


	K1
L2	SOURCE
L3	TUNING PRESET
L4	REC
L5	MULTI



A
B
C
D

9
SW 2 0
GND 0
SL 2 0
SR 2 0
CW132
13P_TWG-P



ST1 OPEN
ST2 OPEN

CW131
13P_TWG-P
TONE-STB
SP-SURR A
TONE-DATA
TONE-CLK
SP-SURR B
CNT-SP
FRONT-SP
PRE-FMUTE
PRE-CMUTE
PRE-SUR. MUTE
PRE-SMUTE
H/PMUTE

CW114
11P_TWG-P
VOL. MUTE-SB
PRE-MULTI-MUTE
VOL. MUTE
PRE-S-BACK-MUTE
POWER
SP-SB
P. DOWN
PROTECT
SB/MULTI
DIRECT

19P_TWG-P
-VKK
+5V(D2)
+5V(D2)
+5V(D3)
+5V(D3)
-5V(D1)
GND(D2)
GND(D2)
GND(D3)
GND(D3)
VIDEO+BV
VIDEOGND
VIDEOGND
MV
MV
MGND
MGND

W731A OPEN
7P_TWG-P
FRONT RL
CENTER RL
S. BACK RL
H/P RL
SURR-A RL
SURR-B RL
RLB

CW191
19P_TWG-P
FL4
FR4
GND
C2
GND
SW2
GND
SL2
GND
SR2
GND
SBL2
GND
SBR2
GND
MULTI-L
GND
MULTI-R

1U-3318-1 AMP CONNECT UNIT (Sheet 7/15)
RLGND
SB/MULTI
VOL-MUTE
S-BACKVOL-MUTE
PRE-MULTI-MUTE
PRE-S-BACKMUTE

	*1 C117, 118	*2 CX037
* USA CANADA	4. 7/50	3P-KR
EUROPE	47/16	OPEN
ASIA	4. 7/50	OPEN

To 1U-3317-1
CONTROL UNIT
(Sheet 14/15)

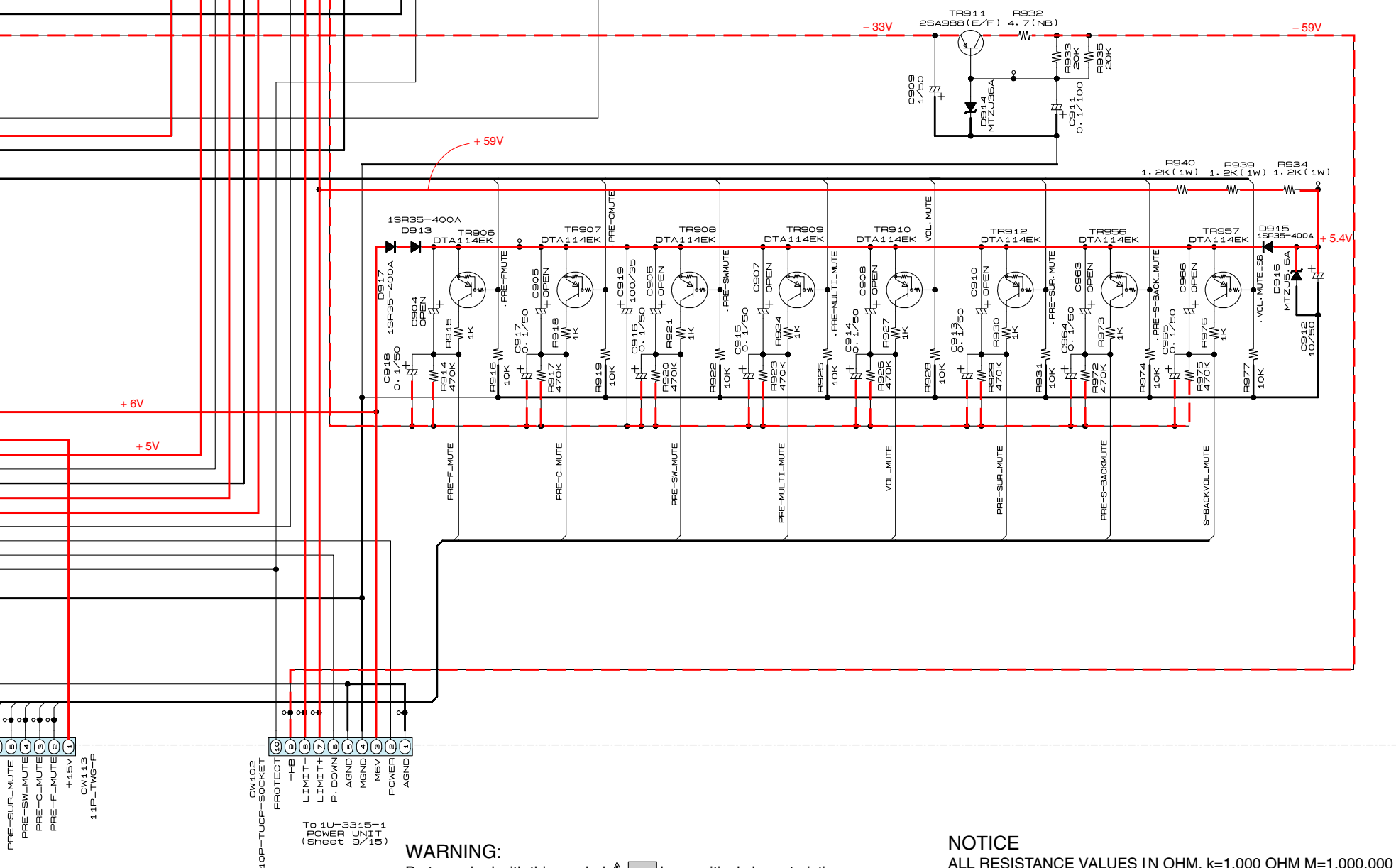
To 1U-3317-1
CONTROL UNIT
(Sheet 14/15)

To 1U-3317-1
CONTROL UNIT
(Sheet 14/15)

To 1U-3318-1
AMP CONNECT UNIT
(Sheet 7/15)

To 1U-3318-1
AMP CONNECT UNIT
(Sheet 7/15)

To 1U-
AMP CONNE
(Sheet



1U-3318-1
CONNECT UNIT
(Sheet 7/15)

- + B LINE
- - - - B LINE
- SIGNAL

WARNING:

Parts marked with this symbol have critical characteristics. Use ONLY replacement parts recommended by the manufacture.

CAUTION:

Before returning the unit to the customer, make sure you make either (1) a leakage current check or (2) a line to chassis resistance check. If the leakage current exceeds 0.5 milliamps, or if the resistance from chassis to either side of the power card is less than 460 kohms, the unit is defective.

WARNING:

DO NOT return the unit to the customer until the problem is located and corrected.

NOTICE

ALL RESISTANCE VALUES IN OHM. k=1,000 OHM M=1,000,000 OHM
 ALL CAPACITANCE VALUES IN MICRO FARAD. P=MICRO-MICRO FARAD
 EACH VOLTAGE AND CURRENT ARE MEASURED AT NO SIGNAL INPUT CONDITION.
 CIRCUIT AND PARTS ARE SUBJECT TO CHANGE WITHOUT PRIOR NOTICE.

SCHEMATIC DIAGRAMS (6/15)
 1U-3317-2 CONNECT UNIT
 1U-3317-3 FRONT UNIT

E
F
G
H

SCHEMATIC DIAGRAMS (7/15)

1 2 3 4 5 6 7 8 9 10 11

A

B

C

D

E

F

G

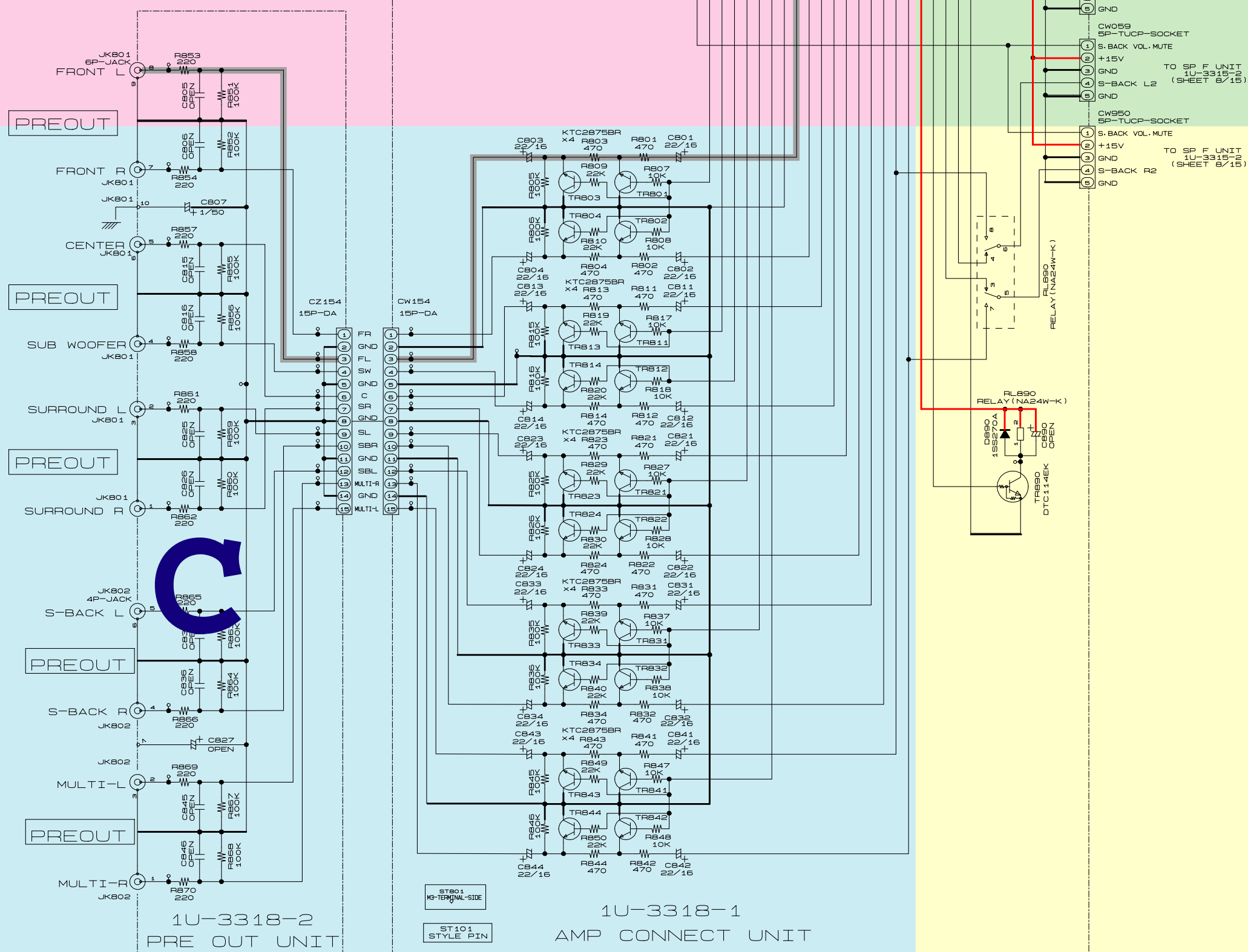
H

A

B

C

D



— + B LINE
 — SIGNAL

NOTICE
 ALL RESISTANCE VALUES IN OHM, K=1,000 OHM M=1,000,000 OHM
 ALL CAPACITANCE VALUES IN PICO-FARAD, P=MICRO-MICRO FARAD
 EACH VOLTAGE AND CURRENT MEASURED AT NO SIGNAL INPUT
 CONDITION.
 CIRCUIT AND PARTS ARE SUBJECT TO CHANGE WITHOUT PRIOR
 NOTICE.

WARNING:
 Parts marked with this symbol Δ have critical characteristics.
 Use ONLY replacement parts recommended by the manufacture.

CAUTION:
 Before returning the unit to the customer, make sure you make either (1) a
 leakage current check or (2) a line to chassis resistance check. If the leakage
 current exceeds 0.5 milliamperes, or if the resistance from chassis to either side
 of the power card is less than 460 kohms, the unit is defective.

WARNING:
 DO NOT return the unit to the customer until the problem is located and
 corrected.

SCHEMATIC DIAGRAMS (7/15)
 1U-3318-1 AMP CONNECT UNIT
 1U-3318-2 PRE OUT UNIT

SCHEMATIC DIAGRAMS (7/15)

1

2

3

4

5

6

A

B

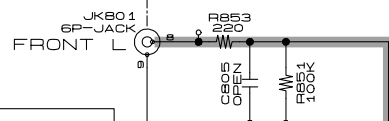
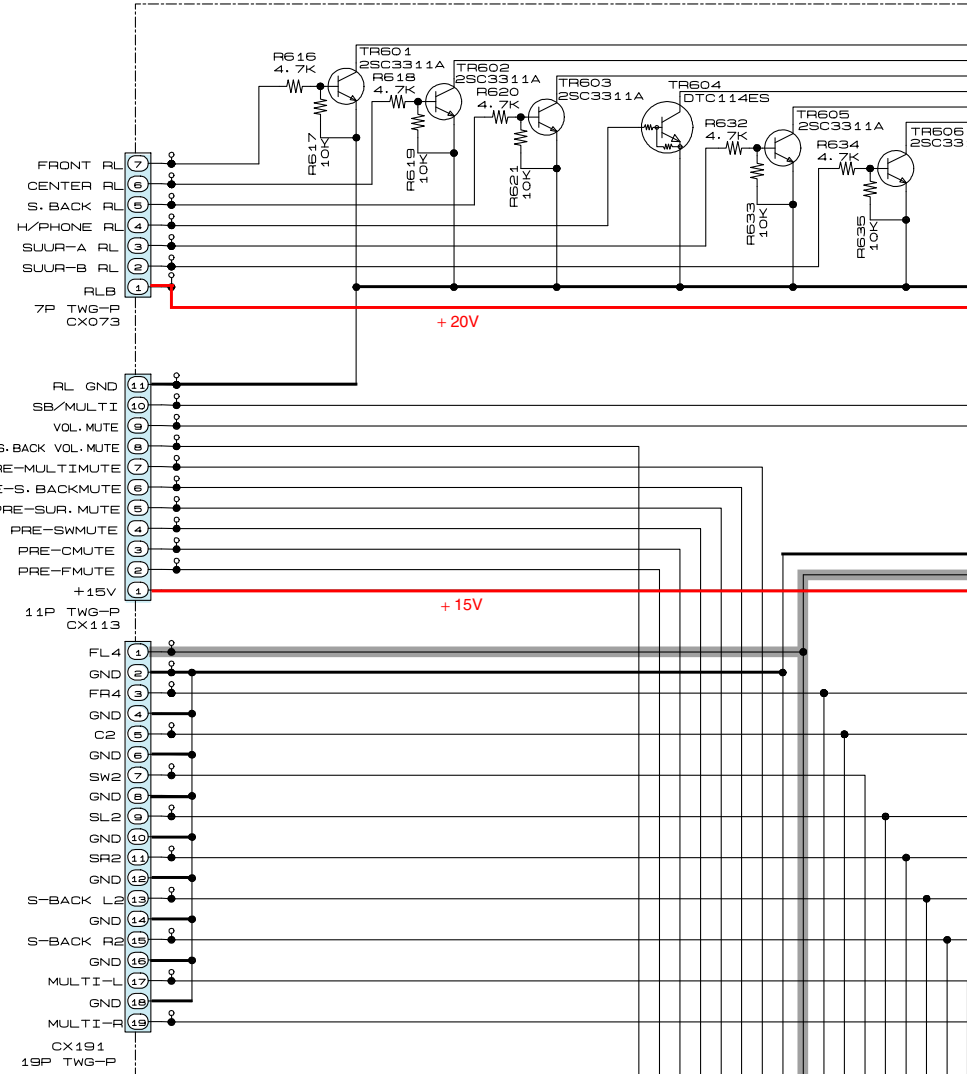
C

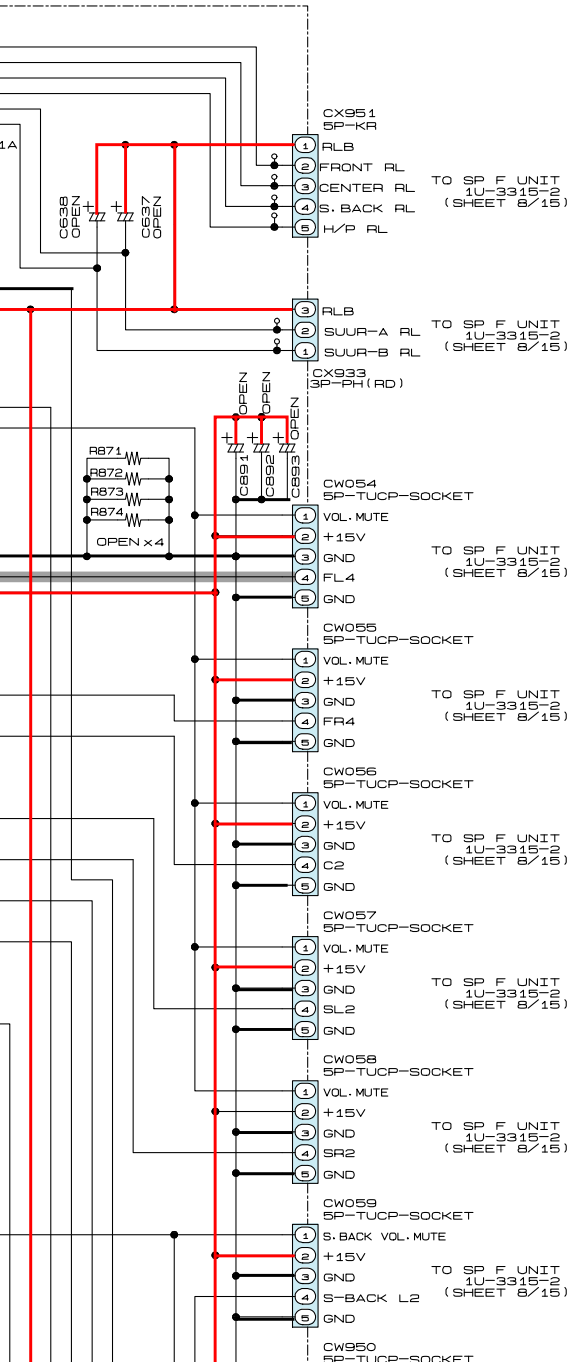
D

TO CONNECT UNIT
1U-3317-2
(SHEET 6/15)

TO CONNECT UNIT
1U-3317-3
(SHEET 6/15)

TO CONNECT UNIT
1U-3317-E
(SHEET 6/15)



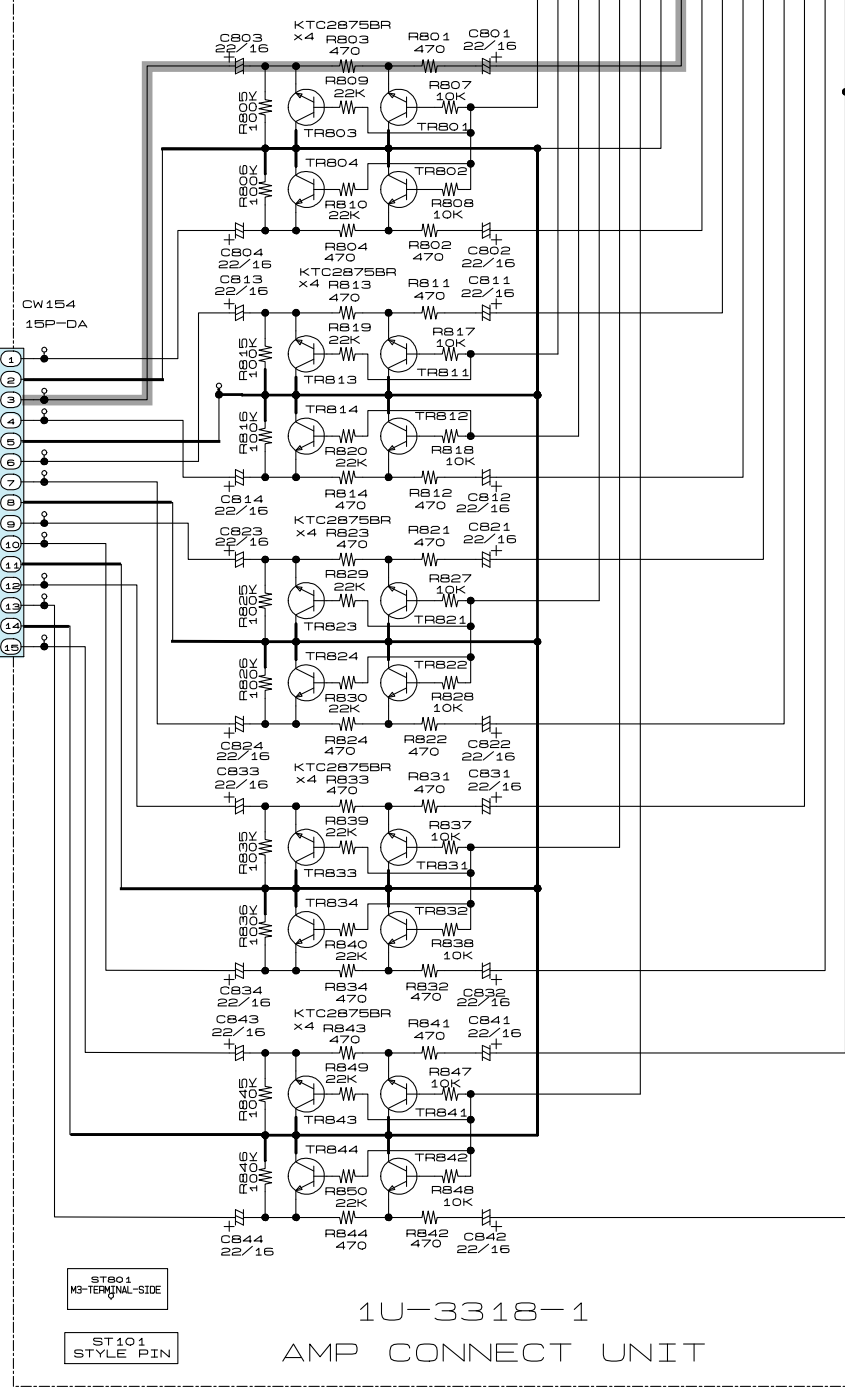
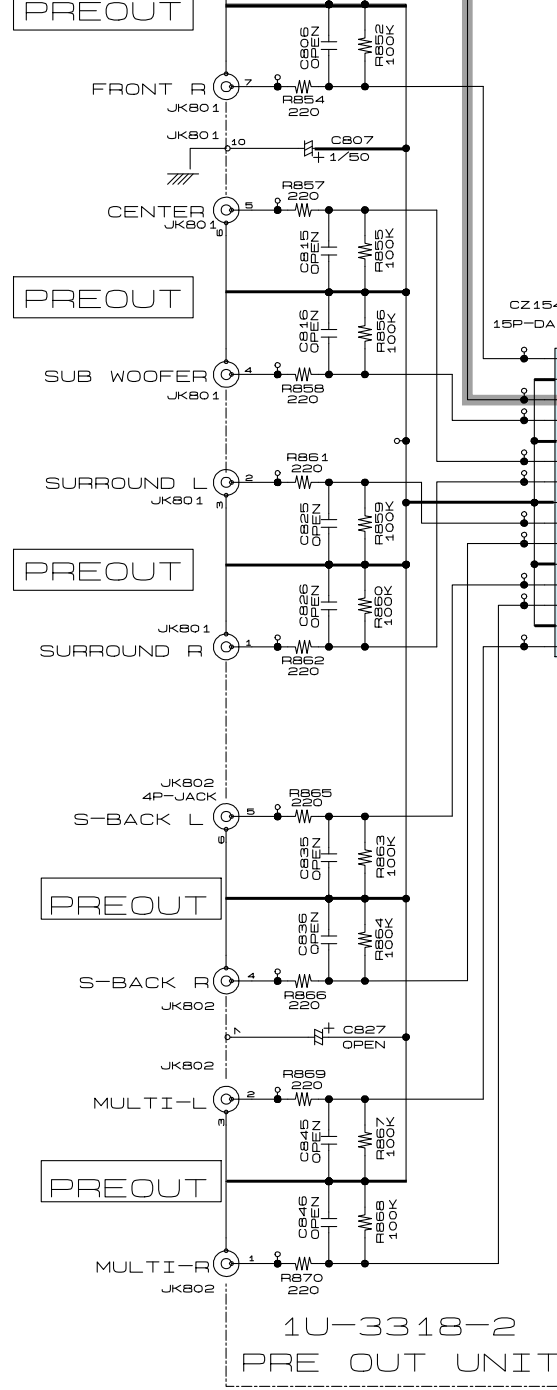


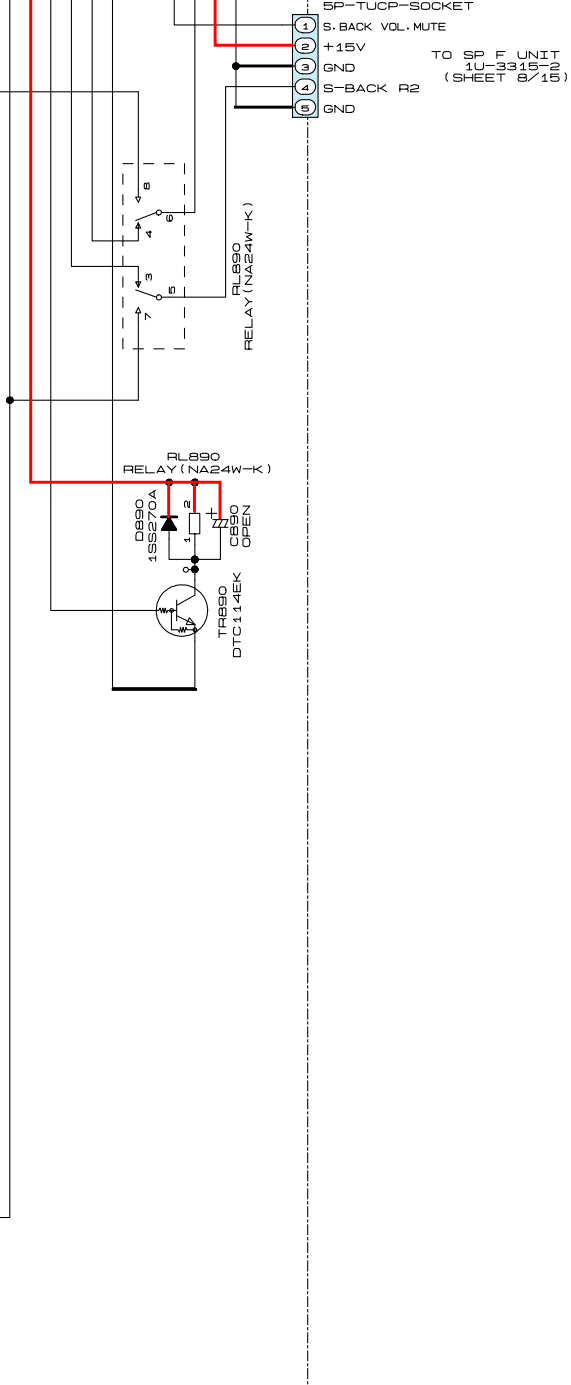
E

F

G

H






NOTICE

ALL RESISTANCE VALUES IN OHM. k=1,000 OHM M=1,000,000 OHM
 ALL CAPACITANCE VALUES IN MICRO FARAD. P=MICRO-MICRO FARAD
 EACH VOLTAGE AND CURRENT ARE MEASURED AT NO SIGNAL INPUT
 CONDITION.
 CIRCUIT AND PARTS ARE SUBJECT TO CHANGE WITHOUT PRIOR
 NOTICE.

WARNING:

Parts marked with this symbol  have critical characteristics.
 Use ONLY replacement parts recommended by the manufacture.

CAUTION:

Before returning the unit to the customer, make sure you make either (1) a leakage current check or (2) a line to chassis resistance check. If the leakage current exceeds 0.5 milliamps, or if the resistance from chassis to either side of the power card is less than 460 kohms, the unit is defective.

WARNING:

DO NOT return the unit to the customer until the problem is located and corrected.

SCHEMATIC DIAGRAMS (7/15)

1U-3318-1 AMP CONNECT UNIT

1U 3318-2 PRE OUT UNIT

SCHEMATIC DIAGRAMS (8/15)

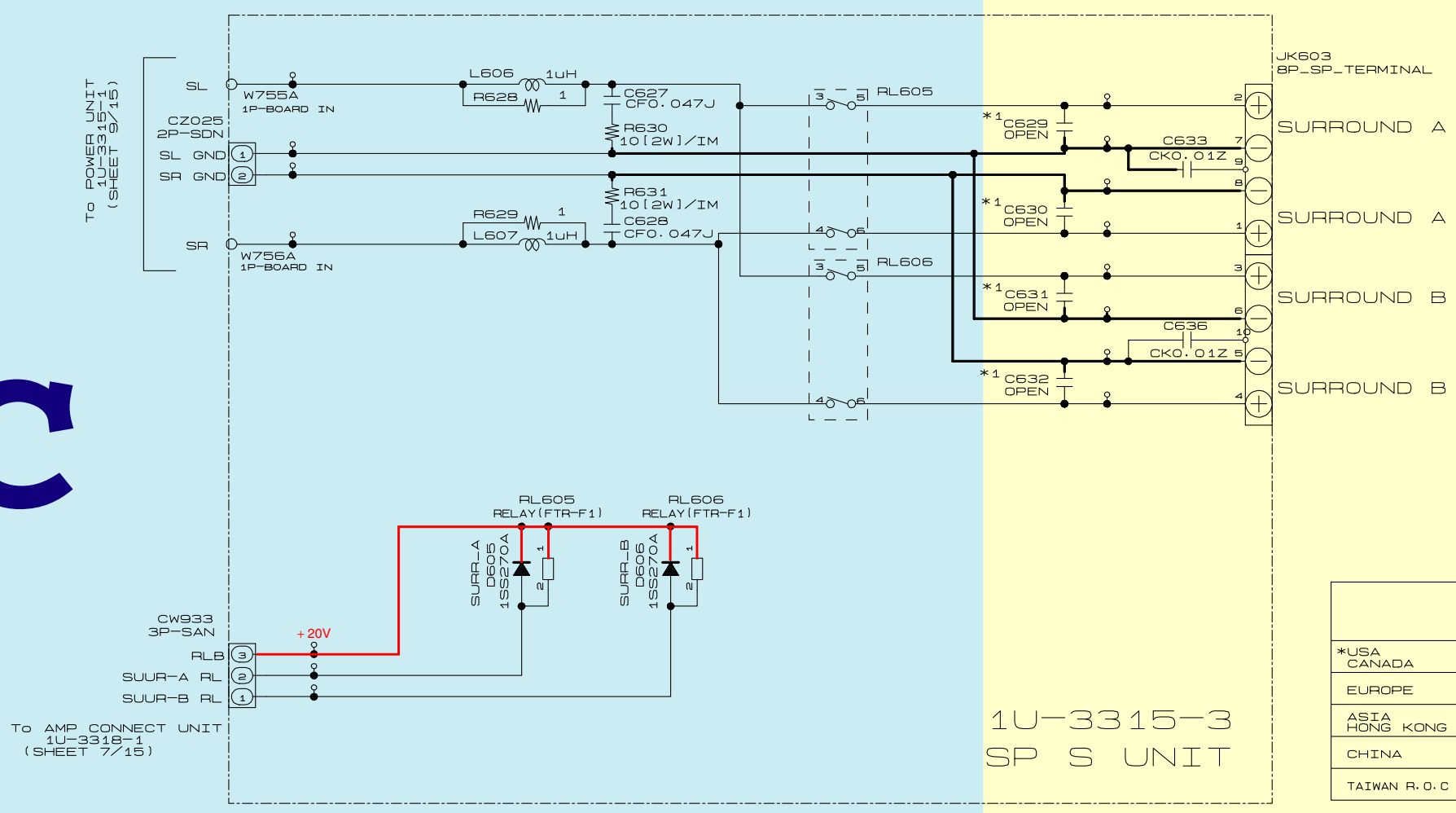
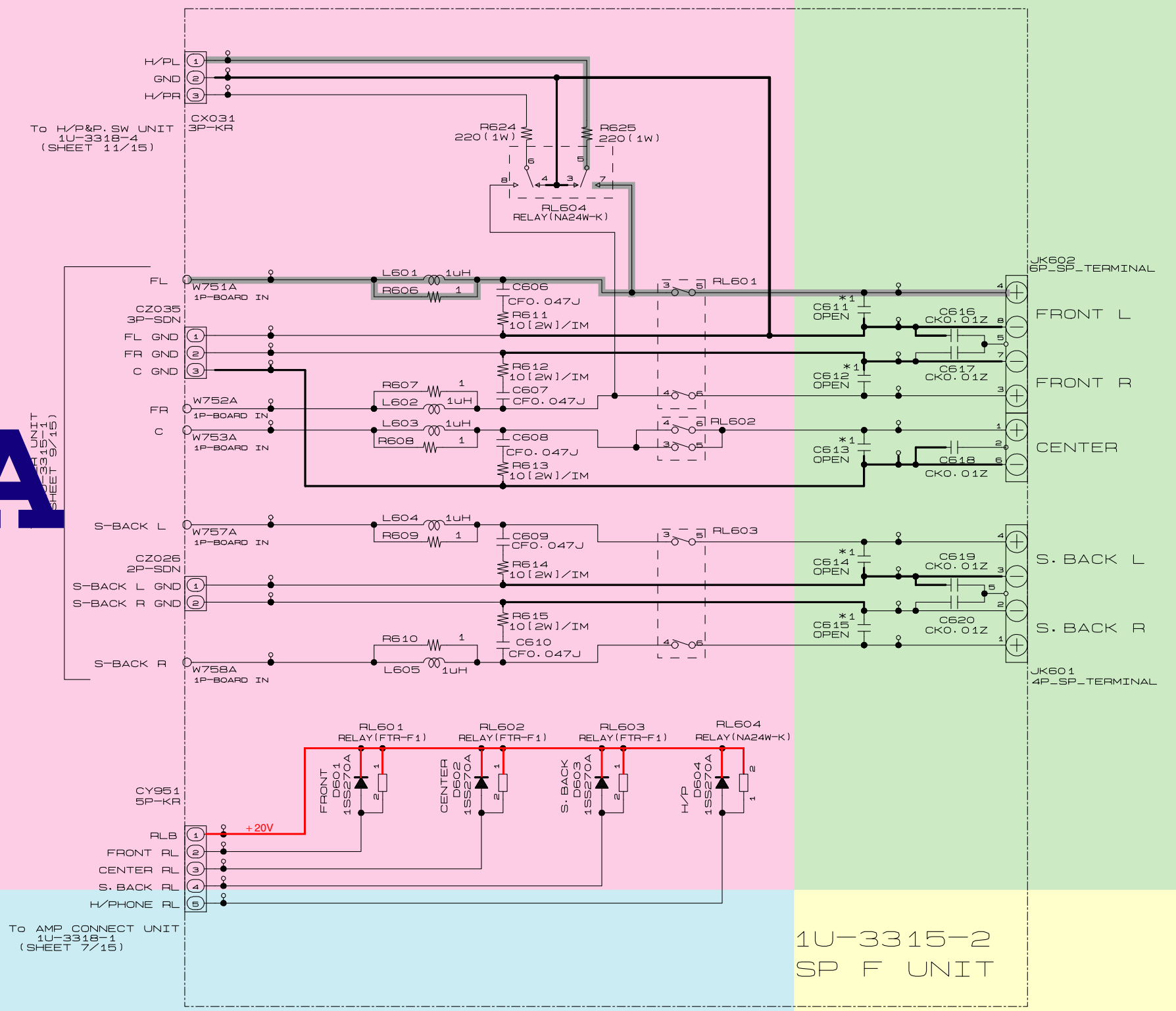
1 2 3 4 5 6 7 8 9 10 11

A

B

C

D



— + B LINE
— SIGNAL

	*1 C611, 612, 613, 614, 615 C629, 630, 631, 632
*USA CANADA	OPEN
EUROPE	C00.01
ASIA HONG KONG	OPEN
CHINA	OPEN
TAIWAN R.O.C	C00.01

NOTICE
ALL RESISTANCE VALUES IN OHM. k=1,000 OHM M=1,000,000 OHM
ALL CAPACITANCE VALUES IN MICRO FARAD. P=MICRO-MICRO FARAD
EACH VOLTAGE AND CURRENT ARE MEASURED AT NO SIGNAL INPUT
CONDITION.
CIRCUIT AND PARTS ARE SUBJECT TO CHANGE WITHOUT PRIOR
NOTICE.

WARNING:
Parts marked with this symbol have critical characteristics.
Use ONLY replacement parts recommended by the manufacture.

CAUTION:
Before returning the unit to the customer, make sure you make either (1) a
leakage current check or (2) a line to chassis resistance check. If the leakage
current exceeds 0.5 milliamps, or if the resistance from chassis to either side
of the power card is less than 460 kohms, the unit is defective.

WARNING:
DO NOT return the unit to the customer until the problem is located and
corrected.

SCHEMATIC DIAGRAMS (8/15)

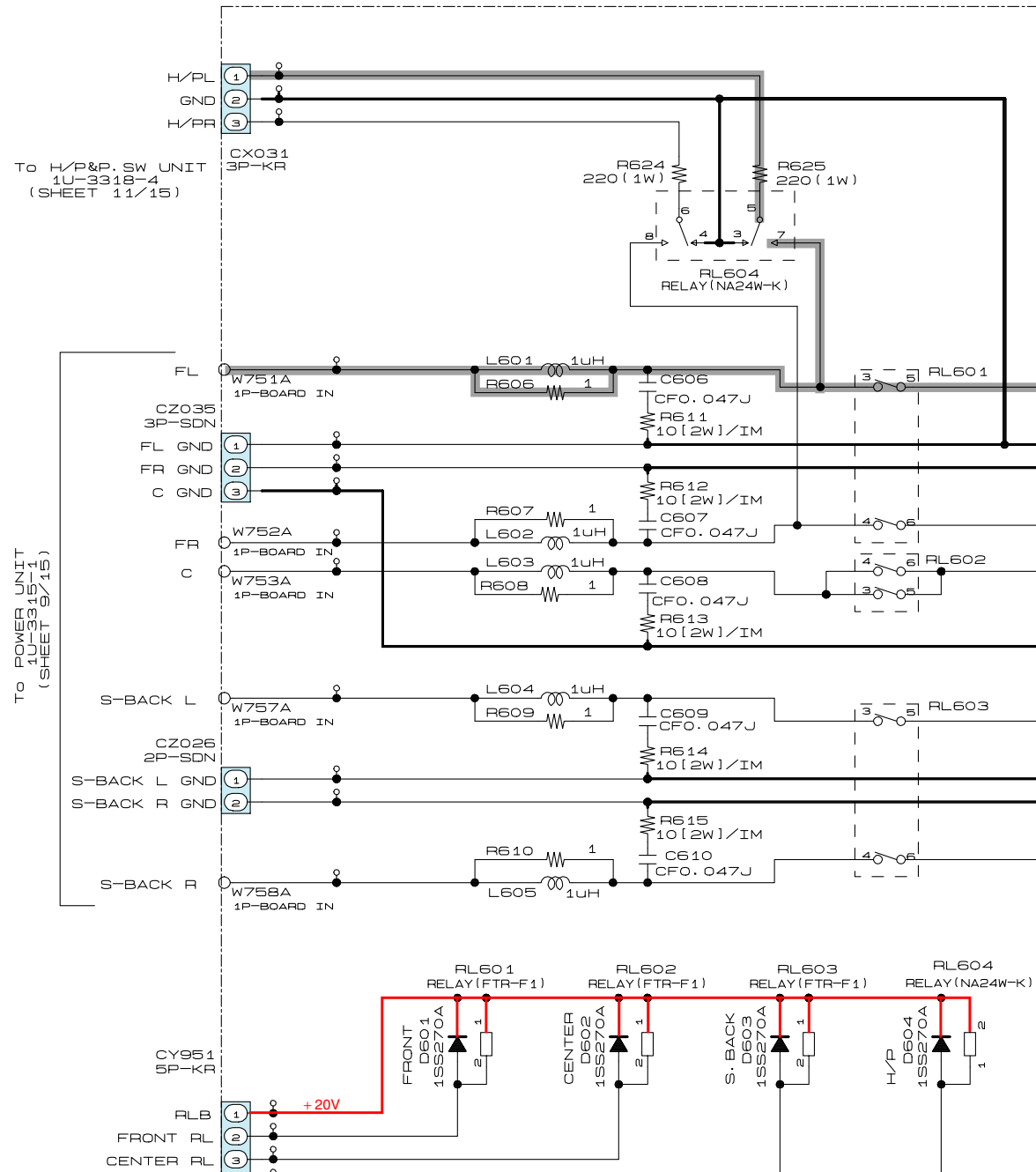
1

2

3

4

5



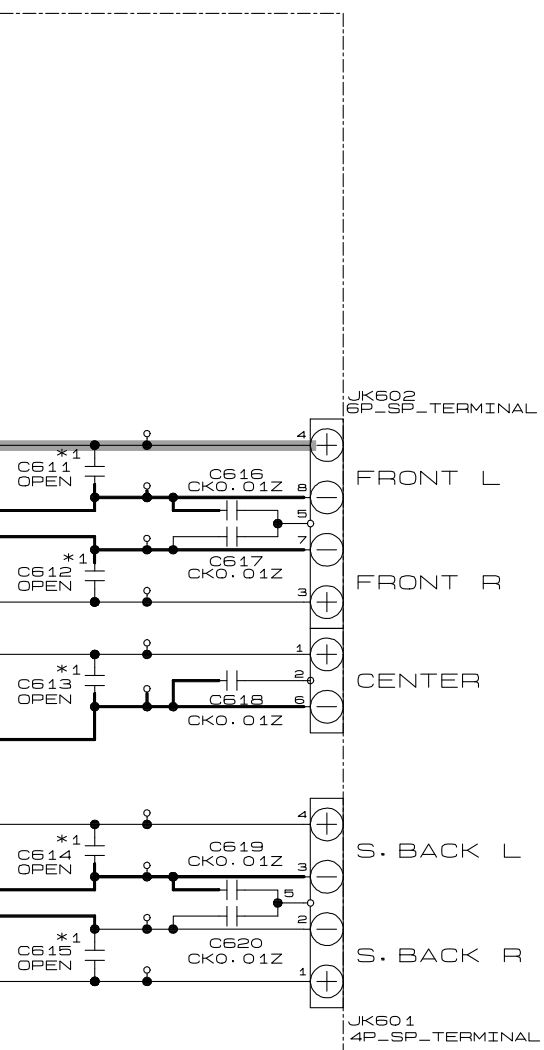
6 7 8 9 10 11

A

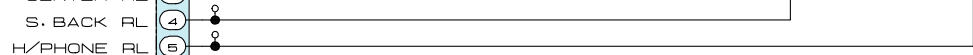
B

C

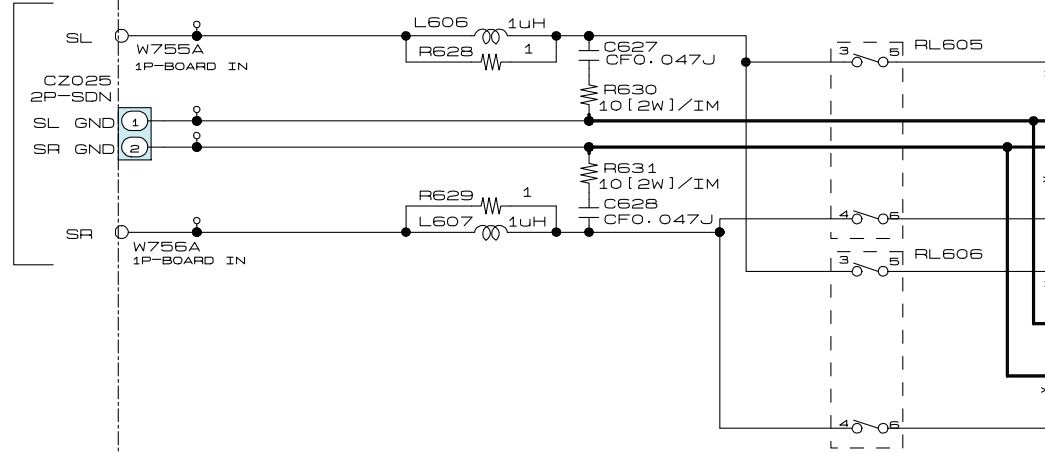
D



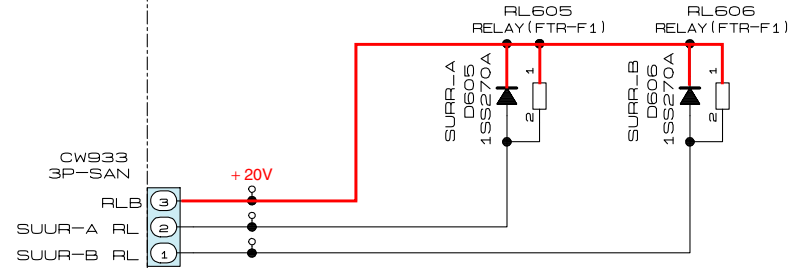
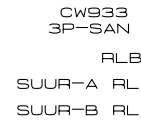
To AMP CONNECT UNIT
1U-3318-1
(SHEET 7/15)



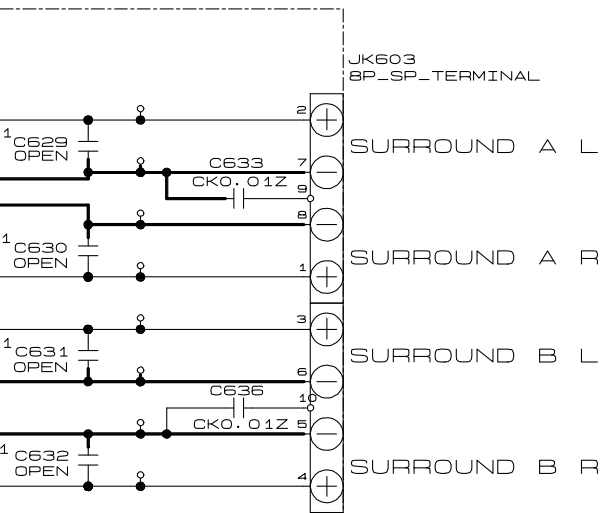
To POWER UNIT
(SHEET 9/15)



To AMP CONNECT UNIT
1U-3318-1
(SHEET 7/15)



1U-3315-2
SP F UNIT



1U-3315-3
SP S UNIT

	*1 C611, 612, 613, 614, 615 C629, 630, 631, 632
*USA CANADA	OPEN
EUROPE	CQO .01
ASIA HONG KONG	OPEN
CHINA	OPEN
TAIWAN R. O. C	CQO .01

— + B LINE
— SIGNAL

NOTICE

ALL RESISTANCE VALUES IN OHM. k=1,000 OHM M=1,000,000 OHM
ALL CAPACITANCE VALUES IN MICRO FARAD. P=MICRO-MICRO FARAD
EACH VOLTAGE AND CURRENT ARE MEASURED AT NO SIGNAL INPUT
CONDITION.
CIRCUIT AND PARTS ARE SUBJECT TO CHANGE WITHOUT PRIOR
NOTICE.

WARNING:

Parts marked with this symbol have critical characteristics.
Use ONLY replacement parts recommended by the manufacture.

CAUTION:

Before returning the unit to the customer, make sure you make either (1) a leakage current check or (2) a line to chassis resistance check. If the leakage current exceeds 0.5 milliamps, or if the resistance from chassis to either side of the power card is less than 460 kohms, the unit is defective.

WARNING:

DO NOT return the unit to the customer until the problem is located and corrected.

SCHEMATIC DIAGRAMS (8/15)

1U-3315-2 SP F UNIT
1U-3315-3 SP S UNIT

E

F

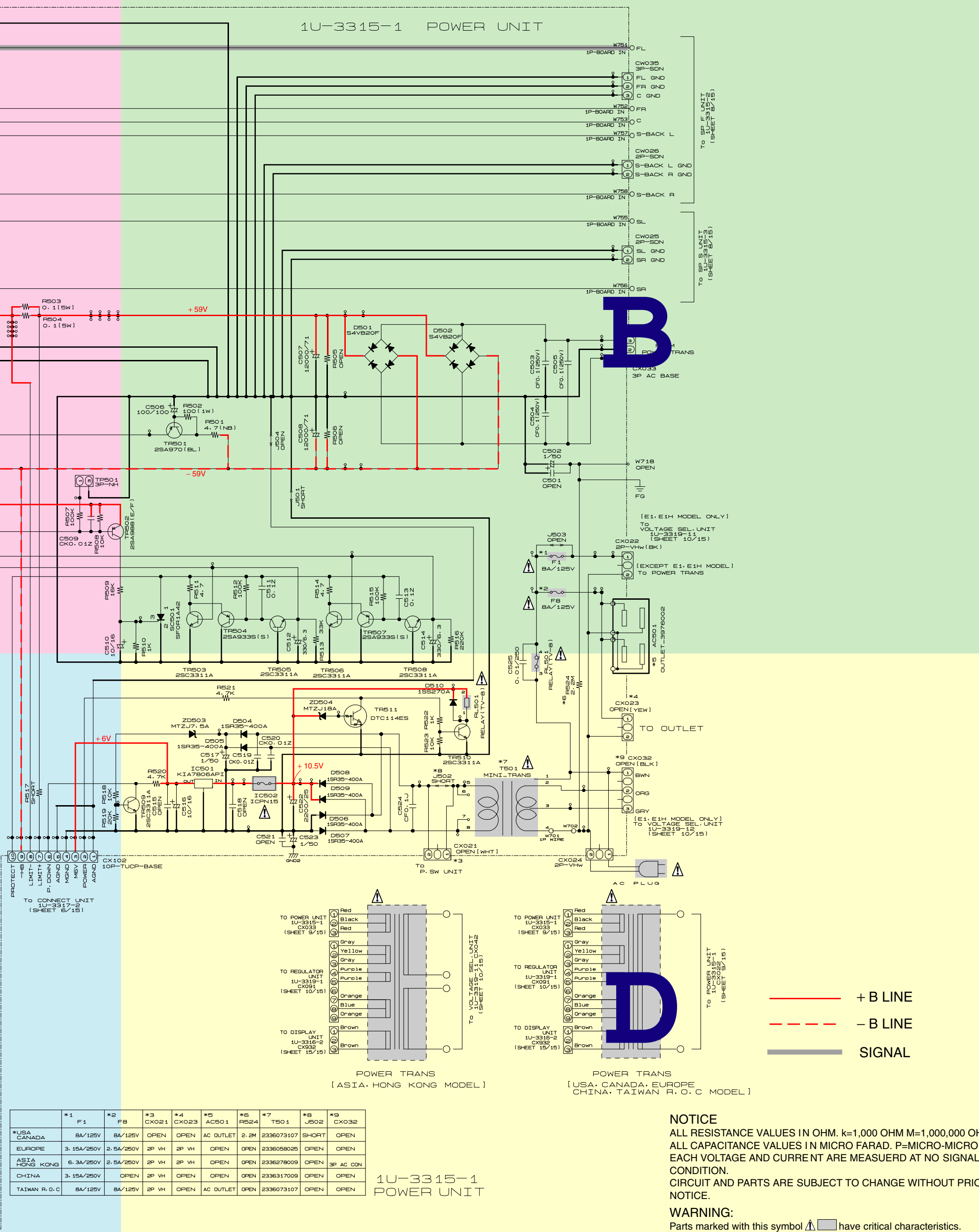
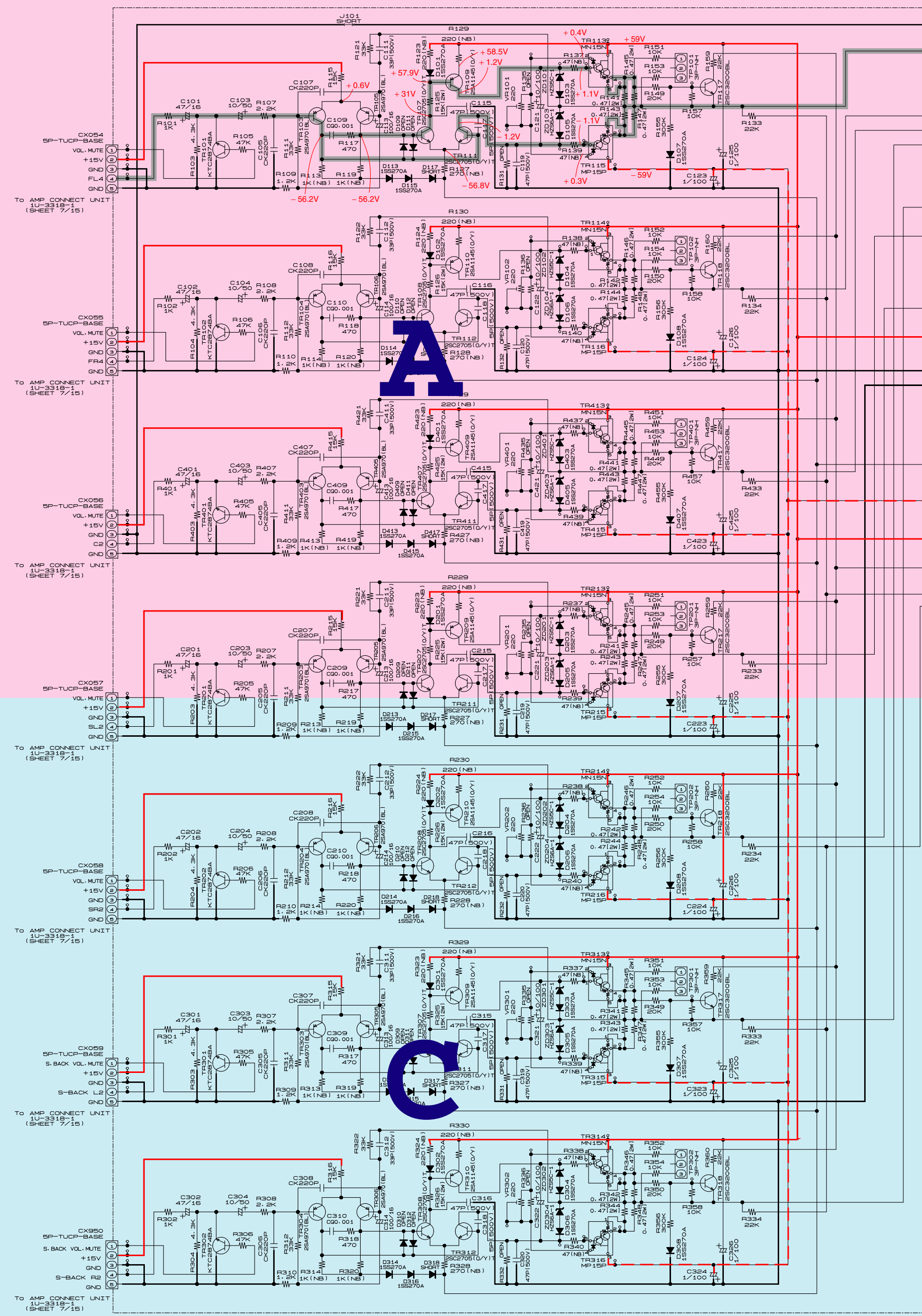
G

H

SCHEMATIC DIAGRAMS (9/15)

1 2 3 4 5 6 7 8 9 10 11

A B C D E F G H



	*1	*2	*3	*4	*5	*6	*7	*8
*USA	F1	FB	CX021	CX023	AC501	FB504	T501	B502
CANADA	8A/125V	8A/125V	OPEN	OPEN	AC OUTLET	2.2M	2386073107	SHORT
EUROPE	3.15A/250V	2.5A/250V	2P VH	2P VH	OPEN	OPEN	2386058025	OPEN
ASIA	6.3A/250V	2.5A/250V	2P VH	2P VH	OPEN	OPEN	2386278009	OPEN
HONG KONG	3.15A/250V	2.5A/250V	2P VH	2P VH	OPEN	OPEN	2386317009	OPEN
CHINA	3.15A/250V	2.5A/250V	2P VH	2P VH	OPEN	OPEN	2386317009	OPEN
TAIWAN R.O.C.	8A/125V	8A/125V	2P VH	2P VH	OPEN	AC OUTLET	OPEN	OPEN

1U-3315-1 POWER UNIT

NOTICE
 ALL RESISTANCE VALUES IN OHM. k=1,000 OHM M=1,000,000 OHM
 ALL CAPACITANCE VALUES IN MICRO FARAD. P=MICRO-MICRO FARAD
 EACH VOLTAGE AND CURRENT ARE MEASURED AT NO SIGNAL INPUT
 CONDITION.
 CIRCUIT AND PARTS ARE SUBJECT TO CHANGE WITHOUT PRIOR
 NOTICE.

WARNING:
 Parts marked with this symbol have critical characteristics.
 Use ONLY replacement parts recommended by the manufacturer.

CAUTION:
 Before returning the unit to the customer, make sure you make either (1) a
 leakage current check or (2) a line to chassis resistance check. If the leakage
 current exceeds 0.5 millamps, or if the resistance from chassis to either side
 of the power card is less than 460 kohms, the unit is defective.

WARNING:
 DO NOT return the unit to the customer until the problem is located and
 corrected.

SCHEMATIC DIAGRAMS (9/15)

1

2

3

4

5

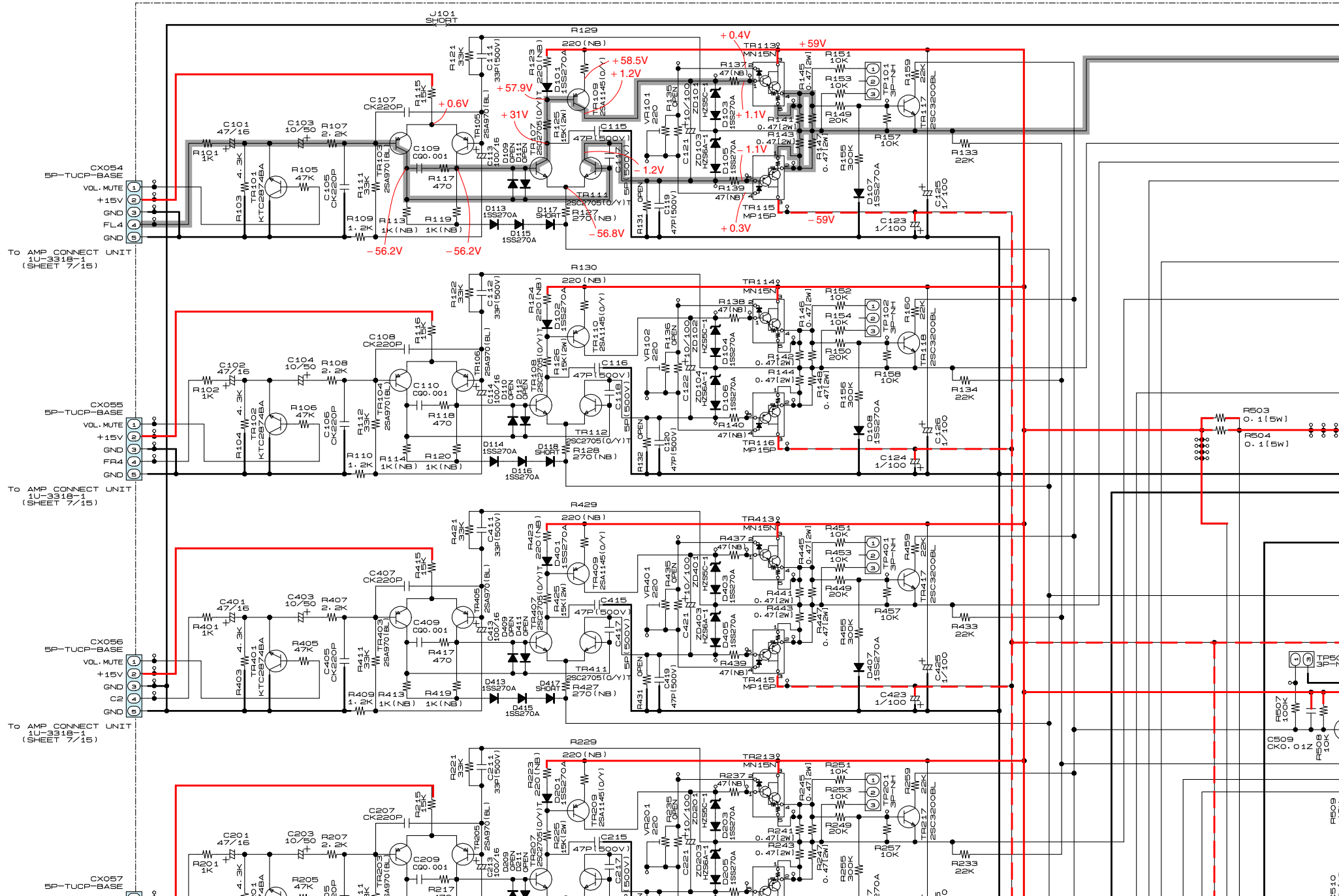
6

A

B

C

D

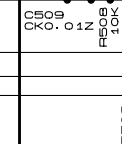


TO AMP CONNECT UNIT
1U-3318-1
(SHEET 7/15)

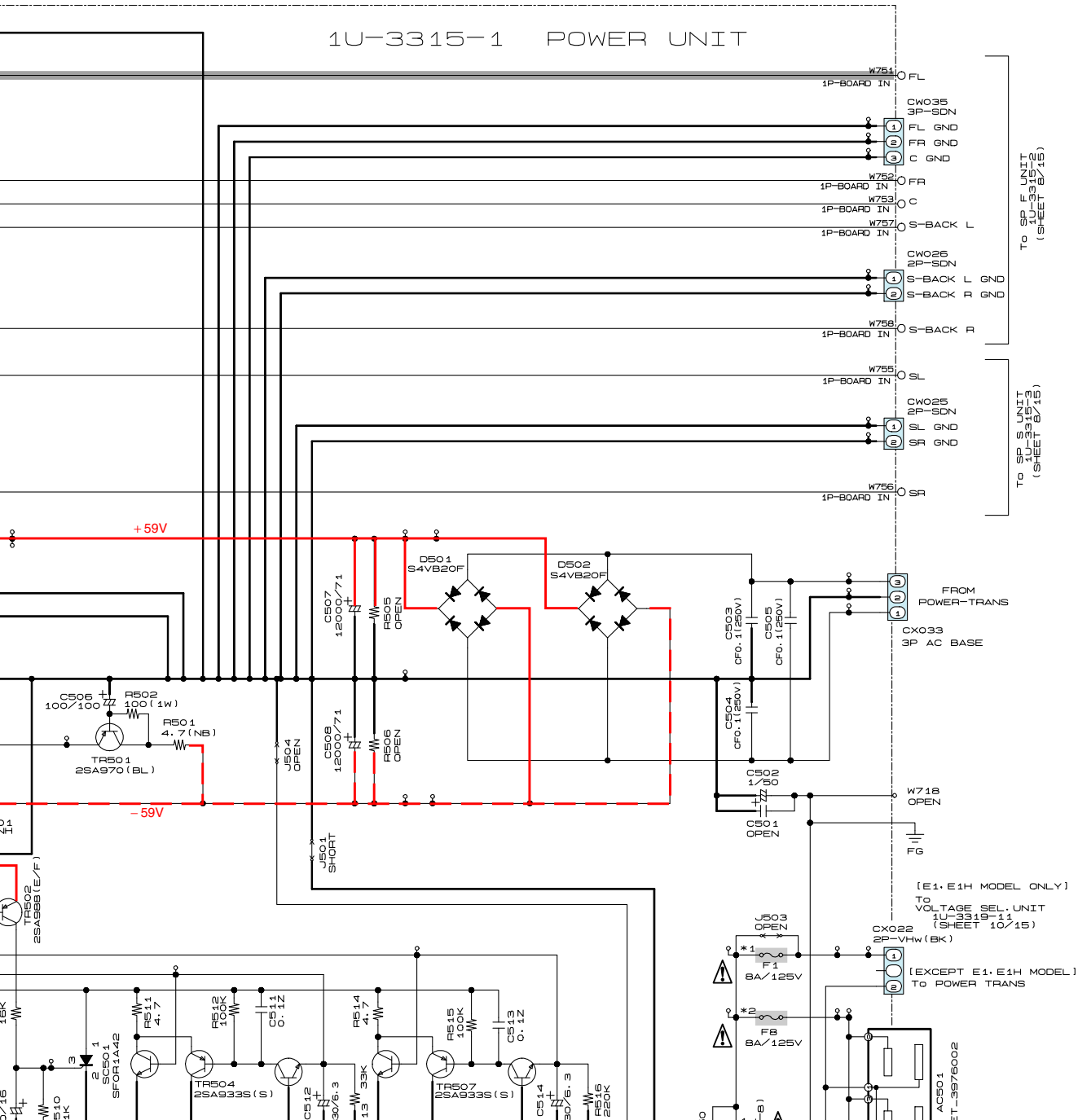
TO AMP CONNECT UNIT
1U-3318-1
(SHEET 7/15)

TO AMP CONNECT UNIT
1U-3318-1
(SHEET 7/15)

TO AMP CONNECT UNIT
1U-3318-1
(SHEET 7/15)



1U-3315-1 POWER UNIT



To SP E UNIT
(1U-3315-2
SHEET 8/15)

To SP S UNIT
(1U-3315-3
SHEET 8/15)

FROM
POWER-TRANS
CX033
3P AC BASE

[E1, E1H MODEL ONLY]
TO
VOLTAGE SEL. UNIT
1U-3315-11
(SHEET 10/15)

[EXCEPT E1, E1H MODEL]
TO POWER TRANS

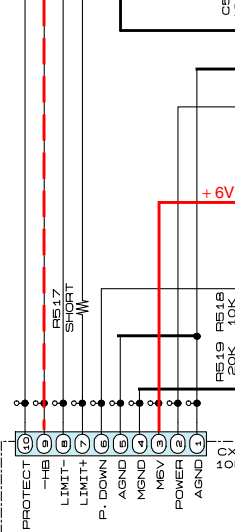
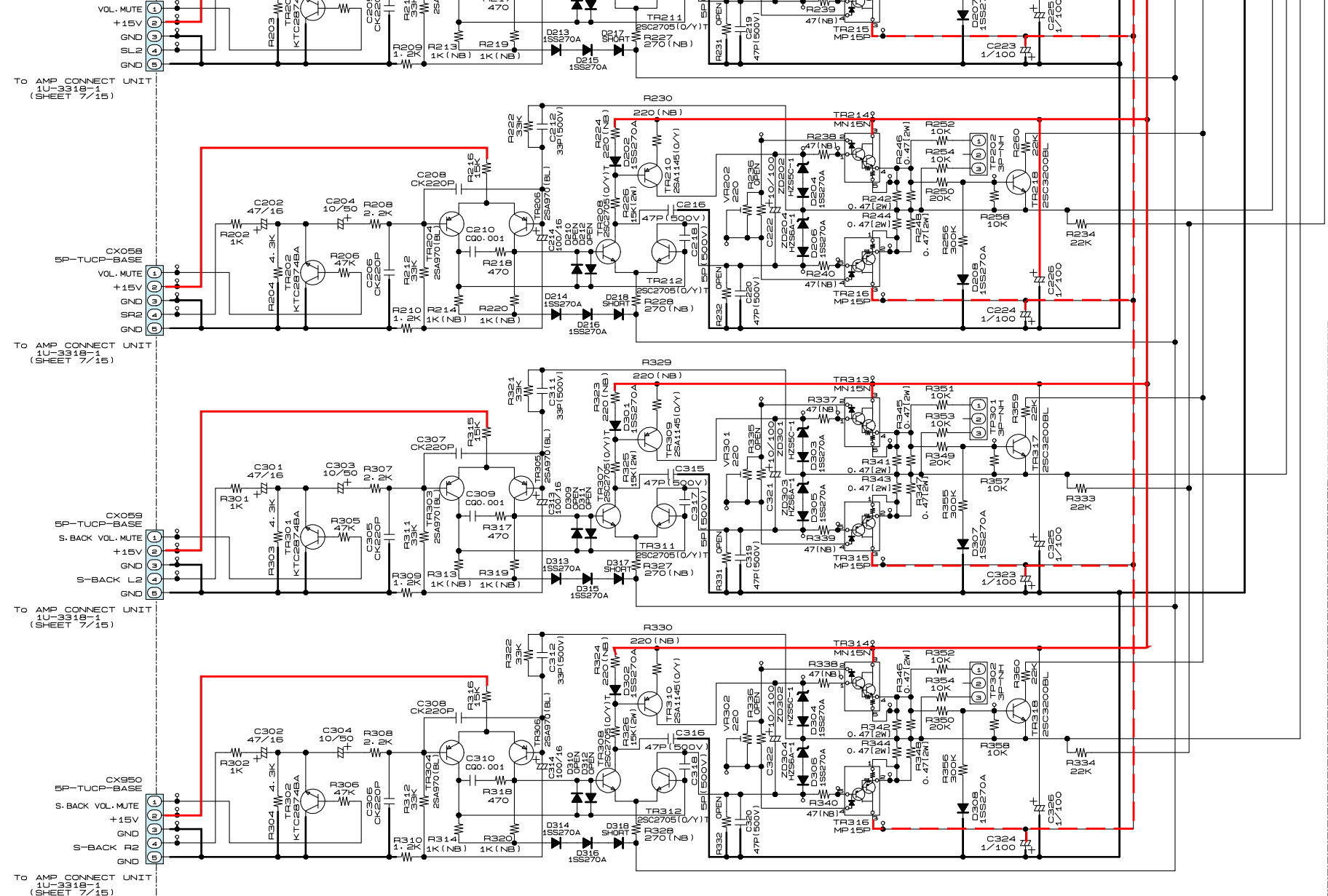
AC501
ET-3976002

E

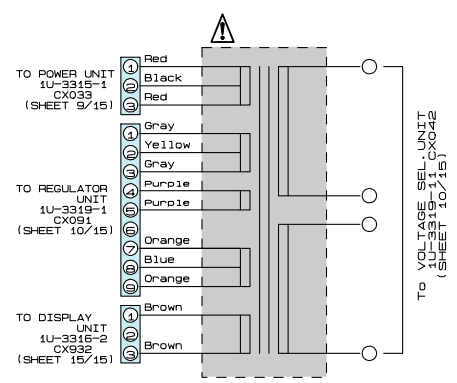
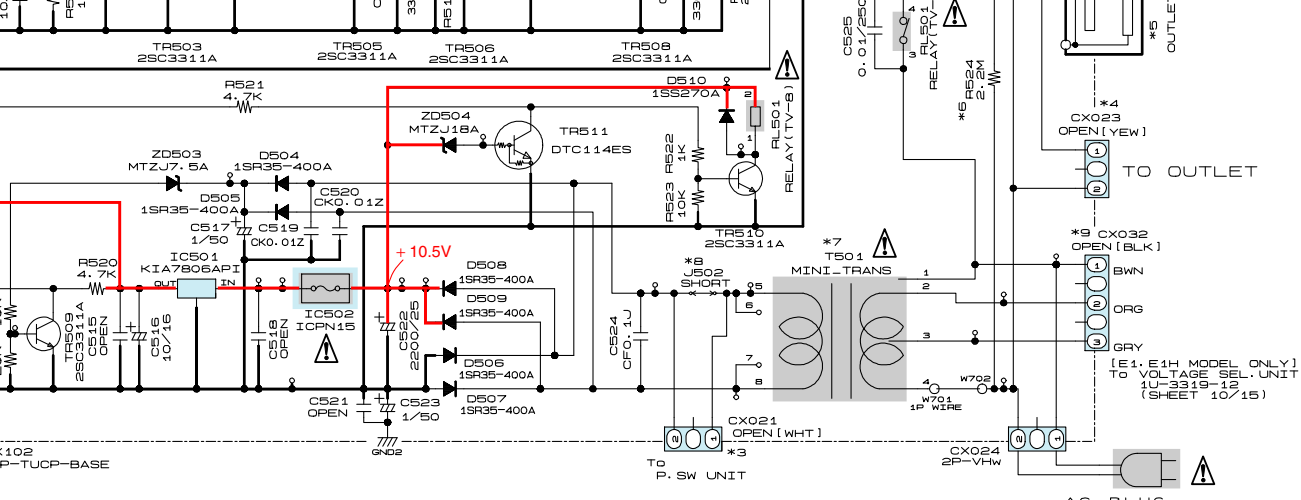
F

G

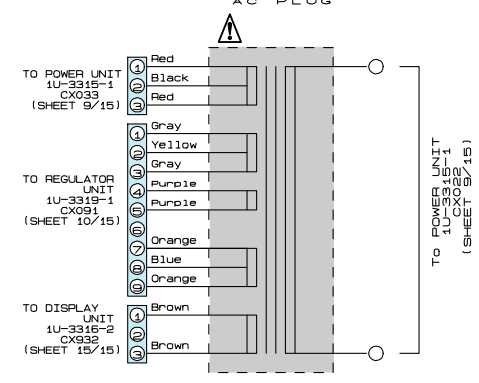
H



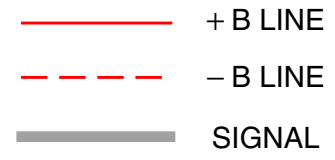
	*1	F 1	*
*USA CANADA		8A/125V	
EUROPE		3.15A/250V	2
ASIA HONG KONG		6.3A/250V	2
CHINA		3.15A/250V	
TAIWAN R. O. C		8A/125V	



POWER TRANS
[ASIA, HONG KONG MODEL]



POWER TRANS
[USA, CANADA, EUROPE
CHINA, TAIWAN R. O. C MODEL]



2 FB	*3 CX021	*4 CX023	*5 AC501	*6 R524	*7 T501	*8 J502	*9 CX032
8A/125V	OPEN	OPEN	AC OUTLET	2.2M	2336073107	SHORT	OPEN
5A/250V	2P VH	2P VH	OPEN	OPEN	2336058025	OPEN	OPEN
5A/250V	2P VH	2P VH	OPEN	OPEN	2336278009	OPEN	3P AC CON
OPEN	2P VH	OPEN	OPEN	OPEN	2336317009	OPEN	OPEN
8A/125V	2P VH	OPEN	AC OUTLET	OPEN	2336073107	OPEN	OPEN

1U-3315-1
POWER UNIT

SCHEMATIC DIAGRAMS (9/15)

1U-3315-1 POWER UNIT

NOTICE

ALL RESISTANCE VALUES IN OHM. k=1,000 OHM M=1,000,000 OHM
 ALL CAPACITANCE VALUES IN MICRO FARAD. P=MICRO-MICRO FARAD
 EACH VOLTAGE AND CURRENT ARE MEASURED AT NO SIGNAL INPUT
 CONDITION.
 CIRCUIT AND PARTS ARE SUBJECT TO CHANGE WITHOUT PRIOR
 NOTICE.

WARNING:

Parts marked with this symbol have critical characteristics.
 Use ONLY replacement parts recommended by the manufacture.

CAUTION:

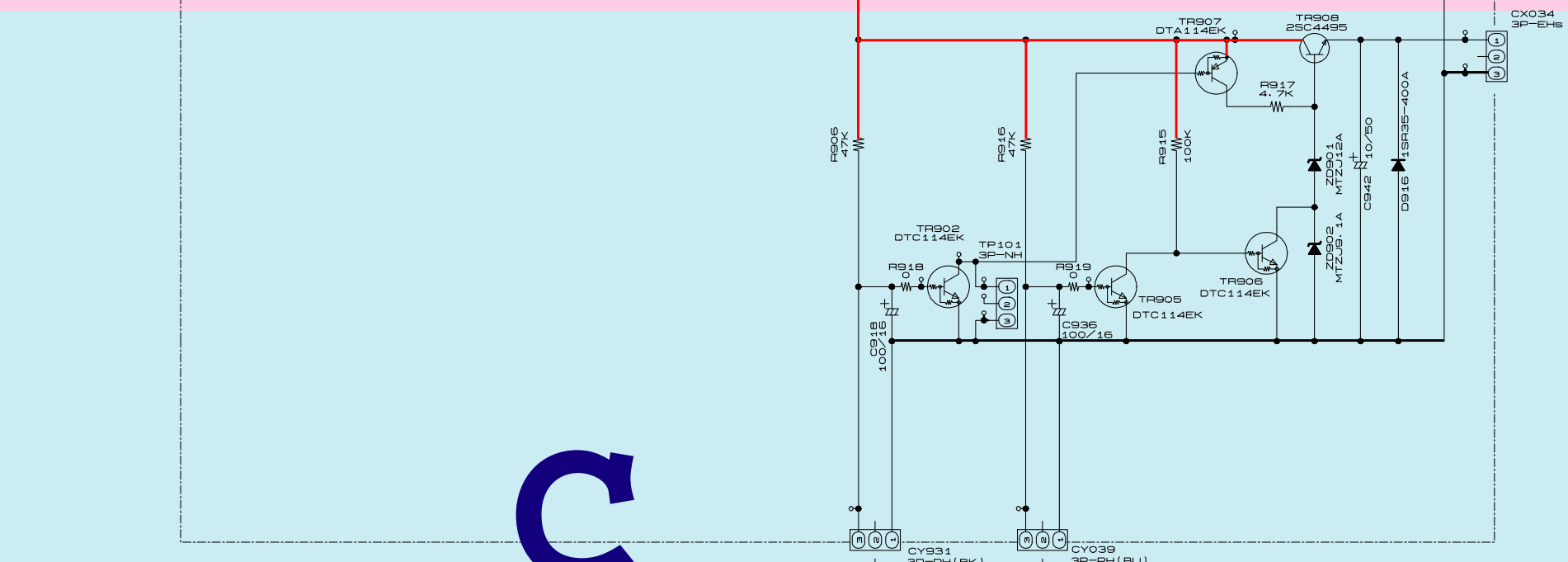
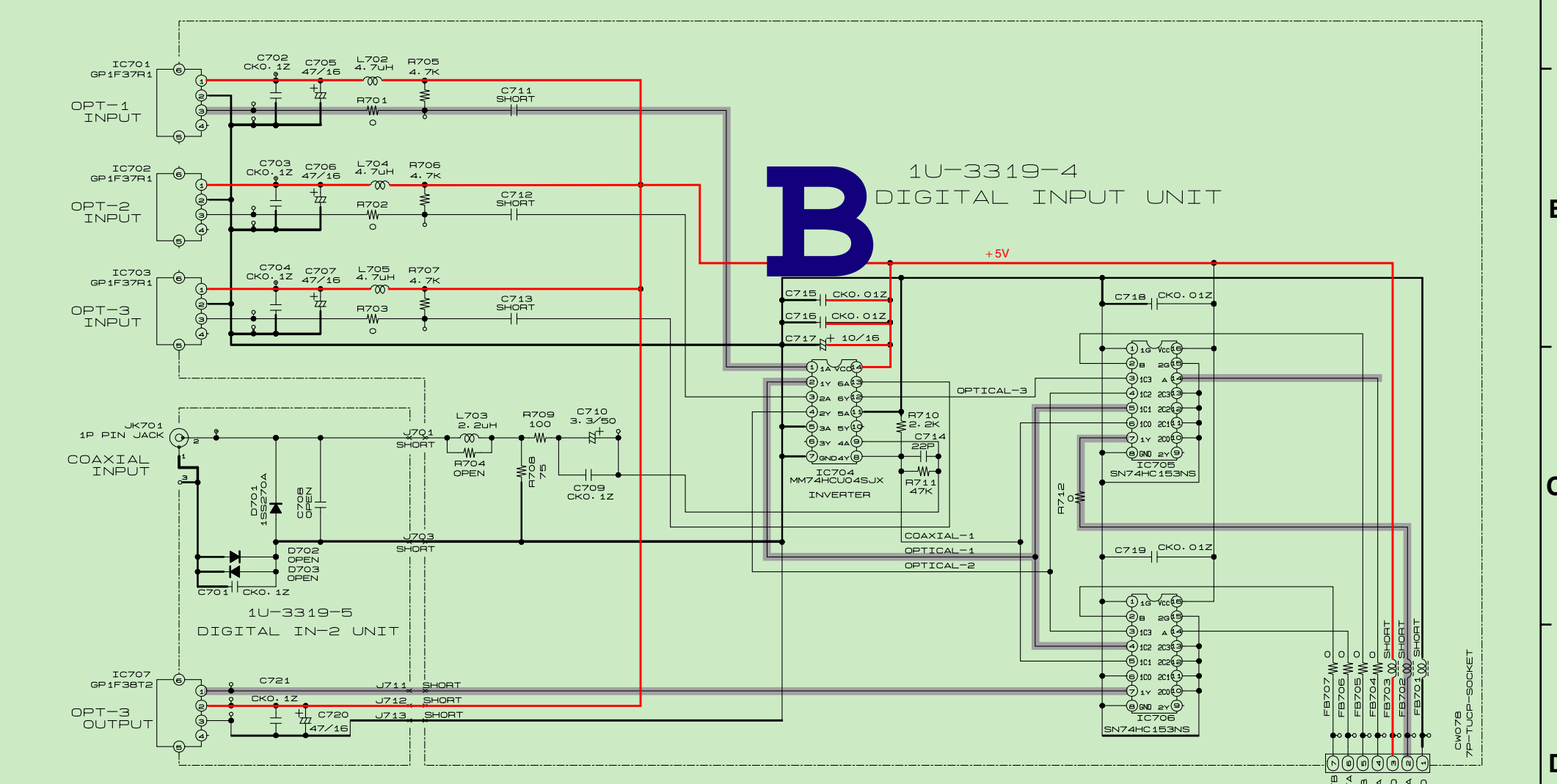
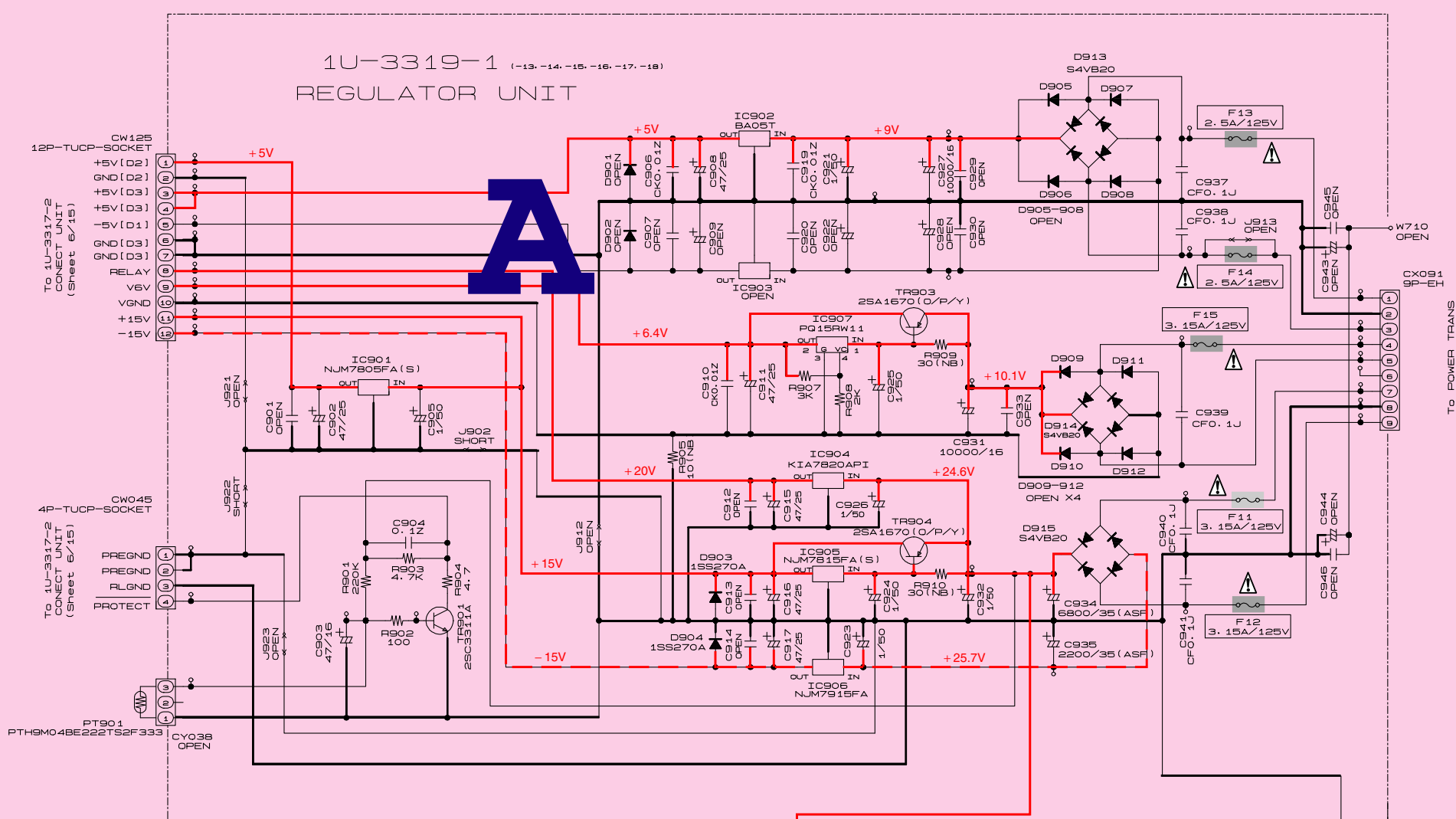
Before returning the unit to the customer, make sure you make either (1) a leakage current check or (2) a line to chassis resistance check. If the leakage current exceeds 0.5 milliamps, or if the resistance from chassis to either side of the power card is less than 460 kohms, the unit is defective.

WARNING:

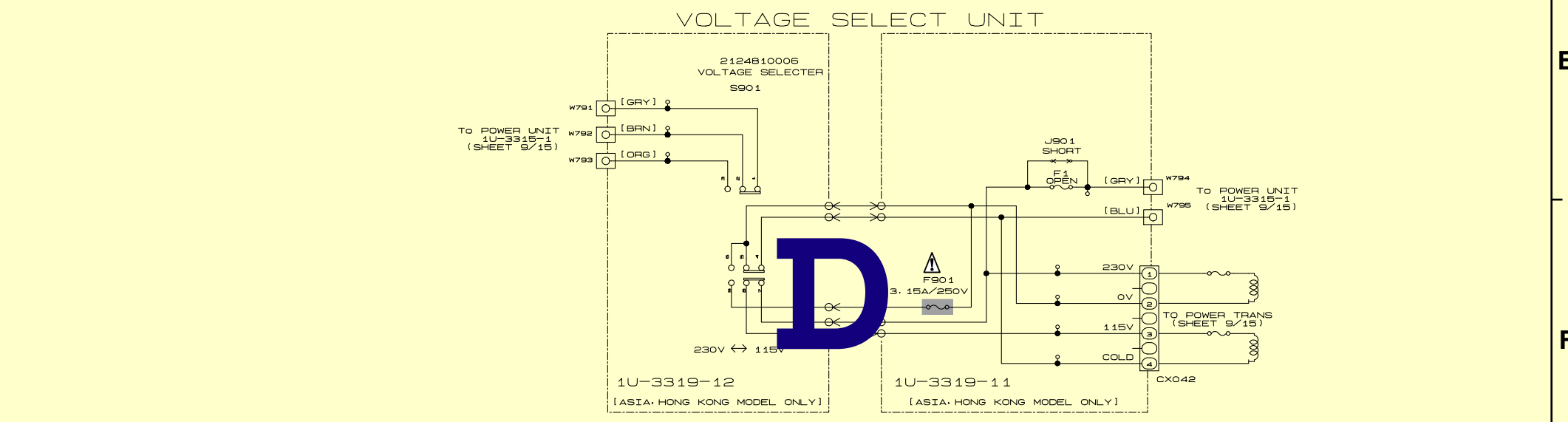
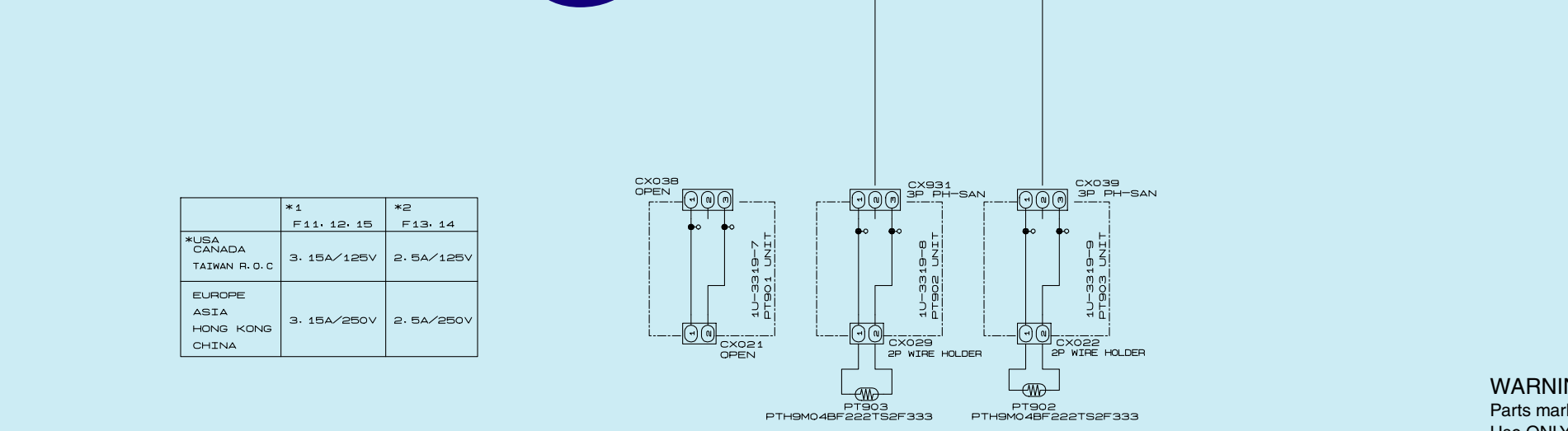
DO NOT return the unit to the customer until the problem is located and corrected.

SCHMATIC DIAGRAMS (10/15)

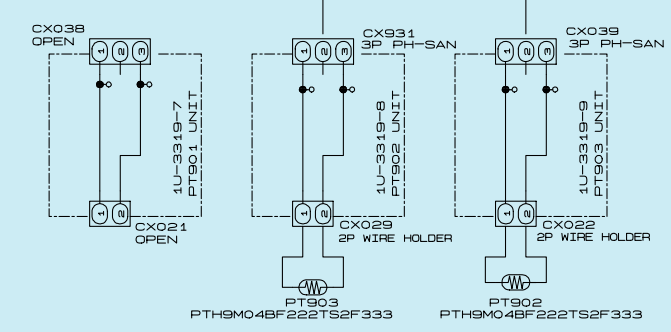
1 2 3 4 5 6 7 8 9 10 11



	FB701~703	FB704~707
USA	SHORT	0
CANADA	SHORT	0
EUROPE	BEADS	EMIFIL (11A121)
ASIA	BEADS	EMIFIL (11A121)
TAIWAN R.O.C.	BEADS	EMIFIL (11A121)



	*1	*2
	F11, 12, 15	F13, 14
USA	3. 15A/125V	2. 5A/125V
CANADA	3. 15A/125V	2. 5A/125V
TAIWAN R.O.C.	3. 15A/125V	2. 5A/125V
EUROPE	3. 15A/250V	2. 5A/250V
ASIA	3. 15A/250V	2. 5A/250V
HONG KONG	3. 15A/250V	2. 5A/250V
CHINA	3. 15A/250V	2. 5A/250V



WARNING:
Parts marked with this symbol have critical characteristics. Use ONLY replacement parts recommended by the manufacturer.

CAUTION:
Before returning the unit to the customer, make sure you make either (1) a leakage current check or (2) a line to chassis resistance check. If the leakage current exceeds 0.5 milliamps, or if the resistance from chassis to either side of the power card is less than 460 kohms, the unit is defective.

WARNING:
DO NOT return the unit to the customer until the problem is located and corrected.

SCHMATIC DIAGRAMS (10/15)
 1U-3319-1 REGULATOR UNIT
 1U-3319-4.5 DIGITAL INPUT UNIT
 1U-3319-11/1U3319-12 VOLTAGE SELECT UNIT
 1U-3319-8 PT902 UNIT
 1U-3319-9 PT903 UNIT

— + B LINE
 - - - - - B LINE
 ——— SIGNAL

SCHEMATIC DIAGRAMS (10/15)

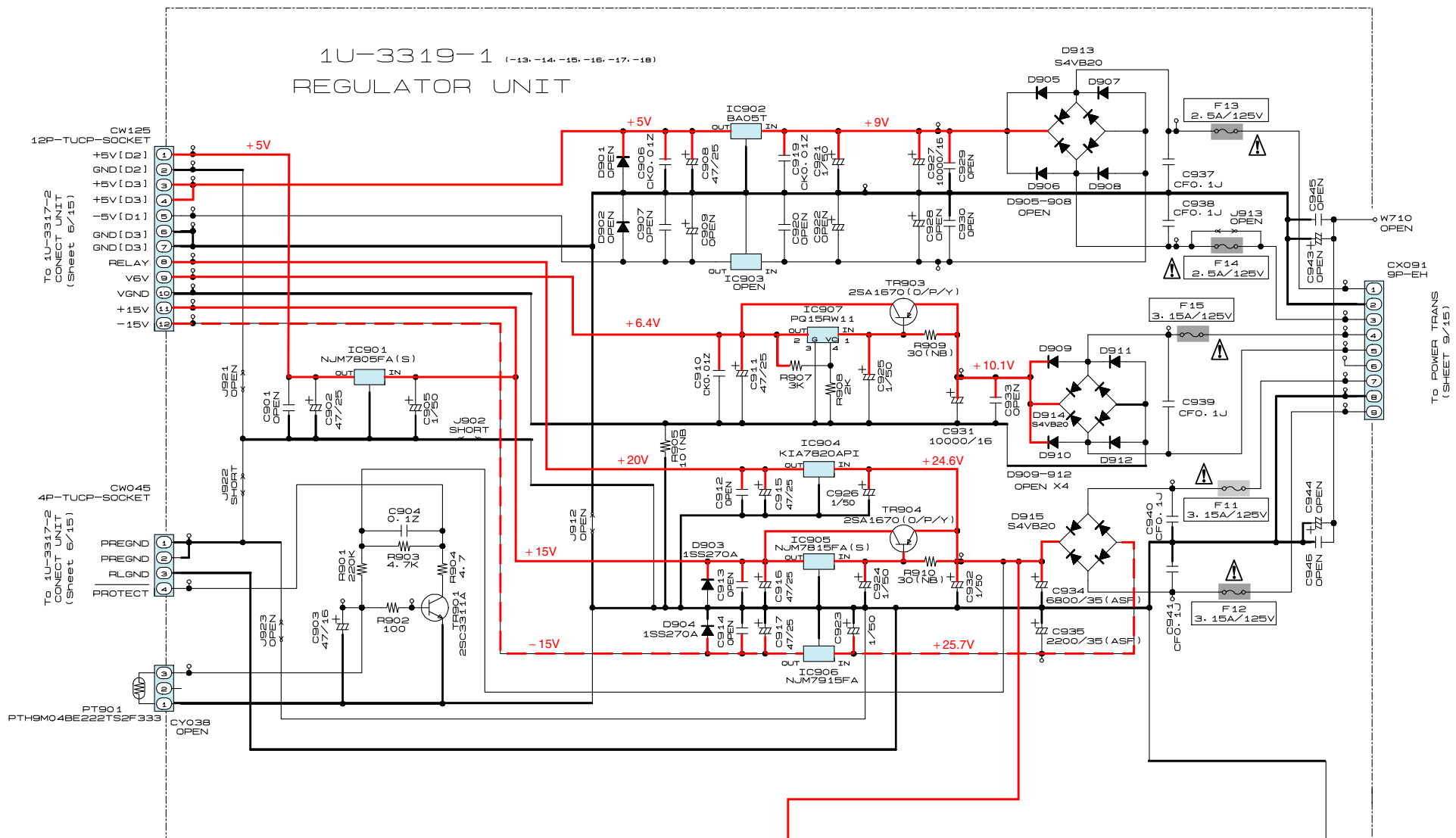
1

2

3

4

5



6

7

8

9

10

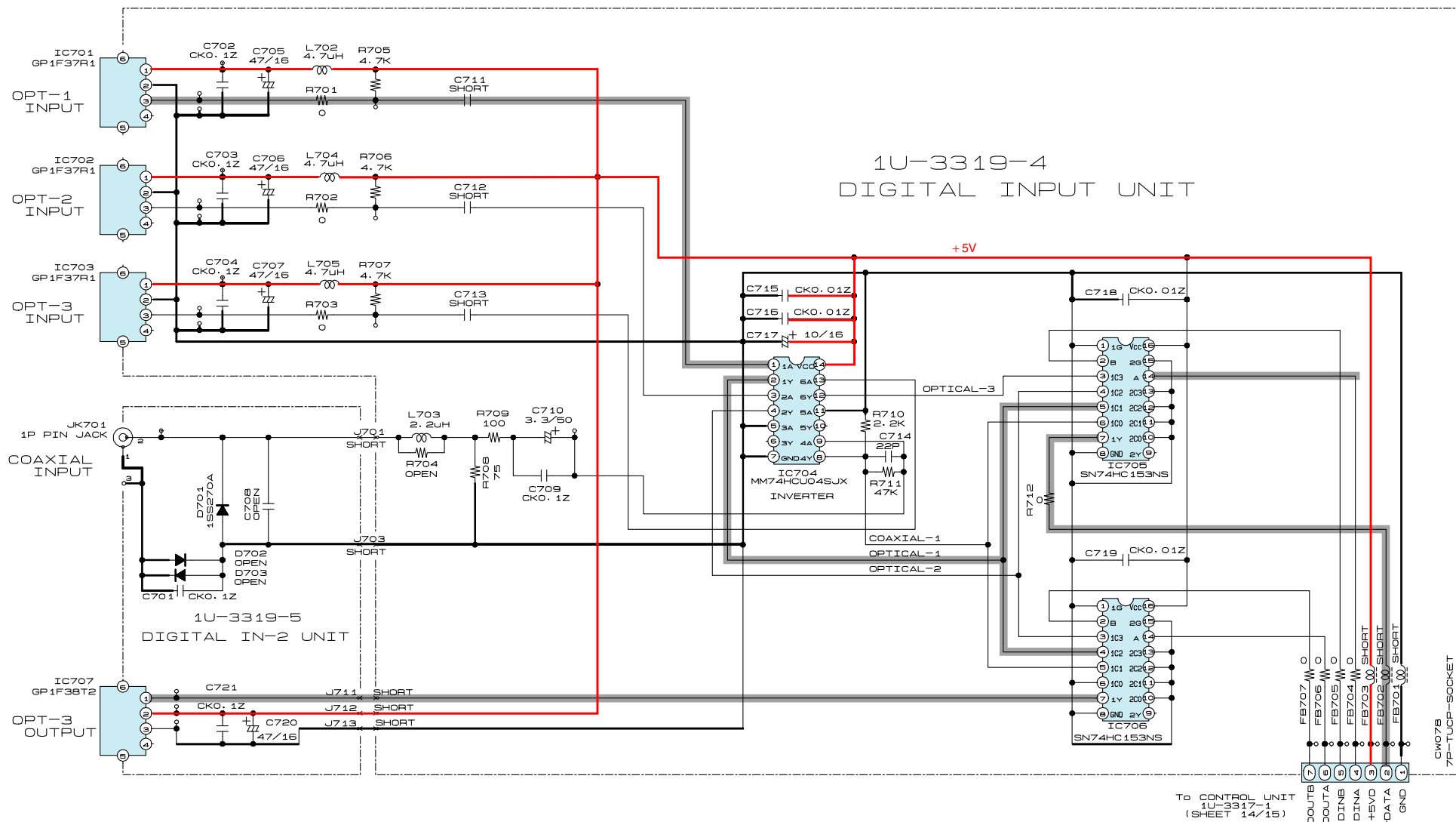
11

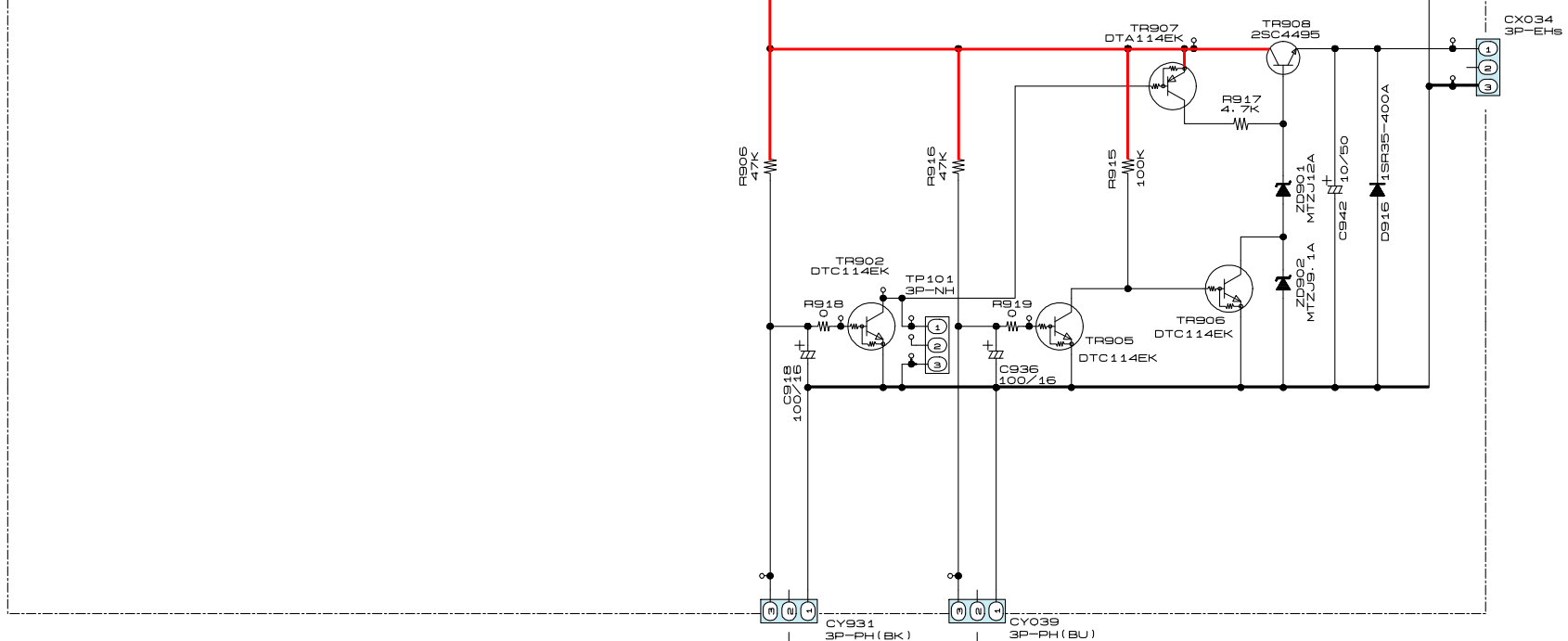
A

B

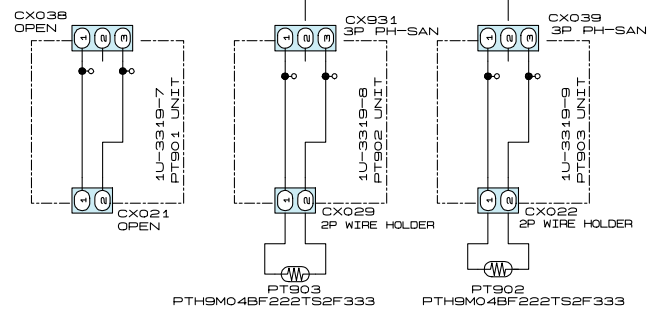
C

D





	*1	*2
*USA CANADA TAIWAN R. O. C	F 11, 12, 15 3. 15A/125V	F 13, 14 2. 5A/125V
EUROPE ASIA HONG KONG CHINA	3. 15A/250V	2. 5A/250V

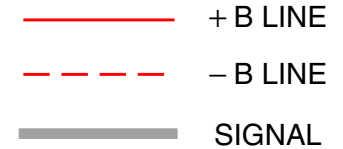
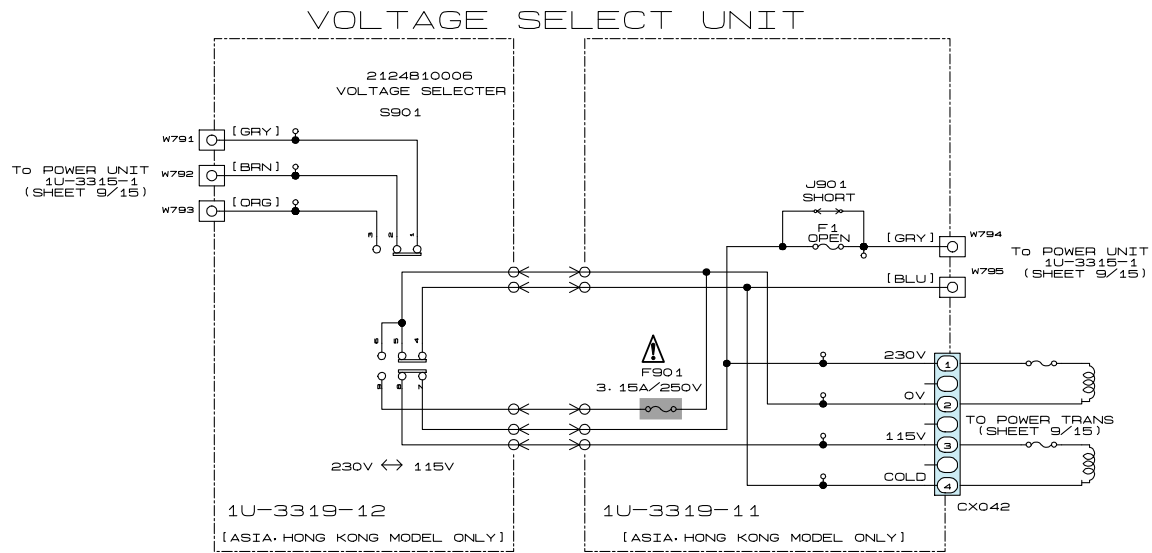


NOTICE

ALL RESISTANCE VALUES IN OHM. k=1,000 OHM M=1,000,000 OHM
 ALL CAPACITANCE VALUES IN MICRO FARAD. P=MICRO-MICRO FARAD
 EACH VOLTAGE AND CURRENT ARE MEASURED AT NO SIGNAL INPUT CONDITION.
 CIRCUIT AND PARTS ARE SUBJECT TO CHANGE WITHOUT PRIOR NOTICE.

WARNING
 Parts marked
 Use ONLY re
CAUTION:
 Before returni
 leakage curre
 current excee
 of the power c
WARNING
 DO NOT retur
 corrected.

	FB701~703	FB704~707
USA CANADA	SHORT	0
EUROPE ASIA TAIWAN R.O.C	BEADS	EMIFIL (11A121)



with this symbol have critical characteristics.
placement parts recommended by the manufacture.

ng the unit to the customer, make sure you make either (1) a
nt check or (2) a line to chassis resistance check. If the leakage
ds 0.5 milliamps, or if the resistance from chassis to either side
ard is less than 460 kohms, the unit is defective.

rn the unit to the customer until the problem is located and

- SCHEMATIC DIAGRAMS (10/15)**
 1U-3319-1 REGULATOR UNIT
 1U-3319-4,5 DIGITAL INPUT UNIT
 1U-3319-11/1U3319-12 VOLTAGE SELECT UNIT
 1U-3319-8 PT902 UNIT
 1U-3319-9 PT903 UNIT

E

F

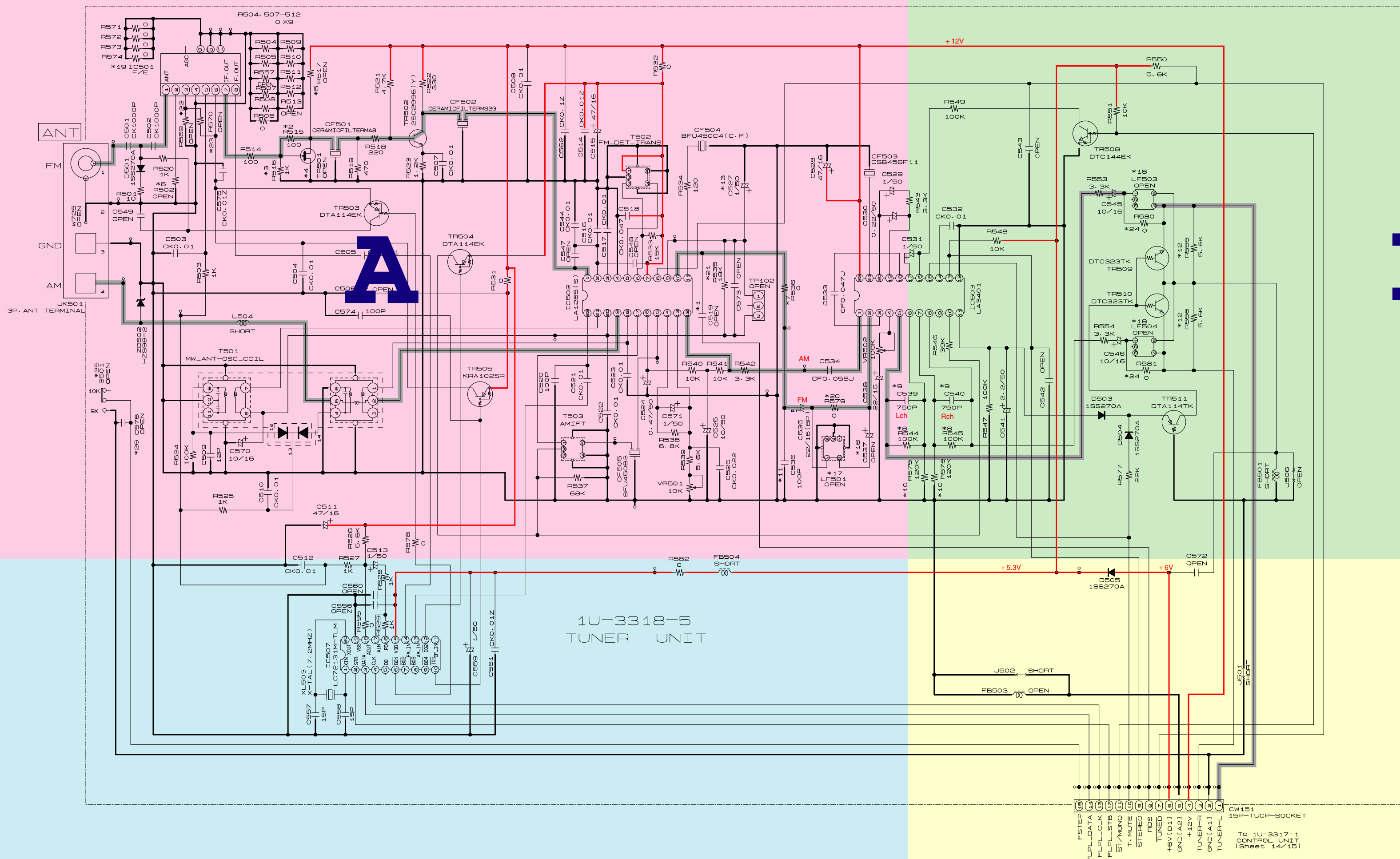
G

H

SCHMATIC DIAGRAMS (11/15)

1 2 3 4 5 6 7 8 9 10 11

A
B
C
D
E
F
G
H



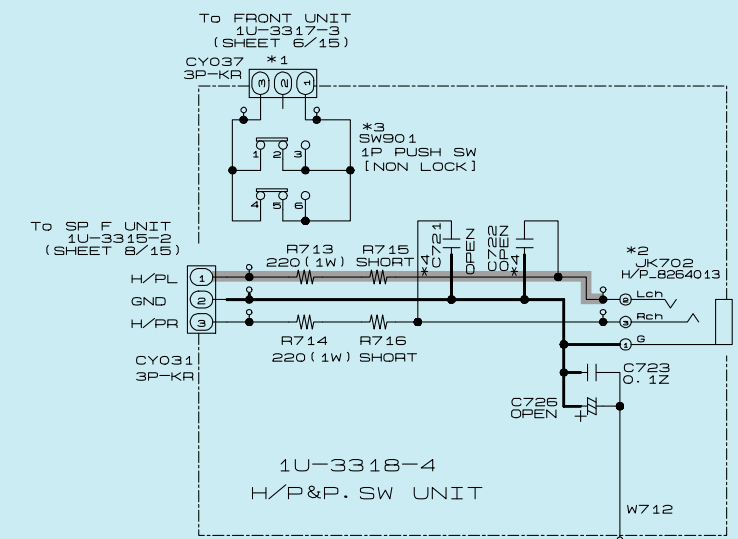
B

TUNER UNIT

* NO	* USA CANADA	ASIA HONG KONG	CHINA TAIWAN R. O. C	EUROPE
1	C519	---	---	CK100p
2	R515	100	---	---
3	R516	1K	---	330
4	TR501	---	---	2SK211 (GR)
5	R517	---	---	330
6	R502	---	---	0
7	R536	0	---	2.7K
8	R544, 545	100K	---	150K
9	C539, 540	750p	510p	330P
10	R575, 576	120K	---	200K
11	C536	100p	---	---
12	R555, 556	5.6K	---	3.3K
13	C527	1/50	0.33/50	0.33/50
14	CF502	SFE 10.7MS2G	---	FMCFSK107 M2-A
15	CF501	SFE 10.7MAB	---	FMCFSK107 M2-A
16	C537	---	---	22/16
17	LF501	---	---	ANTI-BLIP FILTER
18	LF503, 504	---	---	LFP 2320085004
19	IC501	F/E 215010200B	---	F/E 2159013004
20	R579	0	---	---
21	R535	18K	39K	39K
22	R569	---	---	5.6K
23	R570	---	---	10K
24	R580, 581	0	---	---
25	S501	---	SW	---
26	C576	---	CK1000P	---
27				
28				
29				
30				
31				
32				
33				
34				
35				

H/P & P. SW UNIT

* NO	* USA CANADA	ASIA HONG KONG	CHINA TAIWAN R. O. C	EUROPE
1	CY037	3P-KR	---	---
2	JK702	H/P JACK (NI)	---	H/P JACK (GOLD)
3	SW901	H/P PUSH SW	---	---
4	C721, 722	---	---	CG1000P
5				



C

+ B LINE
SIGNAL

D

WARNING:
Parts marked with this symbol Δ have critical characteristics. Use ONLY replacement parts recommended by the manufacture.

CAUTION:
Before returning the unit to the customer, make sure you make either (1) a leakage current check or (2) a line to chassis resistance check. If the leakage current exceeds 0.5 milliamps, or if the resistance from chassis to either side of the power card is less than 460 kohms, the unit is defective.

WARNING:
DO NOT return the unit to the customer until the problem is located and corrected.

NOTICE
ALL RESISTANCE VALUES IN OHM. k=1,000 OHM M=1,000,000 OHM
ALL CAPACITANCE VALUES IN MICRO FARAD. P=MICRO-MICRO FARAD
EACH VOLTAGE AND CURRENT ARE MEASURED AT NO SIGNAL INPUT CONDITION.
CIRCUIT AND PARTS ARE SUBJECT TO CHANGE WITHOUT PRIOR NOTICE.

SCHMATIC DIAGRAMS (11/15)
1U-3318-5 TUNER UNIT
1U-3318-4 H/P & P. SW UNIT

SCHEMATIC DIAGRAMS (11/15)

1

2

3

4

5

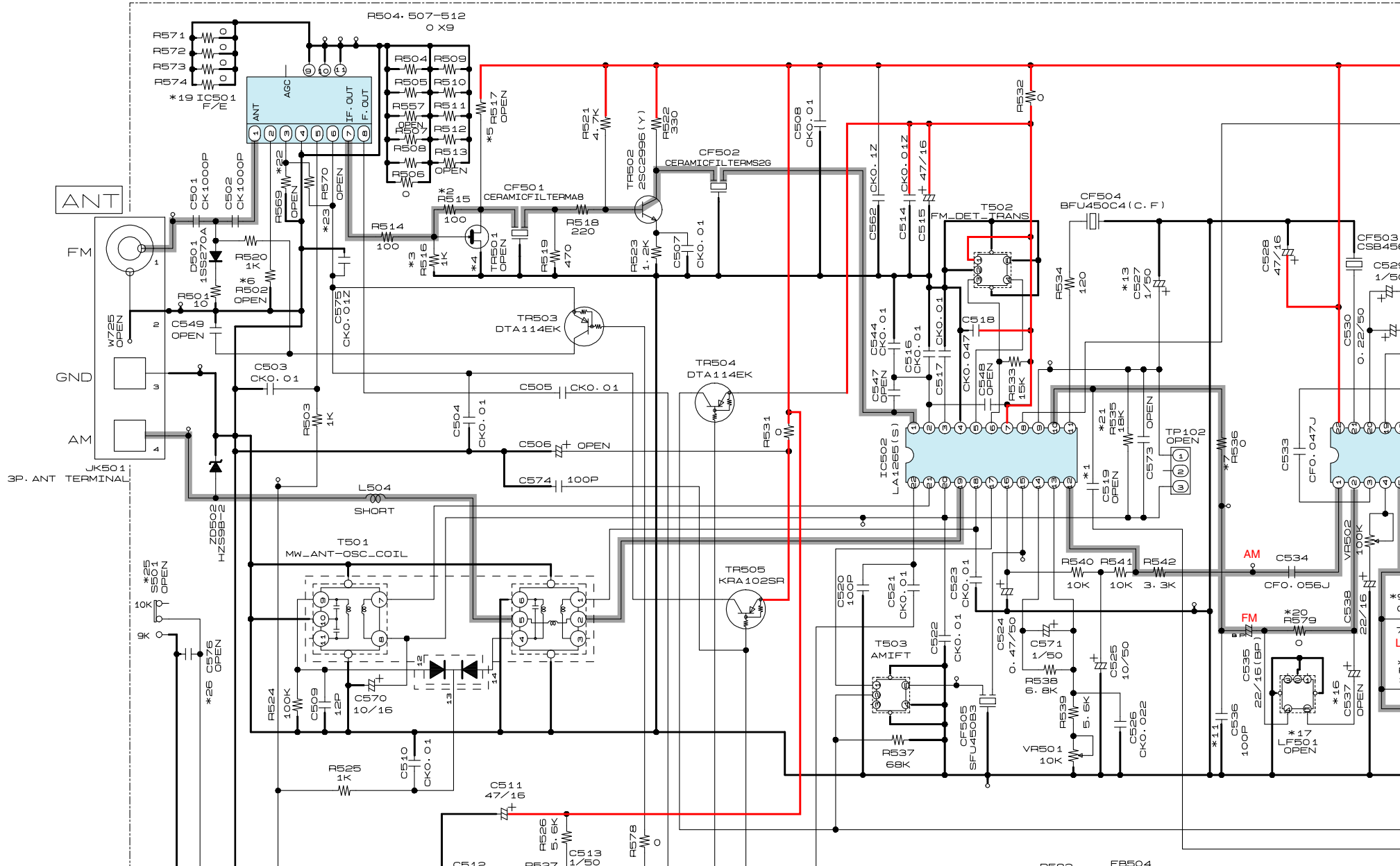
6

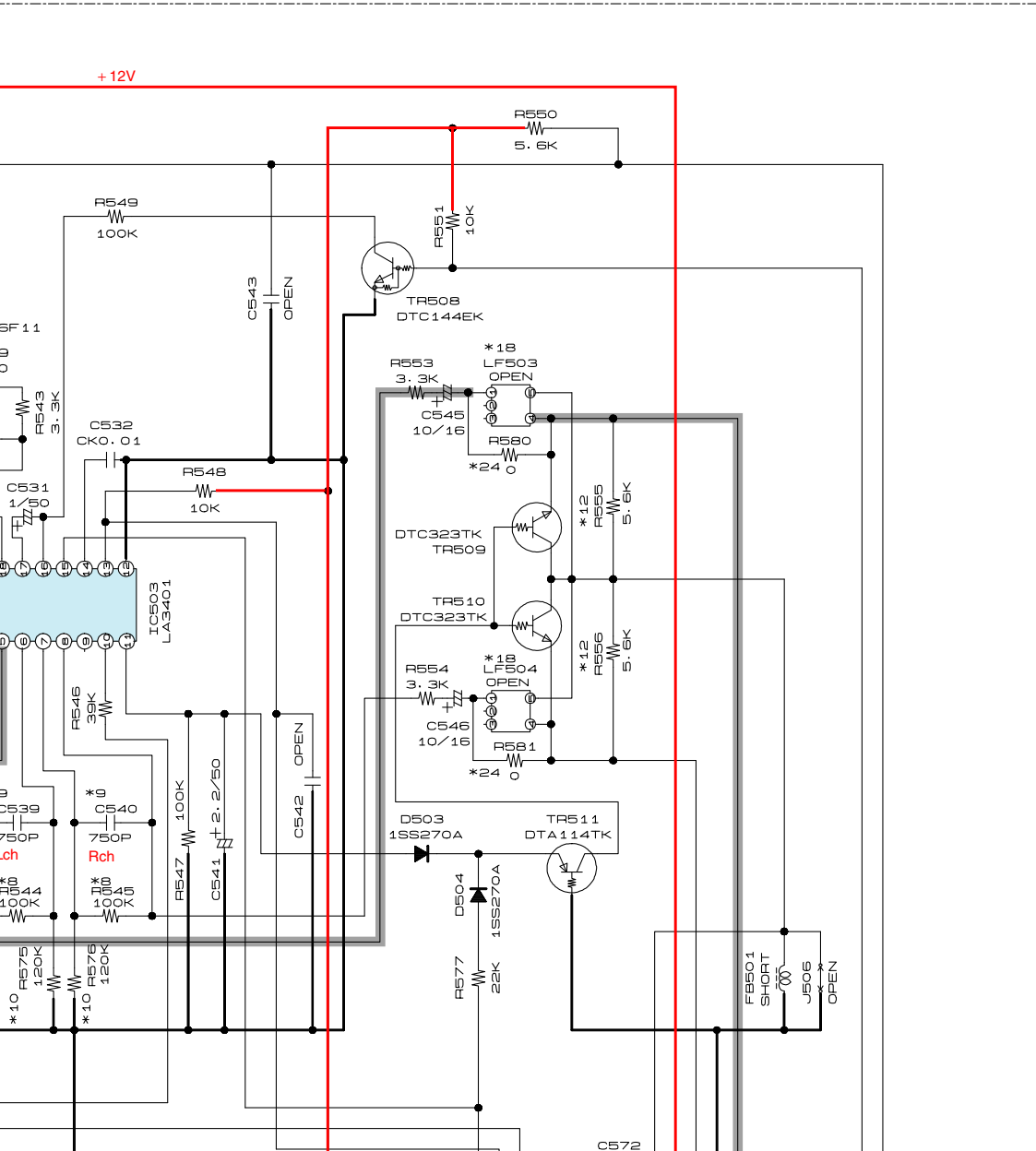
A

B

C

D





TUNER UNIT

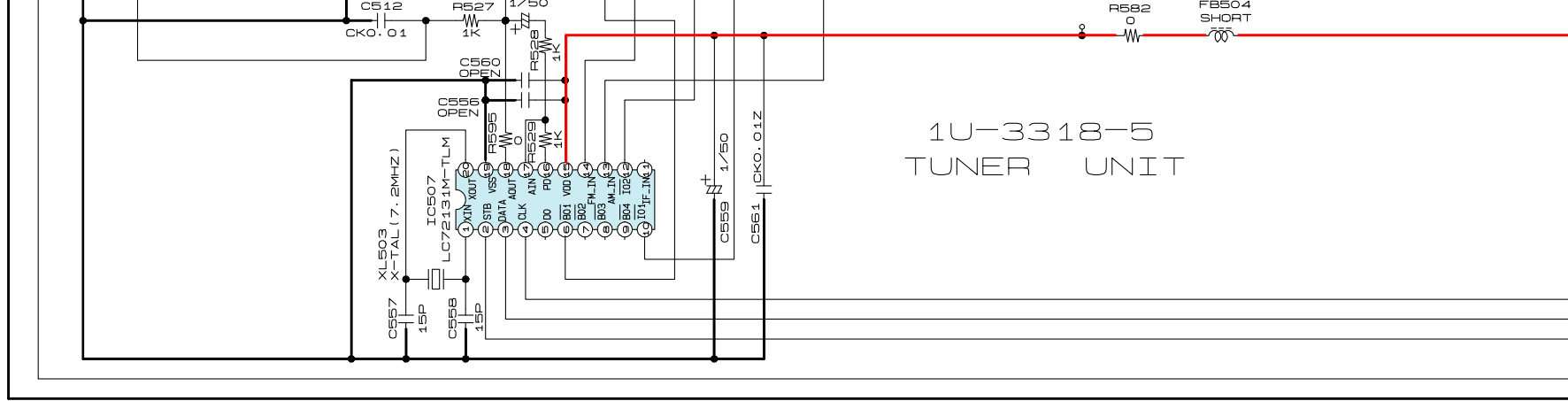
* NO	* USA CANADA	ASIA HONG KONG	CHINA TAIWAN R. O. C	EUROPE
1	C519	---	---	CK100p
2	R515	---	100	---
3	R516	---	1K	330
4	TR501	---	---	2SK211 (GR)
5	R517	---	---	330
6	R502	---	---	0
7	R536	---	0	2.7K
8	R544, 545	---	100K	150k
9	C539, 540	750p	510p	330P
10	R575, 576	---	120K	200k
11	C536	---	100p	---
12	R555, 556	---	5.6k	3.3K
13	C527	1/50	0.33/50	0.33/50
14	CF502	SFE 10.7MS2G	---	FMCFSK107 M2-A
15	CF501	SFE 10.7MA8	---	FMCFSK107 M2-A
16	C537	---	---	22/16
17	LF501	---	---	ANTI BIRDIE FILTER
18	LF503, 504	---	---	LPF 2320085004
19	IC501	F/E 2160102008	---	F/E 2169013004
20	R579	---	0	---
21	R535	18K	39K	39K
22	R569	---	---	5.6K
23	R570	---	---	10K
24	R580, 581	---	0	---
25	S501	---	SW	---
26	C576	---	CK1000P	---
27				

E

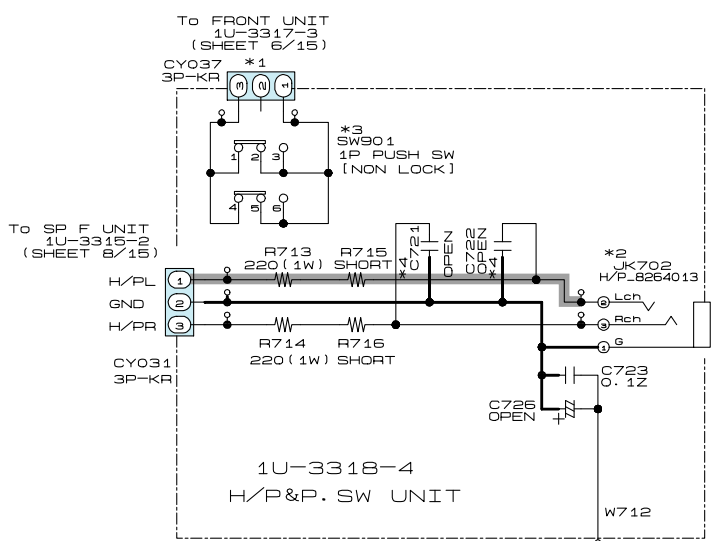
F

G

H



1U-3318-5
TUNER UNIT



NOTICE

ALL RESISTANCE VALUES IN OHM. k=1,000 OHM M=1,000,000 OHM
 ALL CAPACITANCE VALUES IN MICRO FARAD. P=MICRO-MICRO FARAD
 EACH VOLTAGE AND CURRENT ARE MEASURED AT NO SIGNAL INPUT
 CONDITION.
 CIRCUIT AND PARTS ARE SUBJECT TO CHANGE WITHOUT PRIOR
 NOTICE.

WARNING:

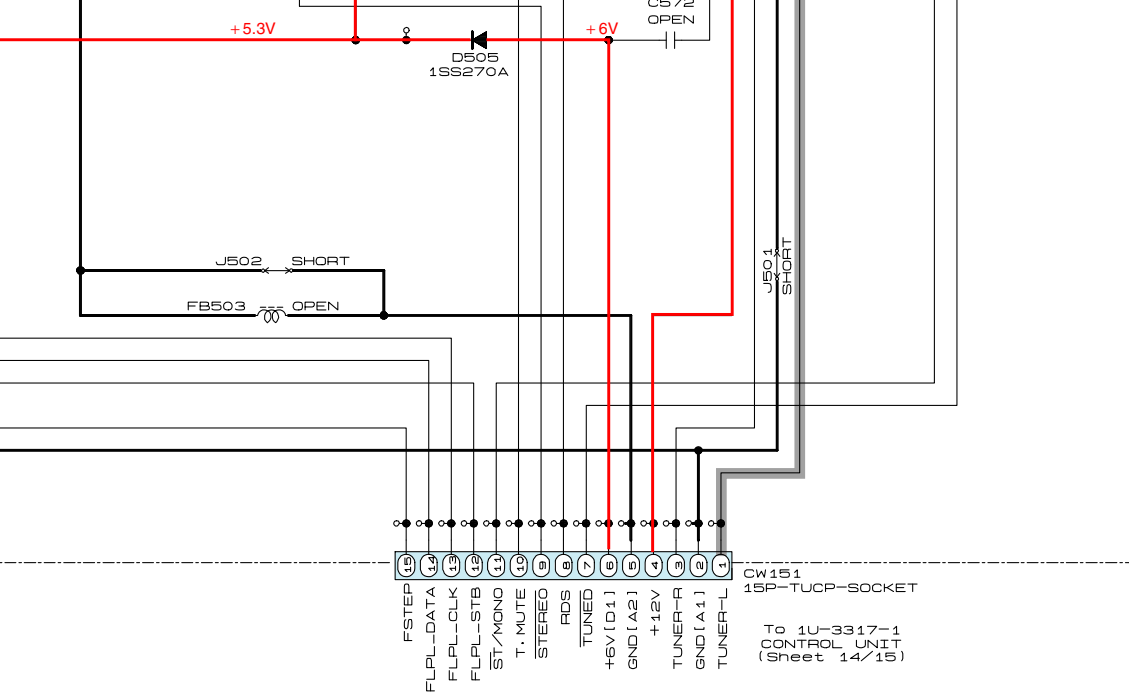
Parts marked with this symbol
 Use ONLY replacement parts

CAUTION:

Before returning the unit to service
 leakage current check of the power card is less than 0.5 milliamperes

WARNING:

DO NOT return the unit to service until the fault is corrected.



— + B LINE
— SIGNAL

27			
28			
29			
30			
31			
32			
33			
34			
35			

H/P&P. SW UNIT

*	NO	* USA CANADA	ASIA HONG KONG	CHINA TAIWAN R. O. C	EUROPE
1	CY037	3P-KR		---	
2	JK702	H/P JACK (NI)		H/P JACK (GOLD)	
3	SW901	1P PUSH SW		---	
4	C721.722		---		CQ1000P
5					

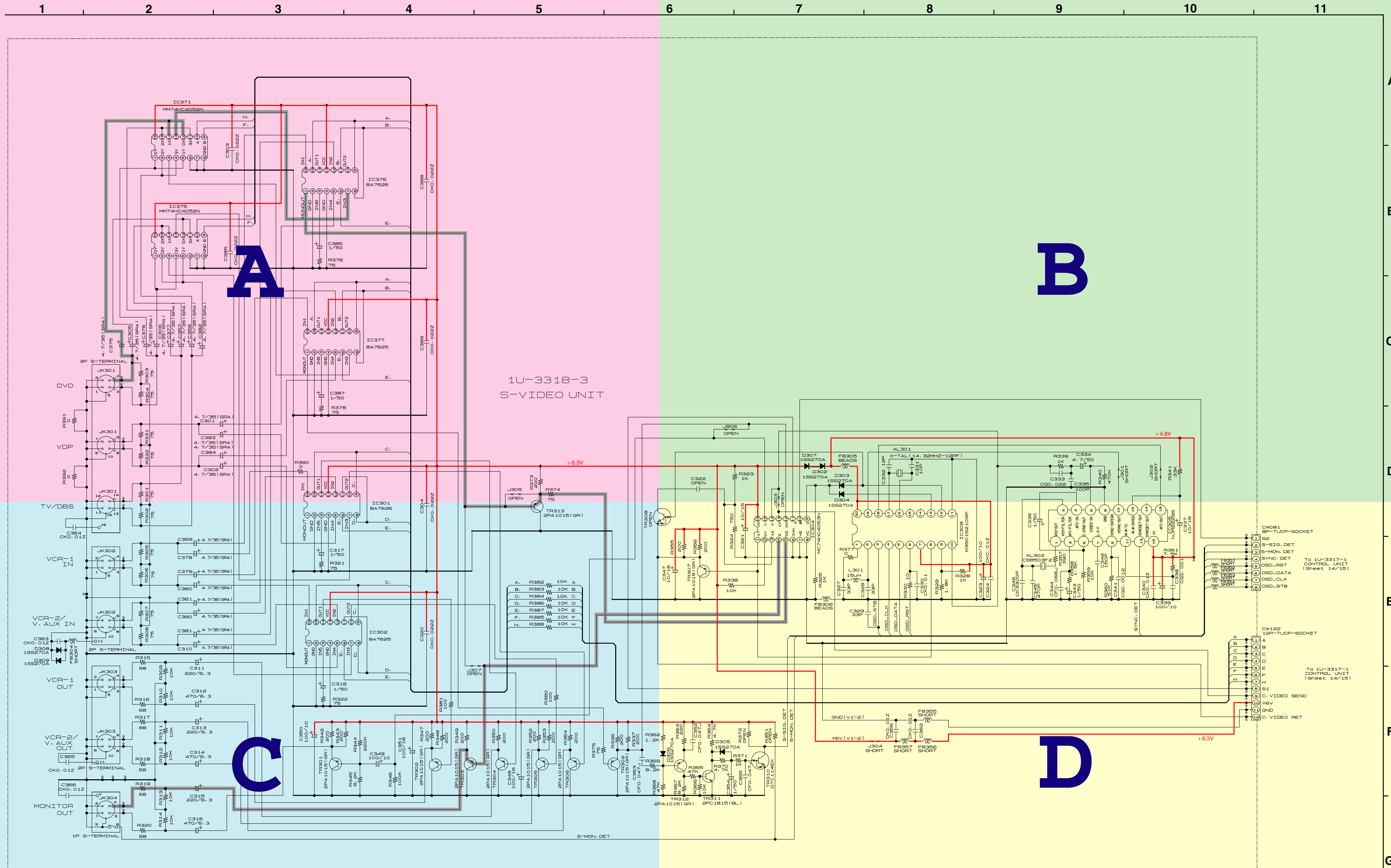
symbol have critical characteristics.
 parts recommended by the manufacture.

to the customer, make sure you make either (1) a
 or (2) a line to chassis resistance check. If the leakage
 amps, or if the resistance from chassis to either side
 s than 460 kohms, the unit is defective.

to the customer until the problem is located and

SCHEMATIC DIAGRAMS (11/15)
 1U-3318-5 TUNER UNIT
 1U-3318-4 H/P & P. SW UNIT

SCHMATIC DIAGRAMS (12/15)



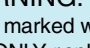
A

B

C

D



1U-3318-3
S-VIDEO UNIT

WARNING:
Parts marked with this symbol  have critical characteristics. Use ONLY replacement parts recommended by the manufacturer.

CAUTION:
Before returning the unit to the customer, make sure you make either (1) a leakage current check or (2) a line to chassis resistance check. If the leakage current exceeds 0.5 millamps, or if the resistance from chassis to either side of the power card is less than 460 kohms, the unit is defective.

WARNING:
DO NOT return the unit to the customer until the problem is located and corrected.

NOTICE
ALL RESISTANCE VALUES IN OHM. k=1,000 OHM M=1,000,000 OHM
ALL CAPACITANCE VALUES IN MICRO FARAD. P=MICRO-MICRO FARAD
EACH VOLTAGE AND CURRENT ARE MEASURED AT NO SIGNAL INPUT CONDITION.
CIRCUIT AND PARTS ARE SUBJECT TO CHANGE WITHOUT PRIOR NOTICE.

 + B LINE
 SIGNAL

SCHEMATIC DIAGRAMS (12/15)

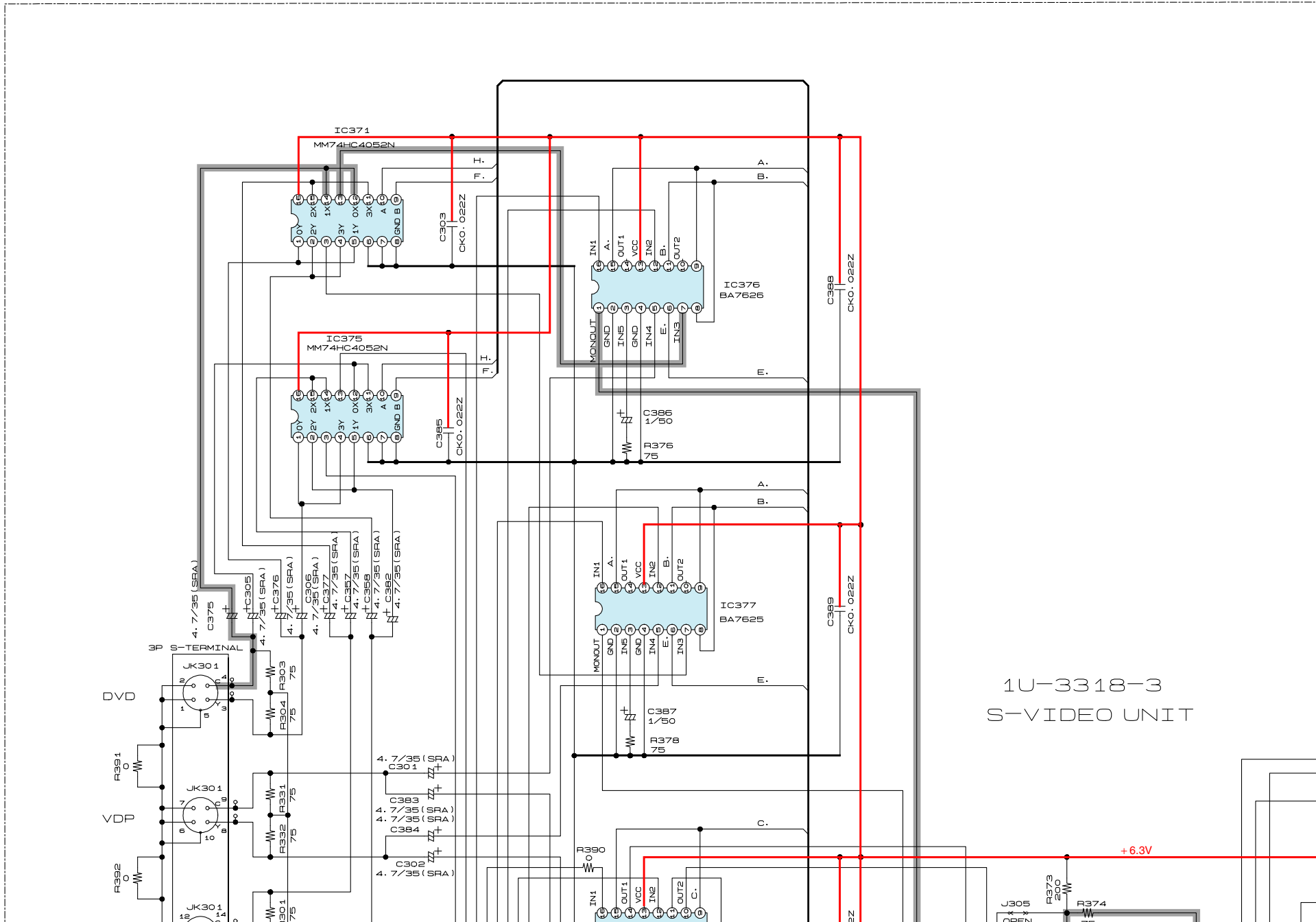
1

2

3

4

5



6

7

8

9

10

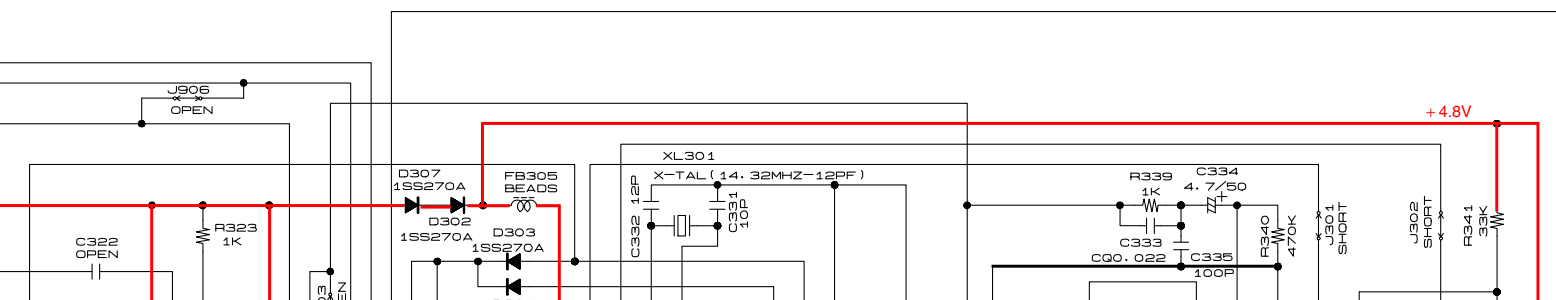
11

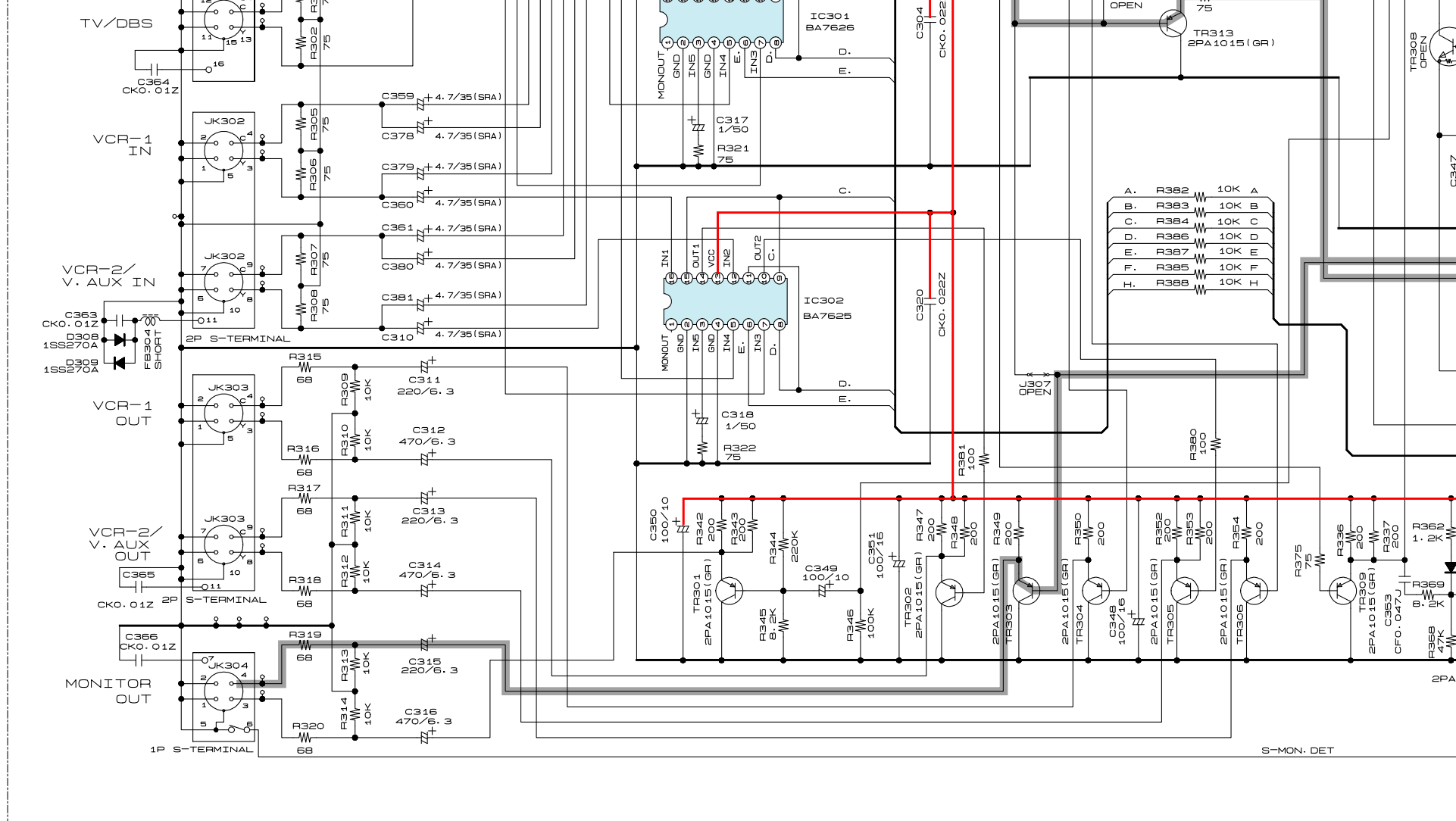
A

B

C

D





NOTICE

ALL RESISTANCE VALUES IN OHM. k=1,000 OHM M=1,000,000 OHM
 ALL CAPACITANCE VALUES IN MICRO FARAD. P=MICRO-MICRO FARAD
 EACH VOLTAGE AND CURRENT ARE MEASURED AT NO SIGNAL INPUT
 CONDITION.
 CIRCUIT AND PARTS ARE SUBJECT TO CHANGE WITHOUT PRIOR
 NOTICE.

WARNING:

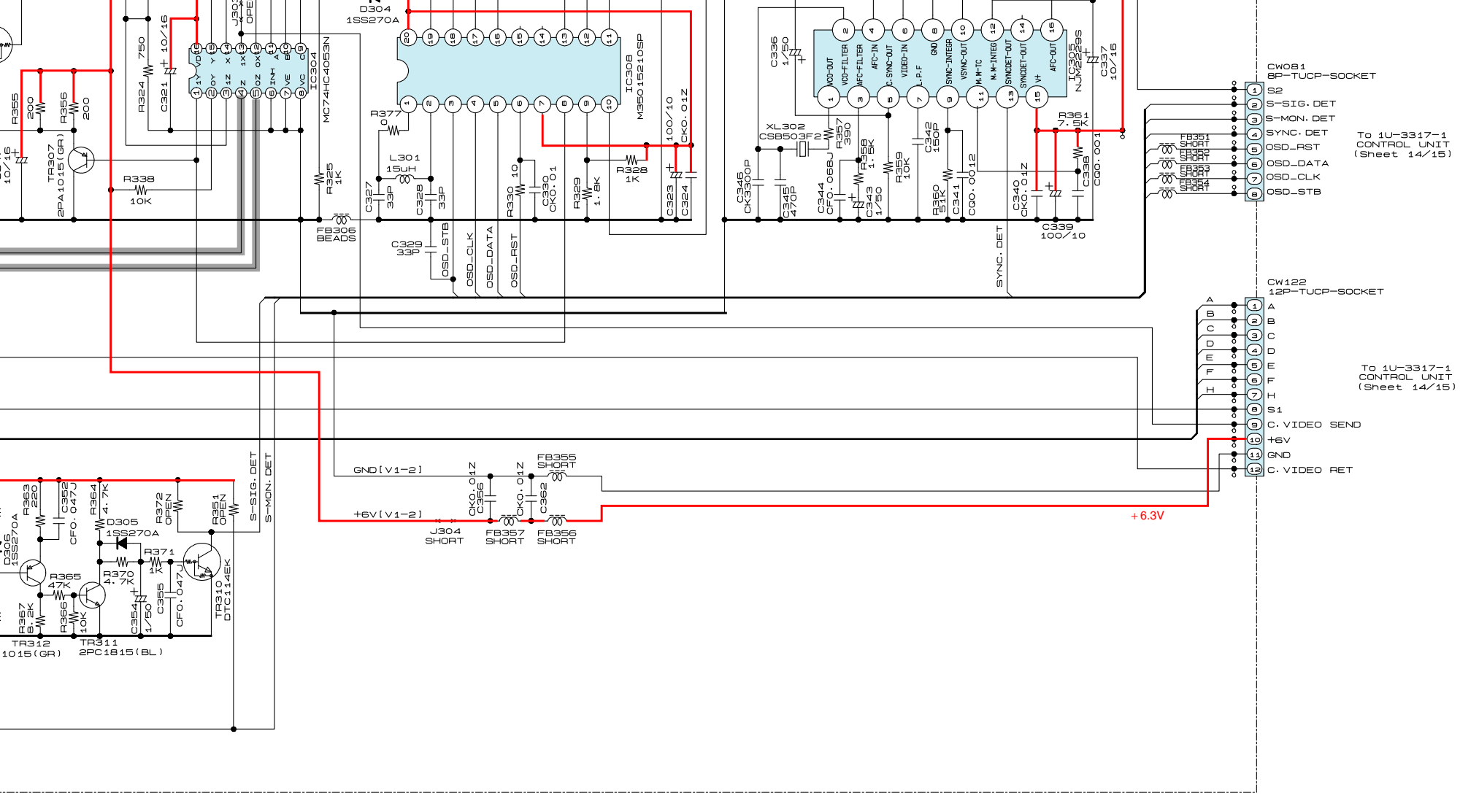
Parts marked with this symbol  have critical characteristics.
 Use ONLY replacement parts recommended by the manufacture.

CAUTION:

Before returning the unit to the customer, make sure you make either (1) a leakage current check or (2) a line to chassis resistance check. If the leakage current exceeds 0.5 milliamps, or if the resistance from chassis to either side of the power card is less than 460 kohms, the unit is defective.

WARNING:

DO NOT return the unit to the customer until the problem is located and corrected.



SCHEMATIC DIAGRAMS (12/15)
 1U-3318-3 S-VIDEO UNIT

E
F
G
H

SCHEMATIC DIAGRAMS (13/15)

1 2 3 4 5 6 7 8 9 10 11

A

B

C

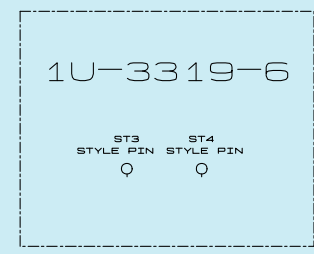
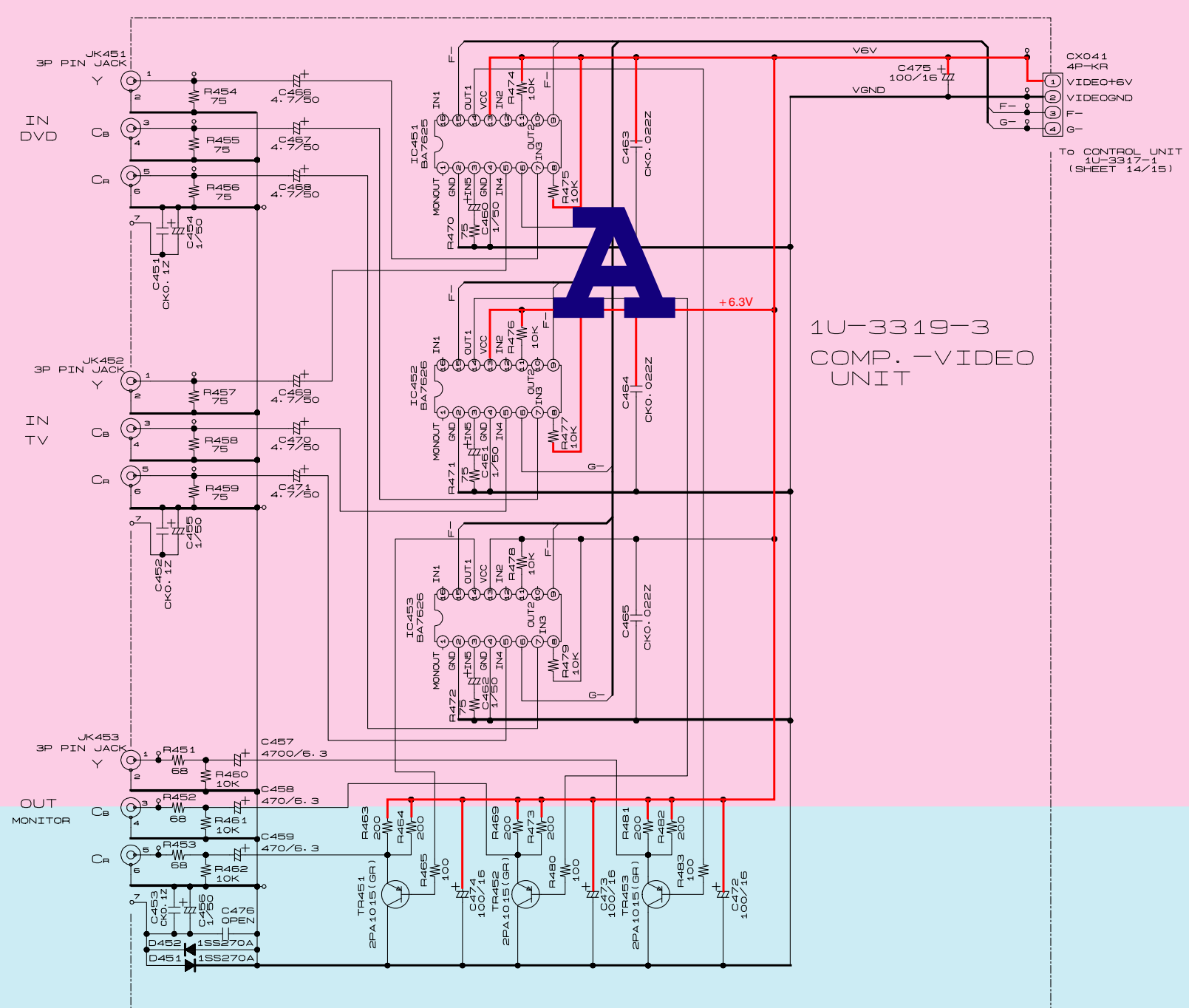
D

E

F

G

H



C

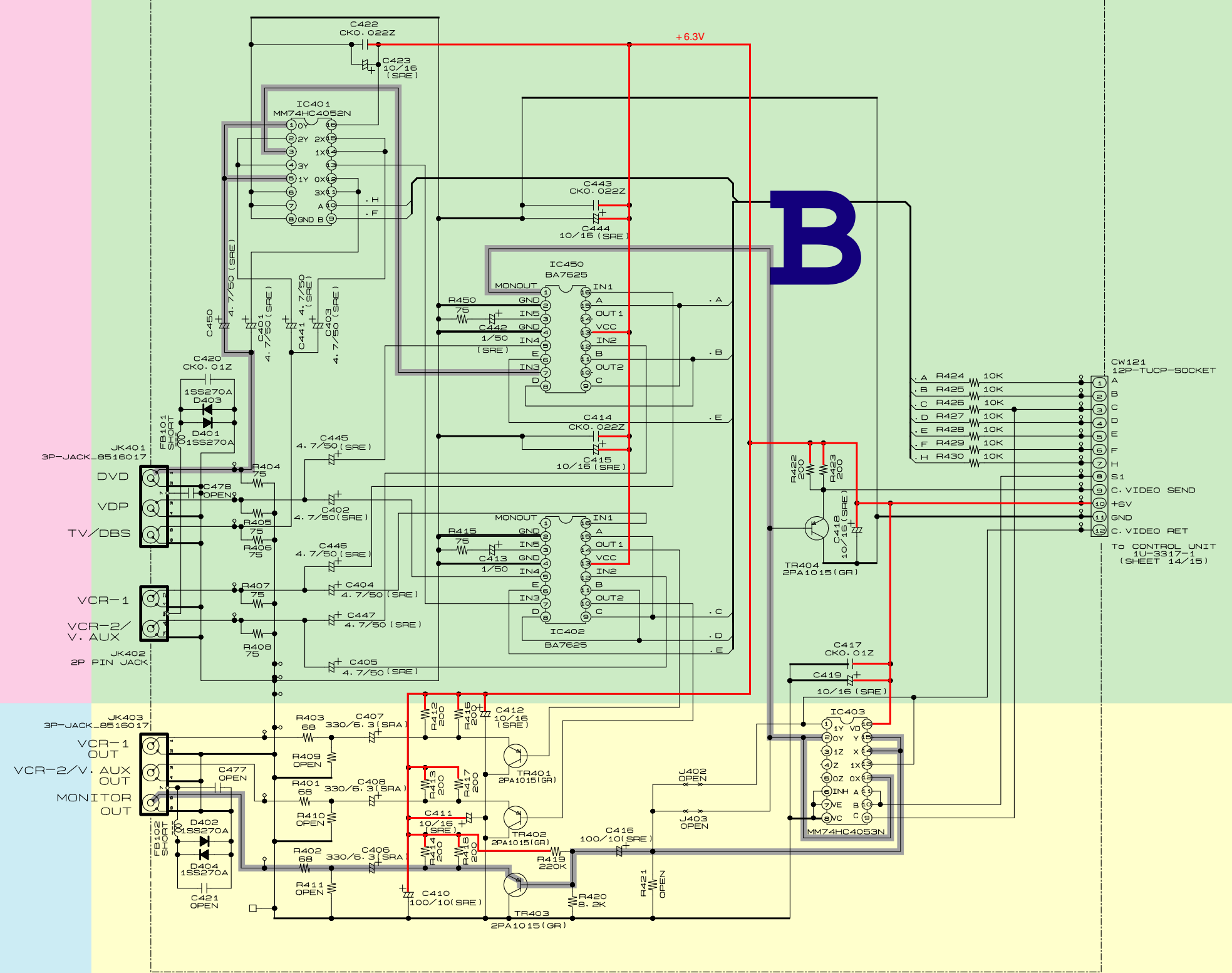
NOTICE
 ALL RESISTANCE VALUES IN OHM. k=1,000 OHM M=1,000,000 OHM
 ALL CAPACITANCE VALUES IN MICRO FARAD. P=MICRO-MICRO FARAD
 EACH VOLTAGE AND CURRENT ARE MEASURED AT NO SIGNAL INPUT
 CONDITION.
 CIRCUIT AND PARTS ARE SUBJECT TO CHANGE WITHOUT PRIOR
 NOTICE.

WARNING:
 Parts marked with this symbol have critical characteristics.
 Use ONLY replacement parts recommended by the manufacture.

CAUTION:
 Before returning the unit to the customer, make sure you make either (1) a leakage current check or (2) a line to chassis resistance check. If the leakage current exceeds 0.5 milliamps, or if the resistance from chassis to either side of the power card is less than 460 kohms, the unit is defective.

WARNING:
 DO NOT return the unit to the customer until the problem is located and corrected.

**1U-3319-2
 C. VIDEO UNIT**



D

— + B LINE
 — SIGNAL

SCHEMATIC DIAGRAMS (13/15)
 1U-3319-2 C. VIDEO UNIT
 1U-3319-3 COMP. -VIDEO UNIT

SCHEMATIC DIAGRAMS (13/15)

1

2

3

4

5

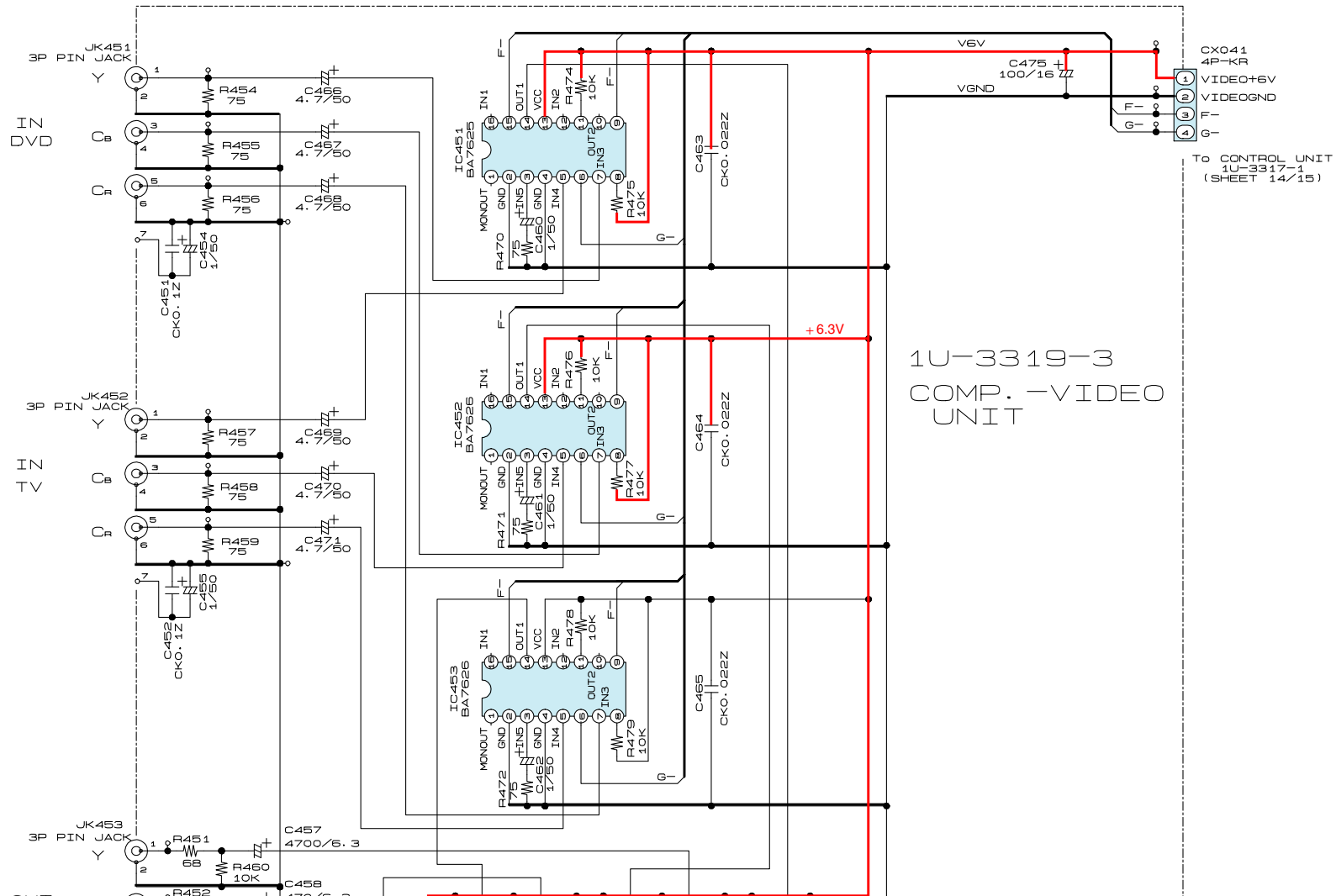
6

A

B

C

D



1U-3319-3
COMP. -VIDEO
UNIT

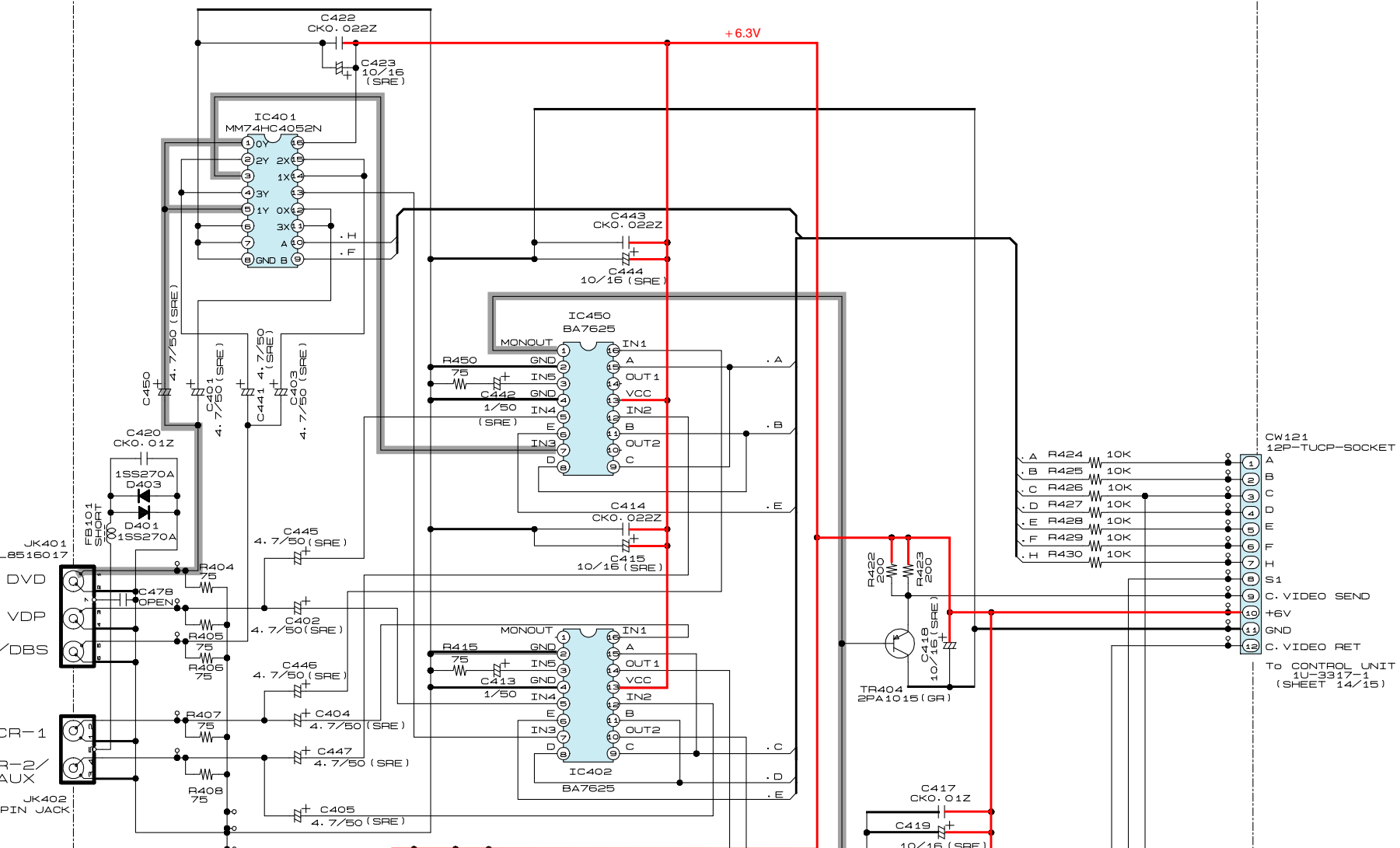
3P-JACK

T

V

2

1U-3319-2 C. VIDEO UNIT



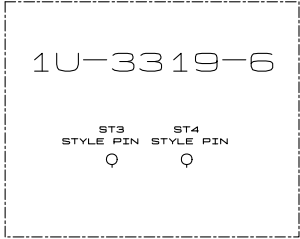
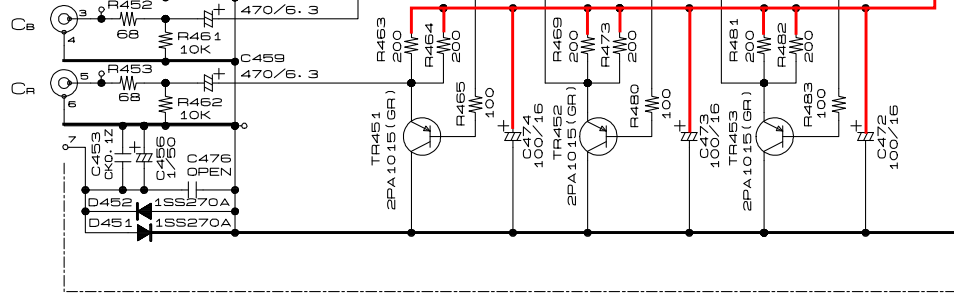
CW121
12P-TUCP-SOCKET

A	R424	10K
B	R425	10K
C	R426	10K
D	R427	10K
E	R428	10K
F	R429	10K
H	R430	10K

S1
C. VIDEO SEND
+6V
GND
C. VIDEO RET

TO CONTROL UNIT
1U-3317-1
(SHEET 14/15)

OUT
MONITOR



NOTICE

ALL RESISTANCE VALUES IN OHM. k=1,000 OHM M=1,000,000 OHM
 ALL CAPACITANCE VALUES IN MICRO FARAD. P=MICRO-MICRO FARAD
 EACH VOLTAGE AND CURRENT ARE MEASURED AT NO SIGNAL INPUT
 CONDITION.
 CIRCUIT AND PARTS ARE SUBJECT TO CHANGE WITHOUT PRIOR
 NOTICE.

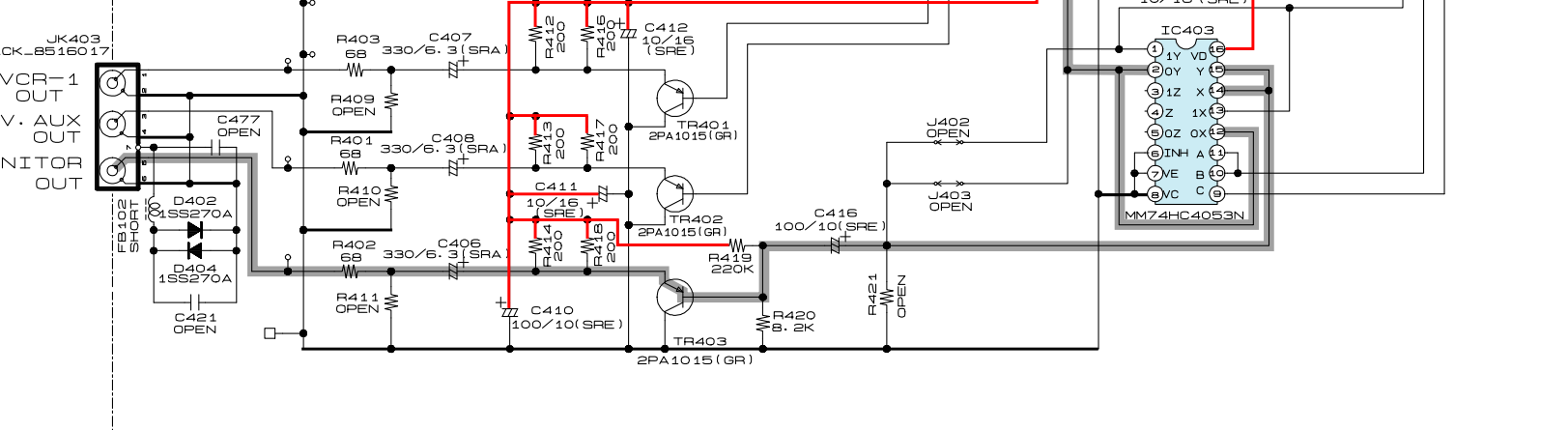
WARNING:
 Parts marked with
 Use ONLY replace
CAUTION:
 Before returning the
 leakage current ch
 current exceeds 0.
 of the power card i
WARNING:
 DO NOT return the
 corrected.

E



F

G

H



— + B LINE
— SIGNAL

this symbol   have critical characteristics.
 ment parts recommended by the manufacture.

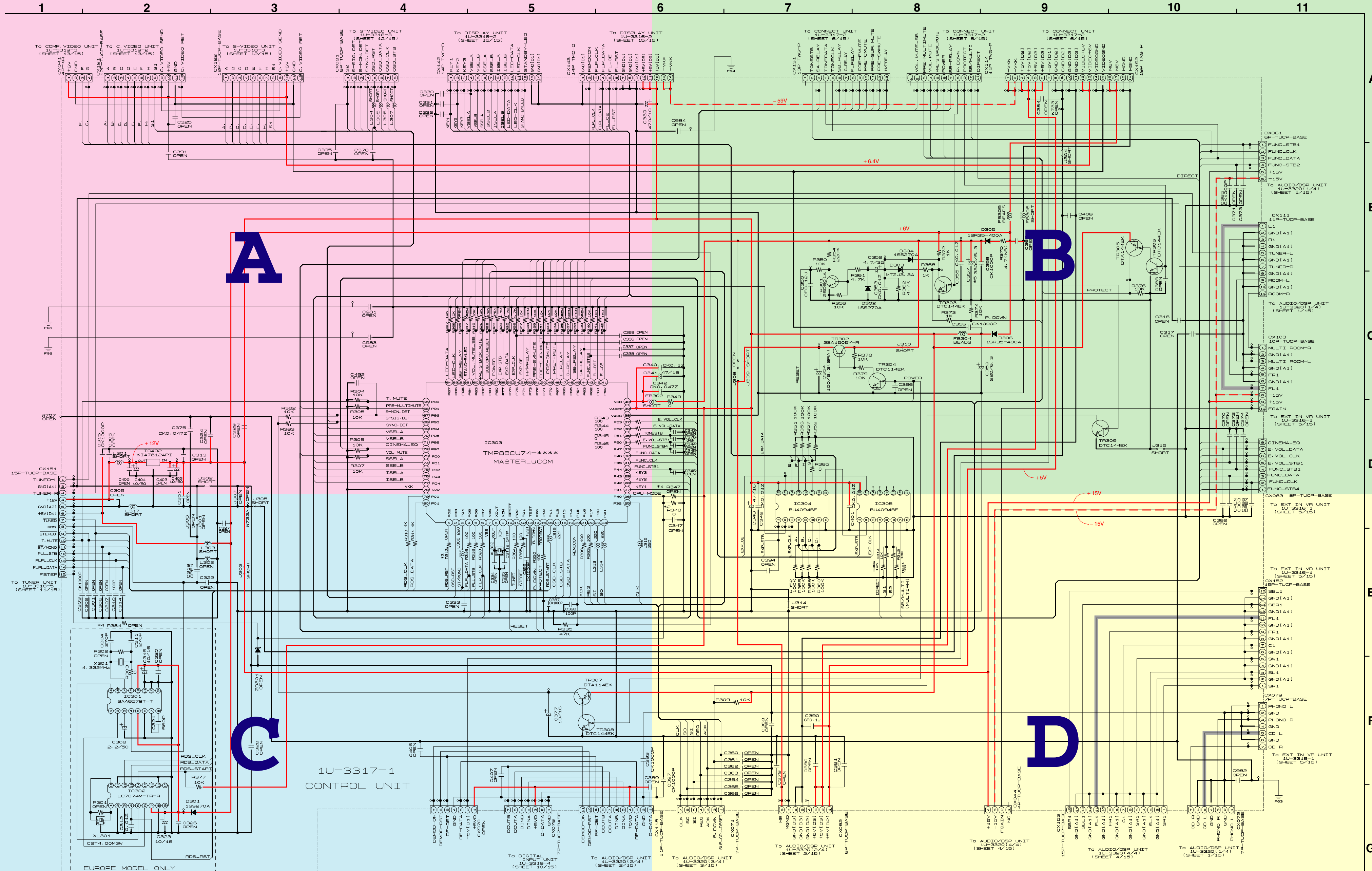
e unit to the customer, make sure you make either (1) a
 eck or (2) a line to chassis resistance check. If the leakage
 5 milliamps, or if the resistance from chassis to either side
 s less than 460 kohms, the unit is defective.

e unit to the customer until the problem is located and

SCHEMATIC DIAGRAMS (13/15)

1U-3319-2 C.VIDEO UNIT
 1U-3319-3 COMP. -VIDEO UNIT

SCHEMATIC DIAGRAMS (14/15)



1U-3317-1 CONTROL UNIT

	*1	*2	*3	*4	*5
* USA CANADA	OPEN	0	OPEN	OPEN	3300/5.3
EUROPE	0	OPEN	1K	OPEN	8200/5.5
ASIA HONG KONG	1K	5.1K	OPEN	1.3K	8200/5.5
CHINA TAIWAN P.O.C.	4.7K	4.7K	OPEN	OPEN	8200/5.5

NOTICE
 ALL RESISTANCE VALUES IN OHM. k=1,000 OHM M=1,000,000 OHM
 ALL CAPACITANCE VALUES IN MICRO FARAD. P=MICRO-MICRO FARAD
 EACH VOLTAGE AND CURRENT ARE MEASURED AT NO SIGNAL INPUT CONDITION.
 CIRCUIT AND PARTS ARE SUBJECT TO CHANGE WITHOUT PRIOR NOTICE.

WARNING:
 Parts marked with this symbol have critical characteristics. Use ONLY replacement parts recommended by the manufacturer.

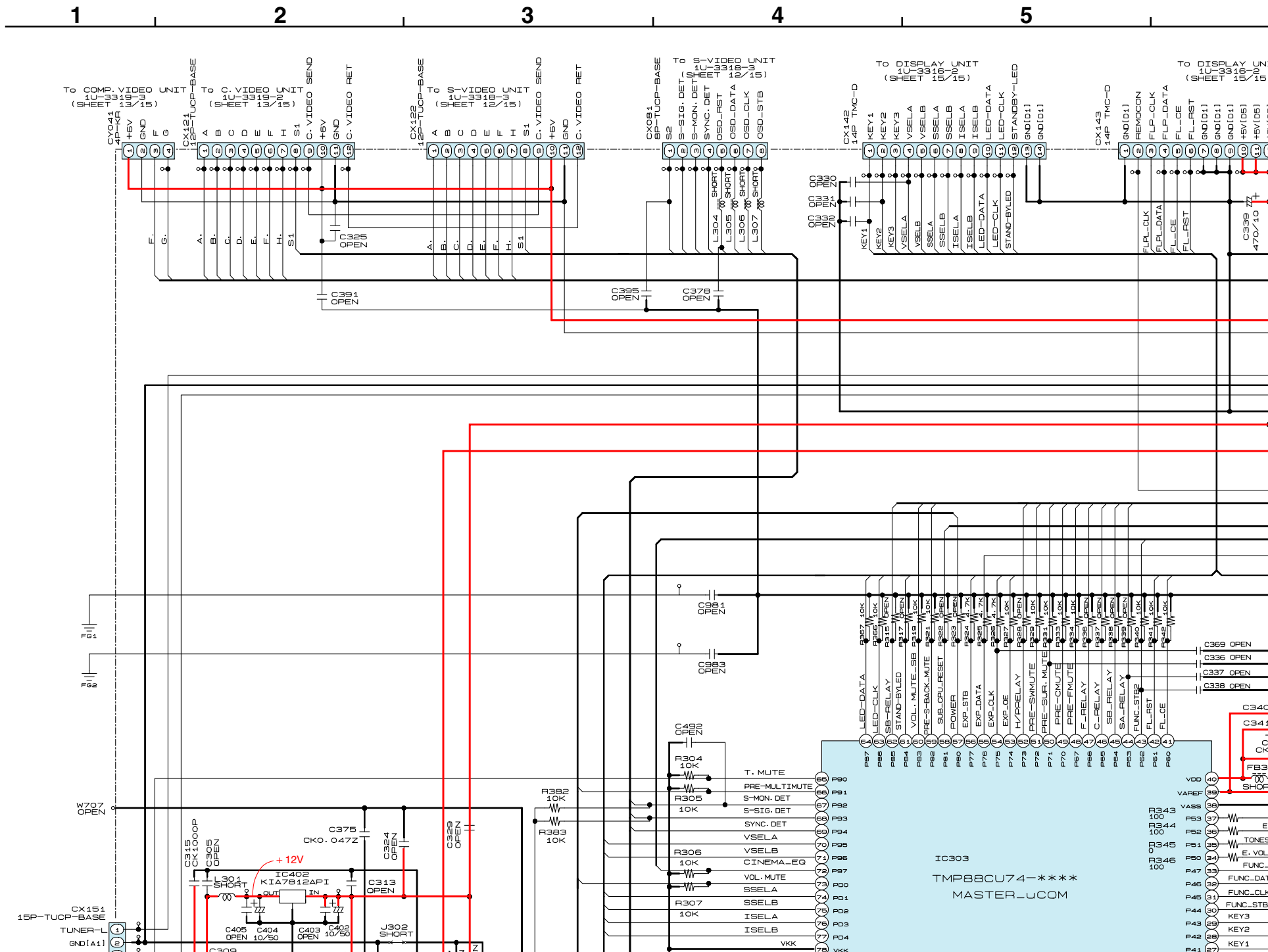
CAUTION:
 Before returning the unit to the customer, make sure you make either (1) a leakage current check or (2) a line to chassis resistance check. If the leakage current exceeds 0.5 milliamperes, or if the resistance from chassis to either side of the power card is less than 460 kohms, the unit is defective.

WARNING:
 DO NOT return the unit to the customer until the problem is located and corrected.

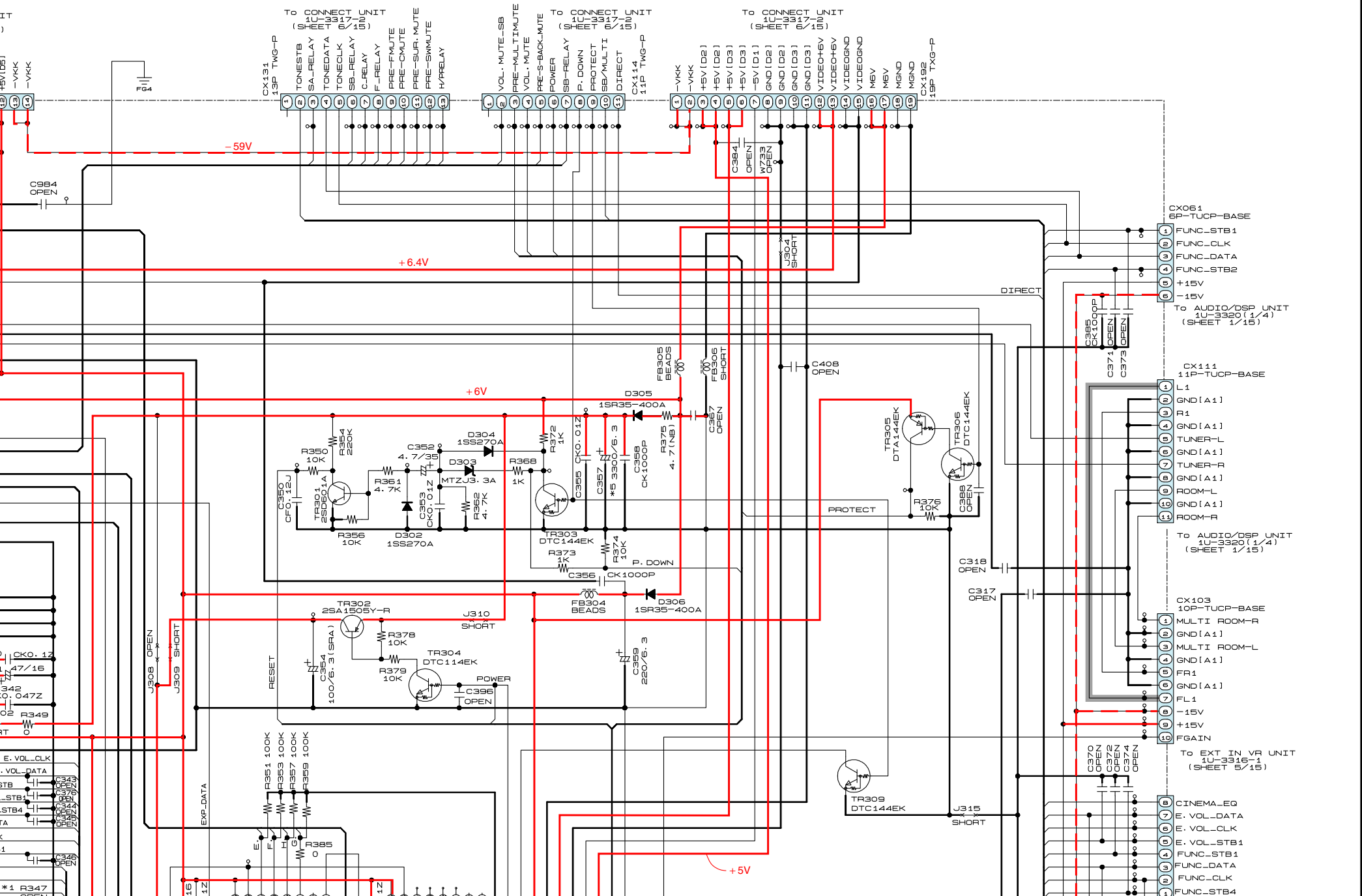
1U-3317-1 CONTROL UNIT

SCHEMATIC DIAGRAMS (14/15) 1U-3317-1 CONTROL UNIT

SCHEMATIC DIAGRAMS (14/15)



6 7 8 9 10 11



A

B

C

D

CX061
6P-TUCP-BASE

- 1 FUNC-STB1
- 2 FUNC-CLK
- 3 FUNC_DATA
- 4 FUNC-STB2
- 5 +15V
- 6 -15V

To AUDIO/DSP UNIT
1U-3320(1/4)
(SHEET 1/15)

CX111
11P-TUCP-BASE

- 1 L1
- 2 GND[A1]
- 3 R1
- 4 GND[A1]
- 5 TUNER-L
- 6 GND[A1]
- 7 TUNER-R
- 8 GND[A1]
- 9 ROOM-L
- 10 GND[A1]
- 11 ROOM-R

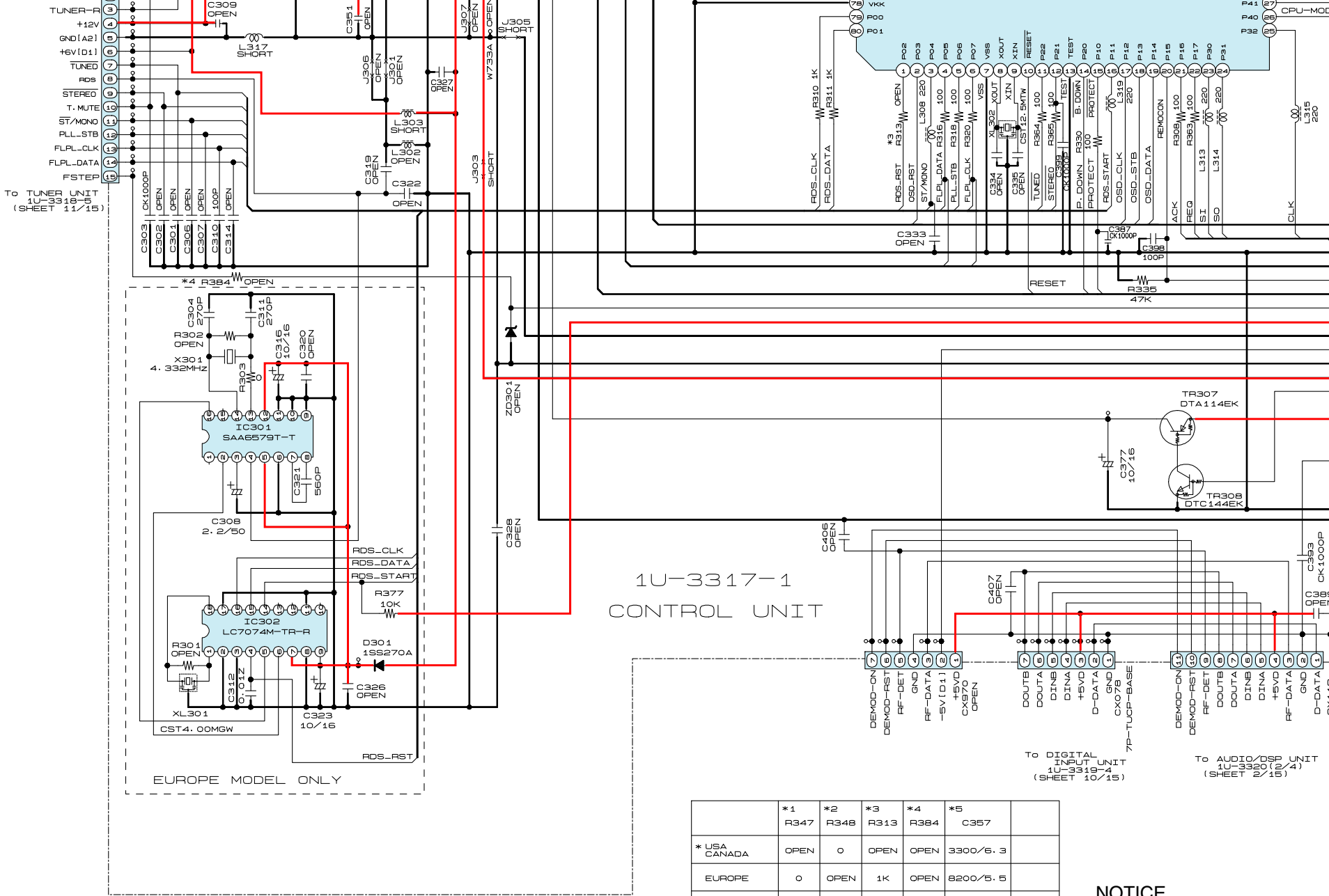
To AUDIO/DSP UNIT
1U-3320(1/4)
(SHEET 1/15)

CX103
10P-TUCP-BASE

- 1 MULTI ROOM-R
- 2 GND[A1]
- 3 MULTI ROOM-L
- 4 GND[A1]
- 5 FR1
- 6 GND[A1]
- 7 FL1
- 8 -15V
- 9 +15V
- 10 FGAIN

To EXT IN VR UNIT
1U-3316-1
(SHEET 5/15)

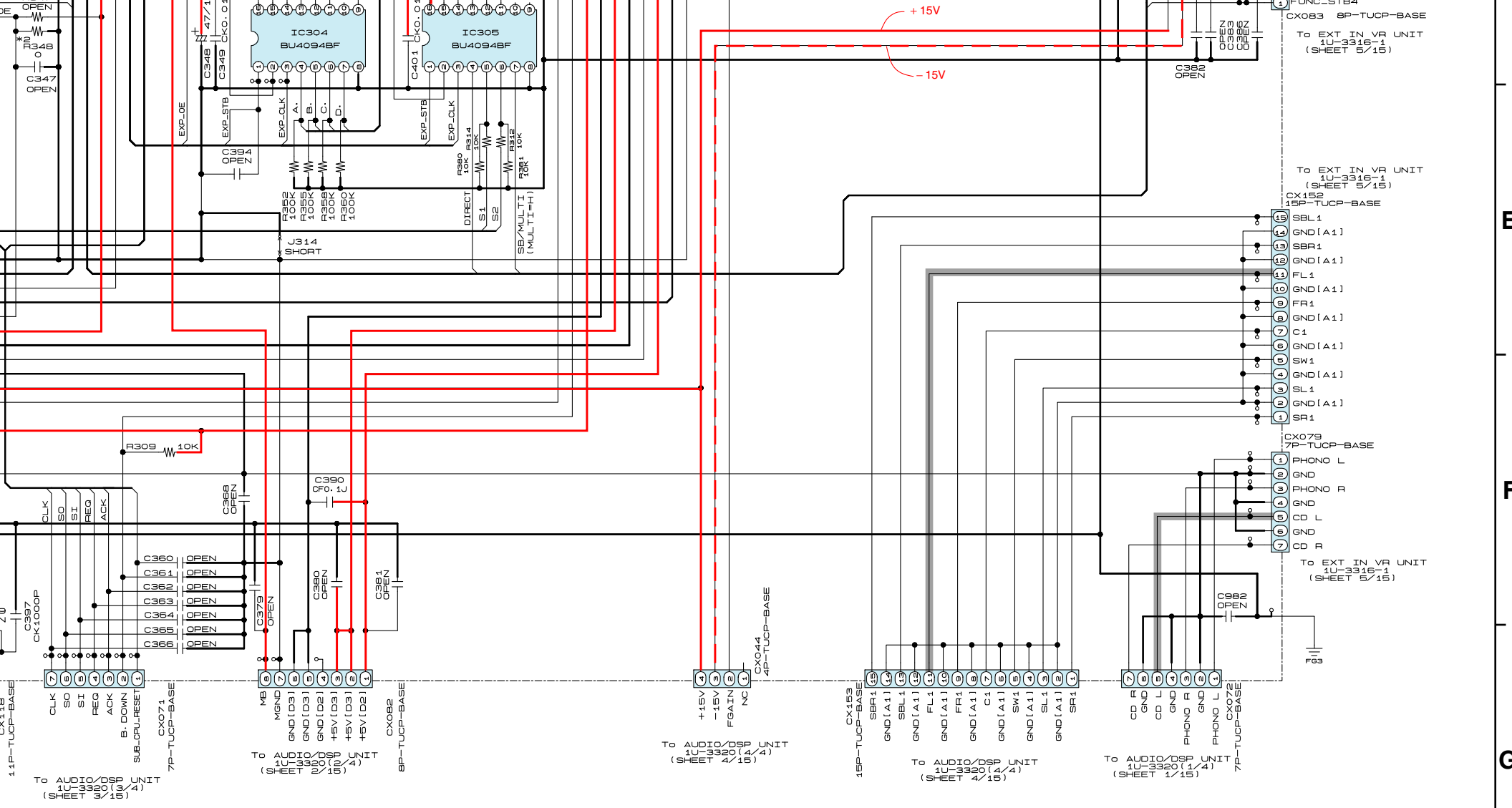
- 6 CINEMA-EQ
- 7 E. VOL_DATA
- 8 E. VOL-CLK
- 9 E. VOL-STB1
- 10 FUNC-STB1
- 11 FUNC_DATA
- 12 FUNC-CLK
- 13 FUNC-STB4



- + B LINE
- - - - B LINE
- SIGNAL

	*1	*2	*3	*4	*5
	R347	R348	R313	R384	C357
* USA CANADA	OPEN	0	OPEN	OPEN	3300/6.3
EUROPE	0	OPEN	1K	OPEN	8200/5.5
ASIA HONG KONG	1K	5.1K	OPEN	1.3K	8200/5.5
CHINA TAIWAN R.O.C	4.7K	4.7K	OPEN	OPEN	8200/5.5

NOTICE
 ALL RESISTANCE VALUES IN OHMS
 ALL CAPACITANCE VALUES IN MICROFARADS
 EACH VOLTAGE AND CURRENT VALUE IS IN RMS CONDITION.
 CIRCUIT AND PARTS ARE SUBJECT TO CHANGE WITHOUT NOTICE.



WARNING:

Parts marked with this symbol have critical characteristics. Use ONLY replacement parts recommended by the manufacture.

CAUTION:

Before returning the unit to the customer, make sure you make either (1) a leakage current check or (2) a line to chassis resistance check. If the leakage current exceeds 0.5 milliamps, or if the resistance from chassis to either side of the power card is less than 460 kohms, the unit is defective.

WARNING:

DO NOT return the unit to the customer until the problem is located and corrected.

1U-3317-1 CONTROL UNIT

SCHEMATIC DIAGRAMS (14/15) 1U-3317-1 CONTROL UNIT

M. k=1,000 OHM M=1,000,000 OHM
ICRO FARAD. P=MICRO-MICRO FARAD
ARE MEASUERD AT NO SIGNAL INPUT

ECT TO CHANGE WITHOUT PRIOR

E

F

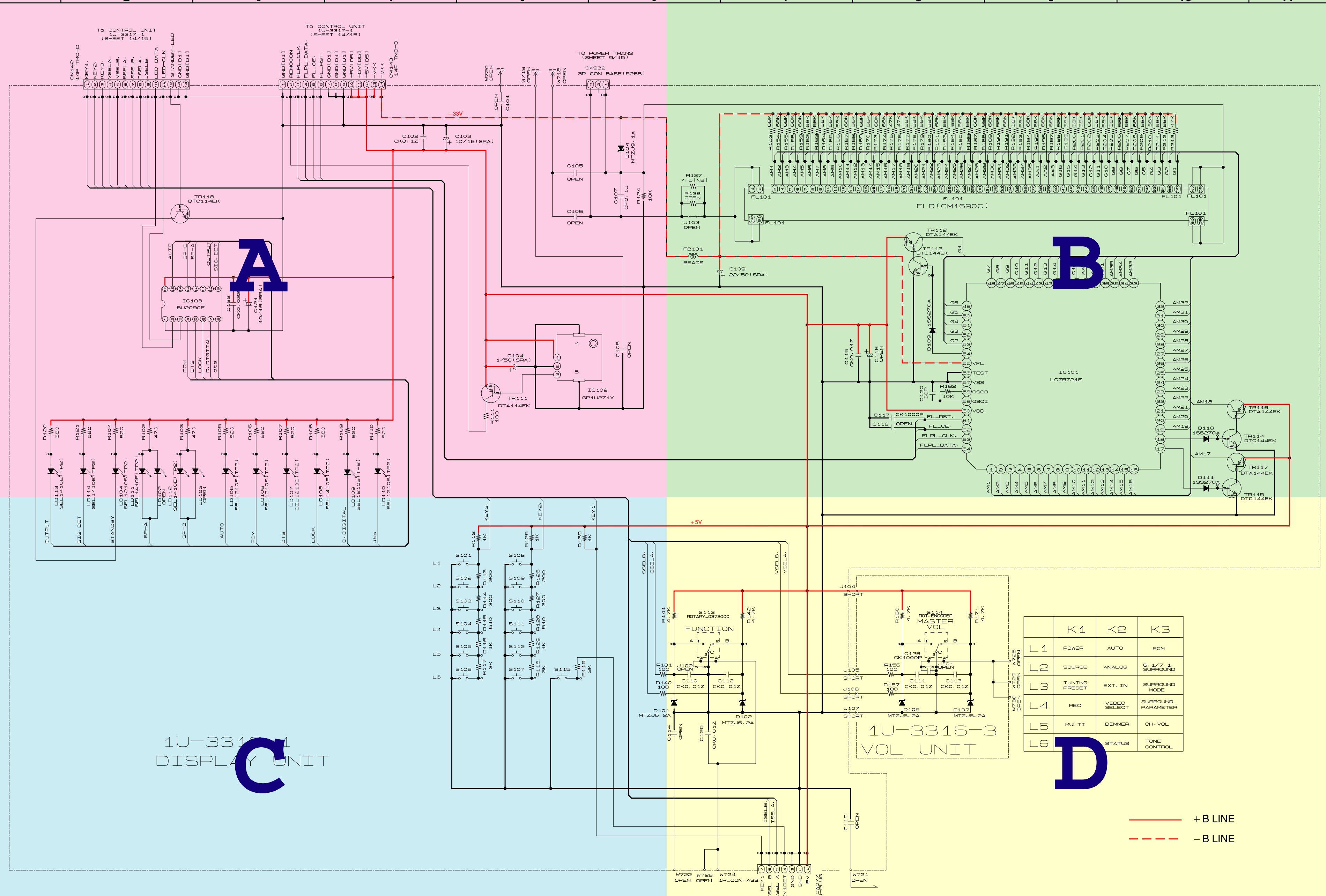
G

H

SCHEMATIC DIAGRAMS (15/15)

1 2 3 4 5 6 7 8 9 10 11

A B C D E F G H



A

B

C

D

1U-3316-1
DISPLAY UNIT

1U-3316-3
VOL UNIT

	K1	K2	K3
L1	POWER	AUTO	PCM
L2	SOURCE	ANALOG	S. 1/7.1 SURROUND
L3	TUNING PRESET	EXT. IN	SURROUND MODE
L4	REC	VIDEO SELECT	SURROUND PARAMETER
L5	MULTI	DIMMER	CH. VOL
L6	STATUS		STONE CONTROL

— + B LINE
 - - - - - - B LINE

WARNING:
 Parts marked with this symbol have critical characteristics.
 Use ONLY replacement parts recommended by the manufacturer.

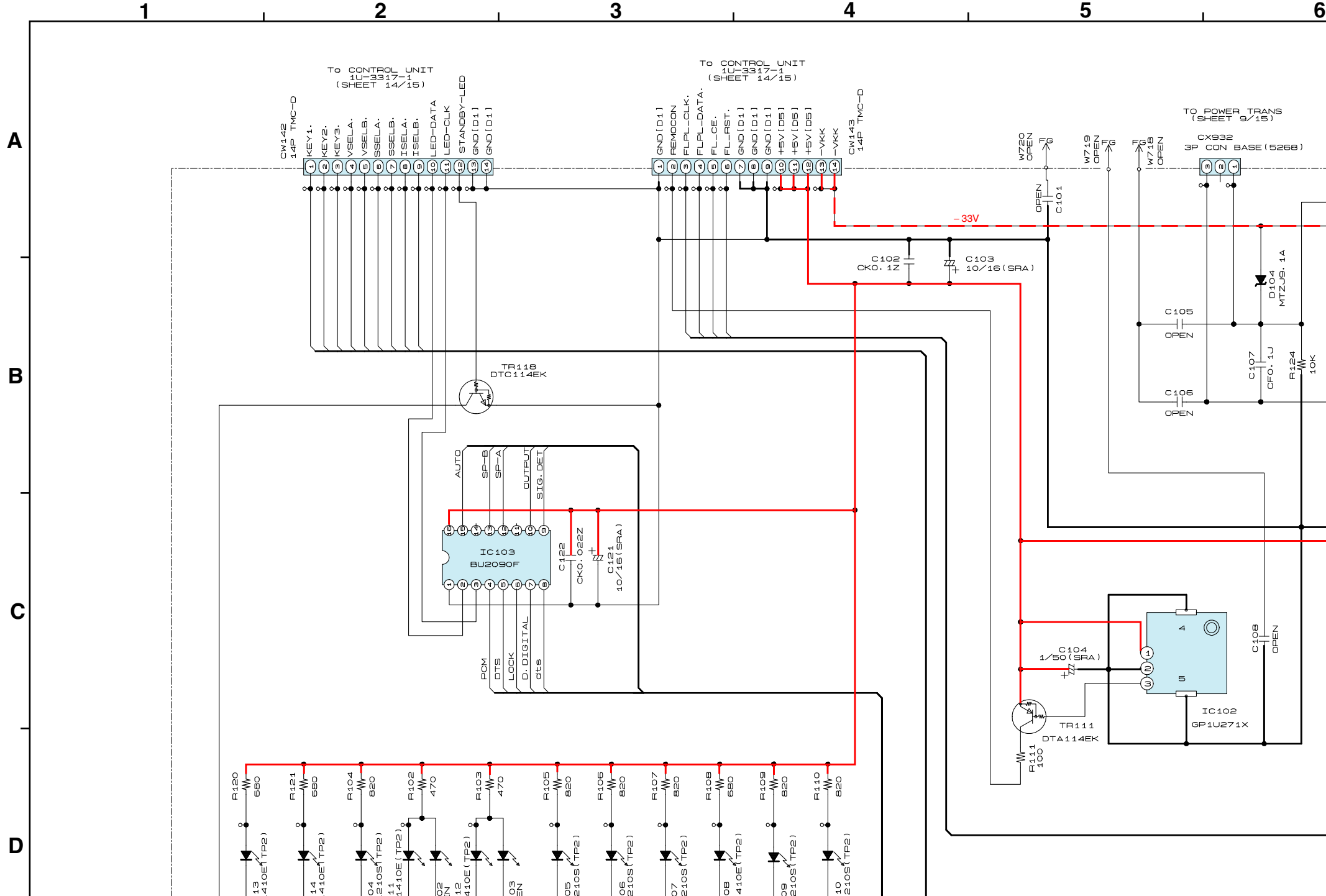
CAUTION:
 Before returning the unit to the customer, make sure you make either (1) a leakage current check or (2) a line to chassis resistance check. If the leakage current exceeds 0.5 milliamps, or if the resistance from chassis to either side of the power card is less than 460 kohms, the unit is defective.

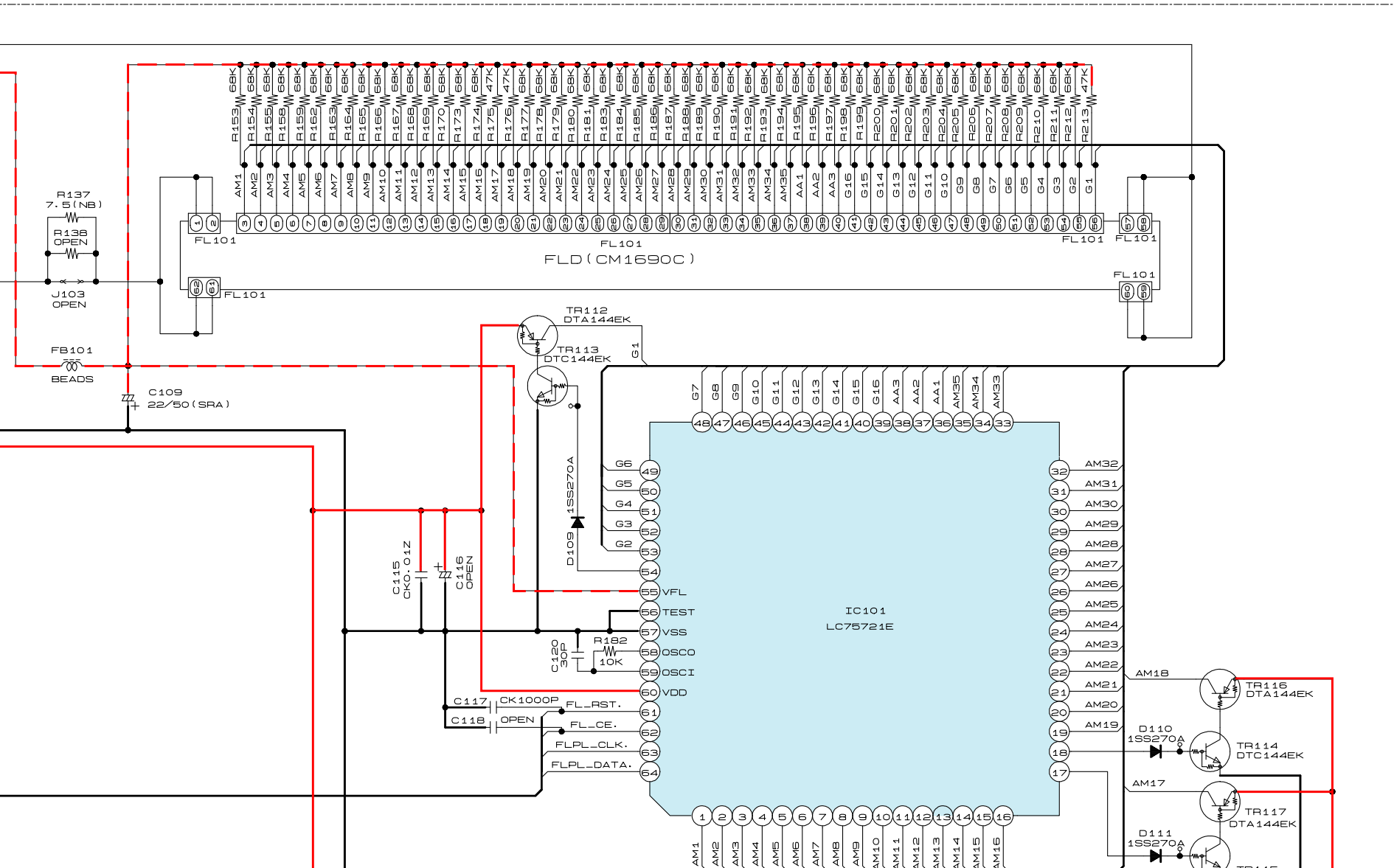
WARNING:
 DO NOT return the unit to the customer until the problem is located and corrected.

NOTICE
 ALL RESISTANCE VALUES IN OHM, k=1,000 OHM M=1,000,000 OHM
 ALL CAPACITANCE VALUES IN MICRO FARAD, P=MICRO-MICRO FARAD
 EACH VOLTAGE AND CURRENT ARE MEASURED AT NO SIGNAL INPUT CONDITION.
 CIRCUIT AND PARTS ARE SUBJECT TO CHANGE WITHOUT PRIOR NOTICE.

SCHEMATIC DIAGRAMS (15/15)
 1U-3316-2 DISPLAY UNIT
 1U-3316-3 VOL UNIT

SCHEMATIC DIAGRAMS (15/15)



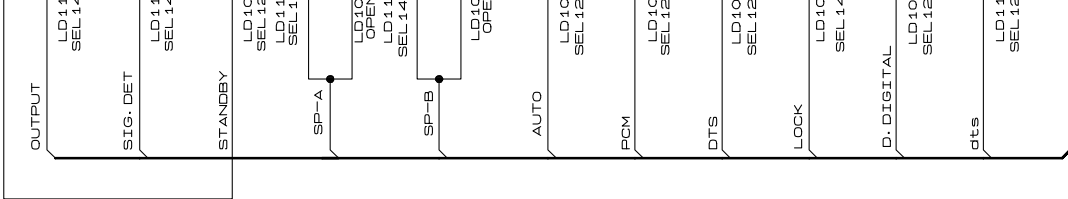


E

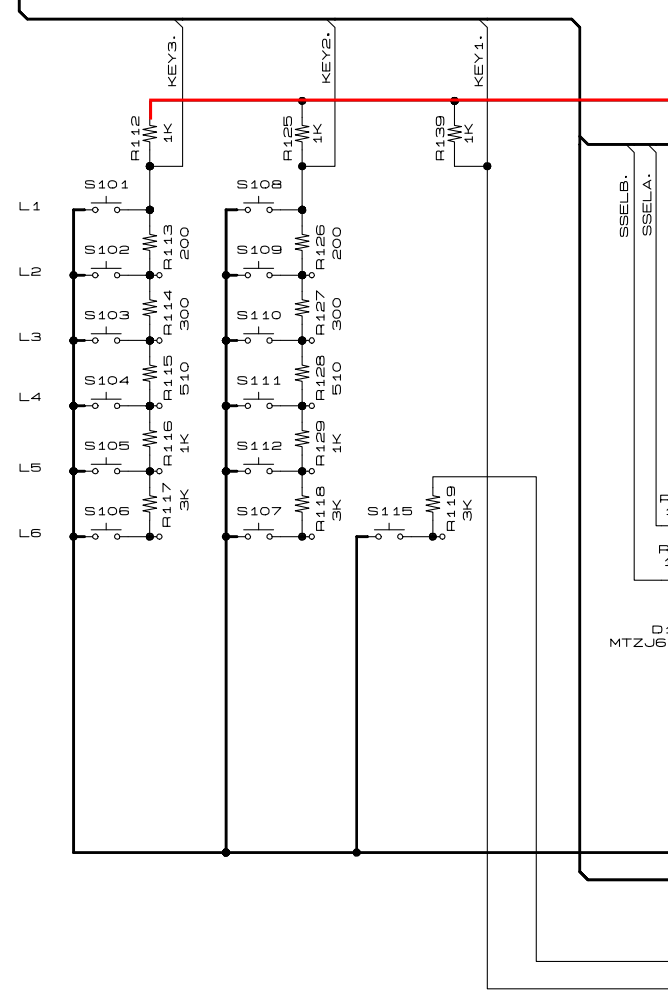
F

G


H



1U-3316-1
DISPLAY UNIT

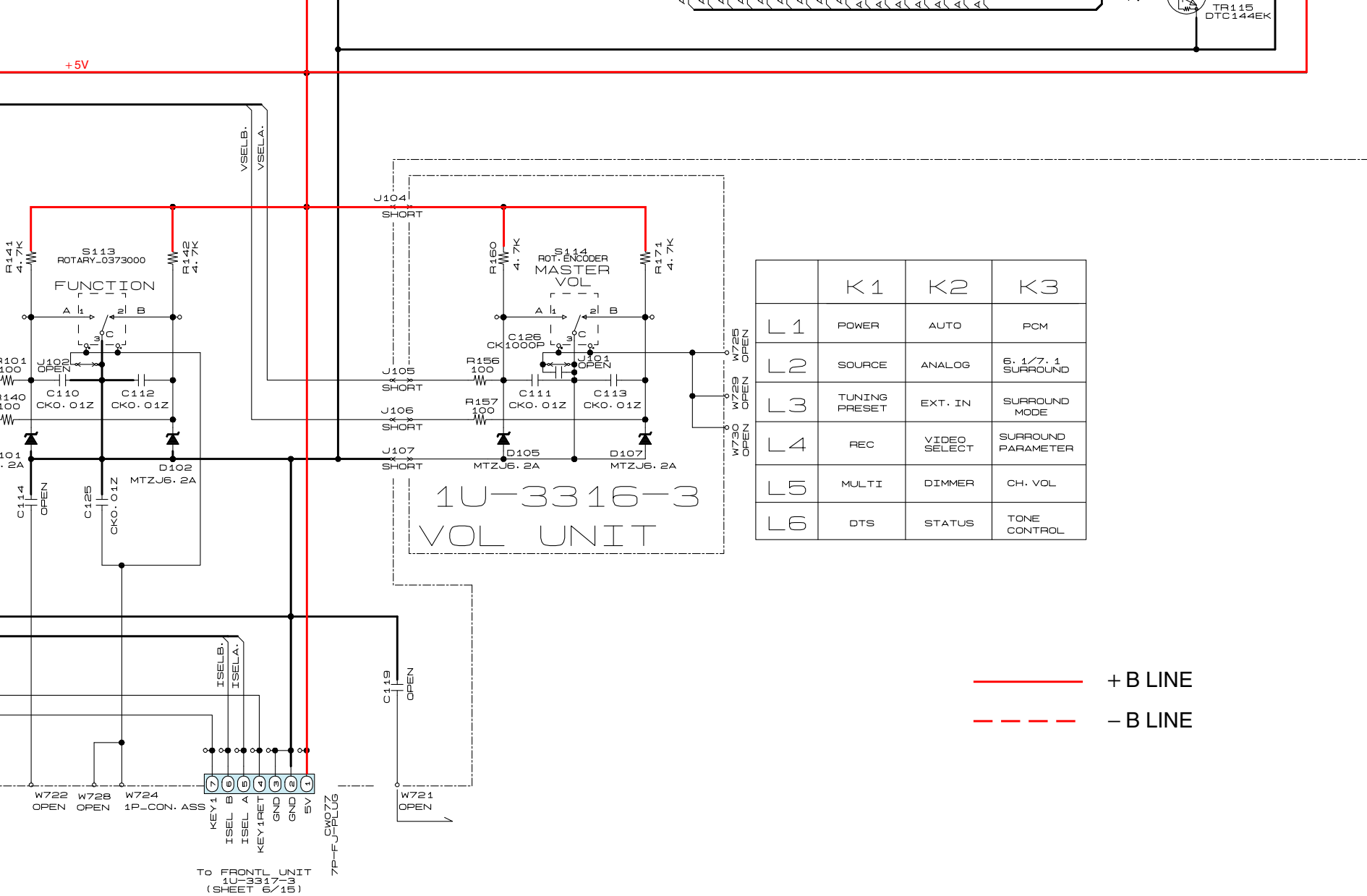


NOTICE
 ALL RESISTANCE VALUES IN OHM. k=1,000 OHM M=1,000,000 OHM
 ALL CAPACITANCE VALUES IN MICRO FARAD. P=MICRO-MICRO FARAD
 EACH VOLTAGE AND CURRENT ARE MEASURED AT NO SIGNAL INPUT
 CONDITION.
 CIRCUIT AND PARTS ARE SUBJECT TO CHANGE WITHOUT PRIOR
 NOTICE.

WARNING:
 Parts marked with this symbol  have critical characteristics.
 Use ONLY replacement parts recommended by the manufacture.

CAUTION:
 Before returning the unit to the customer, make sure you make either (1) a
 leakage current check or (2) a line to chassis resistance check. If the leakage
 current exceeds 0.5 milliamps, or if the resistance from chassis to either side
 of the power card is less than 460 kohms, the unit is defective.

WARNING:
 DO NOT return the unit to the customer until the problem is located and
 corrected.



	K 1	K 2	K 3
L 1	POWER	AUTO	PCM
L 2	SOURCE	ANALOG	6. 1/7. 1 SURROUND
L 3	TUNING PRESET	EXT. IN	SURROUND MODE
L 4	REC	VIDEO SELECT	SURROUND PARAMETER
L 5	MULTI	DIMMER	CH. VOL
L 6	DTS	STATUS	STONE CONTROL

1U-3316-3
VOL UNIT

— + B LINE
- - - - -B LINE

TO FRONT UNIT
1U-3317-3
(SHEET 6/15)

SCHEMATIC DIAGRAMS (15/15)
1U-3316-2 DISPLAY UNIT
1U-3316-3 VOL UNIT