

SERVICE MANUAL

MODEL	JP	EU	EC	E2	EK	E2A	E1C	EUT
AVR-4310CI		✓	✓					
AVR-4310				✓ ²				

AV SURROUND RECEIVER

MODEL	JP	EU	EC	E2	EK	E2A	E1C	EUT
AVC-4310							✓ ³	

AV SURROUND AMPLIFIER

• For purposes of improvement, specifications and design are subject to change without notice.

• Please use this service manual with referring to the operating instructions without fail.

• Some illustrations using in this service manual are slightly different from the actual set.

DENON

D&M Holdings Inc.

SAFETY PRECAUTIONS

The following check should be performed for the continued protection of the customer and service technician.

LEAKAGE CURRENT CHECK

Before returning the unit to the customer, make sure you make either (1) a leakage current check or (2) a line to chassis resistance check. If the leakage current exceeds 0.5 milliamps, or if the resistance from chassis to either side of the power cord is less than 460 kohms, the unit is defective.

CAUTION Please heed the points listed below during servicing and inspection.

⊙ Heed the cautions!

Spots requiring particular attention when servicing, such as the cabinet, parts, chassis, etc., have cautions indicated on labels or seals. Be sure to heed these cautions and the cautions indicated in the handling instructions.

⊙ Caution concerning electric shock!

- (1) An AC voltage is impressed on this set, so touching internal metal parts when the set is energized could cause electric shock. Take care to avoid electric shock, by for example using an isolating transformer and gloves when servicing while the set is energized, unplugging the power cord when replacing parts, etc.
- (2) There are high voltage parts inside. Handle with extra care when the set is energized.

⊙ Caution concerning disassembly and assembly!

Though great care is taken when manufacturing parts from sheet metal, there may in some rare cases be burrs on the edges of parts which could cause injury if fingers are moved across them. Use gloves to protect your hands.

⊙ Only use designated parts!

The set's parts have specific safety properties (fire resistance, voltage resistance, etc.). For replacement parts, be sure to use parts which have the same properties. In particular, for the important safety parts that are marked \triangle on wiring diagrams and parts lists, be sure to use the designated parts.

⊙ Be sure to mount parts and arrange the wires as they were originally!

For safety reasons, some parts use tape, tubes or other insulating materials, and some parts are mounted away from the surface of printed circuit boards. Care is also taken with the positions of the wires inside and clamps are used to keep wires away from heating and high voltage parts, so be sure to set everything back as it was originally.

⊙ Inspect for safety after servicing!

Check that all screws, parts and wires removed or disconnected for servicing have been put back in their original positions, inspect that no parts around the area that has been serviced have been negatively affected, conduct an insulation check on the external metal connectors and between the blades of the power plug, and otherwise check that safety is ensured.

(Insulation check procedure)

Unplug the power cord from the power outlet, disconnect the antenna, plugs, etc., and turn the power switch on. Using a 500V insulation resistance tester, check that the insulation resistance between the terminals of the power plug and the externally exposed metal parts (antenna terminal, headphones terminal, microphone terminal, input terminal, etc.) is $1M\Omega$ or greater. If it is less, the set must be inspected and repaired.

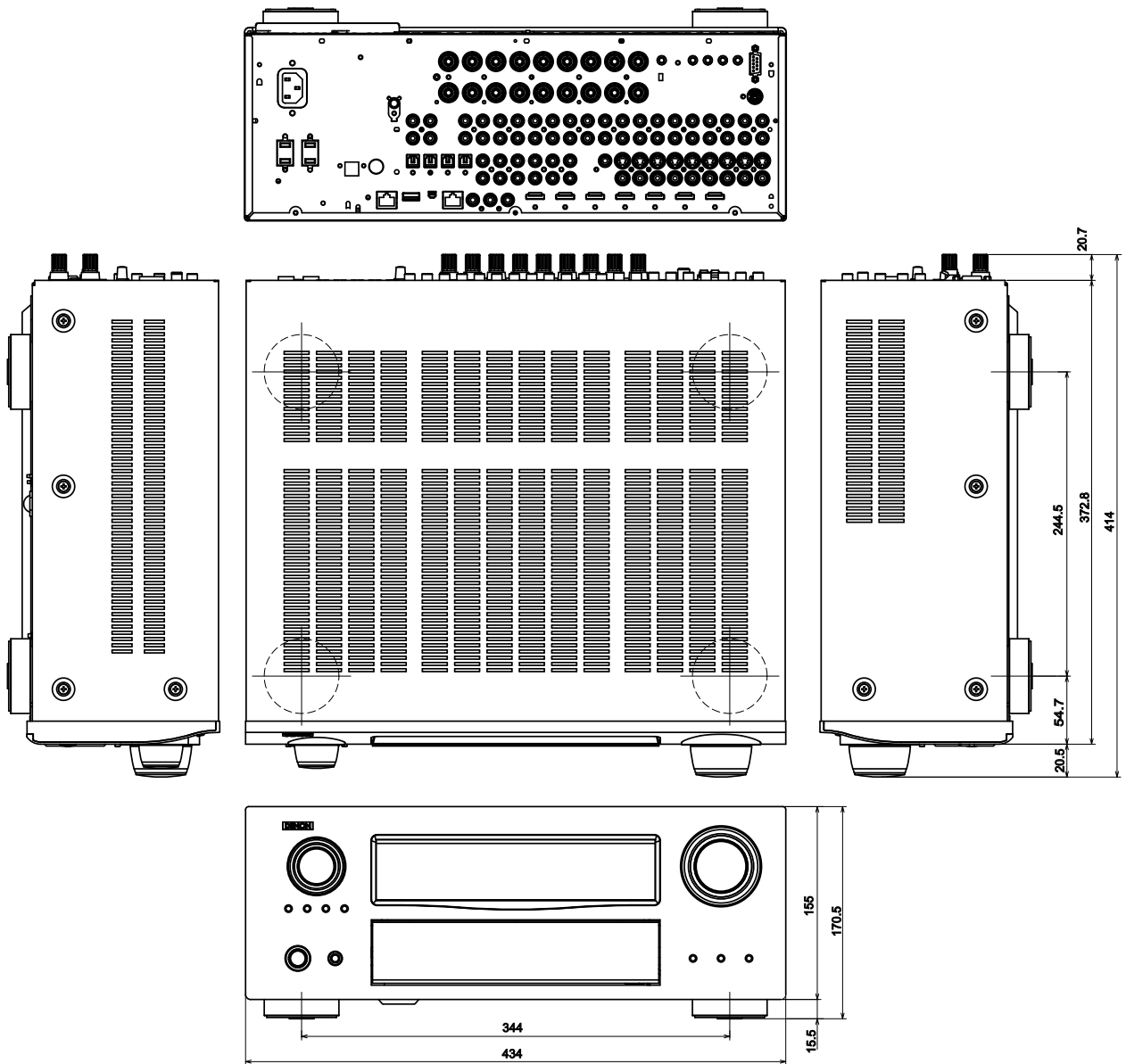
CAUTION Concerning important safety parts

Many of the electric and structural parts used in the set have special safety properties. In most cases these properties are difficult to distinguish by sight, and using replacement parts with higher ratings (rated power and withstand voltage) does not necessarily guarantee that safety performance will be preserved. Parts with safety properties are indicated as shown below on the wiring diagrams and parts lists in this service manual. Be sure to replace them with parts with the designated part number.

- (1) Schematic diagrams ... Indicated by the \triangle mark.
- (2) Parts lists ... Indicated by the \triangle mark.

Using parts other than the designated parts could result in electric shock, fires or other dangerous situations.

DIMENSION
AVR-4310CI/AVR-4310/AVC-4310

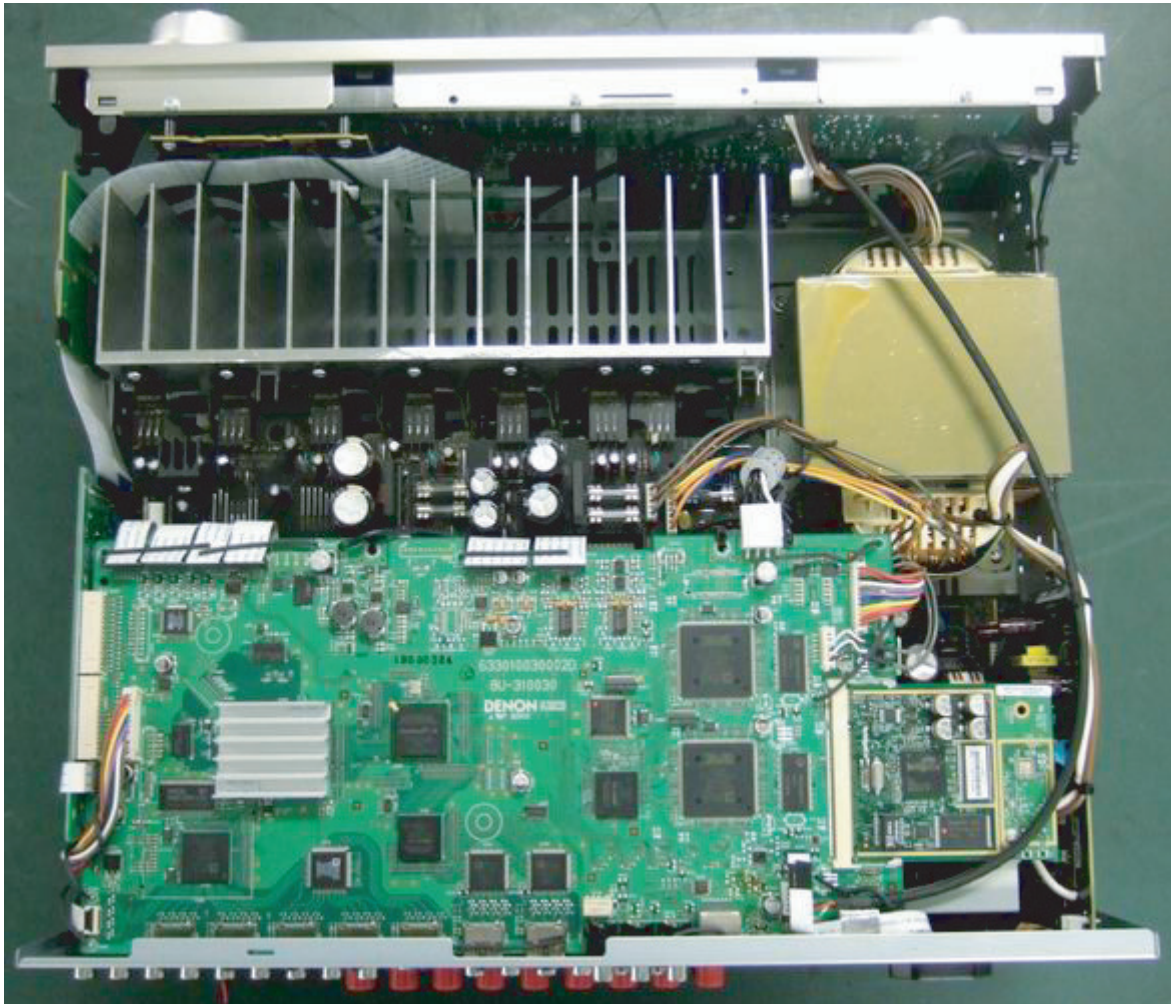


WIRE ARRANGEMENT

If wire bundles are untied or moved to perform adjustment or parts replacement etc., be sure to rearrange them neatly as they were originally bundled or placed afterward.
Otherwise, incorrect arrangement can be a cause of noise generation.

Wire arrangement viewed from the top

Front Panel side



Back Panel side

CAUTION IN SERVICING

Before the Digital P.W.B. are replaced

If you cannot specify the cause of the digital PWB defect, carry out "Initializing" → "Update to latest firmware".
The defect may be cleared.

- See the following for the method of initializing the μ com.

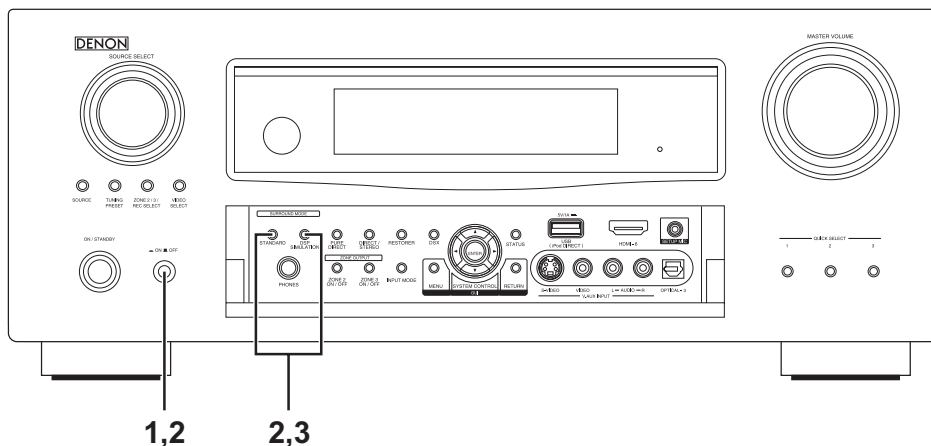
Initializing AV SURROUND RECEIVER

AV SURROUND RECEIVER initialization should be performed when the μ com, peripheral parts of μ com, and Digital P.W.B. are replaced.

1. Switch off the unit.
2. Hold the following STANDARD button and DSP SIMULATION button, and switch on the unit.
3. Check that the entire display is flashing with an interval of about 1 second, and release your fingers from the 2 buttons and the microprocessor will be initialized.

Note: • If step 3 does not work, start over from step 1.

- All user settings will be lost and this factory setting will be recovered when this initialization mode. So make sure to memorize your setting for restoring after the initialization.



JIG to use for servicing

When you repair the printing board, you can use the following JIG. Please order to Denon Official Service Distributor in your region if necessary.

Extension cable kit

- 00D SPK- 561 EXTENSION UNIT KIT : 1 Set
- 00D SPK- 562 TUCP CONN. JOINT KIT : 1 Set

Extention cable for Idling Current

Parts Number for Extension Cables and Quantity of Unit.

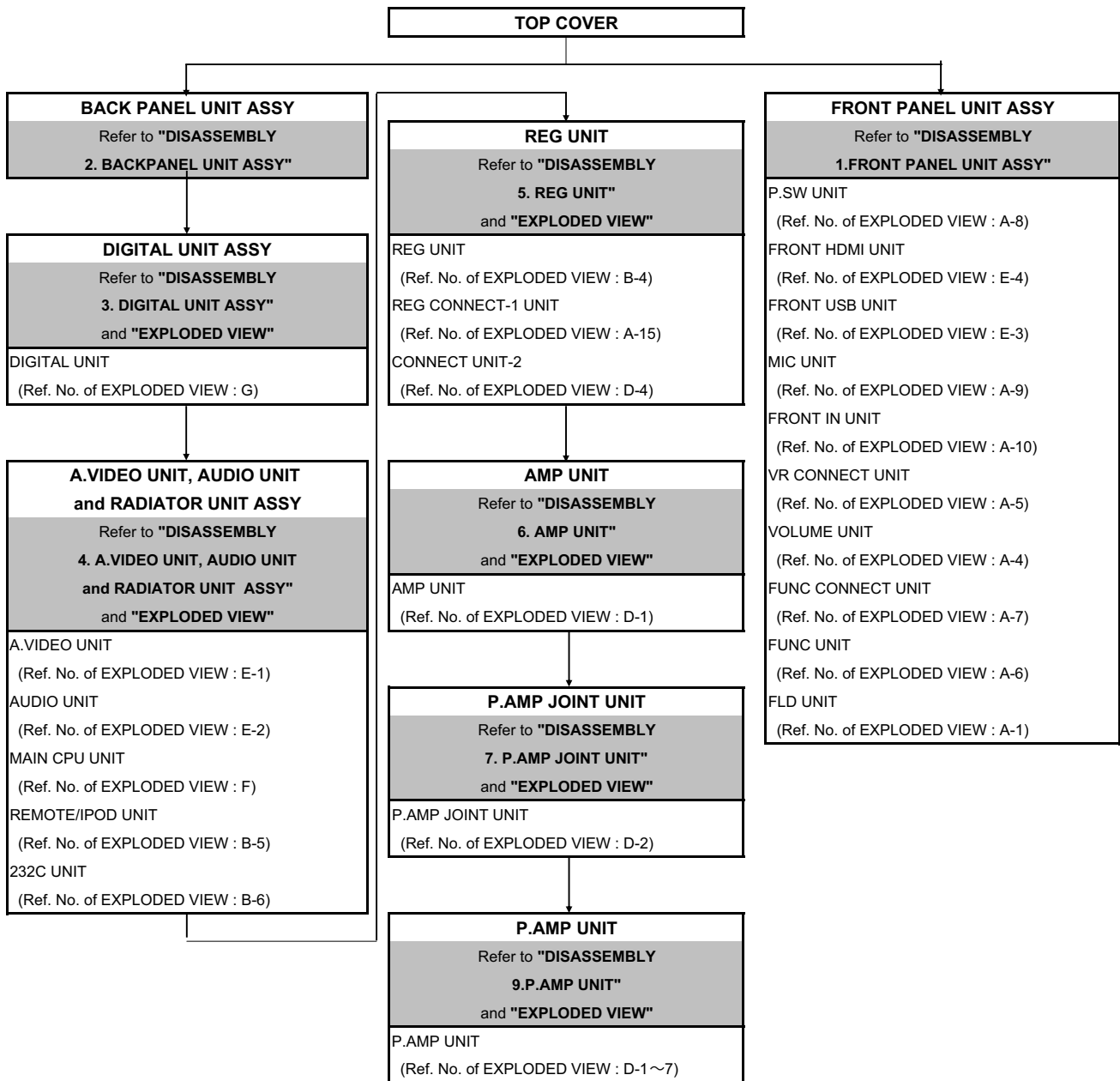
Parts Number	Parts Name	Q'ty / unit	Remarks
612050082004D	6P 250mm NH	1	L=250mm 6P NH Cable
612050083007D	8P 250mm NH	1	L=250mm 8P NH Cable

How to use and Adjust Idle Current.

1. The thin and hard plate (ex. Ruler) is fixed with the tape behind the cable.
2. The voltmeter is connected with the other side of the extension cable.
3. Refer to ADJUSTMENT (Idling Current).

DISASSEMBLY

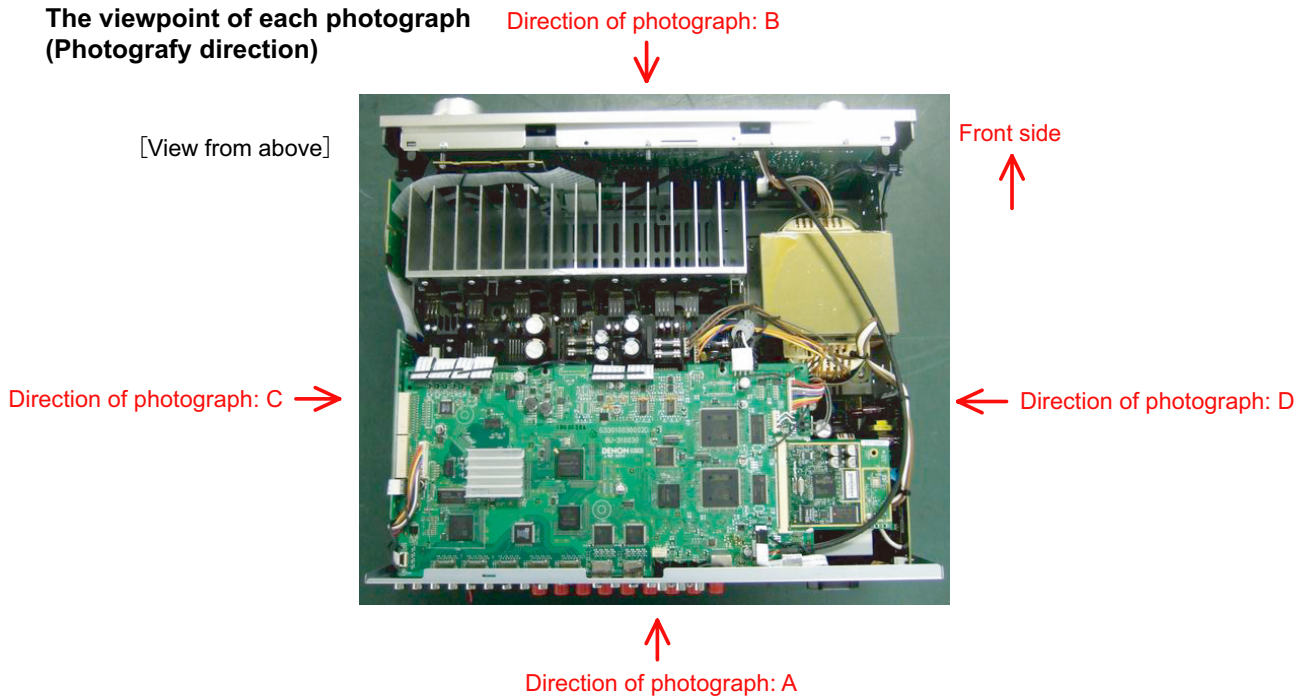
- Disassemble in order of the arrow of the figure of following flow.
- In the case of the re-assembling, assemble it in order of the reverse of the following flow.
- In the case of the re-assembling, observe "attention of assembling" it.



About the photos used for descriptions in the “DISASSEMBLY” section.

- The direction from which the photographs used herein were photographed is indicated at "Direction of photograph: ****" at the left of the respective photographs.
- Refer to the table below for a description of the direction in which the photos were taken.
- Photographs for which no direction is indicated were taken from above the product.

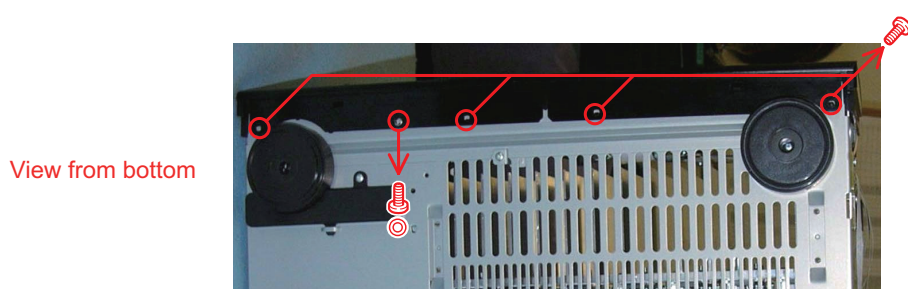
The viewpoint of each photograph (Photography direction)



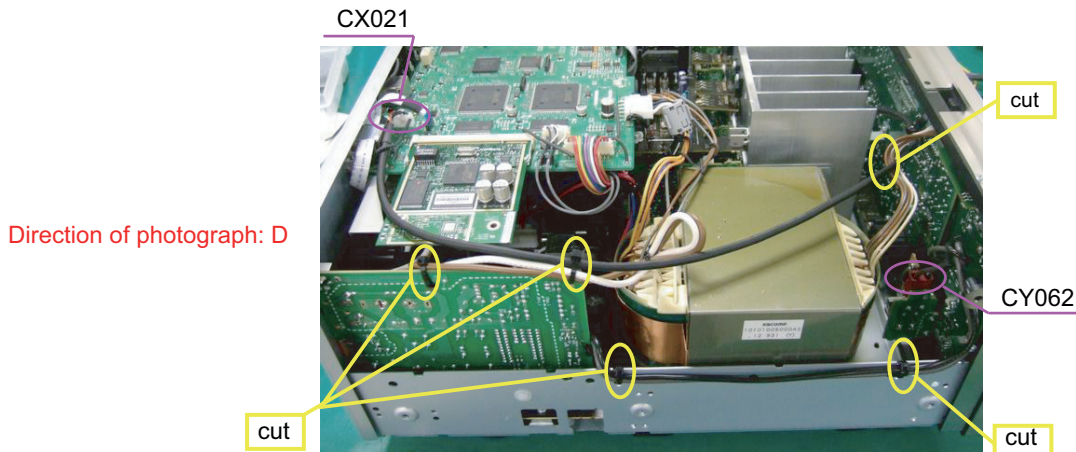
1. FRONT PANEL UNIT ASSY

Proceeding : **TOP COVER** → **FRONT PANEL UNIT ASSY**

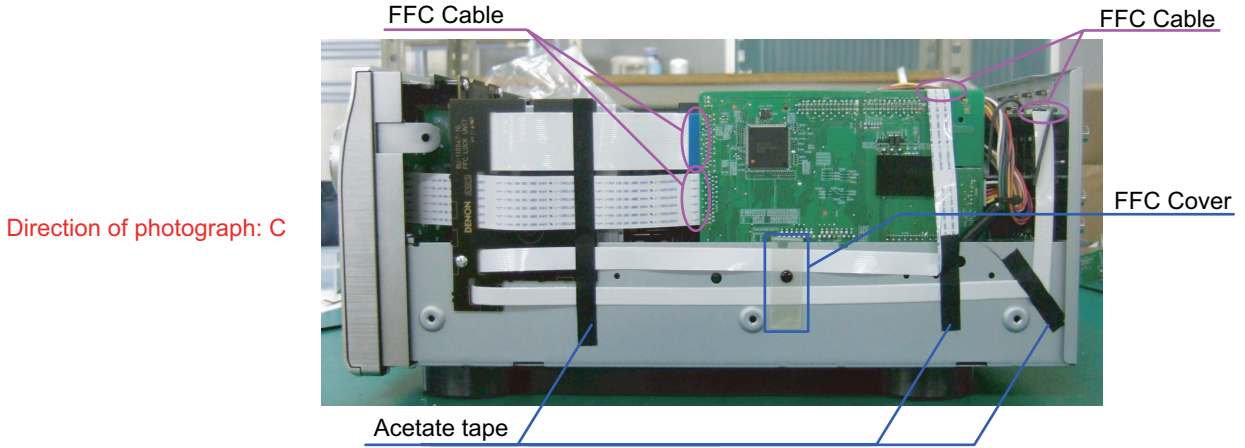
- (1) Remove the screws.



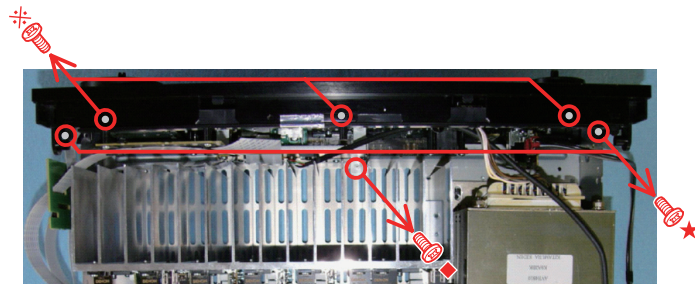
- (2) Cut the wire clampers then disconnect the connector wires.



(3) Remove the FFC cover and acetate tapes. Disconnect the FFC Cables.



(4) Remove the screws.

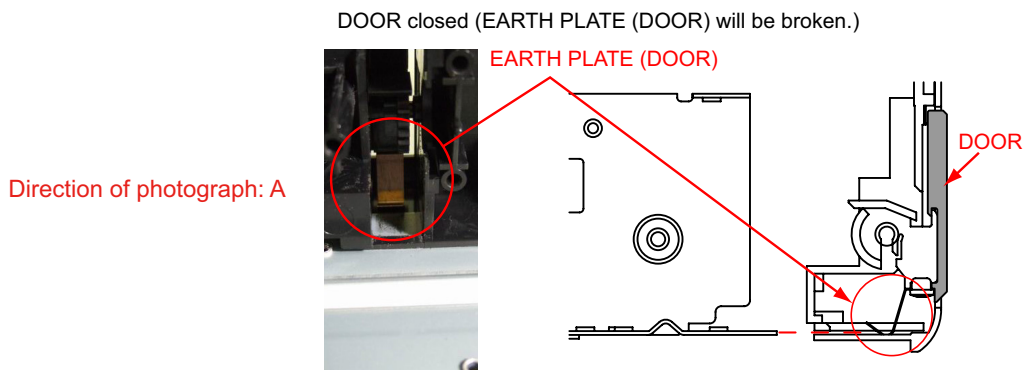
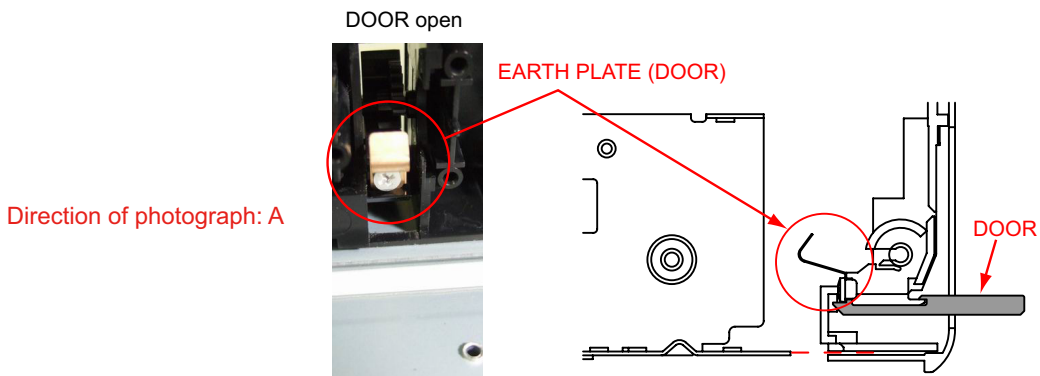


Please refer to "EXPLODED VIEW" for the disassembly method of each P.W.B included in FRONT PANEL ASSY.

[Attention of assembling]

When mounting the FRONT PANEL ASSY on the CHASSIS, do so with the DOOR open so as to prevent breaking the EARTH PLATE(DOOR).

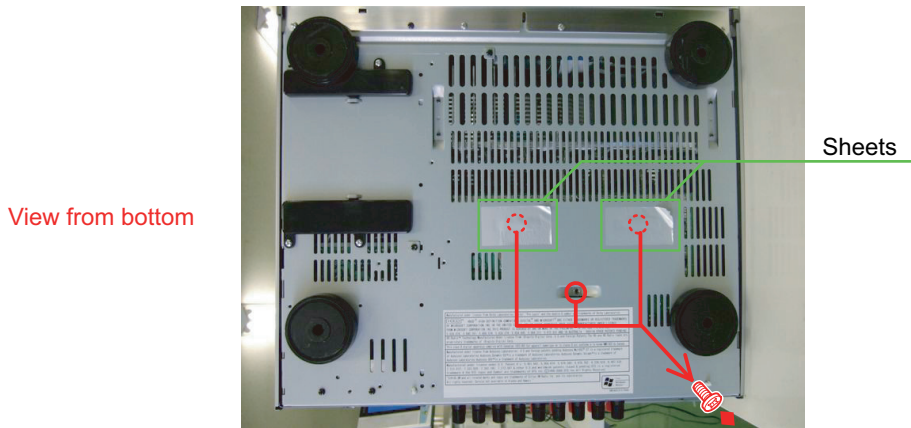
If the FRONT PANEL ASSY is mounted on the chassis with the DOOR closed, the EARTH PLATE(DOOR) will hit the CHASSIS and break.



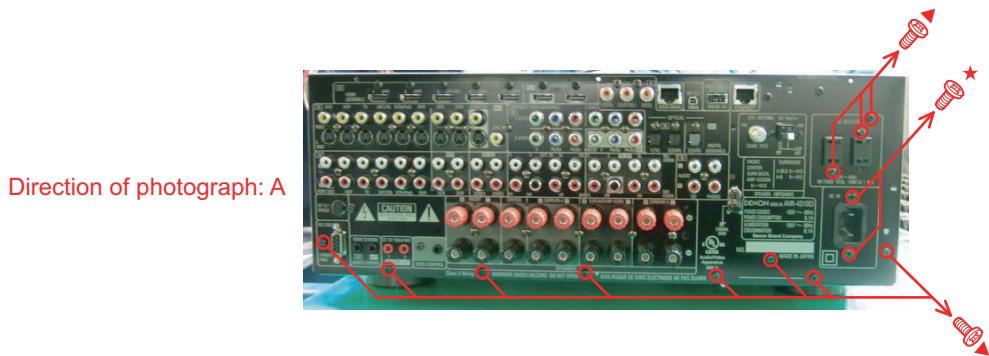
2. BACK PANEL UNIT ASSY

Proceeding : **TOP COVER** → **BACK PANEL UNIT ASSY**

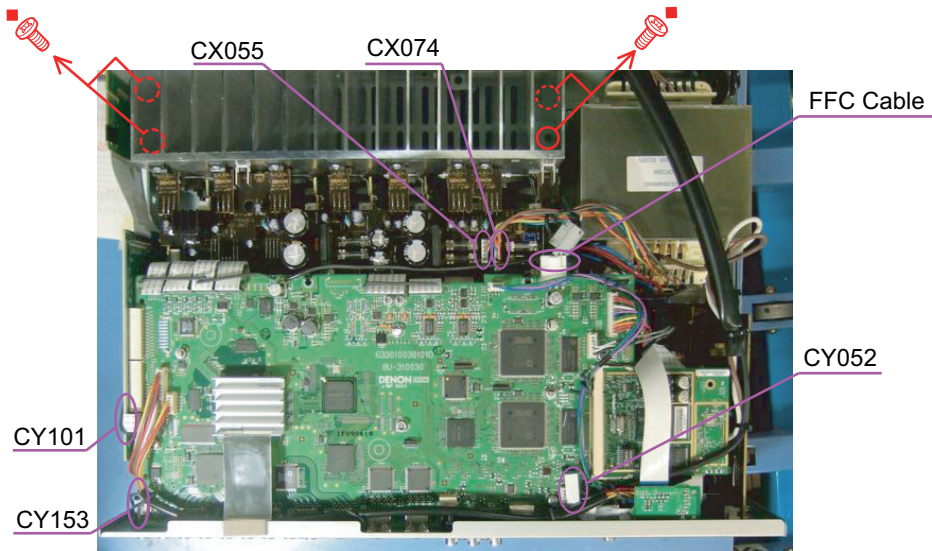
- (1) Remove the Sheets, then remove the screws.



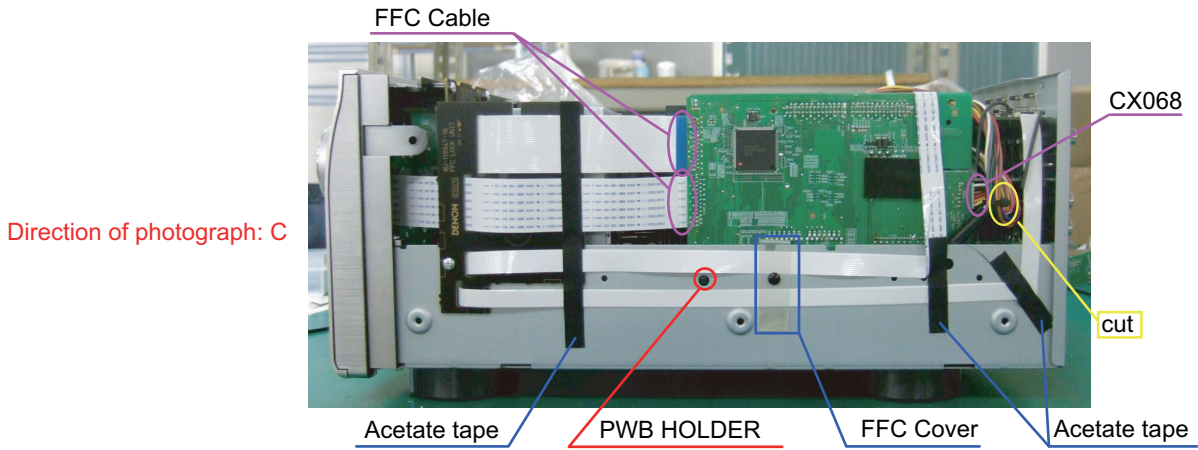
- (2) Remove the screws.



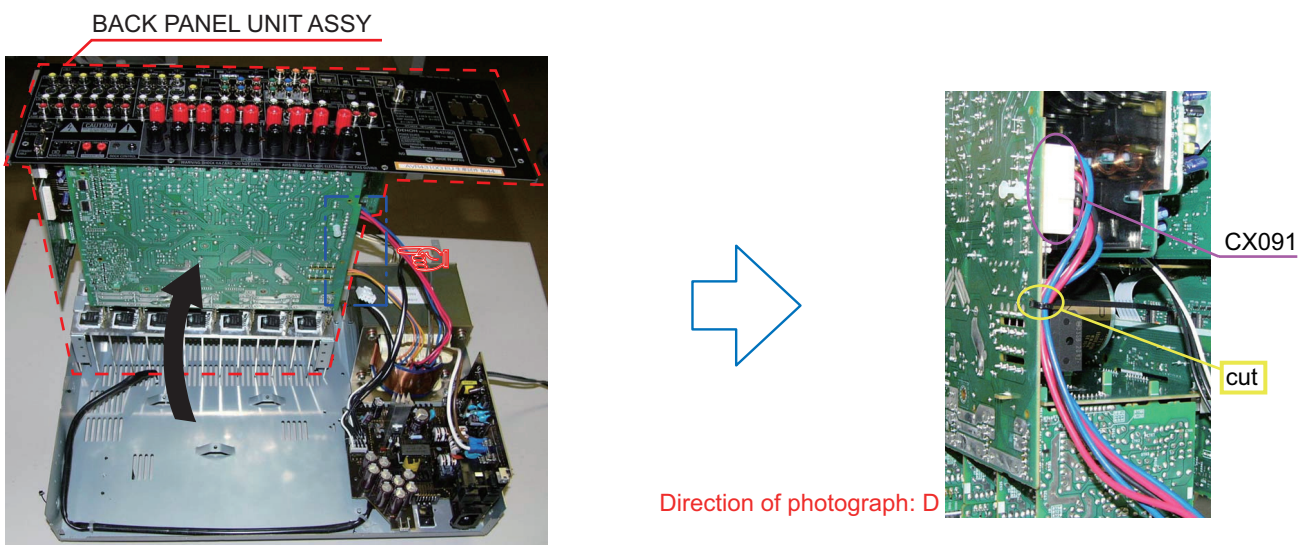
- (3) Disconnect the connector wires and FFC Cable, then remove the screws.



- (4) Remove the FFC cover, PWB HOLDER and acetate tapes. Cut the wire clammer, then disconnect the connector wire and FFC Cable.



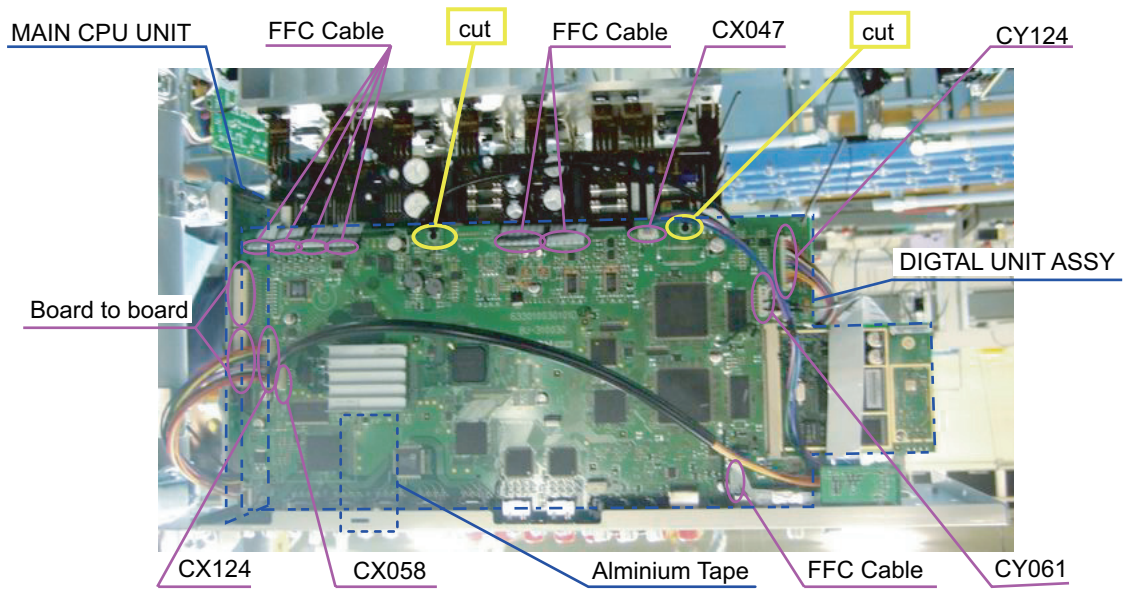
- (5) Cut the wire clammer, then disconnect the connector wire.



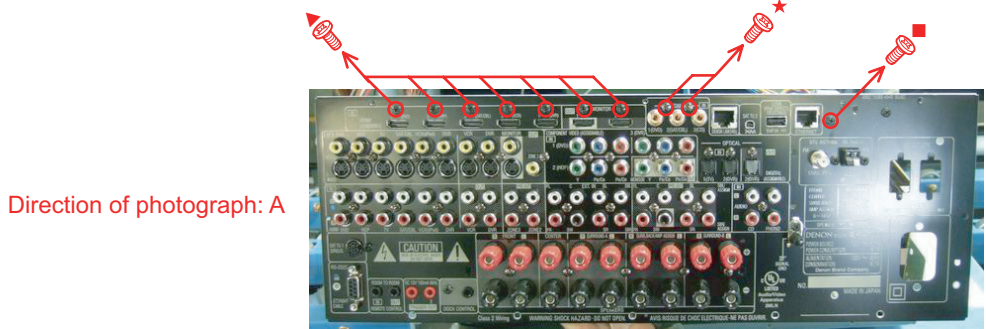
3. DIGITAL UNIT ASSY

Proceeding : **TOP COVER** → **BACK PANEL UNIT ASSY** → **DIGITAL UNIT ASSY**

- (1) Remove the aluminium tape, then cut the wire clampers. Disconnect the connector wire, FFC Cables, and board to board.



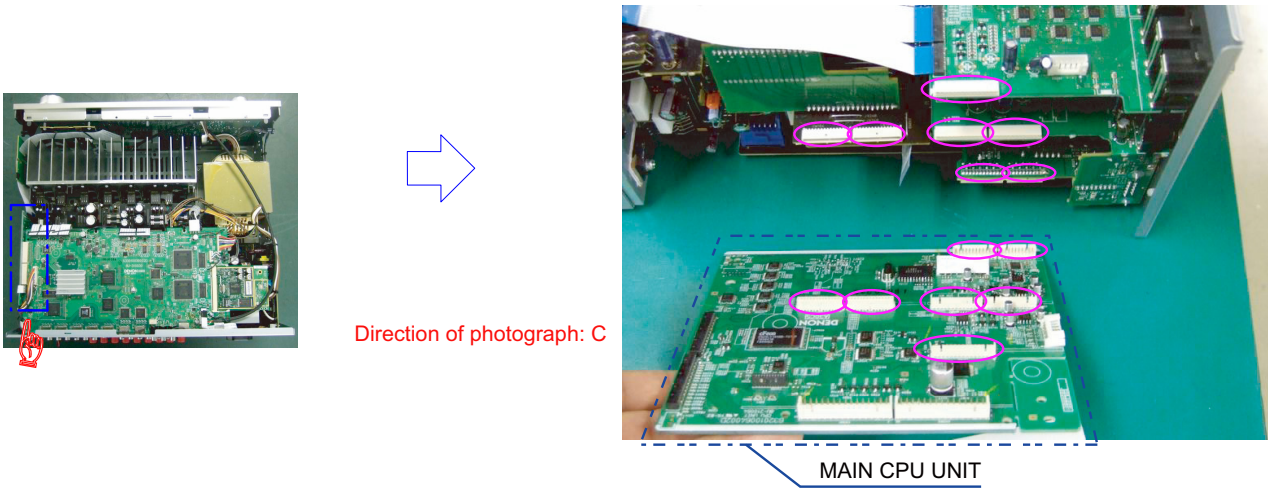
- (2) Remove the screws.



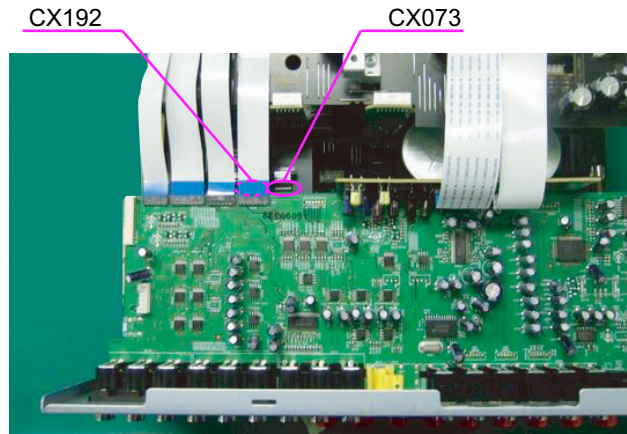
4. A.VIDEO UNIT, AUDIO UNIT and RADIATOR UNIT ASSY

Proceeding : **TOP COVER** → **BACK PANEL UNIT ASSY** → **DIGITAL UNIT ASSY**
 → **A.VIDEO UNIT, AUDIO UNIT and RADIATOR UNIT ASSY**

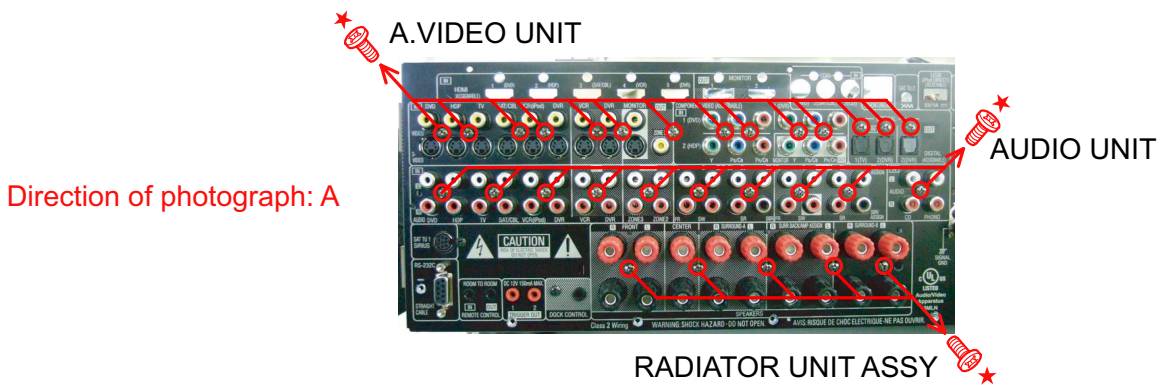
(1) Disconnect the board to board.



(2) Disconnect the connector wires.



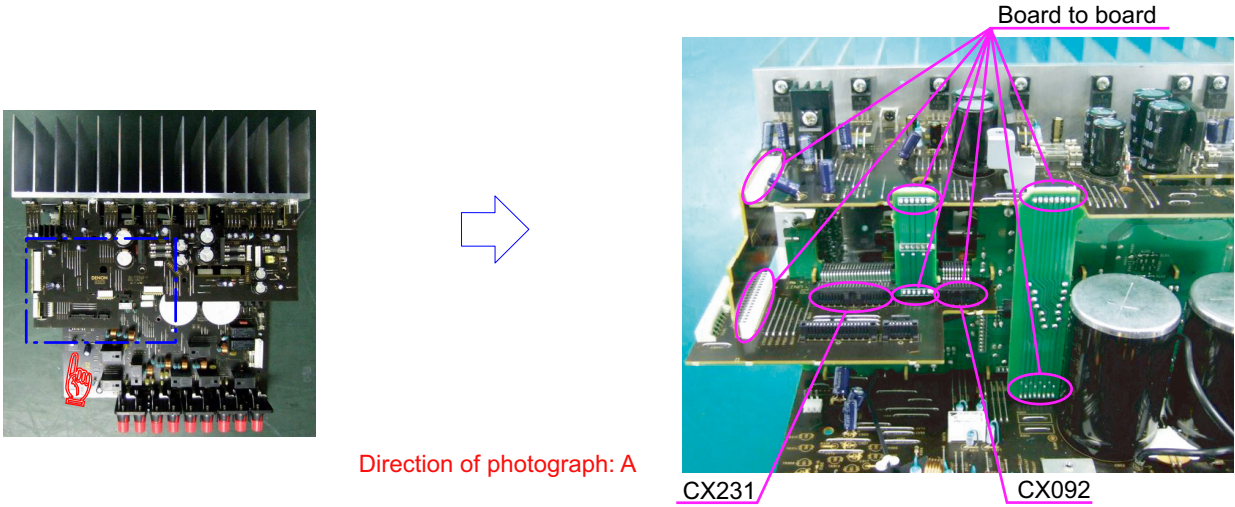
(3) Remove the screws.



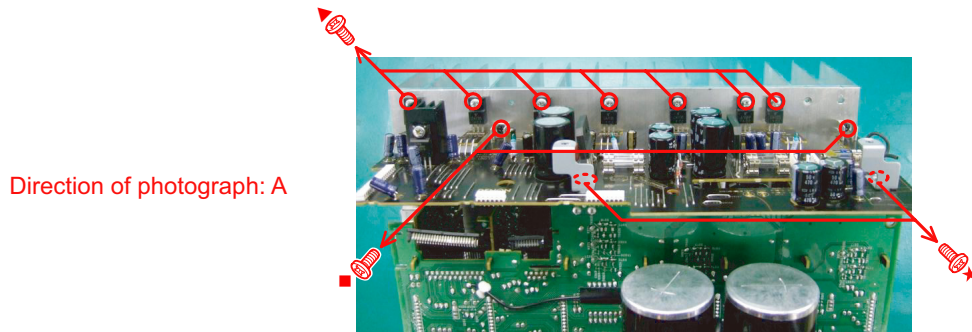
5. REG UNIT

Proceeding : **TOP COVER** → **BACK PANEL UNIT ASSY** → **DIGITAL UNIT ASSY**
 → **A.VIDEO UNIT, AUDIO UNIT and RADIATOR UNIT ASSY**
 → **REG UNIT**

(1) Disconnect the board to board and connector wires.



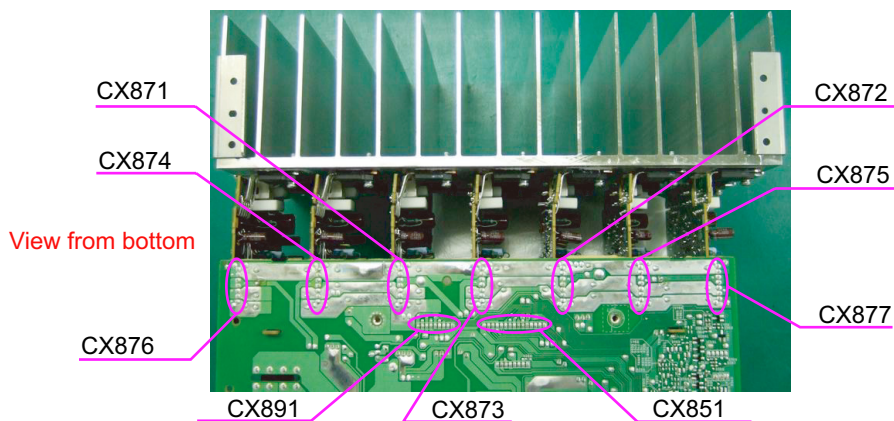
(2) Disconnect the connector wires, then remove the screws.



6. AMP UNIT

Proceeding : **TOP COVER** → **BACK PANEL UNIT ASSY** → **DIGITAL UNIT ASSY**
 → **A.VIDEO UNIT, AUDIO UNIT and RADIATOR UNIT ASSY**
 → **REG UNIT** → **AMP UNIT**

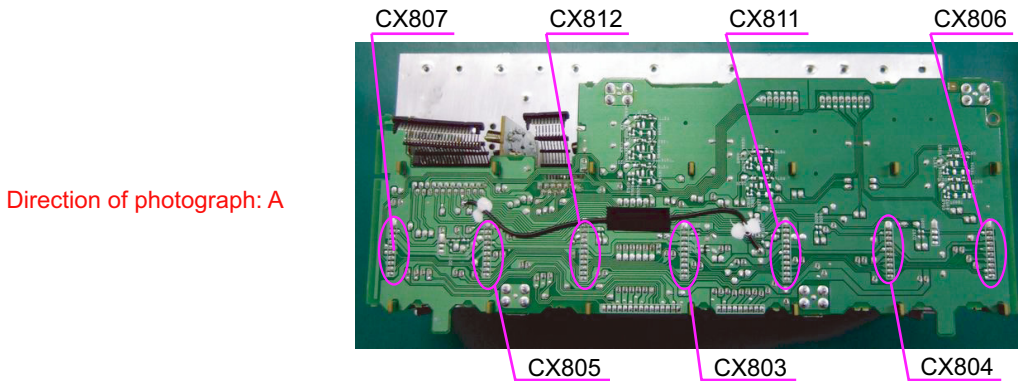
(1) Disconnect the VH connector and connector.



7. P.AMP JOINT UNIT

Proceeding : **TOP COVER** → **BACK PANEL UNIT ASSY** → **DIGITAL UNIT ASSY**
→ **A.VIDEO UNIT, AUDIO UNIT and RADIATOR UNIT ASSY**
→ **REG UNIT** → **AMP UNIT** → **P.AMP JOINT UNIT**

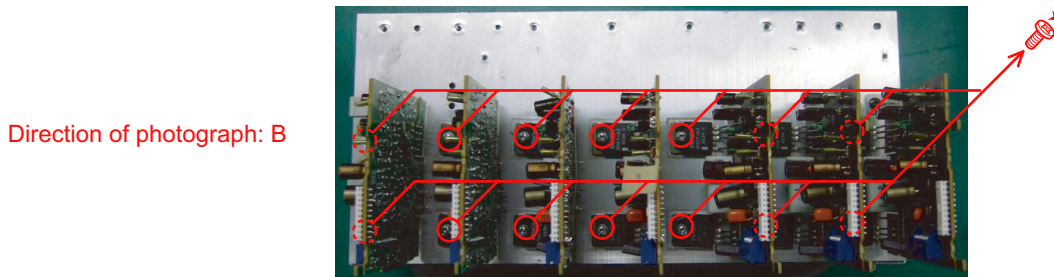
(1) Disconnect the connector.



8. P.AMP UNIT

Proceeding : **TOP COVER** → **BACK PANEL UNIT ASSY** → **DIGITAL UNIT ASSY**
→ **A.VIDEO UNIT, AUDIO UNIT and RADIATOR UNIT ASSY**
→ **REG UNIT** → **AMP UNIT** → **P.AMP JOINT UNIT** → **P.AMP UNIT**

(1) Remove the screws.



SPECIAL MODE

Special mode setting button

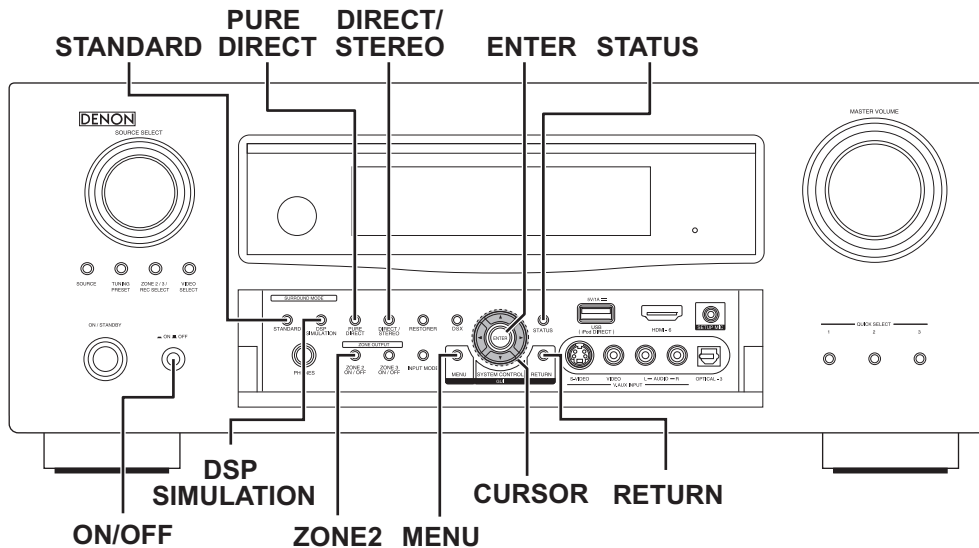
※ Press the ON/OFF button to turn on while pressing both buttons A and B at the same time.

Mode	Button A	Button B	contents
Version display (µcom/DSP Error Display)	STATUS	RETURN	Serial No. and firmware versions such as Main, Sub, DSP are displayed in the FL manager. Errors are displayed when they occur. (Refer to 16 page.)
Displaying the protection history mode	STATUS	MENU	Displaying the protection history (Refer to 18 page.)
Initialization mode (Remove settings for Installer Setup.)	STANDARD	DSP SIMULATION	Backup data initialization is carried out. (Remove settings for Installer Setup.)
Initialization mode (Includes settings for Installer Setup)	CURSOR UP	CURSOR DOWN	Backup data initialization is carried out. (Includes settings for Installer Setup)
Mode for switching tuner frequency step	STANDARD	DIRECT/STEREO	---E2 model only--- Change tuner frequency step to FM:200kHz/AM:10kHzSTEP.
Mode for preventing remote control acceptance	STATUS	ENTER	Operations using remote control are rejected. (Mode cancellation: Turn off power and execute the same button operations as when performing setup.)
Panel lock mode	DSP SIMULATION	ZONE2	Operations using main unit panel buttons or master volume are rejected.
Panel lock mode (Remove Master volume)	DIRECT/STEREO	ZONE2	Operations using main unit panel buttons are rejected.
Cancellation of panel lock mode	PURE DIRECT	ZONE2	Panel lock mode is cancelled.
Installer Setup mode*1	MENU	CURSOR LEFT	Access Remote Maintenance mode via the internet.Installer Setup is displayed on GUI/Option Menu. Refer to AVR4310_RemoteMaintenance_.pdf of SDI.

*1 : About RS-232C communications

RS-232C communications are not possible when "S" is displayed on the FL display.

Press and hold in the "STATUS" and "▽" buttons for over 3 seconds with the power turned on to turn the "S" display off. RS-232C communications are now enabled.



1. Version display (µcom/DSP Error Display)

1.1. Operation Spec

µcom version display mode:

When the following conditions are satisfied at its starting state, error information is displayed before version information.

Starting method (same as µcom version display):

Press the ON/OFF button to turn on while pressing both buttons STATUS and RETURN at the same time.

("Error information" is displayed after about 10 seconds.)

The FL display changes in the order given in item-1.2. each time you press the STATUS button.

1.2. Display Order

- Error information(Refer to 1.3. Error display) → ①Model destination information ②Main-µcom version information
 ③Main1st Boot Loader ④DSP1version information ⑤Audio PLD ⑥GUI FPGA Config ⑦GUI Nios Program
 ⑧ETHER(DM860) First BootLoafer, HardwareID ⑨ETHER(DM860) Second BootLoafer, RhapsodyFlag
 ⑩ETHER(DM860) IMAGE ⑪ETHER(DM850) MAC ADDRESS information
 ⑫HD RADIO SDK /HD RADIO DSP(E2 model only) ⑬MultEQ Pro APP (Displayed when Audyssey Pro is complete)
 ⑭MultEQ Pro ICL (Displayed when Audyssey Pro is complete)

No.	Display item	Display
①	Model destination	S e r i a l N o . A M R
	Cereal No.	9 0 4 1 5 0 0 0 1
②	Main-µcom	M a i n .
	MainFLASH	M a i n R O M .
③	Main 1st Boot Loder	M a i n F B L .
	Sub-µcom	S u b .
④	DSP 1	D S P 1 .
	DSP 2	D S P 2 .
⑤	Audio PLD	A u d i o P L D .
	Video PLD	V i d e o P L D .
⑥	GUI FPGA	G U I C o n f i g .
⑦	GUI Sflash Nios	G U I P R G .
	GUI Sflash Font	G U I D A T .
⑧	DM860 1st Bootloader - Hard ID	E t h e r F B L .
⑨	DM860 2nd Bootloader - Rhapsody Flag	E t h e r S B L .
⑩	DM860 Image	E t h e r I M G .
⑪	ETHER MAC ADDRESS	* E t h e r n e t M A C .
⑫	HD RADIO SDK	* H D S D K .
	HD RADIO DSP	* H D D S P : C 0 0 0 2 . 0 0 0
⑬	MultEQ Pro APP	* M u l t E Q P r o A P P .
⑭	MultEQ Pro ICL	* M u l t E Q P r o I C L .

1.3. Error display

See the following table for each "Error information" display and its contents (status). Display order is ①②③④⑤⑥.

Condition	State	Display
① Sub-μcom NG	No response from Sub-μcom	"□ S U B □ □ E R R O R □ 0 1 □ □"
② DIR NG	No response from DIR	"□ D I R □ □ E R R O R □ 0 1 □ □"
③ DSP1 NG	When DSP boot, executing DSP reset makes no change to DSP1 FLAGO port "H".	"□ D S P 1 □ E R R O R □ 0 1 □ □"
	No change to DSP1 FLAGO port "H" before issuing DSP command.	"□ D S P 1 □ E R R O R □ 0 2 □ □"
	When DSP data read, executing WRITE="L" makes no change to ACK="H".	"□ D S P 1 □ E R R O R □ 0 3 □ □"
	When DSP data read, executing REQ="L" makes no change to ACK="L".	"□ D S P 1 □ E R R O R □ 0 4 □ □"
	When DSP data write, executing WRITE="H" makes no change to ACK="H".	"□ D S P 1 □ E R R O R □ 0 5 □ □"
	When DSP data write, executing REQ="L" makes no change to ACK="L".	"□ D S P 1 □ E R R O R □ 0 6 □ □"
	When DSP special code boot, executing DSP reset makes no change to DSP1 FLAGO port "H".	"□ D S P 1 □ E R R O R □ 1 1 □ □"
	No change to DSP1 FLAGO port "H" before issuing DSP special read command.	"□ D S P 1 □ E R R O R □ 1 2 □ □"
	No change to DSP1 FLAGO port "H" before DSP version read.	"□ D S P 1 □ E R R O R □ 1 3 □ □"
④ DSP2 NG	When DSP boot, executing DSP reset makes no change to DSP2 FLAGO port "H".	"□ D S P 2 □ E R R O R □ 0 1 □ □"
	No change to DSP2 FLAGO port "H" before issuing DSP command.	"□ D S P 2 □ E R R O R □ 0 2 □ □"
	When DSP data read, executing WRITE="L" makes no change to ACK="H".	"□ D S P 2 □ E R R O R □ 0 3 □ □"
	When DSP data read, executing REQ="L" makes no change to ACK="L".	"□ D S P 2 □ E R R O R □ 0 4 □ □"
	When DSP data write, executing WRITE="H" makes no change to ACK="H".	"□ D S P 2 □ E R R O R □ 0 5 □ □"
	When DSP data write, executing REQ="L" makes no change to ACK="L".	"□ D S P 2 □ E R R O R □ 0 6 □ □"
	When DSP special code boot, executing DSP reset makes no change to DSP2 FLAGO port "H".	"□ D S P 2 □ E R R O R □ 1 1 □ □"
	No change to DSP2 FLAGO port "H" before issuing DSP special read command.	"□ D S P 2 □ E R R O R □ 1 2 □ □"
	No change to DSP2 FLAGO port "H" before DSP version read.	"□ D S P 2 □ E R R O R □ 1 3 □ □"
⑤ EEPROM NG	Error appeared in EEPROM checksum.(*** is a block address number.)	"□ E 2 P R O M □ E R R * * * □ □"
⑥ Both SUB/DSP /EEPROM OK		(No error display, version display only)

2. Displaying the protection history mode

2.1. Operation specifications

ERROR MODE(displaying the protection history)
When started up, the error information is displayed.

Starting up:

With the "MENU" and "STATUS" buttons pressed, press the "ON/OFF" button to turn the power on. The error (protection history display) mode is set.

Then, press the "STATUS" button to turn on the FL display.

2.2. About the display on the FL display

When the "STATUS" button is pressed after setting the error (protection history display) mode, a history like the one shown below is displayed, depending on the conditions.

(1) Normally (when there has been no protection incident)

```

P R O T E C T   H I S T O R Y
. N O   P R O T E C T   □ □ □ □ □ □ □ □
    
```

(2) For ASO/DC (when the last protection incident was ASO or DC protection)

```

P R O T E C T   H I S T O R Y
. A S O / D C   □ □ □ □ □ □ □ □
    
```

(3) For THERMAL (when the last protection incident was THERMAL protection)

```

P R O T E C T   H I S T O R Y
. T H E R M A L   □ □ □ □ □ □ □ □
    
```

When the "STATUS" button is pressed again after the above protection history is displayed, the normal display reappears.

2.3. Clearing the protection history

There are two ways to clear the protection history, as described below.

- (1) Start up the error (protection history display) mode, display the error, then press and hold in the "ENTER" button for 3 seconds.

```

PROTECT HISTORY
THERMAL
  
```

↓ Press and hold in the "ENTER" button for 3 seconds

```

PROTECT HISTORY
CLEAR
  
```

↓ The above is displayed and the protection history is cleared.

```

PROTECT HISTORY
NO PROTECT
  
```

- (2) Initialize.

※ If you want to save a backup, use the method in 3.(1) above.

Warning indication by the STANDBY LED

If the power is turned off when a protection incident has been detected, the STANDBY LED (red) flashes as follows as warning according to the conditions in which the protection incident occurred.

- (1) ASO/DC PROTECTION : Flashes in cycles of 0.5 seconds (0.25 seconds lit, 0.25 seconds off)
- (2) THERMAL PROTECTION : Flashes in cycles of 2 seconds (1 second lit, 1 second off)

3. Mode for switching tuner frequency step ---E2 model only---

3.1. Operation specifications

Change tuner frequency step to FM:200kHz/AM:10kHz STEP.

Starting up:

- (1) With the "STANDARD" and "DIRECT/STEREO" buttons pressed, press the "ON/OFF" button to turn the power on.
 "**Tuner FRQ Set" appears on the display.

```

* Tuner FRQ Set
AM 9 / FM 50 M
  
```

- (2) Use ◀ ▶ and select "<AM10/FM200>".

```

* Tuner FRQ Set
AM 10 / FM 20
  
```

- (3) Press the "ENTER" button.
- (4) Press the "ON/OFF" button to turn the power off.
- (5) Then, press the "ON/OFF" button to turn the power on.

NOTE : Backup data(Remove settings for Installer Setup) initialization is carried out automatically.

VERSION UPGRADE PROCEDURE OF FIRMWARE

You can update by downloading the latest firmware from the Internet.

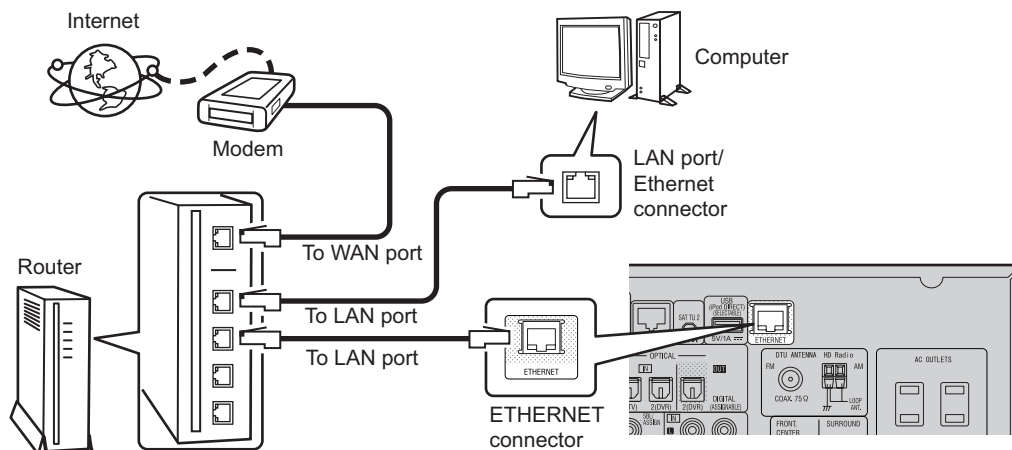
1. Update from the Internet

1.1. Connecting to the Network

(1) System Requirement

- Internet Connection by Broadband Circuit
- Modem
- Router
- Ethernet cable (CAT-5 or greater recommended)

(2) Setting



1.2. Check for Update and Update

Check if the latest firmware exists. You can also check approximately how long it will take to complete an update.

- (1) Press the MENU button on the remote control to display the GUI menu.
- (2) Use the cursor buttons to select "Manual Setup" → "Option Setup" → "Firmware Update" → "Update Check".
- (3) Press the ENTER button.
 - The latest version of the firmware uploaded to the web is displayed.
 - If the latest firmware version is on the web, proceed to (4).
 - If the latest firmware is already installed, press the MENU button to close the menu.
- (4) Use the cursor buttons to select "Update", then press the ENTER button.
 - During update, the power indicator lights red and the GUI screen is shut down. And a rough remaining time is indicated on the display.
 - When updating is complete the power indicator lights green and normal status is resumed.
- (5) Press the MENU button to close the menu.

--- Cautions on Firmware Update ---

- In order to use these functions, you must have the correct system requirements and settings for a broadband Internet connection.
- Do not turn off the power until updating is completed.

Even with a broadband connection to the Internet, approximately about 1 hour is required for the updating procedure to be completed.

Once updating starts, normal operations on the AVR-4310 cannot be performed until updating is completed. Also, setting items of the GUI menu of AVR-4310 or setting items of the image adjustment may be initialized.

Make a note of the settings before updating, and set them again after updating.

1.3. About the error code

See the chart below for error codes, details of faults, and coping strategies when firmware updates are performed through DPMS (Denon Product Management Server).

Error code	Details of Error code	Display	Coping strategies
01	Log-in to DPMS has failed.	Log in failed 01	Reset and update again. Carry out the update in an environment that has little network load.
02	Line, etc., is busy when logging into DPMS.	Server is busy 02	Carry out the update in an environment that has little network load.
03	Connection to DPMS failed.	Connection fail 03	Check the network connection. Carry out the update in an environment that has little network load.
04	Firmware file data was requested but error message was received.	Connection fail 04	Check the network connection. Carry out the update in an environment that has little network load.
05	Firmware file data was requested but it timed out.	Connection fail 05	Check the network connection. Carry out the update in an environment that has little network load.
06	Firmware file data was requested but error message was received.	Connection fail 06	Check the network connection. Carry out the update in an environment that has little network load.
07	All firmware file data was requested but it timed out.	Connection fail 07	Check the network connection. Carry out the update in an environment that has little network load.
08	Main CPU firmware file data was requested but error message was received.	Connection fail 08	Check the network connection. Carry out the update in an environment that has little network load.
09	Main CPU firmware file data was requested but it timed out.	Connection fail 09	Check the network connection. Carry out the update in an environment that has little network load.
0A	Error (NG) message received when downloading Main CPU firmware.	Download fail 0A	Turn the power off then back on. Updating starts automatically. Carry out the update in an environment that has little network load.
0B	Error (line congestion) message received when downloading Main CPU firmware.	Download fail 0B	Turn the power off then back on. Updating starts automatically. Carry out the update in an environment that has little network load.
0C	Error (connection failure) message received when downloading Main CPU firmware.	Download fail 0C	Turn the power off then back on. Updating starts automatically. Carry out the update in an environment that has little network load.
0D	Data acquisition failed (timed out) when downloading Main CPU firmware.	Connection fail 0D	Turn the power off then back on. Updating starts automatically. Carry out the update in an environment that has little network load.
30	Main CPU failed to receive firmware for rewriting sent from DM860 (when timed out).	Main Firm***min Updating fail 30	Turn the power off then back on. Updating starts automatically.

Error code	Details of Error code	Display	Coping strategies
31	Main CPU failed to receive firmware for rewriting sent from DM860 (when an error)	Main Firm***min Updating fail 31	Turn the power off then back on. Updating starts automatically.
32	There was invalid data in the firmware for rewriting sent from DM860 to Main CPU (when a Check Sum error).	Main Firm***min Updating fail 32	Turn the power off then back on. Updating starts automatically.
33	The deletion of block data failed before rewriting Main CPU.	Main Firm***min Erase fail 33	Turn the power off then back on. Updating starts automatically.
34	The rewriting of block data failed when rewriting Main CPU.	Main Firm***min Updating fail 34	Turn the power off then back on. Updating starts automatically.
35	The data verification was invalid after rewriting Main CPU.	Main***min Update CheckNG 35	Turn the power off then back on. Updating starts automatically.
36	Log-in to DPMS has failed when rewriting firmware such as Sub CPU, DSP, FPGA, and PLD.	Login failed 36	Carry out the update in an environment that has little network load.
37	Line, etc., is busy when logging into DPMS when rewriting firmware such as Sub CPU, DSP, FPGA, and PLD.	Server is busy 37	Carry out the update in an environment that has little network load.
38	Connection to DPMS failed when rewriting firmware such as Sub CPU, DSP, FPGA, and PLD.	Connection fail 38	Check the network connection. Carry out the update in an environment that has little network load.
39	Connection to DPMS timed out when rewriting firmware such as Sub CPU, DSP, FPGA, and PLD.	Connection fail 39	Check the network connection. Carry out the update in an environment that has little network load.
3A	Error (NG) message received when downloading firmware when rewriting Main CPU.	Download fail 3A	Turn the power off then back on. Updating starts automatically. Carry out the update in an environment that has little network load.
3B	Error (line congestion) message received when downloading firmware when rewriting Main CPU.	Download fail 3B	Turn the power off then back on. Updating starts automatically. Carry out the update in an environment that has little network load.
3C	Error (connection failure) message received when downloading firmware when rewriting Main CPU.	Download fail 3C	Turn the power off then back on. Updating starts automatically. Carry out the update in an environment that has little network load.
3D	Data acquisition failed (timed out) when downloading firmware when rewriting Main CPU.	Connection fail 3D	Turn the power off then back on. Updating starts automatically. Carry out the update in an environment that has little network load.
3E	Error message received regarding firmware data when rewriting Main CPU.	Connection fail 3E	Check the network connection. Carry out the update in an environment that has little network load.
3F	Firmware file data was requested but it timed out when rewriting Main CPU.	Connection fail 3F	Check the network connection. Carry out the update in an environment that has little network load.

Error code	Details of Error code	Display	Coping strategies
50	Log-in to DPMS has failed when rewriting firmware such as Sub CPU, DSP, FPGA, and PLD.	Sub ***min Login failed 50	Carry out the update in an environment that has little network load.
51	Line, etc., is busy when logging into DPMS when rewriting firmware such as Sub CPU, DSP, FPGA, and PLD.	Sub ***min Server is busy 51	Carry out the update in an environment that has little network load.
52	Connection to DPMS failed when rewriting firmware such as Sub CPU, DSP, FPGA, and PLD.	Sub ***min Connection Fail 52	Check the network connection. Carry out the update in an environment that has little network load.
53	Connection to DPMS timed out when rewriting firmware such as Sub CPU, DSP, FPGA, and PLD.	Sub ***min Connection Fail 53	Check the network connection. Carry out the update in an environment that has little network load.
54	Error message received regarding firmware data after logging in to DPMS when rewriting firmware such as Sub CPU, DSP, FPGA, and PLD.	Sub ***min Updating fail 54	Turn the power off then back on. Updating starts automatically. Carry out the update in an environment that has little network load.
55	When rewriting firmware such as Sub CPU, DSP, FPGA, and PLD, request was made for firmware data after logging in to DPMS, but it timed out.	Sub ***min Updating fail 55	Turn the power off then back on. Updating starts automatically. Carry out the update in an environment that has little network load.
56	Failure to download firmware after logging in to DPMS when rewriting firmware such as Sub CPU, DSP, FPGA, and PLD.	Sub ***min Download fail 56	Turn the power off then back on. Updating starts automatically. Carry out the update in an environment that has little network load.
57	Firmware download error received (line congestion) after logging in to DPMS when rewriting firmware such as Sub CPU, DSP, FPGA, and PLD.	Sub ***min Server is busy 57	Turn the power off then back on. Updating starts automatically. Carry out the update in an environment that has little network load.
58	Firmware download error received (connection failure) after logging in to DPMS when rewriting firmware such as Sub CPU, DSP, FPGA, and PLD.	Sub ***min Connection Fail 58	Turn the power off then back on. Updating starts automatically. Carry out the update in an environment that has little network load.
59	When rewriting firmware such as Sub CPU, DSP, FPGA, and PLD, request was made for downloading firmware after logging in to DPMS, but it timed out.	Sub ***min Download fail 59	Turn the power off then back on. Updating starts automatically. Carry out the update in an environment that has little network load.
5A	NACK received when "C" command sent to Sub CPU, DSP, FPGA, PLD etc.	Sub ***min Connection Fail 5A	Turn the power off then back on. Updating starts automatically.
5B	NACK received when "L" command sent to Sub CPU, DSP, FPGA, PLD etc.	Sub ***min Updating fail 5B	Turn the power off then back on. Updating starts automatically.
5C	Sub CPU, DSP, FPGA, PLD etc. failed to receive firmware for rewriting sent from DM860 (when timed out).	Sub ***min Updating fail 5C	Turn the power off then back on. Updating starts automatically.
5D	Sub CPU, DSP, FPGA, PLD etc. failed to receive firmware for rewriting sent from DM860 (when an error).	Sub ***min Updating fail 5D	Turn the power off then back on. Updating starts automatically.
5E	Invalid data in firmware such as Sub CPU, DSP, FPGA, and PLD for rewriting sent from DM860 (when a Check Sum error).	Sub ***min Updating fail 5E	Turn the power off then back on. Updating starts automatically.

Error code	Details of Error code	Display	Coping strategies
5F	Invalid data in firmware such as Sub CPU, DSP, FPGA, and PLD for rewriting sent from DM860 (invalid data received).	Sub ***min Updating fail 5F	Turn the power off then back on. Updating starts automatically.
60	NACK received when "P" command sent to Sub CPU, DSP, FPGA, PLD etc.	Sub ***min Updating fail 60	Turn the power off then back on. Updating starts automatically.
61	NACK received when "I" command sent to Sub CPU, DSP, FPGA, PLD etc.	Sub ***min Update CheckNG 61	Turn the power off then back on. Updating starts automatically.
80	Failure to acquire serial flash data and before deleting serial flash.	GUl Flash ***min Updating fail 80	Turn the power off then back on. Updating starts automatically.
81	Failure to delete data before rewriting serial flash.	GUl Flash ***min Updating fail 81	Turn the power off then back on. Updating starts automatically.
82	Failure to receive firmware for serial flash rewriting sent by DM860 (when timed out).	GUl Flash ***min Updating fail 82	Turn the power off then back on. Updating starts automatically.
83	Failure to receive firmware for serial flash rewriting sent by DM860 (when an error).	GUl Flash ***min Updating fail 83	Turn the power off then back on. Updating starts automatically.
84	Failure to receive firmware for serial flash rewriting sent by DM860 (when a Check Sum error).	GUl Flash ***min Updating fail 84	Turn the power off then back on. Updating starts automatically.
85	Failure to receive firmware for serial flash rewriting sent by DM860 (when invalid data received).	GUl Flash ***min Updating fail 85	Turn the power off then back on. Updating starts automatically.
86	Failure to rewrite when writing data in serial flash.	GUl Flash ***min Updating fail 86	Turn the power off then back on. Updating starts automatically.
A0	Failure to acquire (Application Mode) IP address before rewriting DM860 (AutoIP).	EtherIMG ***min Connection Fail A0	Check the network connection. Carry out the update in an environment that has little network load.
A1	Failure to acquire (Application Mode) IP address before rewriting DM860 (when timed out).	EtherIMG ***min Connection Fail A1	Check the network connection. Carry out the update in an environment that has little network load.
A2	Notification of invalid login via DPMS access when rewriting DM860 related firmware (Application Mode).	EtherIMG ***min Login failed A2	Check the network connection. Carry out the update in an environment that has little network load.
A3	Notification of line congestion via DPMS access when rewriting DM860 related firmware (Application Mode).	EtherIMG ***min Server is busy A3	Check the network connection. Carry out the update in an environment that has little network load.
A4	Notification of connection failure via DPMS access when rewriting DM860 related firmware (Application Mode).	EtherIMG ***min Connection Fail A4	Check the network connection. Carry out the update in an environment that has little network load.

Error code	Details of Error code	Display	Coping strategies
A5	Connection through DPMS access timed out when rewriting DM860 related firmware (Application Mode).	EtherIMG***min ConnectionFailA5	Check the network connection. Carry out the update in an environment that has little network load.
A6	Firmware data error message received after DPMS login when rewriting DM860 related firmware (Application Mode).	EtherIMG***min UpdatingfailA6	Turn the power off then back on. Updating starts automatically. Carry out the update in an environment that has little network load.
A7	When rewriting DM860 related firmware (Application Mode), request was made for firmware data after DPMS login but it timed out.	EtherIMG***min UpdatingfailA7	Turn the power off then back on. Updating starts automatically. Carry out the update in an environment that has little network load.
A8	Failure to acquire (Boot Loader Mode) IP address before rewriting DM860 (AutoIP).	EtherIMG***min ConnectionFailA8	Check the network connection. Carry out the update in an environment that has little network load.
A9	Failure to acquire (Boot Loader Mode) IP address before rewriting DM860 (when timed out).	EtherIMG***min ConnectionFailA9	Check the network connection. Carry out the update in an environment that has little network load.
AA	Notification of invalid login via DPMS access when rewriting DM860 related firmware (Boot Loader Mode).	EtherIMG***min LoginfailedAA	Check the network connection. Carry out the update in an environment that has little network load.
AB	Notification of line congestion via DPMS access when rewriting DM860 related firmware (Boot Loader Mode).	EtherIMG***min ServerisbusyAB	Check the network connection. Carry out the update in an environment that has little network load.
AC	Notification of connection failure via DPMS access when rewriting DM860 related firmware (Boot Loader Mode).	EtherIMG***min ConnectionFailAC	Check the network connection. Carry out the update in an environment that has little network load.
AD	Connection through DPMS access timed out when rewriting DM860 related firmware (Boot Loader Mode).	EtherIMG***min ConnectionFailAD	Check the network connection. Carry out the update in an environment that has little network load.
AE	Firmware download error message received (when download fails) when rewriting DM860 related firmware (Boot Loader Mode).	EtherIMG***min DownloadfailAE	Turn the power off then back on. Updating starts automatically. Carry out the update in an environment that has little network load.
AF	Firmware download error message received (line congestion) when rewriting DM860 related firmware (Boot Loader Mode).	EtherIMG***min ServerisbusyAF	Turn the power off then back on. Updating starts automatically. Carry out the update in an environment that has little network load.
B0	Firmware download error message received (connection failure) when rewriting DM860 related firmware (Boot Loader Mode).	EtherIMG***min ConnectionFailB0	Turn the power off then back on. Updating starts automatically. Carry out the update in an environment that has little network load.
B1	When rewriting DM860 related firmware (Boot Loader Mode), request was made for firmware download but it timed out.	EtherIMG***min DownloadfailB1	Turn the power off then back on. Updating starts automatically. Carry out the update in an environment that has little network load.
B2	Error message received when rewriting DM860 related firmware.	EtherIMG***min UpdatingfailB2	Turn the power off then back on. Updating starts automatically. Carry out the update in an environment that has little network load.

Device display when firmware updated

Target of device when firmware updated.

Target of device	Display	Error cpde
Main	<pre>Main Firm ***min Updat ing</pre>	30 ~ 35
Main ROM	<pre>Main ROM ***min Updat ing</pre>	80 ~ 86
Sub	<pre>Sub ***min Updat ing</pre>	50 ~ 61
Audio PLD	<pre>APLD ***min Updat ing</pre>	50 ~ 61
Gui Config	<pre>Gui Conf ***min Updat ing</pre>	50 ~ 61
Video PLD	<pre>VPLD ***min Updat ing</pre>	50 ~ 61
DSP1	<pre>DSP1 ***min Updat ing</pre>	50 ~ 61
DSP2	<pre>DSP2 ***min Updat ing</pre>	50 ~ 61
Serial Flash	<pre>Gui Flash ***min Updat ing</pre>	80 ~ 86
DM860 Boot Loader	<pre>Ether SBL ***min Updat ing</pre>	A0 ~ B2
DM860 Image	<pre>Ether IMG ***min Updat ing</pre>	A0 ~ B2

ADJUSTMENT

Audio Section

Idling Current (8U-110049, 8U-110050-3)

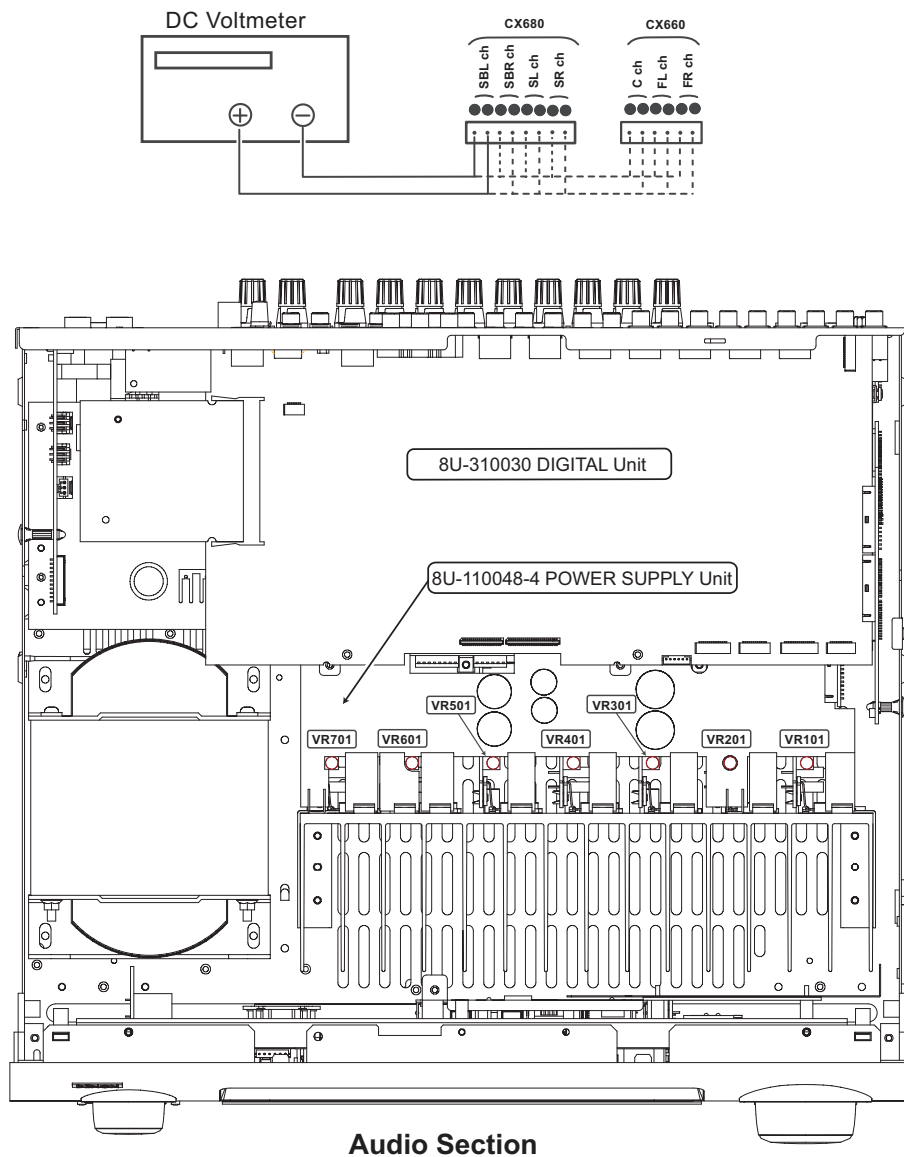
Required measurement equipment: DC Voltmeter

Preparation

- (1) Avoid direct blow from an air conditioner or an electric fan, and adjust the unit at normal room temperature 15°C ~ 30°C (59°F ~ 86°F).
- (2) Presetting
POWER (Power source switch) OFF
SPEAKER (Speaker terminal) No load
(Do not connect speaker, dummy resistor, etc.)

Adjustment

- (1) Remove top cover and set VR101, VR201, VR301, VR401, VR501, VR601, VR701, on 8U-110049 (POWER AMP Unit) at fully counterclockwise (⊖).
- (2) Connect DC Voltmeter to test points(8U-110050-3).
 - FRONT-Lch: CX660 ③ ④ pin
 - FRONT-Rch: CX660 ⑤ ⑥ pin
 - CENTER ch: CX660 ① ② pin
 - SURROUND-Lch: CX680 ⑤ ⑥ pin
 - SURROUND-Rch: CX680 ⑦ ⑧ pin
 - SURROUND BACK-Lch: CX680 ① ② pin
 - SURROUND BACK-Rch: CX680 ③ ④ pin)
- (3) Connect power cord to AC Line, and turn power switch "ON".
- (4) Presetting.
MASTER VOLUME : "----" counterclockwise (⊖ min.)
MODE : 7CH STEREO
FUNCTION : CD
- (5) Allow 2 minutes, and turn VR101 clockwise (⊕) to adjust the TEST POINT voltage to 6.5 mV ± 0.5 mV DC.
- (6) After 10 minutes from preset, turn VR101 to set the voltage to 12 mV ± 0.5 mV DC.
- (7) Adjust the Variable Resistors of other channels in the same way.
- (8) After 5 minutes from (6), turn VR101 to set the voltage to 12 mV ± 0.5 mV DC.
- (9) Adjust the Variable Resistors of other channels in the same way.



Adjustment volume is set for 8U-110049-1 ~ 7. The test point is at 8U-110050-3.

Insert an adjustment driver / connection terminal from an adjustment aperture of 8U-110048-4(POWER SUPPLY Unit)P.W.B..

SURROUND MODES AND PARAMETERS

Surround Mode	Channel output										Parameter (default values are shown in parentheses)									
	Front L/R	Center	Surround L/R	Surround Back L/R	Subwoofer	Front Wide L/R	Front Height L/R	D. COMP *1	DRC *2	LFE *3	AFDM *1	Surround Back	Cinema EQ.	Mode	Room Size	Effect Level				
PURE DIRECT, DIRECT (2ch)	○	×	×	×	◎*4	×	×	○ (OFF)	○ (Auto)	○ (0 dB)	×	×	×	×	×	×				
DSD DIRECT	○	×	×	×	◎	×	×	×	×	×	×	×	×	×	×	×				
DSD MULTI DIRECT	○	◎	◎	◎	◎	×	×	×	×	○ (0 dB)	○ (ON)	○	×	×	×	×				
MULTI CH DIRECT	○	◎	◎	◎	◎	×	×	×	×	○ (0 dB)	○ (ON)	×	×	×	×	×				
STEREO	○	×	×	×	◎	×	×	○ (OFF)	○ (Auto)	○ (0 dB)	×	×	×	×	×	×				
EXT. IN	○	◎	◎	◎	◎	×	×	×	×	×	×	×	×	×	×	×				
MULTI CH IN	○	◎	◎	◎	◎	◎ (NOTE4)	◎ (NOTE4)	×	×	○ (0 dB)	○ (ON)	○	○ (OFF)	×	×	○ (ON, 10)				
WIDE SCREEN	○	◎	◎	◎	◎	◎	◎	○ (OFF)	○ (Auto)	○ (0 dB)	×	○	○ (OFF)	×	×	×				
DOLBY PRO LOGIC IIz	○	◎	◎	◎	◎	×	◎	○ (OFF)	○ (Auto)	○ (0 dB)	×	×	×	○ (Height)	×	×				
DOLBY PRO LOGIC IIx	○	◎	◎	◎	◎	×	×	○ (OFF)	○ (Auto)	×	×	○	○ (NOTE1)	○ (Cinema)	×	×				
DOLBY PRO LOGIC II	○	◎	◎	◎	◎	◎ (NOTE4)	◎ (NOTE4)	○ (OFF)	○ (Auto)	×	×	○	○ (NOTE2)	○ (Cinema)	×	×				
DTS NEO:6	○	◎	◎	◎	◎	◎ (NOTE4)	◎ (NOTE4)	○ (OFF)	○ (Auto)	×	×	○	○ (NOTE1)	○ (Cinema)	×	×				
DOLBY DIGITAL	○	◎	◎	◎	◎	◎ (NOTE4)	◎ (NOTE4)	○ (OFF)	×	○ (0 dB)	○ (ON)	○	○ (OFF)	×	×	×				
DOLBY DIGITAL Plus	○	◎	◎	◎	◎	◎ (NOTE4)	◎ (NOTE4)	○ (OFF)	×	○ (0 dB)	○ (ON)	○	○ (OFF)	×	×	×				
DOLBY TrueHD	○	◎	◎	◎	◎	◎ (NOTE4)	◎ (NOTE4)	×	○ (Auto)	○ (0 dB)	○ (ON)	○	○ (OFF)	×	×	×				
DTS SURROUND	○	◎	◎	◎	◎	◎ (NOTE4)	◎ (NOTE4)	○ (OFF)	×	○ (0 dB)	○ (ON)	○	○ (OFF)	×	×	×				
DTS 96/24	○	◎	◎	◎	◎	◎ (NOTE4)	◎ (NOTE4)	○ (OFF)	×	○ (0 dB)	○ (ON)	○	○ (OFF)	×	×	×				
DTS-HD	○	◎	◎	◎	◎	◎ (NOTE4)	◎ (NOTE4)	○ (OFF)	×	○ (0 dB)	○ (ON)	○	○ (OFF)	×	×	×				
DTS EXPRESS	○	◎	◎	◎	◎	◎ (NOTE4)	◎ (NOTE4)	×	×	×	×	○	×	×	×	×				
neural	○	◎	◎	◎	◎	◎	◎	○ (OFF)	○ (Auto)	○ (0 dB)	×	○	×	×	×	×				
7CH STEREO	○	◎	◎	◎	◎	◎	◎	○ (OFF)	○ (Auto)	○ (0 dB)	×	○	×	×	○ (Medium)	○ (10)				
SUPER STADIUM	○	◎	◎	◎	◎	◎	◎	○ (OFF)	○ (Auto)	○ (0 dB)	×	○	×	×	○ (Medium)	○ (10)				
ROCK ARENA	○	◎	◎	◎	◎	◎	◎	○ (OFF)	○ (Auto)	○ (0 dB)	×	○	×	×	○ (Medium)	○ (10)				
JAZZ CLUB	○	◎	◎	◎	◎	◎	◎	○ (OFF)	○ (Auto)	○ (0 dB)	×	○	×	×	○ (Medium)	○ (10)				
CLASSIC CONCERT	○	◎	◎	◎	◎	◎	◎	○ (OFF)	○ (Auto)	○ (0 dB)	×	○	×	×	○ (Medium)	○ (10)				
MONO MOVIE	○	◎	◎	◎	◎	◎	◎	○ (OFF)	○ (Auto)	○ (0 dB)	×	○	×	×	○ (Medium)	○ (10)				
VIDEO GAME	○	◎	◎	◎	◎	◎	◎	○ (OFF)	○ (Auto)	○ (0 dB)	×	○	×	×	○ (Medium)	○ (10)				
MATRIX	○	◎	◎	◎	◎	◎	◎	○ (OFF)	○ (Auto)	○ (0 dB)	×	○	×	×	×	×				
VIRTUAL	○	×	×	×	◎	×	×	○ (OFF)	○ (Auto)	○ (0 dB)	×	×	×	×	×	×				

○ : Signal / Adjustable

× : No signal / Not adjustable

◎ : Turned on or off by speaker configuration setting

NOTE1 : This parameter is available when the "Mode" is set to "Cinema" (☞ page 73).

NOTE2 : This parameter is available when the "Mode" is set to "Cinema" or "ProLogic" (☞ page 73).

NOTE3 : This parameter is available when the "Front Height" is set to "ON" or "DSX" is set to "ON" (☞ page 74, 76).

NOTE4 : This parameter is available when the "DSX" is set to "ON" (☞ page 76).

NOTE:

*1 : When playing Dolby Digital and DTS signals.

*2 : When playing Dolby TrueHD signal.

*3 : When playing Dolby Digital, DTS, DVD-Audio and Super Audio CD.

*4 : When the "Subwoofer Mode" is set to "LFE+Main" (☞ page 35) only.

Surround Mode	Signals and adjustability in the different modes											Dynamic Volume	RESTORER	DSX	
	Delay Time	Subwoofer	Front Height	PRO LOGIC II/IIx MUSIC mode only			NEO-6 MUSIC mode only	EXT. IN only	Tone Control	MultEQ XT	Dynamic EQ				
				Panorama	Dimension	Center Width									Center Image
PURE DIRECT, DIRECT (2ch)	X	○	X	X	X	X	X	X	X	X	X	X	X	X	X
DSD DIRECT	X	X	X	X	X	X	X	X	X	X	X	X	X	X	X
DSD MULTI DIRECT	X	X	X	X	X	X	X	X	X	X	X	X	X	X	X
MULTI CH DIRECT	X	X	X	X	X	X	X	X	X	X	X	X	X	X	X
STEREO	X	X	X	X	X	X	X	X	X	X	X	X	X	X	X
EXT. IN	X	X	X	X	X	X	X	X	X	X	X	X	X	X	X
MULTI CH IN	X	X	X	X	X	X	X	X	X	X	X	X	X	X	X
WIDE SCREEN	X	X	X	X	X	X	X	X	X	X	X	X	X	X	X
DOLBY PRO LOGIC IIz	X	X	X	X	X	X	X	X	X	X	X	X	X	X	X
DOLBY PRO LOGIC IIx	X	X	X	X	X	X	X	X	X	X	X	X	X	X	X
DOLBY PRO LOGIC II	X	X	X	X	X	X	X	X	X	X	X	X	X	X	X
DTS NEO-6	X	X	X	X	X	X	X	X	X	X	X	X	X	X	X
DOLBY DIGITAL	X	X	X	X	X	X	X	X	X	X	X	X	X	X	X
DOLBY DIGITAL Plus	X	X	X	X	X	X	X	X	X	X	X	X	X	X	X
DOLBY TrueHD	X	X	X	X	X	X	X	X	X	X	X	X	X	X	X
DTS SURROUND	X	X	X	X	X	X	X	X	X	X	X	X	X	X	X
DTS 96/24	X	X	X	X	X	X	X	X	X	X	X	X	X	X	X
DTS-HD	X	X	X	X	X	X	X	X	X	X	X	X	X	X	X
DTS EXPRESS	X	X	X	X	X	X	X	X	X	X	X	X	X	X	X
neutral	X	X	X	X	X	X	X	X	X	X	X	X	X	X	X
7CH STEREO	X	X	X	X	X	X	X	X	X	X	X	X	X	X	X
SUPER STADIUM	X	X	X	X	X	X	X	X	X	X	X	X	X	X	X
ROCK ARENA	X	X	X	X	X	X	X	X	X	X	X	X	X	X	X
JAZZ CLUB	X	X	X	X	X	X	X	X	X	X	X	X	X	X	X
CLASSIC CONCERT	X	X	X	X	X	X	X	X	X	X	X	X	X	X	X
MONO MOVIE	X	X	X	X	X	X	X	X	X	X	X	X	X	X	X
VIDEO GAME	X	X	X	X	X	X	X	X	X	X	X	X	X	X	X
MATRIX	X	X	X	X	X	X	X	X	X	X	X	X	X	X	X
VIRTUAL	X	X	X	X	X	X	X	X	X	X	X	X	X	X	X

○ : Signal / Adjustable
 X : No signal / Not adjustable
 NOTE5 : BASS +6 dB, TREBLE 0 dB
 NOTE6 : BASS +6 dB, TREBLE +4 dB

Button	Surround Mode	Note	Input signals																	
			ANALOG	LINEAR PCM / WAV	WMA (Windows Media Audio) / MP3 / MPEG-4 AAC / FLAC	DTS-HD		DTS			DOLBY		DOLBY DIGITAL			MULTI CH PCM		Super Audio CD		
				DTS EXPRESS	DTS ES DSCRT (With Flag)	DTS ES MTRX (With Flag)	DTS (5.1ch)	DTS 96/24	DOLBY TrueHD	DOLBY DIGITAL Plus	DOLBY DIGITAL EX (With Flag)	DOLBY DIGITAL EX (With no Flag)	DOLBY DIGITAL (5.1/5.4ch)	DOLBY DIGITAL (4/3ch)	DOLBY DIGITAL (2ch)	PCM (multi ch)	PCM (2ch)	DSD (multi ch)	DSD (2ch)	
STANDARD																				
MULTI CH IN																				
MULTI CH IN																				
MULTI IN + PLIIx CINEMA		*2	X	X	X	X	X	X	X	X	X	X	X	X	X	X	X	X	X	X
MULTI IN + PLIIx MUSIC		*1	X	X	X	X	X	X	X	X	X	X	X	X	X	X	X	X	X	X
MULTI IN + PLIIz HEIGHT		*3	X	X	X	X	X	X	X	X	X	X	X	X	X	X	X	X	X	X
MULTI IN + DOLBY EX		*1	X	X	X	X	X	X	X	X	X	X	X	X	X	X	X	X	X	X
MULTI CH IN 7.1		*1	X	X	X	X	X	X	X	X	X	X	X	X	X	● (7.1)	X	X	X	X
DIRECT																				
DIRECT			O	O	O	O	O	O	O	O	O	O	O	O	O	X	O	X	O	O
DSD DIRECT			X	X	X	X	X	X	X	X	X	X	X	X	X	X	X	X	X	X
DSD MULTI DIRECT			X	X	X	X	X	X	X	X	X	X	X	X	X	X	X	X	X	X
MULTI CH DIRECT			X	X	X	X	X	X	X	X	X	X	X	X	X	O	X	O	X	X
M DIRECT + PLIIx CINEMA		*2	X	X	X	X	X	X	X	X	X	X	X	X	X	O	X	O	X	X
M DIRECT + PLIIx MUSIC		*1	X	X	X	X	X	X	X	X	X	X	X	X	X	O	X	O	X	X
M DIRECT + PLIIz HEIGHT		*3	X	X	X	X	X	X	X	X	X	X	X	X	X	O	X	O	X	X
M DIRECT + DOLBY EX		*1	X	X	X	X	X	X	X	X	X	X	X	X	X	O	X	O	X	X
M DIRECT 7.1		*1	X	X	X	X	X	X	X	X	X	X	X	X	X	O (7.1)	X	X	X	X
PURE DIRECT																				
PURE DIRECT			O	O	O	O	O	O	O	O	O	O	O	O	O	X	O	X	O	O
DSD PURE DIRECT			X	X	X	X	X	X	X	X	X	X	X	X	X	X	X	X	X	X
DSD MULTI PURE DIRECT			X	X	X	X	X	X	X	X	X	X	X	X	X	X	X	X	X	X
MULTI CH PURE DIRECT			X	X	X	X	X	X	X	X	X	X	X	X	X	O	X	O	X	X
M PURE D + PLIIx CINEMA		*2	X	X	X	X	X	X	X	X	X	X	X	X	X	O	X	O	X	X
M PURE D + PLIIx MUSIC		*1	X	X	X	X	X	X	X	X	X	X	X	X	X	O	X	O	X	X
M PURE D + PLIIz HEIGHT		*3	X	X	X	X	X	X	X	X	X	X	X	X	X	O	X	O	X	X
M PURE D + DOLBY EX		*1	X	X	X	X	X	X	X	X	X	X	X	X	X	O	X	O	X	X
M CH PURE DIRECT 7.1		*1	X	X	X	X	X	X	X	X	X	X	X	X	X	O (7.1)	X	X	X	X

NOTE:
 *1: This mode is not available when the surround back speaker setup is set to "None".
 *2: This mode is not available when the surround back speaker setup is set to "1spkr" or "None".
 *3: This mode is not available when the front height speaker setup is set to "None".

● : Mode selectable in initial status
 ○ : Selectable mode
 × : Non-selectable mode

Button	Input signals																					
	Note	ANALOG	LINEAR PCM/ WAV	WMA (Windows Media Audio) / MP3 / MPEG-4 AAC / FLAC	DTS-HD		DTS			DOLBY		DOLBY DIGITAL				MULTI CH PCM		Super Audio CD				
Surround Mode					DTS-HD Master Audio	DTS-HD High Resolution Audio	DTS EXPRESS	DTS DSCRT (With Flag)	DTS ES MTRX (With Flag)	DTS 96/24	DOLBY TrueHD	DOLBY DIGITAL Plus	DOLBY DIGITAL EX (With Flag)	DOLBY DIGITAL-EX (With no Flag)	DOLBY DIGITAL (5.1/5.4ch)	DOLBY DIGITAL (4/3ch)	DOLBY DIGITAL (2ch)	PCM (multi ch)	PCM (2ch)	DSD (multi ch)	DSD (2ch)	
DSP SIMULATION																						
7CH STEREO	*4	<input type="radio"/>	<input type="radio"/>	<input type="radio"/>	<input type="radio"/>	<input type="radio"/>	<input type="radio"/>	<input type="radio"/>	<input type="radio"/>	<input type="radio"/>	<input type="radio"/>	<input type="radio"/>	<input type="radio"/>	<input type="radio"/>	<input type="radio"/>	<input type="radio"/>	<input type="radio"/>	<input type="radio"/>	<input type="radio"/>	<input type="radio"/>	<input type="radio"/>	<input type="radio"/>
WIDE SCREEN		<input type="radio"/>	<input type="radio"/>	<input type="radio"/>	<input type="radio"/>	<input type="radio"/>	<input type="radio"/>	<input type="radio"/>	<input type="radio"/>	<input type="radio"/>	<input type="radio"/>	<input type="radio"/>	<input type="radio"/>	<input type="radio"/>	<input type="radio"/>	<input type="radio"/>	<input type="radio"/>	<input type="radio"/>	<input type="radio"/>	<input type="radio"/>	<input type="radio"/>	<input type="radio"/>
SUPER STADIUM		<input type="radio"/>	<input type="radio"/>	<input type="radio"/>	<input type="radio"/>	<input type="radio"/>	<input type="radio"/>	<input type="radio"/>	<input type="radio"/>	<input type="radio"/>	<input type="radio"/>	<input type="radio"/>	<input type="radio"/>	<input type="radio"/>	<input type="radio"/>	<input type="radio"/>	<input type="radio"/>	<input type="radio"/>	<input type="radio"/>	<input type="radio"/>	<input type="radio"/>	<input type="radio"/>
ROCK ARENA		<input type="radio"/>	<input type="radio"/>	<input type="radio"/>	<input type="radio"/>	<input type="radio"/>	<input type="radio"/>	<input type="radio"/>	<input type="radio"/>	<input type="radio"/>	<input type="radio"/>	<input type="radio"/>	<input type="radio"/>	<input type="radio"/>	<input type="radio"/>	<input type="radio"/>	<input type="radio"/>	<input type="radio"/>	<input type="radio"/>	<input type="radio"/>	<input type="radio"/>	<input type="radio"/>
JAZZ CLUB		<input type="radio"/>	<input type="radio"/>	<input type="radio"/>	<input type="radio"/>	<input type="radio"/>	<input type="radio"/>	<input type="radio"/>	<input type="radio"/>	<input type="radio"/>	<input type="radio"/>	<input type="radio"/>	<input type="radio"/>	<input type="radio"/>	<input type="radio"/>	<input type="radio"/>	<input type="radio"/>	<input type="radio"/>	<input type="radio"/>	<input type="radio"/>	<input type="radio"/>	<input type="radio"/>
CLASSIC CONCERT		<input type="radio"/>	<input type="radio"/>	<input type="radio"/>	<input type="radio"/>	<input type="radio"/>	<input type="radio"/>	<input type="radio"/>	<input type="radio"/>	<input type="radio"/>	<input type="radio"/>	<input type="radio"/>	<input type="radio"/>	<input type="radio"/>	<input type="radio"/>	<input type="radio"/>	<input type="radio"/>	<input type="radio"/>	<input type="radio"/>	<input type="radio"/>	<input type="radio"/>	<input type="radio"/>
MONO MOVIE		<input type="radio"/>	<input type="radio"/>	<input type="radio"/>	<input type="radio"/>	<input type="radio"/>	<input type="radio"/>	<input type="radio"/>	<input type="radio"/>	<input type="radio"/>	<input type="radio"/>	<input type="radio"/>	<input type="radio"/>	<input type="radio"/>	<input type="radio"/>	<input type="radio"/>	<input type="radio"/>	<input type="radio"/>	<input type="radio"/>	<input type="radio"/>	<input type="radio"/>	<input type="radio"/>
VIDEO GAME		<input type="radio"/>	<input type="radio"/>	<input type="radio"/>	<input type="radio"/>	<input type="radio"/>	<input type="radio"/>	<input type="radio"/>	<input type="radio"/>	<input type="radio"/>	<input type="radio"/>	<input type="radio"/>	<input type="radio"/>	<input type="radio"/>	<input type="radio"/>	<input type="radio"/>	<input type="radio"/>	<input type="radio"/>	<input type="radio"/>	<input type="radio"/>	<input type="radio"/>	<input type="radio"/>
MATRIX		<input type="radio"/>	<input type="radio"/>	<input type="radio"/>	<input type="radio"/>	<input type="radio"/>	<input type="radio"/>	<input type="radio"/>	<input type="radio"/>	<input type="radio"/>	<input type="radio"/>	<input type="radio"/>	<input type="radio"/>	<input type="radio"/>	<input type="radio"/>	<input type="radio"/>	<input type="radio"/>	<input type="radio"/>	<input type="radio"/>	<input type="radio"/>	<input type="radio"/>	<input type="radio"/>
VIRTUAL		<input type="radio"/>	<input type="radio"/>	<input type="radio"/>	<input type="radio"/>	<input type="radio"/>	<input type="radio"/>	<input type="radio"/>	<input type="radio"/>	<input type="radio"/>	<input type="radio"/>	<input type="radio"/>	<input type="radio"/>	<input type="radio"/>	<input type="radio"/>	<input type="radio"/>	<input type="radio"/>	<input type="radio"/>	<input type="radio"/>	<input type="radio"/>	<input type="radio"/>	<input type="radio"/>
STEREO		<input checked="" type="radio"/>	<input type="radio"/>	<input type="radio"/>	<input type="radio"/>	<input type="radio"/>	<input type="radio"/>	<input type="radio"/>	<input type="radio"/>	<input type="radio"/>	<input type="radio"/>	<input type="radio"/>	<input type="radio"/>	<input type="radio"/>	<input type="radio"/>	<input type="radio"/>	<input type="radio"/>	<input type="radio"/>	<input type="radio"/>	<input type="radio"/>	<input type="radio"/>	<input type="radio"/>
STEREO		<input checked="" type="radio"/>	<input type="radio"/>	<input type="radio"/>	<input type="radio"/>	<input type="radio"/>	<input type="radio"/>	<input type="radio"/>	<input type="radio"/>	<input type="radio"/>	<input type="radio"/>	<input type="radio"/>	<input type="radio"/>	<input type="radio"/>	<input type="radio"/>	<input type="radio"/>	<input type="radio"/>	<input type="radio"/>	<input type="radio"/>	<input type="radio"/>	<input type="radio"/>	<input checked="" type="radio"/>

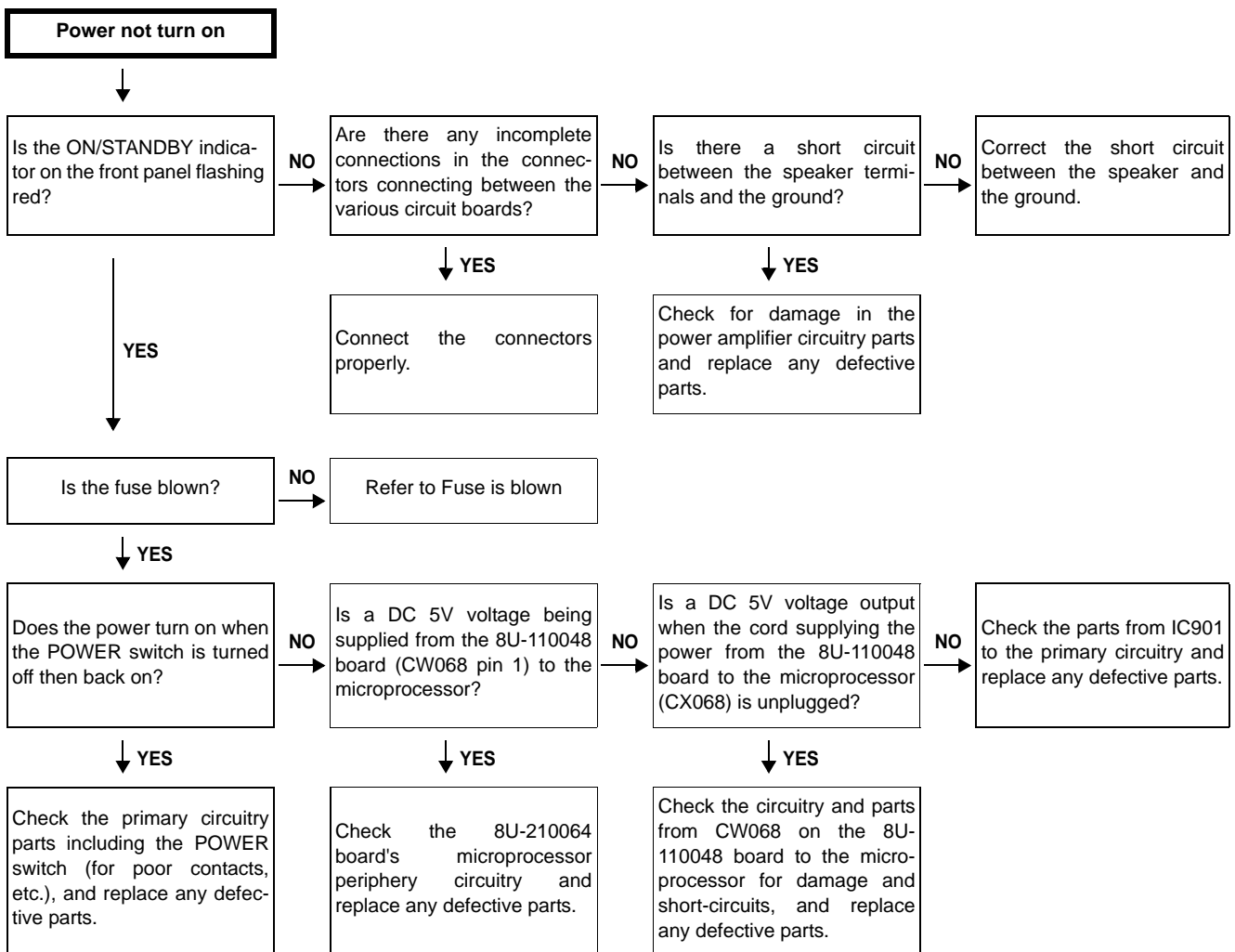
NOTE :

*4 : If the surround back, front wide and front height speaker setup is set to "None", then "5CH STEREO" is displayed.

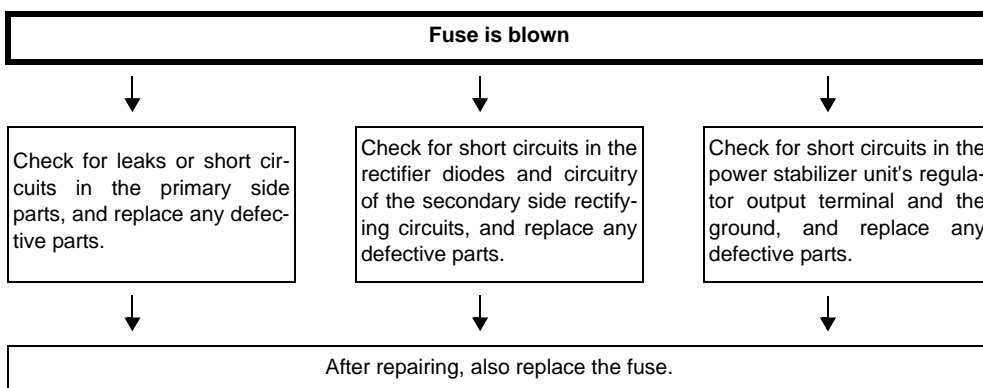
TROUBLE SHOOTING

1. POWER

1.1. Power not turn on

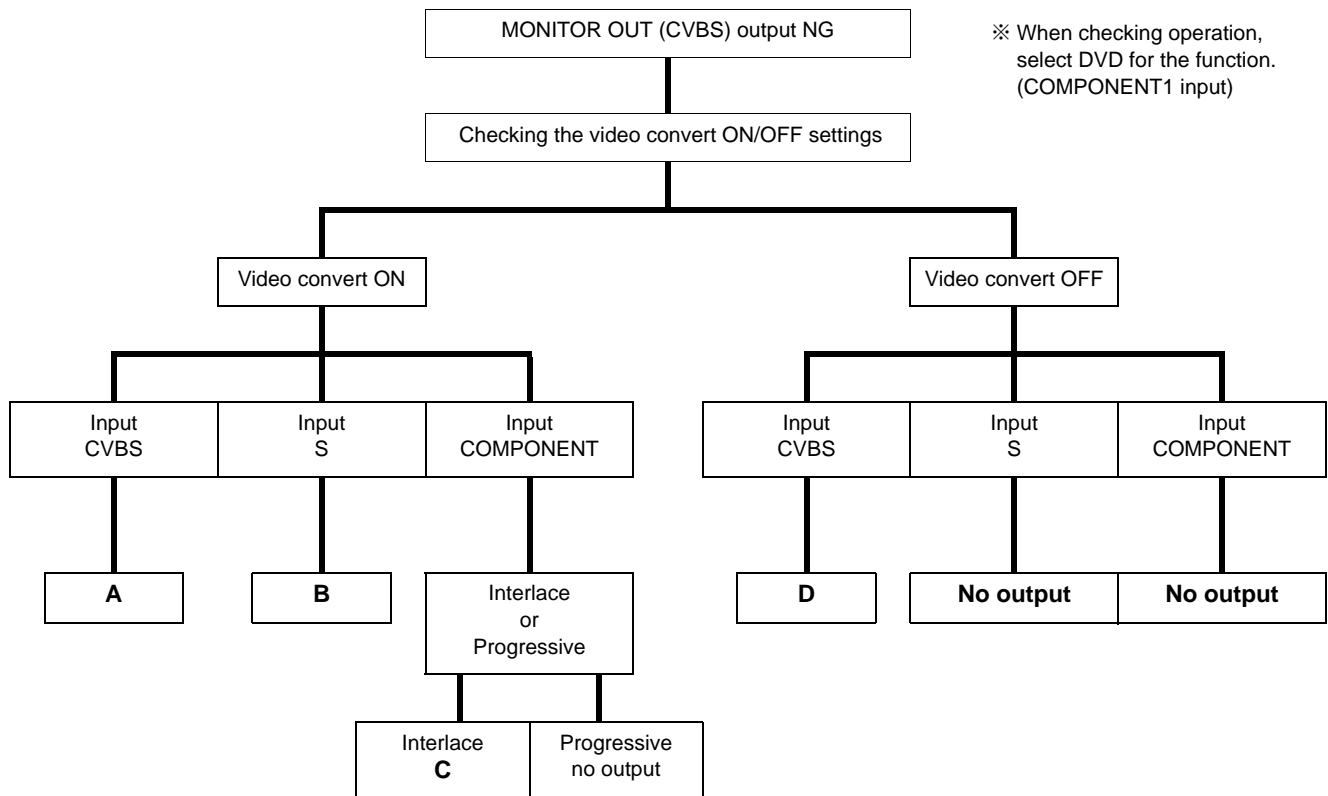


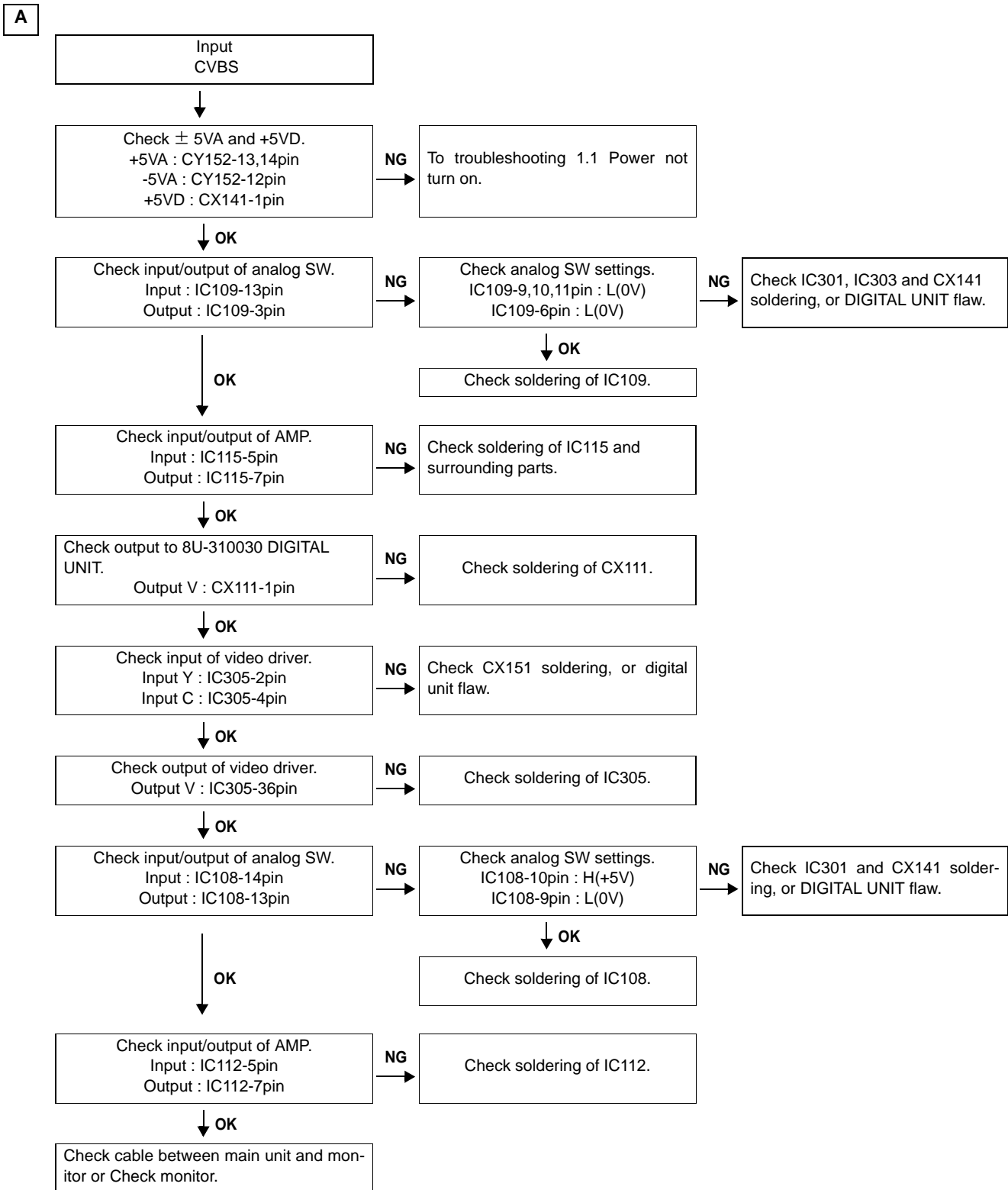
1.2. Fuse is blown



2. Analog video

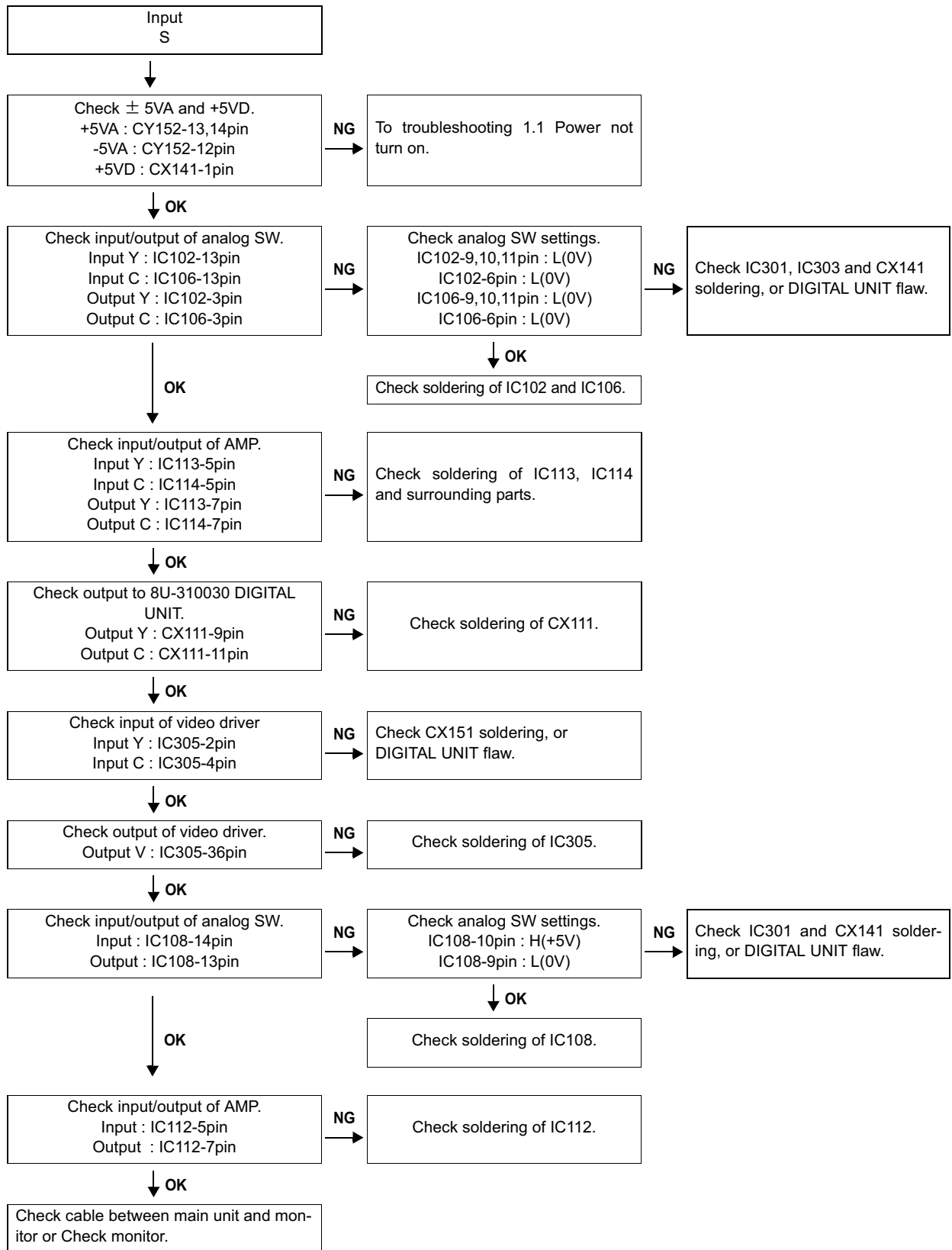
2.1. MONITOR OUT (CVBS) output NG



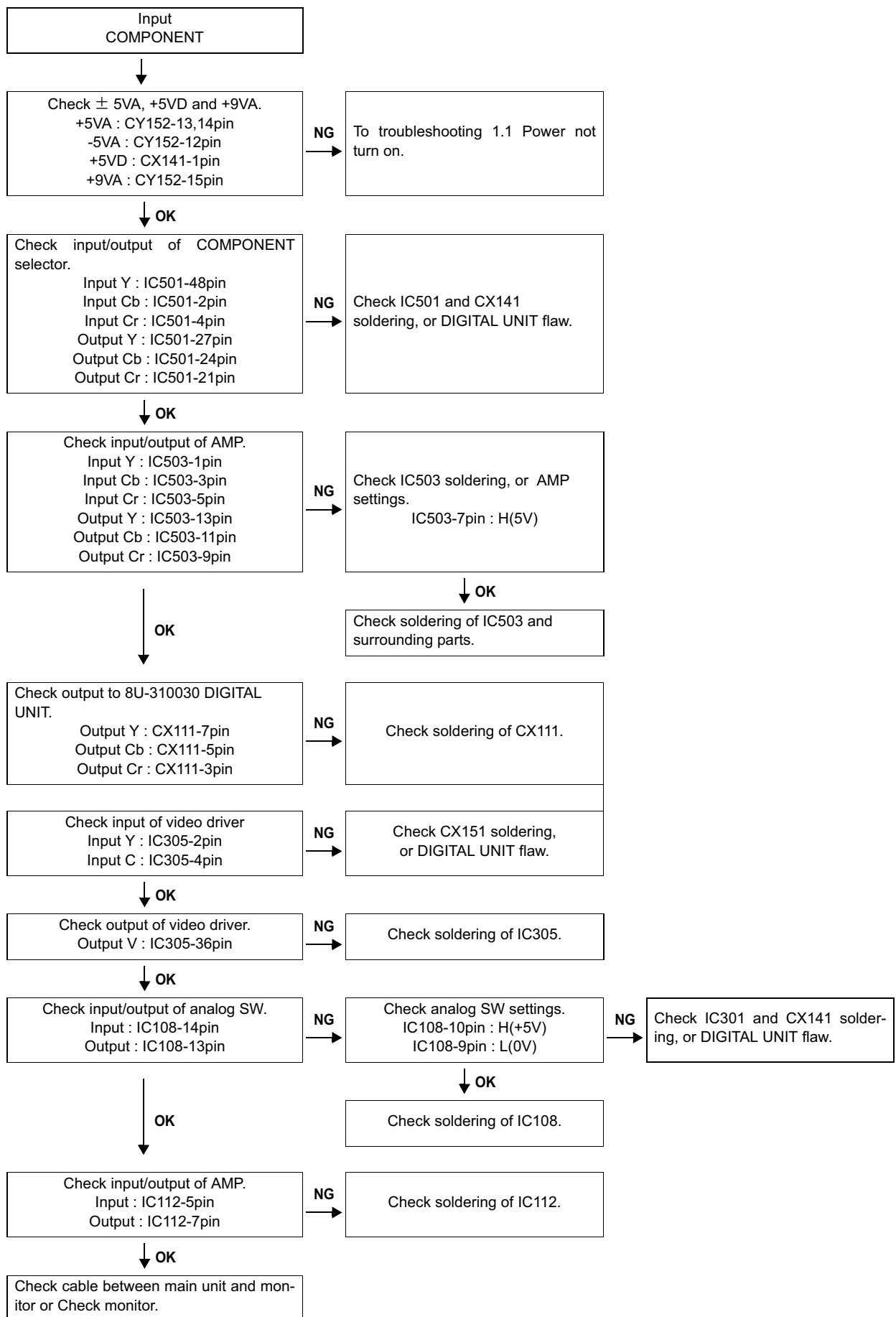


※ Unless specified, 8U-210063-1 A.VIDEO UNIT part.

B

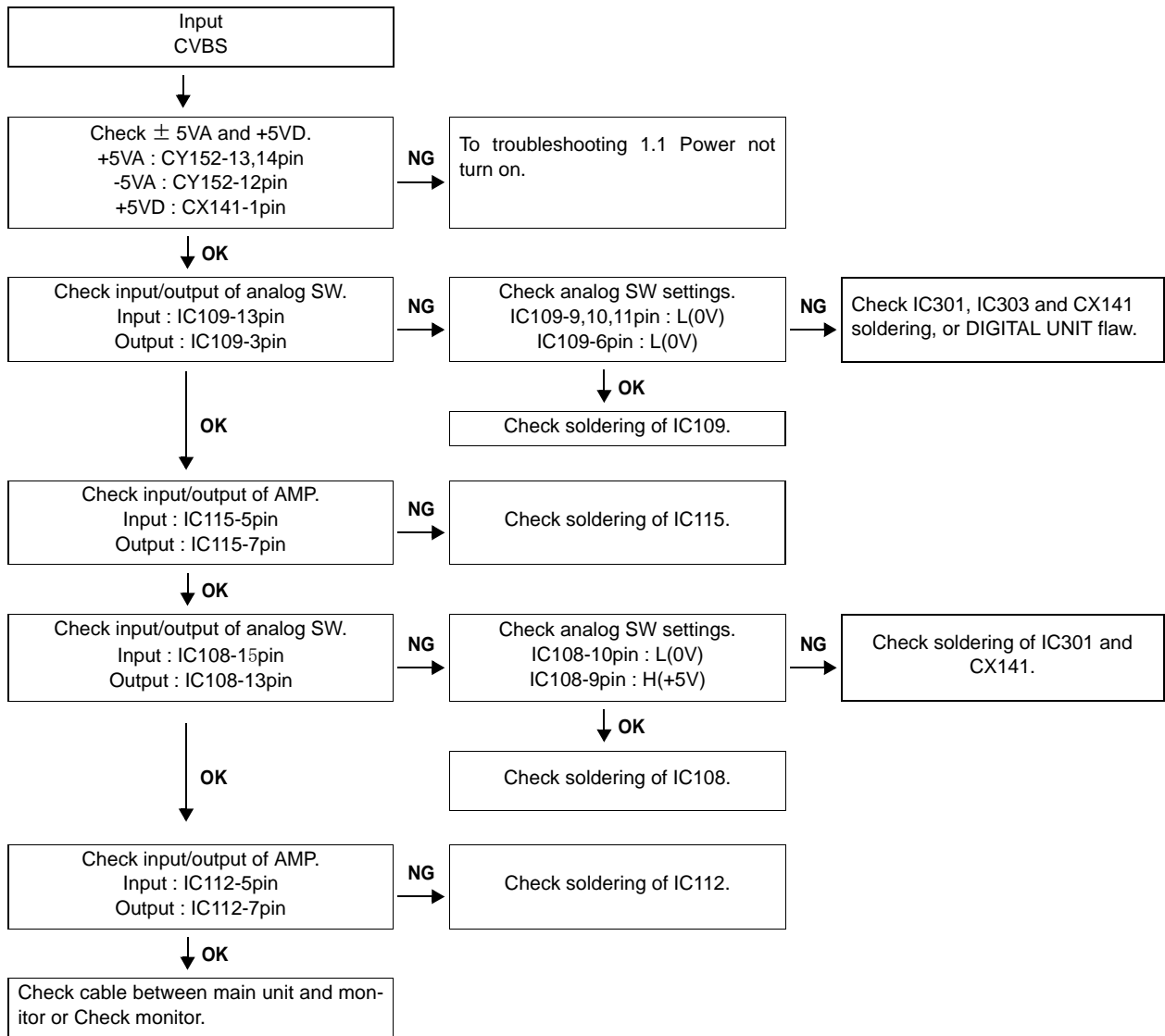


※ Unless specified, 8U-210063-1 A.VIDEO UNIT part.

C

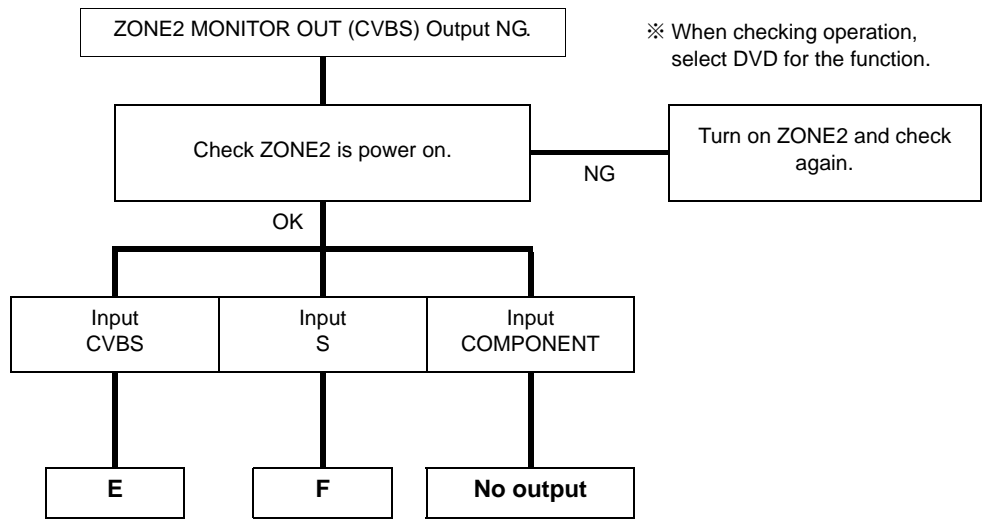
※ Unless specified, 8U-210063-1 A.VIDEO UNIT part.

D

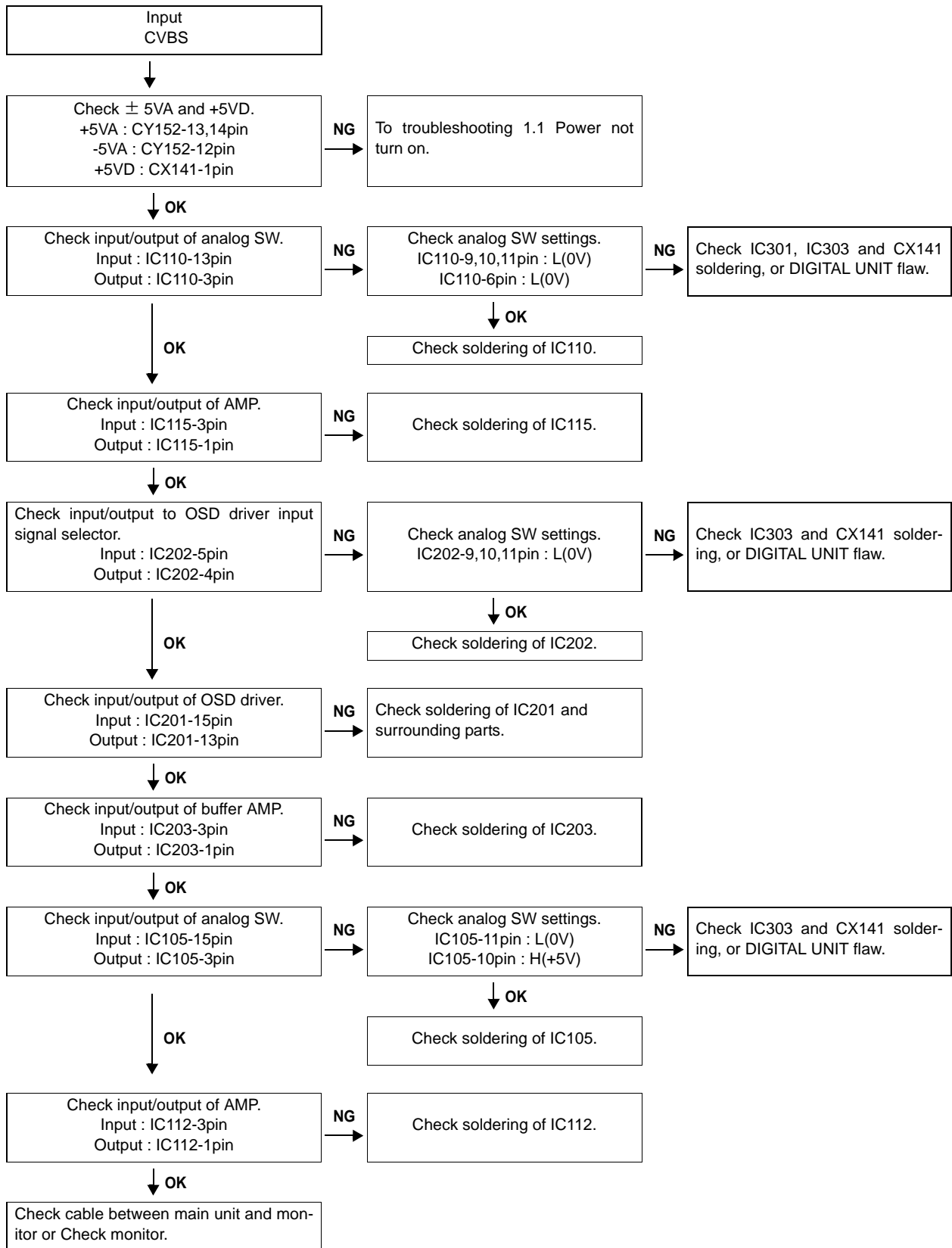


※ Unless specified, 8U-210063-1 A.VIDEO UNIT part.

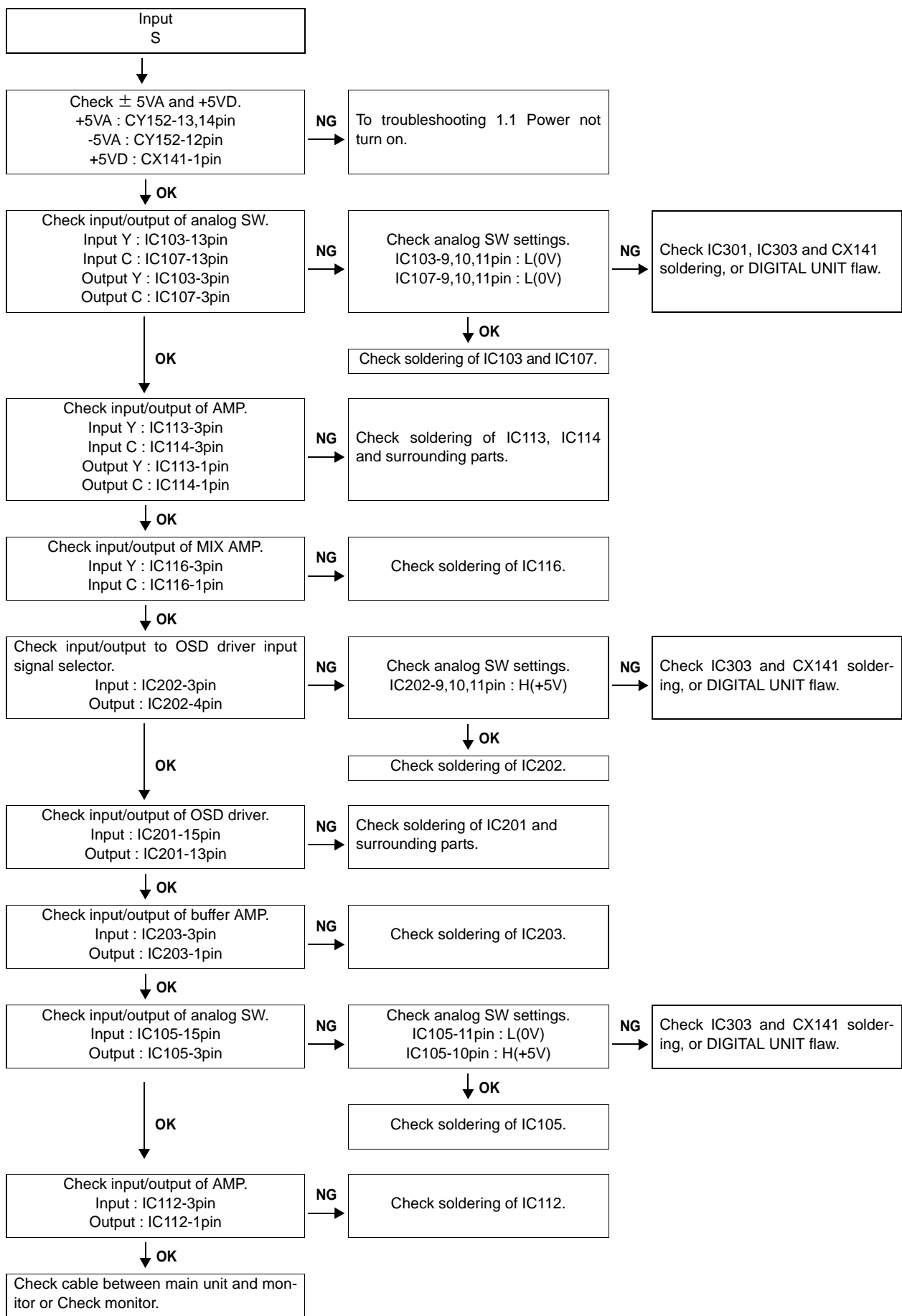
2.2. ZONE2 MONITOR OUT (CVBS) Output NG



E

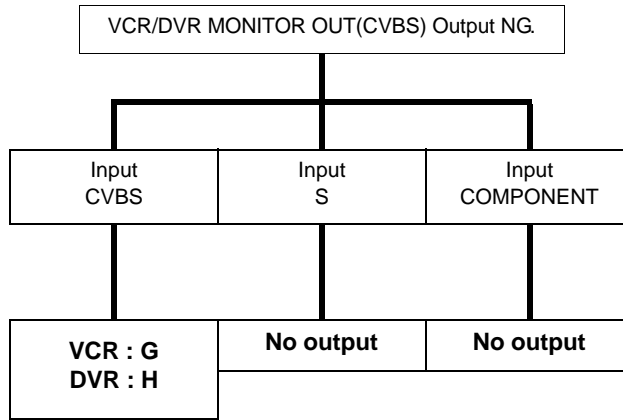


※ Unless specified, 8U-210063-1 A.VIDEO UNIT part.

F

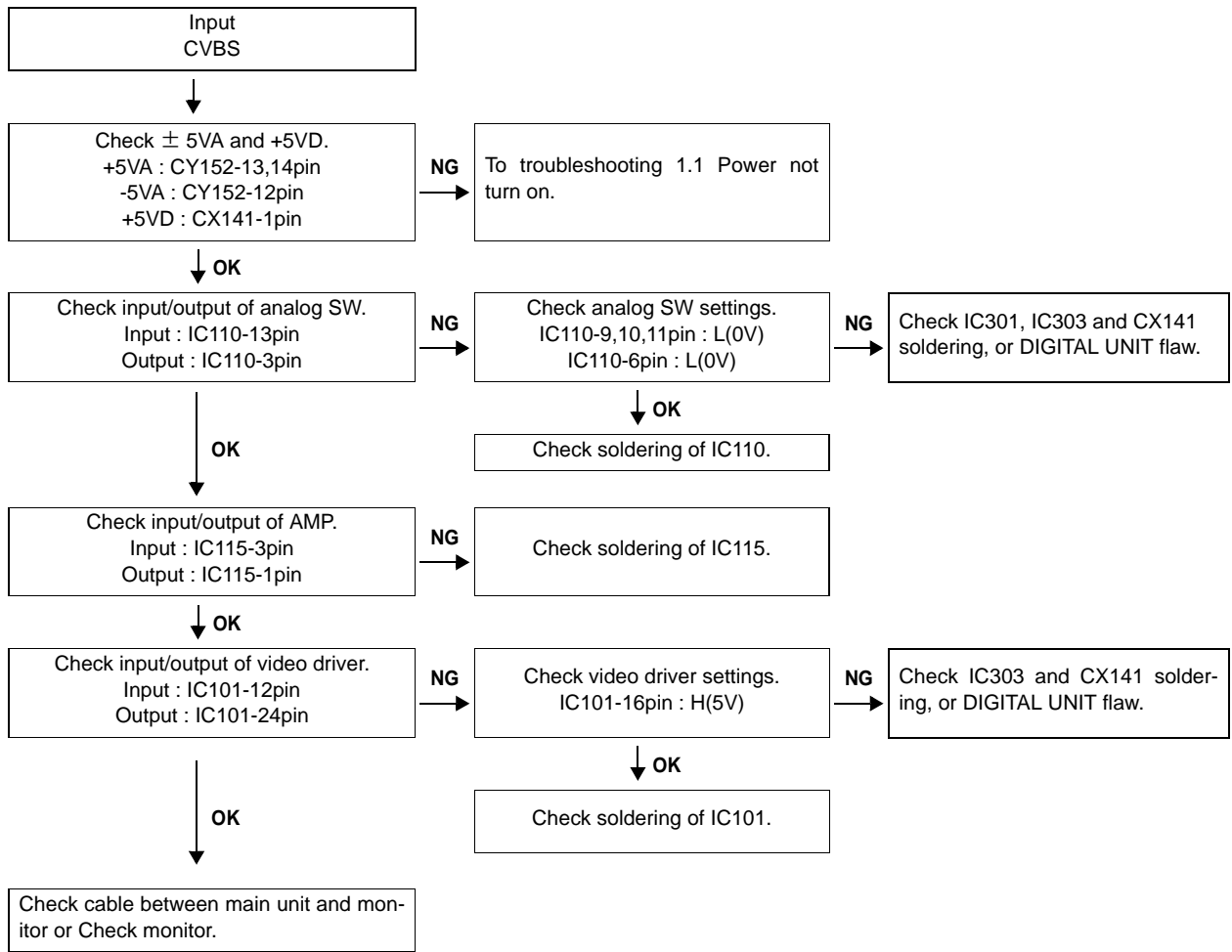
※ Unless specified, 8U-210063-1 A.VIDEO UNIT part.

2.3. VCR/DVR MONITOR OUT(CVBS) Output NG



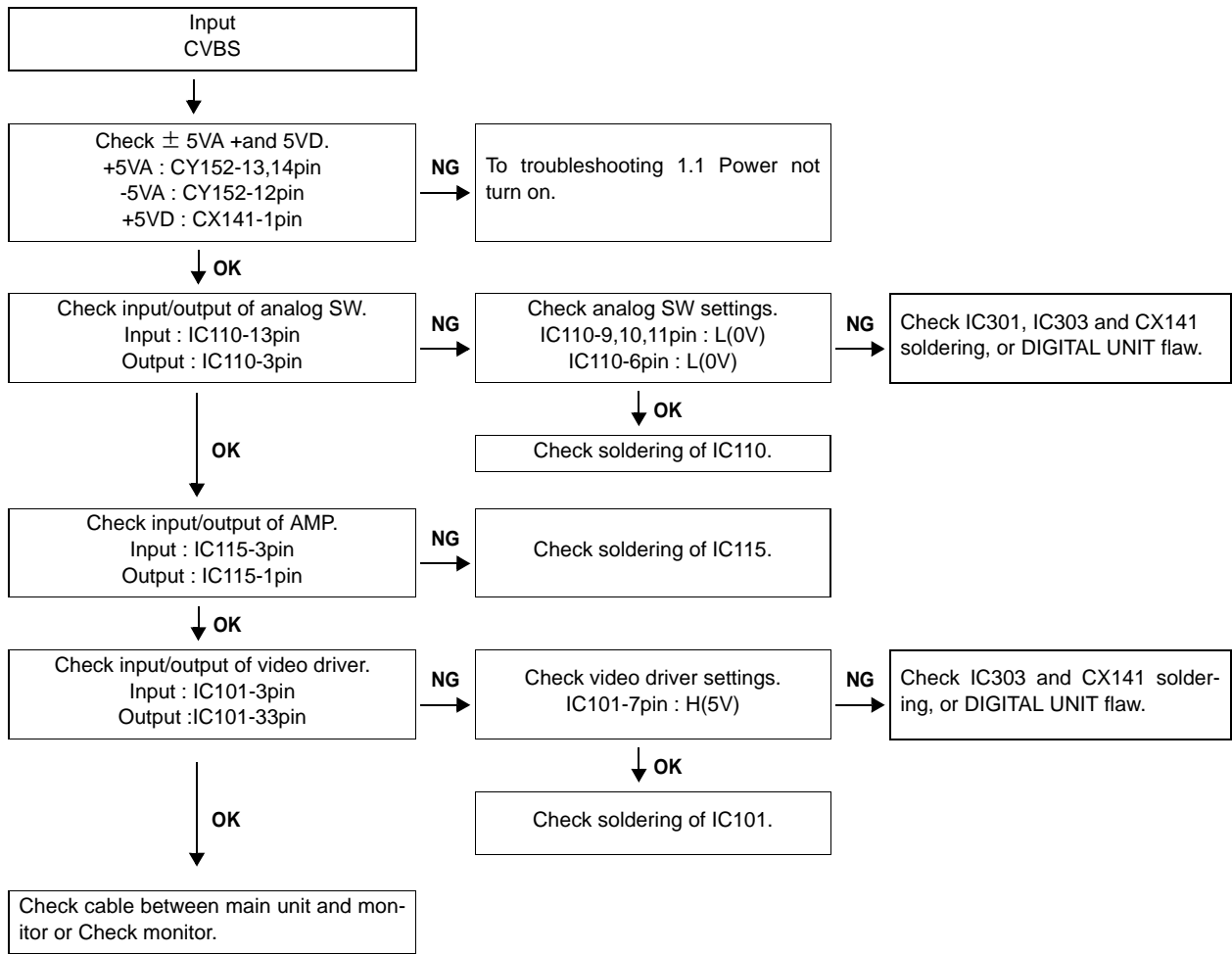
※ When checking operation, select DVD for the function.

G



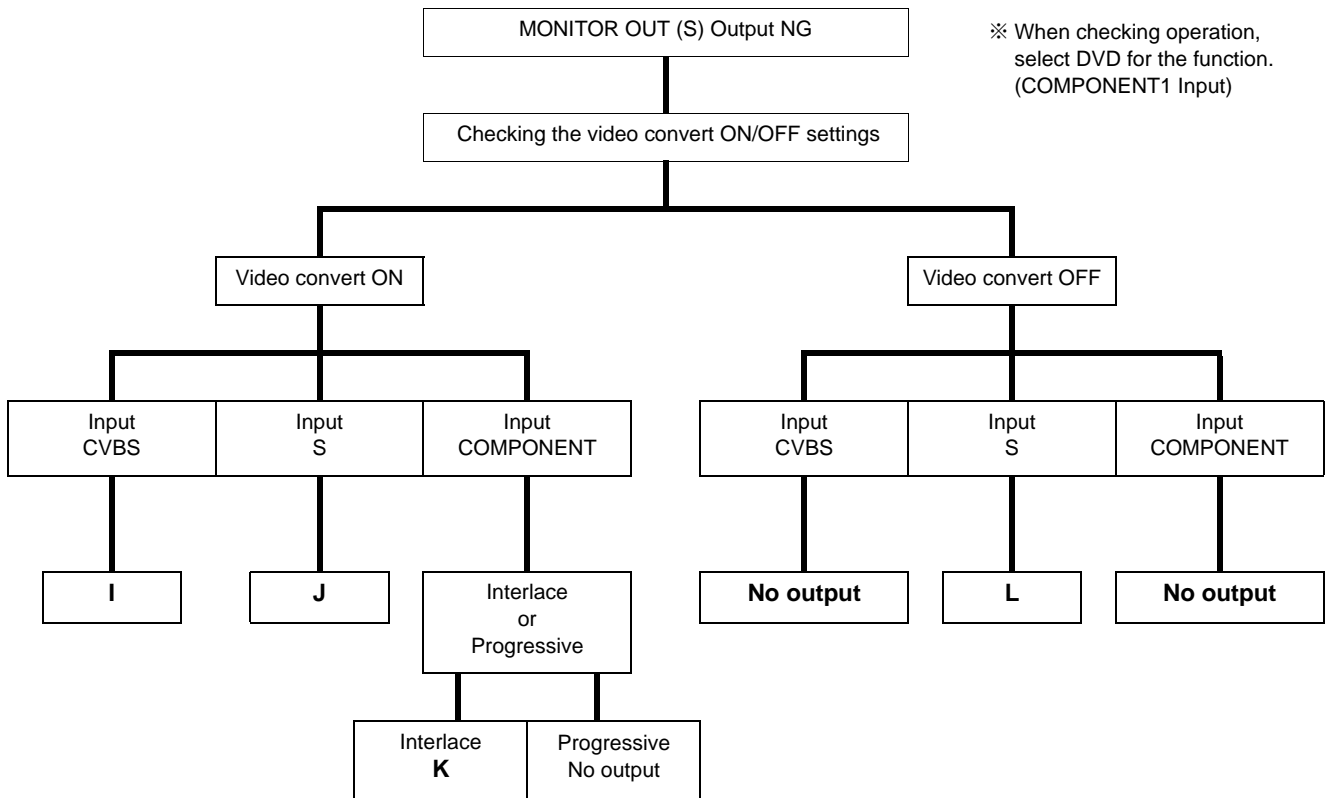
※ Unless specified, 8U-210063-1 A.VIDEO UNIT part.

H

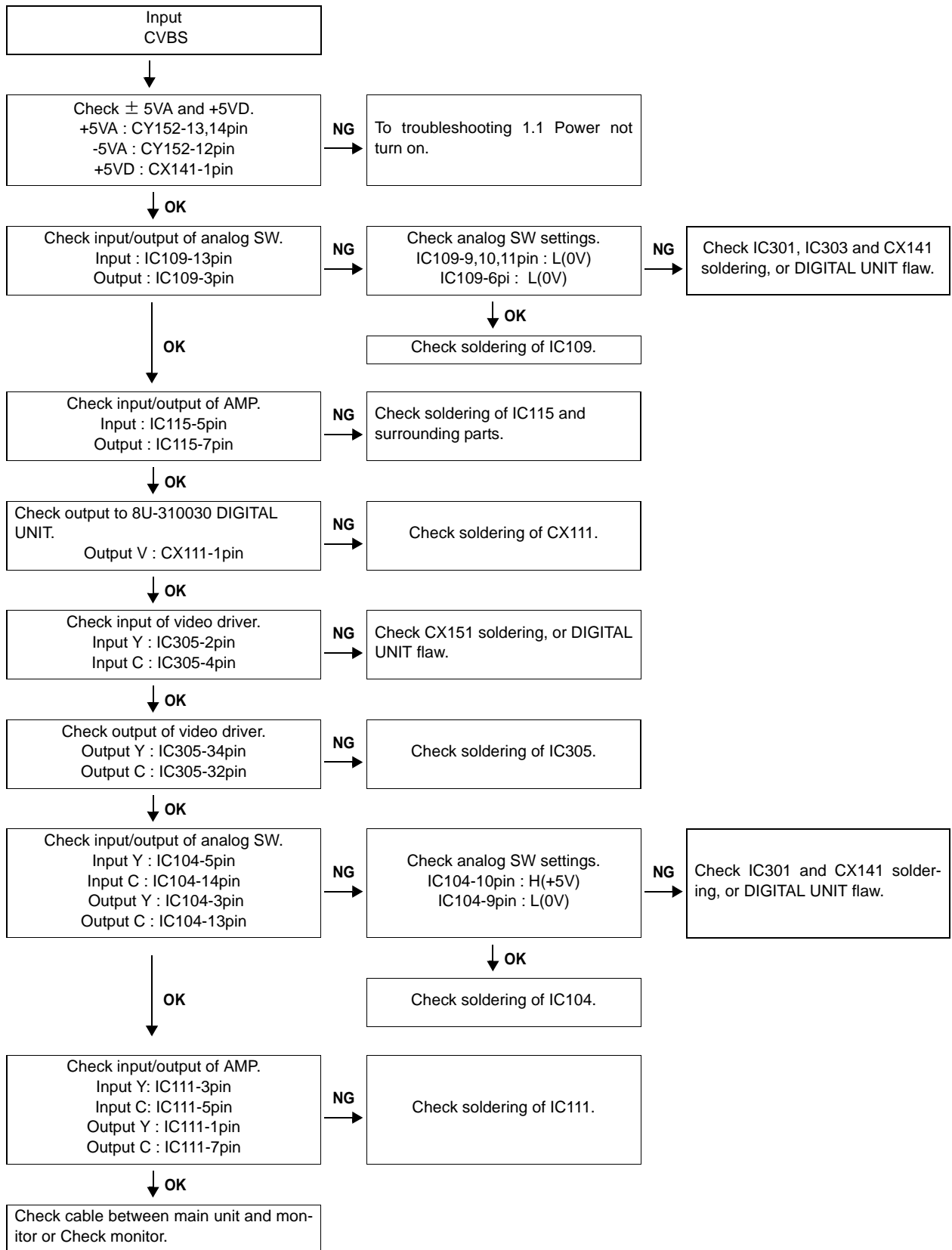


※ Unless specified, 8U-210063-1 A.VIDEO UNIT part.

2.4. MONITOR OUT (S) Output NG

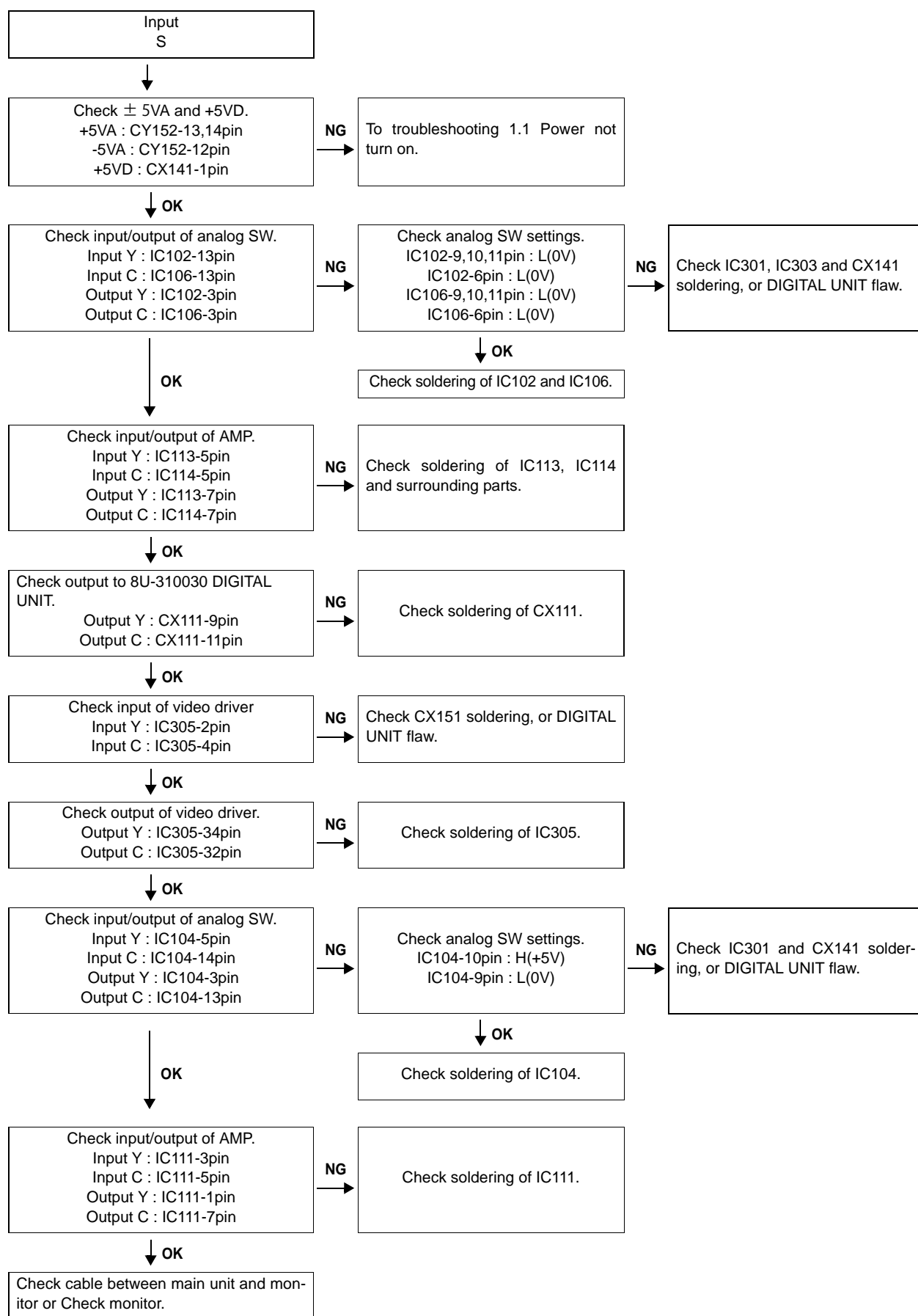


I



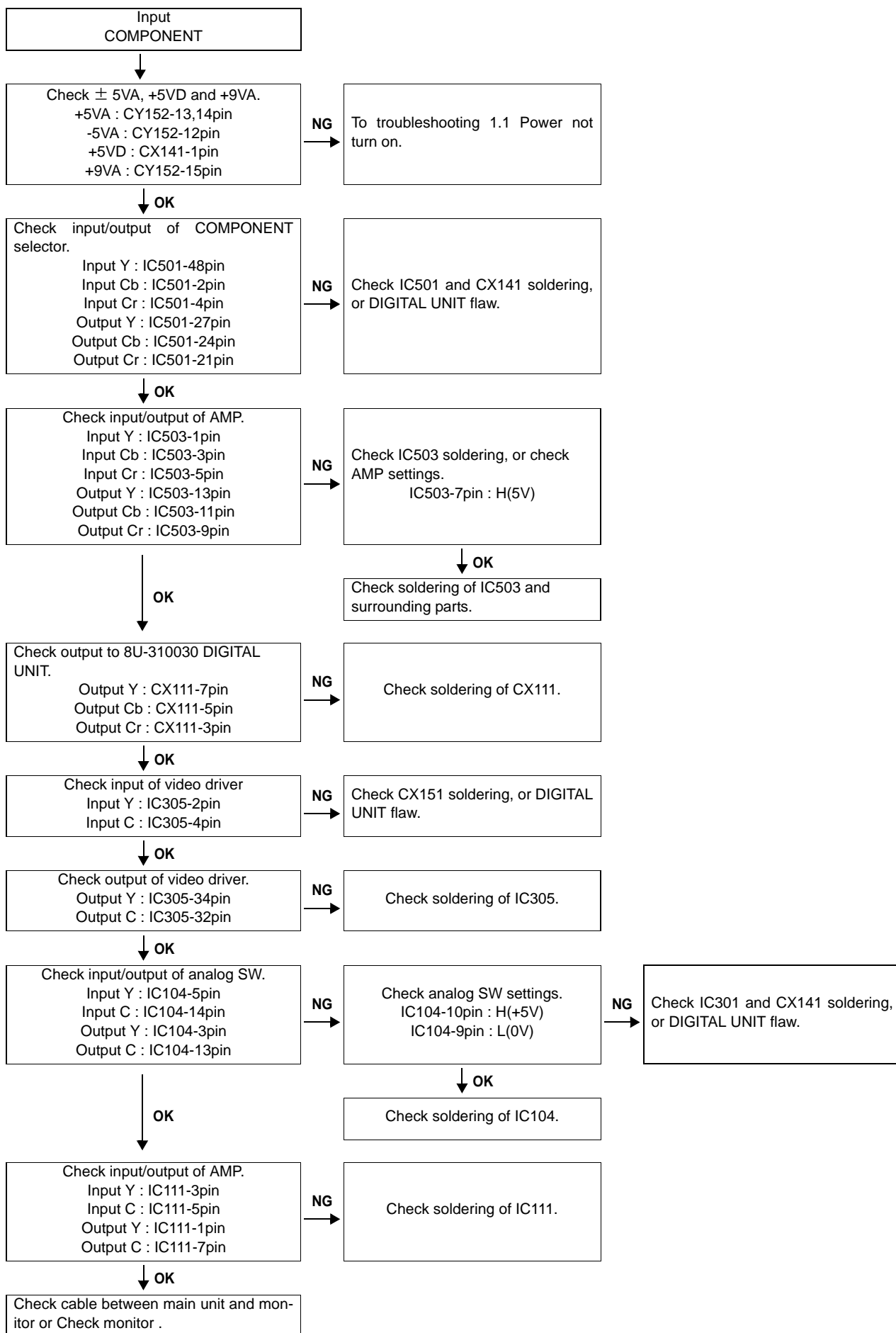
※ Unless specified, 8U-210063-1 A.VIDEO UNIT part.

J



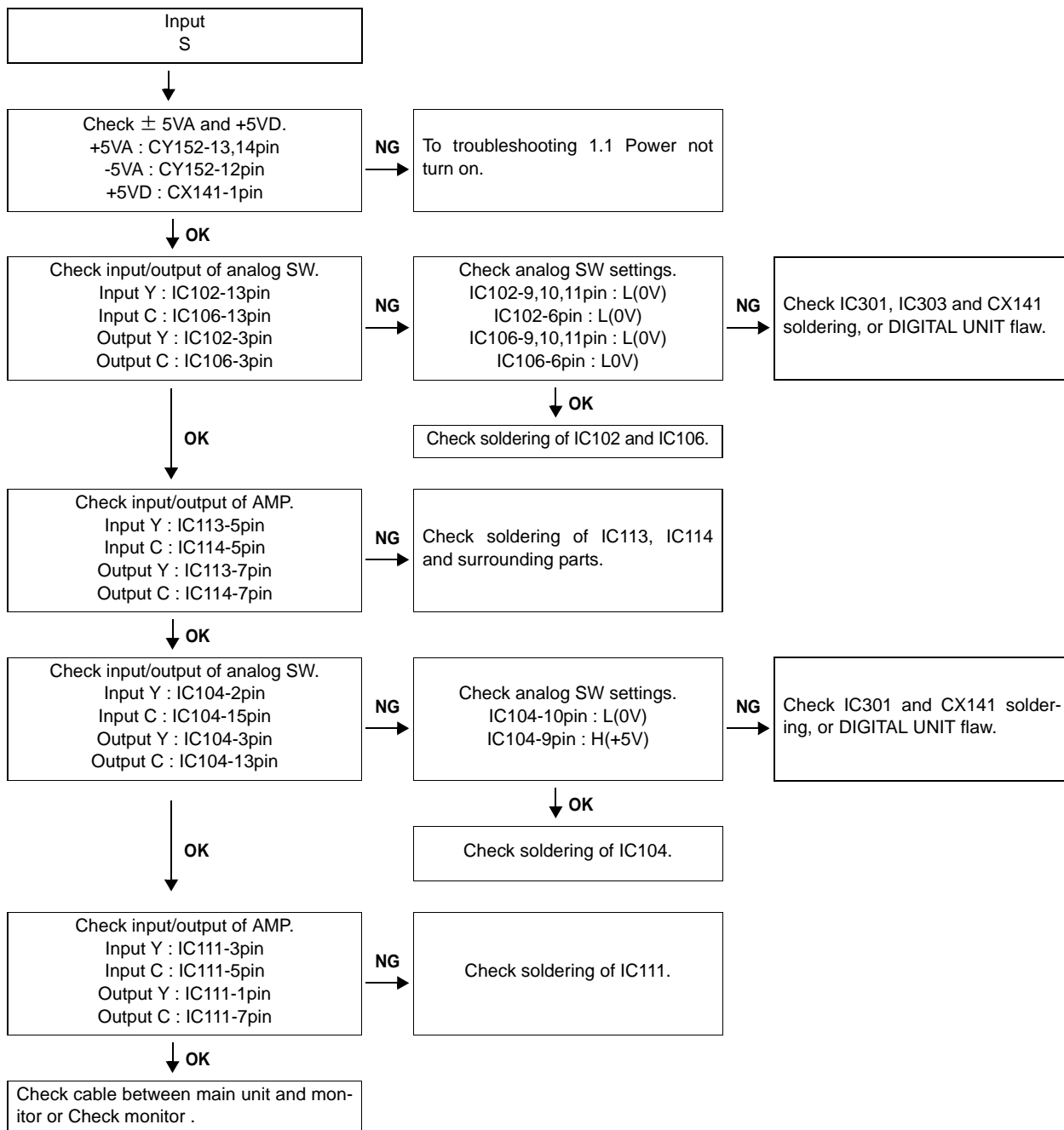
※ Unless specified, 8U-210063-1 A.VIDEO UNIT part.

K



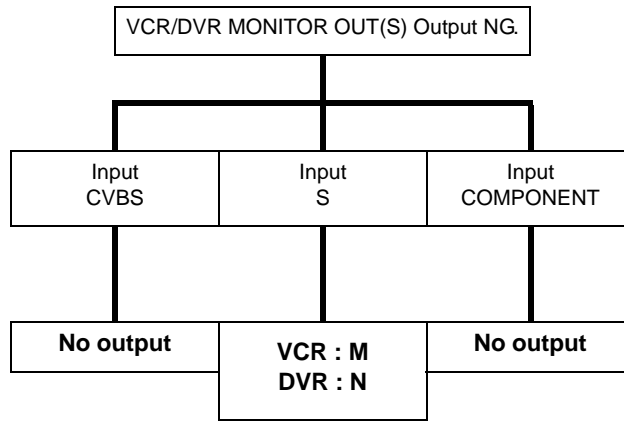
※ Unless specified, 8U-210063-1 A.VIDEO UNIT part.

L



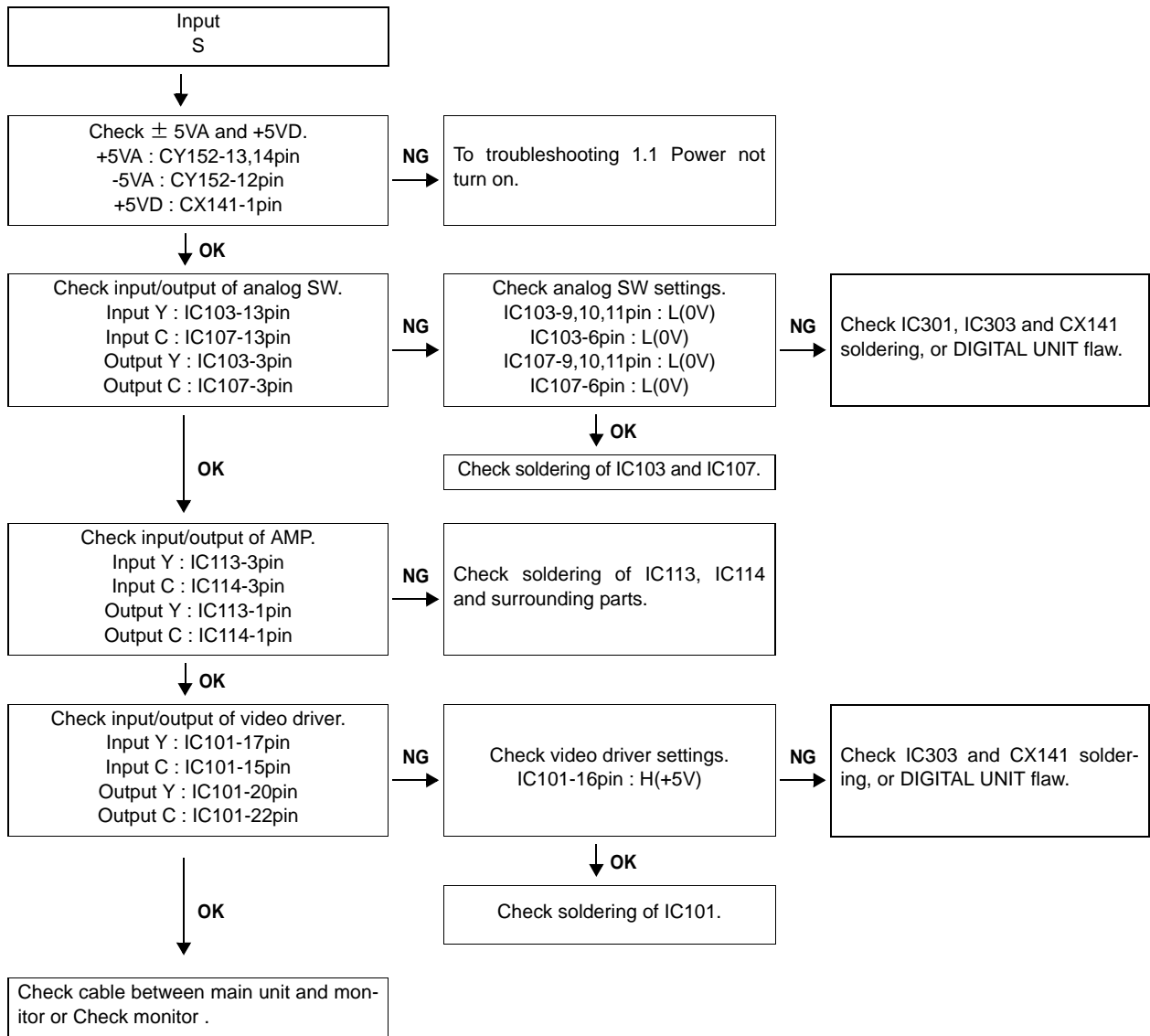
※ Unless specified, 8U-210063-1 A.VIDEO UNIT part.

2.5. VCR/DVR MONITOR OUT(S) Output NG



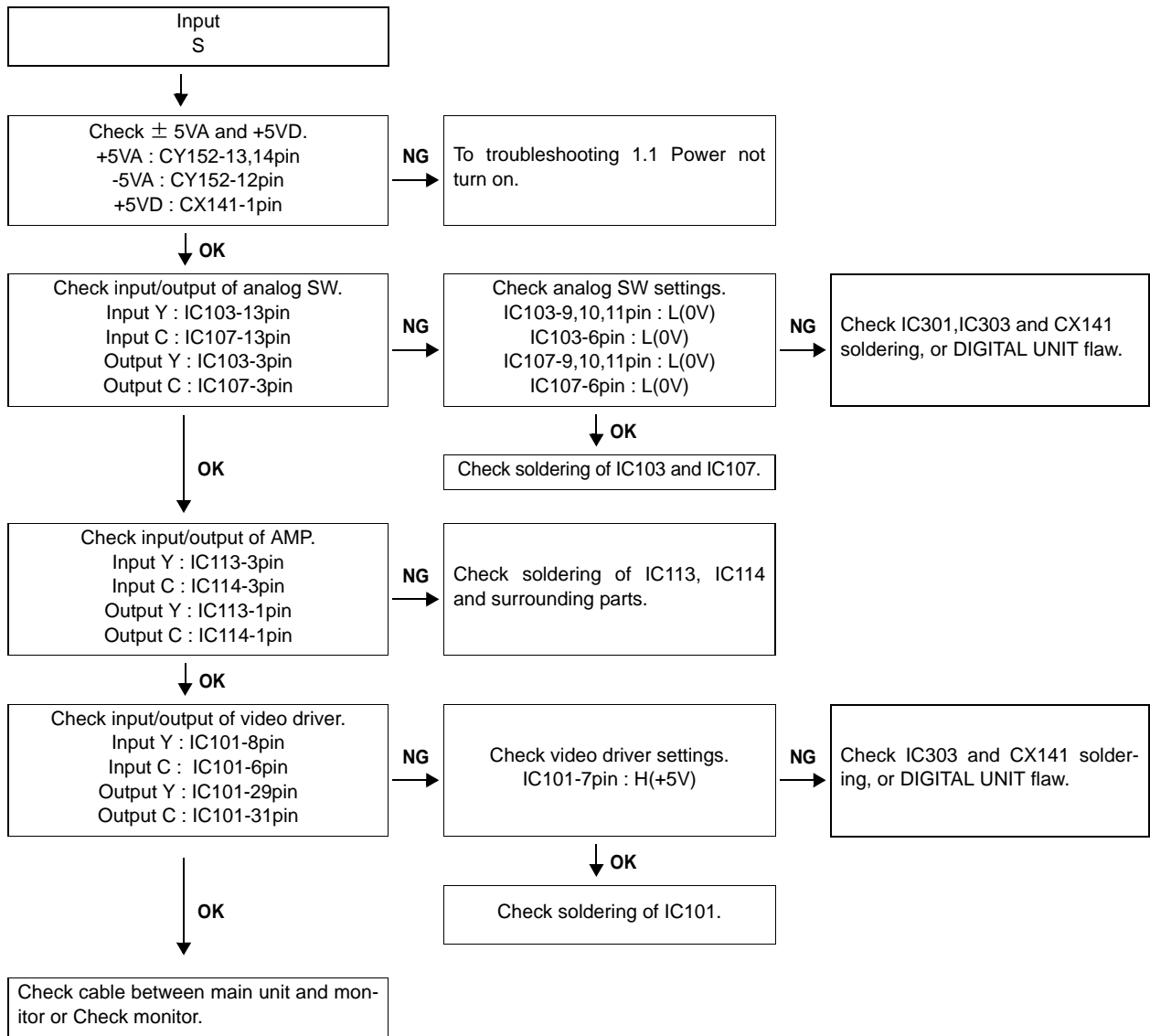
※ When checking operation,
select DVD for the function.

M



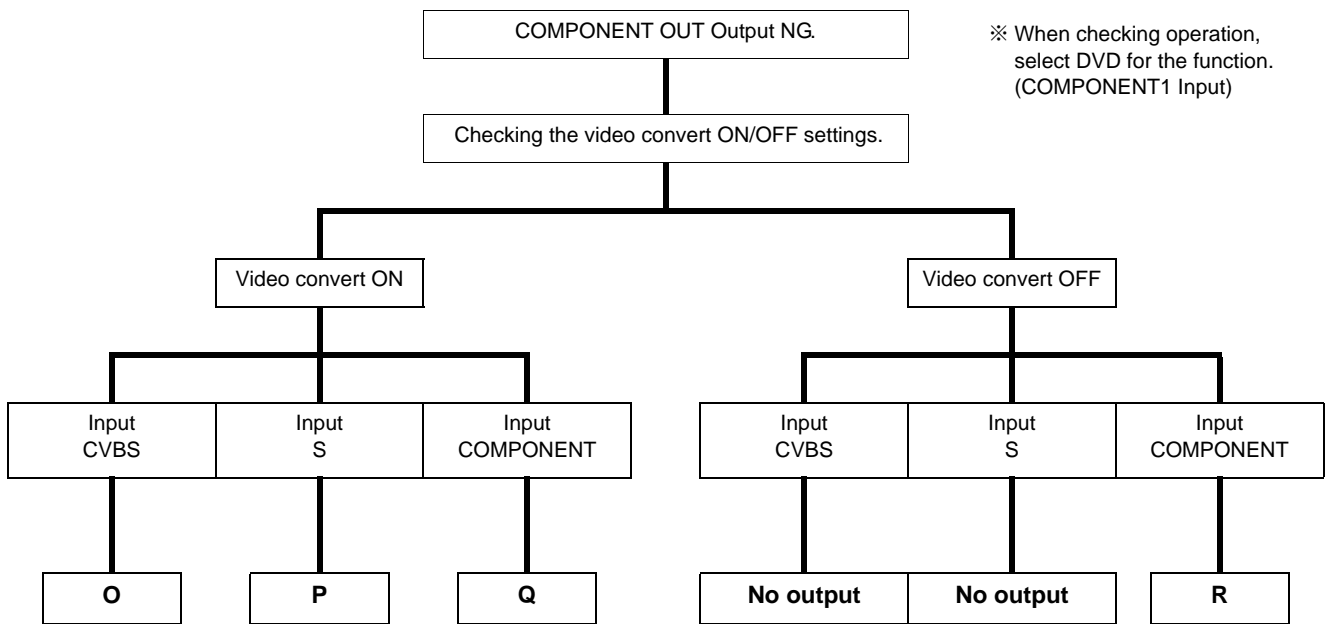
※ Unless specified, 8U-210063-1 A.VIDEO UNIT part.

N

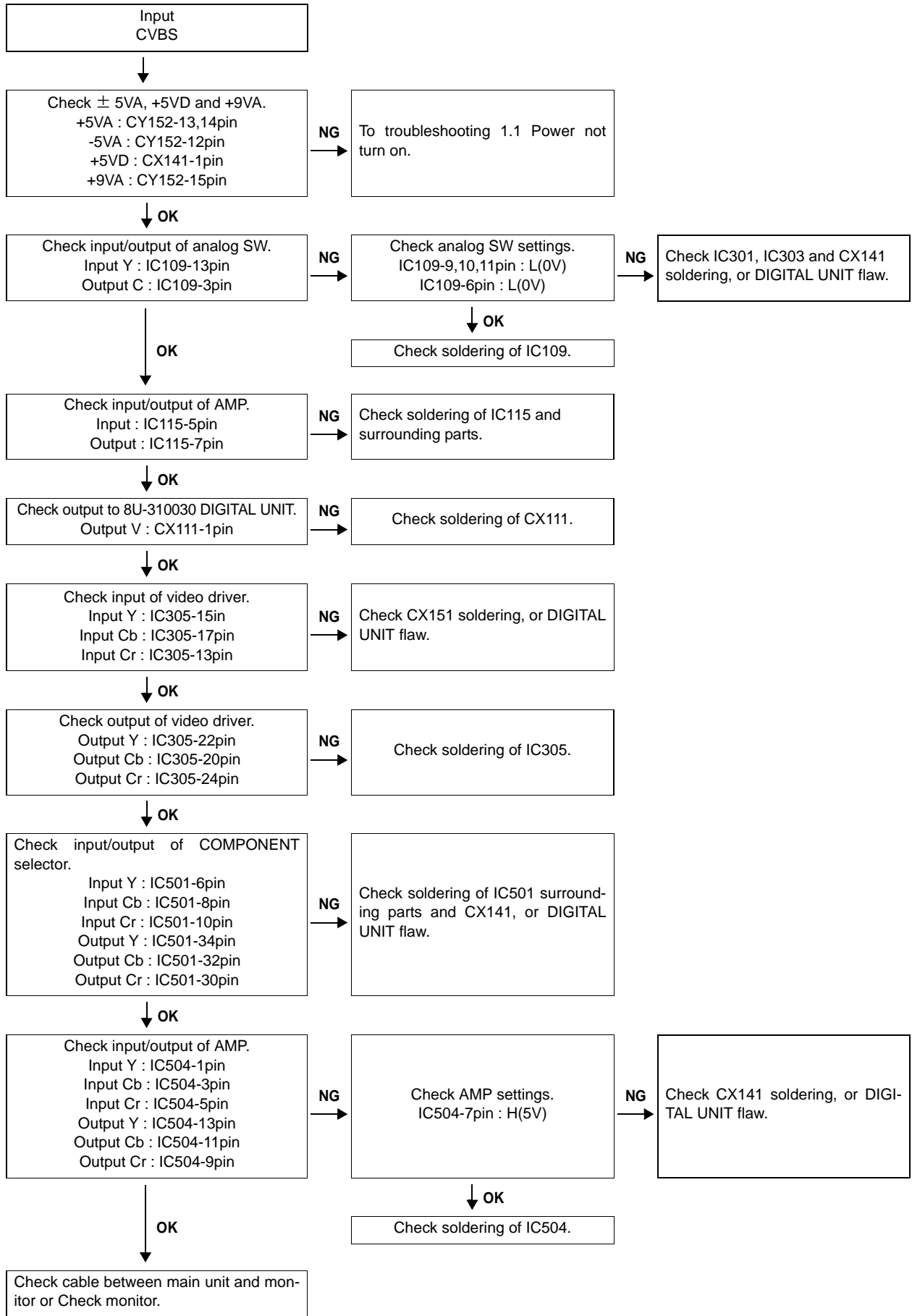


※ Unless specified, 8U-210063-1 A.VIDEO UNIT part.

2.6. COMPONENT OUT Output NG

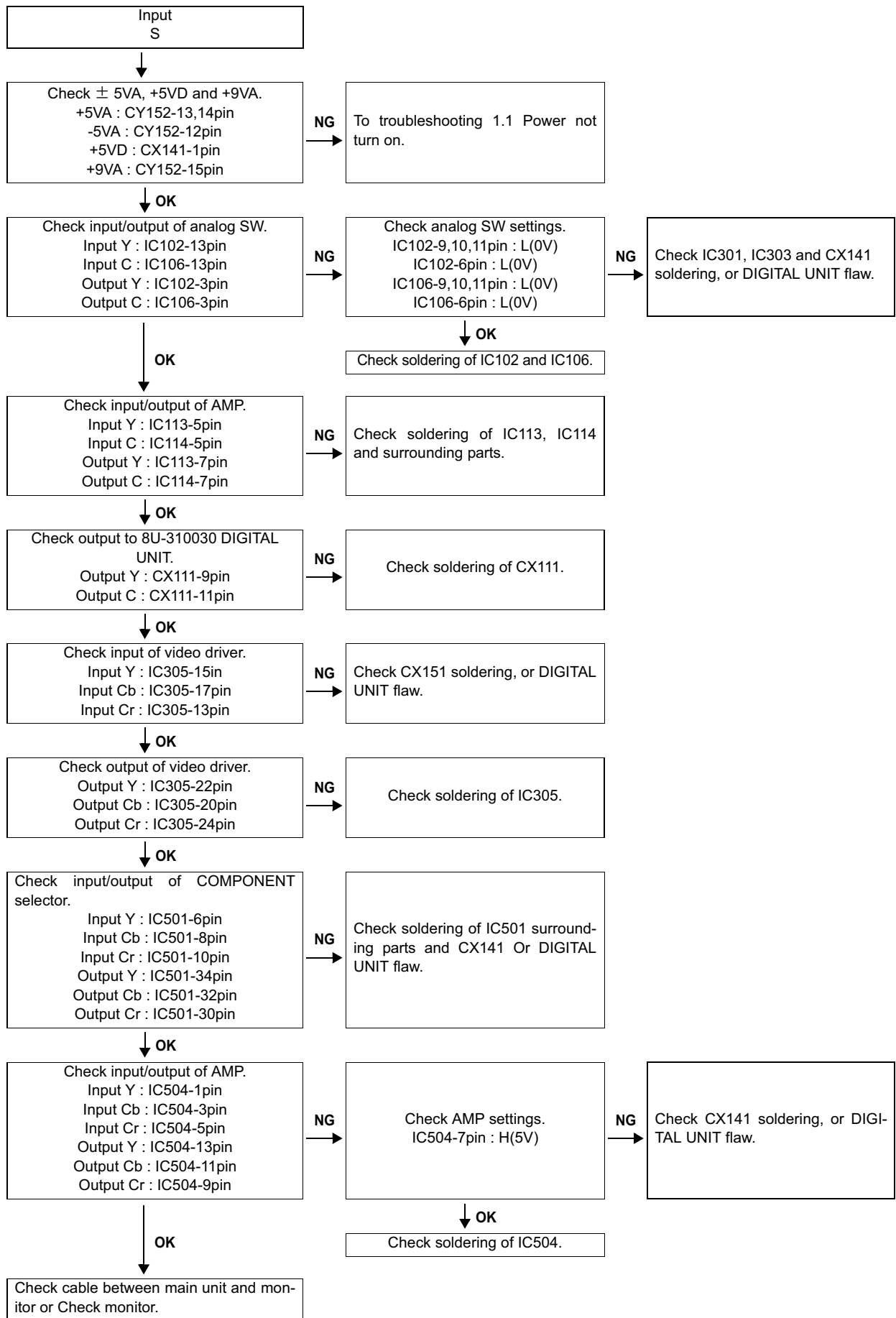


O

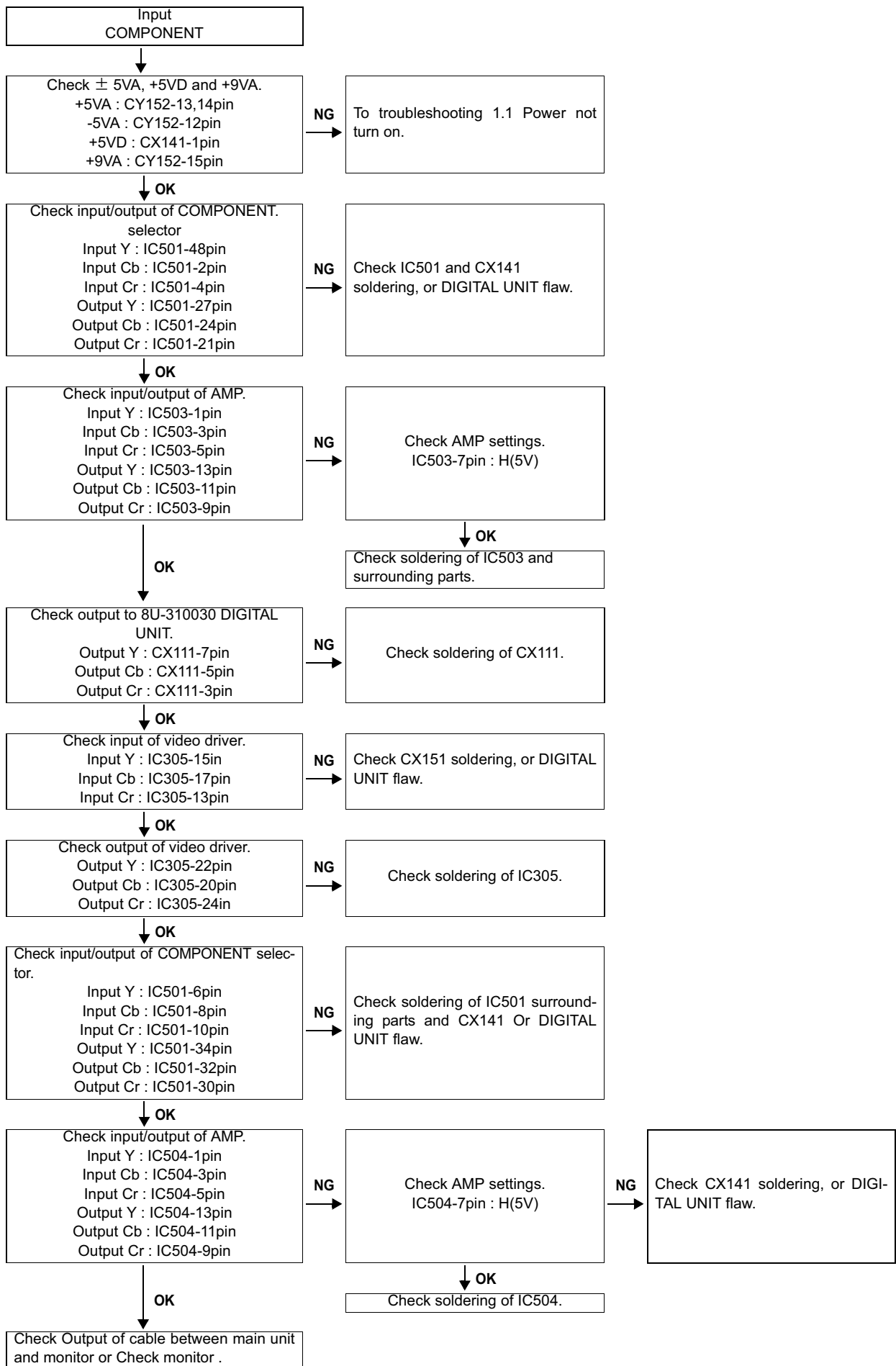


※ Unless specified, 8U-210063-1 A.VIDEO UNIT part.

P

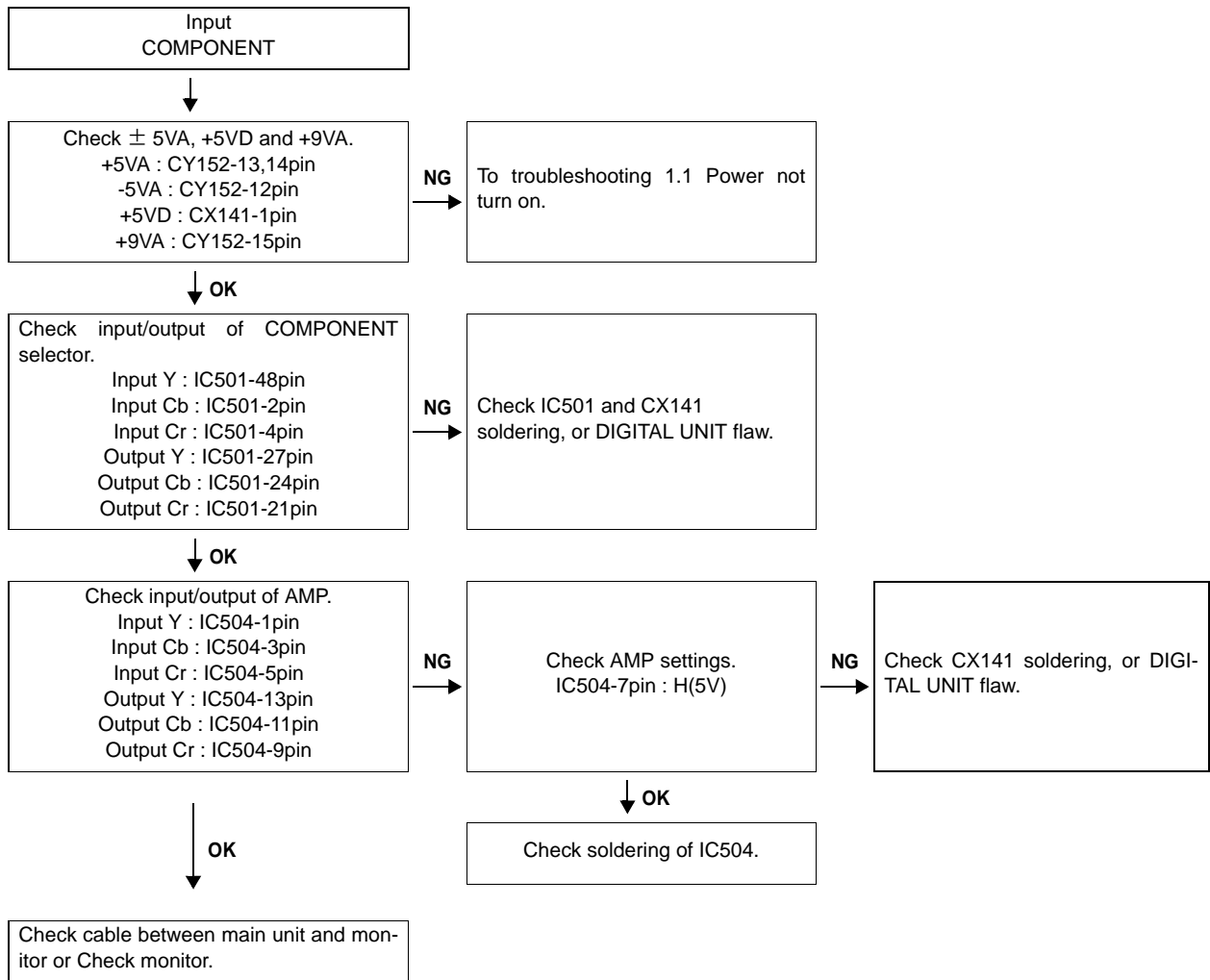


※ Unless specified, 8U-210063-1 A.VIDEO UNIT part.

Q

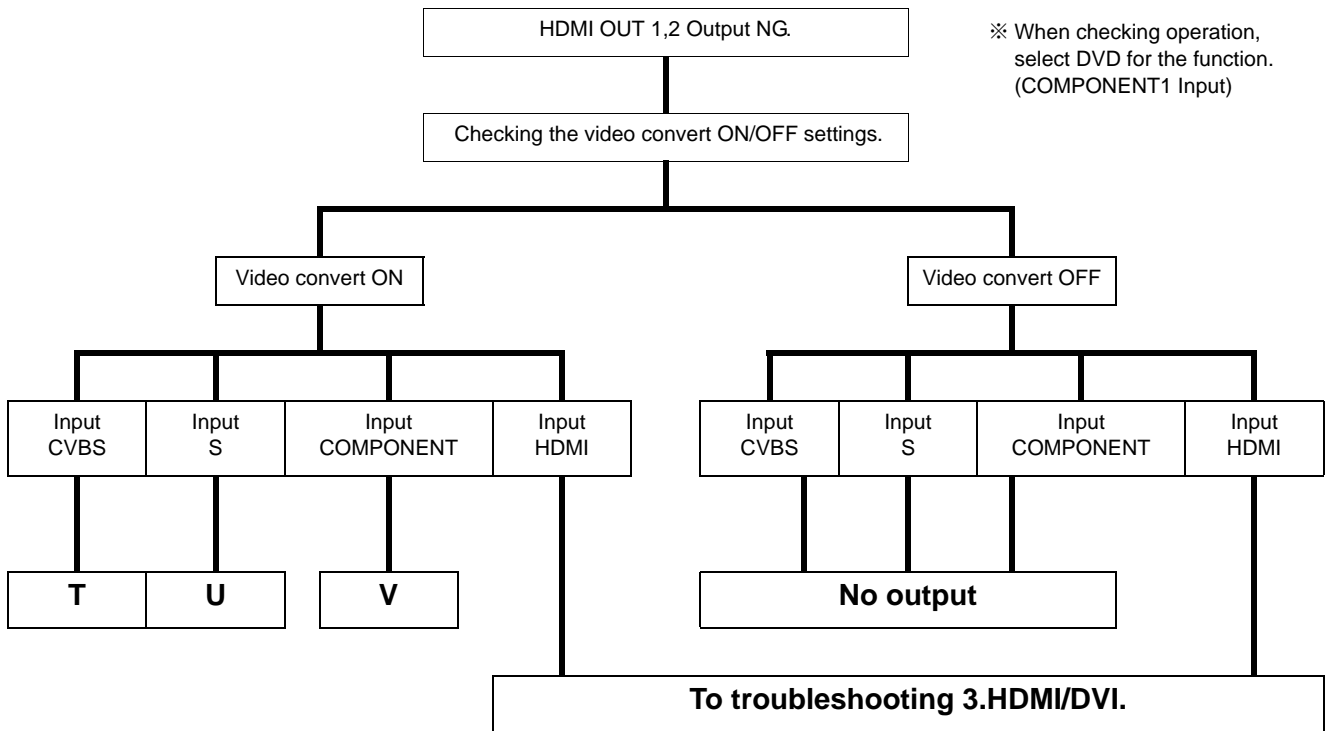
※ Unless specified, 8U-210063-1 A.VIDEO UNIT part.

R

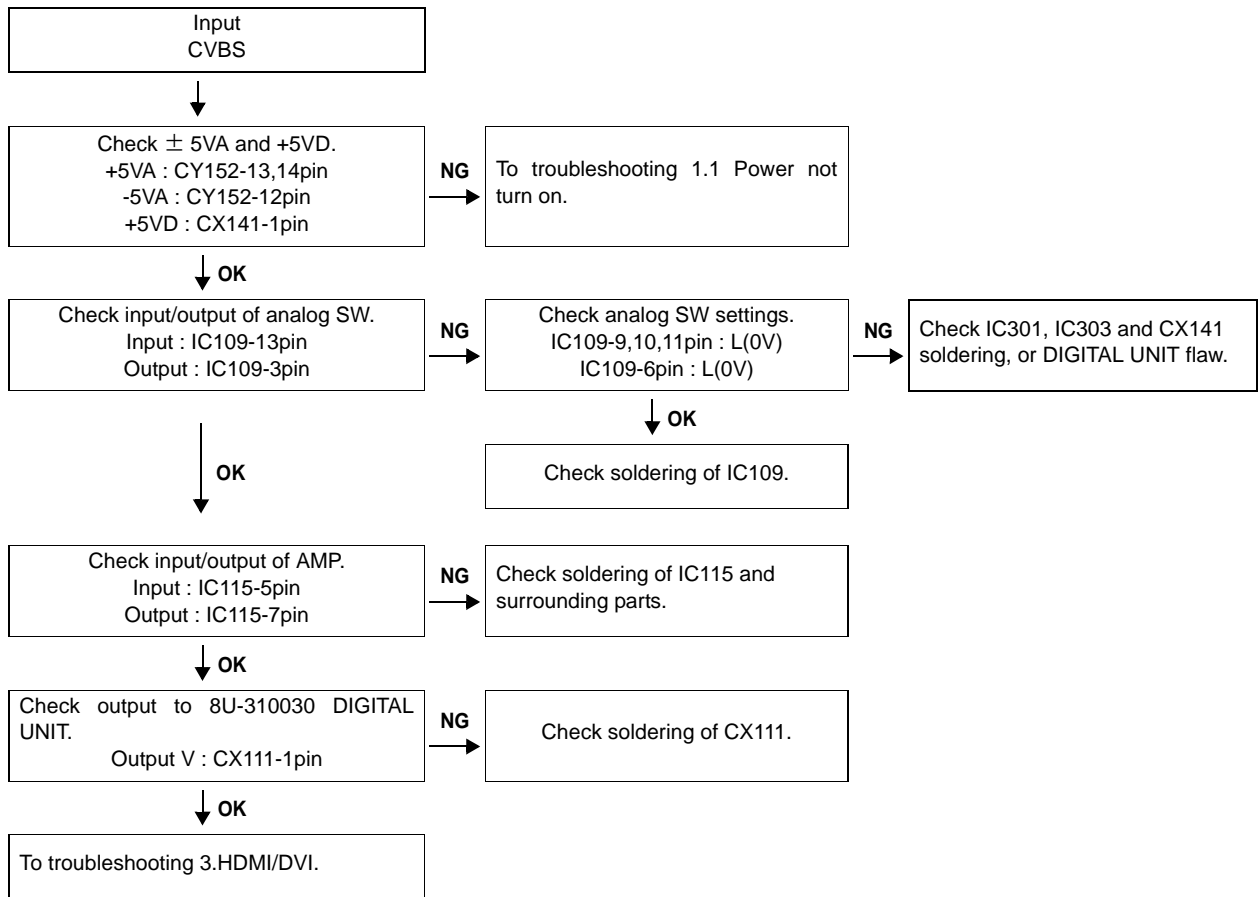


※ Unless specified, 8U-210063-1 A.VIDEO UNIT part.

2.7. HDMI OUT 1,2 Output NG

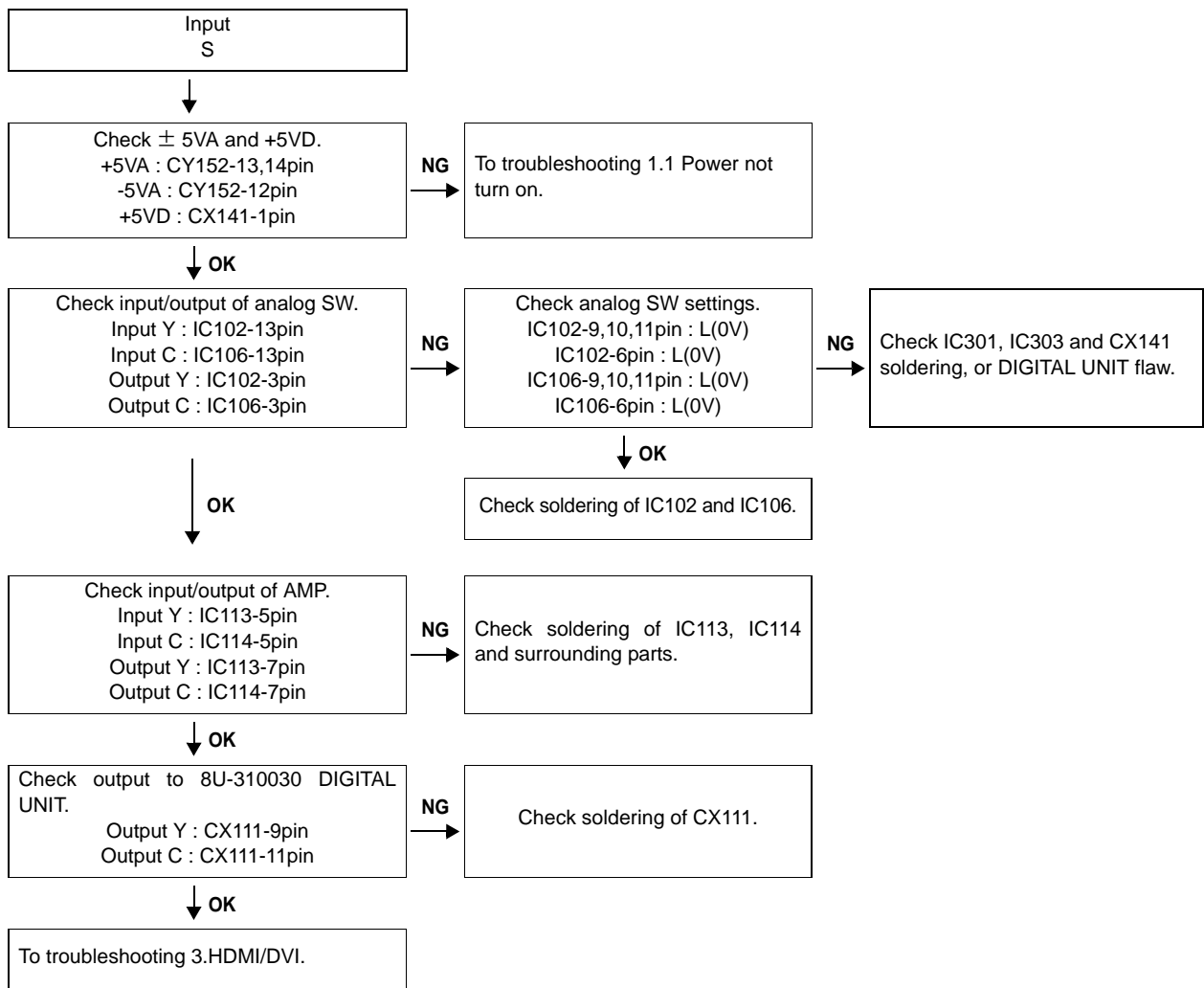


T



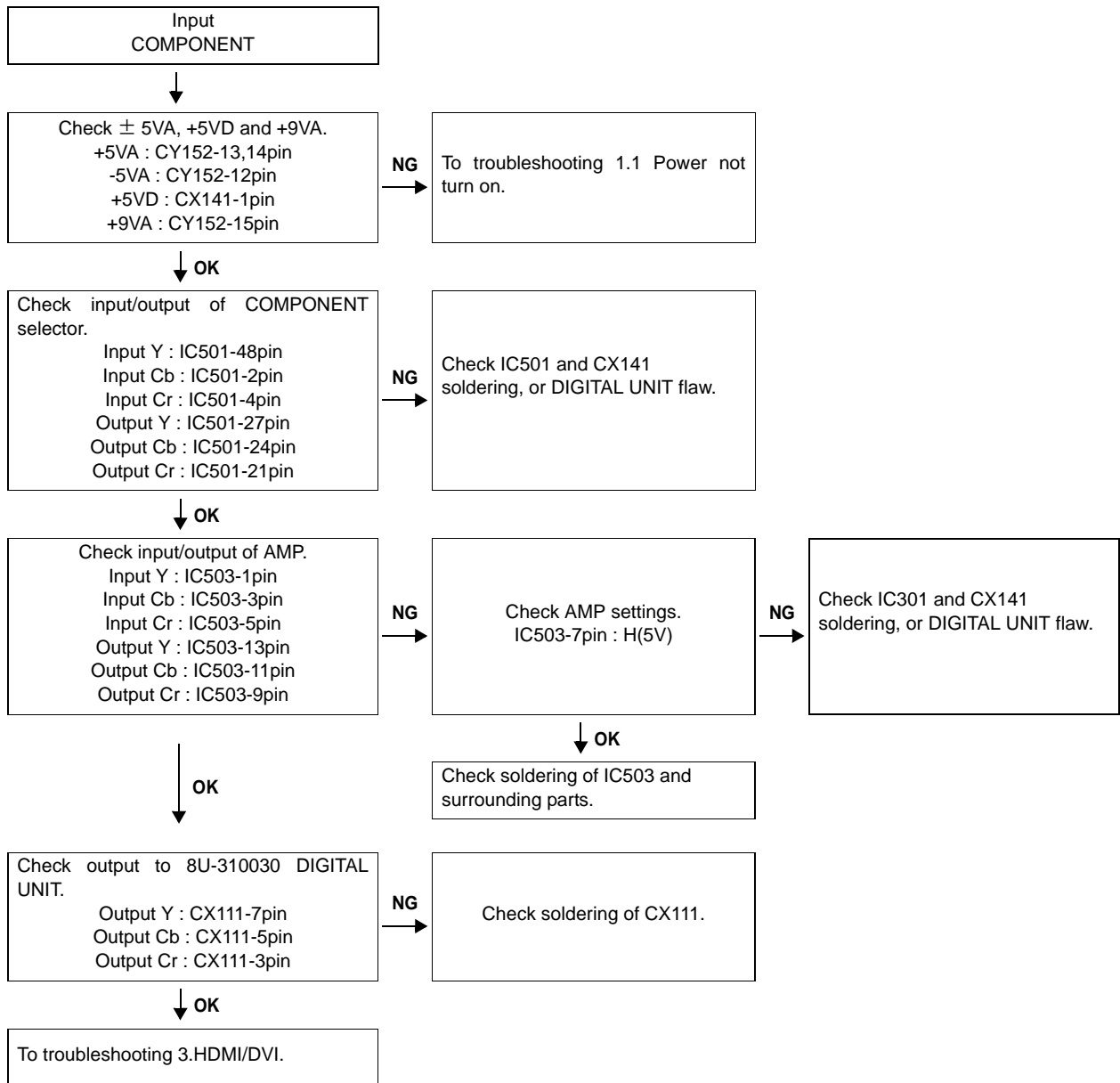
※ Unless specified, 8U-210063-1 A.VIDEO UNIT part.

U



※ Unless specified, 8U-210063-1 A.VIDEO UNIT part.

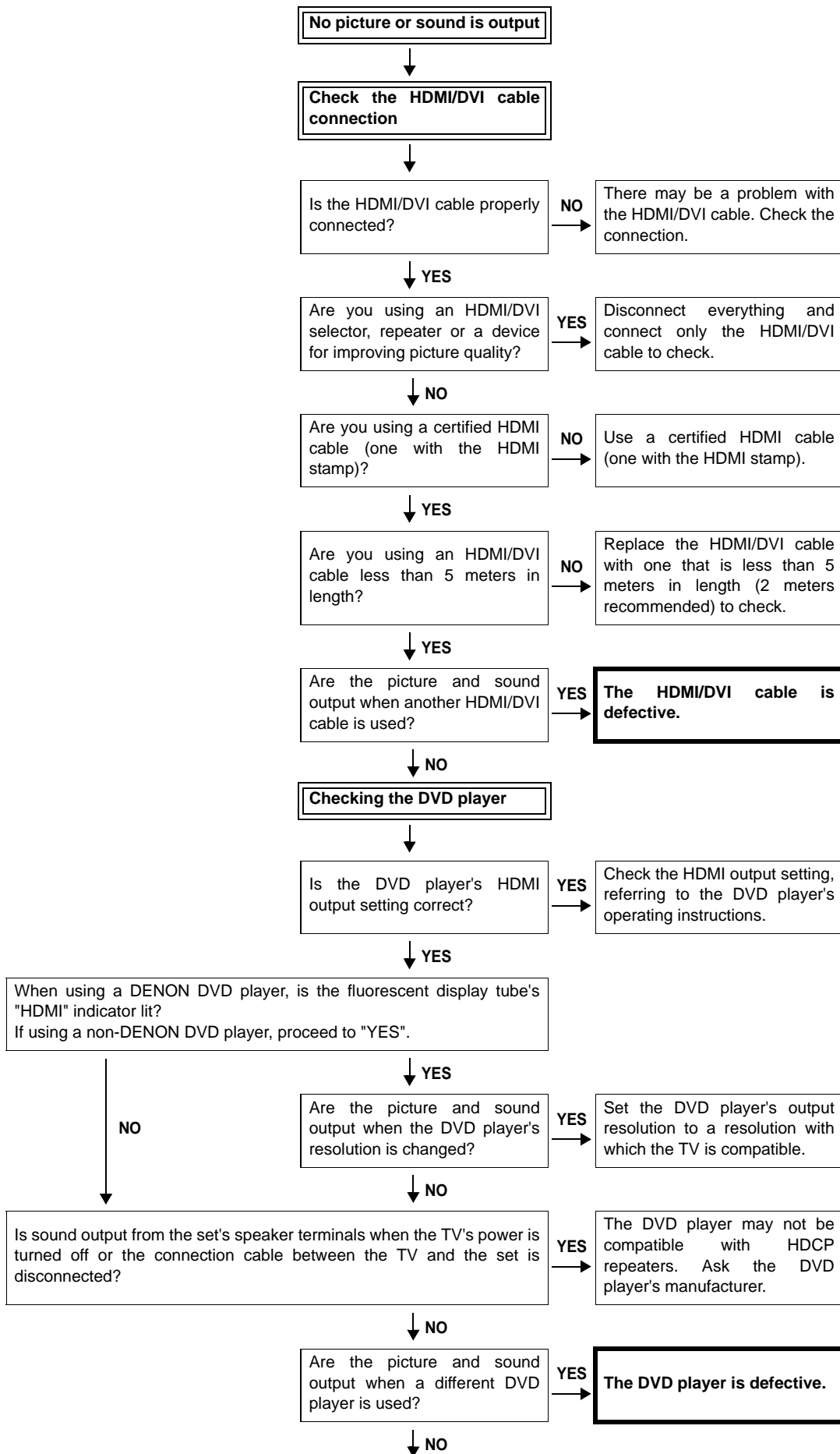
V

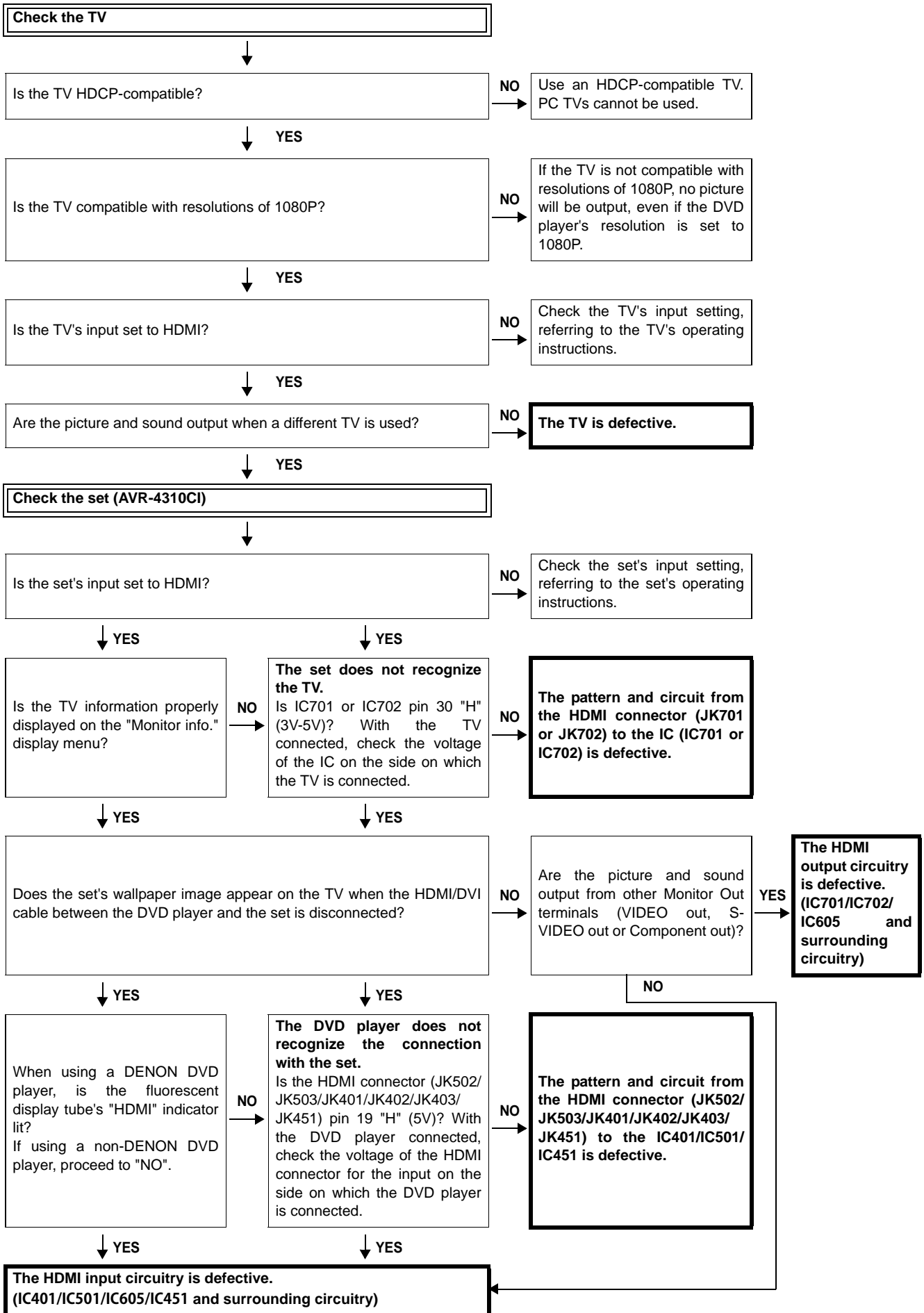


※ Unless specified, 8U-210063-1 A.VIDEO UNIT part.

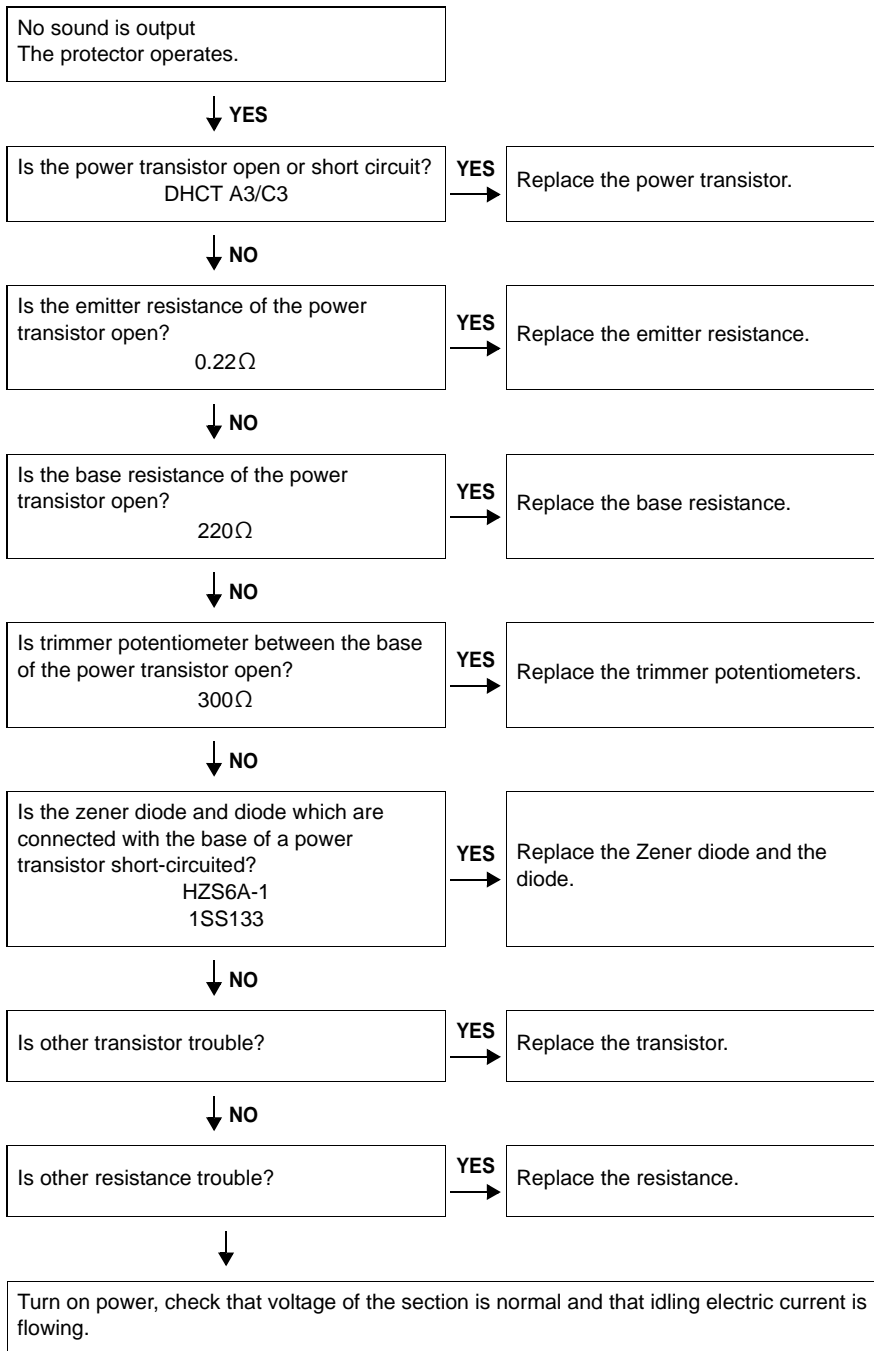
3. HDMI/DVI

3.1. No picture or sound is output



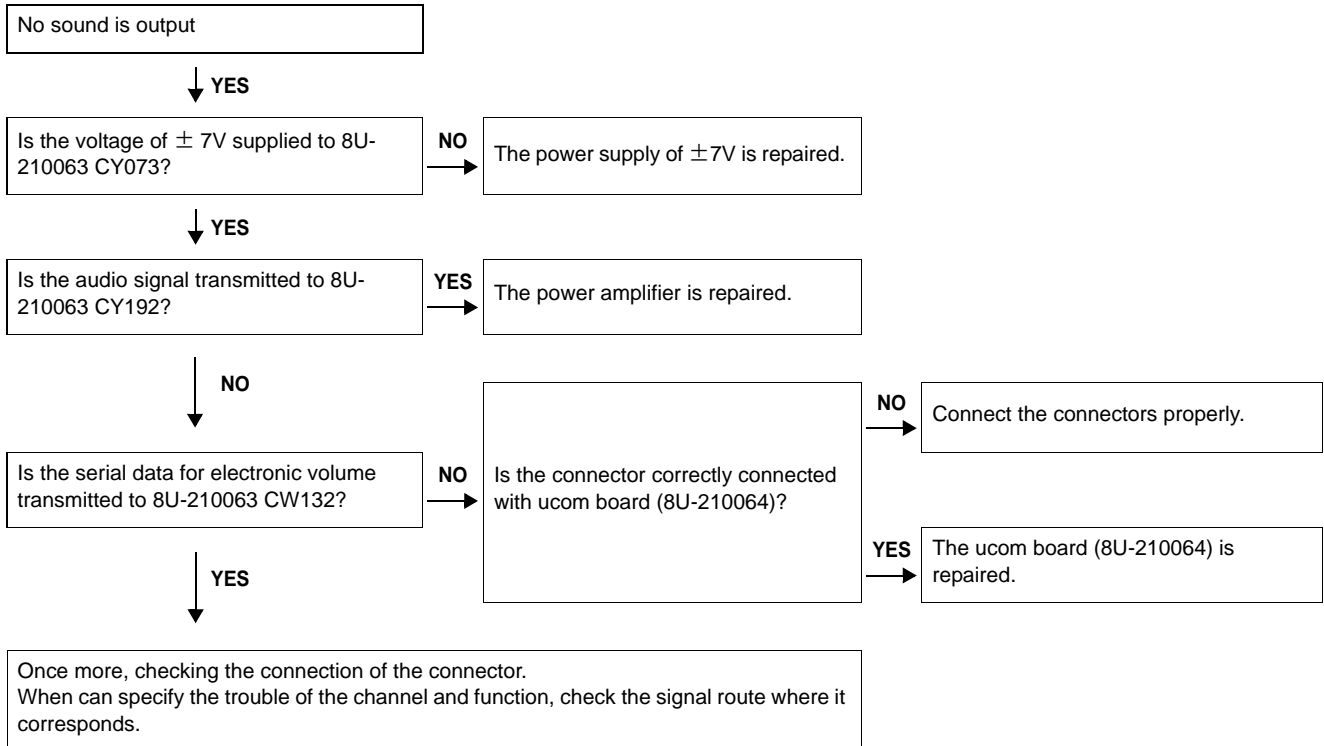


4. Power AMP (8U-110049, 8U-110050)



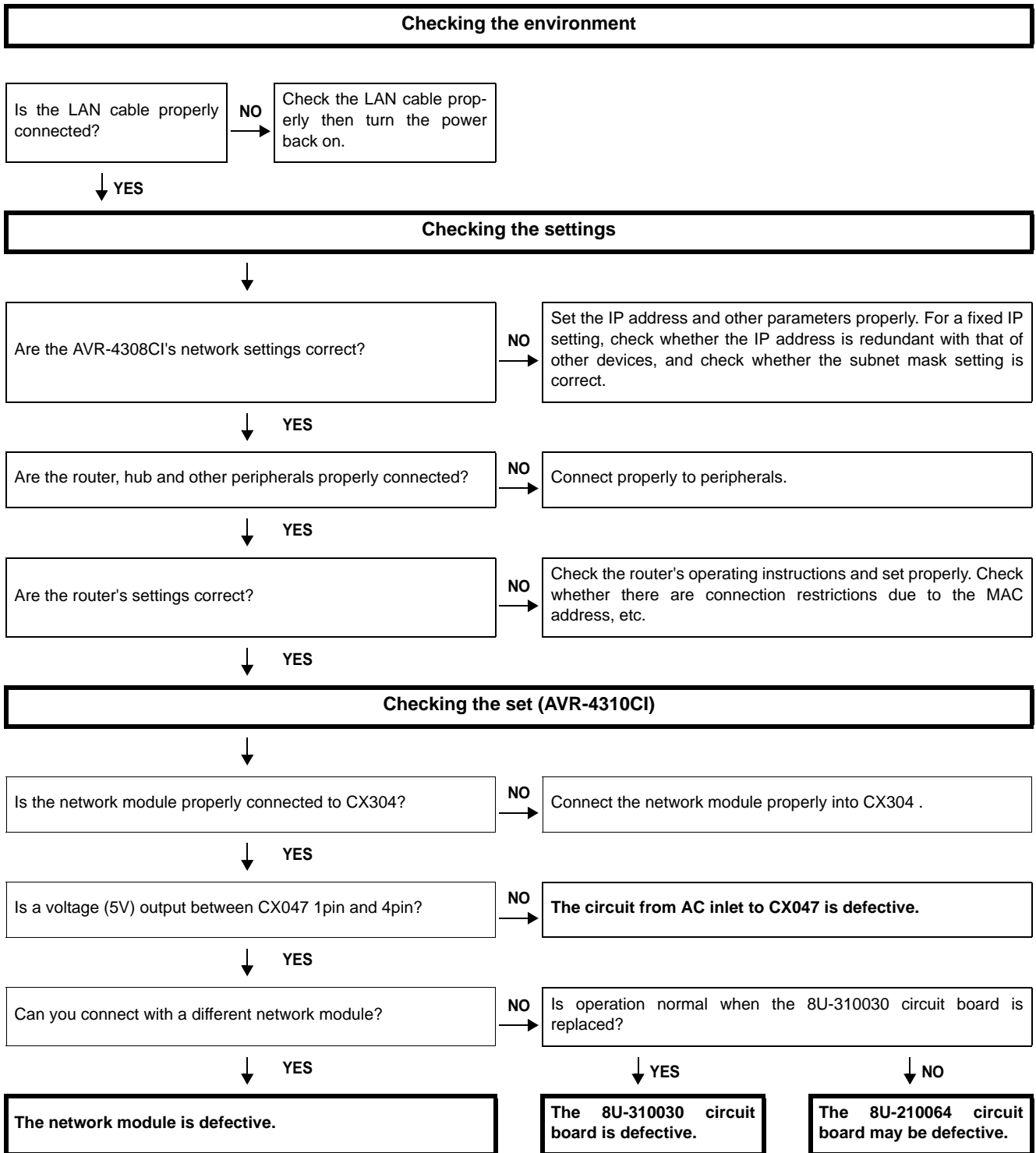
5. Analog audio

5.1. 8U-210063

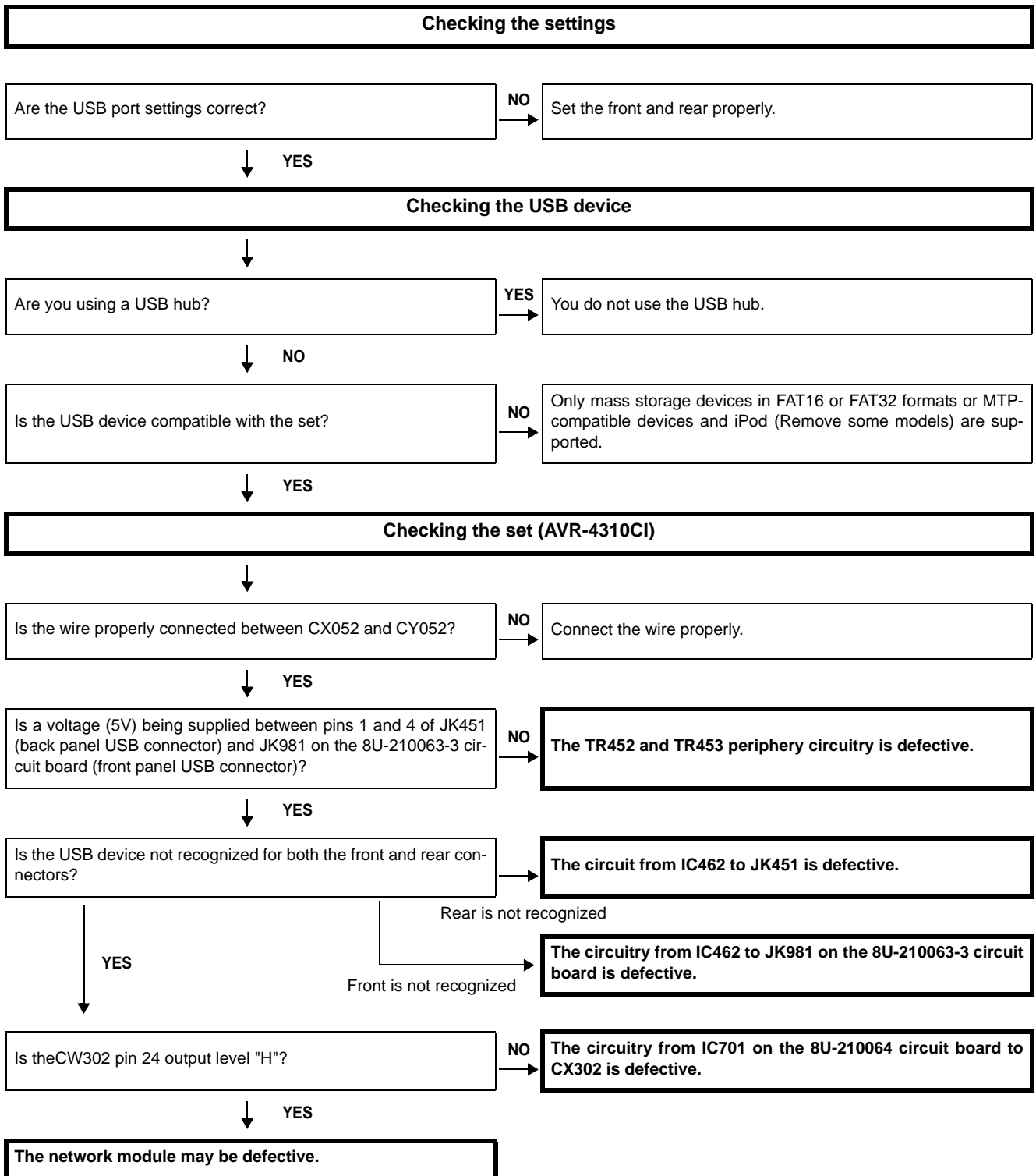


6. Network/USB

6.1. Cannot connect to network

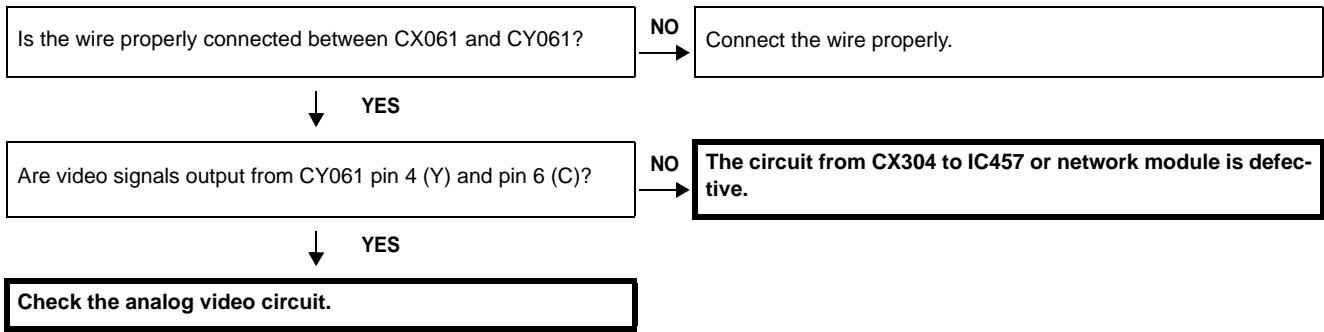


6.2. USB device is not recognized

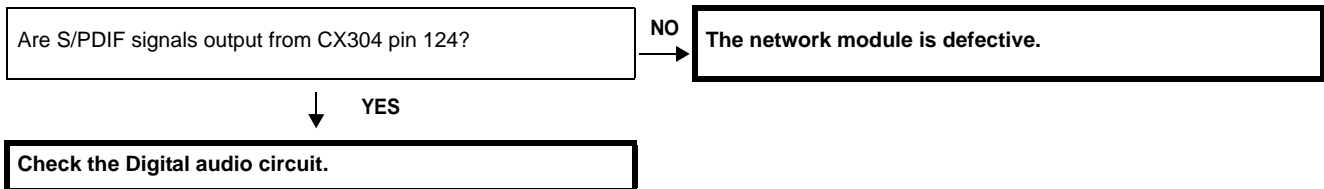


6.3. No picture or sound is output

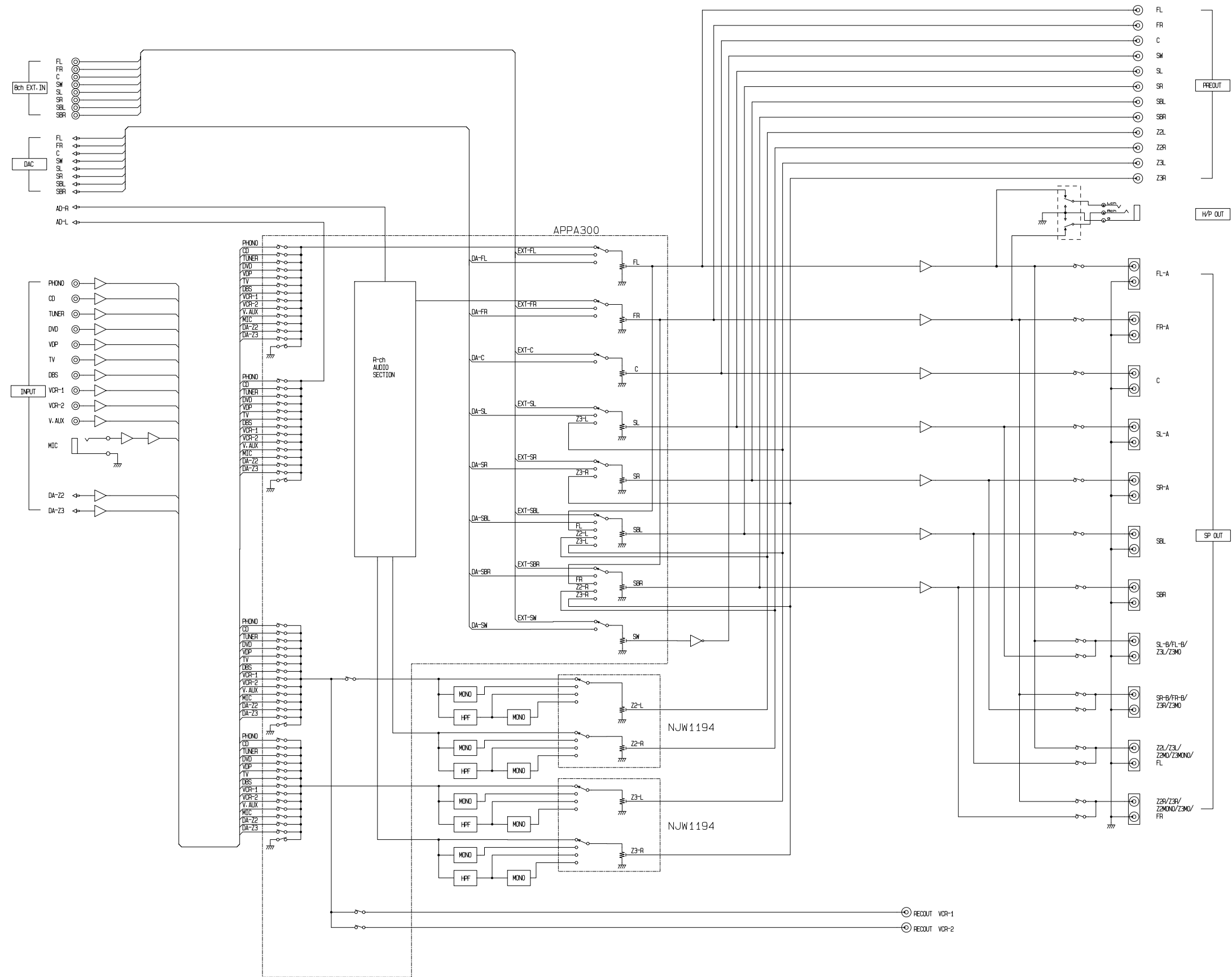
Checking the set (AVR-4310CI):(If no picture is output)



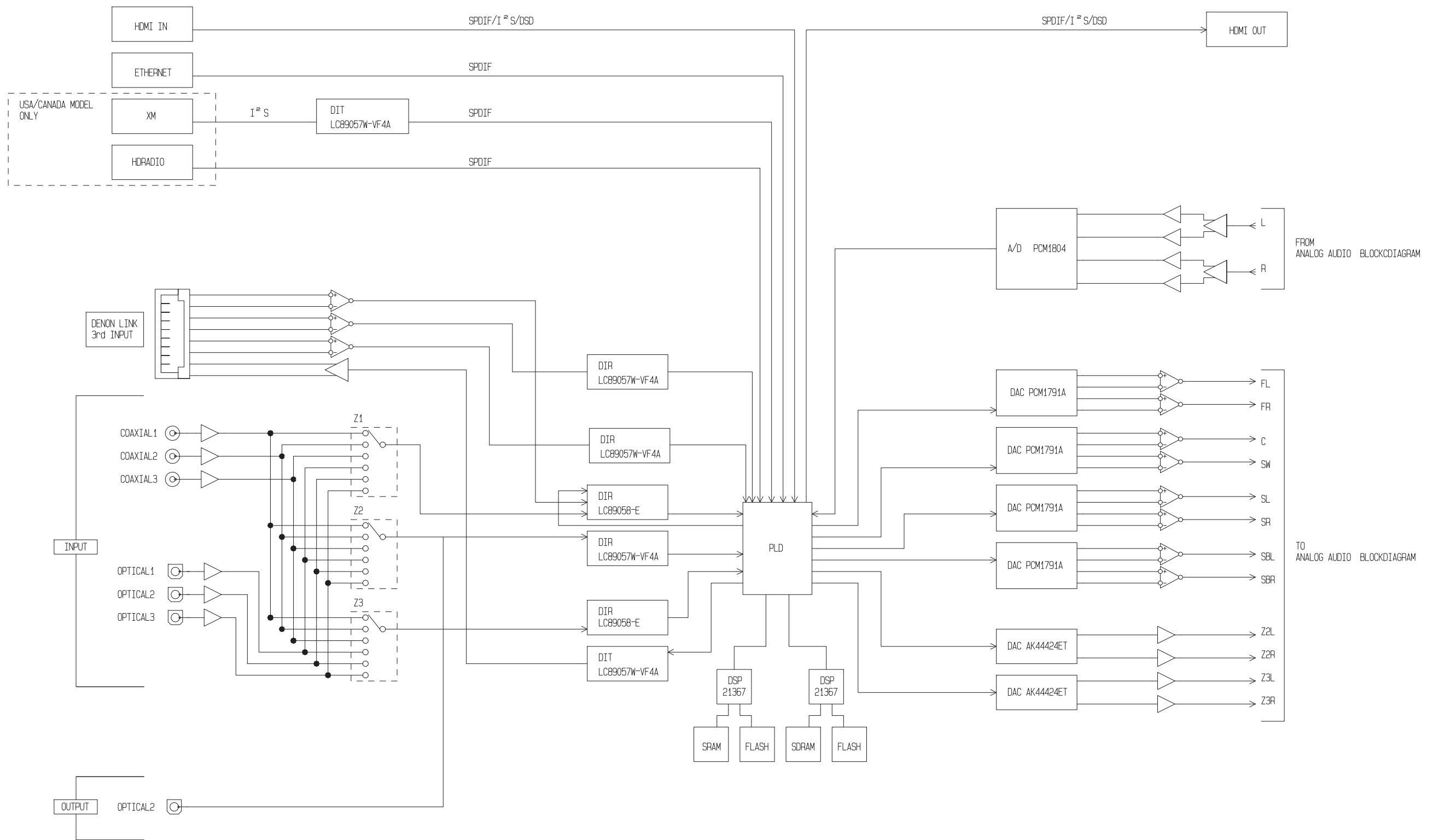
Checking the set (AVR-4310CI):(If no sound is output)



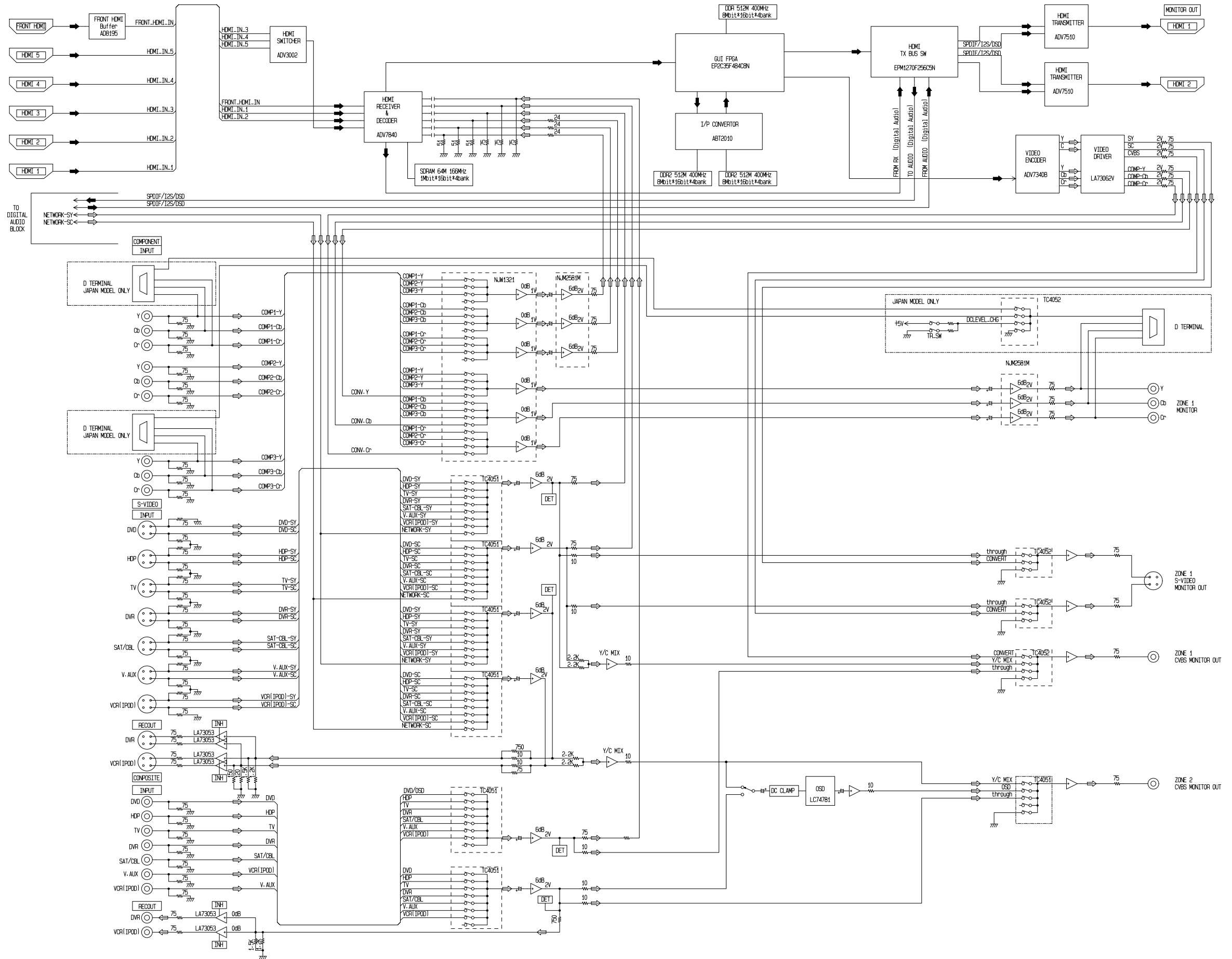
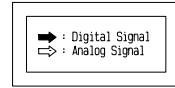
BLOCK DIAGRAMS (1/3)
ANALOG AUDIO BLOCK DIAGRAM



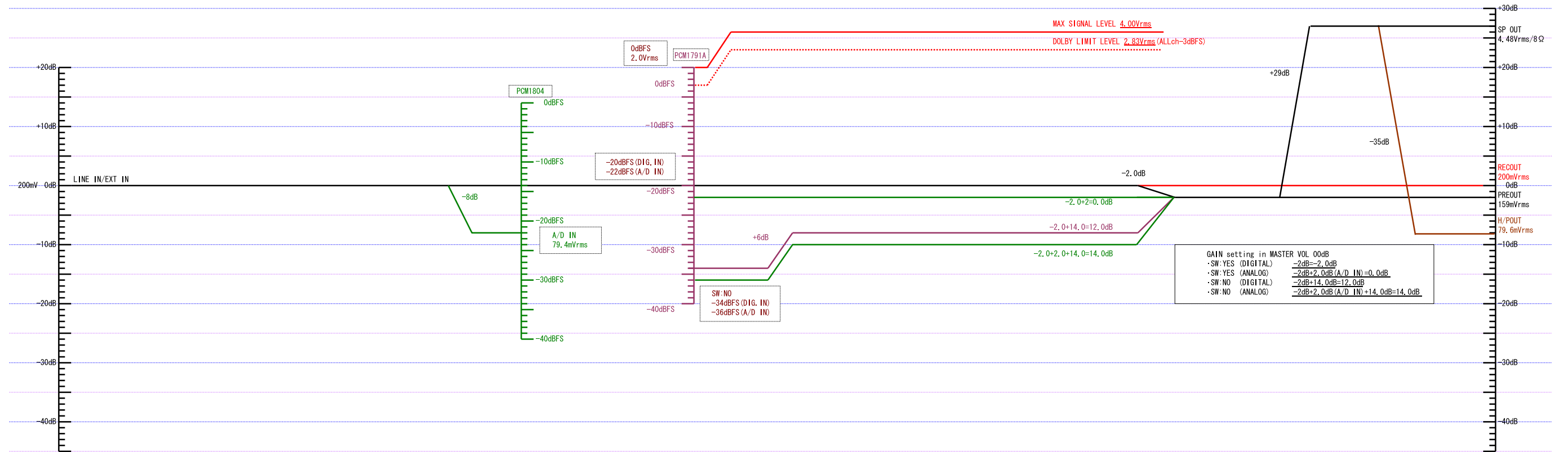
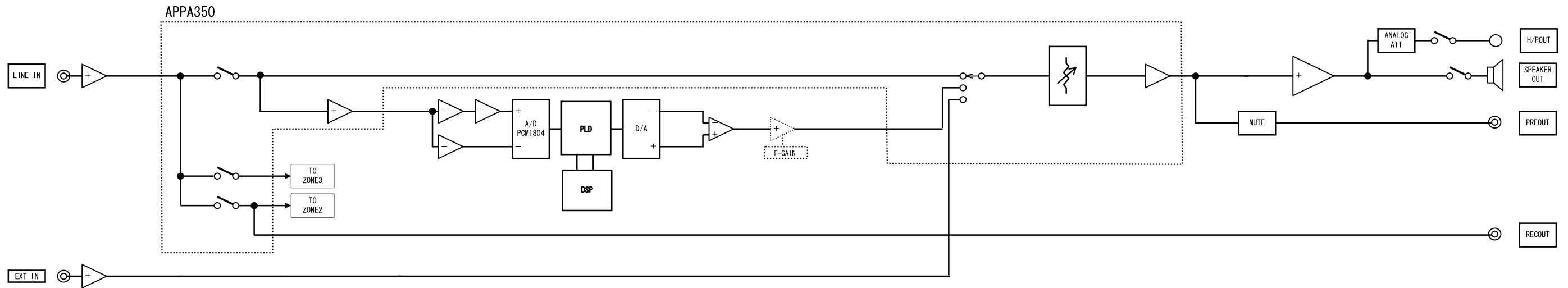
BLOCK DIAGRAMS (2/3)
DIGITAL AUDIO BLOCK DIAGRAM



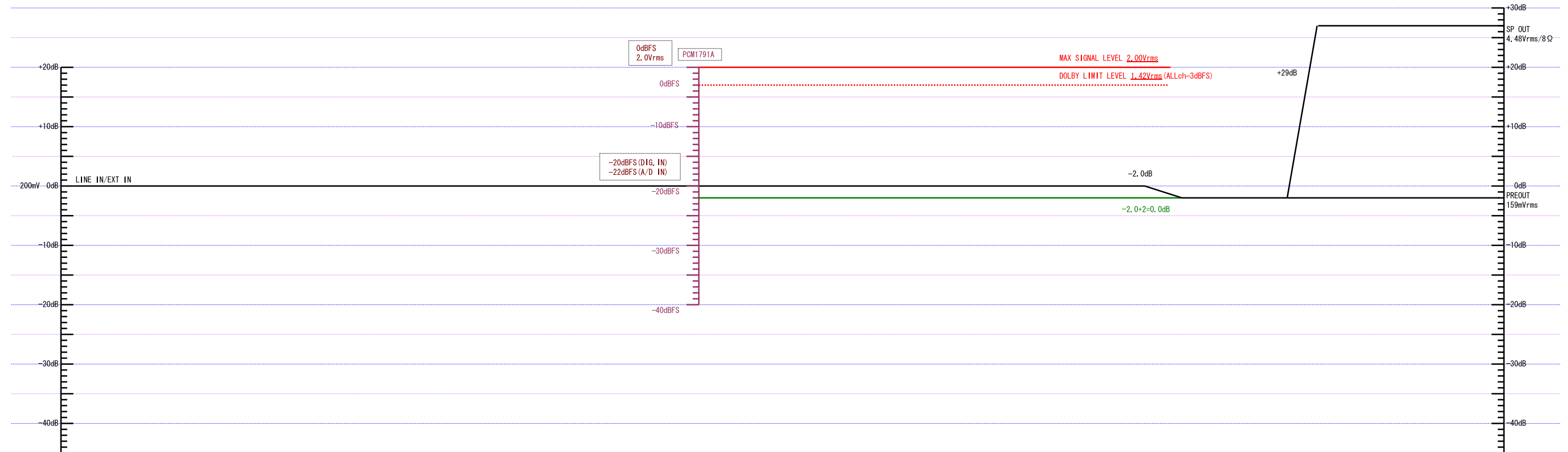
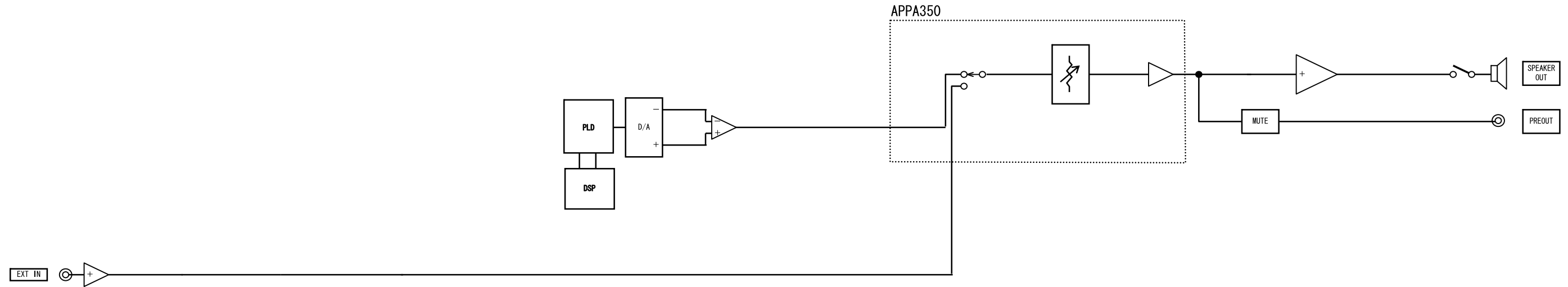
BLOCK DIAGRAMS (3/3) VIDEO BLOCK DIAGRAM



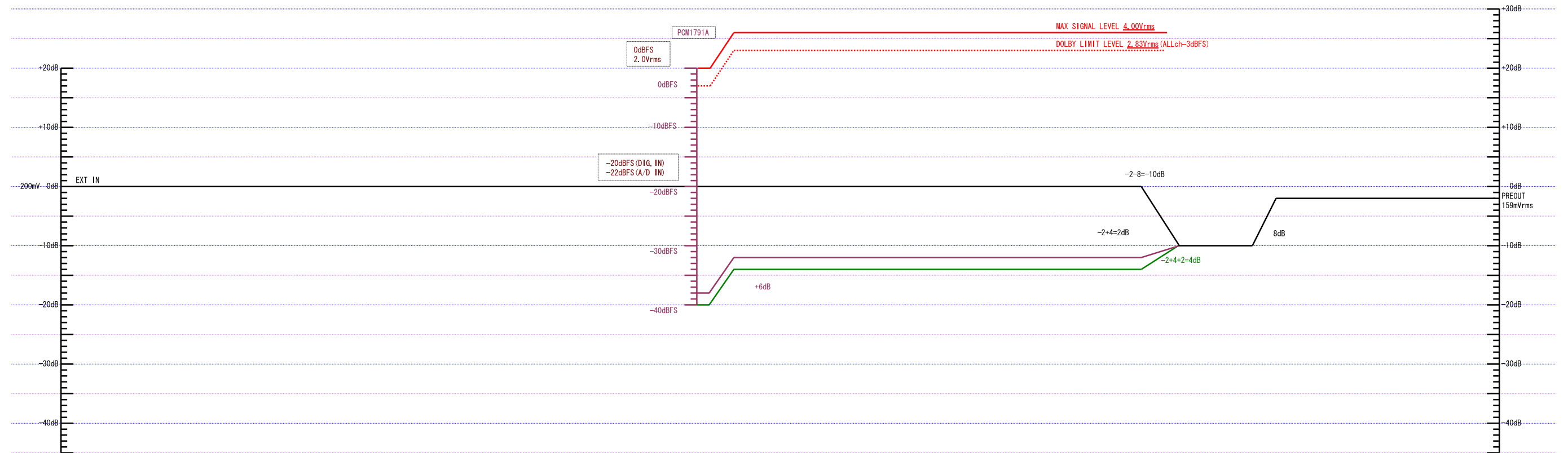
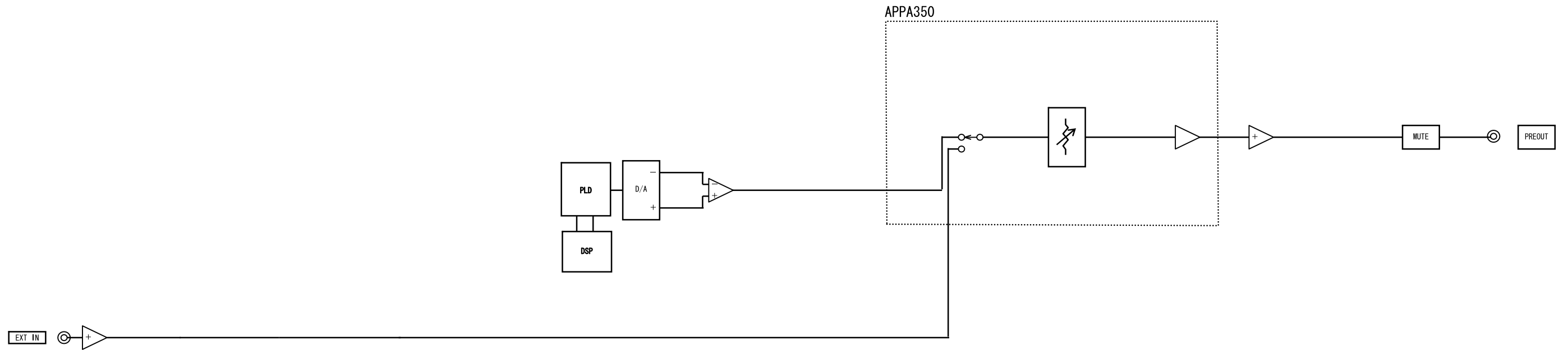
AVR-4310CI/AVR-4310/AVC-4310
LEVEL DIAGRAM
FRONT ch



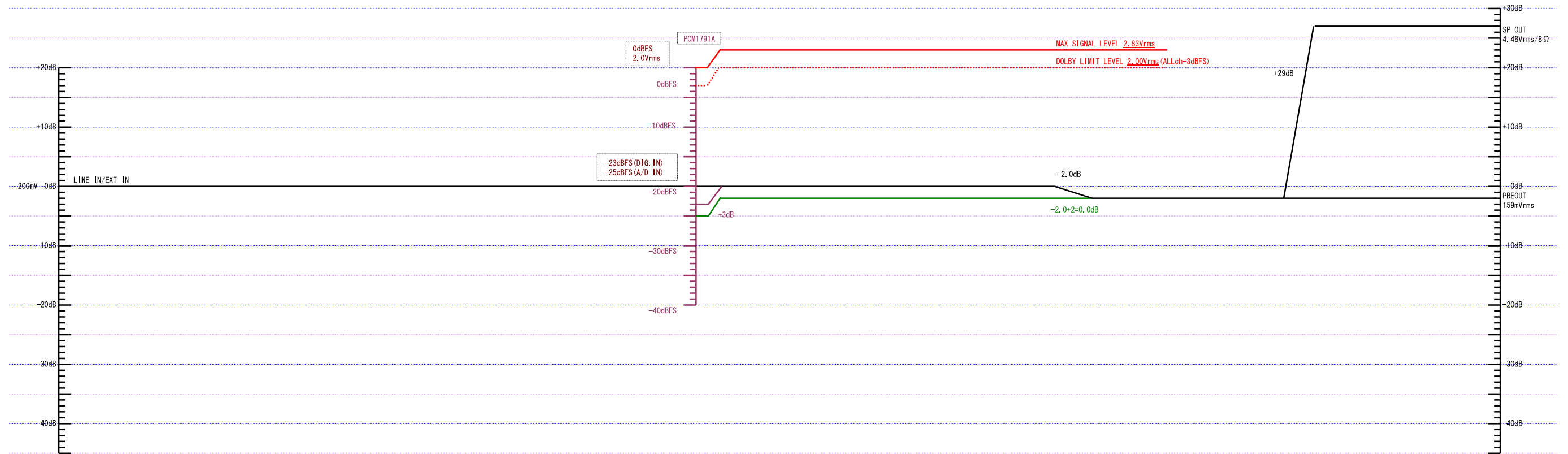
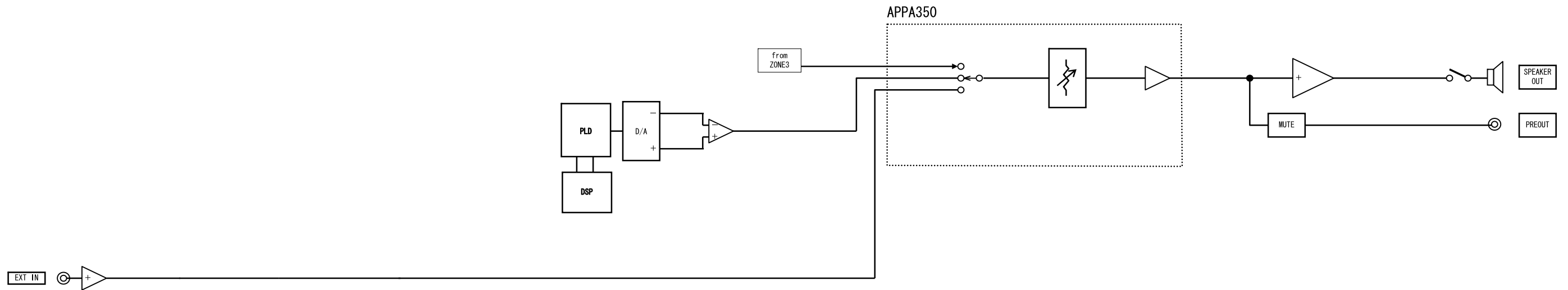
AVR-4310CI/AVR-4310/AVC-4310
LEVEL DIAGRAM
CENTER ch



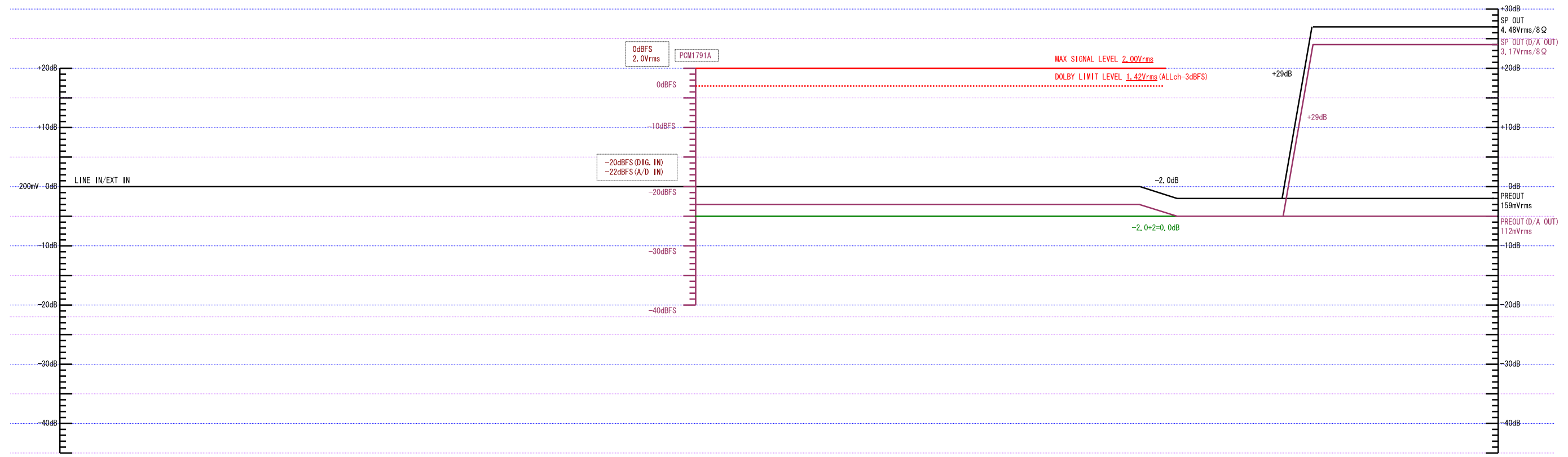
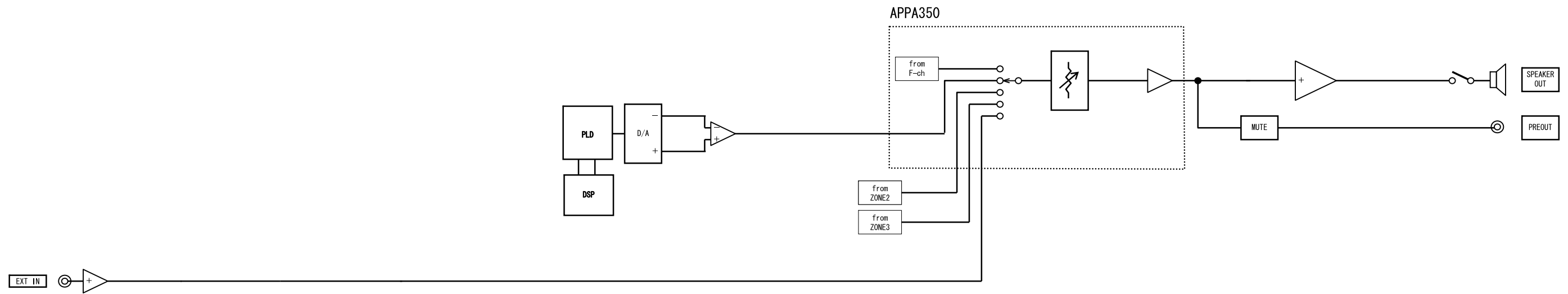
AVR-4310CI/AVR-4310/AVC-4310
LEVEL DIAGRAM
SUBWOOFER ch



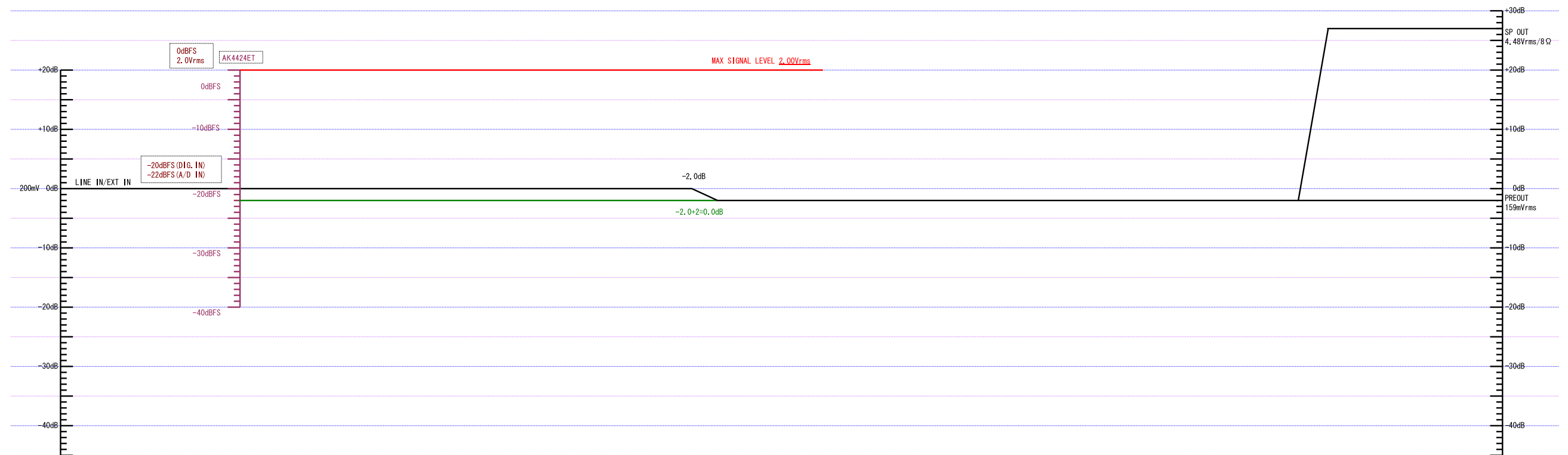
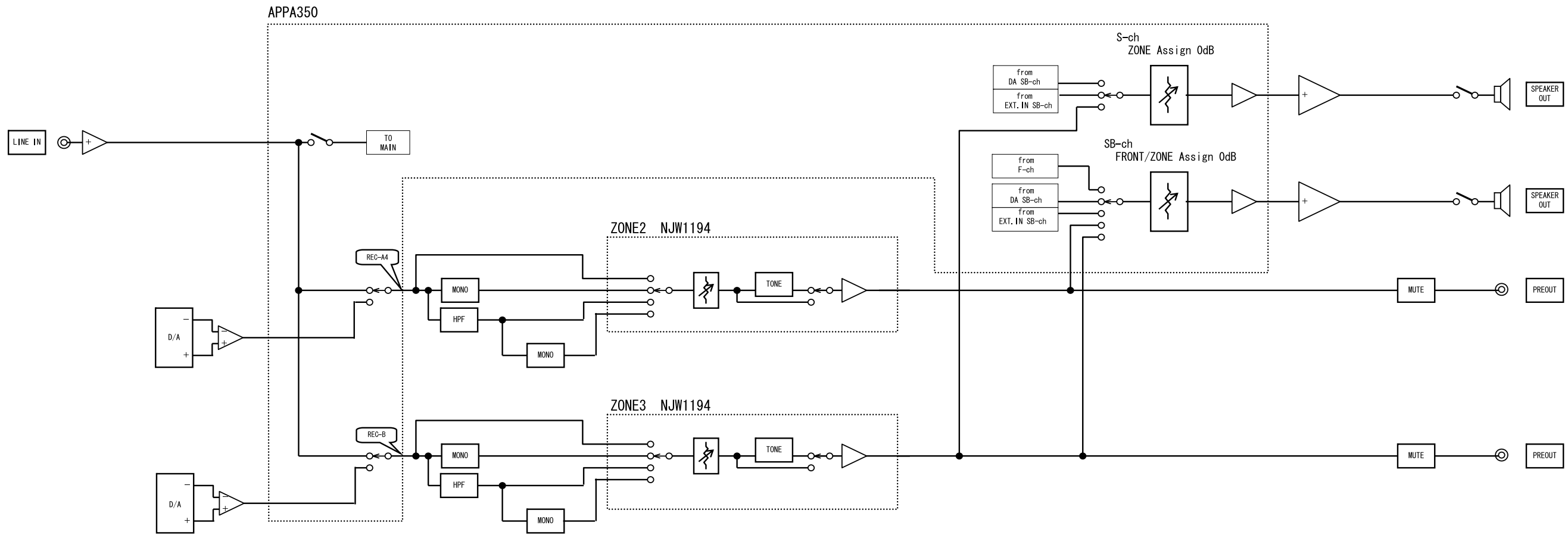
AVR-4310CI/AVR-4310/AVC-4310
LEVEL DIAGRAM
SURROUND ch



AVR-4310CI/AVR-4310/AVC-4310
LEVEL DIAGRAM
SURROUND BACK ch



AVR-4310CI/AVR-4310/AVC-4310
 LEVEL DIAGRAM
 ZONE 2/3



--MEMO--

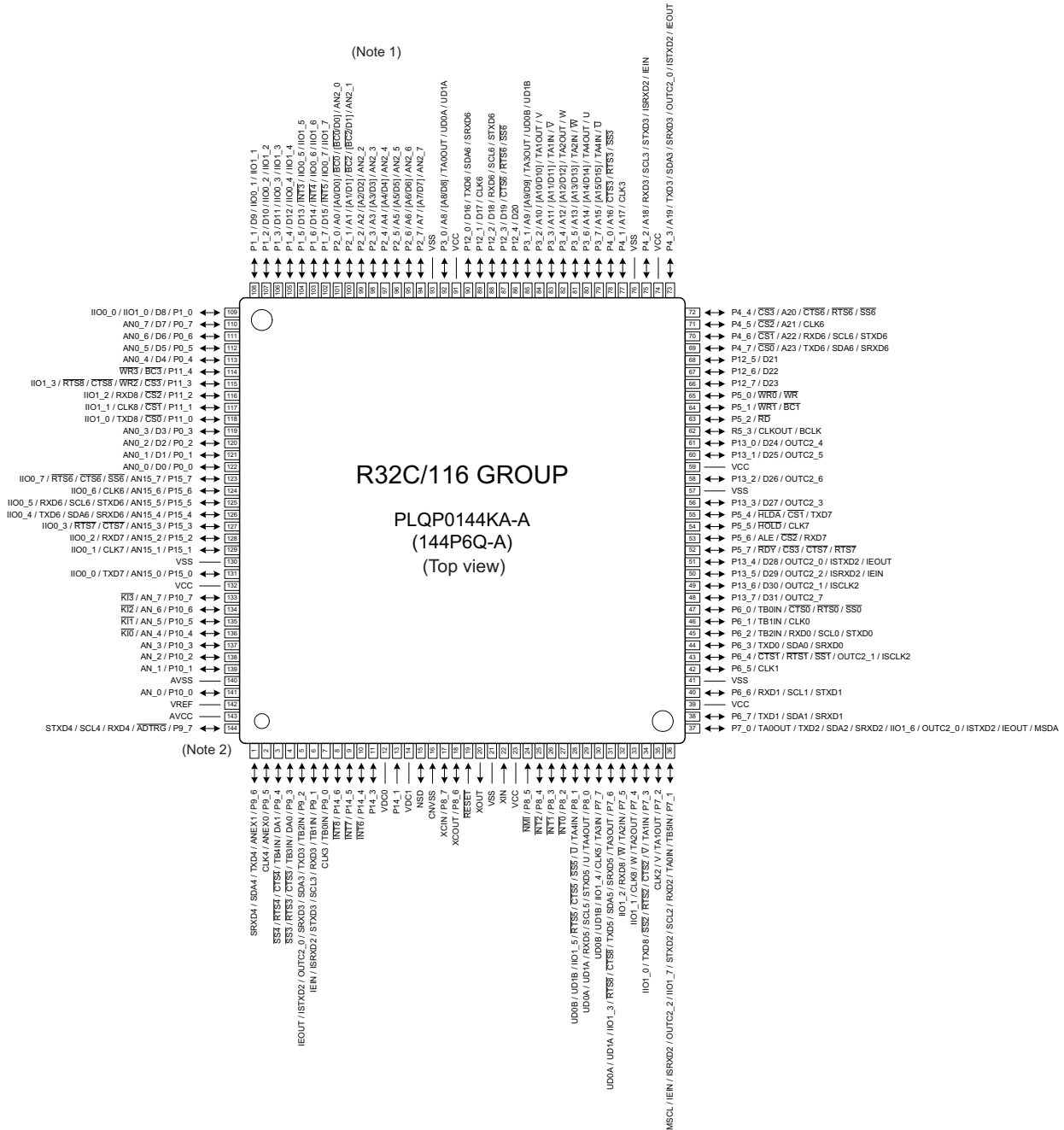
SEMICONDUCTORS

Only major semiconductors are shown, general semiconductors etc. are omitted to list.
 The semiconductor which described a detailed drawing in a schematic diagram are omitted to list.

1. IC's

Note : Abbreviation ahead of IC No. indicates the name of P.W.B., etc.
 DI : DIGITAL P.W.B. MA : MAIN CPU P.W.B.
 AV : A.AUDIO/ VIDEO P.W.B.

R5F64169DFD (MA: IC701)



- Notes:
1. Pin names in brackets [] represent a functional signal as a whole and should not be considered as two separate pins.
 2. The position of pin number 1 varies by product. Refer to the index mark in attached "Package Dimensions".

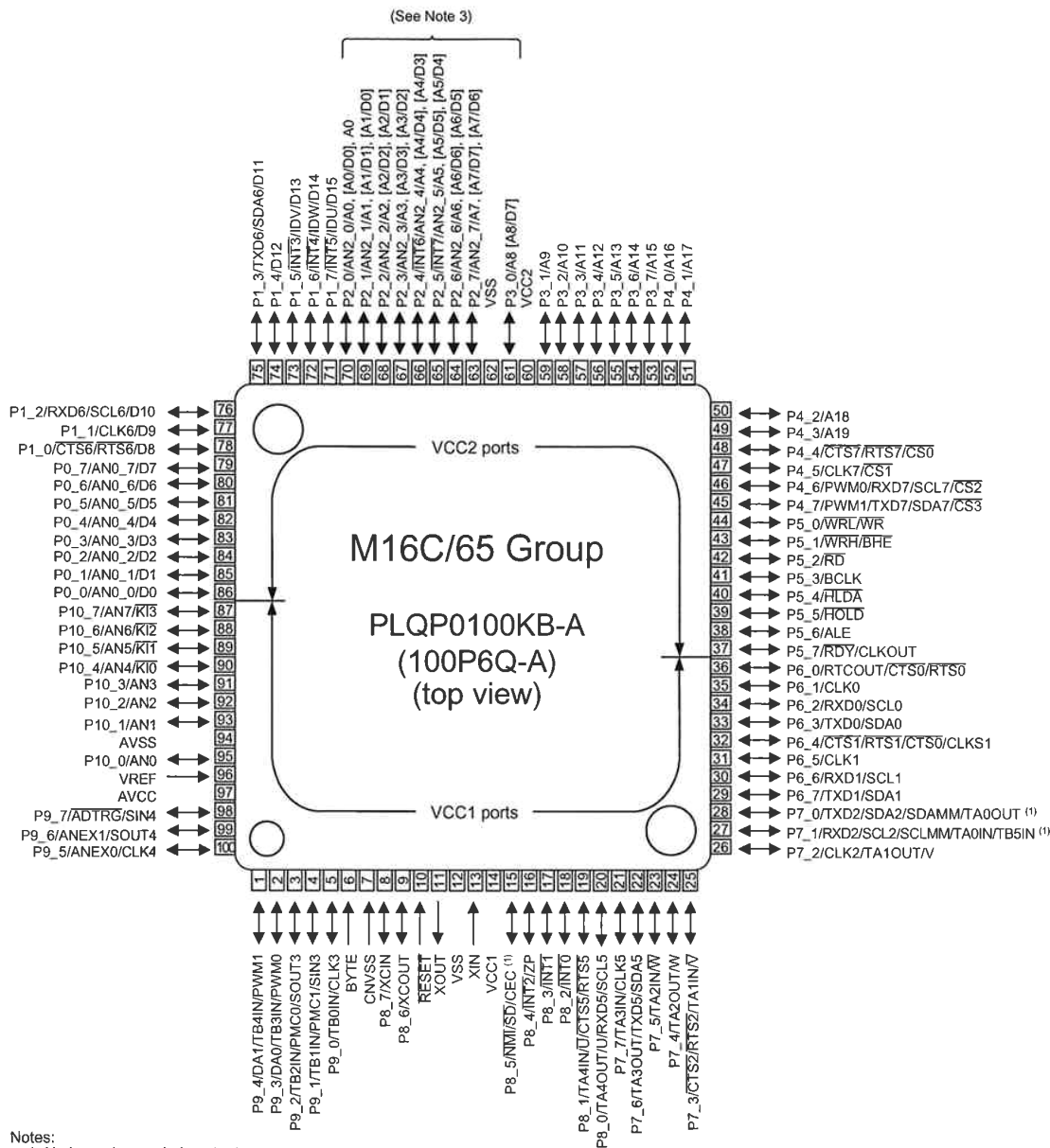
R5F64169DFD Terminal

Pin	Pin Name	Symbol	I/O	Type	Pullup	LvCnv	STBY	stop	Function
1	P96/TXD4	CC1200 TxD	I/O	C	-	-	O/L	O/L	CC1200 control(4810 only)
2	P95/(CLK4)	CC1200 CLK	O	C	-	-	O/L	O/L	CC1200 control(4810 only)
3	P94/(CTS4)	CC1200 CS	O	C	-	-	O/L	O/L	CC1200 control(4810 only)
4	P93/(CTS3)	GUI ACK	I	-	-	-	O/L	O/L	GUI control pin
5	P92/TXD3	HDRADIO MOHI	O	C	-	-	O/L	O/L	HD RADIO control
6	P91/RXD3	HDRADIO MIHO	I	-	-	-	O/L	O/L	HD RADIO control
7	P90/(CLK3)	E POWER	O	C	-	-	O/L	O/L	ETHER POWER control pin
8	P146/INT8	POWER KEY	I	-	3VPu	-	I	I	POWER KEY(WAIT MODE cancel interrupt port)
9	P145/INT7	B.DOWN2	I	-	3VPu	-	I	I	Not used(Power down detect (Power down : L))
10	P144/INT6	PROTECTION(ASO/DC)	I	-	(3Vin)	-	I	I	PROTECTION detect pin(ASO/DC)
11	P143	CPU POWER	O	C	-	-	O/L	O/L	MAIN CPU POWER control pin (POWER ON: H) STANDBY: H (ETHER=ON or CEC ON))
12	VDC0	VDC0	-	-	-	-	-	-	Smoothing capacitor connection pin
13	P141(INPUT ONLY)	REQ SOMI	I	-	-	-	I	O/L	MAIN-SUB μ com communication control output pin
14	VDC1	VDC1	-	-	-	-	-	-	Smoothing capacitor connection pin
15	NSD	NSD	-	-	M3VPu	-	-	-	Emulator communication pin
16	CNVss	CNVSS	-	-	Pd	-	-	-	Single-chip / Micro-processor mode switching (Normal single-chip : L, Rewrite boot program start : H input set)
17	P87/(XCIN)	E RESET	O	C	Pd	-	O/L	O/L	ETHERNET RESET control pin
18	P86/(XCOUT)	232C POWER/REMOTE PWR	O	C	-	-	O/L	O/L	232C POWER control pin(ON: H)/REMOTE POWER
19	RESET	RESET	-	-	M3VPu	-	-	-	Reset input (reset: L)
20	XOUT	X2	-	-	-	-	-	-	Clock output
21	VSS	VSS	-	-	-	-	-	-	GND
22	XIN	X1	-	-	-	-	-	-	Clock input
23	VCC	VCC1	-	-	-	-	-	-	+3V
24	P85/NMI	_NMI	I	-	M3V	-	I	I	Not used(Fixed to H)
25	P84/INT2	REMOTE DET	I	-	(3Vin)	-	I	I	ROOM TO ROOM signal detect pin(detected: H)
26	P83/INT1	B.DOWN	I	-	(3Vin)	-	I	I	Power down detect (Power down : L)
27	P82/INT0	REMOCON	I	-	3Vin/Pd	-	I	I	Remote control signal input
28	P81	CC1200 REQ	O	C	-	-	O/L	O/L	CC1200control(4810 only)
29	P80/RXD5	iPod RXD MIIO	I	N	5Vin	-	O/L	O/L	IPOD communication control pin
30	P77/CLK5	TU/RDS CLK	O	C	SW5VPu	3/5	O/L	O/L	PLL & RDS control pin (LC72131 & LC72720)
31	P76/TXD5	iPod TXD MOII	O	C	SW5VPu	3/5	O/L	O/L	IPOD communication control pin
32	P75/RXD8	(SIRIUS MI)/RDS DOUT	I	N	5Vin	-	O/L	O/L	SIRIUS control pin/RDS data inputpin(LC72720)
33	P74/CLK8	EXP DATA	O	C	-	-	O/L	O/L	Extended EXP control pin
34	P73/TXD8	(SIRIUS MO)/RDS CE	O	C	SW5VPu	3/5	O/L	O/L	SIRIUS control pin/RDS control pin(LC72720)
35	P72/CLK2	GUI CLK	O	C	-	-	O/L	O/L	GUI control pin
36	P71/RXD2/(MSCL)	GUI RX	I	-	-	-	O/L	O/L	GUI control pin
37	P70/TXD2/(MSDA)	GUI TX	O	C	-	-	O/L	O/L	GUI control pin
38	P67/TXD1	TXD MO232I	O	C	-	(3/5)	O/L	O/L	Data transfer pin to outside (AMX)/MITSUBISHI writer rewrite
39	VCC	VCC1	-	-	-	-	-	-	+3V
40	P66/RXD1	RXD MI232O	I	-	-	-	I	O/L	Date receive pin from outside(AMX)/MITSUBISHI writer rewrite
41	VSS	VSS	-	-	-	-	-	-	GND
42	P65/CLK1/SCLK(L)	EXP CLK	O	C	-	-	O/L	O/L	Extended EXP control pin
43	P64/BUSY	TU DOUT	I	N	5Vin	-	O/L	O/L	TUNER PLLdata inputpin (LC72131)
44	P63/TXD0	E_TXDMOEI	O	C	-	-	O/L	O/L	ETHERNET comm. control pin
45	P62/RXD0	E_RXDMIEO	I	-	-	-	I	O/L	ETHERNET comm. control pin
46	P61/CLK0	ZONE2 OSD/FL CLK	O	C	-	3/5	O/L	O/L	ZONE2 OSDcontrol pin/FLcontrol pin
47	P60/CTS0	ZONE2 OSD/FL DATA	O	C	-	3/5	O/L	O/L	ZONE2 OSDcontrol pin/FLcontrol pin
48	P137	ACK SIMO	O	C	-	-	O/L	O/L	MAIN-SUB μ com comm. control output pin
49	P136/ISCLK2	CLKMO	O	C	-	-	O/L	O/L	MAIN-SUB μ com comm. control output pin
50	P135/ISRXD2	SOMI	I	-	-	-	I	O/L	MAIN-SUB μ com comm. control output pin
51	P134/ISTXD2	MOSI	O	C	-	-	O/L	O/L	MAIN-SUB μ com comm. control output pin
52	P57/RDY	RDY	I	C	M3VPu	-	I	I	External memory access pin(NC,Pup)
53	P56/ALE	ALE	O	C	-	-	O/L	O/L	External memory access pin(NC)
54	P55/HOLD/EPM	HOLD/FRASH EPM	I	C	M3VPu	-	I	I	External memory access pin(NC,Pup)/Rewrite boot program start : L input set
55	P54/HLDA	HLDA	O	C	-	-	O/L	O/L	External memory access pin(NC)
56	P133	MUTE POWER/ROM POWER	O	C	-	-	O/L	O/L	For MUTE +B control pin/For extended ROM 3.3V control pin

Pin	Pin Name	Symbol	I/O	Type	Pullup	LvCnv	STBY	stop	Function
57	VSS	VSS	-	-	-	-	-	-	GND
58	P132	GUI REQ	O	C	-	-	O/L	O/L	GUI control pin
59	VCC	VCC2	-	-	-	-	-	-	+3V
60	P131	EXP SCL	I/O	C	M3VPu	-	O/L	I	Extended I/O EXP control pin(M62320)
61	P130	EXP SDA	I/O	C	M3VPu	-	O/L	I	Extended I/O EXP control pin(M62320)
62	P53/BCLK	BCLK	O	C	-	-	O/L	O/L	External memory access pin(NC)
63	P52/RD	R \bar{D}	O	C	-	-	O/L	O/L	External memory access pin(connection: OE#)
64	P51/(WR1)/BC1	BC1	O	C	-	-	O/L	O/L	External memory access pin(NC)
65	P50/(WR0)/WR/CE	WR/FRASH CE	O	C	Pd	-	O/L	O/L	External memory access pin(connection:WE#)/Rewrite boot program start : H input set
66	P127	VSEL A	I	-	SW3VPu	-	I	I	Master Volume rotation detect input (Rotary encoder)
67	P126	VSEL B	I	-	SW3VPu	-	I	I	Master Volume rotation detect input (Rotary encoder)
68	P125	(PROTECTION (THERMAL))	I	-	SW3VPu	-	I	I	PROTECTION detect pin(THERMAL)
69	P47/CS0/(A23)	CS0	O	C	-	-	O/L	O/L	External memory access pin(connection:CS#)
70	P46/(CS1)/A22	A22	O	C	-	-	O/L	O/L	External memory access pin(NC)
71	P45/(CS2)/A21	A21	O	C	-	-	O/L	O/L	External memory access pin(NC)
72	P44/(CS3)/A20	A20	O	C	-	-	O/L	O/L	External memory access pin(connection:A19)
73	P43/A19	A19	O	C	-	-	O/L	O/L	External memory access pin(connection:A18)
74	VCC	VCC	-	-	-	-	-	-	+3V
75	P42/A18	A18	O	C	-	-	O/L	O/L	External memory access pin(connection:A17)
76	VSS	VSS	-	-	-	-	-	-	GND
77	P41/A17	A17	O	C	-	-	O/L	O/L	External memory access pin(connection:A16)
78	P40/A16	A16	O	C	-	-	O/L	O/L	External memory access pin(connection:A15)
79	P37/A15	A15	O	C	-	-	O/L	O/L	External memory access pin(connection:A14)
80	P36/A14	A14	O	C	-	-	O/L	O/L	External memory access pin(connection:A13)
81	P35/A13	A13	O	C	-	-	O/L	O/L	External memory access pin(connection:A12)
82	P34/A12	A12	O	C	-	-	O/L	O/L	External memory access pin(connection:A11)
83	P33/A11	A11	O	C	-	-	O/L	O/L	External memory access pin(connection:A10)
84	P32/A10	A10	O	C	-	-	O/L	O/L	External memory access pin(connection:A9)
85	P31/A9	A9	O	C	-	-	O/L	O/L	External memory access pin(connection:A8)
86	P124	EXP STB	O	C	-	-	O/L	O/L	Extended EXP control pin
87	P123	EXP OE	O	C	Pd	-	O/L	O/L	Extended EXP control pin
88	P122/(RXD6)	EEPROM SCL	I/O	C	-	-	O/L	I	EEPROM control pin
89	P121/(CLK6)	EEPROM SDA	I/O	C	-	-	O/L	I	EEPROM control pin
90	P120/(TXD6)	TU/RDS DIN	O	C	SW5VPu	3/5	O/L	O/L	PLL & RDS control pin (LC72131 & LC72720)
91	VCC	VCC	-	-	-	-	-	-	+3V
92	P30/A8	A8	O	C	-	-	O/L	O/L	External memory access pin(connection:A7)
93	VSS	VSS	-	-	-	-	-	-	GND
94	P27/A7	A7	O	C	-	-	O/L	O/L	External memory access pin(connection:A6)
95	P26/A6	A6	O	C	-	-	O/L	O/L	External memory access pin(connection:A5)
96	P25/A5	A5	O	C	-	-	O/L	O/L	External memory access pin(connection:A4)
97	P24/A4	A4	O	C	-	-	O/L	O/L	External memory access pin(connection:A3)
98	P23/A3	A3	O	C	-	-	O/L	O/L	External memory access pin(connection:A2)
99	P22/A2	A2	O	C	-	-	O/L	O/L	External memory access pin(connection:A1)
100	P21/A1	A1	O	C	-	-	O/L	O/L	External memory access pin(connection:A0)
101	P20/A0	A0	O	C	-	-	O/L	O/L	External memory access pin(NC)
102	P17/D15	D15	I/O	C	-	-	O/L	O/L	External memory access pin(connection:D15)
103	P16/D14	D14	I/O	C	-	-	O/L	O/L	External memory access pin(connection:D14)
104	P15/D13	D13	I/O	C	-	-	O/L	O/L	External memory access pin(connection:D13)
105	P14/D12	D12	I/O	C	-	-	O/L	O/L	External memory access pin(connection:D12)
106	P13/D11	D11	I/O	C	-	-	O/L	O/L	External memory access pin(connection:D11)
107	P12/D10	D10	I/O	C	-	-	O/L	O/L	External memory access pin(connection:D10)
108	P11/D9	D9	I/O	C	-	-	O/L	O/L	External memory access pin(connection:D9)
109	P10/D8	D8	I/O	C	-	-	O/L	O/L	External memory access pin(connection:D8)
110	P07/D7	D7	I/O	C	-	-	O/L	O/L	External memory access pin(connection:D7)
111	P06/D6	D6	I/O	C	-	-	O/L	O/L	External memory access pin(connection:D6)
112	P05/D5	D5	I/O	C	-	-	O/L	O/L	External memory access pin(connection:D5)
113	P04/D4	D4	I/O	C	-	-	O/L	O/L	External memory access pin(connection:D4)
114	P114	ISEL A	I	-	SW3VPu	-	I	I	Input Selector rotation detect input (Rotary encoder)
115	P113	ISEL B	I	-	SW3VPu	-	I	I	Input Selector rotation detect input(Rotary encoder)

Pin	Pin Name	Symbol	I/O	Type	Pullup	LvCnv	STBY	stop	Function
116	P112/ (RXD8)	CC1200 ACK	O	C	-	(3/5)	O/L	O/L	CC1200control(4810 only)
117	P111/	VOL CLK	O	C	-	(3/5)	O/L	O/L	FUNCTION/VOLUME control(NJW1199)(NJW1194)
118	P110/ (TXD8)	VOL DATA	O	C	-	(3/5)	O/L	O/L	FUNCTION/VOLUME control(NJW1199)(NJW1194)
119	P03/D3	D3	I/O	C	-	-	O/L	O/L	External memory access pin(connection:D3)
120	P02/D2	D2	I/O	C	-	-	O/L	O/L	External memory access pin(connection:D2)
121	P01/D1	D1	I/O	C	-	-	O/L	O/L	External memory access pin(connection:D1)
122	P00/D0	D0	I/O	C	-	-	O/L	O/L	External memory access pin(connection:D0)
123	P157	(iPod Det_HD)	I	-	-	-	O/L	O/L	Not used(ipod Det from HD Radio)
124	P156	E SPI REQ	I	-	Pd	-	O/L	O/L	ETHERNET comm. control pin
125	P155/RXD6	RXD MIXMO	I	C	-	-	O/L	O/L	XM RADIO control pin
126	P154/TXD6	TXD MOXMI	O	C	D3Pup	-	O/L	O/L	XM RADIO control pin
127	P153	E SPI CS	O	C	-	-	O/L	O/L	ETHERNET comm. control pin
128	P152/RXD7	E SPI MIEO	I	-	Pd	-	O/L	O/L	ETHERNET comm. control pin
129	P151/CLK7	E SPI CLK	O	C	Pd	-	O/L	O/L	ETHERNET comm. control pin
130	VSS	VSS	-	-	-	-	-	-	GND
131	P150/TXD7	E SPI MOEI	O	C	Pd	-	O/L	O/L	ETHERNET comm. control pin
132	VCC	VCC	-	-	-	-	-	-	+3V
133	P107/(AN7)/ (K13)	NC	I	-	Pd	-	I	I	Not used(3310:GUI WRITE)
134	P106/AN6/ K12	KEY3	I	-	M3VPu	-	I	I	Button input3
135	P105/AN5/ K11	KEY2	I	-	M3VPu	-	I	I	Button input2
136	P104/AN4/ K10	KEY1	I	-	M3VPu	-	I	I	Button input1
137	P103/AN3	SUB UPDATE	O	C	-	-	O/L	O/L	SUB UPDATE mode control(DPMS/DENON WRITTER) (MAIN: L/ SIB:H)
138	P102/AN2	MIC DET/H/P DET/X2 PROT/LIMIT	I	-	SW3VPu	-	O/L	O/L	MIC detect pin/Headphone/voltage-doubler detect pin/LIMIT judge signal detect input (A/D detect)
139	P101/(AN1)	REDLED	O	C	-	-	O/H	O/L	POWER/STANDBY LED control pin(ON: H)
140	AVSS	AVSS	-	-	-	-	-	-	Analog GND
141	P100/AN0	MODE	I	-	M3VPu	-	I	I	Destination switching input
142	VREF	VREF	-	-	-	-	-	-	Ref. power supply input +3V
143	AVCC	AVCC	-	-	-	-	-	-	Analog Power supply +3V
144	P97/RXD4	CC1200 RxD	I/O	C	-	-	O/L	O/L	CC1200 control(4810 only)

R5F3650TNFB/KNFB (DI: IC901)



- Notes:
1. N-channel open drain output.
 2. Check the position of Pin 1 by referring to appendix 1, Package Dimensions.
 3. Pin names in brackets [] represent a single functional signal. They should not be considered as two separate functional signals.

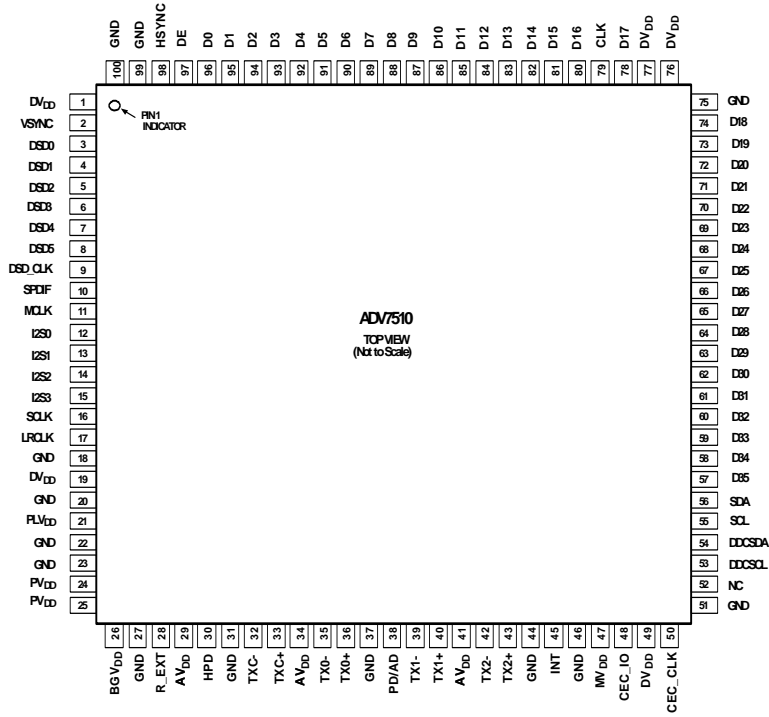
R5F3650TNFB/KNFB Terminal Function

Pin	Pin Name	Symbol	I/O	Type	Det	Op (Int.)	Pu/Pd (Ext.)	Res	PURE D	CEC STBY	P.OFF	Function
1	P94	VSEL DATA	O	C	-	-	-	Z	O/L	O/L	Z	GUI built-in VIDEO SW control pin
2	P93	DIR CE1	O	C	-	-	-	Z	O/L	O/L	Z	DIR control pin (LC89058W-VF4A)
3	P92/SOUT3	DIR DIN	O	C	-	-	-	Z	O/L	O/L	Z	DIR control pin (LC89058W-VF4A)
4	P91/SIN3	DIR DOUT	I	-	Lv	-	-	Z	-	-	Z	DIR control pin (LC89058W-VF4A)
5	P90/CLK3	DIR CLK	O	C	-	-	-	Z	O/L	O/L	Z	DIR control pin (LC89058W-VF4A)
6	BYTE	BYTE	-	-	-	-	-	-	-	-	-	GND(Ext. data bus bit width switching, 16bit : L)
7	CNVCS	CNVSS	-	-	-	-	Pd	-	-	-	-	Single-chip / Micro-processor mode switching (Normal single-chip : L, Rewrite boot program start : H input set)
8	P87	OSR2	O	C	-	-	AD3VPu	Z	O/H	O/L	Z	A/D control pin
9	P86	DIR CE4	O	C	-	-	-	Z	O/L	O/L	Z	DIR control pin (LC89058W-VF4A)
10	RESET	SUBRESET	I	-	Lv	-	SCPU3VPu	L	-	-	Z	Reset input
11	XOUT	X1	O	-	-	-	-	-	-	-	-	Oscillator connection
12	VSS	VSS	-	-	-	-	-	-	-	-	-	GND
13	XIN	X2	I	-	-	-	-	-	-	-	-	Oscillator connection
14	VCC	VCC	-	-	-	-	-	-	-	-	-	+3.3V
15	P85/NMI/(CEC)	NMI/(CEC_IN)	I	-	-	-	-	-	-	-	-	Fixed to H
16	P84/INT2	CEC_IN	I	-	E ↓ &L	-	SCPU3VPu	Z	-	-	Z	CEC-D signal input pin
17	P83/INT1	ACK SIMO	I	-	E ↓ &L	-	-	Z	-	-	Z	MAIN-SUB μcom comm. control input pin

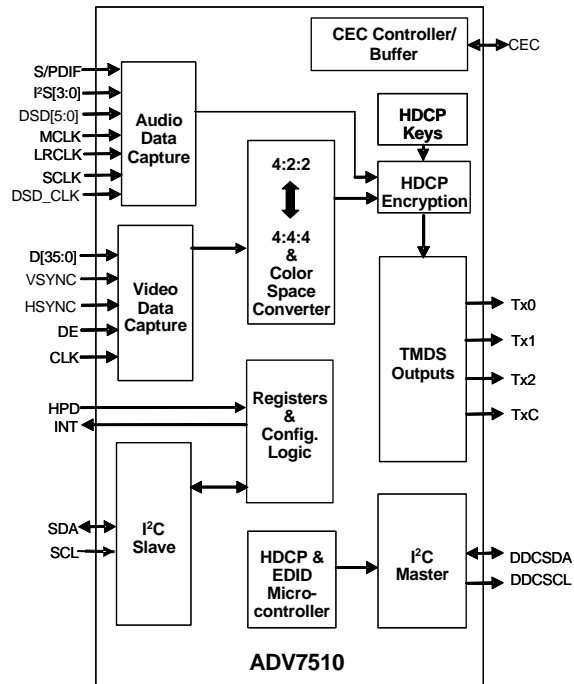
Pin	Pin Name	Symbol	I/O	Type	Det	Op (Int.)	Pu/Pd (Ext.)	Res	PURE D	CEC STBY	P.OFF	Function
18	P82/INT0	SUB BDOWN	I	-	E ↓ &L		-	Z	-	-	Z	Power down detect (Power down: L)
19	P81	IP RST	O	C	-	-	-	Z	O/H	O/H	Z	IP CONV(ABT1030) reset (1610 NC)
20	P80/(RXD5)	GUI WRITE	O	C	-	-	-	Z	O/L	-	O/L	GUI ROM rewrite control (ACTIVE"L")
21	P77/(CLK5)	/TDO	I	-	-	-	-	Z	O/L	O/L	Z	/PLDrewrite control (JTAG)
22	P76/(TXD5)	A PLD CS /TMS/ "D/M"	O	C	-	-	-	Z	O/L	-	O/L	A PLD control pin /PLD rewrite (JTAG)/DENON WRITTER/For MITSUBISHI rewrite distinction (DW="L")
23	P75	A PLD DATA/TDI	O	C	-	-	-	Z	O/L	O/L	Z	A PLD control pin /PLDrewrite control (JTAG)
24	P74	A PLD CLK/MTCK	O	C	-	-	-	Z	O/L	O/L	Z	A PLD control pin /PLDrewrite control (JTAG)
25	P73/CTS2	ANALOG VIDEO POWER	O	C	-	-	-	Z	O/L	O/L	Z	VIDEO power ON/OFF control (H: ON)
26	P72/CLK2	DIGITAL POWER	O	C	-	-	-	Z	Z	-	Z	DIGITAL power ON/OFF control (H: ON)
27	P71/RXD2/ SCLMM	HSCL(400k)	I/O	N	-	-	CEC3VPu	Z	O/L	O/L	O/L	VIDEO I2C- IP CONV(ABT1030)/ HDMI_RECEIVER(ADV7840)/HDMI TRANSMITTER1 (ADV7510)
28	P70/TXD2/ SDAMM	HSDA(400k)	I/O	N	-	-	CEC3VPu	Z	O/L	O/L	O/L	VIDEO I2C- IP CONV(ABT1030)/ HDMI_RECEIVER(ADV7840)/HDMI TRANSMITTER1 (ADV7510)
29	P67/TXD1	TXD	O	C	-	-	SCPU3VPu	Z	-	-	Z	Data transfer output to outside
30	P66/RXD1	RXD	I	-	Lv	-	SCPU3VPu	Z	-	-	Z	Data receive input from outside
31	P65/CLK1	FGAIN	O	C	-	-	-	Z	-	O/L	Z	FGAIN control pin
32	P64/CTS1	CFSEL0	I	-	Lv	-	Ed	Z	-	-	Z	ENCODER output set (480p/576p: H)
33	P63/TXD0	SOMI	O	C	-	-	-	Z	-	-	Z	MAIN-SUB μcom comm. control pin
34	P62/RXD0	SIMO	I	-	-	-	-	Z	-	-	Z	MAIN-SUB μcom comm. control pin
35	P61/CLK0	CLK SIMO	I	-	-	-	-	Z	-	-	Z	MAIN-SUB μcom comm. control pin
36	P60/CTS0	REQ SOMI	O	C	-	-	-	Z	-	-	Z	MAIN-SUB μcom comm. control pin
37	P57	1TMSD SW RST	O	C	-	-	SCPU3VPu	Z	O/H	-	Z	HDMI SWITCHER ADV3002 Reset pin
38	P56	HPD2	O	C	-	-	-	Z	O/L	-	Z	HD DET control pin
39	P55/EPM	ADC RST/EPM	O	C	-	-	Ed	Z	-	-	Z	AD(PCM1804) control pin /Rewrite boot start : L input set
40	P54	CEC_OUT	O	C	-	-	-	Z	O/L	-	Z	CEC-Dsignal output pin
41	P53	MONI DIS	O	C	-	-	-	Z	O/L	O/L	Z	COMPONENT MONITOR OUT output control pin
42	P52	FPGAWRITE	O	C	-	-	-	Z	O/L	O/L	Z	AUDIO FPGA rewrite control (ACTIVE"L")
43	P51	VSEL C2	O	C	-	-	-	Z	O/L	O/L	Z	GUI built-in VIDEO SW control pin
44	P50/CE	CECSEL/CE/DSP BOOT	O/I	C	-	-	SCPU3VPu	Z	O/L	-	Z	CEC output LINE control/Rewrite boot program start : L input set: Cg input set
45	P47/(TXD7)/ SDA7	VSDA	I/O	C	-	-	DV3VPu	Z	O/L	-	O/L	ENCODER ADV7340 I2C/COMPONENT SELECT IC(NJW1321FP1)
46	P46/(RXD7)/ SCL7	VSCL	I/O	C	-	-	DV3VPu	Z	O/L	-	O/L	ENCODER ADV7340 I2C/COMPONENT SELECT IC(NJW1321FP1)
47	P45/(CLK7)	HPD1	O	C	-	-	Pd	Z	O/L	-	Z	HD DET control pin
48	P44	Z2 SYNCDET	I	-	-	-	SCPU3VPu	Z	-	-	Z	ZONE2 SyncDet pin
49	P43	HDMI A.SEL	O	C	-	-	-	Z	O/L	O/L	Z	HDMI AUDIO control (H: FDSP route, L: FHDMI Rx → Tx through)
50	P42	Z2SSIG.DET	I	-	Lv	-	SCPU3VPu	Z	I	I	Z	ZONE2 S signal detect input (Connected: H)
51	P41	CEC POWER	O	C	-	-	-	Z	O/L	O/H	Z	H:CEC STANDBY Power ON
52	P40	(DSP3 FLAG0)	O	C	-	-	-	Z	O/L	O/L	Z	Not used
53	P37	HDMIR_RST	O	C	-	-	-	Z	O/H	-	Z	HDMI RECEIVER(ADV7840) reset
54	P36	1TX RST	O	C	-	-	SCPU3VPu	Z	O/H	-	Z	HDMI TRANSMITTER1 (ADV7510) reset
55	P35	2TX RST	O	C	-	-	SCPU3VPu	Z	O/L	O/L	Z	HDMI TRANSMITTER2 (ADV7510) reset
56	P34	Z1 SSGDET	I	-	Lv	-	SCPU3VPu	Z	-	-	Z	S signal detect input (Connected: H)
57	P33	(DSP3 RST)	I	-	Lv	-	-	Z	O/L	-	Z	Not used
58	P32	DAC MDI	O	C	-	-	-	Z	O/L	O/L	Z	DAC control pin (ASK4358)
59	P31	DAC MC	O	C	-	-	-	Z	O/L	O/L	Z	DAC control pin (ASK4358)
60	VCC	VCC	-	-	-	-	-	-	-	-	-	+3.3V
61	P30	DAC MS	O	C	-	-	-	Z	O/L	O/L	Z	DAC control pin (ASK4358)
62	VSS	VSS	-	-	-	-	-	-	-	-	-	GND
63	P27	DAC RST	O	C	-	-	-	Z	O/H	O/L	Z	DAC control pin (ASK4358)
64	P26	DIG VIDEO POWER	O	C	-	-	-	Z	O/L	MODE1=O/H MODE2=O/L	Z	DIGITAL VIDEO power control pin
65	P25/INT7	2TX INT	I	-	Lv	-	CEC3VPu	Z	-	-	Z	HDMI OUT2 signal detect input (HDMI TRANS1 ADV7510)
66	P24/INT6	1TX INT	I	-	Lv	-	CEC3VPu	Z	-	-	Z	HDMI OUT1 signal detect input (HDMI TRANS1 ADV7510)
67	P23	HPD6	O	C	-	-	-	Z	O/L	-	Z	HD DET control pin
68	P22	VEXP STB	O	C	-	-	-	Z	O/L	O/L	Z	VIDEO expander control pin output(BU4094BCFV)
69	P21	VEXP OE	O	C	-	-	-	Z	O/L	O/L	Z	VIDEO expander control pin output(BU4094BCFV)
70	P20	VEXP CLK	O	C	-	-	-	Z	O/L	O/L	Z	VIDEO expander control CLK output(BU4094BCFV)
71	P17/INT5	ADVINT1	I	-	E ↓ &L	-	-	Z	-	-	Z	HDMI RECEIVER(ADV7840)INT1 output
72	P16/INT4	ADVINT2	I	-	E ↓ &L	-	-	Z	-	-	Z	HDMI RECEIVER(ADV7840)INT2 output

Pin	Pin Name	Symbol	I/O	Type	Det	Op (Int.)	Pu/Pd (Ext.)	Res	PURE D	CEC STBY	P.OFF	Function
73	P15/INT3	ADVINT3	I	-	E ↓ &L	-	-	Z	-	-	Z	HDMI RECEIVER(ADV7840)INT3 output
74	P14	(DSP3 ICS)/SUBD CLK	O	C	-	-	-	Z	O/L	O/L	Z	Not used
75	P13/TXD6	DSP MOSI	O	C	-	-	-	Z	O/L	O/L	Z	DSP cotrol pin (ADSP-21367-333)
76	P12/RXD6	DSP MISO	I	-	Lv	-	-	Z	-	-	Z	DSP cotrol pin (ADSP-21367-333)
77	P11/CLK6	DSPICLK	O	C	-	-	-	Z	O/L	O/L	Z	DSP cotrol pin (ADSP-21367-333)
78	P10	Z1VSIG.DET	I	-	Lv	-	-	Z	-	-	Z	VIDEO IN signal detect input (Detected : H)
79	P07	PLD WRITE	O	C	-	-	-	Z	O/L	O/L	Z	PLD JTAGLINE ON/OFF control
80	P06	VSEL C1	O	C	-	-	-	Z	O/L	MODE1=O/H MODE2=O/L	Z	GUI built-in VIDEO SW cotrol pin /PLDrewrite control (JTAG)
81	P05	HPD3	O	C	-	-	-	Z	O/L	-	Z	HD DET cotrol pin
82	P04	HPD4	O	C	-	-	-	Z	O/L	-	Z	HD DET cotrol pin
83	P03	HPD5	O	C	-	-	-	Z	O/L	-	Z	HD DET cotrol pin
84	P02	DIR RST3	I	-	Lv	-	-	Z	-	-	Z	DIR cotrol pin (LC89058W-VF4A)
85	P01	DIR RST2	O	C	-	-	-	Z	O/L	O/L	O/L	DIR cotrol pin (LC89058W-VF4A)
86	P00	DIR RST1	O	C	-	-	-	Z	O/L	O/L	O/L	DIR cotrol pin (LC89058W-VF4A)
87	P107/(AN7)	DSP2 RST	O	C	-	-	-	Z	O/L	O/L	Z	DSP2(ADSP-21367-333) reset output pin(Reset: L)
88	P106/(AN6)	DSP1 RST/ SubnCONFIG	O	C	-	-	-	Z	O/L	O/L	Z	DSP1(ADSP-21367-333) reset output pin(Reset: L)/FPGA rewrite (MAIN FPGA & GUI FPGAcombined use)
89	P105/(AN5)	DSP ROMRST/ SUBnCE	O	C	-	-	-	Z	O/L	O/L	Z	DSP memory reset(reset: L/FPGA rewrite control (MAIN FPGA & GUI FPGAcombined use)
90	P104/(AN4)	COMPS DET	I	-	Lv	-	SCPU3VPu	Z	-	-	Z	COMPONENT IN signal detect input
91	P103/(AN3)	DSP2 FLAG0/ SUBDATA_0	I/O	-	Lv	-	Pd	Z	-	-	Z	DSP2 cotrol pin (ADSP-21367-333)/FPGA rewrite control (MAIN FPGA & GUI FPGAcombined use)
92	P102/(AN2)	DSP2 ICS/ SUBnCS	O	C	-	-	D3VPu	Z	O/L	O/L	Z	DSP2 cotrol pin (ADSP-21367-333)/FPGA rewrite control (MAIN FPGA & GUI FPGAcombined use)
93	P101/(AN1)	DSP1 ICS/ SUBASDI	O	C	-	-	D3VPu	Z	O/L	O/L	Z	DSP1 cotrol pin (ADSP-21367-333)/FPGA rewrite control (MAIN FPGA & GUI FPGAcombined use)
94	AVSS	AVSS	-	-	-	-	-	-	-	-	-	AD GND
95	P100/(AN0)	VSEL CLK	O	C	-	-	-	Z	O/L	O/L	Z	GUI built-in VIDEO SW cotrol pin
96	VREF	VREF	-	-	-	-	-	-	-	-	-	AD ref. +3.3V
97	AVCC	AVCC	-	-	-	-	-	-	-	-	-	AD +3.3V
98	P97/(SIN4)	Tx EN	O	C	-	-	-	Z	O/L	-	Z	AD8195 ENABLE pin for Front HDMI cotrol
99	P96/(SOUT4)	DSP1 FLAG0/ SUBCONF_DONE	I	-	-	-	Pd	Z	O/L	O/L	Z	DSP1 cotrol pin (ADSP-21367-333)/FPGA rewrite control (MAIN FPGA & GUI FPGAcombined use)
100	P95/(CLK4)	VEXP DIN	O	C	-	-	-	Z	O/L	O/L	Z	VIDEO expander cotrol DATA output (BU4094BCFV)

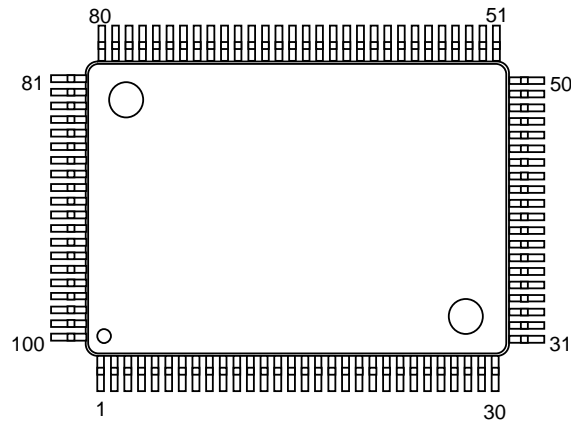
ADV7510BSTZ-225 (DI: IC701,IC702)



ADV7510BSTZ-225 Terminal Function

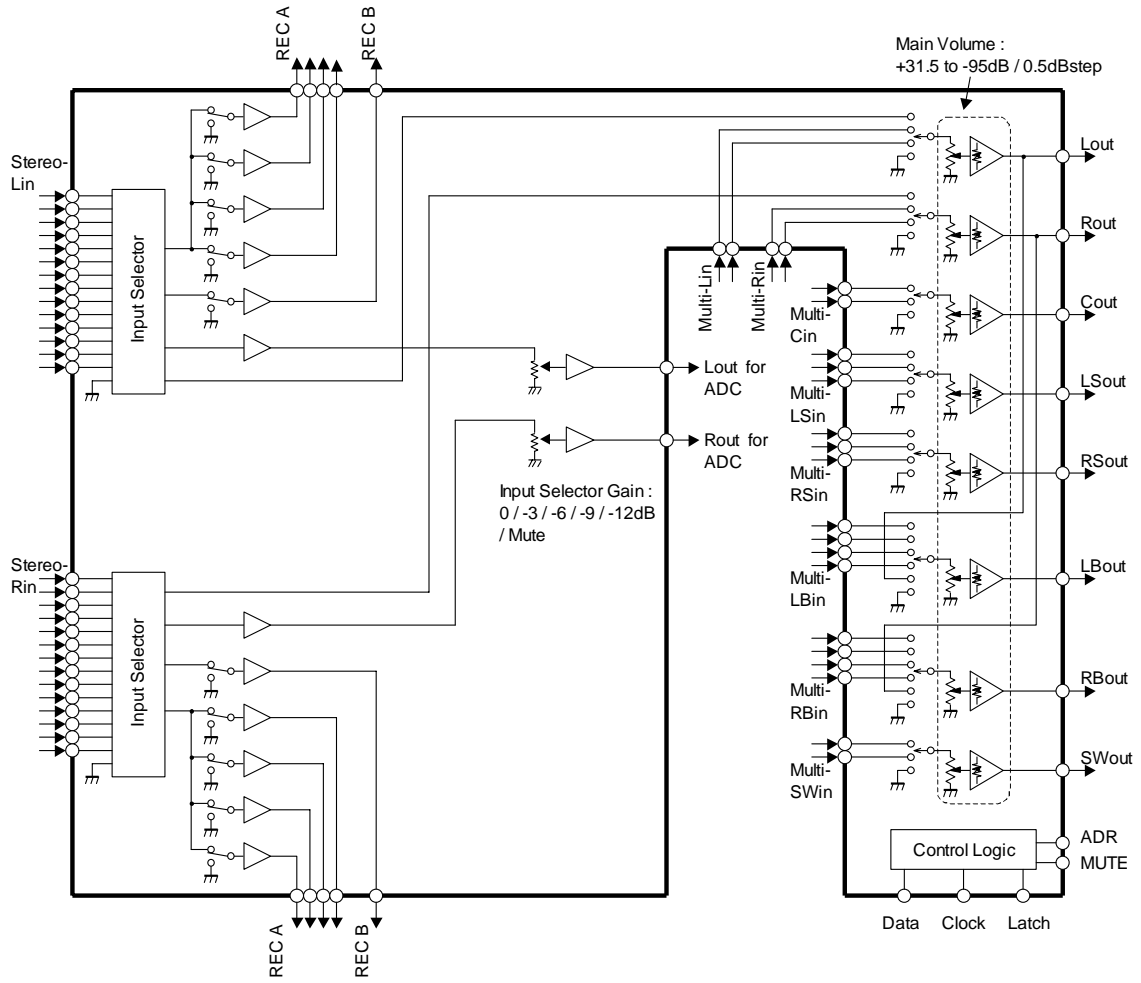


APPA350 (NJW1299) (AV : IC616)

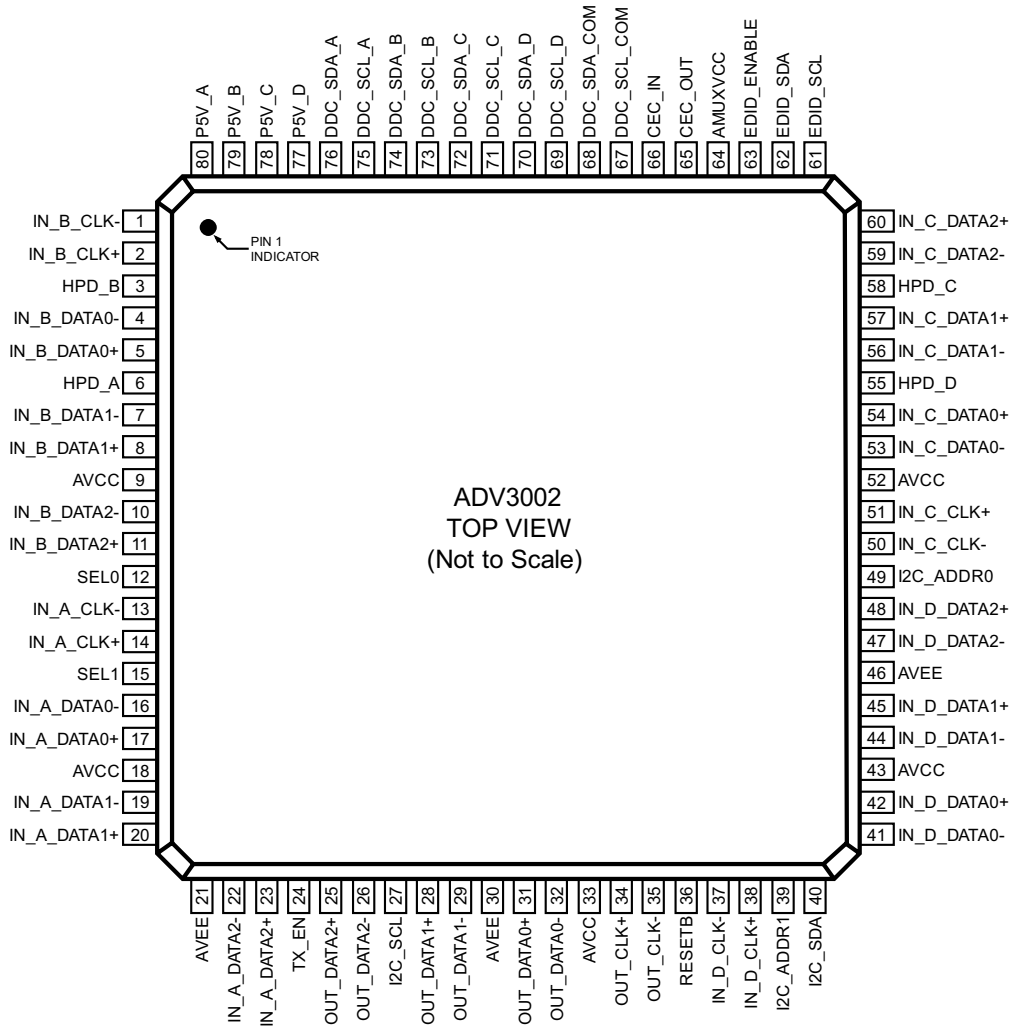


No.	PIN NAME	Function	No.	PIN NAME	Function
1	ROUT	Rch output	51	R10IN	Input selector Rch Input 10
2	COUT	Cch output	52	L13IN	Input selector Lch Input 13
3	LS OUT	LSch output	53	L11IN	Input selector Lch Input 11
4	RS OUT	RSch output	54	R13IN	Input selector Rch Input 13
5	LB OUT	LBch output	55	R11IN	Input selector Rch Input 11
6	RB OUT	RBch output	56	GND	GND terminal
7	SWOUT	SWch output	57	REC_B1R	Input selector Rch REC output B1
8	N.C.	Non	58	REC_B1L	Input selector Lch REC output B1
9	N.C.	Non	59	REC_A4R	Input selector Rch REC output A4
10	N.C.	Non	60	REC_A4L	Input selector Lch REC output A4
11	N.C.	Non	61	REC_A3R	Input selector Rch REC output A3
12	V+	+ Power-supply voltage	62	REC_A3L	Input selector Lch REC output A3
13	L1IN	Input selector Lch Input 1	63	REC_A2R	Input selector Rch REC output A2
14	V-	- Power-supply voltage	64	REC_A2L	Input selector Lch REC output A2
15	R1IN	Input selector Rch Input 1	65	REC_A1R	Input selector Rch REC output A1
16	ADR	Terminal for address selection	66	REC_A1L	Input selector Lch REC output A1
17	L2IN	Input selector Lch Input 2	67	VDDOUT	Logic power supply output terminal
18	DCCAP_L	ICapacitor for volume control switching noise removal Lch	68	DATA	IC control data input
19	R2IN	Input selector Rch Input 2	69	CLOCK	IC control clock input
20	DCCAP_R	ICapacitor for volume control switching noise removal Rch	70	LATCH	IC control latch input
21	L3IN	Input selector Lch Input 3	71	MUTE	External mute control
22	DCCAP_C	ICapacitor for volume control switching noise removal Cch	72	ROUT_ADC	Rch output for ADC
23	R3IN	Input selector Rch Input 3	73	LOUT_ADC	Lch output for ADC
24	DCCAP_LS	ICapacitor for volume control switching noise removal LSch	74	GND	GND terminal
25	L4IN	Input selector Lch Input 4	75	LBDIN	Multichannel LBch input D
26	DCCAP_RS	ICapacitor for volume control switching noise removal RSch	76	RBDIN	Multichannel RBch input D
27	R4IN	Input selector Rch Input 4	77	LSCIN	Multichannel LSch input C
28	DCCAP_LB	ICapacitor for volume control switching noise removal LBch	78	RSCIN	Multichannel RSch input C
29	L5IN	Input selector Lch Input 5	79	LBCIN	Multichannel LBch input C
30	DCCAP_RB	ICapacitor for volume control switching noise removal RBch	80	RBCIN	Multichannel RBch input C
31	R5IN	Input selector Rch Input 5	81	GND	GND terminal
32	DCCAP_SW	ICapacitor for volume control switching noise removal SWch	82	LAIN	Multichannel Lch input A
33	L6IN	Input selector Lch Input 6	83	RAIN	Multichannel Rch input A
34	L14IN	Input selector Lch Input 14	84	CAIN	Multichannel Cch input A
35	R6IN	Input selector Rch Input 6	85	LSAIN	Multichannel LSch input A
36	R14IN	Input selector Rch Input 14	86	RSAIN	Multichannel RSch input A
37	L7IN	Input selector Lch Input 7	87	LBAIN	Multichannel LBch input A
38	GND	GND terminal	88	RBAIN	Multichannel RBch input A
39	R7IN	Input selector Rch Input 7	89	SWAIN	Multichannel SWch input A
40	GND	GND terminal	90	GND	GND terminal
41	L8IN	Input selector Lch Input 8	91	LBIN	Multichannel Lch input B
42	GND	GND terminal	92	RBIN	Multichannel Rch input B
43	R8IN	Input selector Rch Input 8	93	CBIN	Multichannel Cch input B
44	GND	GND terminal	94	LSBIN	Multichannel LSch input B
45	L9IN	Input selector Lch Input 9	95	RSBIN	Multichannel RSch input B
46	GND	GND terminal	96	LBBIN	Multichannel LBch input B
47	R9IN	Input selector Rch Input 9	97	RBBIN	Multichannel RBch input B
48	L12IN	Input selector Lch Input 12	98	SWBIN	Multichannel SWch input B
49	L10IN	Input selector Lch Input 10	99	GND	GND terminal
50	R12IN	Input selector Rch Input 12	100	LOUT	Lch output

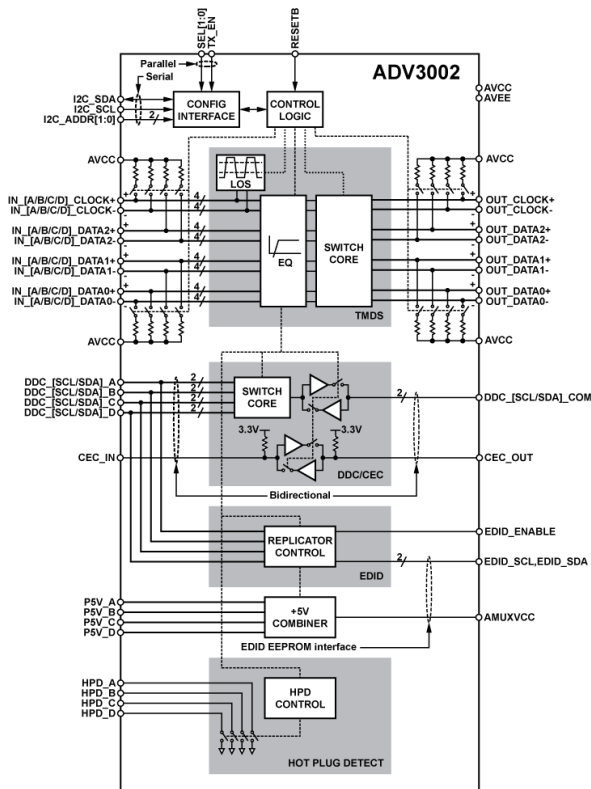
Functional Block Diagram



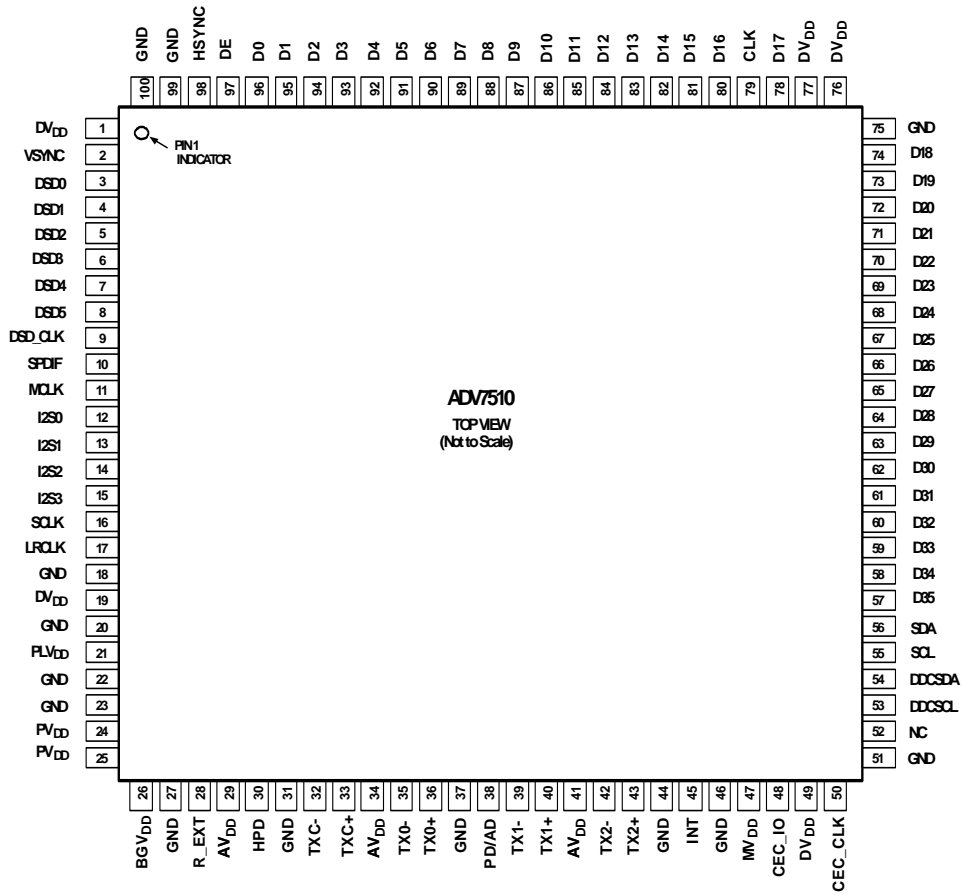
ADV3002BSTZ (DI : IC401)



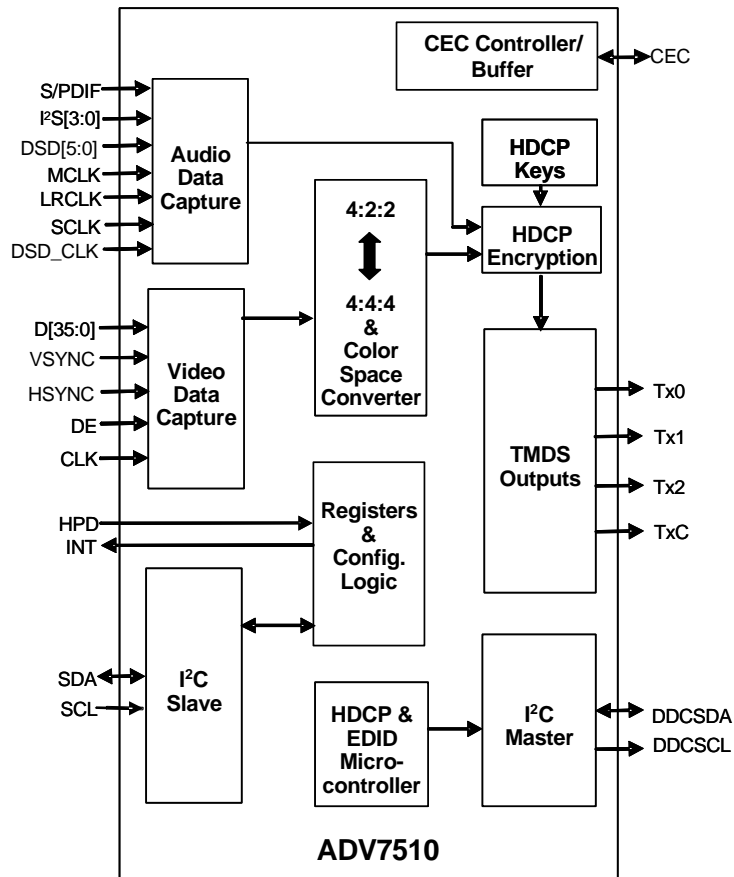
Functional Block Diagram



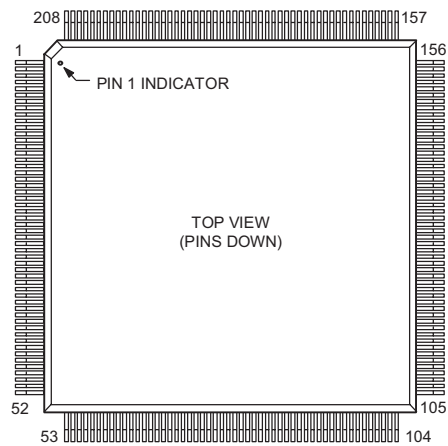
ADV7340BSTZ-3 (DI : IC952)



Functional Block Diagram



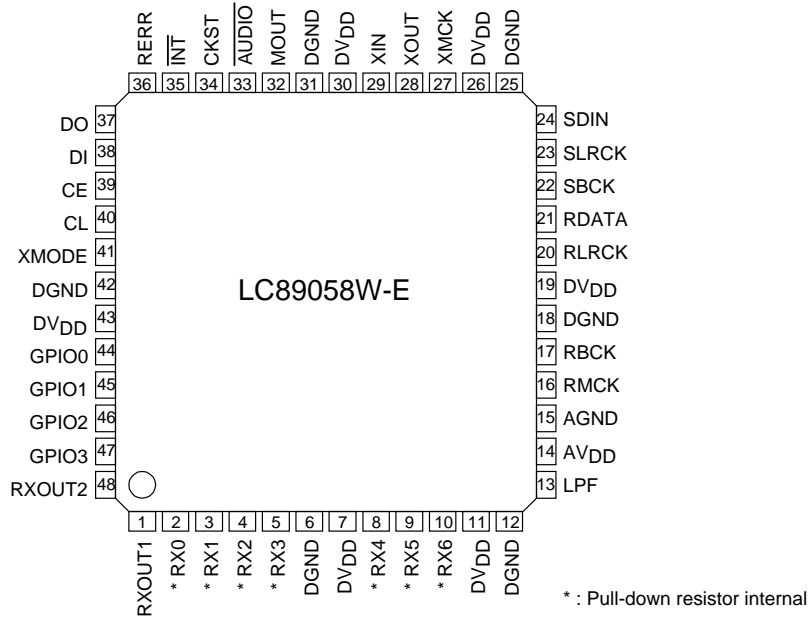
ADSP21367KSWZ2A1164 (DI : IC204, IC254)



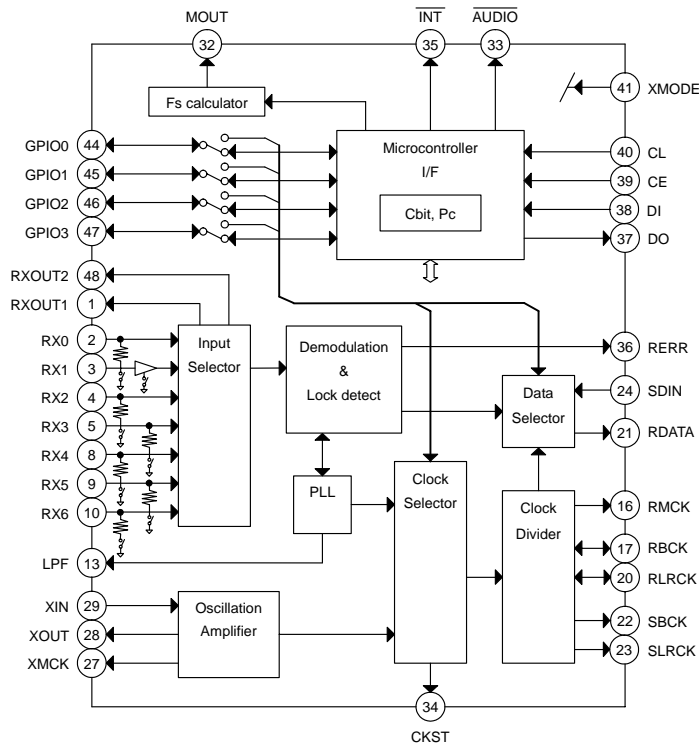
ADSP21367KSWZ2A1164 Terminal Function

Pin No.	Signal	Pin No.	Signal	Pin No.	Signal	Pin No.	Signal
1	VDD	53	VDD	105	VDD	157	VDD
2	DATA28	54	GND	106	GND	158	VDD
3	DATA27	55	IOVDD	107	IOVDD	159	GND
4	GND	56	ADDR0	108	\overline{SDCAS}	160	VDD
5	IOVDD	57	ADDR2	109	\overline{SDRAS}	161	VDD
6	DATA26	58	ADDR1	110	SDCKE	162	VDD
7	DATA25	59	ADDR4	111	\overline{SDWE}	163	TDI
8	DATA24	60	ADDR3	112	\overline{WR}	164	\overline{TRST}
9	DATA23	61	ADDR5	113	SDA10	165	TCK
10	GND	62	GND	114	GND	166	GND
11	VDD	63	VDD	115	IOVDD	167	VDD
12	DATA22	64	GND	116	SDCLK0	168	TMS
13	DATA21	65	IOVDD	117	GND	169	CLK_CFG0
14	DATA20	66	ADDR6	118	VDD	170	BOOTCFG0
15	IOVDD	67	ADDR7	119	\overline{RD}	171	CLK_CFG1
16	GND	68	ADDR8	120	ACK	172	\overline{EMU}
17	DATA19	69	ADDR9	121	FLAG3	173	BOOTCFG1
18	DATA18	70	ADDR10	122	FLAG2	174	TDO
19	VDD	71	GND	123	FLAG1	175	DAI4
20	GND	72	VDD	124	FLAG0	176	DAI2
21	DATA17	73	GND	125	DAI20	177	DAI3
22	VDD	74	IOVDD	126	GND	178	DAI1
23	GND	75	ADDR11	127	VDD	179	IOVDD
24	VDD	76	ADDR12	128	GND	180	GND
25	GND	77	ADDR13	129	IOVDD	181	VDD
26	DATA16	78	GND	130	DAI19	182	GND
27	DATA15	79	VDD	131	DAI18	183	DPI14
28	DATA14	80	AVSS	132	DAI17	184	DPI13
29	DATA13	81	AVDD	133	DAI16	185	DPI12
30	DATA12	82	GND	134	DAI15	186	DPI11
31	IOVDD	83	CLKIN	135	DAI14	187	DPI10
32	GND	84	XTAL2	136	DAI13	188	DPI9
33	VDD	85	IOVDD	137	DAI12	189	DPI8
34	GND	86	GND	138	VDD	190	DPI7
35	DATA11	87	VDD	139	IOVDD	191	IOVDD
36	DATA10	88	ADDR14	140	GND	192	GND
37	DATA9	89	GND	141	VDD	193	VDD
38	DATA8	90	IOVDD	142	GND	194	GND
39	DATA7	91	ADDR15	143	DAI11	195	DPI6
40	DATA6	92	ADDR16	144	DAI10	196	DPI5
41	IOVDD	93	ADDR17	145	DAI8	197	DPI4
42	GND	94	ADDR18	146	DAI9	198	DPI3
43	VDD	95	GND	147	DAI6	199	DPI1
44	DATA4	96	IOVDD	148	DAI7	200	DPI2
45	DATA5	97	ADDR19	149	DAI5	201	CLKOUT
46	DATA2	98	ADDR20	150	IOVDD	202	\overline{RESET}
47	DATA3	99	ADDR21	151	GND	203	IOVDD
48	DATA0	100	ADDR23	152	VDD	204	GND
49	DATA1	101	ADDR22	153	GND	205	DATA30
50	IOVDD	102	\overline{MST}	154	VDD	206	DATA31
51	GND	103	$\overline{MS0}$	155	GND	207	DATA29
52	VDD	104	VDD	156	VDD	208	VDD

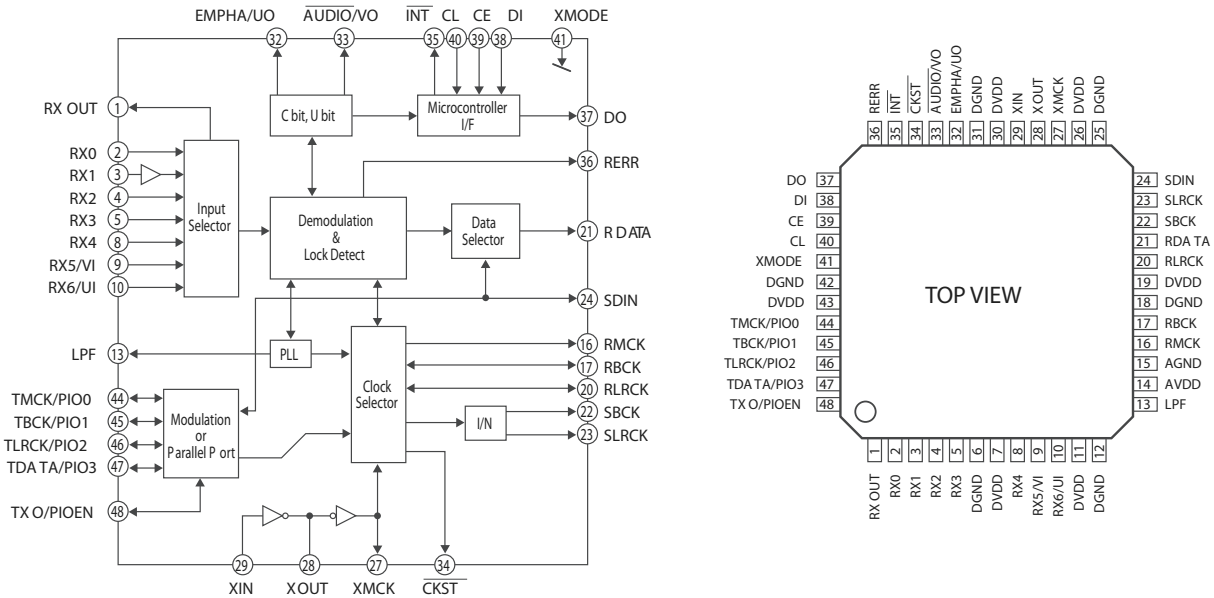
LC89058W-E (DI : IC101, IC104, IC105)



Functional Block Diagram



LC89057W-VF4A (DI : IC102, IC103)



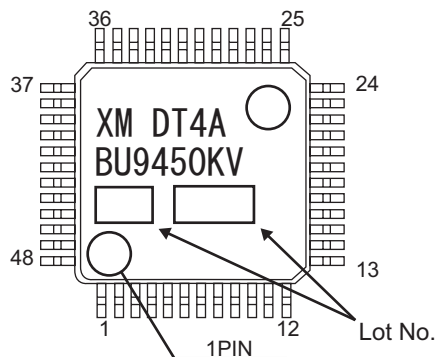
LC89057W-VF4A Terminal Function

Pin No.	Pin Name	I/O	Function
1	RXOUT	O	Input bi-phase select data output terminal
2	RX0	I	TTL compatible digital data input terminal
3	RX1	I	Coaxial compatible built-in digital data input terminal
4	RX2	I	TTL compatible digital data input terminal
5	RX3	I	TTL compatible digital data input terminal
6	DGND	-	Digital GND
7	DVDD	-	Digital power
8	RX4	I	TTL compatible digital data input terminal
9	RX5/VI	I	TTL compatible digital data/Validity flag input terminal for modulation
10	RX6/UI	I	TTL compatible digital data/User data input terminal for modulation
11	DVDD	-	Digital power for PLL
12	DGND	-	Digital GND for PLL
13	LPF	O	PLL loop filter connecting terminal
14	AVDD	-	Analog power for PLL
15	AGND	-	Analog GND for PLL
16	RMCK	O	RMCK clock output terminal (256fs, 512fs, XIN, VCO)
17	RBCK	O/I	RBCK clock in/output terminal (64fs)
18	DGND	-	Digital GND
19	DVDD	-	Digital power
20	RLRCK	O/I	RLRCK clock in/output terminal (fs)
21	RDATA	O	Serial audio data output terminal
22	SBCK	O	SBCK clock output terminal (32fs, 64fs, 128fs)
23	SLRCK	O	SLRCK clock output terminal (fs/2, fs, 2fs)
24	SDIN	I	Serial audio data input terminal
25	DGND	-	Digital GND
26	DVDD	-	Digital power
27	XMCK	O	Osc. amp output terminal

Pin No.	Pin Name	I/O	Function
28	XOUT	O	Xtal osc. connecting output terminal
29	XIN	I	Xtal osc. connection, external clock input terminal (24.576MHz or 12.288MHz)
30	DVDD	-	Digital power
31	DGND	-	Digital GND
32	EMPHA/UO	I/O	Emphasis information/U-data output/Chip address setting terminal
33	AUDIO/V O	I/O	Non-PCM detect/V ₋ flag output/Chip address setting terminal
34	CKST	I/O	Clock switch transition period output/Demodulation master or slave functions switching terminal
35	INT	I/O	Interrupt output for ∞ com (Interrupt factor selectable)/Modulation or general I/O switching terminal
36	RERR	O	PLL lock error, data error flag output
37	DO	O	∞ com I/F, read out data output terminal (3-state)
38	DI	I	∞ com I/F, write data input terminal
39	CE	I	∞ com I/F, chip enable input terminal
40	CL	I	∞ com I/F, clock input terminal
41	XMODE	I	System reset input terminal
42	DGND	-	Digital GND
43	DVDD	-	Digital power
44	TMCK/PIO0	I/O	256fs system clock input for modulation/General I/O in/output terminal
45	TBCK/PIO1	I/O	64fs bit clock input for modulation/General I/O in/output terminal
46	TLRCK/PIO2	I/O	fs clock input for modulation/General I/O in/output terminal
47	TDATA/PIO3	I/O	Serial audio data input for modulation/General I/O in/output terminal
48	TXO/PIOEN	O/I	Modulation data output/General I/O enable input terminal

* For latch-up countermeasure, perform each power supply ON/OFF in the same timing.

BU9450KV-E2 (DI : IC106)



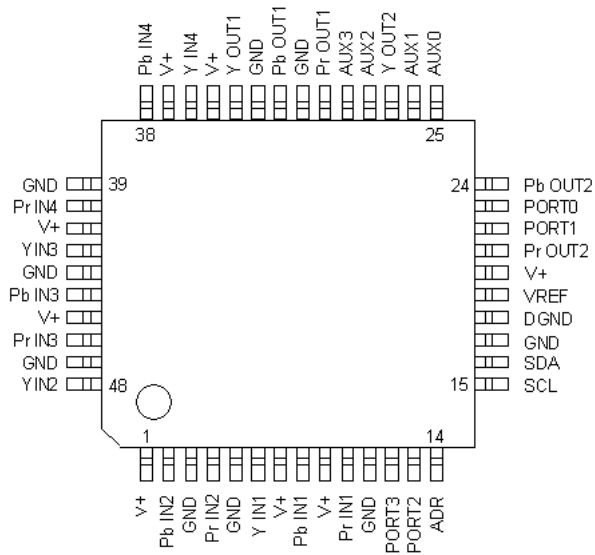
BU9450KV-E2 Terminal Function

No.	Name	Diagram	I/O		Note
			Slave Mode	Master Mode	
1	LSDP	G	I	O	
3	SC_TX_OUT	B	O	O	
5	SC_RX_IN	A	I	I	
6	RFU(I2C-SCL)	G	I	I	
7	RFU(I2C-SDA)	G	I	I	
9	ANT_REV	H	n/u	O	
11	RESET#	A	I	I	
12	SLAVE_SEL	A	I	I	
13	I2S_RATE	H	O	O	
14	LINKACTIVE	H	O	O	
15	COMM_TX_EN	G	O	O	
18	COMM_TXRX_P	D	I/O	I/O	This pin is shorted on the die with pin23.
19	COMM_TXRX_M	C	I/O	I/O	This pin is shorted on the die with pin22.
22	COMM_TXRX_M	C	I/O	I/O	This pin is shorted on the die with pin19.
23	COMM_TXRX_P	D	I/O	I/O	This pin is shorted on the die with pin18.
26	OSC_OUT	F	O	O	
27	N.C.	-	-	-	Not connected
28	OSC_IN	E	I	I	
29	SC_RATE	G	O	I	
30	TEST	A	I	I	Must be connected to ground.
31	TEST2	A	I	I	Must be connected to ground.
32	HSDP_DATA	G	I	O	
34	HSDP_CLK	G	I	O	
35	DT4_MODE	A	I	I	
36	HSDP_EN#	G	I	O	
37	I2S_DATA	G	I	O	
39	I2S_SCLK	G	I	O	
41	I2S_LRCLK	G	I	O	
43	I2S_OCLK	H	O	O	
44	MUTE	G	n/u	O	
45	SAII_CLK	G	O	I	
47	SAII_DATA	G	O	I	
48	SAII_REQ	G	I	O	

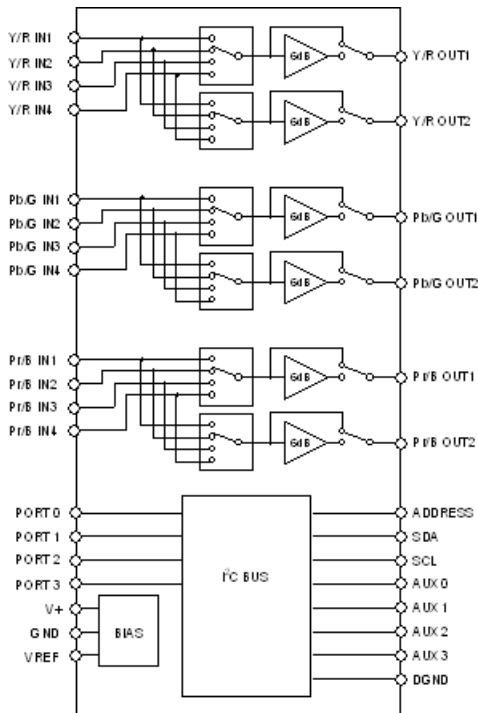
I: input, O: output
n/u: not used

Pin No.	Pin name	Function
4, 8, 17, 20, 33, 40, 46	VDD	3.3V Supply Voltage
2, 10, 16, 21, 24, 25, 38, 42	VSS	Ground

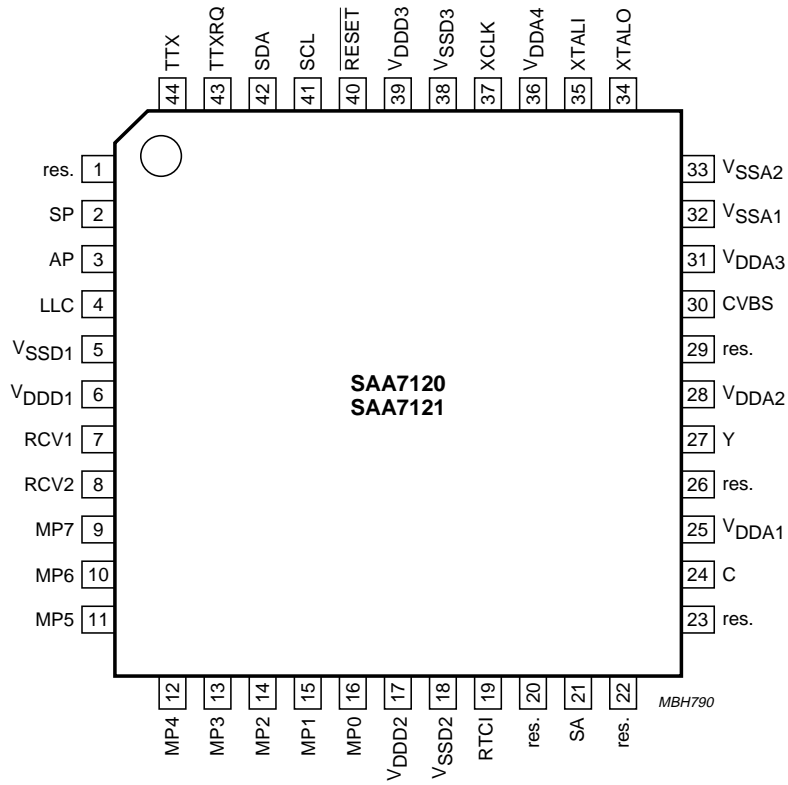
NJW1321FP1 (AV : IC501)



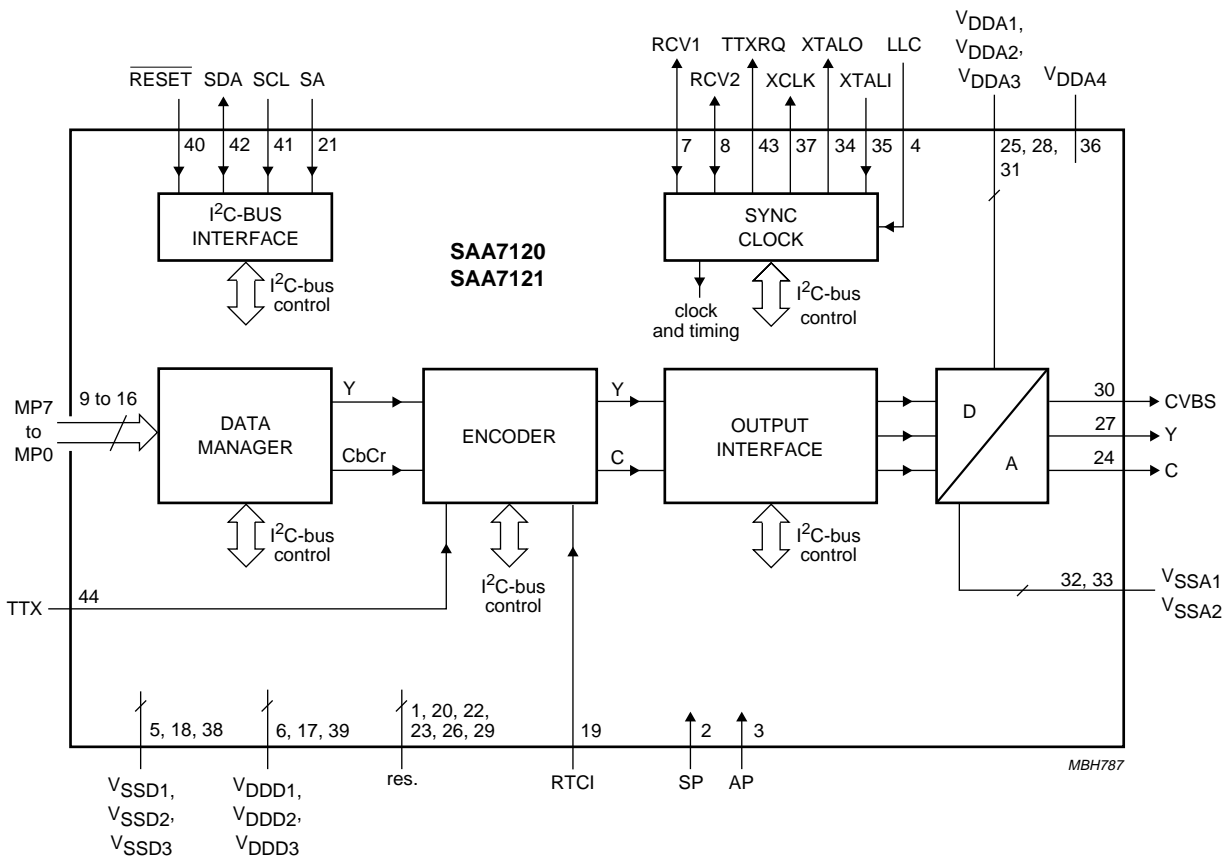
Functional Block Diagram



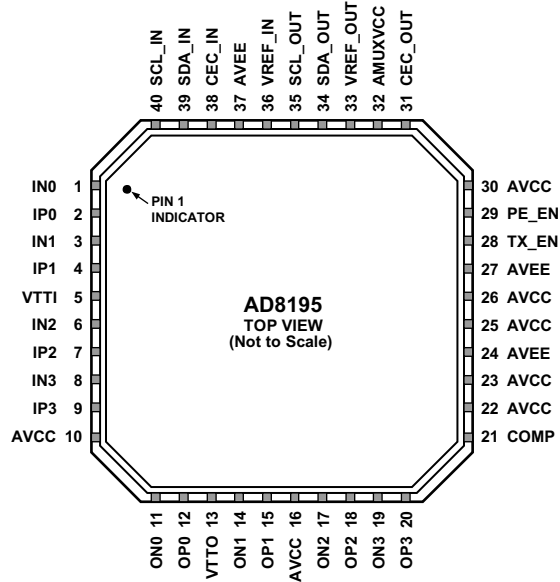
SAA7121H (DI : IC457)



Functional Block Diagram

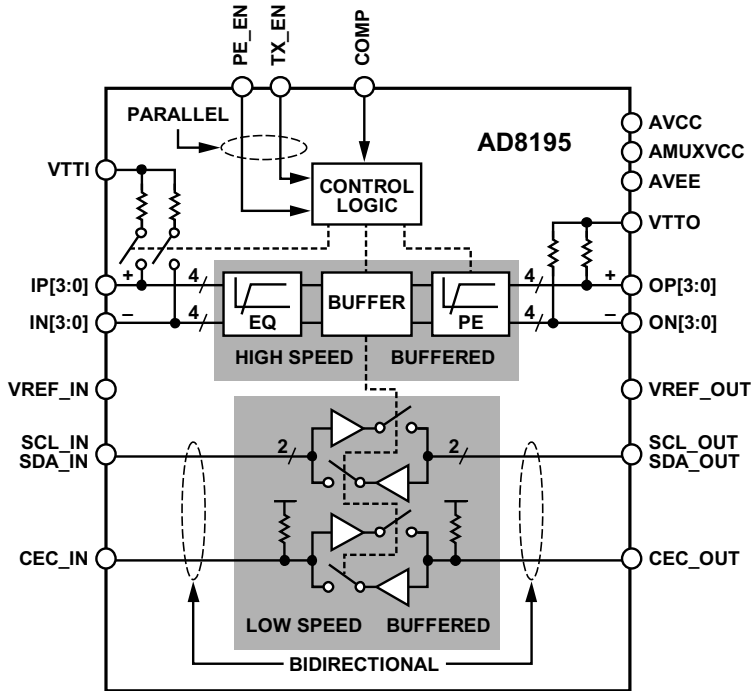


AD8195ACPZ (AV : IC451)

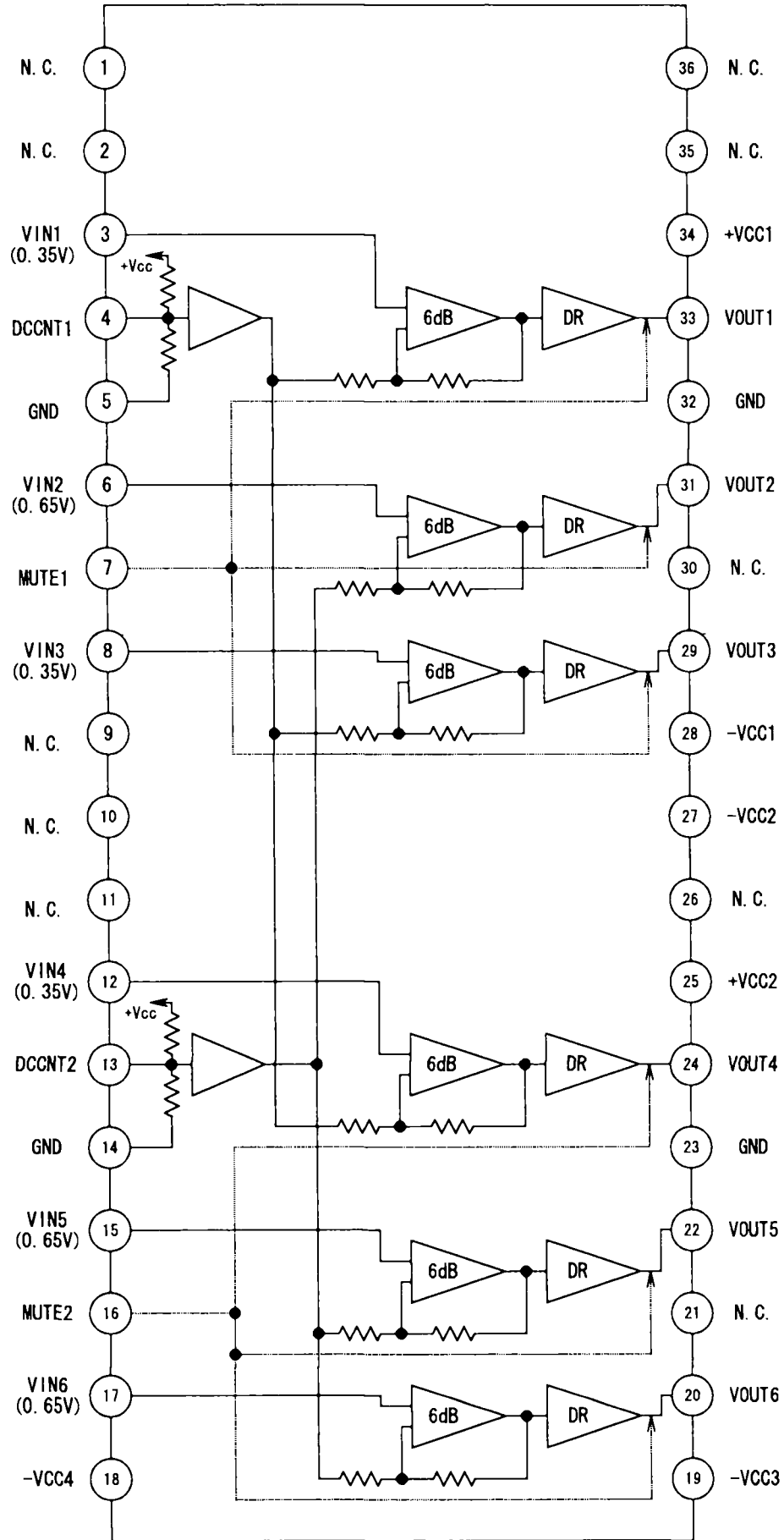


NOTES
 1. THE AD8195 LFCSP HAS AN EXPOSED PAD ON THE UNDERSIDE OF THE PACKAGE THAT AIDS IN HEAT DISSIPATION. THE PAD MUST BE ELECTRICALLY CONNECTED TO THE AVEE SUPPLY PLANE IN ORDER TO MEET THERMAL SPECIFICATIONS.

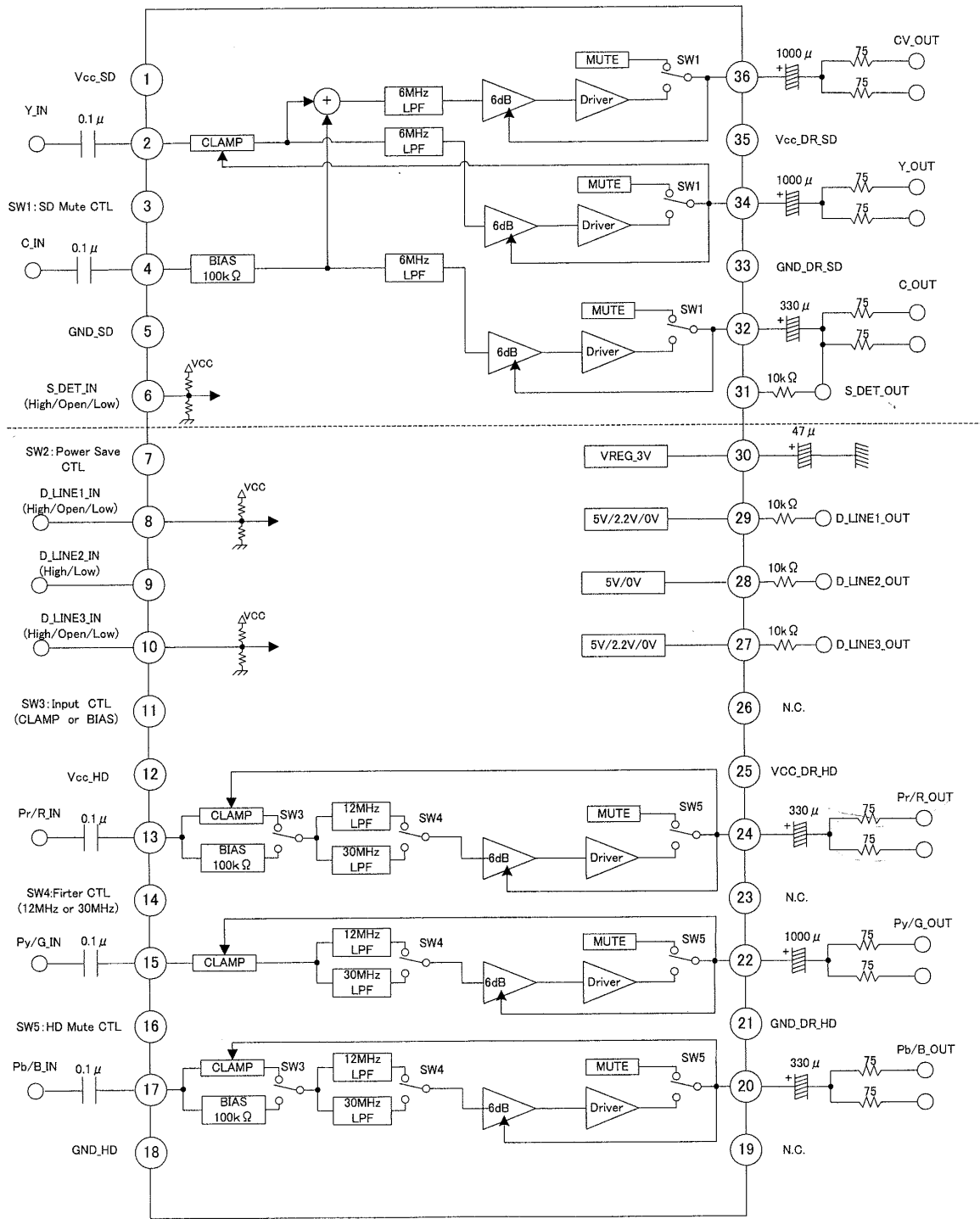
Functional Block Diagram



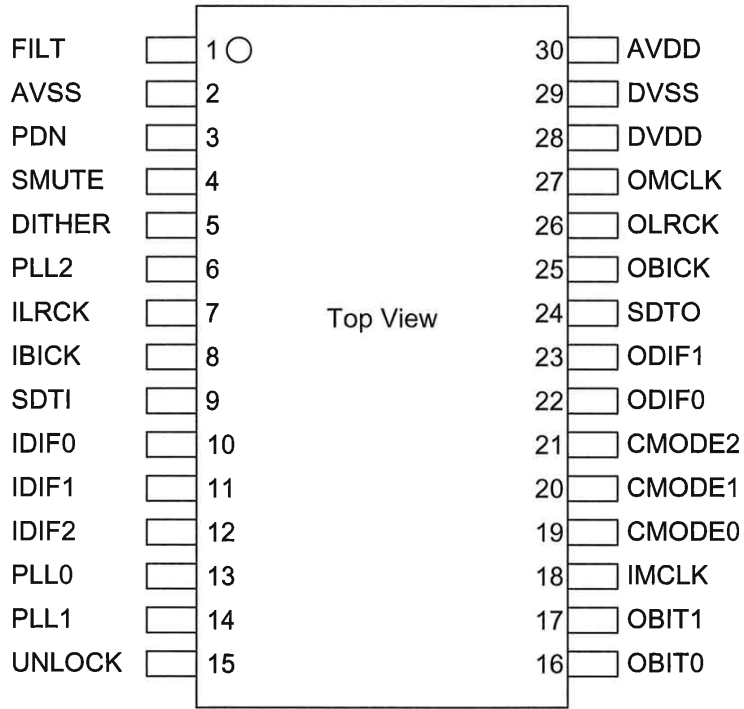
LA73053-TLM-E (AV : IC101)



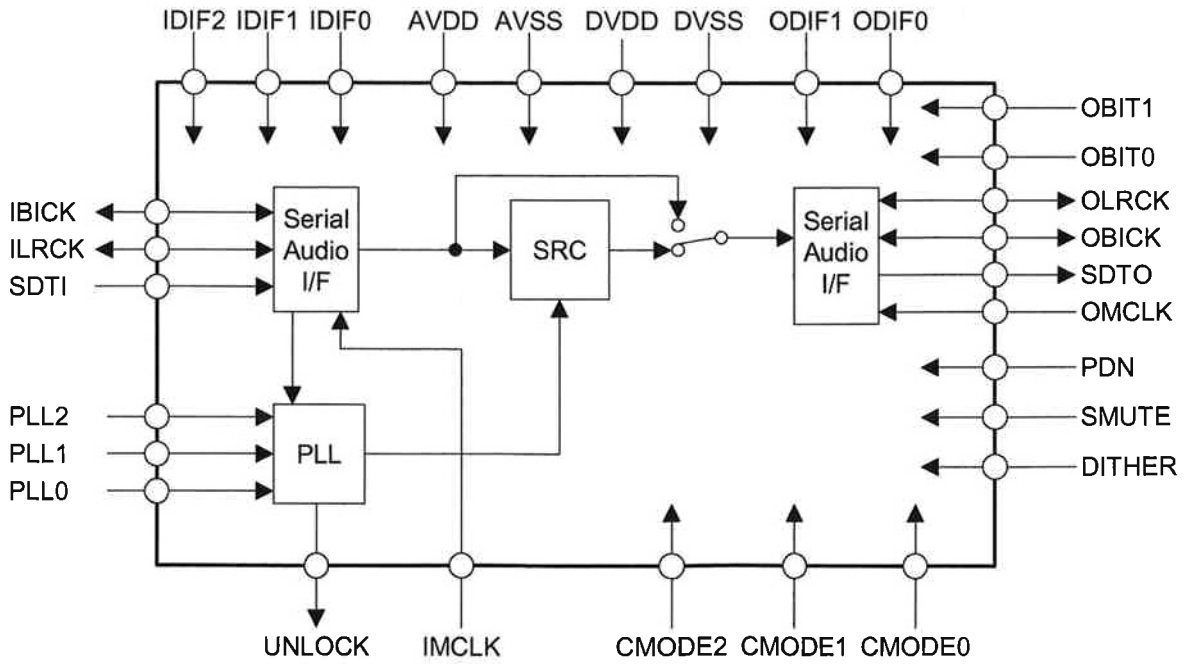
LA73062V-TLM-E (AV : IC305)



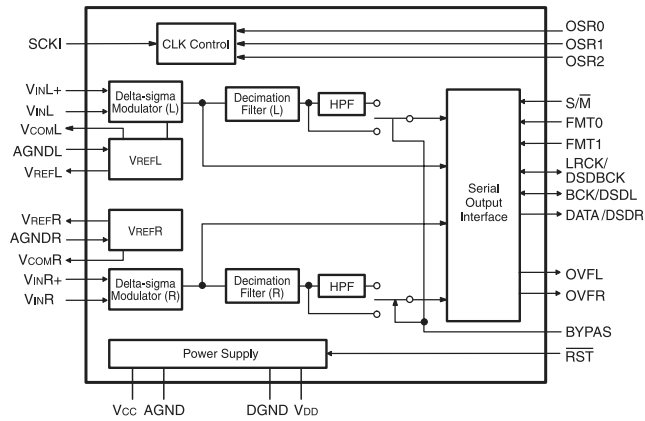
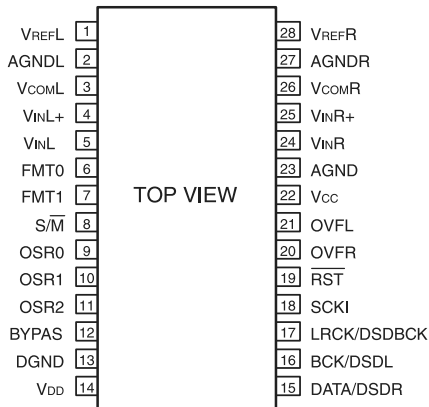
AK4125VF (DI : IC466)



Functional Block Diagram



PCM1804 (DI : IC302)



PCM1804 Terminal Function

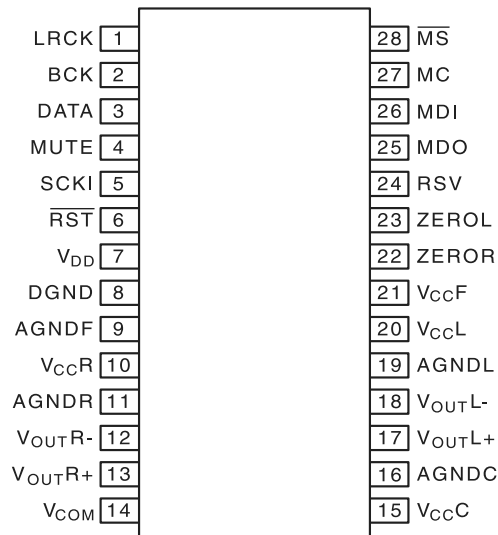
Pin No.	Pin Name	I/O	Function
1	VREFL		L-channel voltage reference output, requires capacitors for decoupling to AGND.
2	AGNDL		Analog ground for VREFL.
3	VCOML		L-channel analog common mode output.
4	VINL+	I	L-channel analog input, positive pin.
5	VINL	I	L-channel analog input, negative pin.
6	FMT0	I	Audio data format 0. See TABLE V. *
7	FMT1	I	Audio data format 1. See TABLE V. *
8	S/M	I	Master/slave mode selection. See TABLE IV. *
9	OSR0	I	Oversampling ratio 0. See TABLE I. TABLE II. *
10	OSR1	I	Oversampling ratio 1. See TABLE I. TABLE II. *
11	OSR2	I	Oversampling ratio 2. See TABLE I. TABLE II. *
12	BYPAS	I	HPF bypass control. HIGH: HPF disable, LOW: HPF enable. ***
13	DGND		Digital ground.
14	VDD		Digital power supply.
15	DATA/DSDR	O	L-channel and R-channel audio data output in PCM mode. R-channel Audio data output in DSD mode.(DSD output, when DSD mode)
16	BCK/DSDL	I/O	Bit clock input/output in PCM mode. L-channel audio data output in DSD mode. ***
17	LRCK/DSDBCK	I/O	Sampling clock input/output in PCM and DSD mode. ***
18	SCKI	I	System clock input; 128fs, 256fs, 384fs, 512fs or 768fs. **
19	RST	I	Reset, power down input, active LOW. *
20	OVFR	O	Overflow signal of R-channel in PCM mode. This is available in PCM mode only.
21	OVFL	O	Overflow signal of L-channel in PCM mode. This is available in PCM mode only.
22	Vcc		Analog power supply.
23	AGND		Analog ground.
24	VINR	I	R-channel analog input, negative pin.
25	VINR+	I	R-channel analog input, positive pin.
26	VCOMR		R-channel analog common mode output.
27	AGNDR		Analog ground for VREFR.
28	VREFR		R-channel voltage reference output, requires capacitors for decoupling to AGND.

* Schmitt trigger input with internal pull-down (51kohm typically), 5V tolerant.

** Schmitt trigger input, 5V tolerant.

*** Schmitt trigger input.

PCM1791ADBR (DI : IC301, IC304, IC305, IC306)



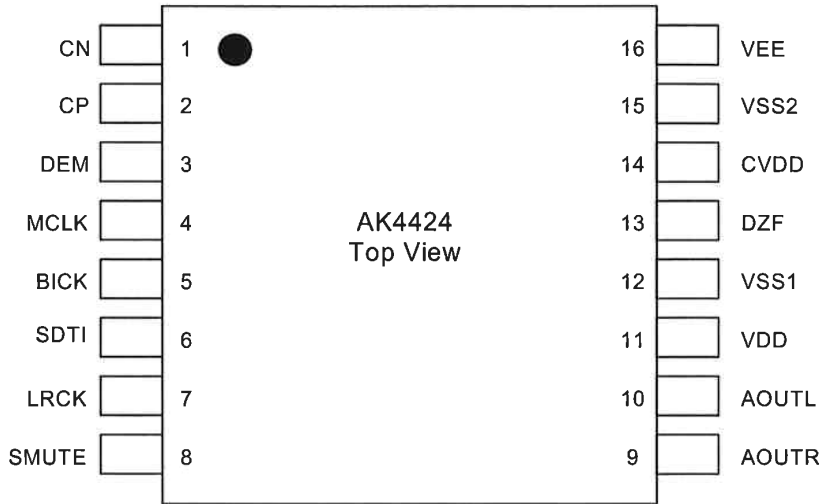
PCM1791ADBR Terminal Function

Pin No.	Pin Name	I/O	DESCRIPTIONS
1	LRCK	I	Left and right clock (f _s) input for normal operation. WDCK clock input in external DF mode. Connected to GND in DSD mode*
2	BCK	I	Bit clock input, Connected GND for DSD mode*
3	DATA	I	Serial audio data input for normal operation. L-channel audio data input for external DF and DSD modes*
4	MUTE	I	Analog output mute control for normal operation. R-channel audio data input for external DF and DSD modes*
5	SCKI	I	System Clock Input. BCK (64f _s) clock input for DSD mode*
6	RST	I	Reset*
7	V _{DD}	„	Digital power supply, +3.3 V
8	DGND	„	Digital ground
9	AGNDF	„	Analog ground (DACFF)
10	V _{CCR}	„	Analog power supply (R-channel DAC), +5.0 V
11	AGNDR	„	Analog ground (R-channel DAC)
12	V _{OUTR-}	O	R-channel analog voltage output-
13	V _{OUTR+}	O	R-channel analog voltage output+
14	V _{COM}	„	Internal bias de-coupling pin
15	V _{CCC}	„	Analog power supply (internal bias), +5.0 V
16	AGNDC	„	Analog ground (internal bias)
17	V _{OUTL+}	O	L-channel analog voltage output+
18	V _{OUTL-}	O	L-channel analog voltage output-
19	AGNDL	„	Analog ground (L-channel DAC)
20	V _{CCL}	„	Analog power supply (L-channel DAC), +5.0 V
21	V _{CCF}	„	Analog power supply (DACFF), +5.0 V
22	ZEROR	O	Zero flag for R-channel
23	ZEROL	O	Zero flag for L-channel
24	RSV	„	Reserved pin. It must be open.
25	MDO	O	Serial data output for function control register**
26	MDI	I	Serial data input for function control register*
27	MC	I	Shift clock for function control register*
28	MS	I	Mode control chip select and latch signal*

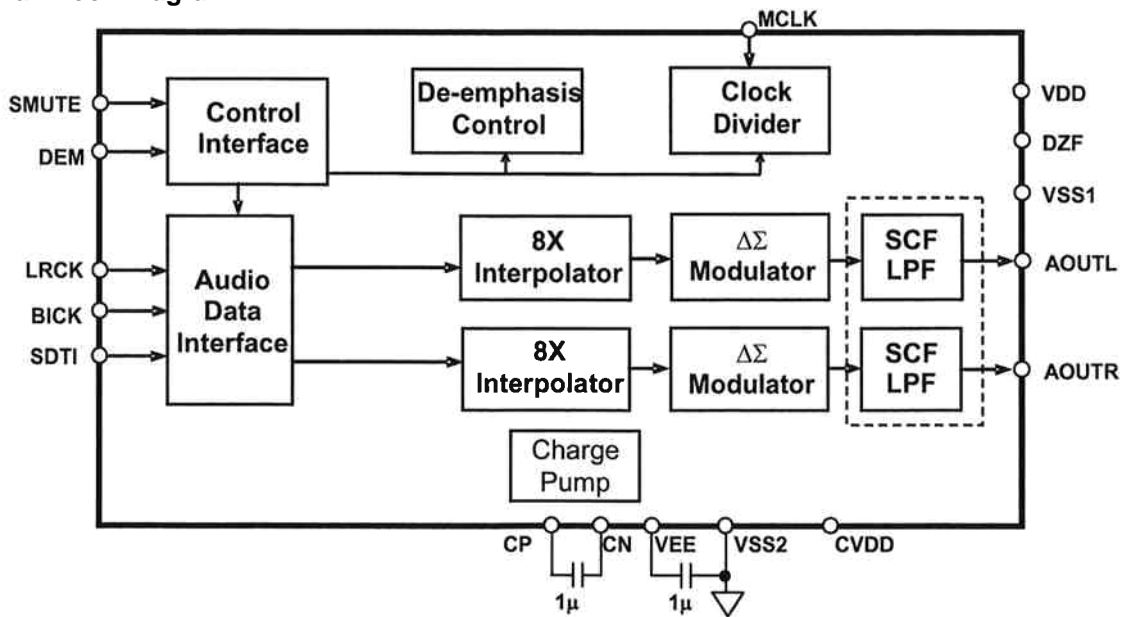
* Schmitt trigger input, 5V tolerant.

** Tristate output.

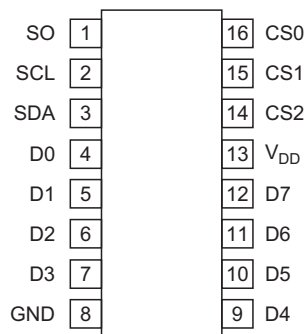
AK4424ET (DI : IC351, IC352)



Functional Block Diagram

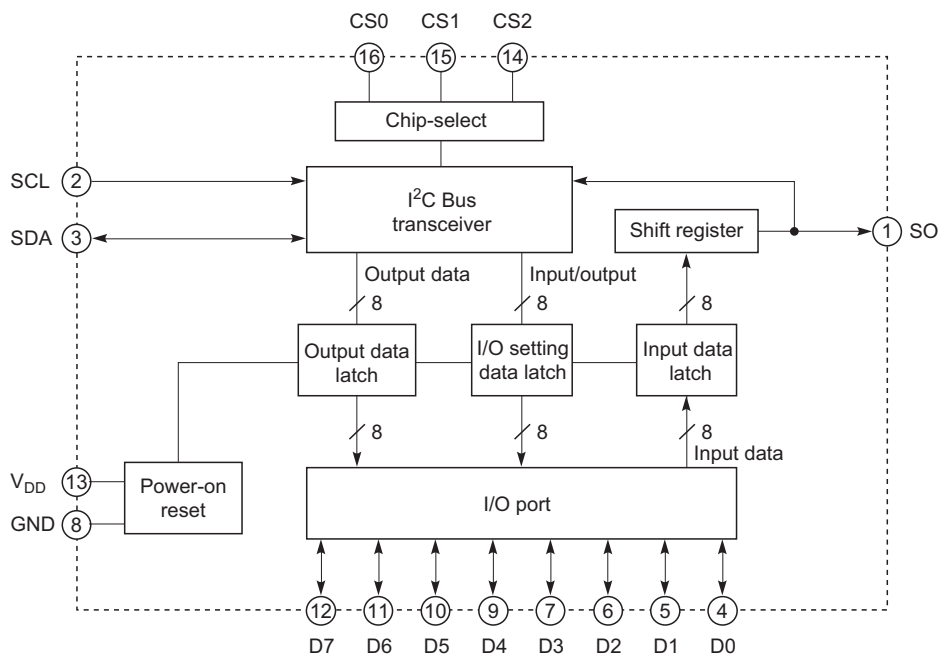


M62320GP (MA : IC703)

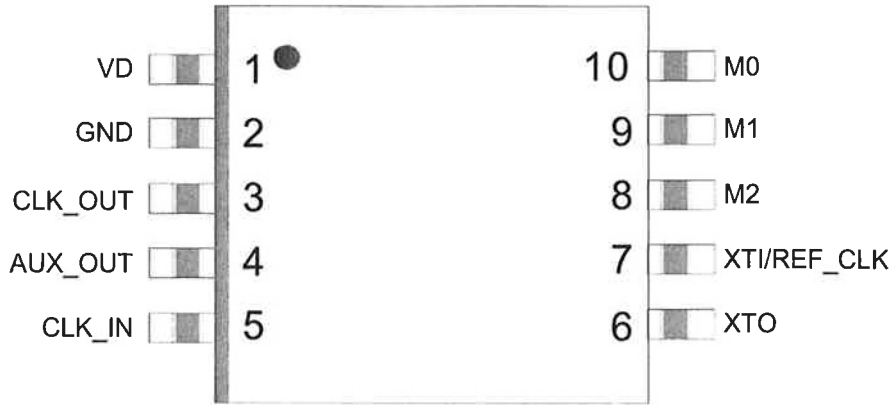


Pin No.	Pin Name	I/O	Function
2	SCL	Input	Serial clock input
3	SDA	Input/Output	Serial data input/output
1	SO	Output	Serial data output
16	CS0	Input	Chip select data input
15	CS1		
14	CS2		
4	D0	Input/Output	Parallel data input/output
5	D1		
6	D2		
7	D3		
9	D4		
10	D5		
11	D6		
12	D7		
13	V _{DD}	—	Power supply
8	GND	—	GND

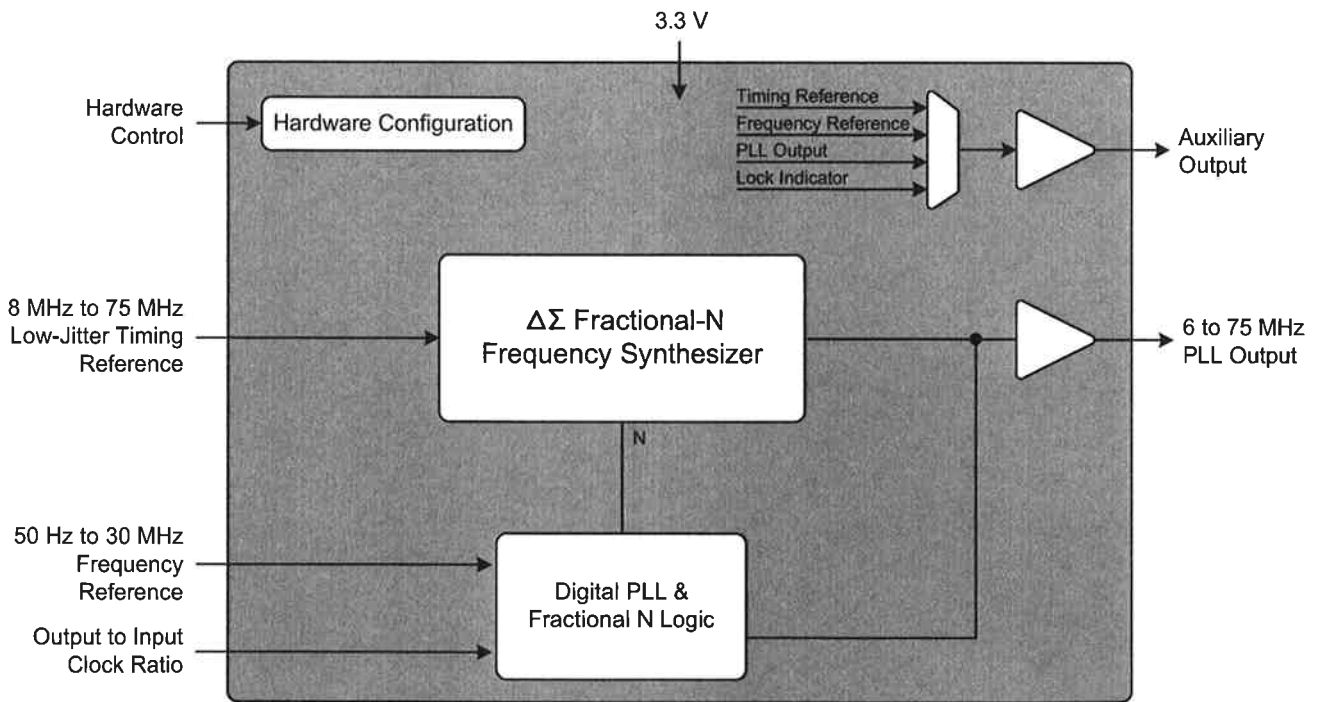
Functional Block Diagram



CS2100-CZZR (DI : IC154)**



Functional Block Diagram

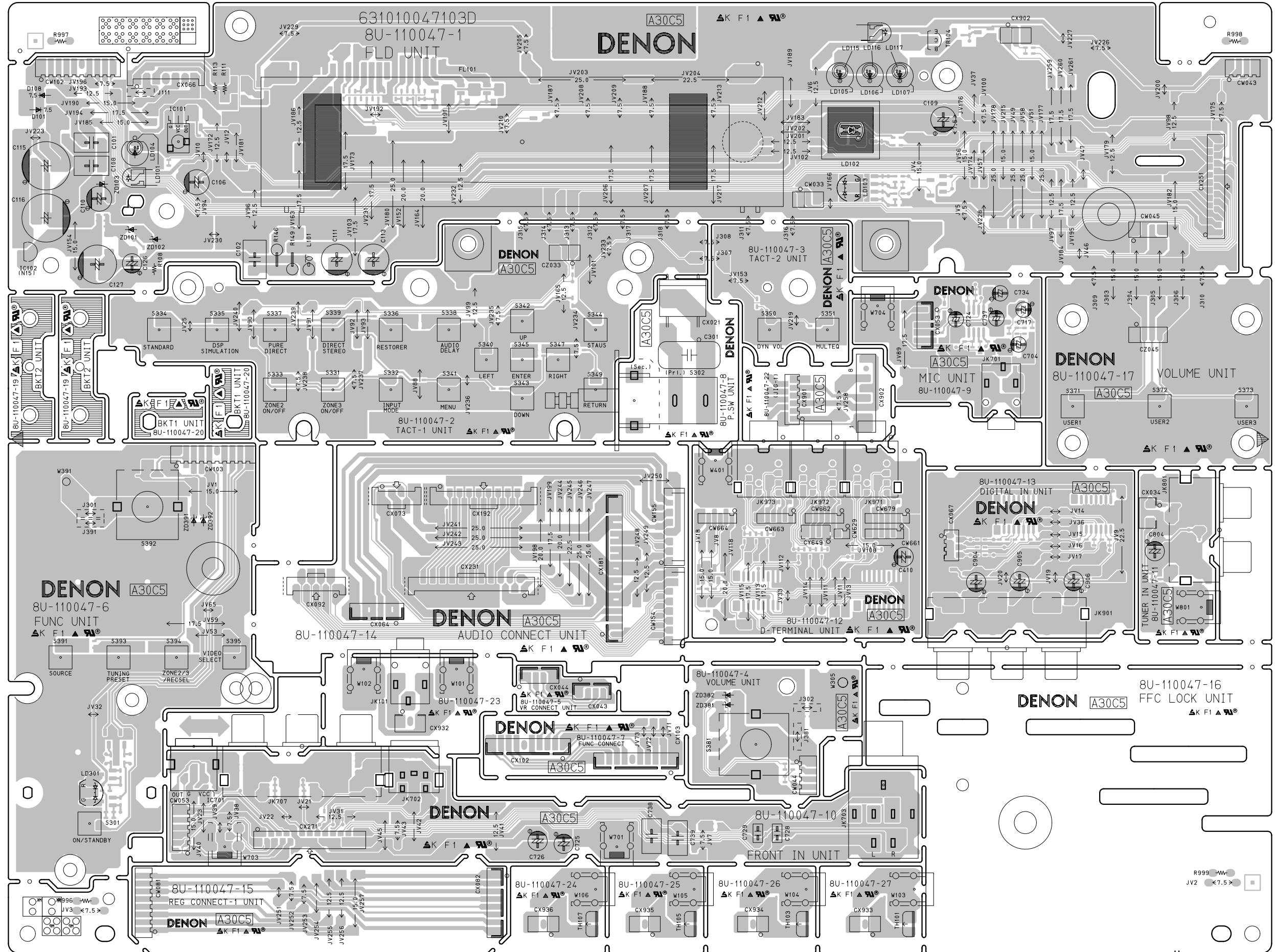


ANODE CONNECTION

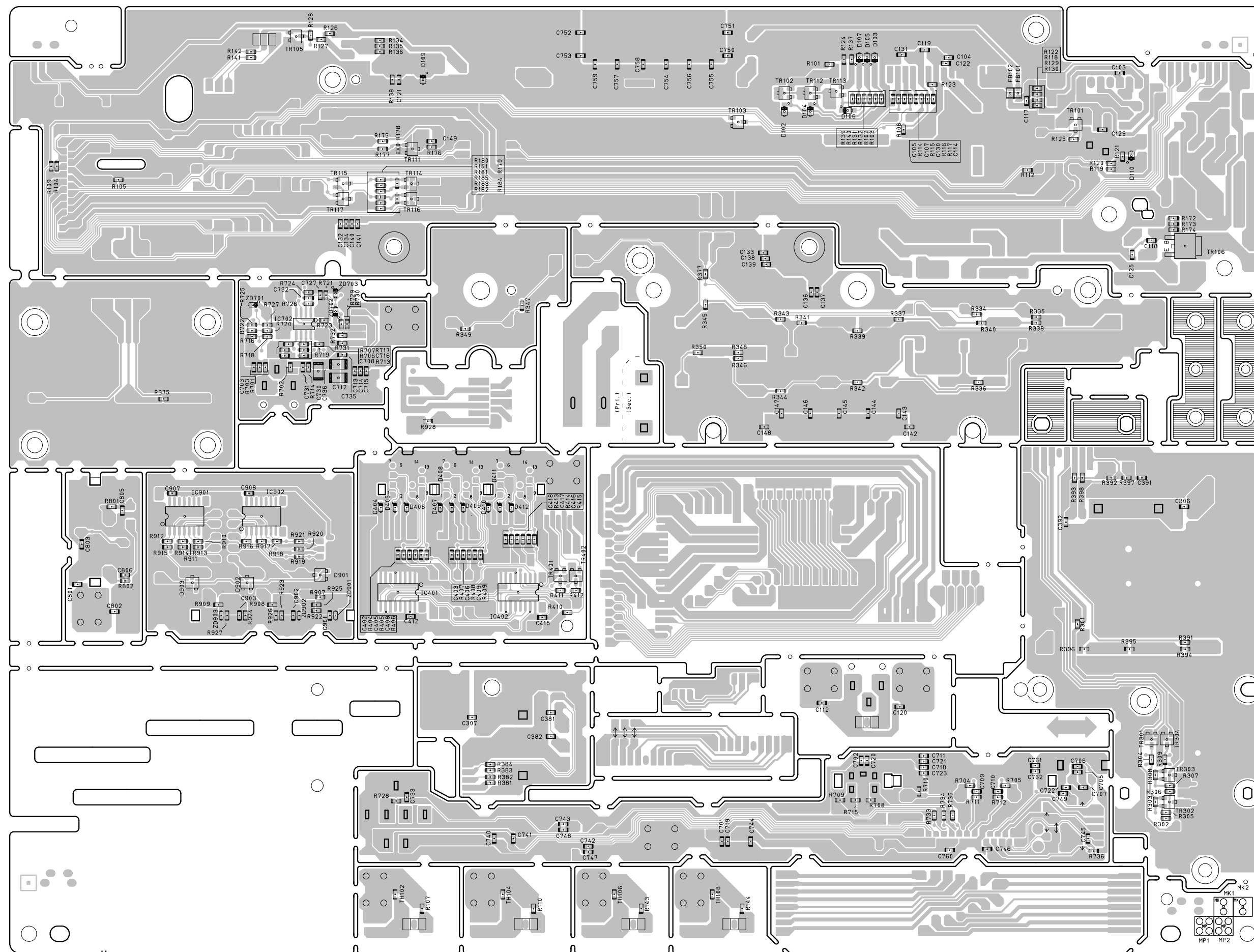
	1G~16G	17G	18G	19G		1G~16G	17G	18G	19G
D0A	1-1A	-	-	-	D0B	1-1B	REC	-	-
D1A	2-1A	-	-	-	D1B	2-1B	RDS	-	-
D2A	3-1A	-	-	-	D2B	3-1B	AUTO	-	-
D3A	4-1A	-	-	-	D3B	4-1B	TUNED	-	-
D4A	5-1A	-	-	-	D4B	5-1B	DCI	-	-
D5A	1-2A	-	-	-	D5B	1-2B	DCD	-	-
D6A	2-2A	-	-	-	D6B	2-2B	DCI TrueHD	-	-
D7A	3-2A	-	-	-	D7B	3-2B	96/24	-	-
D8A	4-2A	-	-	-	D8B	4-2B	Express	-	-
D9A	5-2A	-	-	-	D9B	5-2B	Neo:6	-	-
D10A	1-3A	-	-	-	D10B	1-3B	STEREO	-	-
D11A	2-3A	-	-	dB	D11B	2-3B	MASTER	-	-
D12A	3-3A	-	-	Dp	D12B	3-3B	-HD	-	MUTE
D13A	4-3A	-	-	3d	D13B	4-3B	dts	ATTENDEE	[S]
D14A	5-3A	-	-	3e	D14B	5-3B	TAG	ORGANIZER	[Q3]
D15A	1-4A	-	-	3c	D15B	1-4B	MP3	PARTY	[Q2]
D16A	2-4A	-	-	3g	D16B	2-4B	WMA	EQ	[Q1]
D17A	3-4A	-	-	3f	D17B	3-4B	AAC	VOL	[W]
D18A	4-4A	-	-	3b	D18B	4-4B	PCM	DYN	2
D19A	5-4A	-	-	3a	D19B	5-4B	DSD	XT	1
D20A	1-5A	-	-	2d	D20B	1-5B	ANA	MULTI EQ	M
D21A	2-5A	-	-	2e	D21B	2-5B	DIG	AUDYSSEY	H
D22A	3-5A	-	-	2c	D22B	3-5B	HDC	S1	SW3
D23A	4-5A	-	-	2g	D23B	4-5B	EXT2	SLEEP	SW2
D24A	5-5A	-	-	2f	D24B	5-5B	EXT1	RSTR	SW1
D25A	1-6A	-	-	2b	D25B	1-6B	LFE	ANA	FR
D26A	2-6A	-	-	2a	D26B	2-6B	FR	DIG	C
D27A	3-6A	-	-	1d	D27B	3-6B	C	HDWI	FL
D28A	4-6A	Z	-	1e	D28B	4-6B	FL	AUTO	SR
D29A	5-6A	X	-	1c	D29B	5-6B	SR	Z4	B
D30A	1-7A	II	-	1g	D30B	1-7B	S	Z3	A
D31A	2-7A	PL	-	1f	D31B	2-7B	SL	Z2	SL
D32A	3-7A	+	-	1b	D32B	3-7B	SBR	AL24	SBR
D33A	4-7A	ES	-	1a	D33B	4-7B	SB	BLINK	SB
D34A	5-7A	HD	-	S2	D34B	5-7B	SBL	HDWI	SBL

--MEMO--

PRINTED WIRING BOARDS
8U-110047 FRONT P.W.B. UNIT (1/2)

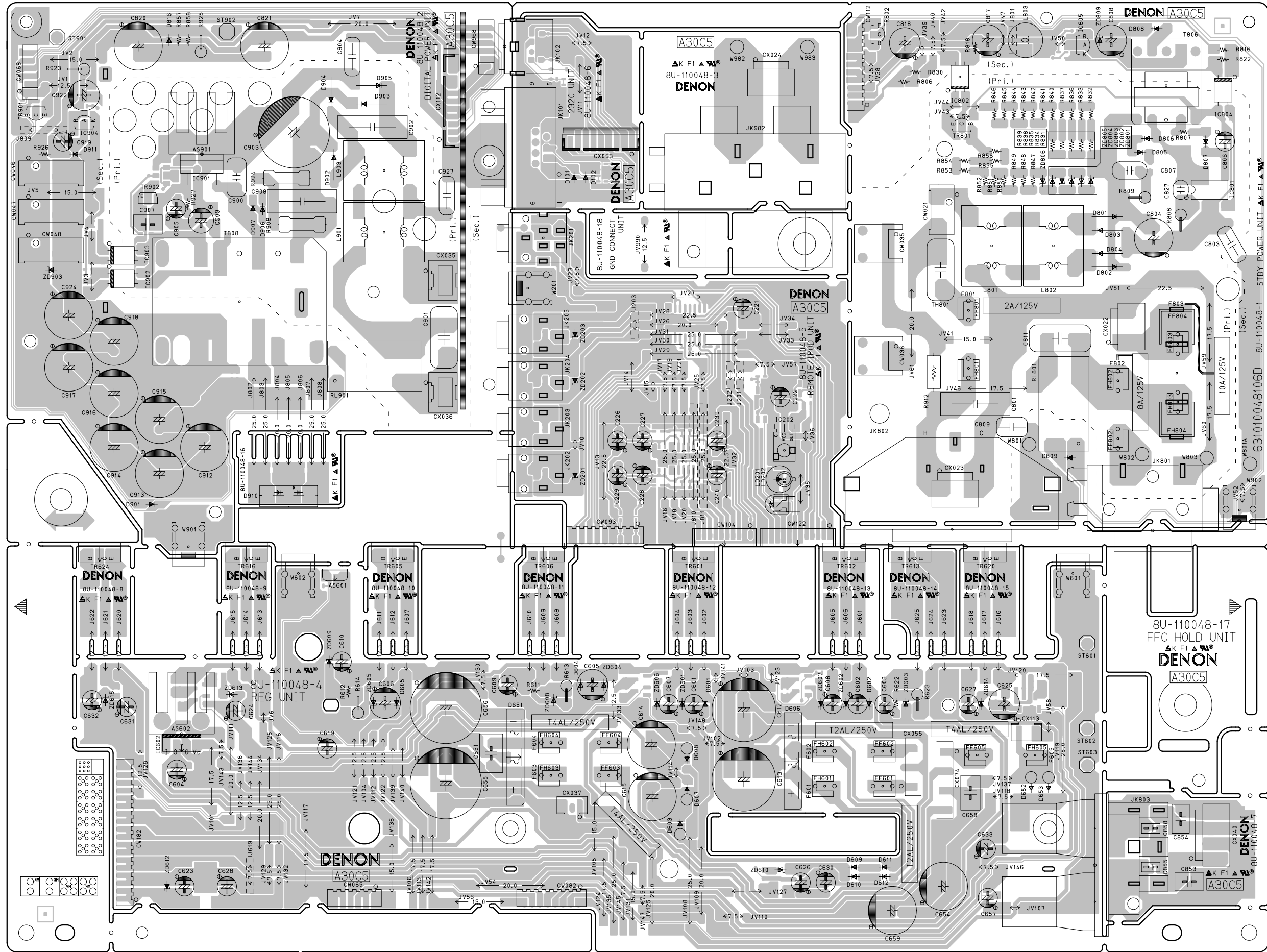


COMPONENT SIDE



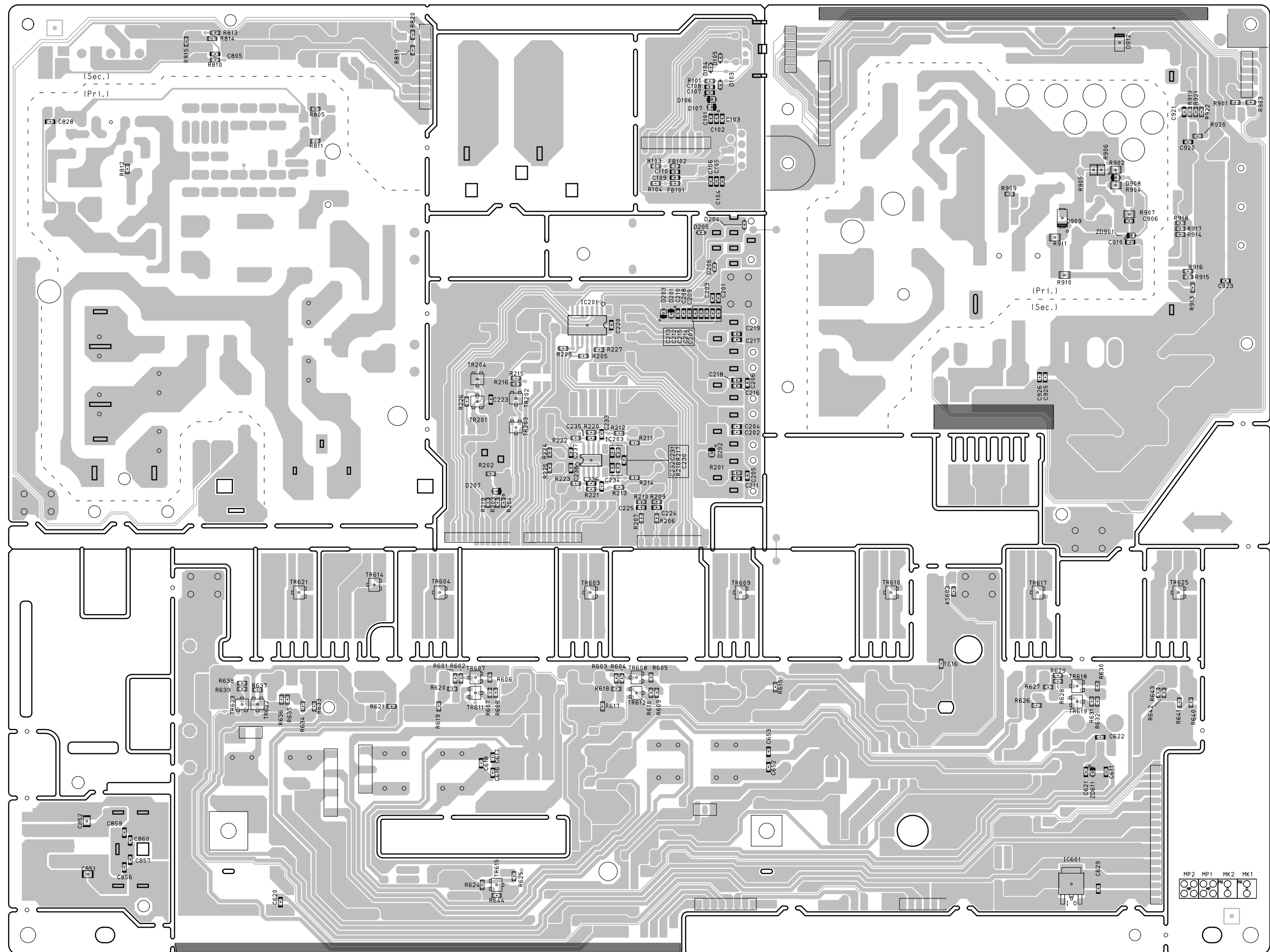
FOIL SIDE

8U-110048 POWER SUPPLY P.W.B. UNIT (1/2)

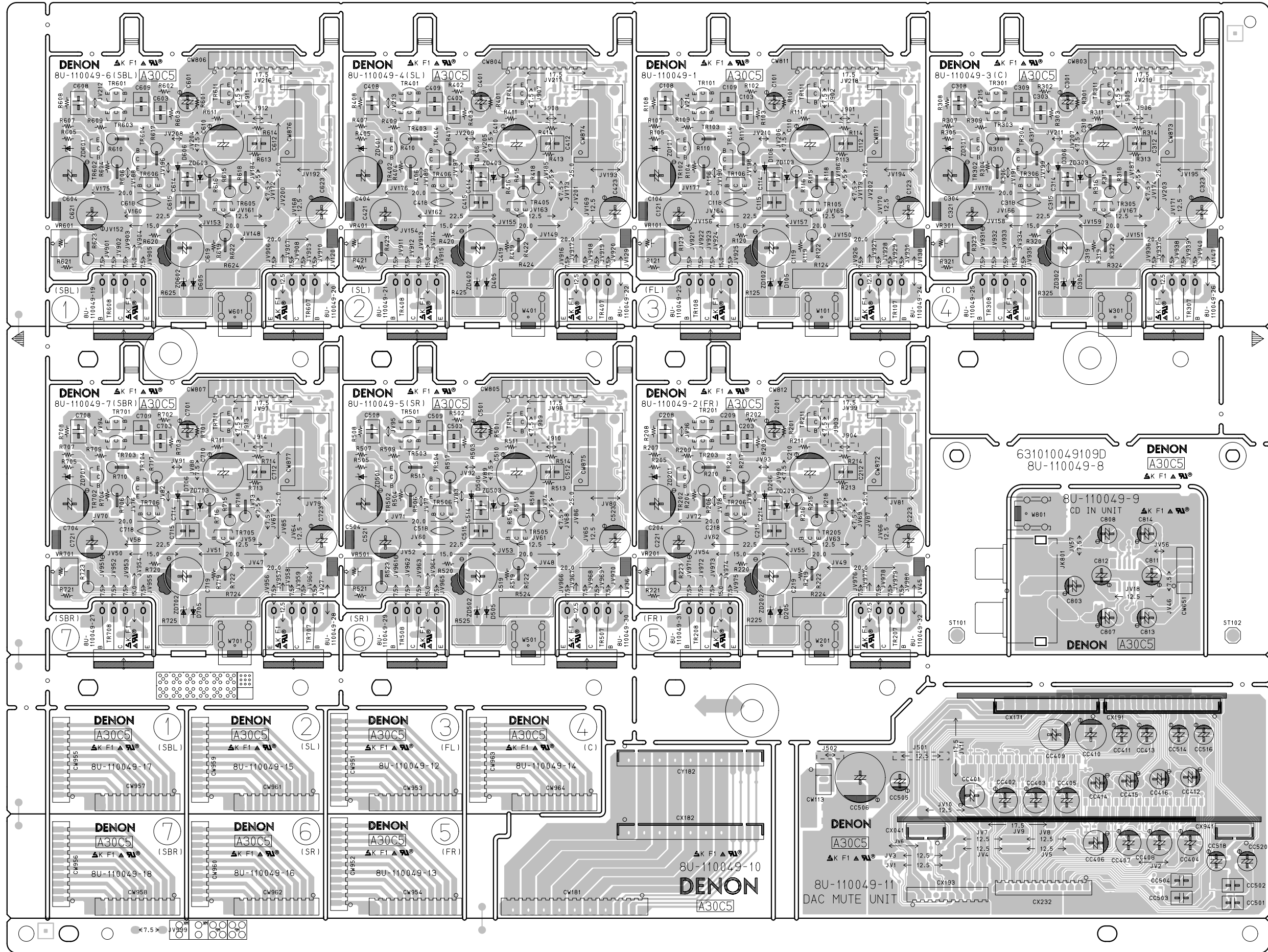


COMPONENT SIDE

8U-110048 POWER SUPPLY P.W.B. UNIT (2/2)

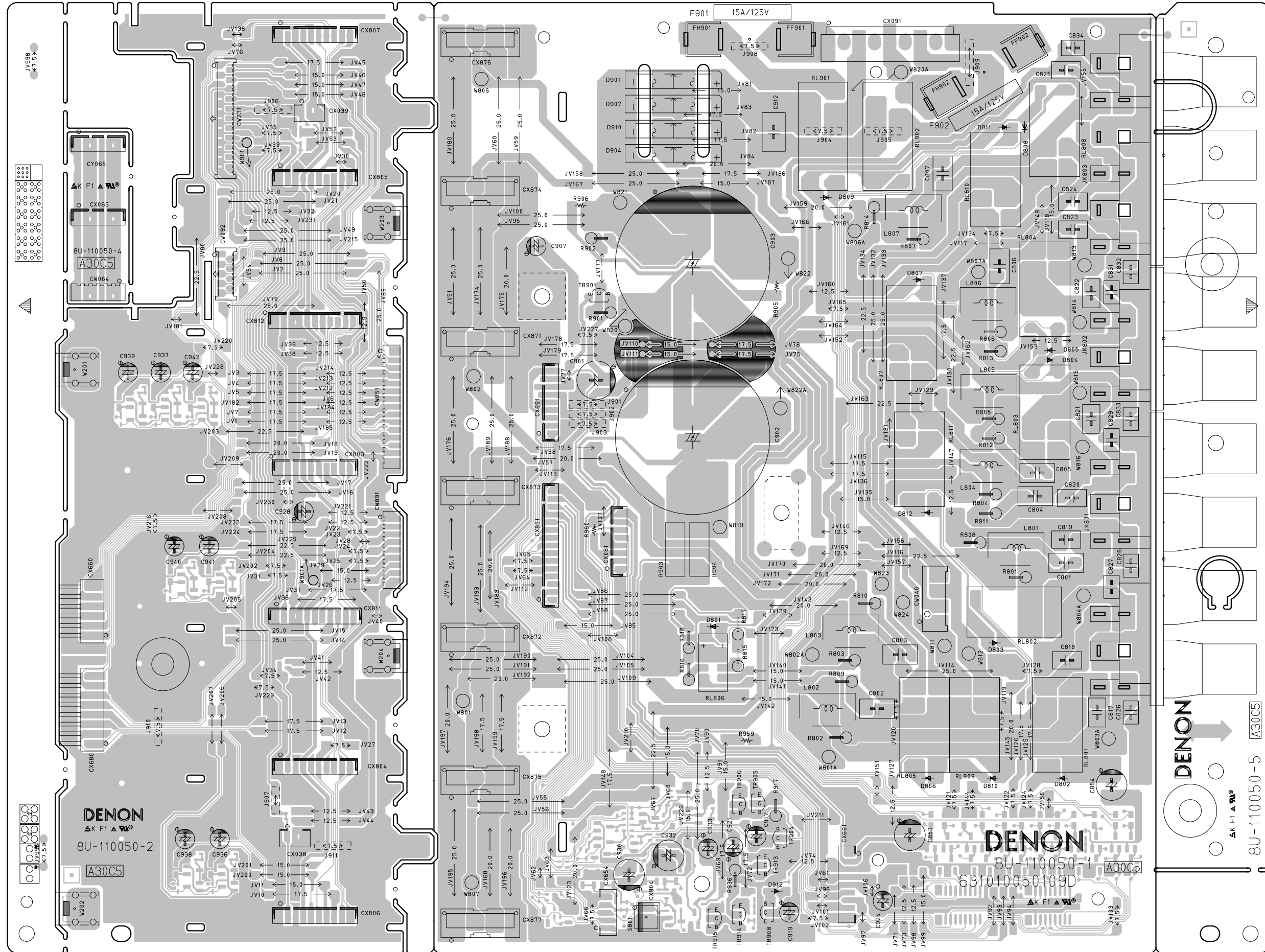


FOIL SIDE



COMPONENT SIDE

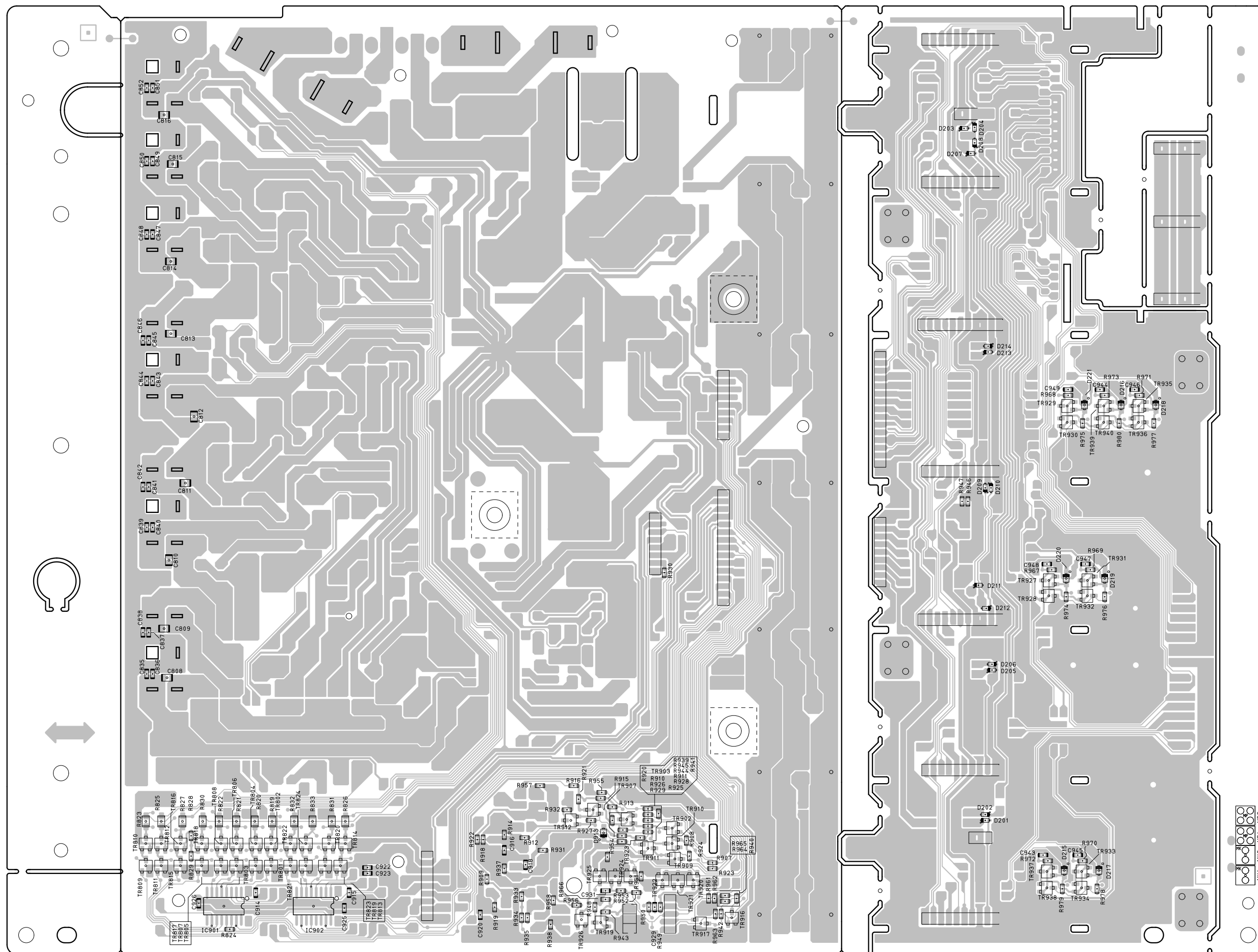
8U-110050 SPEAKER P.W.B. UNIT (1/2)



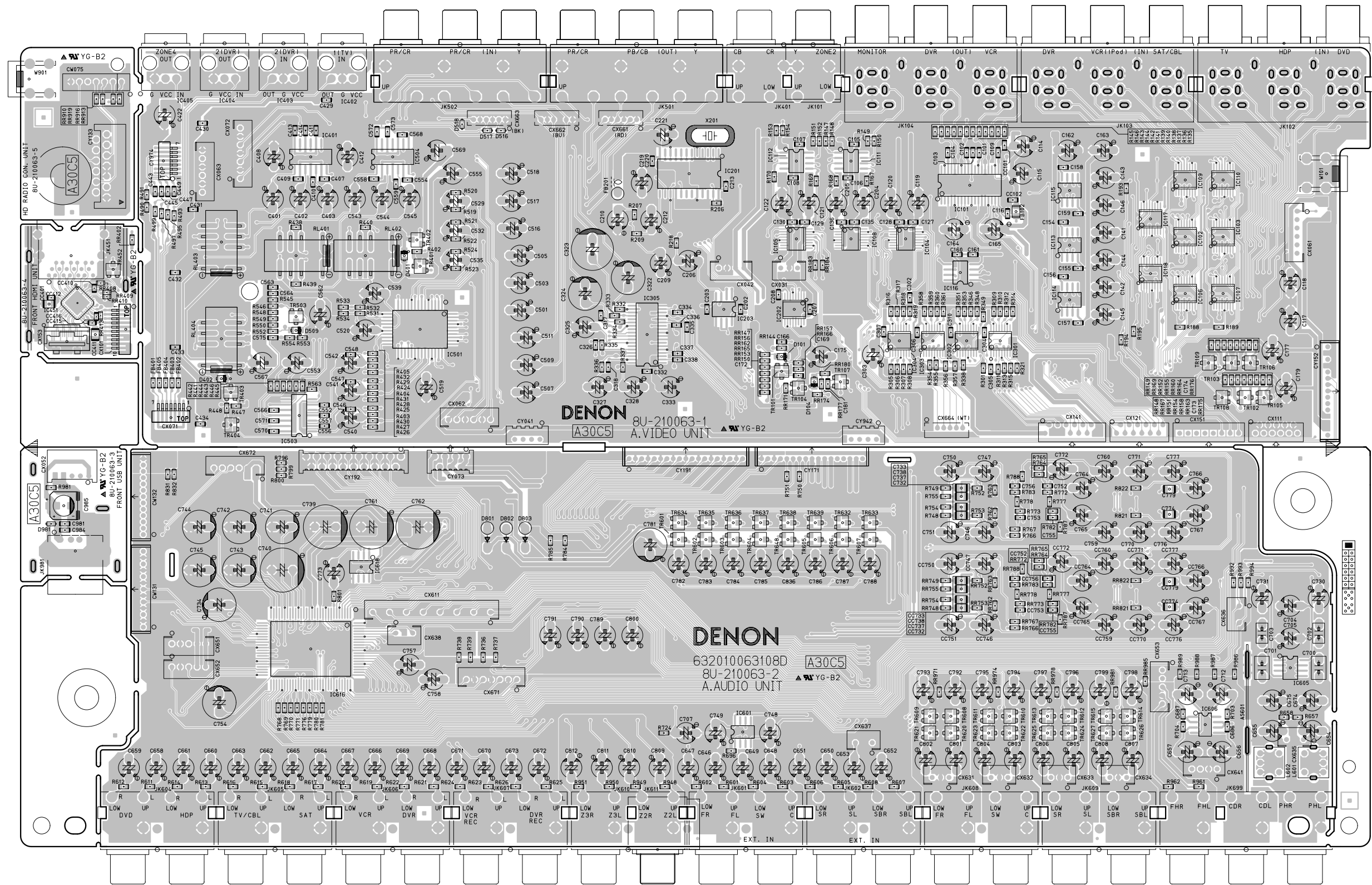
DENON
AK FI
8U-110050-5
A30C5

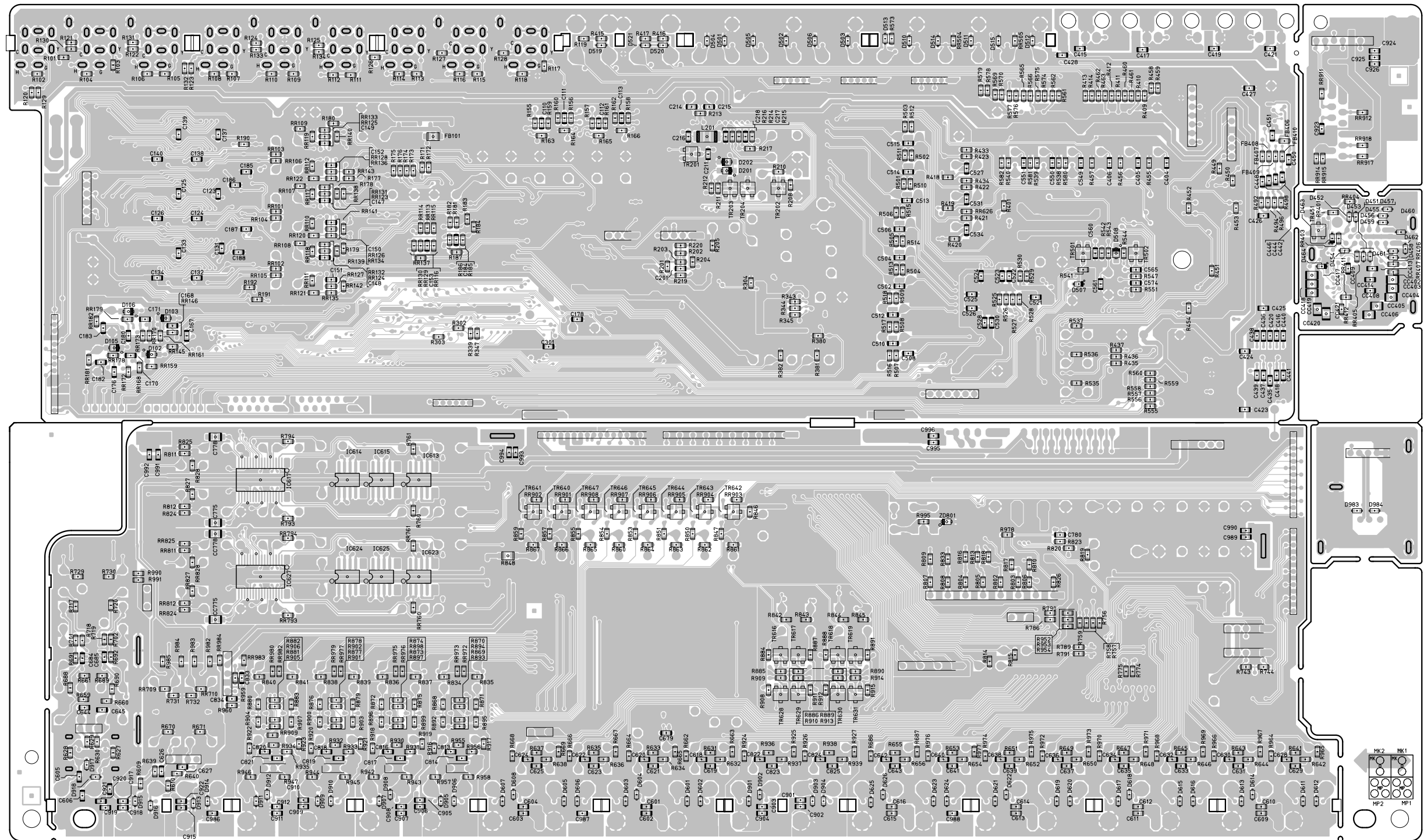
COMPONENT SIDE

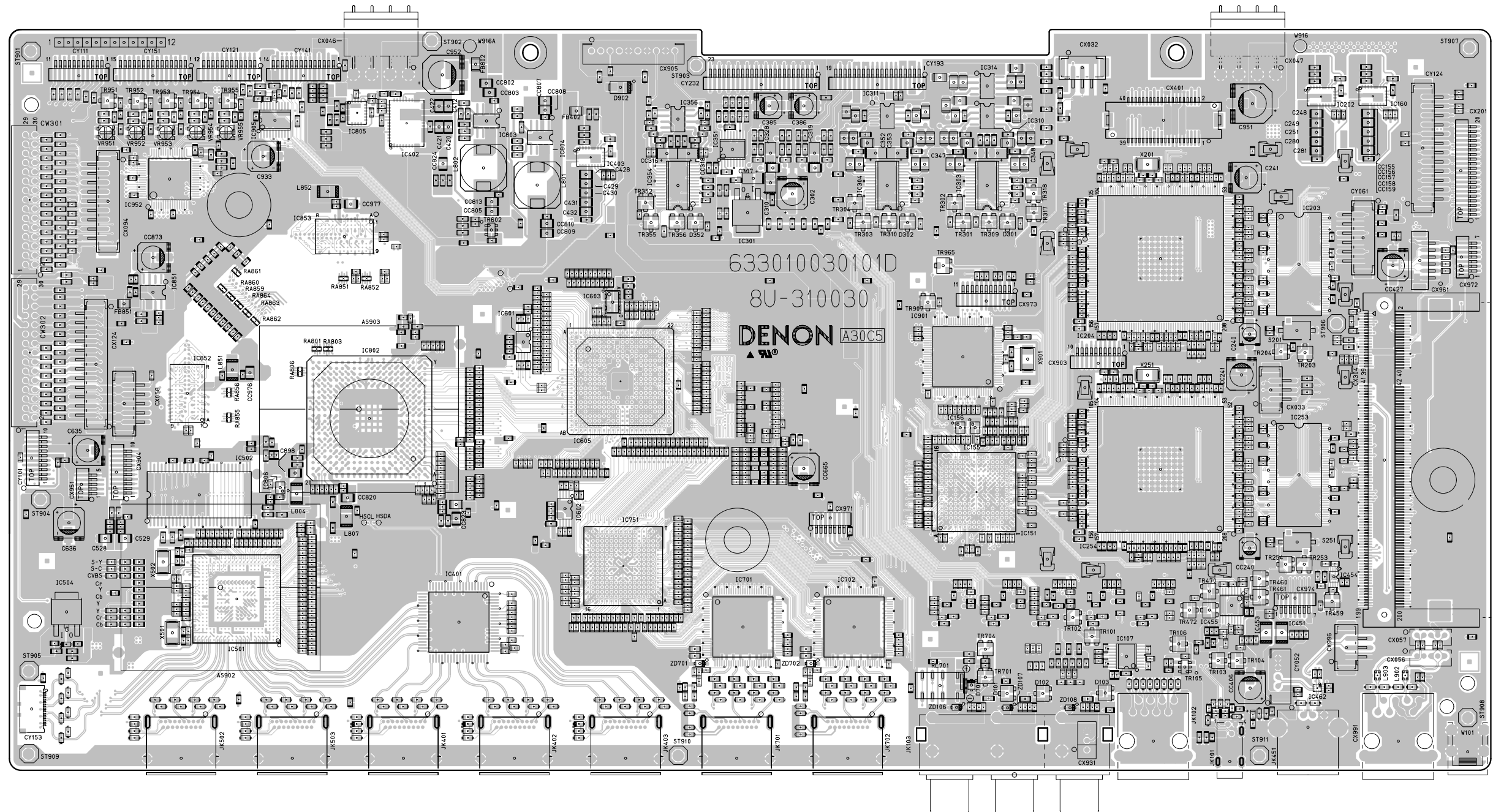
8U-110050 SPEAKER SUPPLY P.W.B. UNIT (2/2)



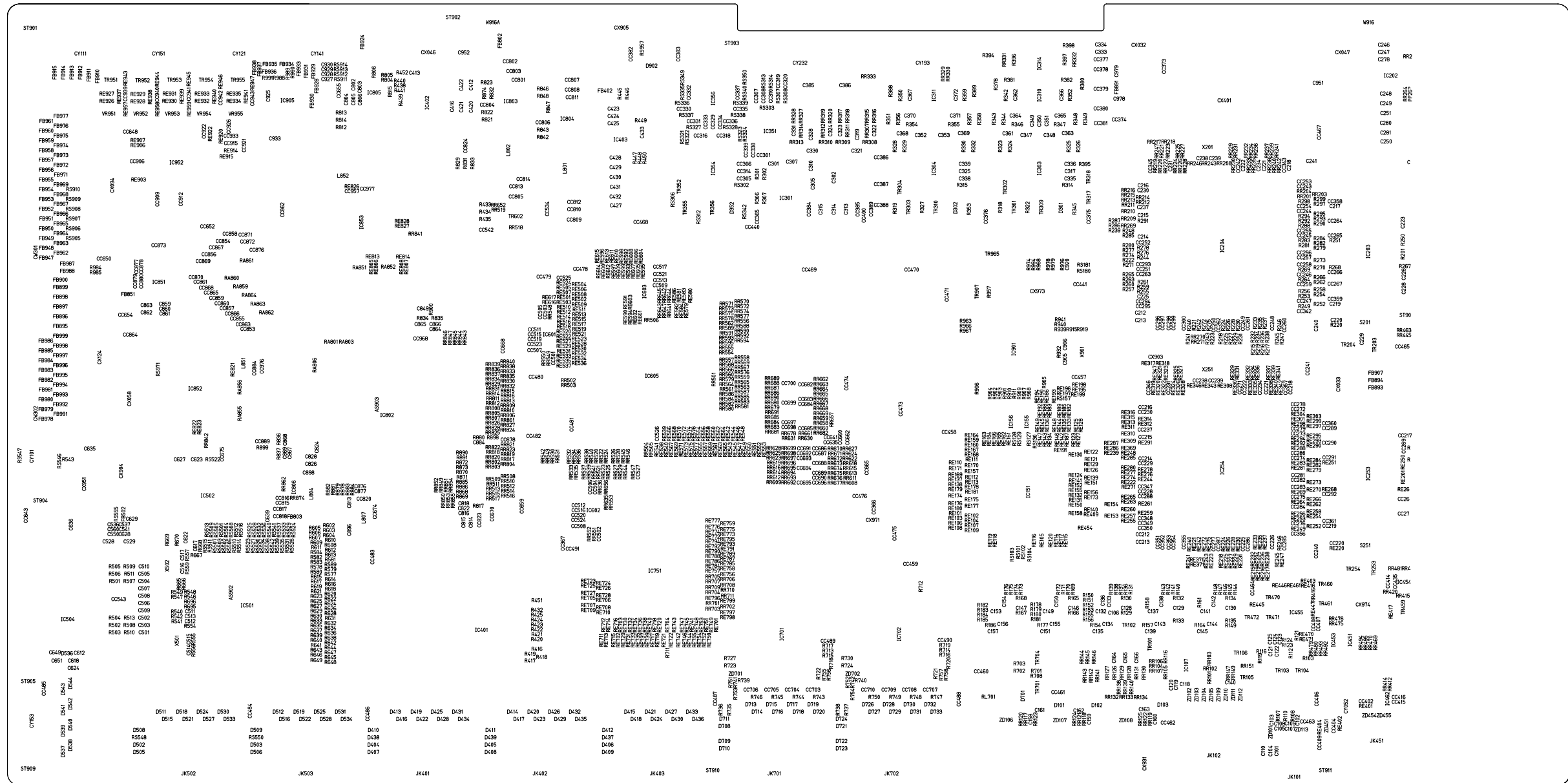
COMPONENT SIDE

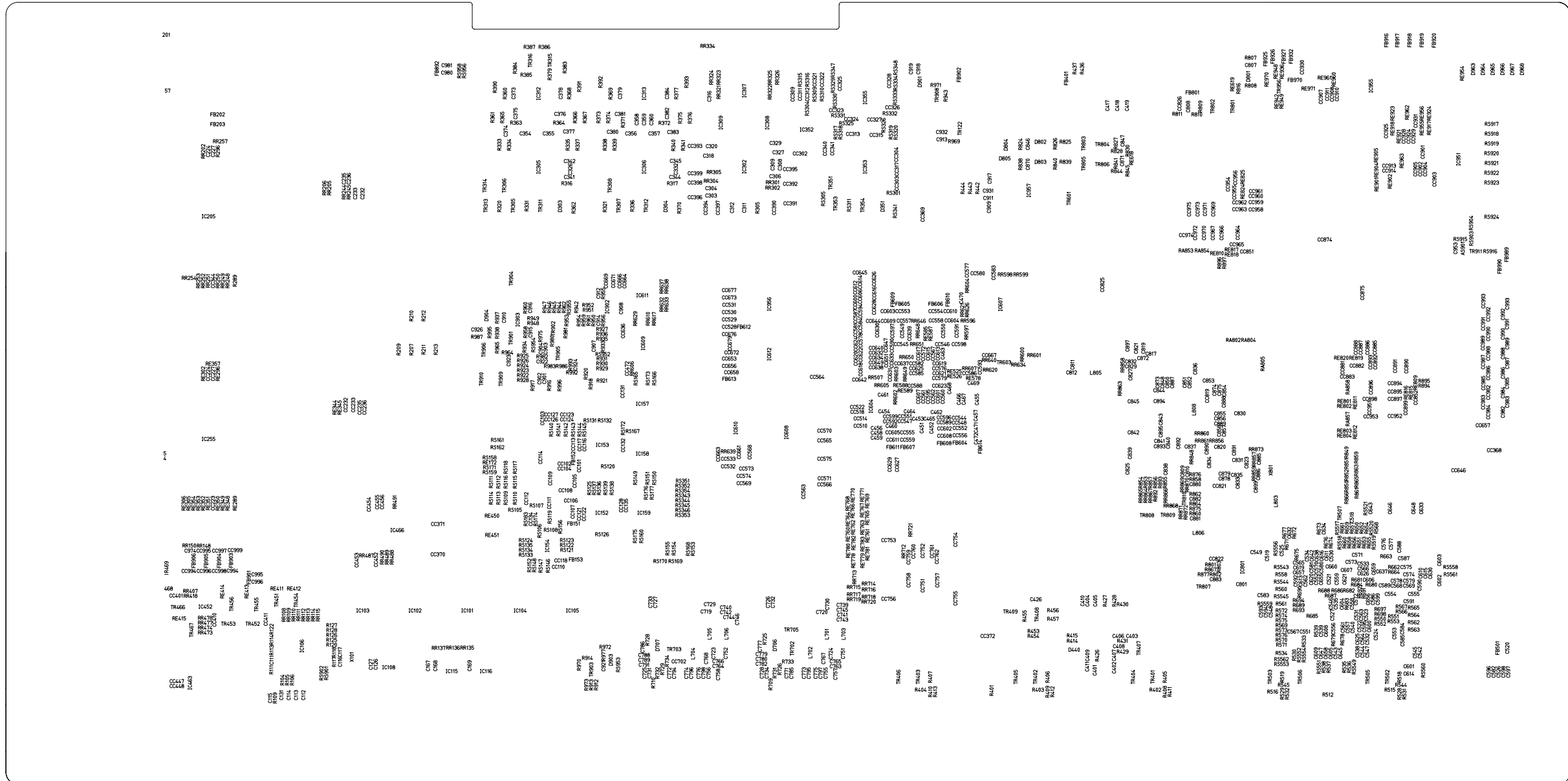






COMPONENT SIDE






--MEMO--

NOTE FOR PARTS LIST

1. Parts for which "nsp" is indicated on this table cannot be supplied.
2. When ordering of part, clearly indicate "1" and "I" (i) to avoid mis-supplying.
3. Ordering part without stating its part number can not be supplied.
4. Part indicated with the mark "★" is not illustrated in the exploded view.
5. Not including General-purpose Carbon Film Resistor in the P.W.Board parts list. (Refer to the Schematic Diagram for those parts.)
6. Not including General-purpose Carbon Chip Resistor in the P.W.Board parts list. (Refer to the Schematic Diagram for those parts.)

WARNING:

Parts marked with this symbol  have critical characteristics.
Use ONLY replacement parts recommended by the manufacturer.

● Resistors

Ex.: RN 14K 2E 182 G FR

Type Shape and performance Power Resistance Allowable error Others

RD: Carbon	2B: 1/8 W	F : ±1%	P : Pulse-resistant type
RC: Composition	2E: 1/4 W	G : ±2%	NL: Low noise type
RS: Metal oxide film	2H: 1/2 W	J : ±5%	NB: Non-burning type
RW: winding	3A: 1 W	K : ±10%	FR: Fuse-resistor
RN: Metal film	3D: 2 W	M : ±20%	F : Lead wire forming
RK: Metal mixture	3F: 3 W		
	3H: 5 W		

* Resistance

$\frac{1}{\underline{8}} \frac{2}{\underline{2}} \Rightarrow 1800\text{ohm}=1.8\text{kohm}$

↑ Indicates number of zeros after effective number.
↑ 2-digit effective number.

$\frac{1}{\underline{R}} \frac{2}{\underline{2}} \Rightarrow 1.2\text{ohm}$

↑ 1-digit effective number.
↑ 2-digit effective number, decimal point indicated by R.
: Units: ohm

● Capacitors

Ex.: CE 04W 1H 3R2 M BP

Type Shape and performance Dielectric strength Capacity Allowable error Others

CE: Aluminum foil electrolytic	0J : 6.3 V	F : ±1%	HS: High stability type
CA: Aluminium solid electrolytic	1A : 10 V	G : ±2%	BP: Non-polar type
CS: Tantalum electrolytic	1C : 16 V	J : ±5%	HR: Ripple-resistant type
CQ: Film	1E : 25 V	K : ±10%	DL: For charge and discharge
CK: Ceramic	1V : 35 V	M : ±20%	HF: For assuring high frequency
CC: Ceramic	1H : 50 V	Z : ±80%	U : UL part
CP: Oil	2A : 100 V	: -20%	C : CSA part
CM: Mica	2B : 125 V	P : +100%	W : UL-CSA part
CF: Metallized	2C : 160 V	C : ±0.25pF	F : Lead wire forming
CH: Metallized	2D : 200 V	D : ±0.5pF	
	2E : 250 V	= : Others	
	2H : 500 V		
	2J : 630 V		

* Capacity (electrolyte only)

$\frac{2}{\underline{2}} \frac{2}{\underline{2}} \Rightarrow 2200 \mu F$

↑ Indicates number of zeros after effective number.
↑ 2-digit effective number.
· Units: μ F.

$\frac{2}{\underline{R}} \frac{2}{\underline{2}} \Rightarrow 2.2 \mu F$

↑ 1-digit effective number.
↑ 2-digit effective number, decimal point indicated by R
· Units: μ F.

* Capacity (except electrolyte)

$\frac{2}{\underline{2}} \frac{2}{\underline{2}} \Rightarrow 2200\text{pF}=0.0022 \mu F$

↑ Indicates number of zeros after effective number. (More than 2)
↑ 2-digit effective number.
· Units:pF

$\frac{2}{\underline{2}} \frac{1}{\underline{1}} \Rightarrow 220\text{pF}$

↑ Indicates number of zeros after effective number. (0 or 1)
↑ 2-digit effective number.
· Units:pF

- When the dielectric strength is indicated in AC, "AC" is included after the dielectric strength value.

PARTS LIST OF P.W.B. UNIT

* Parts for which "nsp" is indicated on this table cannot be supplied.

* The parts listed below are for maintenance only, might differ from the parts used in the unit in appearances or dimensions.

Note: The symbols in the column "Remarks" indicate the following destinations.

EU : U.S.A. model

EC : Canada model

E2 : Europe model

E1C : China model

8U-110047 FRONT P.W.B. UNIT ASS'Y

	Ref. No.	Part No.	Part Name	Remarks	Q'ty	New
SEMICONDUCTORS GROUP						
△	IC101	00D2623602003	GP1UE271XKVF			
	IC102	00D2680073905	ICP-N15T			
	IC701	00D2690240003	GP1FMV31RK0F			
	IC702	00D2631289900	AZ4580MTR-E1			
	TR101	00D2690191903	KRA104S-RTK/P (47K-47K)			
	TR102	00D2730464901	KTC3875S-GR-RTK/P			
	TR103	00D2690193901	KRC104S-RTK/P (47K-47K)			
	TR106	00D2730494900	KTC2022D-Y-RTF/P			
	TR111-113	00D2730464901	KTC3875S-GR-RTK/P			
	TR114	00D2710312905	KTA1504S-GR-RTK/P			
	TR115	00D2690192902	KRC102S-RTK/P (10K-10K)			
	TR116	00D2710312905	KTA1504S-GR-RTK/P			
	TR117	00D2690192902	KRC102S-RTK/P (10K-10K)			
	TR301	00D2690192902	KRC102S-RTK/P (10K-10K)			
	TR302,303	00D2710312905	KTA1504S-GR-RTK/P			
	TR304	00D2690193901	KRC104S-RTK/P (47K-47K)			
	D101	00D2760704916	1SR35-400A(T82)			
	D103	00D2760794900	KDS160-RTK/P			
	D105	00D2760794900	KDS160-RTK/P			
	D107	00D2760794900	KDS160-RTK/P			
	D108	00D2760704916	1SR35-400A(T82)			
	ZD101	00D2760761975	MTZJ18B T77			
	ZD102	00D2760762903	MTZJ24B T77			
	ZD103	00D2760636903	MTZJ8.2BT77			
	ZD701-703	00D2760683930	UDZS5.1B-TE17 +C			
	LD101	263010032409S	SIR-341STA49			
	LD102	176010001402S	SELT5E20C-S(TP15)			
	LD103	00D3939671002	SMLU12416W-S			
	LD301	00D3939671002	SMLU12416W-S			
	FL101	172010006108D	FLD(19-ST-02GINK)			
RESISTORS GROUP						
	R146	00D2442043937	RS14B3A100JNBST(S)			
	R149	00D2442043937	RS14B3A100JNBST(S)			
CAPACITORS GROUP						
	C102	00D2561042903	CF93A2E104KT			
	C103,104	nsp	CK73B1E104KT +1608			
	C105	nsp	CC73CH1H101JT +1608			
	C106	00D2544737989	CE04W1H100MT(SF)			
	C107	nsp	CC73CH1H101JT +1608			
	C109	00D2544302974	CE04W1A101MT(SRE)			
	C110	00D2544737989	CE04W1H100MT(SF)			
	C114	nsp	CC73CH1H300JT +1608			
	C115,116	00D2544812707	CE04W1H471MC(SRG/K15)			
	C119	nsp	CK73B1E473KT +1608			
	C126	00D2544586978	CE04W2A010MT(RA3)			
	C127	00D2544725920	CE04W1J101MT(GR)			
	C129	nsp	CK73B1H103KT (1608) +1608			
	C130	nsp	CC73CH1H101JT +1608			
	C131	nsp	CK73B1H103KT (1608) +1608			

Ref. No.	Part No.	Part Name	Remarks	Q'ty	New
C137	nsp	CK73B1E104KT +1608			
C139	nsp	CK73B1E104KT +1608			
C141	nsp	CK73B1E104KT +1608			
C142,143	nsp	RM73B--0R0KT +1608			
C145	nsp	RM73B--0R0KT +1608			
C147,148	nsp	RM73B--0R0KT +1608			
C149	nsp	CK73B1E104KT +1608			
C306,307	nsp	CK73B1E104KT +1608			
C381,382	nsp	CK73B1E104KT +1608			
C391,392	nsp	CK73B1E104KT +1608			
C701	nsp	CK73B1E104KT +1608			
C702	nsp	CK73B1H102KT +1608			
C704	00D2544737947	CE04W1H010MT(SF)			
C705	nsp	CC73CH1H101JT +1608			
C706	nsp	CK73B1H102KT +1608			
C707	nsp	CK73B1A105KT +1608			
C708	nsp	CC73CH1H101JT +1608			
C709,710	nsp	CC73CH1H331JT +1608			
C711	nsp	CK73B1H102KT +1608			
C713	nsp	CK73B1E104KT +1608			
C714	nsp	CK73B1H102KT +1608			
C715	nsp	CC73CH1H101JT +1608			
C716	nsp	CC73CH1H910JT +1608			
C717	00D2544737947	CE04W1H010MT(SF)			
C718,719	nsp	CC73CH1H101JT +1608			
C720,721	nsp	CK73B1E104KT +1608			
C722,723	nsp	CK73B1H102KT +1608			
C724	00D2544737947	CE04W1H010MT(SF)			
C725,726	00D2544722949	CE04W1H010MT(GR)			
C727	nsp	CC73CH1H101JT +1608			
C731	nsp	CK73B1E104KT +1608			
C732	nsp	CC73CH1H910JT +1608			
C733	nsp	CC73CH1H101JT +1608			
C734	00D2544737947	CE04W1H010MT(SF)			
C735	nsp	CK73B1E104KT +1608			
C737	00D2544737947	CE04W1H010MT(SF)			
C740,741	nsp	CC73CH1H102JT +1608			
C742,743	nsp	CK73B1E104KT +1608			
C745,746	nsp	CC73CH1H101JT +1608			
C747	nsp	CK73B1H102KT +1608			
C748	nsp	CC73CH1H101JT +1608			
C749	nsp	CK73B1H102KT +1608			
C751,752	nsp	CC73CH1H221JT +1608			
C756,757	nsp	CC73CH1H221JT +1608			
C760	nsp	CK73B1E104KT +1608			
C761	nsp	CK73B1H102KT +1608			
C762	nsp	CC73CH1H101JT +1608			
OTHERS PARTS GROUP					
AS101,102	00D4610862045	FL SPACER (T=5)			
CW043,044	nsp	4P CON.SOCKET(TUC-P)			
CW053	nsp	5P CON.SOCKET TUC-P			
CW081	nsp	8P CON.SOCKET(TUC-P)			
CW102,103	nsp	10P CON.SOCKET TUC-P			
CW154,155	nsp	15P JE CON.PLUG			
CX021	nsp	2P VH CONN.BASE(L)RD			
CX043,044	nsp	4P CON.BASE(TUC-P)			
CX053	nsp	5P CON.BASE TUC-P			
CX064	nsp	6P CON.BASE(TUC-P)			
CX066	nsp	7PEHSID CONN BASE			
CX073	nsp	7P CON BASE TWG-P			
CX082	nsp	8P CON BASE(TUC-P)			
CX092	nsp	9P CON.BASE TWG-P			
CX102,103	nsp	10P CON.BASE TUC-P			

Ref. No.	Part No.	Part Name	Remarks	Q'ty	New
CX181	nsp	18P CON.BASE TUC-P			
CX192	nsp	19P CON.BASE(TWG-P)			
CX231	nsp	23P CON.BASE TWG-P			
CX251	00D2051316000	25P FFC BASE(9610S)Y			
CX271	00D2051329000	27P FFC BASE(9610SB)			
FB101,102	nsp	RM73B--0R0KT +2125			
JK701	00D2048260004	MINI JACK			
JK702	00D2048757009	1P PIN S-JACK(MDC-074V)-AU			
JK703	00D2048217031	H/P JACK (BK(AU))			
JK707	00D2048754002	3P PIN JACK(MSP-253V)-AU-B3			
S301	00D2125611903	TACT SWITCH(TAPE H5)			
S302	665010008002D	POWER SWITCH (TV-5)			
S331-345	00D2125611903	TACT SWITCH(TAPE H5)			
S347	00D2125611903	TACT SWITCH(TAPE H5)			
S349	00D2125611903	TACT SWITCH(TAPE H5)			
S371-373	00D2125611903	TACT SWITCH(TAPE H5)			
S381	00D2120373000	ROT.ENCODER-EC16B			
S391	00D2125611903	TACT SWITCH(TAPE H5)			
S392	00D2120373000	ROT.ENCODER-EC16B			
S393-395	00D2125611903	TACT SWITCH(TAPE H5)			
W701	nsp	M3 SCREW TERMINAL			
W703,704	nsp	M3 SCREW TERMINAL			

8U-110048 POWER SUPPLY P.W.B. UNIT ASS'Y(for EU,EC model)
8U-110048A POWER SUPPLY P.W.B. UNIT ASS'Y(for E2 model) ²
8U-110048C POWER SUPPLY P.W.B. UNIT ASS'Y(for E1C model) ³

Ref. No.	Part No.	Part Name	Remarks	Q'ty	New
SEMICONDUCTORS GROUP					
IC201	00D2623676903	TC74VHCT08AF(E,K,F)			
IC203	00D2631289900	AZ4580MTR-E1	EU, EC		
IC601	00D2631275901	UPC2905BT1D			
IC602	00D2631274012	NJM2396F09			
IC801	231010063000S	STR-A6079			
IC802	00D2623047008	PC123Y22	EU, EC		
IC804	00D2623047008	PC123Y22			
IC805	00D2631256904	TA76432S(TPE6,F)			
IC901	232810025706S	TOP248YN	EU, EC		
IC901	00D2650123005	TOP246YN	E2, E1C		
IC902,903	00D2623047008	PC123Y22			
IC904	00D2631256904	TA76432S(TPE6,F)			
TR202	00D2730464901	KTC3875S-GR-RTK/P			
TR203	00D2690191903	KRA104S-RTK/P (47K-47K)			
TR601	214050006000S	2SC4935			
TR602	212050008000S	2SA1869			
TR603	00D2730464901	KTC3875S-GR-RTK/P			
TR604	00D2710312905	KTA1504S-GR-RTK/P			
TR605	212050008000S	2SA1869			
TR606	214050006000S	2SC4935			
TR607	00D2730464901	KTC3875S-GR-RTK/P			
TR608	00D2710312905	KTA1504S-GR-RTK/P			
TR609	00D2730464901	KTC3875S-GR-RTK/P			
TR610,611	00D2710312905	KTA1504S-GR-RTK/P			
TR612	00D2690192902	KRC102S-RTK/P (10K-10K)			
TR613	214050006000S	2SC4935			
TR614	00D2730464901	KTC3875S-GR-RTK/P			
TR616	214050006000S	2SC4935			
TR617	00D2730464901	KTC3875S-GR-RTK/P			
TR618	00D2710312905	KTA1504S-GR-RTK/P			
TR619	00D2690192902	KRC102S-RTK/P (10K-10K)			
TR624	00D2730442004	2SC4793 (Y)			
TR625	00D2730479909	2N5551S-RTK/P			
TR801	214050007409S	2SC5549	EU, EC		
TR802	00D2730468907	KTC3199-GR-AT/P			
TR901	00D2730468907	KTC3199-GR-AT/P			
D103	251310004507S	CG0603MLC-12LE	EU, EC		
D104	251310004507S	CG0603MLC-12LE	EU, EC		
D104	00D2472018903	RM73B--0R0KT	E2, E1C		
D105	251310004507S	CG0603MLC-12LE	EU, EC		
D201-203	00D2760794900	KDS160-RTK/P			
D204-206	251310004507S	CG0603MLC-12LE			
D603	00D2760704903	1SR35-400A(T93X)			
D606	00D2760855001	D3SB20-7103			
D607,608	00D2760704903	1SR35-400A(T93X)			
D651	00D2760855001	D3SB20-7103			
D652,653	00D2760704903	1SR35-400A(T93X)			
D801-804	00D2760729904	EM01AT (V1)			
D805,806	00D2760813001	AP01C			
D807,808	201050006301S	RF101A2S			
D809	00D2760401905	1SS133T77 (TAPE)			
D901	00D2760401905	1SS133T77 (TAPE)			
D902-905	00D2760729904	EM01AT (V1)			
D906,907	00D2760813001	AP01C			
D909	00D2760751901	1SR154-400TE25 +REF			
D910	203050018706S	D25SC6M			
D911	00D2760401905	1SS133T77 (TAPE)			
D912	00D2760684900	RB051L-40TE25 +C			
ZD201	00D2760760963	MTZJ6.2B T77			

Ref. No.	Part No.	Part Name	Remarks	Q'ty	New
ZD603 ZD606,607	00D2760477900 00D2760464900	HZS16-1 TD(TAPE) HZS7A-1TD			
ZD608,609 ZD613 ZD615 ZD801-806 ZD903	00D2760468906 00D2760466908 00D2760468906 00D2760485905 00D2760760950	HZS9B-1TD HZS7C-1TD HZS9B-1TD HZS36-1TD MTZJ5.6B T77	EU, EC		
TH801	00D2790044002	NTH11D8R0LA			
RESISTORS GROUP					
R613,614 R623 R808 R809 R810	00D2442051974 00D2442051974 00D2442043979 00D2442686909 nsp	RS14B3A102JNBST(S) RS14B3A102JNBST(S) RS14B3A5R6JNBST(S) RS14B3D154JNBST(S) RM73B--273FT_1608			
R814 R815 R908 R912 R920	nsp nsp 00D2442675732 121050030705S 00D2472041970	RM73B--273FT_1608 RM73B--103FT +1608 RS14B3D104JNBF(ERG) RC05GF2H106K(UL) RM73B--752DT(1608)			
R924 R925	00D2442675732 00D2442043924	RS14B3D104JNBF(ERG) RS14B3A680JNBST (S)			
CAPACITORS GROUP					
C106,107 C108 C109,110 C201 C204-207	nsp nsp nsp nsp nsp	CK73B1E104KT +1608 CK73B1H102KT +1608 CC73CH1H101JT +1608 CK73B1E104KT +1608 CK73B1E104KT +1608	EU, EC		
C208 C209,210 C211 C212 C213	nsp nsp nsp nsp nsp	CC73CH1H221JT +1608 CK73B1E104KT +1608 CK73B1H102KT +1608 CC73CH1H221JT +1608 CK73B1E104KT +1608			
C214 C216,217 C218,219 C220 C221	nsp nsp nsp nsp 00D2544722981	CC73CH1H221JT +1608 CC73CH1H221JT +1608 CK73B1E104KT +1608 CK73B1H102KT +1608 CE04W1H100MT(GR)			
C224,225 C226-229 C230 C237,238 C239,240	nsp 00D2544722981 nsp nsp 00D2544722981	CC73CH1H331JT +1608 CE04W1H100MT(GR) CK73B1E104KT +1608 CK73B1E104KT +1608 CE04W1H100MT(GR)	EU, EC EU, EC EU, EC EU, EC EU, EC		
C601,602 C603 C604 C605,606 C605,606	00D2544722994 00D2544722981 00D2544722994 00D2544723922 00D2544580712	CE04W1H220MT(GR) CE04W1H100MT(GR) CE04W1H220MT(GR) CE04W1H101MT(GR) CE04W1H101MC(ROB)	EU, EC E2, E1C		
C607,608 C609,610 C609,610 C611 C612,613	00D2544722981 00D2544722981 00D2544583942 nsp 00D2544761735	CE04W1H100MT(GR) CE04W1H100MT(GR) CE04W1H100MT(ROB) CK73B1E104KT +1608 CE04W1C472MC(SMQ)	EU, EC E2, E1C		
C614,615 C618 C619 C621 C622	00D2544522796 00D2570501943 00D2544722949 nsp nsp	CE04W1V102MC SMG/RE3 CK73B1H104KT +1608 CE04W1H010MT(GR) CK73B1E104KT +1608 CK73B1H104KT +1608			
C623 C624 C628 C629 C631	00D2544722994 00D2544722981 00D2544722994 nsp 00D2544722994	CE04W1H220MT(GR) CE04W1H100MT(GR) CE04W1H220MT(GR) CK73B1E104KT +1608 CE04W1H220MT(GR)			

△△

△△

	Ref. No.	Part No.	Part Name	Remarks	Q'ty	New
	C632,633 C651 C654 C655,656 C657	00D2544722981 00D2561042903 00D2544812707 134050080201S 00D2544722949	CE04W1H100MT(GR) CF93A2E104KT CE04W1H471MC(SRG/K15) CE04W1E472M(R0) CE04W1H010MT(GR)			
△	C658 C659 C801 C803 C804	00MDF15104351 00D2544812707 00D2568038004 00D2538029713 134050085404S	0.1UF,J,N,50V CE04W1H471MC(SRG/K15) CF99--2EAC104M CK45F2EAC471KC(KX) CE04W2G3R3MT(KMG)	EU, EC		
△	C804 C805 C806 C807 C808	134050091409S nsp 134050069402S 00D2534548706 00D2544651913	CE04W2G1R0MT(KMG) CK73B1A224KT +1608 CE04W2AH270MT EB5(KY) CC45R3A102KC CE04W0J102MT H15(KY)	E2, E1C		△△
△	C809 C811 C817 C821 C827	00D2538032700 00D2538022707 00D2544651913 134050084203S 132050037201S	CK452EAC102MC(KX) CK45F2EAC103MC CE04W0J102MT H15(KY) CE04W0J682MC(KMG)K25S CC45SL3D150JC			
△	C828 C901 C902 C903 C903	nsp 00D2538022707 00D2568038004 00D2544588714 00D2544589713	CK73B1H103KT (1608) +1608 CK45F2EAC103MC CF99--2EAC104M CE04W2D221MC(KMG) CE04W2G101MC(KMG)	EU, EC E2, E1C		△△
△	C904 C905 C908 C909 C912-916	00D2538029700 00D2544654907 00D2568038004 00D2544525913 00D2544770700	CK45F2EAC222MC (KX) CE04W1H220MT E11(KY) CF99--2EAC104M CE04W1H470MT SMG/RE3 CE04W0J562MC K35(KY)			
	C919 C921 C923 C925,926	00D2544722981 nsp nsp nsp	CE04W1H100MT(GR) CK73B1A224KT +1608 CK73B1E104KT +1608 CK73B0J475KT +1608			
OTHERS PARTS GROUP						
△	AS602 AS603	00D4170476023 252310006513S	RADIATOR PRF18BC471QB5RB			
	AS901	nsp	RADIATOR			
	CW021 CW035,036 CW047	nsp nsp nsp	2P-3P L=500mm VA-SDN JL CONNECTOR(F-E) 4P L=210mm VH-SDN			
	CW065 CW068 CW082 CW093 CW104	nsp nsp nsp nsp nsp	6P CON.SOCKET(TUC-P) 6P CONN.BASE(KR-PH) 8P CON.SOCKET(TUC-P) 9P CON.SOCKET TUC-P 10P SOCKET(9120)			
	CW112 CW122 CW182	nsp nsp nsp	11P CON.SOCKET TUC-P 12P SOCKET(9120) 18P CON.SOCKET TUC-P			
	CX022	nsp	2P VH CON BASE (Blue)			
	CX024 CX035,036 CX055 CX074 CX093	nsp nsp nsp nsp nsp	2P VH CONN. BASE (L) JL CONNECTOR(BT-E) 5P EH CONNECTOR BASE 7P EH CONNECTOR BASE 9P CON.BASE TUC-P			
	CX112 CX113	nsp nsp	11P CON.BASE TUC-P 3P CON BASE(KR-PH)			
△	F601,602 F603-605	00D2061096022 00D2061096051	FUSE(218)T2AL250V FUSE(218)T4AL250V			
△	F801 F801	00D2061094037 00D2061087073	FUSE(233)T2AL125V FUSE(ET1.6A)	EU, EC E2, E1C		△△

	Ref. No.	Part No.	Part Name	Remarks	Q'ty	New
⚠	F802	00D2061094095	FUSE(233)T8AL125V	EU, EC		
⚠	F802	00D2061096035	FUSE(218)T2.5AL250V	E2		⚠
⚠	F803	00D2061046043	FUSE (10A)	EU, EC		
⚠	F803	00D2061015087	FUSE(4.0A)	E2, E1C		⚠ ⚠
	FB101,102	nsp	RM73B--0R0KT +1608			
	FF601-605	nsp	FUSE CLIP(TAPE)			
	FF801-803	nsp	FUSE CLIP(TAPE)			
	FH601-605 FH801-803	nsp nsp	FUSE CLIP(TAPE) FUSE CLIP(TAPE)			
	J809	132010087406S	CK45R1H103KT			
	JK101 JK102 JK201	00D2051305008 00D2051135003 00D2048758008	9P D-SUB CONNECTOR 8P MD BASE (F-S) MINI JACK(MSJ-035-10A)-SW	EU, EC		
	JK202,203 JK204,205	00D2048260004 00D2048649007	MINI JACK MINI JACK (RD)			
⚠	JK801	00D2033976002	AC OUTLET(2P)	EU, EC		
⚠	JK802	00D2033958004	AC_INLET/E3-DIP			
⚠	JK982	641050012003D	AC OUTLET SEMCO	E2		⚠
⚠	L801,802	00D2390035042	L.FILTER(LF4ZBE123H)			
⚠	L901	00D2390035026	L.FILTER(LF4ZBE273H)			
⚠	L903	00D2390035026	L.FILTER(LF4ZBE273H)			
⚠	RL801	00D2140241002	RELAY DL1SU TV-8			
⚠	RL901	00D2140242014	RELAY(DLS5D1-O_M)			
	ST601-603 ST901,902	nsp nsp	STYLE PIN STYLE PIN			
⚠	T806	102010014018S	MINI-SW-TRANS			
⚠	T808	102010014001S	SW-TRANS	EU, EC		
⚠	T808	102010017000S	SW-TRANS(E2)	E2, E1C		⚠ ⚠
	W201 W601,602 W802 W901,902	nsp nsp 612050203009S nsp	M3 SCREW TERMINAL M3 SCREW TERMINAL 2P VA-SIN UL1672 AWG20 M3 SCREW TERMINAL	E2		⚠
		445310091009D ORD4713304015	SHIELD CASE 3X8 CBS-Z			
		nsp	FUSE LABEL(T1.6AL)	E2, E1C		⚠ ⚠
		nsp	FUSE LABEL(T2.5AL)	E2		⚠
		nsp	FUSE LABEL(T4A)	E2, E1C		⚠ ⚠

8U-110049 P.AMP P.W.B. UNIT ASS'Y(for EU,EC model)
8U-110049A P.AMP P.W.B. UNIT ASS'Y(for E2, E1C model)



Ref. No.	Part No.	Part Name	Remarks	Q'ty	New
SEMICONDUCTORS GROUP					
TR101	00D2710301903	KTA1268-BL-AT/P			
TR102	00D2710314903	KTA1024-Y-AT/P			
TR103	00D2710301903	KTA1268-BL-AT/P			
TR104	00D2730471907	KTC3206-Y-AT/P			
TR105	00D2710314903	KTA1024-Y-AT/P			
TR106	00D2730471907	KTC3206-Y-AT/P			
TR109	00D2730479909	2N5551S-RTK/P			
TR110	00D2710318909	2N5401S-RTK/P			
TR111	00D2710301903	KTA1268-BL-AT/P			
TR201	00D2710301903	KTA1268-BL-AT/P			
TR202	00D2710314903	KTA1024-Y-AT/P			
TR203	00D2710301903	KTA1268-BL-AT/P			
TR204	00D2730471907	KTC3206-Y-AT/P			
TR205	00D2710314903	KTA1024-Y-AT/P			
TR206	00D2730471907	KTC3206-Y-AT/P			
TR209	00D2730479909	2N5551S-RTK/P			
TR210	00D2710318909	2N5401S-RTK/P			
TR211	00D2710301903	KTA1268-BL-AT/P			
TR301	00D2710301903	KTA1268-BL-AT/P			
TR302	00D2710314903	KTA1024-Y-AT/P			
TR303	00D2710301903	KTA1268-BL-AT/P			
TR304	00D2730471907	KTC3206-Y-AT/P			
TR305	00D2710314903	KTA1024-Y-AT/P			
TR306	00D2730471907	KTC3206-Y-AT/P			
TR309	00D2730479909	2N5551S-RTK/P			
TR310	00D2710318909	2N5401S-RTK/P			
TR311	00D2710301903	KTA1268-BL-AT/P			
TR401	00D2710301903	KTA1268-BL-AT/P			
TR402	00D2710314903	KTA1024-Y-AT/P			
TR403	00D2710301903	KTA1268-BL-AT/P			
TR404	00D2730471907	KTC3206-Y-AT/P			
TR405	00D2710314903	KTA1024-Y-AT/P			
TR406	00D2730471907	KTC3206-Y-AT/P			
TR409	00D2730479909	2N5551S-RTK/P			
TR410	00D2710318909	2N5401S-RTK/P			
TR411	00D2710301903	KTA1268-BL-AT/P			
TR501	00D2710301903	KTA1268-BL-AT/P			
TR502	00D2710314903	KTA1024-Y-AT/P			
TR503	00D2710301903	KTA1268-BL-AT/P			
TR504	00D2730471907	KTC3206-Y-AT/P			
TR505	00D2710314903	KTA1024-Y-AT/P			
TR506	00D2730471907	KTC3206-Y-AT/P			
TR509	00D2730479909	2N5551S-RTK/P			
TR510	00D2710318909	2N5401S-RTK/P			
TR511	00D2710301903	KTA1268-BL-AT/P			
TR601	00D2710301903	KTA1268-BL-AT/P			
TR602	00D2710314903	KTA1024-Y-AT/P			
TR603	00D2710301903	KTA1268-BL-AT/P			
TR604	00D2730471907	KTC3206-Y-AT/P			
TR605	00D2710314903	KTA1024-Y-AT/P			
TR606	00D2730471907	KTC3206-Y-AT/P			
TR609	00D2730479909	2N5551S-RTK/P			
TR610	00D2710318909	2N5401S-RTK/P			
TR611	00D2710301903	KTA1268-BL-AT/P			
TR701	00D2710301903	KTA1268-BL-AT/P			
TR702	00D2710314903	KTA1024-Y-AT/P			
TR703	00D2710301903	KTA1268-BL-AT/P			
TR704	00D2730471907	KTC3206-Y-AT/P			
TR705	00D2710314903	KTA1024-Y-AT/P			
TR706	00D2730471907	KTC3206-Y-AT/P			
TR709	00D2730479909	2N5551S-RTK/P			
TR710	00D2710318909	2N5401S-RTK/P			
TR711	00D2710301903	KTA1268-BL-AT/P			

Ref. No.	Part No.	Part Name	Remarks	Q'ty	New
D101,102 D104 D105,106 D107 D110,111	00D2760794900 00D2760794900 00D2760401905 00D2760794900 00D2760794900	KDS160-RTK/P KDS160-RTK/P 1SS133T77 (TAPE) KDS160-RTK/P KDS160-RTK/P			
D112 D201,202 D204 D205,206 D207	204350014506S 00D2760794900 00D2760794900 00D2760401905 00D2760794900	KDR720E KDS160-RTK/P KDS160-RTK/P 1SS133T77 (TAPE) KDS160-RTK/P			
D210,211 D212 D301,302 D304 D305,306	00D2760794900 204350014506S 00D2760794900 00D2760794900 00D2760401905	KDS160-RTK/P KDR720E KDS160-RTK/P KDS160-RTK/P 1SS133T77 (TAPE)			
D307 D310,311 D312 D401,402 D404	00D2760794900 00D2760794900 204350014506S 00D2760794900 00D2760794900	KDS160-RTK/P KDS160-RTK/P KDR720E KDS160-RTK/P KDS160-RTK/P			
D405,406 D407 D410,411 D412 D501,502	00D2760401905 00D2760794900 00D2760794900 204350014506S 00D2760794900	1SS133T77 (TAPE) KDS160-RTK/P KDS160-RTK/P KDR720E KDS160-RTK/P			
D504 D505,506 D507 D510,511 D512	00D2760794900 00D2760401905 00D2760794900 00D2760794900 204350014506S	KDS160-RTK/P 1SS133T77 (TAPE) KDS160-RTK/P KDS160-RTK/P KDR720E			
D601,602 D604 D605,606 D607 D610,611	00D2760794900 00D2760794900 00D2760401905 00D2760794900 00D2760794900	KDS160-RTK/P KDS160-RTK/P 1SS133T77 (TAPE) KDS160-RTK/P KDS160-RTK/P			
D612 D701,702 D704 D705,706 D707	204350014506S 00D2760794900 00D2760794900 00D2760401905 00D2760794900	KDR720E KDS160-RTK/P KDS160-RTK/P 1SS133T77 (TAPE) KDS160-RTK/P			
D710,711 D712 ZD101 ZD102,103	00D2760794900 204350014506S 00D2760459928 00D2760461903	KDS160-RTK/P KDR720E HZS5B-3TD HZS6A-1TD			
ZD201 ZD202,203 ZD301 ZD302,303 ZD401	00D2760459928 00D2760461903 00D2760459928 00D2760461903 00D2760459928	HZS5B-3TD HZS6A-1TD HZS5B-3TD HZS6A-1TD HZS5B-3TD			
ZD402,403 ZD501 ZD502,503 ZD601 ZD602,603	00D2760461903 00D2760459928 00D2760461903 00D2760459928 00D2760461903	HZS6A-1TD HZS5B-3TD HZS6A-1TD HZS5B-3TD HZS6A-1TD			
ZD701 ZD702,703	00D2760459928 00D2760461903	HZS5B-3TD HZS6A-1TD			
RESISTORS GROUP					
R106 R110 R115 R116 R117,118 R122,123	00D2412379987 00D2412379987 00D2412378946 00D2442671914 00D2412378946 00D2412378920	RD14B2E102JNBST RD14B2E102JNBST RD14B2E271JNBST RS14B3D153JNBST(S) RD14B2E271JNBST RD14B2E221JNBST			

Ref. No.	Part No.	Part Name	Remarks	Q'ty	New
R124,125 R206 R210 R215	125050003002S 00D2412379987 00D2412379987 00D2412378946	RK92=3F0R22JS RD14B2E102JNBST RD14B2E102JNBST RD14B2E271JNBST			
R216 R217,218 R222,223 R224,225 R306	00D2442671914 00D2412378946 00D2412378920 125050003002S 00D2412379987	RS14B3D153JNBST(S) RD14B2E271JNBST RD14B2E221JNBST RK92=3F0R22JS RD14B2E102JNBST			
R310 R315 R316 R317,318 R322,323	00D2412379987 00D2412378946 00D2442671914 00D2412378946 00D2412378920	RD14B2E102JNBST RD14B2E271JNBST RS14B3D153JNBST(S) RD14B2E271JNBST RD14B2E221JNBST			
R324,325 R406 R410 R415 R416	125050003002S 00D2412379987 00D2412379987 00D2412378946 00D2442671914	RK92=3F0R22JS RD14B2E102JNBST RD14B2E102JNBST RD14B2E271JNBST RS14B3D153JNBST(S)			
R417,418 R422,423 R424,425 R506 R510	00D2412378946 00D2412378920 125050003002S 00D2412379987 00D2412379987	RD14B2E271JNBST RD14B2E221JNBST RK92=3F0R22JS RD14B2E102JNBST RD14B2E102JNBST			
R515 R516 R517,518 R522,523 R524,525	00D2412378946 00D2442671914 00D2412378946 00D2412378920 125050003002S	RD14B2E271JNBST RS14B3D153JNBST(S) RD14B2E271JNBST RD14B2E221JNBST RK92=3F0R22JS			
R606 R610 R615 R616 R617,618	00D2412379987 00D2412379987 00D2412378946 00D2442671914 00D2412378946	RD14B2E102JNBST RD14B2E102JNBST RD14B2E271JNBST RS14B3D153JNBST(S) RD14B2E271JNBST			
R622,623 R624,625 R706 R710 R715	00D2412378920 125050003002S 00D2412379987 00D2412379987 00D2412378946	RD14B2E221JNBST RK92=3F0R22JS RD14B2E102JNBST RD14B2E102JNBST RD14B2E271JNBST			
R716 R717,718 R722,723 R724,725	00D2442671914 00D2412378946 00D2412378920 125050003002S	RS14B3D153JNBST(S) RD14B2E271JNBST RD14B2E221JNBST RK92=3F0R22JS			
VR101 VR201 VR301 VR401 VR501	161010006405S 161010006405S 161010006405S 161010006405S 161010006405S	V6QB301T V6QB301T V6QB301T V6QB301T V6QB301T			
VR601 VR701	161010006405S 161010006405S	V6QB301T V6QB301T			
CAPACITORS GROUP					
C101 C101 C103 C104 C104	00D2544722994 00D2544583955 nsp 00D2544722981 00D2544583942	CE04W1H220MT(GR) CE04W1H220MT(ROB) 0.00022UF J M 50V CE04W1H100MT(GR) CE04W1H100MT(ROB)	EU, EC E2, E1C		△△
C105 C106 C107 C108 C109	nsp nsp nsp 00MDF15222351 00MDF15221351	CK73B1H103KT (1608) +1608 CK73B1H222KT +2125 CC73CH1H221JT +1608 0.0022UF,J,M,50V 0.00022UF J M 50V	EU, EC EU, EC E2, E1C E2, E1C		△△ △△
C110 C110 C112	00D2544723919 00D2544583971 1330100055060	CE04W1H470MT(GR) CE04W1H470MT(ROB) APSV 0100 J 221 0000 0200	EU, EC E2, E1C		△△

Ref. No.	Part No.	Part Name	Remarks	Q'ty	New
C114	1330100055060	APSV 0100 J 221 0000 0200			
C115	00MDF15471351	470PF,J,M,50V	E2, E1C		
C116	nsp	CC73CH1H471JT +1608	EU, EC		
C119	00D2544802908	CE04W1J101MT(RA3)			
C121	00D2544586949	CE04W2A100MT(RA3)			
C123	00D2544586949	CE04W2A100MT(RA3)			
C125	nsp	CK73B1E104KT +1608			
C201	00D2544722994	CE04W1H220MT(GR)	EU, EC		
C201	00D2544583955	CE04W1H220MT(ROB)	E2, E1C		
C203	nsp	0.00022UF J M 50V			
C204	00D2544722981	CE04W1H100MT(GR)	EU, EC		
C204	00D2544583942	CE04W1H100MT(ROB)	E2, E1C		
C205	nsp	CK73B1H103KT (1608) +1608			
C206	nsp	CK73B1H222KT +2125	EU, EC		
C207	nsp	CC73CH1H221JT +1608	EU, EC		
C208	00MDF15222351	0.0022UF,J,M,50V	E2, E1C		
C209	00MDF15221351	0.00022UF J M 50V	E2, E1C		
C210	00D2544723919	CE04W1H470MT(GR)	EU, EC		
C210	00D2544583971	CE04W1H470MT(ROB)	E2, E1C		
C212	1330100055060	APSV 0100 J 221 0000 0200			
C214	1330100055060	APSV 0100 J 221 0000 0200			
C215	00MDF15471351	470PF,J,M,50V	E2, E1C		
C216	nsp	CC73CH1H471JT +1608	EU, EC		
C219	00D2544802908	CE04W1J101MT(RA3)			
C221	00D2544586949	CE04W2A100MT(RA3)			
C223	00D2544586949	CE04W2A100MT(RA3)			
C225	nsp	CK73B1E104KT +1608			
C301	00D2544722994	CE04W1H220MT(GR)	EU, EC		
C301	00D2544583955	CE04W1H220MT(ROB)	E2, E1C		
C303	nsp	0.00022UF J M 50V			
C304	00D2544722981	CE04W1H100MT(GR)	EU, EC		
C304	00D2544583942	CE04W1H100MT(ROB)	E2, E1C		
C305	nsp	CK73B1H103KT (1608) +1608			
C306	nsp	CK73B1H222KT +2125	EU, EC		
C307	nsp	CC73CH1H221JT +1608	EU, EC		
C308	00MDF15222351	0.0022UF,J,M,50V	E2, E1C		
C309	00MDF15221351	0.00022UF J M 50V	E2, E1C		
C310	00D2544723919	CE04W1H470MT(GR)	EU, EC		
C310	00D2544583971	CE04W1H470MT(ROB)	E2, E1C		
C312	1330100055060	APSV 0100 J 221 0000 0200			
C314	1330100055060	APSV 0100 J 221 0000 0200			
C315	00MDF15471351	470PF,J,M,50V	E2, E1C		
C316	nsp	CC73CH1H471JT +1608	EU, EC		
C319	00D2544802908	CE04W1J101MT(RA3)			
C321	00D2544586949	CE04W2A100MT(RA3)			
C323	00D2544586949	CE04W2A100MT(RA3)			
C325	nsp	CK73B1E104KT +1608			
C401	00D2544722994	CE04W1H220MT(GR)	EU, EC		
C401	00D2544583955	CE04W1H220MT(ROB)	E2, E1C		
C403	00MDF15221351	0.00022UF J M 50V			
C404	00D2544722981	CE04W1H100MT(GR)	EU, EC		
C404	00D2544583942	CE04W1H100MT(ROB)	E2, E1C		
C405	nsp	CK73B1H103KT (1608) +1608			
C406	nsp	CK73B1H222KT +2125	EU, EC		
C407	nsp	CC73CH1H221JT +1608	EU, EC		
C408	00MDF15222351	0.0022UF,J,M,50V	E2, E1C		
C409	00MDF15221351	0.00022UF J M 50V	E2, E1C		
C410	00D2544723919	CE04W1H470MT(GR)	EU, EC		
C410	00D2544583971	CE04W1H470MT(ROB)	E2, E1C		
C412	1330100055060	APSV 0100 J 221 0000 0200			
C414	1330100055060	APSV 0100 J 221 0000 0200			
C415	00MDF15471351	470PF,J,M,50V	E2, E1C		
C416	nsp	CC73CH1H471JT +1608	EU, EC		
C419	00D2544802908	CE04W1J101MT(RA3)			
C421	00D2544586949	CE04W2A100MT(RA3)			
C423	00D2544586949	CE04W2A100MT(RA3)			
C425	nsp	CK73B1E104KT +1608			

Ref. No.	Part No.	Part Name	Remarks	Q'ty	New
C501	00D2544722994	CE04W1H220MT(GR)	EU, EC		
C501	00D2544583955	CE04W1H220MT(ROB)	E2, E1C		△△
C503	00MDF15221351	0.00022UF J M 50V			
C504	00D2544722981	CE04W1H100MT(GR)	EU, EC		
C504	00D2544583942	CE04W1H100MT(ROB)	E2, E1C		△△
C505	nsp	CK73B1H103KT (1608) +1608			
C506	nsp	CK73B1H222KT +2125	EU, EC		
C507	nsp	CC73CH1H221JT +1608	EU, EC		
C508	00MDF15222351	0.0022UF,J,M,50V	E2, E1C		△△
C509	00MDF15221351	0.00022UF J M 50V	E2, E1C		△△
C510	00D2544723919	CE04W1H470MT(GR)	EU, EC		
C510	00D2544583971	CE04W1H470MT(ROB)	E2, E1C		△△
C512	1330100055060	APSV 0100 J 221 0000 0200			
C514	1330100055060	APSV 0100 J 221 0000 0200			
C515	00MDF15471351	470PF,J,M,50V	E2, E1C		△△
C516	nsp	CC73CH1H471JT +1608	EU, EC		
C519	00D2544802908	CE04W1J101MT(RA3)			
C521	00D2544586949	CE04W2A100MT(RA3)			
C523	00D2544586949	CE04W2A100MT(RA3)			
C525	nsp	CK73B1E104KT +1608			
C601	00D2544722994	CE04W1H220MT(GR)	EU, EC		
C601	00D2544583955	CE04W1H220MT(ROB)	E2, E1C		△△
C603	00MDF15221351	0.00022UF J M 50V			
C604	00D2544722981	CE04W1H100MT(GR)	EU, EC		
C604	00D2544583942	CE04W1H100MT(ROB)	E2, E1C		△△
C605	nsp	CK73B1H103KT (1608) +1608			
C606	nsp	CK73B1H222KT +2125	EU, EC		
C607	nsp	CC73CH1H221JT +1608	EU, EC		
C608	00MDF15222351	0.0022UF,J,M,50V	E2, E1C		△△
C609	00MDF15221351	0.00022UF J M 50V	E2, E1C		△△
C610	00D2544723919	CE04W1H470MT(GR)	EU, EC		
C610	00D2544583971	CE04W1H470MT(ROB)	E2, E1C		△△
C612	1330100055060	APSV 0100 J 221 0000 0200			
C614	1330100055060	APSV 0100 J 221 0000 0200			
C615	00MDF15471351	470PF,J,M,50V	E2, E1C		△△
C616	nsp	CC73CH1H471JT +1608	EU, EC		
C619	00D2544802908	CE04W1J101MT(RA3)			
C621	00D2544586949	CE04W2A100MT(RA3)			
C623	00D2544586949	CE04W2A100MT(RA3)			
C625	nsp	CK73B1E104KT +1608			
C701	00D2544722994	CE04W1H220MT(GR)	EU, EC		
C701	00D2544583955	CE04W1H220MT(ROB)	E2, E1C		△△
C703	00MDF15221351	0.00022UF J M 50V			
C704	00D2544722981	CE04W1H100MT(GR)	EU, EC		
C704	00D2544583942	CE04W1H100MT(ROB)	E2, E1C		△△
C705	nsp	CK73B1H103KT (1608) +1608			
C706	nsp	CK73B1H222KT +2125	EU, EC		
C707	nsp	CC73CH1H221JT +1608	EU, EC		
C708	00MDF15222351	0.0022UF,J,M,50V	E2, E1C		△△
C709	00MDF15221351	0.00022UF J M 50V	E2, E1C		△△
C710	00D2544723919	CE04W1H470MT(GR)	EU, EC		
C710	00D2544583971	CE04W1H470MT(ROB)	E2, E1C		△△
C712	1330100055060	APSV 0100 J 221 0000 0200			
C714	1330100055060	APSV 0100 J 221 0000 0200			
C715	00MDF15471351	470PF,J,M,50V	E2, E1C		△△
C716	nsp	CC73CH1H471JT +1608	EU, EC		
C719	00D2544802908	CE04W1J101MT(RA3)			
C721	00D2544586949	CE04W2A100MT(RA3)			
C723	00D2544586949	CE04W2A100MT(RA3)			
C725	nsp	CK73B1E104KT +1608			
CC401-408	00D2544722978	CE04W1H4R7MT(GR)	EU, EC		
CC401-408	00D2544583939	CE04W1H4R7MT(ROB)	E2, E1C		△△
CC501-504	nsp	0.0022UF,J,M,50V			
CC514	00D2544722981	CE04W1H100MT(GR)			
CC516	00D2544722981	CE04W1H100MT(GR)			
CC518	00D2544722981	CE04W1H100MT(GR)			

	Ref. No.	Part No.	Part Name	Remarks	Q'ty	New
	CC520	00D2544722981	CE04W1H100MT(GR)			
OTHERS PARTS GROUP						
△	AS101	252310006506S	PRF18BB471QB5RB			
△	AS201	252310006506S	PRF18BB471QB5RB			
△	AS301	252310006506S	PRF18BB471QB5RB			
△	AS401	252310006506S	PRF18BB471QB5RB			
△	AS501	252310006506S	PRF18BB471QB5RB			
△	AS601	252310006506S	PRF18BB471QB5RB			
△	AS701	252310006506S	PRF18BB471QB5RB			
	CW181	nsp	18P CON.SOCKET TUC-P			
	CW803-807	nsp	10P CON.SOCKET TUC-P			
	CW811,812	nsp	11P CON.SOCKET TUC-P			
	CW871-877	nsp	JL CONNECTOR(F-E)			
	CX041	nsp	4P CON.BASE(TUC-P)			
	CX171	nsp	17P PIN HEADER(9120)			
	CX191	nsp	19P PIN HEADER(9120)			
	CX193	00D2050892020	19P FFC BASE (P=1)			
	CX232	00D2051100009	23P FFC BASE(P=1)			
	CX941	nsp	4P CON.BASE(TUC-P)			
	CY182	nsp	18P CON.BASE TUC-P			
	ST101,102	nsp	STYLE PIN			
	W101	nsp	M3 SCREW TERMINAL			
	W201	nsp	M3 SCREW TERMINAL			
	W301	nsp	M3 SCREW TERMINAL			
	W401	nsp	M3 SCREW TERMINAL			
	W501	nsp	M3 SCREW TERMINAL			
	W601	nsp	M3 SCREW TERMINAL			
	W701	nsp	M3 SCREW TERMINAL			
		219050002102S	DHCT-A3/C3(4310F)			

8U-110050 SPEAKER P.W.B. UNIT ASS'Y(for EU,EC model)
8U-110050A SPEAKER P.W.B. UNIT ASS'Y(for E2, E1C model)  

Ref. No.	Part No.	Part Name	Remarks	Q'ty	New
SEMICONDUCTORS GROUP					
IC901,902	00D2622375904	IC, TC4094BF(TP1) +C			
TR801	00D2690192902	KRC102S-RTK/P (10K-10K)			
TR802	00D2690184907	KRA102S-RTK/P (10K-10K)			
TR803	00D2690192902	KRC102S-RTK/P (10K-10K)			
TR804	00D2690184907	KRA102S-RTK/P (10K-10K)			
TR805	00D2690192902	KRC102S-RTK/P (10K-10K)			
TR806	00D2690184907	KRA102S-RTK/P (10K-10K)			
TR807	00D2690192902	KRC102S-RTK/P (10K-10K)			
TR808	00D2690184907	KRA102S-RTK/P (10K-10K)			
TR809	00D2690192902	KRC102S-RTK/P (10K-10K)			
TR810	00D2690184907	KRA102S-RTK/P (10K-10K)			
TR813	00D2690192902	KRC102S-RTK/P (10K-10K)			
TR814	00D2690184907	KRA102S-RTK/P (10K-10K)			
TR817	00D2690192902	KRC102S-RTK/P (10K-10K)			
TR818	00D2710312905	KTA1504S-GR-RTK/P			
TR916,917	00D2730464901	KTC3875S-GR-RTK/P			
TR919,920	00D2730464901	KTC3875S-GR-RTK/P			
TR921	00D2710312905	KTA1504S-GR-RTK/P			
TR922,923	00D2730464901	KTC3875S-GR-RTK/P			
TR924	00D2710312905	KTA1504S-GR-RTK/P			
TR925	00D2730464901	KTC3875S-GR-RTK/P			
TR926	00D2690193901	KRC104S-RTK/P (47K-47K)			
D215-221	nsp	RM73B--0R0KT +2125			
D801-805	00D2760401905	1SS133T77 (TAPE)			
D807	00D2760401905	1SS133T77 (TAPE)			
D809	00D2760401905	1SS133T77 (TAPE)			
D901	00D2760855001	D3SB20-7103			
D904	00D2760855001	D3SB20-7103			
D907	00D2760855001	D3SB20-7103			
D910	00D2760855001	D3SB20-7103			
RESISTORS GROUP					
R801-814	00D2442671901	RS14B3D100JNBST(S)			
R815-818	00D2442052960	RS14B3A221JNBST(S)			
R903,904	nsp	JUMPER (L=10)			
CAPACITORS GROUP					
C801-807	00MDF15104350	0.1UF,J,N,50V			
C808-816	nsp	CK73U2J2E222JT(2125)			
C817-825	nsp	0.047UF,J,N,50V			
C835	nsp	CK73B1H102KT +1608			
C837	nsp	CK73B1H102KT +1608			
C839	nsp	CK73B1H102KT +1608			
C841	nsp	CK73B1H102KT +1608			
C843	nsp	CK73B1H102KT +1608			
C845	nsp	CK73B1H102KT +1608			
C847	nsp	CK73B1H102KT +1608			
C849	nsp	CK73B1H102KT +1608			
C851	nsp	CK73B1H102KT +1608			
C853,854	00D2544723922	CE04W1H101MT(GR)			
C902,903	134050062012D	CE68W==153M(LAO)BR			
C907	00D2544722949	CE04W1H010MT(GR)			
C912	nsp	CF93A2E104KT			
C915	nsp	CK73B1H102KT +1608			
C922,923	nsp	CK73B1E104KT +1608			
C924	nsp	RS14B3D200JNBST(S)			
C925,926	nsp	CK73B0J475KT(P) +1608			
C928	00D2544718940	CE04W1C101MT(GR)			
C929	nsp	CK73B1E104KT +1608			

	Ref. No.	Part No.	Part Name	Remarks	Q'ty	New
	C930	00D2544716926	CE04W0J331MT(GR)			
	C931	nsp	CK73B1E104KT +1608			
	C932	00D2544716926	CE04W0J331MT(GR)			
	C933	00D2544722981	CE04W1H100MT(GR)			
OTHERS PARTS GROUP						
	CW064	nsp	6P CON.SOCKET(TUC-P			
	CW092	nsp	9P CON.PLUG TWG-P(LONG)			
	CW231	nsp	23P CON.PLUG TWG-P(LONG)			
	CW851	nsp	15P CON.SOCKET TUC-P			
	CW891	nsp	9P CON.SOCKET TUC-P			
	CX081	nsp	8P CON BASE(TUC-P)			
	CX091	nsp	9P VH CONNECTOR BASE			
	CX660	nsp	6P NH CONNECTOR BASE			
	CX680	nsp	8P NH CONNECTOR BASE			
	CX803-807	nsp	10P CON.BASE TUC-P			
	CX811,812	nsp	11P CON.BASE TUC-P			
	CX851	nsp	15P CON.BASE TUC-P			
	CX871-877	nsp	JL CONNECTOR(BT-E)			
	CX891	nsp	9P CON.BASE TUC-P			
	CX904	nsp	3P NH CONNECTOR BASE			
	CY065	nsp	6P CON.BASE(TUC-P)			
⚠	F901,902	00D2061086032	FUSE 15A (UL/CSA/J)	EU, EC		
⚠	F901,902	652050008004S	L=30mm 250V TLC15AN4	E2, E1C		
	FF901,902	nsp	FUSE HOLDER(DPS1)			
	FH901,902	nsp	FUSE HOLDER(DPS1)			
	JK801	00D2051450021	8P SP TERMINAL(MST-108V1-01)			
	JK802	00D2051450018	4P SP TERMINAL(MST-104V1-01)			
	JK803	00D2051450005	6P SP TERMINAL(MST-106V1-01)			
	L801-807	00D2350191007	INDUCTOR(1MH)			
	RL801-804	682010015012S	RELAY(G5PA-28-MC DC24)			
	RL806	00D2140208003	RELAY(NA24W-K)			
	RL807	682010015012S	RELAY(G5PA-28-MC DC24)			
	RL901,902	682010013009S	RELAY(FTR-H1CA24)			
	W201-204	nsp	M3 SCREW TERMINAL			
	W806	nsp	1P L=140mm UL1430 AWG18			
	W807	nsp	1P L=250mm UL1430 AWG18			
	W820	nsp	1P SIN CORD ASSY(L=195mm)			
	W822	nsp	1P SIN CORD ASSY(L=75mm)			
	W901	nsp	130mm UL1430 AWG24			
		nsp	SCREW BRACKET			

⚠ ⚠

8U-210063 A.AUDIO/VIDEO P.W.B. UNIT ASS'Y(for EU,EC model)

8U-210063A A.AUDIO/VIDEO P.W.B. UNIT ASS'Y(for E2, E1C model)  

Ref. No.	Part No.	Part Name	Remarks	Q'ty	New
SEMICONDUCTORS GROUP					
IC101	00D2623756904	LA73053-TLM-E			
IC102,103	00D2623445901	TC4051BFT			
IC104	00D2623446900	TC4052BFT			
IC105-107	00D2623445901	TC4051BFT			
IC108	00D2623446900	TC4052BFT			
IC109,110	00D2623445901	TC4051BFT			
IC111-116	232810005504S	BD7628F-E2			
IC201	00D2623717901	LC74781M			
IC202	00D2623447909	TC4053BFT			
IC203	232810005504S	BD7628F-E2			
IC301-303	234810014504S	MC14094BDTR2G			
IC305	00D2623755905	LA73062V-TLM-E			
IC402,403	262010004005S	TORX147L(25M,F,T,J)			
IC404	263010017004S	TOTX147L(25M,F,T,J)			
IC451	236810064604S	AD8195ACPZ			
IC501	00D2623551002	NJW1321FP1			
IC503,504	00D2631225906	NJM2581M-TE1			
IC601	00D2631289900	AZ4580MTR-E1			
IC605	00D2630896909	NJM2068MD-TE1 +C			
IC606	00D2631289900	AZ4580MTR-E1			
IC613-615	00D2631289900	AZ4580MTR-E1			
IC616	235810022607S	APPA350 (NJW1299)			
IC617	00D2623727904	NJW1194V-TE1			
IC618	00D2631289900	AZ4580MTR-E1			
IC623-625	00D2631289900	AZ4580MTR-E1			
IC627	00D2623727904	NJW1194V-TE1			
TR101-103	00D2710312905	KTA1504S-GR-RTK/P			
TR104-109	00D2690192902	KRC102S-RTK/P (10K-10K)			
TR201	00D2690193901	KRC104S-RTK/P (47K-47K)			
TR202	00D2710312905	KTA1504S-GR-RTK/P			
TR203,204	00D2730464901	KTC3875S-GR-RTK/P			
TR451	00D2690192902	KRC102S-RTK/P (10K-10K)			
TR452	00D2690193901	KRC104S-RTK/P (47K-47K)			
TR501	00D2690192902	KRC102S-RTK/P (10K-10K)			
TR502	00D2690144905	DTC114YKA-T146 +C			
TR503	00D2710312905	KTA1504S-GR-RTK/P			
TR601-607	00D2690184907	KRA102S-RTK/P (10K-10K)			
TR608-631	00D2730460905	KTC2875-B-RTK/P			
TR632-637	00D2690184907	KRA102S-RTK/P (10K-10K)			
TR639	00D2690184907	KRA102S-RTK/P (10K-10K)			
TR640-645	00D2690192902	KRC102S-RTK/P (10K-10K)			
TR647	00D2690192902	KRC102S-RTK/P (10K-10K)			
D101-106	00D2760794900	KDS160-RTK/P			
D201,202	00D2760794900	KDS160-RTK/P			
D451-462	251310004507S	CG0603MLC-12LE			
D463	00D2760750902	RB521S-30TE61 +REF			
D464	00D2472018903	RM73B--0R0KT			
D508,509	00D2760794900	KDS160-RTK/P			
D801-803	00D2760704903	1SR35-400A(T93X)			
D981	251310004507S	CG0603MLC-12LE			
D983,984	251310004507S	CG0603MLC-12LE			
ZD801	00D2760683943	UDZS3.6B-TE17			
RESISTORS GROUP					
R101-112	00D2472019928	RM73B--750FT			
R120-125	00D2472019928	RM73B--750FT			
R147-152	nsp	RM73B--151FT_1608			
R178-180	00D2472019928	RM73B--750FT			
R332-334	00D2472019928	RM73B--750FT			

Ref. No.	Part No.	Part Name	Remarks	Q'ty	New
R501-509	00D2472019928	RM73B--750FT			
R519-524	nsp	RM73B--151FT_1608			
R555	nsp	RM73B--161FT_1608			
R556	nsp	RM73B--151FT_1608			
R557	nsp	RM73B--161FT_1608			
R558	nsp	RM73B--151FT_1608			
R559	nsp	RM73B--161FT_1608			
R560	nsp	RM73B--151FT_1608			
R561	nsp	RM73B--161FT_1608			
R562	nsp	RM73B--151FT_1608			
R565	nsp	RM73B--161FT_1608			
R566	nsp	RM73B--151FT_1608			
R569	nsp	RM73B--161FT_1608			
R570	nsp	RM73B--151FT_1608			
RR117-119	nsp	RM73B--681FT +1608			
RR123-125	00D2472025909	RM73B--821FT			
CAPACITORS GROUP					
C101-109	nsp	CK73B1H103KT (1608) +1608			
C114,115	00D2544717925	CE04W1A101MT(GR)			
C116	nsp	CK73B1H103KT (1608) +1608			
C117-122	00D2544718924	CE04W1C330MT(GR)			
C123-140	nsp	CK73B1H103KT (1608) +1608			
C141-146	00D2544717925	CE04W1A101MT(GR)			
C154-161	nsp	CK73B1H103KT (1608) +1608			
C162-165	00D2544718924	CE04W1C330MT(GR)			
C166-168	nsp	CK73B1E473KT +1608			
C169-171	nsp	CK73B1E104KT +1608			
C172-174	nsp	CK73B1E473KT +1608			
C176	nsp	CK73B1A105KT +1608			
C178	nsp	CK73B1A105KT +1608			
C180	nsp	CK73B1A105KT +1608			
C181-183	nsp	CK73B1E473KT +1608			
C202,203	nsp	CK73B1H103KT (1608) +1608			
C204,205	00D2544718924	CE04W1C330MT(GR)			
C206	00D2544717925	CE04W1A101MT(GR)			
C207,208	nsp	CK73B1H103KT (1608) +1608			
C209	00D2544717925	CE04W1A101MT(GR)			
C210	00D2544722949	CE04W1H010MT(GR)			
C211	nsp	CK73B1E104KT +1608			
C212	00D2544722981	CE04W1H100MT(GR)			
C213	nsp	CK73B1H103KT (1608) +1608			
C214,215	nsp	CC73CH1H7R0DT +1608			
C216	00D2570504911	CC73CH1H240JT			
C217	nsp	CK73B1H122KT +1608			
C218	00D2570504911	CC73CH1H240JT			
C219	00D2544722949	CE04W1H010MT(GR)			
C220	nsp	CK73B1E104KT +1608			
C221	00D2544722949	CE04W1H010MT(GR)			
C303	00D2544718924	CE04W1C330MT(GR)			
C304	nsp	CK73B1H103KT (1608) +1608			
C306	nsp	CK73B1H103KT (1608) +1608			
C310	nsp	CK73B1H103KT (1608) +1608			
C317,318	nsp	CK73B1H103KT (1608) +1608			
C322	00D2544716926	CE04W0J331MT(GR)			
C323	00D2544716942	CE04W0J102MT(GR)			
C324	00D2544716926	CE04W0J331MT(GR)			
C325	00D2544718937	CE04W1C470MT(GR)			
C326	nsp	CK73B1E104KT +1608			
C327,328	00D2544717925	CE04W1A101MT(GR)			
C332	nsp	CK73B1E104KT +1608			
C333	00D2544717925	CE04W1A101MT(GR)			
C334-338	nsp	CK73B1E104KT +1608			
C415	nsp	CK73B1E104KT +1608			
C416	nsp	RM73B--0R0KT +1608			

Ref. No.	Part No.	Part Name	Remarks	Q'ty	New
C417	nsp	CK73B1E104KT +1608			
C419	nsp	CK73B1E104KT +1608			
C420	nsp	RM73B--0R0KT +1608			
C422	00D2544717925	CE04W1A101MT(GR)			
C423-428	nsp	CC73CH1H102JT +1608			
C429-434	nsp	CC73CH1H101JT +1608			
C436	nsp	RM73B--0R0KT +1608			
C438	nsp	RM73B--0R0KT +1608			
C440	nsp	RM73B--0R0KT +1608			
C501	00D2544722981	CE04W1H100MT(GR)			
C503	00D2544722981	CE04W1H100MT(GR)			
C505	00D2544722981	CE04W1H100MT(GR)			
C507	00D2544722981	CE04W1H100MT(GR)			
C509	00D2544722981	CE04W1H100MT(GR)			
C511	00D2544722981	CE04W1H100MT(GR)			
C516-518	00D2544722981	CE04W1H100MT(GR)			
C519,520	00D2544718940	CE04W1C101MT(GR)			
C521-526	nsp	CK73B1E104KT +1608			
C528	nsp	CK73B1E104KT +1608			
C529	00D2544722981	CE04W1H100MT(GR)			
C530	nsp	CK73B1E104KT +1608			
C532	00D2544722981	CE04W1H100MT(GR)			
C535	00D2544722981	CE04W1H100MT(GR)			
C539	00D2544722949	CE04W1H010MT(GR)			
C540-545	00D2544717925	CE04W1A101MT(GR)			
C552	nsp	CK73B1H103KT (1608) +1608			
C553	00D2544718924	CE04W1C330MT(GR)			
C554	nsp	CK73B1H103KT (1608) +1608			
C555	00D2544718924	CE04W1C330MT(GR)			
C556-559	nsp	CK73B1H103KT (1608) +1608			
C560	nsp	CK73B1E473KT +1608			
C561	nsp	CK73B1A105KT +1608			
C563	nsp	CK73B1E473KT +1608			
C565	nsp	CC73CH1H221JT +1608			
C566	nsp	CK73B1H103KT (1608) +1608			
C567	00D2544718924	CE04W1C330MT(GR)			
C568	nsp	CK73B1H103KT (1608) +1608			
C569	00D2544718924	CE04W1C330MT(GR)			
C570-574	nsp	CK73B1H103KT (1608) +1608			
C575	nsp	CK73B1E473KT +1608			
C601-604	nsp	CK73B1H103KT (1608) +1608			
C609-616	nsp	RM73B--0R0KT +1608			
C618-639	nsp	CC73CH1H331JT +1608			
C640-643	nsp	CC73CH1H101JT +1608			
C644,645	nsp	CC73CH1H221JT +1608			
C646-673	00D2544722981	CE04W1H100MT(GR)			
C674,675	00D2544536931	CE04W1A221MT SMG/RE3			
C684,685	nsp	CC73CH1H101JT +1608			
C700,701	nsp	0.022UF,J,M,50V			
C702,703	nsp	0.0068UF,J,M,50V			
C704,705	00D2544722981	CE04W1H100MT(GR)			
C707	00D2544722981	CE04W1H100MT(GR)			
C712,713	00D2544722981	CE04W1H100MT(GR)			
C730,731	00D2544722981	CE04W1H100MT(GR)			
C732,733	nsp	CK73B1H103KT +2125			
C734	00D2544723922	CE04W1H101MT(GR)			
C737,738	nsp	CK73B1H103KT +2125			
C739,740	00D2544723922	CE04W1H101MT(GR)			
C739,740	00D2544580712	CE04W1H101MC(ROB)	EU, EC E2, E1C		
C741-745	00D2544723922	CE04W1H101MT(GR)			
C746-751	00D2544722981	CE04W1H100MT(GR)			
C752,753	nsp	CC73CH1H680JT +1608			
C754	00D2544723922	CE04W1H101MT(GR)			
C755,756	nsp	CC73CH1H101JT +1608			
C757-760	00D2544722981	CE04W1H100MT(GR)			
C761,762	00D2544723922	CE04W1H101MT(GR)	EU, EC		
C761,762	00D2544580712	CE04W1H101MC(ROB)	E2, E1C		

2 3

2 3

Ref. No.	Part No.	Part Name	Remarks	Q'ty	New
C764-767 C770,771	00D2544722981 00D2544718924	CE04W1H100MT(GR) CE04W1C330MT(GR)			
C772,773 C774 C775 C776,777 C778	00D2544722981 nsp nsp 00D2544722978 nsp	CE04W1H100MT(GR) CC73CH1H332JT +2125 CK73B1H104KT +2125 CE04W1H4R7MT(GR) CK73B1H104KT +2125			
C779 C780 C781 C782-788 C789-812	nsp nsp 00D2544723922 00D2544722907 00D2544722994	CC73CH1H332JT +2125 CC73CH1H121JT +1608 CE04W1H101MT(GR) CE04W1H0R1MT(GR) CE04W1H220MT(GR)			
C813,814 C816-825 C836 C901-912 C917-920	nsp nsp 00D2544722907 nsp nsp	CC73CH1H331JT +1608 CC73CH1H331JT +1608 CE04W1H0R1MT(GR) CK73B1H103KT (1608) +1608 CK73B1H103KT (1608) +1608			
C921,922 C923 C925 C984 C985	nsp nsp nsp nsp 00D2544645903	CK73B1A105KT +1608 CC73CH1H102JT +1608 CK73B1H103KT (1608) +1608 CK73B1E104KT +1608 CE67C0J221MT(MVA) +REF	EU, EC EU, EC		
CC101,102 CC401-406 CC408 CC409	nsp nsp nsp nsp	CK73B1E104KT +1608 CK73X5R0J106MT(2125) CK73B1E104KT +1608 CK73B1A105KT +1608			
CC410 CC411 CC412 CC413,414 CC415,416	nsp nsp nsp nsp nsp	CK73B1E103KT(1005) CK73X5R0J106MT(2125) CK73B1A104KT +1005 CK73B1E104KT +1608 CK73B1H102KT +1005			
CC417-421 CC732,733 CC737,738 CC746,747 CC750,751	nsp nsp nsp 00D2544722981 00D2544722981	CK73X5R0J106MT(2125) CK73B1H103KT +2125 CK73B1H103KT +2125 CE04W1H100MT(GR) CE04W1H100MT(GR)			
CC752,753 CC755,756 CC759,760 CC764-767 CC770,771	nsp nsp 00D2544722981 00D2544722981 00D2544718924	CC73CH1H680JT +1608 CC73CH1H101JT +1608 CE04W1H100MT(GR) CE04W1H100MT(GR) CE04W1C330MT(GR)			
CC772 CC774 CC775 CC776,777 CC778 CC779	00D2544722981 nsp nsp 00D2544722978 nsp nsp	CE04W1H100MT(GR) CC73CH1H332JT +2125 CK73B1H104KT +2125 CE04W1H4R7MT(GR) CK73B1H104KT +2125 CC73CH1H332JT +2125			
OTHERS PARTS GROUP					
AS601	nsp	SHIELD PLATE			
CW075 CW131,132 CX052	nsp nsp nsp	7P-5P_420mm_3P_290mm_SAN-PH 13P SOCKET(9120) 5P KR CON BASE(L)	EU, EC		
CX061 CX101 CX111 CX121 CX141	nsp 00D2051343921 00D2051377007 00D2051329042 00D2051329055	6P CONN.BASE(KR-PH) 10P FFC BASE(9610SC) 11P FFC BASE(9610SB) 12P FFC BASE(9610SB) 14P FFC BASE(9610SB)			
CX151 CX153	00D2051006051 645010039507S	15P FFC BASE(P=1) 15P FFC BASE TOP(P=0.5MM)			
CY041 CY073	nsp nsp	4P CON.SOCKET(TUC-P) 7P CON PLUG TWG-P			

Ref. No.	Part No.	Part Name	Remarks	Q'ty	New
CY133 CY152 CY171 CY191 CY192	00D2051318011 nsp nsp nsp nsp	13 FFC BASE(9604F) 15P SOCKET(9120) 17P SOCKET(9120) 19P SOCKET(9120) 19P CON.PLUG(TWG-P)	EU, EC		
CY942 CY974 FB101,102 FB201	nsp 00D2051343950 nsp nsp	4P CON.SOCKET(TUC-P) 7P FFC BASE(9610SC) RM73B--0R0KT +2125 BEADS INDUCTOR TAPE			
FB406-410 JK101 JK102-104 JK451	nsp 00D2048751018 00D2048745011 00D2048719005	RM73B--0R0KT +1608 1P PIN JACK(MSP-241V2)-NI-Y 6P S&PIN JACK(NI) 19P HDMI CONNECTOR			
JK501,502 JK601 JK604 JK606 JK608	00D2048756000 646010020001S 646010019001S 646010019001S 646010020001S	6P PIN JACK(MSD-246V)-NI-GBR 8P PIN JACK(MSP-248V3)-NI-SW/B 8P PIN JACK(MSP-248V3)-NI-W/R 8P PIN JACK(MSP-248V3)-NI-W/R 8P PIN JACK(MSP-248V3)-NI-SW/B			
JK610 JK699 JK981 L201	00D2048753003 00D2048753003 00D2051381006 00D2350150941	4P PIN JACK(MSP-244V4)-NI-W/R 4P PIN JACK(MSP-244V4)-NI-W/R USB CONNECTOR LQH32MN330J23L			
L201 W901 X201	00D2359003002 nsp 141010002201S	FTZ CHOKE COIL M3 SCREW TERMINAL HC-49(14.31818MHZ)	E2, E1C EU, EC		
	nsp nsp	USB BRACKET FRONT HDMI BRACKET			

2 3

8U-210064 MAIN CPU P.W.B. UNIT ASS'Y(for EU,EC model)
 8U-210064A MAIN CPU P.W.B. UNIT ASS'Y(for E2 model) ²
 8U-210064C MAIN CPU P.W.B. UNIT ASS'Y(for E1C model) ³

Ref. No.	Part No.	Part Name	Remarks	Q'ty	New
SEMICONDUCTORS GROUP					
IC101	236810072506S	ICL3232CVZ-T			
IC102	00D2623360905	LC72722PM-TLM	E2		²
IC103	231310009508S	PQ033DNA1ZPH			
IC104	00D2631286903	PQ120DNA1ZPH	E2		²
IC105,106	00D2631286903	PQ120DNA1ZPH			
IC108	234810015507S	BU4248F-TR			
IC109	00D2631289900	AZ4580MTR-E1			
IC110	00D2631289900	AZ4580MTR-E1	E2, E1C		² ³
IC111	00D2630706905	NJM2903M-TE1 +C			
IC112	00MHC007805K0	TC74VHCT125AFT OUAD BUS BUFFER			
IC113	231810017528S	TK73333WTL-G			
IC114	00MHC007805K0	TC74VHCT125AFT OUAD BUS BUFFER			
IC501	234810014504S	MC14094BDTR2G			
IC502	8R2481002700D	MAIN CPU ROM SUB ASSY (EN29LV160BB-70TIP)			
IC503-506	234810014504S	MC14094BDTR2G			
IC507,508	00D2623437906	TC74VHCT244AFT			
IC701	8R2431003300D	MAIN CPU SUB ASSY (R5F64169DFD)			
IC702	246810026500S	R1EX24256ASAS0A			
IC703	234810013501S	M62320GP			
TR101	00D2690191903	KRA104S-RTK/P (47K-47K)			
TR102,103	00D2730464901	KTC3875S-GR-RTK/P			
TR104	00D2690191903	KRA104S-RTK/P (47K-47K)			
TR105,106	00D2690066902	DTC323TKT96	E2		²
TR107	00D2690192902	KRC102S-RTK/P (10K-10K)	E2		²
TR108	00D2690086908	DTA114TKT96	E2		²
TR110	00D2690192902	KRC102S-RTK/P (10K-10K)	E2		²
TR111	00D2710326904	2SA1954(B)-TE85L			
TR112	00D2690192902	KRC102S-RTK/P (10K-10K)			
TR116,117	00D2730464901	KTC3875S-GR-RTK/P			
TR124	00D2710326904	2SA1954(B)-TE85L			
TR125,126	00D2690192902	KRC102S-RTK/P (10K-10K)			
TR127	00D2710326904	2SA1954(B)-TE85L			
TR128	00D2690192902	KRC102S-RTK/P (10K-10K)			
TR129	00D2710326904	2SA1954(B)-TE85L			
TR130	00D2690191903	KRA104S-RTK/P (47K-47K)			
TR131	00D2730464901	KTC3875S-GR-RTK/P			
TR132	00D2690192902	KRC102S-RTK/P (10K-10K)			
TR133	00D2690193901	KRC104S-RTK/P (47K-47K)			
TR134,135	00D2730464901	KTC3875S-GR-RTK/P			
TR136	00D2690192902	KRC102S-RTK/P (10K-10K)			
TR139,140	00D2690192902	KRC102S-RTK/P (10K-10K)			
TR141	00D2690191903	KRA104S-RTK/P (47K-47K)			
TR501	00D2710326904	2SA1954(B)-TE85L			
TR502	00D2690192902	KRC102S-RTK/P (10K-10K)			
TR704	00D2690193901	KRC104S-RTK/P (47K-47K)			
TR705-707	00D2690192902	KRC102S-RTK/P (10K-10K)			
TR712	00D2690184907	KRA102S-RTK/P (10K-10K)			
TR713	00D2690192902	KRC102S-RTK/P (10K-10K)			
D106	00D2760794900	KDS160-RTK/P			
D108,109	00D2760684900	RB051L-40TE25 +C			
D113	nsp	RM73B--0R0KT +2125			
CAPACITORS GROUP					
C101	nsp	CK73B1H102KT +1005			
C102	nsp	CK73B1H102KT +1005	E2		²
C104	00D2544572908	CE67C1C100MT(MV-B)	E2		²
C110	nsp	CC73CH1H101JT	E2		²
C111	nsp	CK73B1H102KT +1005			

NOTE :
 When update Firmware, please confirm a last version in SDI. Use the service board after updating it.

Ref. No.	Part No.	Part Name	Remarks	Q'ty	New
C113,114	nsp	CK73B1H102KT +1005	E2		
C115	nsp	CK73B0J475KT(P) +1608			
C116	nsp	CK73B1A104KT +1005			
C117-119	nsp	CK73B1H102KT +1005	E2		
C121	nsp	CK73B0J475KT(P) +1608	E2		
C122	nsp	CK73B1A104KT +1005			
C125-127	nsp	CK73B1A104KT +1005			
C128,129	00D2544572908	CE67C1C100MT(MV-B)	E2, E1C		
C130	nsp	CK73B1A104KT +1005			
C135	nsp	CC73CH1H331JT	E2		
C136	nsp	CK73B1A104KT +1005	E2		
C137,138	00D2544572908	CE67C1C100MT(MV-B)	E2, E1C		
C139,140	nsp	CK73B0J475KT(P) +1608	E2		
C143	nsp	CC73CH1H561JT	E2		
C144	nsp	CK73B0J475KT(P) +1608			
C146,147	nsp	CK73B0J475KT(P) +1608			
C148,149	nsp	CC73CH1H220JT	E2		
C156	nsp	CK73B0J475KT(P) +1608			
C158-161	nsp	CK73B1A104KT +1005			
C162	nsp	CK73B1A105KT +1608			
C163	nsp	CK73B0J475KT(P) +1608			
C164,165	00D2544572908	CE67C1C100MT(MV-B) +REF			
C168,169	00D2544572908	CE67C1C100MT(MV-B) +REF			
C174	nsp	CK73B0J475KT(P) +1608			
C176	nsp	CK73B0J475KT(P) +1608			
C177	00D2544464919	CE67C0J471MT +REF			
C178,179	nsp	CC73CH1H471JT +1608			
C183	nsp	CK73B1H102KT +1005			
C185	nsp	CK73B0J475KT(P) +1608	E2		
C188,189	nsp	CK73B0J475KT(P) +1608			
C190	nsp	CK73B0J475KT(P) +1608	E2		
C191-194	nsp	CK73B1E104KT +1608			
C195	nsp	CK73B1H104KT +1608			
C196	nsp	CK73B1A104KT +1005			
C197	nsp	CK73B0J475KT(P) +1608			
C198	nsp	CK73B1A104KT +1005			
C199	nsp	CK73B0J475KT(P) +1608			
C200	nsp	CK73B1A104KT +1005			
C201	nsp	CK73B1H102KT +1005			
C203	nsp	CK73B1H153KT +1608			
C204	nsp	CK73B1A104KT +1005			
C206	nsp	CK73B1H102KT +1005			
C501	nsp	CK73B1A105KT +1608			
C502	nsp	CK73B1A104KT +1005			
C503	nsp	CK73B1H102KT +1005			
C504	nsp	CK73B1A104KT +1005			
C505	nsp	CK73B1H102KT +1005			
C506-509	nsp	CK73B1A104KT +1005			
C510	nsp	CK73B1A105KT +1608			
C511,512	nsp	CK73B1A104KT +1005			
C704,705	nsp	CK73B0J475KT(P) +1608			
C706,707	nsp	CK73B1H102KT +1608			
C712	nsp	CK73B0J475KT(P) +1608			
C713,714	nsp	CC73CH1H150JT +1608			
C715	nsp	CK73B1H102KT +1005			
C716	nsp	CK73B1A104KT +1005			
C718	nsp	CK73B1H102KT +1005			
C719	nsp	CK73B1A104KT +1005			
OTHERS PARTS GROUP					
CX068	nsp	6P KR CON BASE(L)			
CX104	nsp	10P PIN HEADER(9120)			
CX122	nsp	12P PIN HEADER(9120)			
CX123	00D2051343905	11P FFC BASE(9610SCA)			
CX131,132	nsp	13P PIN HEADER(9120)			
CX152	nsp	15P PIN HEADER(9120)			

Ref. No.	Part No.	Part Name	Remarks	Q'ty	New
CX154,155 CX156	nsp 00D2050736076	15P JE CON.BASE 15P FFC CON.BASE	E2		
CX301,302 CY251 CY271	nsp 00D2051316000 00D2051329000	30P CONN.BASE 25P FFC BASE(9610S)Y 27P FFC BASE(9610SB)			
FB101 FB202-204 FB206 FB208-210 FB212	00D2350158901 nsp nsp nsp nsp	CHIP BEADS(18PG121) +1608 RM73B--0R0KT +1608 RM73B--0R0KT +1608 RM73B--0R0KT +1608 RM73B--0R0KT +1608			
FB214-216 FB219-222 FB224-232	nsp nsp nsp	RM73B--0R0KT +1608 RM73B--0R0KT +1608 RM73B--0R0KT +1608			
X101 X701	141010001208S 141810019508S	HC-49(4.332MHZ) TXC 7A(16MHZ)	E2		

△

△

8U-310030 DIGITAL P.W.B. UNIT ASS'Y(for EU,EC model)
 8U-310030A DIGITAL P.W.B. UNIT ASS'Y(for E2, E1C model)  

Ref. No.	Part No.	Part Name	Remarks	Q'ty	New
SEMICONDUCTORS GROUP					
IC101	236810062608S	LC89058W-E			
IC102,103	00D2623449004	LC89057W-VF4A			
IC104,105	236810062608S	LC89058W-E			
IC106	236810067504S	BU9450KV-E2	EU, EC		
IC107	00D2623106907	SN65LVDS32PW +REF			
IC108	00D2623432901	SN65LVDS1DBVR			
IC115	00D2623077900	TC74VHCU04FT +REF			
IC116	00D2623412905	TC74VHC14FT			
IC151	nsp	EPM570F256C5N			
IC152	236010013505D	ICS251PMLFT			
IC154	236810074502S	CS2100**-CZZR			
IC155	141810025503S	TXC 8W(22.5792MHZ)			
IC156	236810012504S	FCXO-05B(24.576MHZ)			
IC157,158	00D2623436907	TC74VHC244FT			
IC160	nsp	EN5322QI-T			
IC202	nsp	EN5322QI-T			
IC203	246810009604S	W9864G2GH-6			
IC204	nsp	ADSP21367KSWZ2A1164			
IC205	8R2481002800D	DSP1 ROM SUB ASSY (EN29LV160BB-70TIP)			
IC253	246810009604S	W9864G2GH-6	<div style="border: 1px solid black; padding: 5px; width: fit-content;"> NOTE : When update Firmware, please confirm a last version in SDI. Use the service board after updating it. </div>		
IC254	nsp	ADSP21367KSWZ2A1164			
IC255	8R2481002900D	DSP2ROM SUB ASSY (EN29LV160BB-70TIP)			
IC301	231810017528S	TK73333WTL-G			
IC302	00D2623069905	PCM1804 +REF			
IC303-306	00D2623332904	PCM1791ADBR +REF			
IC307-309	00D2630934900	BA4510F-E2 +C			
IC310-314	00D2631289900	AZ4580MTR-E1	EU, EC		
IC310-314	00D2623555901	SA5532ADR	E2, E1C		
IC351,352	236810070500S	AK4424ET			
IC401	236810057606S	ADV3002BSTZ			
IC402	nsp	EN5335QI-T			
IC403	nsp	EN5322QI-T			
IC452	652850007508S	PRCP-USMF150			
IC454	00D2623753907	TC7W66FK			
IC455	00D2623444902	TC74VHC08FT			
IC457	00D2623711004	SAA7121H			
IC458	nsp	MFI341S2161 IPOD COPROCESSOR 2.0B			
IC459	231310009508S	PQ033DNA1ZPH			
IC461	00D2623448908	TC74VHC125FT			
IC462	236810071503S	NLAS7222CMUTBG			
IC466	236810063502S	AK4125VF			
IC501	nsp	ADV7840BBCZ-5			
IC502	247810004602S	K4S641632N-LC60			
IC504	231810017504S	TK73318WTL-G			
IC601,602	00D2623754906	CDCVF2505PWR			
IC603	141810028502S	TXC 7C(27MHZ)			
IC604	141810027509S	TXC 8W(48MHZ)			
IC605	nsp	EP2C35F484C8N			
IC607	248810030512S	M25P64-VMF6TP(****)			
IC608	247810005605S	W9425G6EH-5			
IC609	00D2623436907	TC74VHC244FT			
IC610	00D2623473902	LP2995M			
IC611	246010016501D	EPCS16S18N			
IC612	231810017511S	TK73325WTL-G			
IC701,702	236810059008S	ADV7510BSTZ-225			
IC751	nsp	EPM1270F256C5N			
IC801	00D2622557900	SN74LV14APW-EL2 +REF			
IC802	nsp	ABT2010			
IC803,804	231810069505S	A0Z1021AI			
IC805	nsp	EN5311QI-T			
IC806	141810003503S	FCXO-05 (30.00MHz)			

Ref. No.	Part No.	Part Name	Remarks	Q'ty	New
IC851 IC852,853 IC901	00D2623617904 nsp 8R2431003400D	LP2996MX K4T51163QG-HCE7 SUB CPU SUB ASSY (R5F3650TNFB or R5F3650KNFB)	NOTE : When update Firmware, please confirm a last version in SDI. Use the service board after updating it.		
IC903 IC905 IC951 IC952	00D2623424906 00D2623437906 231810017504S 236810058609S	LTC1694CS5 TC74VHCT244AFT TK73318WTL-G ADV7340BSTZ-3			
IC955 IC956 IC957 TR101	231310009508S 231810071508S 231310009508S 00D2690192902	PQ033DNA1ZPH PQ012ENB1ZPH PQ033DNA1ZPH KRC102S-RTK/P (10K-10K)			
TR102 TR103 TR104 TR105 TR106	00D2690184907 00D2690192902 00D2690184907 00D2757001907 00D2690192902	KRA102S-RTK/P (10K-10K) KRC102S-RTK/P (10K-10K) KRA102S-RTK/P (10K-10K) FDC608PZ KRC102S-RTK/P (10K-10K)	EU, EC EU, EC EU, EC EU, EC		
TR122 TR203 TR204 TR253 TR254	00D2690192902 00D2690192902 00D2690184907 00D2690192902 00D2690184907	KRC102S-RTK/P (10K-10K) KRC102S-RTK/P (10K-10K) KRA102S-RTK/P (10K-10K) KRC102S-RTK/P (10K-10K) KRA102S-RTK/P (10K-10K)			
TR315,316 TR317 TR318 TR401-403 TR404-407	00D2730460905 00D2690192902 00D2690184907 00D2690192902 00D2690193901	KTC2875-B-RTK/P KRC102S-RTK/P (10K-10K) KRA102S-RTK/P (10K-10K) KRC102S-RTK/P (10K-10K) KRC104S-RTK/P (47K-47K)			
TR408 TR409 TR451 TR452,453 TR454-456	00D2757001907 00D2690192902 00D2690192902 00D2757001907 00D2690192902	FDC608PZ KRC102S-RTK/P (10K-10K) KRC102S-RTK/P (10K-10K) FDC608PZ KRC102S-RTK/P (10K-10K)			
TR459 TR462 TR463 TR464,465 TR466	00D2690192902 00D2690193901 00D2690184907 00D2690192902 00D2757001907	KRC102S-RTK/P (10K-10K) KRC104S-RTK/P (47K-47K) KRA102S-RTK/P (10K-10K) KRC102S-RTK/P (10K-10K) FDC608PZ			
TR467-469 TR473 TR474 TR475,476 TR502,503	00D2690192902 00D2690184907 00D2690192902 00D2690184907 00D2690192902	KRC102S-RTK/P (10K-10K) KRA102S-RTK/P (10K-10K) KRC102S-RTK/P (10K-10K) KRA102S-RTK/P (10K-10K) KRC102S-RTK/P (10K-10K)			
TR505-507 TR601 TR602 TR603 TR701	00D2690193901 00D2690192902 00D2757001907 00D2690193901 00D2730464901	KRC104S-RTK/P (47K-47K) KRC102S-RTK/P (10K-10K) FDC608PZ KRC104S-RTK/P (47K-47K) KTC3875S-GR-RTK/P			
TR702,703 TR704 TR705 TR801 TR802	00D2690192902 00D2690193901 00D2690184907 00D2690184907 00D2730464901	KRC102S-RTK/P (10K-10K) KRC104S-RTK/P (47K-47K) KRA102S-RTK/P (10K-10K) KRA102S-RTK/P (10K-10K) KTC3875S-GR-RTK/P			
TR803 TR804 TR805 TR806 TR807	00D2690184907 00D2730464901 00D2690184907 00D2730464901 00D2690193901	KRA102S-RTK/P (10K-10K) KTC3875S-GR-RTK/P KRA102S-RTK/P (10K-10K) KTC3875S-GR-RTK/P KRC104S-RTK/P (47K-47K)			
TR810 TR902 TR903 TR904 TR905	00D2750110905 00D2730384900 00D2740195901 00D2690193901 00D2730384900	HN1K02FU-TE85L 2SC2412KT96(S) +C 2SD2114KT196 +C KRC104S-RTK/P (47K-47K) 2SC2412KT96(S) +C			
TR906 TR907 TR908	00D2730464901 00D2690192902 00D2710326904	KTC3875S-GR-RTK/P KRC102S-RTK/P (10K-10K) 2SA1954(B)-TE85L			

Ref. No.	Part No.	Part Name	Remarks	Q'ty	New
TR909	00D2690184907	KRA102S-RTK/P (10K-10K)			
TR910	00D2690192902	KRC102S-RTK/P (10K-10K)			
TR911	00D2730464901	KTC3875S-GR-RTK/P			
TR951-955	00D2710293901	2SA1022-B +C			
TR956	00D2750110905	HN1K02FU-TE85L			
TR965	00D2690191903	KRA104S-RTK/P (47K-47K)			
D101-103	00D2760738908	KDS226-RTK/P (A-K)			
D404-436	251310004507S	CG0603MLC-12LE			
D440	00D2760750902	RB521S-30TE61 +REF			
D502,503	00D2760833900	ESD PROTECTOR(6802)			
D505,506	00D2760833900	ESD PROTECTOR(6802)			
D508,509	00D2760833900	ESD PROTECTOR(6802)			
D511,512	00D2760833900	ESD PROTECTOR(6802)			
D515,516	00D2760833900	ESD PROTECTOR(6802)			
D518,519	00D2760833900	ESD PROTECTOR(6802)			
D521,522	00D2760833900	ESD PROTECTOR(6802)			
D524,525	00D2760833900	ESD PROTECTOR(6802)			
D527,528	00D2760833900	ESD PROTECTOR(6802)			
D530,531	00D2760833900	ESD PROTECTOR(6802)			
D533,534	00D2760833900	ESD PROTECTOR(6802)			
D701	00D2760794900	KDS160-RTK/P			
D708-711	00D2760833900	ESD PROTECTOR(6802)			
D713-724	00D2760833900	ESD PROTECTOR(6802)			
D726-733	00D2760833900	ESD PROTECTOR(6802)			
D801-805	00D2760794900	KDS160-RTK/P			
D901	00D2760847909	RSX101M-30			
D903	00D2760794900	KDS160-RTK/P			
ZD101	251310004507S	CG0603MLC-12LE	EU, EC		
ZD102-105	251310004507S	CG0603MLC-12LE			
ZD109-112	251310004507S	CG0603MLC-12LE			
ZD113	251310004507S	CG0603MLC-12LE	EU, EC		
ZD451-457	251310004507S	CG0603MLC-12LE			
ZD701,702	00D2760683930	UDZS5.1B-TE17 +C			
RESISTORS GROUP					
R669,670	00D2472019902	RM73B--102FT +1608			
R723,724	00D2472035944	RM73B--202DT(1608)			
R727	00D2472035928	RM73B--162DT(1608)			
R730	00D2472035928	RM73B--162DT(1608)			
R823	00D2472042937	RM73B--153DT(1608)			
R832	00D2472023914	RM73B--103DT(1608) +1608			
R834-837	00D2472019902	RM73B--102FT +1608			
R846	00D2472035973	RM73B--302DT(1608)			
R847	00D2472042911	RM73B--123DT(1608)			
RE819,820	00D2472019902	RM73B--102FT +1608			
RE824,825	00D2472019902	RM73B--102FT +1608			
RE914	00D2472046904	RM73B--181FT_1608			
RE918	00D2472041909	RM73B--392DT(1608)			
RE920	00D2472046904	RM73B--181FT_1608			
RE923	00D2472025941	RM73B--221FT			
RE924	00D2472027907	RM73B--511FT +1608			
RE933	00D2472045934	RM73B--271FT_1608			
RE935	00D2472045934	RM73B--271FT_1608			
RE954	nsp	RM73B2B0R0KT +3216			
RE957-959	00D2472031948	RM73B--390DT(1608)			
RE962,963	nsp	RM73B2B0R0KT +3216			
RR860	00D2472033959	RM73B--331DT(1608)			
RR861	00D2472035960	RM73B--272DT(1608)			
RR863	129650030505S	RM73B2H49R9FT +3225			
RA801-806	126250001502S	PRB3T4=0R0(1005X4)			
RA851-858	126250001502S	PRB3T4=0R0(1005X4)			

	Ref. No.	Part No.	Part Name	Remarks	Q'ty	New
	RA859-864	126250001519S	PRB3T4=151J(1005X4)			
	RS103,104 RS107 RS108	00D2473001906 00D2473001906 00D2473006901	RM73B--0R0KT+1005 RM73B--0R0KT+1005 RM73B--101JT+1005			
	RS113-118 RS119 RS121-129 RS130 RS133,134	nsp 00D2473006901 00D2473006901 00D2473001906 00D2473006901	RM73B--0R0KT +1608 RM73B--101JT+1005 RM73B--101JT+1005 RM73B--0R0KT+1005 RM73B--101JT+1005			
	RS135 RS136,137 RS138,139 RS148 RS149-151	00D2473010984 00D2473001906 00D2473006901 00D2473001906 00D2473006901	RM73B--103JT +1005 RM73B--0R0KT+1005 RM73B--101JT+1005 RM73B--0R0KT+1005 RM73B--101JT+1005			
	RS152 RS153-155 RS157 RS158,159 RS163	00D2473001906 00D2473006901 00D2473001906 00D2473008941 nsp	RM73B--0R0KT+1005 RM73B--101JT+1005 RM73B--0R0KT+1005 RM73B--102JT RM73B--104JT +1608			
	RS164 RS165-167 RS168 RS169-173 RS178-181	00D2473001906 00D2473006901 00D2473008941 00D2473010984 00D2473001906	RM73B--0R0KT+1005 RM73B--101JT+1005 RM73B--102JT RM73B--103JT +1005 RM73B--0R0KT+1005			
	RS183 RS303,304 RS307-310 RS313-316 RS343-346	00D2473010984 nsp nsp nsp 00D2473001906	RM73B--103JT +1005 RM73B--100JT +1608 RM73B--0R0KT +1608 RM73B--0R0KT +1608 RM73B--0R0KT+1005			
	RS351-354 RS501-516 RS521,522 RS523-542 RS546	00D2473001906 00D2473004945 00D2473010900 00D2473004945 00D2473001906	RM73B--0R0KT+1005 RM73B--220JT+1005 RM73B--472JT+1005 RM73B--220JT+1005 RM73B--0R0KT+1005			
	RS548 RS550 RS554 RS555,556 RS558-561	00D2473001906 00D2473001906 00D2473001906 nsp nsp	RM73B--0R0KT+1005 RM73B--0R0KT+1005 RM73B--0R0KT+1005 RM73B--0R0KT +1608 RM73B--0R0KT +1608			
	RS562 RS901-903 RS905-914 RS915 RS917-924	00D2473001906 00D2473001906 00D2473001906 00D2473011996 00D2473010984	RM73B--0R0KT+1005 RM73B--0R0KT+1005 RM73B--0R0KT+1005 RM73B--303JT +1005 RM73B--103JT +1005			
	RS952 RS954 RS955 RS971	00D2473004987 00D2473010984 00D2473004987 00D2473001906	RM73B--330JT +1005 RM73B--103JT +1005 RM73B--330JT +1005 RM73B--0R0KT+1005			
CAPACITORS GROUP						
	C101 C102,103 C104	nsp nsp nsp	CK73B1H102KT +1005 CK73B1A104KT +1005 CK73B0J475KT(P) +1608	EU, EC EU, EC EU, EC		
	C105 C106 C107-109 C111 C114	nsp nsp nsp nsp nsp	CC73CH1H200JT +1005 CK73B0J475KT(P) +1608 CC73CH1H200JT +1005 RM73B--333JT CK73B0J475KT(P) +1608	EU, EC EU, EC EU, EC EU, EC EU, EC		
	C115 C116 C117 C118 C119	nsp nsp nsp nsp nsp	CK73B1A104KT +1005 CC73CH1H120JT +1005 CC73CH1H180JT +1005 CK73B0J475KT(P) +1608 CK73B1A104KT +1005	EU, EC EU, EC EU, EC EU, EC EU, EC		
	C120 C121	nsp nsp	CC73CH1H101JT +1005 CK73B0J475KT(P) +1608	EU, EC EU, EC		

Ref. No.	Part No.	Part Name	Remarks	Q'ty	New
C122,123 C124,125 C126	nsp nsp nsp	CK73B1A104KT +1005 CK73B1H102KT +1005 CK73B1A104KT +1005	EU, EC EU, EC		
C127 C128 C129 C130 C131	nsp nsp nsp nsp nsp	CC73CH1H101JT +1005 CK73B1A104KT +1005 RM73B--333JT CK73B1A104KT +1005 CK73B0J475KT(P) +1608	EU, EC		
C132 C133 C134 C135 C136	nsp nsp nsp nsp nsp	CK73B1A104KT +1005 CK73B1H102KT +1005 CK73B1E104KT +1608 CK73B1E223KT +1608 CK73B0J475KT(P) +1608			
C137 C138 C139 C140 C141	nsp nsp nsp nsp nsp	CK73B1A104KT +1005 CK73B1H102KT +1005 CK73B1E223KT +1608 CK73B1A104KT +1005 CK73B1A104KT +1005	EU, EC		
C142 C143,144 C145 C146,147 C149	nsp nsp nsp nsp nsp	CK73B1H102KT +1005 CK73B1E104KT +1608 CK73B1E223KT +1608 CK73B1A104KT +1005 CK73B1A104KT +1005			
C150 C151 C153 C154 C155,156	nsp nsp nsp nsp nsp	CK73B1H102KT +1005 CK73B1E223KT +1608 CK73B1A104KT +1005 CK73B1H102KT +1005 CK73B1E104KT +1608			
C157 C161-163 C164-166 C167 C168,169	nsp nsp nsp nsp nsp	CK73B1E223KT +1608 CK73B0J475KT(P) +1608 CK73B1H103KT (1608) +1608 CK73B0J475KT(P) +1608 CK73B1A104KT +1005			
C212,213 C214-216 C217-231 C232,233 C234	nsp nsp nsp nsp nsp	CK73B0J475KT(P) +1608 CC73CH1H101JT +1005 CK73B1A104KT +1005 CK73B0J475KT(P) +1608 CK73B1A104KT +1005			
C236,237 C238,239 C241 C241 C246,247	nsp nsp 00D2574011905 00D2544601934 nsp	CK73B1A104KT +1005 CC73CH1H7R0DT +1005 CE67C0J101MT (RV2) +REF CE67W0J101MT(P.CAP) +REF CK73B0J475KT(P) +1608	EU, EC E2, E1C		
C248,249 C250 C251 C278 C279	nsp nsp nsp nsp nsp	CK73X5R0J106MT(2125) CK73B1E104KT +1608 CK73X5R0J106MT(2125) CK73B1E104KT +1608 CK73B1A105KT +1608			
C280,281 C301 C302 C303 C304,305	nsp nsp 00D2544601934 nsp nsp	CK73X5R0J106MT(2125) CK73B0J475KT(P) +1608 CE67W0J101MT(P.CAP) +REF CK73B0J475KT(P) +1608 CK73B1E104KT +1608			
C306 C307 C308 C309 C310	nsp nsp nsp nsp nsp	CK73B1H102KT +1608 CS77B1A100MT(NOJ) CC73CH1H101JT +1608 CK73B1E104KT +1608 CS77B1A100MT(NOJ)			
C311 C312 C313 C314 C315	nsp nsp nsp nsp nsp	CK73B1E104KT +1608 CK73B1H102KT +1608 CK73B1E104KT +1608 CC73CH1H101JT +1608 CK73B1H102KT +1608			
C316 C317 C318,319 C320	nsp nsp nsp nsp	CS77B1A100MT(NOJ) CK73B0J475KT(P) +1608 CS77B1A100MT(NOJ) CK73B1H472KT +1608			

23

Ref. No.	Part No.	Part Name	Remarks	Q'ty	New
C321	nsp	CC73CH1H103JT +2125			
C322-324	nsp	CC73CH1H561JT +1608			
C325,326	nsp	CK73B0J475KT(P) +1608			
C327,328	nsp	CS77B1A100MT(NOJ)			
C329	nsp	CK73B1H472KT +1608			
C330	nsp	CC73CH1H103JT +2125			
C331	nsp	CC73CH1H561JT +1608			
C332	nsp	CK73B0J475KT(P) +1608			
C333	nsp	CK73B1E104KT +1608			
C334	nsp	CC73CH1H102JT +1608			
C335,336	nsp	CK73B1E104KT +1608			
C338,339	nsp	CK73B1E104KT +1608			
C341,342	nsp	CK73B1E104KT +1608			
C344,345	nsp	CK73B1E104KT +1608			
C347,348	nsp	CS77B1A100MT(NOJ)			
C349	nsp	CK73B1H102KT +1608			
C350	nsp	CC73CH1H101JT +1608			
C351	nsp	CK73B1E104KT +1608			
C352-357	nsp	CS77B1A100MT(NOJ)			
C358	nsp	CK73B1H102KT +1608			
C359	nsp	CC73CH1H101JT +1608			
C360	nsp	CK73B1E104KT +1608			
C361	nsp	CC73CH1H182JT +1608			
C362	nsp	CC73CH1H561JT +1608			
C363	nsp	CC73CH1H182JT +1608			
C364-367	nsp	CC73CH1H561JT +1608			
C368	nsp	CC73CH1H182JT +1608			
C369	nsp	CC73CH1H152JT +1608			
C370	nsp	CC73CH1H561JT +1608			
C371,372	nsp	CC73CH1H331JT +1608			
C373	nsp	CC73CH1H391JT +1608			
C374	nsp	CC73CH1H152JT +1608			
C375,376	nsp	CC73CH1H391JT +1608			
C377	nsp	CC73CH1H152JT +1608			
C378	nsp	CC73CH1H391JT +1608			
C379	nsp	CC73CH1H561JT +1608			
C380	nsp	CC73CH1H182JT +1608			
C381,382	nsp	CC73CH1H561JT +1608			
C383	nsp	CC73CH1H182JT +1608			
C384	nsp	CC73CH1H561JT +1608			
C385,386	00D2544603916	CE67W1E100MT(P.CAP) +REF			
C401	nsp	CK73X5R0J106MT(2125)			
C402-404	nsp	CK73B1A104KT +1005			
C405-408	nsp	CK73B1H102KT +1005			
C409	nsp	CC73CH1H101JT +1005			
C410,411	nsp	CK73B1A104KT +1005			
C412	nsp	CK73X5R0J106MT(2125)			
C413	nsp	CK73B1H153KT +1608			
C416	nsp	CK73B1E104KT +1608			
C417-422	nsp	CK73X5R0J106MT(2125)			
C423,424	nsp	CK73B0J475KT(P) +1608			
C425	nsp	CK73B1E104KT +1608			
C426	nsp	CK73B1A104KT +1005			
C427	nsp	CK73B1E104KT +1608			
C428-432	nsp	CK73X5R0J106MT(2125)			
C433	nsp	CK73B1A105KT +1608			
C451-456	nsp	CK73B1H102KT +1005			
C457	nsp	CC73CH1H101JT +1005			
C458-460	nsp	CK73B1H102KT +1005			
C461-470	nsp	CK73B1A104KT +1005			
C471,472	nsp	CK73B0J475KT(P) +1608			
C501-508	nsp	CK73B1E104KT +1608			
C509	nsp	CK73B1H103KT (1608) +1608			
C510	nsp	CK73B1E104KT +1608			
C511-513	nsp	CK73B1A104KT +1005			
C514,515	nsp	CC73CH1H120JT +1005			
C516,517	nsp	CC73CH1H150JT +1005			

Ref. No.	Part No.	Part Name	Remarks	Q'ty	New
C518	nsp	CK73B1H102KT +1005			
C519,520	nsp	CK73X5R0J106MT(2125)			
C521,522	nsp	CK73B1H102KT +1005			
C523-527	nsp	CK73B1A104KT +1005			
C528,529	nsp	CK73X5R0J106MT(2125)			
C530,531	nsp	CK73B1A104KT +1005			
C532,533	nsp	CK73B1H102KT +1005			
C534	nsp	CK73B1E103KT(1005)			
C535-543	nsp	CK73B1A104KT +1005			
C544	nsp	CK73B1E103KT(1005)			
C545	nsp	CC73CH1H101JT +1005			
C546,547	nsp	CK73B1E103KT(1005)			
C548,549	nsp	CC73CH1H101JT +1005			
C550	nsp	CK73B1E103KT(1005)			
C551,552	nsp	CK73B1A104KT +1005			
C553-555	nsp	CK73X5R0J106MT(2125)			
C556,557	nsp	CK73B1E103KT(1005)			
C558,559	nsp	CK73B1A104KT +1005			
C560	nsp	CC73CH1H101JT +1005			
C561	nsp	CK73B1H102KT +1005			
C562	nsp	CK73B1A104KT +1005			
C563,564	nsp	CK73B1E103KT(1005)			
C565	nsp	CK73B1A104KT +1005			
C566,567	nsp	CK73B1E103KT(1005)			
C568,569	nsp	CK73B1A104KT +1005			
C570	nsp	CK73B1E103KT(1005)			
C571	nsp	CK73X5R0J106MT(2125)			
C572	nsp	CK73B1E103KT(1005)			
C573	nsp	CK73B1A104KT +1005			
C574	nsp	CK73B1C823KT +1608			
C575	nsp	CK73B1H103KT (1608) +1608			
C576	nsp	CK73B1A824KT +1608			
C577	nsp	CK73B1E393KT(1608)			
C578-581	nsp	CK73B1E103KT(1005)			
C582	nsp	CK73B1A104KT +1005			
C583	nsp	CK73X5R0J106MT(2125)			
C584-586	nsp	CK73B1A104KT +1005			
C587	nsp	CK73X5R0J106MT(2125)			
C588-591	nsp	CK73B1A104KT +1005			
C592	nsp	CK73B1H102KT +1005			
C593-595	nsp	CK73B1A104KT +1005			
C596	nsp	CK73B1E103KT(1005)			
C597	nsp	CC73CH1H101JT +1005			
C598-600	nsp	CK73B1E103KT(1005)			
C601-603	nsp	CK73X5R0J106MT(2125)			
C604	nsp	CK73B1E103KT(1005)			
C605-607	nsp	CK73B1H102KT +1005			
C608	nsp	CK73B1E103KT(1005)			
C609-612	nsp	CK73B1A104KT +1005			
C613	nsp	CK73B1E103KT(1005)			
C614-616	nsp	CK73B1A104KT +1005			
C618	nsp	CK73B0J475KT(P) +1608			
C619-621	nsp	CK73B1E103KT(1005)			
C623	nsp	CK73B1A104KT +1005			
C624	nsp	CK73B0J475KT(P) +1608			
C625-627	nsp	CK73B1A104KT +1005			
C628	nsp	CK73B1E103KT(1005)			
C629,630	nsp	CC73CH1H101JT +1005			
C633	nsp	CK73B1A104KT +1005			
C635,636	00D2574011905	CE67C0J101MT (RV2) +REF			
C637,638	nsp	CK73B1E103KT(1005)			
C639	nsp	CK73B1A104KT +1005			
C642	nsp	CK73B1E103KT(1005)			
C643	nsp	CK73B1A104KT +1005			
C645	nsp	CK73B1E103KT(1005)			
C646	nsp	CK73B1H102KT +1005			
C647	nsp	CK73B1E103KT(1005)			

Ref. No.	Part No.	Part Name	Remarks	Q'ty	New
C648,649	nsp	CK73B1H102KT +1005			
C651	nsp	CK73B0J475KT(P) +1608			
C655-659	nsp	CK73B1H102KT +1005			
C660	nsp	CC73CH1H101JT +1005			
C719,720	nsp	CK73X5R0J106MT(2125)			
C723-728	nsp	CK73B1A104KT +1005			
C729,730	nsp	CC73CH1H101JT +1005			
C731-734	nsp	CK73B1H102KT +1005			
C739-744	nsp	CK73B1A104KT +1005			
C745,746	nsp	CK73B1H102KT +1005			
C751,752	nsp	CK73X5R0J106MT(2125)			
C755-758	nsp	CK73B1A104KT +1005			
C763,764	nsp	CK73B1H102KT +1005			
C765,766	nsp	CC73CH1H101JT +1005			
C767,768	nsp	CK73X5R0J106MT(2125)			
C771-776	nsp	CK73B1A104KT +1005			
C777	nsp	CK73X5R0J106MT(2125)			
C779	nsp	CC73CH1H101JT +1005			
C780	nsp	CK73B1H102KT +1005			
C782	nsp	CK73B1A104KT +1005			
C785	nsp	CK73B1A104KT +1005			
C786	nsp	CK73X5R0J106MT(2125)			
C788	nsp	CC73CH1H101JT +1005			
C789	nsp	CK73B1H102KT +1005			
C791	nsp	CK73B1A104KT +1005			
C794	nsp	CK73B1A104KT +1005			
C795,796	nsp	CK73B1H102KT +1005			
C797,798	nsp	CC73CH1H101JT +1005			
C801	nsp	CK73B1A104KT +1005			
C802	nsp	CK73B0J475KT(P) +1608			
C803	nsp	CK73B1A104KT +1005			
C804,805	nsp	CK73B0J475KT(P) +1608			
C806	nsp	CK73B1A104KT +1005			
C807	nsp	CK73B1A224KT +1608			
C808	nsp	CK73X5R0J106MT(2125)			
C809,810	nsp	CK73B1A104KT +1005			
C811-815	nsp	CK73B0J475KT(P) +1608			
C816	nsp	CC73CH1H101JT +1005			
C817,818	nsp	CK73B1A104KT +1005			
C819	nsp	CK73B1H103KT (1608) +1608			
C820	nsp	CK73B1A104KT +1005			
C821	nsp	CK73B1H102KT +1608			
C822-825	nsp	CK73B1A104KT +1005			
C826	nsp	CK73B1H103KT (1608) +1608			
C827	nsp	CK73B1A104KT +1005			
C828	nsp	CK73B1H102KT +1608			
C829-832	nsp	CK73B1A104KT +1005			
C833	nsp	CK73B1H103KT (1608) +1608			
C834	nsp	CK73B1A104KT +1005			
C835	nsp	CK73B1H102KT +1608			
C836-845	nsp	CK73B1A104KT +1005			
C846	nsp	CK73B1A224KT +1608			
C847	nsp	CK73B0J475KT(P) +1608			
C848	nsp	CK73B1A104KT +1005			
C849	nsp	CC73CH1H101JT +1005			
C850-861	nsp	CK73B1A104KT +1005			
C862,863	nsp	CK73B0J475KT(P) +1608			
C864-869	nsp	CK73B1A104KT +1005			
C870	nsp	CK73B1A105KT +1608			
C871	nsp	CK73B1A224KT +1608			
C872-874	nsp	CK73B1A104KT +1005			
C875	nsp	CK73B1H102KT +1005			
C876	nsp	CK73B1A104KT +1005			
C877	nsp	CK73B1H102KT +1005			
C878	nsp	CK73B1A104KT +1005			
C879	nsp	CK73B1H102KT +1005			
C883	nsp	CK73B1A104KT +1005			

Ref. No.	Part No.	Part Name	Remarks	Q'ty	New
C884 C887-895 C896 C897-899 C901	nsp nsp nsp nsp nsp	CC73CH1H5R0CT +1005 CK73B1A104KT +1005 CK73B0J475KT(P) +1608 CK73X5R0J106MT(2125) CK73B1A104KT +1005			
C902 C903,904 C905 C906 C907	nsp nsp nsp nsp nsp	CK73B1H102KT +1005 CC73CH1H101JT +1005 CC73CH1H120JT +1608 CC73CH1H150JT +1608 CK73B1H102KT +1005			
C909 C910 C911 C913 C917	nsp nsp nsp nsp nsp	CK73B0J475KT(P) +1608 CK73B1A104KT +1005 CK73B0J475KT(P) +1608 CK73B0J475KT(P) +1608 CK73B1H102KT +1608			
C918,919 C920 C922 C923 C924,925	nsp nsp nsp nsp nsp	CK73B0J475KT(P) +1608 CK73B1A104KT +1005 CK73B1H221KT +1005 CK73B1H103KT (1608) +1608 CK73B1A104KT +1005			
C927 C928,929 C930 C931 C932	nsp nsp nsp nsp nsp	CC73CH1H101JT +1005 CK73B1A104KT +1005 CK73B1H102KT +1005 CK73B1H102KT +1608 CK73B0J475KT(P) +1608			
C951,952 C953 C995,996 CC101	00D2544601918 nsp nsp nsp	CE67W0J471MT(P.CAP) +REF CK73B1E104KT +1608 CK73B1H102KT +1005 CK73B0J475KT(P) +1608			
CC102 CC103 CC104 CC105 CC106	nsp nsp nsp nsp nsp	CK73B1A104KT +1005 CK73B0J475KT(P) +1608 CC73CH1H101JT +1005 CK73B0J475KT(P) +1608 CK73B1A104KT +1005			
CC107 CC108 CC109 CC110 CC111	nsp nsp nsp nsp nsp	CK73B0J475KT(P) +1608 CC73CH1H101JT +1005 CK73B1H102KT +1005 CK73B0J475KT(P) +1608 CC73CH1H101JT +1005			
CC112 CC114 CC118 CC121 CC122,123	nsp nsp nsp nsp nsp	CK73B1H102KT +1005 CC73CH1H101JT +1005 CK73B1H102KT +1005 CK73B1A104KT +1005 CK73B1H102KT +1005			
CC124 CC126 CC127 CC131,132 CC151	nsp nsp nsp nsp nsp	CK73B1A104KT +1005 CK73B1H102KT +1005 CC73CH1H101JT +1005 CK73B1A104KT +1005 CK73B1A105KT +1608			
CC152,153 CC154 CC155-159 CC160 CC212,213	nsp nsp nsp nsp nsp	CK73B0J475KT(P) +1608 CK73B1E104KT +1608 CK73X5R0J106MT(2125) CK73B1E104KT +1608 CK73B0J475KT(P) +1608			
CC214-216 CC217-231 CC232,233 CC234 CC236,237	nsp nsp nsp nsp nsp	CC73CH1H101JT +1005 CK73B1A104KT +1005 CK73B0J475KT(P) +1608 CK73B1A104KT +1005 CK73B1A104KT +1005			
CC238,239 CC241 CC241 CC242-300 CC301,302	nsp 00D2574011905 00D2544601934 nsp nsp	CC73CH1H7R0DT +1005 CE67C0J101MT (RV2) +REF CE67W0J101MT(P.CAP) +REF CC73CH1H101JT +1005 CK73B1A105KT +1608	EU, EC E2, E1C		
CC307 CC308	nsp nsp	CK73B1A105KT +1608 CK73B0J475KT(P) +1608			

Ref. No.	Part No.	Part Name	Remarks	Q'ty	New
CC309	nsp	CK73B1A105KT +1608			
CC310-312	nsp	CK73B0J475KT(P) +1608			
CC329	nsp	CK73B1H102KT +1608			
CC333	nsp	CC73CH1H101JT +1608			
CC334	nsp	CK73B1E104KT +1608			
CC338	nsp	CK73B1E104KT +1608			
CC339	nsp	CK73B1H102KT +1608			
CC340	nsp	CC73CH1H101JT +1608			
CC342-363	nsp	CC73CH1H101JT +1005			
CC365-368	nsp	CC73CH1H101JT +1005			
CC372-376	nsp	CC73CH1H101JT +1005			
CC377-399	nsp	CC73CH1H102JT +1608			
CC400	nsp	CC73CH1H101JT +1005			
CC401-403	nsp	CK73B1A104KT +1005			
CC404	nsp	CK73B1E104KT +1608			
CC405	nsp	CK73B1H102KT +1005			
CC406	00D2544645903	CE67C0J221MT(MVA) +REF			
CC407	nsp	CK73B1H102KT +1005			
CC408-411	nsp	CK73B1A104KT +1005			
CC412	nsp	CK73B1H102KT +1005			
CC413	nsp	CK73B1A104KT +1005			
CC414	nsp	CK73B0J475KT(P) +1608			
CC415	nsp	CK73B1A104KT +1005			
CC416	nsp	CK73B1H102KT +1005			
CC419	nsp	CK73B1H102KT +1005			
CC420,421	nsp	CC73CH1H101JT +1005			
CC422-425	nsp	CK73B1H102KT +1005			
CC426	nsp	CK73B1A104KT +1005			
CC427	00D2574012920	CE67C1C470MT (RV2) +REF			
CC428-431	nsp	CK73B1A104KT +1005			
CC432	nsp	CK73B0J475KT(P) +1608			
CC434,435	nsp	CK73B0J475KT(P) +1608			
CC437	nsp	CK73B1A104KT +1005			
CC439	nsp	CK73B0J475KT(P) +1608			
CC440,441	nsp	CC73CH1H101JT +1005			
CC443	nsp	CK73B0J475KT(P) +1608			
CC445	nsp	CK73B1A104KT +1005			
CC449-451	nsp	CK73B1A104KT +1005			
CC452	nsp	CK73B1H102KT +1608			
CC453	nsp	CK73B1A224KT +1608			
CC454	nsp	CK73B0J475KT(P) +1608			
CC455,456	nsp	CK73B1A104KT +1005			
CC457-476	nsp	CC73CH1H101JT +1005			
CC478-491	nsp	CC73CH1H101JT +1005			
CC501	nsp	CC73CH1H5R0CT +1005			
CC502	nsp	CC73CH1H7R0DT +1005			
CC503-506	nsp	CC73CH1H470JT			
CC507,508	nsp	CK73B0J475KT(P) +1608			
CC509	nsp	CK73B1A104KT +1005			
CC510	nsp	CK73B0J475KT(P) +1608			
CC511,512	nsp	CK73B1A104KT +1005			
CC513	nsp	CK73B1H102KT +1005			
CC514	nsp	CK73B0J475KT(P) +1608			
CC515,516	nsp	CK73B1E103KT(1005)			
CC517	nsp	CK73B0J475KT(P) +1608			
CC518	nsp	CK73B1E103KT(1005)			
CC519,520	nsp	CK73B1H102KT +1005			
CC521	nsp	CK73B0J475KT(P) +1608			
CC522-524	nsp	CC73CH1H101JT +1005			
CC528-533	nsp	CK73B0J475KT(P) +1608			
CC534	nsp	CK73B1A104KT +1005			
CC542-547	nsp	CC73CH1H101JT +1005			
CC548-551	nsp	CK73B1A104KT +1005			
CC552-559	nsp	CK73B0J475KT(P) +1608			
CC560	nsp	CC73CH1H101JT +1005			
CC561-564	nsp	CK73B1H102KT +1005			
CC565,566	nsp	CK73B1A104KT +1005			

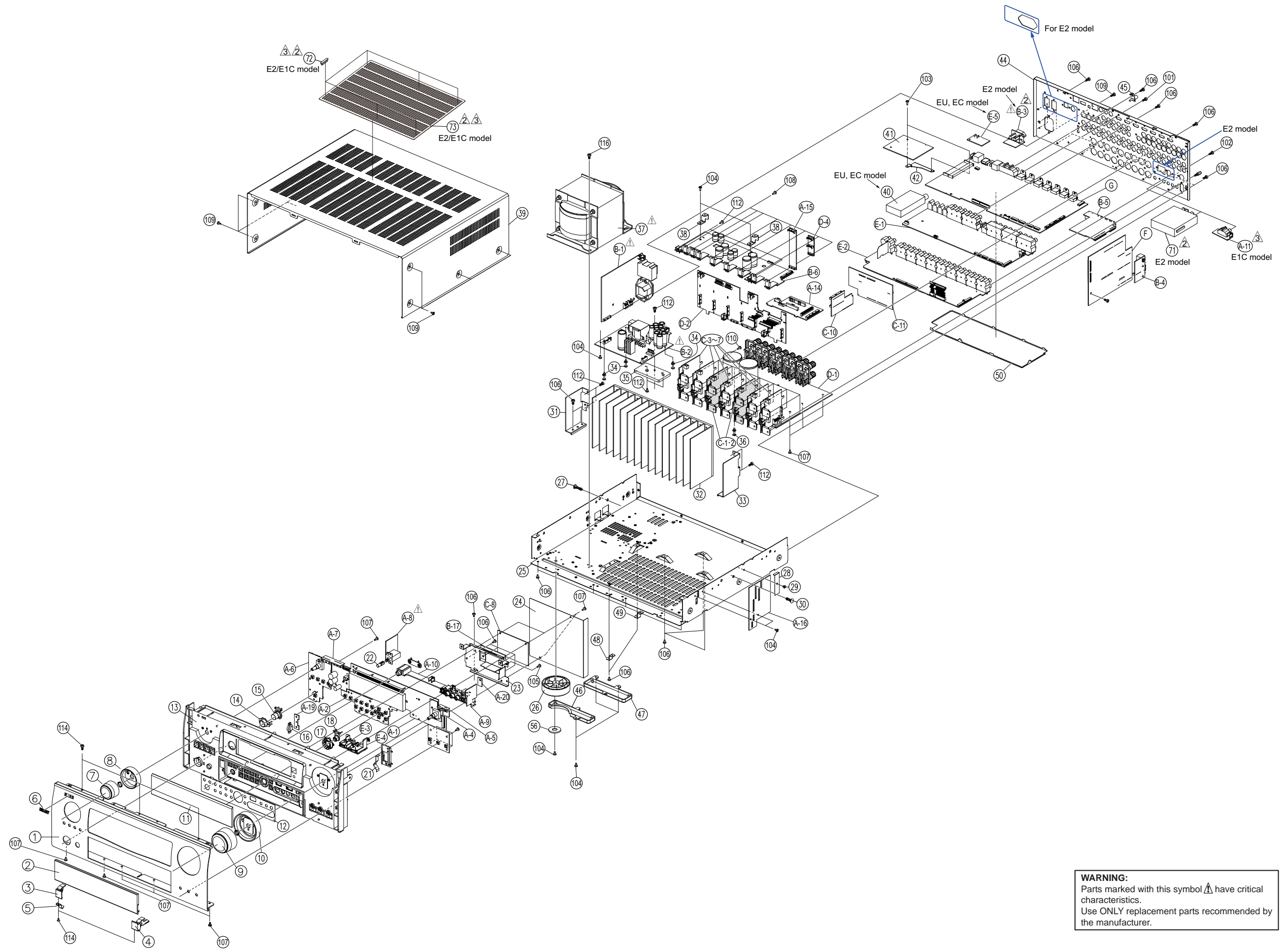
Ref. No.	Part No.	Part Name	Remarks	Q'ty	New
CC567,568	nsp	CK73B1H102KT +1005			
CC569	nsp	CK73B0J475KT(P) +1608			
CC570,571	nsp	CK73B1A104KT +1005			
CC572,573	nsp	CK73B1H102KT +1005			
CC574	nsp	CK73B0J475KT(P) +1608			
CC575	nsp	CK73B1A104KT +1005			
CC576	nsp	CK73B1H102KT +1005			
CC577	nsp	CK73B1A104KT +1005			
CC578,579	nsp	CK73B1H102KT +1005			
CC580	nsp	CK73B0J475KT(P) +1608			
CC581,582	nsp	CK73B1H102KT +1005			
CC583	nsp	CK73B0J475KT(P) +1608			
CC584,585	nsp	CK73B1H102KT +1005			
CC587,588	nsp	CK73B1H102KT +1005			
CC589-592	nsp	CC73CH1H101JT +1005			
CC594	nsp	CK73B1H102KT +1005			
CC595-599	nsp	CK73B1A104KT +1005			
CC600	nsp	CK73B1H102KT +1005			
CC601	nsp	CK73B1A104KT +1005			
CC602-605	nsp	CK73B0J475KT(P) +1608			
CC606	nsp	CK73B1H102KT +1005			
CC607	nsp	CK73B1A104KT +1005			
CC608-611	nsp	CK73B0J475KT(P) +1608			
CC612	nsp	CK73B1H102KT +1005			
CC613	nsp	CK73B1A104KT +1005			
CC614	nsp	CC73CH1H101JT +1005			
CC615	nsp	CK73B1A104KT +1005			
CC616	nsp	CK73B1H102KT +1005			
CC617-626	nsp	CK73B1A104KT +1005			
CC627	nsp	CK73B0J475KT(P) +1608			
CC628	nsp	CK73B1A104KT +1005			
CC629	nsp	CK73B0J475KT(P) +1608			
CC630	nsp	CK73B1H102KT +1005			
CC631	nsp	CK73B1A104KT +1005			
CC632	nsp	CK73B1H102KT +1005			
CC633	nsp	CK73B1A104KT +1005			
CC634	nsp	CC73CH1H101JT +1005			
CC635	nsp	CK73B1H102KT +1005			
CC636,637	nsp	CK73B1A104KT +1005			
CC638	nsp	CK73B1H102KT +1005			
CC639-641	nsp	CK73B1A104KT +1005			
CC642	nsp	CK73B0J475KT(P) +1608			
CC643	nsp	CC73CH1H101JT +1005			
CC644	nsp	CK73B1A104KT +1005			
CC645	nsp	CK73B0J475KT(P) +1608			
CC646	nsp	CC73CH1H101JT +1005			
CC647	nsp	CK73B1A104KT +1005			
CC648	nsp	CC73CH1H101JT +1005			
CC649	nsp	CK73B1A104KT +1005			
CC650	nsp	CC73CH1H101JT +1005			
CC651	nsp	CK73B1A104KT +1005			
CC652	nsp	CC73CH1H101JT +1005			
CC653	nsp	CK73B0J475KT(P) +1608			
CC654,655	nsp	CC73CH1H101JT +1005			
CC656	nsp	CK73B0J475KT(P) +1608			
CC657	nsp	CC73CH1H101JT +1005			
CC658	nsp	CK73B1H102KT +1005			
CC659	nsp	CC73CH1H101JT +1005			
CC660	nsp	CK73B0J475KT(P) +1608			
CC661	nsp	CK73B1A104KT +1005			
CC662,663	nsp	CK73B0J475KT(P) +1608			
CC664	nsp	CK73B1H102KT +1005			
CC665	00D2544601934	CE67W0J101MT(P.CAP) +REF			
CC666	nsp	CK73B1A104KT +1005			
CC667	nsp	CK73B1H102KT +1005			
CC668	nsp	CC73CH1H101JT +1005			
CC669	nsp	CK73B0J475KT(P) +1608			

Ref. No.	Part No.	Part Name	Remarks	Q'ty	New
CC670	nsp	CC73CH1H101JT +1005			
CC671	nsp	CK73B0J475KT(P) +1608			
CC672	nsp	CK73B1H102KT +1005			
CC673	nsp	CK73B0J475KT(P) +1608			
CC674,675	nsp	CC73CH1H101JT +1005			
CC676,677	nsp	CK73B0J475KT(P) +1608			
CC678	nsp	CC73CH1H101JT +1005			
CC679	nsp	CK73B0J475KT(P) +1608			
CC682-700	nsp	CK73B1A104KT +1005			
CC702	nsp	CK73B1H102KT +1005			
CC751,752	nsp	CK73B0J475KT(P) +1608			
CC753-756	nsp	CK73B1A104KT +1005			
CC757,758	nsp	CK73B1H102KT +1005			
CC759	nsp	CK73B1A104KT +1005			
CC760	nsp	CC73CH1H101JT +1005			
CC761,762	nsp	CK73B1A104KT +1005			
CC801	nsp	CK73B1A104KT +1005			
CC802,803	nsp	CK73X5R0J106MT(2125)			
CC804	nsp	CK73B1H222KT +1608			
CC805	nsp	CK73X5R0J106MT(2125)			
CC806	nsp	CK73B1H222KT +1608			
CC807-810	nsp	CK73X5R0J106MT(2125)			
CC811,812	nsp	CK73B1A104KT +1005			
CC813	nsp	CK73X5R0J106MT(2125)			
CC814,815	nsp	CK73B1A104KT +1005			
CC816	nsp	CK73B1H102KT +1005			
CC817,818	nsp	CK73B0J475KT(P) +1608			
CC819-821	nsp	CK73X5R0J106MT(2125)			
CC823-825	nsp	CK73X5R0J106MT(2125)			
CC851-872	nsp	CK73B1A104KT +1005			
CC873	00D2574011905	CE67C0J101MT (RV2) +REF			
CC874,875	nsp	CK73B0J475KT(P) +1608			
CC876-878	nsp	CK73B1A104KT +1005			
CC879	nsp	CK73B0J475KT(P) +1608			
CC880-884	nsp	CK73B1A104KT +1005			
CC885,886	nsp	CK73B0J475KT(P) +1608			
CC887-895	nsp	CK73B1A104KT +1005			
CC896-899	nsp	CK73B1H102KT +1005			
CC901	nsp	CK73B1A104KT +1005			
CC902	nsp	CK73B1H102KT +1005			
CC903	nsp	CK73B0J475KT(P) +1608			
CC904	nsp	CC73CH1H101JT +1005			
CC905,906	nsp	CK73B1A104KT +1005			
CC907	nsp	CK73B0J475KT(P) +1608			
CC908	nsp	CK73B1H102KT +1005			
CC909	nsp	CK73B1A104KT +1005			
CC910	nsp	CC73CH1H101JT +1005			
CC911,912	nsp	CK73B1A104KT +1005			
CC915	nsp	CK73B1H123KT +1608			
CC921	nsp	CK73B1A154KT +1608			
CC922	nsp	CK73B1H123KT +1608			
CC924,925	nsp	CK73B1H222KT +1005			
CC926	nsp	CK73B1A104KT +1005			
CC928	nsp	CK73B1E103KT(1005)			
CC931	nsp	CK73B1A104KT +1005			
CC933	nsp	CK73B1A154KT +1608			
CC939-943	nsp	CK73B1A104KT +1005			
CC951-953	nsp	CK73B1H102KT +1005			
CC954-957	nsp	CK73B1A104KT +1005			
CC958,959	nsp	CK73B0J475KT(P) +1608			
CC960-968	nsp	CK73B1A104KT +1005			
CC969-975	nsp	CK73B1H102KT +1005			
CC976,977	nsp	CK73X5R0J106MT(2125)			
CC994	00D2473010984	RM73B--103JT +1005			

Ref. No.	Part No.	Part Name	Remarks	Q'ty	New
OTHERS PARTS GROUP					
AS903	nsp	HEAT SINK(10FSH036)			
AS904	nsp	12P L=550mm PH-PH			
CW301,302	nsp	30P CONN. SOCKET			
CX032	nsp	3P PH CON.BASE(TAPE) +REF	EU, EC		
CX047	nsp	4P VH CONNECTOR BASE			
CX058	nsp	5P PH CON BASE(TAPE) +REF	EU, EC		
CX124	nsp	12P PH CON. BASE(T) +REF			
CX304	645010041609S	DDR2_SO-DIMM_SOCKET			
CX903	00D2051343921	10P FFC BASE(9610SC)			
CX971,972	00D2051343950	7P FFC BASE(9610SC)			
CX973	00D2051343905	11P FFC BASE(9610SCA)			
CX974	00D2051343950	7P FFC BASE(9610SC)			
CX991	00D2051222000	RJ-45 JACK(GND)			
CY052	nsp	5P CONN.BASE(KR-PH)			
CY061	nsp	6P PH CON.BASE +REF			
CY101	00D2051343921	10P FFC BASE(9610SC)			
CY111	00D2051343905	11P FFC BASE(9610SCA)			
CY121	00D2051313935	12P FFC BASE(9610SC)			
CY124	nsp	12P PH CON. BASE(T) +REF			
CY141	00MYJ0704001Y	IMSA-9610S-14Y919			
CY151	00D2051343934	15P FFC BASE(9610SC)			
CY153	645010040507S	15P FFC BASE SIDE(P=0.5MM)			
CY193	00D2051313951	19P FFC BASE(9610SC)			
CY232	00D2051343918	23P FFC BASE(9610SCA)			
FB151	00D2350130903	CHIP EMIFIL(11A121) +1608			
FB153	00D2350130903	CHIP EMIFIL(11A121) +1608			
FB154,155	00D2350147909	E.FIL(BLM21PG221SN1)+2125			
FB157,158	nsp	RM73B--OROKT +1608			
FB201,202	00D2350147909	E.FIL(BLM21PG221SN1)+2125			
FB401,402	00D2350147909	E.FIL(BLM21PG221SN1)+2125			
FB452	00D2350130903	CHIP EMIFIL(11A121) +1608			
FB453-459	nsp	RM73B--OROKT +1608			
FB501	00D2350147909	E.FIL(BLM21PG221SN1)+2125			
FB502	00D2350130903	CHIP EMIFIL(11A121) +1608			
FB604-613	00D2350130903	CHIP EMIFIL(11A121) +1608			
FB614	00D2350158901	CHIP BEADS(18PG121) +1608			
FB801,802	00D2350147909	E.FIL(BLM21PG221SN1)+2125			
FB803	00D2350130903	CHIP EMIFIL(11A121) +1608			
FB851	00D2350147909	E.FIL(BLM21PG221SN1)+2125			
FB891-900	nsp	RM73B--OROKT +1608			
FB901	00D2350130903	CHIP EMIFIL(11A121) +1608			
FB902	00D2350147909	E.FIL(BLM21PG221SN1)+2125			
FB903-907	nsp	RM73B--OROKT +1608			
FB910-920	nsp	RM73B--OROKT +1608			
FB924-938	nsp	RM73B--OROKT +1608			
FB947-969	nsp	RM73B--OROKT +1608			
FB971-999	nsp	RM73B--OROKT +1608			
JK101	00D2051362009	XM/DT BUS CONNECTOR	EU, EC		
JK102	00D2051222000	RJ-45 JACK(GND)			
JK103	00D2048755001	3P PIN JACK(MSD-253V)-NI-O3			
JK401-403	00D2051447005	19P-HDMI-CONNECTOR			
JK451	00D2051381006	USB CONNECTOR			
JK502,503	00D2051447005	19P-HDMI-CONNECTOR			
JK701,702	00D2051447005	19P-HDMI-CONNECTOR			
L701-706	00D2350125905	INDUCTOR(FLC32C220K)+3216			
L801,802	111810014502S	INDUCTOR 10UH(7E10H)			
L803-808	00D2350125905	INDUCTOR(FLC32C220K)+3216			
L851,852	00D2350125905	INDUCTOR(FLC32C220K)+3216			
L902,903	113410001506S	DLW21SN900HQ2L			

	Ref. No.	Part No.	Part Name	Remarks	Q'ty	New
	RL701	00D2140238918	RELAY(UB2-5NUN-L1)			
	ST901-911	nsp	STYLE PIN			
	W101	nsp	M3 SCREW TERMINAL			
	W916	nsp	1P SIN CORD ASSY (L=220mm)			
	X101	141810023507S	TXC 7A(45.1584MHZ)	EU, EC		
	X201	00D3991054900	FCX-03(20.815MHz)			
	X251	00D3991054900	FCX-03(20.815MHz)			
	X501,502	00D3991052902	FCX-03(28.6363MHz)			
	X901	141810019508S	TXC 7A(16MHZ)			
		nsp	COOLPROVIDE(CPVS-1.0)			

EXPLODED VIEWS 



--MEMO--

PARTS LIST OF EXPLODED VIEW

* Parts for which "nsp" is indicated on this table cannot be supplied.

* The parts listed below are for maintenance only, might differ from the parts used in the unit in appearances or dimensions.

Note: The symbols in the column "Remarks" indicate the following destinations.

EU, EC : U.S.A. & Canada model

E2 : Europe model

E1C : China model

BK : Black model

SP : Premium Silver model

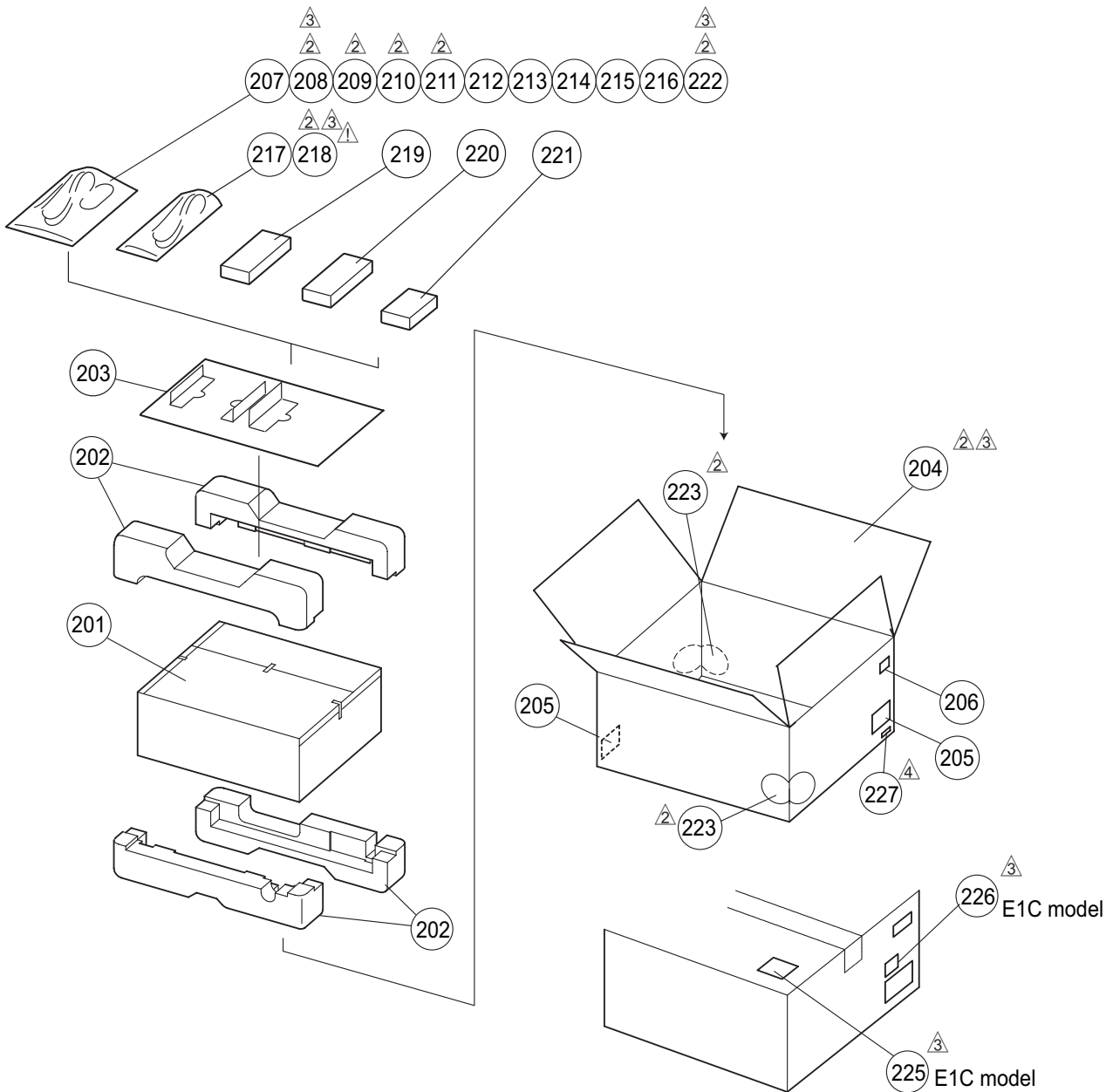
Ref. No.	Part No.	Part Name	Remarks	Q'ty	New
A	nsp	FRONT UNIT			
A-1	-	FLD UNIT		1	*
A-2	-	TACT-1 UNIT		1	*
A-4	-	VOLUME UNIT		1	*
A-5	-	VR CONNECT UNIT		1	*
A-6	-	FUNC UNIT		1	*
A-7	-	FUNC CONNECT UNIT		1	*
A-8	-	P.SW UNIT		1	*
A-9	-	MIC UNIT		1	*
A-10	-	FRONT IN UNIT		1	*
A-11	-	TUNER UNIT	E1C	1	*
A-14	-	AUDIO CONNECT UNIT		1	*
A-15	-	REG CONNECT-1 UNIT		1	*
A-16	-	FFC LOCK UNIT		1	*
A-19	-	BKT2 UNIT(CUT PWB BOARD)		1	*
A-20	-	BKT1 UNIT(CUT PWB BOARD)		1	*
B	nsp	POWER SUPPLY UNIT			
B-1	-	STANDBY POWER UNIT		1	*
B-2	-	SW POWER UNIT		1	*
B-3	-	E2 OUTLET UNIT	E2	1	*
B-4	-	REG UNIT		1	*
B-5	-	REMOTE/IPOD UNIT		1	*
B-6	-	232C UNIT		1	*
B-17	-	FFC HOLDER UNIT		1	*
C	nsp	P.AMP UNIT			
C-1・2	-	P.AMP UNIT		2	*
C-3~7	-	P.AMP UNIT		5	*
C-8	-	FFC HOLD UNIT		1	*
C-10	-	CONNECT UNIT-1		1	*
C-11	-	DAC MUTE UNIT		1	*
D	nsp	SPEAKER UNIT			
D-1	-	AMP UNIT		1	*
D-2	-	P.AMP JOINT UNIT		1	*
D-4	-	CONNECT UNIT-2		1	*
E	nsp	A.AUDIO/VIDEO UNIT			
E-1	-	A.VIDEO UNIT		1	*
E-2	-	AUDIO UNIT		1	*
E-3	-	FRONT USB UNIT		1	*
E-4	-	FRONT HDMI UNIT		1	*
E-5	-	HD RADIO CON. UNIT	EU, EC	1	*
F	nsp	MAIN CPU UNIT		1	*
G	8U-310030	DIGITAL UNIT	EU, EC	1	*
G	8U-310030A	DIGITAL UNIT	E1C, E2	1	*

Ref. No.	Part No.	Part Name	Remarks	Q'ty	New	
	1	402410074006D	FRONT PANEL	EU, EC	1	*
	1	402410074013D	FRONT PANEL	BKE2	1	*
	1	402410074020D	FRONT PANEL	SPE2	1	*
	1	402410074044D	FRONT PANEL	E1C	1	*
	2	415410015003D	DOOR	EU, EC	1	*
	2	415410015010D	DOOR	BKE2	1	*
	2	415410015027D	DOOR	SPE2	1	*
	2	415410015058D	DOOR	E1C	1	*
	3	00D4010195202	HINGE (L)	BK	1	
	3	00D4010195231	HINGE (L)	SP	1	
	4	00D4010196201	HINGE (R)	BK	1	
	4	00D4010196230	HINGE (R)	SP	1	
	5	nsp	EARTH PLATE(DOOR)		1	*
	6	00D1310169038	DENON BADGE	BK	1	
	6	00D1310169041	DENON BADGE	SP	1	
	7	412010016001D	KNOB(F) ASSY	BK	1	
	7	412010016018D	KNOB(F) ASSY	SP	1	
	8	00D1140203009	KNOB RING(F)	BK	1	
	8	00D1140203025	KNOB RING(F)	SP	1	
	9	412010017004D	KNOB(M) ASSY	BK	1	
	9	412010017011D	KNOB(M) ASSY	SP	1	
	10	424510006002D	KNOB RING(M)	BK	1	
	10	424510006019D	KNOB RING(M)	SP	1	
	11	416510031007D	WINDOW		1	*
	12	422510032005D	DOOR SHEET	BK	1	*
	12	422510032012D	DOOR SHEET	SP	1	*
	13	443510009057D	INNER PANEL	BK	1	*
	13	443510009064D	INNER PANEL	SP	1	*
	14	00D1431255009	LENS (POWER)		1	
	15	00D1131992109	P.KNOB ASSY(SUB)	BK	1	
	15	00D1131992138	P.KNOB ASSY(SUB)	SP	1	
	16	00D4210763010	GEAR DAMPER		1	
	17	00D1131996202	CURSOR KNOB	BK	1	
	17	00D1131996231	CURSOR KNOB	SP	1	
	18	00D1131995054	ENTER KNOB	BK	1	*
	18	00D1131995067	ENTER KNOB	SP	1	*
	21	00D4125083102	DOOR STOPPER		1	
	22	00D1131994107	P.KNOB ASSY(MAIN)	BK	1	
	22	00D1131994149	P.KNOB ASSY(MAIN)	SP	1	
	23	nsp	FRONT BRACKET		1	*
	24	nsp	FFC GUARD (FRONT)		1	*
	25	nsp	MAIN CHASSIS		1	*
	26	00D1040334007	FOOT		4	
	27	nsp	LOCKING CARD SPACER		1	
	28	nsp	FFC COVER		1	*
	29	nsp	PUSH RIVET		1	
	30	nsp	P.W.B.HOLDER (H=10)		1	
	31	nsp	RADIATOR BRACKET(L)		1	*
	32	nsp	RADIATOR		1	*
	33	nsp	RADIATOR BRACKET(R)		1	*
	34	nsp	CARD SPACER (L=12)		3	
	35	nsp	AL PLATE		1	*
	36	nsp	CARD SPACER (L=8)		1	
△	37	101010049004S	MAIN TRANS(4310E3)	EU, EC	1	*
△	37	101010050004S	MAIN TRANS(4310E2)	E2	1	*
△	37	101010052000S	MAIN TRANS(4310E1C)	E1C	1	*

Ref. No.	Part No.	Part Name	Remarks	Q'ty	New
38	nsp	BRACKET DIGITAL		2	*
39	8S4031003000D	TOP COVER SUB ASSY	BK	1	
39	8S4031003001D	TOP COVER SUB ASSY	SP	1	
40	183010010008S	HD TUNER(H6101)	EU, EC	1	*
41	8R1891001100D	DM860 SUB ASSY 4310 EU, EC	EU, EC	1	*
41	8R1891001101D	DM860 SUB ASSY 4310 E2	E2	1	*
41	8R1891001103D	DM860 SUB ASSY 4310 E1C	E1C	1	*
42	nsp	BRACKET (870)		1	*
44	406310066039D	BACK PANEL	EU, EC	1	*
44	406310066015D	BACK PANEL	E2	1	*
44	406310066046D	BACK PANEL	E1C	1	*
45	00D2051116006	TERMINAL ASS		1	
46	nsp	BOTTOM PLATE		1	*
47	nsp	BOTTOM PLATE REAR		1	*
48	nsp	BRACKET		1	
49	nsp	BRACKET POWER		1	*
50	nsp	SHIELD PLATE		1	*
★ 51	nsp	EMIGASKET RFSG020050		-	
★ 52	nsp	EMIGASKET RFSG010100		-	
★ 53	nsp	ALUMINUM TAPE		-	
★ 54	nsp	ALUMINUM TAPE		-	
★ 55	00D3420046007	FERRITE(ZCAT1518)		4	
56	00D4610385001	RUBBER PAD		4	
★ 57	nsp	LICENSE SUB ASSY	EU, EC	1	*
★ 57	nsp	LICENSE SUB ASSY	E2, E1C	1	*
★ 58	nsp	CLAMP BAND (RSG-100)		2	
★ 59	nsp	RATING LABEL BASE		2	
★ 60	nsp	CUPPER TAPE(W=15)		-	
★ 61	nsp	CUSHION		1	
★ 62	nsp	RUBBER SHEET		2	
★ 63	nsp	RUBBER SHEET		2	
★ 64	nsp	CORD HOLDER (L50)		1	
★ 65	nsp	PAD		1	
★ 66	nsp	LABEL (HOT SURFACE CAUTION)		1	*
★ 67	nsp	SERIAL NO. SHEET		1	
★ 68	nsp	MAC ADDRESS SUB ASSY		1	
★ 69	nsp	SCREW COVER		1	
★ 70	nsp	WIRE CLAMPER	EU, EC	17	
★ 70	nsp	WIRE CLAMPER	E2, E1C	16	
71	00D2160125108	FM AM TUNER (E2)	E2	1	
72	00D4141058014	SAFETY COVER	BKE2	1	
72	00D4141058001	SAFETY COVER	SPE2, SPE1C	1	
73	00D4490139105	COVER HOLDER	BKE2	6	
73	00D4490139118	COVER HOLDER	SPE2, SPE1C	6	
★ 74	00D4150845001	SP RIVET	E2	18	
★ 75	nsp	CROHS LABEL	E1C	1	*
SCREW					
101	nsp	3X4 CBS-B(ECO)		8	
102	00D4770064107	FIXING SCREW	EU, EC	34	
102	00D4770064107	FIXING SCREW	E2	35	
102	00D4770064107	FIXING SCREW	E1C	33	
103	nsp	2.6X8 CBTS (S)-Z		2	

Ref. No.	Part No.	Part Name	Remarks	Q'ty	New
104	ORD4737002005	3X6 CBTS(S)-Z	EU, EC	16	
104	ORD4737002005	3X6 CBTS(S)-Z	E2, E1C	13	
105	nsp	3X8 CBTS (S)-Z		3	
106	ORD4737015005	3X6 CBTS(S)-B	EU, EC	34	
106	ORD4737015005	3X6 CBTS(S)-B	E2, E1C	31	
107	ORD4737500015	3X8 CBTS (P)-Z		39	
108	nsp	3X10 CBTS(B)-Z		7	
109	ORD4738064000	4X8 CBTS(B)-B-3P	BK	10	
109	ORD4738064000	4X8 CBTS(B)-B-3P	SP	2	
109	ORD4738064013	4X8 CBTS(B)-N-3P	SP	8	
110	nsp	3X16 CPTS(B) SW W		14	
111	nsp	4X8 TP SCREW		4	
112	nsp	3X8 CBTS(B)-B		9	
113	ORD4737500028	3X8 CFTS (P)-Z		2	
WIRE					
	nsp	5P PH-PH CON.CORD (L=580mm)	CX052 to CY052	1	
	nsp	6P PH-PH CON.CORD(UL TUBE)	CW068 to CX068	1	
	nsp	6P L=440mm PH-PH	CX061CY061	1	
	606050061002S	FFC 19P 140mm 1mm	CY193CX193	1	
	606050062005S	FFC 23P 140mm 1mm	CY232CX241	1	
	606050063008S	FFC 11P 125mm 1mm	CY111CX111	1	
	606050064001S	FFC 15P 125mm 1mm	CY151CX151	1	
	606050065004S	FFC 14P 125mm 1mm	CY141CX141	1	
	606050066007S	FFC 12P 125mm 1mm	CY121CX121	1	
	606050067000S	FFC 10P 535mm 1mm	CY101CX101	1	
	606050068003S	FFC 25P 185mm 1mm	CX251CX251	1	
	606050069006S	FFC 27P 370mm 1mm	CX271CX271	1	
	606050074008S	FFC 15P 560mm 0.5mm SHIELD	CY153CX153	1	
	606050070013S	FFC 7P 150mm 1mm	CX974CY974	1	
	606050071016S	FFC 13P 190mm 1.25mm	CY133HDRADIO, EU, EC	1	
	606050072002S	FFC 15P	E2	1	
	612050204002S	2P L=320mm PH-PH	E2	1	

PACKING VIEW



PARTS LIST OF PACKING & ACCESSORIES

* Parts for which "nsp" is indicated on this table cannot be supplied.

* The parts listed below are for maintenance only, might differ from the parts used in the unit in appearances or dimensions.

Note: The symbols in the column "Remarks" indicate the following destinations.

EU, EC : U.S.A. & Canada model

E2 : Europe model

E1C : China model

BK : Black model

SP : Premium Silver model

Ref. No.	Part No.	Part Name	Remarks	Q'ty	New
201	nsp	CABINET SHEET		1	
202	00D5031544035	CUSIHON ASSY		1	
203	nsp	PAD		1	
204	531210100003D	CARTON CASE	EU, EC	1	*
204	531210100010D	CARTON CASE	E2	1	*
204	531210100041D	CARTON CASE	E1C	1	*
205	nsp	CONT.CARD(L)SUB ASSY		1	
206	nsp	BAR CODE LABEL ASSY		1	
207	nsp	ENVELOPE		1	
208	541110299000D	INST. MANUAL(EU)	EU, EC	1	*

	Ref. No.	Part No.	Part Name	Remarks	Q'ty	New	
	208	541110320003D	INST. MANUAL(E2)-1	E2	1	*	△2
	208	541110338004D	INST. MANUAL(E1C)	E1C	1	*	△3
	209	541110300009D	INST. MANUAL (EC)	EC	1	*	
	209	541110321006D	INST. MANUAL(E2)-2	E2	1	*	△2
	210	00D3950033001	FM ANTENNA (DIPOLE)	EU, EC	1		
	210	00D3950029002	FM ANT ASS Y(F/ETRO)	E2	1		△2
	211	116010001004S	AM LOOP ANTENNA(HD-10)	EU, EC	1		
	211	00D2310089007	AM LOOP ANTENNA	E2	1		△2
	212	-	BATTERY(R03X2)	for RC-1121	1		
	213	-	BATTERY(LR6KE2PT)	for RC-1116	1		
	214	nsp	XM SHEET		1		
	215	nsp	S.S.LIST (EX)		1		
	216	nsp	WARRANTY (HOME)		1		
	217	nsp	POLY COVER		1		
△	218	611050024005S	AC CORD SET(E3) V	EU, EC	1	*	
△	218	00MZC01803080	# 2P AC CORD 10A 250V CLASS2	E2	1	*	△2
△	218	00D2062249001	AC CORD (E1C)	E1C	1	*	△3
	219	307010040003D	RC-1116		1	*	
	220	307010045008D	RC-1121		1	*	
	221	324010001003D	DM-A409EM		1	*	
	222	543110088008D	GETTING STARTED(38EU)	EU, EC	1	*	
	222	543110092007D	GETTING STARTED(43E2)	E2	1	*	△2
	222	543110094003D	GETTING STARTED(4310E1C)	E1C	1	*	△3
	223	nsp	COLOR LABEL	SPE2, E1C	1		△2 △3
	★ 224	nsp	SIRIUS SHEET		1		
	225	nsp	CARTON LABEL(C)	E1C	1	*	△3
	226	nsp	DATE LABEL	E1C	1	*	△3
	227	nsp	MAC ADDRESS SUB ASSY		1		△3 △4

--MEMO--

NOTE FOR SCHEMATIC DIAGRAM

WARNING:

Parts marked with this symbol \triangle have critical characteristics.
Use ONLY replacement parts recommended by the manufacturer.

CAUTION:

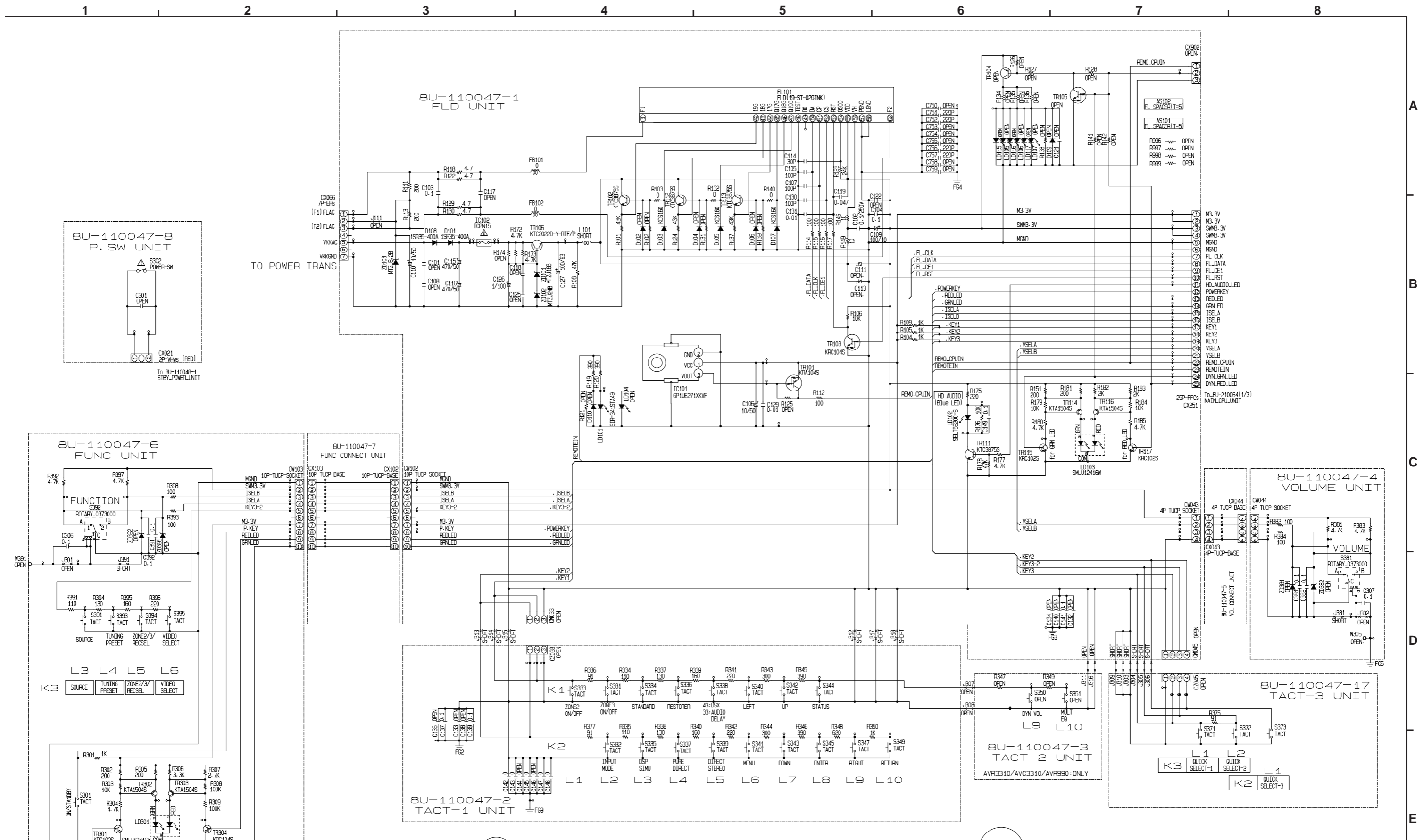
Before returning the unit to the customer, make sure you make either (1) a leakage current check or (2) a line to chassis resistance check. If the leakage current exceeds 0.5 milliamps, or if the resistance from chassis to either side of the power cord is less than 460 kohms, the unit is defective.

WARNING:

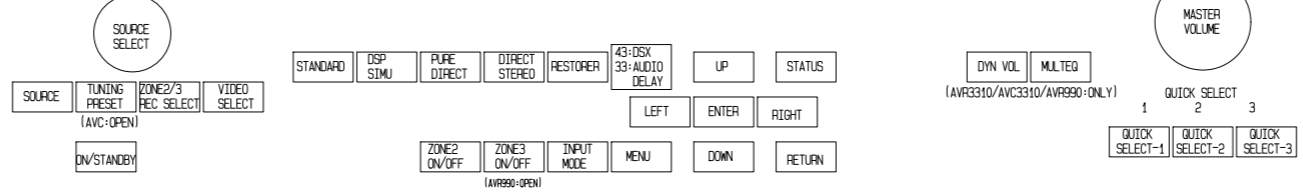
DO NOT return the unit to the customer until the problem is located and corrected.

NOTICE:

ALL RESISTANCE VALUES IN OHM. k=1,000 OHM
M=1,000,000 OHM
ALL CAPACITANCE VALUES IN MICRO FARAD.
P=MICRO-MICRO FARAD
EACH VOLTAGE AND CURRENT ARE MEASURED AT
NO SIGNAL INPUT CONDITION.
CIRCUIT AND PARTS ARE SUBJECT TO CHANGE
WITHOUT PRIOR NOTICE.



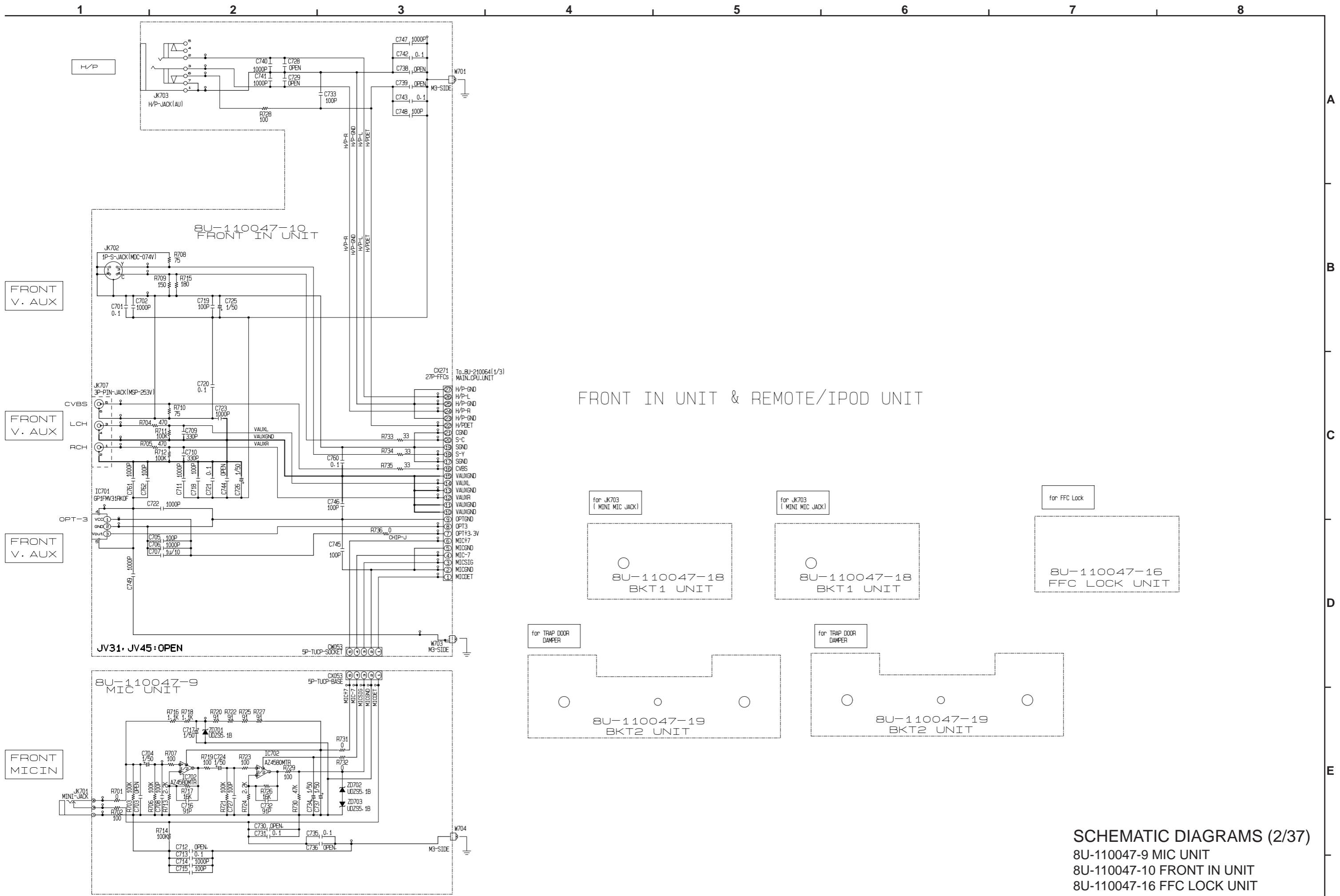
	L1	L2	L3	L4	L5	L6	L7	L8	L9	L10
K1	ZONE2 ON/OFF	ZONE3 ON/OFF	STANDARD	RESTORER	AUDIO DELAY	LEFT	UP	STATUS	DYN VOL	MULTI
K2	Q-SEL-3	INPUT MODE	DSP SIMU	PURE DIRECT	DIRECT STEREO	MENU	DOWN	ENTER	RIGHT	RETURN
K3	Q-SEL-1	Q-SEL-2	SOURCE	TUNING PRESET	ZONE2/3 /RECSEL	VIDEO SELECT				



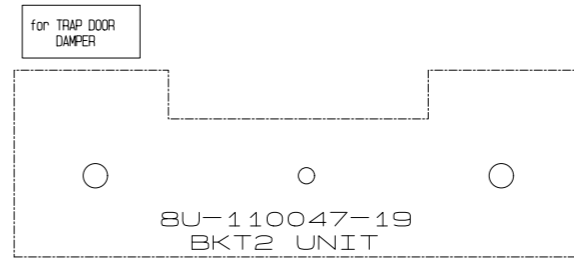
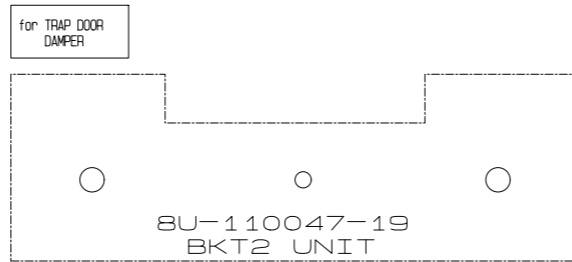
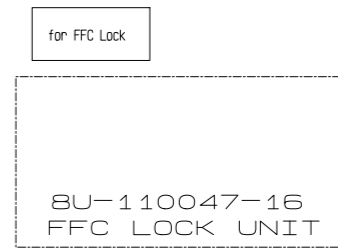
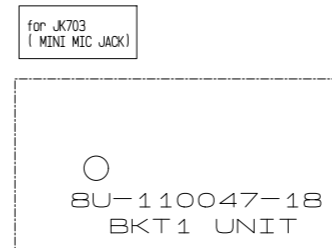
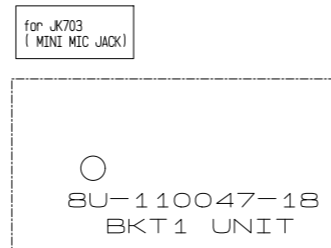
SCHEMATIC DIAGRAMS (1/37)

- 8U-110047-1 FLD UNIT
- 8U-110047-2 TACT-1 UNIT
- 8U-110047-3 TACT-2 UNIT
- 8U-110047-4 VOLUME UNIT
- 8U-110047-5 VOL CONNECT UNIT
- 8U-110047-6 FUNC UNIT
- 8U-110047-7 FUNC CONNECT UNIT
- 8U-110047-8 P.SW UNIT
- 8U-110047-17 TACT-3 UNIT

AVR-4310CI/AVR-4310/AVC-4310

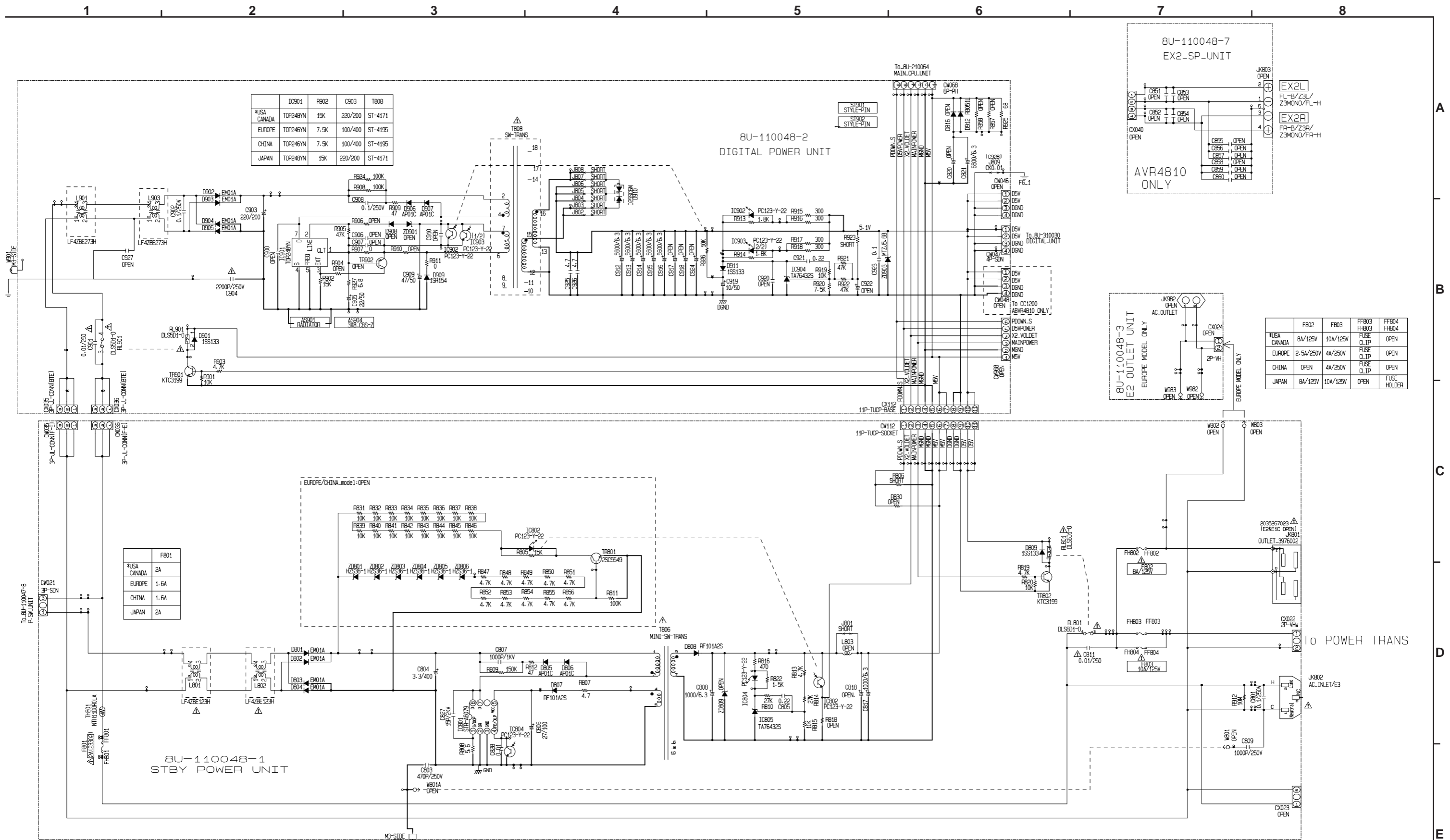


FRONT IN UNIT & REMOTE/IPOD UNIT



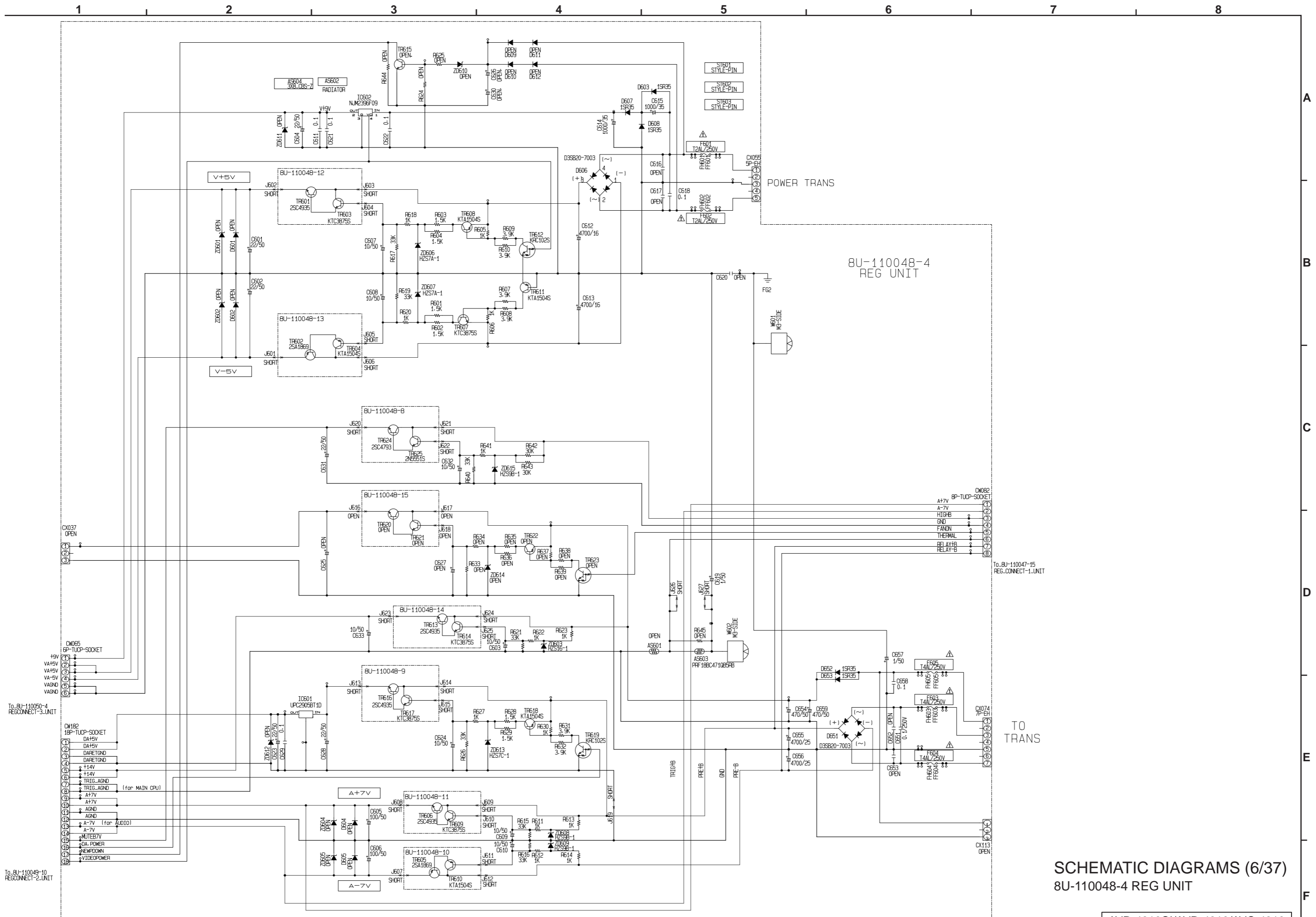
SCHEMATIC DIAGRAMS (2/37)

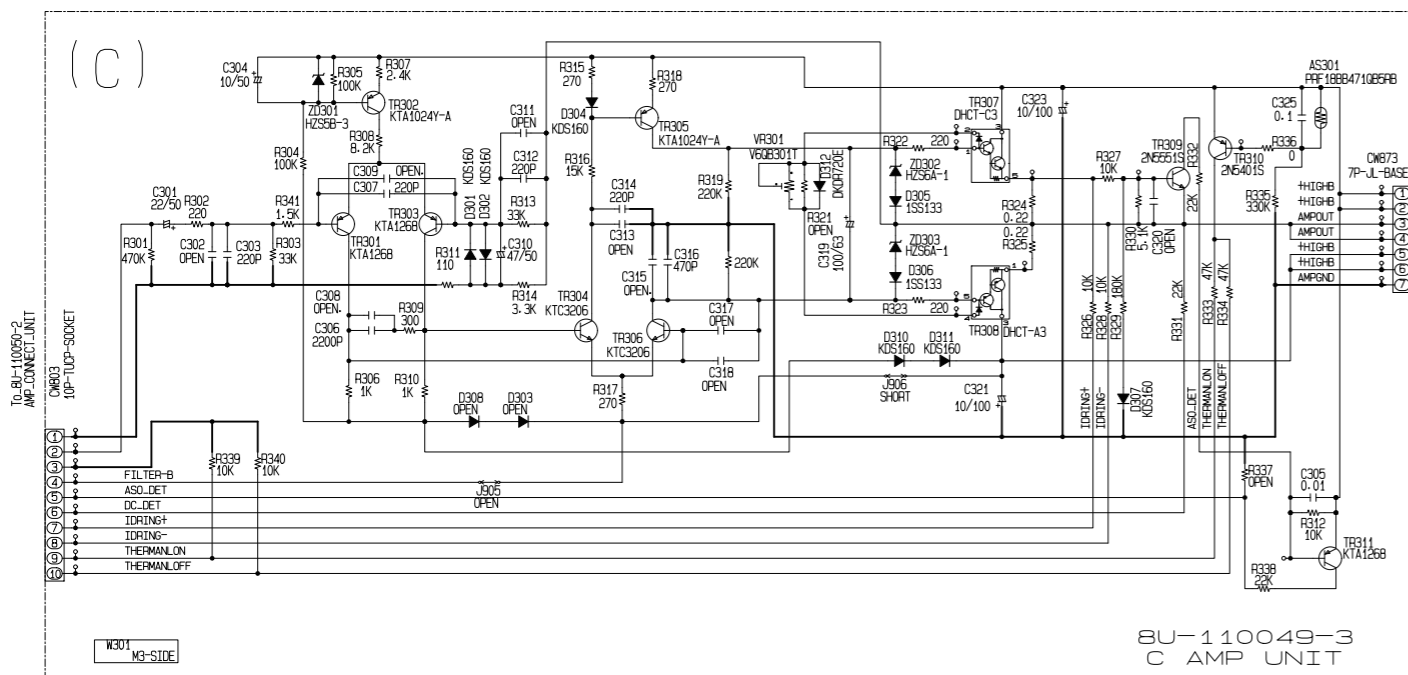
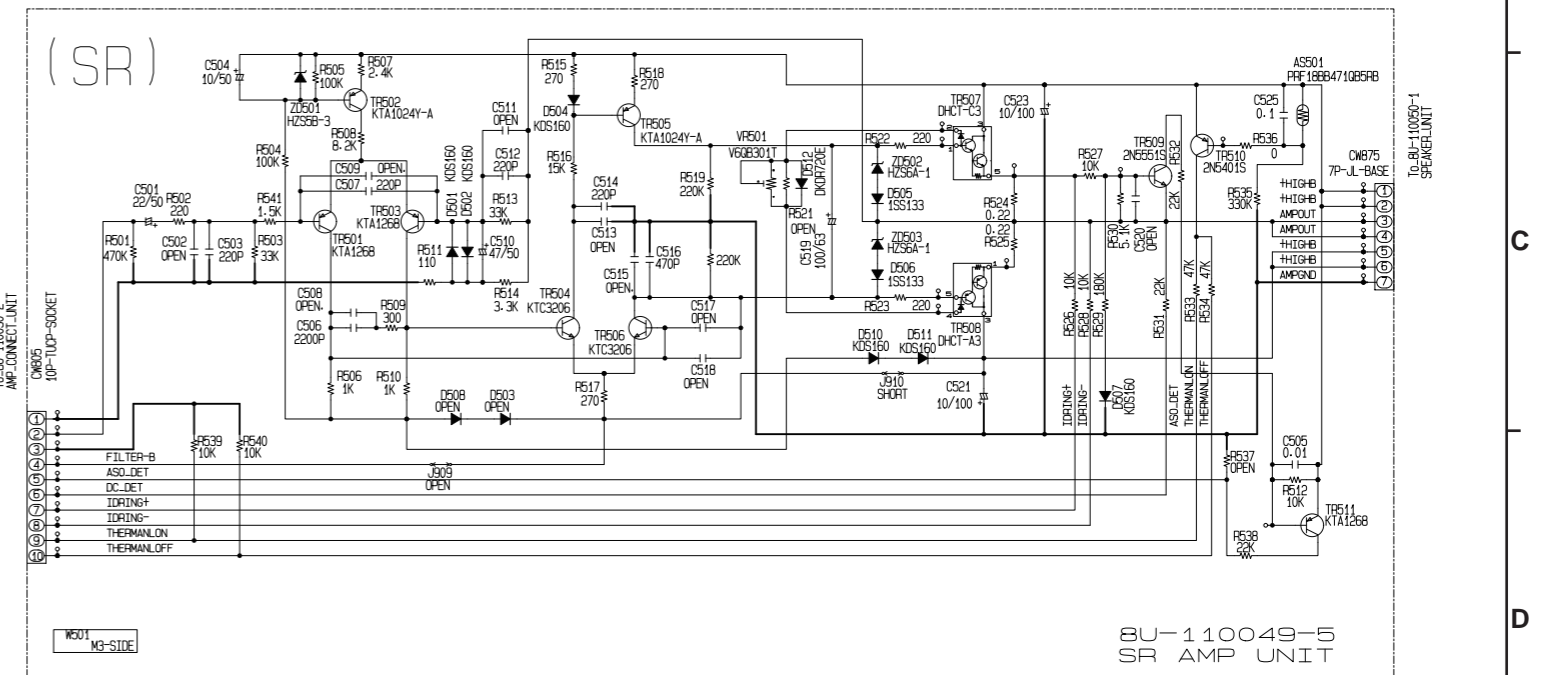
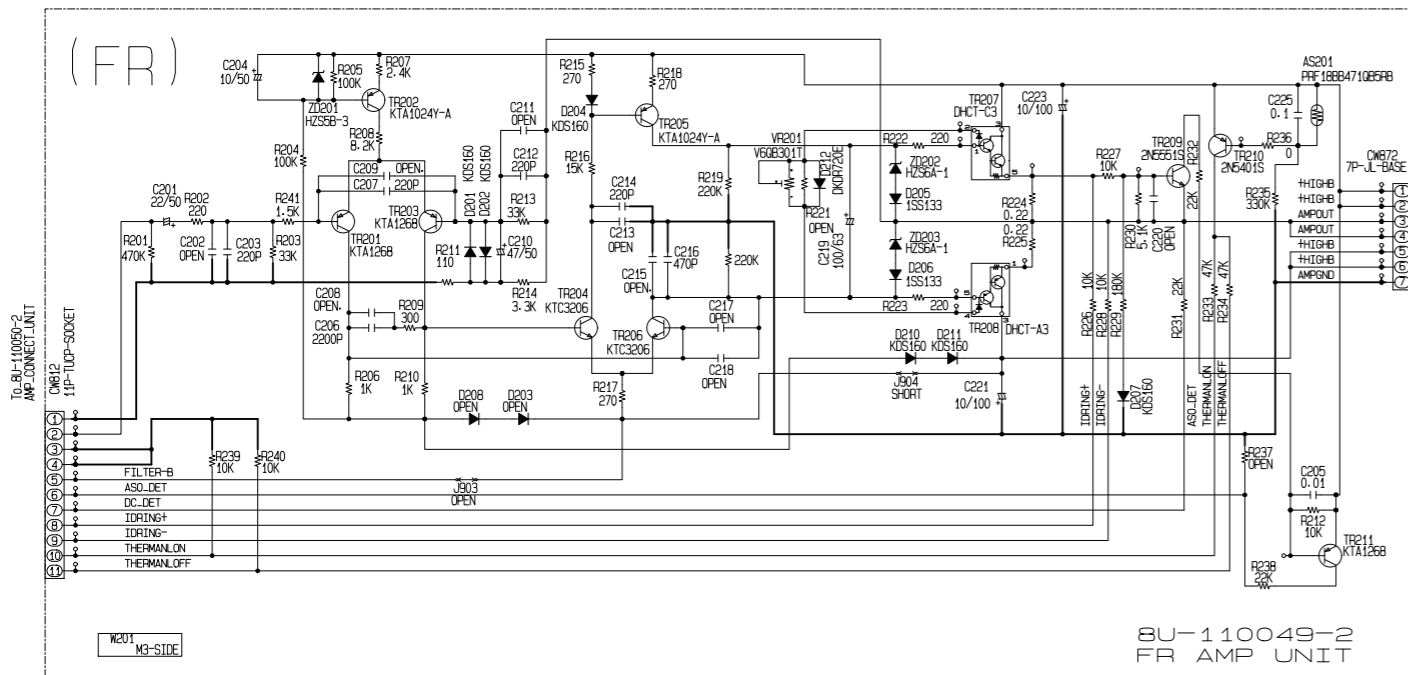
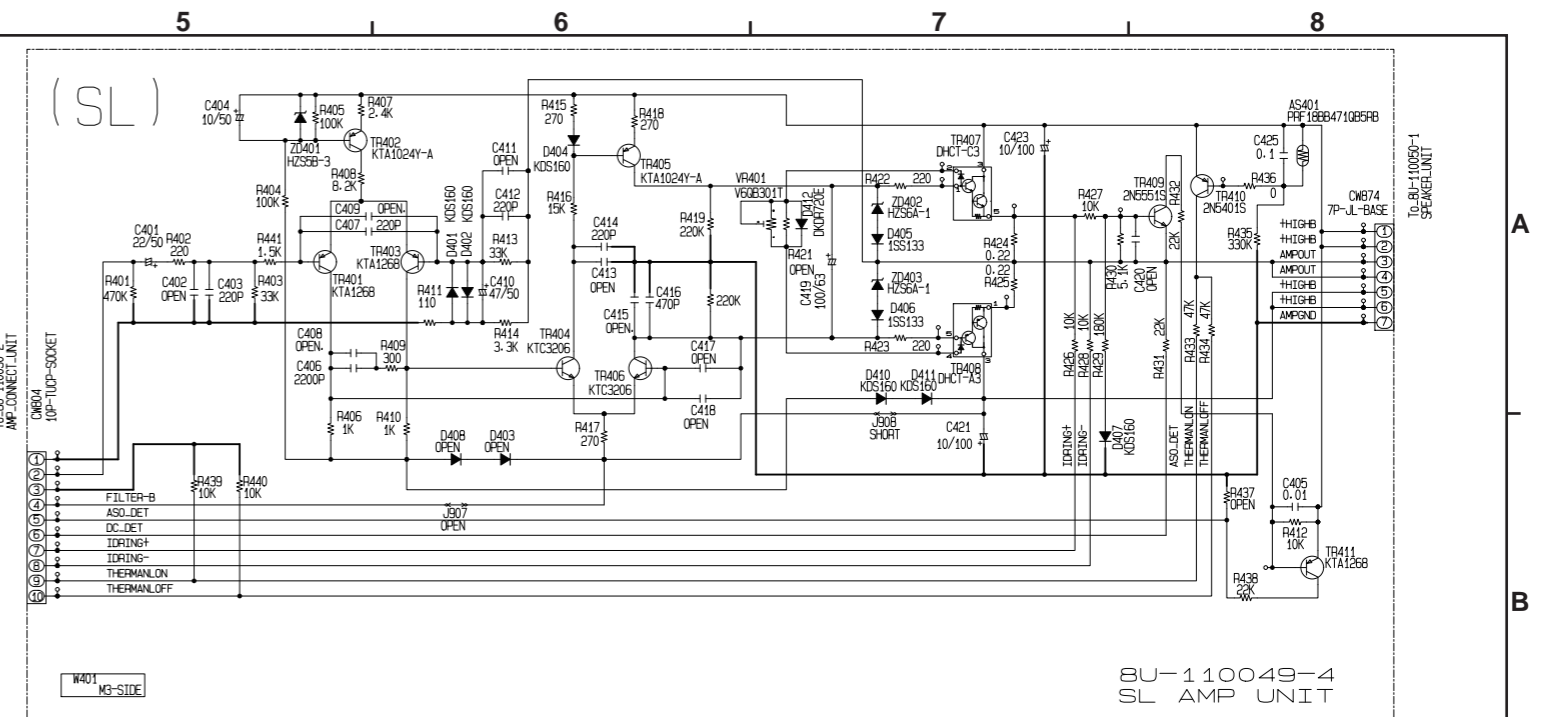
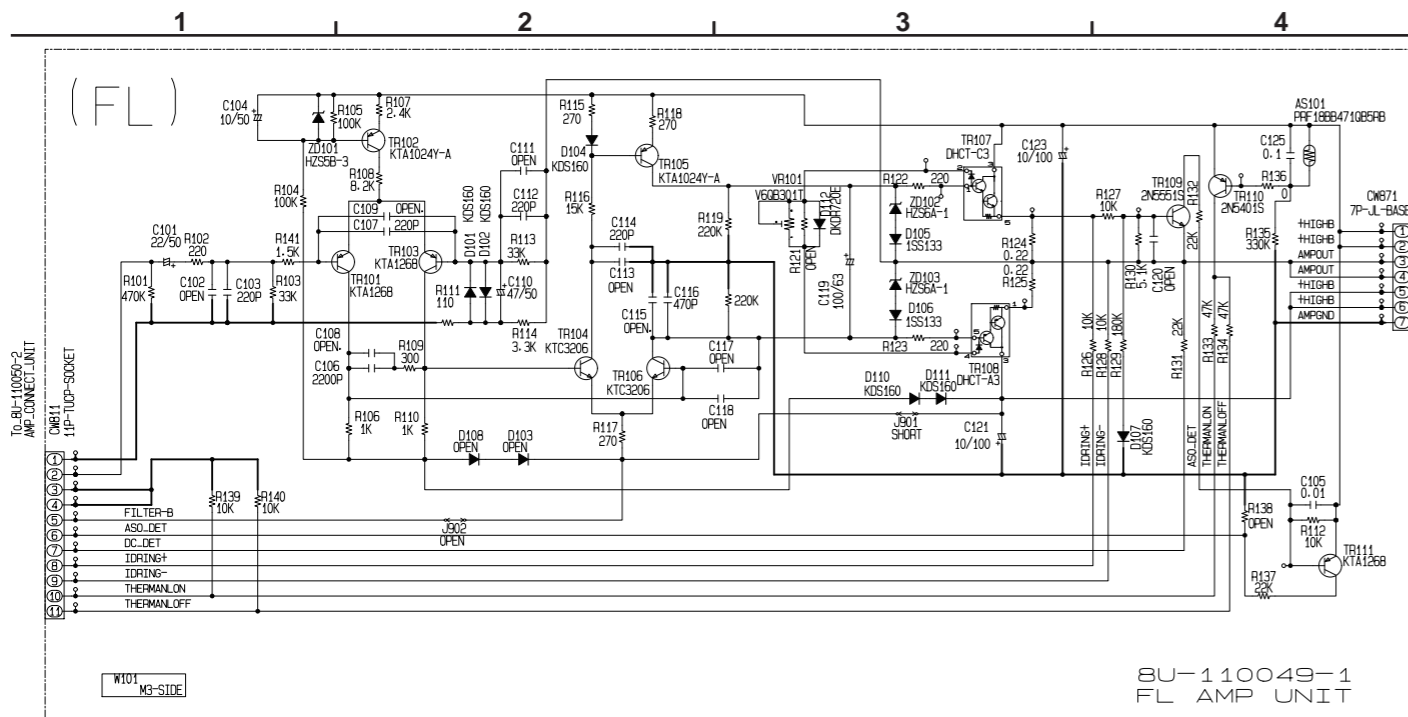
- 8U-110047-9 MIC UNIT
- 8U-110047-10 FRONT IN UNIT
- 8U-110047-16 FFC LOCK UNIT
- 8U-110047-18 BKT1 UNIT
- 8U-110047-19 BKT2 UNIT



SCHEMATIC DIAGRAMS (5/37)
 8U-110048-1 STBY POWER UNIT
 8U-110048-2 DIGITAL POWER UNIT

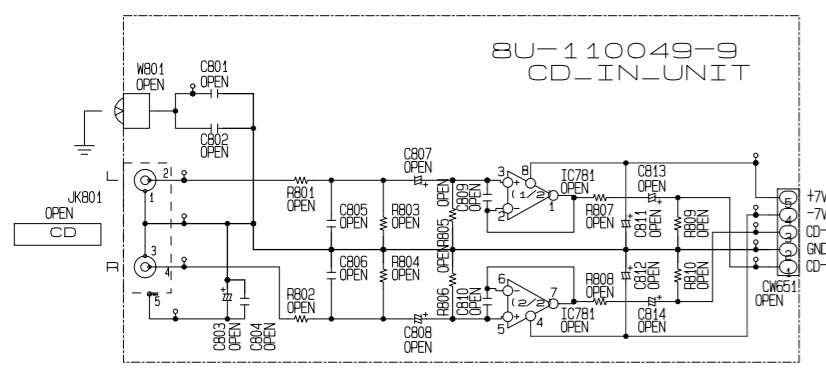
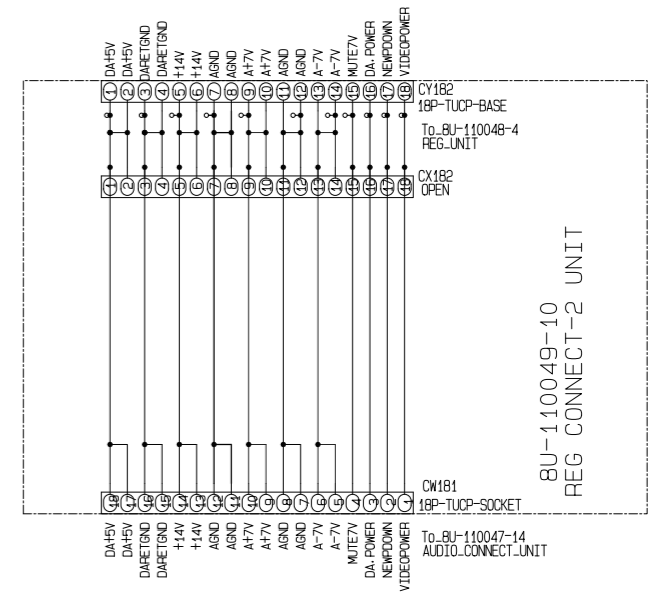
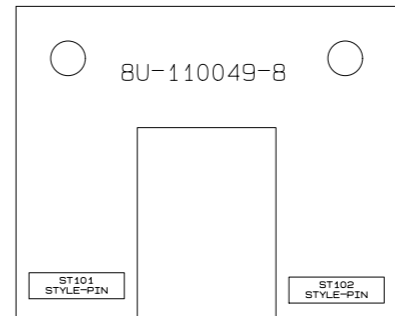
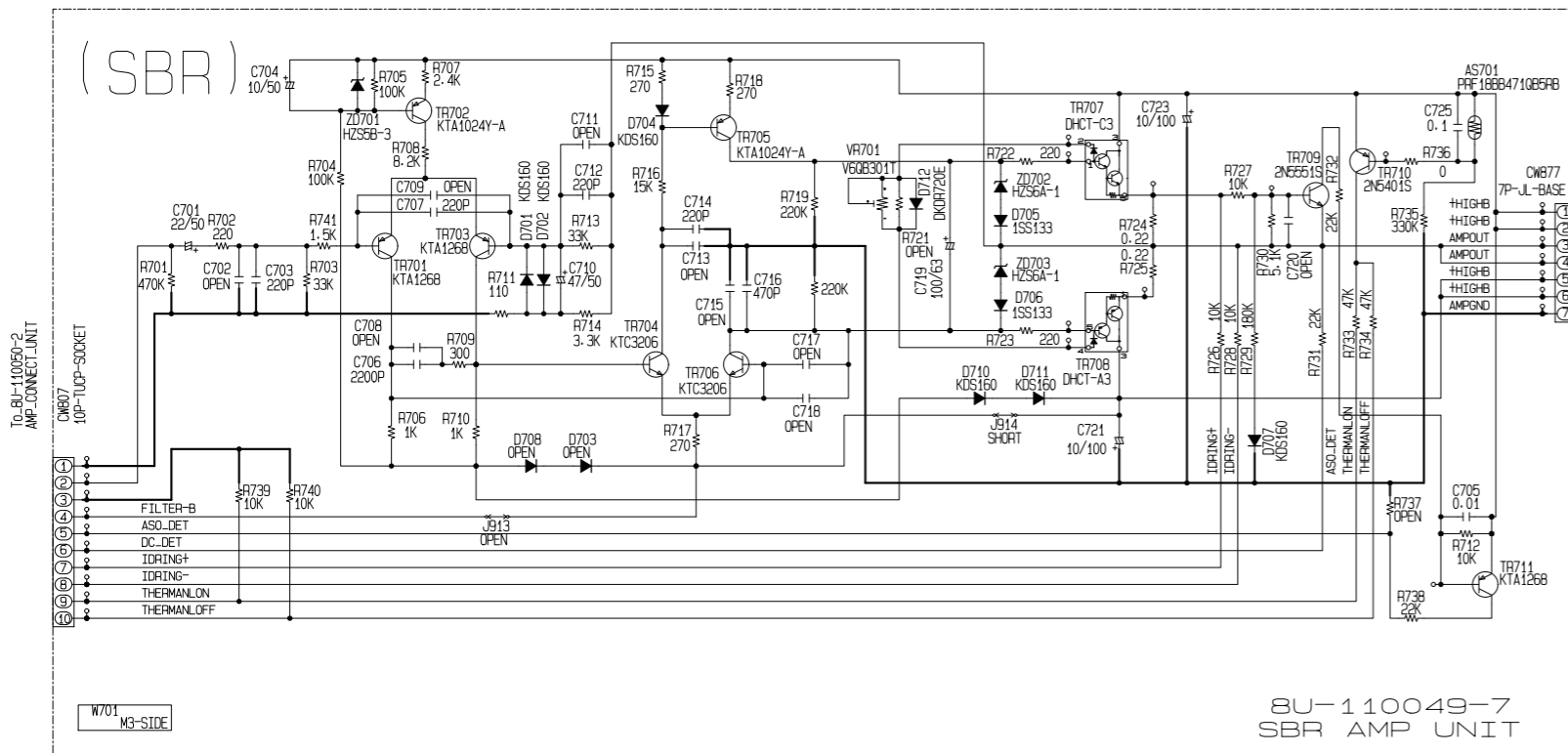
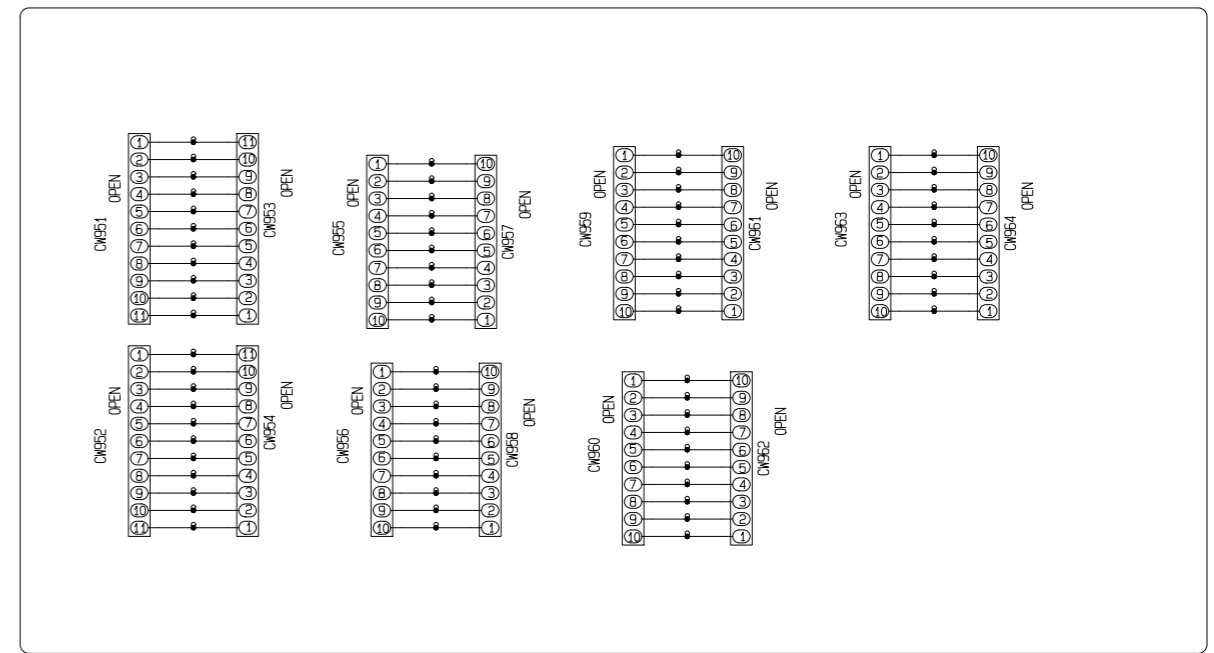
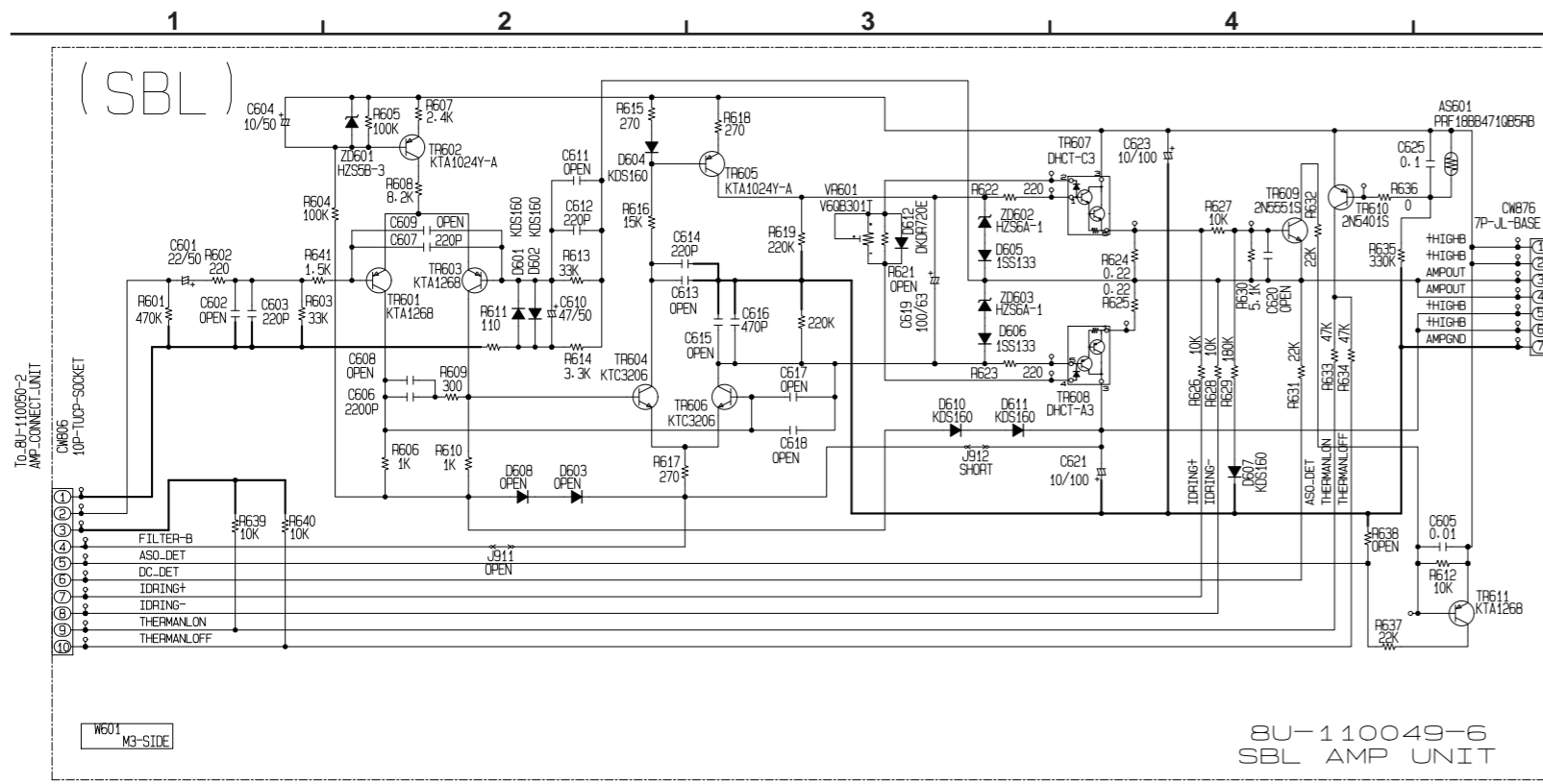
AVR-4310CI/AVR-4310/AVC-4310



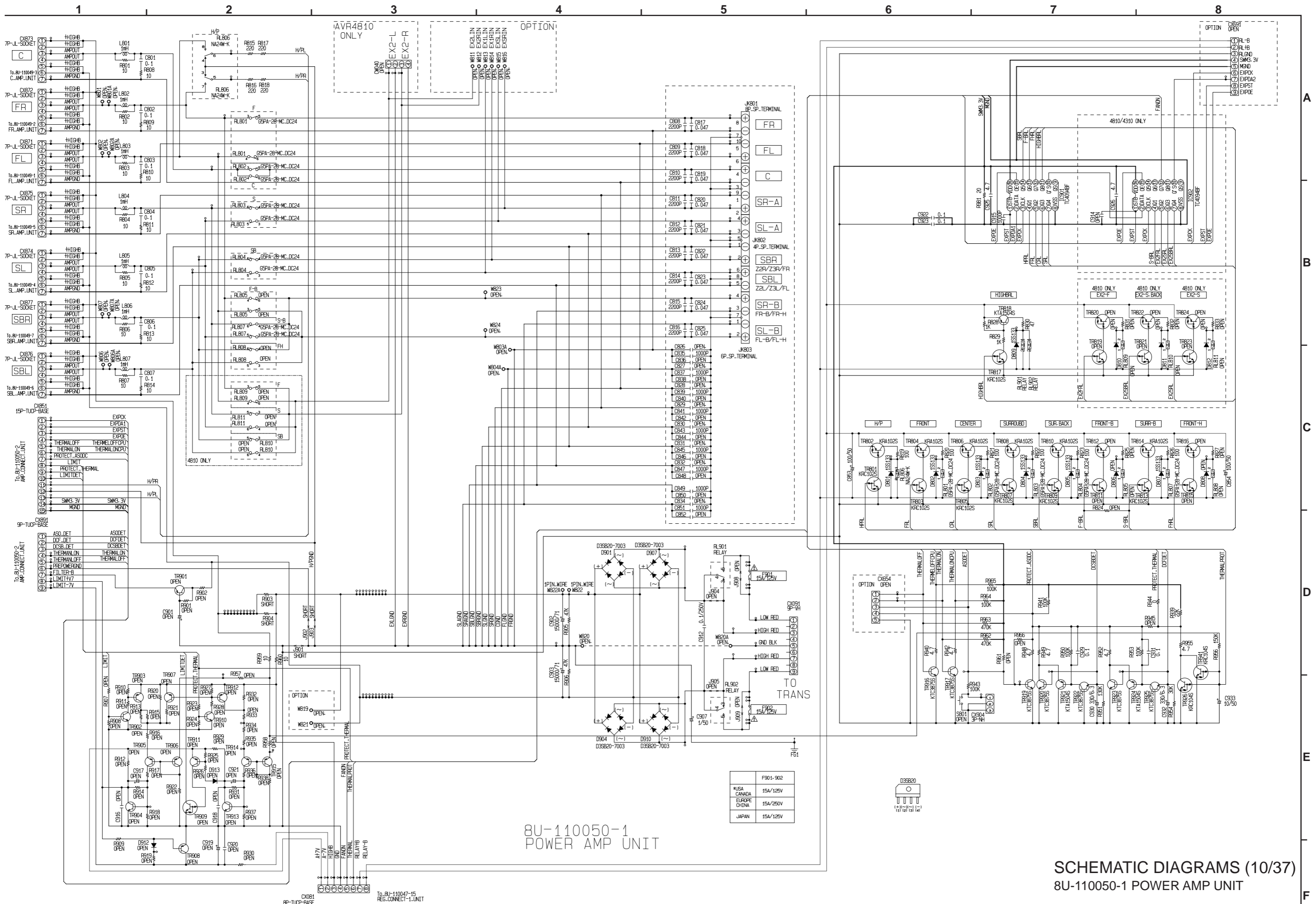


SCHEMATIC DIAGRAMS (7/37)

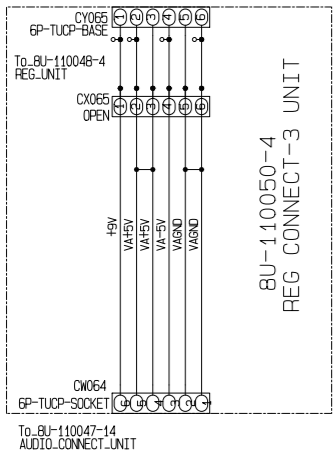
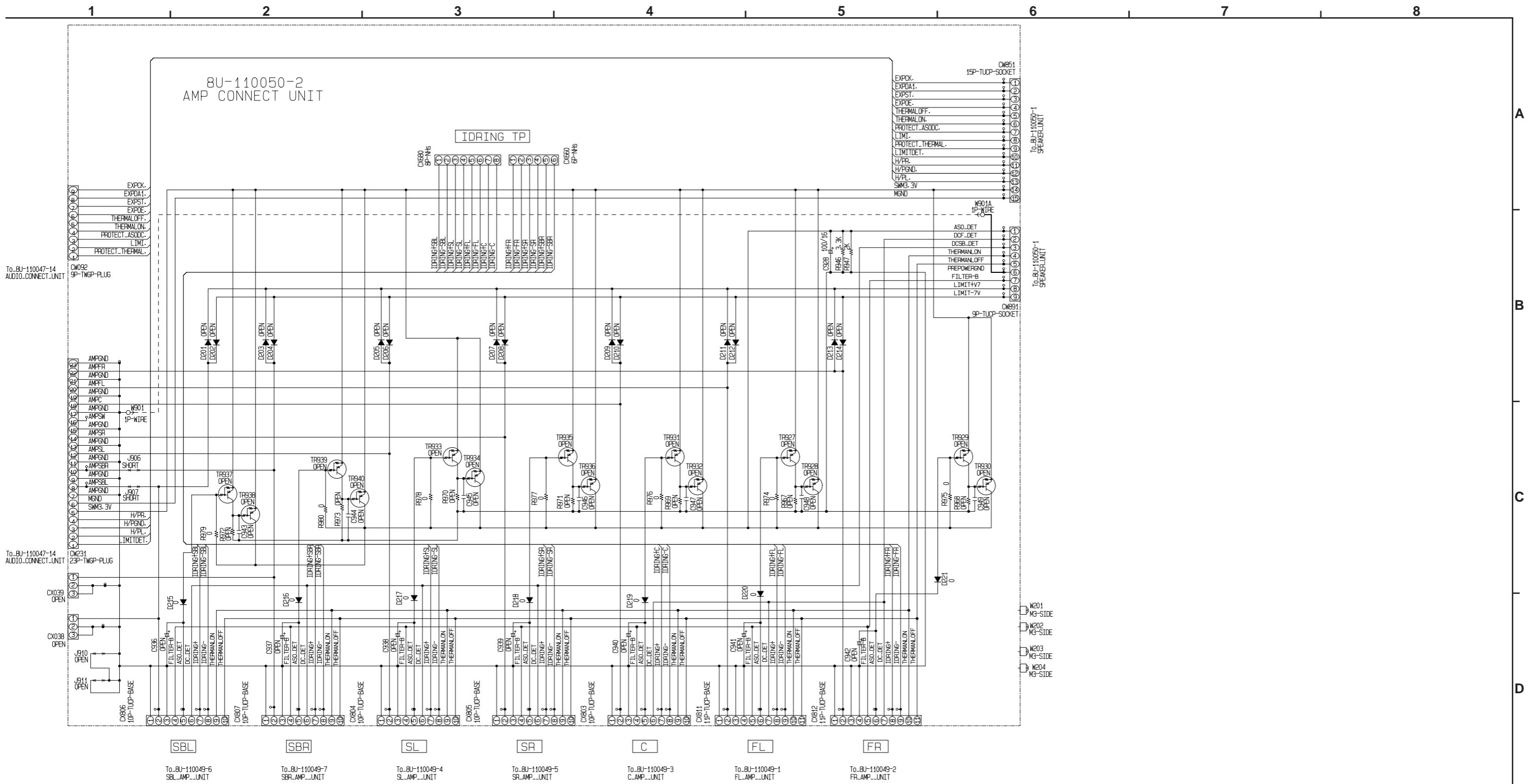
- 8U-110049-1 FL AMP UNIT
- 8U-110049-2 FR AMP UNIT
- 8U-110049-3 C AMP UNIT
- 8U-110049-4 SL AMP UNIT
- 8U-110049-5 SR AMP UNIT

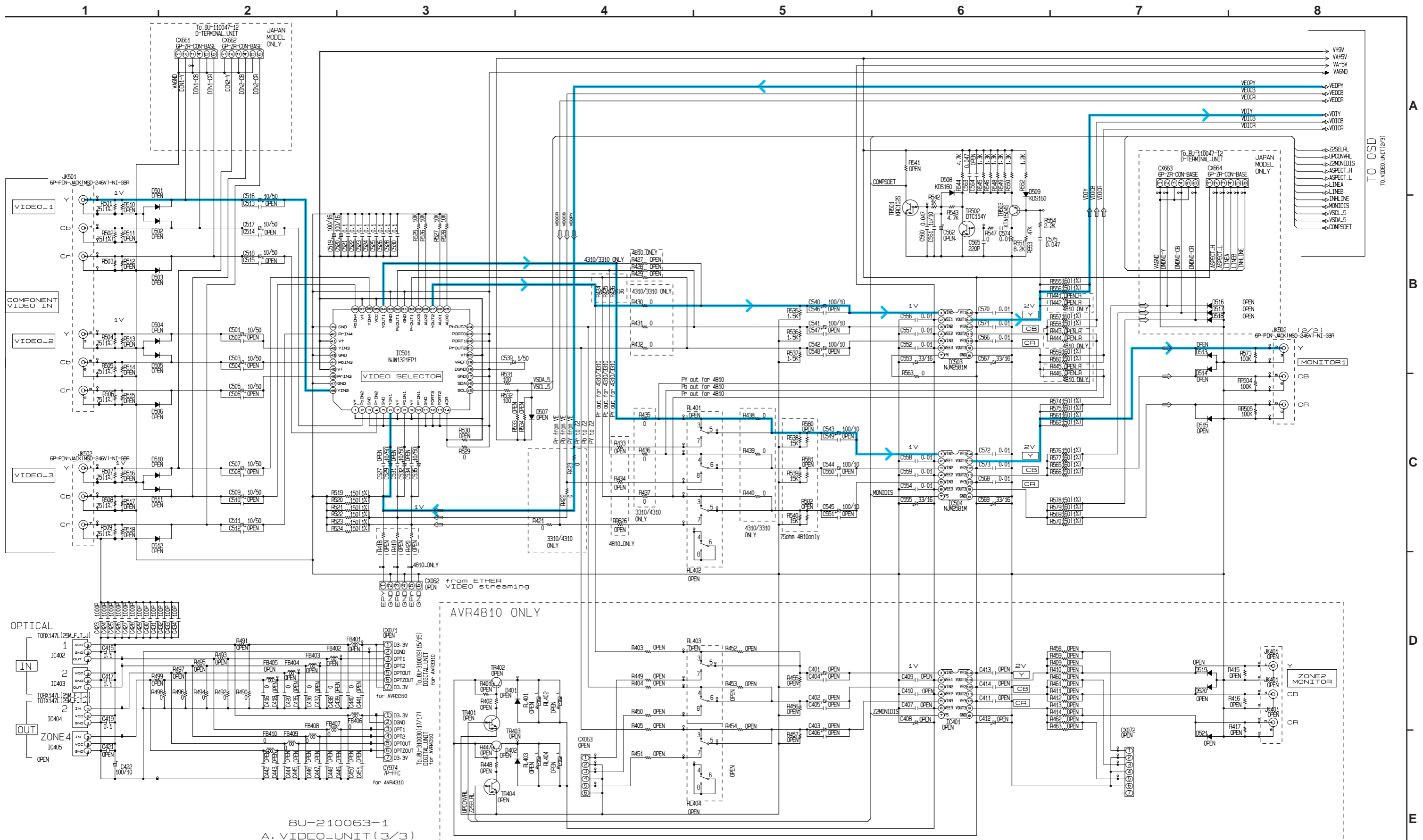


SCHEMATIC DIAGRAMS (8/37)
 8U-110049-6 SBL AMP UNIT
 8U-110049-7 SBR AMP UNIT
 8U-110049-8 FFC HOLD UNIT
 8U-110049-9 CD IN UNIT
 8U-110049-10 REG CONNECT-2 UNIT



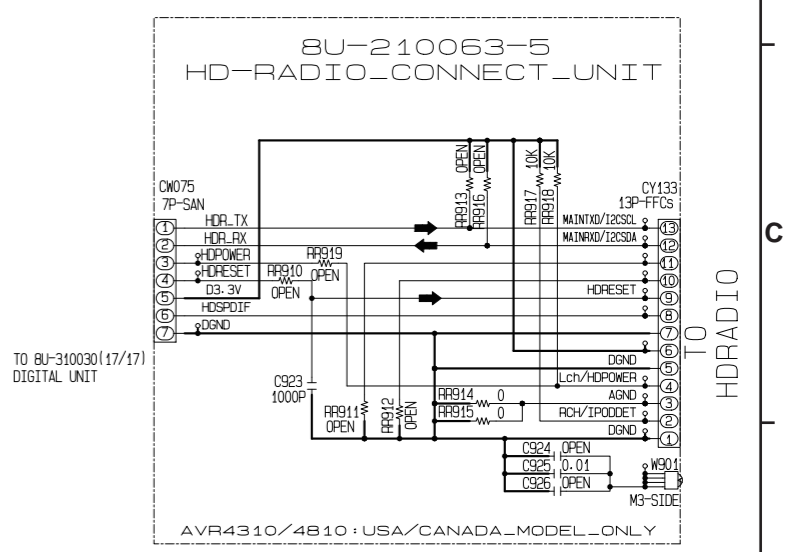
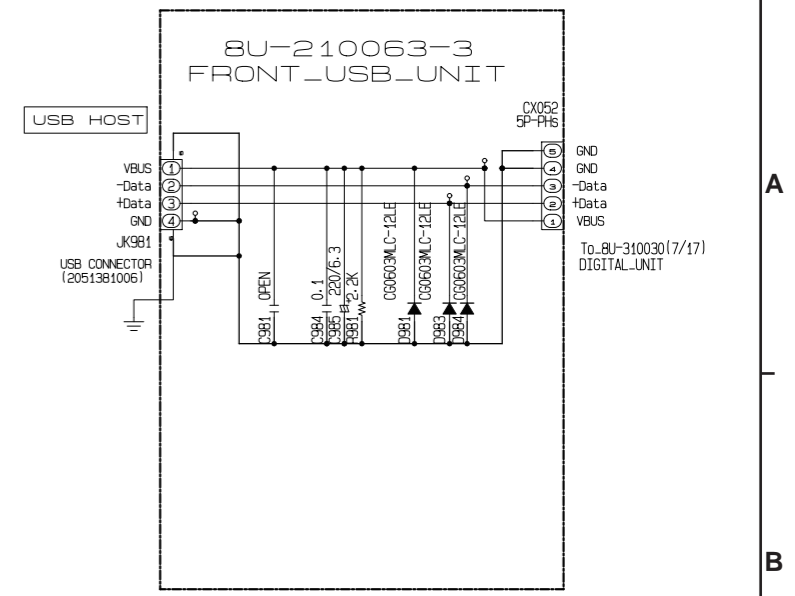
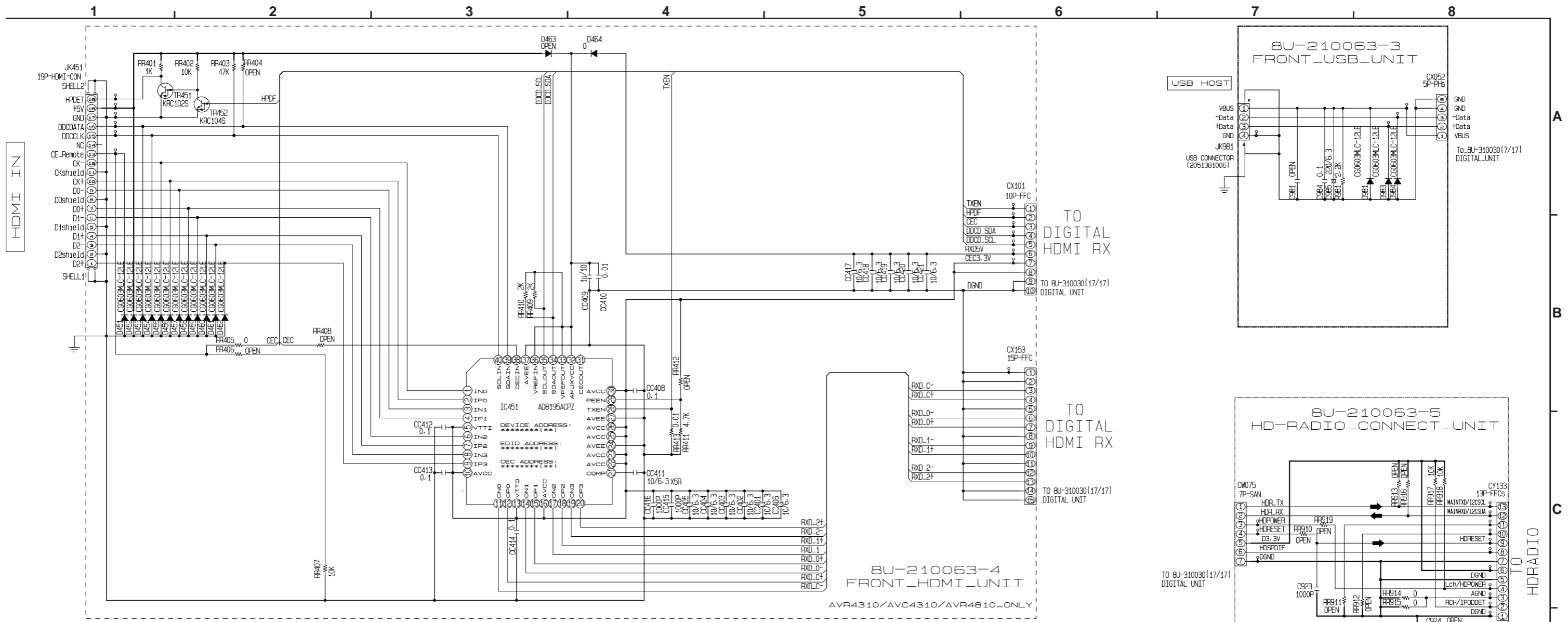
SCHEMATIC DIAGRAMS (10/37)
8U-110050-1 POWER AMP UNIT



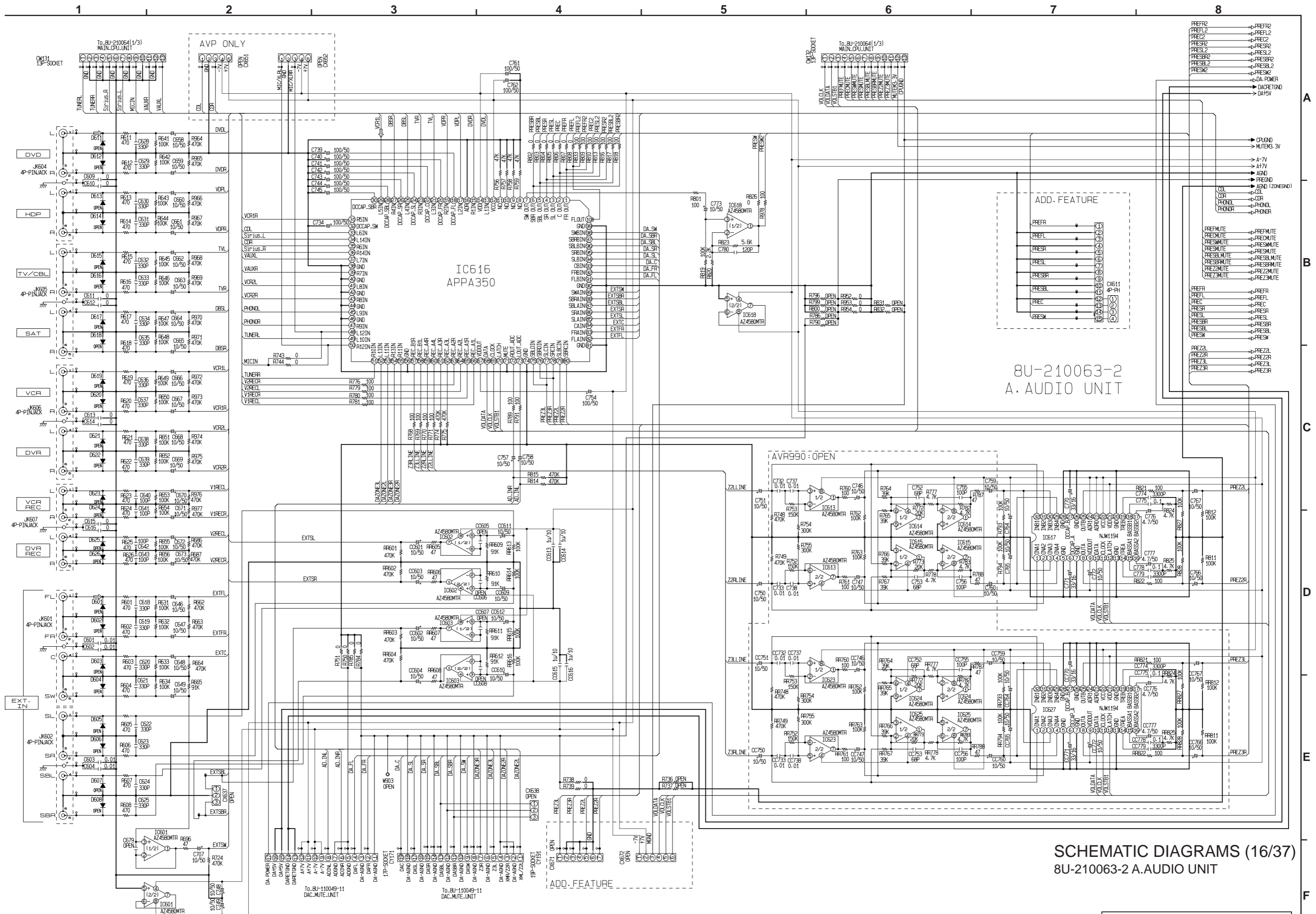


8U-210063-1
A. VIDEO UNIT (3/3)

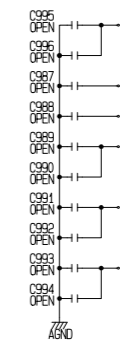
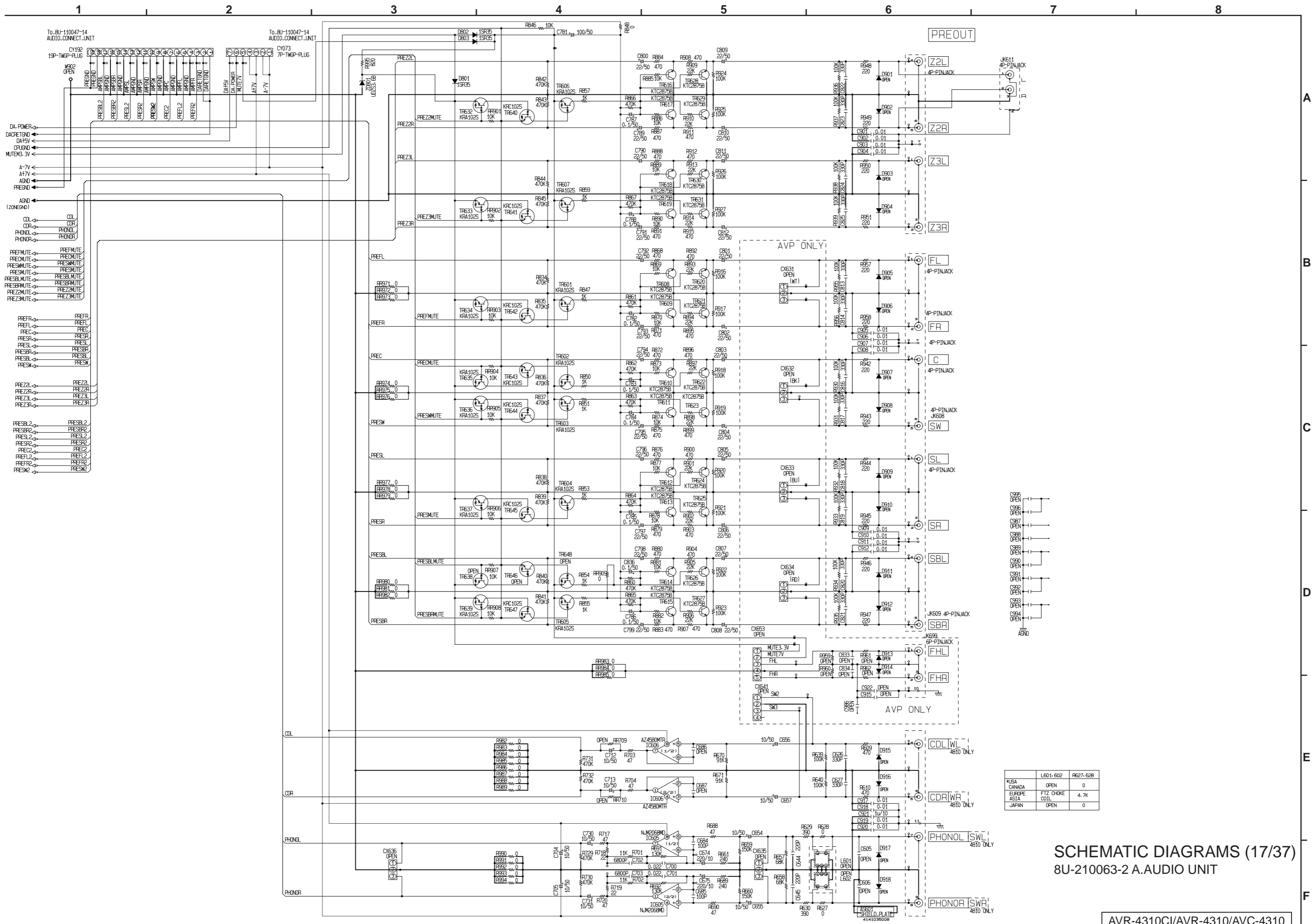
— COMPONENT-Y SIGNAL LINE
SCHEMATIC DIAGRAMS (14/37)
8U-210063-1 A.VIDEO UNIT (3/3)



SCHEMATIC DIAGRAMS (15/37)
 8U-210063-3 FRONT USB UNIT
 8U-210063-4 FRONT HDMI UNIT
 8U-210063-5 HD-RADIO CONNECT UNIT



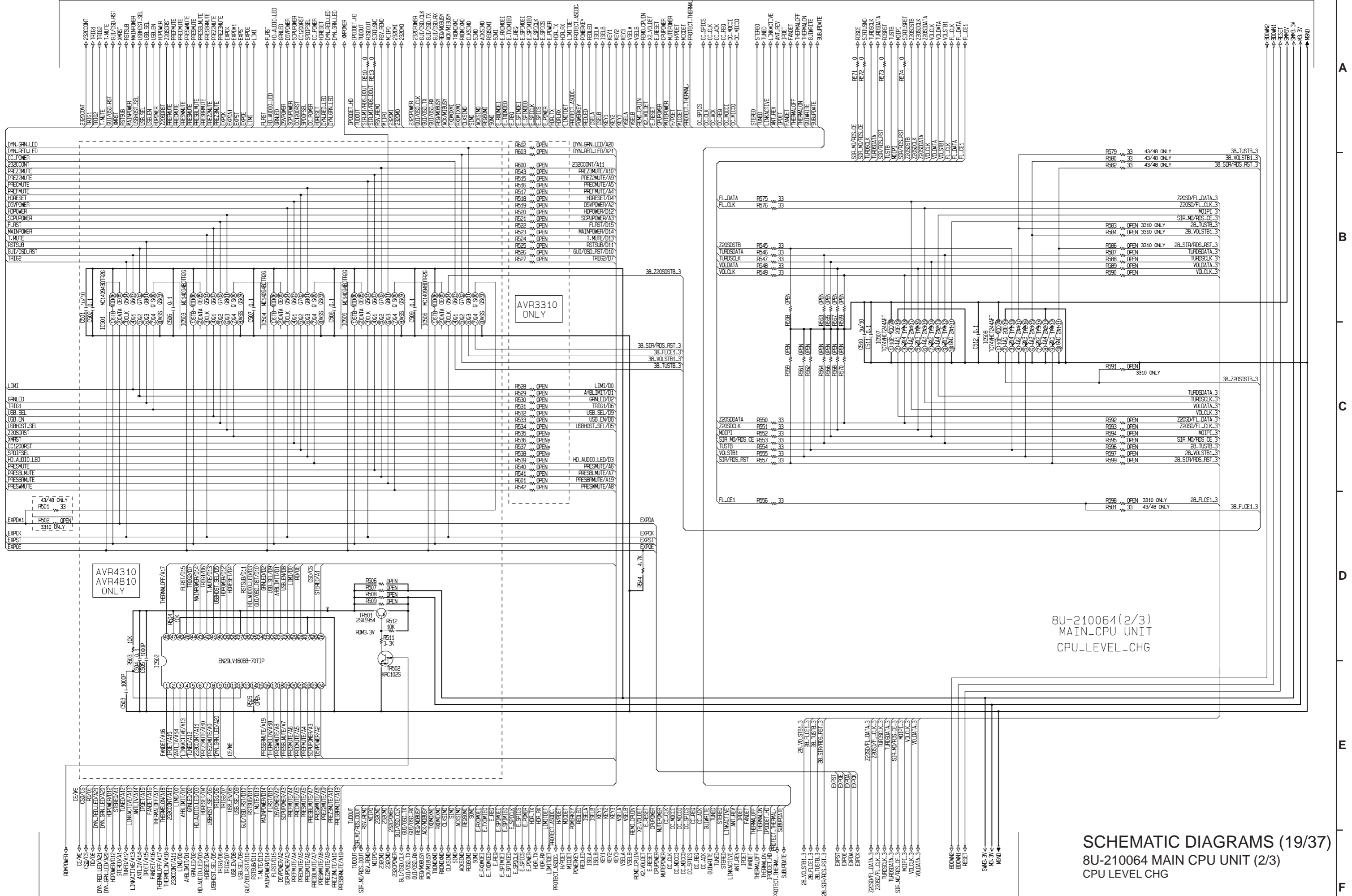
SCHEMATIC DIAGRAMS (16/37)
8U-210063-2 A.AUDIO UNIT



	L601-602	R627-628
USA		
CANADA	OPEN	0
EUROPE	FTZ CHOKE	4.7K
ASIA	COIL	
JAPAN	OPEN	0

SCHEMATIC DIAGRAMS (17/37)
8U-210063-2 A.AUDIO UNIT

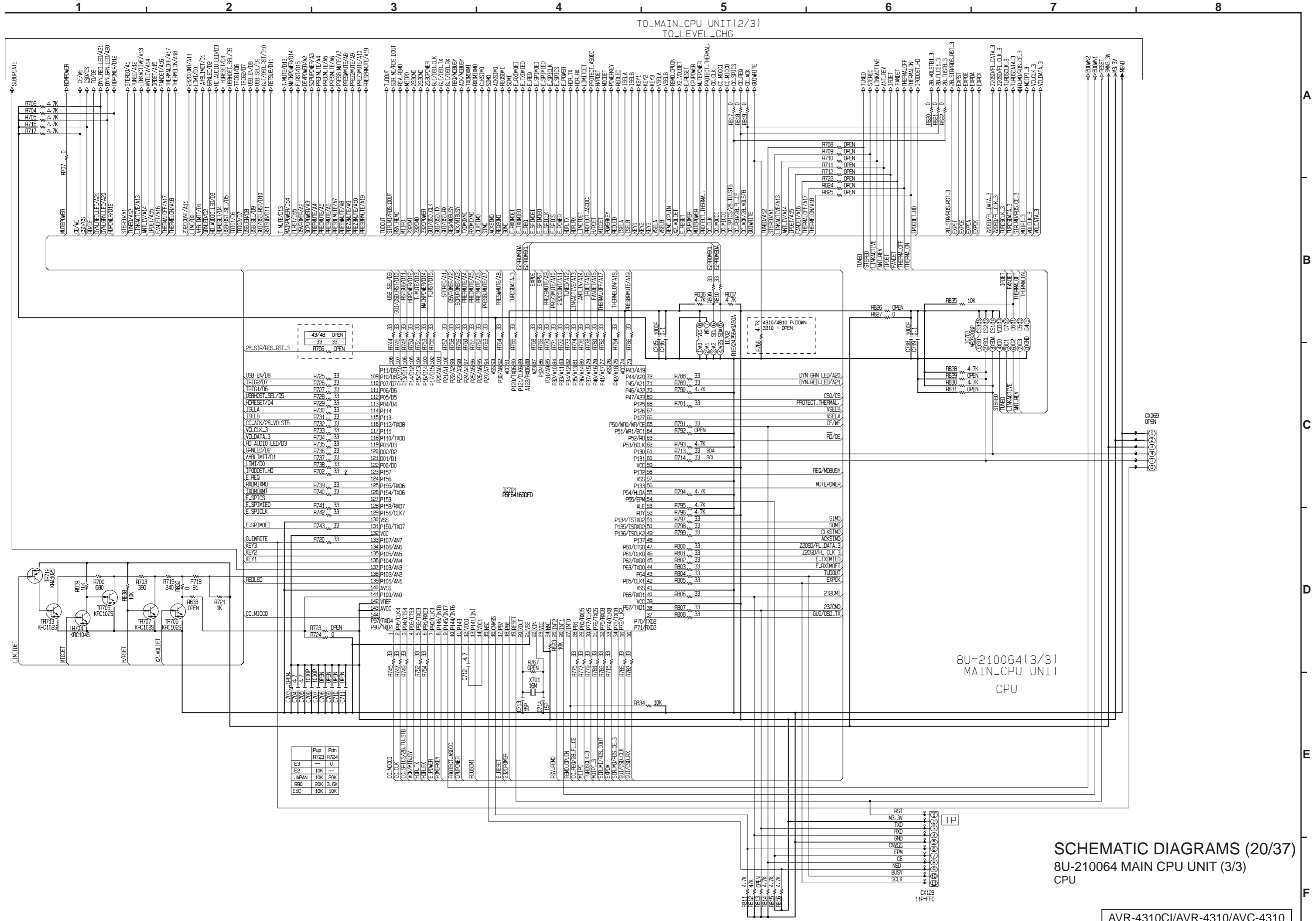
TO_MAIN_CPU_UNIT(1/3)



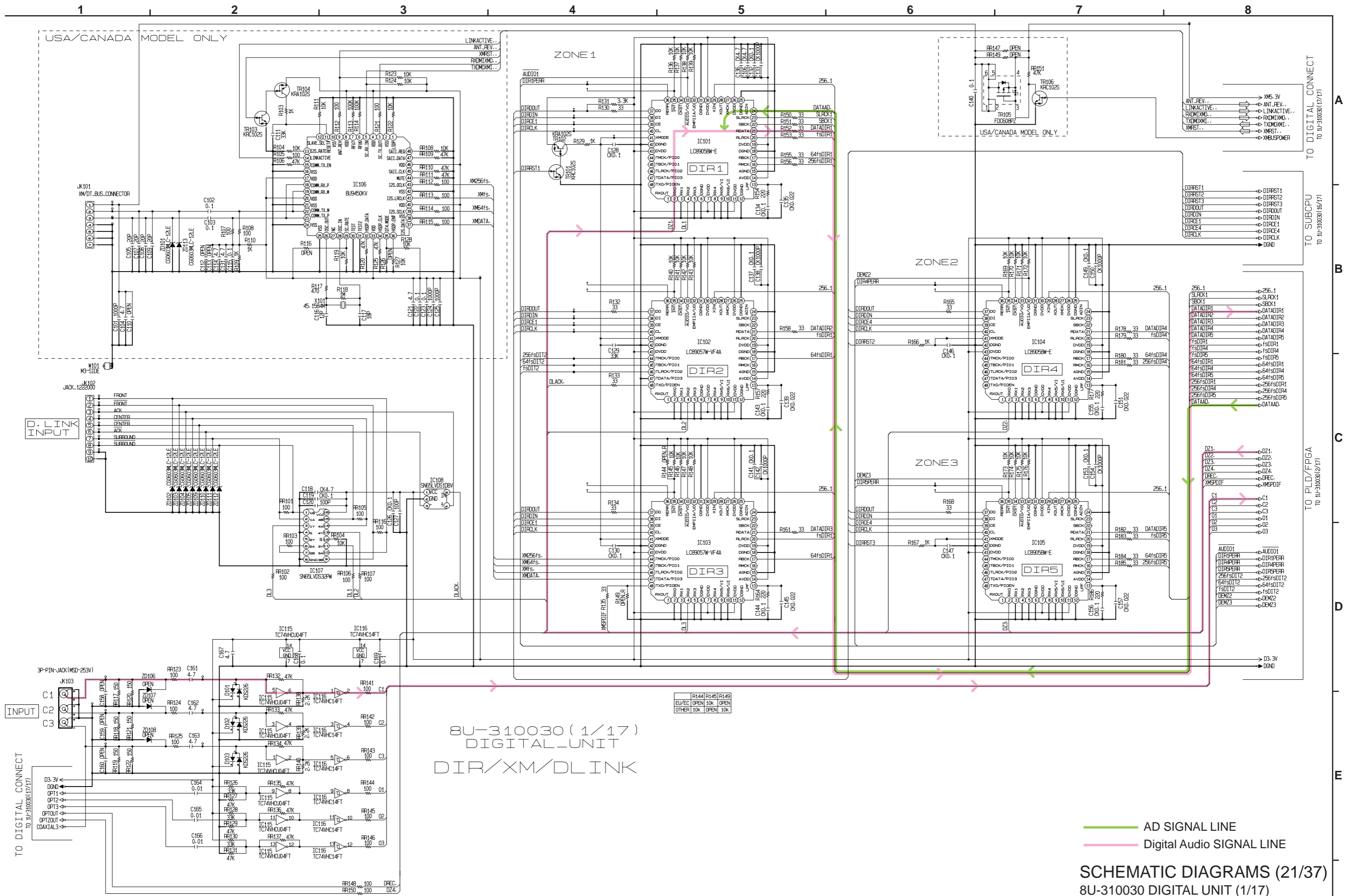
TO_MAIN_CPU_UNIT(3/3) TO_CPU

SCHEMATIC DIAGRAMS (19/37)
8U-210064 MAIN CPU UNIT (2/3)
CPU LEVEL CHG

AVR-4310CI/AVR-4310/AVC-4310



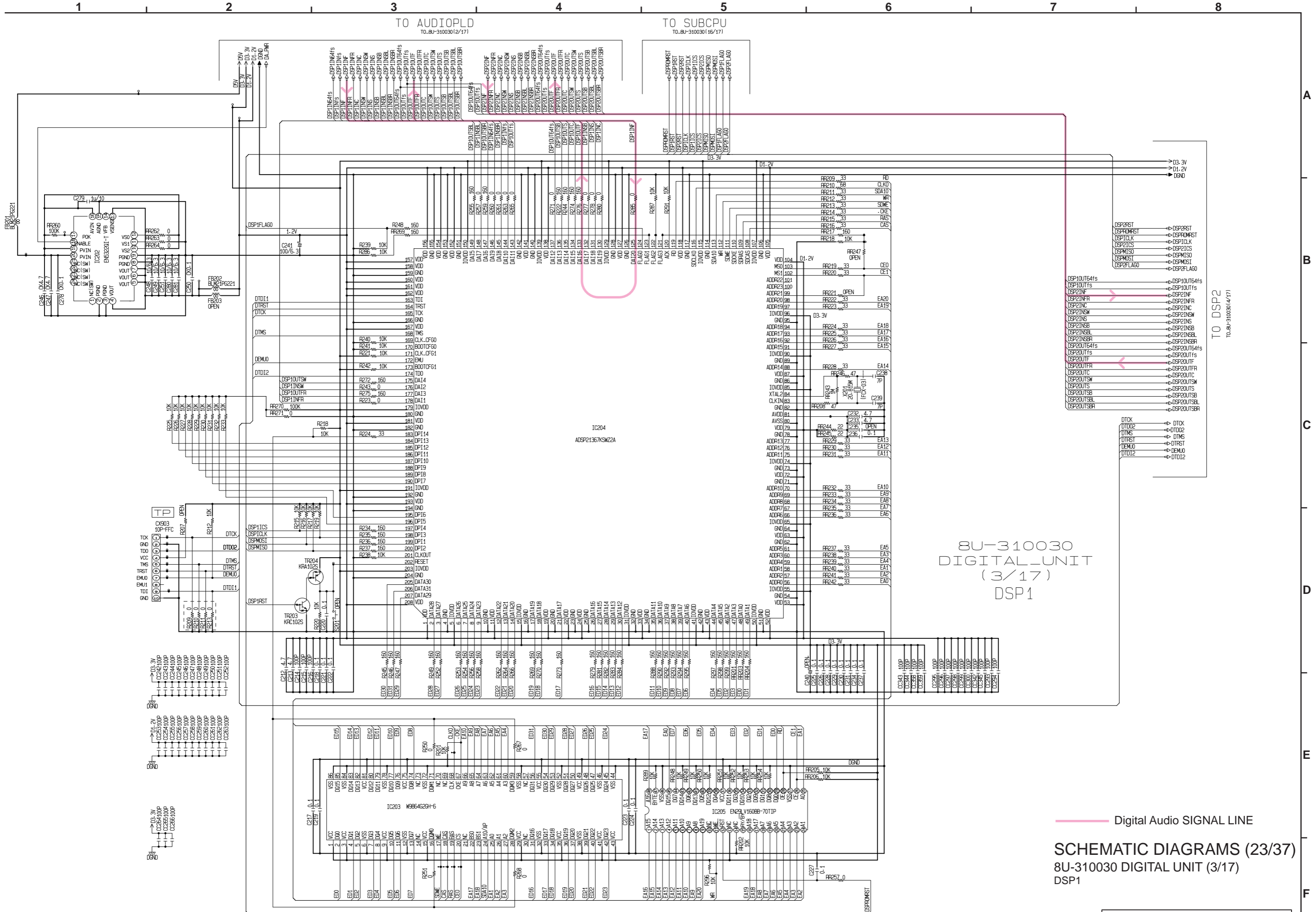
SCHEMATIC DIAGRAMS (20/37)
8U-210064 MAIN CPU UNIT (3/3)
CPU



8U-310030 (1/17)
DIGITAL UNIT
DIR/XM/DLINK

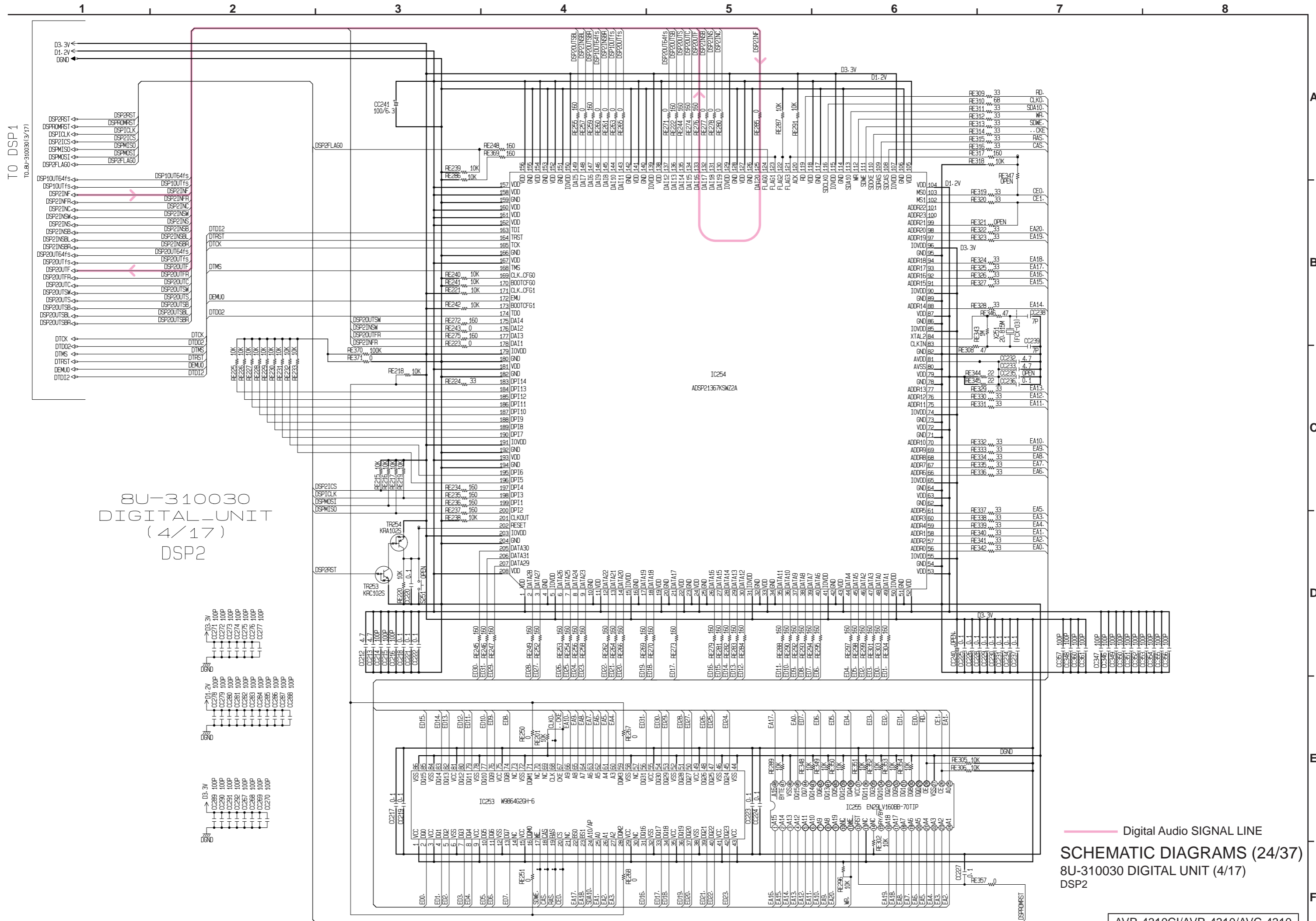
AD SIGNAL LINE
Digital Audio SIGNAL LINE

SCHEMATIC DIAGRAMS (21/37)
8U-310030 DIGITAL UNIT (1/17)
DIR/ XM/ DLINK



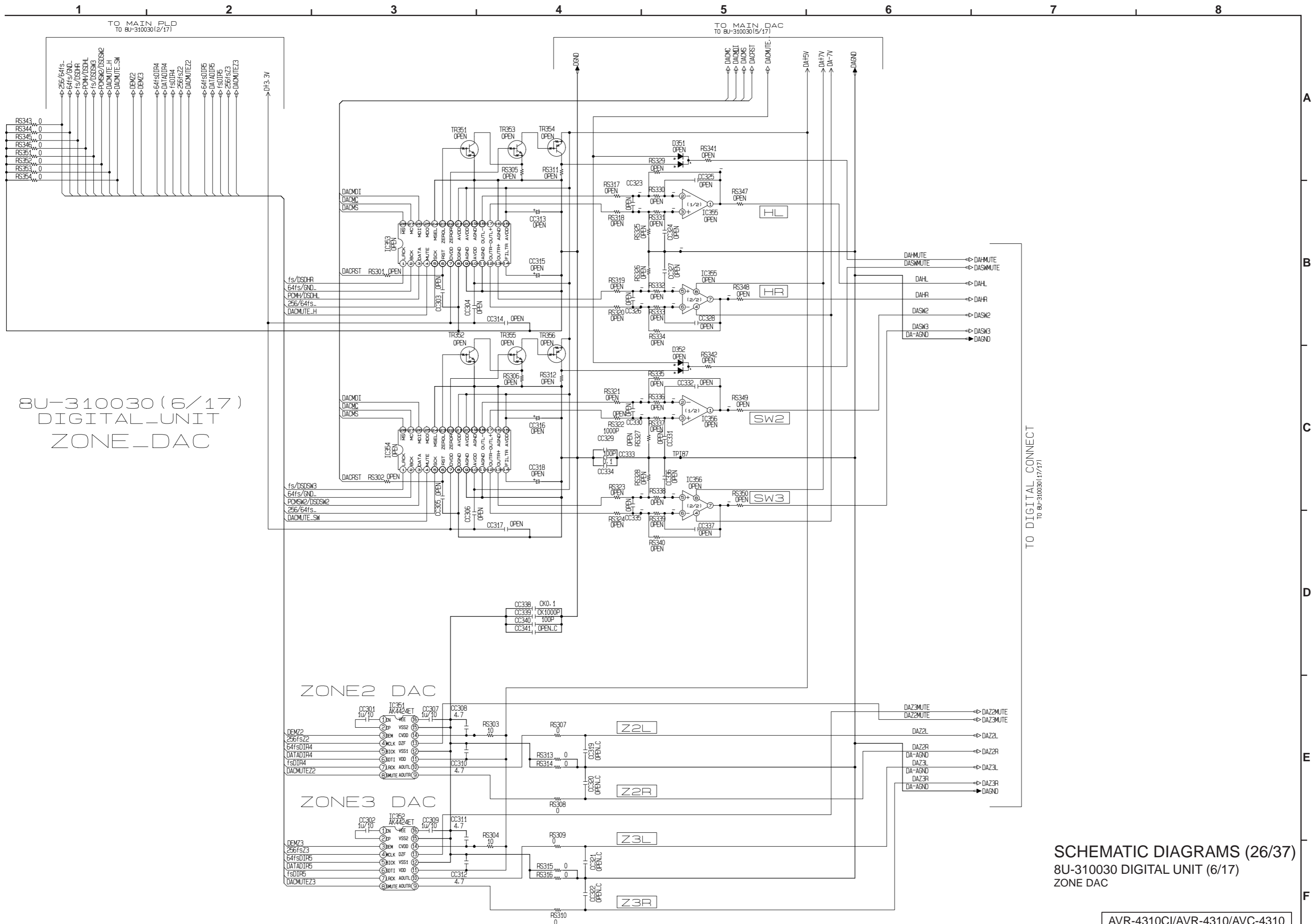
8U-310030
DIGITAL_UNIT
(3/17)
DSP1

Digital Audio SIGNAL LINE
SCHEMATIC DIAGRAMS (23/37)
8U-310030 DIGITAL UNIT (3/17)
DSP1



8U-310030
DIGITAL UNIT
(4/17)
DSP2

SCHMATIC DIAGRAMS (24/37)
8U-310030 DIGITAL UNIT (4/17)
DSP2



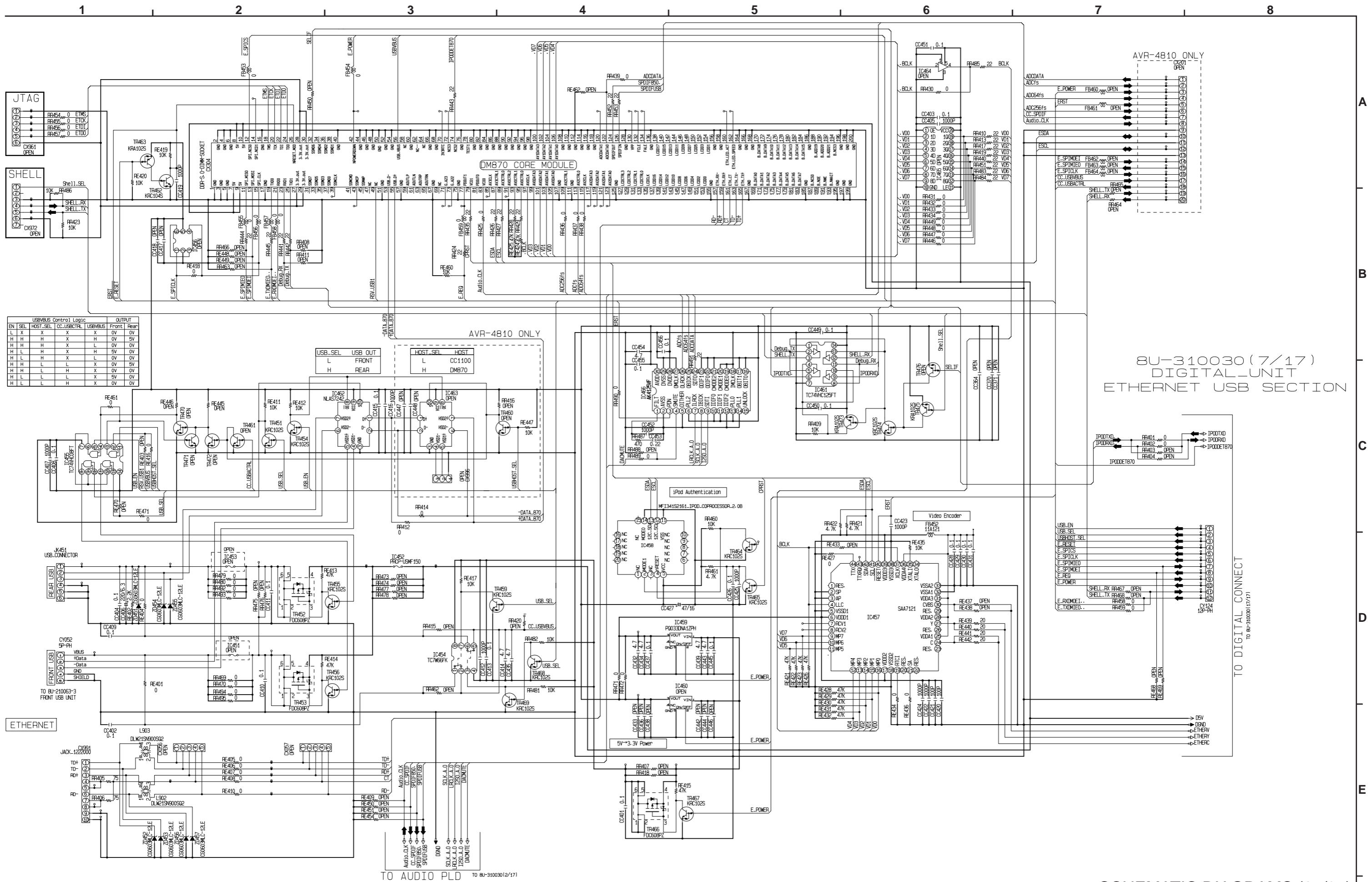
8U-310030 (6/17)
DIGITAL_UNIT
ZONE_DAC

ZONE2 DAC

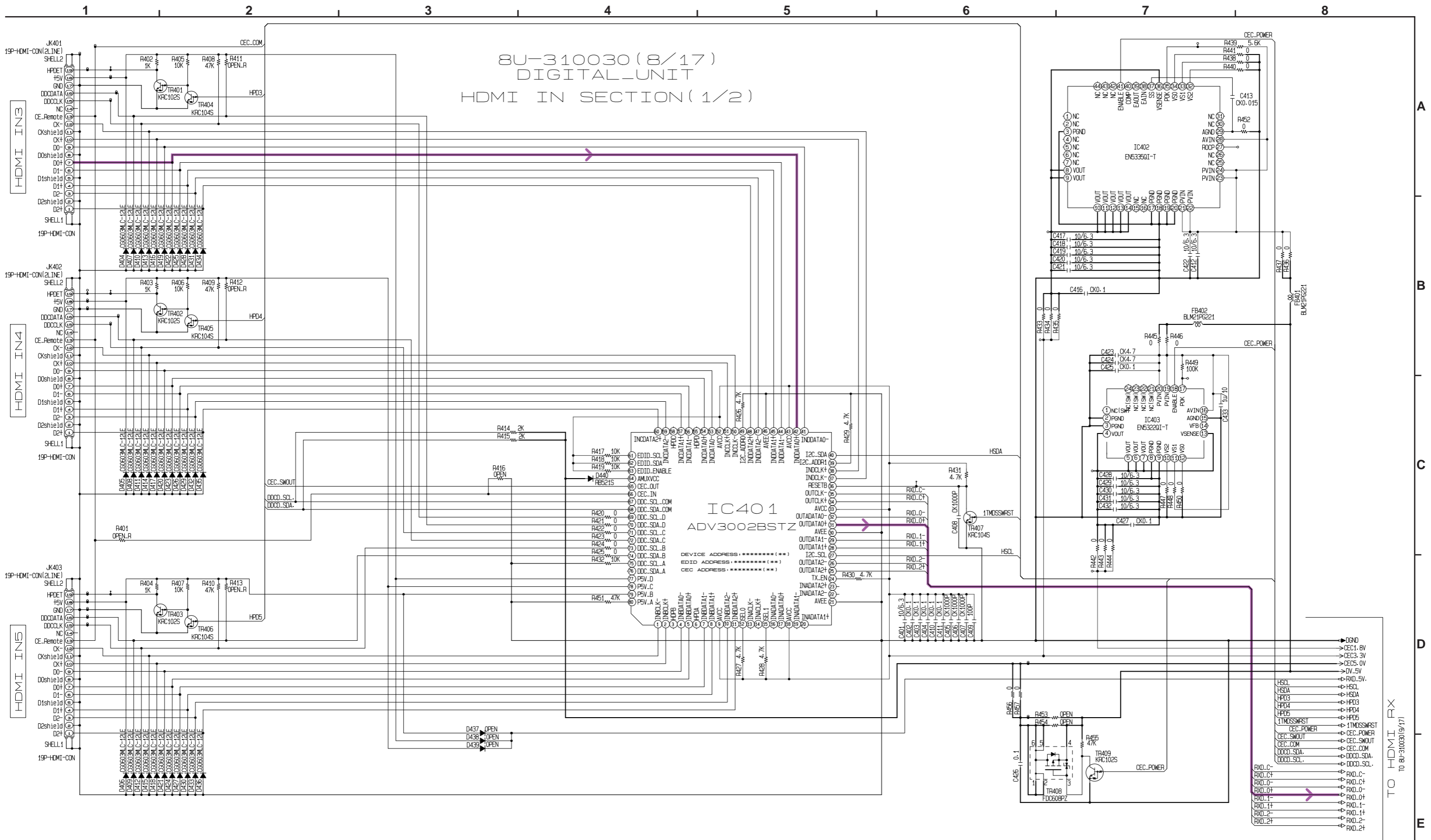
ZONE3 DAC

TO DIGITAL CONNECT
TO BU-310030(17/17)

SCHEMATIC DIAGRAMS (26/37)
8U-310030 DIGITAL UNIT (6/17)
ZONE DAC



SCHEMATIC DIAGRAMS (27/37)
8U-310030 DIGITAL UNIT (7/17)
ETHERNET USB SECTION

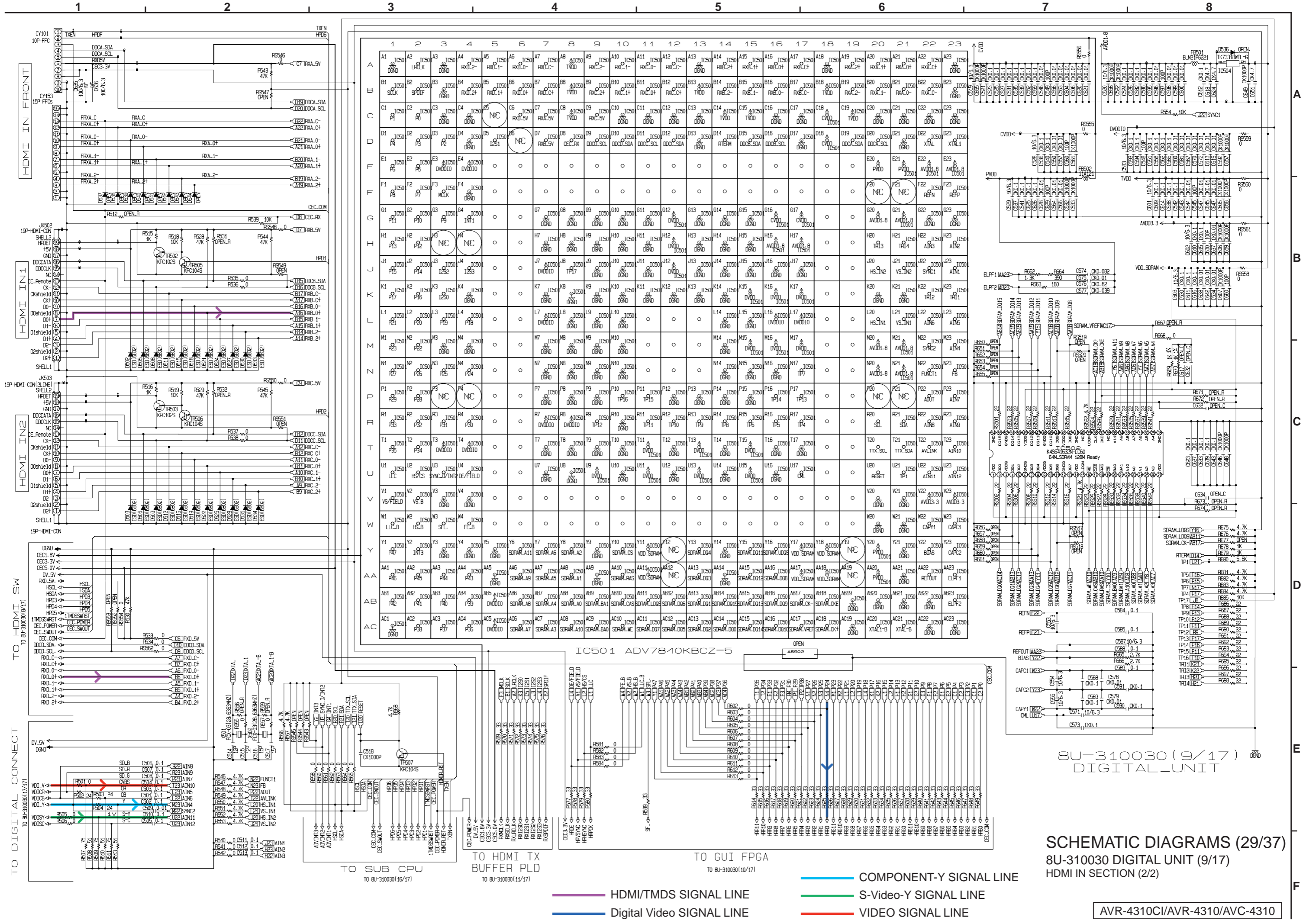


8U-310030 (8/17)
DIGITAL UNIT
HDMI IN SECTION (1/2)

IC401
ADV3002BSTZ

— HDMI/TMDS SIGNAL LINE

SCHEMATIC DIAGRAMS (28/37)
8U-310030 DIGITAL UNIT (8/17)
HDMI IN SECTION (1/2)

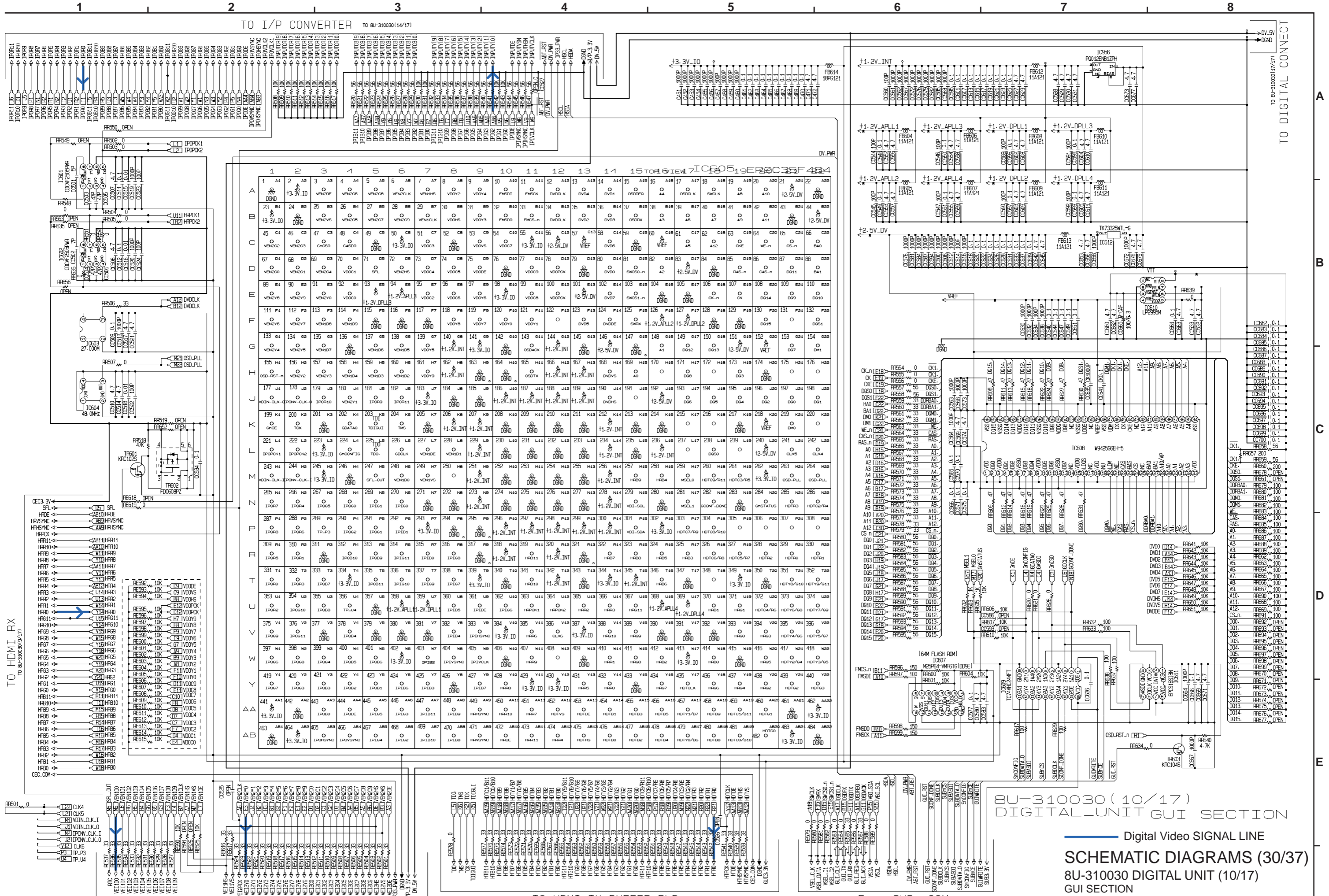


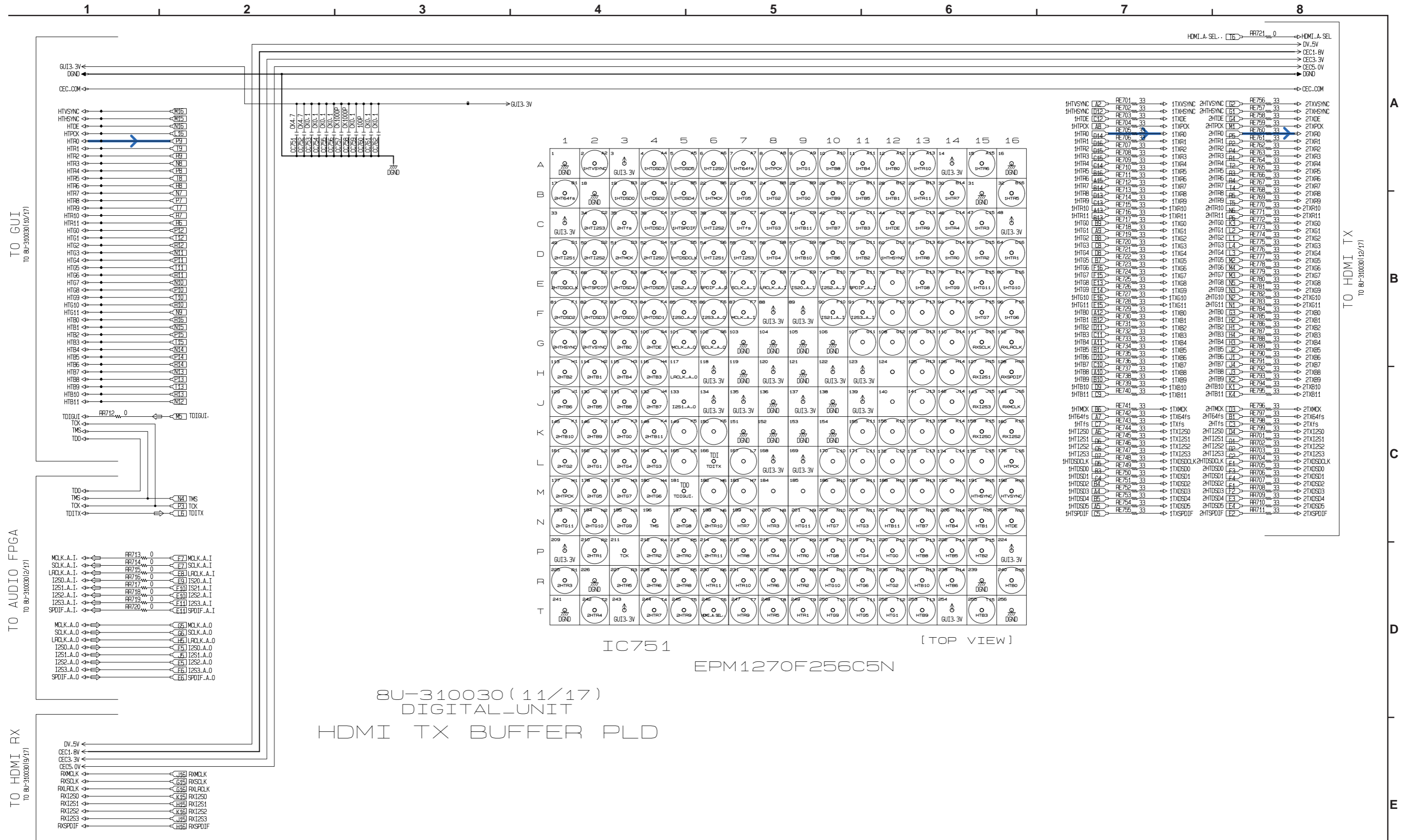
8U-310030 (9/17)
DIGITAL UNIT

SCHEMATIC DIAGRAMS (29/37)
8U-310030 DIGITAL UNIT (9/17)
HDMI IN SECTION (2/2)

AVR-4310C/AVR-4310/AVC-4310

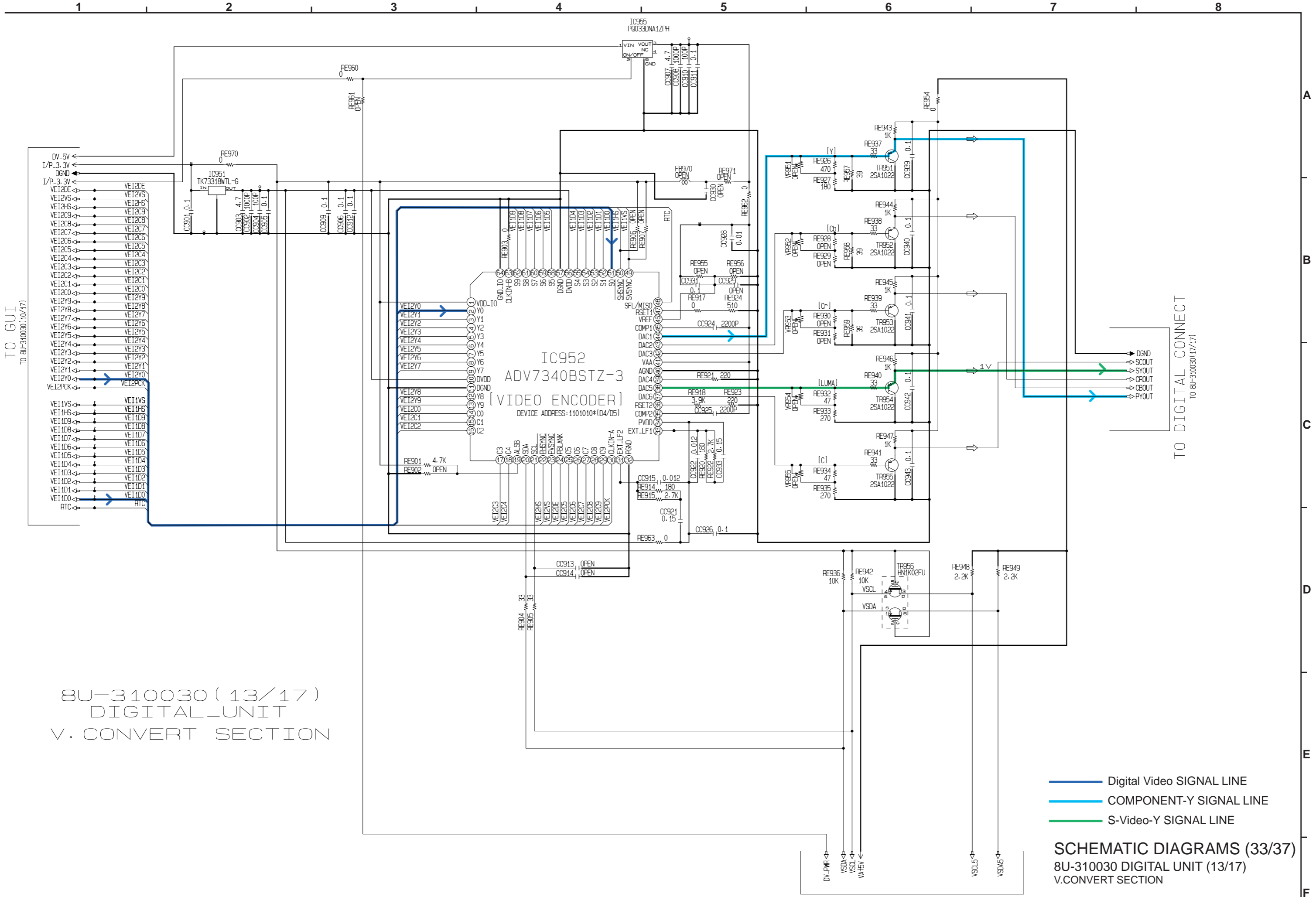
- COMPONENT-Y SIGNAL LINE
- S-Video-Y SIGNAL LINE
- Digital Video SIGNAL LINE
- HDMI/TMDS SIGNAL LINE
- VIDEO SIGNAL LINE





8U-310030 (11/17)
DIGITAL_UNIT
HDMI TX BUFFER PLD

Digital Video SIGNAL LINE
SCHEMATIC DIAGRAMS (31/37)
8U-310030 DIGITAL UNIT (11/17)
HDMI TX BUFFER PLD



TO GUI
TO 8U-310030(10/17)

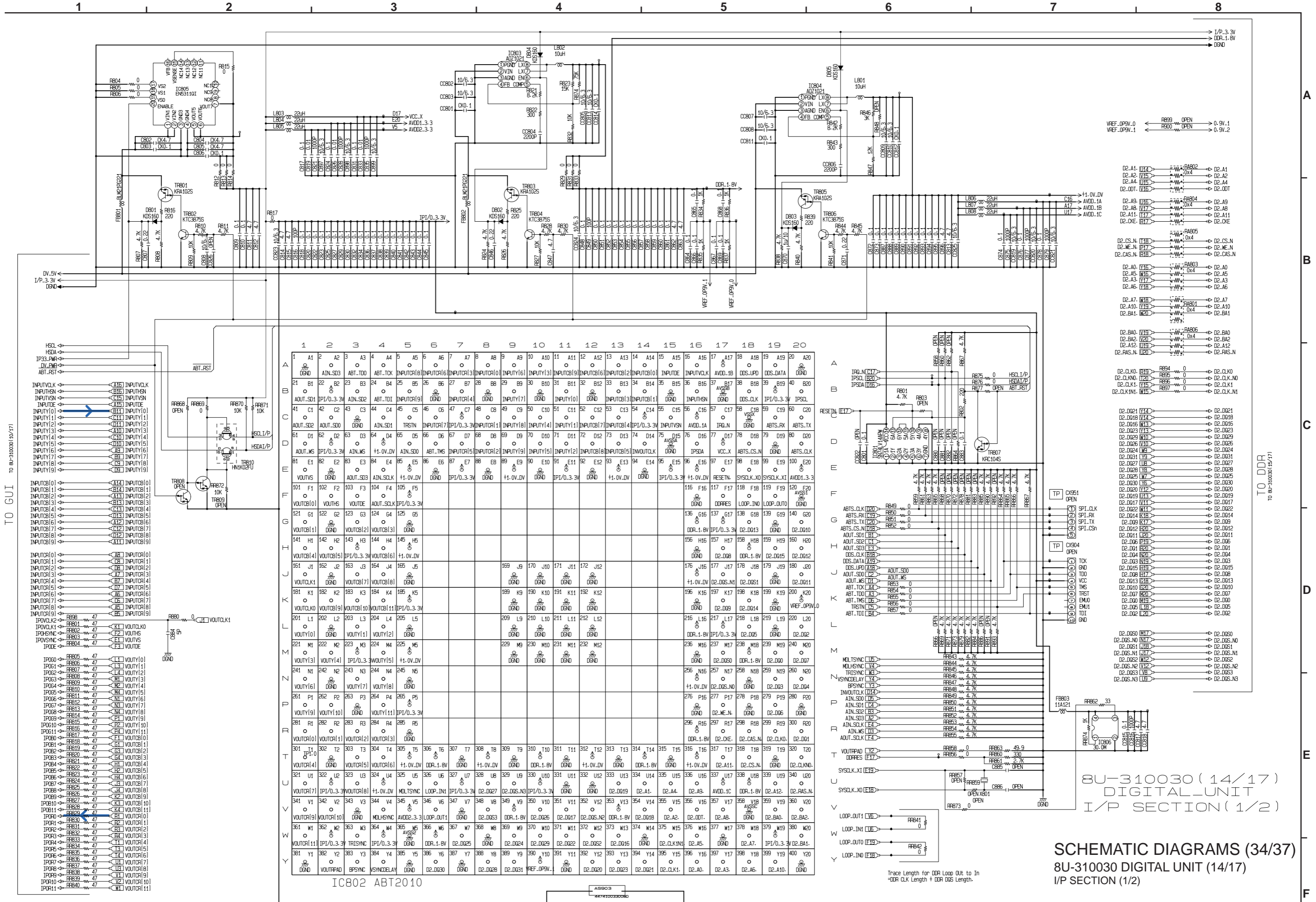
TO DIGITAL CONNECT
TO 8U-310030(17/17)

8U-310030 (13/17)
DIGITAL UNIT
V. CONVERT SECTION

- Digital Video SIGNAL LINE
- COMPONENT-Y SIGNAL LINE
- S-Video-Y SIGNAL LINE

SCHEMATIC DIAGRAMS (33/37)
8U-310030 DIGITAL UNIT (13/17)
V.CONVERT SECTION

TO SUBCPU
TO 8U-310030(16/17)



TO GUI
TO 8U-310030 (10/17)

TO DDR
TO 8U-310030 (15/17)

1 2 3 4 5 6 7 8

A B C D E F

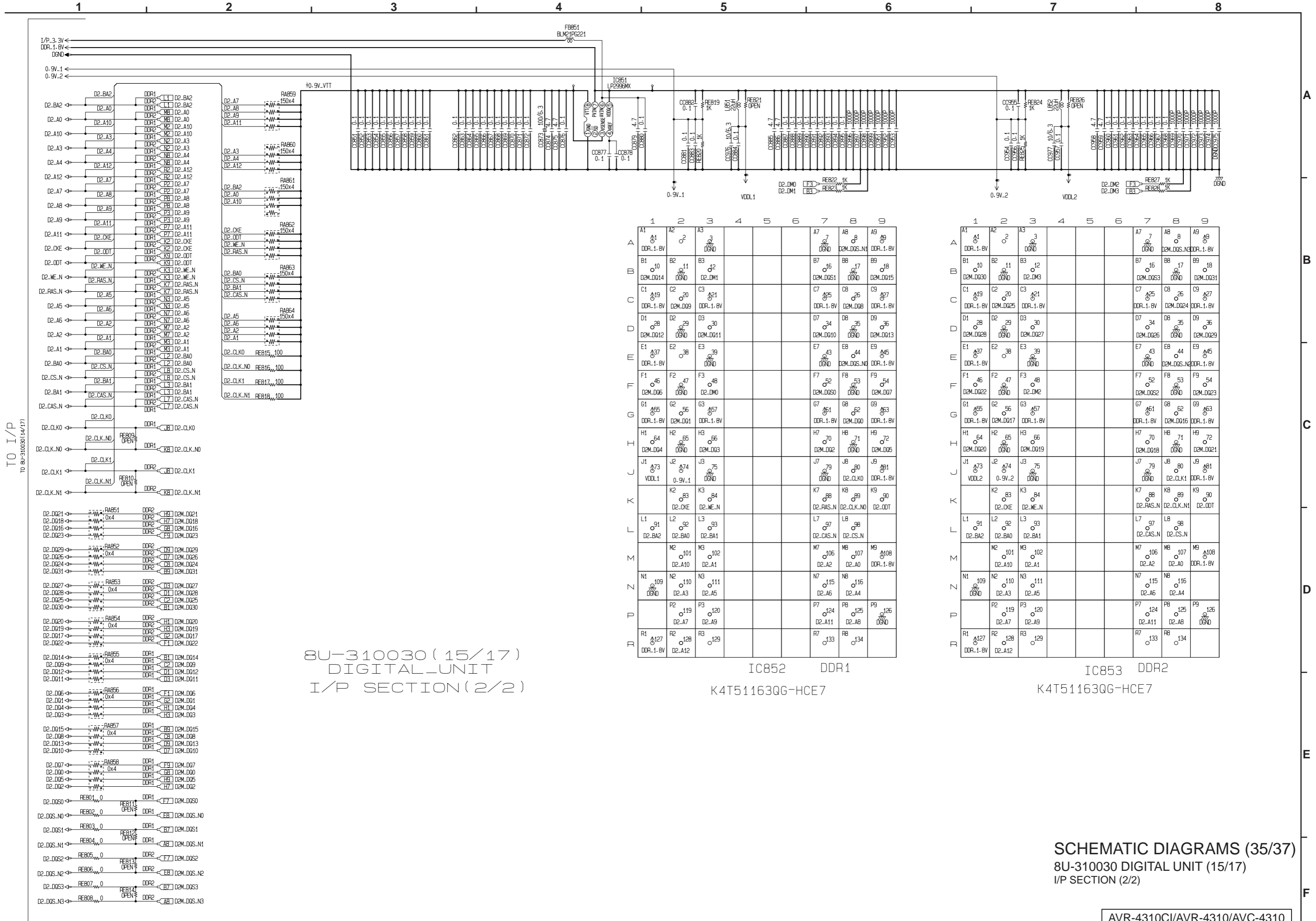
IC802 ABT2010

SCHEMATIC DIAGRAMS (34/37)
8U-310030 DIGITAL UNIT (14/17)
I/P SECTION (1/2)

Trace Length for DDR Loop Out to In
 =DDR CLK Length + DDR DQS Length.

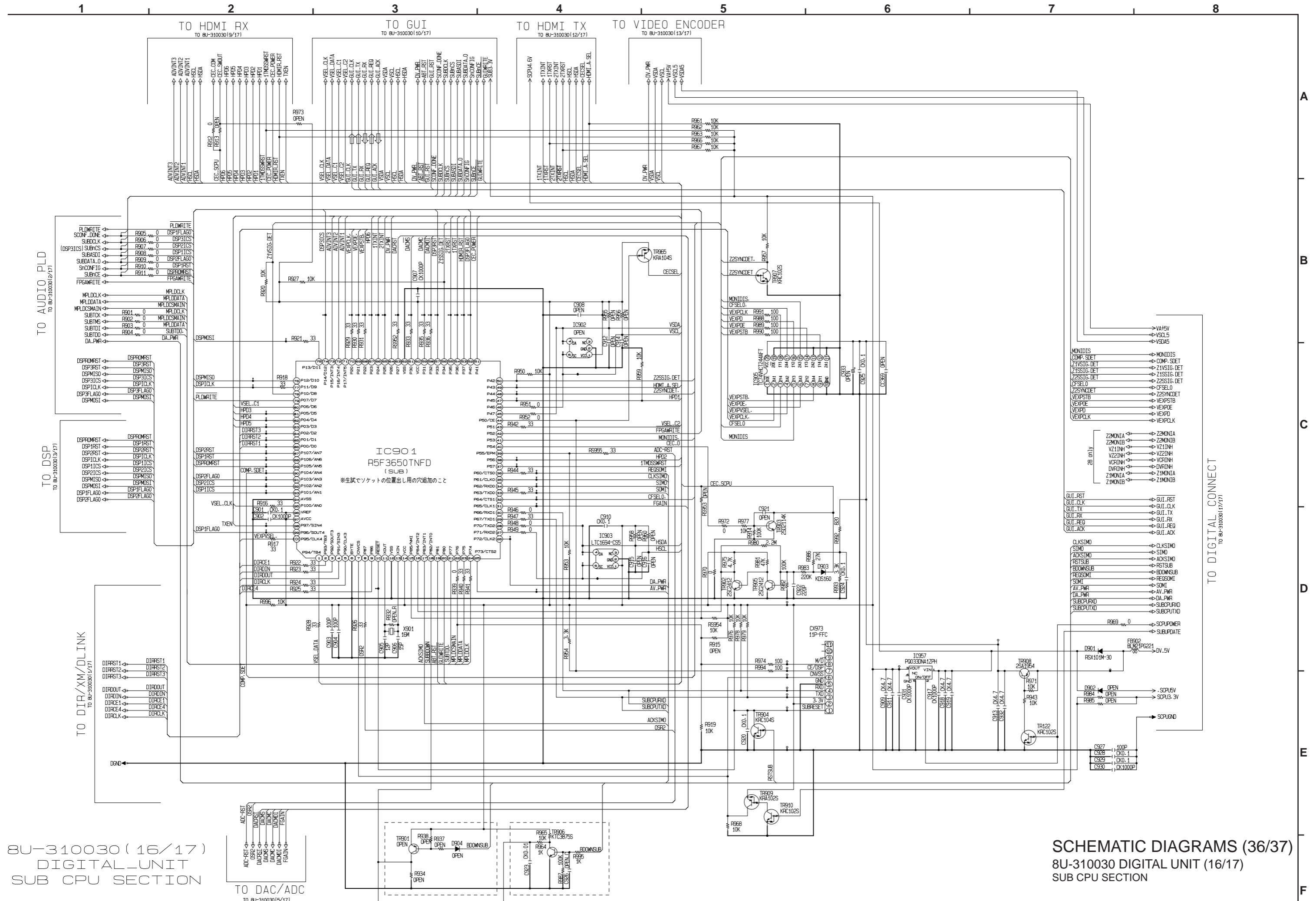
Digital Video SIGNAL LINE

AVR-4310C/AVR-4310/AVC-4310



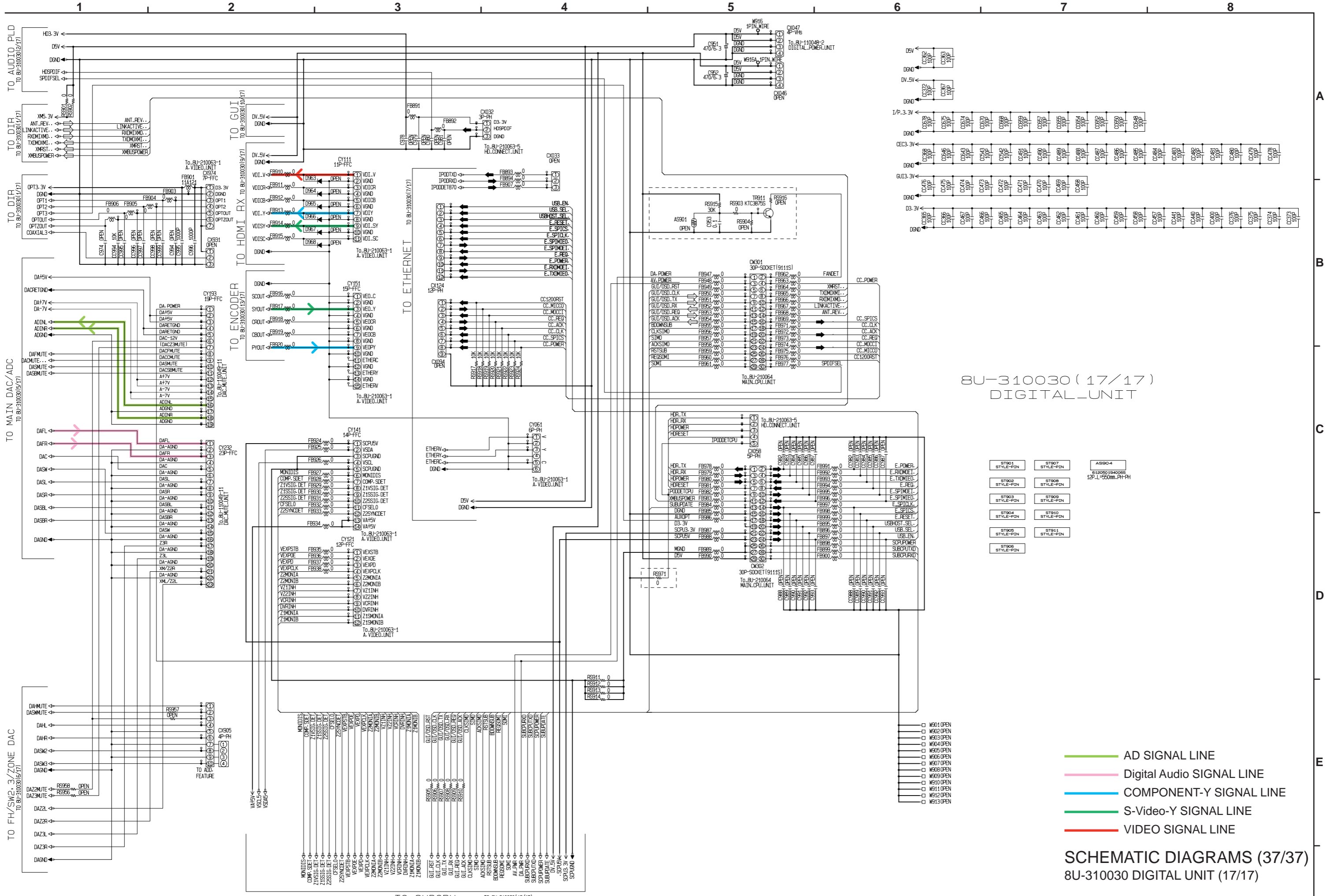
TO I/P
TO BU-310030(14/17)

SCHEMATIC DIAGRAMS (35/37)
8U-310030 DIGITAL UNIT (15/17)
I/P SECTION (2/2)



BU-310030 (16/17)
DIGITAL UNIT
SUB CPU SECTION

SCHEMATIC DIAGRAMS (36/37)
8U-310030 DIGITAL UNIT (16/17)
SUB CPU SECTION



SCHEMATIC DIAGRAMS (37/37)
8U-310030 DIGITAL UNIT (17/17)