

SERVICE MANUAL

MODEL	JP	EU	EC	E2	EK	E2A	E1C	EUT
AVR-4810CI		✓	✓					
AVR-4810 [△]				[△] ✓				

AV SURROUND RECEIVER

• For purposes of improvement, specifications and design are subject to change without notice.

• Please use this service manual with referring to the operating instructions without fail.

• Some illustrations using in this service manual are slightly different from the actual set.

DENON

D&M Holdings Inc.

SAFETY PRECAUTIONS

The following check should be performed for the continued protection of the customer and service technician.

LEAKAGE CURRENT CHECK

Before returning the unit to the customer, make sure you make either (1) a leakage current check or (2) a line to chassis resistance check. If the leakage current exceeds 0.5 milliamps, or if the resistance from chassis to either side of the power cord is less than 460 kohms, the unit is defective.

CAUTION

Please heed the points listed below during servicing and inspection.

⦿ Heed the cautions!

Spots requiring particular attention when servicing, such as the cabinet, parts, chassis, etc., have cautions indicated on labels. Be sure to heed these cautions and the cautions indicated in the handling instructions.

⦿ Caution concerning electric shock!

- (1) An AC voltage is impressed on this set, so touching internal metal parts when the set is energized could cause electric shock. Take care to avoid electric shock, by for example using an isolating transformer and gloves when servicing while the set is energized, unplugging the power cord when replacing parts, etc.
- (2) There are high voltage parts inside. Handle with extra care when the set is energized.

⦿ Caution concerning disassembly and assembly!

Through great care is taken when manufacturing parts from sheet metal, there may in some rare cases be burrs on the edges of parts which could cause injury if fingers are moved across them. Use gloves to protect your hands.

⦿ Only use designated parts!

The set's parts have specific safety properties (fire resistance, voltage resistance, etc.). For replacement parts, be sure to use parts which have the same properties. In particular, for the important safety parts that are marked \triangle on wiring diagrams and parts lists, be sure to use the designated parts.

⦿ Be sure to mount parts and arrange the wires as they were originally!

For safety reasons, some parts use tape, tubes or other insulating materials, and some parts are mounted away from the surface of printed circuit boards. Care is also taken with the positions of the wires and clamps are used to keep wires away from heating and high voltage parts, so be sure to set everything back as it was originally.

⦿ Inspect for safety after servicing!

Check that all screws, parts and wires removed or disconnected for servicing have been put back in their original positions, inspect that no parts around the area that has been serviced have been negatively affected, conduct an insulation check on the external metal connectors and between the blades of the power plug, and otherwise check that safety is ensured.

(Insulation check procedure)

Unplug the power cord from the power outlet, disconnect the antenna, plugs, etc., and turn the power switch on. Using a 500V insulation resistance tester, check that the inplug and the externally exposed metal parts (antenna terminal, headphones terminal, input terminal, etc.) is 1M Ω or greater. If it is less, the set must be inspected and repaired.

CAUTION

Concerning important safety parts

Many of the electric and structural parts used in the set have special safety properties. In most cases these properties are difficult to distinguish by sight, and using replacement parts with higher ratings (rated power and withstand voltage) does not necessarily guarantee that safety performance will be preserved. Parts with safety properties are indicated as shown below on the wiring diagrams and parts lists in this service manual. Be sure to replace them with parts with the designated part number.

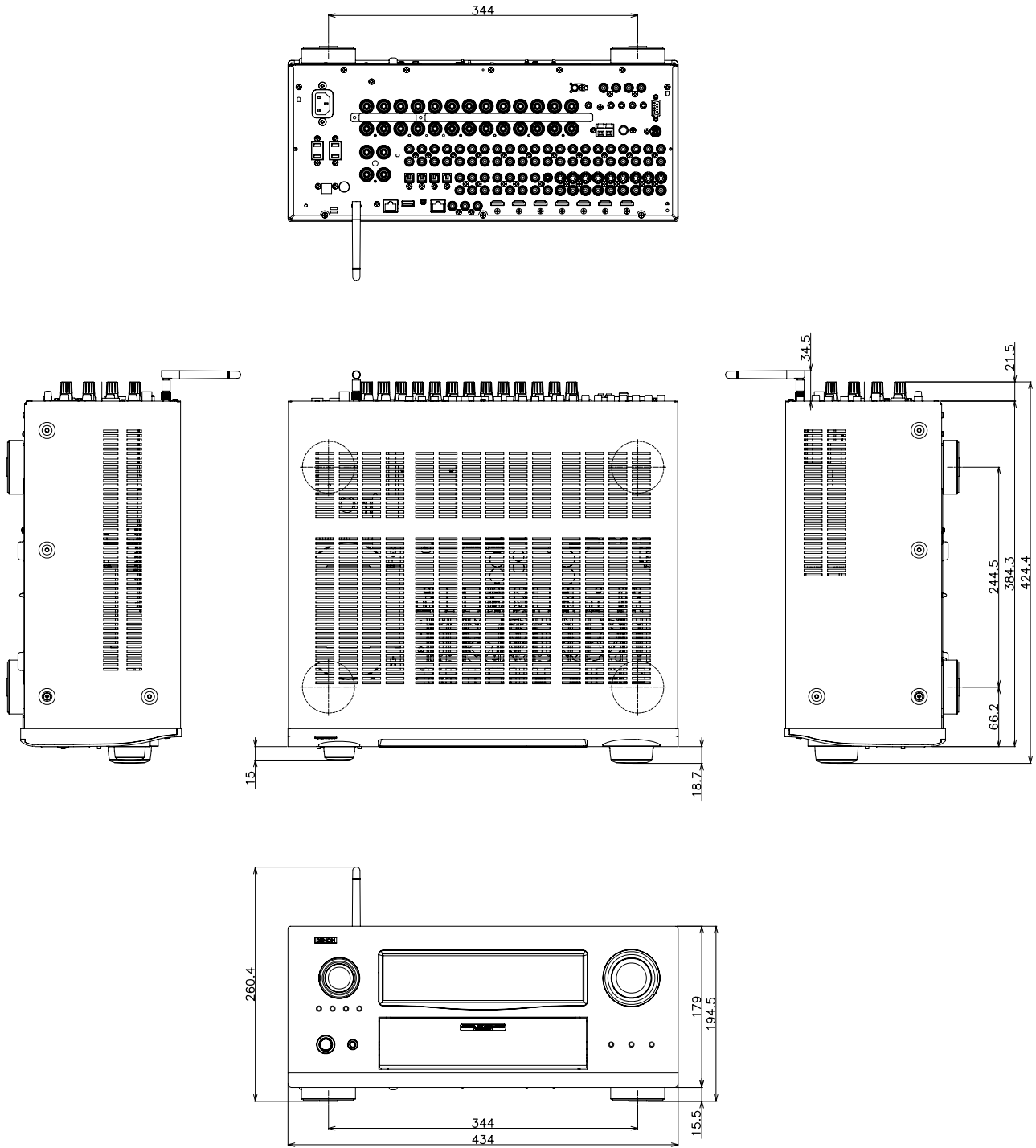
(1) Schematic diagrams Indicated by the \triangle mark.

(2) Parts lists Indicated by the \triangle mark.

Using parts other than the designated parts could result in electric shock, fires or other dangerous situations.

DIMENSION

AVR-4810CI/AVR-4810

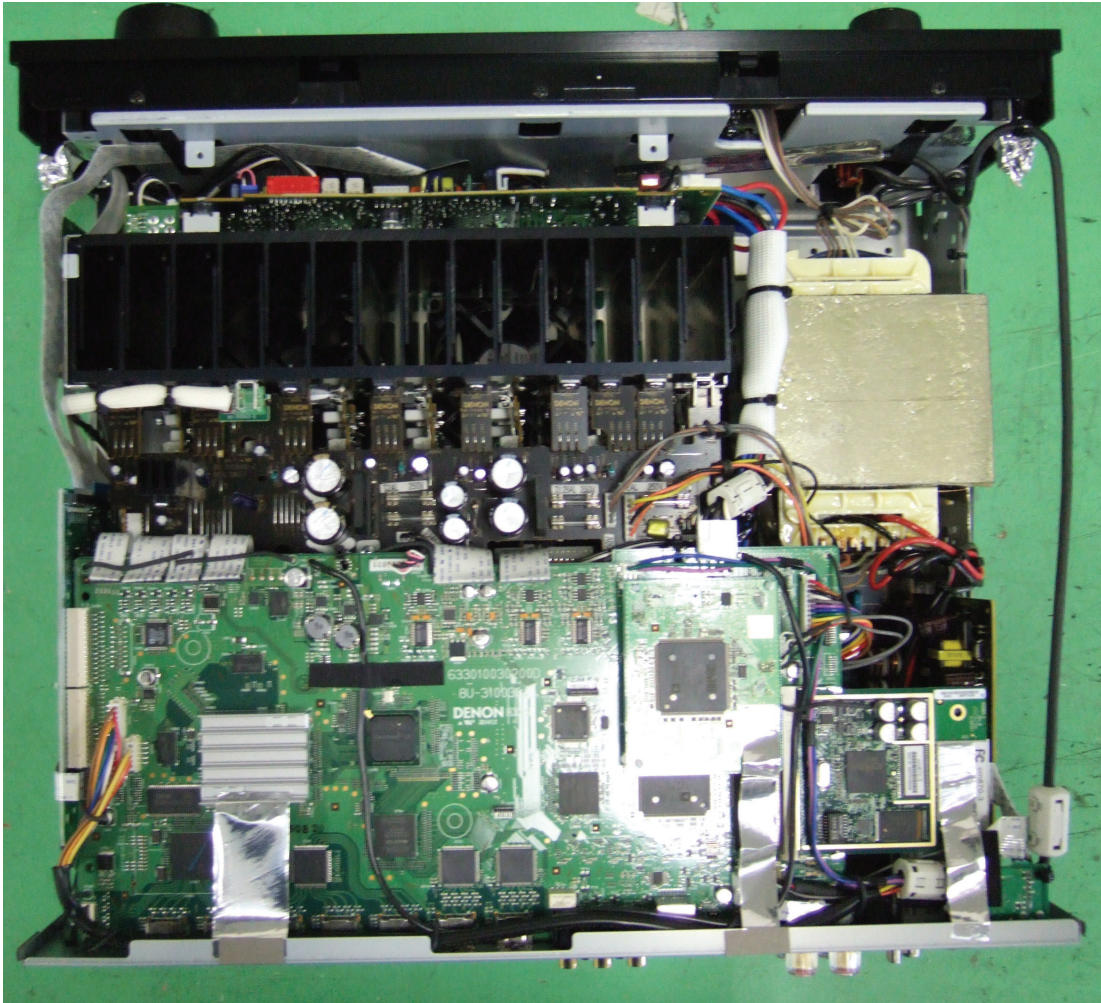


WIRE ARRANGEMENT

If wire bundles are untied or moved to perform adjustment or parts replacement etc., be sure to rearrange them neatly as they were originally bundled or placed afterward.
Otherwise, incorrect arrangement can be a cause of noise generation.

Wire arrangement viewed from the top

Front Panel side



Back Panel side

CAUTION IN SERVICING

Before the Digital P.W.B. are replaced

If you cannot specify the cause of the digital PWB defect, carry out "Initializing" → "Update to latest firmware".
The defect may be cleared.

- See the following for the method of initializing the μ com.

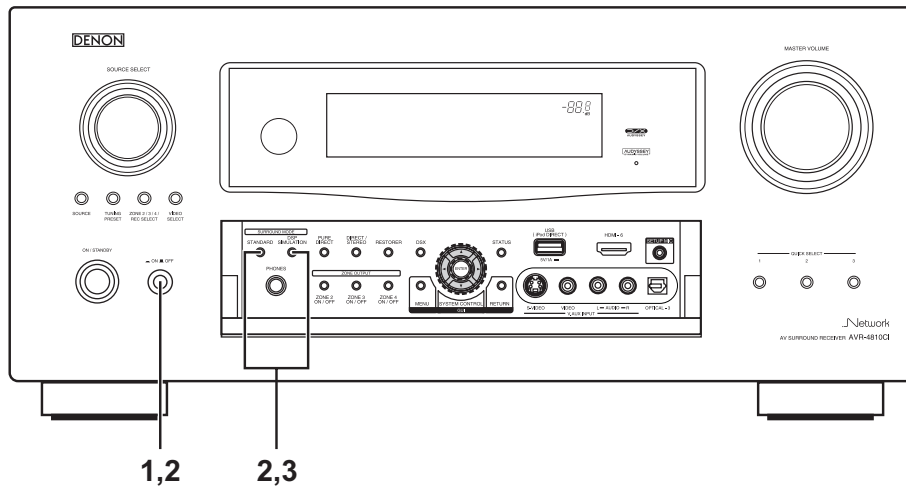
Initializing AV SURROUND RECEIVER

AV SURROUND RECEIVER initialization should be performed when the μ com, peripheral parts of μ com, and Digital P.W.B. are replaced.

1. Switch off the unit.
2. Hold the following STANDARD button and DSP SIMULATION button, and switch on the unit.
3. Check that the entire display is flashing with an interval of about 1 second, and release your fingers from the 2 buttons and the microprocessor will be initialized.

Note: • If step 3 does not work, start over from step 1.

- All user settings will be lost and this factory setting will be recovered when this initialization mode. So make sure to memorize your setting for restoring after the initialization.



JIG to use for servicing

When you repair the printing board, you can use the following JIG. Please order to Denon Official Service Distributor in your region if necessary.

Extension cable kit

- 00D SPK- 561 EXTENSION UNIT KIT : 1 Set
- 00D SPK- 562 TUCP CONN. JOINT KIT : 1 Set

Extention cable for Idling Current

Parts Number for Extension Cables and Quantity of Unit.

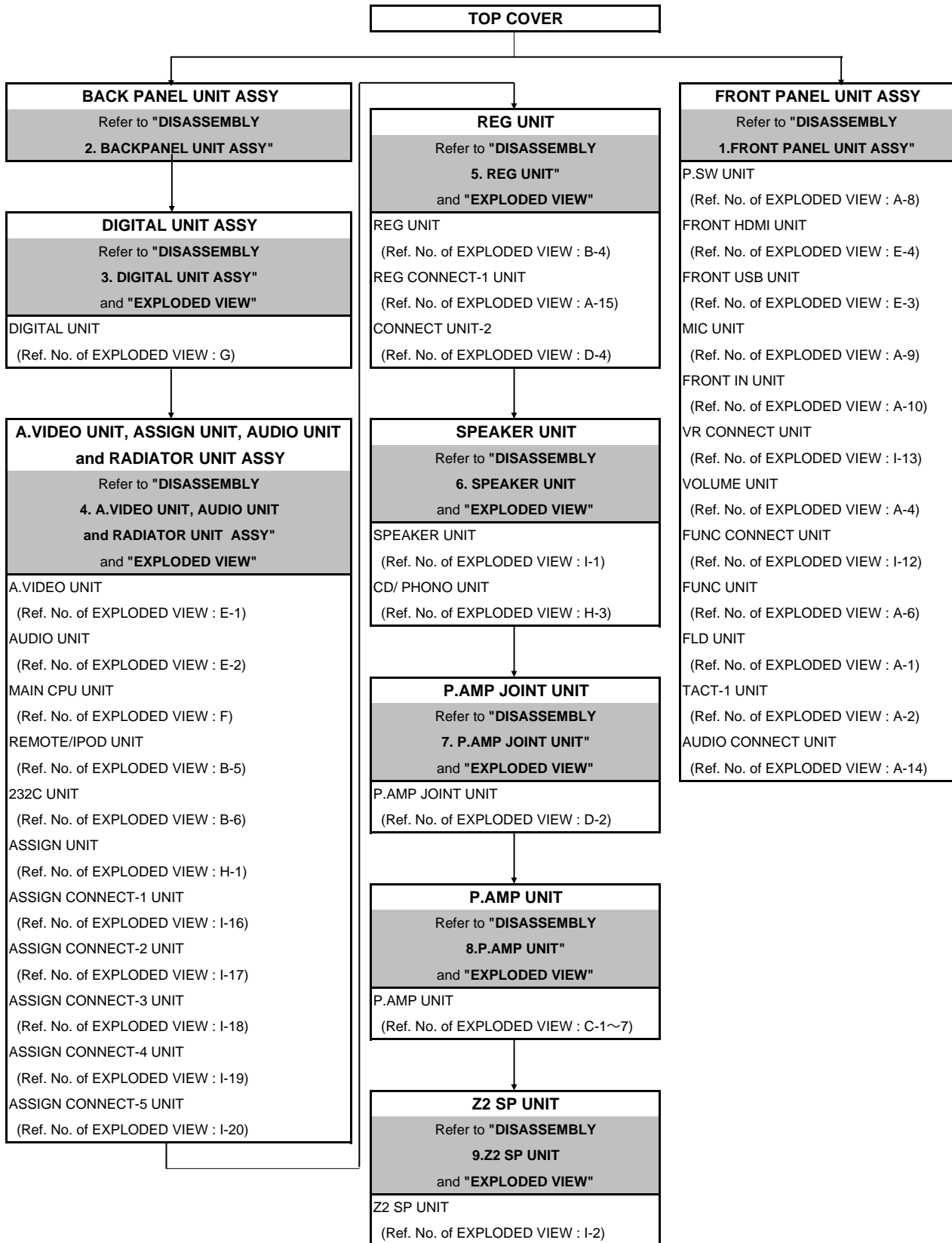
Parts Number	Parts Name	Q'ty / unit	Remarks
612050082004D	6P 250mm NH	1	L=250mm 6P NH Cable
612050083007D	8P 250mm NH	1	L=250mm 8P NH Cable

How to use and Adjust Idle Current.

1. The thin and hard plate (ex. Ruler) is fixed with the tape behind the cable.
2. The voltmeter is connected with the other side of the extension cable.
3. Refer to ADJUSTMENT (Idling Current).

DISASSEMBLY

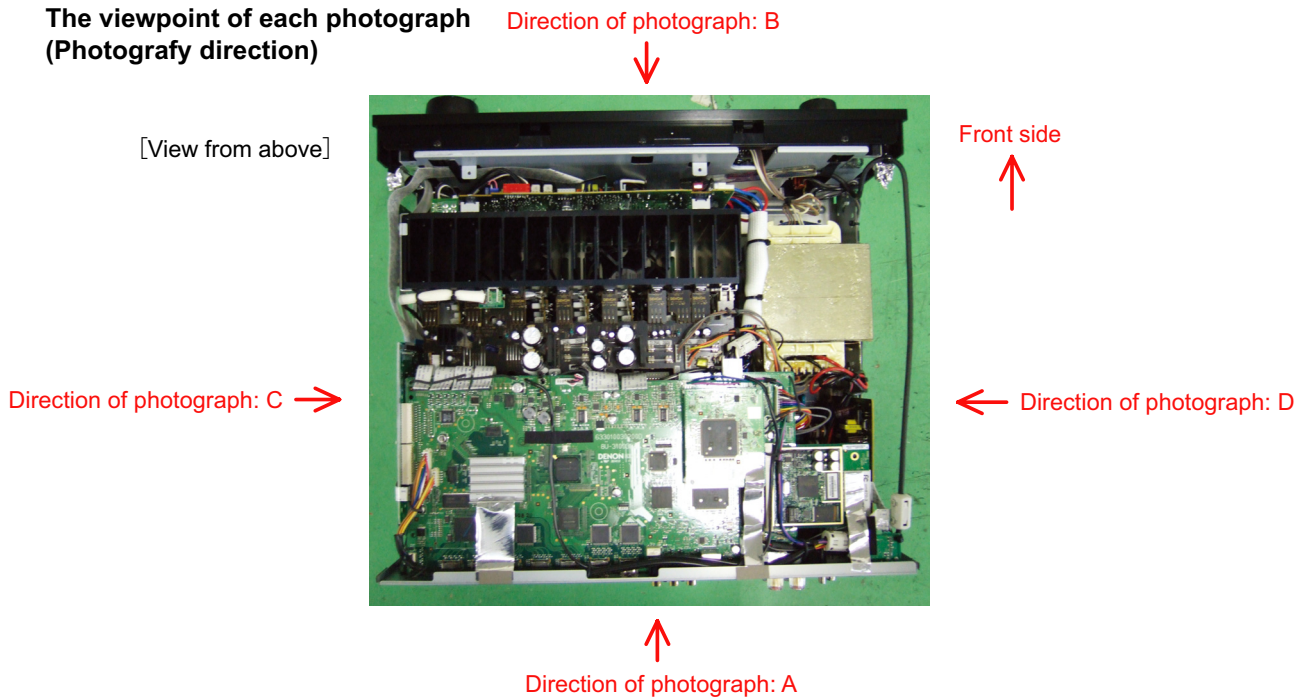
- Disassemble in order of the arrow of the figure of following flow.
- In the case of the re-assembling, assemble it in order of the reverse of the following flow.
- In the case of the re-assembling, observe "attention of assembling" it.



About the photos used for descriptions in the “DISASSEMBLY” section.

- The direction from which the photographs used herein were photographed is indicated at "Direction of photograph: ****" at the left of the respective photographs.
- Refer to the table below for a description of the direction in which the photos were taken.
- Photographs for which no direction is indicated were taken from above the product.
- The photograph is AVR-4810CI.

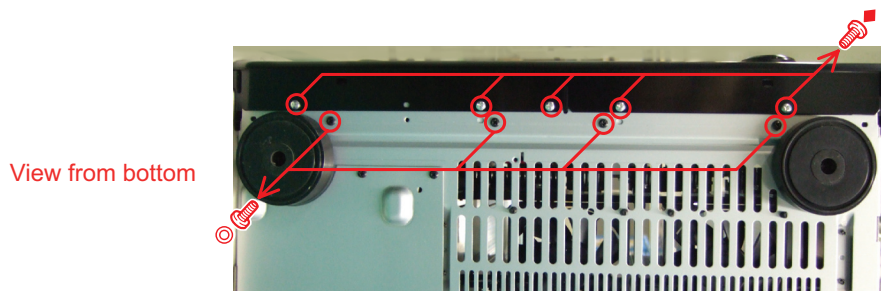
**The viewpoint of each photograph
(Photografy direction)**



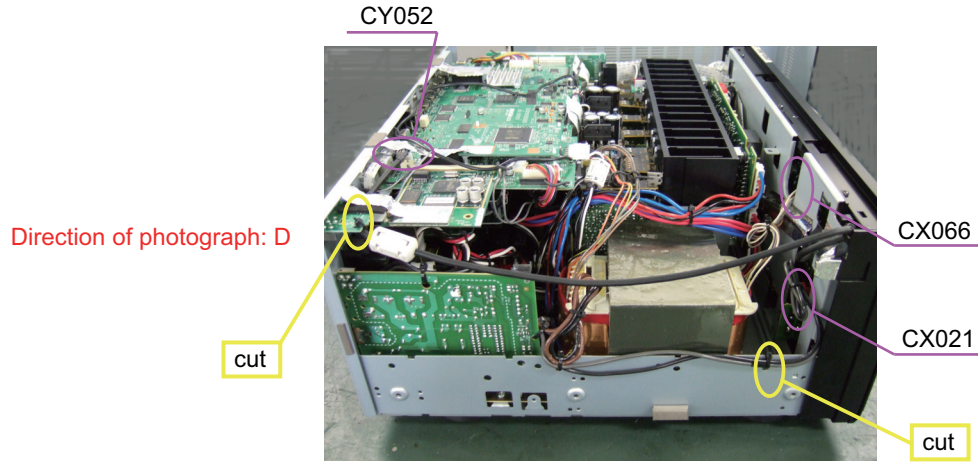
1. FRONT PANEL UNIT ASSY

Proceeding : **TOP COVER** → **FRONT PANEL UNIT ASSY**

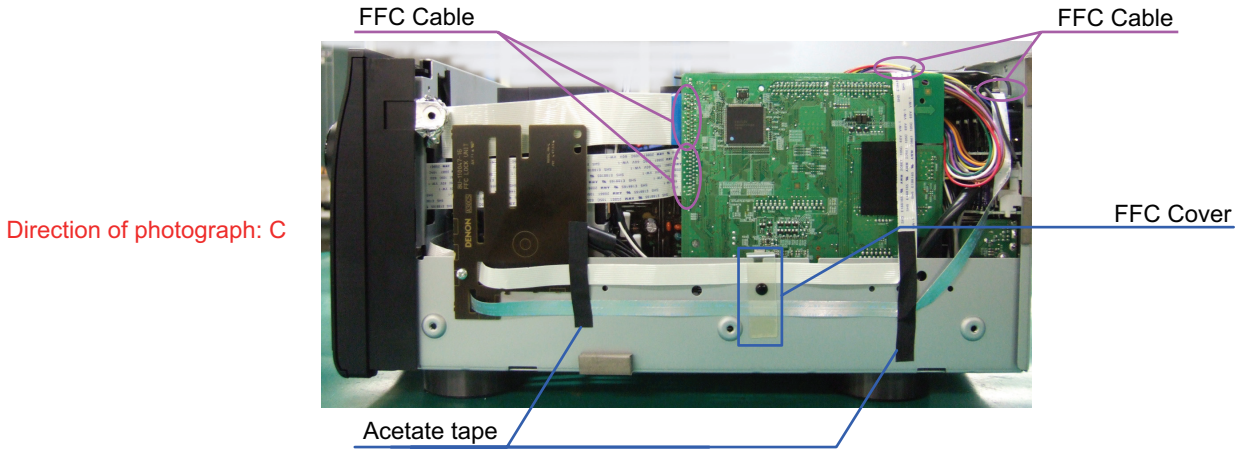
- (1) Remove the screws.



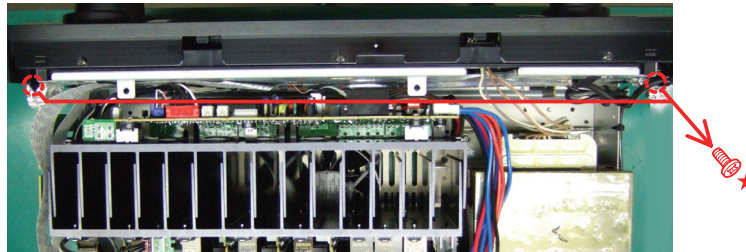
(2) Cut the wire clampers then disconnect the connector wires.



(3) Remove the FFC cover and acetate tapes. Disconnect the FFC Cables.



(4) Remove the screws.

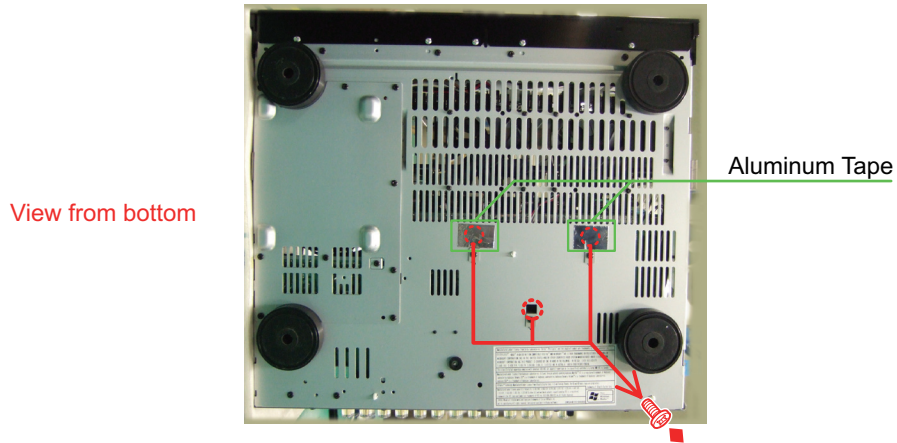


Please refer to "**EXPLODED VIEW**" for the disassembly method of each P.W.B included in FRONT PANEL ASSY.

2. BACK PANEL UNIT ASSY

Proceeding : **TOP COVER** → **BACK PANEL UNIT ASSY**

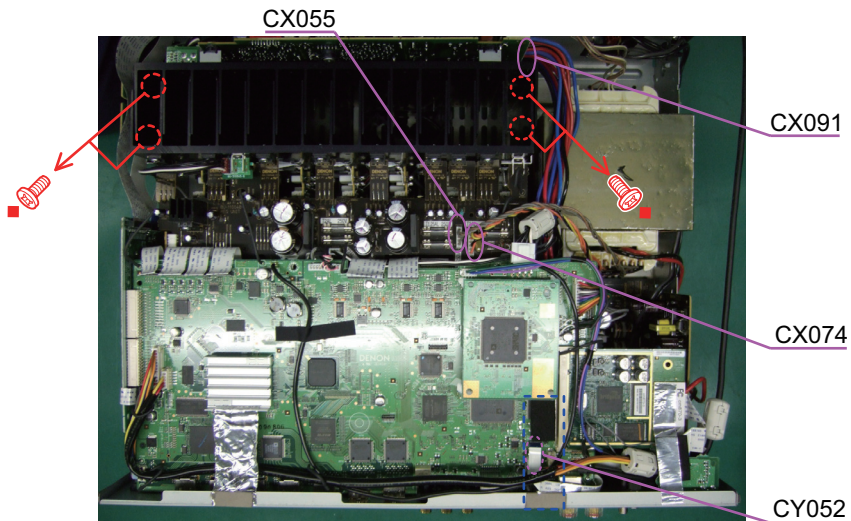
- (1) Remove the Aluminum Tape, then remove the screws.



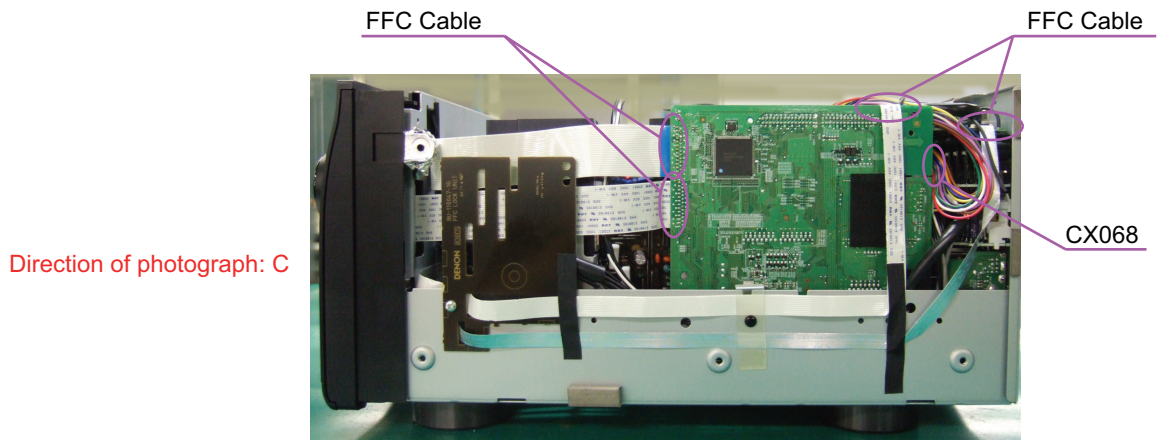
- (2) Remove the screws.



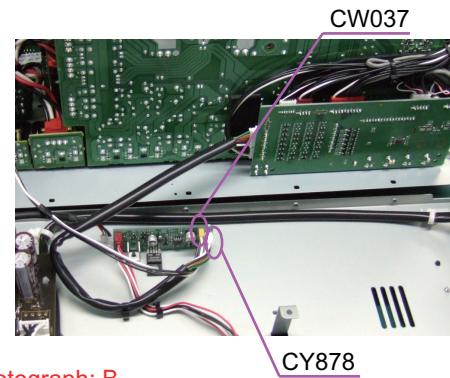
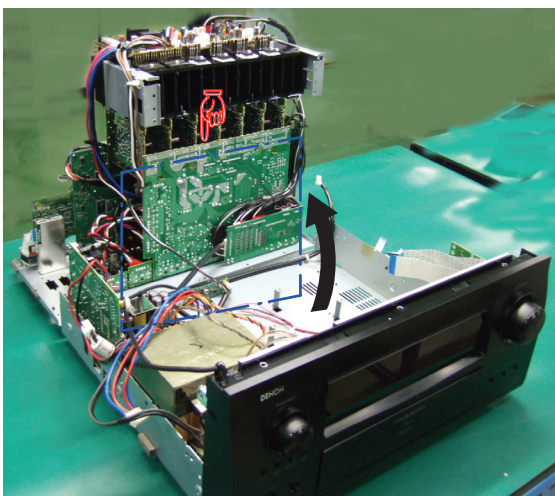
- (3) Disconnect the connector wires, then remove the screws.



(4) Disconnect the connector wire and FFC Cable.



(5) Disconnect the connector wire.

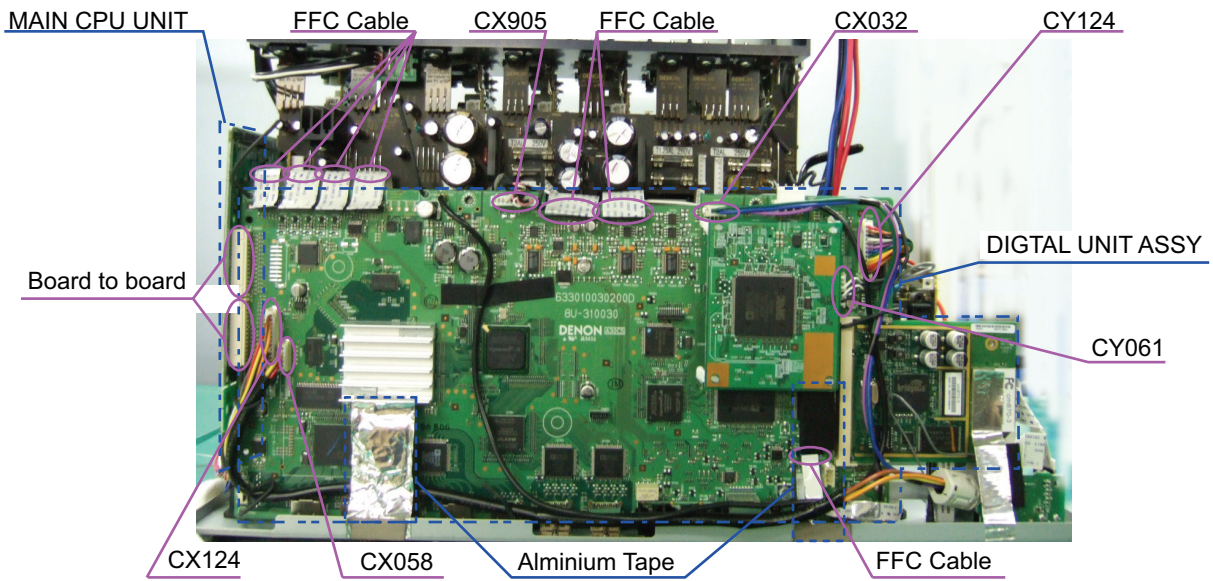


Direction of photograph: B

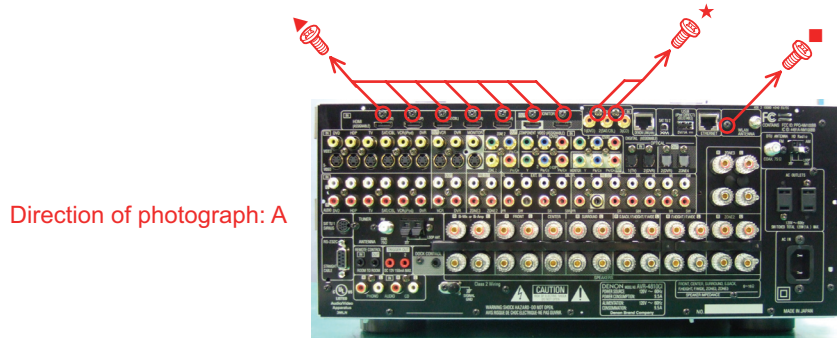
3. DIGITAL UNIT ASSY

Proceeding : **TOP COVER** → **BACK PANEL UNIT ASSY** → **DIGITAL UNIT ASSY**

(1) Remove the aluminium tape. Disconnect the connector wire, FFC Cables, and board to board.



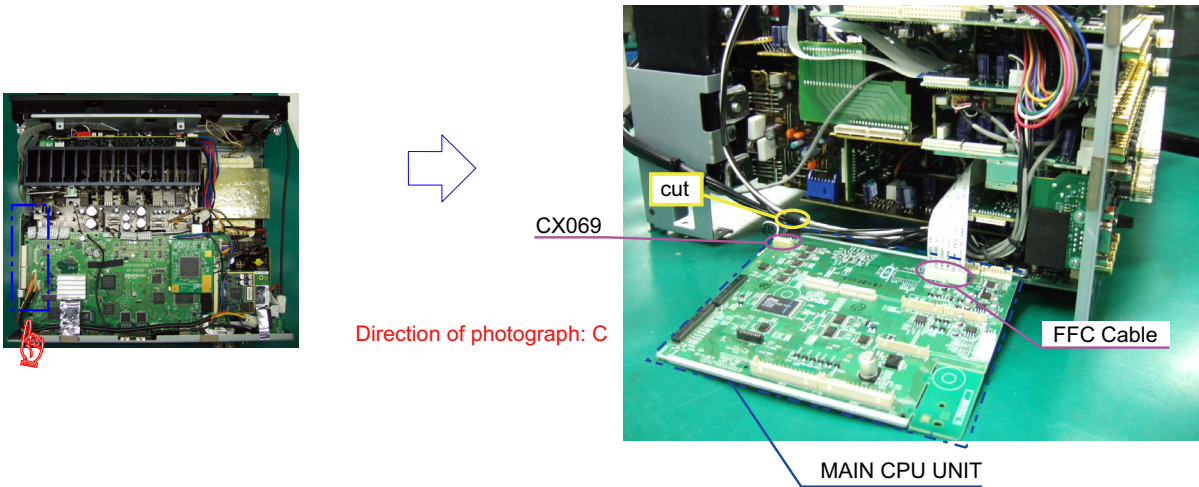
(2) Remove the screws.



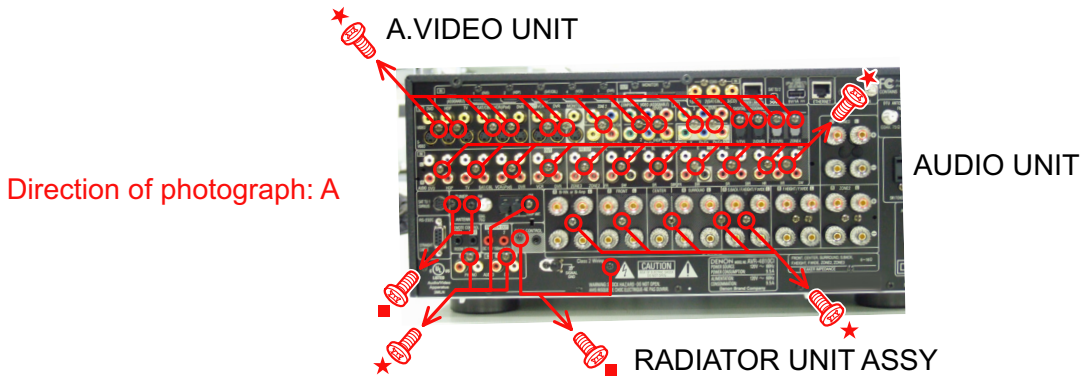
4. A.VIDEO UNIT, ASSIGN UNIT, AUDIO UNIT and RADIATOR UNIT ASSY

Proceeding : **TOP COVER** → **BACK PANEL UNIT ASSY** → **DIGITAL UNIT ASSY**
 → **A.VIDEO UNIT, ASSIGN UNIT, AUDIO UNIT and RADIATOR UNIT ASSY**

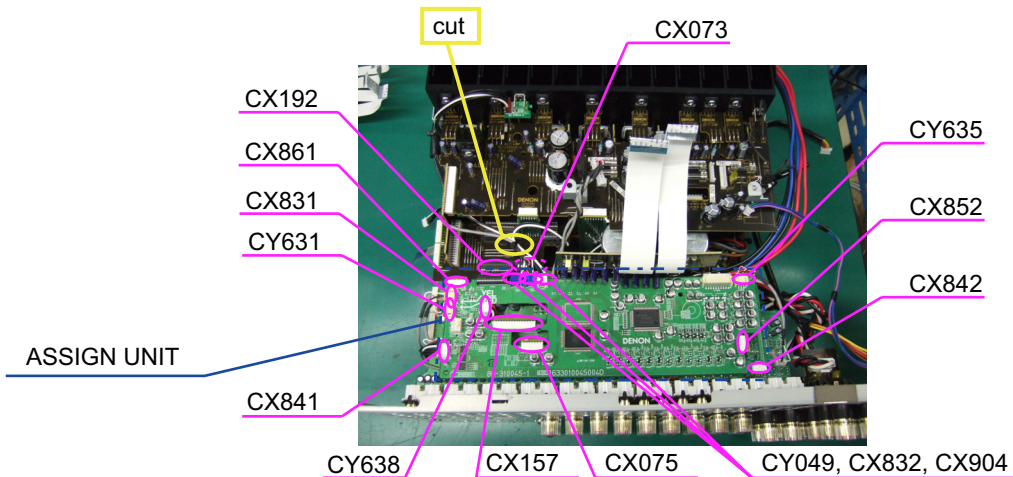
(1) Disconnect the board to board. Cut the wire clammer, then disconnect the connector wire.



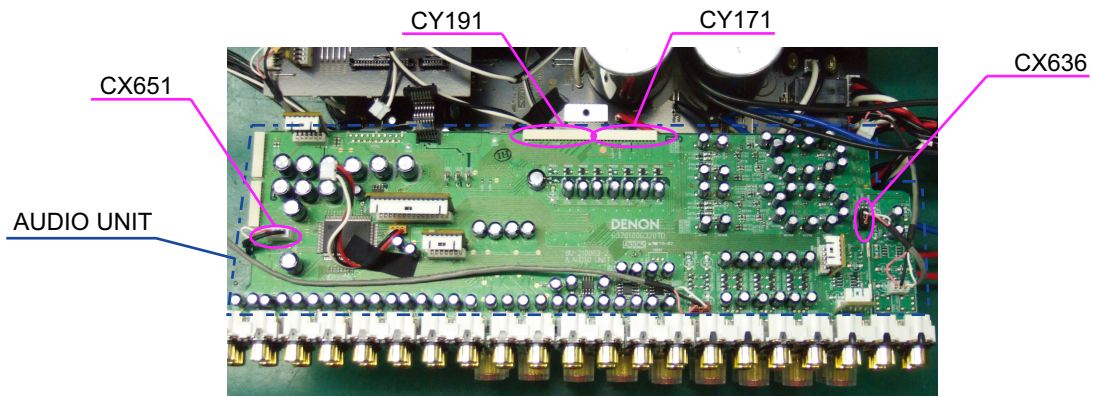
(2) Remove the screws.



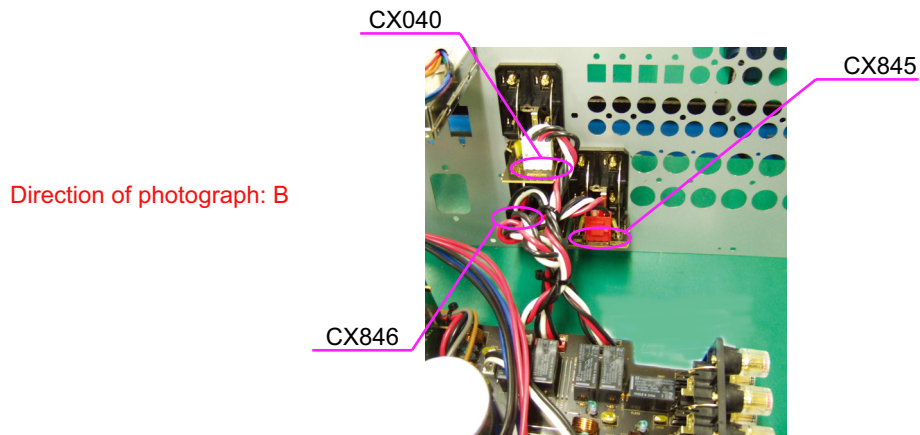
(3) Disconnect the connector wires.



(4) Disconnect the connector wires.



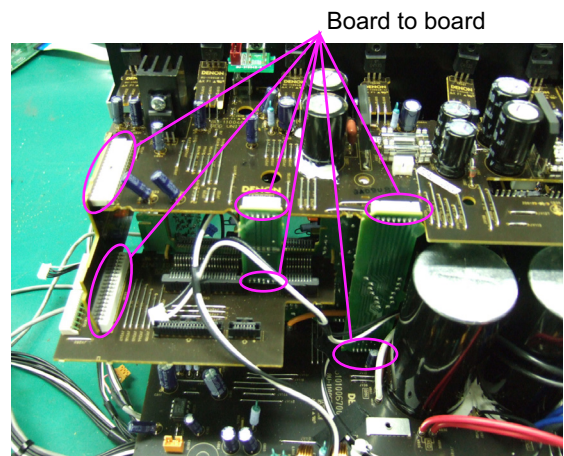
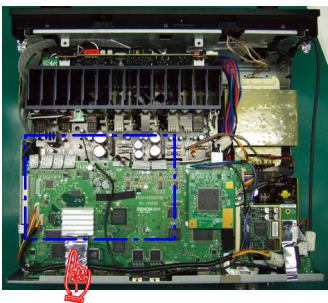
(5) Disconnect the connector wires.



5. REG UNIT

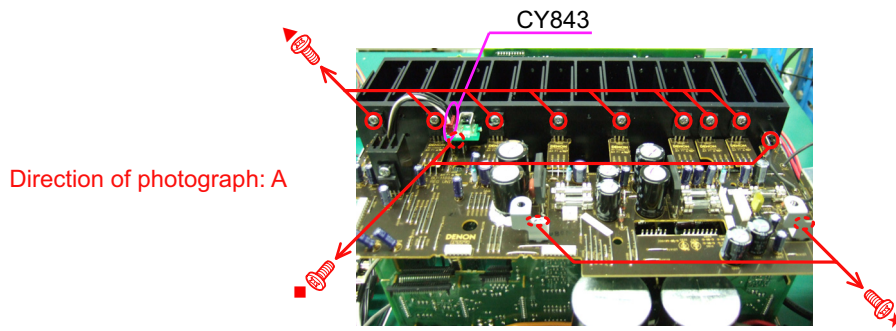
Proceeding : **TOP COVER** → **BACK PANEL UNIT ASSY** → **DIGITAL UNIT ASSY**
 → **A.VIDEO UNIT, ASSIGN UNIT, AUDIO UNIT and RADIATOR UNIT ASSY**
 → **REG UNIT**

(1) Disconnect the board to board.



Direction of photograph: A

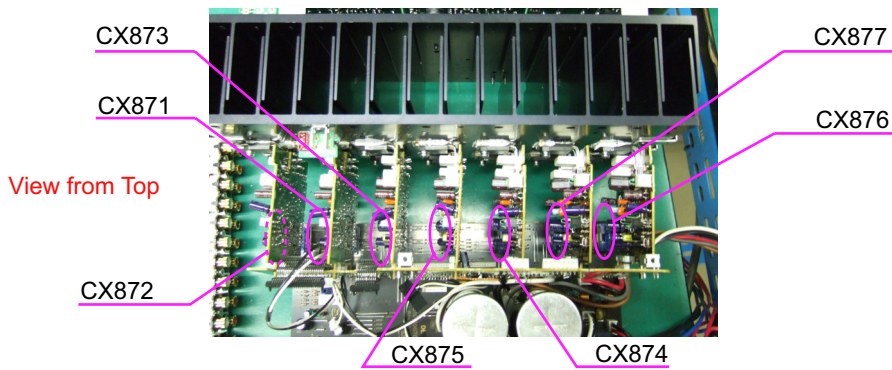
(2) Remove the screws and disconnect the connector.



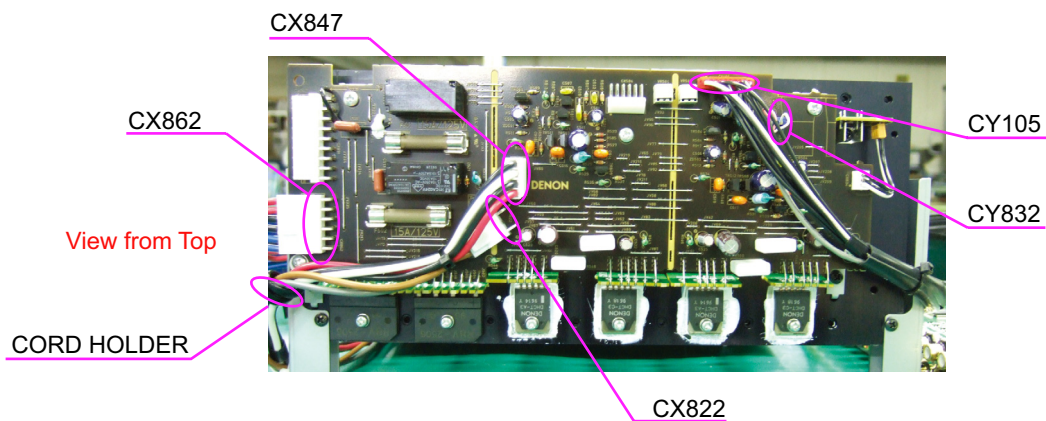
6. AMP UNIT

Proceeding : **TOP COVER** → **BACK PANEL UNIT ASSY** → **DIGITAL UNIT ASSY**
 → **A.VIDEO UNIT, ASSIGN UNIT, AUDIO UNIT and RADIATOR UNIT ASSY**
 → **REG UNIT** → **AMP UNIT**

(1) Disconnect the connector wires.



(2) Disconnect the connector wires and CORD HOLDER.

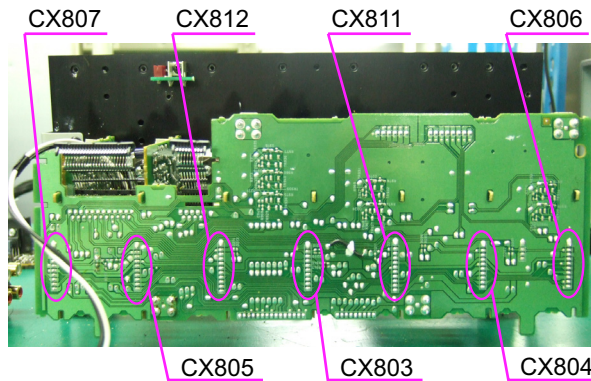


7. P.AMP JOINT UNIT

Proceeding : **TOP COVER** → **BACK PANEL UNIT ASSY** → **DIGITAL UNIT ASSY**
→ **A.VIDEO UNIT, ASSIGN UNIT, AUDIO UNIT and RADIATOR UNIT ASSY**
→ **REG UNIT** → **AMP UNIT** → **P.AMP JOINT UNIT**

(1) Disconnect the connector.

Direction of photograph: A

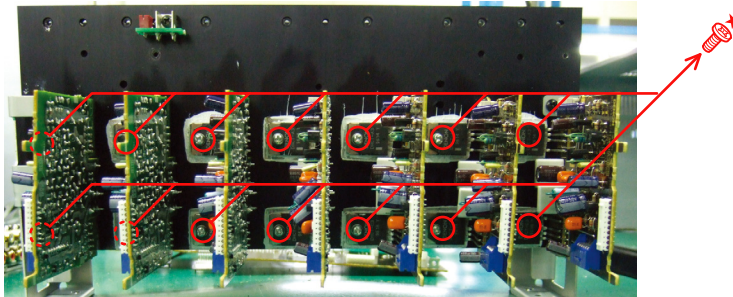


8. P.AMP UNIT

Proceeding : **TOP COVER** → **BACK PANEL UNIT ASSY** → **DIGITAL UNIT ASSY**
→ **A.VIDEO UNIT, ASSIGN UNIT, AUDIO UNIT and RADIATOR UNIT ASSY**
→ **REG UNIT** → **AMP UNIT** → **P.AMP JOINT UNIT** → **P.AMP UNIT**

(1) Remove the screws.

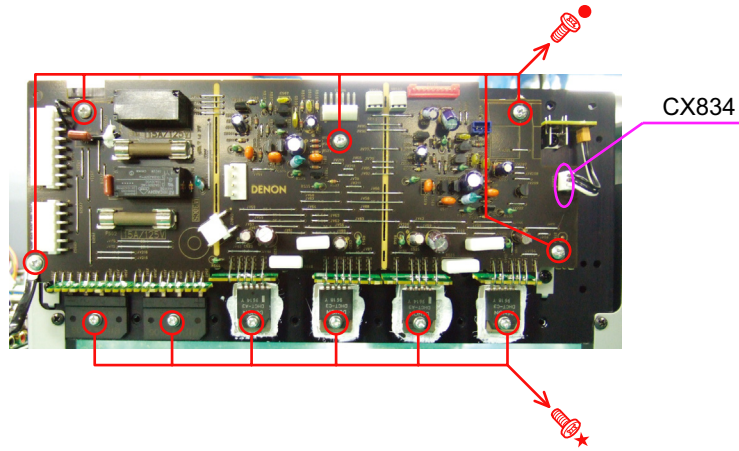
Direction of photograph: B



9. Z2 SP UNIT

Proceeding : **TOP COVER** → **BACK PANEL UNIT ASSY** → **DIGITAL UNIT ASSY**
→ **A.VIDEO UNIT, ASSIGN UNIT, AUDIO UNIT and RADIATOR UNIT ASSY**
→ **REG UNIT** → **AMP UNIT** → **P.AMP JOINT UNIT** → **P.AMP UNIT**
→ **Z2 SP UNIT**


(1) Remove the screws and disconnect the connector wire.

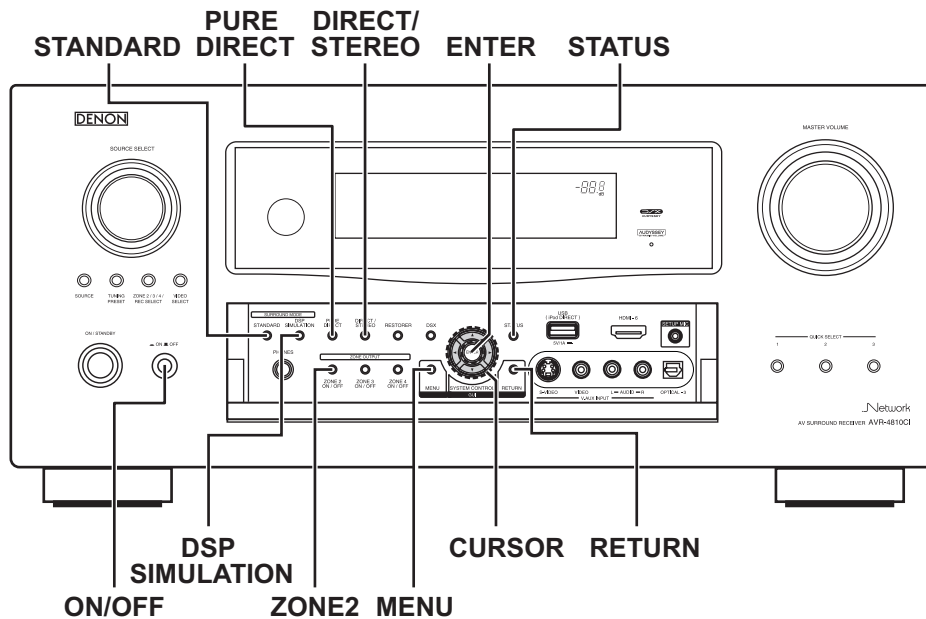


SPECIAL MODE

Special mode setting button

※ Press the ON/OFF button to turn on while pressing both buttons A and B at the same time.

Mode	Button A	Button B	contents
Version display (µcom/DSP Error Display)	STATUS	RETURN	Serial No. and firmware versions such as Main, Sub, DSP are displayed in the FL manager. Errors are displayed when they occur. (Refer to 16 page.)
Displaying the protection history mode	STATUS	MENU	Displaying the protection history (Refer to 18 page.)
Initialization mode (Remove settings for Installer Setup.)	STANDARD	DSP SIMULATION	Backup data initialization is carried out. (Remove settings for Installer Setup.)
Initialization mode (Includes settings for Installer Setup)	CURSOR UP	CURSOR DOWN	Backup data initialization is carried out. (Includes settings for Installer Setup)
Mode for switching tuner frequency step	STANDARD	DIRECT/STEREO	---E2 model only--- Change tuner frequency step to FM:200kHz/AM:10kHzSTE 
Mode for preventing remote control acceptance	STATUS	ENTER	Operations using remote control are rejected. (Mode cancellation: Turn off power and execute the same button operations as when performing setup.)
Panel lock mode	DSP SIMULATION	ZONE2	Operations using main unit panel buttons or master volume are rejected.
Panel lock mode (Remove Master volume)	DIRECT/STEREO	ZONE2	Operations using main unit panel buttons are rejected.
Cancellation of panel lock mode	PURE DIRECT	ZONE2	Panel lock mode is cancelled.
Installer Setup mode	MENU	CURSOR LEFT	Access Remote Maintenance mode via the internet. Installer Setup is displayed on GUI/Option Menu. ※ Refer to AVR_RemoteMaintenance_.pdf of SDI.



1. Version display (μcom/DSP Error Display)

1.1. Operation Spec

μcom version display mode:

When the following conditions are satisfied at its starting state, error information is displayed before version information.

Starting method (same as μcom version display):

Press the ON/OFF button to turn on while pressing both buttons STATUS and RETURN at the same time. ("Error information" is displayed after about 10 seconds.)

The FL display changes in the order given in item-1.2. each time you press the STATUS button.

1.2. Display Order

Error information(Refer to 1.3. Error display) →① Model destination information → ② Main-μcom /Main FLASH
 →③ Main1st Boot Loader /Sub-μcom →④ DSP1 /DSP2 →⑤ DSP3 →⑥ Audio FPGA/Video PLD →⑦ GUI FPGA Config
 →⑧ GUI Nios Program/GUI Serial Flash →⑨ ETHER(DM870) First BootLoader, HardwareID
 →⑩ ETHER(DM870) Second BootLoader, RhapsodyFlag →⑪ ETHER(DM870) IMAGE
 →⑫ ETHER(DM870) MAC ADDRESS information →⑬ HD RADIO SDK /HD RADIO DSP(E3 model only)
 →⑭ MultEQ Pro APP (Displayed when Audyssey Pro is complete)
 →⑮ MultEQ Pro ICL (Displayed when Audyssey Pro is complete)

No.	Display item	Display
①	Model destination	AVR4810E3
	Serial No.	S/N 904150001
②	Main-μcom	Main
	MainFLASH	Main ROM
③	Main 1st Boot Loder	Main FBL
	Sub-μcom	Sub
④	DSP 1	DSP1
	DSP 2	DSP2
⑤	DSP 3	DSP3
⑥	Audio FPGA	Audio FPGA
	Video PLD	Video PLD
⑦	GUI FPGA	GUI Config
⑧	GUI Nios	GUI PRG
	GUI Sflash Font	GUI DAT
⑨	DM870 1st Bootloader - Hard ID	Ether FBL
⑩	DM870 2nd Bootloader - Rhapsody Flag	Ether SBL
⑪	DM870 Image	Ether IMG
⑫	ETHER MAC ADDRESS	* Ethernet MAC
⑬	HD RADIO SDK	* HD SDK
	HD RADIO DSP	* HD DSP C0002.000
⑭	MultEQ Pro APP	* MultEQ Pro APP
⑮	MultEQ Pro ICL	* MultEQ Pro ICL

1.3. Error display

See the following table for each "Error information" display and its contents (status).
Display order is ①②③④⑤⑥⑦.

Condition	State	Display
① Sub- μ com NG	No response from Sub- μ com	"□SUB□□ERROR□01□□"
② DIR NG	No response from DIR	"□DIR□□ERROR□01□□"
③ DSP1 NG	When DSP boot, executing DSP reset makes no change to DSP1 FLAG0 port "H".	"□DSP1□ERROR□01□□"
	No change to DSP1 FLAG0 port "H" before issuing DSP command.	"□DSP1□ERROR□02□□"
	When DSP data read, executing WRITE="L" makes no change to ACK="H".	"□DSP1□ERROR□03□□"
	When DSP data read, executing REQ="L" makes no change to ACK="L".	"□DSP1□ERROR□04□□"
	When DSP data write, executing WRITE="H" makes no change to ACK="H".	"□DSP1□ERROR□05□□"
	When DSP data write, executing REQ="L" makes no change to ACK="L".	"□DSP1□ERROR□06□□"
	When DSP special code boot, executing DSP reset makes no change to DSP1 FLAG0 port "H".	"□DSP1□ERROR□11□□"
	No change to DSP1 FLAG0 port "H" before issuing DSP special read command.	"□DSP1□ERROR□12□□"
	No change to DSP1 FLAG0 port "H" before DSP version read.	"□DSP1□ERROR□13□□"
④ DSP2 NG	When DSP boot, executing DSP reset makes no change to DSP2 FLAG0 port "H".	"□DSP2□ERROR□01□□"
	No change to DSP2 FLAG0 port "H" before issuing DSP command.	"□DSP2□ERROR□02□□"
	When DSP data read, executing WRITE="L" makes no change to ACK="H".	"□DSP2□ERROR□03□□"
	When DSP data read, executing REQ="L" makes no change to ACK="L".	"□DSP2□ERROR□04□□"
	When DSP data write, executing WRITE="H" makes no change to ACK="H".	"□DSP2□ERROR□05□□"
	When DSP data write, executing REQ="L" makes no change to ACK="L".	"□DSP2□ERROR□06□□"
	When DSP special code boot, executing DSP reset makes no change to DSP2 FLAG0 port "H".	"□DSP2□ERROR□11□□"
	No change to DSP2 FLAG0 port "H" before issuing DSP special read command.	"□DSP2□ERROR□12□□"
	No change to DSP2 FLAG0 port "H" before DSP version read.	"□DSP2□ERROR□13□□"
⑤ DSP3 NG	When DSP boot, executing DSP reset makes no change to DSP3 FLAG0 port "H".	"□DSP3□ERROR□01□□"
	No change to DSP3 FLAG0 port "H" before issuing DSP command.	"□DSP3□ERROR□02□□"
	When DSP data read, executing WRITE="L" makes no change to ACK="H".	"□DSP3□ERROR□03□□"
	When DSP data read, executing REQ="L" makes no change to ACK="L".	"□DSP3□ERROR□04□□"
	When DSP data write, executing WRITE="H" makes no change to ACK="H".	"□DSP3□ERROR□05□□"
	When DSP data write, executing REQ="L" makes no change to ACK="L".	"□DSP3□ERROR□06□□"
	When DSP special code boot, executing DSP reset makes no change to DSP3 FLAG0 port "H".	"□DSP3□ERROR□11□□"
	No change to DSP3 FLAG0 port "H" before issuing DSP special read command.	"□DSP3□ERROR□12□□"
	No change to DSP3 FLAG0 port "H" before DSP version read.	"□DSP3□ERROR□13□□"
⑥ EEPROM NG	Error appeared in EEPROM checksum.(*** is a block address number.)	"□E2PROM□ERR***□□"
⑦ Both SUB/DSP /EEPROM OK		(No error display, version display only)

2. Displaying the protection history mode

2.1. Operation specifications

ERROR MODE(displaying the protection history)
When started up, the error information is displayed.

Starting up:

With the "MENU" and "STATUS" buttons pressed, press the "ON/OFF" button to turn the power on. The error (protection history display) mode is set.

Then, press the "STATUS" button to turn on the FL display.

2.2. About the display on the FL display

When the "STATUS" button is pressed after setting the error (protection history display) mode, a history like the one shown below is displayed, depending on the conditions.

(1) Normally (when there has been no protection incident)

```
PROTECT HISTORY
: NO PROTECT
```

(2) For ASO (when the last protection incident was ASO protection)

```
PROTECT HISTORY
: ASO
```

(3) For DC (when the last protection incident was DC protection)

```
PROTECT HISTORY
: DC
```

(4) For THERMAL (when the last protection incident was THERMAL protection)

```
PROTECT HISTORY
: THERMAL
```

When the "STATUS" button is pressed again after the above protection history is displayed, the normal display reappears.

2.3. Clearing the protection history

There are two ways to clear the protection history, as described below.

(1) Start up the error (protection history display) mode, display the error, then press and hold in the "ENTER" button for 3 seconds.

```
PROTECT HISTORY
: THERMAL
```



Press and hold in the "ENTER" button for 3 seconds

```
PROTECT HISTORY
: CLEAR
```



The above is displayed and the protection history is cleared.

```
PROTECT HISTORY
: NO PROTECT
```

(2) Initialize.

※ If you want to save a backup, use the method in 3.(1) above.

Warning indication by the STANDBY LED

If the power is turned off when a protection incident has been detected, the STANDBY LED (red) flashes as follows as warning according to the conditions in which the protection incident occurred.

(1) ASO/DC PROTECTION : Flashes in cycles of 0.5 seconds (0.25 seconds lit, 0.25 seconds off)

(2) THERMAL PROTECTION : Flashes in cycles of 2 seconds (1 second lit, 1 second off)

3. Mode for switching tuner frequency step ---E2 model only---



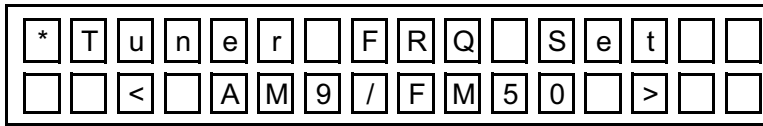
3.1. Operation specification

Change tuner frequency step to FM:200kHz/AM:10kHz STEP.

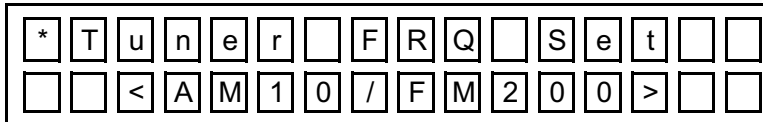
Starting up:

1. With the "STANDARD" and "DIRECT/STEREO" buttons pressed, press the "ON/OFF" button to turn the power on.

"*Tuner FRQ Set" appears on the display.



2. Use <> and select "<AM10/FM200>".



3. Press the "ENTER" button.

4. Press the "ON/OFF" button to turn the power off.

5. Then, press the "ON/OFF" button to turn the power on.

NOTE: Backup data(Remove settings for Installer Setup) initialization is carried out automatically.

VERSION UPGRADE PROCEDURE OF FIRMWARE

You can update by downloading the latest firmware from the Internet.

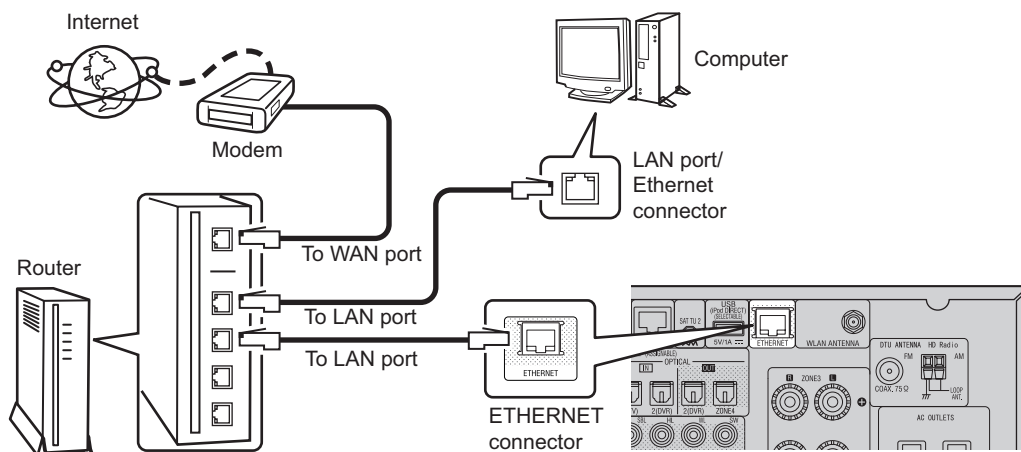
1. Update from the Internet

1.1. Connecting to the Network

(1) System Requirement

- Internet Connection by Broadband Circuit
- Modem
- Router
- Ethernet cable (CAT-5 or greater recommended)

(2) Setting



1.2. Check for Update and Update

Check if the latest firmware exists. You can also check approximately how long it will take to complete an update.

- (1) Press the MENU button on the remote control to display the GUI menu.
- (2) Use the cursor buttons to select "Manual Setup" → "Option Setup" → "Firmware Update" → "Check for Update".
- (3) Press the ENTER button.
 - The latest version of the firmware uploaded to the web is displayed.
 - If the latest firmware version is on the web, proceed to (4).
 - If the latest firmware is already installed, press the MENU button to close the menu.
- (4) Use the cursor buttons to select "Update", then press the ENTER button.
 - During update, the power indicator lights red and the GUI screen is shut down. And a rough remaining time is indicated on the display.
 - When updating is complete the power indicator lights green and normal status is resumed.
- (5) Press the MENU button to close the menu.

--- Cautions on Firmware Update ---

- In order to use these functions, you must have the correct system requirements and settings for a broadband Internet connection.
- Do not turn off the power until updating is completed.

Even with a broadband connection to the Internet, approximately about 1 hour is required for the updating procedure to be completed.

Once updating starts, normal operations on the AVR-4810 cannot be performed until updating is completed. Also, setting items of the GUI menu of AVR-4810 or setting items of the image adjustment may be initialized.

Make a note of the settings before updating, and set them again after updating.

1.3. About the error code

See the chart below for error codes, details of faults, and coping strategies when firmware updates are performed through DPMS (Denon Product Management Server).

Error code	Details of Error code	Display	Coping strategies
01	Log-in to DPMS has failed.	Log in failed 01	Reset and update again. Carry out the update in an environment that has little network load.
02	Line, etc., is busy when logging into DPMS.	Server is busy 02	Carry out the update in an environment that has little network load.
03	Connection to DPMS failed.	Connection fail 03	Check the network connection. Carry out the update in an environment that has little network load.
04	Firmware file data was requested but error message was received.	Connection fail 04	Check the network connection. Carry out the update in an environment that has little network load.
05	Firmware file data was requested but it timed out.	Connection fail 05	Check the network connection. Carry out the update in an environment that has little network load.
06	Firmware file data was requested but error message was received.	Connection fail 06	Check the network connection. Carry out the update in an environment that has little network load.
07	All firmware file data was requested but it timed out.	Connection fail 07	Check the network connection. Carry out the update in an environment that has little network load.
08	Main CPU firmware file data was requested but error message was received.	Connection fail 08	Check the network connection. Carry out the update in an environment that has little network load.
09	Main CPU firmware file data was requested but it timed out.	Connection fail 09	Check the network connection. Carry out the update in an environment that has little network load.
0A	Error (NG) message received when downloading Main CPU firmware.	Download fail 0A	Turn the power off then back on. Updating starts automatically. Carry out the update in an environment that has little network load.
0B	Error (line congestion) message received when downloading Main CPU firmware.	Download fail 0B	Turn the power off then back on. Updating starts automatically. Carry out the update in an environment that has little network load.
0C	Error (connection failure) message received when downloading Main CPU firmware.	Download fail 0C	Turn the power off then back on. Updating starts automatically. Carry out the update in an environment that has little network load.
10	Main CPU failed to receive firmware for rewriting sent from DM870 (when timed out).	Main ***min Updating fail 10	Turn the power off then back on. Updating starts automatically.
11	Main CPU failed to receive firmware for rewriting sent from DM870 (when an error)	Main ***min Updating fail 11	Turn the power off then back on. Updating starts automatically.

Error code	Details of Error code	Display	Coping strategies
12	There was invalid data in the firmware for rewriting sent from DM870 to Main CPU (when a Check Sum error).	Main***min Updating fail 12	Turn the power off then back on. Updating starts automatically.
13	The deletion of block data failed before rewriting Main CPU.	Main***min Erase fail 13	Turn the power off then back on. Updating starts automatically.
14	The rewriting of block data failed when rewriting Main CPU.	Main***min Updating fail 14	Turn the power off then back on. Updating starts automatically.
15	The data verification was invalid after rewriting Main CPU.	Main***min Update Check NG 15	Turn the power off then back on. Updating starts automatically.
36	Log-in to DPMS has failed when rewriting firmware such as Sub CPU, DSP, FPGA, and PLD.	Login failed 36	Carry out the update in an environment that has little network load.
37	Line, etc., is busy when logging into DPMS when rewriting firmware such as Sub CPU, DSP, FPGA, and PLD.	Server is busy 37	Carry out the update in an environment that has little network load.
38	Connection to DPMS failed when rewriting firmware such as Sub CPU, DSP, FPGA, and PLD.	Connection fail 38	Check the network connection. Carry out the update in an environment that has little network load.
39	Connection to DPMS timed out when rewriting firmware such as Sub CPU, DSP, FPGA, and PLD.	Connection fail 39	Check the network connection. Carry out the update in an environment that has little network load.
3A	Error (NG) message received when downloading firmware when rewriting Main CPU.	Download fail 3A	Turn the power off then back on. Updating starts automatically. Carry out the update in an environment that has little network load.
3B	Error (line congestion) message received when downloading firmware when rewriting Main CPU.	Download fail 3B	Turn the power off then back on. Updating starts automatically. Carry out the update in an environment that has little network load.
3C	Error (connection failure) message received when downloading firmware when rewriting Main CPU.	Download fail 3C	Turn the power off then back on. Updating starts automatically. Carry out the update in an environment that has little network load.
50	Log-in to DPMS has failed when rewriting firmware such as Sub CPU, DSP, FPGA, and PLD.	Sub***min Login failed 50	Carry out the update in an environment that has little network load.
51	Line, etc., is busy when logging into DPMS when rewriting firmware such as Sub CPU, DSP, FPGA, and PLD.	Sub***min Server is busy 51	Carry out the update in an environment that has little network load.
52	Connection to DPMS failed when rewriting firmware such as Sub CPU, DSP, FPGA, and PLD.	Sub***min Connection Fail 52	Check the network connection. Carry out the update in an environment that has little network load.
53	Connection to DPMS timed out when rewriting firmware such as Sub CPU, DSP, FPGA, and PLD.	Sub***min Connection Fail 53	Check the network connection. Carry out the update in an environment that has little network load.

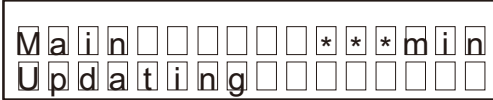



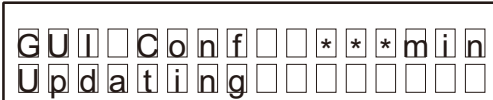
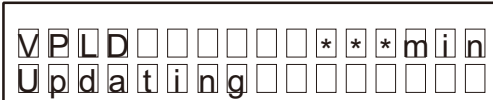



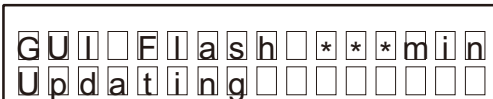


Error code	Details of Error code	Display	Coping strategies
54	Error message received regarding firmware data after logging in to DPMS when rewriting firmware such as Sub CPU, DSP, FPGA, and PLD.	Sub *****min Updating fail 54	Turn the power off then back on. Updating starts automatically. Carry out the update in an environment that has little network load.
55	When rewriting firmware such as Sub CPU, DSP, FPGA, and PLD, request was made for firmware data after logging in to DPMS, but it timed out.	Sub *****min Updating fail 55	Turn the power off then back on. Updating starts automatically. Carry out the update in an environment that has little network load.
56	Failure to download firmware after logging in to DPMS when rewriting firmware such as Sub CPU, DSP, FPGA, and PLD.	Sub *****min Download fail 56	Turn the power off then back on. Updating starts automatically. Carry out the update in an environment that has little network load.
57	Firmware download error received (line congestion) after logging in to DPMS when rewriting firmware such as Sub CPU, DSP, FPGA, and PLD.	Sub *****min Server is busy 57	Turn the power off then back on. Updating starts automatically. Carry out the update in an environment that has little network load.
58	Firmware download error received (connection failure) after logging in to DPMS when rewriting firmware such as Sub CPU, DSP, FPGA, and PLD.	Sub *****min Connection Fail 58	Turn the power off then back on. Updating starts automatically. Carry out the update in an environment that has little network load.
5A	NACK received when "C" command sent to Sub CPU, DSP, FPGA, PLD etc.	Sub *****min Connection Fail 5A	Turn the power off then back on. Updating starts automatically.
5B	NACK received when "L" command sent to Sub CPU, DSP, FPGA, PLD etc.	Sub *****min Updating fail 5B	Turn the power off then back on. Updating starts automatically.
5C	Sub CPU, DSP, FPGA, PLD etc. failed to receive firmware for rewriting sent from DM870 (when timed out).	Sub *****min Updating fail 5C	Turn the power off then back on. Updating starts automatically.
5D	Sub CPU, DSP, FPGA, PLD etc. failed to receive firmware for rewriting sent from DM870 (when an error).	Sub *****min Updating fail 5D	Turn the power off then back on. Updating starts automatically.
5E	Invalid data in firmware such as Sub CPU, DSP, FPGA, and PLD for rewriting sent from DM870 (when a Check Sum error).	Sub *****min Updating fail 5E	Turn the power off then back on. Updating starts automatically.
5F	Invalid data in firmware such as Sub CPU, DSP, FPGA, and PLD for rewriting sent from DM870 (invalid data received).	Sub *****min Updating fail 5F	Turn the power off then back on. Updating starts automatically.
60	NACK received when "P" command sent to Sub CPU, DSP, FPGA, PLD etc.	Sub *****min Updating fail 60	Turn the power off then back on. Updating starts automatically.
61	NACK received when "I" command sent to Sub CPU, DSP, FPGA, PLD etc.	Sub *****min Update CheckNG 61	Turn the power off then back on. Updating starts automatically.
62	Failure to start up Sub-μcom.	Sub *****min Updating fail 62	Turn the power off then back on. Updating starts automatically.
80	Failure to acquire serial flash data and before deleting serial flash.	GU Flash *****min Updating fail 80	Turn the power off then back on. Updating starts automatically.

Error code	Details of Error code	Display	Coping strategies
81	Failure to delete data before rewriting serial flash.	G U I Flash ***min Updating fail 81	Turn the power off then back on. Updating starts automatically.
82	Failure to receive firmware for serial flash rewriting sent by DM870 (when timed out).	G U I Flash ***min Updating fail 82	Turn the power off then back on. Updating starts automatically.
83	Failure to receive firmware for serial flash rewriting sent by DM870 (when an error).	G U I Flash ***min Updating fail 83	Turn the power off then back on. Updating starts automatically.
84	Failure to receive firmware for serial flash rewriting sent by DM870 (when a Check Sum error).	G U I Flash ***min Updating fail 84	Turn the power off then back on. Updating starts automatically.
85	Failure to receive firmware for serial flash rewriting sent by DM870 (when invalid data received).	G U I Flash ***min Updating fail 85	Turn the power off then back on. Updating starts automatically.
86	Failure to rewrite when writing data in serial flash.	G U I Flash ***min Updating fail 86	Turn the power off then back on. Updating starts automatically.
A0	Failure to acquire (Application Mode) IP address before rewriting DM870 (AutoIP).	EtherIMG ***min ConnectionFailA0	Check the network connection. Carry out the update in an environment that has little network load.
A1	Failure to acquire (Application Mode) IP address before rewriting DM870 (when timed out).	EtherIMG ***min ConnectionFailA1	Check the network connection. Carry out the update in an environment that has little network load.
A2	Notification of invalid login via DPMS access when rewriting DM870 related firmware (Application Mode).	EtherIMG ***min Loginfailed A2	Check the network connection. Carry out the update in an environment that has little network load.
A3	Notification of line congestion via DPMS access when rewriting DM870 related firmware (Application Mode).	EtherIMG ***min Serveris busyA3	Check the network connection. Carry out the update in an environment that has little network load.
A4	Notification of connection failure via DPMS access when rewriting DM870 related firmware (Application Mode).	EtherIMG ***min ConnectionFailA4	Check the network connection. Carry out the update in an environment that has little network load.
A5	Connection through DPMS access timed out when rewriting DM870 related firmware (Application Mode).	EtherIMG ***min ConnectionFailA5	Check the network connection. Carry out the update in an environment that has little network load.
A6	Firmware data error message received after DPMS login when rewriting DM870 related firmware (Application Mode).	EtherIMG ***min Updating fail A6	Turn the power off then back on. Updating starts automatically. Carry out the update in an environment that has little network load.
A7	When rewriting DM870 related firmware (Application Mode), request was made for firmware data after DPMS login but it timed out.	EtherIMG ***min Updating fail A7	Turn the power off then back on. Updating starts automatically. Carry out the update in an environment that has little network load.
A8	Failure to acquire (Boot Loader Mode) IP address before rewriting DM870 (AutoIP).	EtherIMG ***min ConnectionFailA8	Check the network connection. Carry out the update in an environment that has little network load.

Error code	Details of Error code	Display	Coping strategies
A9	Failure to acquire (Boot Loader Mode) IP address before rewriting DM870 (when timed out).	EtherIMG***min ConnectionFailA9	Check the network connection. Carry out the update in an environment that has little network load.
AA	Notification of invalid login via DPMS access when rewriting DM870 related firmware (Boot Loader Mode).	EtherIMG***min LoginfailedAA	Check the network connection. Carry out the update in an environment that has little network load.
AB	Notification of line congestion via DPMS access when rewriting DM870 related firmware (Boot Loader Mode).	EtherIMG***min ServerisbusyAB	Check the network connection. Carry out the update in an environment that has little network load.
AC	Notification of connection failure via DPMS access when rewriting DM870 related firmware (Boot Loader Mode).	EtherIMG***min ConnectionFailAC	Check the network connection. Carry out the update in an environment that has little network load.
AD	Connection through DPMS access timed out when rewriting DM870 related firmware (Boot Loader Mode).	EtherIMG***min ConnectionFailAD	Check the network connection. Carry out the update in an environment that has little network load.
AE	Firmware download error message received (when download fails) when rewriting DM870 related firmware (Boot Loader Mode).	EtherIMG***min DownloadfailAE	Turn the power off then back on. Updating starts automatically. Carry out the update in an environment that has little network load.
AF	Firmware download error message received (line congestion) when rewriting DM870 related firmware (Boot Loader Mode).	EtherIMG***min ServerisbusyAF	Turn the power off then back on. Updating starts automatically. Carry out the update in an environment that has little network load.
B0	Firmware download error message received (connection failure) when rewriting DM870 related firmware (Boot Loader Mode).	EtherIMG***min ConnectionFailB0	Turn the power off then back on. Updating starts automatically. Carry out the update in an environment that has little network load.
B2	Error message received when rewriting DM870 related firmware.	EtherIMG***min UpdatingfailB2	Turn the power off then back on. Updating starts automatically. Carry out the update in an environment that has little network load.

Device display when firmware updated

Target of device when firmware updated.

Target of device	Display	Error code
Main	 <p>Main Updating</p>	10 ~ 15 36 ~ 3D
Main ROM	 <p>Main ROM Updating</p>	50 ~ 5A 62 80 ~ 86
Sub	 <p>Sub Updating</p>	50 ~ 5F 60 ~ 62
Audio FPGA	 <p>Audio FPGA Updating</p>	50 ~ 5F 60 ~ 62
GUI Config	 <p>GUI Config Updating</p>	50 ~ 5F 60 ~ 62
Video PLD	 <p>Video PLD Updating</p>	50 ~ 5F 60 ~ 62
DSP1	 <p>DSP1 Updating</p>	50 ~ 5F 60 ~ 62
DSP2	 <p>DSP2 Updating</p>	50 ~ 5F 60 ~ 62
DSP3	 <p>DSP3 Updating</p>	50 ~ 5F 60 ~ 62
Serial Flash	 <p>Serial Flash Updating</p>	50 ~ 5A 62 80 ~ 86
DM870 Boot Loader	 <p>DM870 Boot Loader Updating</p>	A0 ~ AF B0 ~ B2
DM870 Image	 <p>DM870 Image Updating</p>	A0 ~ AF B0 ~ B2

ADJUSTMENT

Audio Section

Idling Current (8U-110049, 8U-110067-3, 8U-110074-2)

Required measurement equipment: DC Voltmeter

Preparation

- (1) Avoid direct blow from an air conditioner or an electric fan, and adjust the unit at normal room temperature 15°C ~ 30°C (59°F ~ 86°F).
- (2) Presetting

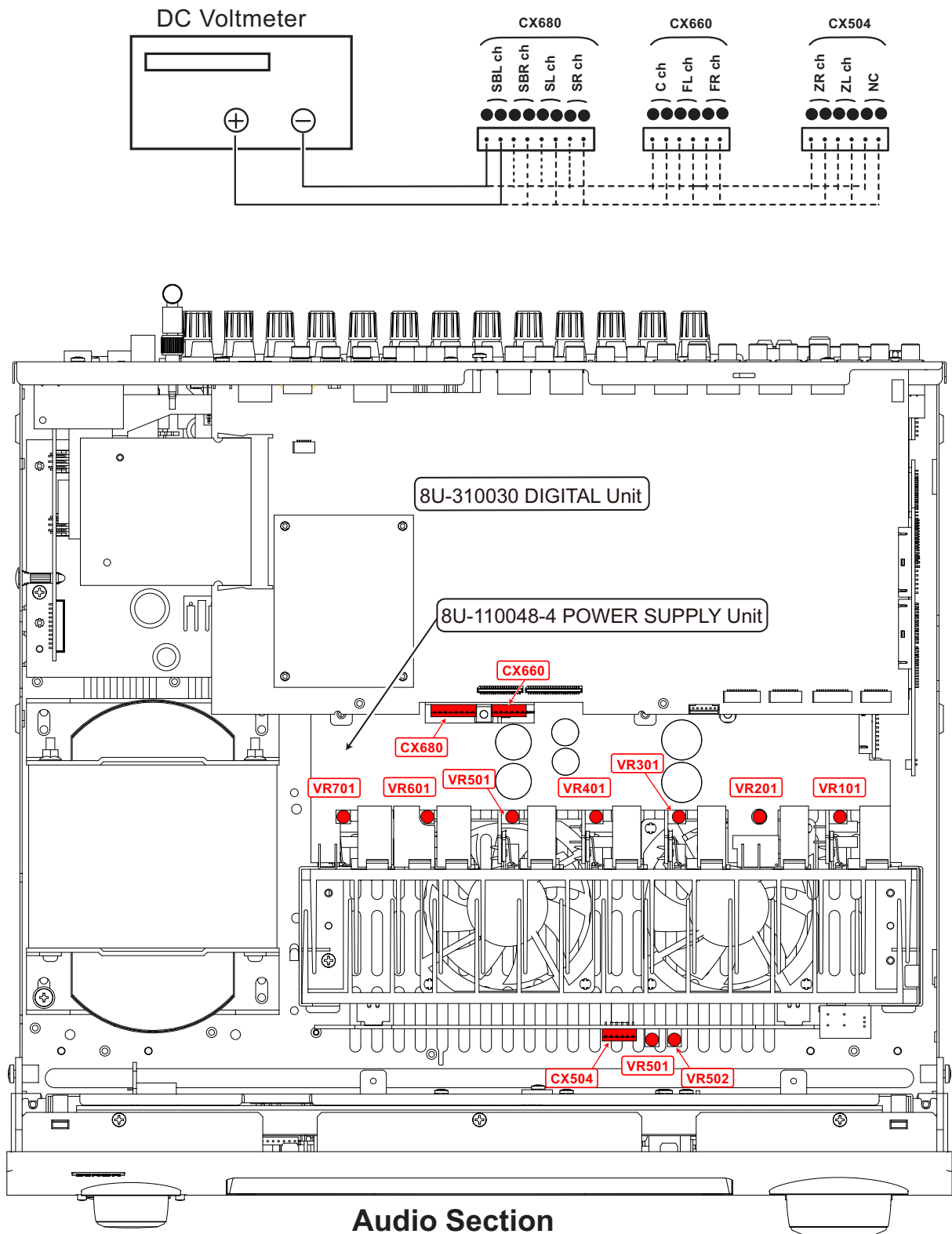
POWER (Power source switch)	OFF
SPEAKER (Speaker terminal)	No load

(Do not connect speaker, dummy resistor, etc.)

Adjustment

- (1) Remove top cover and set VR501, VR502, on 8U-110067-3 and VR101, VR201, VR301, VR401, VR501, VR601, VR701 on 8U-110074-2 (POWER AMP Unit) at fully counterclockwise (⊖).
- (2) Connect DC Voltmeter to test points(8U-110067-3, 8U-110074-2).
 - FRONT-Lch: CX660 ⑤ ⑥ pin
 - FRONT-Rch: CX660 ③ ④ pin
 - CENTER ch: CX660 ① ② pin
 - SURROUND-Lch: CX680 ⑤ ⑥ pin
 - SURROUND-Rch: CX680 ⑦ ⑧ pin
 - SURROUND BACK-Lch: CX680 ① ② pin
 - SURROUND BACK-Rch: CX680 ③ ④ pin
 - ZONE-Lch: CX504 ③ ④ pin
 - ZONE-Rch: CX504 ① ② pin
- (3) Connect power cord to AC Line, and turn power switch "ON".
- (4) Presetting.

MASTER VOLUME	: "----" counterclockwise (⊖ min.)
MODE	: MULTI CH STEREO
FUNCTION	: CD
- (5) Allow 2 minutes, and turn VR101 clockwise (⊕) to adjust the TEST POINT voltage to 6.5 mV ± 0.5 mV DC.
- (6) After 10 minutes from preset, turn VR101 to set the voltage to 12 mV ± 0.5 mV DC.
- (7) Adjust the Variable Resistors of other channels in the same way.
- (8) After 5 minutes from (6), turn VR101 to set the voltage to 12 mV ± 0.5 mV DC.
- (9) Adjust the Variable Resistors of other channels in the same way.



Adjustment volume is set for 8U-110049-1 ~ 7. The test point is at 8U-110067-3, 8U-110074-2.

Insert an adjustment driver / connection terminal from an adjustment aperture of 8U-110048-4(POWER SUPPLY Unit)P.W.B..

SURROUND MODES AND PARAMETERS

Surround Mode	Channel output										Parameter (default values are shown in parentheses)									
	Front L/R	Center	Surround L/R	Surround Back L/R	Subwoofer	Front Wide L/R	Front Height L/R	D. COMP #1	DRC #2	LFE #3	AFDM #3	Surround Back	Cinema EQ.	Mode	Room Size	Effect Level				
PURE DIRECT, DIRECT (2ch)	○	×	×	×	◎*4	×	×	○ (OFF)	○ (Auto)	○ (0 dB)	×	×	×	×	×	×				
DSD DIRECT	○	×	×	×	×	×	×	×	×	×	×	×	×	×	×	×				
DSD MULTI DIRECT	○	◎	◎	◎	◎	×	×	×	×	○ (0 dB)	○ (ON)	○	×	×	×	×				
MULTI CH DIRECT	○	◎	◎	◎	◎	×	×	×	×	○ (0 dB)	○ (ON)	×	×	×	×	×				
STEREO	○	×	×	×	◎	×	×	○ (OFF)	○ (Auto)	○ (0 dB)	×	×	×	×	×	×				
EXT. IN	○	◎	◎	◎	◎	×	×	×	×	×	×	×	×	×	×	×				
MULTI CH IN	○	◎	◎	◎	◎	◎ (NOTE4)	◎ (NOTE3)	×	×	○ (0 dB)	○ (ON)	○	○ (OFF)	×	×	×				
WIDE SCREEN	○	◎	◎	◎	◎	◎	◎	○ (OFF)	○ (Auto)	○ (0 dB)	×	○	○ (OFF)	×	×	○ (ON, 10)				
DOLBY PRO LOGIC IIz	○	◎	◎	◎	◎	×	◎	○ (OFF)	○ (Auto)	×	×	×	○ (OFF)	○ (Height)	×	×				
DOLBY PRO LOGIC IIx	○	◎	◎	◎	◎	◎ (NOTE4)	◎ (NOTE4)	○ (OFF)	○ (Auto)	×	×	○	○ (NOTE1)	○ (Cinema)	×	×				
DOLBY PRO LOGIC II	○	◎	◎	◎	◎	◎ (NOTE4)	◎ (NOTE4)	○ (OFF)	○ (Auto)	×	×	○	○ (NOTE2)	○ (Cinema)	×	×				
DTS NEO:6	○	◎	◎	◎	◎	◎ (NOTE4)	◎ (NOTE4)	○ (OFF)	○ (Auto)	×	×	○	○ (NOTE1)	○ (Cinema)	×	×				
DOLBY DIGITAL	○	◎	◎	◎	◎	◎ (NOTE4)	◎ (NOTE3)	○ (OFF)	×	○ (0 dB)	○ (ON)	○	○ (OFF)	×	×	×				
DOLBY DIGITAL Plus	○	◎	◎	◎	◎	◎ (NOTE4)	◎ (NOTE3)	○ (OFF)	×	○ (0 dB)	○ (ON)	○	○ (OFF)	×	×	×				
DOLBY TrueHD	○	◎	◎	◎	◎	◎ (NOTE4)	◎ (NOTE3)	×	○ (Auto)	○ (0 dB)	○ (ON)	○	○ (OFF)	×	×	×				
DTS SURROUND	○	◎	◎	◎	◎	◎ (NOTE4)	◎ (NOTE3)	○ (OFF)	×	○ (0 dB)	○ (ON)	○	○ (OFF)	×	×	×				
DTS 96/24	○	◎	◎	◎	◎	◎ (NOTE4)	◎ (NOTE3)	○ (OFF)	×	○ (0 dB)	○ (ON)	○	○ (OFF)	×	×	×				
DTS-HD	○	◎	◎	◎	◎	◎ (NOTE4)	◎ (NOTE3)	○ (OFF)	×	○ (0 dB)	○ (ON)	○	○ (OFF)	×	×	×				
DTS EXPRESS	○	◎	◎	◎	◎	◎ (NOTE4)	◎ (NOTE3)	○ (OFF)	×	×	×	○	○ (OFF)	×	×	×				
neural	○	◎	◎	◎	◎	◎ (NOTE4)	◎ (NOTE4)	×	×	×	×	○	×	×	×	×				
MULTI CH STEREO	○	◎	◎	◎	◎	◎	◎	○ (OFF)	○ (Auto)	○ (0 dB)	×	○	×	×	×	×				
SUPER STADIUM	○	◎	◎	◎	◎	◎	◎	○ (OFF)	○ (Auto)	○ (0 dB)	×	○	×	×	○ (Medium)	○ (10)				
ROCK ARENA	○	◎	◎	◎	◎	◎	◎	○ (OFF)	○ (Auto)	○ (0 dB)	×	○	×	×	○ (Medium)	○ (10)				
JAZZ CLUB	○	◎	◎	◎	◎	◎	◎	○ (OFF)	○ (Auto)	○ (0 dB)	×	○	×	×	○ (Medium)	○ (10)				
CLASSIC CONCERT	○	◎	◎	◎	◎	◎	◎	○ (OFF)	○ (Auto)	○ (0 dB)	×	○	×	×	○ (Medium)	○ (10)				
MONO MOVIE	○	◎	◎	◎	◎	◎	◎	○ (OFF)	○ (Auto)	○ (0 dB)	×	○	×	×	○ (Medium)	○ (10)				
VIDEO GAME	○	◎	◎	◎	◎	◎	◎	○ (OFF)	○ (Auto)	○ (0 dB)	×	○	×	×	○ (Medium)	○ (10)				
MATRIX	○	◎	◎	◎	◎	◎	◎	○ (OFF)	○ (Auto)	○ (0 dB)	×	○	×	×	×	×				
VIRTUAL	○	×	×	×	◎*4	×	×	○ (OFF)	○ (Auto)	○ (0 dB)	×	×	×	×	×	×				

○ : Signal / Adjustable

× : No signal / Not adjustable

◎ : Turned on or off by speaker configuration setting

NOTE1 : This parameter is available when the "Mode" is set to "Cinema" (☞ Owner's Manual page 90).

NOTE2 : This parameter is available when the "Mode" is set to "Cinema" or "ProLogic" (☞ Owner's Manual page 90).

NOTE3 : This parameter is available when the "Front Height" is set to "ON" or "DSX" (☞ Owner's Manual page 91, 93).

NOTE4 : This parameter is available when the "DSX" is set to "ON" (☞ Owner's Manual page 93).

NOTE:

*1 : When playing Dolby Digital and DTS signals.

*2 : When playing Dolby TrueHD signal.

*3 : When playing Dolby Digital, DTS, DVD-Audio and Super Audio CD.

*4 : When the "Subwoofer Mode" is set to "LFE+Main" (☞ Owner's Manual page 42) only.

Surround Mode	Signals and adjustability in the different modes													DSX
	Delay Time	Subwoofer	Front Height	PRO LOGIC II/IIx MUSIC mode only			NEO-6 MUSIC mode only	EXT. IN only	Tone Control	MultEQ XT	Dynamic EQ	Dynamic Volume	RESTORER	
				Panorama	Dimension	Center Width								
PURE DIRECT, DIRECT (2ch)	X	○	X	X	X	X	X	X	X	X	X	X	X	X
DSD DIRECT	X	X	X	X	X	X	X	X	X	X	X	X	X	X
DSD MULTI DIRECT	X	X	X	X	X	X	X	X	X	X	X	X	X	X
MULTI CH DIRECT	X	X	X	X	X	X	X	X	X	X	X	X	X	X
STEREO	X	X	X	X	X	X	X	X	X	X	X	X	X	X
EXT. IN	X	X	X	X	X	X	X	X	X	X	X	X	X	X
MULTI CH IN	X	X	○ (OFF)	X	X	X	X	X	X	X	X	X	X	X
WIDE SCREEN	X	X	X	X	X	X	X	X	X	X	X	X	X	X
DOLBY PRO LOGIC IIz	X	X	○ (ON)	X	X	X	X	X	X	X	X	X	X	X
DOLBY PRO LOGIC IIx	X	X	○ (OFF)	○ (3)	○ (3)	X	X	X	X	X	X	X	X	X
DOLBY PRO LOGIC II	X	X	○ (OFF)	○ (3)	○ (3)	X	X	X	X	X	X	X	X	X
DTS NEO-6	X	X	X	X	X	X	○ (0.3)	X	X	X	X	X	X	X
DOLBY DIGITAL	X	X	○ (OFF)	X	X	X	X	X	X	X	X	X	X	X
DOLBY DIGITAL Plus	X	X	○ (OFF)	X	X	X	X	X	X	X	X	X	X	X
DOLBY TrueHD	X	X	○ (OFF)	X	X	X	X	X	X	X	X	X	X	X
DTS SURROUND	X	X	○ (OFF)	X	X	X	X	X	X	X	X	X	X	X
DTS 96/24	X	X	○ (OFF)	X	X	X	X	X	X	X	X	X	X	X
DTS-HD	X	X	○ (OFF)	X	X	X	X	X	X	X	X	X	X	X
DTS EXPRESS	X	X	○ (OFF)	X	X	X	X	X	X	X	X	X	X	X
neutral	X	X	X	X	X	X	X	X	X	X	X	X	X	X
MULTI CH STEREO	X	X	X	X	X	X	X	X	X	X	X	X	X	X
SUPER STADIUM	X	X	X	X	X	X	X	X	X	X	X	X	X	X
ROCK ARENA	X	X	X	X	X	X	X	X	X	X	X	X	X	X
JAZZ CLUB	X	X	X	X	X	X	X	X	X	X	X	X	X	X
CLASSIC CONCERT	X	X	X	X	X	X	X	X	X	X	X	X	X	X
MONO MOVIE	X	X	X	X	X	X	X	X	X	X	X	X	X	X
VIDEO GAME	X	X	X	X	X	X	X	X	X	X	X	X	X	X
MATRIX	○ (30 ms)	X	X	X	X	X	X	X	X	X	X	X	X	X
VIRTUAL	X	X	X	X	X	X	X	X	X	X	X	X	X	X

○ : Signal / Adjustable
 X : No signal / Not adjustable
 NOTE5 : BASS +6 dB, TREBLE 0 dB
 NOTE6 : BASS +6 dB, TREBLE +4 dB

Button	Surround Mode	Note	Input signals													Super Audio CD							
			ANALOG	LINEAR PCM / WAV	WMA (Windows Media Audio) / MP3 / MPEG-4 AAC / FLAC	DTS-HD		DTS EXPRESS	DTS ES DSCRT (With Flag)	DTS ES MTRX (With Flag)	DTS (5.1ch)	DTS 96/24	DOLBY TrueHD	DOLBY DIGITAL Plus	DOLBY DIGITAL EX (With Flag)	DOLBY DIGITAL EX (With no Flag)	DOLBY DIGITAL (5.1/5.4ch)	DOLBY DIGITAL (4/3ch)	DOLBY DIGITAL (2ch)	PCM (multi ch)	PCM (2ch)	DSD (multi ch)	DSD (2ch)
STANDARD																							
	DTS SURROUND																						
	DTS-HD MSTR		X	X	X	X	X	X	X	X	X	X	X	X	X	X	X	X	X	X	X	X	X
	DTS-HD HI RES		X	X	X	X	X	X	X	X	X	X	X	X	X	X	X	X	X	X	X	X	X
	DTS ES DSCRT6.1	*1	X	X	X	X	X	X	X	X	X	X	X	X	X	X	X	X	X	X	X	X	X
	DTS ES MTRX6.1	*1	X	X	X	X	X	X	X	X	X	X	X	X	X	X	X	X	X	X	X	X	X
	DTS SURROUND		X	X	X	X	X	X	X	X	X	X	X	X	X	X	X	X	X	X	X	X	X
	DTS 96/24		X	X	X	X	X	X	X	X	X	X	X	X	X	X	X	X	X	X	X	X	X
	DTS (-HD) + PLIIx CINEMA	*2	X	X	X	X	X	X	X	X	X	X	X	X	X	X	X	X	X	X	X	X	X
	DTS (-HD) + PLIIx MUSIC	*1	X	X	X	X	X	X	X	X	X	X	X	X	X	X	X	X	X	X	X	X	X
	DTS (-HD) + PLIIz	*3	X	X	X	X	X	X	X	X	X	X	X	X	X	X	X	X	X	X	X	X	X
	DTS EXPRESS		X	X	X	X	X	X	X	X	X	X	X	X	X	X	X	X	X	X	X	X	X
	DTS (-HD) + NEO:6	*1	X	X	X	X	X	X	X	X	X	X	X	X	X	X	X	X	X	X	X	X	X
	DTS NEO:6 CINEMA		X	X	X	X	X	X	X	X	X	X	X	X	X	X	X	X	X	X	X	X	X
	DTS NEO:6 MUSIC		X	X	X	X	X	X	X	X	X	X	X	X	X	X	X	X	X	X	X	X	X
	DOLBY SURROUND		X	X	X	X	X	X	X	X	X	X	X	X	X	X	X	X	X	X	X	X	X
	DOLBY TrueHD		X	X	X	X	X	X	X	X	X	X	X	X	X	X	X	X	X	X	X	X	X
	DOLBY DIGITAL+		X	X	X	X	X	X	X	X	X	X	X	X	X	X	X	X	X	X	X	X	X
	DOLBY DIGITAL EX	*1	X	X	X	X	X	X	X	X	X	X	X	X	X	X	X	X	X	X	X	X	X
	DOLBY (D+) (HD) + EX	*1	X	X	X	X	X	X	X	X	X	X	X	X	X	X	X	X	X	X	X	X	X
	DOLBY DIGITAL		X	X	X	X	X	X	X	X	X	X	X	X	X	X	X	X	X	X	X	X	X
	DOLBY (D) (HD) + PLIIx CINEMA	*2	X	X	X	X	X	X	X	X	X	X	X	X	X	X	X	X	X	X	X	X	X
	DOLBY (D) (HD) + PLIIx MUSIC	*1	X	X	X	X	X	X	X	X	X	X	X	X	X	X	X	X	X	X	X	X	X
	DOLBY (D) (HD) + PLIIz	*3	X	X	X	X	X	X	X	X	X	X	X	X	X	X	X	X	X	X	X	X	X
	DOLBY PRO LOGIC IIz HEIGHT	*3	X	X	X	X	X	X	X	X	X	X	X	X	X	X	X	X	X	X	X	X	X
	DOLBY PRO LOGIC IIx CINEMA	*1	X	X	X	X	X	X	X	X	X	X	X	X	X	X	X	X	X	X	X	X	X
	DOLBY PRO LOGIC IIx MUSIC	*1	X	X	X	X	X	X	X	X	X	X	X	X	X	X	X	X	X	X	X	X	X
	DOLBY PRO LOGIC IIx GAME	*1	X	X	X	X	X	X	X	X	X	X	X	X	X	X	X	X	X	X	X	X	X
	DOLBY PRO LOGIC II CINEMA		X	X	X	X	X	X	X	X	X	X	X	X	X	X	X	X	X	X	X	X	X
	DOLBY PRO LOGIC II MUSIC		X	X	X	X	X	X	X	X	X	X	X	X	X	X	X	X	X	X	X	X	X
	DOLBY PRO LOGIC II GAME		X	X	X	X	X	X	X	X	X	X	X	X	X	X	X	X	X	X	X	X	X
	DOLBY PRO LOGIC		X	X	X	X	X	X	X	X	X	X	X	X	X	X	X	X	X	X	X	X	X
	neural		X	X	X	X	X	X	X	X	X	X	X	X	X	X	X	X	X	X	X	X	X

NOTE:
 ● : Mode selectable in initial status
 ◎ : Mode fixed when "AFDM" is "ON"
 ○ : Selectable mode
 X : Non-selectable mode

*1: This mode is not available when the surround back speaker setup is set to "None".
 *2: This mode is not available when the surround back speaker setup is set to "1spkr" or "None".
 *3: This mode is not available when the front height speaker setup is set to "None".

Button	Surround Mode	Note	Input signals																						
			ANALOG	LINEAR PCM / WAV	WMA (Windows Media Audio) / MP3 / MPEG-4 AAC / FLAC	DTS-HD		DTS			DOLBY		DOLBY DIGITAL			MULTI CH PCM		Super Audio CD							
						DTS-HD High Resolution Audio	DTS-HD Master Audio	DTS EXPRESS	DTS ES DSCRT (With Flag)	DTS ES MTRX (With Flag)	DTS (5.1ch)	DTS 96/24	DOLBY TrueHD	DOLBY DIGITAL Plus	DOLBY DIGITAL EX (With Flag)	DOLBY DIGITAL EX (With no Flag)	DOLBY DIGITAL (5.1/5.4ch)	DOLBY DIGITAL (4/3ch)	DOLBY DIGITAL (2ch)	PCM (multi ch)	PCM (2ch)	DSD (multi ch)	DSD (2ch)		
STANDARD																									
MULTI CH IN																									
MULTI CH IN																									
MULTI IN + PLIIx CINEMA		*2	X	X	X	X	X	X	X	X	X	X	X	X	X	X	X	X	X	X	X	●	X	X	
MULTI IN + PLIIx MUSIC		*1	X	X	X	X	X	X	X	X	X	X	X	X	X	X	X	X	X	X	X	○	X	X	
MULTI IN + PLIIz		*3	X	X	X	X	X	X	X	X	X	X	X	X	X	X	X	X	X	X	X	○	X	X	
MULTI IN + DOLBY EX		*1	X	X	X	X	X	X	X	X	X	X	X	X	X	X	X	X	X	X	X	○	X	X	
MULTI CH IN 7.1		*1	X	X	X	X	X	X	X	X	X	X	X	X	X	X	X	X	X	X	● (7.1)	X	X	X	
DIRECT																									
DIRECT			○	○	○	○	○	○	○	○	○	○	○	○	○	○	○	○	○	○	○	○	○	○	○
DSD DIRECT			X	X	X	X	X	X	X	X	X	X	X	X	X	X	X	X	X	X	X	X	X	X	X
DSD MULTI DIRECT			X	X	X	X	X	X	X	X	X	X	X	X	X	X	X	X	X	X	X	X	X	X	X
MULTI CH DIRECT			X	X	X	X	X	X	X	X	X	X	X	X	X	X	X	X	X	X	X	○	X	X	X
M DIRECT + PLIIx CINEMA		*2	X	X	X	X	X	X	X	X	X	X	X	X	X	X	X	X	X	X	X	○	X	X	X
M DIRECT + PLIIx MUSIC		*1	X	X	X	X	X	X	X	X	X	X	X	X	X	X	X	X	X	X	X	○	X	X	X
M DIRECT + DOLBY EX		*1	X	X	X	X	X	X	X	X	X	X	X	X	X	X	X	X	X	X	X	○	X	X	X
M DIRECT 7.1		*1	X	X	X	X	X	X	X	X	X	X	X	X	X	X	X	X	X	X	X	○ (7.1)	X	X	X
PURE DIRECT																									
PURE DIRECT			○	○	○	○	○	○	○	○	○	○	○	○	○	○	○	○	○	○	○	○	○	○	○
DSD PURE DIRECT			X	X	X	X	X	X	X	X	X	X	X	X	X	X	X	X	X	X	X	X	X	X	X
DSD MULTI PURE DIRECT			X	X	X	X	X	X	X	X	X	X	X	X	X	X	X	X	X	X	X	X	X	X	X
MULTI CH PURE DIRECT			X	X	X	X	X	X	X	X	X	X	X	X	X	X	X	X	X	X	X	○	X	X	X
M PURE D + PLIIx CINEMA		*2	X	X	X	X	X	X	X	X	X	X	X	X	X	X	X	X	X	X	X	○	X	X	X
M PURE D + PLIIx MUSIC		*1	X	X	X	X	X	X	X	X	X	X	X	X	X	X	X	X	X	X	X	○	X	X	X
M PURE D + DOLBY EX		*1	X	X	X	X	X	X	X	X	X	X	X	X	X	X	X	X	X	X	X	○	X	X	X
M CH PURE DIRECT 7.1		*1	X	X	X	X	X	X	X	X	X	X	X	X	X	X	X	X	X	X	X	○ (7.1)	X	X	X

NOTE : ● : Mode selectable in initial status

○ : Selectable mode

X : Non-selectable mode

*1: This mode is not available when the surround back speaker setup is set to "None".

*2: This mode is not available when the surround back speaker setup is set to "1spkr" or "None".

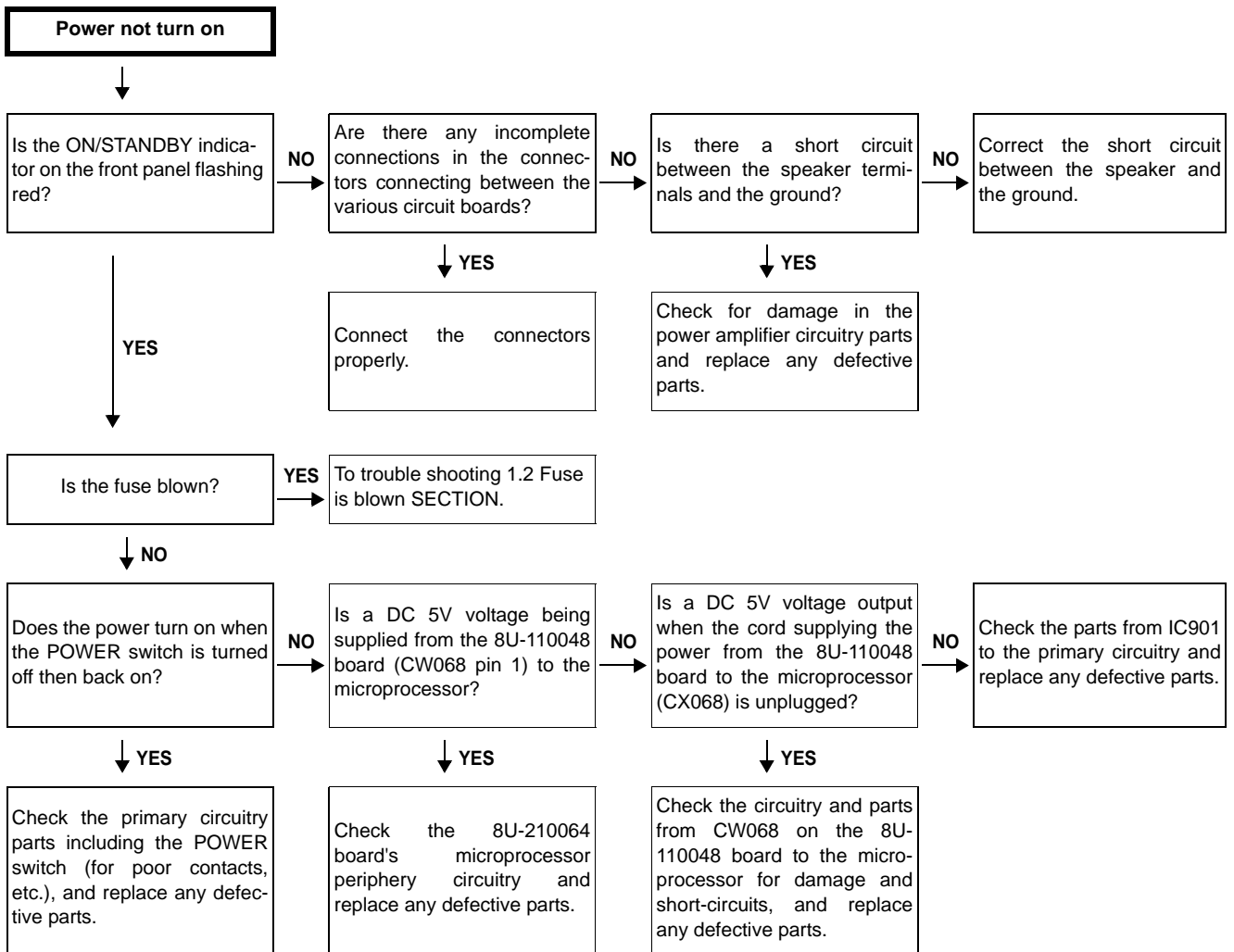
*3: This mode is not available when the front height speaker setup is set to "None".

Button	Note	Input signals																				
		ANALOG	LINEAR PCM / WAV	WMA (Windows Media Audio) / MP3 / MPEG-4 AAC / FLAC	DTS-HD		DTS			DOLBY		DOLBY DIGITAL					MULTI CH PCM		Super Audio CD			
					DTS-HD Master Audio	DTS-HD High Resolution Audio	DTS EXPRESS	DTS ES DSCRT (With Flag)	DTS ES MTRX (With Flag)	DTS (5.1ch)	DTS 96/24	DOLBY TrueHD	DOLBY DIGITAL Plus	DOLBY DIGITAL EX (With no Flag)	DOLBY DIGITAL (5.1/5.4ch)	DOLBY DIGITAL (4/3ch)	DOLBY DIGITAL (2ch)	PCM (multi ch)	PCM (2ch)	DSD (multi ch)	DSD (2ch)	
DSP SIMULATION		○	○	○	○	○	○	○	○	○	○	○	○	○	○	○	○	○	○	○	○	○
MULTI CH STEREO		○	○	○	○	○	○	○	○	○	○	○	○	○	○	○	○	○	○	○	○	○
WIDE SCREEN		○	○	○	○	○	○	○	○	○	○	○	○	○	○	○	○	○	○	○	○	○
SUPER STADIUM		○	○	○	○	○	○	○	○	○	○	○	○	○	○	○	○	○	○	○	○	○
ROCK ARENA		○	○	○	○	○	○	○	○	○	○	○	○	○	○	○	○	○	○	○	○	○
JAZZ CLUB		○	○	○	○	○	○	○	○	○	○	○	○	○	○	○	○	○	○	○	○	○
CLASSIC CONCERT		○	○	○	○	○	○	○	○	○	○	○	○	○	○	○	○	○	○	○	○	○
MONO MOVIE		○	○	○	○	○	○	○	○	○	○	○	○	○	○	○	○	○	○	○	○	○
VIDEO GAME		○	○	○	○	○	○	○	○	○	○	○	○	○	○	○	○	○	○	○	○	○
MATRIX		○	○	○	○	○	○	○	○	○	○	○	○	○	○	○	○	○	○	○	○	○
VIRTUAL		○	○	○	○	○	○	○	○	○	○	○	○	○	○	○	○	○	○	○	○	○
STEREO		●	○	○	○	○	○	○	○	○	○	○	○	○	○	○	○	○	○	○	○	○
STEREO		●	○	○	○	○	○	○	○	○	○	○	○	○	○	○	○	○	○	○	○	○

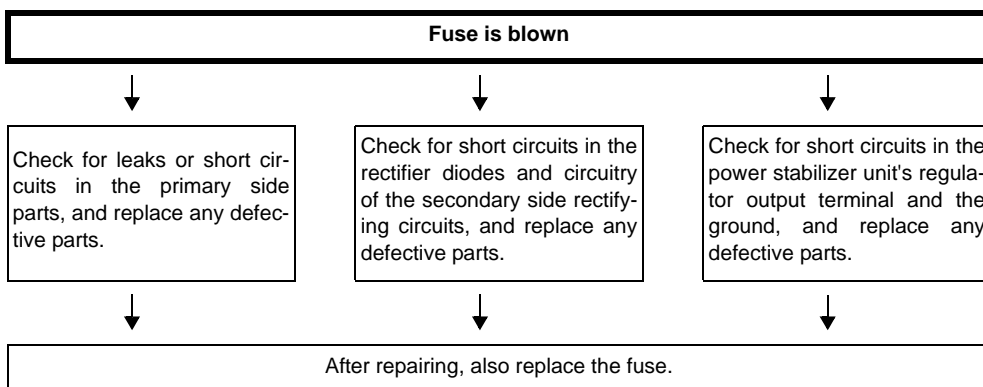
TROUBLE SHOOTING

1. POWER

1.1. Power not turn on

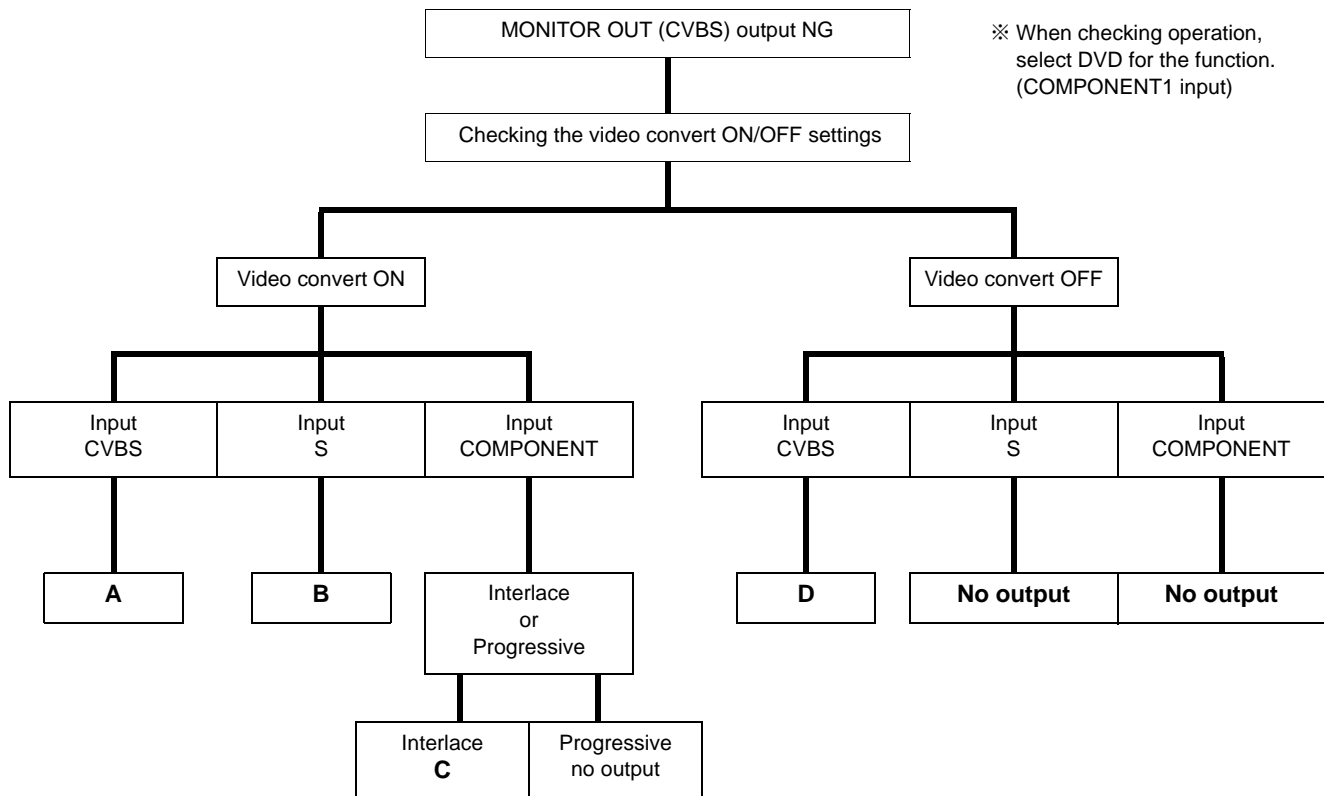


1.2. Fuse is blown

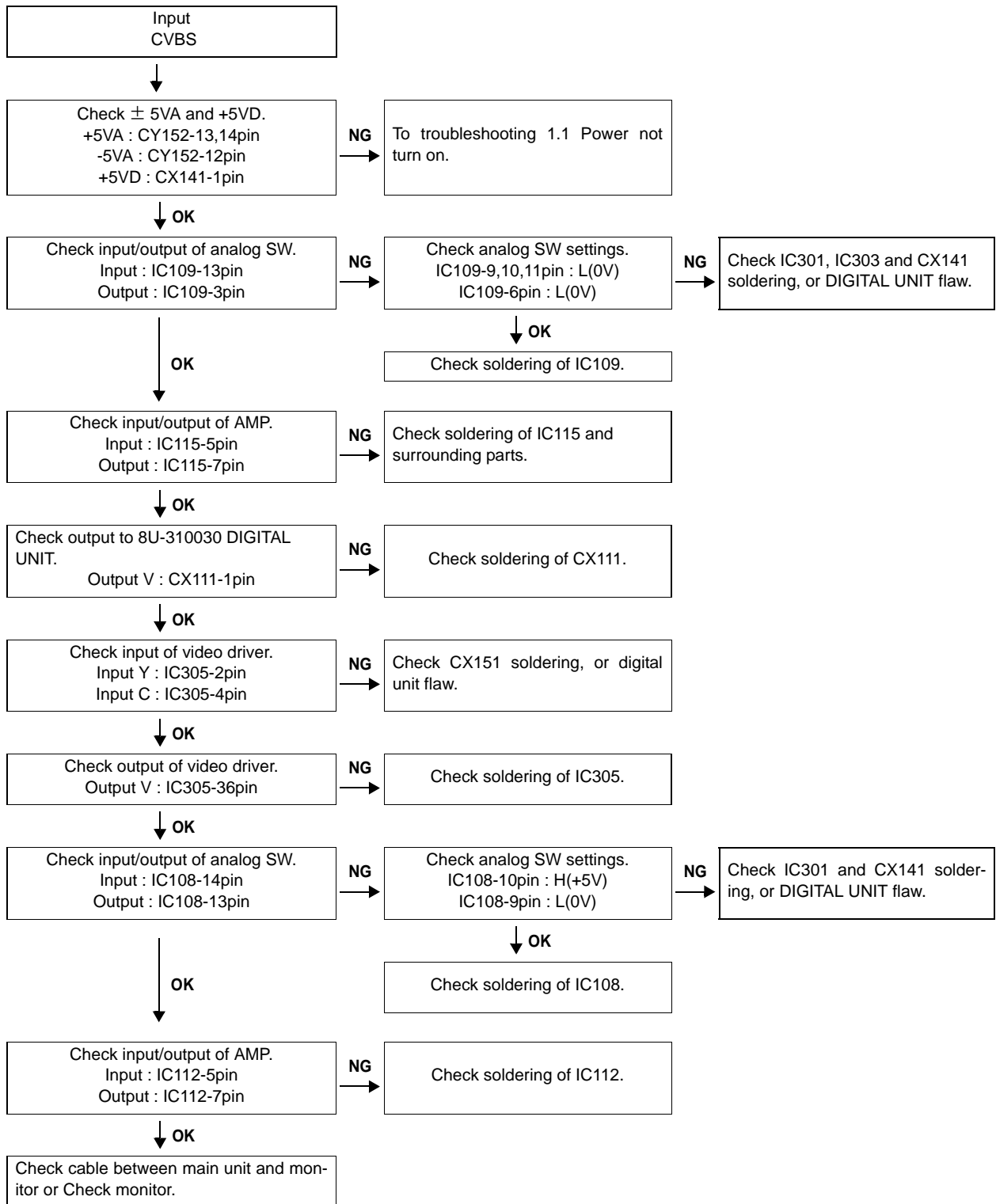


2. Analog video

2.1. MONITOR OUT (CVBS) output NG

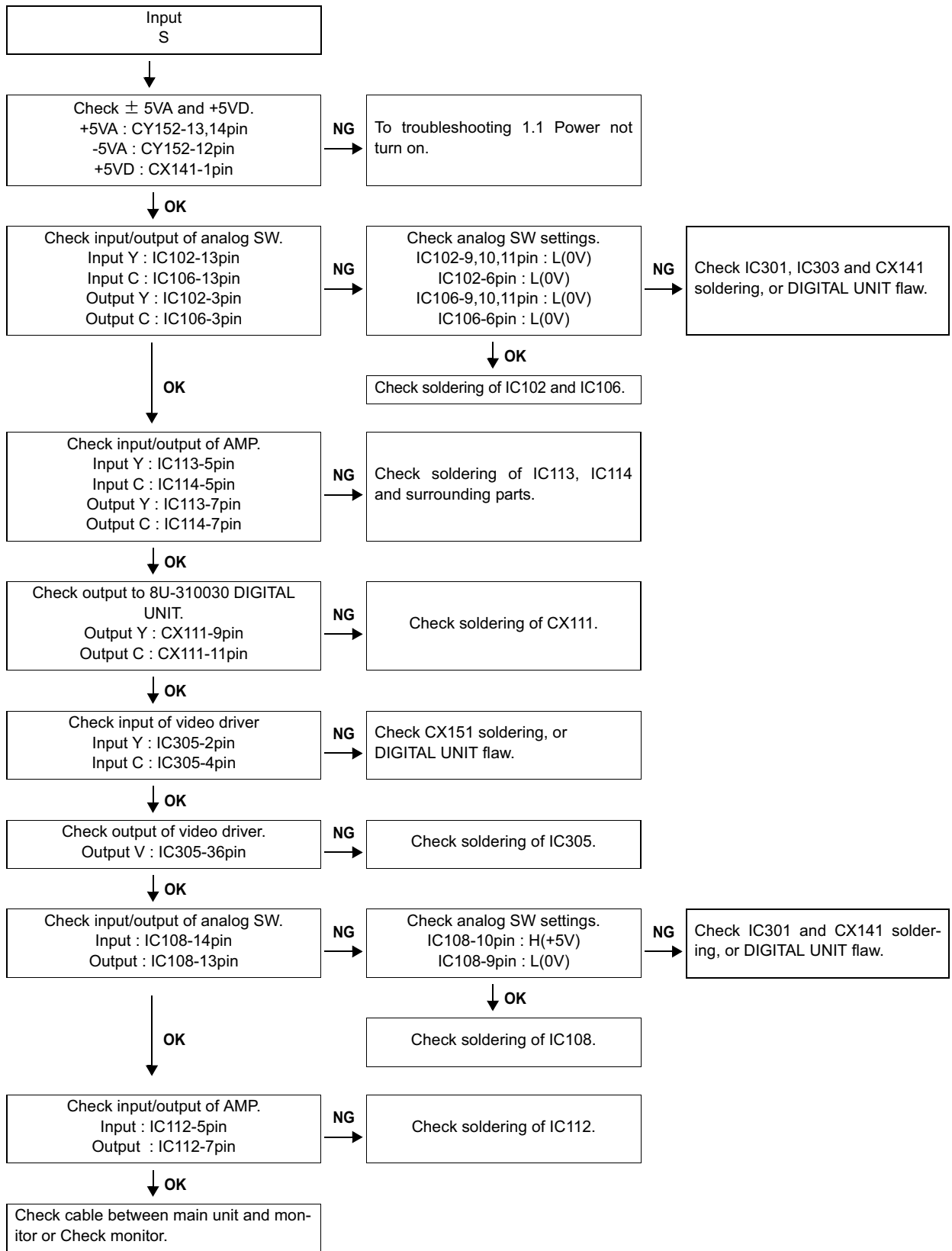


A

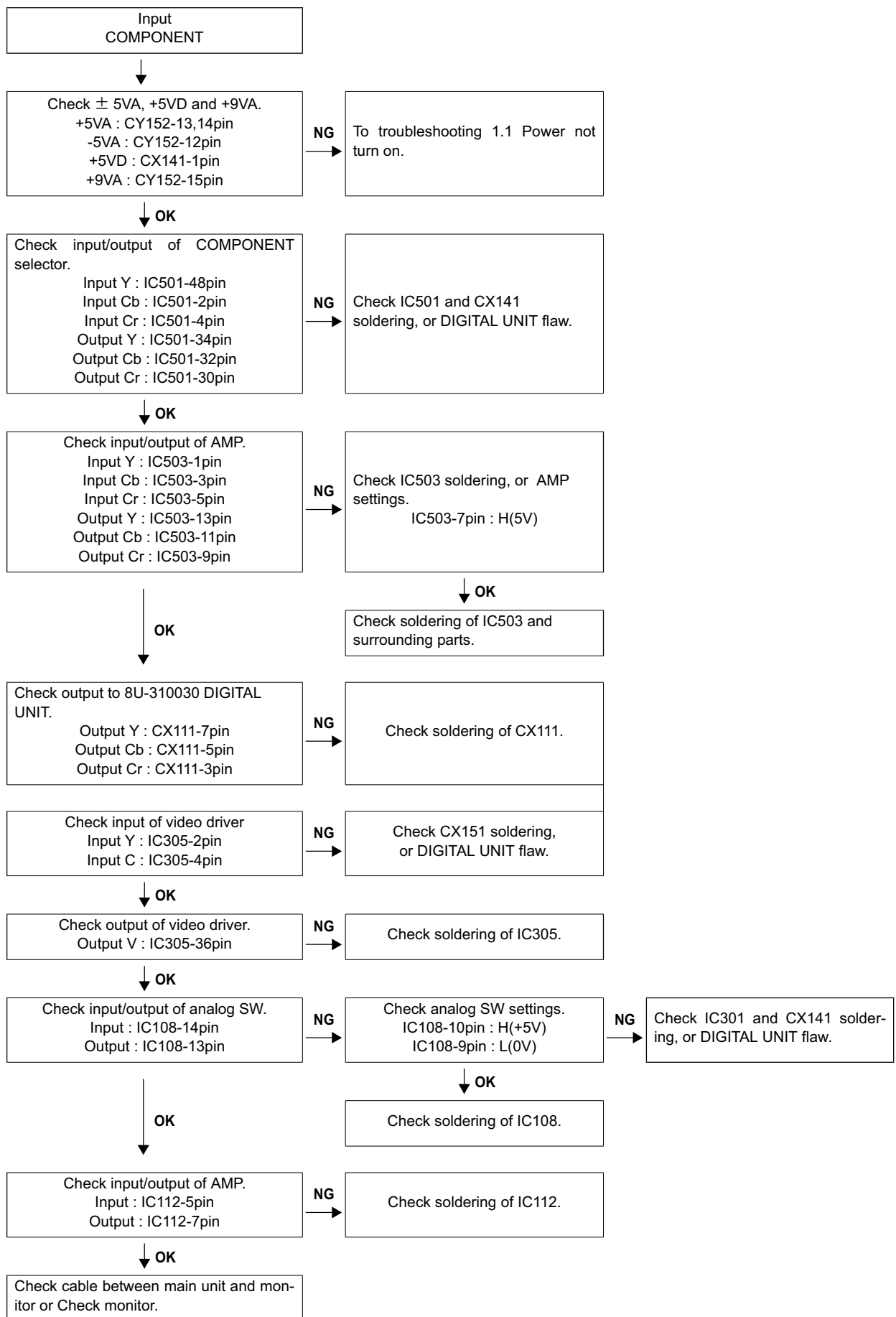


※ Unless specified, 8U-210063-1 A.VIDEO UNIT part.

B

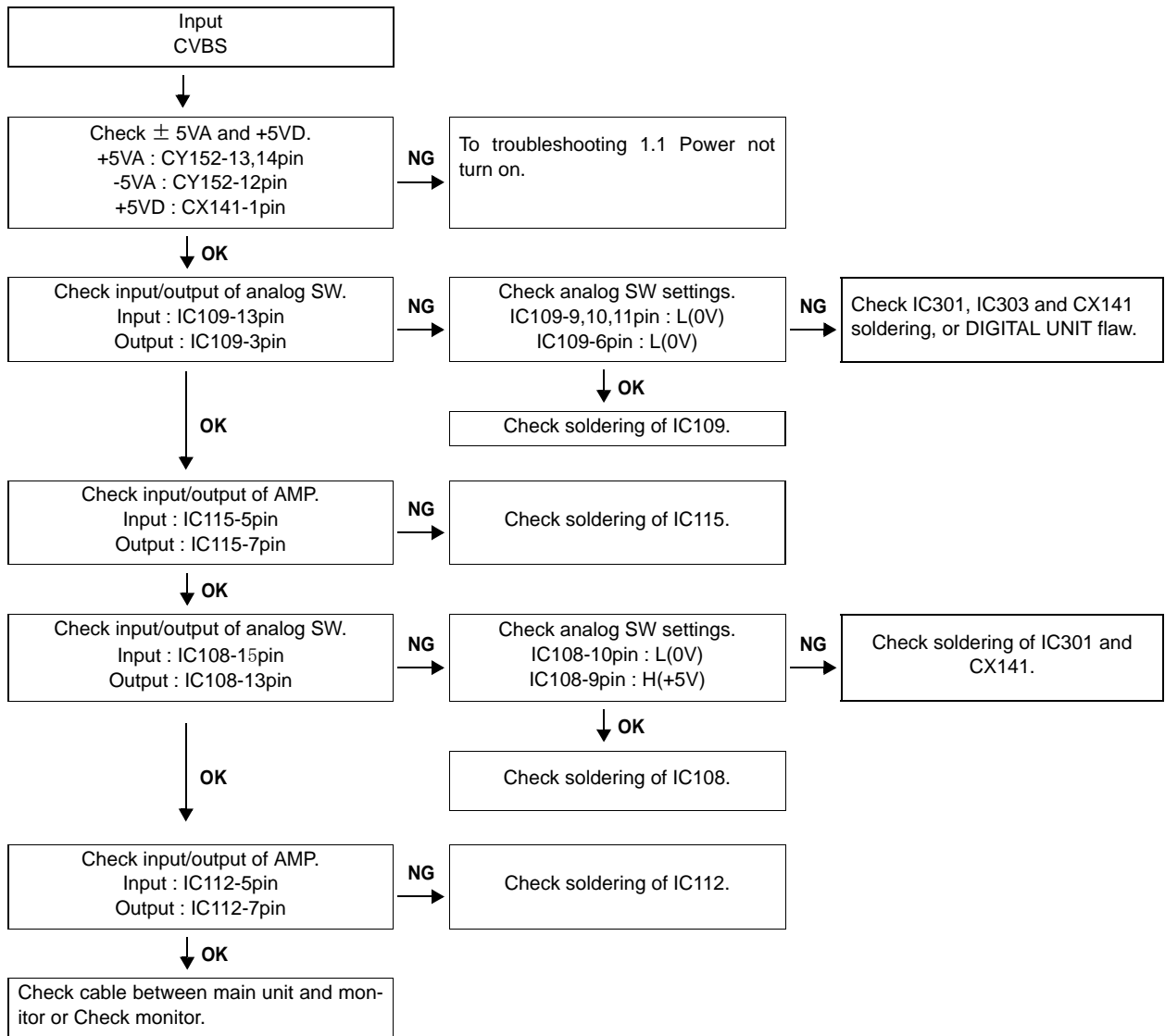


※ Unless specified, 8U-210063-1 A.VIDEO UNIT part.

C

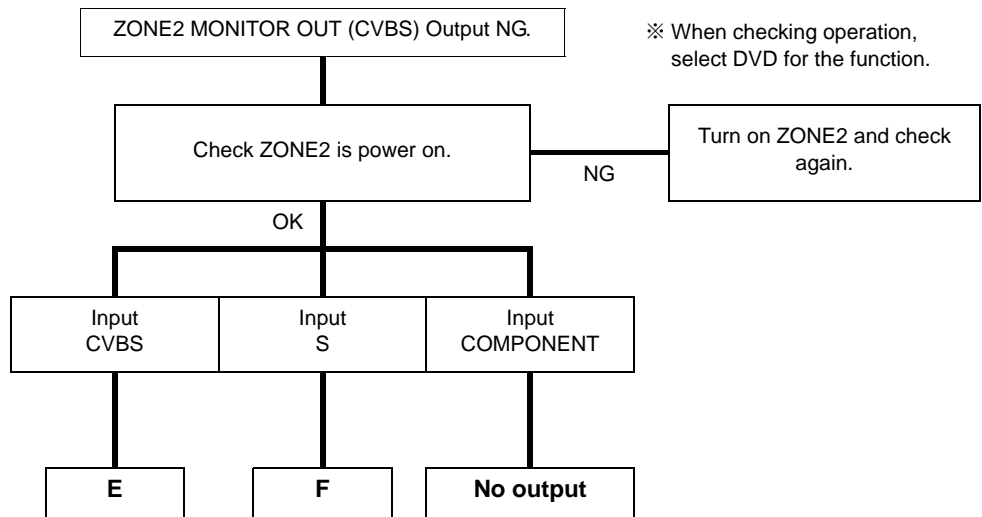
※ Unless specified, 8U-210063-1 A.VIDEO UNIT part.

D

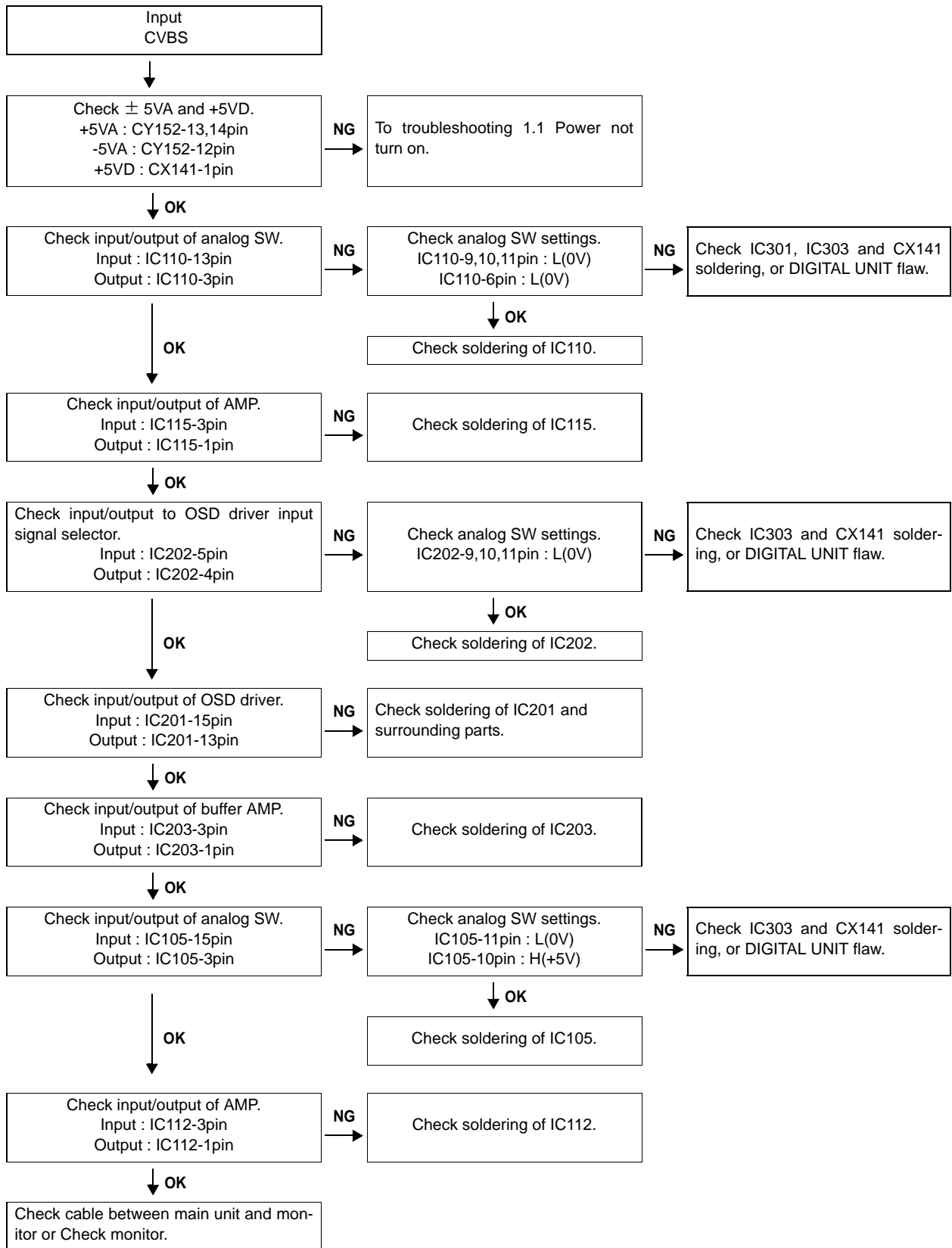


※ Unless specified, 8U-210063-1 A.VIDEO UNIT part.

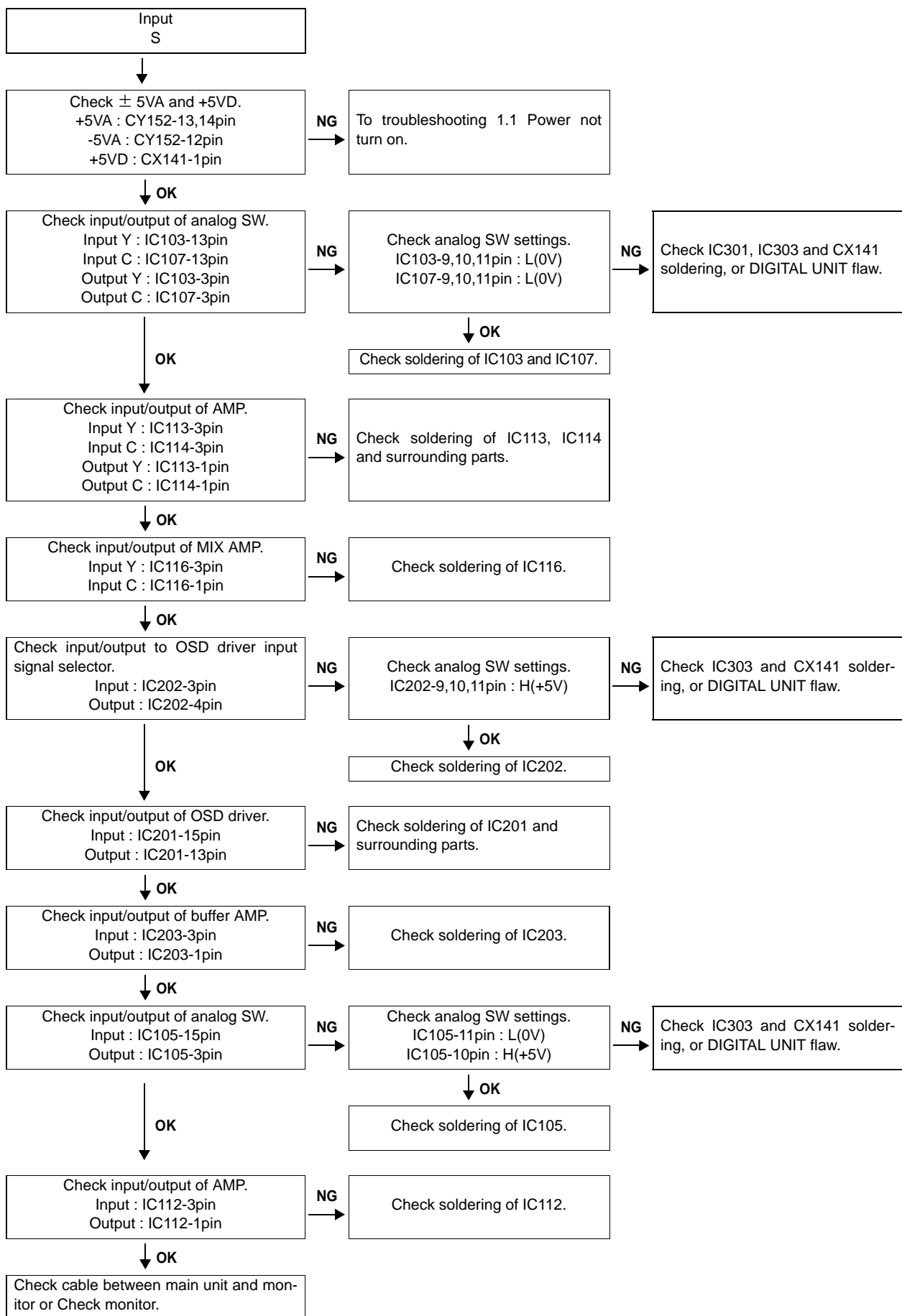
2.2. ZONE2 MONITOR OUT (CVBS) Output NG



E

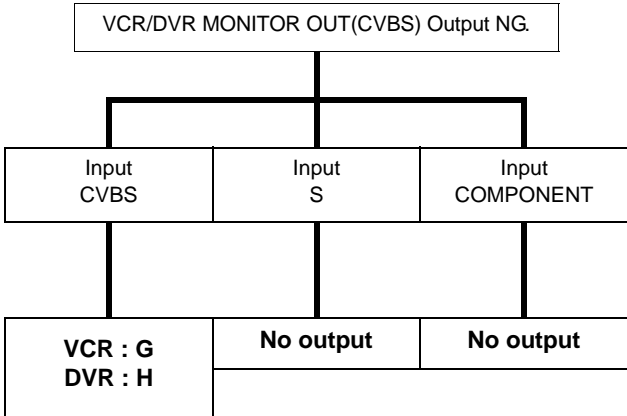


※ Unless specified, 8U-210063-1 A.VIDEO UNIT part.

F

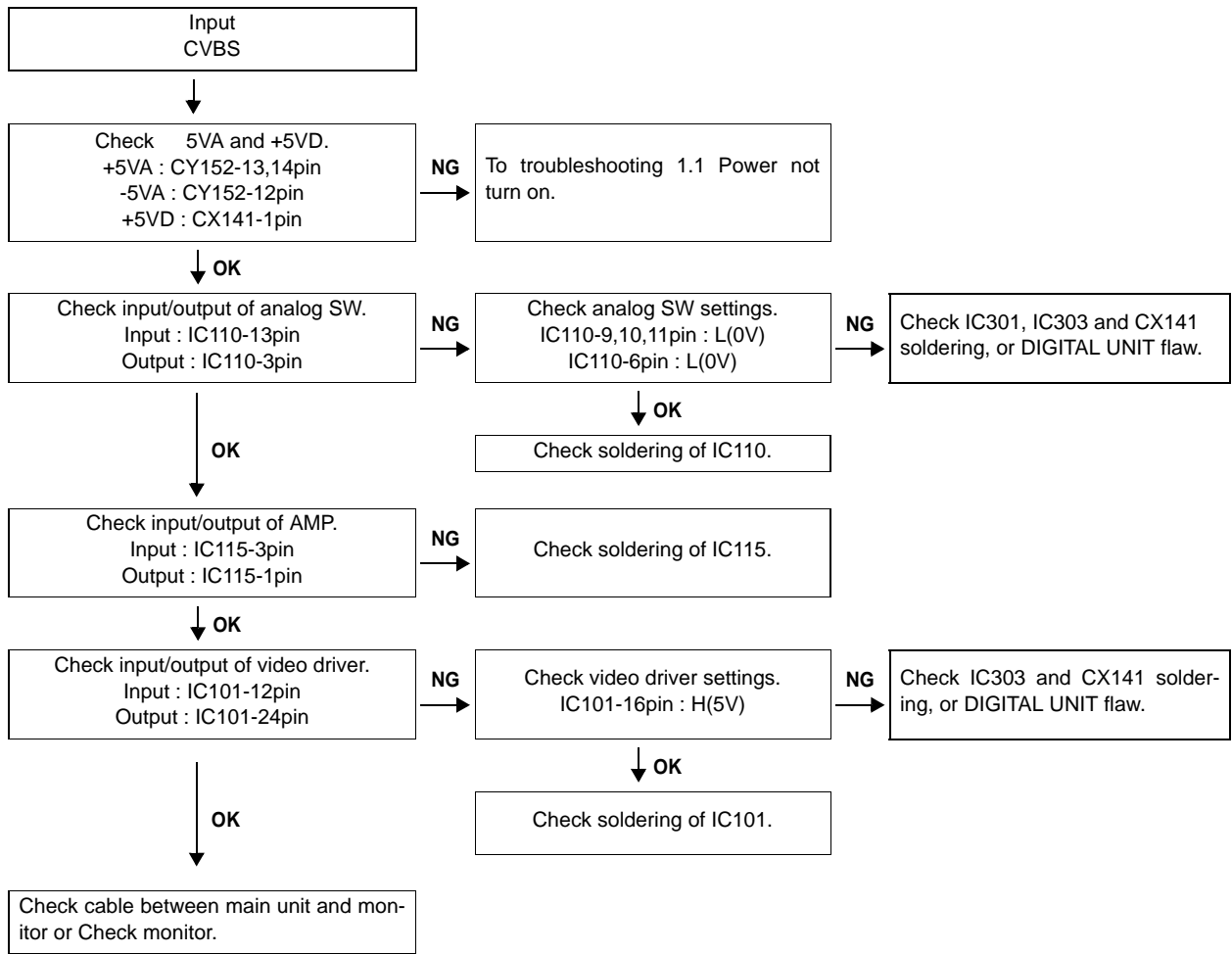
※ Unless specified, 8U-210063-1 A.VIDEO UNIT part.

2.3. VCR/DVR MONITOR OUT(CVBS) Output NG



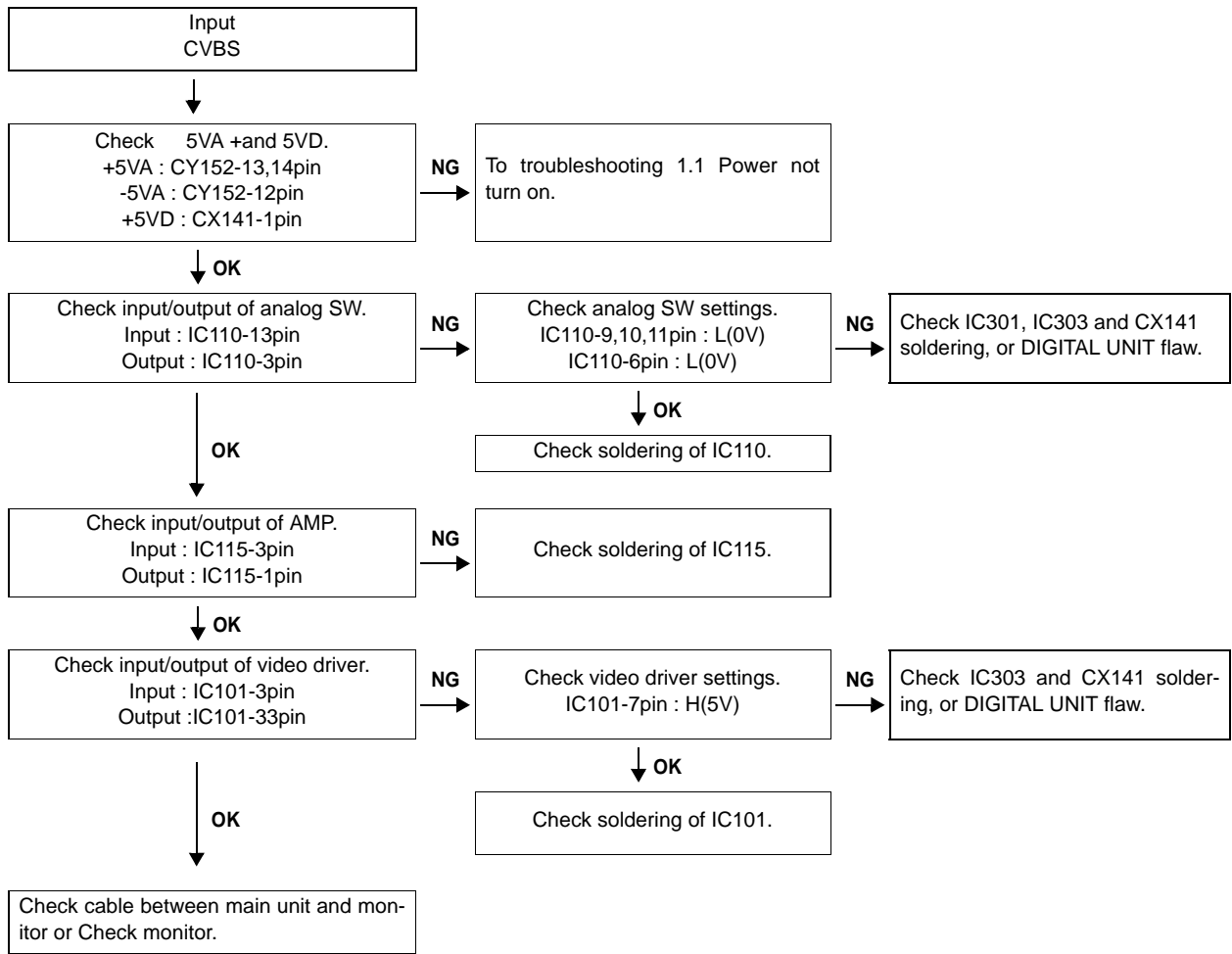
When checking operation, select DVD for the function.

G



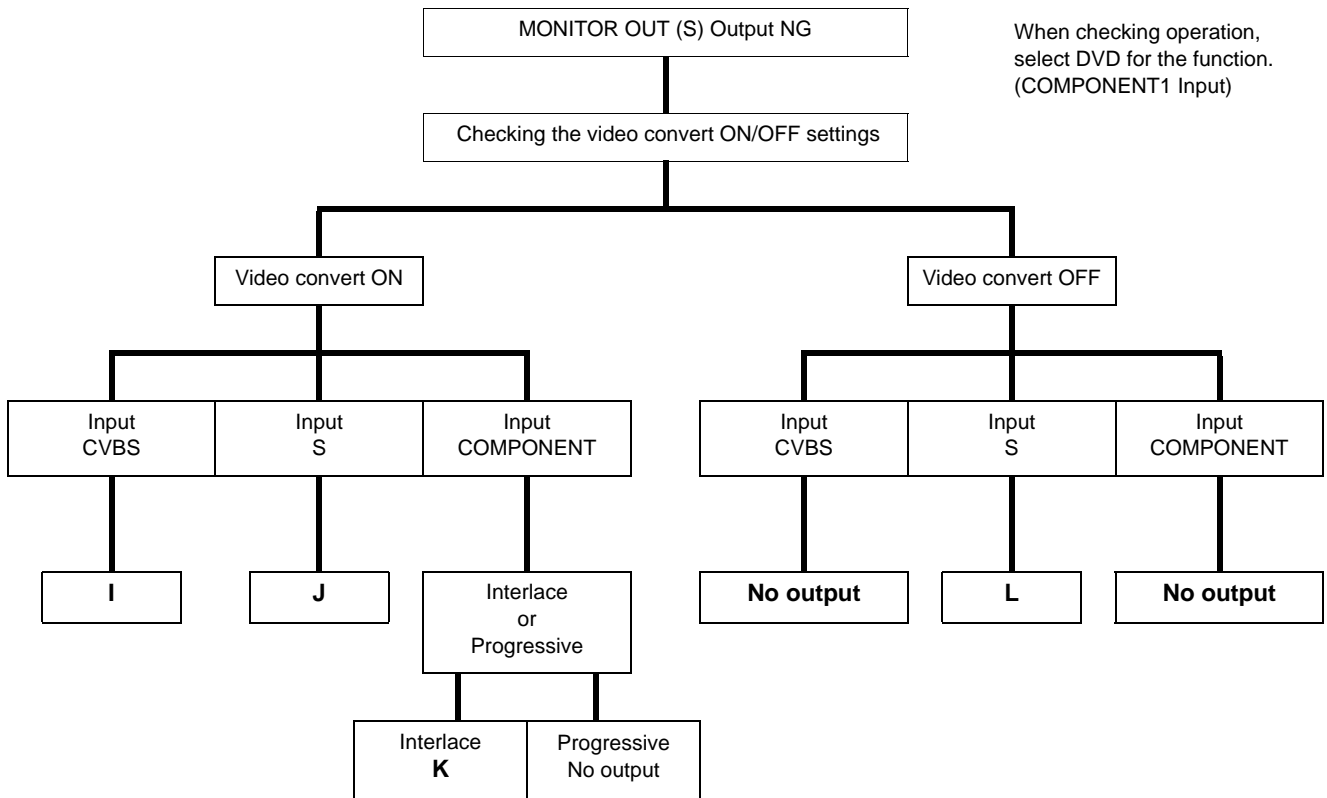
Unless specified, 8U-210063-1 A.VIDEO UNIT part.

H

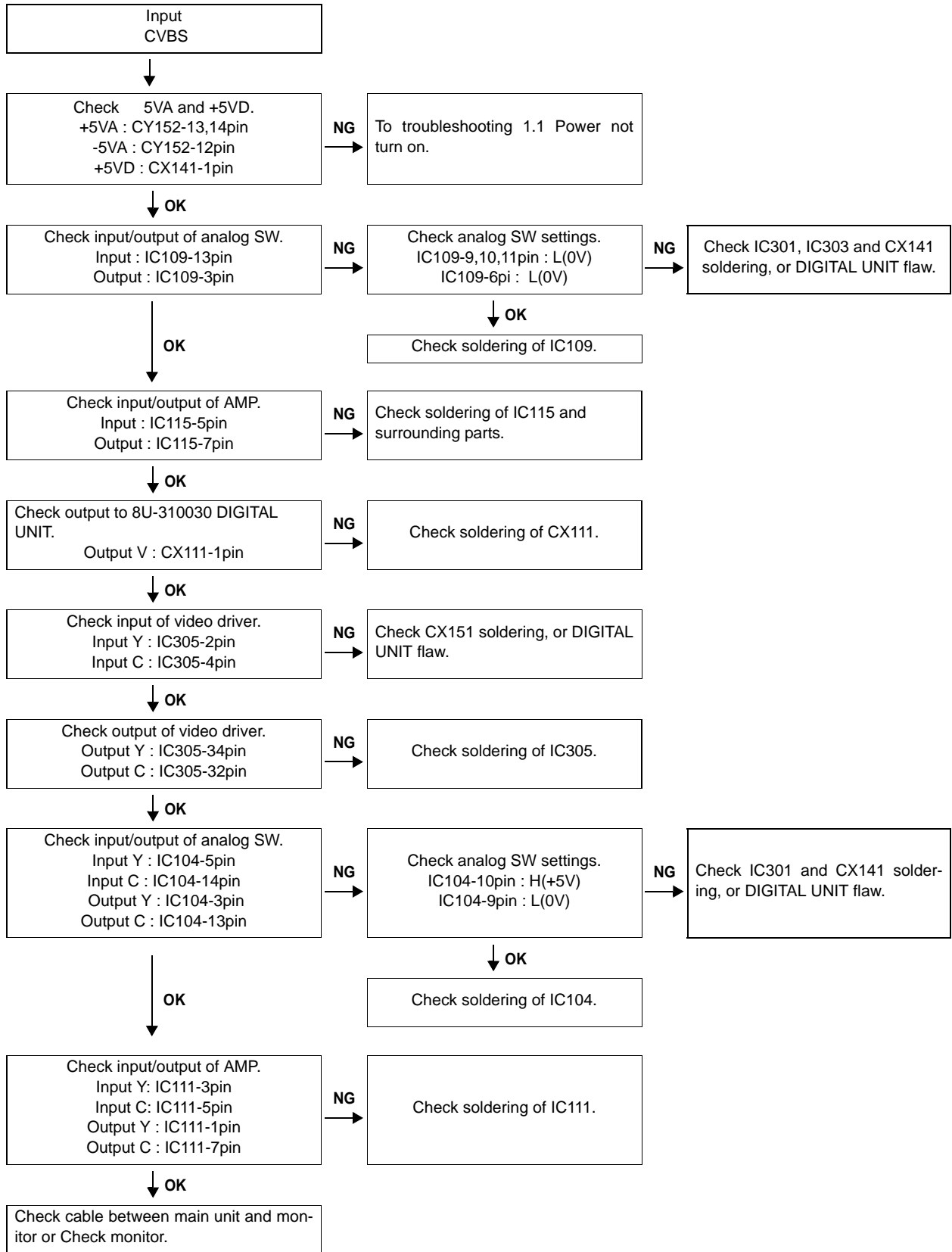


Unless specified, 8U-210063-1 A.VIDEO UNIT part.

2.4. MONITOR OUT (S) Output NG

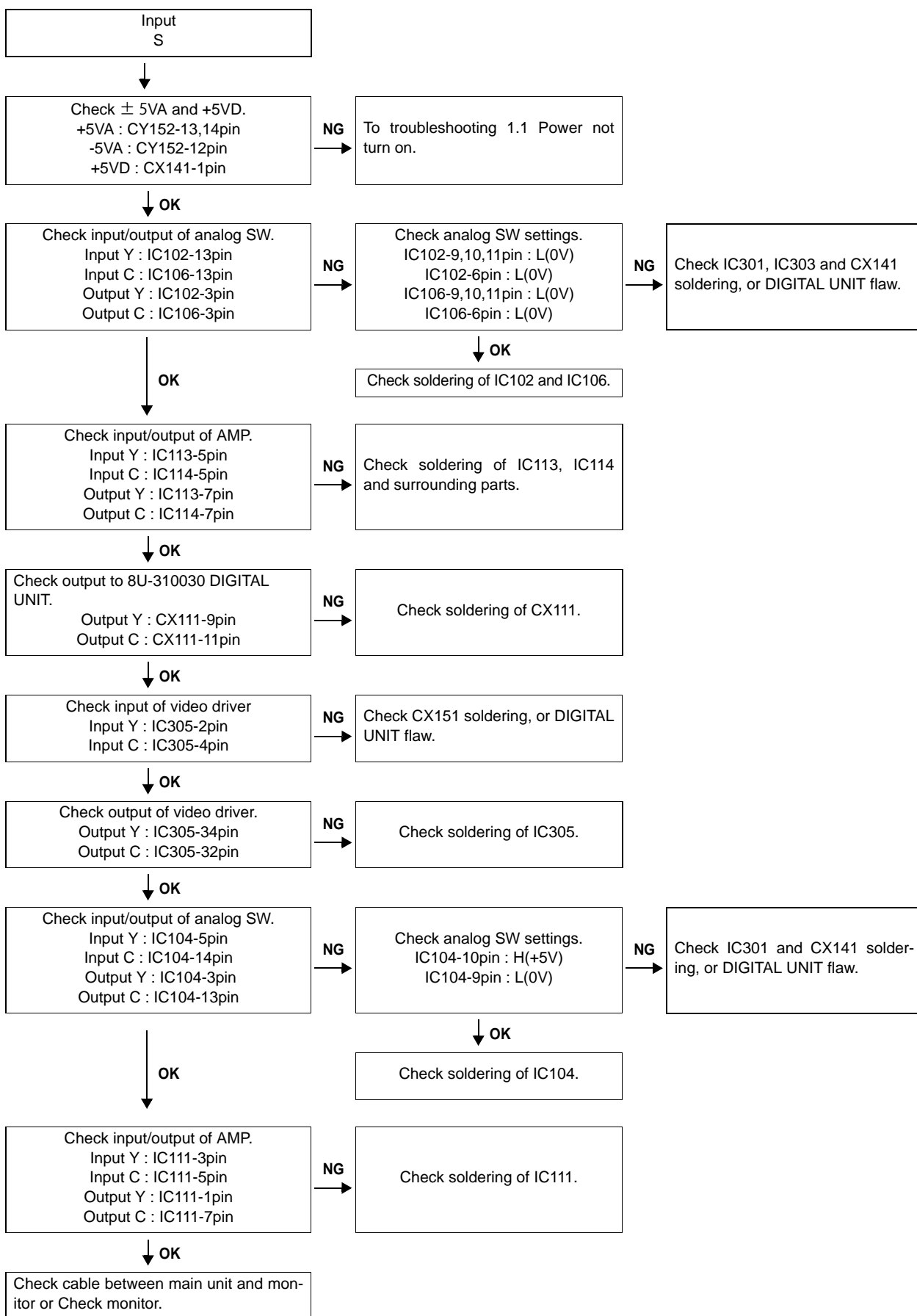


I

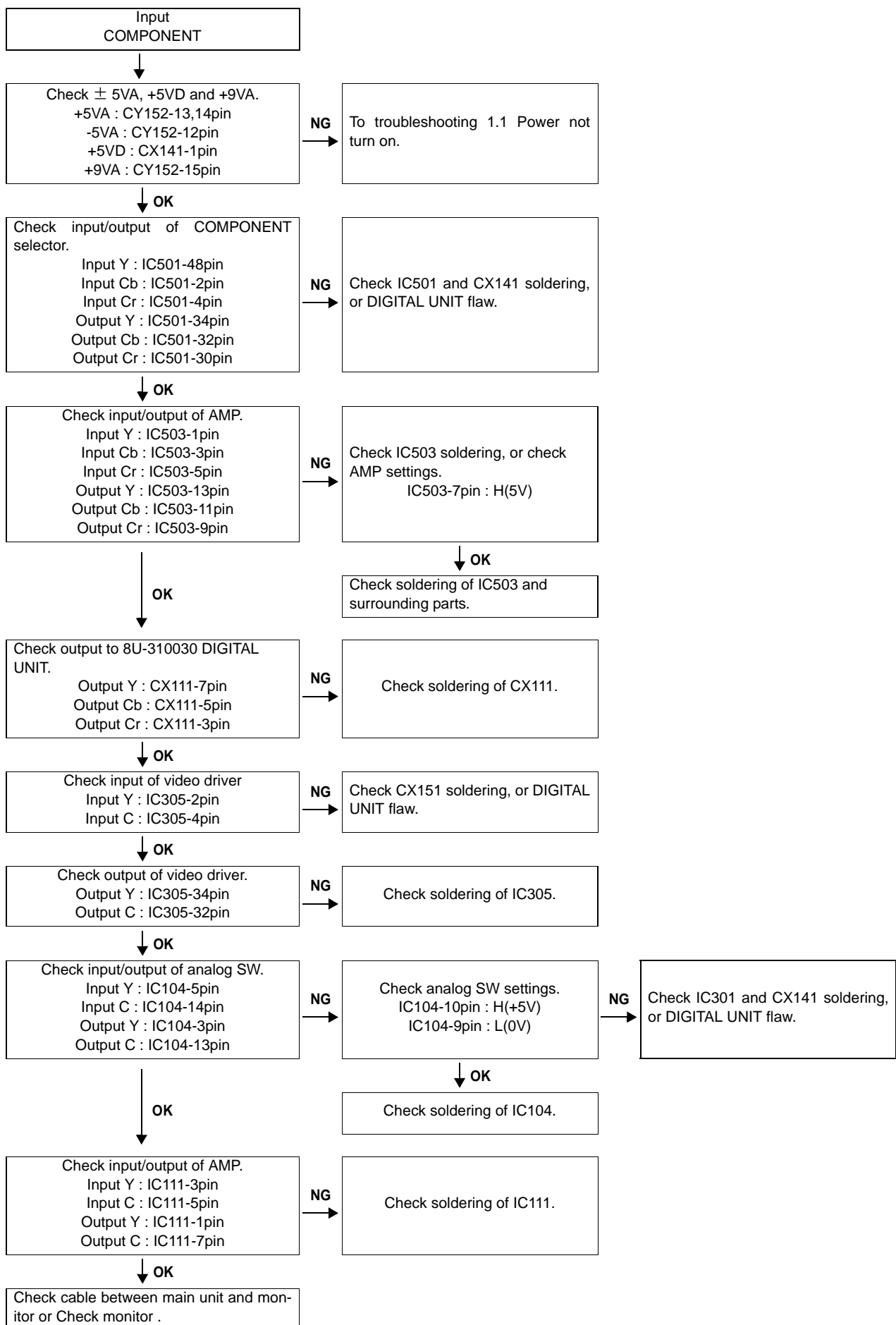


Unless specified, 8U-210063-1 A.VIDEO UNIT part.

J

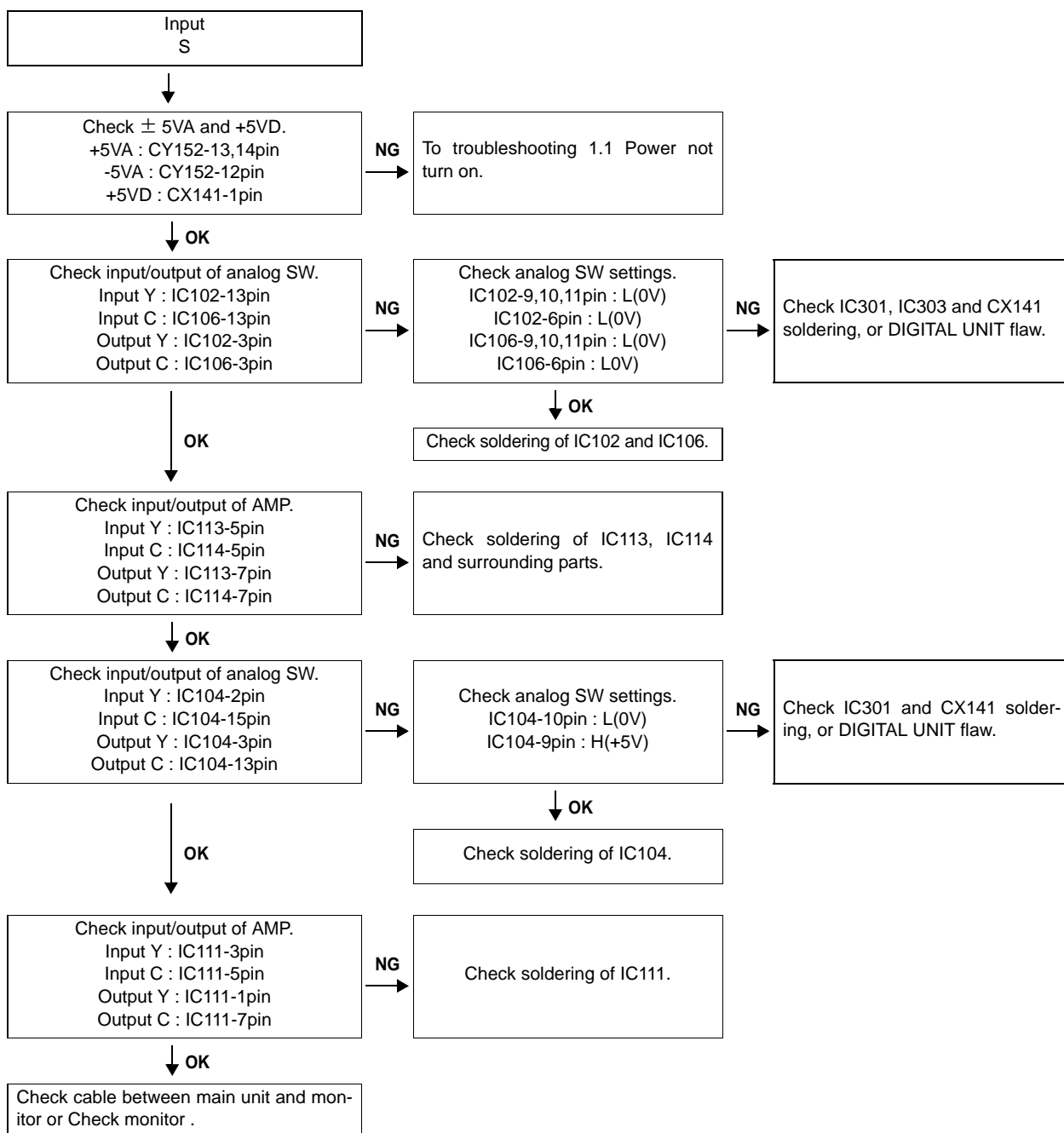


※ Unless specified, 8U-210063-1 A.VIDEO UNIT part.

K

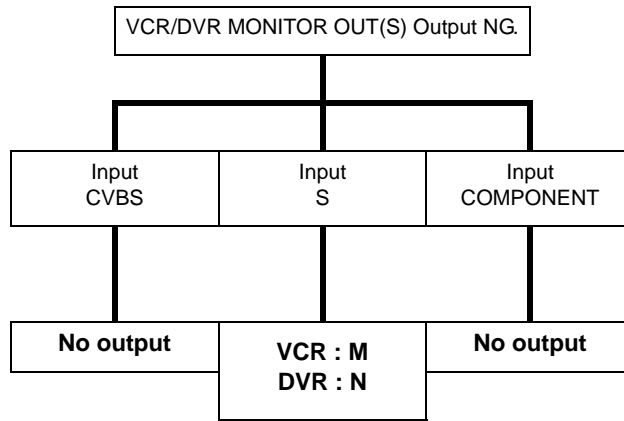
※ Unless specified, 8U-210063-1 A.VIDEO UNIT part.

L



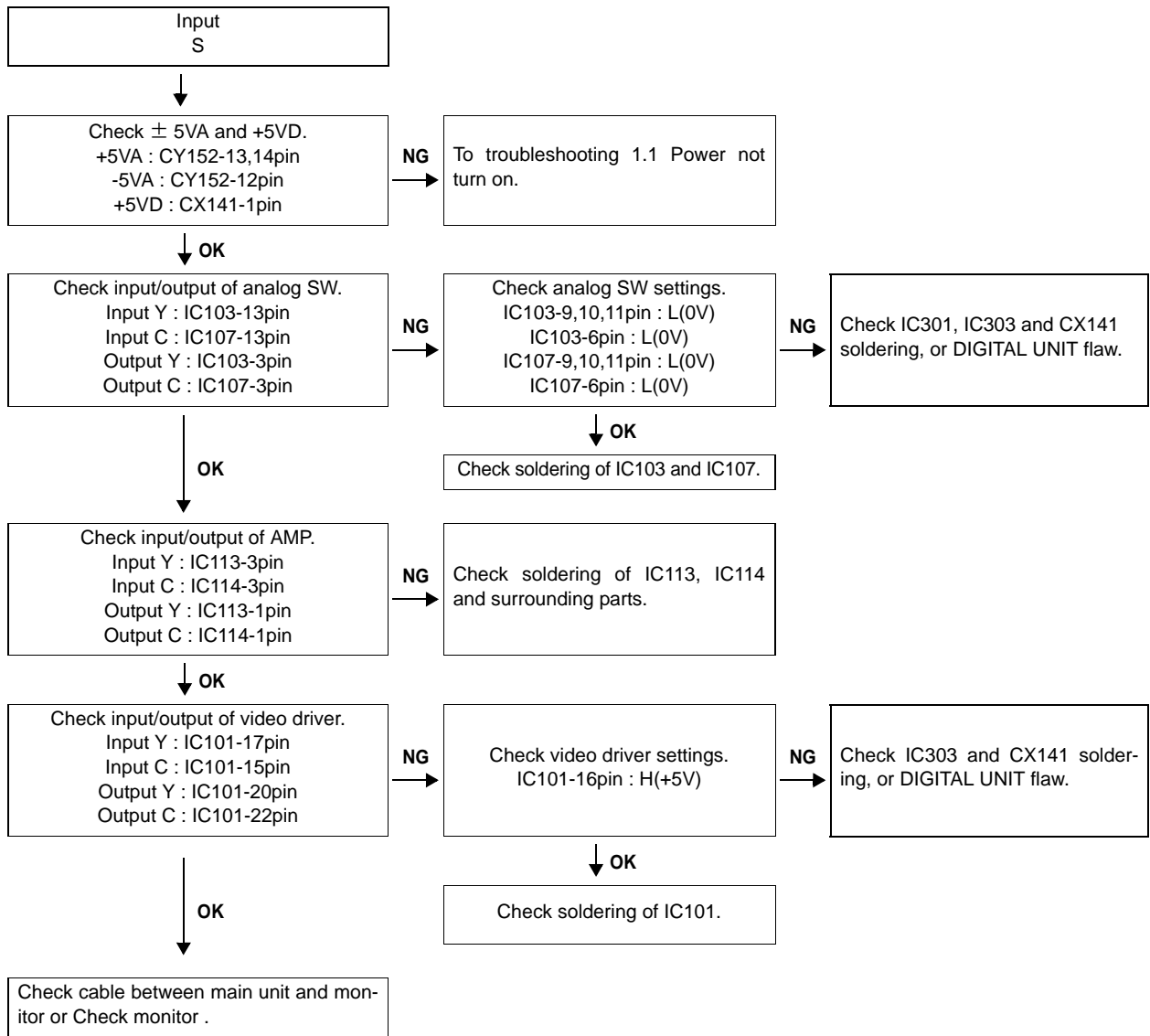
※ Unless specified, 8U-210063-1 A.VIDEO UNIT part.

2.5. VCR/DVR MONITOR OUT(S) Output NG



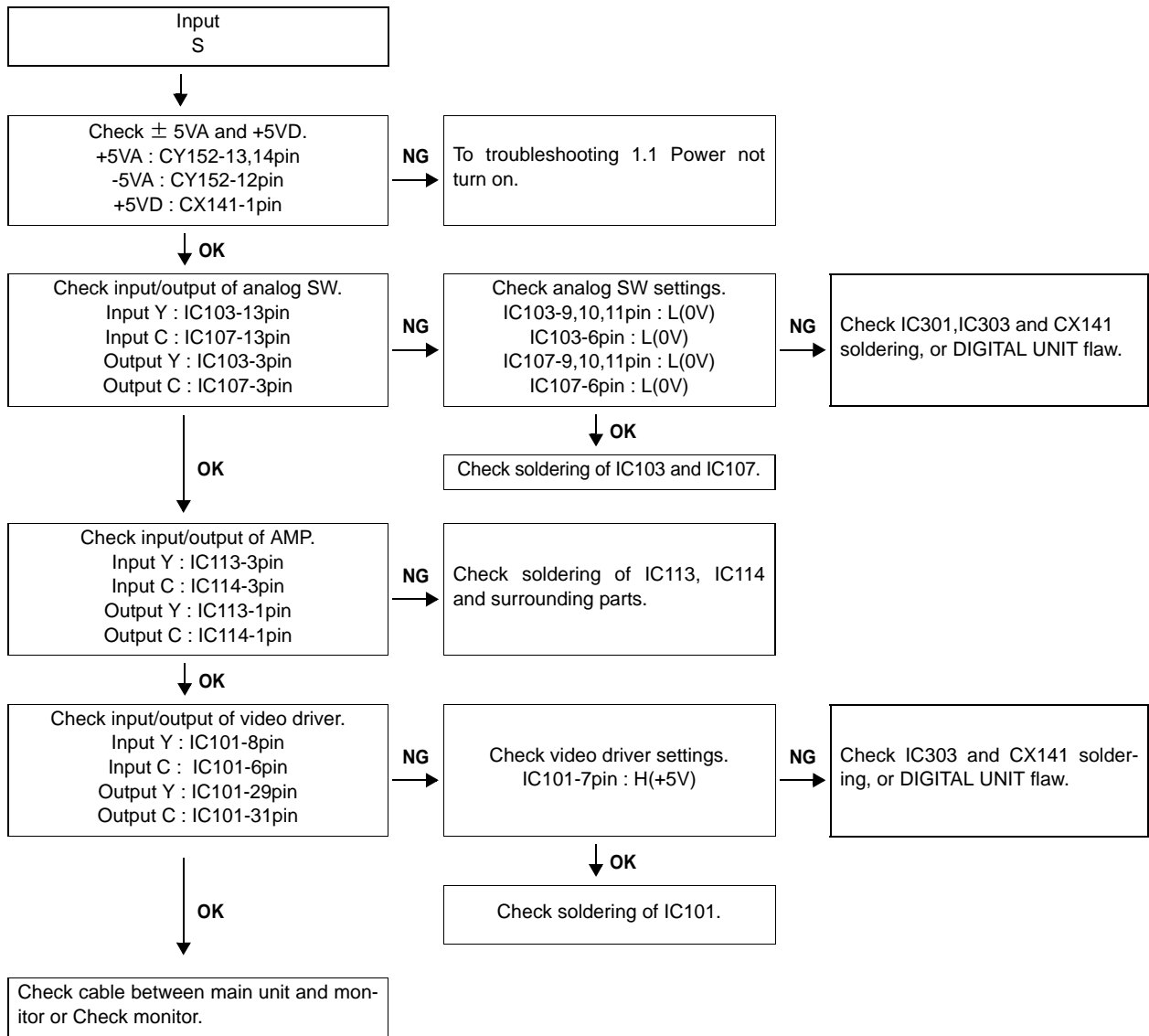
※ When checking operation,
select DVD for the function.

M



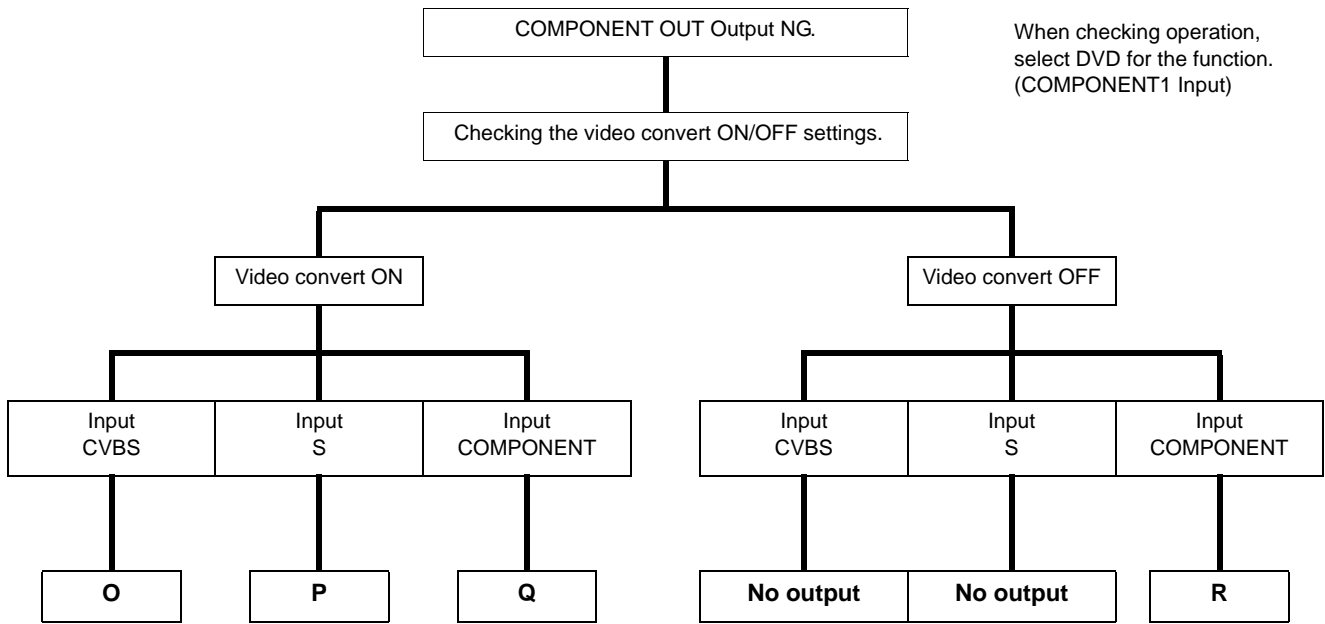
※ Unless specified, 8U-210063-1 A.VIDEO UNIT part.

N

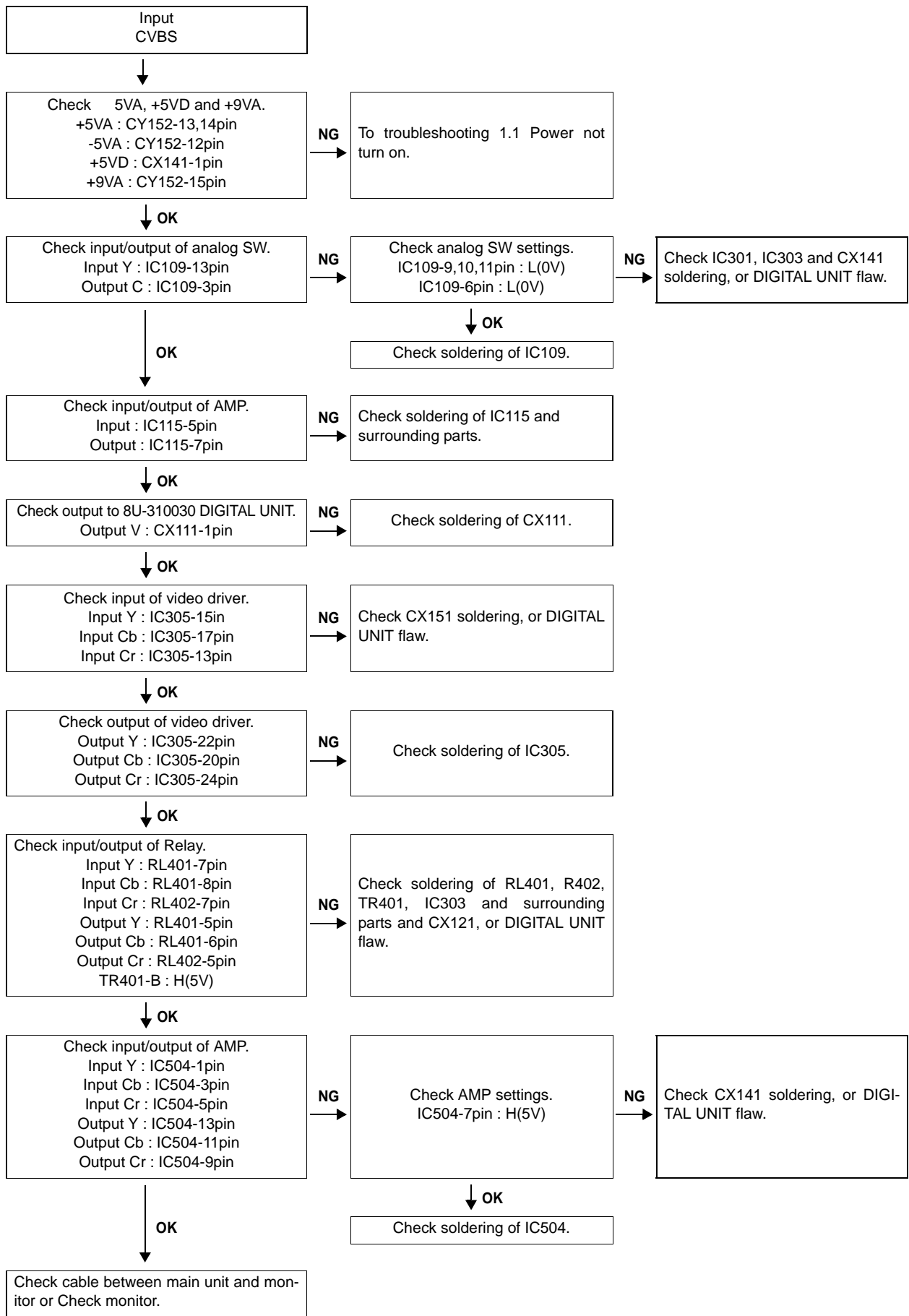


※ Unless specified, 8U-210063-1 A.VIDEO UNIT part.

2.6. COMPONENT OUT Output NG

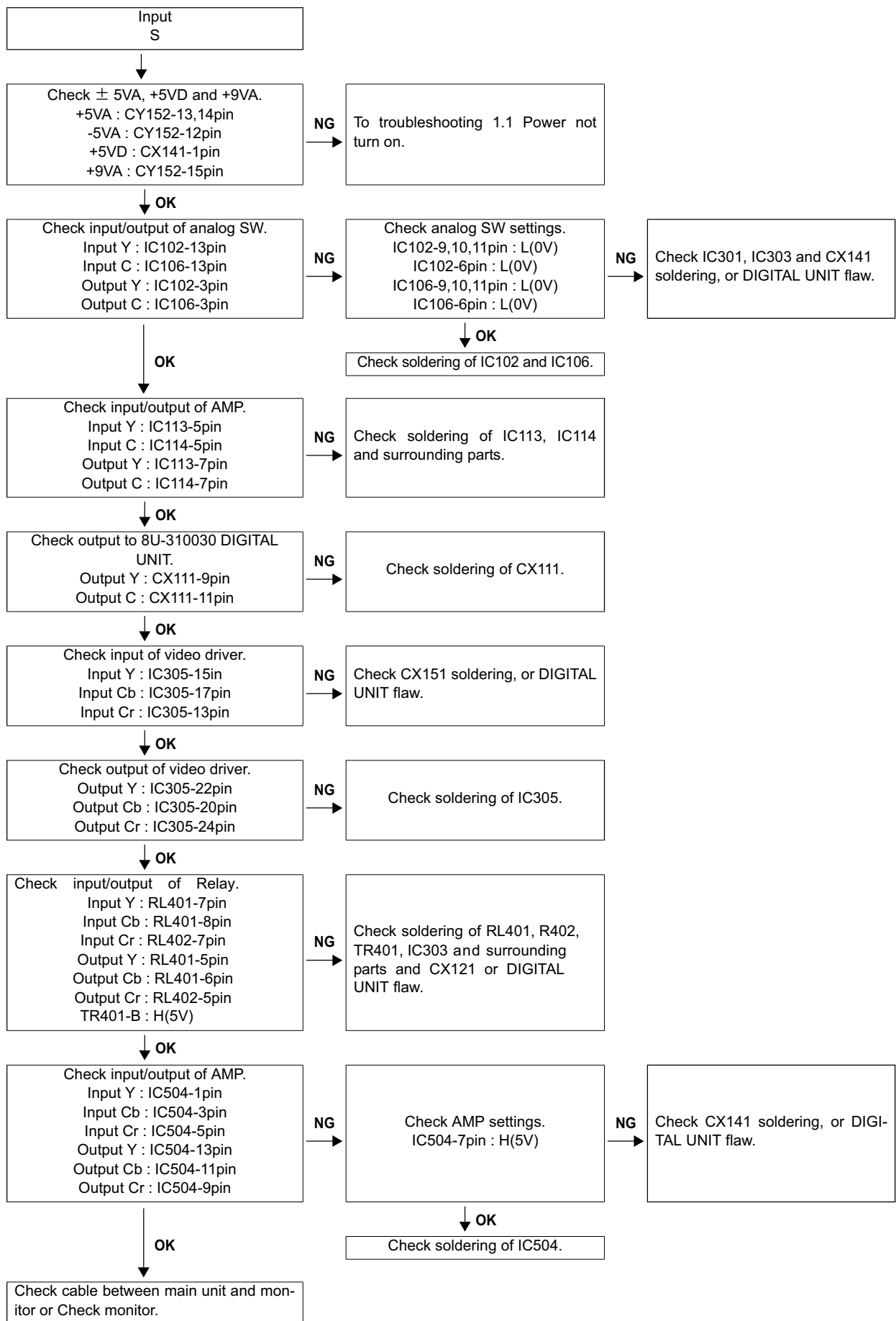


O



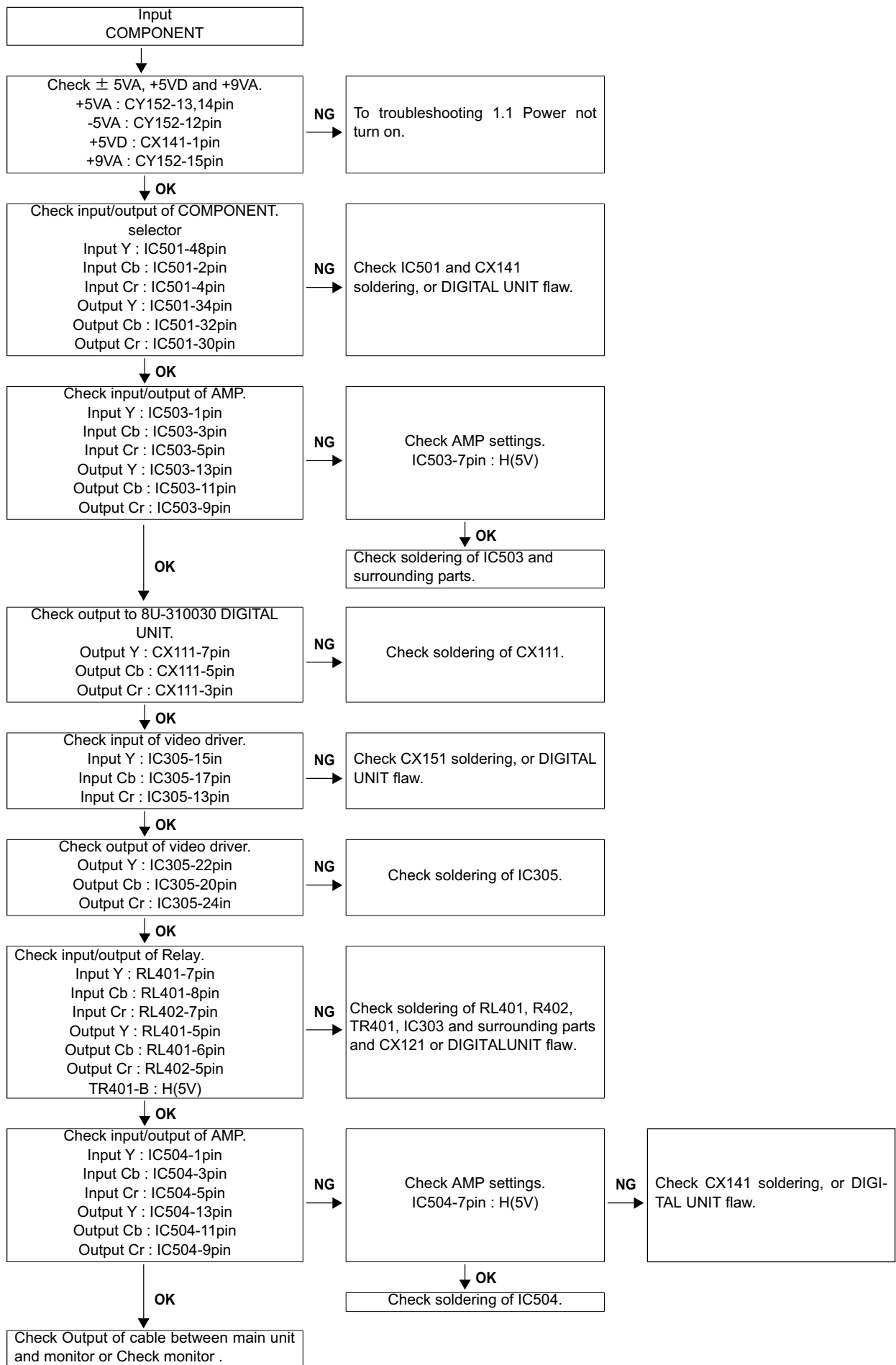
Unless specified, 8U-210063-1 A.VIDEO UNIT part.

P



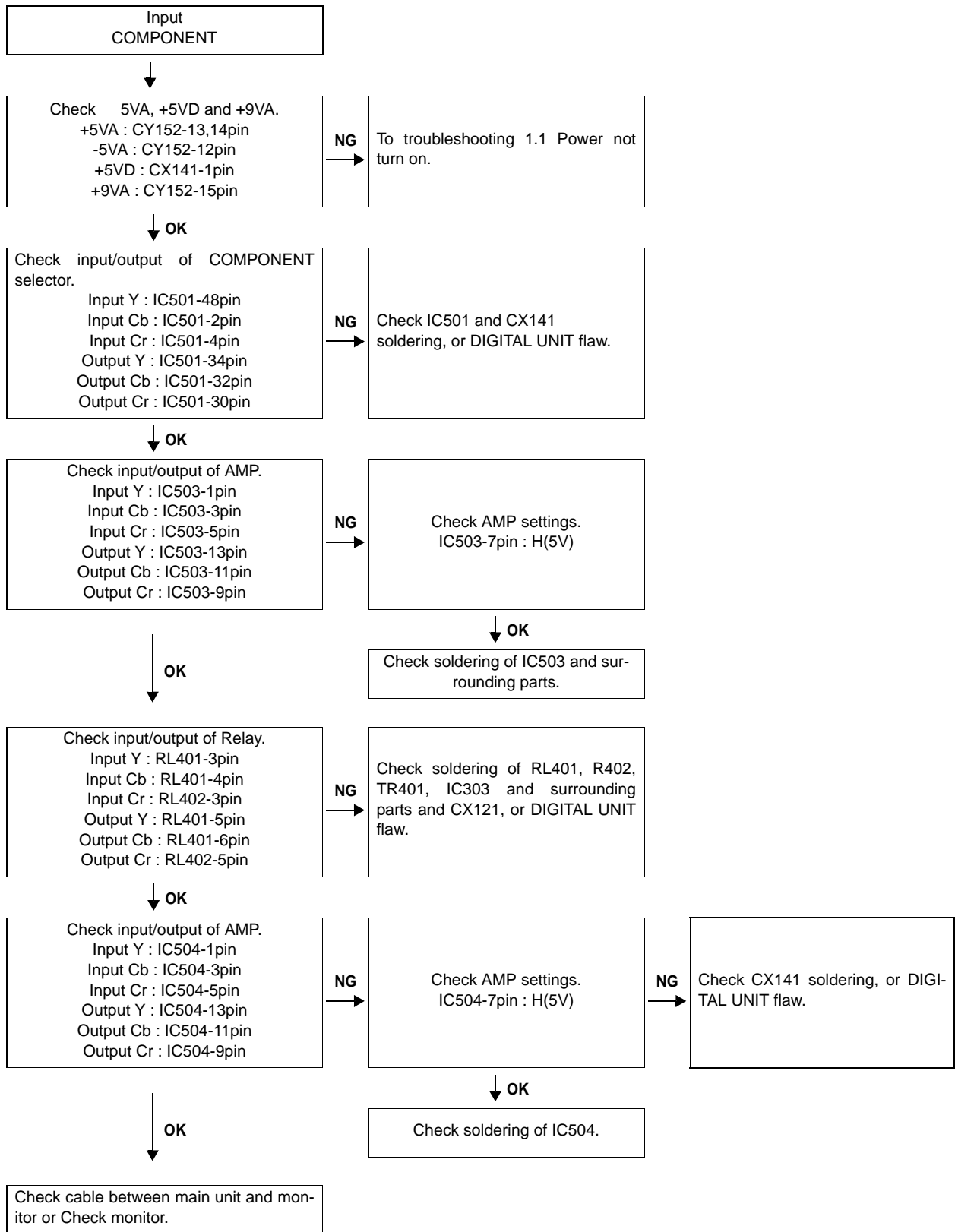
※ Unless specified, 8U-210063-1 A.VIDEO UNIT part.

Q



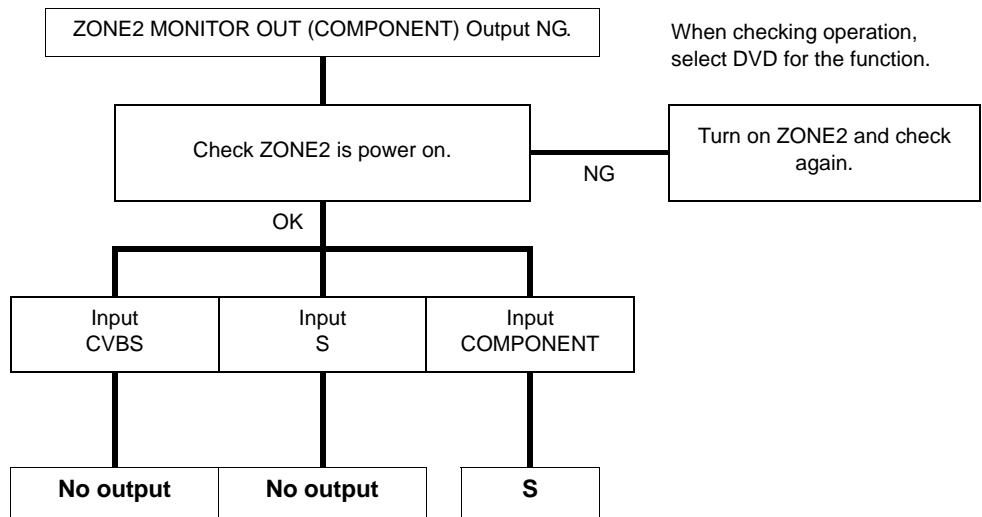
※ Unless specified, 8U-210063-1 A.VIDEO UNIT part.

R

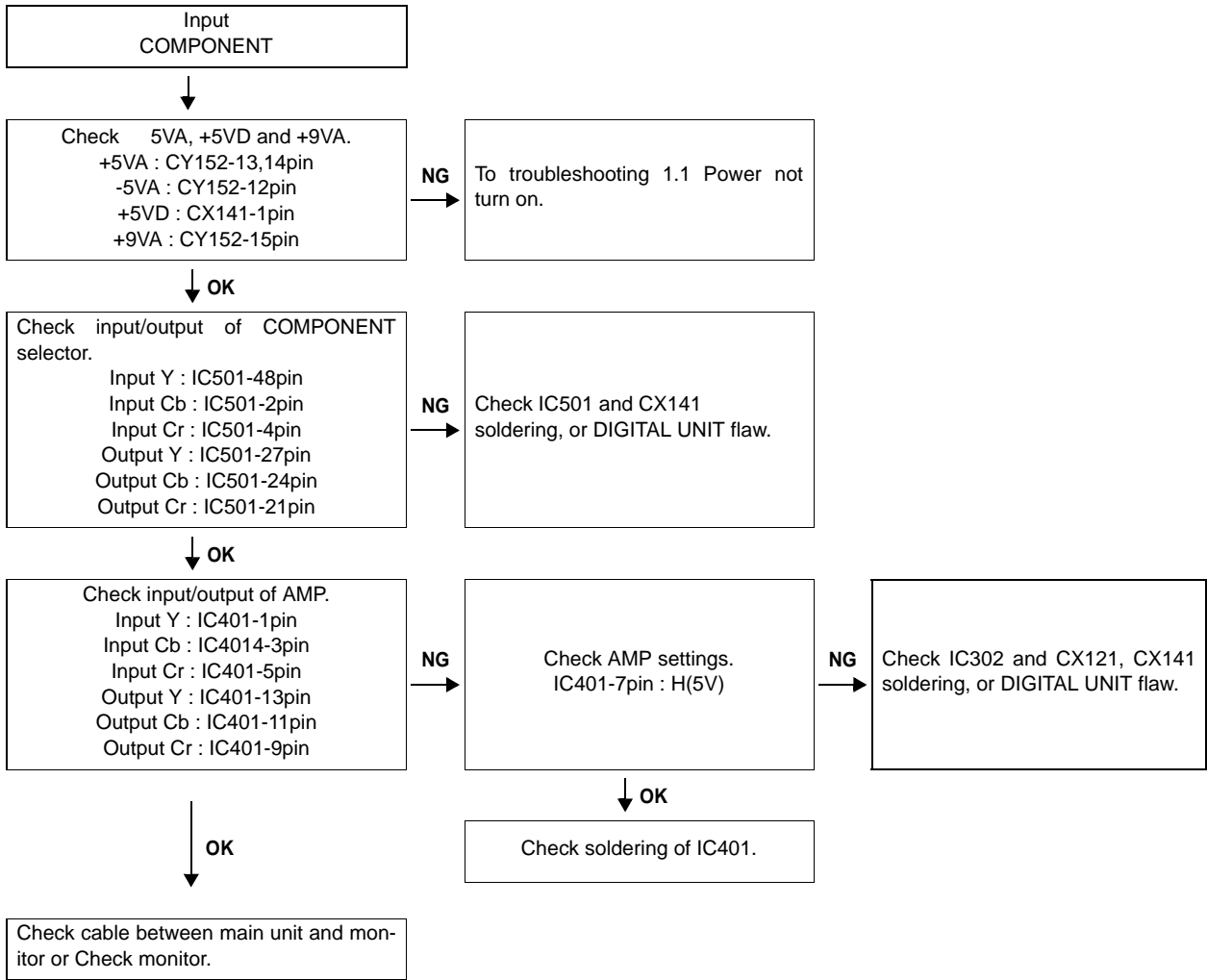


Unless specified, 8U-210063-1 A.VIDEO UNIT part.

2.7. ZONE2 MONITOR OUT (COMPONENT) Output NG

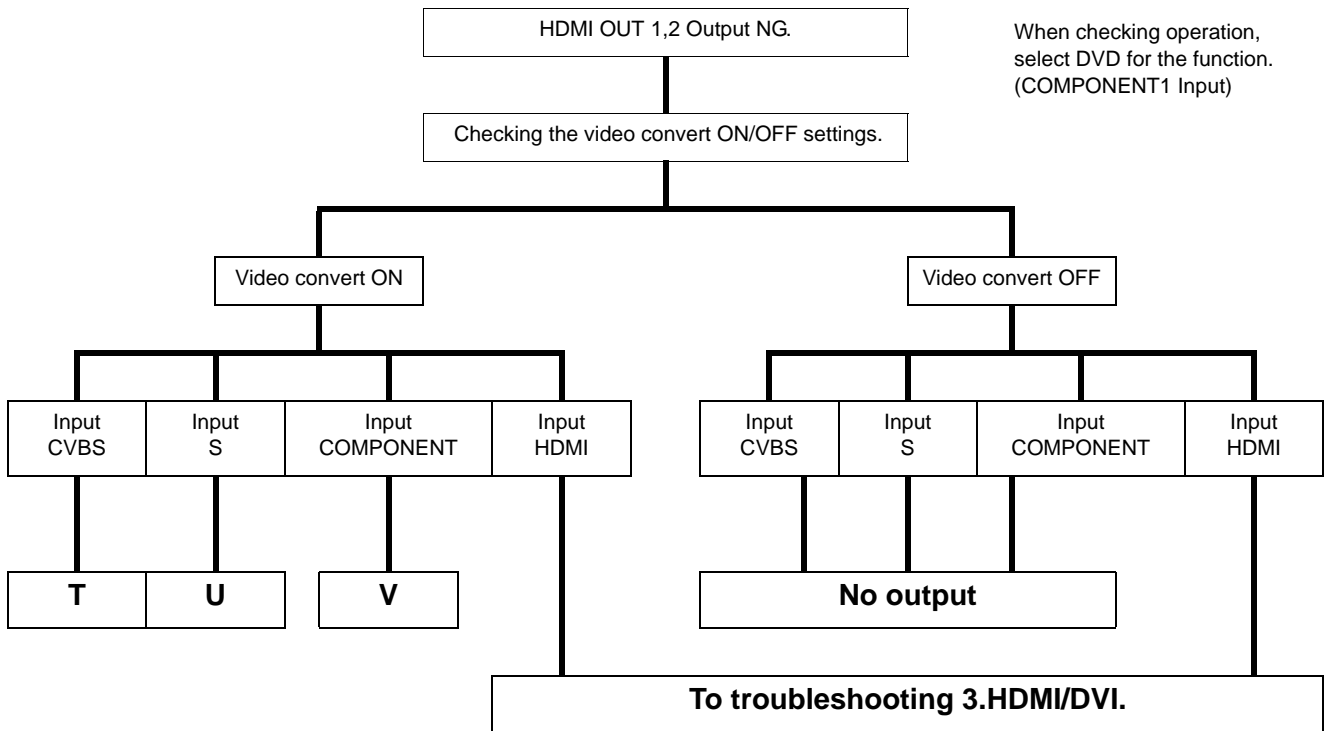


S

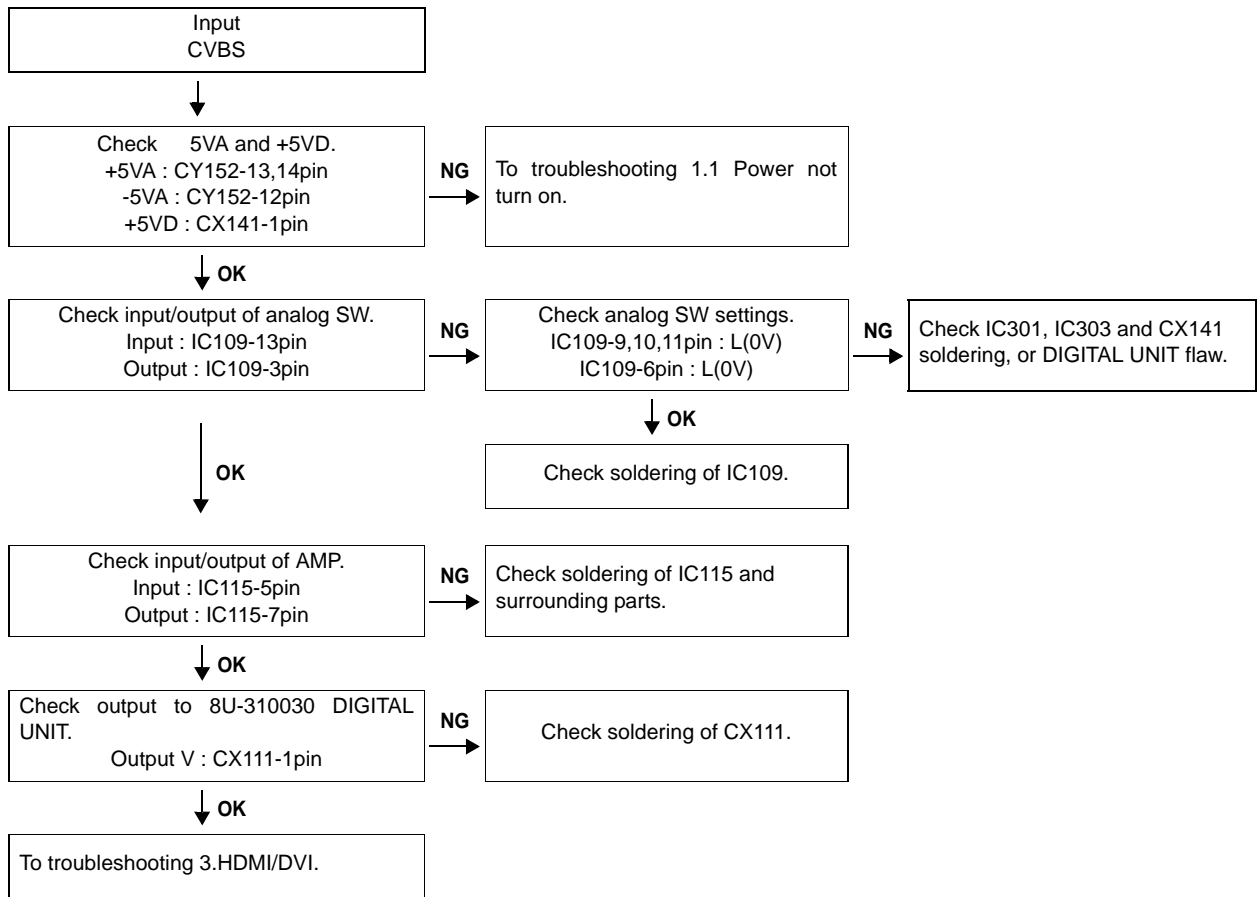


Unless specified, 8U-210063-1 A.VIDEO UNIT part.

2.8. HDMI OUT 1,2 Output NG

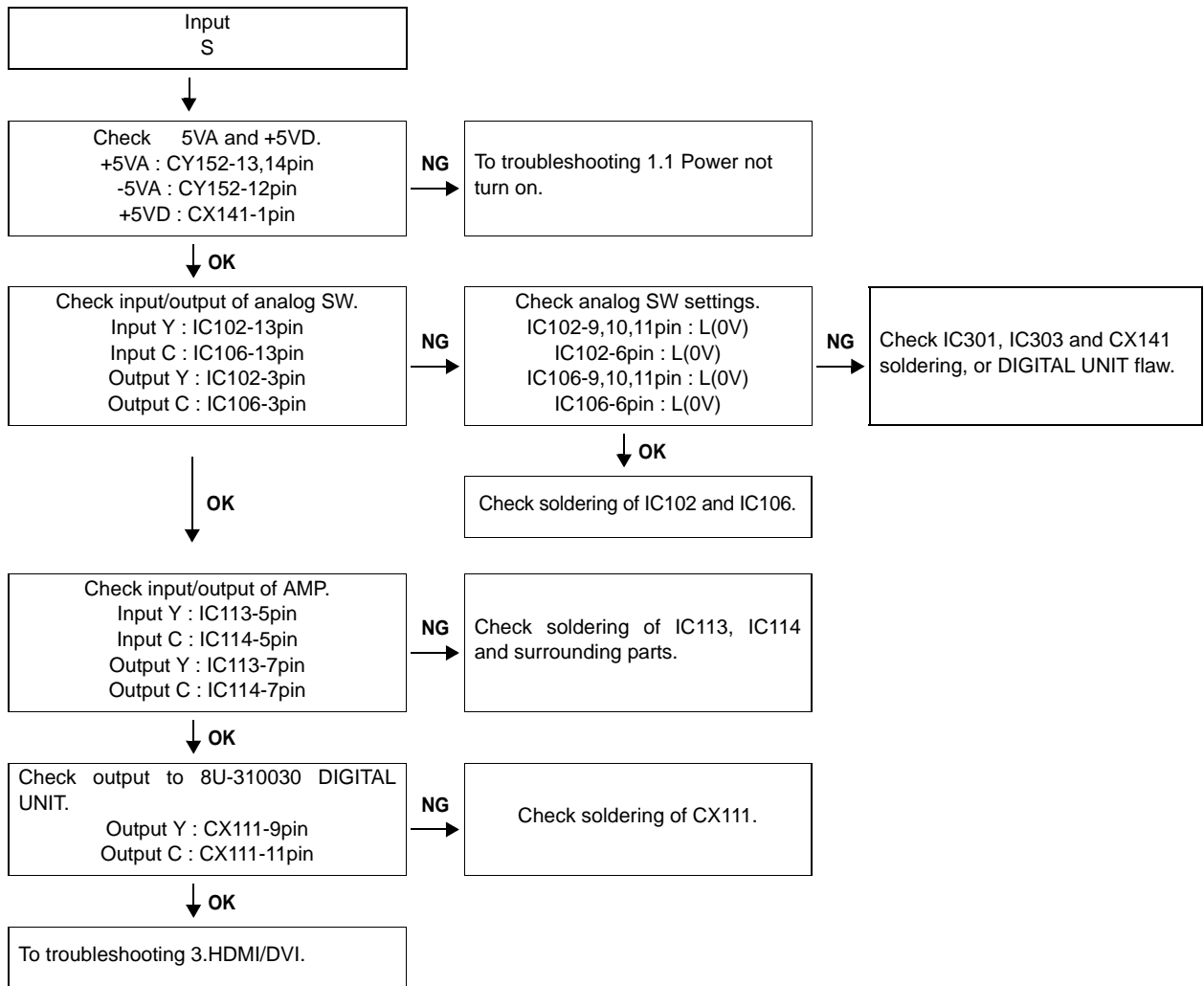


T



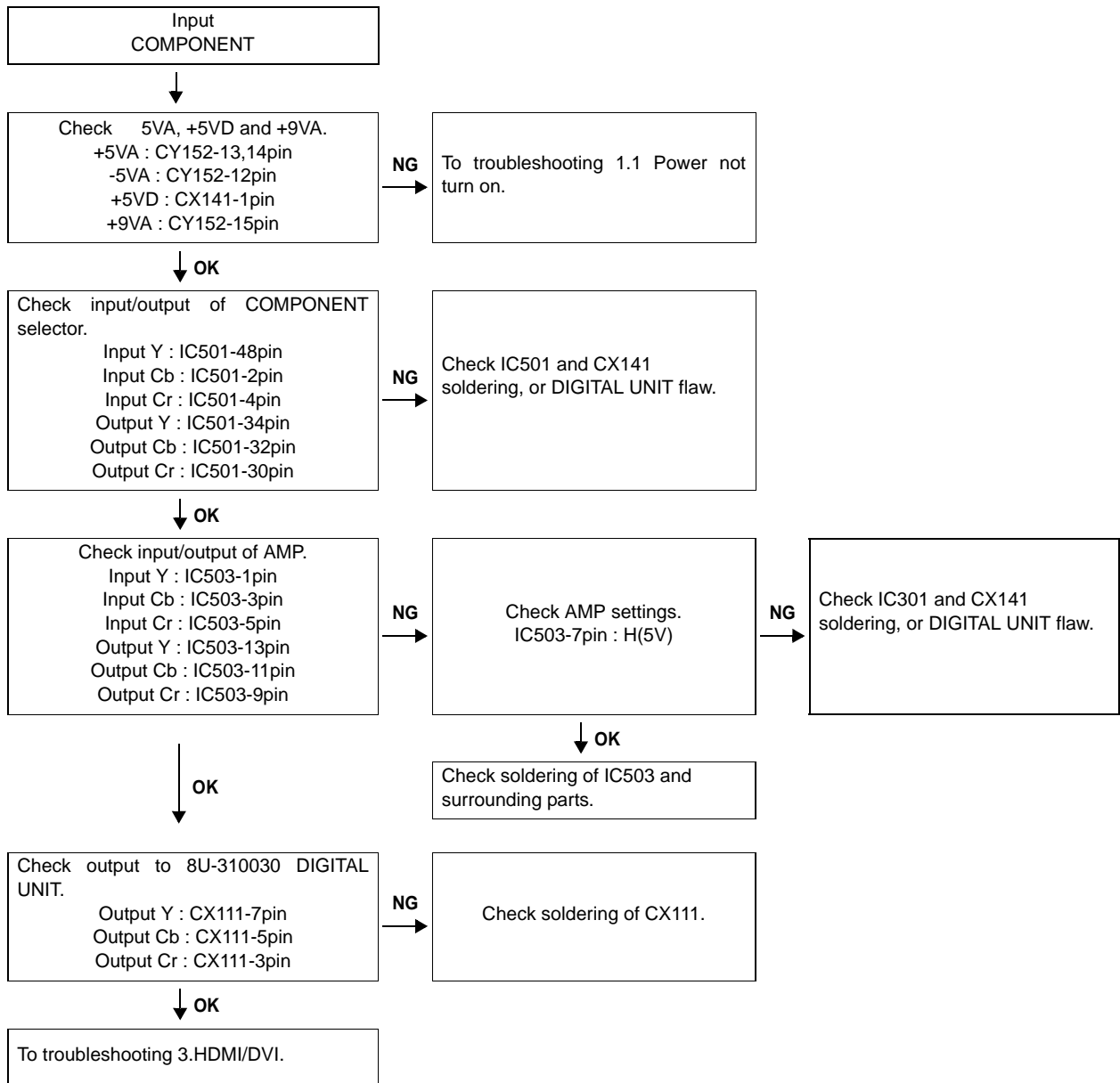
Unless specified, 8U-210063-1 A.VIDEO UNIT part.

U



Unless specified, 8U-210063-1 A.VIDEO UNIT part.

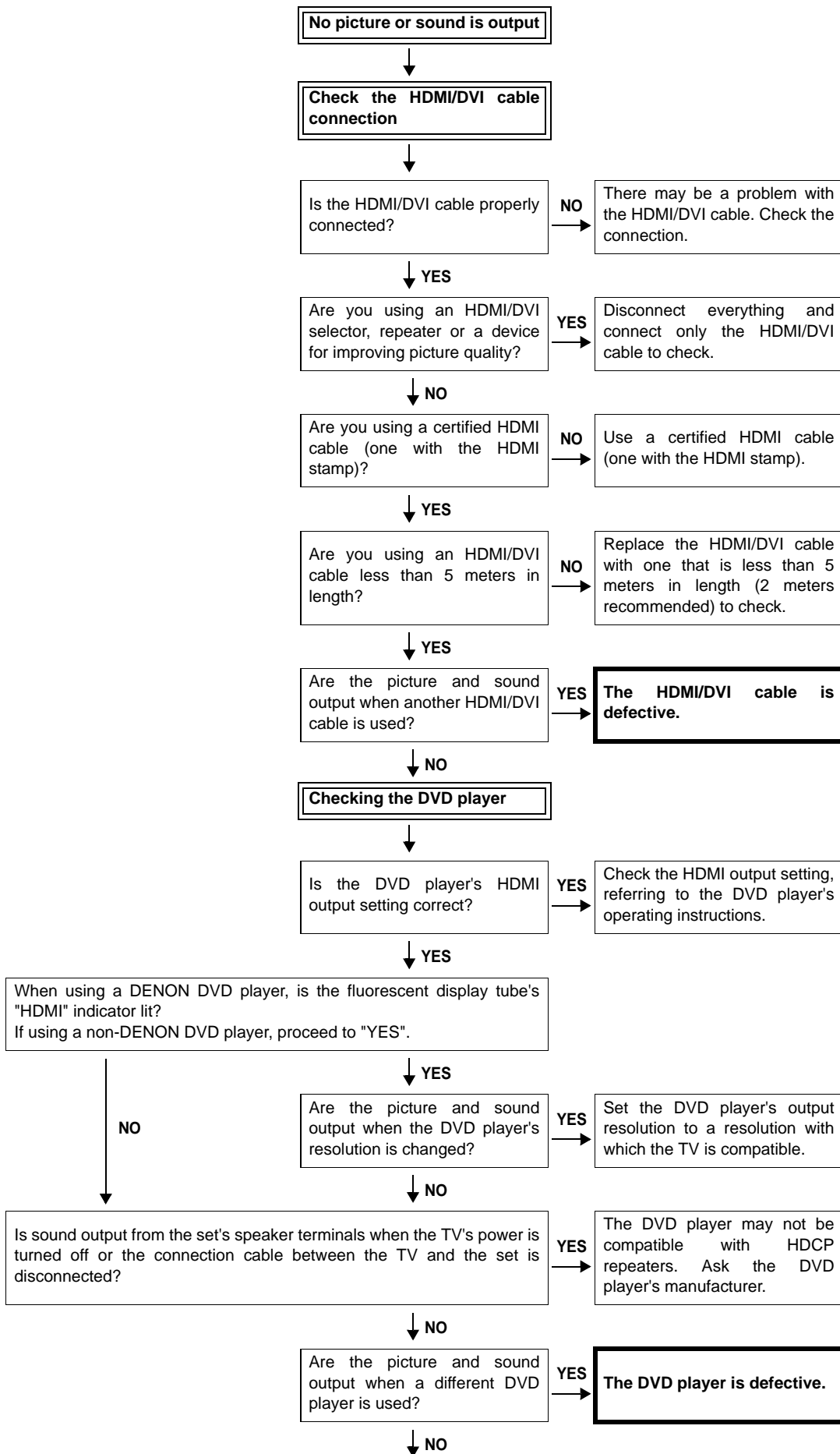
V

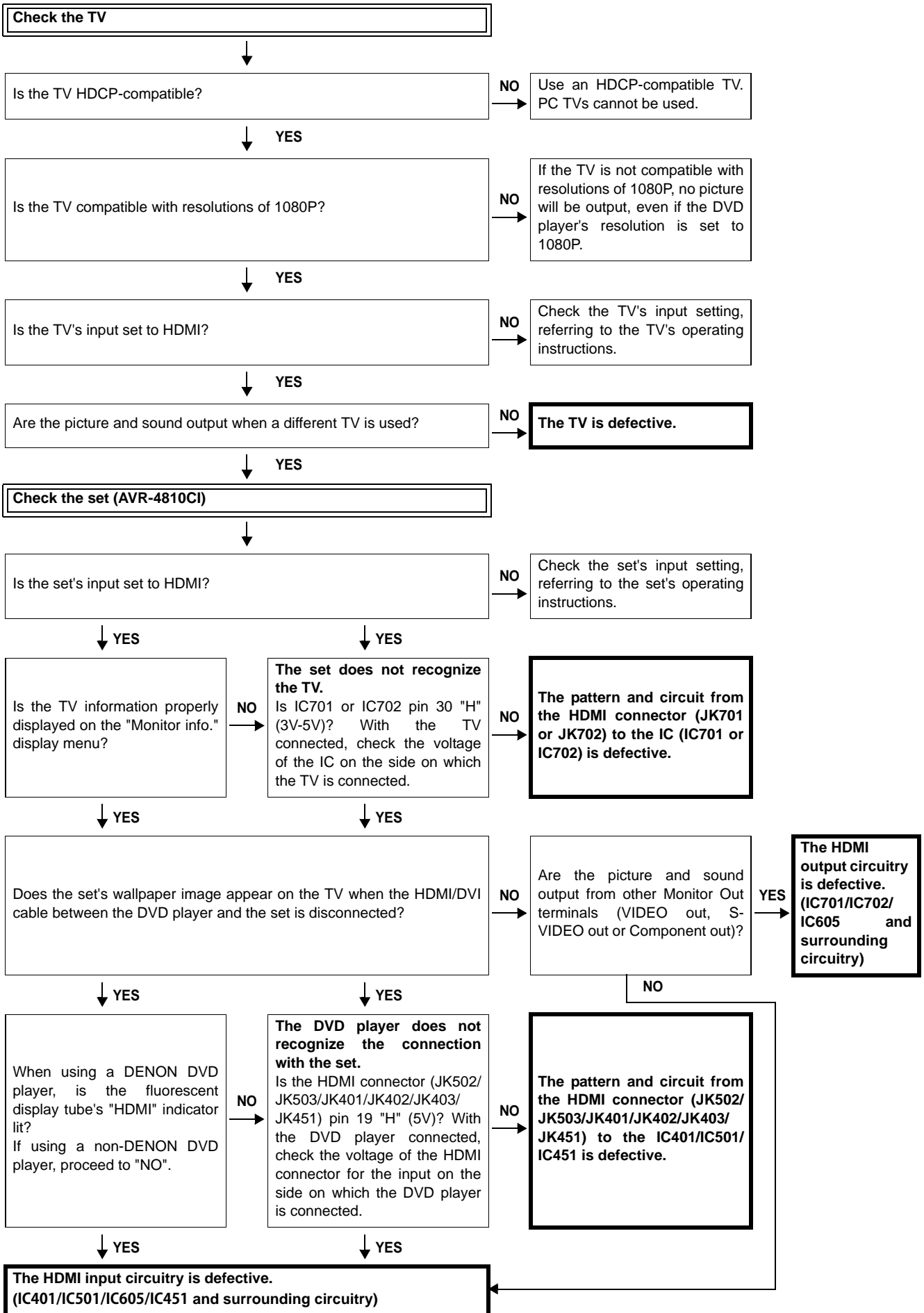


Unless specified, 8U-210063-1 A.VIDEO UNIT part.

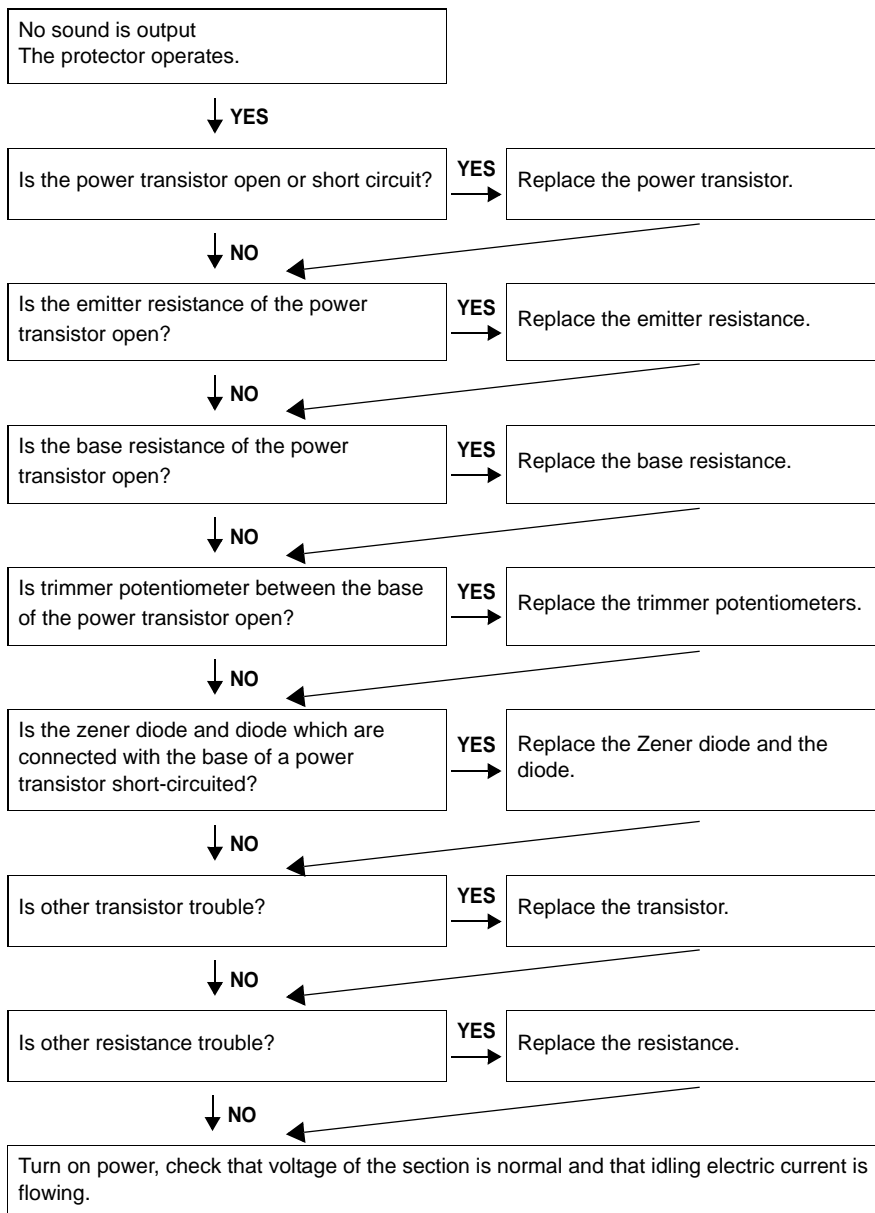
3. HDMI/DVI

3.1. No picture or sound is output



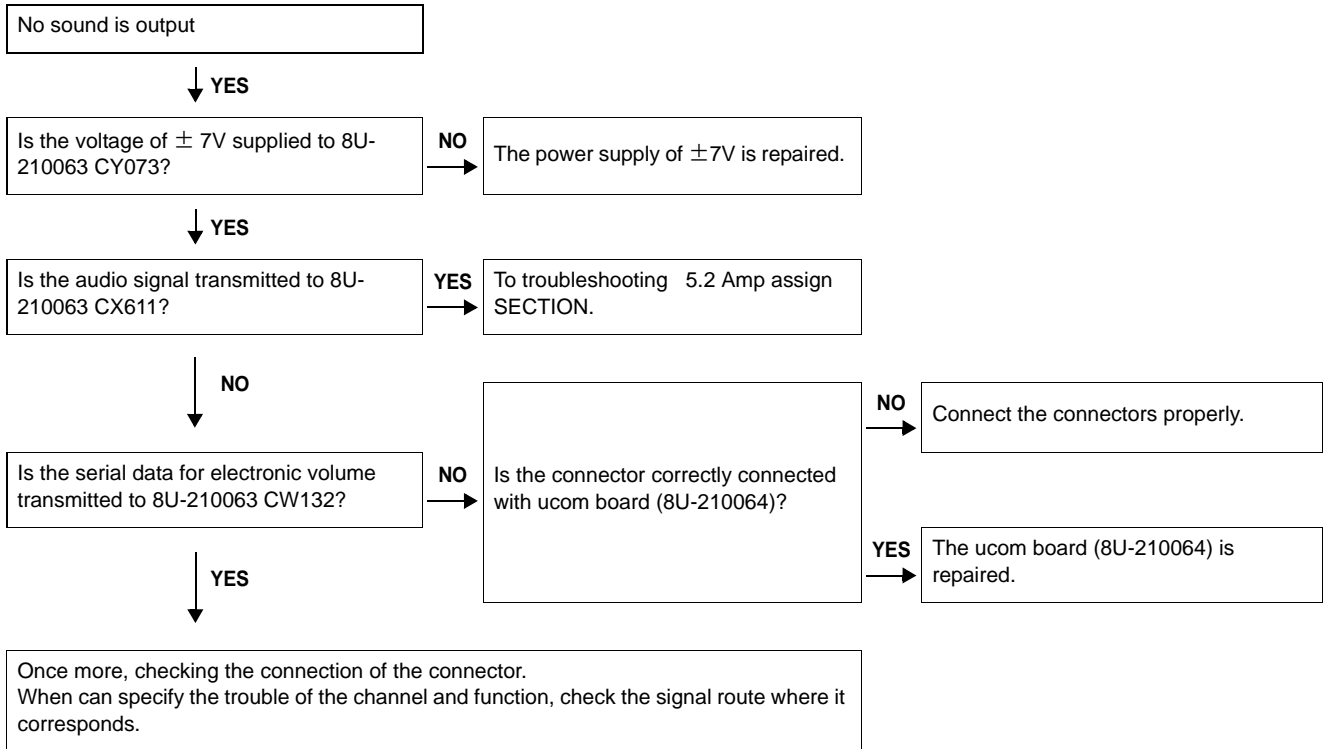


4. Power AMP

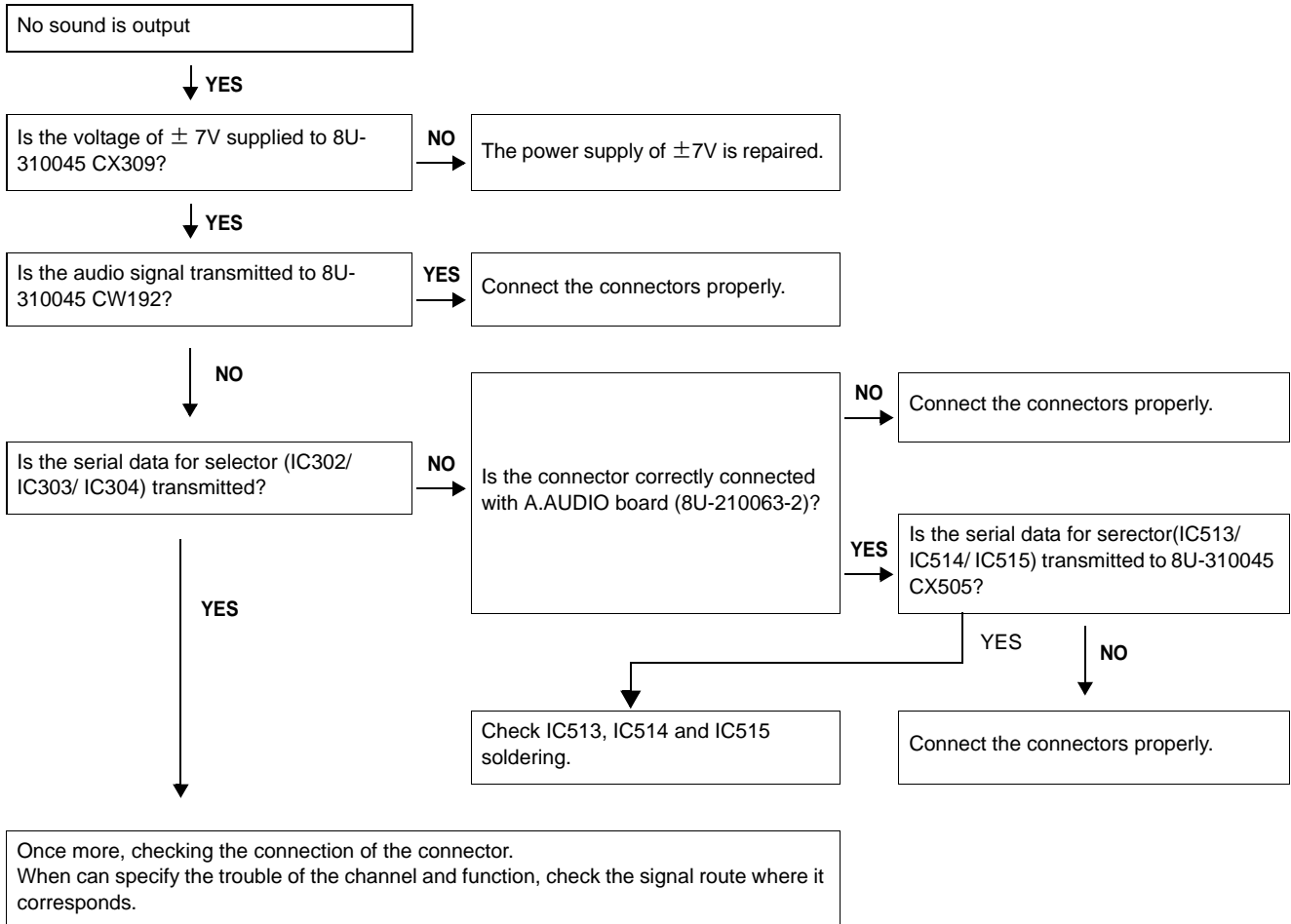


5. Analog audio

5.1. PRE AMP SECTION

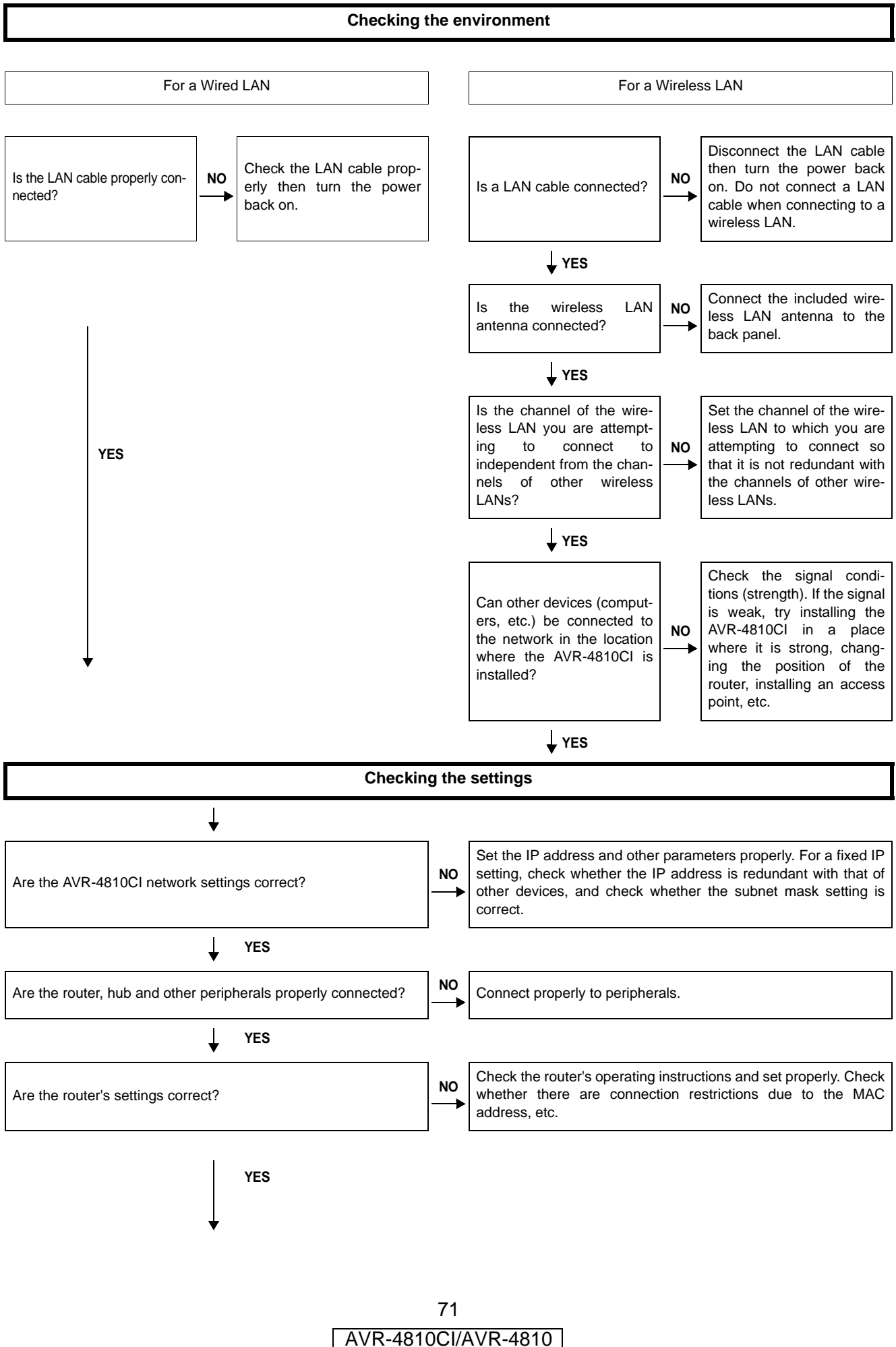


5.2. Amp assign SECTION

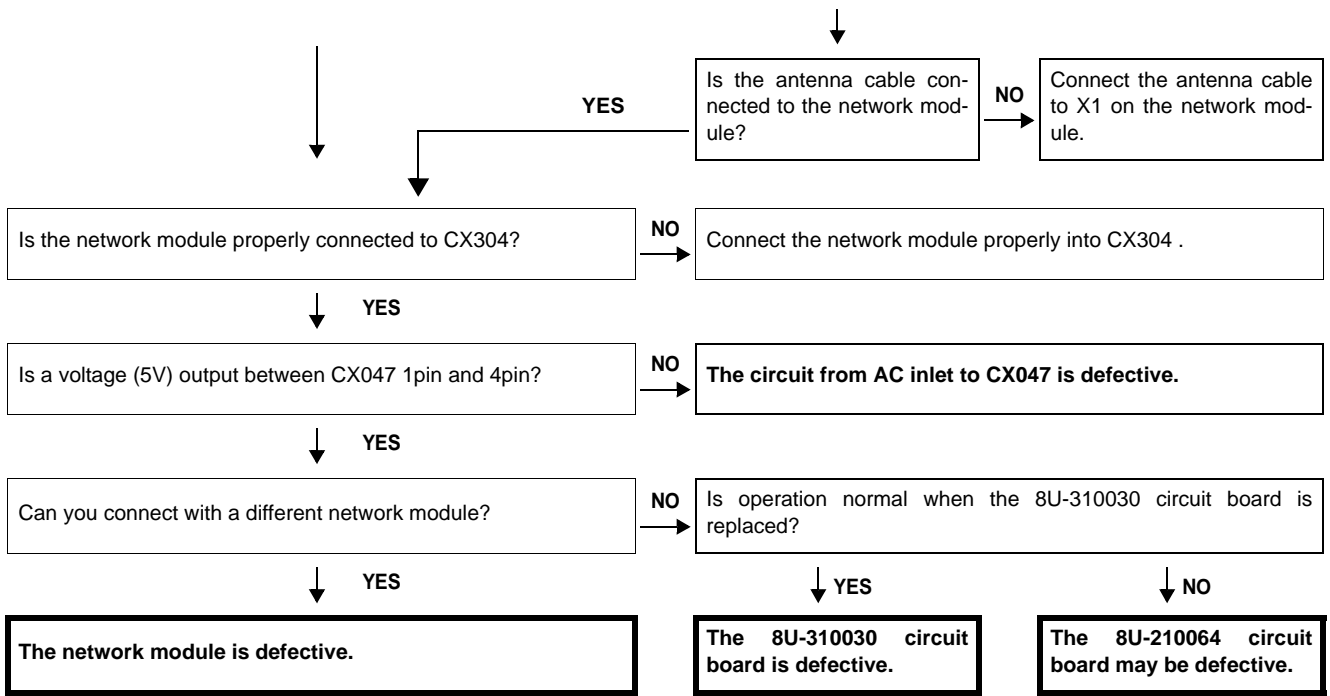


6. Network/USB

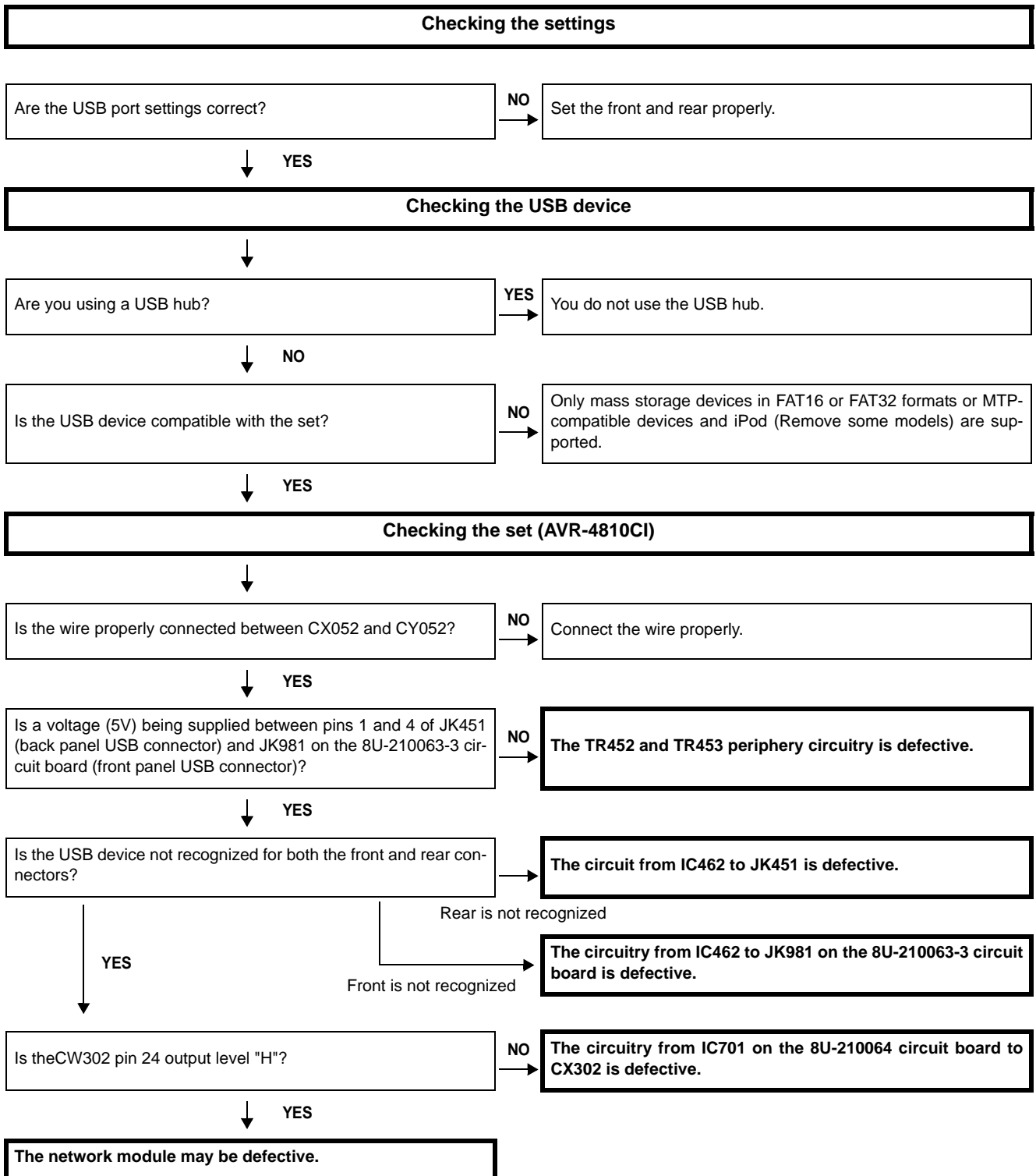
6.1. Cannot connect to network



Checking the set (AVR-4810CI)

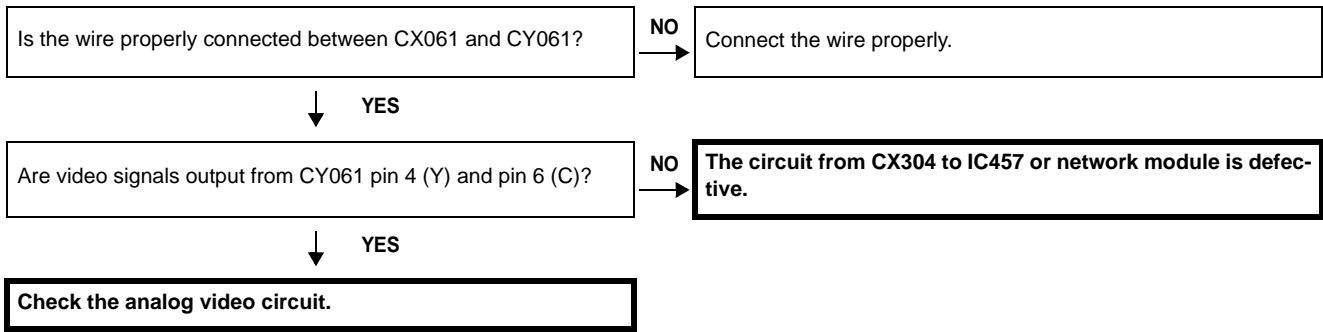


6.2. USB device is not recognized

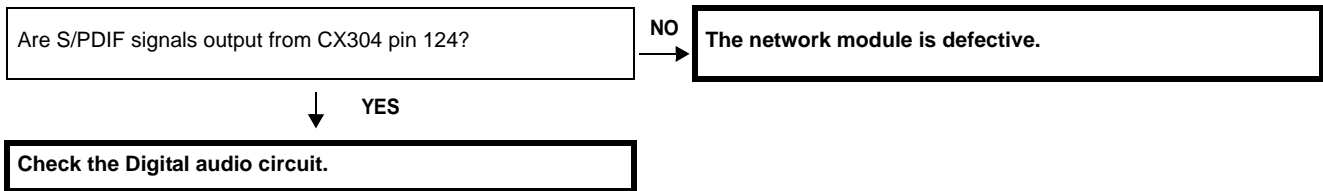


6.3. No picture or sound is output

Checking the set (AVR-4810CI):(If no picture is output)

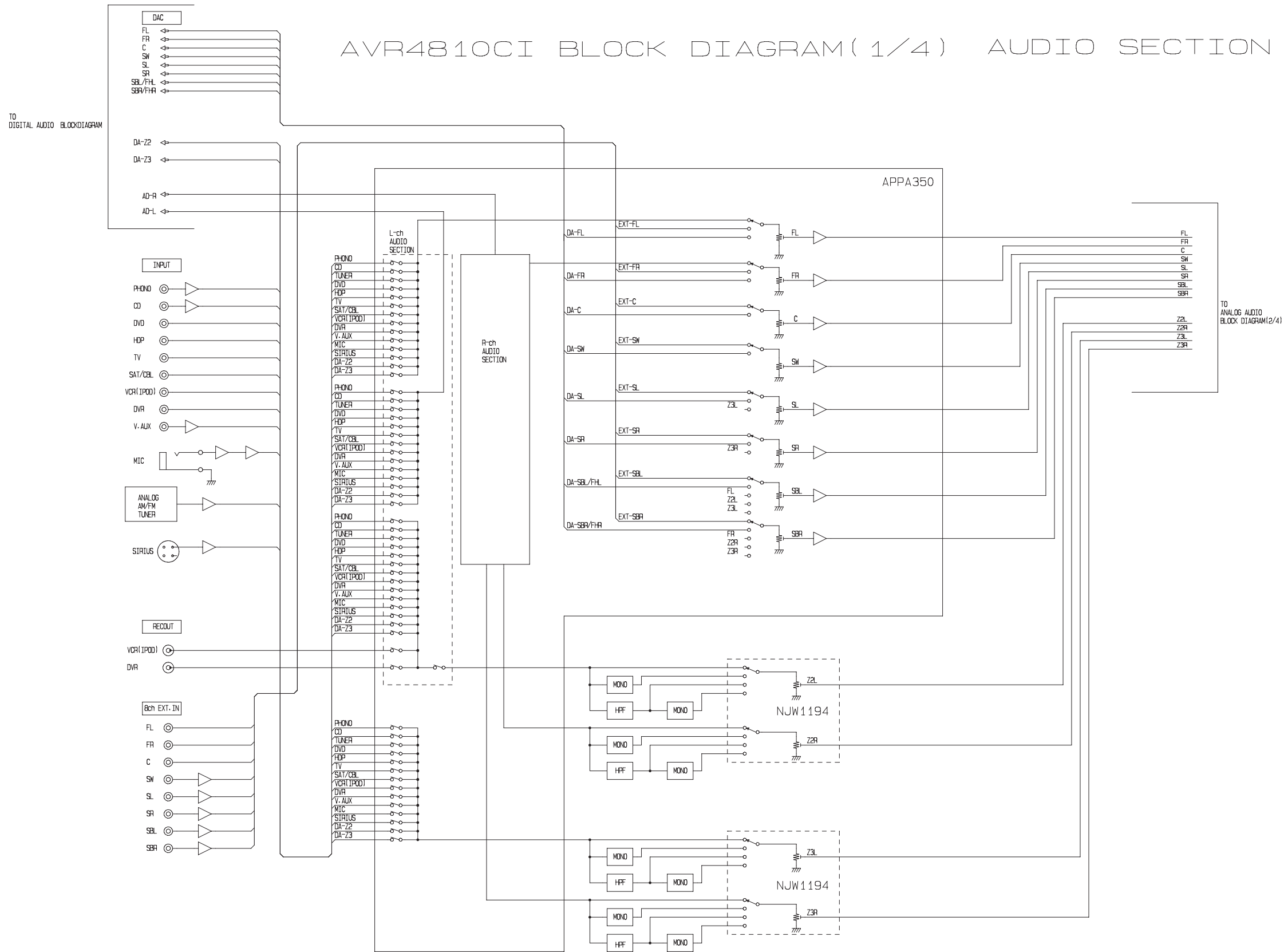


Checking the set (AVR-4810CI):(If no sound is output)



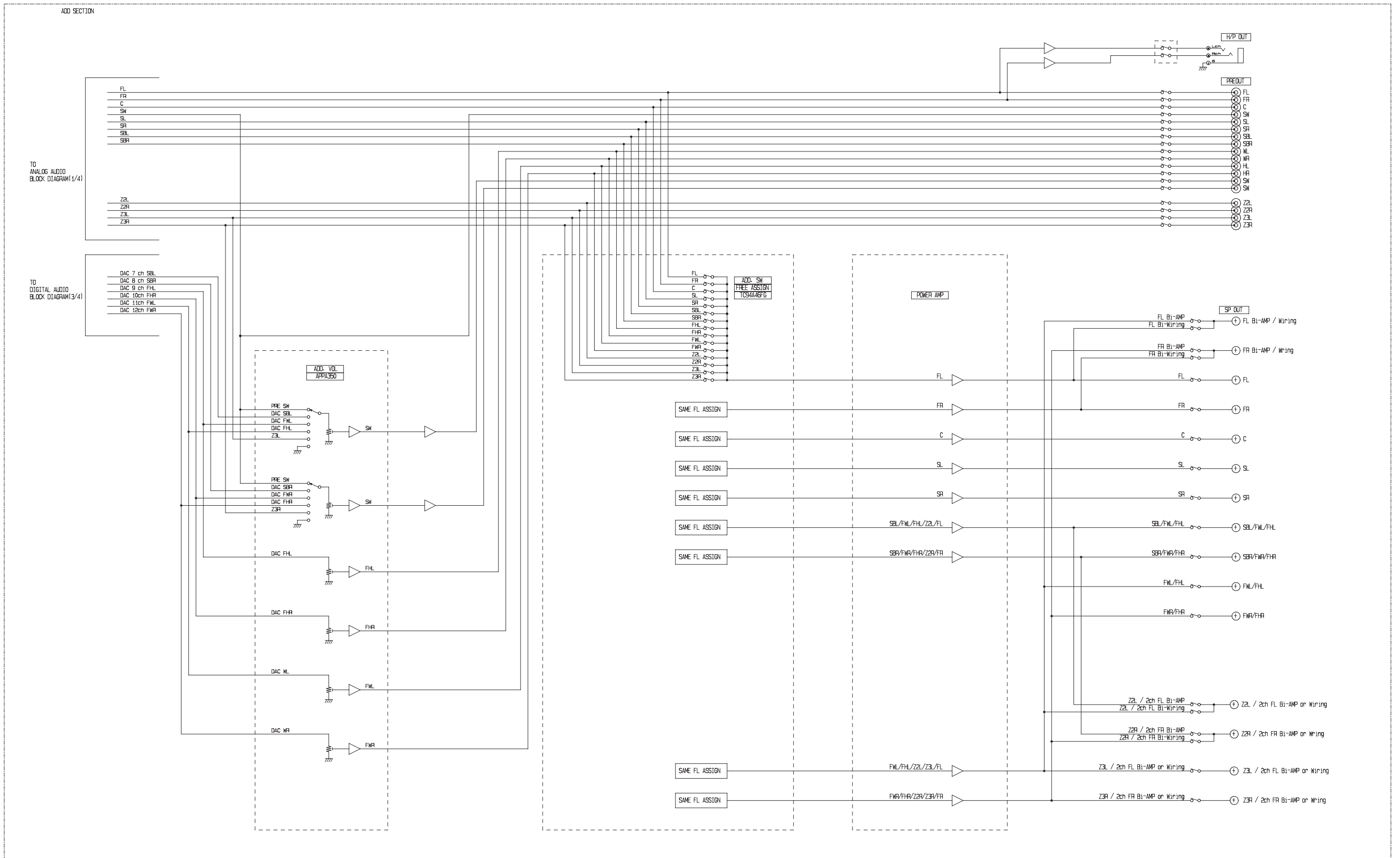
BLOCK DIAGRAMS (1/4)
AUDIO SECTION

AVR4810CI BLOCK DIAGRAM (1/4) AUDIO SECTION



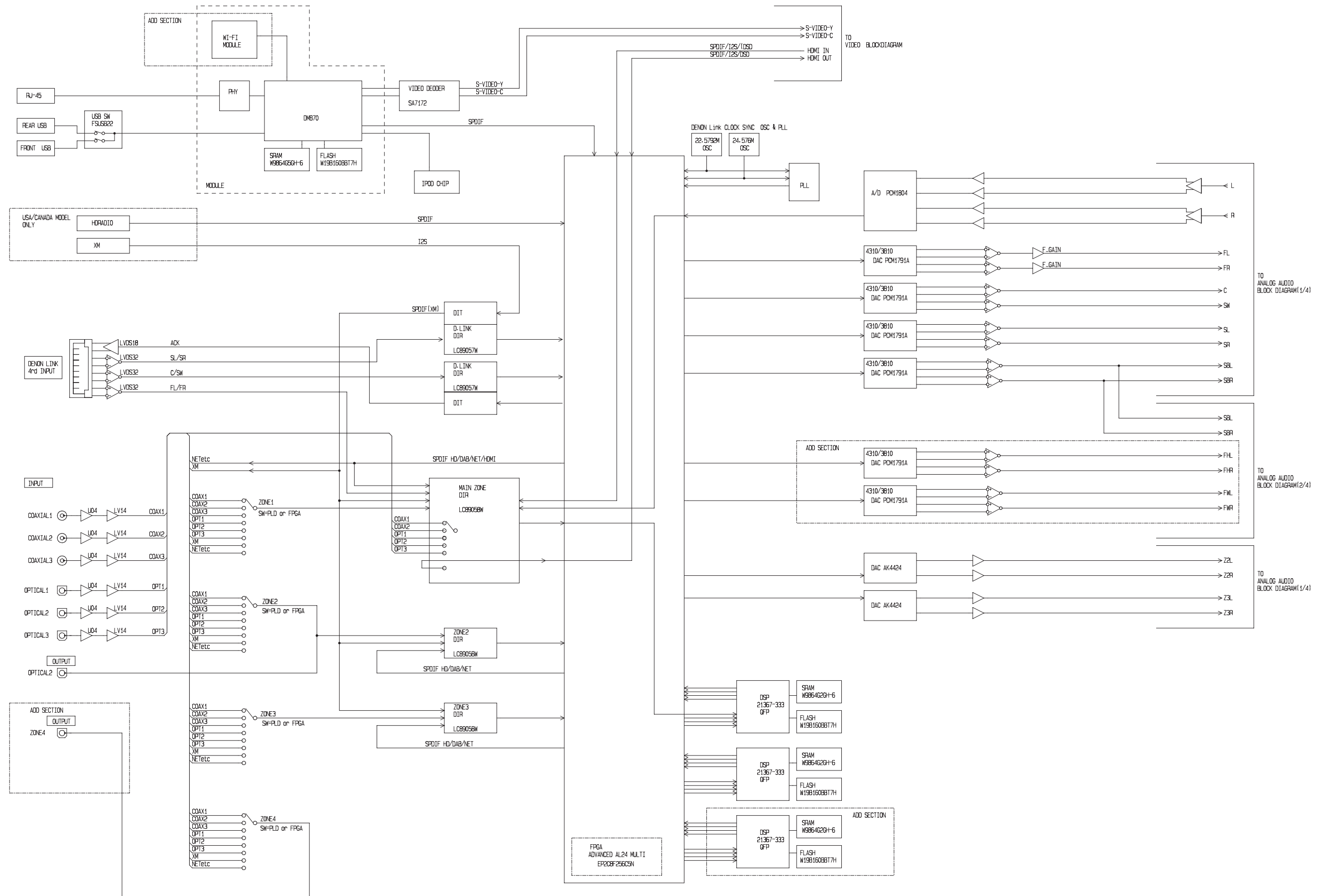
BLOCK DIAGRAMS (2/4)
ADD. AUDIO SECTION 18ch PRE/ 15ch SPEAKER

AVR4810CI BLOCK DIAGRAMS (2/4) ADD. AUDIO SECTION 18ch PRE/15ch SPEAKER

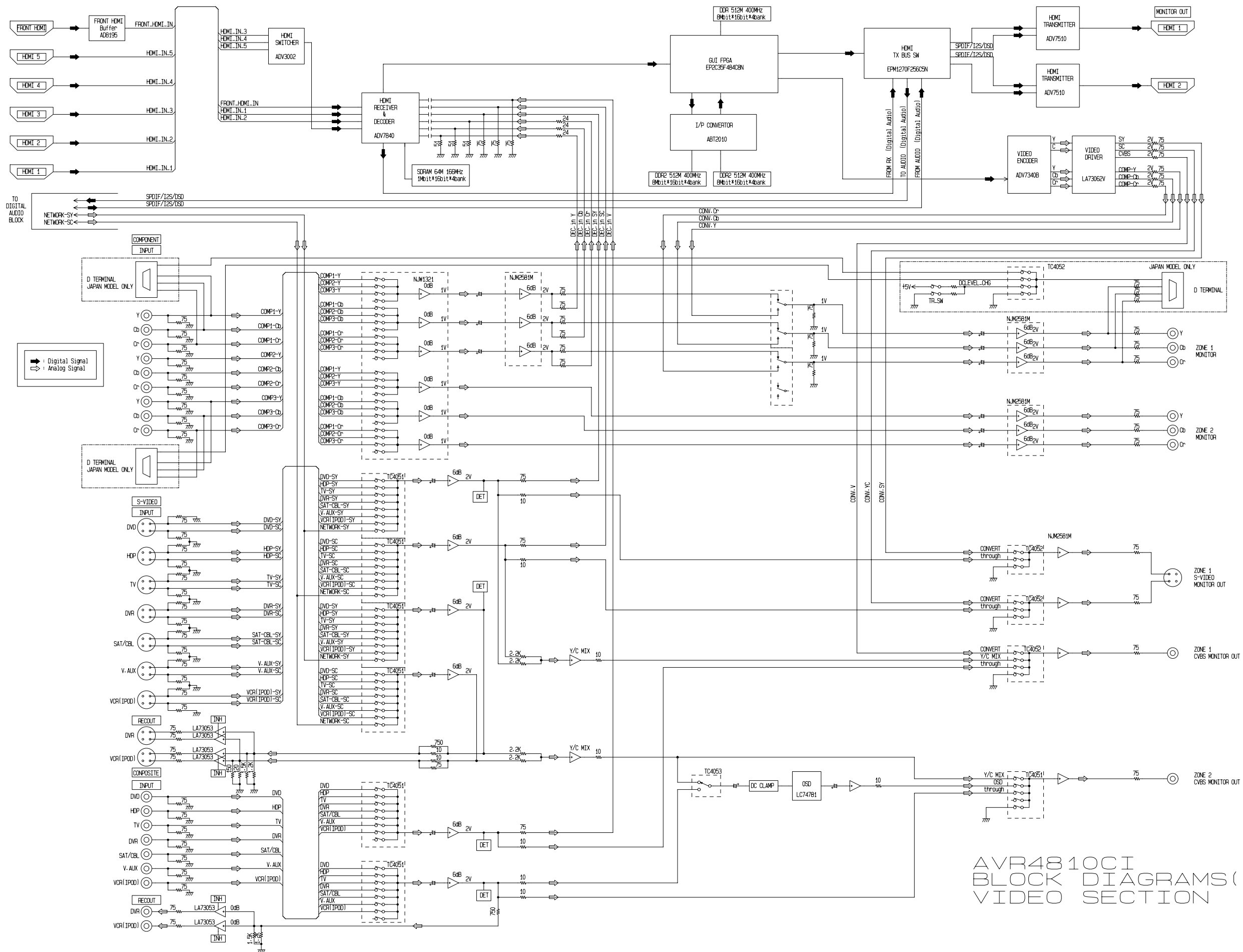


BLOCK DIAGRAMS (3/4)
DIGITAL AUDIO SECTION

AVR4810CI BLOCK DIAGRAMS (3/4) DIGITAL AUDIO SECTION

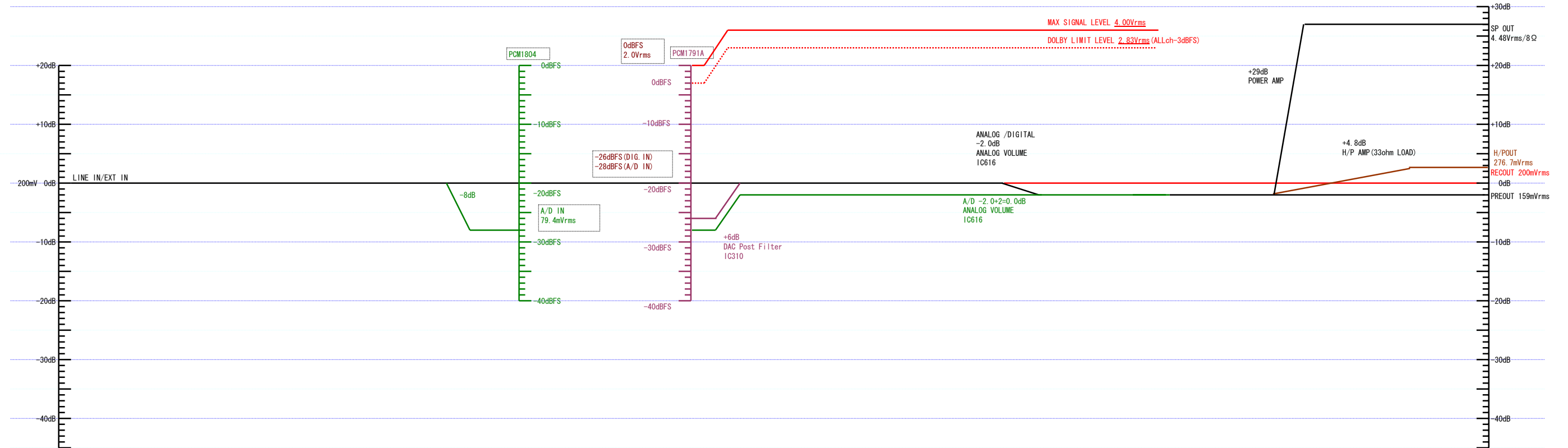
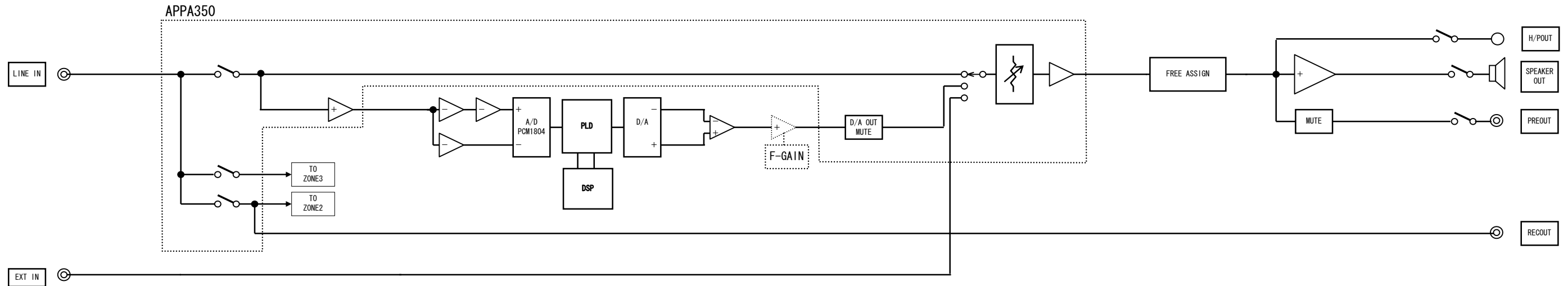


BLOCK DIAGRAMS (4/4) VIDEO SECTION



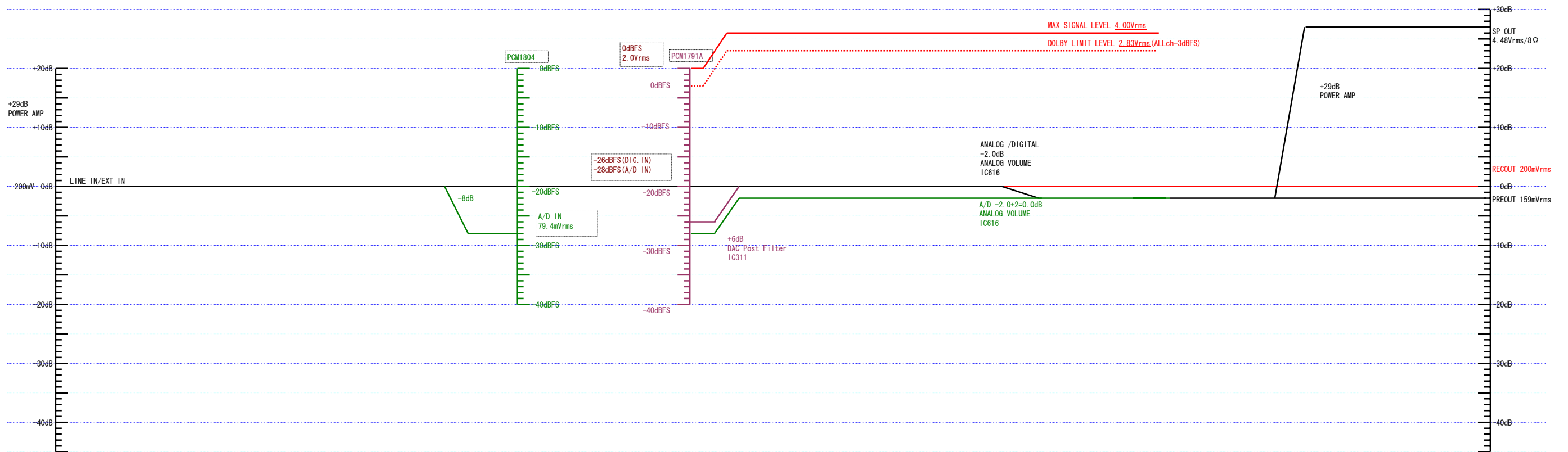
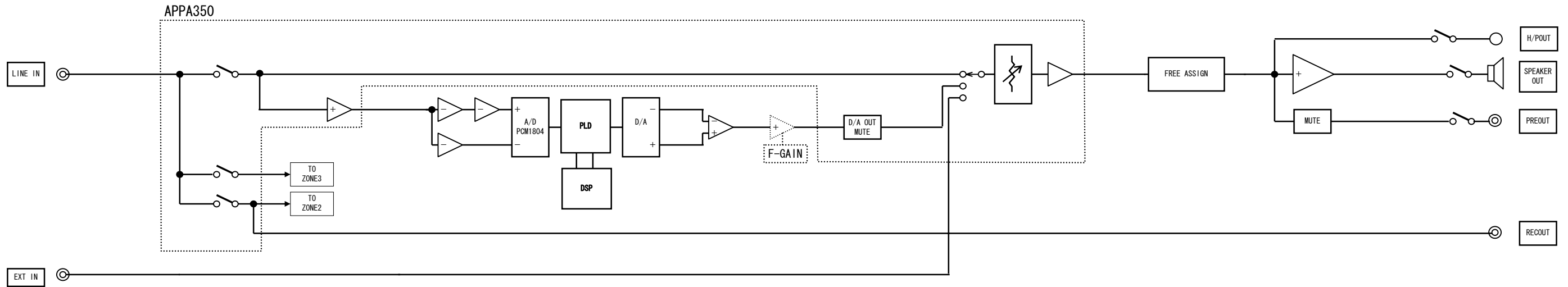
AVR4810CI
BLOCK DIAGRAMS (4/4)
VIDEO SECTION

AVR-4810
LEVEL DIAGRAM
FRONT ch

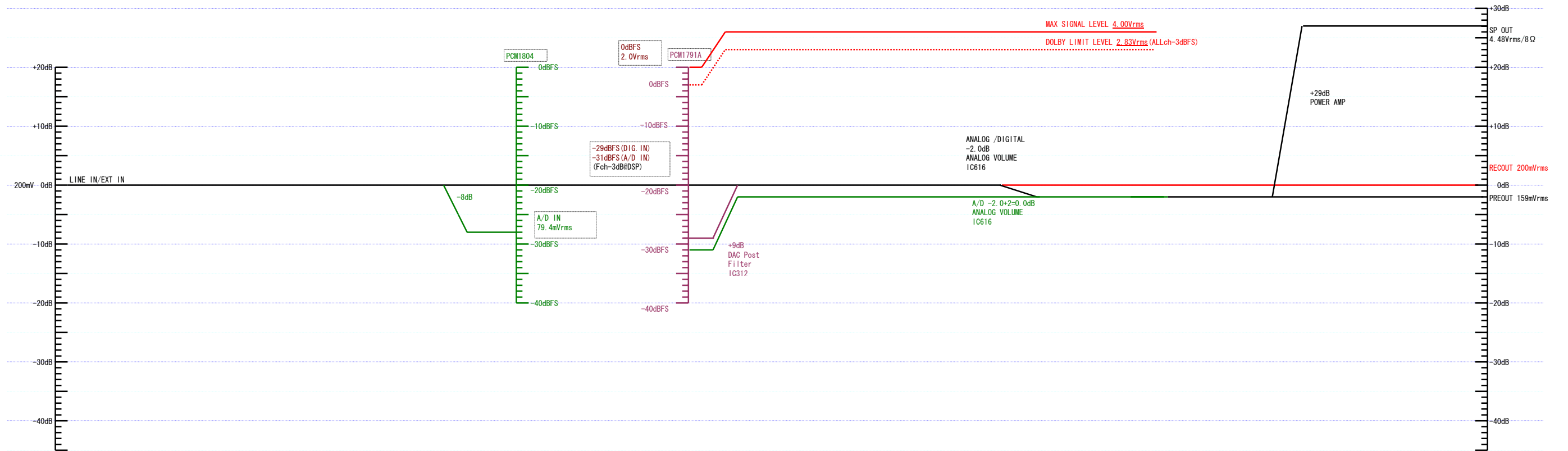
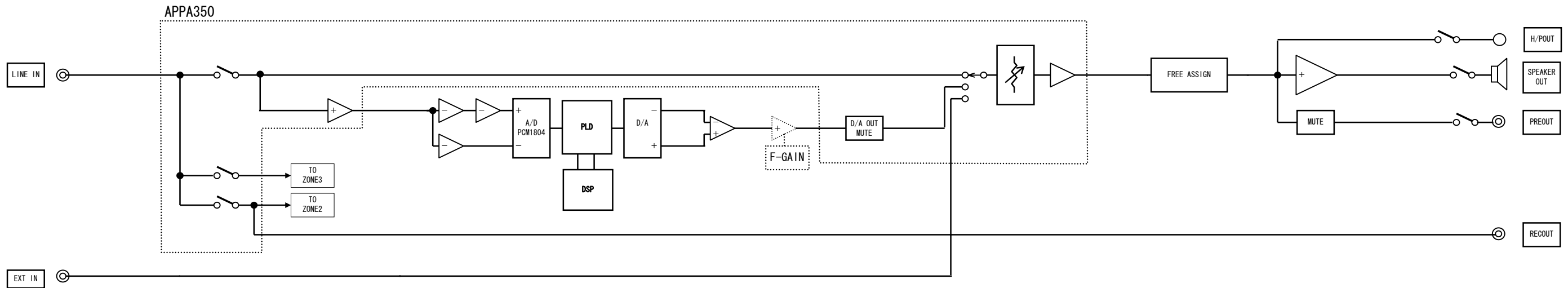


LEVEL DIAGRAMS (2/9)

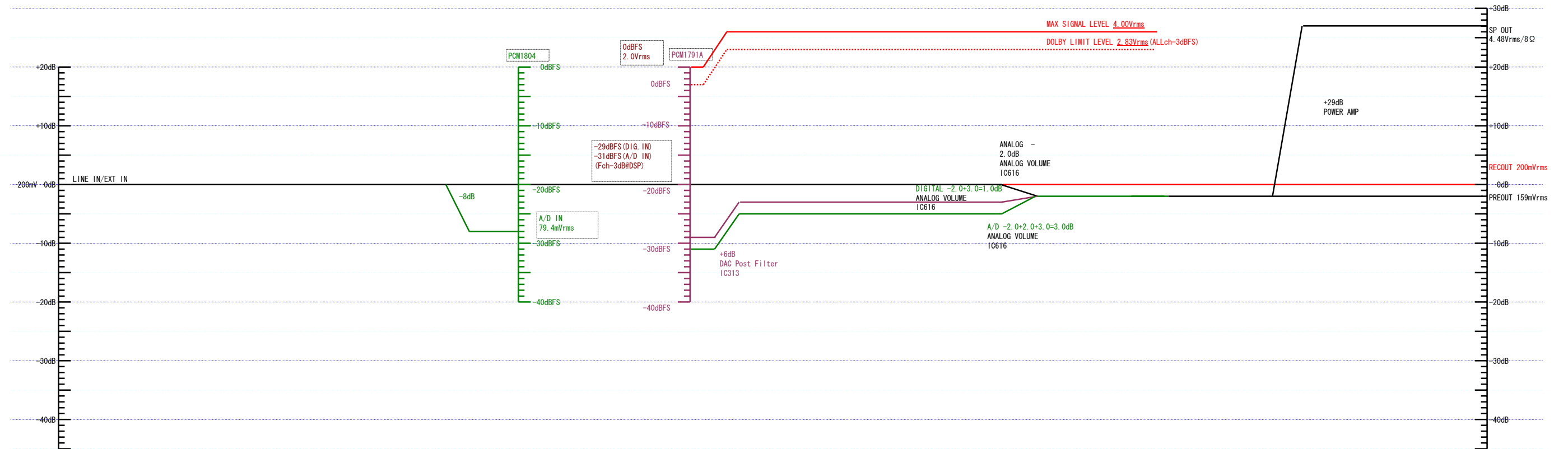
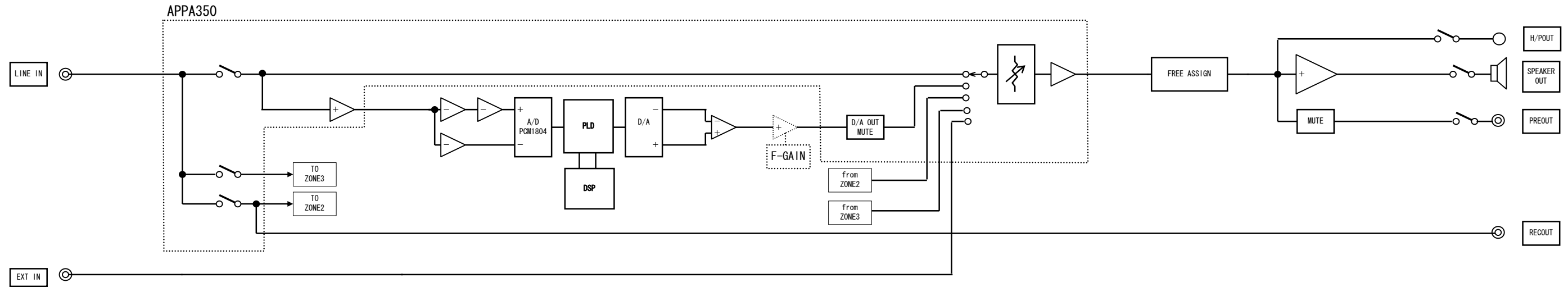
AVR-4810
LEVEL DIAGRAM
CENTER ch



AVR-4810
LEVEL DIAGRAM
SURROUND ch

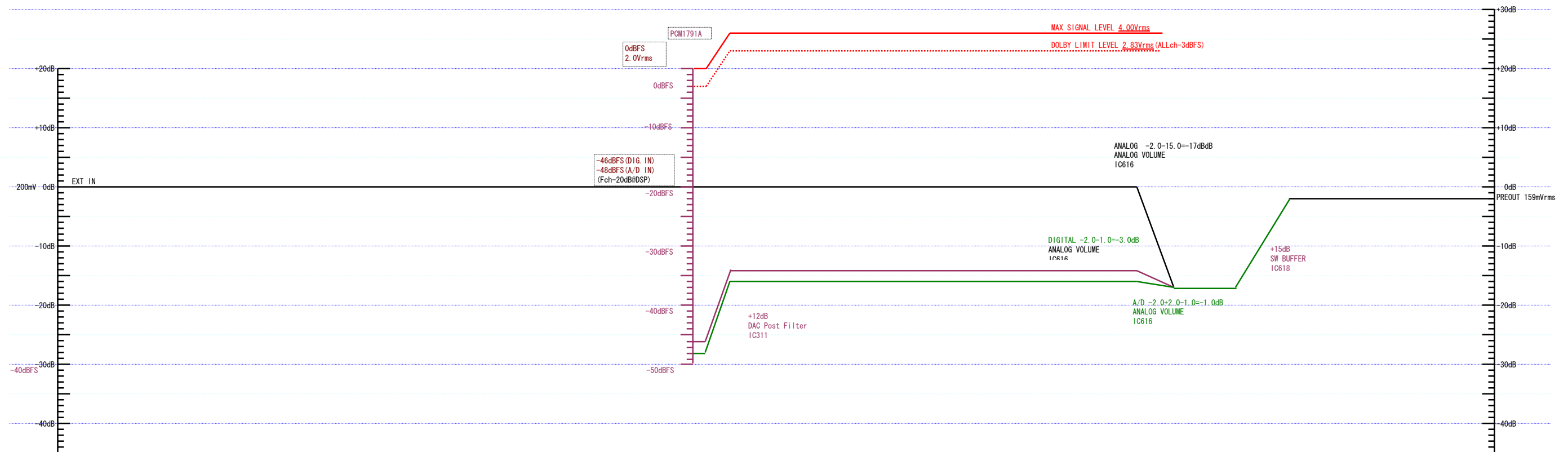
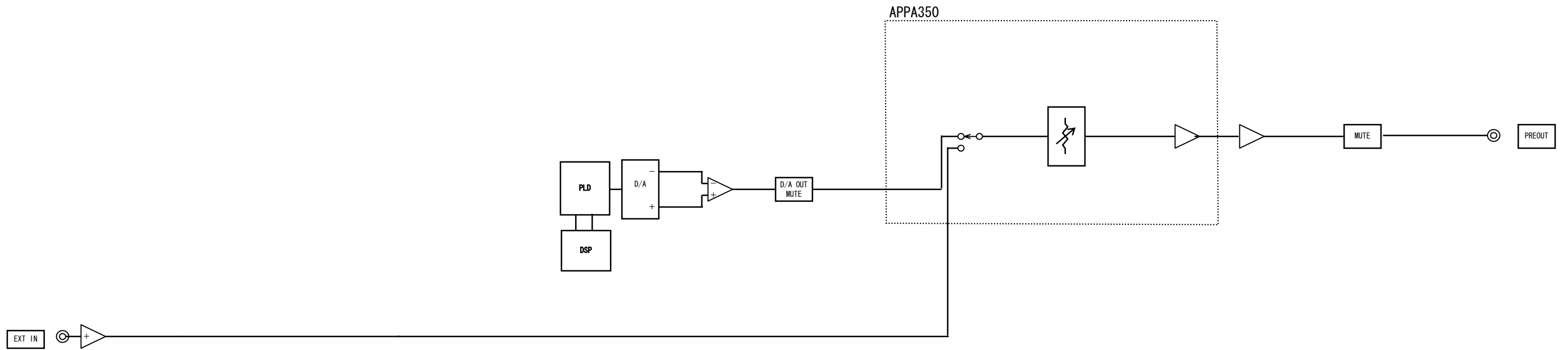


AVR-4810
LEVEL DIAGRAM
SURROUND BACK ch



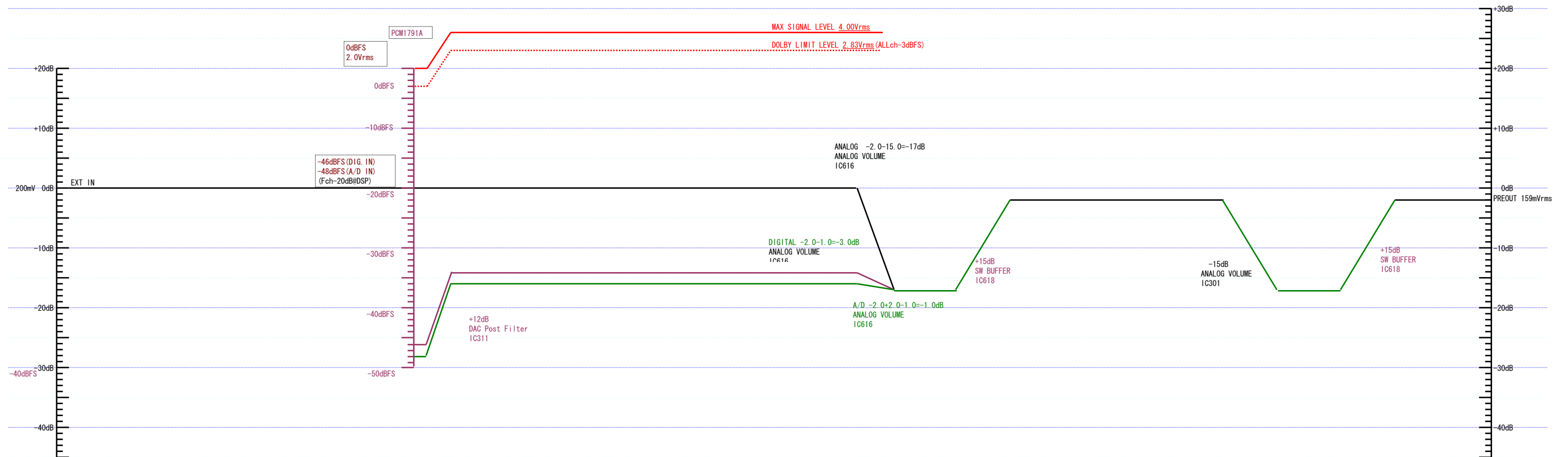
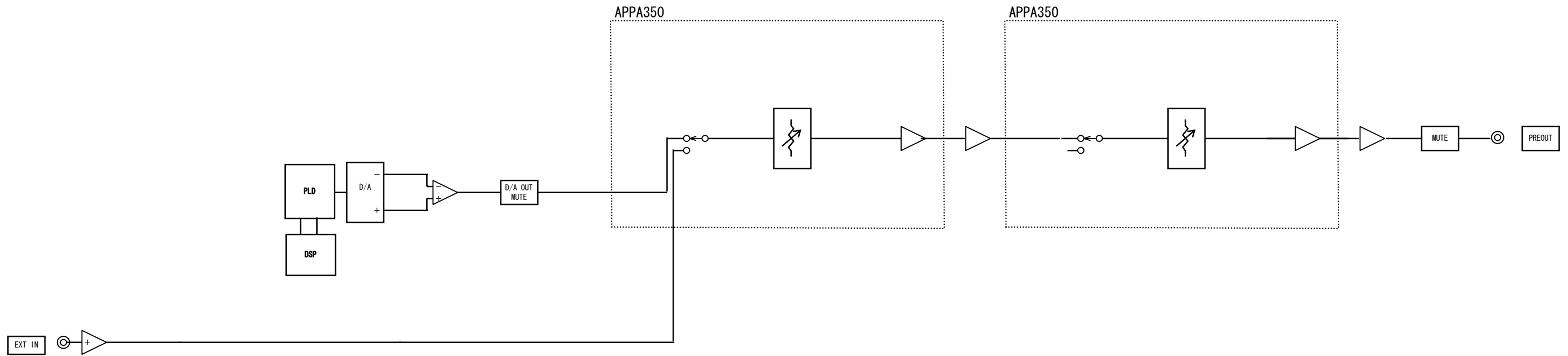
LEVEL DIAGRAMS (5/9)

AVR-4810
LEVEL DIAGRAM
SUBWOOFER ch

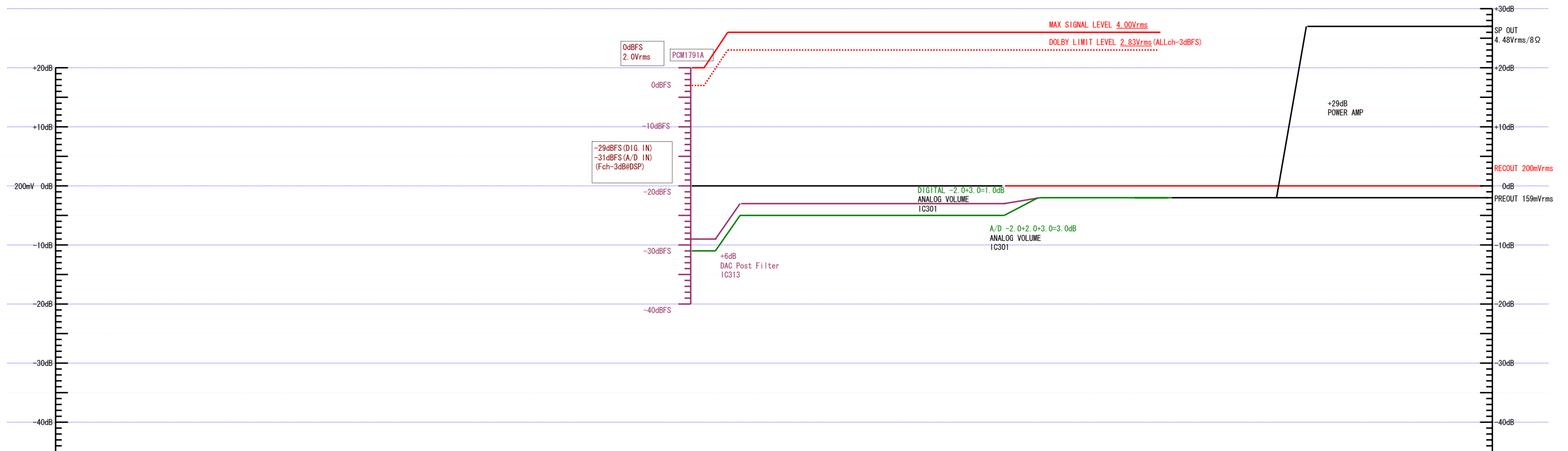
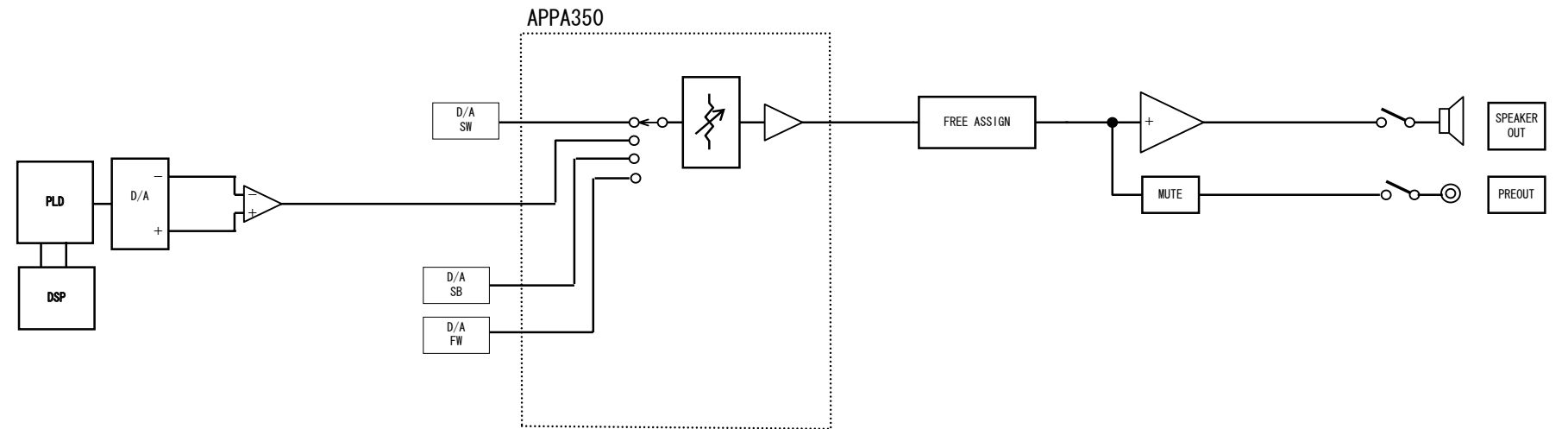


LEVEL DIAGRAM (6/9)

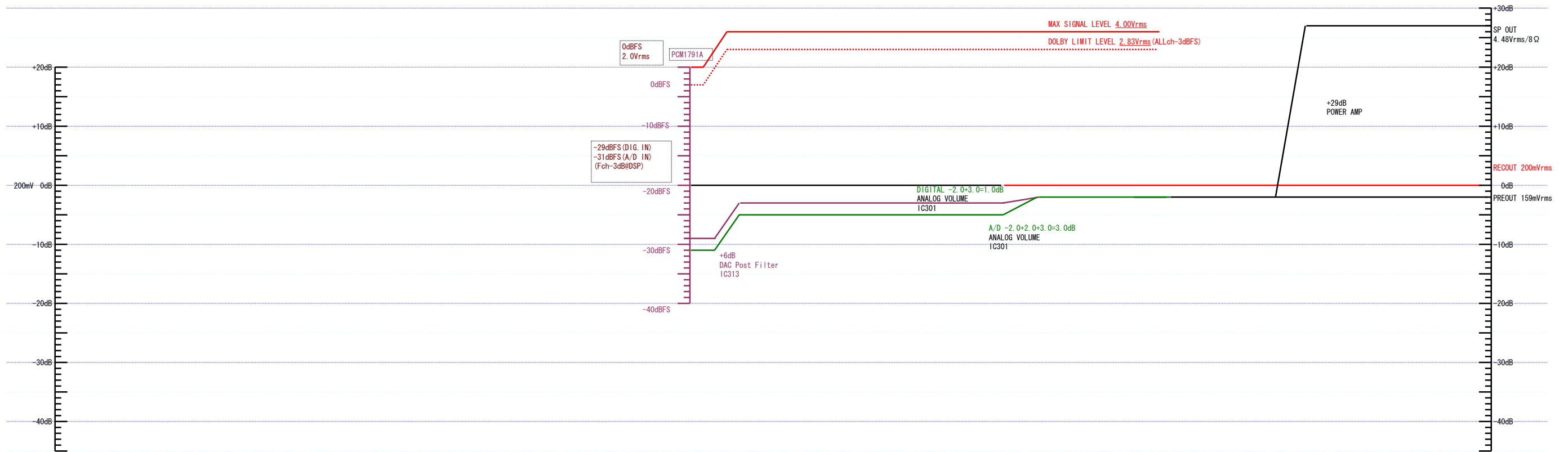
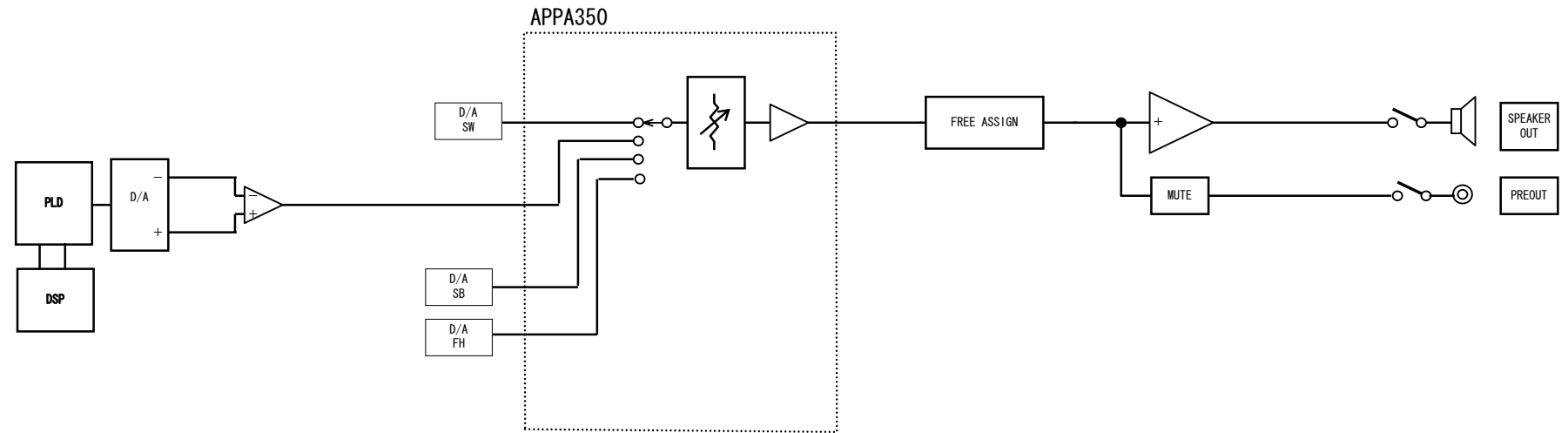
AVR-4810
LEVEL DIAGRAM
SUBWOOFER2, 3 ch



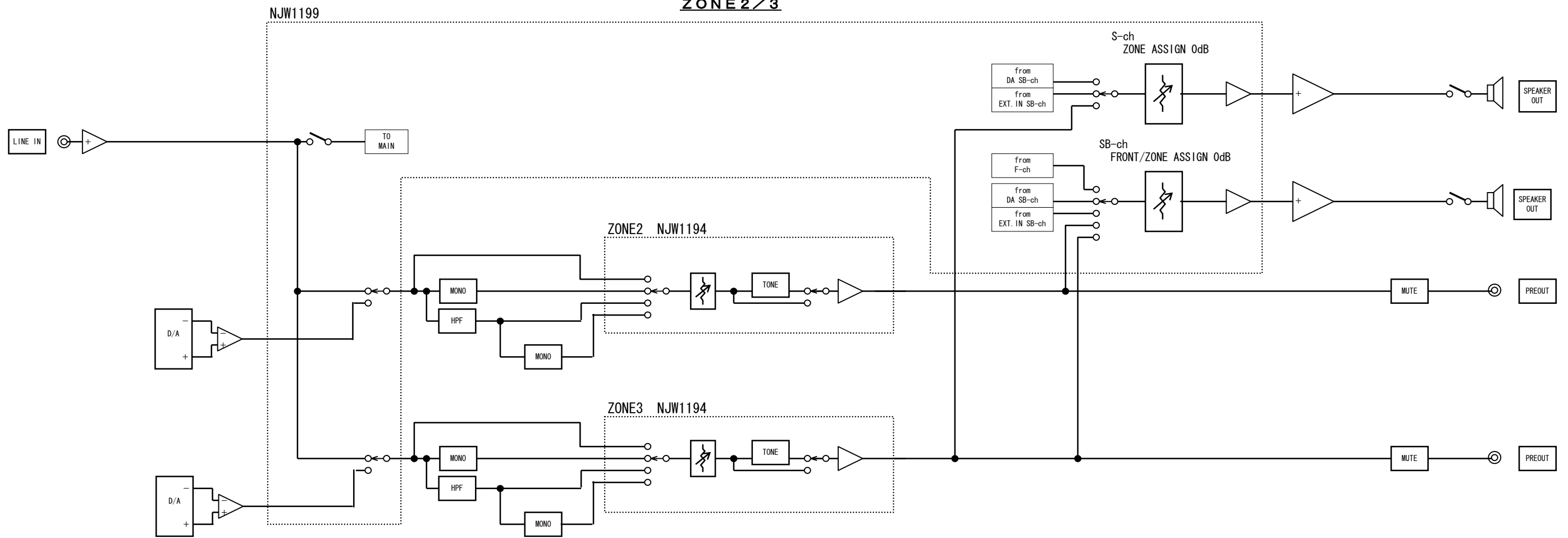
AVR-4810
LEVEL DIAGRAM
FRONT HEIGHT ch



AVR-4810
LEVEL DIAGRAM
FRONT WIDE ch



AVR-4810
LEVEL DIAGRAM
ZONE 2/3



--MEMO--

SEMICONDUCTORS

Only major semiconductors are shown, general semiconductors etc. are omitted to list.
The semiconductor which described a detailed drawing in a schematic diagram are omitted to list.

1. IC's

Note : Abbreviation ahead of IC No. indicates the name of P.W.B., etc.

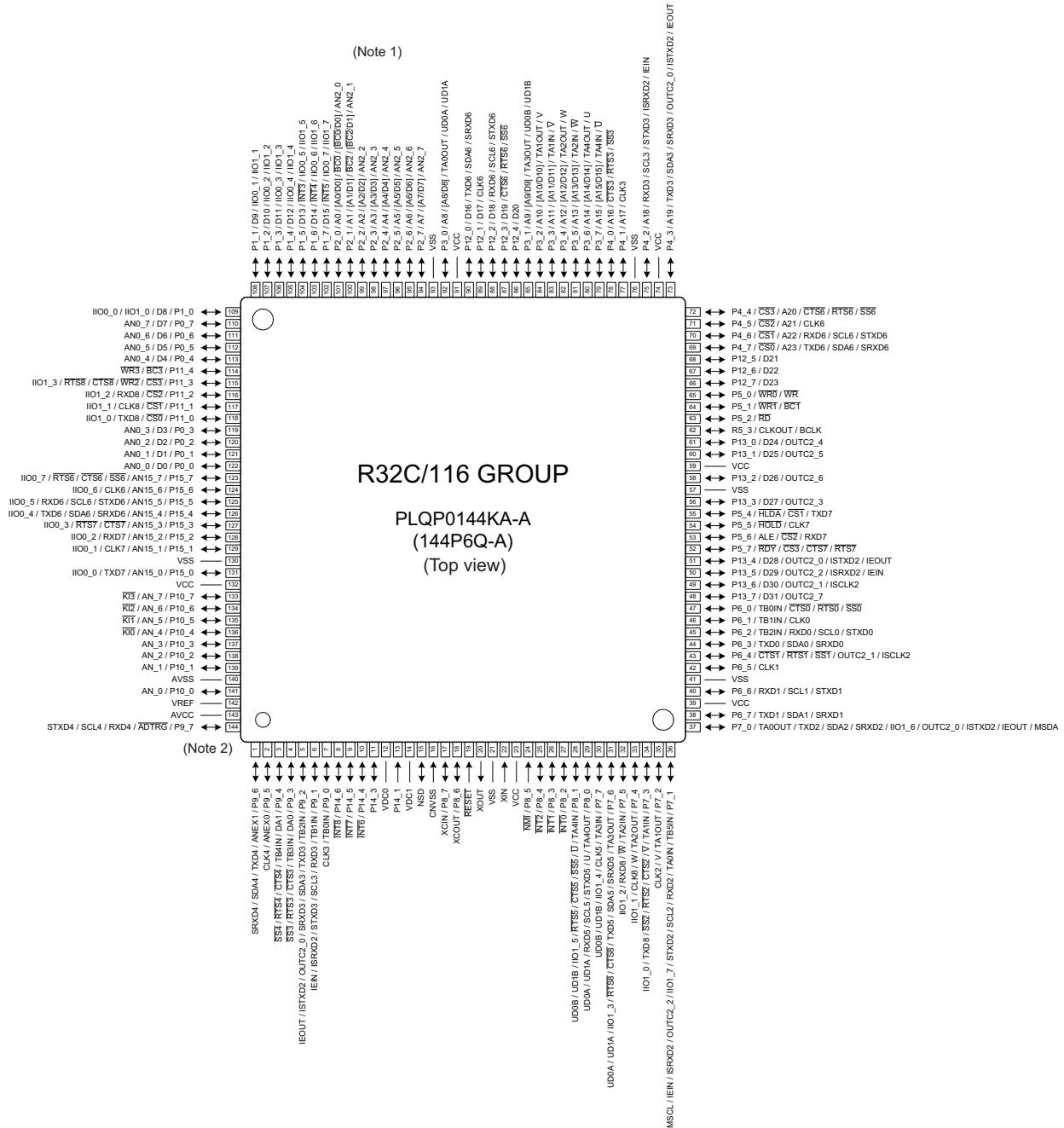
DI : DIGITAL P.W.B.

MA : MAIN CPU P.W.B.

AV : A.AUDIO/ VIDEO P.W.B.

DA : DSP3/ ASSIGN P.W.B.

R5F64169DFD (MA: IC701)



Notes:

1. Pin names in brackets [] represent a functional signal as a whole and should not be considered as two separate pins.
2. The position of pin number 1 varies by product. Refer to the index mark in attached "Package Dimensions".

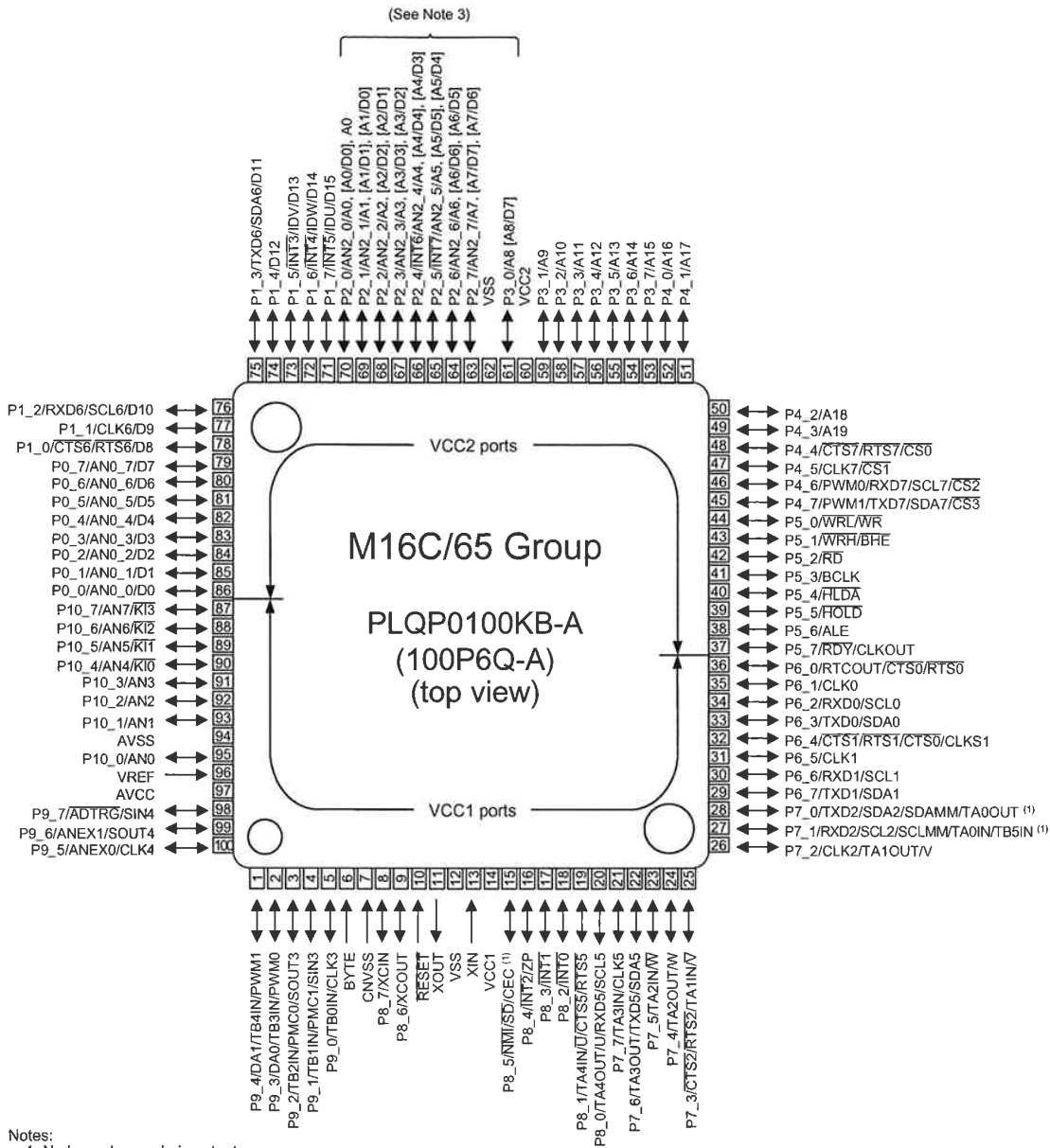
R5F64169DFD Terminal

Pin	Pin Name	Symbol	I/O	Type	Pullup	LvCnv	STBY	stop	Function
1	P96/TXD4	NC	O	C	-	-	O/L	O/L	Not used
2	P95/(CLK4)	NC	O	C	-	-	O/L	O/L	Not used
3	P94/(CTS4)	NC	O	C	-	-	O/L	O/L	Not used
4	P93/(CTS3)	GUI ACK	I	-	-	-	O/L	O/L	GUI control pin
5	P92/TXD3	HDRADIO MOHI	O	C	-	-	O/L	O/L	HD RADIO control
6	P91/RXD3	HDRADIO MIHO	I	-	-	-	O/L	O/L	HD RADIO control
7	P90/(CLK3)	E POWER	O	C	-	-	O/L	O/L	ETHER POWER control pin
8	P146/INT8	POWER KEY	I	-	3VPu	-	I	I	POWER KEY(WAIT MODE cancel interrupt port)
9	P145/INT7	NC	I	-	3VPu	-	I	I	Not used
10	P144/INT6	PROTECTION(ASO)	I	-	(3Vin)	-	I	I	PROTECTION detect pin(ASO)
11	P143	CPU POWER	O	C	-	-	O/L	O/L	MAIN CPU POWER control pin (POWER ON: H) STANDBY: H (ETHER=ON or CEC ON))
12	VDC0	VDC0	-	-	-	-	-	-	Smoothing capacitor connection pin
13	P141(INPUT ONLY)	REQ SOMI	I	-	-	-	I	O/L	MAIN-SUB μ com comm. control input pin
14	VDC1	VDC1	-	-	-	-	-	-	Smoothing capacitor connection pin
15	NSD	NSD	-	-	M3VPu	-	-	-	Emulator communication pin
16	CNVss	CNVSS	-	-	Pd	-	-	-	Single-chip / Micro-processor mode switching (Normal single-chip : L, Rewrite boot program start : H input set)
17	P87/(XCIN)	E RESET	O	C	Pd	-	O/L	O/L	ETHERNET RESET control pin
18	P86/(XCOUT)	232C POWER/REMOTE PWR	O	C	-	-	O/L	O/L	232C POWER control pin(ON: H)/REMOTE POWER
19	RESET	RESET	-	-	M3VPu	-	-	-	Reset input (reset: L)
20	XOUT	X2	-	-	-	-	-	-	Clock output
21	VSS	VSS	-	-	-	-	-	-	GND
22	XIN	X1	-	-	-	-	-	-	Clock input
23	VCC	VCC1	-	-	-	-	-	-	+3V
24	P85/NMI	_NMI	I	-	M3V	-	I	I	Not used(Fixed to H)
25	P84/INT2	NC	I	-	(3Vin)	-	I	I	Not used
26	P83/INT1	B.DOWN	I	-	(3Vin)	-	I	I	Power down detect (Power down : L)
27	P82/INT0	REMOCON	I	-	3Vin/Pd	-	I	I	Remote control signal input
28	P81	NC	O	C	-	-	O/L	O/L	Not used
29	P80/RXD5	iPod RXD MIO	I	N	5Vin	-	O/L	O/L	IPOD comm. control pin
30	P77/CLK5	TU/RDS CLK	O	C	SW5VPu	3/5	O/L	O/L	PLL & RDS control pin (LC72131 & LC72720)
31	P76/TXD5	iPod TXD MOII	O	C	SW5VPu	3/5	O/L	O/L	IPOD comm. control pin
32	P75/RXD8	SIRIUS MI/RDS DOUT	I	N	5Vin	-	O/L	O/L	SIRIUS control pin/RDS data inputpin(LC72720)
33	P74/CLK8	EXP DATA	O	C	-	-	O/L	O/L	Extended I/O control pin
34	P73/TXD8	SIRIUS MO/RDS CE	O	C	SW5VPu	3/5	O/L	O/L	SIRIUS control pin/RDS control pin(LC72720)
35	P72/CLK2	GUI CLK	O	C	-	-	O/L	O/L	GUI control pin
36	P71/RXD2/(MSCL)	GUI RX	I	-	-	-	O/L	O/L	GUI control pin
37	P70/TXD2/(MSDA)	GUI TX	O	C	-	-	O/L	O/L	GUI control pin
38	P67/TXD1	TXD MO232I	O	C	-	(3/5)	O/L	O/L	Data transfer pin to outside (AMX)/MITSUBISHI writer rewrite
39	VCC	VCC1	-	-	-	-	-	-	+3V
40	P66/RXD1	RXD MI232O	I	-	-	-	I	O/L	Date receive pin from outside(AMX)/MITSUBISHI writer rewrite
41	VSS	VSS	-	-	-	-	-	-	GND
42	P65/CLK1/SCLK(L)	EXP CLK	O	C	-	-	O/L	O/L	Extended I/O control pin
43	P64/BUSY	TU DOUT	I	N	5Vin	-	O/L	O/L	TUNER PLLdata inputpin (LC72131)
44	P63/TXD0	E_TXDMOEI	O	C	-	-	O/L	O/L	ETHERNET comm. control pin
45	P62/RXD0	E_RXDMIEO	I	-	-	-	I	O/L	ETHERNET comm. control pin
46	P61/CLK0	ZONE2 OSD/FL CLK	O	C	-	3/5	O/L	O/L	ZONE2 OSDcontrol pin/FLcontrol pin
47	P60/CTS0	ZONE2 OSD/FL DATA	O	C	-	3/5	O/L	O/L	ZONE2 OSDcontrol pin/FLcontrol pin
48	P137	ACK SIMO	O	C	-	-	O/L	O/L	MAIN-SUB μ com comm. control output pin
49	P136/ISCLK2	CLKMO	O	C	-	-	O/L	O/L	MAIN-SUB μ com comm. control output pin
50	P135/ISRXD2	SOMI	I	-	-	-	I	O/L	MAIN-SUB μ com comm. control input pin
51	P134/ISTXD2	MOSI	O	C	-	-	O/L	O/L	MAIN-SUB μ com comm. control output pin
52	P57/RDY	RDY	I	C	M3VPu	-	I	I	External memory access pin(NC,Pup)
53	P56/ALE	ALE	O	C	-	-	O/L	O/L	External memory access pin(NC)
54	P55/HOLD/EPM	HOLD/FRASH EPM	I	C	M3VPu	-	I	I	External memory access pin(NC,Pup)/Rewrite boot program start : L input set
55	P54/HLDA	HLDA	O	C	-	-	O/L	O/L	External memory access pin(NC)
56	P133	MUTE POWER/ROM POWER	O	C	-	-	O/L	O/L	For MUTE +B control pin/For extended ROM 3.3V control pin

Pin	Pin Name	Symbol	I/O	Type	Pullup	LvCnv	STBY	stop	Function
57	VSS	VSS	-	-	-	-	-	-	GND
58	P132	GUI REQ	O	C	-	-	O/L	O/L	GUI control pin
59	VCC	VCC2	-	-	-	-	-	-	+3V
60	P131	EXP SCL	I/O	C	M3VPu	-	O/L	I	Extended I/O control pin(M62320)
61	P130	EXP SDA	I/O	C	M3VPu	-	O/L	I	Extended I/O control pin(M62320)
62	P53/BCLK	BCLK	O	C	-	-	O/L	O/L	External memory access pin(NC)
63	P52/RD	R \bar{D}	O	C	-	-	O/L	O/L	External memory access pin(connection: OE#)
64	P51/(WR1)/BC1	BC1	O	C	-	-	O/L	O/L	External memory access pin(NC)
65	P50/(WR0)/WR/CE	WR/FRASH CE	O	C	Pd	-	O/L	O/L	External memory access pin(connection:WE#)/Rewrite boot program start : H input set
66	P127	VSEL A	I	-	SW3VPu	-	I	I	Master Volume rotation detect input (Rotary encoder)
67	P126	VSEL B	I	-	SW3VPu	-	I	I	Master Volume rotation detect input (Rotary encoder)
68	P125	PROTECTION(DC)	I	-	SW3VPu	-	I	I	PROTECTION detect pin(DC)
69	P47/(CS0)/(A23)	CS0	O	C	-	-	O/L	O/L	External memory access pin(connection:CS#)
70	P46/(CS1)/A22	A22	O	C	-	-	O/L	O/L	External memory access pin(NC)
71	P45/(CS2)/A21	A21	O	C	-	-	O/L	O/L	External memory access pin(NC)
72	P44/(CS3)/A20	A20	O	C	-	-	O/L	O/L	External memory access pin(connection:A19)
73	P43/A19	A19	O	C	-	-	O/L	O/L	External memory access pin(connection:A18)
74	VCC	VCC	-	-	-	-	-	-	+3V
75	P42/A18	A18	O	C	-	-	O/L	O/L	External memory access pin(connection:A17)
76	VSS	VSS	-	-	-	-	-	-	GND
77	P41/A17	A17	O	C	-	-	O/L	O/L	External memory access pin(connection:A16)
78	P40/A16	A16	O	C	-	-	O/L	O/L	External memory access pin(connection:A15)
79	P37/A15	A15	O	C	-	-	O/L	O/L	External memory access pin(connection:A14)
80	P36/A14	A14	O	C	-	-	O/L	O/L	External memory access pin(connection:A13)
81	P35/A13	A13	O	C	-	-	O/L	O/L	External memory access pin(connection:A12)
82	P34/A12	A12	O	C	-	-	O/L	O/L	External memory access pin(connection:A11)
83	P33/A11	A11	O	C	-	-	O/L	O/L	External memory access pin(connection:A10)
84	P32/A10	A10	O	C	-	-	O/L	O/L	External memory access pin(connection:A9)
85	P31/A9	A9	O	C	-	-	O/L	O/L	External memory access pin(connection:A8)
86	P124	EXP STB	O	C	-	-	O/L	O/L	Extended I/O control pin
87	P123	EXP OE	O	C	Pd	-	O/L	O/L	Extended I/O control pin
88	P122/(RXD6)	EEPROM SCL	I/O	C	-	-	O/L	I	EEPROM control pin
89	P121/(CLK6)	EEPROM SDA	I/O	C	-	-	O/L	I	EEPROM control pin
90	P120/(TXD6)	TU/RDS DIN	O	C	SW5VPu	3/5	O/L	O/L	PLL & RDS control pin (LC72131 & LC72720)
91	VCC	VCC	-	-	-	-	-	-	+3V
92	P30/A8	A8	O	C	-	-	O/L	O/L	External memory access pin(connection:A7)
93	VSS	VSS	-	-	-	-	-	-	GND
94	P27/A7	A7	O	C	-	-	O/L	O/L	External memory access pin(connection:A6)
95	P26/A6	A6	O	C	-	-	O/L	O/L	External memory access pin(connection:A5)
96	P25/A5	A5	O	C	-	-	O/L	O/L	External memory access pin(connection:A4)
97	P24/A4	A4	O	C	-	-	O/L	O/L	External memory access pin(connection:A3)
98	P23/A3	A3	O	C	-	-	O/L	O/L	External memory access pin(connection:A2)
99	P22/A2	A2	O	C	-	-	O/L	O/L	External memory access pin(connection:A1)
100	P21/A1	A1	O	C	-	-	O/L	O/L	External memory access pin(connection:A0)
101	P20/A0	A0	O	C	-	-	O/L	O/L	External memory access pin(NC)
102	P17/D15	D15	I/O	C	-	-	O/L	O/L	External memory access pin(connection:D15)
103	P16/D14	D14	I/O	C	-	-	O/L	O/L	External memory access pin(connection:D14)
104	P15/D13	D13	I/O	C	-	-	O/L	O/L	External memory access pin(connection:D13)
105	P14/D12	D12	I/O	C	-	-	O/L	O/L	External memory access pin(connection:D12)
106	P13/D11	D11	I/O	C	-	-	O/L	O/L	External memory access pin(connection:D11)
107	P12/D10	D10	I/O	C	-	-	O/L	O/L	External memory access pin(connection:D10)
108	P11/D9	D9	I/O	C	-	-	O/L	O/L	External memory access pin(connection:D9)
109	P10/D8	D8	I/O	C	-	-	O/L	O/L	External memory access pin(connection:D8)
110	P07/D7	D7	I/O	C	-	-	O/L	O/L	External memory access pin(connection:D7)
111	P06/D6	D6	I/O	C	-	-	O/L	O/L	External memory access pin(connection:D6)
112	P05/D5	D5	I/O	C	-	-	O/L	O/L	External memory access pin(connection:D5)
113	P04/D4	D4	I/O	C	-	-	O/L	O/L	External memory access pin(connection:D4)
114	P114	ISEL A	I	-	SW3VPu	-	I	I	Input Selector rotation detect input (Rotary encoder)
115	P113	ISEL B	I	-	SW3VPu	-	I	I	Input Selector rotation detect input(Rotary encoder)

Pin	Pin Name	Symbol	I/O	Type	Pullup	LvCnv	STBY	stop	Function
116	P112/ (RXD8)	NC	O	C	-	(3/5)	O/L	O/L	Not used
117	P111/	VOL CLK	O	C	-	(3/5)	O/L	O/L	FUNCTION/VOLUME control(NJW1199)(NJW1194)
118	P110/ (TXD8)	VOL DATA	O	C	-	(3/5)	O/L	O/L	FUNCTION/VOLUME control(NJW1199)(NJW1194)
119	P03/D3	D3	I/O	C	-	-	O/L	O/L	External memory access pin(connection:D3)
120	P02/D2	D2	I/O	C	-	-	O/L	O/L	External memory access pin(connection:D2)
121	P01/D1	D1	I/O	C	-	-	O/L	O/L	External memory access pin(connection:D1)
122	P00/D0	D0	I/O	C	-	-	O/L	O/L	External memory access pin(connection:D0)
123	P157	NC	I	-	-	-	O/L	O/L	Not used
124	P156	E SPI REQ	I	-	Pd	-	O/L	O/L	ETHERNET comm. control pin
125	P155/RXD6	RXD MIXMO	I	C	-	-	O/L	O/L	XM RADIO control pin
126	P154/TXD6	TXD MOXMI	O	C	D3Pup	-	O/L	O/L	XM RADIO control pin
127	P153	E SPI CS	O	C	-	-	O/L	O/L	ETHERNET comm. control pin
128	P152/RXD7	E SPI MIEO	I	-	Pd	-	O/L	O/L	ETHERNET comm. control pin
129	P151/CLK7	E SPI CLK	O	C	Pd	-	O/L	O/L	ETHERNET comm. control pin
130	VSS	VSS	-	-	-	-	-	-	GND
131	P150/TXD7	E SPI MOEI	O	C	Pd	-	O/L	O/L	ETHERNET comm. control pin
132	VCC	VCC	-	-	-	-	-	-	+3V
133	P107/(AN7)/ (K13)	NC	I	-	Pd	-	I	I	Not used(3310:GUI WRITE)
134	P106/AN6/ K12	KEY3	I	-	M3VPu	-	I	I	Button input3
135	P105/AN5/ K11	KEY2	I	-	M3VPu	-	I	I	Button input2
136	P104/AN4/ K10	KEY1	I	-	M3VPu	-	I	I	Button input1
137	P103/AN3	SUB UPDATE	O	C	-	-	O/L	O/L	SUB UPDATE mode control(DPMS/DENON WRITTER) (MAIN: L/ SIB:H)
138	P102/AN2	MIC DET/H/P DET/X2 PROT/LIMIT	I	-	SW3VPu	-	O/L	O/L	MIC detect pin/Headphone/voltage-doubler detect pin/LIMIT judge signal detect input (A/D detect)
139	P101/(AN1)	REDLED	O	C	-	-	O/H	O/L	POWER/STANDBY LED control pin(ON: H)
140	AVSS	AVSS	-	-	-	-	-	-	Analog GND
141	P100/AN0	MODE	I	-	M3VPu	-	I	I	Destination switching input
142	VREF	VREF	-	-	-	-	-	-	Ref. power supply input +3V
143	AVCC	AVCC	-	-	-	-	-	-	Analog Power supply +3V
144	P97/RXD4	NC	I/O	C	-	-	O/L	O/L	Not used

R5F3650TNFB/KNFB (DI: IC901)



- Notes:
1. N-channel open drain output.
 2. Check the position of Pin 1 by referring to appendix 1, Package Dimensions.
 3. Pin names in brackets [] represent a single functional signal. They should not be considered as two separate functional signals.

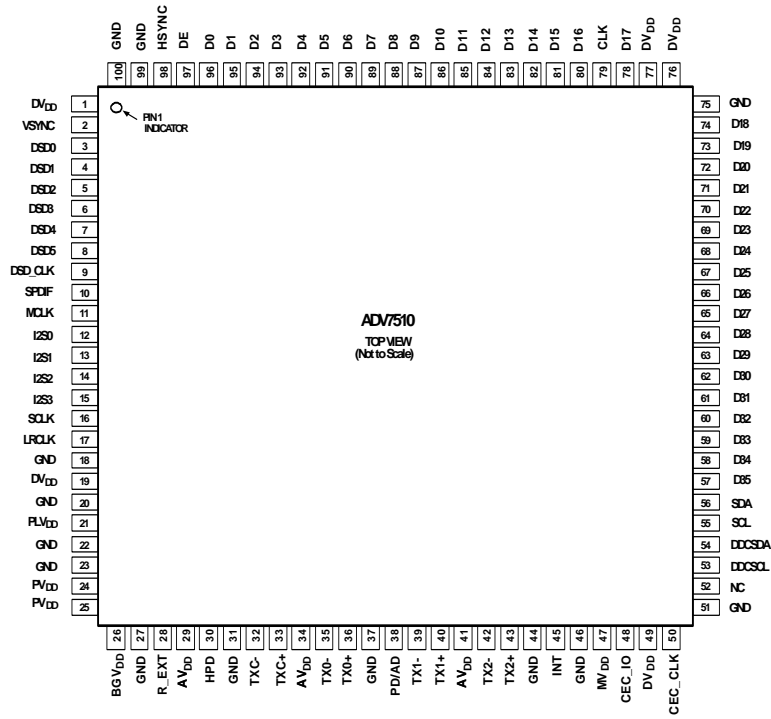
R5F3650TNFB/KNFB Terminal Function

Pin	Pin Name	Symbol	I/O	Type	Det	Op (Int.)	Pu/Pd (Ext.)	Res	PURE D	CEC STBY	P.OFF	Function
1	P94	VSEL DATA	O	C	-	-	-	Z	O/L	O/L	Z	GUI built-in VIDEO SW control pin
2	P93	DIR CE1	O	C	-	-	-	Z	O/L	O/L	Z	DIR control pin (LC89058W-VF4A)
3	P92/SOUT3	DIR DIN	O	C	-	-	-	Z	O/L	O/L	Z	DIR control pin (LC89058W-VF4A)
4	P91/SIN3	DIR DOUT	I	-	Lv	-	-	Z	-	-	Z	DIR control pin (LC89058W-VF4A)
5	P90/CLK3	DIR CLK	O	C	-	-	-	Z	O/L	O/L	Z	DIR control pin (LC89058W-VF4A)
6	BYTE	BYTE	-	-	-	-	-	-	-	-	-	GND(Ext. data bus bit width switching, 16bit : L)
7	CNVCS	CNVSS	-	-	-	-	Pd	-	-	-	-	Single-chip / Micro-processor mode switching (Normal single-chip : L, Rewrite boot program start : H input set)
8	P87	OSR2	O	C	-	-	AD3VPu	Z	O/H	O/L	Z	A/D control pin
9	P86	DIR CE4	O	C	-	-	-	Z	O/L	O/L	Z	DIR control pin (LC89058W-VF4A)
10	RESET	SUBRESET	I	-	Lv	-	SCPU3VPu	L	-	-	Z	Reset input
11	XOUT	X1	O	-	-	-	-	-	-	-	-	Oscillator connection
12	VSS	VSS	-	-	-	-	-	-	-	-	-	GND
13	XIN	X2	I	-	-	-	-	-	-	-	-	Oscillator connection
14	VCC	VCC	-	-	-	-	-	-	-	-	-	+3.3V
15	P85/NMI/(CEC)	NMI/(CEC_IN)	I	-	-	-	-	-	-	-	-	Fixed to H
16	P84/INT2	CEC_IN	I	-	E ↓ &L	-	SCPU3VPu	Z	-	-	Z	CEC-D signal input pin
17	P83/INT1	ACK SIMO	I	-	E ↓ &L	-	-	Z	-	-	Z	MAIN-SUB μcom comm. control input pin

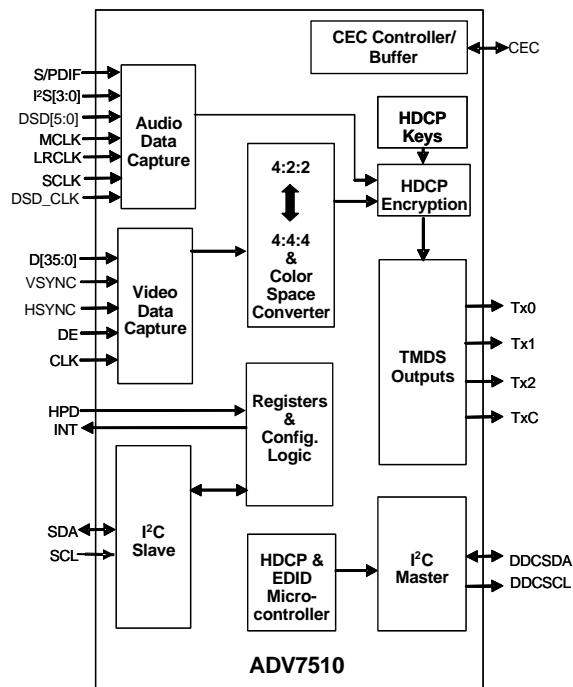
Pin	Pin Name	Symbol	I/O	Type	Det	Op (Int.)	Pu/Pd (Ext.)	Res	PURE D	CEC STBY	P.OFF	Function
18	P82/INT0	SUB BDOWN	I	-	E ↓ & L	-	-	Z	-	-	Z	Power down detect (Power down: L)
19	P81	IP RST	O	C	-	-	-	Z	O/H	O/H	Z	IP CONV(ABT1030) reset (1610 NC)
20	P80/(RXD5)	GUI WRITE	O	C	-	-	-	Z	O/L	-	O/L	GUI ROM rewrite control (ACTIVE"L")
21	P77/(CLK5)	/TDO	I	-	-	-	-	Z	O/L	O/L	Z	/PLDrewrite control (JTAG)
22	P76/(TXD5)	A PLD CS /TMS/ "D/M"	O	C	-	-	-	Z	O/L	-	O/L	A PLD control pin /PLD rewrite (JTAG)/DENON WRITTER/For MITSUBISHI rewrite distinction (DW="L")
23	P75	A PLD DATA/TDI	O	C	-	-	-	Z	O/L	O/L	Z	A PLD control pin /PLDrewrite control (JTAG)
24	P74	A PLD CLK/MTCK	O	C	-	-	-	Z	O/L	O/L	Z	A PLD control pin /PLDrewrite control (JTAG)
25	P73/CTS2	ANALOG VIDEO POWER	O	C	-	-	-	Z	O/L	O/L	Z	VIDEO power ON/OFF control (H: ON)
26	P72/CLK2	DIGITAL POWER	O	C	-	-	-	Z	Z	-	Z	DIGITAL power ON/OFF control (H: ON)
27	P71/RXD2/ SCLMM	HSCL(400k)	I/O	N	-	-	CEC3VPu	Z	O/L	O/L	O/L	VIDEO I2C- IP CONV(ABT1030)/ HDMI_RECEIVER(ADV7840)/HDMI TRANSMITTER1 (ADV7510)
28	P70/TXD2/ SDAMM	HSDA(400k)	I/O	N	-	-	CEC3VPu	Z	O/L	O/L	O/L	VIDEO I2C- IP CONV(ABT1030)/ HDMI_RECEIVER(ADV7840)/HDMI TRANSMITTER1 (ADV7510)
29	P67/TXD1	TXD	O	C	-	-	SCPU3VPu	Z	-	-	Z	Data transfer output to outside
30	P66/RXD1	RXD	I	-	Lv	-	SCPU3VPu	Z	-	-	Z	Data receive input from outside
31	P65/CLK1	FGAIN	O	C	-	-	-	Z	-	O/L	Z	FGAIN control pin
32	P64/CTS1	CFSEL0	I	-	Lv	-	Ed	Z	-	-	Z	ENCODER output set (480p/576p: H)
33	P63/TXD0	SOMI	O	C	-	-	-	Z	-	-	Z	MAIN-SUB μcom comm. control pin
34	P62/RXD0	SIMO	I	-	-	-	-	Z	-	-	Z	MAIN-SUB μcom comm. control pin
35	P61/CLK0	CLK SIMO	I	-	-	-	-	Z	-	-	Z	MAIN-SUB μcom comm. control pin
36	P60/CTS0	REQ SOMI	O	C	-	-	-	Z	-	-	Z	MAIN-SUB μcom comm. control pin
37	P57	1TMS SW RST	O	C	-	-	SCPU3VPu	Z	O/H	-	Z	HDMI SWITCHER ADV3002 Reset pin
38	P56	HPD2	O	C	-	-	-	Z	O/L	-	Z	HD DET control pin
39	P55/EPM	ADC RST/EPM	O	C	-	-	Ed	Z	-	-	Z	AD(PCM1804) control pin /Rewrite boot start : L input set
40	P54	CEC_OUT	O	C	-	-	-	Z	O/L	-	Z	CEC-Dsignal output pin
41	P53	MONI DIS	O	C	-	-	-	Z	O/L	O/L	Z	COMPONENT MONITOR OUT output control pin
42	P52	FPGAWRITE	O	C	-	-	-	Z	O/L	O/L	Z	AUDIO FPGA rewrite control (ACTIVE"L")
43	P51	VSEL C2	O	C	-	-	-	Z	O/L	O/L	Z	GUI built-in VIDEO SW control pin
44	P50/CE	CECSEL/CE/DSP BOOT	O/I	C	-	-	SCPU3VPu	Z	O/L	-	Z	CEC output LINE control/Rewrite boot program start : L input set: Cg input set
45	P47/(TXD7)/ SDA7	VSDA	I/O	C	-	-	DV3VPu	Z	O/L	-	O/L	ENCODER ADV7340 I2C/COMPONENT SELECT IC(NJW1321FP1)
46	P46/(RXD7)/ SCL7	VSCL	I/O	C	-	-	DV3VPu	Z	O/L	-	O/L	ENCODER ADV7340 I2C/COMPONENT SELECT IC(NJW1321FP1)
47	P45/(CLK7)	HPD1	O	C	-	-	Pd	Z	O/L	-	Z	HD DET control pin
48	P44	Z2 SYNCDET	I	-	-	-	SCPU3VPu	Z	-	-	Z	ZONE2 SyncDet pin
49	P43	HDMI A.SEL	O	C	-	-	-	Z	O/L	O/L	Z	HDMI AUDIO control (H: FDSP route, L: FHDMI Rx → Tx through)
50	P42	Z2SSIG.DET	I	-	Lv	-	SCPU3VPu	Z	I	I	Z	ZONE2 S signal detect input (Connected: H)
51	P41	CEC POWER	O	C	-	-	-	Z	O/L	O/H	Z	H:CEC STANDBY Power ON
52	P40	DSP3 FLAG0	I	-	Lv	-	-	Z	O/L	-	Z	DSP3 control pin (ADSP-21367)
53	P37	HDMIR_RST	O	C	-	-	-	Z	O/H	-	Z	HDMI RECEIVER(ADV7840) reset
54	P36	1TX RST	O	C	-	-	SCPU3VPu	Z	O/H	-	Z	HDMI TRANSMITTER1 (ADV7510) reset
55	P35	2TX RST	O	C	-	-	SCPU3VPu	Z	O/L	O/L	Z	HDMI TRANSMITTER2 (ADV7510) reset
56	P34	Z1 SSIGDET	I	-	Lv	-	SCPU3VPu	Z	-	-	Z	S signal detect input (Connected: H)
57	P33	DSP3 RST	I	-	Lv	-	-	Z	O/L	-	Z	DSP3(ADSP-21367) reset output pin
58	P32	DAC MDI	O	C	-	-	-	Z	O/L	O/L	Z	DAC control pin (ASK4358)
59	P31	DAC MC	O	C	-	-	-	Z	O/L	O/L	Z	DAC control pin (ASK4358)
60	VCC	VCC	-	-	-	-	-	-	-	-	-	+3.3V
61	P30	DAC MS	O	C	-	-	-	Z	O/L	O/L	Z	DAC control pin (ASK4358)
62	VSS	VSS	-	-	-	-	-	-	-	-	-	GND
63	P27	DAC RST	O	C	-	-	-	Z	O/H	O/L	Z	DAC control pin (ASK4358)
64	P26	DIG VIDEO POWER	O	C	-	-	-	Z	O/L	MODE1=O/H MODE2=O/L	Z	DIGITAL VIDEO power control pin
65	P25/INT7	2TX INT	I	-	Lv	-	CEC3VPu	Z	-	-	Z	HDMI OUT2 signal detect input (HDMI TRANS1 ADV7510)
66	P24/INT6	1TX INT	I	-	Lv	-	CEC3VPu	Z	-	-	Z	HDMI OUT1 signal detect input (HDMI TRANS1 ADV7510)
67	P23	HPD6	O	C	-	-	-	Z	O/L	-	Z	HD DET control pin
68	P22	VEXP STB	O	C	-	-	-	Z	O/L	O/L	Z	VIDEO expander control pin output(MC14094)
69	P21	VEXP OE	O	C	-	-	-	Z	O/L	O/L	Z	VIDEO expander control pin output(MC14094)
70	P20	VEXP CLK	O	C	-	-	-	Z	O/L	O/L	Z	VIDEO expander control CLK output(MC14094)
71	P17/INT5	ADVINT1	I	-	E ↓ & L	-	-	Z	-	-	Z	HDMI RECEIVER(ADV7840)INT1 output
72	P16/INT4	ADVINT2	I	-	E ↓ & L	-	-	Z	-	-	Z	HDMI RECEIVER(ADV7840)INT2 output
73	P15/INT3	ADVINT3	I	-	E ↓ & L	-	-	Z	-	-	Z	HDMI RECEIVER(ADV7840)INT3 output

Pin	Pin Name	Symbol	I/O	Type	Det	Op (Int.)	Pu/Pd (Ext.)	Res	PURE D	CEC STBY	P.OFF	Function
74	P14	DSP3 ICS/SUBD CLK	O	C	-	-	-	Z	O/L	O/L	Z	DSP3 control pin (ADSP-21367) / FPGA rewrite control
75	P13/TXD6	DSP MOSI	O	C	-	-	-	Z	O/L	O/L	Z	DSP control pin (ADSP-21367)
76	P12/RXD6	DSP MISO	I	-	Lv	-	-	Z	-	-	Z	DSP control pin (ADSP-21367)
77	P11/CLK6	DSPICLK	O	C	-	-	-	Z	O/L	O/L	Z	DSP control pin (ADSP-21367)
78	P10	Z1VSIG.DET	I	-	Lv	-	-	Z	-	-	Z	VIDEO IN signal detect input (Detected : H)
79	P07	PLD WRITE	O	C	-	-	-	Z	O/L	O/L	Z	PLD JTAGLINE ON/OFF control
80	P06	VSEL C1	O	C	-	-	-	Z	O/L	MODE1=O/H MODE2=O/L	Z	GUI built-in VIDEO SW control pin /PLDrewrite control (JTAG)
81	P05	HPD3	O	C	-	-	-	Z	O/L	-	Z	HD DET control pin
82	P04	HPD4	O	C	-	-	-	Z	O/L	-	Z	HD DET control pin
83	P03	HPD5	O	C	-	-	-	Z	O/L	-	Z	HD DET control pin
84	P02	DIR RST3	I	-	Lv	-	-	Z	-	-	Z	DIR control pin (LC89058W-VF4A)
85	P01	DIR RST2	O	C	-	-	-	Z	O/L	O/L	O/L	DIR control pin (LC89058W-VF4A)
86	P00	DIR RST1	O	C	-	-	-	Z	O/L	O/L	O/L	DIR control pin (LC89058W-VF4A)
87	P107/(AN7)	DSP2 RST	O	C	-	-	-	Z	O/L	O/L	Z	DSP2(ADSP-21367) reset output pin(Reset: L)
88	P106/(AN6)	DSP1 RST/ SubnCONFIG	O	C	-	-	-	Z	O/L	O/L	Z	DSP1(ADSP-21367) reset output pin(Reset: L)/ FPGA rewrite (MAIN FPGA & GUI FPGAcombined use)
89	P105/(AN5)	DSP ROMRST/ SUBnCE	O	C	-	-	-	Z	O/L	O/L	Z	DSP memory reset(reset: L/FPGA rewrite control (MAIN FPGA & GUI FPGAcombined use)
90	P104/(AN4)	COMPS DET	I	-	Lv	-	SCPU3VPu	Z	-	-	Z	COMPONENT IN signal detect input
91	P103/(AN3)	DSP2 FLAG0/ SUBDATA_0	I/O	-	Lv	-	Pd	Z	-	-	Z	DSP2 control pin (ADSP-21367)/FPGA rewrite control (MAIN FPGA & GUI FPGAcombined use)
92	P102/(AN2)	DSP2 ICS/ SUBnCS	O	C	-	-	D3VPu	Z	O/L	O/L	Z	DSP2 control pin (ADSP-21367)/FPGA rewrite control (MAIN FPGA & GUI FPGAcombined use)
93	P101/(AN1)	DSP1 ICS/ SUBASDI	O	C	-	-	D3VPu	Z	O/L	O/L	Z	DSP1 control pin (ADSP-21367)/FPGA rewrite control (MAIN FPGA & GUI FPGAcombined use)
94	AVSS	AVSS	-	-	-	-	-	-	-	-	-	AD GND
95	P100/(AN0)	VSEL CLK	O	C	-	-	-	Z	O/L	O/L	Z	GUI built-in VIDEO SW control pin
96	VREF	VREF	-	-	-	-	-	-	-	-	-	AD ref. +3.3V
97	AVCC	AVCC	-	-	-	-	-	-	-	-	-	AD +3.3V
98	P97/(SIN4)	Tx EN	O	C	-	-	-	Z	O/L	-	Z	AD8195 ENABLE pin for Front HDMI control
99	P96/(SOUT4)	DSP1 FLAG0/ SUBCONF_DONE	I	-	-	-	Pd	Z	O/L	O/L	Z	DSP1 control pin (ADSP-21367)/FPGA rewrite control (MAIN FPGA & GUI FPGAcombined use)
100	P95/(CLK4)	VEXP DIN	O	C	-	-	-	Z	O/L	O/L	Z	VIDEO expander control DATA output (MCI 4094)

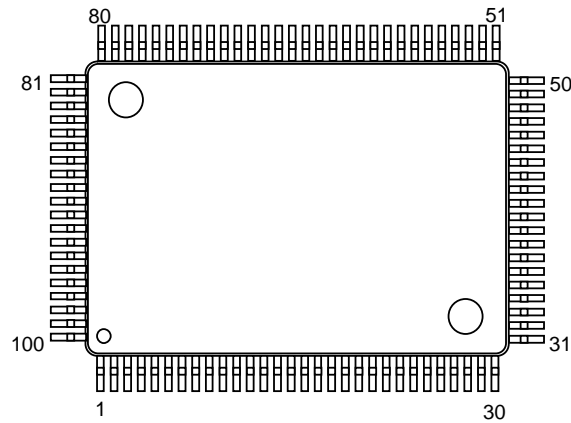
ADV7510BSTZ-225 (DI: IC701,IC702)



ADV7510BSTZ-225 Terminal Function

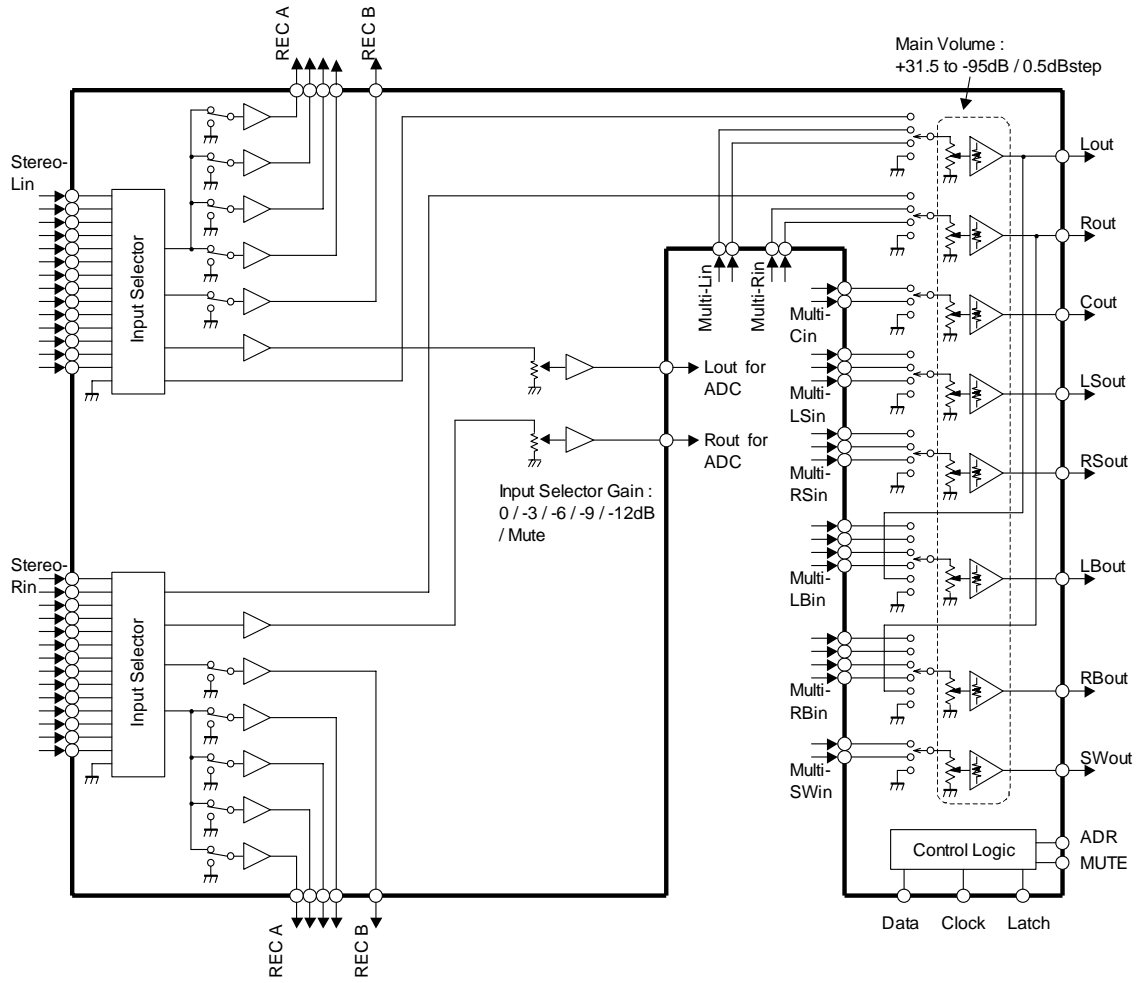


APPA350 (NJW1299) (AV : IC616)

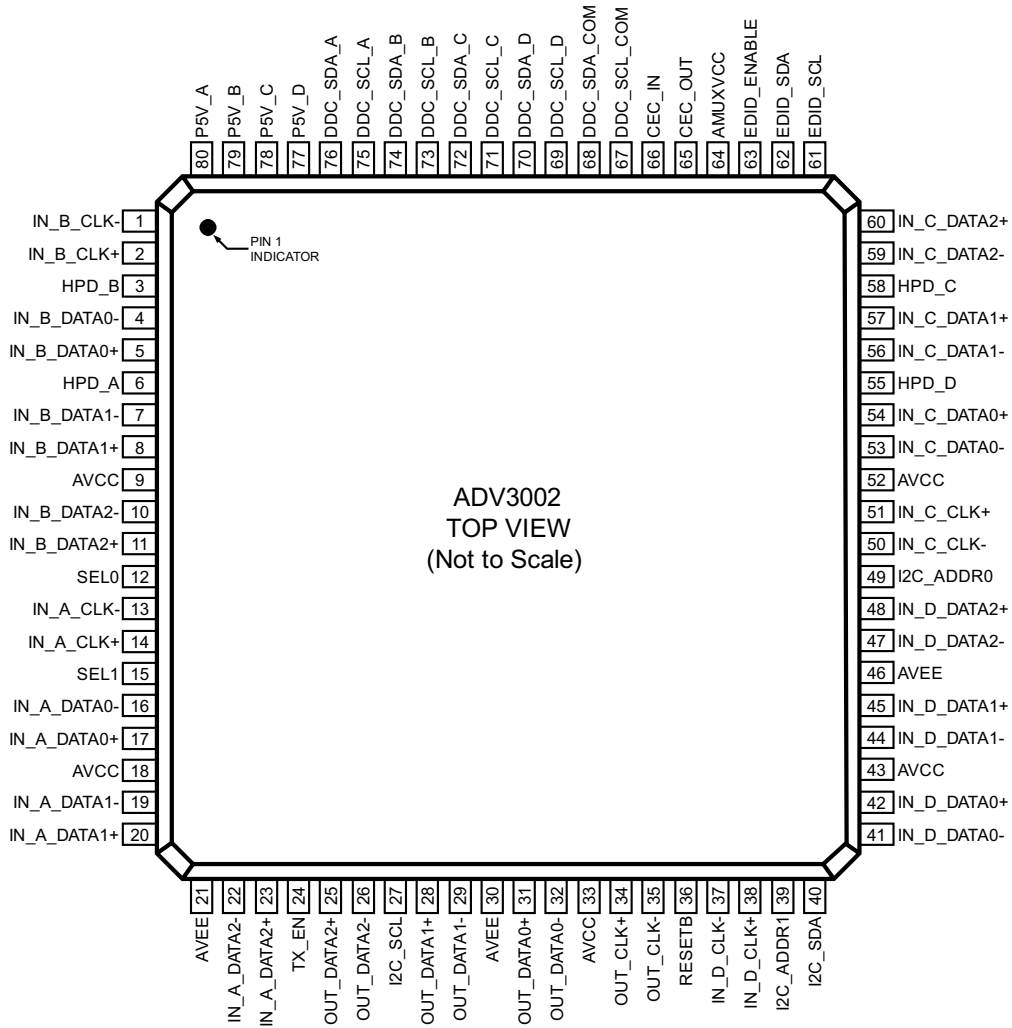


No.	PIN NAME	Function	No.	PIN NAME	Function
1	ROUT	Rch output	51	R10IN	Input selector Rch Input 10
2	COUT	Cch output	52	L13IN	Input selector Lch Input 13
3	LS OUT	LSch output	53	L11IN	Input selector Lch Input 11
4	RS OUT	RSch output	54	R13IN	Input selector Rch Input 13
5	LB OUT	LBch output	55	R11IN	Input selector Rch Input 11
6	RB OUT	RBch output	56	GND	GND terminal
7	SWOUT	SWch output	57	REC_B1R	Input selector Rch REC output B1
8	N.C.	Non	58	REC_B1L	Input selector Lch REC output B1
9	N.C.	Non	59	REC_A4R	Input selector Rch REC output A4
10	N.C.	Non	60	REC_A4L	Input selector Lch REC output A4
11	N.C.	Non	61	REC_A3R	Input selector Rch REC output A3
12	V+	+ Power-supply voltage	62	REC_A3L	Input selector Lch REC output A3
13	L1IN	Input selector Lch Input 1	63	REC_A2R	Input selector Rch REC output A2
14	V-	- Power-supply voltage	64	REC_A2L	Input selector Lch REC output A2
15	R1IN	Input selector Rch Input 1	65	REC_A1R	Input selector Rch REC output A1
16	ADR	Terminal for address selection	66	REC_A1L	Input selector Lch REC output A1
17	L2IN	Input selector Lch Input 2	67	VDDOUT	Logic power supply output terminal
18	DCCAP_L	ICapacitor for volume control switching noise removal Lch	68	DATA	IC control data input
19	R2IN	Input selector Rch Input 2	69	CLOCK	IC control clock input
20	DCCAP_R	ICapacitor for volume control switching noise removal Rch	70	LATCH	IC control latch input
21	L3IN	Input selector Lch Input 3	71	MUTE	External mute control
22	DCCAP_C	ICapacitor for volume control switching noise removal Cch	72	ROUT_ADC	Rch output for ADC
23	R3IN	Input selector Rch Input 3	73	LOUT_ADC	Lch output for ADC
24	DCCAP_LS	ICapacitor for volume control switching noise removal LSch	74	GND	GND terminal
25	L4IN	Input selector Lch Input 4	75	LBDIN	Multichannel LBch input D
26	DCCAP_RS	ICapacitor for volume control switching noise removal RSch	76	RBDIN	Multichannel RBch input D
27	R4IN	Input selector Rch Input 4	77	LSCIN	Multichannel LSch input C
28	DCCAP_LB	ICapacitor for volume control switching noise removal LBch	78	RSCIN	Multichannel RSch input C
29	L5IN	Input selector Lch Input 5	79	LBCIN	Multichannel LBch input C
30	DCCAP_RB	ICapacitor for volume control switching noise removal RBch	80	RBCIN	Multichannel RBch input C
31	R5IN	Input selector Rch Input 5	81	GND	GND terminal
32	DCCAP_SW	ICapacitor for volume control switching noise removal SWch	82	LAIN	Multichannel Lch input A
33	L6IN	Input selector Lch Input 6	83	RAIN	Multichannel Rch input A
34	L14IN	Input selector Lch Input 14	84	CAIN	Multichannel Cch input A
35	R6IN	Input selector Rch Input 6	85	LSAIN	Multichannel LSch input A
36	R14IN	Input selector Rch Input 14	86	RSAIN	Multichannel RSch input A
37	L7IN	Input selector Lch Input 7	87	LBAIN	Multichannel LBch input A
38	GND	GND terminal	88	RBAIN	Multichannel RBch input A
39	R7IN	Input selector Rch Input 7	89	SWAIN	Multichannel SWch input A
40	GND	GND terminal	90	GND	GND terminal
41	L8IN	Input selector Lch Input 8	91	LBIN	Multichannel Lch input B
42	GND	GND terminal	92	RBIN	Multichannel Rch input B
43	R8IN	Input selector Rch Input 8	93	CBIN	Multichannel Cch input B
44	GND	GND terminal	94	LSBIN	Multichannel LSch input B
45	L9IN	Input selector Lch Input 9	95	RSBIN	Multichannel RSch input B
46	GND	GND terminal	96	LBBIN	Multichannel LBch input B
47	R9IN	Input selector Rch Input 9	97	RBBIN	Multichannel RBch input B
48	L12IN	Input selector Lch Input 12	98	SWBIN	Multichannel SWch input B
49	L10IN	Input selector Lch Input 10	99	GND	GND terminal
50	R12IN	Input selector Rch Input 12	100	LOUT	Lch output

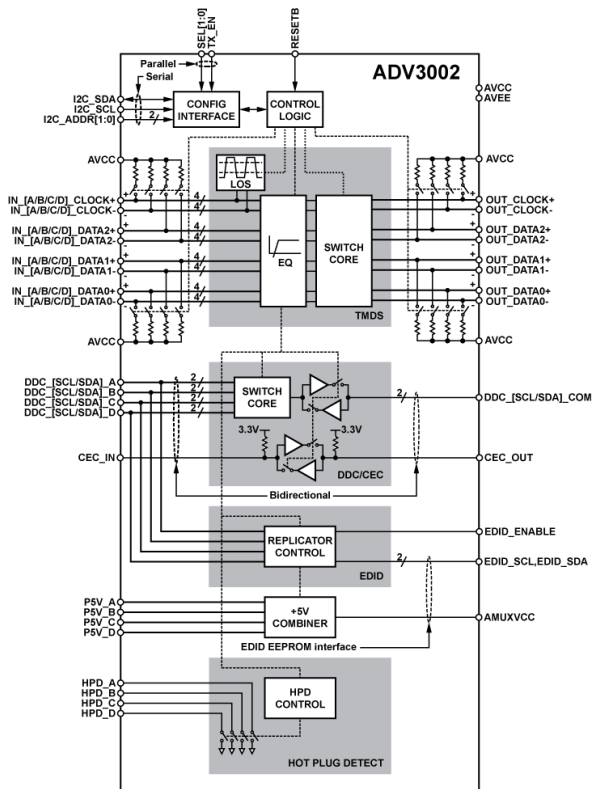
Functional Block Diagram



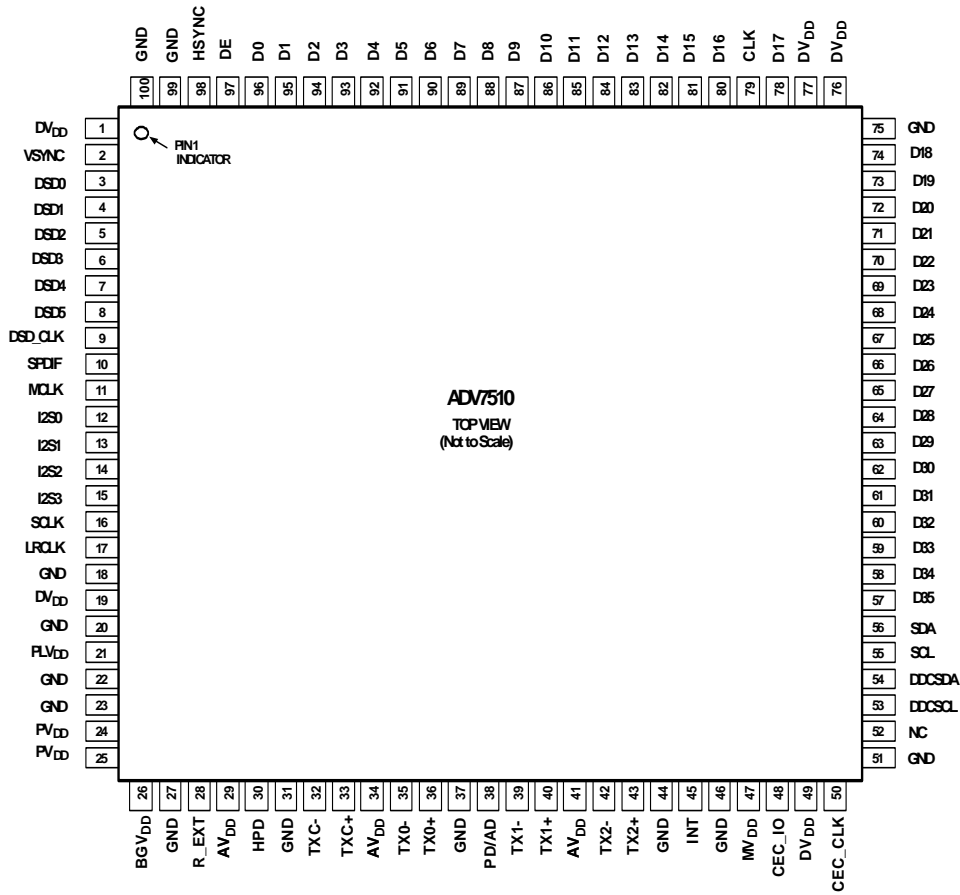
ADV3002BSTZ (DI : IC401)



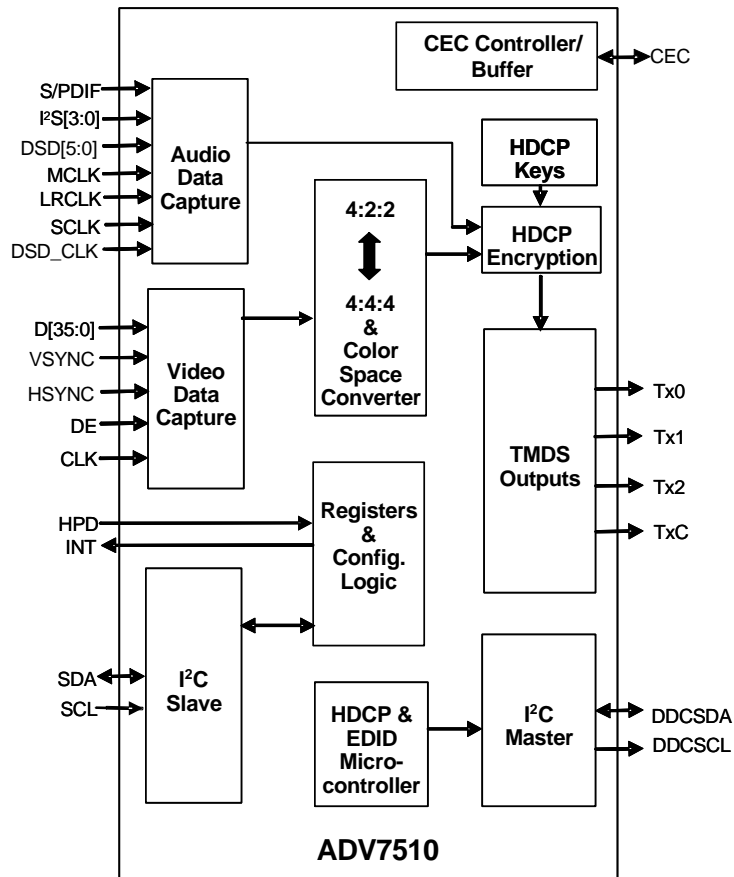
Functional Block Diagram



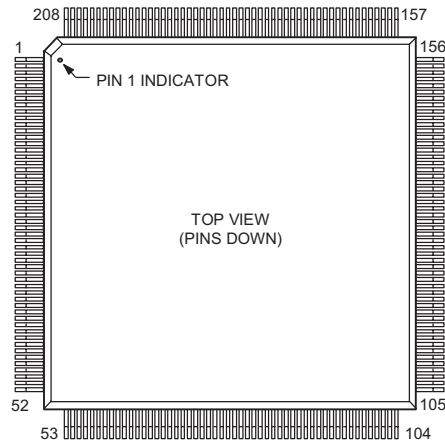
ADV7340BSTZ-3 (DI : IC952)



Functional Block Diagram



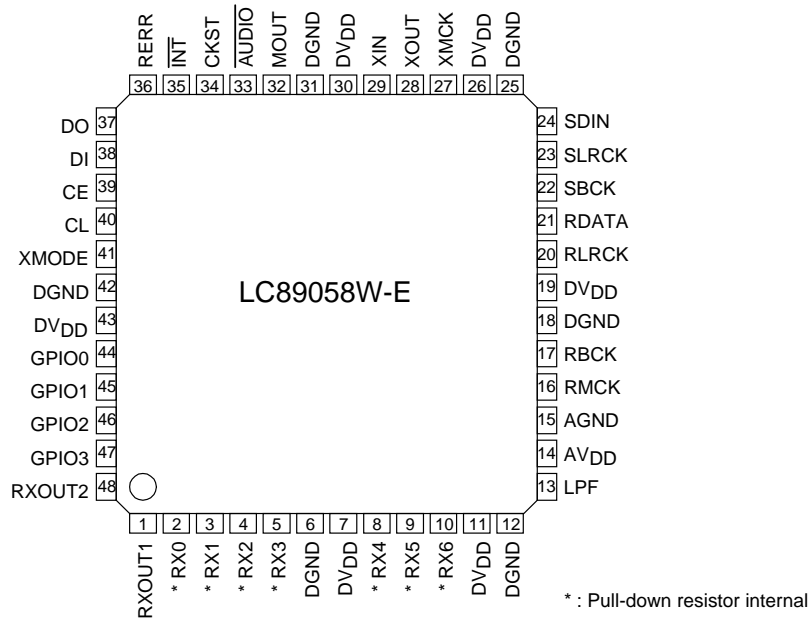
ADSP21367KSWZ2A1176 (DI : IC204, IC254) ,(DA : IC103)



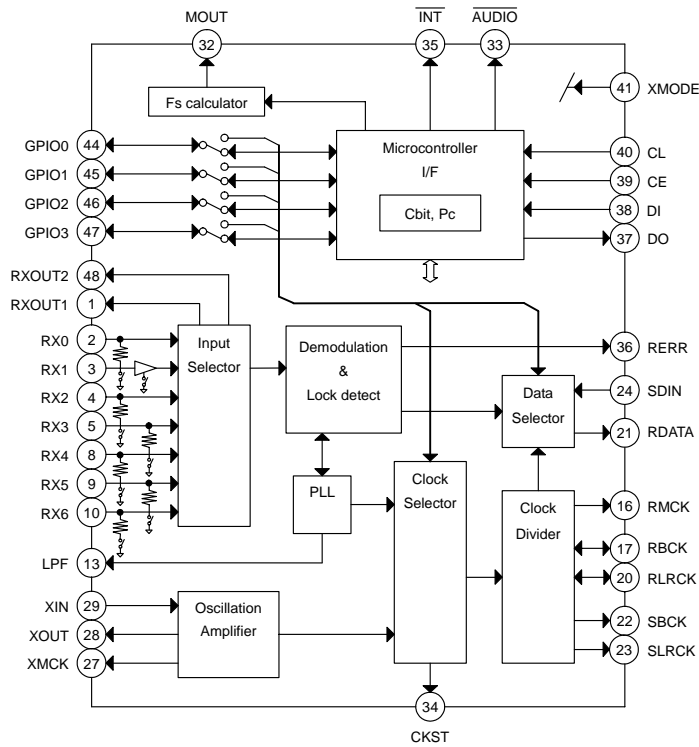
ADSP21367KSWZ2A1176 Terminal Function

Pin No.	Signal	Pin No.	Signal	Pin No.	Signal	Pin No.	Signal
1	VDD	53	VDD	105	VDD	157	VDD
2	DATA28	54	GND	106	GND	158	VDD
3	DATA27	55	IOVDD	107	IOVDD	159	GND
4	GND	56	ADDR0	108	$\overline{\text{SDCAS}}$	160	VDD
5	IOVDD	57	ADDR2	109	$\overline{\text{SDRAS}}$	161	VDD
6	DATA26	58	ADDR1	110	SDCKE	162	VDD
7	DATA25	59	ADDR4	111	$\overline{\text{SDWE}}$	163	TDI
8	DATA24	60	ADDR3	112	$\overline{\text{WR}}$	164	TRST
9	DATA23	61	ADDR5	113	SDA10	165	TCK
10	GND	62	GND	114	GND	166	GND
11	VDD	63	VDD	115	IOVDD	167	VDD
12	DATA22	64	GND	116	SDCLK0	168	TMS
13	DATA21	65	IOVDD	117	GND	169	CLK_CFG0
14	DATA20	66	ADDR6	118	VDD	170	BOOTCFG0
15	IOVDD	67	ADDR7	119	$\overline{\text{RD}}$	171	CLK_CFG1
16	GND	68	ADDR8	120	ACK	172	EMU
17	DATA19	69	ADDR9	121	FLAG3	173	BOOTCFG1
18	DATA18	70	ADDR10	122	FLAG2	174	TDO
19	VDD	71	GND	123	FLAG1	175	DAI4
20	GND	72	VDD	124	FLAG0	176	DAI2
21	DATA17	73	GND	125	DAI20	177	DAI3
22	VDD	74	IOVDD	126	GND	178	DAI1
23	GND	75	ADDR11	127	VDD	179	IOVDD
24	VDD	76	ADDR12	128	GND	180	GND
25	GND	77	ADDR13	129	IOVDD	181	VDD
26	DATA16	78	GND	130	DAI19	182	GND
27	DATA15	79	VDD	131	DAI18	183	DPI14
28	DATA14	80	AVSS	132	DAI17	184	DPI13
29	DATA13	81	AVDD	133	DAI16	185	DPI12
30	DATA12	82	GND	134	DAI15	186	DPI11
31	IOVDD	83	CLKIN	135	DAI14	187	DPI10
32	GND	84	XTAL2	136	DAI13	188	DPI9
33	VDD	85	IOVDD	137	DAI12	189	DPI8
34	GND	86	GND	138	VDD	190	DPI7
35	DATA11	87	VDD	139	IOVDD	191	IOVDD
36	DATA10	88	ADDR14	140	GND	192	GND
37	DATA9	89	GND	141	VDD	193	VDD
38	DATA8	90	IOVDD	142	GND	194	GND
39	DATA7	91	ADDR15	143	DAI11	195	DPI6
40	DATA6	92	ADDR16	144	DAI10	196	DPI5
41	IOVDD	93	ADDR17	145	DAI8	197	DPI4
42	GND	94	ADDR18	146	DAI9	198	DPI3
43	VDD	95	GND	147	DAI6	199	DPI1
44	DATA4	96	IOVDD	148	DAI7	200	DPI2
45	DATA5	97	ADDR19	149	DAI5	201	CLKOUT
46	DATA2	98	ADDR20	150	IOVDD	202	$\overline{\text{RESET}}$
47	DATA3	99	ADDR21	151	GND	203	IOVDD
48	DATA0	100	ADDR23	152	VDD	204	GND
49	DATA1	101	ADDR22	153	GND	205	DATA30
50	IOVDD	102	$\overline{\text{MST}}$	154	VDD	206	DATA31
51	GND	103	$\overline{\text{MS0}}$	155	GND	207	DATA29
52	VDD	104	VDD	156	VDD	208	VDD

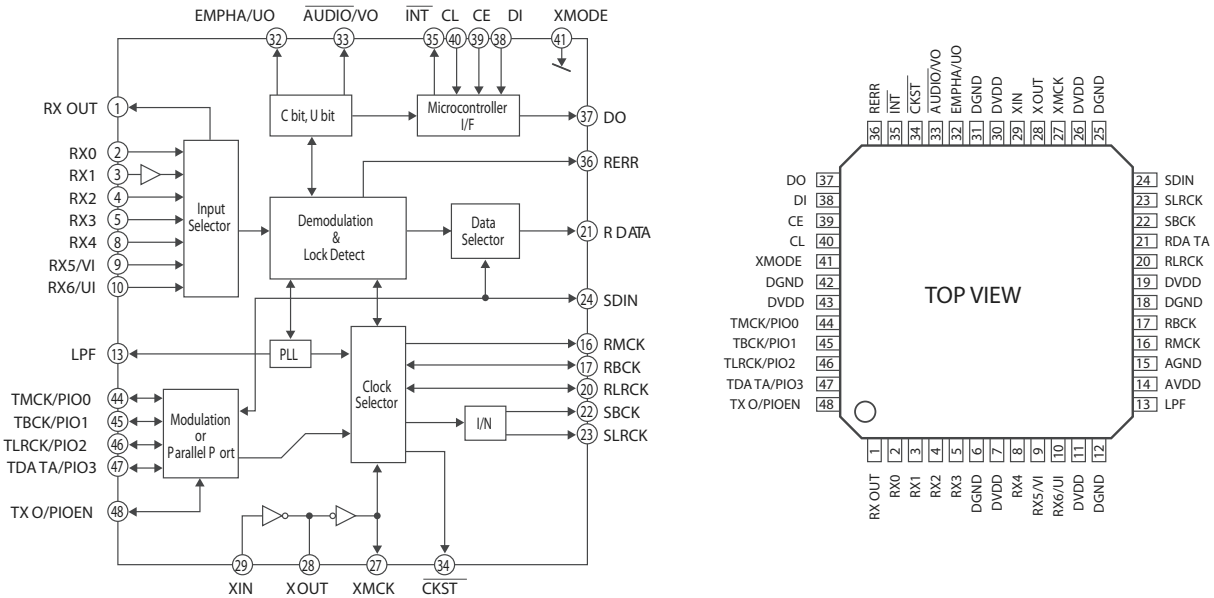
LC89058W-E (DI : IC101, IC104, IC105)



Functional Block Diagram



LC89057W-VF4A (DI : IC102, IC103)



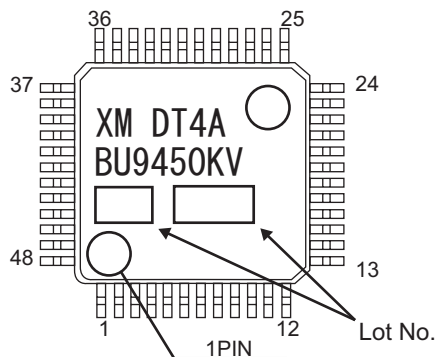
LC89057W-VF4A Terminal Function

Pin No.	Pin Name	I/O	Function
1	RXOUT	O	Input bi-phase select data output terminal
2	RX0	I	TTL compatible digital data input terminal
3	RX1	I	Coaxial compatible built-in digital data input terminal
4	RX2	I	TTL compatible digital data input terminal
5	RX3	I	TTL compatible digital data input terminal
6	DGND	-	Digital GND
7	DVDD	-	Digital power
8	RX4	I	TTL compatible digital data input terminal
9	RX5/VI	I	TTL compatible digital data/Validity flag input terminal for modulation
10	RX6/UI	I	TTL compatible digital data/User data input terminal for modulation
11	DVDD	-	Digital power for PLL
12	DGND	-	Digital GND for PLL
13	LPF	O	PLL loop filter connecting terminal
14	AVDD	-	Analog power for PLL
15	AGND	-	Analog GND for PLL
16	RMCK	O	RMCK clock output terminal (256fs, 512fs, XIN, VCO)
17	RBCK	O/I	RBCK clock in/output terminal (64fs)
18	DGND	-	Digital GND
19	DVDD	-	Digital power
20	RLRCK	O/I	RLRCK clock in/output terminal (fs)
21	RDATA	O	Serial audio data output terminal
22	SBCK	O	SBCK clock output terminal (32fs, 64fs, 128fs)
23	SLRCK	O	SLRCK clock output terminal (fs/2, fs, 2fs)
24	SDIN	I	Serial audio data input terminal
25	DGND	-	Digital GND
26	DVDD	-	Digital power
27	XMCK	O	Osc. amp output terminal

Pin No.	Pin Name	I/O	Function
28	XOUT	O	Xtal osc. connecting output terminal
29	XIN	I	Xtal osc. connection, external clock input terminal (24.576MHz or 12.288MHz)
30	DVDD	-	Digital power
31	DGND	-	Digital GND
32	EMPHA/UO	I/O	Emphasis information/U-data output/Chip address setting terminal
33	AUDIO/V O	I/O	Non-PCM detect/V-flag output/Chip address setting terminal
34	CKST	I/O	Clock switch transition period output/Demodulation master or slave functions switching terminal
35	INT	I/O	Interrupt output for ∞ com (Interrupt factor selectable)/Modulation or general I/O switching terminal
36	RERR	O	PLL lock error, data error flag output
37	DO	O	∞ com I/F, read out data output terminal (3-state)
38	DI	I	∞ com I/F, write data input terminal
39	CE	I	∞ com I/F, chip enable input terminal
40	CL	I	∞ com I/F, clock input terminal
41	XMODE	I	System reset input terminal
42	DGND	-	Digital GND
43	DVDD	-	Digital power
44	TMCK/PIO0	I/O	256fs system clock input for modulation/General I/O in/output terminal
45	TBCK/PIO1	I/O	64fs bit clock input for modulation/General I/O in/output terminal
46	TLRCK/PIO2	I/O	fs clock input for modulation/General I/O in/output terminal
47	TDATA/PIO3	I/O	Serial audio data input for modulation/General I/O in/output terminal
48	TXO/PIOEN	O/I	Modulation data output/General I/O enable input terminal

* For latch-up countermeasure, perform each power supply ON/OFF in the same timing.

BU9450KV-E2 (DI : IC106)



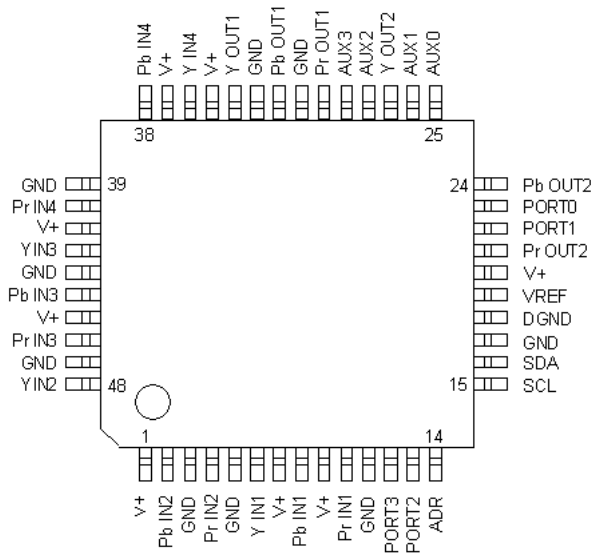
BU9450KV-E2 Terminal Function

No.	Name	Diagram	I/O		Note
			Slave Mode	Master Mode	
1	LSDP	G	I	O	
3	SC_TX_OUT	B	O	O	
5	SC_RX_IN	A	I	I	
6	RFU(I2C-SCL)	G	I	I	
7	RFU(I2C-SDA)	G	I	I	
9	ANT_REV	H	n/u	O	
11	RESET#	A	I	I	
12	SLAVE_SEL	A	I	I	
13	I2S_RATE	H	O	O	
14	LINKACTIVE	H	O	O	
15	COMM_TX_EN	G	O	O	
18	COMM_TXRX_P	D	I/O	I/O	This pin is shorted on the die with pin23.
19	COMM_TXRX_M	C	I/O	I/O	This pin is shorted on the die with pin22.
22	COMM_TXRX_M	C	I/O	I/O	This pin is shorted on the die with pin19.
23	COMM_TXRX_P	D	I/O	I/O	This pin is shorted on the die with pin18.
26	OSC_OUT	F	O	O	
27	N.C.	-	-	-	Not connected
28	OSC_IN	E	I	I	
29	SC_RATE	G	O	I	
30	TEST	A	I	I	Must be connected to ground.
31	TEST2	A	I	I	Must be connected to ground.
32	HSDP_DATA	G	I	O	
34	HSDP_CLK	G	I	O	
35	DT4_MODE	A	I	I	
36	HSDP_EN#	G	I	O	
37	I2S_DATA	G	I	O	
39	I2S_SCLK	G	I	O	
41	I2S_LRCLK	G	I	O	
43	I2S_OCLK	H	O	O	
44	MUTE	G	n/u	O	
45	SAII_CLK	G	O	I	
47	SAII_DATA	G	O	I	
48	SAII_REQ	G	I	O	

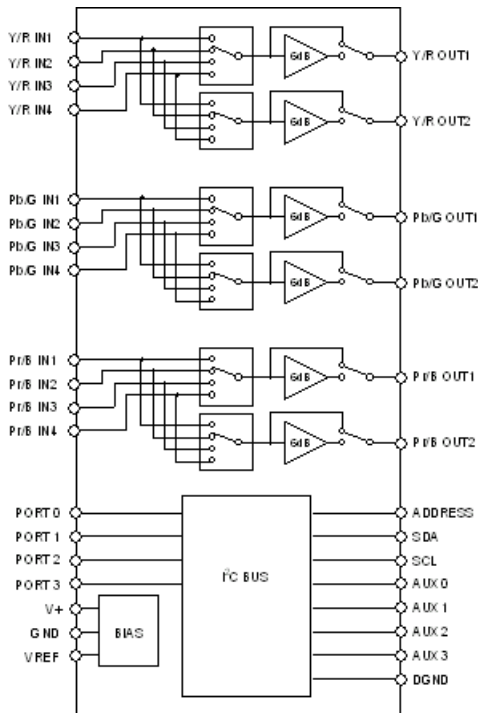
I: input, O: output
n/u: not used

Pin No.	Pin name	Function
4, 8, 17, 20, 33, 40, 46	VDD	3.3V Supply Voltage
2, 10, 16, 21, 24, 25, 38, 42	VSS	Ground

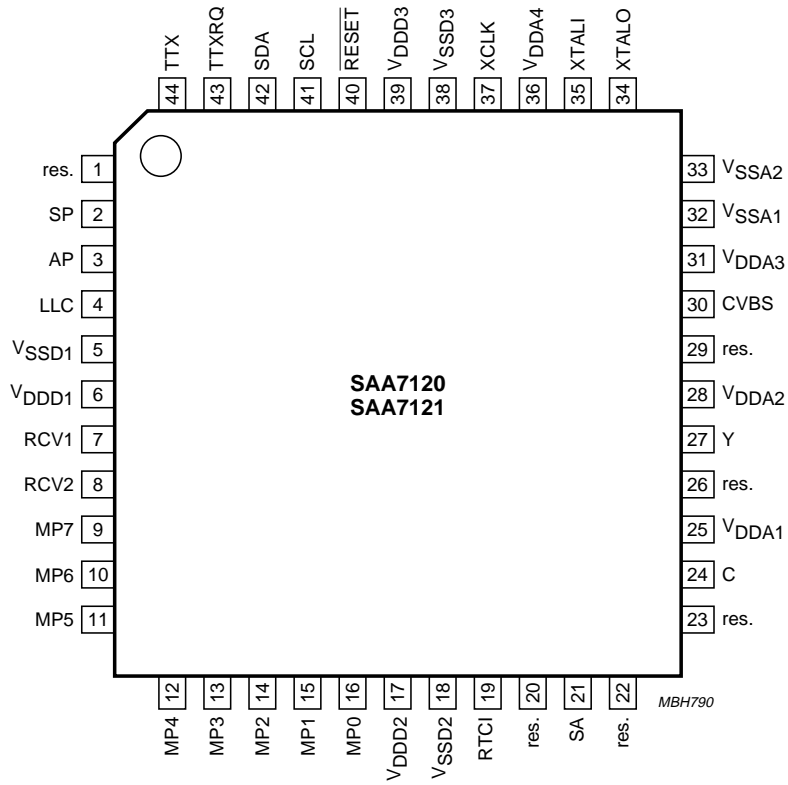
NJW1321FP1 (AV : IC501)



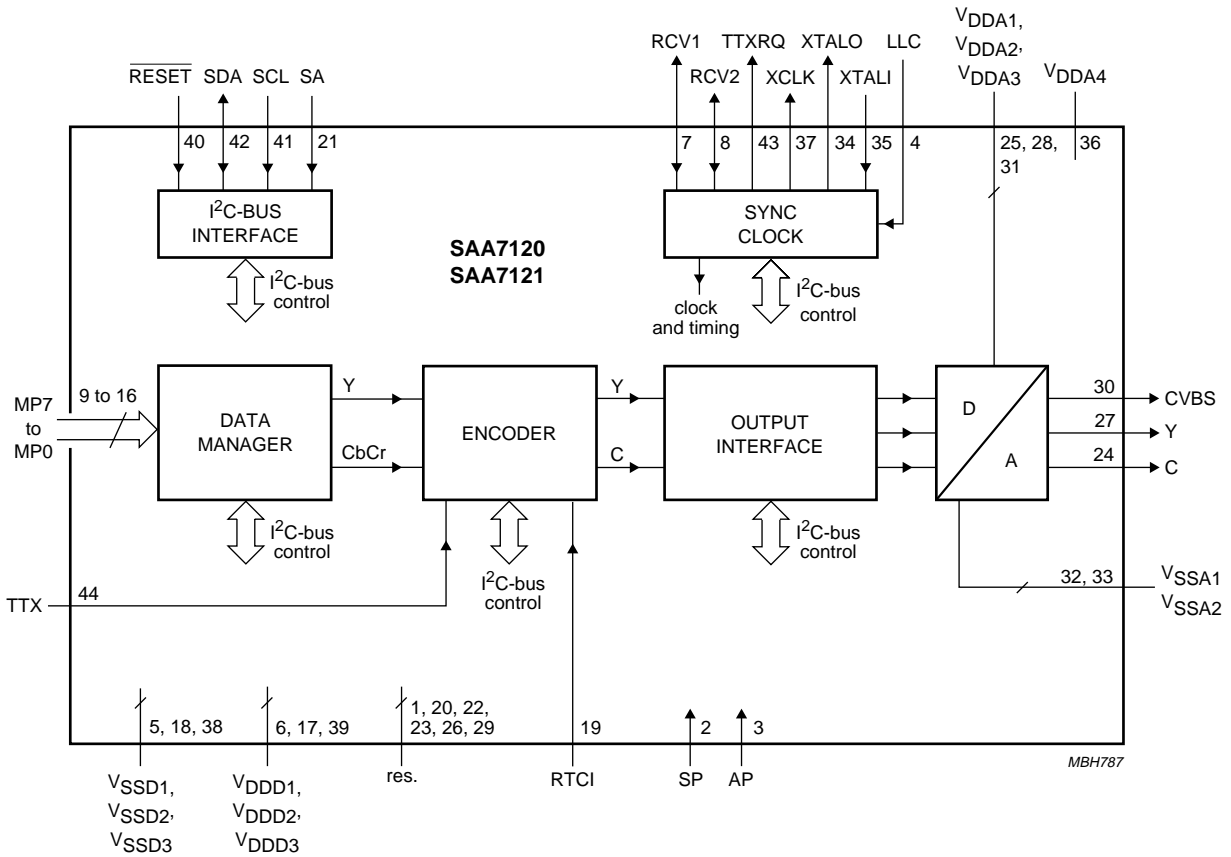
Functional Block Diagram



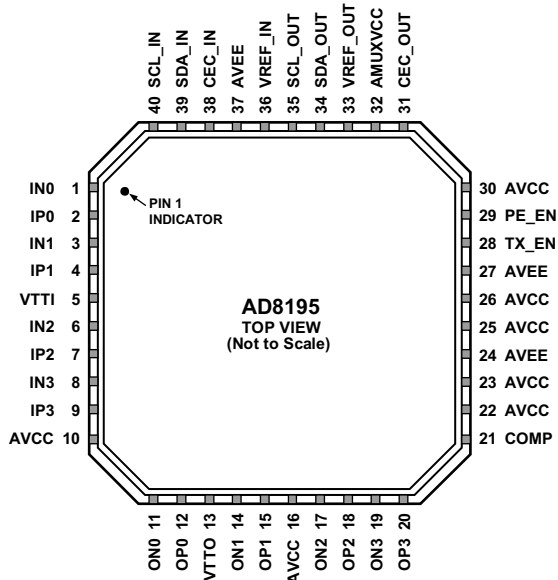
SAA7121H (DI : IC457)



Functional Block Diagram

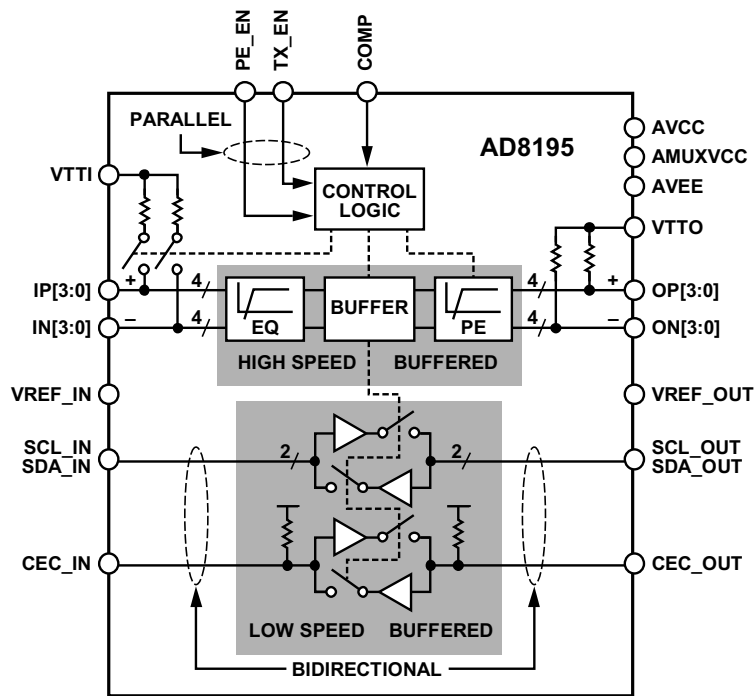


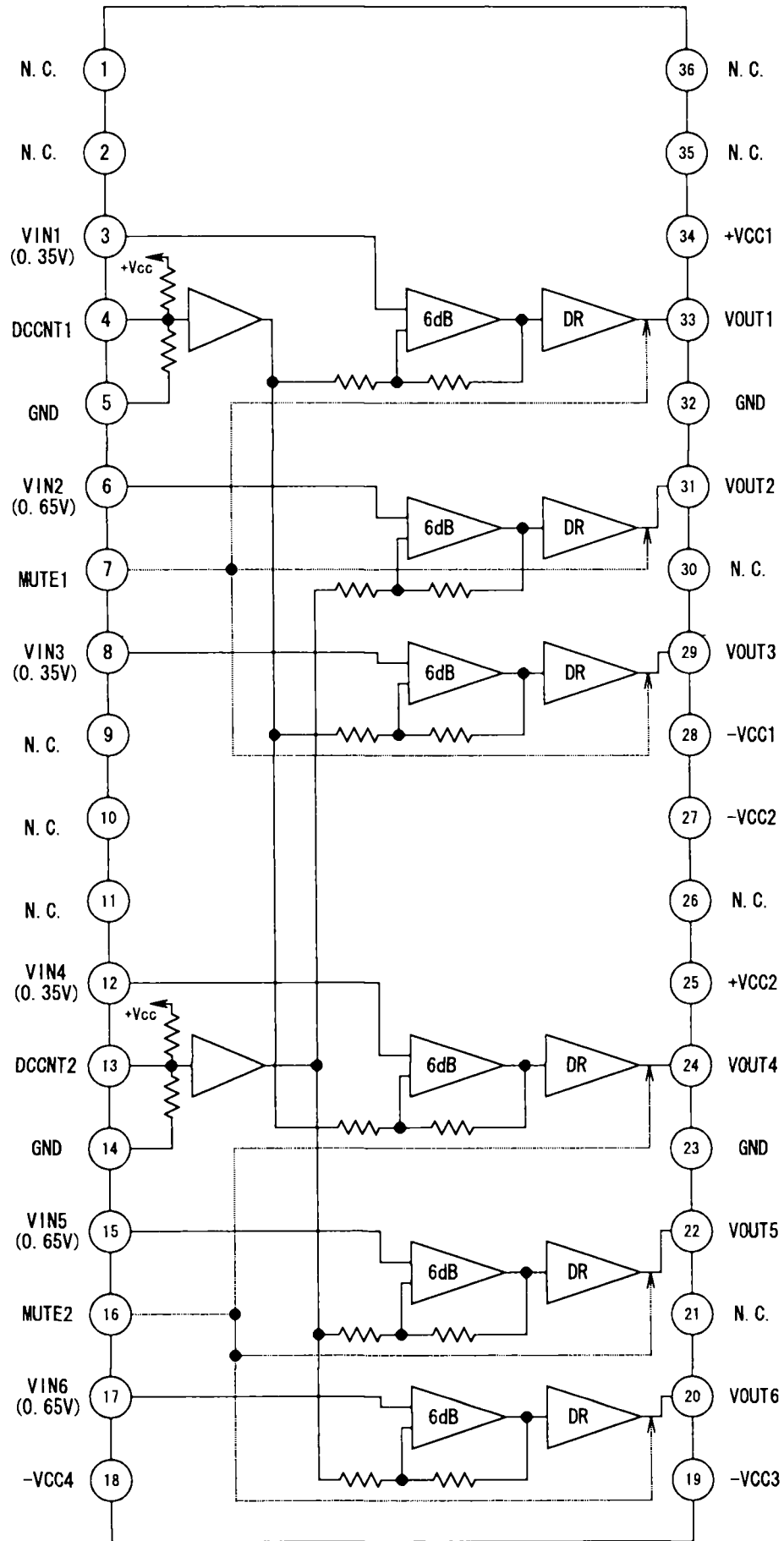
AD8195ACPZ (AV : IC451)



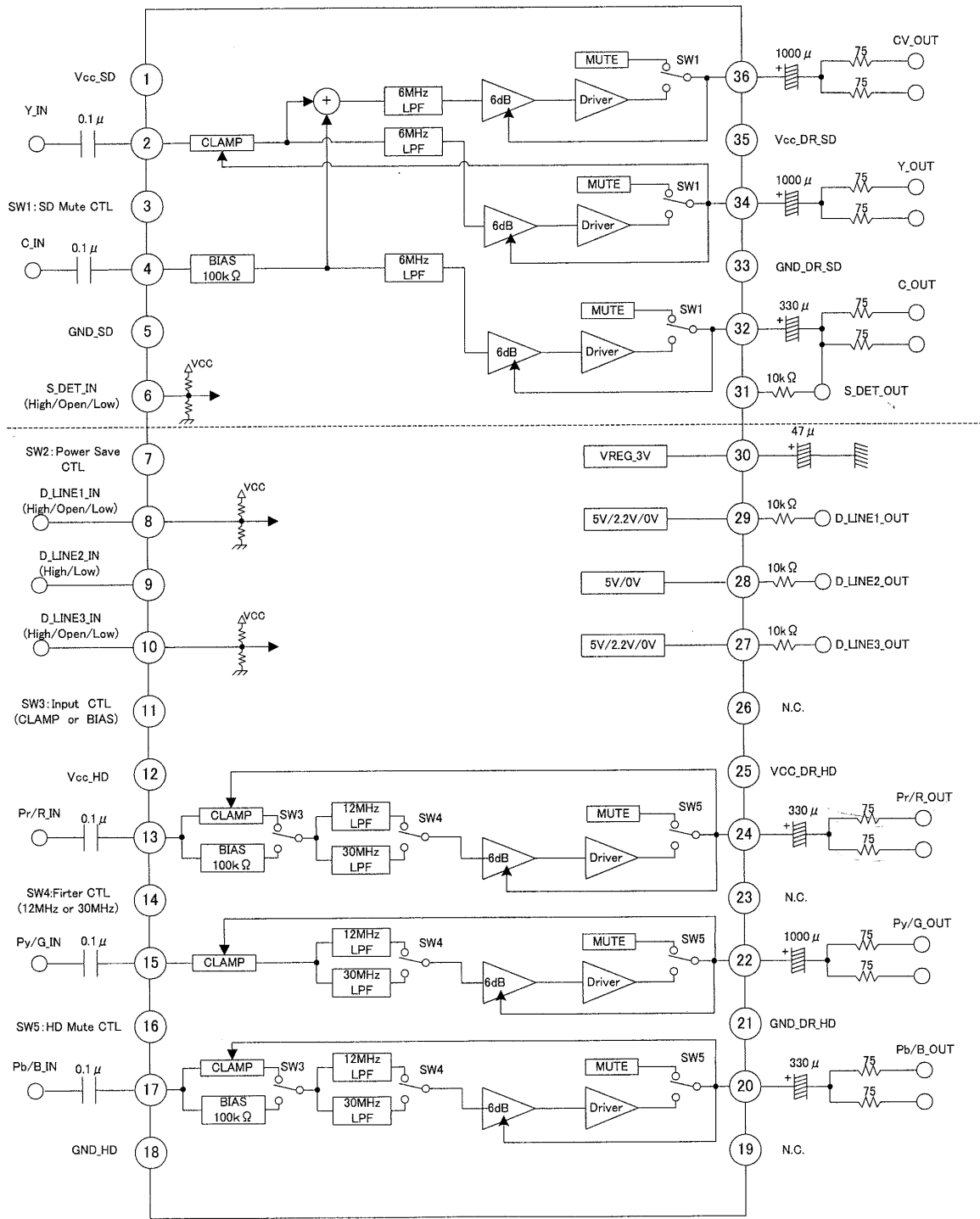
NOTES
 1. THE AD8195 LFCSP HAS AN EXPOSED PAD ON THE UNDERSIDE OF THE PACKAGE THAT AIDS IN HEAT DISSIPATION. THE PAD MUST BE ELECTRICALLY CONNECTED TO THE AVEE SUPPLY PLANE IN ORDER TO MEET THERMAL SPECIFICATIONS.

Functional Block Diagram

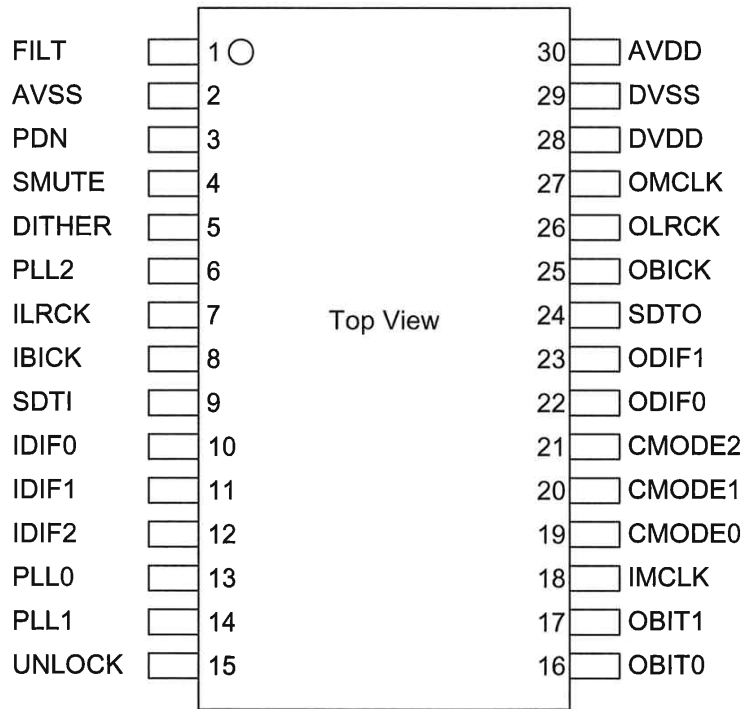




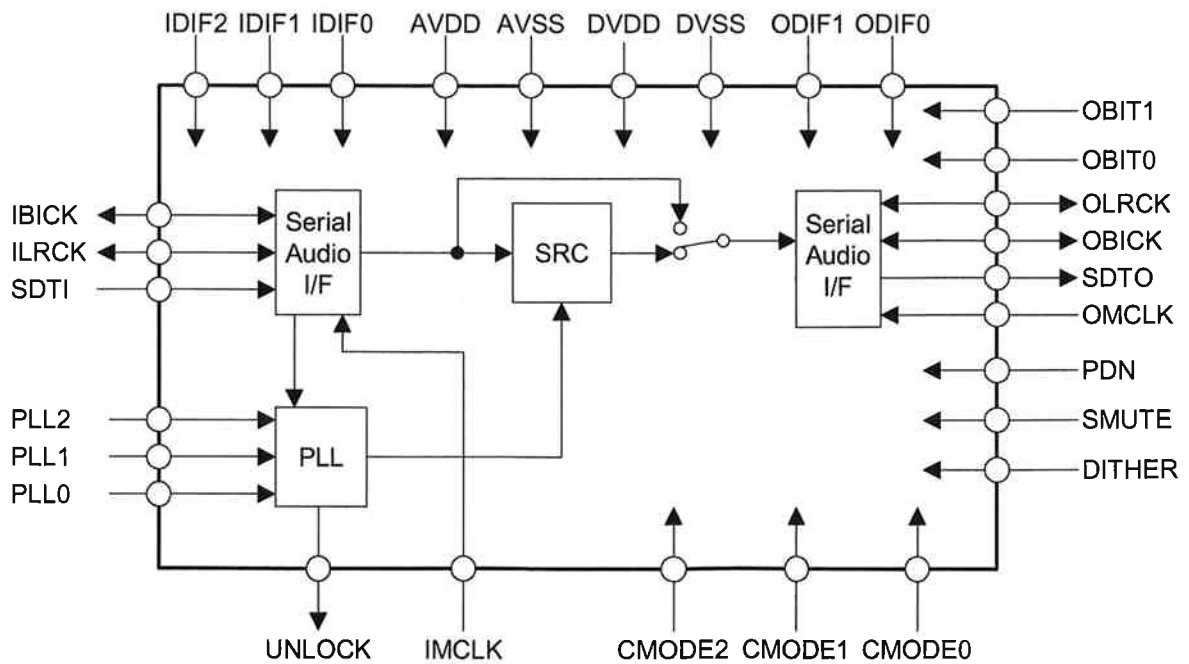
LA73062V-TLM-E (AV : IC305)



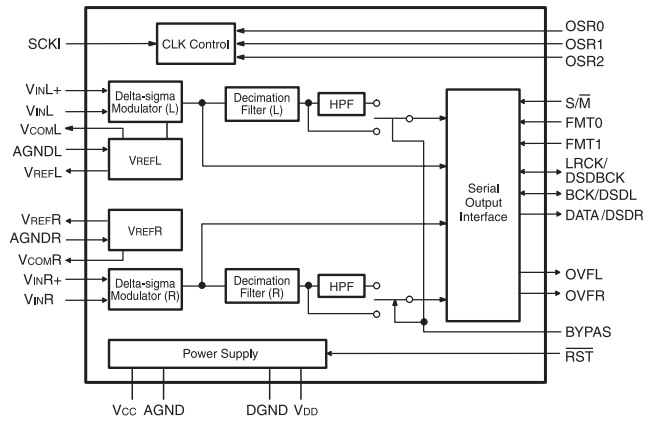
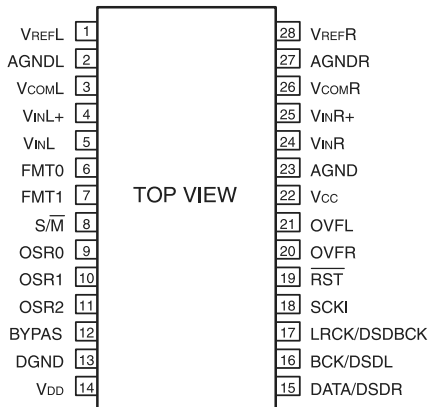
AK4125VF (DI : IC466)



Functional Block Diagram



PCM1804 (DI : IC302)



PCM1804 Terminal Function

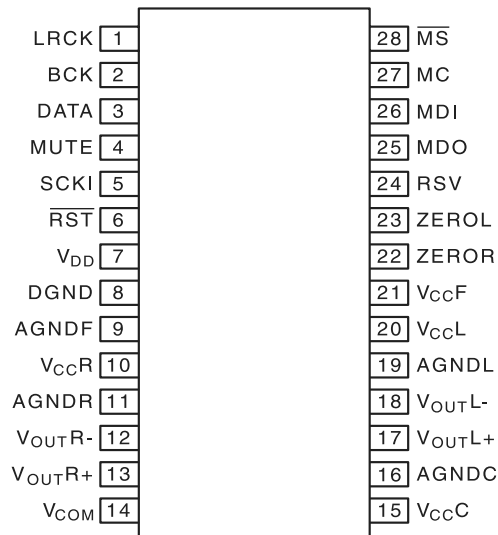
Pin No.	Pin Name	I/O	Function
1	VREFL		L-channel voltage reference output, requires capacitors for decoupling to AGND.
2	AGNDL		Analog ground for VREFL.
3	VCOML		L-channel analog common mode output.
4	VINL+	I	L-channel analog input, positive pin.
5	VINL	I	L-channel analog input, negative pin.
6	FMT0	I	Audio data format 0. See TABLE V. *
7	FMT1	I	Audio data format 1. See TABLE V. *
8	S/M	I	Master/slave mode selection. See TABLE IV. *
9	OSR0	I	Oversampling ratio 0. See TABLE I. TABLE II. *
10	OSR1	I	Oversampling ratio 1. See TABLE I. TABLE II. *
11	OSR2	I	Oversampling ratio 2. See TABLE I. TABLE II. *
12	BYPAS	I	HPF bypass control. HIGH: HPF disable, LOW: HPF enable. ***
13	DGND		Digital ground.
14	VDD		Digital power supply.
15	DATA/DSDR	O	L-channel and R-channel audio data output in PCM mode. R-channel Audio data output in DSD mode.(DSD output, when DSD mode)
16	BCK/DSDL	I/O	Bit clock input/output in PCM mode. L-channel audio data output in DSD mode. ***
17	LRCK/DSDBCK	I/O	Sampling clock input/output in PCM and DSD mode. ***
18	SCKI	I	System clock input; 128fs, 256fs, 384fs, 512fs or 768fs. **
19	RST	I	Reset, power down input, active LOW. *
20	OVFR	O	Overflow signal of R-channel in PCM mode. This is available in PCM mode only.
21	OVFL	O	Overflow signal of L-channel in PCM mode. This is available in PCM mode only.
22	Vcc		Analog power supply.
23	AGND		Analog ground.
24	VINR	I	R-channel analog input, negative pin.
25	VINR+	I	R-channel analog input, positive pin.
26	VCOMR		R-channel analog common mode output.
27	AGNDR		Analog ground for VREFR.
28	VREFR		R-channel voltage reference output, requires capacitors for decoupling to AGND.

* Schmitt trigger input with internal pull-down (51kohm typically), 5V tolerant.

** Schmitt trigger input, 5V tolerant.

*** Schmitt trigger input.

PCM1791ADB (DI : IC301, IC304, IC305, IC306, IC353, IC354)



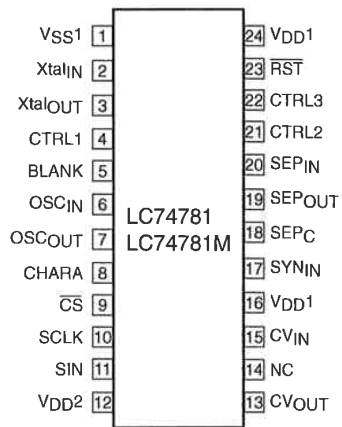
PCM1791ADB Terminal Function

Pin No.	Pin Name	I/O	DESCRIPTIONS
1	LRCK	I	Left and right clock (f_s) input for normal operation. WDCK clock input in external DF mode. Connected to GND in DSD mode*
2	BCK	I	Bit clock input, Connected GND for DSD mode*
3	DATA	I	Serial audio data input for normal operation. L-channel audio data input for external DF and DSD modes*
4	MUTE	I	Analog output mute control for normal operation. R-channel audio data input for external DF and DSD modes*
5	SCKI	I	System Clock Input. BCK ($64f_s$) clock input for DSD mode*
6	RST	I	Reset*
7	VDD	„	Digital power supply, +3.3 V
8	DGND	„	Digital ground
9	AGNDF	„	Analog ground (DACFF)
10	VCCR	„	Analog power supply (R-channel DAC), +5.0 V
11	AGNDR	„	Analog ground (R-channel DAC)
12	VOUTR-	O	R-channel analog voltage output-
13	VOUTR+	O	R-channel analog voltage output+
14	VCOM	„	Internal bias de-coupling pin
15	VCC	„	Analog power supply (internal bias), +5.0 V
16	AGNDC	„	Analog ground (internal bias)
17	VOUTL+	O	L-channel analog voltage output+
18	VOUTL-	O	L-channel analog voltage output-
19	AGNDL	„	Analog ground (L-channel DAC)
20	VCC	„	Analog power supply (L-channel DAC), +5.0 V
21	VCCF	„	Analog power supply (DACFF), +5.0 V
22	ZEROR	O	Zero flag for R-channel
23	ZEROL	O	Zero flag for L-channel
24	RSV	„	Reserved pin. It must be open.
25	MDO	O	Serial data output for function control register**
26	MDI	I	Serial data input for function control register*
27	MC	I	Shift clock for function control register*
28	MS	I	Mode control chip select and latch signal*

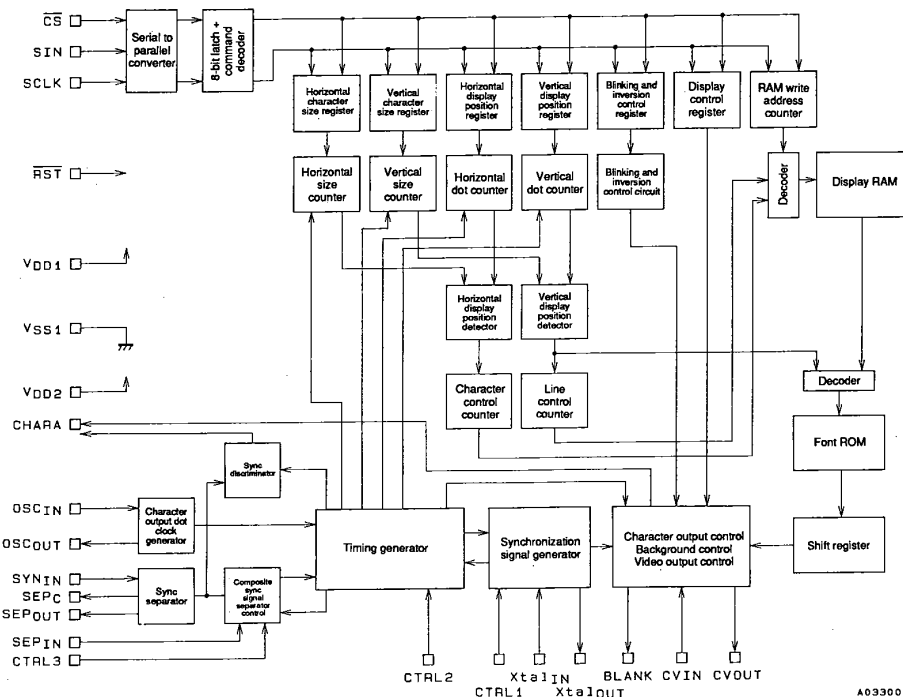
* Schmitt trigger input, 5V tolerant.

** Tristate output.

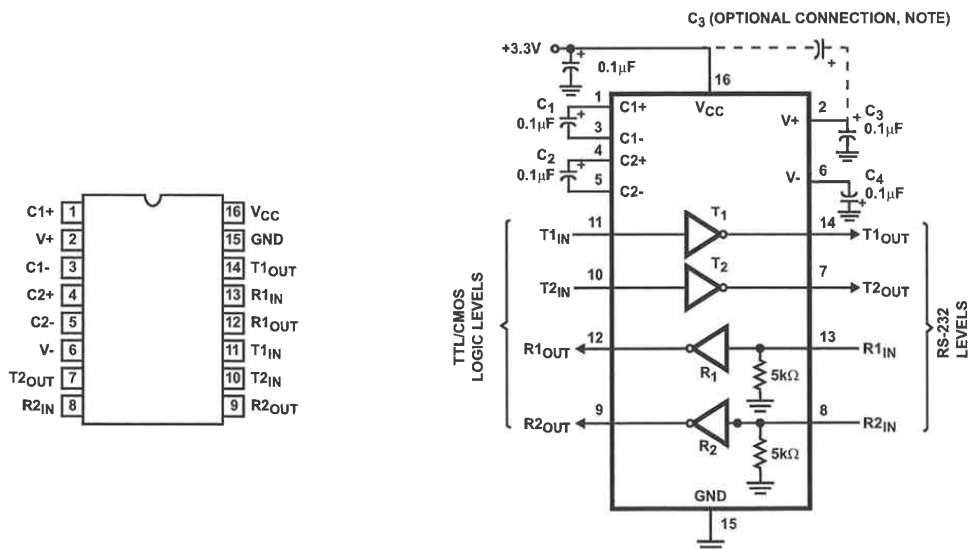
LC74781M (DI : IC201)



Functional Block Diagram

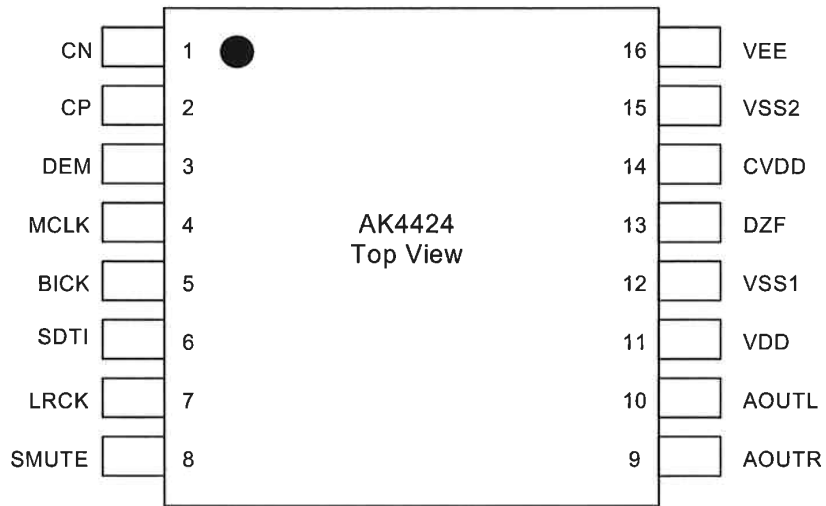


ICL3232CVZ-T (MA : IC101)

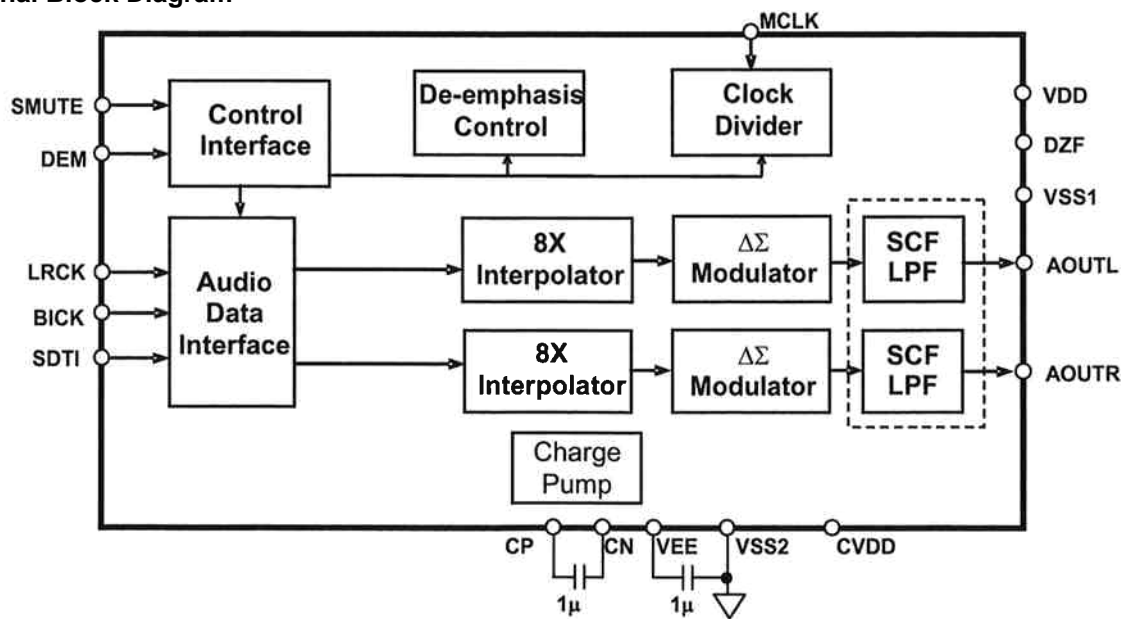


NOTE: The negative terminal of C₃ can be connected to either V_{CC} or GND

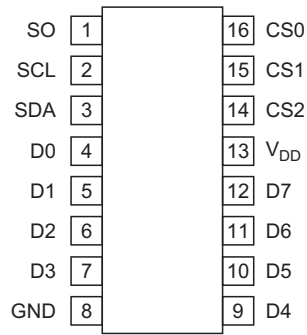
AK4424ET (DI : IC351, IC352)



Functional Block Diagram

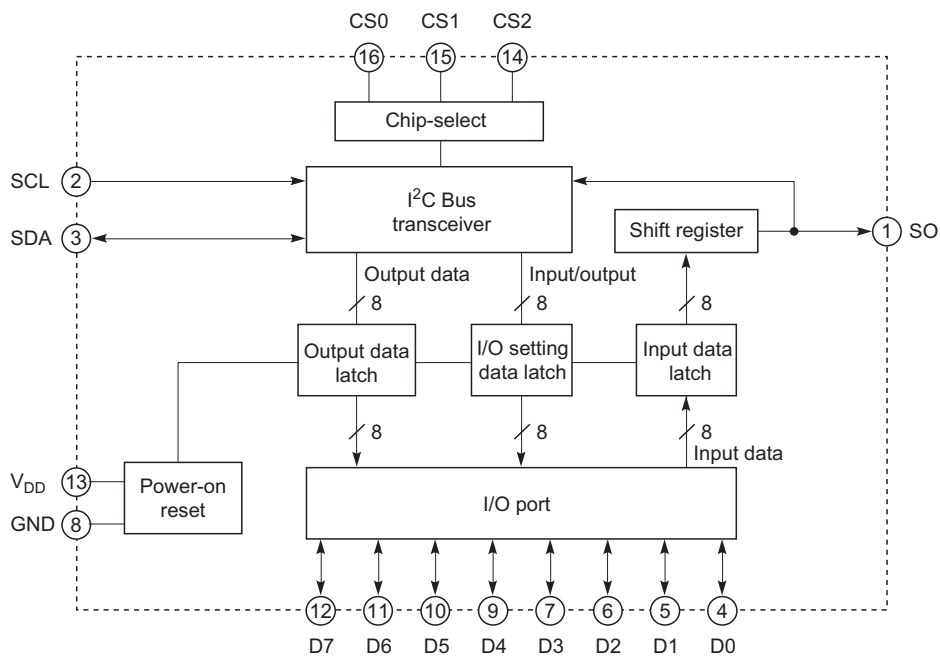


M62320GP (MA : IC703, IC513, IC514, IC515, IC708, IC704)



Pin No.	Pin Name	I/O	Function
2	SCL	Input	Serial clock input
3	SDA	Input/Output	Serial data input/output
1	SO	Output	Serial data output
16	CS0	Input	Chip select data input
15	CS1		
14	CS2		
4	D0	Input/Output	Parallel data input/output
5	D1		
6	D2		
7	D3		
9	D4		
10	D5		
11	D6		
12	D7		
13	V _{DD}	—	Power supply
8	GND	—	GND

Functional Block Diagram



M62320GP Terminal Function

Device	Pin Name	Symbol	I/O	Pull up	Lv Cnv	Function
MA : IC703	EXP IN1	STEREO	In	SW3VPu		TUNER FM STEREO receive: "L"
	EXP IN2	TUNED	In	SW3VPu		TUNER tuning detect (Tuning: "L")
	EXP IN3	XM LINK ACTIVE	In			XM RADIO control pin (Connection verification detection; Normal check: "H")
	EXP IN4	XM ANT REV	In	D3Pup		XM RADIO control pin (Old antenna connect detect)
	EXP IN5	PROTECTION(THERMAL 1)	In	SW3Vin		PROTECTION detect pin (THERMAL)
	EXP IN6	PROTECTION(THERMAL 2)	In	SW3Vin		PROTECTION detect pin (THERMAL)
	EXP IN7	(FAN DET)	In	SW3VPu		Not used
	EXP IN8	iPOD DET	In	SW3VPu		DOCK connecting MINI JACK connect detect pin (connection: "H")

Device	Pin Name	Symbol	I/O	Pull up	Lv Cnv	Function
MA : IC513	EXPA 1	ASSIGN STB	Out			AMP ASSIGN ANALOG SWITCH STB control
	EXPA 2	PRE F MUTE	Out			PRE OUT MUTE control
	EXPA 3	PRE FH MUTE	Out			PRE OUT MUTE control
	EXPA 4	PRE FW MUTE	Out			PRE OUT MUTE control
	EXPA 5	DET AMP FR	In			AMP SIGNAL detect pin (For HIGH B relay control)
	EXPA 6	DET AMP FL	In			AMP SIGNAL detect pin (For HIGH B relay control)
	EXPA 7	PRE SWR MUTE	Out			PRE OUT MUTE control (EXP28 :Same control as PRE SW MUTE)
	EXPA 8	PRE SWL MUTE	Out			PRE OUT MUTE control (EXP28 :Same control as PRE SW MUTE)

Device	Pin Name	Symbol	I/O	Pull up	Lv Cnv	Function
MA : IC514	EXPB 1	DET AMP C	In			AMP SIGNAL detect pin (For HIGH B relay control)
	EXPB 2	DET AMP SL	In			AMP SIGNAL detect pin (For HIGH B relay control)
	EXPB 3	DET AMP SR	In			AMP SIGNAL detect pin (For HIGH B relay control)
	EXPB 4	DET AMP SBL	In			AMP SIGNAL detect pin (For HIGH B relay control)
	EXPB 5	DET AMP FWL	In			AMP SIGNAL detect pin (For HIGH B relay control)
	EXPB 6	DET AMP FHR	In			AMP SIGNAL detect pin (For HIGH B relay control)
	EXPB 7	DET AMP FHL	In			AMP SIGNAL detect pin (For HIGH B relay control)
	EXPB 8	DET AMP SBR	In			AMP SIGNAL detect pin (For HIGH B relay control)

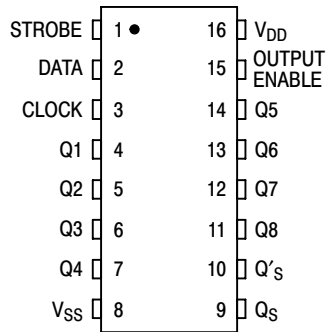
Device	Pin Name	Symbol	I/O	Pull up	Lv Cnv	Function
MA : IC515	EXPC 1	DET AMP FWR	In			AMP SIGNAL detect pin (For HIGH B relay control)
	EXPC 2	DET AMP SW	In			AMP SIGNAL detect pin (For HIGH B relay control)
	EXPC 3	NC	In	Pd		Not used
	EXPC 4	NC	In	Pd		Not used
	EXPC 5	NC	In	Pd		Not used
	EXPC 6	NC	In	Pd		Not used
	EXPC 7	NC	In	Pd		Not used
	EXPC 8	NC	In	Pd		Not used

Device	Pin Name	Symbol	I/O	Pull up	Lv Cnv	Function
MA : IC708	EXPD 1	FAN DET 1	In			FAN 1 control detect pin
	EXPD 2	FAN DET 2	In			FAN 2 control detect pin
	EXPD 3	THERMAL LOW B 1	In			Thermal detect input pin (For HIGH B relay control)
	EXPD 4	THERMAL LOW B 2	In			Thermal detect input pin (For HIGH B relay control)
	EXPD 5	NC	In	Pd		Not used
	EXPD 6	NC	In	Pd		Not used
	EXPD 7	FAN CONT 2	In			FAN 2 control detect pin
	EXPD 8	FAN CONT 1	In			FAN 1 control detect pin

Device	Pin Name	Symbol	I/O	Pull up	Lv Cnv	Function
MA : IC704	EXPE 1	FAN ON 1	Out			FAN 1 control output pin
	EXPE 2	FAN HIGH 1	Out			FAN 1 control output pin
	EXPE 3	FAN1 FLAG	In			FAN 1 normal performance detect pin (Observe it only at FAN ON1=H. Normal: "H", Unusual: "L")
	EXPE 4	FAN2 FLAG	In			FAN 2 normal performance detect pin (Observe it only at FAN ON1=H. Normal: "H", Unusual: "L")
	EXPE 5	NC	In			Not used
	EXPE 6	NC	In			Not used
	EXPE 7	NC	In			Not used
	EXPE 8	FAN DET	In			FAN drive voltage detect pin (Observe it only at FAN ON1=H. Normal: "H", Unusual: "L")

**MC14094B(MA : IC501, IC503, IC504, IC505, IC506) ,(AV : IC301, IC302, IC303)
TC4094BF(DA : IC706, IC707)**

PIN ASSIGNMENT



TRUTH TABLE

Clock	Output Enable	Strobe	Data	Parallel Outputs		Serial Outputs	
				Q ₁	Q _N	Q _S *	Q' _S
	0	X	X	Z	Z	Q ₇	No Chg.
	0	X	X	Z	Z	No Chg.	Q ₇
	1	0	X	No Chg.	No Chg.	Q ₇	No Chg.
	1	1	0	0	Q _{N-1}	Q ₇	No Chg.
	1	1	1	1	Q _{N-1}	Q ₇	No Chg.
	1	1	1	No Chg.	No Chg.	No Chg.	Q ₇

Z = High Impedance X = Don't Care

* At the positive clock edge, information in the 7th shift register stage is transferred to Q₈ and Q_S.

MC14094BTR2 Terminal Function (Main)

Device	Pin Name	Symbol	I/O	Pull up	Lv Cnv	Function
MA : IC501	EXP1	LIMIT	Out			LIMIT control (7ch ST and EXT.IN: "H")or(LIMIT DET=45sec"L": "H")
	EXP2	A+B LIMIT	Out			A+B LIMIT control SURROUND SPEAKER A+B: "H"
	EXP3	GRNLED	Out			POWER/STANDBY LED control pin (ON: "H")
	EXP4	TRIGGER 1	Out			TRIGGER OUT control pin
	EXP5	TRIGGER 2	Out			TRIGGER OUT control pin
	EXP6	GUI RST	Out			GUI control pin
	EXP7	RST SUB	Out			sub ucom reset output
	EXP8	T.MUTE	Out			TUNER MUTE control (MUTE: "L")
MA : IC503	EXP9	USB SEL	Out			USB select control (FRONT="L",BACK="H")
	EXP10	USB EN	Out			USB SELECT pin (Normal: "H", USB SELECT switching: "L")
	EXP11	NC	Out			Not used
	EXP12	ZONE2 OSD_RST	Out			ZONE2 OSD control pin
	EXP13	MAIN POWER	Out			MAIN POWER control pin
	EXP14	FL RST	Out			FL tube control pin
	EXP15	SCPU POWER	Out			SUB CPU POWER ON/OFF switching("H": ON)
	EXP16	HD POWER	Out			HDRADIO POWER control pin
MA : IC504	EXP17	XM RST	Out			XM control pin
	EXP18	NC	Out			Not used
	EXP19	NC	Out			Not used
	EXP20	DSX LED	Out			DSX ON turn on LED control pin
	EXP21	D5V POWER	Out			Digital 5V power supply control pin
	EXP22	HD RADIO RESET	Out			HDRADIO control pin
	EXP23	PRE F MUTE	Out			PRE OUT MUTE control
	EXP24	PRE C MUTE	Out			PRE OUT MUTE control
MA : IC505	EXP25	PRE S MUTE	Out			PRE OUT MUTE control
	EXP26	PRE SBL MUTE	Out			PRE OUT MUTE control
	EXP27	PRE SBR MUTE	Out			PRE OUT MUTE control
	EXP28	PRE SW MUTE	Out			PRE OUT MUTE control
	EXP29	PRE Z2 MUTE	Out			PRE OUT MUTE control
	EXP30	PRE Z3 MUTE	Out			PRE OUT MUTE control
	EXP31	232C CONTROL	Out			SUB LOG MODE 232C course switching control
	EXP32	XM BUS POWER	Out			XM ANTENNA BUS Power supply control pin

Device	Pin Name	Symbol	I/O	Pull up	Lv Cnv	Function
MA : IC506	EXP33	TU STB	Out		3/5	PLL control pin (LC72131 & LC72720)
	EXP34	VOL STB	Out		3/5	FUNCTION/VOLUME control (NJW1199)(NJW1194))
	EXP35	FL CE1	Out		3/5	FL tube control pin
	EXP36	SIRIUS RESET/RDS RESET	Out		3/5	SIRIUS control pin /RDS control pin (LC72720)
	EXP37	ZONE2 OSD_STB	Out		3/5	ZONE2 OSD control pin
	EXP38	NC	Out			Not used
	EXP39	DYNAMIC EQ LED RED	Out			Dynamic EQ LED RED
	EXP40	DYNAMIC EQ LED GRN	Out			Dynamic EQ LED GRN

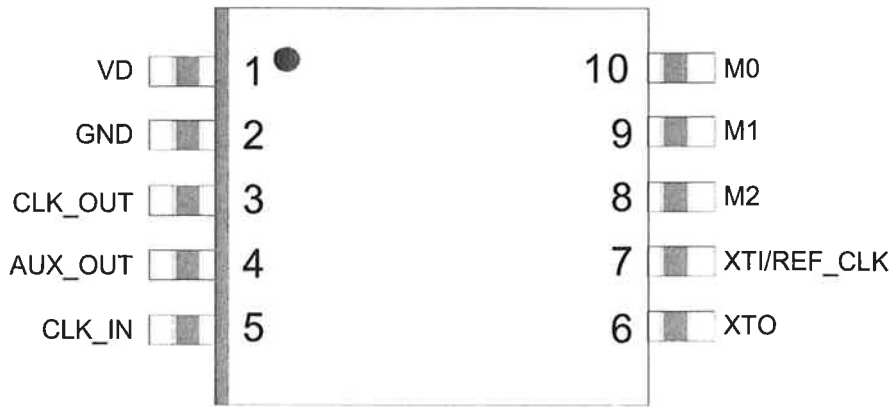
TC4094BF Terminal Function (Main)

Device	Pin Name	Symbol	I/O	Pull up	Lv Cnv	Function
DA : IC706	EXP41	BIAMP RL	Out			FRONT Bi-AMP RELAY control (Bi-AMPset : ON)
	EXP42	BIWIRE RL	Out			FRONT Bi-WIRING RELAY control (Bi-WIRINGset: ON)
	EXP43	F RL	Out			FRONT SP RELAY control
	EXP44	C RL	Out			CENTER SP RELAY control
	EXP45	S RL	Out			SURROUND SP RELAY control
	EXP46	SB RL	Out			SB/FW/FH SP RELAY control
	EXP47	SB AMP Z2 RL	Out			ZONE2 RELAY control (ZONE2 output from SB AMP course)
	EXP48	H/W RL	Out			FH/FW SP RELAY control
DA : IC707	EXP49	EXAMP Z2 RL	Out			ZONE2 RELAY control (ZONE2 output from H/W AMP course)
	EXP50	Z3 RL	Out			ZONE3 RELAY control
	EXP51	H/P RL	Out			HEADPHONE RELAY control
	EXP52	(EXTRA RL)	Out			Not used
	EXP53	HI B RL	Out			HIGH B switching (THEAMAL OFF or THERMAL ON detect: "H")
	EXP54	NC	Out			Not used
	EXP55	NC	Out			Not used
	EXP56	NC	Out			Not used

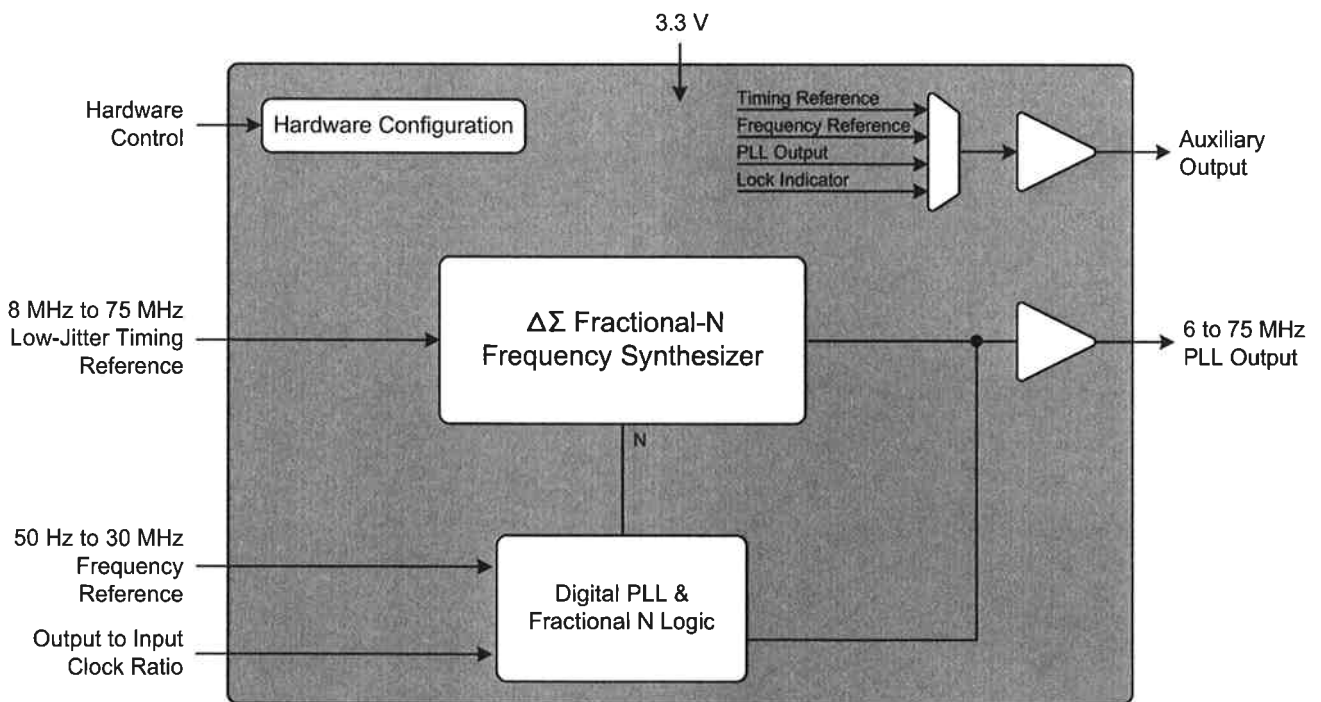
MC14094BTR2 Terminal Function (Sub)

Device	Pin Name	Symbol	PURE D	CEC STBY	P.OFF	Function
AV : IC301	EXP1	VINA	O/L	O/L	Z	Video input switching(INPUT select)
	EXP2	VINB	O/L	O/L	Z	Video input switching(INPUT select)
	EXP3	VINC	O/L	O/L	Z	Video input switching(INPUT select)
	EXP4	VZ2A	O/L	O/L	Z	ZONE2 Video input switching(INPUT select)
	EXP5	VZ2B	O/L	O/L	Z	ZONE2 Video input switching(INPUT select)
	EXP6	VZ2C	O/L	O/L	Z	ZONE2 Video input switching(INPUT select)
	EXP7	Z1 VMONIA	O/L	O/L	Z	COMPOSIT MONITOR OUT Video output switching
	EXP8	Z1 VMONIB	O/L	O/L	Z	COMPOSIT MONITOR OUT Video output switching
AV : IC302	EXP9	Z2 MONI DIS	O/L	O/L	Z	Z2 S COMPONENT MONITOR OUT Video output DISABLE pin
	EXP10	Z2 MONIA	O/L	O/L	Z	ZONE2 MONITOR OUT Video output switching
	EXP11	Z2 MONIB	O/L	O/L	Z	ZONE2 MONITOR OUT Video output switching
	EXP12	ASPECT_H	O/L	O/L	Z	ASPECT ratio level control(JP only)
	EXP13	ASPECT_L	O/L	O/L	Z	ASPECT ratio level control(JP only)
	EXP14	LINEA	O/L	O/L	Z	D pin LINE control pin(JP only)
	EXP15	LINEB	O/L	O/L	Z	D pin LINE control pin(JP only)
	EXP16	INH_LINE	O/L	O/H	Z	D pin LINE control pin(JP only)
AV : IC303	EXP17	Z1 SMONIA	O/L	O/L	Z	S MONITOR OUT Video output switching
	EXP18	Z1 SMONIB	O/L	O/L	Z	S MONITOR OUT Video output switching
	EXP19	VZ1INH	O/L	O/H	Z	Video input switching(Z1 INPUT INH select)
	EXP20	VZ2INH	O/L	O/H	Z	ZONE2 Video input switching(Z2 INPUT INH select)
	EXP21	VCR INH	O/L	O/L	Z	RECOUT Video output switching(VCR INH select)
	EXP22	DVR INH	O/L	O/L	Z	RECOUT Video output switching(DVR INH select)
	EXP23	Z2 OSDSEL	O/L	O/L	Z	ZONE2 OSD display switching
	EXP24	UPCONV RL	O/L	O/L	Z	COMPONENT trough/ CONVERT course switching

CS2100-CZZR (DI : IC154)**



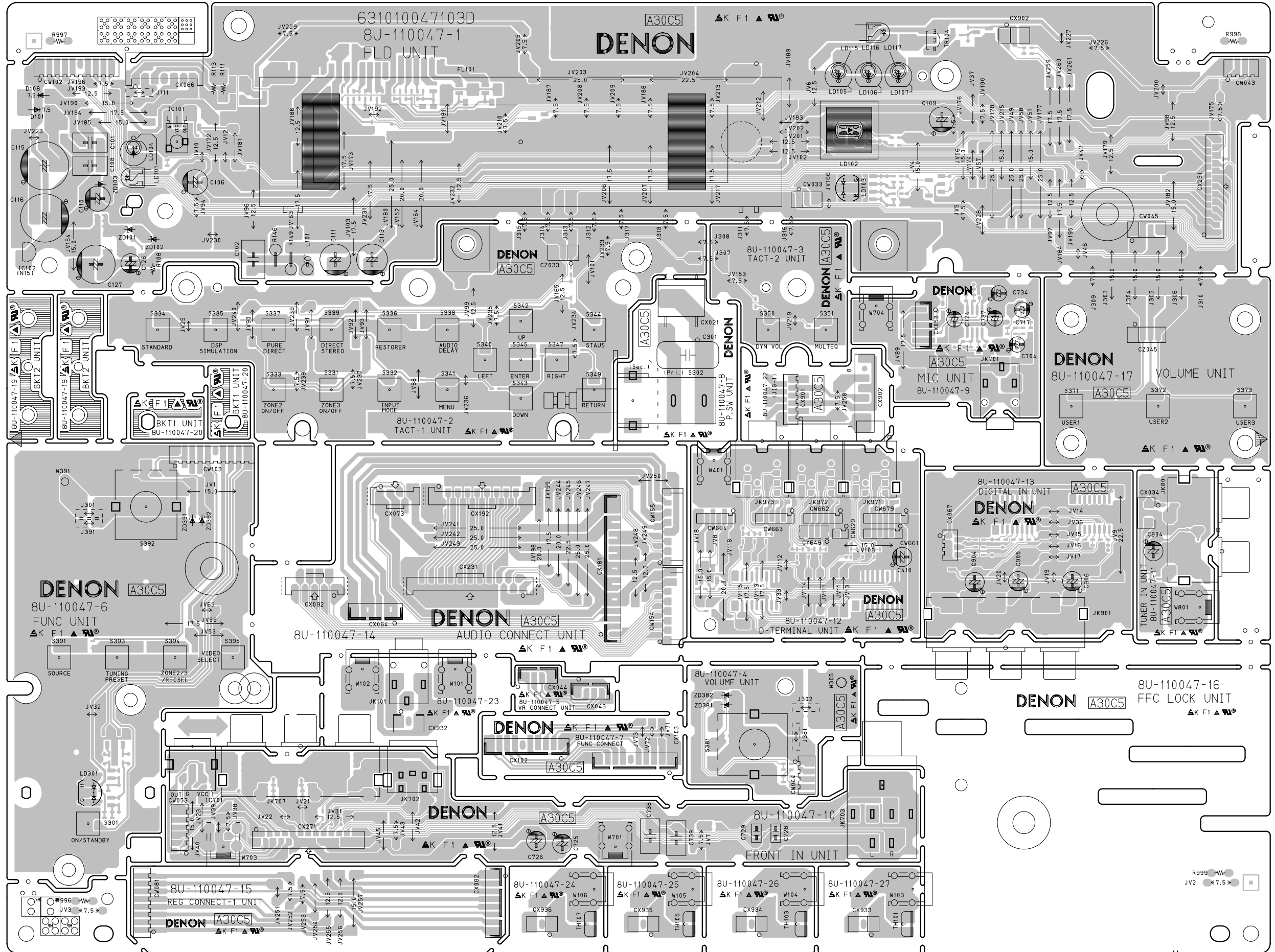
Functional Block Diagram



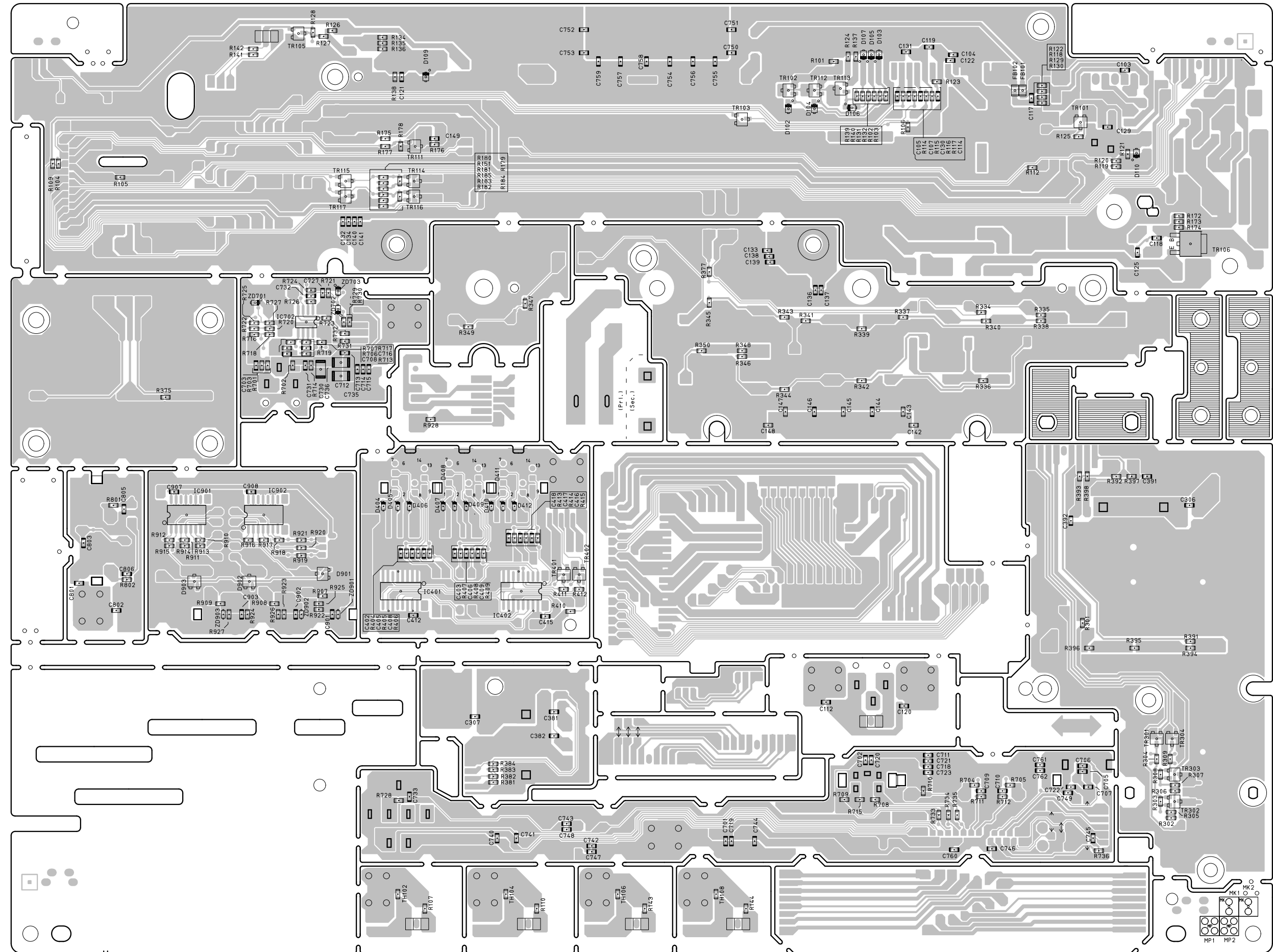
ANODE CONNECTION

	1G~16G	17G	18G	19G		1G~16G	17G	18G	19G
D0A	1-1A	-	-	-	D0B	1-1B	REC	-	-
D1A	2-1A	-	-	-	D1B	2-1B	RDS	-	-
D2A	3-1A	-	-	-	D2B	3-1B	AUTO	-	-
D3A	4-1A	-	-	-	D3B	4-1B	TUNED	-	-
D4A	5-1A	-	-	-	D4B	5-1B	DCI	-	-
D5A	1-2A	-	-	-	D5B	1-2B	DCD	-	-
D6A	2-2A	-	-	-	D6B	2-2B	DCI TrueHD	-	-
D7A	3-2A	-	-	-	D7B	3-2B	96/24	-	-
D8A	4-2A	-	-	-	D8B	4-2B	Express	-	-
D9A	5-2A	-	-	-	D9B	5-2B	Neo:6	-	-
D10A	1-3A	-	-	-	D10B	1-3B	STEREO	-	-
D11A	2-3A	-	-	dB	D11B	2-3B	MASTER	-	-
D12A	3-3A	-	-	Dp	D12B	3-3B	-HD	-	MUTE
D13A	4-3A	-	-	3d	D13B	4-3B	dts	ATTENDEE	[S]
D14A	5-3A	-	-	3e	D14B	5-3B	TAG	ORGANIZER	[Q3]
D15A	1-4A	-	-	3c	D15B	1-4B	MP3	PARTY	[Q2]
D16A	2-4A	-	-	3g	D16B	2-4B	WMA	EQ	[Q1]
D17A	3-4A	-	-	3f	D17B	3-4B	AAC	VOL	[W]
D18A	4-4A	-	-	3b	D18B	4-4B	PCM	DYN	2
D19A	5-4A	-	-	3a	D19B	5-4B	DSD	XT	1
D20A	1-5A	-	-	2d	D20B	1-5B	ANA	MULTI EQ	M
D21A	2-5A	-	-	2e	D21B	2-5B	DIG	AUDYSSEY	H
D22A	3-5A	-	-	2c	D22B	3-5B	HDC	S1	SW3
D23A	4-5A	-	-	2g	D23B	4-5B	EXT2	SLEEP	SW2
D24A	5-5A	-	-	2f	D24B	5-5B	EXT1	RSTR	SW1
D25A	1-6A	-	-	2b	D25B	1-6B	LFE	ANA	FR
D26A	2-6A	-	-	2a	D26B	2-6B	FR	DIG	C
D27A	3-6A	-	-	1d	D27B	3-6B	C	HDWI	FL
D28A	4-6A	Z	-	1e	D28B	4-6B	FL	AUTO	SR
D29A	5-6A	X	-	1c	D29B	5-6B	SR	Z4	B
D30A	1-7A	II	-	1g	D30B	1-7B	S	Z3	A
D31A	2-7A	PL	-	1f	D31B	2-7B	SL	Z2	SL
D32A	3-7A	+	-	1b	D32B	3-7B	SBR	AL24	SBR
D33A	4-7A	ES	-	1a	D33B	4-7B	SB	BLINK	SB
D34A	5-7A	HD	-	S2	D34B	5-7B	SBL	HDWI	SBL

PRINTED WIRING BOARDS
8U-110047 FRONT P.W.B. UNIT (1/2)

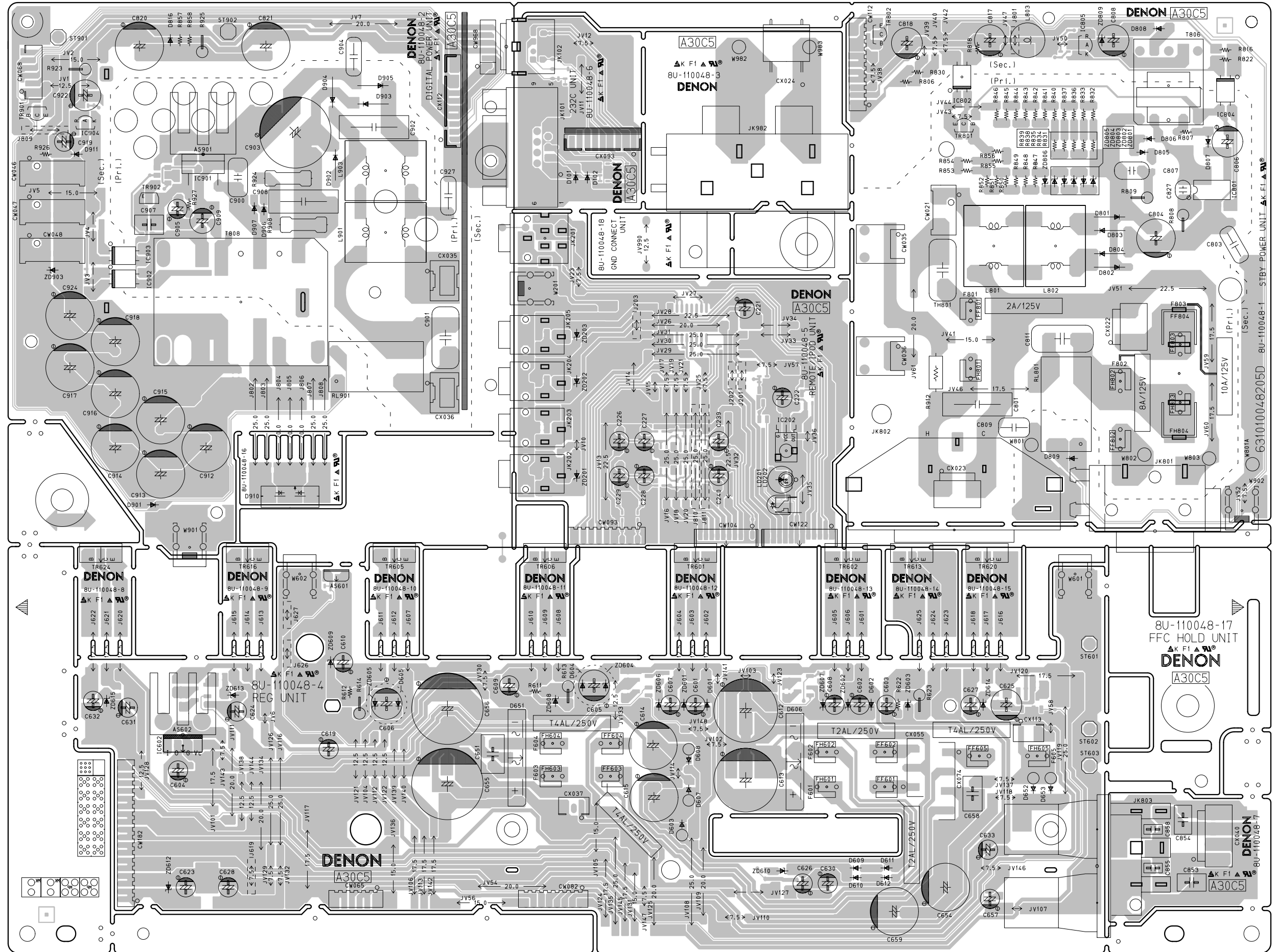


COMPONENT SIDE



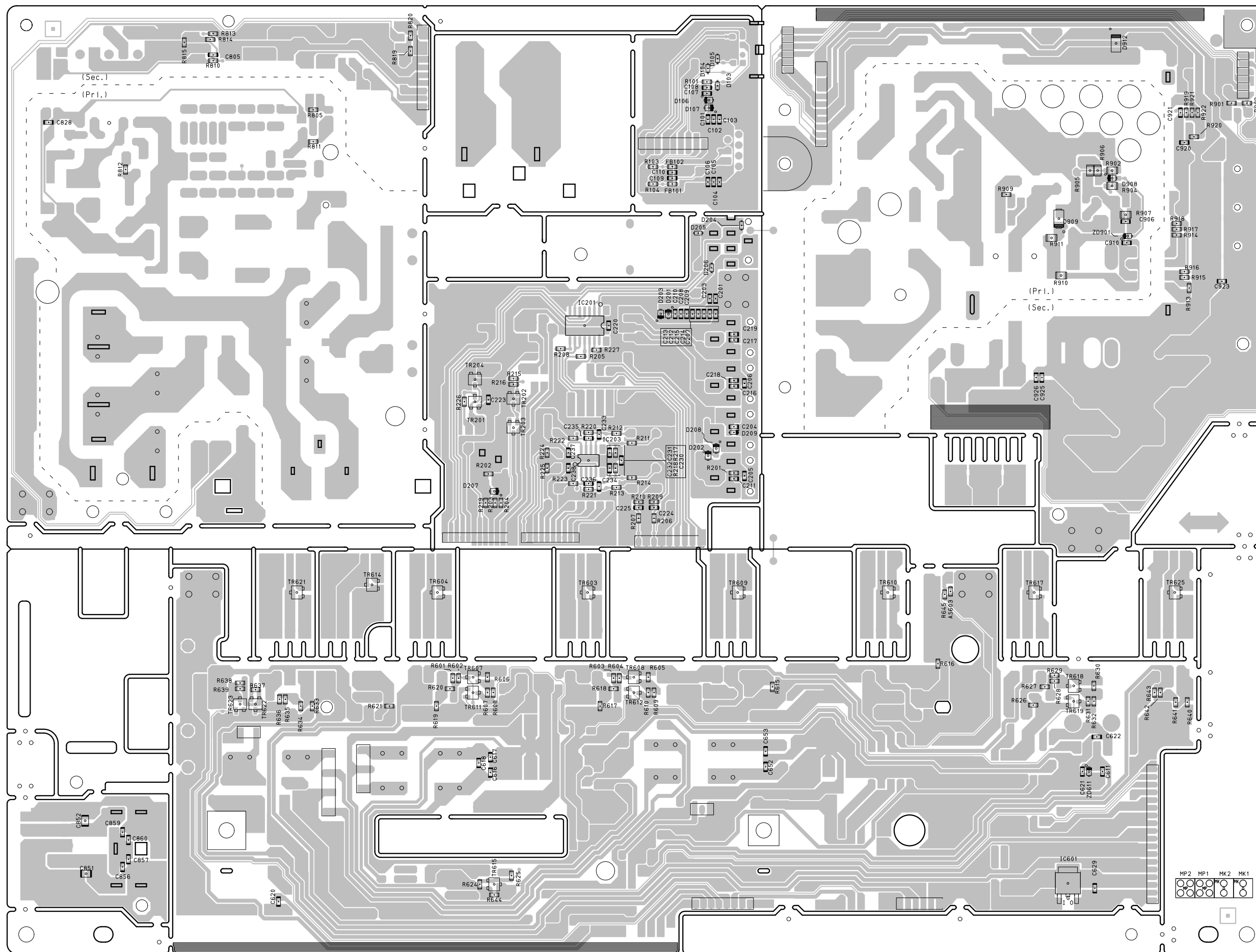
FOIL SIDE

8U-110048 POWER SUPPLY P.W.B. UNIT (1/2)

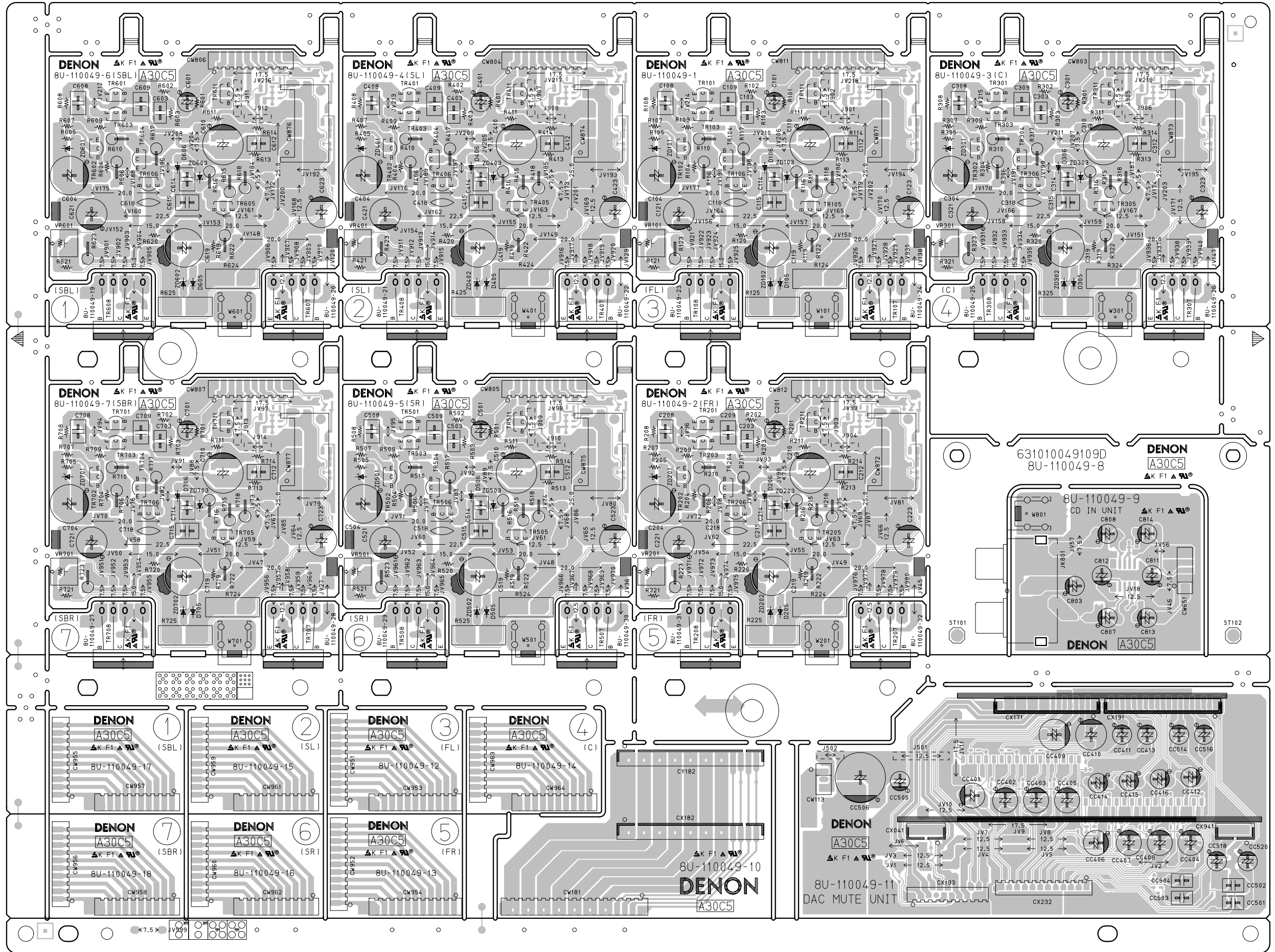


COMPONENT SIDE

8U-110048 POWER SUPPLY P.W.B. UNIT (2/2)

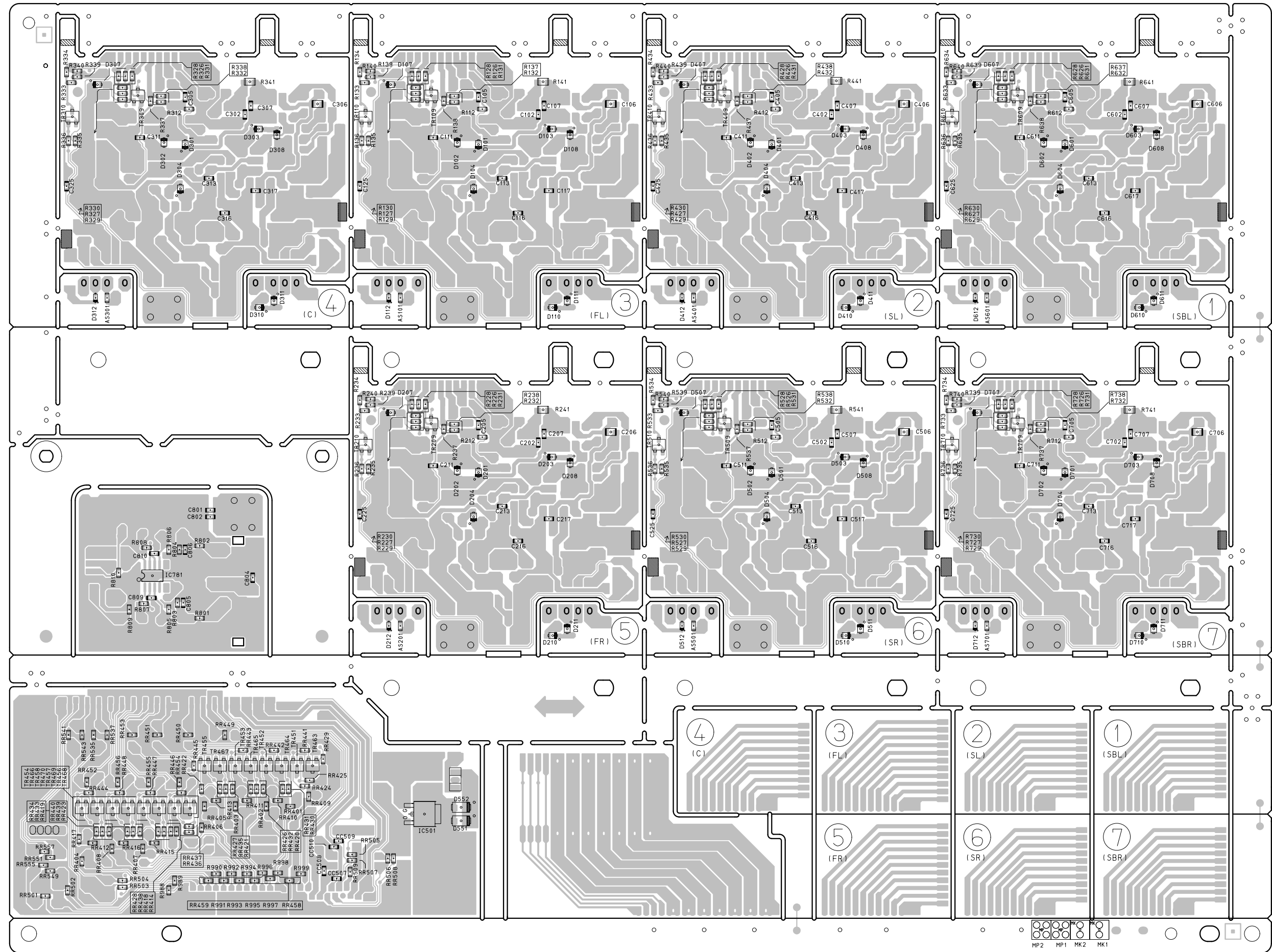


FOIL SIDE



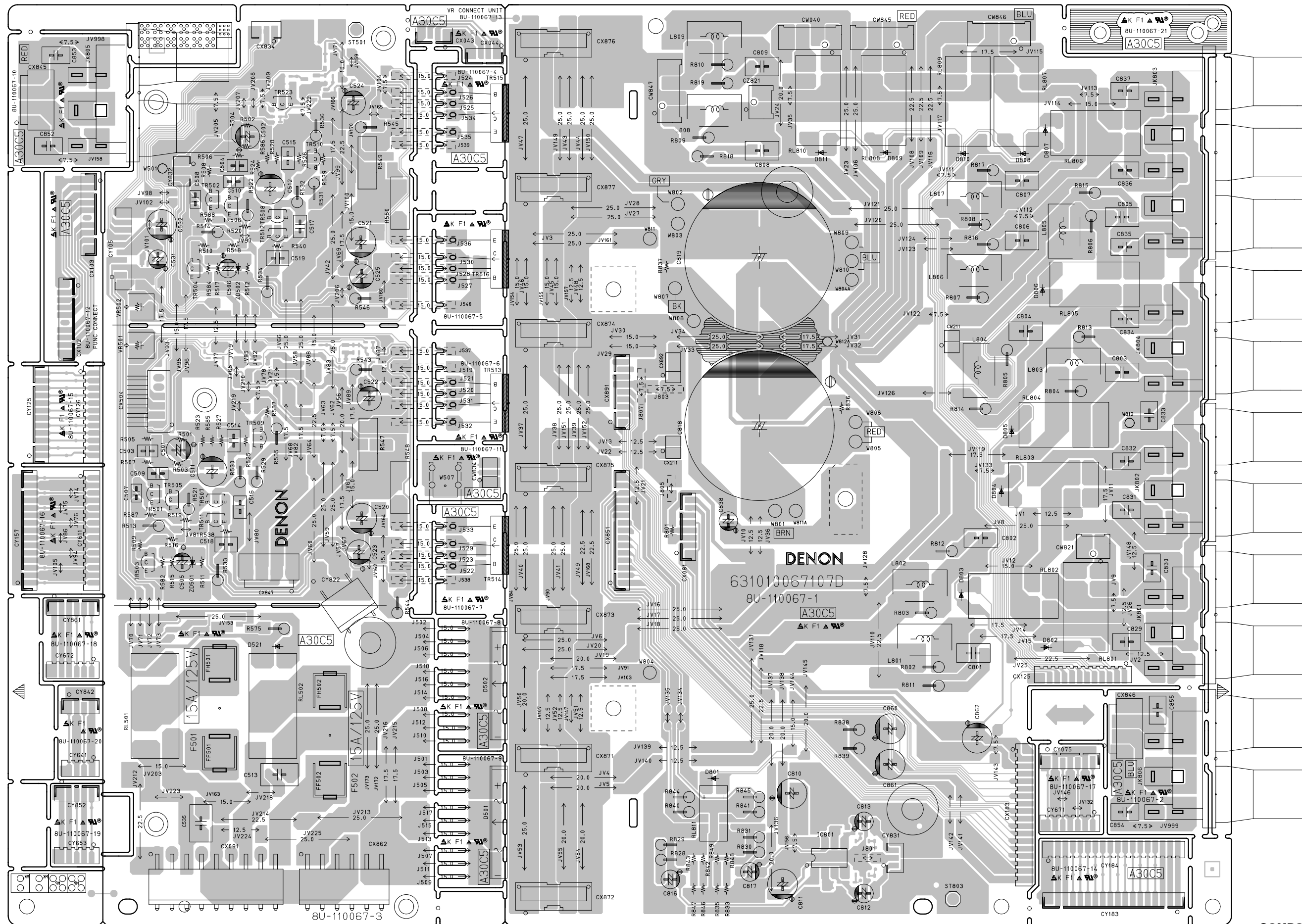
COMPONENT SIDE

8U-110049 P.AMP P.W.B. UNIT (2/2)



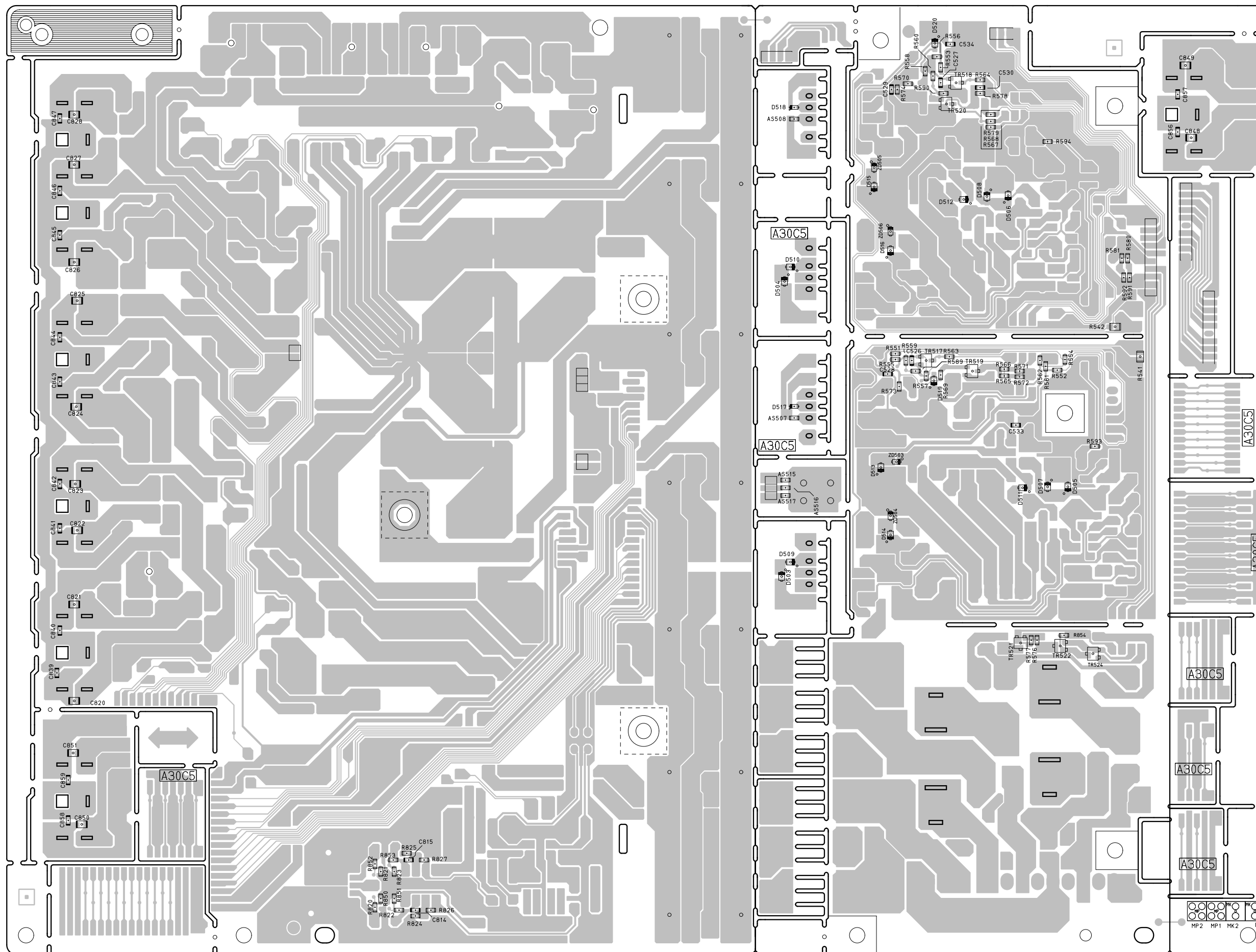
FOIL SIDE

8U-110067 SPEAKER P.W.B. UNIT (1/2)



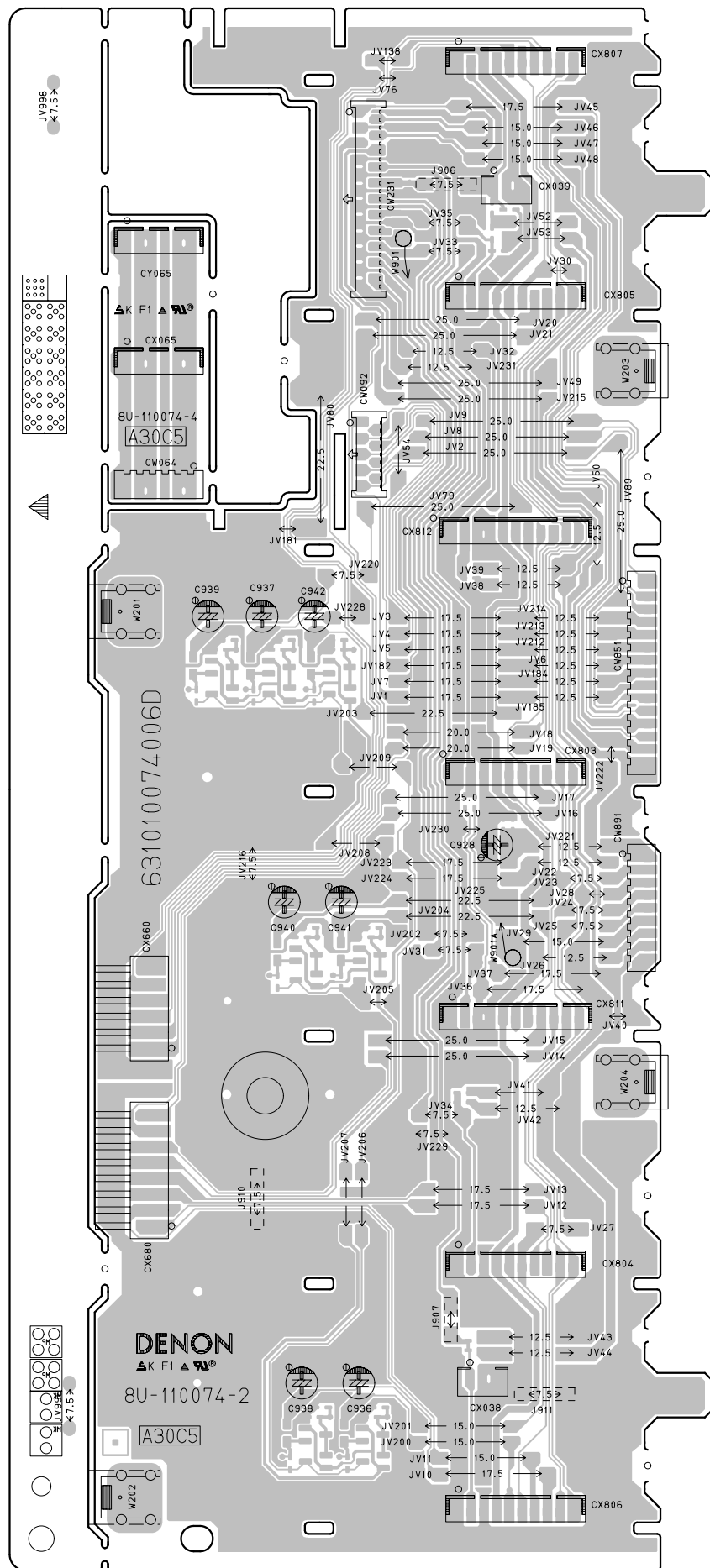
COMPONENT SIDE

8U-110067 SPEAKER SUPPLY P.W.B. UNIT (2/2)

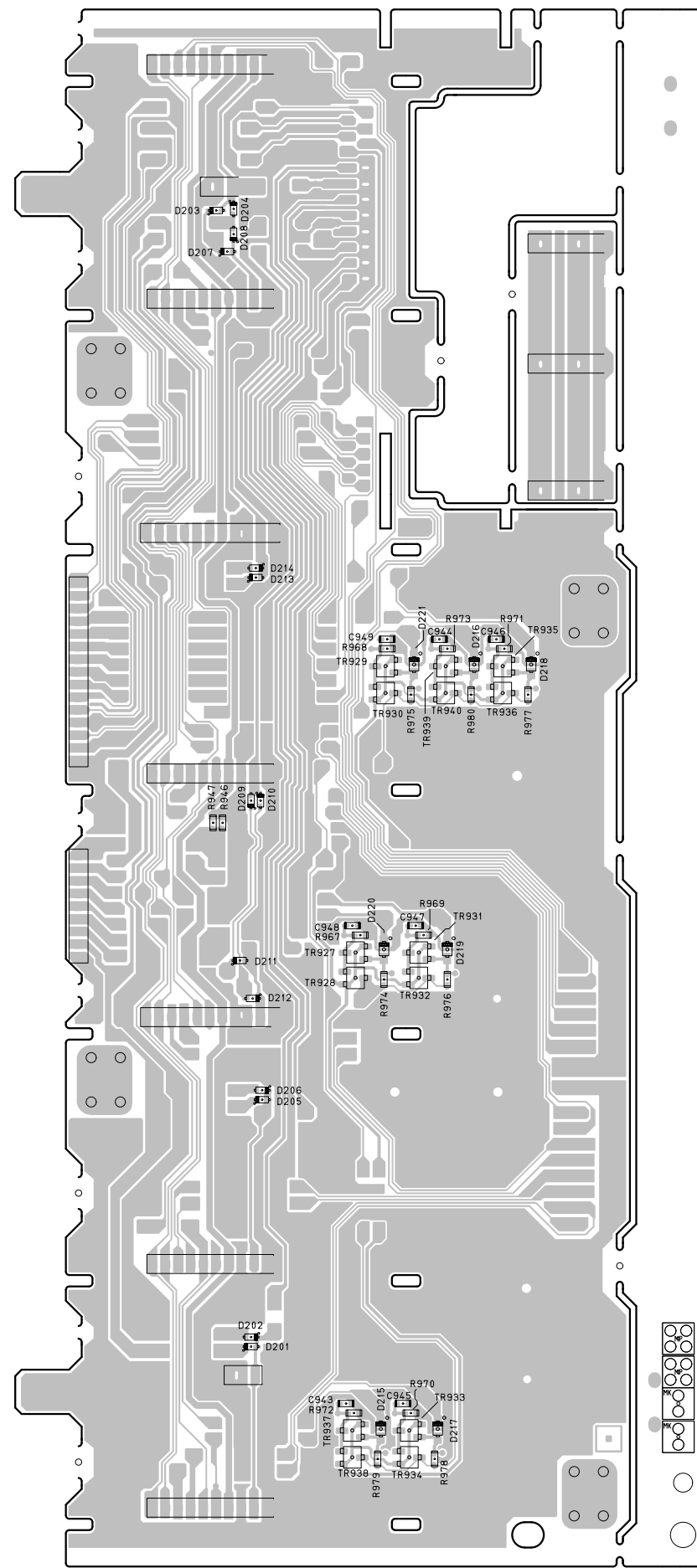


COMPONENT SIDE

8U-110074 SPEAKER P.W.B. UNIT

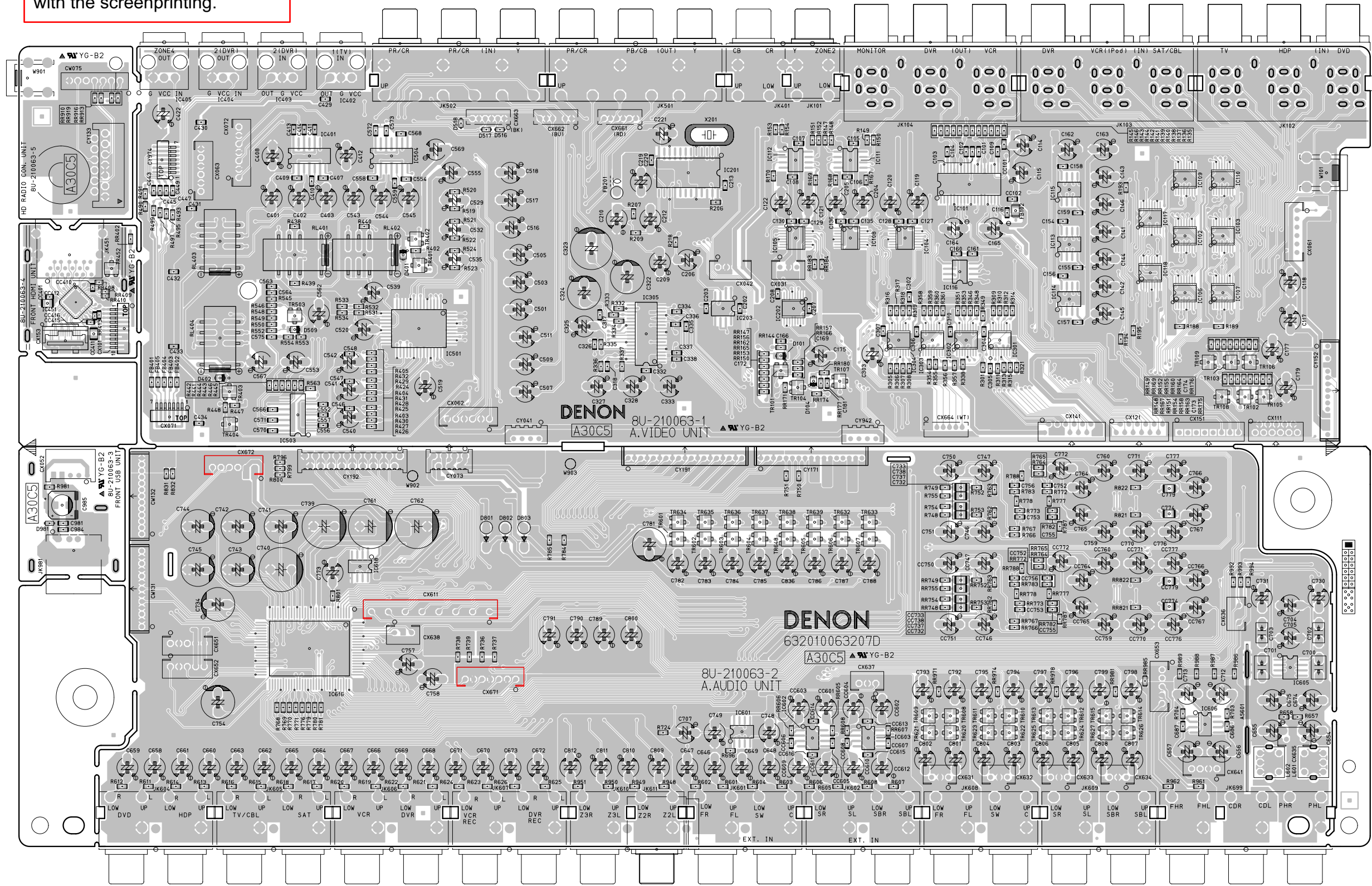


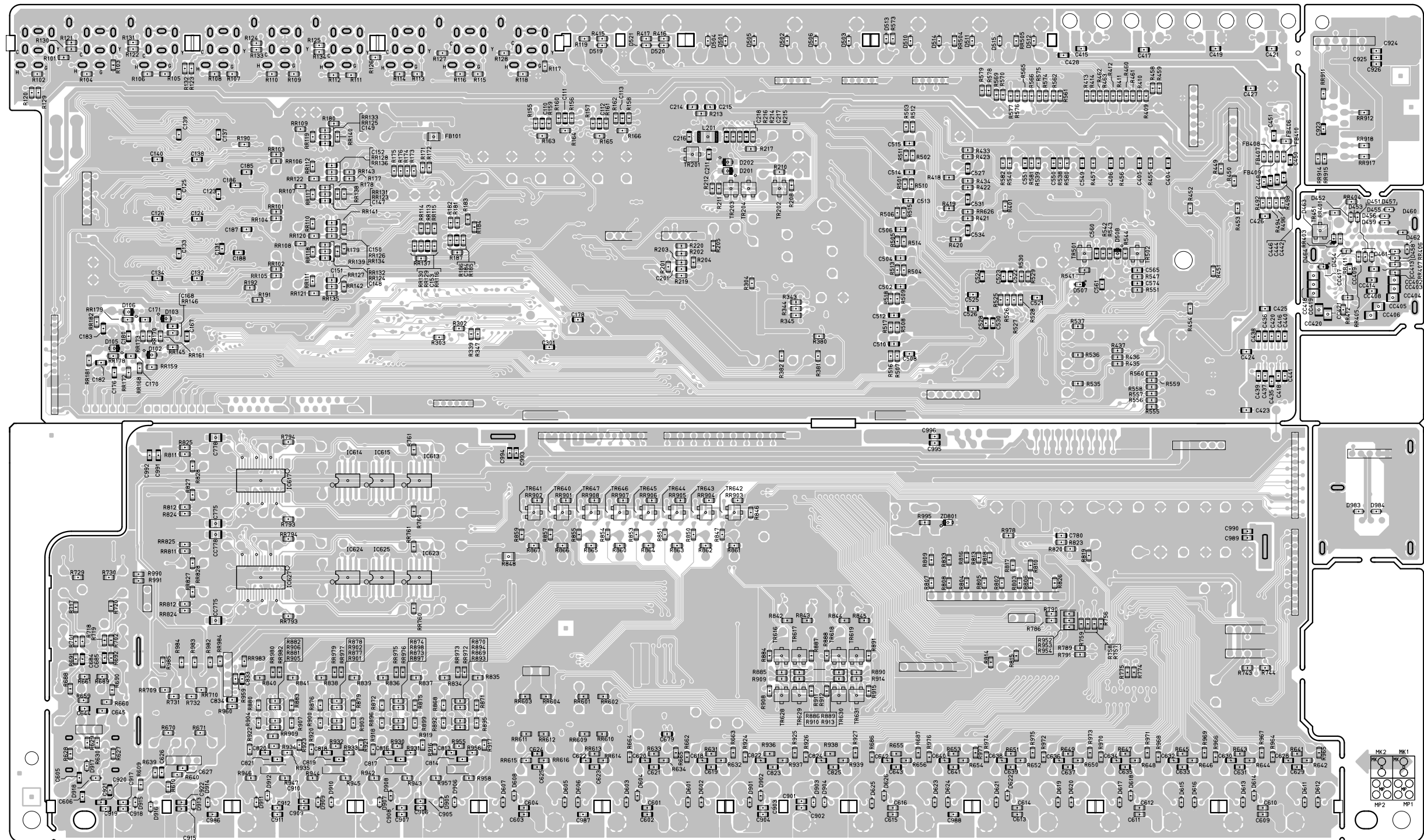
COMPONENT SIDE



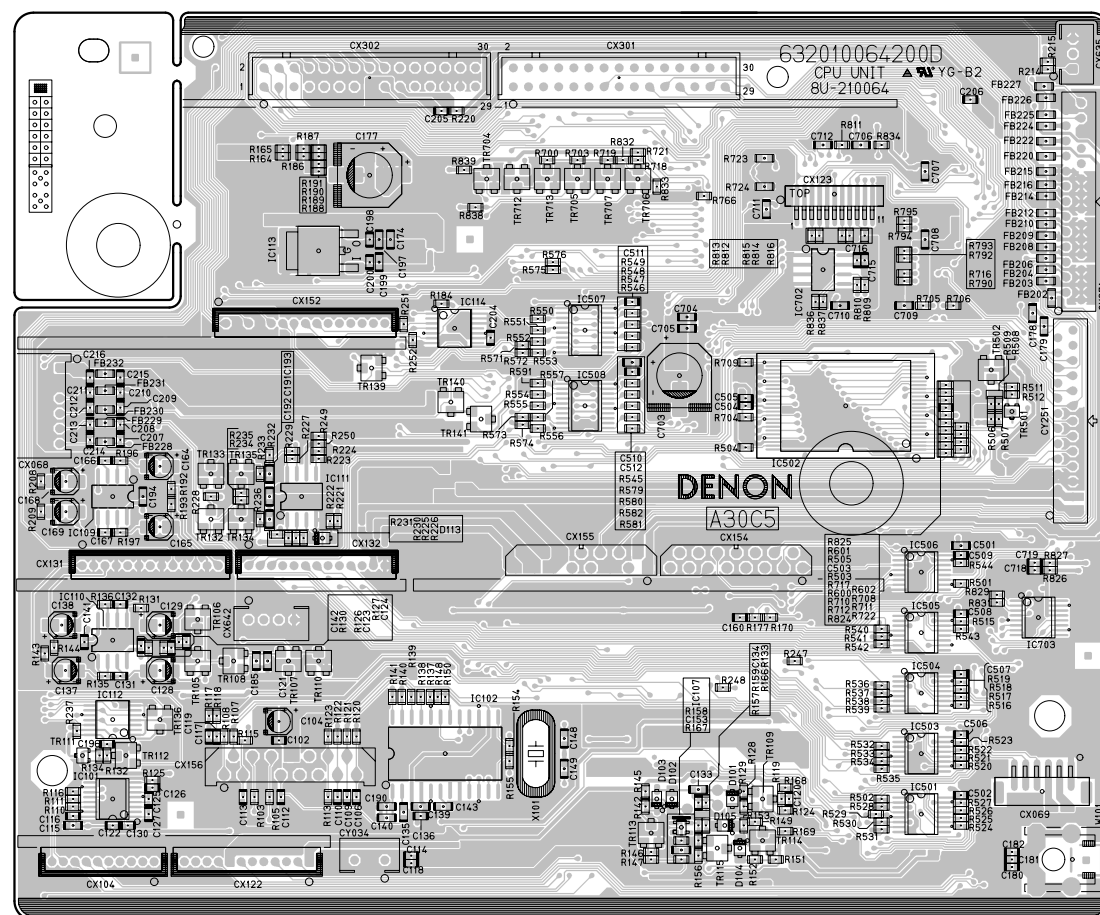
FOIL SIDE

CX671, CX672, CX611:
 Insert the connector to reverse
 with the screenprinting.

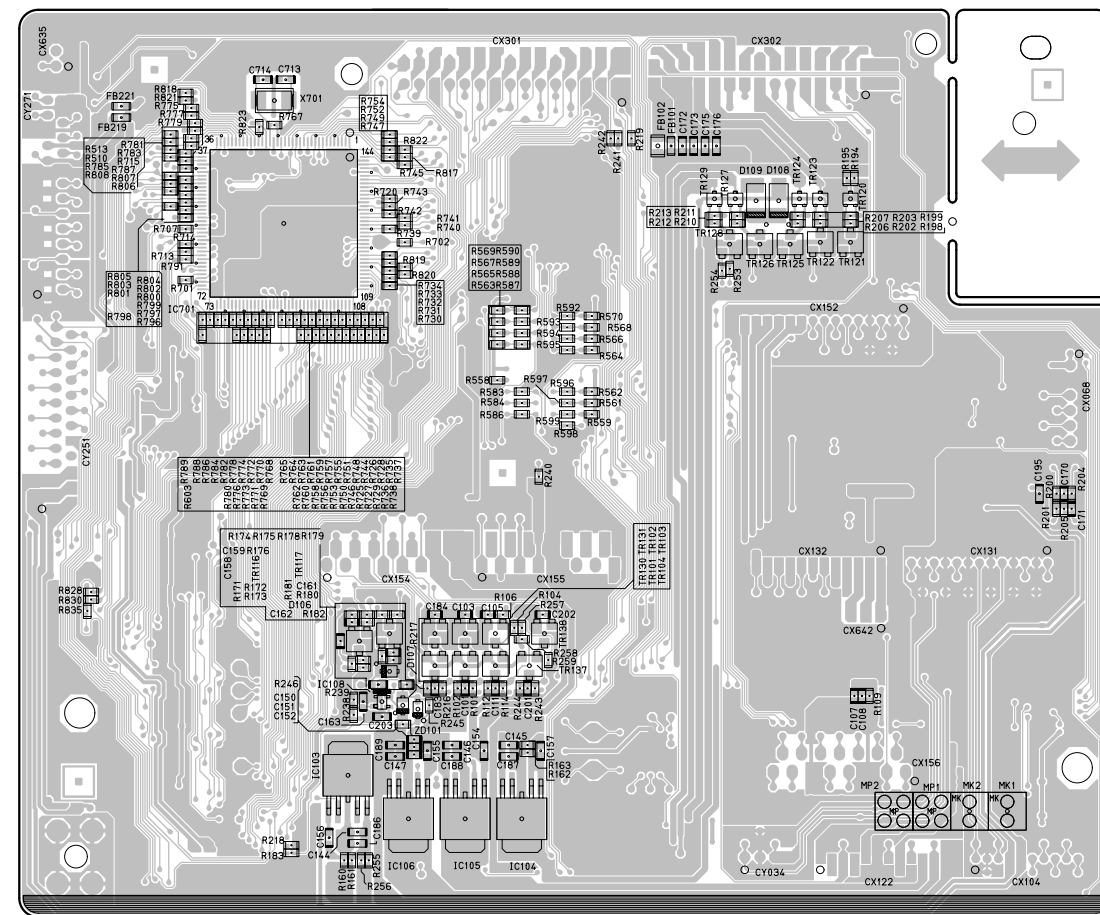




8U-210064 MAIN CPU P.W.B. UNIT

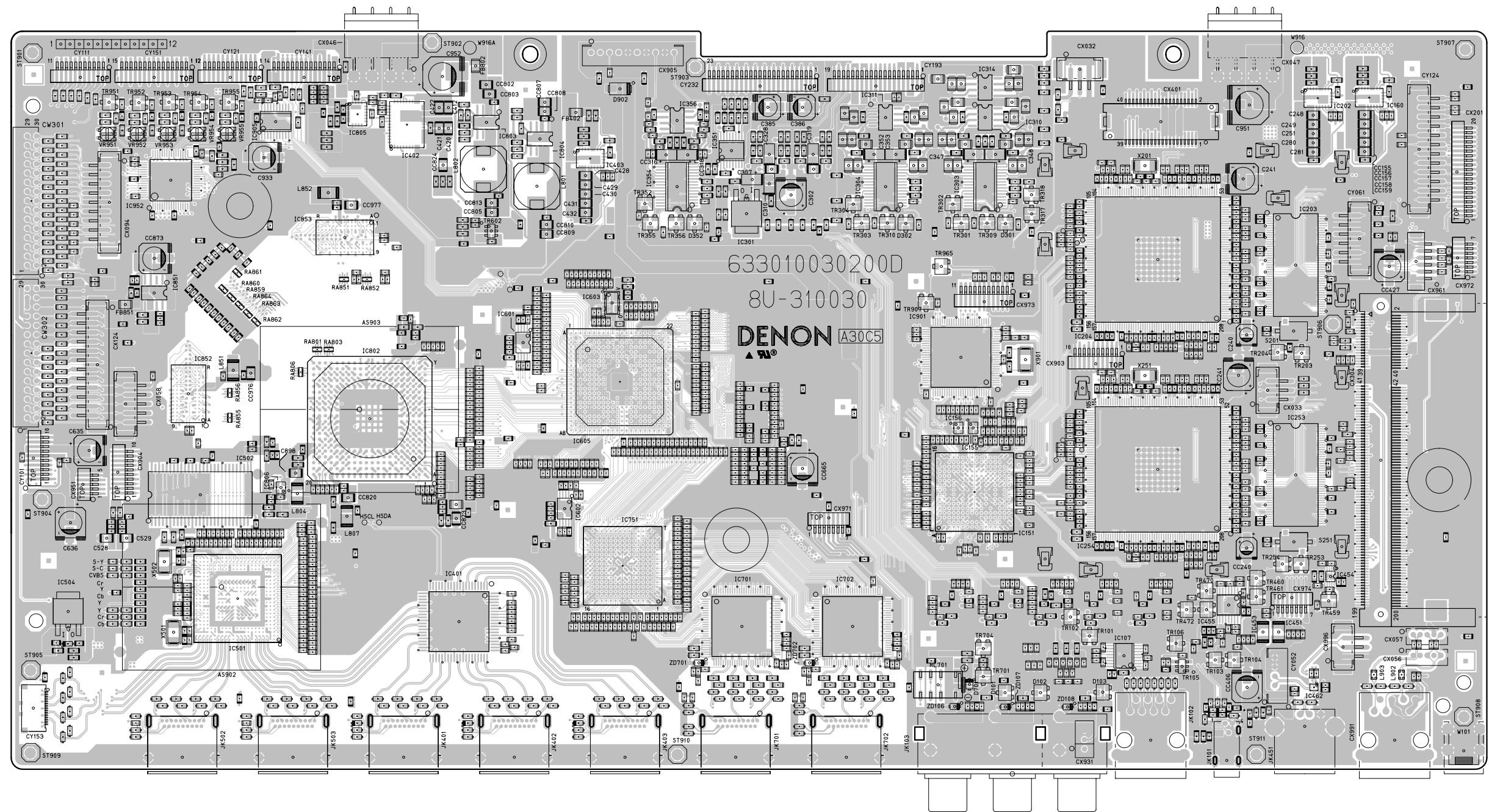


COMPONENT SIDE

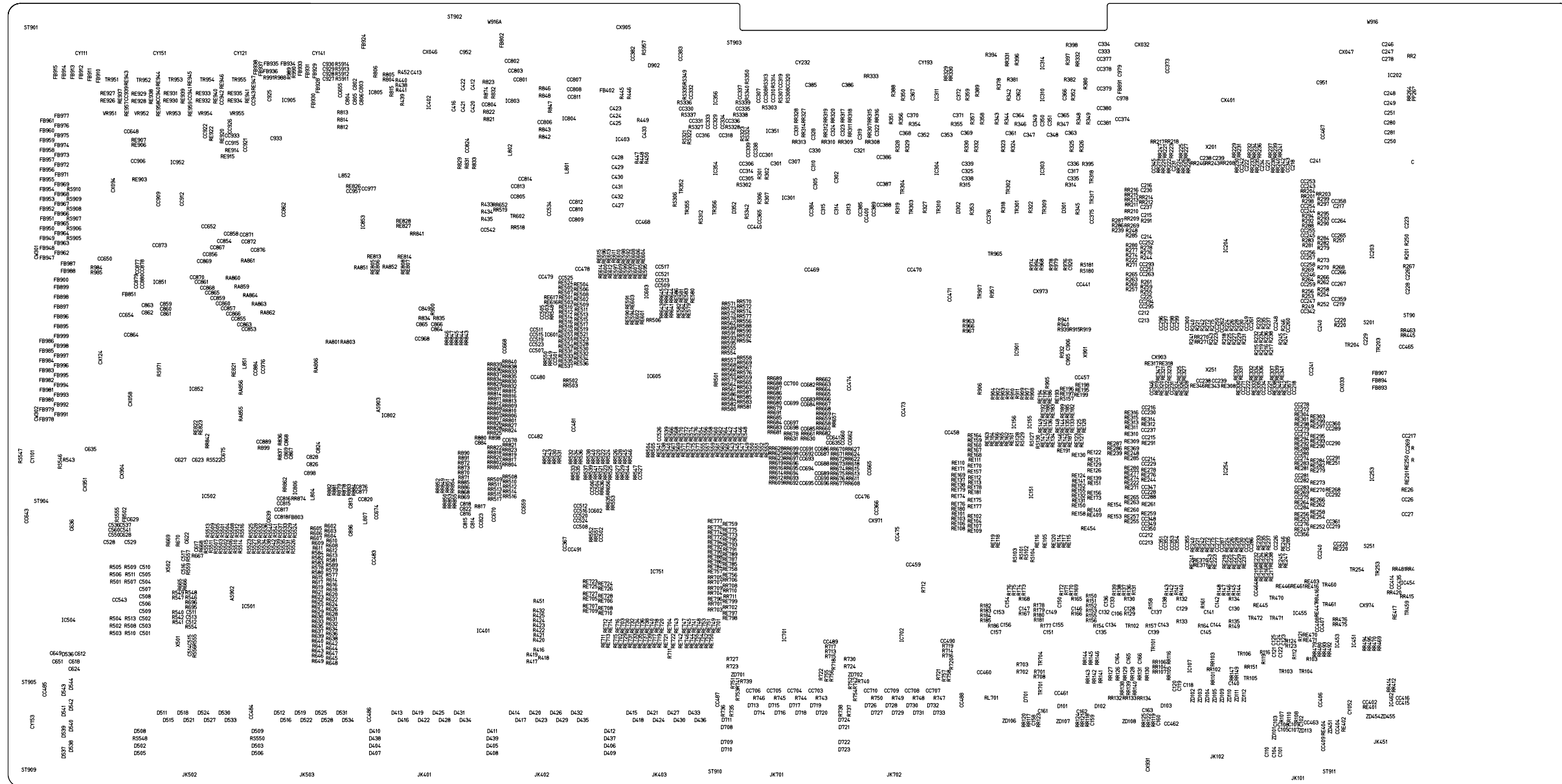


FOIL SIDE

8U-310030 DIGITAL P.W.B. UNIT (1/4)

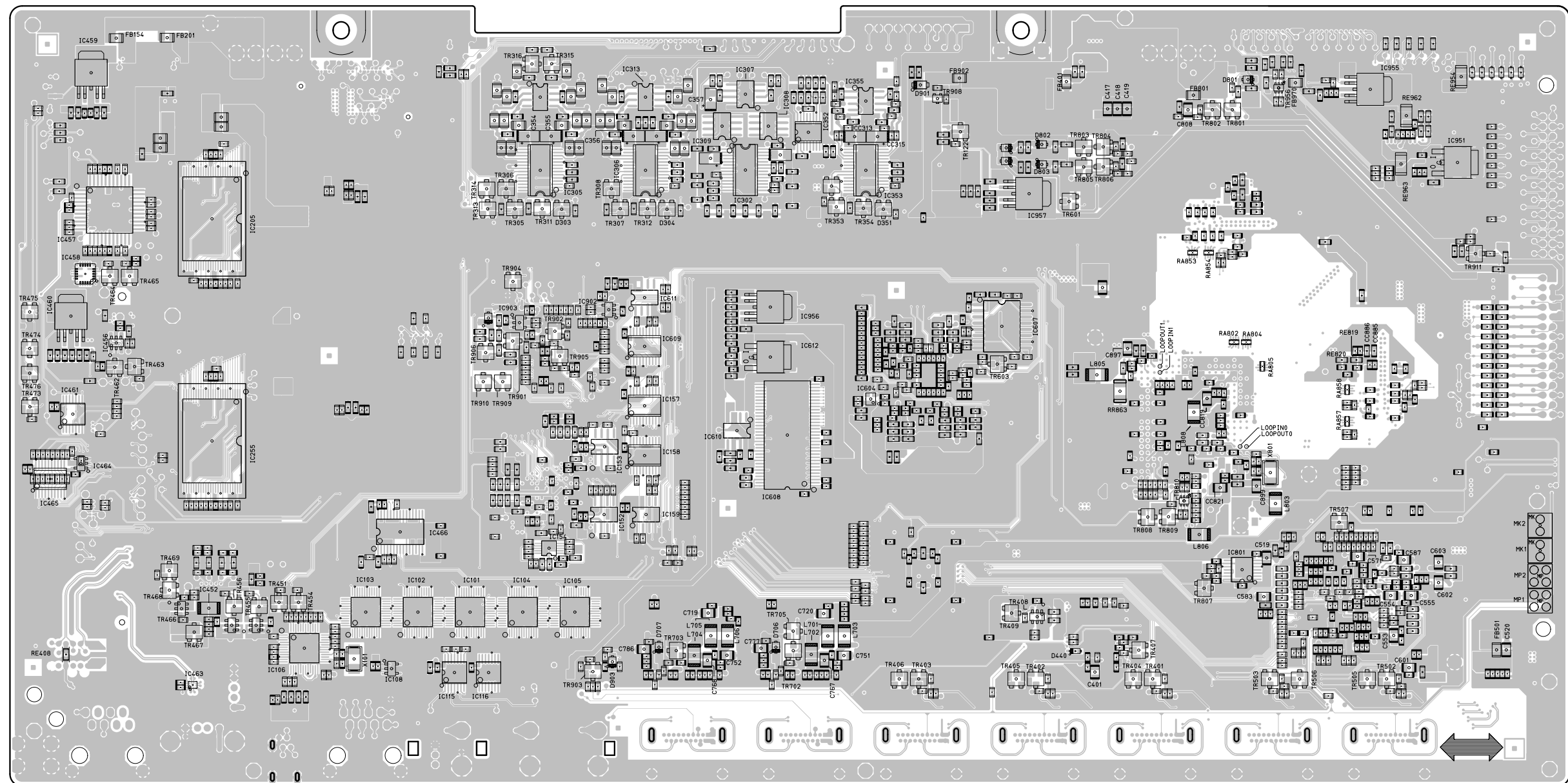


COMPONENT SIDE

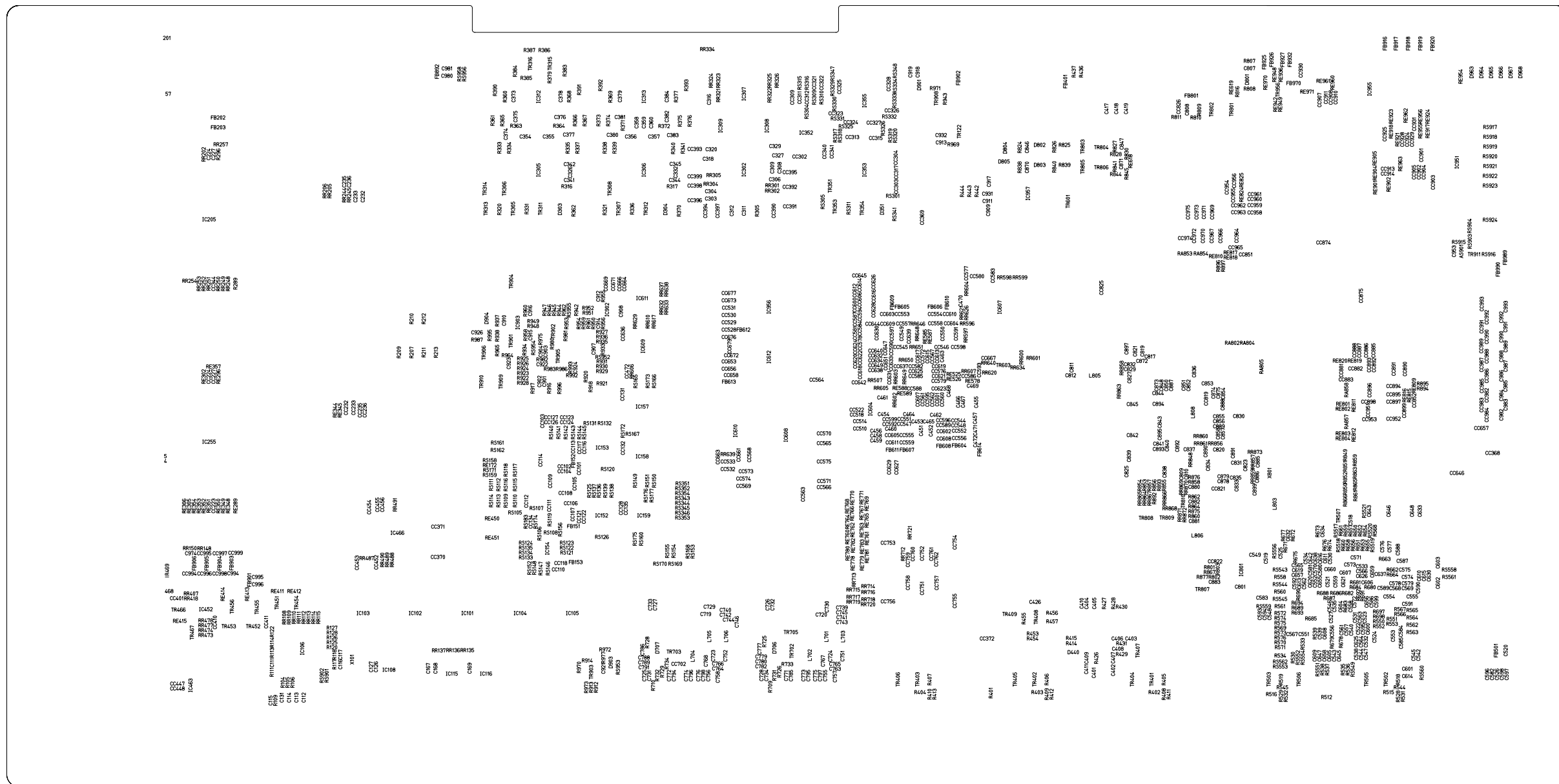


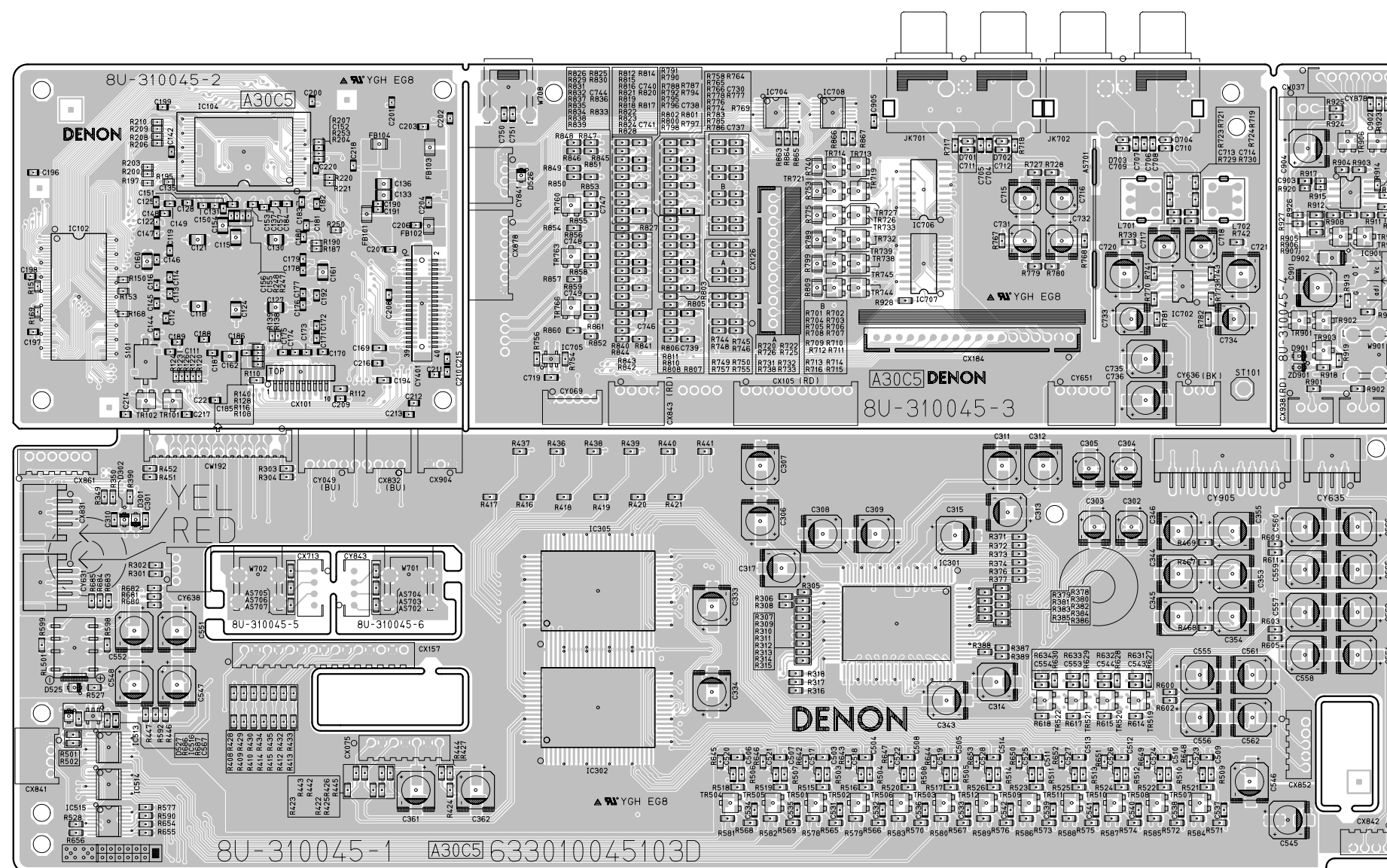
COMPONENT SIDE

8U-310030 DIGITAL P.W.B. UNIT (3/4)

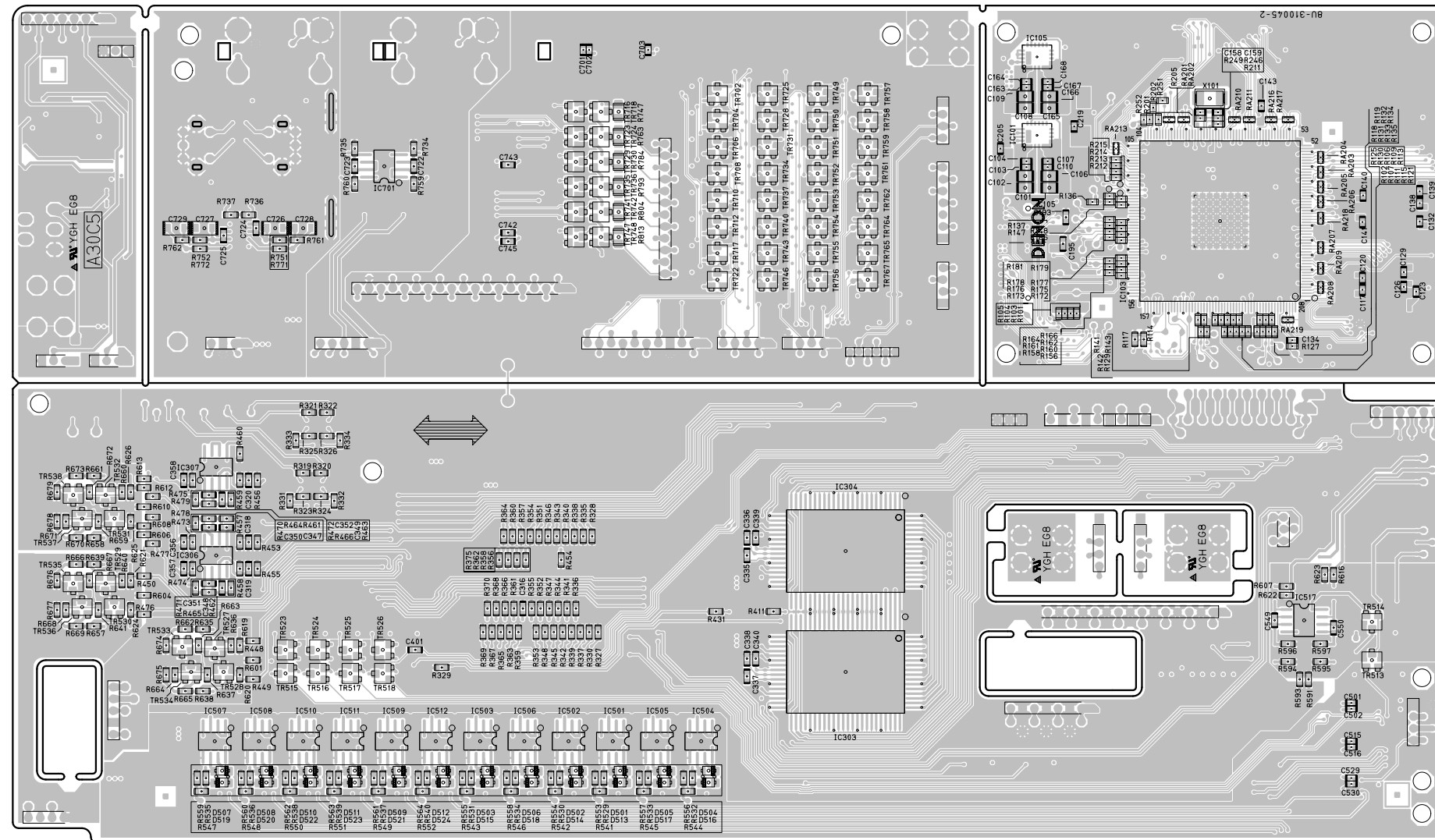


FOIL SIDE





COMPONENT SIDE



FOIL SIDE

NOTE FOR PARTS LIST

- Parts for which "nsp" is indicated on this table cannot be supplied.
- When ordering of part, clearly indicate "1" and "I" (i) to avoid mis-supplying.
- Ordering part without stating its part number can not be supplied.
- Part indicated with the mark "★" is not illustrated in the exploded view.
- Not including General-purpose Carbon Film Resistor in the P.W.Board parts list. (Refer to the Schematic Diagram for those parts.)
- Not including General-purpose Carbon Chip Resistor in the P.W.Board parts list. (Refer to the Schematic Diagram for those parts.)

WARNING:

Parts marked with this symbol \triangle have critical characteristics.
Use ONLY replacement parts recommended by the manufacturer.

● Resistors

Ex.: RN 14K 2E 182 G FR

Type Shape and performance Power Resistance Allowable error Others

RD: Carbon	2B: 1/8 W	F : ±1%	P : Pulse-resistant type
RC: Composition	2E: 1/4 W	G : ±2%	NL : Low noise type
RS: Metal oxide film	2H: 1/2 W	J : ±5%	NB : Non-burning type
RW: winding	3A: 1 W	K : ±10%	FR : Fuse-resistor
RN: Metal film	3D: 2 W	M : ±20%	F : Lead wire forming
RK: Metal mixture	3F: 3 W		
	3H: 5 W		

* Resistance

$\frac{1}{\text{---}} \frac{8}{\text{---}} \frac{2}{\text{---}} \Rightarrow 1800\text{ohm}=1.8\text{kohm}$

↑ Indicates number of zeros after effective number.
↑ 2-digit effective number.

$\frac{1}{\text{---}} \frac{R}{\text{---}} \frac{2}{\text{---}} \Rightarrow 1.2\text{ohm}$

↑ 1-digit effective number.
↑ 2-digit effective number, decimal point indicated by R.
: Units: ohm

● Capacitors

Ex.: CE 04W 1H 3R2 M BP

Type Shape and performance Dielectric strength Capacity Allowable error Others

CE: Aluminum foil electrolytic	0J : 6.3 V	F : ±1%	HS : High stability type
CA: Aluminium solid electrolytic	1A : 10 V	G : ±2%	BP : Non-polar type
CS: Tantalum electrolytic	1C : 16 V	J : ±5%	HR : Ripple-resistant type
CQ: Film	1E : 25 V	K : ±10%	DL : For charge and discharge
CK: Ceramic	1V : 35 V	M : ±20%	HF : For assuring high frequency
CC: Ceramic	1H : 50 V	Z : ±80%	U : UL part
CP: Oil	2A : 100 V	: -20%	C : CSA part
CM: Mica	2B : 125 V	P : +100%	W : UL-CSA part
CF: Metallized	2C : 160 V	C : ±0.25pF	F : Lead wire forming
CH: Metallized	2D : 200 V	D : ±0.5pF	
	2E : 250 V	= : Others	
	2H : 500 V		
	2J : 630 V		

* Capacity (electrolyte only)

$\frac{2}{\text{---}} \frac{2}{\text{---}} \frac{2}{\text{---}} \Rightarrow 2200 \mu F$

↑ Indicates number of zeros after effective number.
↑ 2-digit effective number.
· Units: μF .

$\frac{2}{\text{---}} \frac{R}{\text{---}} \frac{2}{\text{---}} \Rightarrow 2.2 \mu F$

↑ 1-digit effective number.
↑ 2-digit effective number, decimal point indicated by R
· Units: μF .

* Capacity (except electrolyte)

$\frac{2}{\text{---}} \frac{2}{\text{---}} \frac{2}{\text{---}} \Rightarrow 2200\text{pF}=0.0022 \mu F$

↑ Indicates number of zeros after effective number. (More than 2)
↑ 2-digit effective number.
· Units:pF

$\frac{2}{\text{---}} \frac{2}{\text{---}} \frac{1}{\text{---}} \Rightarrow 220\text{pF}$

↑ Indicates number of zeros after effective number. (0 or 1)
↑ 2-digit effective number.
· Units:pF

- When the dielectric strength is indicated in AC,"AC" is included after the dielectric strength value.

PARTS LIST OF P.W.B. UNIT

* Parts for which "nsp" is indicated on this table cannot be supplied.

* The parts listed below are for maintenance only, might differ from the parts used in the unit in appearances or dimensions.

Note: The symbols in the column "Remarks" indicate the following destinations.


EU : U.S.A. model

EC : Canada model

E2 : Europe model

8U-110047E FRONT P.W.B. UNIT ASS'Y(EU,EC model)

8U-110047F FRONT P.W.B. UNIT ASS'Y(E2 model) 

Ref. No.	Part No.	Part Name	Remarks	Q'ty	New
SEMICONDUCTORS GROUP					
	IC101	00D2623602003	GP1UE271XKVF		
	IC102	00D2680073905	ICP-N15T		
	IC701	00D2690240003	GP1FMV31RK0F		
	IC702	00D2631289900	AZ4580MTR-E1		
	TR101	00D2690191903	KRA104S-RTK/P (47K-47K)		
	TR102	00D2730464901	KTC3875S-GR-RTK/P		
	TR103	00D2690193901	KRC104S-RTK/P (47K-47K)		
	TR106	00D2730494900	KTC2022D-Y-RTF/P		
	TR111-113	00D2730464901	KTC3875S-GR-RTK/P		
	TR114	00D2710312905	KTA1504S-GR-RTK/P		
	TR115	00D2690192902	KRC102S-RTK/P (10K-10K)		
	TR116	00D2710312905	KTA1504S-GR-RTK/P		
	TR117	00D2690192902	KRC102S-RTK/P (10K-10K)		
	TR301	00D2690192902	KRC102S-RTK/P (10K-10K)		
	TR302,303	00D2710312905	KTA1504S-GR-RTK/P		
	TR304	00D2690193901	KRC104S-RTK/P (47K-47K)		
	D101	00D2760704916	1SR35-400A(T82)		
	D103	00D2760794900	KDS160-RTK/P		
	D105	00D2760794900	KDS160-RTK/P		
	D107	00D2760794900	KDS160-RTK/P		
	D108	00D2760704916	1SR35-400A(T82)		
	ZD101	00D2760761975	MTZJ18B T77		
	ZD102	00D2760762903	MTZJ24B T77		
	ZD103	00D2760636903	MTZJ8.2BT77		
	ZD701-703	00D2760683930	UDZS5.1B-TE17 +C		
	LD101	263010032409S	SIR-341STA49		
	LD102	176010001402S	SELT5E20C-S(TP15)		
	LD103	00D3939671002	SMLU12416W-S		
	LD301	00D3939671002	SMLU12416W-S		
	FL101	172010006108D	FLD(19-ST-02GINK)		
RESISTORS GROUP					
	R146	00D2442043937	RS14B3A100JNBST(S)		
	R149	00D2442043937	RS14B3A100JNBST(S)		
CAPACITORS GROUP					
	C102	00D2561042903	CF93A2E104KT		
	C103,104	nsp	CK73B1E104KT +1608		
	C105	nsp	CC73CH1H101JT +1608		
	C106	00D2544737989	CE04W1H100MT(SF)		
	C107	nsp	CC73CH1H101JT +1608		

Ref. No.	Part No.	Part Name	Remarks	Q'ty	New
C109	00D2544302974	CE04W1A101MT(SRE)			
C110	00D2544737989	CE04W1H100MT(SF)			
C114	nsp	CC73CH1H300JT +1608			
C115,116	00D2544812707	CE04W1H471MC(SRG/K15)			
C119	nsp	CK73B1E473KT +1608			
C126	00D2544586978	CE04W2A010MT(RA3)			
C127	00D2544725920	CE04W1J101MT(GR)			
C129	nsp	CK73B1H103KT (1608) +1608			
C130	nsp	CC73CH1H101JT +1608			
C131	nsp	CK73B1H103KT (1608) +1608			
C137	nsp	CK73B1E104KT +1608			
C139	nsp	CK73B1E104KT +1608			
C141	nsp	CK73B1E104KT +1608			
C142,143	nsp	RM73B--0R0KT +1608			
C145	nsp	RM73B--0R0KT +1608			
C147,148	nsp	RM73B--0R0KT +1608			
C149	nsp	CK73B1E104KT +1608			
C306,307	nsp	CK73B1E104KT +1608			
C381,382	nsp	CK73B1E104KT +1608			
C391,392	nsp	CK73B1E104KT +1608			
C701	nsp	CK73B1E104KT +1608			
C702	nsp	CK73B1H102KT +1608			
C704	00D2544737947	CE04W1H010MT(SF)			
C705	nsp	CC73CH1H101JT +1608			
C706	nsp	CK73B1H102KT +1608			
C707	nsp	CK73B1A105KT +1608			
C708	nsp	CC73CH1H101JT +1608			
C709,710	nsp	CC73CH1H331JT +1608			
C711	nsp	CK73B1H102KT +1608			
C713	nsp	CK73B1E104KT +1608			
C714	nsp	CK73B1H102KT +1608			
C715	nsp	CC73CH1H101JT +1608			
C716	nsp	CC73CH1H910JT +1608			
C717	00D2544737947	CE04W1H010MT(SF)			
C718,719	nsp	CC73CH1H101JT +1608			
C720,721	nsp	CK73B1E104KT +1608			
C722,723	nsp	CK73B1H102KT +1608			
C724	00D2544737947	CE04W1H010MT(SF)			
C725,726	00D2544722949	CE04W1H010MT(GR)			
C727	nsp	CC73CH1H101JT +1608			
C731	nsp	CK73B1E104KT +1608			
C732	nsp	CC73CH1H910JT +1608			
C733	nsp	CC73CH1H101JT +1608			
C734	00D2544737947	CE04W1H010MT(SF)			
C735	nsp	CK73B1E104KT +1608			
C737	00D2544737947	CE04W1H010MT(SF)			
C740,741	nsp	CC73CH1H102JT +1608			
C742,743	nsp	CK73B1E104KT +1608			
C745,746	nsp	CC73CH1H101JT +1608			
C747	nsp	CK73B1H102KT +1608			
C748	nsp	CC73CH1H101JT +1608			
C749	nsp	CK73B1H102KT +1608			
C751,752	nsp	CC73CH1H221JT +1608			
C756,757	nsp	CC73CH1H221JT +1608			
C760	nsp	CK73B1E104KT +1608			
C761	nsp	CK73B1H102KT +1608			

Ref. No.	Part No.	Part Name	Remarks	Q'ty	New
C762	nsp	CC73CH1H101JT +1608			
OTHERS PARTS GROUP					
AS101,102	00D4610862045	FL SPACER (T=5)			
CW033	nsp	3P L=85 DA-DA			*
CW043,044	nsp	4P CON.SOCKET(TUC-P)			
CW053	nsp	5P CON.SOCKET TUC-P			
CW081	nsp	8P CON.SOCKET(TUC-P)			
CW102,103	nsp	10P CON.SOCKET TUC-P			
CW154,155	nsp	15P JE CON.PLUG			
CX021	nsp	2P VH CONN.BASE(L)RD			
CX053	nsp	5P CON.BASE TUC-P			
CX064	nsp	6P CON.BASE(TUC-P)			
CX066	nsp	7PEHSID CONN BASE			
CX073	nsp	7P CON BASE TWG-P			
CX082	nsp	8P CON BASE(TUC-P)			
CX092	nsp	9P CON.BASE TWG-P			
CX181	nsp	18P CON.BASE TUC-P			
CX192	nsp	19P CON.BASE(TWG-P)			
CX231	nsp	23P CON.BASE TWG-P			
CX251	00D2051316000	25P FFC BASE(9610S)Y			
CX271	00D2051329000	27P FFC BASE(9610SB)			
FB101,102	nsp	RM73B--0R0KT +2125			
JK701	00D2048260004	MINI JACK			
JK702	00D2048757009	1P PIN S-JACK(MDC-074V)-AU			
JK703	00D2048217031	H/P JACK (BK(AU))			
JK707	00D2048754002	3P PIN JACK(MSP-253V)-AU-B3			
S301	00D2125611903	TACT SWITCH(TAPE H5)			
S302	665010008002D	POWER SWITCH (TV-5)			
S331-345	00D2125611903	TACT SWITCH(TAPE H5)			
S347	00D2125611903	TACT SWITCH(TAPE H5)			
S349	00D2125611903	TACT SWITCH(TAPE H5)			
S371-373	00D2125611903	TACT SWITCH(TAPE H5)			
S381	00D2120373000	ROT.ENCODER-EC16B			
S391	00D2125611903	TACT SWITCH(TAPE H5)			
S392	00D2120373000	ROT.ENCODER-EC16B			
S393-395	00D2125611903	TACT SWITCH(TAPE H5)			
W701	nsp	M3 SCREW TERMINAL			
W703,704	nsp	M3 SCREW TERMINAL			

8U-110048E POWER SUPPLY P.W.B. UNIT ASS'Y(EU,EC model)
8U-110048F POWER SUPPLY P.W.B. UNIT ASS'Y(E2 model) 

Ref. No.	Part No.	Part Name	Remarks	Q'ty	New
SEMICONDUCTORS GROUP					
IC201	00D2623676903	TC74VHCT08AF(E,K,F)			
IC203	00D2631289900	AZ4580MTR-E1	EU, EC		
IC601	00D2631275901	UPC2905BT1D			
IC602	00D2631274012	NJM2396F09			
IC801	231010063000S	STR-A6079			
IC802	00D2623047008	PC123Y22	EU, EC		
IC804	00D2623047008	PC123Y22			
IC805	00D2631256904	TA76432S(TPE6,F)			
IC901	232810025706S	TOP248YN	EU, EC		
IC901	00D2650123005	TOP246YN	E2		
IC902,903	00D2623047008	PC123Y22			
IC904	00D2631256904	TA76432S(TPE6,F)			
TR202	00D2730464901	KTC3875S-GR-RTK/P			
TR203	00D2690191903	KRA104S-RTK/P (47K-47K)			
TR601	214050006000S	2SC4935			
TR602	212050008000S	2SA1869			
TR603	00D2730464901	KTC3875S-GR-RTK/P			
TR604	00D2710312905	KTA1504S-GR-RTK/P			
TR605	212050008000S	2SA1869			
TR606	214050006000S	2SC4935			
TR607	00D2730464901	KTC3875S-GR-RTK/P			
TR608	00D2710312905	KTA1504S-GR-RTK/P			
TR609	00D2730464901	KTC3875S-GR-RTK/P			
TR610,611	00D2710312905	KTA1504S-GR-RTK/P			
TR612	00D2690192902	KRC102S-RTK/P (10K-10K)			
TR613	214050006000S	2SC4935			
TR614	00D2730464901	KTC3875S-GR-RTK/P			
TR616	214050006000S	2SC4935			
TR617	00D2730464901	KTC3875S-GR-RTK/P			
TR618	00D2710312905	KTA1504S-GR-RTK/P			
TR619	00D2690192902	KRC102S-RTK/P (10K-10K)			
TR620	214050006000S	2SC4935			
TR621	00D2730464901	KTC3875S-GR-RTK/P			
TR622	00D2710312905	KTA1504S-GR-RTK/P			
TR623	00D2690192902	KRC102S-RTK/P (10K-10K)			
TR624	00D2730442004	2SC4793 (Y)			
TR625	00D2730479909	2N5551S-RTK/P			
TR801	214050007409S	2SC5549	EU, EC		
TR802	00D2730468907	KTC3199-GR-AT/P			
TR901	00D2730468907	KTC3199-GR-AT/P			
D103	251310004507S	CG0603MLC-12LE	EU, EC		
D104	251310004507S	CG0603MLC-12LE	EU, EC		
D104	00D2472018903	RM73B--0R0KT	E2		
D105	251310004507S	CG0603MLC-12LE	EU, EC		
D201-203	00D2760794900	KDS160-RTK/P			
D204-206	251310004507S	CG0603MLC-12LE			
D208	00D2760794900	KDS160-RTK/P			
D209	00D2760750902	RB521S-30TE61 +REF			
D603	00D2760704903	1SR35-400A(T93X)			
D606	00D2760855001	D3SB20-7103			
D607,608	00D2760704903	1SR35-400A(T93X)			

Ref. No.	Part No.	Part Name	Remarks	Q'ty	New
D651	00D2760855001	D3SB20-7103			
D652,653	00D2760704903	1SR35-400A(T93X)			
D801-804	00D2760729904	EM01AT (V1)			
D805,806	00D2760813001	AP01C			
D807,808	201050006301S	RF101A2S			
D809	00D2760401905	1SS133T77 (TAPE)			
D901	00D2760401905	1SS133T77 (TAPE)			
D902-905	00D2760729904	EM01AT (V1)			
D906,907	00D2760813001	AP01C			
D909	00D2760751901	1SR154-400TE25 +REF			
D910	203050018706S	D25SC6M			
D911	00D2760401905	1SS133T77 (TAPE)			
D912	00D2760684900	RB051L-40TE25 +C			
ZD201	00D2760760963	MTZJ6.2B T77			
ZD603	00D2760477900	HZS16-1 TD(TAPE)			
ZD606,607	00D2760464900	HZS7A-1TD			
ZD608,609	00D2760468906	HZS9B-1TD			
ZD613	00D2760466908	HZS7C-1TD			
ZD614	00D2760476901	HZS15-1 TD(TAPE)			
ZD615	00D2760468906	HZS9B-1TD			
ZD801-806	00D2760485905	HZS36-1TD	EU, EC		
ZD903	00D2760760950	MTZJ5.6B T77			
TH801	00D2790044002	NTH11D8R0LA			
RESISTORS GROUP					
R613,614	00D2442051974	RS14B3A102JNBST(S)			
R623	00D2442051974	RS14B3A102JNBST(S)			
R808	00D2442043979	RS14B3A5R6JNBST(S)			
R809	00D2442686909	RS14B3D154JNBST(S)			
R810	nsp	RM73B--273FT_1608			
R814	nsp	RM73B--273FT_1608			
R815	nsp	RM73B--103FT +1608			
R908	00D2442675732	RS14B3D104JNBF(ERG)			
R912	121050030705S	RC05GF2H106K(UL)			
R920	00D2472041970	RM73B--752DT(1608)			
R924	00D2442675732	RS14B3D104JNBF(ERG)			
R925	00D2442043924	RS14B3A680JNBST (S)			
CAPACITORS GROUP					
C106,107	nsp	CK73B1E104KT +1608			
C108	nsp	CK73B1H102KT +1608	EU, EC		
C109,110	nsp	CC73CH1H101JT +1608			
C201	nsp	CK73B1E104KT +1608			
C203	nsp	CC73CH1H221JT +1608			
C204-207	nsp	CK73B1E104KT +1608			
C208	nsp	CC73CH1H221JT +1608			
C209,210	nsp	CK73B1E104KT +1608			
C211	nsp	CK73B1H102KT +1608			
C212	nsp	CC73CH1H221JT +1608			
C213	nsp	CK73B1E104KT +1608			
C214	nsp	CC73CH1H221JT +1608			
C216,217	nsp	CC73CH1H221JT +1608			

	Ref. No.	Part No.	Part Name	Remarks	Q'ty	New
	C218,219	nsp	CK73B1E104KT +1608			
	C220	nsp	CK73B1H102KT +1608			
	C221	00D2544722981	CE04W1H100MT(GR)			
	C224,225	nsp	CC73CH1H331JT +1608	EU, EC		
	C226-229	00D2544722981	CE04W1H100MT(GR)	EU, EC		
	C230	nsp	CK73B1E104KT +1608	EU, EC		
	C237,238	nsp	CK73B1E104KT +1608	EU, EC		
	C239,240	00D2544722981	CE04W1H100MT(GR)	EU, EC		
	C601,602	00D2544722994	CE04W1H220MT(GR)			
	C603	00D2544722981	CE04W1H100MT(GR)			
	C604	00D2544722994	CE04W1H220MT(GR)			
	C605,606	00D2544723922	CE04W1H101MT(GR)	EU, EC		
	C605,606	00D2544580712	CE04W1H101MC(ROB)	E2		△
	C607,608	00D2544722981	CE04W1H100MT(GR)			
	C609,610	00D2544722981	CE04W1H100MT(GR)	EU, EC		
	C609,610	00D2544583942	CE04W1H100MT(ROB)	E2		△
	C611	nsp	CK73B1E104KT +1608			
	C612,613	00D2544761735	CE04W1C472MC(SMQ)			
	C614,615	00D2544522796	CE04W1V102MC SMG/RE3			
	C618	00D2570501943	CK73B1H104KT +1608			
	C619	00D2544722949	CE04W1H010MT(GR)			
	C621	nsp	CK73B1E104KT +1608			
	C622	nsp	CK73B1H104KT +1608			
	C623	00D2544722994	CE04W1H220MT(GR)	EU, EC		
	C623	00D2544583955	CE04W1H220MT(ROB)	E2		△
	C624	00D2544722981	CE04W1H100MT(GR)	EU, EC		
	C624	00D2544583942	CE04W1H100MT(ROB)	E2		△
	C625	00D2544541955	CE04W1E221MT SMG/RE3			
	C627	00D2544722981	CE04W1H100MT(GR)			
	C628	00D2544722994	CE04W1H220MT(GR)	EU, EC		
	C628	00D2544583955	CE04W1H220MT(ROB)	E2		△
	C629	nsp	CK73B1E104KT +1608			
	C631	00D2544722994	CE04W1H220MT(GR)			
	C632,633	00D2544722981	CE04W1H100MT(GR)			
	C651	00D2561042903	CF93A2E104KT			
	C654	00D2544812707	CE04W1H471MC(SRG/K15)			
	C655,656	134050080201S	CE04W1E472M(R0)			
	C657	00D2544722949	CE04W1H010MT(GR)			
	C658	00MDF15104351	0.1UF,J,N,50V			
	C659	00D2544812707	CE04W1H471MC(SRG/K15)			
△	C801	00D2568038004	CF99--2EAC104M			
△	C803	00D2538029713	CK45F2EAC471KC(KX)			
	C804	134050085404S	CE04W2G3R3MT(KMG)	EU, EC		
	C804	134050091409S	CE04W2G1R0MT(KMG)	E2		△
	C805	nsp	CK73B1A224KT +1608			
△	C806	134050069402S	CE04W2A270MT HB5(KY)			
△	C807	00D2534548706	CC45R3A102KC			
	C808	00D2544651913	CE04W0J102MT H15(KY)			
△	C809	00D2538032700	CK452EAC102MC(KX)			
△	C811	00D2538022707	CK45F2EAC103MC			
	C817	00D2544651913	CE04W0J102MT H15(KY)			
	C821	134050084203S	CE04W0J682MC(KMG)K25S			
	C827	132050037201S	CC45SL3D150JC			
	C828	nsp	CK73B1H103KT (1608) +1608			
	C851,852	00D2570043919	CK73U2J2E222JT(2125)			
	C853,854	00MDF15473351	0.047UF,J,N,50V			

	Ref. No.	Part No.	Part Name	Remarks	Q'ty	New
	C856	nsp	CC73CH1H102JT +1608			
	C859	nsp	CC73CH1H102JT +1608			
⚠	C901	00D2538022707	CK45F2EAC103MC			
⚠	C902	00D2568038004	CF99--2EAC104M			
	C903	00D2544588714	CE04W2D221MC(KMG)	EU, EC		
	C903	00D2544589713	CE04W2G101MC(KMG)	E2		
⚠	C904	00D2538029700	CK45F2EAC222MC (KX)			
	C905	00D2544654907	CE04W1H220MT E11(KY)			
⚠	C908	00D2568038004	CF99--2EAC104M			
	C909	00D2544525913	CE04W1H470MT SMG/RE3			
	C915-918	00D2544770700	CE04W0J562MC K35(KY)			
	C919	00D2544722981	CE04W1H100MT(GR)			
	C921	nsp	CK73B1A224KT +1608			
	C923	nsp	CK73B1E104KT +1608			
	C924	00D2544770700	CE04W0J562MC K35(KY)			
	C925,926	nsp	CK73B0J475KT +1608			
OTHERS PARTS GROUP						
	AS602	nsp	RADIATOR			
	AS604	nsp	3X8 CBS-Z			
	AS901	nsp	RADIATOR			
	AS904	nsp	3X8 CBS-Z			
	CW021	nsp	2P-3P L=500mm VA-SDN			
	CW035,036	nsp	JL CONNECTOR(F-E)			
	CW047	nsp	4P L=210mm VH-SDN			
	CW065	nsp	6P CON.SOCKET(TUC-P)			
	CW068	nsp	6P CONN.BASE(KR-PH)			
	CW082	nsp	8P CON.SOCKET(TUC-P)			
	CW093	nsp	9P CON.SOCKET TUC-P			
	CW104	nsp	10P SOCKET(9120)			
	CW112	nsp	11P CON.SOCKET TUC-P			
	CW122	nsp	12P SOCKET(9120)			
	CW182	nsp	18P CON.SOCKET TUC-P			
	CX022	nsp	2P VH CON BASE (Blue)			
	CX024	nsp	2P VH CONN. BASE (L)	EU, EC		
	CX035,036	nsp	JL CONNECTOR(BT-E)			
	CX037	nsp	3P CONN.BASE(KR-PH)			
	CX040	nsp	4P VH CON.BASE			
	CX055	nsp	5P EH CONNECTOR BASE			
	CX074	nsp	7P EH CONNECTOR BASE			
	CX093	nsp	9P CON.BASE TUC-P			
	CX112	nsp	11P CON.BASE TUC-P			
⚠	F601,602	0520100120010	# FUSE T1.25AL/250V			
⚠	F603-605	00D2061096022	FUSE(218)T2AL250V			
⚠	F801	00D2061094037	FUSE(233)T2AL125V	EU, EC		
⚠	F801	00D2061087073	FUSE(ET1.6A)	E2		
⚠	F802	00D2061094095	FUSE(233)T8AL125V	EU, EC		
⚠	F802	00D2061096035	FUSE(218)T2.5AL250V	E2		
⚠	F803	00D2061046043	FUSE (10A)	EU, EC		
⚠	F803	00D2061015087	FUSE(4.0A)	E2		
	FB101,102	nsp	RM73B--0R0KT +1608			

	Ref. No.	Part No.	Part Name	Remarks	Q'ty	New
	FF601-605 FF801-803	nsp nsp	FUSE CLIP(TAPE) FUSE CLIP(TAPE)			
	FH601-605 FH801-803 J809	nsp nsp nsp	FUSE CLIP(TAPE) FUSE CLIP(TAPE) CK45R1H103KT			
	JK101 JK102 JK201 JK202,203 JK204,205	00D2051305008 00D2051135003 00D2048758008 00D2048260004 00D2048649007	9P D-SUB CONNECTOR 8P MD BASE (F-S) MINI JACK(MSJ-035-10A)-SW MINI JACK MINI JACK (RD)	EU, EC		
⚠	JK801	00D2033976002	AC OUTLET(2P)	EU, EC		
⚠	JK802	00D2033958004	AC_INLET/E3-DIP			*
	JK803	646010030008S	4P SP TERMINAL			
⚠	JK982	641050012003D	AC OUTLET SEMCO	E2		
	L802 L901 L903	00D2390035026 00D2390035026 00D2390035026	L.FILTER(LF4ZBE273H) L.FILTER(LF4ZBE273H) L.FILTER(LF4ZBE273H)			
⚠	RL801	00D2140241002	RELAY DL1SU TV-8			
⚠	RL901	00D2140242014	RELAY(DLS5D1-O_M)			
	ST601-603 ST901,902	nsp nsp	STYLE PIN STYLE PIN			
⚠	T806	102010014018S	MINI-SW-TRANS			
⚠	T808	102010014001S	SW-TRANS	EU, EC		
⚠	T808	102010017000S	SW-TRANS(E2)	E2		
	W201	nsp	M3 SCREW TERMINAL			
	W601,602 W802 W901,902	nsp 612050203009S nsp	M3 SCREW TERMINAL 2P VA-SIN UL1672 AWG20 M3 SCREW TERMINAL	E2		
		nsp	SHIELD CASE			
		nsp 00D2760485905	56mm UL1672 AWG22 HZS36-1TD			
		nsp	FUSE LABEL(T1.25A)			
		nsp	FUSE LABEL(T2AL)			
		nsp	FUSE LABEL(T1.6AL)	E2		
		nsp	FUSE LABEL(T2.5AL)	E2		
		nsp	FUSE LABEL(T4A)	E2		

⚠

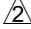
⚠

⚠

⚠

⚠

⚠

8U-110049E P.AMP P.W.B. UNIT ASS'Y(EU,EC model)
8U-110049F P.AMP P.W.B. UNIT ASS'Y(E2 model) 

Ref. No.	Part No.	Part Name	Remarks	Q'ty	New
SEMICONDUCTORS GROUP					
TR101	00D2710301903	KTA1268-BL-AT/P			
TR102	00D2710314903	KTA1024-Y-AT/P			
TR103	00D2710301903	KTA1268-BL-AT/P			
TR104	00D2730471907	KTC3206-Y-AT/P			
TR105	00D2710314903	KTA1024-Y-AT/P			
TR106	00D2730471907	KTC3206-Y-AT/P			
TR109	00D2730479909	2N5551S-RTK/P			
TR110	00D2710318909	2N5401S-RTK/P			
TR111	00D2710301903	KTA1268-BL-AT/P			
TR201	00D2710301903	KTA1268-BL-AT/P			
TR202	00D2710314903	KTA1024-Y-AT/P			
TR203	00D2710301903	KTA1268-BL-AT/P			
TR204	00D2730471907	KTC3206-Y-AT/P			
TR205	00D2710314903	KTA1024-Y-AT/P			
TR206	00D2730471907	KTC3206-Y-AT/P			
TR209	00D2730479909	2N5551S-RTK/P			
TR210	00D2710318909	2N5401S-RTK/P			
TR211	00D2710301903	KTA1268-BL-AT/P			
TR301	00D2710301903	KTA1268-BL-AT/P			
TR302	00D2710314903	KTA1024-Y-AT/P			
TR303	00D2710301903	KTA1268-BL-AT/P			
TR304	00D2730471907	KTC3206-Y-AT/P			
TR305	00D2710314903	KTA1024-Y-AT/P			
TR306	00D2730471907	KTC3206-Y-AT/P			
TR309	00D2730479909	2N5551S-RTK/P			
TR310	00D2710318909	2N5401S-RTK/P			
TR311	00D2710301903	KTA1268-BL-AT/P			
TR401	00D2710301903	KTA1268-BL-AT/P			
TR402	00D2710314903	KTA1024-Y-AT/P			
TR403	00D2710301903	KTA1268-BL-AT/P			
TR404	00D2730471907	KTC3206-Y-AT/P			
TR405	00D2710314903	KTA1024-Y-AT/P			
TR406	00D2730471907	KTC3206-Y-AT/P			
TR409	00D2730479909	2N5551S-RTK/P			
TR410	00D2710318909	2N5401S-RTK/P			
TR411	00D2710301903	KTA1268-BL-AT/P			
TR501	00D2710301903	KTA1268-BL-AT/P			
TR502	00D2710314903	KTA1024-Y-AT/P			
TR503	00D2710301903	KTA1268-BL-AT/P			
TR504	00D2730471907	KTC3206-Y-AT/P			
TR505	00D2710314903	KTA1024-Y-AT/P			
TR506	00D2730471907	KTC3206-Y-AT/P			
TR509	00D2730479909	2N5551S-RTK/P			
TR510	00D2710318909	2N5401S-RTK/P			
TR511	00D2710301903	KTA1268-BL-AT/P			
TR601	00D2710301903	KTA1268-BL-AT/P			
TR602	00D2710314903	KTA1024-Y-AT/P			
TR603	00D2710301903	KTA1268-BL-AT/P			
TR604	00D2730471907	KTC3206-Y-AT/P			
TR605	00D2710314903	KTA1024-Y-AT/P			
TR606	00D2730471907	KTC3206-Y-AT/P			
TR609	00D2730479909	2N5551S-RTK/P			
TR610	00D2710318909	2N5401S-RTK/P			

Ref. No.	Part No.	Part Name	Remarks	Q'ty	New
TR611	00D2710301903	KTA1268-BL-AT/P			
TR701	00D2710301903	KTA1268-BL-AT/P			
TR702	00D2710314903	KTA1024-Y-AT/P			
TR703	00D2710301903	KTA1268-BL-AT/P			
TR704	00D2730471907	KTC3206-Y-AT/P			
TR705	00D2710314903	KTA1024-Y-AT/P			
TR706	00D2730471907	KTC3206-Y-AT/P			
TR709	00D2730479909	2N5551S-RTK/P			
TR710	00D2710318909	2N5401S-RTK/P			
TR711	00D2710301903	KTA1268-BL-AT/P			
D101,102	00D2760794900	KDS160-RTK/P			
D104	00D2760794900	KDS160-RTK/P			
D105,106	00D2760401905	1SS133T77 (TAPE)			
D107	00D2760794900	KDS160-RTK/P			
D110,111	00D2760794900	KDS160-RTK/P			
D112	201310001503S	KDS160E			
D201,202	00D2760794900	KDS160-RTK/P			
D204	00D2760794900	KDS160-RTK/P			
D205,206	00D2760401905	1SS133T77 (TAPE)			
D207	00D2760794900	KDS160-RTK/P			
D210,211	00D2760794900	KDS160-RTK/P			
D212	201310001503S	KDS160E			
D301,302	00D2760794900	KDS160-RTK/P			
D304	00D2760794900	KDS160-RTK/P			
D305,306	00D2760401905	1SS133T77 (TAPE)			
D307	00D2760794900	KDS160-RTK/P			
D310,311	00D2760794900	KDS160-RTK/P			
D312	201310001503S	KDS160E			
D401,402	00D2760794900	KDS160-RTK/P			
D404	00D2760794900	KDS160-RTK/P			
D405,406	00D2760401905	1SS133T77 (TAPE)			
D407	00D2760794900	KDS160-RTK/P			
D410,411	00D2760794900	KDS160-RTK/P			
D412	201310001503S	KDS160E			
D501,502	00D2760794900	KDS160-RTK/P			
D504	00D2760794900	KDS160-RTK/P			
D505,506	00D2760401905	1SS133T77 (TAPE)			
D507	00D2760794900	KDS160-RTK/P			
D510,511	00D2760794900	KDS160-RTK/P			
D512	201310001503S	KDS160E			
D601,602	00D2760794900	KDS160-RTK/P			
D604	00D2760794900	KDS160-RTK/P			
D605,606	00D2760401905	1SS133T77 (TAPE)			
D607	00D2760794900	KDS160-RTK/P			
D610,611	00D2760794900	KDS160-RTK/P			
D612	201310001503S	KDS160E			
D701,702	00D2760794900	KDS160-RTK/P			
D704	00D2760794900	KDS160-RTK/P			
D705,706	00D2760401905	1SS133T77 (TAPE)			
D707	00D2760794900	KDS160-RTK/P			
D710,711	00D2760794900	KDS160-RTK/P			
D712	201310001503S	KDS160E			
ZD101	00D2760459928	HZS5B-3TD			
ZD102,103	00D2760461903	HZS6A-1TD			


Ref. No.	Part No.	Part Name	Remarks	Q'ty	New
ZD201 ZD202,203 ZD301 ZD302,303 ZD401	00D2760459928 00D2760461903 00D2760459928 00D2760461903 00D2760459928	HZS5B-3TD HZS6A-1TD HZS5B-3TD HZS6A-1TD HZS5B-3TD			
ZD402,403 ZD501 ZD502,503 ZD601 ZD602,603	00D2760461903 00D2760459928 00D2760461903 00D2760459928 00D2760461903	HZS6A-1TD HZS5B-3TD HZS6A-1TD HZS5B-3TD HZS6A-1TD			
ZD701 ZD702,703	00D2760459928 00D2760461903	HZS5B-3TD HZS6A-1TD			
RESISTORS GROUP					
R106 R110 R115 R116 R117,118	00D2412379987 00D2412379987 00D2412378946 00D2442671914 00D2412378946	RD14B2E102JNBST RD14B2E102JNBST RD14B2E271JNBST RS14B3D153JNBST(S) RD14B2E271JNBST			
R122,123 R124,125 R206 R210 R215	00D2412378920 125050003002S 00D2412379987 00D2412379987 00D2412378946	RD14B2E221JNBST RK92=3F0R22JS RD14B2E102JNBST RD14B2E102JNBST RD14B2E271JNBST			
R216 R217,218 R222,223 R224,225 R306	00D2442671914 00D2412378946 00D2412378920 125050003002S 00D2412379987	RS14B3D153JNBST(S) RD14B2E271JNBST RD14B2E221JNBST RK92=3F0R22JS RD14B2E102JNBST			
R310 R315 R316 R317,318 R322,323	00D2412379987 00D2412378946 00D2442671914 00D2412378946 00D2412378920	RD14B2E102JNBST RD14B2E271JNBST RS14B3D153JNBST(S) RD14B2E271JNBST RD14B2E221JNBST			
R324,325 R406 R410 R415 R416	125050003002S 00D2412379987 00D2412379987 00D2412378946 00D2442671914	RK92=3F0R22JS RD14B2E102JNBST RD14B2E102JNBST RD14B2E271JNBST RS14B3D153JNBST(S)			
R417,418 R422,423 R424,425 R506 R510	00D2412378946 00D2412378920 125050003002S 00D2412379987 00D2412379987	RD14B2E271JNBST RD14B2E221JNBST RK92=3F0R22JS RD14B2E102JNBST RD14B2E102JNBST			
R515 R516 R517,518 R522,523 R524,525	00D2412378946 00D2442671914 00D2412378946 00D2412378920 125050003002S	RD14B2E271JNBST RS14B3D153JNBST(S) RD14B2E271JNBST RD14B2E221JNBST RK92=3F0R22JS			
R606 R610 R615 R616 R617,618 R622,623	00D2412379987 00D2412379987 00D2412378946 00D2442671914 00D2412378946 00D2412378920	RD14B2E102JNBST RD14B2E102JNBST RD14B2E271JNBST RS14B3D153JNBST(S) RD14B2E271JNBST RD14B2E221JNBST			


Ref. No.	Part No.	Part Name	Remarks	Q'ty	New
R624,625 R706 R710 R715	125050003002S 00D2412379987 00D2412379987 00D2412378946	RK92=3F0R22JS RD14B2E102JNBST RD14B2E102JNBST RD14B2E271JNBST			
R716 R717,718 R722,723 R724,725	00D2442671914 00D2412378946 00D2412378920 125050003002S	RS14B3D153JNBST(S) RD14B2E271JNBST RD14B2E221JNBST RK92=3F0R22JS			
VR101 VR201 VR301 VR401 VR501	161010006405S 161010006405S 161010006405S 161010006405S 161010006405S	V6QB301T V6QB301T V6QB301T V6QB301T V6QB301T			
VR601 VR701	161010006405S 161010006405S	V6QB301T V6QB301T			
CAPACITORS GROUP					
C101 C101 C103 C104 C104	00D2544722994 00D2544583955 00MDF15221351 00D2544722981 00D2544583942	CE04W1H220MT(GR) CE04W1H220MT(ROB) 0.00022UF J M 50V CE04W1H100MT(GR) CE04W1H100MT(ROB)	EU, EC E2 EU, EC E2		
C105 C106 C107 C108 C109	nsp nsp nsp 00MDF15222351 00MDF15221351	CK73B1H103KT (1608) +1608 CK73B1H222KT +2125 CC73CH1H221JT +1608 0.0022UF,J,M,50V 0.00022UF J M 50V	EU, EC EU, EC E2 E2		
C110 C110 C112 C114 C115	00D2544723922 00D2544580712 1330100055060 1330100055060 00MOF15471541	CE04W1H101MT(GR) CE04W1H101MC(ROB) APSV 0100 J 221 0000 0200 APSV 0100 J 221 0000 0200 APSV 471J,470PF(TP) 100V PP	EU, EC E2 		
C119 C119 C121 C123 C125	00D2544802908 00D2544580712 00D2544586949 00D2544586949 nsp	CE04W1J101MT(RA3) CE04W1H101MC(ROB) CE04W2A100MT(RA3) CE04W2A100MT(RA3) CK73B1E104KT +1608	EU, EC E2 		
C201 C201 C203 C204 C204	00D2544722994 00D2544583955 00MDF15221351 00D2544722981 00D2544583942	CE04W1H220MT(GR) CE04W1H220MT(ROB) 0.00022UF J M 50V CE04W1H100MT(GR) CE04W1H100MT(ROB)	EU, EC E2 EU, EC E2		
C205 C206 C207 C208 C209	nsp nsp nsp 00MDF15222351 00MDF15221351	CK73B1H103KT (1608) +1608 CK73B1H222KT +2125 CC73CH1H221JT +1608 0.0022UF,J,M,50V 0.00022UF J M 50V	EU, EC EU, EC E2 E2		
C210 C210 C212 C214 C215	00D2544723922 00D2544580712 1330100055060 1330100055060 00MOF15471540	CE04W1H101MT(GR) CE04W1H101MC(ROB) APSV 0100 J 221 0000 0200 APSV 0100 J 221 0000 0200 APSV 471J,470PF(TP) 100V PP	EU, EC E2 		
C219 C219	00D2544802908 00D2544580712	CE04W1J101MT(RA3) CE04W1H101MC(ROB)	EU, EC E2		

Ref. No.	Part No.	Part Name	Remarks	Q'ty	New
C221	00D2544586949	CE04W2A100MT(RA3)			
C223	00D2544586949	CE04W2A100MT(RA3)			
C225	nsp	CK73B1E104KT +1608			
C301	00D2544722994	CE04W1H220MT(GR)	EU, EC		
C301	00D2544583955	CE04W1H220MT(ROB)	E2		△
C303	00MDF15221351	0.00022UF J M 50V			
C304	00D2544722981	CE04W1H100MT(GR)	EU, EC		
C304	00D2544583942	CE04W1H100MT(ROB)	E2		△
C305	nsp	CK73B1H103KT (1608) +1608			
C306	nsp	CK73B1H222KT +2125	EU, EC		
C307	nsp	CC73CH1H221JT +1608	EU, EC		
C308	00MDF15222351	0.0022UF,J,M,50V	E2		△
C309	00MDF15221351	0.00022UF J M 50V	E2		△
C310	00D2544723922	CE04W1H101MT(GR)	EU, EC		
C310	00D2544580712	CE04W1H101MC(ROB)	E2		△
C312	1330100055060	APSV 0100 J 221 0000 0200			
C314	1330100055060	APSV 0100 J 221 0000 0200			
C315	00MOF15471540	APSV 471J,470PF(TP) 100V PP			
C319	00D2544802908	CE04W1J101MT(RA3)	EU, EC		
C319	00D2544580712	CE04W1H101MC(ROB)	E2		△
C321	00D2544586949	CE04W2A100MT(RA3)			
C323	00D2544586949	CE04W2A100MT(RA3)			
C325	nsp	CK73B1E104KT +1608			
C401	00D2544722994	CE04W1H220MT(GR)	EU, EC		
C401	00D2544583955	CE04W1H220MT(ROB)	E2		△
C403	00MDF15221351	0.00022UF J M 50V			
C404	00D2544722981	CE04W1H100MT(GR)	EU, EC		
C404	00D2544583942	CE04W1H100MT(ROB)	E2		△
C405	nsp	CK73B1H103KT (1608) +1608			
C406	nsp	CK73B1H222KT +2125	EU, EC		
C407	nsp	CC73CH1H221JT +1608	EU, EC		
C408	00MDF15222351	0.0022UF,J,M,50V	E2		△
C409	00MDF15221351	0.00022UF J M 50V	E2		△
C410	00D2544723922	CE04W1H101MT(GR)	EU, EC		
C410	00D2544580712	CE04W1H101MC(ROB)	E2		△
C412	1330100055060	APSV 0100 J 221 0000 0200			
C414	1330100055060	APSV 0100 J 221 0000 0200			
C415	00MOF15471540	APSV 471J,470PF(TP) 100V PP			
C419	00D2544802908	CE04W1J101MT(RA3)	EU, EC		
C419	00D2544580712	CE04W1H101MC(ROB)	E2		△
C421	00D2544586949	CE04W2A100MT(RA3)			
C423	00D2544586949	CE04W2A100MT(RA3)			
C425	nsp	CK73B1E104KT +1608			
C501	00D2544722994	CE04W1H220MT(GR)	EU, EC		
C501	00D2544583955	CE04W1H220MT(ROB)	E2		△
C503	00MDF15221351	0.00022UF J M 50V			
C504	00D2544722981	CE04W1H100MT(GR)	EU, EC		
C504	00D2544583942	CE04W1H100MT(ROB)	E2		△
C505	nsp	CK73B1H103KT (1608) +1608			
C506	nsp	CK73B1H222KT +2125	EU, EC		
C507	nsp	CC73CH1H221JT +1608	EU, EC		
C508	00MDF15222351	0.0022UF,J,M,50V	E2		△
C509	00MDF15221351	0.00022UF J M 50V	E2		△
C510	00D2544723922	CE04W1H101MT(GR)	EU, EC		
C510	00D2544580712	CE04W1H101MC(ROB)	E2		△
C512	1330100055060	APSV 0100 J 221 0000 0200			

Ref. No.	Part No.	Part Name	Remarks	Q'ty	New
C514	1330100055060	APSV 0100 J 221 0000 0200			
C515	00MOF15471540	APSV 471J,470PF(TP) 100V PP			
C519	00D2544802908	CE04W1J101MT(RA3)	EU, EC		
C519	00D2544580712	CE04W1H101MC(ROB)	E2		
C521	00D2544586949	CE04W2A100MT(RA3)			
C523	00D2544586949	CE04W2A100MT(RA3)			
C525	nsp	CK73B1E104KT +1608			
C601	00D2544722994	CE04W1H220MT(GR)	EU, EC		
C601	00D2544583955	CE04W1H220MT(ROB)	E2		
C603	00MDF15221351	0.00022UF J M 50V			
C604	00D2544722981	CE04W1H100MT(GR)	EU, EC		
C604	00D2544583942	CE04W1H100MT(ROB)	E2		
C605	nsp	CK73B1H103KT (1608) +1608			
C606	nsp	CK73B1H222KT +2125	EU, EC		
C607	nsp	CC73CH1H221JT +1608	EU, EC		
C608	00MDF15222351	0.0022UF,J,M,50V	E2		
C609	00MDF15221351	0.00022UF J M 50V	E2		
C610	00D2544723922	CE04W1H101MT(GR)	EU, EC		
C610	00D2544580712	CE04W1H101MC(ROB)	E2		
C612	1330100055060	APSV 0100 J 221 0000 0200			
C614	1330100055060	APSV 0100 J 221 0000 0200			
C615	00MOF15471540	APSV 471J,470PF(TP) 100V PP			
C619	00D2544802908	CE04W1J101MT(RA3)	EU, EC		
C619	00D2544580712	CE04W1H101MC(ROB)	E2		
C621	00D2544586949	CE04W2A100MT(RA3)			
C623	00D2544586949	CE04W2A100MT(RA3)			
C625	nsp	CK73B1E104KT +1608			
C701	00D2544722994	CE04W1H220MT(GR)	EU, EC		
C701	00D2544583955	CE04W1H220MT(ROB)	E2		
C703	00MDF15221351	0.00022UF J M 50V			
C704	00D2544722981	CE04W1H100MT(GR)	EU, EC		
C704	00D2544583942	CE04W1H100MT(ROB)	E2		
C705	nsp	CK73B1H103KT (1608) +1608			
C706	nsp	CK73B1H222KT +2125	EU, EC		
C707	nsp	CC73CH1H221JT +1608	EU, EC		
C708	00MDF15222351	0.0022UF,J,M,50V	E2		
C709	00MDF15221351	0.00022UF J M 50V	E2		
C710	00D2544723922	CE04W1H101MT(GR)	EU, EC		
C710	00D2544580712	CE04W1H101MC(ROB)	E2		
C712	1330100055060	APSV 0100 J 221 0000 0200			
C714	1330100055060	APSV 0100 J 221 0000 0200			
C715	00MOF15471540	APSV 471J,470PF(TP) 100V PP			
C719	00D2544802908	CE04W1J101MT(RA3)	EU, EC		
C719	00D2544580712	CE04W1H101MC(ROB)	E2		
C721	00D2544586949	CE04W2A100MT(RA3)			
C723	00D2544586949	CE04W2A100MT(RA3)			
C725	nsp	CK73B1E104KT +1608			
CC401-408	00D2544722978	CE04W1H4R7MT(GR)	EU, EC		
CC401-408	00D2544583939	CE04W1H4R7MT(ROB)	E2		
CC409-416	nsp	JUMPER (L=5)			
CC501-504	nsp	0.0022UF,J,M,50V			
CC514	00D2544722981	CE04W1H100MT(GR)			
CC516	00D2544722981	CE04W1H100MT(GR)			
CC518	00D2544722981	CE04W1H100MT(GR)			
CC520	00D2544722981	CE04W1H100MT(GR)			

	Ref. No.	Part No.	Part Name	Remarks	Q'ty	New
OTHERS PARTS GROUP						
△	AS101	252310006506S	PRF18BB471QB5RB			
△	AS201	252310006506S	PRF18BB471QB5RB			
△	AS301	252310006506S	PRF18BB471QB5RB			
△	AS401	252310006506S	PRF18BB471QB5RB			
△	AS501	252310006506S	PRF18BB471QB5RB			
△	AS601	252310006506S	PRF18BB471QB5RB			
△	AS701	252310006506S	PRF18BB471QB5RB			
	CW181	nsp	18P CON.SOCKET TUC-P			
	CW803-807	nsp	10P CON.SOCKET TUC-P			
	CW811,812	nsp	11P CON.SOCKET TUC-P			
	CW871-877	nsp	JL CONNECTOR(F-E)			
	CX041	nsp	4P CON.BASE(TUC-P)			
	CX171	nsp	17P PIN HEADER(9120)			
	CX191	nsp	19P PIN HEADER(9120)			
	CX193	00D2050892020	19P FFC BASE (P=1)			
	CX232	00D2051100009	23P FFC BASE(P=1)			
	CX941	nsp	4P CON.BASE(TUC-P)			
	CY182	nsp	18P CON.BASE TUC-P			
	W101	nsp	M3 SCREW TERMINAL			
	W201	nsp	M3 SCREW TERMINAL			
	W301	nsp	M3 SCREW TERMINAL			
	W401	nsp	M3 SCREW TERMINAL			
	W501	nsp	M3 SCREW TERMINAL			
	W601	nsp	M3 SCREW TERMINAL			
	W701	nsp	M3 SCREW TERMINAL			
		219050002102S	DHCT-A3/C3(4310F)			

8U-110067 2CH AMP P.W.B. UNIT ASS'Y(EU,EC model)
8U-110067A 2CH AMP P.W.B. UNIT ASS'Y(E2 model) 

Ref. No.	Part No.	Part Name	Remarks	Q'ty	New
SEMICONDUCTORS GROUP					
IC801	00D2630995004	NJM4556AD +T			
TR501,502	00D2710301903	KTA1268-BL-AT/P			
TR503,504	00D2710314903	KTA1024-Y-AT/P			
TR505,506	00D2710301903	KTA1268-BL-AT/P			
TR507,508	00D2730471907	KTC3206-Y-AT/P			
TR509,510	00D2710314903	KTA1024-Y-AT/P			
TR511,512	00D2730471907	KTC3206-Y-AT/P			
TR517,518	00D2730479909	2N5551S-RTK/P			
TR519,520	00D2710318909	2N5401S-RTK/P			
TR521	00D2710312905	KTA1504S-GR-RTK/P			
TR522	00D2690192902	KRC102S-RTK/P (10K-10K)			
TR523	00D2710301903	KTA1268-BL-AT/P			
TR524	00D2690192902	KRC102S-RTK/P (10K-10K)			
D501,502	00D2760804007	RBV-2506			
D503-516	00D2760794900	KDS160-RTK/P			
D517,518	201310001503S	KDS160E			
D519,520	00D2760794900	KDS160-RTK/P			
D521	00D2760401905	1SS133T77 (TAPE)			
D801-811	00D2760401905	1SS133T77 (TAPE)			
ZD501,502	00D2760459928	HZS5B-3TD			
ZD503-506	00D2760683930	UDZS5.1B-TE17 +C			
RESISTORS GROUP					
R513,514	00D2412379987	RD14B2E102JNBST			
R521,522	00D2412379987	RD14B2E102JNBST			
R529	00D2412378946	RD14B2E271JNBST			
R530	00D2442671914	RS14B3D153JNBST(S)			
R531	00D2412378946	RD14B2E271JNBST			
R532	00D2442671914	RS14B3D153JNBST(S)			
R533-536	00D2412378946	RD14B2E271JNBST			
R543-546	00D2412378920	RD14B2E221JNBST			
R547-550	125050003002S	RK92=3F0R22JS			
R575	00D2442052928	RS14B3A470JNBST(S)			
R802-819	00D2442671901	RS14B3D100JNBST(S)			
R828-831	00D2442043924	RS14B3A680JNBST (S)			
R838	00D2442671930	RS14B3D200JNBST(S)			
VR501,502	161010006405S	V6QB301T			
CAPACITORS GROUP					
C501,502	00D2544722994	CE04W1H220MT(GR)	EU, EC		
C501,502	00D2544583955	CE04W1H220MT(ROB)	E2		
C503,504	nsp	0.00022UF J M 50V			
C505,506	00D2544722981	CE04W1H100MT(GR)	EU, EC		
C505,506	00D2544583942	CE04W1H100MT(ROB)	E2		
C507,508	00MDF15222350	0.0022UF,J,M,50V			
C509,510	00MDF15221351	0.00022UF J M 50V			
C511,512	00D2544723922	CE04W1H101MT(GR)			

Ref. No.	Part No.	Part Name	Remarks	Q'ty	New
C513	nsp	CF93A2E104KT			
C514-517	1330100055060	APSV 0100 J 221 0000 0200			
C518,519	00MOF15471540	APSV 471J,470PF(TP) 100V PP			
C520,521	00D2544802908	CE04W1J101MT(RA3)			
C522-525	00D2544586949	CE04W2A100MT(RA3)			
C528,529	nsp	CK73B1E104KT +1608			
C530	nsp	CK73B1H103KT (1608) +1608			
C531	00D2544718940	CE04W1C101MT(GR)			
C532	00D2544716926	CE04W0J331MT(GR)			
C535	00D2561042903	CF93A2E104KT			
C801-809	00MDF15104350	0.1UF,J,N,50V			
C810,811	00D2544723922	CE04W1H101MT(GR)			
C812,813	00D2544722978	CE04W1H4R7MT(GR)			
C816,817	00D2544718940	CE04W1C101MT(GR)			
C818,819	134050092006S	CE68W1K183MDL			*
C820-828	nsp	CK73U2J2E222JT(2125)			
C829-837	nsp	0.047UF,J,N,50V			
C838	00D2544722949	CE04W1H010MT(GR)			
C839-847	nsp	CK73B1H102KT +1608			
C848-851	nsp	CK73U2J2E222JT(2125)			
C852-855	nsp	0.047UF,J,N,50V			
C856-859	nsp	CK73B1H102KT +1608			
C860,861	00D2544716926	CE04W0J331MT(GR)			
C862	00D2544723922	CE04W1H101MT(GR)			
OTHERS PARTS GROUP					
AS507,508	252310006506S	PRF18BB471QB5RB			
AS515	252310006506S	PRF18BB471QB5RB			
AS516	252310006544S	PRF18BF471QB5RB			*
AS517	252310006513S	PRF18BC471QB5RB			
CW040	nsp	4P L=170 VH-SDN			*
CW821	nsp	2P L=190 SDN-SDN			*
CW834	nsp	3P L=50 PH-SAN			*
CW845	nsp	4P L=180 VH-SDN			*
CW846	nsp	4P L=180 VH-SDN			*
CW847	nsp	4P L=360 VH-SDN			*
CX043,044	nsp	4P CON.BASE(TUC-P)			
CX081	nsp	8P CON BASE(TUC-P)			
CX091	nsp	9P VH BASE (SIDE)			*
CX102,103	nsp	10P CON.BASE TUC-P			
CX125	nsp	12P CON.SOCKET TUC-P			
CX183	nsp	18P CON.SOCKET TUC-P			
CX211	nsp	2P L=160 SAN-SAN			*
CX504	nsp	6P NH CONNECTOR BASE			
CX834	nsp	3P CONN.BASE(KR-PH)			
CX845	nsp	4P VH CON.BASE(RD)			
CX846	nsp	4P VH CON.BASE(BU)			
CX847	nsp	4P VH CON.BASE			
CX851	nsp	15P CON.BASE TUC-P			
CX862	nsp	6P VH CONNECTOR BASE			
CX871-877	nsp	JL CONNECTOR(BT-E)			
CX891	nsp	9P CON.BASE TUC-P			
CX892	nsp	2P L=200 PH-SAN			*

	Ref. No.	Part No.	Part Name	Remarks	Q'ty	New
	CY075	nsp	7P CON.BASE(TUC-P)			
	CY105	nsp	10P CON. BASE(RED)			
	CY125	nsp	12P CON.BASE TUC-P			
	CY126	nsp	12P CON.SOCKET TUC-P			
	CY157	nsp	15P CON.BASE TUC-P			
	CY183	nsp	18P CON.BASE TUC-P			
	CY184	nsp	18P CON.SOCKET TUC-P			
	CY611	nsp	15P CON.SOCKET TUC-P			
	CY641	nsp	4P CON.SOCKET(TUC-P)			
	CY653	nsp	5P CON.SOCKET TUC-P			
	CY671	nsp	7P CON.SOCKET(TUC-P)			
	CY672	nsp	6P CON.SOCKET(TUC-P)			
	CY822	nsp	2P VH CONN. BASE (L)			
	CY831	nsp	3P CONNE.BASE(YEL)			
	CY832	nsp	3P CON BASE(KR-PH)			
	CY842	nsp	4P CON.BASE(TUC-P)			
	CY852	nsp	5P CON.BASE TUC-P			
	CY861	nsp	6P CON.BASE(TUC-P)			
⚠	F501,502	00D2061086032	FUSE 15A (UL/CSA/J)	EU, EC		
⚠	F501,502	652050008004S	L=30mm 250V TLC15AN4	E2		⚠
	FF501,502	nsp	FUSE HOLDER(DPS1)			
	FH501,502	nsp	FUSE HOLDER(DPS1)			
	JK801,802	646010030008S	4P SP TERMINAL			*
	JK803	646010030015S	6P SP TERMINAL			*
	JK804-806	646010030008S	4P SP TERMINAL			*
	JV212	nsp	L=60 UL1430 AWG22 KINKU			*
	L801-809	00D2350191007	INDUCTOR(1MH)			
	RL501,502	682010013009S	RELAY(FTR-H1CA24)			
	RL801-810	00D2140213001	RELAY(FTR-F4)			
	RL811	00D2140208003	RELAY(NA24W-K)			
	ST501	nsp	STYLE PIN			
	ST803	nsp	STYLE PIN			
	W507	nsp	M3 SCREW TERMINAL			*
	W801	nsp	2P L=480 VH-SIN			*
	W803	nsp	1P SIN CORD ASSY(L=150)			*
	W805	nsp	6P L=390 VH-SIN			*
	W811	nsp	1P SIN CORD ASSY(L=150)			*
	W812	nsp	L=160 UL1430 AWG24 SIN 1.2			*
		219050002102S	DHCT-A3/C3(4310F)			

8U-110074 AMP CONNECT P.W.B. UNIT ASS'Y

Ref. No.	Part No.	Part Name	Remarks	Q'ty	New
SEMICONDUCTORS GROUP					
D215-221	nsp	RM73B--0R0KT +2125			
CAPACITORS GROUP					
C928	00D2544718940	CE04W1C101MT(GR)			
OTHERS PARTS GROUP					
CW064	nsp	6P CON.SOCKET(TUC-P)			
CW092	nsp	9P CON.PLUG TWG-P(LONG)			
CW231	nsp	23P CON.PLUG TWG-P(LONG)			
CW851	nsp	15P CON.SOCKET TUC-P			
CW891	nsp	9P CON.SOCKET TUC-P			
CX039	nsp	4P-3P L=200 PH-SAN			*
CX660	nsp	6P NH CONNECTOR BASE			
CX680	nsp	8P NH CONNECTOR BASE			
CX803-807	nsp	10P CON.BASE TUC-P			
CX811,812	nsp	11P CON.BASE TUC-P			
CY065	nsp	6P CON.BASE(TUC-P)			
W201-204	nsp	M3 SCREW TERMINAL			

8U-210063E A.AUDIO/ VIDEO P.W.B. UNIT ASS'Y(EU,EC model)
8U-210063F A.AUDIO/ VIDEO P.W.B. UNIT ASS'Y(E2 model) 

Ref. No.	Part No.	Part Name	Remarks	Q'ty	New
SEMICONDUCTORS GROUP					
IC101	00D2623756904	LA73053-TLM-E			
IC102,103	00D2623445901	TC4051BFT			
IC104	00D2623446900	TC4052BFT			
IC105-107	00D2623445901	TC4051BFT			
IC108	00D2623446900	TC4052BFT			
IC109,110	00D2623445901	TC4051BFT			
IC111-116	232810005504S	BD7628F-E2			
IC201	00D2623717901	LC74781M			
IC202	00D2623447909	TC4053BFT			
IC203	232810005504S	BD7628F-E2			
IC301-303	234810014504S	MC14094BDTR2G			
IC305	00D2623755905	LA73062V-TLM-E			
IC401	00D2631225906	NJM2581M-TE1			
IC402,403	262010004005S	TORX147L(25M,F,T,J)			
IC404,405	263010017004S	TOTX147L(25M,F,T,J)			
IC451	236810064604S	AD8195ACPZ			
IC501	00D2623551002	NJW1321FP1			
IC503,504	00D2631225906	NJM2581M-TE1			
IC601-603	00D2631289900	AZ4580MTR-E1			
IC613-615	00D2631289900	AZ4580MTR-E1			
IC616	235810022607S	APPA350 (NJW1299)			
IC617	00D2623727904	NJW1194V-TE1			
IC618	00D2631289900	AZ4580MTR-E1			
IC623-625	00D2631289900	AZ4580MTR-E1			
IC627	00D2623727904	NJW1194V-TE1			
TR101-103	00D2710312905	KTA1504S-GR-RTK/P			
TR104-109	00D2690192902	KRC102S-RTK/P (10K-10K)			
TR201	00D2690193901	KRC104S-RTK/P (47K-47K)			
TR202	00D2710312905	KTA1504S-GR-RTK/P			
TR203,204	00D2730464901	KTC3875S-GR-RTK/P			
TR401	00D2690192902	KRC102S-RTK/P (10K-10K)			
TR402	00D2710312905	KTA1504S-GR-RTK/P			
TR451	00D2690192902	KRC102S-RTK/P (10K-10K)			
TR452	00D2690193901	KRC104S-RTK/P (47K-47K)			
TR501	00D2690192902	KRC102S-RTK/P (10K-10K)			
TR502	00D2690144905	DTC114YKA-T146 +C			
TR503	00D2710312905	KTA1504S-GR-RTK/P			
TR602-607	00D2690184907	KRA102S-RTK/P (10K-10K)			
TR610-619	00D2730460905	KTC2875-B-RTK/P			
TR622-631	00D2730460905	KTC2875-B-RTK/P			
TR632,633	00D2690184907	KRA102S-RTK/P (10K-10K)			
TR635-637	00D2690184907	KRA102S-RTK/P (10K-10K)			
TR639	00D2690184907	KRA102S-RTK/P (10K-10K)			
TR640,641	00D2690192902	KRC102S-RTK/P (10K-10K)			
TR643-645	00D2690192902	KRC102S-RTK/P (10K-10K)			
TR647	00D2690192902	KRC102S-RTK/P (10K-10K)			
D101-106	00D2760794900	KDS160-RTK/P			
D201,202	00D2760794900	KDS160-RTK/P			
D401	00D2760794900	KDS160-RTK/P			
D451-462	251310004507S	CG0603MLC-12LE			
D464	nsp	RM73B--0R0KT +1608			

Ref. No.	Part No.	Part Name	Remarks	Q'ty	New
D508,509	00D2760794900	KDS160-RTK/P			
D801-803 D981 D983,984 ZD801	00D2760704903 251310004507S 251310004507S 00D2760683943	1SR35-400A(T93X) CG0603MLC-12LE CG0603MLC-12LE UDZS3.6B-TE17			
RESISTORS GROUP					
R101-112 R120-125	00D2472019928 00D2472019928	RM73B--750FT RM73B--750FT			
R147-152 R178-180 R332-334 R441-446 R501-509	nsp 00D2472019928 00D2472019928 nsp 00D2472019928	RM73B--151FT_1608 RM73B--750FT RM73B--750FT RM73B--161FT_1608 RM73B--750FT			
R538-540 R555 R556 R557 R558	00D2472019928 nsp nsp nsp nsp	RM73B--750FT RM73B--161FT_1608 RM73B--151FT_1608 RM73B--161FT_1608 RM73B--151FT_1608			
R559 R560 R561 R562 R565	nsp nsp nsp nsp nsp	RM73B--161FT_1608 RM73B--151FT_1608 RM73B--161FT_1608 RM73B--151FT_1608 RM73B--161FT_1608			
R566 R569 R570 RR117-119	nsp nsp nsp nsp	RM73B--151FT_1608 RM73B--161FT_1608 RM73B--151FT_1608 RM73B--681FT +1608			
RR123-125 RR413	00D2472025909 nsp	RM73B--821FT CK73B1E103KT(1005)			
CAPACITORS GROUP					
C101-109 C114,115 C116 C117-122 C123-140	nsp 00D2544717925 nsp 00D2544718924 nsp	CK73B1H103KT (1608) +1608 CE04W1A101MT(GR) CK73B1H103KT (1608) +1608 CE04W1C330MT(GR) CK73B1H103KT (1608) +1608			
C141-146 C154-161 C162-165 C166-168 C169-171	00D2544717925 nsp 00D2544718924 nsp nsp	CE04W1A101MT(GR) CK73B1H103KT (1608) +1608 CE04W1C330MT(GR) CK73B1E473KT +1608 CK73B1E104KT +1608			
C172-174 C176 C178 C180 C181-183	nsp nsp nsp nsp nsp	CK73B1E473KT +1608 CK73B1A105KT +1608 CK73B1A105KT +1608 CK73B1A105KT +1608 CK73B1E473KT +1608			
C202,203 C204,205 C206 C207,208 C209	nsp 00D2544718924 00D2544717925 nsp 00D2544717925	CK73B1H103KT (1608) +1608 CE04W1C330MT(GR) CE04W1A101MT(GR) CK73B1H103KT (1608) +1608 CE04W1A101MT(GR)			

Ref. No.	Part No.	Part Name	Remarks	Q'ty	New
C210	00D2544722949	CE04W1H010MT(GR)			
C211	nsp	CK73B1E104KT +1608			
C212	00D2544722981	CE04W1H100MT(GR)			
C213	nsp	CK73B1H103KT (1608) +1608			
C214,215	nsp	CC73CH1H7R0DT +1608			
C216	00D2570504911	CC73CH1H240JT			
C217	nsp	CK73B1H122KT +1608			
C218	00D2570504911	CC73CH1H240JT			
C219	00D2544722949	CE04W1H010MT(GR)			
C220	nsp	CK73B1E104KT +1608			
C221	00D2544722949	CE04W1H010MT(GR)			
C303	00D2544718924	CE04W1C330MT(GR)			
C304	nsp	CK73B1H103KT (1608) +1608			
C306	nsp	CK73B1H103KT (1608) +1608			
C310	nsp	CK73B1H103KT (1608) +1608			
C317,318	nsp	CK73B1H103KT (1608) +1608			
C322	00D2544716926	CE04W0J331MT(GR)			
C323	00D2544716942	CE04W0J102MT(GR)			
C324	00D2544716926	CE04W0J331MT(GR)			
C325	00D2544718937	CE04W1C470MT(GR)			
C326	nsp	CK73B1E104KT +1608			
C327,328	00D2544717925	CE04W1A101MT(GR)			
C332	nsp	CK73B1E104KT +1608			
C333	00D2544717925	CE04W1A101MT(GR)			
C334-338	nsp	CK73B1E104KT +1608			
C401-403	00D2544717925	CE04W1A101MT(GR)			
C407	nsp	CK73B1H103KT (1608) +1608			
C408	00D2544718924	CE04W1C330MT(GR)			
C409-411	nsp	CK73B1H103KT (1608) +1608			
C412	00D2544718924	CE04W1C330MT(GR)			
C413,414	nsp	CK73B1H103KT (1608) +1608			
C415	nsp	CK73B1E104KT +1608			
C416	nsp	RM73B--0R0KT +1608			
C417	nsp	CK73B1E104KT +1608			
C419	nsp	CK73B1E104KT +1608			
C420	nsp	RM73B--0R0KT +1608			
C421	nsp	CK73B1E104KT +1608			
C422	00D2544717925	CE04W1A101MT(GR)			
C423-428	nsp	CC73CH1H102JT +1608			
C429-434	nsp	CC73CH1H101JT +1608			
C436	nsp	RM73B--0R0KT +1608			
C438	nsp	RM73B--0R0KT +1608			
C440	nsp	RM73B--0R0KT +1608			
C501	00D2544722981	CE04W1H100MT(GR)			
C503	00D2544722981	CE04W1H100MT(GR)			
C505	00D2544722981	CE04W1H100MT(GR)			
C507	00D2544722981	CE04W1H100MT(GR)			
C509	00D2544722981	CE04W1H100MT(GR)			
C511	00D2544722981	CE04W1H100MT(GR)			
C516-518	00D2544722981	CE04W1H100MT(GR)			
C519,520	00D2544718940	CE04W1C101MT(GR)			
C521-528	nsp	CK73B1E104KT +1608			
C530,531	nsp	CK73B1E104KT +1608			
C534	nsp	CK73B1E104KT +1608			
C539	00D2544722949	CE04W1H010MT(GR)			
C540-545	00D2544717925	CE04W1A101MT(GR)			

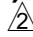
Ref. No.	Part No.	Part Name	Remarks	Q'ty	New
C552	nsp	CK73B1H103KT (1608) +1608			
C553	00D2544718924	CE04W1C330MT(GR)			
C554	nsp	CK73B1H103KT (1608) +1608			
C555	00D2544718924	CE04W1C330MT(GR)			
C556-559	nsp	CK73B1H103KT (1608) +1608			
C560	nsp	CK73B1E473KT +1608			
C561	nsp	CK73B1A105KT +1608			
C563	nsp	CK73B1E473KT +1608			
C565	nsp	CC73CH1H221JT +1608			
C566	nsp	CK73B1H103KT (1608) +1608			
C567	00D2544718924	CE04W1C330MT(GR)			
C568	nsp	CK73B1H103KT (1608) +1608			
C569	00D2544718924	CE04W1C330MT(GR)			
C570-574	nsp	CK73B1H103KT (1608) +1608			
C575	nsp	CK73B1E473KT +1608			
C601-604	nsp	CK73B1H103KT (1608) +1608			
C609-616	nsp	RM73B--R0KT +1608			
C618-639	nsp	CC73CH1H331JT +1608			
C640-643	nsp	CC73CH1H101JT +1608			
C644,645	nsp	CC73CH1H331JT +1608			
C646-649	00D2544722981	CE04W1H100MT(GR)			
C658-673	00D2544722981	CE04W1H100MT(GR)			
C704,705	00D2544722981	CE04W1H100MT(GR)			
C707	00D2544722981	CE04W1H100MT(GR)			
C732,733	nsp	CK73B1H103KT +2125			
C734	00D2544723922	CE04W1H101MT(GR)			
C737,738	nsp	CK73B1H103KT +2125			
C739,740	00D2544723922	CE04W1H101MT(GR)	EU, EC		
C739,740	00D2544765906	CE04W1E101MT(ROB)	E2		
C741-745	00D2544723922	CE04W1H101MT(GR)			
C746-751	00D2544722981	CE04W1H100MT(GR)			
C752,753	nsp	CC73CH1H680JT +1608			
C754	00D2544723922	CE04W1H101MT(GR)			
C755,756	nsp	CC73CH1H101JT +1608			
C757-760	00D2544722981	CE04W1H100MT(GR)			
C761,762	00D2544723922	CE04W1H101MT(GR)	EU, EC		
C761,762	00D2544765906	CE04W1E101MT(ROB)	E2		
C764-767	00D2544722981	CE04W1H100MT(GR)			
C770,771	00D2544718924	CE04W1C330MT(GR)			
C772,773	00D2544722981	CE04W1H100MT(GR)			
C774	nsp	CC73CH1H332JT +2125			
C775	nsp	CK73B1H104KT +2125			
C776,777	00D2544722978	CE04W1H4R7MT(GR)			
C778	nsp	CK73B1H104KT +2125			
C779	nsp	CC73CH1H332JT +2125			
C780	nsp	CC73CH1H121JT +1608			
C781	00D2544699904	CE04W1E101MT(R2A)			
C783-788	00D2544722907	CE04W1H0R1MT(GR)			
C789-791	00D2544196999	CE04W1H220MT (SRA)			
C794-799	00D2544722994	CE04W1H220MT(GR)			
C800	00D2544196999	CE04W1H220MT (SRA)			
C803-812	00D2544722994	CE04W1H220MT(GR)			
C813,814	nsp	CC73CH1H331JT +1608			
C816-825	nsp	CC73CH1H331JT +1608			
C833,834	nsp	CC73CH1H331JT +1608			
C836	00D2544722907	CE04W1H0R1MT(GR)			

△

△

Ref. No.	Part No.	Part Name	Remarks	Q'ty	New
C901-912 C915 C917-920	nsp nsp nsp	CK73B1H103KT (1608) +1608 CK73B1H103KT (1608) +1608 CK73B1H103KT (1608) +1608			
C923 C925 C984 C985	nsp nsp nsp 00D2544645903	CC73CH1H102JT +1608 CK73B1H103KT (1608) +1608 CK73B1E104KT +1608 CE67C0J221MT(MVA) +REF	EU, EC EU, EC		
CC101,102 CC401-406 CC408 CC409 CC410	nsp nsp nsp nsp nsp	CK73B1E104KT +1608 CK73X5R0J106MT(2125) CK73B1E104KT +1608 CK73B1A105KT +1608 CK73B1E103KT(1005)			
CC411 CC412 CC413,414 CC415,416 CC417-421	nsp nsp nsp nsp nsp	CK73X5R0J106MT(2125) CK73B1A104KT +1005 CK73B1E104KT +1608 CK73B1H102KT +1005 CK73X5R0J106MT(2125)			
CC601-604 CC609-612 CC613-616 CC732,733 CC737,738	nsp nsp nsp nsp nsp	CE04W1H100MT(GR) CE04W1H100MT(GR) CK73B1A105KT +1608 CK73B1H103KT +2125 CK73B1H103KT +2125			
CC746,747 CC750,751 CC752,753 CC755,756 CC759,760	00D2544722981 00D2544722981 nsp nsp 00D2544722981	CE04W1H100MT(GR) CE04W1H100MT(GR) CC73CH1H680JT +1608 CC73CH1H101JT +1608 CE04W1H100MT(GR)			
CC764-767 CC770,771 CC772 CC774 CC775	00D2544722981 00D2544718924 00D2544722981 nsp nsp	CE04W1H100MT(GR) CE04W1C330MT(GR) CE04W1H100MT(GR) CC73CH1H332JT +2125 CK73B1H104KT +2125			
CC776,777 CC778 CC779	00D2544722978 nsp nsp	CE04W1H4R7MT(GR) CK73B1H104KT +2125 CC73CH1H332JT +2125			
OTHERS PARTS GROUP					
CW075 CW131,132 CX052	nsp nsp nsp	7P-5P_480mm_3P_295mm_SAN-PH 13P SOCKET(9120) 5P KR CON BASE(L)	EU, EC		*
CX061 CX101 CX111 CX121 CX141	nsp 00D2051343921 00D2051377007 00D2051329042 00D2051329055	6P CONN.BASE(KR-PH) 10P FFC BASE(9610SC) 11P FFC BASE(9610SB) 12P FFC BASE(9610SB) 14P FFC BASE(9610SB)			
CX151 CX153 CX611 CX631 CX635	00D2051006051 645010039507S nsp nsp nsp	15P FFC BASE(P=1) 15P FFC BASE TOP(P=0.5MM) 15P CON.BASE TUC-P 3P CONNE.BASE(RED) 3P CONN.BASE(KR-PH)			
CX636 CX638 CX641	nsp nsp 00D2050884083	3P CONNE.BASE(BLK) 3P L=75 PH-SAN 4P CON.BASE(TUC-P)			*

Ref. No.	Part No.	Part Name	Remarks	Q'ty	New
CX651	nsp	5P CONN.BASE(KR-PH)			
CX653	nsp	5P CON.BASE TUC-P			
CX671	nsp	7P CON.BASE(TUC-P)			
CX672	nsp	6P CON.BASE(TUC-P)			
CY041	nsp	4P CON.SOCKET(TUC-P)			
CY073	nsp	7P CON PLUG TWG-P			
CY133	00D2051318011	13 FFC BASE(9604F)	EU, EC		
CY152	nsp	15P SOCKET(9120)			
CY171	nsp	17P SOCKT(9120)			
CY191	nsp	19P SOCKT(9120)			
CY942	nsp	4P CON.SOCKET(TUC-P)			
CY974	00D2051343950	7P FFC BASE(9610SC)			
FB101,102	nsp	RM73B--0R0KT +2125			
FB201	nsp	BEADS INDUCTOR TAPE			
FB406-410	nsp	RM73B--0R0KT +1608			
JK102-104	00D2048745008	6P S&PIN JACK(AU)			
JK401	643010058038S	4P PINJACK (MSD-244V)-AU-GBRY			*
JK451	00D2048719005	19P HDMI CONNECTOR			
JK501,502	643010049003S	6P PINJACK (MSD-246V)-AU-GBR			
JK601	643010053002S	4P PIN JACK(MSP-244V4)-AU			
JK602	643010048000S	4P PIN JACK(MSP-244V4)-AU			
JK604-607	643010048000S	4P PIN JACK(MSP-244V4)-AU			
JK608	643010053002S	4P PIN JACK(MSP-244V4)-AU			
JK609,610	643010048000S	4P PIN JACK(MSP-244V4)-AU			
JK699	643010058007S	6P PINJACK (MSP-246V6)-AU			*
JK981	00D2051381006	USB CONNECTOR			
L201	00D2350150941	LQH32MN330J23L			
RL401,402	00D2140228902	RELAY(EE2-12N35) +REF			
W901	nsp	M3 SCREW TERMINAL			
X201	141010002201S	HC-49(14.31818MHZ)			
	nsp	USB BRACKET			
	nsp	FRONT HDMI BRACKET			

8U-210064E MAIN CPU P.W.B. UNIT ASS'Y(EU,EC model)
8U-210064F MAIN CPU P.W.B. UNIT ASS'Y(E2 model) 

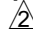
Ref. No.	Part No.	Part Name	Remarks	Q'ty	New
SEMICONDUCTORS GROUP					
IC101	236810072506S	ICL3232CVZ-T	E2		
IC102	00D262336090S	LC72722PM-TLM			
IC103	231310009508S	PQ033DNA1ZPH			
IC104-106	00D2631286903	PQ120DNA1ZPH			
IC108	234810015507S	BU4248F-TR			
IC109,110	00D2631289900	AZ4580MTR-E1			
IC111	00D263070690S	NJM2903M-TE1 +C			
IC112	00MHC007805KZ	TC74VHCT125AFT OUAD BUS BUFFER			
IC113	231810017528S	TK73333WTL-G			
IC114	00MHC007805KZ	TC74VHCT125AFT OUAD BUS BUFFER	<div style="border: 1px solid black; padding: 5px; width: fit-content;"> NOTE : When update Firmware, please confirm a last version in SDI. Use the service board after updating it.  </div>		
IC501	234810014504S	MC14094BDTR2G			
IC502	8R2481003500D	MAIN CPU ROM SUB ASSY (EN29LV160BB-70TIP)			
IC503-506	234810014504S	MC14094BDTR2G			
IC507,508	00D2623437906	TC74VHCT244AFT			
IC701	8R2431004100D	MAIN CPU SUB ASSY (R5F64169DFD)			
IC702	246810026500S	R1EX24256ASAS0A			
IC703	234810013501S	M62320GP			
TR101	00D2690191903	KRA104S-RTK/P (47K-47K)			
TR102,103	00D2730464901	KTC3875S-GR-RTK/P			
TR104	00D2690191903	KRA104S-RTK/P (47K-47K)			
TR105,106	00D2690066902	DTC323TKT96 +C			
TR107	00D2690192902	KRC102S-RTK/P (10K-10K)			
TR108	00D2690086908	DTA114TKT96 +C			
TR110	00D2690192902	KRC102S-RTK/P (10K-10K)			
TR111	00D2710326904	2SA1954(B)-TE85L			
TR112	00D2690192902	KRC102S-RTK/P (10K-10K)			
TR116,117	00D2730464901	KTC3875S-GR-RTK/P			
TR124	00D2710326904	2SA1954(B)-TE85L			
TR125,126	00D2690192902	KRC102S-RTK/P (10K-10K)			
TR127	00D2710326904	2SA1954(B)-TE85L			
TR128	00D2690192902	KRC102S-RTK/P (10K-10K)			
TR129	00D2710326904	2SA1954(B)-TE85L			
TR130	00D2690191903	KRA104S-RTK/P (47K-47K)			
TR131	00D2730464901	KTC3875S-GR-RTK/P			
TR132	00D2690192902	KRC102S-RTK/P (10K-10K)			
TR133	00D2690193901	KRC104S-RTK/P (47K-47K)			
TR134,135	00D2730464901	KTC3875S-GR-RTK/P			
TR136	00D2690192902	KRC102S-RTK/P (10K-10K)			
TR139,140	00D2690192902	KRC102S-RTK/P (10K-10K)			
TR141	00D2690191903	KRA104S-RTK/P (47K-47K)			
TR501	00D2710326904	2SA1954(B)-TE85L			
TR502	00D2690192902	KRC102S-RTK/P (10K-10K)			
TR704	00D2690193901	KRC104S-RTK/P (47K-47K)			
TR705-707	00D2690192902	KRC102S-RTK/P (10K-10K)			
TR712	00D2690184907	KRA102S-RTK/P (10K-10K)			
TR713	00D2690192902	KRC102S-RTK/P (10K-10K)			
D106	00D2760794900	KDS160-RTK/P			
D108,109	00D2760684900	RB051L-40TE25 +C			
D113	nsp	RM73B--0R0KT +2125			

Ref. No.	Part No.	Part Name	Remarks	Q'ty	New
CAPACITORS GROUP					
C101,102 C104	nsp 00D2544572908	CK73B1H102KT +1005 CE67C1C100MT(MV-B) +REF			
C110 C111 C113,114 C115 C116	nsp nsp nsp nsp nsp	CC73CH1H101JT +1005 CK73B1H102KT +1005 CK73B1H102KT +1005 CK73B0J475KT(P) +1608 CK73B1A104KT +1005			
C117-119 C121 C122 C125-127 C128,129	nsp nsp nsp nsp 00D2544572908	CK73B1H102KT +1005 CK73B0J475KT(P) +1608 CK73B1A104KT +1005 CK73B1A104KT +1005 CE67C1C100MT(MV-B) +REF			
C130 C135 C136 C137,138 C139,140	nsp nsp nsp 00D2544572908 nsp	CK73B1A104KT +1005 CC73CH1H331JT CK73B1A104KT +1005 CE67C1C100MT(MV-B) +REF CK73B0J475KT(P) +1608	E2 E2 E2		
C143 C144 C146,147 C148,149 C156	nsp nsp nsp nsp nsp	CC73CH1H561JT CK73B0J475KT(P) +1608 CK73B1C225KT(TY) +1608 CC73CH1H220JT CK73B0J475KT(P) +1608	E2 E2		
C158-161 C162 C163 C164,165 C168,169	nsp nsp nsp 00D2544572908 00D2544572908	CK73B1A104KT +1005 CK73B1A105KT +1608 CK73B0J475KT(P) +1608 CE67C1C100MT(MV-B) +REF CE67C1C100MT(MV-B) +REF			
C174 C176 C177 C178,179 C183	nsp nsp nsp nsp nsp	CK73B0J475KT(P) +1608 CK73B0J475KT(P) +1608 CE67C0J471MT +REF CC73CH1H471JT +1608 CK73B1H102KT +1005			
C185 C188,189 C190 C191-194 C195	nsp nsp nsp nsp nsp	CK73B0J475KT(P) +1608 CK73B1C225KT(TY) +1608 CK73B0J475KT(P) +1608 CK73B1E104KT +1608 CK73B1H104KT +1608	E2		
C196 C197 C198 C199 C200	nsp nsp nsp nsp nsp	CK73B1A104KT +1005 CK73B0J475KT(P) +1608 CK73B1A104KT +1005 CK73B0J475KT(P) +1608 CK73B1A104KT +1005			
C201 C203 C204 C206 C501	nsp nsp nsp nsp nsp	CK73B1H102KT +1005 CK73B1H153KT +1608 CK73B1A104KT +1005 CK73B1H102KT +1005 CK73B1A105KT +1608			
C502 C503 C504 C505 C506-509	nsp nsp nsp nsp nsp	CK73B1A104KT +1005 CK73B1H102KT +1005 CK73B1A104KT +1005 CK73B1H102KT +1005 CK73B1A104KT +1005			
C510 C511,512 C704,705	nsp nsp nsp	CK73B1A105KT +1608 CK73B1A104KT +1005 CK73B0J475KT(P) +1608			


△
△
△
△
△

△

Ref. No.	Part No.	Part Name	Remarks	Q'ty	New
C706,707	nsp	CK73B1H102KT +1608			
C712	nsp	CK73B0J475KT(P) +1608			
C713,714	nsp	CC73CH1H150JT +1608			
C715	nsp	CK73B1H102KT +1005			
C716	nsp	CK73B1A104KT +1005			
C718	nsp	CK73B1H102KT +1005			
C719	nsp	CK73B1A104KT +1005			
OTHERS PARTS GROUP					
CX068	nsp	6P KR CON BASE(L)			
CX069	nsp	6P ZH-ZR CON.BASE-T			
CX104	nsp	10P PIN HEADER(9120)			
CX122	nsp	12P PIN HEADER(9120)			
CX123	00D2051343905	11P FFC BASE(9610SCA			
CX131,132	nsp	13P PIN HEADER(9120)			
CX152	nsp	15P PIN HEADER(9120)			
CX154,155	nsp	15P JE CON.BASE			
CX156	00D2050736076	15P FFC CON.BASE			
CX301,302	nsp	30P CONN.BASE			
CY251	00D2051316000	25P FFC BASE(9610S)Y			
CY271	00D2051329000	27P FFC BASE(9610SB)			
FB101	00D2350158901	CHIP BEADS(18PG121) +1608			
FB202-204	nsp	RM73B--0R0KT +1608			
FB206	nsp	RM73B--0R0KT +1608			
FB208-210	nsp	RM73B--0R0KT +1608			
FB212	nsp	RM73B--0R0KT +1608			
FB214-216	nsp	RM73B--0R0KT +1608			
FB219-222	nsp	RM73B--0R0KT +1608			
FB224-232	nsp	RM73B--0R0KT +1608			
X101	141010001208S	HC-49(4.332MHZ)	E2		
X701	141810019508S	TXC 7A(16MHZ)			

8U-310030E DIGITAL P.W.B. UNIT ASS'Y(EU,EC model)
8U-310030F DIGITAL P.W.B. UNIT ASS'Y(E2 model) 

Ref. No.	Part No.	Part Name	Remarks	Q'ty	New
SEMICONDUCTORS GROUP					
IC101	236810062608S	LC89058W-E			
IC102,103	00D2623449004	LC89057W-VF4A			
IC104,105	236810062608S	LC89058W-E			
IC106	236810067504S	BU9450KV-E2	EU, EC		
IC107	00D2623106907	SN65LVDS32PW +REF			
IC108	00D2623432901	SN65LVDS1DBVR			
IC115	00D2623077900	TC74VHCU04FT +REF			
IC116	00D2623412905	TC74VHC14FT			
IC151	nsp	EP2C8F256C8N			
IC152	236010013505D	ICS251PMLFT			
IC154	236810074502S	CS2100**-CZZR			
IC155	141810025503S	TXC 8W(22.5792MHZ)			
IC156	236810012504S	FCXO-05B(24.576MHZ)			
IC157,158	00D2623436907	TC74VHC244FT			
IC159	00D2623490901	EPCS1SI8N(TAPE)			
IC160	nsp	EN5322QI-T			
IC202	nsp	EN5322QI-T			
IC203	246810009604S	W9864G2GH-6			
IC204	nsp	ADSP21367KSWZ2A1176			*
IC205	nsp	DSP1 ROM SUB ASSY (EN29LV160BB-70TIP)			
IC253	nsp	W9864G2GH-6			
IC254	nsp	ADSP21367KSWZ2A1176			*
IC255	nsp	DSP2 ROM SUB ASSY (EN29LV160BB-70TIP)			
IC301	231810017528S	TK73333WTL-G			
IC302	00D2623069905	PCM1804 +REF			
IC303-306	00D2623332904	PCM1791ADBR +REF			
IC307-309	00D2630934900	BA4510F-E2 +C			
IC310-314	00D2631289900	AZ4580MTR-E1			
IC351,352	236810070500S	AK4424ET			
IC353,354	00D2623332904	PCM1791ADBR +REF			
IC355,356	00D2631289900	AZ4580MTR-E1			
IC401	236810057606S	ADV3002BSTZ			
IC402	nsp	EN5335QI-T			
IC403	nsp	EN5322QI-T			
IC452	652850007508S	PRCP-USMF150			
IC454	00D2623753907	TC7W66FK			
IC455	00D2623444902	TC74VHC08FT			
IC457	00D2623711004	SAA7121H			
IC458	nsp	MFI341S2161 IPOD COPROCESSOR 2.0B			
IC459	231310009508S	PQ033DNA1ZPH			
IC461	00D2623448908	TC74VHC125FT			
IC462,463	236810071503S	NLAS7222CMUTBG			
IC466	236810063502S	AK4125VF			
IC501	nsp	ADV7840BBCZ-5			
IC502	247810004602S	K4S641632N-LC60			
IC504	231810017504S	TK73318WTL-G			
IC601,602	00D2623754906	CDCVF2505PWR			
IC603	141810028502S	TXC 7C(27MHZ)			
IC604	141810027509S	TXC 8W(48MHZ)			
IC605	nsp	EP2C35F484C8N			
IC607	248810041505S	M25P64-VMF6TP(E345)			

Ref. No.	Part No.	Part Name	Remarks	Q'ty	New
IC608	247810005605S	W9425G6EH-5			
IC609	00D2623436907	TC74VHC244FT			
IC610	00D2623473902	LP2995M			
IC611	246010016501D	EPCS16SI8N			
IC612	231810017511S	TK73325WTL-G			
IC701,702	236810059008S	ADV7510BSTZ-225			
IC751	nsp	EPM1270F256C5N			
IC801	00D2622557900	SN74LV14APW-EL2 +REF			
IC802	nsp	ABT2010			
IC803,804	231810069505S	AOZ1021AI			
IC805	nsp	EN5311QI-T			
IC806	141810003503S	FCXO-05 (30.00MHz)			
IC851	00D2623617904	LP2996MX			
IC852,853	nsp	K4T51163QG-HCE7			
IC901	8R2431004200D	SUB CPU SUB ASSY (R5F3650TNFB or R5F3650KNFB)	NOTE : When update Firmware, please confirm a last version in SDI. Use the service board after updating it. 		
IC903	00D2623424906	LTC1694CS5			
IC905	00D2623437906	TC74VHCT244AFT			
IC951	231810017504S	TK73318WTL-G			
IC952	236810058609S	ADV7340BSTZ-3			
IC955	231310009508S	PQ033DNA1ZPH			
IC956	231810071508S	PQ012ENB1ZPH			
IC957	231310009508S	PQ033DNA1ZPH			
TR101	00D2690192902	KRC102S-RTK/P (10K-10K)			
TR102	00D2690184907	KRA102S-RTK/P (10K-10K)			
TR103	00D2690192902	KRC102S-RTK/P (10K-10K)	EU, EC		
TR104	00D2690184907	KRA102S-RTK/P (10K-10K)	EU, EC		
TR105	00D2757001907	FDC608PZ	EU, EC		
TR106	00D2690192902	KRC102S-RTK/P (10K-10K)	EU, EC		
TR122	00D2690192902	KRC102S-RTK/P (10K-10K)			
TR203	00D2690192902	KRC102S-RTK/P (10K-10K)			
TR204	00D2690184907	KRA102S-RTK/P (10K-10K)			
TR253	00D2690192902	KRC102S-RTK/P (10K-10K)			
TR254	00D2690184907	KRA102S-RTK/P (10K-10K)			
TR315,316	00D2730460905	KTC2875-B-RTK/P			
TR317	00D2690192902	KRC102S-RTK/P (10K-10K)			
TR318	00D2690184907	KRA102S-RTK/P (10K-10K)			
TR401-403	00D2690192902	KRC102S-RTK/P (10K-10K)			
TR404-407	00D2690193901	KRC104S-RTK/P (47K-47K)			
TR408	00D2757001907	FDC608PZ			
TR409	00D2690192902	KRC102S-RTK/P (10K-10K)			
TR451	00D2690192902	KRC102S-RTK/P (10K-10K)			
TR452,453	00D2757001907	FDC608PZ			
TR454-456	00D2690192902	KRC102S-RTK/P (10K-10K)			
TR459-461	00D2690192902	KRC102S-RTK/P (10K-10K)			
TR462	00D2690193901	KRC104S-RTK/P (47K-47K)			
TR463	00D2690184907	KRA102S-RTK/P (10K-10K)			
TR464,465	00D2690192902	KRC102S-RTK/P (10K-10K)			
TR466	00D2757001907	FDC608PZ			
TR467-472	00D2690192902	KRC102S-RTK/P (10K-10K)			
TR473	00D2690184907	KRA102S-RTK/P (10K-10K)			
TR474	00D2690192902	KRC102S-RTK/P (10K-10K)			
TR475	00D2690184907	KRA102S-RTK/P (10K-10K)			
TR502,503	00D2690192902	KRC102S-RTK/P (10K-10K)			
TR505-507	00D2690193901	KRC104S-RTK/P (47K-47K)			



Ref. No.	Part No.	Part Name	Remarks	Q'ty	New
TR601	00D2690192902	KRC102S-RTK/P (10K-10K)			
TR602	00D2757001907	FDC608PZ			
TR603	00D2690193901	KRC104S-RTK/P (47K-47K)			
TR701	00D2730464901	KTC3875S-GR-RTK/P			
TR702,703	00D2690192902	KRC102S-RTK/P (10K-10K)			
TR704	00D2690193901	KRC104S-RTK/P (47K-47K)			
TR705	00D2690184907	KRA102S-RTK/P (10K-10K)			
TR801	00D2690184907	KRA102S-RTK/P (10K-10K)			
TR802	00D2730464901	KTC3875S-GR-RTK/P			
TR803	00D2690184907	KRA102S-RTK/P (10K-10K)			
TR804	00D2730464901	KTC3875S-GR-RTK/P			
TR805	00D2690184907	KRA102S-RTK/P (10K-10K)			
TR806	00D2730464901	KTC3875S-GR-RTK/P			
TR807	00D2690193901	KRC104S-RTK/P (47K-47K)			
TR810	00D2750110905	HN1K02FU-TE85L			
TR902	00D2730384900	2SC2412KT96(S) +C			
TR903	00D2740195901	2SD2114KT196 +C			
TR904	00D2690193901	KRC104S-RTK/P (47K-47K)			
TR905	00D2730384900	2SC2412KT96(S) +C			
TR906	00D2730464901	KTC3875S-GR-RTK/P			
TR907	00D2690192902	KRC102S-RTK/P (10K-10K)			
TR908	00D2710326904	2SA1954(B)-TE85L			
TR909	00D2690184907	KRA102S-RTK/P (10K-10K)			
TR910	00D2690192902	KRC102S-RTK/P (10K-10K)			
TR911	00D2730464901	KTC3875S-GR-RTK/P			
TR951-955	00D2710293901	2SA1022-B +C			
TR956	00D2750110905	HN1K02FU-TE85L			
TR965	00D2690191903	KRA104S-RTK/P (47K-47K)			
D101-103	00D2760738908	KDS226-RTK/P (A-K)			
D404-436	251310004507S	CG0603MLC-12LE			
D440	00D2760750902	RB521S-30TE61 +REF			
D502,503	00D2760833900	ESD PROTECTOR(6802)			
D505,506	00D2760833900	ESD PROTECTOR(6802)			
D508,509	00D2760833900	ESD PROTECTOR(6802)			
D511,512	00D2760833900	ESD PROTECTOR(6802)			
D515,516	00D2760833900	ESD PROTECTOR(6802)			
D518,519	00D2760833900	ESD PROTECTOR(6802)			
D521,522	00D2760833900	ESD PROTECTOR(6802)			
D524,525	00D2760833900	ESD PROTECTOR(6802)			
D527,528	00D2760833900	ESD PROTECTOR(6802)			
D530,531	00D2760833900	ESD PROTECTOR(6802)			
D533,534	00D2760833900	ESD PROTECTOR(6802)			
D701	00D2760794900	KDS160-RTK/P			
D708-711	00D2760833900	ESD PROTECTOR(6802)			
D713-724	00D2760833900	ESD PROTECTOR(6802)			
D726-733	00D2760833900	ESD PROTECTOR(6802)			
D801-805	00D2760794900	KDS160-RTK/P			
D901	00D2760847909	RSX101M-30			
D903	00D2760794900	KDS160-RTK/P			
ZD101	251310004507S	CG0603MLC-12LE	EU, EC		
ZD102-105	251310004507S	CG0603MLC-12LE			
ZD109-112	251310004507S	CG0603MLC-12LE			
ZD113	251310004507S	CG0603MLC-12LE	EU, EC		
ZD451-457	251310004507S	CG0603MLC-12LE			

Ref. No.	Part No.	Part Name	Remarks	Q'ty	New
ZD701,702	00D2760683930	UDZS5.1B-TE17 +C			
RESISTORS GROUP					
R669,670 R723,724 R727	nsp nsp nsp	RM73B--102FT +1608 RM73B--202DT(1608) RM73B--162DT(1608)			
R730 R823 R832 R834-837 R846	nsp nsp nsp nsp nsp	RM73B--162DT(1608) RM73B--153DT(1608) RM73B--103DT(1608) +1608 RM73B--102FT +1608 RM73B--302DT(1608)			
R847 RE819,820 RE824,825 RE914	nsp nsp nsp nsp	RM73B--123DT(1608) RM73B--102FT +1608 RM73B--102FT +1608 RM73B--181FT_1608			
RE918 RE920 RE923 RE924 RE933	nsp nsp nsp nsp nsp	RM73B--392DT(1608) RM73B--181FT_1608 RM73B--221FT RM73B--511FT +1608 RM73B--271FT_1608			
RE935 RE954 RE957-959 RE962,963	nsp nsp nsp nsp	RM73B--271FT_1608 RM73B2B0R0KT +3216 RM73B--390DT(1608) RM73B2B0R0KT +3216			
RR860 RR861 RR863 RA801-806	nsp nsp nsp 126250001502S	RM73B--331DT(1608) RM73B--272DT(1608) RM73B2H49R9FT +3225 PRB3T4=0R0(1005X4)			
RA851-858 RA859-864 RS101,102 RS105,106	126250001502S 126250001519S 00D2473001906 nsp	PRB3T4=0R0(1005X4) PRB3T4=151J(1005X4) RM73B--0R0KT+1005 RM73B--0R0KT +1608			
RS109-112 RS119 RS121-129 RS133,134 RS135	nsp 00D2473006901 00D2473006901 00D2473006901 00D2473010984	RM73B--0R0KT +1608 RM73B--101JT+1005 RM73B--101JT+1005 RM73B--101JT+1005 RM73B--103JT +1005			
RS136,137 RS138,139 RS148 RS149-151 RS152	00D2473001906 00D2473006901 00D2473001906 00D2473006901 00D2473001906	RM73B--0R0KT+1005 RM73B--101JT+1005 RM73B--0R0KT+1005 RM73B--101JT+1005 RM73B--0R0KT+1005			
RS153-156 RS158,159 RS160 RS161,162 RS163	00D2473006901 00D2473008941 00D2473006901 nsp nsp	RM73B--101JT+1005 RM73B--102JT RM73B--101JT+1005 RM73B--0R0KT +1608 RM73B--104JT +1608			
RS164 RS165-167 RS168 RS169-174	00D2473001906 00D2473006901 00D2473008941 00D2473010984	RM73B--0R0KT+1005 RM73B--101JT+1005 RM73B--102JT RM73B--103JT +1005			

Ref. No.	Part No.	Part Name	Remarks	Q'ty	New
RS175-177	00D2473006901	RM73B--101JT+1005			
RS178,179	00D2473001906	RM73B--0R0KT+1005			
RS301,302	00D2473008941	RM73B--102JT			
RS303,304	nsp	RM73B--100JT +1608			
RS307-310	nsp	RM73B--0R0KT +1608			
RS313-316	nsp	RM73B--0R0KT +1608			
RS317-324	00D2473009908	RM73B--182JT			
RS325-329	00D2473009979	RM73B--362JT +1005			
RS330-333	00D2473008909	RM73B--681JT			
RS334,335	00D2473009979	RM73B--362JT +1005			
RS336-339	00D2473008909	RM73B--681JT			
RS340	00D2473009979	RM73B--362JT +1005			
RS347-350	00D2473006901	RM73B--101JT+1005			
RS501-516	00D2473004945	RM73B--220JT+1005			
RS521,522	00D2473010900	RM73B--472JT+1005			
RS523-542	00D2473004945	RM73B--220JT+1005			
RS546	00D2473001906	RM73B--0R0KT+1005			
RS548	00D2473001906	RM73B--0R0KT+1005			
RS550	00D2473001906	RM73B--0R0KT+1005			
RS554	00D2473001906	RM73B--0R0KT+1005			
RS555,556	nsp	RM73B--0R0KT +1608			
RS558-561	nsp	RM73B--0R0KT +1608			
RS562	00D2473001906	RM73B--0R0KT+1005			
RS901-903	00D2473001906	RM73B--0R0KT+1005			
RS905-914	00D2473001906	RM73B--0R0KT+1005			
RS915	00D2473011996	RM73B--303JT +1005			
RS917-924	00D2473010984	RM73B--103JT +1005			
RS952	00D2473004987	RM73B--330JT +1005			
RS954	00D2473010984	RM73B--103JT +1005			
RS955	00D2473004987	RM73B--330JT +1005			
RS971	00D2473001906	RM73B--0R0KT+1005			
CAPACITORS GROUP					
C101	nsp	CK73B1H102KT +1005	EU, EC		
C102,103	nsp	CK73B1A104KT +1005	EU, EC		
C104	nsp	CK73B0J475KT(P) +1608	EU, EC		
C105	nsp	CC73CH1H200JT +1005	EU, EC		
C106	nsp	CK73B0J475KT(P) +1608			
C107-109	nsp	CC73CH1H200JT +1005	EU, EC		
C111	nsp	RM73B--333JT	EU, EC		
C114	nsp	CK73B0J475KT(P) +1608	EU, EC		
C115	nsp	CK73B1A104KT +1005	EU, EC		
C116	nsp	CC73CH1H120JT +1005	EU, EC		
C117	nsp	CC73CH1H180JT +1005	EU, EC		
C118	nsp	CK73B0J475KT(P) +1608			
C119	nsp	CK73B1A104KT +1005			
C120	nsp	CC73CH1H101JT +1005			
C121	nsp	CK73B0J475KT(P) +1608	EU, EC		
C122,123	nsp	CK73B1A104KT +1005	EU, EC		
C124,125	nsp	CK73B1H102KT +1005	EU, EC		
C126	nsp	CK73B1A104KT +1005			
C127	nsp	CC73CH1H101JT +1005			
C128	nsp	CK73B1A104KT +1005			
C129	nsp	RM73B--333JT			
C130	nsp	CK73B1A104KT +1005			

	Ref. No.	Part No.	Part Name	Remarks	Q'ty	New
	C131	nsp	CK73B0J475KT(P) +1608	EU, EC		
	C132	nsp	CK73B1A104KT +1005			
	C133	nsp	CK73B1H102KT +1005			
	C134	nsp	CK73B1E104KT +1608			
	C135	nsp	CK73B1E223KT +1608			
	C136	nsp	CK73B0J475KT(P) +1608	EU, EC		
	C137	nsp	CK73B1A104KT +1005			
	C138	nsp	CK73B1H102KT +1005			
	C139	nsp	CK73B1E223KT +1608			
	C140	nsp	CK73B1A104KT +1005			
	C141	nsp	CK73B1A104KT +1005			
	C142	nsp	CK73B1H102KT +1005			
	C143,144	nsp	CK73B1E104KT +1608			
	C145	nsp	CK73B1E223KT +1608			
	C146,147	nsp	CK73B1A104KT +1005			
	C149	nsp	CK73B1A104KT +1005			
	C150	nsp	CK73B1H102KT +1005			
	C151	nsp	CK73B1E223KT +1608			
	C153	nsp	CK73B1A104KT +1005			
	C154	nsp	CK73B1H102KT +1005			
	C155,156	nsp	CK73B1E104KT +1608			
	C157	nsp	CK73B1E223KT +1608			
	C161-163	nsp	CK73B0J475KT(P) +1608			
	C164-166	nsp	CK73B1H103KT (1608) +1608			
	C167	nsp	CK73B0J475KT(P) +1608			
	C168,169	nsp	CK73B1A104KT +1005			
	C212,213	nsp	CK73B0J475KT(P) +1608			
	C214-216	nsp	CC73CH1H101JT +1005			
	C217-231	nsp	CK73B1A104KT +1005			
	C232,233	nsp	CK73B0J475KT(P) +1608			
	C234	nsp	CK73B1A104KT +1005	EU, EC E2		
	C236,237	nsp	CK73B1A104KT +1005			
	C238,239	nsp	CC73CH1H7R0DT +1005			
	C241	00D2574011905	CE67C0J101MT (RV2) +REF			
	C241	00D2544601934	CE67W0J101MT(P.CAP) +REF			
	C246,247	nsp	CK73B0J475KT(P) +1608			
	C248,249	nsp	CK73X5R0J106MT(2125)			
	C250	nsp	CK73B1E104KT +1608			
	C251	nsp	CK73X5R0J106MT(2125)			
	C278	nsp	CK73B1E104KT +1608			
	C279	nsp	CK73B1A105KT +1608			
	C280,281	nsp	CK73X5R0J106MT(2125)			
	C301	nsp	CK73B0J475KT(P) +1608			
	C302	00D2544601934	CE67W0J101MT(P.CAP) +REF			
	C303	nsp	CK73B0J475KT(P) +1608			
	C304,305	nsp	CK73B1E104KT +1608			
	C306	nsp	CK73B1H102KT +1608			
	C307	nsp	CS77B1A100MT(NOJ)			
	C308	nsp	CC73CH1H101JT +1608			
	C309	nsp	CK73B1E104KT +1608			
	C310	nsp	CS77B1A100MT(NOJ)			
	C311	nsp	CK73B1E104KT +1608			
	C312	nsp	CK73B1H102KT +1608			
	C313	nsp	CK73B1E104KT +1608			
	C314	nsp	CC73CH1H101JT +1608			
	C315	nsp	CK73B1H102KT +1608			

2

Ref. No.	Part No.	Part Name	Remarks	Q'ty	New
C316	nsp	CS77B1A100MT(NOJ)			
C317	nsp	CK73B0J475KT(P) +1608			
C318,319	nsp	CS77B1A100MT(NOJ)			
C320	nsp	CK73B1H472KT +1608			
C321	nsp	CC73CH1H103JT +2125			
C322-324	nsp	CC73CH1H561JT +1608			
C325,326	nsp	CK73B0J475KT(P) +1608			
C327,328	nsp	CS77B1A100MT(NOJ)			
C329	nsp	CK73B1H472KT +1608			
C330	nsp	CC73CH1H103JT +2125			
C331	nsp	CC73CH1H561JT +1608			
C332	nsp	CK73B0J475KT(P) +1608			
C333	nsp	CK73B1E104KT +1608			
C334	nsp	CC73CH1H102JT +1608			
C335,336	nsp	CK73B1E104KT +1608			
C338,339	nsp	CK73B1E104KT +1608			
C341,342	nsp	CK73B1E104KT +1608			
C344,345	nsp	CK73B1E104KT +1608			
C347,348	nsp	CS77B1A100MT(NOJ)			
C349	nsp	CK73B1H102KT +1608			
C350	nsp	CC73CH1H101JT +1608			
C351	nsp	CK73B1E104KT +1608			
C352-357	nsp	CS77B1A100MT(NOJ)			
C358	nsp	CK73B1H102KT +1608			
C359	nsp	CC73CH1H101JT +1608			
C360	nsp	CK73B1E104KT +1608			
C361	nsp	CC73CH1H182JT +1608			
C362	nsp	CC73CH1H561JT +1608			
C363	nsp	CC73CH1H182JT +1608			
C364-367	nsp	CC73CH1H561JT +1608			
C368	nsp	CC73CH1H182JT +1608			
C369	nsp	CC73CH1H152JT +1608			
C370	nsp	CC73CH1H561JT +1608			
C371,372	nsp	CC73CH1H331JT +1608			
C373	nsp	CC73CH1H391JT +1608			
C374	nsp	CC73CH1H152JT +1608			
C375,376	nsp	CC73CH1H391JT +1608			
C377	nsp	CC73CH1H152JT +1608			
C378	nsp	CC73CH1H391JT +1608			
C379	nsp	CC73CH1H561JT +1608			
C380	nsp	CC73CH1H182JT +1608			
C381,382	nsp	CC73CH1H561JT +1608			
C383	nsp	CC73CH1H182JT +1608			
C384	nsp	CC73CH1H561JT +1608			
C385,386	00D2544603916	CE67W1E100MT(P.CAP) +REF			
C401	nsp	CK73X5R0J106MT(2125)			
C402-404	nsp	CK73B1A104KT +1005			
C405-408	nsp	CK73B1H102KT +1005			
C409	nsp	CC73CH1H101JT +1005			
C410,411	nsp	CK73B1A104KT +1005			
C412	nsp	CK73X5R0J106MT(2125)			
C413	nsp	CK73B1H153KT +1608			
C416	nsp	CK73B1E104KT +1608			
C417-422	nsp	CK73X5R0J106MT(2125)			
C423,424	nsp	CK73B0J475KT(P) +1608			
C425	nsp	CK73B1E104KT +1608			

Ref. No.	Part No.	Part Name	Remarks	Q'ty	New
C426	nsp	CK73B1A104KT +1005			
C427	nsp	CK73B1E104KT +1608			
C428-432	nsp	CK73X5R0J106MT(2125)			
C433	nsp	CK73B1A105KT +1608			
C451-456	nsp	CK73B1H102KT +1005			
C457	nsp	CC73CH1H101JT +1005			
C458-460	nsp	CK73B1H102KT +1005			
C461-470	nsp	CK73B1A104KT +1005			
C471,472	nsp	CK73B0J475KT(P) +1608			
C501-508	nsp	CK73B1E104KT +1608			
C509	nsp	CK73B1H103KT (1608) +1608			
C510	nsp	CK73B1E104KT +1608			
C511-513	nsp	CK73B1A104KT +1005			
C514,515	nsp	CC73CH1H120JT +1005			
C516,517	nsp	CC73CH1H150JT +1005			
C518	nsp	CK73B1H102KT +1005			
C519,520	nsp	CK73X5R0J106MT(2125)			
C521,522	nsp	CK73B1H102KT +1005			
C523-527	nsp	CK73B1A104KT +1005			
C528,529	nsp	CK73X5R0J106MT(2125)			
C530,531	nsp	CK73B1A104KT +1005			
C532,533	nsp	CK73B1H102KT +1005			
C534	nsp	CK73B1E103KT(1005)			
C535-543	nsp	CK73B1A104KT +1005			
C544	nsp	CK73B1E103KT(1005)			
C545	nsp	CC73CH1H101JT +1005			
C546,547	nsp	CK73B1E103KT(1005)			
C548,549	nsp	CC73CH1H101JT +1005			
C550	nsp	CK73B1E103KT(1005)			
C551,552	nsp	CK73B1A104KT +1005			
C553-555	nsp	CK73X5R0J106MT(2125)			
C556,557	nsp	CK73B1E103KT(1005)			
C558,559	nsp	CK73B1A104KT +1005			
C560	nsp	CC73CH1H101JT +1005			
C561	nsp	CK73B1H102KT +1005			
C562	nsp	CK73B1A104KT +1005			
C563,564	nsp	CK73B1E103KT(1005)			
C565	nsp	CK73B1A104KT +1005			
C566,567	nsp	CK73B1E103KT(1005)			
C568,569	nsp	CK73B1A104KT +1005			
C570	nsp	CK73B1E103KT(1005)			
C571	nsp	CK73X5R0J106MT(2125)			
C572	nsp	CK73B1E103KT(1005)			
C573	nsp	CK73B1A104KT +1005			
C574	nsp	CK73B1C823KT +1608			
C575	nsp	CK73B1H103KT (1608) +1608			
C576	nsp	CK73B1A824KT +1608			
C577	nsp	CK73B1E393KT(1608)			
C578-581	nsp	CK73B1E103KT(1005)			
C582	nsp	CK73B1A104KT +1005			
C583	nsp	CK73X5R0J106MT(2125)			
C584-586	nsp	CK73B1A104KT +1005			
C587	nsp	CK73X5R0J106MT(2125)			
C588-591	nsp	CK73B1A104KT +1005			
C592	nsp	CK73B1H102KT +1005			
C593-595	nsp	CK73B1A104KT +1005			

Ref. No.	Part No.	Part Name	Remarks	Q'ty	New
C596	nsp	CK73B1E103KT(1005)			
C597	nsp	CC73CH1H101JT +1005			
C598-600	nsp	CK73B1E103KT(1005)			
C601-603	nsp	CK73X5R0J106MT(2125)			
C604	nsp	CK73B1E103KT(1005)			
C605-607	nsp	CK73B1H102KT +1005			
C608	nsp	CK73B1E103KT(1005)			
C609-612	nsp	CK73B1A104KT +1005			
C613	nsp	CK73B1E103KT(1005)			
C614-616	nsp	CK73B1A104KT +1005			
C618	nsp	CK73B0J475KT(P) +1608			
C619-621	nsp	CK73B1E103KT(1005)			
C623	nsp	CK73B1A104KT +1005			
C624	nsp	CK73B0J475KT(P) +1608			
C625-627	nsp	CK73B1A104KT +1005			
C628	nsp	CK73B1E103KT(1005)			
C629,630	nsp	CC73CH1H101JT +1005			
C633	nsp	CK73B1A104KT +1005			
C635,636	00D2574011905	CE67C0J101MT (RV2) +REF			
C637,638	nsp	CK73B1E103KT(1005)			
C639	nsp	CK73B1A104KT +1005			
C642	nsp	CK73B1E103KT(1005)			
C643	nsp	CK73B1A104KT +1005			
C645	nsp	CK73B1E103KT(1005)			
C646	nsp	CK73B1H102KT +1005			
C647	nsp	CK73B1E103KT(1005)			
C648,649	nsp	CK73B1H102KT +1005			
C651	nsp	CK73B0J475KT(P) +1608			
C655-659	nsp	CK73B1H102KT +1005			
C660	nsp	CC73CH1H101JT +1005			
C719,720	nsp	CK73X5R0J106MT(2125)			
C723-728	nsp	CK73B1A104KT +1005			
C729,730	nsp	CC73CH1H101JT +1005			
C731-734	nsp	CK73B1H102KT +1005			
C739-744	nsp	CK73B1A104KT +1005			
C745,746	nsp	CK73B1H102KT +1005			
C751,752	nsp	CK73X5R0J106MT(2125)			
C755-758	nsp	CK73B1A104KT +1005			
C763,764	nsp	CK73B1H102KT +1005			
C765,766	nsp	CC73CH1H101JT +1005			
C767,768	nsp	CK73X5R0J106MT(2125)			
C771-776	nsp	CK73B1A104KT +1005			
C777	nsp	CK73X5R0J106MT(2125)			
C779	nsp	CC73CH1H101JT +1005			
C780	nsp	CK73B1H102KT +1005			
C782	nsp	CK73B1A104KT +1005			
C785	nsp	CK73B1A104KT +1005			
C786	nsp	CK73X5R0J106MT(2125)			
C788	nsp	CC73CH1H101JT +1005			
C789	nsp	CK73B1H102KT +1005			
C791	nsp	CK73B1A104KT +1005			
C794	nsp	CK73B1A104KT +1005			
C795,796	nsp	CK73B1H102KT +1005			
C797,798	nsp	CC73CH1H101JT +1005			
C801	nsp	CK73B1A104KT +1005			
C802	nsp	CK73B0J475KT(P) +1608			

Ref. No.	Part No.	Part Name	Remarks	Q'ty	New
C803	nsp	CK73B1A104KT +1005			
C804,805	nsp	CK73B0J475KT(P) +1608			
C806	nsp	CK73B1A104KT +1005			
C807	nsp	CK73B1A224KT +1608			
C808	nsp	CK73X5R0J106MT(2125)			
C809,810	nsp	CK73B1A104KT +1005			
C811-815	nsp	CK73B0J475KT(P) +1608			
C816	nsp	CC73CH1H101JT +1005			
C817,818	nsp	CK73B1A104KT +1005			
C819	nsp	CK73B1H103KT (1608) +1608			
C820	nsp	CK73B1A104KT +1005			
C821	nsp	CK73B1H102KT +1608			
C822-825	nsp	CK73B1A104KT +1005			
C826	nsp	CK73B1H103KT (1608) +1608			
C827	nsp	CK73B1A104KT +1005			
C828	nsp	CK73B1H102KT +1608			
C829-832	nsp	CK73B1A104KT +1005			
C833	nsp	CK73B1H103KT (1608) +1608			
C834	nsp	CK73B1A104KT +1005			
C835	nsp	CK73B1H102KT +1608			
C836-845	nsp	CK73B1A104KT +1005			
C846	nsp	CK73B1A224KT +1608			
C847	nsp	CK73B0J475KT(P) +1608			
C848	nsp	CK73B1A104KT +1005			
C849	nsp	CC73CH1H101JT +1005			
C850-861	nsp	CK73B1A104KT +1005			
C862,863	nsp	CK73B0J475KT(P) +1608			
C864-869	nsp	CK73B1A104KT +1005			
C870	nsp	CK73B1A105KT +1608			
C871	nsp	CK73B1A224KT +1608			
C872-874	nsp	CK73B1A104KT +1005			
C875	nsp	CK73B1H102KT +1005			
C876	nsp	CK73B1A104KT +1005			
C877	nsp	CK73B1H102KT +1005			
C878	nsp	CK73B1A104KT +1005			
C879	nsp	CK73B1H102KT +1005			
C883	nsp	CK73B1A104KT +1005			
C884	nsp	CC73CH1H5R0CT +1005			
C887-895	nsp	CK73B1A104KT +1005			
C896	nsp	CK73B0J475KT(P) +1608			
C897-899	nsp	CK73X5R0J106MT(2125)			
C901	nsp	CK73B1A104KT +1005			
C902	nsp	CK73B1H102KT +1005			
C903,904	nsp	CC73CH1H101JT +1005			
C905	nsp	CC73CH1H120JT +1608			
C906	nsp	CC73CH1H150JT +1608			
C907	nsp	CK73B1H102KT +1005			
C909	nsp	CK73B0J475KT(P) +1608			
C910	nsp	CK73B1A104KT +1005			
C911	nsp	CK73B0J475KT(P) +1608			
C913	nsp	CK73B0J475KT(P) +1608			
C917	nsp	CK73B1H102KT +1608			
C918,919	nsp	CK73B0J475KT(P) +1608			
C920	nsp	CK73B1A104KT +1005			
C922	nsp	CK73B1H221KT +1005			
C923	nsp	CK73B1H103KT (1608) +1608			

	Ref. No.	Part No.	Part Name	Remarks	Q'ty	New
	C924,925	nsp	CK73B1A104KT +1005			
	C927	nsp	CC73CH1H101JT +1005			
	C928,929	nsp	CK73B1A104KT +1005			
	C930	nsp	CK73B1H102KT +1005			
	C931	nsp	CK73B1H102KT +1608			
	C932	nsp	CK73B0J475KT(P) +1608			
	C951,952	00D2544601918	CE67W0J471MT(P.CAP) +REF			
	C953	nsp	CK73B1E104KT +1608			
	C995,996	nsp	CK73B1H102KT +1005			
	CC101	nsp	CK73B0J475KT(P) +1608			
	CC102	nsp	CK73B1A104KT +1005			
	CC103	nsp	CK73B0J475KT(P) +1608			
	CC104	nsp	CC73CH1H101JT +1005			
	CC105	nsp	CK73B0J475KT(P) +1608			
	CC106	nsp	CK73B1A104KT +1005			
	CC107	nsp	CK73B0J475KT(P) +1608			
	CC108	nsp	CC73CH1H101JT +1005			
	CC109	nsp	CK73B1H102KT +1005			
	CC110	nsp	CK73B0J475KT(P) +1608			
	CC111	nsp	CC73CH1H101JT +1005			
	CC112	nsp	CK73B1H102KT +1005			
	CC114	nsp	CC73CH1H101JT +1005			
	CC118	nsp	CK73B1H102KT +1005			
	CC121	nsp	CK73B1A104KT +1005			
	CC122,123	nsp	CK73B1H102KT +1005			
	CC124	nsp	CK73B1A104KT +1005			
	CC126	nsp	CK73B1H102KT +1005			
	CC127	nsp	CC73CH1H101JT +1005			
	CC128	nsp	CK73B1A104KT +1005			
	CC131,132	nsp	CK73B1A104KT +1005			
	CC135	nsp	CK73B1H102KT +1005			
	CC151	nsp	CK73B1A105KT +1608			
	CC152,153	nsp	CK73B0J475KT(P) +1608			
	CC154	nsp	CK73B1E104KT +1608			
	CC155-159	nsp	CK73X5R0J106MT(2125)			
	CC160	nsp	CK73B1E104KT +1608			
	CC212,213	nsp	CK73B0J475KT(P) +1608			
	CC214-216	nsp	CC73CH1H101JT +1005			
	CC217-231	nsp	CK73B1A104KT +1005			
	CC232,233	nsp	CK73B0J475KT(P) +1608			
	CC234	nsp	CK73B1A104KT +1005			
	CC236,237	nsp	CK73B1A104KT +1005			
	CC238,239	nsp	CC73CH1H7R0DT +1005			
	CC241	00D2574011905	CE67C0J101MT (RV2) +REF			
	CC242-300	nsp	CC73CH1H101JT +1005			
	CC301,302	nsp	CK73B1A105KT +1608			
	CC303-306	nsp	CK73B1E104KT +1608			
	CC307	nsp	CK73B1A105KT +1608			
	CC308	nsp	CK73B0J475KT(P) +1608			
	CC309	nsp	CK73B1A105KT +1608			
	CC310-312	nsp	CK73B0J475KT(P) +1608			
	CC313	nsp	CS77B1A100MT(NOJ)			
	CC314	nsp	CK73B0J475KT(P) +1608			
	CC315,316	nsp	CS77B1A100MT(NOJ)			
	CC317	nsp	CK73B0J475KT(P) +1608			

Ref. No.	Part No.	Part Name	Remarks	Q'ty	New
CC318	nsp	CS77B1A100MT(NOJ)			
CC323	nsp	CC73CH1H182JT +1608			
CC324,325	nsp	CC73CH1H561JT +1608			
CC326	nsp	CC73CH1H182JT +1608			
CC327,328	nsp	CC73CH1H561JT +1608			
CC329	nsp	CK73B1H102KT +1608			
CC330	nsp	CC73CH1H182JT +1608			
CC331,332	nsp	CC73CH1H561JT +1608			
CC333	nsp	CC73CH1H101JT +1608			
CC334	nsp	CK73B1E104KT +1608			
CC335	nsp	CC73CH1H182JT +1608			
CC336,337	nsp	CC73CH1H561JT +1608			
CC338	nsp	CK73B1E104KT +1608			
CC339	nsp	CK73B1H102KT +1608			
CC340	nsp	CC73CH1H101JT +1608			
CC342-363	nsp	CC73CH1H101JT +1005			
CC365-368	nsp	CC73CH1H101JT +1005			
CC372-376	nsp	CC73CH1H101JT +1005			
CC377-399	nsp	CC73CH1H102JT +1608			
CC400	nsp	CC73CH1H101JT +1005			
CC401-403	nsp	CK73B1A104KT +1005			
CC404	nsp	CK73B1E104KT +1608			
CC405	nsp	CK73B1H102KT +1005			
CC406	00D2544645903	CE67C0J221MT(MVA) +REF			
CC407	nsp	CK73B1H102KT +1005			
CC408-411	nsp	CK73B1A104KT +1005			
CC412	nsp	CK73B1H102KT +1005			
CC413	nsp	CK73B1A104KT +1005			
CC414	nsp	CK73B0J475KT(P) +1608			
CC415	nsp	CK73B1A104KT +1005			
CC416	nsp	CK73B1H102KT +1005			
CC419	nsp	CK73B1H102KT +1005			
CC420,421	nsp	CC73CH1H101JT +1005			
CC422-425	nsp	CK73B1H102KT +1005			
CC426	nsp	CK73B1A104KT +1005			
CC427	00D2574012920	CE67C1C470MT (RV2) +REF			
CC428-431	nsp	CK73B1A104KT +1005			
CC432	nsp	CK73B0J475KT(P) +1608			
CC434,435	nsp	CK73B0J475KT(P) +1608			
CC437	nsp	CK73B1A104KT +1005			
CC439	nsp	CK73B0J475KT(P) +1608			
CC440,441	nsp	CC73CH1H101JT +1005			
CC443	nsp	CK73B0J475KT(P) +1608			
CC445	nsp	CK73B1A104KT +1005			
CC447	nsp	CK73B1A104KT +1005			
CC448	nsp	CK73B1H102KT +1005			
CC449-451	nsp	CK73B1A104KT +1005			
CC452	nsp	CK73B1H102KT +1608			
CC453	nsp	CK73B1A224KT +1608			
CC454	nsp	CK73B0J475KT(P) +1608			
CC455,456	nsp	CK73B1A104KT +1005			
CC457-476	nsp	CC73CH1H101JT +1005			
CC478-491	nsp	CC73CH1H101JT +1005			
CC501	nsp	CC73CH1H5R0CT +1005			
CC502	nsp	CC73CH1H7R0DT +1005			
CC503-506	nsp	CC73CH1H470JT			

	Ref. No.	Part No.	Part Name	Remarks	Q'ty	New
	CC507,508	nsp	CK73B0J475KT(P) +1608			
	CC509	nsp	CK73B1A104KT +1005			
	CC510	nsp	CK73B0J475KT(P) +1608			
	CC511,512	nsp	CK73B1A104KT +1005			
	CC513	nsp	CK73B1H102KT +1005			
	CC514	nsp	CK73B0J475KT(P) +1608			
	CC515,516	nsp	CK73B1E103KT(1005)			
	CC517	nsp	CK73B0J475KT(P) +1608			
	CC518	nsp	CK73B1E103KT(1005)			
	CC519,520	nsp	CK73B1H102KT +1005			
	CC521	nsp	CK73B0J475KT(P) +1608			
	CC522-524	nsp	CC73CH1H101JT +1005			
	CC528-533	nsp	CK73B0J475KT(P) +1608			
	CC534	nsp	CK73B1A104KT +1005			
	CC542-547	nsp	CC73CH1H101JT +1005			
	CC548-551	nsp	CK73B1A104KT +1005			
	CC552-559	nsp	CK73B0J475KT(P) +1608			
	CC560	nsp	CC73CH1H101JT +1005			
	CC561-564	nsp	CK73B1H102KT +1005			
	CC565,566	nsp	CK73B1A104KT +1005			
	CC567,568	nsp	CK73B1H102KT +1005			
	CC569	nsp	CK73B0J475KT(P) +1608			
	CC570,571	nsp	CK73B1A104KT +1005			
	CC572,573	nsp	CK73B1H102KT +1005			
	CC574	nsp	CK73B0J475KT(P) +1608			
	CC575	nsp	CK73B1A104KT +1005			
	CC576	nsp	CK73B1H102KT +1005			
	CC577	nsp	CK73B1A104KT +1005			
	CC578,579	nsp	CK73B1H102KT +1005			
	CC580	nsp	CK73B0J475KT(P) +1608			
	CC581,582	nsp	CK73B1H102KT +1005			
	CC583	nsp	CK73B0J475KT(P) +1608			
	CC584,585	nsp	CK73B1H102KT +1005			
	CC587,588	nsp	CK73B1H102KT +1005			
	CC589-592	nsp	CC73CH1H101JT +1005			
	CC594	nsp	CK73B1H102KT +1005			
	CC595-599	nsp	CK73B1A104KT +1005			
	CC600	nsp	CK73B1H102KT +1005			
	CC601	nsp	CK73B1A104KT +1005			
	CC602-605	nsp	CK73B0J475KT(P) +1608			
	CC606	nsp	CK73B1H102KT +1005			
	CC607	nsp	CK73B1A104KT +1005			
	CC608-611	nsp	CK73B0J475KT(P) +1608			
	CC612	nsp	CK73B1H102KT +1005			
	CC613	nsp	CK73B1A104KT +1005			
	CC614	nsp	CC73CH1H101JT +1005			
	CC615	nsp	CK73B1A104KT +1005			
	CC616	nsp	CK73B1H102KT +1005			
	CC617-626	nsp	CK73B1A104KT +1005			
	CC627	nsp	CK73B0J475KT(P) +1608			
	CC628	nsp	CK73B1A104KT +1005			
	CC629	nsp	CK73B0J475KT(P) +1608			
	CC630	nsp	CK73B1H102KT +1005			
	CC631	nsp	CK73B1A104KT +1005			
	CC632	nsp	CK73B1H102KT +1005			
	CC633	nsp	CK73B1A104KT +1005			

	Ref. No.	Part No.	Part Name	Remarks	Q'ty	New
	CC634	nsp	CC73CH1H101JT +1005			
	CC635	nsp	CK73B1H102KT +1005			
	CC636,637	nsp	CK73B1A104KT +1005			
	CC638	nsp	CK73B1H102KT +1005			
	CC639-641	nsp	CK73B1A104KT +1005			
	CC642	nsp	CK73B0J475KT(P) +1608			
	CC643	nsp	CC73CH1H101JT +1005			
	CC644	nsp	CK73B1A104KT +1005			
	CC645	nsp	CK73B0J475KT(P) +1608			
	CC646	nsp	CC73CH1H101JT +1005			
	CC647	nsp	CK73B1A104KT +1005			
	CC648	nsp	CC73CH1H101JT +1005			
	CC649	nsp	CK73B1A104KT +1005			
	CC650	nsp	CC73CH1H101JT +1005			
	CC651	nsp	CK73B1A104KT +1005			
	CC652	nsp	CC73CH1H101JT +1005			
	CC653	nsp	CK73B0J475KT(P) +1608			
	CC654,655	nsp	CC73CH1H101JT +1005			
	CC656	nsp	CK73B0J475KT(P) +1608			
	CC657	nsp	CC73CH1H101JT +1005			
	CC658	nsp	CK73B1H102KT +1005			
	CC659	nsp	CC73CH1H101JT +1005			
	CC660	nsp	CK73B0J475KT(P) +1608			
	CC661	nsp	CK73B1A104KT +1005			
	CC662,663	nsp	CK73B0J475KT(P) +1608			
	CC664	nsp	CK73B1H102KT +1005			
	CC665	nsp	CE67W0J101MT(P.CAP) +REF			
	CC666	nsp	CK73B1A104KT +1005			
	CC667	nsp	CK73B1H102KT +1005			
	CC668	nsp	CC73CH1H101JT +1005			
	CC669	nsp	CK73B0J475KT(P) +1608			
	CC670	nsp	CC73CH1H101JT +1005			
	CC671	nsp	CK73B0J475KT(P) +1608			
	CC672	nsp	CK73B1H102KT +1005			
	CC673	nsp	CK73B0J475KT(P) +1608			
	CC674,675	nsp	CC73CH1H101JT +1005			
	CC676,677	nsp	CK73B0J475KT(P) +1608			
	CC678	nsp	CC73CH1H101JT +1005			
	CC679	nsp	CK73B0J475KT(P) +1608			
	CC682-700	nsp	CK73B1A104KT +1005			
	CC702	nsp	CK73B1H102KT +1005			
	CC751,752	nsp	CK73B0J475KT(P) +1608			
	CC753-756	nsp	CK73B1A104KT +1005			
	CC757,758	nsp	CK73B1H102KT +1005			
	CC759	nsp	CK73B1A104KT +1005			
	CC760	nsp	CC73CH1H101JT +1005			
	CC761,762	nsp	CK73B1A104KT +1005			
	CC801	nsp	CK73B1A104KT +1005			
	CC802,803	nsp	CK73X5R0J106MT(2125)			
	CC804	nsp	CK73B1H222KT +1608			
	CC805	nsp	CK73X5R0J106MT(2125)			
	CC806	nsp	CK73B1H222KT +1608			
	CC807-810	nsp	CK73X5R0J106MT(2125)			
	CC811,812	nsp	CK73B1A104KT +1005			
	CC813	nsp	CK73X5R0J106MT(2125)			
	CC814,815	nsp	CK73B1A104KT +1005			

Ref. No.	Part No.	Part Name	Remarks	Q'ty	New
CC816	nsp	CK73B1H102KT +1005			
CC817,818	nsp	CK73B0J475KT(P) +1608			
CC819-821	nsp	CK73X5R0J106MT(2125)			
CC823-825	nsp	CK73X5R0J106MT(2125)			
CC851-872	nsp	CK73B1A104KT +1005			
CC873	00D2574011905	CE67C0J101MT (RV2) +REF			
CC874,875	nsp	CK73B0J475KT(P) +1608			
CC876-878	nsp	CK73B1A104KT +1005			
CC879	nsp	CK73B0J475KT(P) +1608			
CC880-884	nsp	CK73B1A104KT +1005			
CC885,886	nsp	CK73B0J475KT(P) +1608			
CC887-895	nsp	CK73B1A104KT +1005			
CC896-899	nsp	CK73B1H102KT +1005			
CC901	nsp	CK73B1A104KT +1005			
CC902	nsp	CK73B1H102KT +1005			
CC903	nsp	CK73B0J475KT(P) +1608			
CC904	nsp	CC73CH1H101JT +1005			
CC905,906	nsp	CK73B1A104KT +1005			
CC907	nsp	CK73B0J475KT(P) +1608			
CC908	nsp	CK73B1H102KT +1005			
CC909	nsp	CK73B1A104KT +1005			
CC910	nsp	CC73CH1H101JT +1005			
CC911,912	nsp	CK73B1A104KT +1005			
CC915	nsp	CK73B1H123KT +1608			
CC921	nsp	CK73B1A154KT +1608			
CC922	nsp	CK73B1H123KT +1608			
CC924,925	nsp	CK73B1H222KT +1005			
CC926	nsp	CK73B1A104KT +1005			
CC928	nsp	CK73B1E103KT(1005)			
CC931	nsp	CK73B1A104KT +1005			
CC933	nsp	CK73B1A154KT +1608			
CC939-943	nsp	CK73B1A104KT +1005			
CC951-953	nsp	CK73B1H102KT +1005			
CC954-957	nsp	CK73B1A104KT +1005			
CC958,959	nsp	CK73B0J475KT(P) +1608			
CC960-968	nsp	CK73B1A104KT +1005			
CC969-975	nsp	CK73B1H102KT +1005			
CC976,977	nsp	CK73X5R0J106MT(2125)			
CC994	00D2473010984	RM73B--103JT +1005			
OTHERS PARTS GROUP					
AS903	nsp	HEAT SINK(10FSH036)			
CW301,302	nsp	30P CONN. SOCKET			
CX032	nsp	3P PH CON.BASE(TAPE) +REF	EU, EC		
CX047	nsp	4P VH CONNECTOR BASE			
CX058	nsp	5P PH CON BASE(TAPE) +REF	EU, EC		
CX124	nsp	12P PH CON. BASE(T) +REF			
CX201	nsp	20P FFC BASE(9610SC)			
CX304	645010041609S	DDR2_SO-DIMM_SOCKET			
CX401	00D2051276904	40P CON.SOCKET 9828S			*
CX903	00D2051343921	10P FFC BASE(9610SC)			
CX905	nsp	10P CON.BASE(KR-PH)			
CX971	00D2051343950	7P FFC BASE(9610SC)			

Ref. No.	Part No.	Part Name	Remarks	Q'ty	New
CX973 CX974 CX991 CX996	00D2051343905 00D2051343950 00D2051222000 nsp	11P FFC BASE(9610SCA 7P FFC BASE(9610SC) RJ-45 JACK(GND) 3P PH CON.BASE(TAPE) +REF			
CY052 CY061 CY101 CY111 CY121	nsp nsp 00D2051343921 00D2051343905 00D2051313935	5P CONN.BASE(KR-PH) 6P PH CON.BASE +REF 10P FFC BASE(9610SC) 11P FFC BASE(9610SCA 12P FFC BASE(9610SC)			
CY124 CY141 CY151 CY153 CY193	nsp 00MYJ0704001Y 00D2051343934 645010040507S 00D2051313951	12P PH CON. BASE(T) +REF IMSA-9610S-14Y919 15P FFC BASE(9610SC) 15P FFC BASE SIDE(P=0.5MM) 19P FFC BASE(9610SC)			
CY232 FB151 FB153 FB154,155	00D2051343918 00D2350130903 00D2350130903 00D2350147909	23P FFC BASE(9610SCA CHIP EMIFIL(11A121) +1608 CHIP EMIFIL(11A121) +1608 E.FIL(BLM21PG221SN1)+2125			
FB157,158 FB201,202 FB401,402 FB452 FB453-459	nsp 00D2350147909 00D2350147909 00D2350130903 nsp	RM73B--0R0KT +1608 E.FIL(BLM21PG221SN1)+2125 E.FIL(BLM21PG221SN1)+2125 CHIP EMIFIL(11A121) +1608 RM73B--0R0KT +1608			
FB460-464 FB501 FB502 FB604-613 FB614	00D2350130903 00D2350147909 00D2350130903 00D2350130903 00D2350158901	CHIP EMIFIL(11A121) +1608 E.FIL(BLM21PG221SN1)+2125 CHIP EMIFIL(11A121) +1608 CHIP EMIFIL(11A121) +1608 CHIP BEADS(18PG121) +1608			
FB801,802 FB803 FB851 FB891-900 FB901	00D2350147909 00D2350130903 00D2350147909 nsp 00D2350130903	E.FIL(BLM21PG221SN1)+2125 CHIP EMIFIL(11A121) +1608 E.FIL(BLM21PG221SN1)+2125 RM73B--0R0KT +1608 CHIP EMIFIL(11A121) +1608			
FB902 FB903-907 FB910-920 FB924-938 FB947-969	00D2350147909 nsp nsp nsp nsp	E.FIL(BLM21PG221SN1)+2125 RM73B--0R0KT +1608 RM73B--0R0KT +1608 RM73B--0R0KT +1608 RM73B--0R0KT +1608			
FB971-999 JK101 JK102 JK103	nsp 00D2051362009 00D2051222000 643010050003S	RM73B--0R0KT +1608 XM/DT BUS CONNECTOR RJ-45 JACK(GND) 3P PIN JACK(MSP-253V)-AU-O3	EU, EC		
JK401-403 JK451 JK502,503 JK701,702	00D2051447005 00D2051381006 00D2051447005 00D2051447005	19P-HDMI-CONNECTOR USB CONNECTOR 19P-HDMI-CONNECTOR 19P-HDMI-CONNECTOR			
L701-706 L801,802 L803-808 L851,852 L902,903	00D2350125905 111810014502S 00D2350125905 00D2350125905 113410001506S	INDUCTOR(FLC32C220K)+3216 INDUCTOR 10UH(7E10H) INDUCTOR(FLC32C220K)+3216 INDUCTOR(FLC32C220K)+3216 DLW21SN900HQ2L			

Ref. No.	Part No.	Part Name	Remarks	Q'ty	New
RL701	00D2140238918	RELAY(UB2-5NUN-L1)			
ST901-908	nsp	STYLE PIN			
ST909	nsp	STYLE PIN	EU, EC		
ST910,911	nsp	STYLE PIN			
W101	nsp	M3 SCREW TERMINAL			
W916	nsp	1P SIN CORD ASSY(L=490)			*
X101	141810023507S	TXC 7A(45.1584MHZ)	EU, EC		
X201	00D3991054900	FCX-03(20.815MHz)			
X251	00D3991054900	FCX-03(20.815MHz)			
X501,502	00D3991052902	FCX-03(28.6363MHz)			
X901	141810019508S	TXC 7A(16MHZ)			
	nsp	COOLPROVIDE(CPVS-1.0)			

8U-310045 DSP3/ASSIGN P.W.B. UNIT ASS'Y(EU,EC model)
8U-310045A DSP3/ASSIGN P.W.B. UNIT ASS'Y(E2 model) 

Ref. No.	Part No.	Part Name	Remarks	Q'ty	New
SEMICONDUCTORS GROUP					
IC101	231810051504S	EN5311QI-T			
IC102	246810009604S	W9864G2GH-6			
IC103	245810021601D	ADSP21367KSWZ2A1176			*
IC104	nsp	DSP3 ROM SUB ASSY (EN29LV160BB-70TIP)			
IC301	235810022607S	APPA350 (NJW1299)			
IC302-304	00D2623347009	TC94A46FG +C			
IC306	00D2631289900	AZ4580MTR-E1			
IC501-509	00D2631289900	AZ4580MTR-E1			
IC513-515	234810013501S	M62320GP			
IC517	00D2630896909	NJM2068MD-TE1 +C			
IC701,702	00D2630896909	NJM2068MD-TE1 +C			
IC704	234810013501S	M62320GP			
IC705	00D2623424906	LTC1694CS5			
IC706,707	00D2622375904	IC, TC4094BF(TP1) +C			
IC708	234810013501S	M62320GP			
IC811	00D2630706905	NJM2903M-TE1 +C			
IC901	00D2631223005	PQ20RX11J00H			
TR101	00D2690192902	KRC102S-RTK/P (10K-10K)			
TR102	00D2690184907	KRA102S-RTK/P (10K-10K)			
TR501-509	00D2730464901	KTC3875S-GR-RTK/P			
TR513	00D2690192902	KRC102S-RTK/P (10K-10K)			
TR514-518	00D2690184907	KRA102S-RTK/P (10K-10K)			
TR519-522	00D2690192902	KRC102S-RTK/P (10K-10K)			
TR523-526	00D2690184907	KRA102S-RTK/P (10K-10K)			
TR527-538	00D2730460905	KTC2875-B-RTK/P			
TR702	00D2730464901	KTC3875S-GR-RTK/P			
TR706	00D2730464901	KTC3875S-GR-RTK/P			
TR710	00D2730464901	KTC3875S-GR-RTK/P			
TR713	00D2690192902	KRC102S-RTK/P (10K-10K)			
TR714	00D2690184907	KRA102S-RTK/P (10K-10K)			
TR716	00D2690192902	KRC102S-RTK/P (10K-10K)			
TR717	00D2730464901	KTC3875S-GR-RTK/P			
TR718	00D2690184907	KRA102S-RTK/P (10K-10K)			
TR719	00D2690192902	KRC102S-RTK/P (10K-10K)			
TR721	00D2690184907	KRA102S-RTK/P (10K-10K)			
TR723	00D2690192902	KRC102S-RTK/P (10K-10K)			
TR724	00D2690184907	KRA102S-RTK/P (10K-10K)			
TR725	00D2730464901	KTC3875S-GR-RTK/P			
TR726	00D2690192902	KRC102S-RTK/P (10K-10K)			
TR727	00D2690184907	KRA102S-RTK/P (10K-10K)			
TR728	00D2730464901	KTC3875S-GR-RTK/P			
TR729	00D2690192902	KRC102S-RTK/P (10K-10K)			
TR730	00D2690184907	KRA102S-RTK/P (10K-10K)			
TR732	00D2690192902	KRC102S-RTK/P (10K-10K)			
TR733	00D2690184907	KRA102S-RTK/P (10K-10K)			
TR735	00D2690192902	KRC102S-RTK/P (10K-10K)			
TR736	00D2690184907	KRA102S-RTK/P (10K-10K)			
TR737	00D2730464901	KTC3875S-GR-RTK/P			
TR738	00D2690192902	KRC102S-RTK/P (10K-10K)			
TR739	00D2690184907	KRA102S-RTK/P (10K-10K)			
TR740	00D2730464901	KTC3875S-GR-RTK/P			

Ref. No.	Part No.	Part Name	Remarks	Q'ty	New
TR741	00D2690192902	KRC102S-RTK/P (10K-10K)			
TR742	00D2690184907	KRA102S-RTK/P (10K-10K)			
TR744	00D2690192902	KRC102S-RTK/P (10K-10K)			
TR745	00D2690184907	KRA102S-RTK/P (10K-10K)			
TR747	00D2690192902	KRC102S-RTK/P (10K-10K)			
TR748	00D2690184907	KRA102S-RTK/P (10K-10K)			
TR749,750	00D2730464901	KTC3875S-GR-RTK/P			
TR753,754	00D2730464901	KTC3875S-GR-RTK/P			
TR757,758	00D2730464901	KTC3875S-GR-RTK/P			
TR759	00D2710312905	KTA1504S-GR-RTK/P			
TR760,761	00D2730464901	KTC3875S-GR-RTK/P			
TR762	00D2710312905	KTA1504S-GR-RTK/P			
TR763,764	00D2730464901	KTC3875S-GR-RTK/P			
TR765	00D2710312905	KTA1504S-GR-RTK/P			
TR766,767	00D2730464901	KTC3875S-GR-RTK/P			
TR901,902	00D2690192902	KRC102S-RTK/P (10K-10K)			
TR903,904	00D2690184907	KRA102S-RTK/P (10K-10K)			
TR905-907	00D2690192902	KRC102S-RTK/P (10K-10K)			
D501-509	00D2760794900	KDS160-RTK/P			
D513-521	00D2760794900	KDS160-RTK/P			
D525	00D2760794900	KDS160-RTK/P			
D901	00D2760794900	KDS160-RTK/P			
D902	00D2760851908	RB081L-20TE25			
ZD901	00D2760798922	UDZS18B-TE17			
RESISTORS GROUP					
RA201,202	00D2479009902	MNR04=330(1005x4)			
RA203-209	126210003593S	MNR04=151(1005X4)			
RA210,211	00D2479009902	MNR04=330(1005x4)			
RA213	00D2479009902	MNR04=330(1005x4)			
RA216,217	00D2479009902	MNR04=330(1005x4)			
RA218,219	126210003593S	MNR04=151(1005X4)			
CAPACITORS GROUP					
C101,102	132450038507S	CK73X5R0J106MT(2125)			
C103	nsp	CK73B1A104KT +1005			
C104	nsp	CC73CH1H101JT +1005			
C105,106	132450038507S	CK73X5R0J106MT(2125)			
C107	nsp	CC73CH1H101JT +1005			
C110	nsp	CK73B1A104KT +1005			
C111-114	nsp	CC73CH1H101JT +1005			
C115	132450038507S	CK73X5R0J106MT(2125)			
C116	nsp	CC73CH1H101JT +1005			
C117	nsp	CK73B1A104KT +1005			
C118	132450038507S	CK73X5R0J106MT(2125)			
C119	nsp	CC73CH1H101JT +1005			
C120	nsp	CK73B1A104KT +1005			
C121	132450038507S	CK73X5R0J106MT(2125)			
C122	nsp	CC73CH1H101JT +1005			
C123	nsp	CK73B1H102KT +1005			
C124	132450038507S	CK73X5R0J106MT(2125)			
C125	nsp	CK73B1A104KT +1005			

Ref. No.	Part No.	Part Name	Remarks	Q'ty	New
C126	nsp	CK73B1H102KT +1005			
C127	132450038507S	CK73X5R0J106MT(2125)			
C128	nsp	CK73B1A104KT +1005			
C129	nsp	CC73CH1H101JT +1005			
C130	132450038507S	CK73X5R0J106MT(2125)			
C131	nsp	CK73B1A104KT +1005			
C132	nsp	CC73CH1H101JT +1005			
C133	132450038507S	CK73X5R0J106MT(2125)			
C134,135	nsp	CK73B1A104KT +1005			
C136	132450038507S	CK73X5R0J106MT(2125)			
C137-139	nsp	CK73B1A104KT +1005			
C140,141	nsp	CK73B1H102KT +1005			
C142,143	nsp	CC73CH1H101JT +1005			
C144-148	nsp	CK73B1A104KT +1005			
C149-151	nsp	CC73CH1H101JT +1005			
C152	nsp	CK73B1A104KT +1005			
C153	nsp	CC73CH1H101JT +1005			
C154	132450038507S	CK73X5R0J106MT(2125)			
C155	nsp	CC73CH1H101JT +1005			
C156	nsp	CK73B1A104KT +1005			
C157	nsp	CC73CH1H101JT +1005			
C158,159	00D2575001998	CC73CH1H7R0DT +1005			
C160-162	132450038507S	CK73X5R0J106MT(2125)			
C169	nsp	CC73CH1H101JT +1608			
C170-192	nsp	CK73B1A104KT +1005			
C193-195	nsp	CC73CH1H101JT +1608			
C196-221	nsp	CK73B1A104KT +1005			
C302-305	00D2544661929	CE67C1H4R7MT (RV2) +REF			
C306-309	00D2544656947	CE67C1A101MT (RV2)			
C310	nsp	CK73B1H103KT (1608) +1608			
C311,312	00D2544656947	CE67C1A101MT (RV2)			
C313	00D2544602917	CE67W1C470MT(P.CAP)			
C314	00D2544656947	CE67C1A101MT (RV2)			
C315	00D2544602917	CE67W1C470MT(P.CAP)			
C316	nsp	CK73B1H102KT +1608			
C317	00D2544656947	CE67C1A101MT (RV2)			
C333,334	00D2544602917	CE67W1C470MT(P.CAP)			
C337	nsp	CK73B1H102KT +1608			
C343-345	00D2544658929	CE67C1E220MT (RV2)			
C350,351	nsp	CC73CH1H121JT +1608			
C353,354	00D2544658929	CE67C1E220MT (RV2)			
C361,362	00D2544658929	CE67C1E220MT (RV2)			
C501	nsp	CK73B1H102KT +1005			
C502	nsp	CK73B1A104KT +1005			
C503-511	00D2570501943	CK73B1H104KT +1608			
C515	nsp	CK73B1H102KT +1005			
C516	nsp	CK73B1A104KT +1005			
C517-525	00D2570501943	CK73B1H104KT +1608			
C529	nsp	CK73B1H102KT +1005			
C530	nsp	CK73B1A104KT +1005			
C531-539	nsp	CK73B0J475KT +1608			
C543,544	00D2570501943	CK73B1H104KT +1608			
C545,546	00D2544602917	CE67W1C470MT(P.CAP)			
C547,548	00D2544658929	CE67C1E220MT (RV2)			
C551,552	00D2544658929	CE67C1E220MT (RV2)			
C553,554	00D2570501943	CK73B1H104KT +1608			

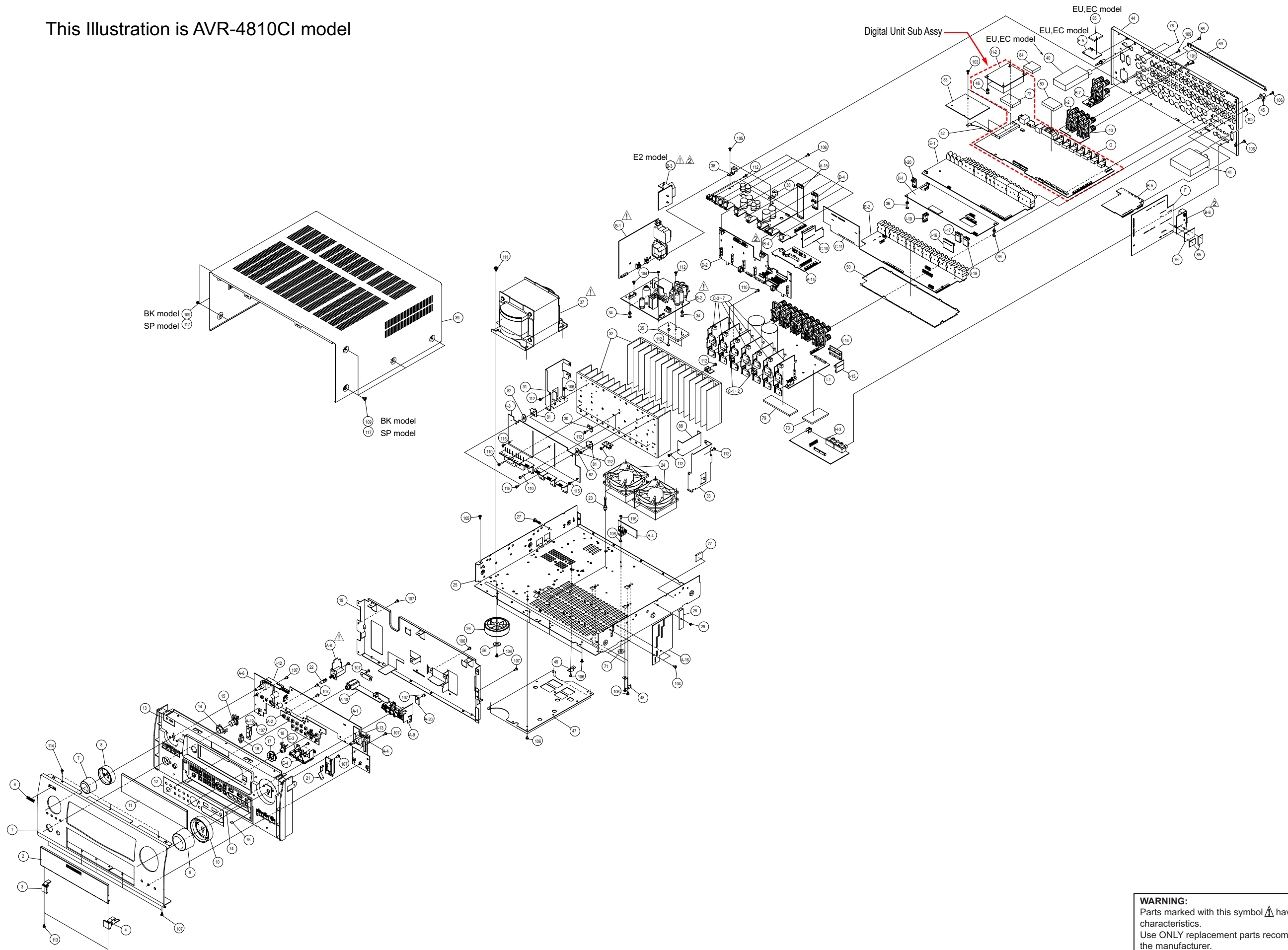
Ref. No.	Part No.	Part Name	Remarks	Q'ty	New
C555-566 C701 C702,703 C704-707 C708	00D2544658929 nsp nsp nsp nsp	CE67C1E220MT (RV2) CK73B1H102KT +1005 CK73B1A104KT +1005 CK73B1H103KT (1608) +1608 CK73B1A105KT +1608			
C711-714 C715-718 C719 C720,721 C724,725	nsp 00D2544658916 00D2570525903 00D2544645903 nsp	CC73CH1H331JT +1608 CE67C1E100MT (RV2) CK73B0J475KT(P) +1608 CE67C0J221MT(MVA) +REF CC73CH1H101JT +1608			
C726,727 C728,729 C730 C731-734 C735,736	00D2573023981 00D2573019924 00D2570501943 00D2544658916 00D2544661932	CF73=1C223JT(ECHUX) CF73=1H682JT(ECHUX) CK73B1H104KT +1608 CE67C1E100MT (RV2) CE67C1H100MT (RV2)			
C738 C740 C742 C743 C744	00D2570501943 00D2570501943 nsp 00D2570525903 00D2570501943	CK73B1H104KT +1608 CK73B1H104KT +1608 CK73B1H102KT +1608 CK73B0J475KT(P) +1608 CK73B1H104KT +1608			
C745 C747-751 C901 C902 C903	00D2570525903 nsp 00D2544661932 00D2570525903 nsp	CK73B0J475KT(P) +1608 CK73B1E104KT +1608 CE67C1H100MT (RV2) CK73B0J475KT(P) +1608 CK73B1E104KT +1608			
C904 C905	00D2544661932 nsp	CE67C1H100MT (RV2) CK73B1H102KT +1608			
OTHERS PARTS GROUP					
AS702 AS703 AS704 AS705 AS706	252310006506S 252310006544S 252310006513S 252310006537S 252310006520S	PRF18BB471QB5RB PRF18BF471QB5RB PRF18BC471QB5RB PRF18BE471QB5RB PRF18BD471QB5RB			* * *
CW037 CW192 CX075	612050218001S nsp nsp	3P L=450 PH-SAN 19P CON.PLUG(TWG-P) 7P CON.SOCKET(TUC-P)			*
CX101 CX105 CX126 CX157 CX184	00D2051343921 00D2050395006 nsp nsp 00D2050884025	10P FFC BASE(9610SC) 10P CON.BASE(RED)L 12P CON.BASE TUC-P 15P CON.SOCKET TUC-P 18P CON.BASE TUC-P			
CX831 CX832 CX841 CX842 CX843	nsp 00D2050686032 00D2050355046 00D2050885082 00D2050395048	3P PH CON.BASE(L) +REF 3P CON.BASE(BLU)L 4P KR CON BASE(L) 4P CON.SOCKET(TUC-P) 4P KR CON BASE(L)RED			
CX852 CX861 CX878 CX904 CX937,938	nsp nsp nsp nsp nsp	5P CON.SOCKET TUC-P 6P CON.SOCKET(TUC-P) 7P KR CON BASE(L) 3P KR CON BASE(L) 3P CONNE.BASE(RED)			
CY049	00D2050686045	4P CON.BASE(BLU)L			


Ref. No.	Part No.	Part Name	Remarks	Q'ty	New
CY069	00D2050763065	6P ZR CON.BASE (L)			
CY401	645010047508S	40P CON.PLUG 9827B			*
CY631	nsp	3P PH CON.BASE(L) +REF			
CY635	nsp	3P PH CON.BASE(L) +REF			
CY636	00D2050685033	3P CON.BASE(BLK)L			
CY638	nsp	3P KR CON BASE(L)			
CY651	nsp	5P KR CON BASE(L)			
CY841	00D2050355046	4P KR CON BASE(L)			
CY843	00D2050321041	4P CONNE.BASE(RED)			
CY878	nsp	7P CONN.BASE(KR-PH)			
CY905	00D2051172901	10P PH CON.BASE(L) +REF			
FB101,102	00D2350147909	E.FIL(BLM21PG221SN1)+2125			
JK701,702	00D2048537012	2P PIN JACK(GND)			
L701,702	00D2359003002	FTZ CHOKE COIL	E2		
RL501	682010005503S	RELAY FTR-B3GA012Z			
ST101	nsp	STYLE PIN			
W701	nsp	M3 SCREW TERMINAL			
W708	nsp	M3 SCREW TERMINAL			
W901	nsp	M3 SCREW TERMINAL			
X101	00D3991054900	FCX-03(20.815MHz)			

△

--MEMO--

This Illustration is AVR-4810CI model



WARNING:
 Parts marked with this symbol  have critical characteristics.
 Use ONLY replacement parts recommended by the manufacturer.

PARTS LIST OF EXPLODED VIEW

* Parts for which "nsp" is indicated on this table cannot be supplied.

* P.W.B. ASSY for which "nsp" is indicated on this table cannot be supplied. When repairing the P.W.B. ASSY, check the board parts table and order replacement parts.

* The parts listed below are for maintenance only, might differ from the parts used in the unit in appearances or dimensions.

Note: The symbols in the column "Remarks" indicate the following destinations.

EU : U.S.A. model

EC : Canada model

E2 : Europe model

SP : Premium Silver model

BK : Black mode

Ref. No.	Part No.	Part Name	Remarks	Q'ty	New
A	nsp	FRONT UNIT		1	
	A-1	-	FLD UNIT	1	
	A-2	-	TACT-1 UNIT	1	
	A-4	-	VOLUME UNIT	1	
	A-6	-	FUNC UNIT	1	
	A-8	-	P.SW UNIT		1
A-9		-	MIC UNIT	1	
A-10		-	FRONT IN UNIT	1	
A-14		-	AUDIO CONNECT UNIT	1	
A-15		-	REG CONNECT-1 UNIT	1	
A-16		-	FFC LOCK UNIT		1
	A-19	-	BKT2 UNIT(CUT PWB BOARD)	1	
	A-20	-	BKT1 UNIT(CUT PWB BOARD)	1	
B	nsp	POWER SUPPLY UNIT		1	
B-1	-	STANDBY POWER UNIT		1	
	B-2	-	SW POWER UNIT	1	
	B-3	-	E2 OUTLET UNIT	1	E2
	B-4	-	REG UNIT	1	
	B-5	-	REMOTE/IPOD UNIT	1	
B-6	-	232C UNIT		1	
	B-7	-	Z3 SP UNIT	1	
C	nsp	P.AMP UNIT		1	
C-1 · E2	-	P.AMP UNIT		2	
C-3 ~ 7	-	P.AMP UNIT		5	
	C-10	-	CONNECT UNIT-1	1	
	C-11	-	DAC MUTE UNIT	1	
D	nsp	AMP CONNECT UNIT		1	
D-2	-	P.AMP JOINT UNIT		1	
	D-4	-	CONNECT UNIT-2	1	
E	nsp	A.AUDIO/VIDEO UNIT		1	
E-1	-	A.VIDEO UNIT		1	
E-2	-	AUDIO UNIT		1	
	E-3	-	FRONT USB UNIT	1	
	E-4	-	FRONT HDMI UNIT	1	
	E-5	-	HD RADIO CON. UNIT	1	EU, EC
F	nsp	MAIN CPU UNIT		1	
G	8S6331003000D	DIGITAL UNIT SUB ASSY(AVR4810E3)	EU, EC	1	
G	8S6331003001D	DIGITAL UNIT SUB ASSY(AVR4810E2)	E2	1	
H	8U-310045	DSP3/ASSIGN UNIT		1	
H-1	-	ASSIGN UNIT		1	
H-2	-	DSP3 UNIT		1	
H-3	-	CD/PHONO UNIT		1	
H-4	-	FAN DRIVE UNIT		1	

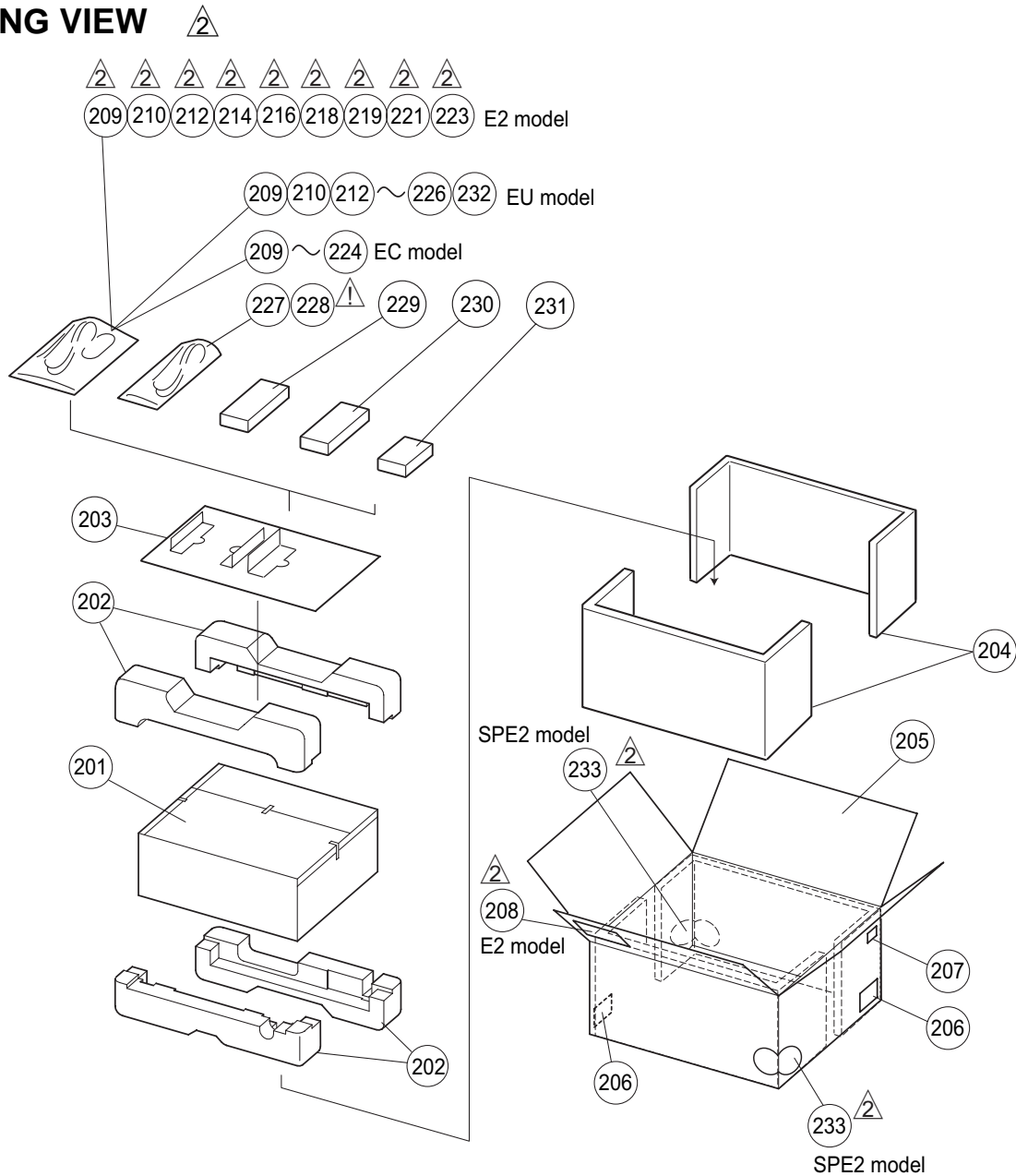
Ref. No.	Part No.	Part Name	Remarks	Q'ty	New
I	nsp	2CH AMP UNIT		1	
I-1	-	SPEAKER UNIT		1	
I-2	-	Z2 SP UNIT		1	
I-3	-	2CH AMP UNIT		1	
I-10	-	FH/FW SP UNIT		1	
I-12	-	FUNC CONNECT UNIT		1	
I-13	-	VR CONNECT UNIT		1	
I-14	-	CD/PHONO CONN. UNIT-1		1	
I-15	-	CD/PHONO CONN. UNIT-2		1	
I-16	-	ASSIGN CONNECT-1 UNIT		1	
I-17	-	ASSIGN CONNECT-2 UNIT		1	
I-18	-	ASSIGN CONNECT-3 UNIT		1	
I-19	-	ASSIGN CONNECT-4 UNIT		1	
I-20	-	ASSIGN CONNECT-5 UNIT		1	
1	00D1443010245	FRONT PANEL	EU, EC	1	*
1	00D1443010258	FRONT PANEL	BKE2	1	*
1	00D1443010261	FRONT PANEL	SPE2	1	*
2	8S4151002100D	DOOR SUB ASSY	EU, EC	1	*
2	8S4151002101D	DOOR SUB ASSY	BKE2	1	*
2	8S4151002102D	DOOR SUB ASSY	SPE2	1	*
3	00D4010195202	HINGE (L)	BK	1	
3	00D4010195231	HINGE (L)	SP	1	
4	00D4010196201	HINGE (R)	BK	1	
4	00D4010196230	HINGE (R)	SP	1	
6	00D1310169038	DENON BADGE	BK	1	
6	00D1310169041	DENON BADGE	SP	1	
7	412010016001D	KNOB(F) ASSY	BK	1	
7	412010016018D	KNOB(F) ASSY	SP	1	
8	00D1140203009	KNOB RING(F)	BK	1	
8	00D1140203025	KNOB RING(F)	SP	1	
9	412010017004D	KNOB(M) ASSY	BK	1	
9	412010017011D	KNOB(M) ASSY	SP	1	
10	424510006002D	KNOB RING(M)	BK	1	
10	424510006019D	KNOB RING(M)	SP	1	
11	416510036002D	WINDOW		1	*
12	422510034001D	DOOR SHEET	BK	1	*
12	422510034018D	DOOR SHEET	SP	1	*
13	443510034107D	INNER PANEL	BK	1	*
13	443510034114D	INNER PANEL	SP	1	*
14	00D1431255009	LENS (POWER)		1	
15	00D1131992109	P.KNOB ASSY(SUB)	BK	1	
15	00D1131992138	P.KNOB ASSY(SUB)	SP	1	
16	00D4210763010	GEAR DAMPER		1	
17	00D1131996202	CURSOR KNOB	BK	1	
17	00D1131996231	CURSOR KNOB	SP	1	
18	00D1131995054	ENTER KNOB	BK	1	
18	00D1131995067	ENTER KNOB	SP	1	
19	441310048003D	FRONT CHASSIS		1	*
21	00D4125083102	DOOR STOPPER		1	
22	00D1131994107	P.KNOB ASSY(MAIN)	BK	1	
22	00D1131994149	P.KNOB ASSY(MAIN)	SP	1	
23	00D4125441003	FAN HOLDER		8	
24	449010013004D	FAN(3110RL-04W-S29-C04_80X80X25)		2	
25	nsp	MAIN CHASSIS		1	*
26	00D1040334007	FOOT		4	

	Ref. No.	Part No.	Part Name	Remarks	Q'ty	New
	27	nsp	LOCKING CARD SPACER		1	
	28	nsp	FFC COVER		1	
	29	nsp	PUSH RIVET		1	
	30	nsp	PWB BRACKET (B)		3	
	31	nsp	RADIATOR BRACKET(L)		1	*
	32	nsp	RADIATOR		2	*
	33	nsp	RADIATOR BRACKET(R)		1	*
	34	nsp	CARD SPACER (L=12)		3	
	35	nsp	AL PLATE		1	
	36	nsp	CARD SPACER (L=16)		2	
⚠	37	101010053003S	MAIN TRANS(4810E3)	EU, EC	1	
⚠	37	101010054006S	MAIN TRANS(4810E2)	E2	1	
	38	nsp	BRACKET DIGITAL		2	
	39	8S4031003800D	TOP COVER SUB ASSY	BK	1	*
	39	8S4031003801D	TOP COVER SUB ASSY	SP	1	*
	40	183010010008S	HD TUNER(H6101)	EU, EC	1	
	41	00D2160124109	FM AM TUNER (E3)	EU, EC	1	
	41	00D2160125108	FM AM TUNER (E2)	E2	1	
	42	nsp	BRACKET (870)		1	
	44	406310080028D	BACK PANEL	EU, EC	1	*
	44	406310080011D	BACK PANEL	E2	1	*
	45	00D2051116006	TERMINAL ASS		1	
	46	nsp	CARD SPACER(L=10)		4	
	47	nsp	TRANS PLATE		1	*
	48	nsp	BRACKET		3	*
	49	nsp	BRACKET POWER		1	
	50	nsp	SHIELD PLATE		1	*
	★ 51	nsp	EMIGASKET RFSG020050		-	
	★ 52	nsp	EMIGASKET RFSG010100		-	
	★ 53	nsp	CORD HOLDER (L76)		2	
	★ 54	nsp	FERRITE CLAMP(RFC-4)		1	
	★ 55	nsp	FERRITE CLAMP(RFC-7W)	EU, EC	2	
	★ 55	nsp	FERRITE CLAMP(RFC-7W)	E2	1	
	56	00D4610385001	RUBBER PAD		4	
	★ 57	nsp	LICENSE SUB ASSY		1	*
	★ 58	nsp	CLAMP BAND (RSG-100)		4	
	★ 59	00D0040015000	ANNTENA CABLE		1	
	★ 60	nsp	CUPPER TAPE(W=15)		-	
	★ 61	nsp	MINI CLAMP (UAMS)		2	
	★ 62	nsp	CORD HOLDER (L50)		1	
	★ 63	nsp	SERIAL NO. SHEET		1	
	★ 64	nsp	MAC ADDRESS SUB ASSY		1	
	69	nsp	SCREW COVER		1	
	★ 70	nsp	WIRE CLAMPER	EU, EC	34	
	★ 70	nsp	WIRE CLAMPER	E2	35	
	71	nsp	RUBBER SHEET		1	*
	72	nsp	RUBBER SHEET		1	*
	73	nsp	RUBBER SHEET		1	
	74	nsp	RUBBER SHEET		2	
	75	nsp	RUBBER SHEET		2	
	76	nsp	RUBBER SHEET		1	
	77	nsp	RUBBER SHEET		1	*
	78	nsp	RUBBER SHEET		2	*
	79	nsp	RUBBER FOAM		1	
	80	nsp	RUBBER FOAM		1	
	81	nsp	SUB RADIATOR BRACKET		2	*

Ref. No.	Part No.	Part Name	Remarks	Q'ty	New
82	nsp	WASHER		5	*
83	8R1891001300D	DM870 SUB ASSY 4810 E3	EU, EC	1	
83	8R1891001001D	DM870 SUB ASSY 4810 E2	E2	1	
84	nsp	CUSHION		1	
85	nsp	PAD	EU, EC	3	
85	nsp	PAD	E2	2	
86	nsp	PUSH RIVET		1	
88	nsp	RADIATOR BRACKET		1	*
★ 89	nsp	GLASS TUBE (16mm-100mm)	EU, EC	1	*
★ 90	nsp	GLASS TUBE (9mm-80mm)	EU, EC	1	*
★ 91	nsp	SPACER		1	*
★ 92	nsp	CUSHION		1	
★ 93	nsp	ALUMINUM TAPE		-	
★ 94	nsp	ALUMINUM TAPE		-	
★ 95	nsp	EMIGASKET RFSG070100		-	
★ 96	nsp	PUSH RIVET	E2	30	*
SCREWS					
101	nsp	3X4 CBS-B(ECO)		8	
102	00D4770064107	FIXING SCREW		44	
103	nsp	2.6X8 CBTS (S)-Z		2	
104	0RD4737002005	3X6 CBTS(S)-Z		8	
105	nsp	3X8 CBTS (S)-Z		4	
106	0RD4737015005	3X6 CBTS(S)-B	EU, EC	50	
106	0RD4737015005	3X6 CBTS(S)-B	E2	47	
107	0RD4737500015	3X8 CBTS (P)-Z		39	
108	nsp	3X10 CBTS(B)-Z		8	
109	0RD4738064000	4X8 CBTS(B)-B-3P	BK	10	
109	0RD4738064000	4X8 CBTS(B)-B-3P	SP	2	
110	nsp	3X16 CPTS(B) SW W		20	
111	nsp	4X8 TP SCREW		4	
112	nsp	3X8 CBTS(B)-B		19	
113	0RD4737500028	3X8 CFTS (P)-Z		2	
114	0RD4737015018	3X8 CBTS (S)-B		3	
115	0RD4737005002	3X10 CBTS (S)-Z		5	
116	0RD4737001035	2.6X6 CBTS (S)-Z		1	
117	0RD4738064013	4X8 CBTS(B)-N-3P	SP	8	
WIRES					
★ 201	606050074008S	FFC 15P 560mm 0.5mm SHIELD		1	
★ 202	606050075001S	FFC 19P 140mm 1mm		1	*
★ 203	606050076004S	FFC 23P 140mm 1mm		1	*
★ 204	606050077007S	FFC 11P 125mm 1mm		1	*
★ 205	606050078000S	FFC 15P 125mm 1mm		1	*
★ 206	606050079003S	FFC 14P 125mm 1mm		1	*
★ 207	606050080003S	FFC 12P 125mm 1mm		1	*
★ 208	606050084005S	FFC 7P 160mm 1mm		1	*
★ 209	606050088007S	FFC 15P 270mm 1.25mm		1	*
★ 210	606050089000S	FFC 25P 195mm 1mm		1	*
★ 211	606050090000S	FFC 27P 390mm 1mm		1	*
★ 212	606050091003S	FFC 10P 560mm 1mm		1	*
★ 213	606050099007S	FFC 13P 190mm 1.25mm	EU, EC	1	*
★ 214	nsp	6P L=440mm PH-PH		1	
★ 215	nsp	12P L=550mm PH-PH		1	
★ 216	nsp	6P PH-PH CON.CORD(UL TUBE)		1	

	Ref. No.	Part No.	Part Name	Remarks	Q'ty	New
	★ 217	nsp	5P L=170 PH-PH SHIELD		1	*
	★ 218	nsp	10P L=460 PH-PH		1	*
	★ 219	nsp	4P L=320 PH-PH		1	*
	★ 220	nsp	4P L=400 PH-PH		1	*
	★ 221	nsp	6P L=260 ZH-ZH		1	*
	★ 222	nsp	10P L=270 PH-PH SHIELD		1	*
	★ 223	nsp	3P L=520 PH-PH SHIELD		1	*
	★ 224	nsp	3P L=300 PH-PH SHIELD		1	*
	★ 225	nsp	3P L=250 PH-PH SHIELD		1	*
	★ 226	nsp	3P L=440 PH-PH SHIELD		1	*
	★ 227	nsp	3P L=90 PH-PH SHIELD		1	*
	★ 228	nsp	7P L=290 PH-PH (UL TUBE)		1	*
	★ 229	nsp	5P L=760 PH-PH (USB)		1	*
	★ 230	nsp	130mm UL TUBE AWG6/16		1	*

PACKING VIEW



PARTS LIST OF PACKING & ACCESSORIES

* Parts for which "nsp" is indicated on this table cannot be supplied.

* The parts listed below are for maintenance only, might differ from the parts used in the unit in appearances or dimensions.

Note: The symbols in the column "Remarks" indicate the following destinations.

EU : U.S.A. model

EC : Canada model

E2 : Europe model

SP : Premium Silver model

BK : Black model

Ref. No.	Part No.	Part Name	Remarks	Q'ty	New
201	nsp	CABINET SHEET		1	
202	nsp	CUSIHON ASSY		1	*
203	nsp	PAD		1	
204	nsp	SPACER		2	
205	531210116008D	CARTON CASE	EU, EC 586010253008D	1	*
205	531210116015D	CARTON CASE	E2 586010263005D	1	*
206	-	CONT.CARD(L)SUB ASSY		1	
207	-	UPC LABEL	EU, EC		
208	00DGEN8686	WI-FI LABEL(CARTON)	E2	1	
209	nsp	ENVELOPE	EU, EC	1	
209	nsp	ENVELOPE	E2	2	
210	541110340007D	INST. MANUAL(EU)	EU, EC	1	*

	Ref. No.	Part No.	Part Name	Remarks	Q'ty	New
	210	541110381008D	INST. MANUAL(E2)-1	E2	1	*
	210	541110382001D	INST. MANUAL(E2)-2	E2	1	*
	211	541110341000D	INST. MANUAL(EC)	EC	1	*
	212	00D3950029002	FM ANT ASS Y(F/ETRO)	FM Indoor ant.	1	
	213	00D3950033001	FM ANTENNA (DIPOLE)	EU, EC for HD Radio	1	
	214	00D2311152001	AM LOOP ANTENNA(S)	Small size	1	
	215	116010001004S	AM LOOP ANTENNA(HD-10)	EU, EC Large size for HD Radio	1	
	216	00D3950034000	WLAN ANNTENA	for Wireless LAN	1	
	217	nsp	ANT. LABEL SUB ASSY	EU, EC for Large size HD Radio ant.	1	
	218	-	BATTERY(R03X2)	for RC-1121	1	
	219	-	BATTERY(LR6KE2PT)	for RC-1116	1	
	220	nsp	XM SHEET	EU, EC	1	
	221	nsp	S.S.LIST (EX)		1	
	222	nsp	WARRANTY (HOME)	EU, EC	1	
	223	543110096009D	GETTING STARTED(4810EU)	EU, EC	1	*
	223	543110108001D	GETTING STARTED(4810E2)	E2	1	*
	224	nsp	SIRIUS SHEET	EU, EC	1	
	226	nsp	NAPSTER SHEET (J)	EU	1	
	227	nsp	POLY COVER	for AC CORD	1	
⚠	228	611050024005S	AC CORD SET(E3) V		1	
⚠	228	00MZC01803080	AC CORD SET(E2) V		1	
	229	307010045008D	RC-1121		1	
	230	307010054002D	RC-1126		1	
	231	324010001003D	DM-A409EM		1	
	232	543110101000D	RHAPSODY SHEET	EU, EC	1	
	233	00D5139111030	COLOR LABEL	SPE2	1	