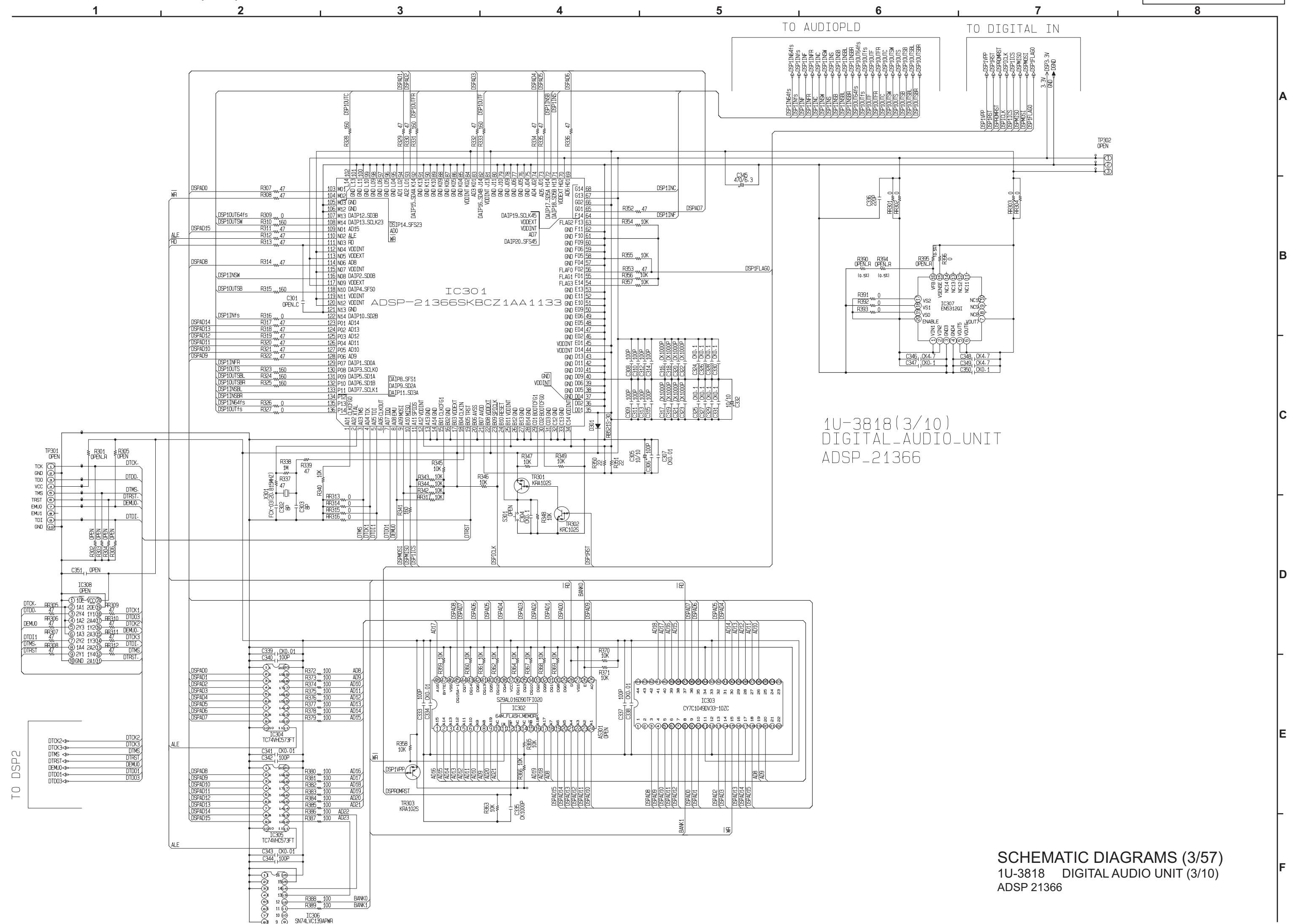
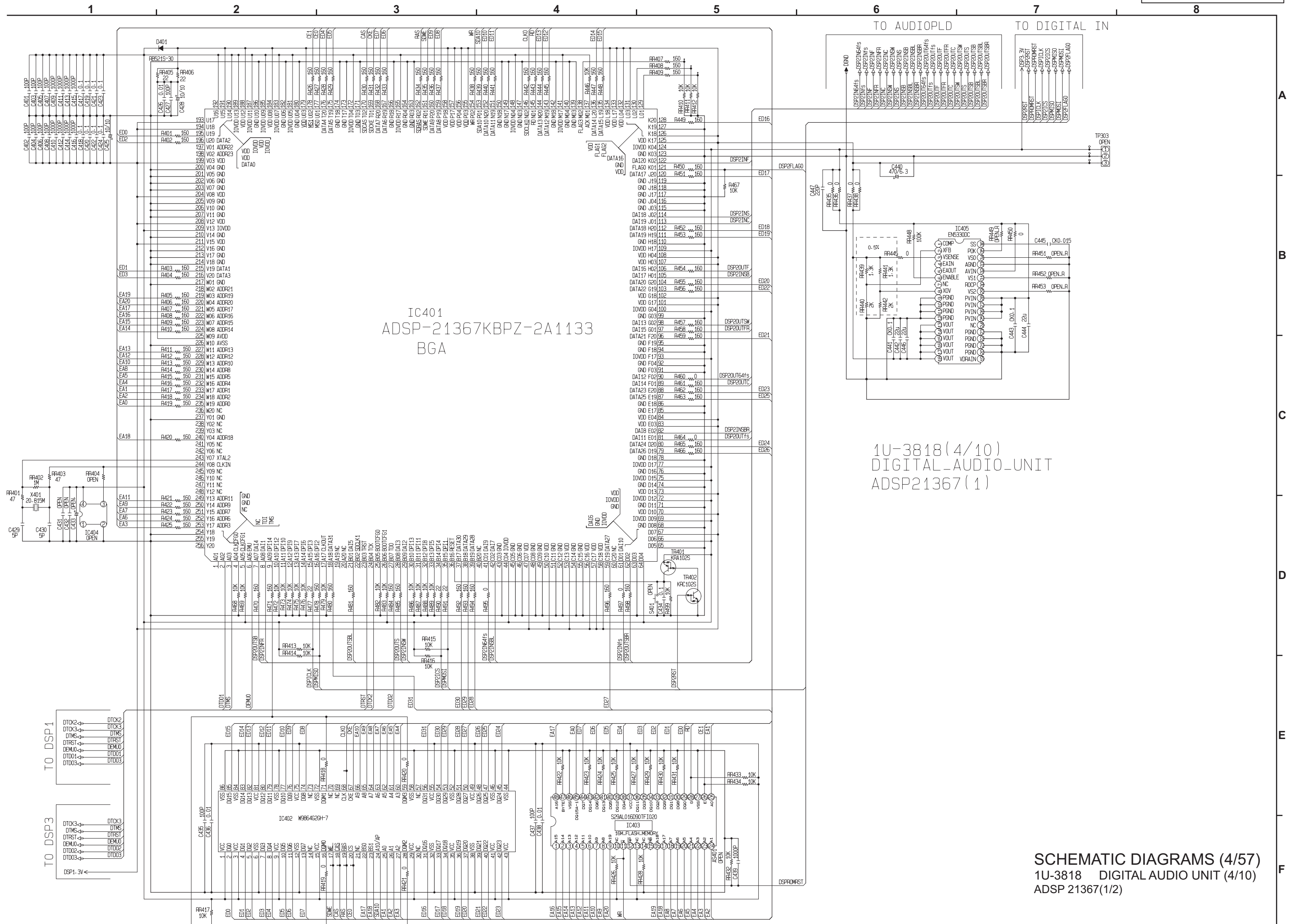


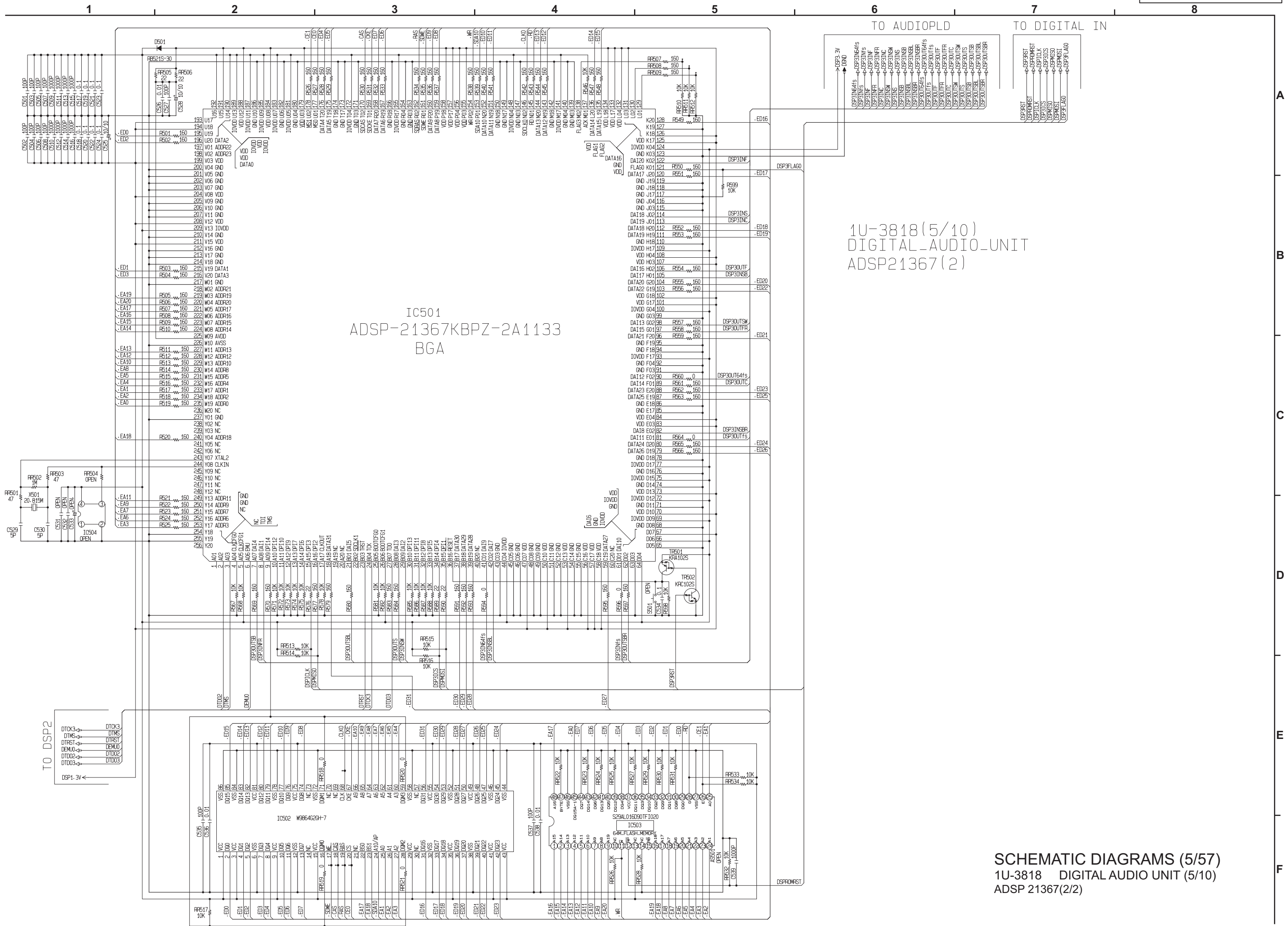
1U-3818(2/10)
 DIGITAL-AUDIO-UNIT
 DIR



1U-3818(3/10)
DIGITAL AUDIO UNIT
ADSP_21366



1U-3818(4/10)
DIGITAL-AUDIO-UNIT
ADSP21367(1)

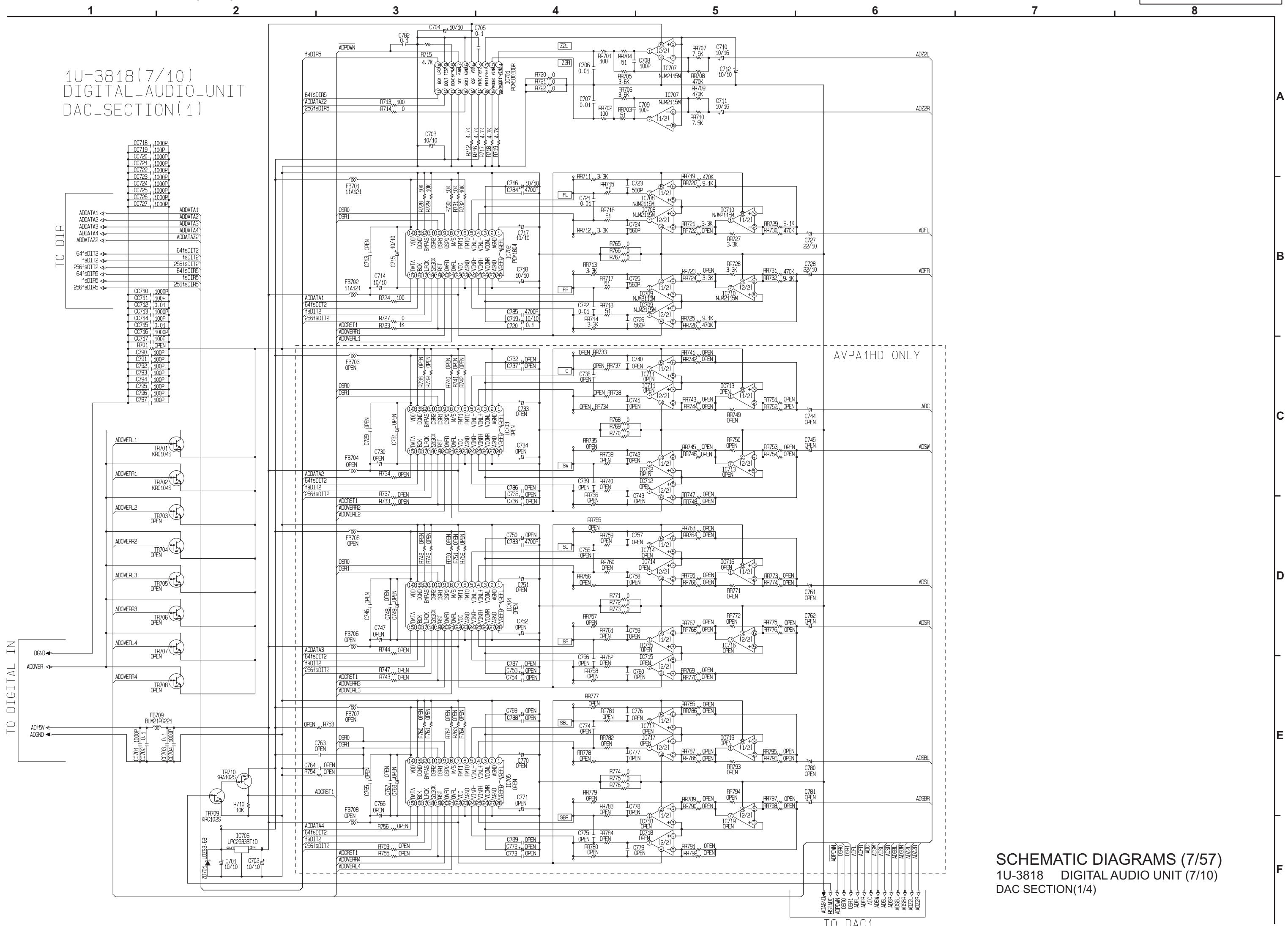


IC501
ADSP-21367KBPZ-2A1133
BGA

1U-3818(5/10)
DIGITAL_AUDIO_UNIT
ADSP21367(2)

SCHEMATIC DIAGRAMS (5/57)
1U-3818 DIGITAL AUDIO UNIT (5/10)
ADSP 21367(2/2)

1U-3818(7/10)
DIGITAL_AUDIO_UNIT
DAC_SECTION(1)



- CC718 1000P
- CC719 1000P
- CC720 1000P
- CC721 1000P
- CC722 1000P
- CC723 1000P
- CC724 1000P
- CC725 1000P
- CC726 1000P
- CC727 1000P

- ADDATA1
- ADDATA2
- ADDATA3
- ADDATA4
- ADDATA2Z

- CC710 1000P
- CC711 100P
- CC712 0.01
- CC713 1000P
- CC714 100P
- CC715 0.01
- CC716 1000P
- CC717 100P
- R701 OPEN
- C790 100P
- C791 100P
- C792 100P
- C793 100P
- C794 100P
- C795 100P
- C796 100P
- C797 100P

- TR701 KRC104S
- TR702 KRC104S
- TR703 OPEN
- TR704 OPEN
- TR705 OPEN
- TR706 OPEN
- TR707 OPEN
- TR708 OPEN

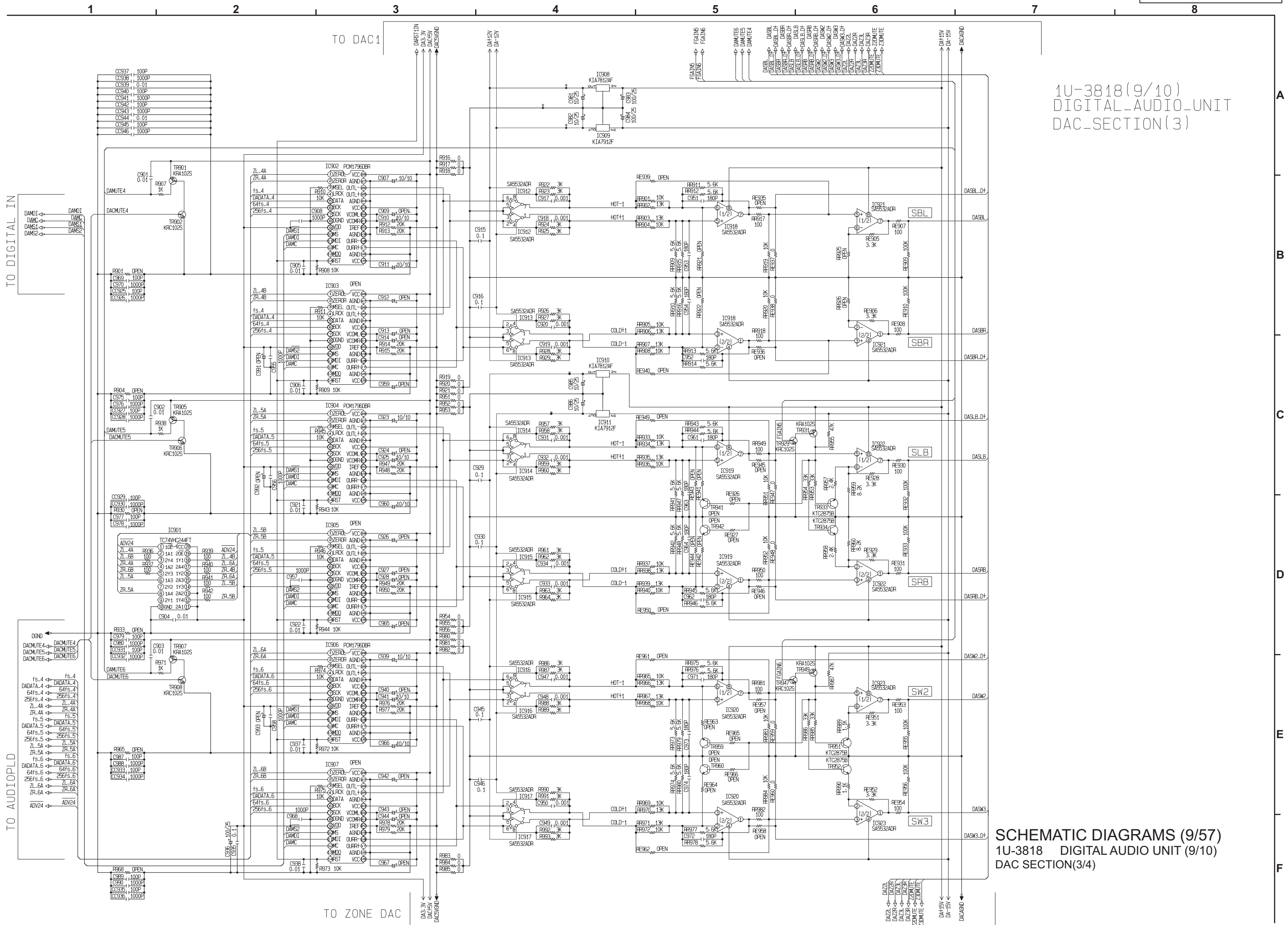
- FB709 BLUM1FG221
- CC701 10/10
- CC702 10/10
- CC703 10/10
- CC704 10/10

- TR710 KRA102S
- R710 10K
- IC706 UPC2933BT1D
- C701 10/10
- C702 10/10
- ZD701 1A2S3-6B

AVPA1HD ONLY

SCHEMATIC DIAGRAMS (7/57)
1U-3818 DIGITAL AUDIO UNIT (7/10)
DAC SECTION(1/4)

TO DAC1



1U-3818(9/10)
DIGITAL_AUDIO_UNIT
DAC_SECTION(3)

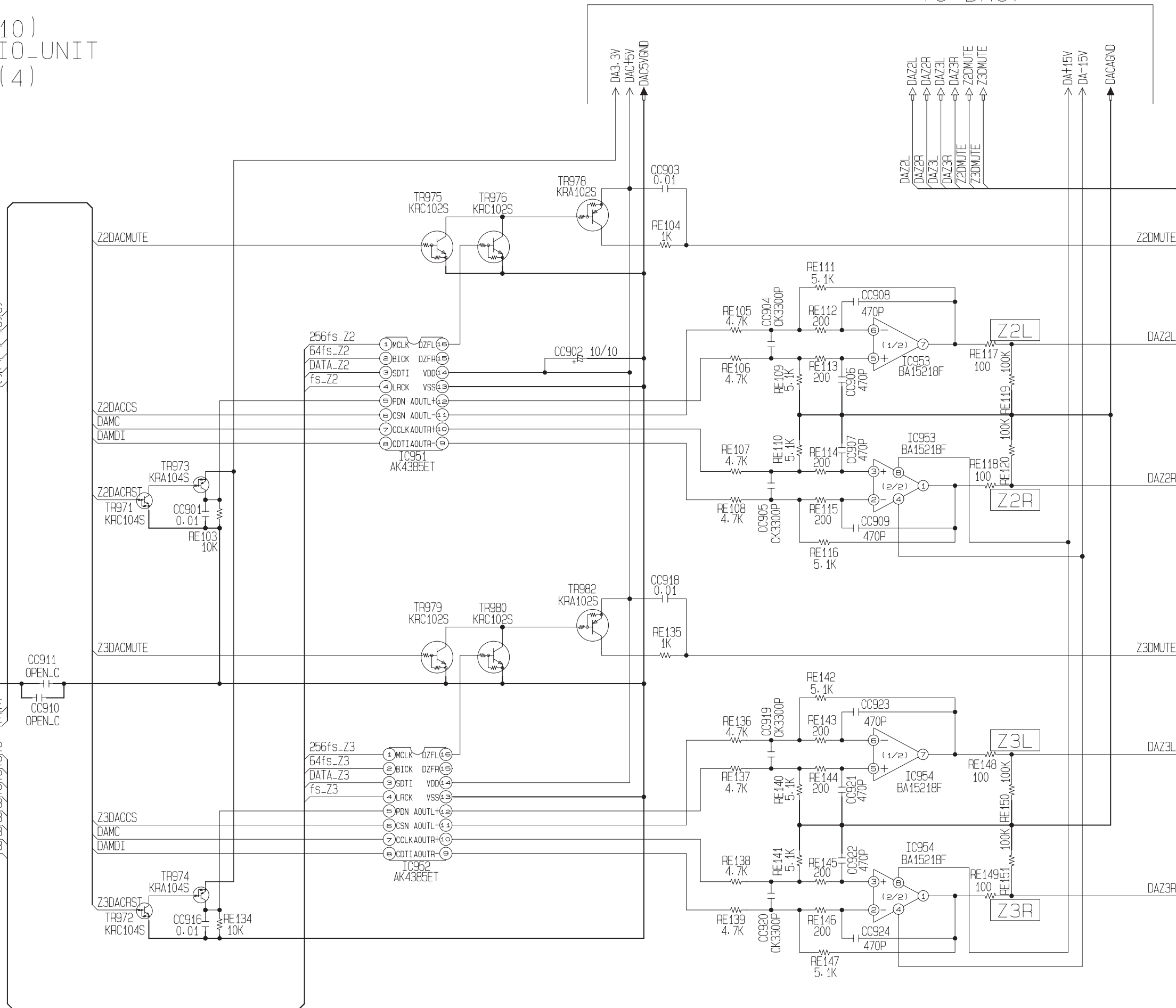
SCHEMATIC DIAGRAMS (9/57)
1U-3818 DIGITAL AUDIO UNIT (9/10)
DAC SECTION(3/4)

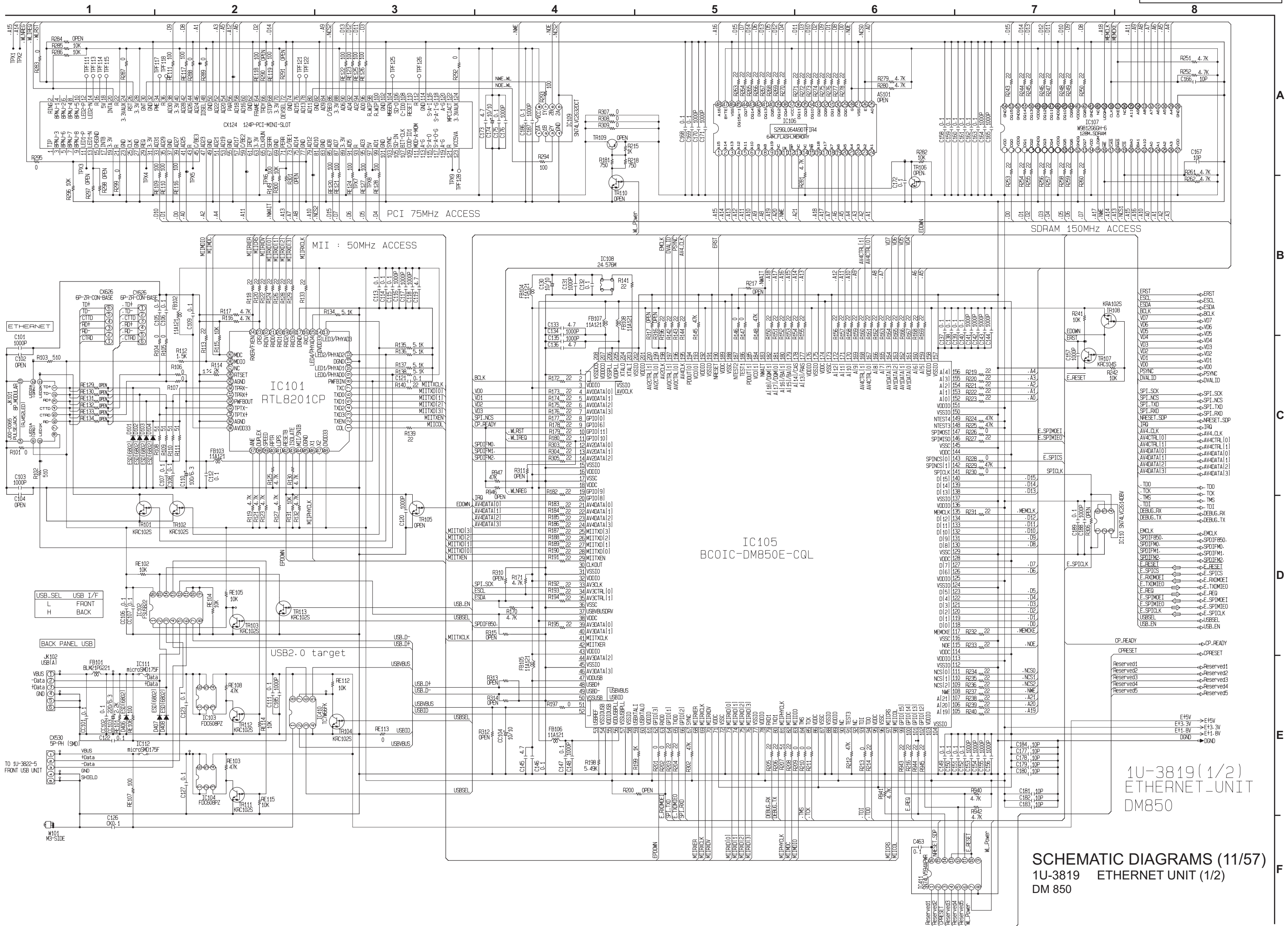
1U-3818(10/10)
DIGITAL_AUDIO_UNIT
DAC_SECTION(4)

TO DIGITAL IN

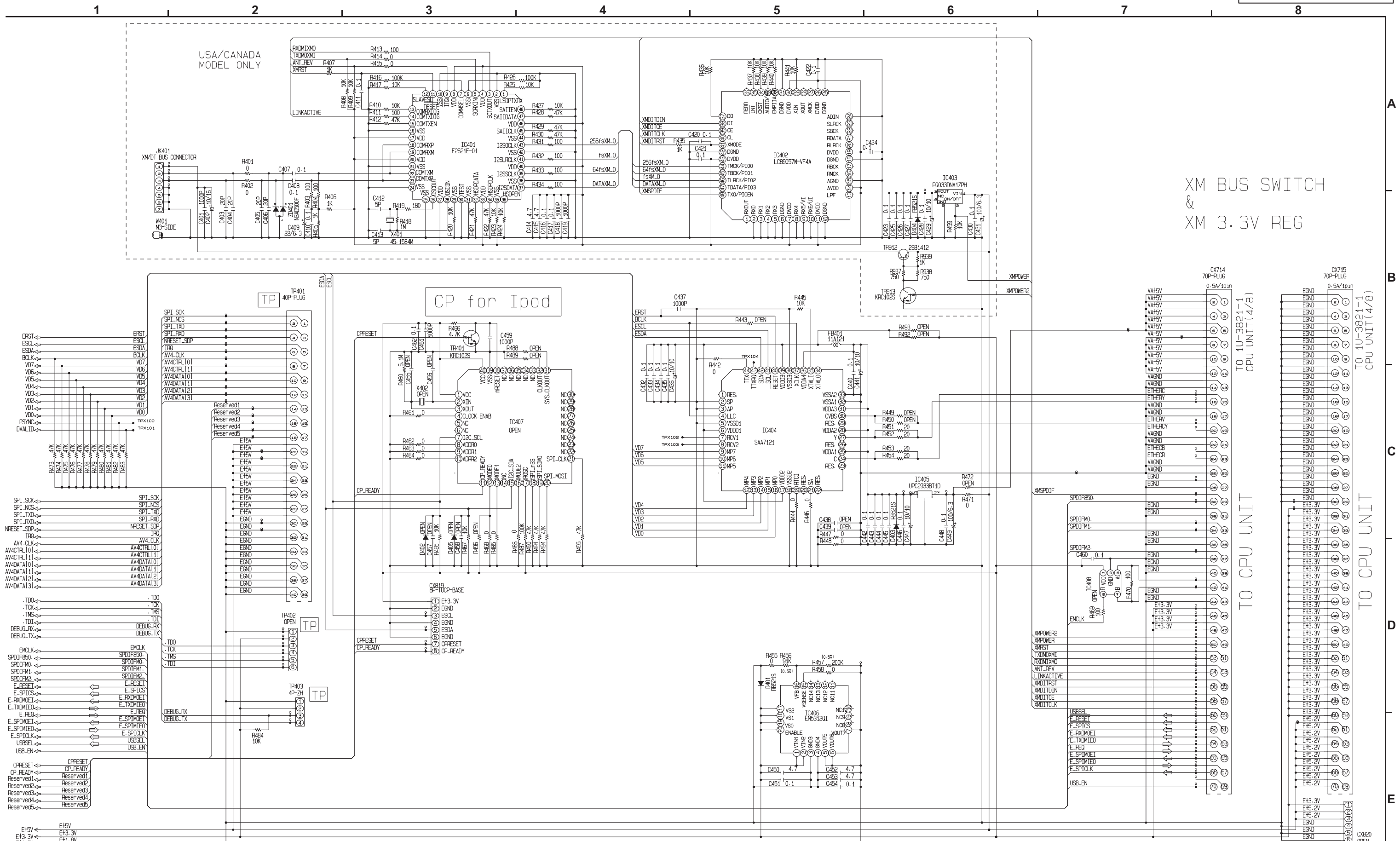
TO AUDIOPLD

TO DAC7





SCHEMATIC DIAGRAMS (11/57)
1U-3819 ETHERNET UNIT (1/2)
DM 850



XM BUS SWITCH & XM 3.3V REG

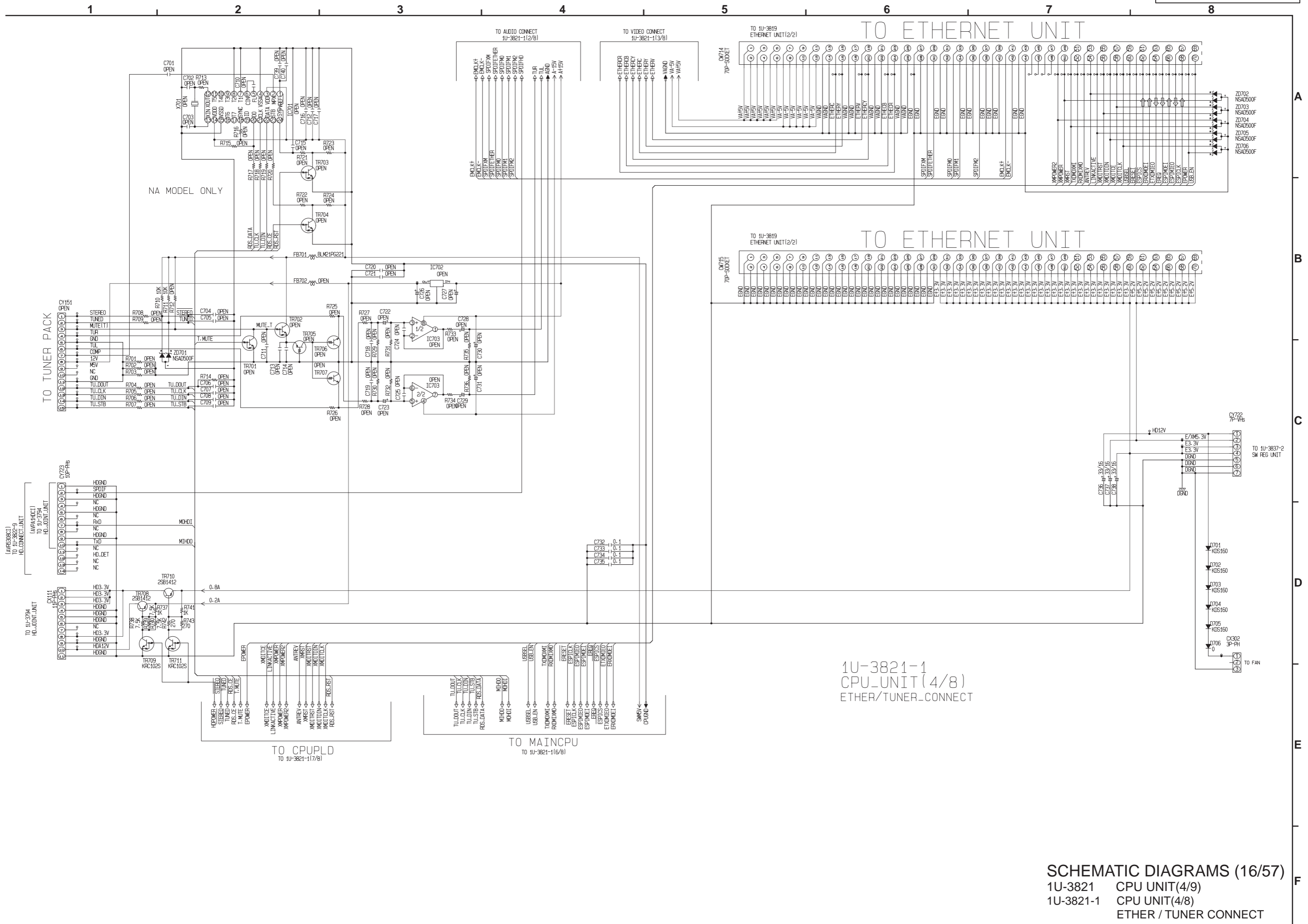
TO 1U-3821-1 CPU UNIT (4/8)

TO CPU UNIT

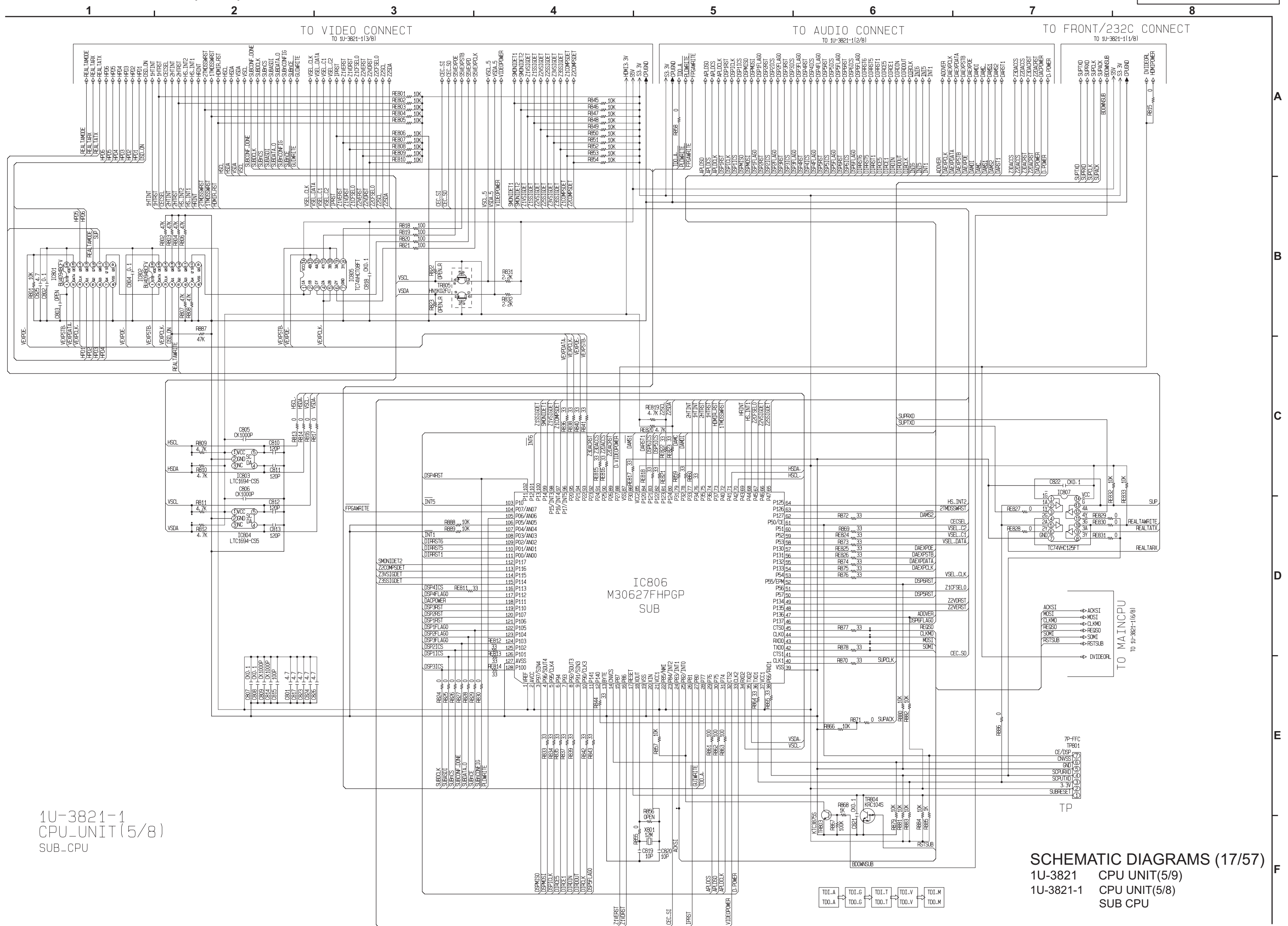
TO CPU UNIT

TO CPU UNIT

1U-3819(2/2) ETHERNET UNIT XM&JPEG

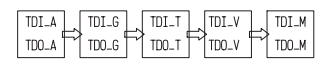


SCHEMATIC DIAGRAMS (16/57)
 1U-3821 CPU UNIT(4/9)
 1U-3821-1 CPU UNIT(4/8)
 ETHER / TUNER CONNECT

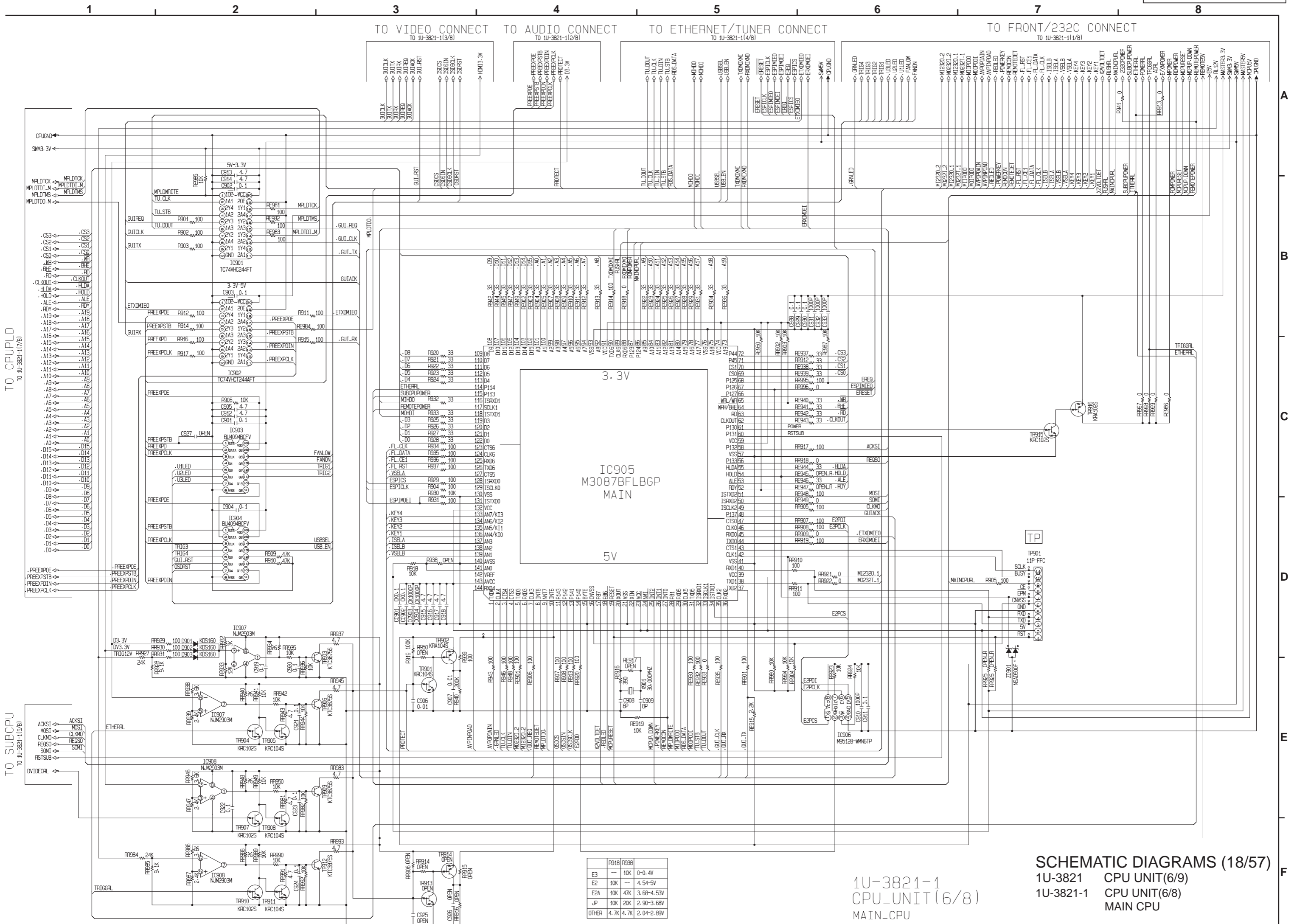


1U-3821-1
CPU_UNIT(5/8)
SUB_CPU

SCHEMATIC DIAGRAMS (17/57)
1U-3821 CPU UNIT(5/9)
1U-3821-1 CPU UNIT(5/8)
SUB CPU



A
B
C
D
E
F



TO CPUPLD TO 1U-3821-1(7/8)

TO SUBCPU TO 1U-3821-1(5/8)

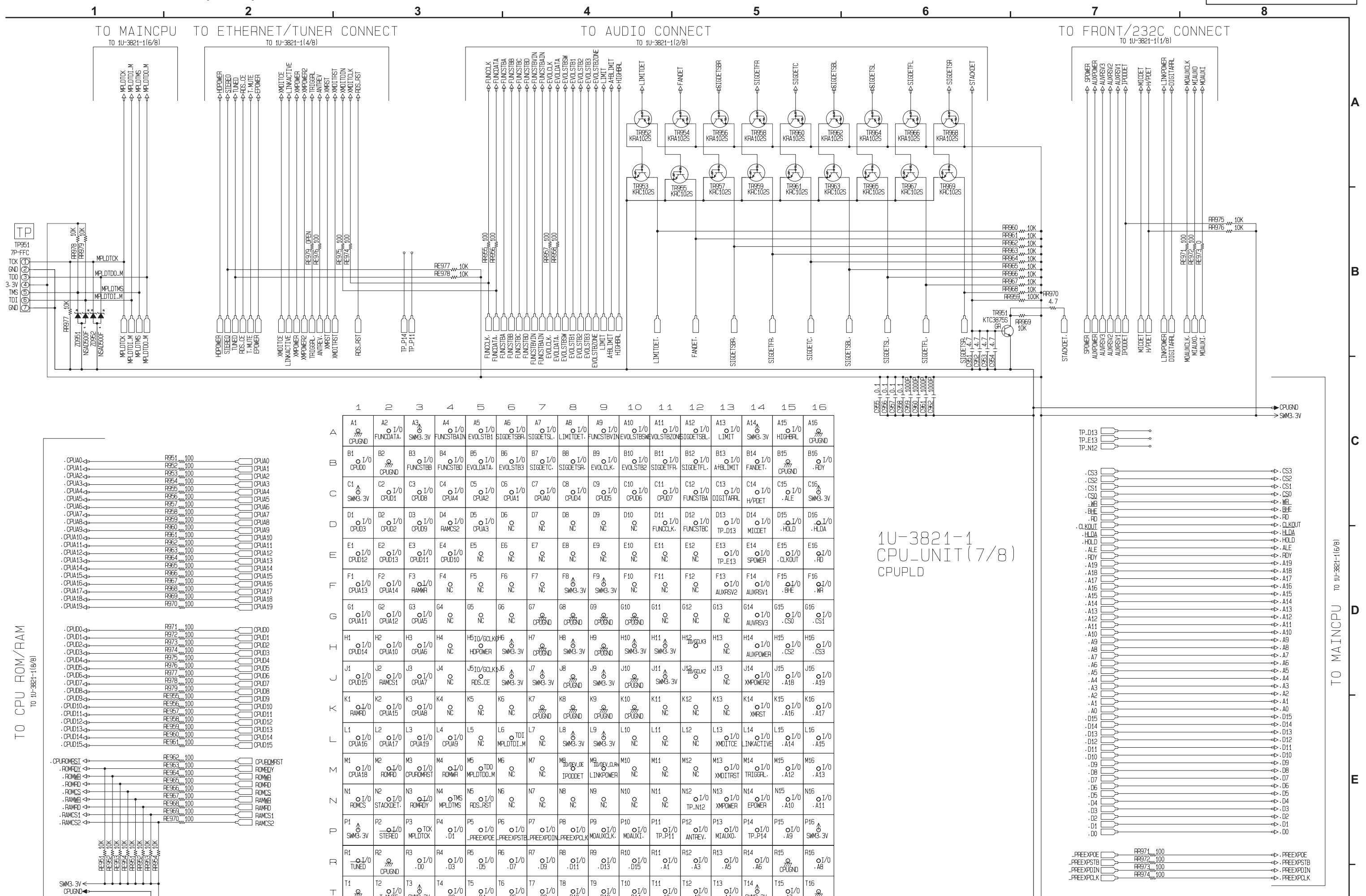
TO VIDEO CONNECT TO 1U-3821-1(3/8) TO AUDIO CONNECT TO 1U-3821-1(2/8) TO ETHERNET/TUNER CONNECT TO 1U-3821-1(4/8) TO FRONT/232C CONNECT TO 1U-3821-1(1/8)

3.3V IC905 M3087BFLBGP MAIN 5V

R918	R938		
E3	10K	0-0.4V	
E2	10K	4.54-5V	
E2A	10K	47K	3.68-4.53V
φ	10K	20K	2.90-3.68V
OTHER	4.7K	4.7K	2.04-2.89V

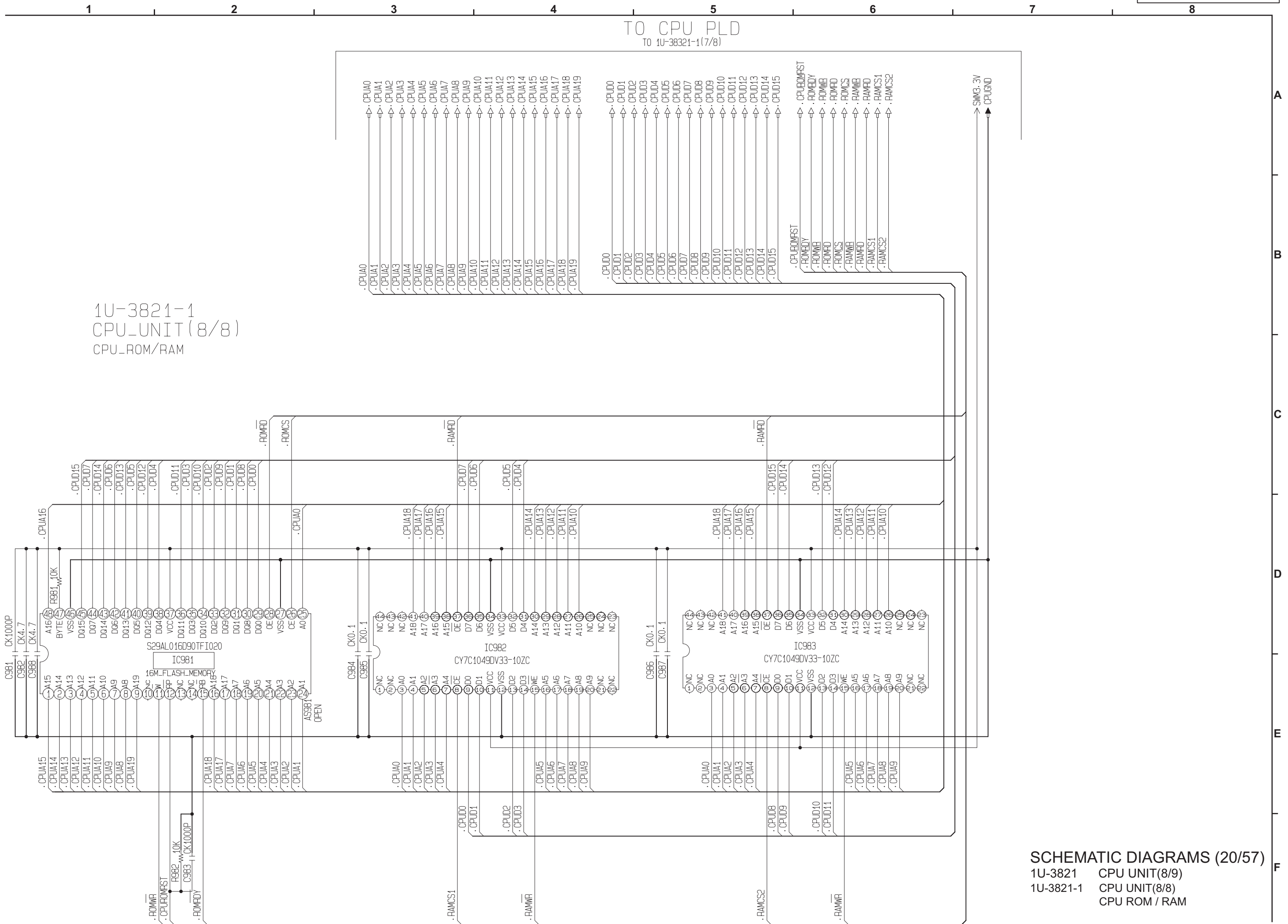
1U-3821-1 CPU_UNIT(6/8) MAIN_CPU

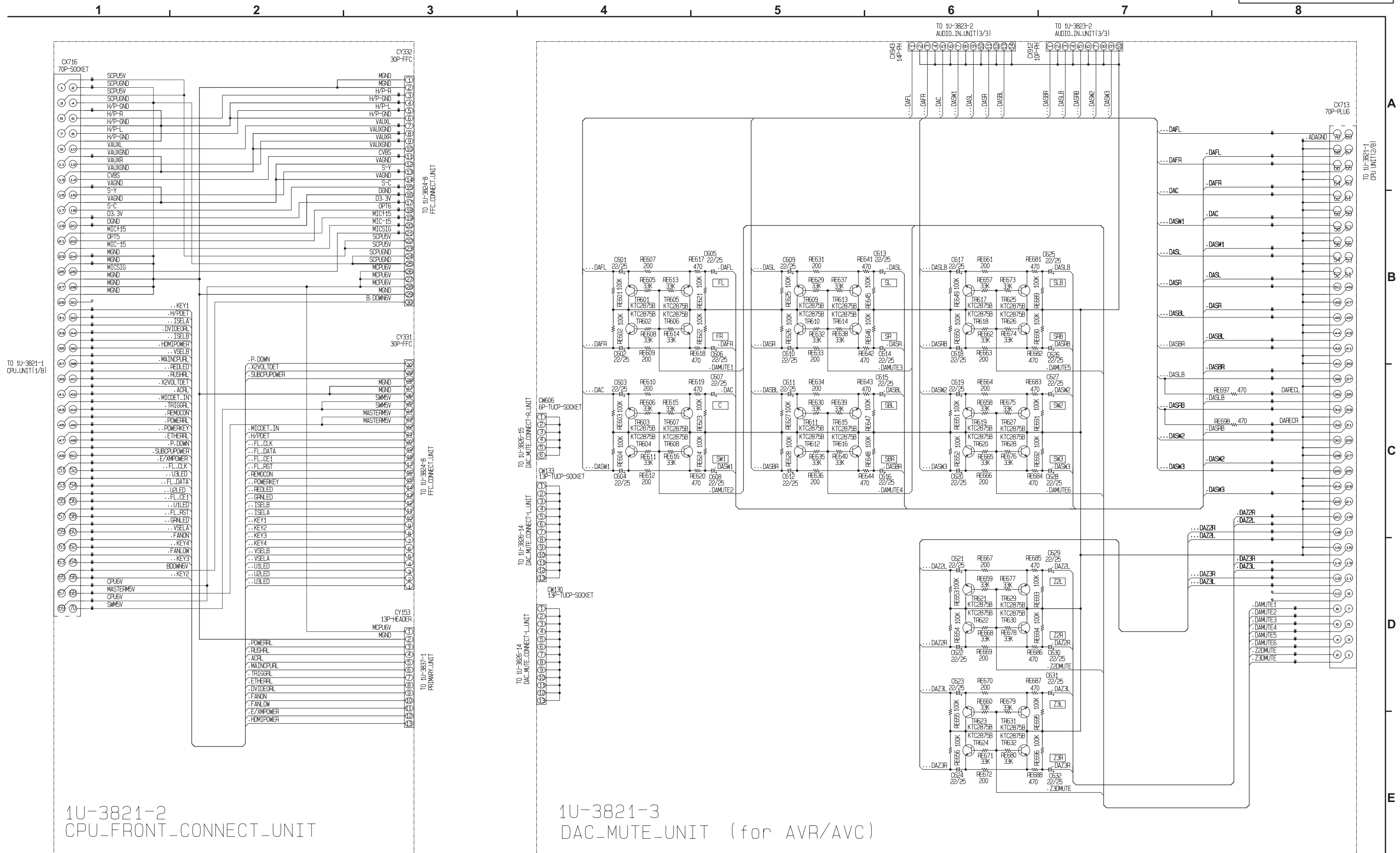
SCHEMATIC DIAGRAMS (18/57) 1U-3821 CPU UNIT(6/9) 1U-3821-1 CPU UNIT(6/8) MAIN CPU



IC951 EPM570F256C5N [TOP VIEW]

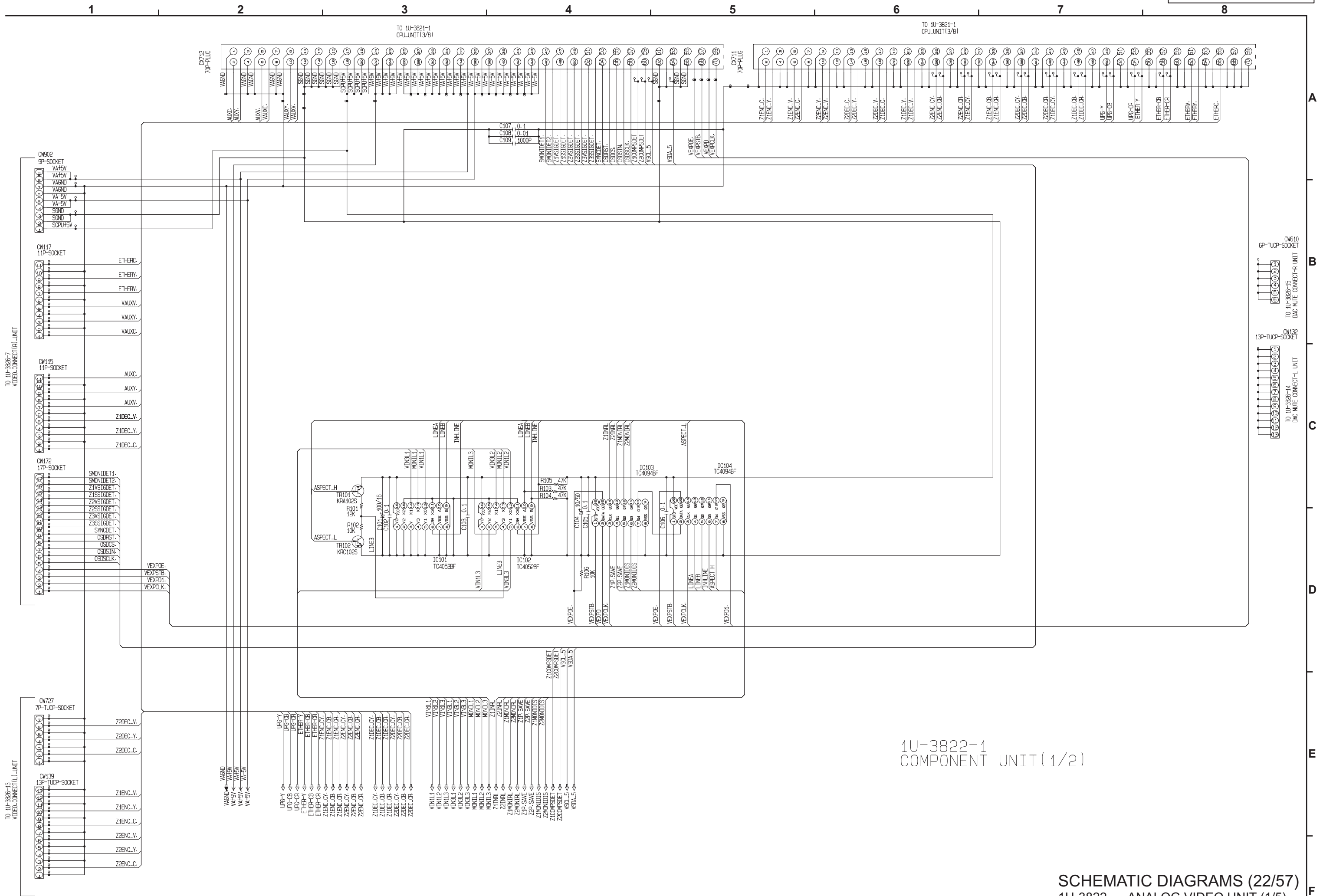
SCHEMATIC DIAGRAMS (19/57)
1U-3821 CPU UNIT(7/9)
1U-3821-1 CPU UNIT(7/8)
CPU PLD



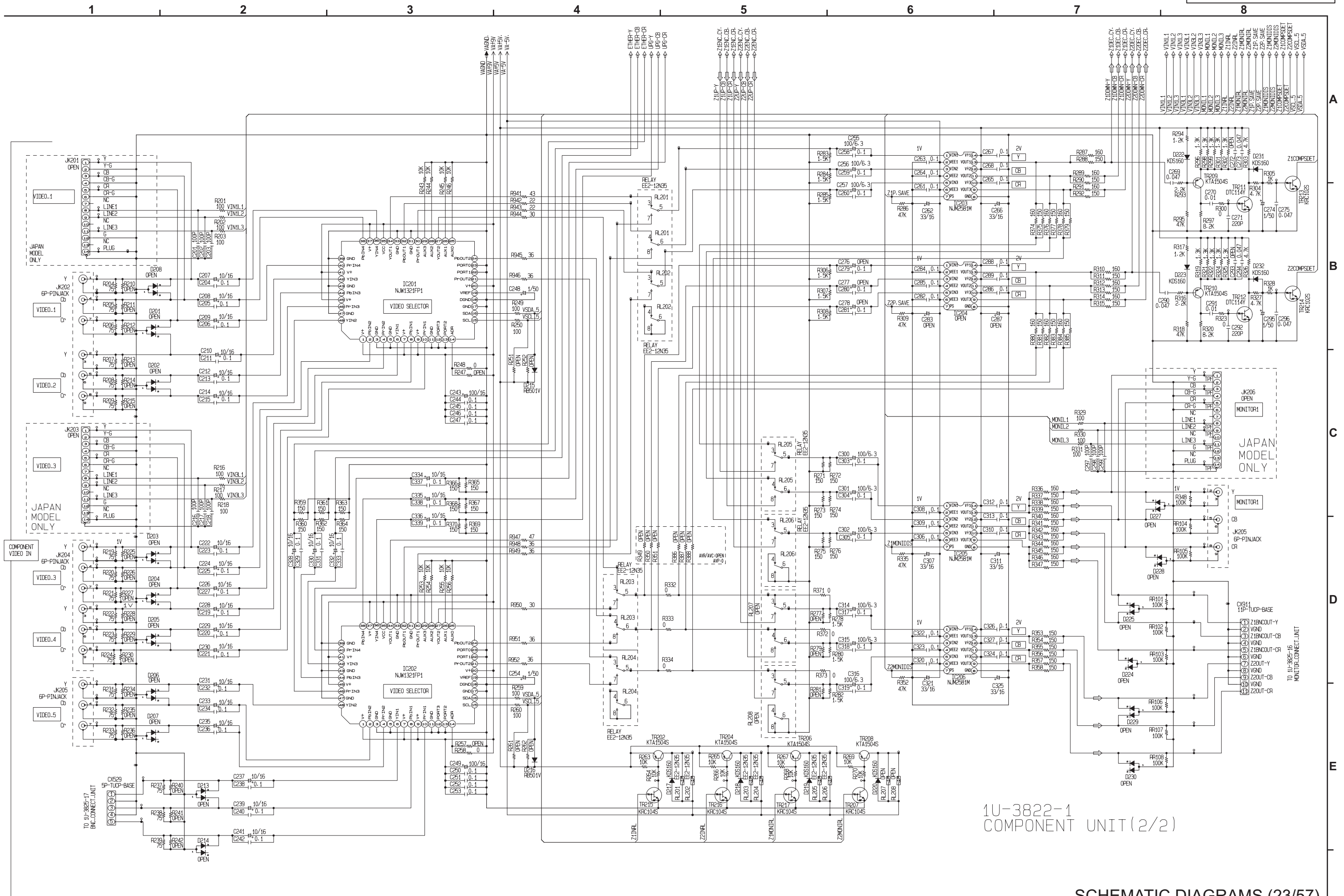


1U-3821-2
CPU_FRONT_CONNECT_UNIT

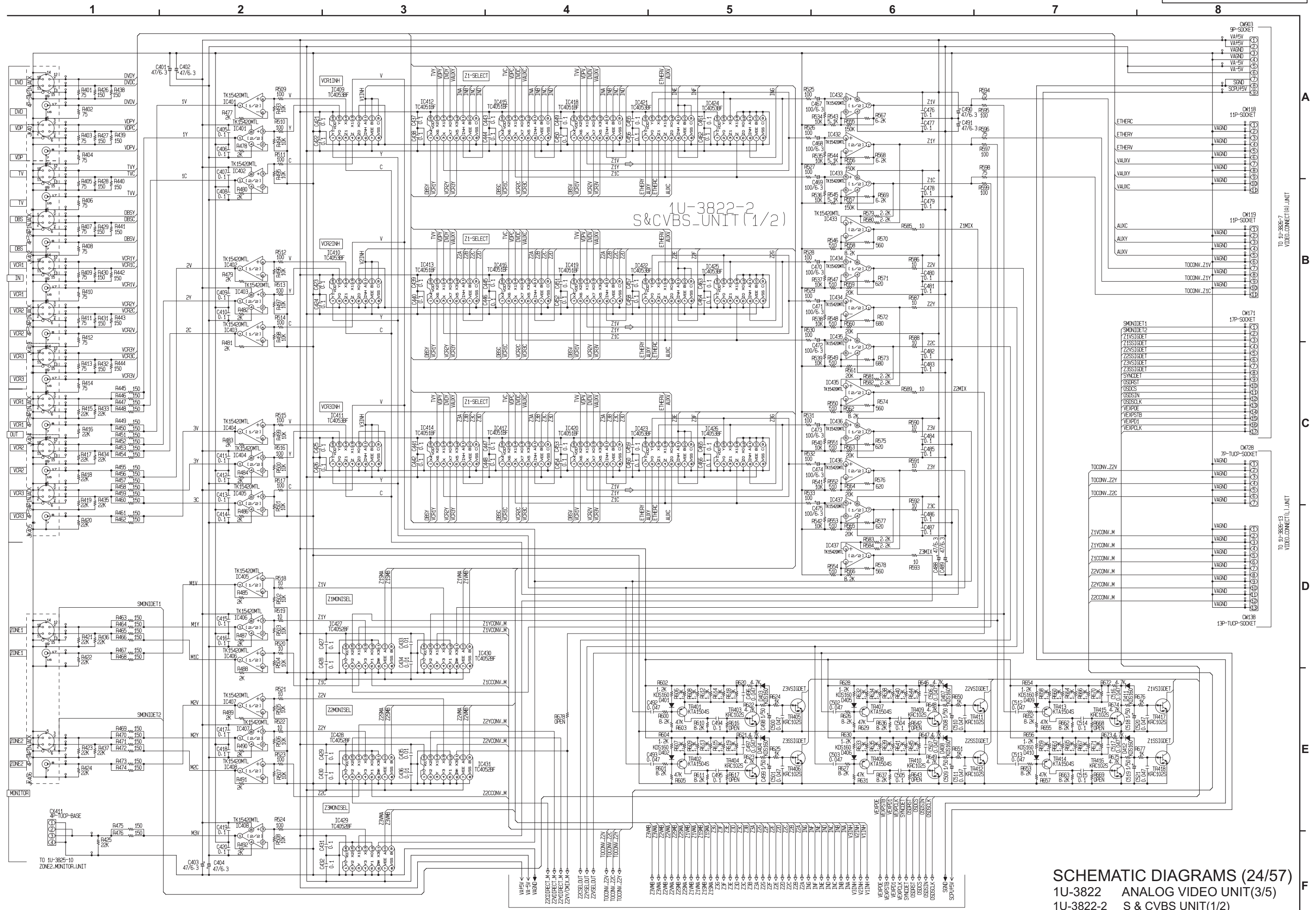
1U-3821-3
DAC_MUTE_UNIT (for AVR/AVC)



1U-3822-1
COMPONENT UNIT (1/2)



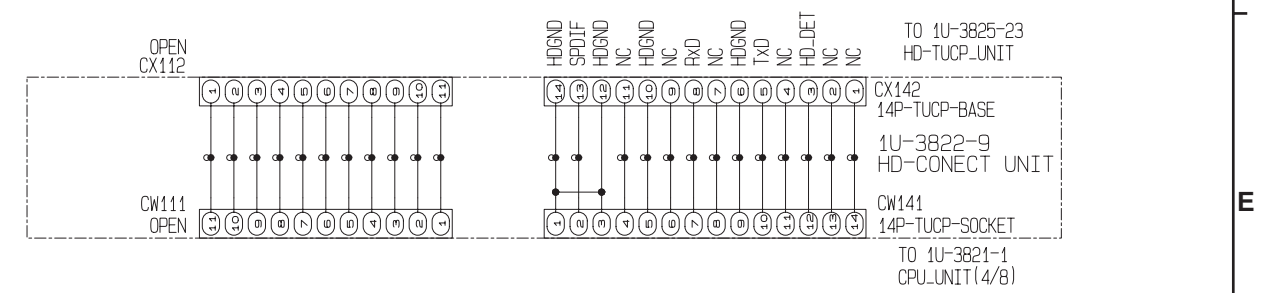
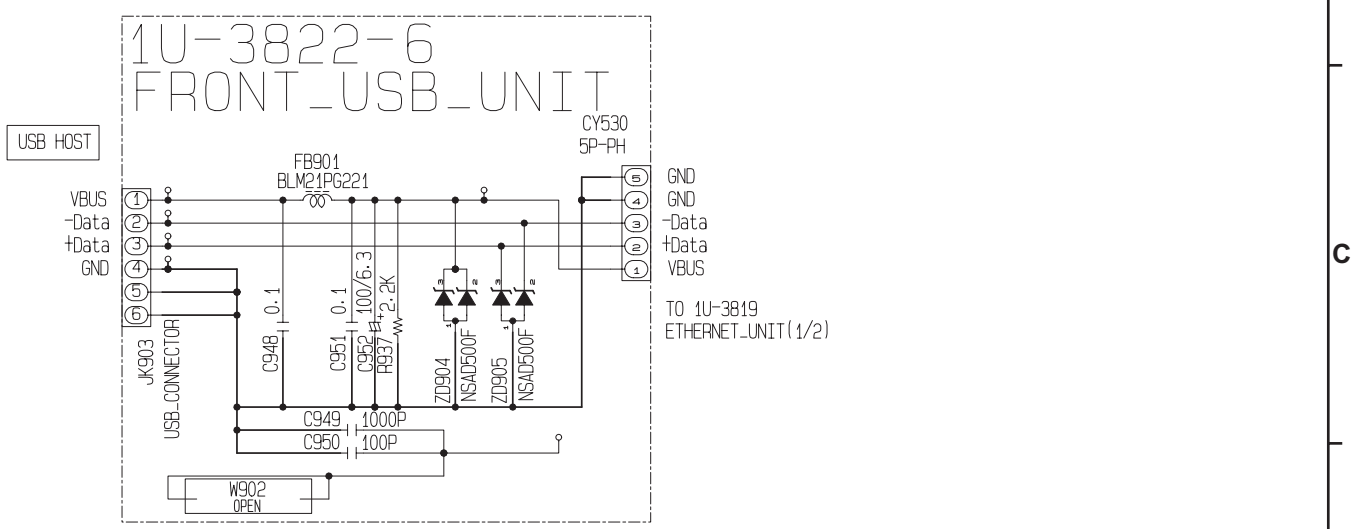
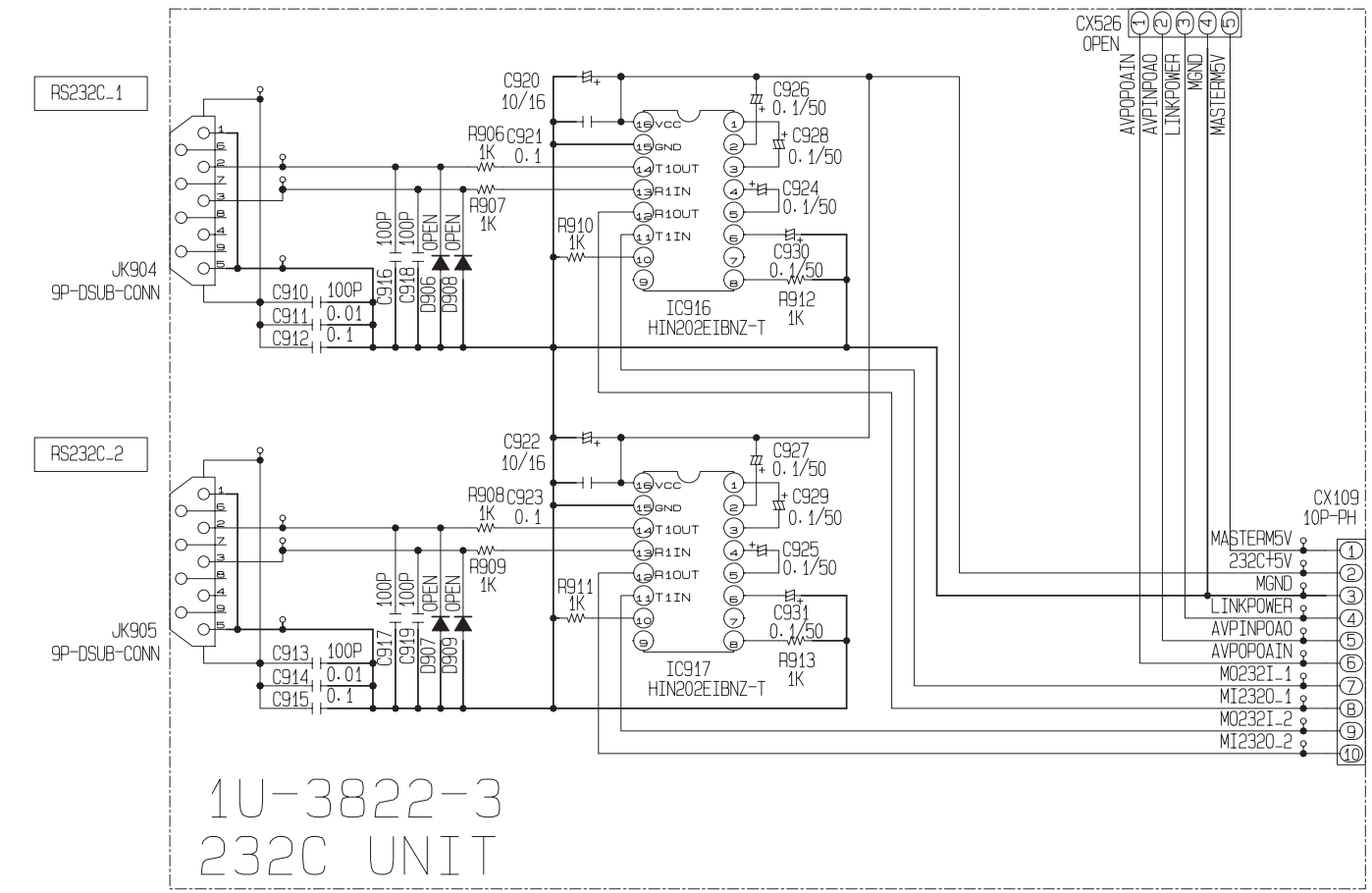
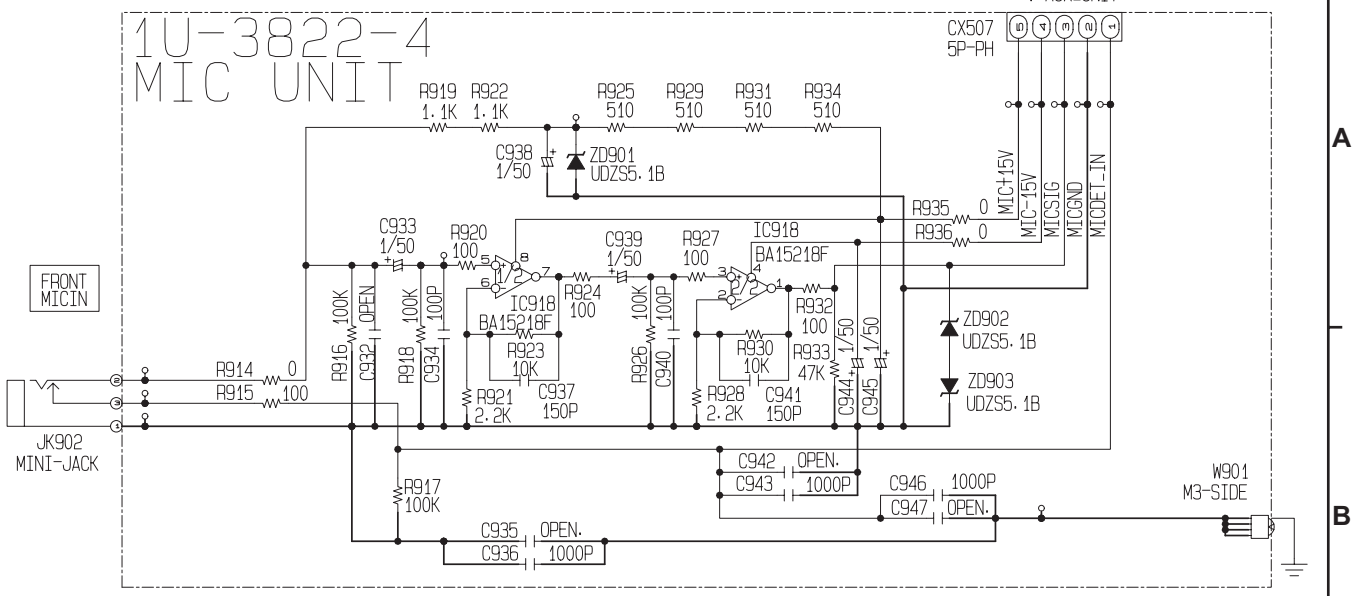
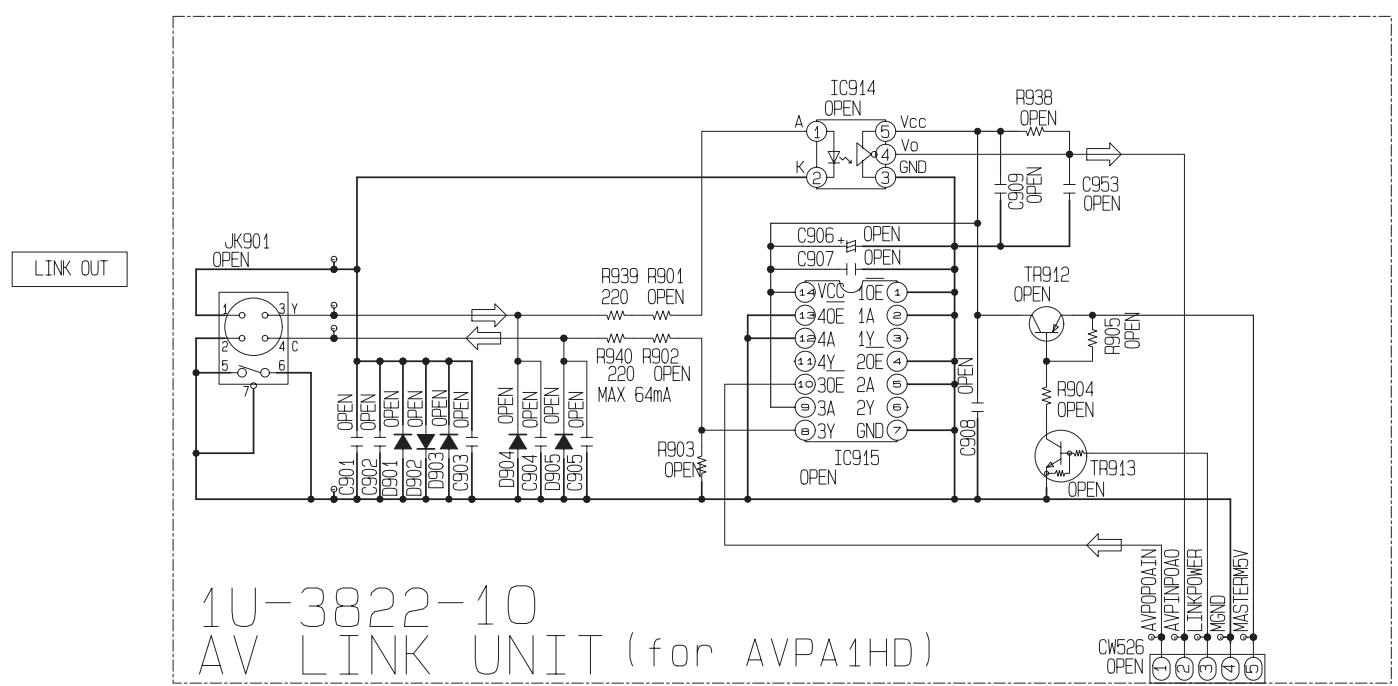
1U-3822-1
COMPONENT UNIT (2/2)



SCHEMATIC DIAGRAMS (24/57)
 1U-3822 ANALOG VIDEO UNIT(3/5)
 1U-3822-2 S & CVBS UNIT(1/2)

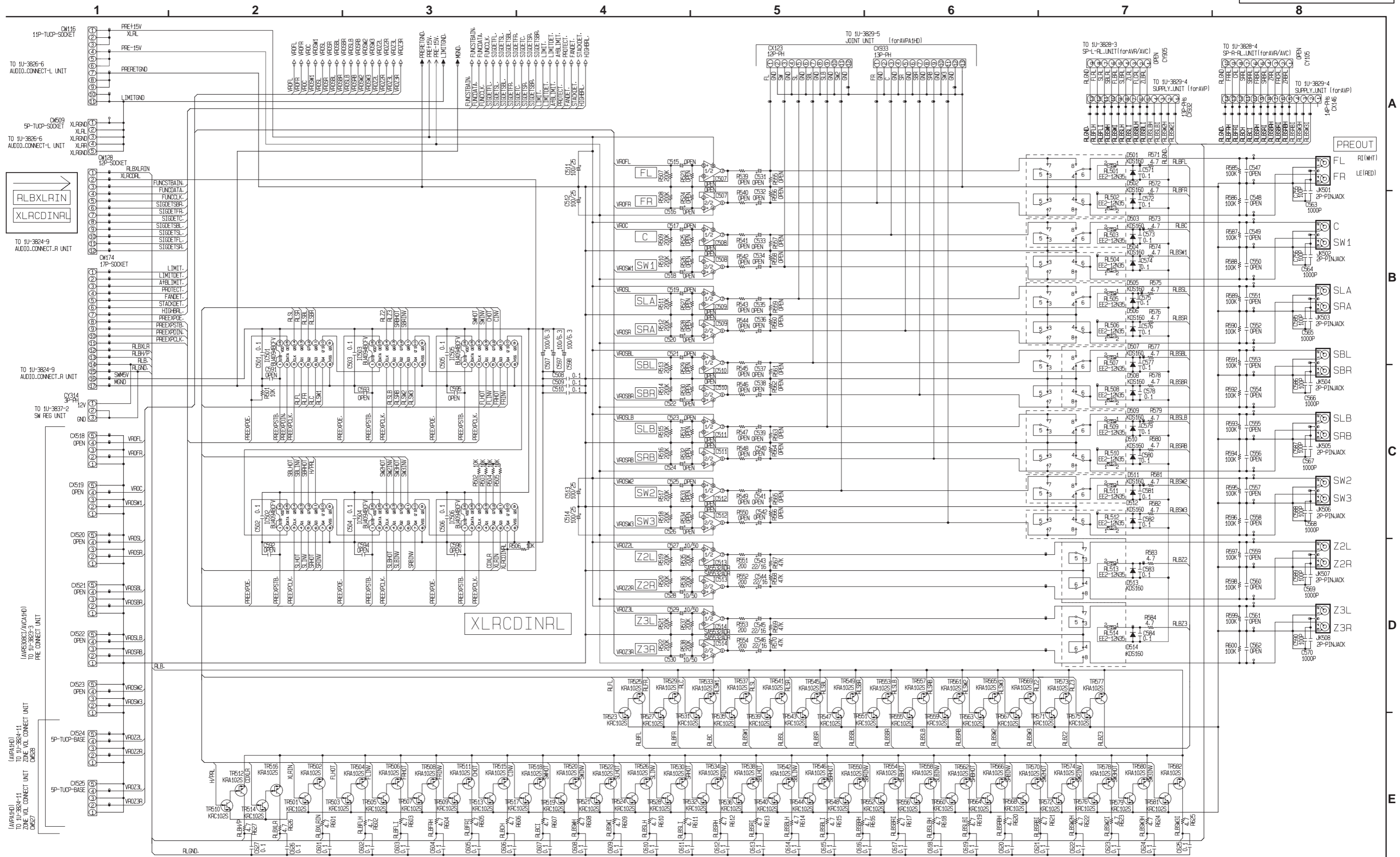
TO Z2 OSD TO 1U-3822-2(2/2)

1 2 3 4 5 6 7 8

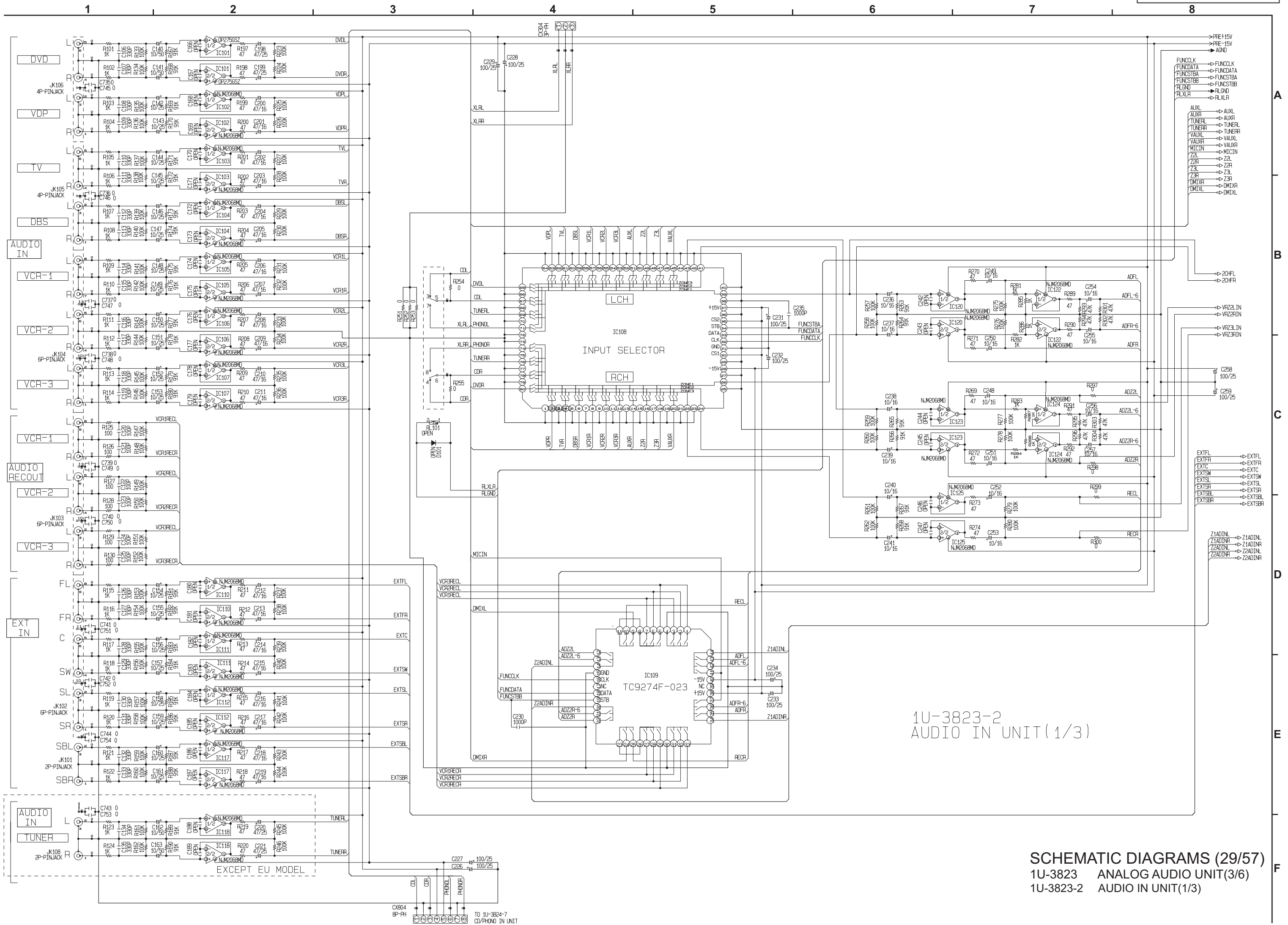


TO 1U-3821-1
CPU_UNIT(1/8)

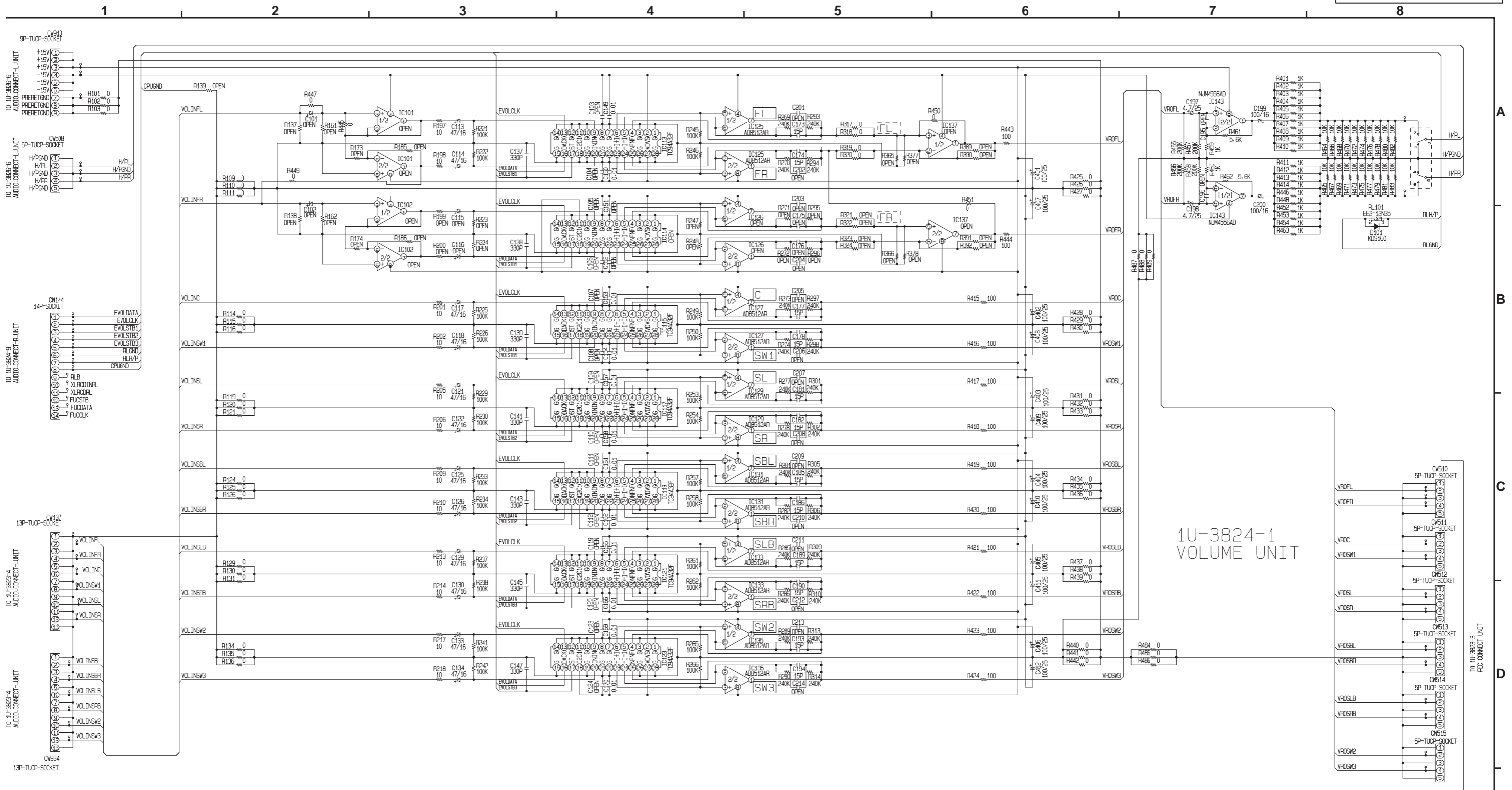
- SCHEMATIC DIAGRAMS (26/57)**
- 1U-3822 ANALOG VIDEO UNIT (5/5)
 - 1U-3822-3 232C UNIT
 - 1U-3822-4 MIC UNIT
 - 1U-3822-5 MIC SUB UNIT
 - 1U-3822-6 FRONT USB UNIT
 - 1U-3822-9 HD CONNECT UNIT



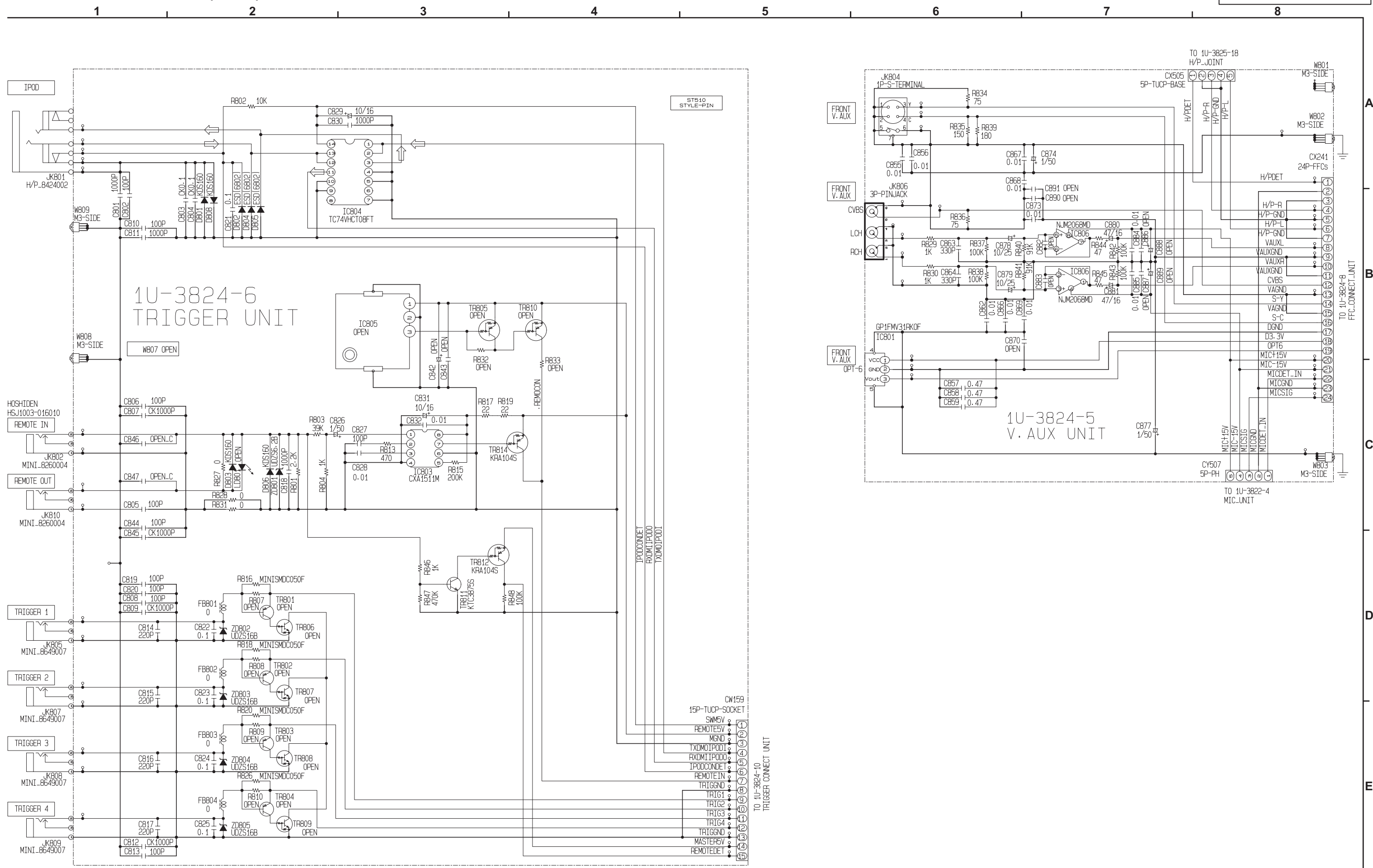
1U-3823-1
PRE OUT UNIT(1/2)



SCHEMATIC DIAGRAMS (29/57)
 1U-3823 ANALOG AUDIO UNIT(3/6)
 1U-3823-2 AUDIO IN UNIT(1/3)

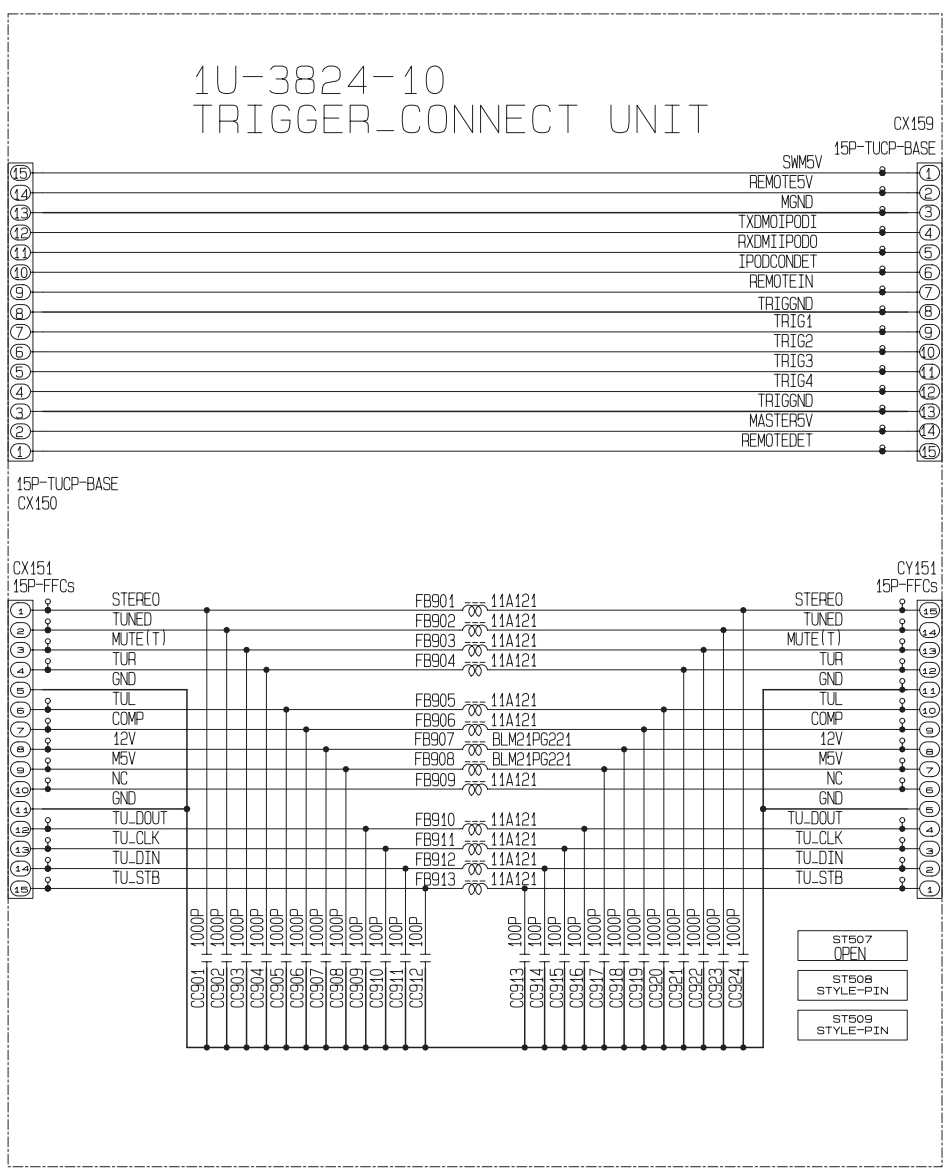
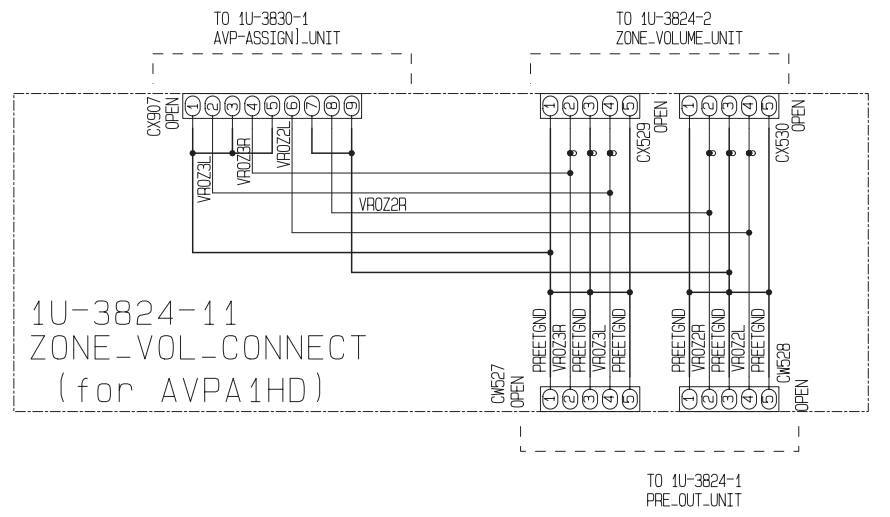
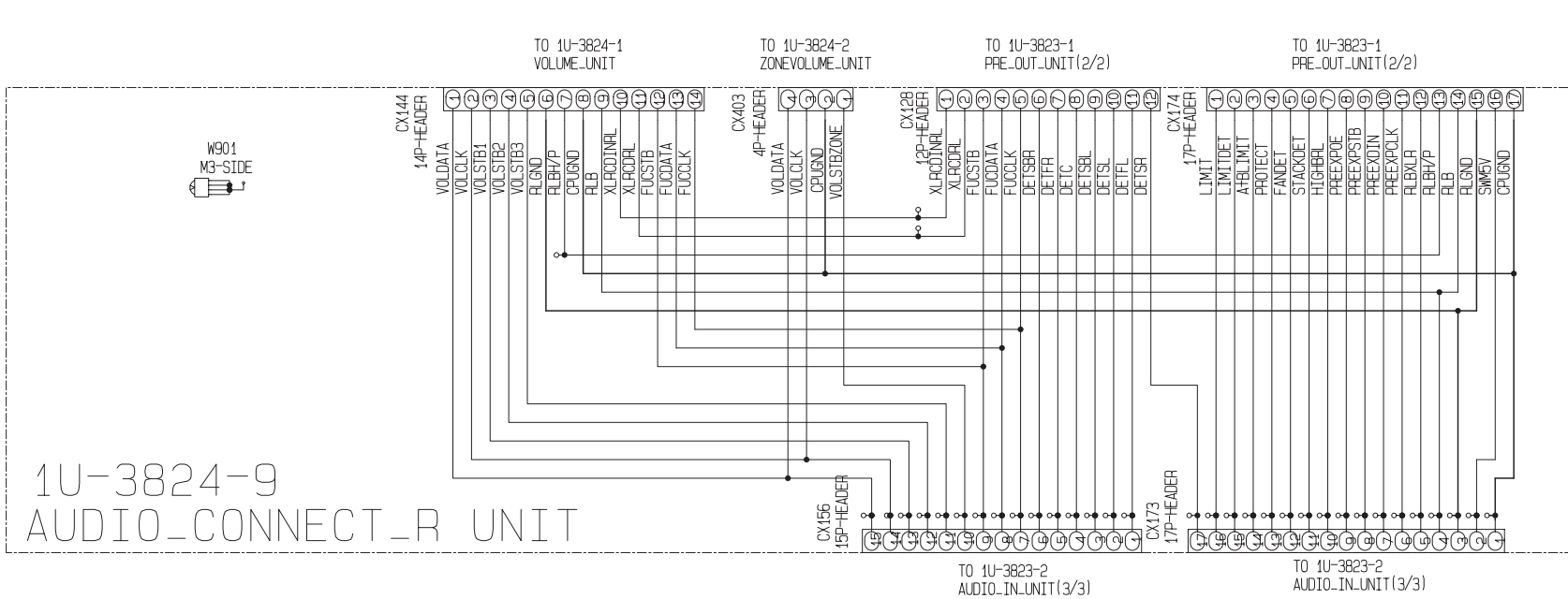


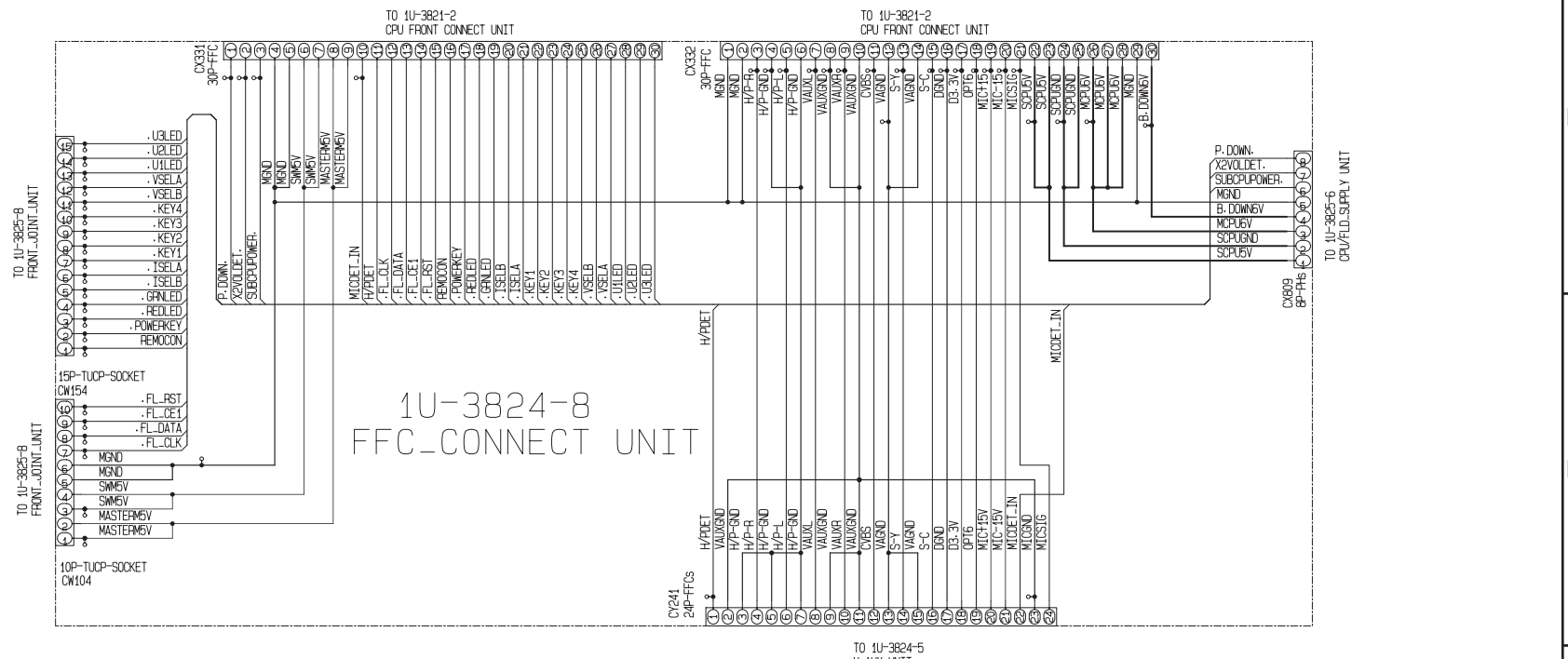
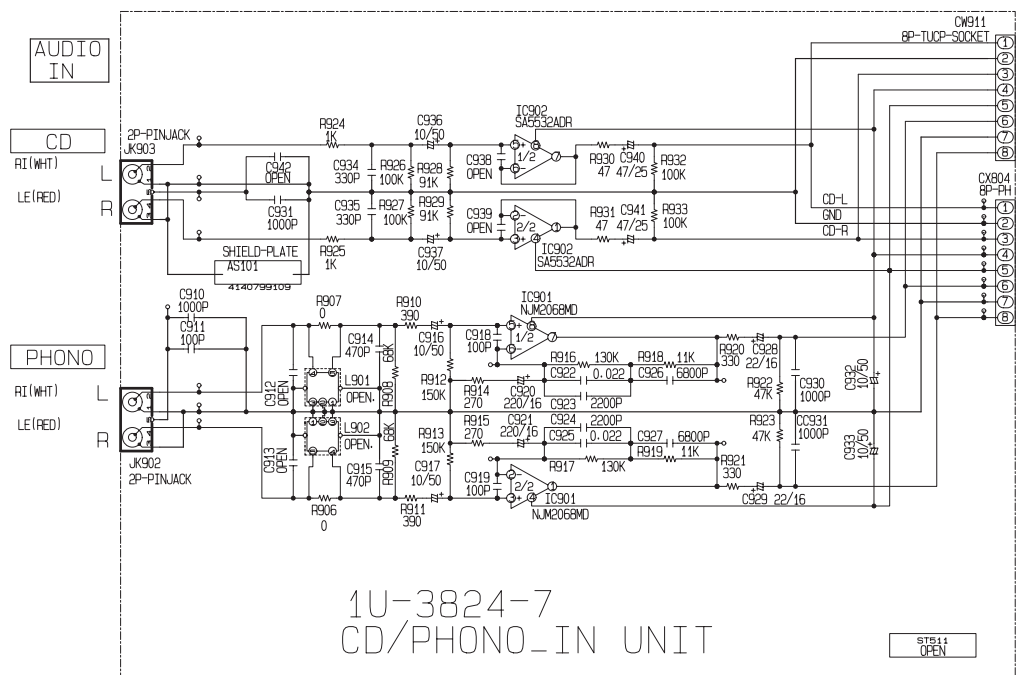
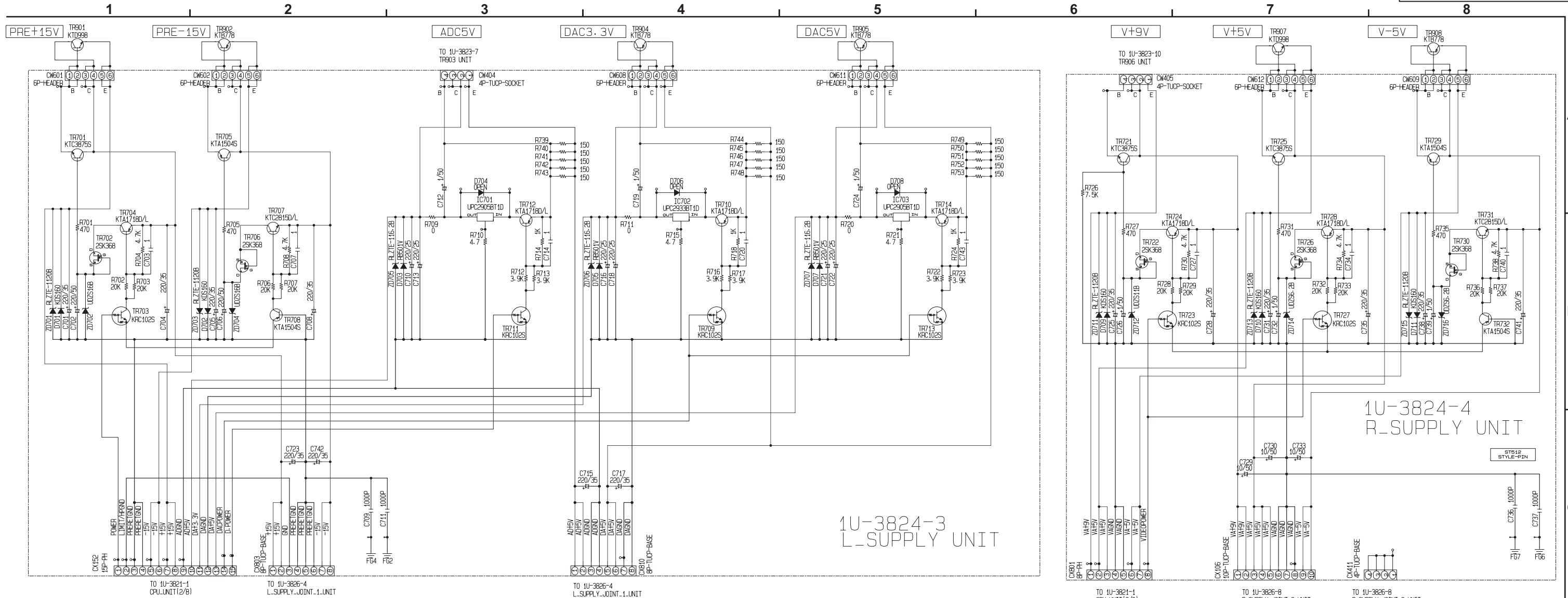
1U-3824-1
VOLUME UNIT



SCHEMATIC DIAGRAMS (35/57)
 1U-3824 VOL/REG UNIT (3/5)
 1U-3824-5 FRONT IN UNIT
 1U-3824-6 TRIGGER UNIT

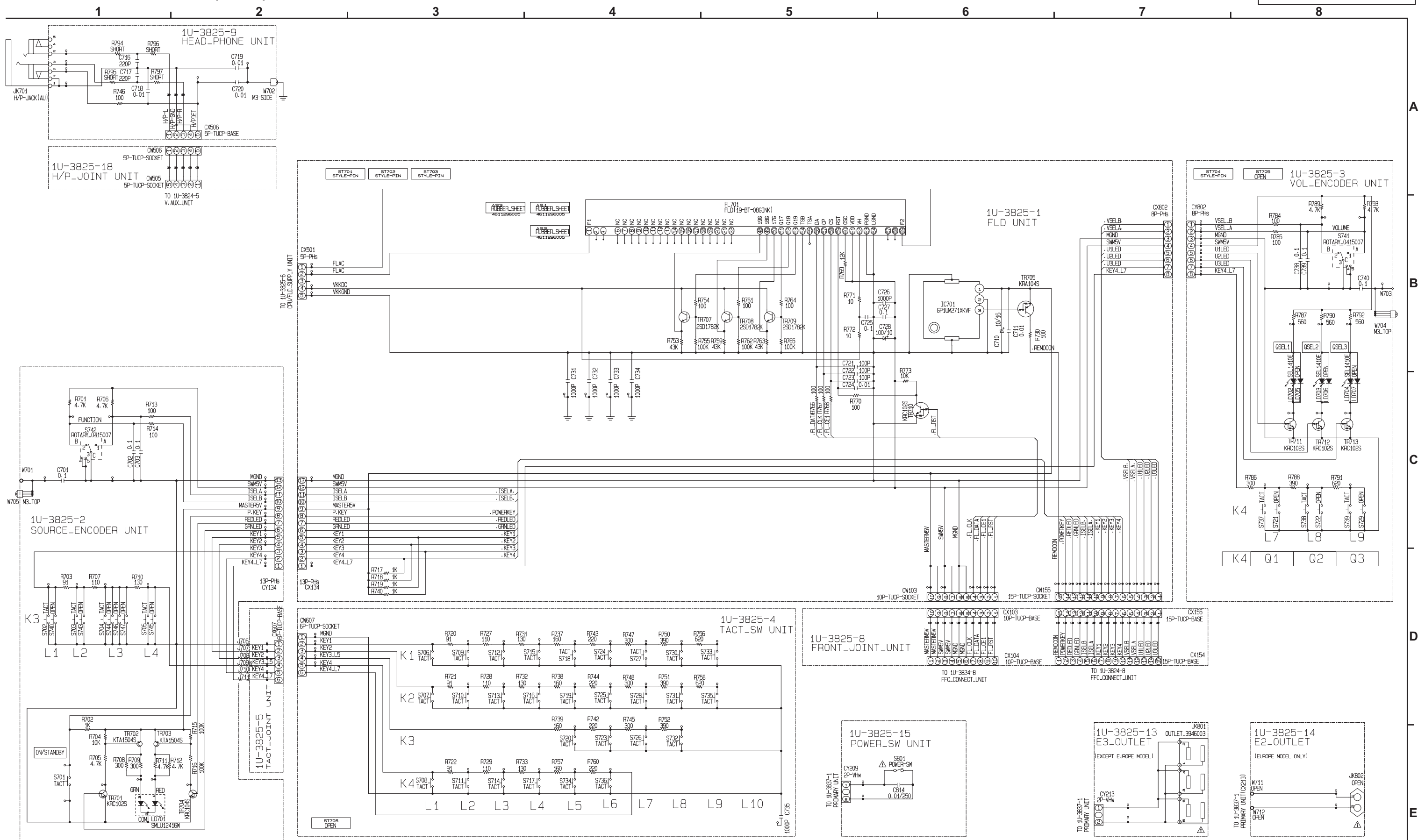
1 2 3 4 5 6 7 8





SCHEMATIC DIAGRAMS (37/57)

1U-3824	VOL/REG UNIT (5/5)
1U-3824-3	L SUPPLY UNIT
1U-3824-4	R SUPPLY UNIT
1U-3824-7	CD PHONO IN UNIT
1U-3824-8	FFC CONNECT UNIT

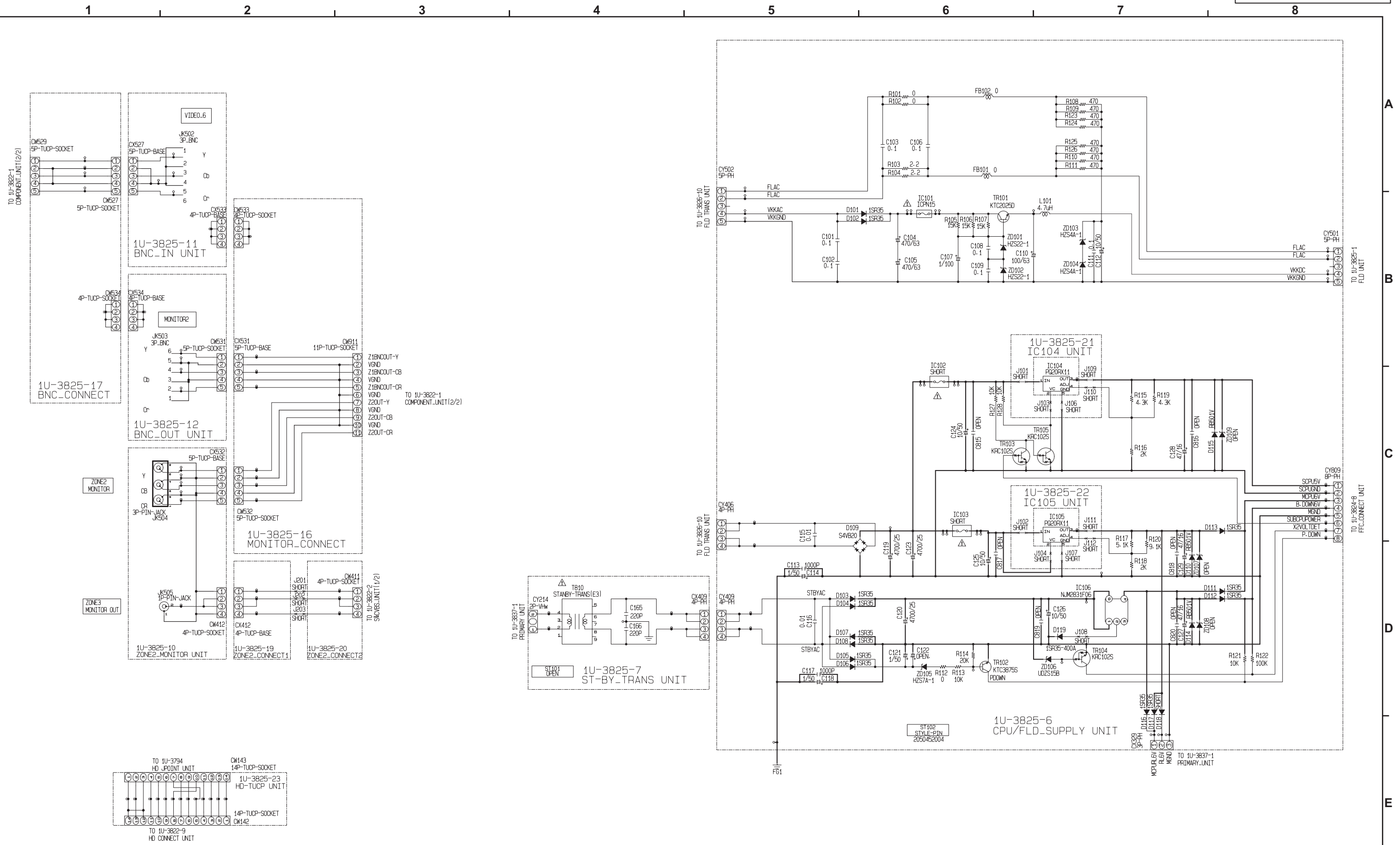


	L1	L2	L3	L4	L5	L6	L7	L8	L9
K1	ZONE4 ON/OFF	STANDARD	PURE DIRECT	RESTORER	NIGHT	MENU	DOWN	RETURN	STATUS
K2	ZONE3 ON/OFF	HOME THX CINEMA	DIRECT STEREO	CINEMA	MUSIC	GAME	LEFT	ENTER	RIGHT
K3	SOURCE	TUNING PRESET	ZONE2/3 4/REC	VIDEO SELECT	DSP SIMUL.	7CH STEREO	INPUT MODE	UP	
K4	ZONE2 ON/OFF	AUDIO DELAY	DIMMER	SCALE	MONITOR SELECT	ROOM EQ	Q-SEL1	Q-SEL2	Q-SEL3

SOURCE	TUNING PRESET	ZONE2/3 4/REC	VIDEO SELECT	STANDARD	HOME THX CINEMA	DSP SIMUL.	7CH STEREO	INPUT MODE	UP	ZONE2 ON/OFF	ZONE3 ON/OFF	ZONE4 ON/OFF	SCALE	MON/SEL	STATUS	Q-SEL1	Q-SEL2	Q-SEL3
				PURE DIRECT	DIRECT STEREO	CINEMA	MUSIC	GAME	LEFT	ENTER	RIGHT		AUDIO DELAY	DIMMER	ROOMEQ			
				RESTORER	NIGHT	MENU			DOWN	RETURN								

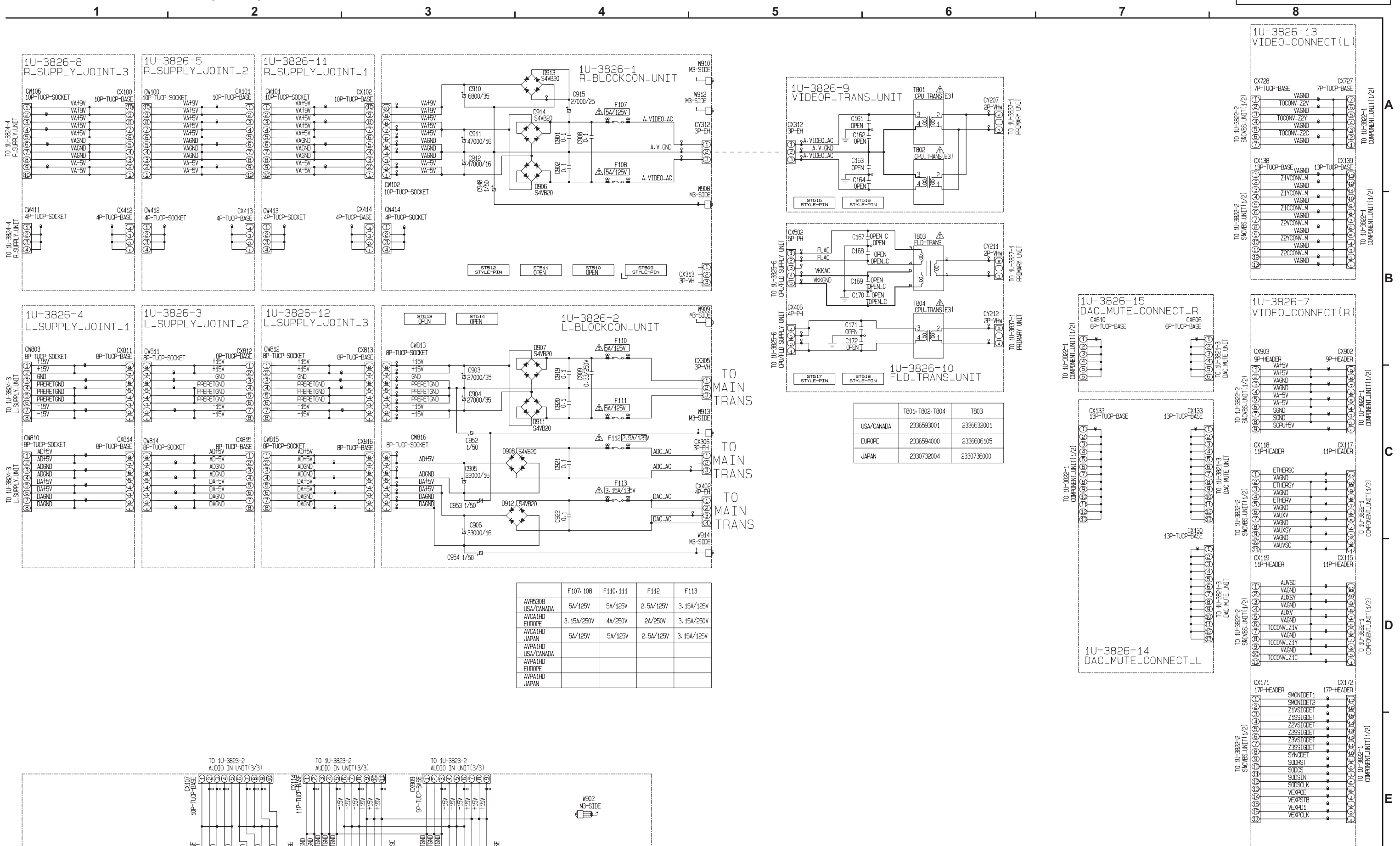
SCHEMATIC DIAGRAMS (38/57)

1U-3825	FRONT UNIT (1/2)	1U-3825-1	FLD UNIT
1U-3825-2	SOURCE ENCODER UNIT	1U-3825-3	VOL ENCODER UNIT
1U-3825-4	TACT SW UNIT	1U-3825-5	TACT JOINT UNIT
1U-3825-9	HEAD PHONE UNIT	1U-3825-8	FRONT JOINT UNIT
1U-3825-13	E3 OUTLET UNIT		
1U-3825-14	E2 OUTLET UNIT		
1U-3825-15	POWER SW UNIT		



SCHEMATIC DIAGRAMS (39/57)

1U-3825-17	BNC CONNECT UNIT	1U-3825-6	CPU/FLD SUPPLY UNIT
1U-3825-19	ZONE2 CONNECT1 UNIT	1U-3825-7	STBY TRANS UNIT
1U-3825-20	ZONE2 CONNECT2 UNIT	1U-3825-10	ZONE2 MONITOR UNIT
1U-3825-21	IC104 UNIT	1U-3825-11	BNC IN UNIT
1U-3825-22	IC105 UNIT	1U-3825-12	BNC OUT UNIT
1U-3825-23	HD-TUCP UNIT	1U-3825-16	MONITOR CONNECT UNIT



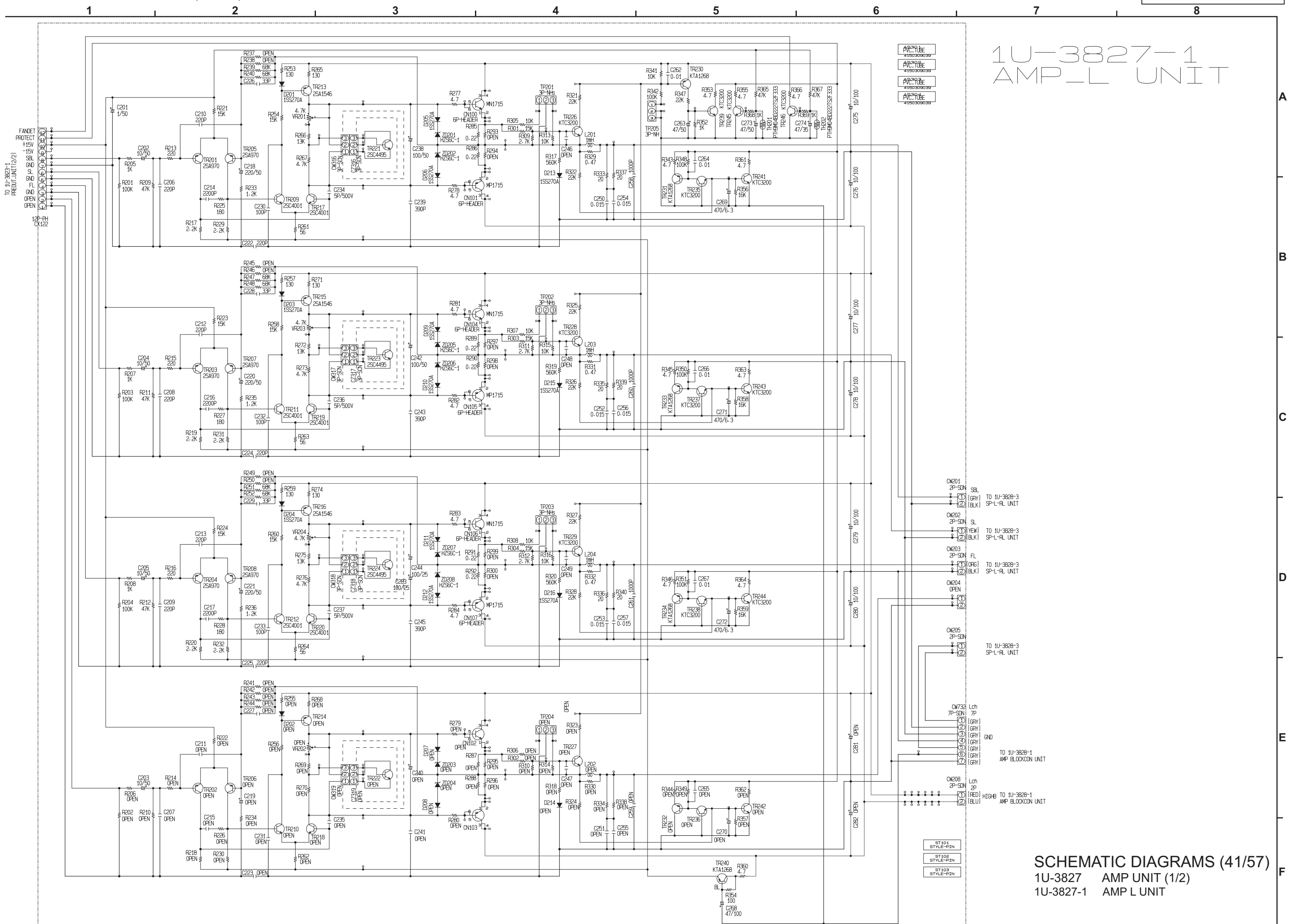
	F107-108	F110-111	F112	F113
AVR6308 USA/CANADA	5A/125V	5A/125V	2.5A/125V	3.15A/125V
AVCA1HD EUROPE	3.15A/250V	4A/250V	2A/250V	3.15A/250V
AVCA1HD JAPAN	5A/125V	5A/125V	2.5A/125V	3.15A/125V
AVPA1HD USA/CANADA				
AVPA1HD EUROPE				
AVPA1HD JAPAN				

	T801, T802, T804	T803
USA/CANADA	2336593001	2336632001
EUROPE	2336594000	2336606105
JAPAN	2330732004	2330736000

- 1U-3826-7 VIDEO CONNECT (R) UNIT
 - 1U-3826-8 R SUPPLY JOINT-3 UNIT
 - 1U-3826-9 VIDEO TRANS UNIT
 - 1U-3826-10 IFLD TRANS UNIT
 - 1U-3826-11 R SUPPLY JOINT-1 UNIT
 - 1U-3826-12 L SUPPLY JOINT-3 UNIT
 - 1U-3826-13 VIDEO CONNECT (L) UNIT
 - 1U-3826-14 DAC MUTE CONNECT-L UNIT
 - 1U-3826-15 DAC MUTE CONNECT-R UNIT
- SCHEMATIC DIAGRAMS (40/57)**
- 1U-3826 PRIMARY UNIT
 - 1U-3826-1 R BLOCKCON UNIT
 - 1U-3826-2 L BLOCKCON UNIT
 - 1U-3826-3 L SUPPLY JOINT-2 UNIT
 - 1U-3826-4 L SUPPLY JOINT-1 UNIT
 - 1U-3826-5 R SUPPLY JOINT-2 UNIT
 - 1U-3826-6 AUDIO CONNECT L UNIT

A
B
C
D
E
F

1U-3827-1 AMP_L UNIT



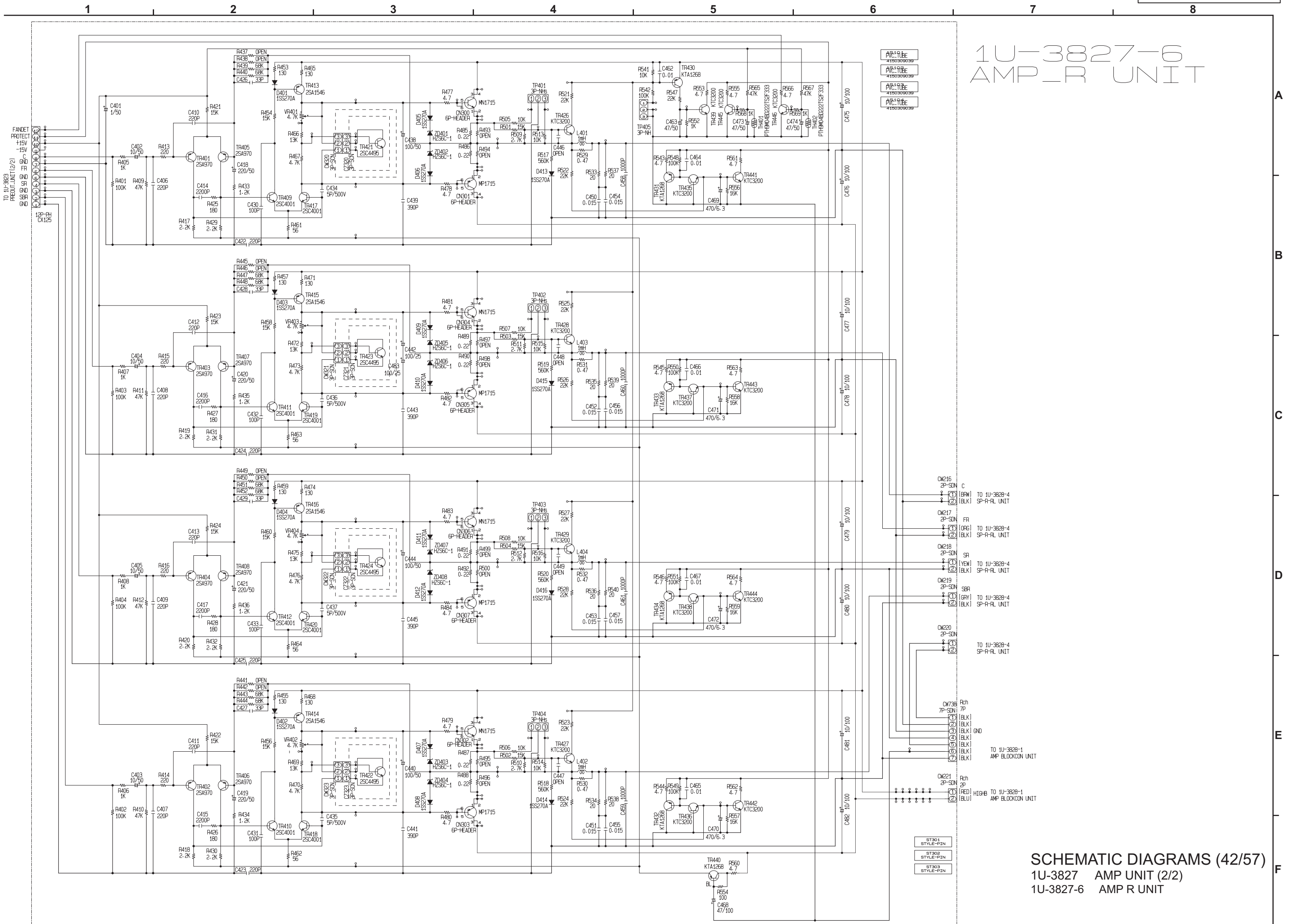
- AVC-TUBE
4150305039
- AVC-TUBE
4150305039
- AVC-TUBE
4150305039
- AVC-TUBE
4150305039

- CW201 2P-SDN
SBL (GRY)
BLK (BLK)
- CW202 2P-SDN
SL (YEL)
BLK (BLK)
- CW203 2P-SDN
FL (ORG)
BLK (BLK)
- CW204 OPEN
- CW205 2P-SDN
TO 1U-3828-3
SP-L-RL UNIT

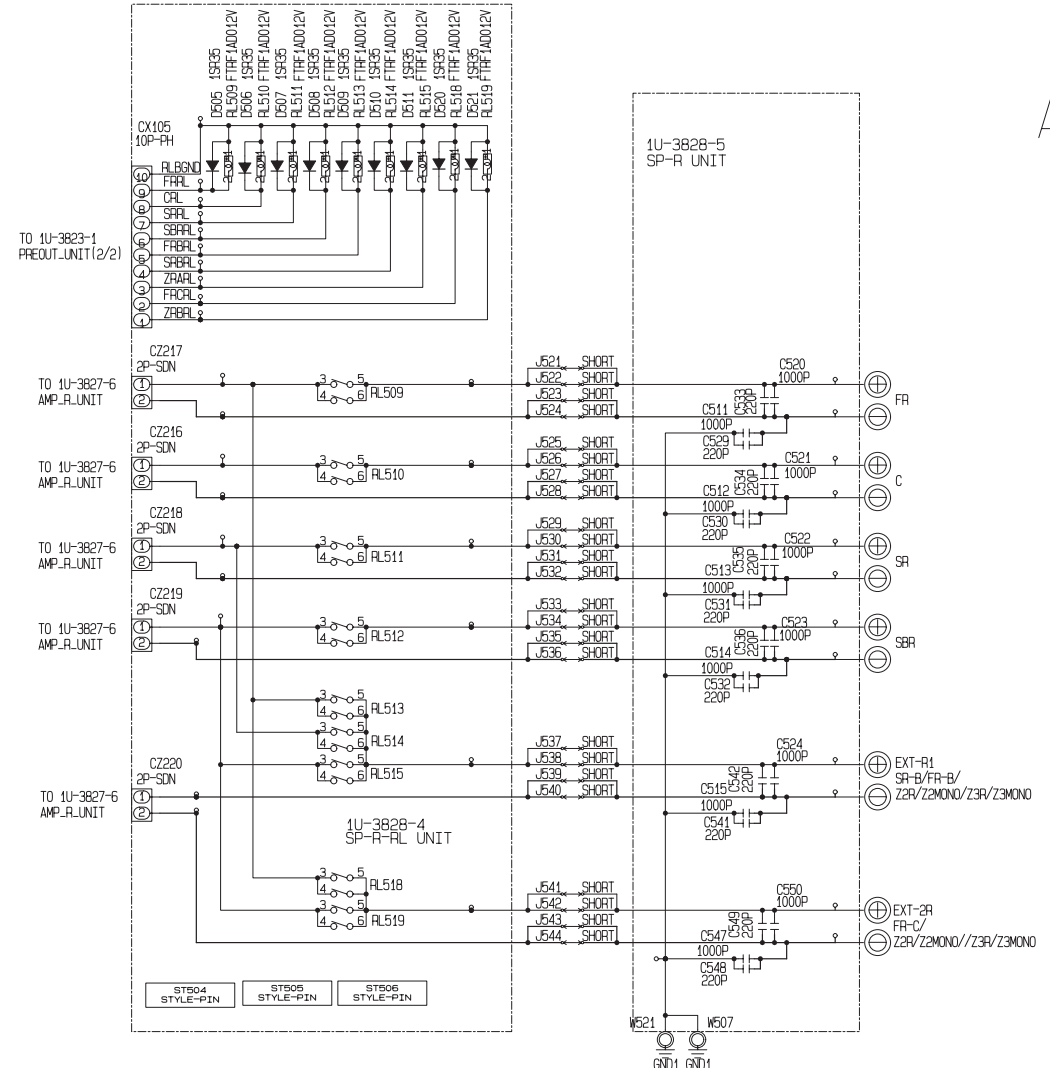
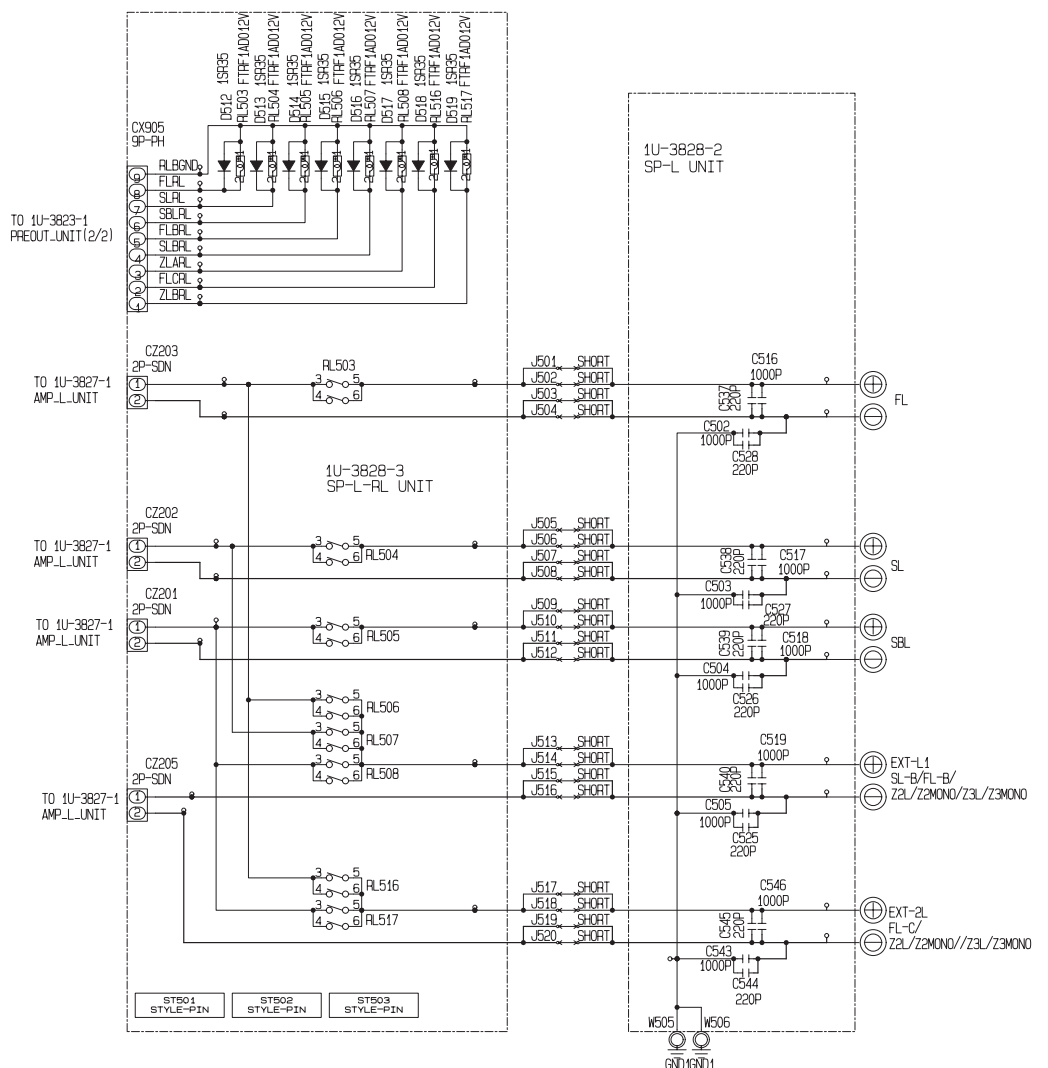
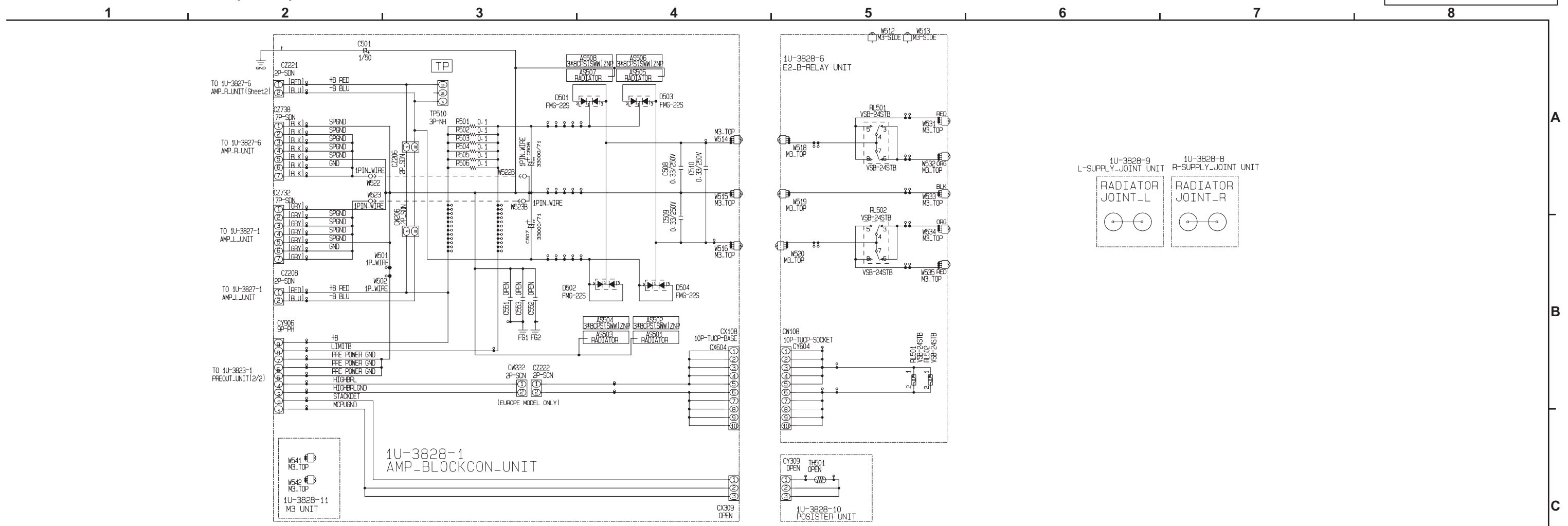
- Lch 7P 7P-SDN
GRY (GRY)
GRY (GRY)
GRY (GRY)
GRY (GRY)
GRY (GRY)
GRY (GRY)
- CW208 2P-SDN
Lch 2P (RED)
BLU (BLU)

- ST101 STYLE-PIN
- ST108 STYLE-PIN
- ST103 STYLE-PIN

1U-3827-6 AMP_R UNIT



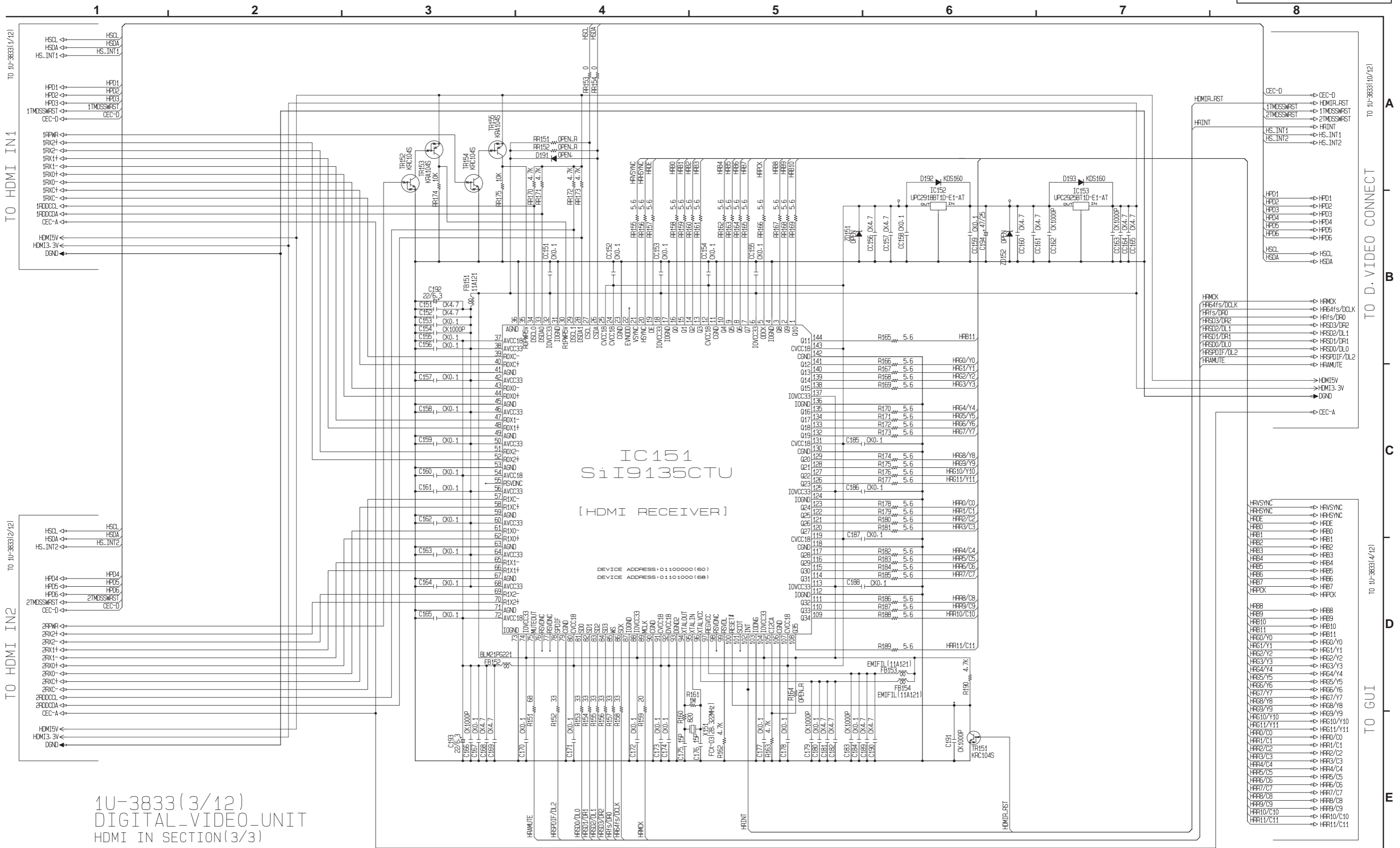
SCHEMATIC DIAGRAMS (42/57)
1U-3827 AMP UNIT (2/2)
1U-3827-6 AMP R UNIT



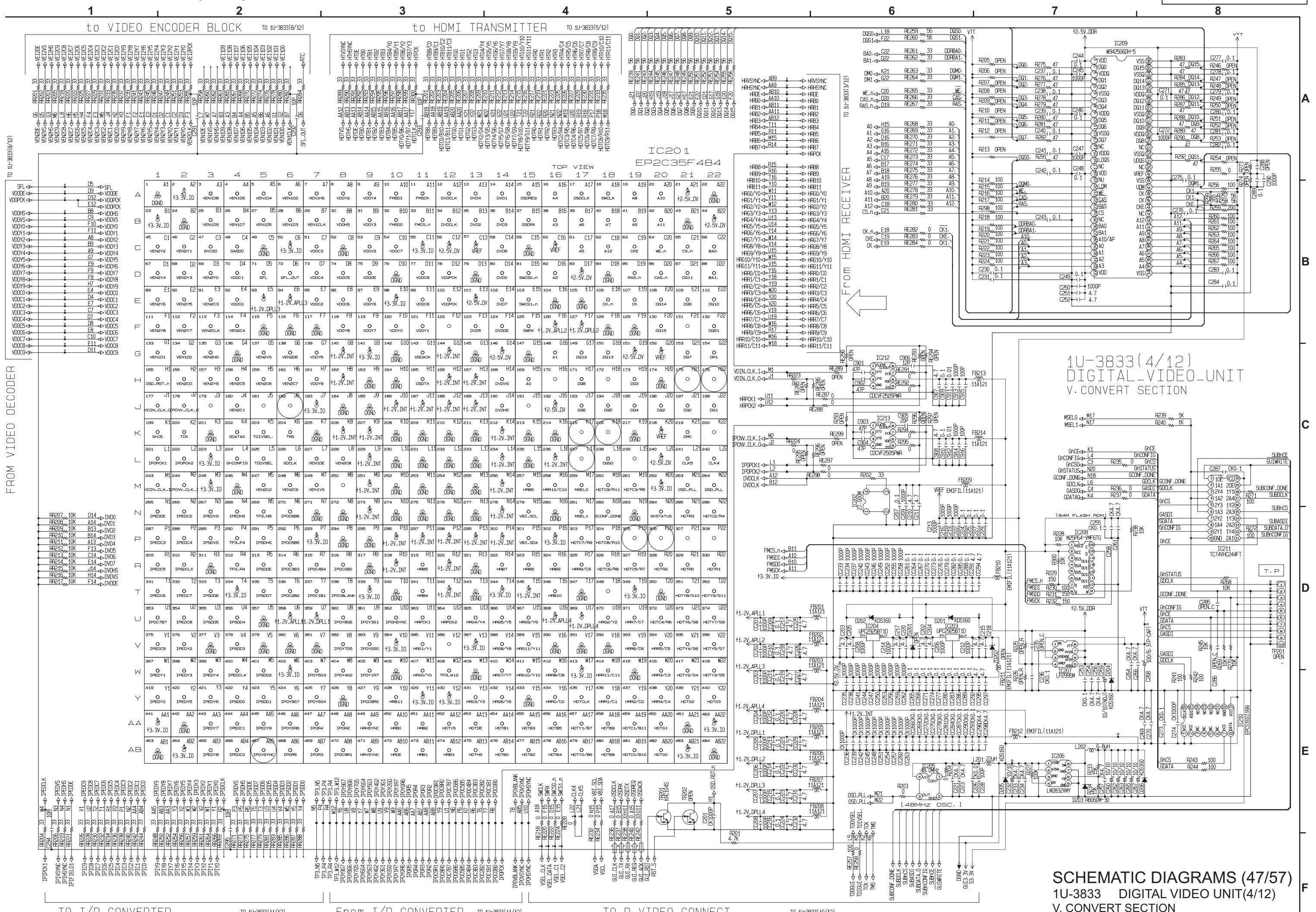
AMP SUPPLY

SCHMATIC DIAGRAMS (43/57)

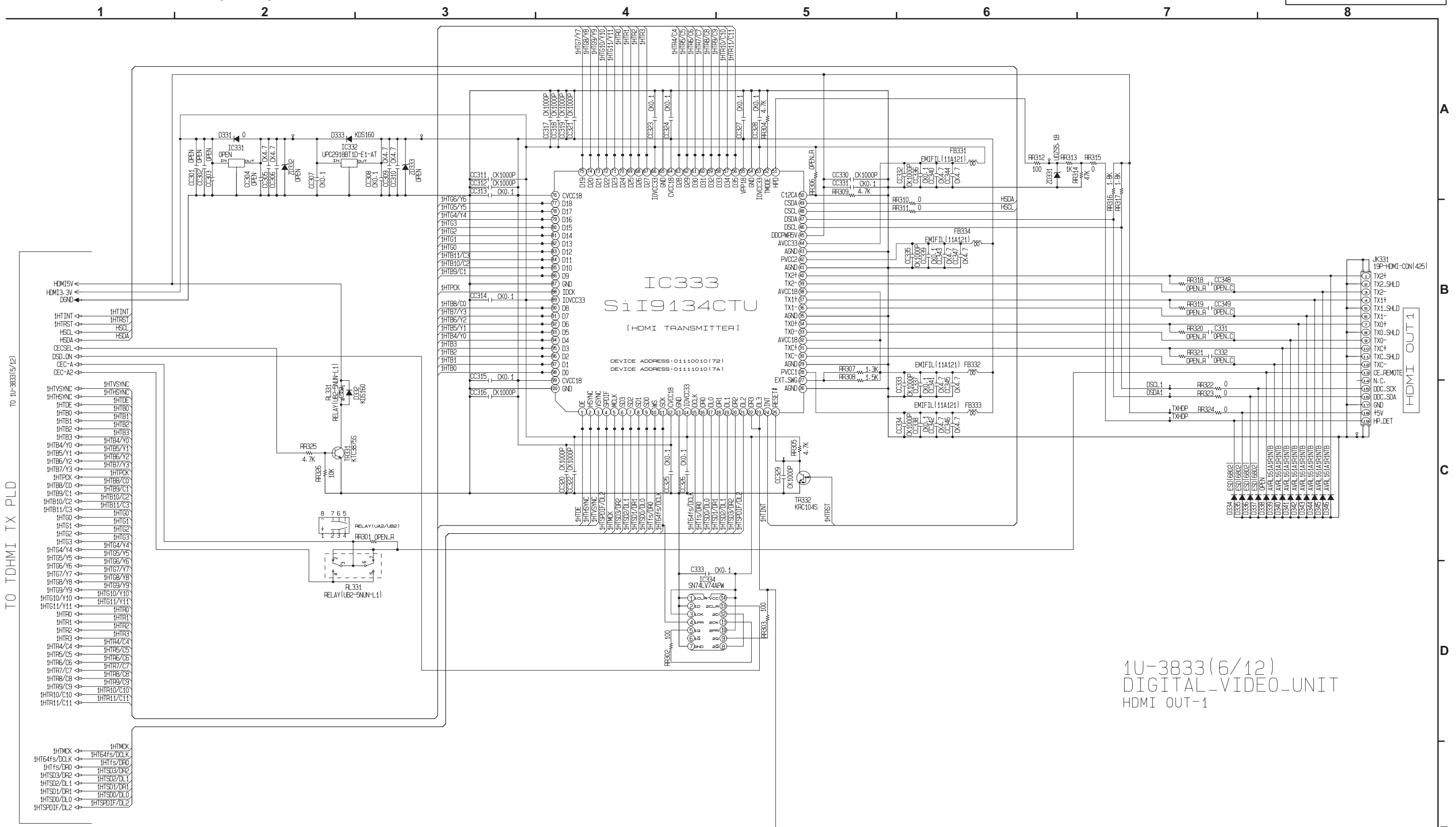
- 1U-3828 RECTIFIERE UNIT
- 1U-3828-1 AMP BLOCKCON UNIT
- 1U-3828-2 SP-L UNIT
- 1U-3828-3 SP-L RL UNIT
- 1U-3828-4 SP-R RL UNIT
- 1U-3828-5 SP-R UNIT
- 1U-3828-6 E2 B RELAY UNIT
- 1U-3828-8 R-SUPPLY JOINT UNIT
- 1U-3828-9 L-SUPPLY JOINT UNIT
- 1U-3828-10 POSISTER UNIT
- 1U-3828-11 M3 UNIT



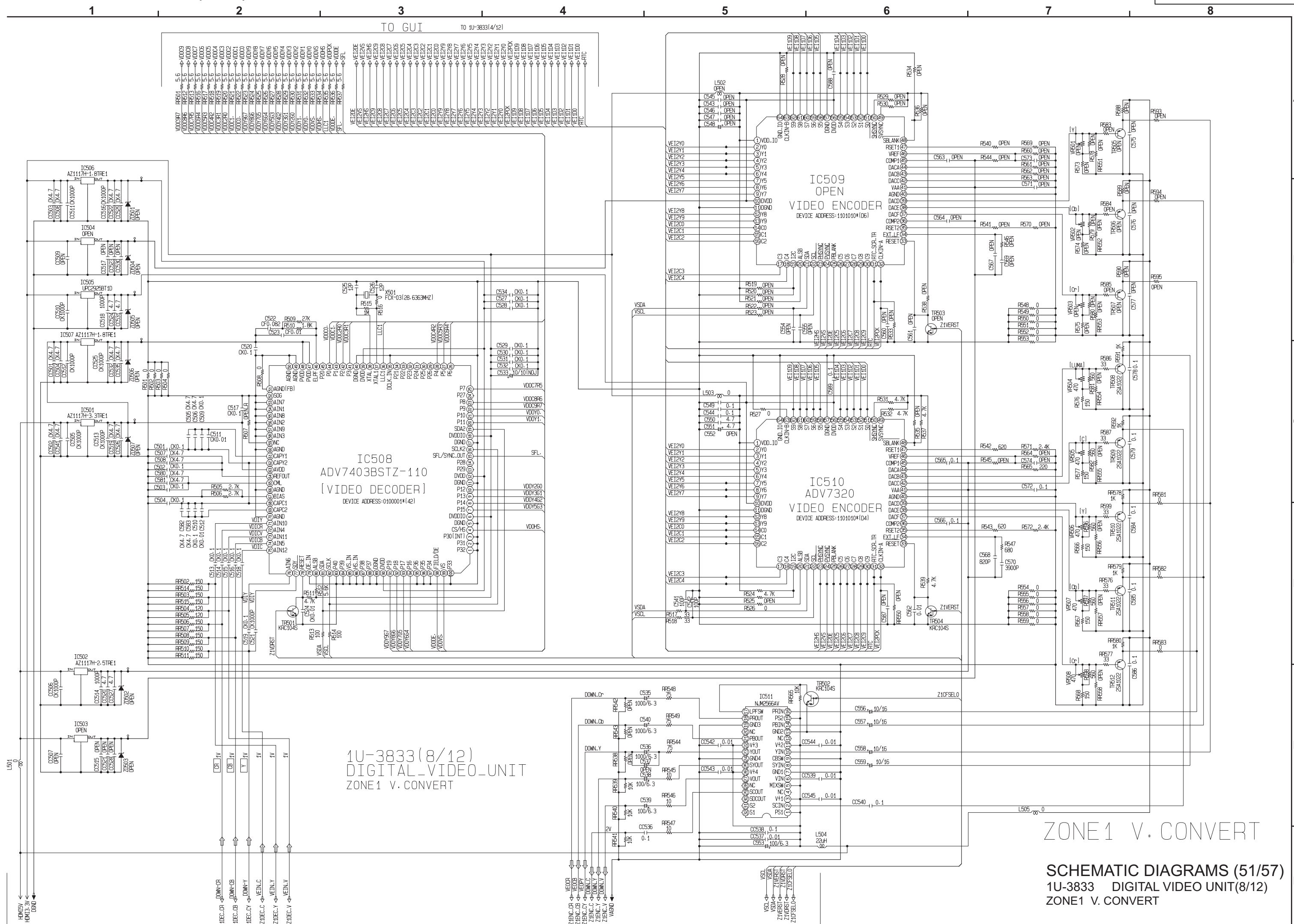
1U-3833(3/12)
DIGITAL_VIDEO_UNIT
HDMI IN SECTION(3/3)



1U-3833(4/12)
DIGITAL VIDEO UNIT
V. CONVERT SECTION



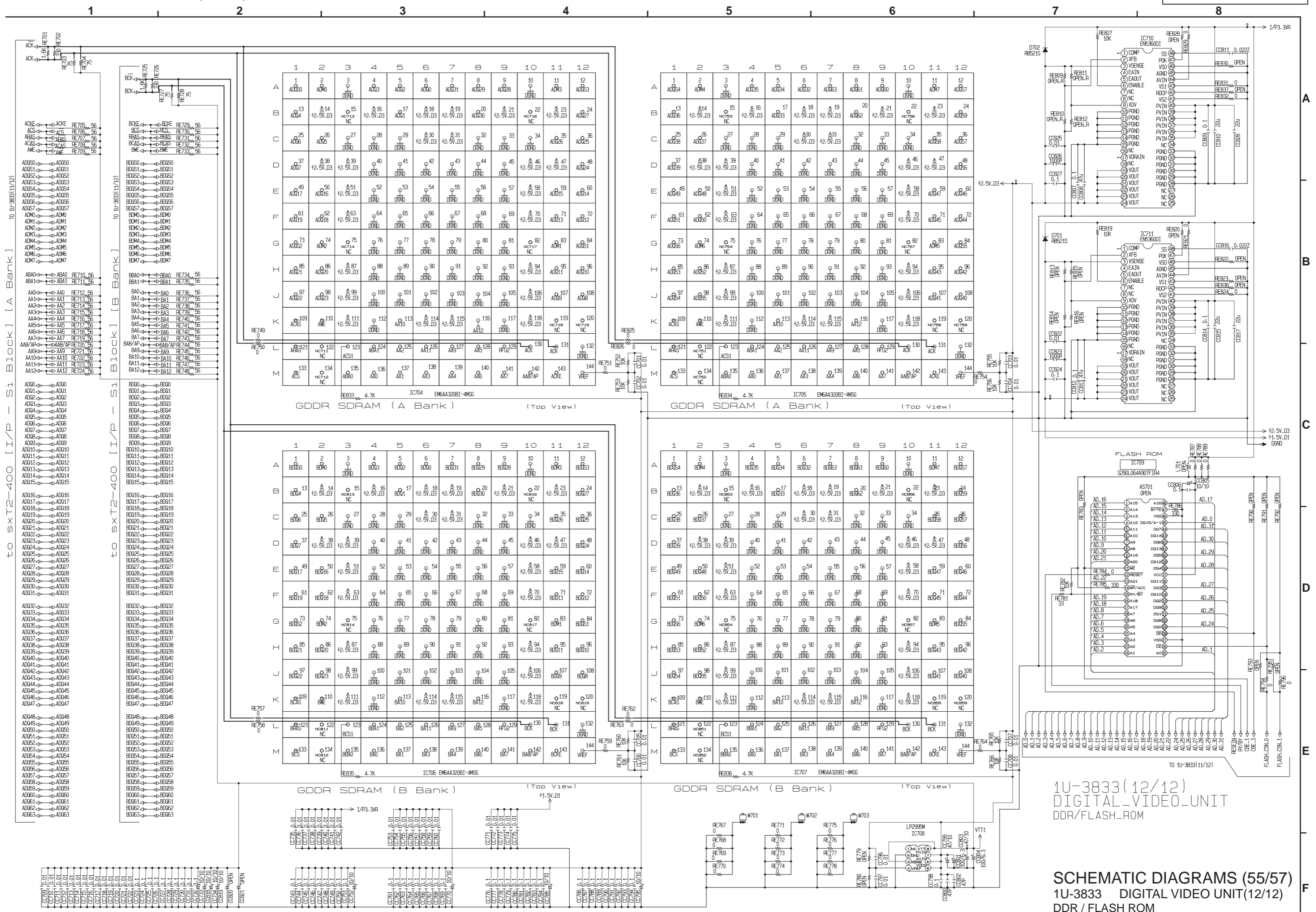
1U-3833(6/12)
DIGITAL-VIDEO-UNIT
HDMI OUT-1



1U-3833(8/12)
DIGITAL VIDEO UNIT
ZONE 1 V. CONVERT

ZONE 1 V. CONVERT

SCHEMATIC DIAGRAMS (51/57)
1U-3833 DIGITAL VIDEO UNIT(8/12)
ZONE 1 V. CONVERT



1U-3833(12/12)
DIGITAL-VIDEO-UNIT
DDR/FLASH-ROM

