

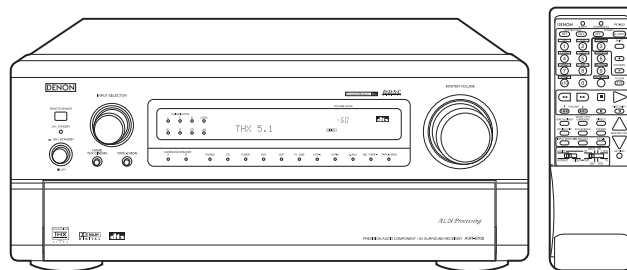
# DENON

Hi-Fi Component

## SERVICE MANUAL

# MODEL AVC-A1D MODEL AVR-5700

## AV SURROUND AMPLIFIER / RECEIVER



### — TABLE OF CONTENTS —

SAFETY PRECAUTIONS .....	2
SPECIFICATIONS .....	2
WIRE ARRANGEMENT .....	3
DISASSEMBLY .....	4-7
LEVEL DIAGRAMS .....	8,9
CLOCK FLOW & WAVE FORM IN DIGITAL BLOCK .....	10,11
ADJUSTMENT .....	12-14
SEMICONDUCTORS .....	15-39
PRINTED WIRING BOARDS .....	40-47
NOTE FOR PARTS LIST .....	48
PARTS LIST OF P.W.B. UNIT ASS'Y .....	48-70
ADDENDUM PARTS LIST OF P.W.B. UNIT ASS'Y .....	71-75
EXPLODED VIEW .....	76
PARTS LIST OF EXPLODED VIEW .....	77
ADDENDUM PARTS LIST OF EXPLODED VIEW .....	78
BLOCK DIAGRAM .....	79
WIRING DIAGRAM .....	80
SCHEMATIC DIAGRAMS .....	81-97

● Some illustrations using in this service manual are slightly different from the actual set.

# NIPPON COLUMBIA CO. LTD.

## SAFETY PRECAUTIONS

The following check should be performed for the continued protection of the customer and service technician.

### LEAKAGE CURRENT CHECK

Before returning the unit to the customer, make sure you make either (1) a leakage current check or (2) a line to chassis resistance check. If the leakage current exceeds 0.5 milliamps, or if the resistance from chassis to either side of the power cord is less than 460 kohms, the unit is defective.

## SPECIFICATIONS

### Audio Section

#### (Power Amplifier)

Rated output:	Front:	140 W + 140 W (8 Ω/ohms, 20 Hz ~ 20 kHz with 0.05 % T.H.D.)
		170 W + 170 W (8 Ω/ohms, 1 kHz with 0.7 % T.H.D.)
Dynamic Power:	Surround:	140 W × 5 ch (6 Ω/ohms, 1 kHz with 0.7 % T.H.D.)
		190 W × 2 ch (8 Ω/ohms), 310 W × 2 ch (4 Ω/ohms), 390 W × 2 ch (2 Ω/ohms)
Output terminals:	Front/Center:	6 to 16 Ω/ohms
	Surround:	A or B 6 to 16 Ω/ohms, A + B 12 to 16 Ω/ohms

#### (Analog)

##### LINE input-PRE OUT

Input sensitivity/Input impedance:	200 mV/47 kΩ/kohms
Frequency response:	10 Hz ~ 100 kHz: +0, -3 dB (Direct mode)
S/N ratio:	105 dB (IHF-A weighted, Direct mode)
Total harmonic distortion:	0.005 % (20 Hz ~ 20 kHz, Direct mode)
Rated/Maximum output:	1.2 V/8 V

##### PHONO input-REC OUT

Input sensitivity/Input impedance:	2.5 mV/47 kΩ/kohms
RIAA deviation:	±1 dB (20 Hz ~ 20 kHz)
S/N ratio:	74 dB (IHF-A weighted, with 5 mV input)
Total harmonic distortion:	0.03 % (1 kHz, 3 V)
Rated/Maximum output:	150 mV/8 V
Maximum headphones output:	284 mW (8 Ω/ohms)

#### (Digital)

##### D/A output

Rated output:	2 V (at 0 dB playback)
Total harmonic distortion:	0.005 % (1 kHz, at 0 dB)
S/N ratio:	105 dB (IHF-A weighted)
Dynamic range:	96 dB

##### Digital input:

Format-Digital audio interface

### Video Section

#### (Standard Video Jacks)

Input/output level and impedance:	1 Vp-p, 75 Ω/ohms
Frequency response:	5 Hz ~ 10 MHz: +0, -3 dB

#### (S-Video Jack)

Input/output level and impedance:	1 Vp-p, 75 Ω/ohms (Y signal/luminance)
	0.286 Vp-p, 75 Ω/ohms (C signal/chrominance)
Frequency response:	5 Hz ~ 10 MHz: +0, -3 dB

#### (Video Comp. Jack)

Input/output level and impedance:	1 Vp-p, 75 Ω/ohms (Y signal/luminance)
	0.7 Vp-p, 75 Ω/ohms (Cb signal/blue)
	0.7 Vp-p, 75 Ω/ohms (Cr signal/red)
Frequency response:	5 Hz ~ 20MHz: +0, -3 dB

#### Tuner section (AVR-5700 only)

Receiving range:	[FM] (note: μV at 75 Ω/ohms, 0 dBf = $1 \times 10^{-15}$ W)	[AM]
Usable sensitivity:	87.50 MHz ~ 107.90 MHz	520 kHz ~ 1710 kHz
50 dB quieting sensitivity:	1.0 μV (11.2 dBf)	
	MONO: 1.6 μV (15.3 dBf)	
	STEREO: 23 μV (38.5 dBf)	
S/N ratio:	MONO: 80 dB (IHF-A weighted)	
	STEREO: 75 dB (IHF-A weighted)	
Total harmonic distortion:	MONO: 0.15 % (1 kHz)	
	STEREO: 0.3 % (1 kHz)	

### General

Power supply:	AC230 V, 50 Hz (Europe & Asia models)
	AC120 V, 60 Hz (U.S.A. / Canada & Taiwan R.O.C. models)
Power Consumption:	11 A
Maximum external dimensions:	434 (W) × 181 (H) × 494 (D) mm (17-3/32" × 7-1/8" × 19-29/64")
Weight:	21.5 kg (47 lbs)

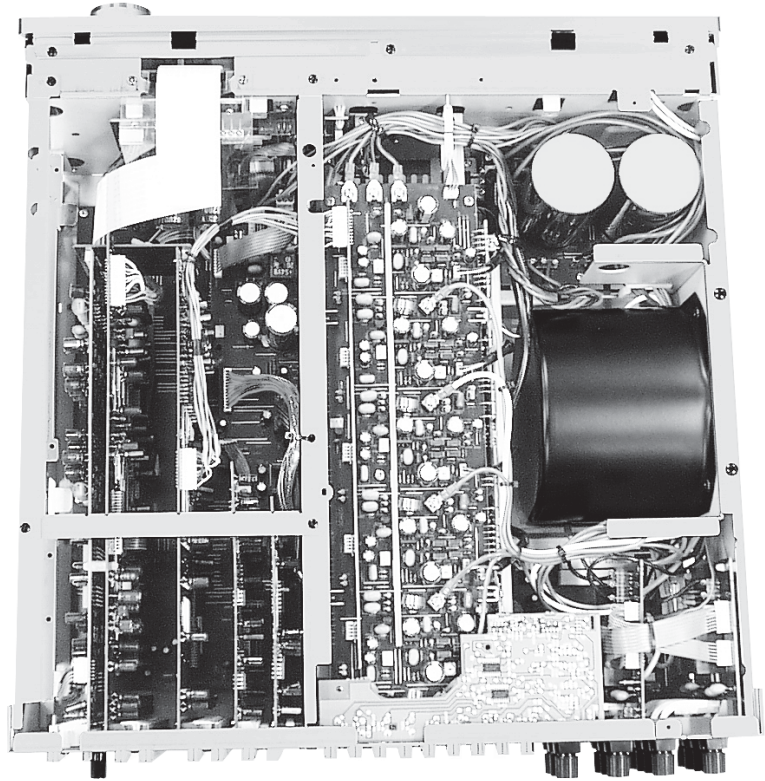
#### Remote control unit (RC-853)

Batteries:	R6P/AA Type (two batteries)
External dimensions:	70(W) × 215 (H) × 24 (D) mm (2-3/4" × 8-15/32" × 15/16")
Weight:	200 g (Approx. 7 oz) (including batteries)

## WIRE ARRANGEMENT

If wire bundles are untied or moved to perform adjustment or parts replacement etc., be sure to rearrange them neatly as they were originally bundled or placed afterward.  
Otherwise, incorrect arrangement can be a cause of noise generation.

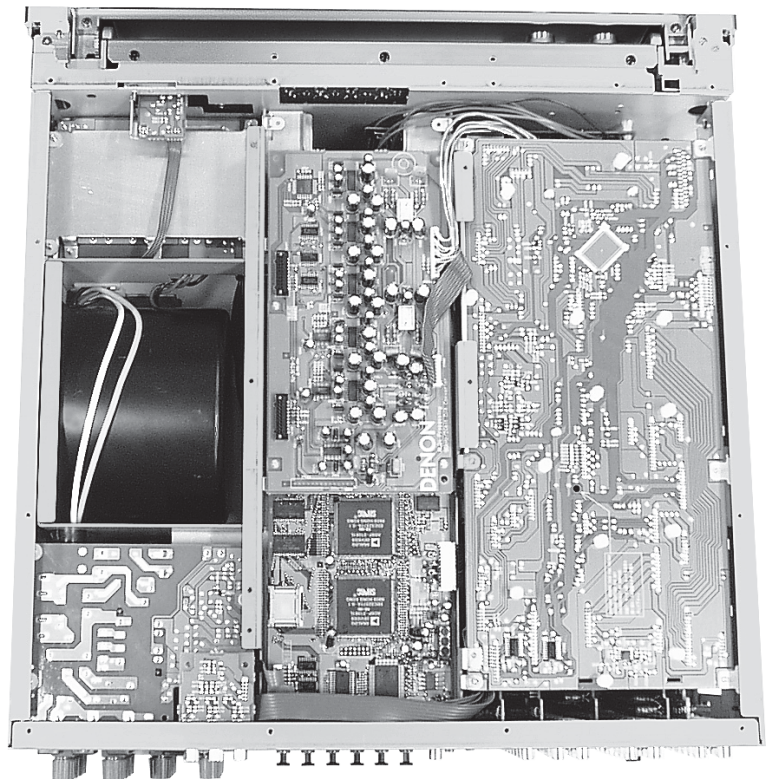
### Wire arrangement viewed from the top



### Wire arrangement viewed from the bottom.

#### CAUTION

Take care in case of the unit is placed in the bottom down position with its cover removed, as the capacitors on D/A P.W.B. and holders on Main P.W.B. are come to be protruded from the bottom level.

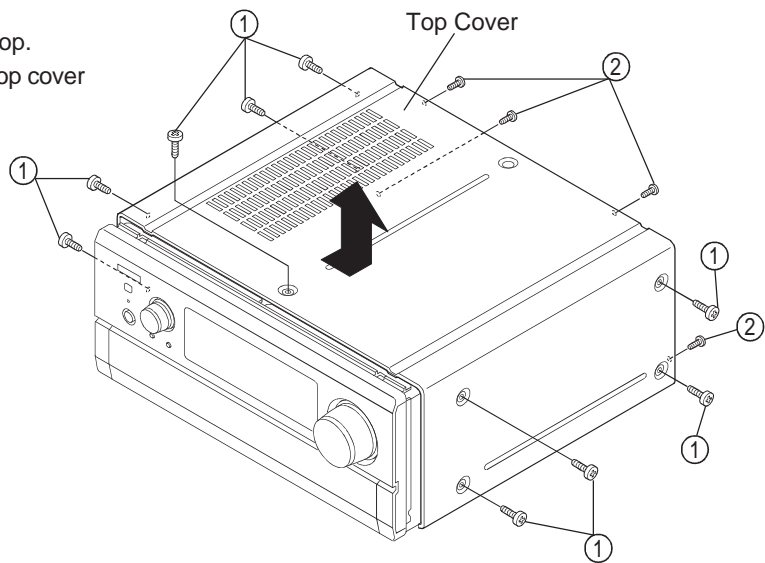


## DISASSEMBLY

( Follow the procedure below in reverse order when reassembling )

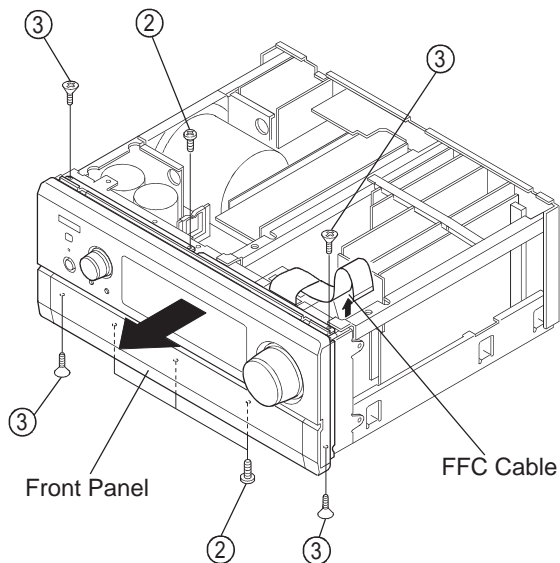
### Top Cover

- (1) Remove 9 screws ① on both sides and on the top.
- (2) Remove 4 screws ② on the rear and detach the top cover by sliding to the arrow direction.



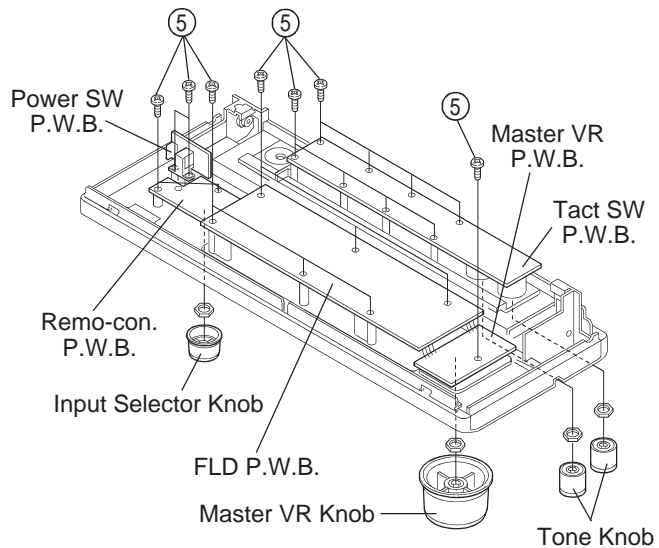
### Front Panel

- (1) Disconnect the FFC from its connector.
- (2) Remove 4 screws ② and 4 screws ③ fixing the front panel at its top and bottom edges, then detach it to the arrow direction.



### P.W.B.s on Front Panel

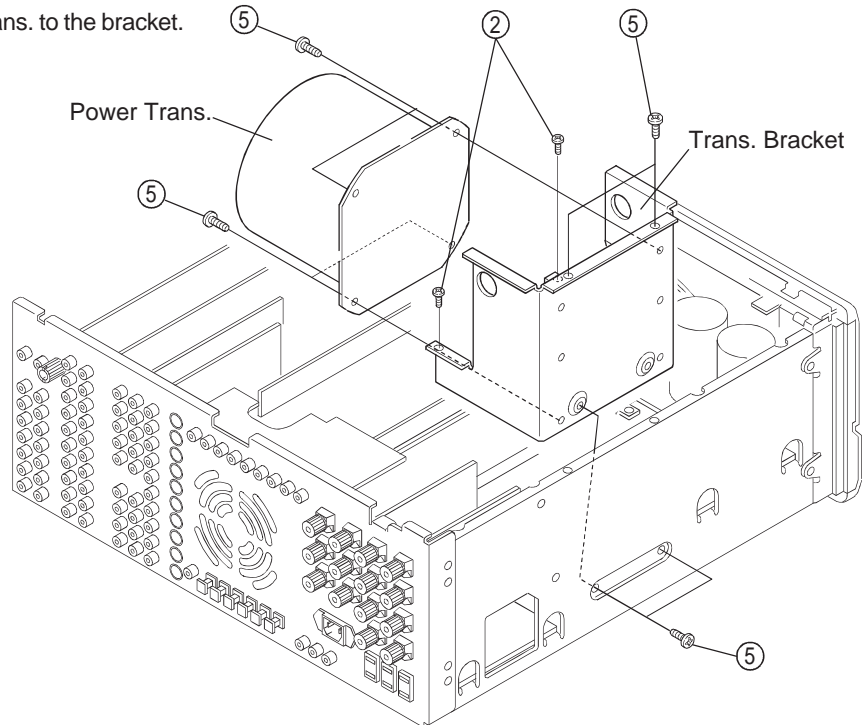
- (1) FLD, Master VR P.W.B.  
Remove 7 screws ⑤ after taking off the nut and knob for the master volume.
- (2) Tact SW P.W.B.  
Remove 8 screws ⑤ after taking off the nuts and knobs for the tone volumes.
- (3) Remo-con. P.W.B.  
Remove 2 screws ⑤ after taking off the nut and knob for the input selector.
- (4) Power SW P.W.B.  
Remove 2 screws ⑤.





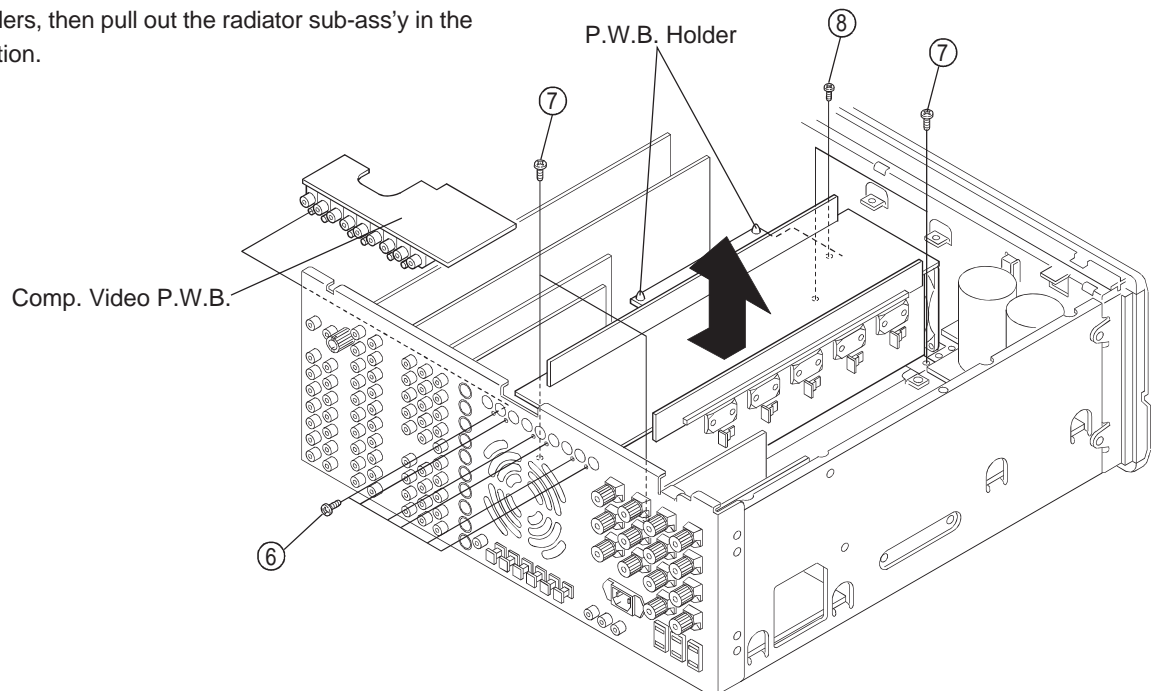
## Power Trans.

- (1) Remove 4 screws ⑤ and 2 screws ② fixing the trans. bracket to the chassis.
- (2) Pull out the power trans. upward.
- (3) Remove 4 screws ⑤ fixing the power trans. to the bracket.



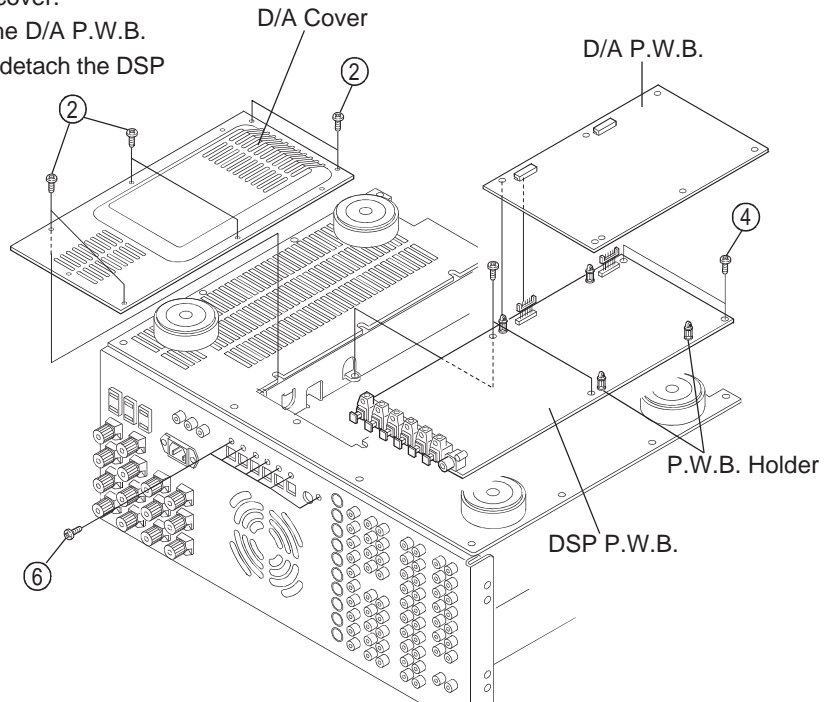
## Power Radiator

- (1) Remove 6 screws ⑥ to detach the comp. video P.W.B.
- (2) Remove 4 screws ⑦ and 1 screw ⑧, and release 2 P.W.B. holders, then pull out the radiator sub-ass'y in the arrow direction.



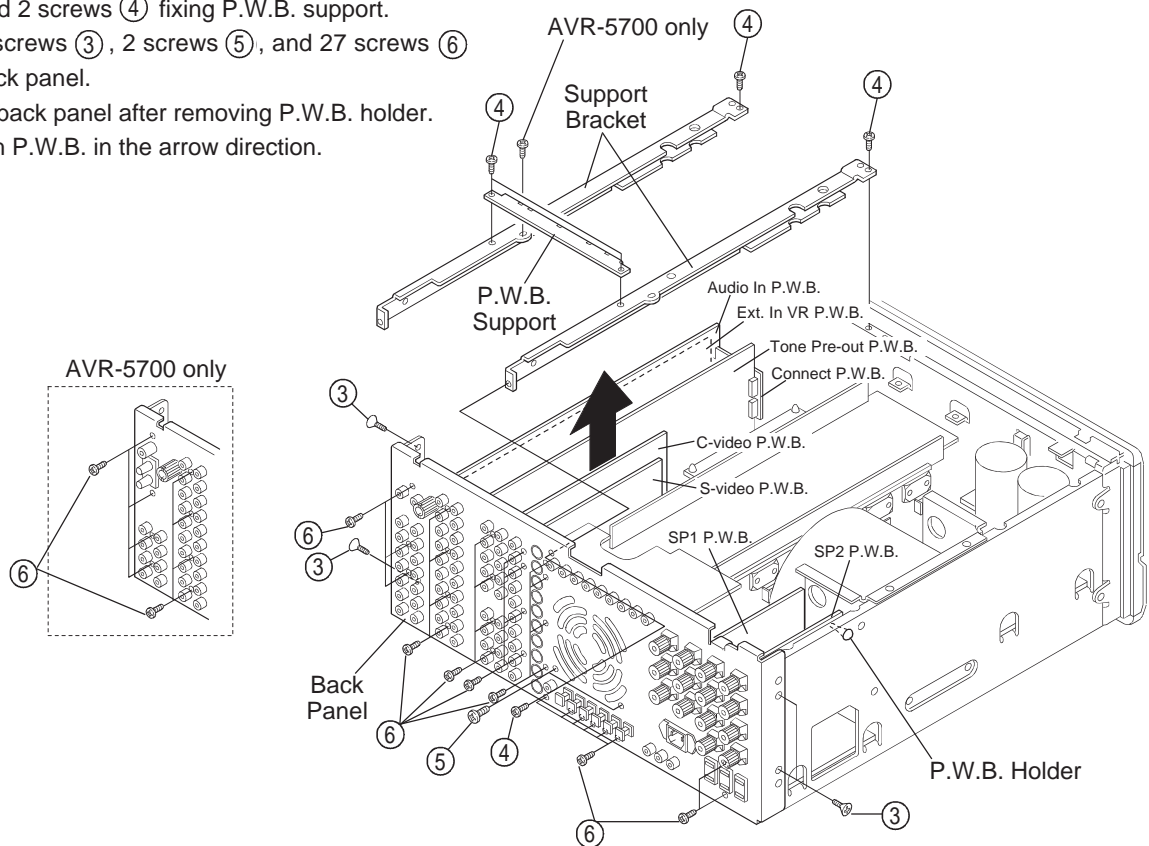
### DSP, D/A P.W.B.

- (1) Remove 6 screws ② to detach the D/A cover.
- (2) Release 4 P.W.B. holders, and detach the D/A P.W.B.
- (3) Remove 7 screws ⑥ and 4 screws ④ to detach the DSP P.W.B.



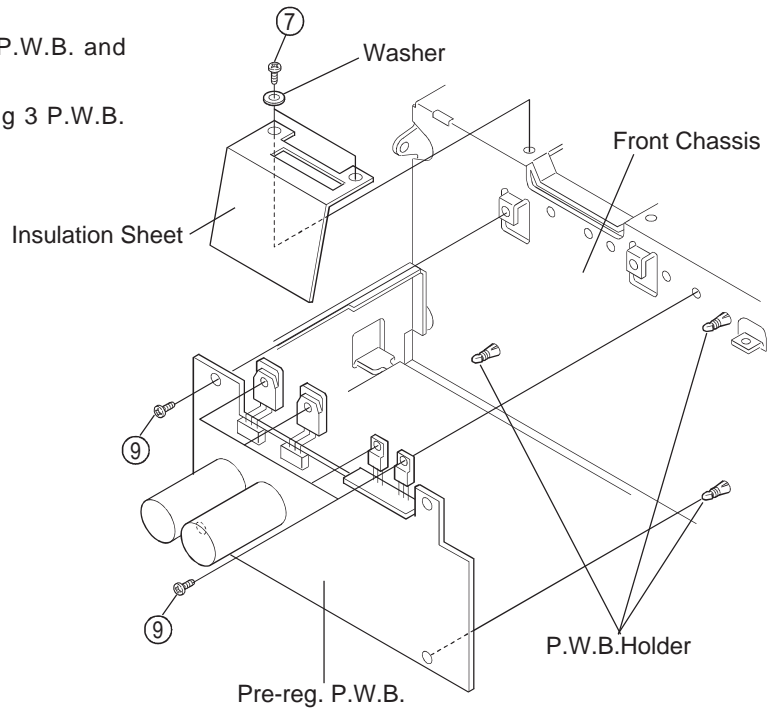
### P.W.B.s on Back Panel

- (1) Remove 1 screw ③ and 3 screws ④ fixing 2 support brackets, and 2 screws ④ fixing P.W.B. support.
- (2) Remove 3 screws ③, 2 screws ⑤, and 27 screws ⑥ from the back panel.
- (3) Detach the back panel after removing P.W.B. holder.
- (4) Pull up each P.W.B. in the arrow direction.



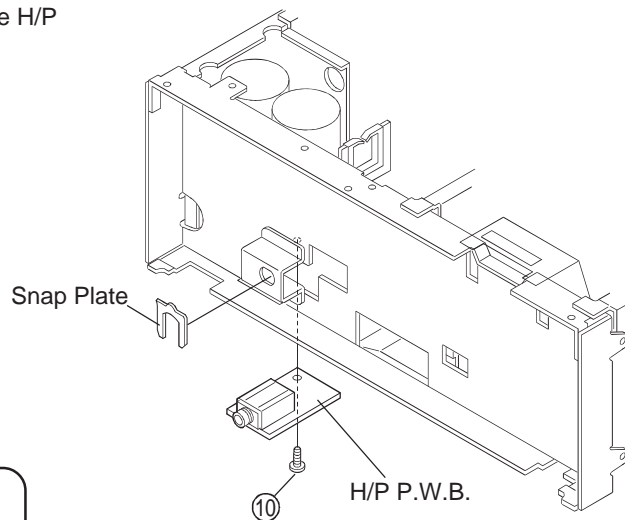
## Pre-reg. P.W.B.

- (1) Remove 2 screws ⑦ to detach the washers and insulation sheet.
- (2) Remove 5 screws ⑨ fixing the Pre-reg. P.W.B. and transistors.
- (3) Detach the Pre-reg. P.W.B. after releasing 3 P.W.B. holders.



## H/P P.W.B.

- (1) Remove the bottom cover.
- (2) Remove the screw ⑩ and snap plate to detach the H/P P.W.B.



### CAUTION:

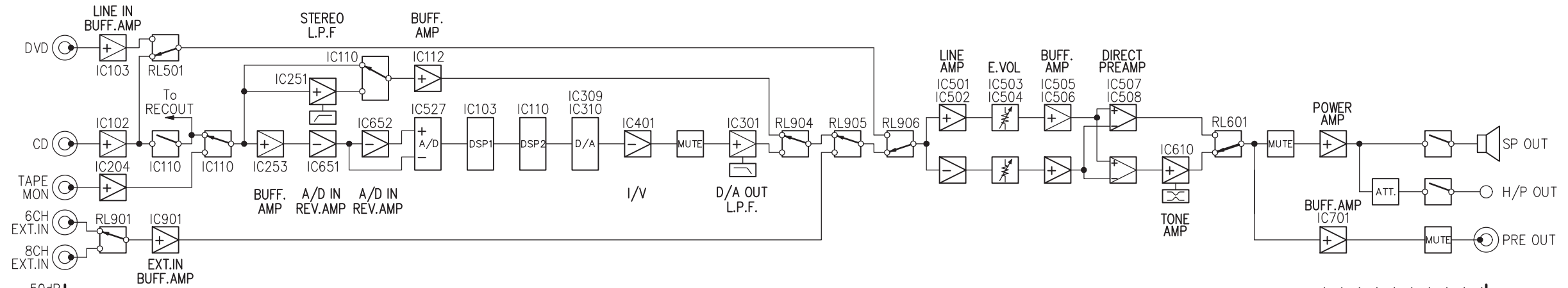
- Do not detach the back panel when placing the unit other than normal position for servicing.
- Be careful not to give any stress when the unit is placed in the bottom down position with its cover removed, as the capacitors on D/A P.W.B. (1U-3179-2) and holders on Main P.W.B. (1U-3127-1) are come to be protruded from the bottom level.

LEVEL DIAGRAMS

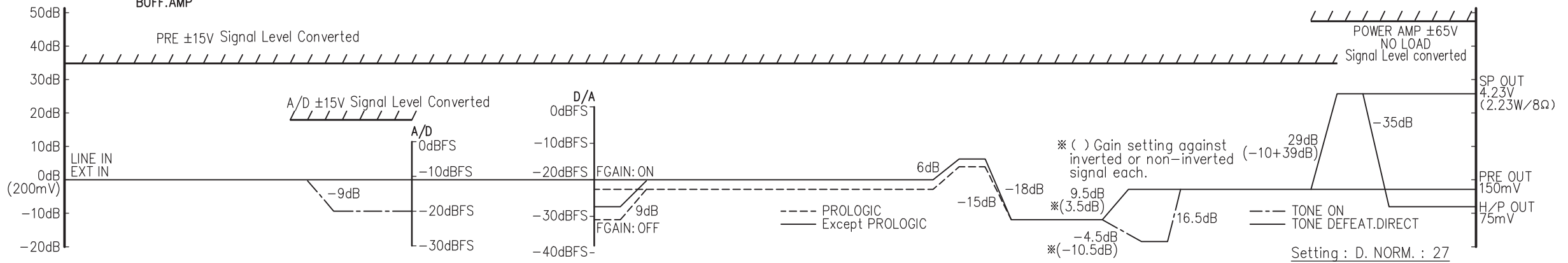
1 2 3 4 5 6 7 8

A

FRONT ch

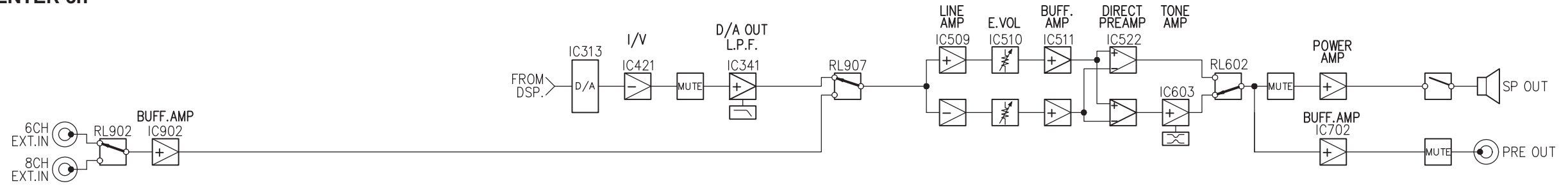


B

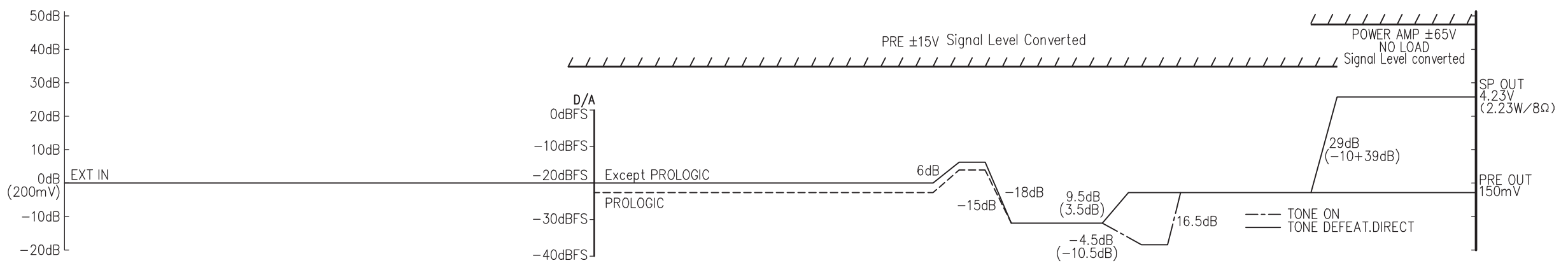


C

CENTER ch

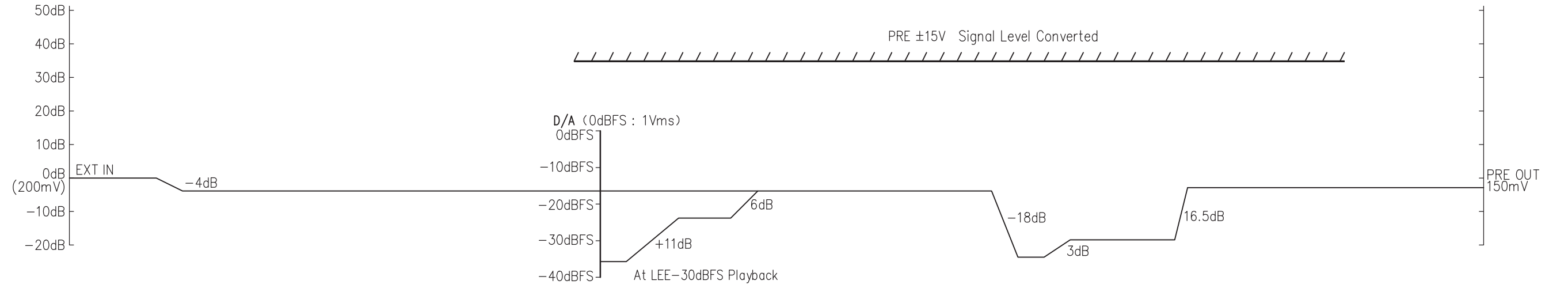
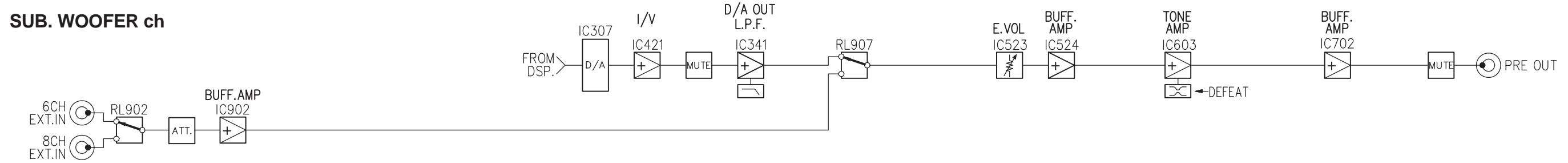
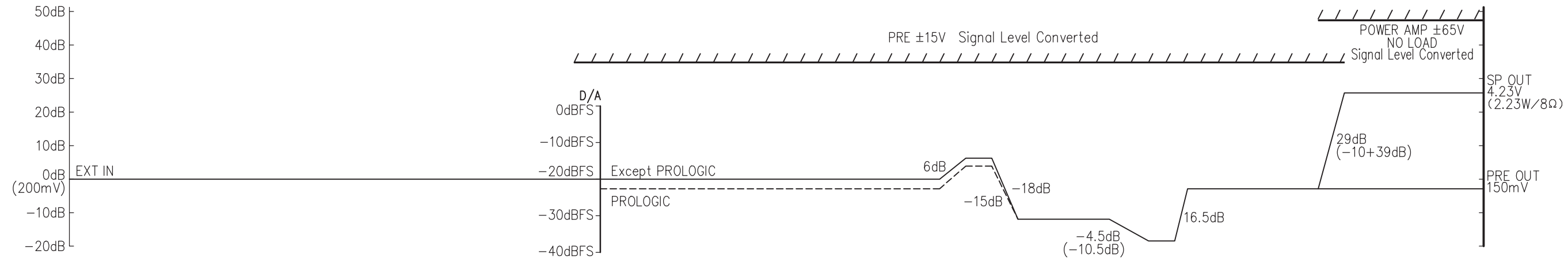
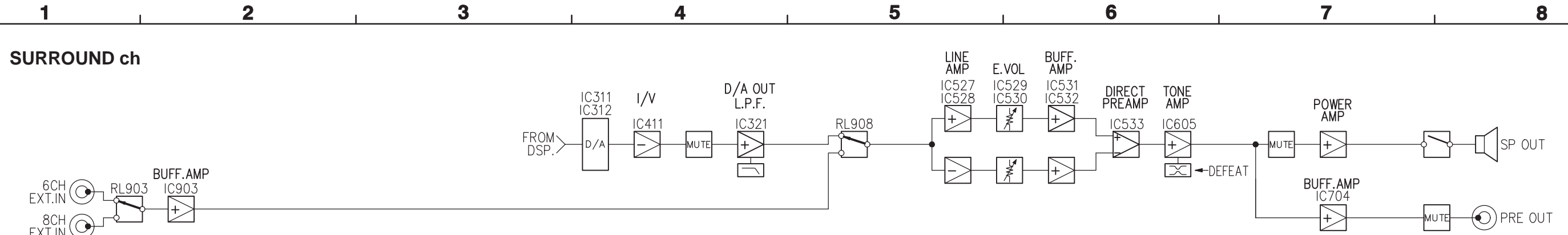


D



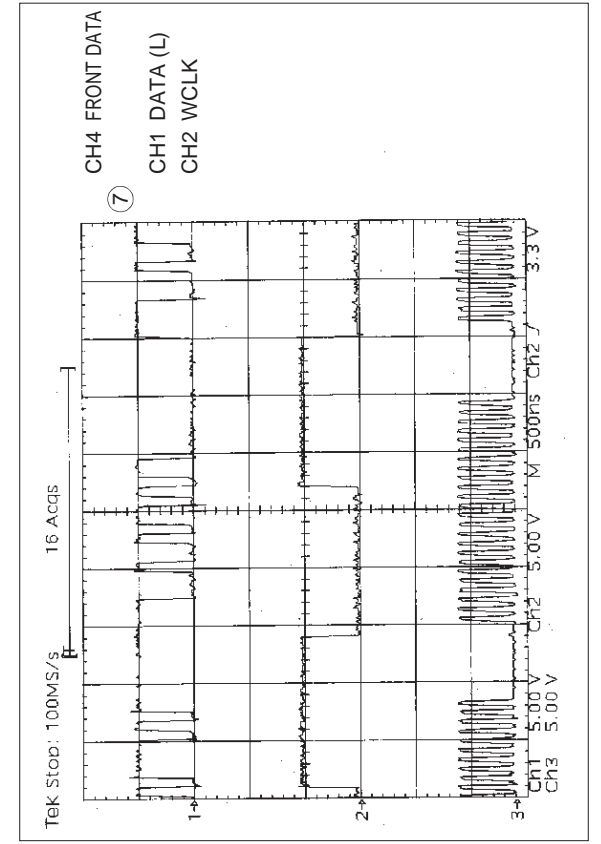
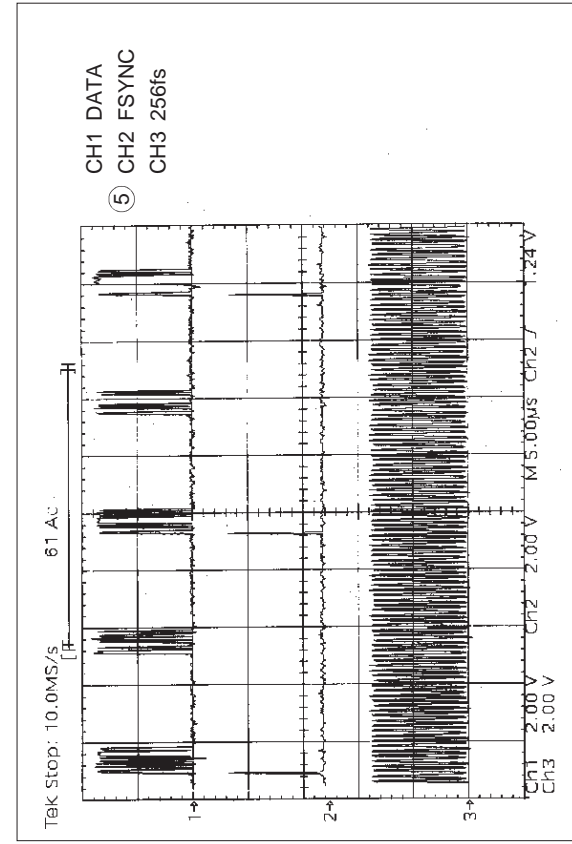
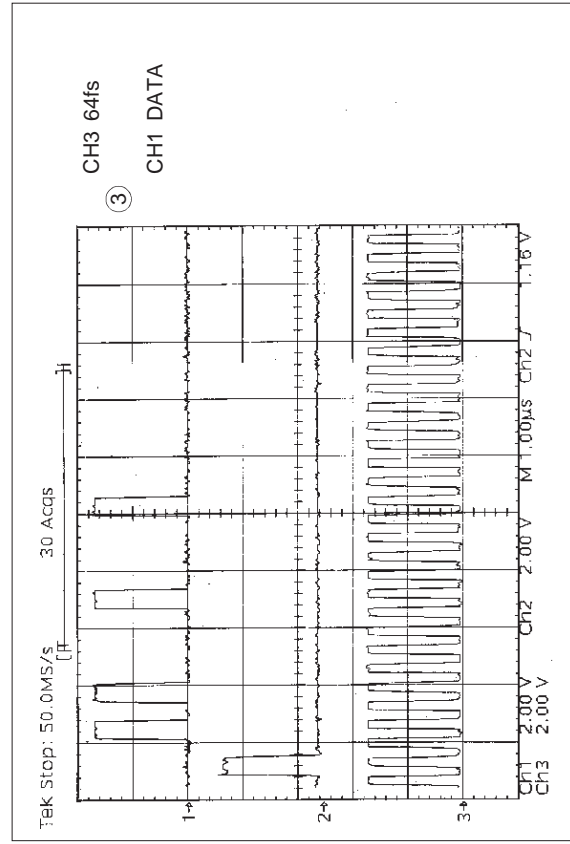
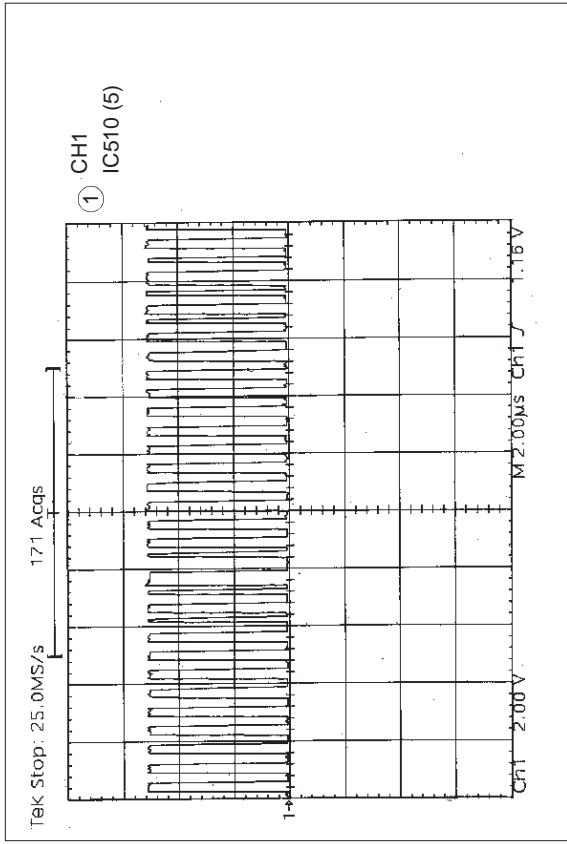
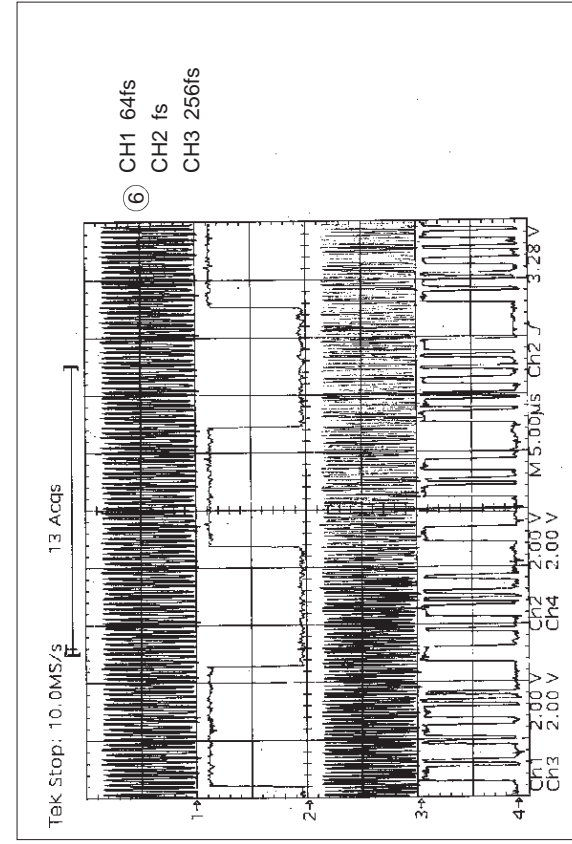
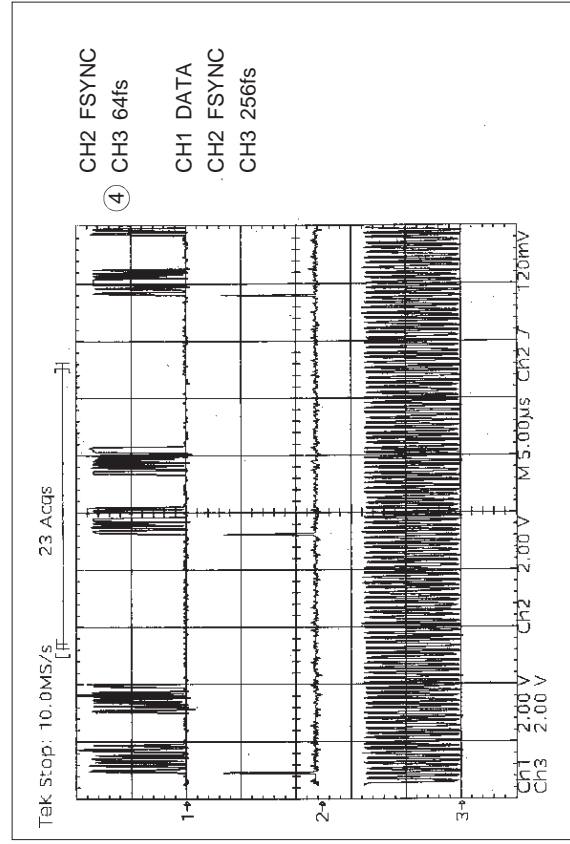
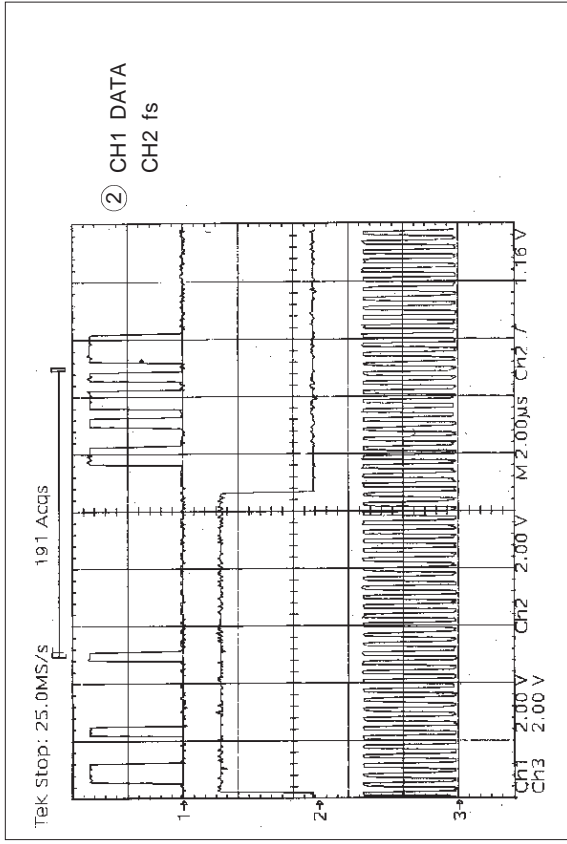
E

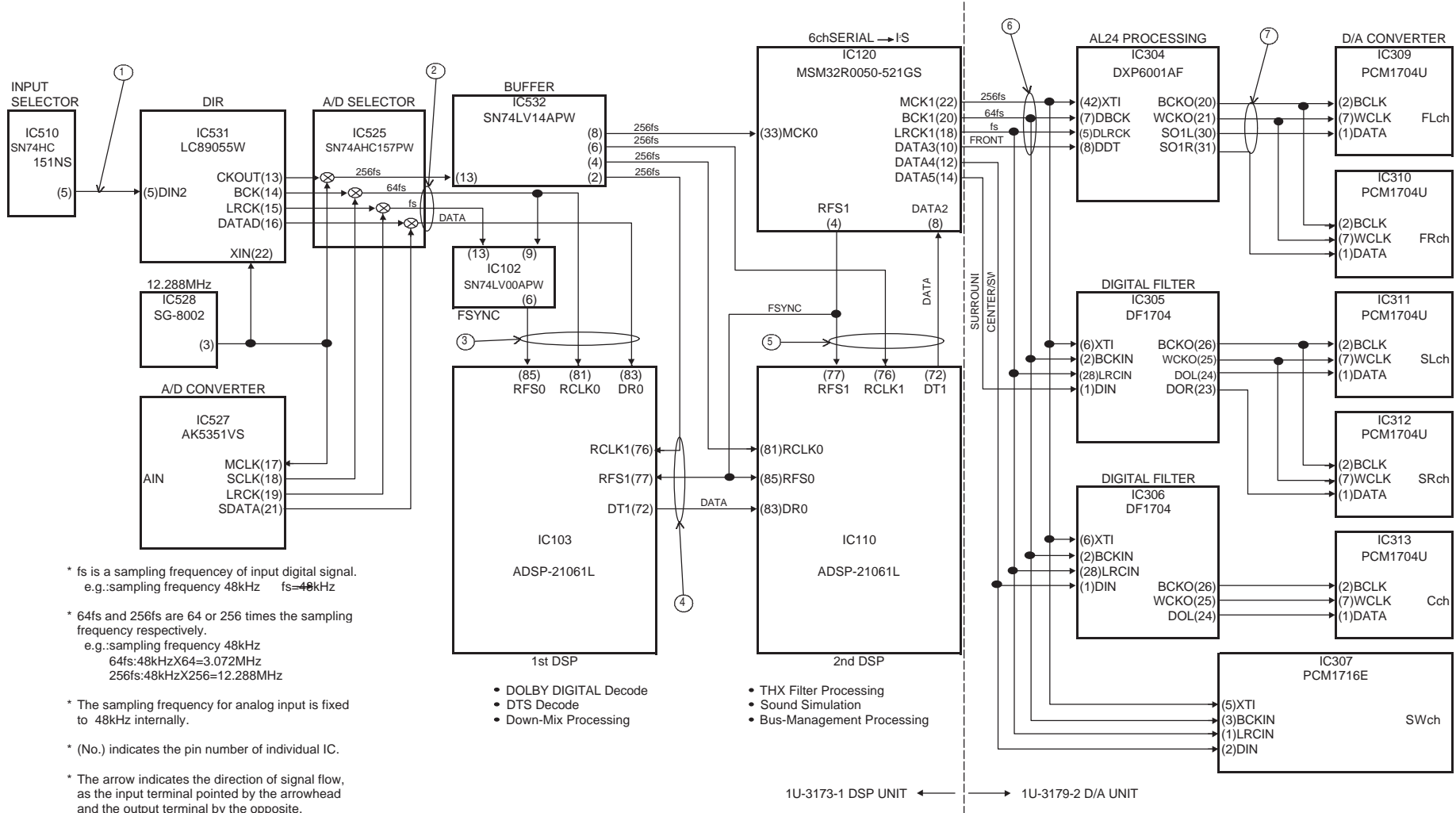




# CLOCK FLOW & WAVE FORM IN DIGITAL BLOCK

## Wave Form



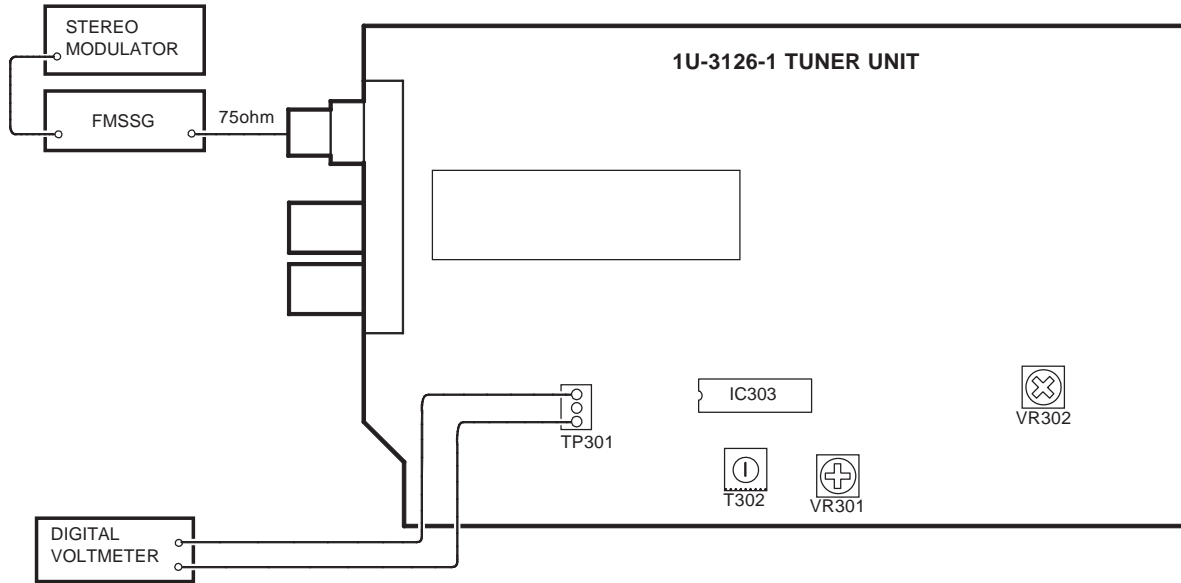


# ADJUSTMENT

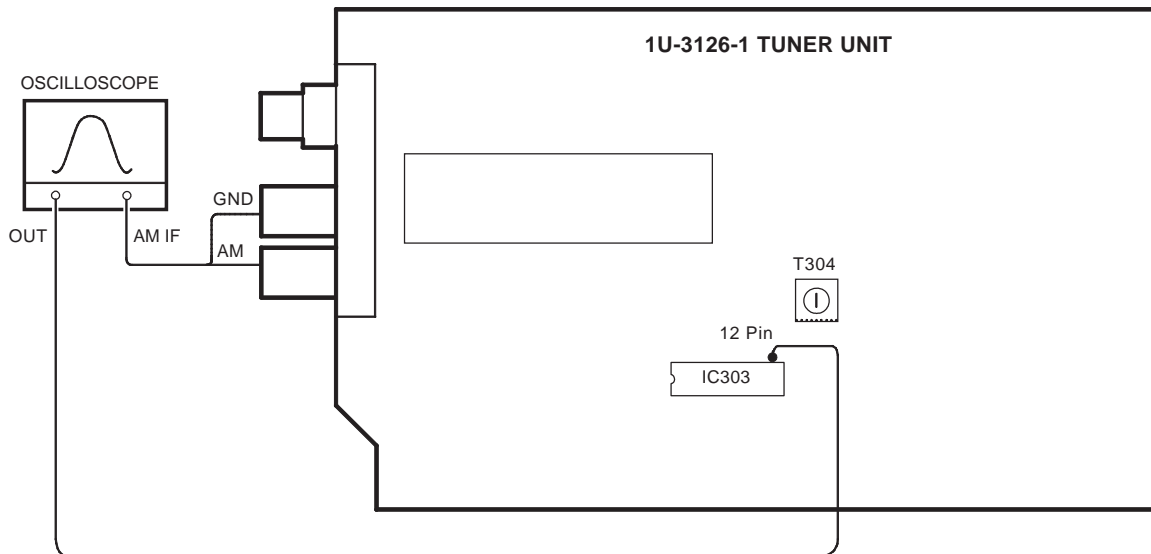
## Tuner Section (AVR-5700 only)

### CONNECTION DIAGRAM OF MEASURING INSTRUMENTS

● FM



● AM





**FM/MPX ALIGNMENT**

Step	Alignment Item	Tuning Frequency Setting	Input					Output		Adjust		Remarks
			Type	Frequency	Input Level	Modulation	Coupling	Type	Connect to	Points	Adjust to	
1	Tuning Center	98.1 MHz	FM SSG	98.1 MHz	60 dB $\mu$	None	Antenna Terminal	Digital Voltmeter	TP301	T302	$\pm$ 50mV	Function : FM Mode : Auto
2	Separation	98.1 MHz	FM SSG	98.1 MHz	60 dB $\mu$	Stereo (L) 1KHz 100%	Antenna Terminal	AC Voltmeter	AUDIO OUT Terminal (R)	VR302	Maximum Separation	—
3	Signal Level	98.1 MHz	FM SSG	98.1 MHz	20 dB $\mu$	Off	Antenna Terminal	—	—	VR301	Light "TUNED" FLD Character	—

**AM ALIGNMENT**

Step	Alignment Item	Frequency	Input	Output		Adjustment		Remarks
				Type	Connect to	Points	Adjust to	
1	IF	—	IF SWEEP (Input level is not over to work A.G.C.)	Oscilloscope	IC303 12Pin	T304	Maximum height and best symmetry curve	

## Audio Section

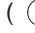
### Idling Current (1U-3126-2)



Required measurement equipment : DC Voltmeter

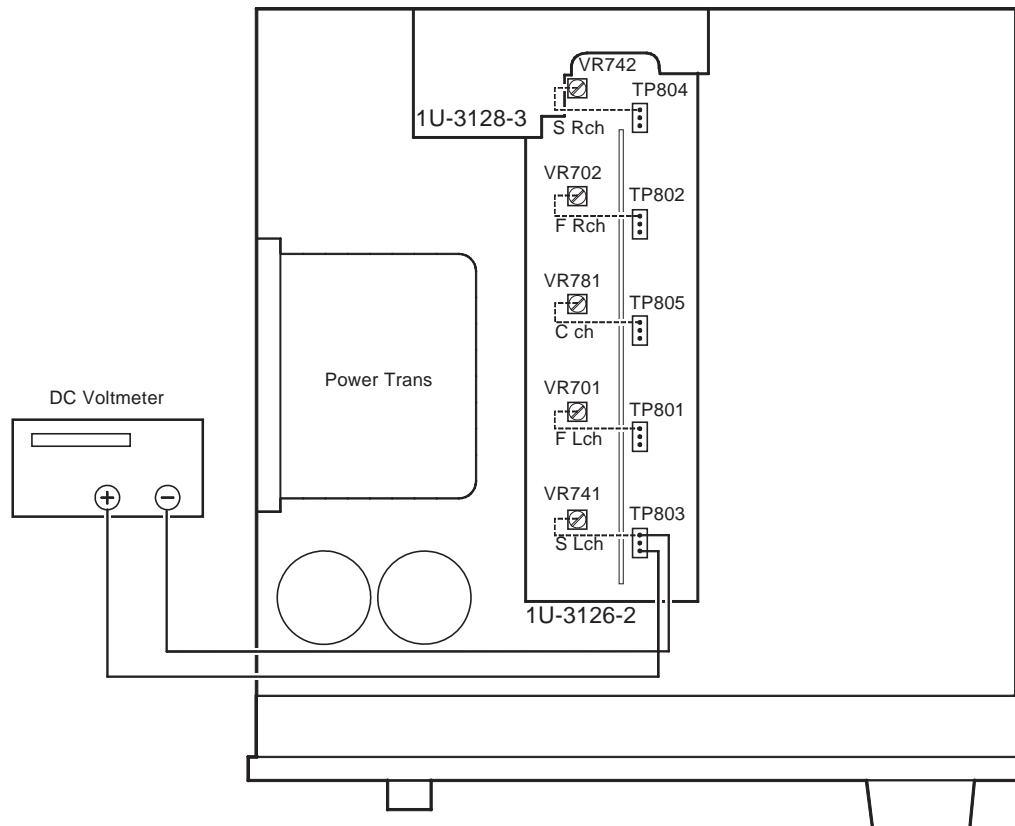
### Preparation

- (1) Avoid direct blow from an air conditioner or an electric fan, and adjust the unit at normal room temperature 15 °C ~ 30 °C (59 °F ~ 86 °F).
- (2) Presetting
  - POWER (Power source switch) → OFF
  - BASS, TREBLE (Tone control) → FLAT: (Controls to center)
  - SPEAKER (Speaker terminal) → No load (Do not connect speaker, dummy resistor, etc.)

### Adjustment

- (1) Remove top cover and set VR701, VR702, VR781, VR741, VR742, on 1U-3126-2 (Power Unit) at full counterclockwise (  ) position.
- (2) Connect DC Voltmeter to test points (FRONT-Lch: TP801, FRONT-Rch: TP802, CENTER ch: TP805, SURROUND-Lch: TP803, SURROUND-Rch: TP804).
- (3) Connect power cord to AC Line, and turn power switch "ON".
- (4) Presetting.
 

MASTER VOLUME	: "—" counterclockwise (  min.)
MODE	: 5CH STEREO
FUNCTION	: CD
- (5) Within 2 minutes after the power on, turn VR701 clockwise (  ) to adjust the TEST POINT voltage to 1.5 mV  $\pm$ 0.5 mV DC.
- (6) After 10 minutes from the preset above, turn VR701 to set the voltage to 3 mV  $\pm$ 0.5 mV DC.
- (7) Adjust the Variable Resistors of other channels in the same way.



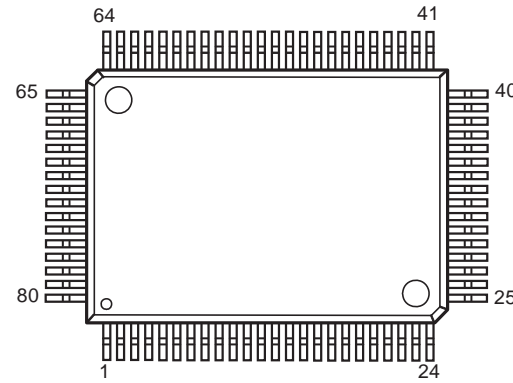
# SEMICONDUCTORS

## IC's

Note: Abbreviation ahead of IC No. indicates the name of P.W.B.

- AU: Audio In & SP P.W.B.      TU: Tuner & Amp P.W.B.
- RE: Rectifier P.W.B.          TO: Tone, Pre-out P.W.B.
- VI: Video & FLD P.W.B.       MA: Main & Reg. P.W.B.
- DS: DSP P.W.B.                EX: Ext. In & DA P.W.B.

### TMP88CU74F (MA: IC201)



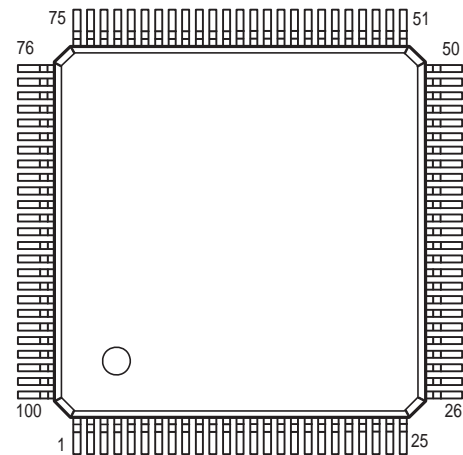
### TMP88CU74F Terminal Function

Pin No.	Name	Symbol	I/O	Type	Op	Det	Res	Init	Function
1	P02/S01	OSDDATA	O	C	Eu	S	Z	L	OSD control output (M35015)
2	P03	OSD RST	O	C	—	—	Z	H	OSD control output (M35015)
3	P04	ST/MONO	O	C	—	—	Z	L	STEREO/MONO control signal (L: Stereo)
4	P05	PLFLDATA	O	C	—	S	Z	L	PLL, FL control terminal (LC72131 & LC7511NE)
5	P06	PLL STB	O	C	—	—	Z	L	PLL control terminal (LC72131)
6	P07	PLFL CLK	O	C	—	S	Z	L	PLL, FL control terminal (LC72131 & LC7511NE)
7	Vss	Vss	I	—	GND	—	—	L	GND
8	Xout	Xout	O	—	—	—	—	—	XTAL
9	Xin	Xin	I	—	—	—	—	—	XTAL
10	RESET_	RESET_	I	—	Eu	Lv	L	—	Reset input
11	P22/XTOUT	TUNES_	I	—	Eu	Lv	Z	—	Tuned detection (L: Tuned)
12	P21/XTIN	STEREO_	I	—	Eu	Lv	Z	—	At stereo receive: L
13	TEST	TEST	I	—	GND	S	—	—	Connect to GND
14	P20/INT5_	B.DOWN_	I	—	Eu	Lv	Z	—	Power down detect (L: Power down)
15	P10/INT0_	PROTEST_	I	—	Ed	E&L	Z	—	PROTECTION detect input (L: Detected)
16	P11/INT1	S1	O	C	—	—	Z	L	Video switching control terminal
17	P12	SELC(F)	I	—	Eu	Lv	Z	—	Input selector SW rotary detect input (rotary encoder)
18	P13	SELD(F)	I	—	Eu	Lv	Z	—	Input selector SW rotary detect input (rotary encoder)
19	P14	SW L/R 7.1	O	C	—	—	Z	L	EFFECT L/R muting control terminal
20	P15/INT3	REMOCON	I	—	Ed	E&L	Z	—	Remote control signal input
21	P16/INT2	ACK	O	C	—	—	Z	L	MAIN-SUB CPU comm. control terminal
22	P17/INT4	REQ	I	—	Eu	—	Z	L	MAIN-SUB CPU comm. control terminal
23	P30/SCL	SI	I	(C)					MAIN-SUB CPU comm. control terminal
24	P31/SDA	SO	O	(C)					MAIN-SUB CPU comm. control terminal
25	P32/SCK0_	CLK	I/O	(C)					MAIN-SUB CPU comm. control terminal
26	P40/AIN0	MODE	I	—	Eu	Lv	Z	—	Destination switching input
27	P41/AIN1	KEY1	I	—	Eu	Lv	Z	—	Button input 1
28	P42/AIN2	KEY2	I	—	Eu	Lv	Z	—	Button input 2
29	P43/AIN3	KEY3	I	—	Eu	Lv	Z	—	Button input 3
30	P44/AIN4	KEY4	I	—	Eu	Lv	Z	—	Button input 4
31	P45/AIN5	FUNC/T. CON CLK	O	C	Ed	—	Z	L	Function (TC9274N, TC9273) / Tone (TC9184P) control output
32	P46/AIN6	FUNC/T. CON DATA	O	C	Ed	—	Z	L	Function (TC9274N, TC9273) / Tone (TC9184P) control output
33	P47/AIN7	S2	O	C	—	—	Z	L	Video switching control terminal
34	P50/AIN8	E.VOL STB-1	O	C	Ed	—	L	L	E. volume control output (TC9459)
35	P51/AIN9	E.VOL STB-2	O	C	Ed	—	L	L	E. volume control output (TC9459)
36	P52/AIN10	E.VOL DATA	O	C	Ed	—	L	H	E. volume control output (TC9459)
37	P53/AIN11	E.VOL CLK	O	C	Ed	—	L	H	E. volume control output (TC9459)

Pin No.	Name	Symbol	I/O	Type	Op	Det	Res	Init	Function
38	VASS	VASS	I						Ref. V (GND)
39	VAREF	VAREF	I						Ref. V (VDD)
40	VDD	VDD	I						Power
41	P61	FL CE	I	P	Ed	S	L	H	FL display control output (LC75711NE)
42	P61	FL RES	O	P	Ed	S	L	H	FL display control output (LC75711NE)
43	P62	FUNC STBA	O	P	Ed	—	Z	L	Function control output (TC9274N) INPUT
44	P63	FUNC STBB	O	P	Ed	—	Z	L	Function control output (TC9273) REC OUT, REC INH
45	P64	TONE CON. STB	O	P	Ed	—	Z	L	TONE control output (TC9184P)
46	P65	STANDBY	O	P	Id	—	L	H	Standby LED drive output (H: Light)
47	P66	EXP OE	O	P	Ed	—	L	H	Port expander control terminal (TC4094B)
48	P67	EXP CLK	O	P	Ed	—	L	L	Port expander control terminal (TC4094B)
49	P70	EXP DATA	O	P	Ed	—	L	L	Port expander control terminal (TC4094B)
50	P71	EXP STB1	O	P	Ed	—	L	L	Port expander control terminal (TC4094B)
51	P72	LED CLK	O	P	—	S	Z	H	LED control terminal (M66313)
52	P73	LED DATA	O	P	—	S	Z	H	LED control terminal (M66313)
53	P74	LED LE	O	P	—	—	Z	H	LED control terminal (M66313)
54	P75	LED OE	O	P	—	—	Z	H	LED control terminal (M66313), set input port at STBY
55	P76	MULTI MUTE	O	P	Ed	—	L	H	MULTI MUTE output (L: Mute)
56	P77	H/P RELAY	O	P	Id	—	L	L	H/P OUT relay control output (L: Mute)
57	P80	POWER	O	P	Id	—	L	H	Power relay control output (L: ON)
58	P81	RESET2_	O	P	Id	—	L	H	Sub CPU control reset output (H: Reset control)
59	P82	F RELAY	O	P	Id	Lv	L	—	Front SP relay control terminal (L: Mute)
60	P83	C RELAY	O	P	Id	—	L	H	Center SP relay control terminal (L: Mute)
61	P84	SA RELAY	O	P	—	Lv	L	—	Surround SP relay A control terminal (L: Mute)
62	P85	SB RELAY	O	P	—	Lv	L	—	Surround SP relay B control terminal (L: Mute)
63	P86	PRE F MUTE	O	P	Ed	—	L	H	Front PREOUT mute control terminal (L: Mute)
64	P87	PRE C MUTE	O	P	—	Lv	L	—	Center PREOUT mute control terminal (L: Mute)
65	P90	PRE S MUTE	O	P	Ed	—	L	H	Surround PREOUT mute control terminal (L: Mute)
66	P91	SUB WOOFER MUTE	O	P	Ed	—	L	L	Sub-woofer PREOUT mute control terminal (L: Mute)
67	P92	S MONI DET	I	—	Eu	Lv	Z	—	S monitor connection detect input (L: connected)
68	P93	S SIG DET	I	—	Eu	Lv	Z	—	S signal detect input (H: S signal input)
69	P94	SYNC DET	I	—	Eu	Lv	Z	—	Sync. detect input (H: External sync.)
70	P95	SEL A (M)	I	—	Eu	Lv	Z	—	Master volume rotary detect input (rotary encoder)
71	P96	SEL B (M)	I	—	Eu	Lv	Z	—	Master volume rotary detect input (rotary encoder)
72	P97	H/P DET	I	—	Eu	Lv	Z	L	H/P input detect (H: Detect)
73	PD0	VOL MUTE	O	P	Ed	—	L	L	Master volume infinite control (L: Infinite)
74	PD1	SEL E (B)	I	—	Eu	Lv	Z	—	BASS volume rotary detect input (rotary encoder)
75	PD2	SEL F (B)	I	—	Eu	Lv	Z	—	BASS volume rotary detect input (rotary encoder)
76	PD3	SEL G (T)	I	—	Eu	Lv	Z	—	TTEBLE volume rotary detect input (rotary encoder)
77	PD4	SEL H (T)	I	—	Eu	Lv	Z	—	TTEBLE volume rotary detect input (rotary encoder)
78	Vkk	Vkk	—	—	—	—	—	—	Fixed to GND
79	P00/SCK1_	OSD CLK	O	C	Eu	S	Z	H	OSD control output (M35015)
80	P01/SI1	OSD STB1	O	C	Eu	—	Z	H	OSD control output (M35015)

#### NOTE:

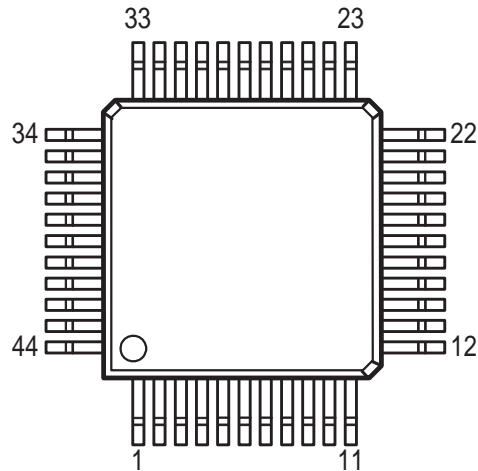
- Pin No. : Terminal number of microcomputer.
- Port Name : The name entered in the data sheet of microcomputer.
- Symbol : Symbolized interface function.
- I/O : Input or out of part.
- Type : Composition of port in case of output port.
  - "I" = Input port
  - "O" = Output port
  - "C" = CMOS output
  - "N" = NMOS open drain output
  - "P" = PMOS open drain output
- Op : Pull up/Pull down selection information.
  - "lu" = Inner microcomputer pull up
  - "ld" = Inner microcomputer pull down
  - "Eu" = External microcomputer pull up
  - "Ed" = External microcomputer pull down
- Det : Indicates judging state of input port. Level detection is "LV"; Edge detection is "Ed"; Detection by both shifting is "E&L"; Serial data detection is "S" (Serial data output is also "S").
- Res : State at reset.
  - "H" = Outputs High Level at reset
  - "L" = Outputs Low Level at reset
  - "Z" = Becomes High impedance mode at reset
- Ini : Initial output state.
- Function : Function and logical level explanation of signals to be interface.

**TMP93CS41F**  
**(DS: IC301)**

**TMP93CS41F Terminal Function**

Pin No.	Name	Symbol	I/O	Type	Op	Det	Res	Init	Function
1	V REFL		—	—	—	—	—	—	A/D ref. GND
2	A Vss	←	—	—	—	—	—	—	A/D GND
3	A Vcc	←	—	—	—	—	—	—	AD +5V
4	_NMI		I	—	—	—	—	—	Not used (fixed to H)
5	P70/TI0	_DEMOD RESET	O	C	Ed	—	L	L	Demodulator reset output (L: Reset)
6	P71/TO1	DEMOD ON	O	C	Ed	—	L	L	Demodulator osc. control output (H: Osc.)
7	P72/TO2	FAN1	O	C	Ed	—	L	L	FAN control output (H: ON, L: OFF)
8	P73/TO3	FAN2	O	C	Ed	—	L	L	FAN control output (H: Hi, L: Low & off)
9	P80/INT4/TI4	B.DOWN_	I	—	Eu	E↓&L	Z	—	Power down detect (L: Detected)
10	P81/INT5/TI5	DSP ACK	I	—	—	E↑&L	—	—	Host I/F comm. response input (L: OK)
11	P82/TO4	AC-3 RF DET	I	—	—	E↓&L	—	—	AC-3 RF signal judge input (L: AC-3 data input)
12	P83/TO5	_REQ	O	C	Eu	—	H	L	MAIN-SUB CPU comm. control output (L: Comm. request from sub)
13	P84/INT6/TI6	_ACK	I	—	Eu	E↓&L	—	—	MAIN-SUB CPU comm. control input (L: Ack. return from main)
14	P85/INT7/TI7	ERR	I	—	—	E↑&L	—	—	DIR control input terminal (LC89055Q)(H: ERR)
15	P86/TO6	_DSP RESET	O	C	Ed	—	L	L	DSP reset output terminal (L: Reset)
16	P97/INT0	_CS	I	—	Ed	E↑&L	—	—	DIR control input terminal (LC89055Q), when CH status change L → H
17	P90/TXD0	SI	O	C					MAIN-SUB CPU comm. control terminal (data output)
18	P91/RXD0	SO	I	—					MAIN-SUB CPU comm. control terminal (data input)
19	P92/_CTS0/SCLK0	CLK	I/O	C					MAIN-SUB CPU comm. control terminal (I2C clock in/output)
20	P93/TXD1	DFDATA	O	C	—	—	Z	L	(DXP6001) control data output
21	P94/RXD1	DIR MISO	I	—	—	Lv	—	—	DIR control input terminal (LC89055Q) control data input
22	P95/SCLK1	DIR CLK	O	C	—	—	Z	L	DIR control terminal (LC89055Q) control clock output
23	AM8/_16	←	—	—	—	—	—	—	Fixed to +5V
24	CLK		O	C	Eu	—	—	—	
25	Vcc	←	—	—	—	—	—	—	+5V
26	Vss	I/O1	—	—	—	—	—	—	GND
27	X1	Xin	I	—	—	—	—	—	X'tal connection
28	X2	Xout	O	—	—	—	—	—	X'tal connection
29	_EA	←	—	—	—	—	—	—	Fixed to +5V
30	_RESET	RESET2_	I	—	Eu	Lv	L	—	Reset input (controlled by main CPU)
31	P96/XT1	A/D RESET	O	N	Eu	—	H	H	A/D control terminal (L: Reset)
32	P97/XT2	DAC RESET	O	N	Eu	—	H	H	D/A control terminal (L: Reset)
33	TEST1	←	I	—	—	—	—	—	Connected to TEST2
34	TEST2	←	I	—	—	—	—	—	Connected to TEST1
35	PA0	DINA	O	C	Ed	—	L	L	Digital input switching control output
36	PA1	DINB	O	C	Ed	—	L	L	Digital input switching control output
37	PA2	DINC	O	C	Ed	—	L	L	Digital input switching control output
38	PA3	DIND	O	C	Ed	—	L	L	Digital input switching control output
39	PA4	DINE	O	C	Ed	—	L	L	Digital input switching control output
40	PA5	DOUTA	O	C	Ed	—	L	L	Digital input switching control output

Pin No.	Name	Symbol	I/O	Type	Op	Det	Res	Init	Function
41	PA6	DOUTB	O	C	Ed	—	L	L	Digital input switching control output
42	PA7/SCOUT	DOUTC	O	C	Ed	—	L	L	Digital input switching control output
43	ALE	←	O	C	—	—	L	L	Address latch enable
44	Vcc		—	—	—	—	—	—	+5V
45	P00/AD0	AD0	I/O	C	—	—	Z	L	EPROM data in D0 / address out A0
46	P01/AD1	AD1	I/O	C	—	—	Z	L	EPROM data in D1 / address out A1
47	P02/AD2	AD2	I/O	C	—	—	Z	L	EPROM data in D2 / address out A2
48	P03/AD3	AD3	I/O	C	—	—	Z	L	EPROM data in D3 / address out A3
49	P04/AD4	AD4	I/O	C	—	—	Z	L	EPROM data in D4 / address out A4
50	P05/AD5	AD5	I/O	C	—	—	Z	L	EPROM data in D5 / address out A5
51	P06/AD6	AD6	I/O	C	—	—	Z	L	EPROM data in D6 / address out A6
52	P07/AD7	AD7	I/O	C	—	—	Z	L	EPROM data in D7 / address out A7
53	P10/AD8/A8	A8	O	C	—	—	Z	L	EPROM address out A8
54	P11/AD9/A9	A9	O	C	—	—	Z	L	EPROM address out A9
55	P12/AD10/A10	A10	O	C	—	—	Z	L	EPROM address out A10
56	P13/AD11/A11	A11	O	C	—	—	Z	L	EPROM address out A11
57	P14/AD12/A12	A12	O	C	—	—	Z	L	EPROM address out A12
58	P15/AD13/A13	A13	O	C	—	—	Z	L	EPROM address out A13
59	P16/AD14/A14	A14	O	C	—	—	Z	L	EPROM address out A14
60	P17/AD15/A15	A15	O	C	—	—	Z	L	EPROM address out A15
61	_WDTOUT	←	O	C	—	—	Z	H	Watch dog output
62	Vss	←	—	—	—	—	—	—	GND
63	Vcc	←	—	—	—	—	—	—	+5V
64	P20/A0/A16	A16	O	C	—	—	Z	L	EPROM address out A16
65	P21/A1/A17	DF CLK	O	C	—	—	Z	L	(DXP6001) control clock output
66	P22/A2/A18	ADIRCE	O	C	—	—	Z	L	DIR control terminal (LC89055Q) control chip enable output
67	P23/A3/A19	DIR MOSI	O	C	—	—	Z	L	DIR control terminal (LC89055Q) control data output
68	P24/A4/A20	DF STB1	O	C	—	—	Z	L	(DXP6001) control strobe output
69	P25/A5/A21	FGAIN	O	C	Ed	—	L	L	IV AMP gain switching control output (L: Sub-woofer on)
70	P26/A6/A22	HDCD	O	C	Ed	—	L	L	HDCD control terminal (fixed to L)
71	P27/A7/A23	SEL CK	O	C	Ed	—	Z	L	ADC/DIR data clock switching control terminal (L: ADC)
72	P30/_RD	_RD	O	C	Ed	—	Z	L	Flash memory control terminal
73	P31/_WR	_WR	O	C	Ed	—	Z	L	Flash memory control terminal
74	P32/_HWR	CSI	I	—	Ed	Lv	—	—	DIR control input terminal (DIR1700) (L: PCM)
75	P33/_WAIT	ERR MUTE_	O	C	Ed	—	L	L	Pop noise preventive mute control output (L: Mute)
76	P34/_BUSRQ	_DSP REQUEST	O	C	Ed	—	Z	L	(ADSP21061L-A:IRQ1_) host I/F interrupt request output (L: REQ)
77	P35/_BUSRQ	DIG.(AC39 MUTE	O	C	Ed	—	Z	L	Digital mute control output (L: AC-3 or DTS decode enable)
78	P36/_R/W	WRITE	O	C	—	—	Z	L	DSP comm. control terminal (H: Data write)
79	P37/_RAS	DIR RESET	O	C	—	—	Z	L	DIR control output (LC89055Q) (L: Reset)
80	P40/CS0/_CAS0	FLAG 1B	I	—	—	Lv	—	—	(ADSP21061L-B:FLAG1B) input
81	P41/_CS1/_CAS1	LFE PRESENCE	I	—	—	Lv	—	—	(ADSP21061L-B:FLAG0B) LFE signal detect input, H: LFE detected
82	P42/_CS2/_CAS2	_CS0	O	C	—	—	Z	L	Flash memory control terminal
83	P60/PG00	I/O1	I/O	C	—	—	Z	L	DSP comm. terminal (ADSP21061L: D16)
84	P61/PG01	I/O2	I/O	C	—	—	Z	L	DSP comm. terminal (ADSP21061L: D17)
85	P62/PG02	I/O3	I/O	C	—	—	Z	L	DSP comm. terminal (ADSP21061L: D18)
86	P63/PG03	I/O4	I/O	C	—	—	Z	L	DSP comm. terminal (ADSP21061L: D19)
87	P64/PG10	I/O5	I/O	C	—	—	Z	L	DSP comm. terminal (ADSP21061L: D20)
88	P65/PG11	I/O6	I/O	C	—	—	Z	L	DSP comm. terminal (ADSP21061L: D21)
89	P66/PG12	I/O7	I/O	C	—	—	Z	L	DSP comm. terminal (ADSP21061L: D22)
90	P67/PG13	I/O8	I/O	C	—	—	Z	L	DSP comm. terminal (ADSP21061L: D23)
91	Vss	←	—	—	—	—	—	—	GND
92	P50/AN0	AUDIO LEVEL	I	—	Eu	Lv	Z	—	Signal level detect, set to A/D input
93	P51/AN1	POSI (FAN)	I	—	Eu	Lv	Z	—	Temperature detect, set to A/D input
94	P52/AN2	EMP	I	—	—	Lv	—	—	H: EMP on
95	P53/AN3	96K DET	I	—	—	Lv	—	—	96k signal detect input, H: 96k
96	P54/AN4	BUSY1	I	—	—	Lv	—	—	(ADSP21061L-A:FLAG2A)
97	P55/AN5	FLAG 3A	I	—	—	Lv	—	—	(ADSP21061L-A:FLAG3A)
98	P56/AN6	BUSY2	I	—	—	Lv	—	—	(ADSP21061L-B:FLAG2B) input
99	P57/AN7		I	—	—	Lv	—	—	
100	V REFH	←	—	—	—	—	—	—	AD ref. +5V



**DXP6001AF  
(IC304)**

**DXP6001AF Terminal Function**

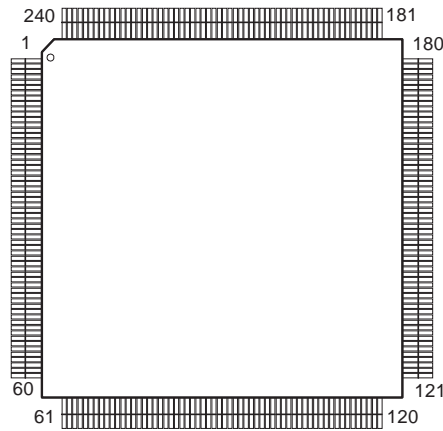
Pin No.	Pin Name	I/O	Description	
1	MDT	Ip	Microcomputer Interface Data	
2	MCK	Ip	Microcomputer Interface Clock	
3	MLEN	Ip	Microcomputer Interface Latch Enable	
4	RSTN	Ip	Reset Terminal	
5	DLRCK	Ip	Audio Serial Input Data L/R Clock	
6	VSS	-	Ground Terminal	
7	DBCK	Ip	Audio Serial Input Bit Clock	
8	DDT	Ip	Audio Serial Input Data	
9	TEST2N	Ip	Test Setting Terminal 2 (Alpha-processor 1 Output shifts 12-bit.)	
10	TEST3N	Ip	Test Setting Terminal 3 (Alpha-processor 2 Output stops.)	
11	TEST4N	Ip	Test Setting Terminal 4 (Lambda-processor Output stops.)	
12	DFBCK	Ip	Lambda-processor Input Bit Clock	
13	DFWCK	Ip	Lambda-processor Input Word Clock	
14	DOL	Ip	Lambda-processor Input Data L-channel	
15	DOR	Ip	Lambda-processor Input Data R-channel	
16	LMOD	Ip	Lambda-processor Operation Mode Set	
17	OMOD1	Ip	Output Mode Setting Terminal 1	
18	OMOD2	Ip	Output Mode Setting Terminal 2	
			OMOD1	
			L	H
			OMOD2	L
	H	20bit Parallel	24bit Parallel	
19	INVIN	Ip	Lambda-processor Input Reversed Polarity Terminal	
20	BCKO	O	Lambda-processor Output Bit Clock	
21	WCKO	O	Lambda-processor Output Word Clock	
22	WCKO2	O	Lambda-processor Output Word Clock 2 (for Canceling OFFSET on 1DAC)	

Pin No.	Pin Name	I/O	Description	
23	-P24L	O	-/Lambda-processor Lch 24 <sup>th</sup> bit Output *1, *2	
24	-P23L	O	-/Lambda-processor Lch 23 <sup>rd</sup> bit Output *1, *2	
25	-P22L	O	-/Lambda-processor Lch 22 <sup>nd</sup> bit Output *1, *2	
26	-P21L	O	-/Lambda-processor Lch 21 <sup>st</sup> bit Output *1	
27	-P20L	O	-/Lambda-processor Lch 20 <sup>th</sup> bit Output *1	
28	VDD	-	Power Supply Terminal	
29	SO2L/P19L	O	Lambda-processor Lch(-) Output /19 <sup>th</sup> bit Output *1	
30	SO1L	O	Lambda-processor Lch(+) Output	
31	SO1R	O	Lambda-processor Rch(+) Output	
32	SO2R/P19R	O	Lambda-processor Rch(-) Output /19 <sup>th</sup> bit Output *1	
33	-P20R	O	-/Lambda-processor Rch 20 <sup>th</sup> bit Output *1	
34	-P21R	O	-/Lambda-processor Rch 21 <sup>st</sup> bit Output *1, *2	
35	-P22R	O	-/Lambda-processor Rch 22 <sup>nd</sup> bit Output *1, *2	
36	-P23R	O	-/Lambda-processor Rch 23 <sup>rd</sup> bit Output *1, *2	
37	-P24R	O	-/Lambda-processor Rch 24 <sup>th</sup> bit Output *1, *2	
38	TEST1N	Ip	Test Terminal 1 (Alpha-processor 1 stops)	
39	CKSLN	Ip	System Clock Select (384fs system / 256fs system)	
40	CKDV1	Ip	System Clock Divider Select Terminal 1	
41	CKDV2	Ip	System Clock Divider Select Terminal 2	
			CKDV1	
			L	H
			CKDV2	L
	H	192fs (CKSLN=H) 256fs (CKSLN=H)	384fs	
42	XTI	I	X-TAL Oscillator Input Terminal	
43	XTO	O	X-TAL Oscillator Output Terminal	
44	CKO	O	Clock Output Terminal	

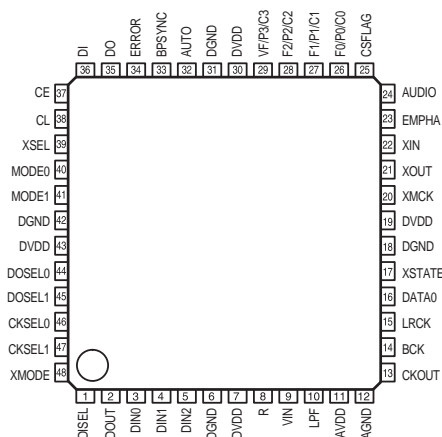
(Ip = Input Terminal with pull-up)

\*1: Outputted on OMOD1=L (18-bit Alternate Output or 20bit Parallel Output)

\*2: Internal Signal is outputted on OMOD1=H (24-bit Alternate Output or 24bit Parallel Output) and one of TEST1N, TEST2N, TEST3N or TEST4N is set to L.

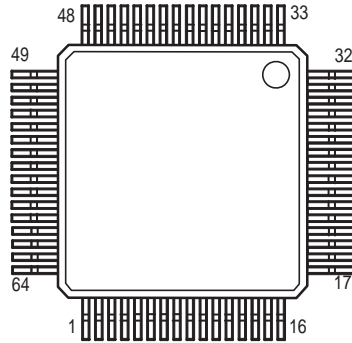
**ADSP-21061L**  
**(DS: IC103, 110)**

**ADSP-21061L Terminal Function**

Pin No.	Pin Name	Pin No.	Pin Name	Pin No.	Pin Name	Pin No.	Pin Name	Pin No.	Pin Name	Pin No.	Pin Name
1	TDI	41	ADDR20	81	TCLK0	121	DATA41	161	DATA14	201	NC
2	TRST	42	ADDR21	82	TFS0	122	DATA40	162	DATA13	202	NC
3	VDD	43	GND	83	DR0	123	DATA39	163	DATA12	203	NC
4	TDO	44	ADDR22	84	RCLK0	124	VDD	164	GND	204	NC
5	TIMEXP	45	ADDR23	85	RFS0	125	DATA38	165	DATA11	205	VDD
6	EMU	46	ADDR24	86	VDD	126	DATA37	166	DATA10	206	NC
7	ICSA	47	VDD	87	VDD	127	DATA36	167	DATA9	207	NC
8	FLAG3	48	GND	88	GND	128	GND	168	VDD	208	NC
9	FLAG2	49	VDD	89	ADRCLK	129	NC	169	DATA8	209	NC
10	FLAG1	50	ADDR25	90	REDY	130	DATA35	170	DATA7	210	NC
11	FLAG0	51	ADDR26	91	HBG	131	DATA34	171	DATA6	211	NC
12	GND	52	ADDR27	92	CS	132	DATA33	172	GND	212	GND
13	ADDR0	53	EGND	93	RD	133	VDD	173	DATA5	213	NC
14	ADDR1	54	MS3	94	WR	134	VDD	174	DATA4	214	NC
15	VDD	55	MS2	95	GND	135	GND	175	DATA3	215	NC
16	ADDR2	56	MS1	96	VDD	136	DATA32	176	VDD	216	NC
17	ADDR3	57	MS0	97	GND	137	DATA31	177	DATA2	217	NC
18	ADDR4	58	SW	98	CLKIN	138	DATA30	178	DATA1	218	NC
19	GND	59	BMS	99	ACK	139	GND	179	DATA0	219	VDD
20	ADDR5	60	ADDR28	100	DMAG2	140	DATA29	180	GND	220	GND
21	ADDR6	61	GND	101	DMAG1	141	DATA28	181	GND	221	VDD
22	ADDR7	62	VDD	102	PAGE	142	DATA27	182	NC	222	NC
23	VDD	63	VDD	103	VDD	143	VDD	183	NC	223	NC
24	ADDR8	64	ADDR29	104	BR6	144	VDD	184	NC	224	NC
25	ADDR9	65	ADDR30	105	BR5	145	DATA26	185	NC	225	NC
26	ADDR10	66	ADDR31	106	BR4	146	DATA25	186	NC	226	NC
27	GND	67	GND	107	BR3	147	DATA24	187	NC	227	NC
28	ADDR11	68	SBTS	108	BR2	148	GND	188	VDD	228	GND
29	ADDR12	69	DMAR2	109	BR1	149	DATA23	189	NC	229	ID2
30	ADDR13	70	DMAR1	110	GND	150	DATA22	190	NC	230	ID1
31	VDD	71	HBR	111	VDD	151	DATA21	191	NC	231	ID0
32	ADDR14	72	DT1	112	GND	152	VDD	192	NC	232	LBOOT
33	ADDR15	73	TCLK1	113	DATA47	153	DATA20	193	NC	233	RPBA
34	GND	74	TFS1	114	DATA46	154	DATA19	194	NC	234	RESET
35	ADDR16	75	DR1	115	DATA45	155	DATA18	195	GND	235	EBOOT
36	ADDR17	76	RCLK1	116	VDD	156	GND	196	GND	236	IRQ2
37	ADDR18	77	RFS1	117	DATA44	157	DATA17	197	VDD	237	IRQ1
38	VDD	78	GND	118	DATA43	158	DATA16	198	NC	238	IRQ0
39	VDD	79	CPA	119	DATA42	159	DATA15	199	NC	239	TCK
40	ADDR19	80	DT0	120	GND	160	VDD	200	NC	240	TMS

**LC89055W**  
**(DS:IC531)**

**LC89055W Terminal Function**

Pin No.	Pin Name	I/O	Function
1	DISEL	I	Data input terminal (select input pin of DINO, DIN1)
2	DOUT	O	Input bi-phase data through output terminal
3	DINO	I	Amp built-in coaxial/optical input correspond data input terminal
4	DIN1	I	Amp built-in coaxial/optical input correspond data input terminal
5	DIN2	I	Optical input correspond data input terminal
6	DGND		Digital GND
7	DVDD		Digital power supply
8	R	I	VCO gain control input terminal
9	VIN	I	VCO free-run frequency setting input terminal
10	LPF	O	PLL loop filter setting terminal
11	AVDD		Analog power supply
12	AGND		Analog GND
13	CKOUT	O	Clock output terminal (256fs, 384fs, 512fs, X'tal osc., VCO free-run osc.)
14	BCK	O	64fs clock output terminal
15	LRCK	O	fs clock output terminal (L: Rch, H: Lch, I2S: Reverse)
16	DATA0	O	Data output terminal
17	XSTATE	O	Input data detecting result output terminal
18	DGND		Digital GND
19	DVDD		Digital power supply
20	XMCK	O	X'tal osc. clock output terminal (24.576MHz or 12.288MHz)
21	XOUT	O	X'tal osc. connection output terminal
22	XIN	I	X'tal osc. connection output terminal
23	EMPHA	O	Emphasis information output terminal of channel status
24	AUDIO	O	Bit1 output terminal of channel status
25	CSFLAG	O	Top 40bit revise flag output terminal of channel status
26	F0/P0/C0	O	Input fs cal. sig. out / data type out / input word inf. output terminal
27	F1/P1/C1	O	Input fs cal. sig. out / data type out / input word inf. output terminal
28	F2/P2/C2	O	Input fs cal. sig. out / data type out / input word inf. output terminal
29	VF/P3/C3	O	Validity flag out / data type out / input word inf. output terminal
30	DVDD		Digital power supply
31	DGND		Digital GND
32	AUTO	O	Non PCM burst data transfer detect sig. output terminal
33	BPSYNC	O	Non PCM burst data preamble Pa, Pb, Pc, Pd sync sig. output terminal
34	ERROR	O	PLL lock error, data error flag output terminal
35	DO	O	CPU I/F read data output terminal
36	DI	I	CPU I/F write data input terminal
37	CE	I	CPU I/F chip enable input terminal
38	CL	I	CPU I/F clock input terminal
39	XSEL	I	Frequency select input pin of XIN X'tal osc. (24.576MHz or 12.288MHz)
40	MODE0	I	Mode setting input terminal
41	MODE1	I	Mode setting input terminal
42	DGND		Digital GND
43	DVDD		Digital power supply
44	DOSEL0	I	Data output format select input terminal
45	DOSEL1	I	Data output format select input terminal
46	CKSEL0	I	Output clock select input terminal
47	CKSEL1	I	Output clock select input terminal
48	XMODE	I	Reset input terminal

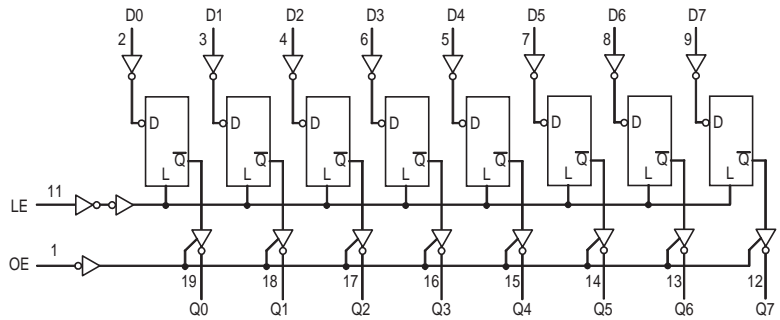
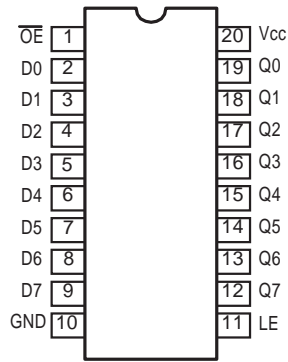
\* For latch-up countermeasure, set digital (DVDD) and analog (AVDD) power on/off in the same timing.

**MSM32R0050-521GS**  
**(DS: IC120)**

**MSM32R0050-521GS Terminal Function**

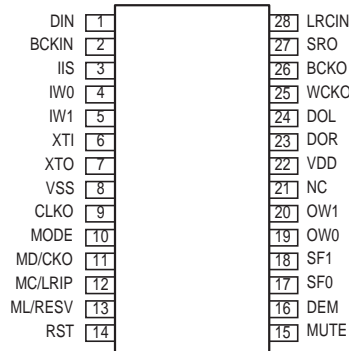
Pin No.	Name	Symbol	Function	Pin No.	Name	Symbol	Function
1	Vcc	Vcc		33	GND	I/O	
2	RFS0	I/O	RFS for SHARC(64fs)	34	N.C.	I/O	
3	GND	GND		35	N.C.	I/O	
4	N.C.	I/O		36	N.C.	I/O	
5	GND	I/O		37	N.C.	I/O	
6	RFS1	I/O	RFS for SHARC(256fs)	38	N.C.	I/O	
7	GND	I/O		39	N.C.	I/O	
8	RFS1A	I/O	Same as RFS1	40	Vcc	Vcc	
9	GND	I/O		41	N.C.	I/O	
10	N.C.	I/O		42	GND	GND	
11	GND	I/O		43	N.C.	I/O	
12	DATA2	I/O	Output data from SHARC	44	N.C.	I/O	
13	GND	I/O		45	N.C.	I/O	
14	N.C.	I/O		46	N.C.	I/O	
15	GND	I/O		47	N.C.	I/O	
16	DATA3	I/O	Data for L/R DAC	48	N.C.	I/O	
17	GND	I/O		49	N.C.	I/O	
18	DATA4	I/O	Data for C/SW DAC	50	LRCK0	I/O	LRCK for RFS0 generation
19	GND	I/O		51	GND	I/O	
20	DATA5	I/O	Data for SL/SR DAC	52	GND	I/O	
21	GND	I/O		53	BCK0	I/O	BCK for RFS0 generation
22	DATA6	I/O	Data for reserve DAC	54	GND	I/O	
23	GND	I/O		55	Vcc	Vcc	
24	GND	I/O		56	MCK0	I/O	MCK for RFS1 generation
25	LRCK1	I/O	LRCK for all DAC	57	N.C.	I/O	
26	Vcc			58	GND	GND	
27	N.C.	I/O		59	/SRESET	RESET	System reset (L: Reset)
28	GND	GND		60	GND	I/O	
29	BCK1	I/O	BCK for all DAC	61	/CRESET	I/O	Clock reset (L: Reset)
30	GND	I/O		62	GND	I/O	
31	GND	I/O		63	GND	I/O	
32	MCK1	I/O	MCK for all DAC	64	/D_MUTE	I/O	DAC mute (L: Mute)



**SN74AHCT573PW (DS: IC111)**  
**SN74LV573APW (DS: IC113, 302)**



**DF1704 (EX: IC305, 306)**

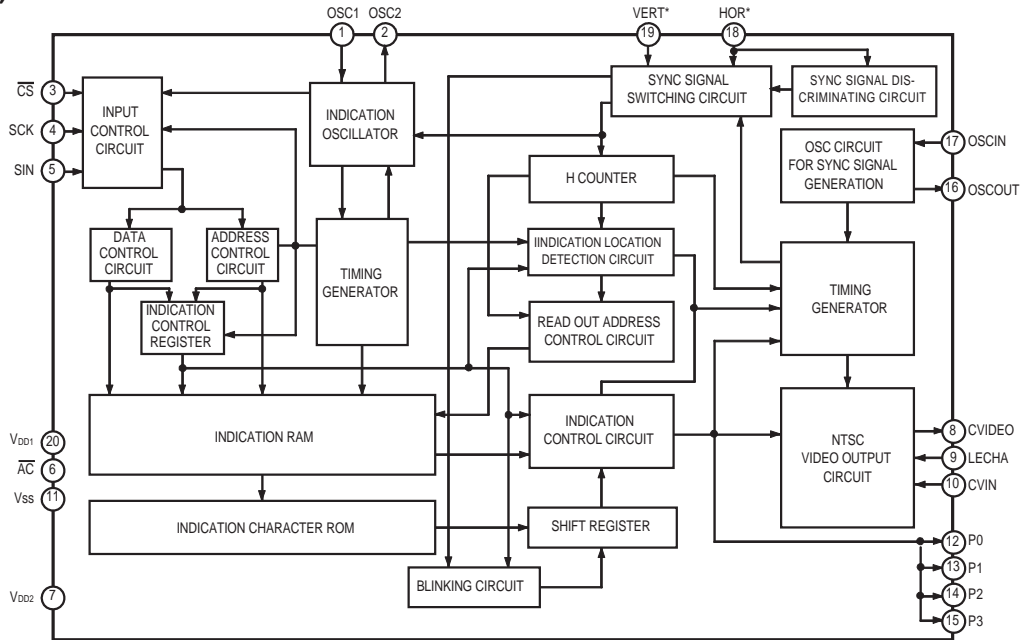
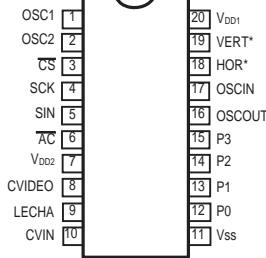
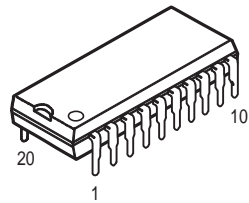


**DF1704 Terminal Function**

Pin No.	Name	I/O	Function
1	DIN	I	Serial audio data input
2	BCKIN	I	Bit clock input for serial audio data
3	IIS	I	Input audio data format select
4	IW0	I	Input audio data word select
5	IW1	I	Input audio data word select
6	XT1	I	Oscillator input / external clock input
7	XTO	O	Oscillator output
8	Vss	—	Digital GND
9	CLKO	O	System clock buffer output
10	MODE	I	Mode control select (H: Software, L: Hardware)
11	MD/CKO	I	Mode control, data / external clock (1/2) frequency select
12	MC/LRIP	I	Mode control, BCKIN / LRCK polarity select
13	ML/RESV	I	Mode control, LRCIN / spare
14	RST	I	Reset (L: DF & modulator reset)
15	MUTE	I	Mute control
16	DEM	I	De-emphasis control
17	SF0	I	Sampling rate select for de-emphasis
18	SF1	I	Sampling rate select for de-emphasis
19	OW0	I	Output audio data word/format select
20	OW1	I	Output audio data word/format select
21	NC	—	No connection
22	VDD	—	Digital power +5V
23	DOR	O	Rch serial audio data output
24	DOL	O	Lch serial audio data output
25	WCKO	O	Word clock output for serial audio data output
26	BCKO	O	Word clock output for serial audio data output
27	SRO	I	Filter response select
28	LRCIN	I	L/R clock input (fs)

Note: (1) Terminal 10~15: Schmitt trigger input with a pull-up resistor  
 (2) Terminal 3~5, 16~20, 27: Schmitt trigger input with a pull-down resistor  
 (3) Terminal 1, 2, 28: Schmitt trigger input  
 (4) Terminal 3~5, 15~20, 27: Invalid when Mode (pin10) = H  
 (5) Terminal 11~13: Function varies according to Mode (pin10) H/L

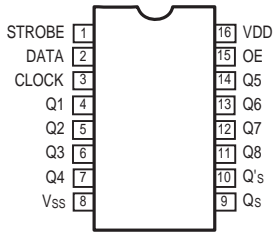
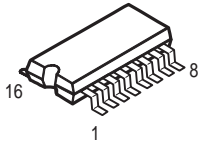
M35015-204SP (VI:IC310)



M35015-204SP Terminal Function

Pin No.	Symbol	Name	I/O	Function
1	OSC1	Osc. circuit ext.	I	External terminal for indication oscillator circuit. Standard OSC. freq. is approx. 7MHz. With this OSC. freq., decides horizontal indicatin and character width.
2	OSC2	terminal.	O	
3	$\overline{CS}$	Chip select input	I	Chip select terminal and turns to "L" when transfer serial data. Hysteresis input. Pull up resistor is built-in.
4	SCK	Serial clock input	I	Takes in serial data of SIN at SCK rise when CS terminal is in "L". Hysteresis input. Pull up rersist is built-in.
5	SIN	Serial data input	I	Serial input of register for indication control and data, and address for indication data memory. Hysteresis input. Pull up resistor is built-in.
6	$\overline{AC}$	Auto-clear input	I	Resets internal circuit of IC at "L" mode. Hysteresi input. Pull up resistor is built-in.
7	VDD2	Power supply	—	Power supply terminal of analog system. Connect to +5V.
8	CVIDEO	Combined video output	O	Output terminal of combined video signal. Outputs 2Vp-p combined signal. Character output, etc. Overlap CVIN signal and outputs at superimpose.
9	LECHA	Character level input	I	Input terminal deciding character output level in combined video signal. color of character is white.
10	CVIN	Combined video input	I	Input terminal of external combined video signal. Character output etc. overlap this external combined video signal.
11	VSS	Ground	—	Ground terminal. Connect to GND.
12	P0	Output port p0	O	General output or character background signal BL NK1* output is switchable. Polarity can be selected at ROM mask.
13	P1	Output port P1	O	General output or character background signal CO1* output is switchable. Polarity can be selected at ROM mask.
14	P2	Output port P2	O	General output or character background signal BLNK2* output is switchable. Polarity can be selected at ROM mask.
15	P3	Output port P3	O	General output or character background signal CO2* output is switchable. Polarity can be selected at ROM mask.
16	OSCOUT	Ext. terminal for sync sig. OSC. Circuit	O	Terminal for external use of sync signal OSC. circuit. Use the freq.: 14.32MHz at NTSC system, 17.73MHz at PAL. system, 14.30MHz at MPAL system.
17	OSCIN		I	
18	HOR*	Horizontal sync signal	I	Inputs horizontal sync signal. Hysteresis input.
19	VERT*	Vertical sync signal	—	Input vertical sync signal. Hysteresis input. Polarity can be selected at ROM mask.
20	VDD1	Power supply	I	Power supply terminal of digital system. Connect to +5V.

**TC4094BF**  
(MA: IC202, 203)



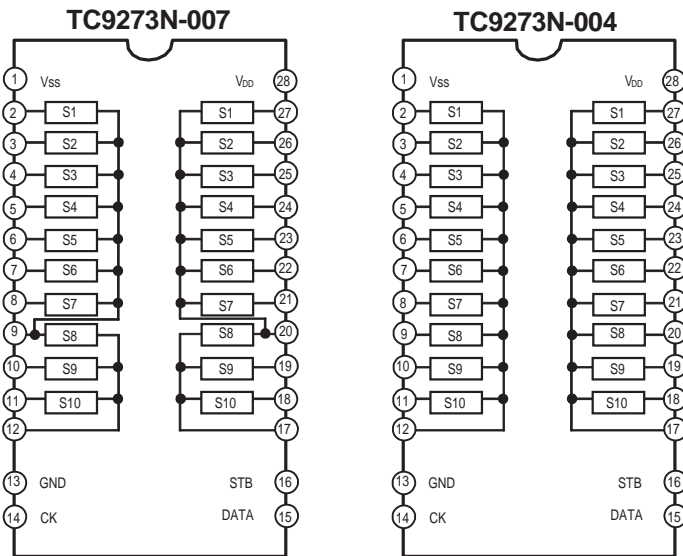
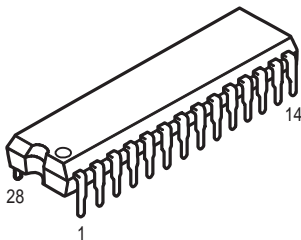
**IC202**

Port	Symbol	Function
Q1	INA	Video input switching
Q2	INB	Video input switching
Q3	INC	Video input switching
Q4	RECA	Video output switching
Q5	RECB	Video output switching
Q6	RECC	Video output switching
Q7	V-1	Video REC OUT INH control
Q8	V-2	Video REC OUT INH control

**IC203**

Port	Symbol	Function
Q1	EXT A_/B	EXT.IN relay A or B select (L: A select)
Q2	STEREO_/DSP	DSP DA OUT or NOT relay switching (L: NOT)
Q3	T MUTE	Tuner mute output (H: Mute)
Q4	TONE_	Tone control (H: ON / DIRECT, THX, TEST, TONE, PEAK LIMIT)
Q5	INT_/EFFECT	EFFECT or NOT relay switching (L: NOT)
Q6	INT_/EXT	EXT A, B or NOT relay switching for front (L: INT)
Q7	NOT_/DIRECT	DIRECT or NOT relay output switching (L: NOT)
Q8	DIRECT DVD/CD_	DIRECT DVD or DIRECT CD relay switching (L: CD)

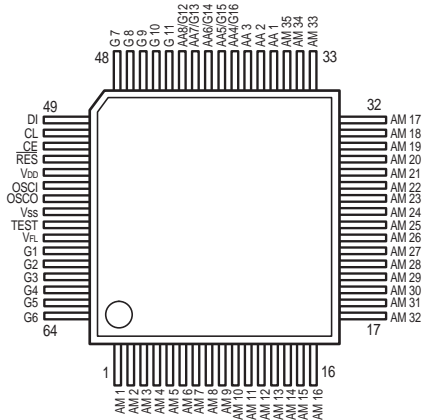
**TC9273N-004 (AU: IC111)**  
**TC9273N-007 (TO: IC705)**



**TC9273N Terminal Function**

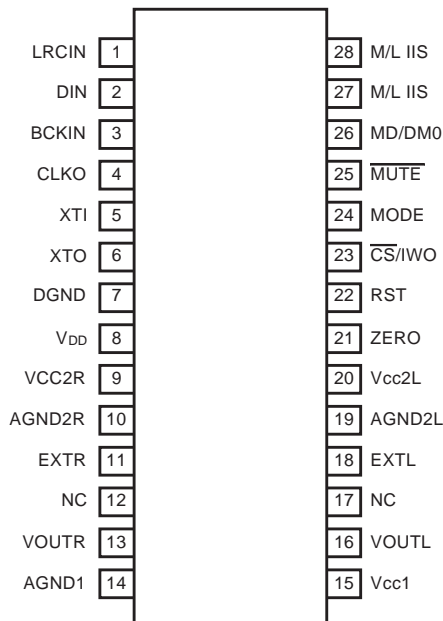
Pin No.	Symbol	Name	Function	Note
1	Vss	-Power Terminal	Dual Power Use: VDD = 8.0~17 V GND = 0V Vss = -8.0~17V	Signal Power Use: VDD = 8.0~18V Vss = GND = 0V
13	GND	Digital Ground		
28	VDD	+Power Terminal		
2~12 17~27	S1~11	I/O Terminal	Input terminal of analog switch.	—
14	CK	Clock Input	Clock input for data transfer.	Low level
15	DATA	Data Input	Serial input for switch setting.	Border Input
16	STB	Strobe Input	Strobe input for data writing.	Terminal

LC75721E (VI: IC102)



Symbol	Function
V <sub>DD</sub>	Power terminal +5V
V <sub>SS</sub>	Power terminal GND
V <sub>FL</sub>	Power terminal FL drive
DI CL CE	Serial data transfer terminal DI: Data CL: Clock CE: Chip enable
OSC1 OSC0	External CR connecting terminal
RES	System reset terminal
AM1~AM35 AA1~AA3	Anode output terminal
AA4/G16 AA5/G15 AA6/G14 AA7/G13 AA8/G12	Anode/Grid output terminal
G1~G11	Grid output terminal
TEST	LSI test terminal

PCM1716E (EX: IC307)



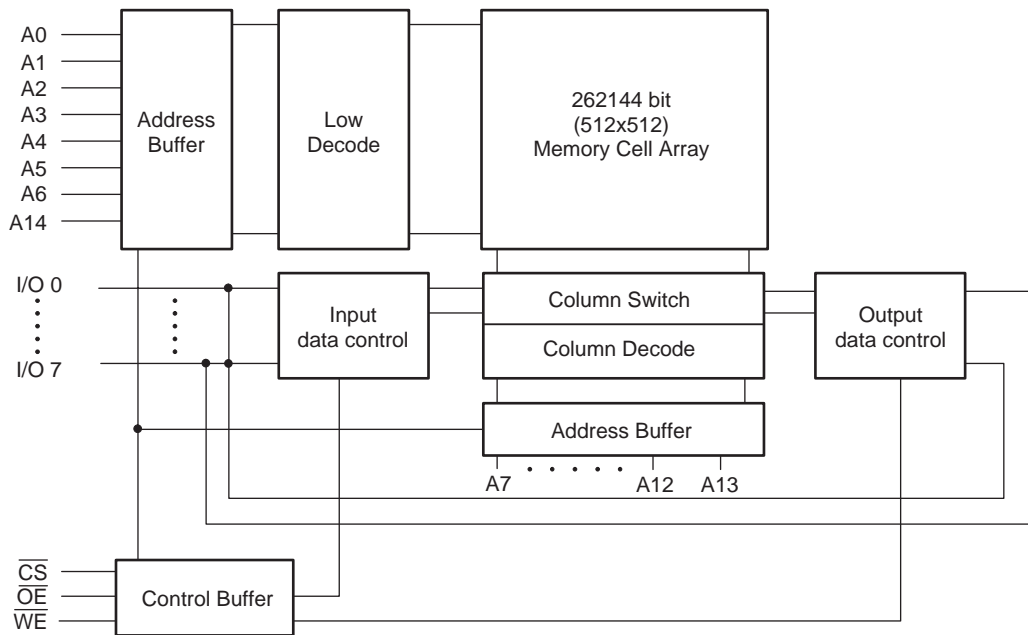
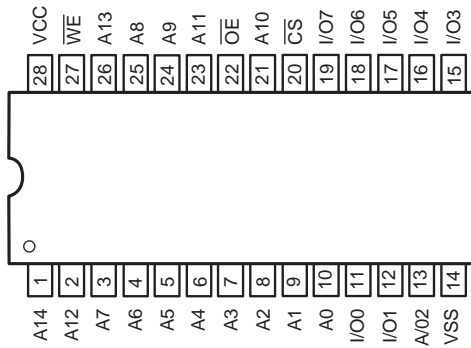
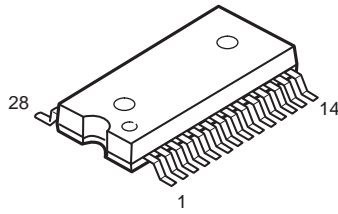
Pin No.	Name	I/O	Description
1	LRCIN	I	Left & Right clock input. This clock is equal to the sampling rate-fs. *1
2	DIN	I	Serial audio data input.
3	BCKIN	O	Bit clock input for serial audio data.
4	CLKO	—	Buffered output of oscillator. Equivalent to system clock.
5	XTI	—	Oscillator input (External clock input).
6	XTO	I	Oscillator output.
7	DGND	I	Digital ground.
8	VDD	I	Digital power. +5V
9	VCC2R	I	Digital power. +5V
10	AGND2R	I	Analog power. +5
11	EXTR	I	R-ch, common pin of analog amp.
12	NC	—	No connection.
13	VOUTR	—	R-ch, analog voltage output of audio signal.
14	AGND1	I	Analog ground
15	VCC1	I	Analog power. +5V
16	VOUTL	I	L-ch, analog voltage output of audio signal.
17	NC	I	Non connection.
18	EXTL	I/O	L-ch, common pin of analog output amp.
19	AGND2L	I/O	Analog ground.
20	VCC2L	I/O	Analog power. +5V
21	ZERO	O	Zero data flag.
22	RST	I	Reset. When this pin is low, the DF & modulations are held in reset. *2
23	CS/IWO	I	Chip select / Input format selection When this pin is low, the MODE Control is effective. *3
24	MODE	—	Mode control Select. (H: Software, L: Hardware) *2
25	MUTE	—	Mute control. *2
26	MD / DM0	—	Mode control, data / De-emphasis selection 1. *2
27	MC / DM1	—	Mode control, BCK / De-emphasis selection 2. *2
28	ML / IIS	—	Mode control, WDCK / input format selection. *2

NOTE1: Pins 1, 2, 3; Schmitt Trigger input.

NOTE2: Pins 22, 24, 25, 26, 27, 28; Schmitt Trigger input with pull-up resistor.

NOTE3: Pin 23; Schmitt trigger input with pull-down resistor.

**BR62256F-70LL (DS: IC516)**

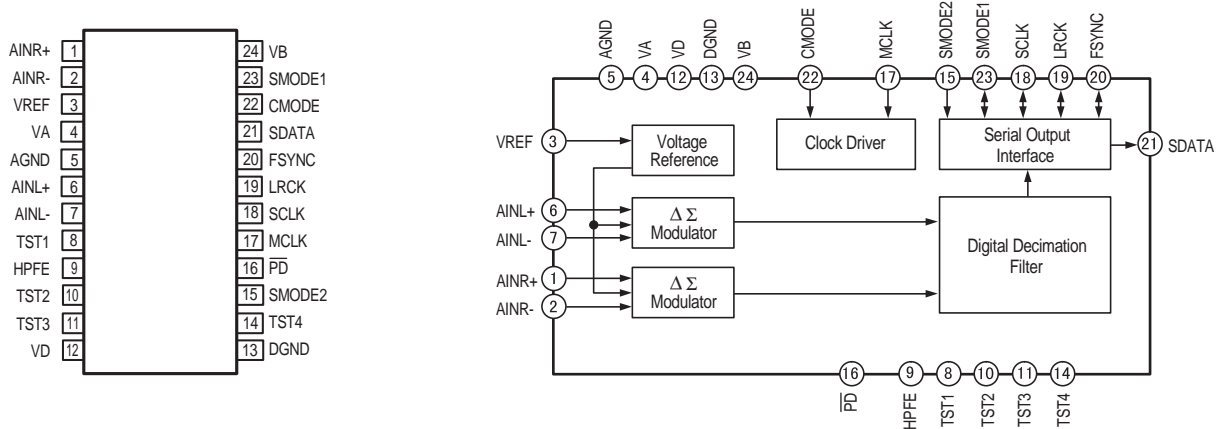


**BR62256F-70LL Terminal Function**

Pin No.	Symbol	I/O	Function
1~10	A0~A9	I	32K byte memory address input.
11~13,	I/O0~I/O2	I/O	8 bit data input/output.
14	Vss	—	GND
15~19	I/O3~I/O7	I/O	8 bit data input/output.
20	$\overline{CS}$	I	Chip select control input.
21	A10	I	32K byte memory address input.
22	$\overline{OE}$	I	Output enable control input.
23~26	A11~A14	I	32K byte memory address input.
27	WE	I	Write enable control input.
28	Vcc	—	+5V power supply.



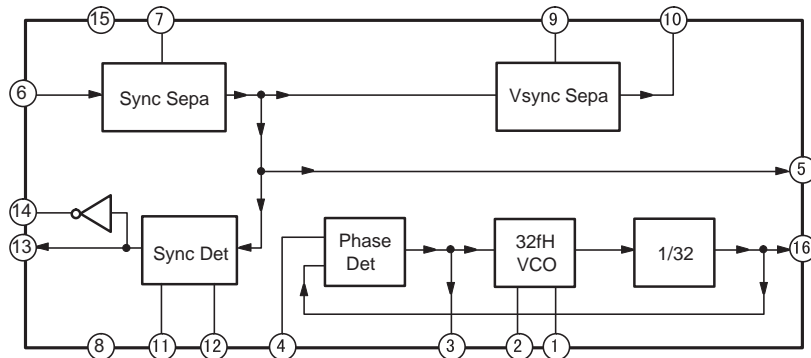
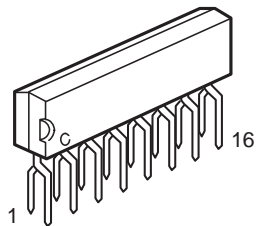
AK5351 (DS: IC527)



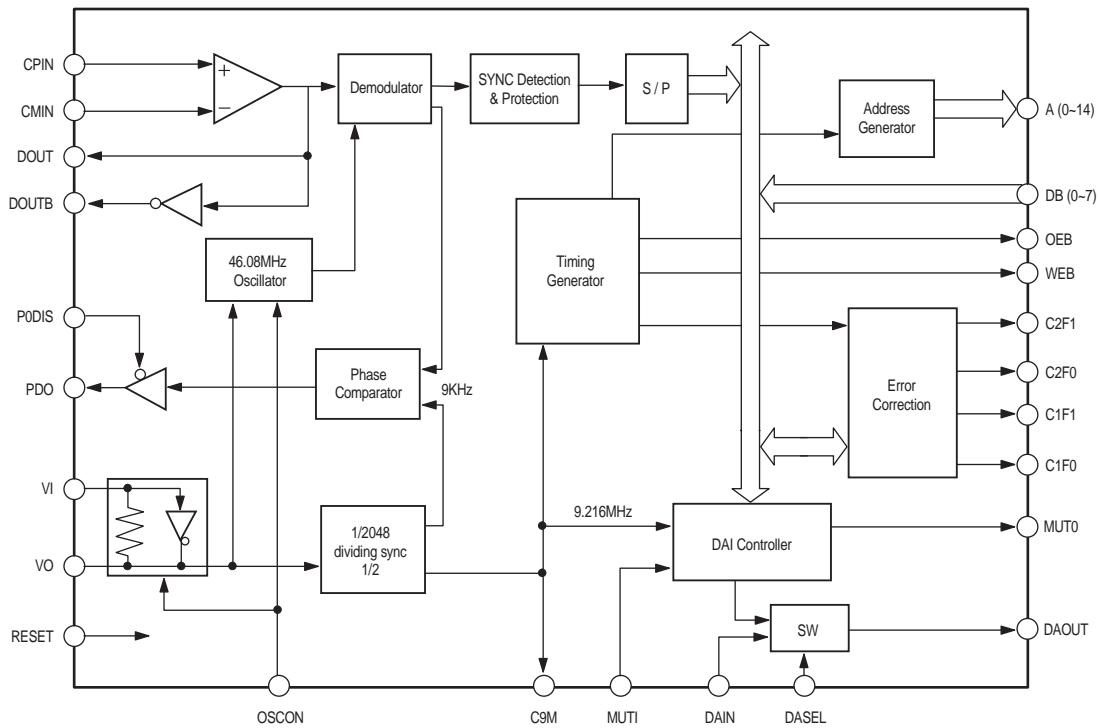
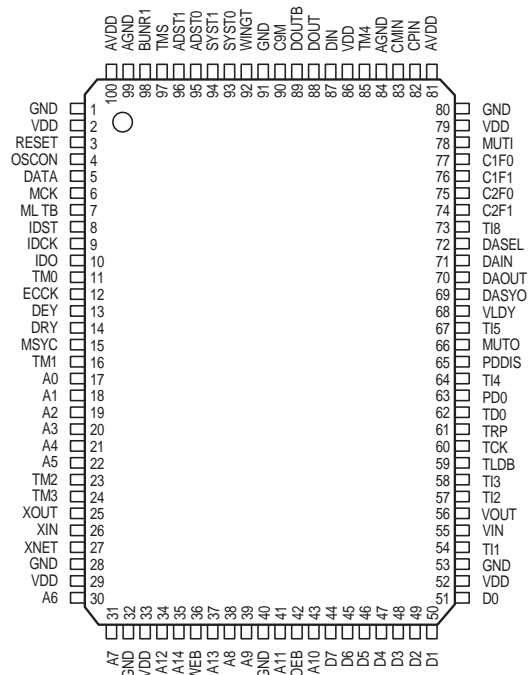
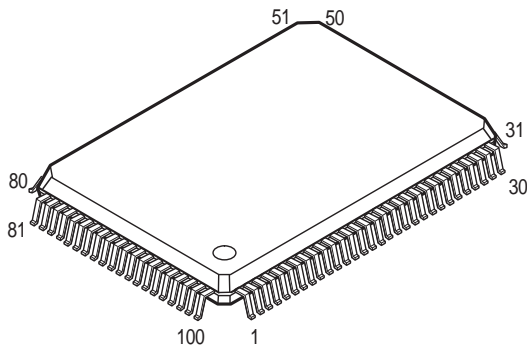
AK5351 Terminal Function

Pin No.	Symbol	I/O	Function
1	AINR+	I	Rch analog non-inverted input pin.
2	AINR-	I	Rch analog inverted input pin
3	VREF	O	Vref. output pin (VA-2.6V)
4	VA	—	Analog part power supply pin (+5V)
5	AGND	—	Analog ground pin
6	AINL+	I	Lch analog non-inverted input pin
7	AINL-	I	Lch analog inverted input pin
8	TST1		Test pin
9	HPFE	I	Hi-pass filter enable pin, "H": ON, "L": OFF
10	TST2		Test pin
11	TST3		Test pin
12	VD	—	Digital part power supply pin (+5V)
13	DGND	—	Digital ground pin
14	TST4		Test pin
15	SMODE2	I	Interface clock select pin
16	PD	I	Power down pin, "L": power down mode
17	MCLK	I	Master clock input pin, CMODE="H": 384fs, "L": 256fs
18	SCLK	I/O	Serial data clock pin
19	LRCK	I/O	Input channel select pin
20	FSYNC	I/O	Frame sync clock pin
21	SDATA	O	Serial data output pin
22	CMODE	I	Master clock select pin, "H": MCLK=384fs, "L": 256fs
23	SMODE2	I	Interface clock select pin
24	VB	—	Bulk power supply pin (+5V)

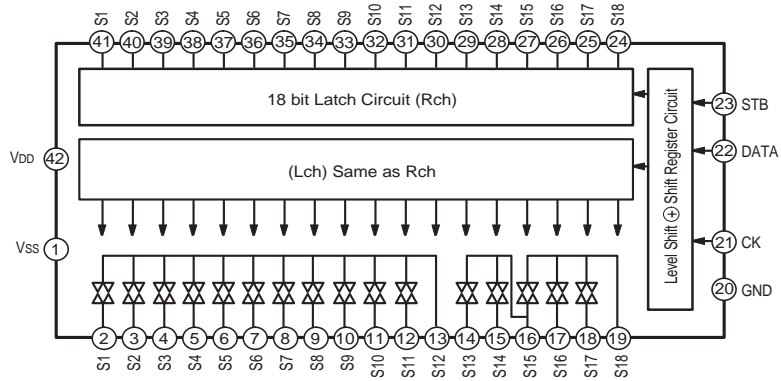
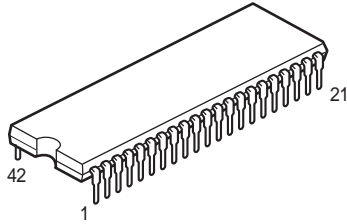
NJM2229S (VI: IC312)



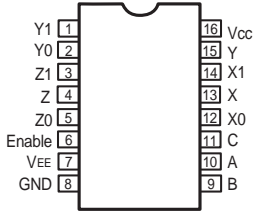
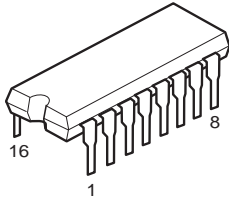
PM4007A (DS: IC512)



**TC9274N-011 (AU: IC110)**



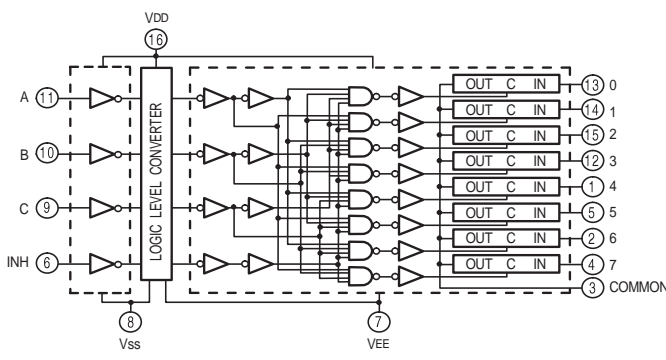
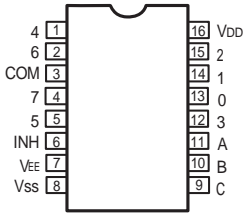
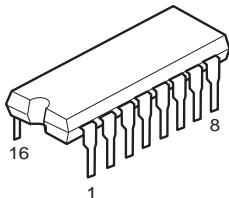
**MC74HC4053N (VI: IC309)**



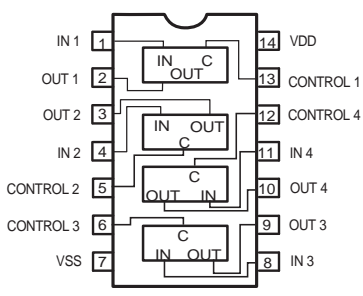
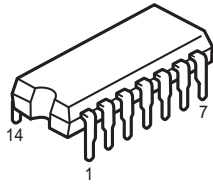
Enable	Control Inputs			ON Switches		
	C	B	A	Z0	Y0	X0
L	L	L	L	Z0	Y0	X0
L	L	L	H	Z0	Y0	X1
L	L	H	L	Z0	Y1	X0
L	L	H	H	Z0	Y1	X1
L	H	L	L	Z1	Y0	X0
L	H	L	H	Z1	Y0	X1
L	H	H	L	Z1	Y1	X0
L	H	H	H	Z1	Y1	X1
H	X	X	X	None		

X = Don't Care

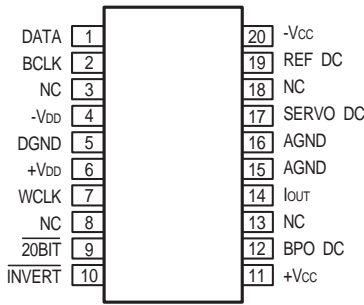
**TC4051BP (VI: 304, 305, 403, 404, 407, 408)**



**HD14066BP (VI: IC307, 411)**



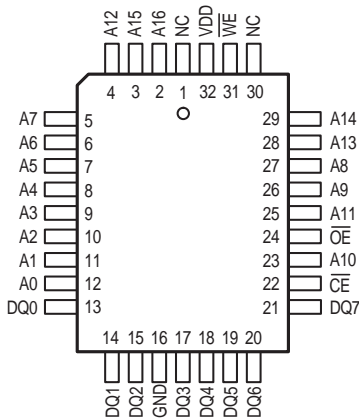
**PCM1704U (EX: IC309~313)**



**Terminal Function**

Pin No.	Name	I/O	Function
1	DATA	IN	Serial audio data input
2	BCLK	IN	Bit clock input for serial audio data
3	NC	—	No connection
4	-VDD	—	Digital power -5V
5	DGND	—	Digital GND
6	+VDD	—	Digital power +5V
7	WCLK	IN	Data latch enable input
8	NC	—	No connection
9	20BIT	IN	Input data word select
10	INVERT	IN	Input data polarity (phase) select
11	+VCC	—	Analog power +5V
12	BPO DC	—	Bipolar offset de-coupling capacitor
13	NC	—	No connection
14	IOUT	OUT	Audio signal analog current output
15	AGND	—	Analog GND
16	AGND	—	Analog GND
17	SERVO DC	—	Servo amp de-coupling capacitor
18	NC	—	No connection
19	REF DC	—	Band gap ref. de-coupling capacitor
20	-VCC	—	Analog power -5V

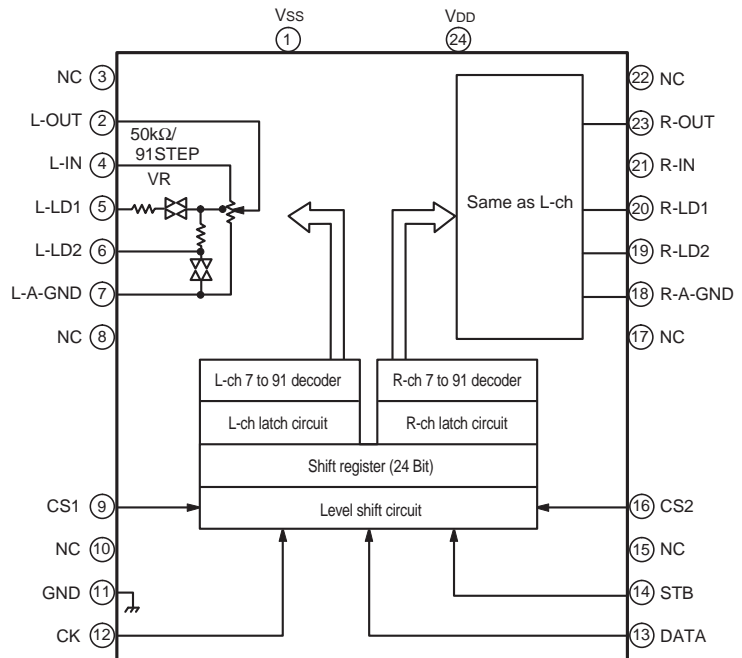
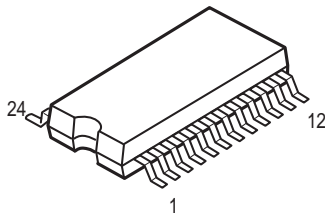
**W29EE011P-90 (DS: IC303)**



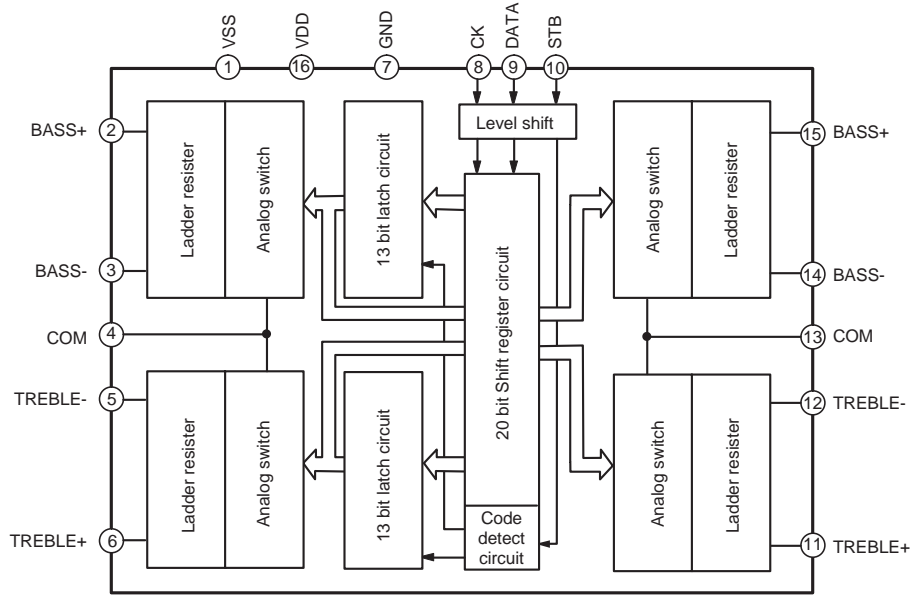
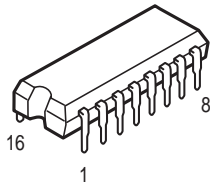
**Terminal Function**

Name	Function
A0 - A16	Address input
DQ0 - DQ7	Data in/output
CE	Chip enable
OE	Output enable
WE	Write enable
VDD	Power terminal
GND	GND
NC	No connection

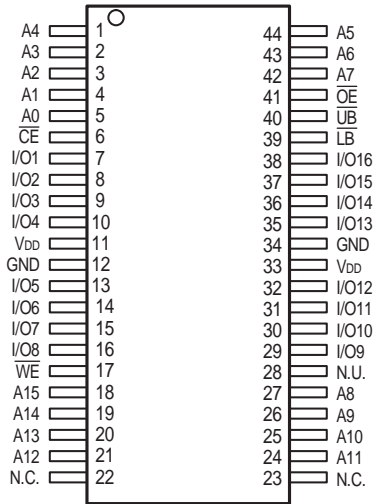
**TC9459F (EX: IC503, 504, 510, 523, 525, 529, 530)**



TC9184AP (TO: IC602, 604, 606)



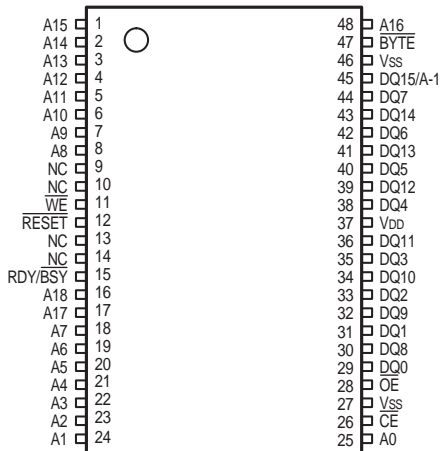
TC55V1664BFT-12 (DS: IC108, 112)



Terminal Function

Symbol	Function Name
A0~A15	Address input
I/O1~I/O16	Data in/output
$\overline{CE}$	Write enable input
$\overline{WE}$	Output buffer control input
$\overline{OE}$	Data byte control input
$\overline{LB}, \overline{UB}$	Power terminal (+3.3V)
VDD	Data byte control input
GND	GND
N.C.	No connection
N.U.	Unusable (input)

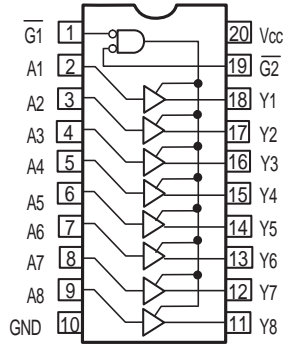
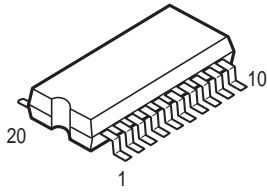
TC58FVT800FT-12 (DS: IC119)



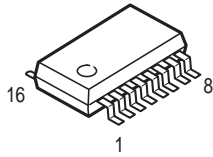
Terminal Function

Symbol	Function Name
A0~A18	Address input
DQ0~DQ14	Data in/output
DQ15/A-1	Data in/output/Address input
$\overline{CE}$	Chip enable input
$\overline{OE}$	Output enable input
BYTE	Word/bute select input
$\overline{WE}$	Write enable input
RDY/BSY	Ready/busy output
RESET	Hardware reset input
NC	No connection
VDD	Power
VSS	GND

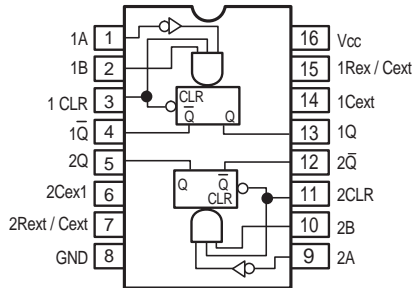
**TC74VHC541FT (DS: IC114)**  
**TC74VHCT541AFT (DS: IC116)**



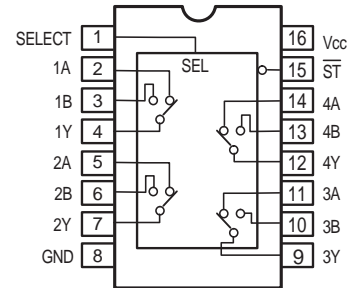
**TC74VHC123FT**  
**(DS: IC517, 523)**  
**SN74AHC157PW**  
**(DS: IC525)**  
**TC74HCT157AF**  
**(EX: IC301, 303)**  
**SN74HC151NS**  
**(DS: IC509, 510, 513)**



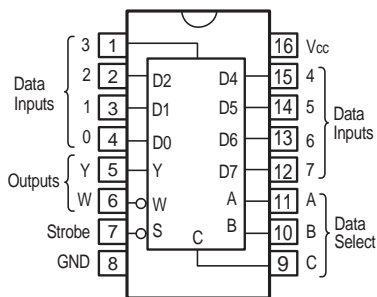
**TC74VHC123FT**



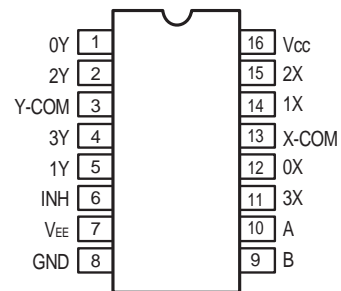
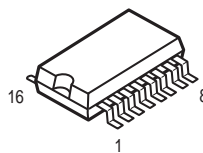
**SN74AHC157PW**  
**TC74HCT157AF**



**SN74HC151NS**

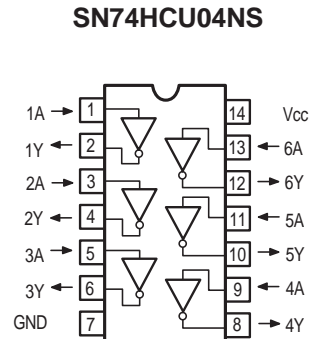
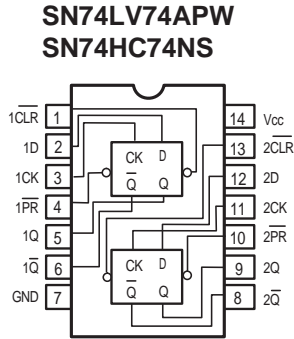
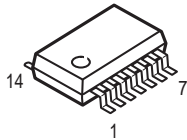
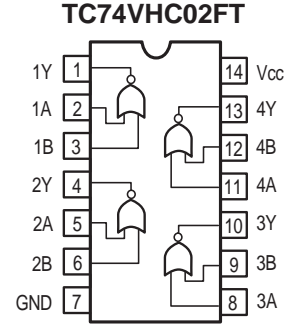
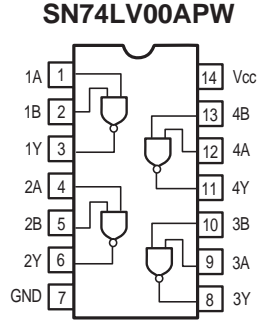
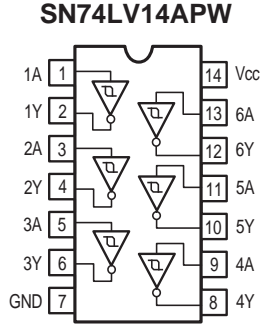


**TC4052BF (RE: IC371, 374)**

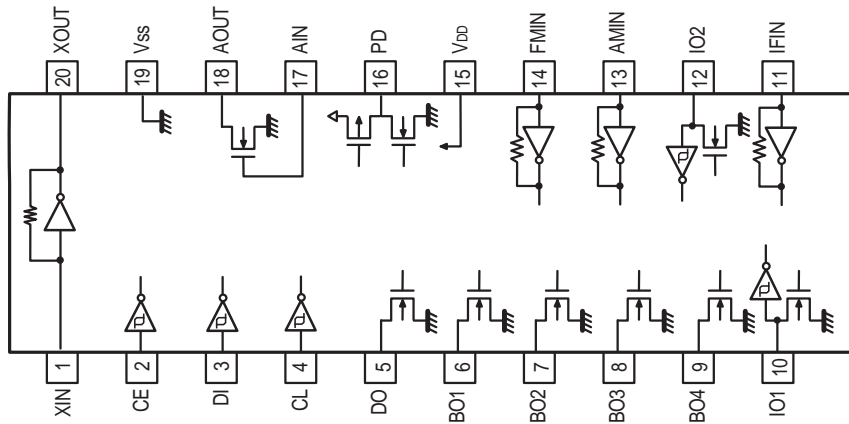
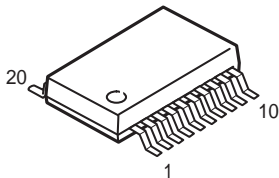




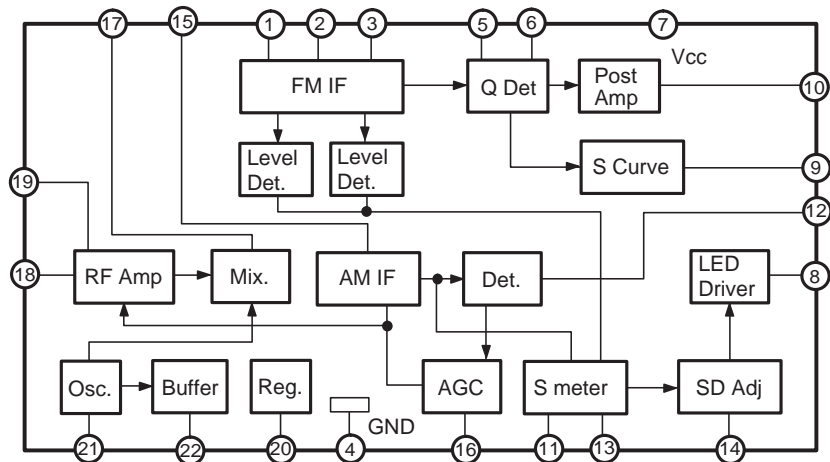
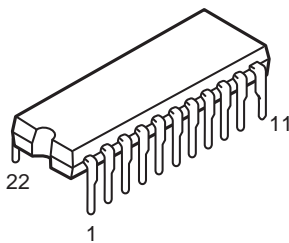
SN74LV14APW  
 (DS: IC530, 532)  
 SN74LV00APW  
 (DS: IC102, 122, 524, 529)  
 TC74VHC02FT  
 (DS: IC109)  
 SN74LV74APW  
 (DS: IC105)  
 SN74HC74NS  
 (EX: IC302)  
 SN74HCU04NS  
 (EX: IC471)



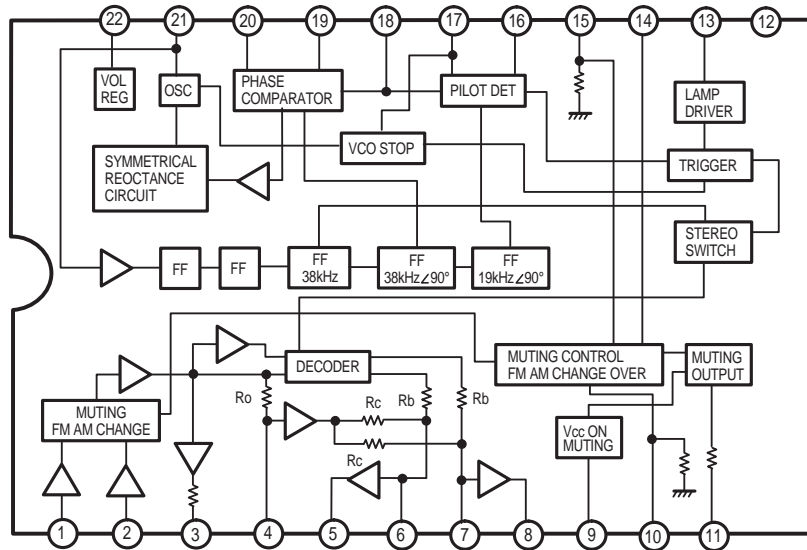
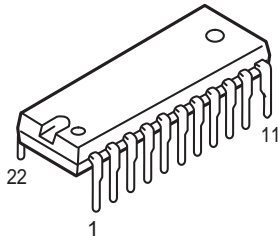
LC7213M (TU: IC307)



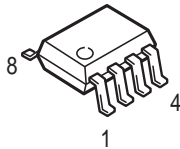
LA1265 (S)  
 (TU: IC303)



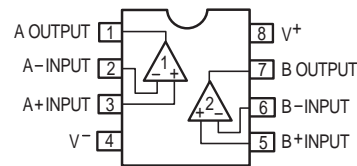
**LA3401**  
(TU: IC302)



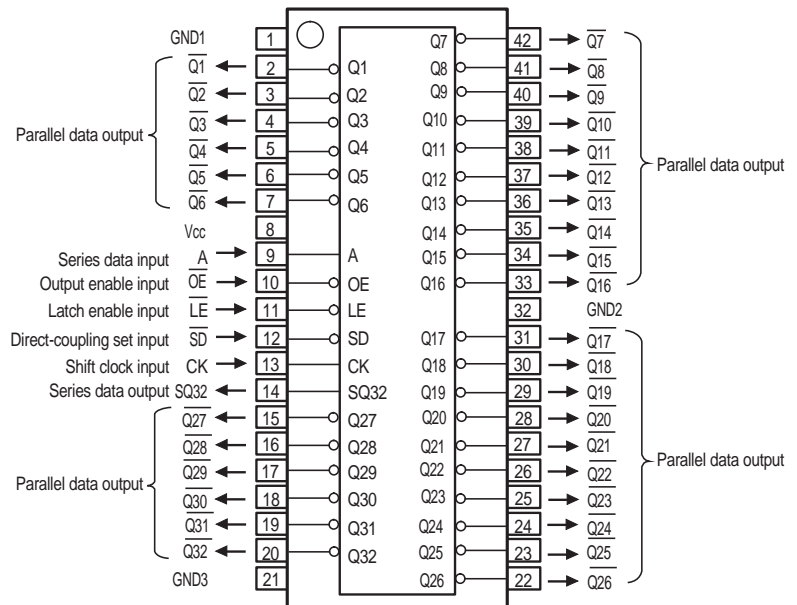
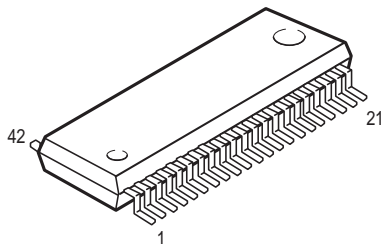
**BA15218F (TO: IC607)**  
**NJM2068MD**  
(AU: IC101~109, 251, 253, 321, 341, 361)  
(MA: IC204)  
(EX: IC501, 502, 505, 506, 509, 511, 524, 526, 527, 528, 531, 532, 821, 901~903, 906)  
**BA4510F (DS: IC651, 652)**



**NJM5532MD**  
(AU: IC112)  
(TO: IC601, 603, 605, 701~704)  
(EX: IC401, 411, 421)



**M66313FP (VI: IC101)**



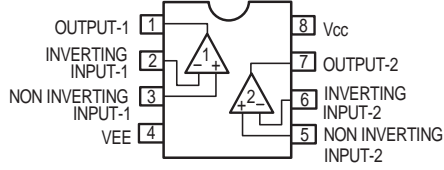
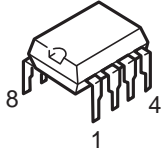
**MC14577CP**

(VI: IC301, 302, 308, 311, 401, 402,  
406, 409, 412, 413)

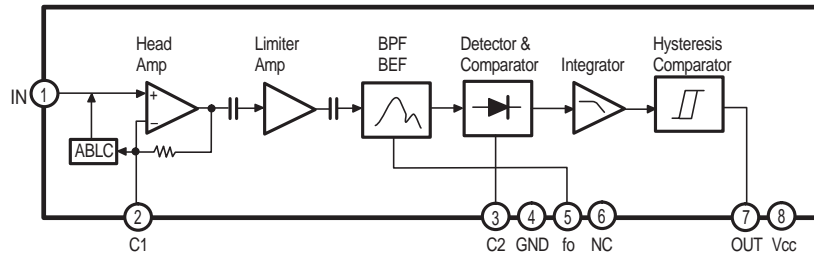
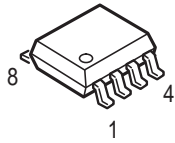
(RE: IC372, 373)

(DS: IC507)

OP275GP (EX: IC507, 508, 522, 533)



**CXA1511M (AU: IC961)**



**NJM7805FA (S) (TU: IC913)**  
(MA: IC601, 906)

**NJM7806FA (S) (MA: IC904)**  
(RE: IC701)

**BA033T (MA: IC903)**

**NJM7815FA (S) (TU: IC911)**

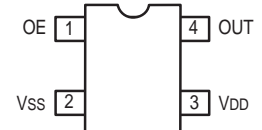
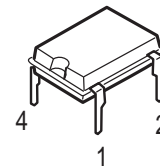
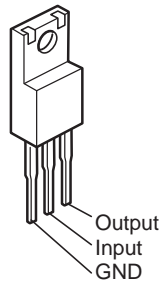
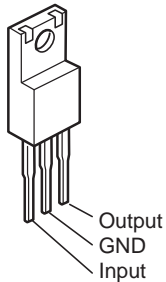
**NJM7812FA (S) (EX: IC907)**

**NJM7905FA (TU: IC914)**  
(MA: IC902)

**NJM7906FA (MA: IC905)**

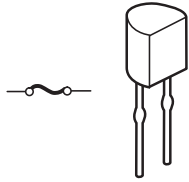
**NJM7915FA (TU: IC912)**

**SG-8002DCPT (12.288MHz)**  
(DS: IC528)



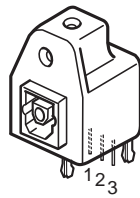
● IC PROTECTOR

ICP-N15 (RE: IC702)

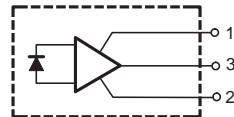


● OPTICAL

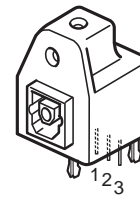
INPUT  
GP1F37R1 (DS: IC501~505)



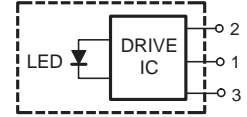
- 1. Vcc
- 2. GND
- 3. Vout



OUTPUT  
GP1F38T2 (DS: IC506)

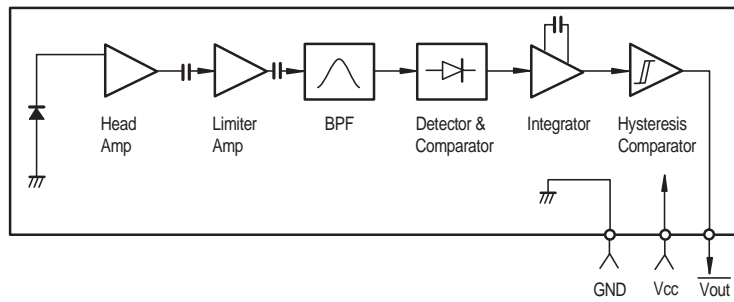
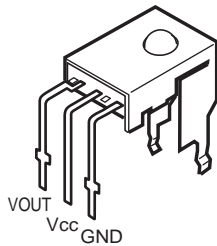


- 1. Vin
- 2. Vcc
- 3. GND

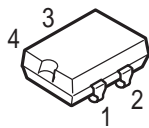


● OTHERS

GP1U271X (Remote Control Sensor)  
(TO: IC401)



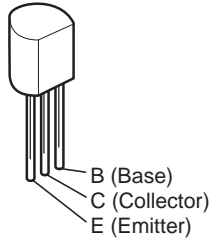
HG-8002JA (X'tal Oscillator)  
(DS: IC115)



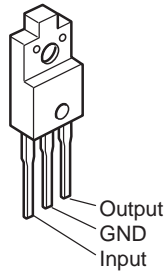
- 1. OE or ST
- 2. GND
- 3. OUT
- 4: VDD

● TRANSISTORS

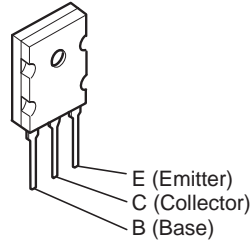
2SA988 (E/F)  
2PC1815 (BL)  
2SC1841 (E/F)



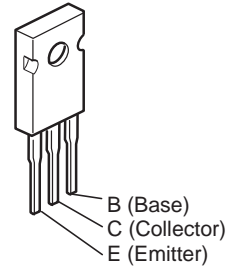
2SD 1762 (E/F)



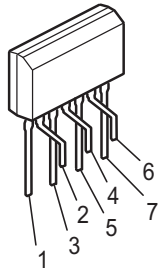
2SA1489  
2SA1491  
2SC3855



2SA1360 (O/Y)  
2SC3423 (O/Y)

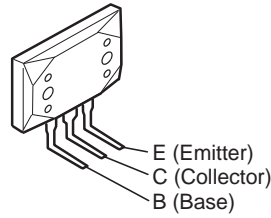


2SA1349 (BL)

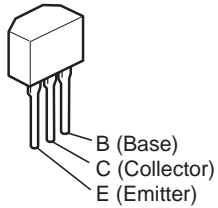


- 1: Base1
- 2: Collector1
- 3: Emitter1
- 4: Substrate
- 5: Emitter2
- 6: Collector2
- 7: Base2

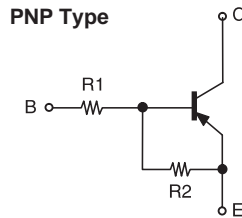
MN1715  
MP1715



DTA114ES  
DTC143ES  
DTC144ES  
DTC114ES

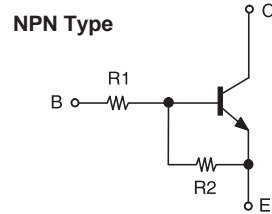


DTA114ES



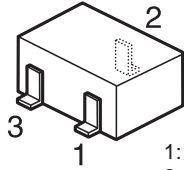
	R1	R2
DTA114ES	10kohm	10kohm

DTC143ES  
DTC144ES  
DTC114ES



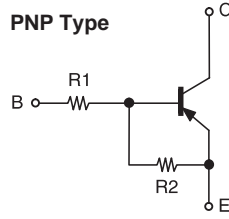
	R1	R2
DTC143ES	4.7kohm	4.7kohm
DTC144ES	47kohm	47kohm
DTC114ES	10kohm	10kohm

**DTA114EK**  
**DTA144EK**  
**DTC114EK**  
**DTC143EK**  
**DTC144EK**



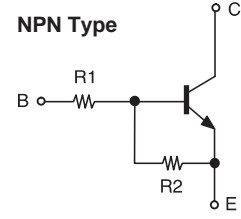
1: GND/(Emitter)  
 2: Output/(Collector)  
 3: Input/(Base)

**DTA114EK**  
**DTA144EK**



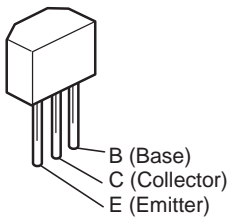
	R1	R2
DTA114EK	10kohm	10kohm
DTA144EK	47kohm	47kohm

**DTC114EK**  
**DTC143EK**  
**DTC144EK**

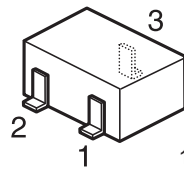


	R1	R2
DTC114EK	10kohm	10kohm
DTC144EK	47kohm	47kohm
DTC143EK	4.7kohm	4.7kohm

**2SC3311A**  
**2SC1740S (S)**

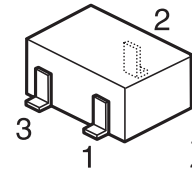


**2SK209 (GR)**



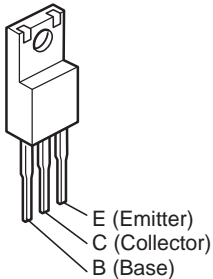
1: (Drain)  
 2: (Source)  
 3: (Gate)

**2SA1037K (S/R)**  
**2SC2412 (S)**  
**2SA1182 (Y/O)**  
**2SB709A**  
**2SD601A**

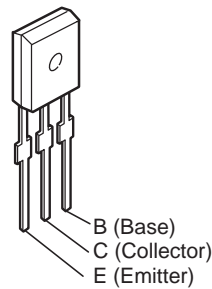


1: (Emitter)  
 2: (Collector)  
 3: (Base)

**2SC4511 (O/P/Y)**  
**2SA1725 (O/P/Y)**  
**2SC4495**



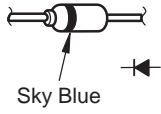
**2SB1328 (Q)**



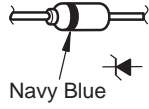


● DIODES (LED Included)

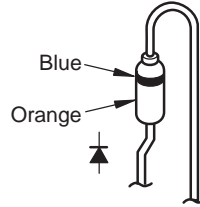
1SS270A



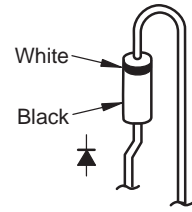
- HZS4C-1    HZS16-1
- HZS5A-1    HZS22-1
- HZS12A-1   MTZJ7.5A
- MTZJ3.3A   MTZJ9.1A
- MTZJ5.6A   MTZJ36A
- MTZJ6.2A



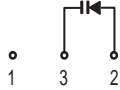
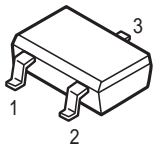
1SR35-200A



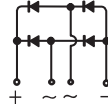
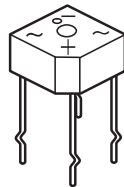
DSM1D2 (Type3)



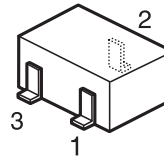
KV1851-TL



S4VB20  
(TU: D911)  
(MA: D901)



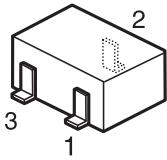
DAP202K



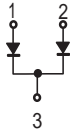
1: Cathode  
2: Cathode  
3: Anode



DAN202K

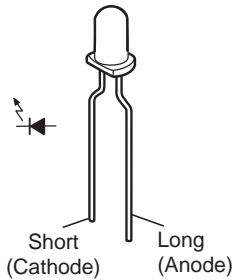
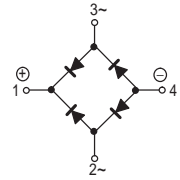
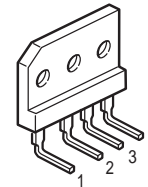


1: Anode  
2: Anode  
3: Cathode

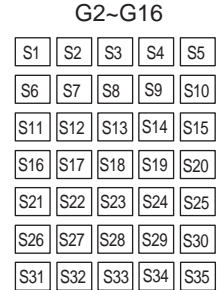
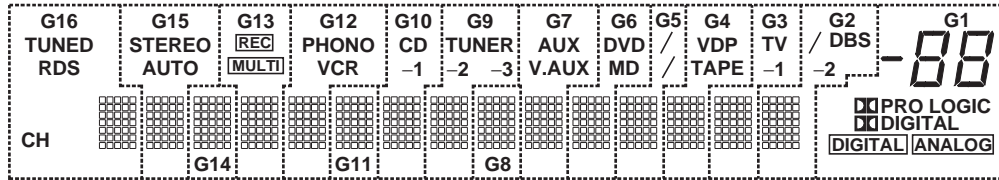
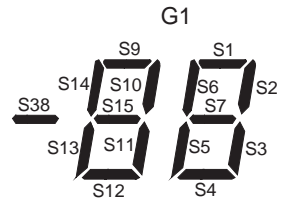
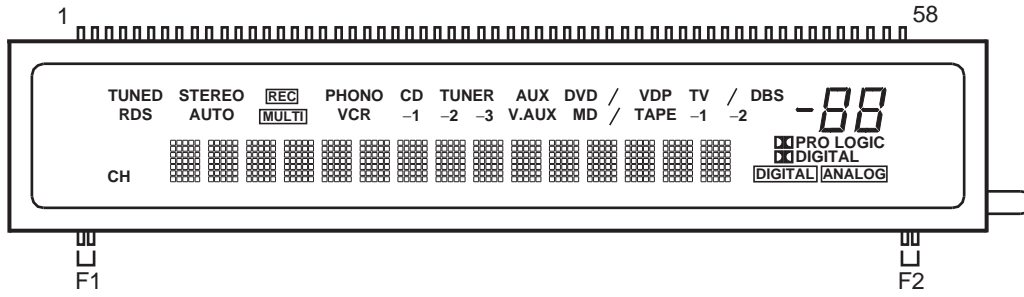


- SEL1210S (Red)  
(VI: LD104~114, 121, 123~128)
- SEL1210R (Red)  
(VI: LD115, 116)
- SEL1410E (Green)  
(VI: LD122, 129, 130)
- SEL4214S  
(TO: LD401)

RBV-1506



FL DISPLAY CM1690C (VI : FL101)



Pin Assignment

PIN NO.	1	2	3	4	5	6	7	8	9	10	11	12	13	14	15	16	17	18	19	20
CONNECTION	F1	F1	S1	S2	S3	S4	S5	S6	S7	S8	S9	S10	S11	S12	S13	S14	S15	S16	S17	S18
PIN NO.	21	22	23	24	25	26	27	28	29	30	31	32	33	34	35	36	37	38	39	40
CONNECTION	S19	S20	S21	S22	S23	S24	S25	S26	S27	S28	S29	S30	S31	S32	S33	S34	S35	S36	S37	S38
PIN NO.	41	42	43	44	45	46	47	48	49	50	51	52	53	54	55	56	57	58		
CONNECTION	G16	G15	G14	G13	G12	G11	G10	G9	G8	G7	G6	G5	G4	G3	G2	G1	F2	F2		

F1,F2 : Filament  
 G1~G16 : Grid  
 S1~S38 : Anode

Anode & Grid Assignment

	G1	G2-G16		G1	G2-G16		G1	G2-G16		G1	G2-G16
S1	S1	S1	S10	S10	S10	S19	---	S19	S28	---	S28
S2	S2	S2	S11	S11	S11	S20	---	S20	S29	---	S29
S3	S3	S3	S12	S12	S12	S21	---	S21	S30	---	S30
S4	S4	S4	S13	S13	S13	S22	---	S22	S31	---	S31
S5	S5	S5	S14	S14	S14	S23	---	S23	S32	---	S32
S6	S6	S6	S15	S15	S15	S24	---	S24	S33	---	S33
S7	S7	S7	S16	---	S16	S25	---	S25	S34	---	S34
S8	---	S8	S17	DIGITAL	S17	S26	---	S26	S35	---	S35
S9	S9	S9	S18	PRO LOGIC	S18	S27	---	S27			

	G1	G2	G3	G4	G5	G6	G7	G8	G9	G10	G11	G12	G13	G14	G15	G16
S36	DIGITAL	/	TV	VDP	/(DVD)	DVD	AUX	---	TUNER	CD	---	PHONO	REC	---	STEREO	TUNED
S37	ANALOG	-2	-1	TAPE	/(MD)	MD	V.MAX	---	-2	-1	---	VCR	MULTI	---	AUTO	RDS
S38	S38	DBS	---	---	---	---	---	---	-3	---	---	---	---	---	---	CH

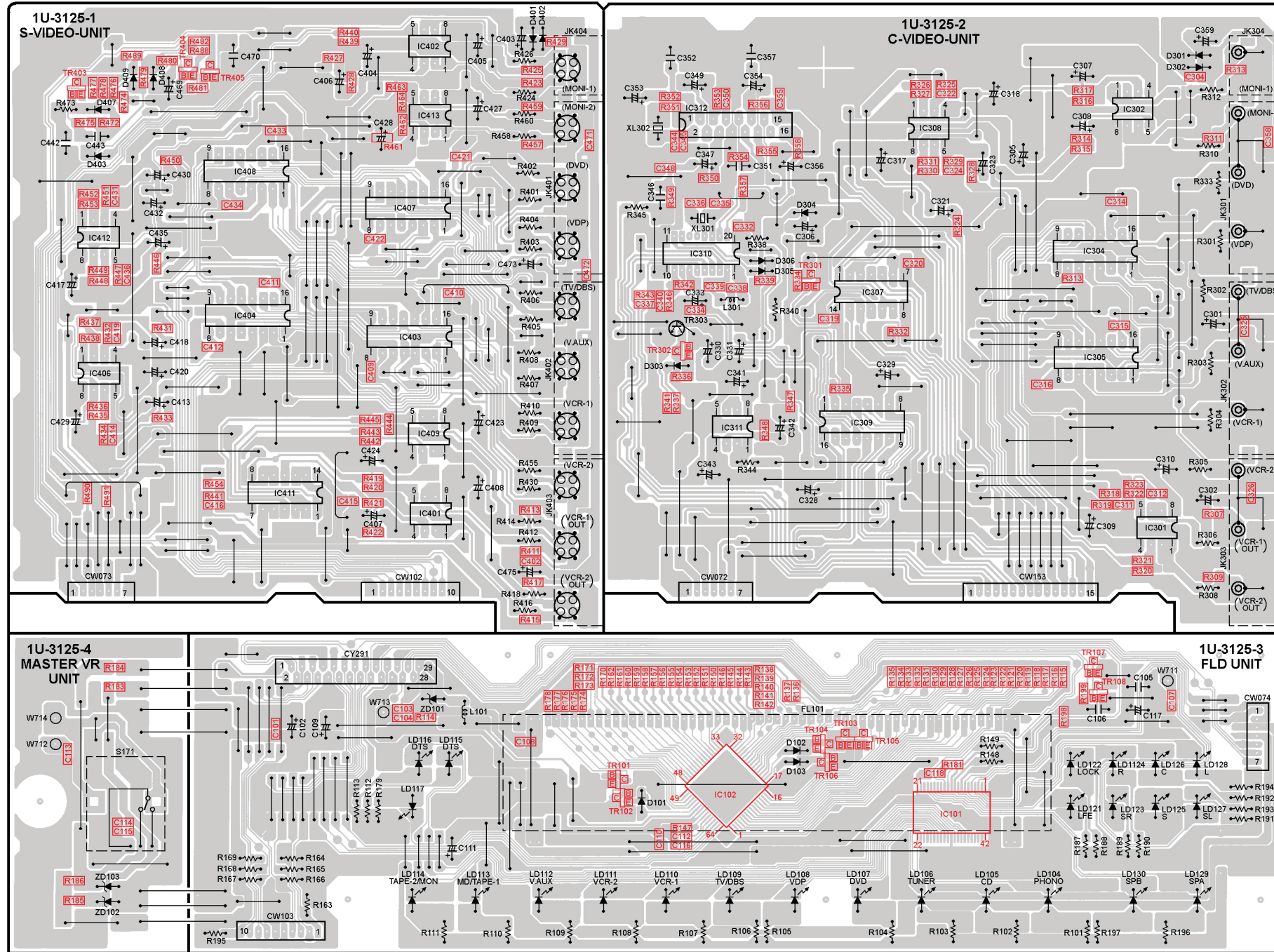




PRINTED WIRING BOARD

1 2 3 4 5 6 7 8

1U-3125 Video & FLD P.W.B. Ass'y



A

B

C

D

E



# PRINTED WIRING BOARD

1 2 3 4 5 6 7 8

## 1U-3126 Tuner & Amp P.W.B. Ass'y

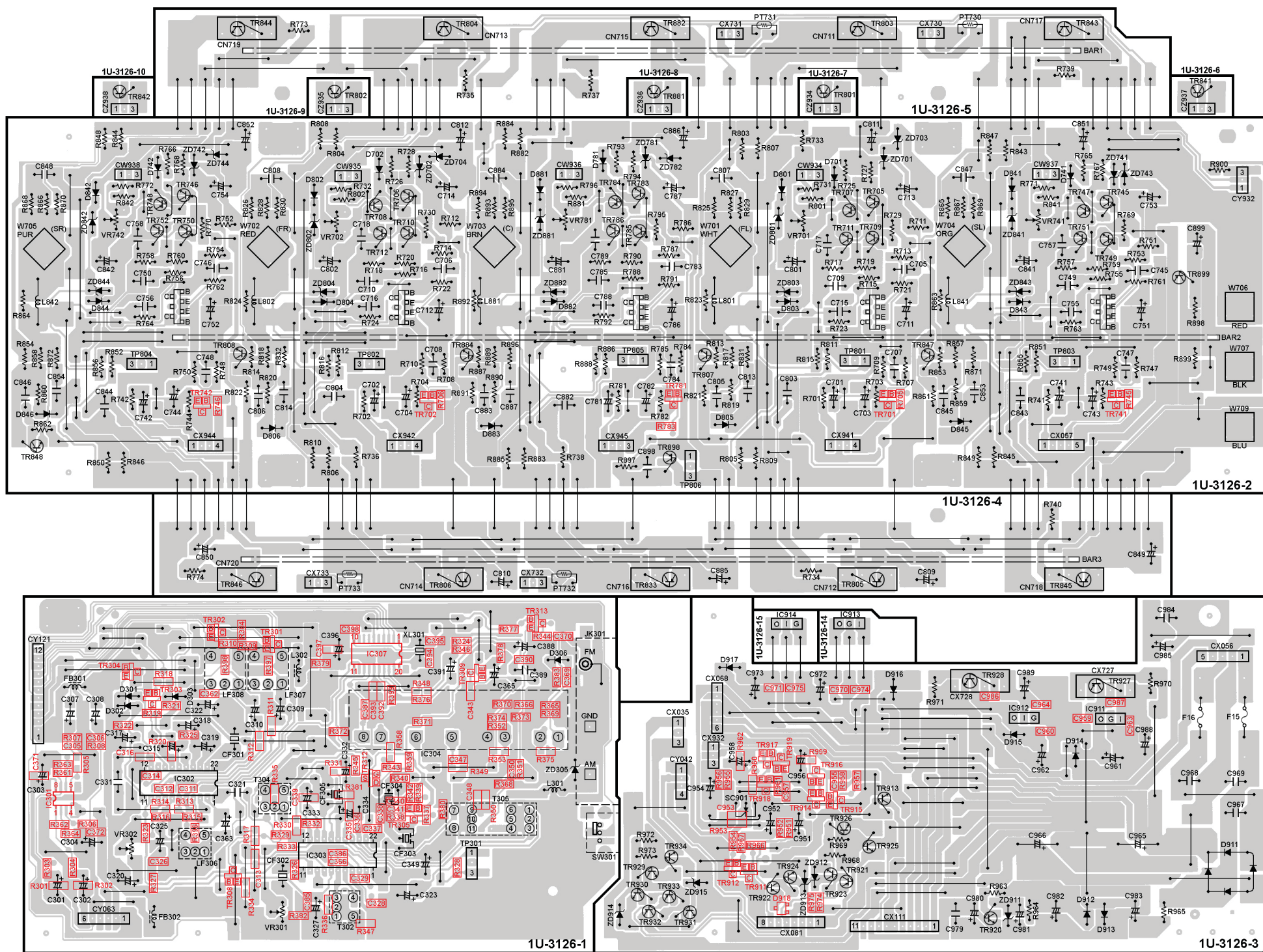
A

B

C

D

E

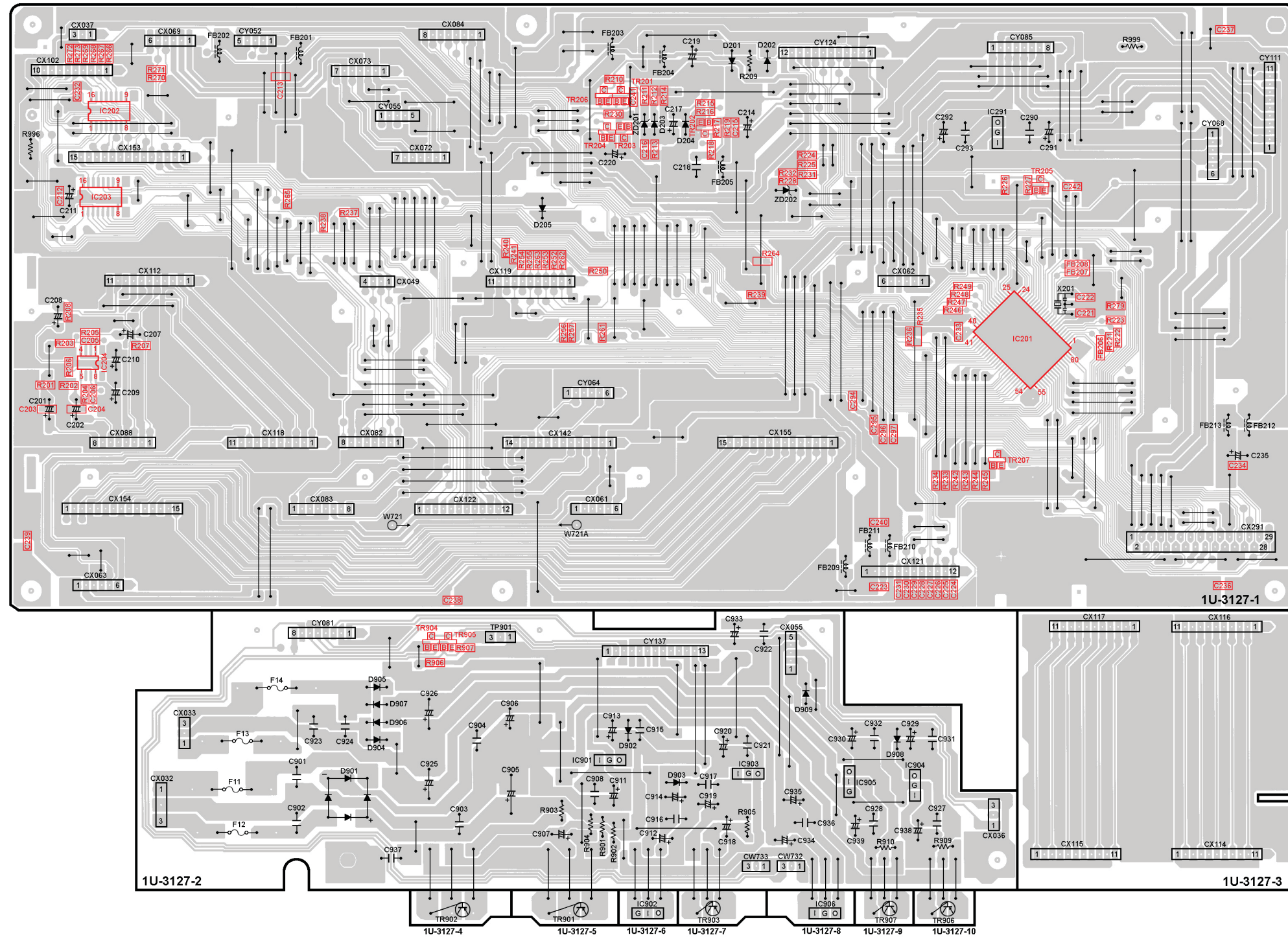




# PRINTED WIRING BOARD

1 2 3 4 5 6 7 8

## 1U-3127 Main & Reg. P.W.B. Ass'y



A  
B  
C  
D  
E



PRINTED WIRING BOARD

1 2 3 4 5 6 7 8

1U-3128 Rectifier P.W.B. Ass'y

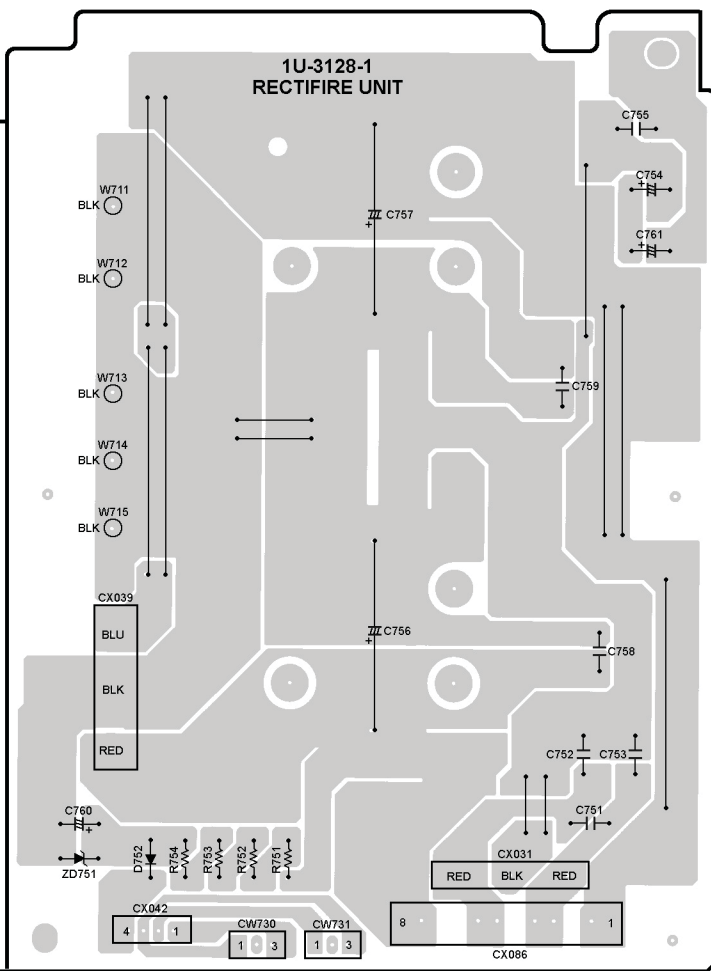
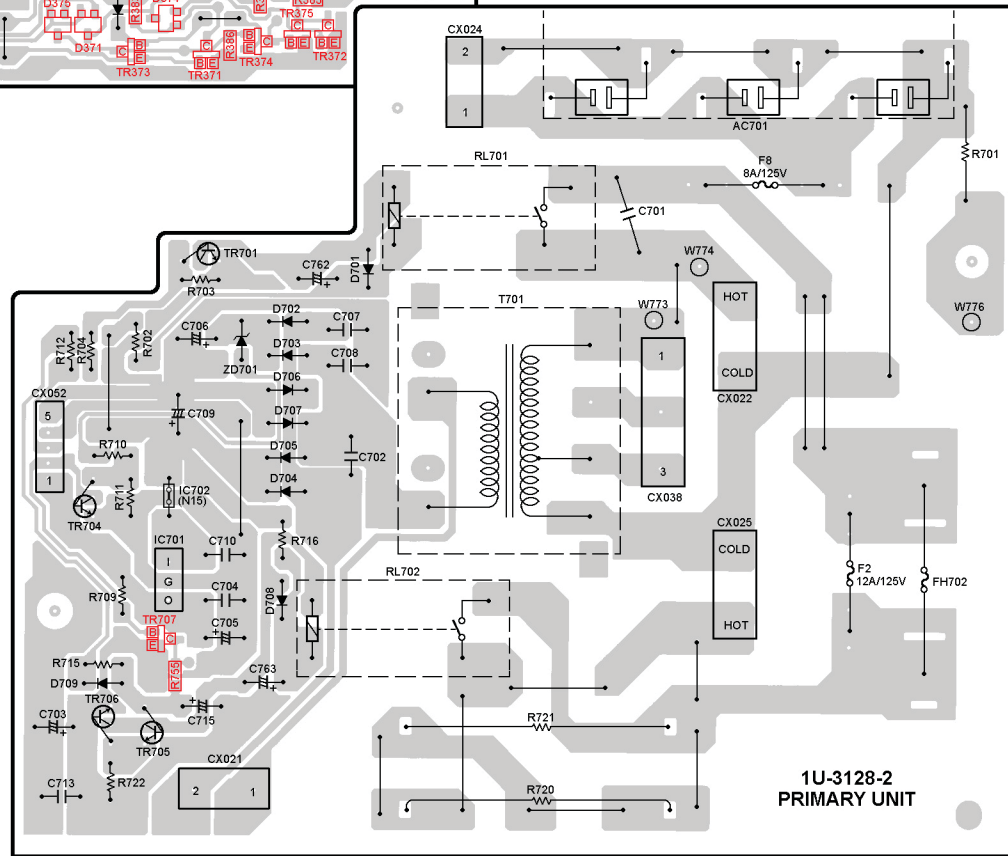
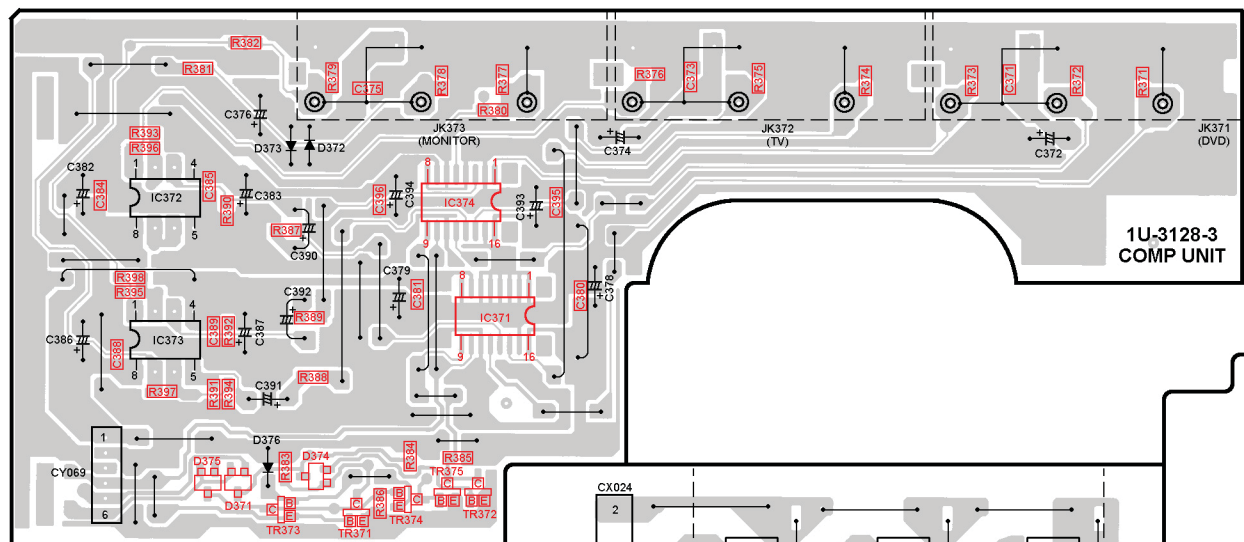
A

B

C

D

E







PRINTED WIRING BOARD

1 2 3 4 5 6 7 8

1U-3178 Tone,Pre-out P.W.B. Ass'y

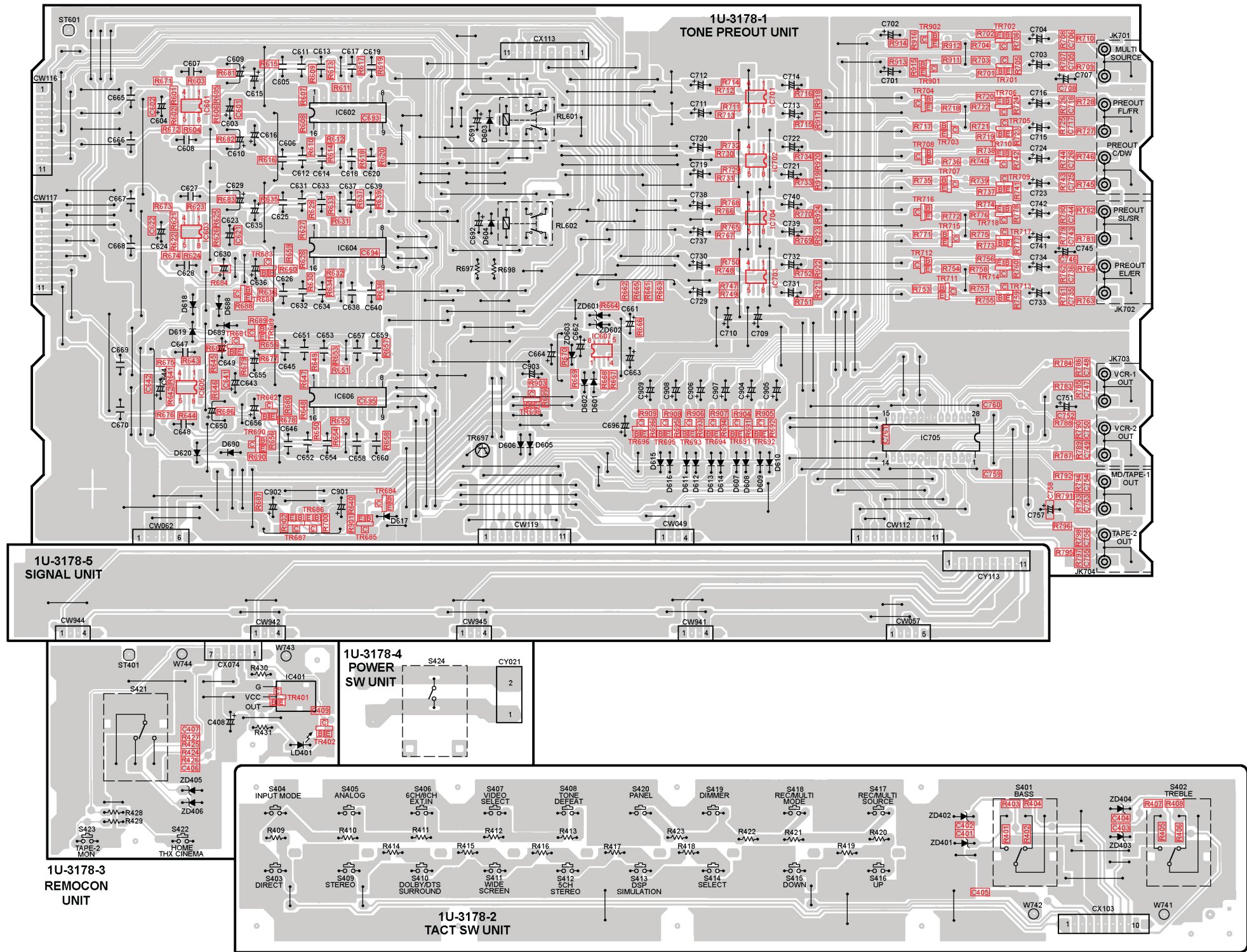
A

B

C

D

E

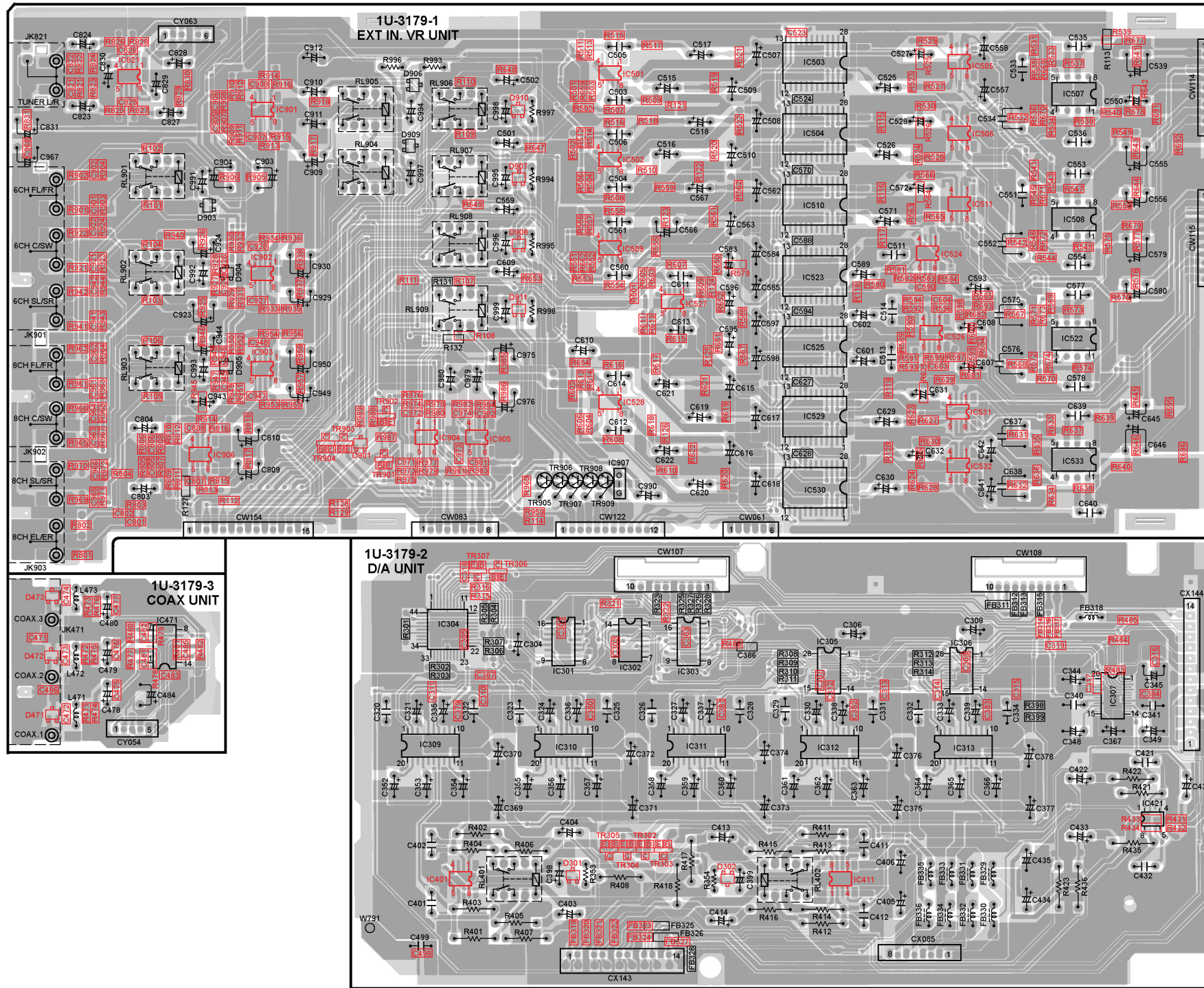




PRINTED WIRING BOARD


1 2 3 4 5 6 7 8

1U-3179 Ext. In & DA P.W.B. Ass'y



A  
B  
C  
D  
E

# NOTE FOR PARTS LIST

- Part indicated with the mark "⊙" are not always in stock and possibly to take a long period of time for supplying, or in some case supplying of part may be refused.
  - When ordering of part, clearly indicate "1" and "I" (i) to avoid mis-supplying.
  - Ordering part without stating its part number can not be supplied.
  - Part indicated with the mark "★" is not illustrated in the exploded view.
  - Not including Carbon Film ±5%, 1/4W Type in the P.W.Board parts list. (Refer to the Schematic Diagram for those parts.)
- WARNING:**  
Parts marked with this symbol  have critical characteristics.  
Use ONLY replacement parts recommended by the manufacturer.

## ● Resistors

Ex.: **RN** **14K** **2E** **182** **G** **FR**  
 Type Shape Power Resist- Allowable Others  
 and- ance error

RD : Carbon	2B : 1/8W	F : ±1%	P : Pulse-resistant type
RC : Composition	2E : 1/4W	G : ±2%	NL : Low noise type
RS : Metal oxide film	2H : 1/2W	J : ±5%	NB : Non-burning type
RW : Winding	3A : 1W	K : ±10%	FR : Fuse-resistor
RN : Metal film	3D : 2W	M : ±20%	F : Lead wire forming
RK : Metal mixture	3F : 3W		
	3H : 5W		

**\* Resistance**

**1 8 2** ⇒ 1800 ohm = 1.8 kohm  
 ↑ ↑ ↑  
 Indicates number of zeros after effective number.  
 2-digit effective number.  
 • Units: ohm

**1 R 2** ⇒ 1.2 ohm  
 ↑ ↑ ↑  
 1-digit effective number.  
 2-digit effective number, decimal point indicated by R.  
 • Units: ohm

## ● Capacitors

Ex.: **CE** **04W** **1H** **2R2** **M** **BP**  
 Type Shape Dielectric Capacity Allowable Others  
 and per- strength error

CE : Aluminum foil electrolytic	0J : 6.3V	F : ±1%	HS : High stability type
CA : Aluminum solid electrolytic	1A : 10V	G : ±2%	BP : Non-polar type
CS : Tantalum electrolytic	1C : 16V	J : ±5%	HR : Ripple-resistant type
CO : Film	1E : 25V	K : ±10%	DL : For change and discharge
CK : Ceramic	1V : 35V	M : ±20%	HF : For assuring high frequency
CC : Ceramic	1H : 50V	Z : +80%	U : UL part
CP : Oil	2A : 100V	-20%	C : CSA part
CM : Mica	2B : 125V	P : +100%	W : UL-CSA type
CF : Metallized	2C : 160V	-0%	F : Lead wire forming
CH : Metallized	2D : 200V	C : ±0.25pF	
	2E : 250V	D : ±0.5pF	
	2H : 500V	= : Others	
	2J : 630V		

**\* Capacity (electrolyte only)**

**2 2 2** ⇒ 2200μF  
 ↑ ↑ ↑  
 Indicates number of zeros after effective number.  
 2-digit effective number.  
 • Units: μF.

**2 R 2** ⇒ 2.2μF  
 ↑ ↑ ↑  
 1-digit effective number.  
 2-digit effective number, decimal point indicated by R.  
 • Units: μF.

**\* Capacity (except electrolyte)**

**2 2 2** ⇒ 2200pF=0.0022μF  
 ↑ ↑ ↑  
 (More than 2) — Indicates number of zeros after effective number.  
 2-digit effective number.  
 • Units: μF.

**2 2 1** ⇒ 220pF  
 ↑ ↑ ↑  
 (0 or 1) — Indicates number of zeros after effective number.  
 2-digit effective number.  
 • Units: pF.

• When the dielectric strength is indicated in AC, "AC" is included after the dielectric strength value.

# PARTS LIST OF P.W.B. UNIT ASS'Y

## 1U-3124 AUDIO IN & SP P.W.B. UNIT ASS'Y

(As to detail of the parts entered as "Note", refer to Addendum Parts List.)

Ref. No.	Part No.	Part Name	Remarks	Ref. No.	Part No.	Part Name	Remarks
<b>SEMICONDUCTORS GROUP</b>							
IC101~109	263 0896 909	IC NJM2068MD		R137,138	247 0005 905	Carbon chip 100ohm 1/10W	RM73B--101J
IC110	262 2545 006	IC TC9274N-011		R139,140	247 0011 944	Carbon chip 47kohm 1/10W	RM73B--473J
IC111	262 2033 000	IC TC9273N-004		R141,142	247 0011 973	Carbon chip 62kohm 1/10W	RM73B--623J
IC112	263 0898 907	IC NJM5532MD		R143,144	247 0013 984	Carbon chip 470kohm 1/10W	RM73B--474J
				R145,146	247 0006 962	Carbon chip 470ohm 1/10W	RM73B--471J
				R147,148	247 0005 905	Carbon chip 100ohm 1/10W	RM73B--101J
IC251	263 0896 909	IC NJM2068MD		R149,150	247 0011 944	Carbon chip 47kohm 1/10W	RM73B--473J
IC253	263 0896 909	IC NJM2068MD		R151,152	247 0011 973	Carbon chip 62kohm 1/10W	RM73B--623J
				R153,154	247 0013 984	Carbon chip 470kohm 1/10W	RM73B--474J
IC321	263 0896 909	IC NJM2068MD		R155,156	247 0006 962	Carbon chip 470ohm 1/10W	RM73B--471J
IC341	263 0896 909	IC NJM2068MD		R157,158	247 0005 905	Carbon chip 100ohm 1/10W	RM73B--101J
IC361	263 0896 909	IC NJM2068MD		R159,160	247 0011 944	Carbon chip 47kohm 1/10W	RM73B--473J
				R161,162	247 0011 973	Carbon chip 62kohm 1/10W	RM73B--623J
IC961	262 2580 906	IC CXA1511M		R163,164	247 0013 984	Carbon chip 470kohm 1/10W	RM73B--474J
				R165,166	247 0006 962	Carbon chip 470ohm 1/10W	RM73B--471J
TR201	269 0018 905	Transistor DTC143ES(4.7K-4.7K)		R167,168	247 0005 905	Carbon chip 100ohm 1/10W	RM73B--101J
TR256	269 0054 901	Transistor DTC144EK		R169,170	247 0011 944	Carbon chip 47kohm 1/10W	RM73B--473J
TR257	269 0083 901	Transistor DTA114EK		R171,172	247 0011 973	Carbon chip 62kohm 1/10W	RM73B--623J
TR258	269 0082 902	Transistor DTC114EK		R173,174	247 0013 984	Carbon chip 470kohm 1/10W	RM73B--474J
				R175,176	247 0006 962	Carbon chip 470ohm 1/10W	RM73B--471J
TR321~324	273 0414 906	Transistor 2SC3326(A/B)		R177,178	247 0005 905	Carbon chip 100ohm 1/10W	RM73B--101J
TR341~344	273 0414 906	Transistor 2SC3326(A/B)		R179,180	247 0011 944	Carbon chip 47kohm 1/10W	RM73B--473J
TR361~364	273 0414 906	Transistor 2SC3326(A/B)		R181,182	247 0011 973	Carbon chip 62kohm 1/10W	RM73B--623J
				R183,184	247 0013 984	Carbon chip 470kohm 1/10W	RM73B--474J
TR901~904	273 0388 906	Transistor 2SC1740S(E)		R185,186	247 0006 962	Carbon chip 470ohm 1/10W	RM73B--471J
TR905	269 0018 905	Transistor DTC143ES(4.7K-4.7K)		R187,188	247 0005 905	Carbon chip 100ohm 1/10W	RM73B--101J
TR961	269 0055 900	Transistor DTA144EK		R189,190	247 0011 944	Carbon chip 47kohm 1/10W	RM73B--473J
				R191,192	247 0011 973	Carbon chip 62kohm 1/10W	RM73B--623J
D201	276 0432 903	Diode 1SS270A		R193,194	247 0013 984	Carbon chip 470kohm 1/10W	RM73B--474J
				R195,196	247 0006 962	Carbon chip 470ohm 1/10W	RM73B--471J
D901~905	276 0432 903	Diode 1SS270A		R197,198	247 0005 905	Carbon chip 100ohm 1/10W	RM73B--101J
				R199,200	247 0011 944	Carbon chip 47kohm 1/10W	RM73B--473J
ZD961	276 0637 902	Zener diode MTZJ6.2A		R205,206	247 0011 973	Carbon chip 62kohm 1/10W	RM73B--623J
<b>RESISTORS GROUP</b>				R227,228	Note	Note	Note
R101,102	247 0006 946	Carbon chip 390ohm 1/10W	RM73B--391J	R251,252	247 0012 927	Carbon chip 100kohm 1/10W	RM73B--104J
R103,104	247 0011 986	Carbon chip 68kohm 1/10W	RM73B--683J	R253,254	247 0005 905	Carbon chip 100ohm 1/10W	RM73B--101J
R105,106	247 0012 969	Carbon chip 150kohm 1/10W	RM73B--154J	R255,256	247 0010 990	Carbon chip 30kohm 1/10W	RM73B--303J
R107,108	247 0004 922	Carbon chip 47ohm 1/10W	RM73B--470J	R257,258	247 0010 929	Carbon chip 15kohm 1/10W	RM73B--153J
R109,110	247 0005 992	Carbon chip 240ohm 1/10W	RM73B--241J	R261~264	247 0012 927	Carbon chip 100kohm 1/10W	RM73B--104J
R111,112	247 0012 956	Carbon chip 130kohm 1/10W	RM73B--134J	R265,266	247 0005 905	Carbon chip 100ohm 1/10W	RM73B--101J
R113,114	247 0009 998	Carbon chip 11kohm 1/10W	RM73B--113J	R269,270	247 0018 905	Carbon chip 0ohm 1/10W	RM73B--0R0K
R115,116	247 0003 949	Carbon chip 22ohm 1/10W	RM73B--220J	R273,274	247 0005 905	Carbon chip 100ohm 1/10W	RM73B--101J
R117,118	247 0005 905	Carbon chip 100ohm 1/10W	RM73B--101J	R275~280	247 0012 927	Carbon chip 100kohm 1/10W	RM73B--104J
R119,120	247 0011 944	Carbon chip 47kohm 1/10W	RM73B--473J	R281	247 0011 944	Carbon chip 47kohm 1/10W	RM73B--473J
R121,122	247 0011 973	Carbon chip 62kohm 1/10W	RM73B--623J	R284	247 0011 944	Carbon chip 47kohm 1/10W	RM73B--473J
R123,124	247 0013 984	Carbon chip 470kohm 1/10W	RM73B--474J	R286	241 2380 905	Carbon film 1.2kohm 1/4W(NB)	RD14B2E122JNBS
R125,126	247 0006 962	Carbon chip 470ohm 1/10W	RM73B--471J	R287,288	247 0012 927	Carbon chip 100kohm 1/10W	RM73B--104J
R127,128	247 0005 905	Carbon chip 100ohm 1/10W	RM73B--101J	R289~292	247 0005 905	Carbon chip 100ohm 1/10W	RM73B--101J
R129,130	247 0011 944	Carbon chip 47kohm 1/10W	RM73B--473J	R293,294	247 0012 927	Carbon chip 100kohm 1/10W	RM73B--104J
R131,132	247 0011 973	Carbon chip 62kohm 1/10W	RM73B--623J	R297	247 0007 945	Carbon chip 1kohm 1/10W	RM73B--102J
R133,134	247 0013 984	Carbon chip 470kohm 1/10W	RM73B--474J				
R135,136	247 0006 962	Carbon chip 470ohm 1/10W	RM73B--471J				



Ref. No.	Part No.	Part Name	Remarks	Ref. No.	Part No.	Part Name	Remarks
R321,322	247 0005 976	Carbon chip 200ohm 1/10W	RM73B--201J	C119,120	Note	Note	Note
R323-328	247 0012 927	Carbon chip 100kohm 1/10W	RM73B--104J	C121,122	254 4313 918	Electrolytic 10 $\mu$ F/50V	CE04W1H100M(ASF)
R329,330	247 0006 991	Carbon chip 620ohm 1/10W	RM73B--621J	C123,124	257 0004 961	Ceramic chip 100pF/50V	CC73SL1H101J
R331,332	247 0007 945	Carbon chip 1kohm 1/10W	RM73B--102J	C127,128	254 4313 934	Electrolytic 47 $\mu$ F/50V	CE04W1H470M(ASF)
R335,336	247 0018 905	Carbon chip 0ohm 1/10W	RM73B--0R0K	C129,130	254 4313 963	Electrolytic 1 $\mu$ F/50V	CE04W1H010M(ASF)
R337,338	247 0005 905	Carbon chip 100ohm 1/10W	RM73B--101J	C131,132	Note	Note	Note
R339,340	247 0012 927	Carbon chip 100kohm 1/10W	RM73B--104J	C133,134	254 4313 918	Electrolytic 10 $\mu$ F/50V	CE04W1H100M(ASF)
R341,342	247 0005 976	Carbon chip 200ohm 1/10W	RM73B--201J	C135,136	257 0004 961	Ceramic chip 100pF/50V	CC73SL1H101J
R343-348	247 0012 927	Carbon chip 100kohm 1/10W	RM73B--104J	C139,140	254 4313 934	Electrolytic 47 $\mu$ F/50V	CE04W1H470M(ASF)
R349	247 0006 991	Carbon chip 620ohm 1/10W	RM73B--621J	C143,144	Note	Note	Note
R350	247 0009 985	Carbon chip 10kohm 1/10W	RM73B--103J	C145,146	254 4313 918	Electrolytic 10 $\mu$ F/50V	CE04W1H100M(ASF)
R351	247 0007 945	Carbon chip 1kohm 1/10W	RM73B--102J	C147,148	257 0004 961	Ceramic chip 100pF/50V	CC73SL1H101J
R352	247 0009 985	Carbon chip 10kohm 1/10W	RM73B--103J	C151,152	254 4313 918	Electrolytic 10 $\mu$ F/50V	CE04W1H100M(ASF)
R354	247 0009 901	Carbon chip 4.7kohm 1/10W	RM73B--472J	C153,154	254 4313 963	Electrolytic 1 $\mu$ F/50V	CE04W1H010M(ASF)
R355	247 0018 905	Carbon chip 0ohm 1/10W	RM73B--0R0K	C155,156	Note	Note	Note
R356	247 0009 901	Carbon chip 4.7kohm 1/10W	RM73B--472J	C157,158	254 4313 918	Electrolytic 10 $\mu$ F/50V	CE04W1H100M(ASF)
R357,358	247 0005 905	Carbon chip 100ohm 1/10W	RM73B--101J	C159,160	257 0004 961	Ceramic chip 100pF/50V	CC73SL1H101J
R359,360	247 0012 927	Carbon chip 100kohm 1/10W	RM73B--104J	C163,164	254 4313 918	Electrolytic 10 $\mu$ F/50V	CE04W1H100M(ASF)
R361,362	247 0005 976	Carbon chip 200ohm 1/10W	RM73B--201J	C167,168	Note	Note	Note
R363-368	247 0012 927	Carbon chip 100kohm 1/10W	RM73B--104J	C169,170	254 4313 918	Electrolytic 10 $\mu$ F/50V	CE04W1H100M(ASF)
R369,370	247 0006 991	Carbon chip 620ohm 1/10W	RM73B--621J	C171,172	257 0004 961	Ceramic chip 100pF/50V	CC73SL1H101J
R371,372	247 0007 945	Carbon chip 1kohm 1/10W	RM73B--102J	C175,176	254 4313 918	Electrolytic 10 $\mu$ F/50V	CE04W1H100M(ASF)
R375,376	247 0018 905	Carbon chip 0ohm 1/10W	RM73B--0R0K	C177,178	254 4313 963	Electrolytic 1 $\mu$ F/50V	CE04W1H010M(ASF)
R377,378	247 0005 905	Carbon chip 100ohm 1/10W	RM73B--101J	C179,180	Note	Note	Note
R379,380	247 0012 927	Carbon chip 100kohm 1/10W	RM73B--104J	C181,182	254 4313 918	Electrolytic 10 $\mu$ F/50V	CE04W1H100M(ASF)
R383-388	247 0005 905	Carbon chip 100ohm 1/10W	RM73B--101J	C183,184	257 0004 961	Ceramic chip 100pF/50V	CC73SL1H101J
R901-903	244 2043 908	Metal oxide 680ohm 1W	RS14B3A681JNBS(S)	C187,188	254 4313 918	Electrolytic 10 $\mu$ F/50V	CE04W1H100M(ASF)
R906	244 2043 908	Metal oxide 680ohm 1W	RS14B3A681JNBS(S)	C191,192	Note	Note	Note
R908	244 2043 908	Metal oxide 680ohm 1W	RS14B3A681JNBS(S)	C193,194	254 4313 918	Electrolytic 10 $\mu$ F/50V	CE04W1H100M(ASF)
R910,911	244 2043 908	Metal oxide 680ohm 1W	RS14B3A681JNBS(S)	C195,196	257 0004 961	Ceramic chip 100pF/50V	CC73SL1H101J
R914	244 2043 908	Metal oxide 680ohm 1W	RS14B3A681JNBS(S)	C199,200	254 4313 918	Electrolytic 10 $\mu$ F/50V	CE04W1H100M(ASF)
R917	241 2380 905	Carbon film 1.2kohm 1/4W(NB)	RD14B2E122JNBS	C201,202	254 4313 963	Electrolytic 1 $\mu$ F/50V	CE04W1H010M(ASF)
R918-921	244 2052 960	Metal oxide 220ohm 1W	RS14B3A221JNBS(S)	C203,204	Note	Note	Note
R951	247 0005 905	Carbon chip 100ohm 1/10W	RM73B--101J	C205,206	254 4313 918	Electrolytic 10 $\mu$ F/50V	CE04W1H100M(ASF)
R961	247 0006 962	Carbon chip 470ohm 1/10W	RM73B--471J	C207,208	257 0004 961	Ceramic chip 100pF/50V	CC73SL1H101J
R962	244 2052 928	Metal oxide 47ohm 1W	RS14B3A470JNBS(S)	C211,212	254 4313 918	Electrolytic 10 $\mu$ F/50V	CE04W1H100M(ASF)
R963,964	247 0018 905	Carbon chip 0ohm 1/10W	RM73B--0R0K	C215-218	254 4313 918	Electrolytic 10 $\mu$ F/50V	CE04W1H100M(ASF)
R965	247 0012 998	Carbon chip 200kohm 1/10W	RM73B--204J	C221,222	Note	Note	Note
R967	247 0007 945	Carbon chip 1kohm 1/10W	RM73B--102J	C240-242	254 4313 963	Electrolytic 1 $\mu$ F/50V	CE04W1H010M(ASF)
R968	247 0011 928	Carbon chip 39kohm 1/10W	RM73B--393J	C247	254 4313 963	Electrolytic 1 $\mu$ F/50V	CE04W1H010M(ASF)
R969	247 0007 945	Carbon chip 1kohm 1/10W	RM73B--102J	C251,252	254 4313 918	Electrolytic 10 $\mu$ F/50V	CE04W1H100M(ASF)
<b>CAPACITORS GROUP</b>				C253,254	254 4313 918	Electrolytic 10 $\mu$ F/50V	CE04W1H100M(ASF)
C101,102	257 0005 944	Ceramic chip 220pF/50V	CC73SL1H221J	C255-258	256 1058 971	Metallized 0.1 $\mu$ F/50V	CF93A1H104J(JL)
C105,106	254 4313 918	Electrolytic 10 $\mu$ F/50V	CE04W1H100M(ASF)	C263-266	254 4313 918	Electrolytic 10 $\mu$ F/50V	CE04W1H100M(ASF)
C107,108	257 0004 961	Ceramic chip 100pF/50V	CC73SL1H101J	C267,268	257 0004 961	Ceramic chip 100pF/50V	CC73SL1H101J
C109,110	254 4382 910	Electrolytic 220 $\mu$ F/16V	CE04W1C221M(ASF)	C269,270	254 4313 921	Electrolytic 22 $\mu$ F/50V	CE04W1H220M(ASF)
C111,112	255 4199 999	Mylar film 0.024 $\mu$ F/50V	CQ92M1H243J(MRZ)	C271,272	254 4356 904	Electrolytic 10 $\mu$ F/50V	CE04W1H100M(ARS)
C113,114	255 1265 907	Mylar film 6800pF/50V	CQ93M1H682J(B)	C273,274	254 4356 739	Electrolytic 47 $\mu$ F/50V	CE04W1H470M(ARS)
C115,116	254 4313 918	Electrolytic 10 $\mu$ F/50V	CE04W1H100M(ASF)	C275	254 4313 905	Electrolytic 3.3 $\mu$ F/50V	CE04W1H3R3M(ASF)
C117,118	257 0012 982	Ceramic chip 0.022 $\mu$ F/50V	CK73F1H223Z	C277	254 4313 963	Electrolytic 1 $\mu$ F/50V	CE04W1H010M(ASF)



Ref. No.	Part No.	Part Name	Remarks	Ref. No.	Part No.	Part Name	Remarks	Q'ty
C321,322	Note	Note	Note	CY037	205 0343 032	3P connector base(KR-PH)		1
C323-326	255 4232 937	Polypropylene film 1000pF/100V	CQ93P2A102J(NH)	CY041	205 0343 045	4P connector base(KR-PH)		1
C327	Note	Note	Note	CY065	205 0343 061	6P connector base(KR-PH)		1
C328	Note	Note	Note	CY084	205 0343 087	8P connector base(KR-PH)		1
C329,330	Note	Note	Note	CY143	205 0375 042	14P connector base (KR-PH)		1
C341	Note	Note	Note					
C342	254 4313 918	Electrolytic 10μF/50V	CE04W1H100M(ASF)	CZ105	205 0409 002	10P dip socket		1
C343	255 4232 937	Polypropylene film 1000pF/100V	CQ93P2A102J(NH)					
C344	256 1058 939	Metallized 0.047μF/50V	CF93A1H473J(JL)	JK101,102	204 8543 019	6 P pin jack		2
C345	255 4232 937	Polypropylene film 1000pF/100V	CQ93P2A102J(NH)	JK103,104	204 8540 012	4P pin jack		2
C346	255 1265 994	Mylar film 0.033μF/50V	CQ93M1H333J	JK901	205 1097 002	6P SP terminal		1
C347	Note	Note	Note	JK902	205 1098 001	8P SP terminal		1
C348	255 1265 952	Mylar film 0.015μF/50V	CQ93M1H153J(B)	JK951	204 8217 031	Headphone jack (BK(AU))		1
C349	Note	Note	Note	JK961,962	204 8260 004	Mini jack		2
C350	254 4313 918	Electrolytic 10μF/50V	CE04W1H100M(ASF)					
C351,352	Note	Note	Note	RL501	214 0162 000	Relay (A12W-K)		1
C361	Note	Note	Note	RL901,902	214 0195 006	Relay (FTR-F1)		2
C362	Note	Note	Note	RL903	214 0162 000	Relay (A12W-K)		1
C363-366	255 4232 937	Polypropylene film 1000pF/100V	CQ93P2A102J(NH)	RL904,905	214 0195 006	Relay (FTR-F1)		2
C367	Note	Note	Note					
C368	Note	Note	Note	SH101	414 0799 109	Shield plate		1
C369,370	Note	Note	Note					
C371,372	Note	Note	Note	W701,702	205 1034 007	M3 Screw terminal		2
C373,374	Note	Note	Note	W901	203 0677 003	1P contact Ass'y		1
				W902	203 0677 016	1P contact Ass'y		1
C901-907	255 4235 934	Polypropylene film 0.01μF/100V	CQ93P2A103J(NH)	W903	203 0677 029	1P contact Ass'y		1
C908-912	255 1265 936	Mylar film 0.01μF/50V	CQ93M1H103J(B)	W904	203 0677 032	1P contact Ass'y		1
C951,952	257 0004 961	Ceramic chip 100pF/50V	CC73SL1H101J	W905	203 0677 045	1P contact Ass'y		1
C953	257 0012 966	Ceramic chip 0.01μF/50V	CK73F1H103Z					
C957	255 4235 057	Polypropylene film 0.1μF/100V	CQ93P2A104J	LF101,102	Note	Note		2
C963	257 0004 961	Ceramic chip 100pF/50V	CC73SL1H101J					
C964-966	257 0012 966	Ceramic chip 0.01μF/50V	CK73F1H103Z					
C968	254 4538 939	Electrolytic 47μF/16V	CE04W1C470M(SMG/RE3)					
C969	254 4524 943	Electrolytic 1μF/50V	CE04W1H010M(SMG/RE3)					
C970	257 0014 935	Ceramic chip 0.1μF/25V	CK73F1E104Z					
<b>OTHER PARTS GROUP</b>				<b>Q'ty</b>				
CN105	002 9022 069	10C R.wire Ass'y						1
CW082	205 0885 095	8P connector socket (TUC-P)						1
CW088	205 0885 095	8P connector socket (TUC-P)						1
CW105	205 0409 002	10P dip socket						1
CW118	205 0885 066	11P connector socket (TUC-P)						1
CW142	205 0885 011	14P connector socket (TUC-P)						1
CW155	205 0885 040	15P connector socket (TUC-P)						1
CX041	205 0343 045	4P connector base(KR-PH)						1
CX065	205 0343 061	6P connector base(KR-PH)						1
CX920	205 0075 025	2P terminal						1
CX931	205 0075 038	3P terminal						1

## 1U-3125 VIDEO &amp; FLD P.W.B. UNIT ASS'Y

Ref. No.	Part No.	Part Name	Remarks	Ref. No.	Part No.	Part Name	Remarks
<b>SEMICONDUCTORS GROUP</b>				<b>RESISTORS GROUP</b>			
IC101	262 1911 903	IC M66313FP		FL101	393 8033 007	FLD (CM1690C)	
IC102	262 2549 002	IC LC75721E		R114	247 0009 985	Carbon chip 10kohm 1/10W	RM73B--103J
IC301,302	263 1018 003	IC MC14577CP		R115~130	247 0011 986	Carbon chip 68kohm 1/10W	RM73B--683J
IC304,305	262 1108 004	IC TC4051BP		R131,132	247 0011 944	Carbon chip 47kohm 1/10W	RM73B--473J
IC307	262 0276 005	IC HD14066BP		R133~146	247 0011 986	Carbon chip 68kohm 1/10W	RM73B--683J
IC308	263 1018 003	IC MC14577CP		R147	247 0009 985	Carbon chip 10kohm 1/10W	RM73B--103J
IC309	262 2067 005	IC MC74HC4053N		R150~162	247 0011 986	Carbon chip 68kohm 1/10W	RM73B--683J
IC310	262 2311 007	IC M35015-***SP		R170~177	247 0011 986	Carbon chip 68kohm 1/10W	RM73B--683J
IC311	263 1018 003	IC MC14577CP		R178	247 0011 944	Carbon chip 47kohm 1/10W	RM73B--473J
IC312	263 0682 003	IC NJM2229S		R183,184	247 0005 905	Carbon chip 100ohm 1/10W	RM73B--101J
IC401,402	263 1018 003	IC MC14577CP		R185,186	247 0009 901	Carbon chip 4.7kohm 1/10W	RM73B--472J
IC403,404	262 1108 004	IC TC4051BP		R199	247 0018 905	Carbon chip 0ohm 1/10W	RM73B--0R0K
IC406	263 1018 003	IC MC14577CP		R307	247 0010 961	Carbon chip 22kohm 1/10W	RM73B--223J
IC407,408	262 1108 004	IC TC4051BP		R309	247 0010 961	Carbon chip 22kohm 1/10W	RM73B--223J
IC409	263 1018 003	IC MC14577CP		R311	247 0010 961	Carbon chip 22kohm 1/10W	RM73B--223J
IC411	262 0276 005	IC HD14066BP		R313	247 0010 961	Carbon chip 22kohm 1/10W	RM73B--223J
IC412,413	263 1018 003	IC MC14577CP		R314	247 0009 985	Carbon chip 10kohm 1/10W	RM73B--103J
TR101	269 0055 900	Transistor DTA144EK		R315	247 0005 905	Carbon chip 100ohm 1/10W	RM73B--101J
TR102	269 0054 901	Transistor DTC144EK		R316	247 0009 985	Carbon chip 10kohm 1/10W	RM73B--103J
TR103	269 0055 900	Transistor DTA144EK		R317	247 0005 905	Carbon chip 100ohm 1/10W	RM73B--101J
TR104	269 0054 901	Transistor DTC144EK		R318	247 0009 985	Carbon chip 10kohm 1/10W	RM73B--103J
TR105	269 0055 900	Transistor DTA144EK		R319	247 0010 958	Carbon chip 20kohm 1/10W	RM73B--203J
TR106	269 0054 901	Transistor DTC144EK		R320	247 0009 985	Carbon chip 10kohm 1/10W	RM73B--103J
TR301	269 0082 902	Transistor DTC114EK		R321	247 0005 905	Carbon chip 100ohm 1/10W	RM73B--101J
TR302	273 0384 900	Transistor 2SC2412K(S)		R322	247 0009 985	Carbon chip 10kohm 1/10W	RM73B--103J
TR303	273 0446 903	Transistor 2PC1815BL		R323,324	247 0005 905	Carbon chip 100ohm 1/10W	RM73B--101J
TR403	271 0238 908	Transistor 2SA1037K(S/R)		R325	247 0009 985	Carbon chip 10kohm 1/10W	RM73B--103J
TR404	273 0384 900	Transistor 2SC2412K(S)		R326	247 0006 975	Carbon chip 510ohm 1/10W	RM73B--511J
TR405	269 0082 902	Transistor DTC114EK		R327	247 0006 988	Carbon chip 560ohm 1/10W	RM73B--561J
D101~103	276 0432 903	Diode 1SS270A		R328	247 0005 905	Carbon chip 100ohm 1/10W	RM73B--101J
D303~306	276 0432 903	Diode 1SS270A		R329	247 0009 985	Carbon chip 10kohm 1/10W	RM73B--103J
D403	276 0432 903	Diode 1SS270A		R330	247 0006 975	Carbon chip 510ohm 1/10W	RM73B--511J
D407,408	276 0432 903	Diode 1SS270A		R331	247 0006 991	Carbon chip 620ohm 1/10W	RM73B--621J
ZD101	276 0644 937	Zener diode MTZJ9.1A		R332	247 0005 905	Carbon chip 100ohm 1/10W	RM73B--101J
ZD102,103	276 0637 902	Zener diode MTZJ6.2A		R334	247 0007 945	Carbon chip 1kohm 1/10W	RM73B--102J
LD104~114	393 9434 906	LED SEL1210S		R335,336	247 0009 985	Carbon chip 10kohm 1/10W	RM73B--103J
LD115,116	393 9465 904	LED SEL1210R		R337	247 0009 930	Carbon chip 6.2kohm 1/10W	RM73B--622J
LD121	393 9434 906	LED SEL1210S		R338	241 2387 908	Carbon film 1ohm 1/4W(NB)	RD14B2E010JNBS
LD122	393 9452 904	LED SEL1410E		R339	247 0007 945	Carbon chip 1kohm 1/10W	RM73B--102J
LD123~128	393 9434 906	LED SEL1210S		R340	241 2387 908	Carbon film 1ohm 1/4W(NB)	RD14B2E010JNBS
LD129,130	393 9452 904	LED SEL1410E		R341	247 0005 976	Carbon chip 200ohm 1/10W	RM73B--201J
				R342	247 0007 945	Carbon chip 1kohm 1/10W	RM73B--102J
				R343	247 0002 966	Carbon chip 10ohm 1/10W	RM73B--100J
				R346	247 0008 902	Carbon chip 1.8kohm 1/10W	RM73B--182J
				R347	247 0005 905	Carbon chip 100ohm 1/10W	RM73B--101J
				R348	247 0009 985	Carbon chip 10kohm 1/10W	RM73B--103J
				R349	247 0007 945	Carbon chip 1kohm 1/10W	RM73B--102J
				R350	247 0013 984	Carbon chip 470kohm 1/10W	RM73B--474J
				R351	247 0006 946	Carbon chip 390ohm 1/10W	RM73B--391J

Ref. No.	Part No.	Part Name	Remarks	Ref. No.	Part No.	Part Name	Remarks
R352	247 0007 987	Carbon chip 1.5kohm 1/10W	RM73B--152J	R478	247 0010 961	Carbon chip 22kohm 1/10W	RM73B--223J
R353	247 0009 985	Carbon chip 10kohm 1/10W	RM73B--103J	R479,480	247 0009 901	Carbon chip 4.7kohm 1/10W	RM73B--472J
R354	247 0011 957	Carbon chip 51kohm 1/10W	RM73B--513J	R481	247 0007 945	Carbon chip 1kohm 1/10W	RM73B--102J
R355	247 0011 902	Carbon chip 33kohm 1/10W	RM73B--333J	R490,491	247 0005 905	Carbon chip 100ohm 1/10W	RM73B--101J
R356	247 0009 956	Carbon chip 7.5kohm 1/10W	RM73B--752J	<b>CAPACITORS GROUP</b>			
R357,358	247 0018 905	Carbon chip 0ohm 1/10W	RM73B--0R0K	C101	257 0014 935	Ceramic chip 0.1μF/25V	CK73F1E104Z
R411	247 0010 961	Carbon chip 22kohm 1/10W	RM73B--223J	C102	254 4538 900	Electrolytic 10μF/16V	CE04W1C100M(SMG/RE3)
R413	247 0010 961	Carbon chip 22kohm 1/10W	RM73B--223J	C105	253 9039 906	Ceramic 0.1μF/25V	CK45=1E104Z
R415	247 0010 961	Carbon chip 22kohm 1/10W	RM73B--223J	C106	253 1180 921	Ceramic 1000pF/50V	CK45B1H102K
R417	247 0010 961	Carbon chip 22kohm 1/10W	RM73B--223J	C107	257 0012 982	Ceramic chip 0.022μF/50V	CK73F1H223Z
R419	247 0005 905	Carbon chip 100ohm 1/10W	RM73B--101J	C109	254 4525 926	Electrolytic 100μF/50V	CE04W1H101M(SMG/RE3)
R420	247 0009 985	Carbon chip 10kohm 1/10W	RM73B--103J	C110	257 0012 966	Ceramic chip 0.01μF/50V	CK73F1H103Z
R421	247 0005 905	Carbon chip 100ohm 1/10W	RM73B--101J	C111	254 4533 947	Electrolytic 330μF/6.3V	CE04W0J331M(SMG/RE3)
R422	247 0009 985	Carbon chip 10kohm 1/10W	RM73B--103J	C112	257 0003 933	Ceramic chip 30pF/50V	CC73SL1H300J
R423	247 0010 961	Carbon chip 22kohm 1/10W	RM73B--223J	C114,115	257 0010 900	Ceramic chip 0.01μF/50V	CK73B1H103K
R425	247 0010 961	Carbon chip 22kohm 1/10W	RM73B--223J	C116	257 0012 966	Ceramic chip 0.01μF/50V	CK73F1H103Z
R427	247 0005 905	Carbon chip 100ohm 1/10W	RM73B--101J	C117	254 4538 942	Electrolytic 100μF/16V	CE04W1C101M(SMG/RE3)
R428	247 0009 985	Carbon chip 10kohm 1/10W	RM73B--103J	C301,302	254 4524 943	Electrolytic 1μF/50V	CE04W1H010M(SMG/RE3)
R429	247 0002 966	Carbon chip 10ohm 1/10W	RM73B--100J	C304	257 0014 935	Ceramic chip 0.1μF/25V	CK73F1E104Z
R431	247 0005 905	Carbon chip 100ohm 1/10W	RM73B--101J	C305-310	254 4538 939	Electrolytic 47μF/16V	CE04W1C470M(SMG/RE3)
R432	247 0009 985	Carbon chip 10kohm 1/10W	RM73B--103J	C311-316	257 0012 966	Ceramic chip 0.01μF/50V	CK73F1H103Z
R433	247 0005 905	Carbon chip 100ohm 1/10W	RM73B--101J	C317,318	254 4538 939	Electrolytic 47μF/16V	CE04W1C470M(SMG/RE3)
R434	247 0009 985	Carbon chip 10kohm 1/10W	RM73B--103J	C319,320	257 0012 966	Ceramic chip 0.01μF/50V	CK73F1H103Z
R435	247 0006 975	Carbon chip 510ohm 1/10W	RM73B--511J	C321	254 4536 928	Electrolytic 100μF/10V	CE04W1A101M(SMG/RE3)
R436	247 0006 988	Carbon chip 560ohm 1/10W	RM73B--561J	C323	254 4536 928	Electrolytic 100μF/10V	CE04W1A101M(SMG/RE3)
R437	247 0006 975	Carbon chip 510ohm 1/10W	RM73B--511J	C325,326	257 0014 935	Ceramic chip 0.1μF/25V	CK73F1E104Z
R438	247 0006 988	Carbon chip 560ohm 1/10W	RM73B--561J	C328-330	254 4538 900	Electrolytic 10μF/16V	CE04W1C100M(SMG/RE3)
R439	247 0009 985	Carbon chip 10kohm 1/10W	RM73B--103J	C331	254 4538 939	Electrolytic 47μF/16V	CE04W1C470M(SMG/RE3)
R440	247 0005 905	Carbon chip 100ohm 1/10W	RM73B--101J	C332	257 0012 966	Ceramic chip 0.01μF/50V	CK73F1H103Z
R441,442	247 0009 985	Carbon chip 10kohm 1/10W	RM73B--103J	C333	254 4538 939	Electrolytic 47μF/16V	CE04W1C470M(SMG/RE3)
R443	247 0005 905	Carbon chip 100ohm 1/10W	RM73B--101J	C334	257 0012 966	Ceramic chip 0.01μF/50V	CK73F1H103Z
R444	247 0009 985	Carbon chip 10kohm 1/10W	RM73B--103J	C335	257 0002 947	Ceramic chip 12pF/50V	CC73SL1H120J
R445,446	247 0005 905	Carbon chip 100ohm 1/10W	RM73B--101J	C336	257 0002 921	Ceramic chip 10 pF/50V	CC73SL1H100D
R447	247 0009 985	Carbon chip 10kohm 1/10W	RM73B--103J	C337-339	257 0003 946	Ceramic chip 33pF/50V	CC73SL1H330J
R448	247 0006 975	Carbon chip 510ohm 1/10W	RM73B--511J	C340	257 0009 940	Ceramic chip 3300pF/50V	CK73B1H332K
R449	247 0006 988	Carbon chip 560ohm 1/10W	RM73B--561J	C341	254 4538 939	Electrolytic 47μF/16V	CE04W1C470M(SMG/RE3)
R450	247 0005 905	Carbon chip 100ohm 1/10W	RM73B--101J	C342	254 4536 928	Electrolytic 100μF/10V	CE04W1A101M(SMG/RE3)
R451	247 0009 985	Carbon chip 10kohm 1/10W	RM73B--103J	C343	254 4538 939	Electrolytic 47μF/16V	CE04W1C470M(SMG/RE3)
R452	247 0006 975	Carbon chip 510ohm 1/10W	RM73B--511J	C344	257 0008 941	Ceramic chip 470pF/50V	CK73B1H471K
R453	247 0006 988	Carbon chip 560ohm 1/10W	RM73B--561J	C345	257 0009 940	Ceramic chip 3300pF/50V	CK73B1H332K
R454	247 0010 958	Carbon chip 20kohm 1/10W	RM73B--203J	C346	255 1265 978	Mylar film 0.022μF/50V	CQ93M1H223J(B)
R457	247 0010 961	Carbon chip 22kohm 1/10W	RM73B--223J	C347	254 4524 972	Electrolytic 4.7μF/50V	CE04W1H4R7M(SMG/RE3)
R459	247 0010 961	Carbon chip 22kohm 1/10W	RM73B--223J	C348	257 0004 961	Ceramic chip 100pF/50V	CC73SL1H101J
R461	247 0005 905	Carbon chip 100ohm 1/10W	RM73B--101J	C349	254 4524 943	Electrolytic 1μF/50V	CE04W1H010M(SMG/RE3)
R462	247 0009 985	Carbon chip 10kohm 1/10W	RM73B--103J	C350	257 0005 902	Ceramic chip 150pF/50V	CC73SL1H151J
R463	247 0005 905	Carbon chip 100ohm 1/10W	RM73B--101J	C351	255 1264 911	Mylar film 1200pF/50V	CQ93M1H122J(B)
R464	247 0009 985	Carbon chip 10kohm 1/10W	RM73B--103J	C352	256 1058 955	Metallized 0.068μF/50V	CF93A1H683J(JL)
R472	247 0007 961	Carbon chip 1.2kohm 1/10W	RM73B--122J	C353	254 4524 943	Electrolytic 1μF/50V	CE04W1H010M(SMG/RE3)
R474	247 0011 944	Carbon chip 47kohm 1/10W	RM73B--473J	C354	254 4538 900	Electrolytic 10μF/16V	CE04W1C100M(SMG/RE3)
R475	247 0005 989	Carbon chip 220ohm 1/10W	RM73B--221J	C355	257 0012 966	Ceramic chip 0.01μF/50V	CK73F1H103Z
R476	247 0009 969	Carbon chip 8.2kohm 1/10W	RM73B--822J	C356	254 4536 928	Electrolytic 100μF/10V	CE04W1A101M(SMG/RE3)
R477	247 0011 944	Carbon chip 47kohm 1/10W	RM73B--473J				

## 1U-3126 TUNER &amp; AMP P.W.B. UNIT ASS'Y

Ref. No.	Part No.	Part Name	Remarks	Ref. No.	Part No.	Part Name	Remarks
C357	255 1264 908	Mylar film 1000pF/50V	CQ93M1H102J(B)	<b>SEMICONDUCTORS GROUP</b>			
C358	257 0014 935	Ceramic chip 0.1μF/25V	CK73F1E104Z	IC911	263 0812 006	IC NJM7815FA(S)	
C359	254 4524 943	Electrolytic 1μF/50V	CE04W1H010M(SMG/RE3)	IC912	263 0561 001	IC NJM7915FA	
C402	257 0014 935	Ceramic chip 0.1μF/25V	CK73F1E104Z	IC913	263 0809 006	IC NJM7805FA(S)	
C403	254 4524 943	Electrolytic 1μF/50V	CE04W1H010M(SMG/RE3)	IC914	263 0554 005	IC NJM7905FA	
C404~405	254 4538 939	Electrolytic 47μF/16V	CE04W1C470M(SMG/RE3)	TR701,702	273 0414 906	Transistor 2SC3326(A/B)	
C406	254 4536 928	Electrolytic 100μF/10V	CE04W1A101M(SMG/RE3)	TR703,704	271 0294 007	Transistor 2SA1349(BL)	
C407,408	254 4538 939	Electrolytic 47μF/16V	CE04W1C470M(SMG/RE3)	TR705,706	273 0333 003	Transistor 2SC3423(O/Y)	
C409~412	257 0012 966	Ceramic chip 0.01μF/50V	CK73F1H103Z	TR707,708	271 0202 002	Transistor 2SA1360 (O/Y)	
C413	254 4536 928	Electrolytic 100μF/10V	CE04W1A101M(SMG/RE3)	TR709~712	273 0333 003	Transistor 2SC3423(O/Y)	
C415,416	257 0012 966	Ceramic chip 0.01μF/50V	CK73F1H103Z	TR741,742	273 0414 906	Transistor 2SC3326(A/B)	
C417	254 4538 939	Electrolytic 47μF/16V	CE04W1C470M(SMG/RE3)	TR743,744	271 0294 007	Transistor 2SA1349(BL)	
C418	254 4536 928	Electrolytic 100μF/10V	CE04W1A101M(SMG/RE3)	TR745,746	273 0333 003	Transistor 2SC3423(O/Y)	
C420	254 4538 939	Electrolytic 47μF/16V	CE04W1C470M(SMG/RE3)	TR747,748	271 0202 002	Transistor 2SA1360 (O/Y)	
C421,422	257 0012 966	Ceramic chip 0.01μF/50V	CK73F1H103Z	TR749~752	273 0333 003	Transistor 2SC3423(O/Y)	
C423,424	254 4538 939	Electrolytic 47μF/16V	CE04W1C470M(SMG/RE3)	TR781	273 0414 906	Transistor 2SC3326(A/B)	
C427~429	254 4538 939	Electrolytic 47μF/16V	CE04W1C470M(SMG/RE3)	TR782	271 0294 007	Transistor 2SA1349(BL)	
C430	254 4536 928	Electrolytic 100μF/10V	CE04W1A101M(SMG/RE3)	TR783	273 0333 003	Transistor 2SC3423(O/Y)	
C432	254 4538 939	Electrolytic 47μF/16V	CE04W1C470M(SMG/RE3)	TR784	271 0202 002	Transistor 2SA1360 (O/Y)	
C433,434	257 0012 966	Ceramic chip 0.01μF/50V	CK73F1H103Z	TR785,786	273 0333 003	Transistor 2SC3423(O/Y)	
C435	254 4536 928	Electrolytic 100μF/10V	CE04W1A101M(SMG/RE3)	TR801,802	273 0445 001	Transistor 2SC4495	
C442,443	256 1058 939	Metallized 0.047μF/50V	CF93A1H473J(JL)	TR807,808	273 0235 923	Transistor 2SC1841(E/F)	
C469	254 4524 943	Electrolytic 1μF/50V	CE04W1H010M(SMG/RE3)	TR841,842	273 0445 001	Transistor 2SC4495	
C470	256 1058 939	Metallized 0.047μF/50V	CF93A1H473J(JL)	TR847,848	273 0235 923	Transistor 2SC1841(E/F)	
C471,472	257 0014 935	Ceramic chip 0.1μF/25V	CK73F1E104Z	TR881	273 0445 001	Transistor 2SC4495	
C473	254 4524 943	Electrolytic 1μF/50V	CE04W1H010M(SMG/RE3)	TR884	273 0235 923	Transistor 2SC1841(E/F)	
C475	254 4524 943	Electrolytic 1μF/50V	CE04W1H010M(SMG/RE3)	TR898	271 0131 924	Transistor 2SA988(E/F)	
<b>OTHER PARTS GROUP</b>				<b>Q'ty</b>	TR899	272 0107 919	Transistor 2SB1328(P/Q)
CW072,073	205 0942 022	7P connector socket (TUC-P)		2	TR911,912	273 0384 900	Transistor 2SC2412K(S)
CW074	204 2361 019	7P KR-DA connector cord		1	TR913	269 0040 902	Transistor DTC144ES(47K-47K)
CW102	205 0885 053	10P connector socket (TUC-P)		1	TR914	273 0384 900	Transistor 2SC2412K(S)
CW103	204 2845 001	10P KR-DA connector cord		1	TR915	271 0238 908	Transistor 2SA1037K(S/R)
CW153	205 0885 040	15P connector socket (TUC-P)		1	TR916,917	273 0384 900	Transistor 2SC2412K(S)
CY291	205 1101 008	29P FFC connector base(L)		1	TR918	271 0238 908	Transistor 2SA1037K(S/R)
JK301~303	204 8516 004	3P pin jack (S-GND)		3	TR919	273 0384 900	Transistor 2SC2412K(S)
JK304	204 8512 011	1P pin jack(GOLD)		1	TR920	271 0131 924	Transistor 2SA988(E/F)
JK401~403	204 8415 008	3P S-terminal (AU)		3	TR921,922	269 0046 906	Transistor DTA114ES(10K-10K)
JK404	205 0906 000	1P S-terminal (AU.SW)		1	TR923,924	269 0040 902	Transistor DTC144ES(47K-47K)
L101	235 0060 989	Inductor 120mH		1	TR925	274 0120 002	Transistor 2SD1762(E/F)
L301	235 0060 963	Inductor 15mH		1	TR926,927	273 0388 906	Transistor 2SC1740S(E)
S171	212 0415 007	Rotary encoder		1	TR930,931	269 0040 902	Transistor DTC144ES(47K-47K)
W711	203 0426 021	1P connector cord Ass'y		1	TR932,933	269 0046 906	Transistor DTA114ES(10K-10K)
W714	203 0440 065	1P contact Ass'y		1	TR934	274 0120 002	Transistor 2SD1762(E/F)
XL301	399 0153 006	Crystal 14.32MHZ-12PF		1	D701,702	276 0432 903	Diode 1SS270A
XL302	399 0105 009	Ceramic resonator CSB503F2		1	D741,742	276 0432 903	Diode 1SS270A
					D781	276 0432 903	Diode 1SS270A
					D801~806	276 0432 903	Diode 1SS270A



Ref. No.	Part No.	Part Name	Remarks	Ref. No.	Part No.	Part Name	Remarks
D841~846	276 0432 903	Diode 1SS270A		R889	241 2380 950	Carbon film 2kohm 1/4W(NB)	RD14B2E202JNBS
D881~883	276 0432 903	Diode 1SS270A		R893,894	244 2043 995	Metal oxide 20ohm 1W	RS14B3A200JNBS(S)
D911	276 0338 007	Diode S4VB20F		R896	244 2051 987	Metal oxide 4.7ohm 1W	RS14B3A4R7JNBS(S)
D912,913	276 0553 905	Diode 1SR35-200A		R898,899	241 2387 940	Carbon film 4.7ohm 1/4W(NB)	RD14B2E4R7JNBS
D914~917	276 0432 903	Diode 1SS270A		R951,952	247 0011 931	Carbon chip 43kohm 1/10W	RM73B--433J
D918	276 0560 901	Diode DAN202K		R953	247 0009 901	Carbon chip 4.7kohm 1/10W	RM73B--472J
ZD701~704	276 0473 904	Zener diode HZS12A-1		R954	247 0001 983	Carbon Chip 4.7ohm 1/10W	RM73B--4R7K
ZD741~744	276 0473 904	Zener diode HZS12A-1		R955	247 0004 922	Carbon chip 47ohm 1/10W	RM73B--470J
ZD781,782	276 0473 904	Zener diode HZS12A-1		R956	247 0007 945	Carbon chip 1kohm 1/10W	RM73B--102J
ZD801~804	276 0457 904	Zener diode HZS4C-1		R957	247 0001 983	Carbon Chip 4.7ohm 1/10W	RM73B--4R7K
ZD841~844	276 0457 904	Zener diode HZS4C-1		R958	247 0012 927	Carbon chip 100kohm 1/10W	RM73B--104J
ZD881,882	276 0457 904	Zener diode HZS4C-1		R959	247 0011 902	Carbon chip 33kohm 1/10W	RM73B--333J
ZD911	276 0645 978	Zener diode MTZJ36A		R960	247 0001 983	Carbon Chip 4.7ohm 1/10W	RM73B--4R7K
ZD912~915	276 0477 900	Zener diode HZS16-1		R961	247 0012 927	Carbon chip 100kohm 1/10W	RM73B--104J
SC901	279 0016 904	Thyristor SF0R1A42		R962	247 0010 916	Carbon chip 13kohm 1/10W	RM73B--133J
<b>RESISTORS GROUP</b>				R963	241 2387 940	Carbon film 4.7ohm 1/4W(NB)	RD14B2E4R7JNBS
R705,706	247 0012 927	Carbon chip 100kohm 1/10W	RM73B--104J	R965	241 2375 907	Carbon film 10ohm 1/4W(NB)	RD14B2E100JNBS
R711,712	244 2052 999	Metal oxide 10kohm 1W	RS14B3A103JNBS(S)	R966,967	247 0005 905	Carbon chip 100ohm 1/10W	RM73B--101J
R717~720	241 2380 963	Carbon film 2.2kohm 1/4W(NB)	RD14B2E222JNBS	R968,969	244 2051 990	Metal oxide 4.7kohm 1W	RS14B3A472JNBS(S)
R725~728	241 2435 928	Carbon film 130ohm 1/4W(FR)	RD14B2E131GFRS	R970,971	241 2376 919	Carbon film 30ohm 1/4W(NB)	RD14B2E300JNBS
R729,730	241 2315 967	Carbon film 68ohm 1/4W(FR)	RD14B2E680GFRS	R972,973	244 2051 990	Metal oxide 4.7kohm 1W	RS14B3A472JNBS(S)
R733~740	241 2387 940	Carbon film 4.7ohm 1/4W(NB)	RD14B2E4R7JNBS	R974,975	247 0009 985	Carbon chip 10kohm 1/10W	RM73B--103J
R745,746	247 0012 927	Carbon chip 100kohm 1/10W	RM73B--104J	R976	241 2417 962	Carbon film 10ohm 1/4W	RD14B2E100J(PSNB)
R751,752	244 2052 999	Metal oxide 10kohm 1W	RS14B3A103JNBS(S)	VR701,702	211 6132 909	Semi fixed resistor 4.7kohm	V06PB472
R757~760	241 2380 963	Carbon film 2.2kohm 1/4W(NB)	RD14B2E222JNBS	VR741,742	211 6132 909	Semi fixed resistor 4.7kohm	V06PB472
R765~768	241 2435 928	Carbon film 130ohm 1/4W(FR)	RD14B2E131GFRS	VR781	211 6132 909	Semi fixed resistor 4.7kohm	V06PB472
R769,770	241 2315 967	Carbon film 68ohm 1/4W(FR)	RD14B2E680GFRS	<b>CAPACITORS GROUP</b>			
R773,774	241 2387 940	Carbon film 4.7ohm 1/4W(NB)	RD14B2E4R7JNBS	C701~704	254 4313 934	Electrolytic 47μF/50V	CE04W1H470M(ASF)
R783	247 0012 927	Carbon chip 100kohm 1/10W	RM73B--104J	C705,706	255 4237 974	Polypropylene film 220pF/100V	CQ93P2A221J
R786	244 2052 999	Metal oxide 10kohm 1W	RS14B3A103JNBS(S)	C707,708	255 4235 989	Polypropylene film 470pF/100V	CQ93P2A471J
R789,790	241 2380 963	Carbon film 2.2kohm 1/4W(NB)	RD14B2E222JNBS	C709,710	255 4232 953	Polypropylene film 4700pF/100V	CQ93P2A472J(NH)
R793,794	241 2435 928	Carbon film 130ohm 1/4W(FR)	RD14B2E131GFRS	C711,712	254 4319 750	Electrolytic 470μF/25V	CE04W1E471M(ASF)
R795	241 2315 967	Carbon film 68ohm 1/4W(FR)	RD14B2E680GFRS	C713,714	254 4356 713	Electrolytic 100μF/50V	CE04W1H101M(ARS)
R803~810	244 2043 982	Metal oxide 0.22ohm 1W	RS14B3AR22JNBS(S)	C715,716	255 4237 929	Polypropylene film 56pF/100V	CQ93P2A560J
R813,814	241 2379 987	Carbon film 1kohm 1/4W(NB)	RD14B2E102JNBS	C717,718	253 4470 900	Ceramic 10pF/500V	CC45SL2H100D
R817,818	241 2380 950	Carbon film 2kohm 1/4W(NB)	RD14B2E202JNBS	C741~744	254 4313 934	Electrolytic 47μF/50V	CE04W1H470M(ASF)
R825~828	244 2043 995	Metal oxide 20ohm 1W	RS14B3A200JNBS(S)	C745,746	255 4237 974	Polypropylene film 220pF/100V	CQ93P2A221J
R831,832	244 2051 987	Metal oxide 4.7ohm 1W	RS14B3A4R7JNBS(S)	C747,748	255 4235 989	Polypropylene film 470pF/100V	CQ93P2A471J
R843~850	244 2043 982	Metal oxide 0.22ohm 1W	RS14B3AR22JNBS(S)	C749,750	255 4232 953	Polypropylene film 4700pF/100V	CQ93P2A472J(NH)
R853,854	241 2379 987	Carbon film 1kohm 1/4W(NB)	RD14B2E102JNBS	C751,752	254 4319 750	Electrolytic 470μF/25V	CE04W1E471M(ASF)
R857,858	241 2380 950	Carbon film 2kohm 1/4W(NB)	RD14B2E202JNBS	C753,754	254 4356 713	Electrolytic 100μF/50V	CE04W1H101M(ARS)
R865~868	244 2043 995	Metal oxide 20ohm 1W	RS14B3A200JNBS(S)	C755,756	255 4237 929	Polypropylene film 56pF/100V	CQ93P2A560J
R871,872	244 2051 987	Metal oxide 4.7ohm 1W	RS14B3A4R7JNBS(S)	C757,758	253 4470 900	Ceramic 10pF/500V	CC45SL2H100D
R882~885	244 2043 982	Metal oxide 0.22ohm 1W	RS14B3AR22JNBS(S)	C781,782	254 4313 934	Electrolytic 47μF/50V	CE04W1H470M(ASF)
R887	241 2379 987	Carbon film 1kohm 1/4W(NB)	RD14B2E102JNBS	C783	255 4237 974	Polypropylene film 220pF/100V	CQ93P2A221J
				C784	255 4235 989	Polypropylene film 470pF/100V	CQ93P2A471J
				C785	255 4232 953	Polypropylene film 4700pF/100V	CQ93P2A472J(NH)
				C786	254 4319 750	Electrolytic 470μF/25V	CE04W1E471M(ASF)
				C787	254 4356 713	Electrolytic 100μF/50V	CE04W1H101M(ARS)

Ref. No.	Part No.	Part Name	Remarks	Ref. No.	Part No.	Part Name	Remarks	Q'ty	
C788	255 4237 929	Polypropylene film 56pF/100V	CQ93P2A560J	<b>OTHER PARTS GROUP</b>					
C789	253 4470 900	Ceramic 10pF/500V	CC45SL2H100D	CN711-720	205 1037 062	6P pin header (TXX)		10	
C801,802	Note	Note	Note	CW934-938	203 5212 007	3P SAN-SAN connector cord		5	
C803,804	255 4237 974	Polypropylene film 220pF/100V	CQ93P2A221J	CX035	205 0233 032	3P EH connector base		1	
C805,806	255 4235 934	Polypropylene film 0.01μF/100V	CQ93P2A103J(NH)	CX056	205 0233 058	5P EH connector base		1	
C807,808	255 4235 057	Polypropylene film 0.1μF/100V	CQ93P2A104J(NH)	CX057	205 0884 009	5P connector base (TUC-P)		1	
C809-812	254 4481 918	Electrolytic 10μF/100V	CE04W2A100M(ASF)	CX068	205 0343 061	6P connector base(KR-PH)		1	
C813,814	255 4235 743	Polypropylene film 0.022μF/100V	CQ93P2A223JC	CX081	205 0343 087	8P connector base(KR-PH)		1	
C841,842	Note	Note	Note	CX111	205 0375 013	11P connector base (KR-PH)		1	
C843,844	255 4237 974	Polypropylene film 220pF/100V	CQ93P2A221J	CX727,728	205 1037 062	6P pin header (TXX)		2	
C845,846	255 4235 934	Polypropylene film 0.01μF/100V	CQ93P2A103J(NH)	CX730	205 0343 032	3P connector base(KR-PH)		1	
C847,848	256 1042 903	Metallized 0.1μF/250V	CF93A2E104K	CX731	205 0321 038	3P connector base (RED)		1	
C849-582	254 4481 918	Electrolytic 10μF/100V	CE04W2A100M(ASF)	CX732	205 0343 032	3P connector base(KR-PH)		1	
C853,854	255 4235 743	Polypropylene film 0.022μF/100V	CQ93P2A223JC	CX733	205 0321 038	3P connector base (RED)		1	
C881	Note	Note	Note	CX932	205 0343 032	3P connector base(KR-PH)		1	
C882	255 4237 974	Polypropylene film 220pF/100V	CQ93P2A221J	CX941,942	205 0884 083	4P connector base (TUC-P)		2	
C883	255 4235 934	Polypropylene film 0.01μF/100V	CQ93P2A103J(NH)	CX944,945	205 0884 083	4P connector base (TUC-P)		2	
C884	255 4235 057	Polypropylene film 0.1μF/100V	CQ93P2A104J(NH)	CY042	205 0343 045	4P connector base(KR-PH)		1	
C885,886	254 4481 918	Electrolytic 10μF/100V	CE04W2A100M(ASF)	CY932	205 0343 032	3P connector base(KR-PH)		1	
C887	255 4235 743	Polypropylene film 0.022μF/100V	CQ93P2A223JC	△ F15,16	Note	Note		2	
C898	253 1181 904	Ceramic 0.01μF/50V	CK45F1H103Z	FF111,112	202 0040 909	Fuse clip		2	
C899	Note	Note	Note	FH111,112	202 0040 909	Fuse clip		2	
C951,952	254 4538 939	Electrolytic 47μF/16V	CE04W1C470M(SMG/RE3)	L801,802	235 0068 004	Inductor 1mH		2	
C953	257 0014 935	Ceramic chip 0.1μF/25V	CK73F1E104Z	L841,842	235 0068 004	Inductor 1mH		2	
C954	254 4538 900	Electrolytic 10μF/16V	CE04W1C100M(SMG/RE3)	L881	235 0068 004	Inductor 1mH		1	
C955	257 0014 935	Ceramic chip 0.1μF/25V	CK73F1E104Z	PT730	279 0034 054	Posistor PTH9M04BC222TS2F333		1	
C956	254 4480 906	Electrolytic 330μF/6.3V	CE04W0J331M(ASF)	PT731	279 0034 012	Posistor PTH9M04BG222TS2F333		1	
C957	257 0014 935	Ceramic chip 0.1μF/25V	CK73F1E104Z	PT732	279 0034 054	Posistor PTH9M04BC222TS2F333		1	
C958	254 4480 906	Electrolytic 330μF/6.3V	CE04W0J331M(ASF)	PT733	279 0034 012	Posistor PTH9M04BG222TS2F333		1	
C961,962	254 4498 707	Electrolytic 220μF/25V	CE04W1E221M(ARS)	ST001-004	205 1034 007	M3 SCREW TERMINAL		4	
C965,966	254 4545 702	Electrolytic 8200μF/35V	CE04W1V822M	TP801-806	205 0133 035	3 P NH connector base		6	
C967-969	255 4235 934	Polypropylene film 0.01μF/100V	CQ93P2A103J(NH)	W701-707	205 0864 003	M3 screw terminal		7	
C972,973	254 4356 739	Electrolytic 47μF/50V	CE04W1H470M(ARS)	W709	205 0864 003	M3 screw terminal		1	
C980,981	254 4524 943	Electrolytic 1μF/50V	CE04W1H010M(SMG/RE3)		415 0309 026	P.V.C. tube (L=20)		4	
C982	254 4540 707	Electrolytic 330μF/63V	CE04W1J331M(SMG/RE3)		415 0309 026	P.V.C. tube (L=20)		4	
C983	254 4525 748	Electrolytic 330μF/50V	CE04W1H331M(SMG/RE3)		009 0164 008	Bus bar(5P)		2	
C984	Note	Note	Note		009 0165 007	Bus bar(6P)		1	
C988	254 4313 918	Electrolytic 10μF/50V	CE04W1H100M(ASF)		001 0077 078	Vinyl wire		1	
C989	254 4260 919	Electrolytic 0.22μF/50V	CE04W1HR22M						

## AVR-5700 Model only

Ref. No.	Part No.	Part Name	Remarks	Ref. No.	Part No.	Part Name	Remarks
<b>SEMICONDUCTORS GROUP</b>				<b>SEMICONDUCTORS GROUP</b>			
IC301	263 0615 902	IC BA15218F		R344,345	247 0007 945	Carbon chip 1kohm 1/10W	RM73B--102J
IC302	263 0439 007	IC LA3401		R346	247 0009 927	Carbon chip 5.6kohm 1/10W	RM73B--562J
IC303	263 0891 001	IC LA1265(S)		R347,348	247 0018 905	Carbon chip 0ohm 1/10W	RM73B--0R0K
IC304	216 0102 008	Front end		R349	247 0007 945	Carbon chip 1kohm 1/10W	RM73B--102J
IC307	262 2450 900	IC LC72131M-TLM		R350,351	247 0012 927	Carbon chip 100kohm 1/10W	RM73B--104J
TR301,302	269 0066 902	Transistor DTC323TK		R358	247 0018 905	Carbon chip 0ohm 1/10W	RM73B--0R0K
TR303	269 0054 901	Transistor DTC144EK		R361,362	247 0008 986	Carbon chip 3.9kohm 1/10W	RM73B--392J
TR304	269 0086 908	Transistor DTA114TK		R363,364	247 0009 985	Carbon chip 10kohm 1/10W	RM73B--103J
TR305	273 0411 909	Transistor 2SC2996-Y		R365-374	247 0018 905	Carbon chip 0ohm 1/10W	RM73B--0R0K
TR308	269 0083 901	Transistor DTA114EK		R376	247 0008 944	Carbon chip 2.7kohm 1/10W	RM73B--272J
TR309	269 0114 906	Transistor RN2402		R377,378	247 0018 905	Carbon chip 0ohm 1/10W	RM73B--0R0K
TR313	269 0083 901	Transistor DTA114EK		R379	247 0002 966	Carbon chip 10ohm 1/10W	RM73B--100J
D301~303	276 0432 903	Diode 1SS270A		R380,381	247 0018 905	Carbon chip 0ohm 1/10W	RM73B--0R0K
D306	276 0432 903	Diode 1SS270A		R383	247 0002 966	Carbon chip 10ohm 1/10W	RM73B--100J
ZD305	276 0644 937	Zener diode MTZJ9.1A		R384	247 0018 905	Carbon chip 0ohm 1/10W	RM73B--0R0K
<b>RESISTORS GROUP</b>				<b>RESISTORS GROUP</b>			
R301,302	247 0008 960	Carbon chip 3.3kohm 1/10W	RM73B--332J	VR301	211 6132 925	Semi fixed resistor 10ohm	V06PB103
R303~306	247 0005 905	Carbon chip 100ohm 1/10W	RM73B--101J	VR302	211 6132 983	Semi fixed resistor 100ohm	V06PB104
R307,308	247 0012 927	Carbon chip 100kohm 1/10W	RM73B--104J	<b>CAPACITORS GROUP</b>			
R309~312	247 0008 960	Carbon chip 3.3kohm 1/10W	RM73B--332J	C301,302	254 4538 913	Electrolytic 22μF/16V	CE04W1C220M(SMG/RE3)
R313,314	247 0012 927	Carbon chip 100kohm 1/10W	RM73B--104J	C303,304	254 4524 943	Electrolytic 1μF/50V	CE04W1H010M(SMG/RE3)
R315,316	247 0012 943	Carbon chip 120kohm 1/10W	RM73B--124J	C307~310	254 4538 900	Electrolytic 10μF/16V	CE04W1C100M(SMG/RE3)
R317	247 0009 927	Carbon chip 5.6kohm 1/10W	RM73B--562J	C311,312	257 0006 972	Ceramic chip 750pF/50V	CC73SL1H751J
R318	247 0009 985	Carbon chip 10kohm 1/10W	RM73B--103J	C314	257 0012 966	Ceramic chip 0.01μF/50V	CK73F1H103Z
R319	247 0010 961	Carbon chip 22kohm 1/10W	RM73B--223J	C315	254 4524 943	Electrolytic 1μF/50V	CE04W1H010M(SMG/RE3)
R320	247 0012 927	Carbon chip 100kohm 1/10W	RM73B--104J	C317	254 4524 956	Electrolytic 2.2μF/50V	CE04W1H2R2M(SMG/RE3)
R321	247 0009 985	Carbon chip 10kohm 1/10W	RM73B--103J	C318	254 4524 943	Electrolytic 1μF/50V	CE04W1H010M(SMG/RE3)
R322	247 0012 927	Carbon chip 100kohm 1/10W	RM73B--104J	C319	254 4524 914	Electrolytic 0.22μF/50V	CE04W1HR22M(SMG/RE3)
R323	247 0011 973	Carbon chip 62kohm 1/10W	RM73B--623J	C320	254 4538 913	Electrolytic 22μF/16V	CE04W1C220M(SMG/RE3)
R324	247 0009 985	Carbon chip 10kohm 1/10W	RM73B--103J	C322	254 4538 939	Electrolytic 47μF/16V	CE04W1C470M(SMG/RE3)
R325	247 0008 960	Carbon chip 3.3kohm 1/10W	RM73B--332J	C323	254 4524 943	Electrolytic 1μF/50V	CE04W1H010M(SMG/RE3)
R326	247 0005 921	Carbon chip 120ohm 1/10W	RM73B--121J	C325	254 3053 910	Electrolytic 22μF/16V	CE04D1C220MBP
R327	247 0018 905	Carbon chip 0ohm 1/10W	RM73B--0R0K	C326	257 0004 961	Ceramic chip 100pF/50V	CC73SL1H101J
R328	247 0010 945	Carbon chip 18kohm 1/10W	RM73B--183J	C327	254 4538 939	Electrolytic 47μF/16V	CE04W1C470M(SMG/RE3)
R329	247 0008 960	Carbon chip 3.3kohm 1/10W	RM73B--332J	C328,329	257 0010 900	Ceramic chip 0.01μF/50V	CK73B1H103K
R330,331	247 0009 985	Carbon chip 10kohm 1/10W	RM73B--103J	C332	254 4524 985	Electrolytic 10μF/50V	CE04W1H100M(SMG/RE3)
R332	247 0009 943	Carbon chip 6.8kohm 1/10W	RM73B--682J	C333	254 4524 943	Electrolytic 1μF/50V	CE04W1H010M(SMG/RE3)
R333	247 0009 927	Carbon chip 5.6kohm 1/10W	RM73B--562J	C334	254 4524 930	Electrolytic 0.47μF/50V	CE04W1HR47M(SMG/RE3)
R334	247 0005 921	Carbon chip 120ohm 1/10W	RM73B--121J	C335~337	257 0010 900	Ceramic chip 0.01μF/50V	CK73B1H103K
R335	247 0011 986	Carbon chip 68kohm 1/10W	RM73B--683J	C338	257 0004 961	Ceramic chip 100pF/50V	CC73SL1H101J
R336	247 0010 929	Carbon chip 15kohm 1/10W	RM73B--153J	C339	257 0010 942	Ceramic chip 0.022μF/50V	CK73B1H223K
R337	247 0006 920	Carbon chip 330ohm 1/10W	RM73B--331J	C340,341	257 0010 900	Ceramic chip 0.01μF/50V	CK73B1H103K
R338	247 0007 961	Carbon chip 1.2kohm 1/10W	RM73B--122J	C343	257 0010 900	Ceramic chip 0.01μF/50V	CK73B1H103K
R339	247 0009 901	Carbon chip 4.7kohm 1/10W	RM73B--472J	C347	257 0010 900	Ceramic chip 0.01μF/50V	CK73B1H103K
R340	247 0006 962	Carbon chip 470ohm 1/10W	RM73B--471J	C348	257 0002 947	Ceramic chip 12pF/50V	CC73SL1H120J
R342	247 0005 989	Carbon chip 220ohm 1/10W	RM73B--221J	C349	254 4538 900	Electrolytic 10μF/16V	CE04W1C100M(SMG/RE3)
R343	247 0005 905	Carbon chip 100ohm 1/10W	RM73B--101J	C350	257 0010 900	Ceramic chip 0.01μF/50V	CK73B1H103K
				C369,370	257 0008 983	Ceramic chip 1000pF/50V	CK73B1H102K
				C385	257 0012 966	Ceramic chip 0.01μF/50V	CK73F1H103Z

## 1U-3127 MAIN &amp; REG. P.W.B. UNIT ASS'Y

Ref. No.	Part No.	Part Name	Remarks	Ref. No.	Part No.	Part Name	Remarks
C387	257 0010 900	Ceramic chip 0.01 $\mu$ F/50V	CK73B1H103K	<b>SEMICONDUCTORS GROUP</b>			
C388	254 4538 939	Electrolytic 47 $\mu$ F/16V	CE04W1C470M(SMG/RE3)	IC201	262 2613 019	IC TMP88PU74F	
C390	257 0010 900	Ceramic chip 0.01 $\mu$ F/50V	CK73B1H103K	IC202,203	262 2375 904	IC TC4094BF	
C391	254 4524 943	Electrolytic 1 $\mu$ F/50V	CE04W1H010M(SMG/RE3)	IC204	263 0896 909	IC NJM2068MD	
C392	257 0010 900	Ceramic chip 0.01 $\mu$ F/50V	CK73B1H103K	IC291	Note	Note	
C393	257 0004 961	Ceramic chip 100pF/50V	CC73SL1H101J	IC901	263 0809 006	IC NJM7805FA(S)	
C394,395	257 0002 963	Ceramic chip 15pF/50V	CC73SL1H150J	IC902	263 0554 005	IC NJM7905FA	
C396	254 4524 943	Electrolytic 1 $\mu$ F/50V	CE04W1H010M(SMG/RE3)	IC903	263 1048 002	IC BA033T	
C397	257 0012 966	Ceramic chip 0.01 $\mu$ F/50V	CK73F1H103Z	IC904	263 0793 002	IC NJM7806FA(S)	
C398	257 0004 961	Ceramic chip 100pF/50V	CC73SL1H101J	IC905	263 0683 002	IC NJM7906FA	
<b>OTHER PARTS GROUP</b>				IC906	263 0809 006	IC NJM7805FA(S)	
				TR201	269 0054 901	Transistor DTC144EK	
CF301	261 0079 005	Ceramic resonator	CSB456F11	TR202	274 0163 904	Transistor 2SD601A	
CF302	261 0031 001	Ceramic resonator	BFU450C4 (C.F)	TR203	269 0083 901	Transistor DTA114EK	
CF303	261 0136 906	Ceramic filter MS2G		TR204	269 0054 901	Transistor DTC144EK	
CF304	261 0135 907	Ceramic filter MA8		TR205	269 0083 901	Transistor DTA114EK	
CF305	261 0116 007	Ceramic filter SFU450B3		TR206,207	269 0054 901	Transistor DTC144EK	
CN035	205 0133 035	3 P NH connector base		TR901	271 0239 017	Transistor 2SA1489 LC(O/P/Y)(Z)	
CY063	205 0343 061	6P connector base(KR-PH)		TR903	271 0254 018	Transistor 2SA1725(O/P/Y)	
CY121	205 0375 026	12P connector base (KR-PH)		TR904,905	269 0054 901	Transistor DTC144EK	
FB301	235 0049 900	Beads inductor		TR906	271 0254 018	Transistor 2SA1725(O/P/Y)	
JK301	205 0603 015	3P antenna terminal		TR907	273 0404 013	Transistor 2SC4511(O/P/Y)	
L301	235 0060 905	Inductor 2.2mH		D201,202	276 0553 905	Diode 1SR35-200A	
L302	235 0060 950	Inductor 10mH		D203-205	276 0432 903	Diode 1SS270A	
T302	231 2085 009	FM DET trans.		D901	276 0338 007	Diode S4VB20F	
T304	231 1138 009	AM IFT		D902,903	276 0432 903	Diode 1SS270A	
T305	231 2096 001	MW ant.-osc. coil		D904-907	276 0548 910	Diode DSM1D2	
XL301	399 0075 003	Crystal 7.2MHz		D908,909	276 0432 903	Diode 1SS270A	
				ZD201	276 0634 905	MTZJ3.3AT77	
				ZD202	Note	Note	
				<b>RESISTORS GROUP</b>			
				R201,202	247 0013 984	Carbon chip 470kohm 1/10W	RM73B--474J
				R203,204	247 0006 962	Carbon chip 470ohm 1/10W	RM73B--471J
				R205,206	247 0005 905	Carbon chip 100ohm 1/10W	RM73B--101J
				R207,208	247 0011 944	Carbon chip 47kohm 1/10W	RM73B--473J
				R209	241 2387 940	Carbon film 4.7ohm 1/4W(NB)	RD14B2E4R7JNBS
				R210-212	247 0007 945	Carbon chip 1kohm 1/10W	RM73B--102J
				R213	247 0009 901	Carbon chip 4.7kohm 1/10W	RM73B--472J
				R214	247 0009 985	Carbon chip 10kohm 1/10W	RM73B--103J
				R215	247 0009 901	Carbon chip 4.7kohm 1/10W	RM73B--472J
				R216	247 0009 985	Carbon chip 10kohm 1/10W	RM73B--103J
				R217	247 0013 900	Carbon chip 220kohm 1/10W	RM73B--224J
				R218	247 0009 985	Carbon chip 10kohm 1/10W	RM73B--103J
				R219	247 0018 905	Carbon chip 0ohm 1/10W	RM73B--0R0K
				R221-223	Note	Note	Note



Ref. No.	Part No.	Part Name	Remarks	Ref. No.	Part No.	Part Name	Remarks	
R226	247 0009 985	Carbon chip 10kohm 1/10W	RM73B--103J	C907	254 4313 963	Electrolytic 1μF/50V	CE04W1H010M(ASF)	
R228	247 0018 905	Carbon chip 0ohm 1/10W	RM73B--0R0K	C911,912	254 4313 963	Electrolytic 1μF/50V	CE04W1H010M(ASF)	
R232	Note	Note	Note	C913,914	254 4313 934	Electrolytic 47μF/50V	CE04W1H470M(ASF)	
R233	247 0008 928	Carbon chip 2.2kohm 1/10W	RM73B--222J	C915-917	Note	Note	Note	
R234-238	247 0009 985	Carbon chip 10kohm 1/10W	RM73B--103J	C918,919	254 4313 963	Electrolytic 1μF/50V	CE04W1H010M(ASF)	
R239-241	247 0009 901	Carbon chip 4.7kohm 1/10W	RM73B--472J	C920	254 4313 934	Electrolytic 47μF/50V	CE04W1H470M(ASF)	
R242-244	247 0008 928	Carbon chip 2.2kohm 1/10W	RM73B--222J	C921	Note	Note	Note	
R246-249	Note	Note	Note	C923,924	255 4235 934	Polypropylene film 0.01μF/100V	CQ93P2A103J(NH)	
R250	247 0009 985	Carbon chip 10kohm 1/10W	RM73B--103J	C925,926	254 4319 789	Electrolytic 3300μF/25V	CE04W1E332M(ASF)	
R252-255	247 0009 985	Carbon chip 10kohm 1/10W	RM73B--103J	C929,930	254 4313 934	Electrolytic 47μF/50V	CE04W1H470M(ASF)	
R256,257	247 0009 901	Carbon chip 4.7kohm 1/10W	RM73B--472J	C931,932	Note	Note	Note	
R261	247 0009 901	Carbon chip 4.7kohm 1/10W	RM73B--472J	C934	254 4313 963	Electrolytic 1μF/50V	CE04W1H010M(ASF)	
R262-273	247 0009 985	Carbon chip 10kohm 1/10W	RM73B--103J	C935	254 4313 934	Electrolytic 47μF/50V	CE04W1H470M(ASF)	
R279	247 0011 944	Carbon chip 47kohm 1/10W	RM73B--473J	C936	Note	Note	Note	
R902	241 2376 919	Carbon film 30ohm 1/4W(NB)	RD14B2E300JNBS	C937	255 4235 934	Polypropylene film 0.01μF/100V	CQ93P2A103J(NH)	
R905	241 2376 919	Carbon film 30ohm 1/4W(NB)	RD14B2E300JNBS	C938,939	254 4313 963	Electrolytic 1μF/50V	CE04W1H010M(ASF)	
R906,907	247 0009 985	Carbon chip 10kohm 1/10W	RM73B--103J	<b>OTHER PARTS GROUP</b>				<b>Q'ty</b>
R909,910	241 2376 919	Carbon film 30ohm 1/4W(NB)	RD14B2E300JNBS	CW732	203 5214 005	3P PH-SAN connector cord	1	
<b>CAPACITORS GROUP</b>				CW733	203 5214 018	3P PH-SAN connector cord	1	
C201,202	254 4313 918	Electrolytic 10μF/50V	CE04W1H100M(ASF)	CX032	205 0653 036	3P VH connector base	1	
C203,204	257 0004 961	Ceramic chip 100pF/50V	CC73SL1H101J	CX033	205 0233 032	3P EH connector base	1	
C207-210	254 4313 918	Electrolytic 10μF/50V	CE04W1H100M(ASF)	CX036	205 0233 032	3P EH connector base	1	
C211	254 4538 939	Electrolytic 47μF/16V	CE04W1C470M(SMG/RE3)	CX037	205 0343 032	3P connector base(KR-PH)	1	
C212,213	257 0012 966	Ceramic chip 0.01μF/50V	CK73F1H103Z	CX049	205 0884 083	4P connector base (TUC-P)	1	
C214	259 0007 702	Back up cap. 8200μF/5.5V	SB CAP==822=C	CX055	205 0343 058	5P connector base(KR-PH)	1	
C215,216	257 0012 966	Ceramic chip 0.01μF/50V	CK73F1H103Z	CX061,062	205 0943 018	6P connector base (TUC-P)	2	
C217	254 4524 972	Electrolytic 4.7μF/50V	CE04W1H4R7M(SMG/RE3)	CX063	205 0343 061	6P connector base(KR-PH)	1	
C218	256 1058 984	Metallized 0.12μF/50V	CF93A1H124J(JL)	CX069	205 0343 061	6P connector base(KR-PH)	1	
C219	254 4533 934	Electrolytic 220μF/6.3V	CE04W0J221M(SMG/RE3)	CX072,073	205 0943 021	7P connector base (TUC-P)	2	
C220	254 4538 900	Electrolytic 10μF/16V	CE04W1C100M(SMG/RE3)	CX082,083	205 0884 096	8P connector base (TUC-P)	2	
C223,224	Note	Note	Note	CX084	205 0343 087	8P connector base(KR-PH)	1	
C228	Note	Note	Note	CX088	205 0884 096	8P connector base (TUC-P)	1	
C231	Note	Note	Note	CX102	205 0884 054	10P connector base (TUC-P)	1	
C232	257 0012 966	Ceramic chip 0.01μF/50V	CK73F1H103Z	CX112	205 0884 067	11P connector base (TUC-P)	1	
C233	Note	Note	Note	CX114-119	205 0884 067	11P connector base (TUC-P)	6	
C234	257 0014 935	Ceramic chip 0.1μF/25V	CK73F1E104Z	CX121	Note	Note	1	
C235	254 4538 900	Electrolytic 10μF/16V	CE04W1C100M(SMG/RE3)	CX122	205 0884 070	12P connector base (TUC-P)	1	
C236	Note	Note	Note	CX142	205 0884 012	14P connector base (TUC-P)	1	
C238	Note	Note	Note	CX153-155	205 0884 041	15P connector base (TUC-P)	3	
C239	Note	Note	Note	CX291	205 0736 034	29P FFC connector base	1	
C240	257 0012 982	Ceramic chip 0.022μF/50V	CK73F1H223Z	CY052	205 0343 058	5P connector base(KR-PH)	1	
C241	257 0012 966	Ceramic chip 0.01μF/50V	CK73F1H103Z	CY055	205 0343 058	5P connector base(KR-PH)	1	
C242	257 0014 935	Ceramic chip 0.1μF/25V	CK73F1E104Z	CY064	205 0343 061	6P connector base(KR-PH)	1	
C290	Note	Note	Note	CY068	205 0343 061	6P connector base(KR-PH)	1	
C292	Note	Note	Note	CY081	205 0343 087	8P connector base(KR-PH)	1	
C294-297	Note	Note	Note	CY085	205 0343 087	8P connector base(KR-PH)	1	
C901,902	255 4235 934	Polypropylene film 0.01μF/100V	CQ93P2A103J(NH)	CY111	205 0375 013	11P connector base (KR-PH)	1	
C905	254 4544 703	Electrolytic 12000μF/25V	CE04W1E123M(ASF)	CY124	205 0375 026	12P connector base (KR-PH)	1	
C906	254 4375 707	Electrolytic 1000μF/25V	CE04W1E102M(ASF)	CY137	205 0375 039	13P connector base(KR-PH)	1	

## 1U-3128 RECTIFIER &amp; PRI P.W.B. UNIT ASS'Y

Ref. No.	Part No.	Part Name	Remarks	Q'ty	Ref. No.	Part No.	Part Name	Remarks
△ F11,12	Note	Note		2	<b>SEMICONDUCTORS GROUP</b>			
△ F13,14	Note	Note		2	IC371	262 2643 908	IC TC4052BF	
					IC372,373	263 1018 003	IC MC14577CP	
FB201~205	235 0049 900	Beads inductor		5	IC374	262 2643 908	IC TC4052BF	
FB206~208	235 0106 908	Chip emifil		3	IC701	263 0793 002	IC NJM7806FA(S)	
FB209	235 0049 900	Beads inductor		1	IC702	268 0073 905	IC ICP-N15	
FB210,211	Note	Note		2				
FB212~214	235 0049 900	Beads inductor		3	TR371,372	269 0054 901	Transistor DTC144EK	
					TR373,374	269 0055 900	Transistor DTA144EK	
FF911~914	202 0040 909	Fuse clip		4	TR375	269 0054 901	Transistor DTC144EK	
FH911~914	202 0040 909	Fuse clip		4	TR701	273 0388 906	Transistor 2SC1740S(E)	
					TR704~706	273 0388 906	Transistor 2SC1740S(E)	
TP901	205 0190 036	3P NH connector base		1	TR707	269 0054 901	Transistor DTC144EK	
W721	203 0475 072	1P contact Ass'y		1	D371	276 0559 909	Diode DAP202K	
					D374	276 0559 909	Diode DAP202K	
X201	399 0532 902	Ceramic resonator	CST12.5MTW-TF01	1	D375	276 0560 901	Diode DAN202K	
					D376,377	276 0432 903	Diode 1SS270A	
					D378	276 0432 903	Diode 1SS270A	
					D701	276 0432 903	Diode 1SS270A	
					D702~707	276 0553 905	Diode 1SR35-200A	
					D708,709	276 0432 903	Diode 1SS270A	
					D752	276 0553 905	Diode 1SR35-200A	
					ZD701	276 0643 996	Zener diode MTZJ5.6A	
					ZD751	276 0643 996	Zener diode MTZJ5.6A	
					<b>RESISTORS GROUP</b>			
					R371~376	247 0004 977	Carbon chip 75ohm 1/10W	RM73B--750J
					R377~379	247 0010 961	Carbon chip 22kohm 1/10W	RM73B--223J
					R380~382	247 0004 977	Carbon chip 75ohm 1/10W	RM73B--750J
					R384	247 0012 927	Carbon chip 100kohm 1/10W	RM73B--104J
					R385	247 0009 985	Carbon chip 10kohm 1/10W	RM73B--103J
					R386	247 0011 944	Carbon chip 47kohm 1/10W	RM73B--473J
					R387~389	247 0005 905	Carbon chip 100ohm 1/10W	RM73B--101J
					R390~392	247 0009 985	Carbon chip 10kohm 1/10W	RM73B--103J
					R393~395	247 0006 975	Carbon chip 510ohm 1/10W	RM73B--511J
					R396~398	247 0006 988	Carbon chip 560ohm 1/10W	RM73B--561J
					R701	Note	Note	Note
					R720,721	243 2079 021	Winding 33ohm 10W	RW78A4A330K=(UL)
					R751~754	244 2051 974	Metal oxide 1kohm 1W	RS14B3A102JNBS(S)
					R755	247 0005 905	Carbon chip 100ohm 1/10W	RM73B--101J

Ref. No.	Part No.	Part Name	Remarks	Ref. No.	Part No.	Part Name	Remarks	Q'ty
<b>CAPACITORS GROUP</b>				<b>OTHER PARTS GROUP</b>				
C371	257 0014 935	Ceramic chip 0.1 $\mu$ F/25V	CK73F1E104Z	$\Delta$ AC701	Note	Note		1
C372	254 4305 968	Electrolytic 1 $\mu$ F/50V	CE04W1H010M(SRE)	CW730	203 5214 005	3P PH-SAN connector cord		1
C373	257 0014 935	Ceramic chip 0.1 $\mu$ F/25V	CK73F1E104Z	CW731	203 5214 018	3P PH-SAN connector cord		1
C374	254 4305 968	Electrolytic 1 $\mu$ F/50V	CE04W1H010M(SRE)	CX021	205 0581 001	2P VH connector base		1
C375	257 0014 935	Ceramic chip 0.1 $\mu$ F/25V	CK73F1E104Z	CX022	205 0606 025	2P wrapping terminal		1
C376	254 4305 968	Electrolytic 1 $\mu$ F/50V	CE04W1H010M(SRE)	CX024	Note	Note		1
C378,379	254 4299 964	Electrolytic 47 $\mu$ F/16V	CE04W1C470M(SRE)	CX025	205 0606 025	2P wrapping terminal		1
C380,381	257 0012 966	Ceramic chip 0.01 $\mu$ F/50V	CK73F1H103Z	CX031	205 0087 039	3 P wrapping terminal		1
C382,383	254 4299 964	Electrolytic 47 $\mu$ F/16V	CE04W1C470M(SRE)	CX039	205 0087 039	3 P wrapping terminal		1
C384,385	257 0012 966	Ceramic chip 0.01 $\mu$ F/50V	CK73F1H103Z	CX042	205 0343 045	4P connector base(KR-PH)		1
C386,387	254 4299 964	Electrolytic 47 $\mu$ F/16V	CE04W1C470M(SRE)	CX052	205 0343 058	5P connector base(KR-PH)		1
C388,389	257 0012 966	Ceramic chip 0.01 $\mu$ F/50V	CK73F1H103Z	CX086	205 1099 000	8P pin header		1
C390~392	254 4302 974	Electrolytic 100 $\mu$ F/10V	CE04W1A101M(SRE)	CY069	205 0355 062	6P KR connector base (L)		1
C393,394	254 4299 964	Electrolytic 47 $\mu$ F/16V	CE04W1C470M(SRE)	$\Delta$ F2	Note	Note		1
C395,396	257 0012 966	Ceramic chip 0.01 $\mu$ F/50V	CK73F1H103Z	$\Delta$ F8	Note	Note		1
C701	253 8014 702	Ceramic 0.01 $\mu$ F/400V(AC)	CK45F2GAC103MC	FF702	Note	Note		1
C702	256 1058 971	Metallized 0.1 $\mu$ F/50V	CF93A1H104J(JL)	FF703	Note	Note		1
C705	254 4313 918	Electrolytic 10 $\mu$ F/50V	CE04W1H100M(ASF)	FF708	202 0040 909	Fuse clip		1
C706	254 4313 963	Electrolytic 1 $\mu$ F/50V	CE04W1H010M(ASF)	FH702	Note	Note		1
C709	254 4403 721	Electrolytic 2200 $\mu$ F/25V	CE04W1E222M(SMG)	FH703	Note	Note		1
C713	255 4235 934	Polypropylene film 0.01 $\mu$ F/100V	CQ93P2A103J(NH)	FH708	202 0040 909	Fuse clip		1
C715	254 4524 969	Electrolytic 3.3 $\mu$ F/50V	CE04W1H3R3M(SMG/RE3)	JK371~373	204 8578 000	3P pin jack (S-GND)		3
C751~753	256 1042 903	Metallized 0.1 $\mu$ F/250V	CF93A2E104K	RL701,702	214 0188 000	Relay VS-12MBNR-SM2(TV-8)		2
C755	255 4235 934	Polypropylene film 0.01 $\mu$ F/100V	CQ93P2A103J(NH)	$\Delta$ T701	Note	Note		1
C760	254 4524 985	Electrolytic 10 $\mu$ F/50V	CE04W1H100M(SMG/RE3)	W711~715	203 0678 002	1P SIN cord Ass'y		5
C762,763	254 4356 917	Electrolytic 4.7 $\mu$ F/50V	CE04W1H4R7M(ARS)					

## 1U-3173 DSP P.W.B. UNIT ASS'Y

Ref. No.	Part No.	Part Name	Remarks	Ref. No.	Part No.	Part Name	Remarks
<b>SEMICONDUCTORS GROUP</b>				<b>RESISTORS GROUP</b>			
IC102	262 2519 906	IC SN74LV00APW		D501	276 0559 909	Diode DAP202K	
IC103	262 2603 003	IC ADSP-21061L		D502	276 0663 905	Diode KV1851	
IC105	262 2518 907	IC SN74LV74APW		D651-654	276 0559 909	Diode DAP202K	
IC108	262 2611 008	IC TC55V1664BFT		<b>RESISTORS GROUP</b>			
IC109	262 2504 908	IC TC74VHC02FT		R101	247 0009 985	Carbon chip 10kohm 1/10W	RM73B--103J
IC110	262 2603 003	IC ADSP-21061L		R103-106	247 2018 903	Carbon chip 0ohm 1/16W	RM73B--0R0K
IC111	262 2606 903	IC SN74AHCT573PW		R107,108	247 2003 989	Carbon chip 33ohm 1/16W	RM73B--330J
IC112	262 2611 008	IC TC55V1664BFT		R109	247 0009 985	Carbon chip 10kohm 1/10W	RM73B--103J
IC113	262 2610 902	IC SN74LV573APW		R110-131	247 2003 989	Carbon chip 33ohm 1/16W	RM73B--330J
IC114	262 2520 908	IC TC74VHC541FT		R132	247 0009 985	Carbon chip 10kohm 1/10W	RM73B--103J
IC115	262 2612 900	IC HG-8002JA40MHZPCCX		R133-135	247 2003 989	Carbon chip 33ohm 1/16W	RM73B--330J
IC116	262 2503 909	IC TC74VHCT541AFT		R136	247 0009 985	Carbon chip 10kohm 1/10W	RM73B--103J
IC119	262 2605 001	IC TC58FVT800FT		R137-140	247 2003 989	Carbon chip 33ohm 1/16W	RM73B--330J
IC120	262 2630 005	IC MSM32R0050-521GS		R141	247 0009 985	Carbon chip 10kohm 1/10W	RM73B--103J
IC122	262 2519 906	IC SN74LV00APW		R142-152	247 2003 989	Carbon chip 33ohm 1/16W	RM73B--330J
IC301	262 2615 004	IC TMP93CS41F		R153	247 0009 985	Carbon chip 10kohm 1/10W	RM73B--103J
IC302	262 2610 902	IC SN74LV573APW		R154	247 2003 989	Carbon chip 33ohm 1/16W	RM73B--330J
IC303	262 2632 003	IC W29EE011P-90		R156-158	247 2003 989	Carbon chip 33ohm 1/16W	RM73B--330J
IC501-505	269 0178 007	Optical digital input GP1F37R		R160	247 0009 985	Carbon chip 10kohm 1/10W	RM73B--103J
IC506	269 0177 008	Optical digital output GP1F38T		R161-177	247 2003 989	Carbon chip 33ohm 1/16W	RM73B--330J
IC507	263 1018 003	IC MC14577CP		R179	247 2003 989	Carbon chip 33ohm 1/16W	RM73B--330J
IC509,510	262 2386 906	IC SN74HC151NS		R180	247 2004 920	Carbon chip 47ohm 1/16W	RM73B--470J
IC511	263 0687 901	IC BA4560FT		R181	247 0009 985	Carbon chip 10kohm 1/10W	RM73B--103J
IC512	262 2372 004	IC PM4007A		R182-187	247 2018 903	Carbon chip 0ohm 1/16W	RM73B--0R0K
IC513	262 2386 906	IC SN74HC151NS		R188	247 0009 985	Carbon chip 10kohm 1/10W	RM73B--103J
IC516	262 2371 908	IC BR62256F-70LL		R189-231	247 2003 989	Carbon chip 33ohm 1/16W	RM73B--330J
IC517	262 2608 901	IC TC74VHC123AFT		R233-235	247 2003 989	Carbon chip 33ohm 1/16W	RM73B--330J
IC523	262 2608 901	IC TC74VHC123AFT		R238-242	247 2003 989	Carbon chip 33ohm 1/16W	RM73B--330J
IC524	262 2519 906	IC SN74LV00APW		R244	247 2004 920	Carbon chip 47ohm 1/16W	RM73B--470J
IC525	262 2609 900	IC SN74AHCT157PW		R245-256	247 2003 989	Carbon chip 33ohm 1/16W	RM73B--330J
IC527	262 2426 905	IC AK5351-VF		R260,261	247 0004 922	Carbon chip 47ohm 1/10W	RM73B--470J
IC528	399 0515 000	Crystal 12.288MHz	SG-8002DCPT(12.288M)	R276,277	247 2009 983	Carbon chip 10kohm 1/16W	RM73B--103J
IC529	262 2519 906	IC SN74LV00APW		R279,280	247 2004 920	Carbon chip 47ohm 1/16W	RM73B--470J
IC530	262 2557 900	IC SN74LV14APW		R282-287	247 2004 920	Carbon chip 47ohm 1/16W	RM73B--470J
IC531	262 2631 017	IC LC89055W		R288,289	247 0009 985	Carbon chip 10kohm 1/10W	RM73B--103J
IC532	262 2557 900	IC SN74LV14APW		R290	247 0009 901	Carbon chip 4.7kohm 1/10W	RM73B--472J
IC651,652	263 0934 900	IC BA4510F		R301,302	247 0009 985	Carbon chip 10kohm 1/10W	RM73B--103J
TR301	271 0291 903	Transistor 2SA1182Y/O		R303	247 2003 989	Carbon chip 33ohm 1/16W	RM73B--330J
TR302	269 0082 902	Transistor DTC114EK		R304	247 0009 901	Carbon chip 4.7kohm 1/10W	RM73B--472J
TR303,304	269 0054 901	Transistor DTC144EK		R305,306	247 2003 989	Carbon chip 33ohm 1/16W	RM73B--330J
TR305	269 0082 902	Transistor DTC114EK		R307	247 0009 985	Carbon chip 10kohm 1/10W	RM73B--103J
TR501	274 0163 904	Transistor 2SD601A		R308	247 2003 989	Carbon chip 33ohm 1/16W	RM73B--330J
TR502	272 0125 904	Transistor 2SB709A		R309	247 0009 985	Carbon chip 10kohm 1/10W	RM73B--103J
TR503,504	274 0163 904	Transistor 2SD601A		R311,312	247 2003 989	Carbon chip 33ohm 1/16W	RM73B--330J
TR505	272 0125 904	Transistor 2SB709A		R313	247 0009 985	Carbon chip 10kohm 1/10W	RM73B--103J
TR506	273 0384 900	Transistor 2SC2412K(S)		R314-327	247 2003 989	Carbon chip 33ohm 1/16W	RM73B--330J
				R328	247 0018 905	Carbon chip 0ohm 1/10W	RM73B--0R0K
				R330	247 0018 905	Carbon chip 0ohm 1/10W	RM73B--0R0K
				R332	247 2018 903	Carbon chip 0ohm 1/16W	RM73B--0R0K

Ref. No.	Part No.	Part Name	Remarks	Ref. No.	Part No.	Part Name	Remarks
R335	247 0009 985	Carbon chip 10kohm 1/10W	RM73B--103J	R568	247 2009 983	Carbon chip 10kohm 1/16W	RM73B--103J
R337	247 2011 942	Carbon chip 47kohm 1/16W	RM73B--473J	R569	247 0011 944	Carbon chip 47kohm 1/10W	RM73B--473J
R338	247 0009 985	Carbon chip 10kohm 1/10W	RM73B--103J	R570	247 2009 983	Carbon chip 10kohm 1/16W	RM73B--103J
R340	247 0009 985	Carbon chip 10kohm 1/10W	RM73B--103J	R571-589	247 2018 903	Carbon chip 0ohm 1/16W	RM73B--0R0K
R341,342	247 0011 944	Carbon chip 47kohm 1/10W	RM73B--473J	R591-594	247 0004 922	Carbon chip 47ohm 1/10W	RM73B--470J
R343,344	247 0009 901	Carbon chip 4.7kohm 1/10W	RM73B--472J	R595	247 0014 967	Carbon chip 1Mohm 1/10W	RM73B--105J
R501	247 0007 945	Carbon chip 1kohm 1/10W	RM73B--102J	R596	247 0009 969	Carbon chip 8.2kohm 1/10W	RM73B--822J
R502	247 0006 988	Carbon chip 560ohm 1/10W	RM73B--561J	R597	247 0008 957	Carbon chip 3kohm 1/10W	RM73B--302J
R503	247 0004 993	Carbon chip 91ohm 1/10W	RM73B--910J	R598	247 0009 914	Carbon chip 5.1kohm 1/10W	RM73B--512J
R504-506	247 0007 945	Carbon chip 1kohm 1/10W	RM73B--102J	R599	247 0004 977	Carbon chip 75ohm 1/10W	RM73B--750J
R507-511	247 0009 901	Carbon chip 4.7kohm 1/10W	RM73B--472J	R601	247 0011 960	Carbon chip 56kohm 1/10W	RM73B--563J
R512	247 0007 945	Carbon chip 1kohm 1/10W	RM73B--102J	R602	247 0018 905	Carbon chip 0ohm 1/10W	RM73B--0R0K
R513	247 0009 985	Carbon chip 10kohm 1/10W	RM73B--103J	R606	247 0011 902	Carbon chip 33kohm 1/10W	RM73B--333J
R514,515	247 0007 945	Carbon chip 1kohm 1/10W	RM73B--102J	R611-613	247 0004 922	Carbon chip 47ohm 1/10W	RM73B--470J
R516	247 0009 901	Carbon chip 4.7kohm 1/10W	RM73B--472J	R614	247 0012 927	Carbon chip 100kohm 1/10W	RM73B--104J
R517	247 0008 902	Carbon chip 1.8kohm 1/10W	RM73B--182J	R621-624	247 0004 922	Carbon chip 47ohm 1/10W	RM73B--470J
R518	247 0007 945	Carbon chip 1kohm 1/10W	RM73B--102J	R625	247 0012 927	Carbon chip 100kohm 1/10W	RM73B--104J
R519	247 0005 947	Carbon chip 150ohm 1/10W	RM73B--151J	R626-629	247 0004 922	Carbon chip 47ohm 1/10W	RM73B--470J
R520	247 0009 901	Carbon chip 4.7kohm 1/10W	RM73B--472J	R630	247 0003 981	Carbon chip 33ohm 1/10W	RM73B--330J
R521,522	247 0009 985	Carbon chip 10kohm 1/10W	RM73B--103J	R631	247 0018 905	Carbon chip 0ohm 1/10W	RM73B--0R0K
R523	247 0007 945	Carbon chip 1kohm 1/10W	RM73B--102J	R632	247 0004 922	Carbon chip 47ohm 1/10W	RM73B--470J
R524	247 0008 928	Carbon chip 2.2kohm 1/10W	RM73B--222J	R651-654	247 0009 901	Carbon chip 4.7kohm 1/10W	RM73B--472J
R525	247 0007 945	Carbon chip 1kohm 1/10W	RM73B--102J	R655,656	247 0011 944	Carbon chip 47kohm 1/10W	RM73B--473J
R526	247 0008 960	Carbon chip 3.3kohm 1/10W	RM73B--332J	R657,658	247 0009 998	Carbon chip 11kohm 1/10W	RM73B--113J
R527	247 0009 901	Carbon chip 4.7kohm 1/10W	RM73B--472J	R661,662	247 0008 999	Carbon chip 4.3kohm 1/10W	RM73B--432J
R528	247 0007 945	Carbon chip 1kohm 1/10W	RM73B--102J	R663-666	247 0009 901	Carbon chip 4.7kohm 1/10W	RM73B--472J
R529	247 0004 922	Carbon chip 47ohm 1/10W	RM73B--470J	R667-670	247 0006 920	Carbon chip 330ohm 1/10W	RM73B--331J
R530	247 0009 901	Carbon chip 4.7kohm 1/10W	RM73B--472J	R671-673	247 2018 903	Carbon chip 0ohm 1/16W	RM73B--0R0K
R531	247 0008 986	Carbon chip 3.9kohm 1/10W	RM73B--392J	R676	247 2004 920	Carbon chip 47ohm 1/16W	RM73B--470J
R532,533	247 2009 983	Carbon chip 10kohm 1/16W	RM73B--103J	R677	247 2009 983	Carbon chip 10kohm 1/16W	RM73B--103J
R535-537	247 2009 983	Carbon chip 10kohm 1/16W	RM73B--103J	R678	247 2004 920	Carbon chip 47ohm 1/16W	RM73B--470J
R538	247 0012 927	Carbon chip 100kohm 1/10W	RM73B--104J	R679	247 2018 903	Carbon chip 0ohm 1/16W	RM73B--0R0K
R539	247 0009 969	Carbon chip 8.2kohm 1/10W	RM73B--822J	R681	247 0018 905	Carbon chip 0ohm 1/10W	RM73B--0R0K
R540,541	247 2009 983	Carbon chip 10kohm 1/16W	RM73B--103J	<b>CAPACITORS GROUP</b>			
R542	247 0011 986	Carbon chip 68kohm 1/10W	RM73B--683J	C101	257 0008 983	Ceramic chip 1000pF/50V	CK73B1H102K
R543	247 0010 987	Carbon chip 27kohm 1/10W	RM73B--273J	C102	257 0014 935	Ceramic chip 0.1μF/25V	CK73F1E104Z
R544	247 2009 983	Carbon chip 10kohm 1/16W	RM73B--103J	C103	257 0012 966	Ceramic chip 0.01μF/50V	CK73F1H103Z
R545	247 2018 903	Carbon chip 0ohm 1/16W	RM73B--0R0K	C104	257 0008 983	Ceramic chip 1000pF/50V	CK73B1H102K
R546	247 2009 983	Carbon chip 10kohm 1/16W	RM73B--103J	C105	257 0014 935	Ceramic chip 0.1μF/25V	CK73F1E104Z
R547,548	247 0009 985	Carbon chip 10kohm 1/10W	RM73B--103J	C106	257 0012 966	Ceramic chip 0.01μF/50V	CK73F1H103Z
R549	247 2009 983	Carbon chip 10kohm 1/16W	RM73B--103J	C107	257 0014 935	Ceramic chip 0.1μF/25V	CK73F1E104Z
R550	247 0005 921	Carbon chip 120ohm 1/10W	RM73B--121J	C108	257 0012 966	Ceramic chip 0.01μF/50V	CK73F1H103Z
R551-553	247 2009 983	Carbon chip 10kohm 1/16W	RM73B--103J	C109,110	257 0014 935	Ceramic chip 0.1μF/25V	CK73F1E104Z
R554	247 2018 903	Carbon chip 0ohm 1/16W	RM73B--0R0K	C111	257 0012 966	Ceramic chip 0.01μF/50V	CK73F1H103Z
R555	247 0011 944	Carbon chip 47kohm 1/10W	RM73B--473J	C112,113	257 0008 983	Ceramic chip 1000pF/50V	CK73B1H102K
R556-560	247 2018 903	Carbon chip 0ohm 1/16W	RM73B--0R0K	C114,115	257 0012 966	Ceramic chip 0.01μF/50V	CK73F1H103Z
R561,562	247 2009 983	Carbon chip 10kohm 1/16W	RM73B--103J	C116,117	257 0014 935	Ceramic chip 0.1μF/25V	CK73F1E104Z
R563	247 0011 944	Carbon chip 47kohm 1/10W	RM73B--473J	C118	257 0012 966	Ceramic chip 0.01μF/50V	CK73F1H103Z
R564,565	247 2009 983	Carbon chip 10kohm 1/16W	RM73B--103J	C119,120	257 0008 983	Ceramic chip 1000pF/50V	CK73B1H102K
R566	247 0011 944	Carbon chip 47kohm 1/10W	RM73B--473J	C121	257 0014 935	Ceramic chip 0.1μF/25V	CK73F1E104Z
R567	247 2004 920	Carbon chip 47ohm 1/16W	RM73B--470J				



Ref. No.	Part No.	Part Name	Remarks	Ref. No.	Part No.	Part Name	Remarks
C123	257 0012 966	Ceramic chip 0.01μF/50V	CK73F1H103Z	C503	257 0014 935	Ceramic chip 0.1μF/25V	CK73F1E104Z
C124,125	257 0014 935	Ceramic chip 0.1μF/25V	CK73F1E104Z	C504	257 0011 996	Ceramic chip 0.1μF/25V	CK73B1E104K
C126	257 0008 983	Ceramic chip 1000pF/50V	CK73B1H102K	C505	257 0014 935	Ceramic chip 0.1μF/25V	CK73F1E104Z
C127	257 0012 966	Ceramic chip 0.01μF/50V	CK73F1H103Z	C506	257 0011 996	Ceramic chip 0.1μF/25V	CK73B1E104K
C128	257 0014 935	Ceramic chip 0.1μF/25V	CK73F1E104Z	C507,508	254 4304 927	Electrolytic 4.7μF/35V	CE04W1V4R7M(SRE)
C129	257 0008 983	Ceramic chip 1000pF/50V	CK73B1H102K	C509	257 0014 935	Ceramic chip 0.1μF/25V	CK73F1E104Z
C130	257 0012 966	Ceramic chip 0.01μF/50V	CK73F1H103Z	C510	257 0011 941	Ceramic chip 0.022μF/25V	CK73B1E223K
C131	254 4533 950	Electrolytic 470μF/6.3V	CE04W0J471M(SMG/RE3)	C511	257 0011 996	Ceramic chip 0.1μF/25V	CK73B1E104K
C132	257 0014 935	Ceramic chip 0.1μF/25V	CK73F1E104Z	C512	257 0004 961	Ceramic chip 100pF/50V	CC73SL1H101J
C134	257 0008 983	Ceramic chip 1000pF/50V	CK73B1H102K	C513-515	257 0014 935	Ceramic chip 0.1μF/25V	CK73F1E104Z
C135	257 0014 935	Ceramic chip 0.1μF/25V	CK73F1E104Z	C516	257 0008 983	Ceramic chip 1000pF/50V	CK73B1H102K
C136	257 0012 966	Ceramic chip 0.01μF/50V	CK73F1H103Z	C517,518	254 4299 906	Electrolytic 10μF/16V	CE04W1C100M(SRE)
C137	257 0008 983	Ceramic chip 1000pF/50V	CK73B1H102K	C519	257 0004 932	Ceramic chip 75pF/50V	CC73SL1H750J
C138	257 0014 935	Ceramic chip 0.1μF/25V	CK73F1E104Z	C520	257 0010 900	Ceramic chip 0.01μF/50V	CK73B1H103K
C139	257 0012 966	Ceramic chip 0.01μF/50V	CK73F1H103Z	C521,522	257 0014 935	Ceramic chip 0.1μF/25V	CK73F1E104Z
C140	257 0014 935	Ceramic chip 0.1μF/25V	CK73F1E104Z	C523,524	257 0012 966	Ceramic chip 0.01μF/50V	CK73F1H103Z
C141	257 0012 966	Ceramic chip 0.01μF/50V	CK73F1H103Z	C525	257 0014 935	Ceramic chip 0.1μF/25V	CK73F1E104Z
C142,143	257 0014 935	Ceramic chip 0.1μF/25V	CK73F1E104Z	C526-528	257 0012 966	Ceramic chip 0.01μF/50V	CK73F1H103Z
C144,145	257 0012 966	Ceramic chip 0.01μF/50V	CK73F1H103Z	C529	254 3056 917	Electrolytic 1μF/50V	CE04D1H010MBP
C146,147	257 0008 983	Ceramic chip 1000pF/50V	CK73B1H102K	C530	257 0012 966	Ceramic chip 0.01μF/50V	CK73F1H103Z
C148	257 0014 935	Ceramic chip 0.1μF/25V	CK73F1E104Z	C531	257 0014 935	Ceramic chip 0.1μF/25V	CK73F1E104Z
C149	257 0012 966	Ceramic chip 0.01μF/50V	CK73F1H103Z	C532	254 3056 917	Electrolytic 1μF/50V	CE04D1H010MBP
C150,151	257 0014 935	Ceramic chip 0.1μF/25V	CK73F1E104Z	C533,534	257 0014 935	Ceramic chip 0.1μF/25V	CK73F1E104Z
C152,153	257 0012 966	Ceramic chip 0.01μF/50V	CK73F1H103Z	C535	254 4299 906	Electrolytic 10μF/16V	CE04W1C100M(SRE)
C154,155	257 0008 983	Ceramic chip 1000pF/50V	CK73B1H102K	C536,537	257 0014 935	Ceramic chip 0.1μF/25V	CK73F1E104Z
C156	257 0014 935	Ceramic chip 0.1μF/25V	CK73F1E104Z	C538	257 0012 982	Ceramic chip 0.022μF/50V	CK73F1H223Z
C157,158	257 0012 966	Ceramic chip 0.01μF/50V	CK73F1H103Z	C539	254 4299 906	Electrolytic 10μF/16V	CE04W1C100M(SRE)
C159	257 0014 935	Ceramic chip 0.1μF/25V	CK73F1E104Z	C540	257 0014 935	Ceramic chip 0.1μF/25V	CK73F1E104Z
C160	257 0008 983	Ceramic chip 1000pF/50V	CK73B1H102K	C541,542	257 0012 966	Ceramic chip 0.01μF/50V	CK73F1H103Z
C161	257 0012 966	Ceramic chip 0.01μF/50V	CK73F1H103Z	C543-545	257 0014 935	Ceramic chip 0.1μF/25V	CK73F1E104Z
C162	257 0014 935	Ceramic chip 0.1μF/25V	CK73F1E104Z	C546	254 3053 936	Electrolytic 47μF/16V	CE04D1C470MBP
C163	257 0008 983	Ceramic chip 1000pF/50V	CK73B1H102K	C547	257 0002 989	Ceramic chip 18pF/50V	CC73SL1H180J
C164	257 0012 966	Ceramic chip 0.01μF/50V	CK73F1H103Z	C548	254 4302 974	Electrolytic 100μF/10V	CE04W1A101M(SRE)
C165	254 4533 950	Electrolytic 470μF/6.3V	CE04W0J471M(SMG/RE3)	C549	257 0012 966	Ceramic chip 0.01μF/50V	CK73F1H103Z
C166	257 0014 935	Ceramic chip 0.1μF/25V	CK73F1E104Z	C550	257 0010 900	Ceramic chip 0.01μF/50V	CK73B1H103K
C167,168	257 0012 966	Ceramic chip 0.01μF/50V	CK73F1H103Z	C551	257 0001 922	Ceramic chip 1 pF/50V	CC73SL1H010C
C169	257 0008 983	Ceramic chip 1000pF/50V	CK73B1H102K	C552	257 0012 966	Ceramic chip 0.01μF/50V	CK73F1H103Z
C170	254 4464 906	Electrolytic 100μF/6.3V	CE67C0J101M	C553	257 0010 900	Ceramic chip 0.01μF/50V	CK73B1H103K
C177	257 0012 966	Ceramic chip 0.01μF/50V	CK73F1H103Z	C554	257 0014 935	Ceramic chip 0.1μF/25V	CK73F1E104Z
C180	257 0012 966	Ceramic chip 0.01μF/50V	CK73F1H103Z	C555,556	254 4299 906	Electrolytic 10μF/16V	CE04W1C100M(SRE)
C181-184	257 0014 935	Ceramic chip 0.1μF/25V	CK73F1E104Z	C557	257 0014 935	Ceramic chip 0.1μF/25V	CK73F1E104Z
C187-191	257 0012 966	Ceramic chip 0.01μF/50V	CK73F1H103Z	C562	254 4466 917	Electrolytic 1μF/50V	CE67C1H010M
C301,302	257 0014 935	Ceramic chip 0.1μF/25V	CK73F1E104Z	C563	257 0008 983	Ceramic chip 1000pF/50V	CK73B1H102K
C305	257 0012 966	Ceramic chip 0.01μF/50V	CK73F1H103Z	C564-567	257 0014 935	Ceramic chip 0.1μF/25V	CK73F1E104Z
C306	257 0014 935	Ceramic chip 0.1μF/25V	CK73F1E104Z	C568	257 0010 900	Ceramic chip 0.01μF/50V	CK73B1H103K
C307	254 4466 917	Electrolytic 1μF/50V	CE67C1H010M	C569	257 0011 996	Ceramic chip 0.1μF/25V	CK73B1E104K
C308	257 0014 935	Ceramic chip 0.1μF/25V	CK73F1E104Z	C570	257 0014 935	Ceramic chip 0.1μF/25V	CK73F1E104Z
C309	254 4466 917	Electrolytic 1μF/50V	CE67C1H010M	C572,573	257 0012 966	Ceramic chip 0.01μF/50V	CK73F1H103Z
C310	254 4464 906	Electrolytic 100μF/6.3V	CE67C0J101M	C576	257 0005 986	Ceramic chip 330pF/50V	CC73SL1H331J
C311	257 0012 966	Ceramic chip 0.01μF/50V	CK73F1H103Z	C581	254 4466 904	Electrolytic 0.47μF/50V	CE67C1HR47M
C501,502	257 0011 996	Ceramic chip 0.1μF/25V	CK73B1E104K	C584-589	257 0012 966	Ceramic chip 0.01μF/50V	CK73F1H103Z
				C594	254 4466 904	Electrolytic 0.47μF/50V	CE67C1HR47M
				C595	257 0014 935	Ceramic chip 0.1μF/25V	CK73F1E104Z

1U-3178 TONE PREOUT P.W.B. UNIT ASS'Y

Ref. No.	Part No.	Part Name	Remarks
C597	257 0014 935	Ceramic chip 0.1μF/25V	CK73F1E104Z
C598	254 4465 921	Electrolytic 10μF/16V	CE67C1C100M
C599	257 0014 935	Ceramic chip 0.1μF/25V	CK73F1E104Z
C600	254 4465 921	Electrolytic 10μF/16V	CE67C1C100M
C601	257 0014 935	Ceramic chip 0.1μF/25V	CK73F1E104Z
C602-604	257 0012 966	Ceramic chip 0.01μF/50V	CK73F1H103Z
C605	257 0008 983	Ceramic chip 1000pF/50V	CK73B1H102K
C606	257 0012 966	Ceramic chip 0.01μF/50V	CK73F1H103Z
C607	254 4464 906	Electrolytic 100μF/6.3V	CE67C0J101M
C608	257 0008 983	Ceramic chip 1000pF/50V	CK73B1H102K
C609	257 0014 935	Ceramic chip 0.1μF/25V	CK73F1E104Z
C610	254 4465 921	Electrolytic 10μF/16V	CE67C1C100M
C651,652	257 0014 935	Ceramic chip 0.1μF/25V	CK73F1E104Z
C653-656	254 4465 921	Electrolytic 10μF/16V	CE67C1C100M
C657,658	257 4010 906	Electrolytic 100μF/16V	CE67C1C101M
C659,660	257 0004 961	Ceramic chip 100pF/50V	CC73SL1H101J
C661,662	254 4465 921	Electrolytic 10μF/16V	CE67C1C100M
C663,664	257 0004 961	Ceramic chip 100pF/50V	CC73SL1H101J
C665,666	254 4465 921	Electrolytic 10μF/16V	CE67C1C100M
C667,668	257 0007 942	Ceramic chip 1500pF/50V	CC73SL1H152J
C669	257 0010 900	Ceramic chip 0.01μF/50V	CK73B1H103K
C670,671	257 0014 935	Ceramic chip 0.1μF/25V	CK73F1E104Z

OTHER PARTS GROUP			Q'ty
BF201	261 0152 003	2.88M band pass filter	2.88M BPF(5VLT) 1
CX054	205 0343 058	5P connector base(KR-PH)	1
CX064	205 0355 062	6P KR connector base (L)	1
CX107,108	205 0986 017	10P connector plug(TKC-A)	2
CX124	205 0480 021	12P KR connector base(L)	1
CX137	205 0480 034	13P KR connector base (L)	1
FB101-104	235 0049 900	Beads inductor	4
FB107-119	235 0106 908	Chip emifil	13
FB301-312	235 0106 908	Chip emifil	12
FB501-511	235 0106 908	Chip emifil	11
JK501	204 8517 003	1P pin jack (S-GND)	1
L101-103	235 0124 906	EMI filter	NFM51R10P107 3
L105-108	235 0124 906	EMI filter	NFM51R10P107 4
L501	235 0070 953	Inductor 68mH	1
ST501	205 0452 004	Style pin	1
X302	399 0532 902	Ceramic resonator	CST12.5MTW-TF01 1
X501	399 0402 003	Crystal 18.432MHz	1
	207 0020 005	IC socket(IC197)	1
	207 0021 004	IC socket(IC160)	1

Ref. No.	Part No.	Part Name	Remarks
<b>SEMICONDUCTORS GROUP</b>			
IC401	499 0290 007	Remocon sensor GP1U271X	
IC601	263 0898 907	IC NJM5532MD	
IC602	262 2616 003	IC TC9184AP	
IC603	263 0898 907	IC NJM5532MD	
IC604	262 2616 003	IC TC9184AP	
IC605	263 0898 907	IC NJM5532MD	
IC606	262 2616 003	IC TC9184AP	
IC607	263 0615 902	IC BA15218F	
IC701-704	263 0898 907	IC NJM5532MD	
IC705	262 2034 009	IC TC9273N-007	
TR401	269 0055 900	Transistor DTA144EK	
TR402	269 0082 902	Transistor DTC114EK	
TR681-683	275 0094 908	FET 2SK209-GR	
TR684	269 0054 901	Transistor DTC144EK	
TR685	269 0055 900	Transistor DTA144EK	
TR686	269 0054 901	Transistor DTC144EK	
TR687	269 0055 900	Transistor DTA144EK	
TR688-690	275 0094 908	FET 2SK209-GR	
TR691-696	269 0083 901	Transistor DTA114EK	
TR697	269 0018 905	Transistor DTC143ES(4.7K-4.7K)	
TR698	269 0083 901	Transistor DTA114EK	
TR701-718	273 0414 906	Transistor 2SC3326(A/B)	
TR901,902	273 0414 906	Transistor 2SC3326(A/B)	
D601-620	276 0432 903	Diode 1SS270A	
D688-690	276 0432 903	Diode 1SS270A	
ZD401-406	276 0637 902	Zener diode MTZJ6.2A	
ZD601-603	276 0458 903	Zener diode HZS5A-1	
LD401	393 9408 903	LED SEL-4214S	Red
<b>RESISTORS GROUP</b>			
R401,402	247 0009 901	Carbon chip 4.7kohm 1/10W	RM73B--472J
R403,404	247 0005 905	Carbon chip 100ohm 1/10W	RM73B--101J
R405,406	247 0009 901	Carbon chip 4.7kohm 1/10W	RM73B--472J
R407,408	247 0005 905	Carbon chip 100ohm 1/10W	RM73B--101J
R424,425	247 0011 944	Carbon chip 47kohm 1/10W	RM73B--473J
R426,427	247 0005 905	Carbon chip 100ohm 1/10W	RM73B--101J
R601,602	247 0012 943	Carbon chip 120kohm 1/10W	RM73B--124J
R603,604	247 0013 984	Carbon chip 470kohm 1/10W	RM73B--474J
R605,606	247 0012 901	Carbon chip 82kohm 1/10W	RM73B--823J
R607,608	247 0009 901	Carbon chip 4.7kohm 1/10W	RM73B--472J

Ref. No.	Part No.	Part Name	Remarks	Ref. No.	Part No.	Part Name	Remarks
R609,610	247 0011 928	Carbon chip 39kohm 1/10W	RM73B--393J	R721,722	247 0010 961	Carbon chip 22kohm 1/10W	RM73B--223J
R611,612	247 0014 909	Carbon chip 560kohm 1/10W	RM73B--564J	R725,726	247 0012 927	Carbon chip 100kohm 1/10W	RM73B--104J
R613,614	247 0010 987	Carbon chip 27kohm 1/10W	RM73B--273J	R727,728	247 0002 966	Carbon chip 10ohm 1/10W	RM73B--100J
R615,616	247 0009 927	Carbon chip 5.6kohm 1/10W	RM73B--562J	R729,730	247 0012 927	Carbon chip 100kohm 1/10W	RM73B--104J
R617,618	247 0007 945	Carbon chip 1kohm 1/10W	RM73B--102J	R731,732	247 0004 922	Carbon chip 47ohm 1/10W	RM73B--470J
R619,620	247 0009 901	Carbon chip 4.7kohm 1/10W	RM73B--472J	R733,734	247 0005 989	Carbon chip 220ohm 1/10W	RM73B--221J
R621,622	247 0012 943	Carbon chip 120kohm 1/10W	RM73B--124J	R735,736	247 0009 901	Carbon chip 4.7kohm 1/10W	RM73B--472J
R623,624	247 0013 984	Carbon chip 470kohm 1/10W	RM73B--474J	R737,738	247 0005 989	Carbon chip 220ohm 1/10W	RM73B--221J
R625,625	247 0012 901	Carbon chip 82kohm 1/10W	RM73B--823J	R739,740	247 0010 961	Carbon chip 22kohm 1/10W	RM73B--223J
R627,628	247 0009 901	Carbon chip 4.7kohm 1/10W	RM73B--472J	R743,744	247 0012 927	Carbon chip 100kohm 1/10W	RM73B--104J
R629,630	247 0011 928	Carbon chip 39kohm 1/10W	RM73B--393J	R745,746	247 0002 966	Carbon chip 10ohm 1/10W	RM73B--100J
R631,632	247 0014 909	Carbon chip 560kohm 1/10W	RM73B--564J	R747,748	247 0012 927	Carbon chip 100kohm 1/10W	RM73B--104J
R633,634	247 0010 987	Carbon chip 27kohm 1/10W	RM73B--273J	R749,750	247 0004 922	Carbon chip 47ohm 1/10W	RM73B--470J
R635,636	247 0009 927	Carbon chip 5.6kohm 1/10W	RM73B--562J	R751,752	247 0005 989	Carbon chip 220ohm 1/10W	RM73B--221J
R637,638	247 0007 945	Carbon chip 1kohm 1/10W	RM73B--102J	R753,754	247 0009 901	Carbon chip 4.7kohm 1/10W	RM73B--472J
R639	247 0009 901	Carbon chip 4.7kohm 1/10W	RM73B--472J	R755,756	247 0005 989	Carbon chip 220ohm 1/10W	RM73B--221J
R640	247 0011 944	Carbon chip 47kohm 1/10W	RM73B--473J	R757,758	247 0010 961	Carbon chip 22kohm 1/10W	RM73B--223J
R641,642	247 0012 943	Carbon chip 120kohm 1/10W	RM73B--124J	R761,762	247 0012 927	Carbon chip 100kohm 1/10W	RM73B--104J
R643,644	247 0013 984	Carbon chip 470kohm 1/10W	RM73B--474J	R763,764	247 0002 966	Carbon chip 10ohm 1/10W	RM73B--100J
R645,646	247 0012 901	Carbon chip 82kohm 1/10W	RM73B--823J	R765,766	247 0012 927	Carbon chip 100kohm 1/10W	RM73B--104J
R647,648	247 0009 901	Carbon chip 4.7kohm 1/10W	RM73B--472J	R767,768	247 0004 922	Carbon chip 47ohm 1/10W	RM73B--470J
R649,650	247 0011 928	Carbon chip 39kohm 1/10W	RM73B--393J	R769,770	247 0005 989	Carbon chip 220ohm 1/10W	RM73B--221J
R651,652	247 0014 909	Carbon chip 560kohm 1/10W	RM73B--564J	R771,772	247 0009 901	Carbon chip 4.7kohm 1/10W	RM73B--472J
R653,654	247 0010 987	Carbon chip 27kohm 1/10W	RM73B--273J	R773,774	247 0005 989	Carbon chip 220ohm 1/10W	RM73B--221J
R655,656	247 0009 927	Carbon chip 5.6kohm 1/10W	RM73B--562J	R775,776	247 0010 961	Carbon chip 22kohm 1/10W	RM73B--223J
R657,658	247 0007 945	Carbon chip 1kohm 1/10W	RM73B--102J	R779,780	247 0012 927	Carbon chip 100kohm 1/10W	RM73B--104J
R659	247 0008 960	Carbon chip 3.3kohm 1/10W	RM73B--332J	R781,782	247 0002 966	Carbon chip 10ohm 1/10W	RM73B--100J
R660	247 0010 958	Carbon chip 20kohm 1/10W	RM73B--203J	R783,784	247 0006 962	Carbon chip 470ohm 1/10W	RM73B--471J
R661~665	247 0012 927	Carbon chip 100kohm 1/10W	RM73B--104J	R785,786	247 0015 966	Carbon chip 2.7Mohm 1/10W	RM73B--275J
R666	247 0013 926	Carbon chip 270kohm 1/10W	RM73B--274J	R787,788	247 0006 962	Carbon chip 470ohm 1/10W	RM73B--471J
R667,668	247 0012 927	Carbon chip 100kohm 1/10W	RM73B--104J	R789,790	247 0015 966	Carbon chip 2.7Mohm 1/10W	RM73B--275J
R669	247 0007 945	Carbon chip 1kohm 1/10W	RM73B--102J	R791,792	247 0006 962	Carbon chip 470ohm 1/10W	RM73B--471J
R670	247 0011 928	Carbon chip 39kohm 1/10W	RM73B--393J	R793,794	247 0015 966	Carbon chip 2.7Mohm 1/10W	RM73B--275J
R671~676	247 0005 905	Carbon chip 100ohm 1/10W	RM73B--101J	R795,796	247 0006 962	Carbon chip 470ohm 1/10W	RM73B--471J
R677,678	247 0010 958	Carbon chip 20kohm 1/10W	RM73B--203J	R797,798	247 0015 966	Carbon chip 2.7Mohm 1/10W	RM73B--275J
R679,680	247 0008 960	Carbon chip 3.3kohm 1/10W	RM73B--332J	R901,902	247 0007 945	Carbon chip 1kohm 1/10W	RM73B--102J
R681~686	247 0004 922	Carbon chip 47ohm 1/10W	RM73B--470J	R903~909	247 0005 989	Carbon chip 220ohm 1/10W	RM73B--221J
R687	247 0011 944	Carbon chip 47kohm 1/10W	RM73B--473J	R911,912	247 0010 961	Carbon chip 22kohm 1/10W	RM73B--223J
R691~696	247 0013 984	Carbon chip 470kohm 1/10W	RM73B--474J	R913,914	247 0006 962	Carbon chip 470ohm 1/10W	RM73B--471J
R697,698	241 2380 905	Carbon film 1.2kohm 1/4W(NB)	RD14B2E122JNBS	R915~924	247 0011 944	Carbon chip 47kohm 1/10W	RM73B--473J
R699	247 0013 984	Carbon chip 470kohm 1/10W	RM73B--474J	<b>CAPACITORS GROUP</b>			
R700	247 0011 944	Carbon chip 47kohm 1/10W	RM73B--473J	C401~404	257 0010 900	Ceramic chip 0.01µF/50V	CK73B1H103K
R701,702	247 0006 962	Carbon chip 470ohm 1/10W	RM73B--471J	C406,407	257 0010 900	Ceramic chip 0.01µF/50V	CK73B1H103K
R703,704	247 0011 944	Carbon chip 47kohm 1/10W	RM73B--473J	C408	254 4305 968	Electrolytic 1µF/50V	CE04W1H010M(SRE)
R707,708	247 0012 927	Carbon chip 100kohm 1/10W	RM73B--104J	C601,602	257 0014 935	Ceramic chip 0.1µF/25V	CK73F1E104Z
R709,710	247 0002 966	Carbon chip 10ohm 1/10W	RM73B--100J	C603,604	254 4356 917	Electrolytic 4.7µF/50V	CE04W1H4R7M(ARS)
R711,712	247 0012 927	Carbon chip 100kohm 1/10W	RM73B--104J	C605,606	255 1265 907	Mylar film 6800pF/50V	CQ93M1H682J(B)
R713,714	247 0004 922	Carbon chip 47ohm 1/10W	RM73B--470J	C607,608	255 4235 918	Polypropylene film 100pF/100V	CQ93P2A101J
R715,716	247 0005 989	Carbon chip 220ohm 1/10W	RM73B--221J	C609,610	254 4313 905	Electrolytic 3.3µF/50V	CE04W1H3R3M(ASF)
R717,718	247 0009 901	Carbon chip 4.7kohm 1/10W	RM73B--472J				
R719,720	247 0005 989	Carbon chip 220ohm 1/10W	RM73B--221J				



Ref. No.	Part No.	Part Name	Remarks	Ref. No.	Part No.	Part Name	Remarks	
C611,612	256 1058 942	Metallized 0.056μF/50V	CF93A1H563J(JL)	C753-756	257 0004 961	Ceramic chip 100pF/50V	CC73SL1H101J	
C613,614	255 1265 949	Mylar film 0.012μF/50V	CQ93M1H123J(B)	C757	254 4313 963	Electrolytic 1μF/50V	CE04W1H010M(ASF)	
C615,616	254 4313 934	Electrolytic 47μF/50V	CE04W1H470M(ASF)	C758	257 0012 966	Ceramic chip 0.01μF/50V	CK73F1H103Z	
C617,618	255 1264 953	Mylar film 2700pF/50V	CQ93M1H272J(B)	C759,760	257 0012 982	Ceramic chip 0.022μF/50V	CK73F1H223Z	
C619,620	255 1265 978	Mylar film 0.022μF/50V	CQ93M1H223J(B)					
C621,622	257 0014 935	Ceramic chip 0.1μF/25V	CK73F1E104Z	C901-909	254 4524 943	Electrolytic 1μF/50V	CE04W1H010M(SMG/RE3)	
C623,624	254 4356 917	Electrolytic 4.7μF/50V	CE04W1H47M(ARS)					
C625,626	255 1265 907	Mylar film 6800pF/50V	CQ93M1H682J(B)	<b>OTHER PARTS GROUP</b>				<b>Q'ty</b>
C627,628	255 4235 918	Polypropylene film 100pF/100V	CQ93P2A101J	CW049	205 0885 082	4P connector socket (TUC-P)		1
C629,630	254 4313 905	Electrolytic 3.3μF/50V	CE04W1H3R3M(ASF)	CW057	205 0885 008	5P connector socket (TUC-P)		1
C631,632	256 1058 942	Metallized 0.056μF/50V	CF93A1H563J(JL)	CW062	205 0942 019	6P connector socket (TUC-P)		1
C633,634	255 1265 949	Mylar film 0.012μF/50V	CQ93M1H123J(B)	CW112	205 0885 066	11P connector socket (TUC-P)		1
C635,636	254 4313 934	Electrolytic 47μF/50V	CE04W1H470M(ASF)	CW116,117	205 0885 066	11P connector socket (TUC-P)		2
C637,638	255 1264 953	Mylar film 2700pF/50V	CQ93M1H272J(B)	CW119	205 0885 066	11P connector socket (TUC-P)		1
C639,640	255 1265 978	Mylar film 0.022μF/50V	CQ93M1H223J(B)	CW941,942	205 0885 082	4P connector socket (TUC-P)		2
C641,642	257 0014 935	Ceramic chip 0.1μF/25V	CK73F1E104Z	CW944,945	205 0885 082	4P connector socket (TUC-P)		2
C643,644	254 4356 917	Electrolytic 4.7μF/50V	CE04W1H47M(ARS)					
C645,646	255 1265 907	Mylar film 6800pF/50V	CQ93M1H682J(B)	CX074	205 0343 074	7P connector base(KR-PH)		1
C647,648	255 4235 918	Polypropylene film 100pF/100V	CQ93P2A101J	CX103	205 0375 000	10P connector base (KR-PH)		1
C649,650	254 4313 905	Electrolytic 3.3μF/50V	CE04W1H3R3M(ASF)	CX113	205 0375 013	11P connector base (KR-PH)		1
C651,652	256 1058 942	Metallized 0.056μF/50V	CF93A1H563J(JL)					
C653,654	255 1265 949	Mylar film 0.012μF/50V	CQ93M1H123J(B)	CY021	205 0581 001	2P VH connector base		1
C655,656	254 4313 934	Electrolytic 47μF/50V	CE04W1H470M(ASF)	CY113	205 0375 013	11P connector base (KR-PH)		1
C657,658	255 1264 953	Mylar film 2700pF/50V	CQ93M1H272J(B)					
C659,660	255 1265 978	Mylar film 0.022μF/50V	CQ93M1H223J(B)	JK701	204 8543 019	6P PIN JACK		1
C661	254 4313 947	Electrolytic 4.7μF/50V	CE04W1H47M(ASF)	JK702-704	204 8540 012	4P pin jack		3
C662,663	254 4313 918	Electrolytic 10μF/50V	CE04W1H100M(ASF)					
C664	254 4524 943	Electrolytic 1μF/50V	CE04W1H010M(SMG/RE3)	RL601,602	214 0162 000	Relay (A12W-K)		2
C665-670	255 4235 918	Polypropylene film 100pF/100V	CQ93P2A101J					
C691,692	254 4313 905	Electrolytic 3.3μF/50V	CE04W1H3R3M(ASF)	S401,402	212 0373 000	Rotary encoder EC16B		2
C696	254 4522 958	Electrolytic 100μF/35V	CE04W1V101M(SMG/RE3)	S403-420	212 4809 907	Tact switch		18
				S421	212 0373 000	Rotary encoder EC16B		1
C701-704	254 4313 918	Electrolytic 10μF/50V	CE04W1H100M(ASF)	S422,423	212 4809 907	Tact switch		2
C705,706	257 0004 961	Ceramic chip 100pF/50V	CC73SL1H101J	S424	212 1030 009	Power switch (TV-5)		1
C708	257 0012 966	Ceramic chip 0.01μF/50V	CK73F1H103Z					
C709-712	254 4313 918	Electrolytic 10μF/50V	CE04W1H100M(ASF)	ST401	205 0452 017	Style pin		1
C713-716	254 4313 921	Electrolytic 22μF/50V	CE04W1H220M(ASF)	ST601	205 0452 017	Style pin		1
C717,718	257 0004 961	Ceramic chip 100pF/50V	CC73SL1H101J					
C719,720	254 4313 918	Electrolytic 10μF/50V	CE04W1H100M(ASF)	W744	203 0526 073	1P contact Ass'y		1
C721-724	254 4313 921	Electrolytic 22μF/50V	CE04W1H220M(ASF)					
C725,726	257 0004 961	Ceramic chip 100pF/50V	CC73SL1H101J					
C729,730	254 4313 918	Electrolytic 10μF/50V	CE04W1H100M(ASF)					
C731-734	254 4313 921	Electrolytic 22μF/50V	CE04W1H220M(ASF)					
C735,736	257 0004 961	Ceramic chip 100pF/50V	CC73SL1H101J					
C737,738	254 4313 918	Electrolytic 10μF/50V	CE04W1H100M(ASF)					
C739-742	254 4313 921	Electrolytic 22μF/50V	CE04W1H220M(ASF)					
C743,744	257 0004 961	Ceramic chip 100pF/50V	CC73SL1H101J					
C745	254 4313 963	Electrolytic 1μF/50V	CE04W1H010M(ASF)					
C746	257 0012 966	Ceramic chip 0.01μF/50V	CK73F1H103Z					
C747-750	257 0004 961	Ceramic chip 100pF/50V	CC73SL1H101J					
C751	254 4313 963	Electrolytic 1μF/50V	CE04W1H010M(ASF)					
C752	257 0012 966	Ceramic chip 0.01μF/50V	CK73F1H103Z					

## 1U-3179 EXT IN, VR &amp; D/A P.W.B. UNIT ASS'Y

Ref. No.	Part No.	Part Name	Remarks	Ref. No.	Part No.	Part Name	Remarks
<b>SEMICONDUCTORS GROUP</b>				<b>RESISTORS GROUP</b>			
IC301	262 2284 901	IC TC74HCT157AF		R101-106	Note	Note	Note
IC302	262 2576 907	IC SN74HC74NS		R112	247 0018 905	Carbon chip 0ohm 1/10W	RM73B--0R0K
IC303	262 2284 901	IC TC74HCT157AF		R115-126	247 0018 905	Carbon chip 0ohm 1/10W	RM73B--0R0K
IC304	262 2531 007	IC DXP6001AF		R131,132	247 0018 905	Carbon chip 0ohm 1/10W	RM73B--0R0K
IC305,306	262 2618 904	IC DF1704					
IC307	262 2490 902	IC PCM1716E		R302,303	247 0005 905	Carbon chip 100ohm 1/10W	RM73B--101J
IC309-313	262 2530 914	IC PCM1704U/2K		R306-314	247 0005 905	Carbon chip 100ohm 1/10W	RM73B--101J
				R315	247 0009 901	Carbon chip 4.7kohm 1/10W	RM73B--472J
IC401	263 0898 907	IC NJM2068MD		R316	247 0018 905	Carbon chip 0ohm 1/10W	RM73B--0R0K
IC411	263 0898 907	IC NJM2068MD		R321-323	247 0003 981	Carbon chip 33ohm 1/10W	RM73B--330J
IC421	263 0898 907	IC NJM2068MD		R325-328	247 0003 981	Carbon chip 33ohm 1/10W	RM73B--330J
IC471	262 2384 908	IC SN74HCU04NS		R353,354	241 2380 905	Carbon film 1.2kohm 1/4W(NB)	RD14B2E122JNBS
				R398	247 0018 905	Carbon chip 0ohm 1/10W	RM73B--0R0K
IC501,502	263 0896 909	IC NJM2068MD					
IC503,504	262 2540 904	IC TC9459F		R401,402	241 2423 985	Carbon film 3.9kohm 1/4W	RD14B2E392J(PSNB)
IC505,506	263 0896 909	IC NJM2068MD		R403,404	241 2424 942	Carbon film 6.8kohm 1/4W	RD14B2E682J(PSNB)
IC507,508	263 0990 009	IC OP275GP		R405,406	241 2420 904	Carbon film 100ohm 1/4W	RD14B2E101J(PSNB)
IC509	263 0896 909	IC NJM2068MD		R407,408	241 2426 940	Carbon film 47kohm 1/4W	RD14B2E473J(PSNB)
IC510	262 2540 904	IC TC9459F		R411,412	241 2423 972	Carbon film 3.6kohm 1/4W	RD14B2E362J(PSNB)
IC511	263 0896 909	IC NJM2068MD		R413,414	241 2424 942	Carbon film 6.8kohm 1/4W	RD14B2E682J(PSNB)
IC522	263 0990 009	IC OP275GP		R415,416	241 2420 904	Carbon film 100ohm 1/4W	RD14B2E101J(PSNB)
IC523	262 2540 904	IC TC9459F		R417,418	241 2426 940	Carbon film 47kohm 1/4W	RD14B2E473J(PSNB)
IC524	263 0896 909	IC NJM2068MD		R421	241 2423 930	Carbon film 2.4kohm 1/4W	RD14B2E242J(PSNB)
IC525	262 2540 904	IC TC9459F		R422	241 2420 904	Carbon film 100ohm 1/4W	RD14B2E101J(PSNB)
IC526-528	263 0896 909	IC NJM2068MD		R423	241 2426 940	Carbon film 47kohm 1/4W	RD14B2E473J(PSNB)
IC529,530	262 2540 904	IC TC9459F		R431	247 0012 927	Carbon chip 100kohm 1/10W	RM73B--104J
IC531,532	263 0896 909	IC NJM2068MD		R432	247 0005 905	Carbon chip 100ohm 1/10W	RM73B--101J
IC533	263 0990 009	IC OP275GP		R433	247 0008 928	Carbon chip 2.2kohm 1/10W	RM73B--222J
				R434	247 0009 901	Carbon chip 4.7kohm 1/10W	RM73B--472J
IC821	Note	Note		R435	241 2420 904	Carbon film 100ohm 1/4W	RD14B2E101J(PSNB)
				R436	241 2426 940	Carbon film 47kohm 1/4W	RD14B2E473J(PSNB)
IC901-903	263 0896 909	IC NJM2068MD		R471-473	247 0004 977	Carbon chip 75ohm 1/10W	RM73B--750J
IC906	263 0896 909	IC NJM2068MD		R474-476	247 0005 905	Carbon chip 100ohm 1/10W	RM73B--101J
IC907	Note	Note		R477	247 0008 928	Carbon chip 2.2kohm 1/10W	RM73B--222J
				R478,479	247 0011 944	Carbon chip 47kohm 1/10W	RM73B--473J
TR302,303	269 0048 904	Transistor DTC143EK		R480	247 0008 928	Carbon chip 2.2kohm 1/10W	RM73B--222J
TR304	269 0055 900	Transistor DTA144EK		R481	247 0011 944	Carbon chip 47kohm 1/10W	RM73B--473J
TR305	269 0048 904	Transistor DTC143EK		R482	247 0008 928	Carbon chip 2.2kohm 1/10W	RM73B--222J
TR905	Note	Note		R503-506	247 0008 902	Carbon chip 1.8kohm 1/10W	RM73B--182J
TR906-909	269 0018 905	Transistor DTC143ES(4.7K-4.7K)		R507,508	247 0008 973	Carbon chip 3.6kohm 1/10W	RM73B--362J
				R509,510	247 0004 922	Carbon chip 47ohm 1/10W	RM73B--470J
D301,302	276 0559 909	Diode DAP202K		R511-516	247 0008 902	Carbon chip 1.8kohm 1/10W	RM73B--182J
				R517,518	247 0004 922	Carbon chip 47ohm 1/10W	RM73B--470J
D471-473	276 0559 909	Diode DAP202K		R519-526	247 0012 927	Carbon chip 100kohm 1/10W	RM73B--104J
				R527-530	247 0005 905	Carbon chip 100ohm 1/10W	RM73B--101J
D903-905	Note	Note		R531-534	247 0007 932	Carbon chip 910ohm 1/10W	RM73B--911J
D906-910	276 0559 909	Diode DAP202K		R535-538	247 0007 987	Carbon chip 1.5kohm 1/10W	RM73B--152J
				R539,540	247 0005 905	Carbon chip 100ohm 1/10W	RM73B--101J
				R541-544	247 0009 901	Carbon chip 4.7kohm 1/10W	RM73B--472J
				R545-548	247 0007 958	Carbon chip 1.1kohm 1/10W	RM73B--112J
				R549,550	247 0005 905	Carbon chip 100ohm 1/10W	RM73B--101J
				R552,553	247 0008 902	Carbon chip 1.8kohm 1/10W	RM73B--182J
				R554	247 0008 973	Carbon chip 3.6kohm 1/10W	RM73B--362J

Ref. No.	Part No.	Part Name	Remarks	Ref. No.	Part No.	Part Name	Remarks
R555	247 0004 922	Carbon chip 47ohm 1/10W	RM73B--470J	R829,830	Note	Note	Note
R556~558	247 0008 902	Carbon chip 1.8kohm 1/10W	RM73B--182J	R831	Note	Note	Note
R559	247 0004 922	Carbon chip 47ohm 1/10W	RM73B--470J	R901,902	Note	Note	Note
R561~564	247 0012 927	Carbon chip 100kohm 1/10W	RM73B--104J	R903,904	Note	Note	Note
R565,566	247 0005 905	Carbon chip 100ohm 1/10W	RM73B--101J	R905,906	247 0011 973	Carbon chip 62kohm 1/10W	RM73B--623J
R567	247 0007 932	Carbon chip 910ohm 1/10W	RM73B--911J	R907,908	247 0013 984	Carbon chip 470kohm 1/10W	RM73B--474J
R568	247 0009 901	Carbon chip 4.7kohm 1/10W	RM73B--472J	R909,910	Note	Note	Note
R569	247 0007 932	Carbon chip 910ohm 1/10W	RM73B--911J	R913,914	247 0018 905	Carbon chip 0ohm 1/10W	RM73B--0R0K
R570	247 0009 901	Carbon chip 4.7kohm 1/10W	RM73B--472J	R915,916	247 0005 905	Carbon chip 100ohm 1/10W	RM73B--101J
R571	247 0007 987	Carbon chip 1.5kohm 1/10W	RM73B--152J	R917,918	247 0012 927	Carbon chip 100kohm 1/10W	RM73B--104J
R572	247 0007 958	Carbon chip 1.1kohm 1/10W	RM73B--112J	R921,922	Note	Note	Note
R573	247 0007 987	Carbon chip 1.5kohm 1/10W	RM73B--152J	R923,924	Note	Note	Note
R574	247 0007 958	Carbon chip 1.1kohm 1/10W	RM73B--112J	R925	247 0011 973	Carbon chip 62kohm 1/10W	RM73B--623J
R575,576	247 0005 905	Carbon chip 100ohm 1/10W	RM73B--101J	R926	247 0011 902	Carbon chip 33kohm 1/10W	RM73B--333J
R580	247 0012 927	Carbon chip 100kohm 1/10W	RM73B--104J	R927,928	247 0013 984	Carbon chip 470kohm 1/10W	RM73B--474J
R581	247 0005 905	Carbon chip 100ohm 1/10W	RM73B--101J	R929,930	Note	Note	Note
R582	247 0008 973	Carbon chip 3.6kohm 1/10W	RM73B--362J	R933,934	247 0018 905	Carbon chip 0ohm 1/10W	RM73B--0R0K
R583	247 0007 987	Carbon chip 1.5kohm 1/10W	RM73B--152J	R935,936	247 0005 905	Carbon chip 100ohm 1/10W	RM73B--101J
R584	247 0005 905	Carbon chip 100ohm 1/10W	RM73B--101J	R937,938	247 0012 927	Carbon chip 100kohm 1/10W	RM73B--104J
R589,590	247 0012 927	Carbon chip 100kohm 1/10W	RM73B--104J	R940	247 0010 945	Carbon chip 18kohm 1/10W	RM73B--183J
R591,592	247 0005 905	Carbon chip 100ohm 1/10W	RM73B--101J	R941,942	Note	Note	Note
R593,594	247 0007 932	Carbon chip 910ohm 1/10W	RM73B--911J	R943,944	Note	Note	Note
R595,596	247 0009 901	Carbon chip 4.7kohm 1/10W	RM73B--472J	R945,946	247 0011 973	Carbon chip 62kohm 1/10W	RM73B--623J
R597,598	247 0005 905	Carbon chip 100ohm 1/10W	RM73B--101J	R947,948	247 0013 984	Carbon chip 470kohm 1/10W	RM73B--474J
R603~606	247 0008 902	Carbon chip 1.8kohm 1/10W	RM73B--182J	R949,950	Note	Note	Note
R607,608	247 0008 973	Carbon chip 3.6kohm 1/10W	RM73B--362J	R953,954	247 0018 905	Carbon chip 0ohm 1/10W	RM73B--0R0K
R609,610	247 0004 922	Carbon chip 47ohm 1/10W	RM73B--470J	R955,956	247 0005 905	Carbon chip 100ohm 1/10W	RM73B--101J
R611~616	247 0008 902	Carbon chip 1.8kohm 1/10W	RM73B--182J	R957,958	247 0012 927	Carbon chip 100kohm 1/10W	RM73B--104J
R617,618	247 0004 922	Carbon chip 47ohm 1/10W	RM73B--470J	R959	Note	Note	Note
R619~626	247 0012 927	Carbon chip 100kohm 1/10W	RM73B--104J	R960	Note	Note	Note
R627~630	247 0005 905	Carbon chip 100ohm 1/10W	RM73B--101J	R961,962	Note	Note	Note
R631~634	247 0009 901	Carbon chip 4.7kohm 1/10W	RM73B--472J	R963,964	247 0014 967	Carbon chip 1Mohm 1/10W	RM73B--105J
R635~638	247 0007 958	Carbon chip 1.1kohm 1/10W	RM73B--112J	R965,966	Note	Note	Note
R639,940	247 0005 905	Carbon chip 100ohm 1/10W	RM73B--101J	R967,968	247 0014 967	Carbon chip 1Mohm 1/10W	RM73B--105J
R647~654	247 0018 905	Carbon chip 0ohm 1/10W	RM73B--0R0K	R969,970	Note	Note	Note
R677~679	247 0018 905	Carbon chip 0ohm 1/10W	RM73B--0R0K	R971,972	247 0014 967	Carbon chip 1Mohm 1/10W	RM73B--105J
R681,682	247 0018 905	Carbon chip 0ohm 1/10W	RM73B--0R0K	R993~997	241 2380 905	Carbon film 1.2kohm 1/4W(NB)	RD14B2E122JNBS
R691~695	247 0018 905	Carbon chip 0ohm 1/10W	RM73B--0R0K	<b>CAPACITORS GROUP</b>			
R801,802	Note	Note	Note	C301~303	257 0012 966	Ceramic chip 0.01μF/50V	CK73F1H103Z
R803,804	247 0014 967	Carbon chip 1Mohm 1/10W	RM73B--105J	C304	254 4313 963	Electrolytic 1μF/50V	CE04W1H010M(ASF)
R805,806	247 0011 973	Carbon chip 62kohm 1/10W	RM73B--623J	C305	257 0012 966	Ceramic chip 0.01μF/50V	CK73F1H103Z
R807,808	247 0013 984	Carbon chip 470kohm 1/10W	RM73B--474J	C306	254 4313 963	Electrolytic 1μF/50V	CE04W1H010M(ASF)
R809,810	247 0004 922	Carbon chip 47ohm 1/10W	RM73B--470J	C307	257 0012 966	Ceramic chip 0.01μF/50V	CK73F1H103Z
R813,814	247 0018 905	Carbon chip 0ohm 1/10W	RM73B--0R0K	C308	254 4313 963	Electrolytic 1μF/50V	CE04W1H010M(ASF)
R815,816	247 0005 905	Carbon chip 100ohm 1/10W	RM73B--101J	C309	257 0012 966	Ceramic chip 0.01μF/50V	CK73F1H103Z
R817,818	247 0012 927	Carbon chip 100kohm 1/10W	RM73B--104J	C310	257 0008 983	Ceramic chip 1000pF/50V	CK73B1H102K
R821,822	Note	Note	Note	C311,312	Note	Note	Note
R823,824	Note	Note	Note	C313	257 0008 983	Ceramic chip 1000pF/50V	CK73B1H102K
R825,826	Note	Note	Note	C314	Note	Note	Note
R827,828	Note	Note	Note	C315-317	257 0008 983	Ceramic chip 1000pF/50V	CK73B1H102K

Ref. No.	Part No.	Part Name	Remarks	Ref. No.	Part No.	Part Name	Remarks
C318	257 0014 935	Ceramic chip 0.1μF/25V	CK73F1E104Z	C485	257 0003 904	Ceramic chip 22pF/50V	CC73SL1H220J
C320	255 4235 934	Polypropylene film 0.01μF/100V	CQ93P2A103J(NH)	C499	255 4235 934	Polypropylene film 0.01μF/100V	CQ93P2A103J(NH)
C321	Note	Note	Note				
C322,323	255 4235 934	Polypropylene film 0.01μF/100V	CQ93P2A103J(NH)	C503,504	255 4242 901	Polypropylene film 15pF/100V	CQ93P2A150J(NH)
C324	Note	Note	Note	C505,506	255 4242 943	Polypropylene film 33pF/100V	CQ93P2A330J(NH)
C325,326	255 4235 934	Polypropylene film 0.01μF/100V	CQ93P2A103J(NH)	C507~510	254 4356 917	Electrolytic 4.7μF/50V	CE04W1H4R7M(ARS)
C327	Note	Note	Note	C511	255 1264 908	Mylar film 1000pF/50V	CQ93M1H102J(B)
C328,329	255 4235 934	Polypropylene film 0.01μF/100V	CQ93P2A103J(NH)	C513,514	255 4201 968	Polypropylene film 470pF/50V	CQ93P1H471J
C330	Note	Note	Note	C515~518	254 4356 904	Electrolytic 10μF/50V	CE04W1H100M(ARS)
C331,332	255 4235 934	Polypropylene film 0.01μF/100V	CQ93P2A103J(NH)	C525~528	254 4356 904	Electrolytic 10μF/50V	CE04W1H100M(ARS)
C333	Note	Note	Note	C533~536	255 4237 974	Polypropylene film 220pF/100V	CQ93P2A221J
C334	255 4235 934	Polypropylene film 0.01μF/100V	CQ93P2A103J(NH)	C551~554	255 4235 989	Polypropylene film 470pF/100V	CQ93P2A471J(NH)
C335~339	Note	Note	Note	C555~558	254 4356 904	Electrolytic 10μF/50V	CE04W1H100M(ARS)
C340,341	Note	Note	Note	C560	255 4242 901	Polypropylene film 15pF/100V	CQ93P2A150J(NH)
C344,345	Note	Note	Note	C561	255 4242 943	Polypropylene film 33pF/100V	CQ93P2A330J(NH)
C348,349	Note	Note	Note	C562,563	254 4356 917	Electrolytic 4.7μF/50V	CE04W1H4R7M(ARS)
C352	254 4356 904	Electrolytic 10μF/50V	CE04W1H100M(ARS)	C566,667	254 4356 904	Electrolytic 10μF/50V	CE04W1H100M(ARS)
C353	254 4313 950	Electrolytic 100μF/50V	CE04W1H101M(ASF)	C571,572	254 4356 904	Electrolytic 10μF/50V	CE04W1H100M(ARS)
C354	254 4313 934	Electrolytic 47μF/50V	CE04W1H470M(ASF)	C575	255 4237 974	Polypropylene film 220pF/100V	CQ93P2A221J
C355	254 4356 904	Electrolytic 10μF/50V	CE04W1H100M(ARS)	C576	255 4235 989	Polypropylene film 470pF/100V	CQ93P2A471J(NH)
C356	254 4313 950	Electrolytic 100μF/50V	CE04W1H101M(ASF)	C577	255 4237 974	Polypropylene film 220pF/100V	CQ93P2A221J
C357	254 4313 934	Electrolytic 47μF/50V	CE04W1H470M(ASF)	C578	255 4235 989	Polypropylene film 470pF/100V	CQ93P2A471J(NH)
C358	254 4356 904	Electrolytic 10μF/50V	CE04W1H100M(ARS)	C580	254 4356 904	Electrolytic 10μF/50V	CE04W1H100M(ARS)
C359	254 4313 950	Electrolytic 100μF/50V	CE04W1H101M(ASF)	C584,585	254 4356 917	Electrolytic 4.7μF/50V	CE04W1H4R7M(ARS)
C360	254 4313 934	Electrolytic 47μF/50V	CE04W1H470M(ASF)	C589	254 4313 918	Electrolytic 10μF/50V	CE04W1H100M(ASF)
C361	254 4356 904	Electrolytic 10μF/50V	CE04W1H100M(ARS)	C590	257 0005 944	Ceramic chip 220pF/50V	CC73SL1H221J
C362	254 4313 950	Electrolytic 100μF/50V	CE04W1H101M(ASF)	C593	254 4313 918	Electrolytic 10μF/50V	CE04W1H100M(ASF)
C363	254 4313 934	Electrolytic 47μF/50V	CE04W1H470M(ASF)	C597,598	254 4356 917	Electrolytic 4.7μF/50V	CE04W1H4R7M(ARS)
C364	254 4356 904	Electrolytic 10μF/50V	CE04W1H100M(ARS)				
C365	254 4313 950	Electrolytic 100μF/50V	CE04W1H101M(ASF)	C601,602	254 4313 918	Electrolytic 10μF/50V	CE04W1H100M(ASF)
C366	254 4313 934	Electrolytic 47μF/50V	CE04W1H470M(ASF)	C603,604	257 0004 961	Ceramic chip 100pF/50V	CC73SL1H101J
C367	Note	Note	Note	C611,612	255 4242 901	Polypropylene film 15pF/100V	CQ93P2A150J(NH)
C369~378	254 4356 904	Electrolytic 10μF/50V	CE04W1H100M(ARS)	C613,614	255 4242 943	Polypropylene film 33pF/100V	CQ93P2A330J(NH)
C398,399	254 4313 905	Electrolytic 3.3μF/50V	CE04W1H3R3M(ASF)	C615~618	254 4356 917	Electrolytic 4.7μF/50V	CE04W1H4R7M(ARS)
				C619~622	254 4356 904	Electrolytic 10μF/50V	CE04W1H100M(ARS)
C401,402	255 4235 918	Polypropylene film 100pF/100V	CQ93P2A101J(NH)	C629~632	254 4356 904	Electrolytic 10μF/50V	CE04W1H100M(ARS)
C403,404	254 4356 713	Electrolytic 100μF/50V	CE04W1H101M(ARS)	C637~640	255 4235 989	Polypropylene film 470pF/100V	CQ93P2A471J(NH)
C405,406	254 4356 904	Electrolytic 10μF/50V	CE04W1H100M(ARS)	C641,642	254 4356 904	Electrolytic 10μF/50V	CE04W1H100M(ARS)
C411,412	255 4235 918	Polypropylene film 100pF/100V	CQ93P2A101J(NH)	C645,646	254 4356 904	Electrolytic 10μF/50V	CE04W1H100M(ARS)
C413,414	254 4356 713	Electrolytic 100μF/50V	CE04W1H101M(ARS)				
C421	255 4235 918	Polypropylene film 100pF/100V	CQ93P2A101J(NH)	C801,802	257 0005 986	Ceramic chip 330pF/50V	CC73SL1H331J
C422	254 4356 713	Electrolytic 100μF/50V	CE04W1H101M(ARS)	C803,804	254 4313 918	Electrolytic 10μF/50V	CE04W1H100M(ASF)
C431	254 4313 918	Electrolytic 10μF/50V	CE04W1H100M(ASF)	C805~808	257 0004 961	Ceramic chip 100pF/50V	CC73SL1H101J
C432	255 4235 918	Polypropylene film 100pF/100V	CQ93P2A101J(NH)	C809,810	254 4313 918	Electrolytic 10μF/50V	CE04W1H100M(ASF)
C433	254 4356 713	Electrolytic 100μF/50V	CE04W1H101M(ARS)	C821,822	Note	Note	Note
C434,435	254 4356 904	Electrolytic 10μF/50V	CE04W1H100M(ARS)	C823,824	Note	Note	Note
C471	257 0014 935	Ceramic chip 0.1μF/25V	CK73F1E104Z	C827~830	Note	Note	Note
C475~477	257 0012 966	Ceramic chip 0.01μF/50V	CK73F1H103Z				
C478~480	254 4541 926	Electrolytic 33μF/25V	CE04W1E330M(SMG/RE3)	C901,902	Note	Note	Note
C481,482	257 0003 904	Ceramic chip 22pF/50V	CC73SL1H220J	C903,904	254 4313 918	Electrolytic 10μF/50V	CE04W1H100M(ASF)
C483	257 0012 966	Ceramic chip 0.01μF/50V	CK73F1H103Z	C905~908	257 0004 961	Ceramic chip 100pF/50V	CC73SL1H101J
C484	254 4538 900	Electrolytic 10μF/16V	CE04W1C100M(SMG/RE3)	C909,910	254 4313 934	Electrolytic 47μF/50V	CE04W1H470M(ASF)

Ref. No.	Part No.	Part Name	Remarks
C911,912	254 4313 963	Electrolytic 1 $\mu$ F/50V	CE04W1H010M(ASF)
C921,922	Note	Note	Note
C923,924	254 4313 918	Electrolytic 10 $\mu$ F/50V	CE04W1H100M(ASF)
C925-928	257 0004 961	Ceramic chip 100pF/50V	CC73SL1H101J
C929	254 4313 934	Electrolytic 47 $\mu$ F/50V	CE04W1H470M(ASF)
C930	254 4313 918	Electrolytic 10 $\mu$ F/50V	CE04W1H100M(ASF)
C941,942	Note	Note	Note
C943,944	254 4313 918	Electrolytic 10 $\mu$ F/50V	CE04W1H100M(ASF)
C945-948	257 0004 961	Ceramic chip 100pF/50V	CC73SL1H101J
C949,950	254 4313 934	Electrolytic 47 $\mu$ F/50V	CE04W1H470M(ASF)
C961-966	257 0005 986	Ceramic chip 330pF/50V	CC73SL1H331J
C967	Note	Note	Note
C968	Note	Note	Note
C969	254 4313 963	Electrolytic 1 $\mu$ F/50V	CE04W1H010M(ASF)
C970	257 0014 935	Ceramic chip 0.1 $\mu$ F/25V	CK73F1E104Z
C990	Note	Note	Note
C991-993	Note	Note	Note
C994-998	254 4313 905	Electrolytic 3.3 $\mu$ F/50V	CE04W1H3R3M(ASF)
<b>OTHER PARTS GROUP</b>			
			<b>Q'ty</b>
CW061	205 0942 019	6P connector socket (TUC-P)	1
CW083	205 0885 095	8P connector socket (TUC-P)	1
CW107,108	205 0985 018	10P connector socket(TKC-A)	2
CW114,115	205 0885 066	11P connector socket (TUC-P)	2
CW122	205 0885 079	12P connector socket (TUC-P)	1
CW154	205 0885 040	15P connector socket (TUC-P)	1
CX085	205 0343 087	8P connector base(KR-PH)	1
CX143	205 0375 042	14P connector base (KR-PH)	1
CY054	205 0343 058	5P connector base(KR-PH)	1
CY063	Note	Note	1
FB311-317	235 0106 908	Chip emfil	7
FB318	235 0049 900	Beads inductor	1
FB319-324	247 0018 905	Carbon chip 0ohm 1/10W	RM73B--0R0K 6
FB327,328	235 0106 908	Chip emfil	2
FB329,330	235 0049 900	Beads inductor	2
FB332,333	235 0049 900	Beads inductor	2
FB335,336	235 0049 900	Beads inductor	2
JK471	204 8577 001	3P pin jack (F-GND)	1
JK821	Note	Note	
JK901	Note	Note	
JK902,903	204 8514 006	4P pin jack (S-GND)	2
L471-473	235 0060 905	Inductor 2.2mH	3
RL401,402	214 0162 000	Relay (A12W-K)	2
RL901-903	Note	Note	3
RL904-908	214 0162 000	Relay (A12W-K)	5
W791	203 0322 002	1P contact Ass'y	1



## ADDENDUM PARTS LIST OF P.W.B. UNIT ASS'Y

### 1U-3124 AUDIO IN & SP P.W.B. UNIT ASS'Y

Ref. No.	1U-3124A AUDIO IN & SP P.W.B. UNIT ASS'Y		1U-3124B AUDIO IN & SP P.W.B. UNIT ASS'Y		1U-3124 AUDIO IN & SP P.W.B. UNIT ASS'Y	
	U.S.A. / Canada Models (AVR-5700)		Europe/Asia Models (AVC-A1D)		Taiwan R.O.C. Model (AVC-A1D)	
	Part No.	Part Name	Part No.	Part Name	Part No.	Part Name
R227,228	247 0018 905	Carbon chip 0ohm 1/10W ±10%	247 0007 974	Carbon chip 1.3kohm 1/10W ±5%	247 0018 905	Carbon chip 0ohm 1/10W ±10%
C119,120	—	—	257 0004 961	Ceramic chip 100pF/50V ±5%	—	—
C131,132	—	—	257 0004 961	Ceramic chip 100pF/50V ±5%	—	—
C143,144	—	—	257 0004 961	Ceramic chip 100pF/50V ±5%	—	—
C155,156	—	—	257 0004 961	Ceramic chip 100pF/50V ±5%	—	—
C167,168	—	—	257 0004 961	Ceramic chip 100pF/50V ±5%	—	—
C179,180	—	—	257 0004 961	Ceramic chip 100pF/50V ±5%	—	—
C191,192	—	—	257 0004 961	Ceramic chip 100pF/50V ±5%	—	—
C203,204	—	—	257 0004 961	Ceramic chip 100pF/50V ±5%	—	—
C221,222	—	—	257 0004 961	Ceramic chip 100pF/50V ±5%	—	—
C321,322	254 4313 918	Electrolytic 10μF/50V ±20% (ASF)	254 4356 904	Electrolytic 10μF/50V ±20% (ARS)	254 4356 904	Electrolytic 10μF/50V ±20% (ARS)
C327	255 1265 952	Mylar film 0.015μF/50V ±5%	255 4235 976	Polypropylene film 0.015μF/100V ±5% (NH)	255 4235 976	Polypropylene film 0.015μF/100V ±5% (NH)
C328	255 1265 952	Mylar film 0.015μF/50V ±5%	255 4235 976	Polypropylene film 0.015μF/100V ±5% (NH)	255 4235 976	Polypropylene film 0.015μF/100V ±5% (NH)
C329,330	254 4313 934	Electrolytic 47μF/50V ±20% (ASF)	254 4356 739	Electrolytic 47μF/50V ±20% (ARS)	254 4356 739	Electrolytic 47μF/50V ±20% (ARS)
C341	254 4313 918	Electrolytic 10μF/50V ±20% (ASF)	254 4356 904	Electrolytic 10μF/50V ±20% (ARS)	254 4356 904	Electrolytic 10μF/50V ±20% (ARS)
C347	255 1265 952	Mylar film 0.015μF/50V ±5%	255 4235 976	Polypropylene film 0.015μF/100V ±5% (NH)	255 4235 976	Polypropylene film 0.015μF/100V ±5% (NH)
C349	254 4313 934	Electrolytic 47μF/50V ±20% (ASF)	254 4356 739	Electrolytic 47μF/50V ±20% (ARS)	254 4356 739	Electrolytic 47μF/50V ±20% (ARS)
C351,352	254 4313 918	Electrolytic 10μF/50V ±20% (ASF)	254 4356 904	Electrolytic 10μF/50V ±20% (ARS)	254 4356 904	Electrolytic 10μF/50V ±20% (ARS)
C361	254 4313 918	Electrolytic 10μF/50V ±20% (ASF)	254 4356 904	Electrolytic 10μF/50V ±20% (ARS)	254 4356 904	Electrolytic 10μF/50V ±20% (ARS)
C362	254 4313 918	Electrolytic 10μF/50V ±20% (ASF)	254 4356 904	Electrolytic 10μF/50V ±20% (ARS)	254 4356 904	Electrolytic 10μF/50V ±20% (ARS)
C367	255 1265 952	Mylar film 0.015μF/50V ±5%	255 4235 976	Polypropylene film 0.015μF/100V ±5% (NH)	255 4235 976	Polypropylene film 0.015μF/100V ±5% (NH)
C368	255 1265 952	Mylar film 0.015μF/50V ±5%	255 4235 976	Polypropylene film 0.015μF/100V ±5% (NH)	255 4235 976	Polypropylene film 0.015μF/100V ±5% (NH)
C369,370	254 4313 934	Electrolytic 47μF/50V ±20% (ASF)	254 4356 739	Electrolytic 47μF/50V ±20% (ARS)	254 4356 739	Electrolytic 47μF/50V ±20% (ARS)
C371,372	254 4313 918	Electrolytic 10μF/50V ±20% (ASF)	254 4356 904	Electrolytic 10μF/50V ±20% (ARS)	254 4356 904	Electrolytic 10μF/50V ±20% (ARS)
C373,374	254 4313 918	Electrolytic 10μF/50V ±20% (ASF)	254 4356 904	Electrolytic 10μF/50V ±20% (ARS)	254 4356 904	Electrolytic 10μF/50V ±20% (ARS)
LF101,102	—	—	235 9003 002	FTZ choke coil	—	—



## 1U-3125 VIDEO &amp; FLD P.W.B. UNIT ASS'Y

Ref. No.	1U-3125A VIDEO & FLD P.W.B. UNIT ASS'Y		1U-3125 VIDEO & FLD P.W.B. UNIT ASS'Y		1U-3125 VIDEO & FLD P.W.B. UNIT ASS'Y	
	U.S.A. / Canada Models (AVR-5700)		Europe/Asia Models (AVC-A1D)		Taiwan R.O.C. Model (AVC-A1D)	
	Part No.	Part Name	Part No.	Part Name	Part No.	Part Name
	256 1058 971	Metallized 0.1 $\mu$ F/50V $\pm$ 5%	—	—	—	—
	461 0415 007	Rubber sheet	—	—	—	—

## 1U-3126 TUNER &amp; AMP P.W.B. UNIT ASS'Y

Ref. No.	1U-3126A TUNER & AMP P.W.B. UNIT ASS'Y		1U-3126B TUNER & AMP P.W.B. UNIT ASS'Y		1U-3126D TUNER & AMP P.W.B. UNIT ASS'Y	
	U.S.A. / Canada Models (AVR-5700)		Europe/Asia Models (AVC-A1D)		Taiwan R.O.C. Model (AVC-A1D)	
	Part No.	Part Name	Part No.	Part Name	Part No.	Part Name
C801,802	254 4512 706	Electrolytic 100 $\mu$ F/100V $\pm$ 20% (ARE)	254 4415 023	Electrolytic 47 $\mu$ F/100V $\pm$ 20% (ARS)	254 4415 023	Electrolytic 47 $\mu$ F/100V $\pm$ 20% (ARS)
C841,842	254 4512 706	Electrolytic 100 $\mu$ F/100V $\pm$ 20% (ARE)	254 4415 023	Electrolytic 47 $\mu$ F/100V $\pm$ 20% (ARS)	254 4415 023	Electrolytic 47 $\mu$ F/100V $\pm$ 20% (ARS)
C881	254 4512 706	Electrolytic 100 $\mu$ F/100V $\pm$ 20% (ARE)	254 4415 023	Electrolytic 47 $\mu$ F/100V $\pm$ 20% (ARS)	254 4415 023	Electrolytic 47 $\mu$ F/100V $\pm$ 20% (ARS)
C899	254 4512 706	Electrolytic 100 $\mu$ F/100V $\pm$ 20% (ARE)	254 4415 023	Electrolytic 47 $\mu$ F/100V $\pm$ 20% (ARS)	254 4415 023	Electrolytic 47 $\mu$ F/100V $\pm$ 20% (ARS)
C984	255 4235 934	Polypropylene film 0.01 $\mu$ F/100V $\pm$ 5% (NH)	256 1054 001	Metallized 1 $\mu$ F/50V $\pm$ 10% (GSG)	256 1054 001	Metallized 1 $\mu$ F/50V $\pm$ 10% (GSG)
	253 1180 921	Ceramic 1000pF/50V $\pm$ 10%	—	—	—	—
$\Delta$ F15,16	206 1039 089	Fuse 3.15A	206 1015 074	Fuse 3.15A	206 1039 089	Fuse 3.15A

## 1U-3127 MAIN &amp; REG. P.W.B. UNIT ASS'Y

Ref. No.	1U-3127A MAIN & REG. P.W.B. UNIT ASS'Y		1U-3127B MAIN & REG. P.W.B. UNIT ASS'Y		1U-3127D MAIN & REG. P.W.B. UNIT ASS'Y	
	U.S.A. / Canada Models (AVR-5700)		Europe/Asia Models (AVC-A1D)		Taiwan R.O.C. Model (AVC-A1D)	
	Part No.	Part Name	Part No.	Part Name	Part No.	Part Name
	—	—	513 2585 045	Fuse label	—	—
IC291	263 0801 004	IC NJM7812FA(S)	—	—	—	—
R221-223	235 0106 908	Chip emifil	247 0007 945	Carbon chip 1kohm 1/10W ±5%	247 0007 945	Carbon chip 1kohm 1/10W ±5%
R232	—	—	247 0018 905	Carbon chip 0ohm 1/10W ±10%	247 0018 905	Carbon chip 0ohm 1/10W ±10%
R246-249	235 0106 908	Chip emifil	247 0018 905	Carbon chip 0ohm 1/10W ±10%	247 0018 905	Carbon chip 0ohm 1/10W ±10%
C223,224	257 0008 983	Ceramic chip 1000pF/50V ±10%	—	—	—	—
C228	257 0008 983	Ceramic chip 1000pF/50V ±10%	—	—	—	—
C231	257 0008 983	Ceramic chip 1000pF/50V ±10%	—	—	—	—
C233	257 0011 996	Ceramic chip 0.1μF/25V ±10%	257 0014 935	Ceramic chip 0.1μF/25V +80%, -20%	257 0014 935	Ceramic chip 0.1μF/25V +80%, -20%
C236	257 0008 983	Ceramic chip 1000pF/50V ±10%	—	—	—	—
C238	257 0008 983	Ceramic chip 1000pF/50V ±10%	—	—	—	—
C239	257 0011 983	Ceramic chip 0.047μF/25V ±10%	—	—	—	—
C290	254 4524 985	Electrolytic 10μF/50V ±20% (SMG/RE3)	—	—	—	—
C292	254 4524 985	Electrolytic 10μF/50V ±20% (SMG/RE3)	—	—	—	—
C294-297	257 0008 983	Ceramic chip 1000pF/50V ±10%	—	—	—	—
C915-917	253 1181 904	Ceramic 0.01μF/50V +80%, -20%	—	—	—	—
C921	253 1181 904	Ceramic 0.01μF/50V +80%, -20%	—	—	—	—
C931,932	253 1181 904	Ceramic 0.01μF/50V +80%, -20%	—	—	—	—
C936	253 1181 904	Ceramic 0.01μF/50V +80%, -20%	—	—	—	—
FB210,211	235 0049 900	Beads inductor	—	—	—	—
CX121	205 0375 026	12P connector base (KR-PH)	—	—	—	—
⚠ F11,12	206 1039 089	Fuse 3.15A	206 1015 074	Fuse 3.15A	206 1039 089	Fuse 3.15A
	—	—	513 2585 045	Fuse label	—	—
⚠ F13,14	206 1039 063	Fuse 2.0A T	206 1015 061	Fuse 2A	206 1039 063	Fuse 2.0A T
	—	—	513 2585 032	Fuse label	—	—
	001 0157 053	Vinyl wire	—	—	—	—
	253 1180 921	Ceramic 1000pF/50V ±10%	—	—	—	—
ZD202	235 0049 900	Beads inductor	—	—	—	—
	209 0223 905	Jumper (5)	—	—	—	—

**1U-3128 RECTIFIER & PRI P.W.B. UNIT ASS'Y**

Ref. No.	1U-3128A RECTIFIER & PRI P.W.B. UNIT ASS'Y		1U-3128B RECTIFIER & PRI P.W.B. UNIT ASS'Y		1U-3128D RECTIFIER & PRI P.W.B. UNIT ASS'Y	
	U.S.A. / Canada Models (AVR-5700)		Europe/Asia Models (AVC-A1D)		Taiwan R.O.C. Model (AVC-A1D)	
	Part No.	Part Name	Part No.	Part Name	Part No.	Part Name
R701	254 4524 985	Electrolytic 10 $\mu$ F/50V $\pm$ 20% (SMG/RE3)	—	—	—	—
	461 0415 004	Rubber sheet	—	—	—	—
	242 2009 001	Composition 2.2Mohm 1/2W $\pm$ 10%	—	—	—	—
FF702	EP-5870	Fuse holder	—	—	EP-5870	Fuse holder
FF703	—	—	202 0040 909	Fuse clip	—	—
FH702	EP-5870	Fuse holder	—	—	EP-5870	Fuse holder
FH703	—	—	202 0040 909	Fuse clip	—	—
	—	—	415 0299 000	Condenser cover	415 0299 000	Condenser cover
CX024	—	—	205 0581 001	2P VH connector base	—	—
AC701	203 3946 003	AC outlet (POLARIZED)	—	—	203 3946 003	AC outlet (POLARIZED)
$\Delta$ T701	233 6073 000	Power trans. (Mini)-EU	233 6058 025	Power trans. (Mini)-E2	233 6073 000	Power trans. (Mini)-EU
$\Delta$ F2	206 1051 009	Fuse 12A	—	—	206 1051 009	Fuse 12A
	—	—	—	—	—	—
$\Delta$ F8	206 1046 014	Fuse 8A	206 1015 032	Fuse 2.5A	206 1046 014	Fuse 8A


Ref. No.	1U-3179A EXT IN, VR & D/A P.W.B. UNIT ASS'Y		1U-3179B EXT IN, VR & D/A P.W.B. UNIT ASS'Y		1U-3179 EXT IN, VR & D/A P.W.B. UNIT ASS'Y	
	U.S.A. / Canada Models (AVR-5700)		Europe/Asia Models (AVC-A1D)		Taiwan R.O.C. Model (AVC-A1D)	
	Part No.	Part Name	Part No.	Part Name	Part No.	Part Name
C941,942	—	—	257 0005 986	Ceramic chip 330pF/50V ±5%	257 0005 986	Ceramic chip 330pF/50V ±5%
C967	—	—	254 4313 963	Electrolytic 1μF/50V ±20% (ASF)	254 4313 963	Electrolytic 1μF/50V ±20% (ASF)
C968	—	—	257 0014 935	Ceramic chip 0.1μF/25V +80%,-20%	257 0014 935	Ceramic chip 0.1μF/25V +80%,-20%
C990	—	—	254 4313 963	Electrolytic 1μF/50V ±20% (ASF)	254 4313 963	Electrolytic 1μF/50V ±20% (ASF)
C991-993	—	—	254 4313 905	Electrolytic 3.3μF/50V ±20% (ASF)	254 4313 905	Electrolytic 3.3μF/50V ±20% (ASF)
CY063	—	—	205 0343 061	6P connector base(KR-PH)	205 0343 061	6P connector base(KR-PH)
JK821	—	—	204 8562 016	2P pin jack (S-GND)	204 8562 016	2P pin jack (S-GND)
JK901	—	—	204 8513 007	6P pin jack (S-GND)	204 8513 007	6P pin jack (S-GND)
RL901-903	—	—	214 0162 000	Relay (A12W-K)	214 0162 000	Relay (A12W-K)

# 1U-3179 EXT IN, VR & D/A P.W.P. UNIT ASS'Y

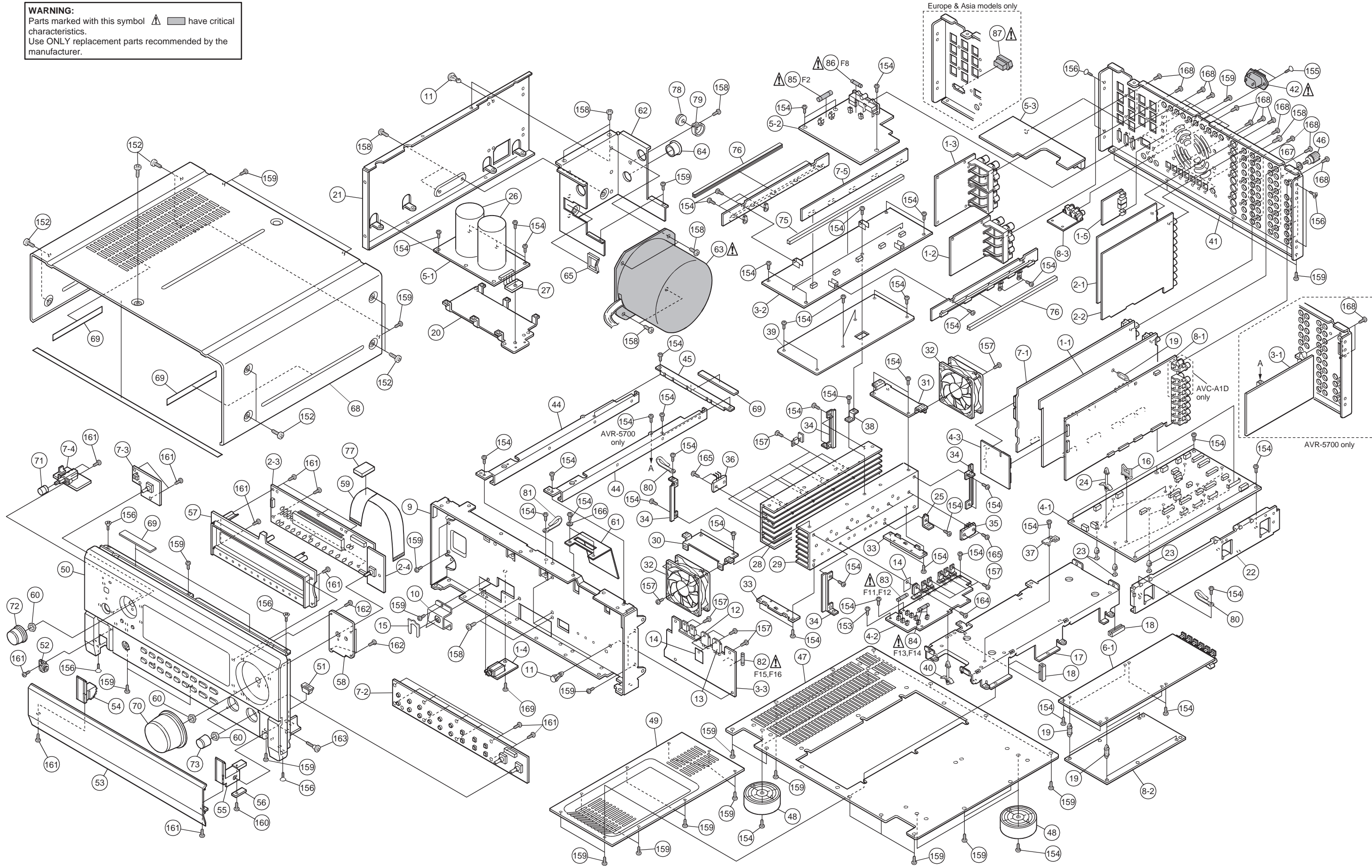
Ref. No.	1U-3179A EXT IN, VR & D/A P.W.B. UNIT ASS'Y		1U-3179B EXT IN, VR & D/A P.W.B. UNIT ASS'Y		1U-3179 EXT IN, VR & D/A P.W.B. UNIT ASS'Y	
	U.S.A. / Canada Models (AVR-5700)		Europe/Asia Models (AVC-A1D)		Taiwan R.O.C. Model (AVC-A1D)	
	Part No.	Part Name	Part No.	Part Name	Part No.	Part Name
IC821	—	—	513 2585 074	Fuse label	—	—
IC907	—	—	263 0896 909	IC NJM2068MD	263 0896 909	IC NJM2068MD
TR905	—	—	263 0801 004	IC NJM7812FA(S)	263 0801 004	IC NJM7812FA(S)
D903-905	—	—	273 0429 904	Transistor 2SC3311A	273 0429 904	Transistor 2SC3311A
R101-106	247 0018 905	Carbon chip 0ohm 1/10W ±10%	—	—	—	—
R801,802	247 0018 905	Carbon chip 0ohm 1/10W ±10%	247 0006 962	Carbon chip 470ohm 1/10W ±5%	247 0018 905	Carbon chip 0ohm 1/10W ±10%
R821,822	—	—	247 0011 973	Carbon chip 62kohm 1/10W ±5%	247 0011 973	Carbon chip 62kohm 1/10W ±5%
R823,824	—	—	247 0013 984	Carbon chip 470kohm 1/10W ±5%	247 0013 984	Carbon chip 470kohm 1/10W ±5%
R825,826	—	—	247 0006 962	Carbon chip 470ohm 1/10W ±5%	247 0006 962	Carbon chip 470ohm 1/10W ±5%
R827,828	—	—	247 0005 905	Carbon chip 100ohm 1/10W ±5%	247 0005 905	Carbon chip 100ohm 1/10W ±5%
R829,830	—	—	247 0011 944	Carbon chip 47kohm 1/10W ±5%	247 0011 944	Carbon chip 47kohm 1/10W ±5%
R831	—	—	247 0018 905	Carbon chip 0ohm 1/10W ±10%	247 0018 905	Carbon chip 0ohm 1/10W ±10%
R901,902	—	—	247 0006 962	Carbon chip 470ohm 1/10W ±5%	247 0018 905	Carbon chip 0ohm 1/10W ±10%
R903,904	—	—	247 0014 967	Carbon chip 1Mohm 1/10W ±5%	247 0014 967	Carbon chip 1Mohm 1/10W ±5%
R909,910	247 0004 922	Carbon chip 47ohm 1/10W ±5%	247 0005 905	Carbon chip 100ohm 1/10W ±5%	247 0004 922	Carbon chip 47ohm 1/10W ±5%
R921,922	—	—	247 0006 962	Carbon chip 470ohm 1/10W ±5%	247 0018 905	Carbon chip 0ohm 1/10W ±10%
R923,924	—	—	247 0014 967	Carbon chip 1Mohm 1/10W ±5%	247 0014 967	Carbon chip 1Mohm 1/10W ±5%
R929,930	247 0004 922	Carbon chip 47ohm 1/10W ±5%	247 0005 905	Carbon chip 100ohm 1/10W ±5%	247 0004 922	Carbon chip 47ohm 1/10W ±5%
R941,942	—	—	247 0006 962	Carbon chip 470ohm 1/10W ±5%	247 0018 905	Carbon chip 0ohm 1/10W ±10%
R943,944	—	—	247 0014 967	Carbon chip 1Mohm 1/10W ±5%	247 0014 967	Carbon chip 1Mohm 1/10W ±5%
R949,950	247 0004 922	Carbon chip 47ohm 1/10W ±5%	247 0005 905	Carbon chip 100ohm 1/10W ±5%	247 0004 922	Carbon chip 47ohm 1/10W ±5%
R959	—	—	247 0009 901	Carbon chip 4.7kohm 1/10W ±5%	247 0009 901	Carbon chip 4.7kohm 1/10W ±5%
R960	—	—	247 0009 985	Carbon chip 10kohm 1/10W ±5%	247 0009 985	Carbon chip 10kohm 1/10W ±5%
R961,962	247 0018 905	Carbon chip 0ohm 1/10W ±10%	247 0006 962	Carbon chip 470ohm 1/10W ±5%	247 0018 905	Carbon chip 0ohm 1/10W ±10%
R965,966	247 0018 905	Carbon chip 0ohm 1/10W ±10%	247 0006 962	Carbon chip 470ohm 1/10W ±5%	247 0018 905	Carbon chip 0ohm 1/10W ±10%
R969,970	247 0018 905	Carbon chip 0ohm 1/10W ±10%	247 0006 962	Carbon chip 470ohm 1/10W ±5%	247 0018 905	Carbon chip 0ohm 1/10W ±10%
C311,312	257 0011 996	Ceramic chip 0.1μF/25V ±10%	257 0008 983	Ceramic chip 1000pF/50V ±10%	257 0008 983	Ceramic chip 1000pF/50V ±10%
C314	257 0011 996	Ceramic chip 0.1μF/25V ±10%	257 0008 983	Ceramic chip 1000pF/50V ±10%	257 0008 983	Ceramic chip 1000pF/50V ±10%
C321	254 4313 947	Electrolytic 4.7μF/50V ±20% (ASF)	254 4356 917	Electrolytic 4.7μF/50V ±20% (ARS)	254 4356 917	Electrolytic 4.7μF/50V ±20% (ARS)
C324	254 4313 947	Electrolytic 4.7μF/50V ±20% (ASF)	254 4356 917	Electrolytic 4.7μF/50V ±20% (ARS)	254 4356 917	Electrolytic 4.7μF/50V ±20% (ARS)
C327	254 4313 947	Electrolytic 4.7μF/50V ±20% (ASF)	254 4356 917	Electrolytic 4.7μF/50V ±20% (ARS)	254 4356 917	Electrolytic 4.7μF/50V ±20% (ARS)
C330	254 4313 947	Electrolytic 4.7μF/50V ±20% (ASF)	254 4356 917	Electrolytic 4.7μF/50V ±20% (ARS)	254 4356 917	Electrolytic 4.7μF/50V ±20% (ARS)
C333	254 4313 947	Electrolytic 4.7μF/50V ±20% (ASF)	254 4356 917	Electrolytic 4.7μF/50V ±20% (ARS)	254 4356 917	Electrolytic 4.7μF/50V ±20% (ARS)
C335-339	254 4313 947	Electrolytic 4.7μF/50V ±20% (ASF)	254 4356 917	Electrolytic 4.7μF/50V ±20% (ARS)	254 4356 917	Electrolytic 4.7μF/50V ±20% (ARS)
C340,341	255 1265 936	Mylar film 0.01μF/50V ±5%	255 4235 934	Polypropylene film 0.01μF/100V ±5% (NH)	255 4235 934	Polypropylene film 0.01μF/100V ±5% (NH)
C344,345	254 4313 918	Electrolytic 10μF/50V ±20% (ASF)	254 4356 904	Electrolytic 10μF/50V ±20% (ARS)	254 4356 904	Electrolytic 10μF/50V ±20% (ARS)
C348,349	254 4313 918	Electrolytic 10μF/50V ±20% (ASF)	254 4356 904	Electrolytic 10μF/50V ±20% (ARS)	254 4356 904	Electrolytic 10μF/50V ±20% (ARS)
C367	254 4313 918	Electrolytic 10μF/50V ±20% (ASF)	254 4356 904	Electrolytic 10μF/50V ±20% (ARS)	254 4356 904	Electrolytic 10μF/50V ±20% (ARS)
C821,822	—	—	257 0004 961	Ceramic chip 100pF/50V ±5%	—	—
C823,824	—	—	254 4313 918	Electrolytic 10μF/50V ±20% (ASF)	254 4313 918	Electrolytic 10μF/50V ±20% (ASF)
C827-830	—	—	254 4313 918	Electrolytic 10μF/50V ±20% (ASF)	254 4313 918	Electrolytic 10μF/50V ±20% (ASF)
C901,902	—	—	257 0005 986	Ceramic chip 330pF/50V ±5%	257 0005 986	Ceramic chip 330pF/50V ±5%
C921,922	—	—	257 0005 986	Ceramic chip 330pF/50V ±5%	257 0005 986	Ceramic chip 330pF/50V ±5%

# EXPLODED VIEW

1 2 3 4 5 6 7 8

**WARNING:**  
Parts marked with this symbol  have critical characteristics.  
Use ONLY replacement parts recommended by the manufacturer.

A  
B  
C  
D  
E





## PARTS LIST OF EXPLODED VIEW

(As to detail of the parts entered as "Note", refer to Addendum Parts List.)

Ref. No.	Part No.	Part Name	Remarks	Q'ty	Ref. No.	Part No.	Part Name	Remarks	Q'ty	Ref. No.	Part No.	Part Name	Remarks	Q'ty	Ref. No.	Part No.	Part Name	Remarks	Q'ty
1	Note	Audio in&SP unit Ass'y		1	26	254 6214 002	Electrolytic 33000 $\mu$ F/71V	CE68W=333M(DL)	2	79	445 0055 012	Clamp		1	★ 131	209 0325 007	Short pin		2
1-1	Note	Audio in unit			27	276 0698 006	Diode RBV-1506	D751	1	80	445 0048 016	Cord holder	L=50	2	<b>SCREWS &amp; NUTS</b>				
1-2	Note	SP unit-1			28	417 0570 107	Power radiator (L)		1	81	445 0048 003	Cord holder	L=76	Note	151	470 0009 022	Screw 3X6 CPS (SW.W) ZNP		8
1-3	Note	SP unit-2			29	417 0576 101	Power radiator (R)		1	△ 82	Note	Fuse	F15,16	2	152	Note	Special screw		9
1-4	Note	H/P unit			30	412 4475 009	Radiator bracket (A)		1	△ 83	Note	Fuse	F11,12	2	153	473 7002 005	Screw 3X6 CBTS(S)-Z		3
1-5	Note	Multi IR unit			31	412 4475 012	Radiator bracket (A)		1	△ 84	Note	Fuse	F13,14	2	154	473 7002 018	Screw 3X8 CBTS(S)-Z		62
2	Note	Video&FLD unit Ass'y		1	32	421 0749 005	Fan(80X80)24V		2	△ 85	Note	Fuse	F2	1	155	473 7002 021	Screw 3X8 CBTS(S)-B		2
2-1	Note	S-video unit			33	412 4476 105	Radiator bracket (B)		2	△ 86	Note	Fuse	F8	1	156	473 7003 017	Screw 3X8 CFTS (S)-B		7
2-2	Note	C-video unit			34	412 4477 007	Side plate		4	△ 87	Note	AC outlet		1	157	473 7005 002	Screw 3X10 CBTS(S)-Z		26
2-3	Note	FLD unit			35	271 0296 005	Transistor MP1715		5	88	Note	Card spacer (L=12)		1	158	473 7007 000	Screw 4X8 CBTS(S)-B		13
2-4	Note	Master volume unit			36	273 0452 007	Transistor MN1715		5	89	441 1906 003	Spacer		1	159	473 7015 018	Screw 3X8 CBTS(S)-B		Note
3	Note	Tuner&amp; unit Ass'y		1	37	412 3225 205	P.W.B.bracket(A)		1	90	441 1905 004	Spacer		1	160	473 7500 002	Screw 3X6 CBTS(P)-Z		1
3-1	Note	Tuner unit			38	412 4248 003	P.W.B.bracket(D)		1	91	Note	Shield plate (A)		1	161	473 7500 015	Screw 3X8 CBTS(P)-Z		26
3-2	Note	Amp. unit			39	417 0580 003	CU plate		1	92	Note	Shield plate (B)		1	162	473 7505 007	Screw 2.6X8 CBTS(P)-Z		4
3-3	Note	Pre regulator unit			40	415 9016 022	P.C.B.Holder		1	93	Note	Support bracket		1	163	473 7514 001	Special screw		1
4	Note	Main&regulator unit Ass'y		1	41	Note	Back panel		1	★ 94	204 6350 000	11P KR-KR ribbon 70	CN111	1	164	473 8007 009	Cup screw 3X12		1
4-1	Note	Main unit			△ 42	203 3970 008	AC inlet		1	★ 95	204 2546 041	8P KR-KR ribbon 125	CN081	1	165	473 8007 067	Cup screw 3X18		20
4-2	Note	Digital regulator unit			★ 43	445 8004 007	Wire clasper		18	★ 96	204 0378 059	6P KR-KR ribbon 150	CN068	1	166	475 1003 019	3W		2
4-3	Note	Connect unit			44	412 4478 200	Support bracket		1	★ 97	203 6386 013	4P KR-KR ribbon 300	CN042	1	167	477 0018 014	Washer (P-87)		1
5	Note	Rectifier&primary unit Ass'y		1	45	412 4479 005	P.W.B.support		1	★ 98	203 4871 070	3P KR-KR ribbon 200	CN932	1	168	477 0064 107	Fixing screw		43
5-1	Note	Rectifier unit			46	205 0071 016	Terminal Ass'y		1	★ 99	203 6386 084	4P KR-KR ribbon 475	CN041	1	169	473 8007 025	Cup screw 3X8		1
5-2	Note	Primary unit			47	105 1306 008	Bottom cover		1	★ 100	204 0379 032	6P KR-KR ribbon 350	CN064	1	170	477 0231 024	4W(S)		5
5-3	Note	Component unit			48	146 2088 012	Foot Ass'y		4	★ 101	204 6626 006	12P PH-PH connector cord	CN124	1	171	473 7015 005	Screw 3X6 CBTS(S)-B		17
6	1U-3173	DSP unit Ass'y		1	49	105 1309 102	D/A cover		1	★ 102	204 6623 012	13P PH-PH connector cord	CN137	1	<b>PACKING &amp; ACCESSORIES (Not included EXPLODED VIEW.)</b>				
6-1	1U-3173-1	DSP unit			50	Note	Front panel Ass'y		1	★ 103	203 8341 014	5P KR-KR ribbon 80	CN054	1	201	504 0092 060	Stylen paper	for AC cord	1
7	1U-3178	Tone preout unit Ass'y		1	51	341 0049 001	Catcher		1	★ 104	203 4872 011	3P KR-KR ribbon 300	CN037	1	202	Note	Stylen paper		1
7-1	1U-3178 -1	Tone preout unit			52	421 0750 007	Mini damper		1	★ 105	204 0379 058	6P KR-KR ribbon 400	CN069	1	203	Note	Cabinet sheet		1
7-2	1U-3178-2	Tact switch unit			53	Note	Door		1	★ 106	203 8342 013	5P KR-KR ribbon 300	CN052	1	204	505 9102 019	Poly. cover		1
7-3	1U-3178-3	Remocon unit			54	Note	Hinge (L)		1	★ 107	204 2548 007	8P KR-KR ribbon 550	CN084	1	205	503 1316 205	Cushion Ass'y		1
7-4	1U-3178-4	Power switch unit			55	Note	Hinge (R)		1	★ 108	203 8341 043	5P KR-KR ribbon 125	CN055	1	206	505 8006 019	Envelope		1
7-5	1U-3178-5	Signal unit			56	441 1900 009	Plate		1	★ 109	204 0542 005	6P PH-PH connector cord	CN063	1	207	Note	Instruction manual (E3)		1
8	Note	External in,VR&D/A unit Ass'y		1	57	Note	FLD frame Ass'y		1	★ 110	204 2546 041	8P KR-KR ribbon 125	CN085	1	208	Note	Instruction manual (EC)		1
8-1	Note	External in,volume unit			58	412 4177 006	Volume bracket		1	★ 111	204 6627 005	11P PH-PH connector cord	CN113	1	209	Note	Instruction manual (E2)		1
8-2	Note	D/A unit			59	009 0166 006	29P FFC cable		1	★ 112	204 6621 001	14P PH-PH connector cord	CN143	1	210	Note	Instruction manual (E1/E3T)		1
8-3	Note	Coaxial unit			60	—	9 Nut		4	★ 113	204 0378 033	6P KR-KR ribbon 100	CN065	1	211	Note	S.S. list (EX)		1
9	411 1398 005	Front chassis		1	61	415 0820 000	Insulating sheet (F)		1	★ 114	001 0202 063	Vinyl wire	WHT,L=460	1	212	Note	AC cord		1
10	412 4473 001	Headphone bracket		1	62	412 4482 102	Trans bracket		1	★ 115	001 0202 076	Vinyl wire	YEL,L=460	1	213	399 0527 001	Remote control unit		1
11	412 2741 007	P.W.B.holder (H=8)		Note	△ 63	Note	Power trans.		1	★ 116	203 2374 087	2P VA-VA cable	CN021	1	214	Note	Loop antenna		1
12	273 0389 031	Transistor 2SC3855 LB(O/P/Y)(Z)	TR928	1	64	462 0089 025	Bush		1	★ 117	203 5213 006	3C cord Ass'y		1	215	Note	FM antenna Ass'y		1
13	271 0240 035	Transistor 2SA1491 LB(O/P/Y)(Z)	TR927	1	65	445 0100 006	Edging (EDS-2323U)		Note	★ 118	Note	Vinyl wire		1	216	Note	FM antenna Ass'y		1
14	415 0234 007	Insulating sheet		3	66	Note	Shield plate		1	★ 119	Note	Vinyl wire		1	217	Note	Carton case		1
15	441 1793 009	Snap plate		1	68	Note	Top cover		1	★ 120	Note	Vinyl wire		1	218	Note	Spacer		2
16	445 0114 005	Wire clip		Note	69	461 0501 005	Rubber sheet		5	★ 121	Note	Fuse caution label		1	219	Note	UPC label		1
17	411 1397 006	Center chassis		1	70	Note	Knob Ass'y (M)		1	★ 122	Note	Fuse caution label		1	220	Note	E2 POS label		1
18	449 0114 010	Edging (CE-016)	20mm	2	71	Note	Power knob Ass'y		1	★ 123	Note	IC caution label		1	221	Note	DEL warranty home		1
19	449 0133 017	P.W.B.holder	H=10	6	72	Note	Knob Ass'y (F)		1	★ 124	Note	Dangerous mark		1	222	Note	Kolin label (T)		1
20	412 4501 009	P.W.B.bracket		1	73	Note	Knob Ass'y (MARU)		2	★ 125	513 1581 011	Serial no. sheet		1	223	Note	Color label (gold)		1
21	411 1399 101	Side chassis (L)		1	74	Note	Edging (EDS-1208U)		1	★ 126	Note	Rating label		1	224	513 1389 006	Control card		1
22	411 1400 003	Side chassis (R)		1	75	449 0122 060	Edging (CE-012)	L=265	1	★ 127	513 3284 002	License label		1					
23	412 2814 028	Card spacer (L=10)		13	76	449 0122 073	Edging (CE-012)	L=213	2	★ 128	Note	CE label		1					
24	409 0052 019	Holder (A)		2	77	461 0639 016	Rubber sheet		1	★ 129	Note	C-TICK label		1					
25	412 4474 000	P.W.B.bracket		1	78	342 0030 000	Ferrite core		1	★ 130	Note	Caution label		1					

### ADDENDUM PARTS LIST OF EXPLODED VIEW

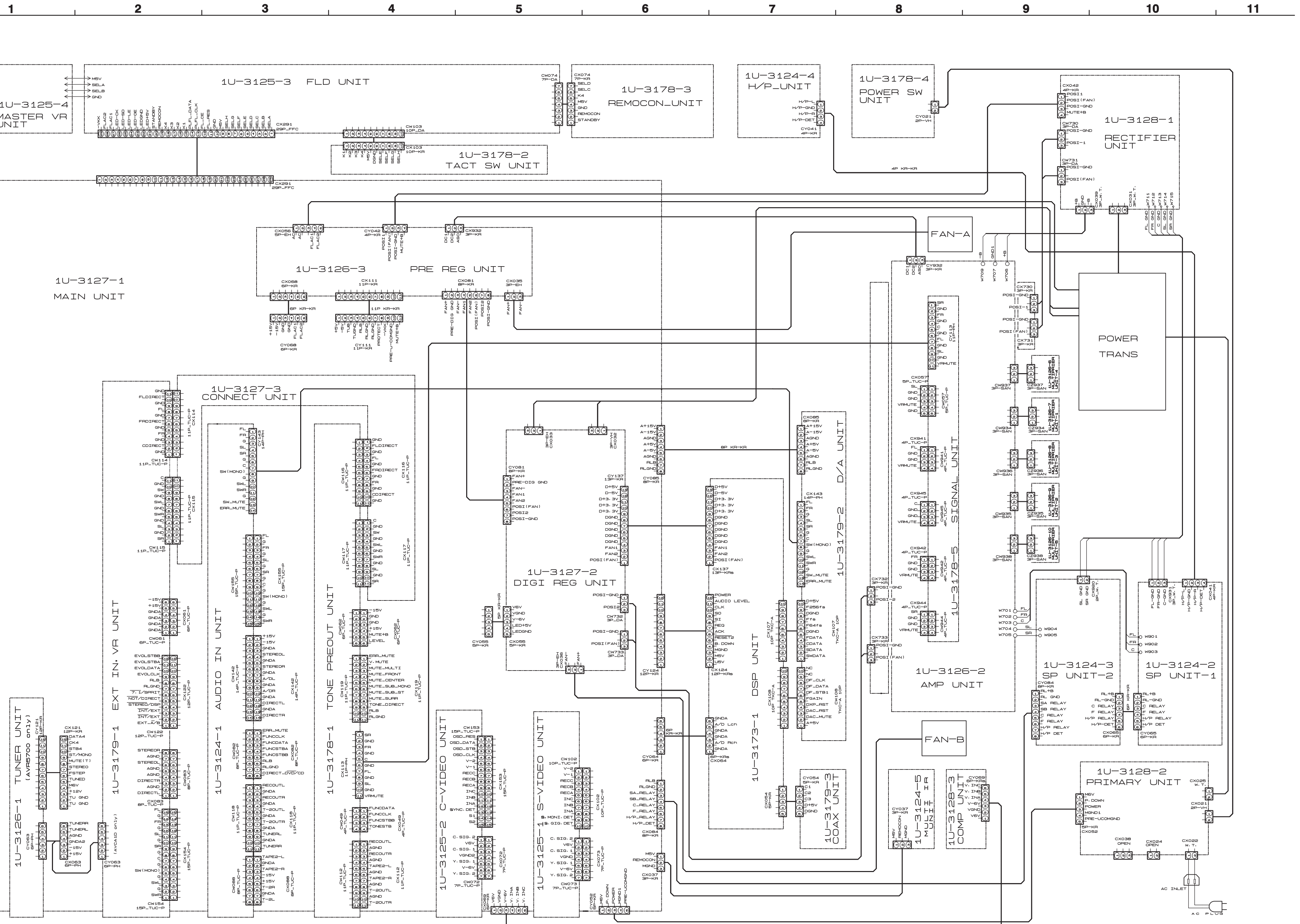
Ref. No.	Part Name	U.S.A. /Canada Black Model (AVR-5700)		Europe Black Model (AVC-A1D)		Europe Gold Model (AVC-A1D)		Asia Gold Model (AVC-A1D)		Taiwan R.O.C. Gold Model (AVC-A1D)	
		Part No.	Q'ty	Part No.	Q'ty	Part No.	Q'ty	Part No.	Q'ty	Part No.	Q'ty
1	Audio in&SP unit Ass'y	1U-3124A		1U-3124B		1U-3124B		1U-3124B		1U-3124	
1-1	Audio in unit	1U-3124A-1		1U-3124B-1		1U-3124B-1		1U-3124B-1		1U-3124-1	
1-2	SP unit-1	1U-3124A-2		1U-3124B-2		1U-3124B-2		1U-3124B-2		1U-3124-2	
1-3	SP unit-2	1U-3124A-3		1U-3124B-3		1U-3124B-3		1U-3124B-3		1U-3124-3	
1-4	H/P unit	1U-3124A-4		1U-3124B-4		1U-3124B-4		1U-3124B-4		1U-3124-4	
1-5	Multi IR unit	1U-3124A-5		1U-3124B-5		1U-3124B-5		1U-3124B-5		1U-3124-5	
2	Video&FLD unit Ass'y	1U-3125A		1U-3125		1U-3125		1U-3125		1U-3125	
2-1	S-video unit	1U-3125A-1		1U-3125-1		1U-3125-1		1U-3125-1		1U-3125-1	
2-2	C-video unit	1U-3125A-2		1U-3125-2		1U-3125-2		1U-3125-2		1U-3125-2	
2-3	FLD unit	1U-3125A-3		1U-3125-3		1U-3125-3		1U-3125-3		1U-3125-3	
2-4	Master volume unit	1U-3125A-4		1U-3125-4		1U-3125-4		1U-3125-4		1U-3125-4	
3	Tuner&amp. unit Ass'y	1U-3126A		1U-3126B		1U-3126B		1U-3126B		1U-3126D	
3-1	Tuner unit	1U-3126A-1		—		—		—		—	
3-2	Amp. unit	1U-3126A-2		1U-3126B-2		1U-3126B-2		1U-3126B-2		1U-3126D-2	
3-3	Pre regulator unit	1U-3126A-3		1U-3126B-3		1U-3126B-3		1U-3126B-3		1U-3126D-3	
4	Main&regulator unit Ass'y	1U-3127A		1U-3127B		1U-3127B		1U-3127B		1U-3127D	
4-1	Main unit	1U-3127A-1		1U-3127B-1		1U-3127B-1		1U-3127B-1		1U-3127D-1	
4-2	Digital regulator unit	1U-3127A-2		1U-3127B-2		1U-3127B-2		1U-3127B-2		1U-3127D-2	
4-3	Connect unit	1U-3127A-3		1U-3127B-3		1U-3127B-3		1U-3127B-3		1U-3127D-3	
5	Rectifier&primary unit Ass'y	1U-3128A		1U-3128B		1U-3128B		1U-3128B		1U-3128D	
5-1	Rectifier unit	1U-3128A-1		1U-3128B-1		1U-3128B-1		1U-3128B-1		1U-3128D-1	
5-2	Primary unit	1U-3128A-2		1U-3128B-2		1U-3128B-2		1U-3128B-2		1U-3128D-2	
5-3	Component unit	1U-3128A-3		1U-3128B-3		1U-3128B-3		1U-3128B-3		1U-3128D-3	
8	External in,VR&D/A unit Ass'y	1U-3179A		1U-3179B		1U-3179B		1U-3179B		1U-3179	
8-1	External in,volume unit	1U-3179A-1		1U-3179B-1		1U-3179B-1		1U-3179B-1		1U-3179-1	
8-2	D/A unit	1U-3179A-2		1U-3179B-2		1U-3179B-2		1U-3179B-2		1U-3179-2	
8-3	Coaxial unit	1U-3179A-3		1U-3179B-3		1U-3179B-3		1U-3179B-3		1U-3179-3	
11	P.W.B.holder (H=8)	412 2741 007	5	412 2741 007	4	412 2741 007	4	412 2741 007	4	412 2741 007	4
16	Wire clip	445 0114 005	5	445 0114 005	1	445 0114 005	1	445 0114 005	1	445 0114 005	1
41	Back panel	105 1299 212		105 1299 225		105 1299 225		105 1299 225		105 1299 238	
50	Front panel Ass'y	144 2645 213		144 2645 213		144 2645 200		144 2645 200		144 2645 200	
53	Door	144 2649 015		144 2649 028		144 2649 002		144 2649 002		144 2649 002	
54	Hinge (L)	401 0184 213		401 0184 213		401 0184 200		401 0184 200		401 0184 200	
55	Hinge (R)	401 0185 212		401 0185 212		401 0185 209		401 0185 209		401 0185 209	
57	FLD frame Ass'y	146 2122 211		146 2122 211		146 2122 208		146 2122 208		146 2122 208	
⚠	63 Power trans.	233 6290 003		233 6291 002		233 6291 002		233 6291 002		233 6290 003	
	65 Edging (EDS-2323U)	445 0100 006	1	445 0100 006	2	445 0100 006	2	445 0100 006	2	445 0100 006	2
	66 Shield plate	—		414 0873 106		414 0873 106		414 0873 106		414 0873 106	
	68 Top cover	102 0576 254		102 0576 254		102 0576 241		102 0576 241		102 0576 241	
	70 Knob Ass'y (M)	112 0828 019		112 0828 019		112 0828 006		112 0828 006		112 0828 006	
	71 Power knob Ass'y	113 1792 008		113 1792 008		113 1792 011		113 1792 011		113 1792 011	
	72 Knob Ass'y (F)	112 0773 106		112 0773 106		112 0773 119		112 0773 119		112 0773 119	
	73 Knob Ass'y (MARU)	112 0787 037		112 0787 037		112 0787 024		112 0787 024		112 0787 024	
	74 Edging (EDS-1208U)	—		445 0099 007		445 0099 007		445 0099 007		445 0099 007	
	81 Cord holder L=76	445 0048 003	2	445 0048 003	1	445 0048 003	1	445 0048 003	1	445 0048 003	1
⚠	82 Fuse 3.15A (F15,16)	206 1039 089		206 1015 074		206 1015 074		206 1015 074		206 1039 089	
⚠	83 Fuse 3.15A (F11,12)	206 1039 089		206 1015 074		206 1015 074		206 1015 074		206 1039 089	
⚠	84 Fuse 2.0A T (F13,14)	206 1039 063		—		—		—		206 1039 063	
⚠	84 Fuse 2A (F13,14)	—		206 1015 061		206 1015 061		206 1015 061		—	

Ref. No.	Part Name	U.S.A. /Canada Black Model (AVR-5700)		Europe Black Model (AVC-A1D)		Europe Gold Model (AVC-A1D)		Asia Gold Model (AVC-A1D)		Taiwan R.O.C. Gold Model (AVC-A1D)	
		Part No.	Q'ty	Part No.	Q'ty	Part No.	Q'ty	Part No.	Q'ty	Part No.	Q'ty
△ 85	Fuse 12A (F2)	206 1051 009		—		—		—		206 1051 009	
85	Fuse (F2)	—		—		—		—		—	
△ 86	Fuse 8A (F8)	206 1046 014		—		—		—		206 1046 014	
△ 86	Fuse 2.5A (F8)	—		206 1015 032		206 1015 032		206 1015 032		—	
△ 87	AC outlet E1/E2—p	—		—		—		—		—	
88	Card spacer (L=12)	—		412 2814 057		412 2814 057		412 2814 057		—	
91	Shield plate (A)	414 0878 004		—		—		—		—	
92	Shield plate (B)	414 0879 003		—		—		—		—	
93	Support bracket	412 4478 213		412 4478 200		412 4478 200		412 4478 200		412 4478 200	
118	Vinyl wire	—		001 0197 000		001 0197 000		001 0197 000		001 0197 000	
119	Vinyl wire	—		001 0197 068		001 0197 068		001 0197 068		001 0197 068	
120	Vinyl wire	—		001 0197 071		001 0197 071		001 0197 071		001 0197 071	
121	Fuse caution label	513 3298 001		—		—		—		—	
122	Fuse caution label	513 3299 000		—		—		—		—	
123	IC caution label	513 2645 024		—		—		—		—	
124	Dangerous mark	513 8266 009		—		—		—		—	
126	Rating label	513 3283 003		513 3285 001		513 3285 001		513 3285 001		513 3251 019	
128	CE label	—		513 2521 009		513 2521 009		—		—	
129	C-TICK label	—		513 3253 004		513 3253 004		—		—	
130	Caution label	513 3286 000		—		—		—		513 2482 009	
<b>SCREWS &amp; NUTS</b>											
152	Special screw	477 0263 005		477 0263 005		471 9043 008		471 9043 008		471 9043 008	
159	Screw 3×8 CBTS(S)-B	473 7015 018	29	473 7015 018	46	473 7015 018	46	473 7015 018	46	473 7015 018	46
171	Screw 3×6 CBTS(S)-B	473 7015 005		—		—		—		—	
<b>PACKING &amp; ACCESSORIES (Not included EXPLODED VIEW.)</b>											
202	Stylen paper	504 9102 029		—		—		—		—	
203	Cabinet sheet	—		504 0055 007		504 0055 007		504 0055 007		504 0055 007	
207	Instruction manual (E3)	511 3418 005		—		—		—		—	
208	Instruction manual (EC)	511 3439 000		—		—		—		—	
209	Instruction manual (E2)	—		511 3425 001		511 3425 001		—		—	
210	Instruction manual (E1/E3T)	—		—		—		511 3426 000		511 3426 000	
211	S.S. list (EX)	515 0671 708		515 0805 202		515 0805 202		515 0805 202		515 0805 202	
212	AC cord	206 2157 009		206 2154 002		206 2154 002		206 2148 005		206 2157 009	
214	Loop antenna	231 0922 009		—		—		—		—	
215	FM antenna Ass'y	395 0019 009		—		—		—		—	
216	FM antenna adapter	529 0079 008		—		—		—		—	
217	Carton case	501 2024 011		501 2024 024		501 2024 024		501 2024 037		501 2024 024	
218	Spacer	501 2042 006		501 2042 006		501 2042 006		501 2042 019		501 2042 006	
219	UPC label	517 1376 008		—		—		—		—	
220	E2 POS label	—		517 1394 019		517 1394 019		—		—	
221	DEL warranty home	515 0690 307		—		—		—		—	
222	Kolin label (T)	—		—		—		—		513 3195 010	
223	Color label (gold)	—		—		513 9111 001		513 9111 001		513 9111 001	





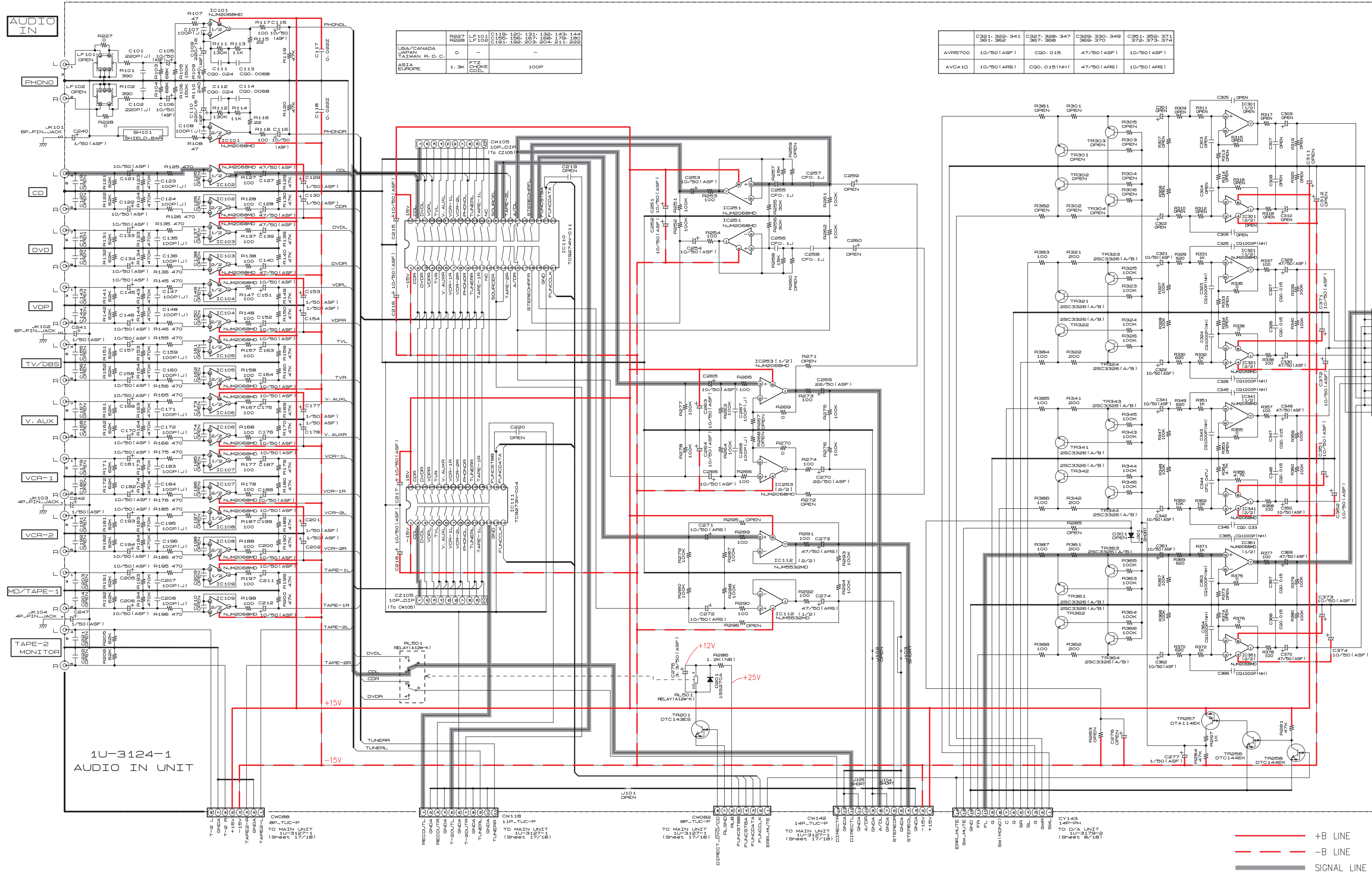
WIRING DIAGRAM





SCHEMATIC DIAGRAMS (1/18)

1 2 3 4 5 6 7 8 9 10 11



**NOTICE**  
 ALL RESISTANCE VALUES IN OHM. k=1,000 OHM M=1,000,000 OHM  
 ALL CAPACITANCE VALUES IN MICRO FARAD. P=MICRO-MICRO FARAD  
 EACH VOLTAGE AND CURRENT ARE MEASURED AT NO SIGNAL INPUT CONDITION.  
 CIRCUIT AND PARTS ARE SUBJECT TO CHANGE WITHOUT PRIOR NOTICE.

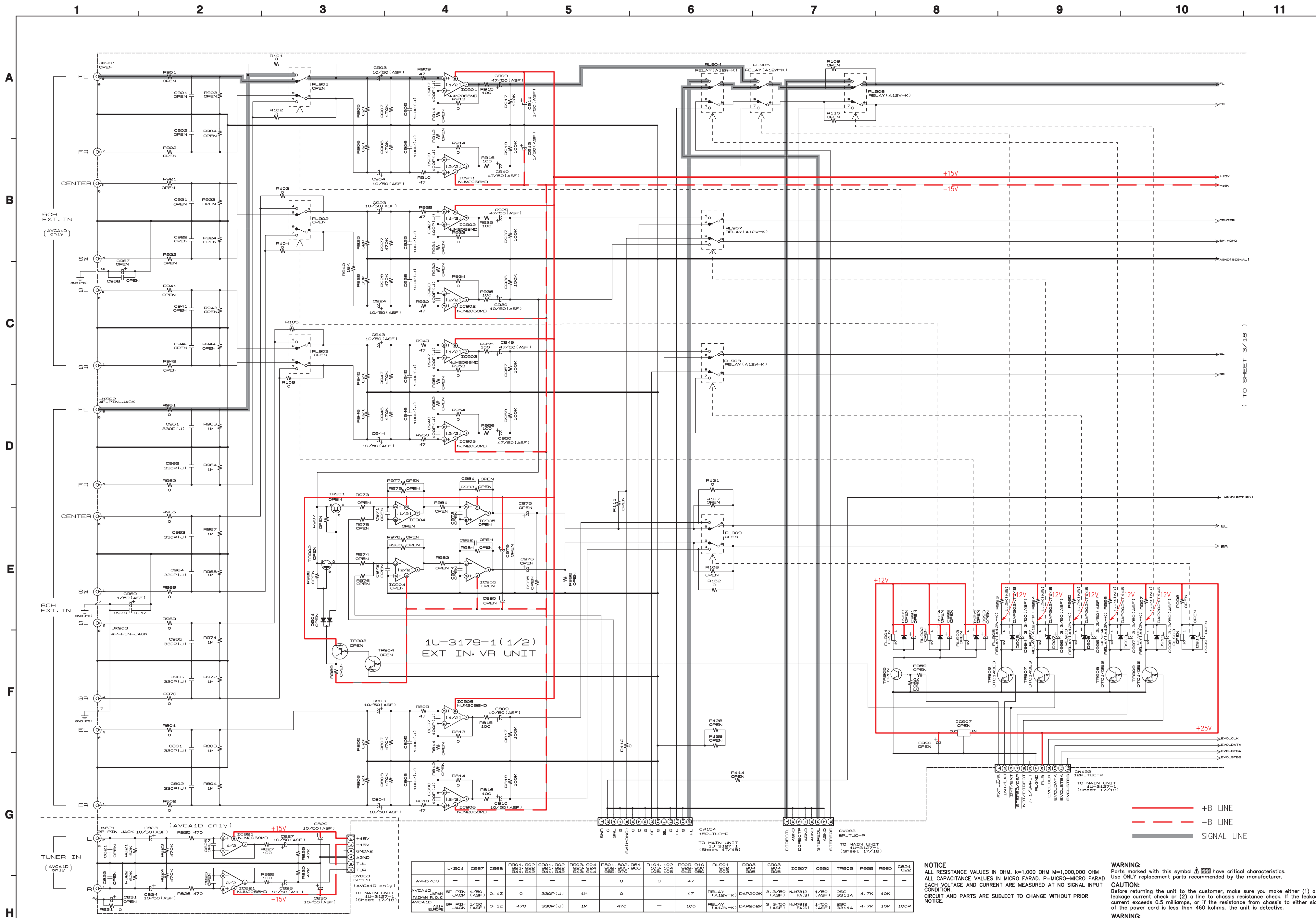
**WARNING:**  
 Parts marked with this symbol have special characteristics. Use ONLY replacement parts recommended by the manufacturer.

**CAUTION:**  
 Before returning the unit to the customer, make sure you make either (1) a leakage current check or (2) a line to chassis resistance check. If the leakage current exceeds 0.5 millamps, or if the resistance from chassis to either side of the power cord is less than 460 kohms, the unit is defective.

**WARNING:**  
 DO NOT return the unit to the customer until the problem is located and corrected.

SCHEMATIC DIAGRAMS (1/18)

SCHEMATIC DIAGRAMS (2/18)



AVC-A10	AVR-5700	AVC-A10 JAPAN	AVC-A10 EL
JK901	JK901	JK901	JK901
CP67	CP67	CP67	CP67
CP68	CP68	CP68	CP68
R901, R902	R901, R902	R901, R902	R901, R902
R903, R904	R903, R904	R903, R904	R903, R904
R905, R906	R905, R906	R905, R906	R905, R906
R907, R908	R907, R908	R907, R908	R907, R908
R909, R910	R909, R910	R909, R910	R909, R910
R911, R912	R911, R912	R911, R912	R911, R912
R913, R914	R913, R914	R913, R914	R913, R914
R915, R916	R915, R916	R915, R916	R915, R916
R917, R918	R917, R918	R917, R918	R917, R918
R919, R920	R919, R920	R919, R920	R919, R920
R921, R922	R921, R922	R921, R922	R921, R922
R923, R924	R923, R924	R923, R924	R923, R924
R925, R926	R925, R926	R925, R926	R925, R926
R927, R928	R927, R928	R927, R928	R927, R928
R929, R930	R929, R930	R929, R930	R929, R930
R931, R932	R931, R932	R931, R932	R931, R932
R933, R934	R933, R934	R933, R934	R933, R934
R935, R936	R935, R936	R935, R936	R935, R936
R937, R938	R937, R938	R937, R938	R937, R938
R939, R940	R939, R940	R939, R940	R939, R940
R941, R942	R941, R942	R941, R942	R941, R942
R943, R944	R943, R944	R943, R944	R943, R944
R945, R946	R945, R946	R945, R946	R945, R946
R947, R948	R947, R948	R947, R948	R947, R948
R949, R950	R949, R950	R949, R950	R949, R950
R951, R952	R951, R952	R951, R952	R951, R952
R953, R954	R953, R954	R953, R954	R953, R954
R955, R956	R955, R956	R955, R956	R955, R956
R957, R958	R957, R958	R957, R958	R957, R958
R959, R960	R959, R960	R959, R960	R959, R960
R961, R962	R961, R962	R961, R962	R961, R962
R963, R964	R963, R964	R963, R964	R963, R964
R965, R966	R965, R966	R965, R966	R965, R966
R967, R968	R967, R968	R967, R968	R967, R968
R969, R970	R969, R970	R969, R970	R969, R970
R971, R972	R971, R972	R971, R972	R971, R972
R973, R974	R973, R974	R973, R974	R973, R974
R975, R976	R975, R976	R975, R976	R975, R976
R977, R978	R977, R978	R977, R978	R977, R978
R979, R980	R979, R980	R979, R980	R979, R980
R981, R982	R981, R982	R981, R982	R981, R982
R983, R984	R983, R984	R983, R984	R983, R984
R985, R986	R985, R986	R985, R986	R985, R986
R987, R988	R987, R988	R987, R988	R987, R988
R989, R990	R989, R990	R989, R990	R989, R990
R991, R992	R991, R992	R991, R992	R991, R992
R993, R994	R993, R994	R993, R994	R993, R994
R995, R996	R995, R996	R995, R996	R995, R996
R997, R998	R997, R998	R997, R998	R997, R998
R999, R1000	R999, R1000	R999, R1000	R999, R1000

**NOTICE**  
 ALL RESISTANCE VALUES IN OHM. k=1,000 OHM M=1,000,000 OHM  
 ALL CAPACITANCE VALUES IN MICRO FARAD. P=MICRO-MICRO FARAD  
 EACH VOLTAGE AND CURRENT ARE MEASURED AT NO SIGNAL INPUT  
 CONDITION.  
 CIRCUIT AND PARTS ARE SUBJECT TO CHANGE WITHOUT PRIOR  
 NOTICE.

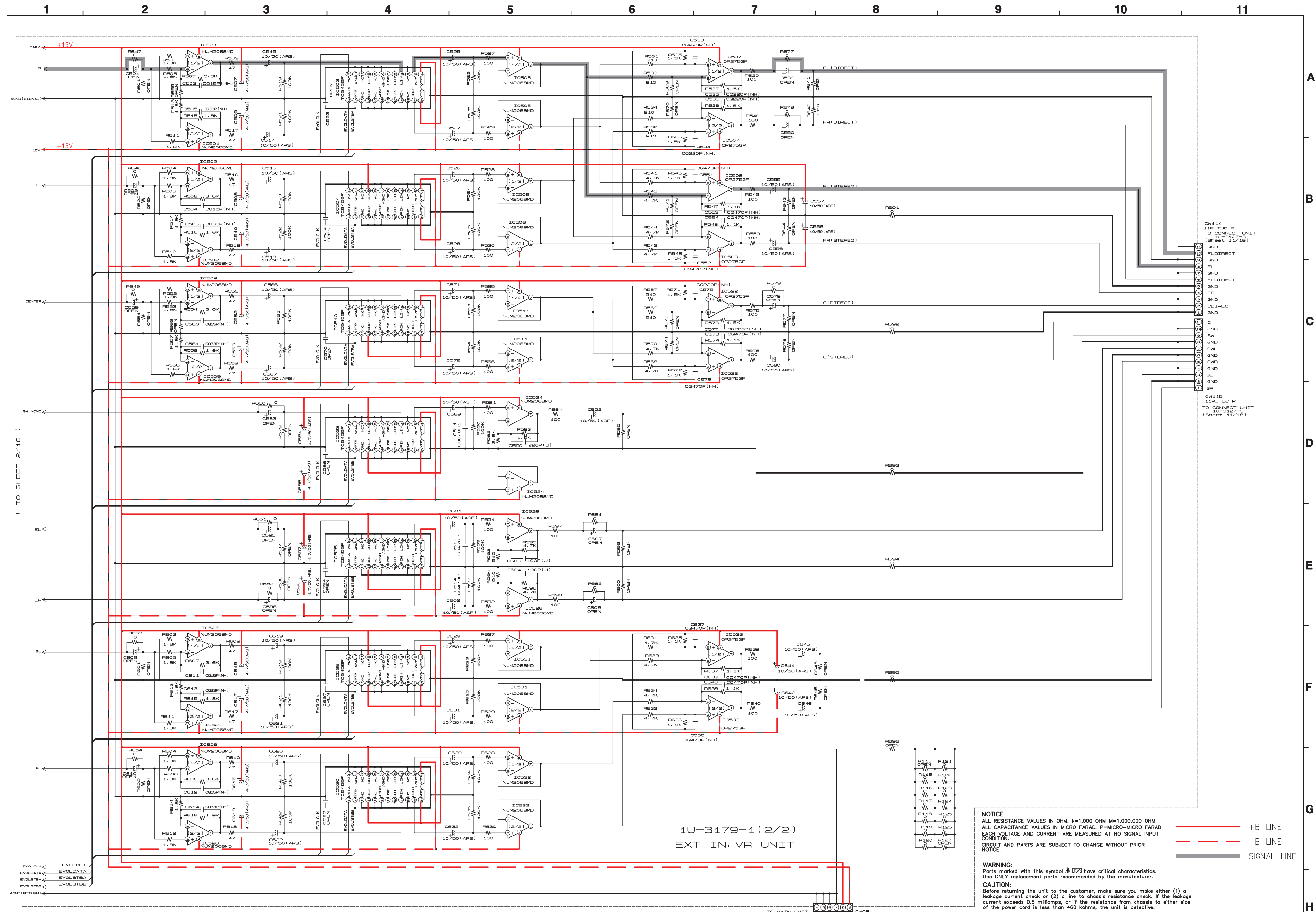
**WARNING:**  
 Parts marked with this symbol have critical characteristics.  
 Use ONLY replacement parts recommended by the manufacturer.

**CAUTION:**  
 Before returning the unit to the customer, make sure you make either (1) a  
 leakage current check or (2) a line to chassis resistance check. If the leakage  
 current exceeds 0.5 milliamps, or if the resistance from chassis to either side  
 of the power cord is less than 460 kohms, the unit is defective.

**WARNING:**  
 DO NOT return the unit to the customer until the problem is located and  
 corrected.



SCHEMATIC DIAGRAMS (3/18)



( TO SHEET 2/18 )

1U-3179-1 (2/2)  
EXT IN. VR UNIT

**NOTICE**  
ALL RESISTANCE VALUES IN OHM, K=1,000 OHM M=1,000,000 OHM  
ALL CAPACITANCE VALUES IN MICRO FARAD, P=MICRO-MICRO FARAD  
EACH VOLTAGE AND CURRENT ARE MEASURED AT NO SIGNAL INPUT  
CONDITION.  
CIRCUIT AND PARTS ARE SUBJECT TO CHANGE WITHOUT PRIOR  
NOTICE.

**WARNING:**  
Parts marked with this symbol have critical characteristics.  
Use ONLY replacement parts recommended by the manufacturer.

**CAUTION:**  
Before returning the unit to the customer, make sure you make either (1) a leakage current check or (2) a line to chassis resistance check. If the leakage current exceeds 0.5 milliamperes, or if the resistance from chassis to either side of the power cord is less than 460 kohms, the unit is defective.

**WARNING:**  
DO NOT return the unit to the customer until the problem is located and corrected.

— +B LINE  
- - - -B LINE  
— SIGNAL LINE

SCHEMATIC DIAGRAMS (3/18)









SCHEMATIC DIAGRAMS (6/18)

1 2 3 4 5 6 7 8 9 10 11

A

B

C

D

E

F

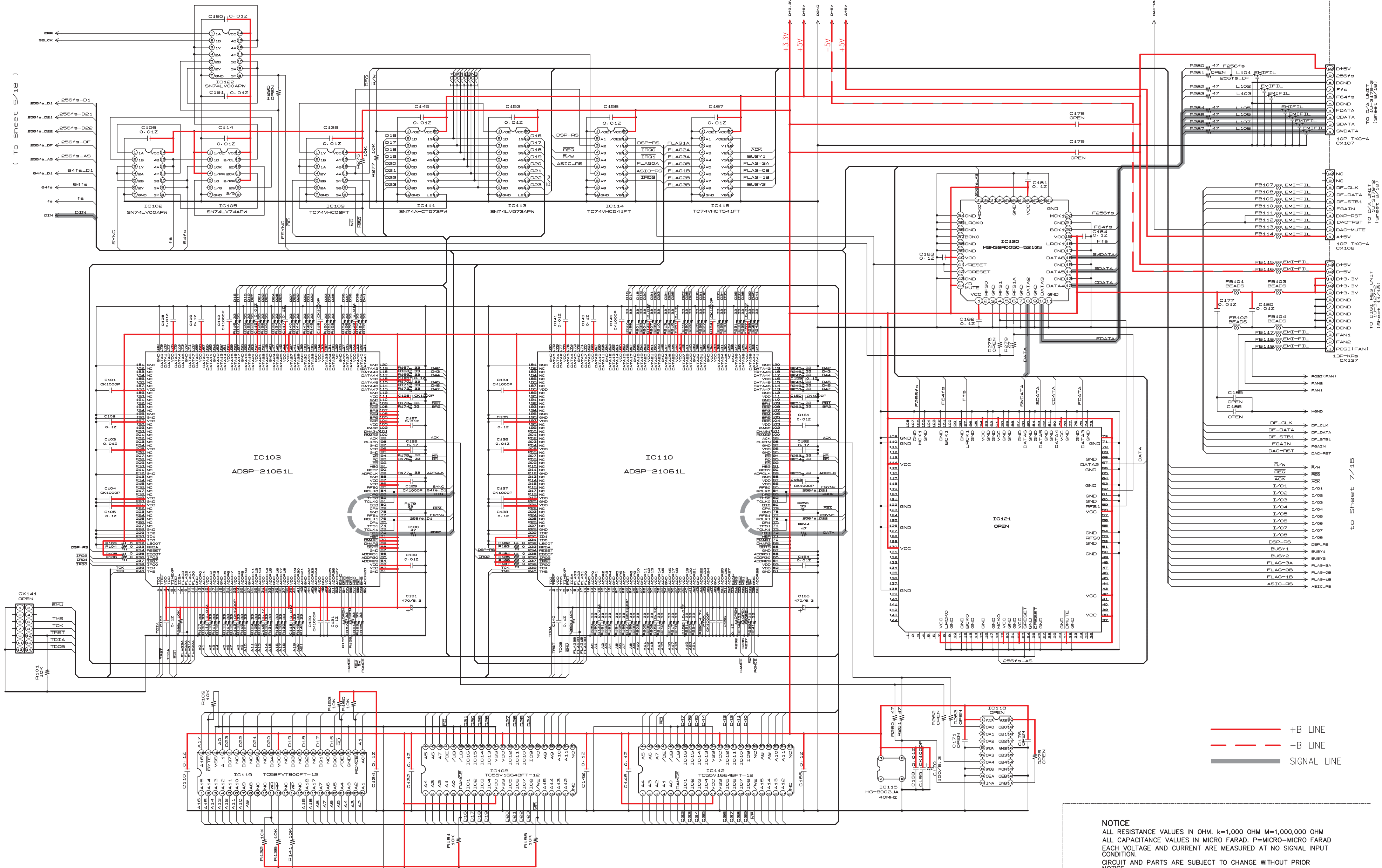
G

H

1U-3173-1 DSP UNIT (2/3)

( to Sheet 5/18 )

( To Sheet 5/18 )



**NOTICE**  
 ALL RESISTANCE VALUES IN OHM, k=1,000 OHM M=1,000,000 OHM  
 ALL CAPACITANCE VALUES IN MICRO FARAD, P=MICRO-MICRO FARAD  
 EACH VOLTAGE AND CURRENT ARE MEASURED AT NO SIGNAL INPUT  
 CONDITION.  
 CIRCUIT AND PARTS ARE SUBJECT TO CHANGE WITHOUT PRIOR  
 NOTICE.

**WARNING:**  
 Parts marked with this symbol  have critical characteristics.  
 Use ONLY replacement parts recommended by the manufacturer.

**CAUTION:**  
 Before returning the unit to the customer, make sure you make either (1) a  
 leakage current check or (2) a line to chassis resistance check. If the leakage  
 current exceeds 0.5 millamps, or if the resistance from chassis to either side  
 of the power cord is less than 460 kohms, the unit is defective.

**WARNING:**  
 DO NOT return the unit to the customer until the problem is located and  
 corrected.

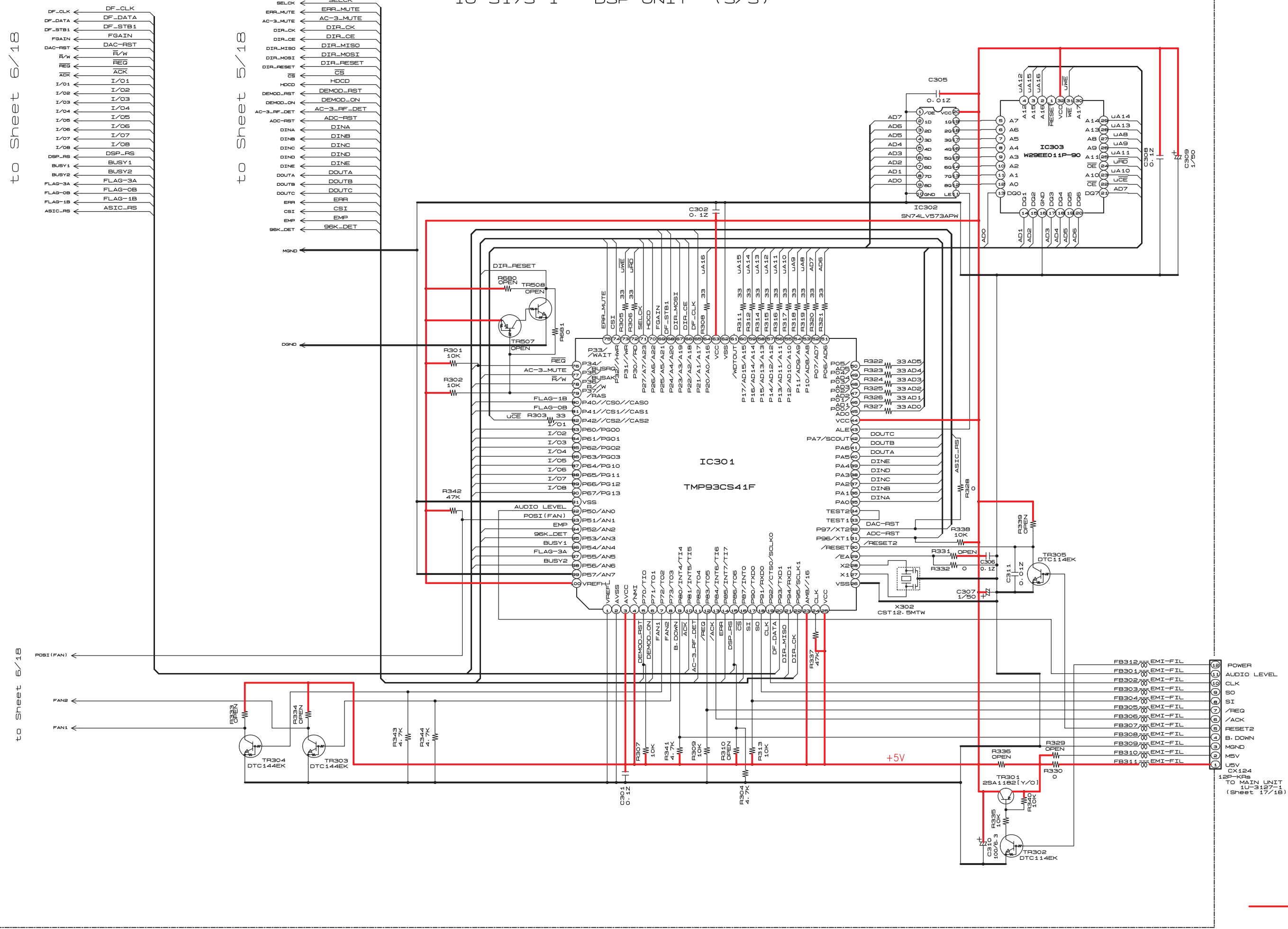
SCHEMATIC DIAGRAMS (7/18)

1 2 3 4 5 6 7 8 9 10 11


to Sheet 6/18

to Sheet 5/18

1U-3173-1 DSP UNIT (3/3)



**NOTICE**  
 ALL RESISTANCE VALUES IN OHM. k=1,000 OHM M=1,000,000 OHM  
 ALL CAPACITANCE VALUES IN MICRO FARAD. P=MICRO-MICRO FARAD  
 EACH VOLTAGE AND CURRENT ARE MEASURED AT NO SIGNAL INPUT  
 CONDITION.  
 CIRCUIT AND PARTS ARE SUBJECT TO CHANGE WITHOUT PRIOR  
 NOTICE.

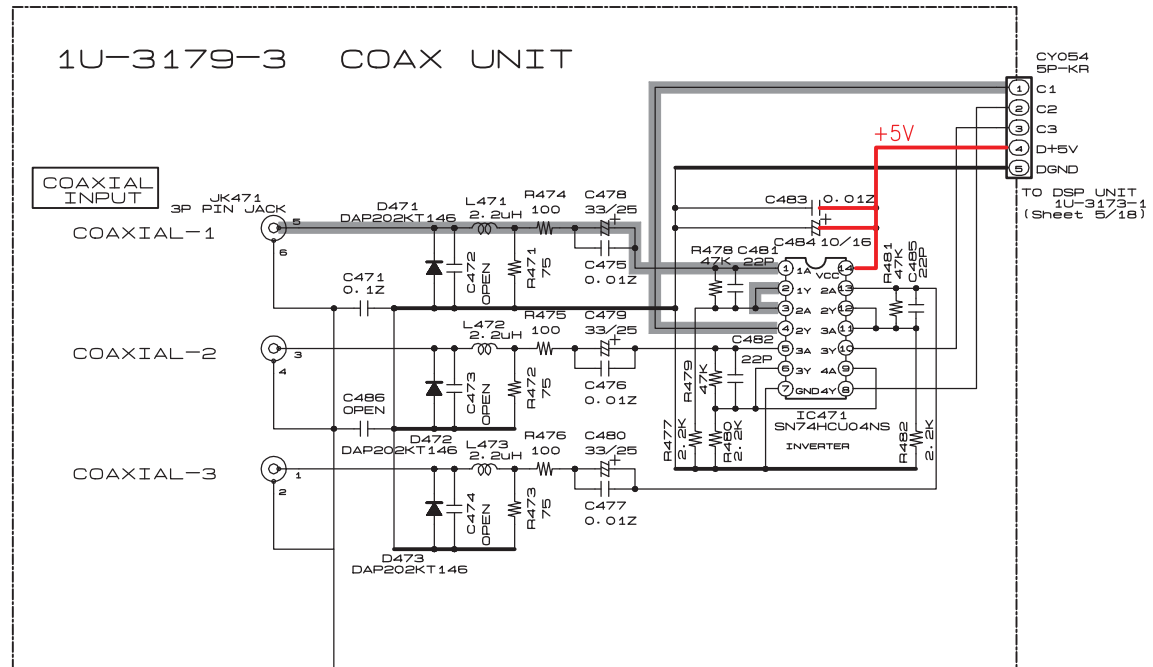
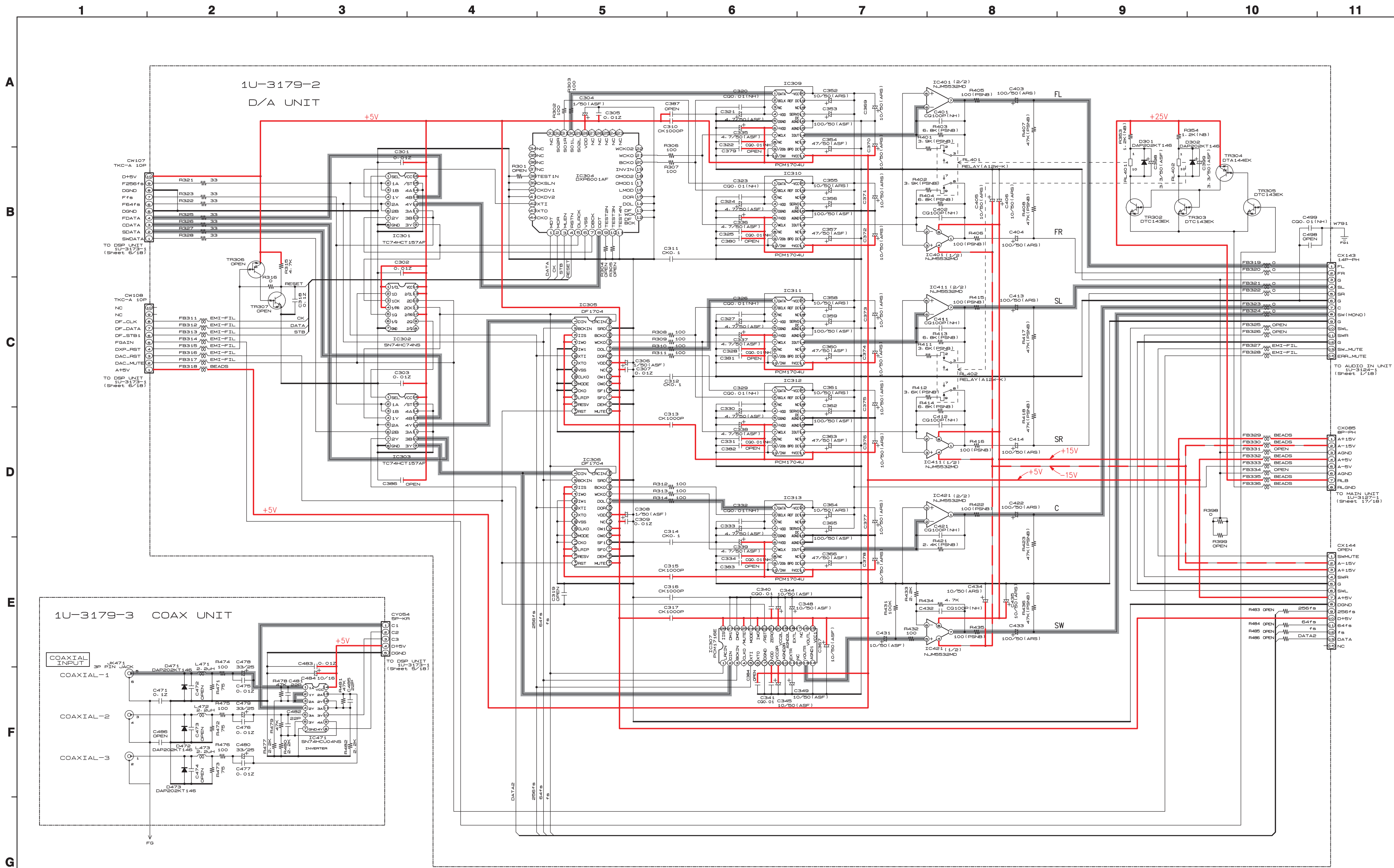
**WARNING:**  
 Parts marked with this symbol  have critical characteristics.  
 Use ONLY replacement parts recommended by the manufacturer.

**CAUTION:**  
 Before returning the unit to the customer, make sure you make either (1) a leakage current check or (2) a line to chassis resistance check. If the leakage current exceeds 0.5 millamps, or if the resistance from chassis to either side of the power cord is less than 460 kohms, the unit is defective.

**WARNING:**  
 DO NOT return the unit to the customer until the problem is located and corrected.



SCHEMATIC DIAGRAMS (8/18)



	C321, 324, 327, 330, 333, 335, 336, 337, 338, 339	C340, 341	C344, 345, 348, 349, 367	C311, 312, 314
AVR5700	4.7/50 (ASF)	CGO.01	10/50 (ASF)	CKO.1
AVCA1D	4.7/50 (ARS)	CGO.01 (NH)	10/50 (ARS)	CK1000P

**NOTICE**  
 ALL RESISTANCE VALUES IN OHM, k=1,000 OHM M=1,000,000 OHM  
 ALL CAPACITANCE VALUES IN MICRO FARAD, P=MICRO-MICRO FARAD  
 EACH VOLTAGE AND CURRENT ARE MEASURED AT NO SIGNAL INPUT  
 CONDITION.  
 CIRCUIT AND PARTS ARE SUBJECT TO CHANGE WITHOUT PRIOR  
 NOTICE.

**WARNING:**  
 Parts marked with this symbol have critical characteristics.  
 Use ONLY replacement parts recommended by the manufacturer.

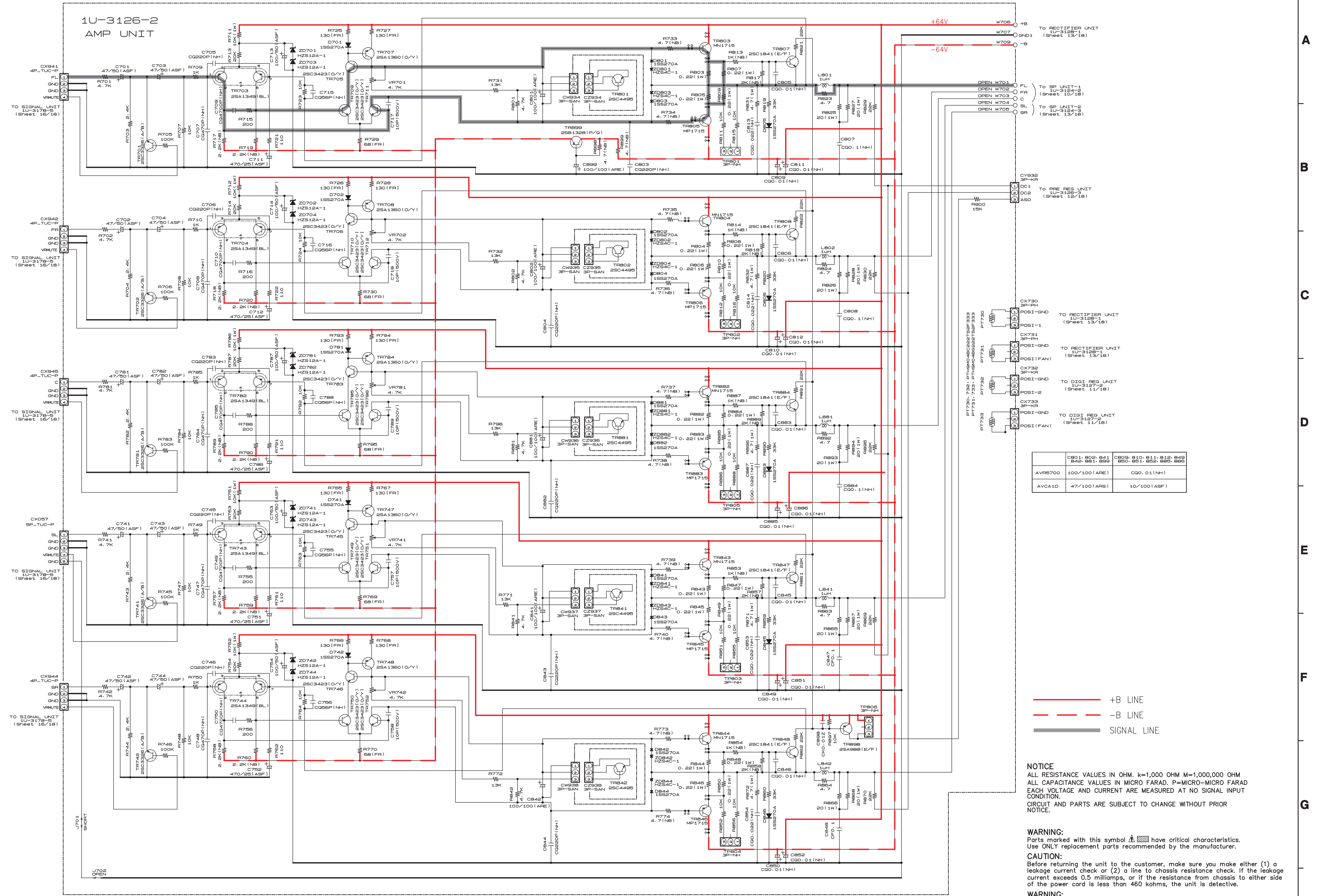
**CAUTION:**  
 Before returning the unit to the customer, make sure you make either (1) a leakage current check or (2) a line to chassis resistance check. If the leakage current exceeds 0.5 milliamperes, or if the resistance from chassis to either side of the power cord is less than 460 kohms, the unit is defective.

**WARNING:**  
 DO NOT return the unit to the customer until the problem is located and corrected.

— +B LINE  
 - - - -B LINE  
 — SIGNAL LINE

SCHEMATIC DIAGRAMS (9/18)

1 2 3 4 5 6 7 8 9 10 11



	CB01, B02, B41 B42, B61, B69	CB09, B10, B11, B12, B49 B50, B51, B52, B55, B65
AVR5700	100/100 (ARE)	CGO. 01 (NH)
AVCA1D	47/100 (ARB)	10/100 (ASPF)



SCHMATIC DIAGRAMS (10/18)

1 2 3 4 5 6 7 8 9 10 11

A

B

C

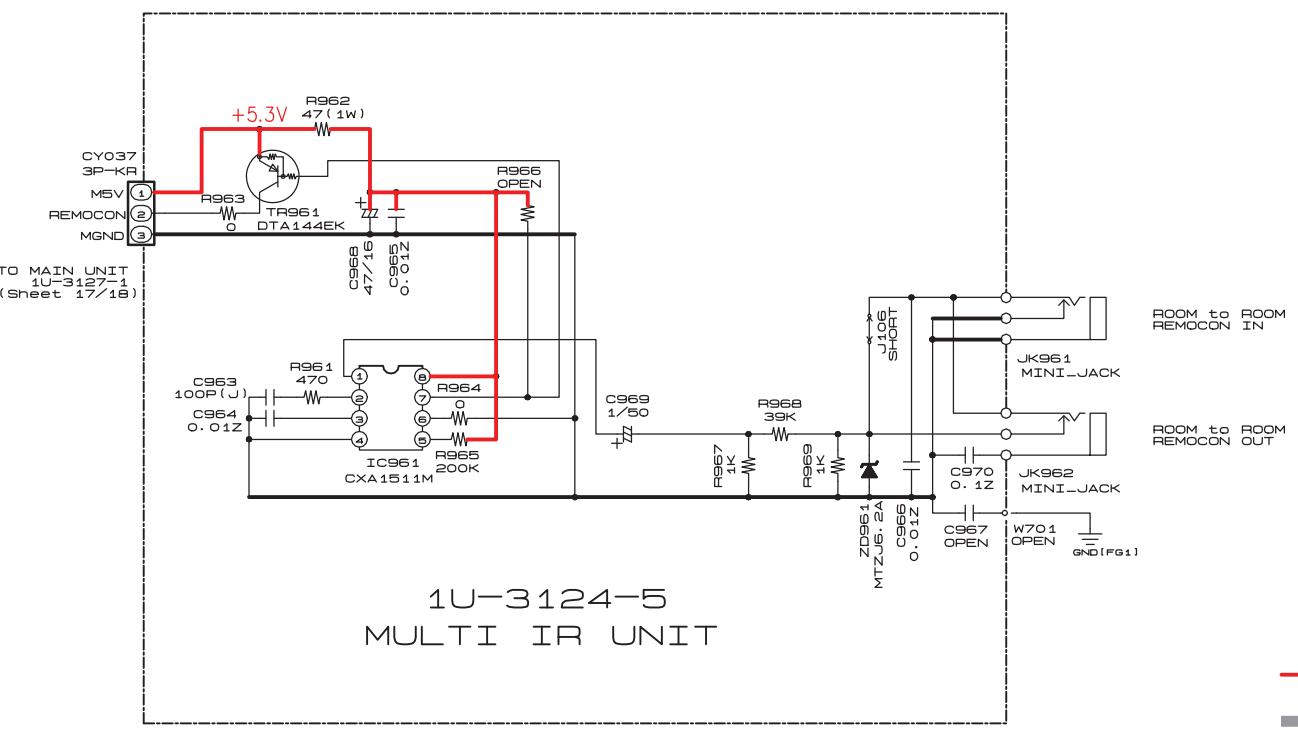
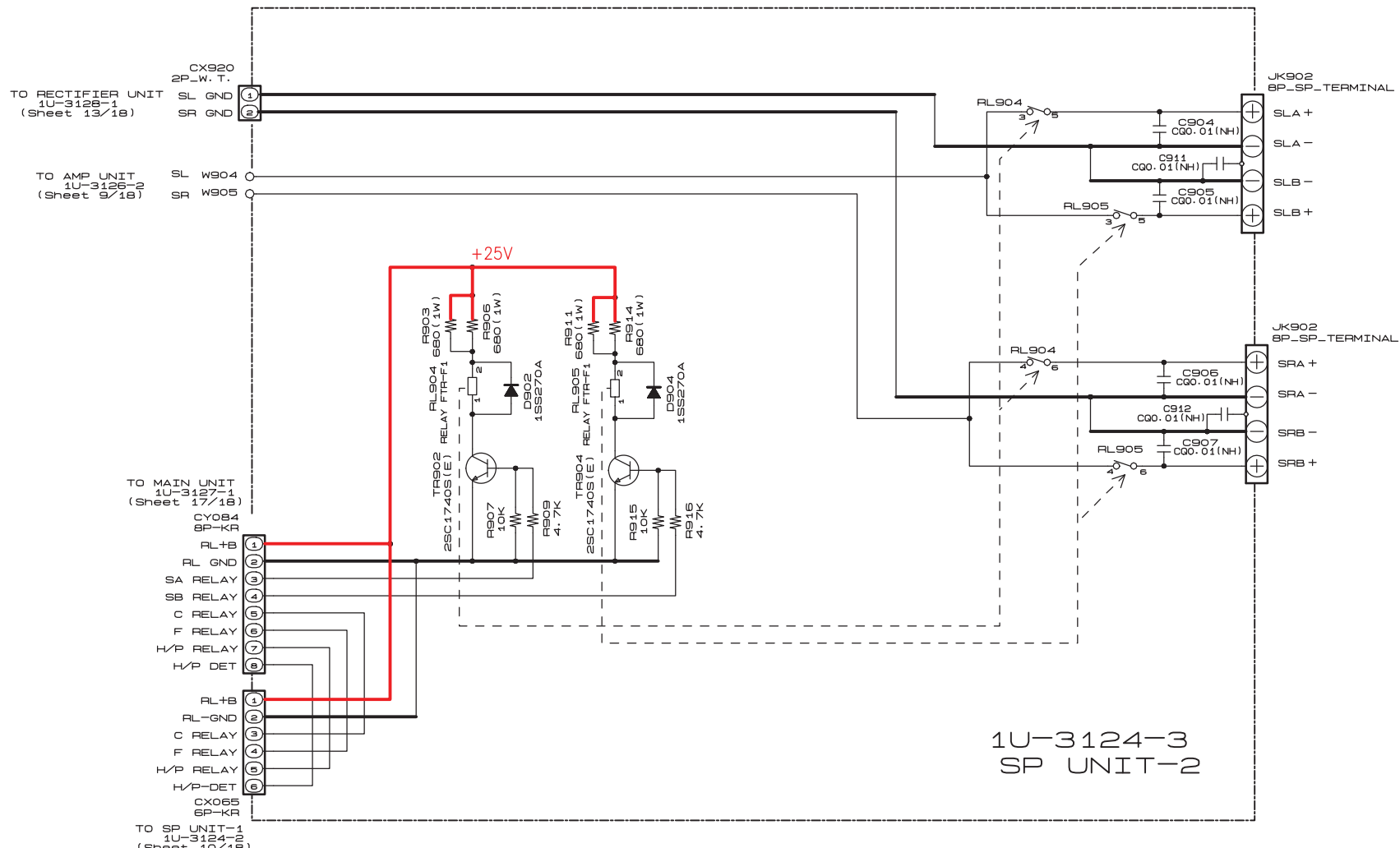
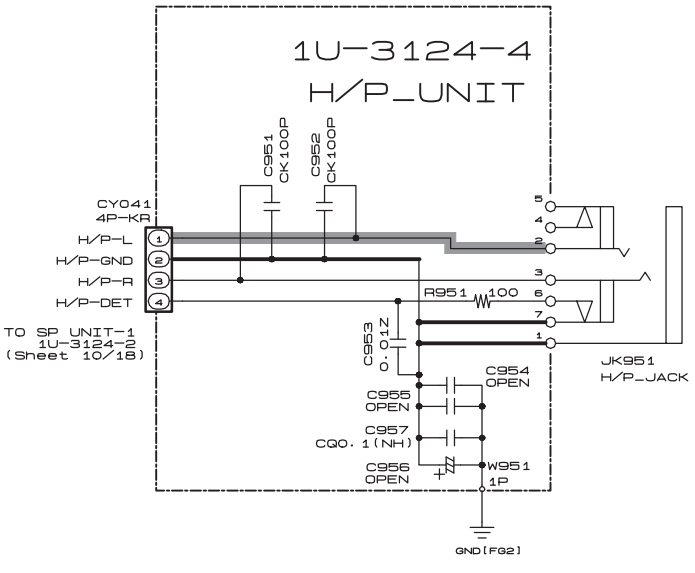
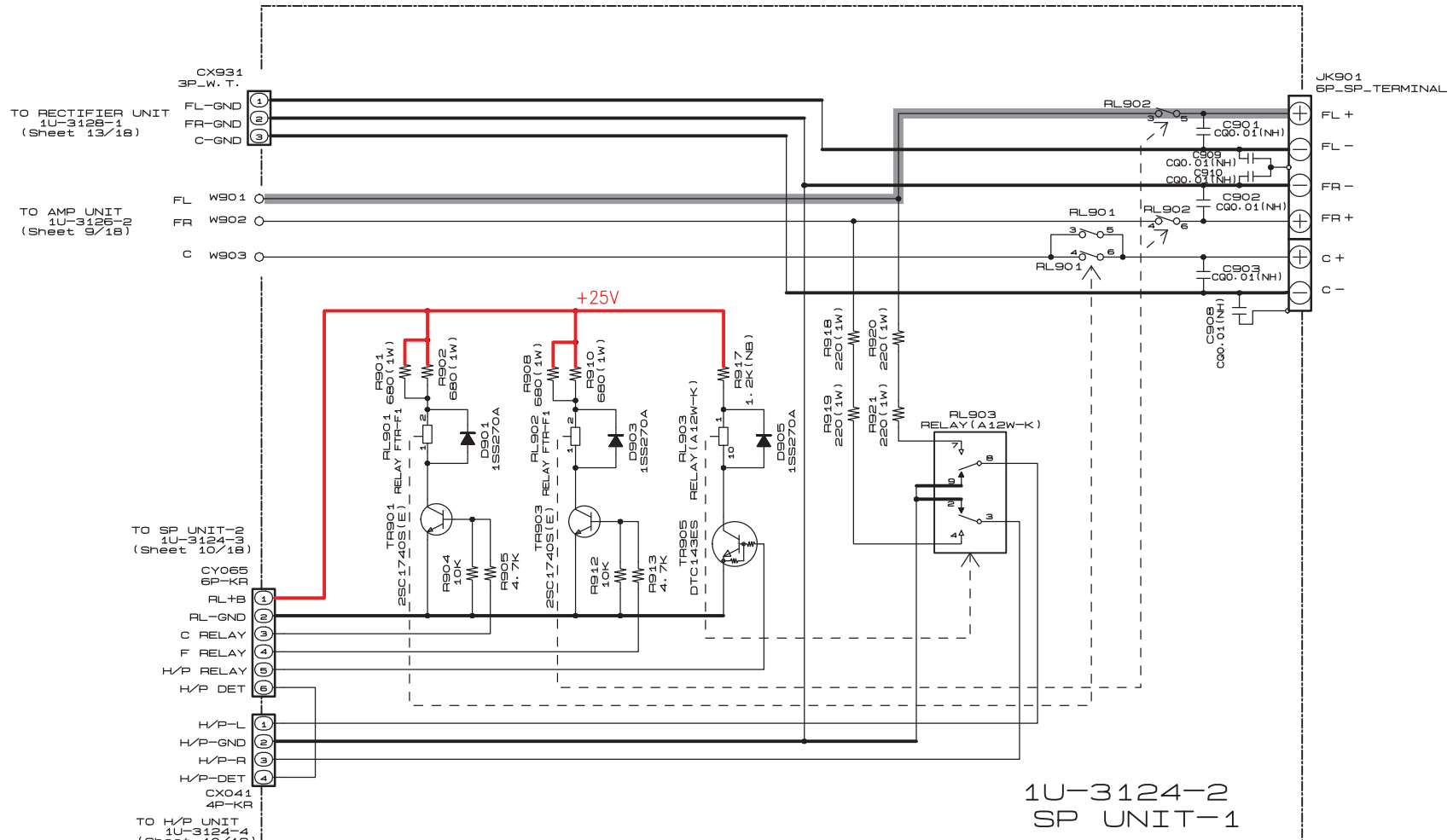
D

E

F


G

H



— +B LINE  
 — SIGNAL LINE

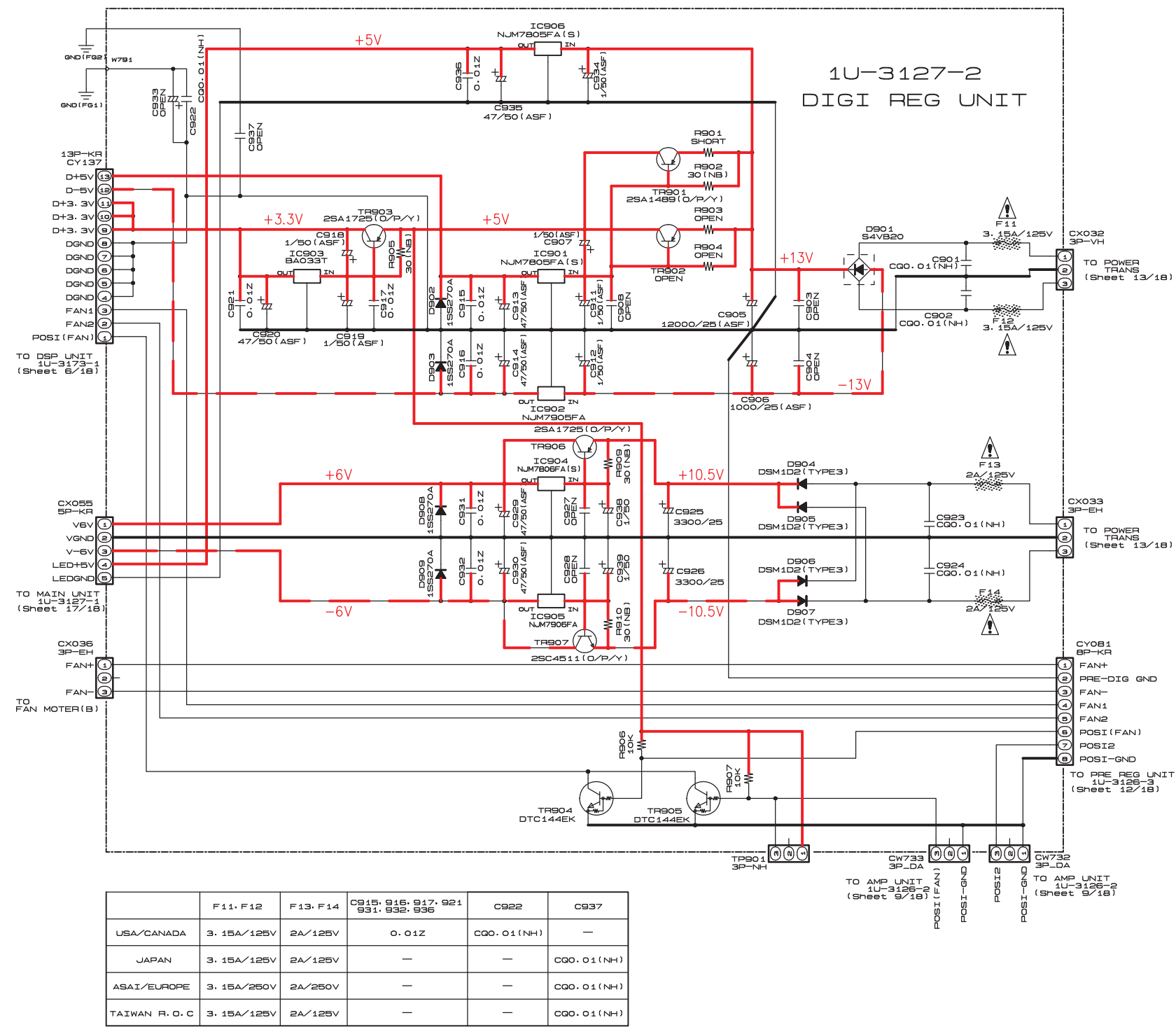
**NOTICE**  
 ALL RESISTANCE VALUES IN OHM. k=1,000 OHM M=1,000,000 OHM  
 ALL CAPACITANCE VALUES IN MICRO FARAD. P=MICRO-MICRO FARAD  
 EACH VOLTAGE AND CURRENT ARE MEASURED AT NO SIGNAL INPUT CONDITION.  
 CIRCUIT AND PARTS ARE SUBJECT TO CHANGE WITHOUT PRIOR NOTICE.

**WARNING:**  
 Parts marked with this symbol  have critical characteristics. Use ONLY replacement parts recommended by the manufacturer.  
**CAUTION:**  
 Before returning the unit to the customer, make sure you make either (1) a leakage current check or (2) a line to chassis resistance check. If the leakage current exceeds 0.5 milliamperes, or if the resistance from chassis to either side of the power cord is less than 460 kohms, the unit is defective.  
**WARNING:**  
 DO NOT return the unit to the customer until the problem is located and corrected.

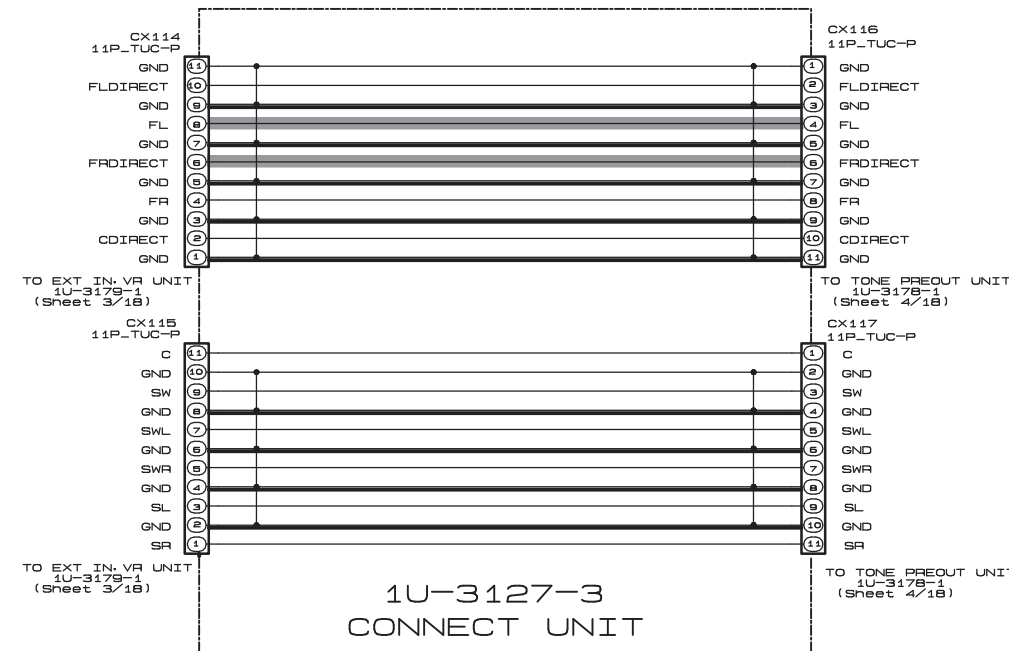
SCHMATIC DIAGRAMS (11/18)

SCHMATIC DIAGRAMS (12/18)

1 2 3 4 5 6 7 8 9 10 11



	F11, F12	F13, F14	CB15, B16, B17, B21, B31, B32, B36	C922	C937
USA/CANADA	3. 15A/125V	2A/125V	0.01Z	COO. 01(NH)	-
JAPAN	3. 15A/125V	2A/125V	-	-	COO. 01(NH)
ASIA/EUROPE	3. 15A/250V	2A/250V	-	-	COO. 01(NH)
TAIWAN R. O. C.	3. 15A/125V	2A/125V	-	-	COO. 01(NH)

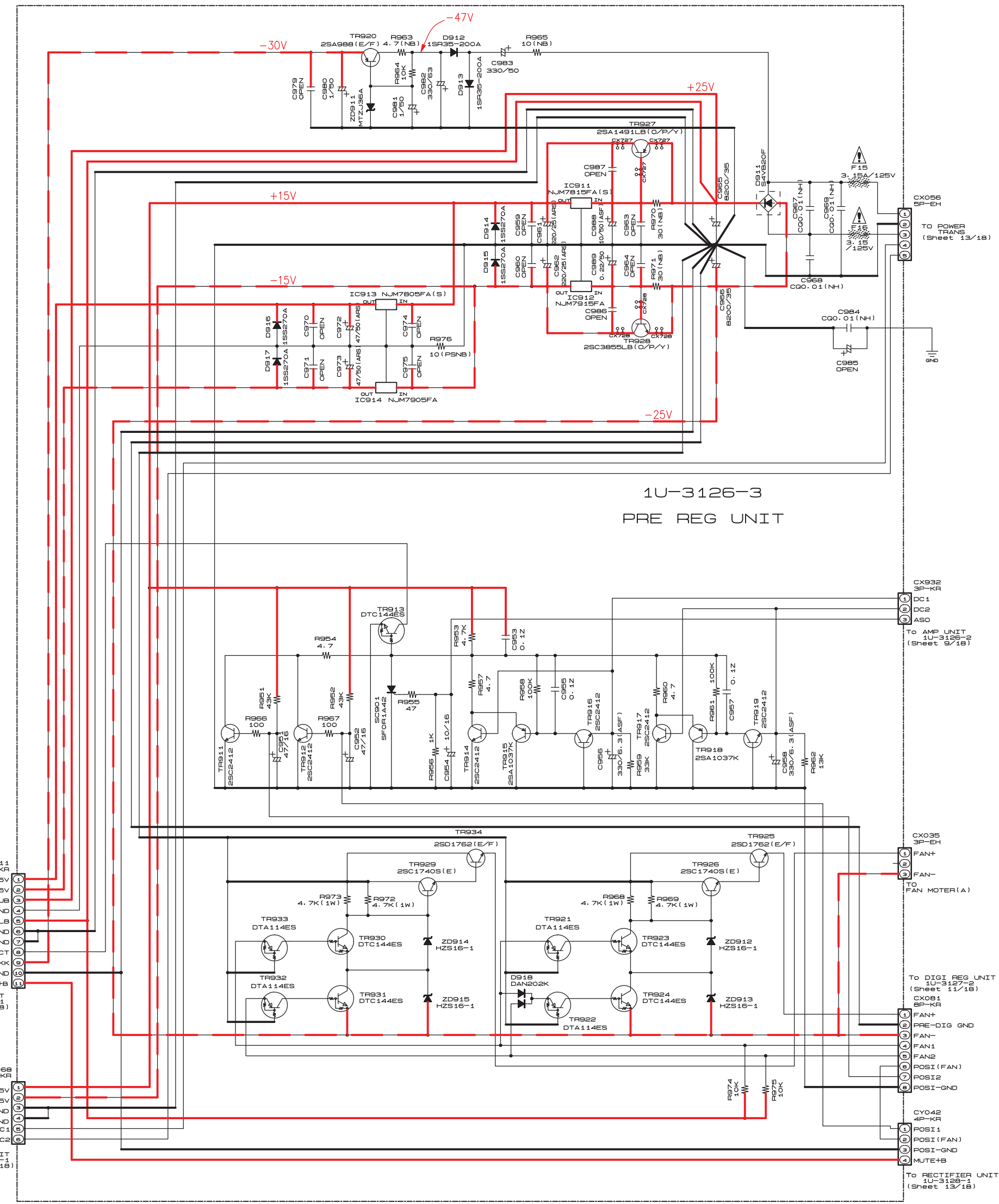


**NOTICE**  
 ALL RESISTANCE VALUES IN OHM. k=1,000 OHM M=1,000,000 OHM  
 ALL CAPACITANCE VALUES IN MICRO FARAD. P=MICRO-MICRO FARAD  
 EACH VOLTAGE AND CURRENT ARE MEASURED AT NO SIGNAL INPUT  
 CONDITION.  
 CIRCUIT AND PARTS ARE SUBJECT TO CHANGE WITHOUT PRIOR  
 NOTICE.

**WARNING:**  
 Parts marked with this symbol have critical characteristics.  
 Use ONLY replacement parts recommended by the manufacturer.

**CAUTION:**  
 Before returning the unit to the customer, make sure you make either (1) a  
 leakage current check or (2) a line to chassis resistance check. If the leakage  
 current exceeds 0.5 millamps, or if the resistance from chassis to either side  
 of the power cord is less than 460 kohms, the unit is defective.

**WARNING:**  
 DO NOT return the unit to the customer until the problem is located and  
 corrected.



SCHEMATIC DIAGRAMS (13/18)

1 2 3 4 5 6 7 8 9 10 11

A

B

C

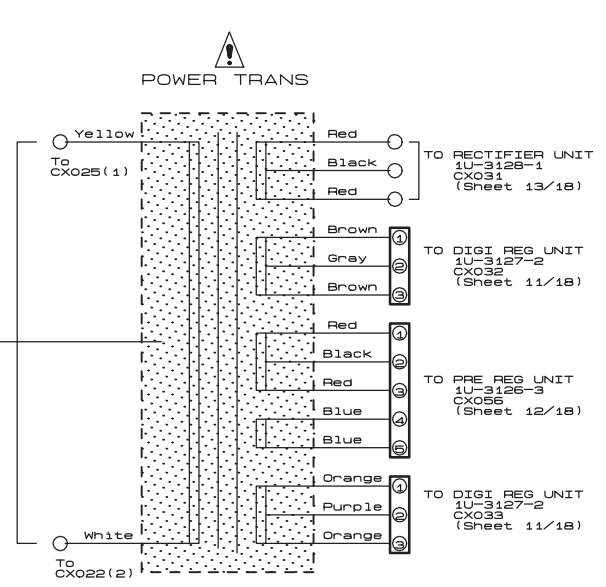
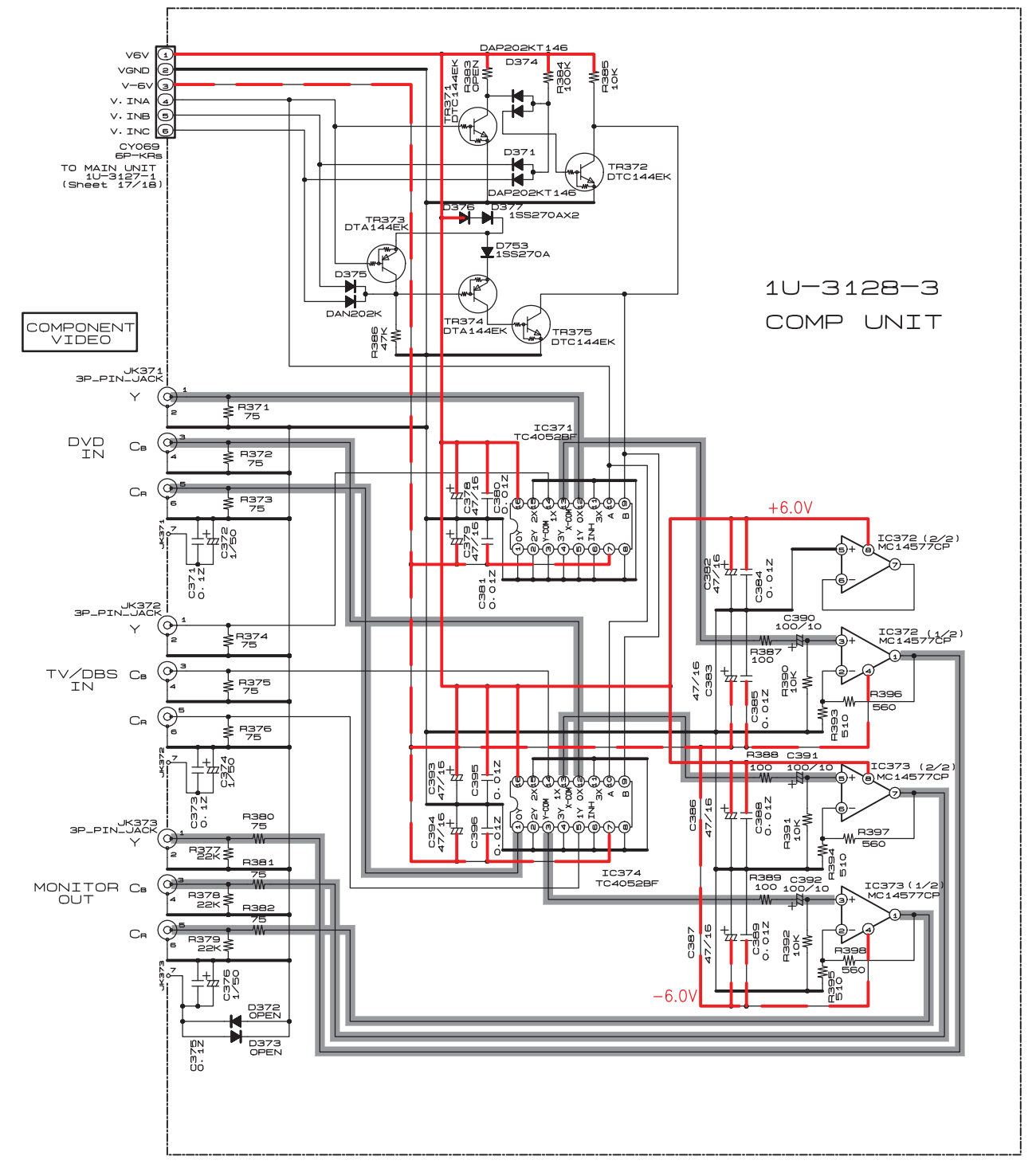
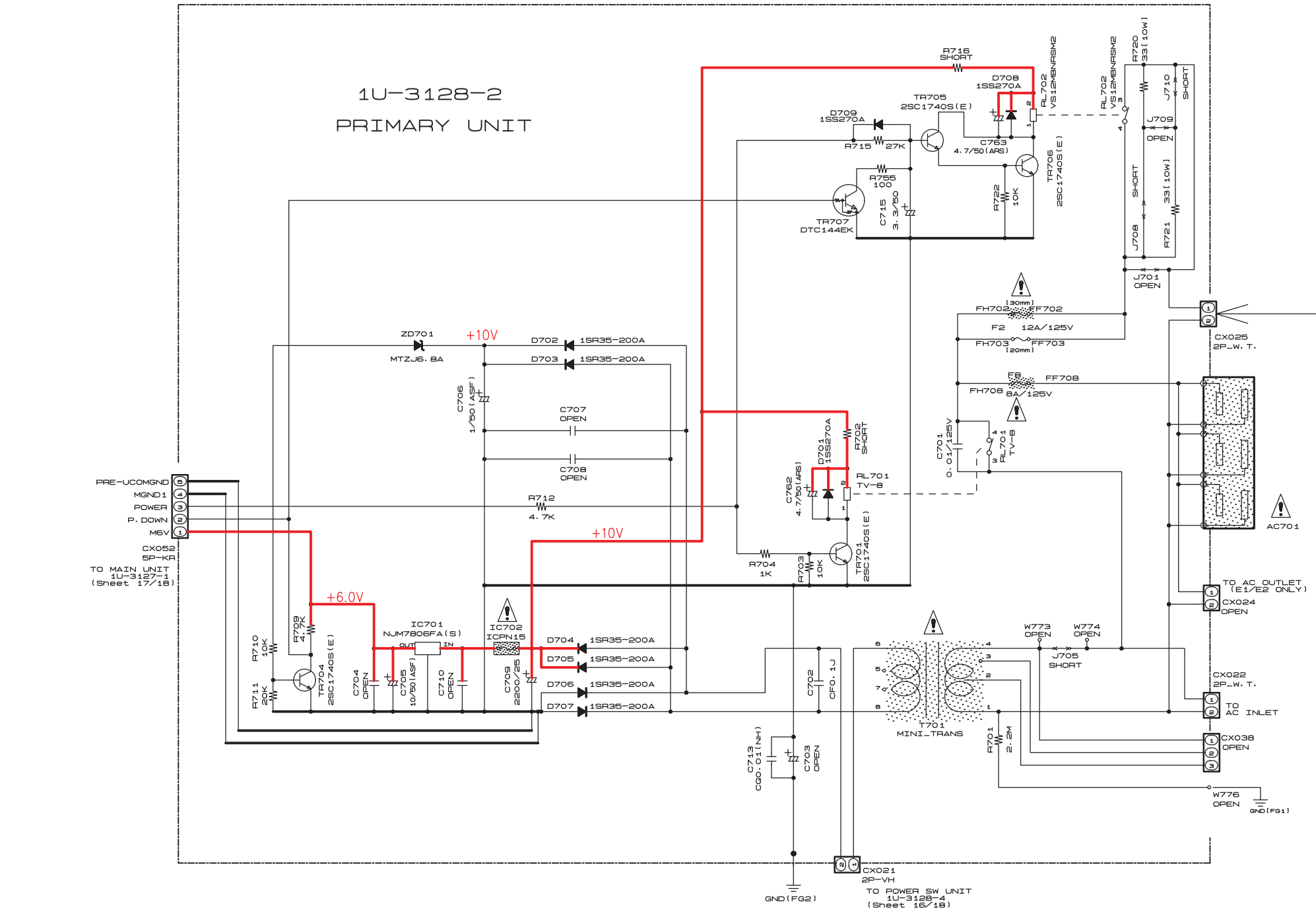
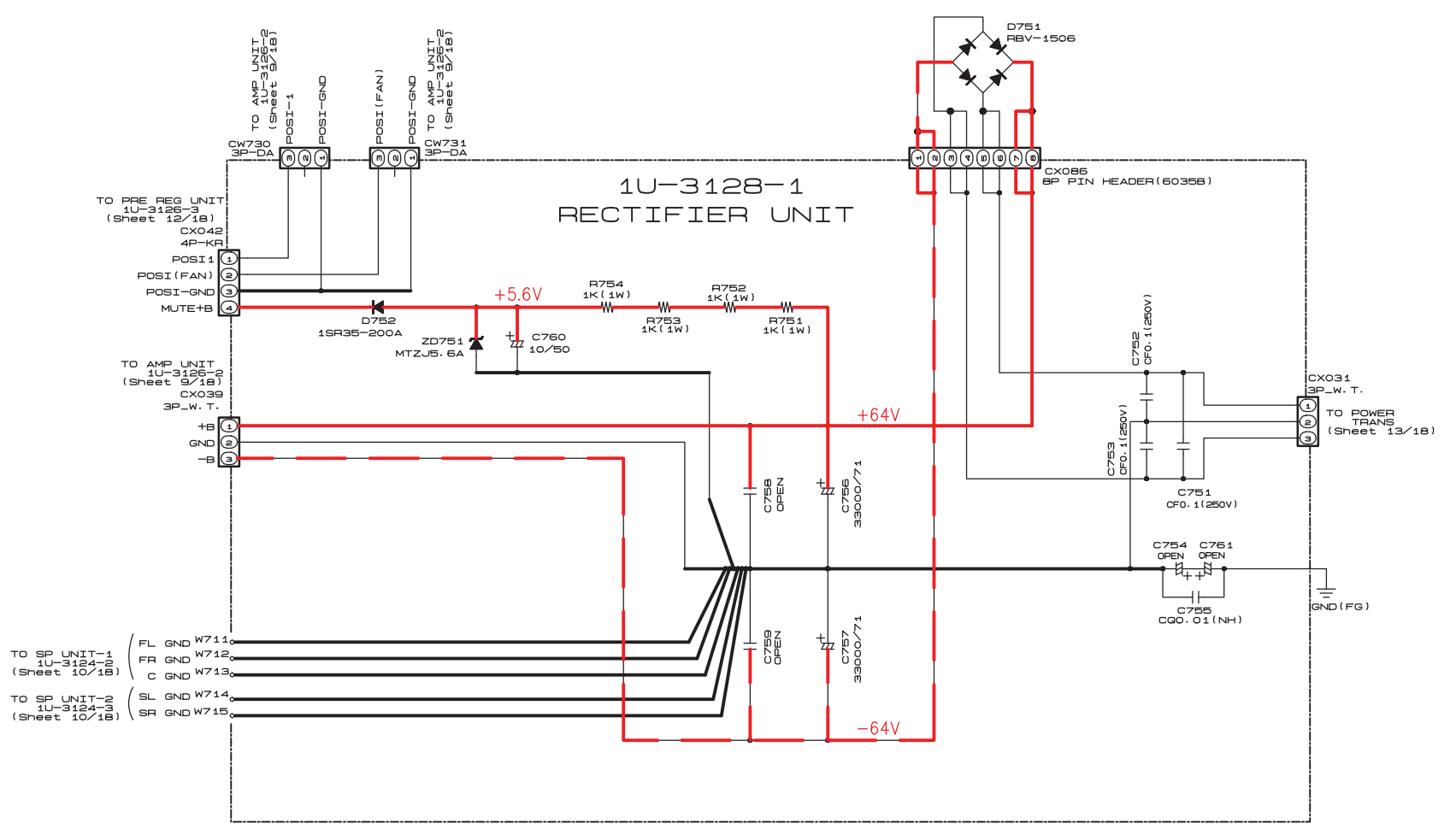
D

E

F

G

H



— +B LINE  
- - - -B LINE  
— SIGNAL LINE

**NOTICE**  
 ALL RESISTANCE VALUES IN OHM. k=1,000 OHM M=1,000,000 OHM  
 ALL CAPACITANCE VALUES IN MICRO FARAD. P=MICRO-MICRO FARAD  
 EACH VOLTAGE AND CURRENT ARE MEASURED AT NO SIGNAL INPUT  
 CONDITION.  
 CIRCUIT AND PARTS ARE SUBJECT TO CHANGE WITHOUT PRIOR  
 NOTICE.

**WARNING:**  
 Parts marked with this symbol have critical characteristics.  
 Use ONLY replacement parts recommended by the manufacturer.

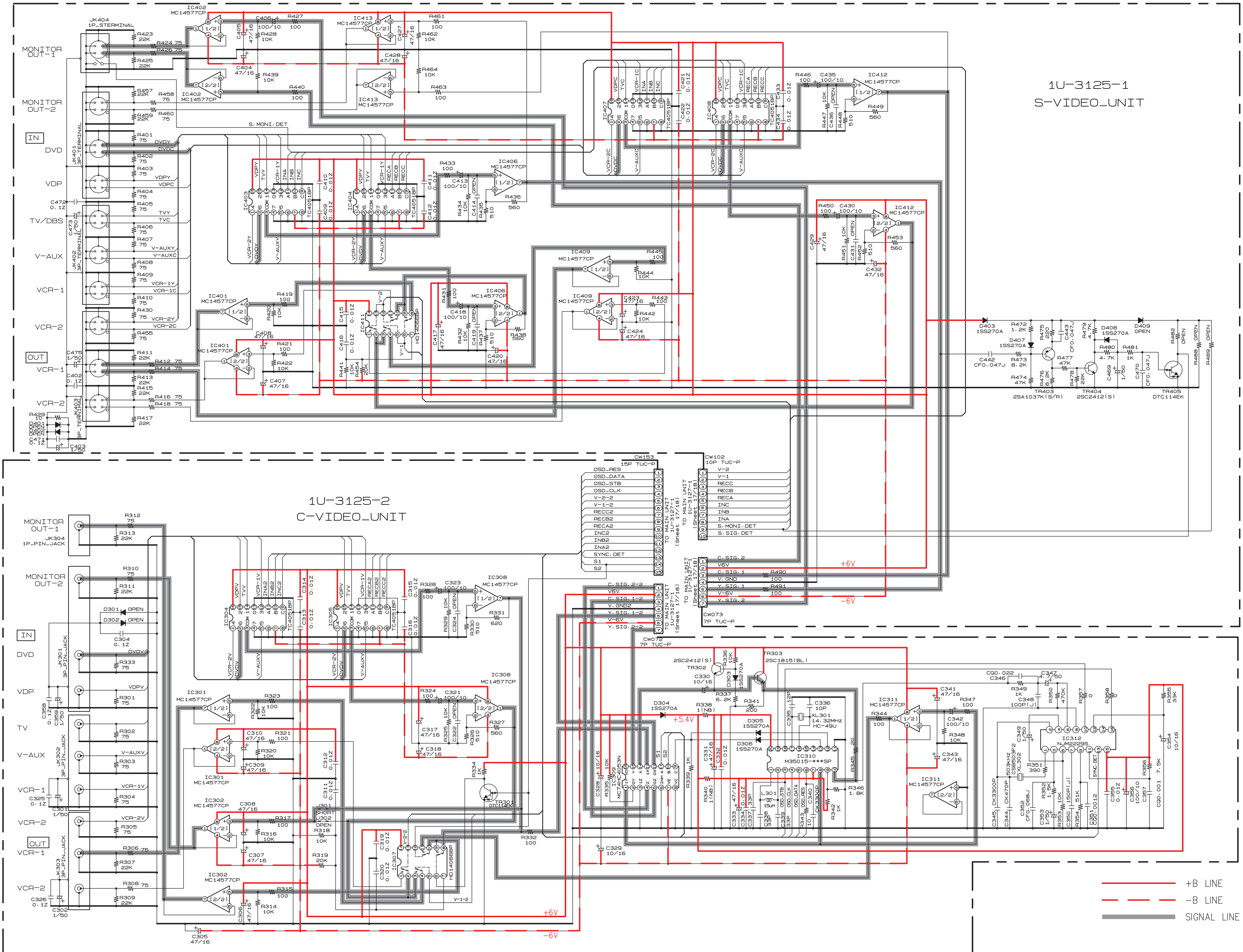
**CAUTION:**  
 Before returning the unit to the customer, make sure you make either (1) a leakage current check or (2) a line to chassis resistance check. If the leakage current exceeds 0.5 millamps, or if the resistance from chassis to either side of the power cord is less than 460 kohms, the unit is defective.

**WARNING:**  
 DO NOT return the unit to the customer until the problem is located and corrected.



SCHEMATIC DIAGRAMS (14/18)

1 2 3 4 5 6 7 8 9 10 11



**NOTICE**  
 ALL RESISTANCE VALUES IN OHM. k=1,000 OHM M=1,000,000 OHM  
 ALL CAPACITANCE VALUES IN MICRO FARAD. P=MICRO-MICRO FARAD  
 EACH VOLTAGE AND CURRENT ARE MEASURED AT NO SIGNAL INPUT  
 CONDITION.  
 CIRCUIT AND PARTS ARE SUBJECT TO CHANGE WITHOUT PRIOR  
 NOTICE.

**WARNING:**  
 Parts marked with this symbol have critical characteristics.  
 Use ONLY replacement parts recommended by the manufacturer.  
**CAUTION:**  
 Before returning the unit to the customer, make sure you make either (1) a  
 leakage current check or (2) a line to chassis resistance check. If the leakage  
 current exceeds 0.5 milliamperes, or if the resistance from chassis to either side  
 of the power cord is less than 460 kohms, the unit is defective.  
**WARNING:**  
 DO NOT return the unit to the customer until the problem is located and  
 corrected.

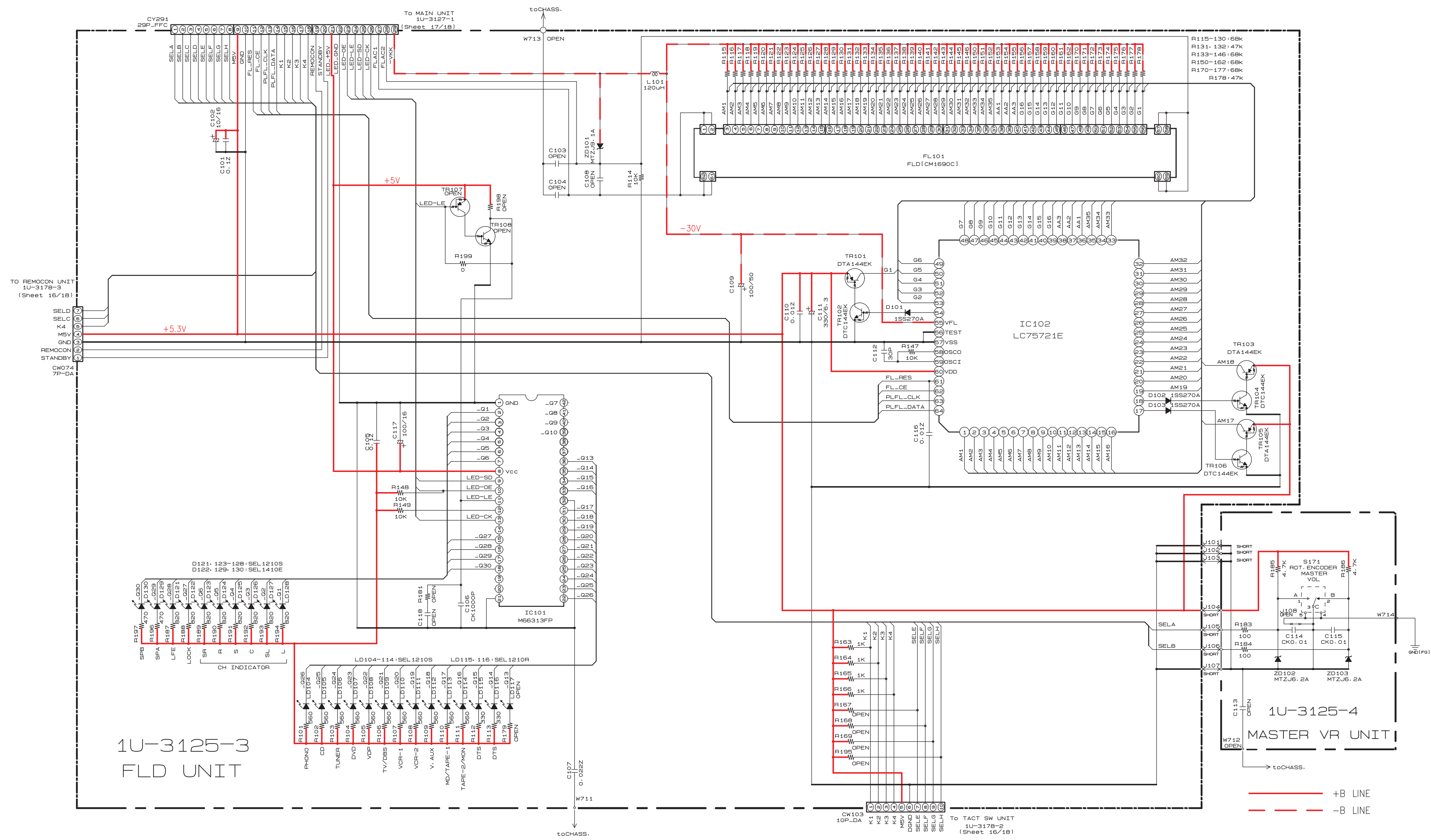
SCHEMATIC DIAGRAMS (14/18)



SCHEMATIC DIAGRAMS (15/18)

1 2 3 4 5 6 7 8 9 10 11

A B C D E F G H



**NOTICE**  
 ALL RESISTANCE VALUES IN OHM. k=1,000 OHM M=1,000,000 OHM  
 ALL CAPACITANCE VALUES IN MICRO FARAD. P=MICRO-MICRO FARAD  
 EACH VOLTAGE AND CURRENT ARE MEASURED AT NO SIGNAL INPUT  
 CONDITION.  
 CIRCUIT AND PARTS ARE SUBJECT TO CHANGE WITHOUT PRIOR  
 NOTICE.

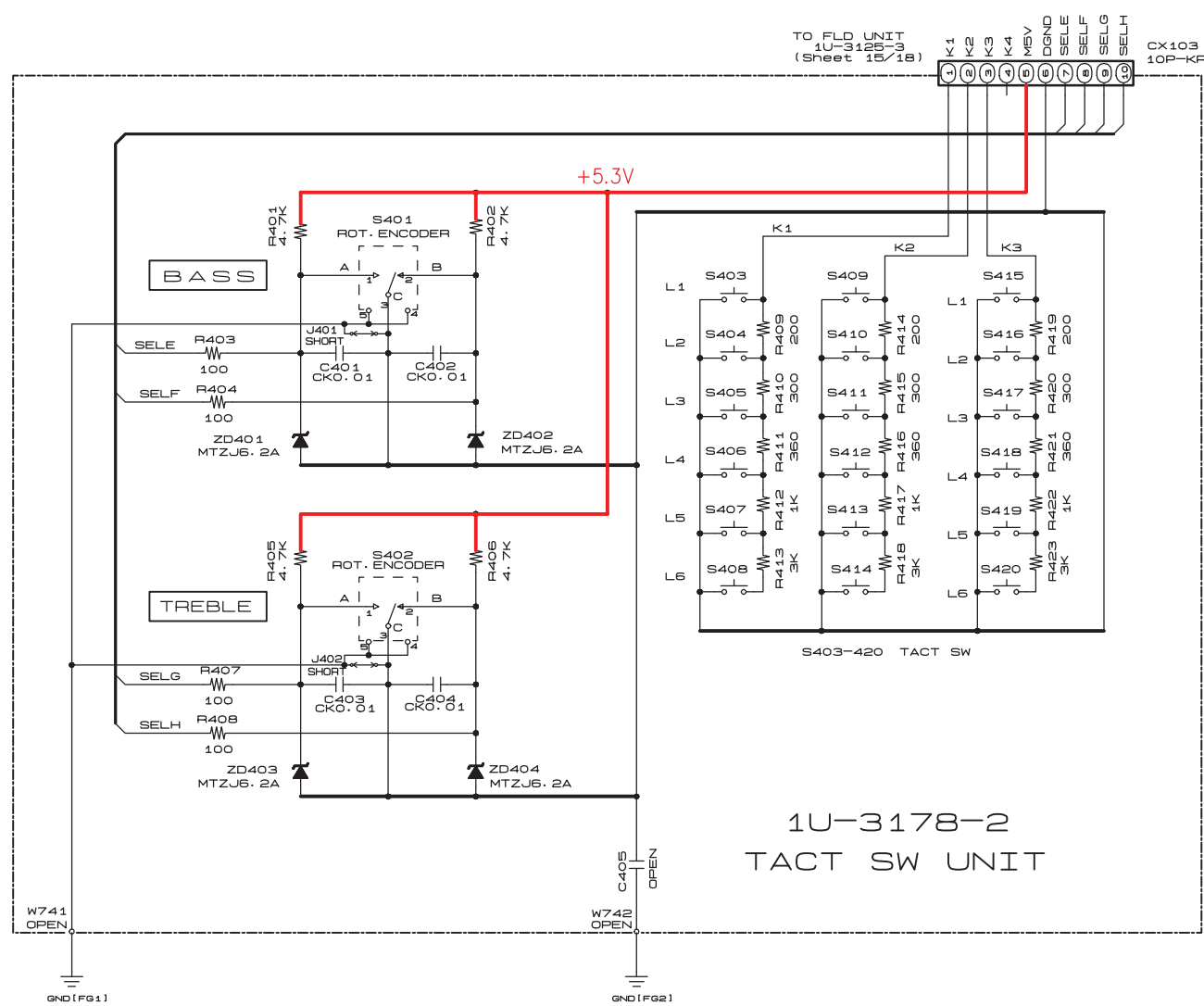
**WARNING:**  
 Parts marked with this symbol have critical characteristics.  
 Use ONLY replacement parts recommended by the manufacturer.

**CAUTION:**  
 Before returning the unit to the customer, make sure you make either (1) a  
 leakage current check or (2) a line to chassis resistance check. If the leakage  
 current exceeds 0.5 milliamps, or if the resistance from chassis to either side  
 of the power cord is less than 460 kohms, the unit is defective.

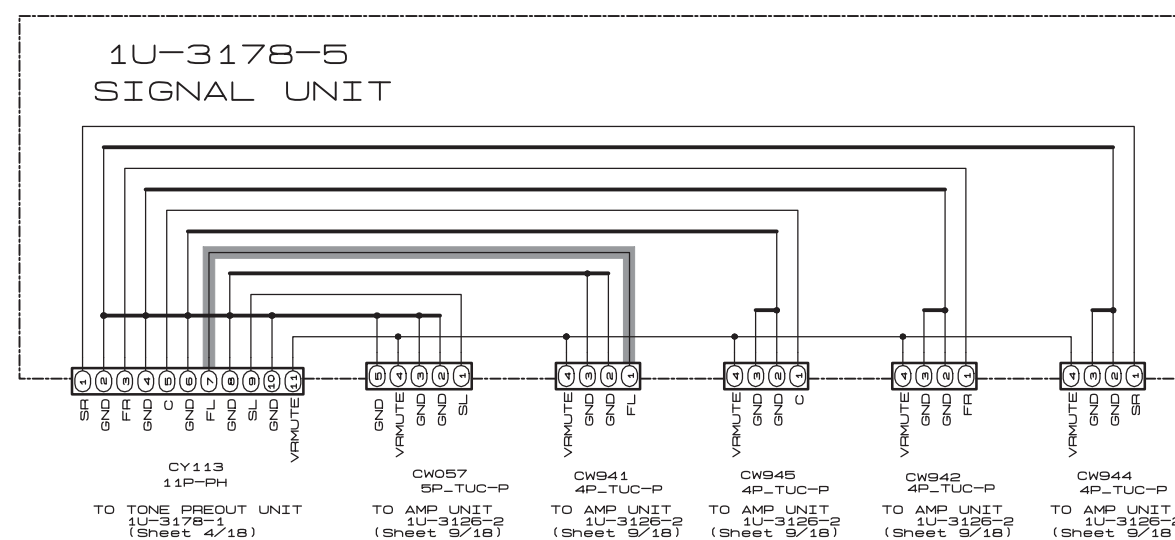
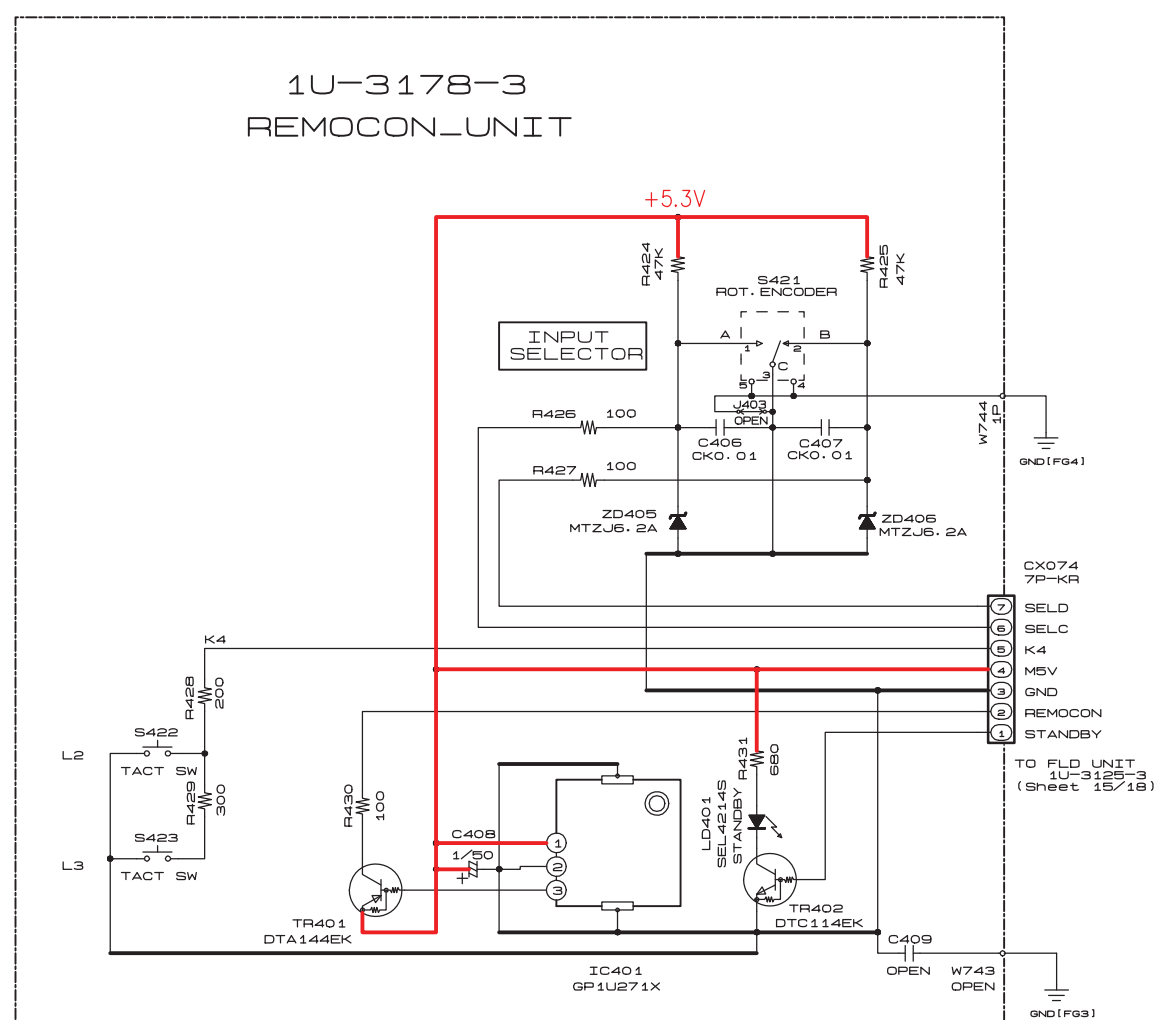
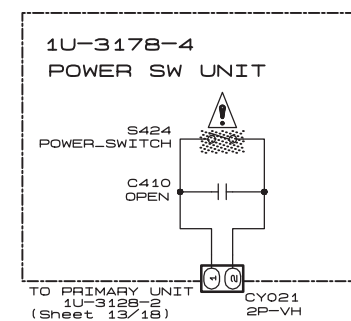
**WARNING:**  
 DO NOT return the unit to the customer until the problem is located and  
 corrected.

**SCHEMATIC DIAGRAMS (16/18)**

1 2 3 4 5 6 7 8 9 10 11



	K1	K2	K3	K4
L1	DIRECT	STEREO	CH VOLUME DOWN	
L2	INPUT MODE	DOLBY/DTS SURROUND	CH VOLUME UP	HOME THX CINEMA
L3	ANALOG	WIDE SCREEN	REC/MULTI SOURCE	TAPE-2 MONITOR
L4	SCH/BCH EXT. IN	SCH STEREO	REC/MULTI MODE	
L5	VIDEO SELECT	DSP SIMULATION	DIMMER	
L6	TOE DEFEAT	SELECT	PANEL	



— +B LINE  
— SIGNAL LINE

**NOTICE**  
ALL RESISTANCE VALUES IN OHM. k=1,000 OHM M=1,000,000 OHM  
ALL CAPACITANCE VALUES IN MICRO FARAD. P=MICRO-MICRO FARAD  
EACH VOLTAGE AND CURRENT ARE MEASURED AT NO SIGNAL INPUT CONDITION.  
CIRCUIT AND PARTS ARE SUBJECT TO CHANGE WITHOUT PRIOR NOTICE.

**WARNING:**  
Parts marked with this symbol  have critical characteristics. Use ONLY replacement parts recommended by the manufacturer.

**CAUTION:**  
Before returning the unit to the customer, make sure you make either (1) a leakage current check or (2) a line to chassis resistance check. If the leakage current exceeds 0.5 milliamps, or if the resistance from chassis to either side of the power cord is less than 460 kohms, the unit is defective.

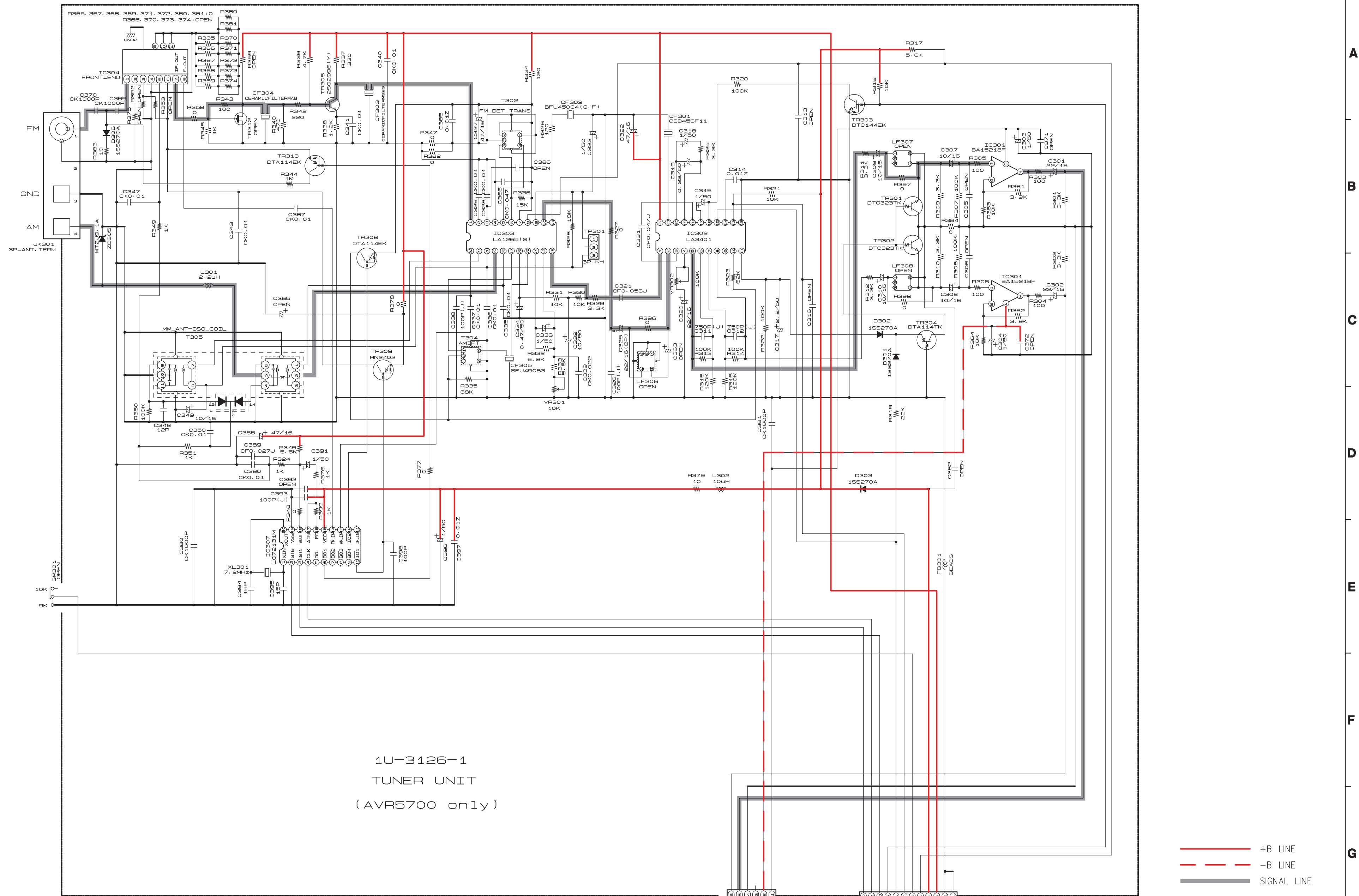
**WARNING:**  
DO NOT return the unit to the customer until the problem is located and corrected.





**SCHEMATIC DIAGRAMS (18/18)**

1 2 3 4 5 6 7 8 9 10 11



1U-3126-1  
TUNER UNIT  
(AVR5700 only)

**NOTICE**  
ALL RESISTANCE VALUES IN OHM. k=1,000 OHM M=1,000,000 OHM  
ALL CAPACITANCE VALUES IN MICRO FARAD. P=MICRO-MICRO FARAD  
EACH VOLTAGE AND CURRENT ARE MEASURED AT NO SIGNAL INPUT  
CONDITION.  
CIRCUIT AND PARTS ARE SUBJECT TO CHANGE WITHOUT PRIOR  
NOTICE.

**WARNING:**  
Parts marked with this symbol have critical characteristics.  
Use ONLY replacement parts recommended by the manufacturer.

**CAUTION:**  
Before returning the unit to the customer, make sure you make either (1) a  
leakage current check or (2) a line to chassis resistance check. If the leakage  
current exceeds 0.5 milliamps, or if the resistance from chassis to either side  
of the power cord is less than 460 kohms, the unit is defective.

**WARNING:**  
DO NOT return the unit to the customer until the problem is located and  
corrected.

**SCHEMATIC DIAGRAMS (18/18)**



**DENON**

**NIPPON COLUMBIA CO., LTD.**