

DENON

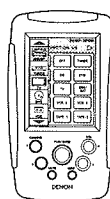
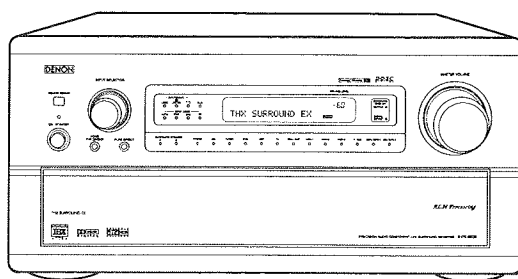
Hi-Fi Component

SERVICE MANUAL

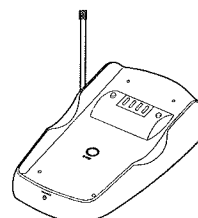
MODEL AVR-5800

MODEL AVC-A1SE

AV SURROUND RECEIVER / AMPLIFIER



Charger Base Station
AVR-5800 model only



— TABLE OF CONTENTS —

SAFETY PRECAUTIONS	2				
SPECIFICATIONS	2				
WIRE ARRANGEMENT	3,4				
DISASSEMBLY	5-8				
CLOCK FLOW & WAVE FORM IN DIGITAL BLOCK	9,10				
LEVEL DIAGRAMS	11~13				
ADJUSTMENT	14,15				
SEMICONDUCTORS	16~31	(6/13)			
PRINTED WIRING BOARDS	32~42				
NOTE FOR PARTS LIST	43	(7/13)			
PARTS LIST OF P.W.B. UNIT ASSY	44~69				
EXPLODED VIEW	70				
PARTS LIST OF EXPLODED VIEW	71,72	(8/13)			
PACKING VIEW	72				
PARTS LIST OF PACKING & ACCESSORIES	72				
BLOCK DIAGRAM	73				
WIRING DIAGRAM	74				
SCHEMATIC DIAGRAMS	75~87				
(1/13) 1U-3291 DSP UNIT (1/4)	75		1U-3292-5	H/P UNIT	79
(2/13) 1U-3291 DSP UNIT (2/4)	76		1U-3292-6	POWER SW UNIT	79
(3/13) 1U-3291 DSP UNIT (3/4)	77		1U-3292-7	232C UNIT	79
(4/13) 1U-3291 DSP UNIT (4/4)	78		1U-3292-8	NON LOCK SW UNIT	79
(5/13) 1U-3292-1 FLD UNIT	79		1U-3292-9	AC OUTLET UNIT	79
1U-3292-2 REMOCON UNIT	79		1U-3292-10	PRIMARY UNIT	79
1U-3292-3 TACT SW UNIT	79		1U-3292-11	MULTI OUT UNIT	79
1U-3292-4 MASTER VR UNIT	79		1U-3293-1	AUDIO IN UNIT	80
			1U-3293-5	AMP CONN. L UNIT	80
			1U-3293-6	AMP CONN. R UNIT	80
			1U-3293-2	S. VIDEO UNIT	81
			1U-3293-3	C. VIDEO UNIT	81
			1U-3293-4	COMP. VIDEO UNIT	81
			1U-3294-1	SP UNIT-1	82
			1U-3294-2	SP UNIT-2	82
			1U-3294-3	PRE REG. UNIT	82
			1U-3294-4	RECTIFIER UNIT	82
			1U-3294-5	REG. DRIVE UNIT	82
			1U-3294-6	CONNECT UNIT	82
			1U-3294-7	DIODE UNIT	82
			1U-3294-10	V. CONN. -1 UNIT	82
			1U-3294-11	V. CONN. -2 UNIT	82
			1U-3294-12	V. CONN. -3 UNIT	82
		(9/13)	1U-3295	EXT IN VOL UNIT (1/2)	83
		(10/13)	1U-3295	EXT IN VOL UNIT (2/2)	84
		(11/13)	1U-3296-1	LCH AMP UNIT	85
		(12/13)	1U-3296-2	RCH AMP UNIT	86
		(13/13)	1U-3298	TUNER UNIT	87

• Some illustrations using in this service manual are slightly different from the actual set.

NIPPON COLUMBIA CO., LTD.

SAFETY PRECAUTIONS

The following check should be performed for the continued protection of the customer and service technician.

LEAKAGE CURRENT CHECK

Before returning the unit to the customer, make sure you make either (1) a leakage current check or (2) a line to chassis resistance check. If the leakage current exceeds 0.5 milliamps, or if the resistance from chassis to either side of the power cord is less than 460 kohms, the unit is defective.

SPECIFICATIONS

Audio Section

Power amplifier:

Rated output:
(All properties shown are only for the power amplifier stage.)
Dynamic power:

Stereo (2 ch driven)
170 W + 170 W (8 Ω /ohms, 20 Hz ~ 20 kHz with 0.05 % T.H.D.)
200 W + 200 W (6 Ω /ohms, 20 Hz ~ 20 kHz with 0.05 % T.H.D.)
190 W \times 2 ch (8 Ω /ohms)
310 W \times 2 ch (4 Ω /ohms)
390 W \times 2 ch (2 Ω /ohms)
Front/Center: 6~16 Ω /ohms
Surround: A or B 6 ~ 16 Ω /ohms
A + B 8~ 16 Ω /ohms

Output terminals:

Analog:

Input sensitivity/input impedance:
Frequency response:
S/N:
Distortion:
Rated output/maximum output:

200 mV/47 k Ω /kohms
10 Hz ~ 100 kHz: +0, -3 dB (DIRECT mode)
105 dB (DIRECT mode)
0.005 % (20 Hz ~ 20 kHz) (DIRECT mode)
1.2 V/8 V

Digital:

D/A output:

Rated output — 2 V (at 0 dB playback)
Total harmonic distortion — 0.003 % (1 kHz, at 0 dB)
S/N ratio — 115 dB
Dynamic range — 112 dB
Format — Digital audio interface

Digital input:

Phono equalizer (PHONO input — REC OUT):

Input sensitivity:
RIAA deviation:
Signal-to-noise ratio:
Rated output/Maximum output:
Distortion factor:

2.5 mV
 \pm 1 dB (20 Hz to 20 kHz)
74 dB (A weighting, with 5 mV input)
150 mV/8V
0.03 % (1 kHz, 3 V)

Video Section

Standard video jacks

Input/output level and impedance:
Frequency response:

1 Vp-p, 75 Ω /ohms
5 Hz ~ 10 MHz — +0, -3 dB

S-video jacks

Input/output level and impedance:
Frequency response:

Y (brightness) signal — 1 Vp-p, 75 Ω /ohms
C (color) signal — 0.286 Vp-p, 75 Ω /ohms
5 Hz ~ 10 MHz — +0, -3 dB

Color component video terminal:

Input/output level and impedance:
Frequency response:

Y (brightness) signal — 1 Vp-p, 75 Ω /ohms
Cb (blue) signal — 0.7 Vp-p, 75 Ω /ohms
Cr (red) signal — 0.7 Vp-p, 75 Ω /ohms
DC ~ 30 MHz — +0, -3 dB

Tuner Section (AVR-5800 only)

Receiving range:
Usable sensitivity:
50 dB Quietening sensitivity:
Signal to Noise Ratio (IHF-A):
Total Harmonic Distortion (at 1 kHz):

[FM] (note: μ V at 75 Ω /ohms, 0 dBf = 1×10^{-15} W)
87.5 MHz ~ 107.9 MHz
1.0 μ V (11.2 dBf)
MONO 1.6 μ V (15.3 dBf)
STEREO 23 μ V (38.5 dBf)
MONO 80 dB
STEREO 75 dB
MONO 0.15 %
STEREO 0.3 %

[AM]
520 kHz ~ 1710 kHz
18 μ V

50 dB

General

Power supply:

AC 120 V, 60 Hz (U.S.A., Canada & Taiwan R.O.C. model)
AC 230 V, 50 Hz (Europe & Asia model)

Power consumption:

AC 220 V, 50 Hz (China model)
12 A (U.S.A., & Canada model)
720 W (Europe, Asia & China model)
670 W (Taiwan R.O.C. model)

Maximum external dimensions:
Mass:

434 (W) \times 216 (H) \times 486 (D) mm (17-3/32" \times 8-1/2" \times 19-9/64")
28 kg (61 lbs 11.7 oz)

Remote Control Unit (RC-8000) AVR-5800 model / (RC-871) AVC-A1SE model

Batteries:
External dimensions:
Mass:

LR6/AA Type (four batteries)
96 (W) \times 38 (H) \times 168.5 (D) mm (3-25/32" \times 1-1/2" \times 6-41/64")
242 g (Approx. 8.5 oz) (not including batteries)

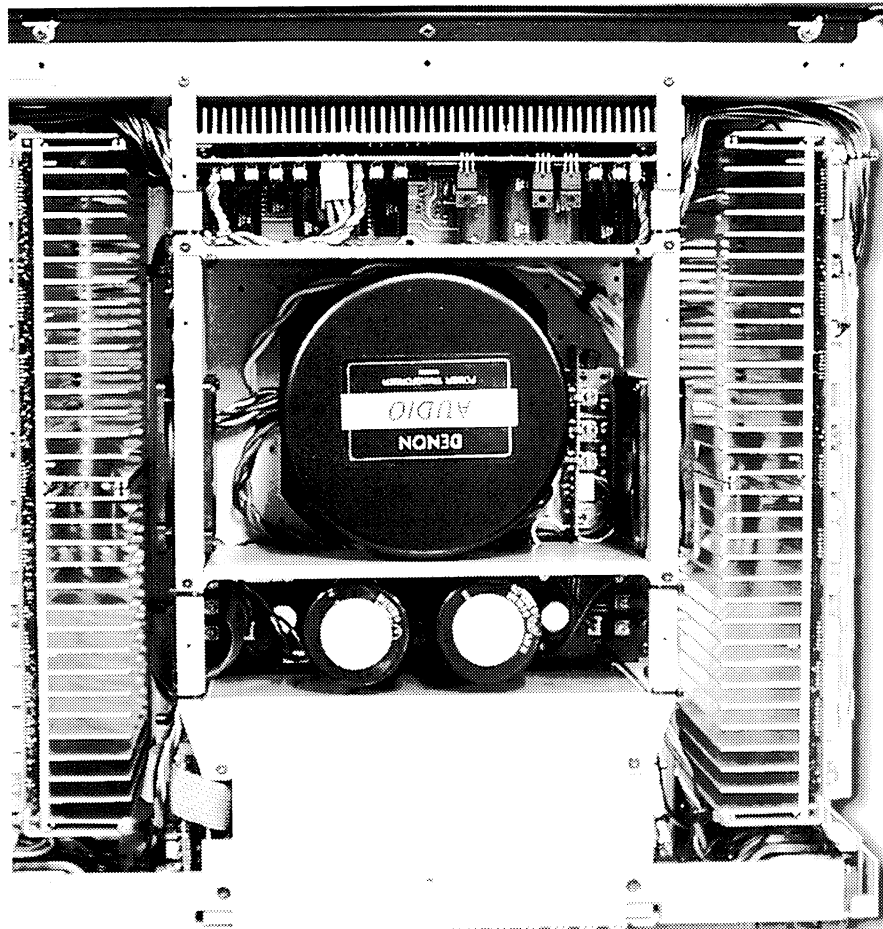
* For purposes of improvement, specifications and design are subject to change without notice.

WIRE ARRANGEMENT

If wire bundles are untied or moved to perform adjustment or parts replacement etc., be sure to rearrange them neatly as they were originally bundled or placed afterward.

Otherwise, incorrect arrangement can be a cause of noise generation.

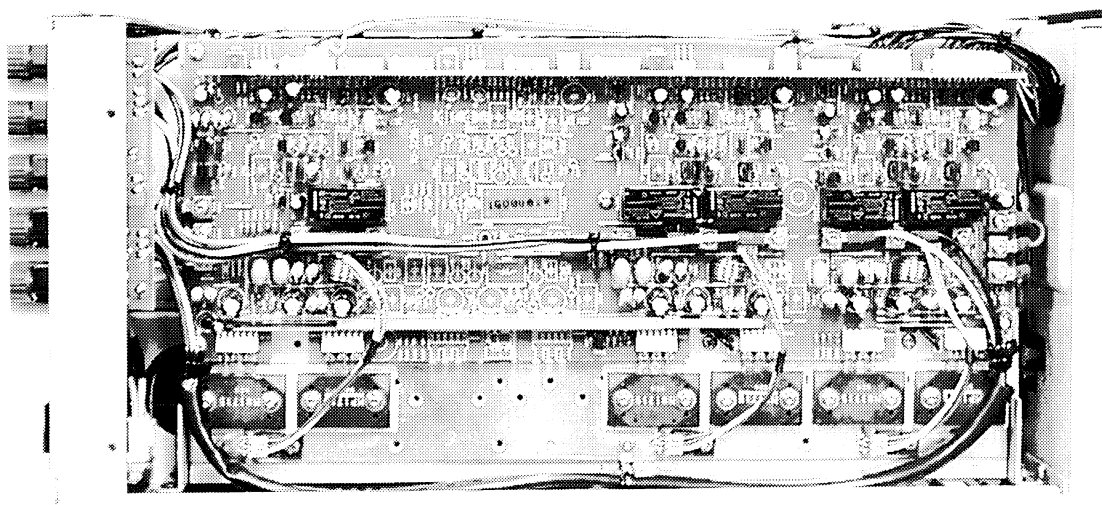
Wire arrangement viewed from the top



Front Panel side

Back Panel side

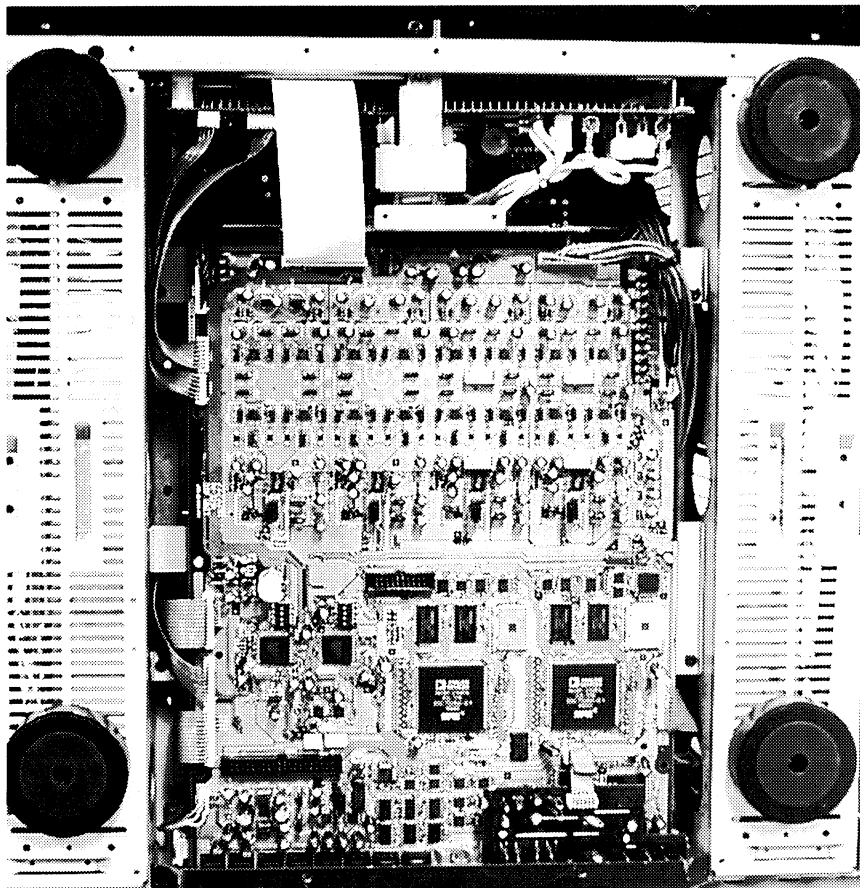
Wire arrangement viewed from the side (left)



Back Panel side

Front Panel side

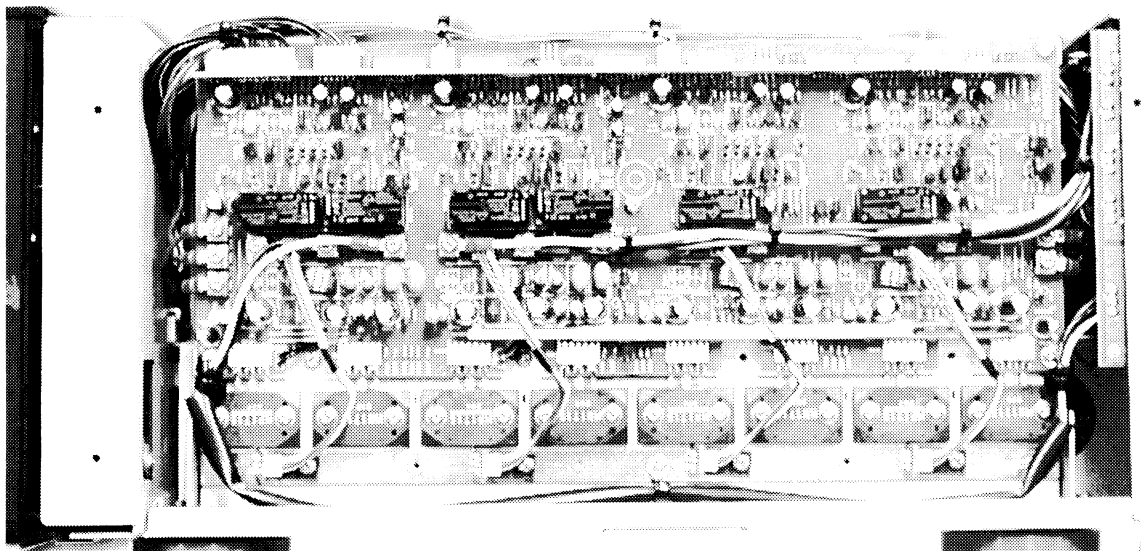
Wire arrangement viewed from the bottom



Front Panel side

Back Panel side

Wire arrangement viewed from the side (right)



Front Panel side

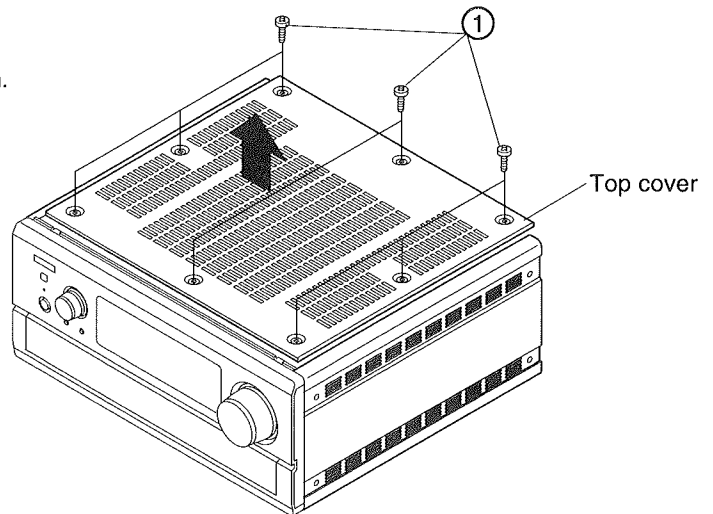
Back Panel side

DISASSEMBLY

(Follow the procedure below in reverse order when reassembling)

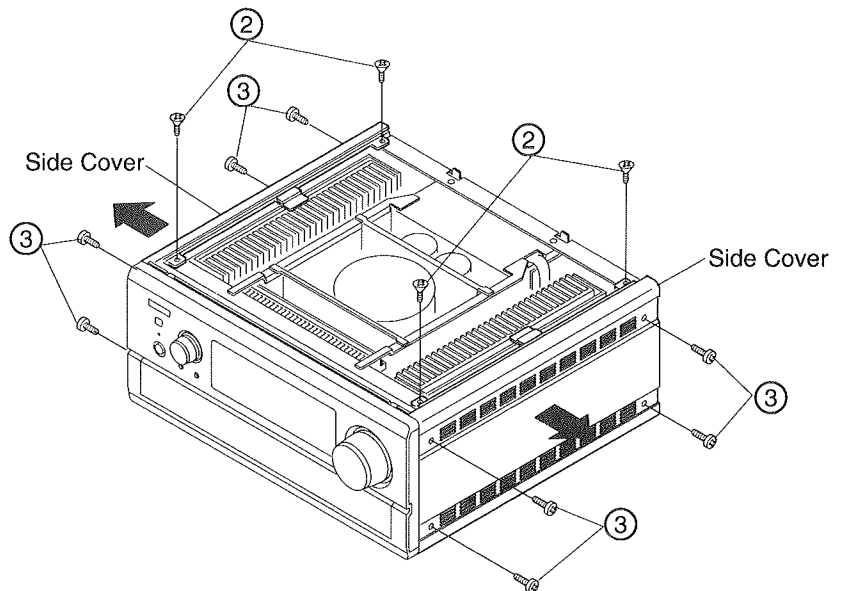
Top Cover

1. Remove 8 screws ① on the top.
2. Detach the Top Cover as shown in the arrow direction.



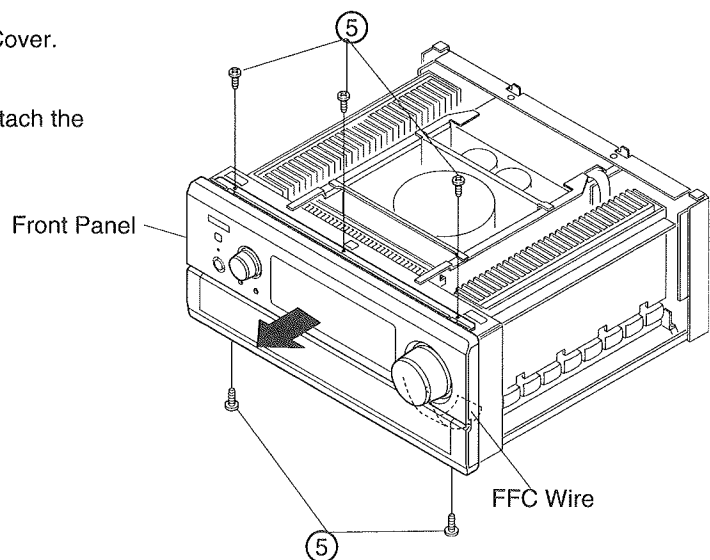
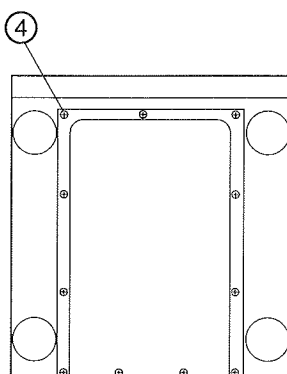
Side Cover

Remove 4 screws ② and 8 screws ③.



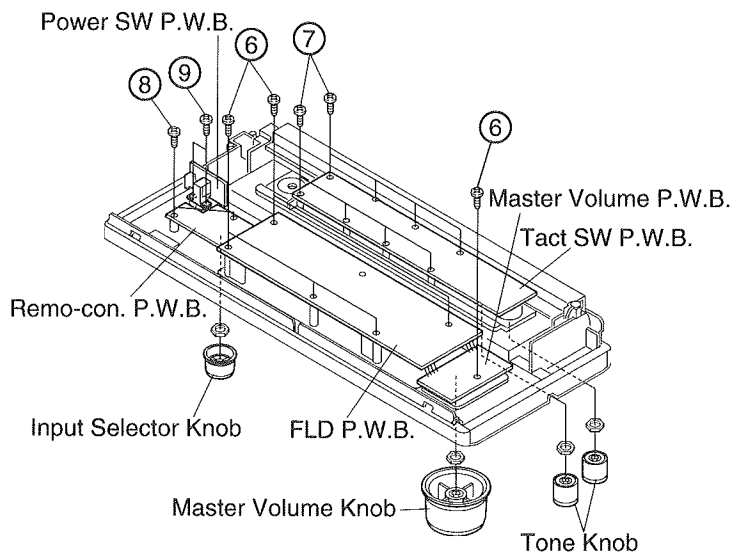
Front Panel

1. Remove 11 screws ④ and detach the Bottom Cover.
2. Remove 5 screws ⑤.
3. Disconnect FFC wire from its connector, and detach the Front Panel in the arrow direction.



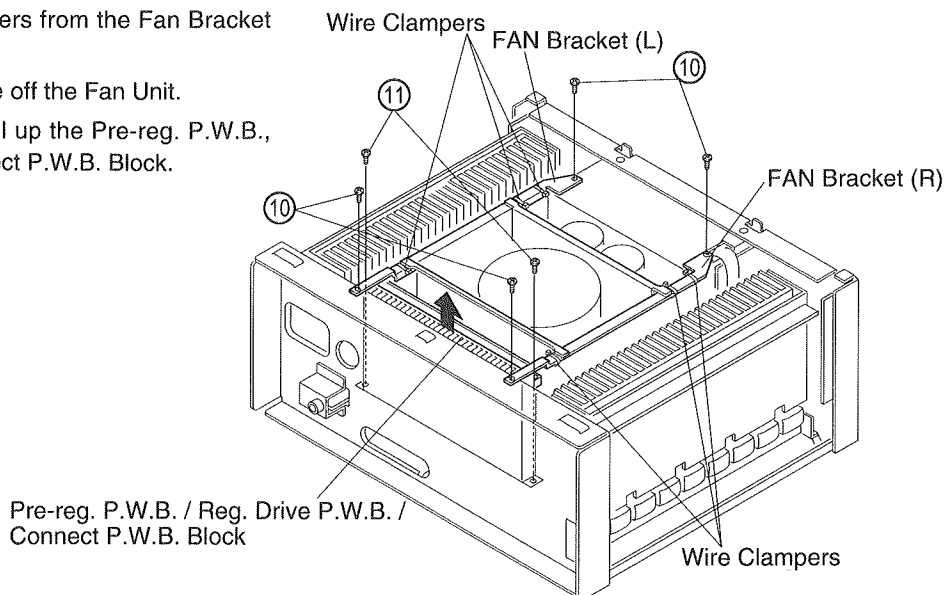
P.W.B.s on Front Panel

1. FLD P.W.B. & Master VR P.W.B.
Remove 6 screws (6) after taking off the master volume knob and nut.
2. Tact SW P.W.B.
Remove 8 screws (7) after taking off the tone volume knobs and nuts.
3. Remo-con. P.W.B.
Remove 2 screws (8) after taking off the input selector knob and nut.
4. Power SW P.W.B.
Remove 2 screws (9).



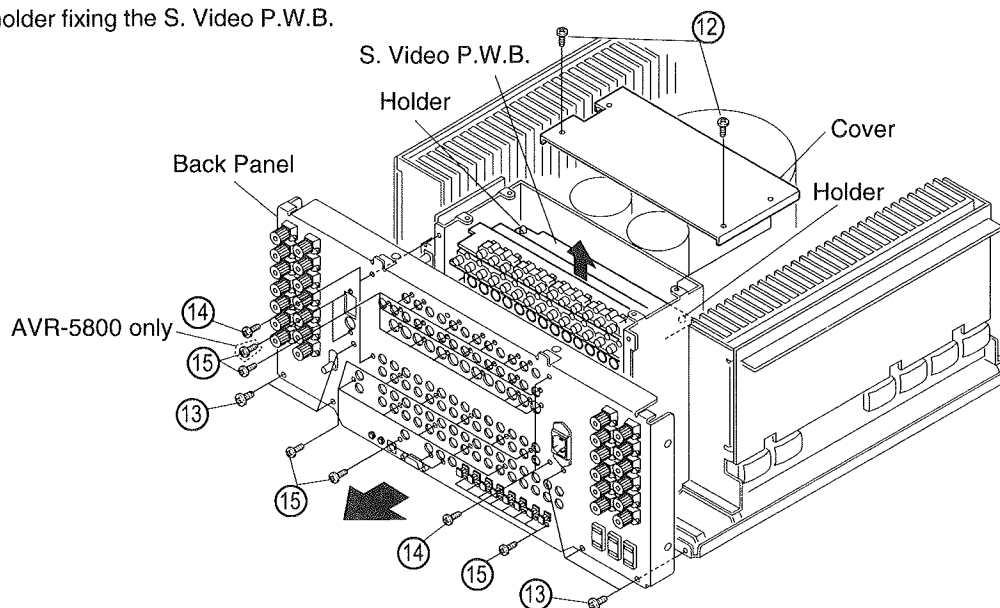
Pre-reg. P.W.B. / Reg. Drive P.W.B. / Connect P.W.B. Block

1. Cut and remove 6 wire clampers from the Fan Bracket (L) and (R).
2. Remove 4 screws (10) and take off the Fan Unit.
3. Remove 2 screws (11) and pull up the Pre-reg. P.W.B., Reg. Drive P.W.B., and Connect P.W.B. Block.



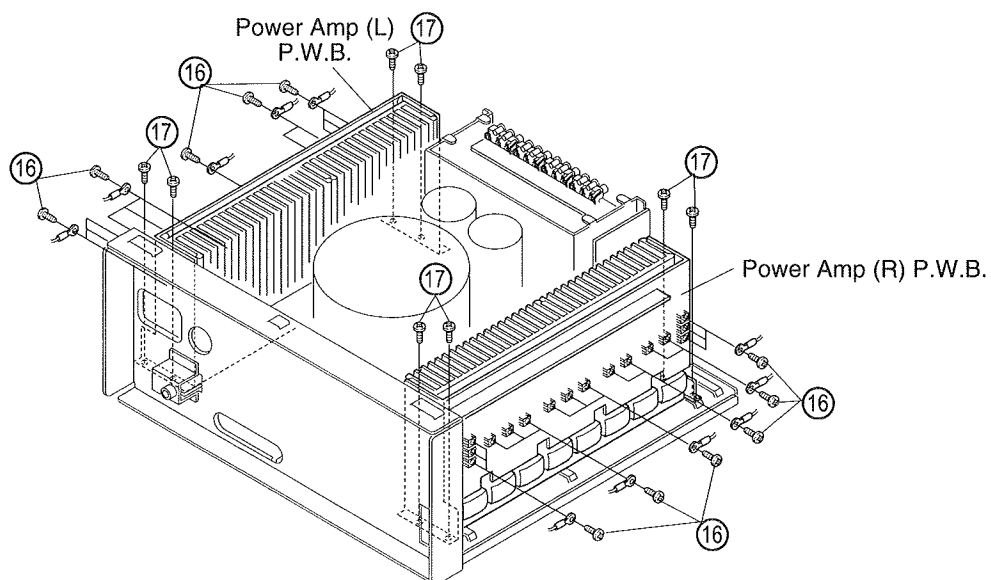
S. Video P.W.B. / C. Video P.W.B. / Comp. Video P.W.B. Block

1. Take off the Fan unit, then remove 2 screws (12) to detach the cover.
2. Remove 6 screws (13), 4 screws (14), 47 screws (15) (45 screws (15) for AVC-A1SE model), and detach the Back Panel.
3. Release 2 hooks of the holder fixing the S. Video P.W.B.



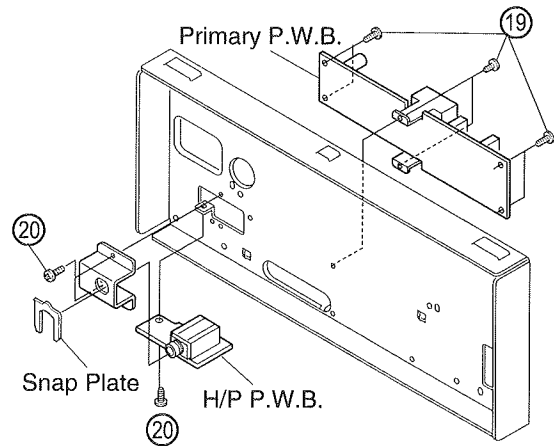
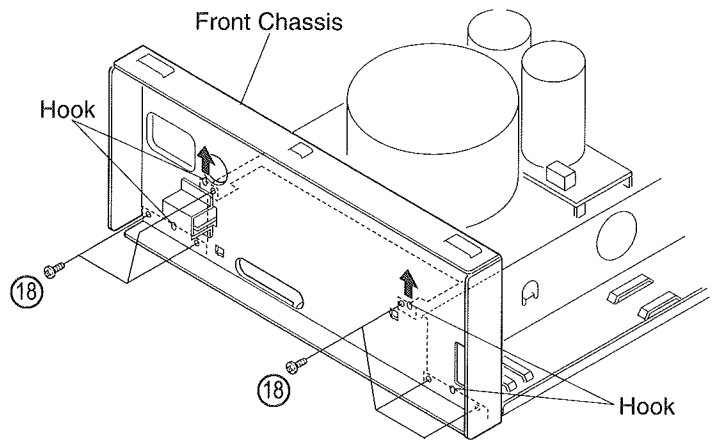
Power Amp L/R P.W.B.

1. Remove 30 screws (16) of the wires connecting to the Power Amp L/R P.W.B. (L side: 14, R side: 16)
2. Remove 8 screws (17) fastening to the chassis.



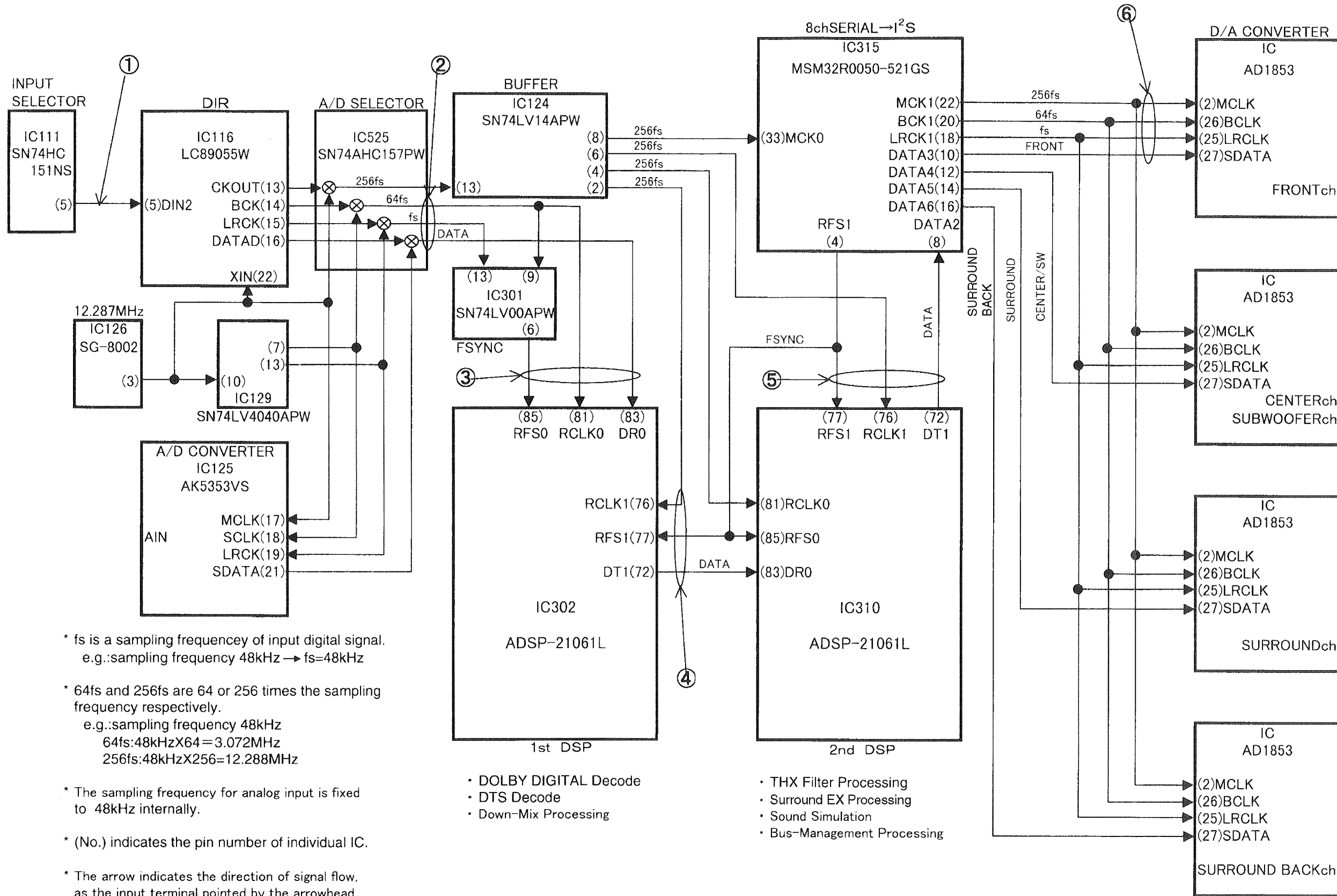
Front Chassis, Primary P.W.B., H/P P.W.B.

1. Remove 6 screws (18).
2. Detach the Front Chassis by pulling upward to release 4 hooks.
3. Remove 6 screws (19) and detach the Primary P.W.B. from the Front Chassis.
4. Remove 3 screws (20) and snap plate, then detach the H/P P.W.B.



CLOCK FLOW & WAVE FORM IN DIGITAL BLOCK

Clock Flow



* fs is a sampling frequency of input digital signal.
e.g.:sampling frequency 48kHz → fs=48kHz

* 64fs and 256fs are 64 or 256 times the sampling frequency respectively.
e.g.:sampling frequency 48kHz
64fs:48kHzX64=3.072MHz
256fs:48kHzX256=12.288MHz

* The sampling frequency for analog input is fixed to 48kHz internally.

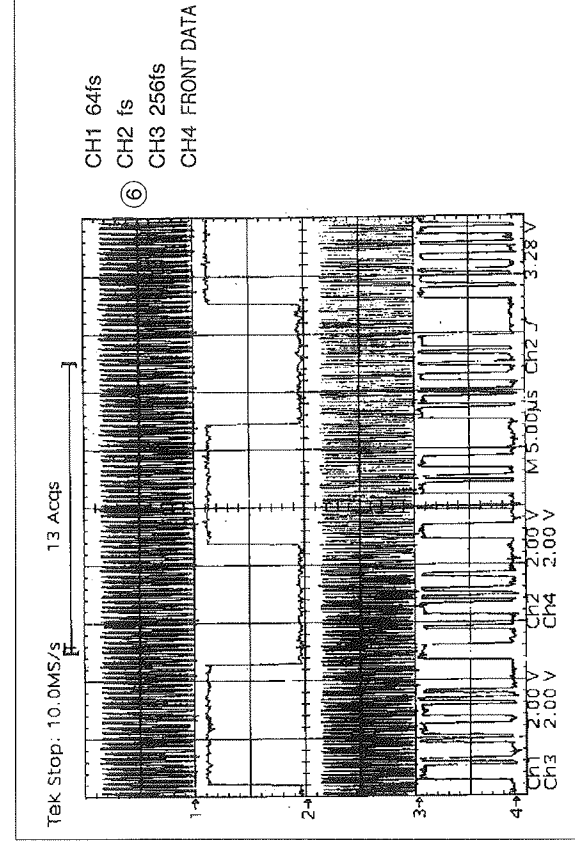
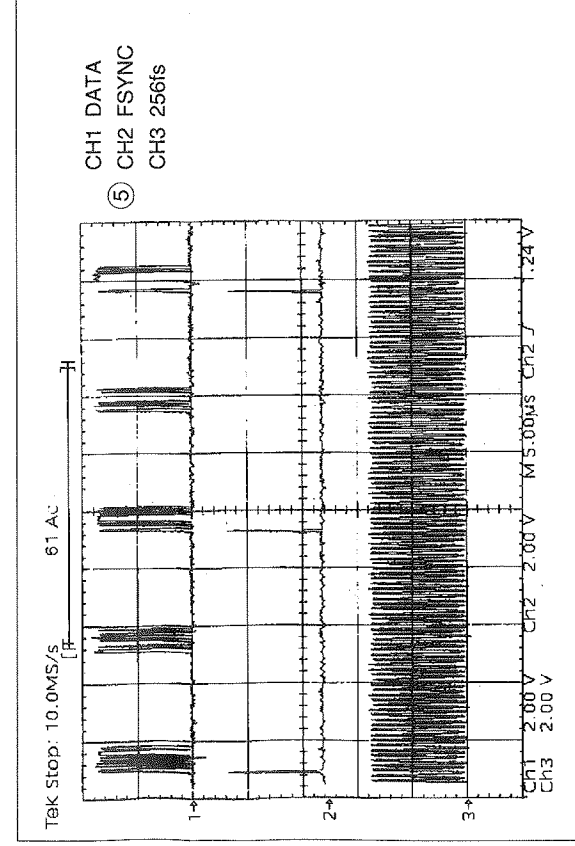
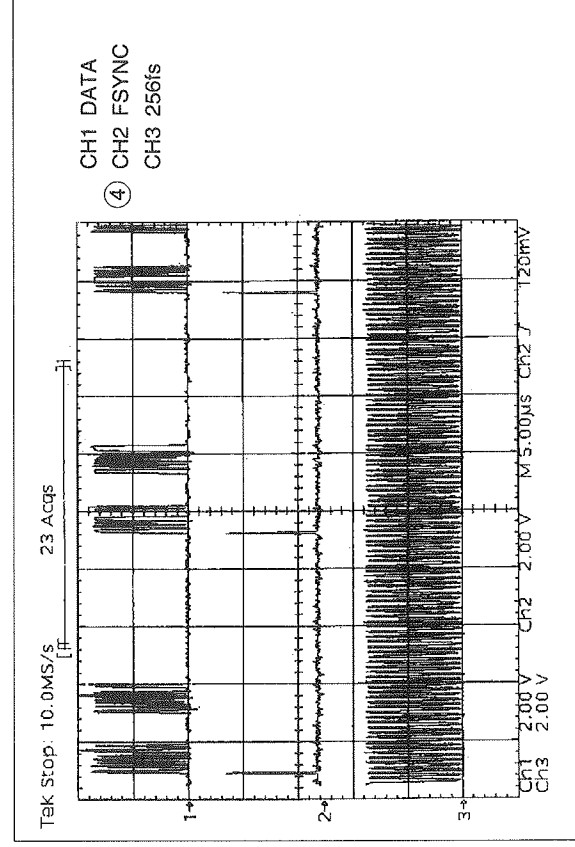
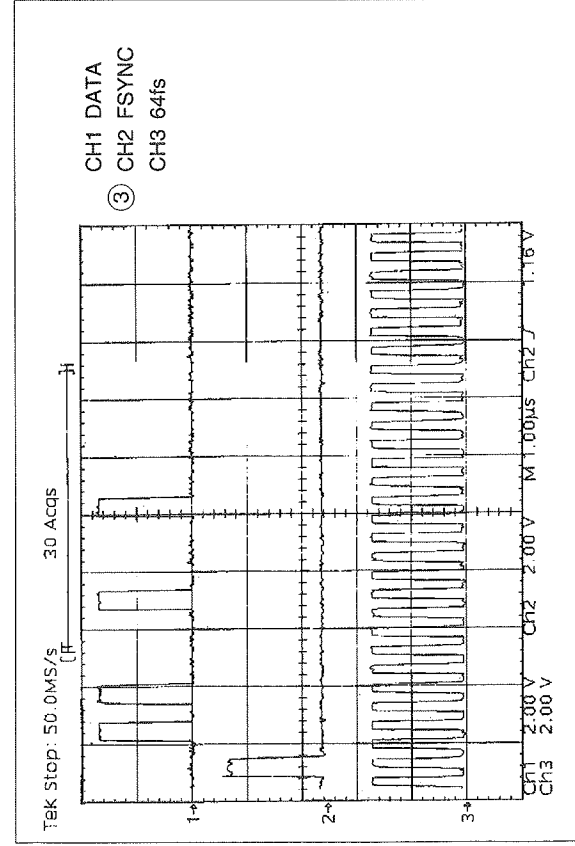
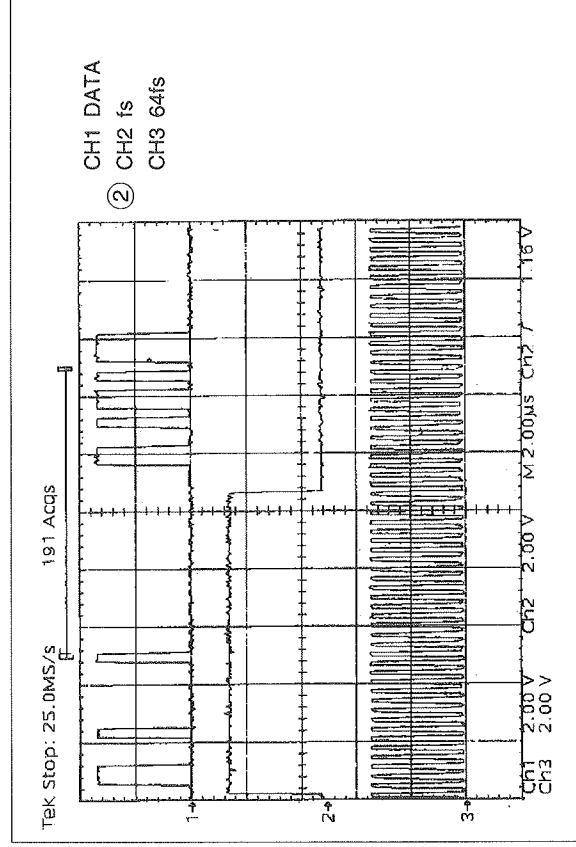
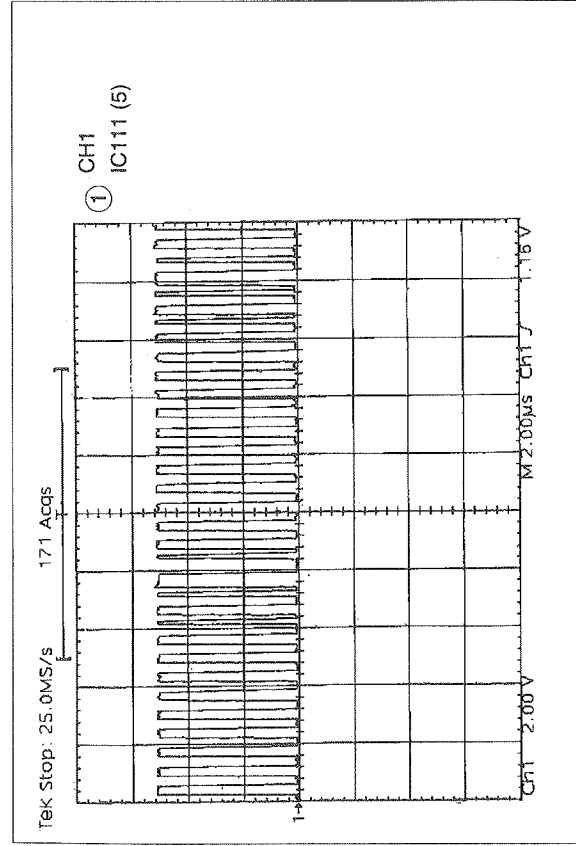
* (No.) indicates the pin number of individual IC.

* The arrow indicates the direction of signal flow, as the input terminal pointed by the arrowhead and the output terminal by the opposite.

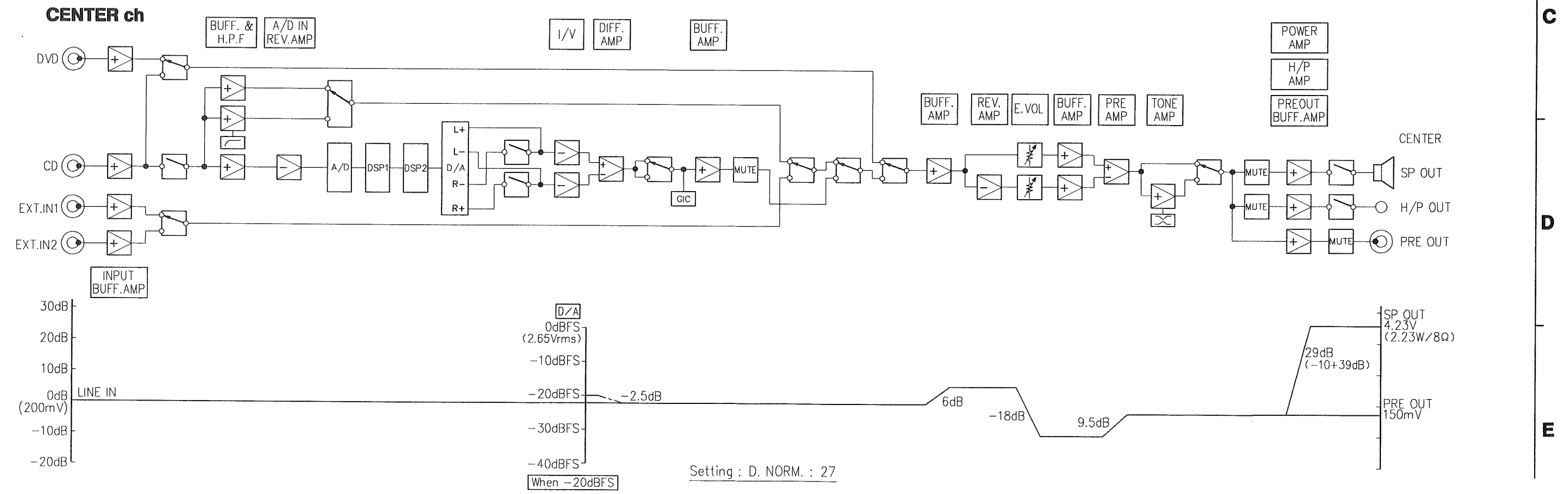
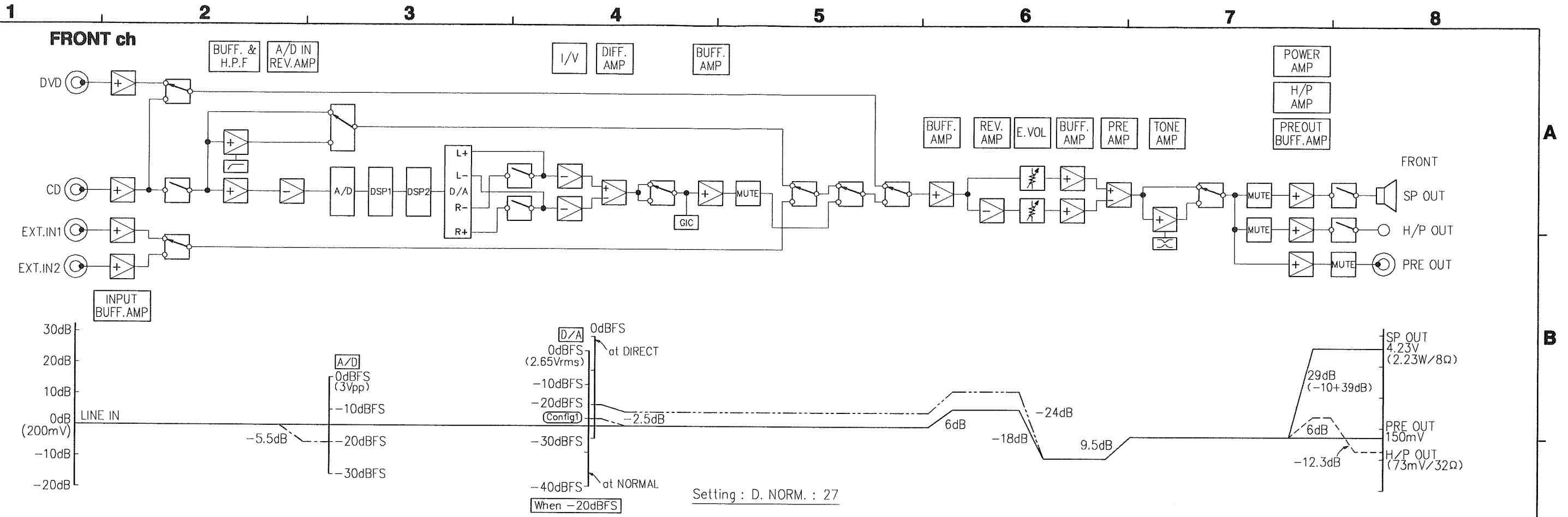
- DOLBY DIGITAL Decode
- DTS Decode
- Down-Mix Processing

- THX Filter Processing
- Surround EX Processing
- Sound Simulation
- Bus-Management Processing

Wave Form



LEVEL DIAGRAM (1/3)

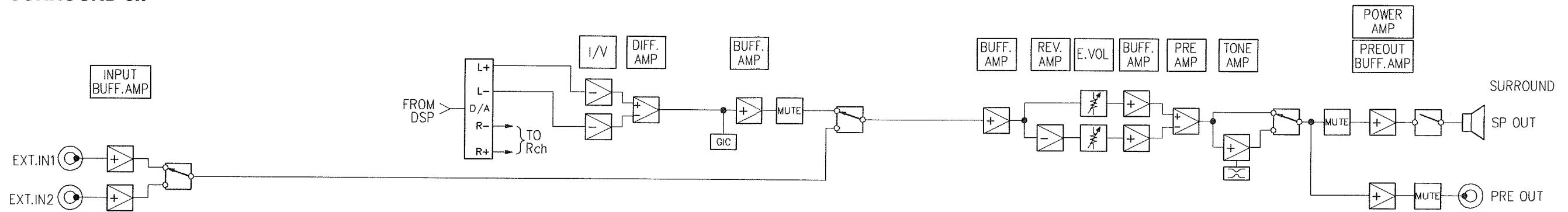


LEVEL DIAGRAMS (2/3)

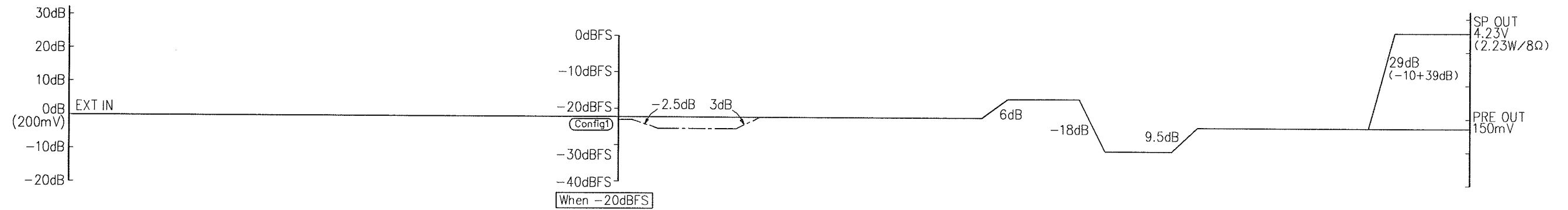
1 2 3 4 5 6 7 8

SURROUND ch

A



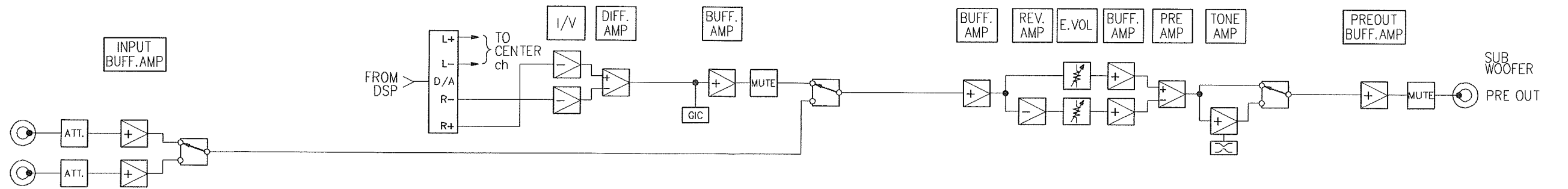
B



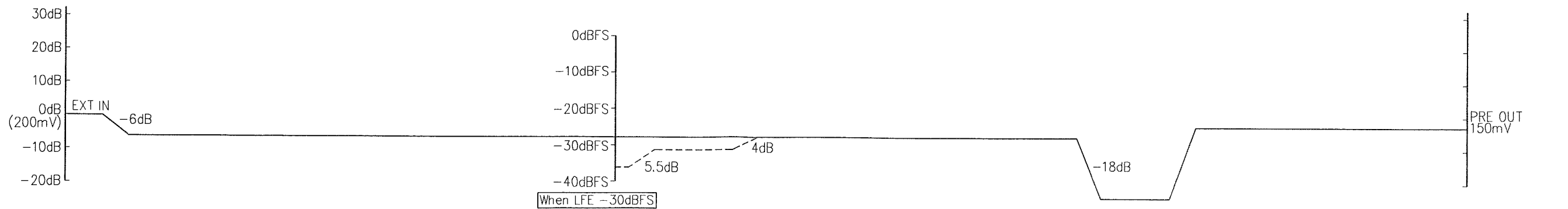
C

SUB-WOOFER ch

D



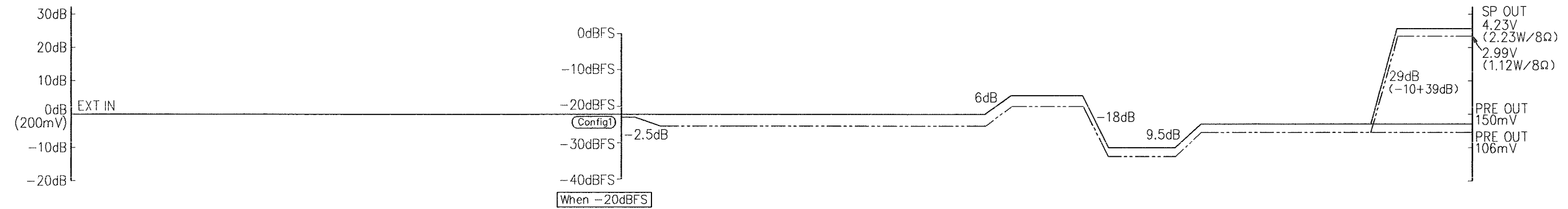
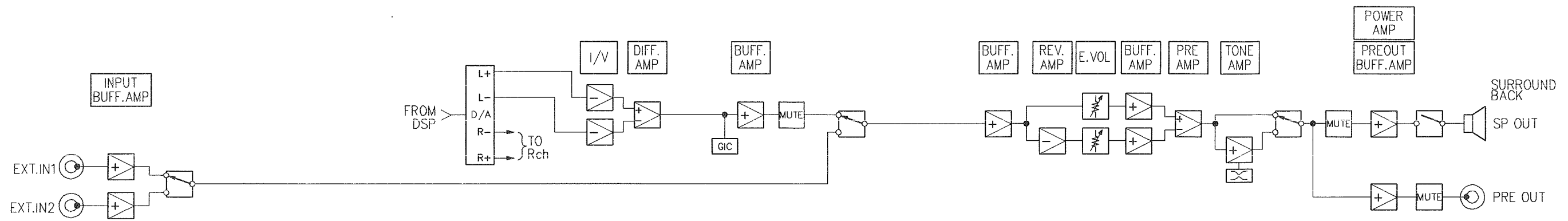
E



LEVEL DIAGRAMS (3/3)

1 2 3 4 5 6 7 8

SURROUND BACK ch



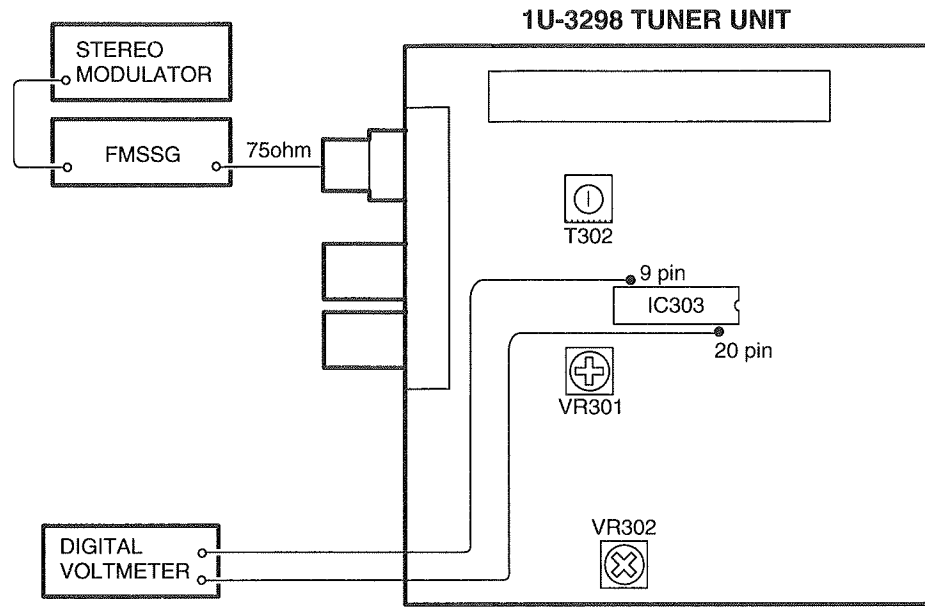
A
B
C
D
E

ADJUSTMENT

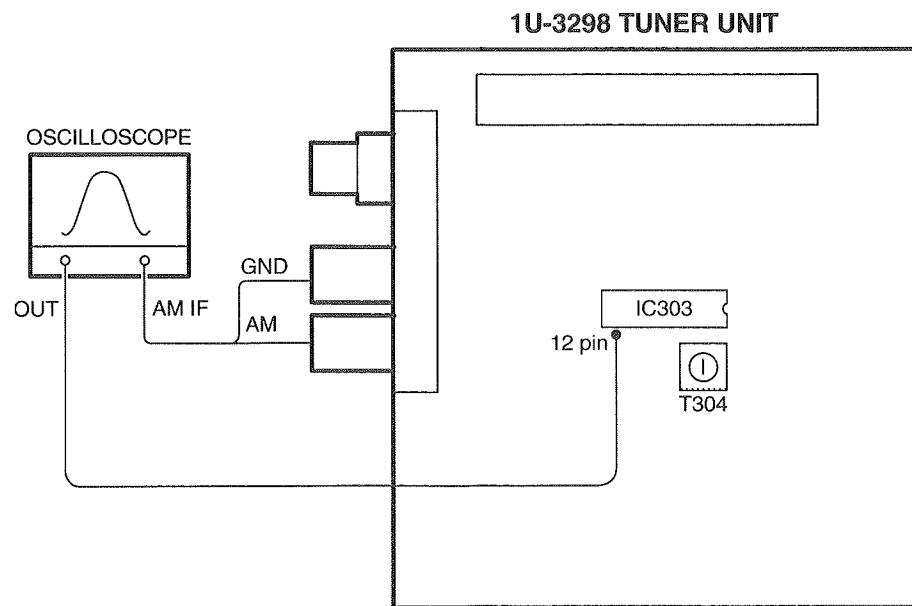
Tuner Section (AVR-5800 only)

CONNECTION DIAGRAM OF MEASURING INSTRUMENTS

● FM



● AM



FM/MPX ALIGNMENT

Step	Alignment Item	Tuning Frequency Setting	Input			Output			Adjust	Remarks		
			Type	Frequency	Input Level	Modulation	Coupling	Type			Connect to	Points
1	Tuning Center	98.1 MHz	FM SSG	98.1 MHz	60 dBμ	None	Antenna Terminal	Digital Voltmeter	IC303 (9), (20) pin	T302	± 50mV	Function : FM Mode : Auto
2	Separation	98.1 MHz	FM SSG	98.1 MHz	60 dBμ	Stereo (L) 1kHz 100%	Antenna Terminal	AC Voltmeter	AUDIO OUT Terminal (R)	VR302	Maximum Separation	—
3	Signal Level	98.1 MHz	FM SSG	98.1 MHz	20 dBμ	Off	Antenna Terminal	—	—	VR301	Light "TUNED" Character	—

AM ALIGNMENT

Step	Alignment Item	Frequency	Input		Output		Adjust to	Remarks
			Type	Input	Type	Connect to		
1	IF	—	IF SWEEP (Input level is not over to work A.G.C.)	IC303 12Pin	Oscilloscope	T304	Maximum height and best symmetry curve	

Audio Section

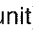
Idling Current (1U-3296-1, 2)



Required measurement equipment : DC Voltmeter

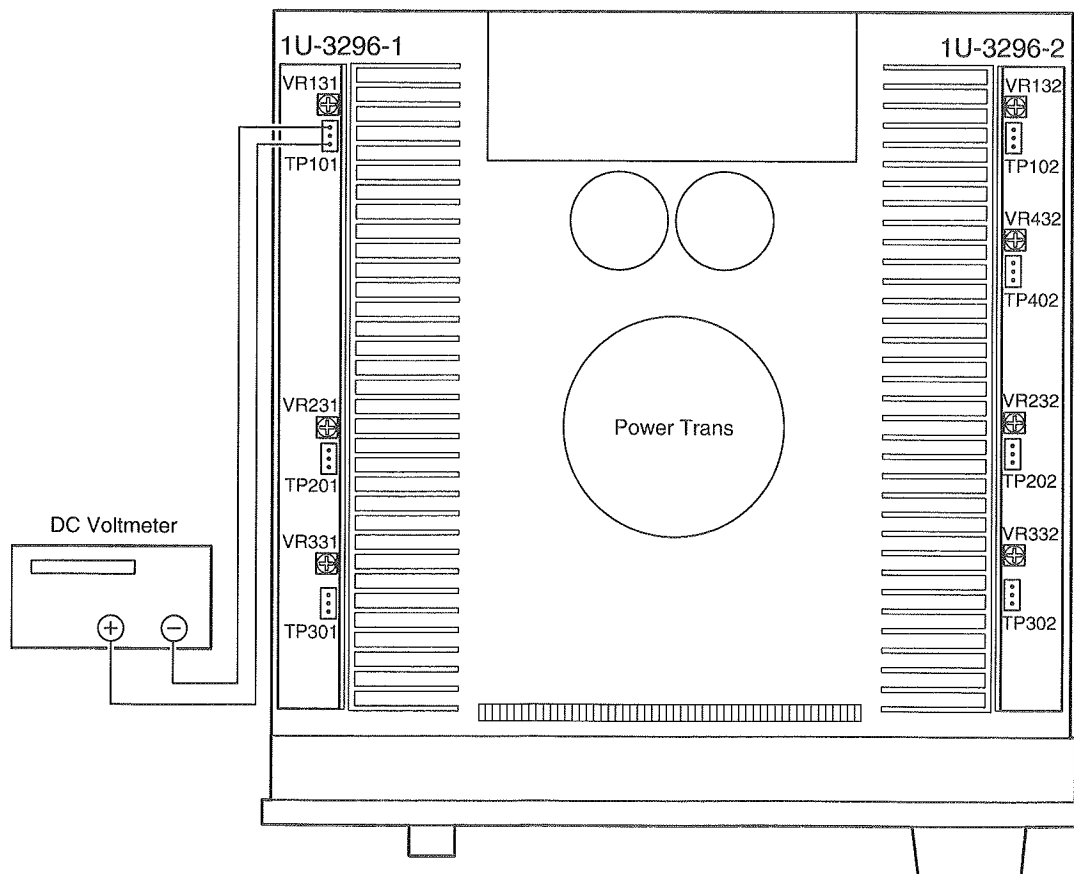
Preparation

- (1) Avoid direct blow from an air conditioner or an electric fan, and adjust the unit at normal room temperature 15 °C ~ 30 °C (59 °F ~ 86 °F).
- (2) Presetting
 - POWER (Power source switch) → OFF
 - SPEAKER (Speaker terminal) → No load (Do not connect speaker, dummy resistor, etc.)

Adjustment

- (1) Remove top cover and set VR131, VR231, VR331 on 1U-3296-1 (Power Amp. L unit), VR132, VR232, VR332, VR432 on 1U-3296-2 (Power Amp. R unit) at full counterclockwise () position.
- (2) Connect DC Voltmeter to test points (FRONT-Lch: TP101, FRONT-Rch: TP102, CENTER ch: TP402, SURROUND-Lch: TP201, SURROUND-Rch: TP202, SURROUND BACK-Lch: TP301, SURROUND BACK-Rch: TP302).
- (3) Connect power cord to AC Line, and turn power switch "ON".
- (4) Presetting.

MASTER VOLUME	: "----" counterclockwise ( min.)
MODE	: 5CH/7CH STEREO
FUNCTION	: CD
- (5) Within 2 minutes after the power on, turn VR131 clockwise () to adjust the TEST POINT voltage to 3 mV \pm 0.5 mV DC.
- (6) After 10 minutes from the preset above, turn VR131 to set the voltage to 3 mV \pm 0.5 mV DC.
- (7) Adjust the Variable Resistors of other channels in the same way.



SEMICONDUCTORS

● IC's

Note: Abbreviation ahead of IC No. indicates the name of P.W.B.

DS: DSP P.W.B.

EX: Ext. In Vol. P.W.B.

FR: Front P.W.B.

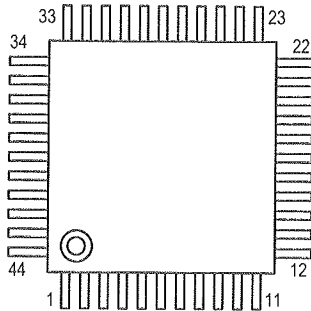
PO: Power Amp P.W.B.

AV: A&V In P.W.B.

TU: Tuner P.W.B. (AVR-5800 only)

RE: Reg. & SP. P.W.B.

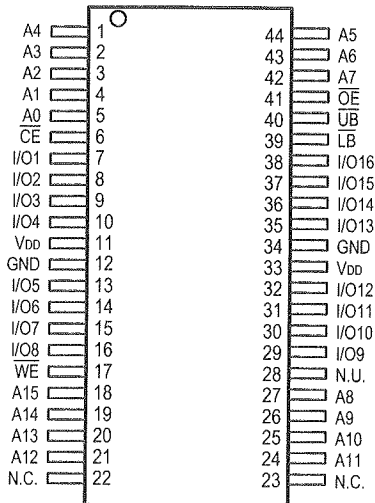
MSM32R0050-521GS (DS: IC315)



MSM32R0050-521GS Terminal Function

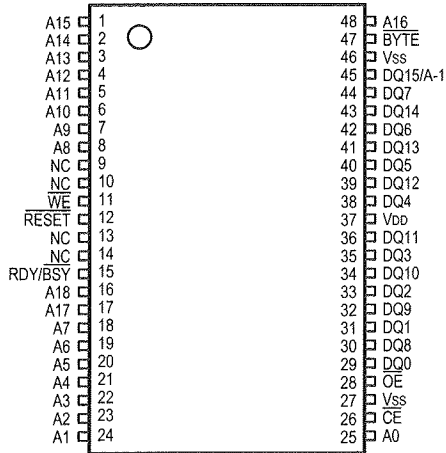
Pin No.	Name	I/O	Function	Pin No.	Name	I/O	Function
1	Vcc	—		23	GND	—	
2	RFS0	O	RFS for DSP (64fs)	24	NC		
3	GND	—		25	NC		
4	RFS1	O	RFS for DSP (256fs)	26	Vcc	—	
5	GND	—		27	NC		
6	RFS1A	O	Same as RFS1	28	GND	—	
7	GND	—		29	NC		
8	DATA2	I	Output data from DSP	30	NC		
9	GND	—		31	NC		
10	DATA3	O	Data for L/R DAC	32	NC		
11	GND	—		33	MCK0	I	MCK for RFS1 generation
12	DATA4	O	Data for C/SW DAC	34	GND	—	
13	GND	—		35	LRCK0	I	LRCK for RFS0 generation
14	DATA5	O	Data for SL/SR DAC	36	GND	—	
15	GND	—		37	BCK0	I	BCK for RFS0 generation
16	DATA6	O	Data for SBL/SBR DAC	38	GND	—	
17	GND	—		39	GND	—	
18	LRCK1	O	LRCK for all DAC	40	Vcc	—	
19	Vcc	—		41	RESET	I	System reset (L: Reset)
20	BCK1	O	BCK for all DAC	42	CRESET	I	Clock reset (L: Reset)
21	GND	—		43	GND	—	
22	MCK1	O	MCK for all DAC	44	D.MUTE	I	DAC mute (L: Mute)

TC55V1664BFT-12 (DS: IC308, 312, 320, 321)



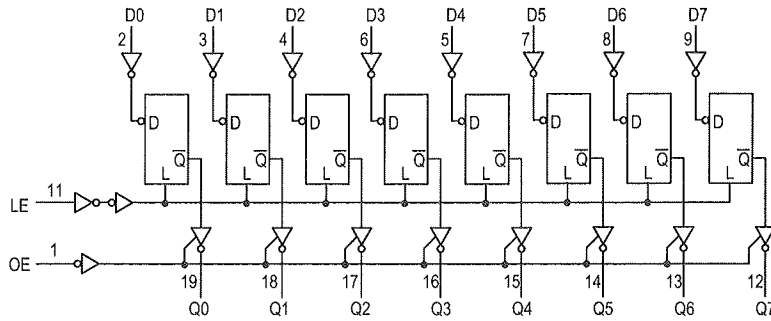
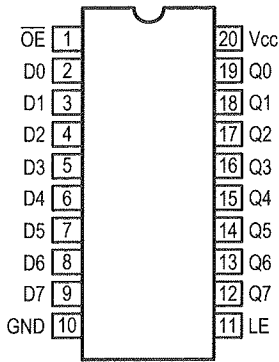
Symbol	Function
A0~A15	Address input
I/O1~I/O16	Data in/output
\overline{CE}	Chip enable input
\overline{WE}	Write enable input
\overline{OE}	Output buffer control input
$\overline{LB}, \overline{UB}$	Data byte control input
V _{DD}	Power terminal (3.3V)
GND	GND
N.C.	No connection
N.U.	Unusable (input)

LH28F800BVE-BTL90 (DS: IC303, 319)

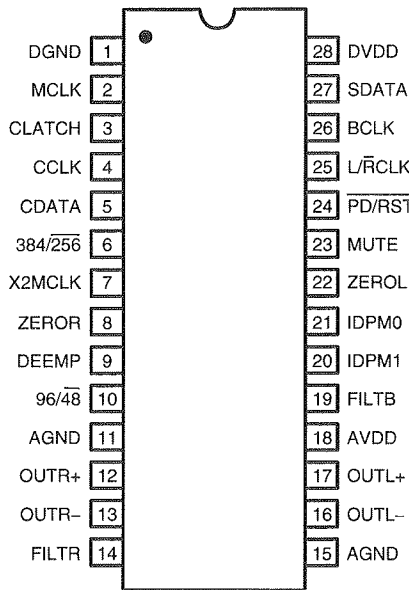


Symbol	Function
A0~A18	Address input
DQ0~DQ14	Data in/output
DQ15/A-1	Data in/output/Address input
\overline{CE}	Chip enable input
\overline{OE}	Output enable input
BYTE	Word/byte select input
WE	Write enable input
RDY/BSY	Ready/busy output
RESET	Hardware reset input
N.C.	No connection
Vdd	Power
Vss	GND

SN74AHCT573PW (DS: IC307, 316)
SN74LV573ANS (DS: IC309, 317)

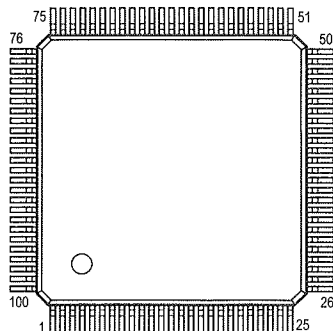


AD1853(DS:IC702,704,706,708)



Pin. No.	Name	I/O	Description
1	DGND	I	Digital Ground
2	MCLK	I	Master Clock Input
3	CLATCH	I	Latch input for control data
4	CCLK	I	Control clock input for control data.
5	CDATA	I	Serial control input
6	384/256	I	Selects the master clock mode
7	X2MCLK	I	Selects internal clock doubler (LO) or internal clock=MCLK (HI)
8	ZEROR	O	Right Channel Zero Flag Output
9	DEEMP	I	De-Emphasis
10	96/48	I	Selects 48 kHz (LO) or 96 kHz Sample Frequency Control
11,15	AGND	I	Analog Ground
12	OUTR+	O	Right Channel Positive line level analog output
13	OUTR-	O	Right Channel Negative line level analog output
14	FILTR	O	Voltage Reference Filter Capacitor Connection
16	OUTL-	O	Left Channel Negative line level analog output
17	OUTL+	O	Left Channel Positive line level analog output
18	AVDD	I	Analog Power supply
19	FILTB	O	Filter Capacitor connection
20	IDPM1	I	Input serial data port mode control one
21	IDPM0	I	Input serial data port mode control zero
22	ZEROL	O	Left Channel Zero Flag output
23	MUTE	I	Mute. Assert HI to mute both stereo analog outputs
24	PD/RST	I	Power-Down/Reset
25	L/RCLK	I	Left/Right clock input for input data
26	BCLK	I	Bit clock input for input data
27	SDATA	I	Serial input
28	DVDD	I	Digital power Supply

TMP95FY64F (DS: IC801) (SUB)



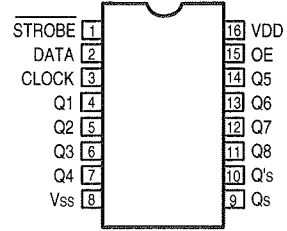
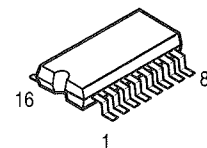
TMP95FY64F Terminal Function

Pin. No.	Name	Symbol	I/O	Type	Det	Op	Res	Ini	Function
1	VREFL	VREFL	—	—	—	—	—	—	A/D ref. GND
2	AVss	AVss	—	—	—	—	—	—	A/D GND
3	AVcc	AVcc	—	—	—	—	—	—	AD +5V
4	DAOUT0	DAOUT0							No connection
5	DAOUT1	DAOUT1	O	C	—	Od	L	L	No connection
6	_NMI	_NMI	I	—	—	—	—	—	Not used (fixed to H)
7	P53/_BUSRQ	ASIC RESET	O	N	—	Eu	H	H	ASIC control terminal (L: Reset)
8	P54/_BUSAK	WP1	O	C	—	Od			Memory write protect for DSP1
9	P55/_WAIT	WP2	O	C	—	Od			Memory write protect for DSP2
10	P56/INT0	B.DOWN	I	—	E↓&L	Eu	Z	—	Power down detect (L: Detected)
11	P57/SCLK2/_CTS2	ROM_RES1	O	C	—	Od			Memory reset for DSP1
12	P80/TxD0	MISO	O	C					MAIN-SUB μcom comm. control terminal (Data out)
13	P81/RxD0	MOSI	I	—					MAIN-SUB μcom comm. control terminal (Data in)
14	P82/SCLK0/_CTS0	CLK	I/O	C					MAIN-SUB μcom comm. control terminal (I2C clock in/out)
15	P83/TxD1	DIR MOSI	O	C	—	—	Z	L	DIR control terminal (LC89055Q), control data output
16	P84/RxD1	DIR MISO	I	—	Lv	—	—	—	DIR control input terminal (LC89055Q), control data input
17	P85/SCLK1/_CTS1	DIR CLK	O	C	—	—	Z	L	DIR control terminal (LC89055Q), control clock output
18	P86/TxD2	TxD	O	C	—	—	Z	L	Data send output to external (common with 1394 data comm.)
19	P87/RxD2	RxD	I	—	Lv	—	—	—	Data receive input from external (common with 1394 data comm.)
20	P60/_CS0	D.EXP OE	O	C	—	—	Z	L	Port Expander control out for DIGITAL input switching (TC4094B)
21	P61/_CS1	D.EXP CLK	O	C	—	—	Z	L	Port Expander control out for DIGITAL input switching (TC4094B)
22	P62/_CS2	D.EXP DATA	O	C	—	—	Z	L	Port Expander control out for DIGITAL input switching (TC4094B)
23	P63/_CS3	D.EXP STB	O	C	—	—	Z	L	Port Expander control out for DIGITAL input switching (TC4094B)
24	CLK	CLK	O	C	—	Eu	—	—	—
25	Vcc	Vcc	—	—	—	—	—	—	+5V
26	Vss	I/O1	—	—	—	—	—	—	GND
27	X1	Xin	I	—	—	—	—	—	X'tal connection
28	X2	Xout	O	—	—	—	—	—	X'tal connection
29	_EA	_EA	—	—	—	—	—	—	Fixed to +5V
30	_RESET	RESET	I	—	Lv	Eu	L	—	Reset input
31	P70/TI0/INT1	DSP ACK1	I	—	E↑&L	—	—	—	DSP1 host interface comm. respond input (L: OK)
32	P71/TO1	_DSP1 RESET	O	C	—	Od	L	L	DSP1 reset output terminal (L: Reset)
33	P72/TO3/INT2	AC-3 RF DET.	I	—	E↓&L	—	—	—	AC-3 RF signal detect input (L: AC-3 RF signal input)
34	P73/TI4/INT3	DAC-192	O	C	—	—	—	—	Sets D/A to 192k
35	P74/TO5	_DSP2 RESET	O	C	—	Od	L	L	DSP2 reset output terminal (L: Reset)
36	P75/TO7/INT4	_REQ	O	C	—	Eu	H	L	MAIN-SUB μcom comm. control terminal (L: Comm. request from SUB)
37	P90/TI8/INT5	_ACK	I	—	E↓&L	Eu	—	—	MAIN-SUB μcom comm. control terminal (L: Ack. return from MAIN)
38	P91/TI9/INT6	CSI	I	—	Lv	—	—	—	DIR control input terminal (LC89055Q), L: PCM
39	P92/TO8	EMP	I	—	Lv	—	—	—	H: EMP ON
40	P93/TO9	DEEPM	O	C	—	Ed	L	L	—
41	P94/TIA/INT7	_CS	I	—	E↑&L	Od	—	—	DIR control input terminal (LC89055Q), L→H: Cannel status change
42	P95/TIB/INT8	ERR	I	—	E↑&L	—	—	—	DIR control input terminal (LC89055Q), H: ERR
43	P96/TOA/TOB	DIR RESET	O	C	—	—	Z	L	DIR control input terminal (LC89055Q), L: Reset
44	Vcc	Vcc	—	—	—	—	—	—	+5V
45	P00/D0	DIT_RESET		C	—	—	Z	L	DIT control terminal
46	P01/D1	DIT CLK		C	—	—	Z	L	DIT control terminal
47	P02/D2	DIT uDATA		C	—	—	Z	L	DIT control terminal
48	P03/D3	DIT ST		C	—	—	Z	L	DIT control terminal
49	P04/D4	DIT_CS		C	—	—	Z	L	DIT control terminal
50	P05/D5	DIT RW		C	—	—	Z	L	DIT control terminal
51	P06/D6	DH/RESET		C	—	—	Z	L	DHIVA board reset (fixed to L)

Pin No.	Name	Symbol	I/O	Type	Det	Op	Res	Ini	Function
52	P07/D7	DMUTE		C	—	—	Z	L	Digital input MUTE control output (same control as SELCK)
53	P10/D8	I/O1	I/O	C	—	—	Z	L	DSP comm. terminal (ADSP21061L:D16)
54	P11/D9	I/O2	I/O	C	—	—	Z	L	DSP comm. terminal (ADSP21061L:D17)
55	P12/D10	I/O3	I/O	C	—	—	Z	L	DSP comm. terminal (ADSP21061L:D18)
56	P13/D11	I/O4	I/O	C	—	—	Z	L	DSP comm. terminal (ADSP21061L:D19)
57	P14/D12	I/O5	I/O	C	—	—	Z	L	DSP comm. terminal (ADSP21061L:D20)
58	P15/D13	I/O6	I/O	C	—	—	Z	L	DSP comm. terminal (ADSP21061L:D21)
59	P16/D14	I/O7	I/O	C	—	—	Z	L	DSP comm. terminal (ADSP21061L:D22)
60	P17/D15	I/O8	I/O	C	—	—	Z	L	DSP comm. terminal (ADSP21061L:D23)
61	AM8/_16								Fixed to +5V
62	Vss	Vss	—	—	—	—	—	—	GND
63	Vcc	Vcc	—	—	—	—	—	—	+5V
64	P27/A23	_DSP REQUEST1	O	C	—	—	Z	L	DSP1 (ADSP21061L-A:IRQ 1_) host interface interrupt req. output, L: REQ
65	P26/A22	WRITE1	O	C	—	—	Z	L	DSP1 comm. control terminal (H: DATA WRITE)
66	P25/A21	_DSP REQUEST2	O	C	—	—	Z	L	DSP2 (ADSP21061L-A:IRQ 1_) host interface interrupt req. output, L: REQ
67	P24/A20	WRITE2	O	C	—	—	Z	L	DSP2 comm. control terminal (H: DATA WRITE)
68	P23/A19	DSP ACK2	I	—	E↑&L	—	—	—	DSP2 host interface comm. respond input (L: OK)
69	P22/A18	BUSY2	I	—	Lv	—	—	—	DSP busy check flag (ADSP21061L-B:FLAG 2B) input, L: Normal
70	P21/A17	FLAG 3A	I	—	Lv	—	—	—	Special flag for ROM update (ADSP21061L-A:FLAG 3A)
71	P20/A16	BUSY1	I	—	Lv	—	—	—	DSP busy check flag (ADSP21061L-A:FLAG 2A) input, L: Normal
72	P37/A15	SEL CK	O	C	—	—	Z	L	ADC/DIR data/clock switching control terminal (L: ADC)
73	P36/A14	DIR CE	O	C	—	—	Z	L	DIR control terminal (LC89055Q), control chip enable output
74	P35/A13	FLAG 3B	I	—	Lv	—	—	—	Special flag for ROM update (ADSP21061L-A:FLAG 3B)
75	P34/A12	DAC-RESET2	O	C	—	Od	L	H	DAC control terminal (L: Power down, ↑: Reset, H: Normal)
76	P33/A11	DIGITAL POWER	O	C	—	—	Z	L	DIGITAL power ON/OFF switching
77	P32/A10	DIR AUTO	O	C	—	Od	Z	L	—
78	P31/A9	BPSYNC	O	C	—	—	Z	L	—
79	P30/_B00T/A8	_B00T	I	—	Lv	Eu	Z	—	Single Chip/Single Boot switching input (H & Reset: Single Chip Mode)
80	P47/A7	_DEMOD RESET	O	C	—	Od	L	L	Demodulator reset output (L: Reset)
81	P46/A6	DEMOD ON	O	C	—	Od	L	L	Demodulator osc. control output (H: Osc.)
82	P45/A5	FGAIN	O	C	—	—	Z	L	IV AMP GAIN switching control output (L: Sub-woofer on)
83	P44/A4	A/D RESET	O	N	—	Eu	H	H	A/D control terminal (L: Reset)
84	P43/A3	DAC-RESET1	O	C	—	Od	L	H	DAC control terminal (L: Power down, ↑: Reset, H: Normal)
85	P42/A2	DAC-DIF.							DAC differential use: H
86	P41/A1	DIG. (AC3) MUTE	O	C	—	Od	Z	L	Digital mute control output (L: AC-3 or DTS decode possible)
87	P40/A0	ERR MUTE	O	C	—	Od	L	L	Pop noise preventive mute control output
88	P50/_RD	DH IN	O	C	—	—	Z	L	For 1394 (fixed to L)
89	P51/_WR	DH OUT	O	C	—	—	Z	L	For 1394 (fixed to L)
90	P52/_HWR	ROM_RES2	O	C	—	Od			Memory reset for DSP2
91	Vss	Vss	—	—	—	—	—	—	GND
92	PA0/AN0	96K DET	I	—	Lv	—	—	—	96k signal detect input, H: 96k
93	PA1/AN1	DHERR	I	—	Lv	—	—	—	DHIVA board error input (fixed to L)
94	PA2/AN2		I	—	Lv	—	—	—	Not used (Pull down)
95	PA3/AN3/_ADTRG		I	—	Lv	—	—	—	Not used (Pull down)
96	PA4/AN4		I	—	Lv	—	—	—	Not used (Pull down)
97	PA5/AN5		I	—	Lv	—	—	—	Not used (Pull down)
98	PA6/AN6		I	—	Lv	—	—	—	Not used (Pull down)
99	PA7/AN7	MODE-0-SUB	I	—	Lv	—	—	—	FLASH ROM rewrite mode input
100	VREFH	VREFH	—	—	—	—	—	—	AD ref. +5V

Note: Pin No. : Terminal number of microcomputer.
 Port Name : The name entered in the data sheet of microcomputer.
 Symbol : Symbolized interface function.
 I/O : Input or out of part.
 "I" = Input port
 "O" = Output port
 Type : Composition of port in case of output port.
 "C" = CMOS output
 "N" = NMOS open drain output
 "P" = PMOS open drain output
 Op : Pull up/Pull down selection information.
 "lu" = Inner microcomputer pull up
 "ld" = Inner microcomputer pull down
 "Eu" = External microcomputer pull up
 "Ed" = External microcomputer pull down
 Det : Indicates judging state of input port. Level detection is "Lv"; Edge detection is "Ed"; Detection by both shifting is "E&L"; Serial data detection is "S" (Serial data output is also "S").
 Res : State at reset.
 "H" = Outputs High Level at reset
 "L" = Outputs Low Level at reset
 "Z" = Becomes High impedance mode at reset
 Ini : Initial output state.
 Function : Function and logical level explanation of signals to be interface.

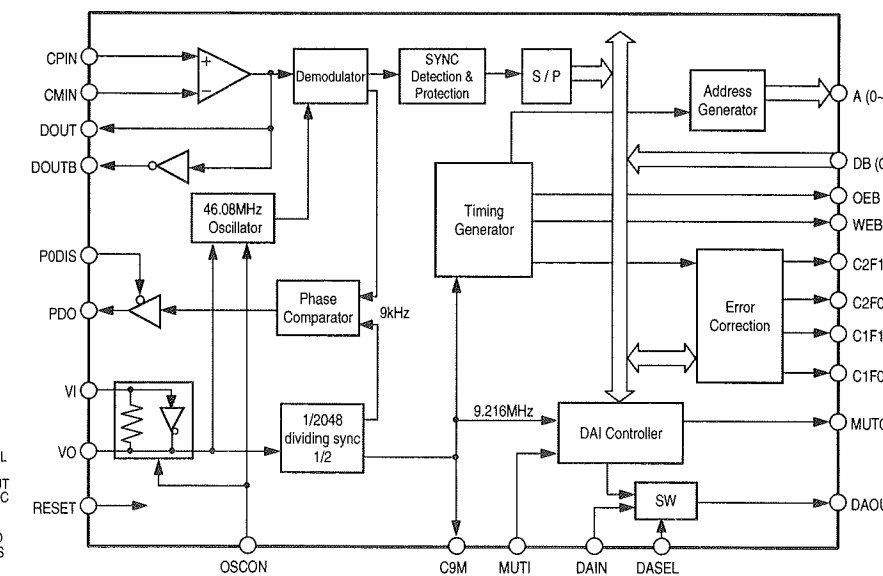
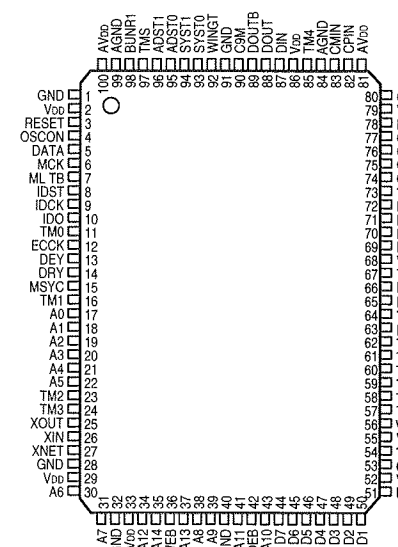
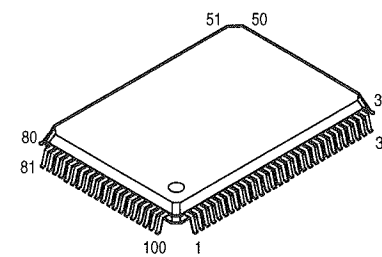
BU4094BCF (DS: 803, 804)



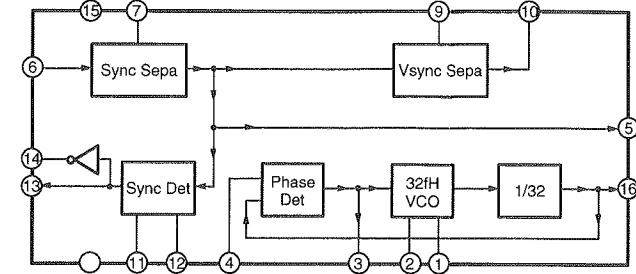
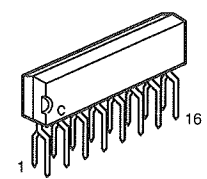
• IC803, 804/For Digital Input Signal Switching (used port: P60/20pin ~ P63/23pin)

	Port	Symbol	Function
IC803	EXP1	DINA	Digital Input selector Control
	EXP2	DINB	Digital Input Selector Control
	EXP3	DINC	Digital Input Selector Control
	EXP4	DIND	Digital Input Selector Control
	EXP5	DINE	Digital Input Selector Control
	EXP6	DOUTA	Digital Recout Selector Control
	EXP7	DOUTB	Digital Recout Selector Control
	EXP8	DOUTC	Digital Recout Selector Control
IC804	EXP9	DOUTD	Digital Recout Selector Control
	EXP10	DOUTE	Digital Recout Selector Control
	EXP11	NC	Not Used
	EXP12	NC	Not Used
	EXP13	NC	Not Used
	EXP14	NC	Not Used
	EXP15	NC	Not Used
	EXP16	NC	Not Used

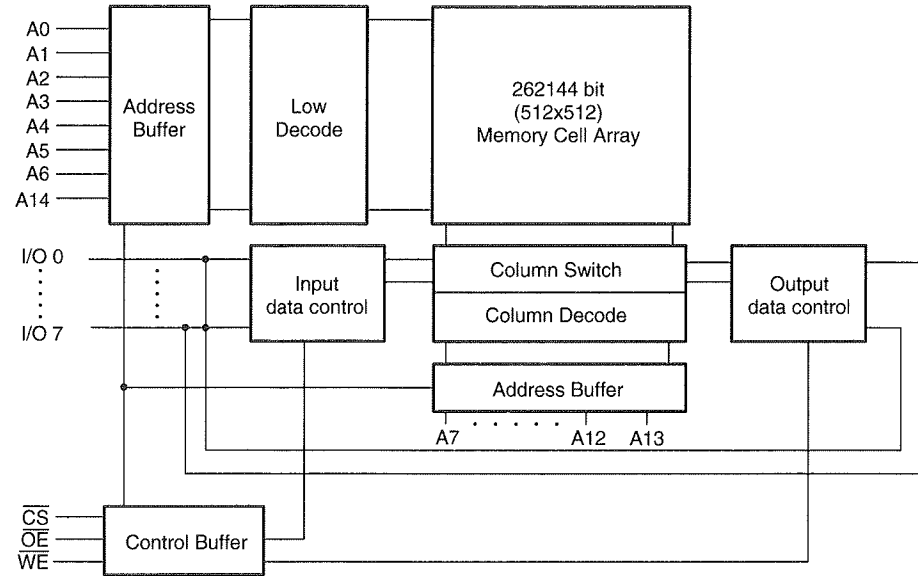
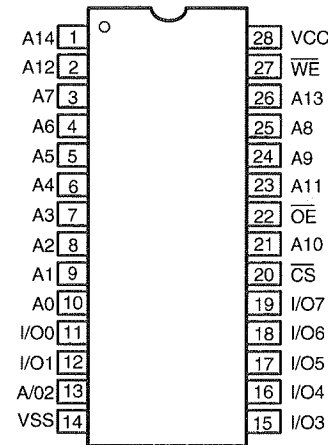
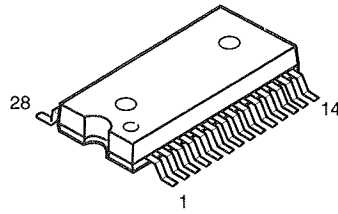
PM4007A (DS: IC113)



NJM2229S (AV: IC417)



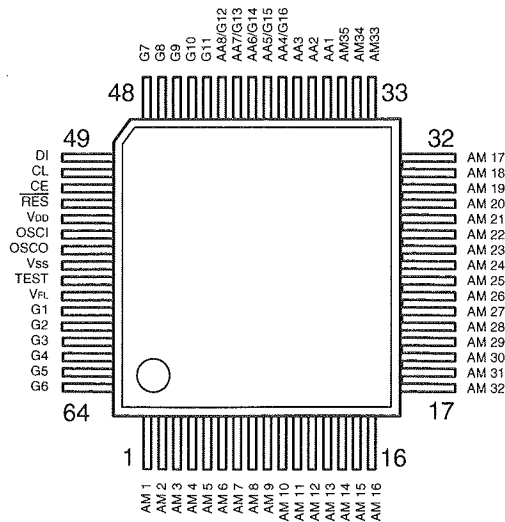
W24257S-70LL (DS: IC117)



Terminal Function

Pin. No.	Symbol	I/O	Function
1 ~ 10	A0 ~ A7, A12, A14	I	32k byte memory address input
11 ~ 13	I/O0 ~ I/O2	I/O	8 bit data input/output
14	Vss	—	GND
15 ~ 19	I/O3 ~ I/O7	I/O	8 bit data input/output
20	CS	I	Chip select control input
21	A10	I	32k byte memory address input
22	OE	I	Output enable control input
23 ~ 26	A8, A9, A11, A13	I	32k byte memory address input
27	WE	I	Write enable control input
28	Vcc	—	+5V power supply

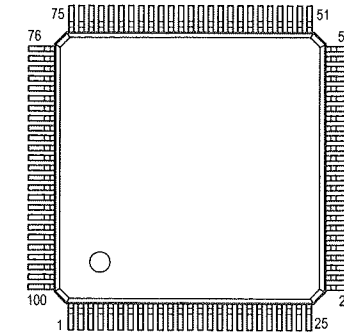
LC75721E (FR: IC102)



Terminal Function

Symbol	Function
VDD	Power terminal +5V
Vss	Power terminal GND
VFL	Power terminal FL drive
DI	Serial data transfer terminal
DI	DI: Data
CL	CL: Clock
CE	CE: Chip enable
OSC1	External CR connecting terminal
OSC0	
RES	System reset terminal
AM1 ~ AM35	Anode output terminal
AA1 ~ AA3	
AA4/G16	
AA5/G15	
AA6/G14	Anode/Grid output terminal
AA7/G13	
AA8/G12	
G1 ~ G11	Grid output terminal
TEST	LSI test terminal

TMP95FY64F (DS: IC802) (MAIN)



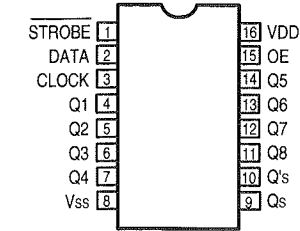
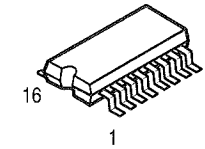
TMP95FY64F Terminal Function

Pin. No.	Name	Symbol	I/O	Type	Det	Op	Res	Ini	Function
1	VREFL	VREFL	—	—	—	—	—	—	A/D ref. GND
2	AVss	AVss	—	—	—	—	—	—	A/D GND
3	AVcc	AVcc	—	—	—	—	—	—	AD +5V
4	DAOUT0	DAOUT0	O	—	—	—	—	—	No connection
5	DAOUT1	DAOUT1	O	—	—	—	—	—	No connection
6	_NMI	_NMI	I	—	—	—	—	—	Not used (fixed to H)
7	P53/_BUSRQ	ACK	O	C	—	—	Z	—	MAIN-SUB μcom comm. control terminal
8	P54/_BUSAK	REQ	I	—	Lv	Eu	Z	—	MAIN-SUB μcom comm. control terminal
9	P55/_WAIT	PLFL DATA	O	C	—	—	Z	L	PLL & FL control terminal (LC72131 & LC7511NE)
10	P56/INT0	PROTECT	I	—	E↑&L	Ed	Z	—	Protection detect input (H: Detected)
11	P57/SCLK2/_CTS2	PLFL CLK	O	C	—	—	Z	L	PLL & FL control terminal (LC72131 & LC7511NE)
12	P80/TxD0	PLL STB	O	C	—	—	Z	L	PLL control terminal (LC72131)
13	P81/RxD0	ERROR LED	O	C	—	Ed	Z	H	Not used
14	P82/SCLK0/_CTS0	MULTI ROOM POWER	O	C	—	—	Z	L	Power amp control terminal for MULTI ROOM (H: ON)
15	P83/TxD1	MOSI	O	C	—	—	Z	L	MAIN-SUB μcom comm. control terminal
16	P84/RxD1	MISO	I	—	Lv	—	Z	—	MAIN-SUB μcom comm. control terminal
17	P85/SCLK1/_CTS1	CLK	I/O	(C)	—	—	Z	—	MAIN-SUB μcom comm. control terminal
18	P86/TxD2	TxD	O	C	—	—	Z	L	Data transfer terminal to external
19	P87/RxD2	RxD	I	—	Lv	—	Z	—	Data receive terminal from external
20	P60/_CS0	FUNC/TONE CLK	O	C	—	—	Z	L	Clock output for Function switching/Tone IC control
21	P61/_CS1	FUNC/TONE DATA	O	C	—	—	Z	L	Data output for Function switching/Tone IC control
22	P62/_CS2	ST/MONO	O	C	—	—	Z	L	Stereo/Mono control signal (L: Stereo receive)
23	P63/_CS3	STANDBY	O	C	—	Ed	Z	H	Standby LED drive output (H: Light)
24	CLK	CLK	O	C	—	—	—	—	No connection
25	Vcc	Vcc	—	—	—	—	—	—	+5V
26	Vss	Vss	—	—	—	—	—	—	GND
27	X1	X1	I	—	—	—	—	—	X'tal connection
28	X2	X2	O	—	—	—	—	—	X'tal connection
29	_EA	_EA	I	—	—	—	—	—	Fixed to +5V
30	_RESET	_RESET	I	—	Lv	lu	L	—	Reset input
31	P70/T10/INT1	VIDEO POWER	O	C	—	—	Z	L	Video power ON/OFF switching (H: ON)
32	P71/T01	DIGITAL POWER	O	C	—	—	Z	L	Digital power ON/OFF switching (H: ON)
33	P72/T03/INT2	(VKK POWER)	O	—	—	—	Z	L	Not used (-VKK power ON/OFF switching)
34	P73/T14/INT3	SEL A (M)	I	—	Lv	Eu	Z	—	Master VR turn detect input (Rotary encoder)
35	P74/T05	SEL B (M)	I	—	Lv	Eu	Z	—	Master VR turn detect input (Rotary encoder)
36	P75/T07/INT4	(FAN CONTROL)	O	C	—	—	Z	L	Not used (Fan control for power Tr)
37	P90/T18/INT5	B.DOWN	I	—	E↓&L	Eu	Z	—	Power down detect (L: Detected)
38	P91/T19/INT6	STEREO	I	—	Lv	Eu	Z	—	Stereo detect (L: Received)
39	P92/T08	TUNED	I	—	Lv	Eu	Z	—	Tune detect (L: Tuned)
40	P93/T09	S MONI.DET	I	—	Lv	Eu	Z	—	S Monitor connection detect input (L: Connected)
41	P94/T1A/INT7	REMOCON	I	—	E↑&L	Ed	Z	—	Remote control signal input
42	P95/T1B/INT8	S SIG.DET	I	—	Lv	Eu	Z	—	S signal detect input (H: Signal input)
43	P96/TOA/TOB	SYNC.DET	I	—	Lv	Eu	Z	—	Sync. detect input (H: External sync.)
44	Vcc	Vcc	—	—	—	—	—	—	+5V
45	P00/D0	POWER	O	C	—	—	Z	H	Power relay control output (H: ON)
46	P01/D1	V.EXP OE	O	C	—	—	Z	L	Port expander control output for video circuit (TC4094B)
47	P02/D2	V.EXP CLK	O	C	—	—	Z	L	Port expander control output for video circuit (TC4094B)
48	P03/D3	V.EXP DATA	O	C	—	—	Z	L	Port expander control output for video circuit (TC4094B)
49	P04/D4	V.EXP STB	O	C	—	—	Z	L	Port expander control output for video circuit (TC4094B)
50	P05/D5	SP.EXP OE	O	C	—	—	Z	L	Port expander control output for speaker output (TC4094B)
51	P06/D6	SP.EXP CLK	O	C	—	—	Z	L	Port expander control output for speaker output (TC4094B)
52	P07/D7	SP.EXP DATA	O	C	—	—	Z	L	Port expander control output for speaker output (TC4094B)

Pin. No.	Name	Symbol	I/O	Type	Det	Op	Res	Ini	Function
53	P10/D8	SP.EXP STB	O	C	—	—	Z	L	Port expander control output for speaker output (TC4094B)
54	P11/D9	A.EXP OE	O	C	—	—	Z	L	Port expander control output for audio mute and relay control (TC4094B)
55	P12/D10	A.EXP CLK	O	C	—	—	Z	L	Port expander control output for audio mute and relay control (TC4094B)
56	P13/D11	A.EXP DATA	O	C	—	—	Z	L	Port expander control output for audio mute and relay control (TC4094B)
57	P14/D12	A.EXP STB	O	C	—	—	Z	L	Port expander control output for audio mute and relay control (TC4094B)
58	P15/D13	MAIN/SUB	O	C	—	—	Z	L	RS232C/MAIN-SUB μ com input switching
59	P16/D14	RESET2	O	C	—	—	Z	L	SUB μ com reset output
60	P17/D15	E.VOL STBB	O	C	—	—	Z	L	E VR control output (TC9459)
61	AM8/_16	AM8/_16	—	I	—	—	—	—	Fixed to +5V
62	Vss	Vss	—	—	—	—	—	—	GND
63	Vcc	Vcc	—	—	—	—	—	—	+5V
64	P27/A23	STB EXP OE	O	C	—	—	Z	H	Port expander control output for audio circuit IC strobe (TC4094B)
65	P26/A22	STB EXP CLK	O	C	—	—	Z	L	Port expander control output for audio circuit IC strobe (TC4094B)
66	P25/A21	STB EXP DATA	O	C	—	—	Z	L	Port expander control output for audio circuit IC strobe (TC4094B)
67	P24/A20	STB EXP STB	O	C	—	—	Z	H	Port expander control output for audio circuit IC strobe (TC4094B)
68	P23/A19	LED CLK	O	C	—	—	Z	L	LED driver control output (M66313)
69	P22/A18	LED DATA	O	C	—	—	Z	L	LED driver control output (M66313)
70	P21/A17	LED LE	O	C	—	Eu	Z	L	LED driver control output (M66313)
71	P20/A16	LED OE	O	C	—	—	Z	H	LED driver control output (M66313)
72	P37/A15	SEL H (T)	I	—	Lv	Eu	Z	—	Treble VR turn detect input (Rotary encoder)
73	P36/A14	SEL G (T)	I	—	Lv	Eu	Z	—	Treble VR turn detect input (Rotary encoder)
74	P35/A13	SEL F (B)	I	—	Lv	Eu	Z	—	Bass VR turn detect input (Rotary encoder)
75	P34/A12	SEL E (B)	I	—	Lv	Eu	Z	—	Bass VR turn detect input (Rotary encoder)
76	P33/A11	SEL D (I)	I	—	Lv	Eu	Z	—	Input selector turn detect input (Rotary encoder)
77	P32/A10	SEL C (I)	I	—	Lv	Eu	Z	—	Input selector turn detect input (Rotary encoder)
78	P31/A9	H/P DET	I	—	Lv	Eu	Z	—	H/P detect input (H: Detected)
79	P30/_BOOT/A8	_BOOT	I	—	Lv	Eu	Z	—	Single Chip/Single Boot switching input (H & Reset: Single Chip Mode)
80	P47/A7	E.VOL CLK	O	C	—	—	Z	L	E VR control output (TC9459)
81	P46/A6	E.VOL DATA	O	C	—	—	Z	L	E VR control output (TC9459)
82	P45/A5	E.VOL STBA	O	C	—	—	Z	L	E VR control output (TC9459)
83	P44/A4	E.VOL MULTI STB	O	C	—	—	Z	L	E VR control output for MULTI ROOM (TC9459)
84	P43/A3		O	C	—	—	Z	L	No connection
85	P42/A2	OSD RST	O	C	—	—	Z	H	OSD control terminal (M35015)
86	P41/A1	OSD STB	O	C	—	—	Z	H	OSD control terminal (M35015)
87	P40/A0	OSD DATA	O	C	—	—	Z	L	OSD control terminal (M35015)
88	P50/_RD	OSD CLK	O	C	—	—	Z	H	OSD control terminal (M35015)
89	P51/_WR	FL CE	O	C	—	—	Z	H	FL control terminal (LC75711NE)
90	P52/_HWR	FL RST	O	C	—	—	Z	H	FL control terminal (LC75711NE)
91	Vss	Vss	—	—	—	—	—	—	GND
92	PA0/AN0	KEY1	I	—	Lv	Eu	Z	—	Button input 1
93	PA1/AN1	KEY2	I	—	Lv	Eu	Z	—	Button input 2
94	PA2/AN2	KEY3	I	—	Lv	Eu	Z	—	Button input 3
95	PA3/AN3/_ADTRG	KEY4	I	—	Lv	Eu	Z	—	Button input 4
96	PA4/AN4	SBL LEVEL	I	—	Lv	Eu	Z	—	SBL channel signal level detect, set to A/D input
97	PA5/AN5	SBR LEVEL	I	—	Lv	Eu	Z	—	SBR channel signal level detect, set to A/D input
98	PA6/AN6	MODE	I	—	Lv	Eu	Z	—	Destination switching input
99	PA7/AN7	MODE0	I	—	Lv	Eu	Z	—	FLASH ROM rewrite mode input
100	VREFH	VREFH	—	—	—	—	—	—	AD ref. +5V

Note: Pin No. : Terminal number of microcomputer.
 Port Name : The name entered in the data sheet of microcomputer.
 Symbol : Symbolized interface function.
 I/O : Input or out of part.
 "I" = Input port
 "O" = Output port
 Type : Composition of port in case of output port.
 "C" = CMOS output
 "N" = NMOS open drain output
 "P" = PMOS open drain output
 Op : Pull up/Pull down selection information.
 "Iu" = Inner microcomputer pull up
 "Id" = Inner microcomputer pull down
 "Eu" = External microcomputer pull up
 "Ed" = External microcomputer pull down
 Det : Indicates judging state of input port. Level detection is "Lv"; Edge detection is "Ed"; Detection by both shifting is "E&L"; Serial data detection is "S" (Serial data output is also "S").
 Res : State at reset.
 "H" = Outputs High Level at reset
 "L" = Outputs Low Level at reset
 "Z" = Becomes High impedance mode at reset
 Ini : Initial output state.
 Function : Function and logical level explanation of signals to be interface.

BU4094BCF
 (DS: IC807)
 (AV: IC418 ~ 420)
 (EX: IC609 ~ 612, 618)



• IC807/For Speaker Relay & T-mute (used port: P05/50pin ~ P10/53pin)

	Port	Symbol	Function
IC807	EXP1	FRONT SP	Relay control for FRONT SP
	EXP2	CENTER SP	Relay control for CENTER SP
	EXP3	SURROUND A SP	Relay control for SURROUND A SP
	EXP4	SURROUND B SP	Relay control for SURROUND B SP
	EXP5	SURROUND BACK SP	Relay control for SURROUND BACK SP
	EXP6	ZONE2 OUT SP	Relay control for ZONE2 OUT SP (ZONE 2 MULTI ROOM SP)
	EXP7	NC	Not Used
	EXP8	T-MUTE	Tuner mute control

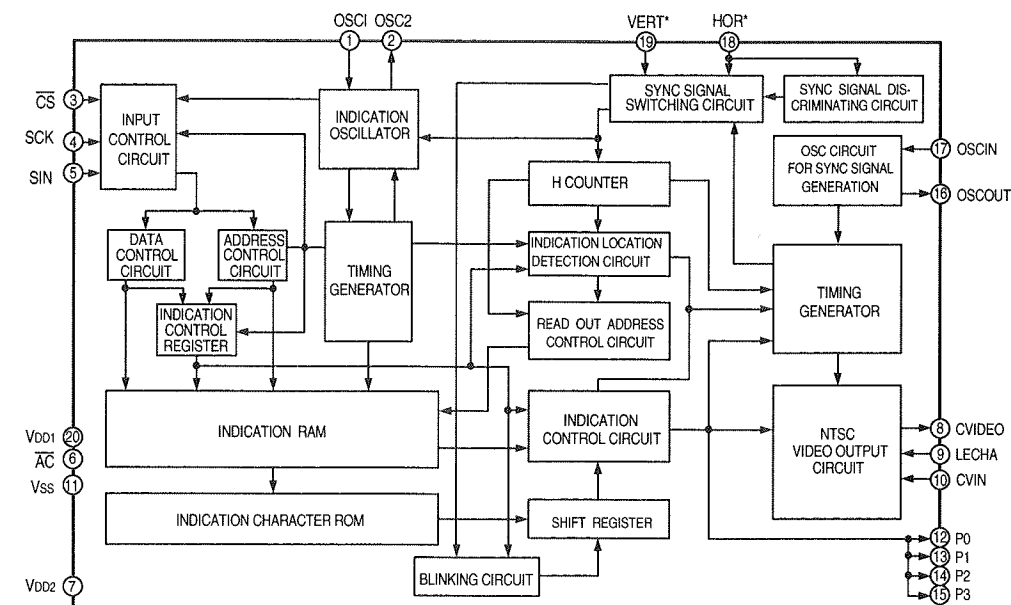
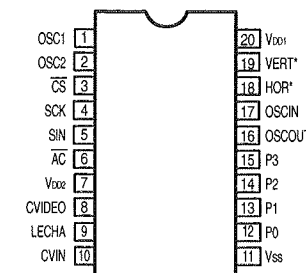
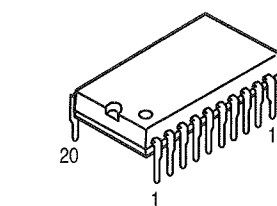
• IC418 ~ 420/For Video Signal Control (used port: P01/46pin ~ P04/49pin)

	Port	Symbol	Function
IC418	EXP1	INA1	VIDEO INPUT SELECT (Selects with INA1, INB1, INC1 combination)
	EXP2	INB1	VIDEO INPUT SELECT (Selects with INA1, INB1, INC1 combination)
	EXP3	INC1	VIDEO INPUT SELECT (Selects with INA1, INB1, INC1 combination)
	EXP4	RECA1	VIDEO RECOUNT SELECT (Selects with RECA1, RECB1, RECC1 combination)
	EXP5	RECB1	VIDEO RECOUNT SELECT (Selects with RECA1, RECB1, RECC1 combination)
	EXP6	RECC1	VIDEO RECOUNT SELECT (Selects with RECA1, RECB1, RECC1 combination)
	EXP7	V1INH	VIDEO RECOUNT = VCR-1: L
	EXP8	V2INH	VIDEO RECOUNT = VCR-2: L
IC419	EXP9	V3INH	VIDEO RECOUNT = VCR-3: L
	EXP10	VRECMUTE	VIDEO RECOUNT = OFF: H
	EXP11	VSOURCE	VIDEO signal selected: H
	EXP12	VOUTMUTE	VIDEO signal not selected: H
	EXP13	VOSDON	Not used
	EXP14	S1	OSD display
	EXP15	S2	OSD display
	EXP16	VSELTV	COMPONENT VIDEO only switching control, H: TV
IC420	EXP17	VSELDBS	COMPONENT VIDEO only switching control, H: DBS
	EXP18	VSELDVD	COMPONENT VIDEO only switching control, H: DVD
	EXP19	CMULTIA	MULTI1 COMPOSITE SELECT
	EXP20	CMULTIB	MULTI1 COMPOSITE SELECT
	EXP21	CMULTIC	MULTI1 COMPOSITE SELECT
	EXP22	VMULMUTE	MULTI1 = OFF: H
	EXP23	NC	Not used
	EXP24	NC	Not used

• IC609, 610, 618/For Analog Audio Signal Control (used port: P11/54pin ~ P14/57pin)

	Port	Symbol	Function
IC609	EXP1	SB VR MUTE	SURROUND BACK power amp input muting control, L: Mute
	EXP2	Z2 MUTE	ZONE2 RCA pin-jack out muting control, L: Mute
	EXP3	TDEF. RL	TONE DEFEAT: L
	EXP4	SUR/SBRL	Not used
	EXP5	H/PRL	H/P relay control, H: ON
	EXP6	LIMIT	Power amp all channel current limiter control, H: Limiter on
	EXP7	A+B LIMIT	Surround amp current limiter control, H: SURROUND SP A+B
	EXP8	CD/DVDRL	INPUT = DVD: H, Others: L
IC610	EXP9	Z1 MUTE	ZONE1 RCA pin-jack out muting control, L: Mute
	EXP10	SB. MUTE	SURROUND BACK preout muting control, L: Mute
	EXP11	SUR. MUTE	SURROUND preout muting control, L: Mute
	EXP12	SW. MUTE	SUB WOOFER preout muting control, L: Mute
	EXP13	C. MUTE	CENTER preout muting control, L: Mute
	EXP14	F. MUTE	FRONT preout muting control, L: Mute
	EXP15	VR. MUTE	Power amp input muting control, L: Mute
	EXP16	NC	Not used
IC618	EXP17	EXT/ANALOGRL	FRONT CH signal switching (L: EXT. IN, H: Others)
	EXP18	DIRECTRL	FRONT CH signal switching (L: Analog Direct, H: Others)
	EXP19	DSPOUTRL	All CH signal switching (L: DSP/Digital, H: Analog)
	EXP20	EXT1RL	EXTIN-1/EXTIN-2 switching (H: EXTIN-2, L: Others)
	EXP21	LARGERL	SMALL/LARGE switching, L: SMALL
	EXP22	Z2/F SELRL	SURROUND BACK amp assign switching (H: FRONT, L: Others)
	EXP23	SBACKRL	SURROUND BACK amp assign switching (H: Assign, L: Others)
	EXP24	NC	Not used

M35015-210SP (AV: IC416)



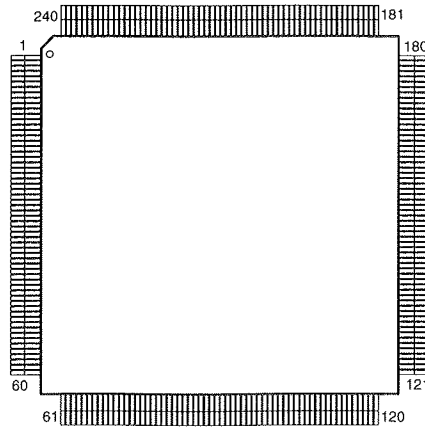
• IC611, 612/For Strobe Signal Control (used port: P27/64pin ~ P24/67pin)

	Port	Symbol	Function
IC611	EXP1	TSTBF	Tone control IC strobe signal (FRONT CH strobe)
	EXP2	TSTBC	Tone control IC strobe signal (CENTER CH strobe)
	EXP3	TSTBSW	Tone control IC strobe signal (SUB WOOFER CH strobe)
	EXP4	TSTBSUR	Tone control IC strobe signal (SURROUND CH strobe)
	EXP5	TSTBSB	Tone control IC strobe signal (SURROUND BACK CH strobe)
	EXP6	FSTBA	Audio function selector IC strobe sig. (IC201 Lch M-ZONE1 & REC/M-ZONE2 selector)
	EXP7	FSTBB	Audio function selector IC strobe sig. (IC202 L/Rch INPUT selector)
	EXP8	FSTBC	Audio function selector IC strobe sig. (IC203 Rch M-ZONE1 & REC/M-ZONE2 selector)
IC612	EXP9	FSTBD	Audio function selector IC strobe sig. (IC204 L/Rch REC INH selector)
	EXP10	NC	Not used
	EXP11	NC	Not used
	EXP12	NC	Not used
	EXP13	NC	Not used
	EXP14	NC	Not used
	EXP15	NC	Not used
	EXP16	NC	Not used

M35015-210SP Terminal Function

Pin No.	Symbol	Name	I/O	Function
1	OSC1	Osc. circuit ext.	I	External terminal for indication oscillator circuit. Standard OSC. freq. is approx. 7MHz.
2	OSC2	terminal.	O	With this OSC. freq., decides horizontal indicatin and character width.
3	\overline{CS}	Chip select input	I	Chip select terminal and turns to "L" when transfer serial data. Hysteresis input. Pull up resistor is built-in.
4	SCK	Serial clock input	I	Takes in serial data of SIN at SCK rise when CS terminal is in "L". Hysteresis input. Pull up resrist is built-in.
5	SIN	Serial data input	I	Serial input of register for indication control and data, and address for indication data memory. Hysteresis input. Pull up resistor is built-in.
6	\overline{AC}	Auto-clear input	I	Resets internal circuit of IC at "L" mode. Hysteresi input. Pull up resistor is built-in.
7	VDD2	Power supply	—	Power supply terminal of analog system. Connect to +5V.
8	CVIDEO	Combined video output	O	Output terminal of combined video signal. Outputs 2Vp-p combined signal. Character output, etc. Overlap CVIN signal and outputs at superimpose.
9	LECHA	Character level input	I	Input terminal deciding character output level in combined video signal. color of character is white.
10	CVIN	Combined video input	I	Input terminal of external combined video signal. Character output etc. overlap this external combined video signal.
11	VSS	Ground	—	Ground terminal. Connect to GND.
12	P0	Output port p0	O	General output or character background signal BL NK1* output is switchable. Polarity can be selected at ROM mask.
13	P1	Output port P1	O	General output or character background signal CO1* output is switchable. Polarity can be selected at ROM mask.
14	P2	Output port P2	O	General output or character background signal BLNK2* output is switchable. Polarity can be selected at ROM mask.
15	P3	Output port P3	O	General output or character background signal CO2* output is switchable. Polarity can be selected at ROM mask.
16	OSCOUT	Ext. terminal for sync sig. OSC. Circuit	O	Terminal for external use of sync signal OSC. circuit. Use the freq.: 14.32MHz at NTSC system, 17.73MHz at PAL. system, 14.30MHz at MPAL system.
17	OSCIN		I	
18	HOR*	Horizontal sync signal	I	Inputs horizontal sync signal. Hysteresis input.
19	VERT*	Vertical sync signal	I	Input vertical sync signal. Hysteresis input. Polarity can be selected at ROM mask.
20	VDD1	Power supply	—	Power supply terminal of digital system. Connect to +5V.

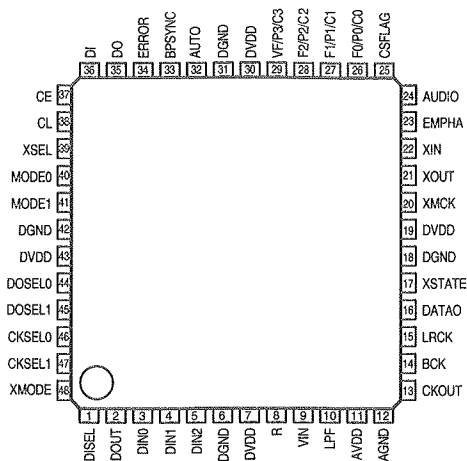
ADSST-21061LKS-176 (DS: IC302, 310)



ADSST-21061LKS-176 Terminal Function

Pin No.	Pin Name	Pin No.	Pin Name	Pin No.	Pin Name	Pin No.	Pin Name	Pin No.	Pin Name	Pin No.	Pin Name
1	TDI	41	ADDR20	81	TCLK0	121	DATA41	161	DATA14	201	NC
2	TRST	42	ADDR21	82	TFS0	122	DATA40	162	DATA13	202	NC
3	VDD	43	GND	83	DR0	123	DATA39	163	DATA12	203	NC
4	TDO	44	ADDR22	84	RCLK0	124	VDD	164	GND	204	NC
5	TIMEXP	45	ADDR23	85	RFS0	125	DATA38	165	DATA11	205	VDD
6	EMU	46	ADDR24	86	VDD	126	DATA37	166	DATA10	206	NC
7	ICSA	47	VDD	87	VDD	127	DATA36	167	DATA9	207	NC
8	FLAG3	48	GND	88	GND	128	GND	168	VDD	208	NC
9	FLAG2	49	VDD	89	ADRCLK	129	NC	169	DATA8	209	NC
10	FLAG1	50	ADDR25	90	REDY	130	DATA35	170	DATA7	210	NC
11	FLAG0	51	ADDR26	91	HBG	131	DATA34	171	DATA6	211	NC
12	GND	52	ADDR27	92	CS	132	DATA33	172	GND	212	GND
13	ADDR0	53	EGND	93	RD	133	VDD	173	DATA5	213	NC
14	ADDR1	54	MS3	94	WR	134	VDD	174	DATA4	214	NC
15	VDD	55	MS2	95	GND	135	GND	175	DATA3	215	NC
16	ADDR2	56	MS1	96	VDD	136	DATA32	176	VDD	216	NC
17	ADDR3	57	MS0	97	GND	137	DATA31	177	DATA2	217	NC
18	ADDR4	58	SW	98	CLKIN	138	DATA30	178	DATA1	218	NC
19	GND	59	BMS	99	ACK	139	GND	179	DATA0	219	VDD
20	ADDR5	60	ADDR28	100	DMAG2	140	DATA29	180	GND	220	GND
21	ADDR6	61	GND	101	DMAG1	141	DATA28	181	GND	221	VDD
22	ADDR7	62	VDD	102	PAGE	142	DATA27	182	NC	222	NC
23	VDD	63	VDD	103	VDD	143	VDD	183	NC	223	NC
24	ADDR8	64	ADDR29	104	BR6	144	VDD	184	NC	224	NC
25	ADDR9	65	ADDR30	105	BR5	145	DATA26	185	NC	225	NC
26	ADDR10	66	ADDR31	106	BR4	146	DATA25	186	NC	226	NC
27	GND	67	GND	107	BR3	147	DATA24	187	NC	227	NC
28	ADDR11	68	SBTS	108	BR2	148	GND	188	VDD	228	GND
29	ADDR12	69	DMAR2	109	BR1	149	DATA23	189	NC	229	ID2
30	ADDR13	70	DMAR1	110	GND	150	DATA22	190	NC	230	ID1
31	VDD	71	HBR	111	VDD	151	DATA21	191	NC	231	ID0
32	ADDR14	72	DT1	112	GND	152	VDD	192	NC	232	LBOOT
33	ADDR15	73	TCLK1	113	DATA47	153	DATA20	193	NC	233	RPBA
34	GND	74	TFS1	114	DATA46	154	DATA19	194	NC	234	RESET
35	ADDR16	75	DR1	115	DATA45	155	DATA18	195	GND	235	EBOOT
36	ADDR17	76	RCLK1	116	VDD	156	GND	196	GND	236	IRQ2
37	ADDR18	77	RFS1	117	DATA44	157	DATA17	197	VDD	237	IRQ1
38	VDD	78	GND	118	DATA43	158	DATA16	198	NC	238	IRQ0
39	VDD	79	CPA	119	DATA42	159	DATA15	199	NC	239	TCK
40	ADDR19	80	DT0	120	GND	160	VDD	200	NC	240	TMS

LC89055W (DS: IC116)

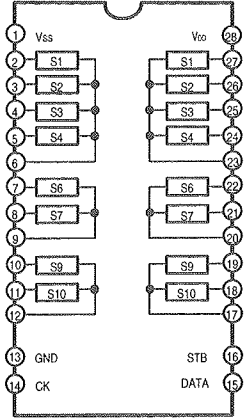
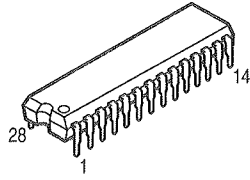


LC89055W Terminal Function

Pin No.	Pin Name	I/O	Function
1	DISEL	I	Data input terminal (select input pin of DIN0, DIN1)
2	DOUT	O	Input bi-phase data through output terminal
3	DIN0	I	Amp built-in coaxial/optical input correspond data input terminal
4	DIN1	I	Amp built-in coaxial/optical input correspond data input terminal
5	DIN2	I	Optical input correspond data input terminal
6	DGND		Digital GND
7	DVDD		Digital power supply
8	R	I	VCO gain control input terminal
9	VIN	I	VCO free-run frequency setting input terminal
10	LPF	O	PLL loop filter setting terminal
11	AVDD		Analog power supply
12	AGND		Analog GND
13	CKOUT	O	Clock output terminal (256fs, 384fs, 512fs, X'tal osc., VCO free-run osc.)
14	BCK	O	64fs clock output terminal
15	LRCK	O	fs clock output terminal (L: Rch, H: Lch, I2S: Reverse)
16	DATAO	O	Data output terminal
17	XSTATE	O	Input data detecting result output terminal
18	DGND		Digital GND
19	DVDD		Digital power supply
20	XMCK	O	X'tal osc. clock output terminal (24.576MHz or 12.288MHz)
21	XOUT	O	X'tal osc. connection output terminal
22	XIN	I	X'tal osc. connection output terminal
23	EMPHA	O	Emphasis information output terminal of channel status
24	AUDIO	O	Bit1 output terminal of channel status
25	CSFLAG	O	Top 40bit revise flag output terminal of channel status
26	F0/P0/C0	O	Input fs cal. sig. out / data type out / input word inf. output terminal
27	F1/P1/C1	O	Input fs cal. sig. out / data type out / input word inf. output terminal
28	F2/P2/C2	O	Input fs cal. sig. out / data type out / input word inf. output terminal
29	VF/P3/C3	O	Validity flag out / data type out / input word inf. output terminal
30	DVDD		Digital power supply
31	DGND		Digital GND
32	AUTO	O	Non PCM burst data transfer detect sig. output terminal
33	BPSYNC	O	Non PCM burst data preamble Pa, Pb, Pc, Pd sync sig. output terminal
34	ERROR	O	PLL lock error, data error flag output terminal
35	DO	O	CPU I/F read data output terminal
36	DI	I	CPU I/F write data input terminal
37	CE	I	CPU I/F chip enable input terminal
38	CL	I	CPU I/F clock input terminal
39	XSEL	I	Frequency select input pin of XIN X'tal osc. (24.576MHz or 12.288MHz)
40	MODE0	I	Mode setting input terminal
41	MODE1	I	Mode setting input terminal
42	DGND		Digital GND
43	DVDD		Digital power supply
44	DOSEL0	I	Data output format select input terminal
45	DOSEL1	I	Data output format select input terminal
46	CKSEL0	I	Output clock select input terminal
47	CKSEL1	I	Output clock select input terminal
48	XMODE	I	Reset input terminal

* For latch-up countermeasure, set digital (DVDD) and analog (AVDD) power on/off in the same timing.

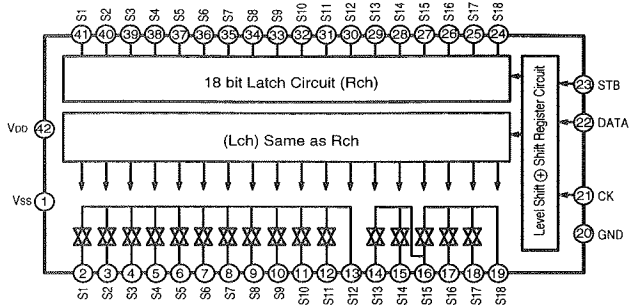
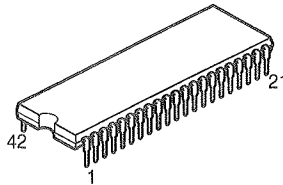
TC9273N-016 (AV: IC204)



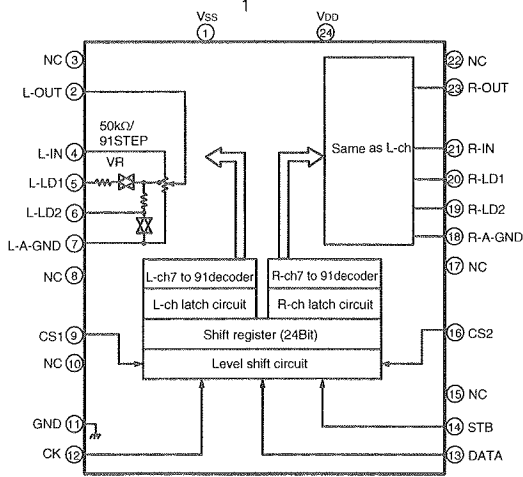
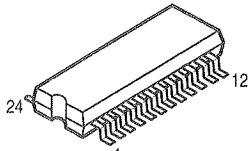
Terminal Function

Pin No.	Symbol	Name	Function	Note
1	Vss	-Power Terminal	Dual Power Use: V _{DD} = 8.0~17V Single Power Use: V _{DD} = 8.0~18V GND = 0V Vss = -8.0~17V	---
13	GND	Digital Ground		
28	VDD	+Power Terminal		
2~12	S1~11	I/O Terminal	Input terminal of analog switch.	---
14	CK	Clock Input	Clock input for data transfer.	Low level
15	DATA	Data Input	Serial input for switch setting.	Border Input
16	STB	Strobe Input	Strobe input for data writing.	Terminal

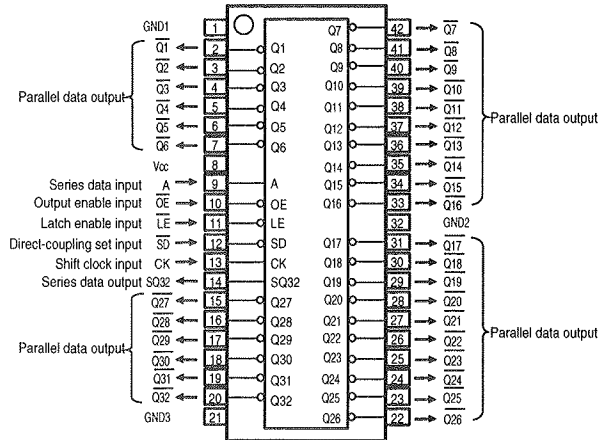
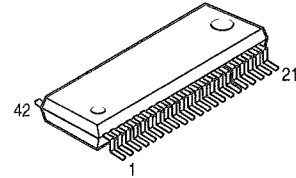
TC9274N-011 (AV: IC201~203)



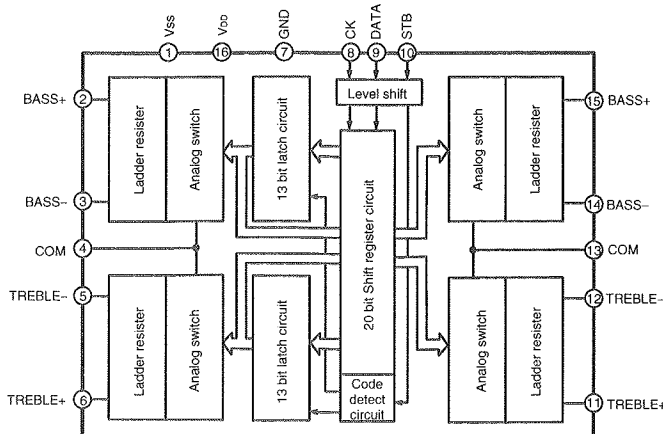
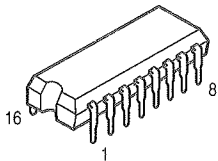
TC9459F (EX: IC303, 304, 311, 312, 319, 320, 327, 328) (AV: IC205)



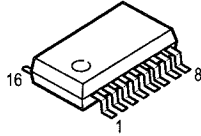
M66313FP (FR: IC101)



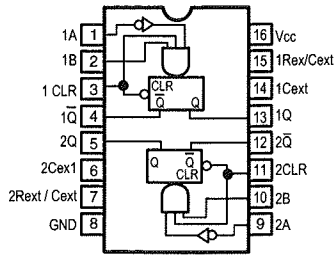
TC9184AP (EX: IC613~617)



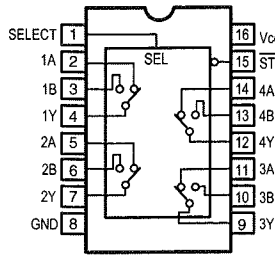
TC74VHC123AFT
 (DS: IC118)
SN74AHC157PW
 (DS: IC123, 132)
SN74LV4040APW
 (DS: IC129)
SN74HC151NS
 (DS: IC109, 111, 114)
SN74HC153NS
 (DS: IC130)
BU4051BCF
 (AV: IC406~409,
 604, 605, 609)
MM74HC4053SJ
 (AV: IC415)



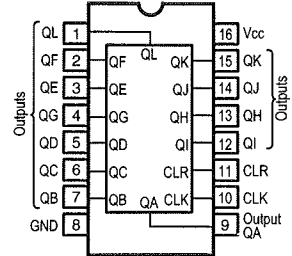
TC74VHC123AFT



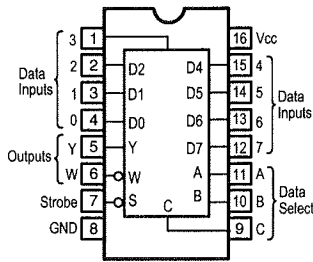
SN74AHC157PW



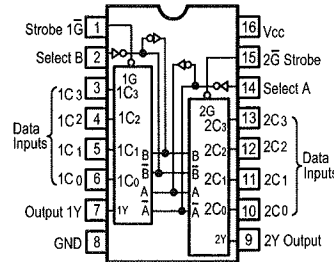
SN74LV4040APW



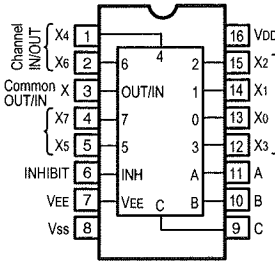
SN74HC151NS



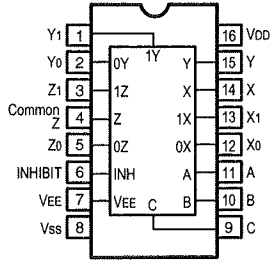
SN74HC153NS



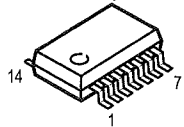
BU4051BCF



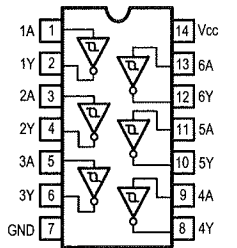
MM74HC4053SJ



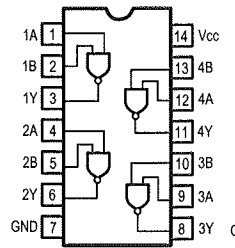
SN74LV14APW
 (DS: IC124, 128)
SN74LV00APW
 (DS: IC127, 301, 305)
SN74LV02APW
 (DS: IC306, 324)
SN74LV74APW
 (DS: IC304)
SN74HCU04NS
 (DS: IC110)
SN74AHCT08PW
 (DS: IC322, 323)
SN74LV125APW
 (DS: IC805)
SN74LV126APW
 (DS: IC806)
BU4066BCF
 (AV: IC410, 411, 414,
 607, 608)



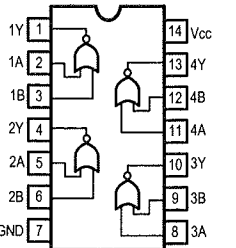
SN74LV14APW



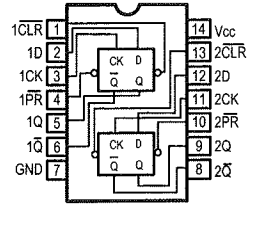
SN74LV00APW



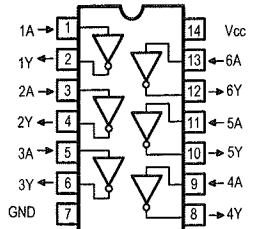
SN74LV02APW



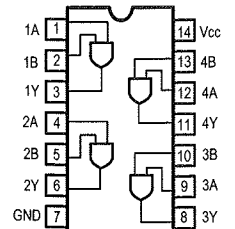
SN74LV74APW



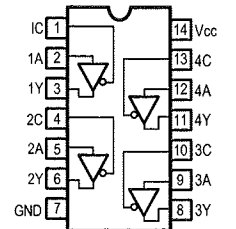
SN74HCU04NS



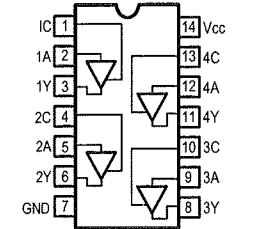
SN74AHCT08PW



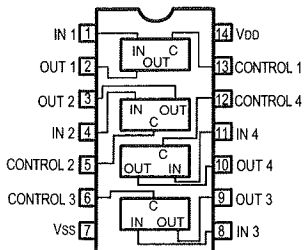
SN74LV125APW



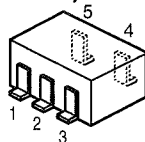
SN74LV126APW



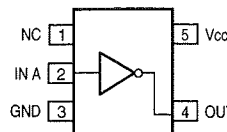
BU4066BCF



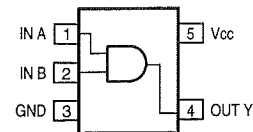
SN74AHCT1G08DBV
 (DS: IC326)
SN74AHCT1G04DBV
 (DS: IC327)



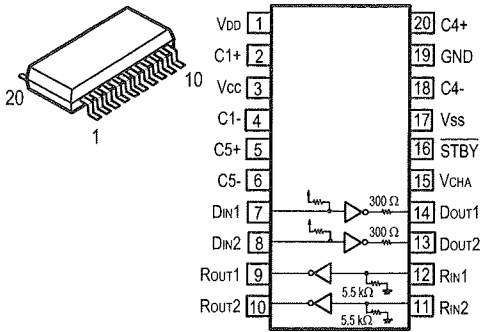
SN74AHCT1G04DBV



SN74AHCT1G08DBV



μPD4721GS-GJG (FR: IC501)

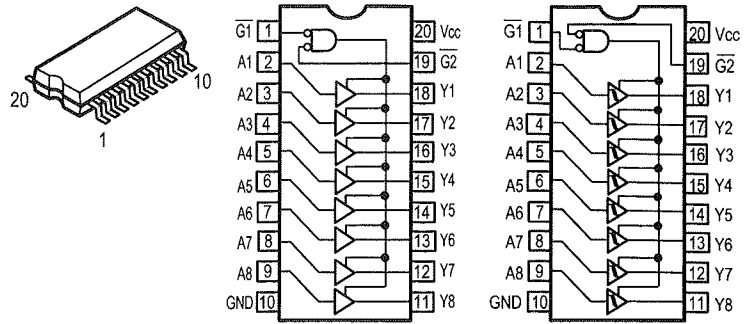


SN74LV541APW (DS: IC311, 318)

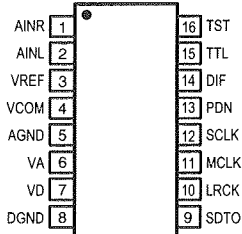
SN74AHCT541PW (DS: IC313)

SN74LV541APW

SN74AHCT541PW



AK5353 (DS: IC125)

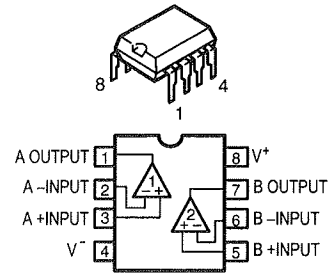


Terminal Function

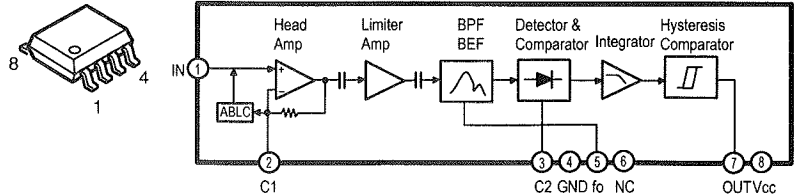
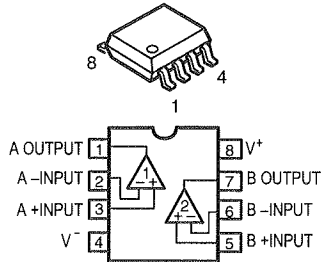
No.	Name	I/O	Function
1	AINR	I	Rch analog input pin
2	AINL	I	Lch analog input pin
3	VREF	O	Ref. V out pin
4	VCOM	O	Common V out pin
5	AGND	—	Analog GND pin
6	VA	—	Analog power pin, +2.7~+5.5
7	VD	—	Digital power pin, +2.7~+5.5V
8	DGND	—	Digital GND pin
9	SDTO	O	Serial data out pin, 2's complement, MSB first out, at power down: L
10	LRCK	I	L/Rch clock pin
11	MCLK	I	Master clock input pin
12	SCLK	I	Serial data clock input pin, A/D data out at SCLK falling edge
13	PDN	I	Power down pin, L: Power down mode
14	DIF	I	Serial interface format pin (L: Firward, H: I ² S)
15	TTL	I	Digital input level select pin, L: CMOS level, H: TTL level
16	TST	I	Test pin (internal pull-down)

- BA4560F (DS: IC112)**
- LM833MX (DS: IC503~508,511,512,515,516,519,520,523,525~527) (AV: IC102~112) (EX: IC305,306,313,314,321,322,329,330,606,802~805)**
- BA4510F (DS: IC119)**
- OPA2134UA (DS: IC501,502,509,510,513,514,521,522)**
- TK15420MTL (DS: IC107) (AV: IC401~405,412,413,601~603,606,610)**
- BA15218F (AV: IC206,207) (EX: IC104,601~604,607,608)**
- NJM2068MD (EX: IC101,103,301,302,309,310,317,318,325,326)**
- OP275GSR (EX: IC307,315,323,331)**

NJM4556AD (EX: IC801)



CXA1511M (FR: IC502)

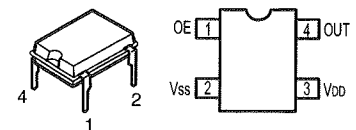
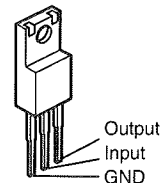
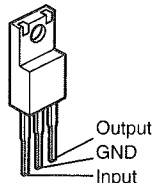


- BA033T (RE: IC301)**
- NJM7805FA(S) (DS: IC131,701,703,705,707) (FR: IC701) (RE: IC304,306)**

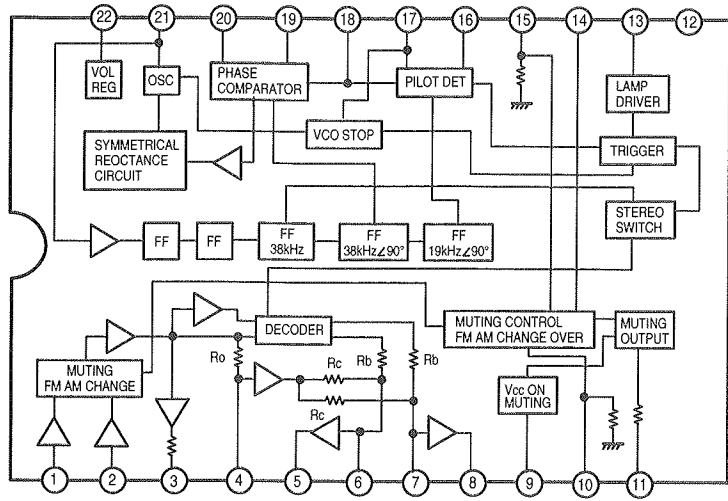
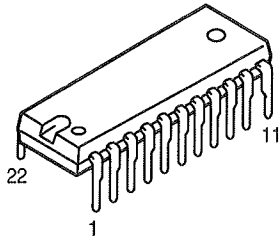
- NJM7905FA (RE: IC305,307)**
- NJM7915FA (RE: IC313)**

SG-8002DCPT (12.287MHz) (DS: IC126)

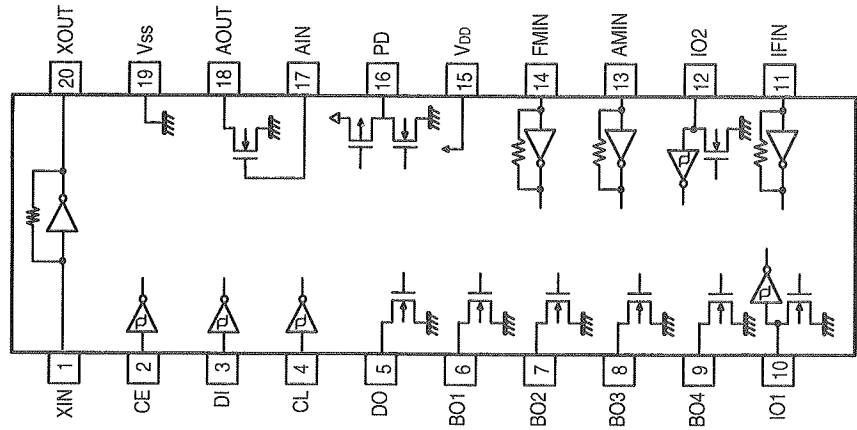
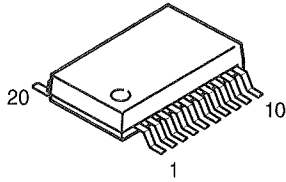
- NJM7806FA(S) (FR: IC703)**
- NJM7808FA(S) (RE: IC302)**
- NJM7815FA(S) (RE: IC312)**
- NJM7820FA(S) (RE: IC310)**
- NJM7812FA(S) (RE: IC311-AVR-5800 only)**



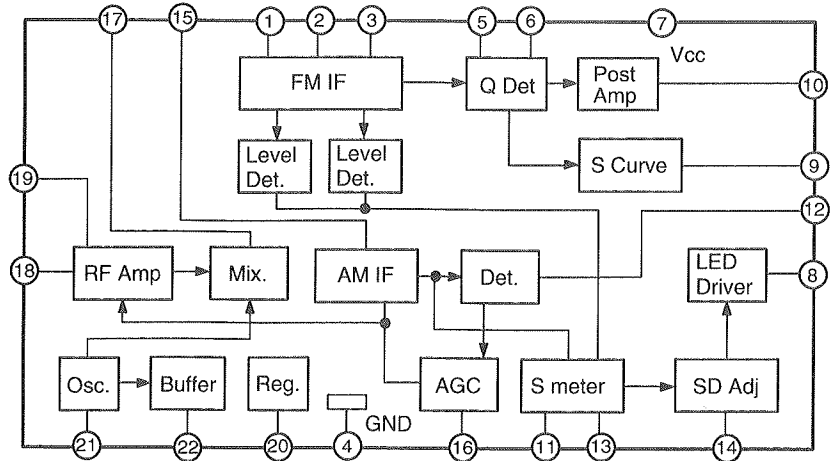
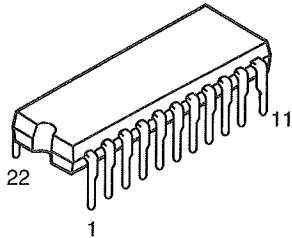
LA3401
(TU: IC302-AVR-5800 only)



LC72131M
(TU: IC307-AVR-5800 only)

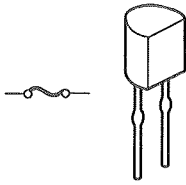


LA1265 (S)
(TU: IC303-AVR-5800 only)



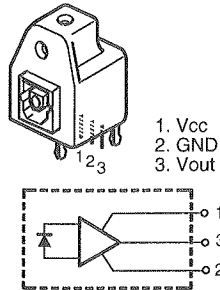
● IC PROTECTOR

ICP-N15 (FR: IC702, 704)

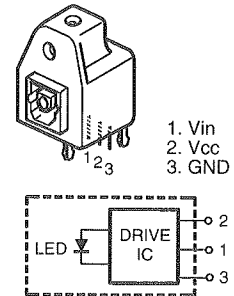


● OPTICAL

INPUT
GP1F37R1 (DS: IC101~105, 121)

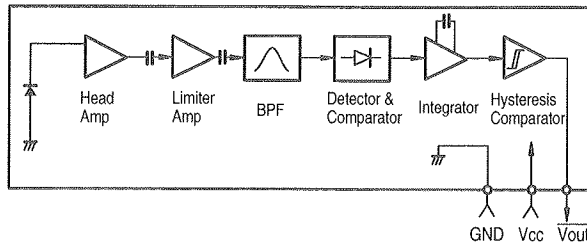
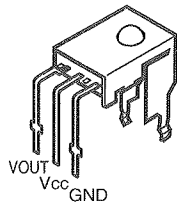


OUTPUT
GP1F38T2 (DS: IC106, 122)

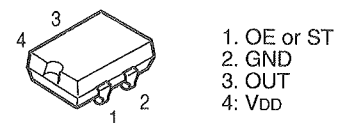


● OTHERS

GP1U271X (Remote Control Sensor)
(FR: IC401)

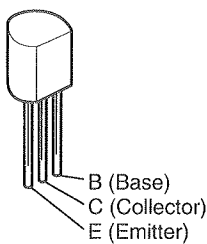


HG-8002JA (X'tal Oscillator)
(DS: IC314)

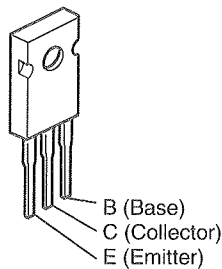


● TRANSISTORS

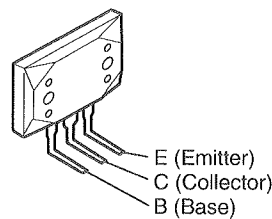
2SA988 (E/F)
2SA1020 (Y)
2SC1841 (E/F)
2SC2240 (BL)
2SC2655 (Y)
2SC2878 (A/B)



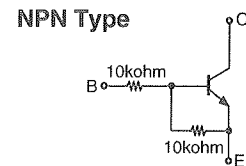
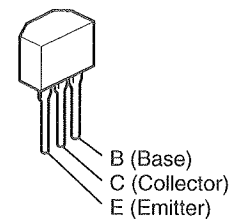
2SA1546 (L)
2SC4001 (M/L)



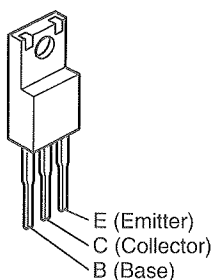
MN1715
MP1715



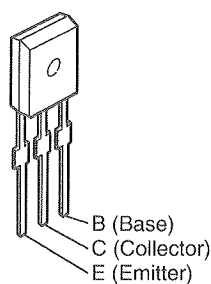
DTC114ES



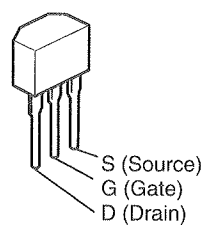
2SC4495
2SB1186A



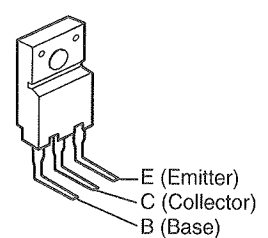
2SB1328 (P/Q)



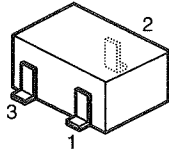
2SK184C (GR)/(BL)



2SA1907 (O/P/Y)
2SC5099 (O/P/Y)



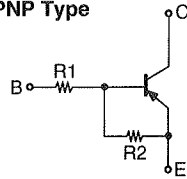
DTA114EK
 DTA114TK (AVR-5800 only)
 DTA144EK
 DTC114EK
 DTC143EK
 DTC144EK
 DTC323TK (AVR-5800 only)
 RN2402 (AVR-5800 only)



1: GND/(Emitter)
 2: Output/(Collector)
 3: Input/(Base)

DTA114EK
 DTA114TK
 DTA144EK
 RN2402

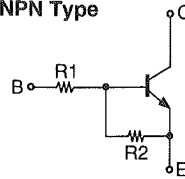
PNP Type



	R1	R2
DTA114EK	10kohm	10kohm
DTA114TK	10kohm	—
DTA144EK	47kohm	47kohm
RN2402	10kohm	10kohm

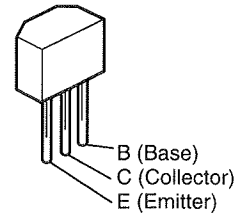
DTC114EK
 DTC143EK
 DTC144EK
 DTC323TK

NPN Type

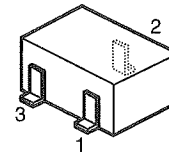


	R1	R2
DTC114EK	10kohm	10kohm
DTC143EK	4.7kohm	4.7kohm
DTC144EK	47kohm	47kohm
DTC323TK	2.2kohm	—

2SA933S (S)
 2SC1740S (S)/(E)

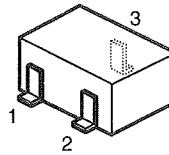


2SA1037K (S/R)
 2SA1182 (Y/O)
 2SB709A
 2SC2412K (S)
 2SD601A
 2SC2996 (Y)(AVR-5800 only)
 2SC3326 (A/B)



1: (Emitter)
 2: (Collector)
 3: (Base)

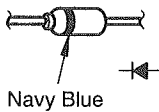
2SK771



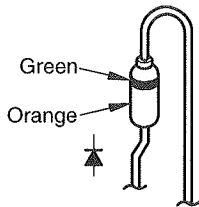
1: S(Source)
 2: D(Drain)
 3: G(Gate)

● DIODES (LED Included)

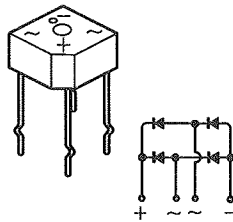
1SS270A



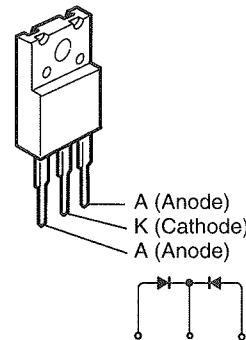
1SR35-400A



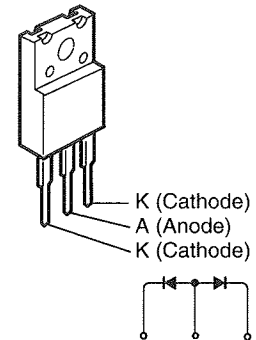
S4VB20



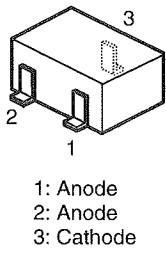
FMG-22S
 FCH20A15



FMG-22R

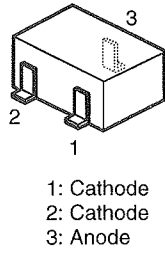


DAN202K



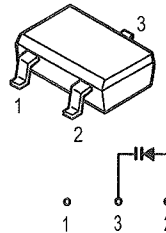
1: Anode
 2: Anode
 3: Cathode

DAP202K

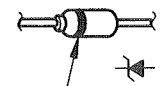


1: Cathode
 2: Cathode
 3: Anode

KV1851-TL

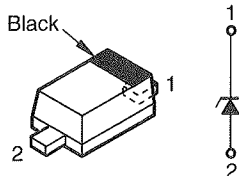


HZS4A-1
 HZS4B-2
 MTZJ4.7A
 MTZJ6.8A
 MTZJ9.1A
 MTZJ18A
 MTZJ36A

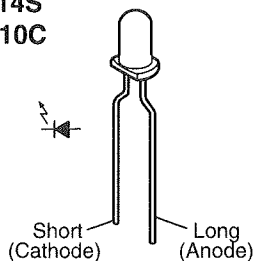


Lake Blue (HZS series)
 Black (MTZJ series)

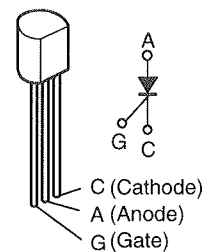
UDZ3.0B
 UDZ6.8B
 UDZS9.1B



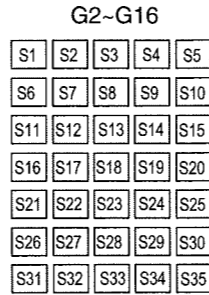
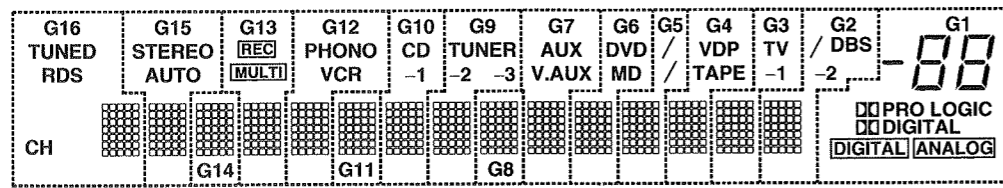
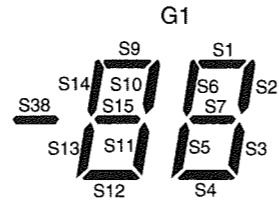
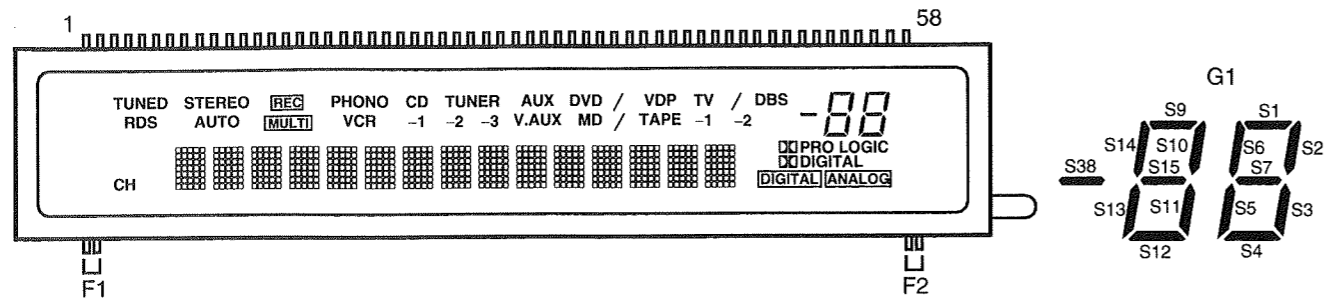
SEL1210S (Red)
 SEL1410E (Green)
 SEL-4214S
 SEL-2E10C



SF0R1A42
 (Thyristor)



FL DISPLAY CM1690C (FR : FL101)



Pin Assignment

PIN NO.	1	2	3	4	5	6	7	8	9	10	11	12	13	14	15	16	17	18	19	20
CONNECTION	F1	F1	S1	S2	S3	S4	S5	S6	S7	S8	S9	S10	S11	S12	S13	S14	S15	S16	S17	S18
PIN NO.	21	22	23	24	25	26	27	28	29	30	31	32	33	34	35	36	37	38	39	40
CONNECTION	S19	S20	S21	S22	S23	S24	S25	S26	S27	S28	S29	S30	S31	S32	S33	S34	S35	S36	S37	S38
PIN NO.	41	42	43	44	45	46	47	48	49	50	51	52	53	54	55	56	57	58		
CONNECTION	G16	G15	G14	G13	G12	G11	G10	G9	G8	G7	G6	G5	G4	G3	G2	G1	F2	F2		

F1,F2 : Filament
 G1-G16 : Grid
 S1-S38 : Anode

Anode & Grid Assignment

	G1	G2-G16		G1	G2-G16		G1	G2-G16		G1	G2-G16
S1	S1	S1	S10	S10	S10	S19	---	S19	S28	---	S28
S2	S2	S2	S11	S11	S11	S20	---	S20	S29	---	S29
S3	S3	S3	S12	S12	S12	S21	---	S21	S30	---	S30
S4	S4	S4	S13	S13	S13	S22	---	S22	S31	---	S31
S5	S5	S5	S14	S14	S14	S23	---	S23	S32	---	S32
S6	S6	S6	S15	S15	S15	S24	---	S24	S33	---	S33
S7	S7	S7	S16	---	S16	S25	---	S25	S34	---	S34
S8	---	S8	S17	DIGITAL	S17	S26	---	S26	S35	---	S35
S9	S9	S9	S18	PRO LOGIC	S18	S27	---	S27			

	G1	G2	G3	G4	G5	G6	G7	G8	G9	G10	G11	G12	G13	G14	G15	G16
S36	DIGITAL	/	TV	VDP	/(DVD)	DVD	AUX	---	TUNER	CD	---	PHONO	REC	---	STEREO	TUNED
S37	ANALOG	-2	-1	TAPE	/(MD)	MD	V.MAX	---	-2	-1	---	VCR	MULTI	---	AUTO	RDS
S38	S38	DBS	---	---	---	---	---	---	-3	---	---	---	---	---	---	CH

PRINTED WIRING BOARDS

1 2 3 4 5 6 7 8

1U-3291 DSP UNIT ASS'Y

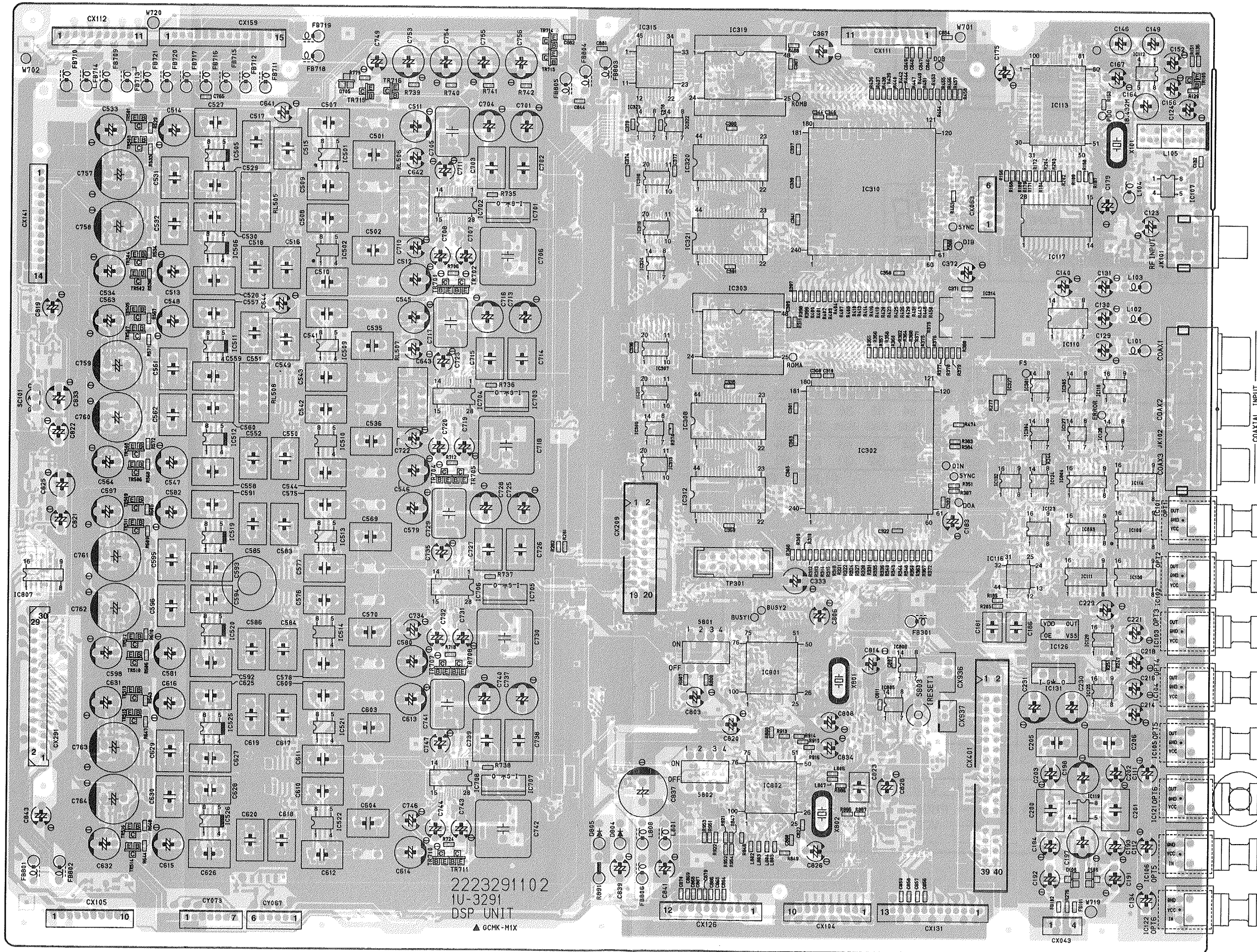
A

B

C

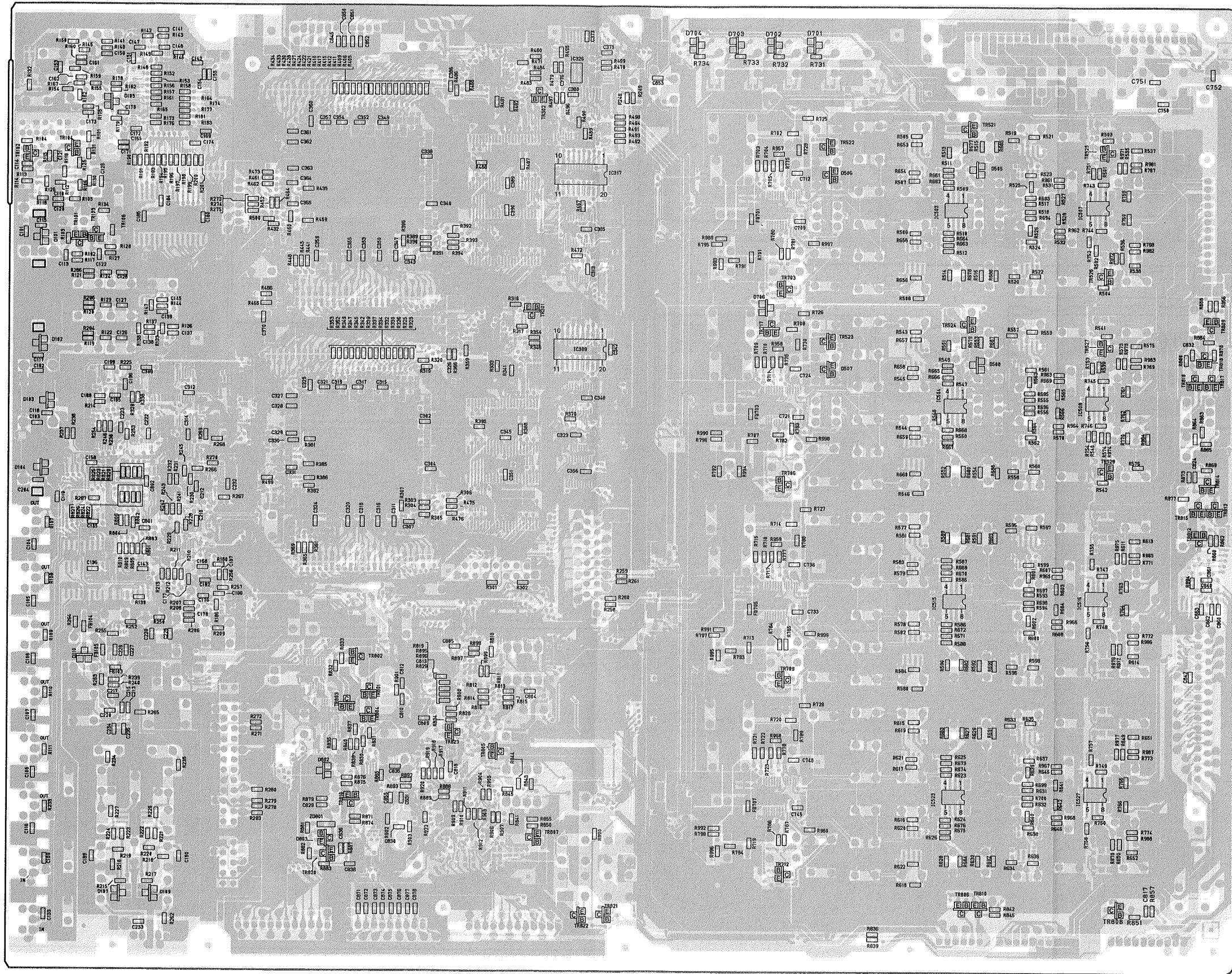
D

E



COMPONENT SIDE

1 2 3 4 5 6 7 8



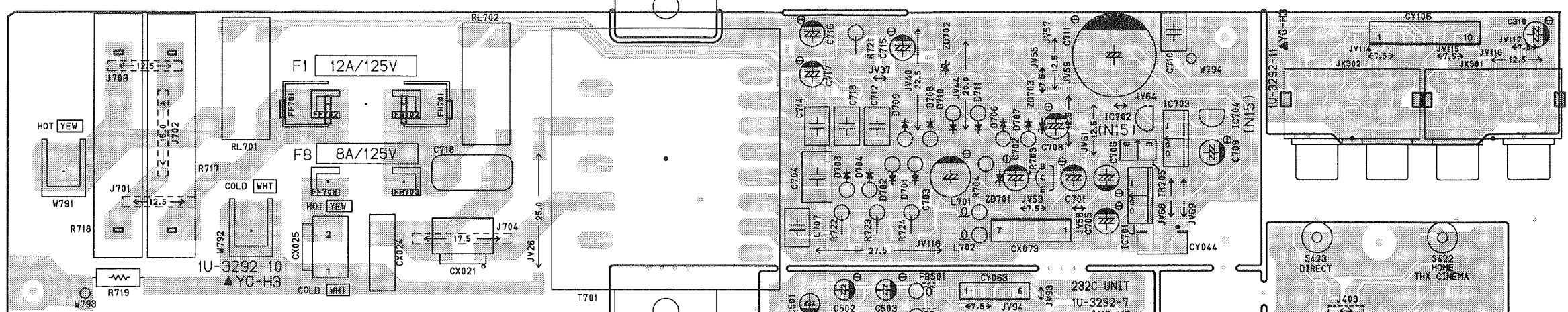
A
B
C
D
E

FOIL SIDE

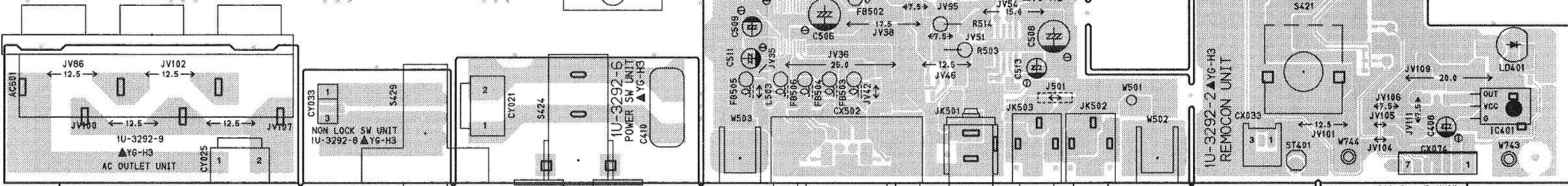
1 2 3 4 5 6 7 8

1U-3292 FRONT UNIT ASS'Y

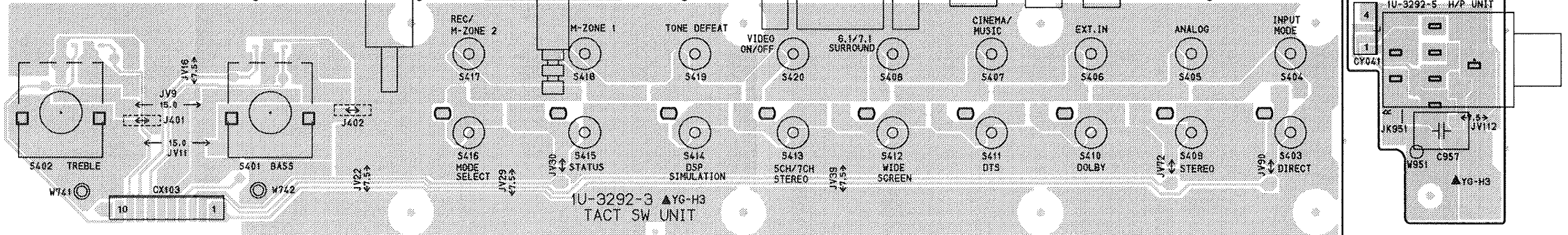
A



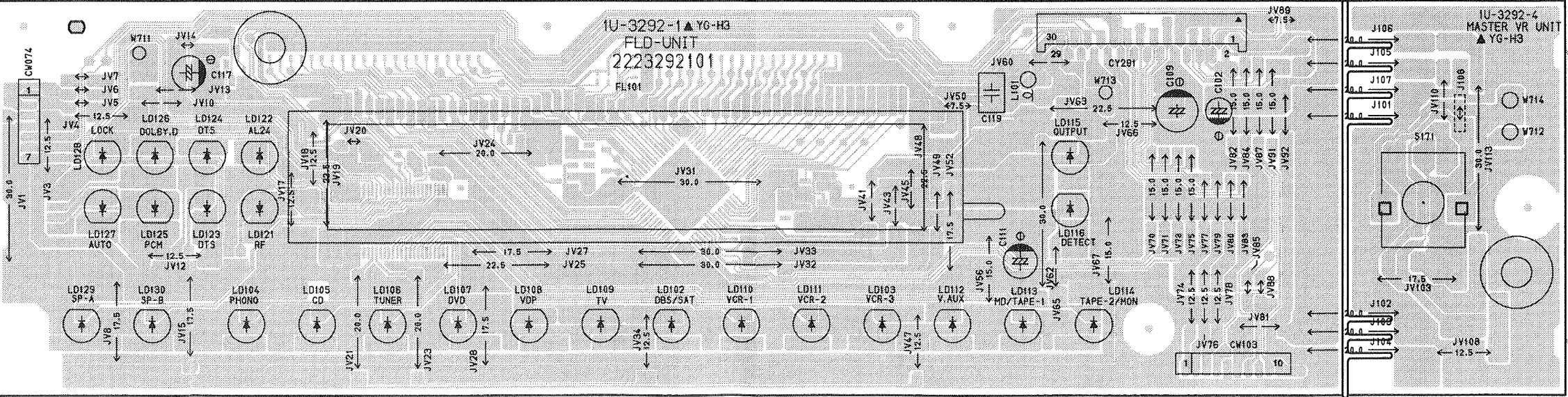
B



C



D

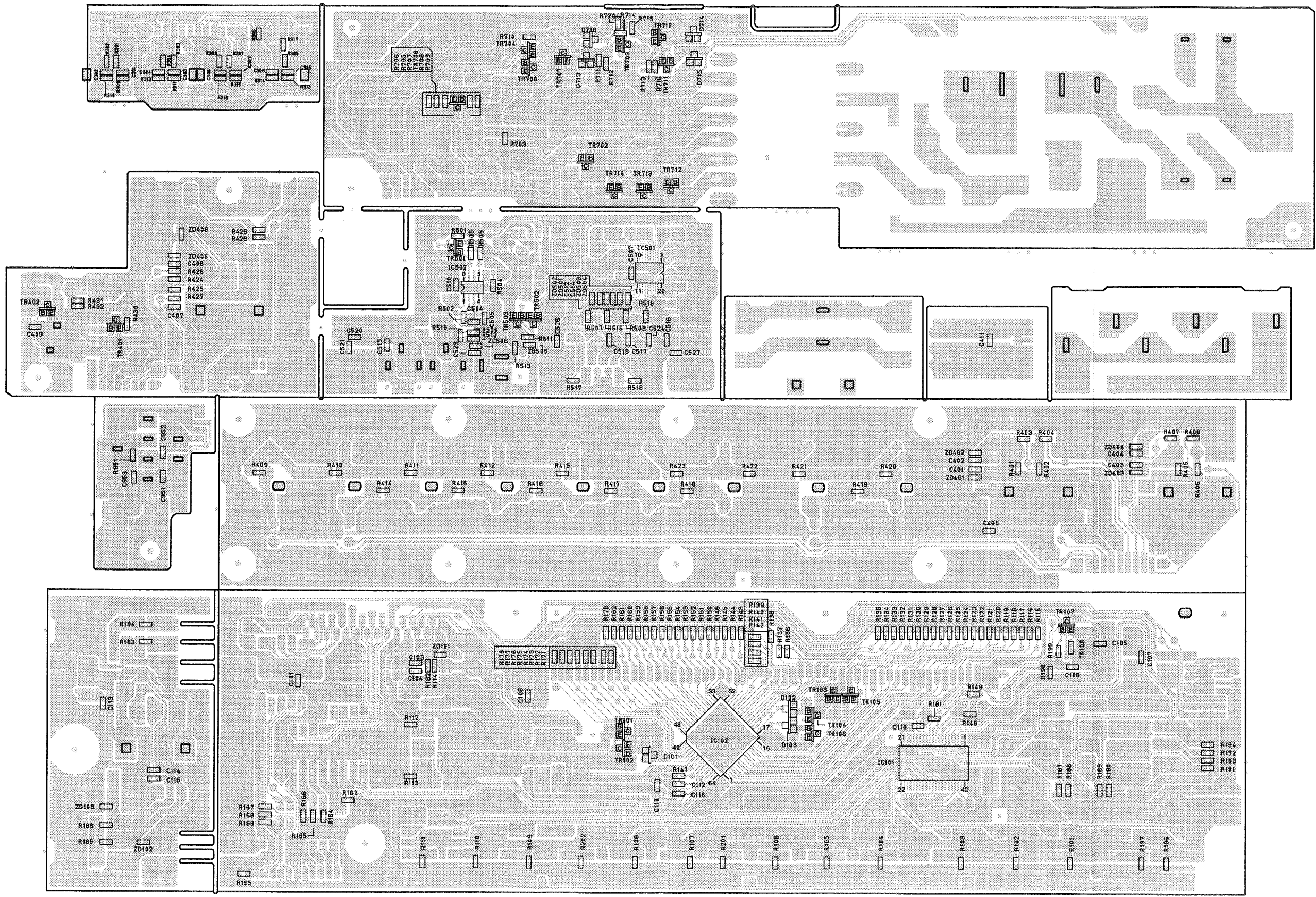


E

COMPONENT SIDE

1 2 3 4 5 6 7 8

A
B
C
D
E



FOIL SIDE

1 2 3 4 5 6 7 8

1U-3293 A&V IN UNIT ASS'Y

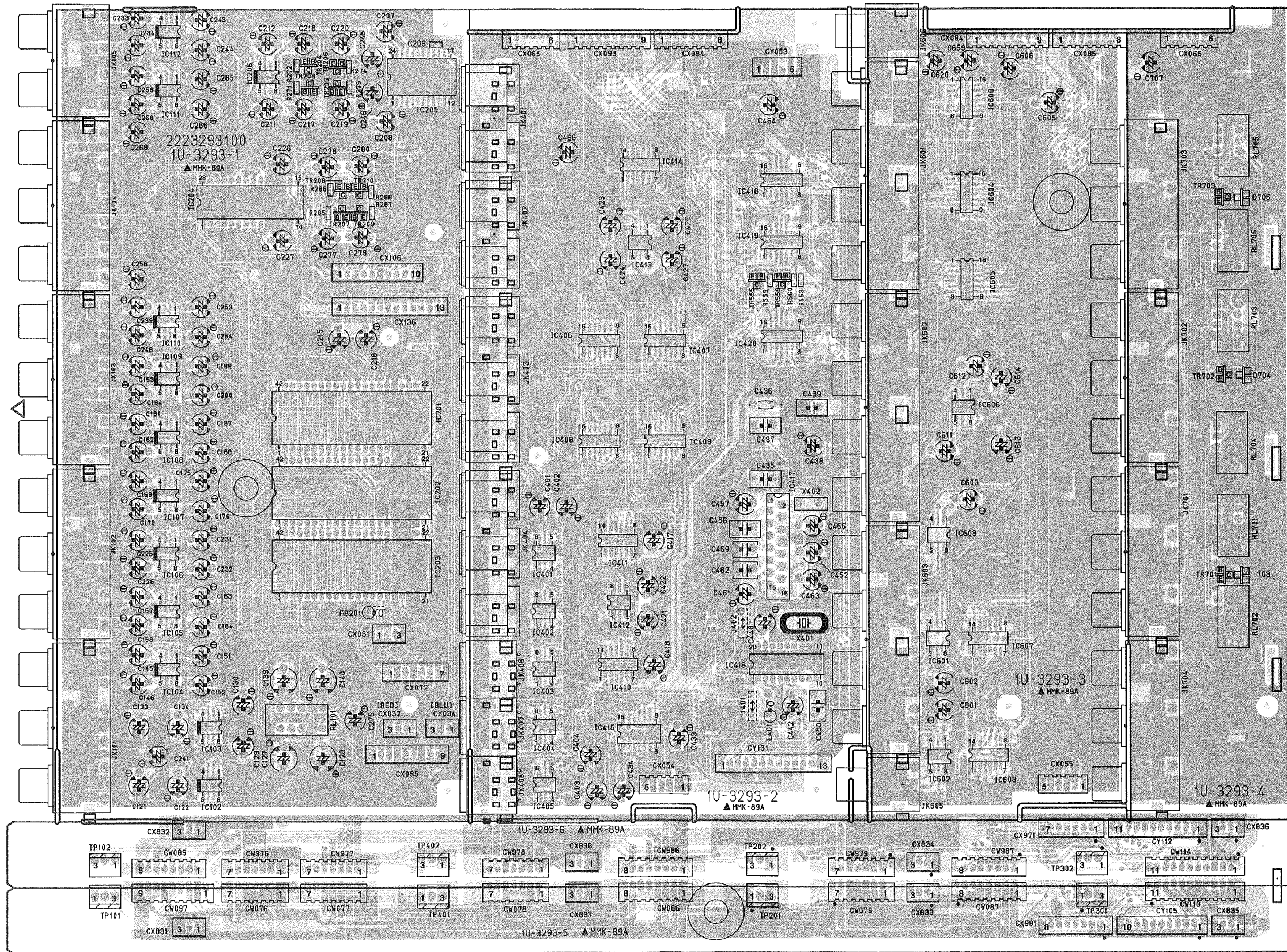
A

B

C

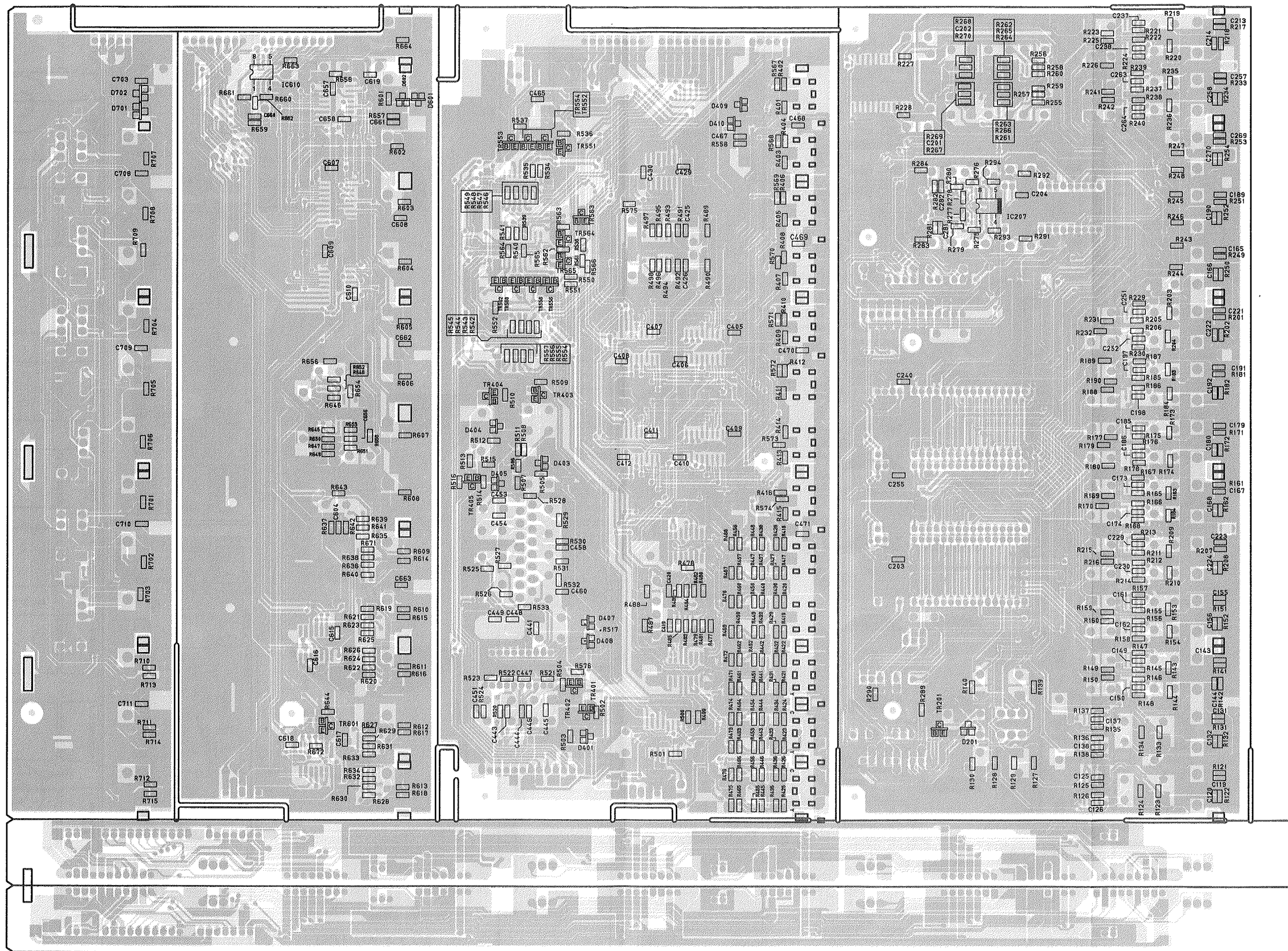
D

E



COMPONENT SIDE

1 2 3 4 5 6 7 8



A
B
C
D
E

FOIL SIDE

1 2 3 4 5 6 7 8

1U-3294 REG & SP UNIT ASS'Y

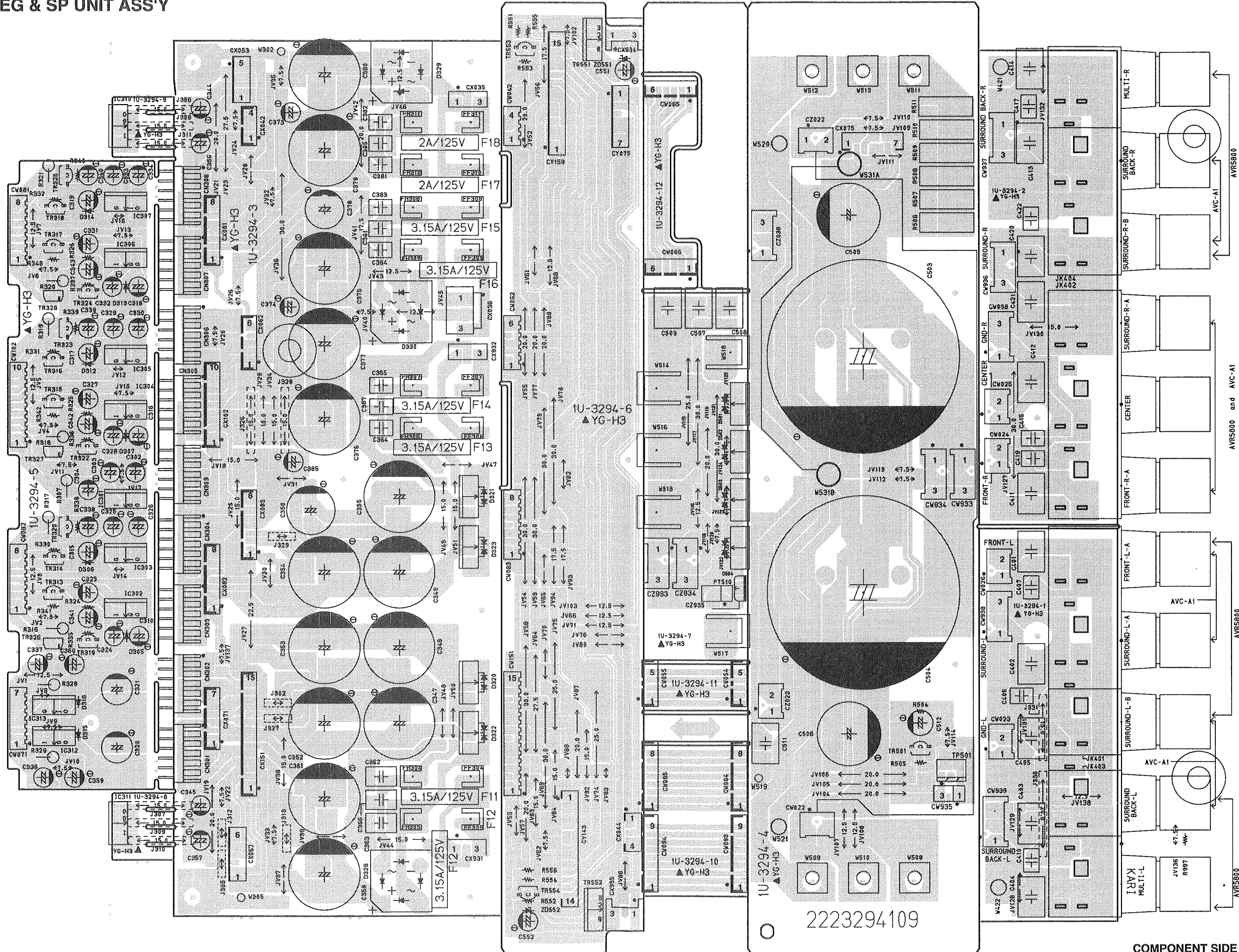
A

B

C

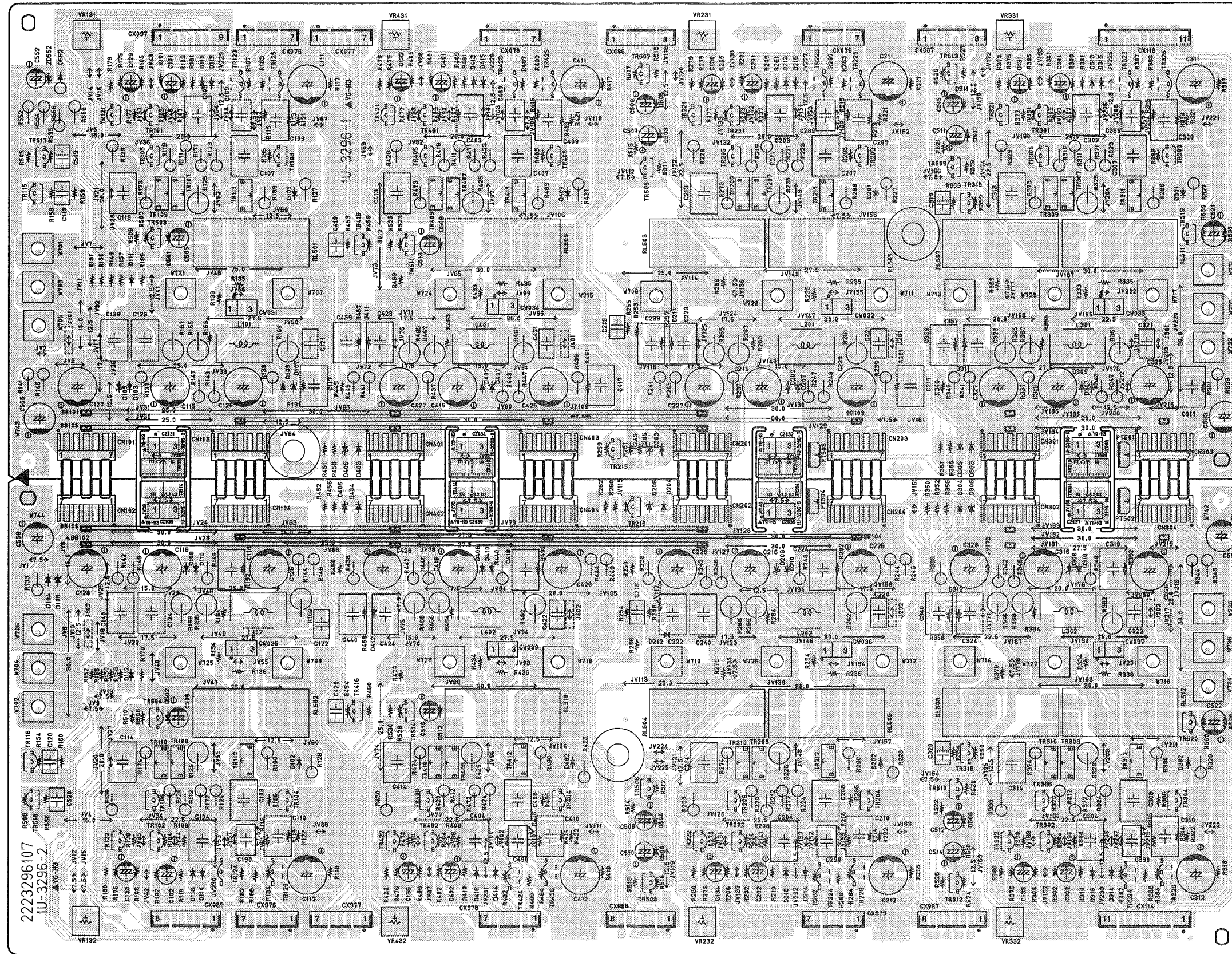
D

E



COMPONENT SIDE

1U-3296 POWER AMP UNIT ASS'Y



COMPONENT SIDE

A
B
C
D
E

1U-3295 EXT IN VOL UNIT ASS'Y

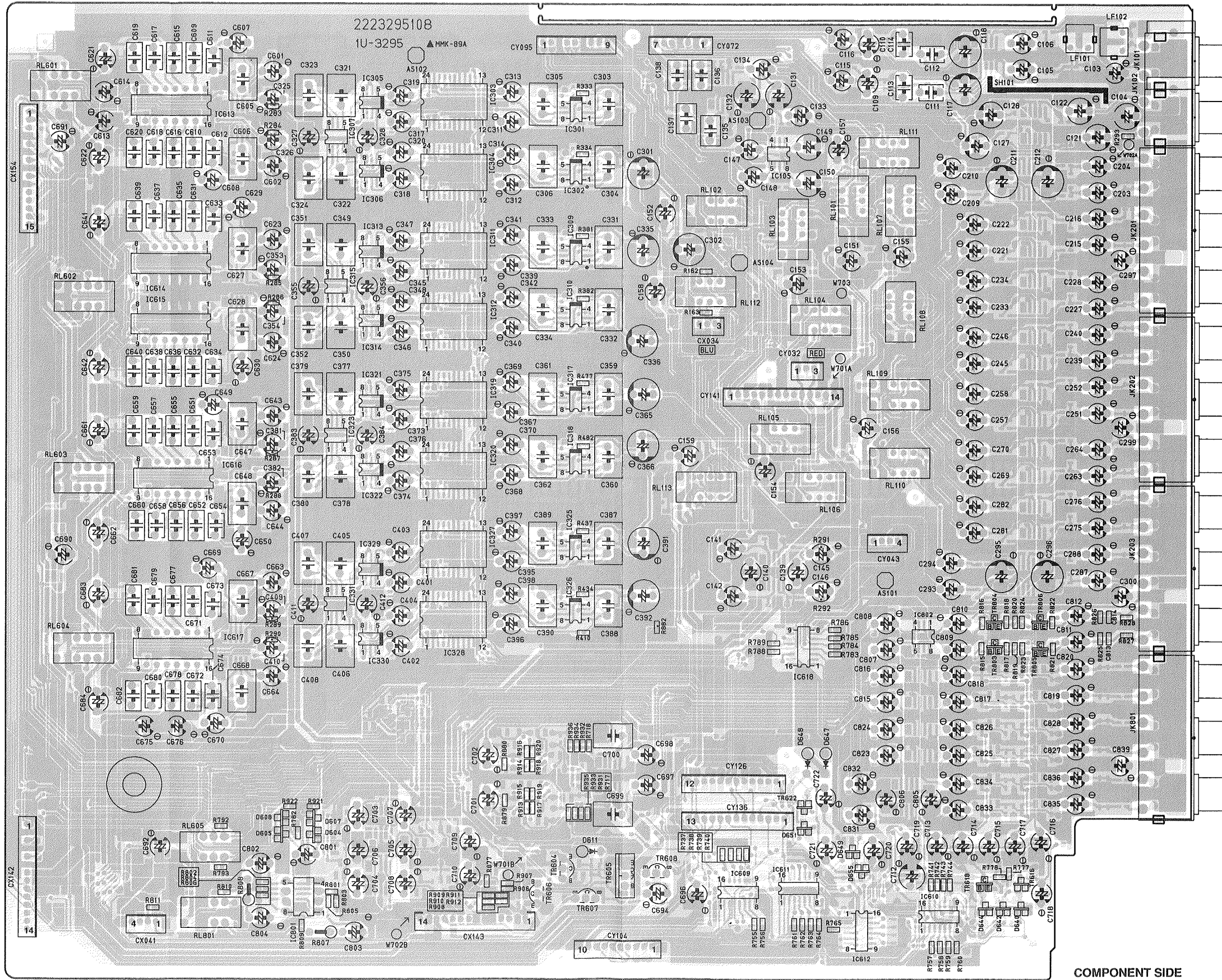
A

B

C

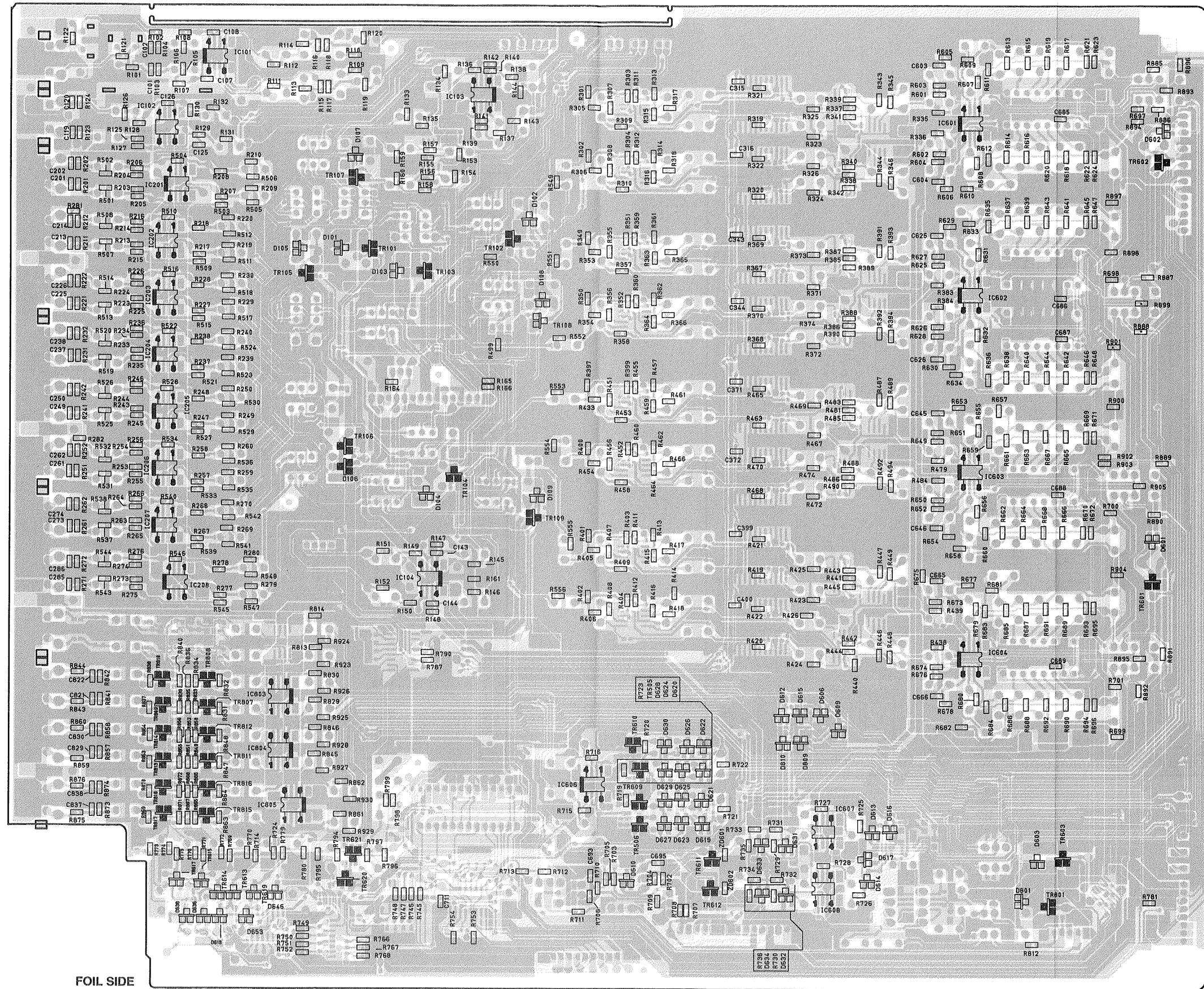
D

E



COMPONENT SIDE

1 2 3 4 5 6 7 8



A
B
C
D
E

FOIL SIDE

1 2 3 4 5 6 7 8

1U-3298 TUNER UNIT ASS'Y

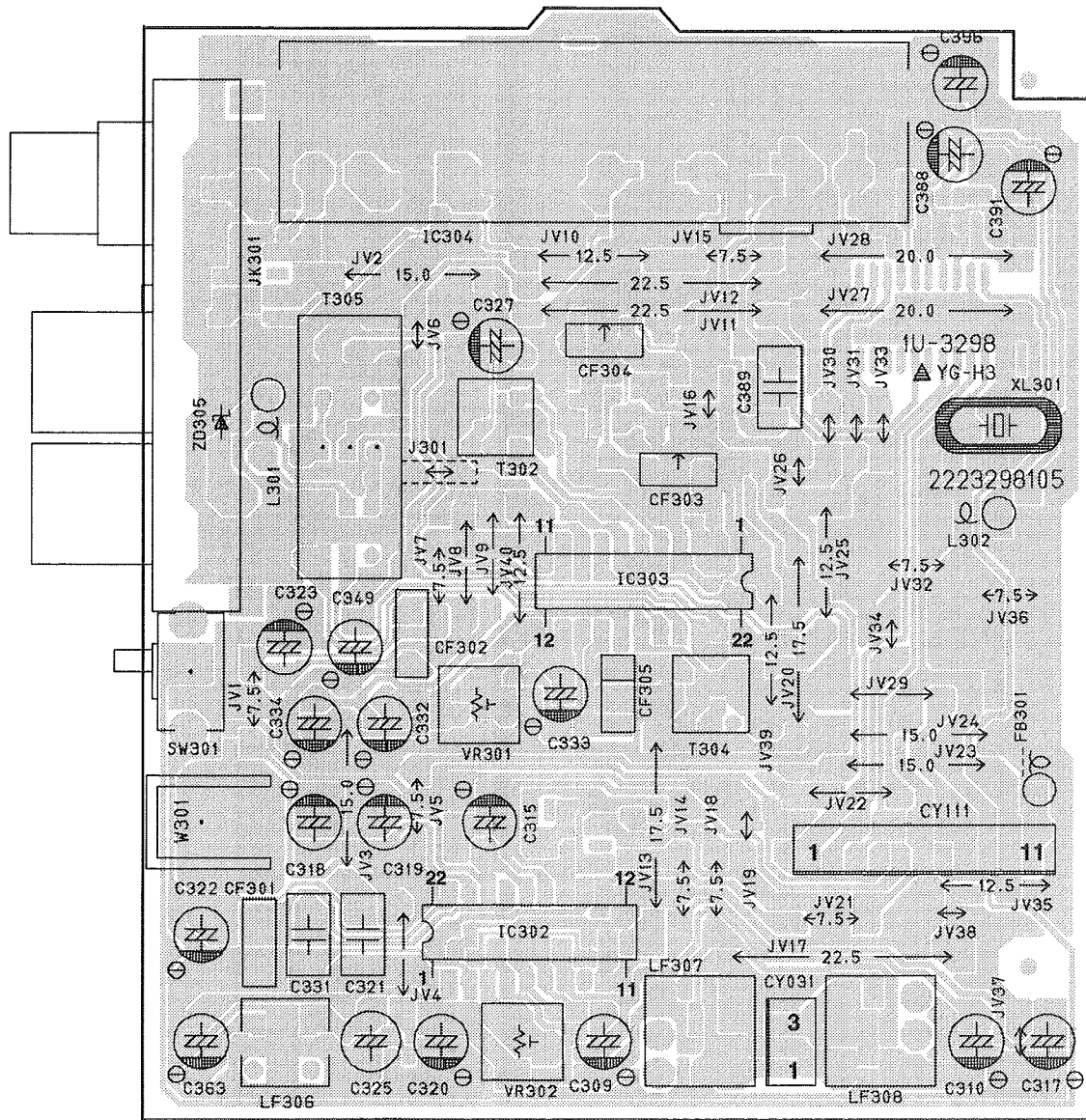
A

B

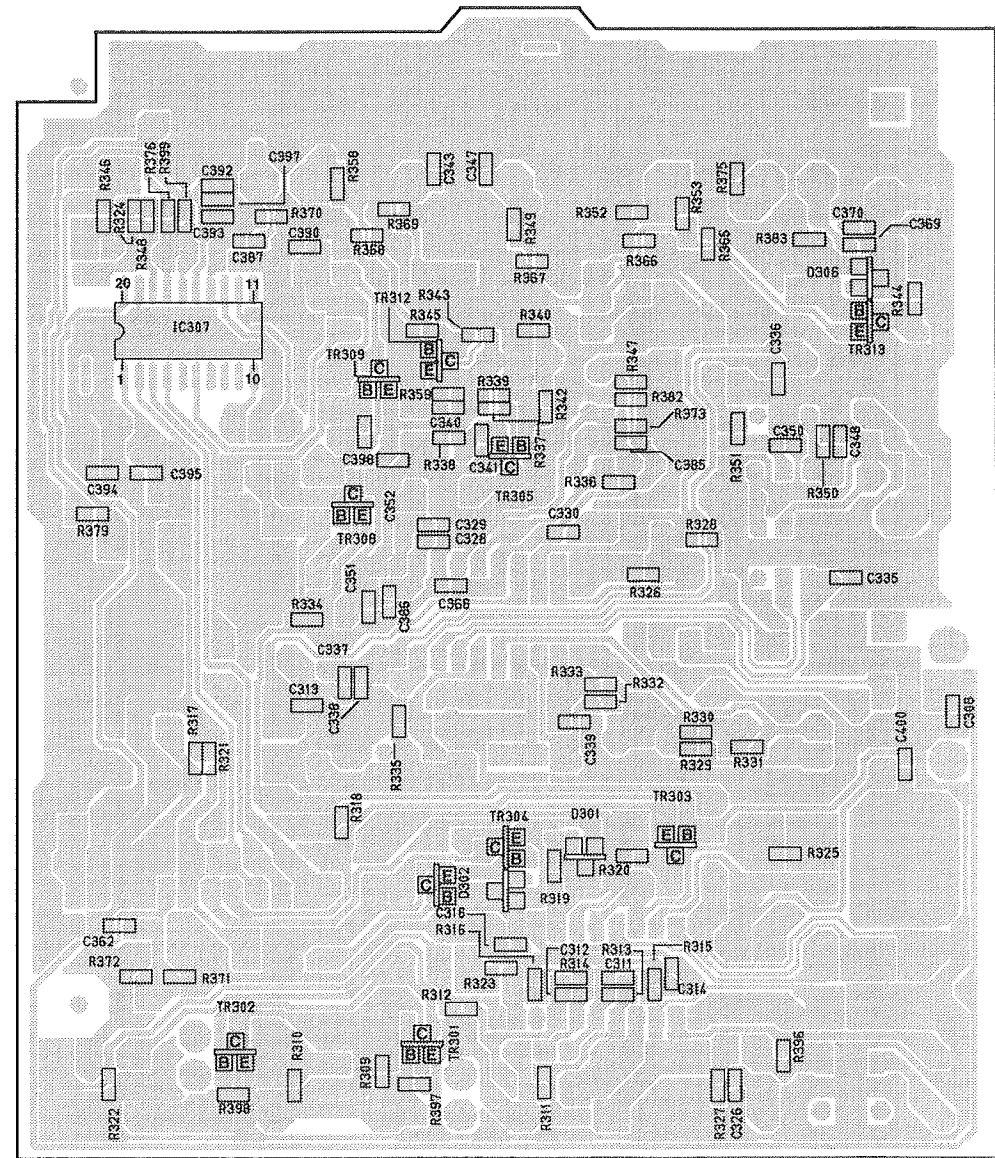
C

D

E



COMPONENT SIDE



FOIL SIDE

NOTE FOR PARTS LIST

- Part indicated with the mark "⊕" are not always in stock and possibly to take a long period of time for supplying, or in some case supplying of part may be refused.
- When ordering of part, clearly indicate "1" and "I" (i) to avoid mis-supplying.
- Ordering part without stating its part number can not be supplied.
- Part indicated with the mark "★" is not illustrated in the exploded view.
- Not including Carbon Film ±5%, 1/4W Type in the P.W.Board parts list. (Refer to the Schematic Diagram for those parts.)

WARNING:

Parts marked with this symbol  have critical characteristics.
Use ONLY replacement parts recommended by the manufacturer.

● **Resistors**

Ex.: RN 14K 2E 182 G FR
 Type Shape Power Resist- Allowable Others
 and performance
 ance error

RD	Carbon	2B	1/8W	F	±1%	P	Pulse-resistant type
RC	Composition	2E	1/4W	G	±2%	NL	Low noise type
RS	Metal oxide film	2H	1/2W	J	±5%	NB	Non-burning type
RW	Winding	3A	1W	K	±10%	FR	Fuse-resistor
RN	Metal film	3D	2W	M	±20%	F	Lead wire forming
RK	Metal mixture	3F	3W				
		3H	5W				

* **Resistance**

1 8 2 ⇒ 1800 ohm = 1.8 kohm
 Indicates number of zeros after effective number.
 2-digit effective number.

• Units: ohm

1 R 2 ⇒ 1.2 ohm
 1-digit effective number.
 2-digit effective number, decimal point indicated by R.

• Units: ohm

● **Capacitors**

Ex.: CE 04W 1H 2R2 M BP
 Type Shape Dielectric Capacity Allowable Others
 and performance strength error

CE	Aluminum foil electrolytic	0J	6.3V	F	±1%	HS	High stability type
CA	Aluminum solid electrolytic	1A	10V	G	±2%	BP	Non-polar type
CS	Tantalum electrolytic	1C	16V	J	±5%	HR	Ripple-resistant type
CQ	Film	1E	25V	K	±10%	DL	For charge and discharge
CK	Ceramic	1V	35V	M	±20%	HF	For assuring high frequency
CC	Ceramic	1H	50V	Z	+80%	U	UL part
CP	Oil	2A	100V	A	-20%	C	CSA part
CM	Mica	2B	125V	P	+100%	W	UL-CSA type
CF	Metallized	2C	160V	R	-0%	F	Lead wire forming
CH	Metallized	2D	200V	C	±0.25pF		
		2E	250V	D	±0.5pF		
		2H	500V	=	Others		
		2J	630V				

* **Capacity (electrolyte only)**

2 2 2 ⇒ 2200µF
 Indicates number of zeros after effective number.
 2-digit effective number.

• Units: µF.

2 R 2 ⇒ 2.2µF
 1-digit effective number.
 2-digit effective number, decimal point indicated by R.

• Units: µF.

* **Capacity (except electrolyte)**

2 2 2 ⇒ 2200pF=0.0022µF
 (More than 2) — Indicates number of zeros after effective number.
 2-digit effective number.

• Units: µF.

2 2 1 ⇒ 220pF
 (0 or 1) — Indicates number of zeros after effective number.
 2-digit effective number.

• Units: pF.

• When the dielectric strength is indicated in AC, "AC" is included after the dielectric strength value.

PARTS LIST OF P.W.B. UNIT ASS'Y

1U-3291/3291A DSP P.W.B. UNIT

Note: The symbols in the column "Remarks" indicate the following destinations.
 EU: U.S.A. model (AVR-5800) E1: Asia model E1C: China model
 EC: Canada model (AVR-5800) E2: Europe model EUT: Taiwan R.O.C. model

Ref. No.	Part No.	Part Name	Remarks	Ref. No.	Part No.	Part Name	Remarks
SEMICONDUCTORS GROUP				IC501,502	263 1071 901	IC OPA2134UA	
IC101~105	269 0178 007	Optical digital input (GP1F37R1)		IC503~508	263 1098 900	IC LM833MX	
IC106	269 0177 008	Optical digital output (GP1F38T2)		IC509,510	263 1071 901	IC OPA2134UA	
IC107	263 1082 903	IC TK15420MTL		IC511,512	263 1098 900	IC LM833MX	
IC109	262 2386 906	IC SN74HC151NS		IC513,514	263 1071 901	IC OPA2134UA	
IC110	262 2384 908	IC SN74HCU04NS		IC515,516	263 1098 900	IC LM833MX	
IC111	262 2386 906	IC SN74HC151NS		IC519,520	263 1098 900	IC LM833MX	
IC112	263 0687 901	IC BA4560FT		IC521,522	263 1071 901	IC OPA2134UA	
IC113	262 2372 004	IC PM4007A		IC523	263 1098 900	IC LM833MX	
IC114	262 2386 906	IC SN74HC151NS		IC525~527	263 1098 900	IC LM833MX	
IC116	262 2675 015	IC LC89055W-RA8		IC701	263 0809 006	IC NJM7805FA (S)	
IC117	262 2852 906	IC W24257S-70LL		IC702	262 2807 906	IC AD1853	
IC118	262 2608 901	IC TC74VHC123AFT		IC703	263 0809 006	IC NJM7805FA (S)	
IC119	263 0934 900	IC BA4510F		IC704	262 2807 906	IC AD1853	
IC121	269 0178 007	Optical digital input (GP1F37R1)		IC705	263 0809 006	IC NJM7805FA (S)	
IC122	269 0177 008	Optical digital output (GP1F38T2)		IC706	262 2807 906	IC AD1853	
IC123	262 2609 900	IC SN74AHC157PW		IC707	263 0809 006	IC NJM7805FA (S)	
IC124	262 2557 900	IC SN74LV14APW		IC708	262 2807 906	IC AD1853	
IC125	262 2772 905	IC AK5353		IC801,802	262 2784 003	IC TMP95FY64F	
IC126	399 0575 008	Crystal 12.288MHz	SG-8002DCPT	IC803,804	263 1040 903	IC BU4094BCF	
IC127	262 2519 906	IC SN74LV00APW		IC805	262 2785 905	IC SN74LV125APW	
IC128	262 2557 900	IC SN74LV14APW		IC806	262 2786 904	IC SN74LV126APW	
IC129	262 2781 909	IC SN74LV4040APW		IC807	263 1040 903	IC BU4094BCF	
IC130	262 2806 907	IC SN74HC153NS		TR101	274 0163 904	Transistor 2SD601A	
IC131	263 0809 006	IC NJM7805FA (S)		TR102	272 0125 904	Transistor 2SB709A	
IC132	262 2609 900	IC SN74AHC157PW		TR103,104	274 0163 904	Transistor 2SD601A	
IC301	262 2519 906	IC SN74LV00APW		TR105	272 0125 904	Transistor 2SB709A	
IC302	262 2673 004	IC ADSST-21061LKS-176		TR106	273 0384 900	Transistor 2SC2412K (S)	
IC303	262 2779 005	IC LH28F800BVE-BTL90		TR301,302	269 0083 901	Transistor DTA114EK	
IC304	262 2518 907	IC SN74LV74APW		TR501~516	273 0414 906	Transistor 2SC3326 (A/B)	
IC305	262 2519 906	IC SN74LV00APW		TR521~524	269 0048 904	Transistor DTC143EK	
IC306	262 2729 903	IC SN74LV02APW		TR525~528	273 0414 906	Transistor 2SC3326 (A/B)	
IC307	262 2606 903	IC SN74AHCT573PW		TR701~712	269 0083 901	Transistor DTA114EK	
IC308	262 2611 008	IC TC55V1664BFT		TR713	269 0082 902	Transistor DTC114EK	
IC309	262 2682 901	IC SN74LV573ANS		TR714,715	269 0083 901	Transistor DTA114EK	
IC310	262 2673 004	IC ADSST-21061LKS-176		TR716	269 0082 902	Transistor DTC114EK	
IC311	262 2641 900	IC SN74LV541APW		TR717	275 0100 902	FET 2SK771	
IC312	262 2611 008	IC TC55V1664BFT		TR801	269 0082 902	Transistor DTC114EK	
IC313	262 2780 900	IC SN74AHCT541PW		TR802	271 0291 903	Transistor 2SA1182Y/O	
IC314	262 2671 909	IC HG-8002JA		TR803	269 0082 902	Transistor DTC114EK	
IC315	262 2630 005	IC MSM32R0050-521GS		TR804	269 0083 901	Transistor DTA114EK	
IC316	262 2606 903	IC SN74AHCT573PW		TR805	269 0054 901	Transistor DTC144EK	
IC317	262 2682 901	IC SN74LV573ANS		TR806	269 0082 902	Transistor DTC114EK	
IC318	262 2641 900	IC SN74LV541APW		TR807	269 0083 901	Transistor DTA114EK	
IC319	262 2779 005	IC LH28F800BVE-BTL90		TR808	269 0054 901	Transistor DTC144EK	
IC320,321	262 2611 008	IC TC55V1664BFT					
IC322,323	262 2813 903	IC SN74AHCT08PW					
IC324	262 2729 903	IC SN74LV02APW					
IC326	262 2685 908	IC SN74AHCT1G08DBV					
IC327	262 2686 907	IC SN74AHCT1G04DBV					

Ref. No.	Part No.	Part Name	Remarks	Ref. No.	Part No.	Part Name	Remarks
TR809	273 0384 900	Transistor 2SC2412K (S)		R136,137	247 2011 942	Carbon chip 47kohm 1/16W	RM73B--473J
TR810	269 0082 902	Transistor DTC114EK		R138	247 2008 926	Carbon chip 2.2kohm 1/16W	RM73B--222J
TR812,813	273 0384 900	Transistor 2SC2412K (S)		R139	247 2004 920	Carbon chip 47ohm 1/16W	RM73B--470J
TR814	271 0238 908	Transistor 2SA1037K (S/R)		R140	247 2009 909	Carbon chip 4.7kohm 1/16W	RM73B--472J
TR815	273 0384 900	Transistor 2SC2412K (S)		R141	247 2008 984	Carbon chip 3.9kohm 1/16W	RM73B--392J
TR816	274 0163 904	Transistor 2SD601A		R142,143	247 2009 983	Carbon chip 10kohm 1/16W	RM73B--103J
TR817	273 0384 900	Transistor 2SC2412K (S)		R144	247 2011 942	Carbon chip 47kohm 1/16W	RM73B--473J
TR818	271 0238 908	Transistor 2SA1037K (S/R)		R146	247 2009 983	Carbon chip 10kohm 1/16W	RM73B--103J
TR819	273 0384 900	Transistor 2SC2412K (S)		R147	247 2008 926	Carbon chip 2.2kohm 1/16W	RM73B--222J
TR820,821	269 0054 901	Transistor DTC144EK		R148,149	247 2009 983	Carbon chip 10kohm 1/16W	RM73B--103J
TR822	269 0083 901	Transistor DTA114EK		R150	247 2012 925	Carbon chip 100kohm 1/16W	RM73B--104J
TR823	269 0054 901	Transistor DTC144EK		R151	247 2009 967	Carbon chip 8.2kohm 1/16W	RM73B--822J
D101-104	276 0559 909	Diode DAP202K		R152,153	247 2009 983	Carbon chip 10kohm 1/16W	RM73B--103J
D105	276 0663 905	Diode KV1851		R154	247 2011 984	Carbon chip 68kohm 1/16W	RM73B--683J
D505-508	276 0559 909	Diode DAP202K		R155	247 2010 985	Carbon chip 27kohm 1/16W	RM73B--273J
D701-705	276 0560 901	Diode DAN202K		R156	247 2009 983	Carbon chip 10kohm 1/16W	RM73B--103J
D706	276 0559 909	Diode DAP202K		R157	247 2018 903	Carbon chip 0ohm 1/16W	RM73B--0R0K
D802,803	276 0559 909	Diode DAP202K		R158-161	247 2009 983	Carbon chip 10kohm 1/16W	RM73B--103J
D804,805	276 0704 903	Diode 1SR35-400A		R162	247 2005 929	Carbon chip 120kohm 1/16W	RM73B--121J
ZD801	276 0693 946	Zener diode UDZ3.0B		R163-165	247 2009 983	Carbon chip 10kohm 1/16W	RM73B--103J
SC101	279 0016 904	Thyristor SF0R1A42		R166	247 2018 903	Carbon chip 0ohm 1/16W	RM73B--0R0K
RESISTORS GROUP				R167	247 2011 942	Carbon chip 47kohm 1/16W	RM73B--473J
R101	247 2007 943	Carbon chip 1kohm 1/16W	RM73B--102J	R168-172	247 2018 903	Carbon chip 0ohm 1/16W	RM73B--0R0K
R102	247 2006 986	Carbon chip 560ohm 1/16W	RM73B--561J	R173,174	247 2009 983	Carbon chip 10kohm 1/16W	RM73B--103J
R103	247 2004 991	Carbon chip 91ohm 1/16W	RM73B--910J	R175	247 2011 942	Carbon chip 47kohm 1/16W	RM73B--473J
R104-106	247 2007 943	Carbon chip 1kohm 1/16W	RM73B--102J	R176,177	247 2009 983	Carbon chip 10kohm 1/16W	RM73B--103J
R107-111	247 2009 909	Carbon chip 4.7kohm 1/16W	RM73B--472J	R178	247 2011 942	Carbon chip 47kohm 1/16W	RM73B--473J
R112	247 2007 943	Carbon chip 1kohm 1/16W	RM73B--102J	R179	247 2004 920	Carbon chip 47ohm 1/16W	RM73B--470J
R113	247 2009 983	Carbon chip 10kohm 1/16W	RM73B--103J	R180,181	247 2009 983	Carbon chip 10kohm 1/16W	RM73B--103J
R114,115	247 2007 943	Carbon chip 1kohm 1/16W	RM73B--102J	R182	247 2011 942	Carbon chip 47kohm 1/16W	RM73B--473J
R116	247 2009 909	Carbon chip 4.7kohm 1/16W	RM73B--472J	R183	247 2009 983	Carbon chip 10kohm 1/16W	RM73B--103J
R117	247 2008 900	Carbon chip 1.8kohm 1/16W	RM73B--182J	R184	247 2018 903	Carbon chip 0ohm 1/16W	RM73B--0R0K
R118	247 2007 943	Carbon chip 1kohm 1/16W	RM73B--102J	R187-205	247 2018 903	Carbon chip 0ohm 1/16W	RM73B--0R0K
R119-121	247 2005 945	Carbon chip 150ohm 1/16W	RM73B--151J	R206	247 2009 967	Carbon chip 8.2kohm 1/16W	RM73B--822J
R122-124	247 2005 903	Carbon chip 100ohm 1/16W	RM73B--101J	R207	247 2008 955	Carbon chip 3kohm 1/16W	RM73B--302J
R125	247 2005 945	Carbon chip 150ohm 1/16W	RM73B--151J	R208	247 2009 912	Carbon chip 5.1kohm 1/16W	RM73B--512J
R126	247 2009 909	Carbon chip 4.7kohm 1/16W	RM73B--472J	R209	247 2004 975	Carbon chip 75ohm 1/16W	RM73B--750J
R127,128	247 2009 983	Carbon chip 10kohm 1/16W	RM73B--103J	R210-213	247 2002 964	Carbon chip 10ohm 1/16W	RM73B--100J
R129	247 2007 943	Carbon chip 1kohm 1/16W	RM73B--102J	R214	247 2014 965	Carbon chip 1Mohm 1/16W	RM73B--105J
R130	247 2008 926	Carbon chip 2.2kohm 1/16W	RM73B--222J	R215-218	247 2009 909	Carbon chip 4.7kohm 1/16W	RM73B--472J
R131	247 2007 943	Carbon chip 1kohm 1/16W	RM73B--102J	R219,220	247 2011 942	Carbon chip 47kohm 1/16W	RM73B--473J
R132	247 2008 968	Carbon chip 3.3kohm 1/16W	RM73B--332J	R221	247 2010 901	Carbon chip 12kohm 1/16W	RM73B--123J
R133	247 2008 926	Carbon chip 2.2kohm 1/16W	RM73B--222J	R222	247 2013 924	Carbon chip 220kohm 1/16W	RM73B--224J
R134	247 2009 909	Carbon chip 4.7kohm 1/16W	RM73B--472J	R223	247 2010 901	Carbon chip 12kohm 1/16W	RM73B--123J
R135	247 2007 943	Carbon chip 1kohm 1/16W	RM73B--102J	R224	247 2013 924	Carbon chip 220kohm 1/16W	RM73B--224J
				R225	247 2011 900	Carbon chip 33kohm 1/16W	RM73B--333J
				R226,227	247 2009 938	Carbon chip 6.2kohm 1/16W	RM73B--622J
				R228-232	247 2002 964	Carbon chip 10ohm 1/16W	RM73B--100J
				R233	247 2009 909	Carbon chip 4.7kohm 1/16W	RM73B--472J
				R234,235	247 2006 960	Carbon chip 470ohm 1/16W	RM73B--471J
				R236	247 2018 903	Carbon chip 0ohm 1/16W	RM73B--0R0K

Ref. No.	Part No.	Part Name	Remarks	Ref. No.	Part No.	Part Name	Remarks
R238	247 2018 903	Carbon chip 0ohm 1/16W	RM73B--0R0K	R382-384	247 2003 989	Carbon chip 33ohm 1/16W	RM73B--330J
R239,240	247 2009 983	Carbon chip 10kohm 1/16W	RM73B--103J	R387	247 2003 989	Carbon chip 33ohm 1/16W	RM73B--330J
R241-245	247 2002 964	Carbon chip 10ohm 1/16W	RM73B--100J	R388	247 2009 983	Carbon chip 10kohm 1/16W	RM73B--103J
R247	247 2005 903	Carbon chip 100ohm 1/16W	RM73B--101J	R389-394	247 2018 903	Carbon chip 0ohm 1/16W	RM73B--0R0K
R248	247 2018 903	Carbon chip 0ohm 1/16W	RM73B--0R0K	R395,396	247 2009 983	Carbon chip 10kohm 1/16W	RM73B--103J
R250-252	247 2005 903	Carbon chip 100ohm 1/16W	RM73B--101J	R397-434	247 2003 989	Carbon chip 33ohm 1/16W	RM73B--330J
R253,254	247 2018 903	Carbon chip 0ohm 1/16W	RM73B--0R0K	R435	247 2009 983	Carbon chip 10kohm 1/16W	RM73B--103J
R255	247 2005 903	Carbon chip 100ohm 1/16W	RM73B--101J	R436-440	247 2003 989	Carbon chip 33ohm 1/16W	RM73B--330J
R257	247 2018 903	Carbon chip 0ohm 1/16W	RM73B--0R0K	R442-444	247 2003 989	Carbon chip 33ohm 1/16W	RM73B--330J
R258,259	247 2003 947	Carbon chip 22ohm 1/16W	RM73B--220J	R446,447	247 2003 989	Carbon chip 33ohm 1/16W	RM73B--330J
R263	247 2018 903	Carbon chip 0ohm 1/16W	RM73B--0R0K	R449-462	247 2003 989	Carbon chip 33ohm 1/16W	RM73B--330J
R264	257 0512 903	Ceramic chip 0.1fEF/25V	CK73F1E104Z	R465,466	247 2004 920	Carbon chip 47ohm 1/16W	RM73B--470J
R265	247 2018 903	Carbon chip 0ohm 1/16W	RM73B--0R0K	R467,468	247 2009 983	Carbon chip 10kohm 1/16W	RM73B--103J
R267-270	247 2002 964	Carbon chip 10ohm 1/16W	RM73B--100J	R470	247 2004 920	Carbon chip 47ohm 1/16W	RM73B--470J
R271-273	247 2018 903	Carbon chip 0ohm 1/16W	RM73B--0R0K	R471	247 2018 903	Carbon chip 0ohm 1/16W	RM73B--0R0K
R276	247 2018 903	Carbon chip 0ohm 1/16W	RM73B--0R0K	R472	247 2009 983	Carbon chip 10kohm 1/16W	RM73B--103J
R277	247 2005 903	Carbon chip 100ohm 1/16W	RM73B--101J	R475,476	247 2018 903	Carbon chip 0ohm 1/16W	RM73B--0R0K
R278-280	247 2011 942	Carbon chip 47kohm 1/16W	RM73B--473J	R481-488	247 2009 983	Carbon chip 10kohm 1/16W	RM73B--103J
R282	247 2018 903	Carbon chip 0ohm 1/16W	RM73B--0R0K	R489-498	247 2005 903	Carbon chip 100ohm 1/16W	RM73B--101J
R283	247 2011 942	Carbon chip 47kohm 1/16W	RM73B--473J	R499,500	247 2003 989	Carbon chip 33ohm 1/16W	RM73B--330J
R284-286	247 2005 945	Carbon chip 150ohm 1/16W	RM73B--151J	R501,502	247 2006 902	Carbon chip 330ohm 1/16W	RM73B--331J
R287	247 2011 942	Carbon chip 47kohm 1/16W	RM73B--473J	R503,504	247 2008 926	Carbon chip 2.2kohm 1/16W	RM73B--222J
R302	247 2008 913	Carbon chip 2kohm 1/16W	RM73B--202J	R505-508	247 2009 909	Carbon chip 4.7kohm 1/16W	RM73B--472J
R303-306	247 2018 903	Carbon chip 0ohm 1/16W	RM73B--0R0K	R509-512	247 2009 912	Carbon chip 5.1kohm 1/16W	RM73B--512J
R307	247 2009 983	Carbon chip 10kohm 1/16W	RM73B--103J	R513-516	247 2009 909	Carbon chip 4.7kohm 1/16W	RM73B--472J
R308-310	247 2003 989	Carbon chip 33ohm 1/16W	RM73B--330J	R517,518	247 2008 939	Carbon chip 2.4kohm 1/16W	RM73B--242J
R311	247 2009 983	Carbon chip 10kohm 1/16W	RM73B--103J	R519-522	247 2009 909	Carbon chip 4.7kohm 1/16W	RM73B--472J
R312-315	247 2003 989	Carbon chip 33ohm 1/16W	RM73B--330J	R523,524	247 2006 960	Carbon chip 470ohm 1/16W	RM73B--471J
R317	247 2018 903	Carbon chip 0ohm 1/16W	RM73B--0R0K	R525,526	247 2018 903	Carbon chip 0ohm 1/16W	RM73B--0R0K
R318-328	247 2003 989	Carbon chip 33ohm 1/16W	RM73B--330J	R529,530	247 2008 926	Carbon chip 2.2kohm 1/16W	RM73B--222J
R330-332	247 2003 989	Carbon chip 33ohm 1/16W	RM73B--330J	R531,532	247 2007 956	Carbon chip 1.1kohm 1/16W	RM73B--112J
R333	247 2009 983	Carbon chip 10kohm 1/16W	RM73B--103J	R533,534	247 2008 926	Carbon chip 2.2kohm 1/16W	RM73B--222J
R334-337	247 2003 989	Carbon chip 33ohm 1/16W	RM73B--330J	R535,536	247 2006 999	Carbon chip 620ohm 1/16W	RM73B--621J
R338	247 2018 903	Carbon chip 0ohm 1/16W	RM73B--0R0K	R537,538	247 2012 925	Carbon chip 100kohm 1/16W	RM73B--104J
R339,340	247 2003 989	Carbon chip 33ohm 1/16W	RM73B--330J	R539,540	247 2006 957	Carbon chip 430ohm 1/16W	RM73B--431J
R341	247 2009 983	Carbon chip 10kohm 1/16W	RM73B--103J	R541,542	247 2008 926	Carbon chip 2.2kohm 1/16W	RM73B--222J
R342-345	247 2003 989	Carbon chip 33ohm 1/16W	RM73B--330J	R543-546	247 2009 909	Carbon chip 4.7kohm 1/16W	RM73B--472J
R346	247 2009 983	Carbon chip 10kohm 1/16W	RM73B--103J	R547-550	247 2009 912	Carbon chip 5.1kohm 1/16W	RM73B--512J
R347-353	247 2003 989	Carbon chip 33ohm 1/16W	RM73B--330J	R551-554	247 2009 909	Carbon chip 4.7kohm 1/16W	RM73B--472J
R354	247 2009 983	Carbon chip 10kohm 1/16W	RM73B--103J	R555,556	247 2008 939	Carbon chip 2.4kohm 1/16W	RM73B--242J
R355-358	247 2003 989	Carbon chip 33ohm 1/16W	RM73B--330J	R557-560	247 2009 909	Carbon chip 4.7kohm 1/16W	RM73B--472J
R359	247 2009 983	Carbon chip 10kohm 1/16W	RM73B--103J	R561,562	247 2006 960	Carbon chip 470ohm 1/16W	RM73B--471J
R360	247 2003 989	Carbon chip 33ohm 1/16W	RM73B--330J	R563,564	247 2018 903	Carbon chip 0ohm 1/16W	RM73B--0R0K
R362-364	247 2003 989	Carbon chip 33ohm 1/16W	RM73B--330J	R567,568	247 2008 926	Carbon chip 2.2kohm 1/16W	RM73B--222J
R366	247 2009 983	Carbon chip 10kohm 1/16W	RM73B--103J	R569,570	247 2007 956	Carbon chip 1.1kohm 1/16W	RM73B--112J
R367,368	247 2003 989	Carbon chip 33ohm 1/16W	RM73B--330J	R571,572	247 2008 926	Carbon chip 2.2kohm 1/16W	RM73B--222J
R370	247 2009 983	Carbon chip 10kohm 1/16W	RM73B--103J	R573,574	247 2006 999	Carbon chip 620ohm 1/16W	RM73B--621J
R371-373	247 2003 989	Carbon chip 33ohm 1/16W	RM73B--330J	R575,576	247 2012 925	Carbon chip 100kohm 1/16W	RM73B--104J
R374	247 2009 983	Carbon chip 10kohm 1/16W	RM73B--103J	R577-584	247 2009 909	Carbon chip 4.7kohm 1/16W	RM73B--472J
R375-380	247 2003 989	Carbon chip 33ohm 1/16W	RM73B--330J	R585-588	247 2009 912	Carbon chip 5.1kohm 1/16W	RM73B--512J
R381	247 2009 983	Carbon chip 10kohm 1/16W	RM73B--103J				

Ref. No.	Part No.	Part Name	Remarks	Ref. No.	Part No.	Part Name	Remarks
R589	247 2009 909	Carbon chip 4.7kohm 1/16W	RM73B--472J	R725-730	247 2018 903	Carbon chip 0ohm 1/16W	RM73B--0R0K
R590	247 2009 954	Carbon chip 7.5kohm 1/16W	RM73B--752J	R731-734	247 2005 987	Carbon chip 220ohm 1/16W	RM73B--221J
R591	247 2009 909	Carbon chip 4.7kohm 1/16W	RM73B--472J	R735-738	247 2005 903	Carbon chip 100ohm 1/16W	RM73B--101J
R592	247 2009 954	Carbon chip 7.5kohm 1/16W	RM73B--752J	R739-742	247 2010 969	Carbon chip 22kohm 1/16W	RM73B--223J
R593	247 2008 939	Carbon chip 2.4kohm 1/16W	RM73B--242J	R743,744	247 2007 943	Carbon chip 1kohm 1/16W	RM73B--102J
R594	247 2009 983	Carbon chip 10kohm 1/16W	RM73B--103J	R745,746	247 2006 999	Carbon chip 620ohm 1/16W	RM73B--621J
R595-598	247 2009 909	Carbon chip 4.7kohm 1/16W	RM73B--472J	R747	247 2018 903	Carbon chip 0ohm 1/16W	RM73B--0R0K
R599	247 2006 960	Carbon chip 470ohm 1/16W	RM73B--471J	R748	247 2008 913	Carbon chip 2kohm 1/16W	RM73B--202J
R600	247 2009 938	Carbon chip 6.2kohm 1/16W	RM73B--622J	R749,750	247 2018 903	Carbon chip 0ohm 1/16W	RM73B--0R0K
R601,602	247 2018 903	Carbon chip 0ohm 1/16W	RM73B--0R0K	R753,754	247 2007 985	Carbon chip 1.5kohm 1/16W	RM73B--152J
R605,606	247 2008 926	Carbon chip 2.2kohm 1/16W	RM73B--222J	R756	247 2007 985	Carbon chip 1.5kohm 1/16W	RM73B--152J
R607	247 2007 956	Carbon chip 1.1kohm 1/16W	RM73B--112J	R759-766	247 2012 925	Carbon chip 100kohm 1/16W	RM73B--104J
R608	247 2009 909	Carbon chip 4.7kohm 1/16W	RM73B--472J	R767-774	247 2006 957	Carbon chip 430ohm 1/16W	RM73B--431J
R609,610	247 2008 926	Carbon chip 2.2kohm 1/16W	RM73B--222J	R775-778	247 2008 942	Carbon chip 2.7kohm 1/16W	RM73B--272J
R611,612	247 2006 999	Carbon chip 620ohm 1/16W	RM73B--621J	R779	247 2011 942	Carbon chip 47kohm 1/16W	RM73B--473J
R613,614	247 2012 925	Carbon chip 100kohm 1/16W	RM73B--104J	R780-787	247 2009 909	Carbon chip 4.7kohm 1/16W	RM73B--472J
R615-622	247 2009 909	Carbon chip 4.7kohm 1/16W	RM73B--472J	R788,789	247 2018 903	Carbon chip 0ohm 1/16W	RM73B--0R0K
R623-626	247 2009 912	Carbon chip 5.1kohm 1/16W	RM73B--512J	R791-794	247 2018 903	Carbon chip 0ohm 1/16W	RM73B--0R0K
R627-630	247 2009 909	Carbon chip 4.7kohm 1/16W	RM73B--472J	R801-806	247 2009 983	Carbon chip 10kohm 1/16W	RM73B--103J
R631,632	247 2008 939	Carbon chip 2.4kohm 1/16W	RM73B--242J	R807	247 2018 903	Carbon chip 0ohm 1/16W	RM73B--0R0K
R633-636	247 2009 909	Carbon chip 4.7kohm 1/16W	RM73B--472J	R808	247 2008 968	Carbon chip 3.3kohm 1/16W	RM73B--332J
R637,638	247 2006 960	Carbon chip 470ohm 1/16W	RM73B--471J	R809-811	247 2009 983	Carbon chip 10kohm 1/16W	RM73B--103J
R639,640	247 2018 903	Carbon chip 0ohm 1/16W	RM73B--0R0K	R813-817	247 2009 983	Carbon chip 10kohm 1/16W	RM73B--103J
R643,644	247 2008 926	Carbon chip 2.2kohm 1/16W	RM73B--222J	R818	247 2018 903	carbon chip 0ohm 1/16W	RM73B--0R0K
R645,646	247 2007 956	Carbon chip 1.1kohm 1/16W	RM73B--112J	R819-827	247 2009 983	Carbon chip 10kohm 1/16W	EM73B--103J
R647,648	247 2008 926	Carbon chip 2.2kohm 1/16W	RM73B--222J	R828	247 2011 942	Carbon chip 47kohm 1/16W	RM73B--473J
R649,650	247 2006 999	Carbon chip 620ohm 1/16W	RM73B--621J	R829	247 2009 983	Carbon chip 10kohm 1/16W	RM73B--103J
R651,652	247 2012 925	Carbon chip 100kohm 1/16W	RM73B--104J	R831-833	247 2009 983	Carbon chip 10kohm 1/16W	RM73B--103J
R653-660	247 2009 909	Carbon chip 4.7kohm 1/16W	RM73B--472J	R835	247 2009 983	Carbon chip 10kohm 1/16W	RM73B--103J
R661-676	247 2009 925	Carbon chip 5.6kohm 1/16W	RM73B--562J	R838,839	247 2018 903	Carbon chip 0ohm 1/16W	RM73B--0R0K
R677-681	247 2008 997	Carbon chip 4.3kohm 1/16W	RM73B--432J	R840,841	247 2009 983	Carbon chip 10kohm 1/16W	RM73B--103J
R682	247 2009 954	Carbon chip 7.5kohm 1/16W	RM73B--752J	R843	247 2008 968	Carbon chip 3.3kohm 1/16W	RM73B--332J
R683-689	247 2008 997	Carbon chip 4.3kohm 1/16W	RM73B--432J	R844,845	247 2009 983	Carbon chip 10kohm 1/16W	RM73B--103J
R690	247 2009 954	Carbon chip 7.5kohm 1/16W	RM73B--752J	R847	247 2018 903	Carbon chip 0ohm 1/16W	RM73B--0R0KT for E2,E1,E1C,EUT
R691,692	247 2008 997	Carbon chip 4.3kohm 1/16W	RM73B--432J	R849	247 2009 983	Carbon chip 10kohm 1/16W	RM73B--103J
R693-697	247 2008 939	Carbon chip 2.4kohm 1/16W	RM73B--242J	R851	247 2001 981	Carbon chip 4.7ohm 1/16W	RM73B--4R7K
R698	247 2009 970	Carbon chip 9.1kohm 1/16W	RM73B--912J	R852,853	247 2009 983	Carbon chip 10kohm 1/16W	RM73B--103J
R699,700	247 2008 939	Carbon chip 2.4kohm 1/16W	RM73B--242J	R855	247 2009 983	Carbon chip 10kohm 1/16W	RM73B--103J
R701	235 0130 903	EMI filter (11A121)		R856	247 2005 903	Carbon chip 100ohm 1/16W	RM73B--101J
R702	247 2018 903	Carbon chip 0ohm 1/16W	RM73B--0R0K	R857	247 2007 985	Carbon chip 1.5kohm 1/16W	RM73B--152J
R703-706	247 2009 983	Carbon chip 10kohm 1/16W	RM73B--103J	R858	247 2010 927	Carbon chip 15kohm 1/16W	RM73B--153J
R707	235 0130 903	EMI filter (11A121)		R860	247 2005 903	Carbon chip 100ohm 1/16W	RM73B--101J
R708	247 2018 903	Carbon chip 0ohm 1/16W	RM73B--0R0K	R862	247 2010 927	Carbon chip 15kohm 1/16W	RM73B--153J
R709-712	247 2009 983	Carbon chip 10kohm 1/16W	RM73B--103J	R863	247 2004 920	Carbon chip 47ohm 1/16W	RM73B--470J
R713	235 0130 903	EMI filter (11A121)		R864	247 2007 943	Carbon chip 1kohm 1/16W	RM73B--102J
R714	247 2018 903	Carbon chip 0ohm 1/16W	RM73B--0R0K	R865,866	247 2018 903	Carbon chip 0ohm 1/16W	RM73B--0R0K
R715-718	247 2009 983	Carbon chip 10kohm 1/16W	RM73B--103J	R868	247 2018 903	Carbon chip 0ohm 1/16W	RM73B--0R0K
R719	235 0130 903	EMI filter (11A121)		R869	247 2001 981	Carbon chip 4.7ohm 1/16W	RM73B--4R7K
R720	247 2018 903	Carbon chip 0ohm 1/16W	RM73B--0R0K	R871	247 2009 983	Carbon chip 10kohm 1/16W	RM73B--103J
R721-724	247 2009 983	Carbon chip 10kohm 1/16W	RM73B--103J	R873	247 2012 925	Carbon chip 100kohm 1/16W	RM73B--104J

Ref. No.	Part No.	Part Name	Remarks	Ref. No.	Part No.	Part Name	Remarks
R874	247 2013 908	Carbon chip 220kohm 1/16W	RM73B--224J	C145	257 0504 908	Ceramic chip 22pF/50V	CC73CH1H220J
R875	247 2009 983	Carbon chip 10kohm 1/16W	RM73B--103J	C146	254 3056 917	Electrolytic 1μF/50V	CE04D1H010MBP
R876	247 2009 909	Carbon chip 4.7kohm 1/16W	RM73B--472J	C147	257 0511 904	Ceramic chip 0.01μF/50V	CK73F1H103Z
R877	247 2011 900	Carbon chip 33kohm 1/16W	RM73B--333J	C148	257 0512 903	Ceramic chip 0.1μF/25V	CK73F1E104Z
R878	247 2001 981	Carbon chip 4.7ohm 1/16W	RM73B--4R7K	C149	254 3056 917	Electrolytic 1μF/50V	CE04D1H010MBP
R879	247 2009 909	Carbon chip 4.7kohm 1/16W	RM73B--472J	C150,151	257 0512 903	Ceramic chip 0.1μF/25V	CK73F1E104Z
R880	247 2012 925	Carbon chip 100kohm 1/16W	RM73B--104J	C152	254 4538 900	Electrolytic 10μF/16V	CE04W1C100M (SMG/RE3)
R881-883	247 2007 943	Carbon chip 1kohm 1/16W	RM73B--102J	C153,154	257 0512 903	Ceramic chip 0.1μF/25V	CK73F1E104Z
R884	247 2013 908	Carbon chip 220kohm 1/16W	RM73B--224J	C155	257 0511 917	Ceramic chip 0.022μF/50V	CK73F1H223Z
R887	247 2009 983	Carbon chip 10kohm 1/16W	RM73B--103JT	C156	254 4538 900	Electrolytic 10μF/16V	CE04W1C100M (SMG/RE3)
R888,889	247 2009 909	Carbon chip 4.7kohm 1/16W	RM73B--472J	C158	257 0511 904	Ceramic chip 0.01μF/50V	CK73F1H103Z
R890	247 2018 903	Carbon chip 0ohm 1/16W	RM73B--0R0K	C161,162	257 0512 903	Ceramic chip 0.1μF/25V	CK73F1E104Z
R891	241 2387 940	Carbon film 4.7ohm 1/4W (NB)	RD14B2E4R7JNBS	C164	254 3053 936	Electrolytic 47μF/16V	CE04D1C470MBP
R893	247 2011 942	Carbon chip 47kohm 1/16W	RM73B--473J	C165	257 0502 984	Ceramic chip 6pF/50V	CC73CH1H6R0D
R894-900	247 2009 983	Carbon chip 10kohm 1/16W	RM73B--103J	C166	257 0512 903	Ceramic chip 0.1μF/25V	CK73F1E104Z
R904-920	247 2018 903	Carbon chip 0ohm 1/16W	RM73B--0R0K	C167	254 4536 928	Electrolytic 100μF/10V	CE04W1A101M (SMG/RE3)
R921,922	247 2009 983	Carbon chip 10kohm 1/16W	RM73B--103J	C168	257 0512 903	Ceramic chip 0.1μF/25V	CK73F1E104Z
R952	247 2018 903	Carbon chip 0ohm 1/16W	RM73B--0R0K	C169	257 0511 904	Ceramic chip 0.01μF/50V	CK73F1H103Z
R954	247 2018 903	Carbon chip 0ohm 1/16W	RM73B--0R0K	C170	257 0501 901	Ceramic chip 0.01μF/50V	CK73B1H103K
R957-960	247 2018 903	Carbon chip 0ohm 1/16W	RM73B--0R0K	C172	257 0511 904	Ceramic chip 0.01μF/50V	CK73F1H103Z
R961-965	247 2007 927	Carbon chip 820ohm 1/16W	RM73B--821J	C173	257 0501 901	Ceramic chip 0.01μF/50V	CK73B1H103K
R966	247 2008 971	Carbon chip 3.6kohm 1/16W	RM73B--362J	C174	257 0512 903	Ceramic chip 0.1μF/25V	CK73F1E104Z
R967,968	247 2007 927	Carbon chip 820ohm 1/16W	RM73B--821J	C175	254 4538 900	Electrolytic 10μF/16V	CE04W1C100M (SMG/RE3)
R971-978	247 2006 999	Carbon chip 620ohm 1/16W	RM73B--621J	C176,177	257 0512 903	Ceramic chip 0.1μF/25V	CK73F1E104Z
R980	247 2018 903	Carbon chip 0ohm 1/16W	RM73B--0R0K	C178	257 0501 901	Ceramic chip 0.01μF/50V	CK73B1H103K
R981-988	247 2006 957	Carbon chip 430ohm 1/16W	RM73B--431J	C179	254 4538 900	Electrolytic 10μF/16V	CE04W1C100M (SMG/RE3)
R989-999	247 2018 903	Carbon chip 0ohm 1/16W	RM73B--0R0K	C180	257 0512 903	Ceramic chip 0.1μF/25V	CK73F1E104Z
CAPACITORS GROUP				C181	256 1058 971	Metallized 0.1μF/50V	CF93A1H104J (JL)
C101,102	257 0512 903	Ceramic chip 0.1μF/25V	CK73F1E104Z	C182	257 0512 903	Ceramic chip 0.1μF/25V	CK73F1E104Z
C104-110	257 0512 903	Ceramic chip 0.1μF/25V	CK73F1E104Z	C183	254 4524 943	Electrolytic 1μF/50V	CE04W1H010M (SMG/RE3)
C111,112	254 4522 903	Electrolytic 4.7μF/35V	CE04W1V4R7M (SMG/RE3)	C186	255 1265 936	Mylar film 0.01μF/50V	CQ93M1H103J (B)
C113	257 0511 917	Ceramic chip 0.022μF/50V	CK73F1H223Z	C187	257 0512 903	Ceramic chip 0.1μF/25V	CK73F1E104Z
C114	257 0512 903	Ceramic chip 0.1μF/25V	CK73F1E104Z	C188	257 0509 929	Ceramic chip 1000pF/50V	CK73B1H102K
C115	257 0506 951	Ceramic chip 100pF/50V	CC73CH1H101J	C189,190	257 0512 903	Ceramic chip 0.1μF/25V	CK73F1E104Z
C116	257 0512 903	Ceramic chip 0.1μF/25V	CK73F1E104Z	C191-194	254 4538 900	Electrolytic 10μF/16V	CE04W1C100M (SMG/RE3)
C120,121	257 0512 903	Ceramic chip 0.1μF/25V	CK73F1E104Z	C195,196	257 0511 904	Ceramic chip 0.01μF/50V	CK73F1H103Z
C122	257 0509 929	Ceramic chip 1000pF/50V	CK73B1H102K	C197,198	254 4525 926	Electrolytic 100μF/50V	CE04W1H010M (SMG/RE3)
C123,124	254 4538 900	Electrolytic 10μF/16V	CE04W1C100M (SMG/RE3)	C199	257 0507 976	Ceramic chip 330pF/50V	CC73CH1H331J
C125	257 0506 922	Ceramic chip 75pF/50V	CC73CH1H750J	C200,201	255 1273 902	Mylar film 100pF/50V	CQ93M1H101J (B)
C126-128	257 0511 904	Ceramic chip 0.01μF/50V	CK73F1H103Z	C202,203	254 3056 917	Electrolytic 1μF/50V	CE04D1H010MBP
C129-131	254 4524 969	Electrolytic 3.3μF/50V	CE04W1H3R3 (SMG/RE3)	C205,206	255 1264 940	Mylar film 2200pF/50V	CQ93M1H222J (B)
C132	257 0501 901	Ceramic chip 0.01μF/50V	CK73B1H103K	C210	257 0511 904	Ceramic chip 0.01μF/50V	CK73F1H103Z
C133	257 0512 903	Ceramic chip 0.1μF/25V	CK73F1E104Z	C212	257 0511 904	Ceramic chip 0.01μF/50V	CK73F1H103Z
C134	254 4522 903	Electrolytic 4.7μF/35V	CE04W1V4R7M (SMG/RE3)	C213	257 0512 903	Ceramic chip 0.1μF/25V	CK73F1E104Z
C135,136	257 0511 904	Ceramic chip 0.01μF/50V	CK73F1H103Z	C214	254 4522 903	Electrolytic 4.7μF/35V	CE04W1V4R7M (SMG/RE3)
C137,138	257 0504 908	Ceramic chip 22pF/50V	CC73CH1H220J	C215	257 0512 903	Ceramic chip 0.1μF/25V	CK73F1E104Z
C139	257 0511 904	Ceramic chip 0.01μF/50V	CK73F1H103Z	C216	254 4522 903	Electrolytic 4.7μF/35V	CE04W1V4R7M (SMG/RE3)
C140	254 4538 900	Electrolytic 10μF/16V	CE04W1C100M (SMG/RE3)	C217	257 0512 903	Ceramic chip 0.1μF/25V	CK73F1E104Z
C141	257 0512 903	Ceramic chip 0.1μF/25V	CK73F1E104Z	C218	254 4538 900	Electrolytic 10μF/16V	CE04W1C100M (SMG/RE3)
C142,143	257 0511 904	Ceramic chip 0.01μF/50V	CK73F1H103Z	C220	257 0512 903	Ceramic chip 0.1μF/25V	CK73F1E104Z
				C221	254 4538 900	Electrolytic 10μF/16V	CE04W1C100M (SMG/RE3)

Ref. No.	Part No.	Part Name	Remarks	Ref. No.	Part No.	Part Name	Remarks
C222,223	257 0511 904	Ceramic chip 0.01 μ F/50V	CK73F1H103Z	C360	257 0511 904	Ceramic chip 0.01 μ F/50V	CK73F1H103Z
C225	257 0509 929	Ceramic chip 1000pF/50V	CK73B1H102K	C361	257 0512 903	Ceramic chip 0.1 μ F/25V	CK73F1E104Z
C226-228	257 0511 904	Ceramic chip 0.01 μ F/50V	CK73F1H103Z	C362	257 0509 929	Ceramic chip 1000pF/50V	CK73B1H102K
C229	254 4533 921	Electrolytic 100 μ F/6.3V	CE04W0J101M (SMG/RE3)	C363	257 0511 904	Ceramic chip 0.01 μ F/50V	CK73F1H103Z
C230,231	254 4524 985	Electrolytic 10 μ F/50V	CE04W1H100M (SMG/RE3)	C364	257 0512 903	Ceramic chip 0.1 μ F/25V	CK73F1E104Z
C232	257 0511 904	Ceramic chip 0.01 μ F/50V	CK73F1H103Z	C365	257 0509 929	Ceramic chip 1000pF/50V	CK73B1H102K
C233-235	257 0509 929	Ceramic chip 1000pF/50V	CK73B1H102K	C366	257 0511 904	Ceramic chip 0.01 μ F/50V	CK73F1H103Z
C301	257 0509 929	Ceramic chip 1000pF/50V	CK73B1H102K	C367	254 4533 950	Electrolytic 470 μ F/6.3V	CE04W0J471M (SMG/RE3)
C302	257 0512 903	Ceramic chip 0.1 μ F/25V	CK73F1E104Z	C369	257 0512 903	Ceramic chip 0.1 μ F/25V	CK73F1E104Z
C303	257 0511 904	Ceramic chip 0.01 μ F/50V	CK73F1H103Z	C370	257 0511 904	Ceramic chip 0.01 μ F/50V	CK73F1H103Z
C304	257 0509 929	Ceramic chip 1000pF/50V	CK73B1H102K	C371	257 0509 929	Ceramic chip 1000pF/50V	CK73B1H102K
C305	257 0512 903	Ceramic chip 0.1 μ F/25V	CK73F1E104Z	C372	254 4533 921	Electrolytic 100 μ F/6.3V	CE04W0J101M (SMG/RE3)
C306	257 0511 904	Ceramic chip 0.01 μ F/50V	CK73F1H103Z	C373	257 0512 903	Ceramic chip 0.1 μ F/25V	CK73F1E104Z
C307	257 0512 903	Ceramic chip 0.1 μ F/25V	CK73F1E104Z	C374	257 0511 904	Ceramic chip 0.01 μ F/50V	CK73F1H103Z
C308	257 0511 904	Ceramic chip 0.01 μ F/50V	CK73F1H103Z	C375,376	257 0512 903	Ceramic chip 0.1 μ F/25V	CK73F1E104Z
C309,310	257 0512 903	Ceramic chip 0.1 μ F/25V	CK73F1E104Z	C377	257 0511 904	Ceramic chip 0.01 μ F/50V	CK73F1H103Z
C311-314	257 0511 904	Ceramic chip 0.01 μ F/50V	CK73F1H103Z	C380	257 0512 903	Ceramic chip 0.1 μ F/25V	CK73F1E104Z
C315,316	257 0509 929	Ceramic chip 1000pF/50V	CK73B1H102K	C385	257 0511 904	Ceramic chip 0.01 μ F/50V	CK73F1H103Z
C317	257 0511 904	Ceramic chip 0.01 μ F/50V	CK73F1H103Z	C386-391	257 0512 903	Ceramic chip 0.1 μ F/25V	CK73F1E104Z
C318,319	257 0512 903	Ceramic chip 0.1 μ F/25V	CK73F1E104Z	C501,502	255 1273 944	Mylar film 220pF/50V	CQ93M1H221J (B)
C320	257 0511 904	Ceramic chip 0.01 μ F/50V	CK73F1H103Z	C507-510	255 1273 986	Mylar film 470pF/50V	CQ93M1H471J (B)
C321,322	257 0509 929	Ceramic chip 1000pF/50V	CK73B1H102K	C511-514	254 4524 998	Electrolytic 22 μ F/50V	CE04W1H220M (SMG/RE3)
C323	257 0511 904	Ceramic chip 0.01 μ F/50V	CK73F1H103Z	C515-518	255 1273 902	Mylar film 100pF/50V	CQ93M1H101J (B)
C324	257 0512 903	Ceramic chip 0.1 μ F/25V	CK73F1E104Z	C527-530	255 1264 940	Mylar film 2200pF/50V	CQ93M1H222J (B)
C325	257 0511 904	Ceramic chip 0.01 μ F/50V	CK73F1H103Z	C531,532	255 1264 911	Mylar film 1200pF/50V	CQ93M1H122J (B)
C326,327	257 0512 903	Ceramic chip 0.1 μ F/25V	CK73F1E104Z	C533,534	254 4313 918	Electrolytic 10 μ F/50V	CE04W1H100M (ASF)
C328	257 0509 929	Ceramic chip 1000pF/50V	CK73B1H102K	C535,536	255 1273 944	Mylar film 220pF/50V	CQ93M1H221J (B)
C329	257 0511 904	Ceramic chip 0.01 μ F/50V	CK73F1H103Z	C541-544	255 1273 986	Mylar film 470pF/50V	CQ93M1H471J (B)
C330	257 0512 903	Ceramic chip 0.1 μ F/25V	CK73F1E104Z	C545-548	254 4524 998	Electrolytic 22 μ F/50V	CE04W1H220M (SMG/RE3)
C331	257 0509 929	Ceramic chip 1000pF/50V	CK73B1H102K	C549-552	255 1273 902	Mylar film 100pF/50V	CQ93M1H101J (B)
C332	257 0511 904	Ceramic chip 0.01 μ F/50V	CK73F1H103Z	C557-560	255 1264 940	Mylar film 2200pF/50V	CQ93M1H222J (B)
C333	254 4533 950	Electrolytic 470 μ F/6.3V	CE04W0J471M (SMG/RE3)	C561,562	255 1264 911	Mylar film 1200pF/50V	CQ93M1H122J (B)
C335	257 0512 903	Ceramic chip 0.1 μ F/25V	CK73F1E104Z	C563,564	254 4313 918	Electrolytic 10 μ F/50V	CE04W1H100M (ASF)
C336	257 0511 904	Ceramic chip 0.01 μ F/50V	CK73F1H103Z	C569,570	255 1273 944	Mylar film 220pF/50V	CQ93M1H221J (B)
C337	257 0509 929	Ceramic chip 1000pF/50V	CK73B1H102K	C575-578	255 1273 986	Mylar film 470pF/50V	CQ93M1H471J (B)
C338	257 0512 903	Ceramic chip 0.1 μ F/25V	CK73F1E104Z	C579-582	254 4524 998	Electrolytic 22 μ F/50V	CE04W1H220M (SMG/RE3)
C339	257 0511 904	Ceramic chip 0.01 μ F/50V	CK73F1H103Z	C583-586	255 1273 902	Mylar film 100pF/50V	CQ93M1H101J (B)
C340	257 0509 929	Ceramic chip 1000pF/50V	CK73B1H102K	C591	255 1264 940	Mylar film 2200pF/50V	CQ93M1H222J (B)
C341	257 0512 903	Ceramic chip 0.1 μ F/25V	CK73F1E104Z	C592	255 1265 936	Mylar film 0.01 μ F/50V	CQ93M1H103J (B)
C342	257 0511 904	Ceramic chip 0.01 μ F/50V	CK73F1H103Z	C593	255 1264 940	Mylar film 2200pF/50V	CQ93M1H222J (B)
C343	257 0512 903	Ceramic chip 0.1 μ F/25V	CK73F1E104Z	C594	255 1265 936	Mylar film 0.01 μ F/50V	CQ93M1H103J (B)
C344	257 0511 904	Ceramic chip 0.01 μ F/50V	CK73F1H103Z	C595	255 1264 911	Mylar film 1200pF/50V	CQ93M1H122J (B)
C345,346	257 0512 903	Ceramic chip 0.1 μ F/25V	CK73F1E104Z	C596	255 1265 936	Mylar film 0.01 μ F/50V	CQ93M1H103J (B)
C347,348	257 0511 904	Ceramic chip 0.01 μ F/50V	CK73F1H103Z	C597,598	254 4313 918	Electrolytic 10 μ F/50V	CE04W1H100M (ASF)
C349,350	257 0509 929	Ceramic chip 1000pF/50V	CK73B1H102K	C603,604	255 1273 944	Mylar film 220pF/50V	CQ93M1H221J (B)
C351	257 0512 903	Ceramic chip 0.1 μ F/25V	CK73F1E104Z	C609-612	255 1273 986	Mylar film 470pF/50V	CQ93M1H471J (B)
C352	257 0511 904	Ceramic chip 0.01 μ F/50V	CK73F1H103Z	C613-616	254 4524 998	Electrolytic 22 μ F/50V	CE04W1H220M (SMG/RE3)
C353,354	257 0512 903	Ceramic chip 0.1 μ F/25V	CK73F1E104Z	C617-620	255 1273 902	Mylar film 100pF/50V	CQ93M1H101J (B)
C355,356	257 0511 904	Ceramic chip 0.01 μ F/50V	CK73F1H103Z	C625-628	255 1264 940	Mylar film 2200pF/50V	CQ93M1H222J (B)
C357,358	257 0509 929	Ceramic chip 1000pF/50V	CK73B1H102K	C629,630	255 1264 911	Mylar film 1200pF/50V	CQ93M1H122J (B)
C359	257 0512 903	Ceramic chip 0.1 μ F/25V	CK73F1E104Z				

Ref. No.	Part No.	Part Name	Remarks	Ref. No.	Part No.	Part Name	Remarks
C631,632	254 4313 918	Electrolytic 10μF/50V	CE04W1H100M (ASF)	C826	254 4538 900	Electrolytic 10μF/16V	CE04W1C100M (SMG/RE3)
C641-644	254 4524 969	Electrolytic 3.3μF/50V	CE04W1H3R3M (SMG/RE3)	C827	257 0512 903	Ceramic chip 0.1μF/25V	CK73F1E104Z
C701	254 4524 985	Electrolytic 10μF/50V	CE04W1H100M (SMG/RE3)	C828	254 4522 903	Electrolytic 4.7μF/35V	CE04W1V4R7M (SMG/RE3)
C702,703	255 1265 936	Mylar film 0.01μF/50V	CQ93M1H103J (B)	C829	257 0511 904	Ceramic chip 0.01μF/50V	CK73F1H103Z
C704	254 4524 985	Electrolytic 10μF/50V	CE04W1H100M (SMG/RE3)	C830,831	257 0503 967	Ceramic chip 15pF/50V	CC73CH1H150J
C706	256 1058 971	Metallized 0.1μF/50V	CF93A1H104J (JL)	C832	257 0512 903	Ceramic chip 0.1μF/25V	CK73F1E104Z
C707,708	254 4313 918	Electrolytic 10μF/50V	CE04W1H100M (ASF)	C833	254 4533 947	Electrolytic 330μF/6.3V	CE04W0J331M (SMG/RE3)
C710,711	254 4313 918	Electrolytic 10μF/50V	CE04W1H100M (ASF)	C834	254 4538 900	Electrolytic 10μF/16V	CE04W1C100M (SMG/RE3)
C713	254 4524 985	Electrolytic 10μF/50V	CE04W1H100M (SMG/RE3)	C835	257 0512 903	Ceramic chip 0.1μF/25V	CK73F1E104Z
C714,715	255 1265 936	Mylar film 0.01μF/50V	CQ93M1H103J (B)	C836	257 0511 904	Ceramic chip 0.01μF/50V	CK73F1H103Z
C716	254 4524 985	Electrolytic 10μF/50V	CE04W1H100M (SMG/RE3)	C837	259 0007 702	Back up cap. 8200μF/5.5V	SB CAP==822=C
C718	256 1058 971	Metallized 0.1μF/50V	CF93A1H104J (JL)	C838	257 0512 903	Ceramic chip 0.1μF/25V	CK73F1E104Z
C719,720	254 4313 918	Electrolytic 10μF/50V	CE04W1H100M (ASF)	C839	254 4533 934	Electrolytic 220μF/6.3V	CE04W0J221M (SMG/RE3)
C722,723	254 4313 918	Electrolytic 10μF/50V	CE04W1H100M (ASF)	C840	257 0511 904	Ceramic chip 0.01μF/50V	CK73F1H103Z
C725	254 4524 985	Electrolytic 10μF/50V	CE04W1H100M (SMG/RE3)	C841	254 4538 900	Electrolytic 10μF/16V	CE04W1C100M (SMG/RE3)
C726,727	255 1265 936	Mylar film 0.01μF/50V	CQ93M1H103J (B)	C842	257 0512 903	Ceramic chip 0.1μF/25V	CK73F1E104Z
C728	254 4524 985	Electrolytic 10μF/50V	CE04W1H100M (SMG/RE3)	C843	254 4538 900	Electrolytic 10μF/16V	CE04W1C100M (SMG/RE3)
C730	256 1058 971	Metallized 0.1μF/50V	CF93A1H104J (JL)	C845	257 0509 929	Ceramic chip 1000pF/50V	CK73B1H102K for EU,EC
C731,732	254 4313 918	Electrolytic 10μF/50V	CE04W1H100M (ASF)	C846	257 0509 929	Ceramic chip 1000pF/50V	CK73B1H102K
C734,735	254 4313 918	Electrolytic 10μF/50V	CE04W1H100M (ASF)	C852-854	257 0509 929	Ceramic chip 1000pF/50V	CK73B1H102K for EU,EC
C737	254 4524 985	Electrolytic 10μF/50V	CE04W1H100M (SMG/RE3)	C880	257 0509 929	Ceramic chip 1000pF/50V	CK73B1H102K
C738,739	255 1265 936	Mylar film 0.01μF/50V	CQ93M1H103J (B)	OTHER PARTS GROUP			
C740	254 4524 985	Electrolytic 10μF/50V	CE04W1H100M (SMG/RE3)	CX043	205 0343 045	4P connector base (KR-PH)	1
C742	256 1058 971	Metallized 0.1μF/50V	CF93A1H104J (JL)	CX063	205 0343 061	6P connector base (KR-PH)	1
C743,744	254 4313 918	Electrolytic 10μF/50V	CE04W1H100M (ASF)	CX104,105	205 0375 000	10P connector base (KR-PH)	2
C746,747	254 4313 918	Electrolytic 10μF/50V	CE04W1H100M (ASF)	CX111	205 0375 013	11P connector base (KR-PH)	1
C753-756	254 4524 901	Electrolytic 0.1μF/50V	CE04W1H0R1M (SMG/RE3)	CX112	205 0375 013	11P connector base (KR-PH)	1
C757-764	254 4313 918	Electrolytic 10μF/50V	CE04W1H100M (ASF)	CX126	205 0375 026	12P connector base (KR-PH)	1
C765	257 0511 920	Ceramic chip 0.047μF/50V	CK73F1H473Z	CX131	205 0375 039	13P connector base (KR-PH)	1
C766-770	253 1181 917	Ceramic chip 0.022μF/50V	CK45F1H223Z	CX141	205 0375 042	14P connector base (KR-PH)	1
C766-770	257 0511 917	Ceramic chip 0.022μF/50V	CK73F1H223Z	CX159	205 0375 055	15P connector base (KR-PH)	1
C801,802	257 0511 904	Ceramic chip 0.01μF/50V	CK73F1H103Z	CX209	205 1166 001	20P connector base (IMSA-9031B)	1
C803	254 4538 900	Electrolytic 10μF/16V	CE04W1C100M (SMG/RE3)	CX291	205 0736 034	29P FFC connector base	1
C804,805	257 0512 903	Ceramic chip 0.1μF/25V	CK73F1E104Z	CX401	205 1166 014	40P connector base (IMSA-9031B)	1
C806	254 4538 900	Electrolytic 10μF/16V	CE04W1C100M (SMG/RE3)	CX936	205 0233 032	3P EH connector base	1
C807	257 0512 903	Ceramic chip 0.1μF/25V	CK73F1E104Z	CX937	205 0343 032	3P connector base (KR-PH)	1
C808	254 4538 900	Electrolytic 10μF/16V	CE04W1C100M (SMG/RE3)	CY067	205 0343 061	6P connector base (KR-PH)	1
C809	257 0512 903	Ceramic chip 0.1μF/25V	CK73F1E104Z	CY073	205 0343 074	7P connector base (KR-PH)	1
C810	257 0503 967	Ceramic chip 15pF/50V	CC73CH1H150J	FB101~103	235 0130 903	EMI filter (11A121)	3
C811	257 0512 903	Ceramic chip 0.1μF/25V	CK73F1E104Z	FB105	235 0130 903	EMI filter (11A121)	1
C812	257 0503 967	Ceramic chip 15pF/50V	CC73CH1H150J	FB301	235 0049 900	Beads inductor	1
C813	257 0511 904	Ceramic chip 0.01μF/50V	CK73F1H103Z	FB709~715	235 0049 900	Beads inductor	7
C814	254 4533 921	Electrolytic 100μF/6.3V	CE04W0J101M (SMG/RE3)	FB717~721	235 0049 900	Beads inductor	5
C817,818	257 0512 903	Ceramic chip 0.1μF/25V	CK73F1E104Z	FB801,802	235 0049 900	Beads inductor	2
C819	254 4538 939	Electrolytic 47μF/16V	CE04W1C470M (SMG/RE3)	FB803-8805	235 0049 900	Beads inductor	3
C820	254 4538 900	Electrolytic 10μF/16V	CE04W1C100M (SMG/RE3)	FB806	235 0049 900	Beads inductor	1
C821	254 4538 939	Electrolytic 47μF/16V	CE04W1C470M (SMG/RE3)				
C822	254 4538 900	Electrolytic 10μF/16V	CE04W1C100M (SMG/RE3)				
C823	256 1058 984	Metallized 0.12μF/50V	CF93A1H124J (JL)				
C824	257 0512 903	Ceramic chip 0.1μF/25V	CK73F1E104Z				
C825	254 4533 947	Electrolytic 330μF/6.3V	CE04W0J331M (SMG/RE3)				

1U-3292/3292A/3292E/3292F FRONT P.W.B. UNIT

Ref. No.	Part No.	Part Name	Remarks	Q'ty	Ref. No.	Part No.	Part Name	Remarks
JK101	204 8517 003	1P pin jack (S-GND)		1	SEMICONDUCTORS GROUP			
JK102	204 8577 001	3P pin jack (F-GND)		1	IC101	262 1911 903	IC M66313FP	
L101~103	235 0060 905	Inductor 2.2μH		3	IC102	262 2549 002	IC LC75721E	
L104	235 0070 953	Inductor 68μH		1	IC401	499 0290 007	Remocon sensor GP1U271X	
L105	261 0152 003	2.88M band pass filter		1	IC501	262 2114 903	IC UPD4721GS-GJG	
L801	235 0049 900	Beads inductor	for EU,EC	1	IC502	262 2580 906	IC CXA1511M	
L802~804	235 0130 903	EMI filter (11A121)		3	IC701	263 0809 006	IC NJM7805FA (S)	
L805~807	235 0130 903	EMI filter (11A121)	for EU,EC	3	IC702	268 0073 905	IC ICP-N15	
L808	235 0049 900	Beads inductor		1	IC703	263 0793 002	IC NJM7806FA (S)	
RL505~508	214 0208 003	Relay (NA24W-K)		4	IC704	268 0073 905	IC ICP-N15	
S801,802	212 1185 006	4P DIP switch		2	TR101	269 0055 900	Transistor DTA144EK	
S803	212 4809 907	Tact switch		1	TR102	269 0054 901	Transistor DTC144EK	
W701	203 0497 018	1P contact Ass'y		1	TR103	269 0055 900	Transistor DTA144EK	
W720	203 0696 000	1P SIN-3T lug wire		1	TR104	269 0054 901	Transistor DTC144EK	
X101	399 0402 003	Crystal 18.432MHz		1	TR105	269 0055 900	Transistor DTA144EK	
X801,802	399 0624 001	Crystal 15.0MHz		2	TR106	269 0054 901	Transistor DTC144EK	
	207 0020 005	IC socket	for IC303,319	2	TR401	269 0055 900	Transistor DTA144EK	
					TR402	269 0082 902	Transistor DTC114EK	
					TR501	269 0055 900	Transistor DTA144EK	
					TR502	269 0082 902	Transistor DTC114EK	
					TR503	269 0083 901	Transistor DTA114EK	
					TR702	269 0083 901	Transistor DTA114EK	
					TR703	272 0115 008	Transistor 2SB1186A (D)	
					TR704	269 0082 902	Transistor DTC114EK	
					TR705	272 0107 919	Transistor 2SB1328 (P/Q)	
					TR706	273 0384 900	Transistor 2SC2412K (S)	
					TR707	269 0082 902	Transistor DTC114EK	
					TR708	269 0054 901	Transistor DTC144EK	
					TR709	273 0384 900	Transistor 2SC2412K (S)	
					TR710	271 0238 908	Transistor 2SA1037K (S/R)	
					TR711	273 0384 900	Transistor 2SC2412K (S)	
					TR712~714	273 0414 906	Transistor 2SC3326 (A/B)	
					D101~103	276 0559 909	Diode DAP202K	
					D702,704	276 0704 903	Diode 1SR35-400A	
					D706~711	276 0704 903	Diode 1SR35-400A	
					D713~715	276 0559 909	Diode DAP202K	
					ZD101	276 0683 914	Zener diode UDZS9.1B	
					ZD102,103	276 0694 932	Zener diode UDZ6.8B	
					ZD505,506	276 0694 932	Zener diode UDZ6.8B	
					ZD701	276 0645 978	Zener diode MTZJ36A	
					ZD702	276 0645 907	Zener diode MTZJ18A	

Ref. No.	Part No.	Part Name	Remarks	Ref. No.	Part No.	Part Name	Remarks
ZD703	276 0644 908	Zener diode MTZJ6.8A		R415	247 2006 928	Carbon chip 300ohm 1/16W	RM73B--301J
LD102~114	393 9434 906	LED SEL1210S		R416	247 2006 973	Carbon chip 510ohm 1/16W	RM73B--511J
LD115,116	393 9452 904	LED SEL1410E		R417	247 2007 943	Carbon chip 1kohm 1/16W	RM73B--102J
LD121	393 9434 906	LED SEL1210S		R418	247 2008 955	Carbon chip 3kohm 1/16W	RM73B--302J
LD122	393 9584 908	LED SEL2E10C		R419	247 2005 974	Carbon chip 200ohm 1/16W	RM73B--201J
LD123~127	393 9434 906	LED SEL1210S		R420	247 2006 928	Carbon chip 300ohm 1/16W	RM73B--301J
LD128~130	393 9452 904	LED SEL1410E		R421	247 2006 973	Carbon chip 510ohm 1/16W	RM73B--511J
LD401	393 9408 903	LED SEL4214S		R422	247 2007 943	Carbon chip 1kohm 1/16W	RM73B--102J
FL101	393 8033 007	FLD CM1690C		R423	247 2008 955	Carbon chip 3kohm 1/16W	RM73B--302J
RESISTORS GROUP				R424,425	247 2009 909	Carbon chip 4.7kohm 1/16W	RM73B--472J
R101~111	247 2006 986	Carbon chip 560ohm 1/16W	RM73B--561J	R426,427	247 2005 903	Carbon chip 100ohm 1/16W	RM73B--101J
R112,113	247 2006 960	Carbon chip 470ohm 1/16W	RM73B--471J	R428	247 2005 974	Carbon chip 200ohm 1/16W	RM73B--201J
R114	247 2010 956	Carbon chip 20kohm 1/16W	RM73B--203J	R429	247 2006 928	Carbon chip 300ohm 1/16W	RM73B--301J
R115~130	247 2011 984	Carbon chip 68kohm 1/16W	RM73B--683J	R430	247 2005 903	Carbon chip 100ohm 1/16W	RM73B--101J
R131,132	247 2011 942	Carbon chip 47kohm 1/16W	RM73B--473J	R431,432	247 2006 999	Carbon chip 620ohm 1/16W	RM73B--621J
R133~146	247 2011 984	Carbon chip 68kohm 1/16W	RM73B--683J	R501	247 2018 903	Carbon chip 0ohm 1/16W	RM73B--0R0K
R147~149	247 2009 983	Carbon chip 10kohm 1/16W	RM73B--103J	R502	247 2006 960	Carbon chip 470ohm 1/16W	RM73B--471J
R150~162	247 2011 984	Carbon chip 68kohm 1/16W	RM73B--683J	R503	241 2375 981	Carbon film 22ohm 1/4W (NB)	RD14B2E220JNBS
R163~166	247 2007 943	Carbon chip 1kohm 1/16W	RM73B--102J	R504	247 2018 903	Carbon chip 0ohm 1/16W	RM73B--0R0K
R170~177	247 2011 984	Carbon chip 68kohm 1/16W	RM73B--683J	R505	247 2012 996	Carbon chip 200kohm 1/16W	RM73B--204J
R178	247 2011 942	Carbon chip 47kohm 1/16W	RM73B--473J	R509	247 2007 943	Carbon chip 1kohm 1/16W	RM73B--102J
R179	247 2009 983	Carbon chip 10kohm 1/16W	RM73B--103J	R510	247 2011 926	Carbon chip 39kohm 1/16W	RM73B--393J
R182	247 2010 956	Carbon chip 20kohm 1/16W	RM73B--203J	R511	247 2011 942	Carbon chip 47kohm 1/16W	RM73B--473J
R183,184	247 2005 903	Carbon chip 100ohm 1/16W	RM73B--101J	R512	247 2007 943	Carbon chip 1kohm 1/16W	RM73B--102J
R185,186	247 2009 909	Carbon chip 4.7kohm 1/16W	RM73B--472J	R513	247 2005 987	Carbon chip 220ohm 1/16W	RM73B--221J
R187	247 2007 927	Carbon chip 820ohm 1/16W	RM73B--821J	R514	241 2375 981	Carbon film 22ohm 1/4W (NB)	RD14B2E220JNBS
R188	247 2006 973	Carbon chip 510ohm 1/16W	RM73B--511J	R515,516	247 2007 943	Carbon chip 1kohm 1/16W	RM73B--102J
R189~194	247 2007 927	Carbon chip 820ohm 1/16W	RM73B--821J	R703	247 2009 983	Carbon chip 10kohm 1/16W	RM73B--103J
R196,197	247 2006 960	Carbon chip 470ohm 1/16W	RM73B--471J	R704	241 2387 940	Carbon film 4.7ohm 1/4W (NB)	RD14B2E4R7JNBS
R199	247 2018 903	Carbon chip 0ohm 1/16W	RM73B--0R0K	R705,706	247 2009 983	Carbon chip 10kohm 1/16W	RM73B--103J
R201,202	247 2006 986	Carbon chip 560ohm 1/16W	RM73B--561J	R707	247 2009 909	Carbon chip 4.7kohm 1/16W	RM73B--472J
R301~304	247 2006 960	Carbon chip 470ohm 1/16W	RM73B--471J	R708	247 2010 956	Carbon chip 20kohm 1/16W	RM73B--203J
R305~308	247 2002 964	Carbon chip 10ohm 1/16W	RM73B--100J	R709	247 2009 983	Carbon chip 10kohm 1/16W	RM73B--103J
R309~312	247 2015 964	Carbon chip 2.7Mohm 1/16W	RM73B--275K	R710	247 2007 943	Carbon chip 1kohm 1/16W	RM73B--102J
R317	247 2018 903	Carbon chip 0ohm 1/16W	RM73B--0R0K	R711	247 2010 985	Carbon chip 27kohm 1/16W	RM73B--273J
R401,402	247 2009 909	Carbon chip 4.7kohm 1/16W	RM73B--472J	R712	247 2005 903	Carbon chip 100ohm 1/16W	RM73B--101J
R403,404	247 2005 903	Carbon chip 100ohm 1/16W	RM73B--101J	R713	247 2007 943	Carbon chip 1kohm 1/16W	RM73B--102J
R405,406	247 2009 909	Carbon chip 4.7kohm 1/16W	RM73B--472J	R714	247 2018 903	Carbon chip 0ohm 1/16W	RM73B--0R0K
R407,408	247 2005 903	Carbon chip 100ohm 1/16W	RM73B--101J	R715,716	247 2009 983	Carbon chip 10kohm 1/16W	RM73B--103J
R409	247 2005 974	Carbon chip 200ohm 1/16W	RM73B--201J	R717,718	243 2091 009	Winding 33ohm 10W	RW78A4A330K= (UL)
R410	247 2006 928	Carbon chip 300ohm 1/16W	RM73B--301J	R719	242 2009 001	Composition 2.2Mohm 1/2W	RC05GF2H225K (UL) for EU,EC
R411	247 2006 973	Carbon chip 510ohm 1/16W	RM73B--511J	R720	247 2018 903	Carbon chip 0ohm 1/16W	RM73B--0R0K
R412	247 2007 943	Carbon chip 1kohm 1/16W	RM73B--102J	R721	241 2379 987	Carbon film 1kohm 1/4W (NB)	RD14B2E102JNBS
R413	247 2008 955	Carbon chip 3kohm 1/16W	RM73B--302J	R722~724	244 2052 999	Metal oxide 10kohm 1W (NB)	RS14B3A103JNBS (S)
R414	247 2005 974	Carbon chip 200ohm 1/16W	RM73B--201J	R951	247 2005 903	Carbon chip 100ohm 1/16W	RM73B--101J

Ref. No.	Part No.	Part Name	Remarks	Ref. No.	Part No.	Part Name	Remarks	Q'ty
CAPACITORS GROUP								
C101	257 0512 903	Ceramic chip 0.1 μ F/25V	CK73F1E104Z	C719,720	254 4525 748	Electrolytic 330 μ F/50V	CE04W1H331M(SMG)	
C102	254 4538 900	Electrolytic 10 μ F/16V	CE04W1C100M(SMG/RE3)	C953	257 0511 904	Ceramic chip 0.01 μ F/50V	CK73F1H103Z	
C105	257 0512 903	Ceramic chip 0.1 μ F/25V	CK73F1E104Z	C957	256 1058 971	Metallized 0.1 μ F/50V	CF93A1H104J(JL)	
C106	257 0509 929	Ceramic chip 1000pF/50V	CK73B1H102K	OTHER PARTS GROUP				
C109	254 4525 926	Electrolytic 100 μ F/50V	CE04W1H101M(SMG/RE3)	Δ AC601	203 3946 003	AC outlet (POLARIZED)	for EU,EC,EUT	1
C110	257 0511 904	Ceramic chip 0.01 μ F/50V	CK73F1H103Z	CW074	204 2361 019	7P KR-DA connector cord		1
C111	254 4533 947	Electrolytic 330 μ F/6.3V	CE04W0J331M(SMG/RE3)	CW103	204 2845 001	10P KR-DA connector cord		1
C112	257 0504 937	Ceramic chip 30pF/50V	CC73CH1H300J	CX021	205 1093 006	2P VH connector base	for E2,E1,E1C,EUT	1
C114,115	257 0501 901	Ceramic chip 0.01 μ F/50V	CK73B1H103K	CX024	205 0606 025	2P wrapping terminal		1
C116	257 0511 904	Ceramic chip 0.01 μ F/50V	CK73F1H103Z	CX025	205 0581 001	2P VH connector base	for EU,EC,E2,E1,EUT	1
C117	254 4536 928	Electrolytic 100 μ F/10V	CE04W1A101M(SMG/RE3)	CX033	205 0355 033	3P KR connector base (L)	for EU,EC	1
C119	256 1058 971	Metallized 0.1 μ F/50V	CF93A1H104J(JL)	CX073,074	205 0343 074	7P connector base (KR-PH)		2
C310	254 4524 943	Electrolytic 1 μ F/50V	CE04W1H010M(SMG/RE3)	CX103	205 0375 000	10P connector base (KR-PH)		1
C401~404	257 0501 901	Ceramic chip 0.01 μ F/50V	CK73B1H103K	CX502	205 1153 001	9P S-sub connector		1
C406,407	257 0501 901	Ceramic chip 0.01 μ F/50V	CK73B1H103K	CY021	205 1093 006	2P VH connector base	for E2,E1,E1C,EUT	1
C408	254 4305 968	Electrolytic 1 μ F/50V	CE04W1H010M(SRE)	CY025	205 0581 001	2P VH connector base	for EU,EC,EUT	1
Δ C410	253 8022 707	Ceramic 0.01 μ F/250V (AC)	CK45F2EAC103M for E2,E1,E1C,EUT	CY033	203 4834 088	3P KR-DA connector cord	for EU,EC	1
C411	257 0511 904	Ceramic chip 0.01 μ F/50V	CK73F1H103Z for EU,EC	CY041	205 0343 045	4P connector base (KR-PH)		1
C501~503	254 4305 900	Electrolytic 0.1 μ F/50V	CE04W1H0R1M(SRE)	CY044	205 0343 045	4P connector base (KR-PH)		1
C504	257 0506 951	Ceramic chip 100pF/50V	CC73CH1H101J	CY063	205 0343 061	6P connector base (KR-PH)		1
C505	257 0511 904	Ceramic chip 0.01 μ F/50V	CK73F1H103Z	CY127	205 0375 026	12P connector base (KR-PH)		1
C506	254 4306 925	Electrolytic 10 μ F/50V	CE04W1H100M(SRE)	CY291	205 1101 008	29P FFC connector base (L)		1
C507	257 0512 903	Ceramic chip 0.1 μ F/25V	CK73F1E104Z	Δ F1	206 1051 009	Fuse 12A	for EU,EC,EUT	1
C508	254 4299 964	Electrolytic 47 μ F/16V	CE04W1C470M(SRE)	Δ F1	206 1036 011	Fuse 6.3A	for E2,E1,E1C	1
C509	254 4305 900	Electrolytic 0.1 μ F/50V	CE04W1H0R1M(SRE)	Δ F8	206 1046 014	Fuse 8A	for EU,EC,EUT	1
C510	257 0511 904	Ceramic chip 0.01 μ F/50V	CK73F1H103Z	Δ F8	206 1015 032	Fuse 2.5A	for E2,E1	1
C511	254 4305 900	Electrolytic 0.1 μ F/50V	CE04W1H0R1M(SRE)	FB501~505	235 0049 900	Beads inductor		5
C513	254 4305 968	Electrolytic 1 μ F/50V	CE04W1H010M(SRE)	FF701	EP-5870	Fuse holder	for EU,EC,EUT	1
C515	257 0511 904	Ceramic chip 0.01 μ F/50V	CK73F1H103Z	FF702	202 0040 909	Fuse clip	for E2,E1,E1C	1
C516~518	257 0506 951	Ceramic chip 100pF/50V	CC73CH1H101J	FF703	202 0040 909	Fuse clip	for EU,EC,E2,E1,EUT	1
C523	257 0512 903	Ceramic chip 0.1 μ F/25V	CK73F1E104Z	FH701	EP-5870	Fuse holder	for EU,EC,EUT	1
C526,527	257 0511 917	Ceramic chip 0.022 μ F/50V	CK73F1H223Z	FH702	202 0040 909	Fuse clip	for E2,E1,E1C	1
C701,702	254 4524 943	Electrolytic 1 μ F/50V	CE04W1H010M(SMG/RE3)	FH703	202 0040 909	Fuse clip	for EU,ECE2,E1,EUT	1
C703	254 4525 926	Electrolytic 100 μ F/50V	CE04W1H101M(SMG/RE3)	JK301,302	204 8514 006	4P pin jack (S-GND)		2
C704	256 1042 903	Metallized 0.1 μ F/250V	CF93A2E104K	JK501	204 8289 001	DC Power jack		1
C705,706	254 4524 943	Electrolytic 1 μ F/50V	CE04W1H010M(SMG/RE3)	JK502,503	204 8260 004	Mini jack		2
C707	256 1058 971	Metallized 0.1 μ F/50V	CF93A1H104J(JL)	JK951	204 8217 031	Headphone jack (BK(AU))		1
C708	254 4524 943	Electrolytic 1 μ F/50V	CE04W1H010M(SMG/RE3)	L101	235 0060 989	Inductor 120 μ H		1
C709	254 4524 985	Electrolytic 10 μ F/50V	CE04W1H100M(SMG/RE3)	L503	235 0049 900	Beads inductor		1
C710	255 1265 936	Mylar film 0.01 μ F/50V	CQ93M1H103J(B)	L701,702	235 0060 918	Inductor 4.7 μ H		2
C711	254 4403 734	Electrolytic 4700 μ F/25V	CE04W1E472M(SMG)	RL701,702	214 0202 009	Relay (TV-8)		2
C714	256 1058 971	Metallized 0.1 μ F/50V	CF93A1H104J(JL)					
C715	254 4525 900	Electrolytic 33 μ F/50V	CE04W1H330M(SMG/RE3)					
C716,717	254 4524 972	Electrolytic 4.7 μ F/50V	CE04W1H4R7M(SMG/RE3)					
Δ C718	253 8022 707	Ceramic 0.01 μ F/250V (AC)	CK45F2EAC103M					

1U-3293/3293A A & V P.W.B. UNIT

Ref. No.	Part No.	Part Name	Remarks	Q'ty	Ref. No.	Part No.	Part Name	Remarks
S171	212 0415 007	Rotary encoder (EC16B36)		1	SEMICONDUCTORS GROUP			
S401,402	212 0373 000	Rotary encoder (EC16B)		2	IC102~112	263 1098 900	IC LM833MX	
S403~420	212 5604 910	Tact switch		18	IC201~203	262 2545 006	IC TC9274N-011	
S421	212 0373 000	Rotary encoder (EC16B)		1	IC204	262 2726 003	IC TC9273N-016B	
S422,423	212 5604 910	Tact switch		2	IC205	262 2540 904	IC TC9459F	
Δ S424	212 1030 009	Power switch (TV-S)	for E2,E1,E1C,EUT	1	IC206,207	263 0615 902	IC BA15218F	
Δ S429	212 0420 005	1P push switch (NON LOCK)	for EU,EC	1	IC401~405	263 1082 903	IC TK15420MTL	
Δ T701	233 6333 009	Mini trans. (58E3)	for EU,EC,EUT	1	IC406~409	262 2826 903	IC BU4051BCF	
Δ T701	233 6343 002	Mini trans. (58E2)	for E2,E1	1	IC410,411	262 1875 900	IC BU4066BCF	
Δ T701	233 6344 001	Mini trans. (58E1C)	for E1C	1	IC412,413	263 1082 903	IC TK15420MTL	
W502	205 1034 007	M3 Screw terminal		1	IC414	262 1875 900	IC BU4066BCF	
W711	203 0426 021	1P connector cord Ass'y		1	IC415	262 2827 902	IC MM74HC4053SJ	
W714	203 0440 065	1P contact Ass'y		1	IC416	262 2808 002	IC M35015-210SP	
W744	203 0526 073	1P contact Ass'y		1	IC417	263 0682 003	IC NJM2229S	
W791,792	205 1034 023	M3 Screw terminal		2	IC418~420	263 1040 903	IC BU4094BCF	
	415 0299 000	Condenser cover	for E2,E1,E1C	2	IC601~603	263 1082 903	IC TK15420MTL	
	513 2654 057	Fuse label (F1)	for E2,E1,E1C	1	IC604,605	262 2826 903	IC BU4051BCF	
	513 2585 074	Fuse label (F8)	for E2,E1	1	IC606	263 1082 903	IC TK15420MTL	
					IC607,608	262 1875 900	IC BU4066BCF	
					IC609	262 2826 903	IC BU4051BCF	
					IC610	263 1082 903	IC TK15420MTL	
					TR201	269 0048 904	Transistor DTC143EK	
					TR203~210	273 0414 906	Transistor 2SC3326 (A/B)	
					TR401,402	273 0384 900	Transistor 2SC2412K (S)	
					TR403	271 0238 908	Transistor 2SA1037K (S/R)	
					TR404,405	269 0082 902	Transistor DTC114EK	
					TR551	269 0083 901	Transistor DTA114EK	
					TR552	269 0082 902	Transistor DTC114EK	
					TR553	269 0083 901	Transistor DTA114EK	
					TR554	269 0082 902	Transistor DTC114EK	
					TR555	269 0083 901	Transistor DTA114EK	
					TR556	269 0082 902	Transistor DTC114EK	
					TR558	269 0082 902	Transistor DTC114EK	
					TR559	269 0083 901	Transistor DTA114EK	
					TR560	269 0082 902	Transistor DTC114EK	
					TR562	269 0082 902	Transistor DTC114EK	
					TR563	269 0083 901	Transistor DTA114EK	
					TR564,565	269 0082 902	Transistor DTC114EK	
					TR601	269 0082 902	Transistor DTC114EK	
					TR701~703	269 0048 904	Transistor DTC143EK	
					D201	276 0559 909	Diode DAP202K	
					D401	276 0559 909	Diode DAP202K	

Ref. No.	Part No.	Part Name	Remarks	Ref. No.	Part No.	Part Name	Remarks
D403,404	276 0559 909	Diode DAP202K		R243~248	247 2006 960	Carbon chip 470ohm 1/16W	RM73B--471J
D407,408	276 0559 909	Diode DAP202K		R249~254	247 2015 964	Carbon chip 2.7Mohm 1/16W	RM73B--275K
D703~705	276 0559 909	Diode DAP202K		R255,256	247 2012 925	Carbon chip 100kohm 1/16W	RM73B--104J
RESISTORS GROUP				R257,258	247 2007 930	Carbon chip 910ohm 1/16W	RM73B--911J
R121~124	247 2012 925	Carbon chip 100kohm 1/16W	RM73B--104J	R259,260	247 2009 909	Carbon chip 4.7kohm 1/16W	RM73B--472J
R125,126	247 2005 903	Carbon chip 100ohm 1/16W	RM73B--101J	R261,262	247 2005 987	Carbon chip 220ohm 1/16W	RM73B--221J
R127,128	247 2004 920	Carbon chip 47ohm 1/16W	RM73B--470J	R263,264	247 2011 942	Carbon chip 47kohm 1/16W	RM73B--473J
R129,130	247 2011 942	Carbon chip 47kohm 1/16W	RM73B--473J	R265,266	247 2005 987	Carbon chip 220ohm 1/16W	RM73B--221J
R131~134	247 2012 925	Carbon chip 100kohm 1/16W	RM73B--104J	R267,268	247 2002 964	Carbon chip 10ohm 1/16W	RM73B--100J
R135,136	247 2005 903	Carbon chip 100ohm 1/16W	RM73B--101J	R269,270	247 2012 925	Carbon chip 100kohm 1/16W	RM73B--104J
R137,138	247 2004 920	Carbon chip 47ohm 1/16W	RM73B--470J	R271,272	247 2009 909	Carbon chip 4.7kohm 1/16W	RM73B--472J
R139,140	247 2011 942	Carbon chip 47kohm 1/16W	RM73B--473J	R273,274	247 2010 969	Carbon chip 22kohm 1/16W	RM73B--223J
R141~144	247 2012 925	Carbon chip 100kohm 1/16W	RM73B--104J	R275,276	247 2005 987	Carbon chip 220ohm 1/16W	RM73B--221J
R145,146	247 2005 903	Carbon chip 100ohm 1/16W	RM73B--101J	R277,278	247 2011 942	Carbon chip 47kohm 1/16W	RM73B--473J
R147,148	247 2004 920	Carbon chip 47ohm 1/16W	RM73B--470J	R279,280	247 2005 987	Carbon chip 220ohm 1/16W	RM73B--221J
R149,150	247 2011 942	Carbon chip 47kohm 1/16W	RM73B--473J	R281,282	247 2012 925	Carbon chip 100kohm 1/16W	RM73B--104J
R151~154	247 2012 925	Carbon chip 100kohm 1/16W	RM73B--104J	R283,284	247 2002 964	Carbon chip 10ohm 1/16W	RM73B--100J
R155,156	247 2005 903	Carbon chip 100ohm 1/16W	RM73B--101J	R285,286	247 2010 969	Carbon chip 22kohm 1/16W	RM73B--223J
R157,158	247 2004 920	Carbon chip 47ohm 1/16W	RM73B--470J	R287,288	247 2011 942	Carbon chip 47kohm 1/16W	RM73B--473J
R159,160	247 2011 942	Carbon chip 47kohm 1/16W	RM73B--473J	R289	247 2018 903	Carbon chip 0ohm 1/16W	RM73B--0R0K
R161~164	247 2012 925	Carbon chip 100kohm 1/16W	RM73B--104J	R291,292	247 2012 925	Carbon chip 100kohm 1/16W	RM73B--104J
R165,166	247 2005 903	Carbon chip 100ohm 1/16W	RM73B--101J	R293,294	247 2006 960	Carbon chip 470ohm 1/16W	RM73B--471J
R167,168	247 2004 920	Carbon chip 47ohm 1/16W	RM73B--470J	R401	247 2004 975	Carbon chip 75ohm 1/16W	RM73B--750J
R169,170	247 2011 942	Carbon chip 47kohm 1/16W	RM73B--473J	R402	247 2005 945	Carbon chip 150ohm 1/16W	RM73B--151J
R171~174	247 2012 925	Carbon chip 100kohm 1/16W	RM73B--104J	R403	247 2004 975	Carbon chip 75ohm 1/16W	RM73B--750J
R175,176	247 2005 903	Carbon chip 100ohm 1/16W	RM73B--101J	R404	247 2005 945	Carbon chip 150ohm 1/16W	RM73B--151J
R177,178	247 2004 920	Carbon chip 47ohm 1/16W	RM73B--470J	R405	247 2004 975	Carbon chip 75ohm 1/16W	RM73B--750J
R179,180	247 2011 942	Carbon chip 47kohm 1/16W	RM73B--473J	R406	247 2005 945	Carbon chip 150ohm 1/16W	RM73B--151J
R181~184	247 2012 925	Carbon chip 100kohm 1/16W	RM73B--104J	R407	247 2004 975	Carbon chip 75ohm 1/16W	RM73B--750J
R185,186	247 2005 903	Carbon chip 100ohm 1/16W	RM73B--101J	R408	247 2005 945	Carbon chip 150ohm 1/16W	RM73B--151J
R187,188	247 2004 920	Carbon chip 47ohm 1/16W	RM73B--470J	R409	247 2004 975	Carbon chip 75ohm 1/16W	RM73B--750J
R189,190	247 2011 942	Carbon chip 47kohm 1/16W	RM73B--473J	R410	247 2005 945	Carbon chip 150ohm 1/16W	RM73B--151J
R201~204	247 2012 925	Carbon chip 100kohm 1/16W	RM73B--104J	R411	247 2004 975	Carbon chip 75ohm 1/16W	RM73B--750J
R205,206	247 2005 903	Carbon chip 100ohm 1/16W	RM73B--101J	R412	247 2005 945	Carbon chip 150ohm 1/16W	RM73B--151J
R207~210	247 2012 925	Carbon chip 100kohm 1/16W	RM73B--104J	R413	247 2004 975	Carbon chip 75ohm 1/16W	RM73B--750J
R211,212	247 2005 903	Carbon chip 100ohm 1/16W	RM73B--101J	R414	247 2005 945	Carbon chip 150ohm 1/16W	RM73B--151J
R213,214	247 2004 920	Carbon chip 47ohm 1/16W	RM73B--470J	R415	247 2004 975	Carbon chip 75ohm 1/16W	RM73B--750J
R215,216	247 2011 942	Carbon chip 47kohm 1/16W	RM73B--473J	R416	247 2005 945	Carbon chip 150ohm 1/16W	RM73B--151J
R217~220	247 2012 925	Carbon chip 100kohm 1/16W	RM73B--104J	R417~426	247 2010 969	Carbon chip 22kohm 1/16W	RM73B--223J
R221,222	247 2005 903	Carbon chip 100ohm 1/16W	RM73B--101J	R427~436	247 2004 975	Carbon chip 75ohm 1/16W	RM73B--750J
R223,224	247 2004 920	Carbon chip 47ohm 1/16W	RM73B--470J	R437~446	247 2008 913	Carbon chip 2kohm 1/16W	RM73B--202J
R225,226	247 2011 942	Carbon chip 47kohm 1/16W	RM73B--473J	R457~466	247 2009 983	Carbon chip 10kohm 1/16W	RM73B--103J
R227,228	247 2012 925	Carbon chip 100kohm 1/16W	RM73B--104J	R467~476	247 2005 903	Carbon chip 100ohm 1/16W	RM73B--101J
R229,230	247 2004 920	Carbon chip 47ohm 1/16W	RM73B--470J	R477,478	247 2004 920	Carbon chip 47ohm 1/16W	RM73B--470J
R231,232	247 2011 942	Carbon chip 47kohm 1/16W	RM73B--473J	R479,480	247 2006 986	Carbon chip 560ohm 1/16W	RM73B--561J
R233~236	247 2012 925	Carbon chip 100kohm 1/16W	RM73B--104J	R483,484	247 2006 960	Carbon chip 470ohm 1/16W	RM73B--471J
R237,238	247 2005 903	Carbon chip 100ohm 1/16W	RM73B--101J	R485,486	247 2009 983	Carbon chip 10kohm 1/16W	RM73B--103J
R239,240	247 2004 920	Carbon chip 47ohm 1/16W	RM73B--470J	R487~490	247 2005 903	Carbon chip 100ohm 1/16W	RM73B--101J
R241,242	247 2011 942	Carbon chip 47kohm 1/16W	RM73B--473J	R491,492	247 2009 983	Carbon chip 10kohm 1/16W	RM73B--103J
				R493	247 2006 973	Carbon chip 510ohm 1/16W	RM73B--511J
				R494	247 2006 960	Carbon chip 470ohm 1/16W	RM73B--471J

Ref. No.	Part No.	Part Name	Remarks	Ref. No.	Part No.	Part Name	Remarks
R495	247 2006 999	Carbon chip 620ohm 1/16W	RM73B--621J	R637,638	247 2009 983	Carbon chip 10kohm 1/16W	RM73B--103J
R496	247 2006 986	Carbon chip 560ohm 1/16W	RM73B--561J	R639	247 2006 986	Carbon chip 560ohm 1/16W	RM73B--561J
R499	247 2005 903	Carbon chip 100ohm 1/16W	RM73B--101J	R640	247 2008 913	Carbon chip 2kohm 1/16W	RM73B--202J
R500	247 2002 964	Carbon chip 10ohm 1/16W	RM73B--100J	R642	247 2002 964	Carbon chip 10ohm 1/16W	RM73B--100J
R501,502	247 2009 983	Carbon chip 10kohm 1/16W	RM73B--103J	R643	247 2005 903	Carbon chip 100ohm 1/16W	RM73B--101J
R503	247 2009 967	Carbon chip 8.2kohm 1/16W	RM73B--822J	R644	247 2007 943	Carbon chip 1kohm 1/16W	RM73B--102J
R504	247 2005 903	Carbon chip 100ohm 1/16W	RM73B--101J	R645	247 2002 964	Carbon chip 10ohm 1/16W	RM73B--100J
R505	247 2009 967	Carbon chip 8.2kohm 1/16W	RM73B--822J	R646	247 2005 903	Carbon chip 100ohm 1/16W	RM73B--101J
R506	247 2007 969	Carbon chip 1.2kohm 1/16W	RM73B--122J	R647	247 2006 999	Carbon chip 620ohm 1/16W	RM73B--621J
R507	247 2011 942	Carbon chip 47kohm 1/16W	RM73B--473J	R648	247 2008 913	Carbon chip 2kohm 1/16W	RM73B--202J
R508	247 2005 987	Carbon chip 220ohm 1/16W	RM73B--221J	R651	247 2006 973	Carbon chip 510ohm 1/16W	RM73B--511J
R509	247 2009 967	Carbon chip 8.2kohm 1/16W	RM73B--822J	R653,654	247 2009 983	Carbon chip 10kohm 1/16W	RM73B--103J
R511,512	247 2009 909	Carbon chip 4.7kohm 1/16W	RM73B--472J	R655	247 2005 903	Carbon chip 100ohm 1/16W	RM73B--101J
R513	247 2007 943	Carbon chip 1kohm 1/16W	RM73B--102J	R656	247 2018 903	Carbon chip 0ohm 1/16W	RM73B--0R0K
R517	247 2007 943	Carbon chip 1kohm 1/16W	RM73B--102J	R657	247 2002 964	Carbon chip 10ohm 1/16W	RM73B--100J
R520	247 2002 964	Carbon chip 10ohm 1/16W	RM73B--100J	R658	247 2005 903	Carbon chip 100ohm 1/16W	RM73B--101J
R521	247 2003 934	Carbon chip 20ohm 1/16W	RM73B--200J	R659	247 2009 983	Carbon chip 10kohm 1/16W	RM73B--103J
R522	247 2007 943	Carbon chip 1kohm 1/16W	RM73B--102J	R660	247 2006 973	Carbon chip 510ohm 1/16W	RM73B--511J
R523	247 2008 900	Carbon chip 1.8kohm 1/16W	RM73B--182J	R661	247 2006 986	Carbon chip 560ohm 1/16W	RM73B--561J
R524	247 2007 943	Carbon chip 1kohm 1/16W	RM73B--102J	R663	247 2004 975	Carbon chip 75ohm 1/16W	RM73B--750J
R525	247 2013 982	Carbon chip 470kohm 1/16W	RM73B--474J	R664	247 2010 969	Carbon chip 22kohm 1/16W	RM73B--223J
R526,527	247 2018 903	Carbon chip 0ohm 1/16W	RM73B--0R0K	R671	247 2005 903	Carbon chip 100ohm 1/16W	RM73B--101J
R528	247 2006 944	Carbon chip 390ohm 1/16W	RM73B--391J	R672	247 2018 903	Carbon chip 0ohm 1/16W	RM73B--0R0K
R529	247 2007 985	Carbon chip 1.5kohm 1/16W	RM73B--152J	R701-712	247 2012 925	Carbon chip 100kohm 1/16W	RM73B--104J
R530	247 2009 983	Carbon chip 10kohm 1/16W	RM73B--103J	R713-715	247 2018 903	Carbon chip 0ohm 1/16W	RM73B--0R0K
R531	247 2011 955	Carbon chip 51kohm 1/16W	RM73B--513J	CAPACITORS GROUP			
R532	247 2009 954	Carbon chip 7.5kohm 1/16W	RM73B--752J	C119,120	257 0506 951	Ceramic chip 100pF/50V	CC73CH1H101J for E2,E1,E1C,EUT
R533	247 2011 900	Carbon chip 33kohm 1/16W	RM73B--333J	C121,122	254 4313 918	Electrolytic 10µF/50V	CE04W1H100M (ASF)
R534-542	247 2009 983	Carbon chip 10kohm 1/16W	RM73B--103J	C127,128	254 4313 934	Electrolytic 47µF/50V	CE04W1H470M (ASF)
R544-550	247 2009 983	Carbon chip 10kohm 1/16W	RM73B--103J	C129,130	254 4313 918	Electrolytic 10µF/50V	CE04W1H100M (ASF)
R552	247 2009 983	Carbon chip 10kohm 1/16W	RM73B--103J	C131,132	257 0506 951	Ceramic chip 100pF/50V	CC73CH1H101J for E2,E1,E1C,EUT
R554-557	247 2009 983	Carbon chip 10kohm 1/16W	RM73B--103J	C133,134	254 4313 918	Electrolytic 10µF/50V	CE04W1H100M (ASF)
R558	247 2002 964	Carbon chip 10ohm 1/16W	RM73B--100J	C139,140	254 4313 934	Electrolytic 47µF/50V	CE04W1H470M (ASF)
R559,560	247 2009 983	Carbon chip 10kohm 1/16W	RM73B--103J	C143,144	257 0506 951	Ceramic chip 100pF/50V	CC73CH1H101J for E2,E1,E1C,EUT
R562	247 2009 983	Carbon chip 10kohm 1/16W	RM73B--103J	C145,146	254 4524 985	Electrolytic 10µF/50V	CE04W1H100M (SMG/RE3)
R566	247 2018 903	Carbon chip 0ohm 1/16W	RM73B--0R0K	C151,152	254 4525 913	Electrolytic 47µF/50V	CE04W1H470M (SMG/RE3)
R567-574	247 2005 945	Carbon chip 150ohm 1/16W	RM73B--151J	C155,156	257 0506 951	Ceramic chip 100pF/50V	CC73CH1H101J for E2,E1,E1C,EUT
R575	247 2018 903	Carbon chip 0ohm 1/16W	RM73B--0R0K	C157,158	254 4524 985	Electrolytic 10µF/50V	CE04W1H100M (SMG/RE3)
R576	247 2005 903	Carbon chip 100ohm 1/16W	RM73B--101J	C163,164	254 4525 913	Electrolytic 47µF/50V	CE04W1H470M (SMG/RE3)
R577,578	247 2018 903	Carbon chip 0ohm 1/16W	RM73B--0R0K	C167,168	257 0506 951	Ceramic chip 100pF/50V	CC73CH1H101J for E2,E1,E1C,EUT
R601-608	247 2004 975	Carbon chip 75ohm 1/16W	RM73B--750J	C169,170	254 4524 985	Electrolytic 10µF/50V	CE04W1H100M (SMG/RE3)
R609-613	247 2010 969	Carbon chip 22kohm 1/16W	RM73B--223J	C175,176	254 4525 913	Electrolytic 47µF/50V	CE04W1H470M (SMG/RE3)
R614-618	247 2004 975	Carbon chip 75ohm 1/16W	RM73B--750J	C179,180	257 0506 951	Ceramic chip 100pF/50V	CC73CH1H101J for E2,E1,E1C,EUT
R619,620	247 2008 913	Carbon chip 2kohm 1/16W	RM73B--202J	C181,182	254 4524 985	Electrolytic 10µF/50V	CE04W1H100M (SMG/RE3)
R623,624	247 2009 983	Carbon chip 10kohm 1/16W	RM73B--103J				
R625,626	247 2005 903	Carbon chip 100ohm 1/16W	RM73B--101J				
R627,628	247 2008 913	Carbon chip 2kohm 1/16W	RM73B--202J				
R631,632	247 2009 983	Carbon chip 10kohm 1/16W	RM73B--103J				
R633,634	247 2005 903	Carbon chip 100ohm 1/16W	RM73B--101J				
R635	247 2006 973	Carbon chip 510ohm 1/16W	RM73B--511J				

Ref. No.	Part No.	Part Name	Remarks	Ref. No.	Part No.	Part Name	Remarks
C187,188	254 4525 913	Electrolytic 47µF/50V	CE04W1H470M (SMG/RE3)	C449	257 0503 925	Ceramic chip 10pF/50V	CC73CH1H100D
C191,192	257 0506 951	Ceramic chip 100pF/50V	CC73CH1H101J for E2,E1,E1C,EUT	C450	255 1265 978	Mylar film 0.022µF/50V	CQ93M1H223J (B)
C193,194	254 4524 985	Electrolytic 10µF/50V	CE04W1H100M (SMG/RE3)	C451	257 0506 951	Ceramic chip 100pF/50V	CC73CH1H101J
C199,200	254 4525 913	Electrolytic 47µF/50V	CE04W1H470M (SMG/RE3)	C452	254 4524 972	Electrolytic 4.7µF/50V	CE04W1H47M (SMG/RE3)
C207,208	254 4524 985	Electrolytic 10µF/50V	CE04W1H100M (SMG/RE3)	C453	257 0510 918	Ceramic chip 3300pF/50V	CK73B1H332K
C211,212	254 4524 985	Electrolytic 10µF/50V	CE04W1H100M (SMG/RE3)	C454	257 0508 917	Ceramic chip 470pF/50V	CC73CH1H471J
C213,214	257 0506 951	Ceramic chip 100pF/50V	CC73CH1H101J for E2,E1,E1C,EUT	C455	254 4524 943	Electrolytic 1µF/50V	CE04W1H010M (SMG/RE3)
C215,216	254 4313 918	Electrolytic 10µF/50V	CE04W1H100M (ASF)	C456	256 1058 955	Metallized 0.068µF/50V	CF93A1H683J (JL)
C217-220	254 4538 913	Electrolytic 22µF/16V	CE04W1C220M (SMG/RE3)	C457	254 4524 943	Electrolytic 1µF/50V	CE04W1H010M (SMG/RE3)
C221-224	257 0506 951	Ceramic chip 100pF/50V	CC73CH1H101J for E2,E1,E1C,EUT	C458	257 0506 993	Ceramic chip 150pF/50V	CC73CH1H151J
C225,226	254 4524 985	Electrolytic 10µF/50V	CE04W1H100M (SMG/RE3)	C459	255 1264 911	Mylar film 1200pF/50V	CQ93M1H122J (B)
C227,228	254 4538 900	Electrolytic 10µF/16V	CE04W1C100M (SMG/RE3)	C460	257 0511 904	Ceramic chip 0.01µF/50V	CK73F1H103Z
C231,232	254 4525 913	Electrolytic 47µF/50V	CE04W1H470M (SMG/RE3)	C461	254 4536 928	Electrolytic 100µF/10V	CE04W1A101M (SMG/RE3)
C233,234	254 4524 985	Electrolytic 10µF/50V	CE04W1H100M (SMG/RE3)	C462	255 1264 908	Mylar film 1000pF/50V	CQ93M1H102J (B)
C239	254 4524 985	Electrolytic 10µF/50V	CE04W1H100M (SMG/RE3)	C463	254 4538 900	Electrolytic 10µF/16V	CE04W1C100M (SMG/RE3)
C241	254 4524 943	Electrolytic 1µF/50V	CE04W1H010M (SMG/RE3)	C465	257 0511 904	Ceramic chip 0.01µF/50V	CK73F1H103Z
C243,244	254 4525 913	Electrolytic 47µF/50V	CE04W1H470M (SMG/RE3)	C466	254 4524 943	Electrolytic 1µF/50V	CE04W1H010M (SMG/RE3)
C248	254 4524 985	Electrolytic 10µF/50V	CE04W1H100M (SMG/RE3)	C467-471	257 0512 903	Ceramic chip 0.1µF/25V	CK73F1E104Z
C253,254	254 4525 913	Electrolytic 47µF/50V	CE04W1H470M (SMG/RE3)	C601,602	254 4538 939	Electrolytic 47µF/16V	CE04W1C470M (SMG/RE3)
C256	254 4524 943	Electrolytic 1µF/50V	CE04W1H010M (SMG/RE3)	C603	254 4536 928	Electrolytic 100µF/10V	CE04W1A101M (SMG/RE3)
C257,258	257 0506 951	Ceramic chip 100pF/50V	CC73CH1H101J for E2,E1,E1C,EUT	C605,606	254 4538 939	Electrolytic 47µF/16V	CE04W1C470M (SMG/RE3)
C259,260	254 4524 985	Electrolytic 10µF/50V	CE04W1H100M (SMG/RE3)	C607-610	257 0511 904	Ceramic chip 0.01µF/50V	CK73F1H103Z
C265,266	254 4525 913	Electrolytic 47µF/50V	CE04W1H470M (SMG/RE3)	C611,612	254 4536 928	Electrolytic 100µF/10V	CE04W1A101M (SMG/RE3)
C268	254 4524 943	Electrolytic 1µF/50V	CE04W1H010M (SMG/RE3)	C613,614	254 4538 939	Electrolytic 47µF/16V	CE04W1C470M (SMG/RE3)
C275	254 4525 900	Electrolytic 33µF/50V	CE04W1H330M (SMG/RE3)	C615-618	257 0511 904	Ceramic chip 0.01µF/50V	CK73F1H103Z
C277-280	254 4524 985	Electrolytic 10µF/50V	CE04W1H100M (SMG/RE3)	C619	257 0512 903	Ceramic chip 0.1µF/25V	CK73F1E104Z
C401-404	254 4538 939	Electrolytic 47µF/16V	CE04W1C470M (SMG/RE3)	C620	254 4524 943	Electrolytic 1µF/50V	CE04W1H010M (SMG/RE3)
C405-412	257 0511 904	Ceramic chip 0.01µF/50V	CK73F1H103Z	C657,658	257 0511 904	Ceramic chip 0.01µF/50V	CK73F1H103Z
C417,418	254 4538 939	Electrolytic 47µF/16V	CE04W1C470M (SMG/RE3)	C659	254 4536 928	Electrolytic 100µF/10V	CE04W1A101M (SMG/RE3)
C421-424	254 4536 928	Electrolytic 100µF/10V	CE04W1A101M (SMG/RE3)	C661-663	257 0512 903	Ceramic chip 0.1µF/25V	CK73F1E104Z
C427,428	254 4538 939	Electrolytic 47µF/16V	CE04W1C470M (SMG/RE3)	C703	257 0512 903	Ceramic chip 0.1µF/25V	CK73F1E104Z
C429,430	257 0511 904	Ceramic chip 0.01µF/50V	CK73F1H103Z	C707	254 4524 943	Electrolytic 1µF/50V	CE04W1H010M (SMG/RE3)
C433	254 4538 900	Electrolytic 10µF/16V	CE04W1C100M (SMG/RE3)	C708-711	257 0512 903	Ceramic chip 0.1µF/25V	CK73F1E104Z
C434	254 4536 928	Electrolytic 100µF/10V	CE04W1A101M (SMG/RE3)	OTHER PARTS GROUP			
C435	256 1058 939	Metallized 0.047µF/50V	CF93A1H473J (JL)	CW076-079	205 0942 022	7P connector socket (TUC-P)	4
C436	253 9039 906	Ceramic 0.1µF/25V	CK45=1E104Z	CW086,087	205 0885 095	8P connector socket (TUC-P)	2
C437	256 1058 939	Metallized 0.047µF/50V	CF93A1H473J (JL)	CW089	205 0885 095	8P connector socket (TUC-P)	1
C438	254 4524 943	Electrolytic 1µF/50V	CE04W1H010M (SMG/RE3)	CW097	205 0885 037	9P connector socket (TUC-P)	1
C439	256 1058 939	Metallized 0.047µF/50V	CF93A1H473J (JL)	CW113,114	205 0885 066	11P connector socket (TUC-P)	2
C440	254 4538 939	Electrolytic 47µF/16V	CE04W1C470M (SMG/RE3)	CW976-979	205 0942 022	7P connector socket (TUC-P)	4
C441	257 0511 904	Ceramic chip 0.01µF/50V	CK73F1H103Z	CW986,987	205 0885 095	8P connector socket (TUC-P)	2
C442	254 4538 939	Electrolytic 47µF/16V	CE04W1C470M (SMG/RE3)	CX031	205 0343 032	3P connector base (KR-PH)	for EU,EC 1
C443	257 0511 904	Ceramic chip 0.01µF/50V	CK73F1H103Z	CX032	205 0321 038	3P connector base (RED)	1
C444-446	257 0504 940	Ceramic chip 33pF/50V	CC73CH1H330J	CX054,055	205 0885 008	5P connector socket (TUC-P)	2
C447	257 0510 918	Ceramic chip 3300pF/50V	CK73B1H332K	CX065,066	205 0942 019	6P connector socket (TUC-P)	2
C448	257 0503 941	Ceramic chip 12pF/50V	CC73CH1H120J	CX072	205 0343 074	7P connector base (KR-PH)	1
				CX084,085	205 0885 095	8P connector socket (TUC-P)	2
				CX093,094	205 0885 037	9P connector socket (TUC-P)	2

1U-3294/3294A/3294E REG. & SP. P.W.B. UNIT

Ref. No.	Part No.	Part Name	Remarks	Q'ty	Ref. No.	Part No.	Part Name	Remarks
CX095	205 0343 090	9P connector base (KR-PH)		1	SEMICONDUCTORS GROUP			
CX127	205 0375 026	12P connector base (KR-PH)		1	IC301	263 1048 002	IC BA033T	
CX136	205 0375 039	13P connector base (KR-PH)		1	IC302	263 0810 008	IC NJM7808FA (S)	
CX831~836	205 0343 032	3P connector base (KR-PH)		6	IC304	263 0809 006	IC NJM7805FA (S)	
CX838	205 0343 032	3P connector base (KR-PH)		1	IC305	263 0554 005	IC NJM7905FA	
CX971	205 0343 074	7P connector base (KR-PH)		1	IC306	263 0809 006	IC NJM7805FA (S)	
CX981	205 0343 087	8P connector base (KR-PH)		1	IC307	263 0554 005	IC NJM7905FA	
CY034	205 0406 034	3P connector base (KR-PH)		1	IC310	263 0986 000	IC NJM7820FA (S)	
CY053	205 0343 058	5P connector base (KR-PH)		1	IC311	263 0801 004	IC NJM7812FA (S)	for EU,EC
CY105	205 0375 000	10P connector base (KR-PH)		1	IC312	263 0812 006	IC NJM7815FA (S)	
CY112	205 0375 013	11P connector base (KR-PH)		1	IC313	263 0561 001	IC NJM7915FA	
CY131	205 0375 039	13P connector base (KR-PH)		1	TR313	273 0303 910	Transistor 2SC1740S (S)	
FB201	235 0049 900	Beads inductor		1	TR315	273 0303 910	Transistor 2SC1740S (S)	
JK101~104	204 8513 007	6P pin jack (S-GND)		4	TR316	271 0192 905	Transistor 2SA933S (S)	
JK105	204 8514 006	4P pin jack (S-GND)		1	TR317	273 0303 910	Transistor 2SC1740S (S)	
JK401,402	204 8414 009	2P S-terminal (AU)		2	TR318	271 0192 905	Transistor 2SA933S (S)	
JK403,404	204 8415 008	3P S-terminal (AU)		2	TR319	271 0117 906	Transistor 2SA1020 (Y)	
JK405~407	205 0906 000	1P S-terminal (AU.SW)		3	TR322	271 0117 906	Transistor 2SA1020 (Y)	
JK601~603	204 8515 005	4P pin jack (S-GND)		3	TR323	273 0212 904	Transistor 2SC2655 (Y)	
JK605,606	204 8512 011	1P pin jack (GOLD)		2	TR324	271 0117 906	Transistor 2SA1020 (Y)	
JK701~704	204 8607 007	3P pin jack (S-GND)		4	TR325	273 0212 904	Transistor 2SC2655 (Y)	
L401	235 0060 963	Inductor 15fEH		1	TR326~328	269 0020 906	Transistor DTC114ES (10K-10K)	
RL101	214 0208 003	Relay (NA24W-K)		1	TR501	273 0303 910	Transistor 2SC1740S (S)	
RL701~706	214 0208 003	Relay (NA24W-K)		6	TR551,552	273 0445 001	Transistor 2SC4495	
TP101,102	205 0133 035	3 P NH connector base		2	TR553,554	271 0192 905	Transistor 2SA933S (S)	
TP201,202	205 0133 035	3 P NH connector base		2	D305	276 0432 903	Diode 1SS270A	
TP301,302	205 0133 035	3 P NH connector base		2	D307	276 0432 903	Diode 1SS270A	
TP402	205 0133 035	3 P NH connector base		1	D312~316	276 0432 903	Diode 1SS270A	
X401	399 0153 006	Crystal 14.32MHZ-12PF		1	D320	276 0682 009	Diode FMG-22R	
X402	399 0105 009	Ceramic resonator CSB503F2		1	D322,323	276 0681 000	Diode FMG-22S	
					D328~330	276 0338 007	Diode S4VB20F	
					D501~504	276 0706 008	Diode FCH20A15	
					PT510	279 0034 012	Posistor PTH9M04BG222TS2F333	
					RESISTORS GROUP			
					R307	241 2376 919	Carbon film 30ohm 1/4W (NB)	RD14B2E300JNBS
					R316	241 2376 919	Carbon film 30ohm 1/4W (NB)	RD14B2E300JNBS
					R318	241 2376 919	Carbon film 30ohm 1/4W (NB)	RD14B2E300JNBS
					R319	241 2387 940	Carbon film 4.7ohm 1/4W (NB)	RD14B2E4R7JNBS
					R328,329	241 2376 919	Carbon film 30ohm 1/4W (NB)	RD14B2E300JNBS
					R320,321	241 2376 919	Carbon film 30ohm 1/4W (NB)	RD14B2E300JNBS
					R506~511	243 2039 032	Winding 0.1ohm 5W	RW99=3H0R1K

Ref. No.	Part No.	Part Name	Remarks	Ref. No.	Part No.	Part Name	Remarks	Q'ty
CAPACITORS GROUP				C511	255 1265 936	Mylar film 0.01 μ F/50V	CQ93M1H103J (B)	
C301	255 1265 936	Mylar film 0.01 μ F/50V	CQ93M1H103J (B)	C512	254 4533 947	Electrolytic 330 μ F/6.3V	CE04W0J331M (SMG/RE3)	
C302~304	254 4524 943	Electrolytic 1 μ F/50V	CE04W1H010M (SMG/RE3)	C551,552	254 4524 943	Electrolytic 1 μ F/50V	CE04W1H010M (SMG/RE3) for EU,EC,E2,E1,E1C	
C305	255 1265 936	Mylar film 0.01 μ F/50V	CQ93M1H103J (B)	OTHER PARTS GROUP				
C310	254 4524 985	Electrolytic 10 μ F/50V	CE04W1H100M (SMG/RE3)	AS501	417 0604 002	Radiator (T)		1
C316~319	254 4524 943	Electrolytic 1 μ F/50V	CE04W1H010M (SMG/RE3)	CN301~303	205 1037 062	6P pin header (TXX)		3
C320,321	254 4557 936	Electrolytic 10 μ F/50V	CE04W1H100M (RFS)	CN305	205 1037 062	6P pin header (TXX)		1
C323	254 4524 985	Electrolytic 10 μ F/50V	CE04W1H100M (SMG/RE3)	CN307~309	205 1037 062	6P pin header (TXX)		3
C324	254 4524 943	Electrolytic 1 μ F/50V	CE04W1H010M (SMG/RE3)	CW022	203 2399 017	2P SDN-SDN connector cord		1
C327	254 4524 985	Electrolytic 10 μ F/50V	CE04W1H100M (SMG/RE3)	CW023	203 2399 004	2P SDN-SDN connector cord		1
C328,329	254 4524 943	Electrolytic 1 μ F/50V	CE04W1H010M (SMG/RE3)	CW024	203 2400 003	2P SDN-3T lug wire		1
C331	254 4524 985	Electrolytic 10 μ F/50V	CE04W1H100M (SMG/RE3)	CW025	203 2401 002	2P SDN-3T lug wire		1
C332,333	254 4524 943	Electrolytic 1 μ F/50V	CE04W1H010M (SMG/RE3)	CW026	203 2400 003	2P SDN-3T lug wire		1
C334	254 4524 985	Electrolytic 10 μ F/50V	CE04W1H100M (SMG/RE3)	CW038	203 5237 008	3P SDN-SDN connector cord		1
C336,337	254 4313 963	Electrolytic 1 μ F/50V	CE04W1H010M (ASF)	CW042	205 0885 082	4P connector socket (TUC-P)		1
C339~344	254 4524 943	Electrolytic 1 μ F/50V	CE04W1H010M (SMG/RE3)	CW054,055	205 0884 009	5P connector base (TUC-P)		2
C345	254 4524 943	Electrolytic 1 μ F/50V	CE04W1H010M (SMG/RE3)	CW062	205 0942 019	6P connector socket (TUC-P)		1
C347~349	254 4504 714	Electrolytic 3300 μ F/35V	CE04W1V332M (ASF)	CW065,066	205 0943 018	6P connector base (TUC-P)		2
C352,353	254 4504 714	Electrolytic 3300 μ F/35V	CE04W1V332M (ASF)	CW071	205 0942 022	7P connector socket (TUC-P)		1
C356	254 4524 943	Electrolytic 1 μ F/50V	CE04W1H010M (SMG/RE3)	CW081~083	205 0885 095	8P connector socket (TUC-P)		3
C357	254 4524 943	Electrolytic 1 μ F/50V	CE04W1H010M (SMG/RE3)	CW084,085	205 0884 096	8P connector base (TUC-P)		2
C358	254 4523 708	Electrolytic 3300 μ F/35V	CE04W1V332M (SMG/RE3)	CW093,094	205 0884 038	9P connector base (TUC-P)		2
C359,360	254 4313 918	Electrolytic 10 μ F/50V	CE04W1H100M (ASF)	CW102	205 0885 053	10P connector socket (TUC-P)		1
C361	254 4523 708	Electrolytic 3300 μ F/35V	CE04W1V332M (SMG/RE3)	CW151	205 0885 040	15P connector socket (TUC-P)		1
C362,363	256 1042 903	Metallized 0.1 μ F/250V	CF93A2E104K	CW933,934	203 5237 011	3P SDN-SDN connector cord		2
C364,365	255 1265 936	Mylar film 0.01 μ F/50V	CQ93M1H103J (B)	CW935	203 5225 007	3P SAN-SAN connector cord		1
C366	256 1042 903	Metallized 0.1 μ F/250V	CF93A2E104K	CW936	203 5235 000	3P SDN-3T lug wire		1
C367	255 1265 936	Mylar film 0.01 μ F/50V	CQ93M1H103J (B)	CW937	203 5236 009	3P SDN-3T lug wire		1
C375~377	254 4403 734	Electrolytic 4700 μ F/25V	CE04W1E472M (SMG)	CW938	203 5235 000	3P SDN-3T lug wire		1
C378	254 4403 718	Electrolytic 1000 μ F/25V	CE04W1E102M (SMG)	CW939	203 5236 009	3P SDN-3T lug wire		1
C379,380	254 4403 734	Electrolytic 4700 μ F/25V	CE04W1E472M (SMG)	CX035	205 0278 039	3P EH connector base (BK)		1
C381~384	255 1265 936	Mylar film 0.01 μ F/50V	CQ93M1H103J (B)	CX036	205 0653 036	3P VH connector base		1
C401~403	255 4235 934	Polypropylene film 0.01 μ F/100V	CQ93P2A103J (NH) for E2,E1,E1C,EUT	CX042	205 0884 083	4P connector base (TUC-P)		1
C405	255 4235 934	Polypropylene film 0.01 μ F/100V	CQ93P2A103J (NH) for E2,E1,E1C,EUT	CX044	205 0343 045	4P connector base (KR-PH)		1
C406,407	255 1265 936	Mylar film 0.01 μ F/50V	CQ93M1H103J (B)	CX053	205 0343 058	5P connector base (KR-PH)		1
C410	255 1265 936	Mylar film 0.01 μ F/50V	CQ93M1H103J (B)	CX062	205 0943 018	6P connector base (TUC-P)		1
C411~413	255 4235 934	Polypropylene film 0.01 μ F/100V	CQ93P2A103J (NH) for E2,E1,E1C,EUT	CX067	205 0343 061	6P connector base (KR-PH)		1
C415	255 1265 936	Mylar film 0.01 μ F/50V	CQ93M1H103J (B)	CX071	205 0943 021	7P connector base (TUC-P)		1
C417	255 1265 936	Mylar film 0.01 μ F/50V	CQ93M1H103J (B)	CX075	205 0343 074	7P connector base (KR-PH)		1
C419	255 1265 936	Mylar film 0.01 μ F/50V	CQ93M1H103J (B)	CX081~083	205 0884 096	8P connector base (TUC-P)		3
C420,421	255 4235 934	Polypropylene film 0.01 μ F/100V	CQ93P2A103J (NH) for E2,E1,E1C,EUT	CX102	205 0884 054	10P connector base (TUC-P)		1
C422	255 1265 936	Mylar film 0.01 μ F/50V	CQ93M1H103J (B)	CX151	205 0884 041	15P connector base (TUC-P)		1
C505,506	254 4562 714	Electrolytic 100 μ F/100V	CE04W2A101M (RFS)	CX931	205 0233 032	3P EH connector base		1
C507~509	256 1042 903	Metallized 0.1 μ F/250V	CF93A2E104K	CX932	205 0277 030	3P EH connector base (RD)		1
				CX934,935	205 0234 031	3P EH SID connector base		2
				CY075	205 0343 074	7P connector base (KR-PH)		1
				CY143	205 0375 042	14P connector base (KR-PH)		1

1U-3295/3295A EXT IN P.W.B. UNIT

Ref. No.	Part No.	Part Name	Remarks	Q'ty	Ref. No.	Part No.	Part Name	Remarks
CY159	205 0375 055	15P connector base (KR-PH)		1	SEMICONDUCTORS GROUP			
Δ F11~16	206 1039 089	Fuse 3.15A	for EU,EC,EUT	6	IC101	263 0896 909	IC NJM2068MD	for E2,E1,E1C,EUT
Δ F11~16	206 1015 074	Fuse 3.15A	for E2,E1,E1C	6	IC102	263 1098 900	IC LM833MX	
Δ F17,18	206 1039 063	Fuse 2.0A	for EU,EC,EUT	2	IC103	263 0896 909	IC NJM2068MD	
Δ F17,18	206 1015 061	Fuse 2.0A	for E2,E1,E1C	2	IC104	263 0615 902	IC BA15218F	
FF304~311	202 0040 909	Fuse clip		8	IC301,302	263 0896 909	IC NJM2068MD	
FH304~311	202 0040 909	Fuse clip		8	IC303,304	262 2540 904	IC TC9459F	
JK401	205 1147 004	6P SP terminal	for EU,EC	1	IC305,306	263 1098 900	IC LM833MX	
JK401	205 1148 003	4P SP terminal	for E2,E1,E1C,EUT	1	IC307	263 1074 908	IC OP275GSR	
JK402	205 1147 004	6P SP terminal		1	IC309,310	263 0896 909	IC NJM2068MD	
JK403	205 1148 003	4P SP terminal		1	IC311,312	262 2540 904	IC TC9459F	
JK404	205 1147 004	6P SP terminal	for EU,EC	1	IC313,314	263 1098 900	IC LM833MX	
JK404	205 1148 003	4P SP terminal	for E2,E1,E1C,EUT	1	IC315	263 1074 908	IC OP275GSR	
TP501	205 0190 036	3P NH connector base		1	IC317,318	263 0896 909	IC NJM2068MD	
W421,422	203 0688 005	1P SIN-SiN wire		2	IC319,320	262 2540 904	IC TC9459F	
W508~513	205 0864 003	M3 Screw terminal		6	IC321,322	263 1098 900	IC LM833MX	
W514~516	205 1034 023	M3 Screw terminal		3	IC323	263 1074 908	IC OP275GSR	
W517,518	205 1034 010	M3 Screw terminal		2	IC325,326	263 0896 909	IC NJM2068MD	
W531A-W531B	203 0689 004	1P SIN-SIN wire		1	IC327,328	262 2540 904	IC TC9459F	
	473 7002 018	Screw 3x8 CBTS (S)-Z		5	IC329,330	263 1098 900	IC LM833MX	
	513 2585 045	Fuse label (F11~16)	for E2,E1,E1C	6	IC331	263 1074 908	IC OP275GSR	
	513 2585 032	Fuse label (F17,18)	for E2,E1,E1C	2	IC601~604	263 0615 902	IC BA15218F	
	001 0057 027	Vinyl wire	for EU,EC	2	IC606	263 1098 900	IC LM833MX	
	001 0057 030	Vinyl wire	for EU,EC	1	IC607,608	263 0615 902	IC BA15218F	
	001 0122 017	Vinyl wire	for E2,E1,E1C,EUT	1	IC609~612	263 1040 903	IC BU4094BCF	
	203 0600 012	1P contact Ass'y	for E2,E1,E1C,EUT	1	IC613~617	262 2616 003	IC TC9184AP	
					IC618	263 1040 903	IC BU4094BCF	
					IC801	263 0995 004	IC NJM4556AD	
					IC802~805	263 1098 900	IC LM833MX	
					TR101~109	269 0048 904	Transistor DTC143EK	
					TR505	269 0083 901	Transistor DTA114EK	
					TR506	269 0082 902	Transistor DTC114EK	
					TR601~603	269 0048 904	Transistor DTC143EK	
					TR604	271 0131 924	Transistor 2SA988 (E/F)	
					TR605	273 0445 001	Transistor 2SC4495	
					TR606,607	271 0131 924	Transistor 2SA988 (E/F)	
					TR608	273 0187 916	Transistor 2SC2240 (BL)	
					TR609,610	273 0414 906	Transistor 2SC3326 (A/B)	
					TR611,612	269 0082 902	Transistor DTC114EK	
					TR613~622	269 0083 901	Transistor DTA114EK	
					TR801	269 0048 904	Transistor DTC143EK	
					TR803~818	273 0414 906	Transistor 2SC3326 (A/B)	
					D101~109	276 0559 909	Diode DAP202K	

Ref. No.	Part No.	Part Name	Remarks	Ref. No.	Part No.	Part Name	Remarks
D601-603	276 0559 909	Diode DAP202K		R205,206	247 2006 960	Carbon chip 470ohm 1/16W	RM73B--471J
D604-610	276 0559 909	Diode DAP202K		R207,208	247 2018 903	Carbon chip 0ohm 1/16W	RM73B--0R0K
D611	276 0704 903	Diode 1SR35-400A		R211	247 2012 925	Carbon chip 100kohm 1/16W	RM73B--104J
D612-626	276 0559 909	Diode DAP202K		R212	247 2009 967	Carbon chip 8.2kohm 1/16W	RM73B--822J
D631-634	276 0559 909	Diode DAP202K		R214	247 2012 941	Carbon chip 120kohm 1/16W	RM73B--124J
D636	276 0559 909	Diode DAP202K		R215,216	247 2006 960	Carbon chip 470ohm 1/16W	RM73B--471J
D638	276 0559 909	Diode DAP202K		R217,218	247 2018 903	Carbon chip 0ohm 1/16W	RM73B--0R0K
D640	276 0559 909	Diode DAP202K		R221,222	247 2012 925	Carbon chip 100kohm 1/16W	RM73B--104J
D642	276 0559 909	Diode DAP202K		R225,226	247 2006 960	Carbon chip 470ohm 1/16W	RM73B--471J
D644	276 0559 909	Diode DAP202K		R227,228	247 2018 903	Carbon chip 0ohm 1/16W	RM73B--0R0K
D647,648	276 0704 903	Diode 1SR35-400A		R231,232	247 2012 925	Carbon chip 100kohm 1/16W	RM73B--104J
D649	276 0559 909	Diode DAP202K		R235,236	247 2006 960	Carbon chip 470ohm 1/16W	RM73B--471J
D651	276 0559 909	Diode DAP202K		R237,238	247 2018 903	Carbon chip 0ohm 1/16W	RM73B--0R0K
D653	276 0559 909	Diode DAP202K		R241,242	247 2012 925	Carbon chip 100kohm 1/16W	RM73B--104J
D655	276 0559 909	Diode DAP202K		R245,246	247 2006 960	Carbon chip 470ohm 1/16W	RM73B--471J
D801	276 0559 909	Diode DAP202K		R247,248	247 2018 903	Carbon chip 0ohm 1/16W	RM73B--0R0K
D809,810	276 0559 909	Diode DAP202K		R251	247 2012 925	Carbon chip 100kohm 1/16W	RM73B--104J
RESISTORS GROUP				R252	247 2009 967	Carbon chip 8.2kohm 1/16W	RM73B--822J
R101,102	247 2006 944	Carbon chip 390ohm 1/16W	RM73B--391J	R254	247 2012 941	Carbon chip 120kohm 1/16W	RM73B--124J
R103,104	247 2011 984	Carbon chip 68kohm 1/16W	RM73B--683J	R255,256	247 2006 960	Carbon chip 470ohm 1/16W	RM73B--471J
R105,106	247 2012 967	Carbon chip 150kohm 1/16W	RM73B--154J	R257,258	247 2018 903	Carbon chip 0ohm 1/16W	RM73B--0R0K
R107,108	247 2004 920	Carbon chip 47ohm 1/16W	RM73B--470J	R261,262	247 2012 925	Carbon chip 100kohm 1/16W	RM73B--104J
R109,110	247 2005 990	Carbon chip 240ohm 1/16W	RM73B--241J	R265,266	247 2006 960	Carbon chip 470ohm 1/16W	RM73B--471J
R111,112	247 2012 954	Carbon chip 130kohm 1/16W	RM73B--134J	R267,268	247 2018 903	Carbon chip 0ohm 1/16W	RM73B--0R0K
R113,114	247 2009 996	Carbon chip 11kohm 1/16W	RM73B--113J	R271,272	247 2012 925	Carbon chip 100kohm 1/16W	RM73B--104J
R115,116	247 2003 947	Carbon chip 22ohm 1/16W	RM73B--220J	R275,276	247 2006 960	Carbon chip 470ohm 1/16W	RM73B--471J
R117,118	247 2005 903	Carbon chip 100ohm 1/16W	RM73B--101J	R277,278	247 2018 903	Carbon chip 0ohm 1/16W	RM73B--0R0K
R119,120	247 2011 942	Carbon chip 47kohm 1/16W	RM73B--473J	R281,282	247 2009 954	Carbon chip 7.5kohm 1/16W	RM73B--752J
R121,122	247 2018 903	Carbon chip 0ohm 1/16W	RM73B--0R0K	R283-293	247 2018 903	Carbon chip 0ohm 1/16W	RM73B--0R0K
R121,122	247 2007 972	Carbon chip 1.3kohm 1/16W	RM73B--132J	R301,302	247 2012 996	Carbon chip 200kohm 1/16W	RM73B--204J
R123-126	247 2012 925	Carbon chip 100kohm 1/16W	RM73B--104J	R303,304	247 2018 903	Carbon chip 0ohm 1/16W	RM73B--0R0K
R127,128	247 2005 903	Carbon chip 100ohm 1/16W	RM73B--101J	R307,308	247 2007 943	Carbon chip 1kohm 1/16W	RM73B--102J
R129,130	247 2004 920	Carbon chip 47ohm 1/16W	RM73B--470J	R309,310	247 2004 920	Carbon chip 47ohm 1/16W	RM73B--470J
R131,132	247 2011 942	Carbon chip 47kohm 1/16W	RM73B--473J	R311,312	247 2018 903	Carbon chip 0ohm 1/16W	RM73B--0R0K
R133,134	247 2012 925	Carbon chip 100kohm 1/16W	RM73B--104J	R313-316	247 2007 943	Carbon chip 1kohm 1/16W	RM73B--102J
R135,136	247 2005 903	Carbon chip 100ohm 1/16W	RM73B--101J	R317,318	247 2004 920	Carbon chip 47ohm 1/16W	RM73B--470J
R137,138	247 2010 998	Carbon chip 30kohm 1/16W	RM73B--303J	R319-326	247 2012 925	Carbon chip 100kohm 1/16W	RM73B--104J
R139,140	247 2010 927	Carbon chip 15kohm 1/16W	RM73B--153J	R333,334	247 2007 943	Carbon chip 1kohm 1/16W	RM73B--102J
R145-148	247 2012 925	Carbon chip 100kohm 1/16W	RM73B--104J	R335,336	247 2009 909	Carbon chip 4.7kohm 1/16W	RM73B--472J
R149,150	247 2005 903	Carbon chip 100ohm 1/16W	RM73B--101J	R339-342	247 2007 972	Carbon chip 1.3kohm 1/16W	RM73B--132J
R157,158	247 2018 903	Carbon chip 0ohm 1/16W	RM73B--0R0K	R343-346	247 2008 913	Carbon chip 2kohm 1/16W	RM73B--202J
R161-166	247 2018 903	Carbon chip 0ohm 1/16W	RM73B--0R0K	R349,350	247 2012 996	Carbon chip 200kohm 1/16W	RM73B--204J
R201,202	247 2012 925	Carbon chip 100kohm 1/16W	RM73B--104J	R351,352	247 2018 903	Carbon chip 0ohm 1/16W	RM73B--0R0K
				R355,356	247 2007 943	Carbon chip 1kohm 1/16W	RM73B--102J
				R357,358	247 2004 920	Carbon chip 47ohm 1/16W	RM73B--470J
				R359,360	247 2018 903	Carbon chip 0ohm 1/16W	RM73B--0R0K
				R361	247 2007 943	Carbon chip 1kohm 1/16W	RM73B--102J
				R363	247 2007 943	Carbon chip 1kohm 1/16W	RM73B--102J
				R364	247 2018 903	Carbon chip 0ohm 1/16W	RM73B--0R0K
				R365,366	247 2004 920	Carbon chip 47ohm 1/16W	RM73B--470J
				R367-374	247 2012 925	Carbon chip 100kohm 1/16W	RM73B--104J

Ref. No.	Part No.	Part Name	Remarks	Ref. No.	Part No.	Part Name	Remarks
R381,382	247 2007 943	Carbon chip 1kohm 1/16W	RM73B--102J	R490	247 2007 972	Carbon chip 1.3kohm 1/16W	RM73B--132J
R383,384	247 2009 909	Carbon chip 4.7kohm 1/16W	RM73B--472J	R492	247 2008 913	Carbon chip 2kohm 1/16W	RM73B--202J
R387	247 2007 972	Carbon chip 1.3kohm 1/16W	RM73B--132J	R494	247 2008 913	Carbon chip 2kohm 1/16W	RM73B--202J
R388	247 2008 900	Carbon chip 1.8kohm 1/16W	RM73B--182J				
R389	247 2007 972	Carbon chip 1.3kohm 1/16W	RM73B--132J	R501~548	247 2018 903	Carbon chip 0ohm 1/16W	RM73B--0R0K
R390	247 2008 900	Carbon chip 1.8kohm 1/16W	RM73B--182J	R549~556	247 2012 996	Carbon chip 200kohm 1/16W	RM73B--204J
R391	247 2008 913	Carbon chip 2kohm 1/16W	RM73B--202J				
R392	247 2009 996	Carbon chip 11kohm 1/16W	RM73B--113J	R601,602	247 2008 968	Carbon chip 3.3kohm 1/16W	RM73B--332J
R393	247 2008 913	Carbon chip 2kohm 1/16W	RM73B--202J	R603,604	247 2006 986	Carbon chip 560ohm 1/16W	RM73B--561J
R394	247 2009 996	Carbon chip 11kohm 1/16W	RM73B--113J	R605~608	247 2013 982	Carbon chip 470kohm 1/16W	RM73B--474J
R397	247 2012 996	Carbon chip 200kohm 1/16W	RM73B--204J	R609,610	247 2012 909	Carbon chip 82kohm 1/16W	RM73B--823J
R399	247 2018 903	Carbon chip 0ohm 1/16W	RM73B--0R0K	R611,612	247 2009 909	Carbon chip 4.7kohm 1/16W	RM73B--472J
				R613,614	247 2011 926	Carbon chip 39kohm 1/16W	RM73B--393J
R400~402	247 2012 996	Carbon chip 200kohm 1/16W	RM73B--204J	R615,616	247 2014 907	Carbon chip 560kohm 1/16W	RM73B--564J
R403,404	247 2018 903	Carbon chip 0ohm 1/16W	RM73B--0R0K	R617,618	247 2009 925	Carbon chip 5.6kohm 1/16W	RM73B--562J
R407,408	247 2007 943	Carbon chip 1kohm 1/16W	RM73B--102J	R619,620	247 2010 985	Carbon chip 27kohm 1/16W	RM73B--273J
R409,410	247 2004 920	Carbon chip 47ohm 1/16W	RM73B--470J	R621,622	247 2007 943	Carbon chip 1kohm 1/16W	RM73B--102J
R411,412	247 2018 903	Carbon chip 0ohm 1/16W	RM73B--0R0K	R623,624	247 2009 983	Carbon chip 10kohm 1/16W	RM73B--103J
R413~416	247 2007 943	Carbon chip 1kohm 1/16W	RM73B--102J	R625,626	247 2008 968	Carbon chip 3.3kohm 1/16W	RM73B--332J
R417,418	247 2004 920	Carbon chip 47ohm 1/16W	RM73B--470J	R627,628	247 2006 986	Carbon chip 560ohm 1/16W	RM73B--561J
R419~426	247 2012 925	Carbon chip 100kohm 1/16W	RM73B--104J	R629~632	247 2013 982	Carbon chip 470kohm 1/16W	RM73B--474J
R434	247 2007 943	Carbon chip 1kohm 1/16W	RM73B--102J	R633,634	247 2012 909	Carbon chip 82kohm 1/16W	RM73B--823J
R437	247 2007 943	Carbon chip 1kohm 1/16W	RM73B--102J	R635,636	247 2009 909	Carbon chip 4.7kohm 1/16W	RM73B--472J
R438,439	247 2009 909	Carbon chip 4.7kohm 1/16W	RM73B--472J	R637,638	247 2011 926	Carbon chip 39kohm 1/16W	RM73B--393J
R442~445	247 2007 972	Carbon chip 1.3kohm 1/16W	RM73B--132J	R639,640	247 2014 907	Carbon chip 560kohm 1/16W	RM73B--564J
R446~449	247 2008 913	Carbon chip 2kohm 1/16W	RM73B--202J	R641,642	247 2009 925	Carbon chip 5.6kohm 1/16W	RM73B--562J
R451	247 2007 943	Carbon chip 1kohm 1/16W	RM73B--102J	R643,644	247 2010 985	Carbon chip 27kohm 1/16W	RM73B--273J
R452	247 2018 903	Carbon chip 0ohm 1/16W	RM73B--0R0K	R645,646	247 2007 943	Carbon chip 1kohm 1/16W	RM73B--102J
R453	247 2004 920	Carbon chip 47ohm 1/16W	RM73B--470J	R647,648	247 2009 983	Carbon chip 10kohm 1/16W	RM73B--103J
R455	247 2018 903	Carbon chip 0ohm 1/16W	RM73B--0R0K	R649,650	247 2008 968	Carbon chip 3.3kohm 1/16W	RM73B--332J
R456,457	247 2007 943	Carbon chip 1kohm 1/16W	RM73B--102J	R651,652	247 2006 986	Carbon chip 560ohm 1/16W	RM73B--561J
R458	247 2004 920	Carbon chip 47ohm 1/16W	RM73B--470J	R653~656	247 2013 982	Carbon chip 470kohm 1/16W	RM73B--474J
R459	247 2007 943	Carbon chip 1kohm 1/16W	RM73B--102J	R657,658	247 2012 909	Carbon chip 82kohm 1/16W	RM73B--823J
R460	247 2018 903	Carbon chip 0ohm 1/16W	RM73B--0R0K	R659,660	247 2009 909	Carbon chip 4.7kohm 1/16W	RM73B--472J
R461	247 2004 920	Carbon chip 47ohm 1/16W	RM73B--470J	R661,662	247 2011 926	Carbon chip 39kohm 1/16W	RM73B--393J
R462	247 2007 943	Carbon chip 1kohm 1/16W	RM73B--102J	R663,664	247 2014 907	Carbon chip 560kohm 1/16W	RM73B--564J
R463	247 2012 925	Carbon chip 100kohm 1/16W	RM73B--104J	R665,666	247 2009 925	Carbon chip 5.6kohm 1/16W	RM73B--562J
R464	247 2007 943	Carbon chip 1kohm 1/16W	RM73B--102J	R667,668	247 2010 985	Carbon chip 27kohm 1/16W	RM73B--273J
R465	247 2012 925	Carbon chip 100kohm 1/16W	RM73B--104J	R669,670	247 2007 943	Carbon chip 1kohm 1/16W	RM73B--102J
R466	247 2004 920	Carbon chip 47ohm 1/16W	RM73B--470J	R671,672	247 2009 983	Carbon chip 10kohm 1/16W	RM73B--103J
R467~470	247 2012 925	Carbon chip 100kohm 1/16W	RM73B--104J	R673,674	247 2008 968	Carbon chip 3.3kohm 1/16W	RM73B--332J
R472	247 2012 925	Carbon chip 100kohm 1/16W	RM73B--104J	R675,676	247 2006 986	Carbon chip 560ohm 1/16W	RM73B--561J
R474	247 2012 925	Carbon chip 100kohm 1/16W	RM73B--104J	R677~680	247 2013 982	Carbon chip 470kohm 1/16W	RM73B--474J
R477	247 2007 943	Carbon chip 1kohm 1/16W	RM73B--102J	R681,682	247 2012 909	Carbon chip 82kohm 1/16W	RM73B--823J
R479	247 2009 909	Carbon chip 4.7kohm 1/16W	RM73B--472J	R683,684	247 2009 909	Carbon chip 4.7kohm 1/16W	RM73B--472J
R482	247 2007 943	Carbon chip 1kohm 1/16W	RM73B--102J	R685,686	247 2011 926	Carbon chip 39kohm 1/16W	RM73B--393J
R483	247 2007 972	Carbon chip 1.3kohm 1/16W	RM73B--132J	R687,688	247 2014 907	Carbon chip 560kohm 1/16W	RM73B--564J
R484	247 2009 909	Carbon chip 4.7kohm 1/16W	RM73B--472J	R689,690	247 2009 925	Carbon chip 5.6kohm 1/16W	RM73B--562J
R485	247 2007 972	Carbon chip 1.3kohm 1/16W	RM73B--132J	R691,692	247 2010 985	Carbon chip 27kohm 1/16W	RM73B--273J
R487	247 2008 913	Carbon chip 2kohm 1/16W	RM73B--202J	R693,694	247 2007 943	Carbon chip 1kohm 1/16W	RM73B--102J
R488	247 2007 972	Carbon chip 1.3kohm 1/16W	RM73B--132J	R695,696	247 2009 983	Carbon chip 10kohm 1/16W	RM73B--103J
R489	247 2008 913	Carbon chip 2kohm 1/16W	RM73B--202J	R697~701	247 2018 903	Carbon chip 0ohm 1/16W	RM73B--0R0K

Ref. No.	Part No.	Part Name	Remarks	Ref. No.	Part No.	Part Name	Remarks
R702,703	247 2008 926	Carbon chip 2.2kohm 1/16W	RM73B--222J	R815,816	247 2009 909	Carbon chip 4.7kohm 1/16W	RM73B--472J
R704	247 2008 968	Carbon chip 3.3kohm 1/16W	RM73B--332J	R817,818	247 2005 987	Carbon chip 220ohm 1/16W	RM73B--221J
R705	247 2008 926	Carbon chip 2.2kohm 1/16W	RM73B--222J	R819,820	247 2011 942	Carbon chip 47kohm 1/16W	RM73B--473J
R706	247 2014 907	Carbon chip 560kohm 1/16W	RM73B--564J	R821,822	247 2005 987	Carbon chip 220ohm 1/16W	RM73B--221J
R707	247 2018 903	Carbon chip 0ohm 1/16W	RM73B--0R0K	R823,824	247 2010 969	Carbon chip 22kohm 1/16W	RM73B--223J
R708	247 2008 900	Carbon chip 1.8kohm 1/16W	RM73B--182J	R825,826	247 2012 925	Carbon chip 100kohm 1/16W	RM73B--104J
R709	247 2010 969	Carbon chip 22kohm 1/16W	RM73B--223J	R827,828	247 2002 964	Carbon chip 10ohm 1/16W	RM73B--100J
R710	247 2008 971	Carbon chip 3.6kohm 1/16W	RM73B--362J	R829,830	247 2012 996	Carbon chip 200kohm 1/16W	RM73B--204J
R711	247 2014 907	Carbon chip 560kohm 1/16W	RM73B--564J	R831,832	247 2009 909	Carbon chip 4.7kohm 1/16W	RM73B--472J
R712,713	247 2009 983	Carbon chip 10kohm 1/16W	RM73B--103J	R833,834	247 2005 987	Carbon chip 220ohm 1/16W	RM73B--221J
R714	247 2005 987	Carbon chip 220ohm 1/16W	RM73B--221J	R835,836	247 2011 942	Carbon chip 47kohm 1/16W	RM73B--473J
R715,716	247 2012 925	Carbon chip 100kohm 1/16W	RM73B--104J	R837,838	247 2005 987	Carbon chip 220ohm 1/16W	RM73B--221J
R717,718	247 2007 998	Carbon chip 1.6kohm 1/16W	RM73B--162J	R839,840	247 2010 969	Carbon chip 22kohm 1/16W	RM73B--223J
R719,720	247 2010 969	Carbon chip 22kohm 1/16W	RM73B--223J	R841,842	247 2012 925	Carbon chip 100kohm 1/16W	RM73B--104J
R723	247 2009 983	Carbon chip 10kohm 1/16W	RM73B--103J	R843,844	247 2002 964	Carbon chip 10ohm 1/16W	RM73B--100J
R724	247 2013 982	Carbon chip 470kohm 1/16W	RM73B--474J	R845,846	247 2012 996	Carbon chip 200kohm 1/16W	RM73B--204J
R725,726	247 2012 925	Carbon chip 100kohm 1/16W	RM73B--104J	R847,848	247 2009 909	Carbon chip 4.7kohm 1/16W	RM73B--472J
R727,728	247 2011 942	Carbon chip 47kohm 1/16W	RM73B--473J	R849,850	247 2005 987	Carbon chip 220ohm 1/16W	RM73B--221J
R729,730	247 2011 900	Carbon chip 33kohm 1/16W	RM73B--333J	R851,852	247 2011 942	Carbon chip 47kohm 1/16W	RM73B--473J
R731,732	247 2013 924	Carbon chip 270kohm 1/16W	RM73B--274J	R853,854	247 2005 987	Carbon chip 220ohm 1/16W	RM73B--221J
R733,734	247 2007 943	Carbon chip 1kohm 1/16W	RM73B--102J	R855,856	247 2010 969	Carbon chip 22kohm 1/16W	RM73B--223J
R735,736	247 2011 926	Carbon chip 39kohm 1/16W	RM73B--393J	R857,858	247 2012 925	Carbon chip 100kohm 1/16W	RM73B--104J
R737-768	247 2009 983	Carbon chip 10kohm 1/16W	RM73B--103J	R859,860	247 2002 964	Carbon chip 10ohm 1/16W	RM73B--100J
R769	247 2005 987	Carbon chip 220ohm 1/16W	RM73B--221J	R861,862	247 2012 996	Carbon chip 200kohm 1/16W	RM73B--204J
R770	247 2013 982	Carbon chip 470kohm 1/16W	RM73B--474J	R863,864	247 2009 909	Carbon chip 4.7kohm 1/16W	RM73B--472J
R771	247 2005 987	Carbon chip 220ohm 1/16W	RM73B--221J	R865,866	247 2005 987	Carbon chip 220ohm 1/16W	RM73B--221J
R772	247 2013 982	Carbon chip 470kohm 1/16W	RM73B--474J	R867,868	247 2011 942	Carbon chip 47kohm 1/16W	RM73B--473J
R773	247 2005 987	Carbon chip 220ohm 1/16W	RM73B--221J	R869,870	247 2005 987	Carbon chip 220ohm 1/16W	RM73B--221J
R774	247 2013 982	Carbon chip 470kohm 1/16W	RM73B--474J	R871,872	247 2010 969	Carbon chip 22kohm 1/16W	RM73B--223J
R775	247 2005 987	Carbon chip 220ohm 1/16W	RM73B--221J	R873,874	247 2012 925	Carbon chip 100kohm 1/16W	RM73B--104J
R776	247 2013 982	Carbon chip 470kohm 1/16W	RM73B--474J	R875,876	247 2002 964	Carbon chip 10ohm 1/16W	RM73B--100J
R777	247 2005 987	Carbon chip 220ohm 1/16W	RM73B--221J	R877	247 2018 903	Carbon chip 0ohm 1/16W	RM73B--0R0K
R778	247 2013 982	Carbon chip 470kohm 1/16W	RM73B--474J	R879,880	247 2018 903	Carbon chip 0ohm 1/16W	RM73B--0R0K
R779	247 2005 987	Carbon chip 220ohm 1/16W	RM73B--221J	R885-892	247 2005 903	Carbon chip 100ohm 1/16W	RM73B--101J
R780	247 2013 982	Carbon chip 470kohm 1/16W	RM73B--474J	R893-912	247 2018 903	Carbon chip 0ohm 1/16W	RM73B--0R0K
R781,782	247 2018 903	Carbon chip 0ohm 1/16W	RM73B--0R0K	R917-920	247 2018 903	Carbon chip 0ohm 1/16W	RM73B--0R0K
R783-790	247 2009 983	Carbon chip 10kohm 1/16W	RM73B--103J	R921-930	247 2012 996	Carbon chip 200kohm 1/16W	RM73B--204J
R792,793	247 2018 903	Carbon chip 0ohm 1/16W	RM73B--0R0K	R931-936	247 2007 998	Carbon chip 1.6kohm 1/16W	RM73B--162J
R794	247 2005 987	Carbon chip 220ohm 1/16W	RM73B--221J	CAPACITORS GROUP			
R795	247 2013 982	Carbon chip 470kohm 1/16W	RM73B--474J	C101,102	257 0507 934	Ceramic chip 220pF/50V	CC73CH1H221J
R796	247 2005 987	Carbon chip 220ohm 1/16W	RM73B--221J	C103	254 4524 943	Electrolytic 1µF/50V	CE04W1H010M (SMG/RE3)
R797	247 2013 982	Carbon chip 470kohm 1/16W	RM73B--474J	C105,106	254 4524 985	Electrolytic 10µF/50V	CE04W1H100M (SMG/RE3)
R798	247 2005 987	Carbon chip 220ohm 1/16W	RM73B--221J	C107,108	257 0506 951	Ceramic chip 100pF/50V	CC73CH1H101J
R799	247 2013 982	Carbon chip 470kohm 1/16W	RM73B--474J	C109,110	254 4536 931	Electrolytic 220µF/10V	CE04W1A221M (SMG/RE3)
R801,802	247 2012 996	Carbon chip 200kohm 1/16W	RM73B--204J	C111,112	255 4199 999	Mylar film 0.024µF/50V	CQ92M1H243J (MRZ)
R803	247 2007 943	Carbon chip 1kohm 1/16W	RM73B--102J	C113,114	255 1265 907	Mylar film 6800pF/50V	CQ93M1H682J (B)
R805,806	247 2009 925	Carbon chip 5.6kohm 1/16W	RM73B--562J	C115,116	254 4524 985	Electrolytic 10µF/50V	CE04W1H100M (SMG/RE3)
R807,808	244 2051 961	Metal oxide 100ohm 1W (NB)	RS14B3A101JNBS (S)	C117,118	254 4524 972	Electrolytic 4.7µF/50V	CE04W1H4R7M (SMG/RE3)
R809,810	247 2009 909	Carbon chip 4.7kohm 1/16W	RM73B--472J	C119,120	257 0506 951	Ceramic chip 100pF/50V	CC73CH1H101J for E2,E1,E1C,EUT
R811,812	247 2018 903	Carbon chip 0ohm 1/16W	RM73B--0R0K				
R813,814	247 2012 996	Carbon chip 200kohm 1/16W	RM73B--204J				

Ref. No.	Part No.	Part Name	Remarks	Ref. No.	Part No.	Part Name	Remarks
C121,122	254 4524 985	Electrolytic 10 μ F/50V	CE04W1H100M (SMG/RE3) for E2,E1,E1C,EUT	C391,392	254 4524 972	Electrolytic 4.7 μ F/50V	CE04W1H4R7M (SMG/RE3)
C127,128	254 4524 985	Electrolytic 10 μ F/50V	CE04W1H100M (SMG/RE3) for E2,E1,E1C,EUT	C395-398	254 4524 985	Electrolytic 10 μ F/50V	CE04W1H100M (SMG/RE3)
C131,132	254 4524 972	Electrolytic 4.7 μ F/50V	CE04W1H4R7M (SMG/RE3)	C401-404	254 4524 985	Electrolytic 10 μ F/50V	CE04W1H100M (SMG/RE3)
C133,134	254 4524 985	Electrolytic 10 μ F/50V	CE04W1H100M (SMG/RE3)	C405-408	255 1273 944	Mylar film 220pF/50V	CQ93M1H221J (B)
C135-138	256 1058 971	Metallized 0.1 μ F/50V	CF93A1H104J (JL)	C411,412	254 4557 936	Electrolytic 10 μ F/50V	CE04W1H100M (RFS)
C139,140	254 4524 972	Electrolytic 4.7 μ F/50V	CE04W1H4R7M (SMG/RE3)	C601,602	254 4524 956	Electrolytic 2.2 μ F/35V	CE04W1H2R2M (SMG/RE3)
C141,142	254 4524 985	Electrolytic 10 μ F/50V	CE04W1H100M (SMG/RE3)	C605,606	255 1273 902	Mylar film 100pF/50V	CQ93M1H101J (B)
C151-159	254 4524 969	Electrolytic 3.3 μ F/50V	CE04W1H3R3M (SMG/RE3)	C607,608	254 4524 969	Electrolytic 3.3 μ F/50V	CE04W1H3R3M (SMG/RE3)
C201,202	257 0506 951	Ceramic chip 100pF/50V	CC73CH1H101J for E2,E1,E1C,EUT	C609,610	256 1058 942	Metallized 0.056 μ F/50V	CF93A1H563J (JL)
C213,214	257 0506 951	Ceramic chip 100pF/50V	CC73CH1H101J for E2,E1,E1C,EUT	C611,612	255 1265 907	Mylar film 6800pF/50V	CQ93M1H682J (B)
C225,226	257 0506 951	Ceramic chip 100pF/50V	CC73CH1H101J for E2,E1,E1C,EUT	C613,614	254 4524 972	Electrolytic 4.7 μ F/50V	CE04W1H4R7M (SMG/RE3)
C237,238	257 0506 951	Ceramic chip 100pF/50V	CC73CH1H101J for E2,E1,E1C,EUT	C615,616	255 1265 949	Mylar film 0.012 μ F/50V	CQ93M1H123J (B)
C249,250	257 0506 951	Ceramic chip 100pF/50V	CC73CH1H101J for E2,E1,E1C,EUT	C617,618	255 1264 953	Mylar film 2700pF/50V	CQ93M1H272J (B)
C261,262	257 0506 951	Ceramic chip 100pF/50V	CC73CH1H101J for E2,E1,E1C,EUT	C619,620	255 1265 978	Mylar film 0.022 μ F/50V	CQ93M1H223J (B)
C273,274	257 0506 951	Ceramic chip 100pF/50V	CC73CH1H101J for E2,E1,E1C,EUT	C621,622	254 4524 972	Electrolytic 4.7 μ F/50V	CE04W1H4R7M (SMG/RE3)
C285,286	257 0506 951	Ceramic chip 100pF/50V	CC73CH1H101J for E2,E1,E1C,EUT	C623,624	254 4524 956	Electrolytic 2.2 μ F/35V	CE04W1H2R2M (SMG/RE3)
C297	254 4524 943	Electrolytic 1 μ F/50V	CE04W1H010M (SMG/RE3)	C627,628	255 1273 902	Mylar film 100pF/50V	CQ93M1H101J (B)
C299,300	254 4524 943	Electrolytic 1 μ F/50V	CE04W1H010M (SMG/RE3)	C629,630	254 4524 969	Electrolytic 3.3 μ F/50V	CE04W1H3R3M (SMG/RE3)
C301,302	254 4313 947	Electrolytic 4.7 μ F/50V	CE04W1H4R7M (ASF)	C631,632	256 1058 942	Metallized 0.056 μ F/50V	CF93A1H563J (JL)
C303-306	255 1273 902	Mylar film 100pF/50V	CQ93M1H101J (B)	C633,634	255 1265 907	Mylar film 6800pF/50V	CQ93M1H682J (B)
C311-314	254 4313 918	Electrolytic 10 μ F/50V	CE04W1H100M (ASF)	C635,636	255 1265 949	Mylar film 0.012 μ F/50V	CQ93M1H123J (B)
C317-320	254 4313 918	Electrolytic 10 μ F/50V	CE04W1H100M (ASF)	C637,638	255 1264 953	Mylar film 2700pF/50V	CQ93M1H272J (B)
C321-324	255 1273 944	Mylar film 220pF/50V	CQ93M1H221J (B)	C639,640	255 1265 978	Mylar film 0.022 μ F/50V	CQ93M1H223J (B)
C327,328	254 4557 936	Electrolytic 10 μ F/50V	CE04W1H100M (RFS)	C641,642	254 4524 972	Electrolytic 4.7 μ F/50V	CE04W1H4R7M (SMG/RE3)
C331-333	255 1273 902	Mylar film 100pF/50V	CQ93M1H101J (B)	C643,644	254 4524 956	Electrolytic 2.2 μ F/35V	CE04W1H2R2M (SMG/RE3)
C335,336	254 4524 972	Electrolytic 4.7 μ F/50V	CE04W1H4R7M (SMG/RE3)	C647,648	255 1273 902	Mylar film 100pF/50V	CQ93M1H101J (B)
C339-342	254 4524 985	Electrolytic 10 μ F/50V	CE04W1H100M (SMG/RE3)	C649,650	254 4524 969	Electrolytic 3.3 μ F/50V	CE04W1H3R3M (SMG/RE3)
C345-348	254 4524 985	Electrolytic 10 μ F/50V	CE04W1H100M (SMG/RE3)	C651,652	256 1058 942	Metallized 0.056 μ F/50V	CF93A1H563J (JL)
C349	255 1273 944	Mylar film 220pF/50V	CQ93M1H221J (B)	C653,654	255 1265 907	Mylar film 6800pF/50V	CQ93M1H682J (B)
C350	253 4537 966	Ceramic 47pF/50V	CC45SL1H470J	C655,656	255 1265 949	Mylar film 0.012 μ F/50V	CQ93M1H123J (B)
C351	255 1273 944	Mylar film 220pF/50V	CQ93M1H221J (B)	C657,658	255 1264 953	Mylar film 2700pF/50V	CQ93M1H272J (B)
C352	253 4537 966	Ceramic 47pF/50V	CC45SL1H470J	C659,660	255 1265 978	Mylar film 0.022 μ F/50V	CQ93M1H223J (B)
C355,356	254 4557 936	Electrolytic 10 μ F/50V	CE04W1H100M (RFS)	C661,662	254 4524 972	Electrolytic 4.7 μ F/50V	CE04W1H4R7M (SMG/RE3)
C359-362	255 1273 902	Mylar film 100pF/50V	CQ93M1H101J (B)	C663,664	254 4524 956	Electrolytic 2.2 μ F/35V	CE04W1H2R2M (SMG/RE3)
C365,366	254 4524 972	Electrolytic 4.7 μ F/50V	CE04W1H4R7M (SMG/RE3)	C667,668	255 1273 902	Mylar film 100pF/50V	CQ93M1H101J (B)
C367-370	254 4524 985	Electrolytic 10 μ F/50V	CE04W1H100M (SMG/RE3)	C669,670	254 4524 969	Electrolytic 3.3 μ F/50V	CE04W1H3R3M (SMG/RE3)
C373-376	254 4524 985	Electrolytic 10 μ F/50V	CE04W1H100M (SMG/RE3)	C671,672	256 1058 942	Metallized 0.056 μ F/50V	CF93A1H563J (JL)
C377-380	255 1273 944	Mylar film 220pF/50V	CQ93M1H221J (B)	C673,674	255 1265 907	Mylar film 6800pF/50V	CQ93M1H682J (B)
C383,384	254 4557 936	Electrolytic 10 μ F/50V	CE04W1H100M (RFS)	C675,676	254 4524 972	Electrolytic 4.7 μ F/50V	CE04W1H4R7M (SMG/RE3)
C387-390	255 1273 902	Mylar film 100pF/50V	CQ93M1H101J (B)	C677,678	255 1265 949	Mylar film 0.012 μ F/50V	CQ93M1H123J (B)
				C679,680	255 1264 953	Mylar film 2700pF/50V	CQ93M1H272J (B)
				C681,682	255 1265 978	Mylar film 0.022 μ F/50V	CQ93M1H223J (B)
				C683,684	254 4524 972	Electrolytic 4.7 μ F/50V	CE04W1H4R7M (SMG/RE3)
				C690-692	254 4524 969	Electrolytic 3.3 μ F/50V	CE04W1H3R3M (SMG/RE3)
				C693	257 0511 904	Ceramic chip 0.01 μ F/50V	CK73F1H103Z
				C694	254 4524 956	Electrolytic 2.2 μ F/35V	CE04W1H2R2M (SMG/RE3)
				C695	257 0501 901	Ceramic chip 0.01 μ F/50V	CK73B1H103K
				C696	254 4538 939	Electrolytic 47 μ F/16V	CE04W1C470M (SMG/RE3)
				C697,698	254 4524 985	Electrolytic 10 μ F/50V	CE04W1H100M (SMG/RE3)
				C699,700	255 1273 902	Mylar film 100pF/50V	CQ93M1H101J (B)

Ref. No.	Part No.	Part Name	Remarks	Ref. No.	Part No.	Part Name	Remarks	Q'ty
C703,704	254 4524 972	Electrolytic 4.7 μ F/50V	CE04W1H4R7M (SMG/RE3)	OTHER PARTS GROUP				
C705,706	254 4524 985	Electrolytic 10 μ F/50V	CE04W1H100M (SMG/RE3)	AS101~104	205 0452 017	Style pin		4
C707,708	254 4524 943	Electrolytic 1 μ F/50V	CE04W1H010M (SMG/RE3)					
C709,710	254 4524 985	Electrolytic 10 μ F/50V	CE04W1H100M (SMG/RE3)	CX034	205 0406 034	3P connector base (KR-PH)	for EU,EC	1
C711	257 0511 904	Ceramic chip 0.01 μ F/35V	CK73F1H103Z	CX041	205 0343 045	4P connector base (KR-PH)		1
C712	254 4522 958	Electrolytic 100 μ F/35V	CE04W1V101M (SMG/RE3)	CX142,143	205 0375 042	14P connector base (KR-PH)		2
C713~722	254 4524 943	Electrolytic 1 μ F/50V	CE04W1H010M (SMG/RE3)	CX154	205 0375 055	15P connector base (KR-PH)		1
C801,802	254 4524 985	Electrolytic 10 μ F/50V	CE04W1H100M (SMG/RE3)	CY032	205 0321 038	3P connector base (RED)		1
C803,804	254 4538 955	Electrolytic 220 μ F/16V	CE04W1C221M (SMG/RE3)	CY043	205 0343 045	4P connector base (KR-PH)		1
C805,806	254 4524 985	Electrolytic 10 μ F/50V	CE04W1H100M (SMG/RE3)	CY072	205 0343 074	7P connector base (KR-PH)		1
C807,808	254 4524 972	Electrolytic 4.7 μ F/50V	CE04W1H4R7M (SMG/RE3)	CY095	205 0343 090	9P connector base (KR-PH)		1
C809~812	254 4538 913	Electrolytic 22 μ F/16V	CE04W1C220M (SMG/RE3)	CY104	205 0375 000	10P connector base (KR-PH)		1
C815,816	254 4524 985	Electrolytic 10 μ F/50V	CE04W1H100M (SMG/RE3)	CY126	205 0375 026	12P connector base (KR-PH)		1
C817~820	254 4538 913	Electrolytic 22 μ F/16V	CE04W1C220M (SMG/RE3)	CY136	205 0375 039	13P connector base (KR-PH)		1
C823,824	254 4524 972	Electrolytic 4.7 μ F/50V	CE04W1H4R7M (SMG/RE3)	CY141	205 0375 042	14P connector base (KR-PH)		1
C825~828	254 4538 913	Electrolytic 22 μ F/16V	CE04W1C220M (SMG/RE3)					
C831,832	254 4524 972	Electrolytic 4.7 μ F/50V	CE04W1H4R7M (SMG/RE3)	JK101	204 8562 016	2P pin jack (S-GND)		1
C833~836	254 4538 913	Electrolytic 22 μ F/16V	CE04W1C220M (SMG/RE3)	JK102	204 8562 016	2P pin jack (S-GND)	for E2,E1,E1C,EUT	1
C839	254 4524 943	Electrolytic 1 μ F/50V	CE04W1H010M (SMG/RE3)	JK201~203	204 8513 007	6P pin jack (S-GND)		3
				JK801	204 8513 007	6P pin jack (S-GND)		1
				LF101,102	235 9003 002	FTZ choke coil	for E2,E1,E1C,EUT	2
				RL101~111	214 0208 003	Relay (NA24W-K)		11
				RL113	214 0208 003	Relay (NA24W-K)	for EU,EC	1
				RL601~604	214 0208 003	Relay (NA24W-K)		4
				RL801	214 0208 003	Relay (NA24W-K)		1
				SH101	414 0799 109	Shield plate		1
					001 0105 005	Vinyl wire	for EU,EC	1
					209 8036 042	Jumper (L=2.5)	for E2,E1,E1C,EUT	2

1U-3296/3296A POWER AMP P.W.B. UNIT

Ref. No.	Part No.	Part Name	Remarks	Ref. No.	Part No.	Part Name	Remarks
SEMICONDUCTORS GROUP				SEMICONDUCTORS GROUP			
TR101,102	273 0253 918	Transistor 2SC2878 (A/B)		D207,208	276 0456 918	Zener diode HZS4B-2	
TR103-106	273 0235 923	Transistor 2SC1841 (E/F)		D209-216	276 0432 903	Diode 1SS270A	
TR107-110	271 0297 004	Transistor 2SA1546 (L)		D301-304	276 0432 903	Diode 1SS270A	
TR111,112	273 0453 006	Transistor 2SC4001 (M/L)		D305,306	276 0455 906	Zener diode HZS4A-1	
TR113,114	273 0445 001	Transistor 2SC4495		D307,308	276 0456 918	Zener diode HZS4B-2	
TR115,116	273 0235 923	Transistor 2SC1841 (E/F)		D309-316	276 0432 903	Diode 1SS270A	
TR121,122	273 0253 918	Transistor 2SC2878 (A/B)		D402	276 0432 903	Diode 1SS270A	
TR123-126	275 0055 015	FET 2SK184C (GR)/(BL)		D404	276 0432 903	Diode 1SS270A	
TR201,202	273 0253 918	Transistor 2SC2878 (A/B)		D406	276 0455 906	Zener diode HZS4A-1	
TR203-206	273 0235 923	Transistor 2SC1841 (E/F)		D408	276 0456 918	Zener diode HZS4B-2	
TR207-210	271 0297 004	Transistor 2SA1546 (L)		D410	276 0432 903	Diode 1SS270A	
TR211,212	273 0453 006	Transistor 2SC4001 (M/L)		D412	276 0432 903	Diode 1SS270A	
TR213,214	273 0445 001	Transistor 2SC4495		D414	276 0432 903	Diode 1SS270A	
TR215,216	273 0235 923	Transistor 2SC1841 (E/F)		D416	276 0432 903	Diode 1SS270A	
TR221,222	273 0253 918	Transistor 2SC2878 (A/B)		D501-508	276 0432 903	Diode 1SS270A	
TR223-226	275 0055 015	FET 2SK184C (GR)/(BL)		D510-512	276 0432 903	Diode 1SS270A	
TR301,302	273 0253 918	Transistor 2SC2878 (A/B)		D552	276 0704 903	Diode 1SR35-400A	
TR303-306	273 0235 923	Transistor 2SC1841 (E/F)		ZD552	276 0643 970	Zener diode MTZJ4.7A	
TR307-310	271 0297 004	Transistor 2SA1546 (L)		PT501,502	279 0034 067	Posistor PTH9M04BB222TS2F333	
TR311,312	273 0453 006	Transistor 2SC4001 (M/L)		PT503,504	279 0034 070	Posistor PTH9M04BE222TS2F333	
TR313,314	273 0445 001	Transistor 2SC4495		RESISTORS GROUP			
TR315,316	273 0235 923	Transistor 2SC1841 (E/F)		R111,112	241 2378 962	Carbon film 330ohm 1/4W (NB)	RD14B2E331JNBS
TR321,322	273 0253 918	Transistor 2SC2878 (A/B)		R119,120	241 2378 962	Carbon film 330ohm 1/4W (NB)	RD14B2E331JNBS
TR323-326	275 0055 015	FET 2SK184C (GR)/(BL)		R123,124	241 2315 983	Carbon film 330ohm 1/4W (FR)	RD14B2E331GFRS
TR402	273 0253 918	Transistor 2SC2878 (A/B)		R125,126	244 2671 914	Metal oxide 15kohm 2W (NB)	RS14B3D153JNBS (S)
TR404	273 0235 923	Transistor 2SC1841 (E/F)		R127,128	241 2371 930	Carbon film 160ohm 1/4W (FR)	RD14B2E161GFRS
TR406	273 0235 923	Transistor 2SC1841 (E/F)		R129,130	241 2315 983	Carbon film 330ohm 1/4W (FR)	RD14B2E331GFRS
TR408	271 0297 004	Transistor 2SA1546 (L)		R137-140	241 2387 940	Carbon film 4.7ohm 1/4W (NB)	RD14B2E4R7JNBS
TR410	271 0297 004	Transistor 2SA1546 (L)		R141-148	244 2671 943	Metal oxide 0.22ohm 2W (NB)	RS14B3D0R22JNBS (S)
TR412	273 0453 006	Transistor 2SC4001 (M/L)		R165-168	244 2671 930	Metal oxide 22ohm 2W (NB)	RS14B3D220JNBS (S)
TR414	273 0445 001	Transistor 2SC4495		R171,172	241 2380 918	Carbon film 1.3kohm 1/4W (NB)	RD14B2E132JNBS
TR416	273 0235 923	Transistor 2SC1841 (E/F)		R173,174	241 2377 921	Carbon film 82ohm 1/4W (NB)	RD14B2E820JNBS
TR422	273 0253 918	Transistor 2SC2878 (A/B)		R189,190	241 2371 930	Carbon film 160ohm 1/4W (FR)	RD14B2E161GFRS
TR424	275 0055 015	FET 2SK184C (GR)/(BL)		R211,212	241 2378 962	Carbon film 330ohm 1/4W (NB)	RD14B2E331JNBS
TR426	275 0055 015	FET 2SK184C (GR)/(BL)		R219,220	241 2378 962	Carbon film 330ohm 1/4W (NB)	RD14B2E331JNBS
TR503-510	273 0388 906	Transistor 2SC1740S (E)		R223,224	241 2315 983	Carbon film 330ohm 1/4W (FR)	RD14B2E331GFRS
TR512-514	273 0388 906	Transistor 2SC1740S (E)		R225,226	244 2671 914	Metal oxide 15kohm 2W (NB)	RS14B3D153JNBS (S)
TR517,518	271 0131 924	Transistor 2SA988 (E/F)		R227,228	241 2371 930	Carbon film 160ohm 1/4W (FR)	RD14B2E161GFRS
TR519,520	273 0388 906	Transistor 2SC1740S (E)		R229,230	241 2315 983	Carbon film 330ohm 1/4W (FR)	RD14B2E331GFRS
D101-104	276 0432 903	Diode 1SS270A		R237-240	241 2387 940	Carbon film 4.7ohm 1/4W (NB)	RD14B2E4R7JNBS
D105,106	276 0455 906	Zener diode HZS4A-1		R241-248	244 2671 943	Metal oxide 0.22ohm 2W (NB)	RS14B3D0R22JNBS (S)
D107,108	276 0456 918	Zener diode HZS4B-2		R265-268	244 2671 930	Metal oxide 22ohm 2W (NB)	RS14B3D220JNBS (S)
D109-116	276 0432 903	Diode 1SS270A		R271,272	241 2380 918	Carbon film 1.3kohm 1/4W (NB)	RD14B2E132JNBS
D201-204	276 0432 903	Diode 1SS270A		R273,274	241 2377 921	Carbon film 82ohm 1/4W (NB)	RD14B2E820JNBS
D205,206	276 0455 906	Zener diode HZS4A-1		R289,290	241 2371 930	Carbon film 160ohm 1/4W (FR)	RD14B2E161GFRS

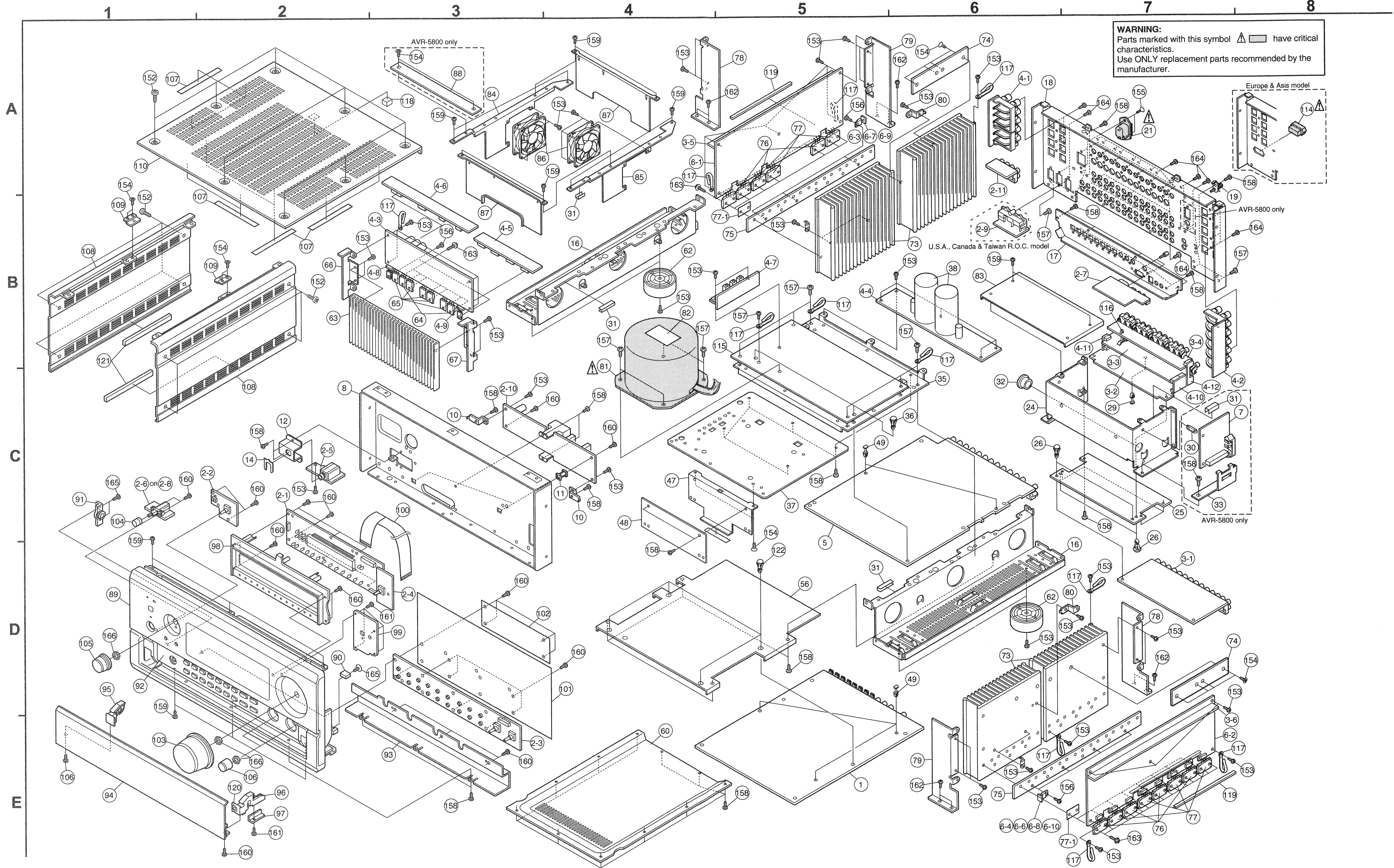
Ref. No.	Part No.	Part Name	Remarks	Ref. No.	Part No.	Part Name	Remarks
R311,312	241 2378 962	Carbon film 330ohm 1/4W (NB)	RD14B2E331JNBS	C119,120	255 1265 936	Mylar film 0.01μF/50V	CQ93M1H103J (B)
R319,320	241 2378 962	Carbon film 330ohm 1/4W (NB)	RD14B2E331JNBS	C123,124	255 4235 976	Polypropylene film 0.015μF/100V	CQ93P2A153J (NH)
R323,324	241 2315 983	Carbon film 330ohm 1/4W (FR)	RD14B2E331GFRS	C125-128	254 4527 995	Electrolytic 22μF/100V	CE04W2A220M (SMG/RE3)
R325,326	244 2671 914	Metal oxide 15kohm 2W (NB)	RS14B3D153JNBS (S)	C129-131	254 4313 976	Electrolytic 2.2μF/50V	CE04W1H2R2M (ASF)
R327,328	241 2371 930	Carbon film 160ohm 1/4W (FR)	RD14B2E161GFRS	C133-136	254 4313 976	Electrolytic 2.2μF/50V	CE04W1H2R2M (ASF)
R329,330	241 2315 983	Carbon film 330ohm 1/4W (FR)	RD14B2E331GFRS	C139,140	255 4235 976	Polypropylene film 0.015μF/100V	CQ93P2A153J (NH)
R337-340	241 2387 940	Carbon film 4.7ohm 1/4W (NB)	RD14B2E4R7JNBS				
R341-348	244 2671 943	Metal oxide 0.22ohm 2W (NB)	RS14B3D0R22JNBS (S)	C201,202	254 4313 963	Electrolytic 1μF/50V	CE04W1H010M (ASF)
R365-368	244 2671 930	Metal oxide 22ohm 2W (NB)	RS14B3D220JNBS (S)	C203,204	255 1273 902	Mylar film 100pF/50V	CQ93M1H101J (B)
R371,372	241 2380 918	Carbon film 1.3kohm 1/4W (NB)	RD14B2E132JNBS	C207,208	255 1264 940	Mylar film 2200pF/50V	CQ93M1H222J (B)
R373,374	241 2377 921	Carbon film 82ohm 1/4W (NB)	RD14B2E820JNBS	C209,210	255 4242 969	Polypropylene film 27pF/100V	CQ93P2A270J (NH)
R389,390	241 2371 930	Carbon film 160ohm 1/4W (FR)	RD14B2E161GFRS	C211,212	254 4313 976	Electrolytic 2.2μF/50V	CE04W1H2R2M (ASF)
				C213,214	253 4484 909	Ceramic 39pF/500V	CC45SL2H390J
R412	241 2378 962	Carbon film 330ohm 1/4W (NB)	RD14B2E331JNBS	C215,216	254 4527 995	Electrolytic 22μF/100V	CE04W2A220M (SMG/RE3)
R420	241 2378 962	Carbon film 330ohm 1/4W (NB)	RD14B2E331JNBS	C218,219	255 1265 936	Mylar film 0.01μF/50V	CQ93M1H103J (B)
R424	241 2315 983	Carbon film 330ohm 1/4W (FR)	RD14B2E331GFRS	C222,223	255 4235 976	Polypropylene film 0.015μF/100V	CQ93P2A153J (NH)
R426	244 2671 914	Metal oxide 15kohm 2W (NB)	RS14B3D153JNBS (S)	C225-228	254 4527 995	Electrolytic 22μF/100V	CE04W2A220M (SMG/RE3)
R428	241 2371 930	Carbon film 160ohm 1/4W (FR)	RD14B2E161GFRS	C239,240	255 4235 976	Polypropylene film 0.015μF/100V	CQ93P2A153J (NH)
R430	241 2315 983	Carbon film 330ohm 1/4W (FR)	RD14B2E331GFRS				
R438	241 2387 940	Carbon film 4.7ohm 1/4W (NB)	RD14B2E4R7JNBS	C301,302	254 4313 963	Electrolytic 1μF/50V	CE04W1H010M (ASF)
R440	241 2387 940	Carbon film 4.7ohm 1/4W (NB)	RD14B2E4R7JNBS	C303,304	255 1273 902	Mylar film 100pF/50V	CQ93M1H101J (B)
R442	244 2671 943	Metal oxide 0.22ohm 2W (NB)	RS14B3D0R22JNBS (S)	C307,308	255 1264 940	Mylar film 2200pF/50V	CQ93M1H222J (B)
R444	244 2671 943	Metal oxide 0.22ohm 2W (NB)	RS14B3D0R22JNBS (S)	C309,310	255 4242 969	Polypropylene film 27pF/100V	CQ93P2A270J (NH)
R446	244 2671 943	Metal oxide 0.22ohm 2W (NB)	RS14B3D0R22JNBS (S)	C311,312	254 4313 976	Electrolytic 2.2μF/50V	CE04W1H2R2M (ASF)
R448	244 2671 943	Metal oxide 0.22ohm 2W (NB)	RS14B3D0R22JNBS (S)	C313,314	253 4484 909	Ceramic 39pF/500V	CC45SL2H390J
R466	244 2671 930	Metal oxide 22ohm 2W (NB)	RS14B3D220JNBS (S)	C315,316	254 4527 995	Electrolytic 22μF/100V	CE04W2A220M (SMG/RE3)
R468	244 2671 930	Metal oxide 22ohm 2W (NB)	RS14B3D220JNBS (S)	C319,320	255 1265 936	Mylar film 0.01μF/50V	CQ93M1H103J (B)
R472	241 2380 918	Carbon film 1.3kohm 1/4W (NB)	RD14B2E132JNBS	C323,324	255 4235 976	Polypropylene film 0.015μF/100V	CQ93P2A153J (NH)
R474	241 2377 921	Carbon film 82ohm 1/4W (NB)	RD14B2E820JNBS	C325-328	254 4527 995	Electrolytic 22μF/100V	CE04W2A220M (SMG/RE3)
R490	241 2371 930	Carbon film 160ohm 1/4W (FR)	RD14B2E161GFRS	C339,340	255 4235 976	Polypropylene film 0.015μF/100V	CQ93P2A153J (NH)
R552	244 2051 974	Metal oxide 1kohm 1W (NB)	RS14B3A102JNBS (S)	C402	254 4313 963	Electrolytic 1μF/50V	CE04W1H010M (ASF)
R554	244 2051 974	Metal oxide 1kohm 1W (NB)	RS14B3A102JNBS (S)	C404	255 1273 902	Mylar film 100pF/50V	CQ93M1H101J (B)
R556	244 2051 974	Metal oxide 1kohm 1W (NB)	RS14B3A102JNBS (S)	C408	255 1264 940	Mylar film 2200pF/50V	CQ93M1H222J (B)
R558	244 2051 974	Metal oxide 1kohm 1W (NB)	RS14B3A102JNBS (S)	C410	255 4242 969	Polypropylene film 27pF/100V	CQ93P2A270J (NH)
				C412	254 4313 976	Electrolytic 2.2μF/50V	CE04W1H2R2M (ASF)
VR131,132	211 6129 909	Semi fixed resistor 4.7kohm	K06QB472	C414	253 4484 909	Ceramic 39pF/500V	CC45SL2H390J
VR231,232	211 6129 909	Semi fixed resistor 4.7kohm	K06QB472	C416	254 4527 995	Electrolytic 22μF/100V	CE04W2A220M (SMG/RE3)
VR331,332	211 6129 909	Semi fixed resistor 4.7kohm	K06QB472	C420	255 1265 936	Mylar film 0.01μF/50V	CQ93M1H103J (B)
VR432	211 6129 909	Semi fixed resistor 4.7kohm	K06QB472	C424	255 4235 976	Polypropylene film 0.015μF/100V	CQ93P2A153J (NH)
				C426	254 4527 995	Electrolytic 22μF/100V	CE04W2A220M (SMG/RE3)
				C428	254 4527 995	Electrolytic 22μF/100V	CE04W2A220M (SMG/RE3)
				C440	255 4235 976	Polypropylene film 0.015μF/100V	CQ93P2A153J (NH)
				C505-512	254 4525 900	Electrolytic 33μF/50V	CE04W1H330M (SMG/RE3)
				C514-516	254 4525 900	Electrolytic 33μF/50V	CE04W1H330M (SMG/RE3)
				C519,520	255 1265 936	Mylar film 0.01μF/50V	CQ93M1H103J (B)
				C521,522	254 4533 947	Electrolytic 330μF/6.3V	CE04W0J331M (SMG/RE3)
				C552	254 4524 985	Electrolytic 10μF/50V	CE04W1H100M (SMG/RE3)
				C553-556	254 4524 943	Electrolytic 1μF/50V	CE04W1H010M (SMG/RE3)
CAPACITORS GROUP							
C101,102	254 4313 963	Electrolytic 1μF/50V	CE04W1H010M (ASF)				
C103,104	255 1273 902	Mylar film 100pF/50V	CQ93M1H101J (B)				
C107,108	255 1264 940	Mylar film 2200pF/50V	CQ93M1H222J (B)				
C109,110	255 4242 969	Polypropylene film 27pF/100V	CQ93P2A270J (NH)				
C111,112	254 4313 934	Electrolytic 47μF/50V	CE04W1H470M (ASF)				
C113,114	253 4484 909	Ceramic 39pF/500V	CC45SL2H390J				
C115,116	254 4527 995	Electrolytic 22μF/100V	CE04W2A220M (SMG/RE3)				

1U-3298 TUNER P.W.B. UNIT (AVR-5800 only)

Ref. No.	Part No.	Part Name	Remarks	Q'ty	Ref. No.	Part No.	Part Name	Remarks	
OTHER PARTS GROUP					SEMICONDUCTORS GROUP				
CN101~104	205 1037 062	6P pin header (TXX)		4	IC302	263 0439 007	IC LA3401		
CN201~204	205 1037 062	6P pin header (TXX)		4	IC303	263 0891 001	IC LA1265 (S)		
CN301~304	205 1037 062	6P pin header (TXX)		4	IC304	216 0102 008	Front end		
CN402	205 1037 062	6P pin header (TXX)		1	IC307	262 2450 900	IC LC72131M-TLM		
CN404	205 1037 062	6P pin header (TXX)		1					
CW031~033	203 5225 007	3P SAN-SAN connector cord		3	TR301,302	269 0066 902	Transistor DTC323TK		
CW035~037	203 5225 007	3P SAN-SAN connector cord		3	TR303	269 0054 901	Transistor DTC144EK		
CW039	203 5225 007	3P SAN-SAN connector cord		1	TR304	269 0086 908	Transistor DTA114TK		
					TR305	273 0411 909	Transistor 2SC2996-Y		
CX076~079	205 0943 021	7P connector base (TUC-P)		4	TR308	269 0083 901	Transistor DTA114EK		
CX086,087	205 0884 096	8P connector base (TUC-P)		2	TR309	269 0114 906	Transistor RN2402		
CX089	205 0884 096	8P connector base (TUC-P)		1	TR313	269 0083 901	Transistor DTA114EK		
CX097	205 0884 038	9P connector base (TUC-P)		1	D301,302	276 0559 909	Diode DAP202K		
CX113,114	205 0884 067	11P connector base (TUC-P)		2	D306	276 0559 909	Diode DAP202K		
CX976~979	205 0943 021	7P connector base (TUC-P)		4	ZD305	276 0644 937	Zener diode MTZJ9.1A		
CX986,987	205 0884 096	8P connector base (TUC-P)		2					
L101,102	235 0068 004	Inductor 1μH		2	RESISTORS GROUP				
L201,202	235 0068 004	Inductor 1μH		2	R309,310	247 2010 969	Carbon chip 22kohm 1/16W	RM73B--223J	
L301,302	235 0068 004	Inductor 1μH		2	R311,312	247 2008 968	Carbon chip 3.3kohm 1/16W	RM73B--332J	
L402	235 0068 004	Inductor 1μH		1	R313,314	247 2012 925	Carbon chip 100kohm 1/16W	RM73B--104J	
RL501~508	214 0209 002	Relay (FTR-F1AD024V)		8	R315,316	247 2012 941	Carbon chip 120kohm 1/16W	RM73B--124J	
RL510	214 0209 002	Relay (FTR-F1AD024V)		1	R317	247 2009 925	Carbon chip 5.6kohm 1/16W	RM73B--562J	
RL511,512	214 0209 002	Relay (FTR-F1AD024V)	for EU,EC	2	R318	247 2009 983	Carbon chip 10kohm 1/16W	RM73B--103J	
W701~714	205 0864 003	M3 screw terminal		14	R319	247 2010 969	Carbon chip 22kohm 1/16W	RM73B--223J	
W716~718	205 0864 003	M3 screw terminal		3	R320	247 2012 925	Carbon chip 100kohm 1/16W	RM73B--104J	
W721~723	205 0864 003	M3 screw terminal		3	R321	247 2009 983	Carbon chip 10kohm 1/16W	RM73B--103J	
W725~728	205 0864 003	M3 screw terminal		4	R322	247 2012 925	Carbon chip 100kohm 1/16W	RM73B--104J	
W731~736	205 0864 003	M3 screw terminal		6	R323	247 2011 971	Carbon chip 62kohm 1/16W	RM73B--623J	
	009 0185 100	Bus bar (3P)		6	R324	247 2007 943	Carbon chip 1kohm 1/16W	RM73B--102J	
	415 0309 026	P.V.C. tube (L=20)		8	R325	247 2008 968	Carbon chip 3.3kohm 1/16W	RM73B--332J	
					R326	247 2005 929	Carbon chip 120ohm 1/16W	RM73B--121J	
					R327	247 2008 942	Carbon chip 2.7kohm 1/16W	RM73B--272J	
					R328	247 2010 943	Carbon chip 18kohm 1/16W	RM73B--183J	
					R329	247 2008 968	Carbon chip 3.3kohm 1/16W	RM73B--332J	
					R330,331	247 2009 983	Carbon chip 10kohm 1/16W	RM73B--103J	
					R332	247 2009 941	Carbon chip 6.8kohm 1/16W	RM73B--682J	
					R333	247 2009 925	Carbon chip 5.6kohm 1/16W	RM73B--562J	
					R334	247 2018 903	Carbon chip 0ohm 1/16W	RM73B--0R0K	
					R335	247 2011 984	Carbon chip 68kohm 1/16W	RM73B--683J	
					R336	247 2010 927	Carbon chip 15kohm 1/16W	RM73B--153J	
					R337	247 2006 902	Carbon chip 330ohm 1/16W	RM73B--331J	
					R338	247 2007 969	Carbon chip 1.2kohm 1/16W	RM73B--122J	
					R339	247 2009 909	Carbon chip 4.7kohm 1/16W	RM73B--472J	
					R340	247 2006 960	Carbon chip 470ohm 1/16W	RM73B--471J	
					R342	247 2005 987	Carbon chip 220ohm 1/16W	RM73B--221J	
					R343	247 2005 903	Carbon chip 100ohm 1/16W	RM73B--101J	
					R344,345	247 2007 943	Carbon chip 1kohm 1/16W	RM73B--102J	
					R346	247 2009 925	Carbon chip 5.6kohm 1/16W	RM73B--562J	

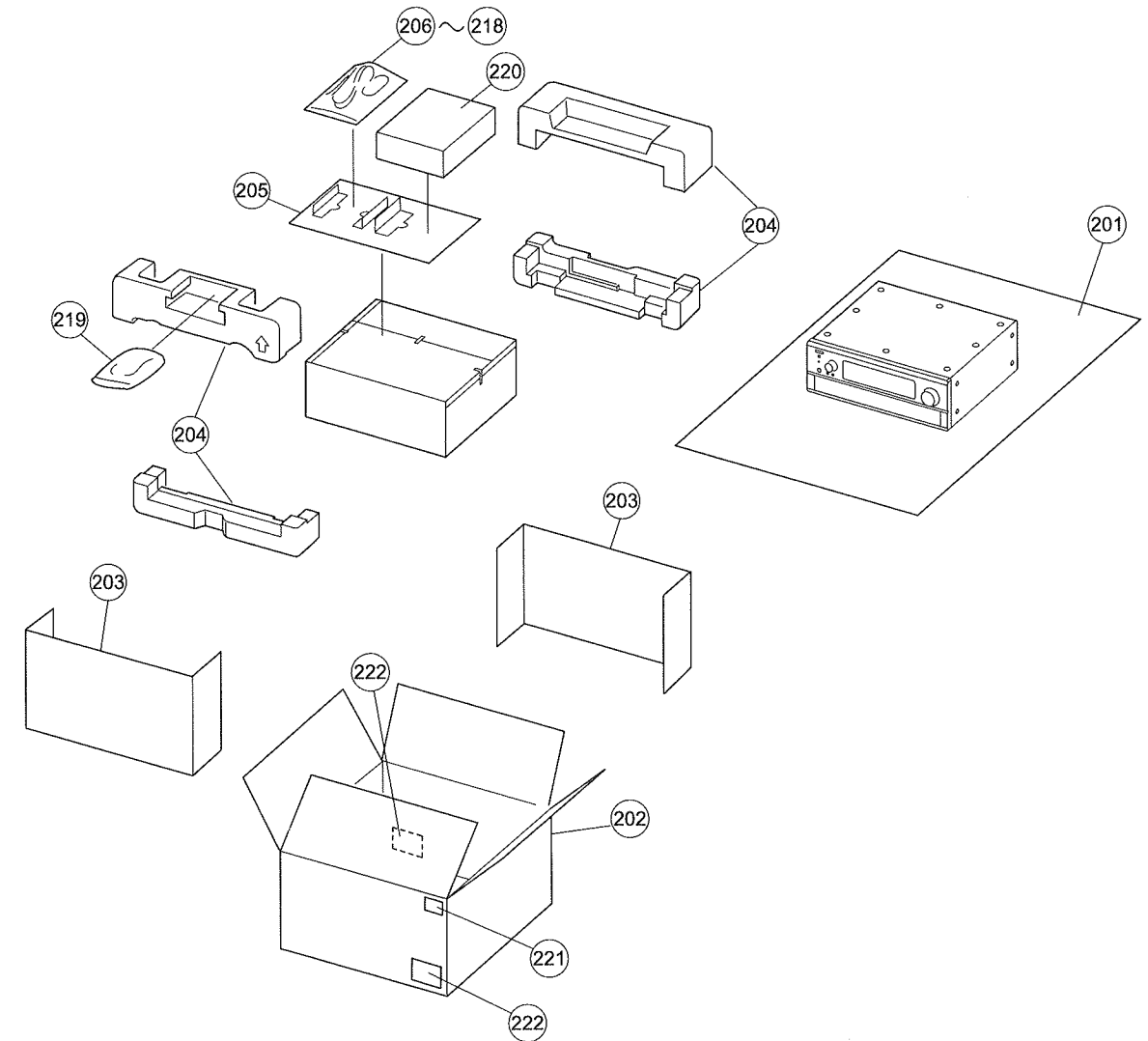
Ref. No.	Part No.	Part Name	Remarks	Ref. No.	Part No.	Part Name	Remarks	
R347,348	247 2018 903	Carbon chip 0ohm 1/16W	RM73B--0R0K	C390	257 0501 901	Ceramic chip 0.01μF/50V	CK73B1H103K	
R349	247 2007 943	Carbon chip 1kohm 1/16W	RM73B--102J	C391	254 4524 943	Electrolytic 1μF/50V	CE04W1H010M (SMG/RE3)	
R350	247 2012 925	Carbon chip 100kohm 1/16W	RM73B--104J	C392	257 0501 901	Ceramic chip 0.01μF/50V	CK73B1H103K	
R351	247 2007 943	Carbon chip 1kohm 1/16W	RM73B--102J	C393	257 0506 951	Ceramic chip 100pF/50V	CC73CH1H101J	
R358	247 2018 903	Carbon chip 0ohm 1/16W	RM73B--0R0K	C394,395	257 0503 967	Ceramic chip 15pF/50V	CC73CH1H150J	
R365-373	247 2018 903	Carbon chip 0ohm 1/16W	RM73B--0R0K	C396	254 4524 943	Electrolytic 1μF/50V	CE04W1H010M (SMG/RE3)	
R376	247 2007 943	Carbon chip 1kohm 1/16W	RM73B--102J	C397	257 0511 904	Ceramic chip 0.01μF/50V	CK73F1H103Z	
R379	247 2002 964	Carbon chip 10ohm 1/16W	RM73B--100J	C398	257 0506 951	Ceramic chip 100pF/50V	CC73CH1H101J	
R382	247 2018 903	Carbon chip 0ohm 1/16W	RM73B--0R0K	C400	257 0509 929	Ceramic chip 1000pF/50V	CK73B1H102K	
R383	247 2002 964	Carbon chip 10ohm 1/16W	RM73B--100J	OTHER PARTS GROUP				Q'ty
R396-398	247 2018 903	Carbon chip 0ohm 1/16W	RM73B--0R0K	CF301	261 0079 005	Ceramic resonator CSB456F11	1	
R399	247 2007 943	Carbon chip 1kohm 1/16W	RM73B--102J	CF302	261 0031 001	Ceramic filter BFU450C4	1	
VR301	211 6132 925	Semi fixed resistor 10ohm	V06PB103	CF303	261 0136 906	Ceramic filter MS2G	1	
VR302	211 6132 983	Semi fixed resistor 100ohm	V06PB104	CF304	261 0135 907	Ceramic filter MA8	1	
CAPACITORS GROUP				CF305	261 0116 007	Ceramic filter SFU450B3	1	
C308	257 0509 929	Ceramic chip 1000pF/50V	CK73B1H102K	CY031	205 0343 032	3P connector base (KR-PH)	1	
C309,310	254 4306 925	Electrolytic 10μF/50V	CE04W1H100M (SRE)	CY111	205 0375 013	11P connector base (KR-PH)	1	
C311,312	257 0508 962	Ceramic chip 750pF/50V	CC73CH1H751J	JK301	205 0603 015	3P antenna terminal	1	
C314	257 0511 904	Ceramic chip 0.01μF/50V	CK73F1H103Z	L301	235 0060 905	Inductor 2.2μH	1	
C315	254 4524 943	Electrolytic 1μF/50V	CE04W1H010M (SMG/RE3)	L302	235 0060 950	Inductor 10μH	1	
C316	257 0509 929	Ceramic chip 1000pF/50V	CK73B1H102K	LF306	232 9010 009	Antibirdie filter	1	
C317	254 4305 984	Electrolytic 2.2μF/50V	CE04W1H2R2M (SRE)	T302	231 2085 009	FM DET trans.	1	
C318	254 4524 943	Electrolytic 1μF/50V	CE04W1H010M (SMG/RE3)	T304	231 1138 009	AM IFT	1	
C319	254 4524 914	Electrolytic 0.22μF/50V	CE04W1HR22M (SMG/RE3)	T305	231 2096 001	MW ant.-osc. coil	1	
C320	254 4538 913	Electrolytic 22μF/16V	CE04W1C220M (SMG/RE3)	XL301	399 0075 003	Crystal 7.2MHz	1	
C321	256 1058 942	Metallized 0.056μF/50V	CF93A1H563J (JL)					
C322	254 4538 939	Electrolytic 47μF/16V	CE04W1C470M (SMG/RE3)					
C323	254 4524 943	Electrolytic 1μF/50V	CE04W1H010M (SMG/RE3)					
C325	254 3053 910	Electrolytic 22μF/16V	CE04D1C220MBP					
C328,329	257 0501 901	Ceramic chip 0.01μF/50V	CK73B1H103K					
C330	257 0010 942	Ceramic chip 0.022μF/50V	CK73B1H223K					
C331	256 1058 939	Metallized 0.047μF/50V	CF93A1H473J (JL)					
C332	254 4524 985	Electrolytic 10μF/50V	CE04W1H100M (SMG/RE3)					
C333	254 4524 943	Electrolytic 1μF/50V	CE04W1H010M (SMG/RE3)					
C334	254 4524 930	Electrolytic 0.47μF/50V	CE04W1HR47M (SMG/RE3)					
C335-337	257 0501 901	Ceramic chip 0.01μF/50V	CK73B1H103K					
C338	257 0506 951	Ceramic chip 100pF/50V	CC73CH1H101J					
C339	257 0010 942	Ceramic chip 0.022μF/50V	CK73B1H223K					
C340,341	257 0501 901	Ceramic chip 0.01μF/50V	CK73B1H103K					
C343	257 0501 901	Ceramic chip 0.01μF/50V	CK73B1H103K					
C347	257 0501 901	Ceramic chip 0.01μF/50V	CK73B1H103K					
C348	257 0503 941	Ceramic chip 12pF/50V	CC73CH1H120J					
C349	254 4524 985	Electrolytic 10μF/50V	CE04W1H100M (SMG/RE3)					
C350	257 0501 901	Ceramic chip 0.01μF/50V	CK73B1H103K					
C351,352	257 0010 984	Ceramic chip 0.047μF/50V	CK73B1H473K					
C363	254 4538 913	Electrolytic 22μF/16V	CE04W1C220M (SMG/RE3)					
C366	257 0011 996	Ceramic chip 0.1μF/25V	CK73B1E104K					
C369,370	257 0509 929	Ceramic chip 1000pF/50V	CK73B1H102K					
C387	257 0501 901	Ceramic chip 0.01μF/50V	CK73B1H103K					
C388	254 4538 939	Electrolytic 47μF/16V	CE04W1C470M (SMG/RE3)					

EXPLODED VIEW



Ref. No.	Part No.	Part Name	Remarks	Q'ty
SCREWS				
★ 151	470 0009 022	Screw 3×6 CPS (SW.W) ZNP		35
152	471 9043 011	Special screw	Black model for EU,EC,E2	16
152	471 9043 024	Special screw	Gold model for E2,E1,E1C,EUT	16
153	473 7002 018	Screw 3×8 CBTS (S)-Z		44
154	473 7003 004	Screw 3×8 CFTS (S)-Z	for EU,EC	20
154	473 7003 004	Screw 3×8 CFTS (S)-Z	for E2,E1,E1C,EUT	18
155	473 7003 017	Screw 3×8 CFTS (S)-B		2
156	473 7005 002	Screw 3×10 CBTS (S)-Z		19
157	473 7007 000	Screw 4×8 CBTS (S)-B		22
158	473 7015 005	Screw 3×6 CBTS (S)-B		46
159	473 7015 018	Screw 3×8 CBTS (S)-B		17
160	473 7500 015	Screw 3×8 CBTS (P)-Z		38
161	473 7505 007	Screw 2.6×8 CBTS (P)-Z		7
162	473 8007 025	Cup screw 3×8		8
163	473 8007 038	Cup screw 3×14		35
164	477 0064 107	Fixing screw	for EU,EC	57
164	477 0064 107	Fixing screw	for E2,E1,E1C,	53
164	477 0064 107	Fixing screw	for EUT	55
165	477 0262 006	Special screw		3
166	—	9 nut		4
★ 167	477 0153 005	Screw 3×10 CPS SW W		6

PACKING VIEW



PARTS LIST OF PACKING & ACCESSORIES

Note: The symbols in the column "Remarks" indicate the following destinations.
 EU: U.S.A. model (AVR-5800) E1: Asia model
 EC: Canada model (AVR-5800) E1C: China model
 E2: Europe model EUT: Taiwan R.O.C. model

Ref. No.	Part No.	Part Name	Remarks	Q'ty	Ref. No.	Part No.	Part Name	Remarks	Q'ty
201	504 0192 106	Cabinet sheet		1	Δ 213	206 2157 009	AC cord set	for EU,EC,EUT	1
202	501 2024 082	Carton case	for EU,EC	1	Δ 213	206 2154 002	AC cord with connector	for E2,E1	1
202	501 2102 001	Carton case	for E2,E1,E1C,EUT	1	Δ 213	206 2189 006	AC cord	for E1C	1
203	501 1950 157	Spacer		2	Δ 214	206 2148 005	AC cord (BS3P)	for E1	1
204	503 1361 001	Cushion Ass'y		1	215	231 0922 009	Loop antenna	for EU,EC	1
205	501 2098 005	Pad		1	216	395 0019 009	FM antenna Ass'y	for EU,EC	1
206	505 8006 019	Envelope		1	217	529 0079 008	FM ant. adapter	for EU,EC	1
207	511 3624 006	Instruction manual (EU)	for EU,EC	1	218	—	Battery (LR6/AA)		4
207	511 3670 005	Instruction manual (E2)	for E2	1	219	399 0623 002	Remocon RC-8000	for EU,EC	1
207	511 3671 004	Instruction manual (E1)	for E1,E1C,EUT	1	219	399 0623 015	Remocon RC-871	for E2,E1,E1C,EUT	1
208	511 3679 006	Instruction manual (EC)	for EC	1	220	399 0652 015	Charger base station RC-8001ST	for EU,EC	1
209	511 3672 003	Instruction manual (RC-8000)	for EU,EC	1	221	—	Bar code label		1
209A	511 3728 009	Instruction manual (RC-871)	for E2	1	222	—	Control card		1
210	511 3687 001	Instruction manual (RC-8001ST)	for EU,EC	1	★ 223	515 0627 105	DCI warranty home	for EC	1
211	515 0671 708	S.S. list (EX)		1	★ 224	513 9111 001	Color label (gold)	Gold model	2
212	515 0817 009	DEL warranty home	for EU	1					