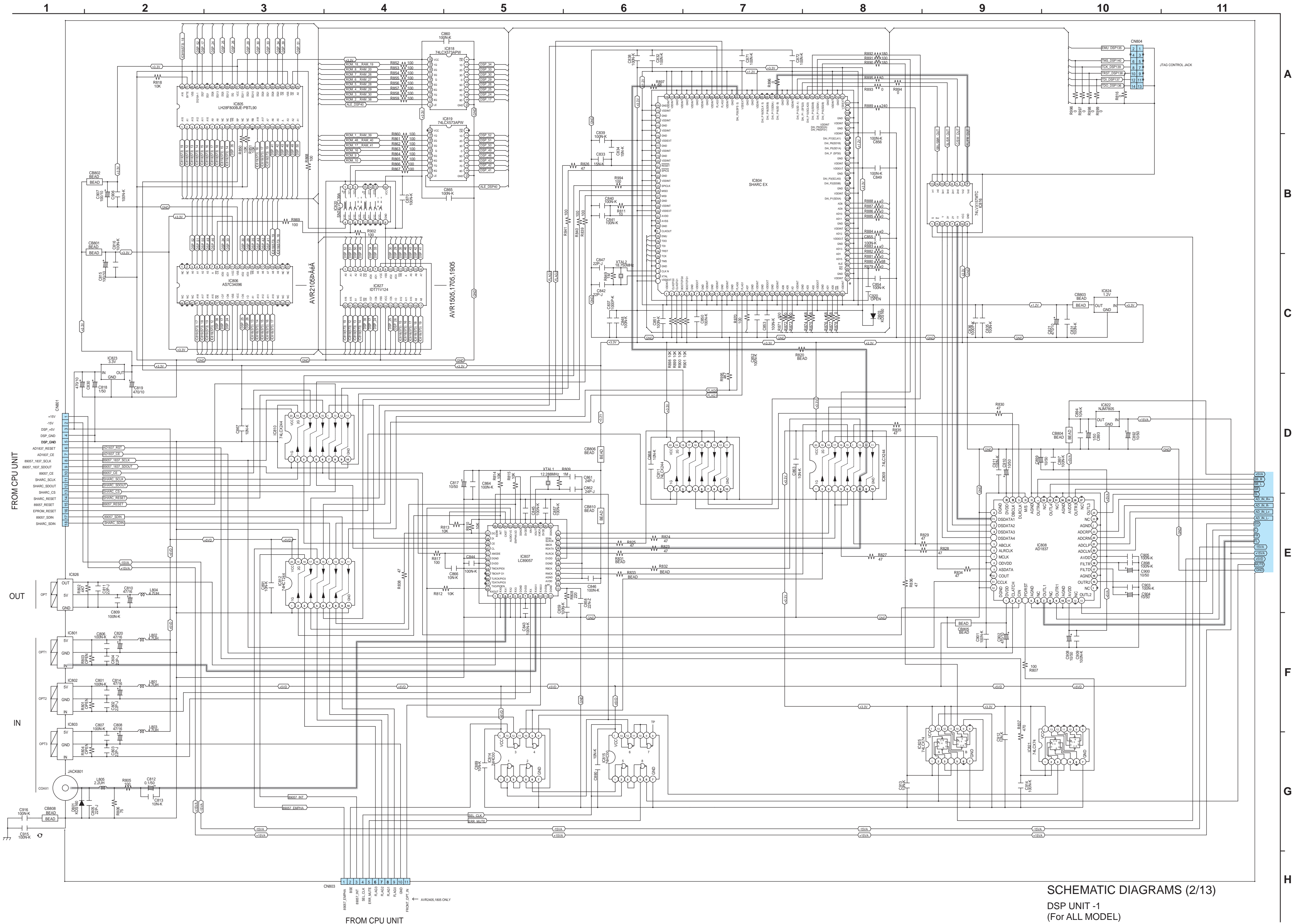


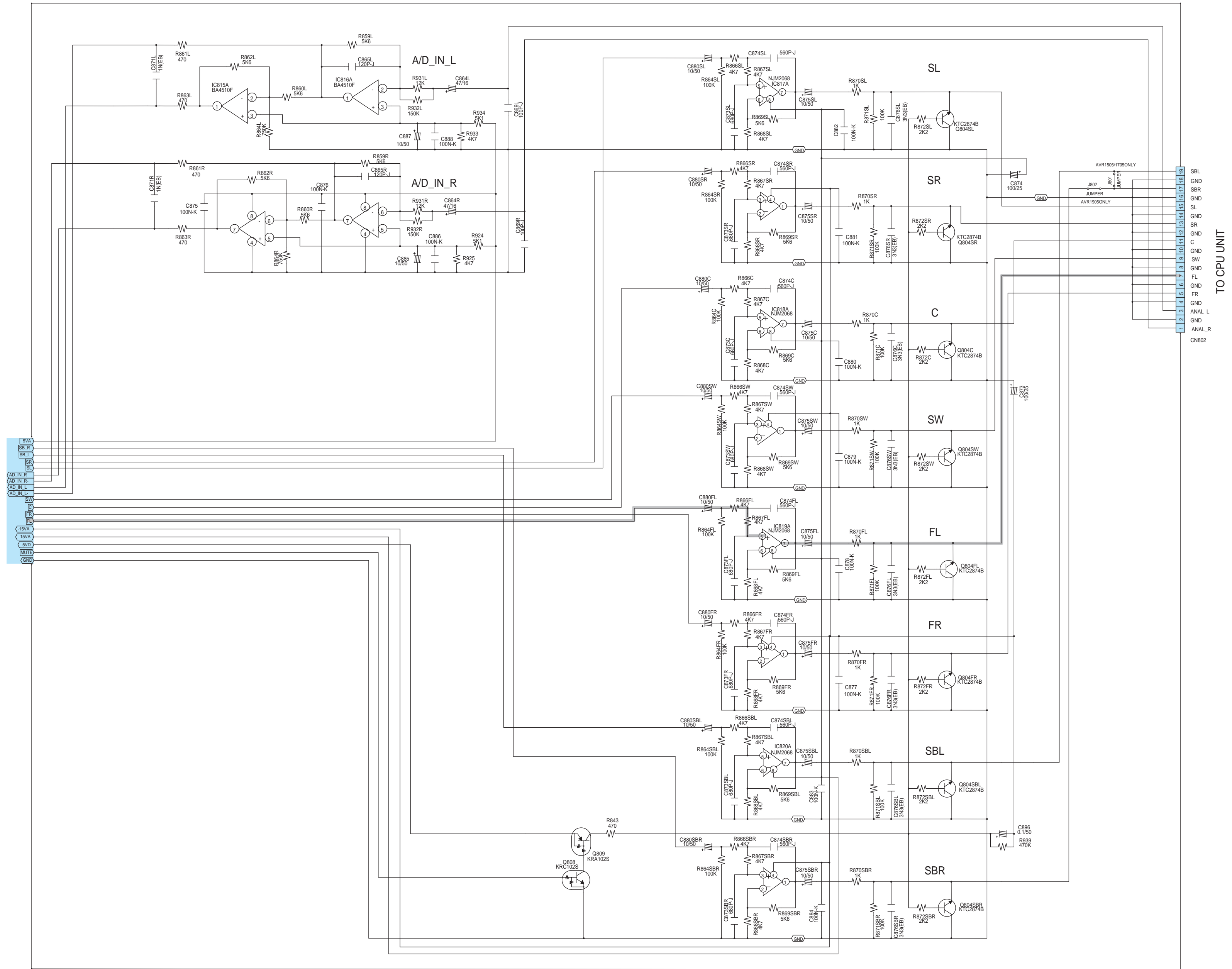
R_NO	E3	E2
J701, J702		
RLY701		
IC704, IC705		

SCHEMATIC DIAGRAMS (1/13)
INPUT/VOLUME UNIT
(For ALL MODEL)



SCHEMATIC DIAGRAMS (2/13)
DSP UNIT -1
(For ALL MODEL)

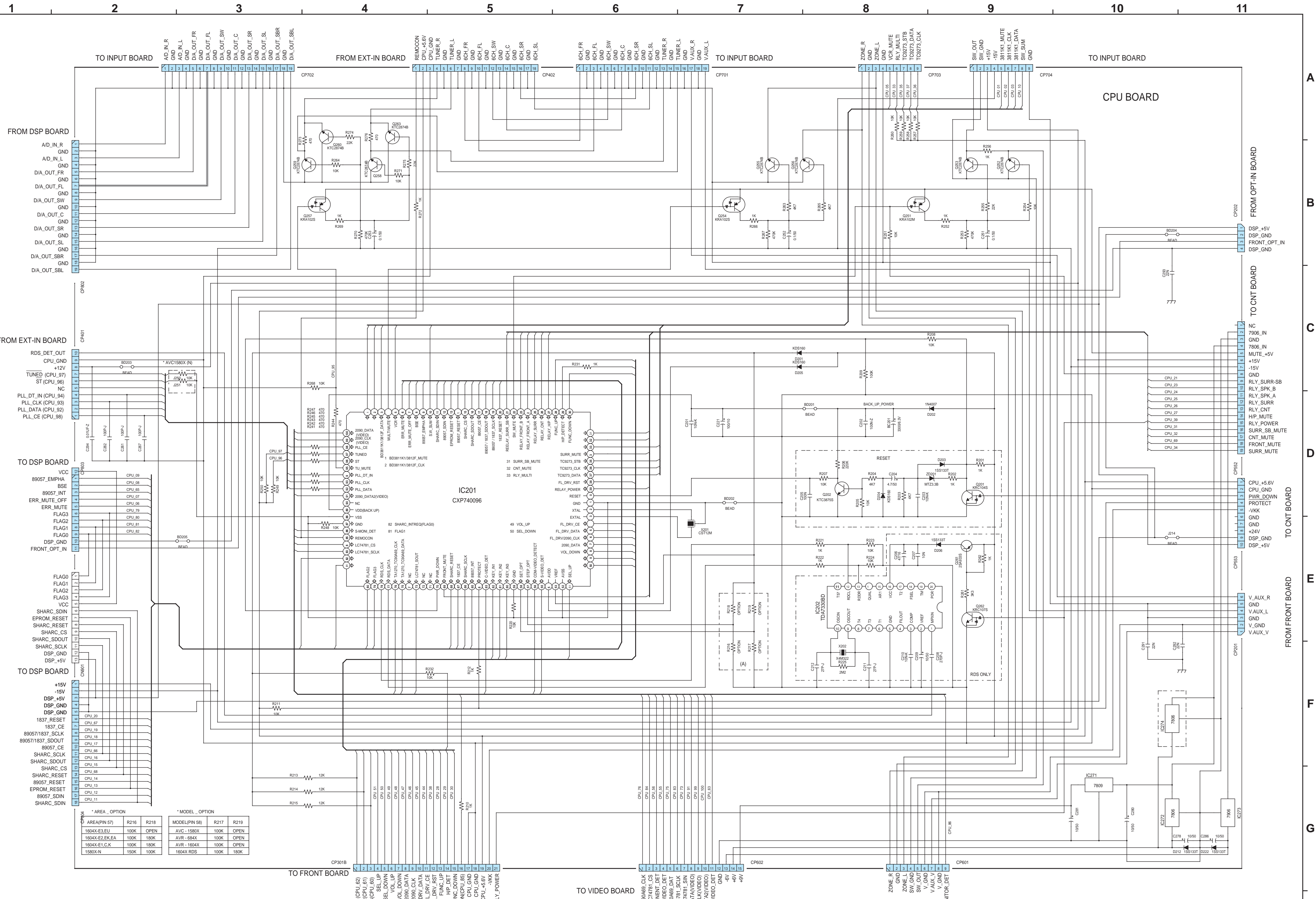
1 2 3 4 5 6 7 8 9 10 11



SCHEMATIC DIAGRAMS (3/13)
DSP UNIT -2
(For ALL MODEL)

A
B
C
D
E
F
G
H

SCHEMATIC DIAGRAMS (4/13)



FROM DSP BOARD

AD_IN_R
GND
AD_IN_L
GND
DIA_OUT_FR
GND
DIA_OUT_FL
GND
DIA_OUT_SW
GND
DIA_OUT_C
GND
DIA_OUT_SR
GND
DIA_OUT_SL
GND
DIA_OUT_SBR
GND
DIA_OUT_SBL

FROM EXT-IN BOARD

RDS_DET_OUT
CPU_GND
+12V
TUNED (CPU_97)
ST (CPU_96)
NC
PLL_DT_IN (CPU_94)
PLL_CLK (CPU_93)
PLL_DATA (CPU_92)
PLL_CE (CPU_98)

TO DSP BOARD

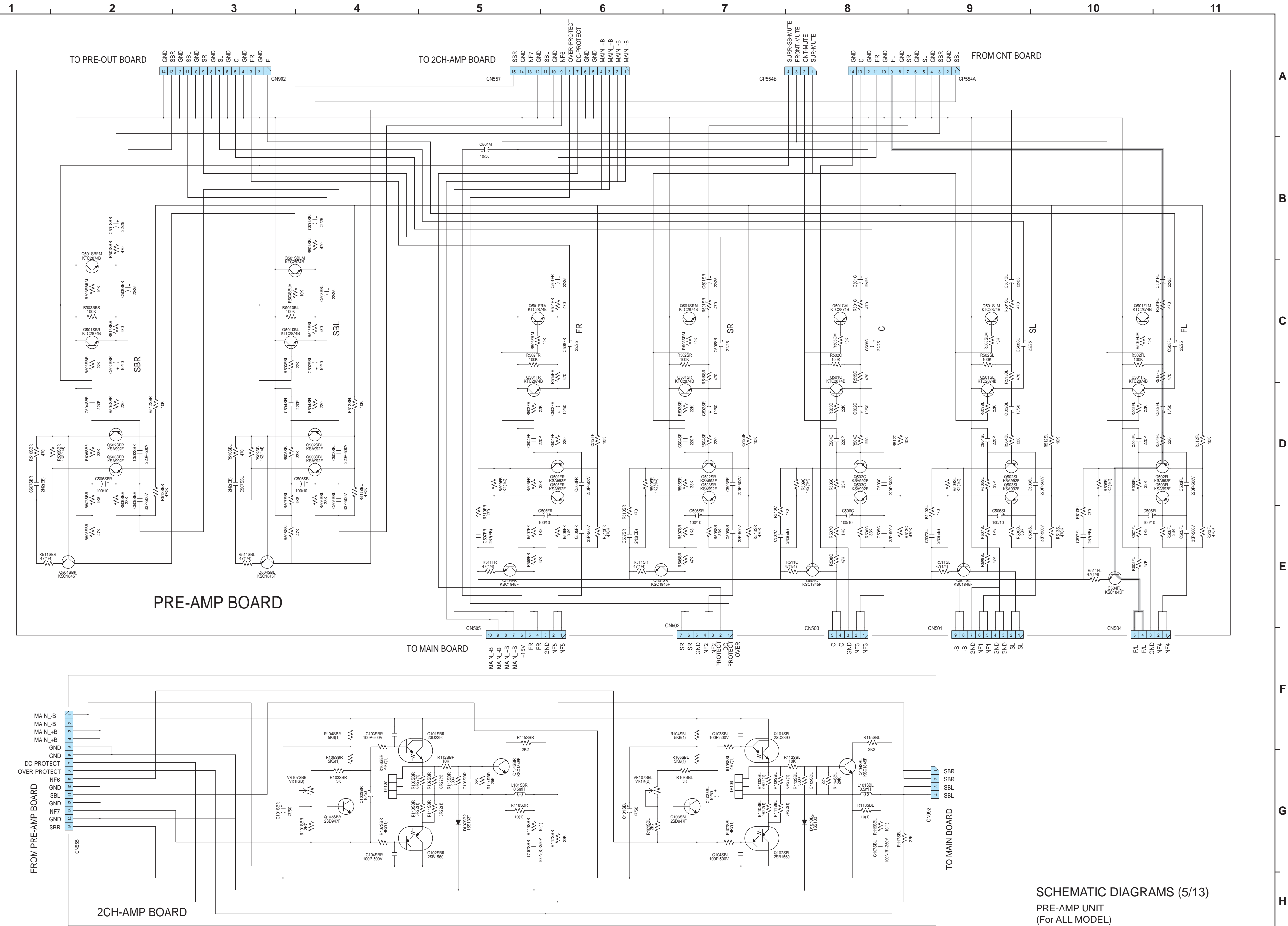
VCC
89057_EMPH_A
BSE
89057_INT
ERR_MUTE_OFF
ERR_MUTE
FLAG3
FLAG2
FLAG1
FLAG0
DSP_GND
FRONT_OPT_IN

TO DSP BOARD

+15V
-15V
DSP_+5V
DSP_GND
DSP_GND
1837_RESET
89057/1837_SCLK
89057/1837_SDOUT
89057_CE
SHARC_SCLK
SHARC_SDOUT
SHARC_CS
SHARC_RESET
EPROM_RESET
SHARC_SDIN

* AREA_OPTION			* MODEL_OPTION		
AREA (PIN 57)	R216	R218	MODEL (PIN 58)	R217	R219
1604X-E3.EU	100K	OPEN	AVC-1590X	100K	OPEN
1604X-E2.EK.EA	100K	180K	AVR-894X	100K	OPEN
1604X-E1.CK	100K	180K	AVR-1604X	100K	OPEN
1580X-N	150K	100K	1604X-RDS	100K	180K

SCHEMATIC DIAGRAMS (4/13)
CPU UNIT
(For ALL MODEL)



TO PRE-OUT BOARD

TO 2CH-AMP BOARD

SURR-SB-MUTE
FRONT-MUTE
CNT-MUTE
SUR-MUTE

FROM CNT BOARD

PRE-AMP BOARD

TO MAIN BOARD

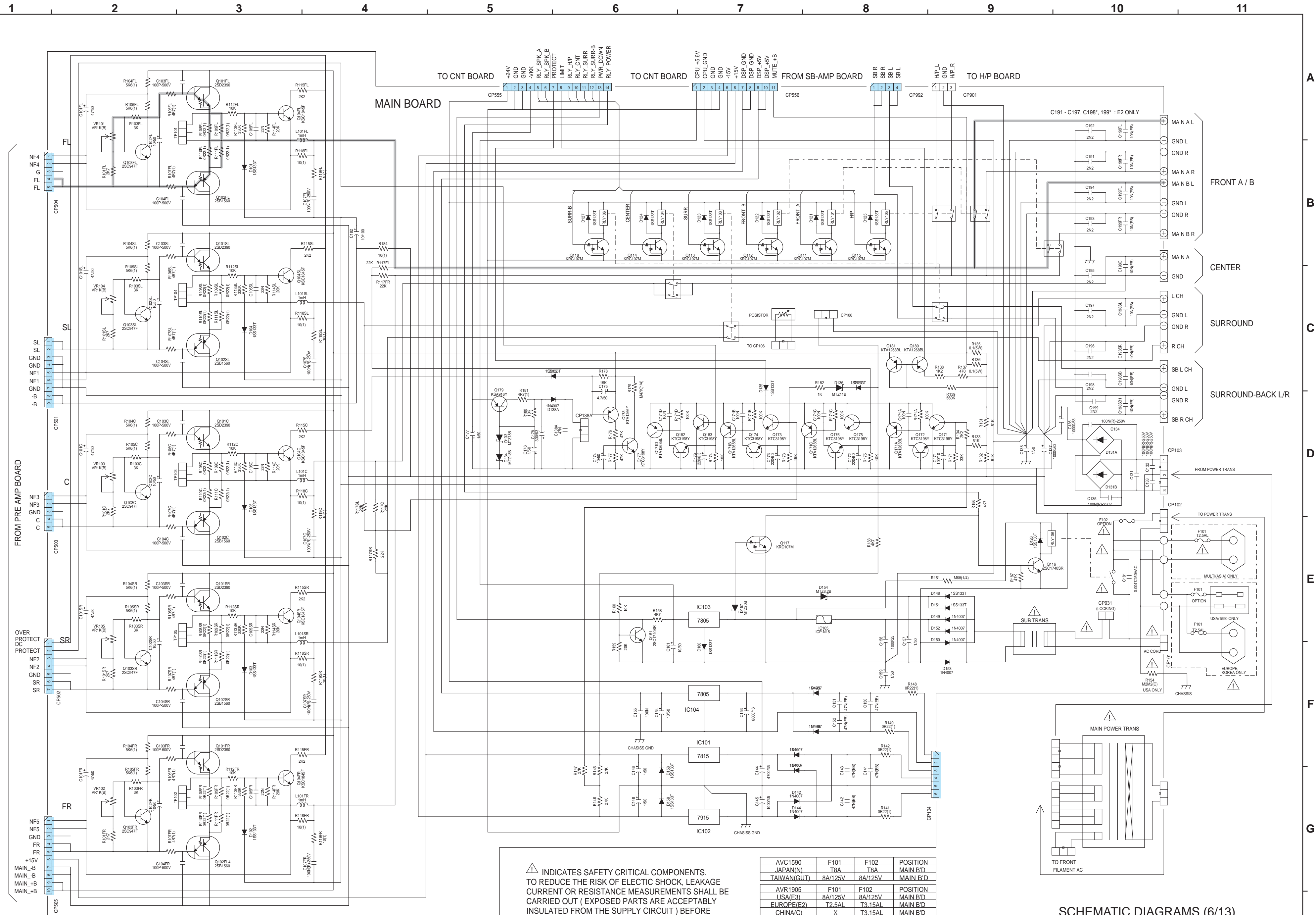
FROM PRE-AMP BOARD
DC-PROTECT
OVER-PROTECT

2CH-AMP BOARD

TO MAIN BOARD

SCHEMATIC DIAGRAMS (5/13)
PRE-AMP UNIT
(For ALL MODEL)

A
B
C
D
E
F
G
H

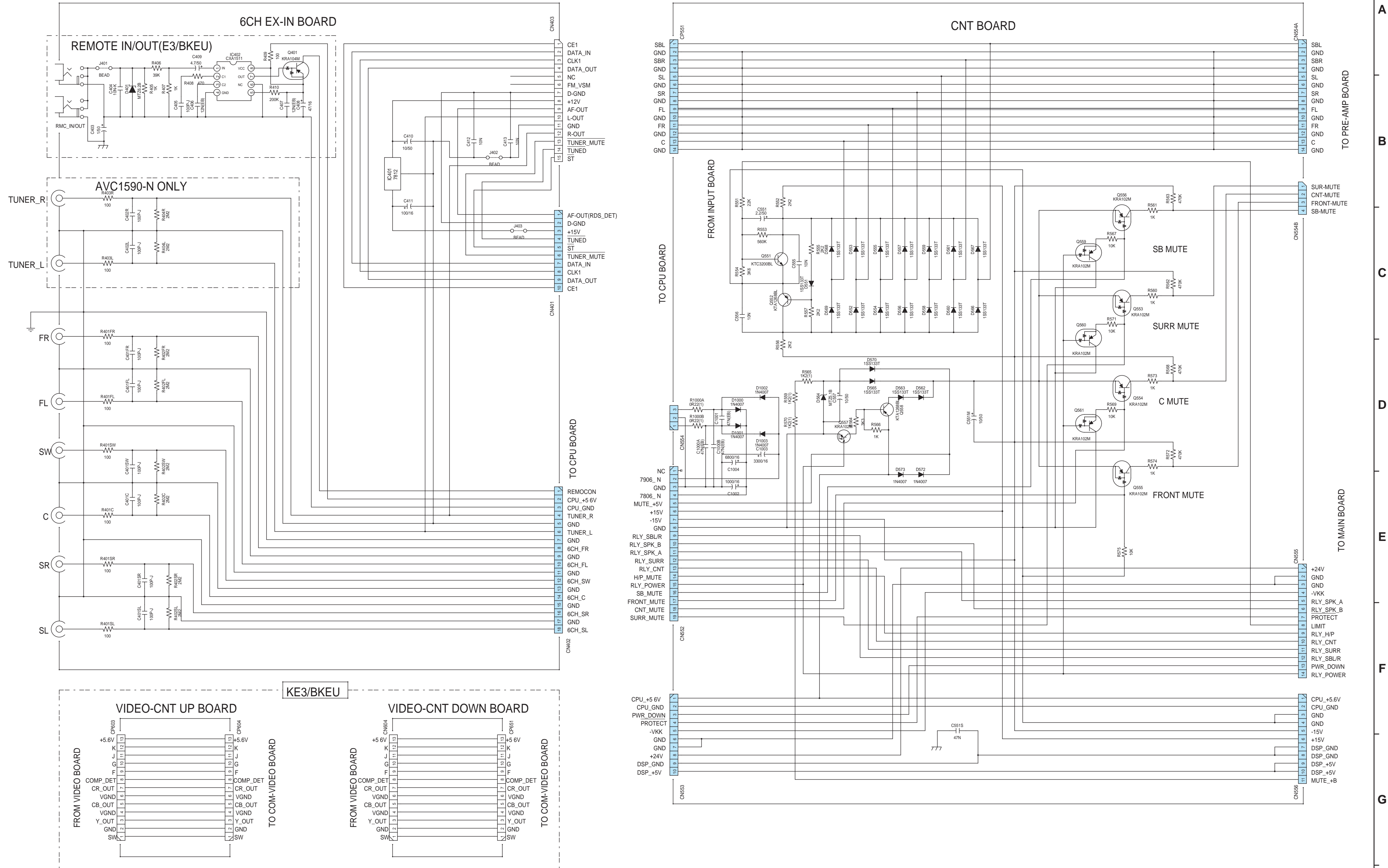


⚠ INDICATES SAFETY CRITICAL COMPONENTS. TO REDUCE THE RISK OF ELECTRIC SHOCK, LEAKAGE CURRENT OR RESISTANCE MEASUREMENTS SHALL BE CARRIED OUT (EXPOSED PARTS ARE ACCEPTABLY INSULATED FROM THE SUPPLY CIRCUIT) BEFORE THE APPLIANCE RETURNED TO THE CUSTOMER.

MODEL	F101	F102	POSITION
AVR1905	T8A	T8A	MAIN B.D
USA(E3)	8A/125V	8A/125V	MAIN B.D
EUROPE(E2)	T2.5AL	T3.15AL	MAIN B.D
CHINA(C)	X	T3.15AL	MAIN B.D
ASIA(G2A)	T2.5AL	T6.3AL	MAIN B.D
KOREA(K)	T2.5AL	T3.15AL	MAIN B.D

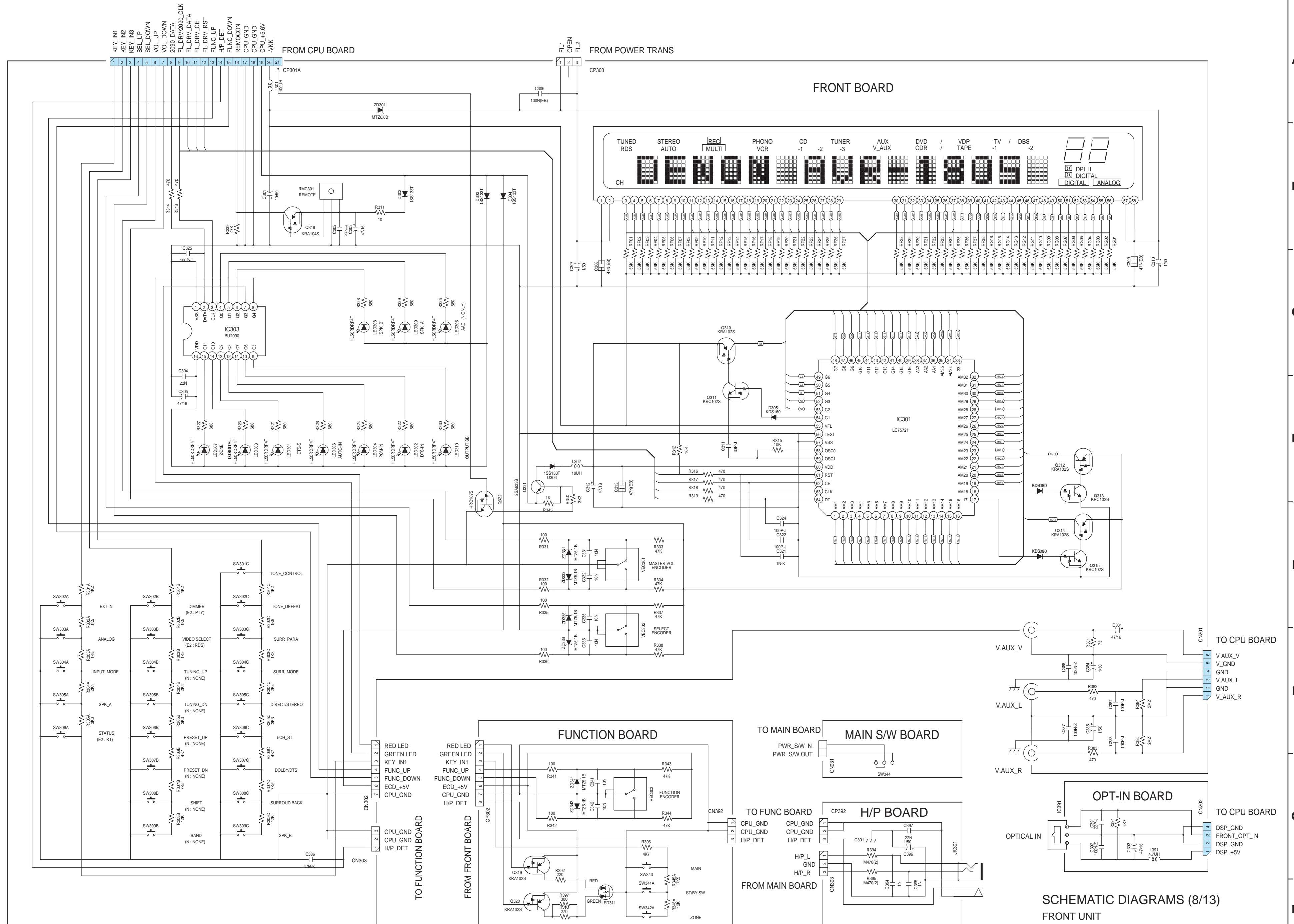
SCHEMATIC DIAGRAMS (6/13)
MAIN UNIT
(For ALL MODEL)

1 2 3 4 5 6 7 8 9 10 11

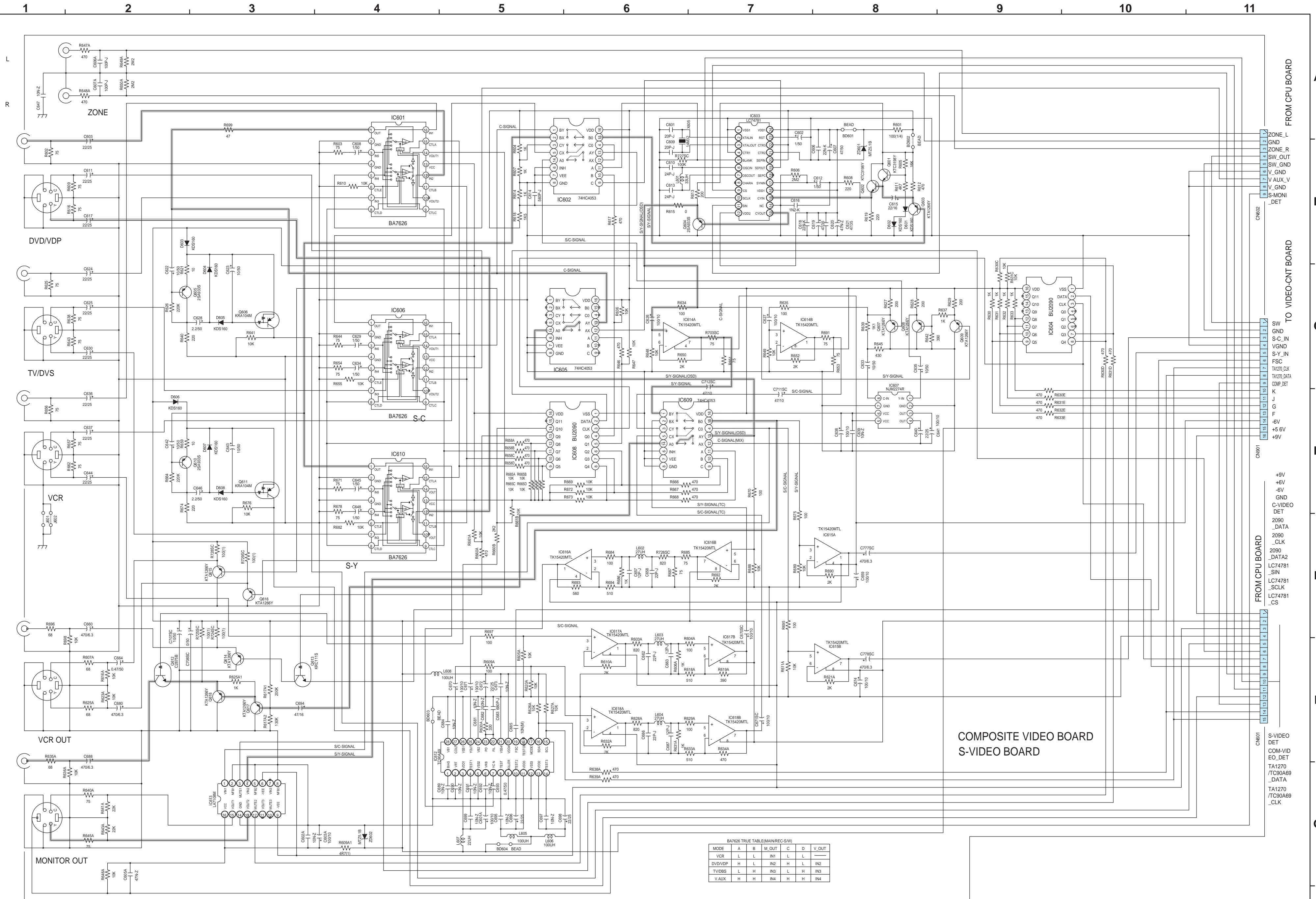


SCHEMATIC DIAGRAMS (7/13)
CNT/6CH EX-IN UNIT
(For ALL MODEL)

1 2 3 4 5 6 7 8 9 10 11



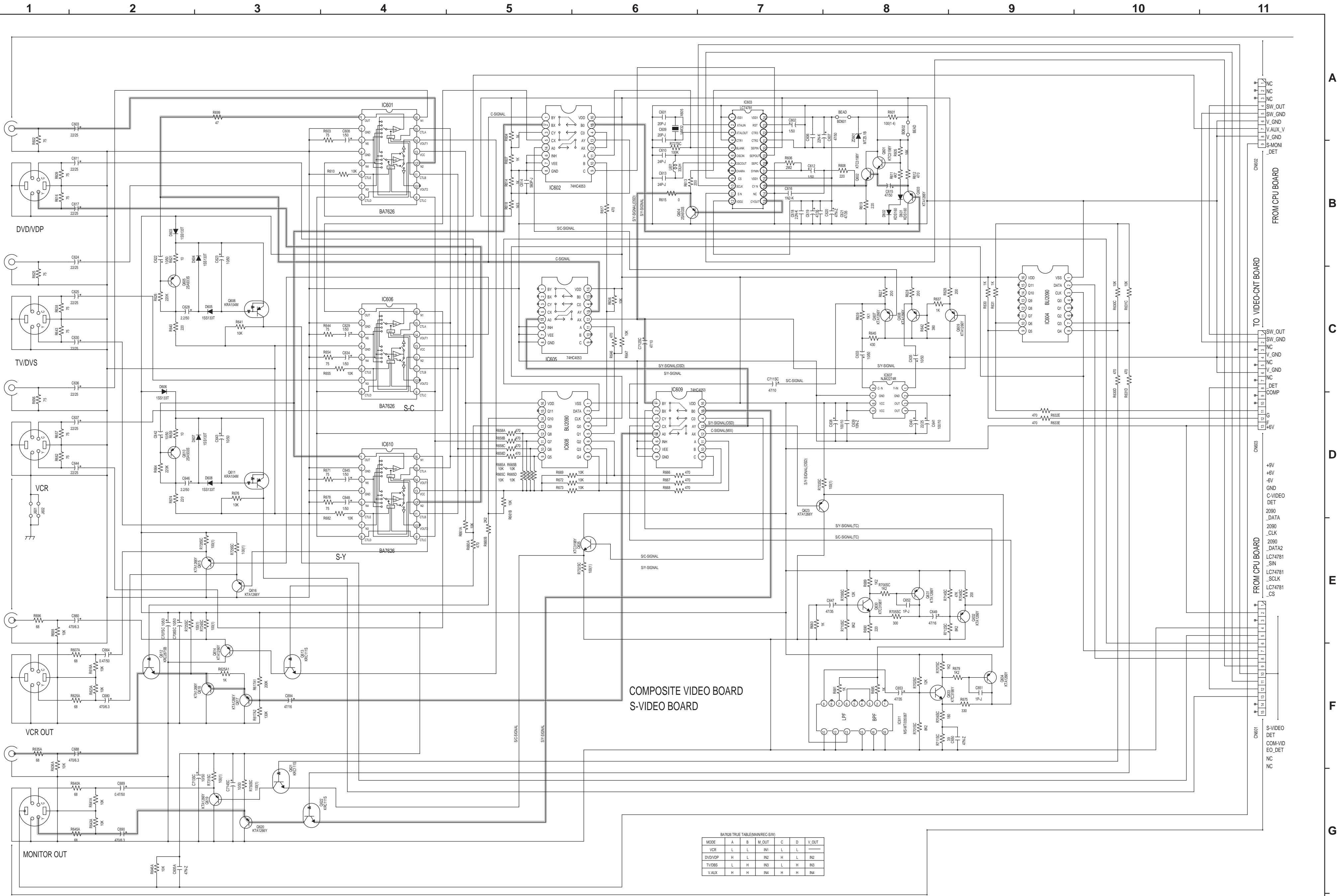
SCHEMATIC DIAGRAMS (8/13)
FRONT UNIT
(For ALL MODEL)



BA7626 TRUE TABLE(MANREC-SW)

MODE	A	B	M	OUT	C	D	V_OUT
VCR	L	L	IN1	L	L	L	IN2
DVD/DP	H	L	IN2	H	L	L	IN2
TV/DVS	L	H	IN3	L	H	IN3	
V.ALK	H	H	IN4	H	H	IN4	

SCHEMATIC DIAGRAMS (9/13)
COMPOSITE VIDEO/S-VIDEO UNIT
(For E3 MODEL)



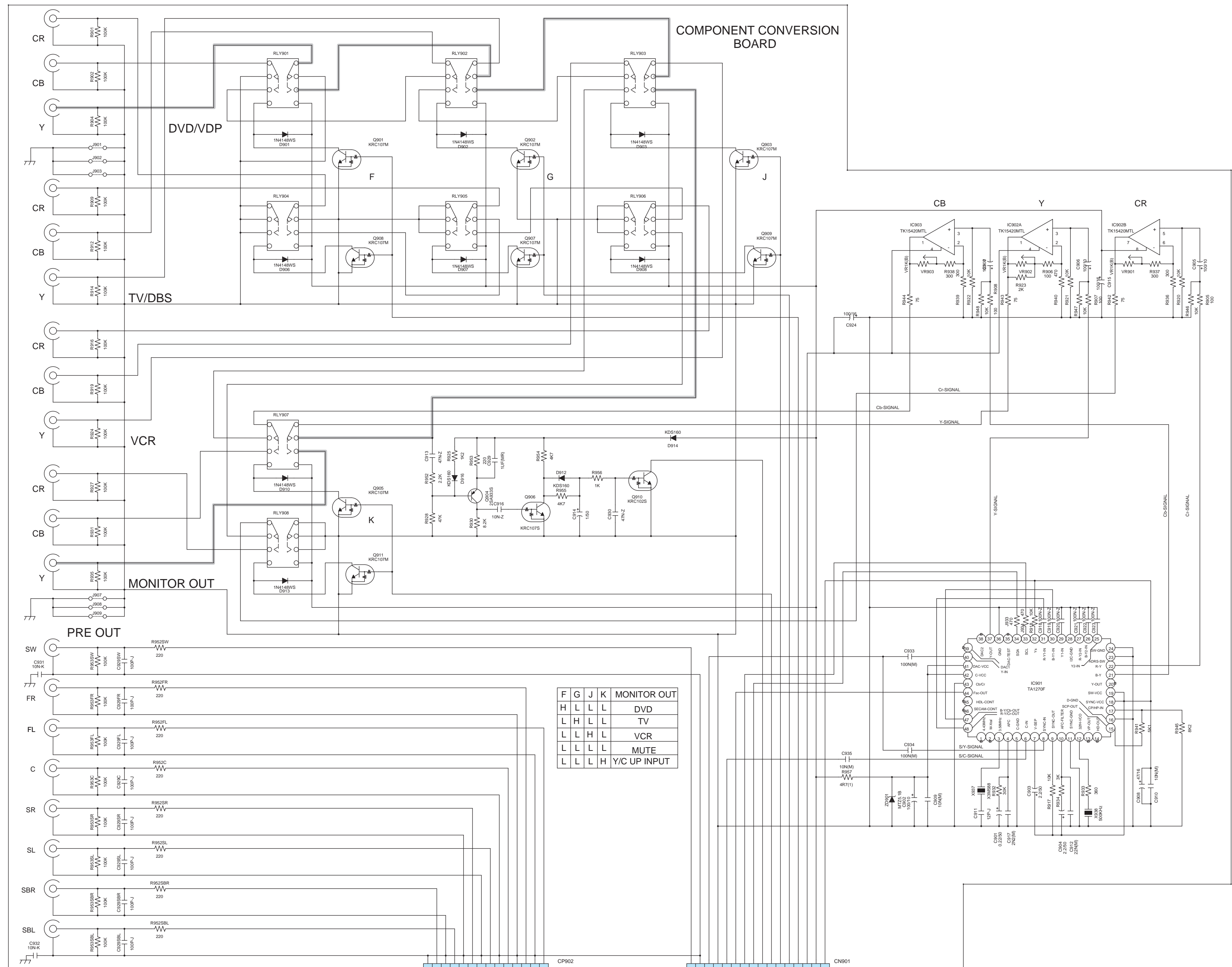
COMPOSITE VIDEO BOARD
S-VIDEO BOARD

BA7626 TRUE TABLE (MAN REC SW)

MODE	A	B	M. OUT	C	D	V. OUT
VCR	L	L	INI	L	L	---
DVD/VDP	H	L	INI	H	L	INI
TV/DVS	L	H	INI	L	H	INI
V.AUX	H	H	INI	H	H	INI

SCHEMATIC DIAGRAMS (10/13)
COMPOSITE VIDEO/S-VIDEO UNIT
(For E2 MODEL)

1 2 3 4 5 6 7 8 9 10 11

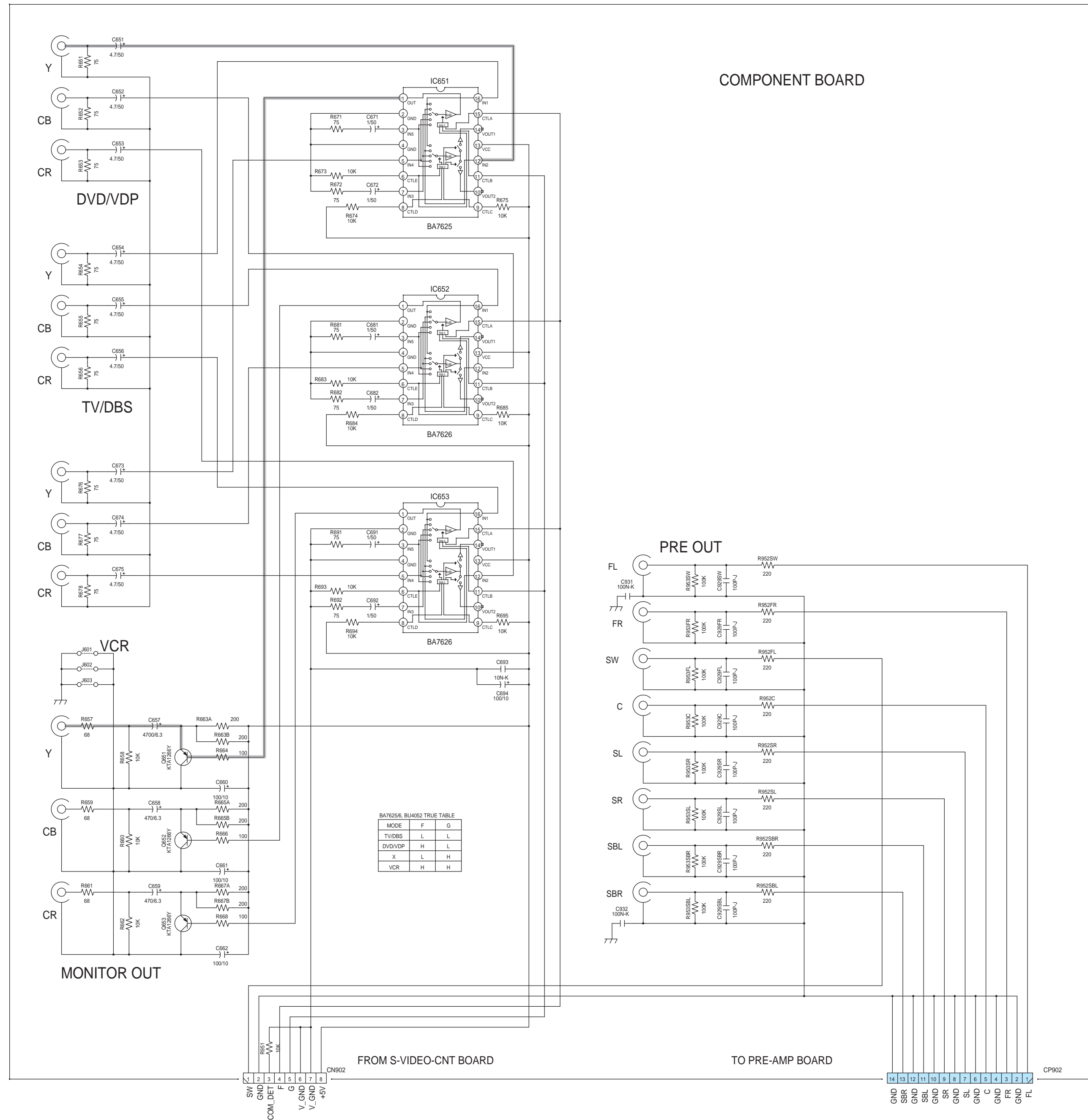


F	G	J	K	MONITOR OUT
H	L	L	L	DVD
L	H	L	L	TV
L	L	H	L	VCR
L	L	L	L	MUTE
L	L	L	H	Y/C UP INPUT

SCHEMATIC DIAGRAMS (11/13)
COMPONENT UNIT
(For E3 MODEL)

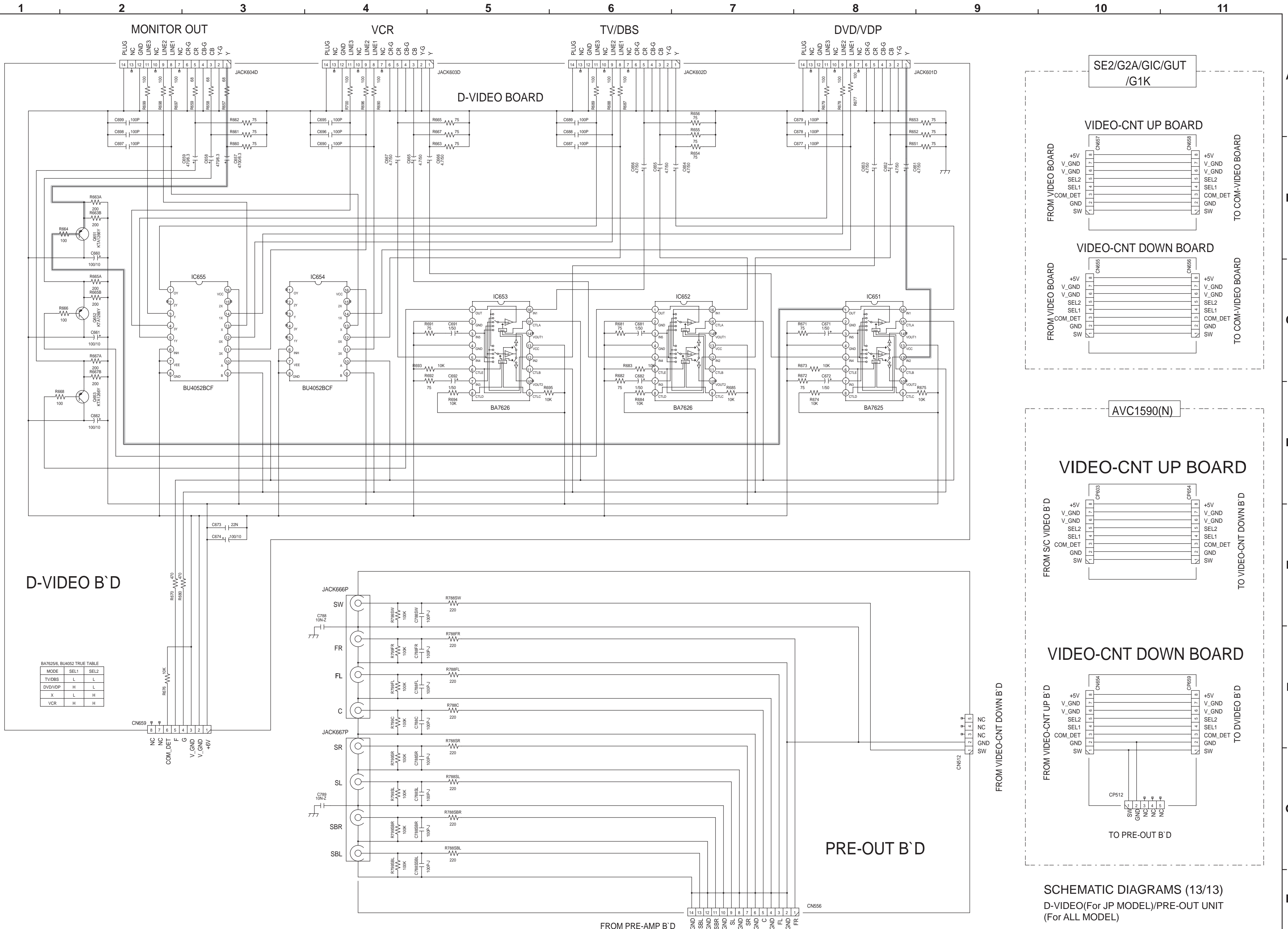
A
B
C
D
E
F
G
H

1 2 3 4 5 6 7 8 9 10 11



SCHEMATIC DIAGRAMS (12/13)
COMPONENT UNIT
(For E2 MODEL)

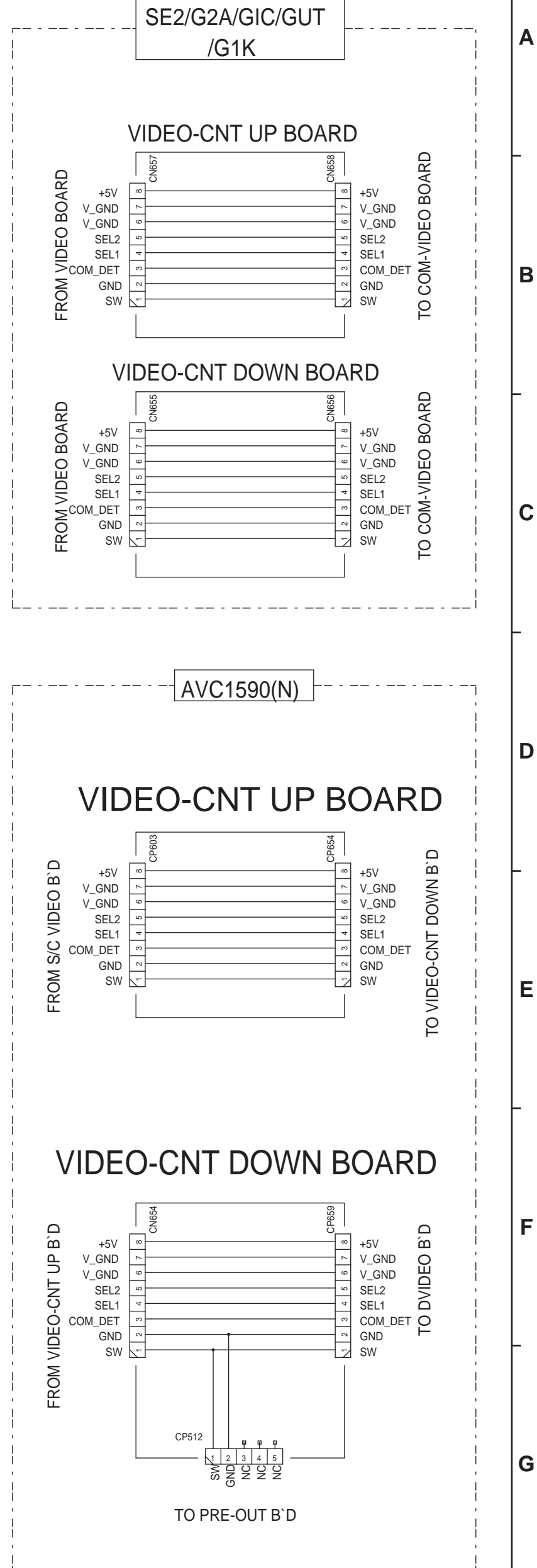
A
B
C
D
E
F
G
H



D-VIDEO B'D

BA7625/6, BU4052 TRUE TABLE

MODE	SEL1	SEL2
TV/DBS	L	L
DVD/VDP	H	L
X	L	H
VCR	H	H



SCHEMATIC DIAGRAMS (13/13)
D-VIDEO(For JP MODEL)/PRE-OUT UNIT
(For ALL MODEL)