

SERVICE MANUAL

MODEL	JP	E3	E2	EK	EA	E1C	E1K	EUT
AVR-2310CI		✓						
AVR-2310			✓					
AVR-890		✓			✓			

AV SURROUND RECEIVER

MODEL	JP	E3	E2	EK	EA	E1C	E1K	EUT
AVC-2310						✓		

AV SURROUND AMPLIFIER

• For purposes of improvement, specifications and design are subject to change without notice.

• Please use this service manual with referring to the operating instructions without fail.

• Some illustrations using in this service manual are slightly different from the actual set.

DENON

Denon Brand Company, D&M Holdings Inc.

SAFETY PRECAUTIONS

The following check should be performed for the continued protection of the customer and service technician.

LEAKAGE CURRENT CHECK

Before returning the unit to the customer, make sure you make either (1) a leakage current check or (2) a line to chassis resistance check. If the leakage current exceeds 0.5 milliamps, or if the resistance from chassis to either side of the power cord is less than 460 kohms, the unit is defective.

CAUTION Please heed the points listed below during servicing and inspection.

⊙ Heed the cautions!

Spots requiring particular attention when servicing, such as the cabinet, parts, chassis, etc., have cautions indicated on labels or seals. Be sure to heed these cautions and the cautions indicated in the handling instructions.

⊙ Caution concerning electric shock!

(1) An AC voltage is impressed on this set, so touching internal metal parts when the set is energized could cause electric shock. Take care to avoid electric shock, by for example using an isolating transformer and gloves when servicing while the set is energized, unplugging the power cord when replacing parts, etc.

(2) There are high voltage parts inside. Handle with extra care when the set is energized.

⊙ Caution concerning disassembly and assembly!

Though great care is taken when manufacturing parts from sheet metal, there may in some rare cases be burrs on the edges of parts which could cause injury if fingers are moved across them. Use gloves to protect your hands.

⊙ Only use designated parts!

The set's parts have specific safety properties (fire resistance, voltage resistance, etc.). For replacement parts, be sure to use parts which have the same properties. In particular, for the important safety parts that are marked \triangle on wiring diagrams and parts lists, be sure to use the designated parts.

⊙ Be sure to mount parts and arrange the wires as they were originally!

For safety reasons, some parts use tape, tubes or other insulating materials, and some parts are mounted away from the surface of printed circuit boards. Care is also taken with the positions of the wires inside and clamps are used to keep wires away from heating and high voltage parts, so be sure to set everything back as it was originally.

⊙ Inspect for safety after servicing!

Check that all screws, parts and wires removed or disconnected for servicing have been put back in their original positions, inspect that no parts around the area that has been serviced have been negatively affected, conduct an insulation check on the external metal connectors and between the blades of the power plug, and otherwise check that safety is ensured.

(Insulation check procedure)

Unplug the power cord from the power outlet, disconnect the antenna, plugs, etc., and turn the power switch on. Using a 500V insulation resistance tester, check that the insulation resistance between the terminals of the power plug and the externally exposed metal parts (antenna terminal, headphones terminal, microphone terminal, input terminal, etc.) is $1M\Omega$ or greater. If it is less, the set must be inspected and repaired.

CAUTION Concerning important safety parts

Many of the electric and structural parts used in the set have special safety properties. In most cases these properties are difficult to distinguish by sight, and using replacement parts with higher ratings (rated power and withstand voltage) does not necessarily guarantee that safety performance will be preserved. Parts with safety properties are indicated as shown below on the wiring diagrams and parts lists in this service manual. Be sure to replace them with parts with the designated part number.

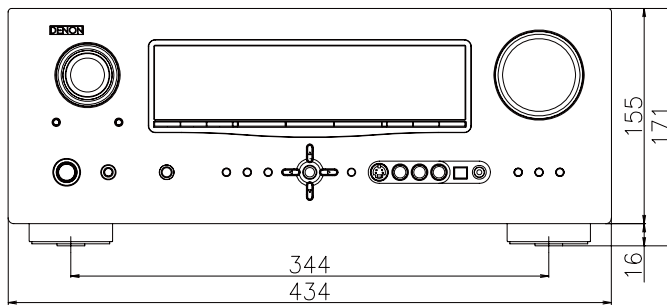
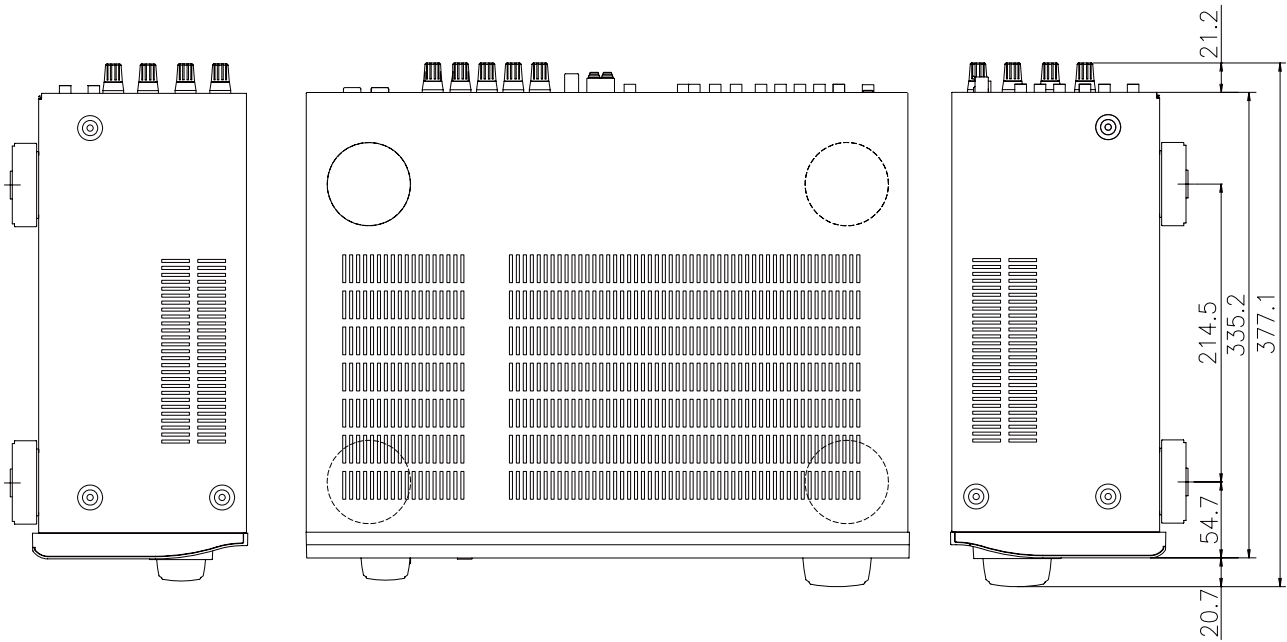
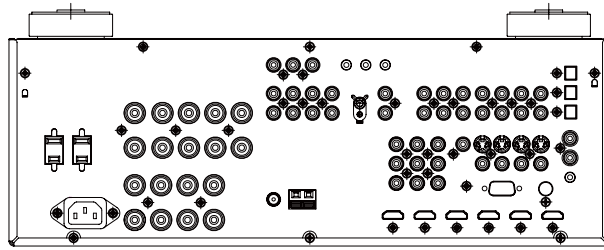
(1) Schematic diagrams ... Indicated by the \triangle mark.

(2) Parts lists ... Indicated by the \triangle mark.

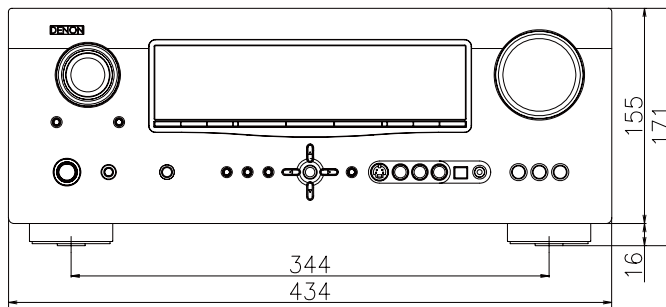
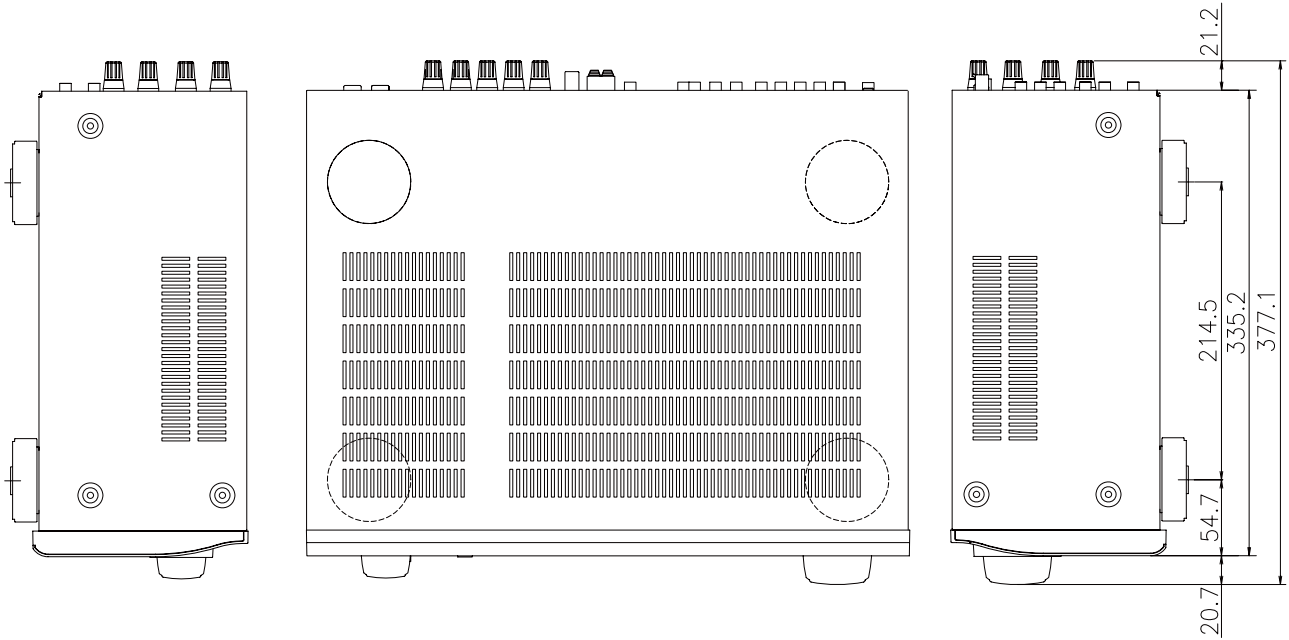
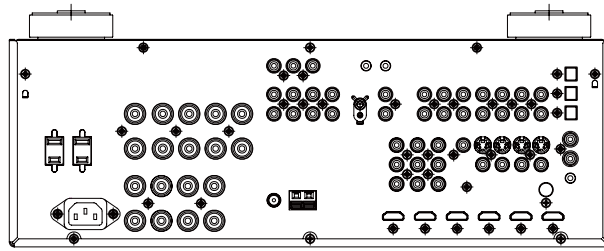
Using parts other than the designated parts could result in electric shock, fires or other dangerous situations.

DIMENSION

AVR-2310CI/2310, AVC-2310 model



AVR-890 model

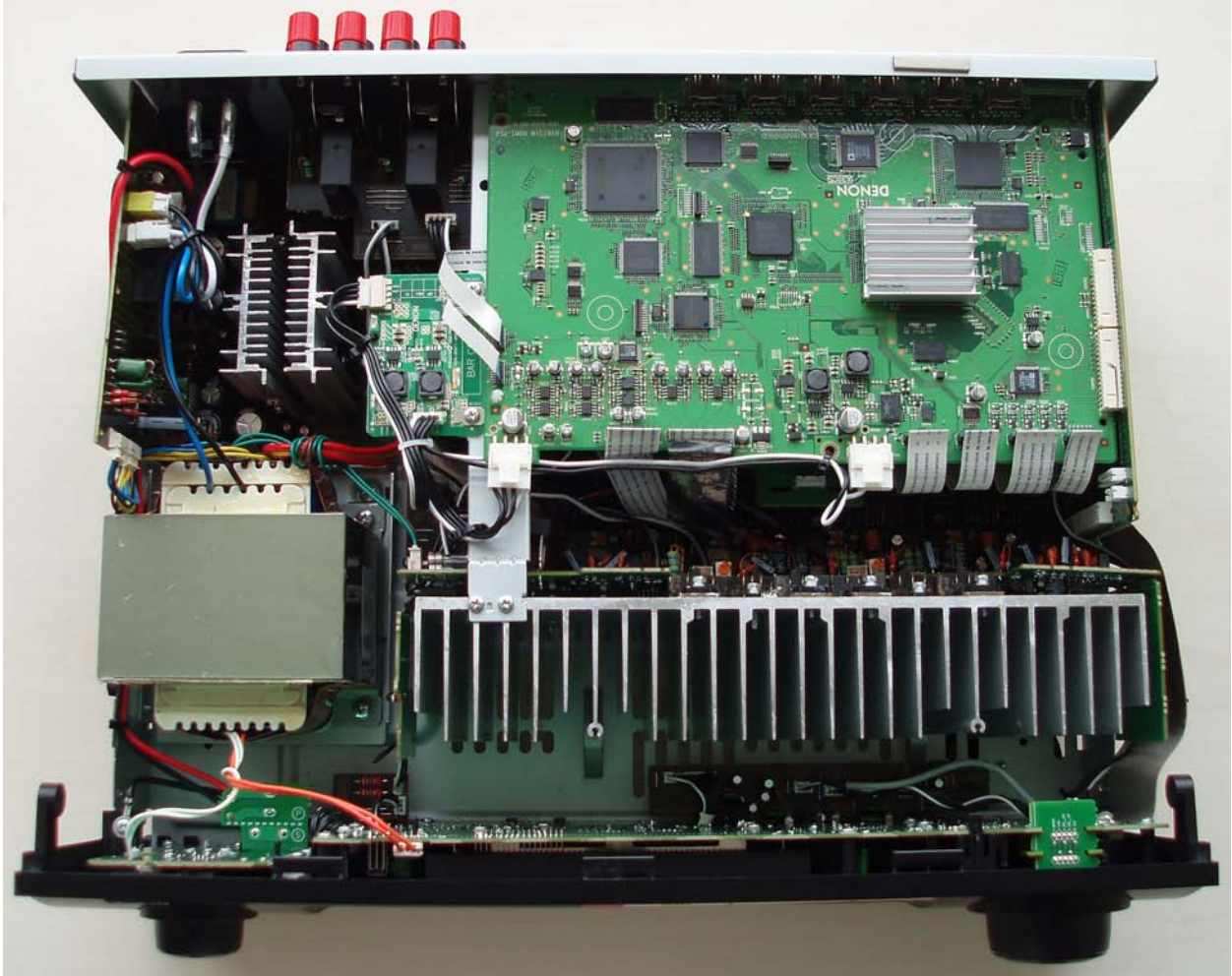


WIRE ARRANGEMENT

If wire bundles are untied or moved to perform adjustment or parts replacement etc., be sure to rearrange them neatly as they were originally bundled or placed afterward. Otherwise, incorrect arrangement can be a cause of noise generation.

Wire arrangement viewed from the top

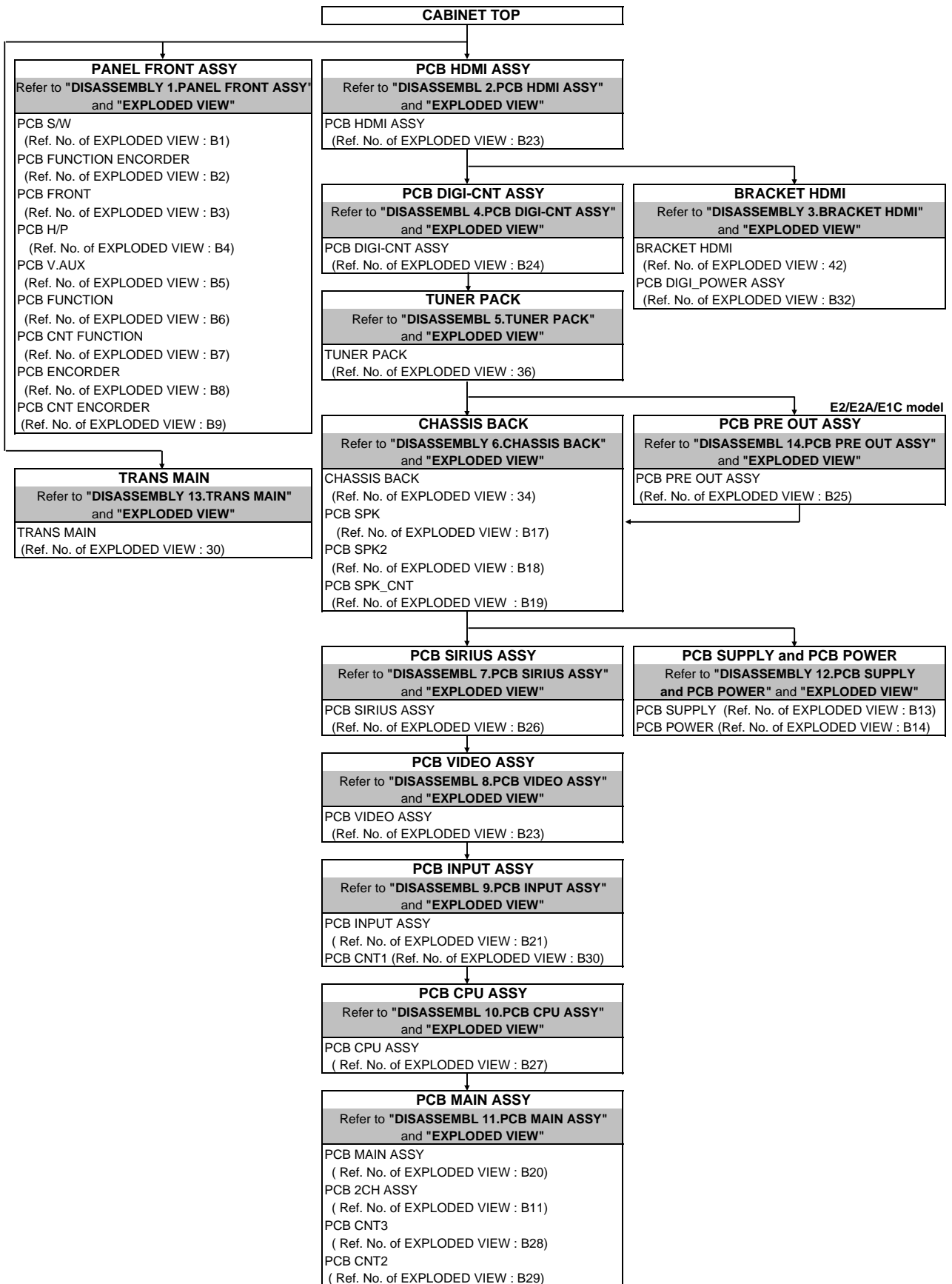
Back Panel side



Front Panel side

DISASSEMBLY

- Disassemble in order of the arrow of the figure of following flow.
- In the case of the re-assembling, assemble it in order of the reverse of the following flow.
- In the case of the re-assembling, observe "attention of assembling" it.

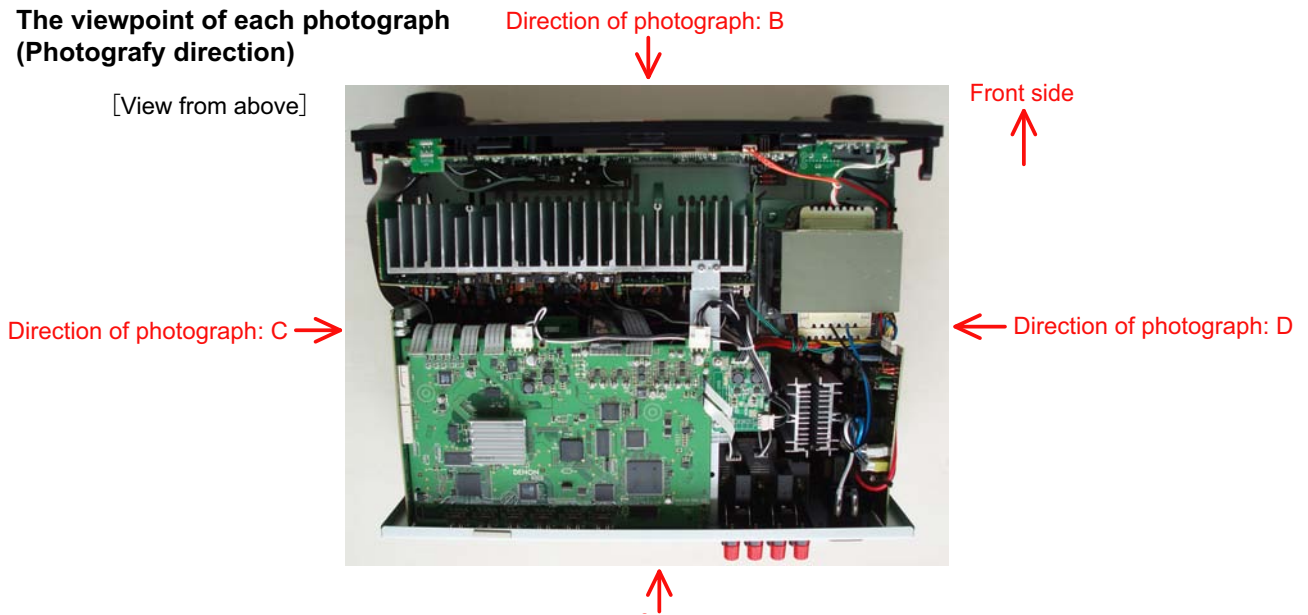


About the photos used for descriptions in the “DISASSEMBLY” section.

- The direction from which the photographs used herein were photographed is indicated at "Direction of photograph: ****" at the left of the respective photographs.
- Refer to the table below for a description of the direction in which the photos were taken.
- Photographs for which no direction is indicated were taken from above the product.

The viewpoint of each photograph (Photography direction)

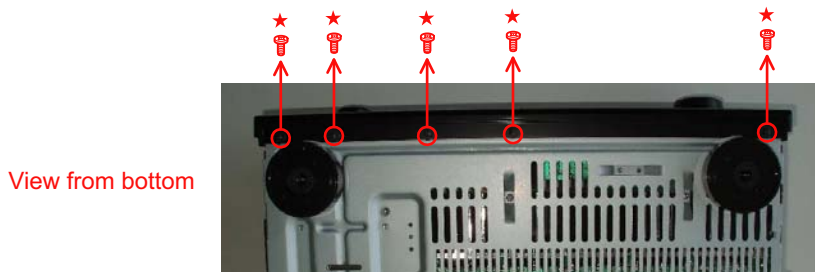
[View from above]



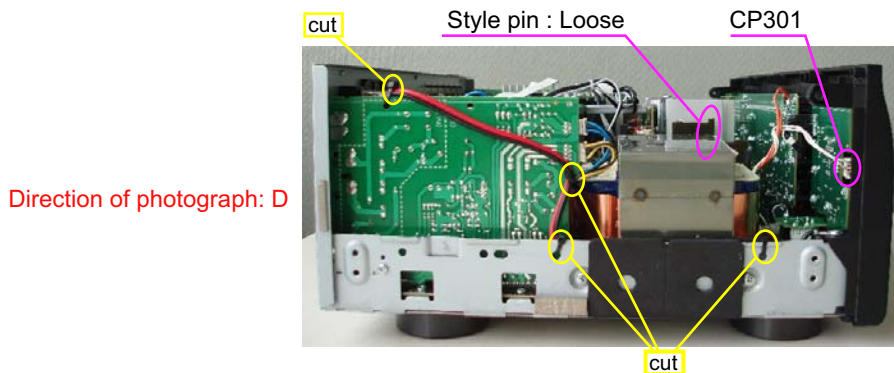
1. PANEL FRONT ASSY

Proceeding : **CABINET TOP** → **PANEL FRONT ASSY**

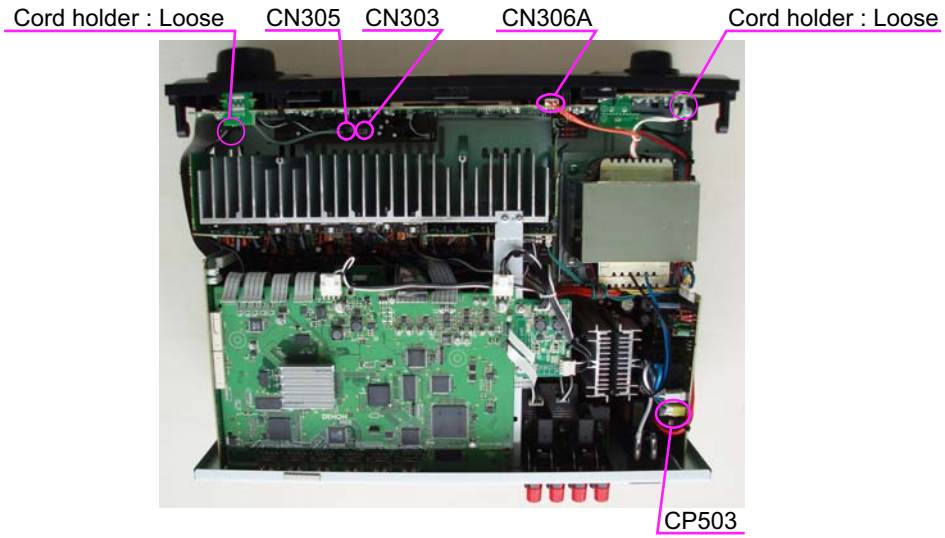
- (1) Remove the screws.



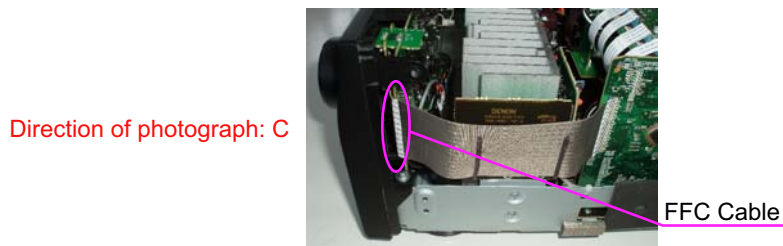
- (2) Cut the wire clamp bands, then loose the style pin. Disconnect the connector wire.



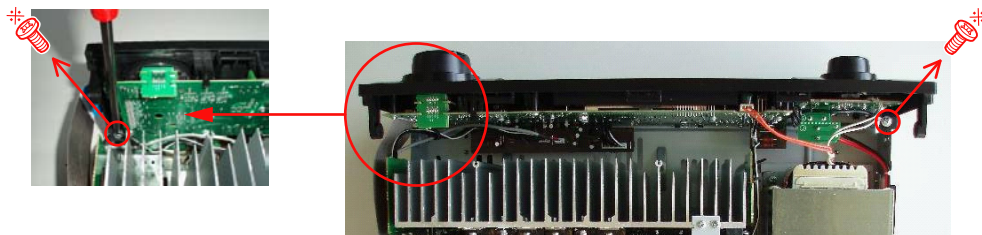
(3) Loose the Cord holders, then disconnect the connector wires.



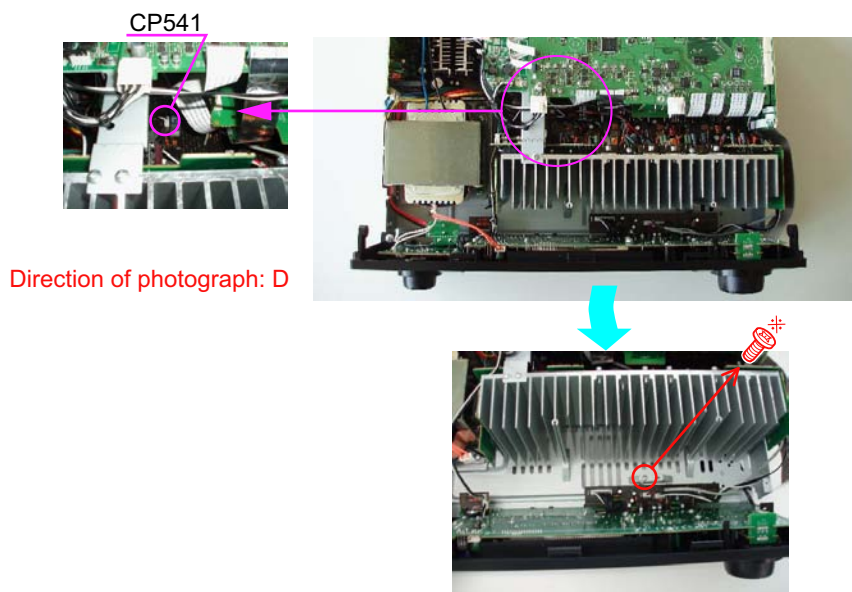
(4) Disconnect the FFC Cable.



(5) Remove the screws.



(6) Disconnect the connector wire, then remove the screw.

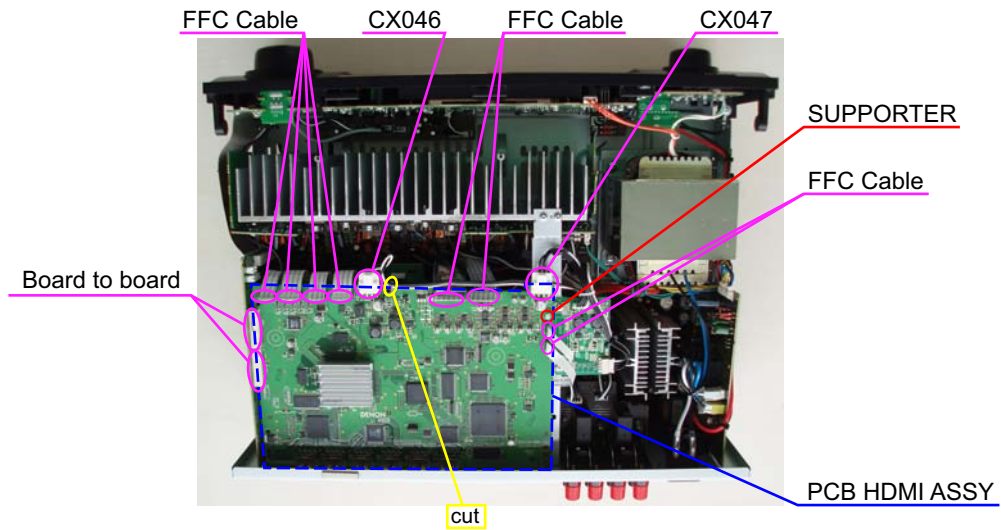


Please refer to "EXPLODED VIEW" for the disassembly method of each P.W.B included in PANEL FRONT ASSY.

2. PCB HDMI ASSY

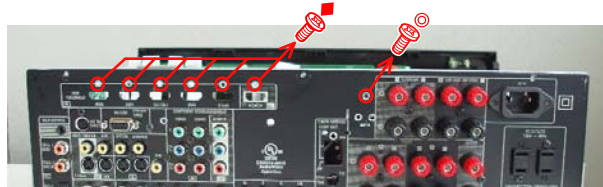
Proceeding : **CABINET TOP** → **HDMI PWB ASSY**

- (1) Cut the wire clamp band, then disconnect the connector wires and FFC Cables. Remove the SUPPORTER, then disconnect the board to board.



- (2) Remove the screws.

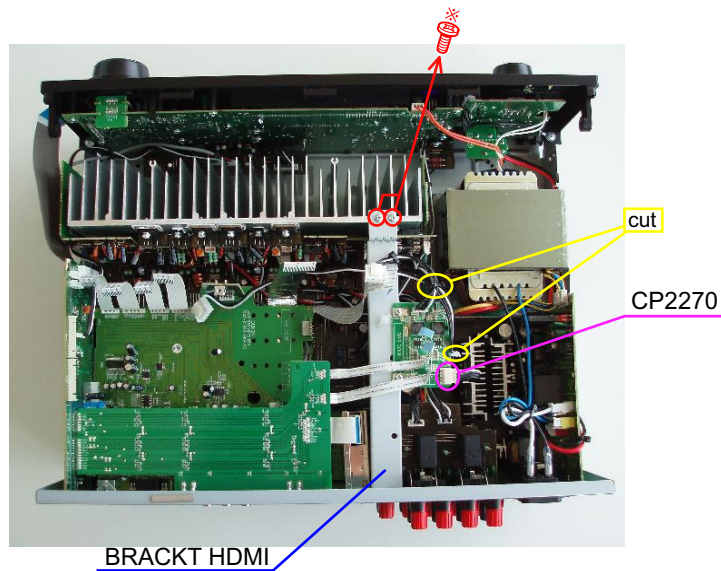
Direction of photograph: A



3. BRACKET HDMI

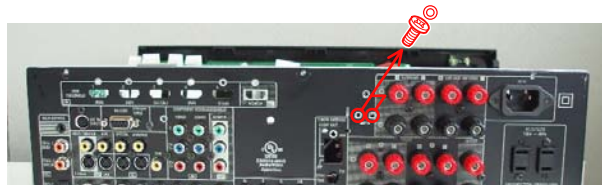
Proceeding : **CABINET TOP** → **HDMI PWB ASSY** → **BRACKET HDMI**

- (1) Cut the wire clamer, then disconnect the connector wire. Remove the screws.



- (2) Remove the screws.

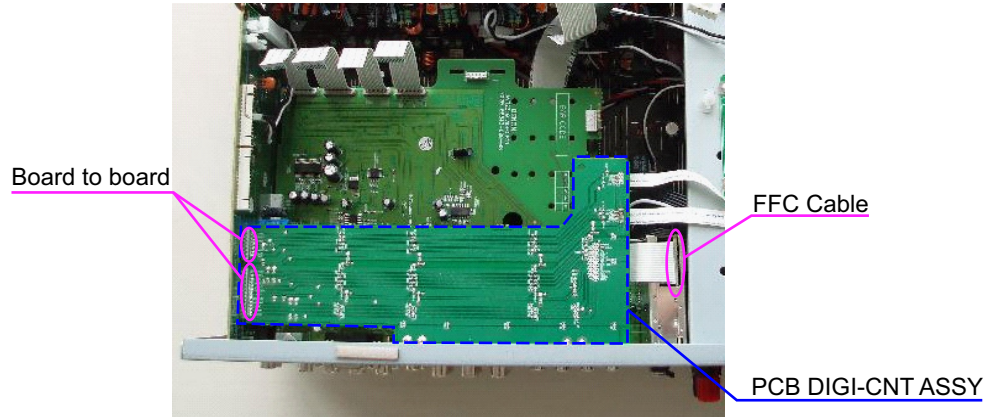
Direction of photograph: A



4. PCB DIGI-CNT ASSY

Proceeding : **CABINET TOP** → **HDMI PWB ASSY** → **BRACKET HDMI**
→ **DIGI-CNT PWB ASSY**

(1) Disconnect the FFC cable and board to board.



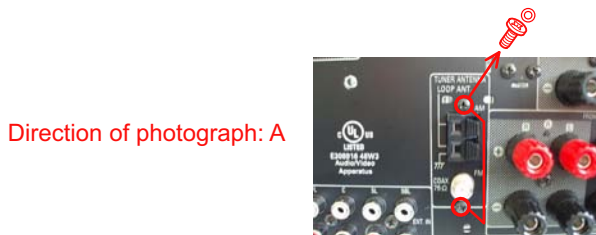
(2) Remove the screws.



5. TUNER PACK

Proceeding : **CABINET TOP** → **HDMI PWB ASSY** → **BRACKET HDMI**
→ **DIGI-CNT PWB ASSY** → **TUNER PACK**

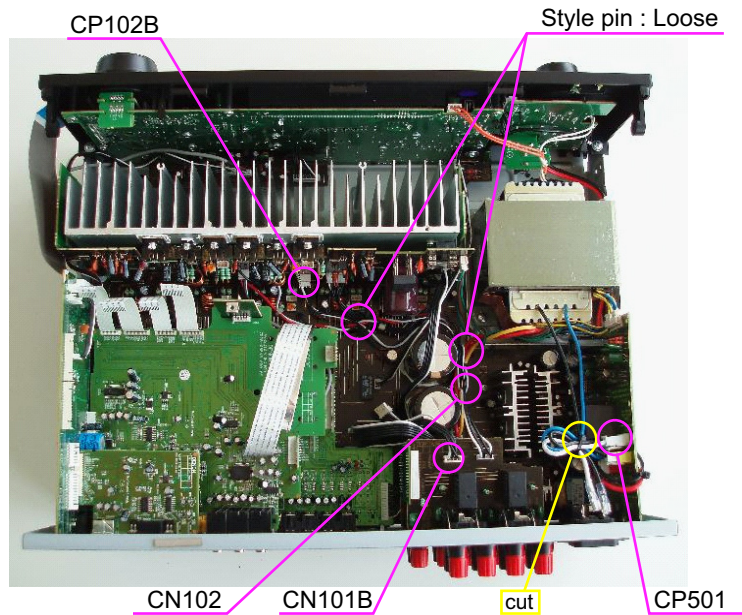
(1) Remove the screws.



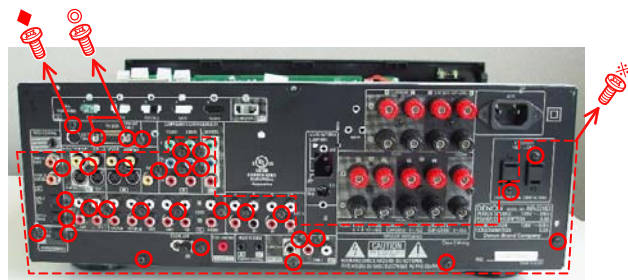
6. CHASSIS BACK

Proceeding : **CABINET TOP** → **HDMI PWB ASSY** → **BRACKET HDMI**
 → **DIGI-CNT PWB ASSY** → **TUNER PACK** → **CHASSIS BACK**

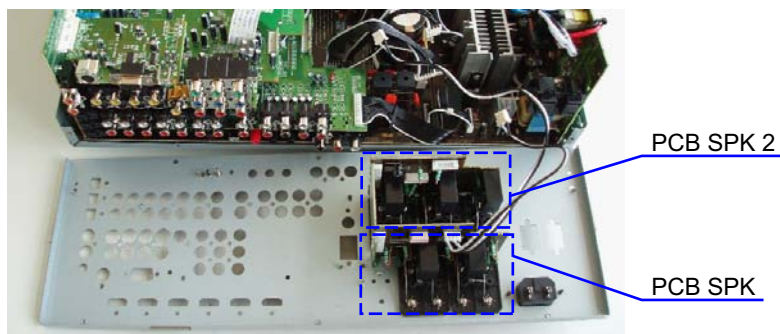
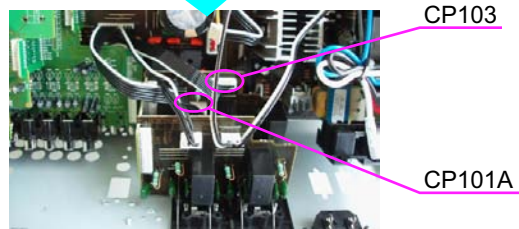
(1) Cut the wire clamp band, then loose the style pins. Disconnect the connector wires.



(2) Remove the screws, then disconnect the connector wires.



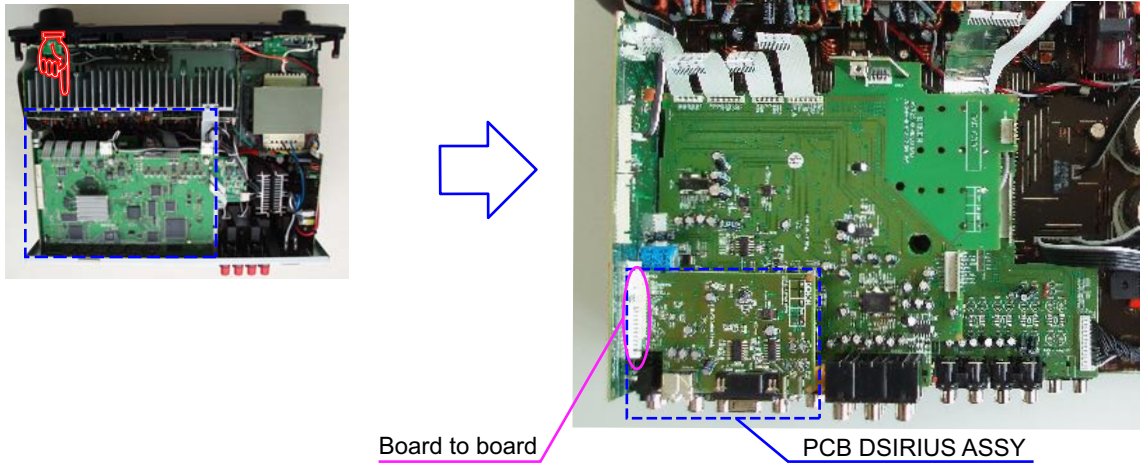
Direction of photograph: A



7. PCB SIRIUS ASSY

Proceeding : **CABINET TOP** → **HDMI PWB ASSY** → **BRACKET HDMI**
→ **DIGI-CNT PWB ASSY** → **TUNER PACK** → **CHASSIS BACK**
→ **PCB SIRIUS ASSY**

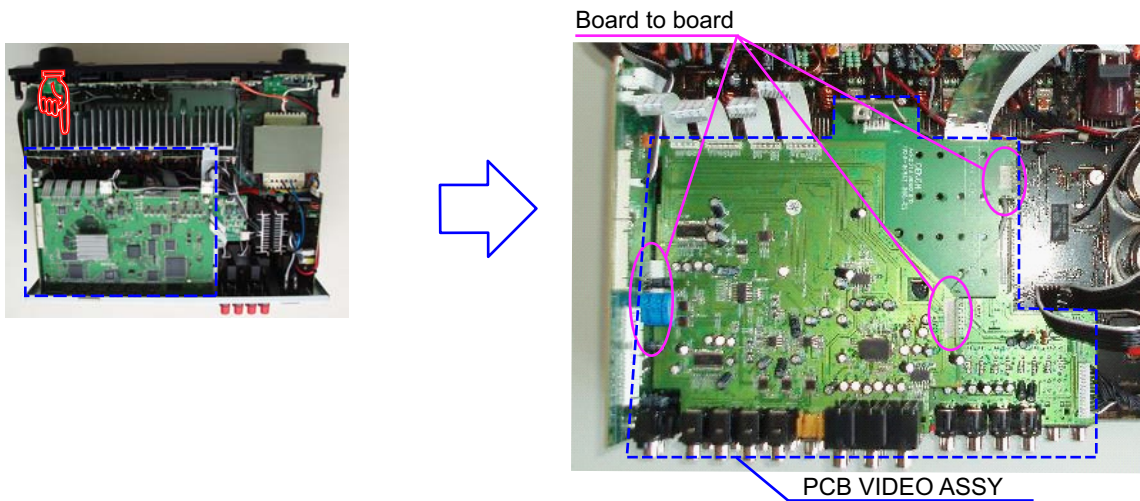
(1) Disconnect the board to board.



8. PCB VIDEO ASSY

Proceeding : **CABINET TOP** → **HDMI PWB ASSY** → **BRACKET HDMI**
→ **DIGI-CNT PWB ASSY** → **TUNER PACK** → **CHASSIS BACK**
→ **PCB SIRIUS ASSY** → **PCB VIDEO ASSY**

(1) Disconnect the board to boards.

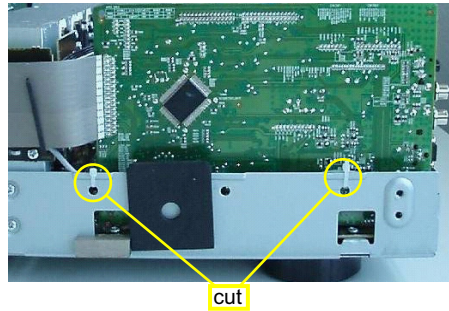


9. PCB INPUT ASSY

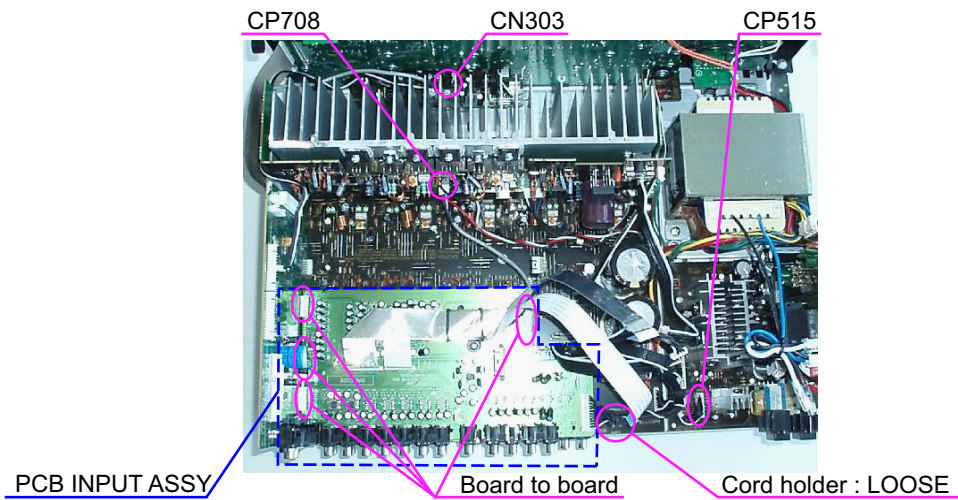
Proceeding : **CABINET TOP** → **HDMI PWB ASSY** → **BRACKET HDMI**
→ **DIGI-CNT PWB ASSY** → **TUNER PACK** → **CHASSIS BACK**
→ **PCB SIRIUS ASSY** → **PCB VIDEO ASSY** → **PCB INPUT ASSY**

(1) Cut the wire clamp bands.

Direction of photograph: C



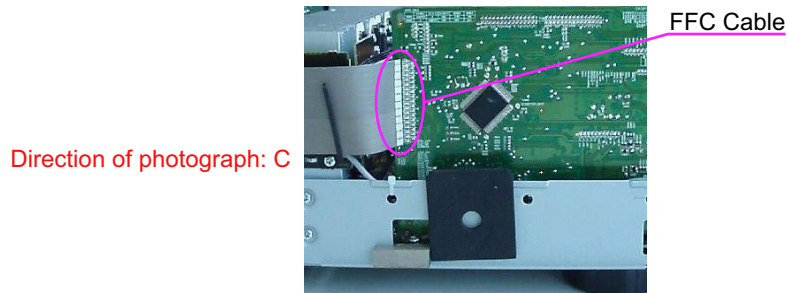
(2) Loose the Cord holder, then disconnect the connector wires and board to board.



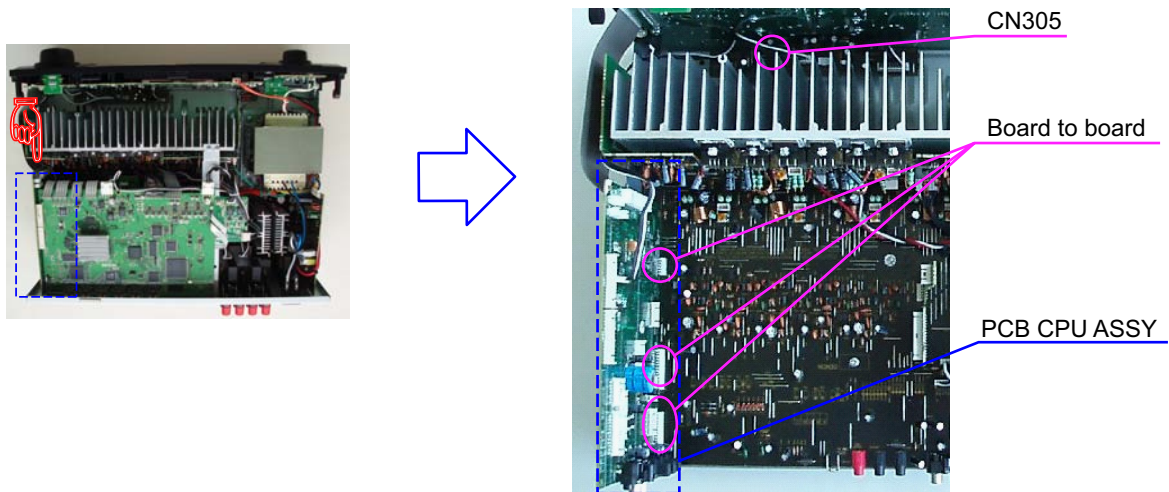
10. PCB CPU ASSY

Proceeding : **CABINET TOP** → **HDMI PWB ASSY** → **BRACKET HDMI**
→ **DIGI-CNT PWB ASSY** → **TUNER PACK** → **CHASSIS BACK**
→ **PCB SIRIUS ASSY** → **PCB VIDEO ASSY** → **PCB INPUT ASSY**
→ **PCB CPU ASSY**

(1) Disconnect the FFC cable.



(2) Disconnect the connector wires and board to board.

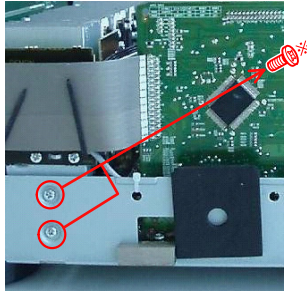


11. PCB MAIN ASSY

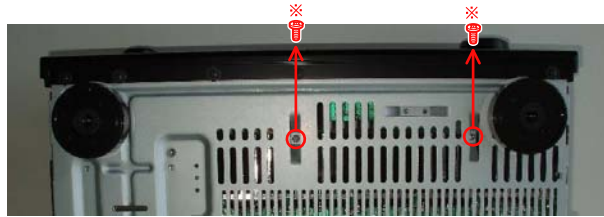
Proceeding : **CABINET TOP** → **HDMI PWB ASSY** → **BRACKET HDMI**
→ **DIGI-CNT PWB ASSY** → **TUNER PACK** → **CHASSIS BACK**
→ **PCB SIRIUS ASSY** → **PCB VIDEO ASSY** → **PCB INPUT ASSY**
→ **PCB CPU ASSY** → **PCB MAIN ASSY**

(1) Remove the screws.

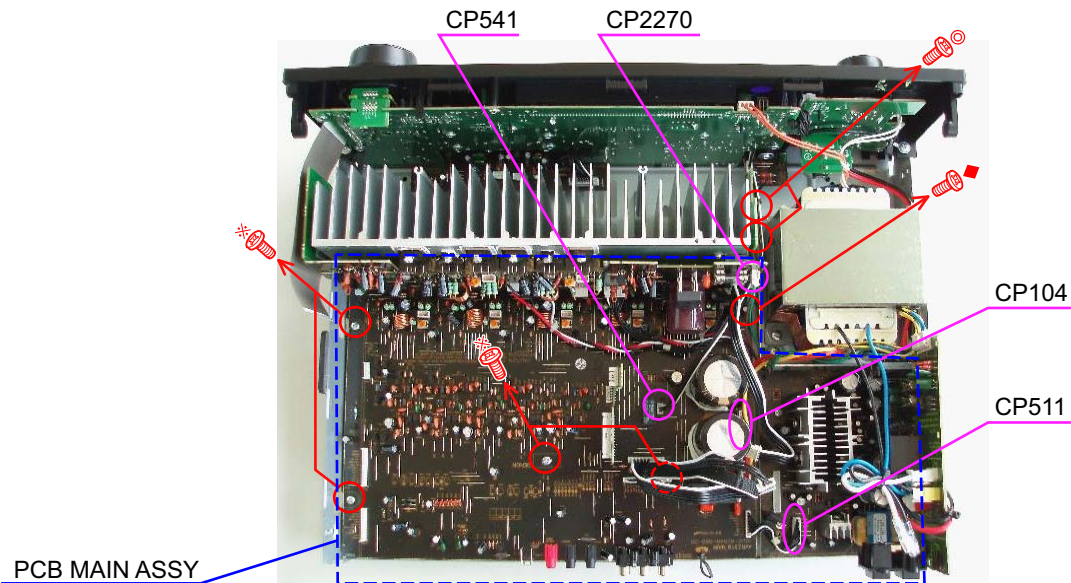
Direction of photograph: C



View from bottom



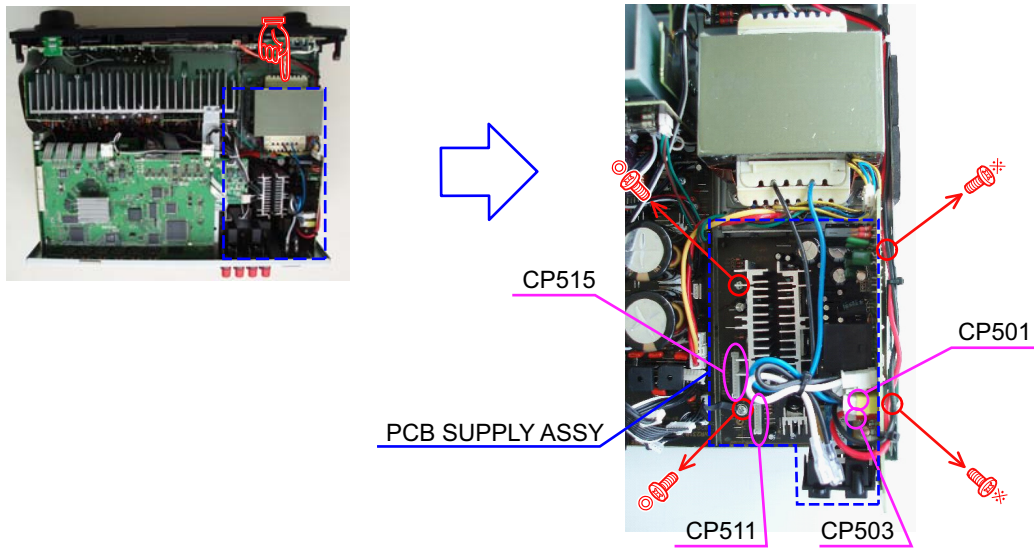
(2) Disconnect the connector wires, then remove the screws.



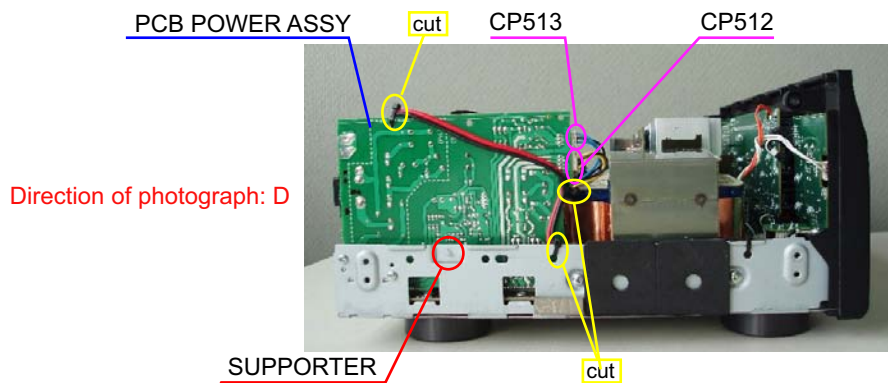
12. PCB SUPPLY and PCB POWER

Proceeding : **CABINET TOP** → **HDMI PWB ASSY** → **BRACKET HDMI**
→ **DIGI-CNT PWB ASSY** → **TUNER PACK** → **CHASSIS BACK**
→ **PCB SUPPLY and PCB POWER**

(1) Disconnect the connector wires, then remove the screws.



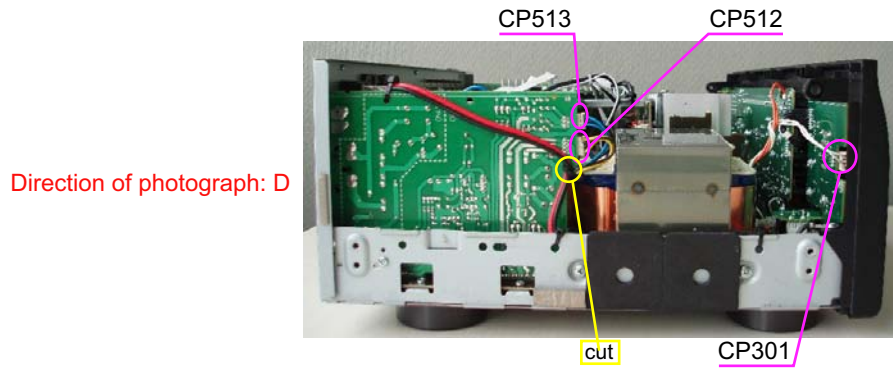
(2) Cut the wire clamp bands, then disconnect the connector wires and SUPPORTER.



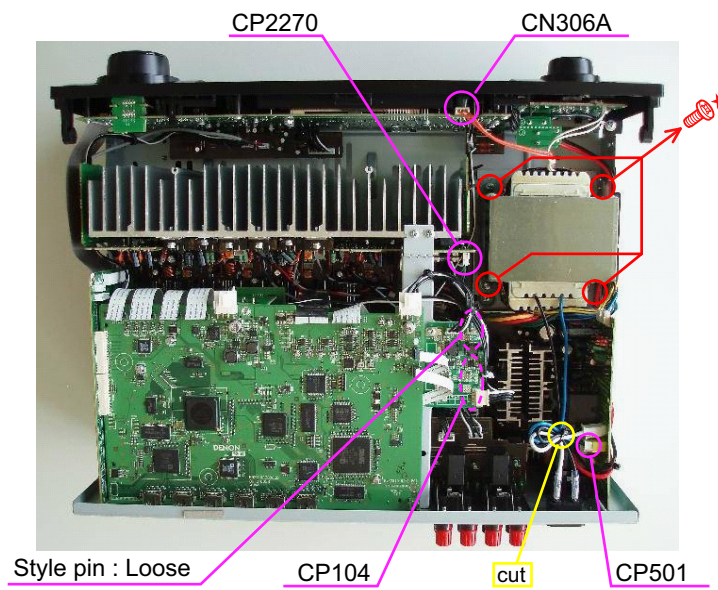
13. TRANS MAIN

Proceeding : **CABINET TOP** → **TRANS MAIN**

- (1) Cut the wire clamp bands, then disconnect the connector wires and SUPPORTER.



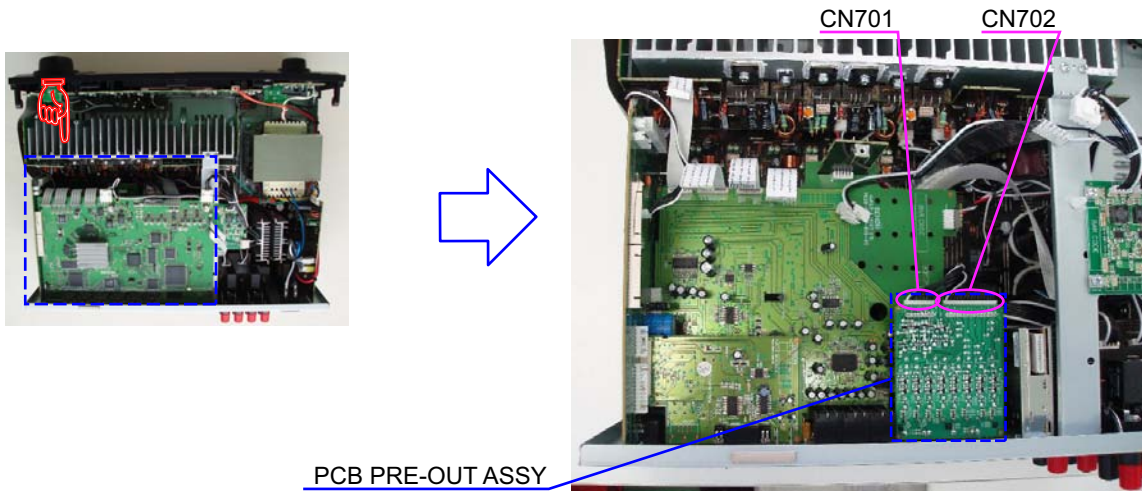
- (2) Cut the wire clamp band, then loose the style pin. Disconnect the connector wires, then remove the screws.



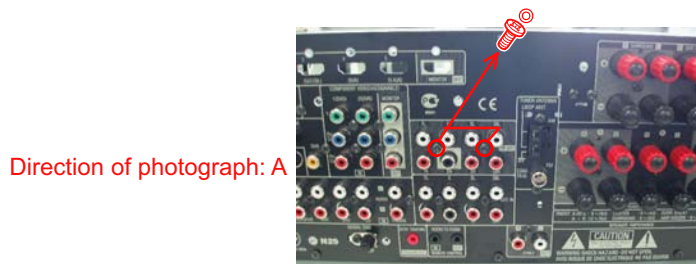
14. PCB PRE OUT ASSY (E2/EA/E1C model)

Proceeding : **CABINET TOP** → **HDMI PWB ASSY** → **BRACKET HDMI**
→ **DIGI-CNT PWB ASSY** → **TUNER PACK** → **PCB PRE OUT ASSY**

(1) Disconnect the connector wires.



(2) Remove the screws.



CAUTION IN SERVICING

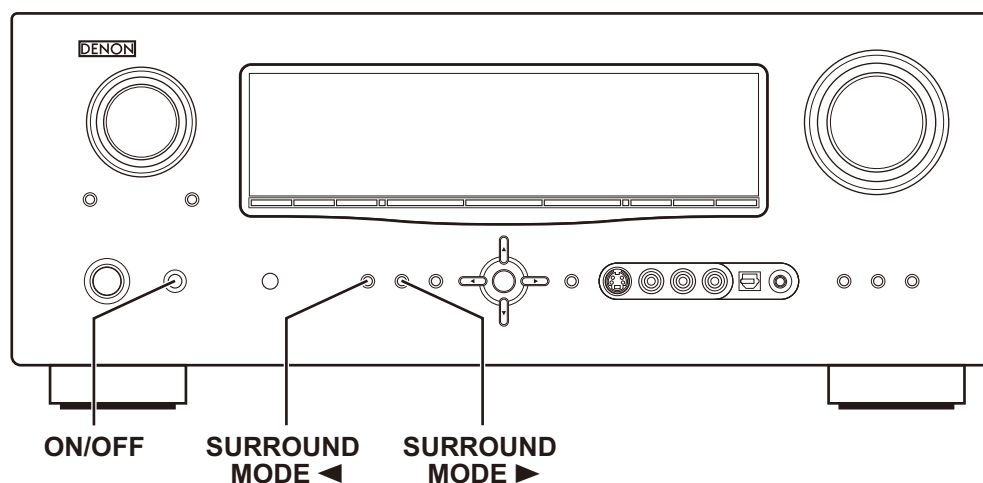
Initializing AV SURROUND RECEIVER

AV SURROUND RECEIVER initialization should be performed when the μ com, peripheral parts of μ com, and Digital P.W.B. are replaced.

1. Switch off the unit.
2. With the "SURROUND MODE ◀" and "SURROUND MODE ▶" buttons pressed, press the "ON/OFF" button to turn the power on.
3. Check that the entire display is flashing with an interval of about 1 second, and release your fingers from the 2 buttons and the microprocessor will be initialized.

Note: • If step 3 does not work, start over from step 1.

- All user settings will be lost and this factory setting will be recovered when this initialization mode. So make sure to memorize your setting for restoring after the initialization.



JIG to use for servicing

When you repair the printing board, you can use the following JIG (Extension cable kit). Please order to Denon Official Service Distributor in your region if necessary.

00D SPK- 561 EXTENSION UNIT KIT : 1 Set
00D SPK- 562 9120 CONN. JOINT KIT : 1 Set

When you update the firmware, you can use the following JIG (RS232C to internal connector conversion adapter with 8P cable kit). Please order to Denon Official Service Distributor in your region if necessary.

00DSPK-581 WRITING UNIT : 1 Set

Check mode for μ com/DSP version

μ com/DSP Version Display Mode

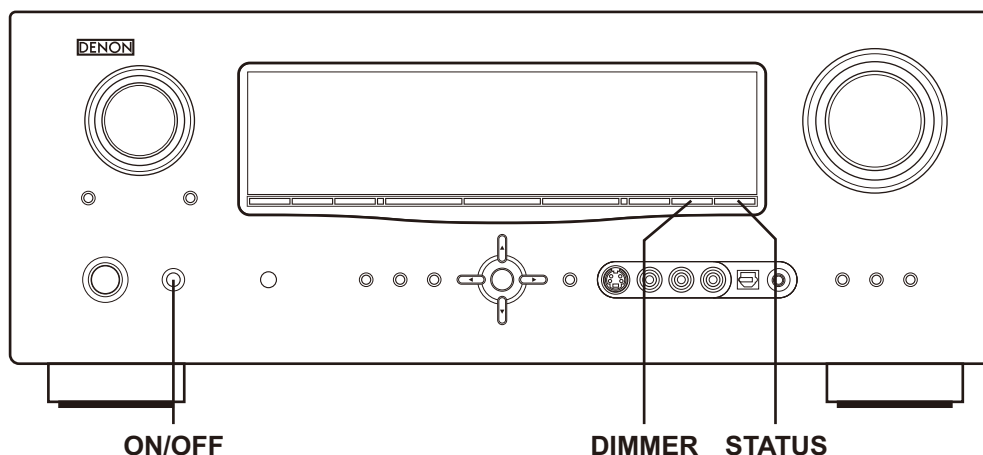
1. Operation specifications

μ com/DSP version display mode:

When started up, the version information is displayed.

Starting up:

With the "DIMMER" and "STATUS" buttons pressed, press the "ON/OFF" button to turn the power on. Now, press the "STATUS" button to the display the 2nd item information on the FL Display.



2. Display Order

Destination information → Main- μ com version information → Sub- μ com version information → DSP version information → APLD version information → OSD config information → OSD PRG information → OSD DAT information

3. Display

Any one of the following list is displayed, in the priority of ①②③④.

Condition	State	Display
① Sub- μ com NG	No response from Sub- μ com	" □ SUB □□ ERROR □ 0 1 □ "
② DIR NG	No response from DIR	" □ D I R □□ ERROR □ 0 1 □ "
③ DSP NG	When DSP boot, executing DSP reset makes no change to DSP FLAG 0 port "H".	" □ DSP □□ ERROR □ 0 1 □ "
	No change to DSP FLAG 0 port "H" before issuing DSP command.	" □ DSP □□ ERROR □ 0 2 □ "
	When DSP data read, executing WRITE="L" makes no change to ACK="H".	" □ DSP □□ ERROR □ 0 3 □ "
	When DSP data read, executing REQ="L" makes no change to ACK="L".	" □ DSP □□ ERROR □ 0 4 □ "
	When DSP data write, executing WRITE="H" makes no change to ACK="H".	" □ DSP □□ ERROR □ 0 5 □ "
	When DSP data write, executing REQ="L" makes no change to ACK="L".	" □ DSP □□ ERROR □ 0 6 □ "
	When DSP special code boot, executing DSP reset makes no change to DSP FLAG 0 port "H".	" □ DSP □□ ERROR □ 1 1 □ "
	No change to DSP FLAG 0 port "H" before issuing DSP special read command.	" □ DSP □□ ERROR □ 1 2 □ "
	No change to DSP FLAG 0 port "H" before DSP version read.	" □ DSP □□ ERROR □ 1 3 □ "
④ Both SUB/DSP OK		(No error display, version display only)

PROCEDURE FOR CHECKING ERRORS (Displaying the protection history)

Errors checking mode (Displaying the protection history)

1. Operation specifications

Error mode (Displaying the protection history):

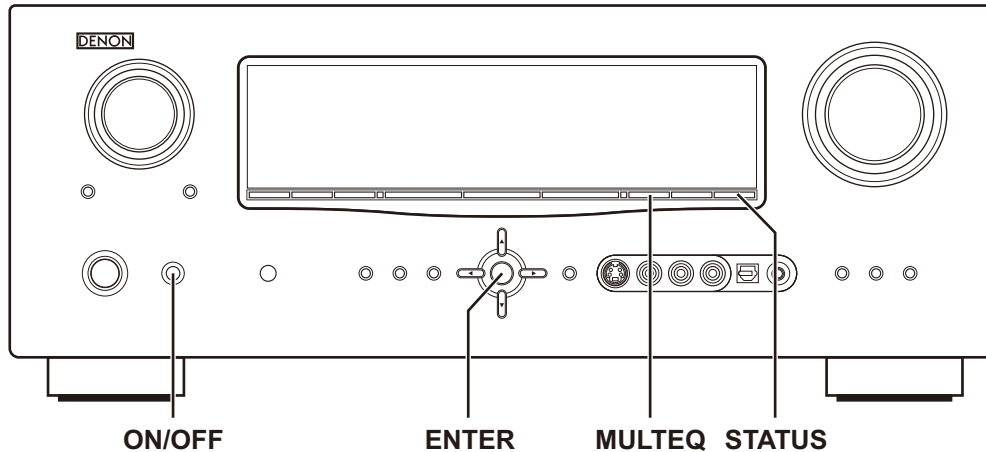
When started up, the error information is displayed.

Starting up:

● All model commonness

With the "STATUS" and "MULTEQ" buttons pressed, press the "ON/OFF" button to turn the power on. The error (protection history display) mode is set.

Now, press the "STATUS" button to turn on the FL display.



2. About the display on the FL display

When the "STATUS" button is pressed after setting the error (protection history display) mode, a history like the one shown below is displayed, depending on the conditions.

(1) Normally (when there has been no protection incident)

Upper	P	R	O	T	E	C	T		H	I	S	T	O	R	Y
Lower	N	O		P	R	O	T	E	C	T					

(2) For ASO/DC (when the last protection incident was ASO or DC protection)

Upper	P	R	O	T	E	C	T		H	I	S	T	O	R	Y
Lower	P	R	T	:	A	S	O	/	D	C					

(3) For THERMAL (when the last protection incident was THERMAL protection)

Upper	P	R	O	T	E	C	T		H	I	S	T	O	R	Y
Lower	P	R	T	:	T	H	E	R	M	A	L				

When the "STATUS" button is pressed again after the above protection history is displayed, the normal display reappears.

3. Clearing the protection history

There are two ways to clear the protection history, as described below.

- (1) Start up the error (protection display) mode, display the error, then press and hold in the "ENTER" button for 3 seconds.

Upper	P	R	O	T	E	C	T		H	I	S	T	O	R	Y
Lower	:	T	H	E	R	M	A	L	T	H	E				

↓
Press and hold in the "ENTER" button for 3 seconds

Upper	P	R	O	T	E	C	T		H	I	S	T	O	R	Y
Lower	P	R	T	:	C	L	E	A	R						

↓
The above is displayed and the protection history is cleared.

Upper	P	R	O	T	E	C	T		H	I	S	T	O	R	Y
Lower	N	O		P	R	O	T	E	C	T					

- (2) Initialize.

※ If you want to save a backup, use the method in 3.(1) above.

Warning indication by the POWER LED

If the power is turned off when a protection incident has been detected, the POWER LED (red) flashes as a warning according to the conditions in which the protection incident occurred.

- (1) ASO/DC PROTECTION : Flashes in cycles of 0.5 seconds (0.25 seconds lit, 0.25 seconds off)
- (2) THERMAL PROTECTION : Flashes in cycles of 2 seconds (1 second lit, 1 second off)

ADJUSTMENT

Audio Section

Idling Current

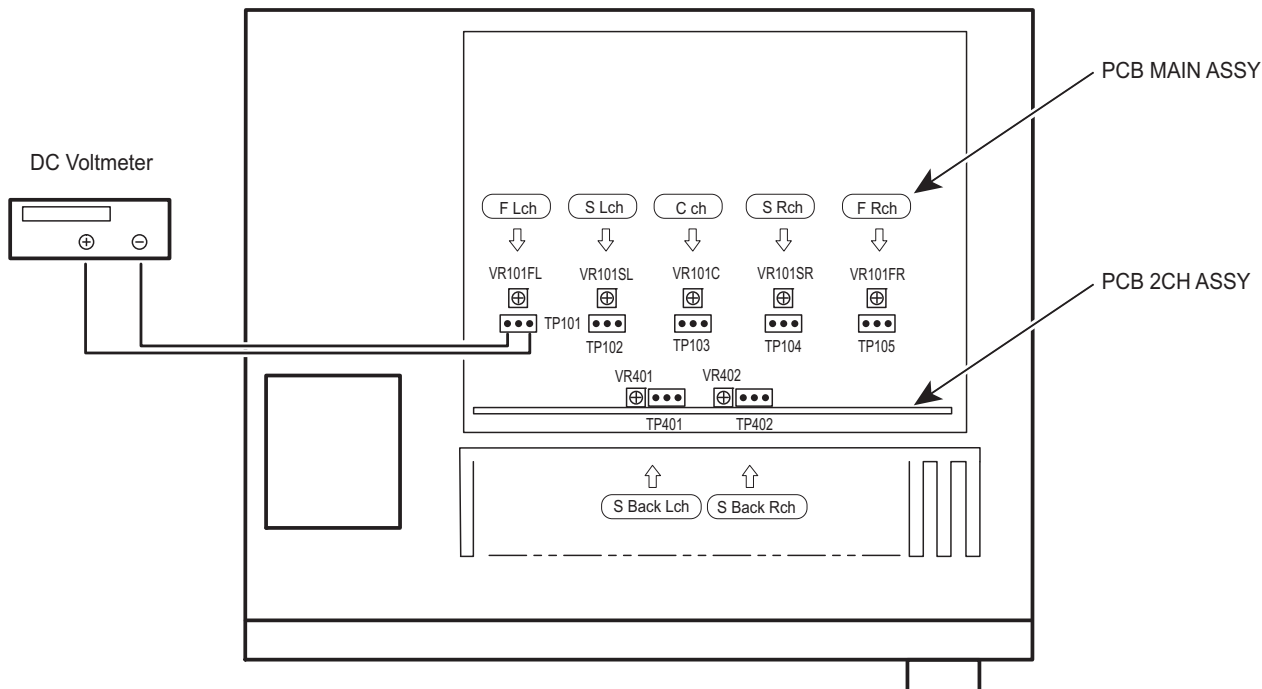
Required measurement equipment: DC Voltmeter

1. Preparation

- (1) Avoid direct blow from an air conditioner or an electric fan, and adjust the unit at normal room temperature 15 °C ~ 30 °C (59 °F ~ 86 °F).
- (2) Presetting
 - POWER (Power source switch) OFF
 - SPEAKER (Speaker terminal) No load
(Do not connect speaker, dummy resistor, etc.)

2. Adjustment

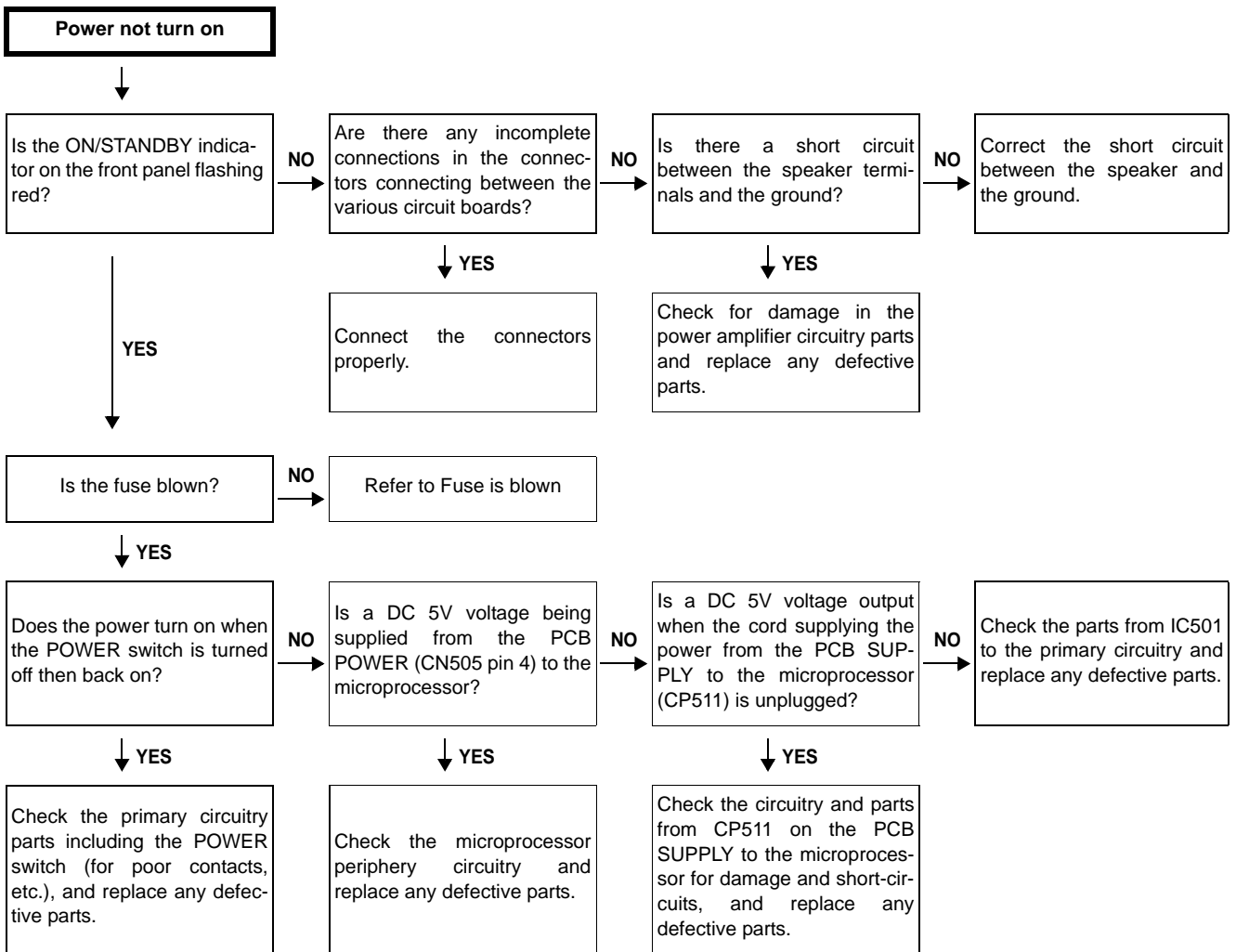
- (1) Remove top cover and set VR101 FL, FR, C, SL, SR, on Main Amp. Unit, VR401, VR402 on 2ch- Amp. Unit at fully counterclockwise (\odot) position.
- (2) Connect DC Voltmeter to test points (FRONT-Lch: TP101, FRONT-Rch: TP105, CENTER ch: TP103, SURROUND-Lch: TP102, SURROUND-Rch: TP104, SURROUND-BACK Lch: TP401, SURROUND-BACK Rch: TP402).
- (3) Connect power cord to AC Line, and turn power switch "ON".
- (4) Presetting.
MASTER VOLUME : "---" counterclockwise (\odot min.)
SPEAKER (Speaker terminal) : No load
(Do not connect speaker, dummy resistor, etc.)
MODE : 7CH STEREO (5CH STEREO)
FUNCTION : CD
- (5) Within 2 minutes after the power on, turn VR101 clockwise (\odot) to adjust the TEST POINT voltage to 1.5 mV \pm 0.5 mV DC.
- (6) After 10 minutes from the preset above, turn VR101 to set the voltage to 2.0 mV \pm 0.5 mV DC.
- (7) Adjust the Variable Resistors of other channels in the same way.



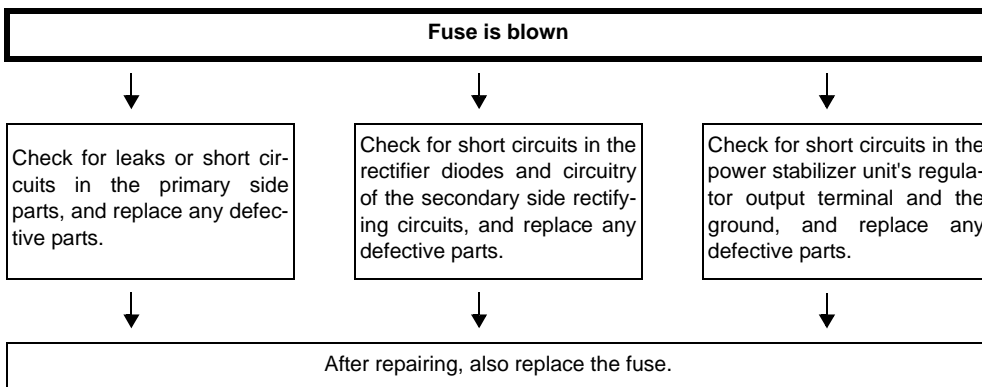
TROUBLE SHOOTING

1. POWER

1.1. Power not turn on

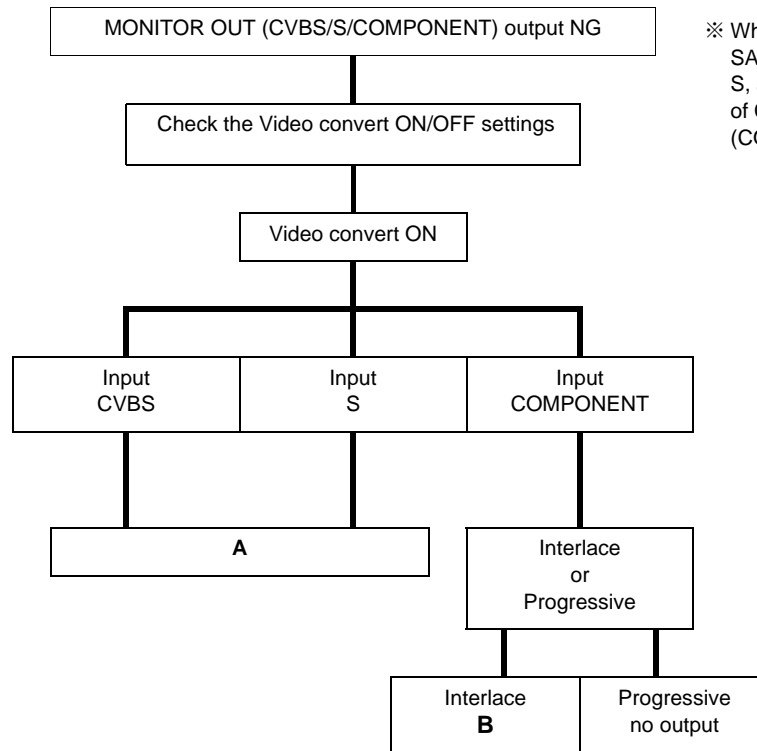


1.2. Fuse is blown



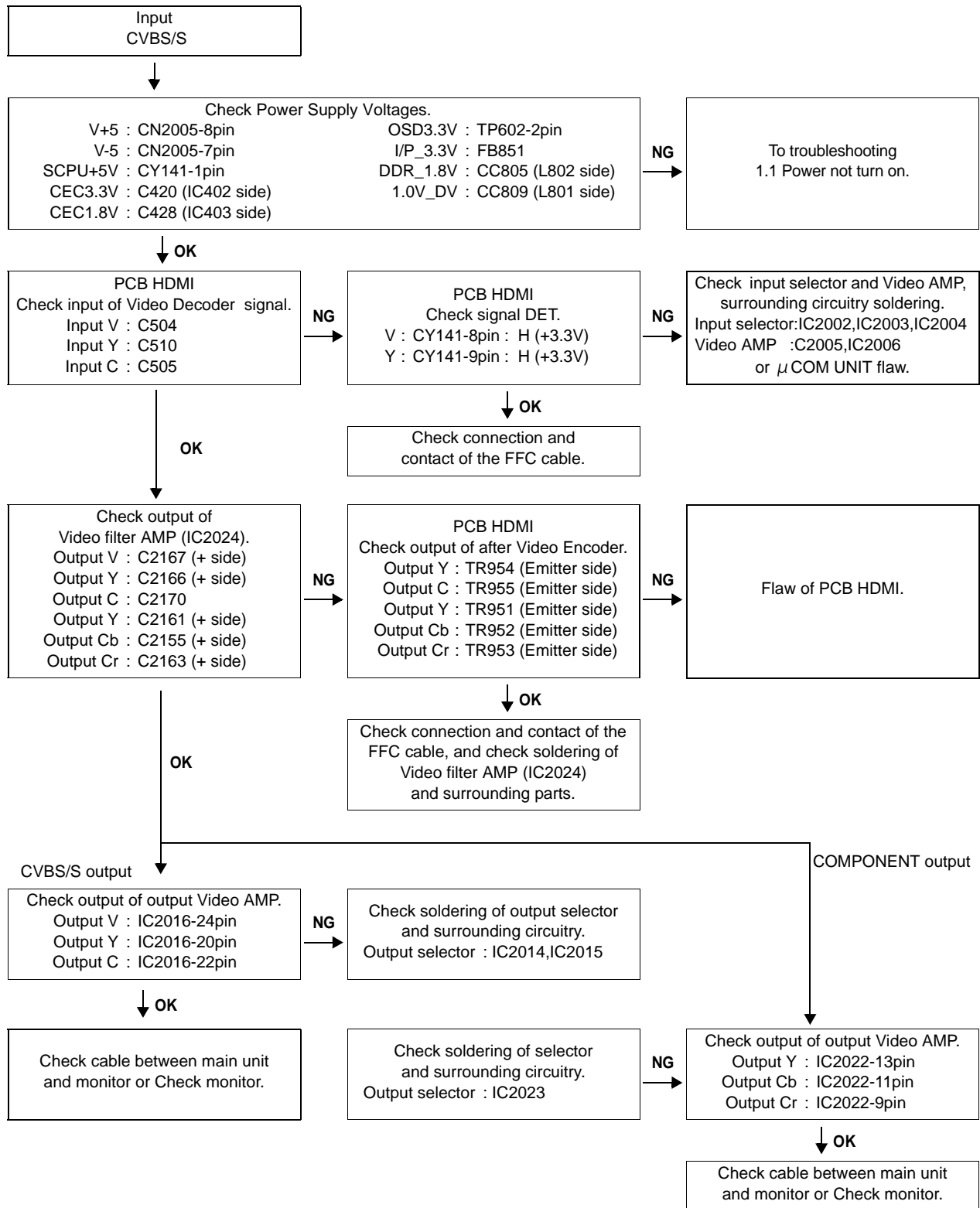
2. Analog video

2.1. MONITOR OUT



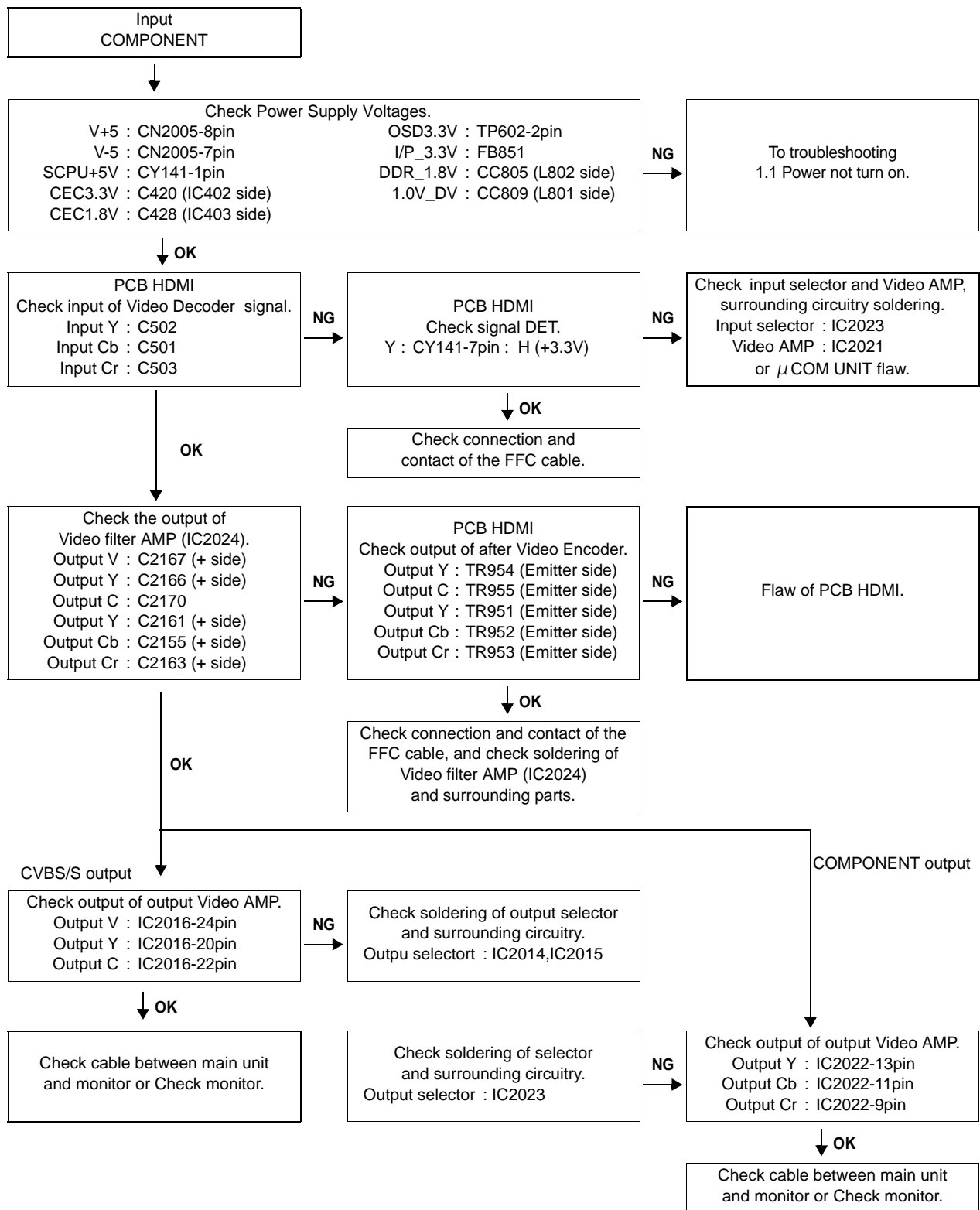
※ When checking operation, select SAT/CBL for the function of CVBS/S, and select DVD for the function of COMPONENT. (COMPONENT1 input)

A



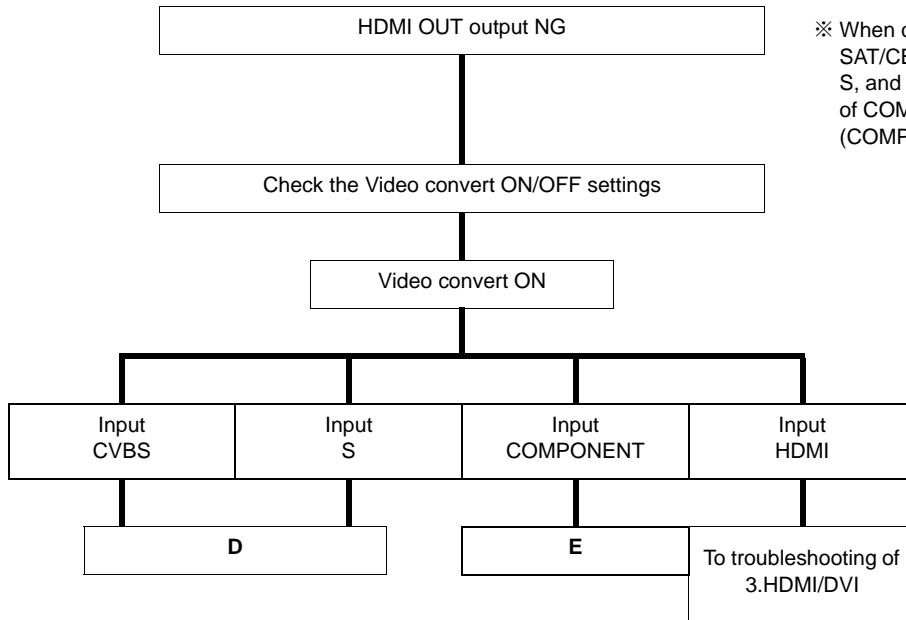
※ Unless specified, PCB VIDEO part.

B

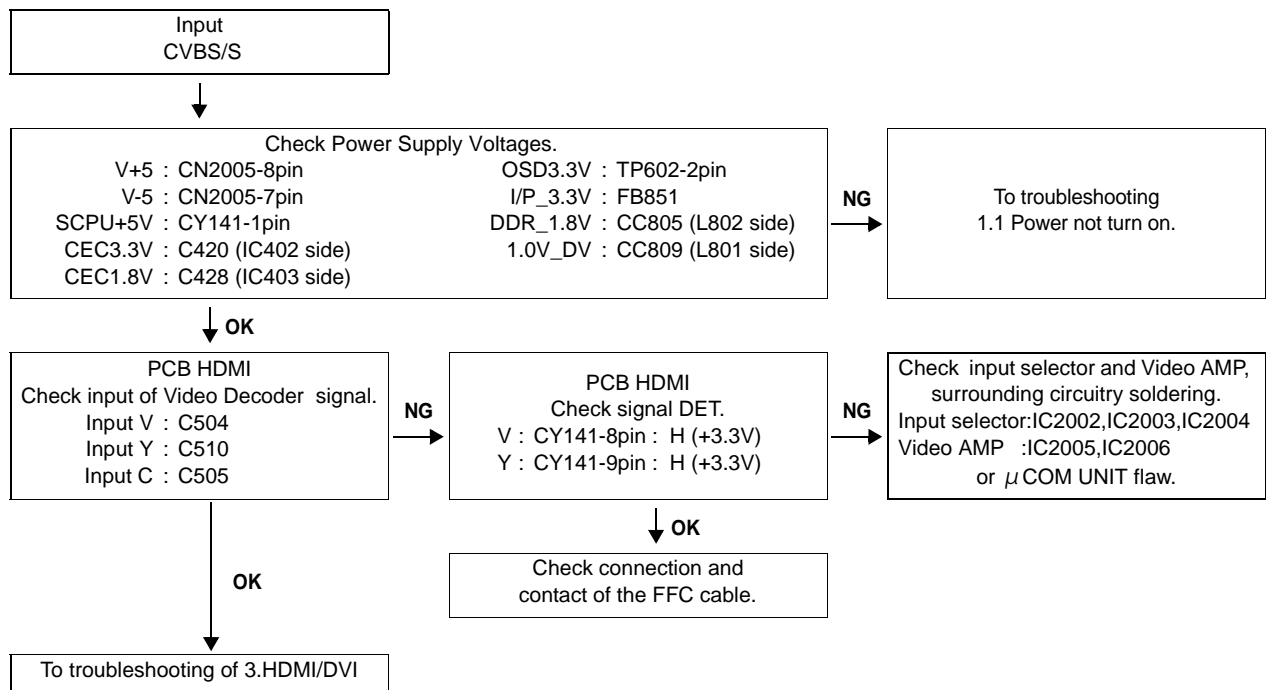


※ Unless specified, PCB VIDEO part.

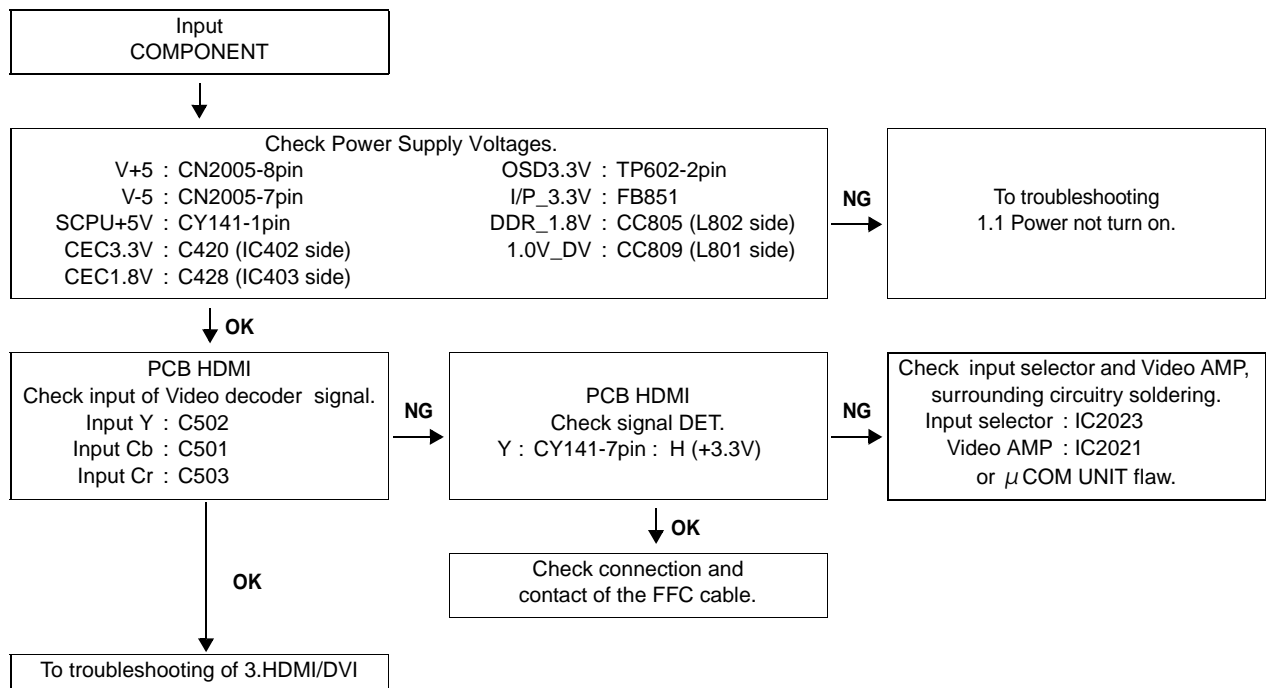
2.2. HDMI OUT



※ When checking operation, select SAT/CBL for the function of CVBS/S, and select DVD for the function of COMPONENT. (COMPONENT1 input)

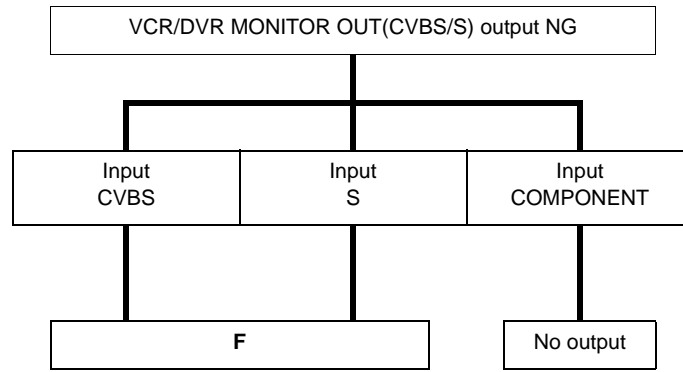
D

※ Unless specified, PCB VIDEO part.

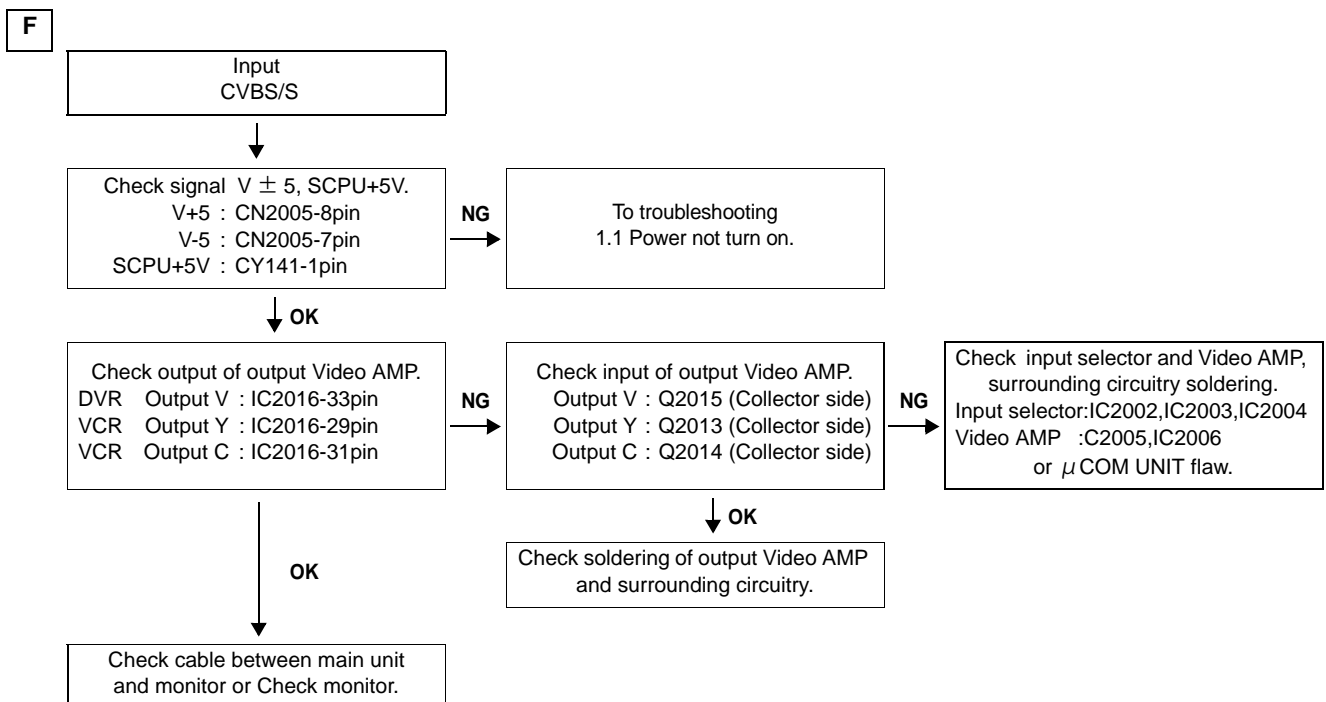
E

※ Unless specified, PCB VIDEO part.

2.3. VCR/DVR MONITOR OUT

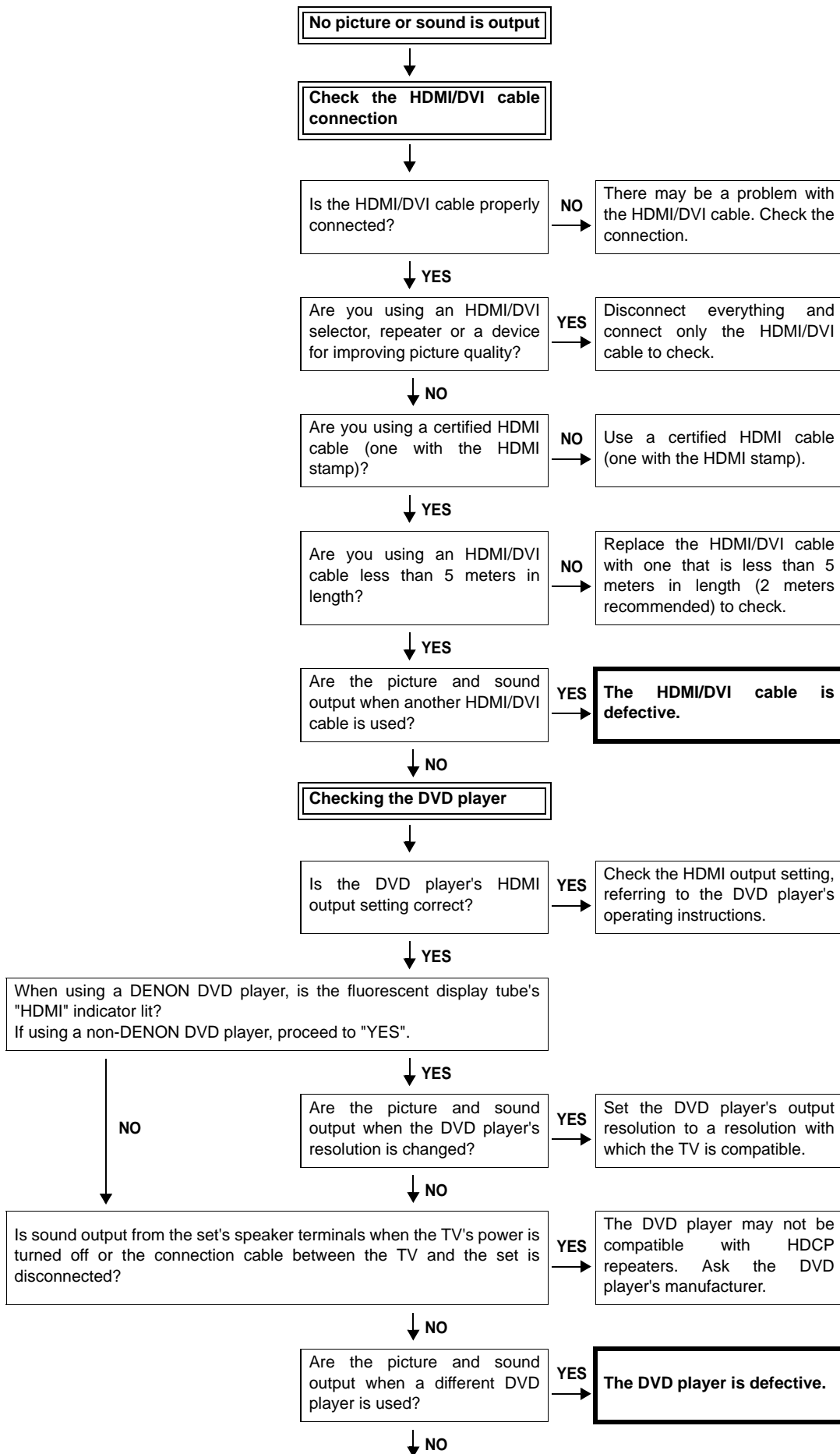


※ When checking operation, select SAT/CBL for the function.



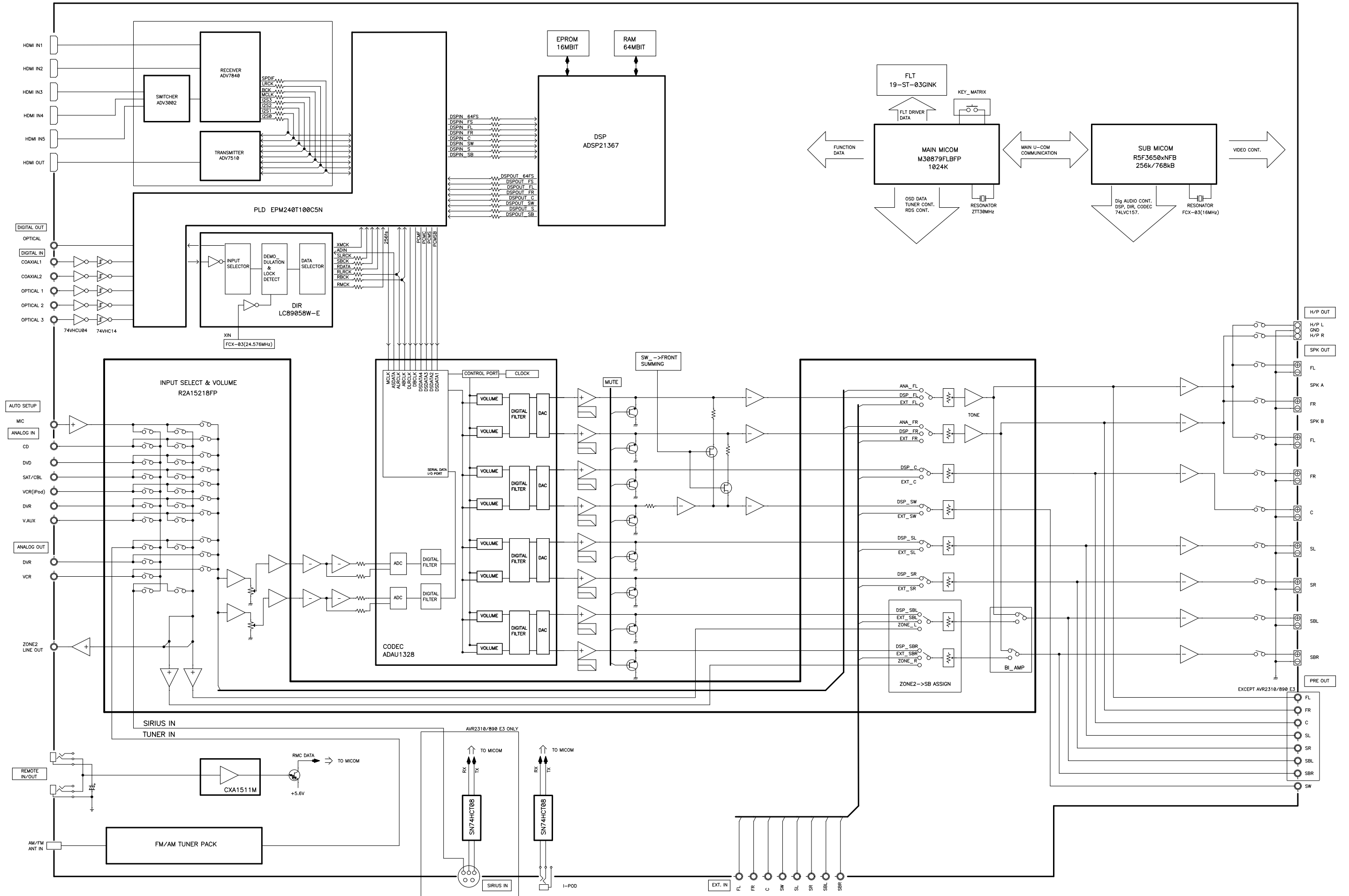
3. HDMI/DVI

3.1. No picture or sound is output

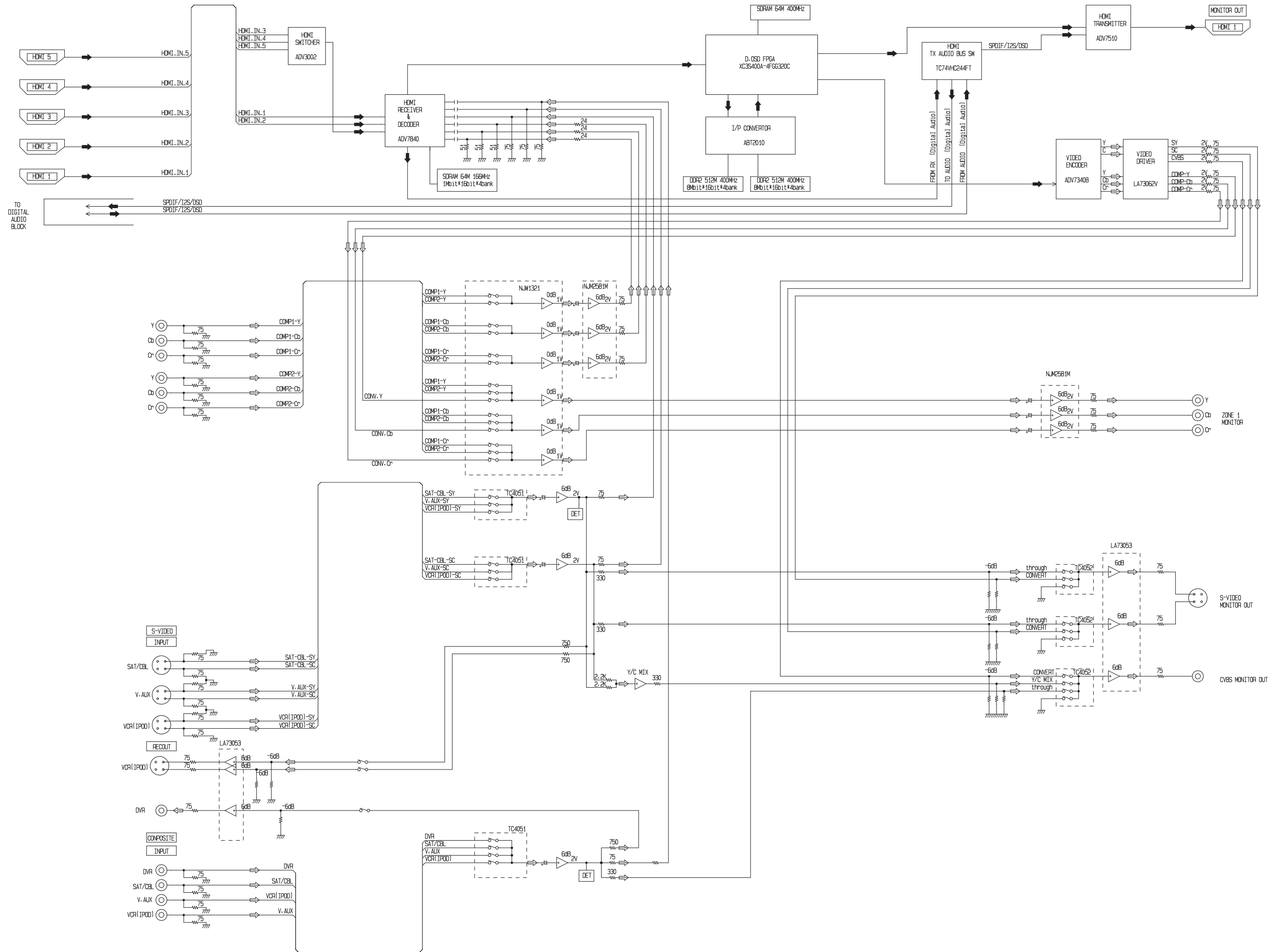
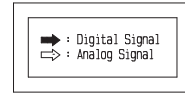


BLOCK DIAGRAM

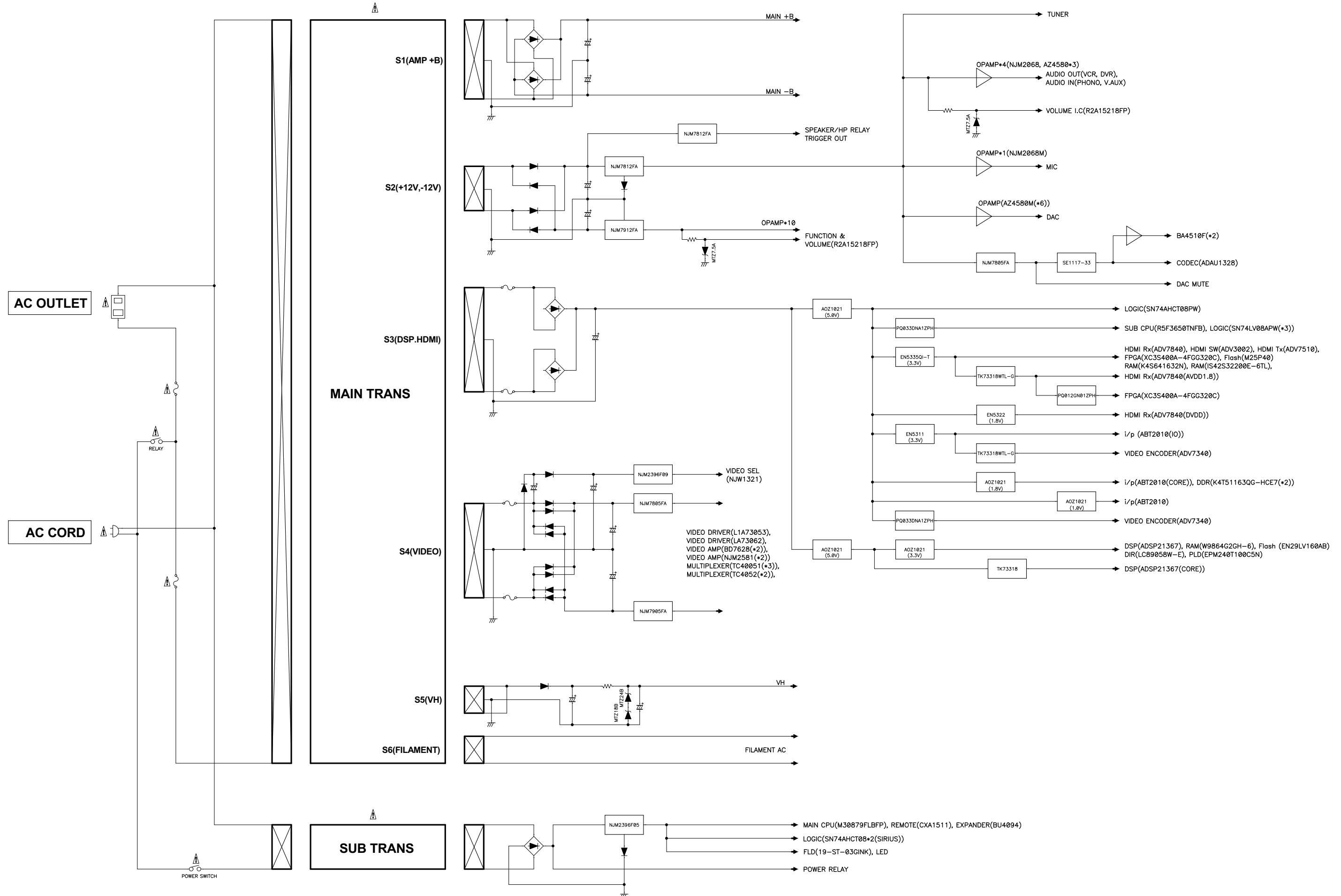
AUDIO BLOCK DIAGRAM



VIDEO BLOCK DIAGRAM

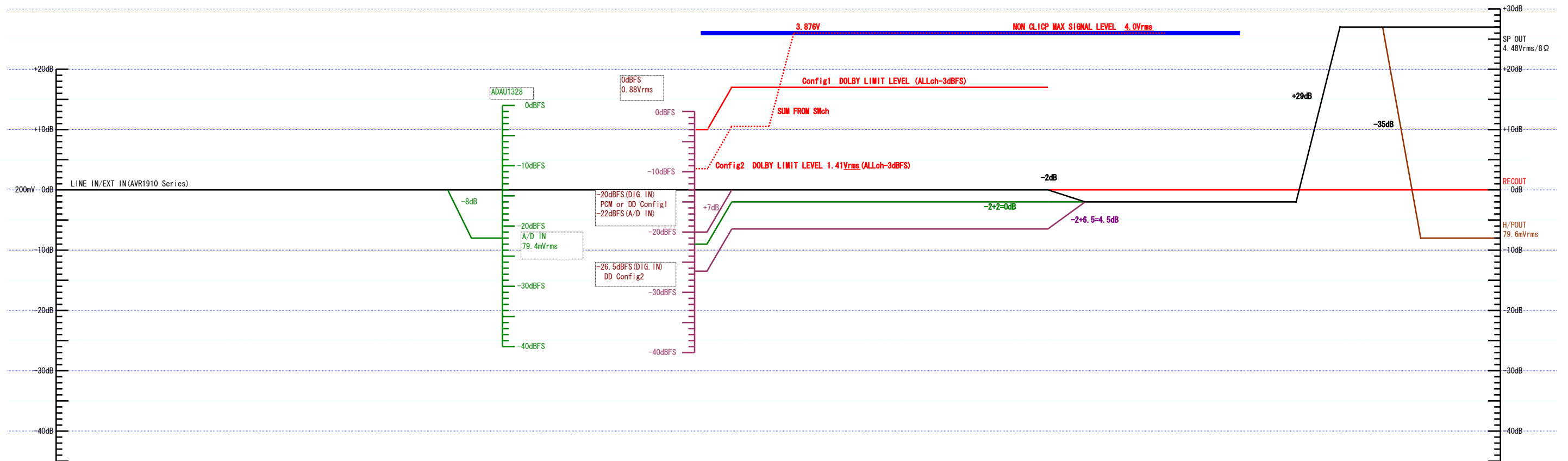
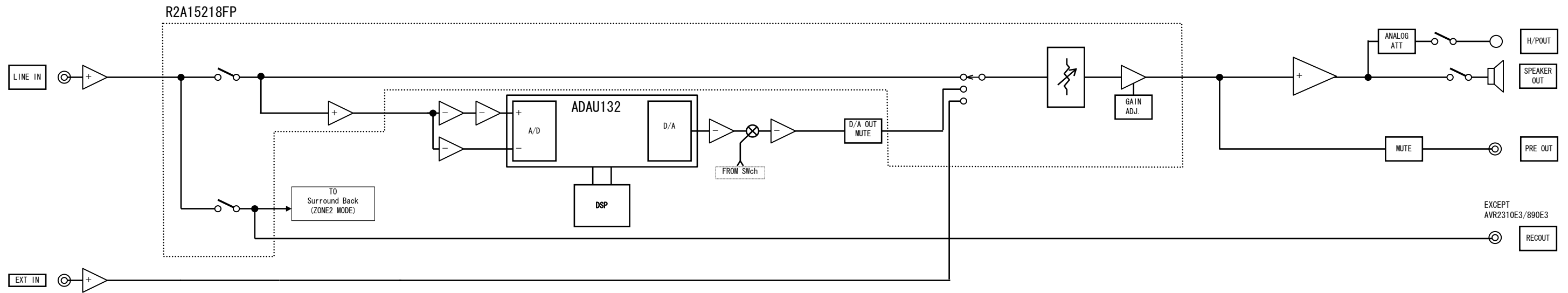


VCC DIAGRAM



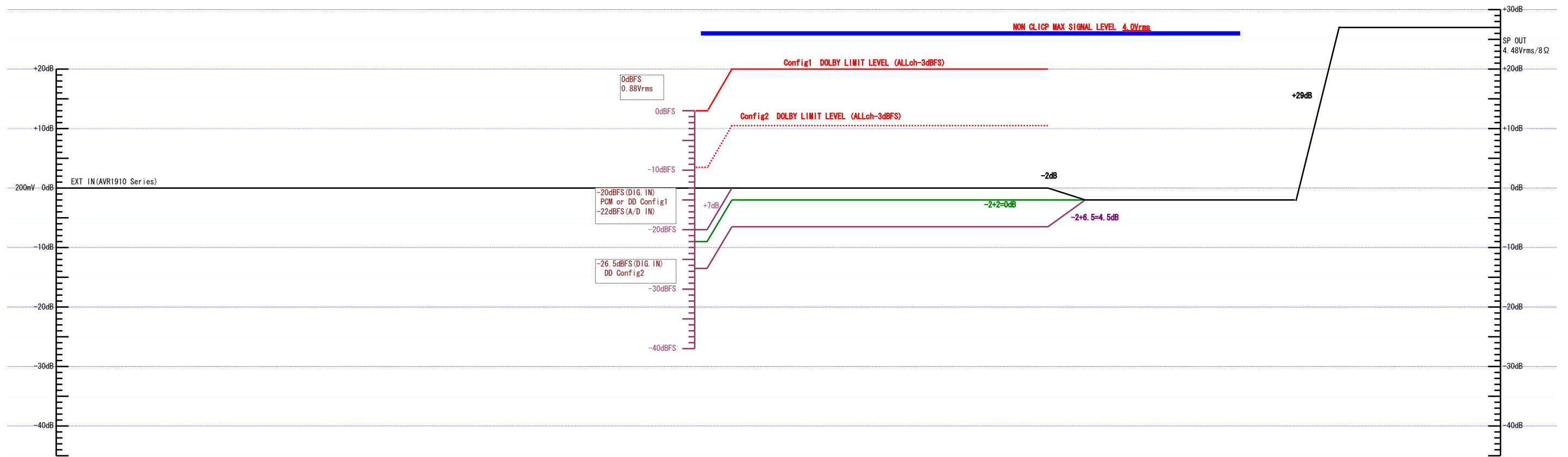
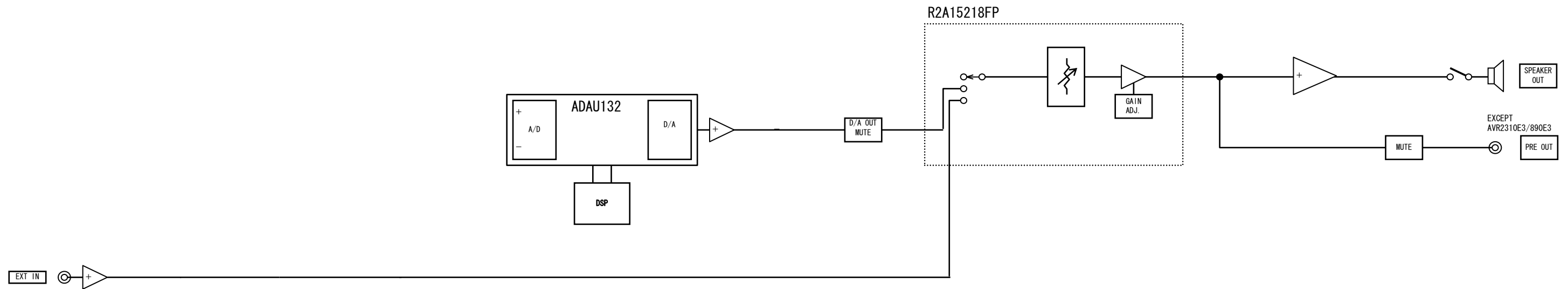
LEVEL DIAGRAMS
FRONT LEVEL DIAGRAM

LEVEL DIAGRAM
FRONT ch



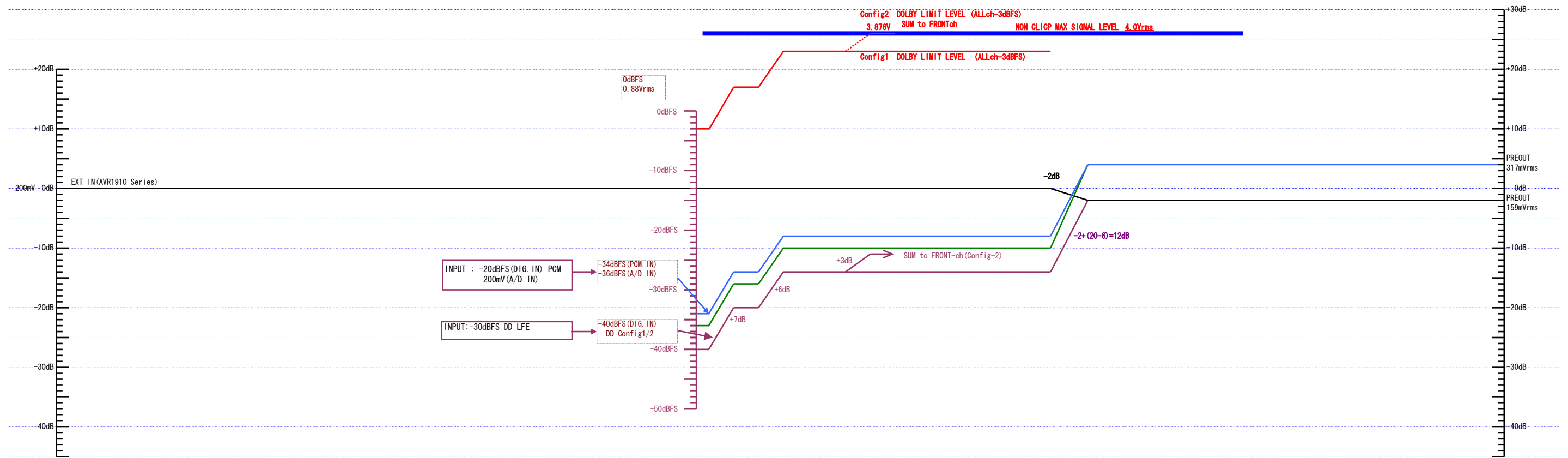
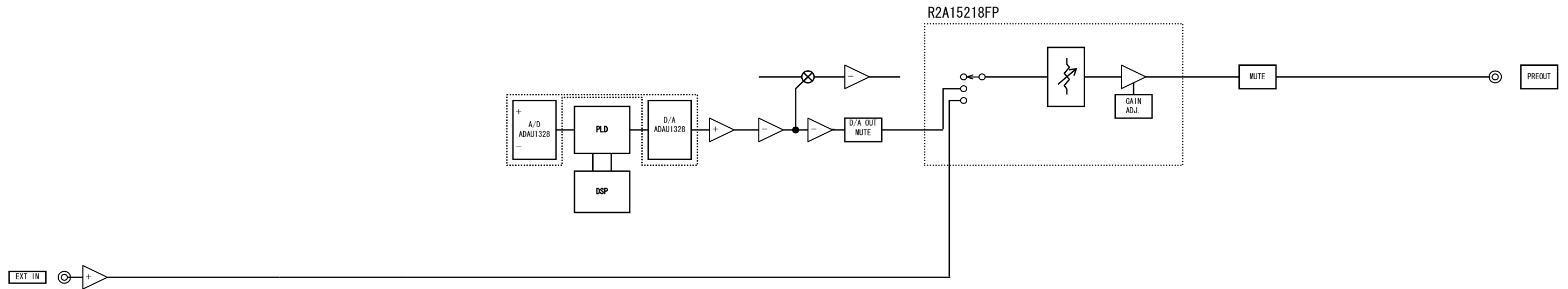
CENTER LEVEL DIAGRAM

LEVEL DIAGRAM
CENTER ch



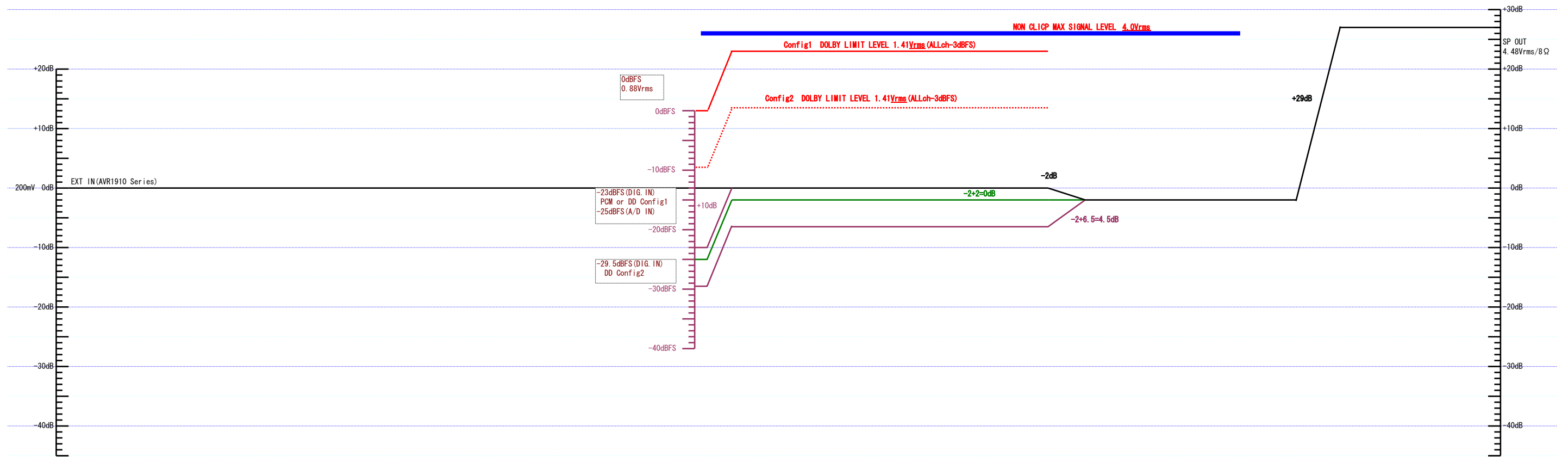
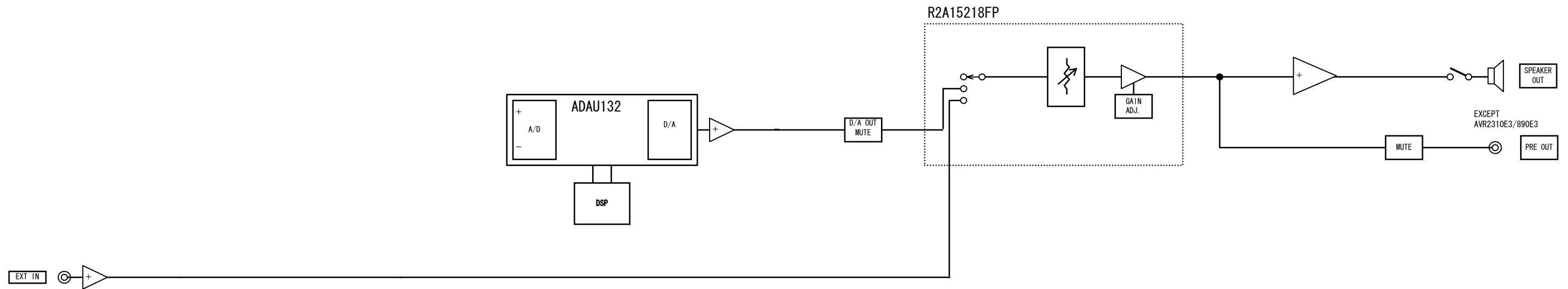
SUB WOOFER LEVEL DIAGRAM

**LEVEL DIAGRAM
SUBWOOFER ch**



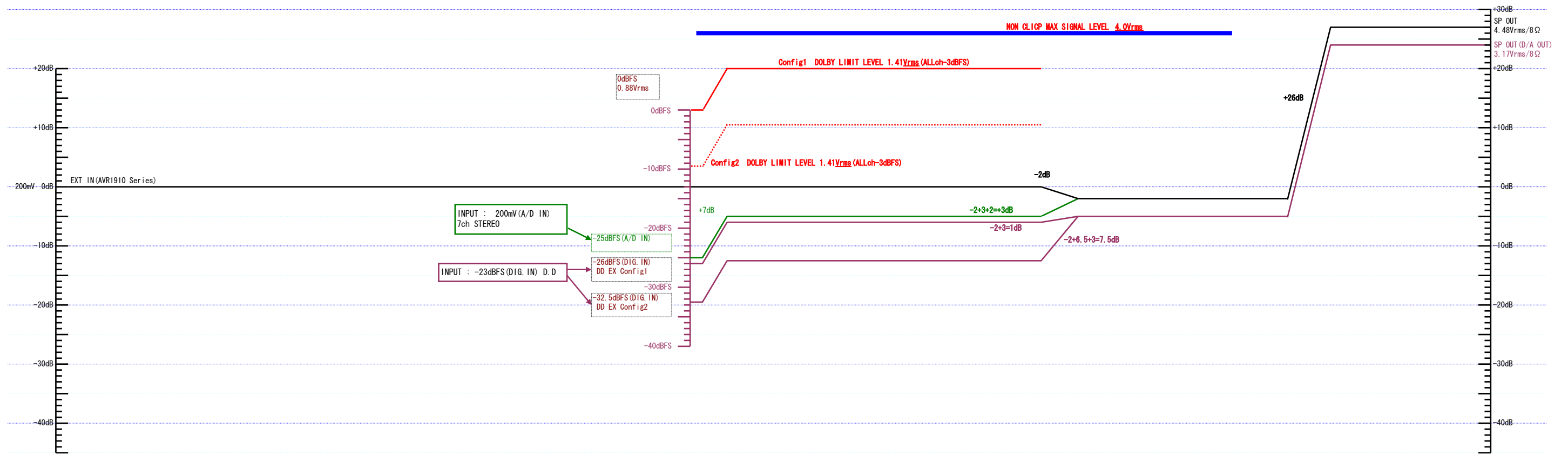
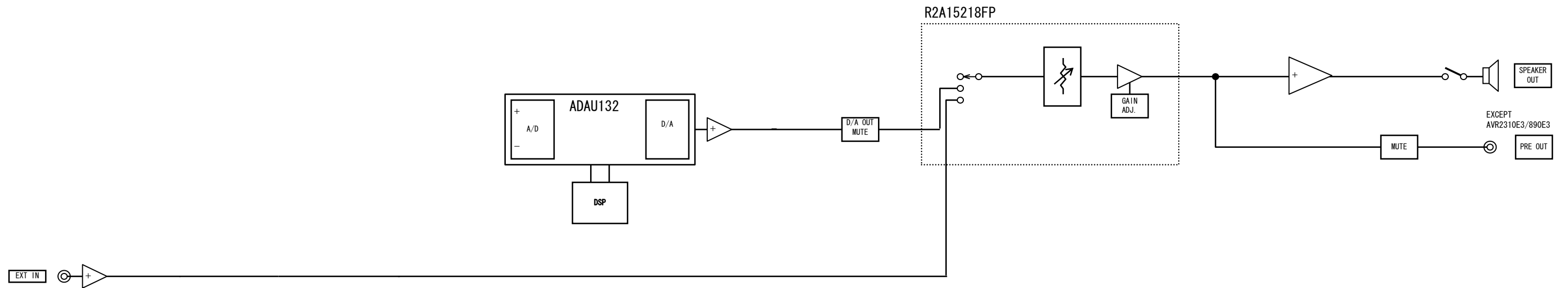
SURROUND LEVEL DIAGRAM

**LEVEL DIAGRAM
SURROUND ch**



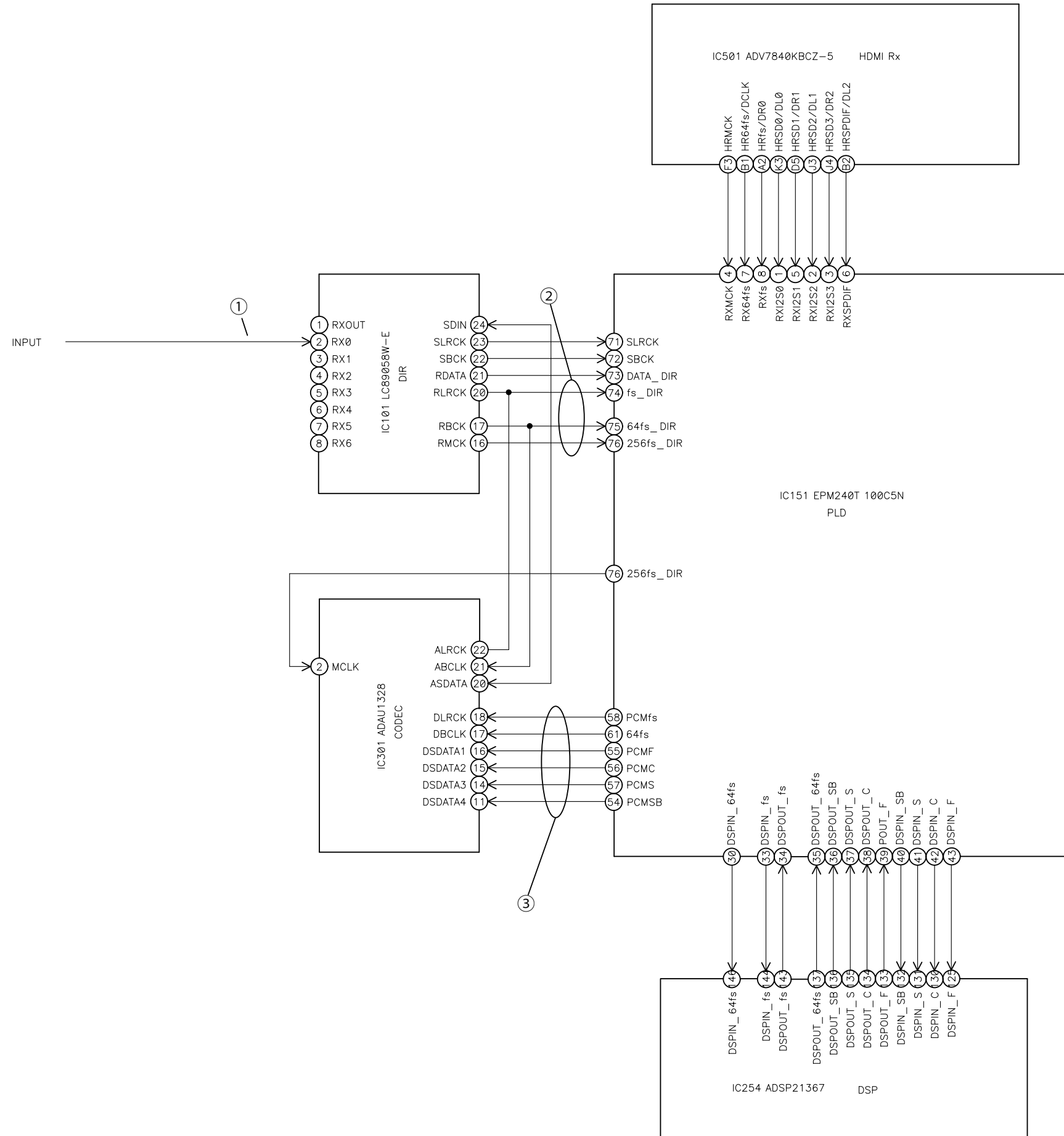
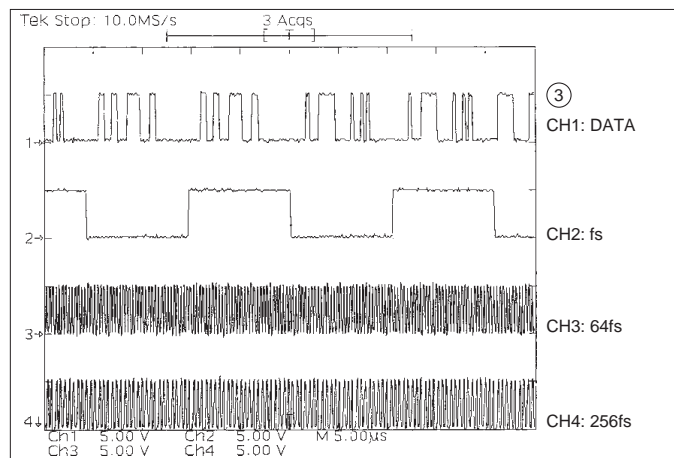
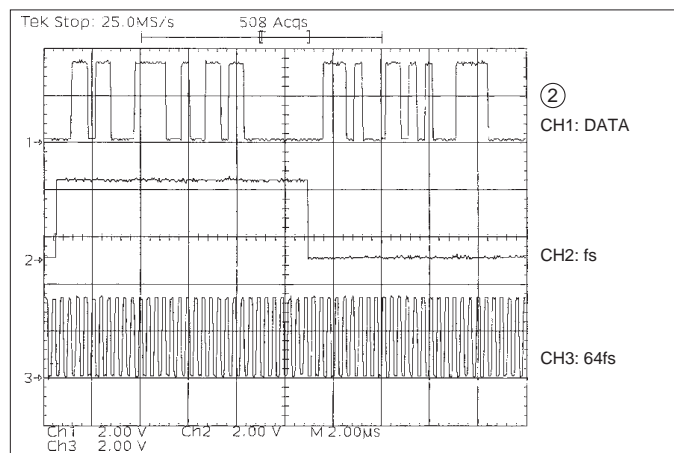
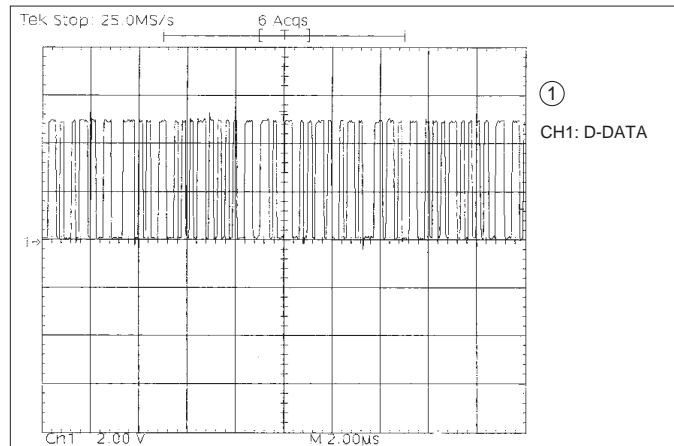
SURROUND BACK LEVEL DIAGRAM

**LEVEL DIAGRAM
SURR.BACK ch**



CLOCK FLOW & WAVE FORM IN DIGITAL BLOCK

Wave form



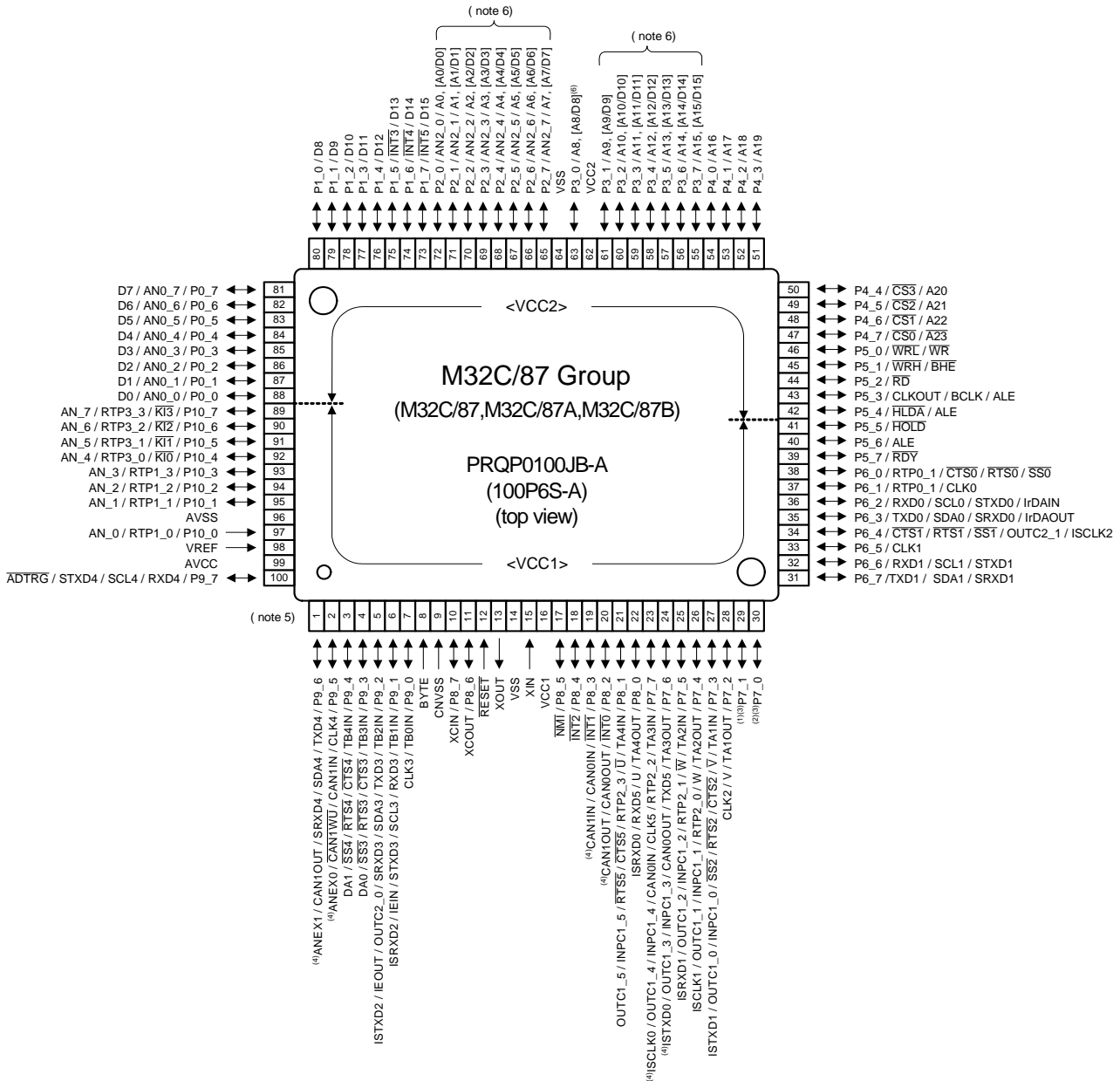
---MEMO---

SEMICONDUCTORS

Only major semiconductors are shown, general semiconductors etc. are omitted to list.
The semiconductor which described a detailed drawing in a schematic diagram are omitted to list.

1. IC's

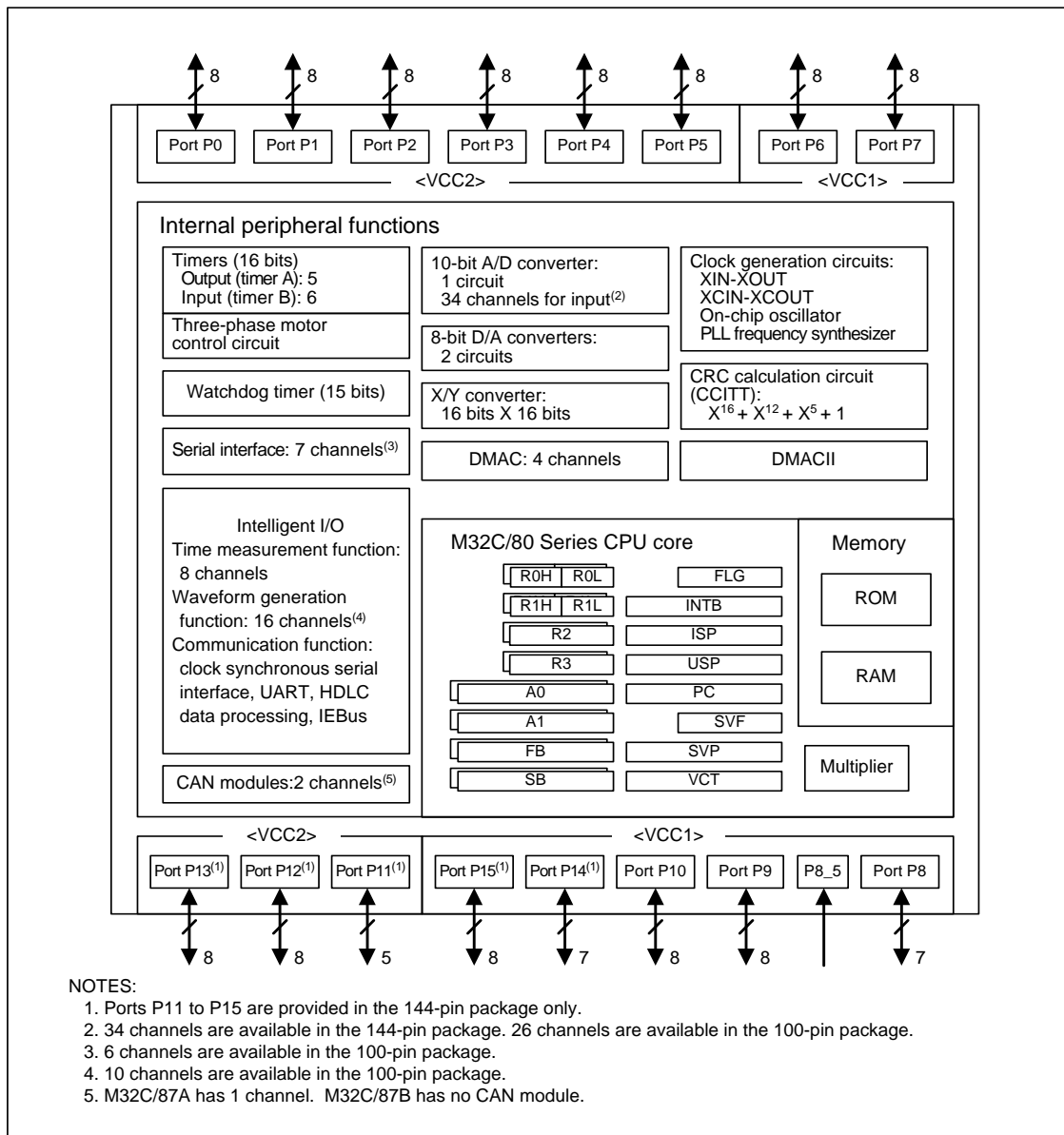
M30879FLBFP (IC802 : CPU B'D)



NOTES:

- P7_1 / TA0IN / TB5IN / RTP0_3 / RXD2 / SCL2 / STXD2 / INPC1_7 / OUTC1_7 / OUTC2_2 / ISRXD2 / IEIN
- P7_0 / TA0OUT / RTP0_2 / TXD2 / SDA2 / SRXD2 / INPC1_6 / OUTC1_6 / OUTC2_0 / ISTXD2 / IEOUT
- P7_0 and P7_1 are N-channel open drain output ports.
- The CAN pins cannot be used in M32C/87B. Only CAN0 pins can be used in M32C/87A.
- Refer to **Package Dimensions** for the pin1 position on the package.
- Pin names in brackets [] represent a single functional signal. They should not be considered as two separate functional signals.

M30879FLBFP Block Diagram



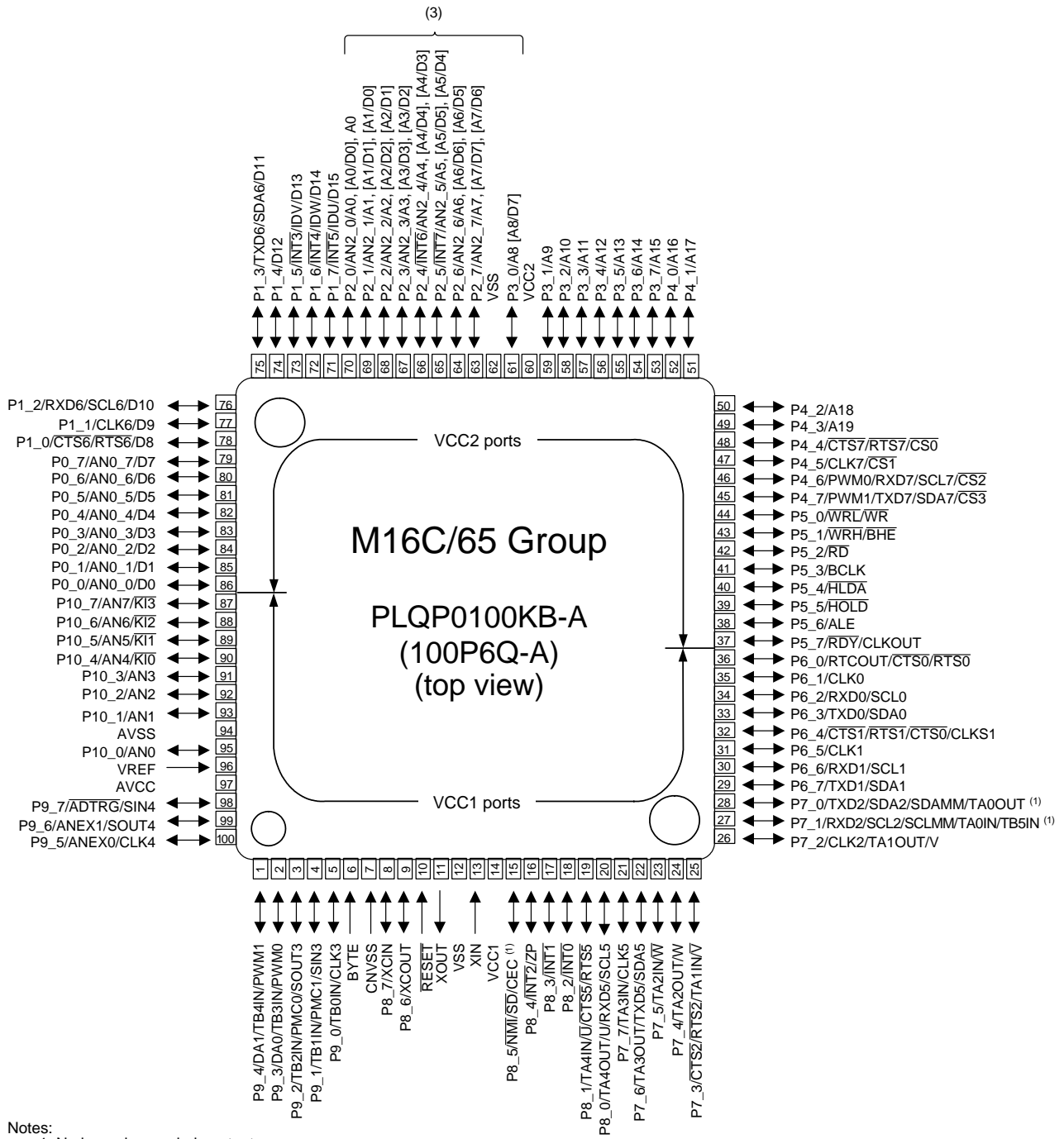
M30879FLBFP Terminal Function

PIN No.	PIN	PIN NAME	I/O	Type	DET	Lv Cnv	Op (in)	Op (ex)	Res	PURE D	CEC STBY	STBY STOP	P.OFF STOP	Function
1	P96/TXD4	NC	O	C	-	-	-	-	Z	-	O/L	O/L	O/L	UART
2	P95/(CLK4)	MICDET	I	-	Lv	-	-	Eu	Z	-	-	O/L	O/L	Mic insert detect
3	P94	H/PDET	I	-	Lv	-	-	Eu	Z	-	-	O/L	O/L	Headphone insert detect
4	P93	FL_DATA	O	C	-	-	-	-	Z	-	O/L	O/L	O/L	FL display unit control
5	P92/TXD3	MOSI	O	C	-	5/3	-	-	Z	-	-	O/L	O/L	Interface between Main CPU and Sub CPU
6	P91/RXD3	SOMIm	I	-	Lv	5/3	-	-	Z	-	-	I	O/L	Interface between Main CPU and Sub CPU
7	P90/CLK3	CLKMO	O	C	-	5/3	-	-	Z	-	-	O/L	O/L	Interface between Main CPU and Sub CPU
8	BYTE	BYTE	I	-	-	-	-	-	-	-	-	-	-	GND
9	CNVCS	CNVSS	I	-	-	-	-	Ed	Z	-	-	I	I	Firmware update control
10	P87	FL_RST	O	C	-	-	-	-	Z	-	O/L	O/L	O/L	FL display unit control
11	P86	GRNLED	O	C	-	-	-	-	Z	-	O/L	O/L	O/L	H : ON Power indicator (green led) control
12	RESET	RESET	I	-	Lv	-	-	Eu	L	-	-	I	I	Reset signal input
13	XOUT	XOUT	O	-	-	-	-	-	-	-	-	-	-	Oscillator connect
14	VSS	VSS	-	-	-	-	-	-	-	-	-	-	-	GND
15	XIN	XIN	I	-	-	-	-	-	-	-	-	-	-	Oscillator connect
16	VCC	VCC	-	-	-	-	-	-	-	-	-	-	-	POWER 5V

PIN No.	PIN	PIN NAME	I/O	Type	DET	Lv Cnv	Op (in)	Op (ex)	Res	PURE D	CEC STBY	STBY STOP	P.OFF STOP		Function
17	P85/NMI	NMI	I	-	-	-	-	-	-	-	-	-	-		5V
18	P84/INT2	PROTECTION	I	-	Ed & L	-	-	Eu	Z	-	-	I	I	Fall Edge & L	PROTECTION Detect
19	P83/INT1	POWERKEY	I	-	Lv	-	-	Eu	Z	-	-	I	O/L		POWER key operation det
20	P82/INT0	D.OSD CPU REQ	I	-	-	5/3	-	-	Z	-	-	O/L	O/L		Interface between Main CPU and D.OSD CPU
21	P81	D.OSD CPU ACK	O	-	-	5/3	-	-	Z	-	-	O/L	O/L		Interface between Main CPU and D.OSD CPU
22	P80/RXD5	D.OSD CPU RX	I	-	-	5/3	-	-	Z	-	-	O/L	O/L		Interface between Main CPU and D.OSD CPU
23	P77/CLK5	D.OSD CPU CLK	O	-	-	5/3	-	-	Z	-	-	O/L	O/L		Interface between Main CPU and D.OSD CPU
24	P76/TXD5	D.OSD CPU TX	O	-	-	5/3	-	-	Z	-	-	O/L	O/L		Interface between Main CPU and D.OSD CPU
25	P75/(ISRXD1)	HD_AUDIO_LED	OI	C	-	-	-	Eu	Z	-	-	O/L	O/L	H : ON	HD_AUDIO indicator (blue led) control
26	P74/(ISCLK1)	VOLCLK	O	C	-	-	-	-	Z	-	O/L	O/L	O/L		Volume control
27	P73/(ISTXD1)	VOLDATA	O	C	-	-	-	-	Z	-	O/L	O/L	O/L		Volume control
28	P72/CLK2	ISELB	IO	-	-	-	-	-	Z	-	O/L	O/L	O/L		SOURCE encoder operation detect
29	P71/RXD2	SIRIUS RXD	I	-	-	-	-	-	Z	-	O/L	O/L	O/L	UART	SIRIUS control
30	P70/TXD2	SIRIUS TXD	O	N	-	-	-	Eu	Z	O/L	-	O/L	O/L	UART	SIRIUS control
31	P67/TXD1	MO232CI	O	C	-	-	-	-	Z	-	-	O/L	O/L	UART	Interface between Main CPU and external i/o port
32	P66/RXD1	MI232CO	I	-	-	-	-	Ed	Z	-	-	O/L	O/L	UART	Interface between Main CPU and external i/o port
33	P65/CLK1	GUI WRITE	O	C	-	-	-	-	Z	-	-	O/L	O/L	H : Write	DIGITAL OSD Firmware update control
34	P64/	VSELA	IO	-	-	-	-	-	Z	-	O/L	O/L	O/L		VOLUME encoder operation detect
35	P63/TXD0	MOIPI	O	C	-	-	-	-	Z	-	-	O/L	O/L	UART	iPod dock control
36	P62/RXD0	MIIPO	I	-	-	-	-	Ed	Z	-	-	O/L	O/L	UART	iPod dock control
37	P61/(CLK0)	VSELB	I	-	-	-	-	Eu	Z	-	-	O/L	O/L		VOLUME encoder operation detect
38	P60	ISELA	I	-	-	-	-	Eu	Z	-	-	O/L	O/L		SOURCE encoder operation detect
39	P57	REDLED	O	C	-	-	-	-	Z	-	O/H	O/H	O/L	H : ON	Power indicator (green led) control
40	P56	FL_CE1	O	C	-	-	-	-	Z	-	O/L	O/L	O/L		FL display unit control
41	P55/EPM	FRASH EMP/ FL_CLK	O	C	-	-	-	-	Z	-	O/L	O/L	O/L		Firmware update / FL display control
42	P54	M232CPPOWER	O	C	-	-	-	Ed	Z	-	-	O/L	O/L	H : POWER ON	232C power control
43	P53	DYN_LED	O	C	-	-	-	-	Z	-	O/L	O/L	O/L	H : ON	DYNAMIC EQ indicator control
44	P52	DYN_LED	O	C	-	-	-	-	Z	-	O/L	O/L	O/L	H : ON	DYNAMIC EQ indicator control
45	P51	NC	O	C	-	-	-	-	Z	-	O/L	O/L	O/L		
46	P50/CE	FRASH CE	O	C	-	-	-	-	Z	-	-	O/L	O/L		Firmware update control
47	P47	RDSOUT	I	-	-	-	-	Eu	Z	-	-	O/L	O/L		TUNER control
48	P46	TURD- SCLK(CKTU)	O	C	-	-	-	-	Z	-	O/L	O/L	O/L		TUNER control
49	P45	TURDSDATA (DATATU)	O	C	-	-	-	-	Z	-	O/L	O/L	O/L		TUNER control
50	P44	RDSCE	O	C	-	-	-	-	Z	-	O/L	O/L	O/L		TUNER control
51	P43	RDSRST	O	C	-	-	-	-	Z	-	O/L	O/L	O/L		TUNER control
52	P42	THERMAL	I	-	-	-	-	Ed	Z	-	-	O/L	O/L	L:PROTECTION	Thermal protection detect
53	P41	FRONT A RLY	O	C	-	-	-	-	Z	-	O/L	O/L	O/L	H:Front A Sp ON	FRONT A speaker relay control
54	P40	FRONT B RLY	O	C	-	-	-	-	Z	-	O/L	O/L	O/L	H:Front B Sp ON	FRONT B speaker relay control
55	P37	TUDOUT (DATAOUT)	I	-	Lv	-	-	Ed	Z	-	-	O/L	O/L		TUNER control
56	P36	TUSTB	O	C	-	-	-	-	Z	-	O/L	O/L	O/L		TUNER control
57	P35	STEREO	I	-	Lv	-	-	Eu	Z	-	O/L	O/L	O/L		STEREO broadcast detect
58	P34	TUNED	I	-	Lv	-	-	Eu	Z	-	O/L	O/L	O/L		TUNED det.
59	P33	IPDET	I	-	Lv	-	-	Eu	Z	-	-	O/L	O/L	H:DETECTIVE	iPod dock connection det
60	P32	TRIGGER1	O	-	-	-	-	-	Z	-	-	O/L	O/L	H : ON	TRIGGER OUT control
61	P31	232C CONTROL	O	C	-	-	-	-	Z	-	-	O/L	O/L		232C control
62	VCC	VCC	-	-	-	-	-	-	-	-	-	-	-		POWER 5V
63	P30	SUB UPDATE	O	C	-	-	-	-	Z	O/L	O/L	O/L	O/L		Firmware update control
64	VSS	VSS	-	-	-	-	-	-	-	-	-	-	-		GND
65	P27	PRE POWER	O	C	-	-	-	-	Z	-	O/L	O/L	O/L	H : ON	Pre-power components power control

PIN No.	PIN	PIN NAME	I/O	Type	DET	Lv Cnv	Op (in)	Op (ex)	Res	PURE D	CEC STBY	STBY STOP	P.OFF STOP		Function
66	P26	SCPUPOWER	O	C	-	-	-	-	Z	-	O/H	O/L	O/L	H:SCPU POWER ON	Sub CPU power control
67	P25	SIRIUS RESET	O	C	-	-	-	-	Z	-	-	O/L	O/L		SIRIUS control
68	P24	POWER	O	C	-	-	-	Ed	Z	-	O/H	O/L	O/L	H:POWER ON	Main power relay control
69	P23	NC	O	C	-	-	-	Ed	Z	-	O/L	O/L	O/L		
70	P22	LIMIT	O	C	-	-	-	-	Z	-	O/L	O/L	O/L	H : ON	Current limit control
71	P21	SURROUND RLY	O	C	-	-	-	-	Z	-	O/L	O/L	O/L	H:Surround Sp ON	Surround speaker relay control
72	P20	SURROUND BACK RLY	O	C	-	-	-	-	Z	-	O/L	O/L	O/L	H:SurBack Sp ON	Surround-back speaker relay control
73	P17/INT5	REMOCOM	I	-	E↑ & L	-	-	Ed	Z	-	-	I	I	Rise Edge & H	Remote signal input
74	P16/INT4	REQSOMIm	I	-	E↓ & L	5/3	-	-	Z	-	-	I	O/L		Interface between Main CPU and Sub CPU
75	P15/INT3	B.DOWN	I	-	E↓ & L	-	-	Eu	Z	-	-	I	I	Fall Edge & L	Power off detect
76	P14	RSTSUB	O	C	-	-	-	-	Z	-	-	O/L	O/L		Interface between Main CPU and external i/o port
77	P13	LIMITDET	I	-	Lv	-	-	Eu	Z	-	-	O/L	O/L	L:DETECTIVE	Max current det
78	P12	CENTER RLY	O	C	-	-	-	Ed	Z	-	O/L	O/L	O/L	H:Center Sp ON	Center speaker relay control
79	P11	H/P RLY	O	C	-	-	-	-	Z	-	O/L	O/L	O/L	H:Headphone ON	Headphone relay control
80	P10	TUNER MUTE	O	C	-	-	-	-	Z	-	O/L	O/H	O/L	L : MUTE	TUNER control
81	P07	MUTE POWER	O	C	-	-	-	-	Z	-	O/H	O/L	O/L		MUTE power control
82	P06	SYNCDDET	OI	-	Lv	-	-	Ed	Z	-	O/L	O/L	O/L		
83	P05	OSDMUTE	O	C	-	-	-	-	Z	O/L	O/L	O/L	O/L		
84	P04	A/D MUTE	O	C	-	-	-	-	Z	O/L	O/L	O/L	O/L	L : MUTE	A/D mute control
85	P03	D OSD CPU RST	O	C	-	-	-	-	Z	O/L	O/L	O/L	O/L		Interface between Main CPU and D.OSD CPU
86	P02	PRE FRONT MUTE	O	C	-	-	-	-	Z	O/L	O/L	O/L	O/L	L : MUTE	Front pre mute control
87	P01	PRE CENTER MUTE	O	C	-	-	-	-	Z	O/L	O/L	O/L	O/L	L : MUTE	Center pre mute control
88	P00	PRE SUB-WOOFER MUTE	O	C	-	-	-	-	Z	O/L	O/L	O/L	O/L	L : MUTE	Subwoofer pre mute control
89	P107/AN7/K13	KEY1	I	-	Lv	-	-	Eu	Z	-	-	I	O/L		Front panel key operation detect
90	P106/AN6/K12	KEY2	I	-	Lv	-	-	Eu	Z	-	-	I	O/L		Front panel key operation detect
91	P105/AN5/K11	KEY3	I	-	Lv	-	-	Eu	Z	-	-	I	O/L		Front panel key operation detect
92	P104/AN4/(K10)	ACKSUB	O	C	-	5/3	-	-	Z	-	-	O/L	O/L		Interface between Main CPU and Sub CPU
93	P103/(AN3)	PRE SURR MUTE	O	C	-	-	-	-	Z	O/L	O/L	O/L	O/L	L : MUTE	Surround pre mute control
94	P102/(AN2)	PRE SURR BACK MUTE	O	C	-	-	-	-	Z	O/L	O/L	O/L	O/L	L : MUTE	Surround back pre mute control
95	P101/(AN1)	PRE ZONE2 MUTE	O	C	-	-	-	-	Z	O/L	O/L	O/L	O/L	L : MUTE	ZONE2 mute control
96	AVSS	AVSS	-	-	-	-	-	-	-	-	-	-	-	-	GND
97	P100/AN0	SET_OPTION	I	-	Lv	-	-	-	Z	-	-	I	O/L	Lv	SET OPTION SELECT
98	VREF	VREF	-	-	-	-	-	-	-	-	-	-	-	-	VREF
99	AVCC	AVCC	-	-	-	-	-	-	-	-	-	-	-	-	POWER 5V
100	P97/RXD4	NC	O	C	-	-	-	-	Z	O/L	O/L	O/L	O/L		

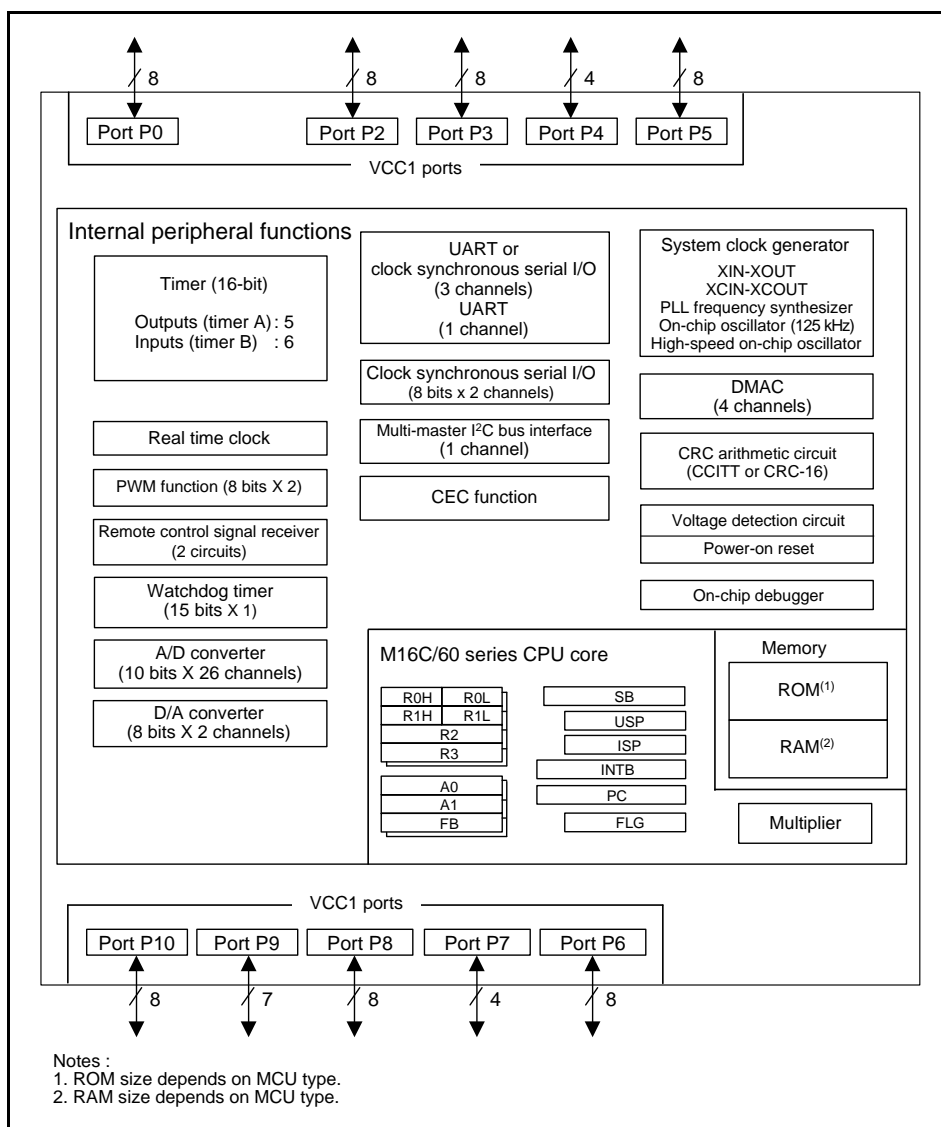
R5F3650TNFB (IC901 : HDMI B'D)



Notes:

1. N-channel open drain output.
2. Check the position of Pin 1 by referring to appendix 1, Package Dimensions.
3. Pin names in brackets [] represent a single functional signal. They should not be considered as two separate functional signals.

R5F3650TNFB Block Diagram



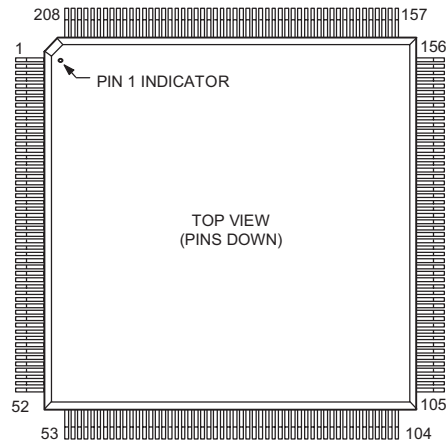
R5F3650TNFB Terminal Function

Pin No.	PIN	PIN NAME	I/O	Type	Det	Op (in)	Op(ex)	Res	PURE D	CEC STBY	P.OF F	Function
1	P94	VPLD DATA	O	C	-	-	-	Z	O/L	O/L	Z	FPGA control
2	P93	DIR CE	O	C	-	-	-	Z	O/L	O/L	Z	DIR(LC89058W-VF4A) control
3	P92/SOUT3	DIR DIN	O	C	-	-	-	Z	O/L	O/L	Z	DIR(LC89058W-VF4A) control
4	P91/SIN3	DIR DOUT	I	-	Lv	-	Eu	Z	-	-	Z	DIR(LC89058W-VF4A) control
5	P90/CLK3	DIR CLK	O	C	-	-	-	Z	O/L	O/L	Z	DIR(LC89058W-VF4A) control
6	BYTE	BYTE	-	-	-	-	-	-	-	-	-	GND
7	CNVCS	CNVSS	-	-	-	-	Ed47k	-	-	-	-	Firmware update control
8	P87	NC	O	C	-	-	Eu	Z	O/H	O/H	Z	
9	P86	OSD CPU BUSY SO	O	C	-	-	-	Z	O/L	O/L	Z	Interface between Sub CPU and D.OSD CPU
10	RESET	SUBRESET	I	-	Lv	-	Eu	L	-	-	Z	RESET pulse input
11	XOUT	X1	O	-	-	-	-	-	-	-	-	Oscillator connect
12	VSS	VSS	-	-	-	-	-	-	-	-	-	GND
13	XIN	X2	I	-	-	-	-	-	-	-	-	Oscillator connect
14	VCC	VCC	-	-	-	-	-	-	-	-	-	+3.3V
15	P85/NMI/(CEC)	NMI/(CEC_IN)	I	-	-	-	-	-	-	-	-	Connect to +3.3V
16	P84/INT2	CEC_IN	I	-	E↓&L	-	Eu	Z	-	-	Z	CEC control
17	P83/INT1	ACK SIMO	I	-	E↓&L	-	Ed	Z	-	-	Z	Interface between Main CPU and Sub CPU
18	P82/INT0	SUB BDOWN	I	-	E↓&L	-	Eu	Z	-	-	Z	Power off detect
19	P81	IP RST	O	C	-	-	-	Z	O/H	O/H	Z	IP CONV.(ABT2010) control
20	P80/(RXD5)	TDO	I	-	-	-	-	Z	Z	-	Z	FPGA firmware update control (JTAG)

Pin No.	PIN	PIN NAME	I/O	Type	Det	Op (in)	Op(ex)	Res	PURE D	CEC STBY	P.OF F	Function
21	P77/(CLK5)	SI CODECO	I	-	Lv	-	-	Z	O/L	O/L	Z	CODEC(ADAU1328) control
22	P76/(TXD5)	TMS/M/D	O	C	-	-	Eu	Z	O/L	-	O/L	FPGA firmware update control (JTAG)
23	P75	TDI	O	C	-	-	-	Z	O/L	O/L	Z	FPGA firmware update control (JTAG)
24	P74	MTCK	O	C	-	-	-	Z	O/L	O/L	Z	FPGA firmware update control (JTAG)
25	P73/(CTS2)	ANALOG VIDEO POWER	O	C	-	-	-	Z	O/L	O/L	Z	Analog video components power control
26	P72/(CLK2)	DIGITAL(D/A) POWER	O	C	-	-	-	Z	Z	-	Z	Digital audio components power control
27	P71/RXD2/ SCLMM	HSCL(400k)	I/O	N	-	-	Eu	Z	O/L	O/L	O/L	Interface between IP CONV(ABT2010)/HDMI_RECEIVER(ADV7840)/HDMI TRANSMITTER1 (ADV7510)
28	P70/TXD2/ SDAMM	HSDA(400k)	I/O	N	-	-	Eu	Z	O/L	O/L	O/L	Interface between IP CONV(ABT2010)/HDMI_RECEIVER(ADV7840)/HDMI TRANSMITTER1 (ADV7510)
29	P67/TXD1	TXD	O	C	-	-	Eu	Z	-	-	Z	Interface between Sub CPU and external i/o port
30	P66/RXD1	RXD	I	-	Lv	-	Eu	Z	-	-	Z	Interface between Sub CPU and external i/o port
31	P65/(CLK1)	SW SUM	O	C	-	-	Ed	Z	-	O/L	Z	Subwoofer signal control
32	P64/(CTS1)	CFSEL0	O	C	-	-	Ed	Z	-	O/L	Z	COMPONENT HD OUT filter control
33	P63/TXD0	SOMI	O	C	-	-	-	Z	-	-	Z	Interface between Main CPU and Sub CPU
34	P62/RXD0	SIMO	I	-	-	-	Ed	Z	-	-	Z	Interface between Main CPU and Sub CPU
35	P61/CLK0	CLK SIMO	I	-	-	-	Ed	Z	-	-	Z	Interface between Main CPU and Sub CPU
36	P60/(CTS0)	REQ SOMI	O	C	-	-	Ed	Z	-	-	Z	Interface between Main CPU and Sub CPU
37	P57	1TMDS SW RST	O	C	-	-	-	Z	O/H	-	Z	HDMI switcher (ADV3002) reset signal out put
38	P56	HPD2	O	C	-	-	-	Z	O/L	-	Z	HDMI control (hot plug detect)
39	P55/EPM	EPM	O	C	-	-	Ed	Z	-	-	Z	Firmware update control
40	P54	CEC_OUT	O	C	-	-	-	Z	O/L	-	Z	CEC-D signal output terminal
41	P53	MONI DIS	O	C	-	-	-	Z	O/L	O/L	Z	COMPONENT MONITOR OUT output control terminal
42	P52	DVR INH	O	C	-	-	-	Z	O/L	O/L	Z	Video recout (DVR) control
43	P51	VCR INH	O	C	-	-	-	Z	O/L	O/L	Z	Video recout (VCR) control
44	P50/CE	CE	O	C	-	-	Eu	Z	O/L	-	Z	Firmware update control
45	P47/(TXD7)/ SDA7	VSDA	I/O	C	-	-	Eu	Z	O/L	-	O/L	Video encoder (ADV7340) / Component Sel(NJW1321FP1) control (I2C)
46	P46/(RXD7)/ SCL7	VSCL	I/O	C	-	-	Eu	Z	O/L	-	O/L	Video encoder (ADV7340) / Component Sel(NJW1321FP1) control (I2C)
47	P45/(CLK7)	HPD1	O	C	-	-	Ed	Z	O/L	-	Z	HDMI control (hot plug detect)
48	P44	NC	O	C	-	-	-	Z	Z	-	Z	
49	P43	HDMI A.SEL	O	C	-	-	Ed	Z	O/L	O/L	Z	HDMI audio select
50	P42	NC	O	C	-	-	Ed	Z	O/L	O/L	Z	
51	P41	CEC PWR	O	C	-	-	Ed	Z	O/L	O/H	Z	CEC components power control
52	P40	Z1 SMONIA	O	C	-	-	-	Z	O/L	O/L	Z	SMONITOR select
53	P37	HDMIR_RST	O	C	-	-	Eu	Z	O/H	-	Z	HDMI receiver (ADV7840) reset signal output
54	P36	1TX RST	O	C	-	-	Eu	Z	O/H	-	Z	HDMI transmitter (ADV7510) reset signal output
55	P35	Z1 SMONIB	O	C	-	-	Ed	Z	O/L	O/L	Z	Main zone SMONITOR select
56	P34	Z1 SSGDET	I	-	Lv	-	Eu	Z	-	-	Z	Video(S) signal detect
57	P33	NC	O	C	-	-	-	Z	Z	-	Z	
58	P32	SO CODECI	O	C	-	-	-	Z	O/L	O/L	Z	CODEC (ADAU1328) control
59	P31	CLK CODEC	O	C	-	-	-	Z	O/L	O/L	Z	CODEC (ADAU1328) control
60	VCC	VCC	-	-	-	-	-	-	-	-	-	+3.3V
61	P30	CE CODEC	O	C	-	-	-	Z	O/L	O/L	Z	CODEC (ADAU1328) control
62	VSS	VSS	-	-	-	-	-	-	-	-	-	GND
63	P27	CODEC RST	O	C	-	-	-	Z	O/H	O/L	Z	CODEC (ADAU1328) control
64	P26	DIG VIDEO POWER	O	C	-	-	-	Z	O/L	MODE1=O/H MODE2=O/L		Digital video components power control
65	P25/INT7	OSD CPU BUSYSI	I	-	Lv	-	-	Z	-	-	Z	Interface between Sub CPU and D.OSD CPU
66	P24/INT6	1TX INT	I	-	Lv	-	-	Z	-	-	Z	HDMI output signal detect
67	P23	NC	O	C	-	-	-	Z	Z	-	Z	
68	P22	VEXP STB	O	C	-	-	-	Z	O/L	O/L	Z	Extended i/o components (BU4094BCFV) control
69	P21	VEXP OE	O	C	-	-	Ed	Z	O/L	O/L	Z	Extended i/o components (BU4094BCFV) control
70	P20	VEXP CLK	O	C	-	-	-	Z	O/L	O/L	Z	Extended i/o components (BU4094BCFV) control
71	P17/INT5	ADVINT1	I	-	E↓ & L	-	-	Z	-	-	Z	HDMI receiver(ADV7840) control
72	P16/INT4	ADVINT2	I	-	E↓ & L	-	-	Z	-	-	Z	HDMI receiver(ADV7840) control
73	P15/INT3	ADVINT3	I	-	E↓ & L	-	-	Z	-	-	Z	HDMI receiver(ADV7840) control
74	P14	NC	O	C	-	-	Eu	Z	-	-	Z	
75	P13/TXD6	DSP MOSI	O	C	-	-	Eu	Z	O/L	O/L	Z	DSP (ADSP-21367-333) control

Pin No.	PIN	PIN NAME	I/O	Type	Det	Op (in)	Op(ex)	Res	PURE D	CEC STBY	P.O.F	Function
76	P12/RXD6	DSP MISO	I	-	-	-	Eu	Z	-	-	Z	DSP (ADSP-21367-333) control
77	P11/CLK6	DSPCLK	O	C	-	-	Eu	Z	O/L	O/L	Z	DSP (ADSP-21367-333) control
78	P10	Z1VSIQ.DET	I	-	Lv	-	Eu	Z	-	-	Z	Video signal (CVBS) detect
79	P07	PLD WRITE	O	C	-	-	-	Z	O/L	O/L	Z	PLD(EPM240T100C5N) firmware update control
80	P06	VPLD CE	O	C	-	-	Ed	Z	O/L	MODE1=O/H MODE2=O/L		FPGA control
81	P05	HPD3	O	C	-	-	-	Z	O/L	-	Z	HDMI control (hot plug detect)
82	P04	HPD4	O	C	-	-	-	Z	O/L	-	Z	HDMI control (hot plug detect)
83	P03	(DIR INT)	I	-	Lv	-	Eu	Z	-	-	Z	DIR(LC89058W-VF4A) control
84	P02	NC	O	C	-	-	-	Z	Z	-	Z	
85	P01	NC	O	C	-	-	-	Z	Z	-	Z	
86	P00	DIR RST1	O	C	-	-	-	Z	O/L	O/L	O/L	DIR(LC89058W-VF4A) control
87	P107/(AN7)	DSP RST	O	C	-	-	-	Z	O/L	O/L	Z	DSP(ADSP-21367-333) reset signal output
88	P106/(AN6)	HPD5	O	C	-	-	-	Z	O/L	O/L	Z	HDMI control (hot plug detect)
89	P105/(AN5)	DSP ROMRST	O	C	-	-	Ed	Z	O/L	O/L	Z	DSP rom reset signal output
90	P104/(AN4)	COMPS DET	I	-	Lv	-	Eu	Z	-	-	Z	Video signal (COMPONENT) detect
91	P103/(AN3)	DSP FLAG0	I	-	Lv	-	Ed	Z	-	-	Z	DSP(ADSP-21367-333) reset signal output
92	P102/(AN2)	DSPICS	O	C	-	-	Eu	Z	O/L	O/L	Z	DSP(ADSP-21367-333) reset signal output
93	P101/(AN1)	(DSP FLAG1)	I	-	Lv	-	Ed	Z	-	-	Z	DSP(ADSP-21367-333) reset signal output
94	AVSS	AVSS	-	-	-	-	-	-	-	-	-	AD GND
95	P100/(AN0)	VPLD CLK	O	C	-	-	-	Z	O/L	O/L	Z	FPGA control
96	VREF	VREF	-	-	-	-	-	-	-	-	-	AD reference level (+3.3V)
97	AVCC	AVCC	-	-	-	-	-	-	-	-	-	AD +3.3V
98	P97/(SIN4)	NC	O	C	-	-	Eu	Z	O/L	O/L	Z	
99	P96/(SOUT4)	NC	O	C	-	-	Eu	Z	O/L	O/L	Z	
100	P95/(CLK4)	VEXP DIN	O	C	-	-	-	Z	O/L	O/L	Z	Extended i/o components (BU4094BCFV) control

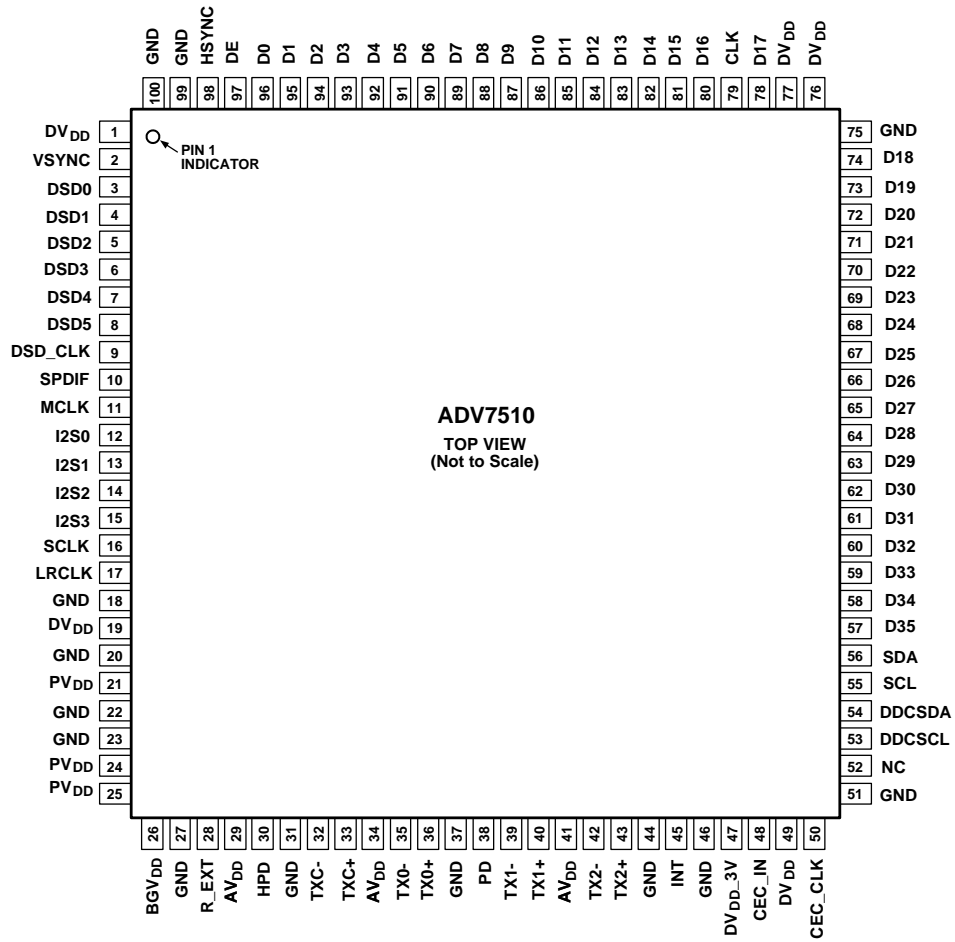
ADSP-21367 (IC254 : HDMI B'D)



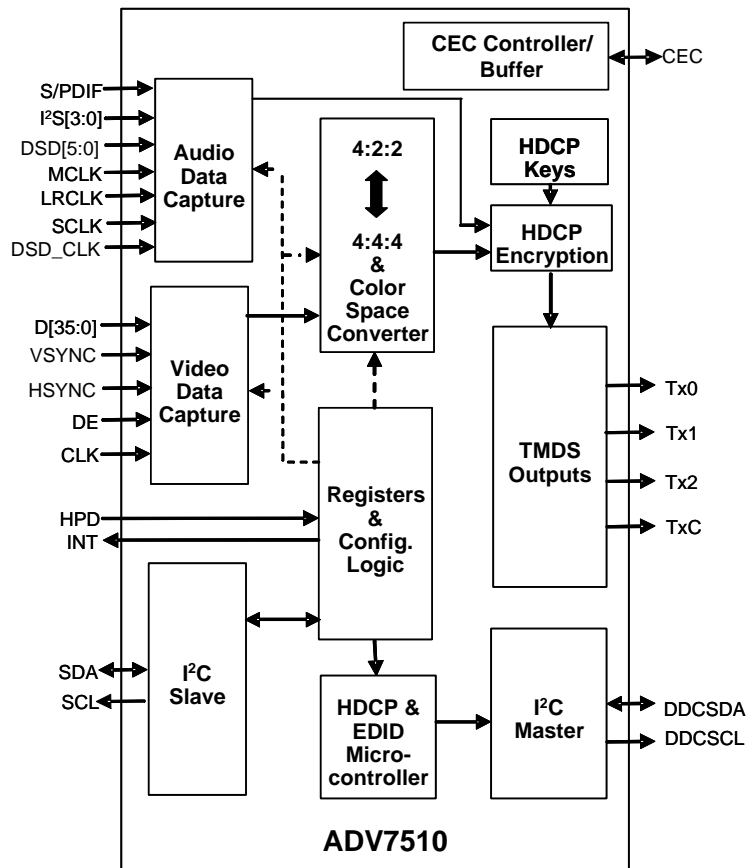
ADSP-21367 Terminal Function

Pin No.	Signal	Pin No.	Signal	Pin No.	Signal	Pin No.	Signal
1	VDD	53	VDD	105	VDD	157	VDD
2	DATA28	54	GND	106	GND	158	VDD
3	DATA27	55	IOVDD	107	IOVDD	159	GND
4	GND	56	ADDR0	108	\overline{SDCAS}	160	VDD
5	IOVDD	57	ADDR2	109	\overline{SDRAS}	161	VDD
6	DATA26	58	ADDR1	110	\overline{SDCKE}	162	VDD
7	DATA25	59	ADDR4	111	\overline{SDWE}	163	TDI
8	DATA24	60	ADDR3	112	\overline{WR}	164	\overline{TRST}
9	DATA23	61	ADDR5	113	SDA10	165	TCK
10	GND	62	GND	114	GND	166	GND
11	VDD	63	VDD	115	IOVDD	167	VDD
12	DATA22	64	GND	116	SDCLK0	168	TMS
13	DATA21	65	IOVDD	117	GND	169	CLK_CFG0
14	DATA20	66	ADDR6	118	VDD	170	BOOTCFG0
15	IOVDD	67	ADDR7	119	\overline{RD}	171	CLK_CFG1
16	GND	68	ADDR8	120	ACK	172	\overline{EMU}
17	DATA19	69	ADDR9	121	FLAG3	173	BOOTCFG1
18	DATA18	70	ADDR10	122	FLAG2	174	TDO
19	VDD	71	GND	123	FLAG1	175	DAI4
20	GND	72	VDD	124	FLAG0	176	DAI2
21	DATA17	73	GND	125	DAI20	177	DAI3
22	VDD	74	IOVDD	126	GND	178	DAI1
23	GND	75	ADDR11	127	VDD	179	IOVDD
24	VDD	76	ADDR12	128	GND	180	GND
25	GND	77	ADDR13	129	IOVDD	181	VDD
26	DATA16	78	GND	130	DAI19	182	GND
27	DATA15	79	VDD	131	DAI18	183	DPI14
28	DATA14	80	AVSS	132	DAI17	184	DPI13
29	DATA13	81	AVDD	133	DAI16	185	DPI12
30	DATA12	82	GND	134	DAI15	186	DPI11
31	IOVDD	83	CLKIN	135	DAI14	187	DPI10
32	GND	84	XTAL2	136	DAI13	188	DPI9
33	VDD	85	IOVDD	137	DAI12	189	DPI8
34	GND	86	GND	138	VDD	190	DPI7
35	DATA11	87	VDD	139	IOVDD	191	IOVDD
36	DATA10	88	ADDR14	140	GND	192	GND
37	DATA9	89	GND	141	VDD	193	VDD
38	DATA8	90	IOVDD	142	GND	194	GND
39	DATA7	91	ADDR15	143	DAI11	195	DPI6
40	DATA6	92	ADDR16	144	DAI10	196	DPI5
41	IOVDD	93	ADDR17	145	DAI8	197	DPI4
42	GND	94	ADDR18	146	DAI9	198	DPI3
43	VDD	95	GND	147	DAI6	199	DPI1
44	DATA4	96	IOVDD	148	DAI7	200	DPI2
45	DATA5	97	ADDR19	149	DAI5	201	CLKOUT
46	DATA2	98	ADDR20	150	IOVDD	202	\overline{RESET}
47	DATA3	99	ADDR21	151	GND	203	IOVDD
48	DATA0	100	ADDR23	152	VDD	204	GND
49	DATA1	101	ADDR22	153	GND	205	DATA30
50	IOVDD	102	\overline{MST}	154	VDD	206	DATA31
51	GND	103	$\overline{MS0}$	155	GND	207	DATA29
52	VDD	104	VDD	156	VDD	208	VDD

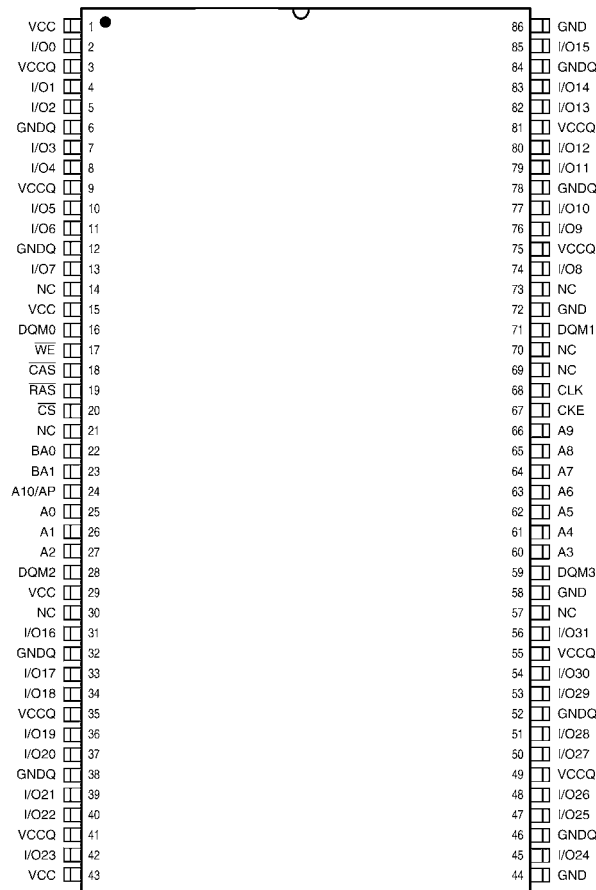
ADV7510 (IC701 : HDMI B'D)



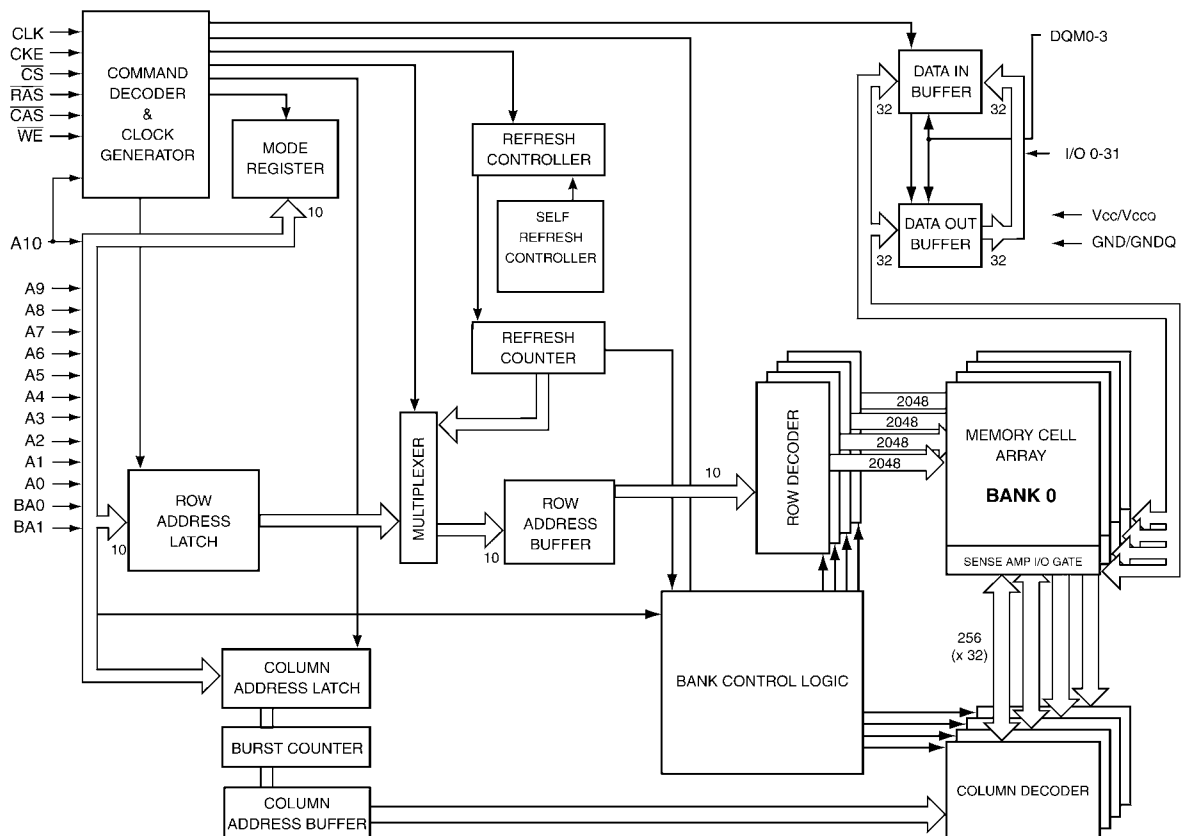
ADV7510 Block Diagram



IS42S32200E-6TL (IC603 : HDMI B'D)



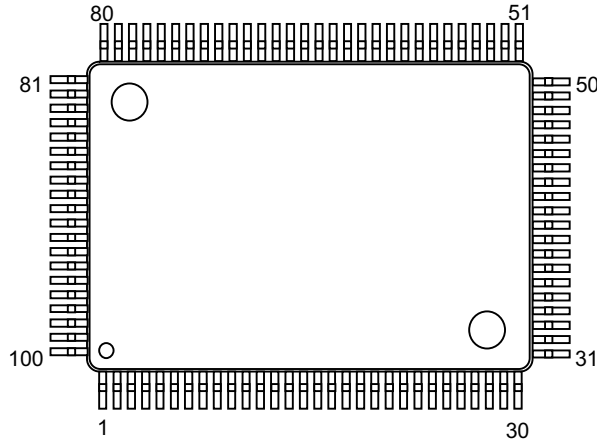
IS42S32200E-6TL Block Diagram



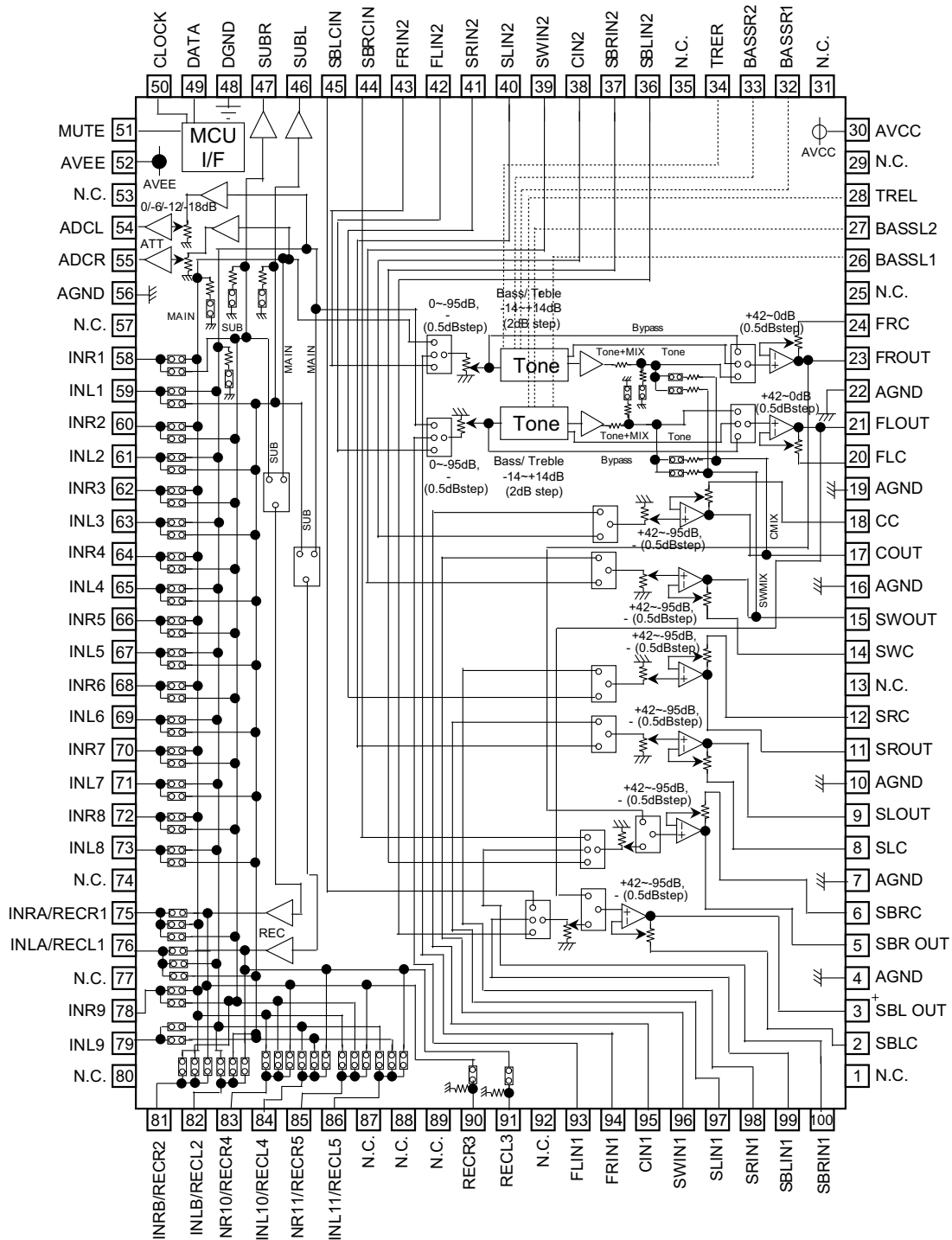
IS42S32200E-6TL Terminl Function

Symbol	Pin No.	Type	Function (In Detail)
A0-A10	25 to 27 60 to 66 24	Input Pin	Address Inputs: A0-A10 are sampled during the ACTIVE command (row-address A0-A10) and READ/WRITE command (A0-A7 with A10 defining auto precharge) to select one location out of the memory array in the respective bank. A10 is sampled during a PRECHARGE command to determine if all banks are to be precharged (A10 HIGH) or bank selected by BA0, BA1 (LOW). The address inputs also provide the op-code during a LOAD MODE REGISTER command.
BA0, BA1	22,23	Input Pin	Bank Select Address: BA0 and BA1 defines which bank the ACTIVE, READ, WRITE or PRECHARGE command is being applied.
\overline{CAS}	18	Input Pin	\overline{CAS} , in conjunction with the \overline{RAS} and \overline{WE} , forms the device command. See the "Command Truth Table" for details on device commands.
CKE	67	Input Pin	The CKE input determines whether the CLK input is enabled. The next rising edge of the CLK signal will be valid when is CKE HIGH and invalid when LOW. When CKE is LOW, the device will be in either power-down mode, clock suspend mode, or self refresh mode. CKE is an asynchronous input.
CLK	68	Input Pin	CLK is the master clock input for this device. Except for CKE, all inputs to this device are acquired in synchronization with the rising edge of this pin.
\overline{CS}	20	Input Pin	The \overline{CS} input determines whether command input is enabled within the device. Command input is enabled when \overline{CS} is LOW, and disabled with \overline{CS} is HIGH. The device remains in the previous state when \overline{CS} is HIGH.
I/O0 to I/O31	2, 4, 5, 7, 8, 10,11,13 74,76,77,79,80,82,83,85 45,47,48,50,51,53,54,56 31,33,34,36,37,39,40,42	I/O Pin	I/O0 to I/O15 are I/O pins. I/O through these pins can be controlled in byte units using the DQM0-DQM3 pins
DQM0 DQM3	16,28,59,71	Input Pin	DQMx control the lower and upper bytes of the I/O buffers. In read mode, the output buffers are place in a High-Z state. During a WRITE cycle the input data is masked. When DQMx is sampled HIGH and is an input mask signal for write accesses and an output enable signal for read accesses. I/O0 through I/O7 are controlled by DQM0. I/O8 through I/O15 are controlled by DQM1. I/O16 through I/O23 are controlled by DQM2. I/O24 through I/O31 are controlled by DQM3.
\overline{RAS}	19	Input Pin	\overline{RAS} , in conjunction with \overline{CAS} and \overline{WE} , forms the device command. See the "Command Truth Table" item for details on device commands.
\overline{WE}	17	Input Pin	\overline{WE} , in conjunction with \overline{RAS} and \overline{CAS} , forms the device command. See the "Command Truth Table" item for details on device commands.
V _{CCQ}	3,9,35,41,49,55,25,81	Supply Pin	V _{CCQ} is the output buffer power supply.
V _{CC}	1,15,29,43	Supply Pin	V _{CC} is the device internal power supply.
GND _Q	6,12,32,38,46,52,78,84	Supply Pin	GND _Q is the output buffer ground.
GND	44,58,72,86	Supply Pin	GND is the device internal ground.

R2A15218FP (IC700 : INPUT B'D)



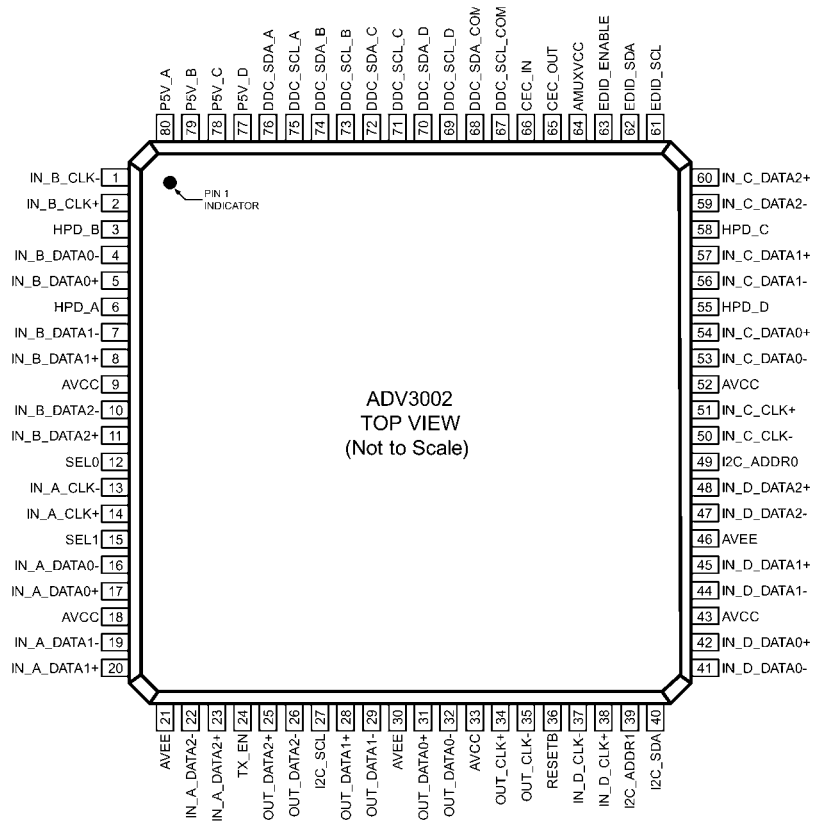
R2A15218FP Block Diagram



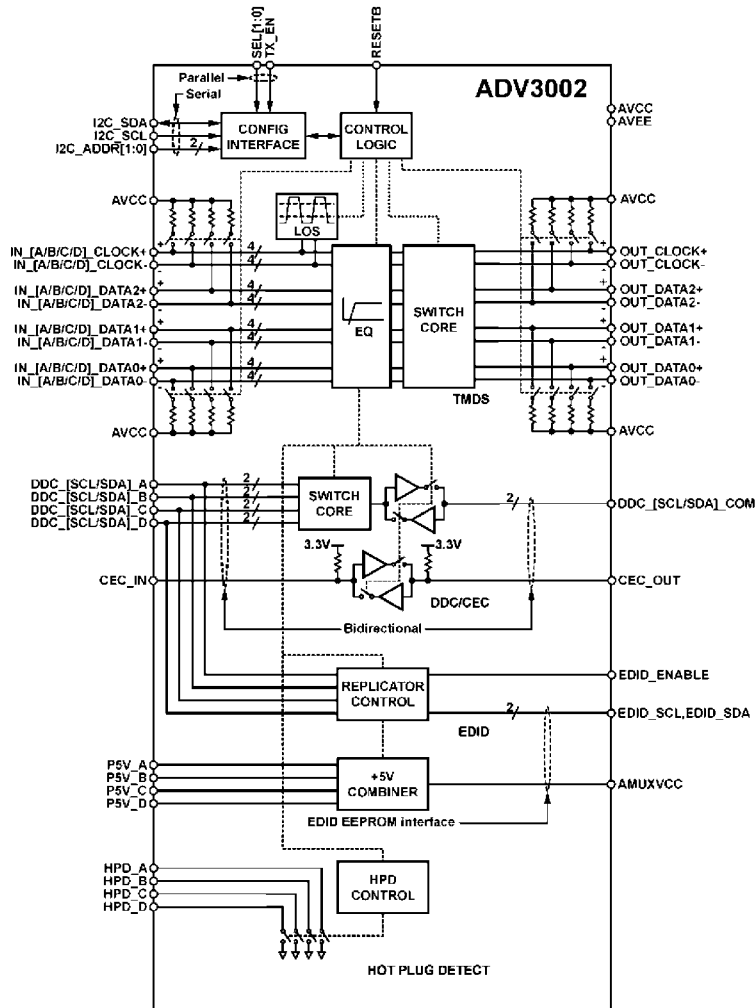
R2A15218FP Termini Function

PIN No.	Name	Function
23,21, 17,15, 11,9, 5,3	FROUT,FLO UT, COUT,SWOUT, SROUT, SLO UT, SBROUT,SBL OUT	Output pin of FL/ FR/C/SW/SL/ SR/SBL/ SBR channel
24,20, 18,14, 12,8, 6,2	FRC,FLC, CC,SWC, SRC,SLC, SBRC,SBL C	Connects capacitor fo r reducing click noise of L/R/C/SW/SL/SR/SBL/ SBR channel volume
4,7,10,16, 19,22,56	AGND	Analog ground of internal circuit
28,34	TREL, TRE R	Frequency characteristic setting pin of L/R channel tone control (Treble)
26,27, 32,33	BA SSL1,BA SSL2 BASSR1,BASSR2	Frequency characteristic setting pin of L/R channel tone control (Bass)
30	AVCC	Positive power supply to internal circuit
43,42, 41,40, 39,38, 37,36	FRIN2, FLIN2, SRN2,SLIN2, SWIN2,CIN2 , SBRIN2,SBLIN2	Input pin of L/R /C/SW/SL/ SR/SBL /SBR channel (Multi IN 1/2)
93,94, 95,96, 97,98, 99,100	FLIN1, F RIN1, CIN1,SWIN1 , SLIN1,S RIN1, SBLIN1,S BRIN1	
48	DGND	Digital ground of internal circuit
49	DATA	Input pin of control data
50	CLOCK	Input pin of control clock
52	AVEE	Negative power supply to internal circuit
59,61,63, 65,67,69, 71,73,79	INL1, INL2, I NL3, INL4, INL5, INL6, INL7, INL8, INL9	Input pin of L/R channel (Input Selector)
58,60,62, 64,66,68, 70,72,78	INR1,INR2, I NR3, INR4,INR5,I NR6, INR7,INR8,I NR9	
51	MUTE	Outside Mute Control PIN
44,45	SBRCIN,SBL CIN	Input pin for S BL/ SBR channel Volume
46,47	SUBL,SU BR	Output pin for L/R channel SUB Output
54,55	ADCL, ADCR	Output pin for L/R channel ADC
90,91	RECR3,RECL3	Output pin for L/R channel REC Output
75,76, 81,82, 83,84, 85,86	INRA/RECR1,INLA/RECL1, INRB/REC R2,INLB/ RECL2, INR10/RECR4,I NL10/RECL4, INR11/RECR5,I NL11/RECL5	Input pin of L/R channel (Input Selector)/ Output pin for L/R channel REC Output
1,13,25,29,31, 35,53, 57,74,77,80, 87,88,89,92	N.C.	No Connected PIN

ADV3002XSTZ (IC401 : HDMI B'D)



ADV3002XSTZ Block Diagram



ADV3002XSTZ Pin Description

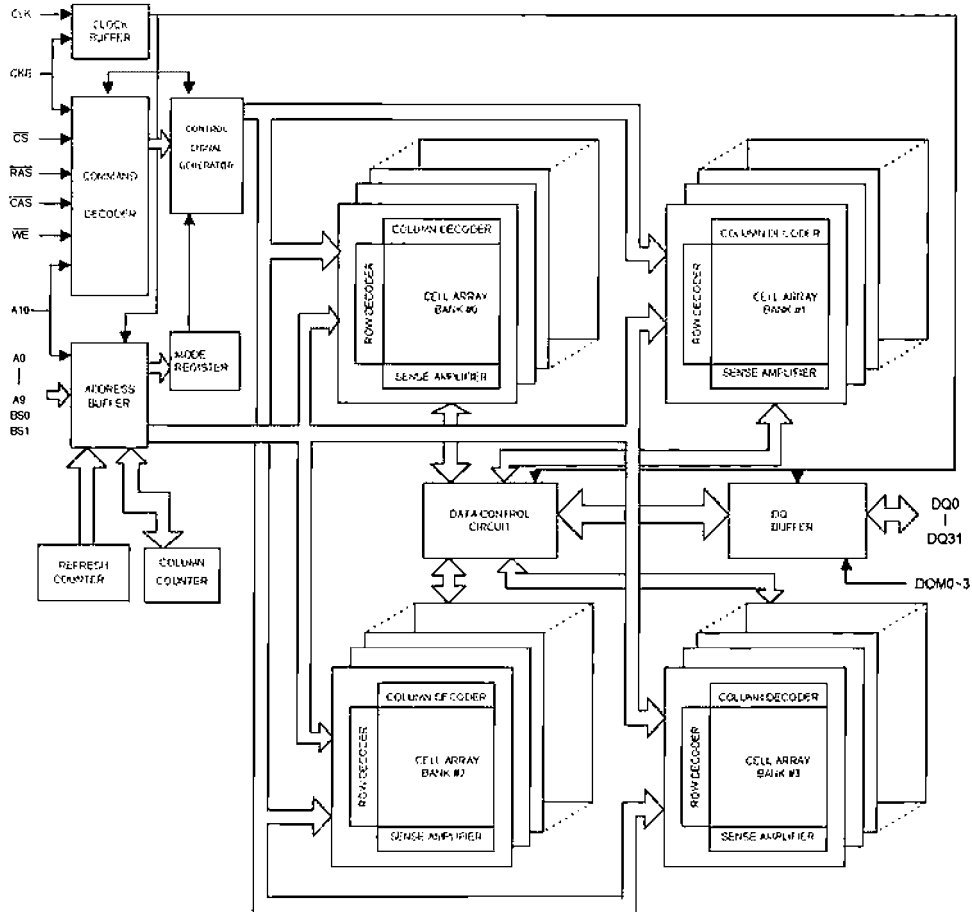
Pin No.	Mnemonic	Type	Description
1	IN_B_CLK-	TMDS	High-speed TMDS Input Clock Complement.
2	IN_B_CLK+	TMDS	High-speed TMDS Input Clock.
3	HPD_B	HPD	Hot Plug Detect Output.
4	IN_B_DATA0-	TMDS	High-speed TMDS Input Data Complement.
5	IN_B_DATA0+	TMDS	High-speed TMDS Input Data.
6	HPD_A	HPD	Hot Plug Detect Output.
7	IN_B_DATA1-	TMDS	High-speed TMDS Input Data Complement.
8	IN_B_DATA1+	TMDS	High-speed TMDS Input Data.
9, 18, 33, 43, 52	AVCC	Power	Positive Analog Supply 3.3V.
10	IN_B_DATA2-	TMDS	High-speed TMDS Input Data Complement.
11	IN_B_DATA2+	TMDS	High-speed TMDS Input Data.
12	SELO	Control	Channel Select Parallel Control LSB.
13	IN_A_CLK-	TMDS	High-speed TMDS Input Clock Complement.
14	IN_A_CLK+	TMDS	High-speed TMDS Input Clock.
15	SEL1	Control	Channel Select Parallel Control MSB.
16	IN_A_DATA0-	TMDS	High-speed TMDS Input Complement.
17	IN_A_DATA0+	TMDS	High-speed TMDS Input Data.
19	IN_A_DATA1-	TMDS	High-speed TMDS Input Data Complement.
20	IN_A_DATA1+	TMDS	High-speed TMDS Input Data.
21, 30, 46	AVEE	Power	Negative Analog Supply 0.0V.
22	IN_A_DATA2-	TMDS	High-speed TMDS Input Data Complement.
23	IN_A_DATA2+	TMDS	High-speed TMDS Input Data.
24	TX_EN	Control	TMDS Output Enable Parallel Control.
25	OUT_DATA2+	TMDS	High-speed Output.
26	OUT_DATA2-	TMDS	High-speed Output Complement.
27	I2C_SCL	Control	Serial Control Clock Input.
28	OUT_DATA1+	TMDS	High-speed Output.
29	OUT_DATA1-	TMDS	High-speed Output Complement.
31	OUT_DATA0+	TMDS	High-speed Output.
32	OUT_DATA0-	TMDS	High-speed Output Complement.
34	OUT_CLK+	TMDS	High-speed Output Clock.
35	OUT_CLK-	TMDS	High-speed Output Clock Complement.
36	RESETB	Control	Configuration Registers Reset. Normally pulled to AVCC.
37	IN_D_CLK-	TMDS	High-speed TMDS Input Clock Complement.
38	IN_D_CLK+	TMDS	High-speed TMDS Input Clock.
39	I2C_ADDR1	Control	Serial Control External Address MSB.
40	I2C_SDA	Control	Serial Control Data Input/Output.
41	IN_D_DATA0-	TMDS	High-speed TMDS Input Data Complement.
42	IN_D_DATA0+	TMDS	High-speed TMDS Input Data.
44	IN_D_DATA1-	TMDS	High-speed TMDS Input Data Complement.
45	IN_D_DATA1+	TMDS	High-speed TMDS Input Data.
47	IN_D_DATA2-	TMDS	High-speed TMDS Input Data Complement.
48	IN_D_DATA2+	TMDS	High-speed TMDS Input Data.
49	I2C_ADDR0	Control	Serial Control External Address LSB.
50	IN_C_CLK-	TMDS	High-speed TMDS Input Clock Complement.
51	IN_C_CLK+	TMDS	High-speed TMDS Input Clock.
53	IN_C_DATA0-	TMDS	High-speed TMDS Input Data Complement.
54	IN_C_DATA0+	TMDS	High-speed TMDS Input Data.

Pin No.	Mnemonic	Type	Description
55	HPD_D	LS Output	Hot Plug Detect Output.
56	IN_C_DATA1-	TMDS	High-speed TMDS Input Data Complement.
57	IN_C_DATA1+	TMDS	High-speed TMDS Input Data.
58	HPD_C	LS Output	Hot Plug Detect Output.
59	IN_C_DATA2-	TMDS	High-speed TMDS Input Data Complement.
60	IN_C_DATA2+	TMDS	High-speed TMDS Input Data.
61	EDID_SCL	Control	External EDID EEPROM Serial Interface Clock.
62	EDID_SDA	Control	External EDID EEPROM Serial Interface Data.
63	EDID_ENABLE	Control	EDID Replication Enable
64	AMUXVCC	Power	Positive Power Supply 5.0 V.
65	CEC_OUT	CEC	Consumer Electronics Control Output.
66	CEC_IN	CEC	Consumer Electronics Control Input.
67	DDC_SCL_COM	DDC	Display Data Channel Serial Clock Common Input/Output.
68	DDC_SDA_COM	DDC	Display Data Channel Serial Data Common Input/Output.
69	DDC_SCL_D	DDC	Display Data Channel Serial Clock Input/Output.
70	DDC_SDA_D	DDC	Display Data Channel Serial Data Input/Output.
71	DDC_SCL_C	DDC	Display Data Channel Serial Clock Input/Output.
72	DDC_SDA_C	DDC	Display Data Channel Serial Data Input/Output.
73	DDC_SCL_B	DDC	Display Data Channel Serial Clock Input/Output.
74	DDC_SDA_B	DDC	Display Data Channel Serial Data Input/Output.
75	DDC_SCL_A	DDC	Display Data Channel Serial Clock Input/Output.
76	DDC_SDA_A	DDC	Display Data Channel Serial Data Input/Output.
77	P5V_D	Power	5 V HDMI Supply from Source D.
78	P5V_C	Power	5 V HDMI Supply from Source C.
79	P5V_B	Power	5 V HDMI Supply from Source B.
80	P5V_A	Power	5 V HDMI Supply from Source A.

W9864G2GH-6 (IC253 : HDMI B'D)

VCC	1	86	Vss
DQ0	2	85	DQ15
VccQ	3	84	VssQ
DQ1	4	83	DQ14
DQ2	5	82	DQ13
VssQ	6	81	VccQ
DQ3	7	80	DQ12
DQ4	8	79	DQ11
VccQ	9	78	VssQ
DQ5	10	77	DQ10
DQ6	11	76	DQ9
VssQ	12	75	VccQ
DQ7	13	74	DQ8
NC	14	73	NC
VCC	15	72	Vss
DQM0	16	71	DQM1
WE	17	70	NC
CAS	18	69	NC
RAS	19	68	CLK
CS	20	67	CKE
NC	21	66	A9
BS0	22	65	A9
BS1	23	64	A7
A10/AP	24	63	A6
A0	25	62	A5
A1	26	61	A4
A2	27	60	A3
DQM2	28	59	DQM3
VCC	29	58	Vss
NC	30	57	NC
DQ16	31	56	DQ31
VssQ	32	55	VccQ
DQ17	33	54	DQ30
DQ18	34	53	DQ29
VccQ	35	52	VssQ
DQ19	36	51	DQ28
DQ20	37	50	DQ27
VssQ	38	49	VccQ
DQ21	39	48	DQ26
DQ22	40	47	DQ25
VccQ	41	46	VssQ
DQ23	42	45	DQ24
Vcc	43	44	Vss

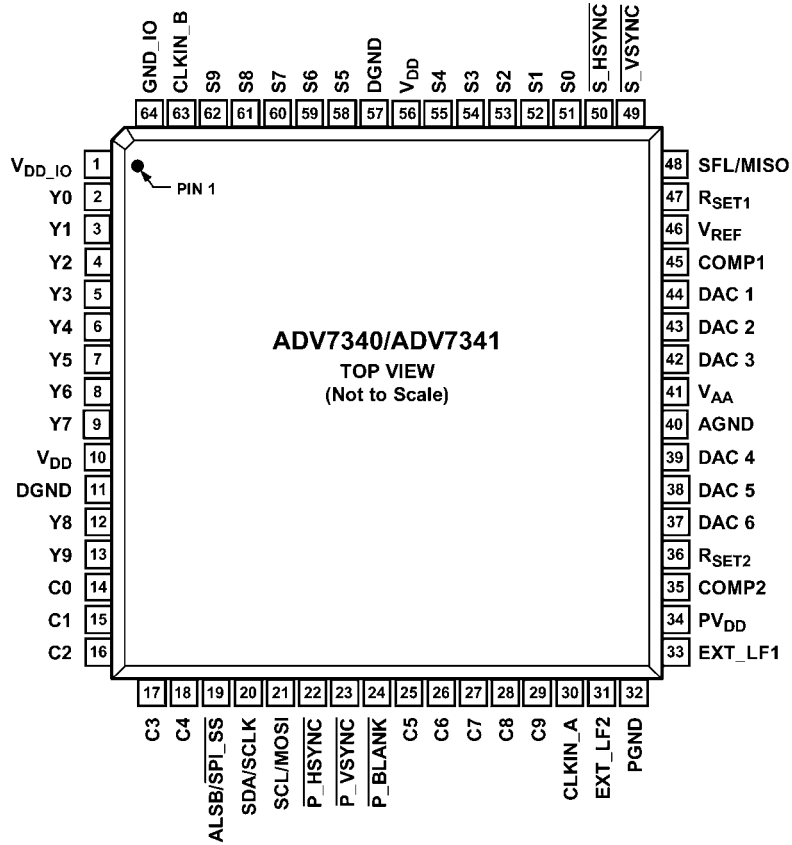
W9864G2GH-6 Block Diagram



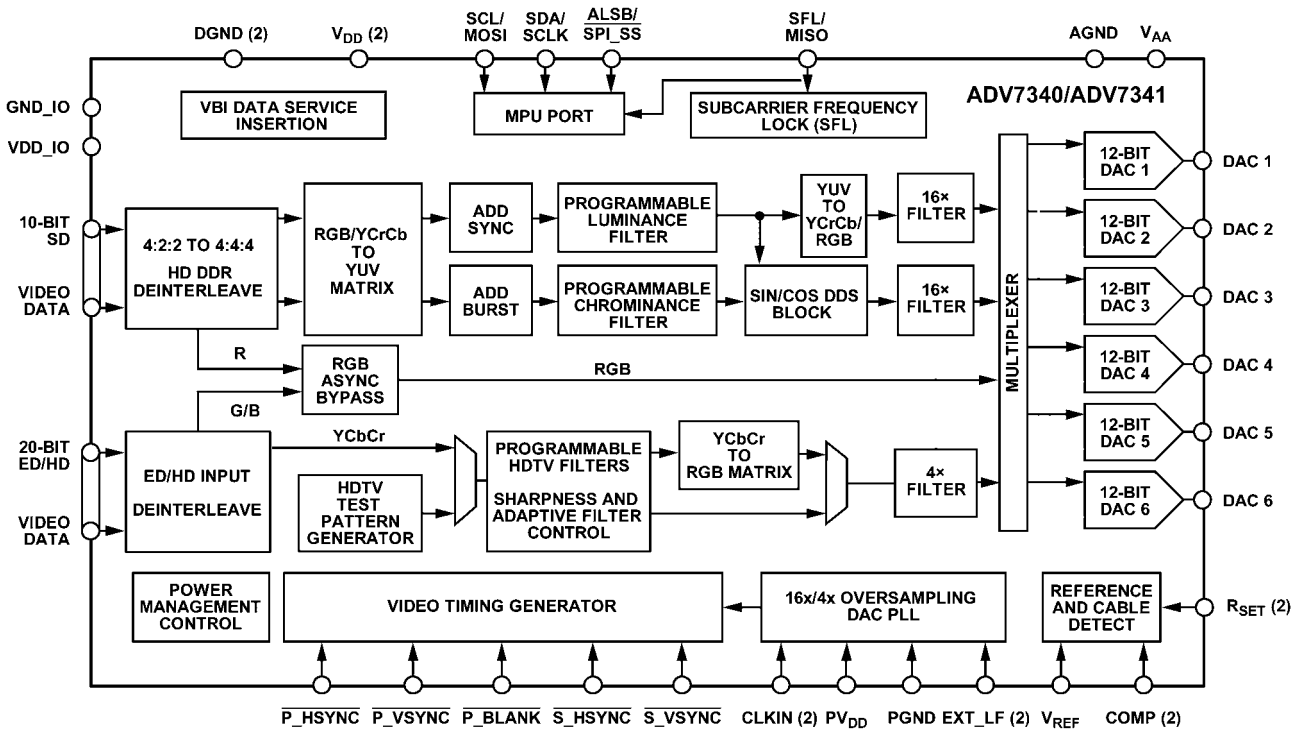
W9864G2GH-6 Pin Description

PIN NUMBER	PIN NAME	FUNCTION	DESCRIPTION
24, 25, 26, 27, 60, 61, 62, 63, 64, 65, 66	A0-A10	Address	Multiplexed pins for row and column address. Row address: A0-A10. Column address: A0-A7. A10 is sampled during a precharge command to determine if all banks are to be precharged or bank selected by BS0, BS1.
22, 23	BS0, BS1	Bank Select	Select bank to activate during row address latch time, or bank to read/write during address latch time.
2, 4, 5, 7, 8, 10, 11, 13, 31, 33, 34, 36, 37, 39, 40, 42, 45, 47, 48, 50, 51, 53, 54, 56, 74, 76, 77, 79, 80, 82, 83, 85	DQ0-DQ31	Data Input/Output	Multiplexed pins for data output and input.
20	$\overline{\text{CS}}$	Chip Select	Disable or enable the command decoder. When command decoder is disabled, new command is ignored and previous operation continues.
19	$\overline{\text{RAS}}$	Row Address Strobe	Command input. When sampled at the rising edge of the clock $\overline{\text{RAS}}$, $\overline{\text{CAS}}$ and $\overline{\text{WE}}$ define the operation to be executed.
18	$\overline{\text{CAS}}$	Column Address Strobe	Referred to $\overline{\text{RAS}}$
17	$\overline{\text{WE}}$	Write Enable	Referred to $\overline{\text{RAS}}$
16, 28, 59, 71	DQM0-DQM3	Input/Output Mask	The output buffer is placed at Hi-Z (with latency of 2) when DQM is sampled high in read cycle. In write cycle, sampling DQM high will block the write operation with zero latency.
68	CLK	Clock Inputs	System clock used to sample inputs on the rising edge of clock.
67	CKE	Clock Enable	CKE controls the clock activation and deactivation. When CKE is low, Power Down mode, Suspend mode, or Self Refresh mode is entered.
1, 15, 29, 43	VCC	Power	Power for input buffers and logic circuit inside DRAM.
44, 58, 72, 86	VSS	Ground	Ground for input buffers and logic circuit inside DRAM.
3, 9, 35, 41, 49, 55, 75, 81	VCCQ	Power for I/O Buffer	Separated power from VCC, to improve DQ noise immunity.
6, 12, 32, 38, 46, 52, 78, 84	VSSQ	Ground for I/O Buffer	Separated ground from VSS, to improve DQ noise immunity.
14, 21, 30, 57, 69, 70, 73	NC	No Connection	No connection. (The NC pin must connect to ground or floating.)

ADV7340BSTZ (IC952 : HDMI B'D)



ADV7340BSTZ Block Diagram



ADV7340BSTZ Pin Description

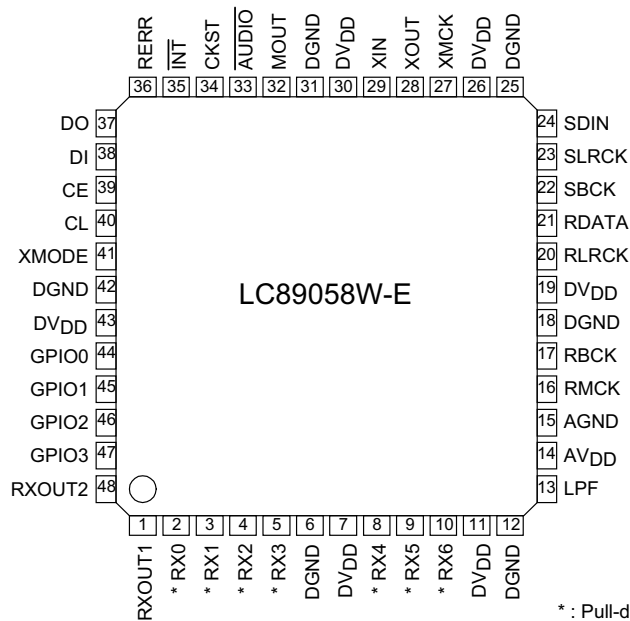
Pin No.	Mnemonic	Input/ Output	Description
13, 12, 9 to 2	Y9 to Y0	I	10-Bit Pixel Port (Y9 to Y0). Y0 is the LSB. Refer to Table 31 for input modes.
29 to 25, 18 to 14	C9 to C0	I	10-Bit Pixel Port (C9 to C0). C0 is the LSB. Refer to Table 31 for input modes.
62 to 58, 55 to 51	S9 to S0	I	10-Bit Pixel Port (S9 to S0). S0 is the LSB. Refer to Table 31 for input modes.
30	CLKIN_A	I	Pixel Clock Input for HD Only (74.25 MHz), ED ¹ Only (27 MHz or 54 MHz), or SD Only (27 MHz).
63	CLKIN_B	I	Pixel Clock Input for Dual Modes Only. Requires a 27 MHz reference clock for ED operation or a 74.25 MHz reference clock for HD operation.
50	$\overline{S_HSYNC}$	I/O	SD Horizontal Synchronization Signal. This pin can also be configured to output an SD, ED, or HD horizontal synchronization signal. See the External Horizontal and Vertical Synchronization Control section.
49	$\overline{S_VSYNC}$	I/O	SD Vertical Synchronization Signal. This pin can also be configured to output an SD, ED, or HD vertical synchronization signal. See the External Horizontal and Vertical Synchronization Control section.
22	$\overline{P_HSYNC}$	I	ED/HD Horizontal Synchronization Signal. See the External Horizontal and Vertical Synchronization Control section.
23	$\overline{P_VSYNC}$	I	ED/HD Vertical Synchronization Signal. See the External Horizontal and Vertical Synchronization Control section.
24	$\overline{P_BLANK}$	I	ED/HD Blanking Signal. See the External Horizontal and Vertical Synchronization Control section.
48	SFL/MISO	I/O	Multifunctional Pin: Subcarrier Frequency Lock (SFL) Input/SPI Data Output. The SFL input is used to drive the color subcarrier DDS system, timing reset, or subcarrier reset.
47	R _{SET1}	I	This pin is used to control the amplitudes of the DAC 1, DAC 2, and DAC 3 outputs. For full-drive operation (for example, into a 37.5 Ω load), a 510 Ω resistor must be connected from R _{SET1} to AGND. For low drive operation (for example, into a 300 Ω load), a 4.12 k Ω resistor must be connected from R _{SET1} to AGND.
36	R _{SET2}	I	This pin is used to control the amplitudes of the DAC 4, DAC 5, and DAC 6 outputs. A 4.12 k Ω resistor must be connected from R _{SET2} to AGND.

Pin No.	Mnemonic	Input/ Output	Description
45, 35	COMP1, COMP2	O	Compensation Pins. Connect a 2.2 nF capacitor from both COMP pins to V _{AA} .
44, 43, 42	DAC 1, DAC 2, DAC 3	O	DAC Outputs. Full and low drive capable DACs.
39, 38, 37	DAC 4, DAC 5, DAC 6	O	DAC Outputs. Low drive only capable DACs.
21	SCL/MOSI	I	Multifunctional Pin: I ² C Clock Input/SPI Data Input.
20	SDA/SCLK	I/O	Multifunctional Pin: I ² C Data Input/Output. Also, SPI clock input.
19	ALSB/SPI_SS	I	Multifunctional Pin: This signal sets up the LSB ² of the MPU I ² C address. Also, SPI slave select.
46	V _{REF}		Optional External Voltage Reference Input for DACs or Voltage Reference Output.
41	V _{AA}	P	Analog Power Supply (3.3 V).
10, 56	V _{DD}	P	Digital Power Supply (1.8 V). For dual-supply configurations, V _{DD} can be connected to other 1.8 V supplies through a ferrite bead or suitable filtering.
1	V _{DD_IO}	P	Input/Output Digital Power Supply (3.3 V).
34	PV _{DD}	P	PLL Power Supply (1.8 V). For dual-supply configurations, PV _{DD} can be connected to other 1.8 V supplies through a ferrite bead or suitable filtering.
33	EXT_LF1	I	External Loop Filter for On-Chip PLL 1.
31	EXT_LF2	I	External Loop Filter for On-Chip PLL 2.
32	PGND	G	PLL Ground Pin.
40	AGND	G	Analog Ground Pin.
11, 57	DGND	G	Digital Ground Pin.
64	GND_IO	G	Input/Output Supply Ground Pin.

¹ ED = enhanced definition = 525p and 625p.

² LSB = least significant bit. In the ADV7340, setting the LSB to 0 sets the I²C address to 0xD4. Setting it to 1 sets the I²C address to 0xD6. In the ADV7341, setting the LSB to 0 sets the I²C address to 0x54. Setting it to 1 sets the I²C address to 0x56.

LC89058W-E (IC101 : HDMI B'D)



Pin Functions

Pin No.	Name	I/O	Function
1	RXOUT1	O	RX0-6 input S/PDIF through output pin 1
2	RX0	I _s (pd)	5V withstand voltage TTL input level compatible S/PDIF input pin (connected to GND when RX1 is set)
3	RX1	I(pd)	Co-axial compatible S/PDIF input pin (supported demodulation sampling frequency of up to 96kHz)
4	RX2	I _s (pd)	5V withstand voltage TTL input level compatible S/PDIF input pin (connected to GND when RX1 is set)
5	RX3	I _s (pd)	5V withstand voltage TTL input level compatible S/PDIF input pin
6	DGND		Digital GND
7	DVDD		Digital power supply (3.3V)
8	RX4	I _s (pd)	5V tolerable TTL input level compatible S/PDIF input pin
9	RX5	I _s (pd)	5V tolerable TTL input level compatible S/PDIF input pin
10	RX6	I _s (pd)	5V tolerable TTL input level compatible S/PDIF input pin
11	DVDD		Digital power supply (3.3V)
12	DGND		Digital GND
13	LPF	O	PLL loop filter connection pin
14	AVDD		Analog power supply (3.3V)
15	AGND		Analog GND
16	RMCK	O	R system clock output pin (VCO, 512fs, XIN)
17	RBCK	O/I	R system bit clock I/O pin (64fs)
18	DGND		Digital GND
19	DVDD		Digital power supply (3.3V)
20	RLRCK	O/I	R system LR clock I/O pin (fs)
21	RDATA	O	Serial audio data output pin
22	SBCK	O	S system bit clock output pin (16fs, 32fs, 64fs, 128fs)
23	SLRCK	O	S system LR clock output pin (fs/4, fs/2, fs, 2fs)
24	SDIN	I _s	External serial audio data input pin

Pin No.	Name	I/O	Function
25	DGND		Digital GND
26	DV _{DD}		Digital power supply (3.3V)
27	XMCK	O	Oscillation amplifier clock output pin
28	XOUT	O	Output pin connected to the resonator
29	XIN	I	External clock input pin, connected to the resonator (12.288MHz/24.576MHz)
30	DV _{DD}		Digital power supply
31	DGND		Digital GND
32	MOUT	I/O	Emphasis information Input fs monitor output Chip address setting input pin
33	AUDIO	I/O	Channel status bit 1 output Chip address setting input pin
34	CKST	I/O	Clock switching transition period signal output Master/slave setting input pin
35	INT	I/O	Microcontroller interrupt signal output Pins44-48 I/O setting input pin
36	RERR	O	PLL lock error, data error flag output pin
37	DO	O	CCB microcontroller I/F, read data output pin (3-state)
38	DI	I _s	CCB microcontroller I/F, write data input pin
39	CE	I _s	CCB microcontroller I/F, chip enable input pin
40	CL	I _s	CCB microcontroller I/F, clock input pin
41	XMODE	I _s	System reset input pin
42	DGND		Digital GND
43	DV _{DD}		Digital power supply (3.3V)
44	GPIO0	O/I	General-purpose I/O pin Selector input pin (output referred to RDATA pin)
45	GPIO1	O/I	General-purpose I/O pin Selector input pin (output referred to RLRCK pin)
46	GPIO2	O/I	General-purpose I/O pin Selector input pin (output referred to RBCK pin)
47	GPIO3	O/I	General-purpose I/O pin Selector input pin (output referred to RMCK pin)
48	RXOUT2	O	RX0-6 input S/PDIF through output pin 2

* Input voltage: I₋ = -0.3 to 3.6V, I_s = -0.3 to 5.5V

* Output voltage: O = -0.3 to 3.6V

* Pins 2, 4, 5, 8, 9, 10, 24, 38, 39, 40, and 41 have an internal pull-down resistor (pd).

Their level is fixed when they are unselected.

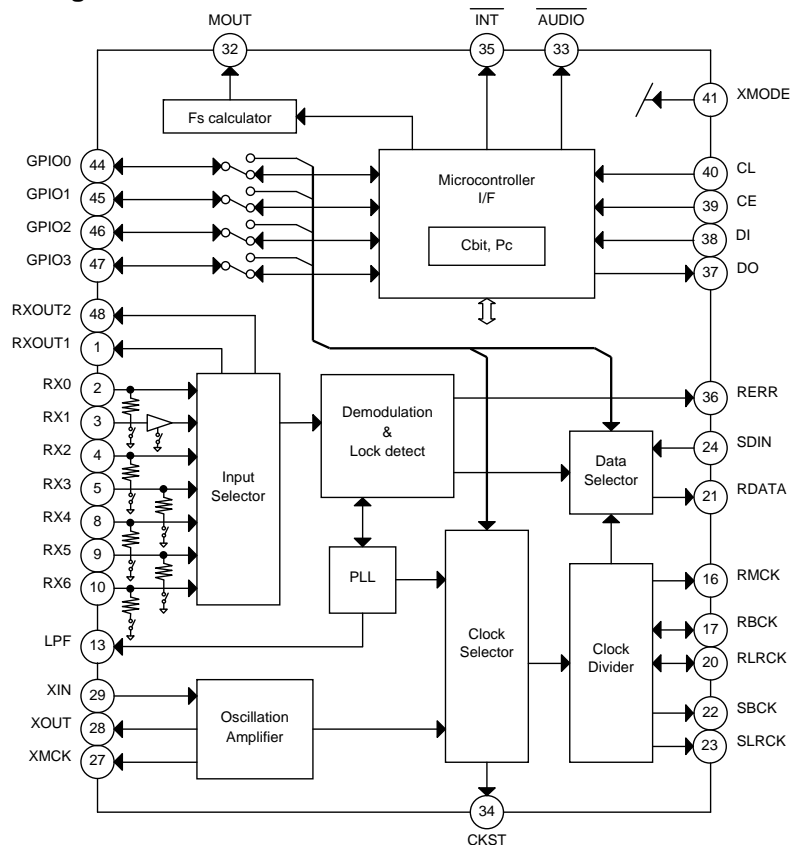
* Pins 32 and 33 are input pins for chip address setting when pin 41 is held at the low level.

* Pin 34 serves as the input pin for designating as the master or slave when pin 41 is held at the low level.

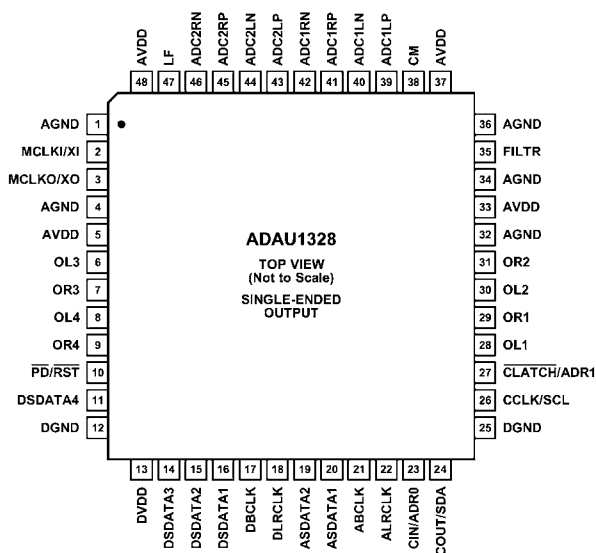
* Pin 35 serves as the input pin for configuring the I/O of pins 44 to 47 when pin 41 is held at the low level.

* The DV_{DD} and AV_{DD} pins must be held at the same level and turned on and off at the same timing to preclude Latch-up conditions.

LC89058W-E Block Diagram

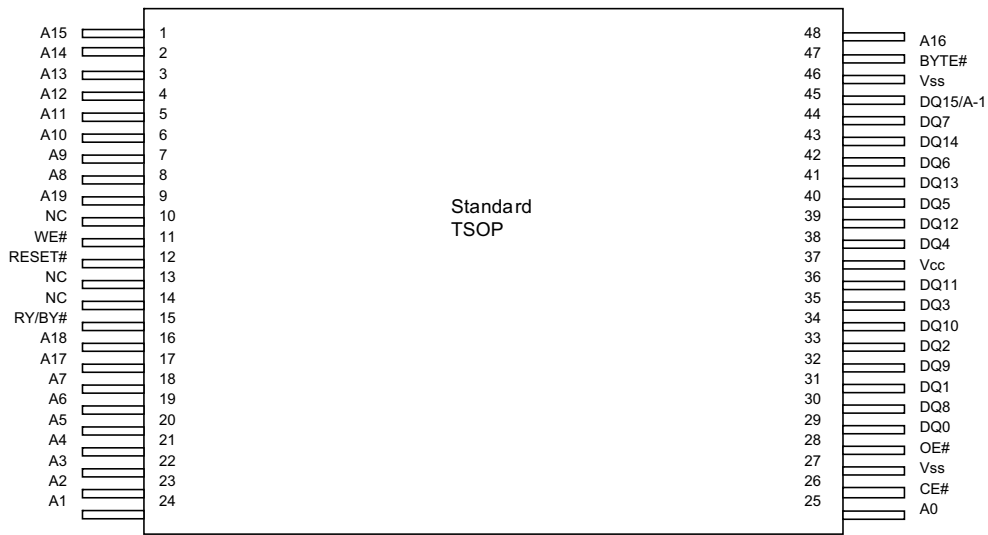


ADAU1328 (IC301 : HDMI B'D)

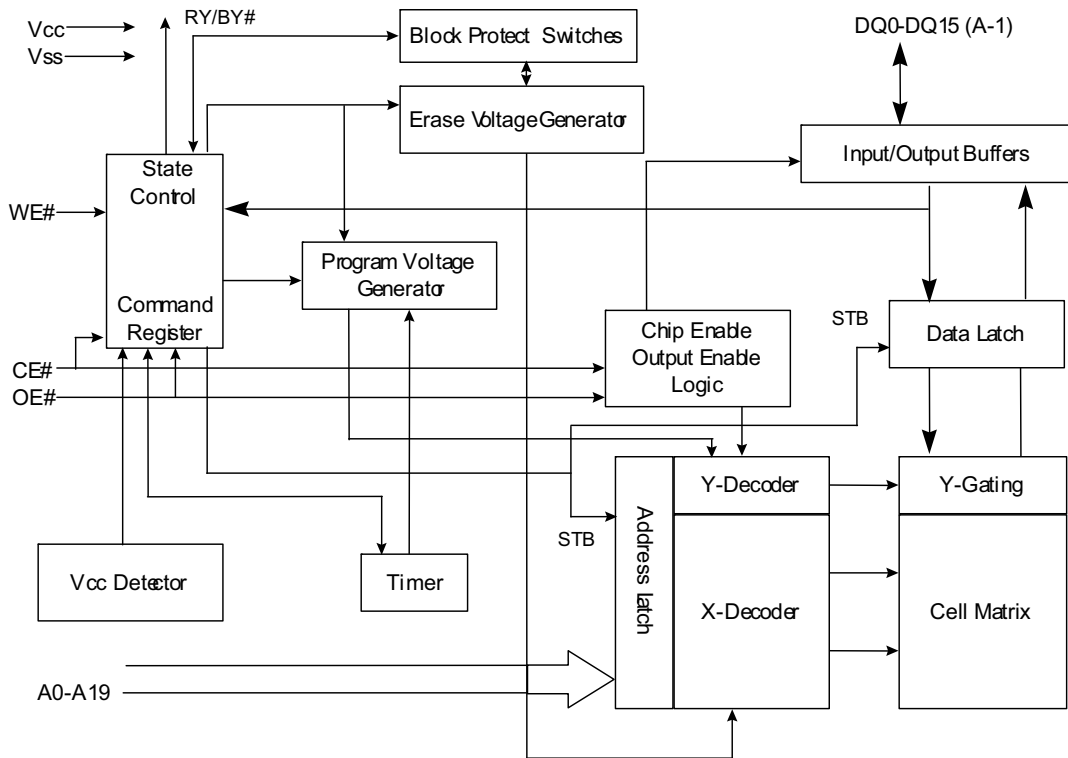


Pin No.	In/Out	Mnemonic	Description
1	I	AGND	Analog Ground.
2	I	MCLKI/XI	Master Clock Input/Crystal Oscillator Input.
3	O	MCLKO/XO	Master Clock Output/Crystal Oscillator Output.
4	I	AGND	Analog Ground.
5	I	AVDD	Analog Power Supply. Connect to analog 3.3 V supply.
6	O	OL3	DAC 3 Left Output.
7	O	OR3	DAC 3 Right Output.
8	O	OL4	DAC 4 Left Output.
9	O	OR4	DAC 4 Right Output.
10	I	PD/RST	Power-Down Reset (Active Low).
11	I/O	DSDATA4	DAC Input 4 (Input to DAC 4 L and R)/DAC TDM Data Out 2/AUX ADC 1 Data In.
12	I	DGND	Digital Ground.
13	I	DVDD	Digital Power Supply. Connect to digital 3.3 V supply.
14	I/O	DSDATA3	DAC Input 3 (Input to DAC 3 L and R)/DAC TDM Data In 2/AUX DAC 2 Data Output.
15	I/O	DSDATA2	DAC Input 2 (Input to DAC 2 L and R)/DAC TDM Data Out 1/AUX ADC 1 Data In.
16	I	DSDATA1	DAC Input 1 (Input to DAC 1 L and R)/DAC TDM Data In 1/AUX ADC 2 Data In.
17	I/O	DBCLK	Bit Clock for DACs.
18	I/O	DLRCLK	LR Clock for DACs.
19	I/O	ASDATA2	ADC Serial Data Output 2 (ADC 2 L and R)/ADC TDM Data Input/AUX DAC 1 Data Output.
20	O	ASDATA1	ADC Serial Data Output 1 (ADC 1 L and R)/ADC TDM Data Output.
21	I/O	ABCLK	Bit Clock for ADCs.
22	I/O	ALRCLK	LR Clock for ADCs.
23	I	CIN/ADRO	Control Data Input (SPI).
24	I/O	COUT/SDA	Control Data Output (SPI).
25	I	DGND	Digital Ground.
26	I	CCLK/SCL	Control Clock Input (SPI).
27	I	CLATCH/ADR1	Latch Input for Control Data (SPI).
28	O	OL1	DAC 1 Left Output.
29	O	OR1	DAC 1 Right Output.
30	O	OL2	DAC 2 Left Output.
31	O	OR2	DAC 2 Right Output.
32	I	AGND	Analog Ground.
33	I	AVDD	Analog Power Supply. Connect to analog 3.3 V supply.
34	I	AGND	Analog Ground.
35	O	FILTR	Voltage Reference Filter Capacitor Connection. Bypass with 10 μ F 100 nF to AGND.
36	I	AGND	Analog Ground.
37	I	AVDD	Analog Power Supply. Connect to analog 3.3 V supply.
38	O	CM	Common-Mode Reference Filter Capacitor Connection. Bypass with 47 μ F 100 nF to AGND.
39	I	ADC1LP	ADC1 Left Positive Input.
40	I	ADC1LN	ADC1 Left Negative Input.
41	I	ADC1RP	ADC1 Right Positive Input.
42	I	ADC1RN	ADC1 Right Negative Input.
43	I	ADC2LP	ADC2 Left Positive Input.
44	I	ADC2LN	ADC2 Left Negative Input.
45	I	ADC2RP	ADC2 Right Positive Input.
46	I	ADC2RN	ADC2 Right Negative Input.
47	O	LF	PLL Loop Filter. Return to AVDD.
48	I	AVDD	Analog Power Supply. Connect to analog 3.3 V supply.

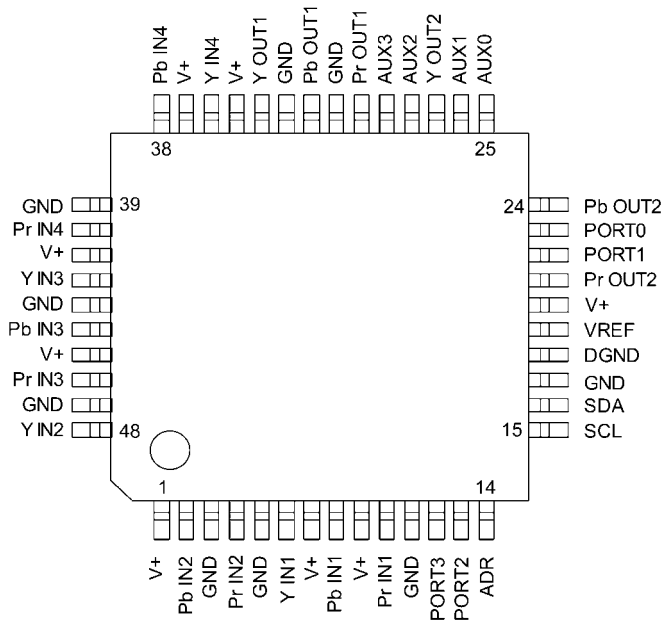
EN29LV160BB-70TIP (IC255 : HDMI B'D)



EN29LV160BB-70TIP Block Diagram

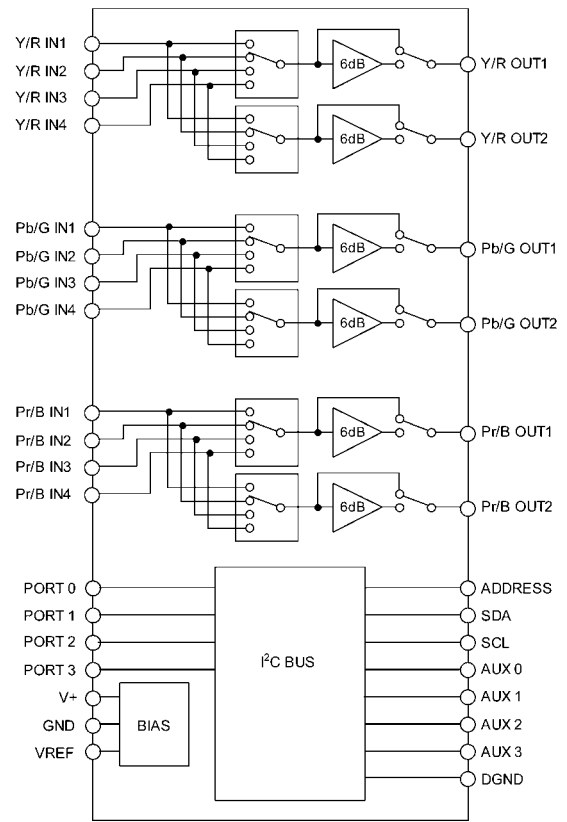


NJW1321FP1 (IC2023 : VIDEO B'D)

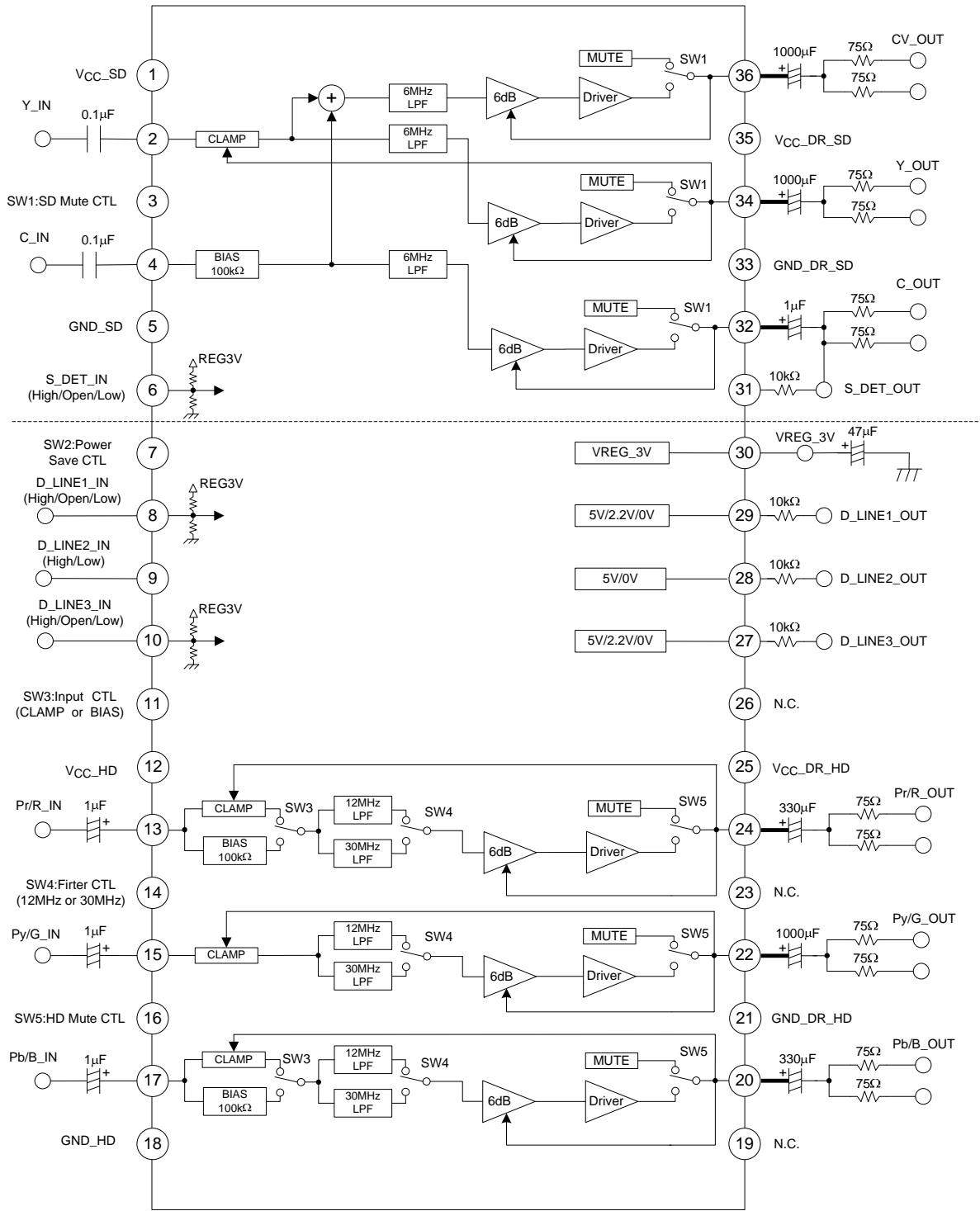


1. V+	13. PORT2	25. AUX0	37. V+
2. Pb IN2	14. ADR	26. AUX1	38. Pb IN4
3. GND	15. SCL	27. Y OUT2	39. GND
4. Pr IN2	16. SDA	28. AUX2	40. Pr IN4
5. GND	17. GND	29. AUX3	41. V+
6. Y IN1	18. DGND	30. Pr OUT1	42. Y IN3
7. V+	19. VREG	31. GND	43. GND
8. Pb IN1	20. V+	32. Pb OUT1	44. Pb IN3
9. V+	21. Pr OUT2	33. GND	45. V+
10. Pr IN1	22. PORT1	34. Y OUT1	46. Pr IN3
11. GND	23. PORT0	35. V+	47. GND
12. PORT3	24. Pb OUT2	36. Y IN4	48. Y IN2

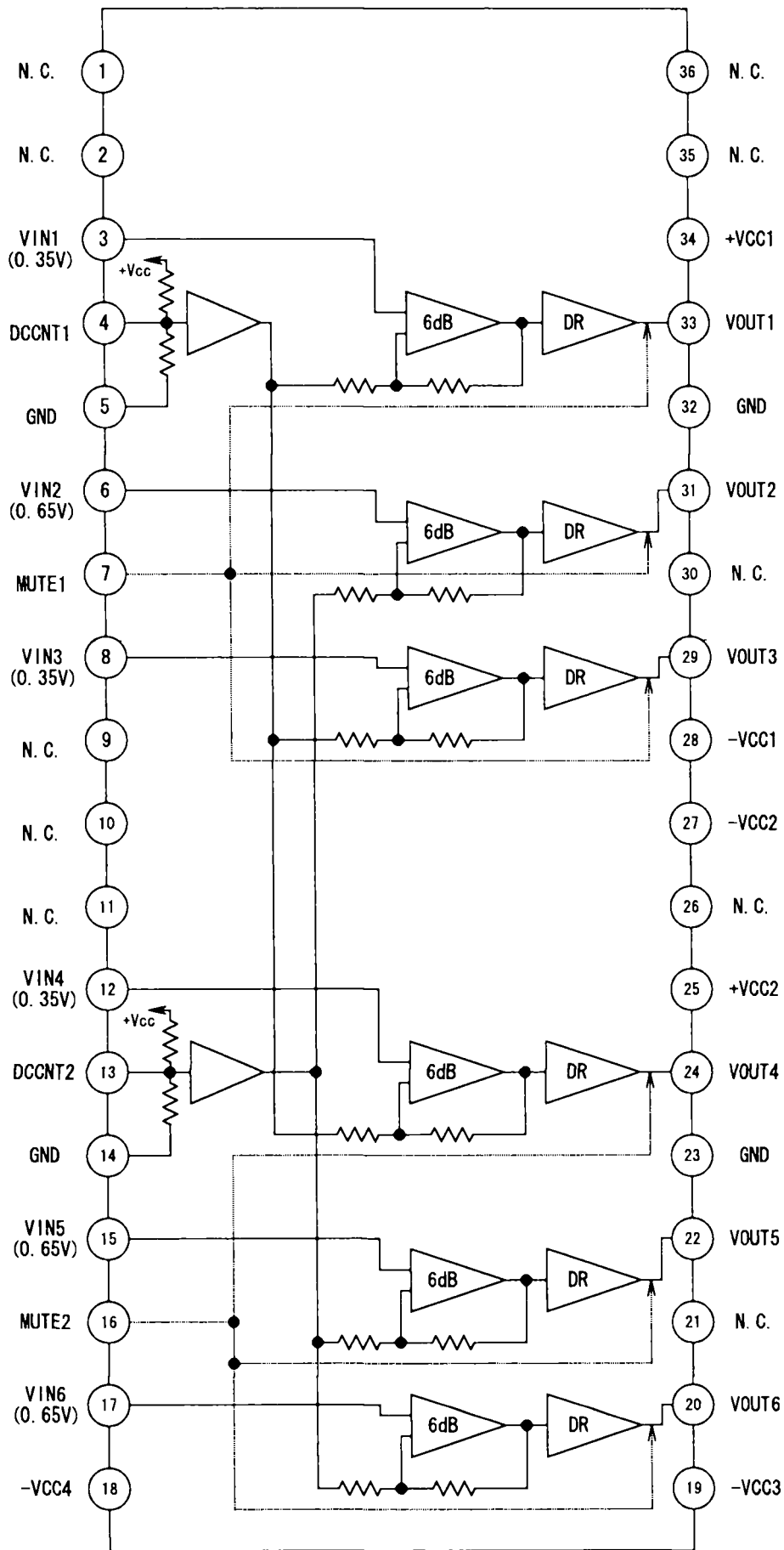
Block Diagram



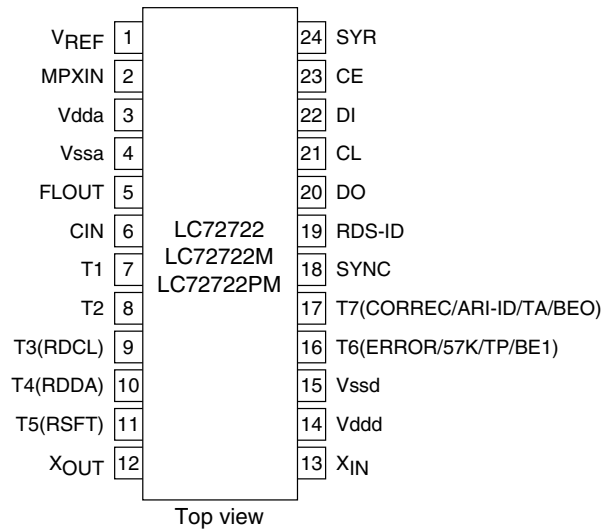
LA73062V-TLM-E (IC2024 : VIDEO B'D)



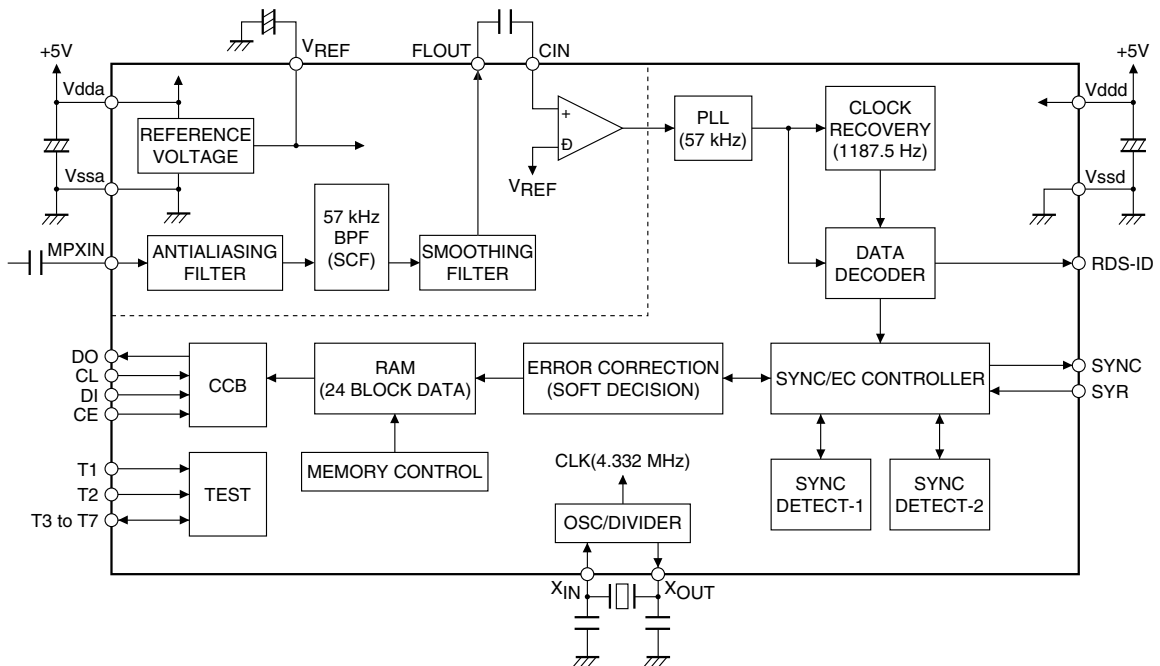
LA73053 (IC2016 : VIDEO B'D)



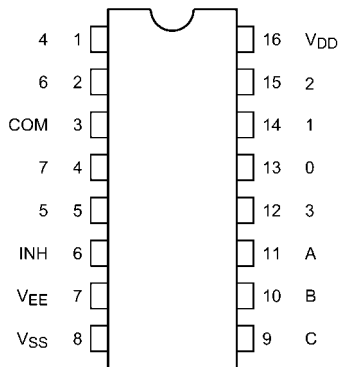
LC72722PM-TLM-E (IC801 : CPU B'D : E2 model)



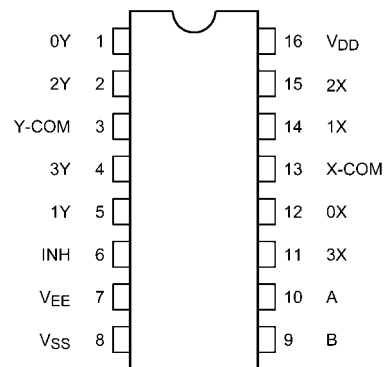
Block Diagram



TC4051BFT(IC2002-2004 : VIDEO B'D)



TC4052BFT (IC2014, 2015 : VIDEO B'D)



EN5311Q (IC202, 805 : HDMI B'D)

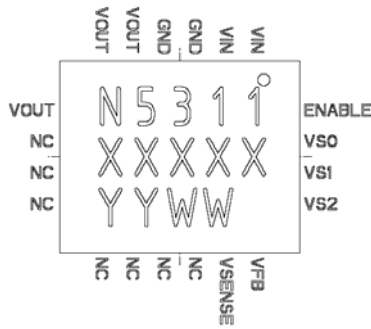


Figure 2. Pin description, top view.

V_{IN} (Pin 1,2): Input voltage pin. Supplies power to the IC. V_{IN} can range from 2.4V to 5.5V.

Input GND: (Pin 3): Input power ground. Connect this pin to the ground terminal of the input capacitor. Refer to Layout Recommendations for further details.

Output GND: (Pin 4): Power ground. The output filter capacitor should be connected between this pin and V_{OUT}. Refer to Layout recommendations for further detail.

V_{OUT} (Pin 5,6,7): Regulated output voltage.

NC (Pin 8,9,10,11,12,13,14): These pins should not be electrically connected to each other or to any external signal, voltage, or

ground. One or more of these pins may be connected internally.

V_{SENSE} (Pin 15): Sense pin for output voltage regulation. Connect V_{SENSE} to the output voltage rail as close to the terminal of the output filter capacitor as possible.

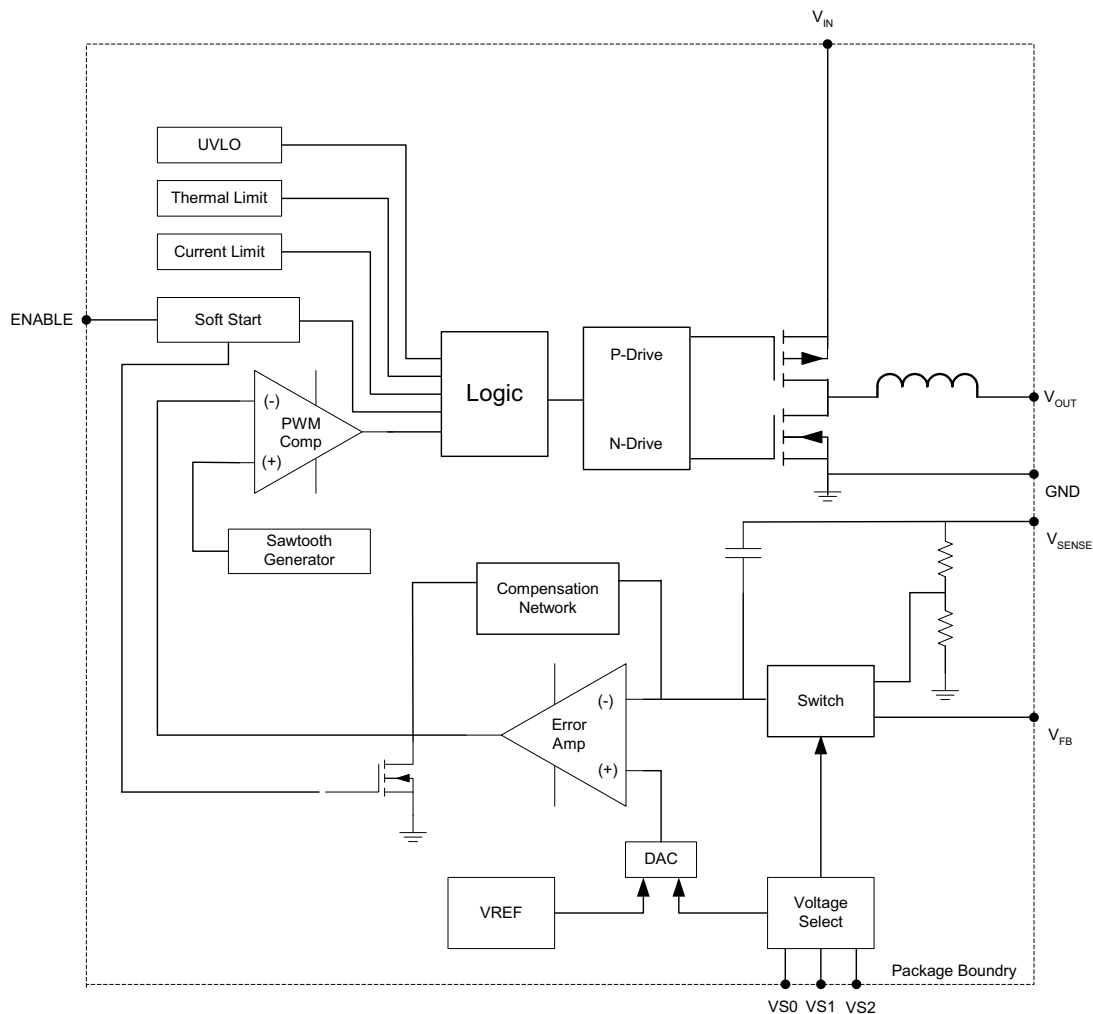
V_{FB} (Pin 16): Feed back pin for external divider option. When using the external divider option (VS0=VS1=VS2= high) connect this pin to the center of the external divider. Set the divider such that V_{FB} = 0.603V.

VS0,VS1,VS2 (Pin 17,18,19): Output voltage select. VS0=pin19, VS1=pin18, VS2=pin17. Selects one of seven preset output voltages or choose external divider by connecting pins to logic high or low. Logic low is defined as V_{LOW} ≤ 0.4V. Logic high is defined as V_{HIGH} ≥ 1.4V. Any level between these two values is indeterminate.

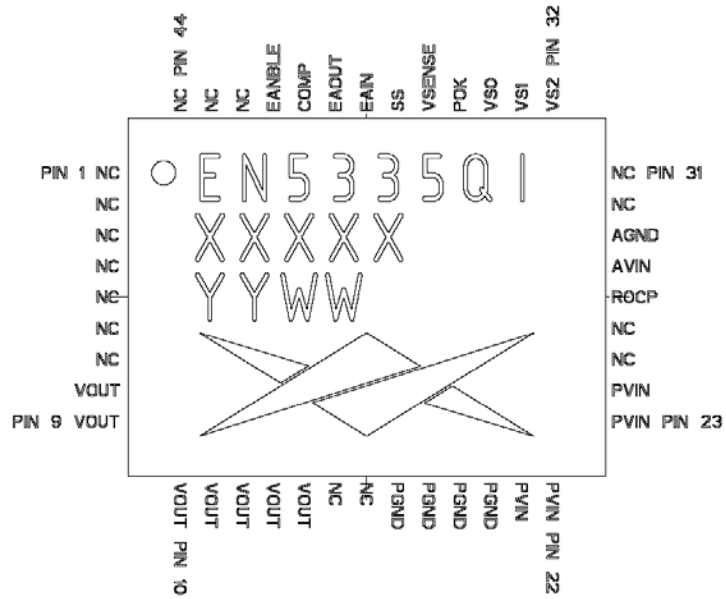
ENABLE (Pin 20): Output enable. Enable = logic high, disable = logic low. Logic low is defined as V_{LOW} ≤ 0.2V. Logic high is defined as V_{HIGH} ≥ 1.4V. Any level between these two values is indeterminate.

Bottom Thermal Pad: Device thermal pad to remove heat from package. Connect to PCB surface ground pad and PCB internal ground plane (see layout recommendations).

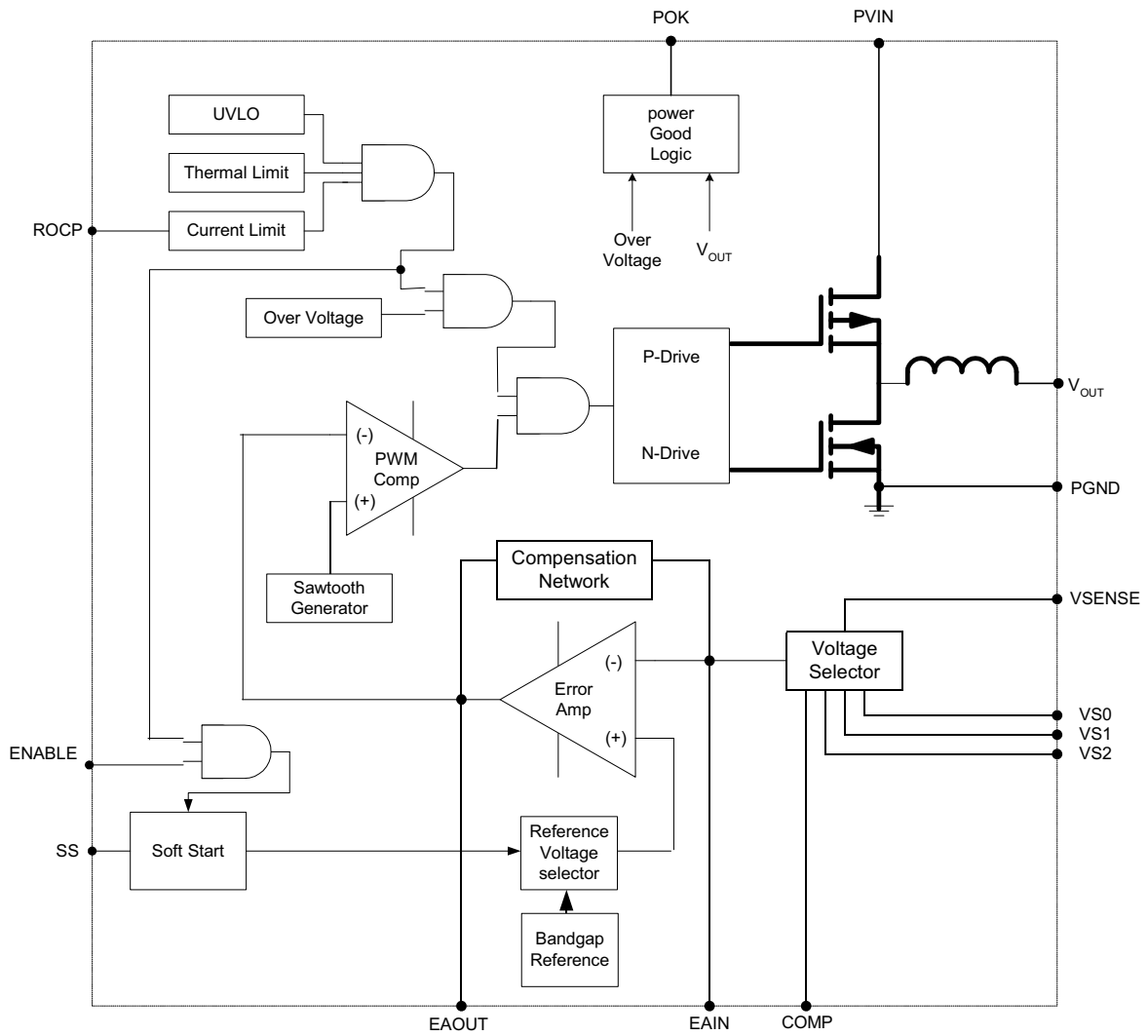
EN5311Q Block Diagram



EN5335QI-T (IC402 : HDMI B'D)



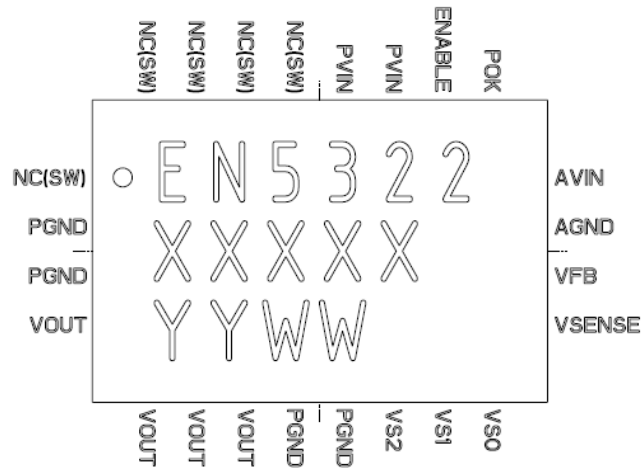
EN5335QI-T Block Diagram



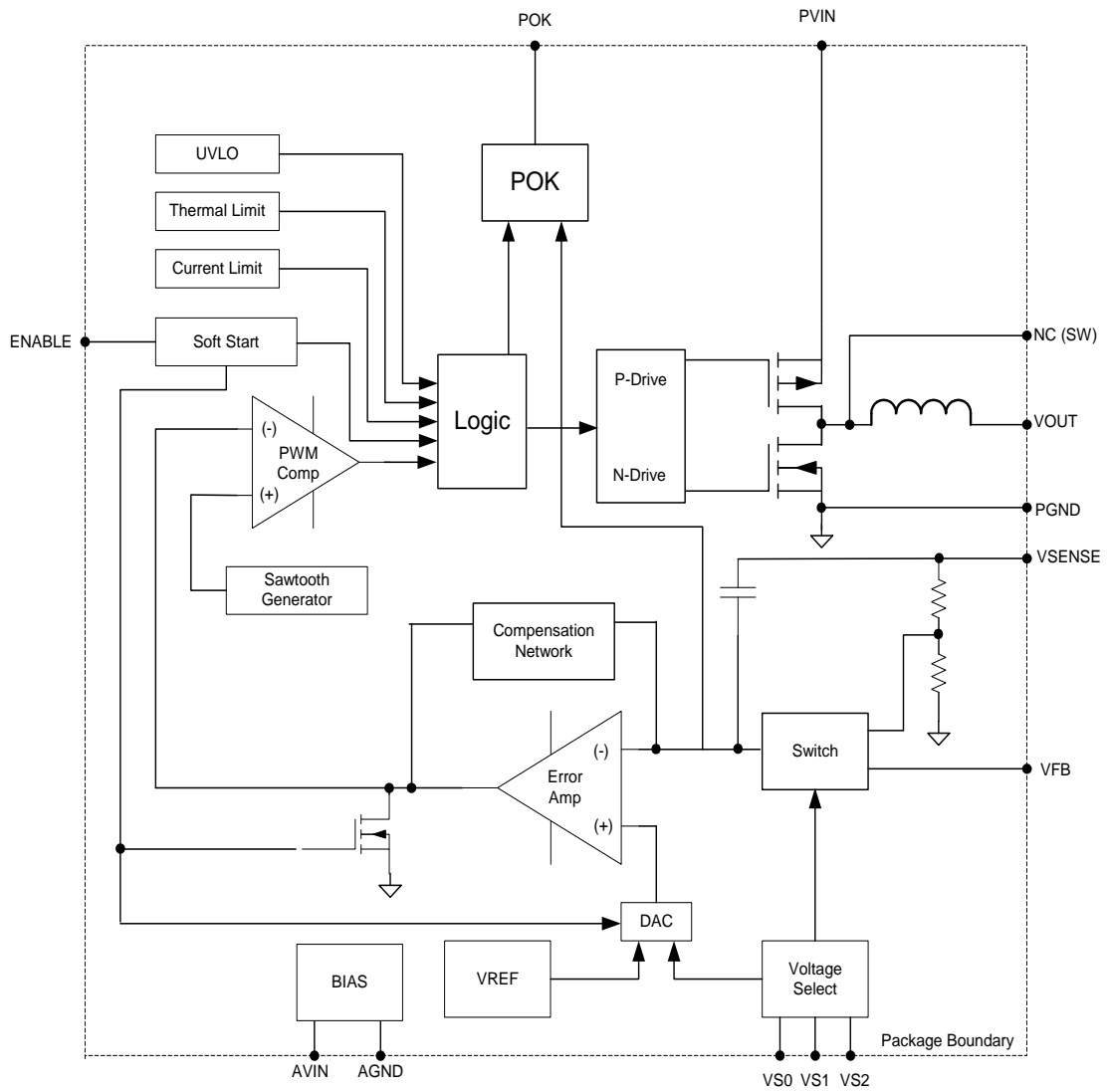
EN5335QI-T Pin descriptions

PIN	NAME	FUNCTION
1-7	NC	NO CONNECT – Do not electrically connect these pins to each other or to PCB. CAUTION!: May be internally connected.
8-14	VOUT	Regulated converter output. Connect these pins to the load and place output capacitor from these pins the PGND pins 17-18
15-16	NC	NO CONNECT – Do not electrically connect these pins to each other or to PCB. CAUTION!: Internally connected to switching node.
17-18	PGND	Output power ground. Connect these pins to the ground electrode of the output filter capacitors. Refer to layout guideline section.
19-20	PGND	Input power ground. Connect these pins to the ground electrode of the Input filter capacitors. Refer to layout guideline section
21-24	PVIN	Input power supply. Connect to input power supply. Decouple with input capacitor to PGND (pins 19-20).
25-26	NC	NO CONNECT – Do not electrically connect these pins to each other or to PCB. CAUTION! May be internally connected.
27	ROCP	Optional Over Current Protection adjust pin. Place ROCP resistor between this pin and AGND (pin 40) to adjust the over current trip point.
28	AVIN	Analog voltage input for the controller circuits. Connect this pin to the input power supply.
29	AGND	Analog ground for the controller circuits.
30-31	NC	NO CONNECT – Do not electrically connect these pins to each other or to PCB. CAUTION! May be internally connected.
32	VS2	Voltage select line 2 input. See Table 1.
33	VS1	Voltage select line 1 input. See Table 1.
34	VS0	Voltage select line 0 input. See Table 1.
35	POK	Power OK is an open drain transistor for power system state indication. POK is a logic high when VOUT is with -10% to +20% of VOUT nominal.
36	VSENSE	Remote voltage sense input. Connect this pin to the load voltage at the point to be regulated.
37	SS	Soft-Start node. The soft-start capacitor is connected between this pin and AGND. The value of this resistor determines the startup timing.
38	EAIN	Optional Error Amplifier input. Allows for customization of the control loop.
39	EAOUT	Optional Error Amplifier output. Allows for customization of the control loop.
40	COMP	Optional Error Amplifier Buffer output. Allows for customization of the control loop.
41	ENABLE	Input Enable. Applying a logic high, enables the output and initiates a soft-start. Applying a logic low disables the output.
42-44	NC	NO CONNECT – Do not electrically connect these pins to each other or to PCB. CAUTION! May be internally connected.

EN5322QI-T (IC155, 403 : HDMI B'D)



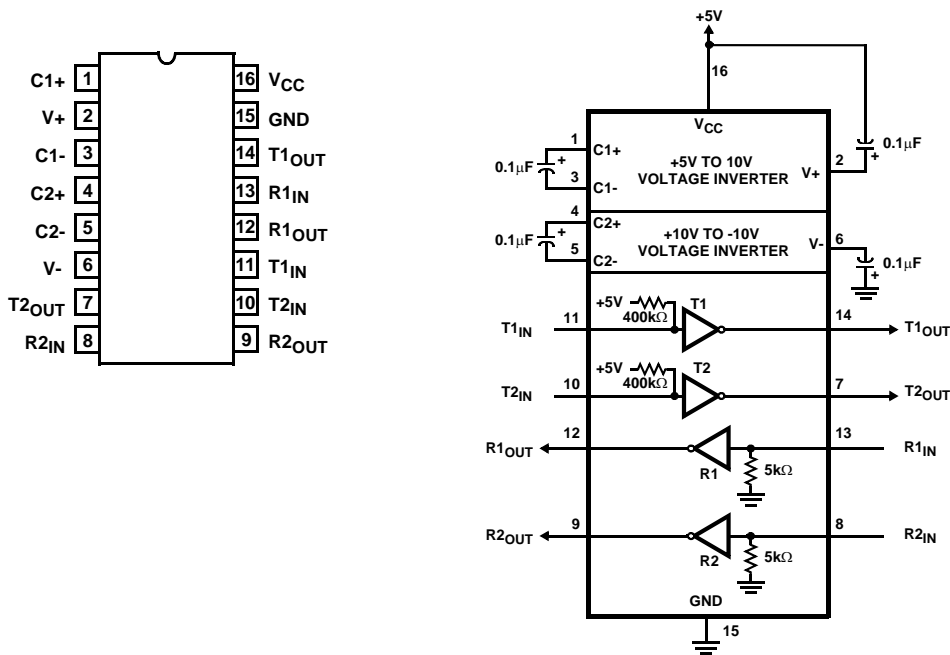
EN5322QI-T Block Diagram



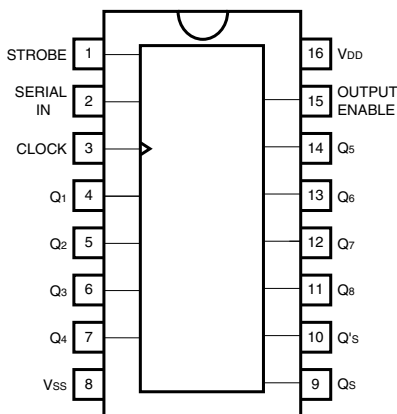
EN5322QI-T Pin descriptions

PIN	NAME	FUNCTION
1, 21-24	NC(SW)	No Connect. These pins are internally connected to the common drain output of the internal MOSFETs. NC(SW) pins are not to be electrically connected to any external signal, ground, or voltage. However, they must be soldered to the PCB. Failure to follow this guideline may result in part malfunction or damage.
2-3, 8-9	PGND	Input/Output Power Ground. Connect these pins to the ground electrode of the input and output filter capacitors. Refer to Layout Considerations section for details.
4-7	VOUT	Voltage and Power Output. Connect these pins to output capacitor(s).
10-12	VS2-0	Output Voltage Select. These pins set one of seven preset output voltages and the external divider option (refer to Electrical Characteristics table for more details), and can be directly pulled up to V_{IN} or pulled down to GND; these pins must not be left floating.
13	VSENSE	Sense Pin for Internally Programmed Output Voltages with VID Codes. For either VID code or external resistor divider applications, connect this pin to the last local output filter capacitor for internal compensation.
14	VFB	Feedback Pin for External Voltage Divider Network. Connect a resistor divider to this pin to set the output voltage. Use 340 k Ω , 1% or better for the upper resistor.
15	AGND	Analog Ground for the Controller Circuits
16	AVIN	Analog Voltage Input for the Controller Circuits. Connect this pin to the input power supply. Use a 1 μ F bypass capacitor on this pin.
17	POK	Power OK with an Open Drain Output. Refer to Power OK section.
18	ENABLE	Input Enable. A logic high signal on this pin enables the output and initiates a soft start. A logic low signal disables the output and discharges the output to GND. This pin must not be left floating.
19-20	PVIN	Input Power Supply. Connect to input supply. Decouple with input capacitor(s) to PGND.

HIN202EIBN (IC903 : SIRIUS B'D)



BU4094BCF-E2 (IC2019 : VIDEO B'D)

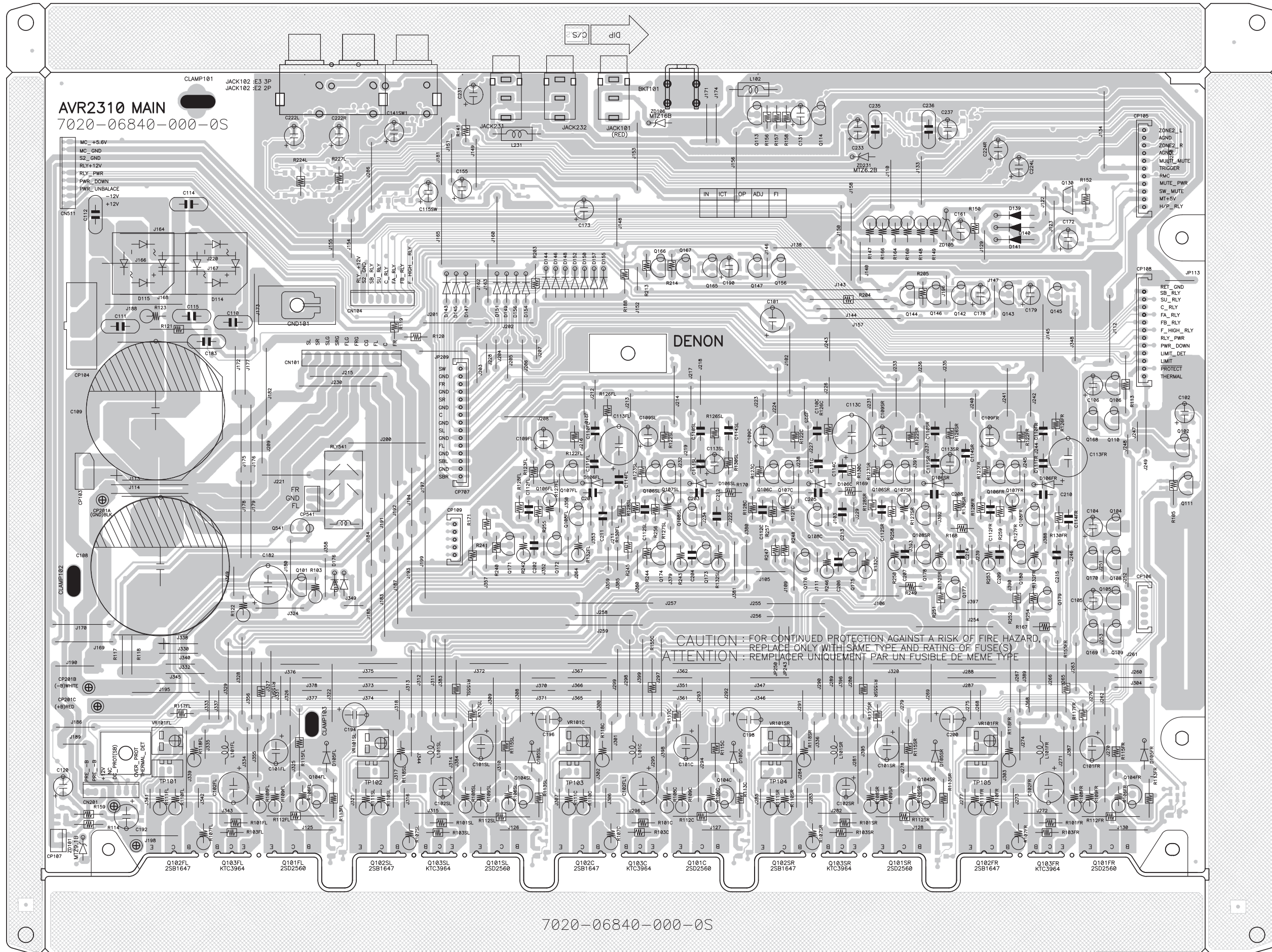


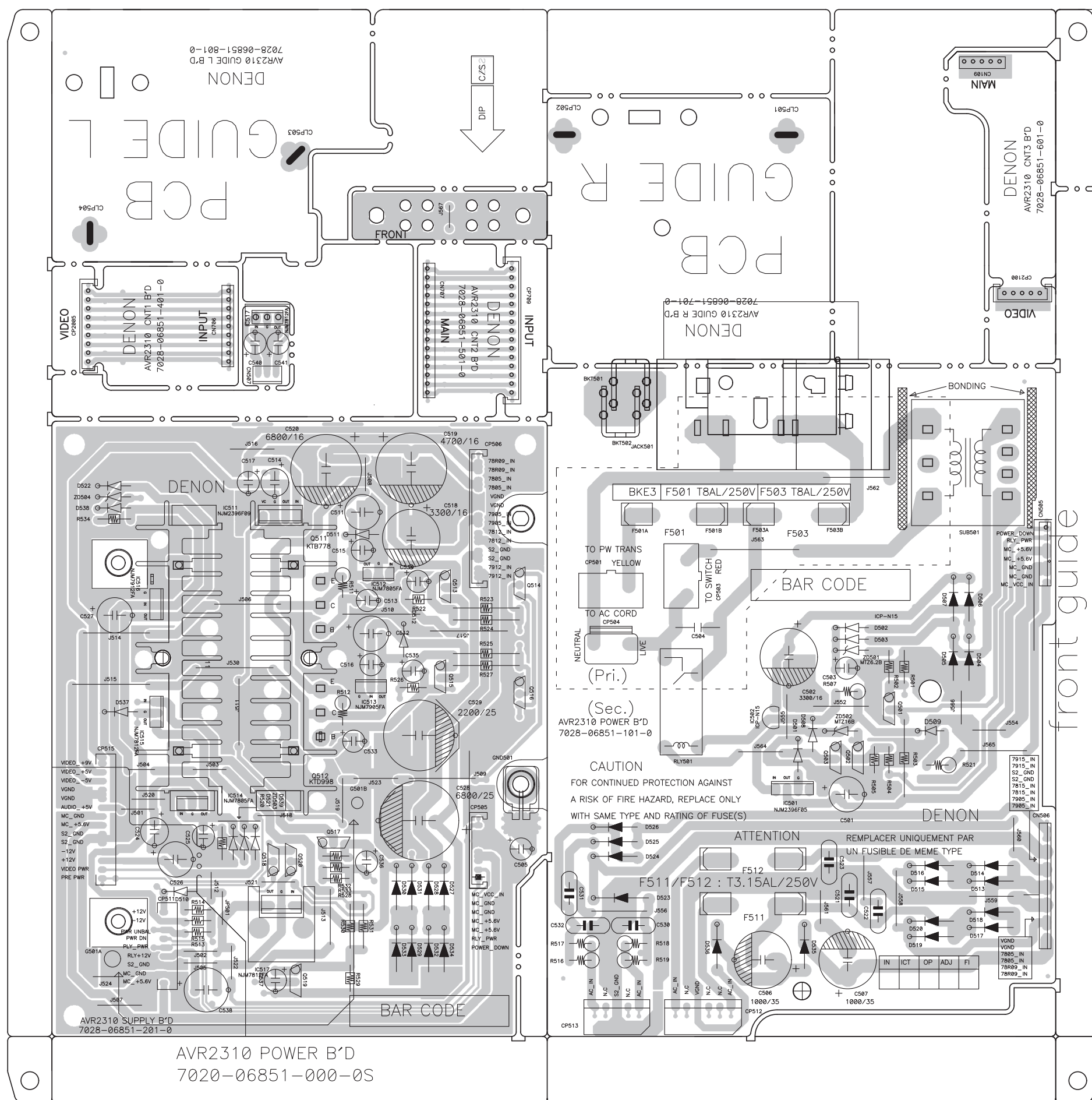
ANODE CONNECTION

	1G~16G	17G	18G	19G
D0A	1-1A	-	-	-
D1A	2-1A	-	-	-
D2A	3-1A	-	-	-
D3A	4-1A	-	-	-
D4A	5-1A	-	-	-
D5A	1-2A	-	-	-
D6A	2-2A	-	-	-
D7A	3-2A	-	-	-
D8A	4-2A	-	-	-
D9A	5-2A	-	-	-
D10A	1-3A	-	-	-
D11A	2-3A	-	-	dB
D12A	3-3A	-	-	Dp
D13A	4-3A	-	-	3d
D14A	5-3A	-	-	3e
D15A	1-4A	-	-	3c
D16A	2-4A	-	-	3g
D17A	3-4A	-	-	3f
D18A	4-4A	-	-	3b
D19A	5-4A	-	-	3a
D20A	1-5A	-	-	2d
D21A	2-5A	-	-	2e
D22A	3-5A	-	-	2c
D23A	4-5A	-	-	2g
D24A	5-5A	-	-	2f
D25A	1-6A	-	-	2b
D26A	2-6A	-	-	2a
D27A	3-6A	-	-	1d
D28A	4-6A	Z	-	1e
D29A	5-6A	X	-	1c
D30A	1-7A	II	-	1g
D31A	2-7A	PL	-	1f
D32A	3-7A	+	-	1b
D33A	4-7A	ES	-	1a
D34A	5-7A	HD	-	S2

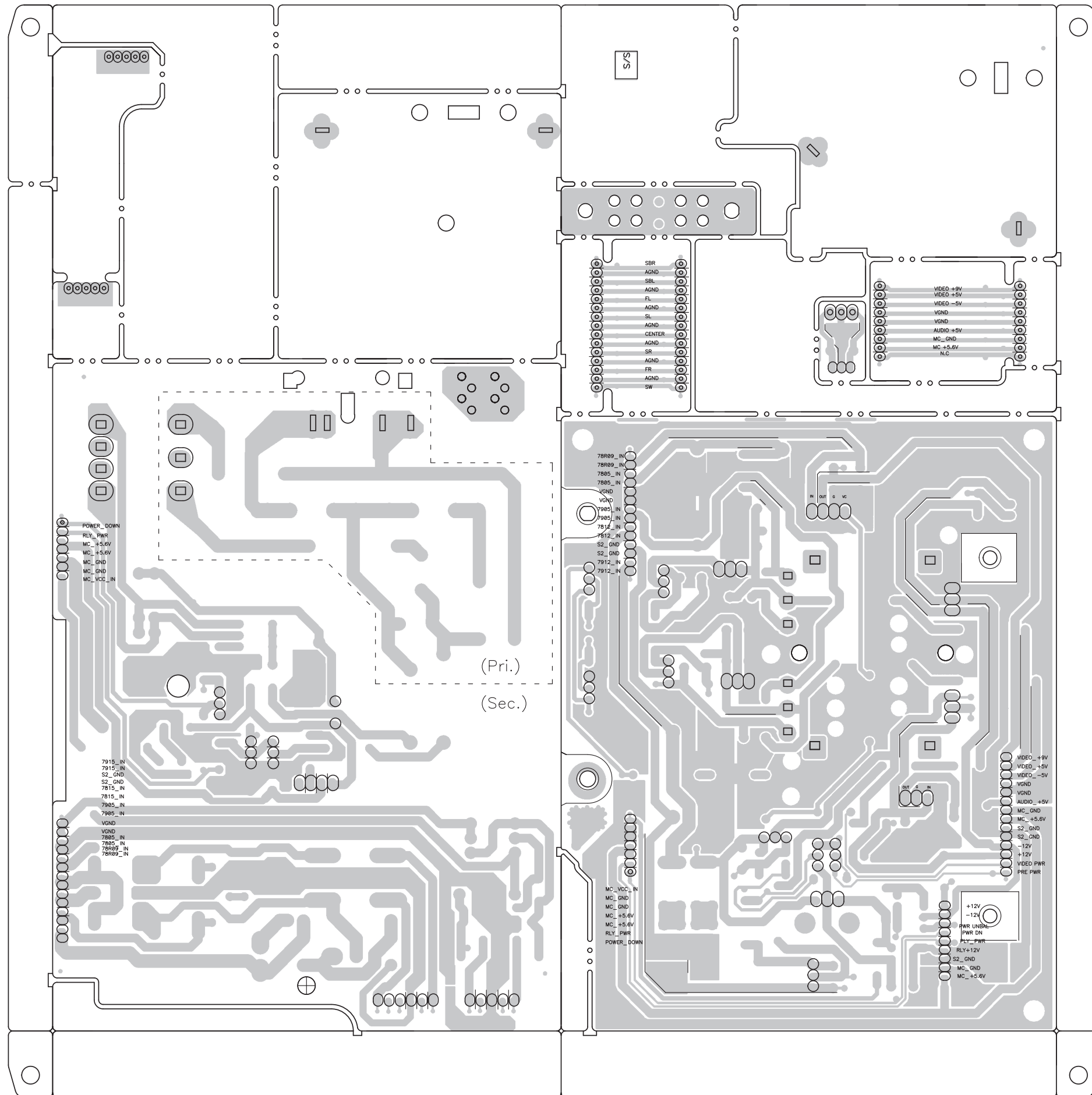
	1G~16G	17G	18G	19G
D0B	1-1B	REC	-	-
D1B	2-1B	RDS	-	-
D2B	3-1B	AUTO	-	-
D3B	4-1B	TUNED	-	-
D4B	5-1B	DC	-	-
D5B	1-2B	DCD	-	-
D6B	2-2B	DC TrueHD	-	-
D7B	3-2B	96/24	-	-
D8B	4-2B	Express	-	-
D9B	5-2B	Neo:6	-	-
D10B	1-3B	STEREO	-	-
D11B	2-3B	MASTER	-	-
D12B	3-3B	-HD	-	MUTE
D13B	4-3B	ATTENDEE	ATTENDEE	[S]
D14B	5-3B	TAG	ORGANIZER	[Q3]
D15B	1-4B	MP3	PARTY	[Q2]
D16B	2-4B	WMA	EQ	[Q1]
D17B	3-4B	AAC	VOL	[W]
D18B	4-4B	PCM	DYN	2
D19B	5-4B	DSD	XT	1
D20B	1-5B	ANA	MULTTEQ	M
D21B	2-5B	DIG	AUDYSSEY	H
D22B	3-5B	DCD	S1	SW3
D23B	4-5B	EXT2	SLEEP	SW2
D24B	5-5B	EXT1	RSTR	SW
D25B	1-6B	LFE	ANA	FR
D26B	2-6B	FR	DIG	C
D27B	3-6B	C	HDW	FL
D28B	4-6B	FL	AUTO	SR
D29B	5-6B	SR	Z4	B
D30B	1-7B	S	Z3	A
D31B	2-7B	SL	Z2	SL
D32B	3-7B	SBR	AL24	SBR
D33B	4-7B	SB	LINK	SB
D34B	5-7B	SBL	HDW	SBL

PRINTED WIRING BOARDS
PCB MAIN ASS'Y (1/2)

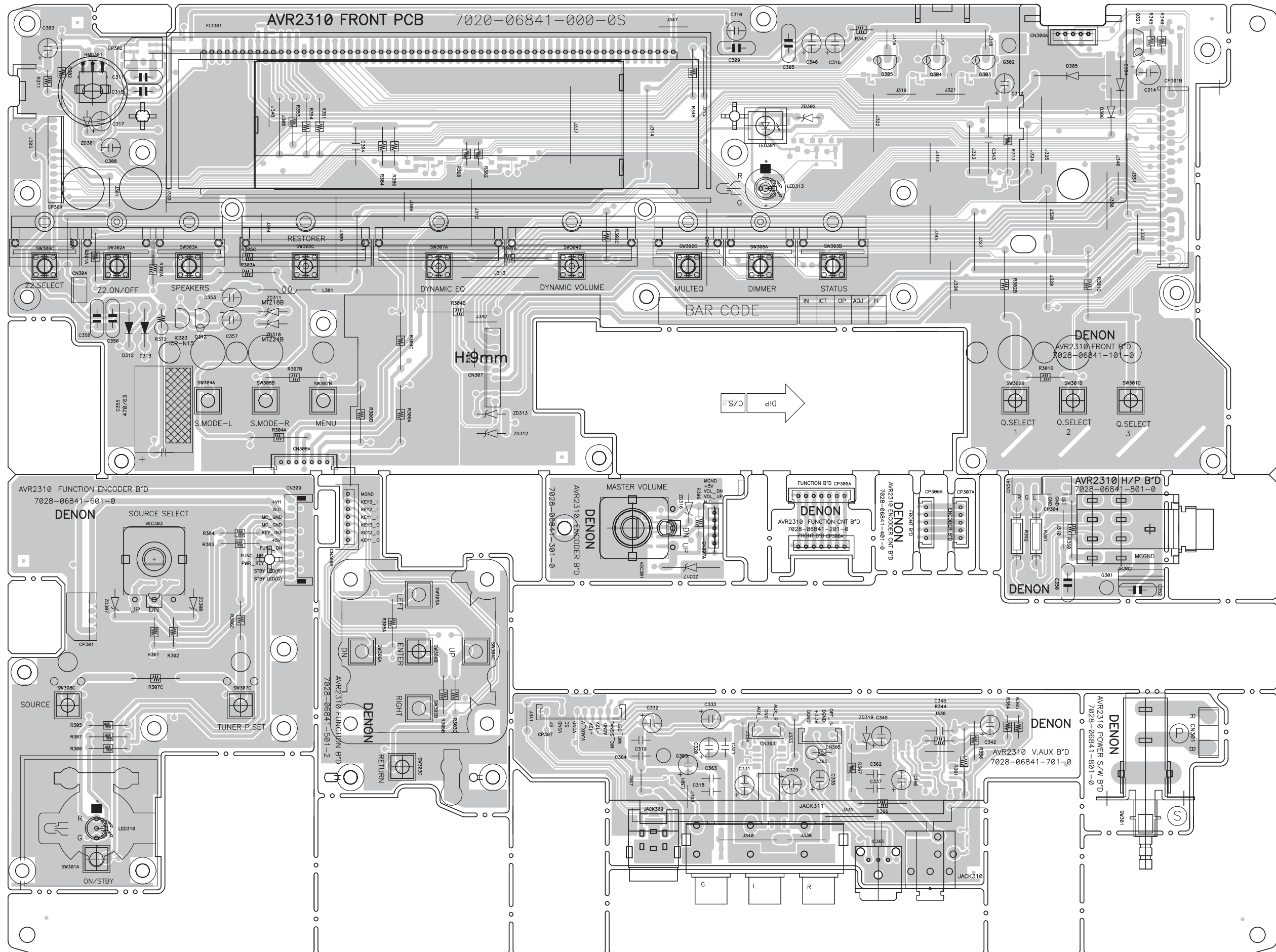




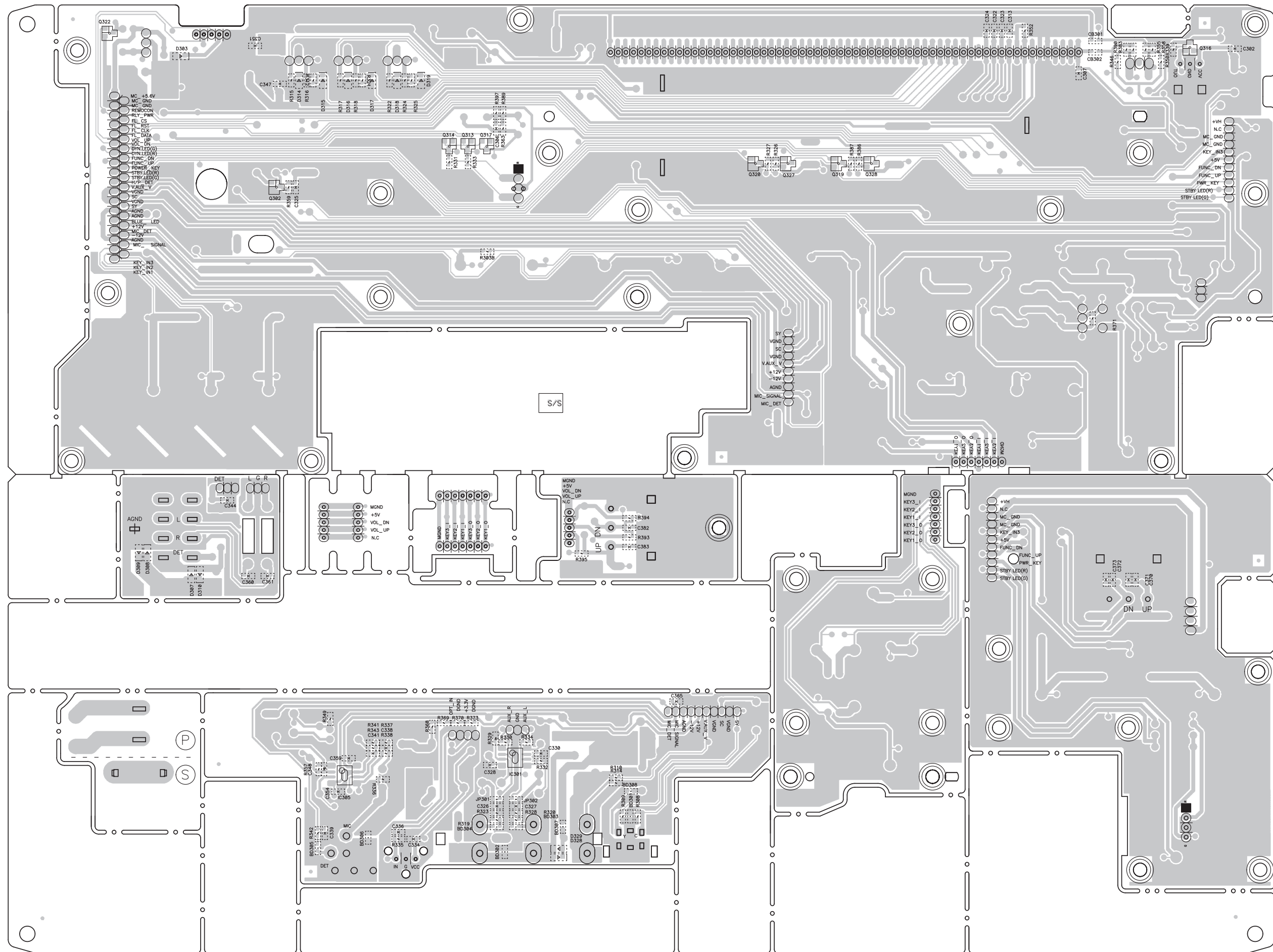
PCB POWER ASS'Y (2/2)



PCB FRONT ASS'Y (1/2)

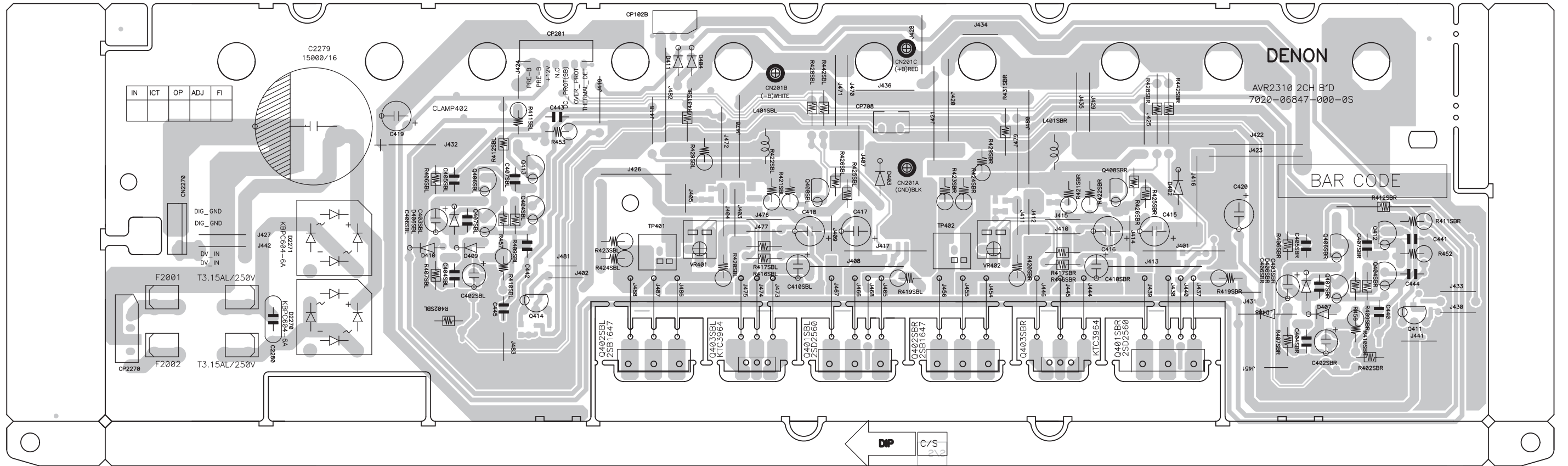


PCB FRONT ASS'Y (2/2)

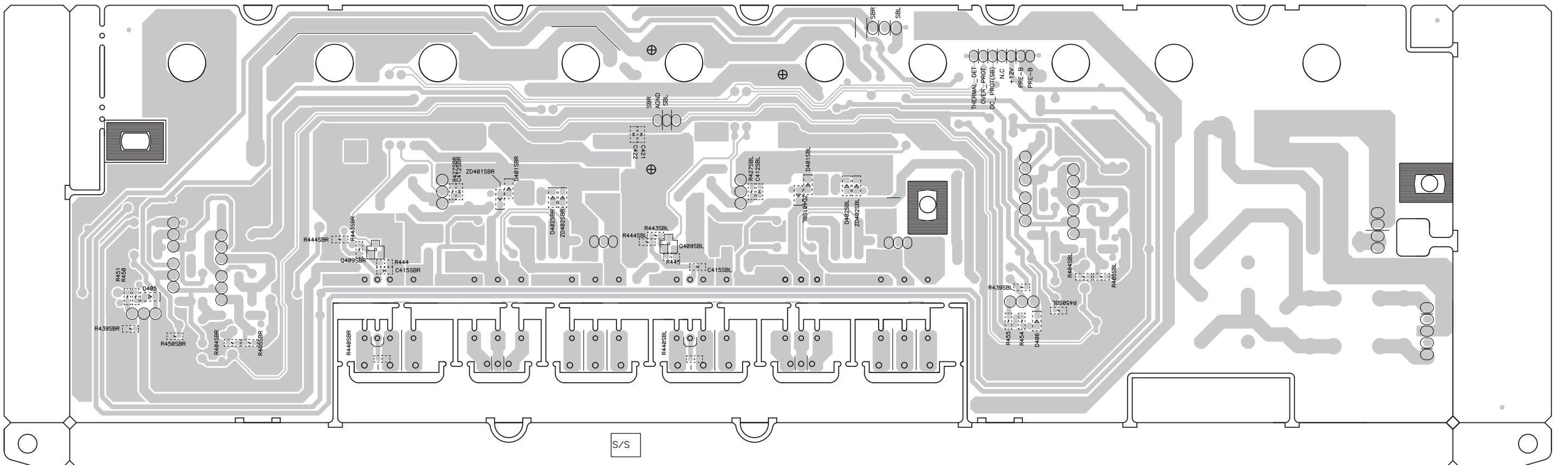


FOIL SIDE

PCB 2CH ASS'Y

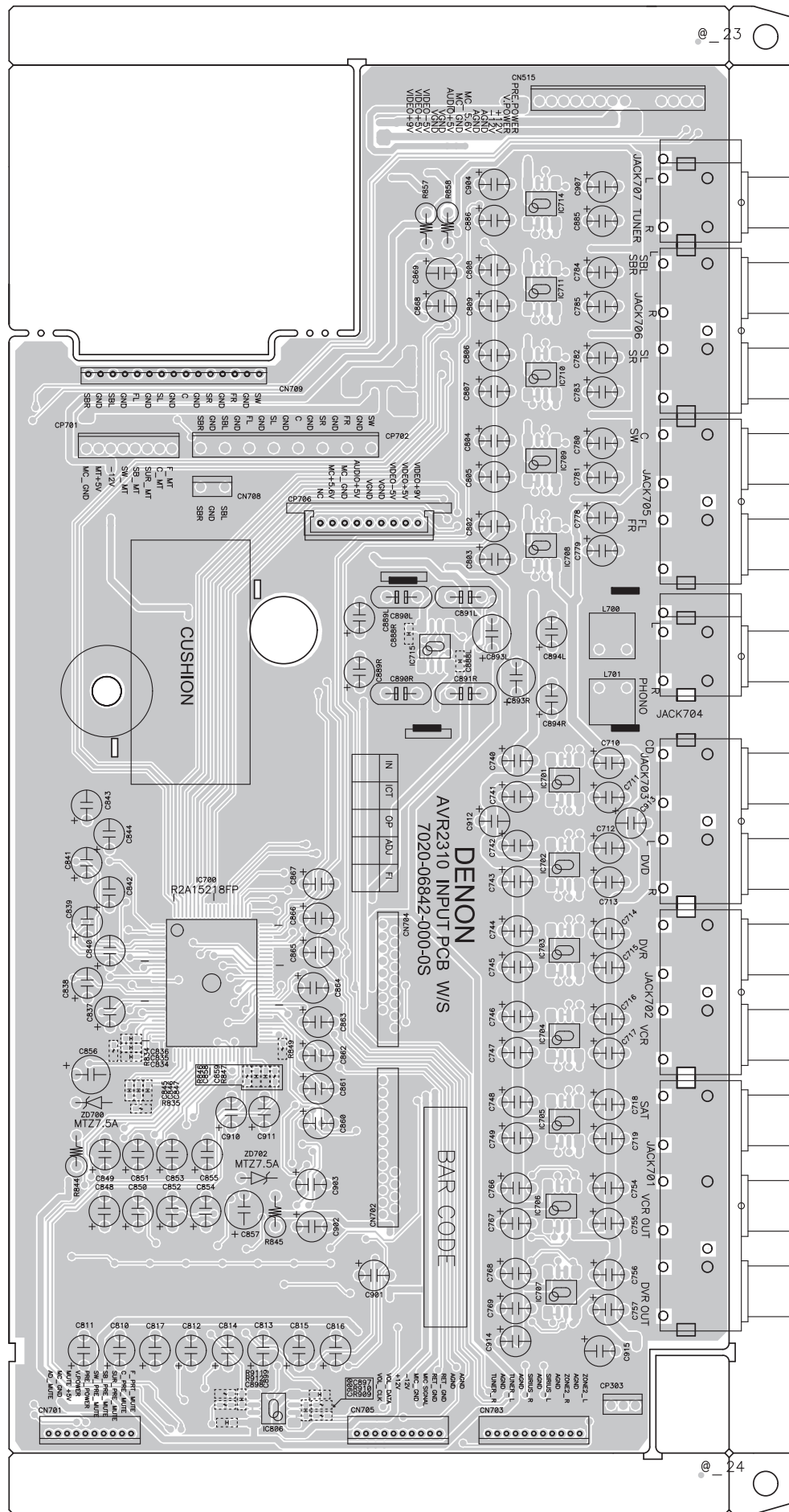


COMPONENT SIDE

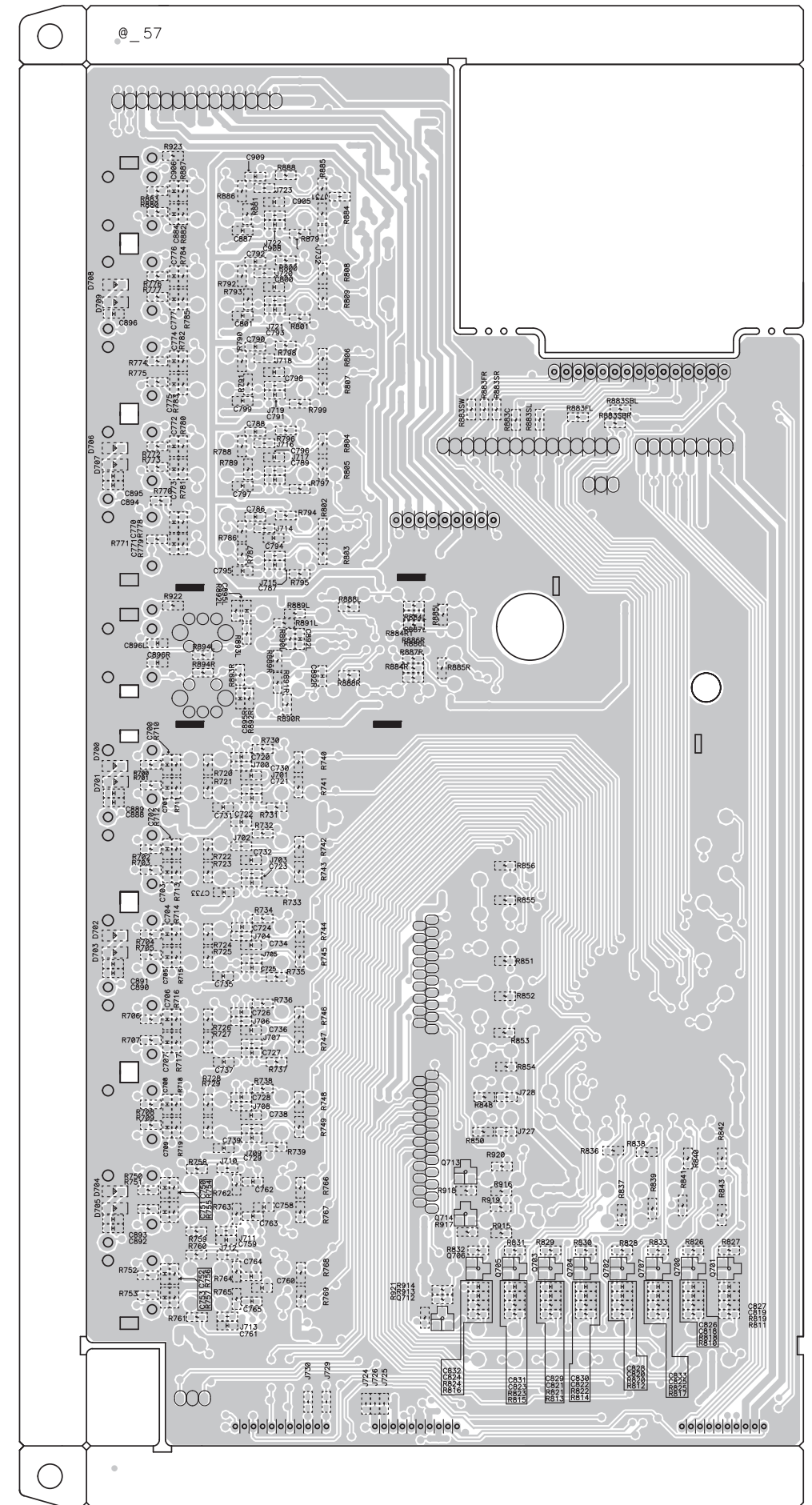


FOIL SIDE

PCB INPUT ASS'Y

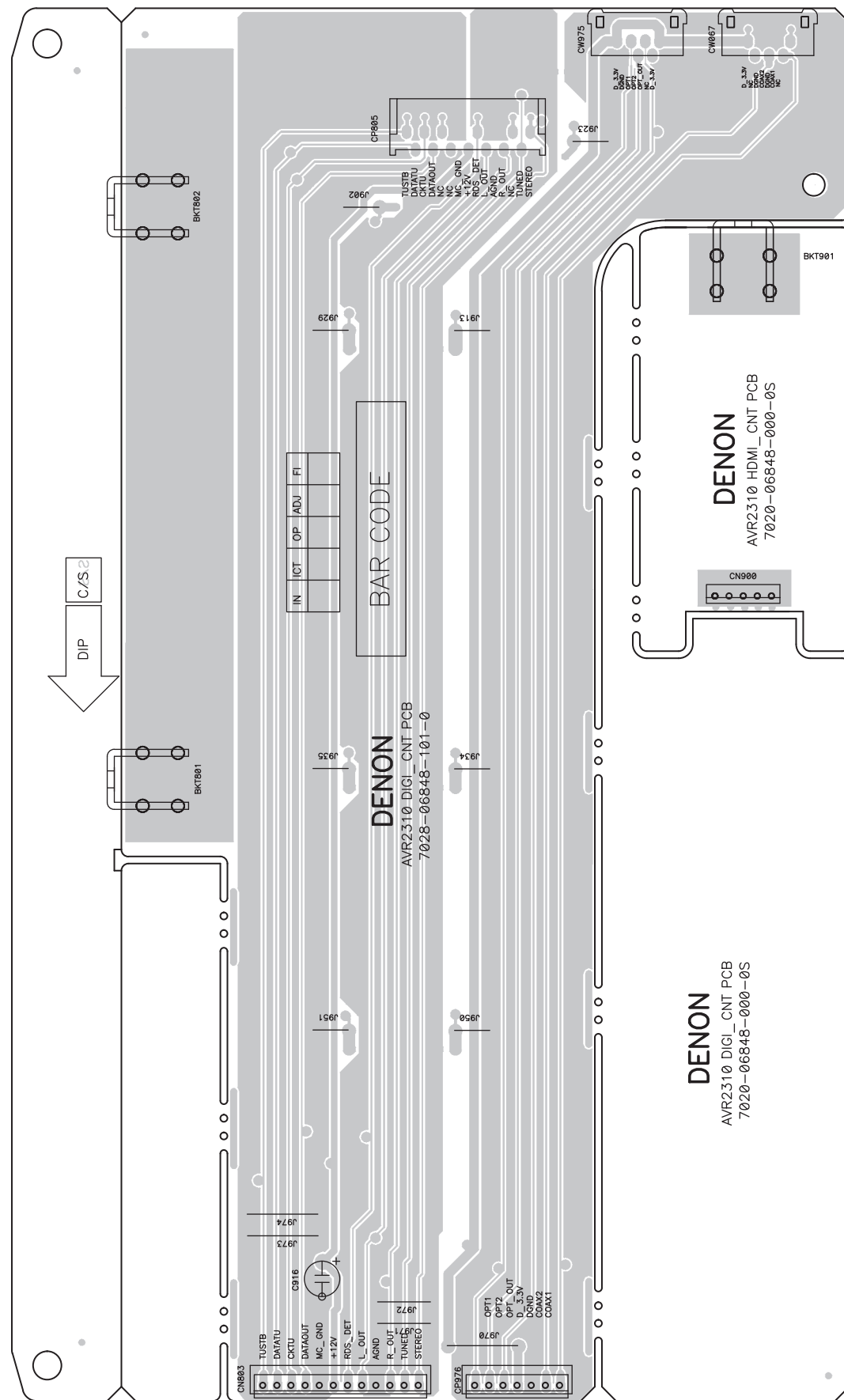


COMPONENT SIDE

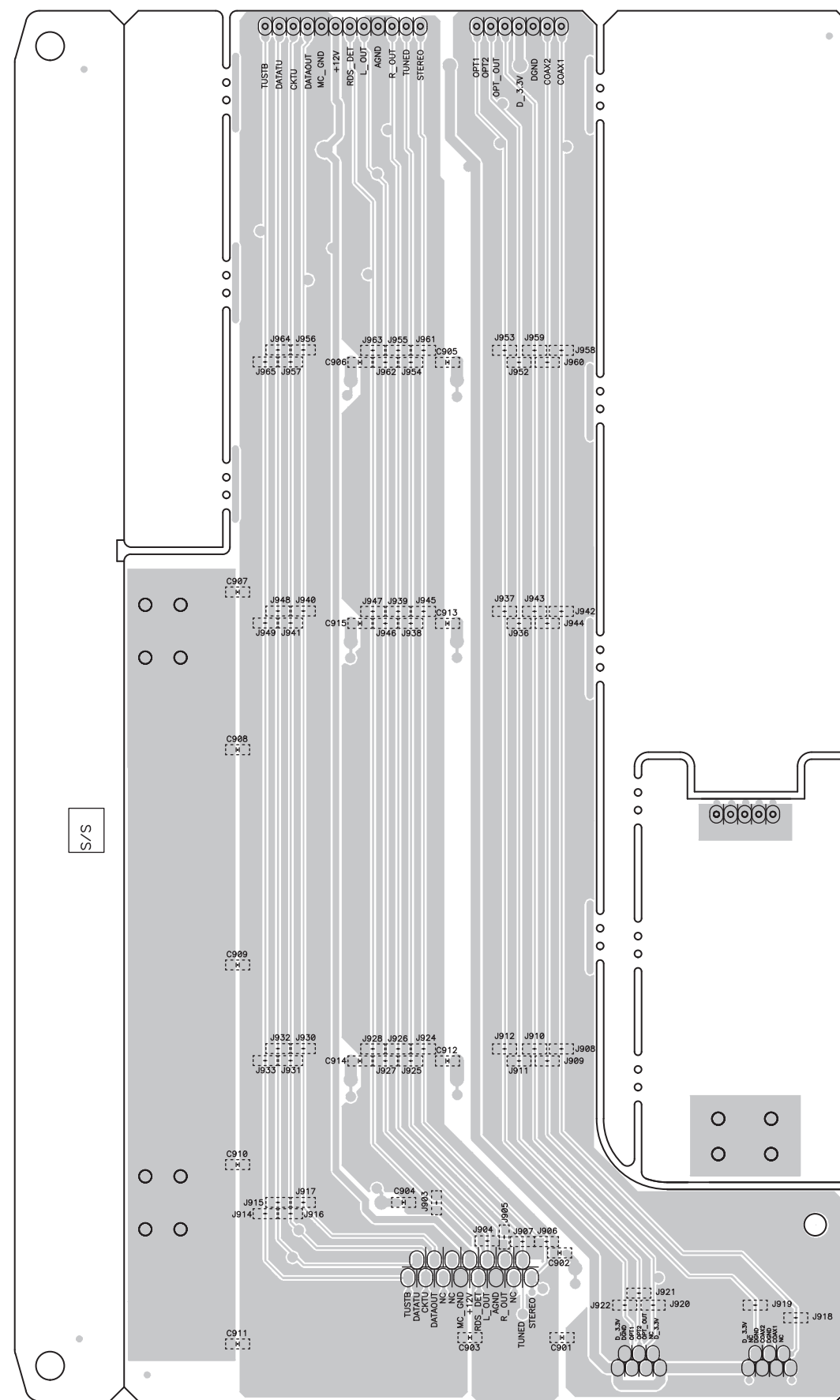


FOIL SIDE

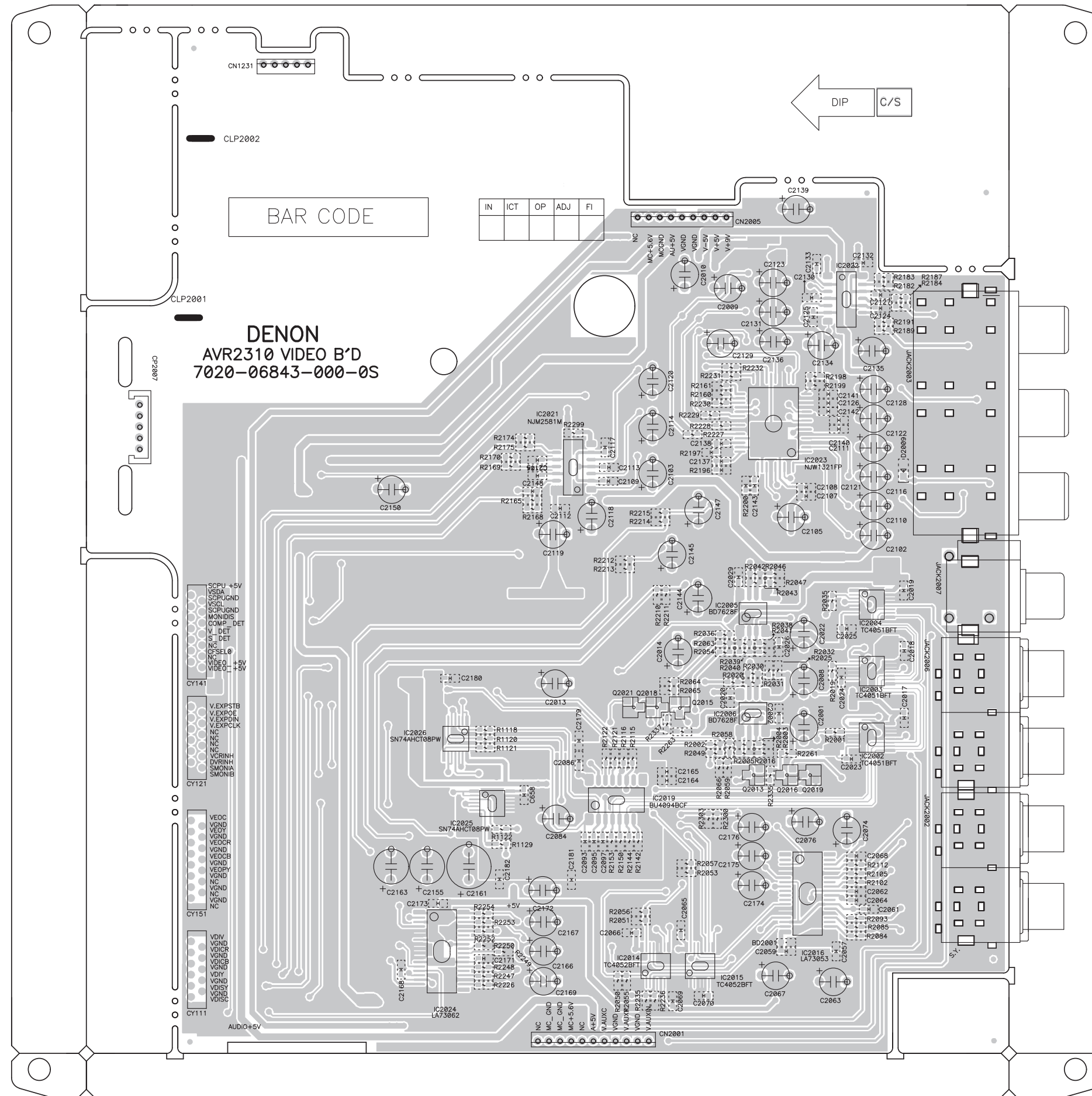
PCB DIGI CNT ASS'Y



COMPONENT SIDE

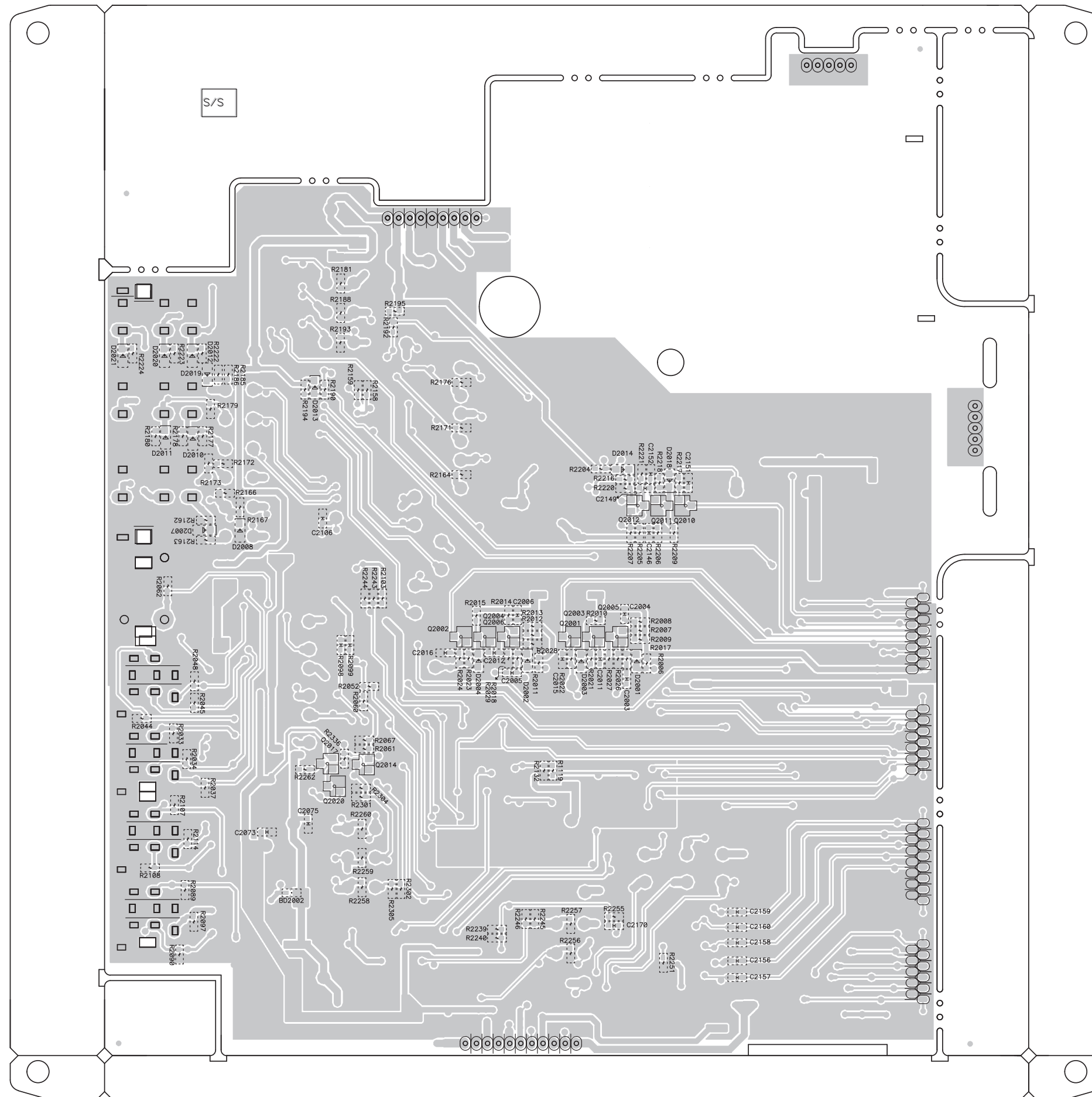


FOIL SIDE



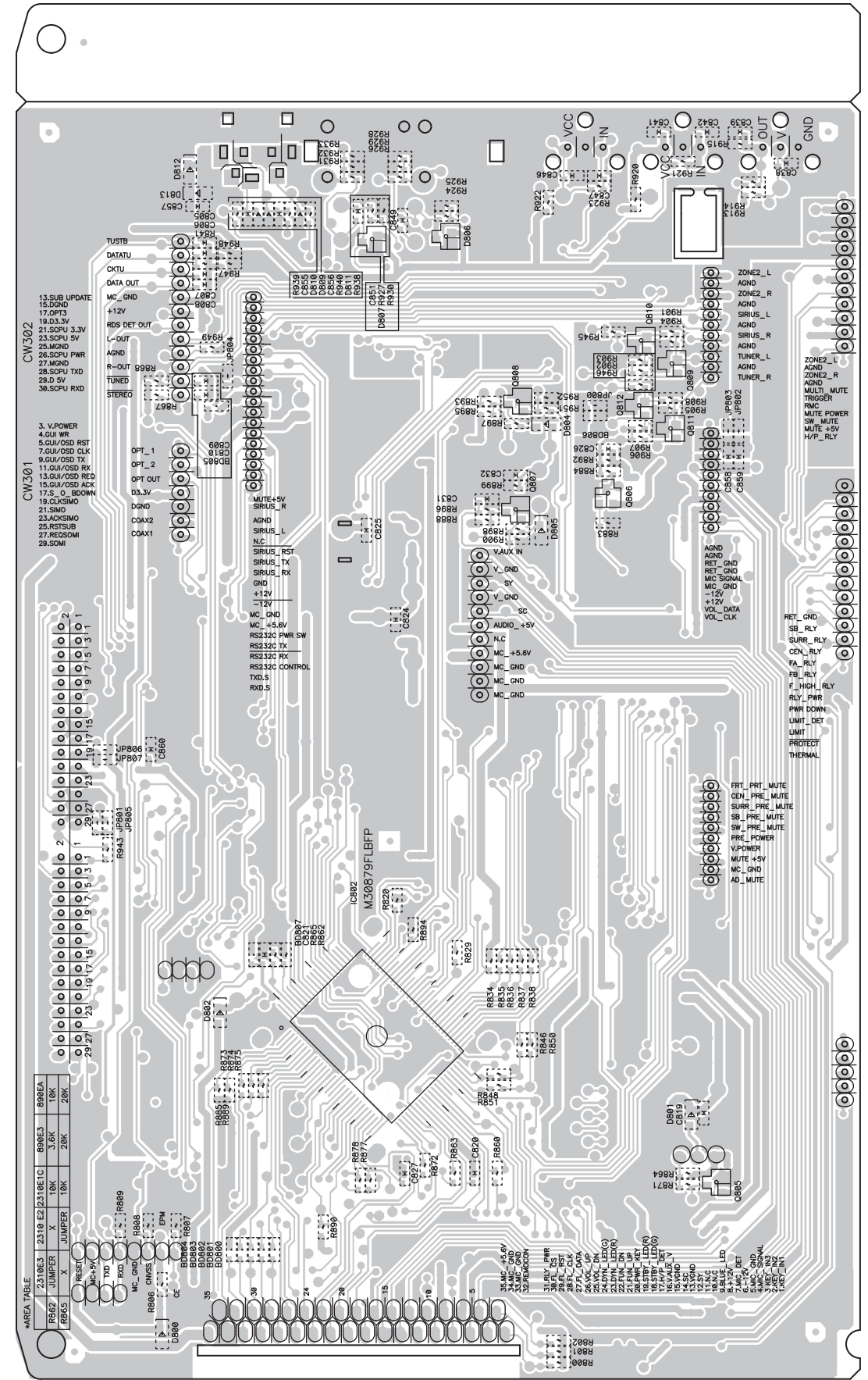
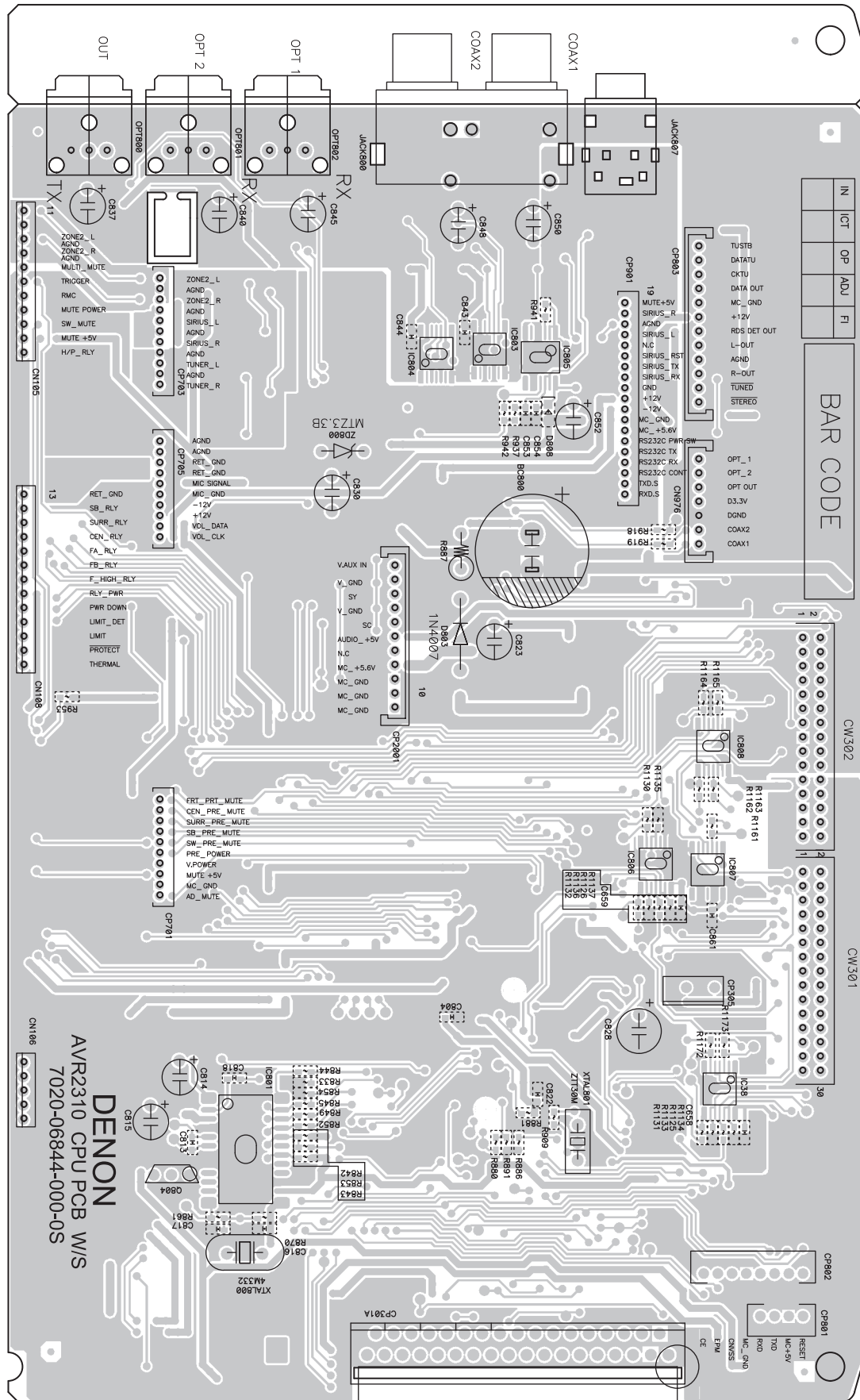
COMPONENT SIDE

PCB VIDEO ASS'Y (2/2)

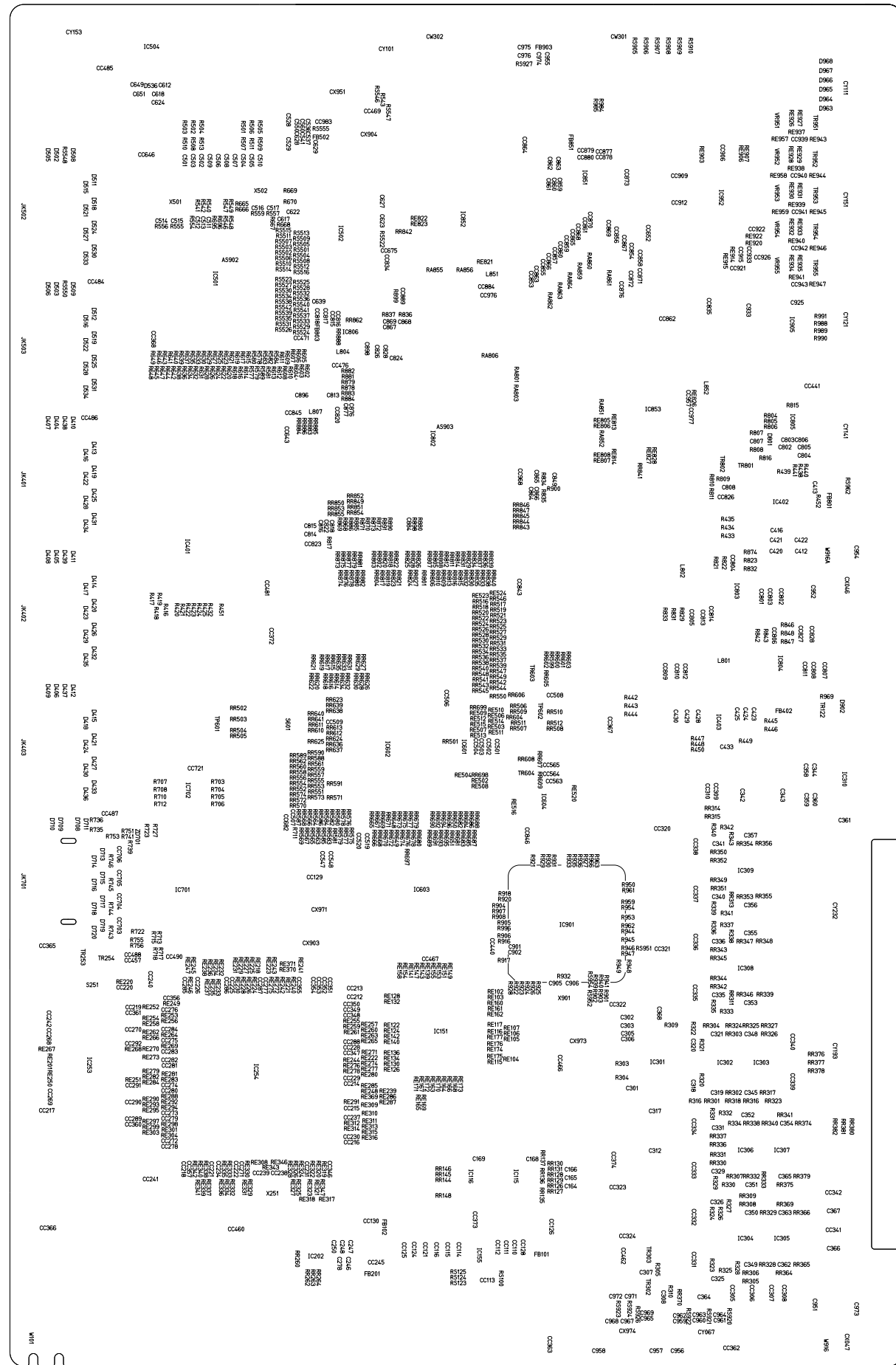
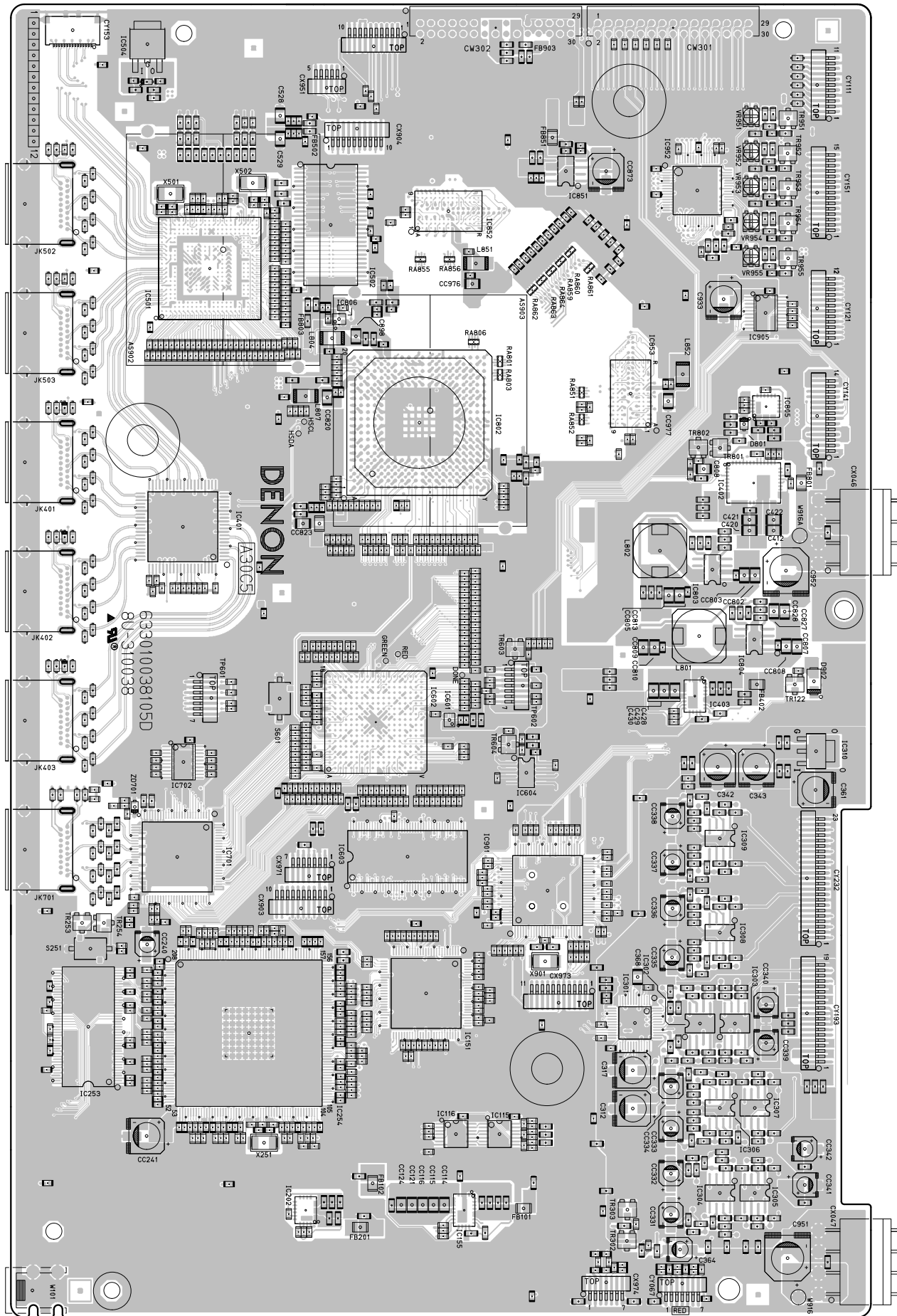


FOIL SIDE

PCB CPU ASS'Y

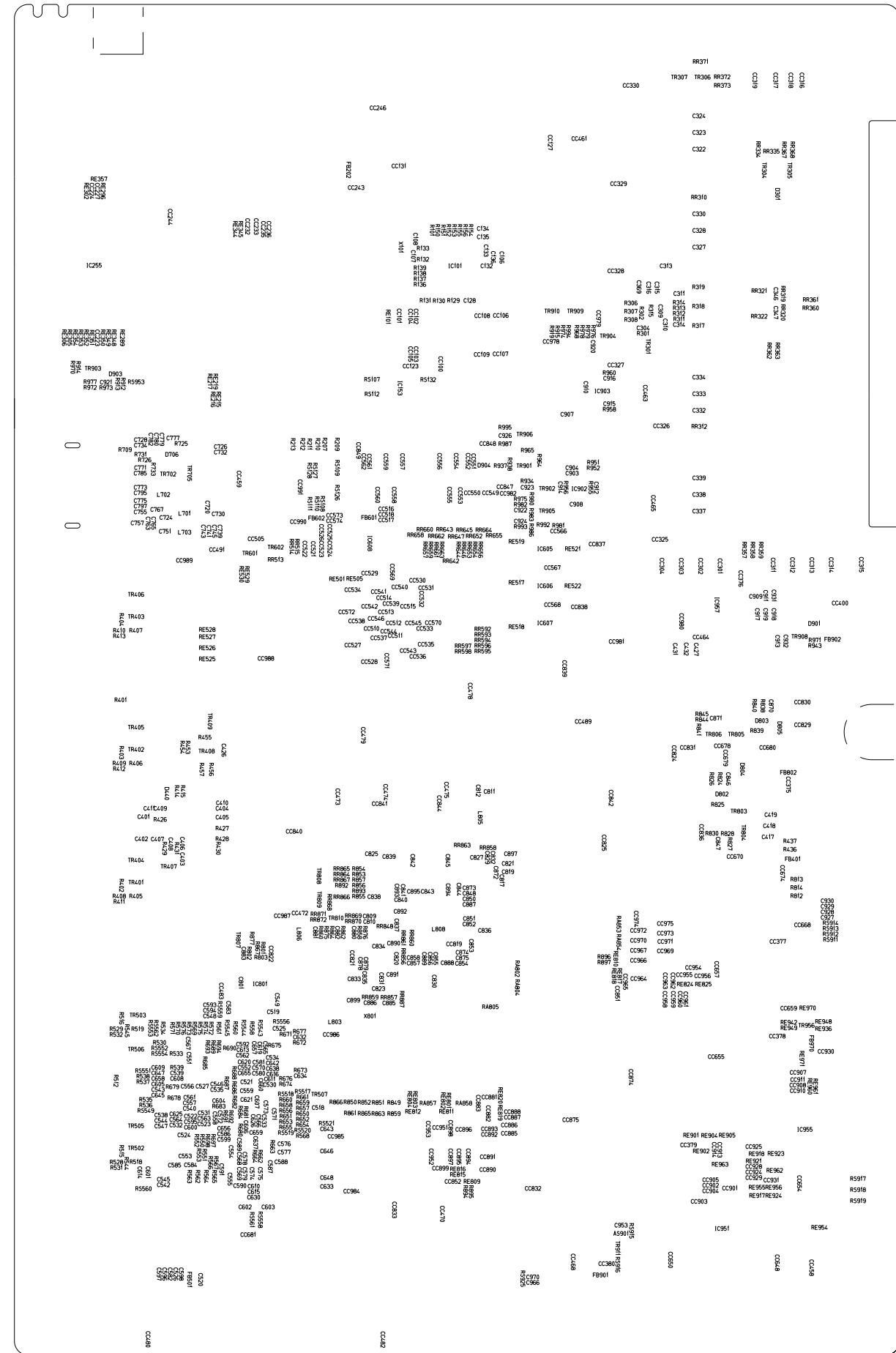
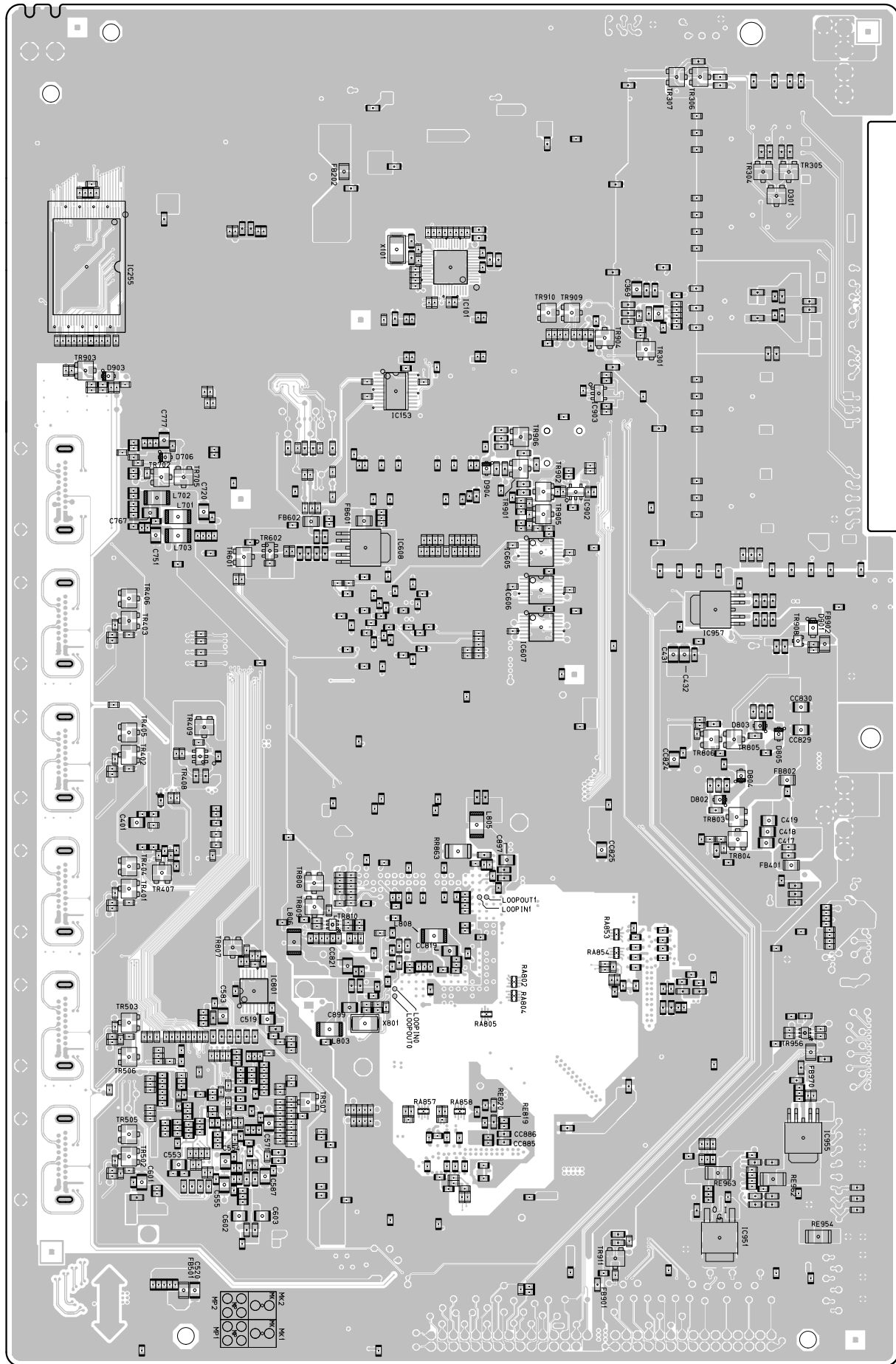


PCB HDMI ASS'Y (1/2)

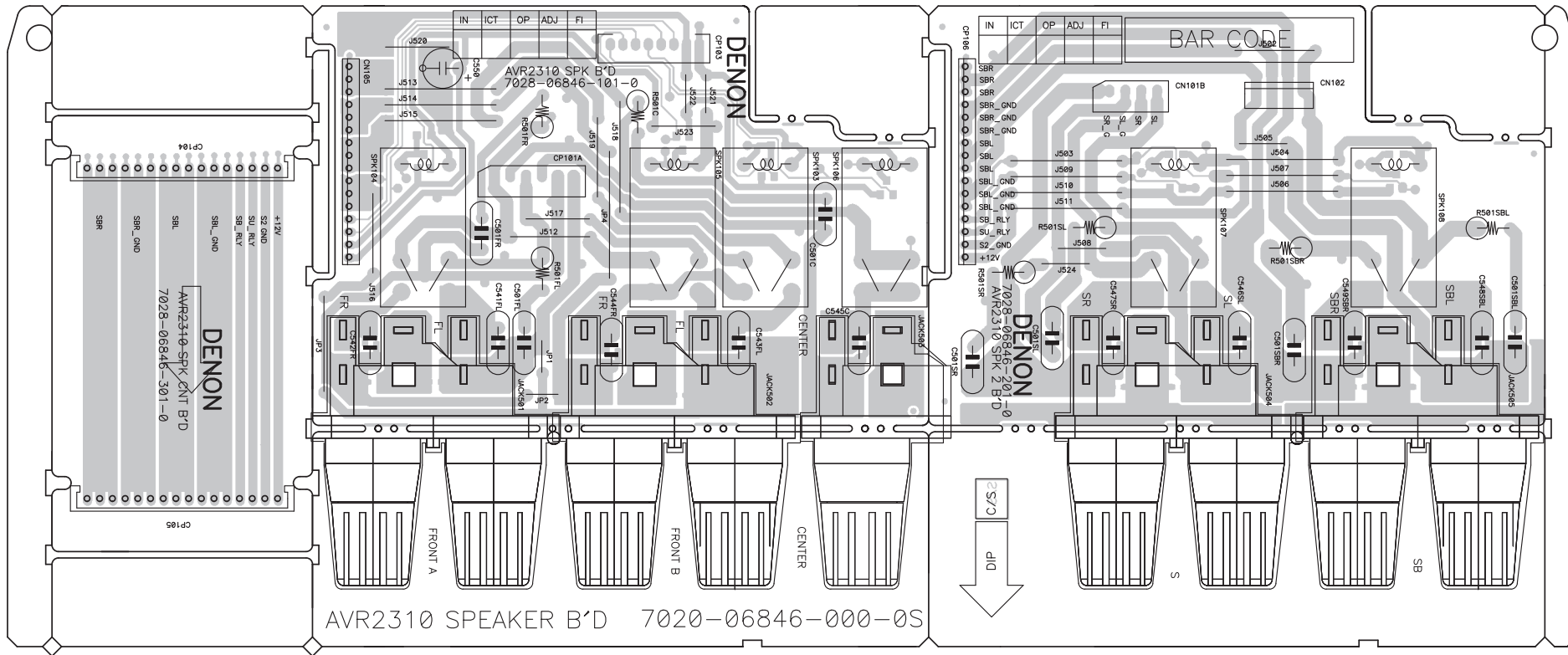


COMPONENT SIDE

PCB HDMI ASS'Y (2/2)

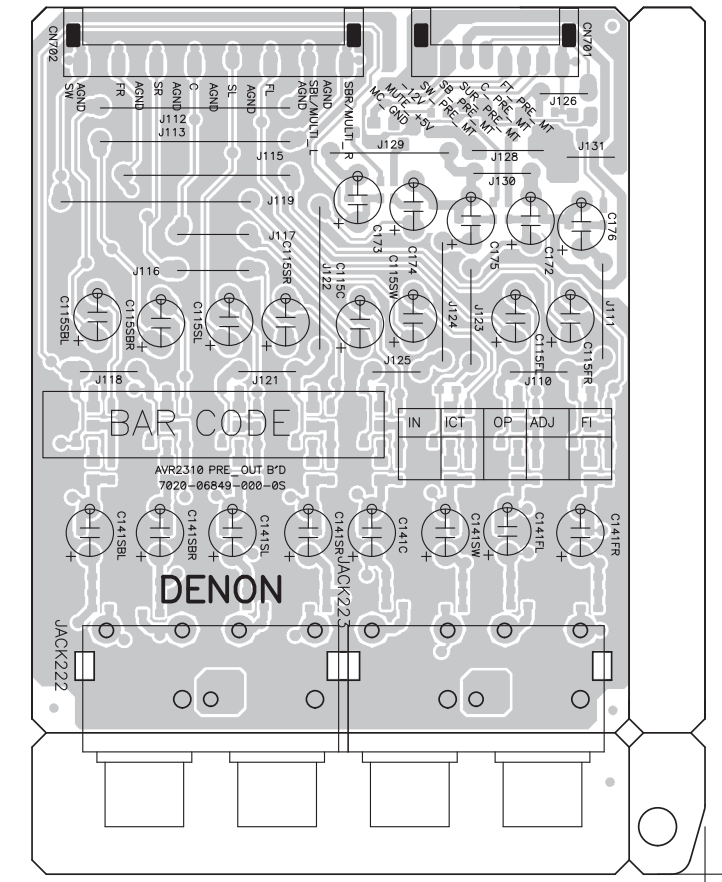


PCB SPK ASS'Y

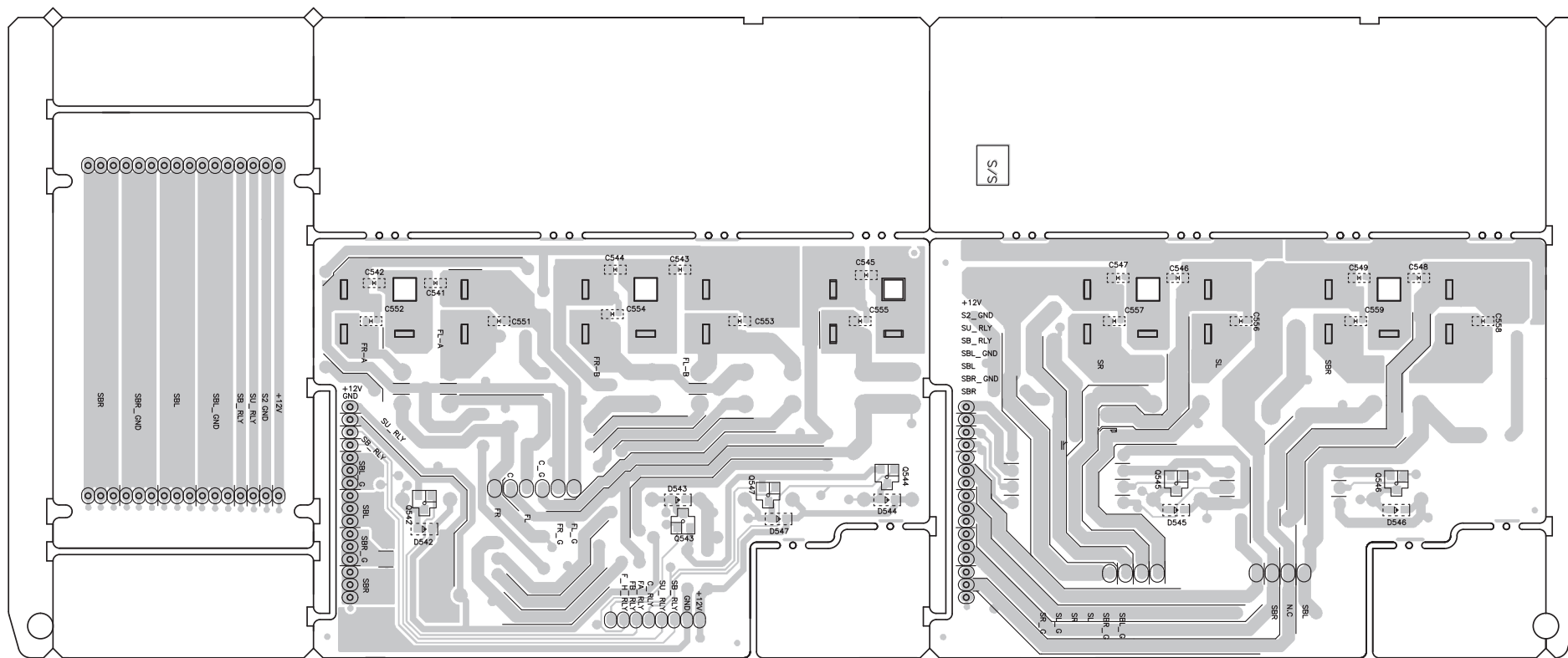


COMPONENT SIDE

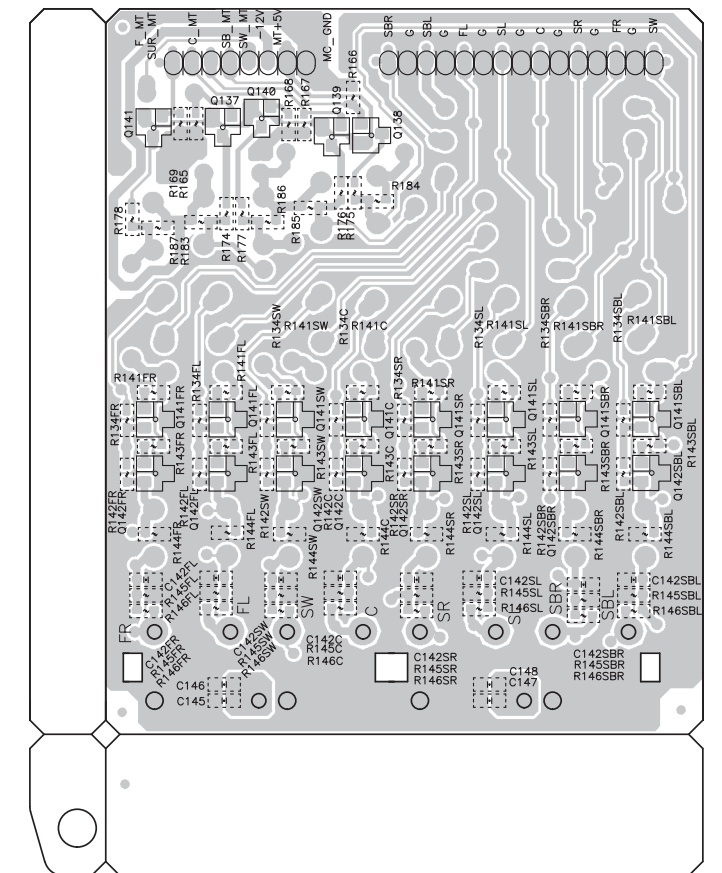
PCB PRE OUT ASSY



COMPONENT SIDE

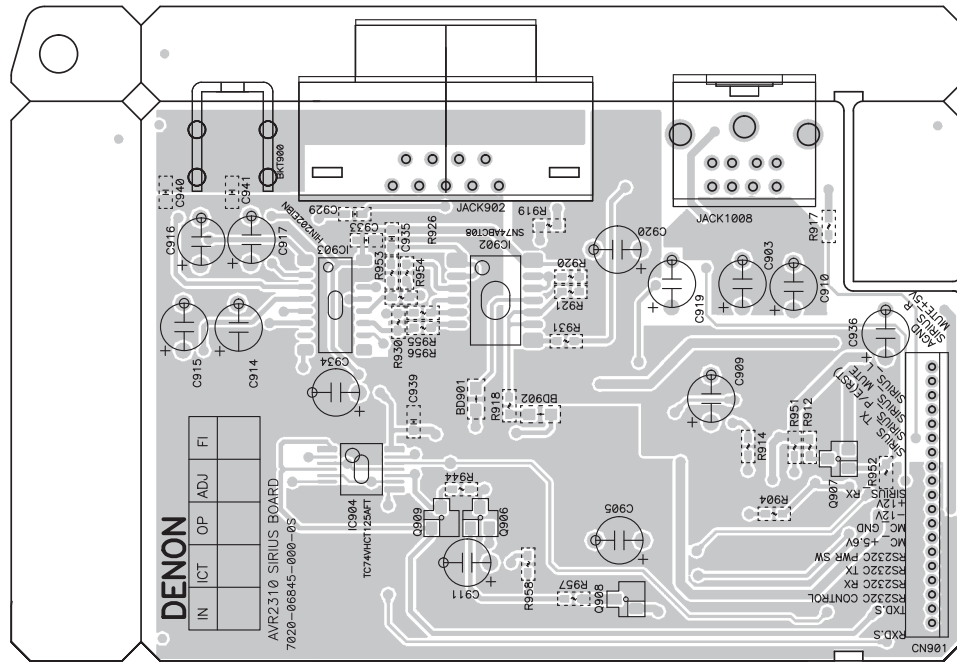


FOIL SIDE

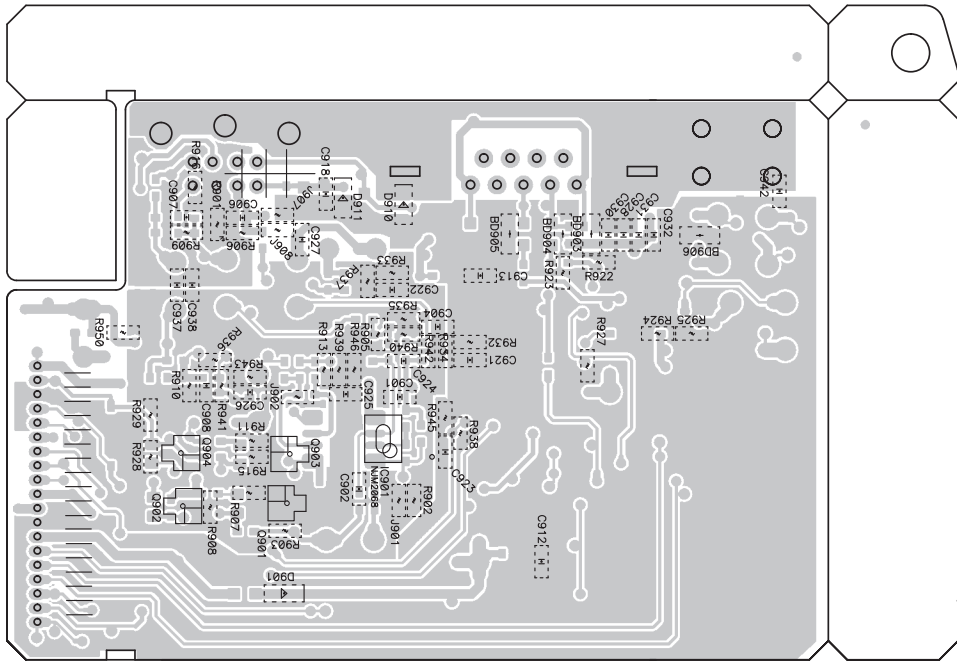


FOIL SIDE

PCB SIRIUS ASS'Y

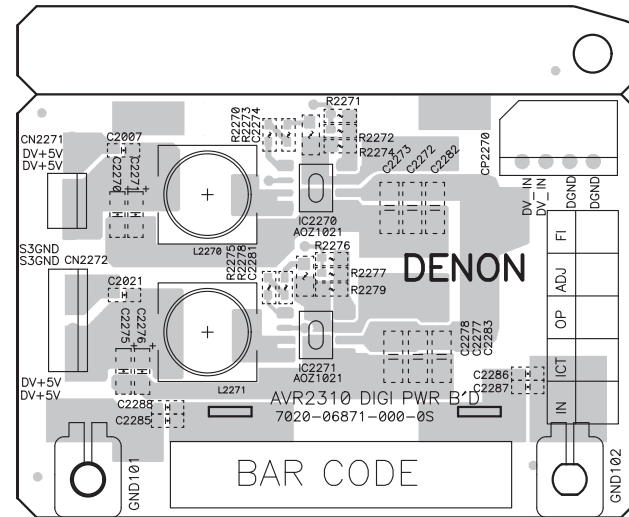


COMPONENT SIDE

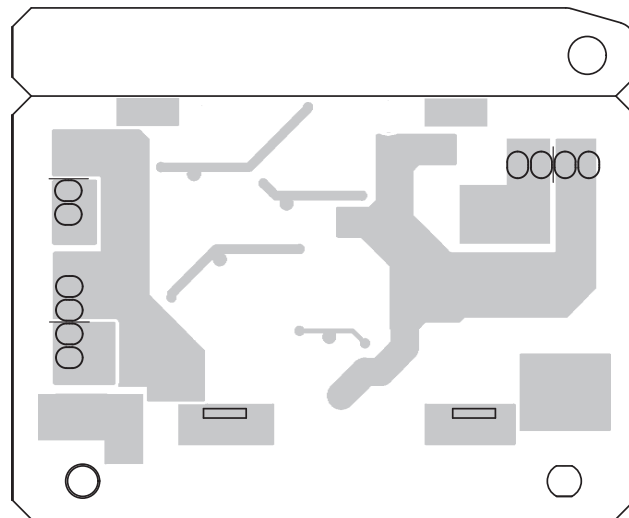


FOIL SIDE

PCB DIGI POWER ASSY

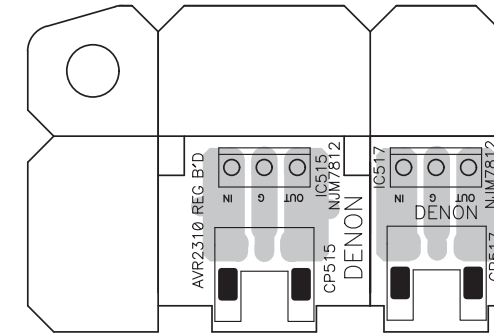


COMPONENT SIDE



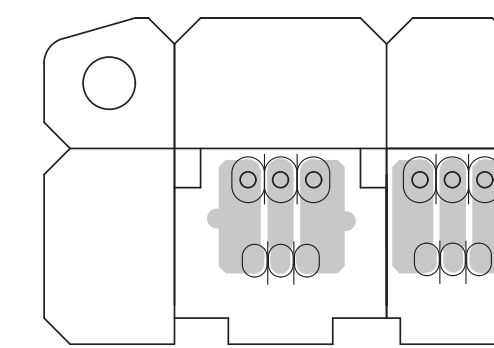
FOIL SIDE

PCB REG ASSY



AVR2310 7020-06892
REG B'D -000-05

COMPONENT SIDE



FOIL SIDE

NOTE FOR PARTS LIST

- Parts for which "nsp" is indicated on this table cannot be supplied.
- When ordering of part, clearly indicate "1" and "I" (i) to avoid mis-supplying.
- Ordering part without stating its part number can not be supplied.
- Part indicated with the mark "★" is not illustrated in the exploded view.
- Not including General-purpose Carbon Film Resistor in the P.W.Board parts list. (Refer to the Schematic Diagram for those parts.)
- Not including General-purpose Carbon Chip Resistor in the P.W.Board parts list. (Refer to the Schematic Diagram for those parts.)

WARNING:

Parts marked with this symbol \triangle have critical characteristics.
Use ONLY replacement parts recommended by the manufacturer.

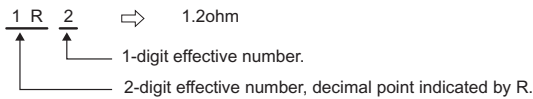
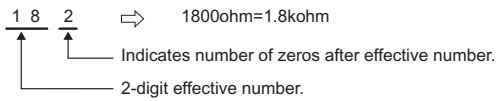
● Resistors

Ex.: RN 14K 2E 182 G FR

Type Shape and performance Power Resistance Allowable error Others

RD: Carbon	2B: 1/8 W	F: ±1%	P: Pulse-resistant type
RC: Composition	2E: 1/4 W	G: ±2%	NL: Low noise type
RS: Metal oxide film	2H: 1/2 W	J: ±5%	NB: Non-burning type
RW: winding	3A: 1 W	K: ±10%	FR: Fuse-resistor
RN: Metal film	3D: 2 W	M: ±20%	F: Lead wire forming
RK: Metal mixture	3F: 3 W		
	3H: 5 W		

* Resistance



: Units: ohm

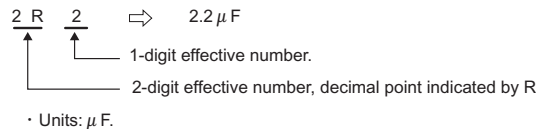
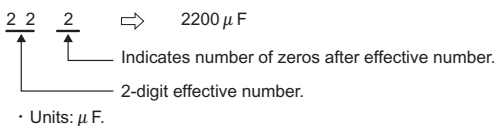
● Capacitors

Ex.: CE 04W 1H 3R2 M BP

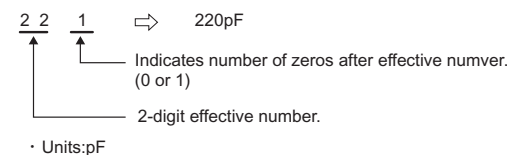
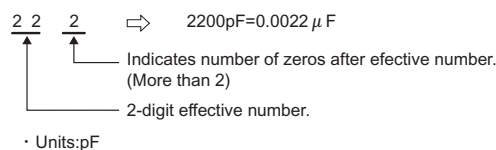
Type Shape and performance Dielectric strength Capacity Allowable error Others

CE: Aluminum foil electrolytic	0J: 6.3 V	F: ±1%	HS: High stability type
CA: Aluminium solid electrolytic	1A: 10 V	G: ±2%	BP: Non-polar type
CS: Tantalum electrolytic	1C: 16 V	J: ±5%	HR: Ripple-resistant type
CQ: Film	1E: 25 V	K: ±10%	DL: For charge and discharge
CK: Ceramic	1V: 35 V	M: ±20%	HF: For assuring high requeryency
CC: Ceramic	1H: 50 V	Z: ±80%	U: UL part
CP: Oil	2A: 100 V	: -20%	C: CSA part
CM: Mica	2B: 125 V	P: +100%	W: UL-CSA part
CF: Metallized	2C: 160 V	C: ±0.25pF	F: Lead wire forming
CH: Metallized	2D: 200 V	D: ±0.5pF	
	2E: 250 V	=: Others	
	2H: 500 V		
	2J: 630 V		

* Capacity (electrolyte only)



* Capacity (except electrolyte)



- When the dielectric strength is indicated in AC,"AC" is included after the dieelectric strength value.

PARTS LIST OF P.W.B. UNIT

* Parts for which "nsp" is indicated on this table cannot be supplied.

* The parts listed below are for maintenance only, might differ from the parts used in the unit in appearances or dimensions.

Note: The symbols in the column "Remarks" indicate the following destinations.

E3 : U.S.A. & Canada model

E2 : Europe model

E1C : China model

EA : Australia model

PCB MAIN ASS'Y

Ref. No.	Part No.	Part Name	Remarks		Q'ty	New
SEMICONDUCTORS GROUP						
IC231	00D9600174104	IC CXA1511M-T4		J030151100010S		
Q101	00D9600196302	TR KTA1268BL		J5001268B0050S		
Q102	00D9600196700	TR KTC3200BL		J5023200B0050S		
Q104	00D9600196700	TR KTC3200BL		J5023200B0050S		
Q104C	00D9600196700	TR KTC3200BL		J5023200B0050S		
Q104FL	00D9600196700	TR KTC3200BL		J5023200B0050S		
Q104FR	00D9600196700	TR KTC3200BL		J5023200B0050S		
Q104SL	00D9600196700	TR KTC3200BL		J5023200B0050S		
Q104SR	00D9600196700	TR KTC3200BL		J5023200B0050S		
Q105,106	00D9600196700	TR KTC3200BL		J5023200B0050S		
Q106C	00D9600196302	TR KTA1268BL		J5001268B0050S		
Q106FL	00D9600196302	TR KTA1268BL		J5001268B0050S		
Q106FR	00D9600196302	TR KTA1268BL		J5001268B0050S		
Q106SL	00D9600196302	TR KTA1268BL		J5001268B0050S		
Q106SR	00D9600196302	TR KTA1268BL		J5001268B0050S		
Q107C	00D9600196302	TR KTA1268BL		J5001268B0050S		
Q107FL	00D9600196302	TR KTA1268BL		J5001268B0050S		
Q107FR	00D9600196302	TR KTA1268BL		J5001268B0050S		
Q107SL	00D9600196302	TR KTA1268BL		J5001268B0050S		
Q107SR	00D9600196302	TR KTA1268BL		J5001268B0050S		
Q108	00D9600196700	TR KTC3200BL		J5023200B0050S		
Q108C	00D2730471907	TR 2SC KTC3206Y		J5023206Y0050S		
Q108FL	00D2730471907	TR 2SC KTC3206Y		J5023206Y0050S		
Q108FR	00D2730471907	TR 2SC KTC3206Y		J5023206Y0050S		
Q108SL	00D2730471907	TR 2SC KTC3206Y		J5023206Y0050S		
Q108SR	00D2730471907	TR 2SC KTC3206Y		J5023206Y0050S		
Q109,110	00D9600196700	TR KTC3200BL		J5023200B0050S		
Q111	00D9600196302	TR KTA1268BL		J5001268B0050S		
Q112	00D9630121509	TR KTC3875S		J522038750210S		
Q113	00D9630327808	TR KTA1281Y	2310	J5001281Y0010S		
Q114	00D9600097304	TR KRC102M	2310	J6020102M0010S		
Q115	00D9630121509	TR KTC3875S		J522038750210S		
Q128	00D9630120704	TR KRA102S		J520010200210S		
Q130	00D9600196302	TR KTA1268BL		J5001268B0050S		
Q132	00D9630245003	TR KRC106S (NF)		J522010600210S		
Q137	00D9630120704	TR KRA102S	890E3	J520010200210S		
Q141SW	00D9630044301	TR KTC2875B(MB)	890E3	J5222875B0010S		
Q142SW	00D9630044301	TR KTC2875B(MB)	890E3	J5222875B0010S		
Q168-170	00D9600196302	TR KTA1268BL		J5001268B0050S		
Q171	00D2710314903	TR 2SA KTA1024Y		J5001024Y0050S		
Q172,173	00D2730471907	TR 2SC KTC3206Y		J5023206Y0050S		
Q174	00D2710314903	TR 2SA KTA1024Y		J5001024Y0050S		
Q175	00D2730471907	TR 2SC KTC3206Y		J5023206Y0050S		
Q176,177	00D2710314903	TR 2SA KTA1024Y		J5001024Y0050S		
Q178	00D2730471907	TR 2SC KTC3206Y		J5023206Y0050S		
Q179	00D2710314903	TR 2SA KTA1024Y		J5001024Y0050S		

Ref. No.	Part No.	Part Name	Remarks		Q'ty	New
Q180	00D2730471907	TR 2SC KTC3206Y		J5023206Y0050S		
Q181-185	00D2710318909	TR 2SA 2N5401S		J520254010010S		
Q221L	00D9630044301	TR KTC2875B(MB)		J5222875B0010S		
Q221R	00D9630044301	TR KTC2875B(MB)		J5222875B0010S		
Q227L	00D9630044301	TR KTC2875B(MB)		J5222875B0010S		
Q227R	00D9630044301	TR KTC2875B(MB)		J5222875B0010S		
Q231	00D9630121402	TR 2SA KRA104S R1		J520010400210S		
Q541	00D9630121208	TR KRC107M		J6020107M0010S		
D101C	00D9630355401	D,SWITCHING KDS4148U		K005041480030S		
D101FL	00D9630355401	D,SWITCHING KDS4148U		K005041480030S		
D101FR	00D9630355401	D,SWITCHING KDS4148U		K005041480030S		
D101SL	00D9630355401	D,SWITCHING KDS4148U		K005041480030S		
D101SR	00D9630355401	D,SWITCHING KDS4148U		K005041480030S		
D102C	00D9630355401	D,SWITCHING KDS4148U		K005041480030S		
D102FL	00D9630355401	D,SWITCHING KDS4148U		K005041480030S		
D102FR	00D9630355401	D,SWITCHING KDS4148U		K005041480030S		
D102SL	00D9630355401	D,SWITCHING KDS4148U		K005041480030S		
D102SR	00D9630355401	D,SWITCHING KDS4148U		K005041480030S		
D105C	00D9630020309	D,SWITCHING 1SS133T		K000013300520S		
D105FL	00D9630020309	D,SWITCHING 1SS133T		K000013300520S		
D105FR	00D9630020309	D,SWITCHING 1SS133T		K000013300520S		
D105SL	00D9630020309	D,SWITCHING 1SS133T		K000013300520S		
D105SR	00D9630020309	D,SWITCHING 1SS133T		K000013300520S		
D106	00D9630355401	D,SWITCHING KDS4148U		K005041480030S		
D106C	00D9630020309	D,SWITCHING 1SS133T		K000013300520S		
D106FL	00D9630020309	D,SWITCHING 1SS133T		K000013300520S		
D106FR	00D9630020309	D,SWITCHING 1SS133T		K000013300520S		
D106SL	00D9630020309	D,SWITCHING 1SS133T		K000013300520S		
D106SR	00D9630020309	D,SWITCHING 1SS133T		K000013300520S		
D107	00D9630355401	D,SWITCHING KDS4148U		K005041480030S		
D114,115	00D9600197107	D,RECTIFIER BRIDGE KBPC604		K047604000020S		
D139	00D9630020309	D,SWITCHING 1SS133T		K000013300520S		
D140,141	00D9630328409	D,SWITCHING 1N4007		K000400700010S		
D160-174	00D9630355401	D,SWITCHING KDS4148U		K005041480030S		
D175,176	00D9630020309	D,SWITCHING 1SS133T		K000013300520S		
D231	00D9630355401	D,SWITCHING KDS4148U		K005041480030S		
D541	00D9630355401	D,SWITCHING KDS4148U		K005041480030S		
ZD101	00D9600128105	D,ZENER MTZJ9.1B		K06009R144520S		
ZD101C	00D9630367008	D,ZENER 0.2W 3.3V UDZ		K06603R34P400S		
ZD101FL	00D9630367008	D,ZENER 0.2W 3.3V UDZ		K06603R34P400S		
ZD101FR	00D9630367008	D,ZENER 0.2W 3.3V UDZ		K06603R34P400S		
ZD101SL	00D9630367008	D,ZENER 0.2W 3.3V UDZ		K06603R34P400S		
ZD101SR	00D9630367008	D,ZENER 0.2W 3.3V UDZ		K06603R34P400S		
ZD102C	00D9630382209	D,ZENER 0.2W 3.0V UDZ		K06603R04P400S		
ZD102FL	00D9630382209	D,ZENER 0.2W 3.0V UDZ		K06603R04P400S		
ZD102FR	00D9630382209	D,ZENER 0.2W 3.0V UDZ		K06603R04P400S		
ZD102SL	00D9630382209	D,ZENER 0.2W 3.0V UDZ		K06603R04P400S		
ZD102SR	00D9630382209	D,ZENER 0.2W 3.0V UDZ		K06603R04P400S		
ZD105	00D9600095500	D,ZENER MTZJ5.1B		K06005R144520S		
ZD106	00D9630219903	D,ZENER MTZJ16B	2310	K06016R044520S		
ZD231	00D9600095704	D,ZENER MTZJ6.2B-0.5W/5MA-52MM		K06006R244520S		

Ref. No.	Part No.	Part Name	Remarks	Q'ty	New
RESISTORS GROUP					
R103	00D9639005639	R,METAL FILM 100-J,1W		C060010165060S	
R105	00D9630232906	R,METAL FILM 47K-F,1/4W		C060047343530S	
R106C	nsp	R,METAL FILM 22-J,1W		C060022065060S	
R106FL	nsp	R,METAL FILM 22-J,1W		C060022065060S	
R106FR	nsp	R,METAL FILM 22-J,1W		C060022065060S	
R106SL	nsp	R,METAL FILM 22-J,1W		C060022065060S	
R106SR	nsp	R,METAL FILM 22-J,1W		C060022065060S	
R107C	nsp	R,METAL FILM 22-J,1W		C060022065060S	
R107FL	nsp	R,METAL FILM 22-J,1W		C060022065060S	
R107FR	nsp	R,METAL FILM 22-J,1W		C060022065060S	
R107SL	nsp	R,METAL FILM 22-J,1W		C060022065060S	
R107SR	nsp	R,METAL FILM 22-J,1W		C060022065060S	
R108C	00D9630345903	R,FIXED 2WJ-0.47		N113136647820S	
R108FL	00D9630345903	R,FIXED 2WJ-0.47		N113136647820S	
R108FR	00D9630345903	R,FIXED 2WJ-0.47		N113136647820S	
R108SL	00D9630345903	R,FIXED 2WJ-0.47		N113136647820S	
R108SR	00D9630345903	R,FIXED 2WJ-0.47		N113136647820S	
R109C	00D9630345903	R,FIXED 2WJ-0.47		N113136647820S	
R109FL	00D9630345903	R,FIXED 2WJ-0.47		N113136647820S	
R109FR	00D9630345903	R,FIXED 2WJ-0.47		N113136647820S	
R109SL	00D9630345903	R,FIXED 2WJ-0.47		N113136647820S	
R109SR	00D9630345903	R,FIXED 2WJ-0.47		N113136647820S	
R110C	00D9630345903	R,FIXED 2WJ-0.47		N113136647820S	
R110FL	00D9630345903	R,FIXED 2WJ-0.47		N113136647820S	
R110FR	00D9630345903	R,FIXED 2WJ-0.47		N113136647820S	
R110SL	00D9630345903	R,FIXED 2WJ-0.47		N113136647820S	
R110SR	00D9630345903	R,FIXED 2WJ-0.47		N113136647820S	
R111C	00D9630345903	R,FIXED 2WJ-0.47		N113136647820S	
R111FL	00D9630345903	R,FIXED 2WJ-0.47		N113136647820S	
R111FR	00D9630345903	R,FIXED 2WJ-0.47		N113136647820S	
R111SL	00D9630345903	R,FIXED 2WJ-0.47		N113136647820S	
R111SR	00D9630345903	R,FIXED 2WJ-0.47		N113136647820S	
R118C	00D9639006256	R,FIXED 1WJ-10		N113135610020S	
R118FL	00D9639006256	R,FIXED 1WJ-10		N113135610020S	
R118FR	00D9639006256	R,FIXED 1WJ-10		N113135610020S	
R118SL	00D9639006256	R,FIXED 1WJ-10		N113135610020S	
R118SR	00D9639006256	R,FIXED 1WJ-10		N113135610020S	
R127	963252004160S	POSISTOR 18BC471QB5RB		F320184710050S	
R127C	nsp	R,METAL FILM 1K-J,1W		C060010265050S	
R127FL	nsp	R,METAL FILM 1K-J,1W		C060010265050S	
R127FR	nsp	R,METAL FILM 1K-J,1W		C060010265050S	
R127SL	nsp	R,METAL FILM 1K-J,1W		C060010265050S	
R127SR	nsp	R,METAL FILM 1K-J,1W		C060010265050S	
R130	963252004160S	POSISTOR 18BC471QB5RB		F320184710050S	
R132C	nsp	R,METAL FILM 270-J,1W		C060027165060S	
R132FL	nsp	R,METAL FILM 270-J,1W		C060027165060S	
R132FR	nsp	R,METAL FILM 270-J,1W		C060027165060S	
R132SL	nsp	R,METAL FILM 270-J,1W		C060027165060S	
R132SR	nsp	R,METAL FILM 270-J,1W		C060027165060S	
R134	963252004160S	POSISTOR 18BC471QB5RB		F320184710050S	
R138	963252004160S	POSISTOR 18BC471QB5RB		F320184710050S	
R147-149	nsp	R,METAL FILM 2.2K-J,1W		C060022265050S	
R153	963252004160S	POSISTOR 18BC471QB5RB		F320184710050S	
R160	nsp	R,METAL FILM 2.2K-J,1W		C060022265050S	
R164	nsp	R,METAL FILM 2.2K-J,1W		C060022265050S	

Ref. No.	Part No.	Part Name	Remarks		Q'ty	New
R166	nsp	R,METAL FILM 2.2K-J,1W		C060022265050S		
R242,243	nsp	R,METAL FILM 15K-J,2W		C060015366050S		
R246	nsp	R,METAL FILM 15K-J,2W		C060015366050S		
R250	nsp	R,METAL FILM 15K-J,2W		C060015366050S		
R253	nsp	R,METAL FILM 15K-J,2W		C060015366050S		
VR101C	00D9600221109	VR,SEMI EVN-DJAA03B13		C541102115000S		
VR101FL	00D9600221109	VR,SEMI EVN-DJAA03B13		C541102115000S		
VR101FR	00D9600221109	VR,SEMI EVN-DJAA03B13		C541102115000S		
VR101SL	00D9600221109	VR,SEMI EVN-DJAA03B13		C541102115000S		
VR101SR	00D9600221109	VR,SEMI EVN-DJAA03B13		C541102115000S		
CAPACITORS GROUP						
C101	00D9639005804	C,ELECT 100UF-M/25V		D040101084060S		
C101C	00D9630234302	C,ELECT 10UF-M/100V		D04010008C050S		
C101FL	00D9630234302	C,ELECT 10UF-M/100V		D04010008C050S		
C101FR	00D9630234302	C,ELECT 10UF-M/100V		D04010008C050S		
C101SL	00D9630234302	C,ELECT 10UF-M/100V		D04010008C050S		
C101SR	00D9630234302	C,ELECT 10UF-M/100V		D04010008C050S		
C102	00D9630276409	C,ELECT 100UF-M/16V		D040101083090S		
C102FL	00D9609009937	C,ELECT 100UF-M/50V		D040101087060S		
C102FL1	00D9609009937	C,ELECT 100UF-M/50V		D040101087060S		
C102FR	00D9609009937	C,ELECT 100UF-M/50V		D040101087060S		
C102SL	00D9630234205	C,ELECT 10UF-M/50V		D040100087070S		
C102SR	00D9630234205	C,ELECT 10UF-M/50V		D040100087070S		
C104,105	00D9639006557	C,ELECT 220UF-M/6.3V		D040221081060S		
C106	00D9630293709	C,ELECT 100UF-M/10V		D040101082070S		
C107	nsp	C,CERAMIC 0.01UF-K/50V		D010103777160S		
C108,109	00D2546276008	C,ELECT 12000UF-M/71V(VSSN)		D040123089020S		
C109C	00D9630234205	C,ELECT 10UF-M/50V		D040100087070S		
C109FL	00D9630234205	C,ELECT 10UF-M/50V		D040100087070S		
C109FR	00D9630234205	C,ELECT 10UF-M/50V		D040100087070S		
C109SL	00D9630234205	C,ELECT 10UF-M/50V		D040100087070S		
C109SR	00D9630234205	C,ELECT 10UF-M/50V		D040100087070S		
C110	00D9639003097	C,FILM 0.1UF-K/250V		D02010407H080S		
C110C	nsp	C,CERAMIC 470PF-K/500V		D00447127D050S		
C110FL	nsp	C,CERAMIC 470PF-K/500V		D00447127D050S		
C110FR	nsp	C,CERAMIC 470PF-K/500V		D00447127D050S		
C110SL	nsp	C,CERAMIC 470PF-K/500V		D00447127D050S		
C110SR	nsp	C,CERAMIC 470PF-K/500V		D00447127D050S		
C111	00D9639003097	C,FILM 0.1UF-K/250V		D02010407H080S		
C111C	nsp	C,CERAMIC 220PF-J/500V		D00422106D05CS		
C111FL	nsp	C,CERAMIC 220PF-J/500V		D00422106D05CS		
C111FR	nsp	C,CERAMIC 220PF-J/500V		D00422106D05CS		
C111SL	nsp	C,CERAMIC 220PF-J/500V		D00422106D05CS		
C111SR	nsp	C,CERAMIC 220PF-J/500V		D00422106D05CS		
C112	00D9639003097	C,FILM 0.1UF-K/250V		D02010407H080S		
C112C	nsp	C,FILM 0.0022UF-J/100V		D02022206C060S		
C112FL	nsp	C,FILM 0.0022UF-J/100V		D02022206C060S		
C112FR	nsp	C,FILM 0.0022UF-J/100V		D02022206C060S		
C112SL	nsp	C,FILM 0.0022UF-J/100V		D02022206C060S		
C112SR	nsp	C,FILM 0.0022UF-J/100V		D02022206C060S		
C113C	00D9609010133	C,ELECT 220UF-M/35V		D040221085060S		
C113FL	00D9609010133	C,ELECT 220UF-M/35V		D040221085060S		
C113FR	00D9609010133	C,ELECT 220UF-M/35V		D040221085060S		

Ref. No.	Part No.	Part Name	Remarks		Q'ty	New
C113SL	00D9630293709	C,ELECT 100UF-M/10V		D040101082070S		
C113SR	00D9630293709	C,ELECT 100UF-M/10V		D040101082070S		
C114	00D9639003097	C,FILM 0.1UF-K/250V		D02010407H080S		
C114C	00D9630216100	C,CERAMIC 33PF-J/500V		D00033006D050S		
C114FL	00D9630216100	C,CERAMIC 33PF-J/500V		D00033006D050S		
C114FR	00D9630216100	C,CERAMIC 33PF-J/500V		D00033006D050S		
C114SL	00D9630216100	C,CERAMIC 33PF-J/500V		D00033006D050S		
C114SR	00D9630216100	C,CERAMIC 33PF-J/500V		D00033006D050S		
C115	00D9639003097	C,FILM 0.1UF-K/250V		D02010407H080S		
C115SW	00D9630224503	C,ELECT 22UF-M/50V	890E3	D040220087060S		
C117-119	nsp	C,CERAMIC 0.1UF-Z/50V		D011104597160S		
C120	00D9630234205	C,ELECT 10UF-M/50V		D040100087070S		
C121	nsp	C,CERAMIC 0.1UF-Z/50V		D011104597160S		
C122-125	nsp	C,CERAMIC 220PF-J/50V		D010221167160S		
C130	nsp	C,CERAMIC 0.1UF-Z/50V	2310	D011104597160S		
C131	00D9630293602	C,ELECT 1UF-M/50V (Pb Free)	2310	D040010087150S		
C132-136	nsp	C,CERAMIC 0.1UF-Z/50V		D011104597160S		
C141SW1	00D9630224503	C,ELECT 22UF-M/50V	890E3	D040220087060S		
C142SW1	nsp	C,CERAMIC 100PF-J/50V	890E3	D010101167160S		
C146	nsp	C,CERAMIC 0.1UF-Z/50V	890E3	D011104597160S		
C155	00D9630244606	C,ELECT 0.1UF-M/50V (Pb Free)		D040R10087080S		
C161	00D9630234205	C,ELECT 10UF-M/50V		D040100087070S		
C172	00D9630244606	C,ELECT 0.1UF-M/50V (Pb Free)	890E3	D040R10087080S		
C173	00D9639005875	C,ELECT 47UF-M/25V		D040470084070S		
C182	00D9630324005	C,ELECT 100UF-M/100V		D04010108C240S		
C183	nsp	C,FILM 0.1UF-J/100V		D02010406C060S		
C192	00D9630234302	C,ELECT 10UF-M/100V		D04010008C050S		
C194	00D9630234302	C,ELECT 10UF-M/100V		D04010008C050S		
C196	00D9630234302	C,ELECT 10UF-M/100V		D04010008C050S		
C198	00D9630234302	C,ELECT 10UF-M/100V		D04010008C050S		
C200	00D9630234302	C,ELECT 10UF-M/100V		D04010008C050S		
C201	nsp	C,CERAMIC SL5PF-C/250V		D00005000H060S		
C202	00D9630216100	C,CERAMIC 33PF-J/500V		D00033006D050S		
C203	nsp	C,CERAMIC SL5PF-C/250V		D00005000H060S		
C204	00D9630216100	C,CERAMIC 33PF-J/500V		D00033006D050S		
C205	nsp	C,CERAMIC SL5PF-C/250V		D00005000H060S		
C206,207	00D9630216100	C,CERAMIC 33PF-J/500V		D00033006D050S		
C208	nsp	C,CERAMIC SL5PF-C/250V		D00005000H060S		
C209	00D9630216100	C,CERAMIC 33PF-J/500V		D00033006D050S		
C210	nsp	C,CERAMIC SL5PF-C/250V		D00005000H060S		
C211-215	nsp	C,CERAMIC 470PF-K/500V		D00447127D050S		
C221L	nsp	C,CERAMIC 100PF-J/50V		D010101167160S		
C221R	nsp	C,CERAMIC 100PF-J/50V		D010101167160S		
C222L	00D9630224503	C,ELECT 22UF-M/50V		D040220087060S		
C222R	00D9630224503	C,ELECT 22UF-M/50V		D040220087060S		
C224L	00D9630234205	C,ELECT 10UF-M/50V		D040100087070S		
C224R	00D9630234205	C,ELECT 10UF-M/50V		D040100087070S		
C231	00D9630244606	C,ELECT 0.1UF-M/50V (Pb Free)		D040R10087080S		
C232	nsp	C,CERAMIC 0.01UF-K/50V		D010103777160S		
C233	00D9630293602	C,ELECT 1UF-M/50V (Pb Free)		D040010087150S		
C234	nsp	C,CERAMIC 100PF-J/50V		D010101167160S		
C235,236	00D9609008653	C,FILM 0.012UF-J/100V		D02012306C060S		
C237	00D9639005862	C,ELECT 47UF-M/16V		D040470083080S		

Ref. No.	Part No.	Part Name	Remarks	Q'ty	New
OTHERS PARTS GROUP					
BKT101	nsp	BRACKET 0.8t/SCREW		4010210196100S	
CLAMP101-103	nsp	CLAMP WIRE(SOLDER)		4330000120000S	
CN101	nsp	CN,WIRE 10P		L000161100050S	
CN104	nsp	CN,WIRE 8P		L002131080050S	
CN201	nsp	CN,WIRE 7P		L002131070010S	
CN511	nsp	CN,WIRE 9P		L000600090021S	
CP103	nsp	CN.WAFER 3P		L102526700300S	
CP104	nsp	CN.WAFER 3CKT		L108353280360S	
CP105	nsp	CN.WAFER 11P		L101100041110S	
CP106	nsp	CN.WAFER 5P		L101100040510S	
CP107	nsp	CN.WAFER 2P		L102020010020S	
CP108	nsp	CN.WAFER 13P		L101100041310S	
CP109	nsp	CN.WAFER 5P		L101100040510S	
CP541	nsp	CN,WIRE 3P		L000251030081S	
CP707	nsp	CN.WAFER 15P		L101100041510S	
GND101	nsp	TERMINAL EARTH		3790040886000S	
JACK101	00D9630325606	JACK,D3.5 EARPHONE	2310	G40130802001YS	
JACK102	963643003560S	TER,RCA-303B1-10	890E3	G606303B1100YS	
JACK231,232	00D9630244703	JACK,D3.5 EARPHONE		G40130802000YS	
JK102	00D9630225803	TER,RCA RCA-206B-05	890EA	G601206B0500YS	
L101C	00D9630049005	COIL INDUCTOR 0.5UH		D330R50000000S	
L101FL	00D9630049005	COIL INDUCTOR 0.5UH		D330R50000000S	
L101FR	00D9630049005	COIL INDUCTOR 0.5UH		D330R50000000S	
L101SL	00D9630049005	COIL INDUCTOR 0.5UH		D330R50000000S	
L101SR	00D9630049005	COIL INDUCTOR 0.5UH		D330R50000000S	
L102	nsp	BEAD,COIL 3580-52RE-AX	2310	7610010030000S	
L231	nsp	BEAD,COIL 3580-52RE-AX		7610010030000S	
RLY541	00D9630218409	RELAY BC3-12 24V 2A		G680240202030S	
TP101-105	nsp	CN.WAFER 3P		L101530140310S	
	00D9630225803	TER,RCA 2PIN RCA-206B-05(RD,WH)	2310E2	G601206B0500YS	

PCB POWER ASS'Y

Ref. No.	Part No.	Part Name	Remarks	Q'ty	New
SEMICONDUCTORS GROUP					
IC501	00D9600262605	IC NJM2396F05		J126239600010S	
IC502	00D9600195808	IC ICP-N15		J120001500030S	
IC511	00D2631274012	IC NJM2396F09		J126239600090S	
IC512	00D2630553006	IC NJM7805FA		J126780500130S	
IC513	00D2630554005	IC NJM7905FA		J126790500020S	
IC514	00D2630553006	IC NJM7805FA		J126780500130S	
IC516	00D2630641002	IC NJM7912FA		J126791200080S	
Q501	00D9600196409	TR 2SC1740SR		J5021740S0010S	
Q502	00D9630121208	TR KRC107M		J6020107M0010S	
Q503	00D9600196409	TR 2SC1740SR		J5021740S0010S	
Q511	00D9630327905	TR 2SB KTB778		J501778000010S	
Q512	00D9630328205	TR 2SD KTD998		J503998000010S	
Q513	90M-HT100330R	TR 2SA KTA1267Y		J5001267Y0050S	
Q514	00D9600097304	TR KRC102M		J6020102M0010S	
Q515	00D9630255802	TR KTC3199Y		J5023199Y0010S	
Q516	90M-HT100330R	TR 2SA KTA1267Y		J5001267Y0050S	
Q517	00D9630327808	TR KTA1281Y		J5001281Y0010S	
Q518	00D9600097304	TR KRC102M		J6020102M0010S	
Q519	00D9630328001	TR 2SC KTC3209Y		J5023209Y0010S	
Q520	90M-HT100330R	TR 2SA KTA1267Y		J5001267Y0050S	
D501-503	00D9630020309	D,SWITCHING 1SS133T		K000013300520S	
D504-507	00D9630328409	D,SWITCHING 1N4007		K000400700010S	
D508-512	00D9630020309	D,SWITCHING 1SS133T		K000013300520S	
D513-520	00D9630328409	D,SWITCHING 1N4007		K000400700010S	
D521,522	00D9630020309	D,SWITCHING 1SS133T		K000013300520S	
D523-526	00D9630328409	D,SWITCHING 1N4007		K000400700010S	
D535,536	00D9630328409	D,SWITCHING 1N4007		K000400700010S	
D537	00D9630020309	D,SWITCHING 1SS133T		K000013300520S	
D538,539	00D9630236504	D,SWITCHING AX-52		K120072140010S	
ZD501	00D9600095500	D,ZENER MTZJ5.1B		K06005R144520S	
ZD502	00D9630058601	D,ZENER MTZJ12B		K06012R044520S	
ZD503,504	00D9600096004	D,ZENER MTZJ33B		K06033R044520S	
RESISTORS GROUP					
R507	00D2412376964	R,METAL 47-J,1/4W-R		C060047063050S	
R511,512	00D9630337908	R,METAL 33-J,1W		C060033065050S	
R516-519	00D9639006269	R,FIXED RSD-R1-1WJ-0.22		N113135622820S	
R521	00D9630048103	R,METAL 150-J,1W-R		C060015165050S	
CAPACITORS GROUP					
C501	963134001860S	C,ELECT 470UF-M/16V		D040471083080S	
C502	00D9630217002	C,ELECT 3300UF-M/16V		D040332083010S	
C503	00D9630293602	C,ELECT 1UF-M/50V (Pb Free)		D040010087150S	
C504	00D9630323802	C,CERAMIC AC(SAFETY) 0.0047UF 250VAC		D00847208H010S	
C505	00D9630293602	C,ELECT 1UF-M/50V (Pb Free)		D040010087150S	
C506,507	963134001820S	C,ELECT 1000UF-M/35V		D040102085030S	
C511-516	00D9630293602	C,ELECT 1UF-M/50V (Pb Free)		D040010087150S	
C517	00D9630234205	C,ELECT 10UF-M/50V		D040100087070S	
C518	00D9630217002	C,ELECT 3300UF-M/16V		D040332083010S	

Ref. No.	Part No.	Part Name	Remarks		Q'ty	New
C519	00D9630324704	C,ELECT 4700UF-M/16V		D040472083200S		
C520	00D9630021104	C,ELECT 6800UF-M/16V		D040682083000S		
C521-523	00D9630021900	C,FILM 0.047UF-J/100V		D02047306C060S		
C524	00D9630293602	C,ELECT 1UF-M/50V (Pb Free)		D040010087150S		
C525	00D9630234205	C,ELECT 10UF-M/50V		D040100087070S		
C526,527	00D9609010133	C,ELECT 220UF-M/35V		D040221085060S		
C528	963134004320S	C,ELECT 6800UF-M/25V		D040682084070S		
C529	00D9609009966	C,ELECT 2200UF-M/25V		D040222084030S		
C530-532	00D9630021900	C,FILM 0.047UF-J/100V		D02047306C060S		
C533-537	00D9630293602	C,ELECT 1UF-M/50V (Pb Free)		D040010087150S		
C538	00D9630234205	C,ELECT 10UF-M/50V		D040100087070S		
OTHERS PARTS GROUP						
BKT501,502	nsp	BRACKET 0.8t/SCREW	E1C,EA	4010210196100S		
CN109	nsp	CN.WAFER 5P		L101100030510S		
CN505	nsp	CN.WAFER 7P		L101100030710S		
CN506	nsp	CN.WAFER 14P		L101100031410S		
CN706	nsp	CN.WAFER 9P		L101100030910S		
CN707	nsp	CN.WAFER 15P		L101100031510S		
CP501	nsp	CN.WAFER 2CKT,YEL		L108353280290S		
CP503	nsp	CN.WAFER 2CKT,RED		L108353280280S		
CP504	nsp	CN.WAFER ST2P		L108202000220S		
CP505	nsp	CN.WAFER 7P		L101100040710S		
CP506	nsp	CN.WAFER 14P		L101100041410S		
CP511	nsp	CN.WAFER 9P		L101200100910S		
CP512	nsp	CN.WAFER 6P		L102526806010S		
CP513	nsp	CN.WAFER 5P		L102526800500S		
CP515	nsp	CN.WAFER 14P		L101200101410S		
CP709	nsp	CN.WAFER 15P		L101100041510S		
CP2005	nsp	CN.WAFER 9P		L101100040910S		
CP2100	nsp	CN.WAFER 5P		L101100040510S		
△ F501	00D9630236106	FUSE T8A /250V	2310E3	N751228001110S		
△ F501	00D9630237600	FUSE T4A /250	2310E2, E1C,EA	N751224001110S		
F501A	nsp	HOLDER,FUSE CLIP		G645000050010S		
F501B	nsp	HOLDER,FUSE CLIP		G645000050010S		
△ F503	00D9630236106	FUSE T8A /250V	2310E3	N751228001110S		
△ F503	00D9630237600	FUSE T4A /250	2310E2	N751224001110S		
F503A	nsp	HOLDER,FUSE CLIP		G645000050010S		
F503B	nsp	HOLDER,FUSE CLIP		G645000050010S		
△ F511	00D9630104801	FUSE T3.15A /250V		N751223151110S		
F511A1	nsp	HOLDER,FUSE CLIP		G645000050010S		
F511B1	nsp	HOLDER,FUSE CLIP		G645000050010S		
△ F512	00D9630104801	FUSE T3.15A /250V		N751223151110S		
F512A1	nsp	HOLDER,FUSE CLIP		G645000050010S		
F512B1	nsp	HOLDER,FUSE CLIP		G645000050010S		
GND501	nsp	TERMINAL EARTH		3790040886000S		
△ JACK501	00D9600181508	SOCKET,POWER RECEPTA	2310E3	G435204004010S		
△ JACK501	963641000810S	SOCKET,POWER RECEPTA (220V)	2310E2	G435302D00600S		
RLY501	963682004770S	RELAY 6VDC 0.25W 0.042A		G680060420010S		

	Ref. No.	Part No.	Part Name	Remarks		Q'ty	New
△	SUB501	00D9630387602	POWER TRANS 120V/60HZ	2310E3	8200280150401S		
△	SUB501	00D9630382801	POWER TRANS 230V/50HZ	2310E2	8200280150410S		
△	SUB501	00D9630383004	POWER TRANS 220V/50,60HZ	E1C	8200280150420S		
	CLP501	nsp	CLAMP WIRE(SOLDER)		4330000120000S		
	CLP502	nsp	CLAMP WIRE(SOLDER)		4330000120000S		
	CLP503	nsp	CLAMP WIRE(SOLDER)		4330000120000S		
	CLP504	nsp	CLAMP WIRE(SOLDER)		4330000120000S		
		nsp	LABEL FUSE	E2	5507000006350S		
		nsp	LABEL FUSE	E1C	5507000006340S		
		nsp	LABEL FUSE	EA	5507000006330S		
		nsp	HEAT SINK		2120044338010S		
		nsp	HEAT SINK		2120210958010S		
		nsp	HEAT SINK		2120210958030S		
		nsp	SCREW(3X8 B-TYPE ZNY/BH)		B020030081B10S		

PCB FRONT ASS'Y

Ref. No.	Part No.	Part Name	Remarks	Q'ty	New
SEMICONDUCTORS GROUP					
IC301	963239001880S	IC AZ4580M		J121458000020S	
IC303	00D9600195808	IC ICP-N15		J120001500030S	
IC305	00D9630024004	IC NJM2068M		J121206800020S	
IC365	00D9630237503	MODULE JSR1165-C		E100116500040S	
Q302	00D9600285006	TR KRC104S		J522104S00210S	
Q303-305	00D9600005202	TR 2SC KTC3198Y		J5023198Y0000S	
Q312	00D9630226705	TR 2SC KTC1027Y		J5021027Y0020S	
Q313,314	00D9630120801	TR KRC102S		J522010200210S	
Q316	00D9630121402	TR 2SA KRA104S R1		J520010400210S	
Q317	00D9630120801	TR KRC102S		J522010200210S	
Q319,320	00D9630120801	TR KRC102S		J522010200210S	
Q321	00D9630102803	TR 2SA933S		J5000933S0050S	
Q322	00D9630121606	TR KRC107S		J522107S00210S	
Q327,328	00D9630148508	TRKTA1504S		J520015040150S	
D303	00D9630355401	D,SWITCHING KDS4148U		K005041480030S	
D304-306	00D9630020309	D,SWITCHING 1SS133T		K000013300520S	
D307-310	00D9630355401	D,SWITCHING KDS4148U		K005041480030S	
D312,313	00D9630328409	D,SWITCHING 1N4007		K000400700010S	
D315	00D9630355401	D,SWITCHING KDS4148U		K005041480030S	
D317	00D9630355401	D,SWITCHING KDS4148U		K005041480030S	
D319	00D9630355401	D,SWITCHING KDS4148U		K005041480030S	
ZD301	00D9600095801	D,ZENER MTZJ6.8B		K06006R844520S	
ZD310	00D2760762903	D,ZENER MTZJ24B		K06024R044520S	
ZD311	00D9630046202	D,ZENER MTZJ18B		K06018R044520S	
ZD312,313	00D9600095500	D,ZENER MTZJ5.1B		K06005R144520S	
ZD318	00D9600095500	D,ZENER MTZJ5.1B		K06005R144520S	
LED301	963263002040S	LED,ROUND SEL5020J 5PI		K500056000110S	
LED310	00D9630366108	LED BL-BEG204-L 5PI		K500052004010S	
LED313	963263000500S	LED BL-BVT204-S 5PI		K500052500040S	
RESISTORS GROUP					
R372	00D9630215907	R,METAL FILM 4.7-J,1W		C0604R7065050S	
R391,392	00D9609009270	R,METAL FILM 470-J,2W		C060047166520S	
CAPACITORS GROUP					
C301	00D9630293602	C,ELECT 1UF-M/50V (Pb Free)		D040010087150S	
C302	nsp	C,CERAMIC 0.047UF-Z/50V		D011473597160S	
C303	00D9639005862	C,ELECT 47UF-M/16V		D040470083080S	
C304	nsp	C,CERAMIC UP025 F473Z-B-BZ		D005473597521S	
C305	nsp	C,FILM 0.1UF-J/100V		D02010406C060S	
C306	nsp	C,CERAMIC 0.01UF-K/50V		D010103777160S	
C311	nsp	C,FILM 0.1UF-J/100V		D02010406C060S	
C312	00D9630234205	C,ELECT 10UF-M/50V		D040100087070S	
C313	nsp	C,CERAMIC COG30PF-J/50V		D010300167160S	
C314	00D9630276409	C,ELECT 100UF-M/16V		D040101083090S	
C315	nsp	C,FILM 0.1UF-J/100V		D02010406C060S	
C317	00D9630234205	C,ELECT 10UF-M/50V		D040100087070S	

Ref. No.	Part No.	Part Name	Remarks		Q'ty	New
C318,319	nsp	C,CERAMIC F0.1UF-Z/50V		D006104597050S		
C320	00D9630293602	C,ELECT 1UF-M/50V (Pb Free)		D040010087150S		
C321	nsp	C,CERAMIC F0.1UF-Z/50V		D006104597050S		
C322-324	nsp	C,CERAMIC 100PF-J/50V		D010101167160S		
C325	nsp	C,CERAMIC 0.01UF-K/50V		D010103777160S		
C326,327	nsp	C,CERAMIC 330PF-J/50V		D010331167160S		
C328	nsp	C,CERAMIC X7R0.047UF-K/16V		D011473773160S		
C329	00D9630234205	C,ELECT 10UF-M/50V		D040100087070S		
C330	nsp	C,CERAMIC X7R0.047UF-K/16V		D011473773160S		
C331	00D9630234205	C,ELECT 10UF-M/50V		D040100087070S		
C332,333	00D9630293602	C,ELECT 1UF-M/50V (Pb Free)		D040010087150S		
C334	nsp	C,CERAMIC 0.1UF-K/50V		D011104577160S		
C335	00D9630324607	C,ELECT 47UF-M/10V (Pb Free)		D040470082060S		
C336	nsp	C,CERAMIC COG22PF-J/50V		D010220167160S		
C337	nsp	C,FILM 0.1UF-J/100V		D02010406C060S		
C338	nsp	C,CERAMIC 100PF-J/50V		D010101167160S		
C339	nsp	C,CERAMIC 0.1UF-K/50V		D011104577160S		
C340	00D9630293602	C,ELECT 1UF-M/50V (Pb Free)		D040010087150S		
C341	nsp	C,CERAMIC 91PF-J/50V		D010910167160S		
C342	00D9630293602	C,ELECT 1UF-M/50V (Pb Free)		D040010087150S		
C343	nsp	C,CERAMIC UP025 F473Z-B-BZ		D005473597521S		
C344	nsp	C,CERAMIC 0.1UF-K/50V		D011104577160S		
C345	nsp	C,CERAMIC UP025 B101K-B-BZ		D005101177521S		
C347	nsp	C,CERAMIC 0.1UF-K/50V		D011104577160S		
C348	nsp	C,CERAMIC 91PF-J/50V		D010910167160S		
C349	00D9630234205	C,ELECT 10UF-M/50V		D040100087070S		
C350	nsp	C,FILM ST-0.01UF-J/100V		D02010306C060S		
C352	nsp	C,FILM ST-0.01UF-J/100V		D02010306C060S		
C353	00D9630293602	C,ELECT 1UF-M/50V (Pb Free)		D040010087150S		
C354	nsp	C,CERAMIC X7R0.047UF-K/16V		D011473773160S		
C355	00D9630382306	C,ELECT 470UF-M/63V		D040471088010S		
C356	00D9639003097	C,FILM 0.1UF-K/250V		D02010407H080S		
C357	00D9630293602	C,ELECT 1UF-M/50V (Pb Free)		D040010087150S		
C358	00D9639003097	C,FILM 0.1UF-K/250V		D02010407H080S		
C359	nsp	C,CERAMIC X7R0.047UF-K/16V		D011473773160S		
C360,361	nsp	C,CERAMIC 1000PF-K/50V		D011102777160S		
C362-364	00D9630021900	C,FILM 0.047UF-J/100V		D02047306C060S		
C370	nsp	C,CERAMIC 0.01UF-K/50V		D010103777160S		
C371	nsp	C,CERAMIC 0.047UF-Z/50V		D011473597160S		
C372	nsp	C,CERAMIC 0.01UF-K/50V		D010103777160S		
C373	nsp	C,CERAMIC 0.047UF-Z/50V		D011473597160S		
C382,383	nsp	C,CERAMIC 0.01UF-K/50V		D010103777160S		
OTHERS PARTS GROUP						
BD301	963115003230S	COIL,BEAD CBW160808U121T		D340160811210S		
BD302	nsp	R,THICK 0-J,1/16W		C20000006M160S		
BD303,304	nsp	R,CHIP 1-J,1/16W		C20000106M160S		
BD305,306	963115003230S	COIL,BEAD CBW160808U121T		D340160811210S		
BD307	nsp	R,THICK 0-J,1/16W		C20000006M160S		
BD308	963115003230S	COIL,BEAD CBW160808U121T		D340160811210S		
CB301,302	nsp	R,THICK 0-J,1/16W		C20000006M160S		
CN301	nsp	CN,WIRE 2P		L000401020050S		
CN303	nsp	CN.WAFER 3P		L101200100310S		

Ref. No.	Part No.	Part Name	Remarks		Q'ty	New
CN304	nsp	CN,WIRE 3P		L000500030051S		
CN305	nsp	CN.WAFER 4P		L101200100410S		
CN306A	nsp	CN.WAFER 5P		L101100030510S		
CN307	nsp	CN,WIRE 10P		L000700100031S		
CN307A	nsp	CN.WAFER 5P		L101100030510S		
CN308A	nsp	CN.WAFER 7P		L101100040710S		
CN309	nsp	CN.WAFER 11P		L101200101120S		
CN309A	nsp	CN.WAFER 7P		L101100030710S		
CN541	nsp	CN.WAFER 3P		L101200100310S		
CP301	nsp	CN.WAFER 4P		L102526800400S		
CP301B	00D9630368506	CN.FPC 35P		L131103500010S		
CP302	nsp	CN.WAFER 3P		L102526803010S		
CP304	nsp	CN.WAFER 3P		L101200100310S		
CP306A	nsp	CN.WAFER 5P		L101100040510S		
CP307	nsp	CN.WAFER 10P STRAIGHT		L101200101010S		
CP307A	nsp	CN.WAFER 5P		L101100040510S		
CP308A	nsp	CN.WAFER 7P		L101100030710S		
CP309	nsp	CN,WIRE 11P		L002700110020S		
CP309A	nsp	CN.WAFER 7P		L101100040710S		
G301	nsp	RING,TER WIRE 120MM/1P		8410121010060S		
G303	nsp	RING,TER WIRE 90MM/1P		8410900010020S		
JACK309	963643005060S	JACK DIN-420G (1 Pin)		G403420G00000S		
JACK310	00D9630158200	JACK,D3.5 (PJ-323-4)(MIC)BK		G40132340000YS		
JACK311	963643005070S	TER,RCA 3PIN RCA-303G-05		G606303G0500YS		
JK302	00D9630294708	JACK,D6.5 PHONE		G402PJ612AG0YS		
L301	nsp	COIL INDUCTOR 100UH		D330101001020S		
L365	nsp	COIL INDUCTOR 4.7UH		D3304R7000150S		
RMC301	00D9630217808	MODULE,REMOCON NJL34H380A		E940343800010S		
SW301	00D9630145802	SW,PUSH SDDL-005-S(C-UL)		G000122006060S		
SW301A	00D9630095305	SW,TACT SKHV10910D01		G180040500010S		
SW301B	00D9630095305	SW,TACT SKHV10910D01		G180040500010S		
SW301C	00D9630095305	SW,TACT SKHV10910D01		G180040500010S		
SW302A	00D9630095305	SW,TACT SKHV10910D01		G180040500010S		
SW302B	00D9630095305	SW,TACT SKHV10910D01		G180040500010S		
SW302C	00D9630095305	SW,TACT SKHV10910D01		G180040500010S		
SW303A	00D9630095305	SW,TACT SKHV10910D01		G180040500010S		
SW303B	00D9630095305	SW,TACT SKHV10910D01		G180040500010S		
SW303C	00D9630095305	SW,TACT SKHV10910D01		G180040500010S		
SW304A	00D9630095305	SW,TACT SKHV10910D01		G180040500010S		
SW304B	00D9630095305	SW,TACT SKHV10910D01		G180040500010S		
SW304C	00D9630095305	SW,TACT SKHV10910D01		G180040500010S		
SW305A	00D9630095305	SW,TACT SKHV10910D01		G180040500010S		
SW305B	00D9630095305	SW,TACT SKHV10910D01		G180040500010S		
SW305C	00D9630095305	SW,TACT SKHV10910D01		G180040500010S		
SW306A	00D9630095305	SW,TACT SKHV10910D01		G180040500010S		
SW306B	00D9630095305	SW,TACT SKHV10910D01		G180040500010S		
SW306C	00D9630095305	SW,TACT SKHV10910D01		G180040500010S		
SW307A	00D9630095305	SW,TACT SKHV10910D01		G180040500010S		
SW307B	00D9630095305	SW,TACT SKHV10910D01		G180040500010S		

	Ref. No.	Part No.	Part Name	Remarks		Q'ty	New
	SW307C	00D9630095305	SW,TACT SKHV10910D01		G180040500010S		
	SW308A	00D9630095305	SW,TACT SKHV10910D01		G180040500010S		
	SW308B	00D9630095305	SW,TACT SKHV10910D01		G180040500010S		
	SW308C	00D9630095305	SW,TACT SKHV10910D01		G180040500010S		
	VEC301	00D9630095305	SW,ENCODER EC16B24SO		G121162400070S		
	VEC303	00D9630095305	SW,ENCODER EC16B24SO		G121162400070S		
	FLT301	963172004670D	DISPLAY,FLT 19-ST-03GINK		K530190030010S		
		nsp	HOLDER FLT		4320210536000S		

PCB 2CH ASS'Y

Ref. No.	Part No.	Part Name	Remarks	Q'ty	New
SEMICONDUCTORS GROUP					
Q401SBL	00D9630235301	TR 2SD2560Y		J5032560Y0170S	
Q401SBR	00D9630235301	TR 2SD2560Y		J5032560Y0170S	
Q402SBL	00D9630235204	TR 2SB1647Y		J5011647Y0170S	
Q402SBR	00D9630235204	TR 2SB1647Y		J5011647Y0170S	
Q403SBL	963219003340S	TR KTC3964		J502396400010S	
Q403SBR	963219003340S	TR 2SC KTC3964		J502396400010S	
Q404SBL	00D2730471907	TR 2SC KTC3206Y		J5023206Y0050S	
Q404SBR	00D2730471907	TR 2SC KTC3206Y		J5023206Y0050S	
Q406SBL	00D9600196302	TR KTA1268BL		J5001268B0050S	
Q406SBR	00D9600196302	TR KTA1268BL		J5001268B0050S	
Q407SBL	00D9600196302	TR KTA1268BL		J5001268B0050S	
Q407SBR	00D9600196302	TR KTA1268BL		J5001268B0050S	
Q408SBL	00D9600196700	TR KTC3200BL		J5023200B0050S	
Q408SBR	00D9600196700	TR KTC3200BL		J5023200B0050S	
Q409SBL	00D2710318909	TR 2SA 2N5401S		J520254010010S	
Q409SBR	00D2710318909	TR 2SA 2N5401S		J520254010010S	
Q411	00D2710314903	TR 2SA KTA1024Y		J5001024Y0050S	
Q412,413	00D2730471907	TR 2SC KTC3206Y		J5023206Y0050S	
Q414	00D2710314903	TR 2SA KTA1024Y		J5001024Y0050S	
D401SBL	00D9630355401	D,SWITCHING KDS4148U		K005041480030S	
D401SBR	00D9630355401	D,SWITCHING KDS4148U		K005041480030S	
D402	00D9630020309	D,SWITCHING 1SS133T		K000013300520S	
D402SBL	00D9630355401	D,SWITCHING KDS4148U		K005041480030S	
D402SBR	00D9630355401	D,SWITCHING KDS4148U		K005041480030S	
D403,404	00D9630020309	D,SWITCHING 1SS133T		K000013300520S	
D405,406	00D9630355401	D,SWITCHING KDS4148U		K005041480030S	
D406SBL	00D9630020309	D,SWITCHING 1SS133T		K000013300520S	
D406SBR	00D9630020309	D,SWITCHING 1SS133T		K000013300520S	
D407-411	00D9630020309	D,SWITCHING 1SS133T		K000013300520S	
D2270,2271	00D9600197107	D,RECTIFIER BRIDGE KBPC604		K047604000020S	
ZD401SBL	00D9630367008	D,ZENER 0.2W 3.3V UHZ		K06603R34P400S	
ZD401SBR	00D9630367008	D,ZENER 0.2W 3.3V UHZ		K06603R34P400S	
ZD402SBL	00D9630382209	D,ZENER 0.2W 3.0V UHZ		K06603R04P400S	
ZD402SBR	00D9630382209	D,ZENER 0.2W 3.0V UHZ		K06603R04P400S	
RESISTORS GROUP					
R410SBL	nsp	R,METAL FILM 1K-J,1W		C060010265050S	
R410SBR	nsp	R,METAL FILM 1K-J,1W		C060010265050S	
R411SBL	nsp	R,METAL FILM 270-J,1W		C060027165060S	
R411SBR	nsp	R,METAL FILM 270-J,1W		C060027165060S	
R419SBL	nsp	R,METAL FILM 22-J,1W		C060022065060S	
R419SBR	nsp	R,METAL FILM 22-J,1W		C060022065060S	
R420SBL	nsp	R,METAL FILM 22-J,1W		C060022065060S	
R420SBR	nsp	R,METAL FILM 22-J,1W		C060022065060S	
R421SBL	00D9630345903	R,FIXED 2WJ-0.47		N113136647820S	
R421SBR	00D9630345903	R,FIXED 2WJ-0.47		N113136647820S	
R422SBL	00D9630345903	R,FIXED 2WJ-0.47		N113136647820S	
R422SBR	00D9630345903	R,FIXED 2WJ-0.47		N113136647820S	
R423SBL	00D9630345903	R,FIXED 2WJ-0.47		N113136647820S	
R423SBR	00D9630345903	R,FIXED 2WJ-0.47		N113136647820S	
R424SBL	00D9630345903	R,FIXED 2WJ-0.47		N113136647820S	
R424SBR	00D9630345903	R,FIXED 2WJ-0.47		N113136647820S	
R429SBL	00D9639006256	R,FIXED 1WJ-10		N113135610020S	

Ref. No.	Part No.	Part Name	Remarks		Q'ty	New
R429SBR	00D9639006256	R, FIXED 1WJ-10		N113135610020S		
R440SBL	963252004160S	POSISTOR 18BC471QB5RB		F320184710050S		
R440SBR	963252004160S	POSISTOR 18BC471QB5RB		F320184710050S		
R452,453	nsp	R,METAL FILM 15K-J,2W		C060015366050S		
VR401,402	00D9630366407	VR,SEMI CARBON EVN-DCAA03B 1KB		C541102315000S		
CAPACITORS GROUP						
C402SBL	00D9630234205	C,ELECT 10UF-M/50V		D040100087070S		
C402SBR	00D9630234205	C,ELECT 10UF-M/50V		D040100087070S		
C403SBL	nsp	C,CERAMIC 220PF-J/500V		D00422106D05CS		
C403SBR	nsp	C,CERAMIC 220PF-J/500V		D00422106D05CS		
C404SBL	nsp	C,CERAMIC 470PF-K/500V		D00447127D050S		
C404SBR	nsp	C,CERAMIC 470PF-K/500V		D00447127D050S		
C405SBL	00D9630216100	C,CERAMIC 33PF-J/500V		D00033006D050S		
C405SBR	00D9630216100	C,CERAMIC 33PF-J/500V		D00033006D050S		
C406SBL	00D9630293709	C,ELECT 100UF-M/10V		D040101082070S		
C406SBR	00D9630293709	C,ELECT 100UF-M/10V		D040101082070S		
C407SBL	nsp	C,FILM 0.0022UF-J/100V		D02022206C060S		
C407SBR	nsp	C,FILM 0.0022UF-J/100V		D02022206C060S		
C410SBL	00D9630234205	C,ELECT 10UF-M/50V		D040100087070S		
C410SBR	00D9630234205	C,ELECT 10UF-M/50V		D040100087070S		
C415	00D9630234302	C,ELECT 10UF-M/100V		D04010008C050S		
C415SBL	nsp	C,CERAMIC 0.1UF-K/50V		D011104577160S		
C415SBR	nsp	C,CERAMIC 0.1UF-K/50V		D011104577160S		
C416-418	00D9630234302	C,ELECT 10UF-M/100V		D04010008C050S		
C419	00D9630234205	C,ELECT 10UF-M/50V		D040100087070S		
C420	00D9630234302	C,ELECT 10UF-M/100V		D04010008C050S		
C421	nsp	C,CERAMIC 1000PF-K/50V		D011102777160S		
C440	nsp	C,CERAMIC SL5PF-C/250V		D00005000H060S		
C441	00D9630216100	C,CERAMIC 33PF-J/500V		D00033006D050S		
C442	nsp	C,CERAMIC SL5PF-C/250V		D00005000H060S		
C443	00D9630216100	C,CERAMIC 33PF-J/500V		D00033006D050S		
C444,445	nsp	C,CERAMIC 470PF-K/500V		D00447127D050S		
C2279	00D9630382403	C,ELECT 15000UF-M/16V		D040153083000S		
C2280	00D9639003097	C,FILM 0.1UF-K/250V		D02010407H080S		
OTHERS PARTS GROUP						
CN201	nsp	CN,WIRE 3P		L002271030020S		
CN2270	nsp	CN,WIRE 4P		L000201040180S		
CP102B	nsp	CN.WAFER 3P		L102526700300S		
CP201	nsp	CN.WAFER 7P		L101200100710S		
CP708	nsp	CN.WAFER 3P		L101200100310S		
CP2270	nsp	CN.WAFER 5P		L102526700500S		
⚠ F2001	00D9630104801	FUSE T3.15A /250V		N751223151110S		
F2001A	nsp	HOLDER,FUSE CLIP		G645000050010S		
F2001B	nsp	HOLDER,FUSE CLIP		G645000050010S		
⚠ F2002	00D9630104801	FUSE T3.15A /250V		N751223151110S		
F2002A	nsp	HOLDER,FUSE CLIP		G645000050010S		
F2002B	nsp	HOLDER,FUSE CLIP		G645000050010S		
L401SBL	00D9630049005	COIL INDUCTOR 0.5UH		D330R50000000S		
L401SBR	00D9630049005	COIL INDUCTOR 0.5UH		D330R50000000S		
TP401,402	nsp	CN.WAFER 3P		L101530150310S		

PCB INPUT ASS'Y

Ref. No.	Part No.	Part Name	Remarks	Q'ty	New
SEMICONDUCTORS GROUP					
IC700	963239000650S	IC R2A15218FP		J084152180010S	
IC706,707	963239001880S	IC AZ4580M		J121458000020S	
IC715	00D9630024004	IC NJM2068M		J121206800020S	
IC806	963239001880S	IC AZ4580M		J121458000020S	
Q700-707	00D9630044301	TR KTC2875B(MB)		J5222875B0010S	
ZD700	00D9600222603	D,ZENER MTZJ7.5A		K06007R544530S	
ZD702	00D9600222603	D,ZENER MTZJ7.5A		K06007R544530S	
RESISTORS GROUP					
R844,845	963125004330S	R,METAL FILM 82-J,1W		C060082065050S	
R857,858	00D9639005639	R,METAL FILM 100-J,1W		C060010165060S	
CAPACITORS GROUP					
C700-709	nsp	C,CERAMIC 330PF-J/50V		D010331167160S	
C710-719	00D9630234205	C,ELECT 10UF-M/50V		D040100087070S	
C750-753	nsp	C,CERAMIC 20PF-J/50V		D010200167160S	
C754-757	00D9630234205	C,ELECT 10UF-M/50V		D040100087070S	
C758-761	nsp	C,CERAMIC X7R0.047UF-K/16V		D011473773160S	
C766-769	00D9630234205	C,ELECT 10UF-M/50V		D040100087070S	
C770-777	nsp	C,CERAMIC 330PF-J/50V		D010331167160S	
C778-785	00D9630234205	C,ELECT 10UF-M/50V		D040100087070S	
C810-817	00D9630234205	C,ELECT 10UF-M/50V		D040100087070S	
C818-825	nsp	C,CERAMIC 2200PF-K/50V		D011222777160S	
C837-844	00D9639005820	C,ELECT 22UF-M/16V		D040220083070S	
C848-853	00D9630234205	C,ELECT 10UF-M/50V		D040100087070S	
C854,855	00D9639006214	C,ELECT 3.3UF-M/50V		D0403R3087050S	
C856,857	00D9630293709	C,ELECT 100UF-M/10V		D040101082070S	
C858,859	nsp	C,CERAMIC 100PF-J/50V		D010101167160S	
C860-867	00D9630234205	C,ELECT 10UF-M/50V		D040100087070S	
C868,869	00D9639005862	C,ELECT 47UF-M/16V		D040470083080S	
C884	nsp	C,CERAMIC 330PF-J/50V	E1C	D010331167160S	
C885	00D9630234205	C,ELECT 10UF-M/50V	E1C	D040100087070S	
C888	nsp	C,CERAMIC 220PF-J/50V		D010221167160S	
C888L	nsp	C,CERAMIC X7R0.047UF-K/16V		D011473773160S	
C888R	nsp	C,CERAMIC X7R0.047UF-K/16V		D011473773160S	
C889	00D9630223009	R,THICK 0-J,1/16W		C20000006M160S	
C889L	00D9609010010	C,ELECT 4.7UF-M/50V		D0404R7087250S	
C889R	00D9609010010	C,ELECT 4.7UF-M/50V		D0404R7087250S	
C890	nsp	C,CERAMIC 220PF-J/50V		D010221167160S	
C890L	nsp	C,FILM POLYESTER ST-0.0068UF-J/100V		D02068206C060S	
C890R	nsp	C,FILM POLYESTER ST-0.0068UF-J/100V		D02068206C060S	
C891	00D9630223009	R,THICK 0-J,1/16W		C20000006M160S	
C891L	nsp	C,FILM POLYESTER M1-0.024UF-J/50V		D020243167050S	
C891R	nsp	C,FILM POLYESTER M1-0.024UF-J/50V		D020243167050S	
C892	00D9630223009	R,THICK 0-J,1/16W		C20000006M160S	
C892L	nsp	C,CERAMIC 100PF-J/50V		D010101167160S	
C892R	nsp	C,CERAMIC 100PF-J/50V		D010101167160S	
C893	nsp	C,CERAMIC 220PF-J/50V		D010221167160S	
C893L	00D9639006557	C,ELECT 220UF-M/6.3V		D040221081060S	
C893R	00D9639006557	C,ELECT 220UF-M/6.3V		D040221081060S	

Ref. No.	Part No.	Part Name	Remarks		Q'ty	New
C894	nsp	C,CERAMIC 220PF-J/50V		D010221167160S		
C894L	00D9630234205	C,ELECT 10UF-M/50V		D040100087070S		
C894R	00D9630234205	C,ELECT 10UF-M/50V		D040100087070S		
C895	00D9630223009	R,THICK 0-J,1/16W		C20000006M160S		
C895L	nsp	C,CERAMIC 330PF-J/50V		D010331167160S		
C895R	nsp	C,CERAMIC 330PF-J/50V		D010331167160S		
C896	00D9630223009	R,THICK 0-J,1/16W		C20000006M160S		
C906	nsp	C,CERAMIC 330PF-J/50V	E1C	D010331167160S		
C907	00D9630234205	C,ELECT 10UF-M/50V	E1C	D040100087070S		
C910,911	00D9630234205	C,ELECT 10UF-M/50V		D040100087070S		
OTHERS PARTS GROUP						
CN515	nsp	CN,WIR 14P		L002161140060S		
CN701	nsp	CN.HOUSING 10P		L120912100010S		
CN702	nsp	CN.FPC 23P		L130100112310S		
CN703	nsp	CN.HOUSING 11P		L120912110010S		
CN704	nsp	CN.FPC19P		L130100111910S		
CN705	nsp	CN.HOUSING 10P		L120912100010S		
CN708	nsp	CN,WIRE 3P		L000151030011S		
CN709	nsp	CN.WAFER 15P		L101100031510S		
CP303	nsp	CN,WIRE 3P		L000481030061S		
CP701	nsp	CN,WIRE 8P	E2, EA	L002101080120S		
CP702	nsp	CN,WIRE 15P	E2, EA	L000900150010S		
CP706	nsp	CN.WAFER 9P		L101100040910S		
JACK701	00D9630132307	TER,RCA 6PIN		G603603B05000S		
JACK702,703	00D9630132103	TER,RCA 4PIN		G602405B0400YS		
JACK704	90M-YT004640R	MODULE JSR1165-C		G601207AE020YS		
JACK705	00D9630388203	TER,RCA 4PIN		G602405B5500YS		
JACK706	00D9630132103	TER,RCA 4PIN		G602405B0400YS		
JACK707	90M-YT004640R	MODULE JSR1165-C	E1C	G601207AE020YS		
L700,701	nsp	COIL,CHOKE 7BR-K251000BSP-KR (FTZ)	E2, EA	D300700000030S		
	nsp	CLAMP WIRE(SOLDER)		4330000120000S		

PCB VIDEO ASS'Y

Ref. No.	Part No.	Part Name	Remarks	Q'ty	New
SEMICONDUCTORS GROUP					
IC2002-2004 IC2005,2006 IC2014,2015 IC2016	00D2623445901 232810005504S 00D2623446900 00D2623756904	IC TC4051BFT IC BD7628F-E2 IC TC4052BFT IC LA73053		J040405101010S J127762800010S J040405201010S J127730530010S	
IC2019 IC2021,2022 IC2023 IC2024 IC2025,2026	00D9630218807 00D9630327604 00D2623551002 00D2623755905 00D2622813903	IC BU4094BCF-E2 IC NJM2581M IC NJW1321FP1 IC LA73062V-TLM-E SN74AHCT08PW-EL2 +C		J040140940030S J127258100010S J171132100010S J127730620010S J040740800190S	
Q2001-2004 Q2005,2006 Q2010 Q2011	00D9630120801 00D9630148508 00D9630120801 00D9630121606	TR KRC102S TRKTA1504S TR KRC102S TR KRC107S		J522010200210S J520015040150S J522010200210S J522107S00210S	
Q2012 Q2013-2015 Q2016-2018 Q2019-2021	00D9630148508 00D9630044301 00D9630121402 00D9600285006	TRKTA1504S TR KTC2875B(MB) TR 2SA KRA104S R1 TR KRC104S		J520015040150S J5222875B0010S J520010400210S J522104S00210S	
D2001-2004 D2014 D2018	00D9630355401 00D9630355401 00D9630355401	D,SWITCHING KDS4148U D,SWITCHING KDS4148U D,SWITCHING KDS4148U		K005041480030S K005041480030S K005041480030S	
CAPACITORS GROUP					
C658 C2001 C2002 C2003-2006	nsp 00D9630276409 nsp nsp	C,CERAMIC 0.1UF-K/50V C,ELECT 100UF-M/16V C,CERAMIC 0.01UF-K/50V C,CERAMIC 0.047UF-Z/50V		D011104577160S D040101083090S D010103777160S D011473597160S	
C2008 C2009,2010 C2011,2012 C2013,2014 C2015,2016	00D9630276409 00D9630294203 nsp 00D9630293602 nsp	C,ELECT 100UF-M/16V C,ELECT 33UF-M/16V C,CERAMIC 0.1UF-K/50V C,ELECT 1UF-M/50V (Pb Free) C,CERAMIC 0.047UF-Z/50V		D040101083090S D040330083050S D011104577160S D040010087150S D011473597160S	
C2017-2020 C2022 C2023-2026 C2029 C2057	nsp 00D9630276409 nsp nsp nsp	C,CERAMIC 0.01UF-K/50V C,ELECT 100UF-M/16V C,CERAMIC 0.01UF-K/50V C,CERAMIC 0.01UF-K/50V C,CERAMIC 0.1UF-K/50V		D010103777160S D040101083090S D010103777160S D010103777160S D011104577160S	
C2059 C2061,2062 C2063 C2064 C2065,2066	nsp nsp 00D9630294203 nsp nsp	C,CERAMIC 0.01UF-K/50V C,CERAMIC 0.1UF-K/50V C,ELECT 33UF-M/16V C,CERAMIC 0.1UF-K/50V C,CERAMIC 0.01UF-K/50V		D010103777160S D011104577160S D040330083050S D011104577160S D010103777160S	
C2067 C2068 C2069,2070 C2073 C2074	00D9630294203 nsp nsp nsp 00D9630276409	C,ELECT 33UF-M/16V C,CERAMIC 0.1UF-K/50V C,CERAMIC 0.01UF-K/50V C,CERAMIC 0.1UF-K/50V C,ELECT 100UF-M/16V		D040330083050S D011104577160S D010103777160S D011104577160S D040101083090S	
C2075 C2076 C2084 C2086 C2102	nsp 00D9630276409 00D9630294203 nsp 00D9630234205	C,CERAMIC 0.1UF-K/50V C,ELECT 100UF-M/16V C,ELECT 33UF-M/16V C,CERAMIC 0.01UF-K/50V C,ELECT 10UF-M/50V		D011104577160S D040101083090S D040330083050S D010103777160S D040100087070S	

	Ref. No.	Part No.	Part Name	Remarks		Q'ty	New
	C2103	00D9630276409	C,ELECT 100UF-M/16V		D040101083090S		
	C2104	nsp	C,CERAMIC 0.01UF-K/50V		D010103777160S		
	C2105	00D9630276409	C,ELECT 100UF-M/16V		D040101083090S		
	C2106-2108	nsp	C,CERAMIC 0.1UF-K/50V		D011104577160S		
	C2109	nsp	C,CERAMIC 0.01UF-K/50V		D010103777160S		
	C2110	00D9630234205	C,ELECT 10UF-M/50V		D040100087070S		
	C2111	nsp	C,CERAMIC 0.1UF-K/50V		D011104577160S		
	C2112,2113	nsp	C,CERAMIC 0.01UF-K/50V		D010103777160S		
	C2114	00D9630276409	C,ELECT 100UF-M/16V		D040101083090S		
	C2115	nsp	C,CERAMIC 0.01UF-K/50V		D010103777160S		
	C2116	00D9630234205	C,ELECT 10UF-M/50V		D040100087070S		
	C2117	nsp	C,CERAMIC 0.01UF-K/50V		D010103777160S		
	C2118,2119	00D9630294203	C,ELECT 33UF-M/16V		D040330083050S		
	C2120	00D9630276409	C,ELECT 100UF-M/16V		D040101083090S		
	C2121,2122	00D9630234205	C,ELECT 10UF-M/50V		D040100087070S		
	C2123	00D9630276409	C,ELECT 100UF-M/16V		D040101083090S		
	C2124,2125	nsp	C,CERAMIC 0.01UF-K/50V		D010103777160S		
	C2126	nsp	C,CERAMIC 0.1UF-K/50V		D011104577160S		
	C2127	nsp	C,CERAMIC 0.01UF-K/50V		D010103777160S		
	C2128	00D9630234205	C,ELECT 10UF-M/50V		D040100087070S		
	C2129	00D9630293602	C,ELECT 1UF-M/50V (Pb Free)		D040010087150S		
	C2130	nsp	C,CERAMIC 0.01UF-K/50V		D010103777160S		
	C2131	00D9630276409	C,ELECT 100UF-M/16V		D040101083090S		
	C2132,2133	nsp	C,CERAMIC 0.01UF-K/50V		D010103777160S		
	C2134,2135	00D9630294203	C,ELECT 33UF-M/16V		D040330083050S		
	C2136	00D9630276409	C,ELECT 100UF-M/16V		D040101083090S		
	C2137,2138	nsp	C,CERAMIC 0.1UF-K/50V		D011104577160S		
	C2139	00D9630276409	C,ELECT 100UF-M/16V		D040101083090S		
	C2140-2143	nsp	C,CERAMIC 0.1UF-K/50V		D011104577160S		
	C2144,2145	00D9630234205	C,ELECT 10UF-M/50V		D040100087070S		
	C2146	nsp	C,CERAMIC 0.047UF-Z/50V		D011473597160S		
	C2147	00D9630234205	C,ELECT 10UF-M/50V		D040100087070S		
	C2148	nsp	C,CERAMIC 0.047UF-Z/50V		D011473597160S		
	C2149	nsp	C,CERAMIC 0.01UF-K/50V		D010103777160S		
	C2150	00D9630293602	C,ELECT 1UF-M/50V (Pb Free)		D040010087150S		
	C2151	nsp	C,CERAMIC 0.047UF-Z/50V		D011473597160S		
	C2152	nsp	C,CERAMIC 220PF-J/50V		D010221167160S		
	C2155	00D9630338402	C,ELECT 330UF-M/6.3V		D040331081050S		
	C2156-2160	nsp	C,CERAMIC 0.1UF-K/50V		D011104577160S		
	C2161	00D9630293903	C,ELECT 1000UF-M/6.3V		D040102081070S		
	C2163	00D9630338402	C,ELECT 330UF-M/6.3V		D040331081050S		
	C2164,2165	nsp	C,CERAMIC 0.1UF-K/50V		D011104577160S		
	C2166,2167	963134005080S	C,ELECT 100UF-M/10V		D041101062050S		
	C2168	nsp	C,CERAMIC 0.01UF-K/50V		D011103777160S		
	C2169	00D9639005862	C,ELECT 47UF-M/16V		D040470083080S		
	C2170,2171	nsp	C,CERAMIC 0.1UF-K/50V		D011104577160S		
	C2172	963134005080S	C,ELECT 100UF-M/10V		D041101062050S		
	C2173	nsp	C,CERAMIC 0.01UF-K/50V		D011103777160S		
	C2174-2176	00D9630276409	C,ELECT 100UF-M/16V		D040101083090S		
	C2179-2182	nsp	C,CERAMIC 0.1UF-K/50V		D011104577160S		
OTHERS PARTS GROUP							
	BD2001,2002	00D9630223009	R,THICK 0-J,1/16W		C20000006M160S		
	CN1231	nsp	CN.WAFER 5P		L101100030510S		

	Ref. No.	Part No.	Part Name	Remarks		Q'ty	New
	CN2001	nsp	CN.WAFER 11		L101100031110S		
	CN2005	nsp	CN.WAFER 9P		L101100030910S		
	CP2007	nsp	CN.WAFER 5P		L101100040510S		
	CY111	nsp	CN.FPC 11P		L130100111110S		
	CY121	nsp	CN.FPC 12P		L130100111210S		
	CY141	nsp	CN.FPC 14P		L130100111410S		
	CY151	nsp	CN.FPC 15P		L130100111510S		
		963643005090S	TER,RCA 1PIN		G600107AY000YS		
		00D9630218001	TER,RCA 2PIN		G60122001000YS		
		963643003180S	TER,RCA 9PIN		G607902AD016YS		

PCB CPU ASS'Y

Ref. No.	Part No.	Part Name	Remarks	Q'ty	New
SEMICONDUCTORS GROUP					
IC38	00D2622813903	SN74AHCT08PW-EL2 +C			
IC801	00D9630326906	IC LC72722PM-TLM-E	2310E2		
IC802	963243005240D	IC M30879FLBFP			
IC803	00D9630367307	IC SN74AHC04PWR			
IC804	00D9630244907	IC SN74LV14APWR			
IC805	00D2622813903	IC SN74AHCT08PW-EL2 +C			
IC806-808	00D2622517908	IC SN74LVO8APW-EL2			
Q804	00D9630327808	TR KTA1281Y			
Q805	00D9630120801	TR KRC102S	2310E2,E3		
Q806	00D9630120704	TR KRA102S			
Q807,808	00D9630121509	TR KTC3875S			
Q809-812	00D9630044301	TR KTC2875B(MB)	2310E2,E3		
D800-802	00D9630355401	D,SWITCHING KDS4148U			
D803	00D9630328409	D,SWITCHING 1N4007			
D804,805	00D9630355401	D,SWITCHING KDS4148U			
D806,807	00D9630245100	D,SWITCHING KDS226ST1(C3)			
D808	00D9630355401	D,SWITCHING KDS4148U			
D809-811	963209003510S	D,ESD CDS3C05HDMI1			
D812,813	00D9630355401	D,SWITCHING KDS4148U			
ZD800	00D9630047502	D,ZENER MTZJ3.3B			
RESISTORS GROUP					
R887	00D9639005639	R,METAL FILM 100-J,1W			
CAPACITORS GROUP					
C658,659	nsp	C,CERAMIC 0.1UF-K/50V			
C804	nsp	C,CERAMIC 0.1UF-K/50V			
C805-810	nsp	C,CERAMIC 100PF-J/50V			
C813	nsp	C,CERAMIC 560PF-J/50V	2310E2		
C814	00D9630234205	C,ELECT 10UF-M/50V	2310E2		
C815	00D9639005862	C,ELECT 47UF-M/16V	2310E2		
C816,817	nsp	C,CERAMIC 27PF-J/50V	2310E2		
C818	nsp	C,CERAMIC 330PF-J/50V	2310E2		
C819	nsp	C,CERAMIC 0.01UF-K/50V	2310E2		
C820	nsp	C,CERAMIC 0.022UF-K/25V			
C821,822	nsp	C,CERAMIC 0.1UF-K/50V			
C823	00D9630293709	C,ELECT 100UF-M/10V			
C824	nsp	C,CERAMIC 0.01UF-K/50V			
C825	nsp	C,CERAMIC 0.1UF-K/50V			
C826	nsp	C,CERAMIC 0.1UF-K/50V	E2, E3, EA		
C827	nsp	C,CERAMIC 0.022UF-K/25V			
C830	00D9609010010	C,ELECT 4.7UF-M/50V			
C831	nsp	C,CERAMIC 0.1UF-K/50V			
C832	nsp	C,CERAMIC 0.01UF-K/50V			
C837	00D9639005862	C,ELECT 47UF-M/16V			
C838	nsp	C,CERAMIC 0.1UF-K/50V			
C840	00D9639005862	C,ELECT 47UF-M/16V			
C841	nsp	C,CERAMIC 0.1UF-K/50V			
C843,844	nsp	C,CERAMIC 0.1UF-K/50V			
C845	00D9639005862	C,ELECT 47UF-M/16V			
C846	nsp	C,CERAMIC 0.1UF-K/50V			

Ref. No.	Part No.	Part Name	Remarks		Q'ty	New
C848	00D9609010010	C,ELECT 4.7UF-M/50V		D0404R7087250S		
C849	nsp	C,CERAMIC 0.1UF-K/50V		D011104577160S		
C850	00D9609010010	C,ELECT 4.7UF-M/50V		D0404R7087250S		
C851	nsp	C,CERAMIC 0.1UF-K/50V		D011104577160S		
C852	00D9609010010	C,ELECT 4.7UF-M/50V		D0404R7087250S		
C853	nsp	C,CERAMIC 100PF-J/50V		D010101167160S		
C854	nsp	C,CERAMIC 1000PF-K/50V		D011102777160S		
C855	nsp	C,CERAMIC 100PF-J/50V		D010101167160S		
C857	nsp	C,CERAMIC 0.1UF-K/50V		D011104577160S		
C858	nsp	C,CERAMIC 1000PF-K/50V		D011102777160S		
C859	nsp	C,CERAMIC 0.01UF-K/50V		D011103777160S		
C860,861	nsp	C,CERAMIC 0.1UF-K/50V		D011104577160S		
BC800	00D2544666005	C,ELECT 1F-FG5.5V		D041105090010S		
OTHERS PARTS GROUP						
BD800-805	nsp	R,THICK 0-J,1/16W		C20000006M160S		
BD807	nsp	R,THICK 0-J,1/16W		C20000006M160S		
CN105	nsp	CN.WAFER 11P		L101100031110S		
CN106	nsp	CN.WAFER 5P		L101100030510S		
CN108	nsp	CN.WAFER 13P		L101100031310S		
CN976	nsp	CN.WAFER 7P		L101100040710S		
CP301A	nsp	CN.FPC 35P		L131524923520S		
CP305	nsp	CN,WIRE 4P		L002361040070S		
CP701	nsp	CN.WAFER 10P		L100912100010S		
CP703	nsp	CN.WAFER 11P		L100912110010S		
CP705	nsp	CN.WAFER 10P		L100912100010S		
CP801	nsp	CN.WAFER 4P		L101200100410S		
CP802	nsp	CN.WAFER 8P		L101200100810S		
CP803	nsp	CN.WAFER 12P		L101100041210S		
CP901	nsp	CN.WAFER 19P	2310E3/E2/ E1C,890EA	L100912190010S		
CP2001	nsp	CN.WAFER 11P		L101100041110S		
CW301	nsp	CN.WAFER 30P		L101911103010S		
CW302	nsp	CN.WAFER 30P		L101911103010S		
JACK800	00D9630217905	TER,RCA 2PIN		G601206A0200YS		
JACK807	00D9630294601	JACK,D3.5 EARPHONE		G40100350000YS		
JP800	nsp	R,THICK 0-J,1/16W		C20000006M160S		
JP801	nsp	R,THICK 0-J,1/16W		C20000006M160S		
JP802	nsp	R,THICK 0-J,1/16W		C20000006M160S		
JP803	nsp	R,THICK 0-J,1/16W		C20000006M160S		
JP805	nsp	R,THICK 0-J,1/16W		C20000006M160S		
OPT800	00D9630113009	MODULE JST1165-B		E100116500030S		
OPT801	00D9630237503	MODULE JSR1165-C		E100116500040S		
OPT802	00D9630237503	MODULE JSR1165-C		E100116500040S		
XTAL800	00D9630217604	CRYSTAL 4.332MHZ	2310E2	E800433200100S		
XTAL801	963141002060S	RESONATOR,CERAMIC ZTT30.00MXF-TF		E830300030010S		

PCB SIRIUS ASS'Y

Ref. No.	Part No.	Part Name	Remarks	Q'ty	New
SEMICONDUCTORS GROUP					
IC901	00D9630024004	IC NJM2068M	E3, EA	J121206800020S	
IC902	00D2623174900	IC SN74HAHCT08		J040740800180S	
IC903	00D2623571901	IC HIN202EIBN	2310E3/E2	J040202000020S	
IC904	00MHC007805K0	IC TC74VHCT125AFT	2310E3/E2	J040741250080S	
Q906	00D9630148508	TRKTA1504S		J520015040150S	
Q908	00D9630121606	TR KRC107S		J522107S00210S	
Q909	00D9630120801	TR KRC102S	2310E3/E2	J522010200210S	
D901	00D9630355401	D,SWITCHING KDS4148U		K005041480030S	
D910,911	963209003510S	D,ESD CDS3C05HDMI1	E3, EA	K067030500010S	
CAPACITORS GROUP					
C901,902	nsp	C,CERAMIC 0.1UF-K/50V	E3, EA	D011104577160S	
C903	963134002720S	C,ELECT 10UF-M/50V(Pb Free)	E3, EA	D040100087080S	
C904	nsp	C,CERAMIC 330PF-J/50V	E3, EA	D010331167160S	
C905	963134002720S	C,ELECT 10UF-M/50V (Pb Free)	E3, EA	D040100087080S	
C906-908	nsp	C,CERAMIC 330PF-J/50V	E3, EA	D010331167160S	
C909,910	963134002720S	C,ELECT 10UF-M/50V (Pb Free)	E3, EA	D040100087080S	
C911	00D9609010751	C,ELECT 4.7UF-M/50V		D0404R7087090S	
C912	nsp	C,CERAMIC 1000PF-K/50V		D011102777160S	
C913	nsp	C,CERAMIC 100PF-J/50V	E3, EA	D010101167160S	
C914-917	00D9630130503	C,ELECT 0.1UF-M/50V	2310E3/E2	D040R10087060S	
C918	nsp	C,CERAMIC 100PF-J/50V	E3, EA	D010101167160S	
C919,920	963134002720S	C,ELECT 10UF-M/50V (Pb Free)	E3, EA	D040100087080S	
C927	nsp	C,CERAMIC 0.1UF-K/50V	E3, EA	D011104577160S	
C928-930	nsp	C,CERAMIC 100PF-J/50V	2310E3/E2	D010101167160S	
C932	nsp	C,CERAMIC 0.1UF-K/50V		D011104577160S	
C933	nsp	C,CERAMIC 0.1UF-K/50V	2310E3/E2	D011104577160S	
C934	963134005100S	C,ELECT 100UF-M/10V (Pb Free) SY	2310E3/E2	D040101082130S	
C937	nsp	C,CERAMIC 0.1UF-K/50V	E3, EA	D011104577160S	
C938	nsp	C,CERAMIC 1000PF-K/50V	E3, EA	D011102777160S	
C939	nsp	C,CERAMIC 0.1UF-K/50V	2310E3/E2	D011104577160S	
OTHERS PARTS GROUP					
BD901,902	963115003230S	COIL,BEAD CBW160808U121T	E3, EA	D340160811210S	
BD903-905	963115003230S	COIL,BEAD CBW160808U121T	2310E3/E2	D340160811210S	
BD906	963115003230S	COIL,BEAD CBW160808U121T		D340160811210S	
BKT900	nsp	BRACKET 0.8t/SCREW		4010210196100S	
CN901	nsp	CN.HOUSING 9P		L120912190010S	
JACK902	nsp	CN.WAFER 9P	2310E3/E2	L103090090030S	
JACK1008	00D9630333601	MINI DIN CONNECTOR 8P YKF51-5397N	E3, EA	G403515397000S	

PCB PREOUT ASS'Y

Ref. No.	Part No.	Part Name	Remarks	Q'ty	New
SEMICONDUCTORS GROUP					
Q137-141	00D9630120704	TR KRA102S		J520010200210S	
Q141C	00D9630044301	TR KTC2875B(MB)		J5222875B0010S	
Q141FL	00D9630044301	TR KTC2875B(MB)		J5222875B0010S	
Q141FR	00D9630044301	TR KTC2875B(MB)		J5222875B0010S	
Q141SBL	00D9630044301	TR KTC2875B(MB)		J5222875B0010S	
Q141SBR	00D9630044301	TR KTC2875B(MB)		J5222875B0010S	
Q141SL	00D9630044301	TR KTC2875B(MB)		J5222875B0010S	
Q141SR	00D9630044301	TR KTC2875B(MB)		J5222875B0010S	
Q141SW	00D9630044301	TR KTC2875B(MB)		J5222875B0010S	
Q142C	00D9630044301	TR KTC2875B(MB)		J5222875B0010S	
Q142FL	00D9630044301	TR KTC2875B(MB)		J5222875B0010S	
Q142FR	00D9630044301	TR KTC2875B(MB)		J5222875B0010S	
Q142SBL	00D9630044301	TR KTC2875B(MB)		J5222875B0010S	
Q142SBR	00D9630044301	TR KTC2875B(MB)		J5222875B0010S	
Q142SL	00D9630044301	TR KTC2875B(MB)		J5222875B0010S	
Q142SR	00D9630044301	TR KTC2875B(MB)		J5222875B0010S	
Q142SW	00D9630044301	TR KTC2875B(MB)		J5222875B0010S	
CAPACITORS GROUP					
C115C	00D9639006544	C,ELECT 22UF-M/25V		D040220084050S	
C115FL	00D9639006544	C,ELECT 22UF-M/25V		D040220084050S	
C115FR	00D9639006544	C,ELECT 22UF-M/25V		D040220084050S	
C115SBL	00D9639006544	C,ELECT 22UF-M/25V		D040220084050S	
C115SBR	00D9639006544	C,ELECT 22UF-M/25V		D040220084050S	
C115SL	00D9639006544	C,ELECT 22UF-M/25V		D040220084050S	
C115SR	00D9639006544	C,ELECT 22UF-M/25V		D040220084050S	
C115SW	00D9639006544	C,ELECT 22UF-M/25V		D040220084050S	
C141C	00D9630234205	C,ELECT 10UF-M/50V		D040100087070S	
C141FL	00D9630234205	C,ELECT 10UF-M/50V		D040100087070S	
C141FR	00D9630234205	C,ELECT 10UF-M/50V		D040100087070S	
C141SBL	00D9630234205	C,ELECT 10UF-M/50V		D040100087070S	
C141SBR	00D9630234205	C,ELECT 10UF-M/50V		D040100087070S	
C141SL	00D9630234205	C,ELECT 10UF-M/50V		D040100087070S	
C141SR	00D9630234205	C,ELECT 10UF-M/50V		D040100087070S	
C141SW	00D9630234205	C,ELECT 10UF-M/50V		D040100087070S	
C142C	nsp	C,CERAMIC 100PF-J/50V		D010101167160S	
C142FL	nsp	C,CERAMIC 100PF-J/50V		D010101167160S	
C142FR	nsp	C,CERAMIC 100PF-J/50V		D010101167160S	
C142SBL	nsp	C,CERAMIC 100PF-J/50V		D010101167160S	
C142SBR	nsp	C,CERAMIC 100PF-J/50V		D010101167160S	
C142SL	nsp	C,CERAMIC 100PF-J/50V		D010101167160S	
C142SR	nsp	C,CERAMIC 100PF-J/50V		D010101167160S	
C142SW	nsp	C,CERAMIC 100PF-J/50V		D010101167160S	
C145-148	nsp	C,CERAMIC 0.1UF-K/50V		D011104577160S	
C172-176	00D9630244606	C,ELECT 0.1UF-M/50V (Pb Free)		D040R10087080S	
OTHERS PARTS GROUP					
CN701	nsp	CN.WAFER 8P		L101200100820S	
CN702	nsp	CN.WAFER 15P		L101200101520S	
JACK222	00D9630146209	TER,RCA RCA-405B-01 4P		G602405B01000S	
JACK223	963643005110S	TER,RCA RCA-405B-66		G602405B6600YS	

PCB HDMI ASS'Y

Ref. No.	Part No.	Part Name	Remarks	Q'ty	New
SEMICONDUCTORS GROUP					
IC101	236810062608S	IC LC89058W-E		J046890580010S	
IC115	00D2623077900	IC TC74VHC04FT		J040740400080S	
IC116	00D2623412905	IC TC74VHC14FT		J040741400220S	
IC151	963248005260D	IC EPM240T100C5N		J003240105010S	
IC153	00D2623436907	IC TC74VHC244FT		J040742440030S	
IC155	231810037508S	IC EN5322QI-T		J080532200020S	
IC202	nsp	IC EN5311Q		J048531100010S	
IC253	246810009604S	IC W9864G2GH-6		J001986460010S	
IC254	245810005005D	IC ADSP-21367		J080213670020S	
IC255	nsp	IC EN29LV160BB-70TIP		J005291600050S	
IC301	237810004001D	IC ADAU1328		J080132800000S	
IC302,303	963239005290S	IC NJM2115M-TE1		J121211500020S	
IC304-309	963239001880S	IC AZ4580M		J121458000020S	
IC310	00D2631271921	IC AZ1117H-3.3		J126111733080S	
IC401	236810057606S	IC ADV3002XSTZ		J040300200010S	
IC402	nsp	IC EN5335QI-T		J080533500020S	
IC403	231810037508S	IC EN5322QI-T		J080532200020S	
IC501	nsp	IC ADV7840		J040784000010S	
IC502	247810004602S	IC K4S641632N-LC60		J001464163210S	
IC504	231810017504S	IC TK73318WTL-G		J126733180010S	
IC601	nsp	CERAMIC CHIP 48MHZ TXC-8W		E855480000040S	
IC602	nsp	IC XC3S400A-4FGG320C		J040340043200S	
IC603	246810010604D	IC IS42S32200E-6TL		J001423220040S	
IC604	963243005270D	IC M25P40-VMN6TP		J005254000010S	
IC605-607	00MHC007805K0	IC TC74VHCT125AFT		J040741250080S	
IC608	231810071508S	IC PQ012ENB1ZPH		J126012010030S	
IC701	236810059008S	IC ADV7510		J040751000010S	
IC702	00D2623436907	IC TC74VHC244FT		J040742440030S	
IC801	00D9630244907	IC SN74LV14APWR		J040741400180S	
IC802	nsp	IC ABT2010		J080201000010S	
IC803,804	963239004190S	IC AOZ1021AI		J048102100010S	
IC805	nsp	IC EN5311Q		J048531100010S	
IC851	00D2623617904	IC LP2996MX		J126299600010S	
IC852,853	nsp	IC K4T51163QG-HCE7		J001451163070S	
IC901	963243005250D	IC R5F3650TNFB		J020536500020S	
IC903	00D2623424906	IC LTC1694		J040169400010S	
IC905	00D2623437906	IC TC74VHCT244AFT		J040742440040S	
IC951	231810017504S	IC TK73318WTL-G		J126733180010S	
IC952	236810058609S	IC ADV7340BSTZ		J045734000010S	
IC955	231310009508S	IC PQ033DNA1ZPH		J126033010020S	
IC957	231310009508S	IC PQ033DNA1ZPH		J126033010020S	
D301	00D2760740909	D CHIP KDS184S(B3)		K005018400020S	
D404-436	00D9630341305	D,ESD IMSA-6802-01A		K067680200010S	
D440	00D2760750902	D CHIP RB521S-30		K125521300010S	
D502,503	00D9630341305	D,ESD IMSA-6802-01A		K067680200010S	
D505,506	00D9630341305	D,ESD IMSA-6802-01A		K067680200010S	
D508,509	00D9630341305	D,ESD IMSA-6802-01A		K067680200010S	
D511,512	00D9630341305	D,ESD IMSA-6802-01A		K067680200010S	
D515,516	00D9630341305	D,ESD IMSA-6802-01A		K067680200010S	
D518,519	00D9630341305	D,ESD IMSA-6802-01A		K067680200010S	
D521,522	00D9630341305	D,ESD IMSA-6802-01A		K067680200010S	
D524,525	00D9630341305	D,ESD IMSA-6802-01A		K067680200010S	
D527,528	00D9630341305	D,ESD IMSA-6802-01A		K067680200010S	

Ref. No.	Part No.	Part Name	Remarks		Q'ty	New
D530,531	00D9630341305	D,ESD IMSA-6802-01A		K067680200010S		
D533,534	00D9630341305	D,ESD IMSA-6802-01A		K067680200010S		
D708-711	00D9630341305	D,ESD IMSA-6802-01A		K067680200010S		
D713-720	00D9630341305	D,ESD IMSA-6802-01A		K067680200010S		
D801-805	00D9630355401	D,SWITCHING KDS4148U		K005041480030S		
D901	963209005300S	D CHIP RSX101M-30		K125101300010S		
D902	963209005310S	D CHIP 1SR154-400 TE25(SMD)		K045154000000S		
D903	00D9630355401	D,SWITCHING KDS4148U		K005041480030S		
ZD701	00D9630382500	D,ZENER 0.2W 5.1V UZD		K06605R14P400S		
CAPACITORS GROUP						
C106	nsp	C,CERAMIC 4.7UF-K/6.3V		D011475571160S		
C107,108	nsp	C,CERAMIC COG9PF-D/50V		D010090117160S		
C128	nsp	C,CERAMIC 0.1UF-K/16V		D011104177101S		
C132	nsp	C,CERAMIC 0.1UF-K/16V		D011104177101S		
C133	nsp	C,CERAMIC 1000PF-K/50V		D011102177101S		
C134	nsp	C,CERAMIC 0.1UF-K/50V		D011104577160S		
C135	nsp	C,CERAMIC 0.022UF-Z/50V		D011223597160S		
C136	nsp	C,CERAMIC 4.7UF-K/6.3V		D011475571160S		
C164-166	nsp	C,CERAMIC 0.01UF-K/50V		D010103777160S		
C168,169	nsp	C,CERAMIC 0.1UF-K/16V		D011104177101S		
C246-248	nsp	C,CERAMIC 4.7UF-K/6.3V		D011475571160S		
C250	nsp	C,CERAMIC 0.1UF-K/50V		D011104577160S		
C278	nsp	C,CERAMIC 0.1UF-K/50V		D011104577160S		
C301	nsp	C,CERAMIC 1000PF-K/50V		D011102177101S		
C302,303	nsp	C,CERAMIC 4.7UF-K/6.3V		D011475571160S		
C304	nsp	C,CERAMIC 1000PF-K/50V		D011102177101S		
C305	nsp	C,CERAMIC 0.1UF-K/16V		D011104177101S		
C306	nsp	C,CERAMIC 100PF-J/50V		D011101167101S		
C307	nsp	C,CERAMIC 0.1UF-K/50V		D011104577160S		
C308	nsp	C,CERAMIC 4.7UF-K/6.3V		D011475571160S		
C309	nsp	C,CERAMIC X7R5600PF-K/50V		D011562777160S		
C310	nsp	C,CERAMIC 390PF-K/50V		D011391177101S		
C311	nsp	C,CERAMIC 0.1UF-K/16V		D011104177101S		
C312	00D9630324801	C,ELECT 10UF-MVG/25V		D050100084200S		
C313	nsp	C,CERAMIC 0.1UF-K/50V		D011104577160S		
C314	nsp	C,CERAMIC 0.1UF-K/16V		D011104177101S		
C315,316	nsp	C,CERAMIC 4.7UF-K/6.3V		D011475571160S		
C317	963134005120S	C,ELECT CHIP 47UF-MVG/16V		D050470083200S		
C318	nsp	C,CERAMIC X7R1000PF-K/50V		D011102777160S		
C320	nsp	C,CERAMIC X7R1000PF-K/50V		D011102777160S		
C322-324	nsp	R,CHIP 0-J,1/16W		C20000006M101S		
C325,326	nsp	C,CERAMIC COG270PF-J/50V		D010271167160S		
C327,328	nsp	R,CHIP 0-J,1/16W		C20000006M101S		
C329	nsp	C,CERAMIC COG390PF-J/50V		D010391167160S		
C330	nsp	R,CHIP 0-J,1/16W		C20000006M101S		
C331	nsp	C,CERAMIC COG390PF-J/50V		D010391167160S		
C332-334	nsp	R,CHIP 0-J,1/16W		C20000006M101S		
C335,336	nsp	C,CERAMIC 330PF-J/50V		D010331167160S		
C337-339	nsp	R,CHIP 0-J,1/16W		C20000006M101S		
C340,341	nsp	C,CERAMIC COG390PF-J/50V		D010391167160S		
C345	nsp	C,CERAMIC COG120PF-J/50V		D010121167160S		
C346,347	nsp	C,CERAMIC 0.1UF-K/16V		D011104177101S		
C348-350	nsp	C,CERAMIC COG120PF-J/50V		D010121167160S		

Ref. No.	Part No.	Part Name	Remarks		Q'ty	New
C351,352	nsp	C,CERAMIC COG470PF-J/50V		D010471167160S		
C353	nsp	C,CERAMIC COG270PF-J/50V		D010271167160S		
C354	nsp	C,CERAMIC 0.01UF-K/50V		D010103777160S		
C355-357	nsp	C,CERAMIC COG270PF-J/50V		D010271167160S		
C358,359	nsp	C,CERAMIC 4.7UF-K/6.3V		D011475571160S		
C361	00D9630325004	C,ELECT 100UF-MVG/6.3V		D050101081650S		
C362,363	nsp	C,CERAMIC 100PF-J/50V		D010101167160S		
C365	nsp	C,CERAMIC 100PF-J/50V		D010101167160S		
C368,369	nsp	C,CERAMIC 10UF-K/16V		D011106573200S		
C401	nsp	C,CERAMIC 10UF-K/16V		D011106573200S		
C402-404	nsp	C,CERAMIC 0.1UF-K/16V		D011104177101S		
C405-409	nsp	C,CERAMIC 1000PF-K/50V		D011102177101S		
C410,411	nsp	C,CERAMIC 0.1UF-K/16V		D011104177101S		
C412	nsp	C,CERAMIC 10UF-K/16V		D011106573200S		
C413	nsp	C,CERAMIC X7R0.015UF-K/50V		D011153777160S		
C416	nsp	C,CERAMIC 0.1UF-K/50V		D011104577160S		
C417-422	nsp	C,CERAMIC 10UF-K/16V		D011106573200S		
C423,424	nsp	C,CERAMIC 4.7UF-K/6.3V		D011475571160S		
C425	nsp	C,CERAMIC 0.1UF-K/50V		D011104577160S		
C426	nsp	C,CERAMIC 0.1UF-K/16V		D011104177101S		
C427	nsp	C,CERAMIC 0.1UF-K/50V		D011104577160S		
C428-432	nsp	C,CERAMIC 10UF-K/16V		D011106573200S		
C433	nsp	C,CERAMIC 1UF-Z/50V		D011105597160S		
C501-508	nsp	C,CERAMIC 0.1UF-K/50V		D011104577160S		
C509	nsp	C,CERAMIC 0.01UF-K/50V		D010103777160S		
C510	nsp	C,CERAMIC 0.1UF-K/50V		D011104577160S		
C511-513	nsp	C,CERAMIC 0.1UF-K/16V		D011104177101S		
C514,515	nsp	C,CERAMIC 12PF-J/50V		D011120167101S		
C516,517	nsp	C,CERAMIC 15PF-J/50V		D011150167101S		
C518	nsp	C,CERAMIC 1000PF-K/50V		D011102177101S		
C519,520	nsp	C,CERAMIC 10UF-K/16V		D011106573200S		
C521,522	nsp	C,CERAMIC 1000PF-K/50V		D011102177101S		
C523-527	nsp	C,CERAMIC 0.1UF-K/16V		D011104177101S		
C528,529	nsp	C,CERAMIC 10UF-K/16V		D011106573200S		
C530,531	nsp	C,CERAMIC 0.1UF-K/16V		D011104177101S		
C532,533	nsp	C,CERAMIC 1000PF-K/50V		D011102177101S		
C534	nsp	C,CERAMIC 0.01UF-K/50V		D011103177101S		
C535-543	nsp	C,CERAMIC 0.1UF-K/16V		D011104177101S		
C544-547	nsp	C,CERAMIC 0.01UF-K/50V		D011103177101S		
C548	nsp	C,CERAMIC 0.1UF-K/16V		D011104177101S		
C549,550	nsp	C,CERAMIC 0.01UF-K/50V		D011103177101S		
C551,552	nsp	C,CERAMIC 0.1UF-K/16V		D011104177101S		
C553-555	nsp	C,CERAMIC 10UF-K/16V		D011106573200S		
C556,557	nsp	C,CERAMIC 0.01UF-K/50V		D011103177101S		
C558,559	nsp	C,CERAMIC 0.1UF-K/16V		D011104177101S		
C560,561	nsp	C,CERAMIC 1000PF-K/50V		D011102177101S		
C562	nsp	C,CERAMIC 0.1UF-K/16V		D011104177101S		
C563,564	nsp	C,CERAMIC 0.01UF-K/50V		D011103177101S		
C565	nsp	C,CERAMIC 0.1UF-K/16V		D011104177101S		
C566,567	nsp	C,CERAMIC 0.01UF-K/50V		D011103177101S		
C568,569	nsp	C,CERAMIC 0.1UF-K/16V		D011104177101S		
C570	nsp	C,CERAMIC 0.01UF-K/50V		D011103177101S		
C571	nsp	C,CERAMIC 10UF-K/16V		D011106573200S		
C572	nsp	C,CERAMIC 0.01UF-K/50V		D011103177101S		
C573	nsp	C,CERAMIC 0.1UF-K/16V		D011104177101S		
C574	nsp	C,CERAMIC Y5V0.082UF-Z/50		D011823597160S		

Ref. No.	Part No.	Part Name	Remarks		Q'ty	New
C575	nsp	C,CERAMIC 0.01UF-K/50V		D010103777160S		
C576	nsp	C,CERAMIC 0.82UF-K/10V		D011824772162S		
C577	nsp	C,CERAMIC X7R0.039UF-K/50V		D011393707160S		
C578-580	nsp	C,CERAMIC 0.01UF-K/50V		D011103177101S		
C581	nsp	C,CERAMIC 0.01UF-K/50V		D011103177101S		
C582	nsp	C,CERAMIC 0.1UF-K/16V		D011104177101S		
C583	nsp	C,CERAMIC 10UF-K/16V		D011106573200S		
C584-586	nsp	C,CERAMIC 0.1UF-K/16V		D011104177101S		
C587	nsp	C,CERAMIC 10UF-K/16V		D011106573200S		
C588-591	nsp	C,CERAMIC 0.1UF-K/16V		D011104177101S		
C592	nsp	C,CERAMIC 1000PF-K/50V		D011102177101S		
C593-595	nsp	C,CERAMIC 0.1UF-K/16V		D011104177101S		
C596-600	nsp	C,CERAMIC 0.01UF-K/50V		D011103177101S		
C601-603	nsp	C,CERAMIC 10UF-K/16V		D011106573200S		
C604	nsp	C,CERAMIC 0.01UF-K/50V		D011103177101S		
C605-607	nsp	C,CERAMIC 1000PF-K/50V		D011102177101S		
C608	nsp	C,CERAMIC 0.01UF-K/50V		D011103177101S		
C609-612	nsp	C,CERAMIC 0.1UF-K/16V		D011104177101S		
C613	nsp	C,CERAMIC 0.01UF-K/50V		D011103177101S		
C614-616	nsp	C,CERAMIC 0.1UF-K/16V		D011104177101S		
C618	nsp	C,CERAMIC 4.7UF-K/6.3V		D011475571160S		
C619-621	nsp	C,CERAMIC 0.01UF-K/50V		D011103177101S		
C623	nsp	C,CERAMIC 0.1UF-K/16V		D011104177101S		
C624	nsp	C,CERAMIC 4.7UF-K/6.3V		D011475571160S		
C625-627	nsp	C,CERAMIC 0.1UF-K/16V		D011104177101S		
C628-630	nsp	C,CERAMIC 0.01UF-K/50V		D011103177101S		
C633	nsp	C,CERAMIC 0.1UF-K/16V		D011104177101S		
C637,638	nsp	C,CERAMIC 0.01UF-K/50V		D011103177101S		
C639	nsp	C,CERAMIC 0.1UF-K/16V		D011104177101S		
C642	nsp	C,CERAMIC 0.01UF-K/50V		D011103177101S		
C643	nsp	C,CERAMIC 0.1UF-K/16V		D011104177101S		
C645	nsp	C,CERAMIC 0.01UF-K/50V		D011103177101S		
C646	nsp	C,CERAMIC 1000PF-K/50V		D011102177101S		
C647	nsp	C,CERAMIC 0.01UF-K/50V		D011103177101S		
C648,649	nsp	C,CERAMIC 1000PF-K/50V		D011102177101S		
C651	nsp	C,CERAMIC 4.7UF-K/6.3V		D011475571160S		
C655-660	nsp	C,CERAMIC 1000PF-K/50V		D011102177101S		
C720	nsp	C,CERAMIC 10UF-K/16V		D011106573200S		
C724	nsp	C,CERAMIC 0.1UF-K/16V		D011104177101S		
C726	nsp	C,CERAMIC 0.1UF-K/16V		D011104177101S		
C728	nsp	C,CERAMIC 0.1UF-K/16V		D011104177101S		
C730	nsp	C,CERAMIC 0.1UF-K/16V		D011104177101S		
C732	nsp	C,CERAMIC 1000PF-K/50V		D011102177101S		
C734	nsp	C,CERAMIC 1000PF-K/50V		D011102177101S		
C739	nsp	C,CERAMIC 0.1UF-K/16V		D011104177101S		
C741	nsp	C,CERAMIC 0.1UF-K/16V		D011104177101S		
C743	nsp	C,CERAMIC 0.1UF-K/16V		D011104177101S		
C745	nsp	C,CERAMIC 1000PF-K/50V		D011102177101S		
C751	nsp	C,CERAMIC 10UF-K/16V		D011106573200S		
C755	nsp	C,CERAMIC 0.1UF-K/16V		D011104177101S		
C757	nsp	C,CERAMIC 0.1UF-K/16V		D011104177101S		
C763	nsp	C,CERAMIC 1000PF-K/50V		D011102177101S		
C765	nsp	C,CERAMIC 1000PF-K/50V		D011102177101S		
C767	nsp	C,CERAMIC 10UF-K/16V		D011106573200S		
C771	nsp	C,CERAMIC 0.1UF-K/16V		D011104177101S		
C773	nsp	C,CERAMIC 0.1UF-K/16V		D011104177101S		

Ref. No.	Part No.	Part Name	Remarks		Q'ty	New
C775	nsp	C,CERAMIC 0.1UF-K/16V		D011104177101S		
C777	nsp	C,CERAMIC 10UF-K/16V		D011106573200S		
C779	nsp	C,CERAMIC 1000PF-K/50V		D011102177101S		
C780	nsp	C,CERAMIC 1000PF-K/50V		D011102177101S		
C782	nsp	C,CERAMIC 0.1UF-K/16V		D011104177101S		
C785	nsp	C,CERAMIC 0.1UF-K/16V		D011104177101S		
C795	nsp	C,CERAMIC 1000PF-K/50V		D011102177101S		
C797	nsp	C,CERAMIC 1000PF-K/50V		D011102177101S		
C801	nsp	C,CERAMIC 0.1UF-K/16V		D011104177101S		
C802	nsp	C,CERAMIC 4.7UF-K/6.3V		D011475571160S		
C803	nsp	C,CERAMIC 0.1UF-K/16V		D011104177101S		
C804,805	nsp	C,CERAMIC 4.7UF-K/6.3V		D011475571160S		
C806	nsp	C,CERAMIC 0.1UF-K/16V		D011104177101S		
C807	nsp	C,CERAMIC Y5V0.22UF-Z/16V		D011224593160S		
C808	nsp	C,CERAMIC 10UF-K/16V		D011106573200S		
C809,810	nsp	C,CERAMIC 0.1UF-K/16V		D011104177101S		
C811,815	nsp	C,CERAMIC 4.7UF-K/6.3V		D011475571160S		
C816,818	nsp	C,CERAMIC 0.1UF-K/16V		D011104177101S		
C819	nsp	C,CERAMIC 0.01UF-K/50V		D010103777160S		
C820	nsp	C,CERAMIC 0.1UF-K/50V		D011104177101S		
C821	nsp	C,CERAMIC X7R1000PF-K/50V		D011102777160S		
C822-825	nsp	C,CERAMIC 0.1UF-K/16V		D011104177101S		
C826	nsp	C,CERAMIC 0.01UF-K/50V		D010103777160S		
C827	nsp	C,CERAMIC 0.1UF-K/16V		D011104177101S		
C828	nsp	C,CERAMIC X7R1000PF-K/50V		D011102777160S		
C829-832	nsp	C,CERAMIC 0.1UF-K/16V		D011104177101S		
C833	nsp	C,CERAMIC 0.01UF-K/50V		D010103777160S		
C834	nsp	C,CERAMIC 0.1UF-K/16V		D011104177101S		
C835	nsp	C,CERAMIC X7R1000PF-K/50V		D011102777160S		
C836-845	nsp	C,CERAMIC 0.1UF-K/16V		D011104177101S		
C846	nsp	C,CERAMIC Y5V0.22UF-Z/16V		D011224593160S		
C847	nsp	C,CERAMIC 4.7UF-K/6.3V		D011475571160S		
C848-861	nsp	C,CERAMIC 1000PF-K/50V		D011104177101S		
C862,863	nsp	C,CERAMIC 4.7UF-K/6.3V		D011475571160S		
C864-869	nsp	C,CERAMIC 1000PF-K/50V		D011104177101S		
C870	nsp	C,CERAMIC 1UF-Z/50V		D011105597160S		
C871	nsp	C,CERAMIC Y5V0.22UF-Z/16V		D011224593160S		
C872-874	nsp	C,CERAMIC 1000PF-K/50V		D011104177101S		
C875	nsp	C,CERAMIC 1000PF-K/50V		D011102177101S		
C876	nsp	C,CERAMIC 1000PF-K/50V		D011104177101S		
C877	nsp	C,CERAMIC 1000PF-K/50V		D011102177101S		
C878	nsp	C,CERAMIC 1000PF-K/50V		D011104177101S		
C879	nsp	C,CERAMIC 1000PF-K/50V		D011102177101S		
C883	nsp	C,CERAMIC 1000PF-K/50V		D011104177101S		
C884	nsp	C,CERAMIC 5PF-C/50V		D011050107101S		
C885,886	nsp	C,CERAMIC 7PF-C/50V		D011070117101S		
C887-895	nsp	C,CERAMIC 1000PF-K/50V		D011104177101S		
C896	nsp	C,CERAMIC 4.7UF-K/6.3V		D011475571160S		
C897-899	nsp	C,CERAMIC 10UF-K/16V		D011106573200S		
C901	nsp	C,CERAMIC 1000PF-K/50V		D011104177101S		
C902	nsp	C,CERAMIC 1000PF-K/50V		D011102177101S		
C903,904	nsp	C,CERAMIC 100PF-J/50V		D011101167101S		
C905	nsp	C,CERAMIC T.C COG12PF-J/50V		D010120167160S		
C906	nsp	C,CERAMIC COG15PF-J/50V		D010150167160S		
C907	nsp	C,CERAMIC 1000PF-K/50V		D011102177101S		
C909	nsp	C,CERAMIC 4.7UF-K/6.3V		D011475571160S		

Ref. No.	Part No.	Part Name	Remarks		Q'ty	New
C910	nsp	C,CERAMIC 1000PF-K/50V		D011104177101S		
C911	nsp	C,CERAMIC 4.7UF-K/6.3V		D011475571160S		
C913	nsp	C,CERAMIC 4.7UF-K/6.3V		D011475571160S		
C915,916	nsp	C,CERAMIC 120PF-J/50V		D011121167101S		
C917	nsp	C,CERAMIC X7R1000PF-K/50V		D011102777160S		
C918,919	nsp	C,CERAMIC 4.7UF-K/6.3V		D011475571160S		
C920	nsp	C,CERAMIC 1000PF-K/50V		D011104177101S		
C922	nsp	C,CERAMIC 220PF-J/50V		D011221167101S		
C923	nsp	C,CERAMIC 0.01UF-K/50V		D010103777160S		
C924,925	nsp	C,CERAMIC 1000PF-K/50V		D011104177101S		
C927	nsp	C,CERAMIC 100PF-J/50V		D011101167101S		
C928,929	nsp	C,CERAMIC 1000PF-K/50V		D011104177101S		
C930	nsp	C,CERAMIC 1000PF-K/50V		D011102177101S		
C931	nsp	C,CERAMIC X7R1000PF-K/50V		D011102777160S		
C932	nsp	C,CERAMIC 4.7UF-K/6.3V		D011475571160S		
C933	00D9630325004	C,ELECT 100UF-MVG/6.3V		D050101081650S		
C951,952	00D9630325402	C,ELECT 470UF-MVG/6.3V		D050471081200S		
C954-957	nsp	C,CERAMIC 100PF-J/50V		D010101167160S		
C973	nsp	C,CERAMIC 100PF-J/50V		D010101167160S		
C975	nsp	C,CERAMIC X7R1000PF-K/50V		D011102777160S		
C976	nsp	C,CERAMIC 100PF-J/50V		D010101167160S		
CC100	nsp	C,CERAMIC 1000PF-K/50V		D011104177101S		
CC101	nsp	C,CERAMIC 4.7UF-K/6.3V		D011475571160S		
CC102-104	nsp	C,CERAMIC 1000PF-K/50V		D011104177101S		
CC105	nsp	C,CERAMIC 100PF-J/50V		D011101167101S		
CC106	nsp	C,CERAMIC 1000PF-K/50V		D011104177101S		
CC107	nsp	C,CERAMIC 1000PF-K/50V		D011102177101S		
CC108	nsp	C,CERAMIC 1000PF-K/50V		D011104177101S		
CC109	nsp	C,CERAMIC 100PF-J/50V		D011101167101S		
CC110,111	nsp	C,CERAMIC 4.7UF-K/6.3V		D011475571160S		
CC112	nsp	C,CERAMIC 0.1UF-K/50V		D011104577160S		
CC113	nsp	C,CERAMIC 1UF-Z/50V		D011105597160S		
CC114-116	nsp	C,CERAMIC 10UF-K/16V		D011106573200S		
CC121	nsp	C,CERAMIC 10UF-K/16V		D011106573200S		
CC123	nsp	C,CERAMIC 1000PF-K/50V		D011104177101S		
CC124	nsp	C,CERAMIC 10UF-K/16V		D011106573200S		
CC125	nsp	C,CERAMIC 0.1UF-K/50V		D011104577160S		
CC126	nsp	C,CERAMIC 100PF-J/50V		D010101167160S		
CC127	nsp	C,CERAMIC X7R1000PF-K/50V		D011102777160S		
CC128-130	nsp	C,CERAMIC 100PF-J/50V		D010101167160S		
CC131	nsp	C,CERAMIC X7R1000PF-K/50V		D011102777160S		
CC212,213	nsp	C,CERAMIC 4.7UF-K/6.3V		D011475571160S		
CC214-216	nsp	C,CERAMIC 100PF-J/50V		D011101167101S		
CC217-220	nsp	C,CERAMIC 1000PF-K/50V		D011104177101S		
CC232,233	nsp	C,CERAMIC 4.7UF-K/6.3V		D011475571160S		
CC238,239	nsp	C,CERAMIC 7PF-J/50V		D010070167100S		
CC241	00D9630325004	C,ELECT 100UF-MVG/6.3V		D050101081650S		
CC243	nsp	C,CERAMIC X7R1000PF-K/50V		D011102777160S		
CC244	nsp	C,CERAMIC 100PF-J/50V		D010101167160S		
CC245	nsp	C,CERAMIC X7R1000PF-K/50V		D011102777160S		
CC246	nsp	C,CERAMIC 100PF-J/50V		D010101167160S		
CC268-292	nsp	C,CERAMIC 100PF-J/50V		D011101167101S		
CC301-330	00D9630223009	R,THICK 0-J,1/16W		C20000006M160S		
CC331,332	00D9630338509	C,ELECT 10UF-MVG/16V		D050100083460S		
CC333-338	963134005130S	C,ELECT 1UF-MVG/50V		D050010087200S		

Ref. No.	Part No.	Part Name	Remarks		Q'ty	New
CC339-342	00D9630338509	C,ELECT 10UF-MVG/16V		D050100083460S		
CC346-491	nsp	C,CERAMIC 100PF-J/50V		D011101167101S		
CC501,502	nsp	C,CERAMIC 4.7UF-K/6.3V		D011475571160S		
CC503	nsp	C,CERAMIC 0.01UF-K/50V		D011103177101S		
CC504	nsp	C,CERAMIC 100PF-J/50V		D011101167101S		
CC508	nsp	C,CERAMIC 1000PF-K/50V		D011102177101S		
CC516,517	nsp	C,CERAMIC 1000PF-K/50V		D011102177101S		
CC519-526	nsp	C,CERAMIC 4.7UF-K/6.3V		D011475571160S		
CC547-549	nsp	C,CERAMIC 4.7UF-K/6.3V		D011475571160S		
CC564,565	nsp	C,CERAMIC 4.7UF-K/6.3V		D011475571160S		
CC573,574	nsp	C,CERAMIC 1000PF-K/50V		D011102177101S		
CC643	nsp	C,CERAMIC 100PF-J/50V		D011101167101S		
CC646	nsp	C,CERAMIC 100PF-J/50V		D011101167101S		
CC648	nsp	C,CERAMIC 100PF-J/50V		D011101167101S		
CC650	nsp	C,CERAMIC 100PF-J/50V		D011101167101S		
CC652	nsp	C,CERAMIC 100PF-J/50V		D011101167101S		
CC654	nsp	C,CERAMIC 100PF-J/50V		D011101167101S		
CC655	nsp	C,CERAMIC 100PF-J/50V		D011101167101S		
CC657	nsp	C,CERAMIC 100PF-J/50V		D011101167101S		
CC659	nsp	C,CERAMIC 100PF-J/50V		D011101167101S		
CC668	nsp	C,CERAMIC 100PF-J/50V		D011101167101S		
CC670	nsp	C,CERAMIC 100PF-J/50V		D011101167101S		
CC674,675	nsp	C,CERAMIC 100PF-J/50V		D011101167101S		
CC678-682	nsp	C,CERAMIC 100PF-J/50V		D011101167101S		
CC802,803	nsp	C,CERAMIC 10UF-K/16V		D011106573200S		
CC804	nsp	C,CERAMIC 2200PF-K/50V		D011222777160S		
CC805	nsp	C,CERAMIC 10UF-K/16V		D011106573200S		
CC806	nsp	C,CERAMIC 2200PF-K/50V		D011222777160S		
CC807-809	nsp	C,CERAMIC 10UF-K/16V		D011106573200S		
CC810	nsp	C,CERAMIC 10UF-K/16V		D011106573200S		
CC813	nsp	C,CERAMIC 10UF-K/16V		D011106573200S		
CC819-821	nsp	C,CERAMIC 10UF-K/16V		D011106573200S		
CC823-830	nsp	C,CERAMIC 10UF-K/16V		D011106573200S		
CC831-849	nsp	C,CERAMIC 100PF-J/50V		D011101167101S		
CC873	00D9630325004	C,ELECT 100UF-MVG/6.3V		D050101081650S		
CC874,875	nsp	C,CERAMIC 4.7UF-K/6.3V		D011475571160S		
CC879	nsp	C,CERAMIC 4.7UF-K/6.3V		D011475571160S		
CC885,886	nsp	C,CERAMIC 4.7UF-K/6.3V		D011475571160S		
CC896-899	nsp	C,CERAMIC 1000PF-K/50V		D011102177101S		
CC902	nsp	C,CERAMIC 1000PF-K/50V		D011102177101S		
CC903	nsp	C,CERAMIC 4.7UF-K/6.3V		D011475571160S		
CC904	nsp	C,CERAMIC 100PF-J/50V		D011101167101S		
CC907	nsp	C,CERAMIC 4.7UF-K/6.3V		D011475571160S		
CC908	nsp	C,CERAMIC 1000PF-K/50V		D011102177101S		
CC910	nsp	C,CERAMIC 100PF-J/50V		D011101167101S		
CC915	nsp	C,CERAMIC X7R 0.012UF-K/50V		D010123777160S		
CC921	nsp	C,CERAMIC 0.15uF-Z/10V		D011154792160S		
CC922	nsp	C,CERAMIC X7R 0.012UF-K/50V		D010123777160S		
CC924,925	nsp	C,CERAMIC 2200PF-K/50V		D011222177101S		
CC928	nsp	C,CERAMIC 0.01UF-K/50V		D011103177101S		
CC933	nsp	C,CERAMIC 0.15uF-Z/10V		D011154792160S		
CC951-953	nsp	C,CERAMIC 1000PF-K/50V		D011102177101S		
CC958,959	nsp	C,CERAMIC 4.7UF-K/6.3V		D011475571160S		
CC969-975	nsp	C,CERAMIC 1000PF-K/50V		D011102177101S		
CC976,977	nsp	C,CERAMIC 10UF-K/16V		D011106573200S		
CC978-991	nsp	C,CERAMIC 100PF-J/50V		D011101167101S		

Ref. No.	Part No.	Part Name	Remarks	Q'ty	New
OTHERS PARTS GROUP					
JK401-403 JK502,503 JK701	nsp nsp nsp	CN.WAFER 19P CN.WAFER 19P CN.WAFER 19P		L109100190070S L109100190070S L109100190070S	
L701-703 L801,802 L803-808 L851,852	00D9630338800 963115005140S 00D9630338800 00D9630338800	COIL,CHIP FLC32C220K 22UH COIL,INDUCTOR B82464Z4103M COIL,CHIP FLC32C220K 22UH COIL,CHIP FLC32C220K 22UH		D307322200220S D310824641030S D307322200220S D307322200220S	
TP601 X101 X251	00D9630342508 00D3991053901 00D3991054900	CN.FPC 7P CRYSTAL CHIP FCX-03(24.5760MHz) CRYSTAL CHIP FCX-03(20.815MHz)		L130961070010S E80524R576010S E80520R815010S	
X501,502 X801 X901 CW301,302	00D3991052902 00D3991117902 141810019508S nsp	CRYSTAL CHIP FCX-03(28.6363MHz) CRYSTAL CHIP FCX-03(30MHz) CRYSTAL CHIP 16MHZ 7A16000059 CN.HOUSING 30P		E80528R630010S E805300000010S E805160000010S L121911103010S	
CX046,047 CX971 CX973 CX974	nsp 00D9630342508 963644002240S 00D9630342508	CN.WAFER 4P CN.FPC 7P CN.FPC 11P CN.FPC 7P		L104396040020S L130961070010S L130961110010S L130961070010S	
CY067 CY111 CY121 CY141	nsp nsp nsp nsp	CN.FPC 7P CN.FPC 11P CN.FPC 12P CN.FPC 14P		L130961070010S L130961110010S L130961120010S L130961140010S	
CY151 CY193 CY232 FB101,102	nsp nsp nsp 963119004270S	CN.FPC 15P CN.FPC 19P CN.FPC 23P COIL,BEAD BLM21PG221SN1		L130961150010S L130961190010S L130961230010S D340201212210S	
FB201,202 FB401,402 FB501 FB502 FB601,602	963119004270S 963119004270S 963119004270S 963115003230S 963119004270S	COIL,BEAD BLM21PG221SN1 COIL,BEAD BLM21PG221SN1 COIL,BEAD BLM21PG221SN1 COIL,BEAD CBW160808U121T COIL,BEAD BLM21PG221SN1		D340201212210S D340201212210S D340201212210S D340160811210S D340201212210S	
FB801,802 FB851 FB901 FB902 FB903	963119004270S 963119004270S 963115003230S 963119004270S 963115003230S	COIL,BEAD BLM21PG221SN1 COIL,BEAD BLM21PG221SN1 COIL,BEAD CBW160808U121T COIL,BEAD BLM21PG221SN1 COIL,BEAD CBW160808U121T		D340201212210S D340201212210S D340160811210S D340201212210S D340160811210S	
RA801-806 RA851-858 RA859-864	nsp nsp nsp	R,NETWORK 0-J 1/16W SMD(1005) R,NETWORK 0-J 1/16W SMD(1005) R,NETWORK 150*4 1/16W SMD(1005)		C180000040500S C180000040500S C180151040500S	
TR122 TR253,254 TR301-303 TR304,305 TR306	00D9630120801 00D9630120801 00D9630120801 00D2750100902 00D9630121402	TR KRC102S TR KRC102S TR KRC102S TR 2SK771 TR 2SA KRA104S R1		J522010200210S J522010200210S J522010200210S J543771000010S J520010400210S	
TR307 TR401,403	00D9600285006 00D9630120801	TR KRC104S TR KRC102S		J522104S00210S J522010200210S	

Ref. No.	Part No.	Part Name	Remarks		Q'ty	New
TR404-407	00D9600285006	TR KRC104S		J522104S00210S		
TR408	963219004200S	CHIP FDC608PZ P-CH		J543608000010S		
TR409	00D9630120801	TR KRC102S		J522010200210S		
TR502,503	00D9630120801	TR KRC102S		J522010200210S		
TR505-507	00D9600285006	TR KRC104S		J522104S00210S		
TR601	00D9630120801	TR KRC102S		J522010200210S		
TR602	963219004200S	CHIP FDC608PZ P-CH		J543608000010S		
TR603	00D9600285006	TR KRC104S		J522104S00210S		
TR604	00D9630120801	TR KRC102S		J522010200210S		
TR702	00D9630120801	TR KRC102S		J522010200210S		
TR705	00D9630120704	TR KRA102S		J520010200210S		
TR801	00D9630120704	TR KRA102S		J520010200210S		
TR802	00D9630121509	TR KTC3875S		J522038750210S		
TR803	00D9630120704	TR KRA102S		J520010200210S		
TR804	00D9630121509	TR KTC3875S		J522038750210S		
TR805	00D9630120704	TR KRA102S		J520010200210S		
TR806	00D9630121509	TR KTC3875S		J522038750210S		
TR807	00D9600285006	TR KRC104S		J522104S00210S		
TR810	00D2750110905	CHIP HN1K02FU		J543102000010S		
TR902	00D2730384900	TR 2SC2412KT96(BR)		J5222412K0210S		
TR903	963219002180S	TR 2SD2114KT146W		J5232114K0010S		
TR904	00D9600285006	TR KRC104S		J522104S00210S		
TR905	00D2730384900	TR 2SC2412KT96(BR)		J5222412K0210S		
TR906	00D9630121509	TR KTC3875S		J522038750210S		
TR908	00D2710326904	TR 2SA1954		J520195400010S		
TR909,910	00D9630120704	TR KRA102S		J520010200210S		
TR951-955	00D2710293901	TR 2SA1022		J520102200010S		
TR956	00D2750110905	CHIP HN1K02FU		J543102000010S		
	nsp	SHEET COOL PROVIDE		1210211003000S		
	nsp	HEAT SINK		2120211598000S		
	nsp	BRACKET SCREW		4010210196100S		

PCB SPK ASS'Y

	Ref. No.	Part No.	Part Name	Remarks		Q'ty	New
SEMICONDUCTORS GROUP							
	Q542-546	00D9630121606	TR KRC107S		J522107S00210S		
	D542-546	00D9630355401	D,SWITCHING KDS4148U		K005041480030S		
RESISTORS GROUP							
	R501C	00D9639006256	R,FIXED 1WJ-10		N113135610020S		
	R501FL	00D9639006256	R,FIXED 1WJ-10		N113135610020S		
	R501FR	00D9639006256	R,FIXED 1WJ-10		N113135610020S		
	R501SBL	00D9639006256	R,FIXED 1WJ-10		N113135610020S		
	R501SBR	00D9639006256	R,FIXED 1WJ-10		N113135610020S		
	R501SL	00D9639006256	R,FIXED 1WJ-10		N113135610020S		
	R501SR	00D9639006256	R,FIXED 1WJ-10		N113135610020S		
CAPACITORS GROUP							
	C501C	nsp	C,FILM 0.1UF-J/50V		D020104167050S		
	C501FL	nsp	C,FILM 0.1UF-J/50V		D020104167050S		
	C501FR	nsp	C,FILM 0.1UF-J/50V		D020104167050S		
	C501SBL	nsp	C,FILM 0.1UF-J/50V		D020104167050S		
	C501SBR	nsp	C,FILM 0.1UF-J/50V		D020104167050S		
	C501SL	nsp	C,FILM 0.1UF-J/50V		D020104167050S		
	C501SR	nsp	C,FILM 0.1UF-J/50V		D020104167050S		
	C541	nsp	C,CERAMIC 0.1UF-K/50V		D011104577160S		
	C541FL	nsp	C,FILM 0.015UF-J/100V		D02015306C060S		
	C542	nsp	C,CERAMIC 0.1UF-K/50V		D011104577160S		
	C542FR	nsp	C,FILM 0.015UF-J/100V		D02015306C060S		
	C543	nsp	C,CERAMIC 0.1UF-K/50V		D011104577160S		
	C543FL	nsp	C,FILM 0.015UF-J/100V		D02015306C060S		
	C544	nsp	C,CERAMIC 0.1UF-K/50V		D011104577160S		
	C544FR	nsp	C,FILM 0.015UF-J/100V		D02015306C060S		
	C545	nsp	C,CERAMIC 0.1UF-K/50V		D011104577160S		
	C545C	nsp	C,FILM 0.015UF-J/100V		D02015306C060S		
	C546	nsp	C,CERAMIC 0.1UF-K/50V		D011104577160S		
	C546SL	nsp	C,FILM 0.015UF-J/100V		D02015306C060S		
	C547	nsp	C,CERAMIC 0.1UF-K/50V		D011104577160S		
	C547SR	nsp	C,FILM 0.015UF-J/100V		D02015306C060S		
	C548	nsp	C,CERAMIC 0.1UF-K/50V		D011104577160S		
	C548SBL	nsp	C,FILM 0.015UF-J/100V		D02015306C060S		
	C549	nsp	C,CERAMIC 0.1UF-K/50V		D011104577160S		
	C549SBR	nsp	C,FILM 0.015UF-J/100V		D02015306C060S		
	C550	00D9609010735	C,ELECT 100UF-M/16V		D040101083060S		
OTHERS PARTS GROUP							
	CN101B	nsp	CN.WAFER 4P		L102526700400S		
	CN102	nsp	CN,WIRE 4P		L000311040020S		
	CN105	nsp	CN.WAFER 16P		L101100031610S		
	CP101A	nsp	CN.WAFER 6P		L102526700600S		
	CP103	nsp	CN.WAFER 8P		L101200100810S		
	CP104,105	nsp	CN.WAFER 16P		L101100041610S		
	CP106	nsp	CN.WAFER 16P		L101100031610S		

	Ref. No.	Part No.	Part Name	Remarks		Q'ty	New
	JACK501	963646001690S	TER,BOARD SCREW 8P		G614108V1010MS		
	JACK503	00D9630158608	TER,BOARD SCREW 2P		G611201A0200YS		
	JACK504	963646001690S	TER,BOARD SCREW 8P		G614108V1010MS		
	SPK104	963682003410S	RELAY HL3-2A-12S 12V 5A		G680120503020S		
	SPK105	963682003410S	RELAY HL3-2A-12S 12V 5A		G680120503020S		
	SPK106	963682003410S	RELAY HL3-2A-12S 12V 5A		G680120503020S		
	SPK107	963682003410S	RELAY HL3-2A-12S 12V 5A		G680120503020S		
	SPK108	963682003410S	RELAY HL3-2A-12S 12V 5A		G680120503020S		

PCB DIGI CNT ASS'Y

	Ref. No.	Part No.	Part Name	Remarks		Q'ty	New
CAPACITORS GROUP							
	C901-915 C916	nsp 963134002720S	C,CERAMIC 100PF-J/50V C,ELECT10UF-M/50V (Pb Free)		D010101167160S D040100087080S		
OTHERS PARTS GROUP							
	BKT801,802 BKT901	nsp nsp	BRACKET 0.8t/SCREW BRACKET 0.8t/SCREW		4010210196100S 4010210196100S		
	CN803	nsp	CN.WAFER 12P		L101100031210S		
	CN900 CP805 CP976	nsp nsp nsp	CN.WAFER 5P CN.FPC 15P CN.WAFER 7P	E2	L101100030510S L131101500010S L101100030710S		
	CW067 CW975	nsp nsp	CN.FPC 7P CN.FPC7P		L130100150720S L130100150720S		

PCB DIGI POWER ASS'Y


	Ref. No.	Part No.	Part Name	Remarks		Q'ty	New
SEMICONDUCTORS GROUP							
	IC2270,2271	963239004190S	IC AOZ1021AI		J048102100010S		
CAPACITORS GROUP							
	C2270,2271	nsp	C,CERAMIC 10UF-K/16V		D011106573200S		
	C2272,2273	nsp	C,CERAMIC 10UF-K/25V		D011106574300S		
	C2274	nsp	C,CERAMIC X7R2200PF-K/50V		D011222777200S		
	C2275,2276	nsp	C,CERAMIC 10UF-K/16V		D011106573200S		
	C2277,2278	nsp	C,CERAMIC 10UF-K/25V		D011106574300S		
	C2281	nsp	C,CERAMIC X7R2200PF-K/50V		D011222777200S		
	C2285-2288	nsp	C,CERAMIC 100PF-J/50V		D010101167160S		
OTHERS PARTS GROUP							
	CN2271	nsp	CN,WIRE 4P		L000241040070S		
	CN2272	nsp	CN,WIRE 4P		L000101040180S		
	CP2270	nsp	CN.WAFER 4P ANGLE		L102526800400S		
	GND101,102	nsp	TERMINAL EARTH		3790040886000S		
	L2270,2271	963115004260S	COIL,INDUCTOR B82464Z4472M		D310824644720S		

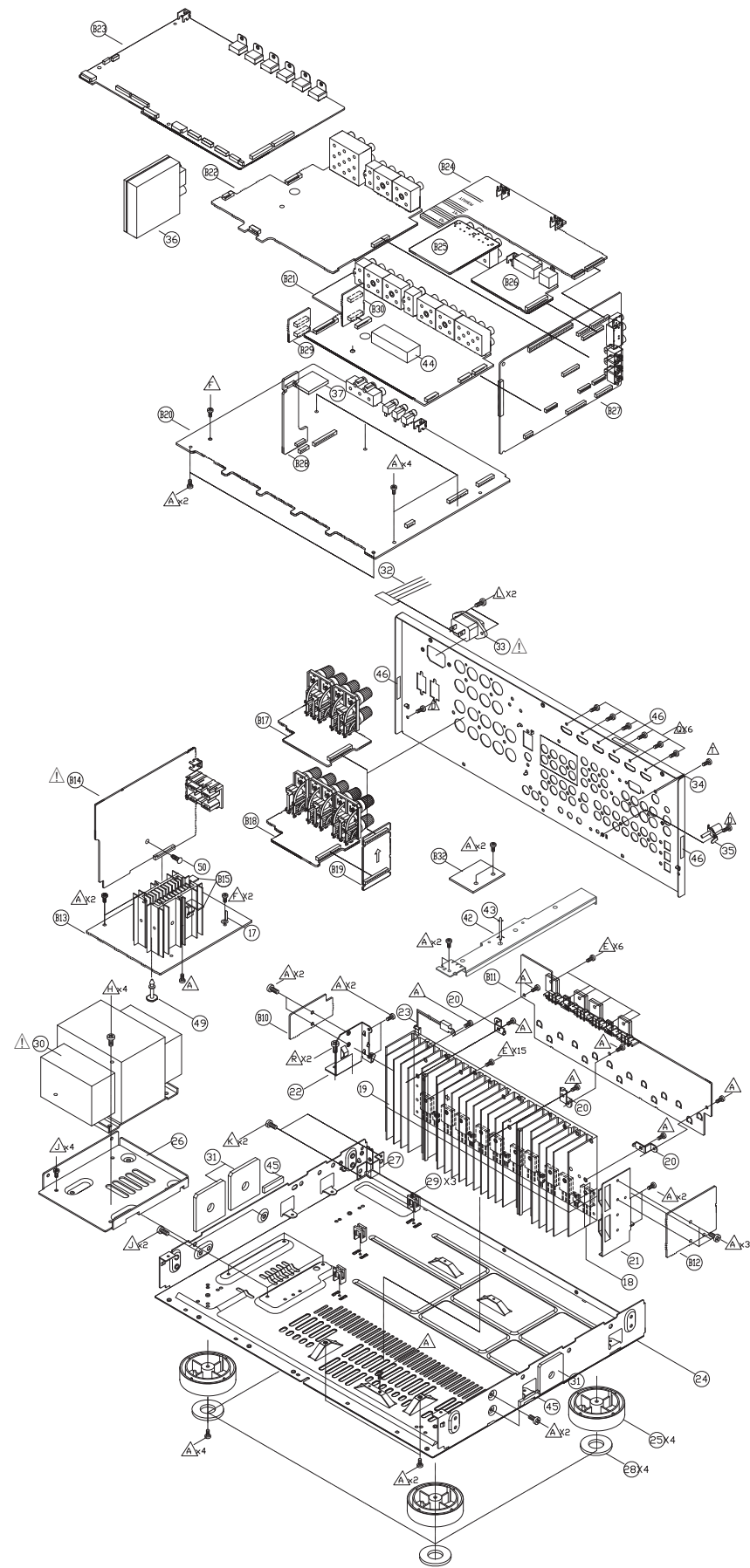
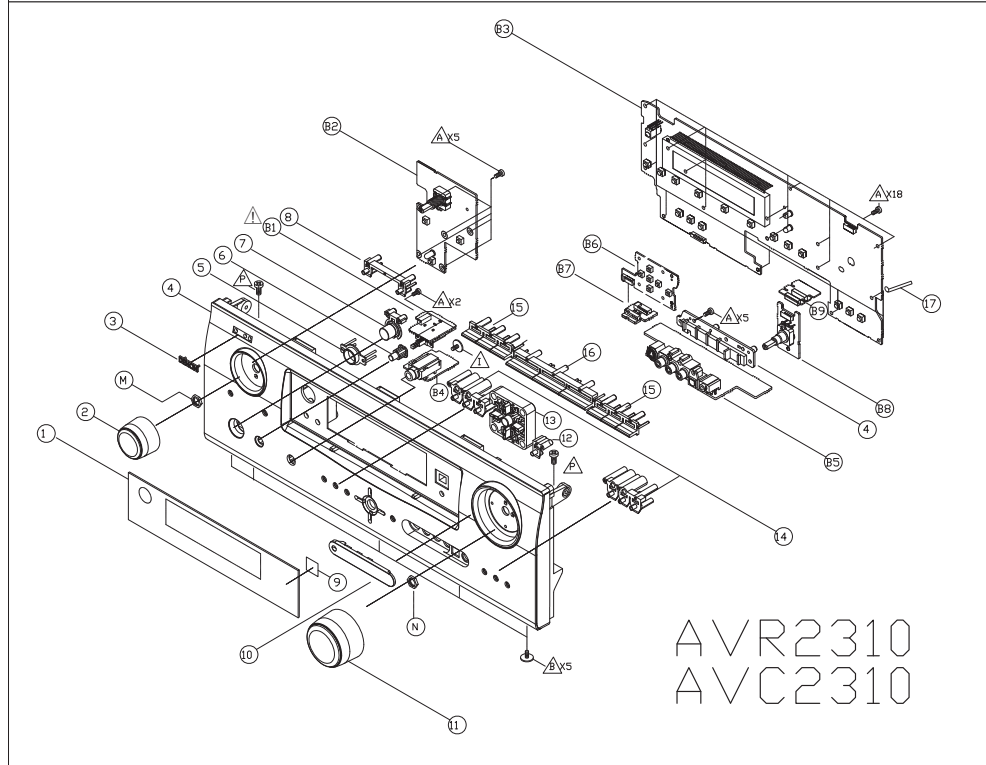
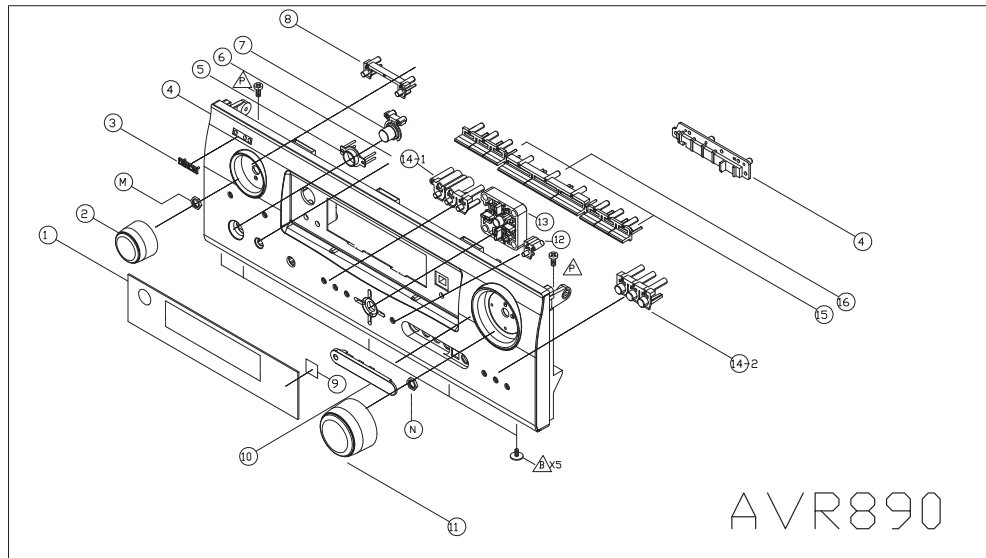
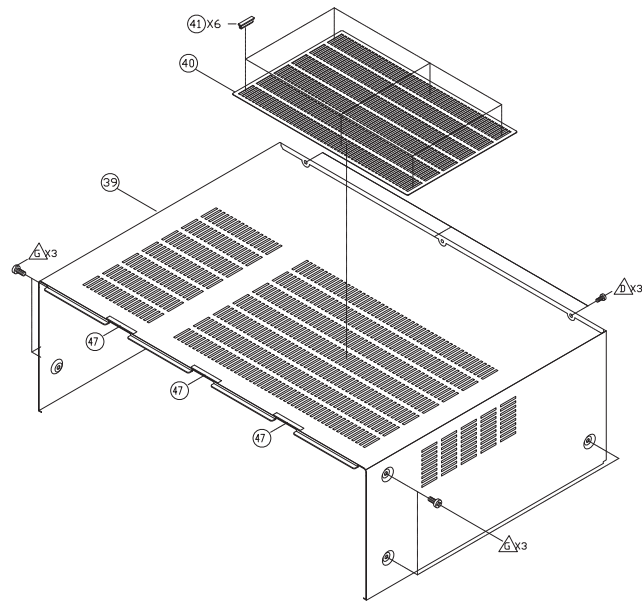
PCB REG ASS'Y

	Ref. No.	Part No.	Part Name	Remarks		Q'ty	New
SEMICONDUCTORS GROUP							
	IC515	00D2630801004	IC NJM7812FA		J126781200010S		
	IC517	00D2630801004	IC NJM7812FA		J126781200010S		

---MEMO---

EXPLODED VIEW

WARNING:
Parts marked with this symbol  have critical characteristics.
Use ONLY replacement parts recommended by the manufacturer.



PARTS LIST OF EXPLODED VIEW

* Parts for which "nsp" is indicated on this table cannot be supplied.

* P.W.B. ASS'Y for which "nsp" is indicated on this table cannot be supplied. When repairing the P.W.B. ASS'Y, check the board parts table and order replacement parts.

* The parts listed below are for maintenance only, might differ from the parts used in the unit in appearances or dimensions.

Note: The symbols in the column "Remarks" indicate the following destinations.

E3 : U.S.A. & Canada model

E2 : Europe model

E1C : China model

EA : Australia model

BK : (Black model

SP : (Premium Silver model

Ref. No.	Part No.	Part Name	Remarks	Q'ty	New			
	B-1	nsp	PCB FRONT ASSY	2310CIBKE3	7025HK0818012	1	*	
	B-1	nsp	PCB FRONT ASSY	2310BKE2	7025HK0818052	1	*	
	B-1	nsp	PCB FRONT ASSY	2310SPE2	7025HK0818032	1	*	
	B-1	nsp	PCB FRONT ASSY	890BKE3	7025HK0818062	1	*	
	B-1	nsp	PCB FRONT ASSY	890BKEA	7025HK0818022	1	*	
	B-1	nsp	PCB FRONT ASSY	2310SPE1C	7025HK0818042	1	*	
	B1	-	PCB S/W		-	1		
	B2	-	PCB FUNCTION ENCODER		-	1		
	B3	-	PCB FRONT		-	1		
	B4	-	PCB H/P		-	1		
	B5	-	PCB V.AUX		-	1		
	B6	-	PCB FUNCTION		-	1		
	B7	-	PCB FUNCTION CNT		-	1		
	B8	-	PCB ENCODER		-	1		
	B9	-	PCB ENCODER CNT		-	1		
	B-2	nsp	PCB POWER ASSY	2310CIBKE3	7025HK0818011	1	*	
	B-2	nsp	PCB POWER ASSY	2310BKE2	7025HK0818051	1	*	
	B-2	nsp	PCB POWER ASSY	2310SPE2	7025HK0818031	1	*	
	B-2	nsp	PCB POWER ASSY	890BKE3	7025HK0818021	1	*	
	B-2	nsp	PCB POWER ASSY	890BKEA	7025HK0818021	1	*	
	B-2	nsp	PCB POWER ASSY	2310SPE1C	7025HK0818041	1	*	
	B10	-	PCB GUIDE_L		-	1		
	B12	-	PCB GUIDE_R		-	1		
	B13	-	PCB SUPPLY		-	1		
	B14	-	PCB POWER		-	1		
	B28	-	PCB CNT3		-	1		
	B29	-	PCB CNT2		-	1		
	B30	-	PCB CNT1		-	1		
	B11	nsp	PCB 2CH ASSY	2310CIBKE3	7025HK0818013	1	*	
	B11	nsp	PCB 2CH ASSY	2310BKE2	7025HK0818053	1	*	
	B11	nsp	PCB 2CH ASSY	2310SPE2	7025HK0818033	1	*	
	B11	nsp	PCB 2CH ASSY	890BKE3	7025HK0818063	1	*	
	B11	nsp	PCB 2CH ASSY	890BKEA	7025HK0818023	1	*	
	B11	nsp	PCB 2CH ASSY	2310SPE1C	7025HK0818043	1	*	
		B-3	nsp	PCB SPK ASSY	2310CIBKE3	7025HK081801B	1	*
		B-3	nsp	PCB SPK ASSY	2310BKE2	7025HK081805B	1	*
B-3		nsp	PCB SPK ASSY	2310SPE2	7025HK081803B	1	*	
	B-3	nsp	PCB SPK ASSY	890BKE3	7025HK081806B	1	*	
	B-3	nsp	PCB SPK ASSY	890BKEA	7025HK081802B	1	*	
	B-3	nsp	PCB SPK ASSY	2310SPE1C	7025HK081804B	1	*	
	B17	-	PCB SPK		7028068461010	1		
	B18	-	PCB SPK2		7028068462010	1		
	B19	-	PCB SPK_CNT		7028068463010	1		

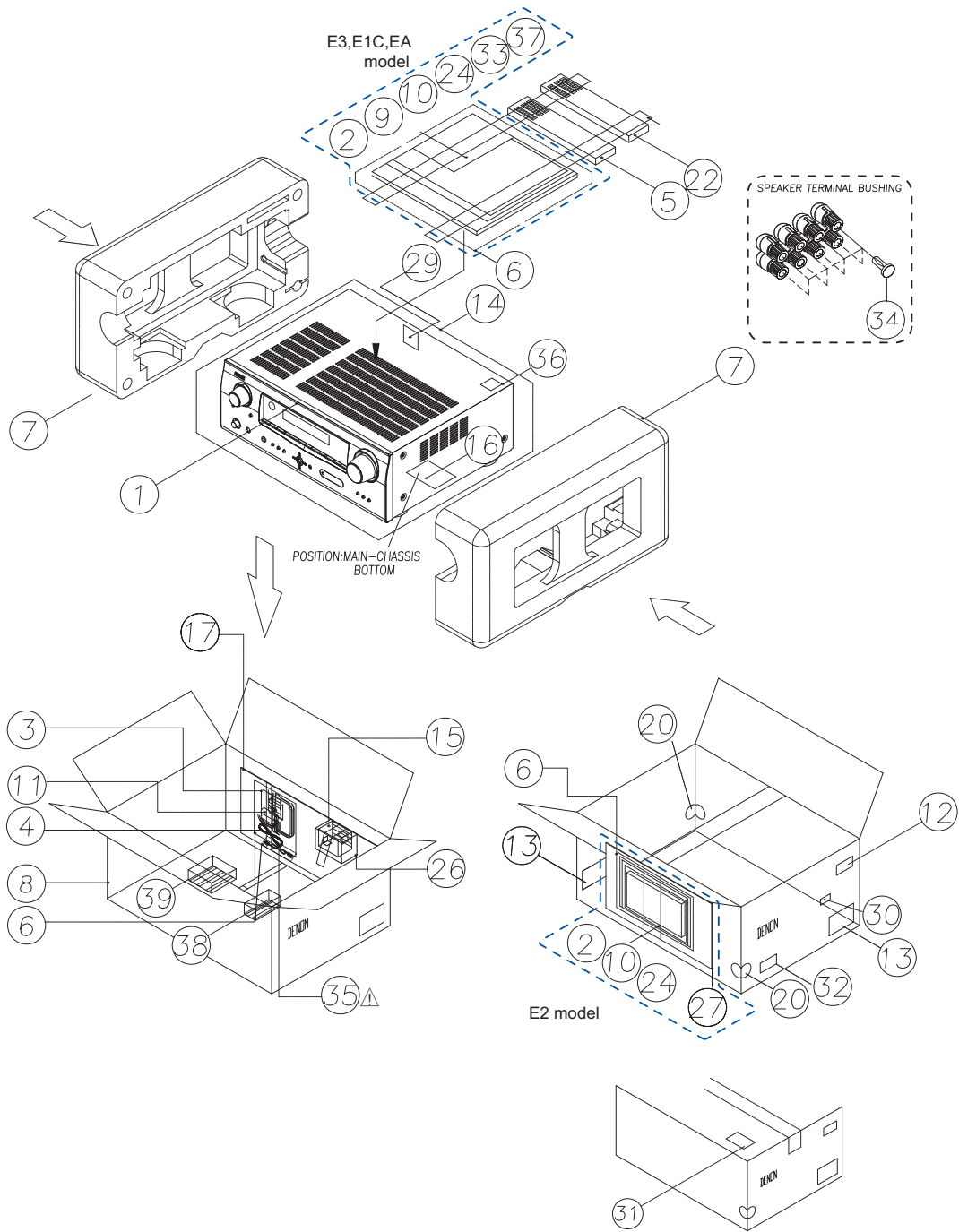
Ref. No.	Part No.	Part Name	Remarks		Q'ty	New
B20	nsp	PCB MAIN ASSY	2310CIBKE3	7025HK0818010	1	*
B20	nsp	PCB MAIN ASSY	2310BKE2	7025HK0818050	1	*
B20	nsp	PCB MAIN ASSY	2310SPE2	7025HK0818030	1	*
B20	nsp	PCB MAIN ASSY	890BKE3	7025HK0818060	1	*
B20	nsp	PCB MAIN ASSY	890BKEA	7025HK0818020	1	*
B20	nsp	PCB MAIN ASSY	2310SPE1C	7025HK0818040	1	*
B21	nsp	PCB INPUT ASSY	2310CIBKE3	7025HK0818014	1	*
B21	nsp	PCB INPUT ASSY	2310BKE2	7025HK0818054	1	*
B21	nsp	PCB INPUT ASSY	2310SPE2	7025HK0818034	1	*
B21	nsp	PCB INPUT ASSY	890BKE3	7025HK0818064	1	*
B21	nsp	PCB INPUT ASSY	890BKEA	7025HK0818024	1	*
B21	nsp	PCB INPUT ASSY	2310SPE1C	7025HK0818044	1	*
B22	nsp	PCB VIDEO ASSY	2310CIBKE3	7025HK0818016	1	*
B22	nsp	PCB VIDEO ASSY	2310BKE2	7025HK0818056	1	*
B22	nsp	PCB VIDEO ASSY	2310SPE2	7025HK0818036	1	*
B22	nsp	PCB VIDEO ASSY	890BKE3	7025HK0818066	1	*
B22	nsp	PCB VIDEO ASSY	890BKEA	7025HK0818026	1	*
B22	nsp	PCB VIDEO ASSY	2310SPE1C	7025HK0818046	1	*
B23	963189004780D	PCB HDMI ASSY		7025HK081805C	1	*
B-4	nsp	PCB DIGI_CNT ASSY	2310CIBKE3	7025HK0818015	1	*
B-4	nsp	PCB DIGI_CNT ASSY	2310BKE2	7025HK0818055	1	*
B-4	nsp	PCB DIGI_CNT ASSY	2310SPE2	7025HK0818035	1	*
B-4	nsp	PCB DIGI_CNT ASSY	890BKE3	7025HK0818065	1	*
B-4	nsp	PCB DIGI_CNT ASSY	890BKEA	7025HK0818025	1	*
B-4	nsp	PCB DIGI_CNT ASSY	2310SPE1C	7025HK0818045	1	*
B24	-	PCB DIGI_CNT		7028068481010	1	
B31	-	PCB HDMI_CNT		7028068482010	1	
B25	nsp	PCB PREOUT ASSY	2310BKE2	7025HK081805A	1	*
B25	nsp	PCB PREOUT ASSY	2310SPE2	7025HK081803A	1	*
B25	nsp	PCB PREOUT ASSY	890BKEA	7025HK081802A	1	*
B25	nsp	PCB PREOUT ASSY	2310SPE1C	7025HK081804A	1	*
B26	nsp	PCB SIRIUS ASSY	2310CIBKE3	7025HK0818019	1	
B26	nsp	PCB SIRIUS ASSY	2310BKE2	7025HK0818059	1	
B26	nsp	PCB SIRIUS ASSY	2310SPE2	7025HK0818039	1	
B26	nsp	PCB SIRIUS ASSY	890BKE3	7025HK0818069	1	
B26	nsp	PCB SIRIUS ASSY	2310SPE1C	7025HK0818049	1	
B27	nsp	PCB CPU ASSY	2310CIBKE3	7025HK0818017	1	*
B27	nsp	PCB CPU ASSY	2310BKE2	7025HK0818057	1	*
B27	nsp	PCB CPU ASSY	2310SPE2	7025HK0818037	1	*
B27	nsp	PCB CPU ASSY	890BKE3	7025HK0818067	1	*
B27	nsp	PCB CPU ASSY	890BKEA	7025HK0818027	1	*
B27	nsp	PCB CPU ASSY	2310SPE1C	7025HK0818047	1	*
B32	nsp	PCB DIGI_POWER ASSY	2310CIBKE3	7025HK0818018	1	*
B32	nsp	PCB DIGI_POWER ASSY	2310BKE2	7025HK0818058	1	*
B32	nsp	PCB DIGI_POWER ASSY	2310SPE2	7025HK0818038	1	*
B32	nsp	PCB DIGI_POWER ASSY	890BKE3	7025HK0818068	1	*
B32	nsp	PCB DIGI_POWER ASSY	890BKEA	7025HK0818028	1	*
B32	nsp	PCB DIGI_POWER ASSY	2310SPE1C	7025HK0818048	1	*

Ref. No.	Part No.	Part Name	Remarks		Q'ty	New
	B15	-	PCB REG ASSY		7020068920000S	2 *
1	963416004500D	WINDOW DISPLAY		5077212762040S	1	*
2	963412000570D	KNOB FUNCTION(KD)	BK	5080211761000SZ	1	
2	963412003660D	KNOB FUNCTION	SP	5087211901000S	1	
3	00D9630362109	BADGE DENON	BK	5630210028300S	1	
3	00D9630362202	BADGE DENON	SP	5630210028400S	1	
4	963402004490D	PANEL FRONT	2310CIBKE3	3067214351300S	1	*
4	963402004700D	PANEL FRONT	2310BKE2	3067214351400S	1	*
4	963402004760D	PANEL FRONT	2310SPE2	3067214351500S	1	*
4	963402004820D	PANEL FRONT	890BKE3	3067214371200S	1	*
4	963402004850D	PANEL FRONT	890BKEA	3067214371300S	1	*
4	963402004930D	PANEL FRONT	2310SPE1C	3067214351510S	1	*
5	00D9630137807	LENS STANDBY		3710210503000S	1	
6	963411004710D	BUTTON POWER	BK	5090213821000S	1	
6	00D9630230005	BUTTON POWER	SP	5097212358300SZ	1	
7	963411002820S	BUTTON STANDBY(KD)	BK	5098212361000SZ	1	
7	00D9630221904	BUTTON STANDBY	SP	5097212368030SZ	1	
8	00D9630362305	BUTTON 2KEY	2310BK	5097213351000S	1	
8	00D9630362501	BUTTON 2KEY	2310SP	5097213351110S	1	
8	963411001390D	BUTTON 2KEY	890BK	5097213591000S	1	
9	963409002050D	SHEET WINDOW		1210210682000S	1	
10	963419004680D	COVER RCA	BK	4317214571000S	1	*
10	963419004740D	COVER RCA	SP	4317214571100S	1	*
11	963412000560D	KNOB VOLUME(KD)	BK	5080211751000SZ	1	
11	963412002920S	KNOB VOLUME	SP	5087211891000S	1	
12	963411003370D	BUTTON 1KEY	2310BK	5097213791000S	1	
12	963412003670D	BUTTON 1KEY	2310SP	5097213791100S	1	
12	963411003770D	BUTTON 1KEY	890BK	5097213801000S	1	
13	963411003380D	BUTTON CURSOR 5KEY	BK	5097213811000S	1	
13	963411003680D	BUTTON CURSOR 5KEY	SP	5097213811100S	1	
14	00D9630364700	BUTTON 3KEY	2310BK	5097213331000S	2	
14	00D9630364906	BUTTON 3KEY	2310SP	5097213331110S	2	
14-1	963411001400D	BUTTON 3KEY A	890BK	5097213601000S	1	
14-2	963411001410D	BUTTON 3KEY B	890BK	5097213611000S	1	
15	00D9630365002	BUTTON WIN 3KEY	BK	5097213371000S	2	
15	00D9630365301	BUTTON WIN 3KEY	SP	5097213371110S	2	
16	963411003400D	BUTTON WIN 3KEY C	BK	5097213831000S	1	
16	963411003690D	BUTTON WIN 3KEY C	SP	5097213831100S	1	
17	nsp	CLAMP WIRE(MTG)		4330000310000S	1	
18	nsp	TAPE ACETATE CLOTH		1220210199010S	1	
19	nsp	HEAT SINK		2120211658000S	1	
20	nsp	BRACKET PCB		4010210186000S	3	
21	nsp	BRACKET HEATSINK R		4010213136000S	1	
22	nsp	BRACKET HEATSINK L		4010213146000S	1	
23	963252004340S	POSISTOR		F320121021240S	1	
24	nsp	CHASSIS MAIN	2310	3200212146100S	1	
24	nsp	CHASSIS MAIN	890	3200212146101S	1	
25	963407003330D	FOOT		4000210261000S	4	
26	nsp	BRACKET TRANS		4010210466002S	1	
27	nsp	BRACKET SAFETY		4010213606000S	1	
28	00D9630214607	CUSHION FOOT		4050211295000S	4	
29	nsp	SUPPORTER PCB		4070001601010S	3	
△	30	963101004790D	POWER TRANS MAIN	E3	8200960660560S	1 *
△	30	963101004750D	POWER TRANS MAIN	E2, EA	8200960660570S	1 *
△	30	963101004890D	POWER TRANS MAIN	E1C	8200960660580S	1 *

Ref. No.	Part No.	Part Name	Remarks		Q'ty	New
	31	nsp	CUSHION SIDE		4050211095000S	3
⚠	32	nsp	CN WIRE		L000121020230S	1
	33	00D9630158404	AC INLET		G430040560020S	1
	34	963406004690D	CHASSIS BACK	2310CIBKE3	3207212876000S	1 *
	34	963406004940D	CHASSIS BACK	2310BKE2/SPE2	3207212876200S	1 *
	34	963406004950D	CHASSIS BACK	890BKE3	3207212876100S	1 *
	34	963406004960D	CHASSIS BACK	890BKEA	3207212876300S	1 *
	34	963406004970D	CHASSIS BACK	2310SPE1C	3207212876400S	1 *
	35	nsp	TERMINAL		3790000090000S	1
	36	00D2160124109	TUNER PACK	E3	E903014000020S	1
	36	00D9630145705	TUNER PACK	E2, EA	E903014100030S	1
	37	nsp	CUSHION BD		4050211845000S	1
	38					
	39	00D9630361302	CABINET TOP	BK	3000210936000S	1
	39	963401000730D	CABINET TOP	SP	3000210936200S	1
	40	963409001780D	COVER SAFETY	BKE2, BKEA	4310212122020S	1
	40	963409001790D	COVER SAFETY	SPE2, SPE1C	4310212122010S	1
	41	963454001800D	COVER HOLDER	BKE2, BKEA	4310213701000S	6
	41	963454001810D	COVER HOLDER	SPE2, SPE1C	4310213701100S	6
	42	nsp	BRACKET HDMI		4010214556000S	1 *
	43	nsp	SUPPORTER PCB		4070211653000S	1
	44	nsp	CUSHION INPUT		4050212565000S	1 *
	45	nsp	GASKET EMC A		4400210179000S	2
	46	nsp	GASKET EMC A		4400210189000S	3
	47	nsp	SHEET CABINET		1210210235000S	3
	49	nsp	SPACER CARD		4300210062000S	1
	50	nsp	SUPPORTER		4420010223010S	1
	★ 51	00D9630235204	TR PNP 2SB 2SB1647Y		J5011647Y0170S	5
	★ 52	963219003340S	TR NPN 2SC KTC3964		J502396400010S	5
	★ 53	00D9630235301	TR NPN 2SD 2SD2560Y		J5032560Y0170S	5
	★ 54	nsp	LABEL FUSE CAUTION	E3	5507000001110S	1
	★ 55	nsp	CLAMP		4330040343010S	10
WIRES						
	★ 61	963606005150S	CABLE,FLAT CARD 1.0MM		N711061233810S	1
	★ 62	963606005160S	CABLE,FLAT CARD 1.0MM		N711071333810S	1
	★ 63	963606005170S	CABLE,FLAT CARD 1.0MM		N711119543810S	1
	★ 64	963606005180S	CABLE,FLAT CARD 1.0MM		N711129543810S	1
	★ 65	963606005190S	CABLE,FLAT CARD 1.0MM		N711149543810S	1
	★ 66	963606005200S	CABLE,FLAT CARD 1.0MM		N711159543810S	1
	★ 67	963606005210S	CABLE,FLAT CARD 1.0MM		N711193343810S	1
	★ 68	963606005220S	CABLE,FLAT CARD 1.0MM		N711233343810S	1
	★ 69	963606005230S	CABLE,FLAT CARD 1.25MM	E3, E2, EA	N712150634811S	1
	★ 70	963606000600S	CABLE,FLAT CARD SHIELD 1.25MM		N714351634810S	1
SCREWS						
	A	nsp	SCREW (+2S 3*8 B-TYPE ZNW/BH)		B020030081B10S	71
	B	nsp	SCREW (+2S 3*8 BK WASHER PI12)	BK	1500001456020S	5
	B	nsp	SCREW (+2S 3*8 NI WASHER PI12)	SP	1500001456030S	5
	D	nsp	SCREW (+2S 3*10 B-TYPE(DOT) BK/BH)	E3	B020030103B11S	44
	D	nsp	SCREW (+2S 3*10 B-TYPE(DOT) BK/BH)	E2	B020030103B11S	46
	D	nsp	SCREW (+2S 3*10 B-TYPE(DOT) BK/BH)	EA	B020030103B11S	43
	D	nsp	SCREW (+2S 3*10 B-TYPE(DOT) BK/BH)	E1C	B020030103B11S	42
	E	nsp	SCREW (+2S 3*14 P(Φ6)+S-WASHER ZNY/HH)		B018230141H11S	21
	F	nsp	SCREW (+2S 3*17 B-TYPE ZNW/BH)		B020030171B10S	3

Ref. No.	Part No.	Part Name	Remarks		Q'ty	New
G	00D9630048307	SCREW (+2S 4*8 B-TYPE(DOT) BK/BH)	BK	1500040083B10S	6	
G	00D9639004012	SCREW (+2S 4*8 B-TYPE(DOT) NI/BH)	SP	1500040084B10S	6	
H	nsp	SCREW (+3S 4*8 P+S-WASHER ZNW/PH)		B028940081B10S	4	
I	nsp	SCREW (+2S 3*8 ZnY WASHER PI12)		1500001456010S	1	
J	nsp	SCREW (+3S 4*6 S-TYPE ZNW/BH)		B020740061B10S	6	
K	nsp	SCREW (+2S 3*5 B-TYPE ZNW/BH)		B020030051B10S	2	
L	nsp	SCREW (+2S 3*10 B-TYPE BK/FH)		B020030103F10S	2	
P	nsp	SCREW (+2S 3*8 PI9.5 B-TYPE ZNW)		1500001206010S	2	
Q	nsp	SCREW (+3S 3*8 BK/BH)		B020930083B10S	6	
R	nsp	SCREW (+2S 3*6 B-TYPE BK/BH)		B020030063B10S	2	
T	nsp	SCREW (+M 3*10 BK/BH)	E3	B000030103B10S	1	

PACKING VIEW



PARTS LIST OF PACKING & ACCESSORIES

* Parts for which "nsp" is indicated on this table cannot be supplied.

* The parts listed below are for maintenance only, might differ from the parts used in the unit in appearances or dimensions.

Note: The symbols in the column "Remarks" indicate the following destinations.

E3 : U.S.A. & Canada model

E2 : Europe model

E1C : China model

EA : Australia model

BK : (Black model)

SP : (Premium Silver model)




Ref. No.	Part No.	Part Name	Remarks	Q'ty	New
1	-	set	-	1	
2	963541004510D	INSTRUCTION MANUAL	2310CIBKE3	5707000002270S	1 *
2	963541004720D	INSTRUCTION MANUAL	2310BKE2/SPE2	5707000002280S	1 *
2	963541004800D	INSTRUCTION MANUAL	890BKE3	5707000002300S	1 *
2	963541004830D	INSTRUCTION MANUAL	890BKEA	5707000002310S	1 *

	Ref. No.	Part No.	Part Name	Remarks		Q'ty	New
	2	963541004860D	INSTRUCTION MANUAL	2310SPE1C	5707000002290S	1	*
	3	00D2310089007	AM ANTENNA WIRE	E3, E2, EA	E605010110010S	1	
	4	00D9630158006	FM ANTENNA WIRE	E3, E2, EA	E605010070001S	1	
	5	963307003600D	REMOCON (RC-1117)		8300111700010S	1	
	6	nsp	POLY BAG		6330000240000S	3	
	7	963533003320D	CUSHION SNOW L/R		6230212514000S	1	
	8	963531004520D	BOX GIFT	2310CIBKE3	6007211400130S	1	*
	8	963531004730D	BOX GIFT	2310BKE2/SPE2	6007211400140S	1	*
	8	963531004810D	BOX GIFT	890BKE3	6007211400160S	1	*
	8	963531004840D	BOX GIFT	890BKEA	6007211400170S	1	*
	8	963531004870D	BOX GIFT	2310SPE1C	6007211400150S	1	*
	9	nsp	WARRANTY CARD	E3	5727000003001S	1	
	9	nsp	WARRANTY CARD	E1C	5777001670010S	1	
	10	nsp	CARD S.S LIST		577700162001FS	1	
	11	nsp	BATTERY DRY (AA)		G670001R50190S	2	
	12	nsp	LABEL UPC	2310CIBKE3	5507000002770S	1	*
	12	nsp	LABEL UPC	890BKE3	5507000002750S	1	*
	12	nsp	LABEL EAN	2310BKE2	5507000002780S	1	*
	12	nsp	LABEL EAN	2310SPE2	5507000002790S	1	*
	12	nsp	LABEL EAN	890BKEA	5507000002760S	2	*
	12	nsp	LABEL EAN	2310SPE1C	5507000002800S	1	*
	13	nsp	LABEL CONTROL		5500014920010S	2	
	14	nsp	PE SHEET SET		6327040059000S	1	
	15	324010001003D	MIC CONDENSER		M040000310040S	1	
	16	nsp	LABEL LICENSE	E3	5507000002170S	1	
	16	nsp	LABEL LICENSE	E3, EA, E1C	5507000002300S	1	
	17	nsp	PAD BOX		6240210730000S	1	
	20	00D9630230209	LABEL COLOR	SP	5507020170680S	2	
	22	963307004540D	REMOCON (RC-1119)	2310CIBKE3	8300111900010S	1	*
	23	nsp	BATTERY DRY (AAA)	2310CIBKE3	G670001R50210S	2	
	24	963541004900D	QUICK MANUAL	E3, EA	5227000001010S	1	*
	24	963541004910D	QUICK MANUAL	E2	5227000001020S	1	*
	24	963541004920D	QUICK MANUAL	E1C	5227000001030S	1	*
	26	nsp	POLY BAG ACCESSORY		6330210222000S	1	
	27	nsp	PAD MANUAL	E2	6240210780000S	1	
	29	nsp	C-ROHS LABEL SET	E1C	5507000000830S	1	
	30	nsp	LABEL DATE	E1C	5507000000850S	1	
	31	nsp	LABEL CARTON	E1C	5507003030390S	1	
	32	nsp	LABEL PRODUCTION-BOX	E1C	5507100500970S	1	
	33	nsp	SHEET RoHS	E1C	5227000000330S	1	
	34	nsp	BUSHING TERMINAL	E2, EA, E1C	2410040353010S	14	
⚠	35	90M-ZC000470R	CORD ASSY	E3	L068125130010S	1	
⚠	35	90M-ZC000600R	CORD ASSY	E2	L068250160020S	1	
⚠	35	963611001490S	CORD ASSY	EA	L068250100070S	1	
⚠	35	963611004880S	CORD ASSY	E1C	L068250100050S	1	*
	36	nsp	LABEL HOT-SURFACE	E3	5507000003730S	1	
	37	nsp	SHEET SIRIUS	E3	5227000000810S	1	
	38	nsp	PAD CUSHION BOTTOM		624021074400-0S	1	
	39	nsp	PAD CUSHION BOTTOM		6240210794000S	1	
	★ 40	nsp	LABEL SERIAL NO.		5507002000070S	1	
	★ 41	nsp	LABEL POP	E3, E2, EA	5507051740300S	1	

NOTE FOR SCHEMATIC DIAGRAM

WARNING:

Parts marked with this symbol  have critical characteristics.
Use ONLY replacement parts recommended by the manufacturer.

CAUTION:

Before returning the unit to the customer, make sure you make either (1) a leakage current check or (2) a line to chassis resistance check. If the leakage current exceeds 0.5 milliamps, or if the resistance from chassis to either side of the power cord is less than 460 kohms, the unit is defective.

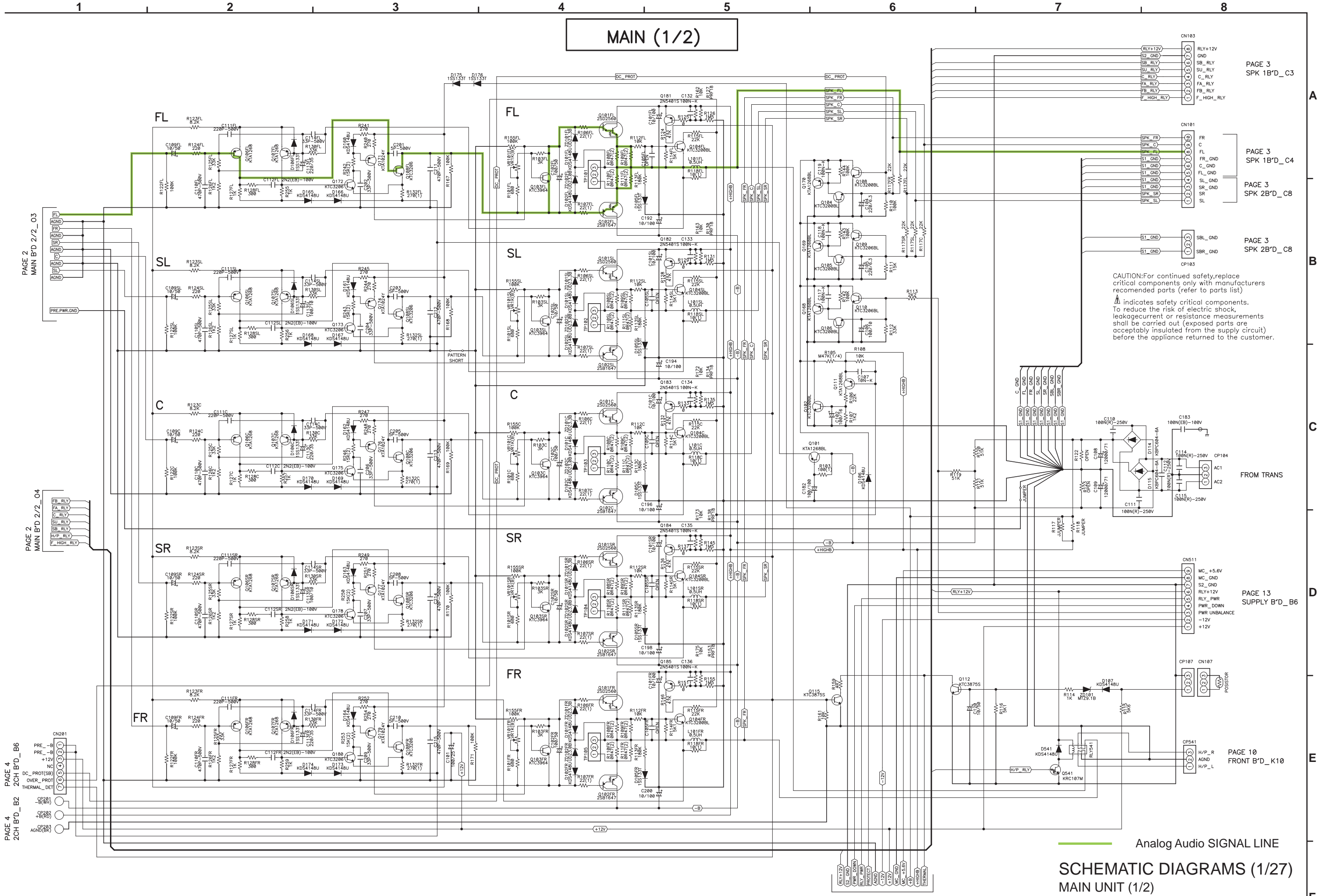
WARNING:

DO NOT return the unit to the customer until the problem is located and corrected.

NOTICE:

ALL RESISTANCE VALUES IN OHM. k=1,000 OHM
M=1,000,000 OHM
ALL CAPACITANCE VALUES IN MICRO FARAD.
P=MICRO-MICRO FARAD
EACH VOLTAGE AND CURRENT ARE MEASURED AT
NO SIGNAL INPUT CONDITION.
CIRCUIT AND PARTS ARE SUBJECT TO CHANGE
WITHOUT PRIOR NOTICE.

MAIN (1/2)



PAGE 3
SPK 1B'D_C3

PAGE 3
SPK 1B'D_C4

PAGE 3
SPK 2B'D_C8

PAGE 3
SPK 2B'D_C8

CAUTION: For continued safety, replace critical components only with manufacturers recommended parts (refer to parts list).
⚠ indicates safety critical components. To reduce the risk of electric shock, leakage current or resistance measurements shall be carried out (exposed parts are acceptably insulated from the supply circuit) before the appliance returned to the customer.

FROM TRANS

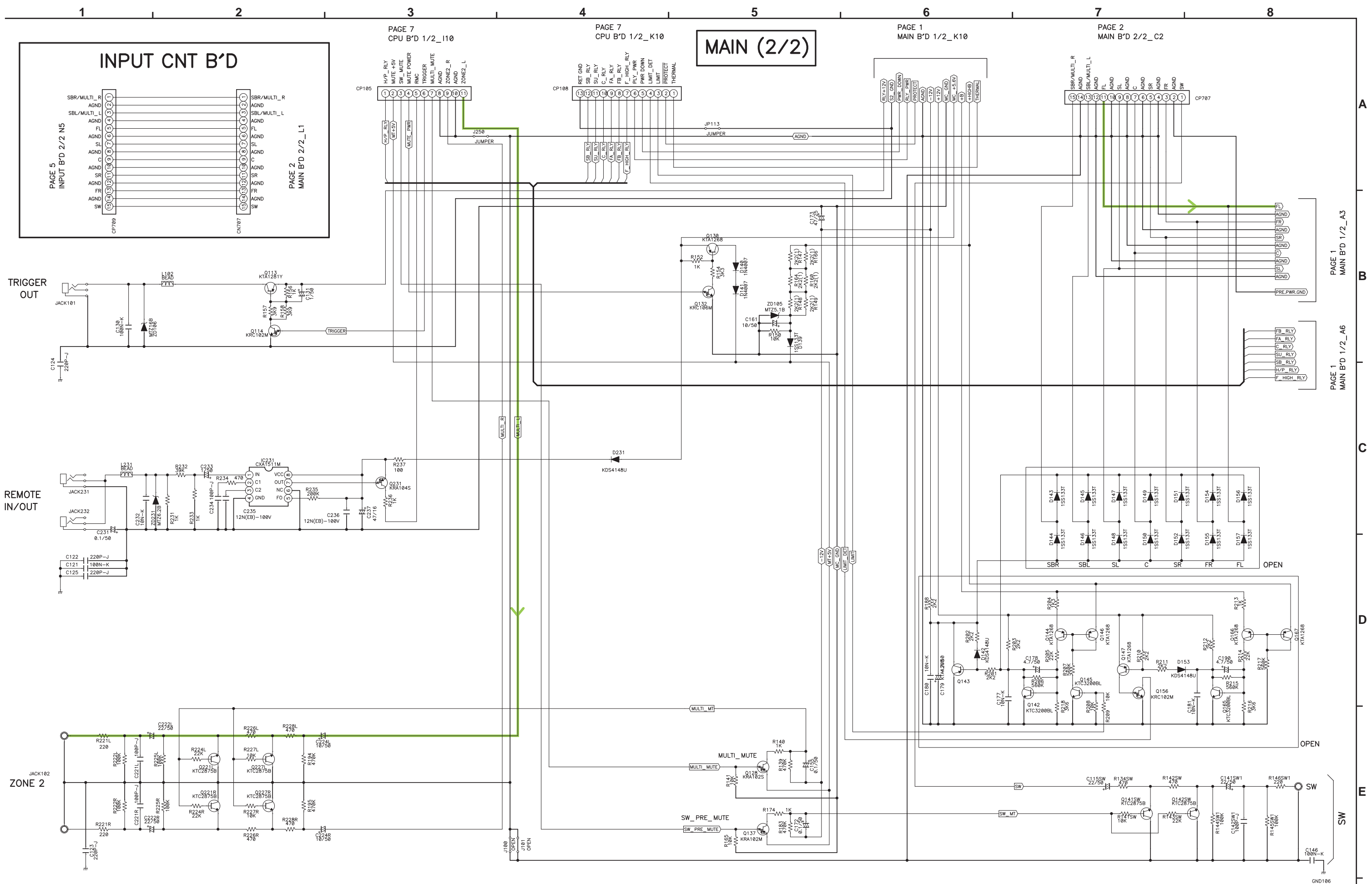
PAGE 13
SUPPLY B'D_B6

PAGE 10
FRONT B'D_K10

Analog Audio SIGNAL LINE

SCHEMATIC DIAGRAMS (1/27)

MAIN UNIT (1/2)



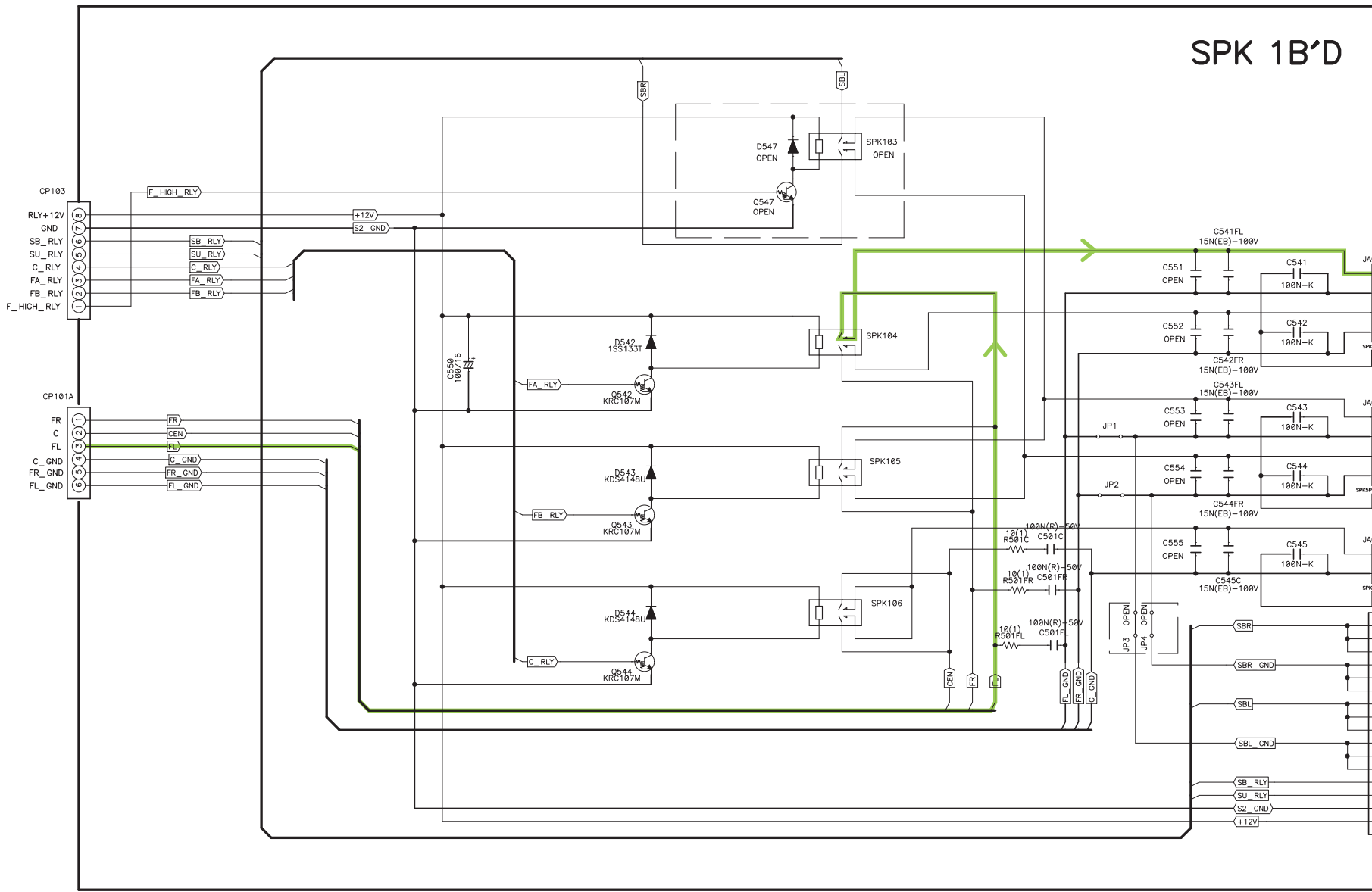
SCHEMATIC DIAGRAMS (2/27)
MAIN UNIT (2/2)
INPUT CNT UNIT
 AVR-2310CI/2310/890, AVC-2310

SPK B'D

SPK 1B'D

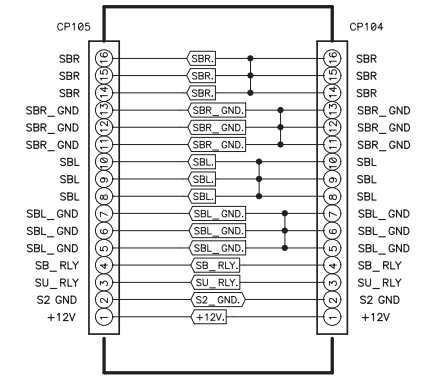
PAGE 1
MAIN B'D 1/2_N1

PAGE 1
MAIN B'D 1/2_N2



SPK CNT B'D

PAGE 3
SPK B'D_C10

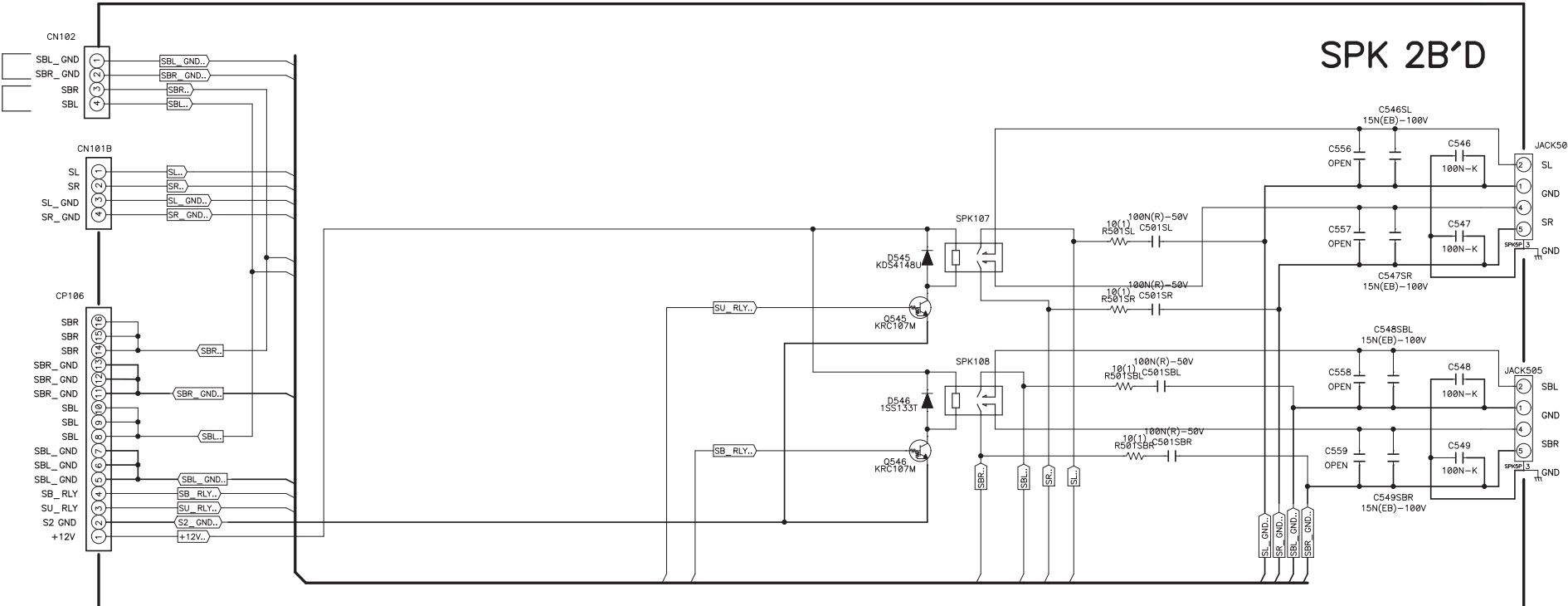


PAGE 1
MAIN B'D 1/2_N3
PAGE 4
2CH B'D_N4

PAGE 1
MAIN B'D 1/2_N3

PAGE 3
SPK B'D_N6

SPK 2B'D



— Analog Audio SIGNAL LINE

SCHEMATIC DIAGRAMS (3/27)
SPK 1 UNIT
SPK 2 UNIT
SPK CNT UNIT

A
B
C
D
E
F

2CH B'D

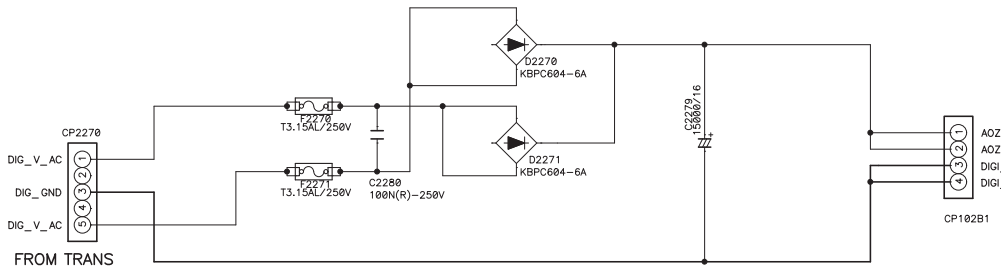
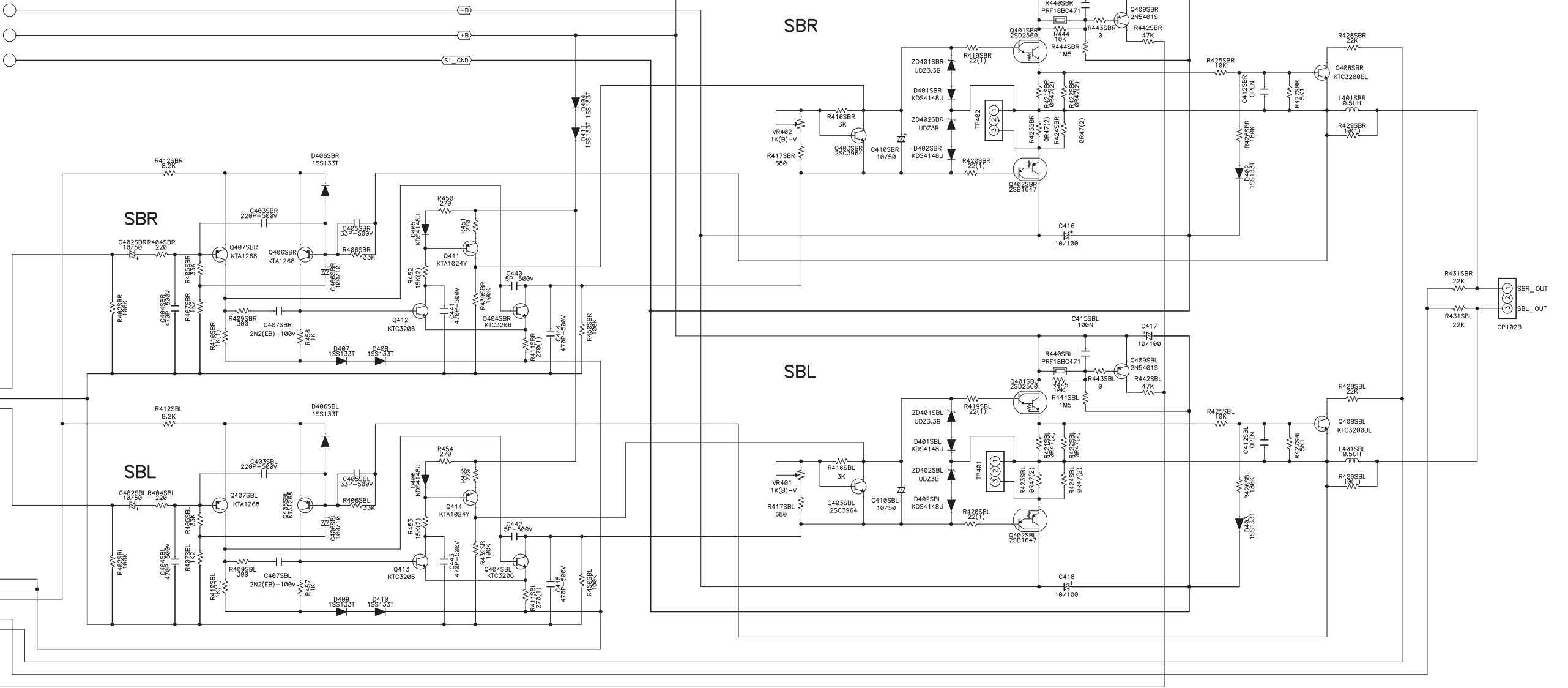
PAGE 1
MAIN B'D 1/2_A10

PAGE 6
INPUT B'D 2/2_O6

PAGE 1
MAIN B'D 1/2_A9

PAGE 3
SPK B'D_C8

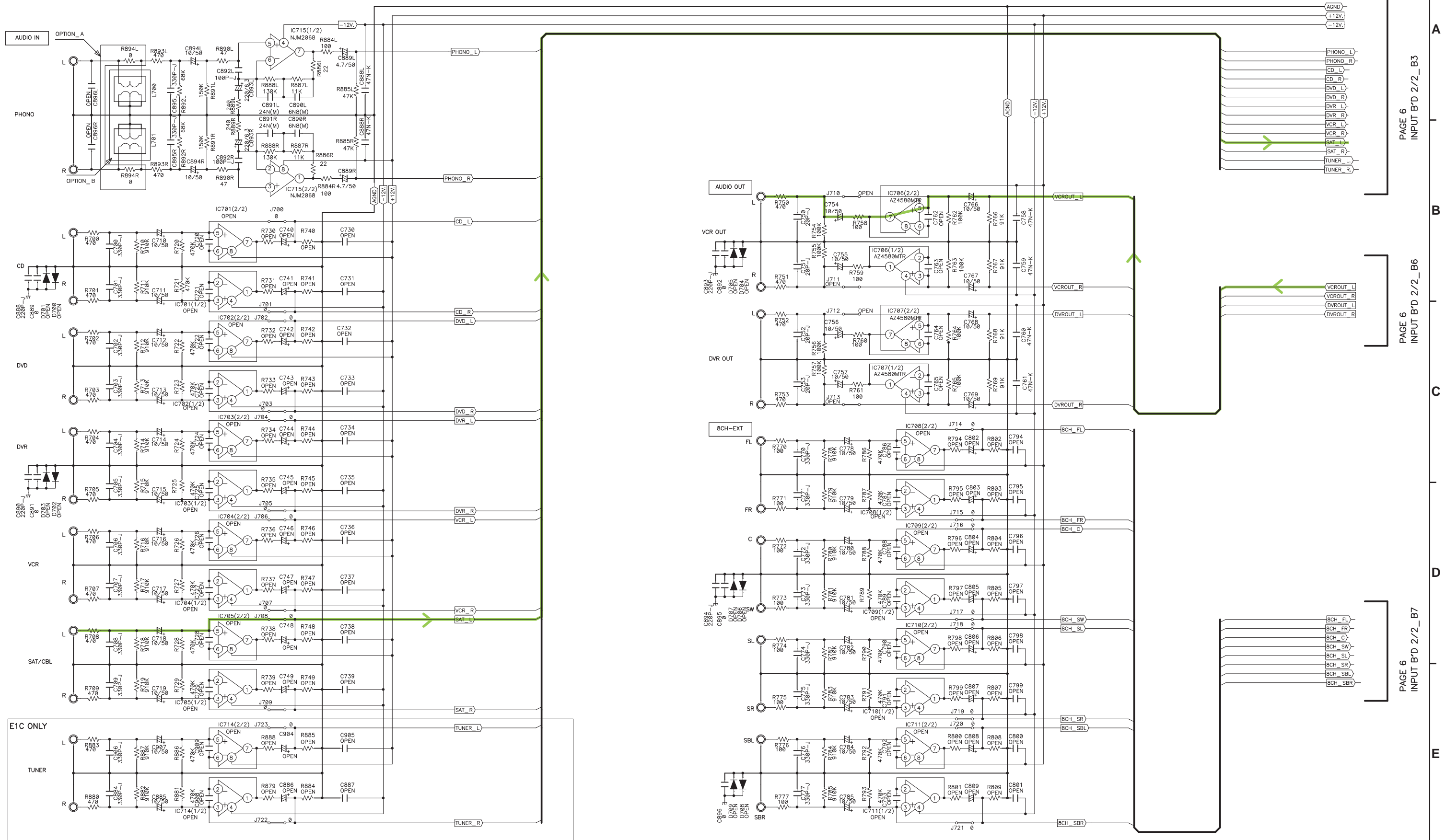
PAGE 12
VIDEO B'D 2/2_B10



SCHEMATIC DIAGRAMS (4/27)
2CH UNIT

OPTION	MODEL	E3	E3(890)	E2	E1C
OPTION_A		0	0	X	0
OPTION_B		X	X	0	X

INPUT B'D(1/2)



PAGE 6
INPUT B'D 2/2_B3

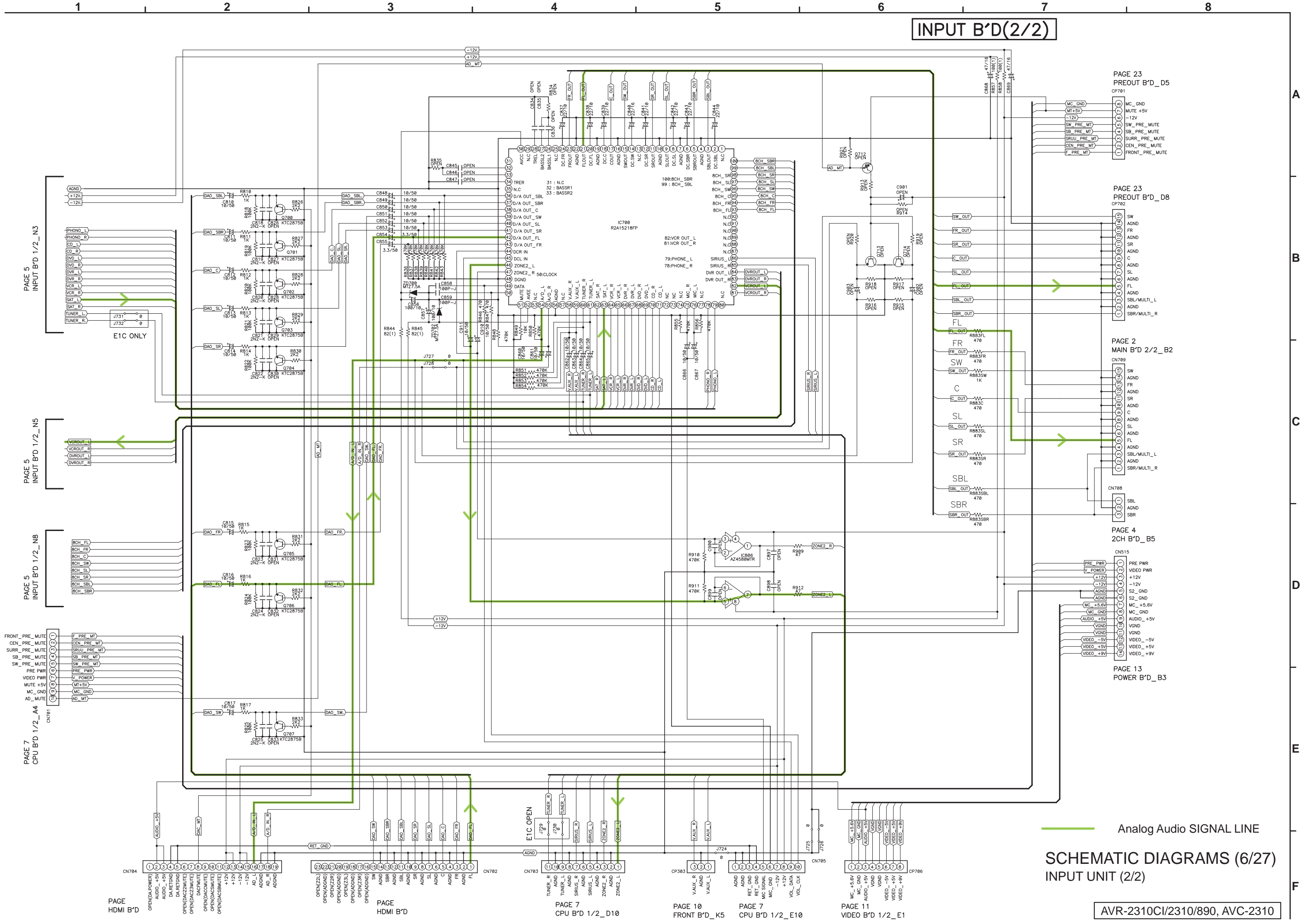
PAGE 6
INPUT B'D 2/2_B6

PAGE 6
INPUT B'D 2/2_B7

SCHEMATIC DIAGRAMS (5/27)
INPUT UNIT (1/2)

— Analog Audio SIGNAL LINE

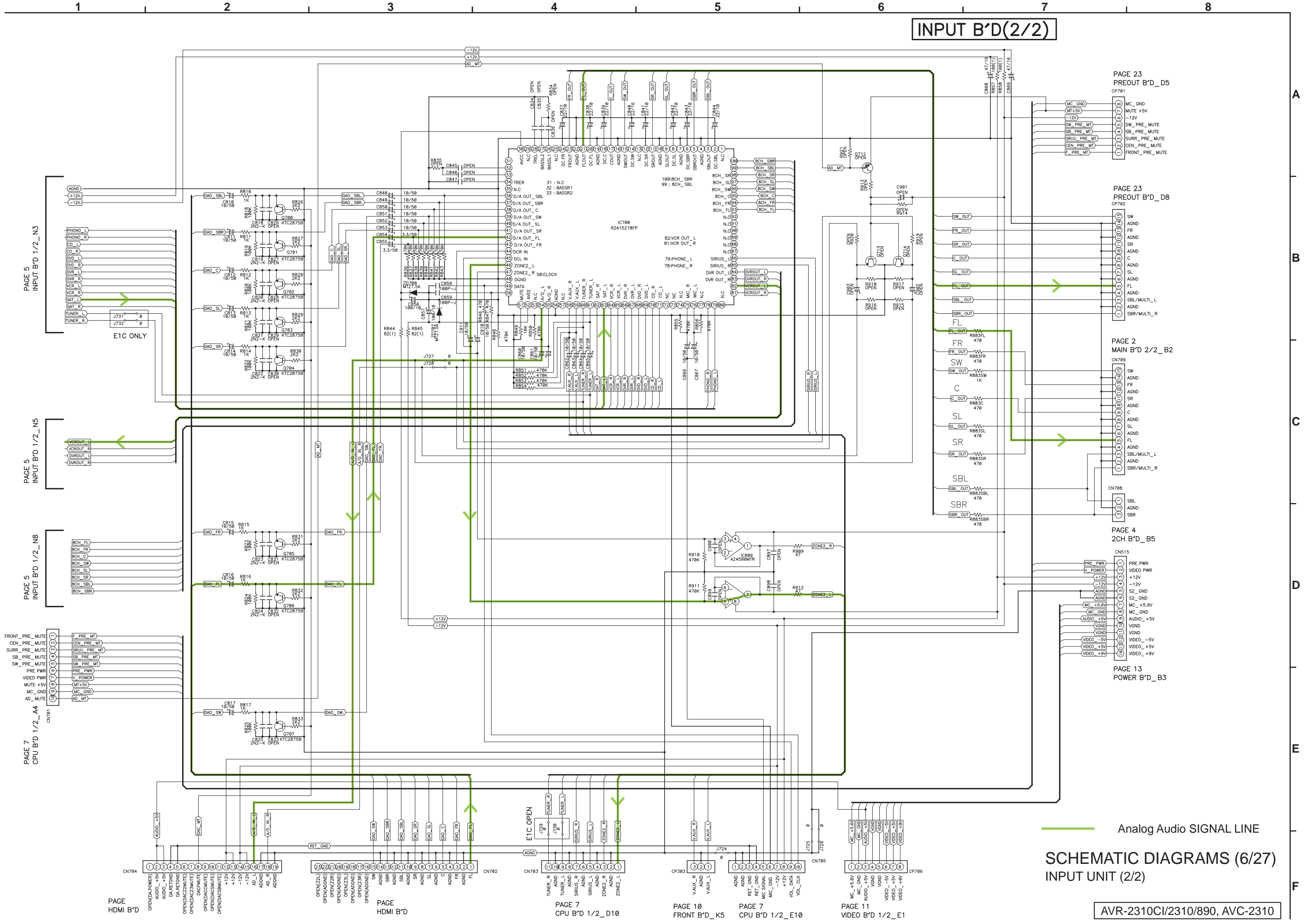
INPUT B'D(2/2)



— Analog Audio SIGNAL LINE

SCHEMATIC DIAGRAMS (6/27)

INPUT UNIT (2/2)



— Analog Audio SIGNAL LINE

SCHEMATIC DIAGRAMS (6/27)

INPUT UNIT (2/2)

CPU B'D (1/2)
MCPU PART

PAGE 8
CPU B'D 2/2_J10

PAGE 8
CPU B'D 2/2_L10

PAGE 8
CPU B'D 2/2_F2

PAGE 10
FRONT B'D_A8

PAGE 6
INPUT B'D 2/2_B8

PAGE 11
VIDEO B'D 1/2_C1

PAGE 14
SIRIUS B'D_M4

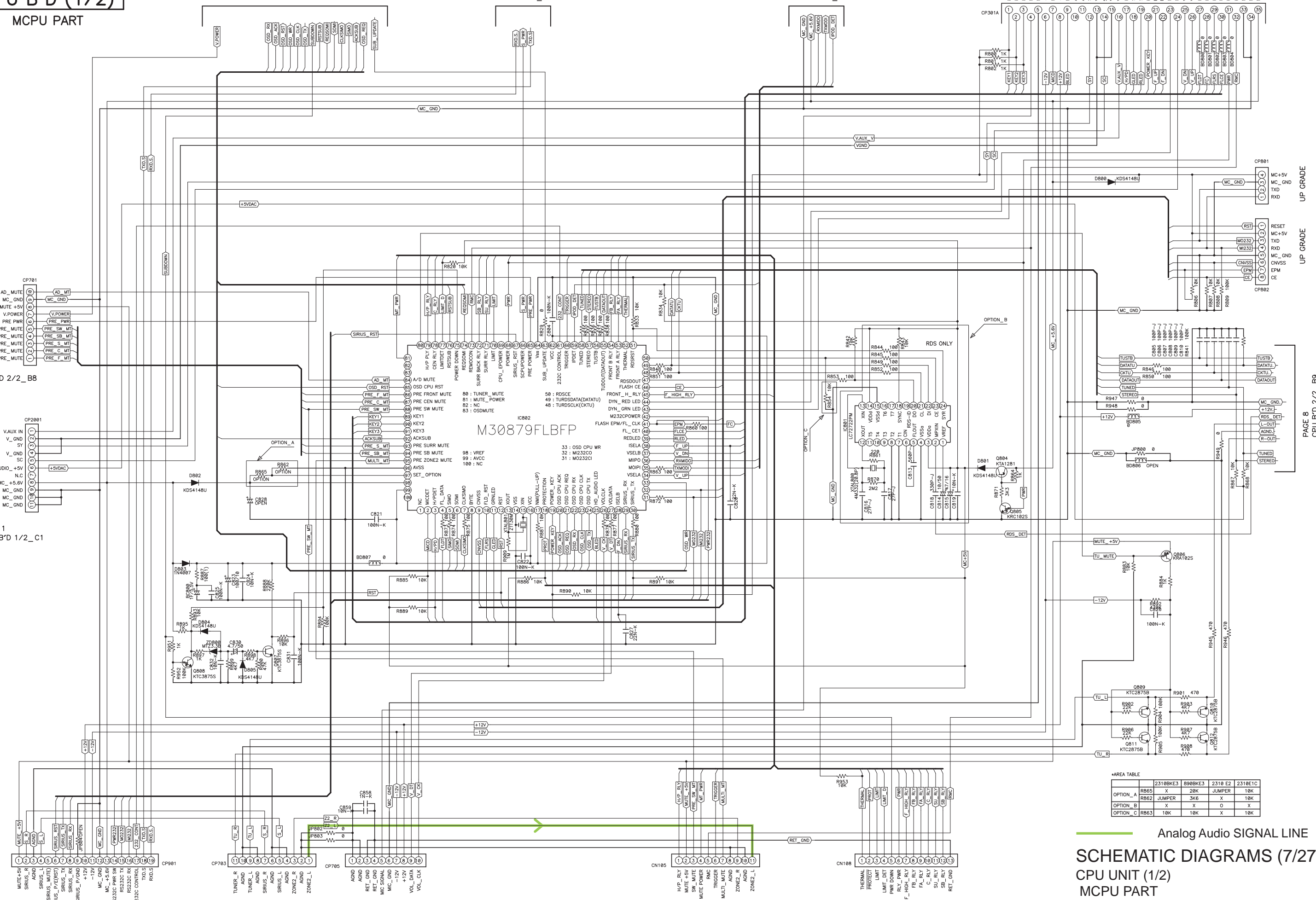
PAGE 6
INPUT B'D 2/2_H10

PAGE 6
INPUT B'D 2/2_J10

PAGE 2
MAIN B'D 2/2_E1

PAGE 2
MAIN B'D 2/2_G1

PAGE 8
CPU B'D 2/2_B9



*AREA TABLE

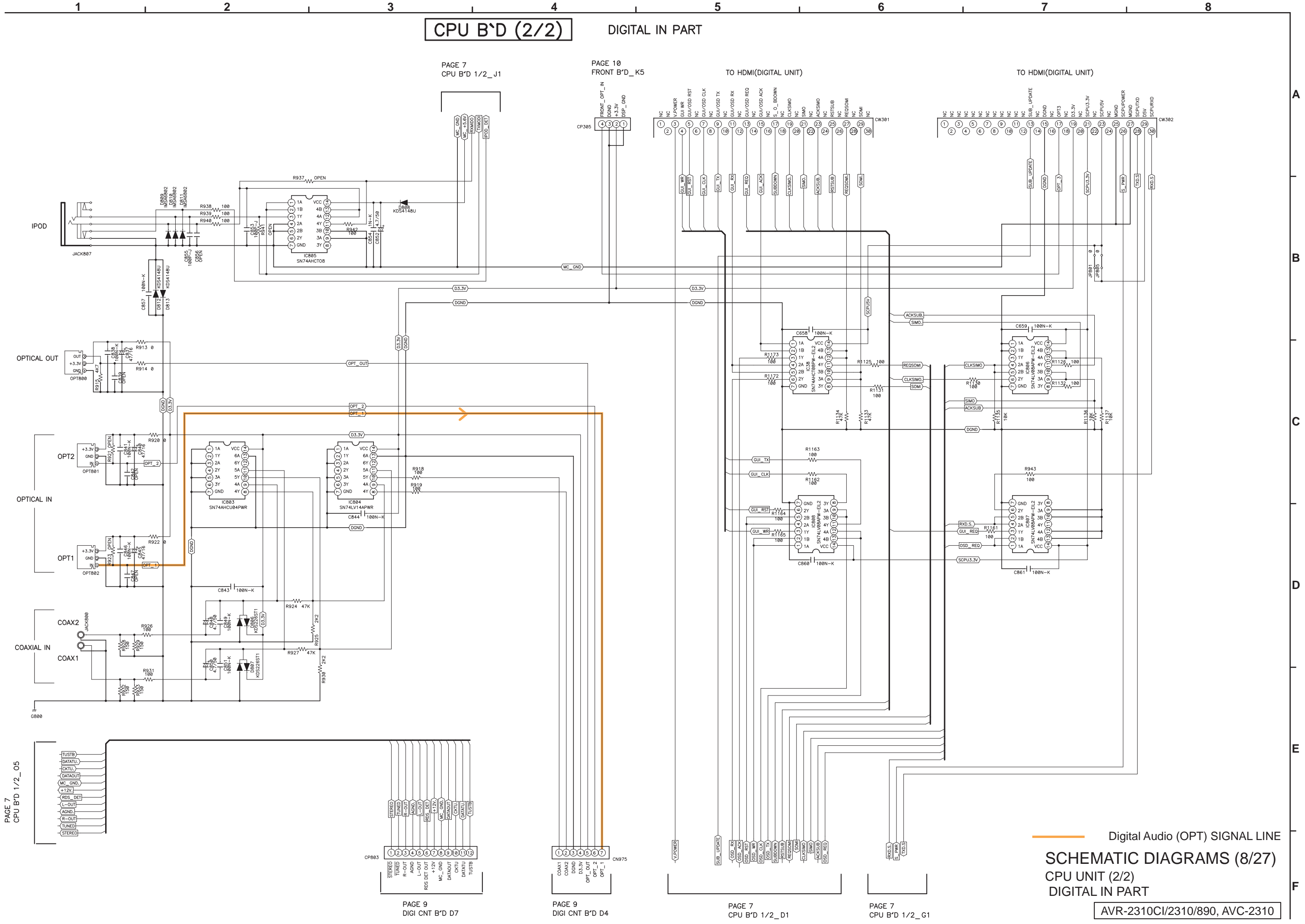
	2310BKE3	890BKE3	2310 E2	2310E1C
OPTION_A	R865	X	20K	JUMPER 10K
OPTION_B	R862	JUMPER	3K6	X 10K
OPTION_C	R863	X	X	O X
				X 10K

Analog Audio SIGNAL LINE
SCHEMATIC DIAGRAMS (7/27)
CPU UNIT (1/2)
MCPU PART

AVR-2310CI/2310/890, AVC-2310

CPU B'D (2/2)

DIGITAL IN PART



Digital Audio (OPT) SIGNAL LINE

SCHEMATIC DIAGRAMS (8/27) CPU UNIT (2/2) DIGITAL IN PART

AVR-2310CI/2310/890, AVC-2310

PAGE 7
CPU B'D 1/2_05

PAGE 9
DIGI CNT B'D D7

PAGE 9
DIGI CNT B'D D4

PAGE 7
CPU B'D 1/2_D1

PAGE 7
CPU B'D 1/2_G1

PAGE 7
CPU B'D 1/2_J1

PAGE 10
FRONT B'D_K5

TO HDMI(DIGITAL UNIT)

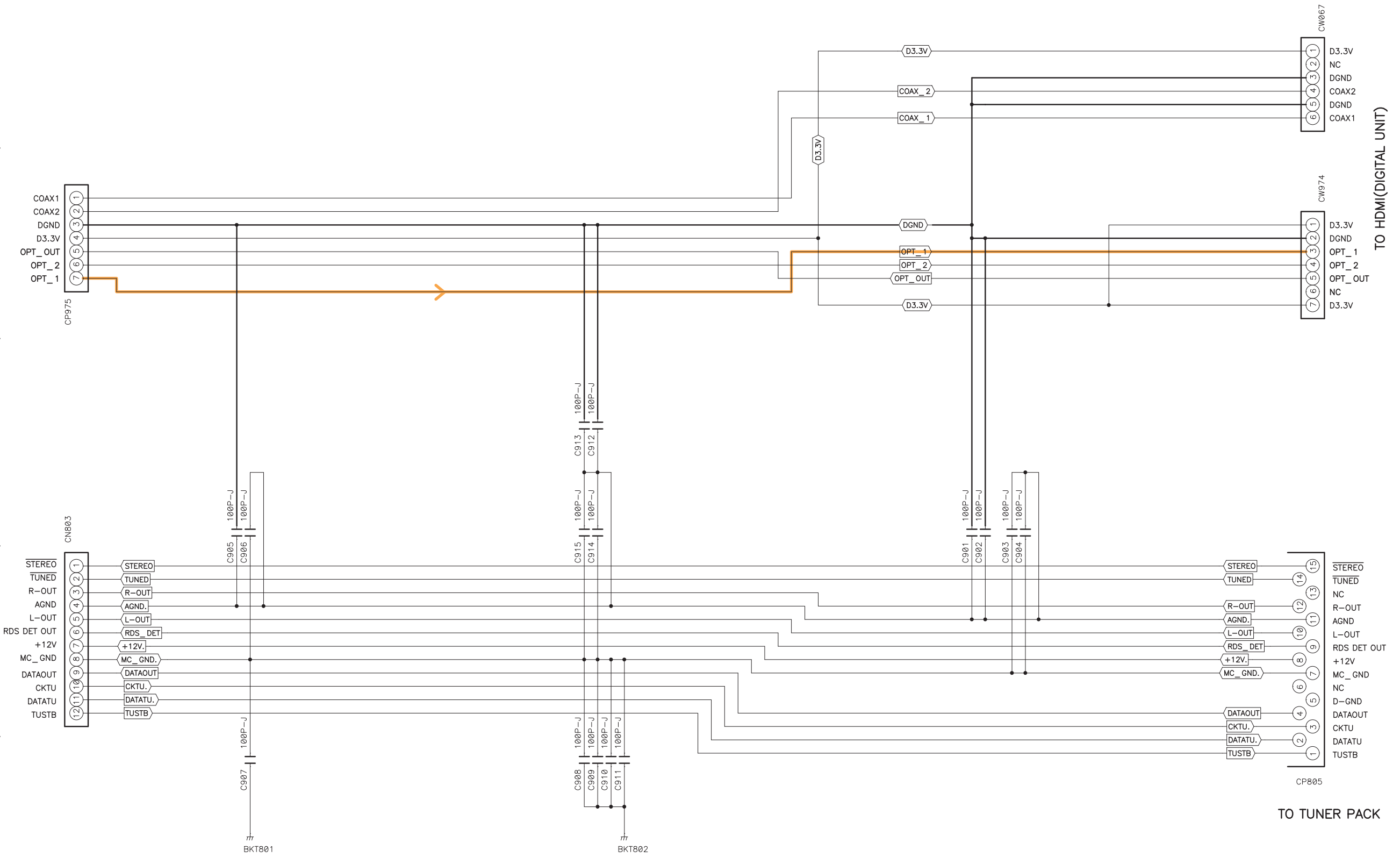
TO HDMI(DIGITAL UNIT)

AVR-2310CI/2310/890, AVC-2310

DIGITAL CNT B'D

PAGE 8
CPU B'D 2/2_H10

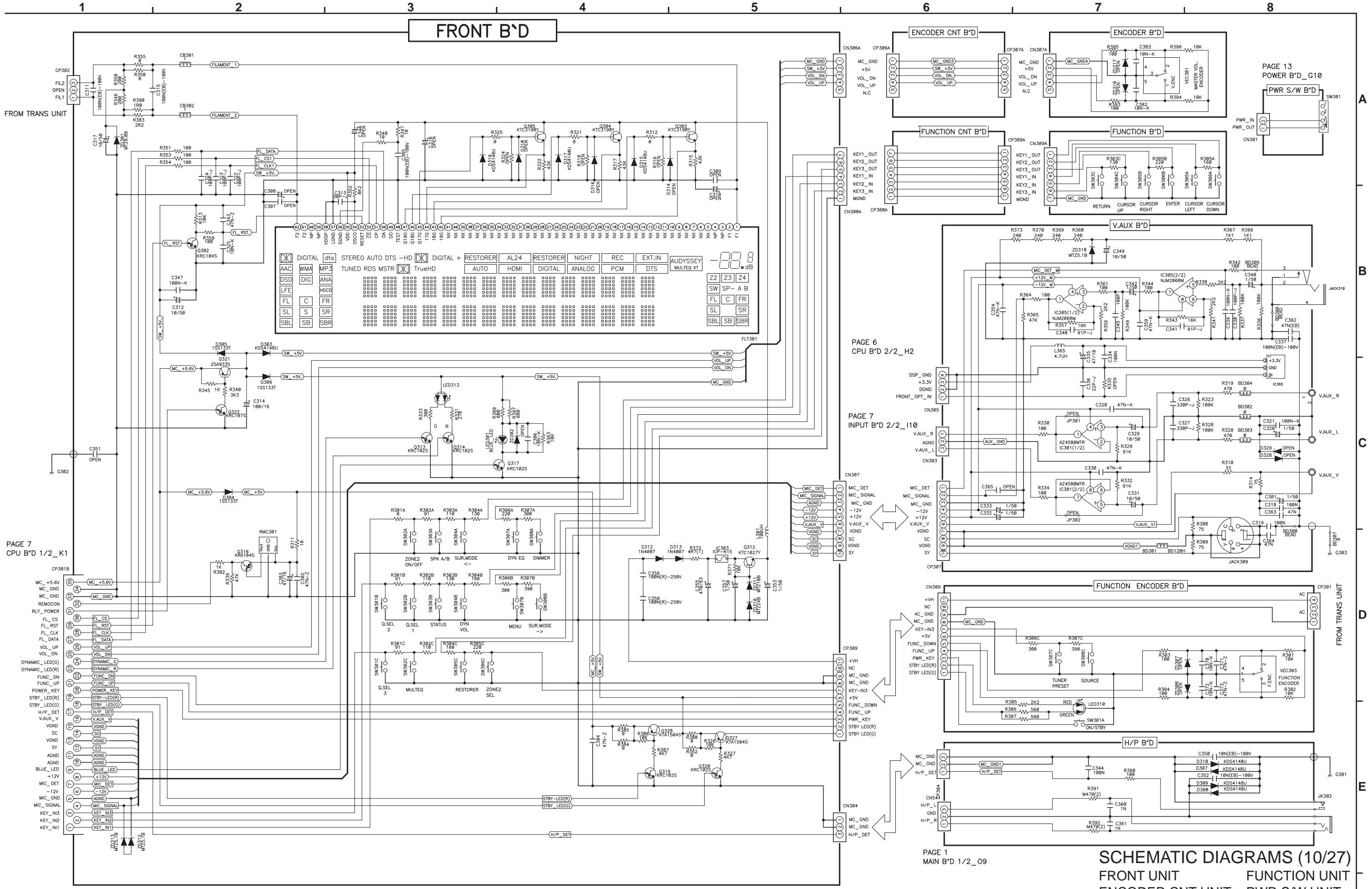
PAGE 8
CPU B'D 2/2_F10



— Digital Audio (OPT) SIGNAL LINE

SCHEMATIC DIAGRAMS (9/27)
DIGITAL CNT UNIT

AVR-2310CI/2310/890, AVC-2310



FROM TRANS UNIT

PAGE 7
CPU B'D 1/2_K1

MC +5.6V
MC_GND
REMOCON
RLY_POWER
FL_CS
FL_RST
FL_CLK
FL_DATA
VOL_UP
VOL_DN
DYNAMIC_LED(G)
DYNAMIC_LED(R)
FUNC_DN
FUNC_UP
POWER_KEY
STBY_LED(R)
STBY_LED(G)
H/P_DET
V.AUX_V
V.GND
SC
V.GND
SY
AGND
AGND
AGND
BLUE_LED
+12V
MIC_DET
-12V
MC_GND
MIC_SIGNAL
KEY_IN3
KEY_IN2
KEY_IN1

FRONT B'D

ENCODER CNT B'D

ENCODER B'D

FUNCTION CNT B'D

FUNCTION B'D

V.AUX B'D

**PAGE 6
CPU B'D 2/2_H2**

**PAGE 7
INPUT B'D 2/2_I10**

FUNCTION ENCODER B'D

H/P B'D

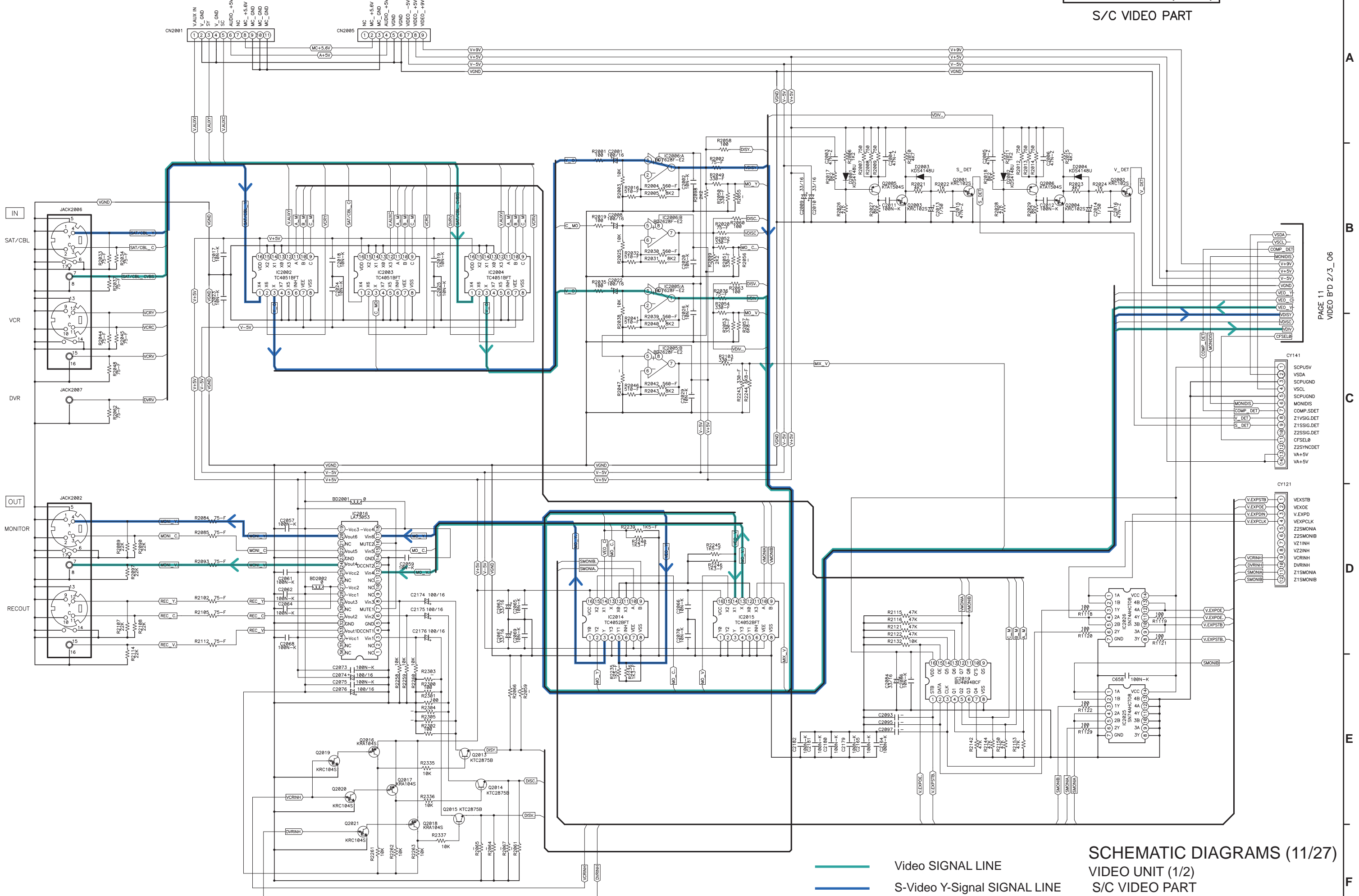
PAGE 1
MAIN B'D 1/2_09

PAGE 13
POWER B'D_G10

PWR S/W B'D

SCHEMATIC DIAGRAMS (10/27)
FRONT UNIT **FUNCTION UNIT**
ENCODER CNT UNIT **PWR SW UNIT**
ENCODER UNIT **V. AUX UNIT**
FUNCTION CNT UNIT **H/P UNIT**
FUNCTION ENCODER UNIT

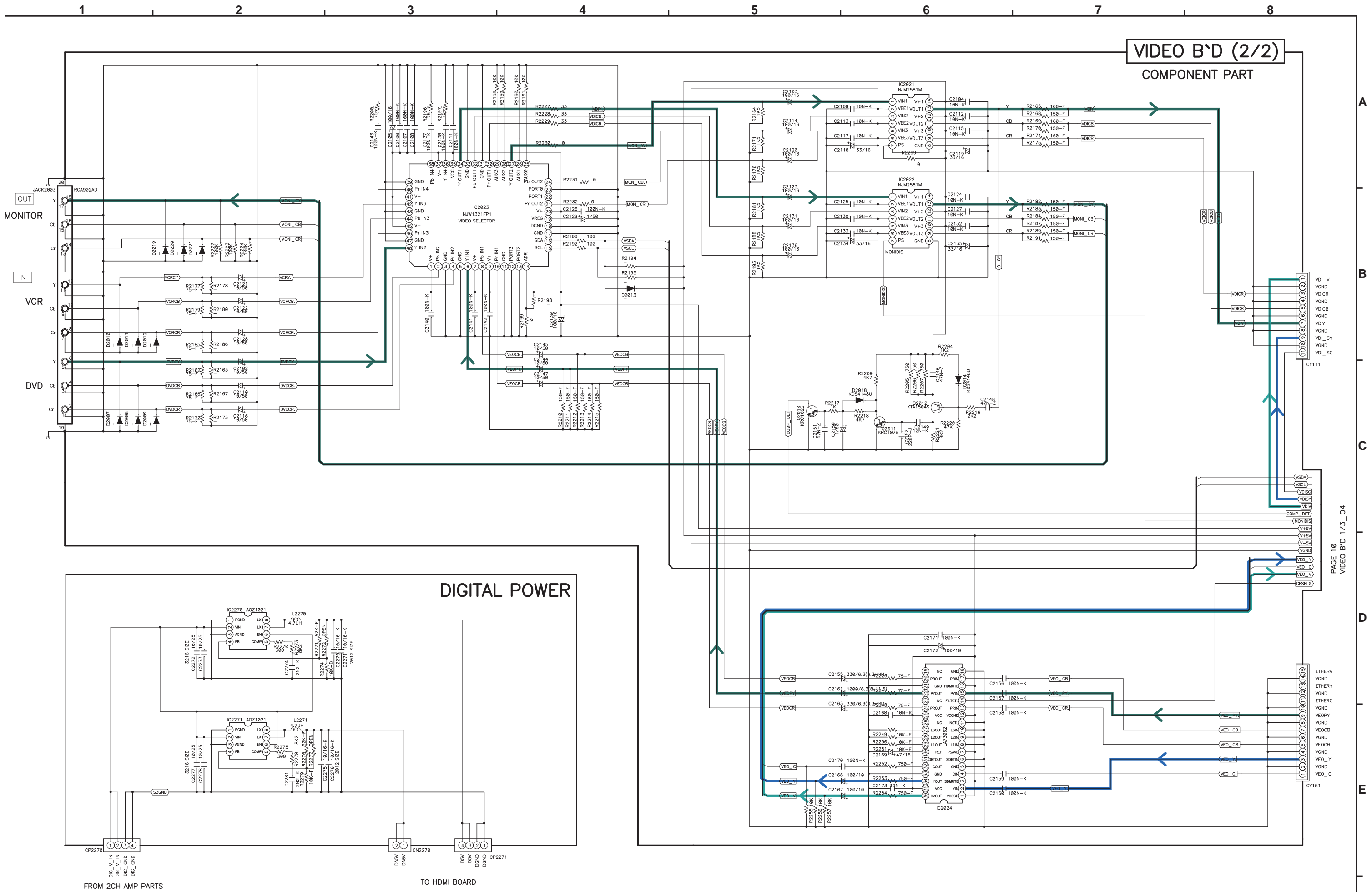
AVR-2310CI/2310/890, AVC-2310



PAGE 11
VIDEO B'D 2/3_O6

— Video SIGNAL LINE
— S-Video Y-Signal SIGNAL LINE

SCHEMATIC DIAGRAMS (11/27)
 VIDEO UNIT (1/2)
 S/C VIDEO PART



VIDEO B'D (2/2)
COMPONENT PART

DIGITAL POWER

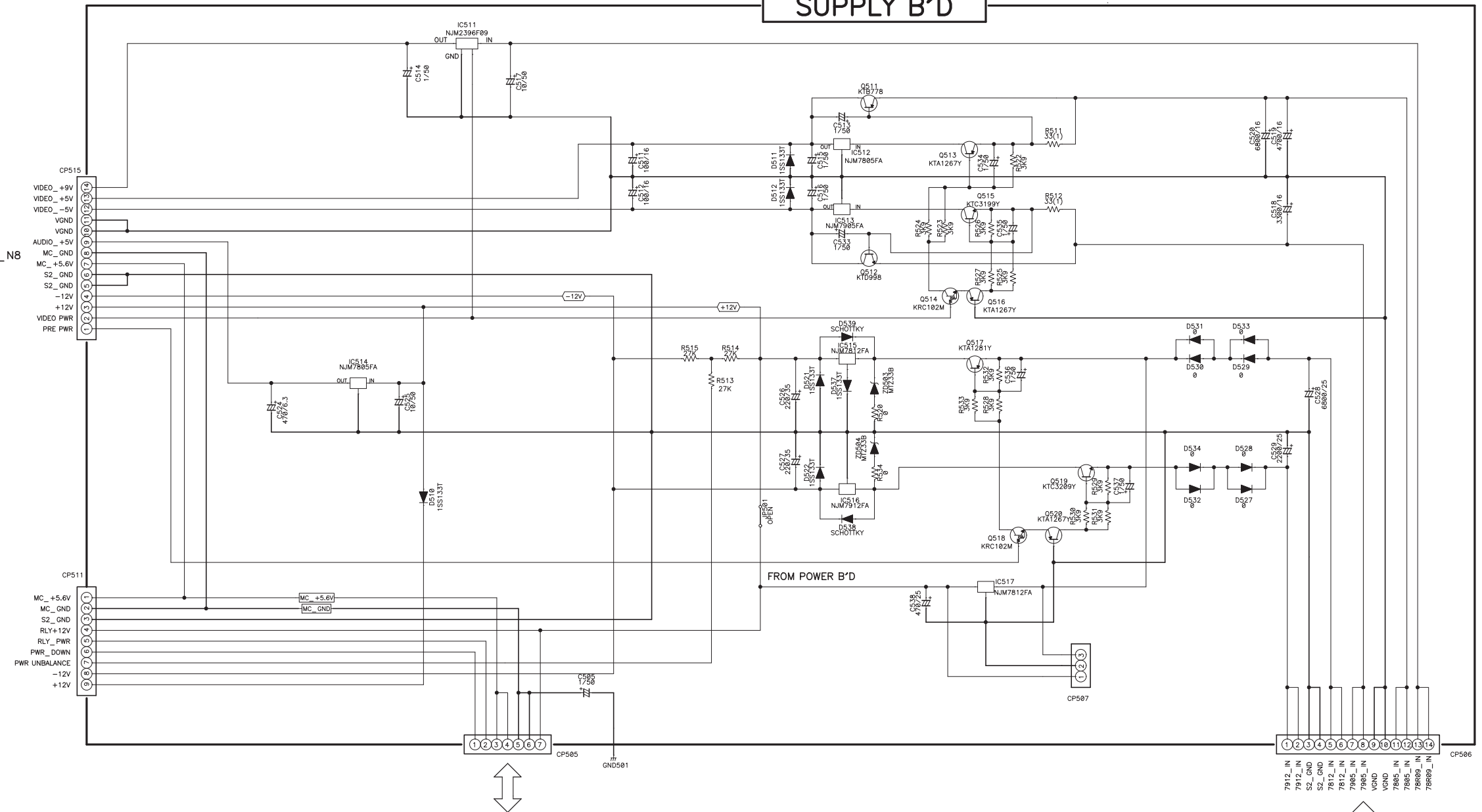
- COMPONENT Y- SIGNAL LINE
- Video SIGNAL LINE
- S-Video Y- SIGNAL LINE

SCHEMATIC DIAGRAMS (12/27)
VIDEO UNIT(2/3) DIGITAL UNIT
COMPONENT PART
AVR-2310CI/2310/890, AVC-2310

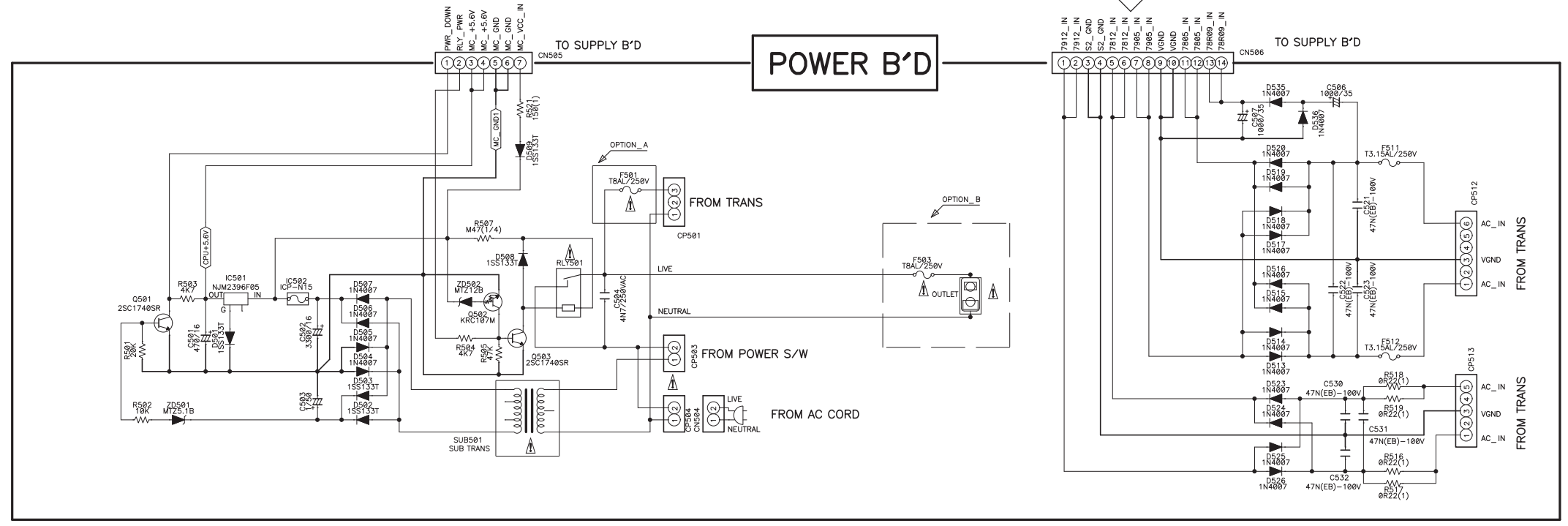
SUPPLY B'D

PAGE 6
INPUT B'D 2/2_N8

PAGE 1
MAIN B'D 1/2_07



POWER B'D



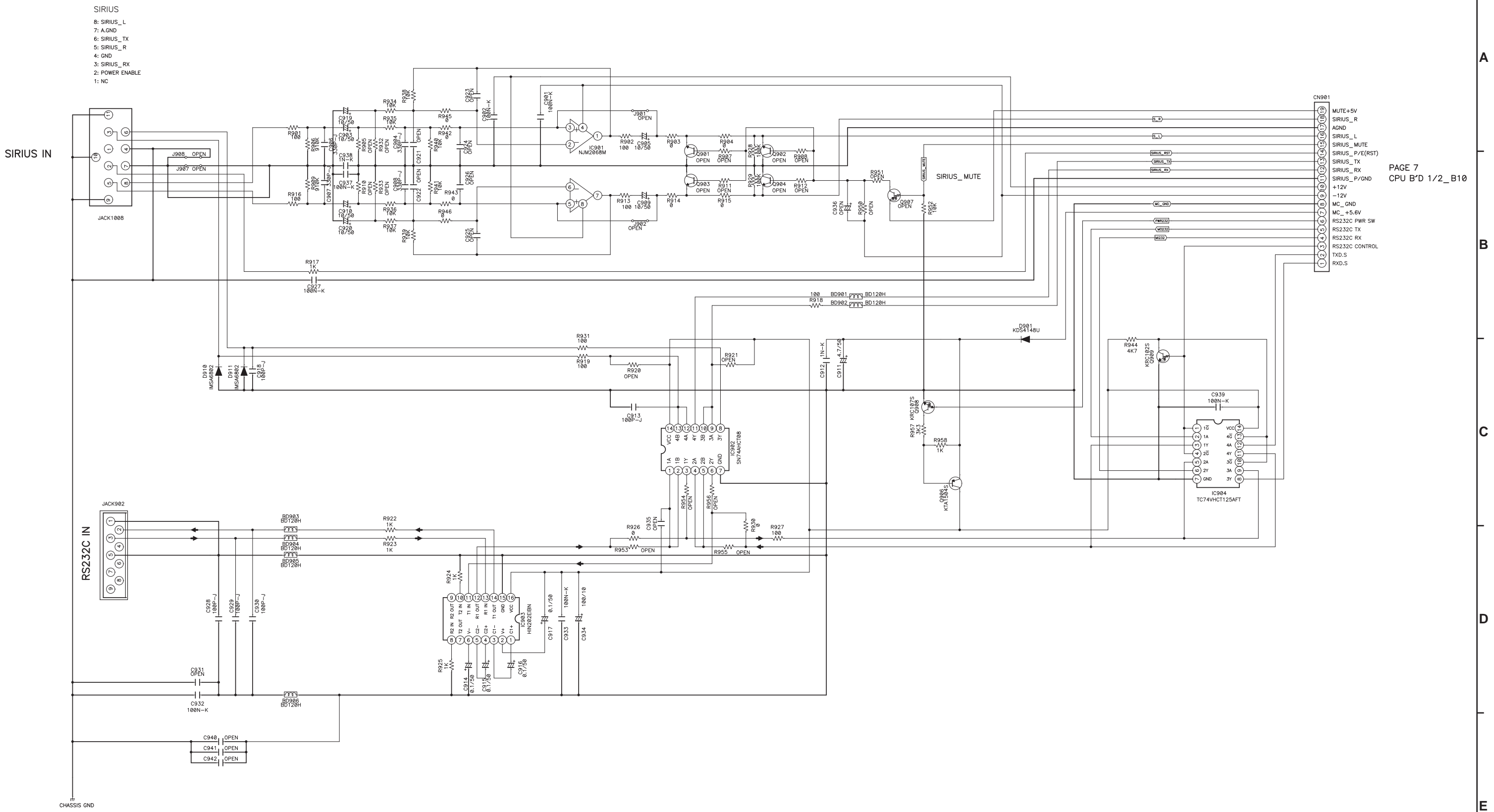
	E3	E2	E1C	EA
OPTION_A	T8AL/250V	T4AL/250V	T4AL/250V	T4AL/250V
OPTION_B	T8AL/250V	T4AL/250V	X	X

SCHEMATIC DIAGRAMS (13/27)
SUPPLY UNIT
POWER UNIT

AVR-2310CI/2310/890, AVC-2310

A
B
C
D
E
F

SIRIUS/RS232C B'D

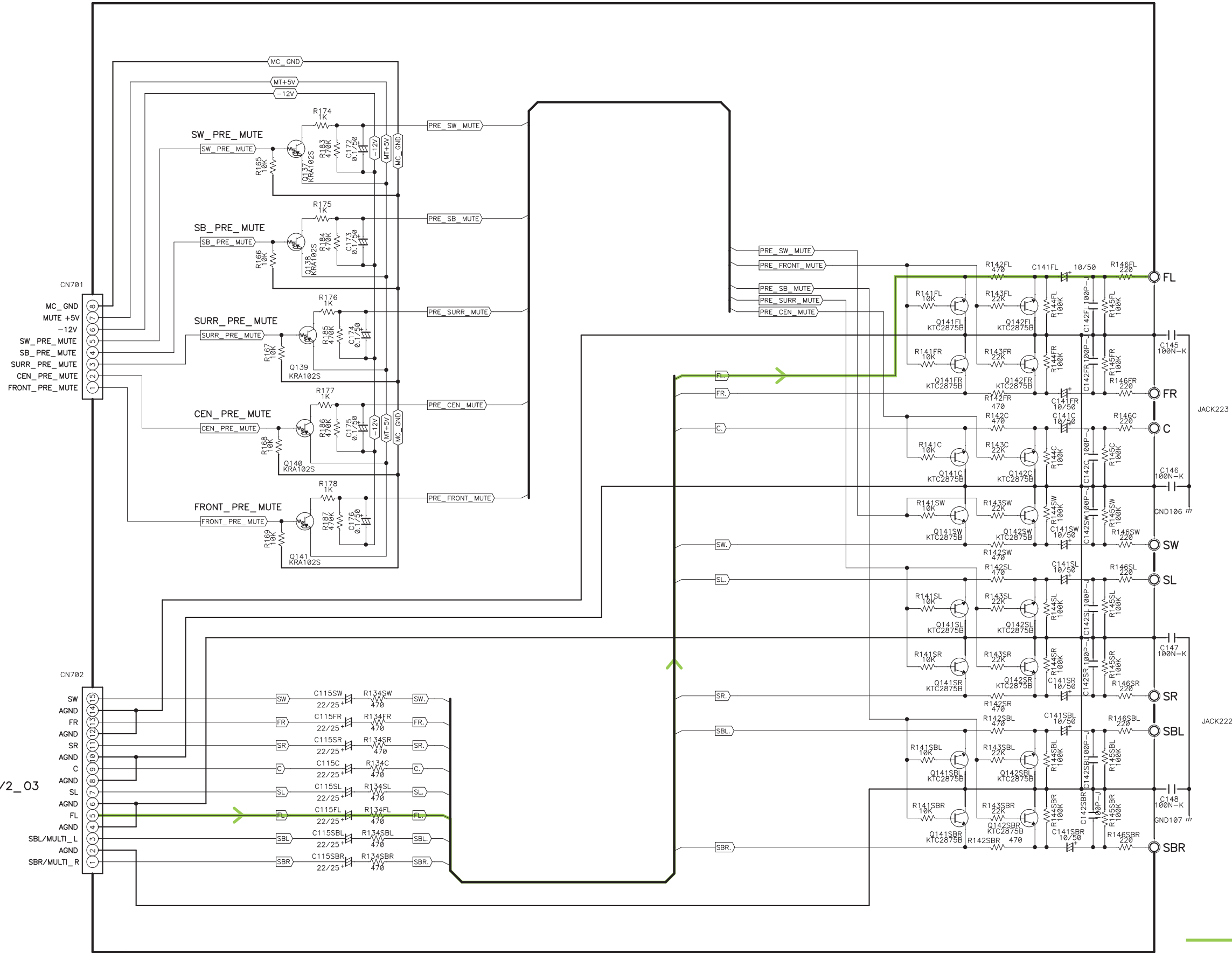


- SIRIUS
 8: SIRIUS_L
 7: A.GND
 6: SIRIUS_TX
 5: SIRIUS_R
 4: GND
 3: SIRIUS_RX
 2: POWER ENABLE
 1: NC

PREOUT B'D

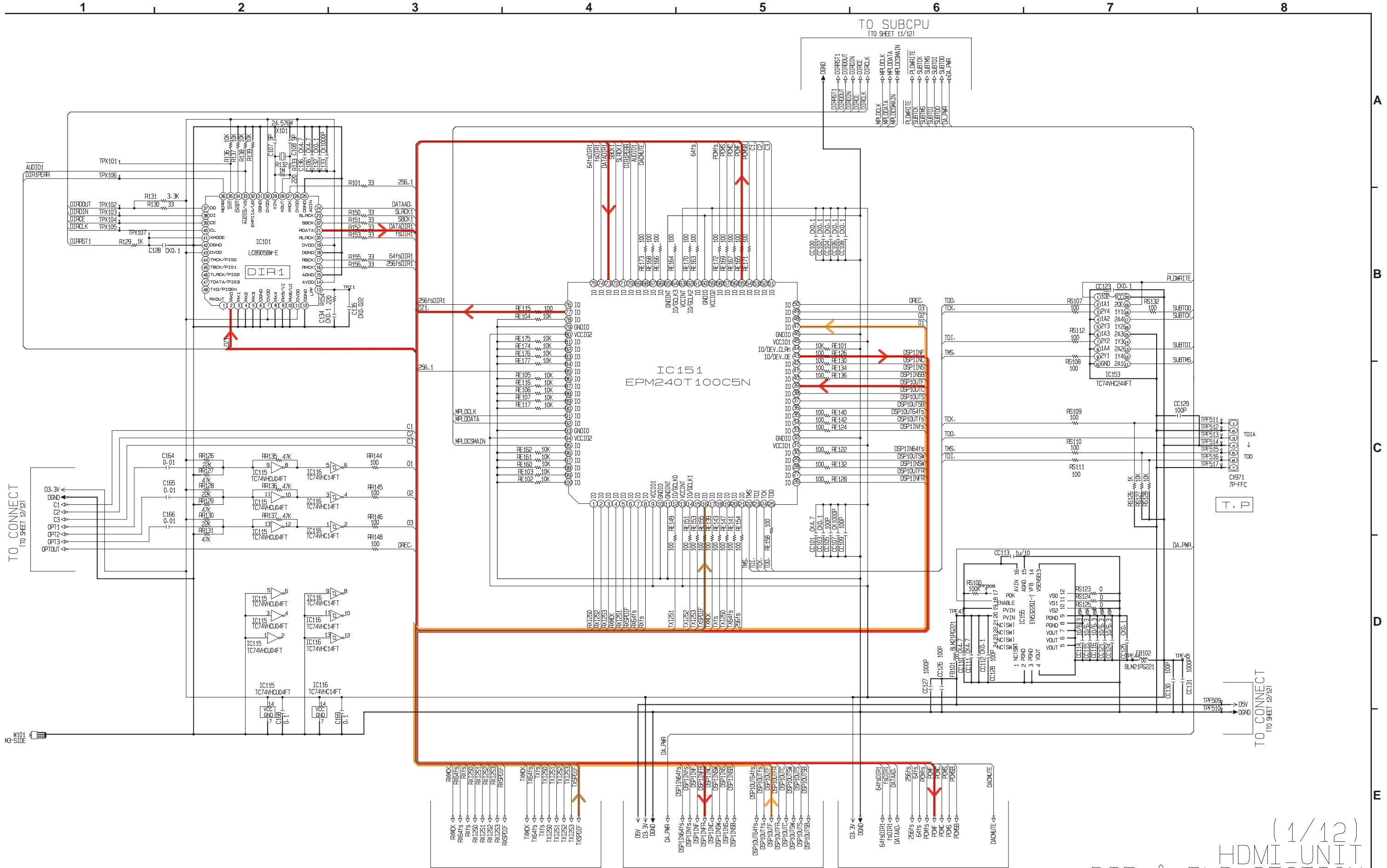
PAGE 6
INPUT B'D 2/2_02

PAGE 6
INPUT B'D 2/2_03



— Analog Audio SIGNAL LINE

SCHEMATIC DIAGRAMS (15/27)
PREOUT UNIT

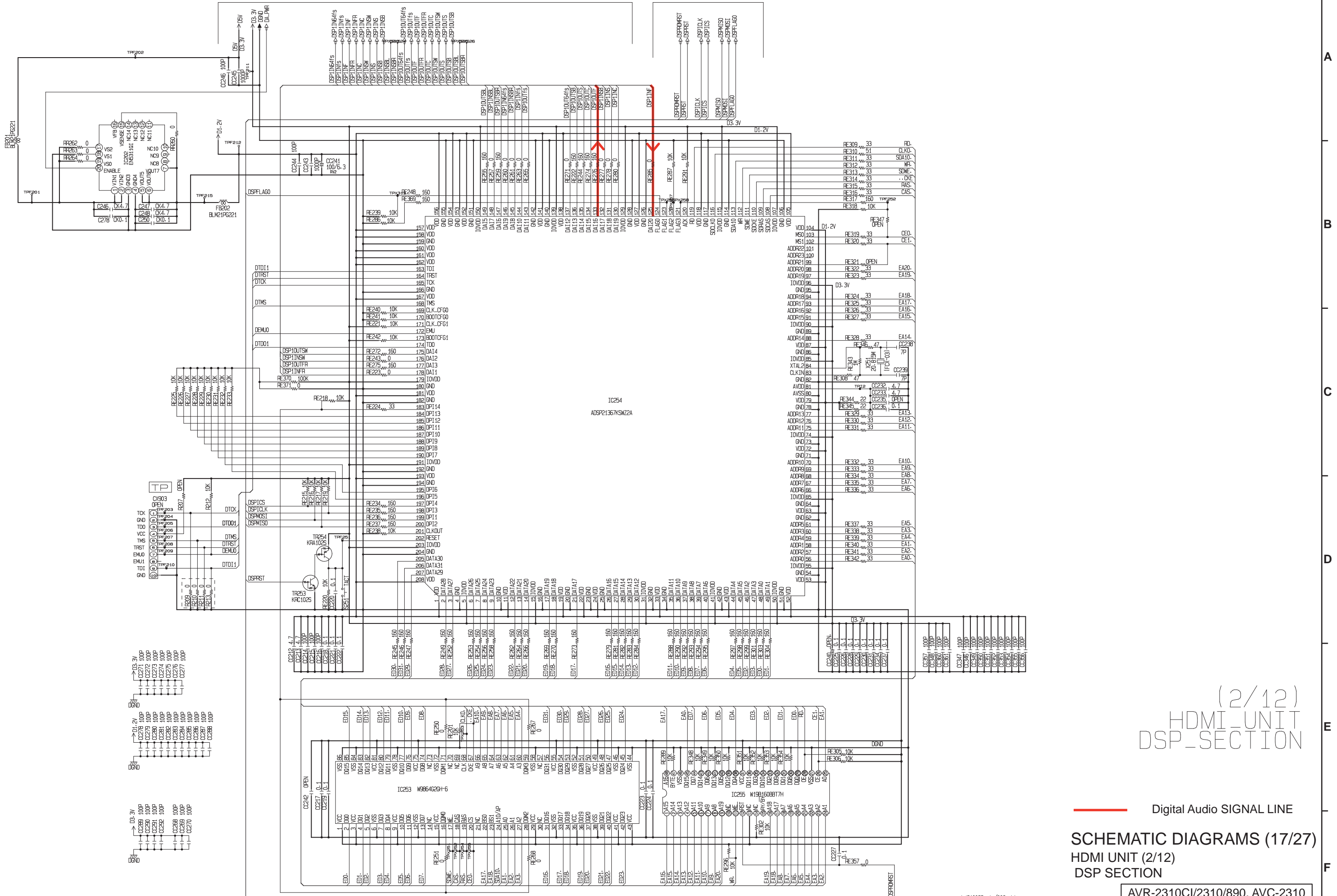


(1/12)
HDMI_UNIT
DIR_&_PLD_SECTION

SCHEMATIC DIAGRAMS (16/27)
HDMI UNIT (1/12)
DIR & PLD SECTION

- Digital Audio (OPT) SIGNAL LINE
- HDMI Audio SIGNAL LINE
- Digital Audio SIGNAL LINE

AVR-2310CI/2310/890, AVC-2310



(2/12)
HDMI_UNIT
DSP_SECTION

Digital Audio SIGNAL LINE

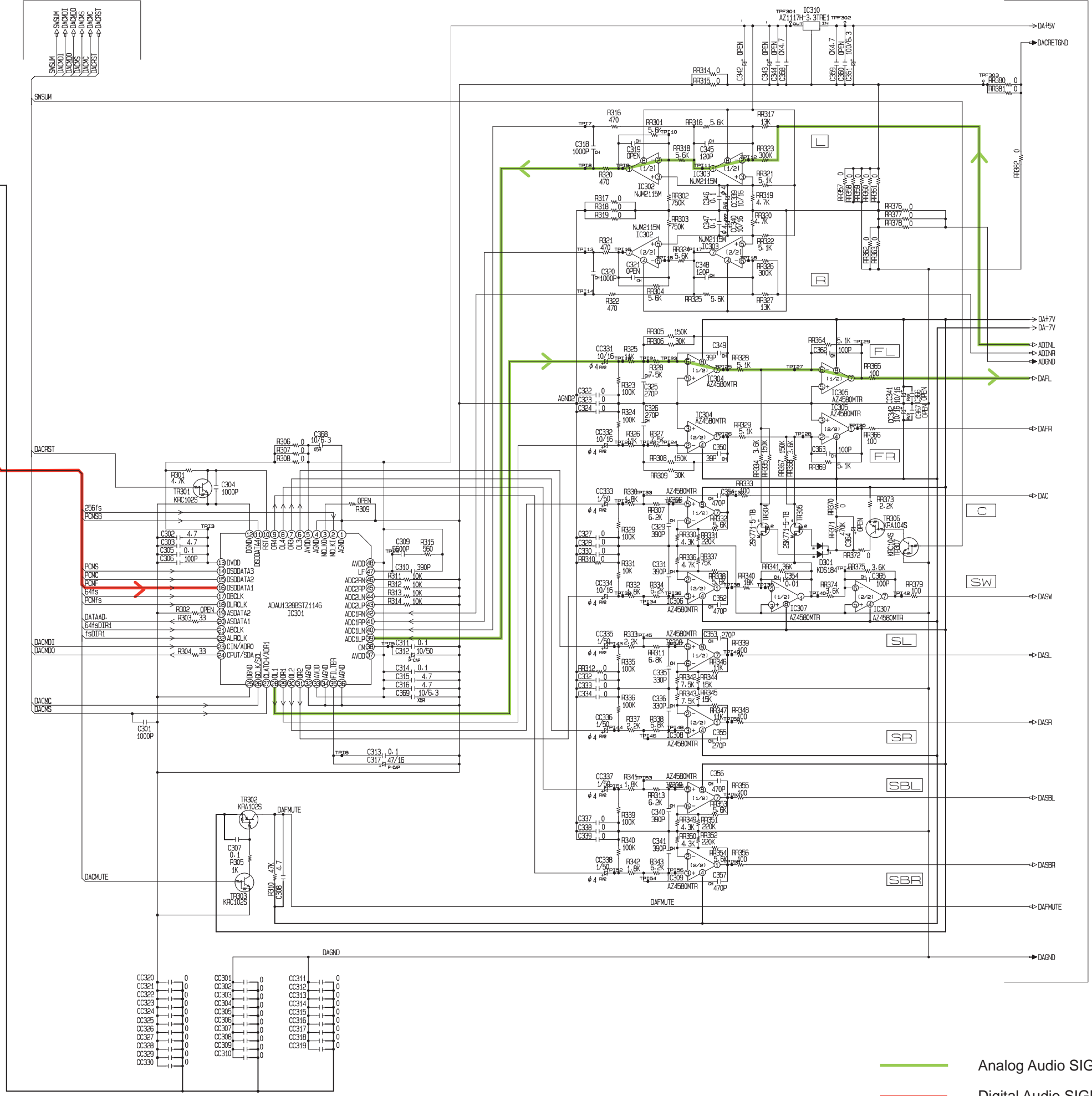
SCHEMATIC DIAGRAMS (17/27)
HDMI UNIT (2/12)
DSP SECTION

AVR-2310CI/2310/890, AVC-2310

TO SUBCPU
(TO SHEET 11/12)

TO DIR & PLD
(TO SHEET 1/12)

TO CONNECT
(TO SHEET 12/12)



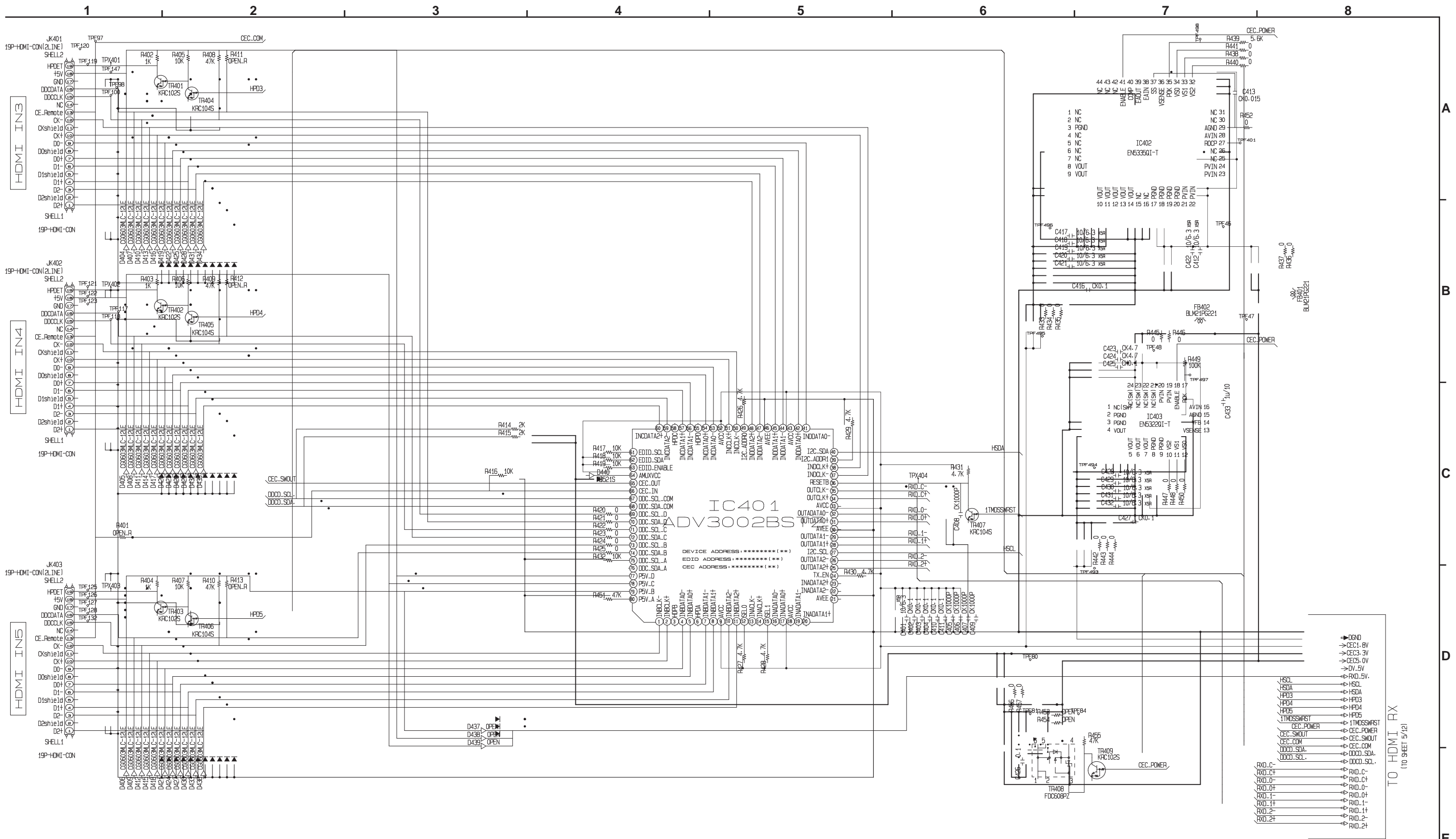
CC320	0	CC301	0	CC311	0
CC321	0	CC302	0	CC312	0
CC322	0	CC303	0	CC313	0
CC323	0	CC304	0	CC314	0
CC324	0	CC305	0	CC315	0
CC325	0	CC306	0	CC316	0
CC326	0	CC307	0	CC317	0
CC327	0	CC308	0	CC318	0
CC328	0	CC309	0	CC319	0
CC329	0	CC310	0		
CC330	0				

(3/12)
HDMI_UNIT
CODEC_SECTION

— Analog Audio SIGNAL LINE
— Digital Audio SIGNAL LINE

SCHEMATIC DIAGRAMS (18/27)
HDMI UNIT (3/12)
CODEC SECTION

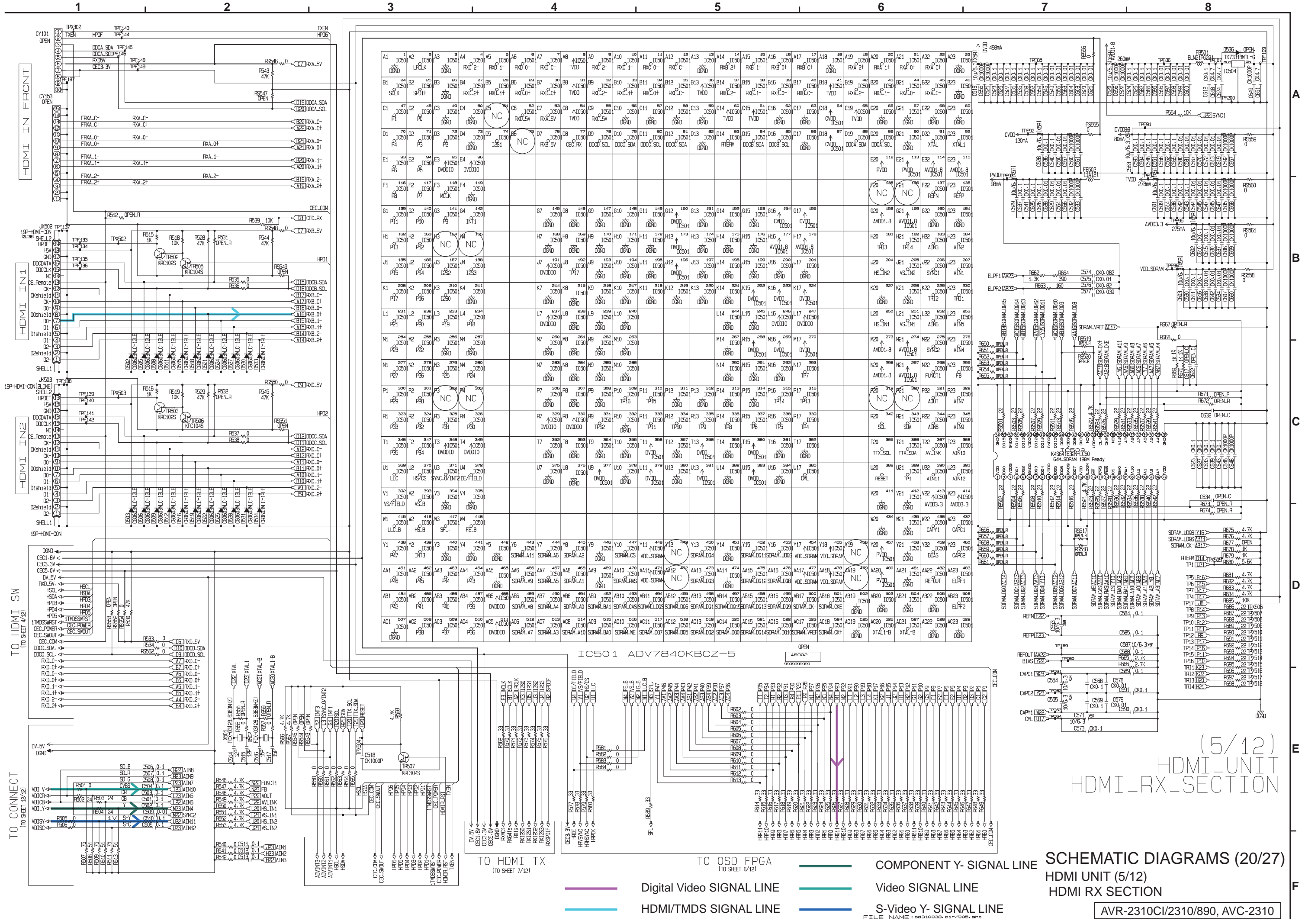
AVR-2310CI/2310/890, AVC-2310



(4/12)
HDMI_UNIT
HDMI_SW_SECTION

SCHEMATIC DIAGRAMS (19/27)
HDMI UNIT (4/12)
HDMI SW SECTION

AVR-2310CI/2310/890, AVC-2310



(5/12)
HDMI UNIT
HDMI-RX-SECTION

SCHMATIC DIAGRAMS (20/27)
HDMI UNIT (5/12)
HDMI RX SECTION

AVR-2310C/2310/890, AVC-2310

S-Video Y- SIGNAL LINE

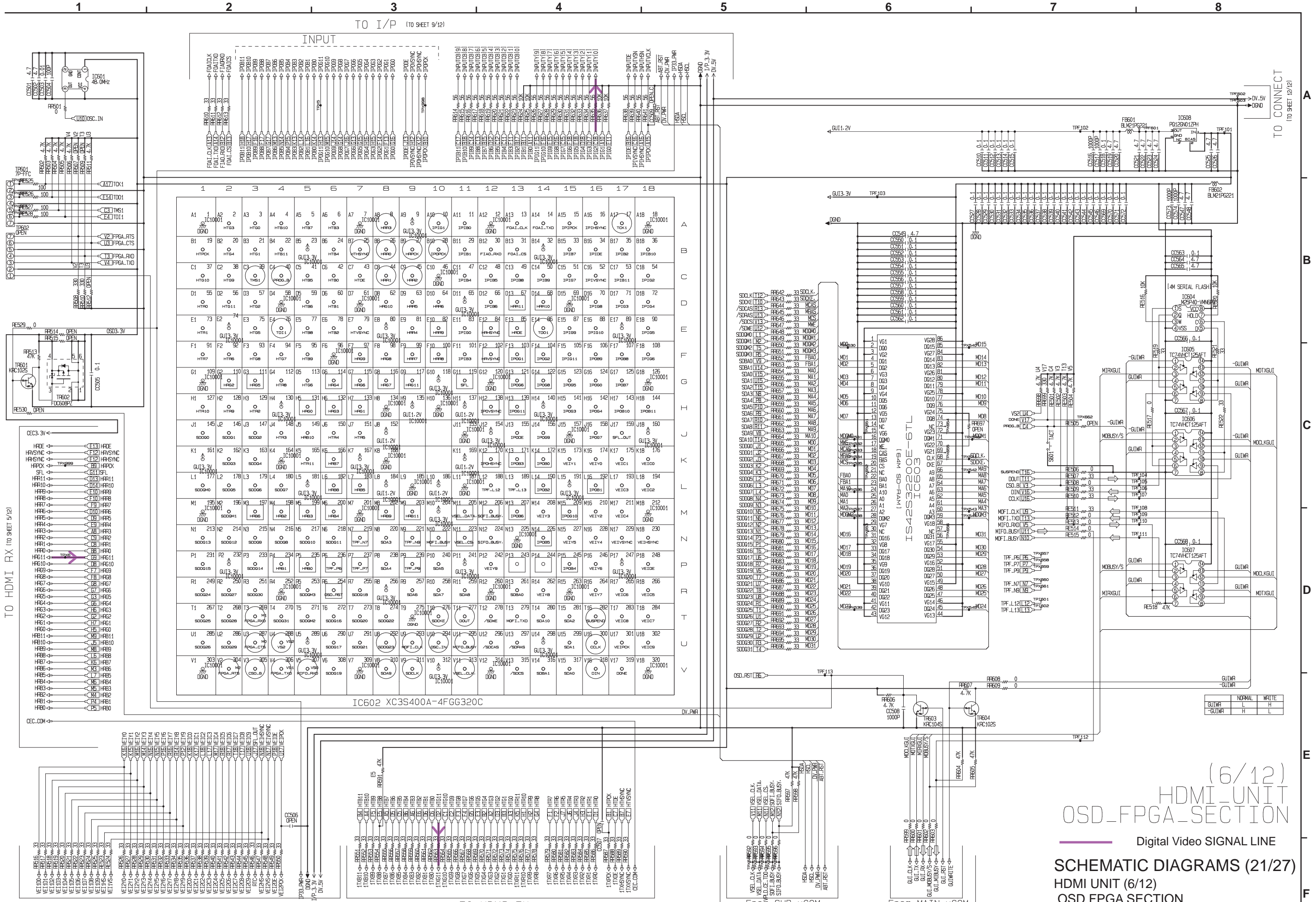
COMPONENT Y- SIGNAL LINE

Video SIGNAL LINE

Digital Video SIGNAL LINE

HDMI/TMDS SIGNAL LINE

FILE NAME : a310038_c1r/005_apt



(6/12)
HDMI_UNIT
OSD-FPGA-SECTION

Digital Video SIGNAL LINE

SCHEMATIC DIAGRAMS (21/27)
HDMI UNIT (6/12)
OSD FPGA SECTION

TO HDMI RX (TO SHEET 5/12)

TO I/P (TO SHEET 9/12)

TO CONNECT (TO SHEET 12/12)

TO V. ENCODER (TO SHEET 8/12)

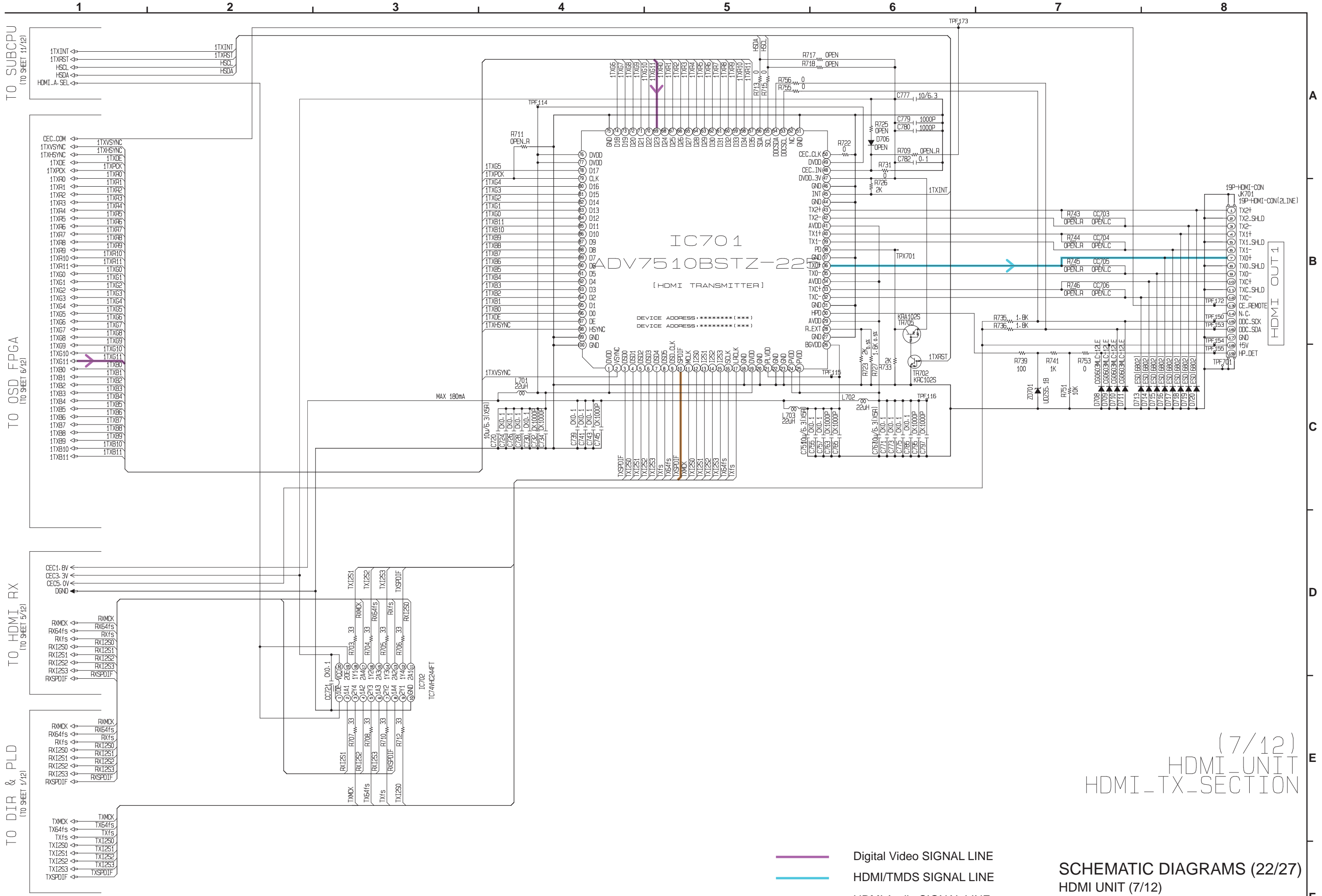
TO HDMI TX (TO SHEET 7/12)

From SUB UCOM

From MAIN UCOM

(TO SHEET 11/12)

FILE NAME : b310030ear/606_sht



TO SUBCPU
(TO SHEET 11/12)

TO OSD FPGA
(TO SHEET 6/12)

TO HDMI RX
(TO SHEET 5/12)

TO DIR & PLD
(TO SHEET 1/12)

A

B

C

D

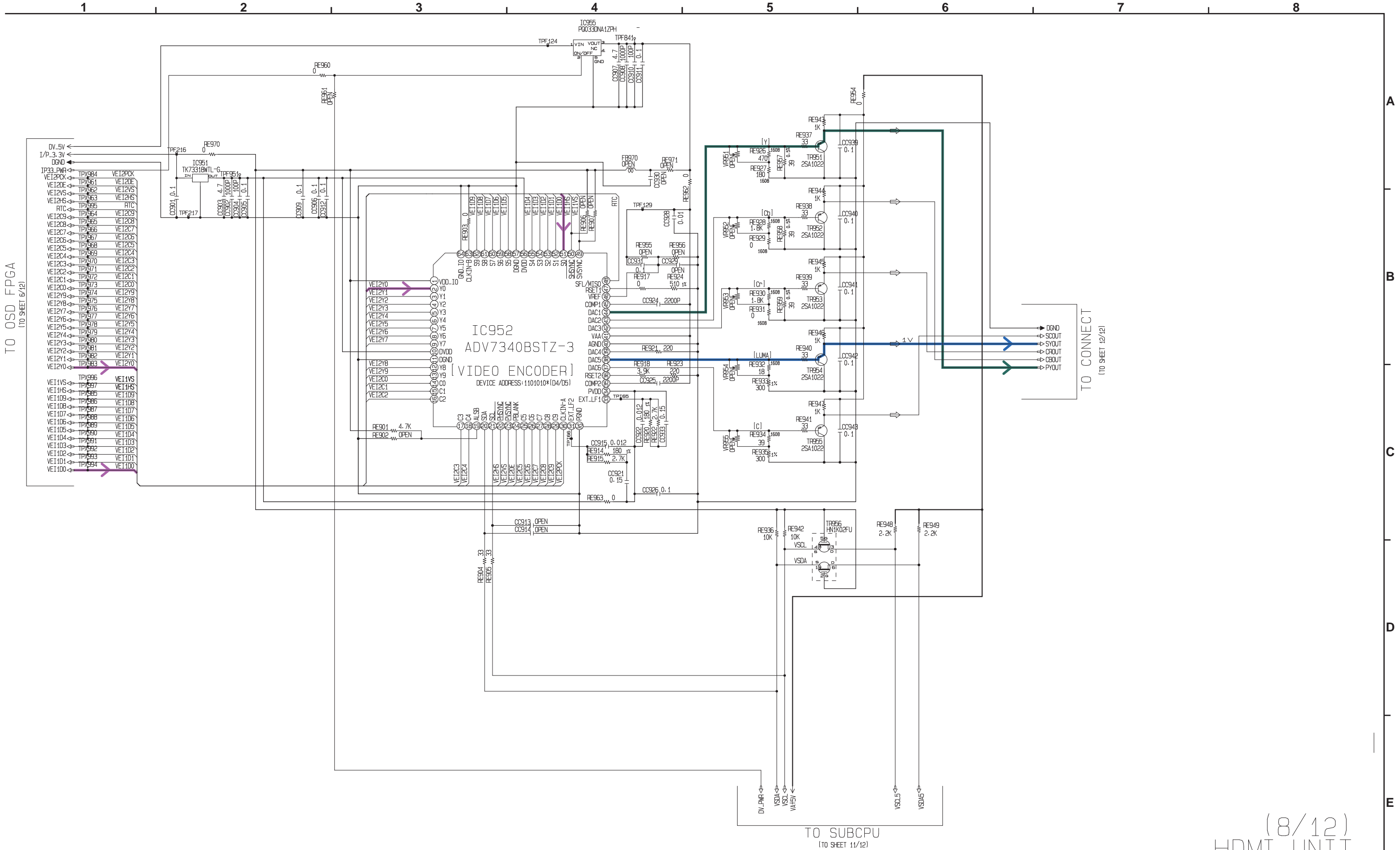
E

F

(7/12)
HDMI_UNIT
HDMI_TX_SECTION

SCHEMATIC DIAGRAMS (22/27)
HDMI UNIT (7/12)
MIX TX SECTION

AVR-2310CI/2310/890, AVC-2310



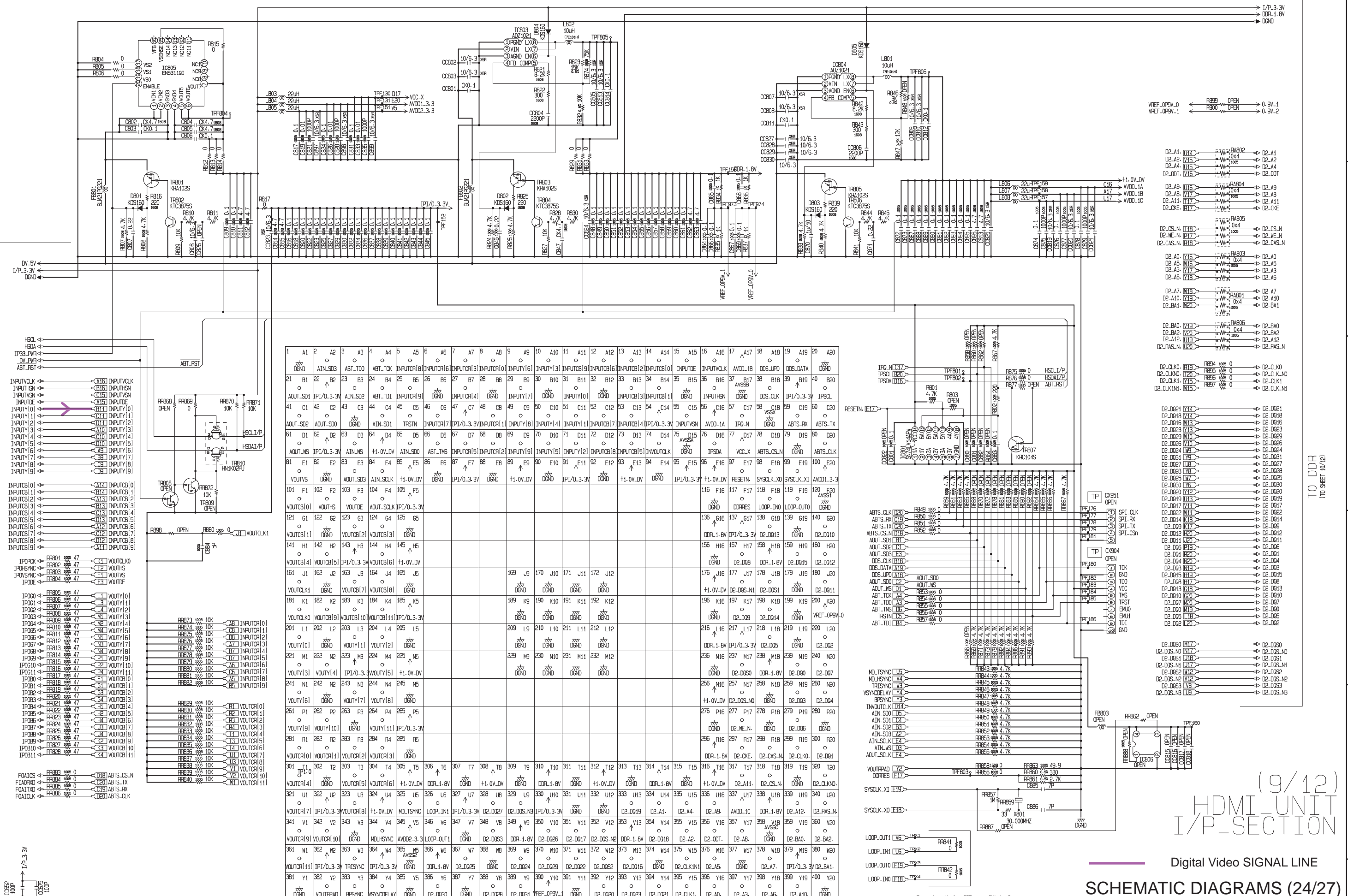
TO OSD FPGA
(TO SHEET 6/12)

(8/12)
HDMI_UNIT
V. ENCODER_SECTION

- COMPONENT Y- SIGNAL LINE
- S-Video Y- SIGNAL LINE
- Digital Video SIGNAL LINE

SCHEMATIC DIAGRAMS (23/27)
HDMI UNIT (8/12)
V. ENCODER SECTION

AVR-2310CI/2310/890, AVC-2310



A

B

C

D

E

F

I/P-3.3V
DDR-1.8V
DGND

VREF_0P9V_0 R899 OPEN 0.9V_1
VREF_0P9V_1 R900 OPEN 0.9V_2

D2_A1 [I14] → D2_A1
D2_A2 [I15] → D2_A2
D2_A4 [I16] → D2_A4
D2_D01 [I16] → D2_D01
D2_A9 [I16] → D2_A9
D2_A8 [I17] → D2_A8
D2_A11 [I17] → D2_A11
D2_OKE [I17] → D2_OKE

D2_CS.N [I18] → D2_CS.N
D2_NE.N [I17] → D2_NE.N
D2_CAS.N [I17] → D2_CAS.N
D2_A0 [I16] → D2_A0
D2_A5 [I16] → D2_A5
D2_A3 [I17] → D2_A3
D2_A6 [I18] → D2_A6

D2_A7 [I18] → D2_A7
D2_A10 [I19] → D2_A10
D2_BA1 [I20] → D2_BA1
D2_BA0 [I19] → D2_BA0
D2_BA2 [I20] → D2_BA2
D2_A12 [I19] → D2_A12
D2_RAS.N [I20] → D2_RAS.N

D2_O2K0 [I19] → D2_O2K0
D2_O2K1 [I15] → D2_O2K1
D2_O2K.M [I15] → D2_O2K.M
D2_D021 [I14] → D2_D021
D2_D018 [I14] → D2_D018
D2_D016 [I13] → D2_D016
D2_D023 [I13] → D2_D023
D2_D029 [I10] → D2_D029
D2_D024 [I10] → D2_D024
D2_D031 [I9] → D2_D031
D2_D027 [I8] → D2_D027
D2_D028 [I8] → D2_D028
D2_D025 [I7] → D2_D025
D2_D030 [I7] → D2_D030
D2_D020 [I7] → D2_D020
D2_D019 [I3] → D2_D019
D2_D04 [I20] → D2_D04
D2_D03 [I19] → D2_D03
D2_D015 [I19] → D2_D015
D2_D08 [I17] → D2_D08
D2_D013 [I18] → D2_D013
D2_D010 [I20] → D2_D010
D2_D07 [I20] → D2_D07
D2_D00 [I19] → D2_D00
D2_D05 [I18] → D2_D05
D2_D02 [I20] → D2_D02

D2_D050 [I17] → D2_D050
D2_D05 [I17] → D2_D05
D2_D05.N1 [I17] → D2_D05.N1
D2_D052 [I12] → D2_D052
D2_D05.N2 [I12] → D2_D05.N2
D2_D053 [I12] → D2_D053
D2_D05.N3 [I13] → D2_D05.N3

D2_D01 [I20] → D2_D01
D2_D04 [I20] → D2_D04
D2_D09 [I17] → D2_D09
D2_D012 [I20] → D2_D012
D2_D011 [I20] → D2_D011
D2_D06 [I19] → D2_D06
D2_D01 [I20] → D2_D01
D2_D04 [I20] → D2_D04
D2_D03 [I19] → D2_D03
D2_D015 [I19] → D2_D015
D2_D08 [I17] → D2_D08
D2_D013 [I18] → D2_D013
D2_D010 [I20] → D2_D010
D2_D07 [I20] → D2_D07
D2_D00 [I19] → D2_D00
D2_D05 [I18] → D2_D05
D2_D02 [I20] → D2_D02

D2_D050 [I17] → D2_D050
D2_D05 [I17] → D2_D05
D2_D05.N1 [I17] → D2_D05.N1
D2_D052 [I12] → D2_D052
D2_D05.N2 [I12] → D2_D05.N2
D2_D053 [I12] → D2_D053
D2_D05.N3 [I13] → D2_D05.N3

D2_D01 [I20] → D2_D01
D2_D04 [I20] → D2_D04
D2_D09 [I17] → D2_D09
D2_D012 [I20] → D2_D012
D2_D011 [I20] → D2_D011
D2_D06 [I19] → D2_D06
D2_D01 [I20] → D2_D01
D2_D04 [I20] → D2_D04
D2_D03 [I19] → D2_D03
D2_D015 [I19] → D2_D015
D2_D08 [I17] → D2_D08
D2_D013 [I18] → D2_D013
D2_D010 [I20] → D2_D010
D2_D07 [I20] → D2_D07
D2_D00 [I19] → D2_D00
D2_D05 [I18] → D2_D05
D2_D02 [I20] → D2_D02

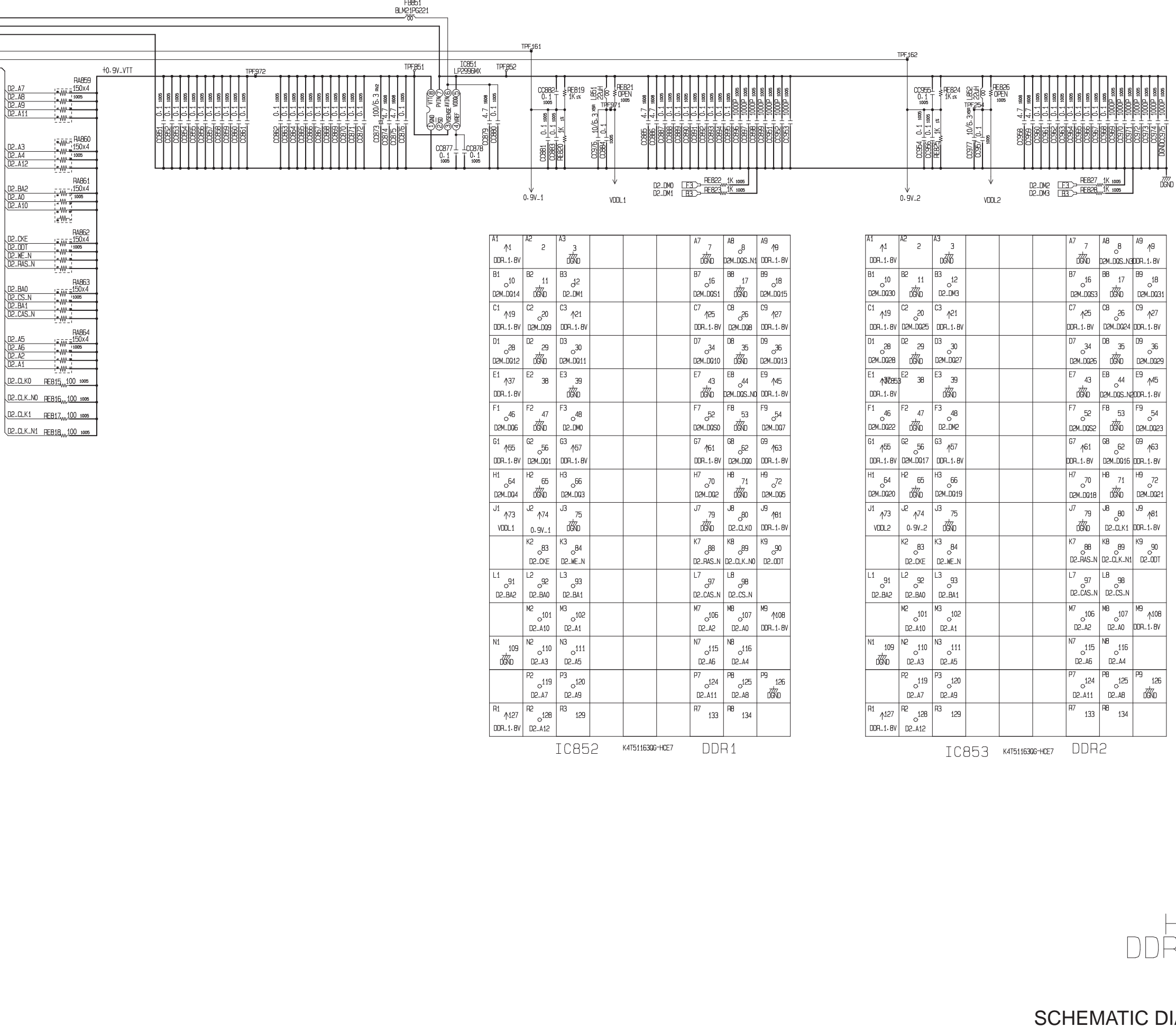
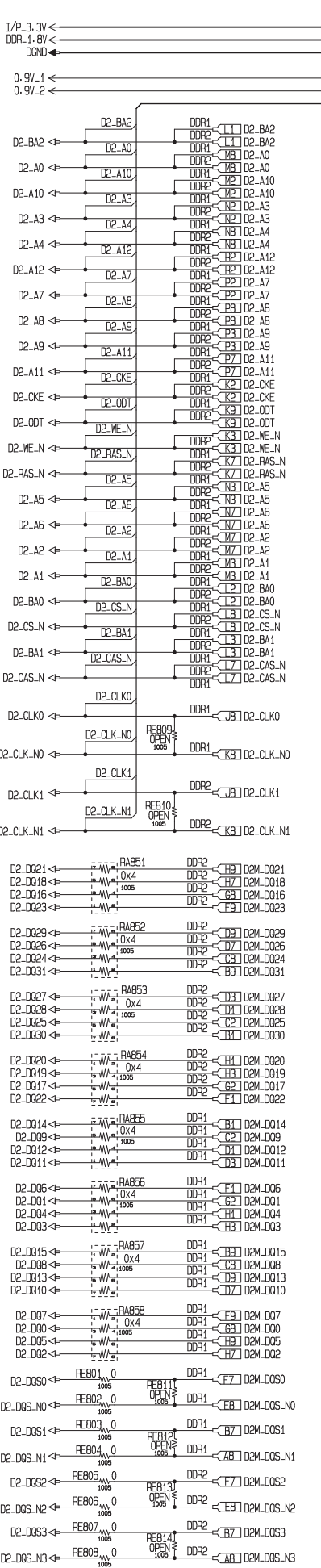
D2_D050 [I17] → D2_D050
D2_D05 [I17] → D2_D05
D2_D05.N1 [I17] → D2_D05.N1
D2_D052 [I12] → D2_D052
D2_D05.N2 [I12] → D2_D05.N2
D2_D053 [I12] → D2_D053
D2_D05.N3 [I13] → D2_D05.N3

D2_D01 [I20] → D2_D01
D2_D04 [I20] → D2_D04
D2_D09 [I17] → D2_D09
D2_D012 [I20] → D2_D012
D2_D011 [I20] → D2_D011
D2_D06 [I19] → D2_D06
D2_D01 [I20] → D2_D01
D2_D04 [I20] → D2_D04
D2_D03 [I19] → D2_D03
D2_D015 [I19] → D2_D015
D2_D08 [I17] → D2_D08
D2_D013 [I18] → D2_D013
D2_D010 [I20] → D2_D010
D2_D07 [I20] → D2_D07
D2_D00 [I19] → D2_D00
D2_D05 [I18] → D2_D05
D2_D02 [I20] → D2_D02

D2_D050 [I17] → D2_D050
D2_D05 [I17] → D2_D05
D2_D05.N1 [I17] → D2_D05.N1
D2_D052 [I12] → D2_D052
D2_D05.N2 [I12] → D2_D05.N2
D2_D053 [I12] → D2_D053
D2_D05.N3 [I13] → D2_D05.N3



TO I/P (TO SHEET 9/12)



A1	A2	A3			A7	A8	A9
DDR1.1.BV	D2_0	D2_1			D2_DM0	D2_DM1	DDR1.1.BV
B1	B2	B3			B7	B8	B9
D2M.DG14	D2M.DG15	D2M.DG16			D2M.DG17	D2M.DG18	D2M.DG19
C1	C2	C3			C7	C8	C9
DDR1.1.BV	D2M.DG9	DDR1.1.BV			DDR1.1.BV	D2M.DG8	DDR1.1.BV
D1	D2	D3			D7	D8	D9
D2M.DG12	D2M.DG11				D2M.DG10	D2M.DG13	
E1	E2	E3			E7	E8	E9
DDR1.1.BV	D2_0	D2_1			D2M.DG5	D2M.DG4	DDR1.1.BV
F1	F2	F3			F7	F8	F9
D2M.DG6	D2M.DG0	D2M.DG7			D2M.DG6	D2M.DG7	D2M.DG7
G1	G2	G3			G7	G8	G9
DDR1.1.BV	D2M.DG1	DDR1.1.BV			DDR1.1.BV	D2M.DG0	DDR1.1.BV
H1	H2	H3			H7	H8	H9
D2M.DG4	D2M.DG3				D2M.DG2	D2M.DG5	
J1	J2	J3			J7	J8	J9
VDDL1	0.9V.1	D2_0			D2M.DG2	D2M.DG5	DDR1.1.BV
K2	K3	K4			K7	K8	K9
D2_CKE	D2_WE.N				D2_RAS.N	D2_CLK.ND	D2_ODT
L1	L2	L3			L7	L8	
D2_BA2	D2_BA0	D2_BA1			D2_CAS.N	D2_CS.N	
M2	M3	M4			M7	M8	M9
D2_A10	D2_A1				D2_A2	D2_A0	DDR1.1.BV
N1	N2	N3			N7	N8	
D2_0	D2_A3	D2_A5			D2_A6	D2_A4	
P2	P3	P4			P7	P8	P9
D2_A7	D2_A9				D2_A11	D2_AB	D2_0
R1	R2	R3			R7	R8	
DDR1.1.BV	D2_A12	D2_129			D2_133	D2_134	

IC852 K4T511630G-HCE7 DDR1

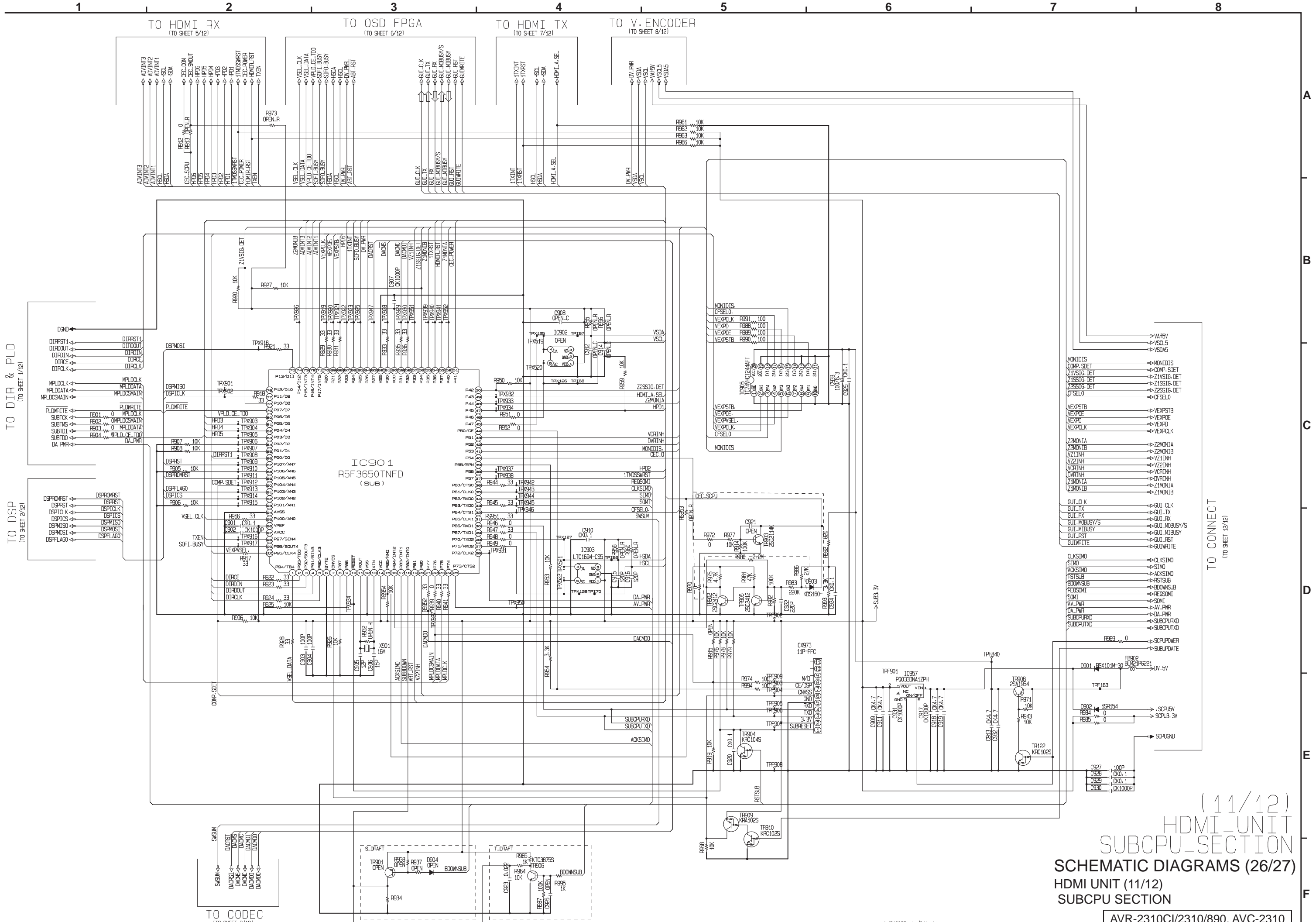
A1	A2	A3			A7	A8	A9
DDR1.1.BV	D2_0	D2_1			D2M.DG5.N	D2M.DG5.N	DDR1.1.BV
B1	B2	B3			B7	B8	B9
D2M.DG30	D2M.DG3				D2M.DG3	D2M.DG3	D2M.DG31
C1	C2	C3			C7	C8	C9
DDR1.1.BV	D2M.DG25	DDR1.1.BV			DDR1.1.BV	D2M.DG24	DDR1.1.BV
D1	D2	D3			D7	D8	D9
D2M.DG28	D2M.DG27				D2M.DG26	D2M.DG29	
E1	E2	E3			E7	E8	E9
DDR1.1.BV	D2_0	D2_1			D2M.DG5.N	D2M.DG5.N	DDR1.1.BV
F1	F2	F3			F7	F8	F9
D2M.DG22	D2M.DG2	D2M.DG2			D2M.DG2	D2M.DG2	D2M.DG23
G1	G2	G3			G7	G8	G9
DDR1.1.BV	D2M.DG17	DDR1.1.BV			DDR1.1.BV	D2M.DG16	DDR1.1.BV
H1	H2	H3			H7	H8	H9
D2M.DG20	D2M.DG19				D2M.DG18	D2M.DG21	
J1	J2	J3			J7	J8	J9
VDDL2	0.9V.2	D2_0			D2M.DG18	D2M.DG21	DDR1.1.BV
K2	K3	K4			K7	K8	K9
D2_CKE	D2_WE.N				D2_RAS.N	D2_CLK.N1	D2_ODT
L1	L2	L3			L7	L8	
D2_BA2	D2_BA0	D2_BA1			D2_CAS.N	D2_CS.N	
M2	M3	M4			M7	M8	M9
D2_A10	D2_A1				D2_A2	D2_A0	DDR1.1.BV
N1	N2	N3			N7	N8	
D2_0	D2_A3	D2_A5			D2_A6	D2_A4	
P2	P3	P4			P7	P8	P9
D2_A7	D2_A9				D2_A11	D2_AB	D2_0
R1	R2	R3			R7	R8	
DDR1.1.BV	D2_A12	D2_129			D2_133	D2_134	

IC853 K4T511630G-HCE7 DDR2

(10/12)
HDMI_UNIT
DDR_SECTION

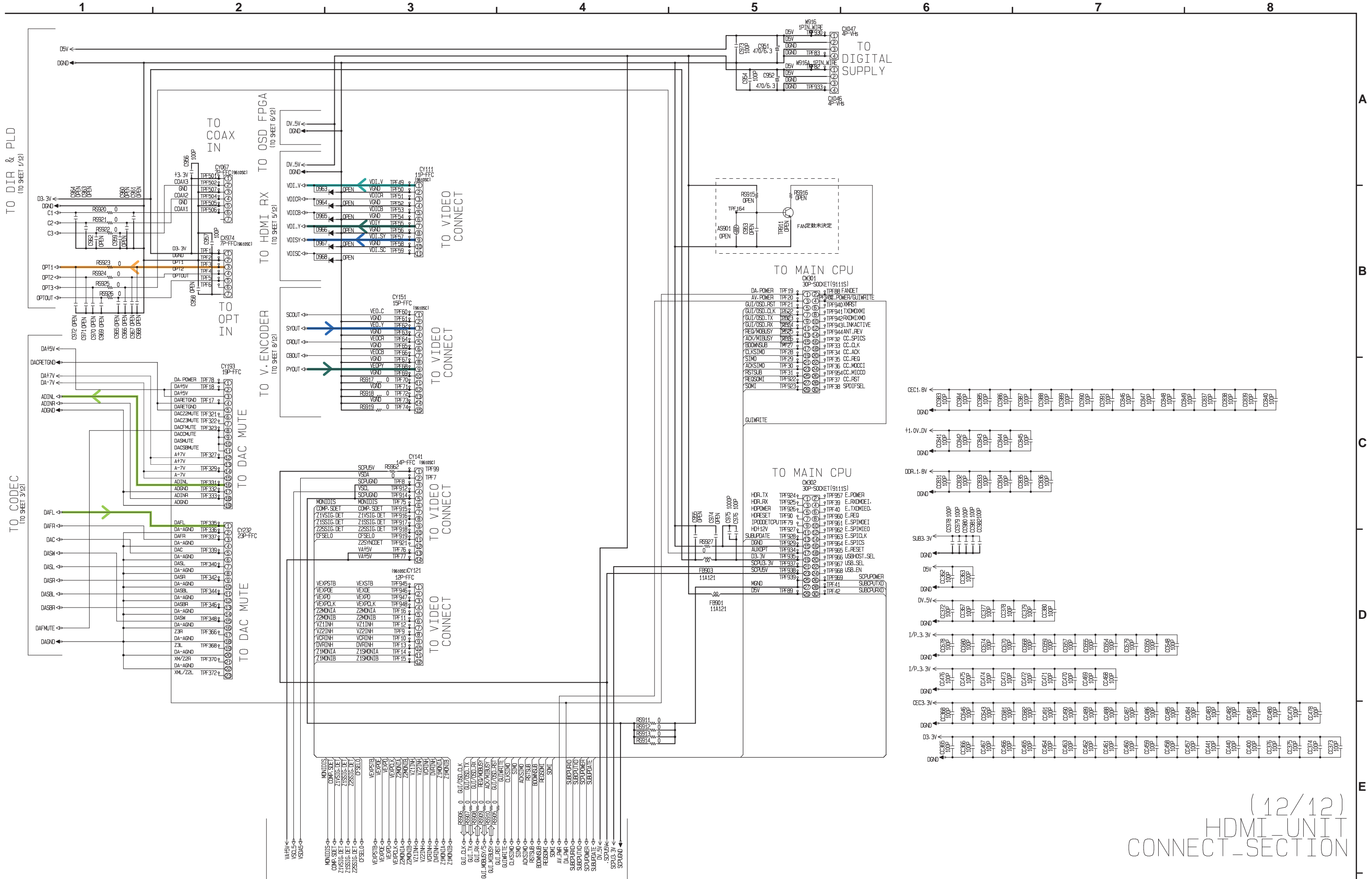
SCHEMATIC DIAGRAMS (25/27)
HDMI UNIT (10/12)
DDR SECTION

AVR-2310CI/2310/890, AVC-2310



(11/12)
HDMI_UNIT
SUBCPU_SECTION
SCHEMATIC DIAGRAMS (26/27)
HDMI UNIT (11/12)
SUBCPU SECTION

AVR-2310CI/2310/890, AVC-2310



(12/12)
HDMI_UNIT
CONNECT_SECTION

- COMPONENT Y- SIGNAL LINE
- Video SIGNAL LINE
- Digital Audio (OPT) SIGNAL LINE
- Analog Audio SIGNAL LINE
- S-Video Y- SIGNAL LINE

SCHEMATIC DIAGRAMS (27/27)
HDMI UNIT (12/12)
CONNECT SECTION

AVR-2310CI/2310/890, AVC-2310