

# DENON

Ver. 2

Please refer to the  
MODIFICATION NOTICE.

## SERVICE MANUAL

MODEL	JP	E3	E2	EK	EA	E1	E1C	E1K
AVR-X3100W		✓	✓				✓	

### INTEGRATED NETWORK AV RECEIVER

• For purposes of improvement, specifications and design are subject to change without notice.

• Please use this service manual with referring to the operating instructions without fail.

• Some illustrations using in this service manual are slightly different from the actual set.

# DENON

D&M Holdings Inc.

# CONTENTS

<b>ABOUT THIS MANUAL</b> .....	3	<b>Audio Check PASS</b> .....	107
What you can do with this manual .....	3	<b>CLOCK FLOW &amp; WAVE FORM IN DIGITAL BLOCK</b> .....	108
Using Adobe Reader (Windows version) .....	4	<b>LEVEL DIAGRAM</b> .....	109
<b>SAFETY PRECAUTIONS</b> .....	6	<b>BLOCK DIAGRAM</b> .....	115
<b>NOTE FOR SCHEMATIC DIAGRAM</b> .....	7	<b>POWER DIAGRAM</b> .....	116
<b>NOTE FOR PARTS LIST</b> .....	7	<b>WIRING DIAGRAM</b> .....	117
<b>TECHNICAL SPECIFICATIONS</b> .....	9	<b>PRINTED WIRING BOARDS</b> .....	118
<b>DIMENSION</b> .....	9	<b>SCHEMATIC DIAGRAMS (1/33)</b> .....	124
<b>Precautions During Service</b> .....	10	SCH01_DIGITAL CONNECT .....	124
Initializing This Unit .....	10	SCH02_DIGITAL POWER .....	125
Service Jigs .....	10	SCH03_MAIN CPU .....	126
<b>DISASSEMBLY</b> .....	11	SCH04_SUB CPU .....	127
1. FRONT PANEL ASSY .....	13	SCH05_CPU LEVEL CHG .....	128
2. RADIATOR ASSY .....	14	SCH06_DIR .....	129
3. DIGITAL PCB .....	15	SCH07_AUDIO PLD .....	130
4. VIDEO PCB .....	16	SCH08_DSP .....	131
5. INPUT PCB .....	16	SCH09_MAIN DAC .....	132
6. SPK PCB .....	17	SCH10_CY920 .....	133
7. SMPS PCB .....	18	SCH11_VIDEO DECODER .....	134
8. TRANS POWER .....	18	SCH12_HDMI SW2 .....	135
<b>SPECIAL MODE</b> .....	19	SCH13_HDMI SW1 .....	136
Special Mode Configuration Buttons .....	19	SCH14_VSP & IP & OSD .....	137
1. Version Display Mode .....	20	SCH15_VIDEO PLD .....	138
2. PANEL / REMOTE LOCK Selection Mode .....	24	SCH16_HDMI TX & SCALER .....	139
3. Selection Modes for Service-related Operations .....	25	SCH17_ADAPTER .....	140
DIAGNOSTIC PATH DIAGRAM .....	30	SCH18_BLUETOOTH .....	141
4. Remote ID Setup Mode .....	64	SCH19_INPUT1 .....	142
5. Protection Pass Mode .....	65	SCH20_INPUT2 .....	143
6. CX870 / CY920 Reboot mode .....	65	SCH21_PREOUT .....	144
7. CX870 / CY920 Initialization mode .....	66	SCH22_F-HDMI .....	145
<b>JIG FOR SERVICING</b> .....	67	SCH23_VIDEO .....	146
<b>Procedure after Replacing the Microprocessor, etc.</b> .....	70	SCH24_RC-5 & MX-PORT .....	147
<b>Firmware Update Procedure</b> .....	70	SCH25_RS232C & TRIGGER .....	148
1. Updating by USB .....	70	SCH26_CONNECT_A .....	149
2. Updating by DPMS .....	79	SCH27_CONNECT_B .....	150
<b>ADJUSTMENT</b> .....	86	SCH28_SPK .....	151
<b>SURROUND MODES AND PARAMETERS</b> .....	87	SCH29_REGULATOR & TUNER .....	152
<b>TROUBLE SHOOTING</b> .....	90	SCH30_7CH AMP 1 .....	153
1. POWER .....	90	SCH31_7CH AMP 2 .....	154
2. Analog video .....	91	SCH32_FRONT .....	155
3. HDMI/DVI .....	95	SCH33_SMPS .....	156
4. AUDIO .....	97	<b>EXPLODED VIEW</b> .....	157
5. Network/Bluetooth/USB .....	100	<b>PACKING VIEW</b> .....	158
6. SMPS .....	105	<b>SEMICONDUCTORS</b> .....	159
		1. IC's .....	159
		2. FL DISPLAY .....	181

# ABOUT THIS MANUAL

Read the following information before using the service manual.

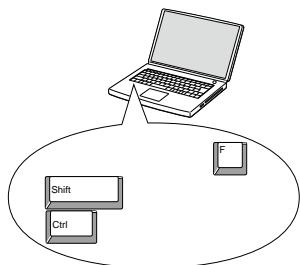
## What you can do with this manual

### Search for a Ref. No. (phrase) (Ctrl+Shift+F)

You can use the search function in Acrobat Reader to search for a Ref. No. in schematic diagrams, printed wiring circuit diagrams, block diagrams, and parts lists.

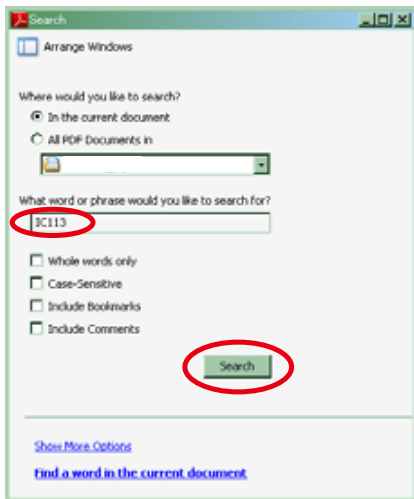
1. Press **Ctrl+Shift+F** on the keyboard.

- The Search window appears.



2. Enter the Ref. No. you want to search for in the Search window, and then click the **Search** button.

- A list of search results appears.



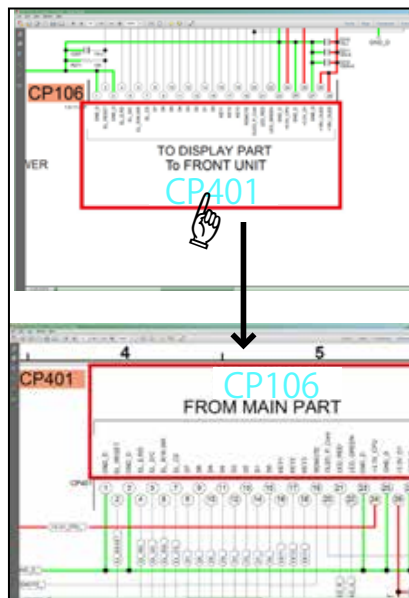
3. Click an item on the list.

- The screen jumps to the page for that item, and the search phrase is displayed.

### Jump to the target of a schematic diagram connector

Click the Ref. No. of the target connector in the red box around a schematic diagram connector.

- The screen jumps to the target connector.



- Page magnification stays the same as before the jump.

## Using Adobe Reader (Windows version)

### Add notes to this data (Sign)

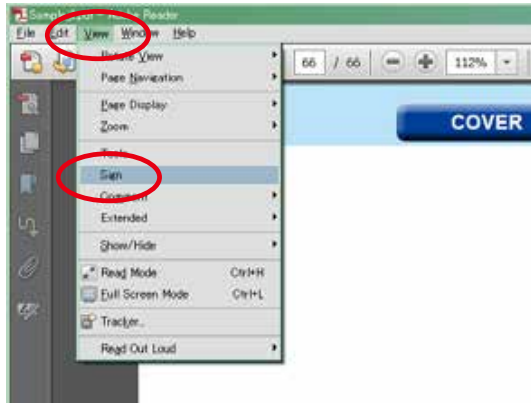
The Sign function lets you add notes to the data in this manual.

Save the file once you have finished adding notes.

#### [Example using Adobe Reader X]

On the "View" menu, click "Sign".

- The Sign pane appears.



#### [Example using Adobe Reader 9]

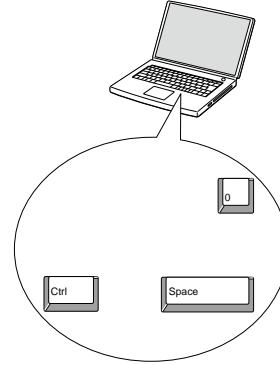
On the "Document" menu, click "Sign".

### Magnify schematic / printed circuit board diagrams - 1

(Ctrl+Space, mouse operation)

Press **Ctrl+Space** on the keyboard and drag the mouse to select the area you want to view.

- The selected area is magnified.

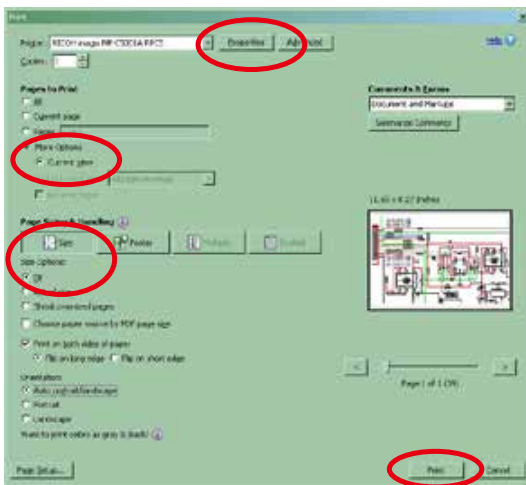


- When you want to move the area shown, hold down **Space** and drag the mouse.
- When you want to show a full page view, press **Ctrl+0** on the keyboard.

### Print a magnified part of the manual

The Properties dialog box and functions will vary depending on your printer.

1. Drag the mouse to magnify the part you want to print.
2. On the "File" menu, click "Print".
3. Configure the following settings in the Print dialog box.



4. Click the **Print** button to start printing.

#### • Properties

Click this button and check that the printer is set to a suitable paper size.

#### • Page to print

Select the following checkbox.

"More Options" : "Current View"

#### • Page Sizing & Handling

Select the following checkbox.

"Size" / "Size Options" : "Fit"

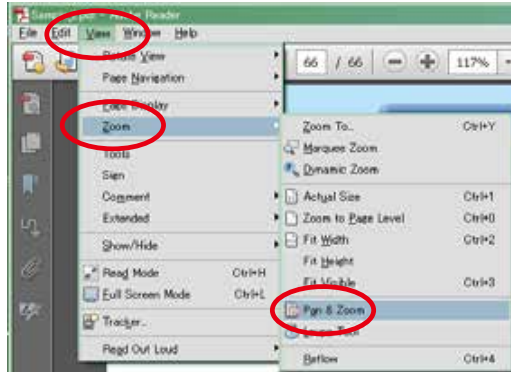
## Magnify schematic / printed circuit board diagrams - 2

### (Pan & Zoom function)

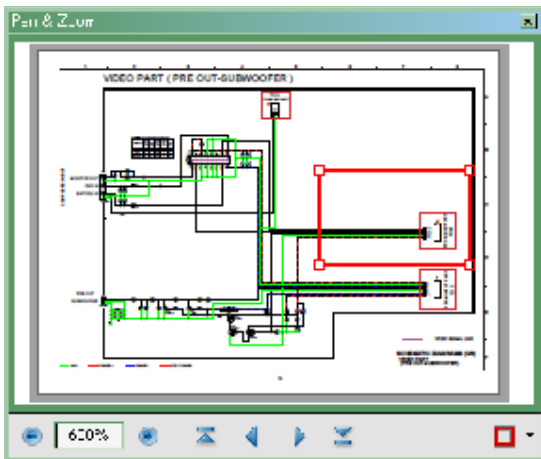
The Pan & Zoom function lets you see which part of a magnified diagram is being shown in a separate window.

#### [Example using Adobe Reader X]

On the "View" menu, point to "Zoom", and then click "Pan & Zoom".



- The Pan & Zoom window appears on the screen.



#### [Example using Adobe Reader 9]

On the "Tools" menu, point to "Select & Zoom", and then click "Pan & Zoom Window".

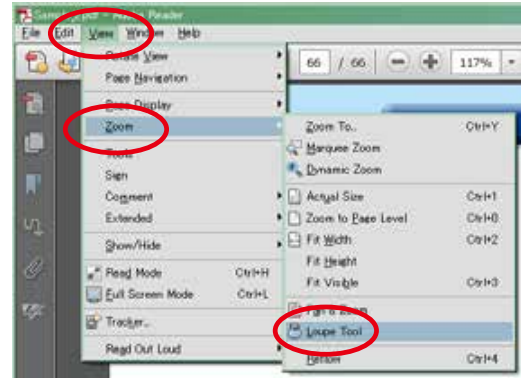
## Magnify schematic / printed circuit board diagrams - 3

### (Loupe Tool function)

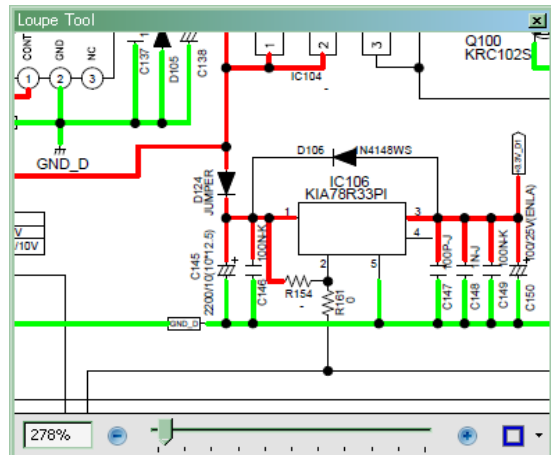
The Loupe Tool function lets you magnify a specific part of a diagram in a separate window.

#### [Example using Adobe Reader X]

On the "View" menu, point to "Zoom", and then click "Loupe Tool".



- The Loupe Tool window appears on the screen.



#### [Example using Adobe Reader 9]

On the "Tools" menu, point to "Select & Zoom", and then click "Loupe Tool Window".

## SAFETY PRECAUTIONS

The following items should be checked for continued protection of the customer and the service technician.

### leakage current check

Before returning the set to the customer, be sure to carry out either (1) a leakage current check or (2) a line to chassis resistance check. If the leakage current exceeds 0.5 milliamps, or if the resistance from chassis to either side of the power cord is less than 460 kohms, the set is defective.

Be sure to test for leakage current with the AC plug in both polarities, in addition, when the set's power is in each state (on, off and standby mode), if applicable.

## CAUTION Please heed the following cautions and instructions during servicing and inspection.

### ⊙ Heed the cautions!

Cautions which are delicate in particular for servicing are labeled on the cabinets, the parts and the chassis, etc. Be sure to heed these cautions and the cautions described in the handling instructions.

### ⊙ Cautions concerning electric shock!

- (1) An AC voltage is impressed on this set, so if you touch internal metal parts when the set is energized, you may get an electric shock. Avoid getting an electric shock, by using an isolating transformer and wearing gloves when servicing while the set is energized, or by unplugging the power cord when replacing parts, for example.
- (2) There are high voltage parts inside. Handle with extra care when the set is energized.

### ⊙ Caution concerning disassembly and assembly!

Through great care is taken when parts were manufactured from sheet metal, there may be burrs on the edges of parts. The burrs could cause injury if fingers are moved across them in some rare cases. Wear gloves to protect your hands.

### ⊙ Use only designated parts!

The set's parts have specific safety properties (fire resistance, voltage resistance, etc.). Be sure to use parts which have the same properties for replacement. The burrs have the same properties. In particular, for the important safety parts that are indicated by the  $\triangle$  mark on schematic diagrams and parts lists, be sure to use the designated parts.

### ⊙ Be sure to mount parts and arrange the wires as they were originally placed!

For safety reasons, some parts use tapes, tubes or other insulating materials, and some parts are mounted away from the surface of printed circuit boards. Care is also taken with the positions of the wires by arranging them and using clamps to keep them away from heating and high voltage parts, so be sure to set everything back as it was originally placed.

### ⊙ Make a safety check after servicing!

Check that all screws, parts and wires removed or disconnected when servicing have been put back in their original positions, check that no serviced parts have deteriorate the area around. Then make an insulation check on the external metal connectors and between the blades of the power plug, and otherwise check that safety is ensured.

(Insulation check procedure)

Unplug the power cord from the power outlet, disconnect the antenna, plugs, etc., and on the power. Using a 500V insulation resistance tester, check that the insulation resistance value between the inplug and the externally exposed metal parts (antenna terminal, headphones terminal, input terminal, etc.) is 1M $\Omega$  or greater. If it is less, the set must be inspected and repaired.

## CAUTION Concerning important safety parts

Many of the electric and the structural parts used in the set have special safety properties. In most cases these properties are difficult to distinguish by sight, and the use of replacement parts with higher ratings (rated power and withstand voltage) does not necessarily guarantee that safety performance will be preserved. Parts with safety properties are indicated as shown below on the wiring diagrams and the parts list in this service manual. Be sure to replace them with the parts which have the designated part number.

- (1) Schematic diagrams.....Indicated by the  $\triangle$  mark.
- (2) Parts lists.....Indicated by the  $\triangle$  mark.

The use of parts other than the designated parts could cause electric shocks, fires or other dangerous situations.

## NOTE FOR SCHEMATIC DIAGRAM

### WARNING:

Parts indicated by the  $\triangle$  mark have critical characteristics. Use ONLY replacement parts recommended by the manufacturer.

### CAUTION:

Before returning the set to the customer, be sure to carry out either (1) a leakage current check or (2) a line to chassis resistance check. If the leakage current exceeds 0.5 milliamps, or if the resistance from chassis to either side of the power cord is less than 460 kohms, the set is defective.

### WARNING:

DO NOT return the set to the customer unless the problem is identified and remedied.

### NOTICE:

ALL RESISTANCE VALUES IN OHM. k=1,000 OHM / M=1,000,000 OHM

ALL CAPACITANCE VALUES ARE EXPRESSED IN MICRO FARAD, UNLESS OTHERWISE INDICATED. P INDICATES MICRO-MICRO FARAD. EACH VOLTAGE AND CURRENT ARE MEASURED AT NO SIGNAL INPUT CONDITION. CIRCUIT AND PARTS ARE SUBJECT TO CHANGE WITHOUT PRIOR NOTICE.

## NOTE FOR PARTS LIST

1. Parts indicated by "nsp" on this table cannot be supplied.
2. When ordering a part, make a clear distinction between "1" and "1" (i) to avoid mis-supplying.
3. A part ordered without specifying its part number can not be supplied.
4. Part indicated by "★" mark is not illustrated in the exploded view.

**WARNING:** Parts indicated by the  $\triangle$  mark have critical characteristics. Use ONLY replacement parts recommended by the manufacturer.

## INSTRUCTIONS FOR HANDLING SEMI-CONDUCTORS AND OPTICAL UNIT

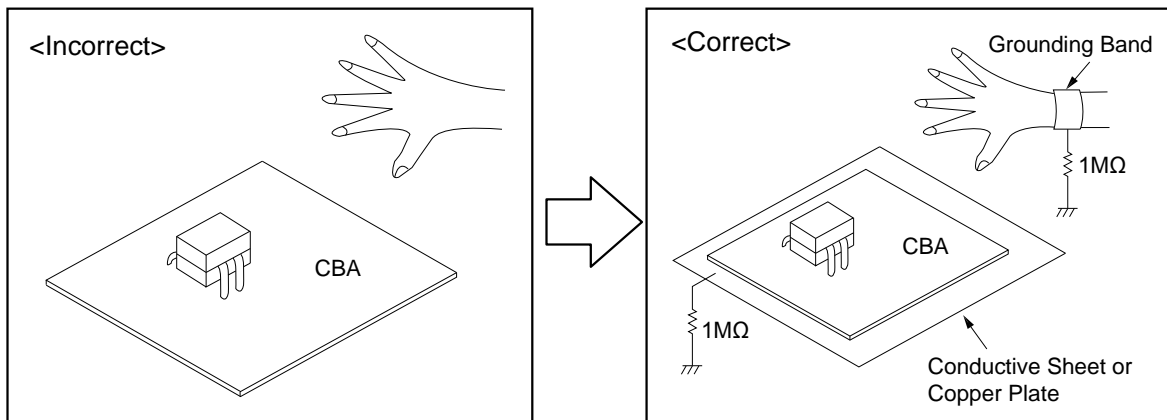
Electrostatic breakdown of the semi-conductors or optical pickup may occur due to a potential difference caused by electrostatic charge during unpacking or repair work.

### 1. Ground for Human Body

Be sure to wear a grounding band (1 M $\Omega$ ) that is properly grounded to remove any static electricity that may be charged on the body.

### 2. Ground for Workbench

Be sure to place a conductive sheet or copper plate with proper grounding (1 M $\Omega$ ) on the workbench or other surface, where the semi-conductors are to be placed. Because the static electricity charge on clothing will not escape through the body grounding band, be careful to avoid contacting semi-conductors with your clothing







# TECHNICAL SPECIFICATIONS

## □ Audio section

### • Power amplifier

#### Rated output :

##### Front :

105W+105W(8Ω, 20Hz - 20kHz with 0.08% T.H.D.)  
135W+135W(6Ω, 1kHz with 0.7% T.H.D.)

##### Center :

105W(8Ω, 20Hz - 20kHz with 0.08% T.H.D.)  
135W(6Ω, 1 kHz with 0.7 % T.H.D.)

##### Surround :

105W+105W(8Ω, 20 Hz - 20 kHz with 0.08% T.H.D.)  
135W+135W(6Ω, 1 kHz with 0.7 % T.H.D.)

##### Surround back:

105W+105W(8Ω, 20 Hz - 20 kHz with 0.08% T.H.D.)  
135W+135W(6Ω, 1 kHz with 0.7 % T.H.D.)

Output connectors : 4 - 16Ω

## □ Analog section

**Input sensitivity/Input impedance :** 200 mV/47 kΩ

**Frequency response :** 10 Hz - 100 kHz — +1, -3 dB(Direct mode)

**S/N :** 100 dB(IHF-A weighted, Direct mode)

**Distortion :** 0.008 % (20 Hz - 20 kHz) (Direct mode)

**Rated output :** 1.2 V

## □ Digital section

**D/A output :** Rated output — 2 V (at 0 dB playback)

Total harmonic distortion — 0.008 % (1 kHz, at 0 dB)

S/N ratio — 102 dB

Dynamic range — 100 dB

**Digital input :** Format — Digital audio interface

## □ Video section

### • Color component video connector

**Input/output level and impedance :** Y signal — 1 Vp-p, 75 Ω

PB / CB signal — 0.7 Vp-p, 75 Ω

PR / CR signal — 0.7 Vp-p, 75 Ω

**Frequency response :** 5 Hz - 60 MHz — 0, -3 dB

## □ Tuner section

**Reception frequency range :** FM 87.5 MHz - 107.9 MHz(for E3)

FM 87.5 MHz - 108.0 MHz(for E2, E1C)

AM 520 kHz - 1710 kHz(for E3)

AM 522 kHz - 1611 kHz(for E2, E1C)

**Effective sensitivity :** FM 1.2μV(12.8dBf)  
AM 18 μV

**50 dB sensitivity :** MONO — 2.8 μV (20.2 dBf)

**S/N:** MONO — 70 dB (IHF-A weighted, Direct mode)

STEREO — 67 dB (IHF-A weighted, Direct mode)

**Distortion :** MONO — 0.7 % (1 kHz)

SRETEO — 1.0 % (1 kHz)

## □ Wireless LAN section

### Network type

(wireless LAN standard): Conforming to Wi-Fi®\*1

**Security :** WEP 64 bit, WEP 128 bit  
WPA/WPA2-PSK (AES)  
WPA/WPA2-PSK (TKIP)

**Radio frequency :** 2.4 GHz

**No. of channels :** 1 - 11 ch (for E3)  
1 - 13 ch (for E2, E1C)

\*1 The Wi-Fi® CERTIFIED Logo and the Wi-Fi CERTIFIED On-Product Logo are registered trademarks of the Wi-Fi Alliance.

## □ Bluetooth section

**Communications system :** Bluetooth Version 2.1 + EDR  
(Enhanced Data Rate)

**Transmission power :** Maximum 2.5 mW (Class 2)

**Maximum communication range :** Approx. 32.8 ft/10 m in line of sight

**Frequency band :** 2.4 GHz band

**Modulation scheme :** FHSS (Frequency-Hopping Spread Spectrum)

**Supported profiles :** A2DP 1.2 (Advanced Audio Distribution Profile)  
AVRCP 1.4 (Audio Video Remote Control Profile)

**Corresponding codec :** SBC, AAC

**Transmission range (A2DP) :** 20 Hz - 20,000 Hz

## □ General

**Power supply :** (for E3) : AC 120 V, 60 Hz  
(for E2) : AC 230 V, 50 Hz / 60Hz  
(for E1C) : AC 220 V, 50 Hz

**Power consumption :** 600W

**Power consumption in standby mode :** 0.1W

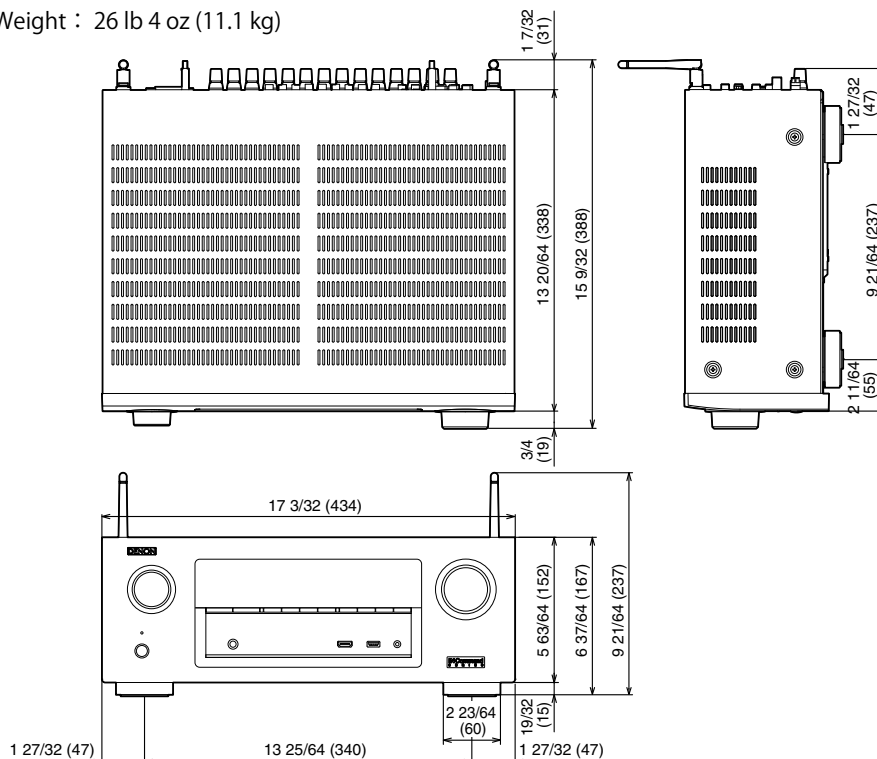
**Power consumption in CEC standby mode :** 0.5W

**Power consumption in network standby mode :** 2.7W

For purposes of improvement, specifications and design are subject to change without notice.

# DIMENSION

Unit : in. (mm) Weight : 26 lb 4 oz (11.1 kg)



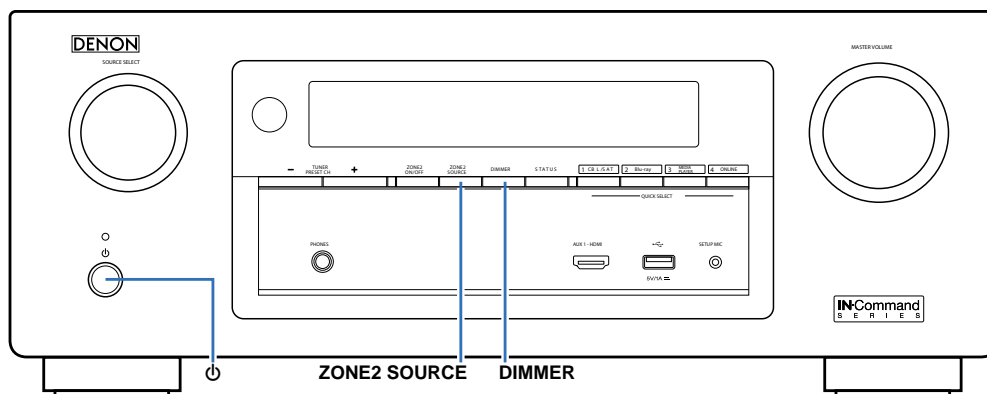
# PRECAUTIONS DURING SERVICE

## Initializing This Unit

Initialize this unit if you have replaced the microcomputer, one of the parts around the microcomputer, or the digital PCB.

1. Press the power button to turn off the power.
2. Hold down buttons "ZONE2 SOURCE" and "DIMMER" at the same time and press the power button to turn on the power.
3. Release the buttons after confirming that the display flashes in intervals of approximately 1 second.  
\* The unit is initialized.

**NOTE :** • If the status in step 3 does not occur, start again from step 1.  
• Initializing the device restores settings configured by the user to the factory settings. Take note of your settings beforehand and reconfigure them after initialization.



## Service Jigs

The following jigs (extension cable kit) are used when repairing the PCBs.

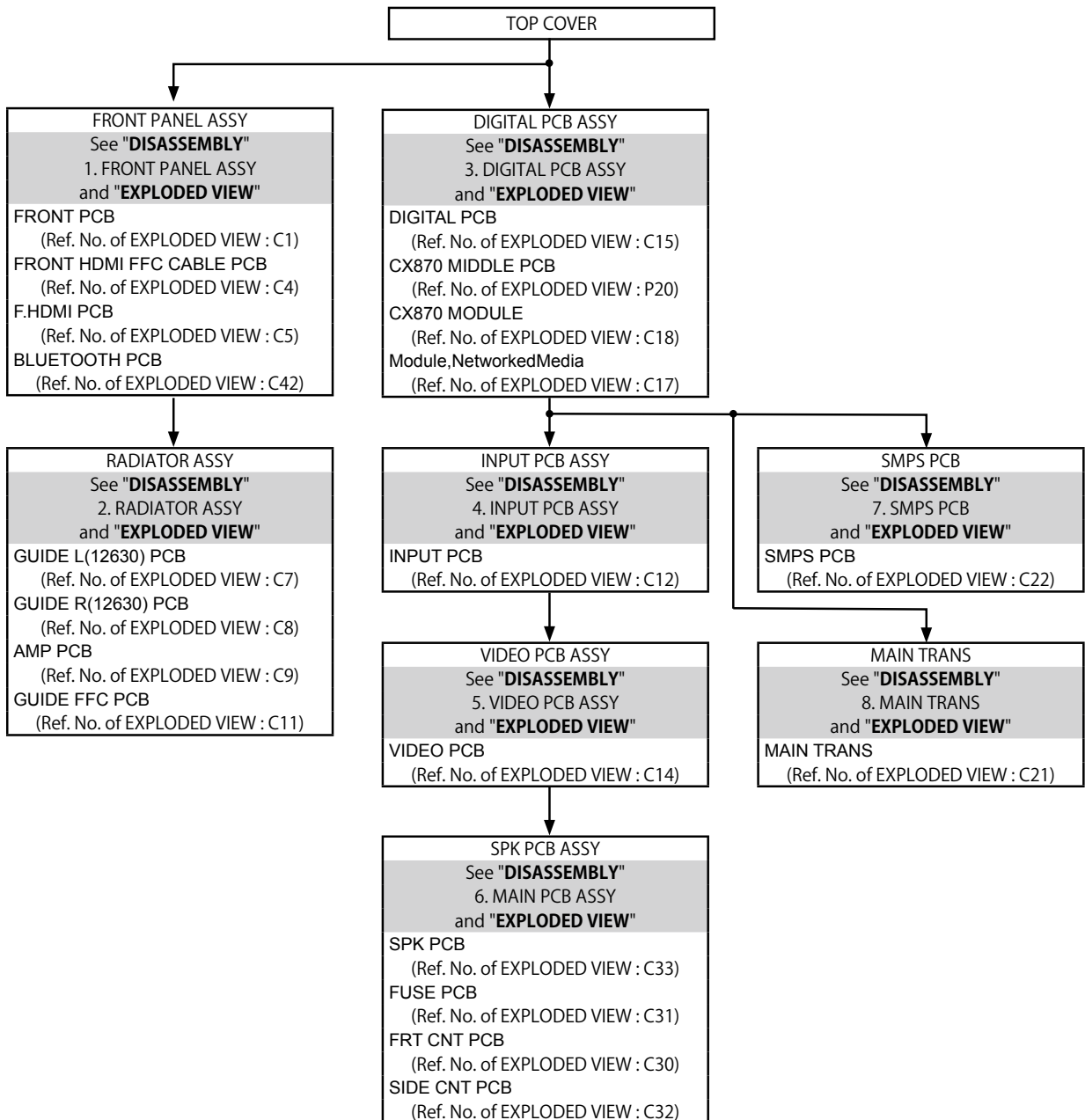
Order the jigs from your dealer if necessary.

- |             |   |                    |   |       |
|-------------|---|--------------------|---|-------|
| 8U- 110084S | : | EXTENSION UNIT KIT | : | 1 Set |
| 8U- 110136S | : | EXTENSION UNIT KIT | : | 1 Set |

(See [67 page](#))

# DISASSEMBLY

- Remove each part in the order of the arrows below.
- Reassemble removed parts in the reverse order.
- Read "**Precautions During Work**" before reassembling removed parts.
- If wire bundles are removed or moved during adjustment or part replacement, reshape the wires after completing the work. Failure to shape the wires correctly may cause problems such as noise.

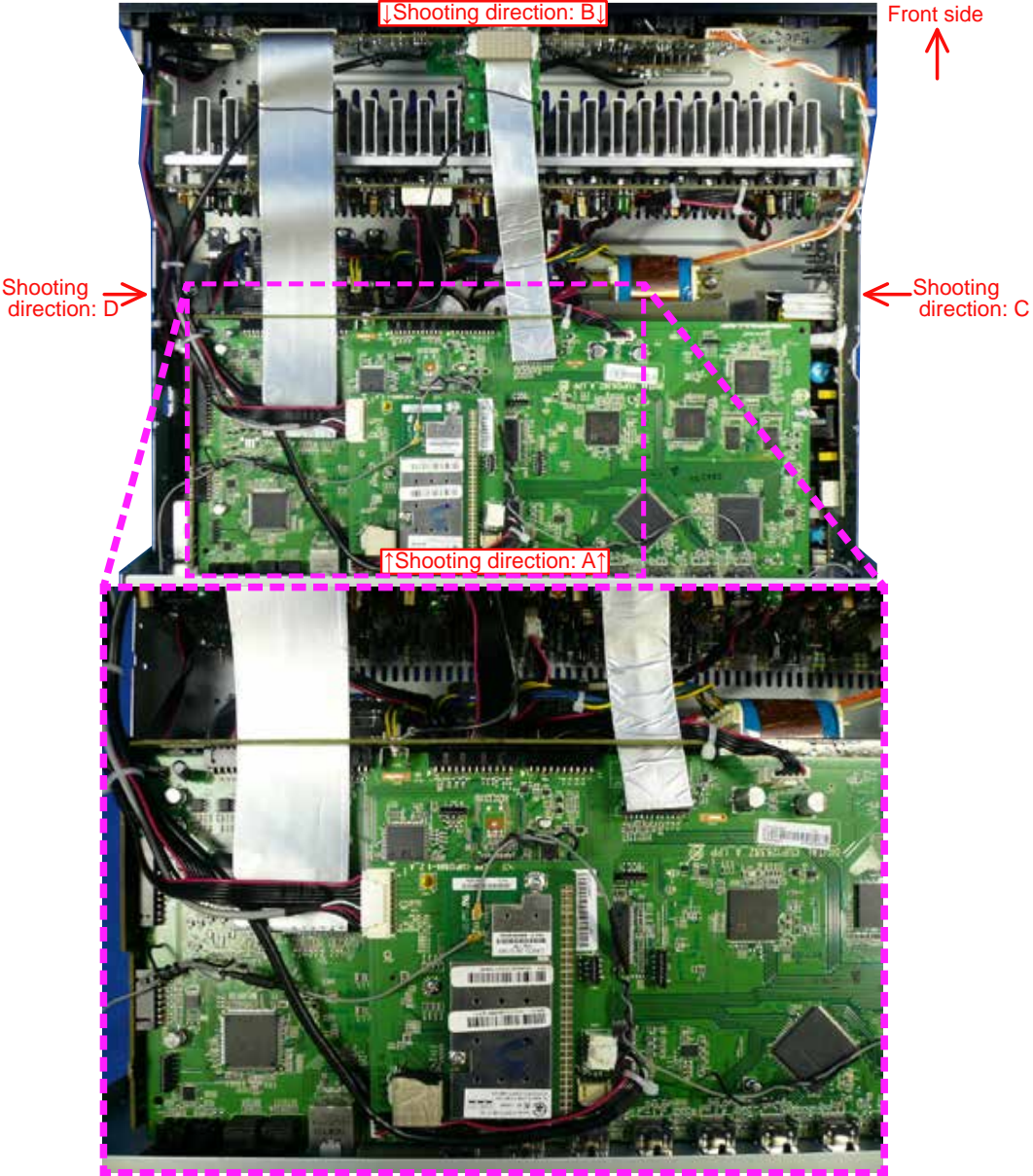


### Explanatory Photos for DISASSEMBLY

- The angles from which the photos are taken are shown by "Photo angle: A, B, C, D".
- See the diagram below about the shooting direction of each photograph.
- Photographs with no shooting direction indicated were taken from the top of the unit.
- The photograph is AVR-X3100WE3 model.

### The viewpoint of each photograph

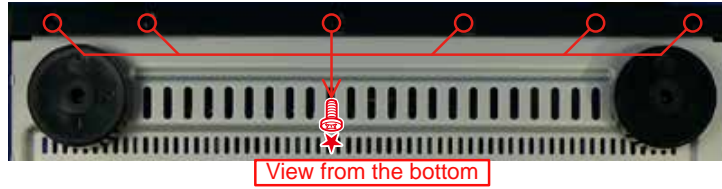
(Shooting direction:X)[View from the top]



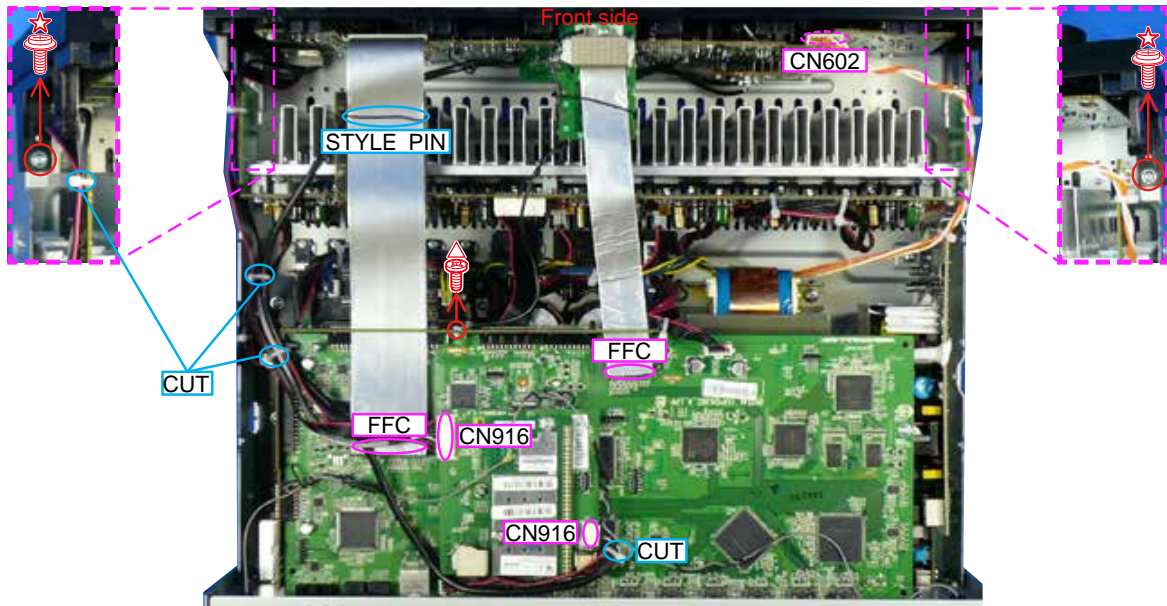
# 1. FRONT PANEL ASSY

Proceeding : **TOP COVER** → **FRONT PANEL ASSY**

(1) Remove the screws.



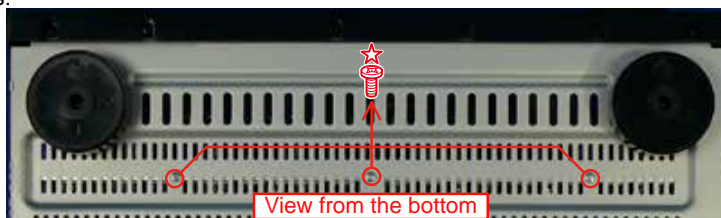
(2) Cut the wire clamp, then remove the connector wires and FFC. Remove the screws.



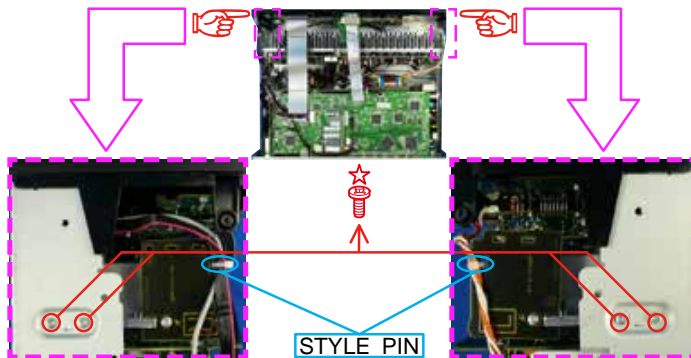
## 2. RADIATOR ASSY

Proceeding : **TOP COVER** → **FRONT PANEL ASSY** → **RADIATOR ASSY**

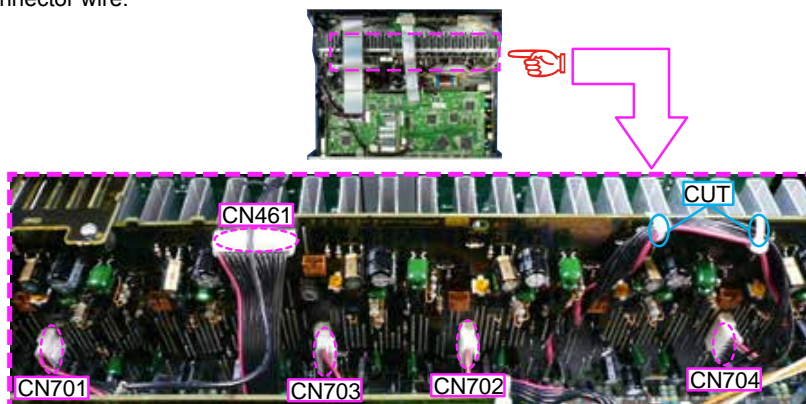
(1) Remove the screws.



(2) Remove the STYLE PIN. Remove the screws.



(3) Remove the connector wire.



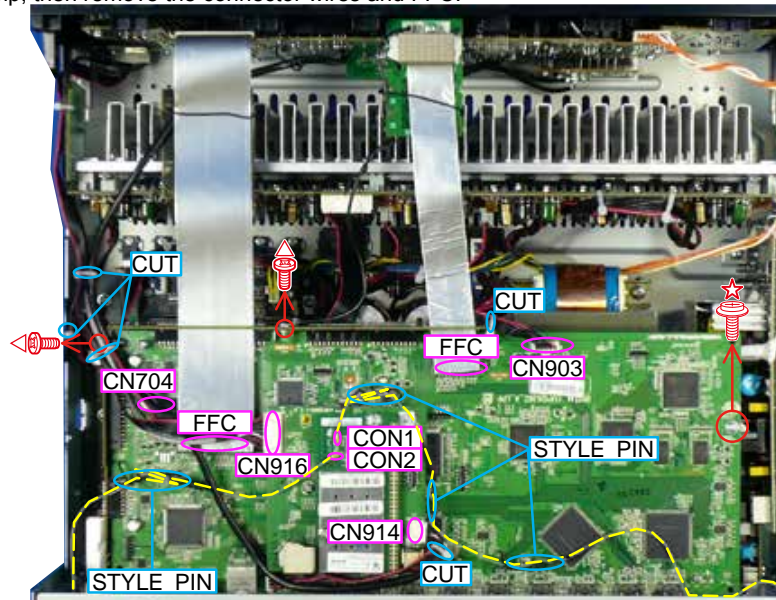
### 3. DIGITAL PCB

Proceeding : **TOP COVER** → **BACK CHASSIS** → **DIGITAL PCB**

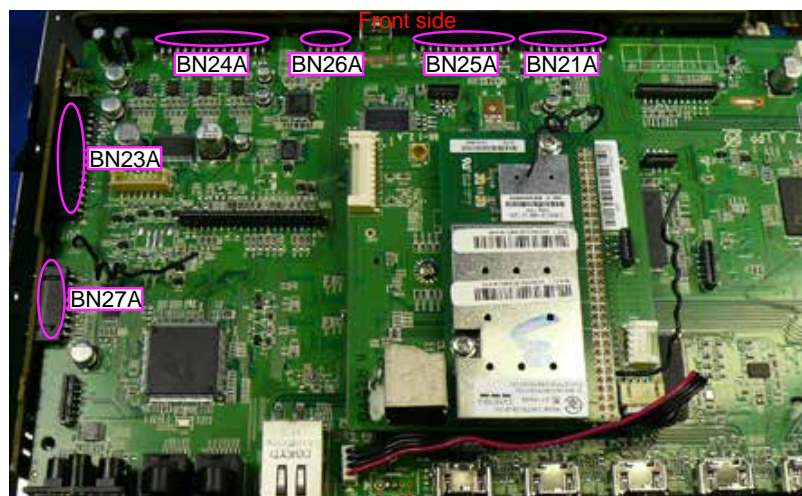
(1) Remove the screws.



(2) Cut the wire clamp, then remove the connector wires and FFC.



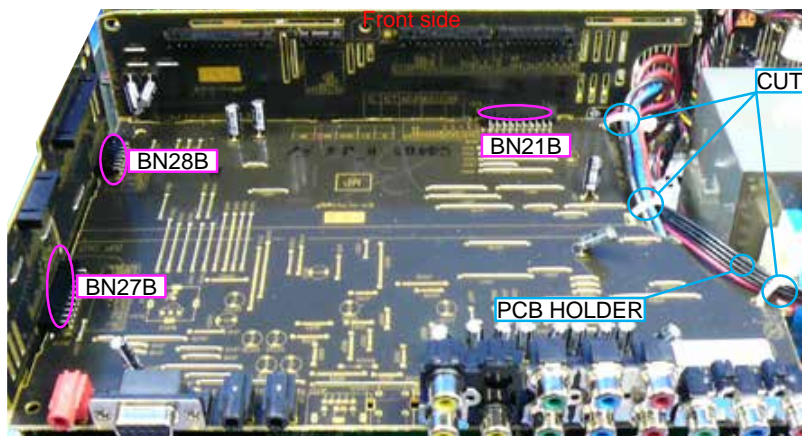
(3) Remove the connector wire.



## 4. VIDEO PCB

Proceeding : **TOP COVER** → **BACK CHASSIS** → **DIGITAL PCB** → **VIDEO PCB**

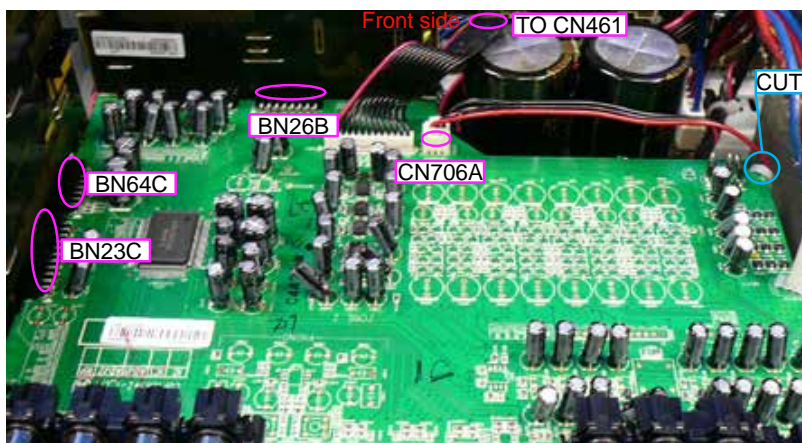
(1) Remove the connector wire.



## 5. INPUT PCB

Proceeding : **TOP COVER** → **BACK CHASSIS** → **DIGITAL PCB** → **VIDEO PCB** → **INPUT PCB**

(1) Remove the connector wire.

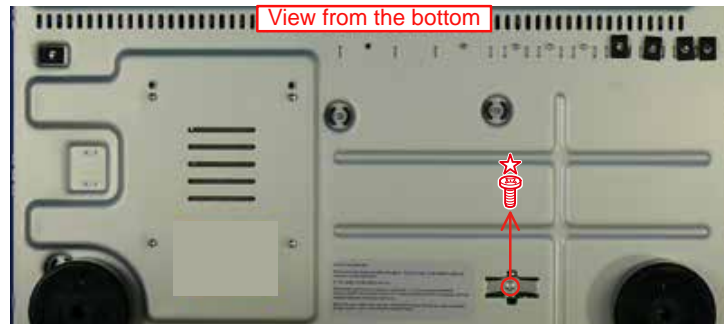




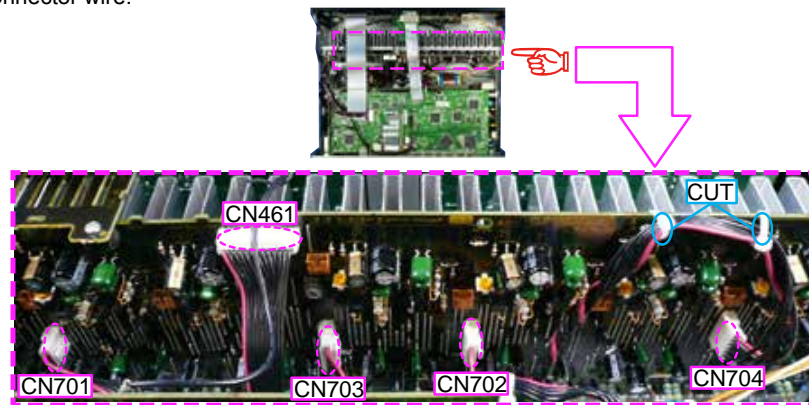
## 6. SPK PCB

Proceeding : **TOP COVER** → **BACK CHASSIS** → **DIGITAL PCB** → **VIDEO PCB** → **INPUT PCB**  
→ **SPK PCB**

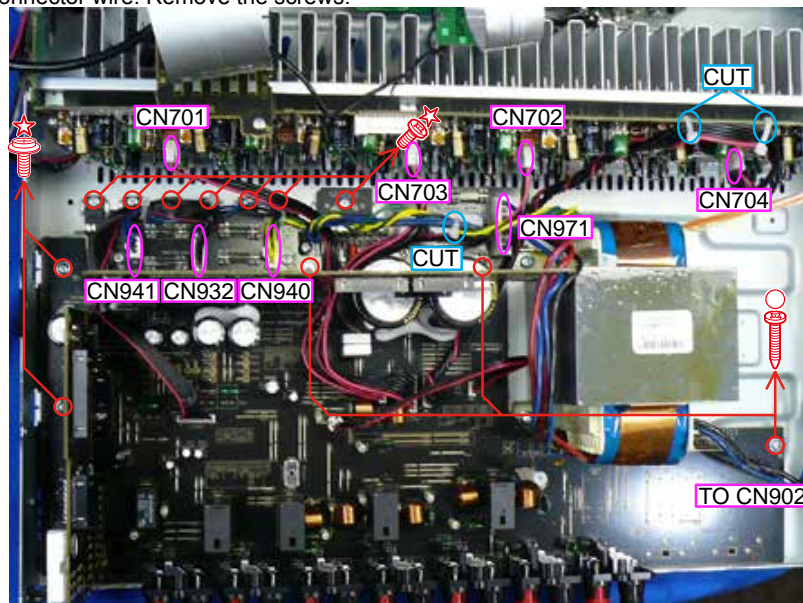
(1) Remove the screws.



(2) Remove the connector wire.



(3) Remove the connector wire. Remove the screws.



## 7. SMPS PCB

Proceeding : **TOP COVER** → **BACK CHASSIS** → **DIGITAL PCB** → **SMPS PCB**

See "EXPLODED VIEW" for instructions on how to remove each PCB of the "SMPS PCB".

## 8. TRANS POWER

Proceeding : **TOP COVER** → **BACK CHASSIS** → **DIGITAL PCB** → **TRANS POWER**

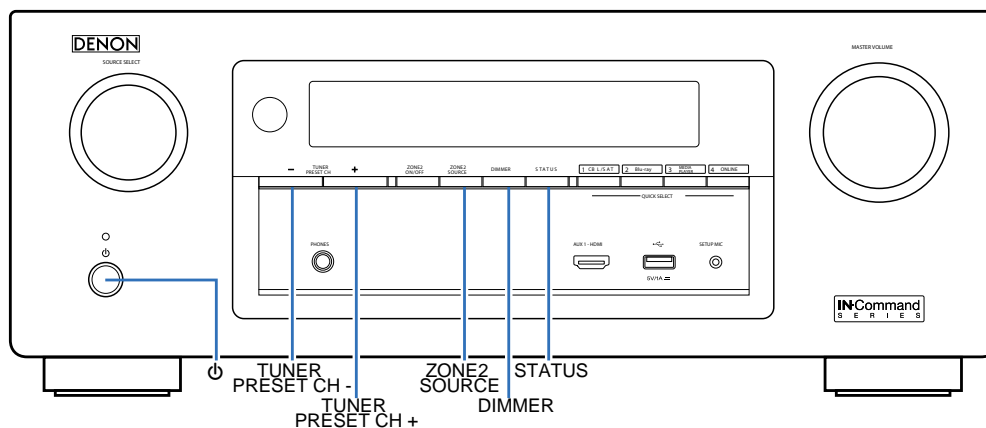
See "EXPLODED VIEW" for instructions on how to remove each PCB of the "TRANS POWER".

# SPECIAL MODE

## Special Mode Configuration Buttons

- ※ No. 1 - 13 : Hold down buttons A, B and C at the same time and press the power button to turn on the power.
- ※ No. 14 : Press the A and B buttons simultaneously while inserting the AC plug to turn the power on.

No.	Mode	Button A	Button B	Button C	Contents
1	Version Display (u-COM / DSP Error Display)	DIMMER	STATUS	-	Displays the version of firmware such as the main firmware or DSP, etc. Errors that have occurred are displayed. (See 20 page)
2	Protection History Display Mode	ZONE2 SOURCE	DIMMER	STATUS	Displays the protection occurrence history. (See 60 page)
3	Check the Video/Audio pass Mode	↑	↑	↑	This is a special mode for service confirmation used during repair work to simplify the confirmation work for the Audio channel/video channel. (See 28 page)
4	Remote ID Setup Mode	↑	↑	↑	If there are multiple DENON AV receivers in the same area, this mode stops the other AV receivers from being operated concurrently with this device. (See 64 page)
5	TUNER step	↑	↑	↑	Enables reception STEP of the ANALOG TUNER to be changed. (See 63 page)
6	Operation INFO	↑	↑	↑	Displays the total operating time of the set, number of times the power was switched on, and number of occurrences of each protection. (See 62 page)
7	User Initialization mode (Settings for the Installer Setup are not initialized.)	TUNER PRESET CH -	TUNER PRESET CH +	-	Initializes backup data. (Settings for the Installer Setup are not initialized.)
8	Factory Initialization mode (Initialization includes settings for the Installer Setup.)	ZONE2 SOURCE	DIMMER	-	Initializes backup data. (Initialization includes settings for the Installer Setup.)
9	Mode for preventing remote control acceptance	TUNER PRESET CH +	ZONE2 SOURCE	-	Start this unit in the PANEL/REMOTE LOCK selection mode so that PANEL LOCK and Remote Lock can be selected as ON or OFF. (See 24 page)
10	PANEL LOCK mode (with Volume)	↑	↑	-	This function prevents reception of all keys/encoders (including VOLUME) other than the power supply button on the Front Panel.
11	PANEL LOCK mode (without Volume)	↑	↑	-	This function prevents reception of all keys/encoders other than the power supply button and VOLUME encoder on the Front Panel.
12	Panel Lock Release	↑	↑	-	Function for Releasing the PANEL LOCK
13	Protection pass mode	TUNER PRESET CH +	ZONE2 SOURCE	STATUS	Enables the power to be turned on when protection detection is in the stopped state. (See 65 page)
14	Forced USB All Device Write Mode	TUNER PRESET CH -	STATUS	-	Mode used when this unit cannot be recovered. Forcibly switches this unit to USB update mode. (See 72 page)



# 1. Version Display Mode

## 1.1. Actions

Version information is displayed when the device is started in this mode.

## 1.2. Starting up

Hold down buttons "DIMMER" and "STATUS" at the same time and press the power button to turn on the power. Press the "STATUS" button after this to show the information in section 1.3 on the display.

※ A version list is also displayed on GUIs while the version appears on the display.

## 1.3. Display Order

Error information(See "1.4. Error display") → ① Model destination information → ② Serial Number → ③ Firmware Package Version → ④ Main  $\mu$ -com → ⑤ Main 1st Boot Loader → ⑥ Sub  $\mu$ -com Version → ⑦ Sub 1st Boot Loader → ⑧ DSP ROM → ⑨ Audio PLD → ⑩ Video PLD → ⑪ GUI SFLASH → ⑫ Ethernet 1st Boot Loader, Hardware ID → ⑬ Ethernet 2nd Boot Loader, Rhapsody Flag → ⑭ Ethernet IMAGE → ⑮ Ethernet MAC ADDRESS information → ⑯ BT MAC Address information

① Model destination information :

FLD	A	U	R	-	X	3	1	0	0	W	E	3		*
FLD	A	U	R	-	X	3	1	0	0	W	E	2		*
FLD	A	U	R	-	X	3	1	0	0	W	E	1	C	*

② Serial Number :

FLD	S	/	N	.		*	*	*	*	*	*	*	*	*
-----	---	---	---	---	--	---	---	---	---	---	---	---	---	---

③ Firmware Package Version :

FLD	P	a	c	k	a	g	e				:	*	*	*	*
-----	---	---	---	---	---	---	---	--	--	--	---	---	---	---	---

④ Main  $\mu$ -com Version :

FLD		M	a	i	n		:	*	*	*	*	#	#	#	*
-----	--	---	---	---	---	--	---	---	---	---	---	---	---	---	---

\* : Main version, # : Sub version

⑤ Main 1st Boot Loader :

FLD		M	a	i	n	F	B	L		:	*	*	.	*	*
-----	--	---	---	---	---	---	---	---	--	---	---	---	---	---	---

⑥ Sub  $\mu$ -com Version :

FLD		S	u	b			:	6	8	1	Z	*	*	*	*
-----	--	---	---	---	--	--	---	---	---	---	---	---	---	---	---

Z : Region(E3=1, E2=2, E1C=5), \* : version

⑦ Sub 1st Boot Loader :

FLD		S	u	b		F	B	L		:	*	*	.	*	*
-----	--	---	---	---	--	---	---	---	--	---	---	---	---	---	---

⑧ DSP ROM :

FLD		D	S	P						:	*	*	.	*	*
-----	--	---	---	---	--	--	--	--	--	---	---	---	---	---	---

⑨ Audio PLD :

FLD		A	u	d	i	o		P	L	D	:	*	*	.	*	*
-----	--	---	---	---	---	---	--	---	---	---	---	---	---	---	---	---

⑩ Video PLD

FLD		V	i	d	e	o		P	L	D	:	*	*	.	*	*
-----	--	---	---	---	---	---	--	---	---	---	---	---	---	---	---	---

⑪ GUI SFLASH :

FLD		G	U	I	:	6	8	1	Z	*	*	*	*
-----	--	---	---	---	---	---	---	---	---	---	---	---	---

z : Region code(E3=1, E2=2, E1C=5), \* : version

⑫ Ethernet 1st Boot Loader, Hardware ID :

FLD		E	t	h	e	r	n	e	t	F	B	L	
-----	--	---	---	---	---	---	---	---	---	---	---	---	--

Press the "STATUS" button.

FLD	*	*	*	*	*	-	A	A					
-----	---	---	---	---	---	---	---	---	--	--	--	--	--

AA:Hardware ID

⑬ Ethernet 2nd Boot Loader, Rhapsody Flag :

FLD		E	t	h	e	r	n	e	t	S	B	L	
-----	--	---	---	---	---	---	---	---	---	---	---	---	--

Press the "STATUS" button.

FLD	E	*	*	*	*	*	*	*	*	*	*	*	-	B	E
-----	---	---	---	---	---	---	---	---	---	---	---	---	---	---	---

BB:Rhapsody Flag

⑭ Ethernet IMAGE :

FLD		E	t	h	e	r	n	e	t	I	M	G	
-----	--	---	---	---	---	---	---	---	---	---	---	---	--

Press the "STATUS" button.

FLD	*	*	*	*	*	*	*	*	*	*	*	*	
-----	---	---	---	---	---	---	---	---	---	---	---	---	--

⑮ Ethernet MAC ADDRESS information :

FLD	*	N	E	T		M	A	C		A	d	d	r	e	s	s
-----	---	---	---	---	--	---	---	---	--	---	---	---	---	---	---	---

Press the "STATUS" button.

FLD	*	*	*	*	*	*	*	-	*	*	*	*	*	*
-----	---	---	---	---	---	---	---	---	---	---	---	---	---	---

⑯ BT MAC ADDRESS information :

FLD	*	B	T		M	A	C		A	d	d	r	e	s	s
-----	---	---	---	--	---	---	---	--	---	---	---	---	---	---	---

Press the "STATUS" button.

FLD	*	*	*	*	*	*	-	*	*	*	*	*	*
-----	---	---	---	---	---	---	---	---	---	---	---	---	---

## 1.4. Error display

See the table below for descriptions of displayed errors and countermeasures for these.

Display order is ①,②,③,④.

Condition	States	Display	TROUBLE SHOOTING
① Firm Check NG	The model name, brand name and region information written in the firmware are compared to the region settings in the PCB. This error is displayed if the information does not match.  "▲" or "▼" is displayed as the first character if the firmware is not correct (see right section of table).	<pre>       F I R M   E R R O R               M a i n         : * * * * * * * * * *             D S P               : * * * . * * *             A u d i o   P L D : * * * . * * *             G U I               : * * * * * * * * * *       </pre>	<ul style="list-style-type: none"> <li>•Check the resistor for setting region(R1580/R1581, DIGITAL PCB).</li> <li>•Write the firmware for the correct region.</li> </ul>
② SUB $\mu$ -COM NG	There is not a reply from SUB $\mu$ -COM.	<pre>       S U B         E R R O R         0 1         </pre>	<ul style="list-style-type: none"> <li>•Check the SUB(IC171) and surrounding circuits.</li> </ul>
③ IP SCALER NG	An error occurs in Loopback Test of the DDR memory to perform at initial setting of i/p Scaler(ADV8003).  In initial setting of i/p Scaler ( ADV8003 ) , there is not the reply of the Loopback Test result of the DDR memory .	<pre>       I P   S C A L E R   E R R         0 1               I P   S C A L E R   E R R         0 2         </pre>	<ul style="list-style-type: none"> <li>•Check the circuits around the IP SCALER (IC401, DIGITAL PCB) and DDR2 (IC402/IC403).</li> <li>If there appear to be no problems, IC401 or IC402/IC403 is faulty.</li> </ul>
④ GUI Serial Flash NG	When it is different from Version of the Main CPU which Version of GUI Serial Flash supports . (ADV8003)	<pre>       G U I   V E R .         E R R O R         </pre>	<ul style="list-style-type: none"> <li>•Check the firmware version.</li> </ul>
⑤ DIR NG	This error is displayed if there is no response from the DIR.	<pre>       D I R         E R R O R         0 1         </pre>	<ul style="list-style-type: none"> <li>•Check the DIR (IC201, DIGITAL PCB) and surrounding circuits.</li> </ul>
⑥ DSP NG	The DSP FLAG0 port does not enter "Hi" status even after executing a DSP reset during a DSP code boot.  The DSP FLAG0 port does not enter "Hi" status before issuing a DSP command.  ACK="Hi" does not occur during DSP data reading, even when WRITE="Lo".  ACK="Lo" does not occur during DSP data reading, even when REQ="Lo".  ACK="Hi" does not occur during DSP data writing, even when WRITE="Hi".  ACK="Lo" does not occur during DSP data writing, even when REQ="Lo".	<pre>       D S P         E R R O R         0 1               D S P         E R R O R         0 2               D S P         E R R O R         0 3               D S P         E R R O R         0 4               D S P         E R R O R         0 5               D S P         E R R O R         0 6         </pre>	<ul style="list-style-type: none"> <li>•Check the DSP (IC251, DIGITAL PCB) and surrounding circuits.</li> </ul>
⑦ EEPROM NG	An error occurred in a checksum of the EEPROM(*** is a block address number).	<pre>       E 2 P R O M         E R R         * * *         </pre>	

## 1.5. Version Display in the Setup Menu

Follow the steps below to display the firmware information.

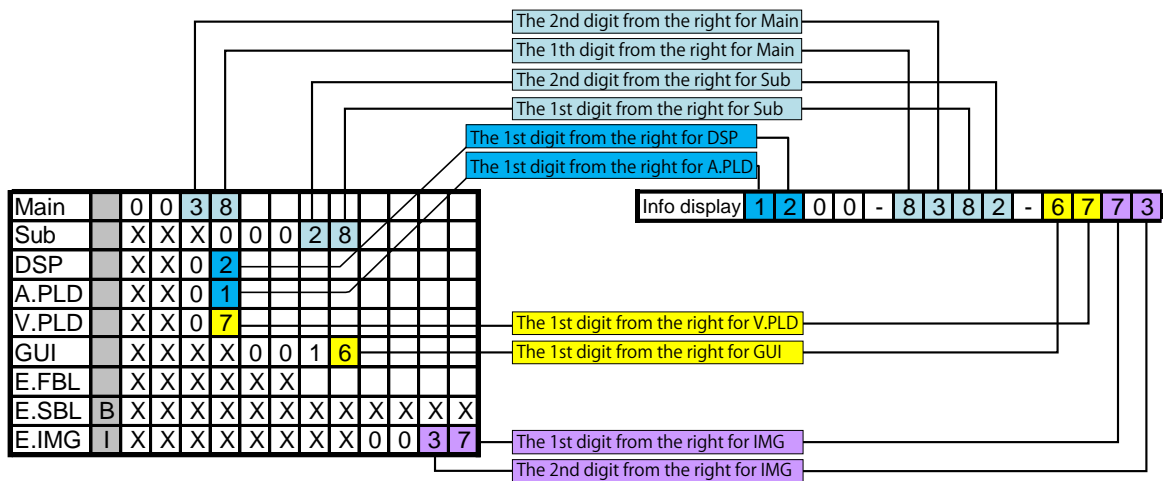
- (1) Press the "SETUP" button on the remote control.
- (2) Select "General - Information - Firmware".

The version information is displayed as a 12-digit number as shown in the screenshot below.



GUI Image

This 12-digit number comprises part of the version number of each device and module. These version numbers correspond to the 12-digit number as shown below.



※ The firmware version numbers and this 12-digit version information are written in the Service Information.

## 2. PANEL / REMOTE LOCK Selection Mode

### 2.1. Actions

Turn the PANEL LOCK and REMOTE LOCK modes on and off.

### 2.2. Starting up

Hold down buttons "TUNER PRESET CH+" and "ZONE2 SOURCE" at the same time and press the power button to turn on the power.

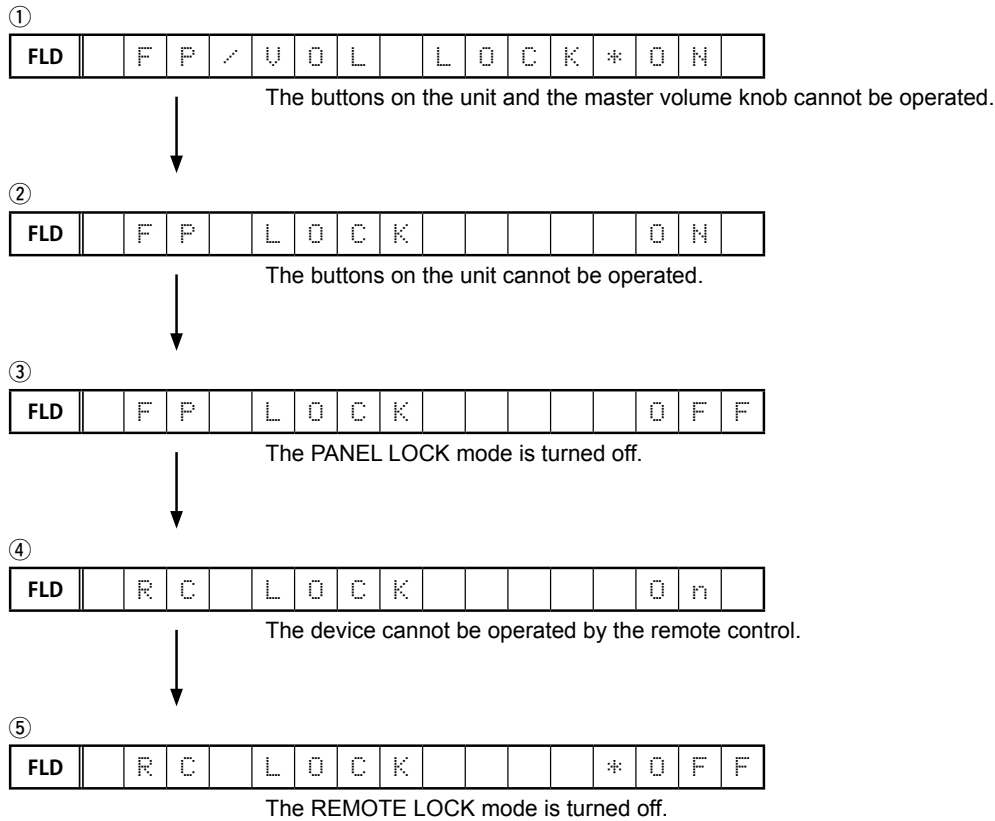
Select the mode using the button "TUNER PRESET CH+", and press the button "STATUS" to commit the selection.

### 2.3. Displaying and Selecting Each Mode

The information shown on the display changes each time the button "TUNER PRESET CH+" is pressed.

Press the button "STATUS" to set the currently displayed mode and restart the device.

The On/Off setting for each mode is shown by an asterisk "※".





### 3. Selection Modes for Service-related Operations

#### 3.1. Actions

Select diagnostic mode (service path check mode), protection history display mode, or 232C standby clear mode.

#### 3.2. Starting up

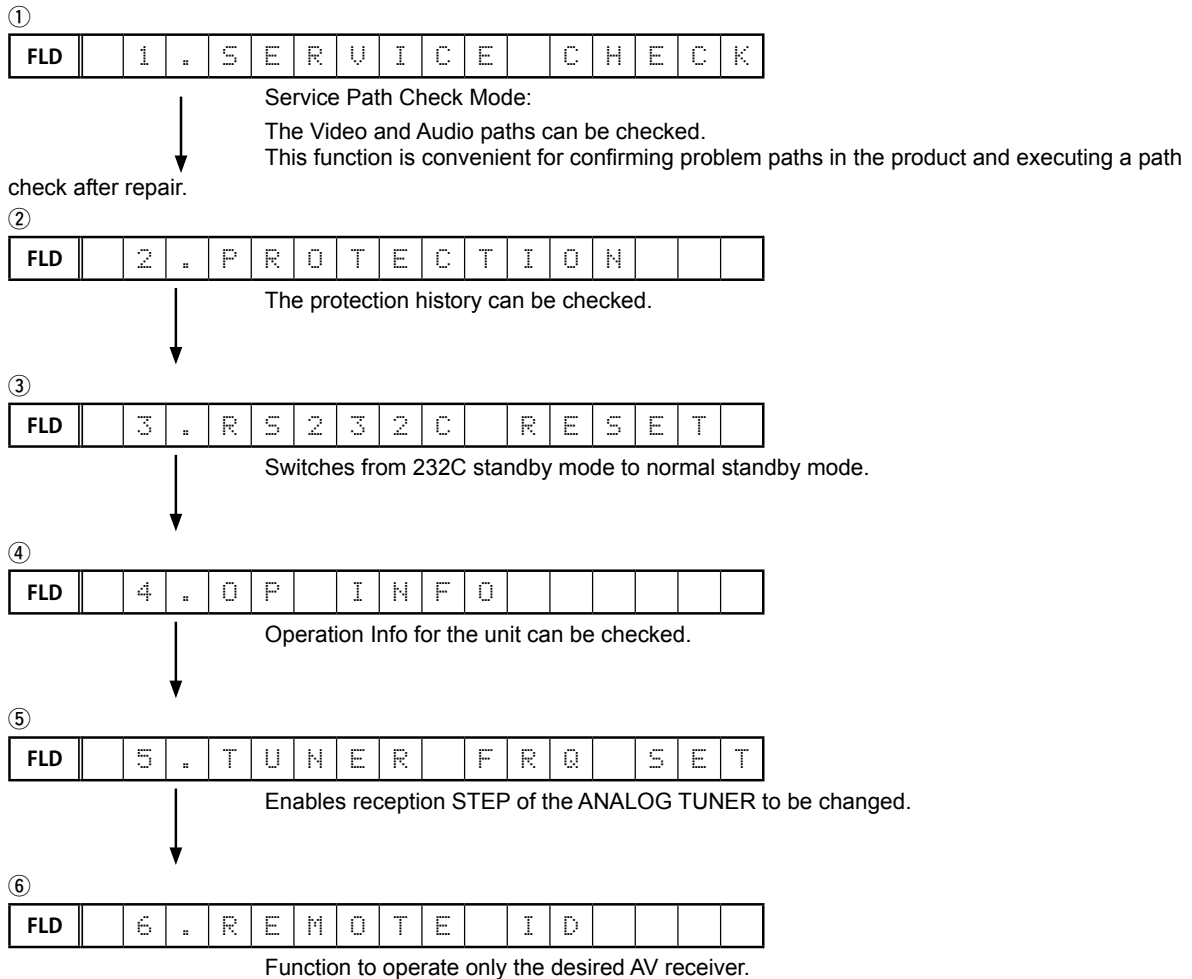
Hold down buttons "ZONE2 SOURCE", "DIMMER" and "STATUS" at the same time and press the power button to turn on the power.

Select the mode using the button "TUNER PRESET CH+", and press the button "STATUS" to commit the selection.

#### 3.3. Displaying and Selecting Each Mode

The information shown on the display changes each time the button "TUNER PRESET CH+" is pressed.

Press the button "STATUS" to set the currently displayed mode and restart the device.

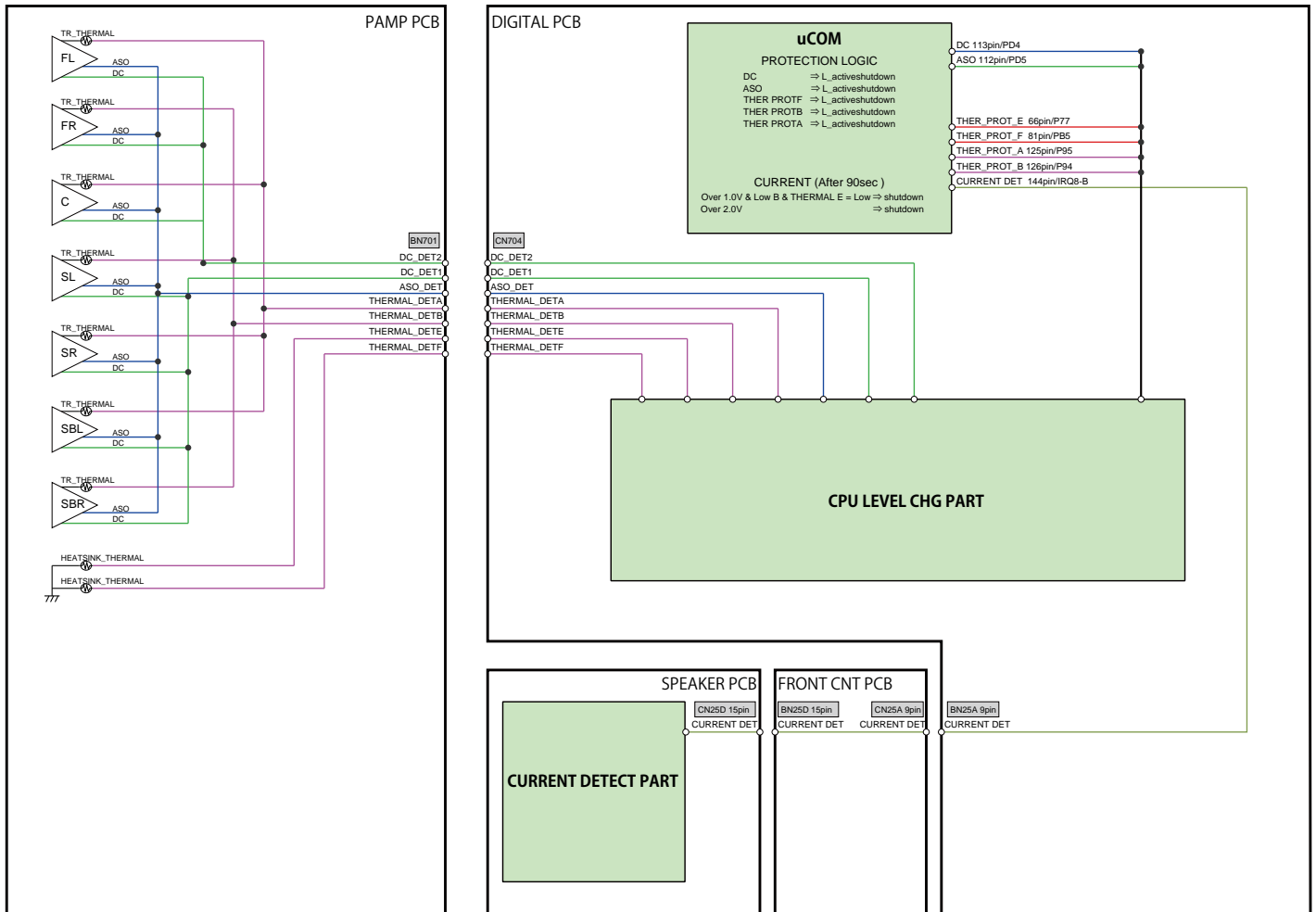


#### 3.3. Canceling the mode

Press the power button to turn off the power.



### 3.4 PROTECTION DIAGRAM



### 3.5. DIAGNOSTIC MODE (Service Path Check Mode)

#### 3.5.1. Actions

This function is convenient for confirming problem paths in the product and executing a path check after repair.  
The Video and Audio paths can be checked.  
The backup data is not rewritten.

#### 3.5.2. Starting up

Hold down buttons "ZONE2 SOURCE", "DIMMER" and "STATUS" at the same time and press the power button to turn on the power.  
Select the mode using the button "TUNER PRESET CH+", and press the button "STATUS" to commit the selection.  
Select "1. SERVICE CHECK" and press the "STATUS" button to start the diagnostic mode.  
The "TUNED", "STEREO" and "RDS" segments are lit in this mode.

#### 3.5.3. Canceling diagnostic mode

Press the power button to turn off the power.


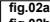
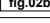
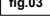
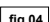
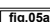
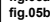
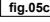
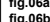
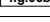
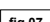
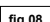
#### 3.5.4. Selecting items

Press ① button to switch between video items and audio items.  
Press button ② or ③ to select the previous or next item.

Actions	The unit			Remote control unit		
	①	②	③	①	②	③
Button	Audio ⇄ Video DIMMER	PREVIOUS QUICK SELECT 1	NEXT QUICK SELECT 2	Audio ⇄ Video SLEEP	PREVIOUS CURSOR LEFT	NEXT CURSOR RIGHT

#### 3.5.5. Video system confirmation items

fig. XX: See the block diagram of the fig. XXth.

Paths confirmation item	Display	Settings	Contents of confirmation Remarks
1 Analog Video 	VIDEO: I   T   U   I   D   E   D   P   A   S   S	Input Source : CBL/SAT Video Convert(IP Scaler) : OFF, All sources MAIN ZONE : ON ZONE2 : ON	• Component input ⇒ Component output (E3 ONLY) (※ As the input source, you can switch from CBL/SAT to other ones.)
2 Video Convert (Analog or HDMI ⇒ HDMI)  	VIDEO: Z   U   C   G   N   U   E   R   T	Input Source : CBL/SAT Video Convert(IP Scaler) : ON, All sources IP Scaler : "Analog & HDMI", All sources Resolution : "Auto", All sources MAIN ZONE ON ZONE2 OFF	• Check of CVBS input ⇒ IP Scaler ⇒ HDMI output. • Check of Component input ⇒ IP Scaler ⇒ HDMI output. • Check of HDMI input ⇒ IP Scaler ⇒ HDMI output. • Check of ETHERNET input ⇒ IP Scaler ⇒ HDMI output. (※ The input source can be switched to any source except CBL/SAT.)
3 HDMI pass (MAIN ZONE) 	VIDEO: S   H   D   M   I   P   A   S   S	Input Source : CBL/SAT Source of Video Convert(IP Scaler) : OFF, All sources MAIN ZONE ON ZONE2 OFF	• Check of HDMI input (MAIN Function) ⇒ HDMI output (MAIN) (※ The input source can be switched to any source except CBL/SAT.)
4 HDMI CEC 	VIDEO: A   H   D   M   I   C   E   C	Input Source : CBL/SAT HDMI Control : ON MAIN ZONE ON ZONE2 OFF	• When the power supply of a TV is put in the standby mode, make sure that the power supply of this unit is also put in the standby mode. • The ARC path can also be checked (check this using the TV input source). (※ The input source can be switched to any source except CBL/SAT.)
5 HDMI Audio (Audio: AVR)   	VIDEO: S   H   A   U   D   I   O   -   A   V   R	Input Source : CBL/SAT HDMI Control : OFF HDMI Audio : AVR ( if checking the audio output from AVR )	• Check of HDMI input(PCM, DolbyDigital, DTS) ⇒ Speaker output. • Check of HDMI input(HD audio) ⇒ Speaker output. (※ The input source can be switched to any source except CBL/SAT.)
6 HDMI Audio (Audio: TV)  	VIDEO: S   H   A   U   D   I   O   -   T   V	HDMI Audio : TV ( if checking the audio output from TV )	• Check of HDMI input(PCM, DolbyDigital, DTS) ⇒ HDMI output (audio output from connected TV) (※ The input source can be switched to any source except CBL/SAT.)
7 GUI 	VIDEO: G   U   I   M   E   N   U   O   N	Input Source : CBL/SAT Video Convert(IP Scaler) : ON, All sources IP Scaler : "Analog & HDMI", All sources Resolution : "AUTO", All sources Setup Menu ON MAIN ZONE ON ZONE2 OFF	• Check of GUI display ⇒ HDMI output. (※ The input source can be switched to any source except CBL/SAT.)
8 HDMI (ZONE2) 	VIDEO: S   Z   O   N   E   2   H   D   M   I	Input Source : CBL/SAT ZONE2 Source : Source MAIN ZONE : ON ZONE2 : ON	• HDMI input (ZONE2 Function) ⇒ HDMI output (ZONE2) (※ As the input source, you can switch from CBL/SAT to other ones.)

### 3.5.6. Audio system confirmation items

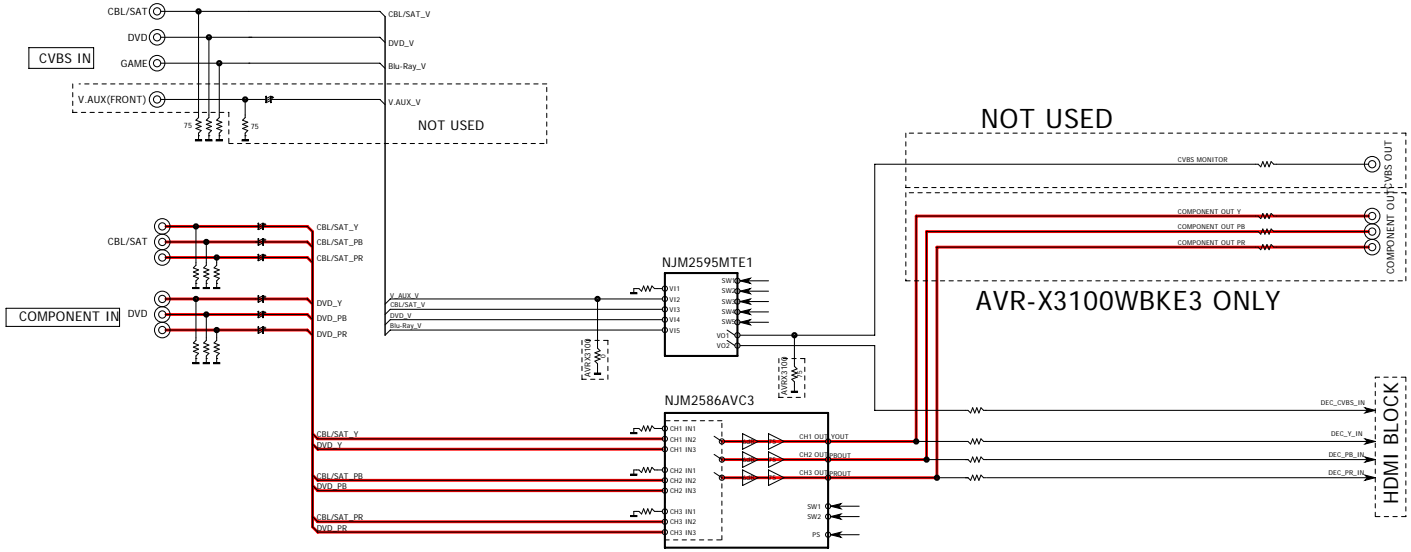
fig. XX: See the block diagram of the fig.XXth.

Paths confirmation item	Display	Settings	Contents of confirmation Remarks
1 Analog <b>fig.09</b>	A 0 1 1 : A N A L O G P R E S	Input Source : CBL/SAT Input Mode : ANALOG(fixed) Sound mode : DIRECT Amp assign : Surround Back ZONE2 : OFF	• Analog input ⇒ Speaker output (FRONT L/R) • Analog input ⇒ Preout output (FRONT L/R) (※As the input source, you can switch from CBL/SAT to other ones.)
2 Digital (MAIN ZONE) <b>fig.10a</b> <b>fig.10b</b>	A 0 2 : D I G I T A L	Input Source : CBL/SAT Input Mode : DIGITAL(fixed) Sound mode : MULTI CH STEREO Amp assign : Surround Back ZONE2 : OFF	• Digital input ⇒ Speaker output (Front L/R, Center, Surround L/R, Surround Back L/R) • Digital input ⇒ Preout output (Front L/R, Center, Subwoofer1/2, Surround L/R, Surround Back L/R) (※As the input source, you can switch from CBL/SAT to other ones.)
3 Digital (signal) Path (ZONE2) <b>fig.11a</b> <b>fig.11b</b> <b>fig.11c</b>	A 0 3 : D I G I T A L - Z 2	Input Source : NETWORK Input Mode : Auto Sound mode : STEREO Amp assign : ZONE2 ZONE2 : ON ZONE2 Source : Source	• Digital(PCM) input ⇒ Speaker output (Surround Back L/R) • Digital(PCM) input ⇒ Preout output (ZONE2 L/R) (※As the input source, you can switch from NETWORK to other ones.)
4 HDMI <b>fig.12a</b> <b>fig.12b</b> <b>fig.12c</b>	A 0 5 : H D M I	Input Source : CBL/SAT Input Mode : HDMI(fixed) Sound mode : STEREO Amp assign : Surround Back ZONE2 : OFF	• HDMI Input ⇒ Speaker output (Front L/R) • HDMI Input ⇒ Preout output (Front L/R) (※As the input source, you can switch from CBL/SAT to other ones.)
5 A/D (MAIN ZONE) <b>fig.13a</b> <b>fig.13b</b>	A 0 6 : A D	Input Source : CBL/SAT Input Mode : Analog(fixed) Sound mode : MULTI CH STEREO Amp assign : Surround Back ZONE2 : OFF	• Analog input ⇒ Speaker output (Front L/R, Center, Surround L/R, Surround Back L/R) • Analog input ⇒ Preout output (Front L/R, Center, Subwoofer1/2, Surround L/R, Surround Back L/R) (※As the input source, you can switch from CBL/SAT to other ones.)
6 Amp Assign (Amp Assign : ZONE2) <b>fig.14</b>	A 0 7 : A S S I G N - Z 2	Input Source : CBL/SAT Input Mode : Auto Sound mode : STEREO Amp assign : ZONE2 ZONE2 : ON ZONE2 Source : Source	• Analog input ⇒ Speaker output (Surround Back L/R) • Analog input ⇒ Preout output (ZONE2 L/R) (※As the input source, you can switch from CBL/SAT to other ones.)
7 Amp Assign (Amp Assign : 5.1ch (Bi-Amp)) <b>fig.15a</b> <b>fig.15b</b>	A 1 1 : A S S I G N - B I A M P	Input Source : CBL/SAT Input Mode : Auto Sound mode : MULTI CH STEREO Amp assign : (Bi-Amp) ZONE2 OFF	• Analog input ⇒ Speaker output (Surround Back L/R) (※As the input source, you can switch from CBL/SAT to other ones.)
8 Front Height <b>fig.16a</b> <b>fig.16b</b>	A 1 4 : F R O N T H E I G H T	Input Source : CBL/SAT Input Mode : Auto Sound mode : MULTI CH STEREO Amp assign : Front Height ZONE2 OFF	• Analog input ⇒ Speaker output (Surround Back L/R) (※As the input source, you can switch from CBL/SAT to other ones.)
9 Front Wide <b>fig.17a</b> <b>fig.17b</b>	A 1 5 : F R O N T W I D E	Input Source : CBL/SAT Input Mode : Auto Sound mode : MULTI CH STEREO Amp assign : Front Wide ZONE2 OFF	• Analog input ⇒ Speaker output (Surround Back L/R) (※As the input source, you can switch from CBL/SAT to other ones.)

**DIAGNOSTIC PATH DIAGRAM**

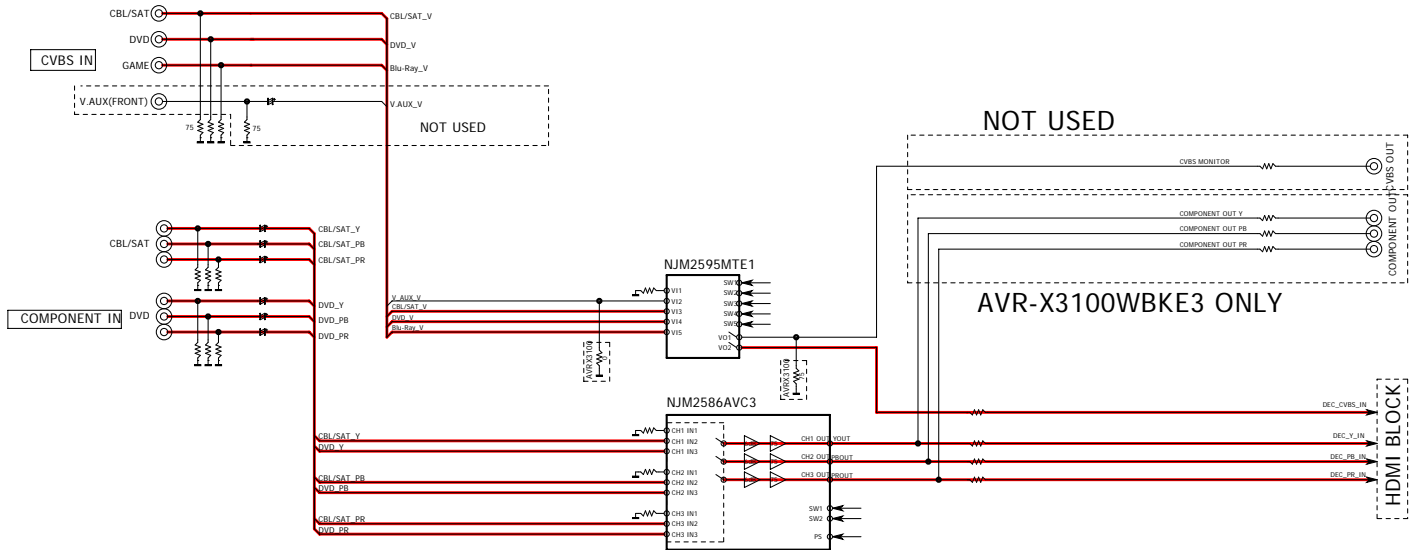
**AVR-X3100W ANALOG VIDEO BLOCK**

fig.01



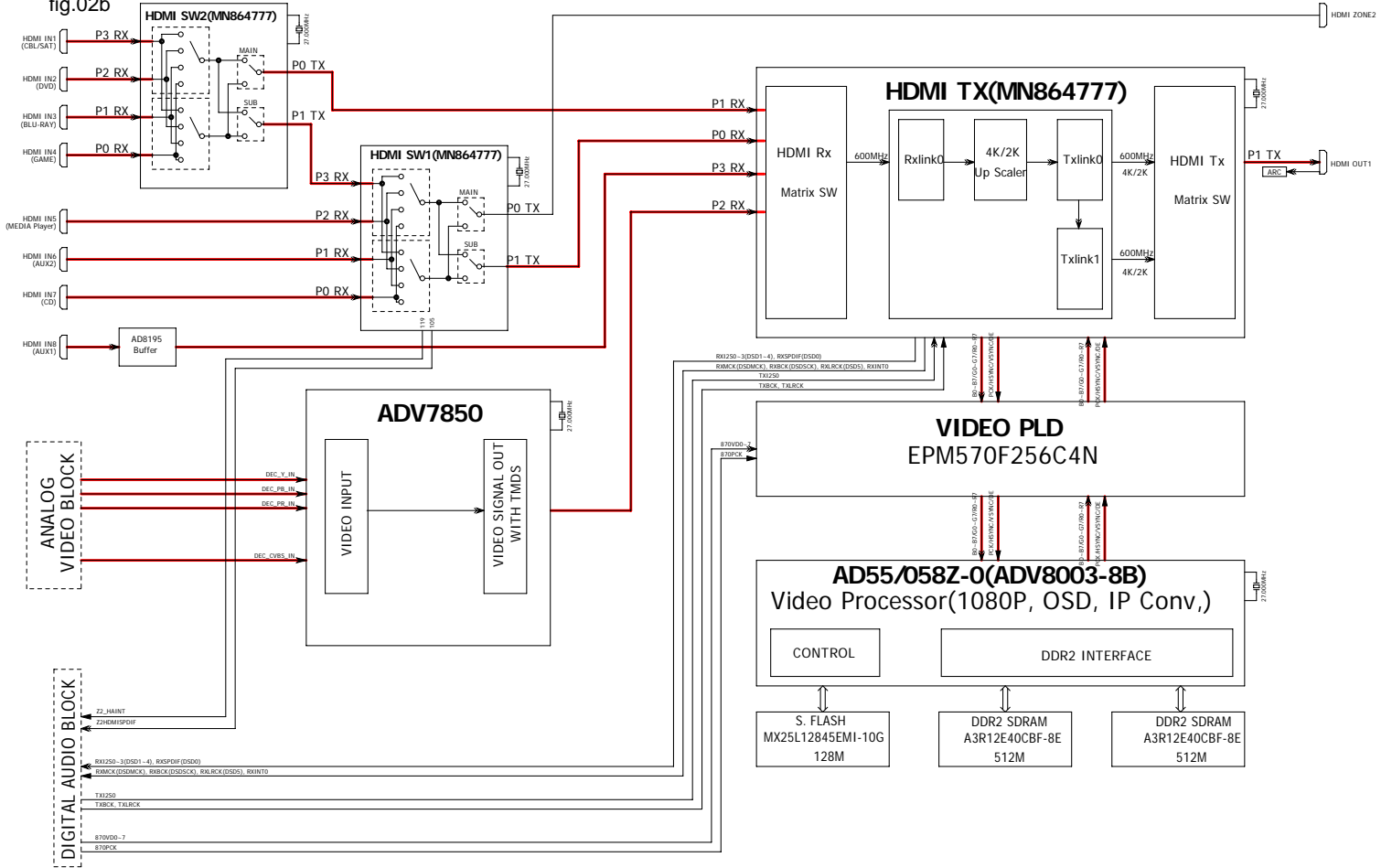
# AVR-X3100W ANALOG VIDEO BLOCK

fig.02a



# AVR-X3100W HDMI VIDEO BLOCK

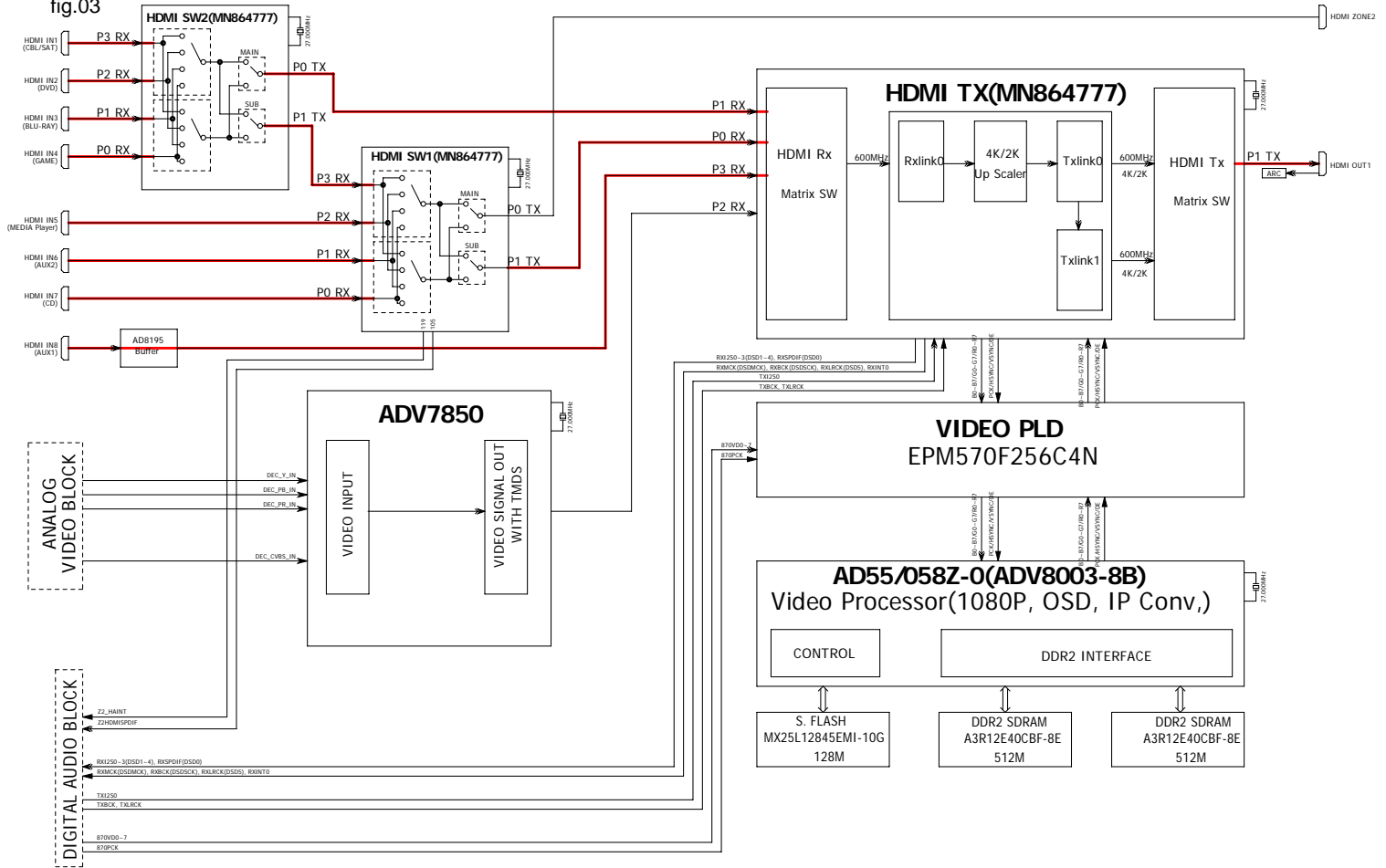
fig.02b





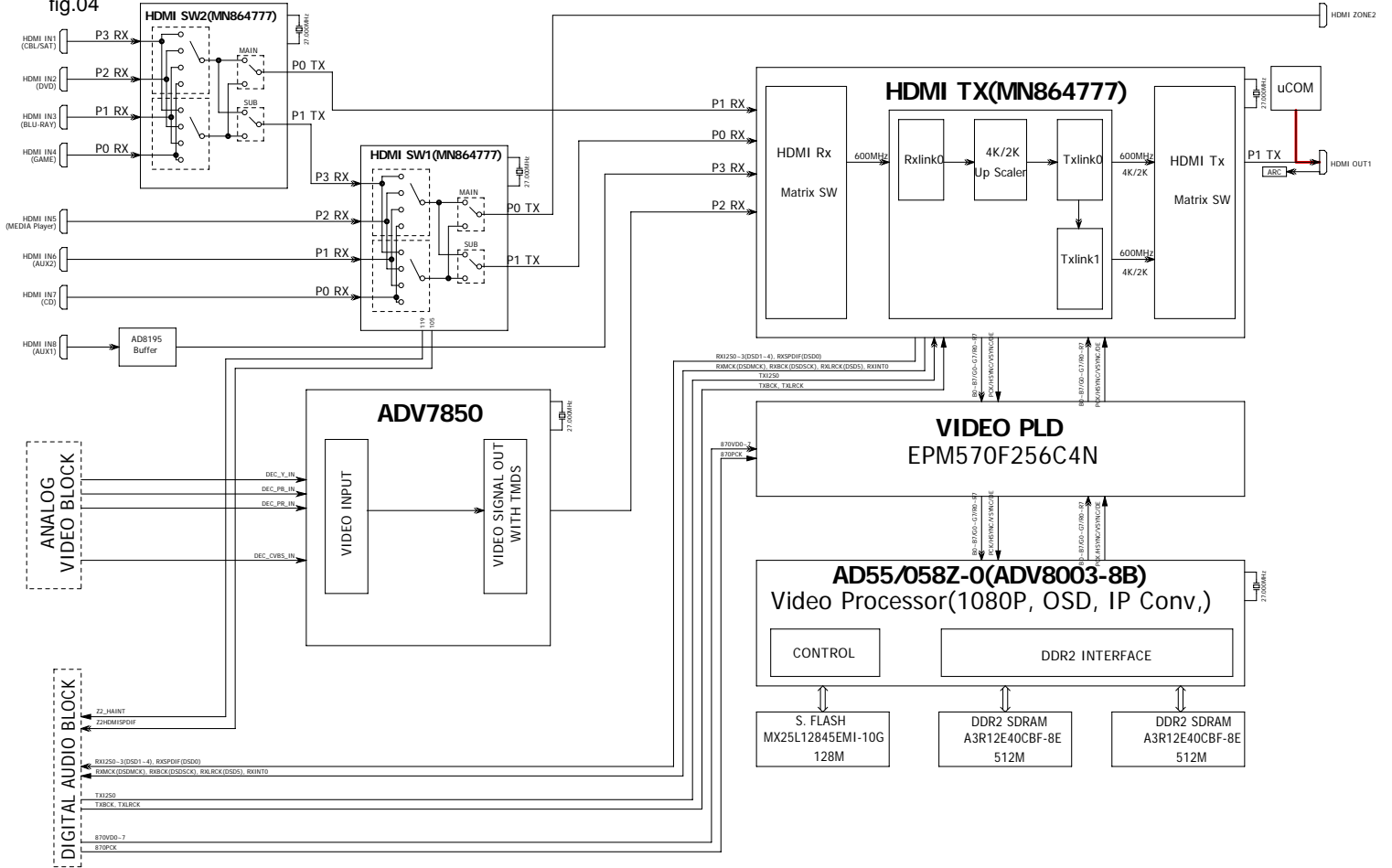
# AVR-X3100W HDMI VIDEO BLOCK

fig.03



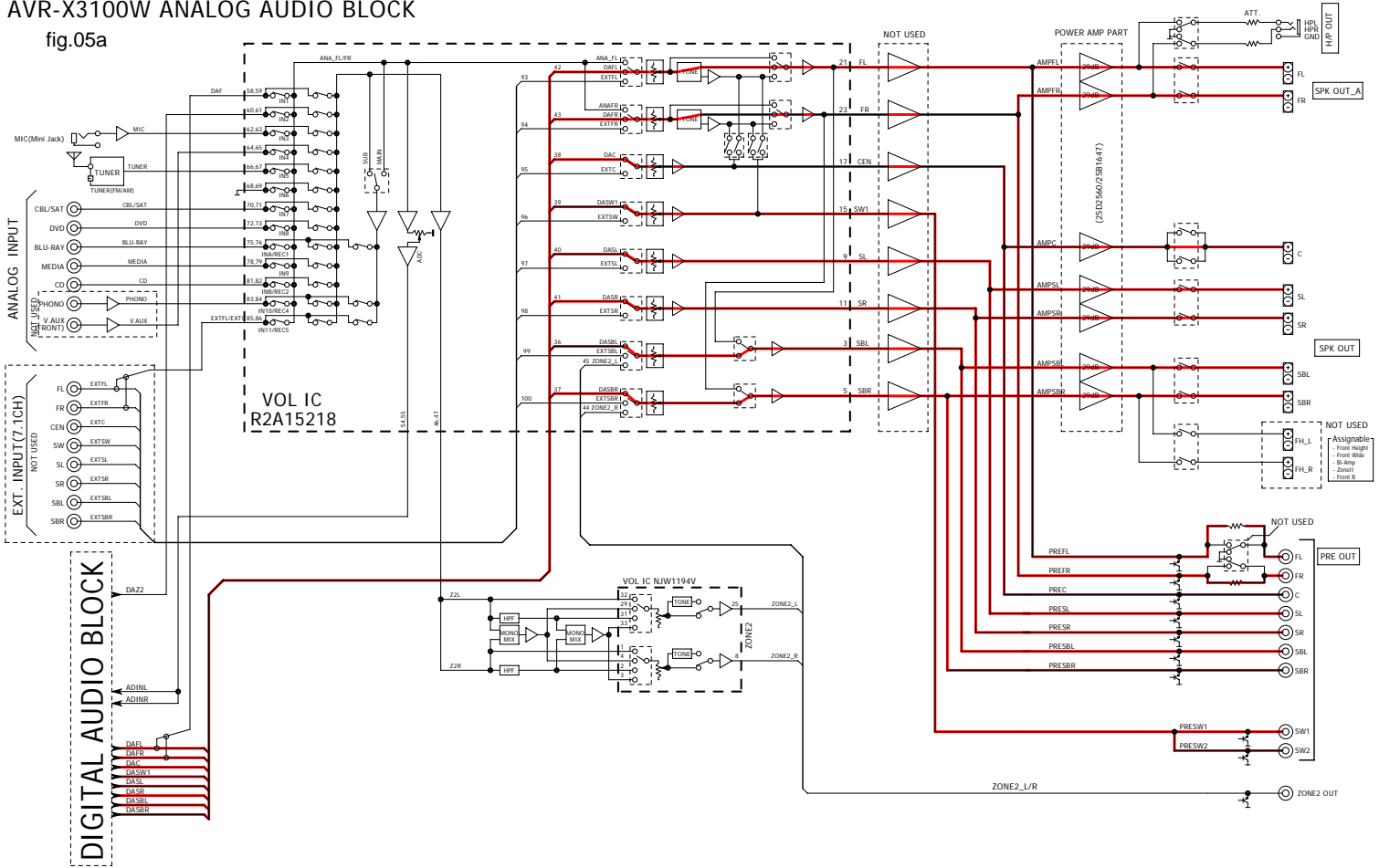
# AVR-X3100W HDMI VIDEO BLOCK

fig.04



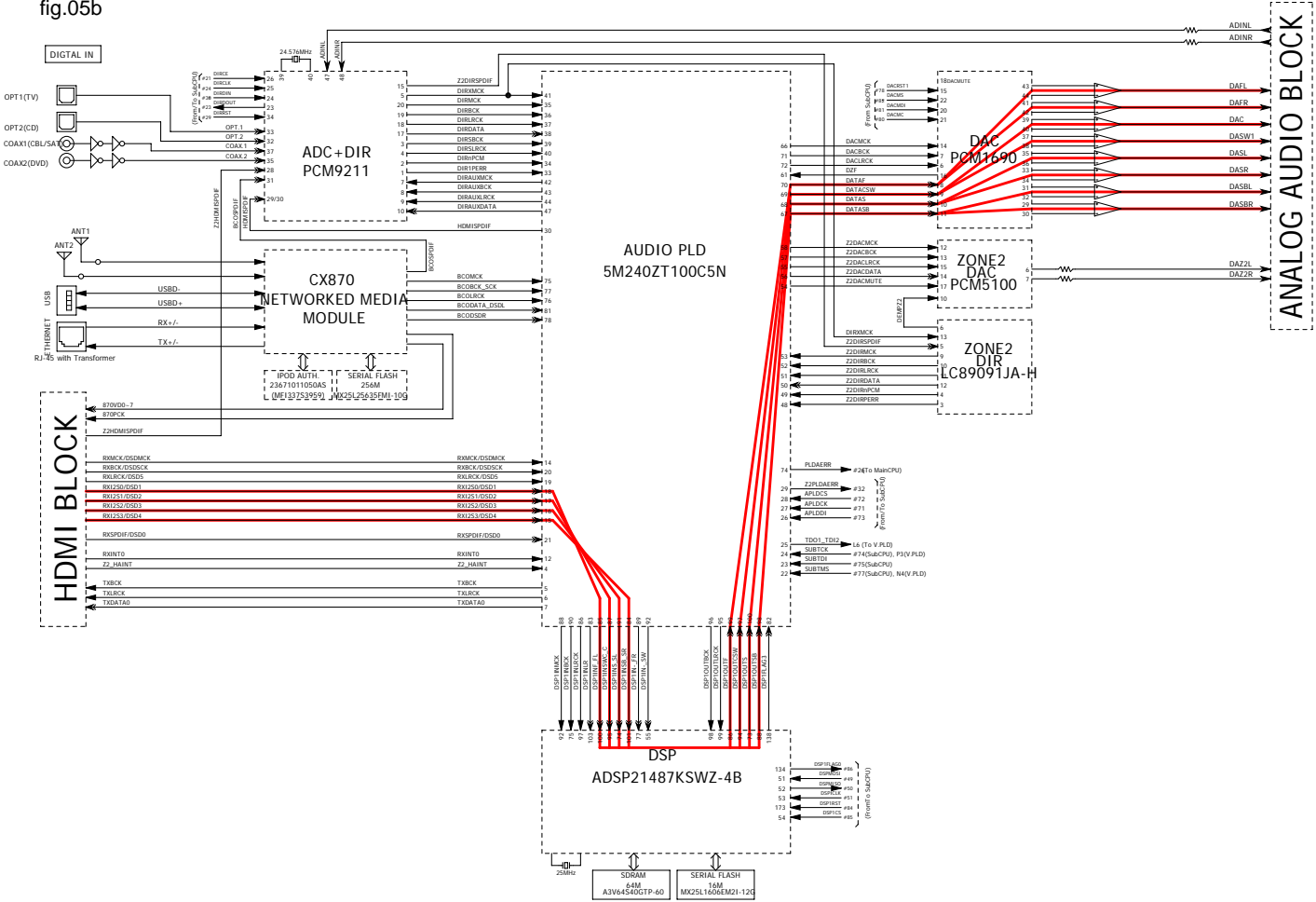
# AVR-X3100W ANALOG AUDIO BLOCK

fig.05a



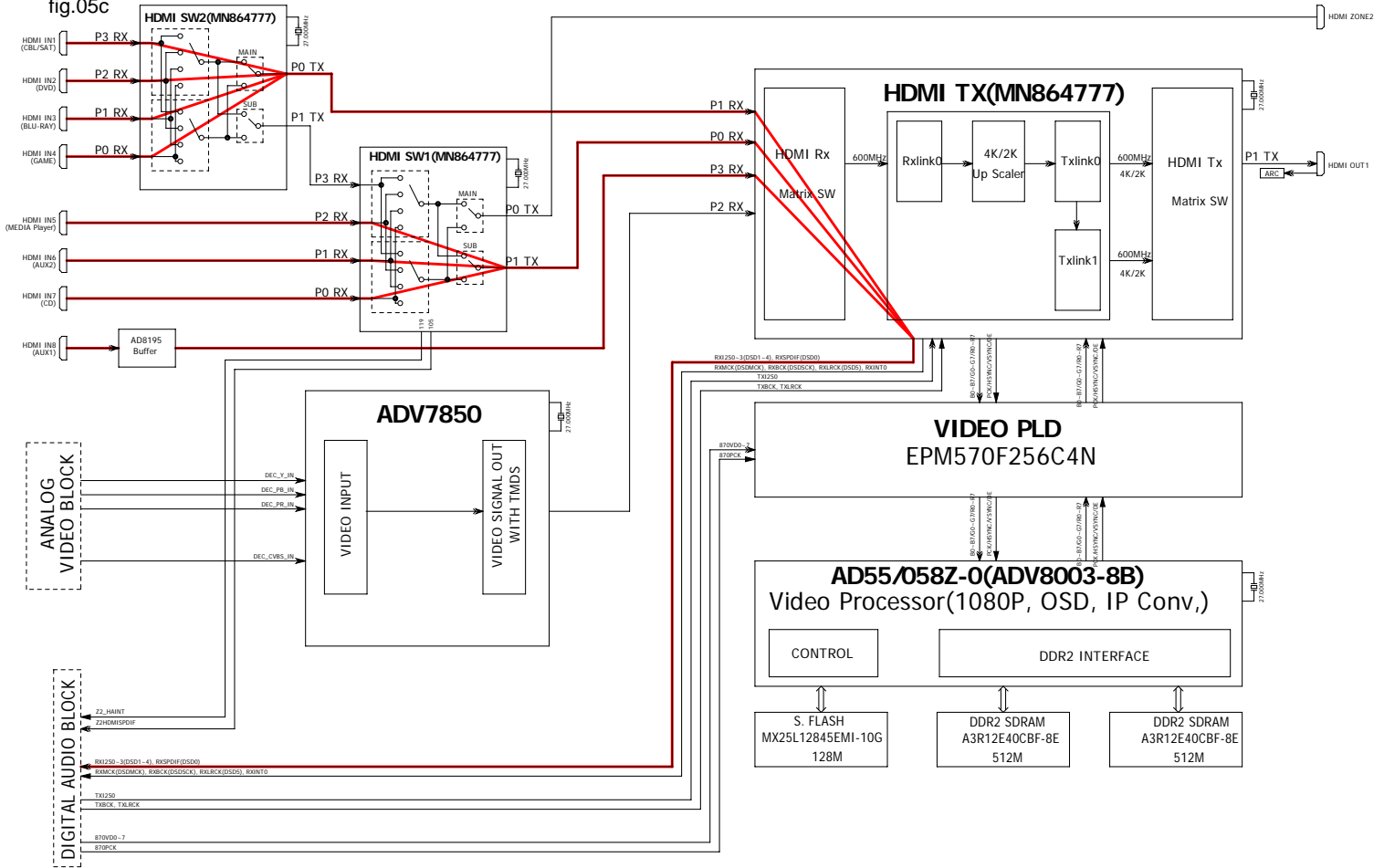
# AVR-X3100W DIGITAL AUDIO BLOCK

fig.05b



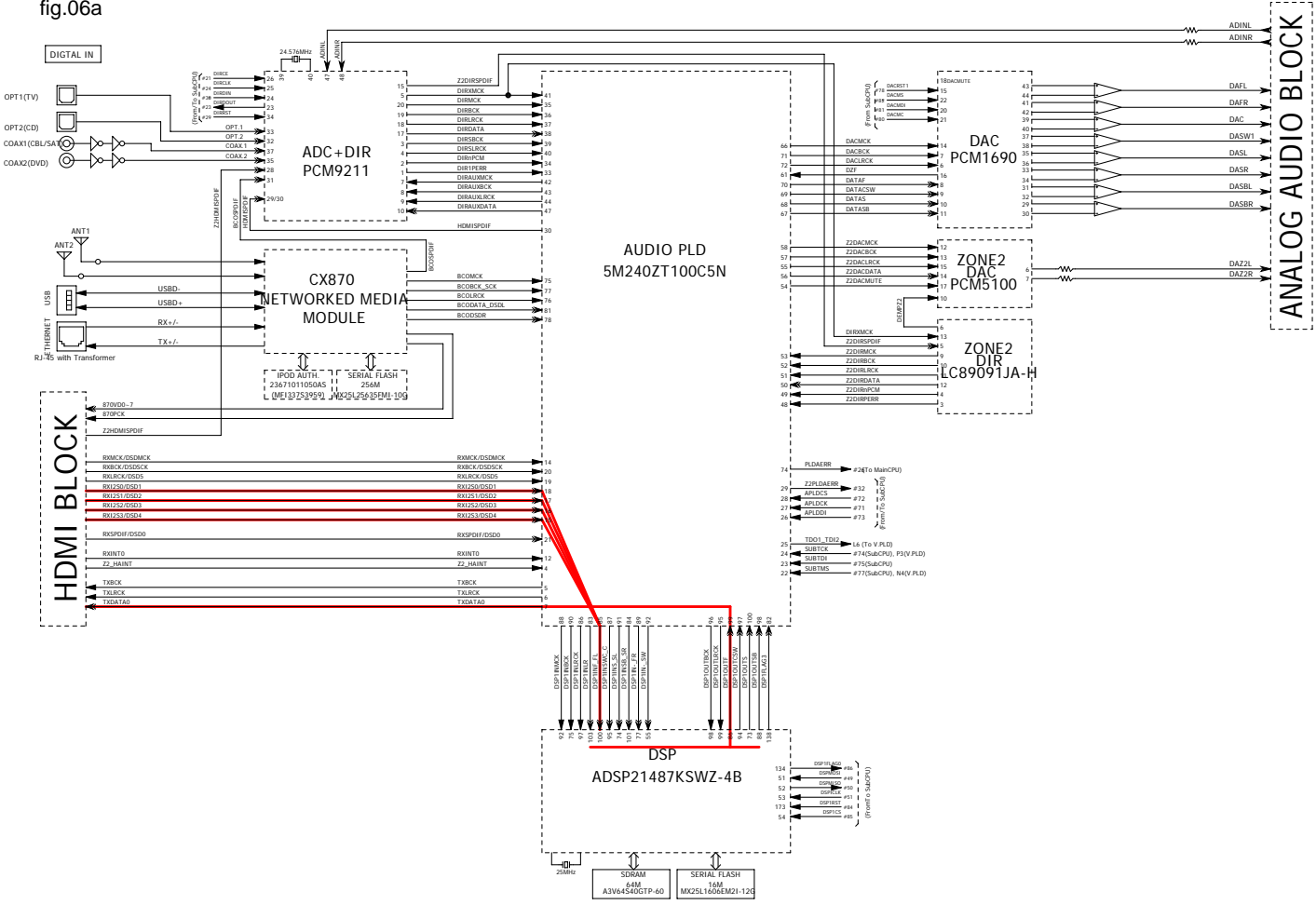
# AVR-X3100W HDMI VIDEO BLOCK

fig.05c



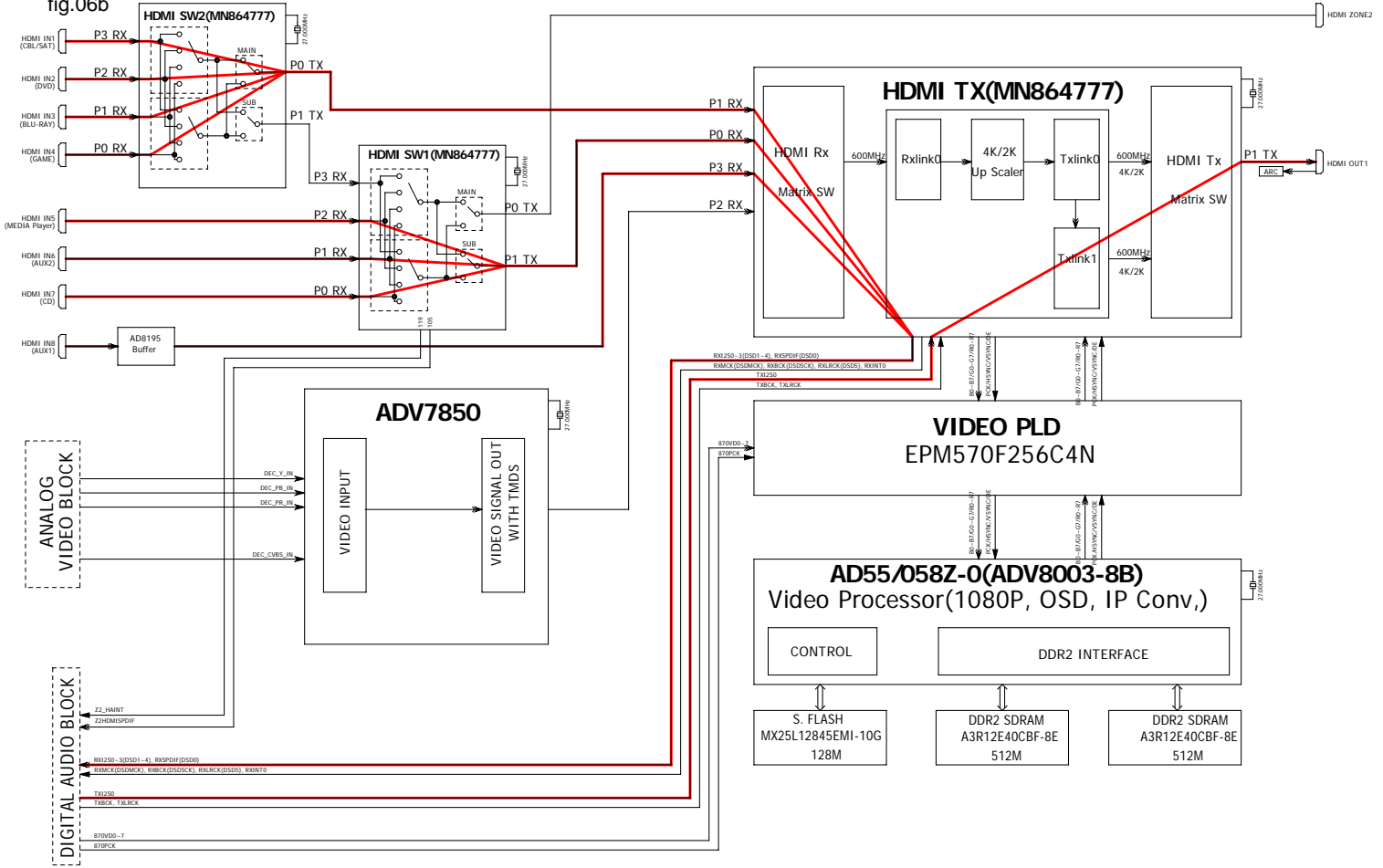
# AVR-X3100W DIGITAL AUDIO BLOCK

fig.06a



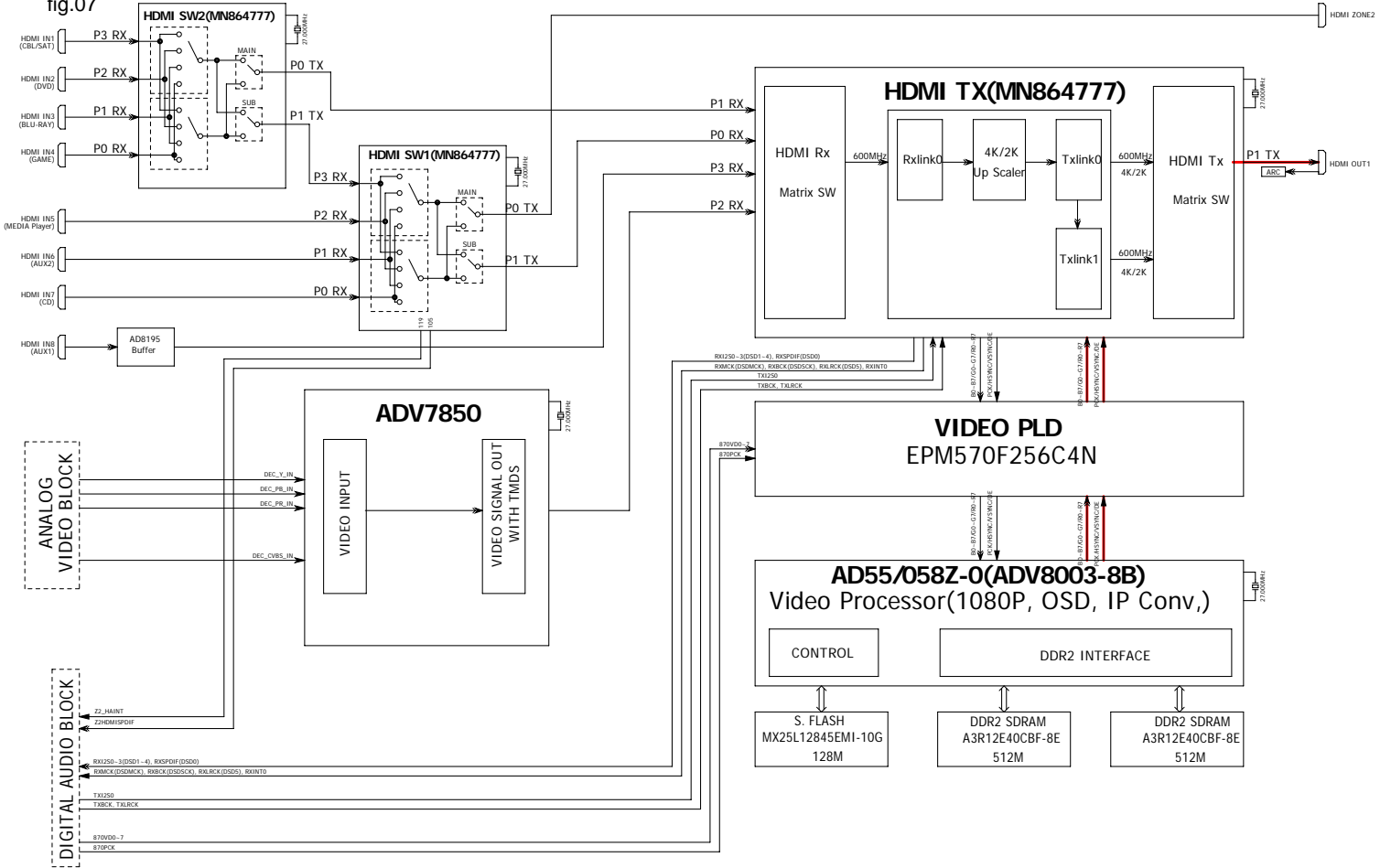
# AVR-X3100W HDMI VIDEO BLOCK

fig.06b



# AVR-X3100W HDMI VIDEO BLOCK

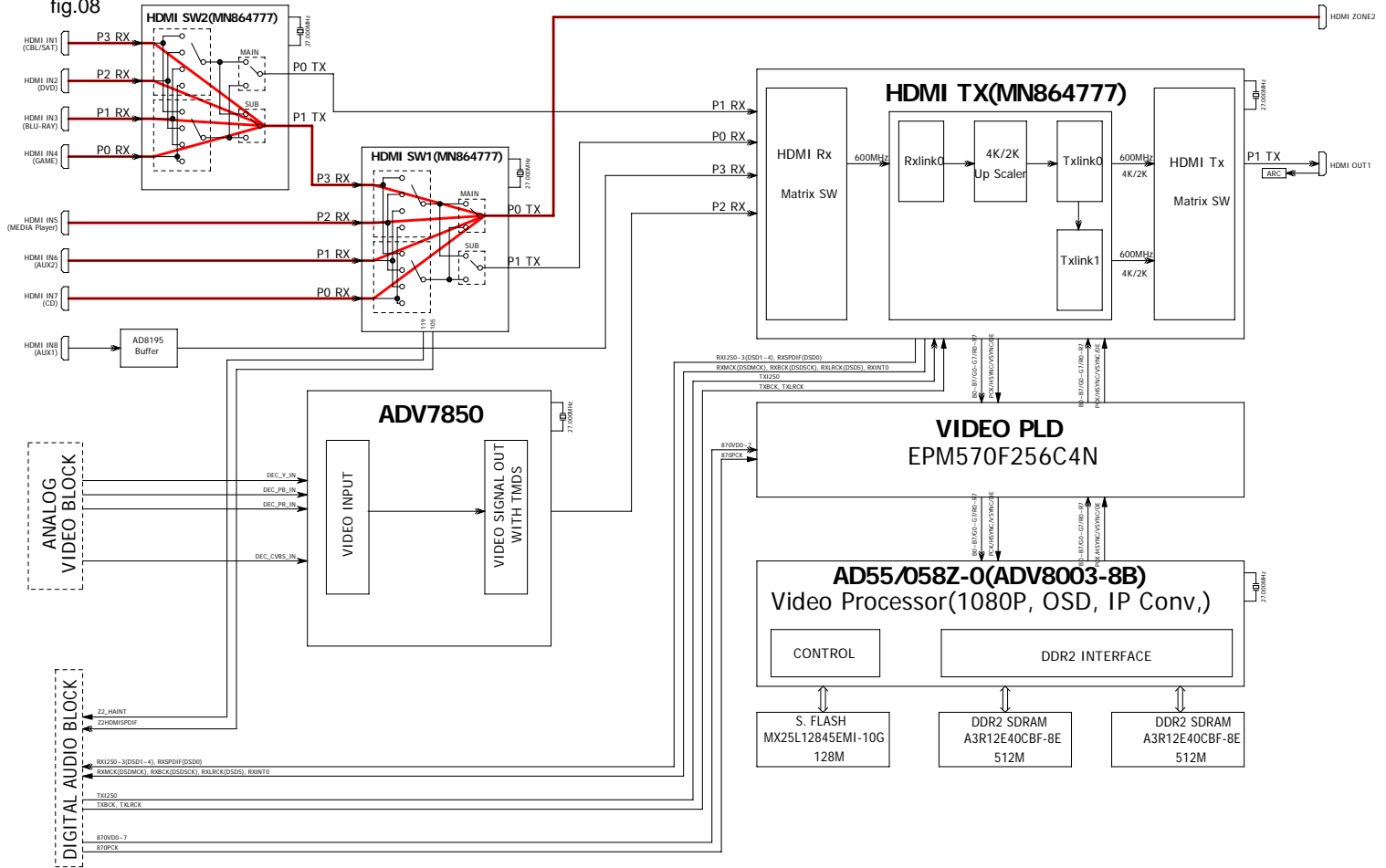
fig.07





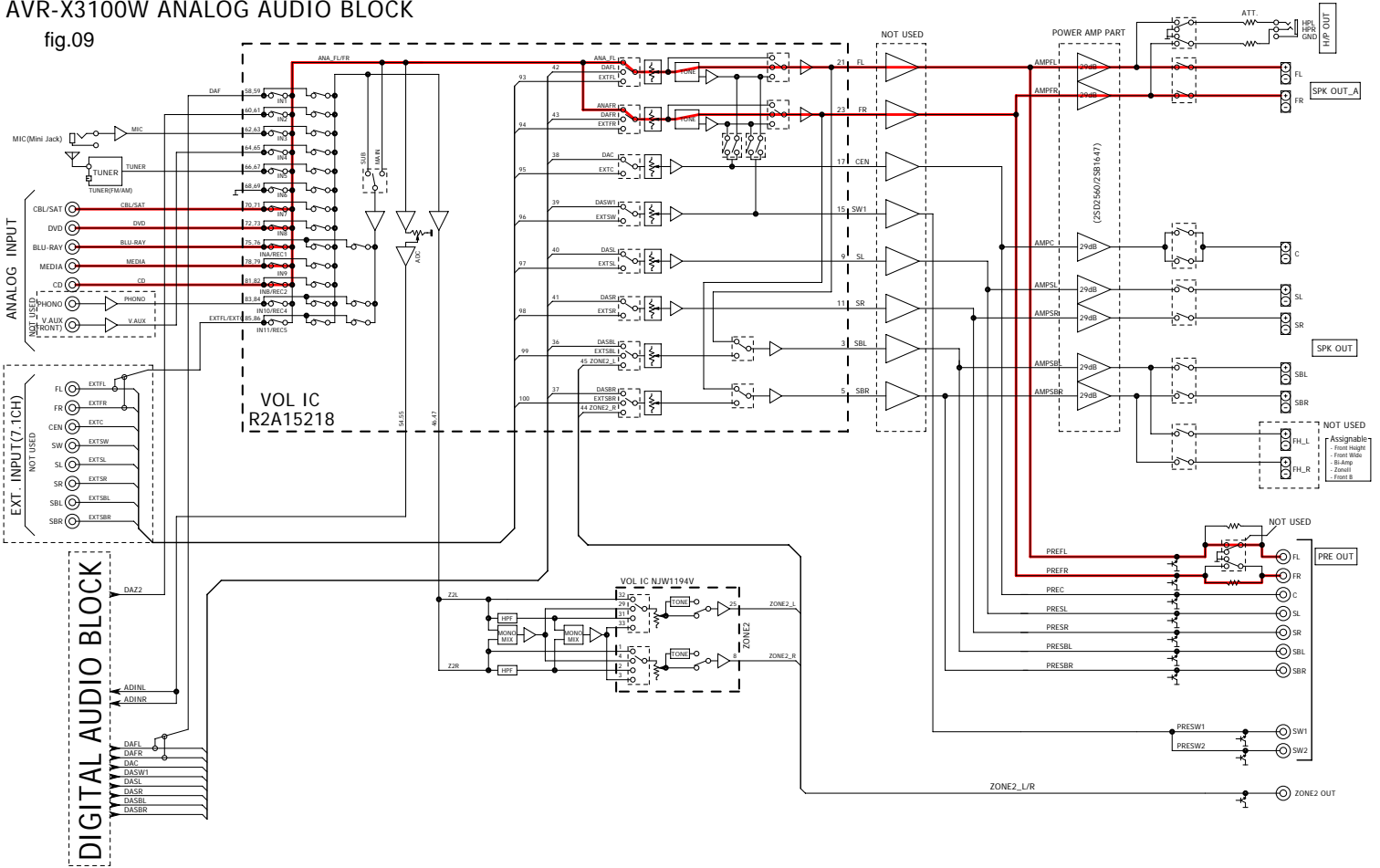
# AVR-X3100W HDMI VIDEO BLOCK

fig.08



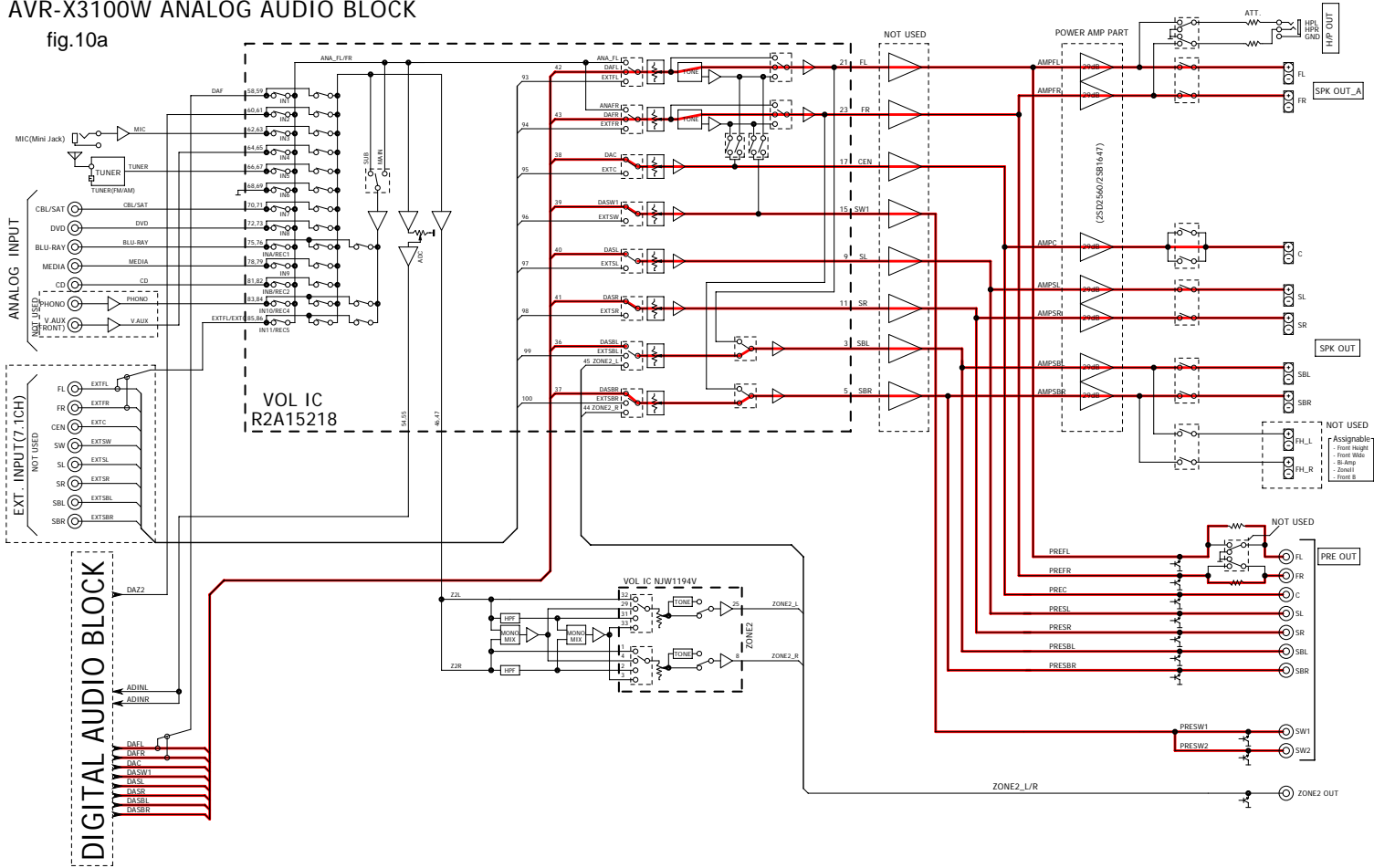
# AVR-X3100W ANALOG AUDIO BLOCK

fig.09



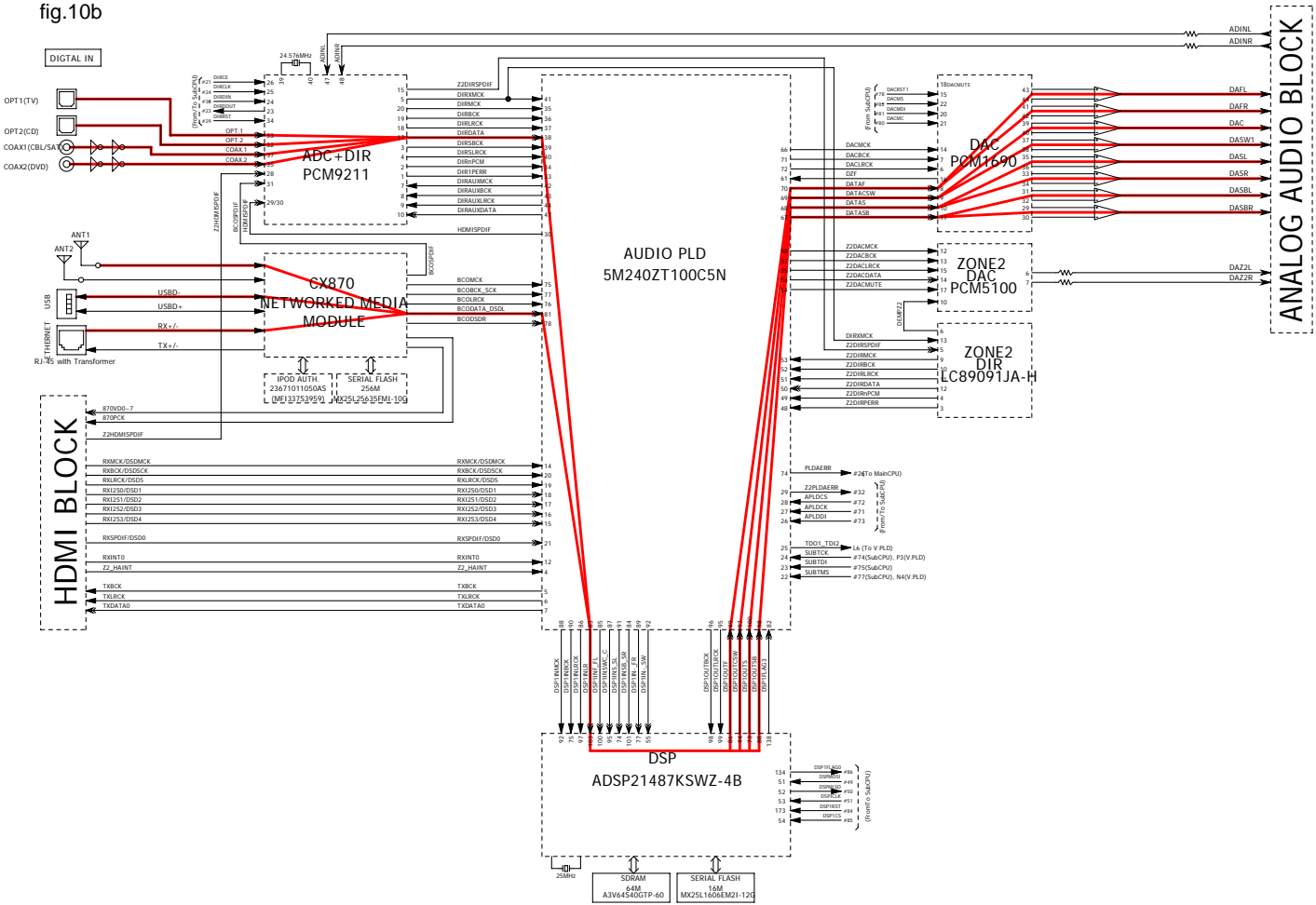
# AVR-X3100W ANALOG AUDIO BLOCK

fig.10a



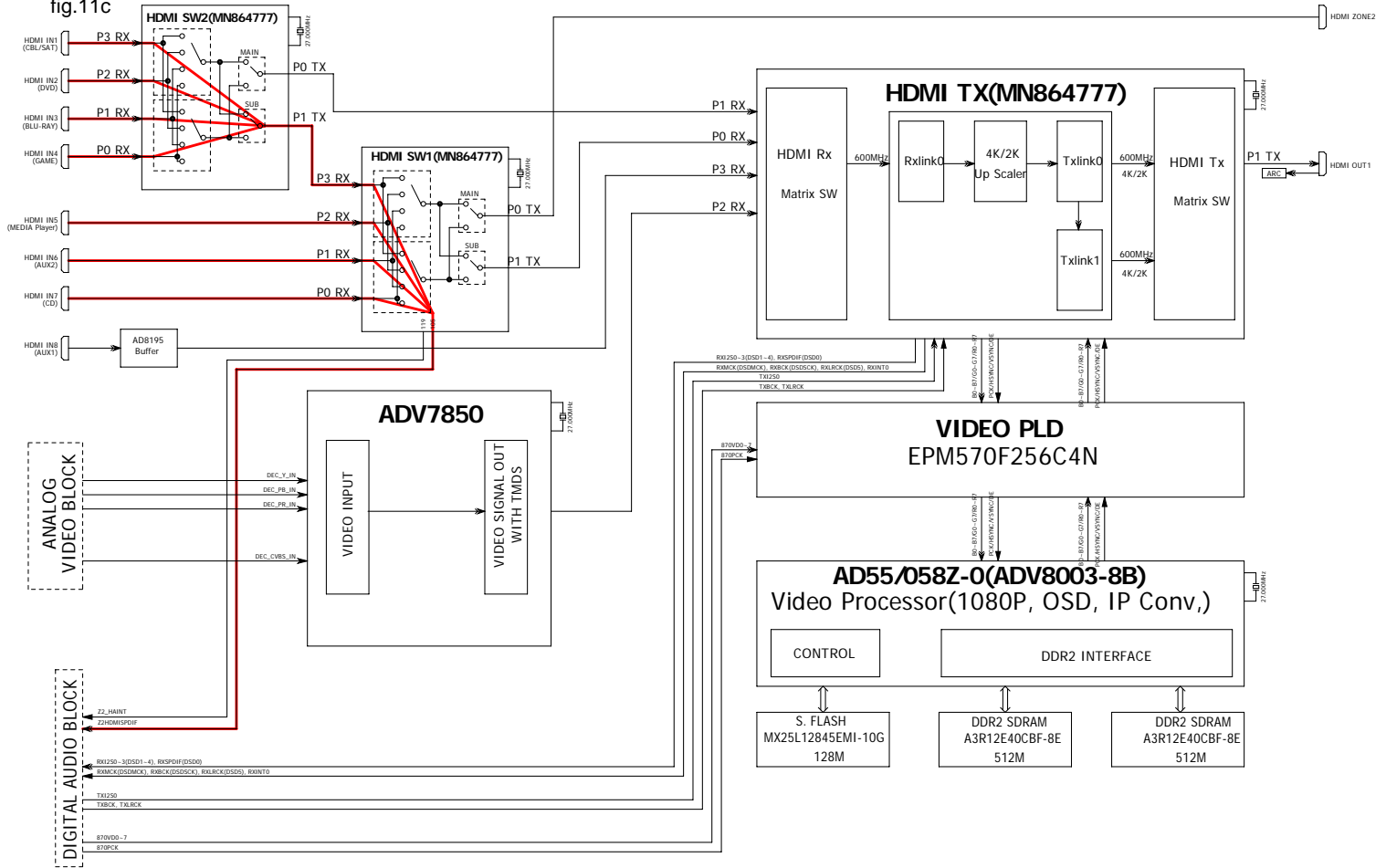
# AVR-X3100W DIGITAL AUDIO BLOCK

fig.10b



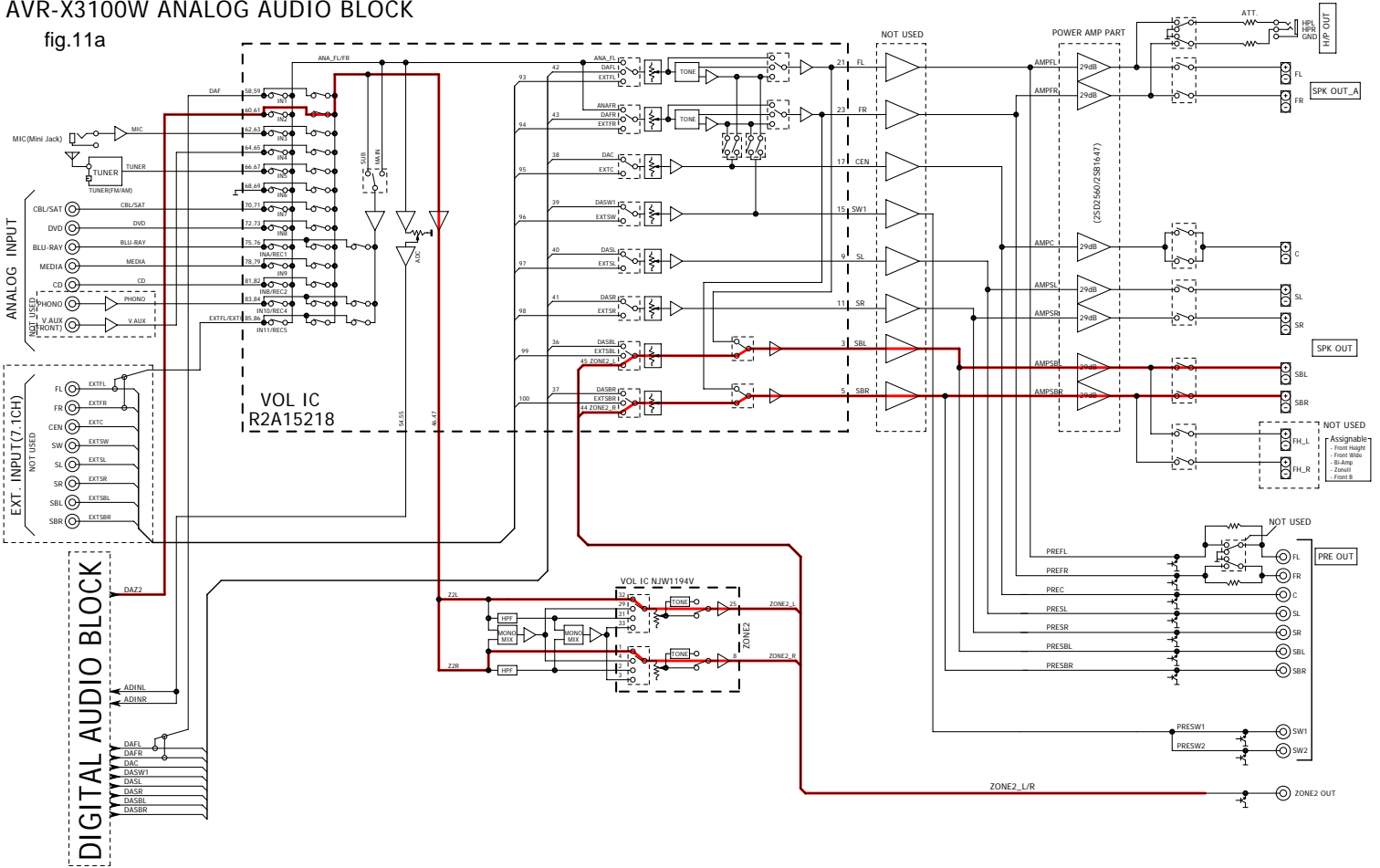
# AVR-X3100W HDMI VIDEO BLOCK

fig.11c



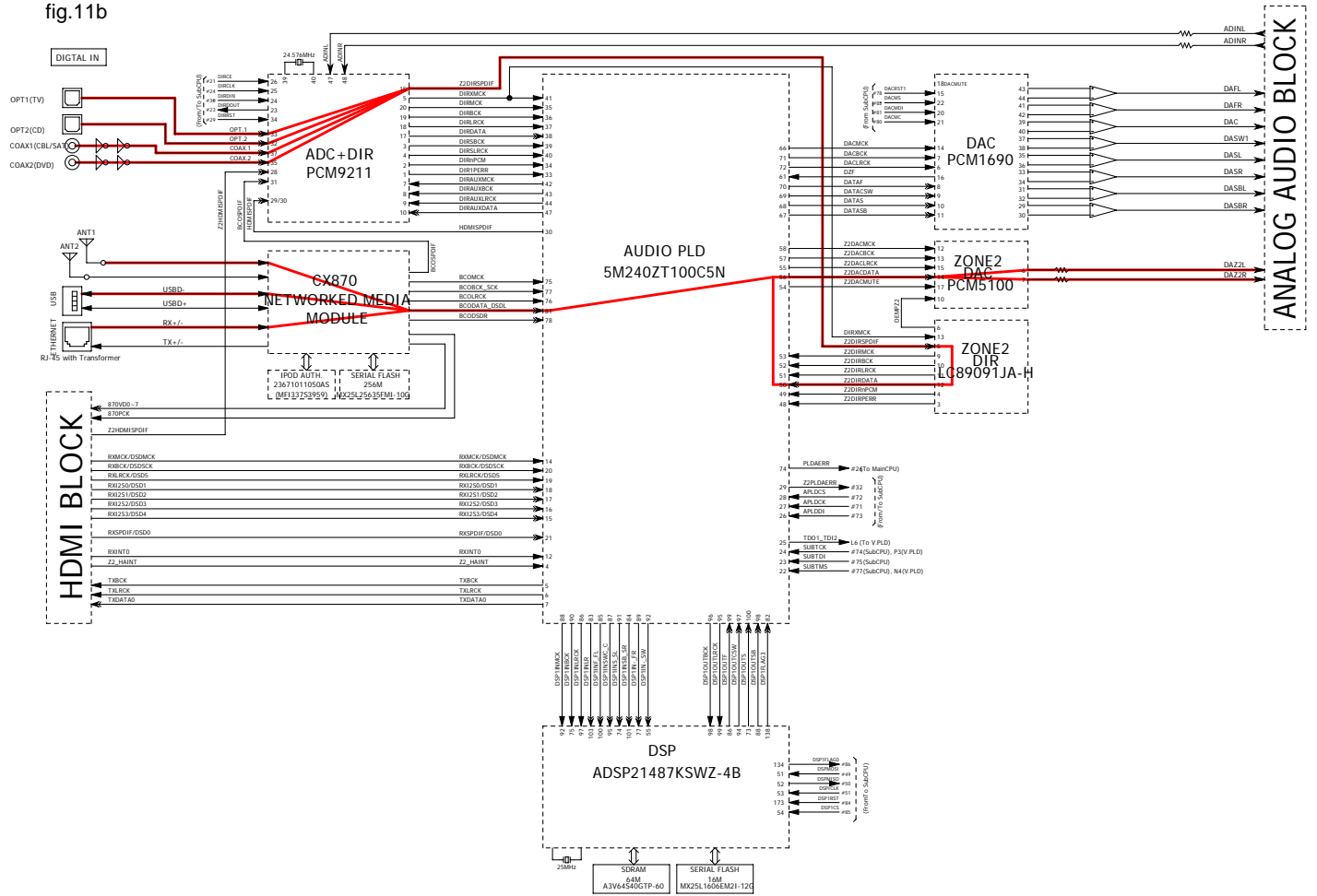
# AVR-X3100W ANALOG AUDIO BLOCK

fig.11a



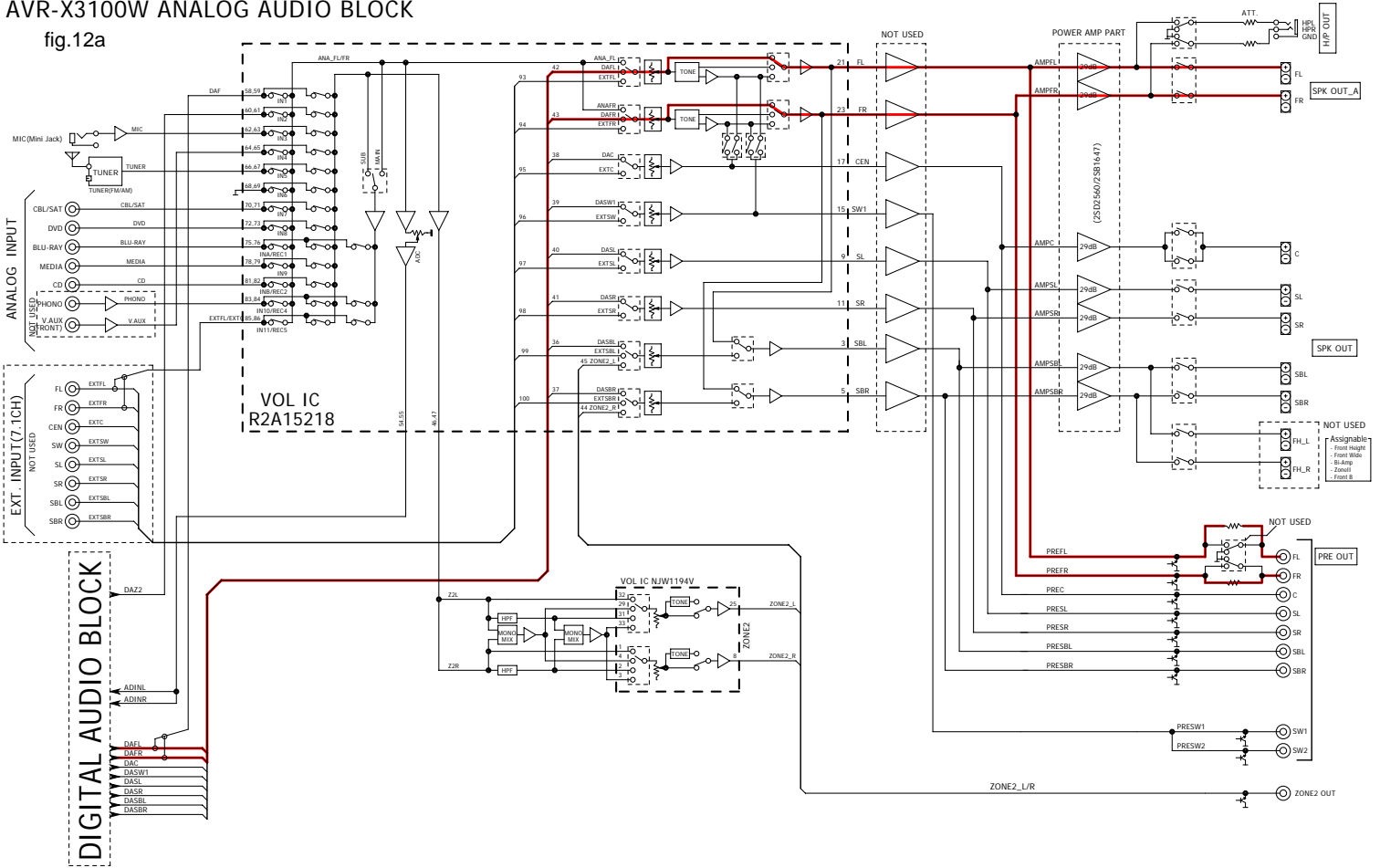
AVR-X3100W DIGITAL AUDIO BLOCK

fig.11b



# AVR-X3100W ANALOG AUDIO BLOCK

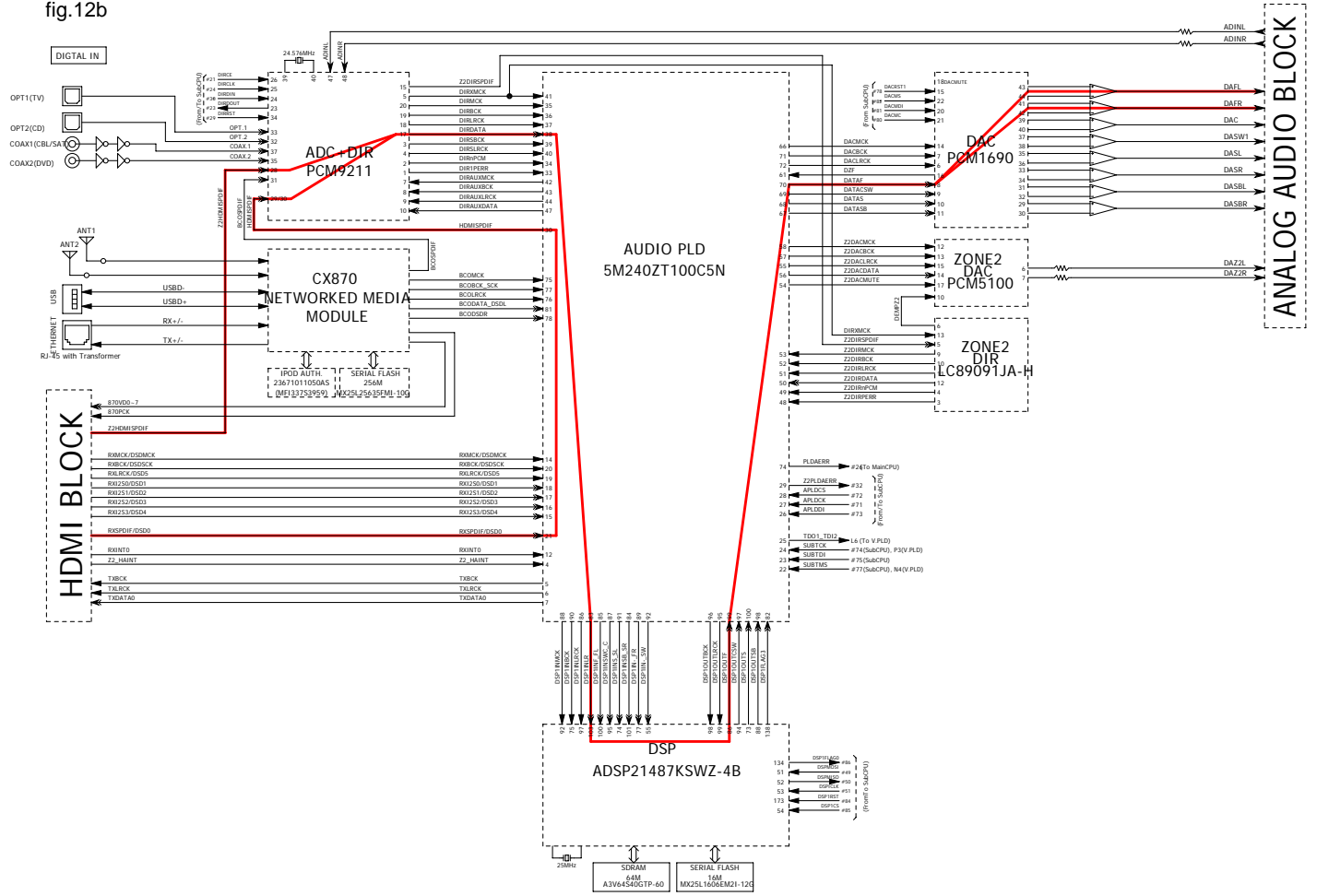
fig.12a





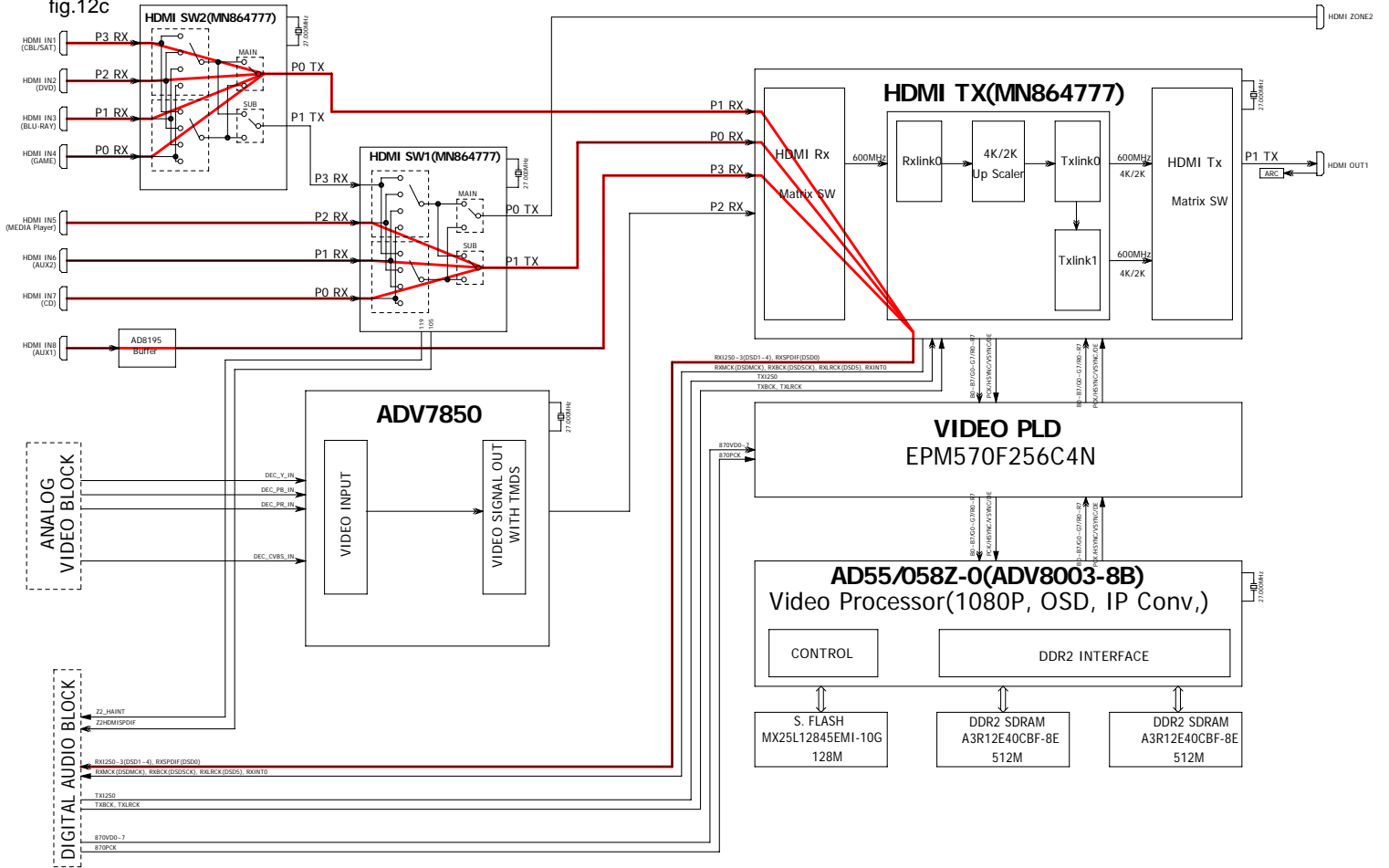
AVR-X3100W DIGITAL AUDIO BLOCK

fig.12b



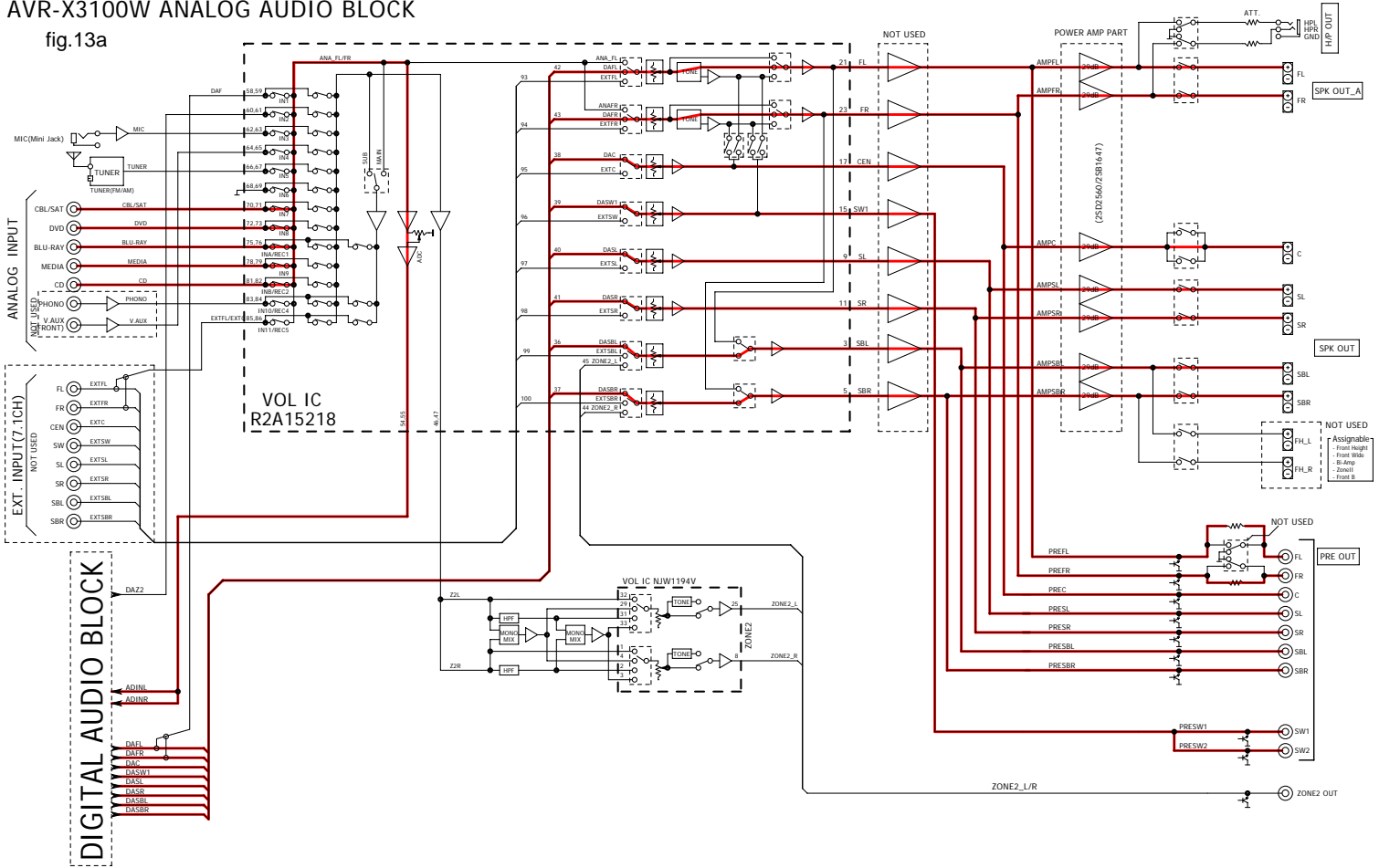
# AVR-X3100W HDMI VIDEO BLOCK

fig.12c



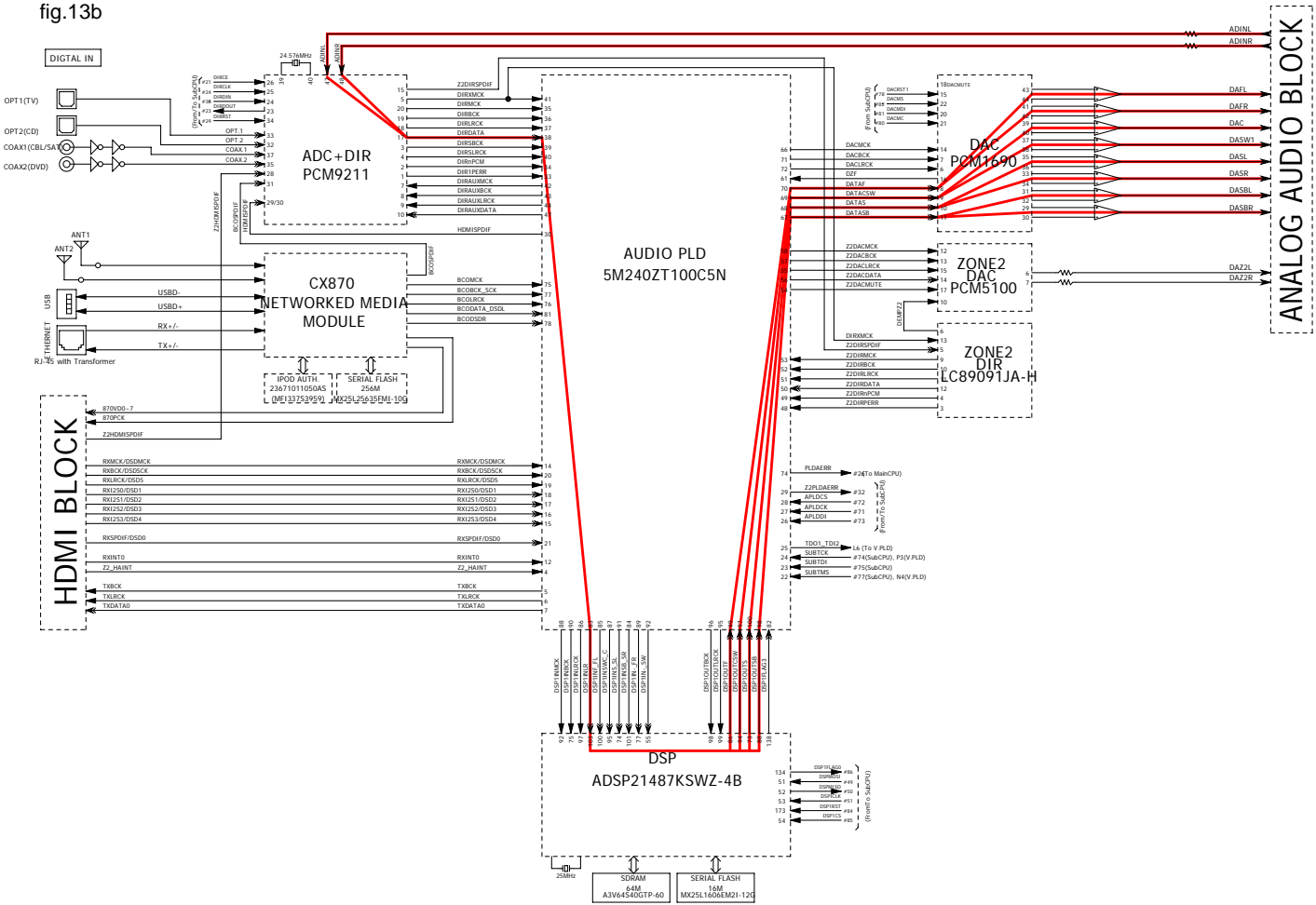
# AVR-X3100W ANALOG AUDIO BLOCK

fig.13a



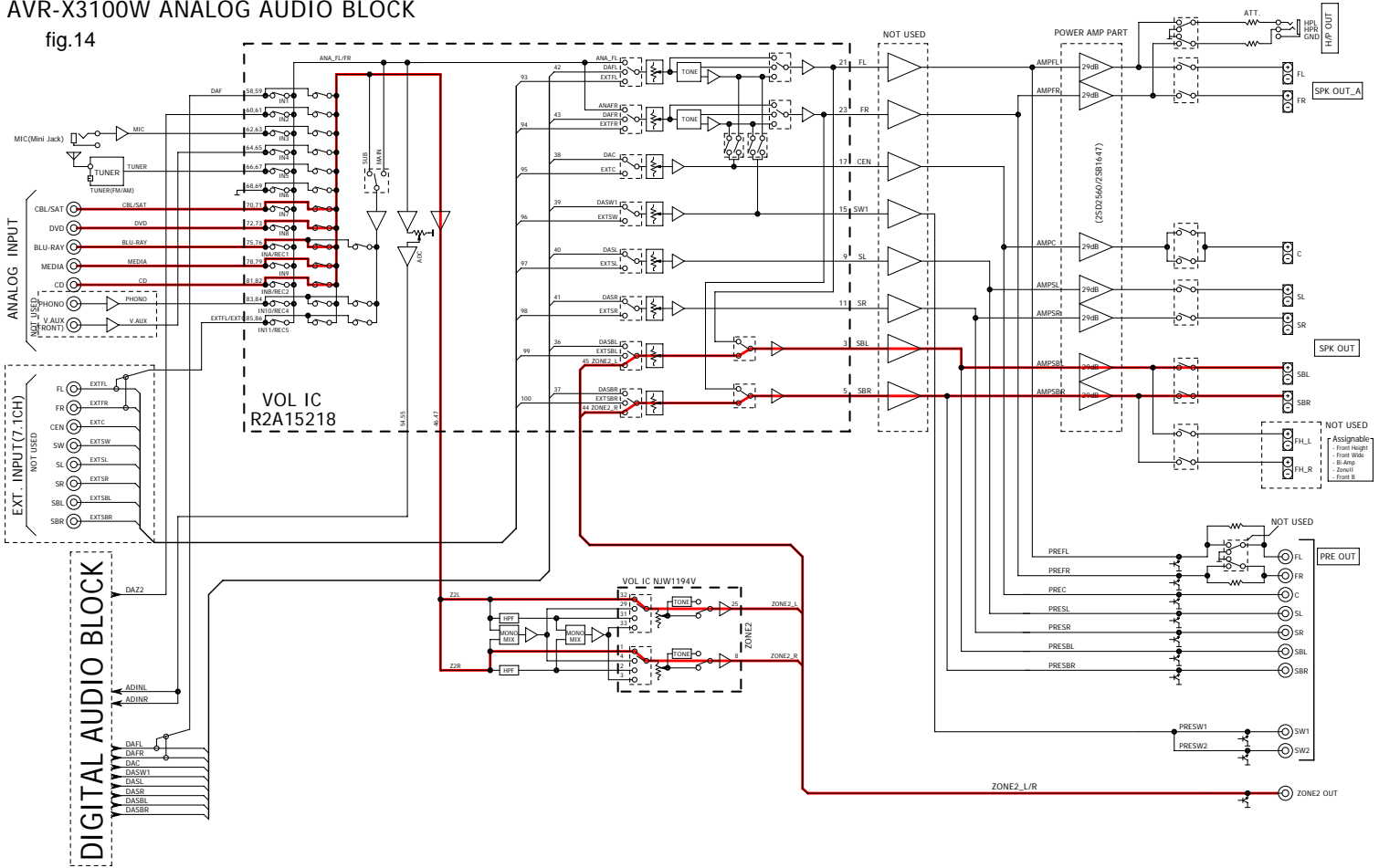
AVR-X3100W DIGITAL AUDIO BLOCK

fig.13b



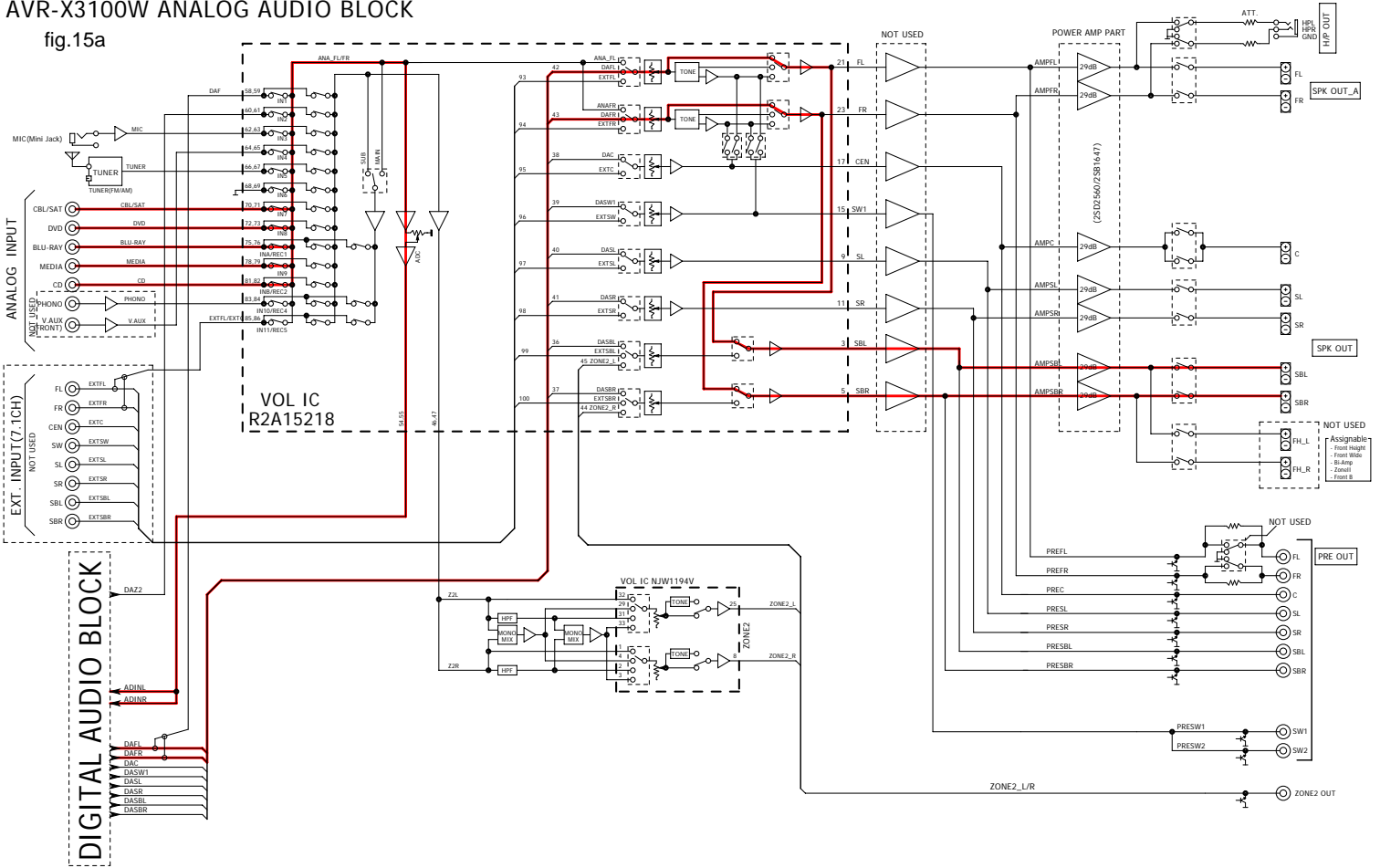
# AVR-X3100W ANALOG AUDIO BLOCK

fig.14



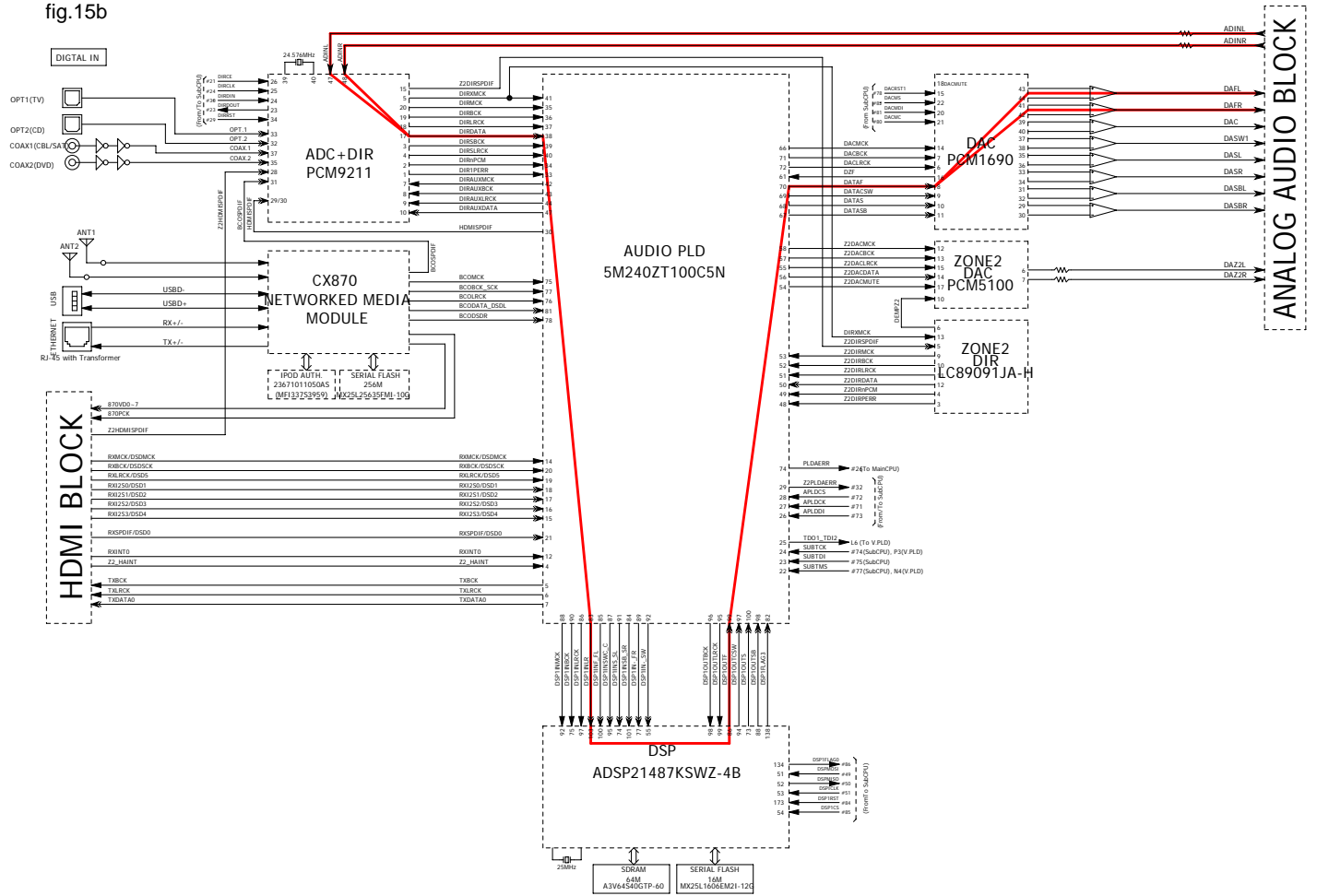
# AVR-X3100W ANALOG AUDIO BLOCK

fig.15a



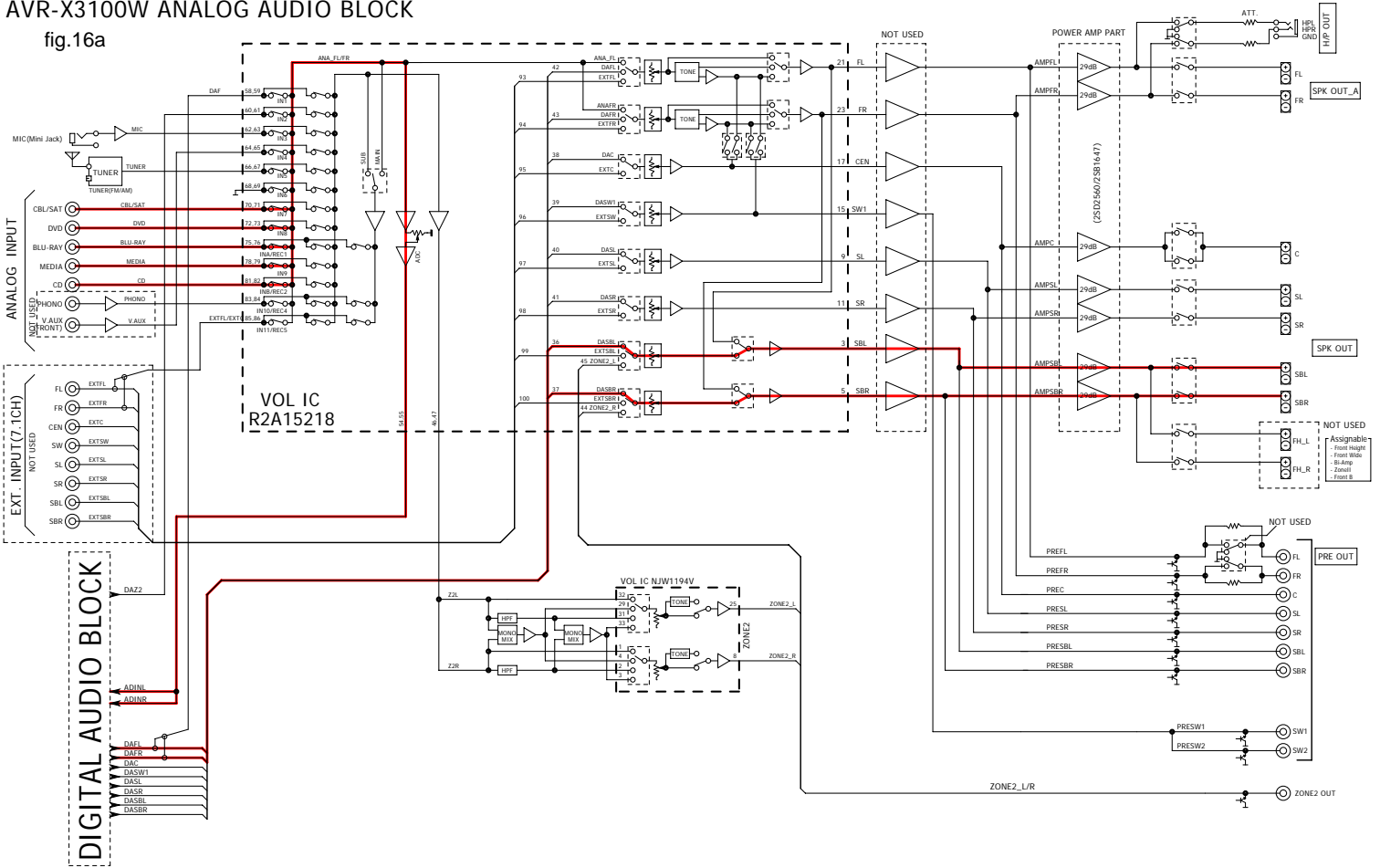
AVR-X3100W DIGITAL AUDIO BLOCK

fig.15b



# AVR-X3100W ANALOG AUDIO BLOCK

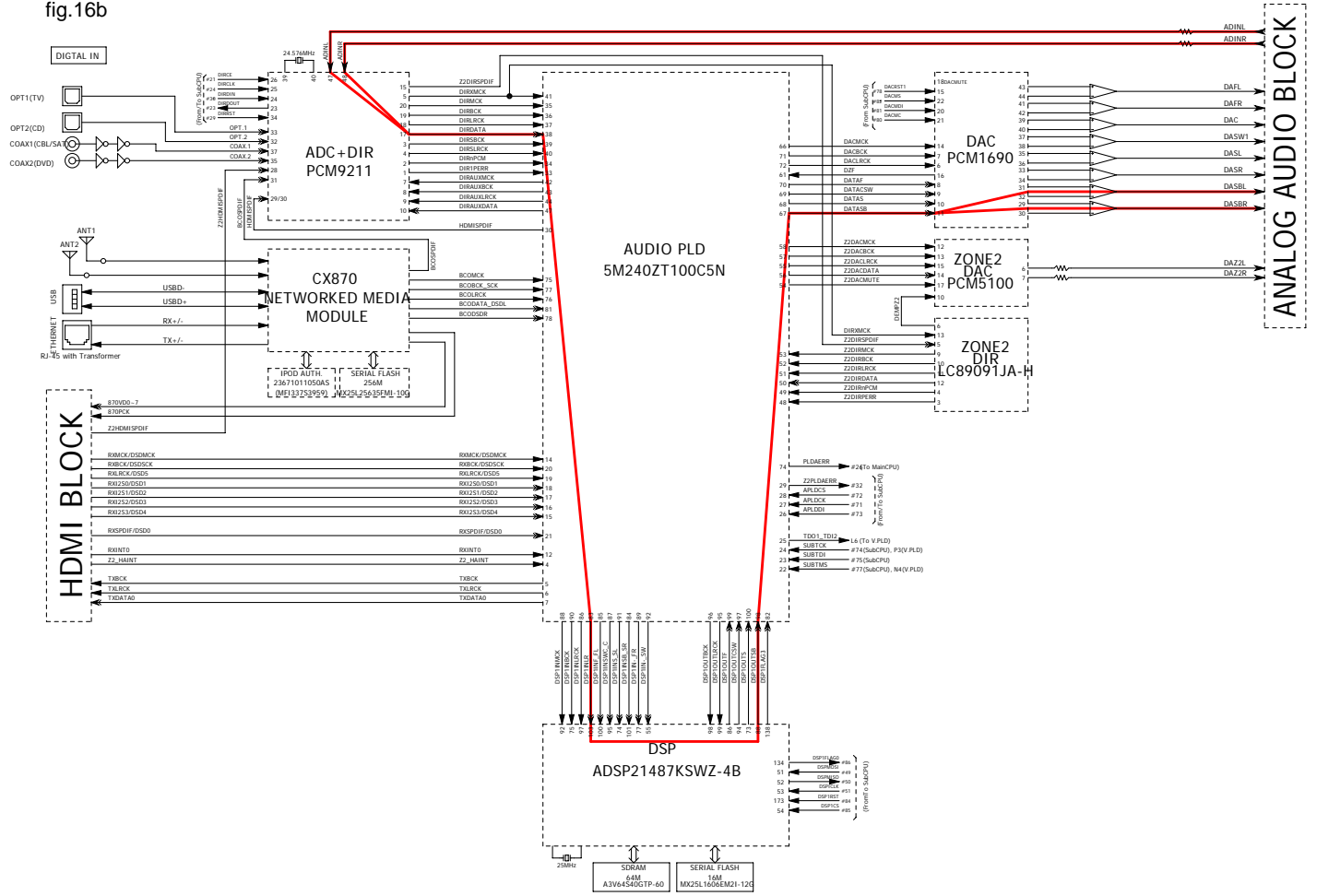
fig.16a





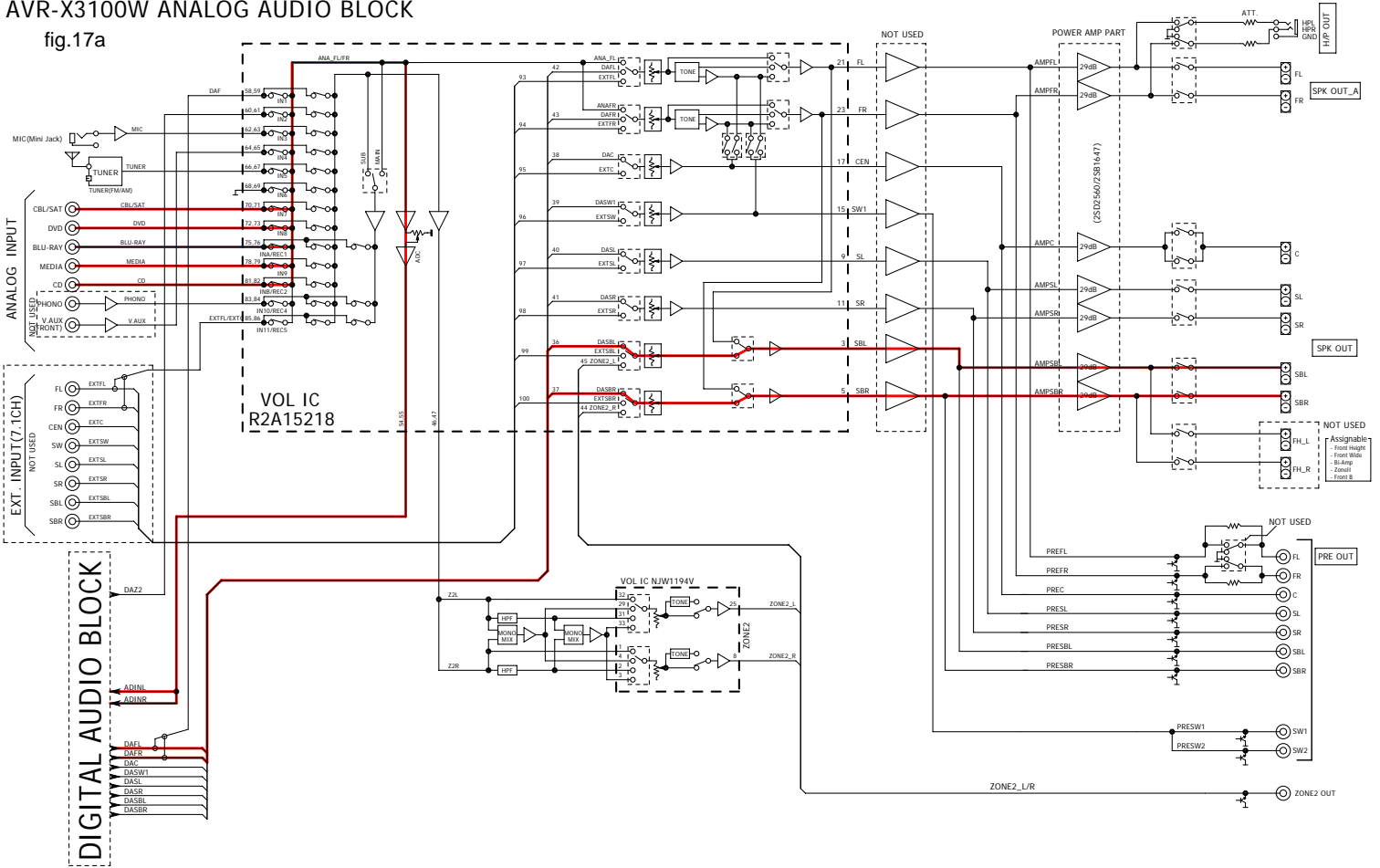
AVR-X3100W DIGITAL AUDIO BLOCK

fig.16b



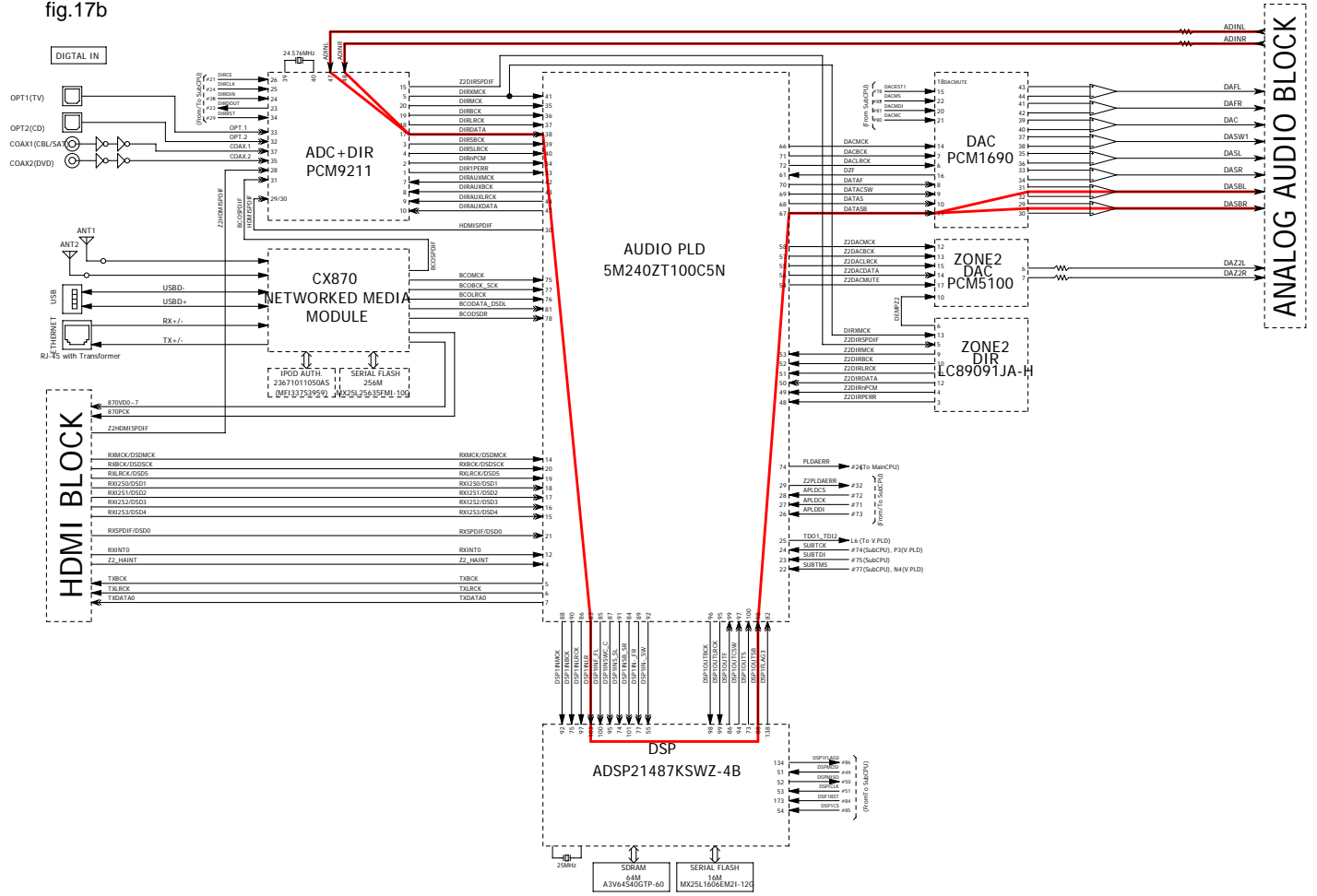
# AVR-X3100W ANALOG AUDIO BLOCK

fig.17a



AVR-X3100W DIGITAL AUDIO BLOCK

fig.17b



### 3.6. Protection History Display Mode

#### 3.6.1. Actions

This mode records and displays an event in which the THERMAL, CURRENT, ASO or DC protection was activated. If protections have been activated multiple times, the latest protection operation is recorded.

#### 3.6.2. Starting up

Hold down buttons "ZONE2 SOURCE", "DIMMER" and "STATUS" at the same time and press the power button to turn on the power.

Select the "2. PROTECTION" using the button "TUNER PRESET CH+ / -", and press the button "STATUS" to commit the selection.

#### 3.6.3. Protection information and displays

- Press the "STATUS" button in Protection History Display Mode.
- The protection history can be checked.

(1) If no protections have occurred.

FLD	N	O		P	R	O	T	E	C	T									
-----	---	---	--	---	---	---	---	---	---	---	--	--	--	--	--	--	--	--	--

(2) ASO / DC (if the last protection was ASO / DC)

FLD	P	R	T	:	A	S	O	/	D	C									
-----	---	---	---	---	---	---	---	---	---	---	--	--	--	--	--	--	--	--	--

**Cause:** A short circuit occurred between the speaker terminals, or speakers with an impedance outside the rating were connected.

Abnormal DC output from the power amp.

**Note:** Short circuits in speaker terminals or speakers can be identified.

If the power is turned on during this abnormality, protection is activated after around 6 seconds and the power is turned off.

(3) THERMAL (if the last protection was THERMAL(A) or THERMAL(B) or THERMAL(E) or THERMAL(F))

FLD	P	R	T	:	T	H	E	R	M	A	L	A							
-----	---	---	---	---	---	---	---	---	---	---	---	---	--	--	--	--	--	--	--

FLD	P	R	T	:	T	H	E	R	M	A	L	B							
-----	---	---	---	---	---	---	---	---	---	---	---	---	--	--	--	--	--	--	--

FLD	P	R	T	:	T	H	E	R	M	A	L	E							
-----	---	---	---	---	---	---	---	---	---	---	---	---	--	--	--	--	--	--	--

FLD	P	R	T	:	T	H	E	R	M	A	L	F							
-----	---	---	---	---	---	---	---	---	---	---	---	---	--	--	--	--	--	--	--

**Cause:** Abnormal heat sink temperature.

If the power is turned on during this abnormality, protection is activated after around 6 seconds and the power is turned off.



(4) Case of CURRENT (when the last protection incident was CURRENT protection)

FLD	:	C	U	R	R	E	N	T											
-----	---	---	---	---	---	---	---	---	--	--	--	--	--	--	--	--	--	--	--

If the power is turned on during this abnormality, protection is activated after around 2 minutes and the power is turned off.



**Caution :** These protections may also be activated due to causes such as disconnection of connectors or operations around the microcomputer.

After viewing the above protection history, press the button "STATUS" to return to the normal display.

### 3.6.4. Clearing the Protection History

There are two ways to clear the protection history.

- (1) Start Protection History Display Mode. Press the button "STATUS" to display the protection history. Press and hold the button "DIMMER" for 3 seconds.

FLD	P	R	T	:	D	C										
-----	---	---	---	---	---	---	--	--	--	--	--	--	--	--	--	--

↓  
Press and hold the button "DIMMER" for 3 seconds.

FLD	P	R	T	:	C	L	E	A	R							
-----	---	---	---	---	---	---	---	---	---	--	--	--	--	--	--	--

↓  
The above is displayed and the protection history is cleared.

FLD	N	O		P	R	O	T	E	C	T						
-----	---	---	--	---	---	---	---	---	---	---	--	--	--	--	--	--

- (2) Initialize this unit. ( "See "Initializing This Unit"10 page )

※ Use the method in 3.6.3.(1) if you do not want to erase your settings from this unit.

### Warning Displays by POWER LED

If the power is turned off while a protection is detected, the POWER LED (red) flashes in the following ways as a warning according to the protection status.

- (1) ASO/DC protection: Flashes in 0.5-second cycles (0.25 seconds lit, 0.25 seconds unlit)
- (2) THERMAL (A/B/E/F) protection: Flashes in 2-second cycles (1 second lit, 1 second unlit)
- (3) CURRENT protection: Flashes in 4-second cycles(2 second lit, 2 second unlit)

## 3.7. 232C Standby Clear Mode

### 3.7.1. Actions

#### 232C Standby Clear Mode :

Switches from 232C standby mode to normal standby mode.

#### Starting up

Press the "STATUS" button during the following display to switch to normal standby mode.

FLD		3	.	R	S	2	3	2	C		R	E	S	E	T	
-----	--	---	---	---	---	---	---	---	---	--	---	---	---	---	---	--

### 3.7. Operation Info Mode

#### 3.7.1. Actions

This mode displays the accumulated operating time, power on count and each protection count.

#### 3.7.2. Starting up

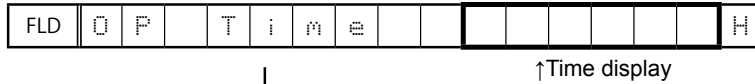
Hold down buttons "ZONE2 SOURCE", "DIMMER" and "STATUS" at the same time and press the power button to turn on the power.

Select the "4. OP INFO" using the button "TUNER PRESET CH+ / -", and press the button "STATUS" to commit the selection.

#### 3.7.3. Operations

Press the "STATUS" button after starting this device in Operation Info mode. The following information is displayed in the following order.

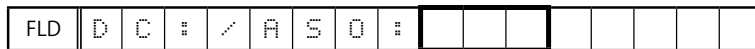
(a) Accumulated operating time



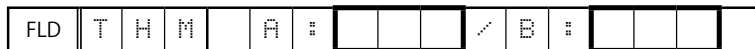
(b) Power on count



(c) DC / ASO Protection count



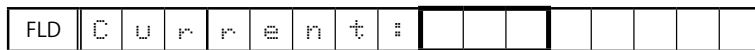
(d) Thermal Protection count



(e) Thermal Protection count



(f) CURRENT Protection count



(Returns to normal display)

### 3.8. TUNER STEP mode (E2/E3 only)

#### 3.3.1. Actions

This is a special mode for enabling reception STEP of the ANALOG TUNER to be changed.

#### 3.8.2. Starting up

Hold down buttons "ZONE2 SOURCE", "DIMMER" and "STATUS" at the same time and press the power button to turn on the power.

Select the "5. TUNER FRQ SET" using the button "TUNER PRESET CH+ / -", and press the button "STATUS" to commit the selection.

#### 3.8.3. Displays

Start this unit in TUNER STEP mode, select using button "TUNER PRESET CH+/-" and enter using button "STATUS". The following information is displayed in the following order.

(a) AM9kHz/FM50kHz selected

FLD	<	A	M	9	/	F	M	5	0	>
-----	---	---	---	---	---	---	---	---	---	---

"TUNER PRESET CH+"



"TUNER PRESET CH-"

(b) AM10kHz/FM200kHz selected

FLD	<	A	M	1	0	/	F	M	2	0	0	>
-----	---	---	---	---	---	---	---	---	---	---	---	---

"STATUS"

(C) Press the power button to turn off the power.

(D) Press the power button to turn on the power.

## 4. Remote ID Setup Mode

### 4.1. Actions

This function allows only the desired AV receiver to be operated if multiple DENON AV receivers are used in the same room.

### 4.2. Starting up

Hold down buttons "ZONE2 SOURCE", "DIMMER" and "STATUS" at the same time and press the power button to turn on the power.

Select the "6. REMOTE ID" using the button "TUNER PRESET CH+ / -", and press the button "STATUS" to commit the selection.

### 4.3. Operations

(1) When Remote ID Setup mode is started, the following is displayed.

FLD				R	E	M	O	T	E		I	D		?		
-----	--	--	--	---	---	---	---	---	---	--	---	---	--	---	--	--

(2) Press the "QUICK SELECT 1 - 4" button that corresponds to the number you want to set.

Button	Display																
QUICK SELECT 1	<table border="1"><tr><td></td><td></td><td></td><td>R</td><td>E</td><td>M</td><td>O</td><td>T</td><td>E</td><td></td><td>I</td><td>D</td><td></td><td>1</td><td></td><td></td></tr></table>				R	E	M	O	T	E		I	D		1		
			R	E	M	O	T	E		I	D		1				
QUICK SELECT 2	<table border="1"><tr><td></td><td></td><td></td><td>R</td><td>E</td><td>M</td><td>O</td><td>T</td><td>E</td><td></td><td>I</td><td>D</td><td></td><td>2</td><td></td><td></td></tr></table>				R	E	M	O	T	E		I	D		2		
			R	E	M	O	T	E		I	D		2				
QUICK SELECT 3	<table border="1"><tr><td></td><td></td><td></td><td>R</td><td>E</td><td>M</td><td>O</td><td>T</td><td>E</td><td></td><td>I</td><td>D</td><td></td><td>3</td><td></td><td></td></tr></table>				R	E	M	O	T	E		I	D		3		
			R	E	M	O	T	E		I	D		3				
QUICK SELECT 4	<table border="1"><tr><td></td><td></td><td></td><td>R</td><td>E</td><td>M</td><td>O</td><td>T</td><td>E</td><td></td><td>I</td><td>D</td><td></td><td>4</td><td></td><td></td></tr></table>				R	E	M	O	T	E		I	D		4		
			R	E	M	O	T	E		I	D		4				

(3) Press the power button to turn off the power.

(4) Press the power button to turn on the power.

- ※ Only "QUICK SELECT 1 - 4" and the POWER button on the unit can be used in Remote ID Setup Mode.
- ※ The remote ID of the remote control supplied with this unit cannot be changed.

#### NOTE:

If the ID of the unit and remote control do not match, "AVAMP\*" appears on the display of the unit when the remote control is used (\*: own remote control ID).



## 5. Protection Pass Mode

### 5.1. Actions

- This mode allows the power to be turned on without activating protections.
- This is the same as normal power-on, except that protections are not activated.

### 5.2. Operations

Hold down buttons "TUNER PRESET CH -", "ZONE2 SOURCE" and "STATUS" at the same time and press the power button to turn on the power.

The device returns to the normal display after the following is displayed.

FLD	P	r	o	t	e	c	t	i	o	n	P	a	s	s
-----	---	---	---	---	---	---	---	---	---	---	---	---	---	---

This is displayed for 5 seconds before returning to the normal display.

## 6. CX870 / CY920 Reboot mode

### 6.1. Actions

- The CX870 / CY920 is restarted after CX870 / CY920 hangup.
- The CX870 / CY920 can be restarted even in the network standby setting ("Setup menu" – "Network" – "Network" – "Always On").

### 6.2. Operations

1. Turn on the button "MAIN ZONE" and set NETWORK as the input source.
2. Hold down buttons "TUNER PRESET CH +" and "TUNER PRESET CH -" for at least 3 seconds while the power is on.
3. FL display during CX870 / CY920 reboot

FLD	N	e	t	w	o	r	k	R	e	s	t	a	r	t
-----	---	---	---	---	---	---	---	---	---	---	---	---	---	---

4. Returns to the normal display.

#### NOTE:

- The CX870 / CY920 Reboot operation is not accepted again for one minute after executing the reboot.
- Reception is prohibited during update, save and load.

## 7. CX870 / CY920 Initialization mode

### 7.1. Actions

The following items are initialized.

- (1) Favorites
- (2) Quick Select
- (3) Presets
- (4) Internet Radio Recently Played
- (5) Flickr contacts
- (6) User ID
- (7) Resume Playback station

### 7.2. Operations

Hold down buttons "ZONE2 SOURCE" and "DIMMER" for at least 3 seconds while the power is on.

Initializing Display

FLD	I	n	i	t	i	a	l	i	z	i	n	g				
-----	---	---	---	---	---	---	---	---	---	---	---	---	--	--	--	--

FLD	I	n	i	t	i	a	l	i	z	i	n	g	.			
-----	---	---	---	---	---	---	---	---	---	---	---	---	---	--	--	--

FLD	I	n	i	t	i	a	l	i	z	i	n	g	.	.		
-----	---	---	---	---	---	---	---	---	---	---	---	---	---	---	--	--

FLD	I	n	i	t	i	a	l	i	z	i	n	g	.	.	.	
-----	---	---	---	---	---	---	---	---	---	---	---	---	---	---	---	--

Complete Display

FLD				C	o	m	p	l	e	t	e	d				
-----	--	--	--	---	---	---	---	---	---	---	---	---	--	--	--	--

This is displayed for 5 seconds before returning to the normal display.

Failed Display

FLD					F	a	i	l	e	d						
-----	--	--	--	--	---	---	---	---	---	---	--	--	--	--	--	--

## JIG FOR SERVICING

The following jigs (extension cable kit) are used when repairing the PCBs.  
Order the jigs from your dealer if necessary.

**CAUTION : Incorrect connections may cause malfunction.**

### • Connection of Jig for DIGITAL PCB

#### -Items to Be Prepared-

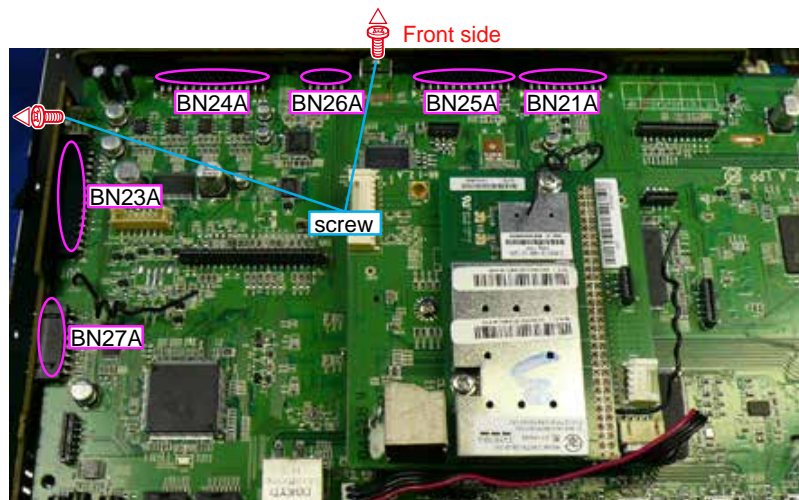
8U- 110084S	:	EXTENSION UNIT KIT	:	1 Set
8U- 110136S	:	EXTENSION UNIT KIT	:	1 Set
Insulation sheet (Not supplied)	:	3 sheet		
Ground lead (Not supplied)	:	3 pc		

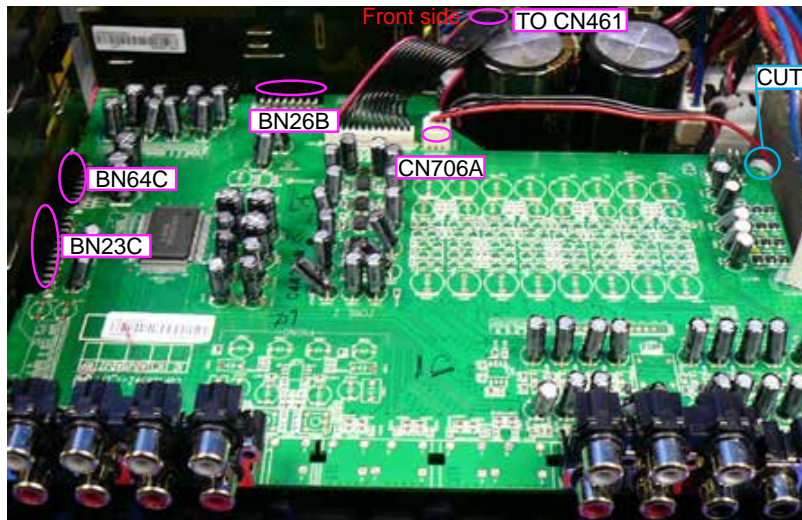
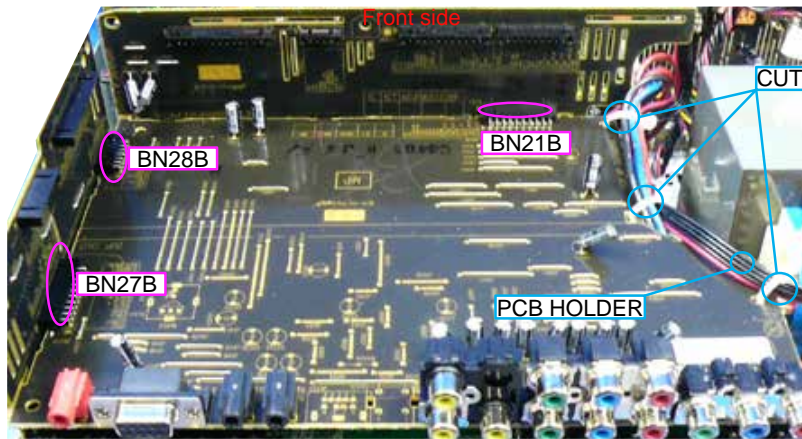
#### -Procedures-

- (1) Remove the screws.

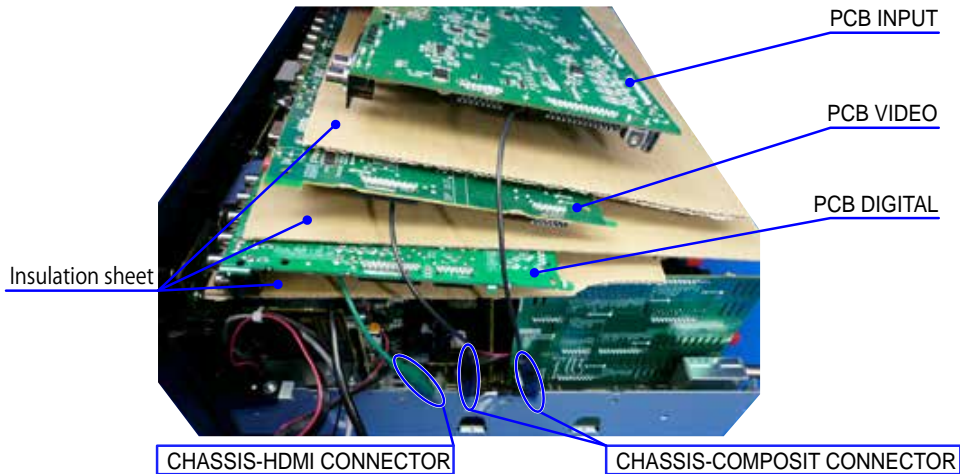


- (2) Remove the connector PCB.

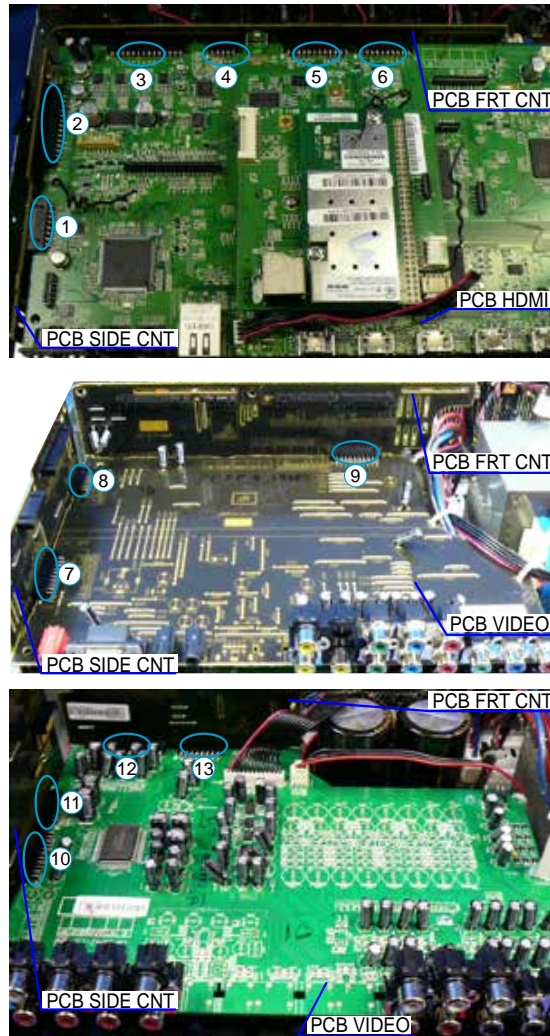




- (3) Remove the DIGITAL PCB from the chassis and turn it over.  
 Place an insulation sheet larger than the PCB underneath the DIGITAL PCB.  
 ※ Connect the earth of the PCB to the chassis using an earth wire, etc.



(4) Connect the expansion cables.




Connection table of Board to Board

No.	Pin	Ref. No.	PCB		Ref. No.	PCB
①	15pin	CN27A	SIDE CNT	↔	BN27A	DIGITAL
②	27pin	CN23A	SIDE CNT	↔	BN23A	DIGITAL
③	27pin	CN24A	FRONT CNT	↔	BN24A	DIGITAL
④	9pin	CN26A	FRONT CNT	↔	BN26A	DIGITAL
⑤	23pin	CN25A	FRONT CNT	↔	BN25A	DIGITAL
⑥	19pin	CN21A	FRONT CNT	↔	BN21A	DIGITAL
⑦	19pin	CN27B	SIDE CNT	↔	BN27B	VIDEO
⑧	13pin	CN28B	SIDE CNT	↔	BN28B	VIDEO
⑨	19pin	CN21B	FRONT CNT	↔	BN21B	VIDEO
⑩	21pin	CN23C	SIDE CNT	↔	BN23C	VIDEO
⑪	13pin	CN64C	SIDE CNT	↔	BN64C	INPUT
⑫	27pin	CN24C	FRONT CNT	↔	BN24C	INPUT
⑬	15pin	CN26C	FRONT CNT	↔	BN26B	INPUT

# PROCEDURE AFTER REPLACING THE MICROPROCESSOR, ETC.

The procedure after replacing the u-COM (microprocessor), flash ROM, etc. is as follows.

PCB Name	Ref. No.	Description	Proce- dure after Replac- ment	Remark
DIGITAL	IC151	R5F56108VNFP	B	SOFTWARE: Main
DIGITAL	IC171	R5F5210ABDFP 	B	SOFTWARE: Sub
DIGITAL	IC253	MX25L1606EM2I-12G	B	SOFTWARE: DSP ROM
DIGITAL	IC404	MX25L12845EMI-10G	B	SOFTWARE: GUI ROM
DIGITAL	IC221	5M240ZT100C5N	B	SOFTWARE: AUDIO PLD
DIGITAL	IC421	EPM570F256C4N	B	SOFTWARE: VIDEO PLD

Procedure after Replacement

- A** : The software has been written. The software is not written at the time of replacement.
- B** : The software has been written. The software may need to be rewritten by version updates. Check the version.
- C** : The software has not been written. The software needs to be written after replacement.  
See "**Firmware Update Procedure**" for information on writing the software.
- D** : The software has been written. Be sure to rewrite with the latest software for your service region.  
See "**Firmware Update Procedure**" for information on writing the software.

## FIRMWARE UPDATE PROCEDURE

### 1. Updating by USB

The latest firmware can be downloaded to a USB memory for updates.

#### 1.1. Connecting to the USB Memory

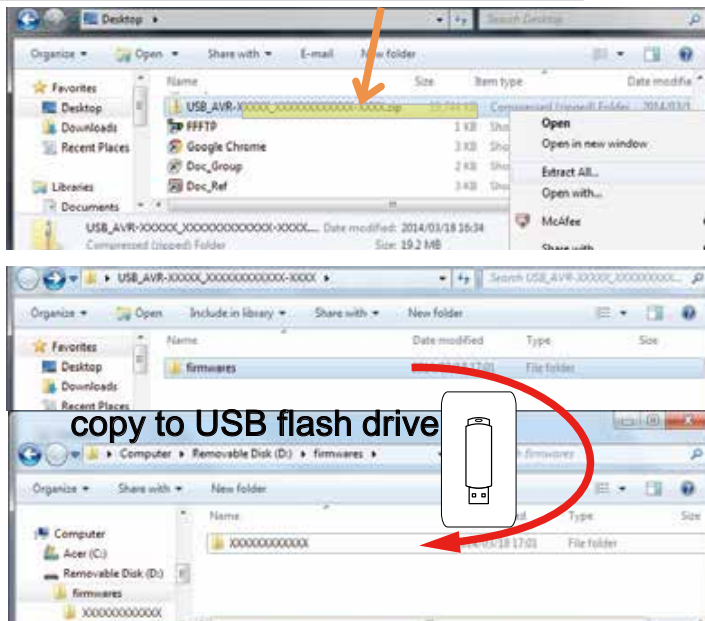
(1) Preparation

- USB format: Prepare a USB memory formatted in FAT16 or FAT32.
- Do not run the USB memory through a hub.
- Do not connect a computer to the USB port of this unit using a USB cable.
- Do not use an extension cable when connecting the USB unit.

#### 1.2. Unzip Download File

Unzip the downloaded file on your computer.

AVR-XXXXXXX	USB_AVR-XXXXXXX_XXXXXXXXXXXX-XXXX.zip
-------------	---------------------------------------



You can find "**firmwares**" folder after unzipped.

Copy that folder to USB flash drive.

You have to put "**firmwares**" folder on root directly on USB flash drive(memory).

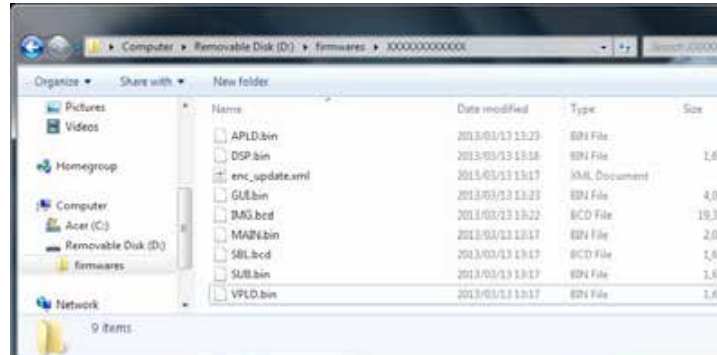
### 1.3. File structure on USB Memory

Copy the update files to the USB memory with the following structure:

USB memory root

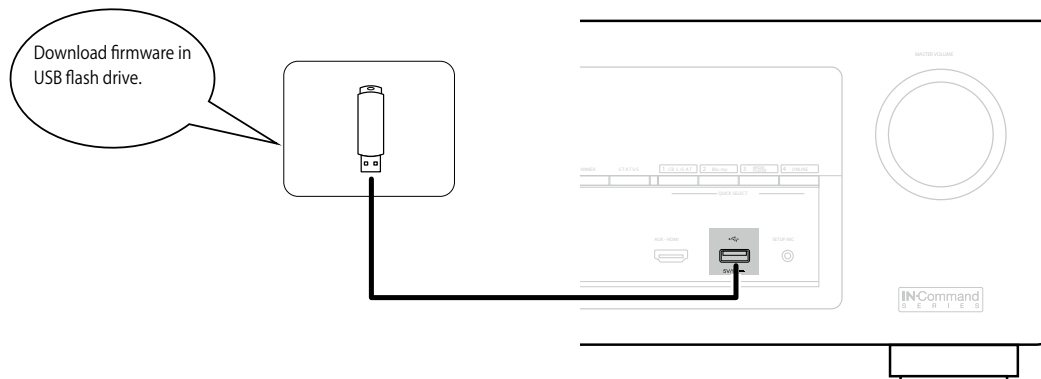
Model Name	Model Area	Product ID
AVR-X3100WE3	North America (E3)	000100680100
AVR-X3100WE2	Europe (E2)	000100680200
AVR-X3100WE1C	China (E1C)	000100680500

- + firmwares
  - + 000100XXXXXX
    - + APLD.bin
    - + DSP.bin
    - + enc\_update.xml
    - + GUI.bin
    - + IMG.bcd
    - + MAIN.bin
    - + SBL.bcd
    - + SUB.bin
    - + VPLD.bin



### 1.4. Insert the USB memory in the USB port.

NOTE : Remove the LAN cable from this unit when performing updates.



### 1.5. Start the update.

Hold down buttons "TUNER PRESET CH -" and "STATUS" at the same time and press the power button to turn on the power.

### 1.6. Display during USB update

The following message appears on the display after around 30 seconds

Display

FLD	U	S	B	U	P	d	a	t	e	S	t	a	r	t
-----	---	---	---	---	---	---	---	---	---	---	---	---	---	---

### 1.7. Press the "ENTER" key on the remote control unit or this unit.

Then start Firmware Update.

Display

FLD	U	P	d	a	t	e	F	i	l	e	C	h	e	c	k
-----	---	---	---	---	---	---	---	---	---	---	---	---	---	---	---

### 1.8. The firmware update finishes.

The following message appears on the display:

Display

FLD	U	P	d	a	t	e	C	o	m	p	l	e	t	e
-----	---	---	---	---	---	---	---	---	---	---	---	---	---	---

#### --- Precautions for Updates ---

- Never remove the USB memory before the update is finished.
  - Never turn off the power before an update is completed.
  - It takes around 1 hour to complete the update.
- Once an update is started, normal operations cannot be performed until it is completed. The GUI menu settings and image adjustment settings of this unit may be initialized. Take note of your settings beforehand and reconfigure them after the update.

## 1.9 Forced USB All Device Write Mode

### 1.9.1. Actions

Mode used when this unit cannot be recovered.

Forcibly switches this unit to USB update mode.

### 1.9.2. Operations

Press the "TUNER PRESET CH -" and "STATUS" buttons simultaneously while inserting the AC plug to turn the power on.

### 1.9.2. The firmware update finishes.

The update after the restart, all devices will be updated.



### 1.10.About the error code

See the table below for error codes and details of faults when the firmware is updated through USB memory.

Error Code	Details of Error code	Display	Coping strategies
01	Unable to detect USB.	ConnectionFailed 101	Disconnect and connect the USB memory.
02	No Firmware File in USB.	FilesNotFound 02	Make sure that the Firmware File is in the USB memory.
03	Firmware File in USB for unsupported Model name/area.	NotMatchFirm 03	Check the supported Model name/area for the Firmware File.
04	Failed to obtain individual Firmware information.	ConnectionFailed 106	Start the USB Update again.
05	Time Out while obtaining individual Firmware information.	ConnectionFailed 107	Start the USB Update again.
06	Failed to obtain entire Firmware information.	ConnectionFailed 104	Start the USB Update again.
07	Time Out while obtaining entire Firmware information.	ConnectionFailed 105	Start the USB Update again.
08	Error notification received while requesting Firmware Info.	ConnectionFailed 108	This unit automatically retries several times. Wait until the FL display stops. If the FL display stops at the Error display, press and hold the "Power operation" button for five seconds.
09	Time Out while obtaining Firmware information.	ConnectionFailed 109	This unit automatically retries several times. Wait until the FL display stops. If the FL display stops at the Error display, press and hold the "Power operation" button for five seconds.
0A	Unable to detect USB for Firmware Download.	ConnectionFailed 10A	Disconnect and connect the USB memory.
0B	No Firmware File for Firmware Download.	FilesNotFound 0B	Disconnect and connect the USB memory.
0D	Received value with invalid Package Version.	ConnectionFailed 10D	This unit automatically retries several times. Wait until the FL display stops. If the FL display stops at the Error display, press and hold the "Power operation" button for five seconds.
10	No Update Packet received from CX870 (Time Out).	Updating failed 10	This unit automatically retries several times. Wait until the FL display stops. If the FL display stops at the Error display, press and hold the "Power operation" button for five seconds.
11	Abnormal data in Update Packet received from CX870 (CRCError).	Updating failed 11	This unit automatically retries several times. Wait until the FL display stops. If the FL display stops at the Error display, press and hold the "Power operation" button for five seconds.
12	Abnormal data in Update Packet received from CX870 (PacketNo-Error).	Updating failed 12	This unit automatically retries several times. Wait until the FL display stops. If the FL display stops at the Error display, press and hold the "Power operation" button for five seconds.

Error Code	Details of Error code	Display	Coping strategies
13	Block Erase failed before rewriting Main.	Block Erase failed 13	This unit automatically retries several times. Wait until the FL display stops. If the FL display stops at the Error display, press and hold the "Power operation" button for five seconds.
14	Block Write failed while rewriting Main.	Block Write failed 14	This unit automatically retries several times. Wait until the FL display stops. If the FL display stops at the Error display, press and hold the "Power operation" button for five seconds.
15	Error in Verify after rewriting Main (Check Sum Error).	Verify Checksum Error 15	This unit automatically retries several times. Wait until the FL display stops. If the FL display stops at the Error display, press and hold the "Power operation" button for five seconds.
16	Setup failure of the transfer method of XModem.	Setup failed 16	This unit automatically retries several times. Wait until the FL display stops. If the FL display stops at the Error display, press and hold the "Power operation" button for five seconds.
20	Unable to detect USB after SBL Mode.	Connection Failed 20	Disconnect and connect the USB memory.
21	No Firmware File in USB after SBL Mode.	File Not Found 21	Disconnect and connect the USB memory.
22	Firmware File in USB after SBL Mode for unsupported Model name/area.	Not Match File 22	Check the supported Model name/area for the Firmware File.
23	Failed to obtain entire Firmware information after SBL Mode.	Connection Failed 23	Disconnect and connect the USB memory.
24	Time Out while obtaining entire Firmware information after SBL Mode.	Connection Failed 24	This unit automatically retries several times. Wait until the FL display stops. If the FL display stops at the Error display, press and hold the "Power operation" button for five seconds.
25	Failed to transit to SBL Mode.	Connection Failed 25	This unit automatically retries several times. Wait until the FL display stops. If the FL display stops at the Error display, press and hold the "Power operation" button for five seconds.
26	Time Out in Download (writing to SDRAM) for Firmware Download.	Download failed 26	This unit automatically retries several times. Wait until the FL display stops. If the FL display stops at the Error display, press and hold the "Power operation" button for five seconds.
27	Failed to write to EEPROM after SBL Mode.	Connection Failed 27	This unit automatically retries several times. Wait until the FL display stops. If the FL display stops at the Error display, press and hold the "Power operation" button for five seconds.
36	Unable to detect USB.	Connection Failed 36	This unit automatically retries several times. Wait until the FL display stops. If the FL display stops at the Error display, press and hold the "Power operation" button for five seconds.
37	No Firmware File in USB.	File Not Found 37	This unit automatically retries several times. Wait until the FL display stops. If the FL display stops at the Error display, press and hold the "Power operation" button for five seconds.

Error Code	Details of Error code	Display	Coping strategies
38	Firmware File in USB for unsupported Model name/area.	NotMatchFirm 38	This unit automatically retries several times. Wait until the FL display stops. If the FL display stops at the Error display, press and hold the "Power operation" button for five seconds.
39	Time Out in USB Check.	ConnectionFail 39	This unit automatically retries several times. Wait until the FL display stops. If the FL display stops at the Error display, press and hold the "Power operation" button for five seconds.
3A	Unable to detect USB for Firmware Download.	ConnectionFail 3A	This unit automatically retries several times. Wait until the FL display stops. If the FL display stops at the Error display, press and hold the "Power operation" button for five seconds.
3B	No Firmware File for Firmware Download.	FileNotFound 3B	This unit automatically retries several times. Wait until the FL display stops. If the FL display stops at the Error display, press and hold the "Power operation" button for five seconds.
3C	Error notification received while requesting Firmware Info.	Updating fail 3C	This unit automatically retries several times. Wait until the FL display stops. If the FL display stops at the Error display, press and hold the "Power operation" button for five seconds.
3D	Time Out while obtaining Firmware information.	Updating fail 3D	This unit automatically retries several times. Wait until the FL display stops. If the FL display stops at the Error display, press and hold the "Power operation" button for five seconds.
3F	Failed to transit to SBL Mode.	ConnectionFail 3F	This unit automatically retries several times. Wait until the FL display stops. If the FL display stops at the Error display, press and hold the "Power operation" button for five seconds.
50	Unable to detect USB.	ConnectionFail 50	This unit automatically retries several times. Wait until the FL display stops. If the FL display stops at the Error display, press and hold the "Power operation" button for five seconds.
51	No Firmware File in USB.	FileNotFound 51	This unit automatically retries several times. Wait until the FL display stops. If the FL display stops at the Error display, press and hold the "Power operation" button for five seconds.
52	Firmware File in USB for unsupported Model name/area.	NotMatchFirm 52	This unit automatically retries several times. Wait until the FL display stops. If the FL display stops at the Error display, press and hold the "Power operation" button for five seconds.
54	Error notification received while requesting Firmware Info.	Updating fail 54	This unit automatically retries several times. Wait until the FL display stops. If the FL display stops at the Error display, press and hold the "Power operation" button for five seconds.
55	Time Out while obtaining Firmware information.	Updating fail 55	This unit automatically retries several times. Wait until the FL display stops. If the FL display stops at the Error display, press and hold the "Power operation" button for five seconds.
56	Unable to detect USB for Firmware Download.	ConnectionFail 56	This unit automatically retries several times. Wait until the FL display stops. If the FL display stops at the Error display, press and hold the "Power operation" button for five seconds.
57	No Firmware File for Firmware Download.	FileNotFound 57	This unit automatically retries several times. Wait until the FL display stops. If the FL display stops at the Error display, press and hold the "Power operation" button for five seconds.

Error Code	Details of Error code	Display	Coping strategies
5A	Invalid DeviceID in response or no response from Sub for C command.	ConnectionFailure	This unit automatically retries several times. Wait until the FL display stops. If the FL display stops at the Error display, press and hold the "Power operation" button for five seconds.
5B	NACK received in response or no response from Sub for L command.	UpdateSubFailure	This unit automatically retries several times. Wait until the FL display stops. If the FL display stops at the Error display, press and hold the "Power operation" button for five seconds.
5C	No Update Packet received from CX870 (Time Out).	UpdateSubFailure	This unit automatically retries several times. Wait until the FL display stops. If the FL display stops at the Error display, press and hold the "Power operation" button for five seconds.
5D	Abnormal data in Update Packet received from CX870 (CRCError).	UpdateSubFailure	This unit automatically retries several times. Wait until the FL display stops. If the FL display stops at the Error display, press and hold the "Power operation" button for five seconds.
5E	Abnormal data in Update Packet received from CX870 (PacketNo-Error).	UpdateSubFailure	This unit automatically retries several times. Wait until the FL display stops. If the FL display stops at the Error display, press and hold the "Power operation" button for five seconds.
5F	Setup failure of the transfer method of XModem.	UpdateSubFailure	This unit automatically retries several times. Wait until the FL display stops. If the FL display stops at the Error display, press and hold the "Power operation" button for five seconds.
60	NACK received in response or no response from Sub for P command.	UpdateSubFailure	This unit automatically retries several times. Wait until the FL display stops. If the FL display stops at the Error display, press and hold the "Power operation" button for five seconds.
61	Mismatched Check Sum in response or no response from Sub for I command.	UpdateSubFailure	This unit automatically retries several times. Wait until the FL display stops. If the FL display stops at the Error display, press and hold the "Power operation" button for five seconds.
62	Failed to start up Sub in Power On sequence during Update.	UpdateSubFailure	This unit automatically retries several times. Wait until the FL display stops. If the FL display stops at the Error display, press and hold the "Power operation" button for five seconds.
63	Failed to transit to Application Mode.	UpdateSubFailure	This unit automatically retries several times. Wait until the FL display stops. If the FL display stops at the Error display, press and hold the "Power operation" button for five seconds.
64	Failed to transit to Boot Loader Mode.	UpdateSubFailure	This unit automatically retries several times. Wait until the FL display stops. If the FL display stops at the Error display, press and hold the "Power operation" button for five seconds.
80	Write Enable Latch Bit not set in Read after issuing WREN command.	UpdateSubFailure	This unit automatically retries several times. Wait until the FL display stops. If the FL display stops at the Error display, press and hold the "Power operation" button for five seconds.
81	Block Erase failed in Read after issuing BE command.	UpdateSubFailure	This unit automatically retries several times. Wait until the FL display stops. If the FL display stops at the Error display, press and hold the "Power operation" button for five seconds.
82	No Update Packet received from CX870 (Time Out).	UpdateSubFailure	This unit automatically retries several times. Wait until the FL display stops. If the FL display stops at the Error display, press and hold the "Power operation" button for five seconds.

Error Code	Details of Error code	Display	Coping strategies
83	Abnormal data in Update Packet received from CX870 (CRCError).	Updating fail 83	This unit automatically retries several times. Wait until the FL display stops. If the FL display stops at the Error display, press and hold the "Power operation" button for five seconds.
84	Abnormal data in Update Packet received from CX870 (PacketNo-Error).	Updating fail 84	This unit automatically retries several times. Wait until the FL display stops. If the FL display stops at the Error display, press and hold the "Power operation" button for five seconds.
85	Abnormal data in Update Packet received from CX870 (Data-Length/DataNo).	Updating fail 85	This unit automatically retries several times. Wait until the FL display stops. If the FL display stops at the Error display, press and hold the "Power operation" button for five seconds.
86	Mismatched Check Sum in Check Sum comparison after rewriting.	Updating fail 86	This unit automatically retries several times. Wait until the FL display stops. If the FL display stops at the Error display, press and hold the "Power operation" button for five seconds.
A2	Unable to detect USB.	ConnectionFail A2	This unit automatically retries several times. Wait until the FL display stops. If the FL display stops at the Error display, press and hold the "Power operation" button for five seconds.
A3	No Firmware File in USB.	FileNotFound A3	This unit automatically retries several times. Wait until the FL display stops. If the FL display stops at the Error display, press and hold the "Power operation" button for five seconds.
A4	Firmware File in USB for unsupported Model name/area.	NotMatchFirm A4	This unit automatically retries several times. Wait until the FL display stops. If the FL display stops at the Error display, press and hold the "Power operation" button for five seconds.
A6	Error notification received while requesting Firmware Info.	Updating fail A6	This unit automatically retries several times. Wait until the FL display stops. If the FL display stops at the Error display, press and hold the "Power operation" button for five seconds.
A7	Time Out while obtaining Firmware information.	Updating fail A7	This unit automatically retries several times. Wait until the FL display stops. If the FL display stops at the Error display, press and hold the "Power operation" button for five seconds.
AE	Unable to detect USB for Firmware Download.	ConnectionFail AE	This unit automatically retries several times. Wait until the FL display stops. If the FL display stops at the Error display, press and hold the "Power operation" button for five seconds.
AF	No Firmware File for Firmware Download.	FileNotFound AF	This unit automatically retries several times. Wait until the FL display stops. If the FL display stops at the Error display, press and hold the "Power operation" button for five seconds.
B1	Time Out in Download (writing to SDRAM) for Firmware Download.	Download fail B1	This unit automatically retries several times. Wait until the FL display stops. If the FL display stops at the Error display, press and hold the "Power operation" button for five seconds.
B2	Error notification received after rewriting CX870 Firm.	Updating fail B2	This unit automatically retries several times. Wait until the FL display stops. If the FL display stops at the Error display, press and hold the "Power operation" button for five seconds.
B3	Error in Firmware Update (Time Out).	Updating fail B3	This unit automatically retries several times. Wait until the FL display stops. If the FL display stops at the Error display, press and hold the "Power operation" button for five seconds.

Error Code	Details of Error code	Display	Coping strategies
B4	Failed to transit to BootLoader Mode.	Updating fail B4	This unit automatically retries several times. Wait until the FL display stops. If the FL display stops at the Error display, press and hold the "Power operation" button for five seconds.
B5	Failed to transit to Application Mode.	Updating fail B5	This unit automatically retries several times. Wait until the FL display stops. If the FL display stops at the Error display, press and hold the "Power operation" button for five seconds.

---Check the firmware version after updating.---

After updating the firmware, check the version. See "1. Version Display Mode" (20 page ).

### 1.11. Device display during firmware update

Display of target device during firmware update.

Target device	Display	Error code when an error occurs
Main CPU	Main:***%***min	08 - 0B 10 - 15 20 - 27 36 - 3B 3F
Sub	Sub:***%***min	50 - 52 54 - 58 5A - 64
Audio PLD	APLD:***%***min	50 - 52 54 - 58 5A - 64
VIDEO PLD	VPLD:***%***min	50 - 52 54 - 58 5A - 64
DSP	DSP:***%***min	50 - 52 54 - 58 5A - 64
GUI Serial Flash	GUI:***%***min	50 - 52 54 - 58 5A 62 - 64 80 - 86
CX870 Boot Loader	ESBL:***%***min	A0 - A4 A6 - A7 AE - B5
CX870 Image	EIMG:***%***min	A0 - A4 A6 - A7 AE - B5
CX870 Image (Emergency Mode)	Update retry	-

### Checking the Firmware Version After an Update

After updating the firmware, check the version. See "1. Version Display Mode" (20 page ).

## 2. Updating by DPMS

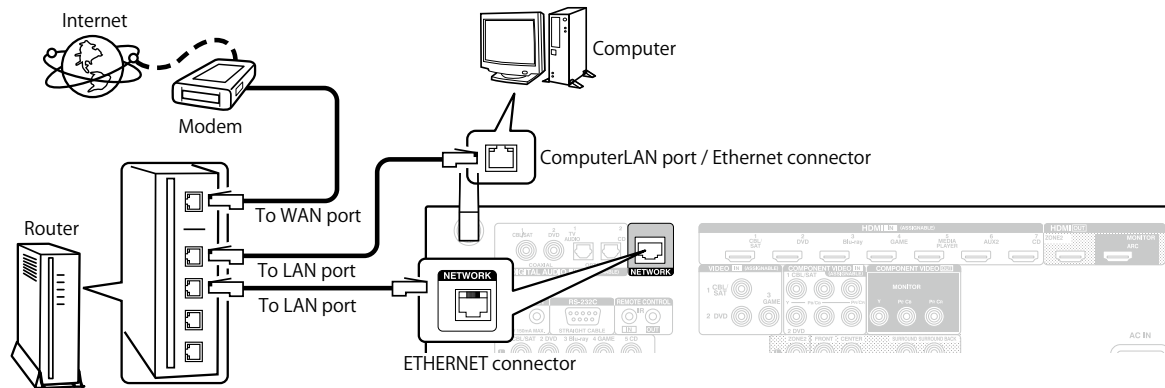
Download the latest firmware from the internet and update the firmware.

### 2.1. Network Connection

#### (1) System Requirements

- A broadband internet connection
- Modem
- Router
- Ethernet cable (CAT-5 or greater recommended)

#### (2) Settings



### 2.2. Check and update the firmware

Check whether new firmware is available. It is also possible to check approximately how long the update will take.

- (1) Press the button "**SETUP**" on the remote control to display the GUI menu.
- (2) Press the cursor button to select "**General**" → "**Firmware**" → "**Update**" → "**Check Update**".
- (3) Press the button "**ENTER**".
  - The latest firmware version uploaded to our website is displayed.
  - Proceed to (4) if new firmware is available on our website.
  - If the latest firmware is already installed, press the button "**SETUP**" to exit the menu.
- (4) Select "**Start**" using the cursor buttons and then press "**ENTER**".
  - The power display lights in red and the GUI screen display disappears during the update. The remaining time of the update is shown on the display of the unit.
  - The normal status resumes after the update is completed.

#### --- Precautions for Updates ---

- The environment and settings must allow connection to broadband Internet for updates.
- Never turn off the power before an update is completed.
- It takes around 1 hour to complete the update.

Once an update is started, normal operations cannot be performed until it is completed.

The GUI menu settings and image adjustment settings of this unit may be initialized.

Take note of your settings beforehand and reconfigure them after the update.

### 2.3. About the error code

See the following table for details on the error code, details of the error code, display and coping strategies when updating the firmware from DPMS. (DPMS:Denon Product Management Server).

Error Code	Details of Error code	Display	Coping strategies
01	Failed to log in to DPMS.	Login failed 01	Initialize the unit and try updating again. Update in an environment where there is a small network load.
02	Line etc. is congested when logging in to DPMS.	Server is busy 02	Update in an environment where there is a small network load.
03	Connection to DPMS failed.	ConnectionFailed 03	Check the network connection. Update in an environment where there is a small network load.
04	Failed to obtain individual Firmware information.	ConnectionFailed 04	Check the network connection. Update in an environment where there is a small network load.
05	Time Out while obtaining individual Firmware information.	ConnectionFailed 05	Check the network connection. Update in an environment where there is a small network load.
06	Failed to obtain entire Firmware information.	ConnectionFailed 06	Check the network connection. Update in an environment where there is a small network load.
07	Time Out while obtaining entire Firmware information.	ConnectionFailed 07	Check the network connection. Update in an environment where there is a small network load.
08	Error notification received while requesting Firmware Info.	ConnectionFailed 08	Check the network connection. Update in an environment where there is a small network load.
09	Time Out while obtaining Firmware information.	ConnectionFailed 09	Check the network connection. Update in an environment where there is a small network load.
0A	Error(NG) notification received while requesting Firmware Download.	Download fail 0A	Check the network connection. Update in an environment where there is a small network load.
0B	Error(ServerBusy) notification received while requesting Firmware Download.	Download fail 0B	Check the network connection. Update in an environment where there is a small network load.
0C	Error(Connect failure) notification received while requesting Firmware Download.	Download fail 0C	Check the network connection. Update in an environment where there is a small network load.
0D	Received value with invalid Package Version.	ConnectionFailed 0D	Check the network connection. Update in an environment where there is a small network load.
0E	Connection to DPMS failed. (Cannot get NTP)	ConnectionFailed 0E	Check the network connection. Update in an environment where there is a small network load.
10	No Update Packet received from CX870 (Time Out).	Updating fail 10	Turn on the power again. Update will start automatically.
11	Abnormal data in Update Packet received from CX870 (CRCError).	Updating fail 11	Turn on the power again. Update will start automatically.



Error Code	Details of Error code	Display	Coping strategies
12	Abnormal data in Update Packet received from CX870 (PacketNo-Error).	Updating fail 12	Turn on the power again. Update will start automatically.
13	Block Erase failed before rewriting Main.	Erase fail 13	Turn on the power again. Update will start automatically.
14	Block Write failed while rewriting Main.	Updating fail 14	Turn on the power again. Update will start automatically.
15	Error in Verify after rewriting Main (Check SumError).	UpdateCheckNG 15	Turn on the power again. Update will start automatically.
16	Setup failure of the transfer method of XModem.	Updating fail 16	Check the network connection. Update in an environment where there is a small network load.
20	SBL Mode after IP Address acquisition failure (AutoIP).	ConnectionFail 20	Check the network connection. Update in an environment where there is a small network load.
21	SBL Mode after IP Address acquisition failure (Time Out).	ConnectionFail 21	Check the network connection. Update in an environment where there is a small network load.
22	Login incorrect notification SBL Mode after DPMS connection.	Login failed 22	Initialize the unit and try updating again. Update in an environment where there is a small network load.
23	Server congestion notification SBL Mode after DPMS connection.	Server is busy 23	Update in an environment where there is a small network load.
24	Connection failure notification SBL Mode after DPMS connection.	ConnectionFail 24	Check the network connection. Update in an environment where there is a small network load.
25	Failed to transit to SBL Mode.	ConnectionFail 25	Initialize the unit and try updating again.
26	Error in Firmware Download (Time Out).	Download fail 26	Check the network connection. Update in an environment where there is a small network load.
27	Failed to write to EEPROM after SBL Mode.	Download fail 27	Initialize the unit and try updating again.
36	Login incorrect notification DPMS connection.	Login failed 36	Update in an environment where there is a small network load.
37	Server congestion notification by DPMS connection.	Server is busy 37	Update in an environment where there is a small network load.
38	Connection failure notification DPMS connection.	ConnectionFail 38	Check the network connection. Update in an environment where there is a small network load.

Error Code	Details of Error code	Display	Coping strategies
39	Connect Time Out by DPMS connection.	ConnectionFail139	Check the network connection. Update in an environment where there is a small network load.
3A	Error(NG) notification received while requesting Firmware Download.	Downloaded fail 3A	Turn on the power again. Update will start automatically. Update in an environment where there is a small network load.
3B	Error(ServerBusy) notification received while requesting Firmware Download.	Downloaded fail 3B	Turn on the power again. Update will start automatically. Update in an environment where there is a small network load.
3C	Error(Connect failure) notification received while requesting Firmware Download.	Downloaded fail 3C	Turn on the power again. Update will start automatically. Update in an environment where there is a small network load.
3D	SBL Mode after IP Address acquisition failure (AutoIP).	ConnectionFail13D	Check the network connection. Update in an environment where there is a small network load.
3E	SBL Mode after IP Address acquisition failure (Time Out).	ConnectionFail13E	Check the network connection. Update in an environment where there is a small network load.
3F	Failed to transit to SBL Mode.	ConnectionFail13F	Check the network connection. Update in an environment where there is a small network load.
50	Login incorrect notification DPMS connection.	Login failed 50	Update in an environment where there is a small network load.
51	Server congestion notification by DPMS connection.	Server is busy 51	Update in an environment where there is a small network load.
52	Connection failure notification DPMS connection.	ConnectionFail152	Check the network connection. Update in an environment where there is a small network load.
54	Error notification received while requesting Firmware Info.	Updating fail 54	Turn on the power again. Update will start automatically. Update in an environment where there is a small network load.
55	Time Out while obtaining Firmware information.	Updating fail 55	Turn on the power again. Update will start automatically. Update in an environment where there is a small network load.
56	Error(NG) notification received while requesting Firmware Download.	Downloaded fail 56	Turn on the power again. Update will start automatically. Update in an environment where there is a small network load.
57	Error(ServerBusy) notification received while requesting Firmware Download.	Downloaded fail 57	Turn on the power again. Update will start automatically. Update in an environment where there is a small network load.
58	Error(Connect failure) notification received while requesting Firmware Download.	Downloaded fail 58	Turn on the power again. Update will start automatically. Update in an environment where there is a small network load.
5A	Invalid DeviceID in response or no response from Sub for C command.	ConnectionFail15A	Turn on the power again. Update will start automatically.

Error Code	Details of Error code	Display	Coping strategies
5B	NACK received in response or no response from Sub for L command.	Updating fail 5B	Turn on the power again. Update will start automatically.
5C	No Update Packet received from CX870 (Time Out).	Updating fail 5C	Turn on the power again. Update will start automatically.
5D	Abnormal data in Update Packet received from CX870 (CRCError).	Updating fail 5D	Turn on the power again. Update will start automatically.
5E	Abnormal data in Update Packet received from CX870 (PacketNo-Error).	Updating fail 5E	Turn on the power again. Update will start automatically.
5F	Setup failure of the transfer method of XModem.	Updating fail 5F	Turn on the power again. Update will start automatically.
60	NACK received in response or no response from Sub for "P" command.	Updating fail 60	Turn on the power again. Update will start automatically.
61	Mismatched Check Sum in response or no response from Sub for "I" command.	UpdateCheckNG 61	Turn on the power again. Update will start automatically.
62	Failed to start up Sub in Power On sequence during Update.	Updating fail 62	Turn on the power again. Update will start automatically.
80	Write Enable Latch Bit not set in Read after issuing WREN command.	Updating fail 80	Turn on the power again. Update will start automatically.
81	Block Erase failed in Read after issuing BE command.	Updating fail 81	Turn on the power again. Update will start automatically.
82	No Update Packet received from CX870 (Time Out).	Updating fail 82	Turn on the power again. Update will start automatically.
83	Abnormal data in Update Packet received from CX870 (CRCError).	Updating fail 83	Turn on the power again. Update will start automatically.
84	Abnormal data in Update Packet received from CX870 (PacketNo-Error).	Updating fail 84	Turn on the power again. Update will start automatically.
85	Setup failure of the transfer method of XModem.	Updating fail 85	Turn on the power again. Update will start automatically.
86	Mismatched Check Sum in Check Sum comparison after rewriting.	Updating fail 86	Turn on the power again. Update will start automatically.
A0	IP Address acquisition failure (AutoIP).	ConnectionFailIA0	Check the network connection. Update in an environment where there is a small network load.

Error Code	Details of Error code	Display	Coping strategies
A1	IP Address acquisition failure (Time Out).	ConnectionFailedA1	Check the network connection. Update in an environment where there is a small network load.
A2	Login incorrect notification DPMS connection.	LoginFailedA2	Check the network connection. Update in an environment where there is a small network load.
A3	Server congestion notification by DPMS connection.	ServerIsBusyA3	Check the network connection. Update in an environment where there is a small network load.
A4	Connection failure notification DPMS connection.	ConnectionFailedA4	Check the network connection. Update in an environment where there is a small network load.
A6	Error notification received while requesting Firmware Info.	UpdatingFailedA6	Turn on the power again. Update will start automatically. Update in an environment where there is a small network load.
A7	Time Out while obtaining Firmware information.	UpdatingFailedA7	Turn on the power again. Update will start automatically. Update in an environment where there is a small network load.
AE	Error(NG) notification received while requesting Firmware Download.	DownloadFailedAE	Turn on the power again. Update will start automatically. Update in an environment where there is a small network load.
AF	Error(ServerBusy) notification received while requesting Firmware Download.	DownloadFailedAF	Turn on the power again. Update will start automatically. Update in an environment where there is a small network load.
B0	Error(Connect failure) notification received while requesting Firmware Download.	DownloadFailedB0	Turn on the power again. Update will start automatically. Update in an environment where there is a small network load.
B1	Error in Firmware Download (Time Out).	DownloadFailedB1	Turn on the power again. Update will start automatically. Update in an environment where there is a small network load.
B2	Error notification received after rewriting CX870 Firm.	DownloadFailedB2	Turn on the power again. Update will start automatically. Update in an environment where there is a small network load.
B3	Error in Firmware Update (Time Out).	UpdatingFailedB3	Turn on the power again. Update will start automatically. Update in an environment where there is a small network load.
B4	Failed to transit to Boot Loader Mode.	UpdatingFailedB4	Initialize the unit and try updating again.
B5	Failed to transit to Application Mode.	UpdatingFailedB5	Initialize the unit and try updating again.

## Device display during firmware update

Display of target device during firmware update.

Target device	Display	Error code when an error occurs
Main	Main:***%   ***min	08 - 0C 10 - 15 22 - 24 36 - 3E
Sub	Sub:***%   ***min	50 - 52 54 - 58 5A - 64
Audio PLD	APLD:***%   ***min	50 - 52 54 - 58 5A - 61
VIDEO PLD	VPLD:***%   ***min	50 - 52 54 - 58 5A - 64
DSP	DSP:***%   ***min	50 - 52 54 - 58 5A - 61
GUI Serial Flash	GUI:***%   ***min	50 - 52 54 - 58 5A - 61 80 - 86
CX870 Boot Loader	ESBL:***%   ***min	A0 - A4 A6 - A7 AE - B5
CX870 Image	EIMG:***%   ***min	A0 - A4 A6 - A7 AE - B5
CX870 Image (Emergency Mode)	Update retry	-

## Checking the Firmware Version After an Update

After updating the firmware, check the version.

See "1. Version Display Mode" ( [20 page](#) ).

# ADJUSTMENT

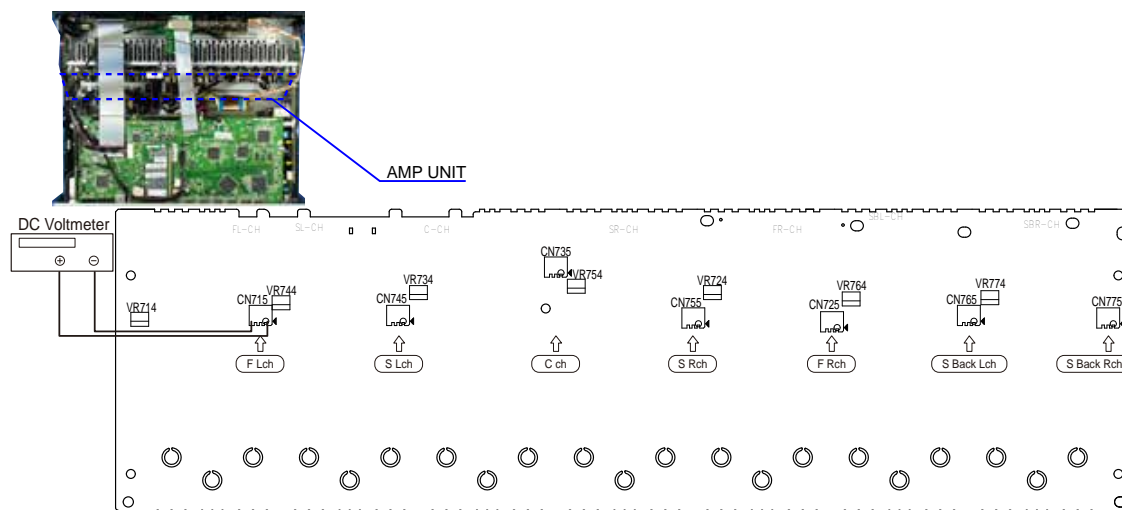
## Adjusting Idling Current

### 1. Preparation

- (1) Prepare a DV voltmeter.
- (2) Place the unit in normal usage conditions, away from highly ventilated areas such as next to an air conditioning machine or electric fan.  
The set requires an ambient temperature of 15°C to 30°C and standard humidity.
- (3) Settings of This Unit
  - POWER (Power source switch) STANDBY
  - SPEAKER (Speaker terminal) No load  
( Do not connect equipment such as speakers or dummy resistors. )

### 2. Adjustment Procedure

- (1) Remove the top cover and turn VR714, VR724, VR734, VR744, VR754, VR764, VR774 of the AMP UNIT as far anticlockwise(↺) as possible.
- (2) Connect the DC Voltmeter test points.  
FRONT-Lch : CN715  
FRONT-Rch : CN725  
CENTER ch : CN735  
SURROUND-Lch : CN745  
SURROUND-Rch : CN755  
SURROUND-BACK Lch : CN765  
SURROUND-BACK Rch : CN775
- (3) Connect the power cord to an outlet. Next, press the power button to turn on the power.
- (4) Set this unit as follows.  
MASTER VOLUME : "---" anticlockwise (↺ min.)  
SPEAKER (Speaker terminal) : No load  
( Do not connect equipment such as speakers or dummy resistors. )  
MODE : MCH STEREO  
FUNCTION : DVD
- (5) Turn VR714 clockwise (↻) and adjust the voltage of the test point to "**6.5mV ± 0.5mV DC**" within 2 minutes.
- (6) 10 minutes after the preliminary adjustment, turn VR714 and set the voltage as "**8.0mV ± 0.5mV DC**".
- (7) Adjust the variable resistance of each channel using the same method.



# SURROUND MODES AND PARAMETERS

## Sound modes and channel output

- This indicates the audio output channels or surround parameters that can be set.
- ⊙ This indicates the audio output channels. The output channels depend on the settings of "Speaker Config." (☞ p. 191).

Sound mode (☞ p. 119)	Channel output						
	Front L/R	Center	Surround L/R	Surround back L/R	Front height L/R	Front wide L/R	Subwoofer
Direct/Pure Direct (2-channel)	○						⊙*4
Direct/Pure Direct (Multi-channel)	○	⊙	⊙	⊙*1	⊙*1	⊙*1	○
DSD Direct (2-channel)	○						⊙*4
DSD Direct (Multi-channel)	○	⊙	⊙				○
Stereo	○						○
Multi Ch In	○	⊙	⊙	⊙*1	⊙*2		○
Dolby Pro Logic IIz	○	⊙	⊙		○		○
Dolby Pro Logic IIx	○	⊙	⊙	○			○
Dolby Pro Logic II	○	⊙	⊙				○
Dolby Pro Logic II A-DSX	○	⊙	⊙		⊙*3	⊙*3	○
DTS Neo:X	○	⊙	⊙	○	○	○	○
Audyssey DSX®	○	⊙	⊙		⊙*3	⊙*3	○
Dolby Digital	○	⊙	⊙	○	⊙*2		○
Dolby Digital Plus	○	⊙	⊙	⊙*1	⊙*1	⊙*1	○
Dolby TrueHD	○	⊙	⊙	⊙*1	⊙*1	⊙*1	○
DTS Surround	○	⊙	⊙	○	⊙*2		○
DTS 96/24	○	⊙	⊙	○	⊙*2		○
DTS-HD	○	⊙	⊙	⊙*1	⊙*1	⊙*1	○
DTS Express	○	⊙	⊙	○	⊙*2		○
Multi Ch Stereo	○	⊙	⊙	○		○	○
Rock Arena	○	⊙	⊙	○	○	○	○
Jazz Club	○	⊙	⊙	○	○	○	○
Mono Movie	○	⊙	⊙	○	○	○	○
Video Game	○	⊙	⊙	○	○	○	○
Matrix	○	⊙	○	○	○	○	○
Virtual	○						○

- \*1 A signal for each channel contained in an input signal is output as audio.
- \*2 Audio is output when the set sound mode name contains "+PLIIz".
- \*3 Audio is output from the speakers specified in the "Audyssey DSX®" (☞ p. 161) settings.
- \*4 Audio is output when "Subwoofer Mode" in the menu is set to "LFE+Main". (☞ p. 196)

## Sound modes and surround parameters

Sound mode (☞ p. 119)	Surround Parameter (☞ p. 153)									
	Dialog Level Adjust (☞ p. 152)	Subwoofer Level Adjust (☞ p. 152)	Cinema EQ (☞ p. 153)	Loudness Management *1 (☞ p. 153)	Dynamic Compression *2 (☞ p. 154)	Low Frequency Effects *3 (☞ p. 154)	Delay Time (☞ p. 155)	Effect Level (☞ p. 155)	Room Size (☞ p. 156)	Height Gain *4 (☞ p. 156)
Direct/Pure Direct (2-channel) *5		○*6		○	○					
Direct/Pure Direct (Multi-channel) *5	○	○		○	○	○				
DSD Direct (2-channel)		○*6								
DSD Direct (Multi-channel) *5	○	○				○				
Stereo		○		○	○	○				
Multi Ch In	○	○	○*7			○				
Dolby Pro Logic IIz	○	○	○	○	○					○
Dolby Pro Logic IIx	○	○	○*8	○	○					
Dolby Pro Logic II	○	○	○*8	○	○					
Dolby Pro Logic II A-DSX	○	○	○*8	○	○					
DTS Neo:X	○	○	○*8	○	○					
Audyssey DSX®	○	○	○	○	○	○				
Dolby Digital	○	○	○*7		○	○				○
Dolby Digital Plus	○	○	○*7		○	○				○
Dolby TrueHD	○	○	○*7	○	○	○				○
DTS Surround	○	○	○*7		○	○				○
DTS 96/24	○	○	○*7			○				○
DTS-HD	○	○	○*7			○				○
DTS Express	○	○	○*7			○				○
Multi Ch Stereo	○	○		○	○	○				
Rock Arena	○	○		○	○	○		○	○	
Jazz Club	○	○		○	○	○		○	○	
Mono Movie	○	○		○	○	○		○	○	
Video Game	○	○		○	○	○		○	○	
Matrix	○	○		○	○	○	○			
Virtual	○	○		○	○	○				

- \*1 - \*8: "Sound modes and surround parameters" (☞ p. 251)

Sound mode (☞ p. 119)	Surround Parameter (☞ p. 153)				Tone *7 (☞ p. 115)	Audyssey (☞ p. 159)				Restorer *10 (☞ p. 157)
	Pro LogicII/IIx Music mode only			Neo:X mode only		MultEQ® XT *8 (☞ p. 159)	Dynamic EQ *9 (☞ p. 160)	Dynamic Volume *9 (☞ p. 161)	Audyssey DSX® (☞ p. 161)	
	Panorama (☞ p. 154)	Dimension (☞ p. 155)	Center Width (☞ p. 155)	Center Gain (☞ p. 154)						
Direct/Pure Direct (2-channel) *5										
Direct/Pure Direct (Multi-channel) *5										
DSD Direct (2-channel)										
DSD Direct (Multi-channel) *5										
Stereo					○	○	○	○		○
Multi Ch In					○	○	○	○	○	
Dolby Pro Logic IIz					○	○	○	○		○
Dolby Pro Logic IIx	○	○	○		○	○	○	○		○
Dolby Pro Logic II	○	○	○		○	○	○	○	○	○
Dolby Pro Logic II A-DSX	○	○	○		○	○	○	○	○	○
DTS Neo:X				○	○	○	○	○		○
Audyssey DSX®					○	○	○	○	○	○
Dolby Digital					○	○	○	○	○	
Dolby Digital Plus					○	○	○	○	○	
Dolby TrueHD					○	○	○	○	○	
DTS Surround					○	○	○	○	○	
DTS 96/24					○	○	○	○	○	
DTS-HD					○	○	○	○	○	
DTS Express					○	○	○	○	○	
Multi Ch Stereo					○	○	○	○		○
Rock Arena					○	○	○	○		○
Jazz Club					○	○	○	○		○
Mono Movie					○	○	○	○		○
Video Game					○	○	○	○		○
Matrix					○	○	○	○		○
Virtual					○	○	○	○		○

\*5, \*9 – \*12 : "Sound modes and surround parameters" (☞ p. 251)

- \*1 This item can be selected when a Dolby TrueHD signal is played.
- \*2 This item can be selected when Dolby TrueHD, Dolby Digital or DTS signal is played.
- \*3 This item can be selected when a Dolby Digital or DTS signal or DVD-Audio is played.
- \*4 This setting is available when the set sound mode name contains "+PLIIz".
- \*5 During playback in Pure Direct mode, the surround parameters are the same as in Direct mode.
- \*6 This setting is available when "Subwoofer Mode" in the menu is set to "LFE+Main". (☞ p. 196)
- \*7 This setting is unavailable when the set sound mode name contains "+PLII Music" or "+Neo:X Music".
- \*8 This setting is possible when the sound mode is "Cinema" mode.
- \*9 This item cannot be set when "Dynamic EQ" is set to "On". (☞ p. 160)
- \*10 This item cannot be set when Audyssey® Setup (Speaker Calibration) has not been performed.
- \*11 This item cannot be set when "MultEQ® XT" is set to "Off". (☞ p. 159)
- \*12 This item can be set when the input signal is analog, PCM 48 kHz or 44.1 kHz.



# Types of input signals, and corresponding sound modes

- This indicates the default sound mode.
- This indicates the selectable sound mode.

Sound mode (☞ p. 119)	NOTE	2-channel signal					Multi-channel signal								
		Analog / PCM	Dolby Digital (+/HD)/ DTS (-HD)	DSD (Super Audio CD)	PCM Multi	DTS-HD	DTS Express	DTS ES Dscrt6.1	DTS ES Mtrix6.1	DTS	Dolby TrueHD	Dolby Digital Plus	Dolby Digital EX	Dolby Digital	DSD (Super Audio CD)
<b>DTS Surround</b>															
DTS-HD Mstr						●*6									
DTS-HD Hi Res						●*7									
DTS ES Dscrt6.1	*1							●							
DTS ES Mtrix6.1	*1								●						
DTS Surround								○		○					
DTS 96/24															
DTS (-HD) + PLIIx	*1*2					○		○							
DTS (-HD) + PLIIz	*3					○		○		○					
DTS Express									●						
DTS (-HD) + Neo:X	*4					○		○		○					
DTS Neo:X	*5	○	○												
<b>Dolby Surround</b>															
Dolby TrueHD												●			
Dolby Digital+												●			
Dolby Digital EX	*1											○		○	
Dolby (D+) (HD) + EX	*1											○		○	
Dolby Digital													●	●	
Dolby (D) (D+) (HD) + PLIIx	*1*2											○		○	
Dolby (D) (D+) (HD) + PLIIz	*3											○		○	
Dolby (D) (D+) (HD) + Neo:X	*4											○		○	
Dolby Pro Logic II/IIx	*5	○	○	○											
Dolby Pro Logic IIz	*3	○	○	○											

\*1 - \*8 : "Types of input signals, and corresponding sound modes" (☞ p. 254)

Sound mode (☞ p. 119)	NOTE	2-channel signal					Multi-channel signal								
		Analog / PCM	Dolby Digital (+/HD)/ DTS (-HD)	DSD (Super Audio CD)	PCM Multi	DTS-HD	DTS Express	DTS ES Dscrt 6.1	DTS ES Mtrix 6.1	DTS	Dolby TrueHD	Dolby Digital Plus	Dolby Digital EX	Dolby Digital	DSD (Super Audio CD)
<b>Multi Ch In</b>															
Multi Ch In					●										●
Multi Ch In + Dolby EX	*1				○										○
Multi Ch In + PLIIx	*1*2				○										○
Multi Ch In + PLIIz	*3				○										○
Multi Ch In + Neo:X	*4				○										○
Multi Ch In 7.1	*1				●*10										
<b>Audyssey</b>															
Audyssey DSX®					○	○	○	○	○	○	○	○	○	○	○
DOLBY PLII/II A-DSX	*5	○	○	○											
<b>Direct</b>															
Direct		○*9	○		○	○	○	○	○	○	○	○	○	○	○
<b>Pure Direct</b>															
Pure Direct		○	○		○	○	○	○	○	○	○	○	○	○	○
<b>Original sound mode</b>															
Multi Ch Stereo		○	○	○	○	○	○	○	○	○	○	○	○	○	○
Rock Arena		○	○	○	○	○	○	○	○	○	○	○	○	○	○
Jazz Club		○	○	○	○	○	○	○	○	○	○	○	○	○	○
Mono Movie		○	○	○	○	○	○	○	○	○	○	○	○	○	○
Video Game		○	○	○	○	○	○	○	○	○	○	○	○	○	○
Matrix		○	○	○	○	○	○	○	○	○	○	○	○	○	○
Virtual		○	○	○	○	○	○	○	○	○	○	○	○	○	○
<b>Stereo</b>															
Stereo		●	○	○	○	○	○	○	○	○	○	○	○	○	○

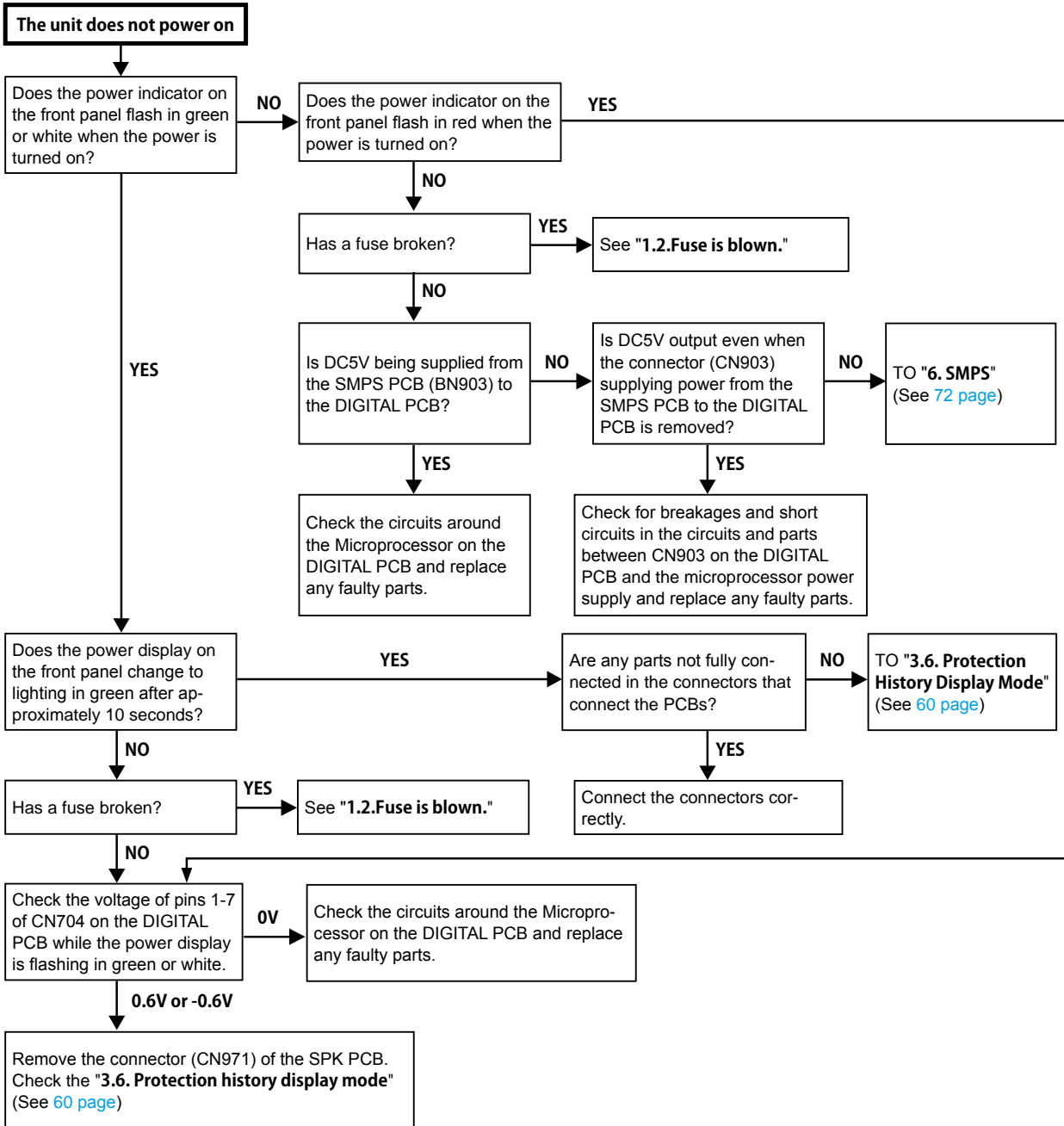
\*1 - \*5, \*9, \*10 : "Types of input signals, and corresponding sound modes" (☞ p. 254)

- \*1 This item can be selected when surround back speakers are used.
- \*2 The "Cinema" mode or "Music" mode can be selected. When using a single surround back speaker, the "Music" mode is used.
- \*3 This item can be selected when front height speakers are used.
- \*4 The "Cinema" mode, "Music" mode or "Game" mode can be selected. This item can be selected when using any of the surround back, front height or front wide speaker.
- \*5 The "Cinema" mode, "Music" mode or "Game" mode can be selected.
- \*6 This item can be selected when the input signal is DTS-HD Master Audio.
- \*7 This item can be selected when the input signal is DTS-HD Hi Resolution.
- \*8 This item can be selected when the input signal is DTS 96/24.
- \*9 The default sound mode for the AirPlay playback is Direct.
- \*10 This item can be selected when the input signals contain surround back signals.

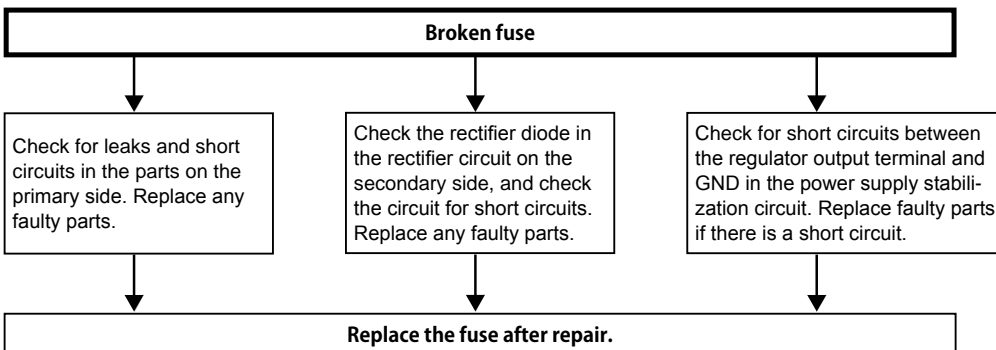
# TROUBLE SHOOTING

## 1. POWER

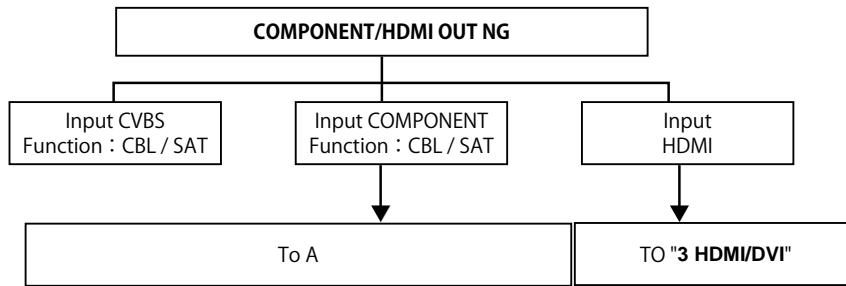
### 1.1. The unit does not power on



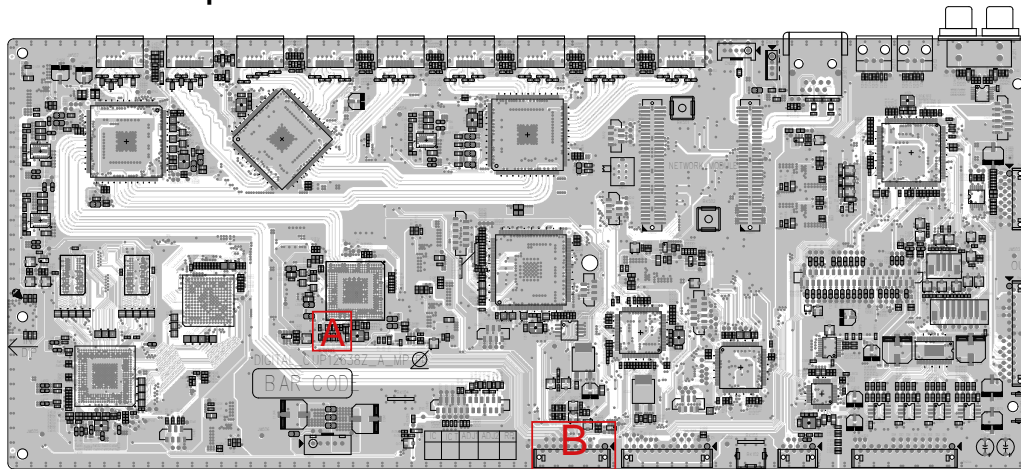
### 1.2. Fuse is blown



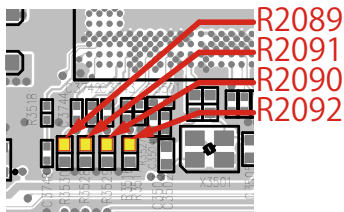
## 2. Analog video



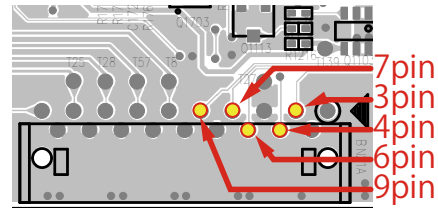
### <DIGITAL PCB> test point



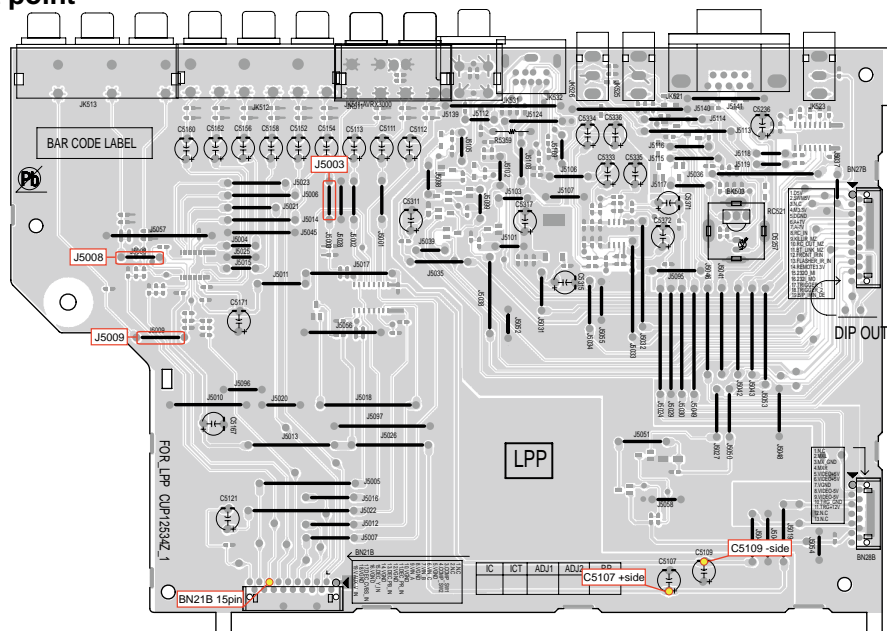
Detail A



Detail B



### <Video PCB> test point



**A**

**Input  
CVBS / COMPONENT**

①  
Check the input signal to the  
VIDEO DECODER.  
Can a signal be confirmed at  
the following points?  
DIGITAL PCB  
V : R3527  
COMPONENT-Y : R3530  
COMPONENT-Cb : R3528  
COMPONENT-Cr : R3529

**NO**

Check the connection between  
the PCBs.

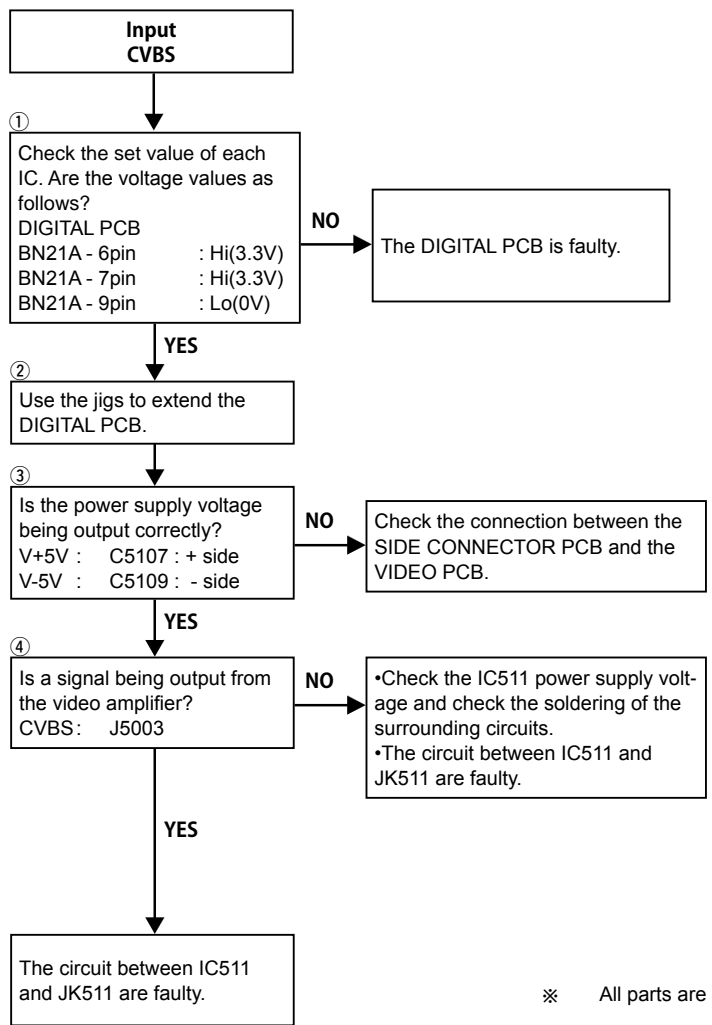
**NO**

**Input CVBS : Check B  
Input COMPONENT : Check C**

**YES**

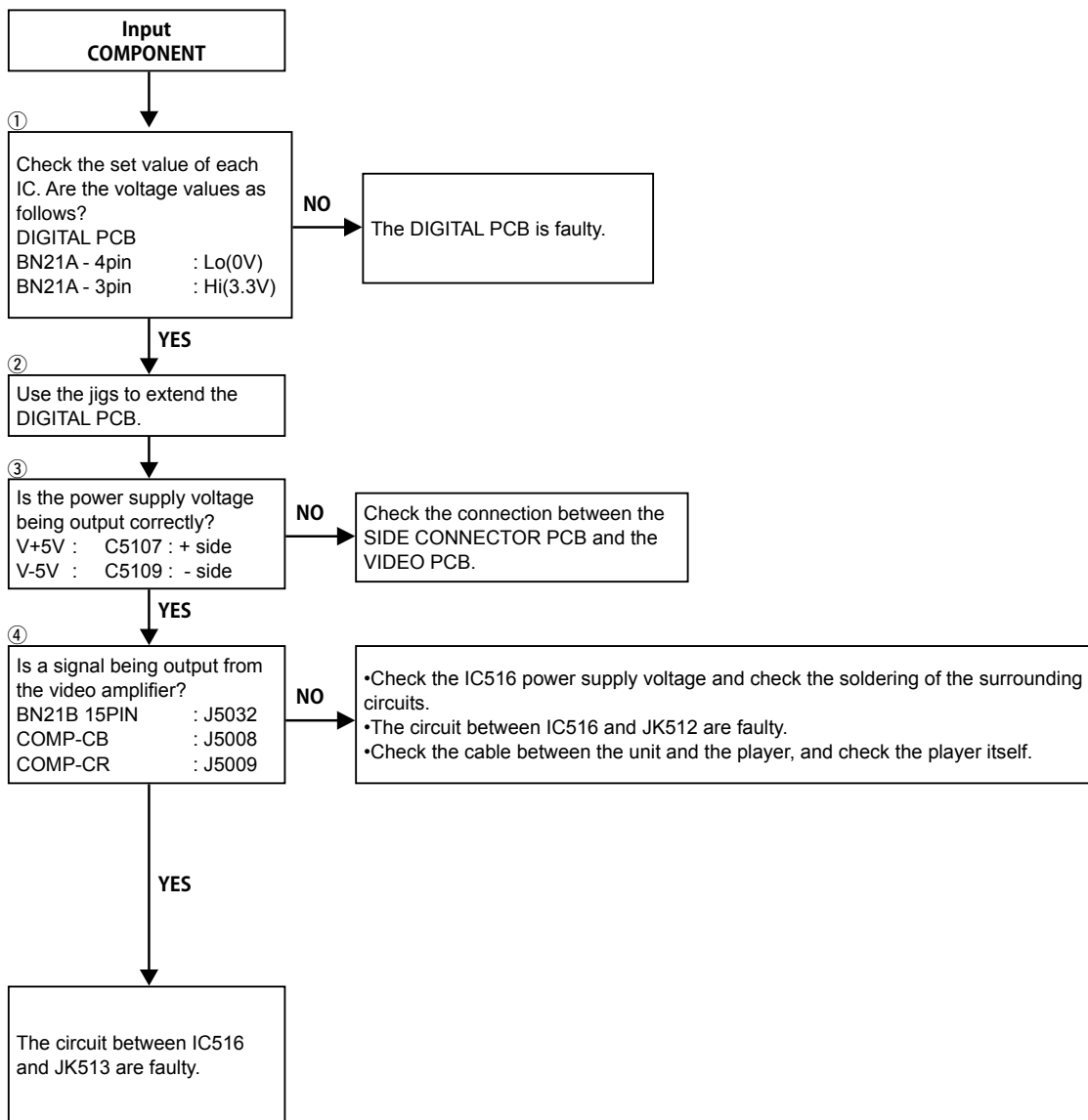
**Output COMPONENT NG : Check C-4  
Output HDMI NG : See 3. HDMI/DVI**

**B**



※ All parts are VIDEO PCB parts unless otherwise specified.

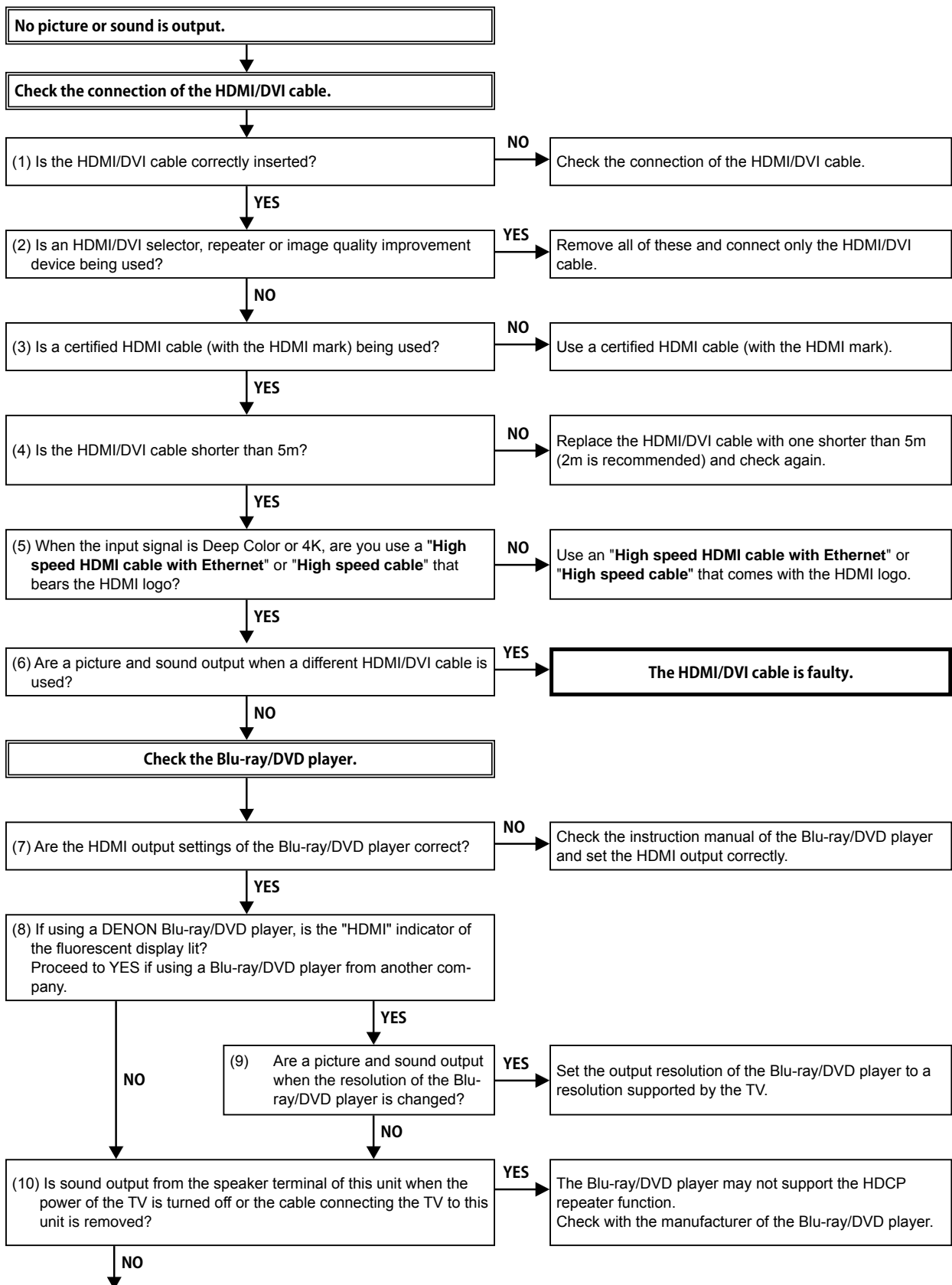
C

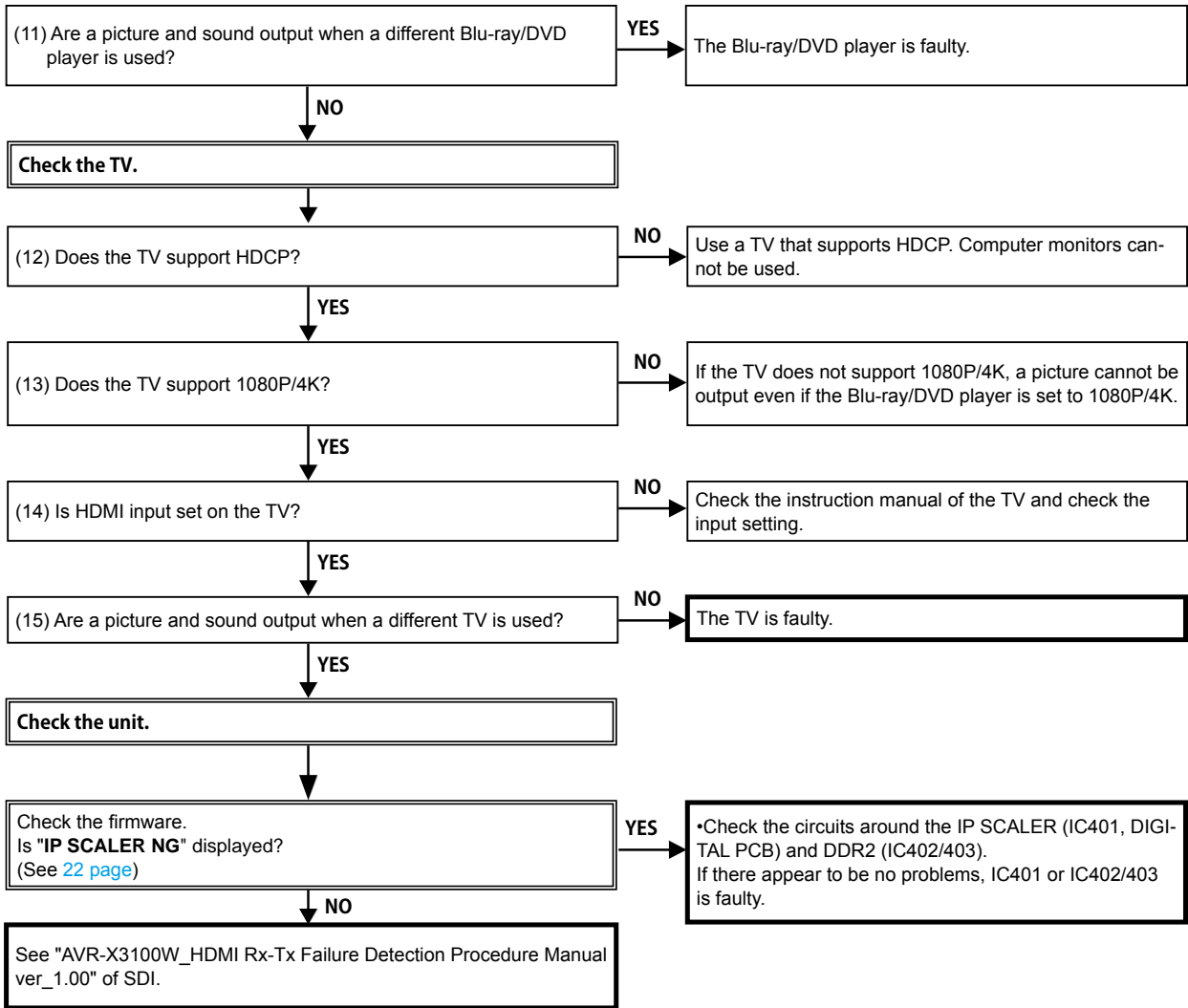


※ All parts are VIDEO PCB parts unless otherwise specified.

### 3. HDMI/DVI

#### 3.1. No picture or sound is output (HDMI to HDMI)

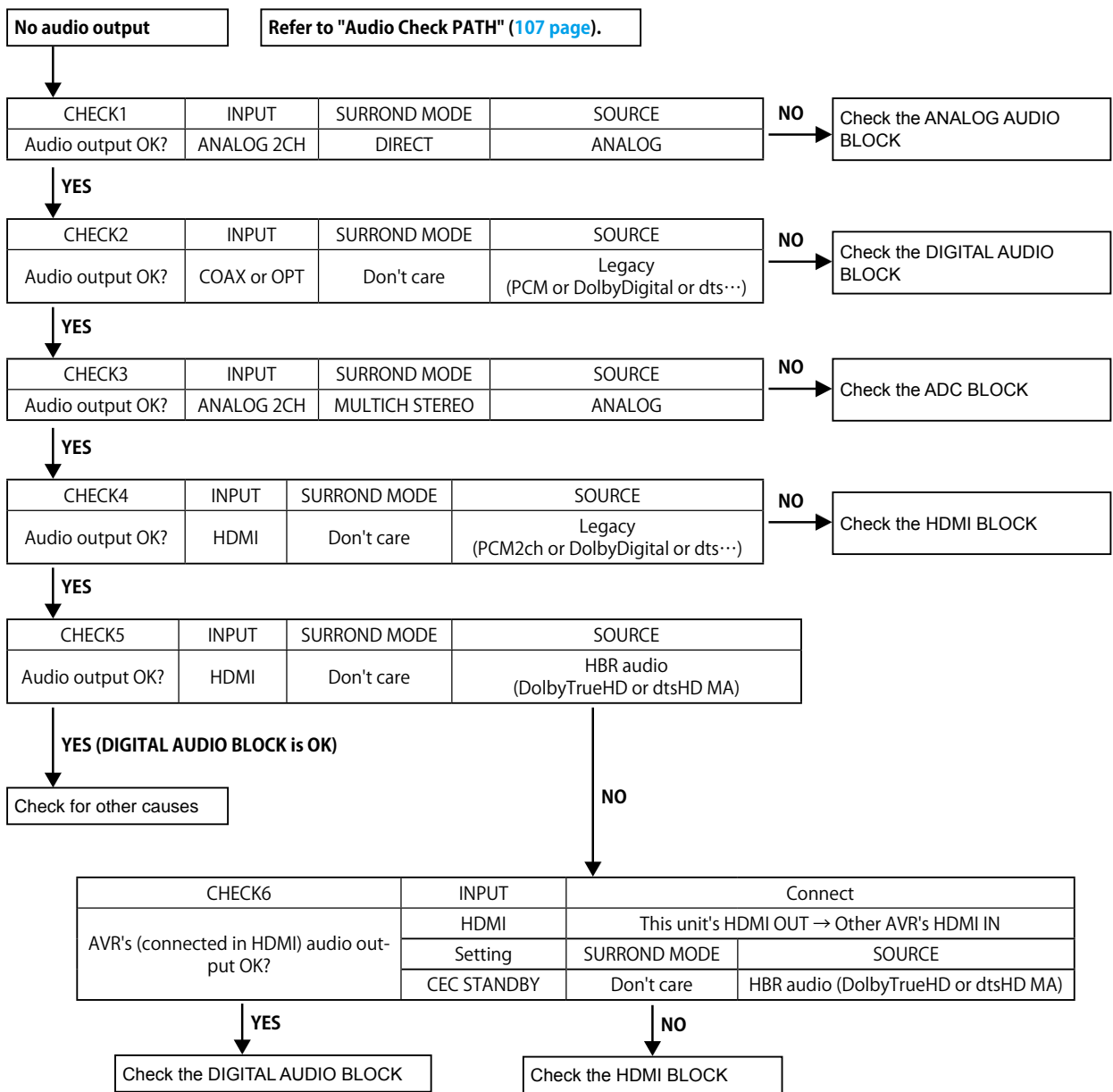




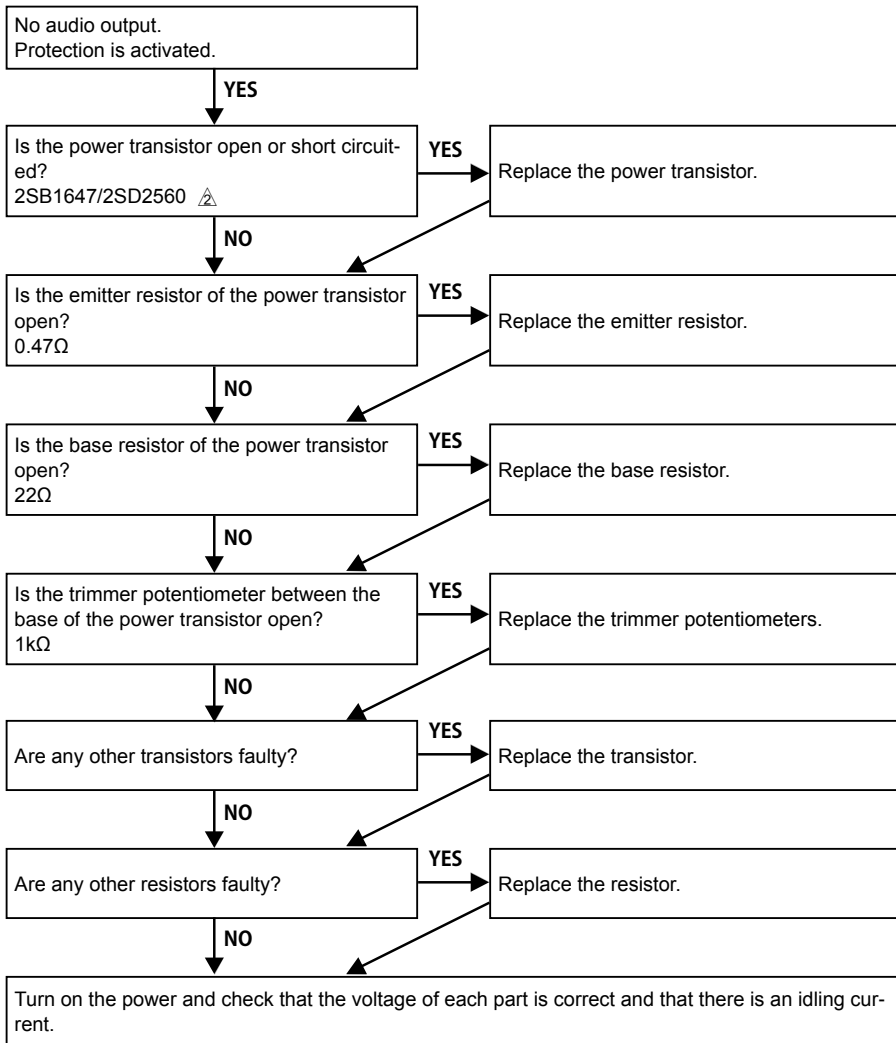


## 4. AUDIO

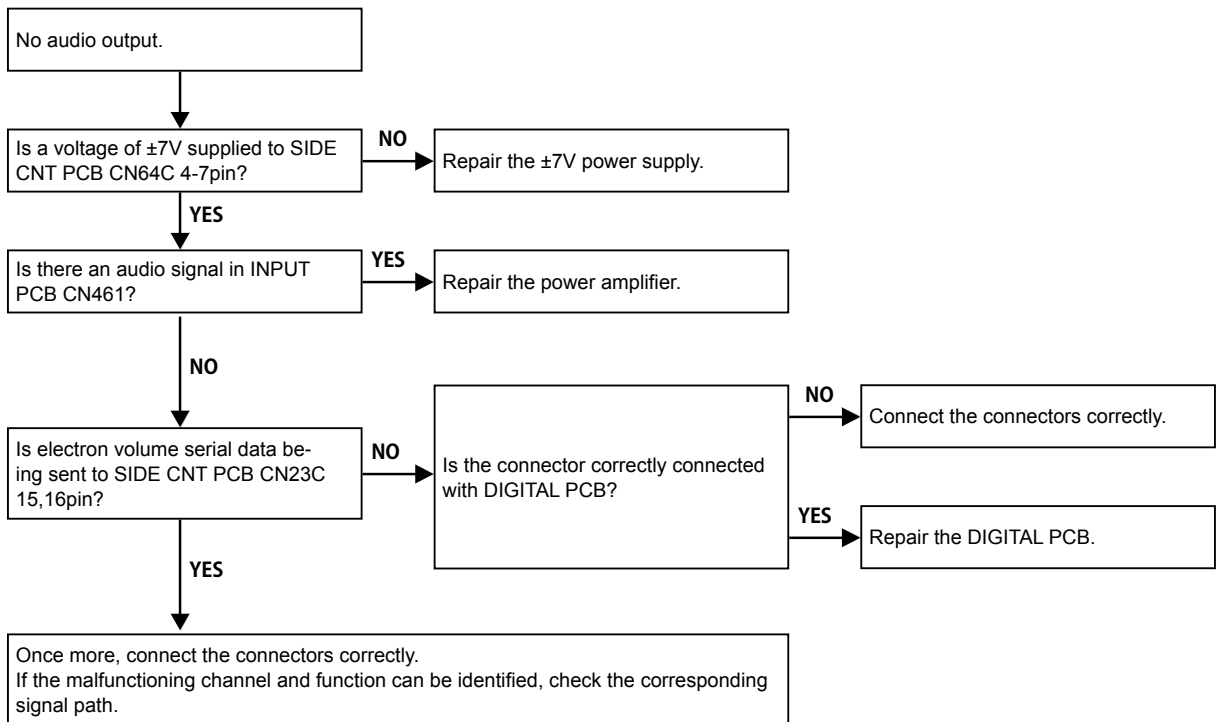
### 4.1. AUDIO CHECK



## 4.2. Power AMP (AMP PCB)

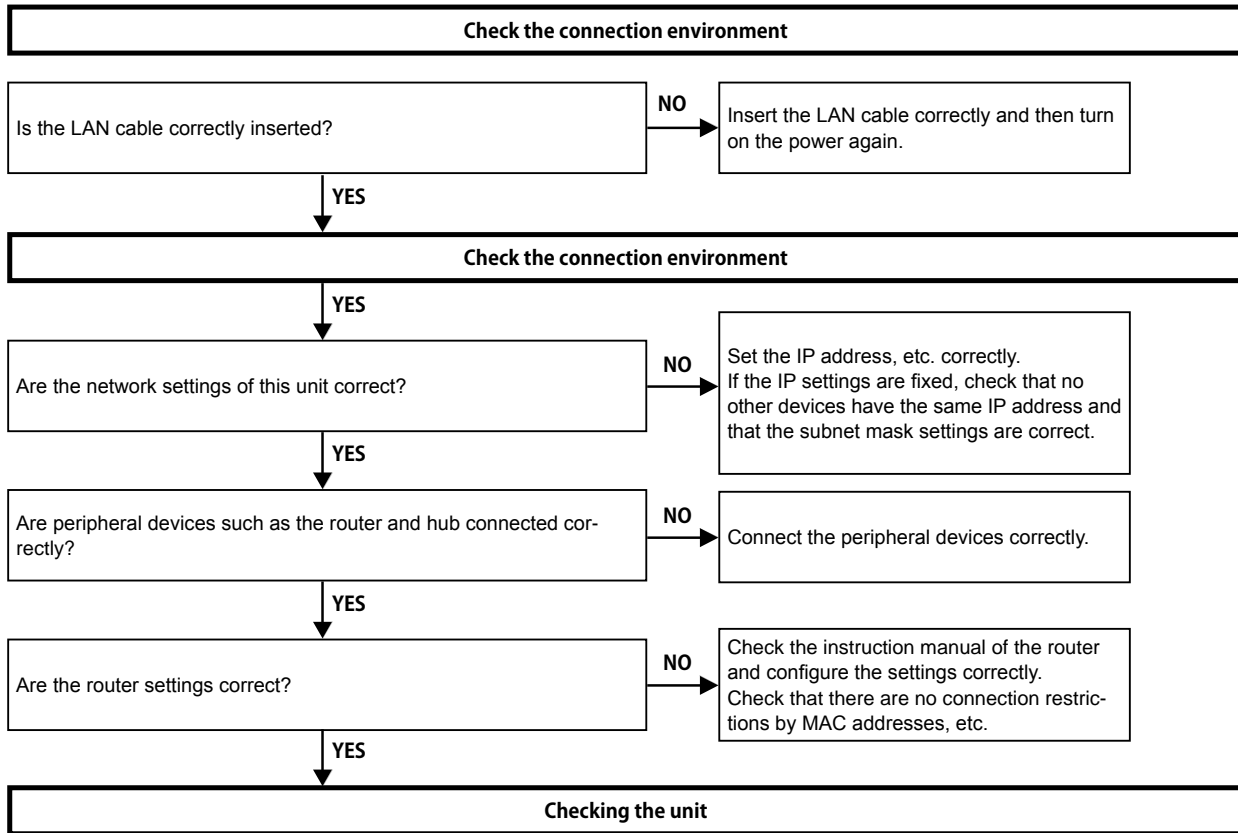


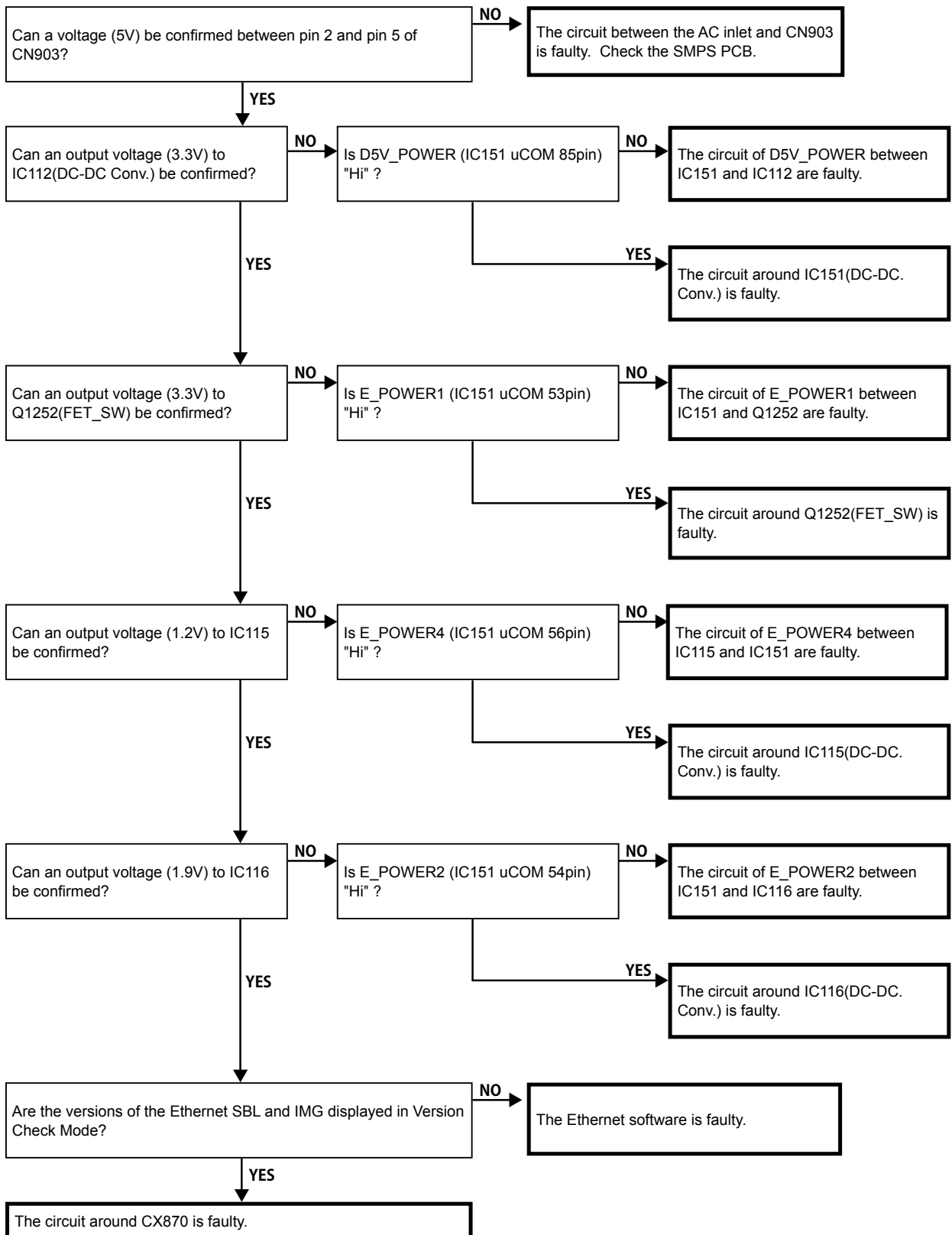
### 4.3. Analog audio



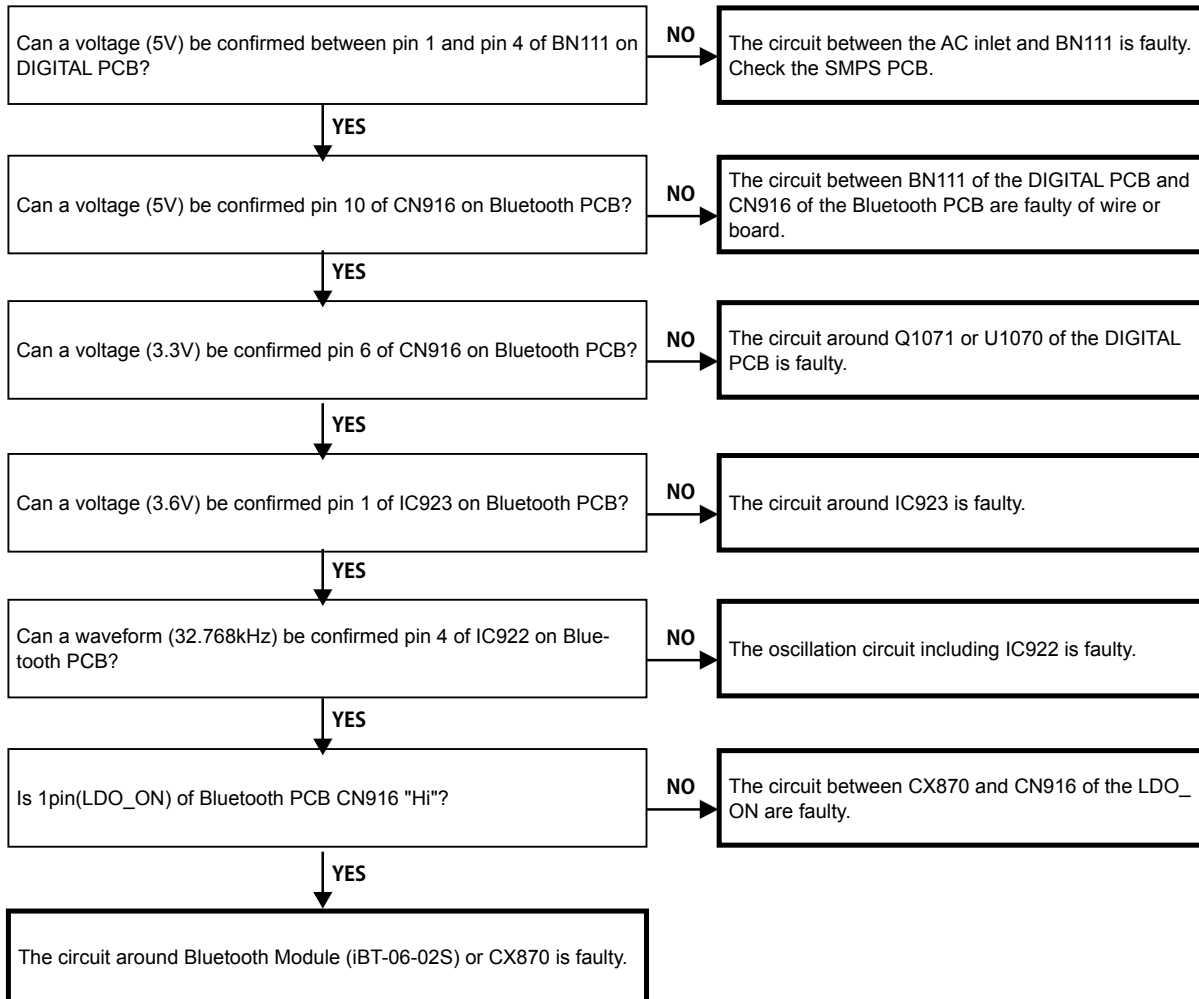
## 5. Network/Bluetooth/USB

### 5.1. Cannot connect to the network

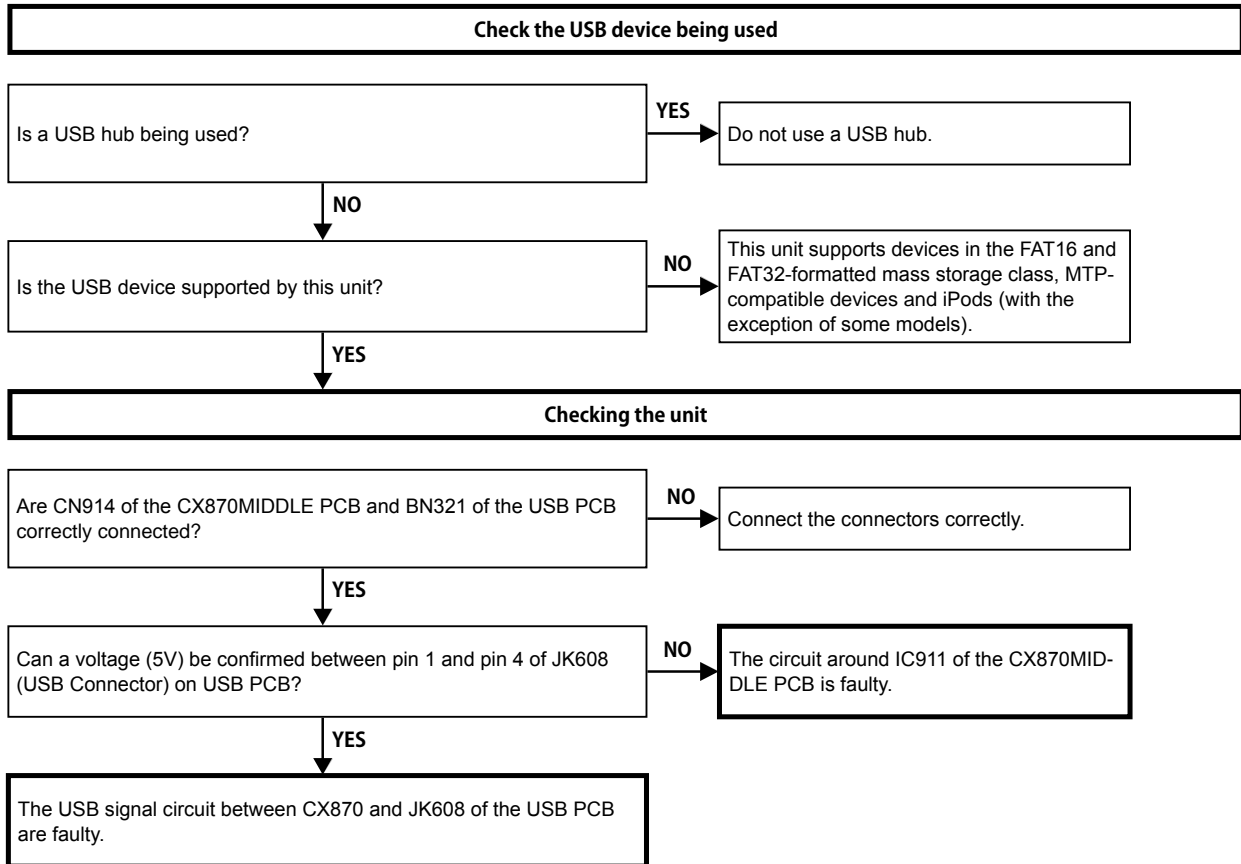




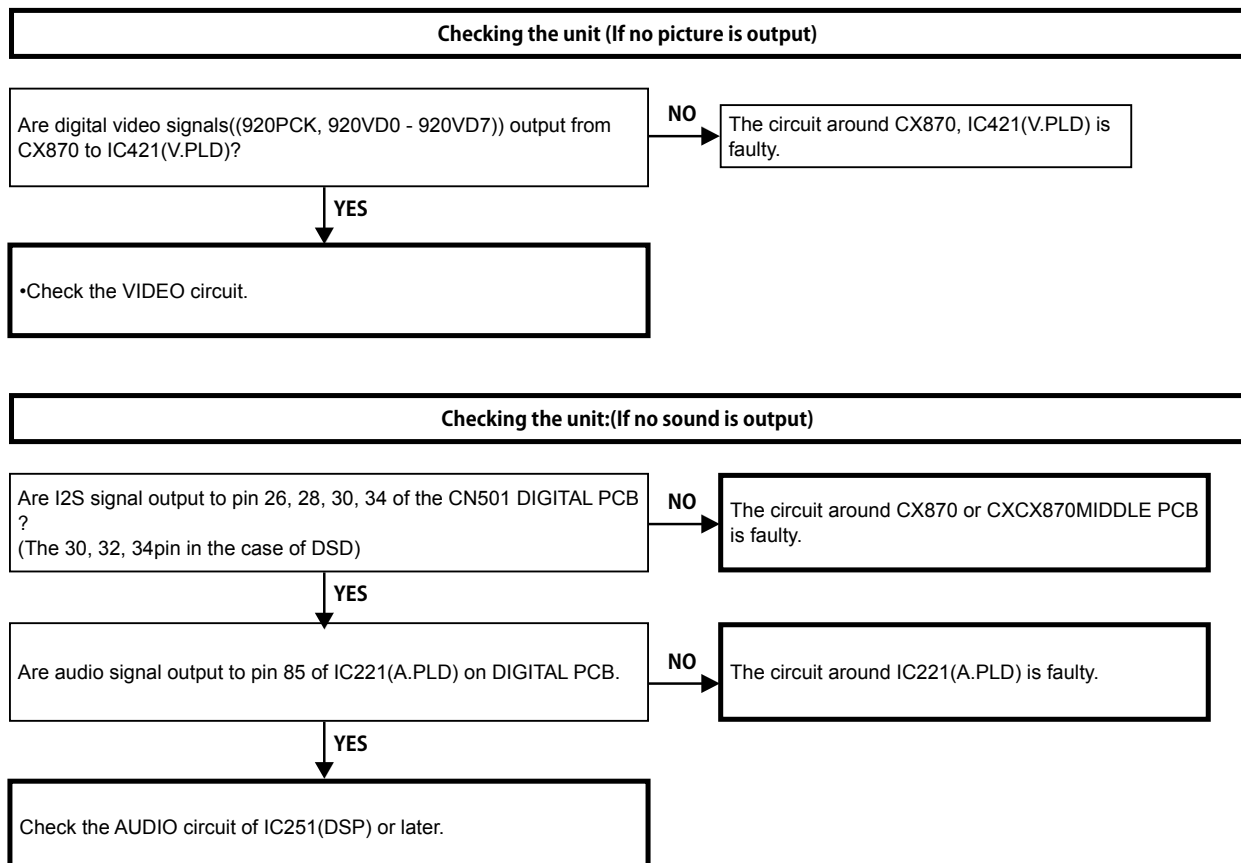
## 5.2. Cannot connect to the Bluetooth



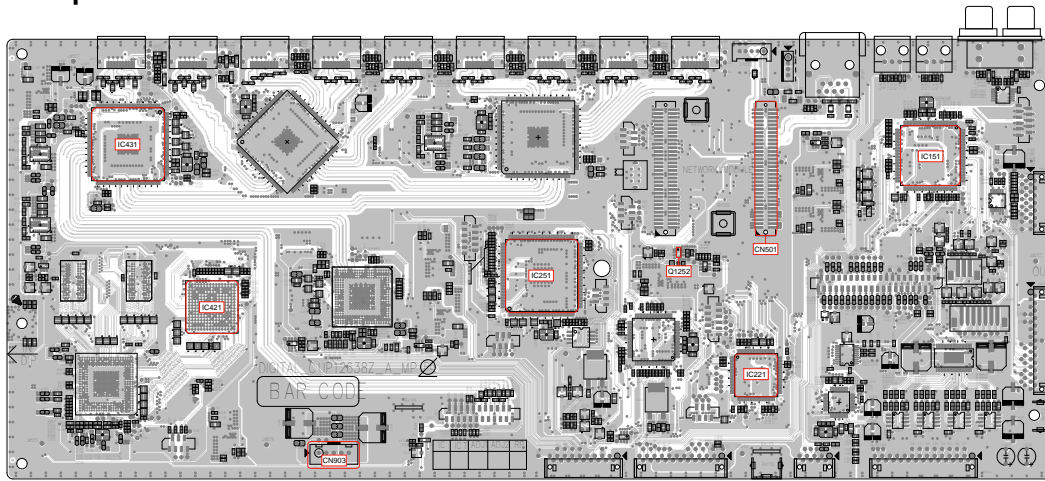
### 5.3. A connected USB device is not recognized.



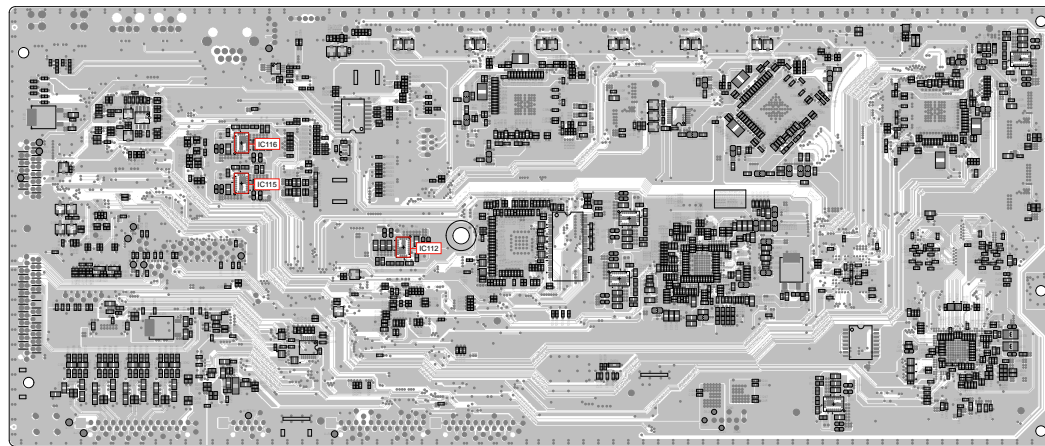
### 5.4. No picture or sound is output



## HDMI test point

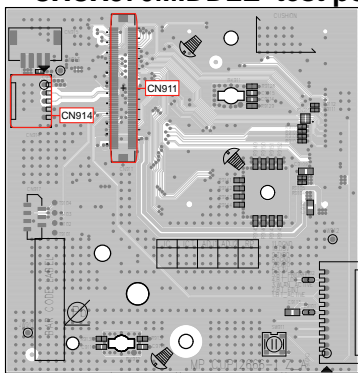


(A SIDE)

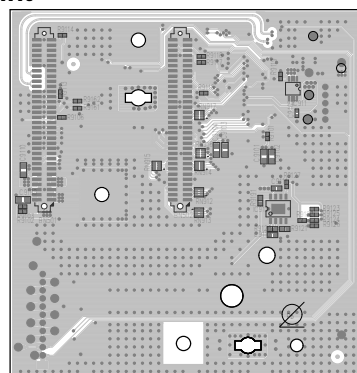


(B SIDE)

## CXCX870MIDDLE test point

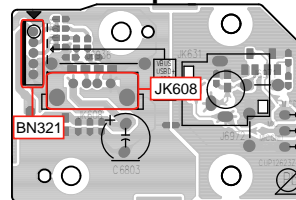


(A SIDE)



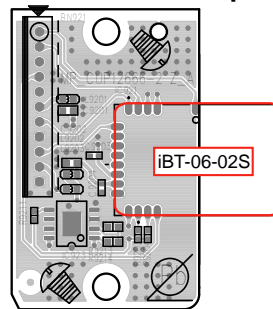
(B SIDE)

## USB test point



(A SIDE)

## Bluetooth test point

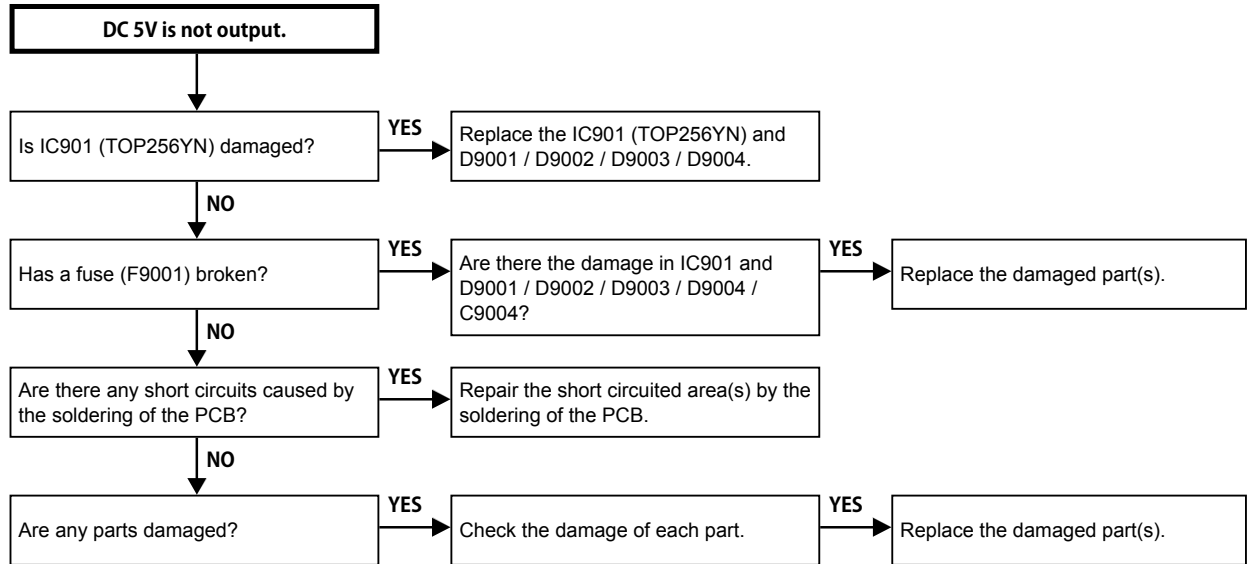


(A SIDE)

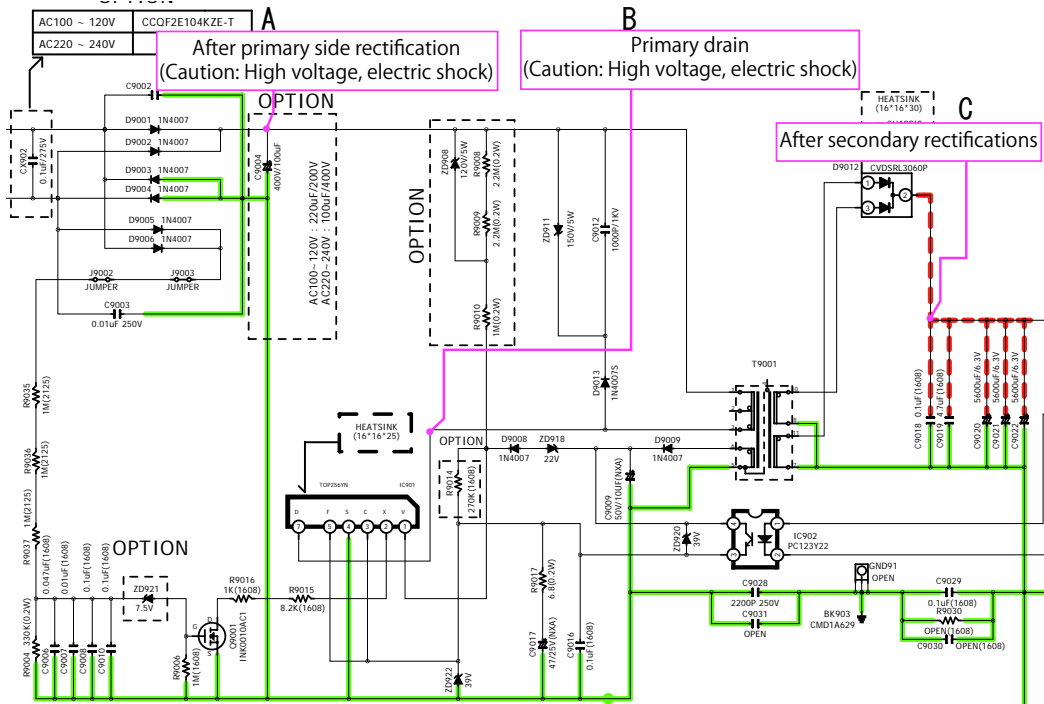
**テスト  
POINT  
要確認**



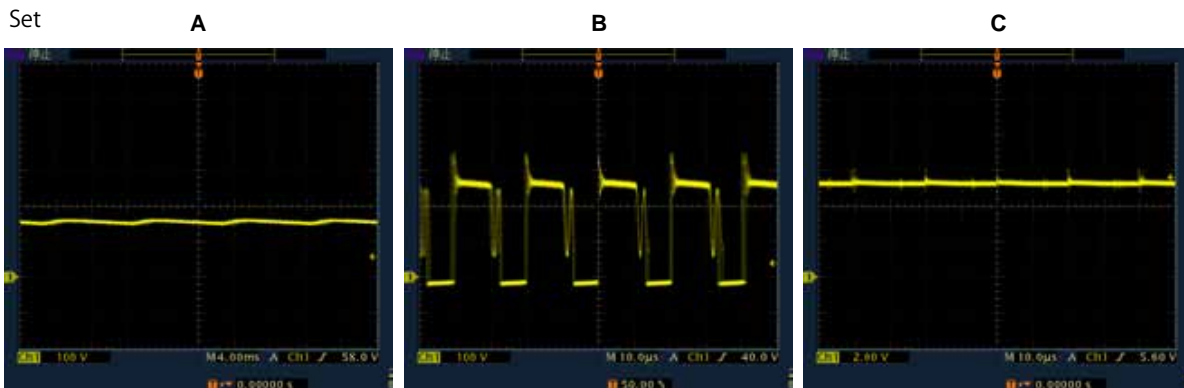
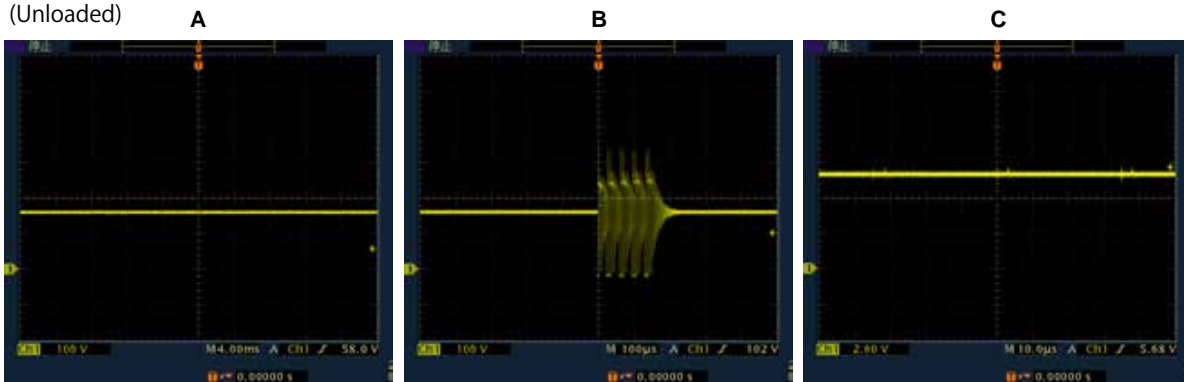
## 6. SMPS



# Operation waveform for each part

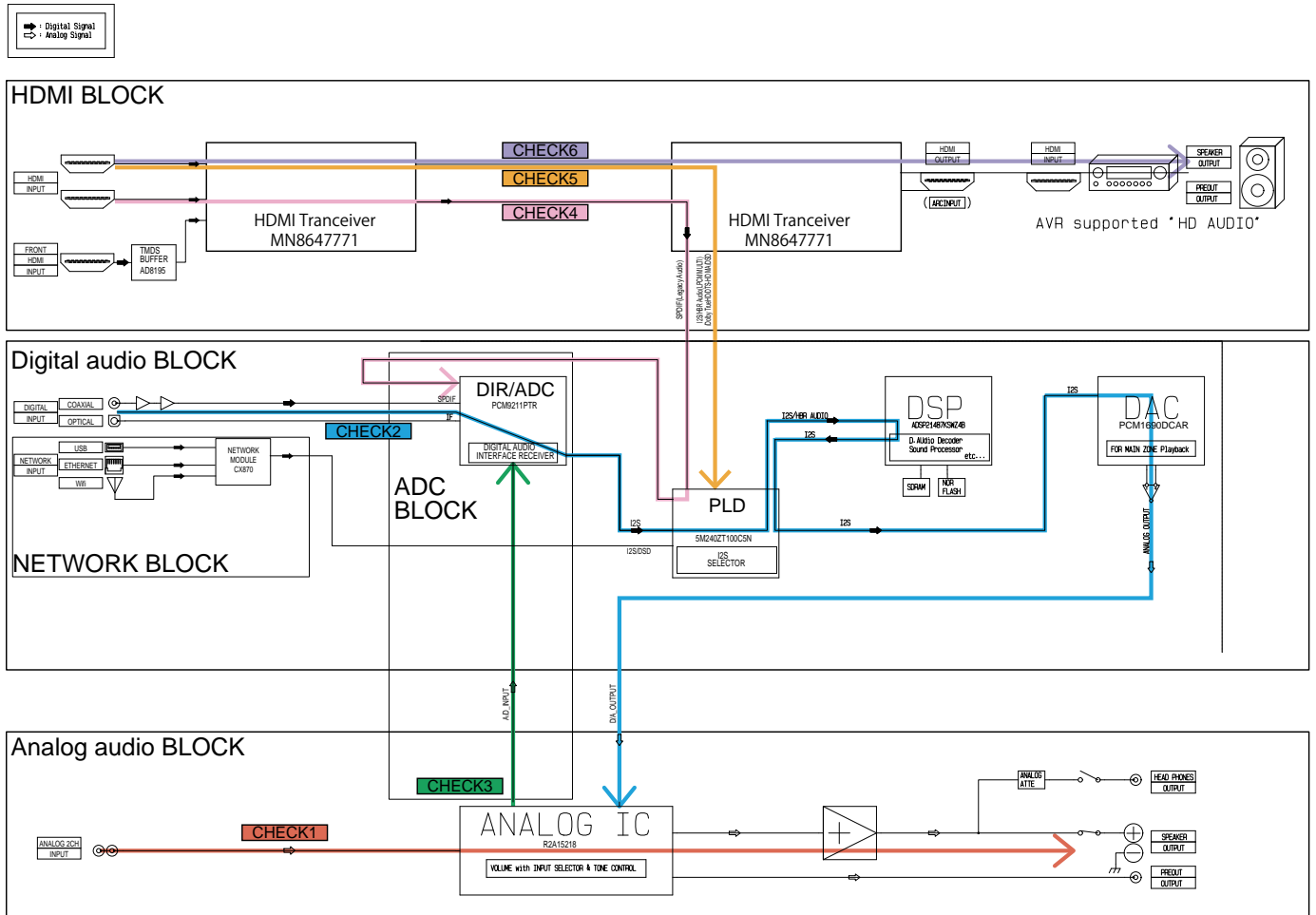


SMPS unit  
(Unloaded)



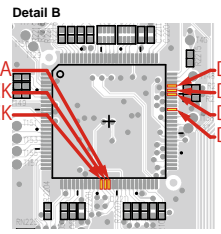
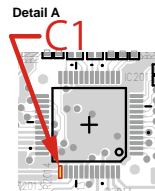
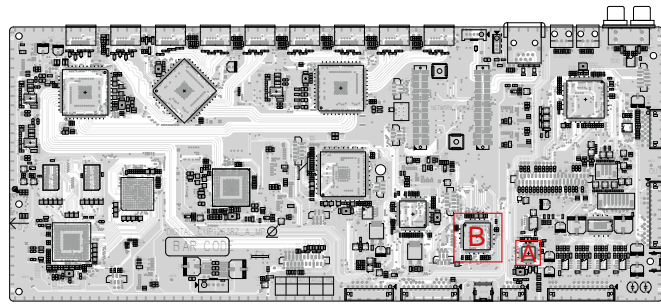
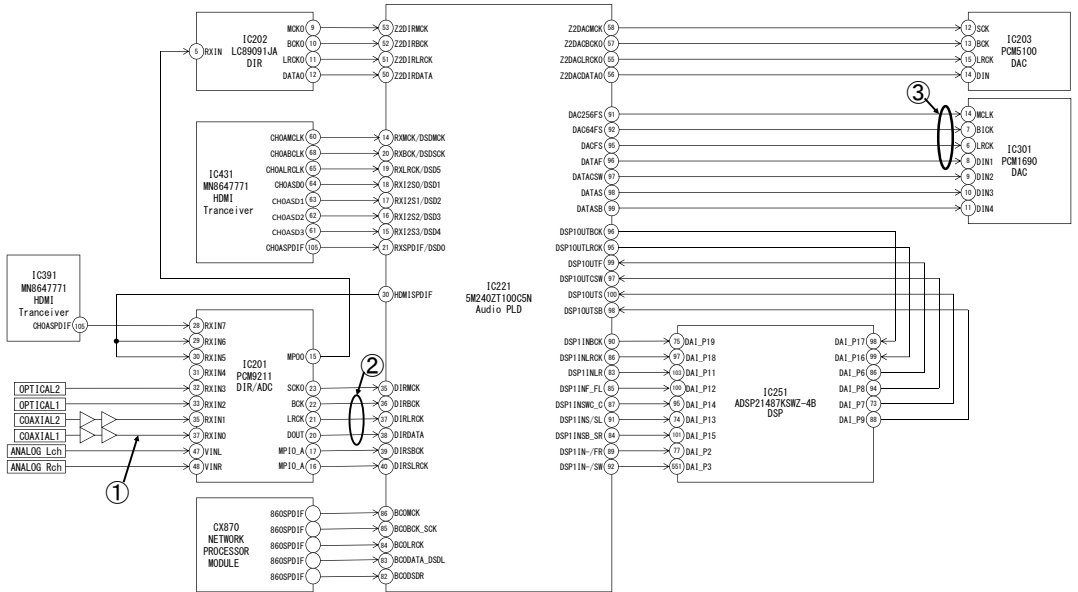
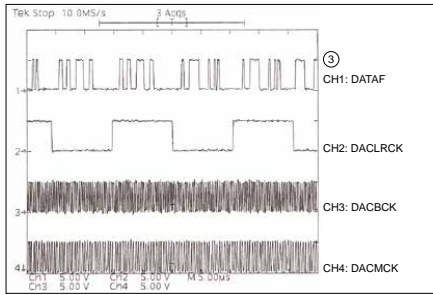
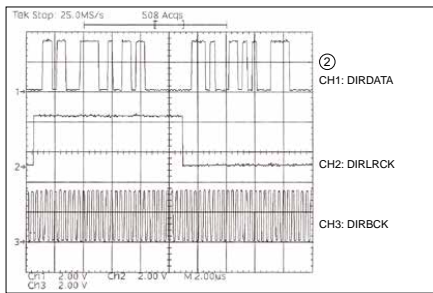
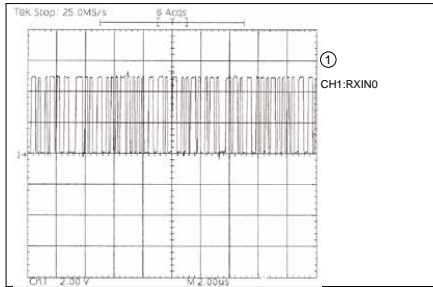
## AUDIO CHECK PASS

Refer to troubleshooting "4.1. AUDIO CHECK"(97 page).



# CLOCK FLOW & WAVE FORM IN DIGITAL BLOCK

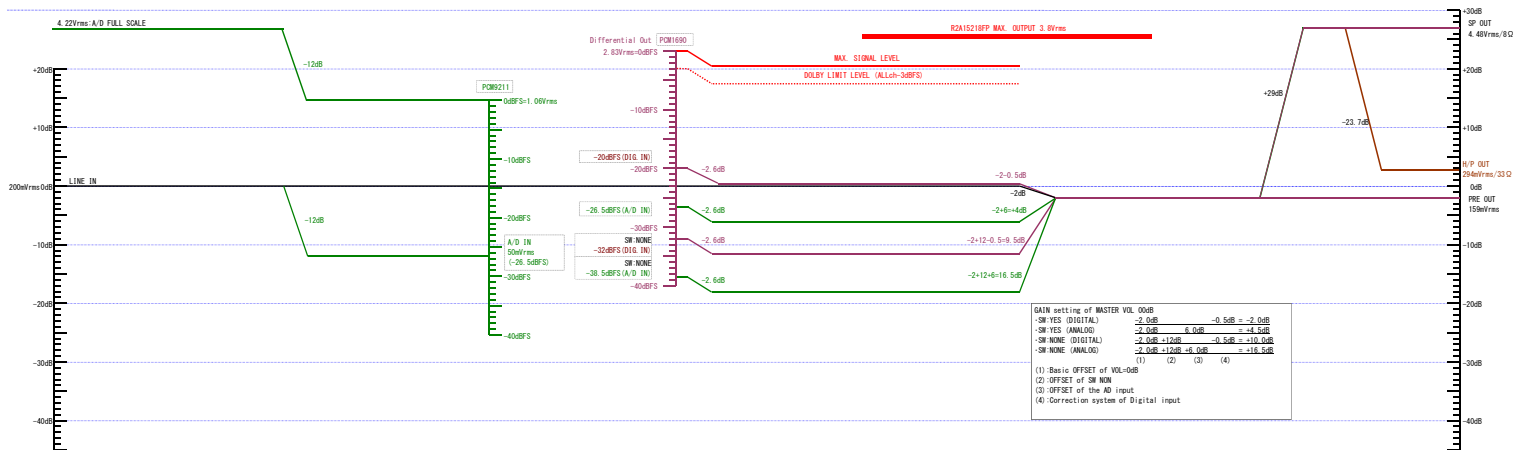
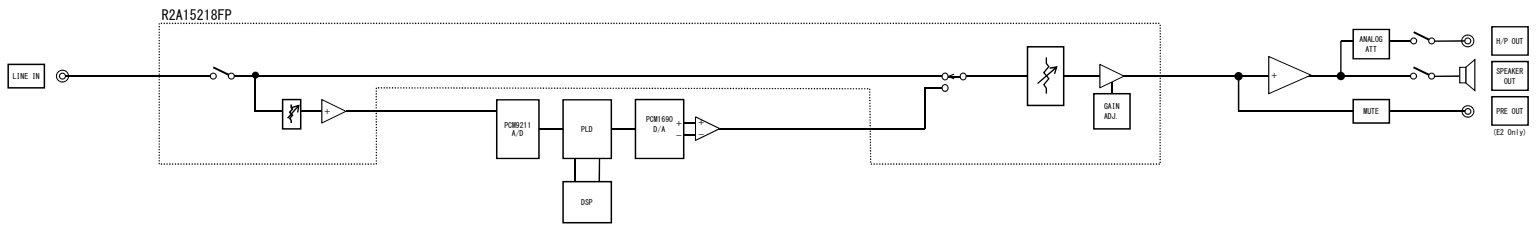
## WAVE FORM



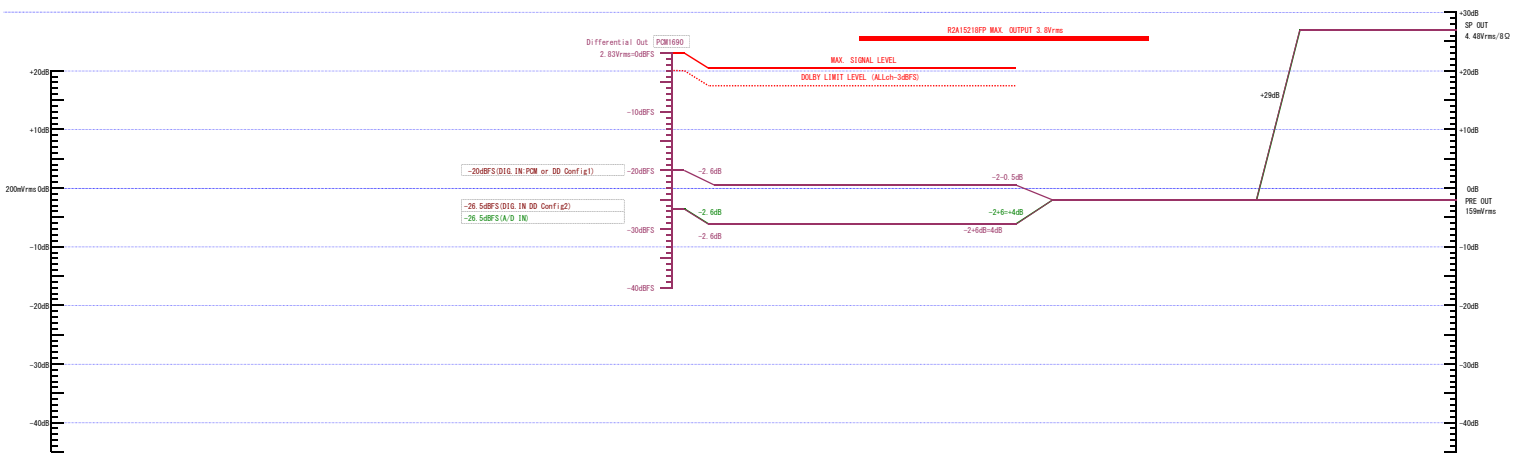
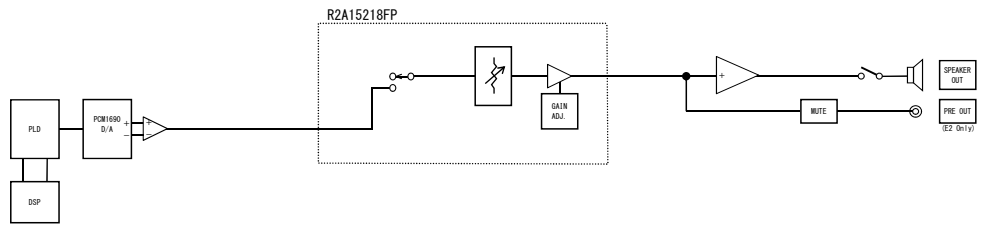
DIRDATA  
DIRLCK  
DIRBCK  
DACLRCK  
DACBCK  
DATAF  
DACMCK

LEVEL DIAGRAM

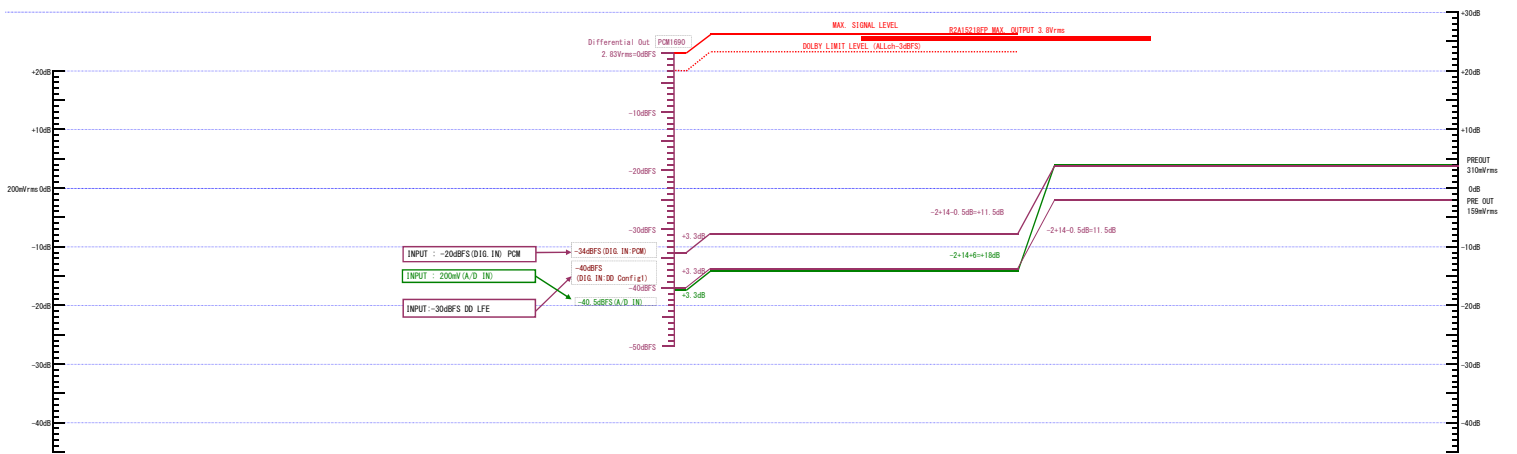
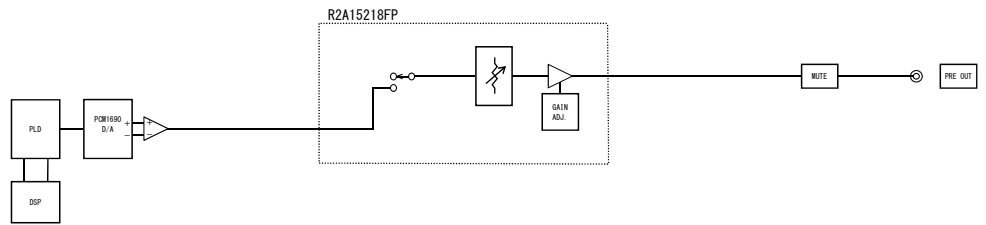
AVR-X3100  
LEVEL DIAGRAM  
FRONT ch



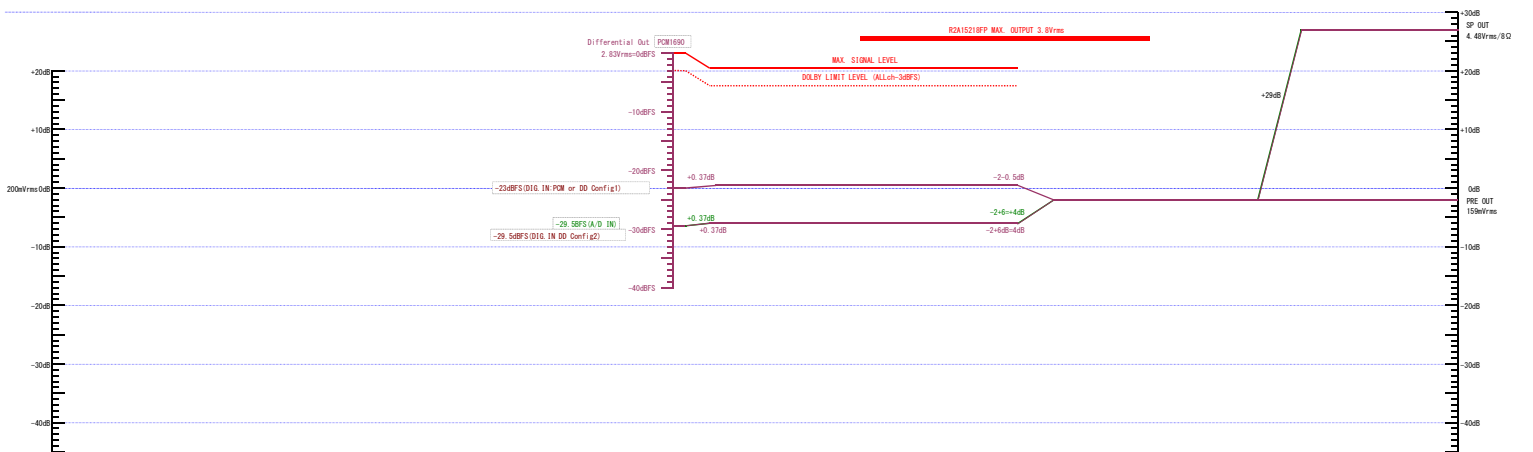
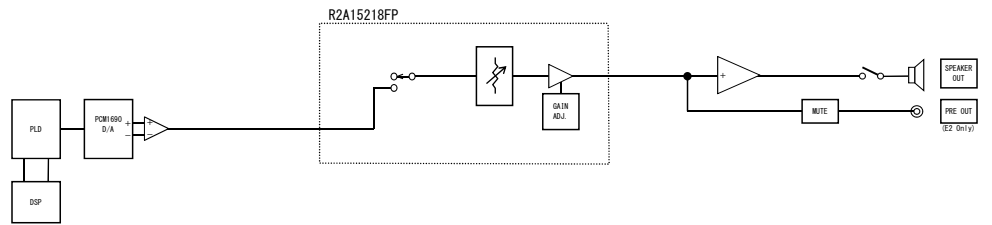
**AVR-X3100  
LEVEL DIAGRAM  
CENTER ch**



AVR-X3100  
LEVEL DIAGRAM  
SUBWOOFER ch

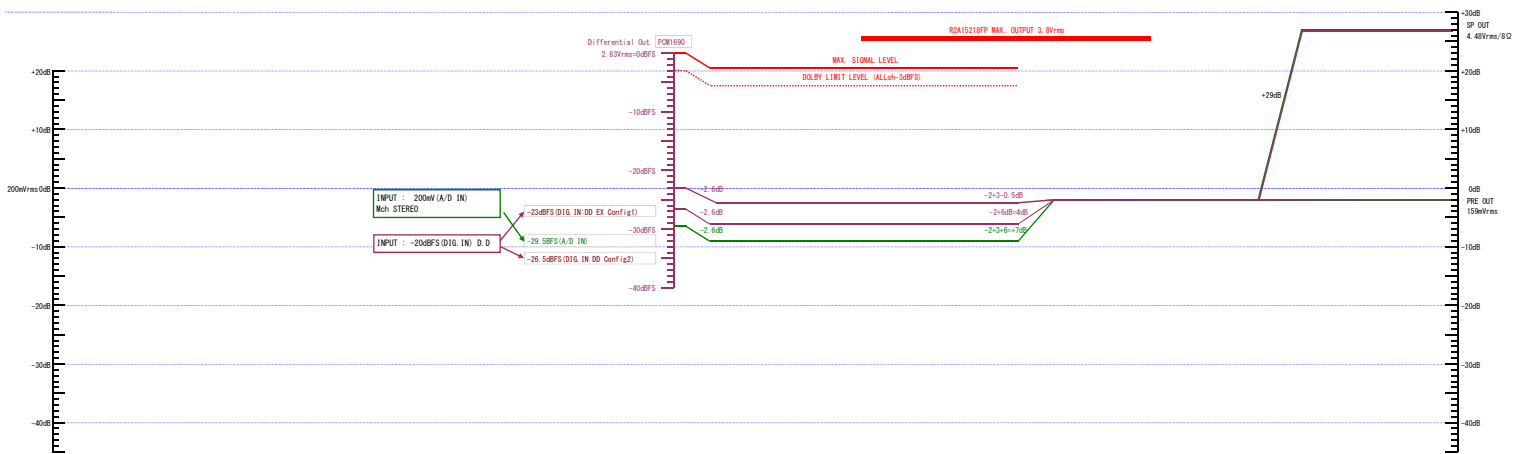
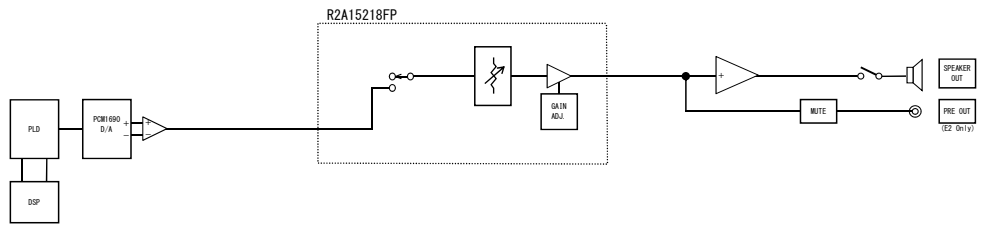


**AVR-X3100  
LEVEL DIAGRAM  
SURROUND ch**

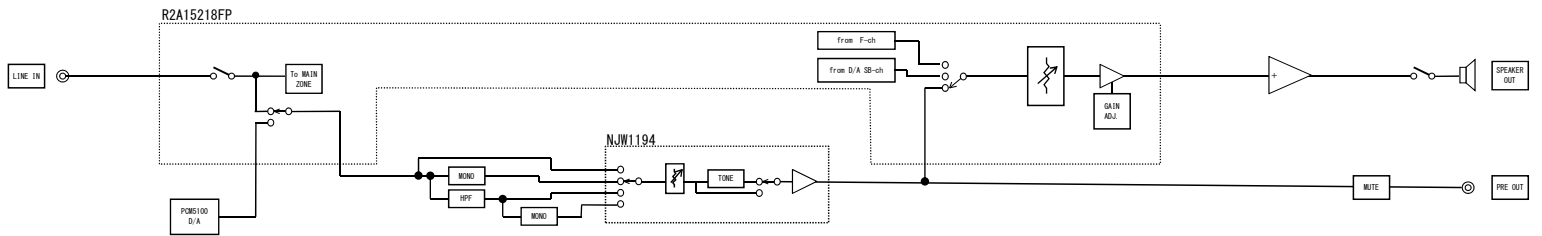




**AVR-X3100  
LEVEL DIAGRAM  
SURR.BACK.ch**

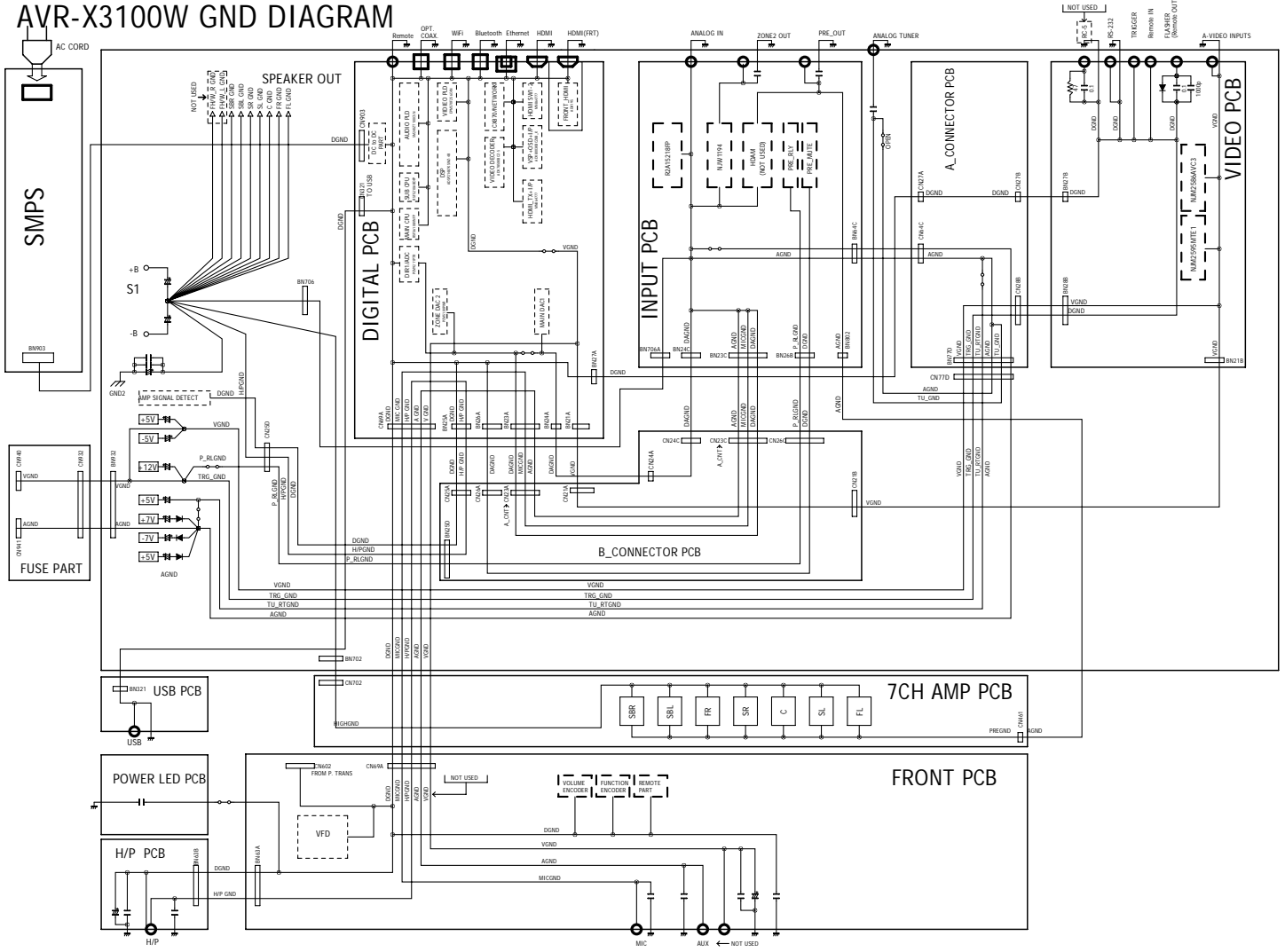


**AVR-X3100  
LEVEL DIAGRAM  
ZONE2**



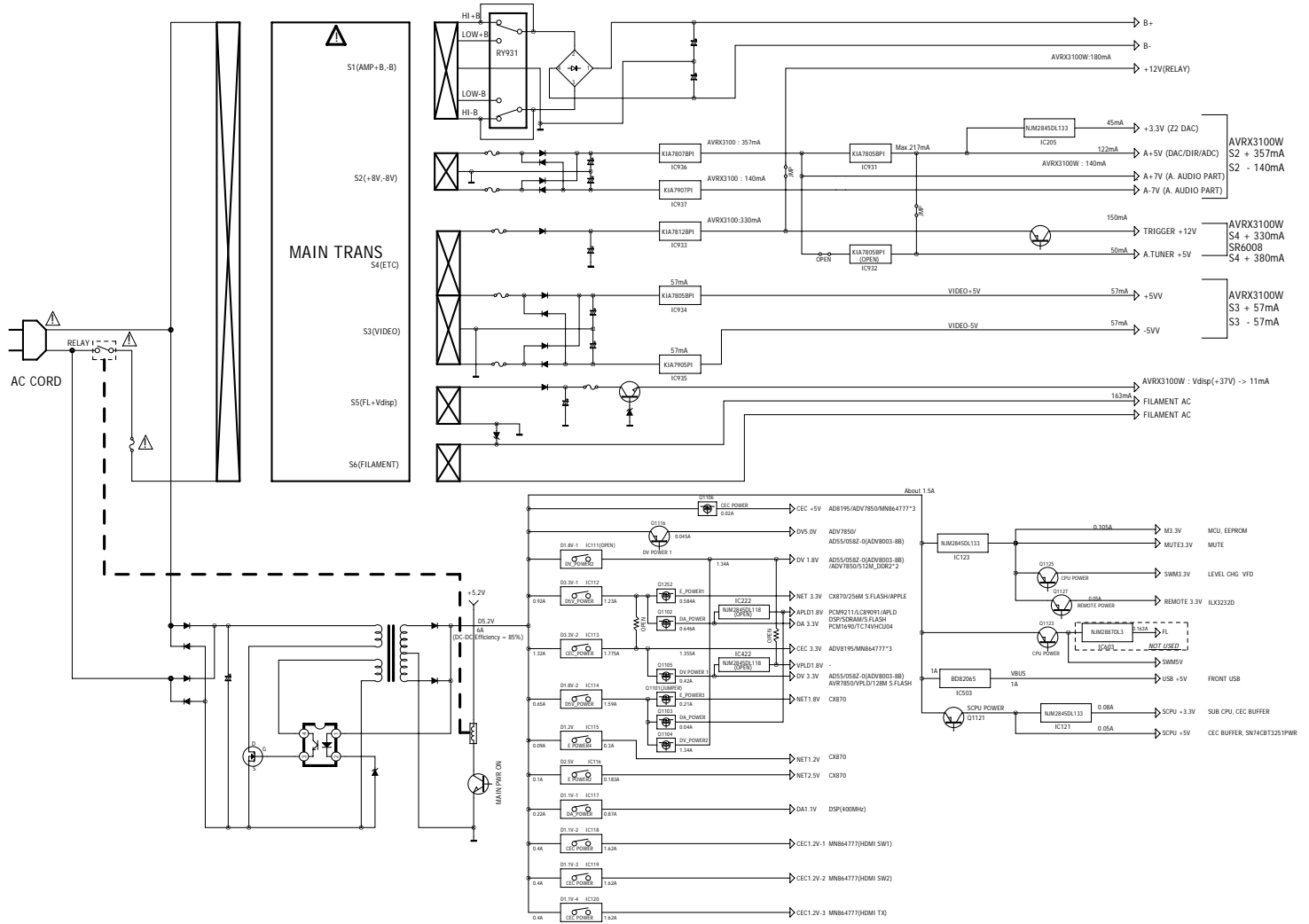
BLOCK DIAGRAM

AVR-X3100W GND DIAGRAM



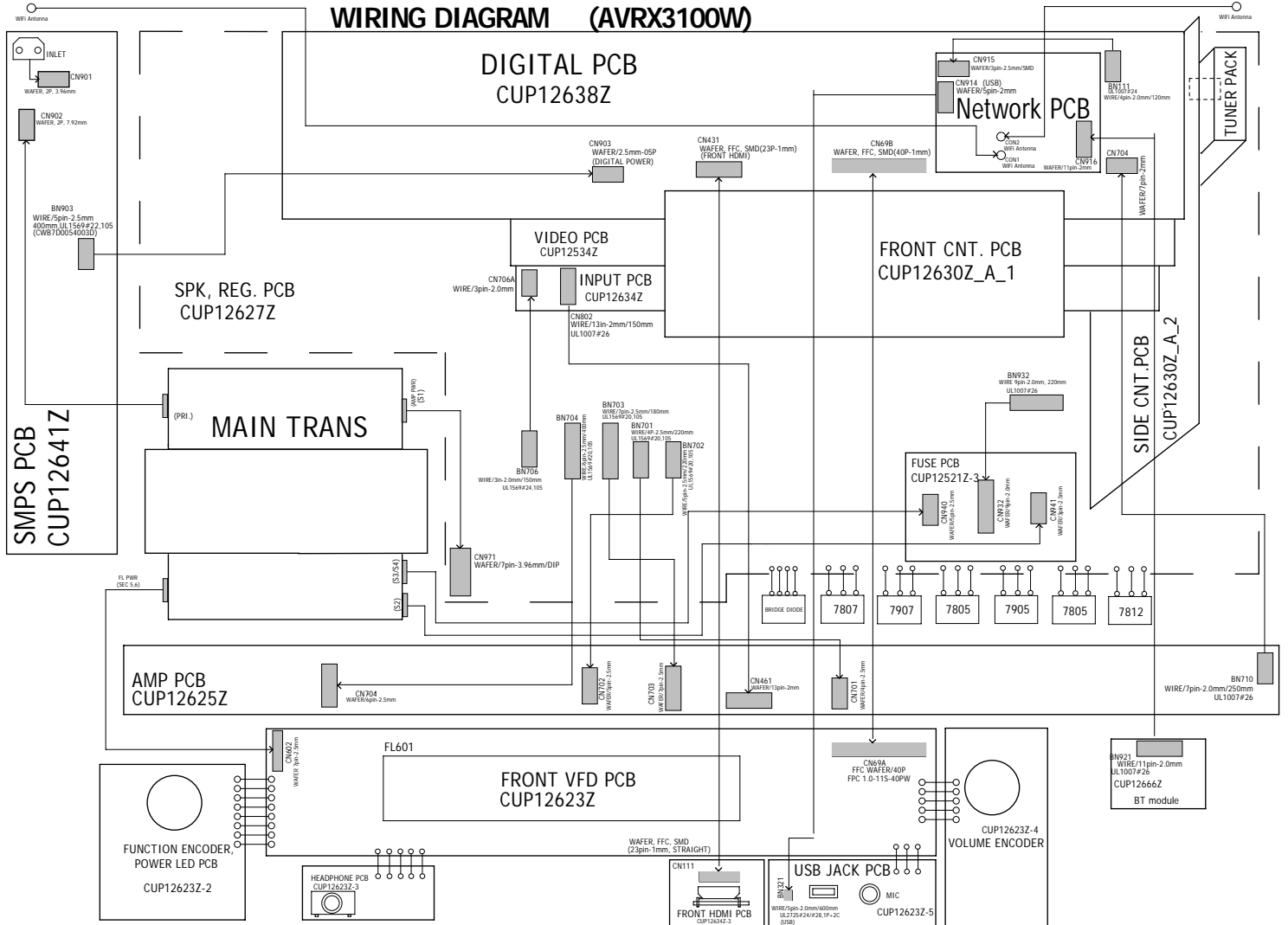
POWER DIAGRAM

AVR-X3100W POWER BLOCK DIAGRAM



WIRING DIAGRAM

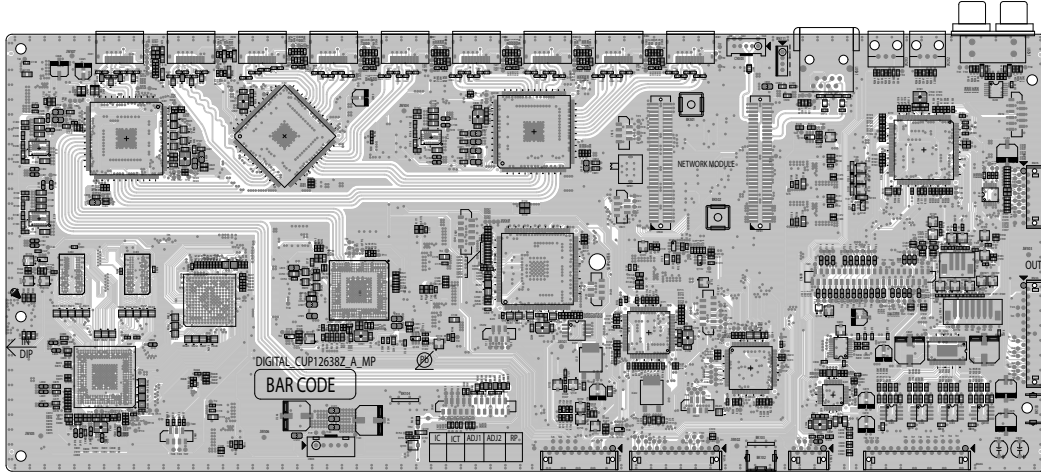
WIRING DIAGRAM (AVRX3100W)



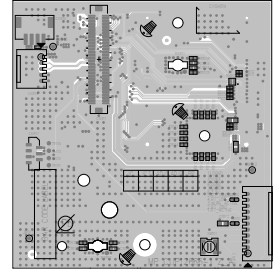
**PRINTED WIRING BOARDS**

**Lead-free Solder**  
When soldering, use the Lead-free Solder (Sn-Ag-Cu).

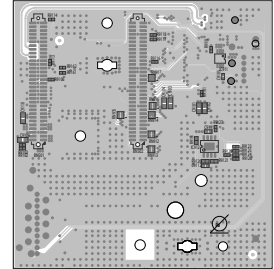
**DIGITAL (A SIDE)**



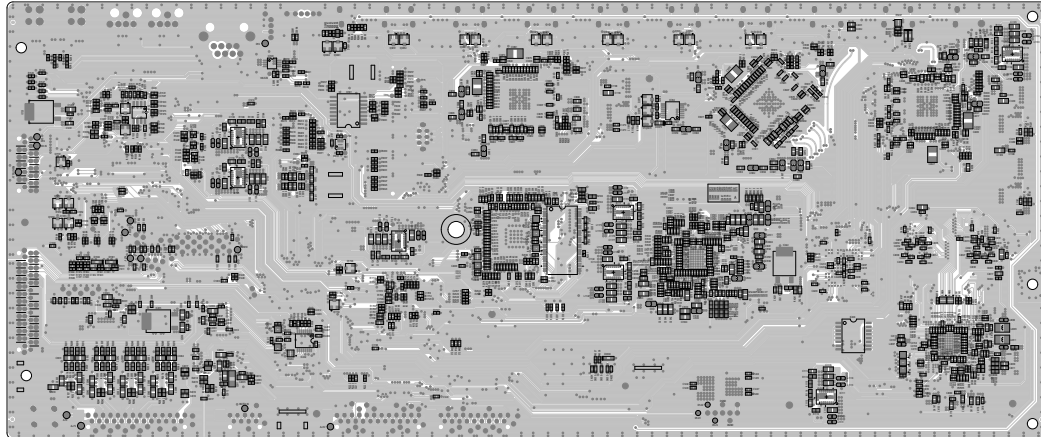
**CX870 MIDDLE (A SIDE)**



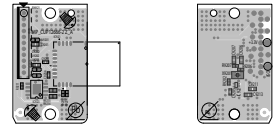
**CX870 MIDDLE (B SIDE)**

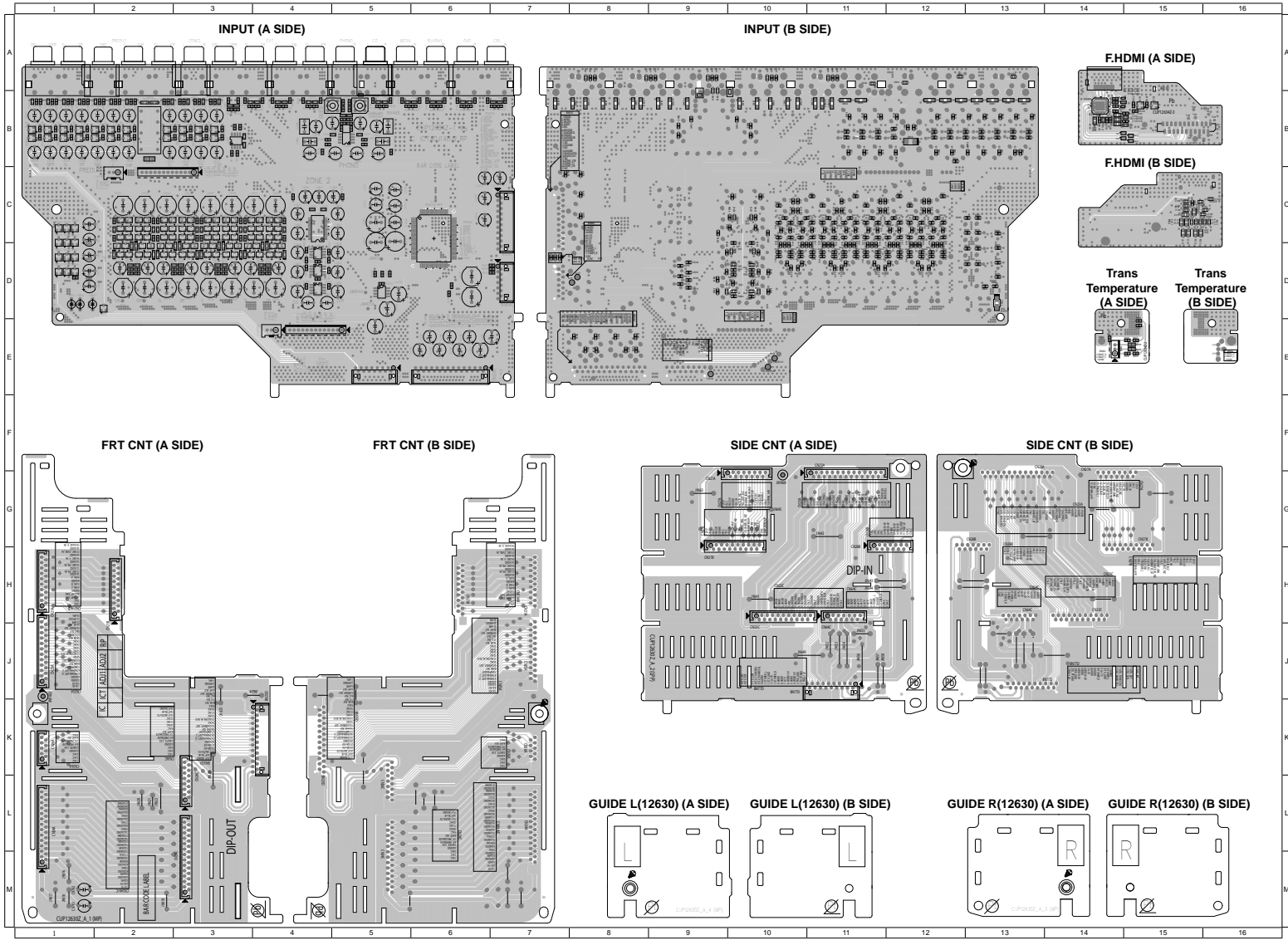


**DIGITAL (B SIDE)**



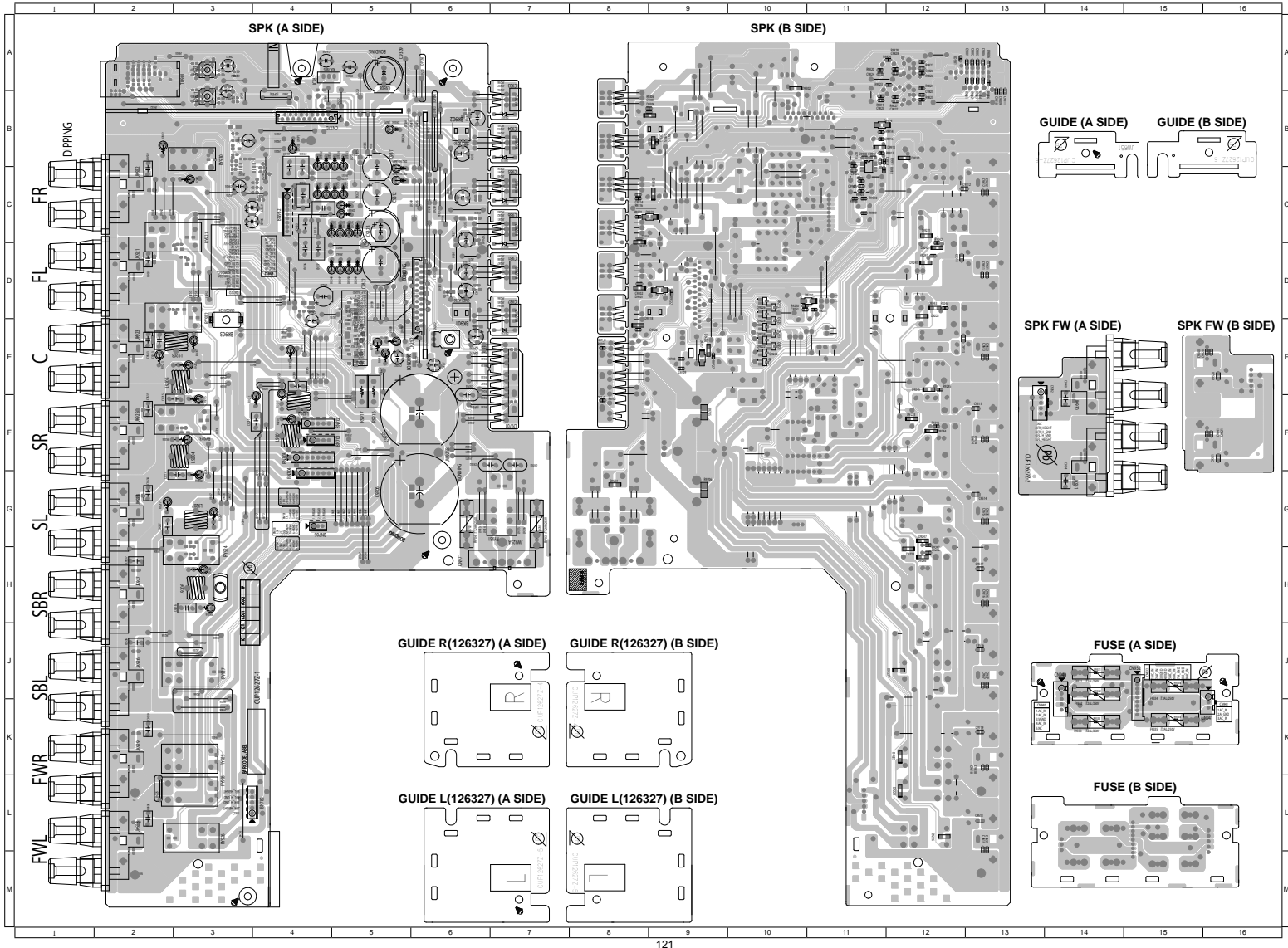
**BLUETOOTH (A SIDE) BLUETOOTH (B SIDE)**

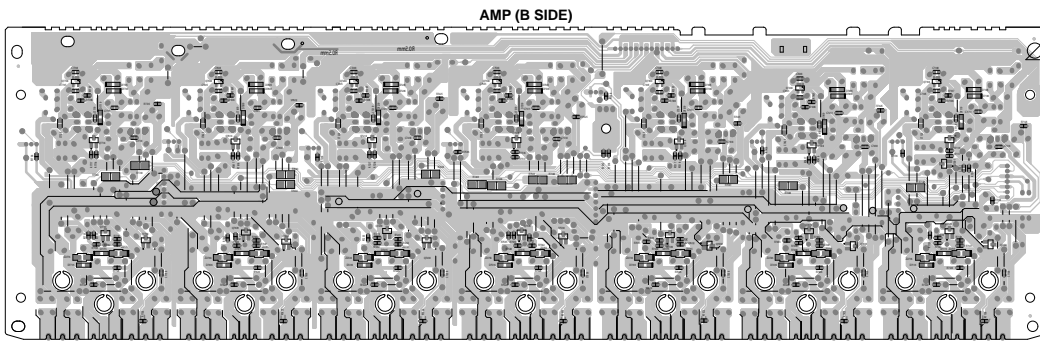
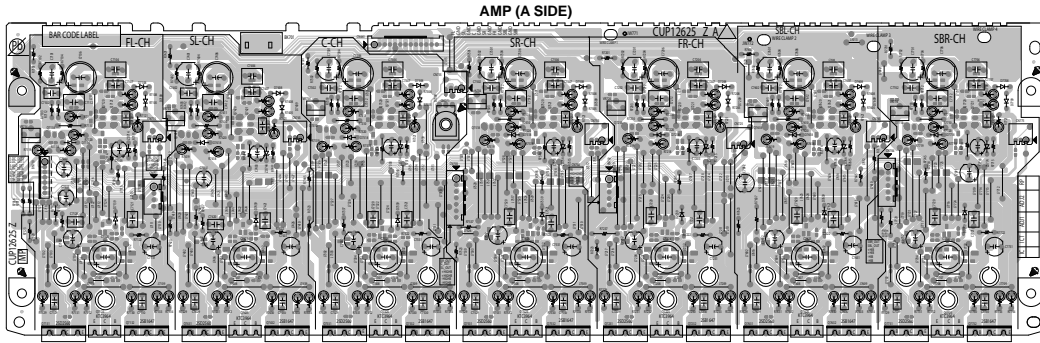


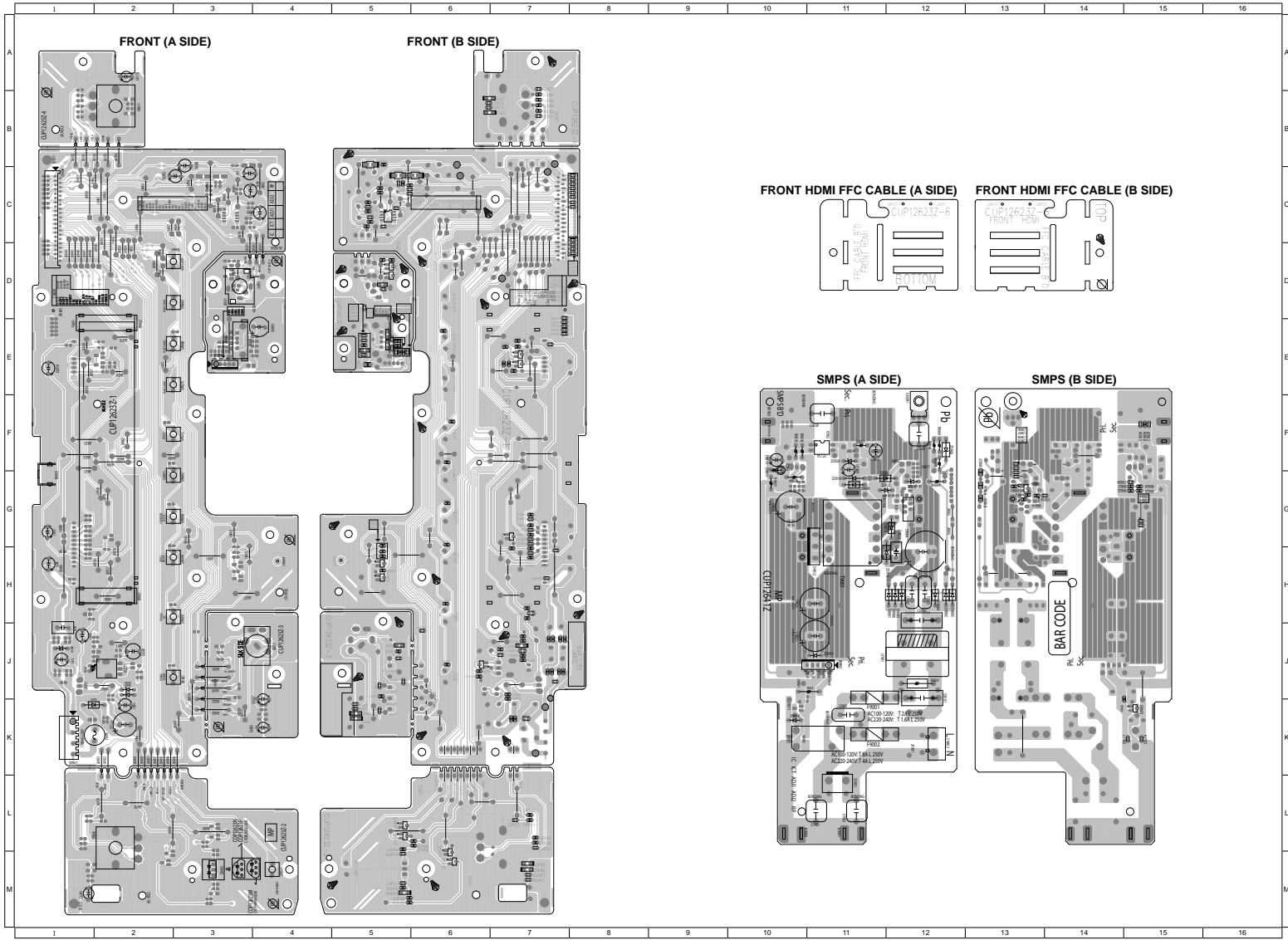


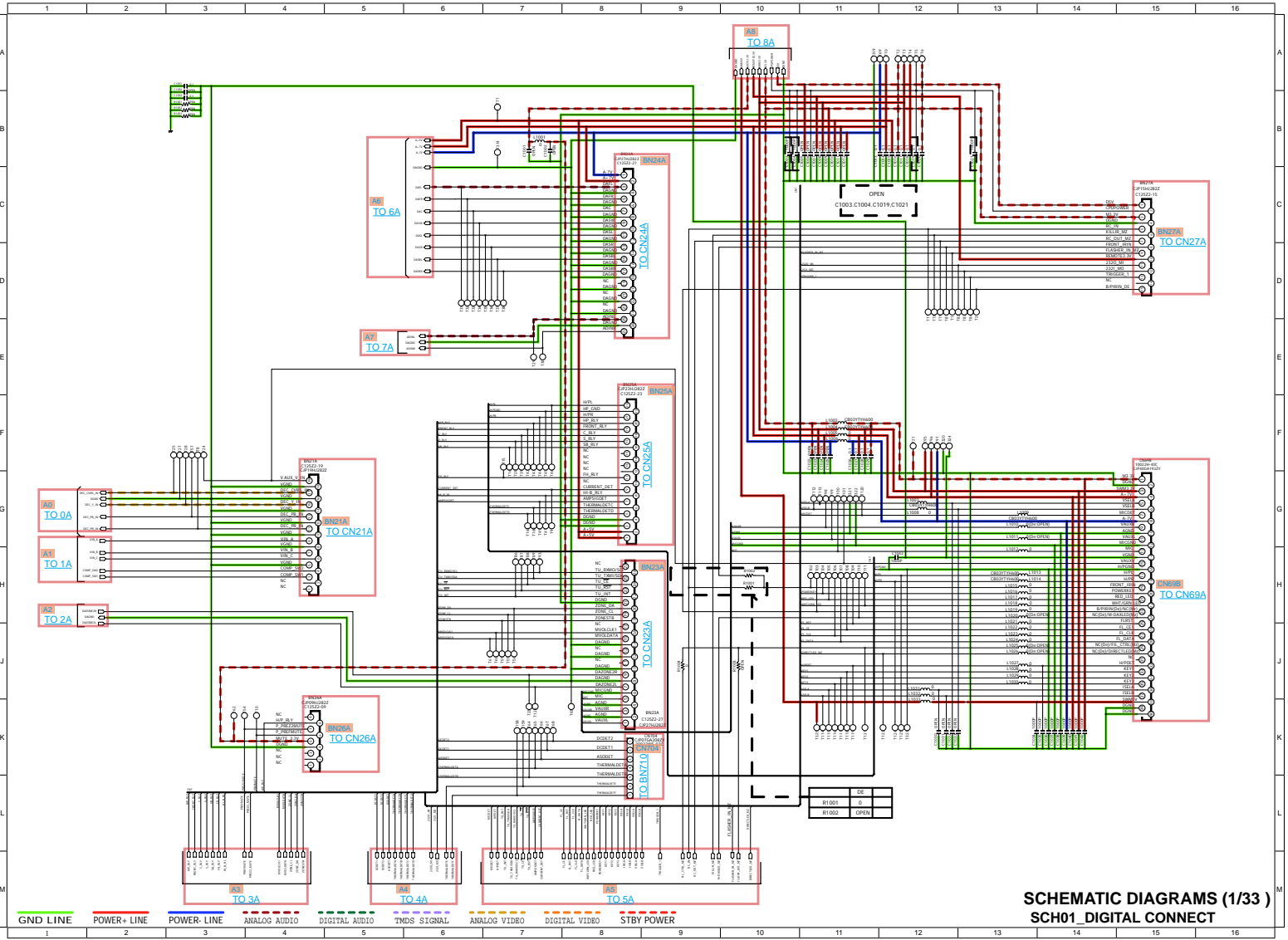




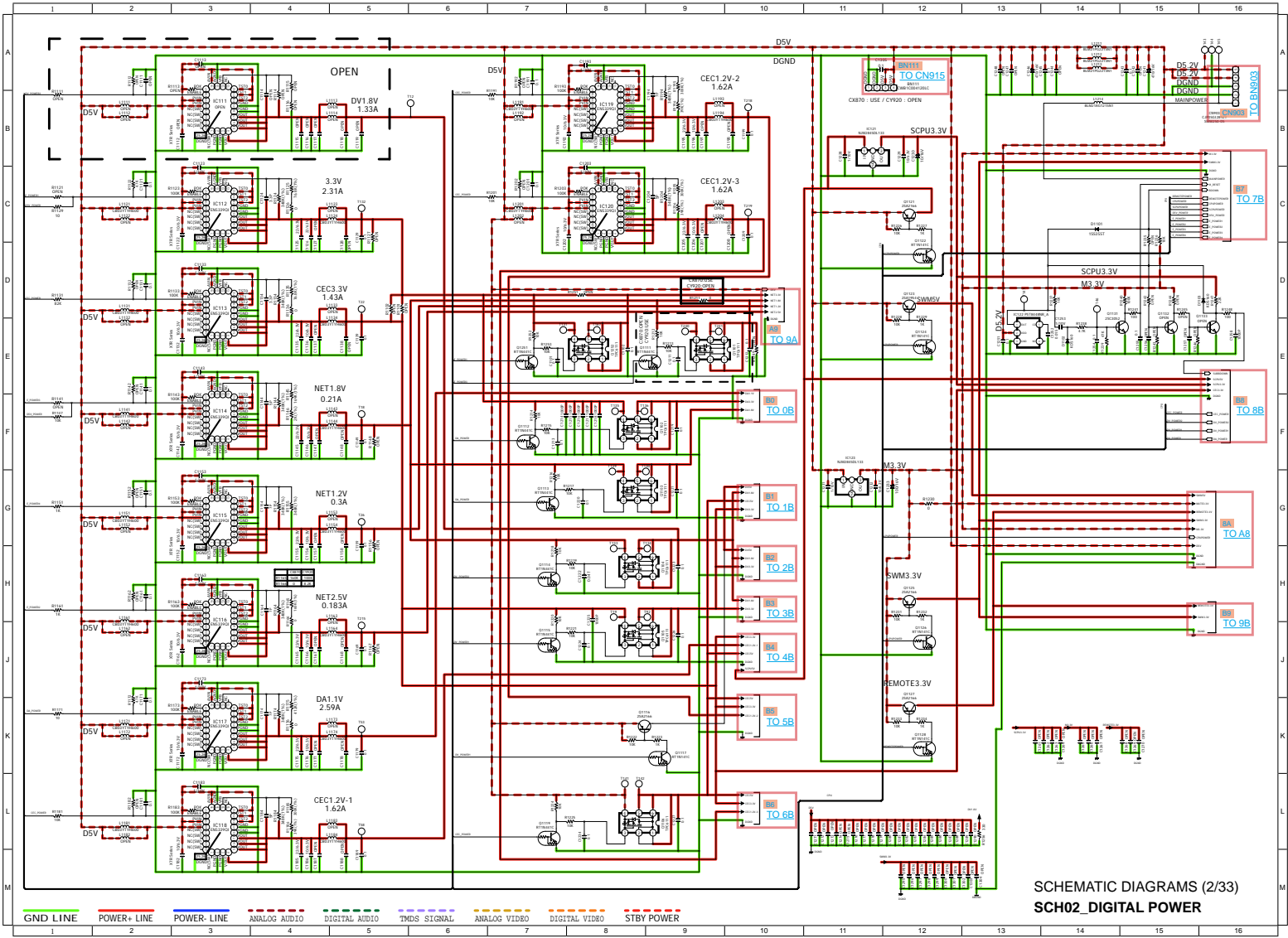




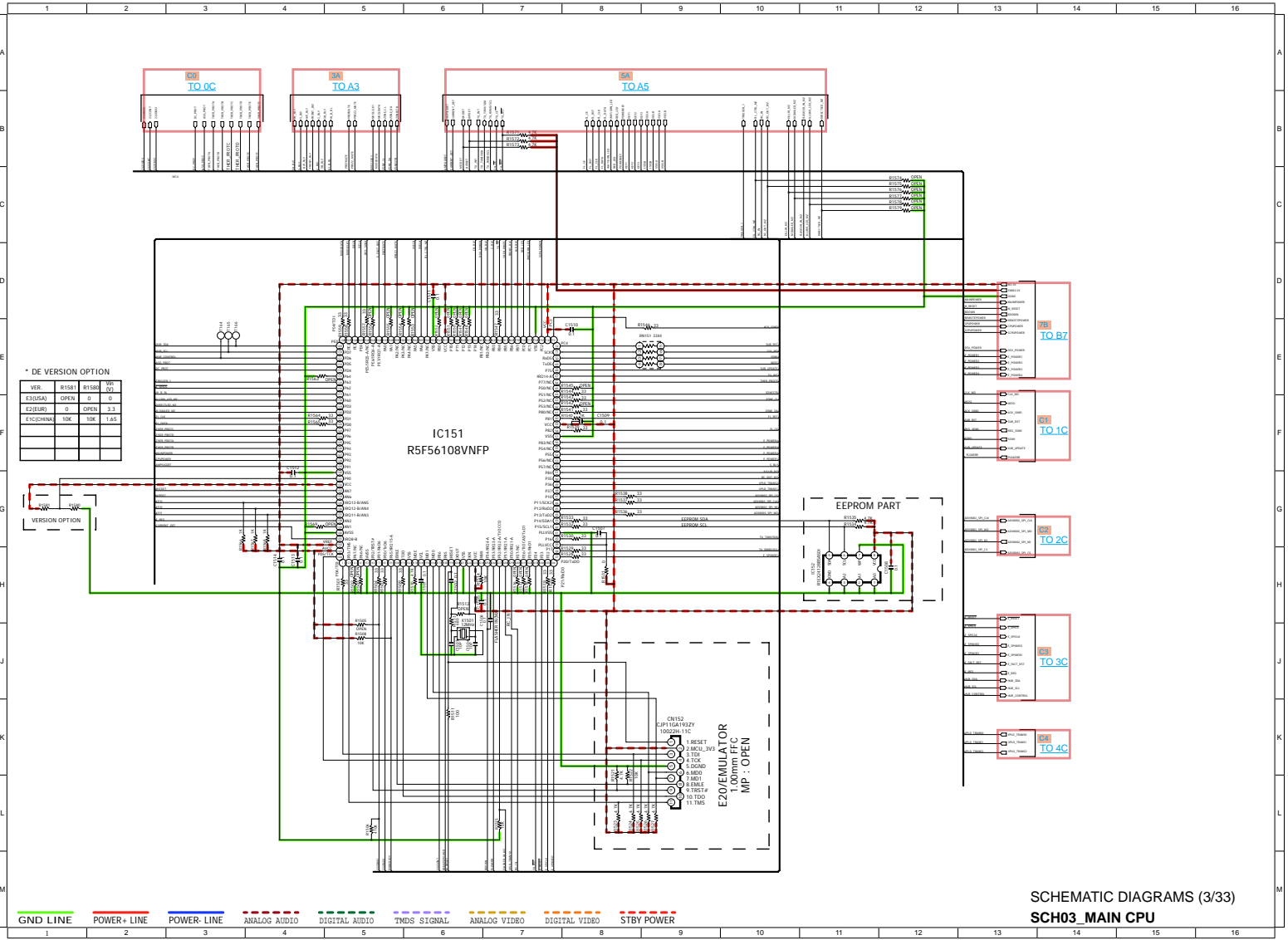




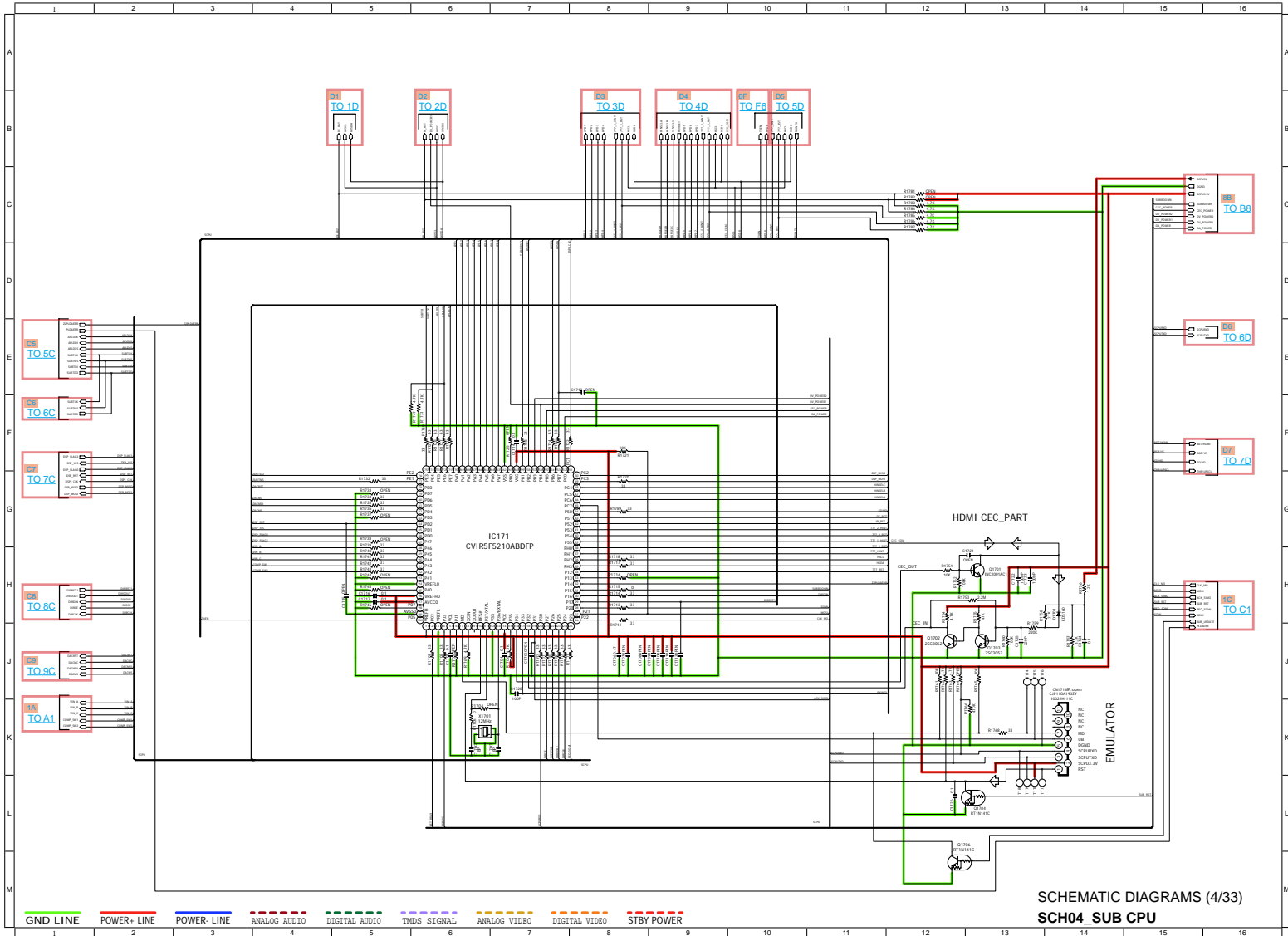
**SCHEMATIC DIAGRAMS (1/33)**  
**SCH01\_DIGITAL CONNECT**



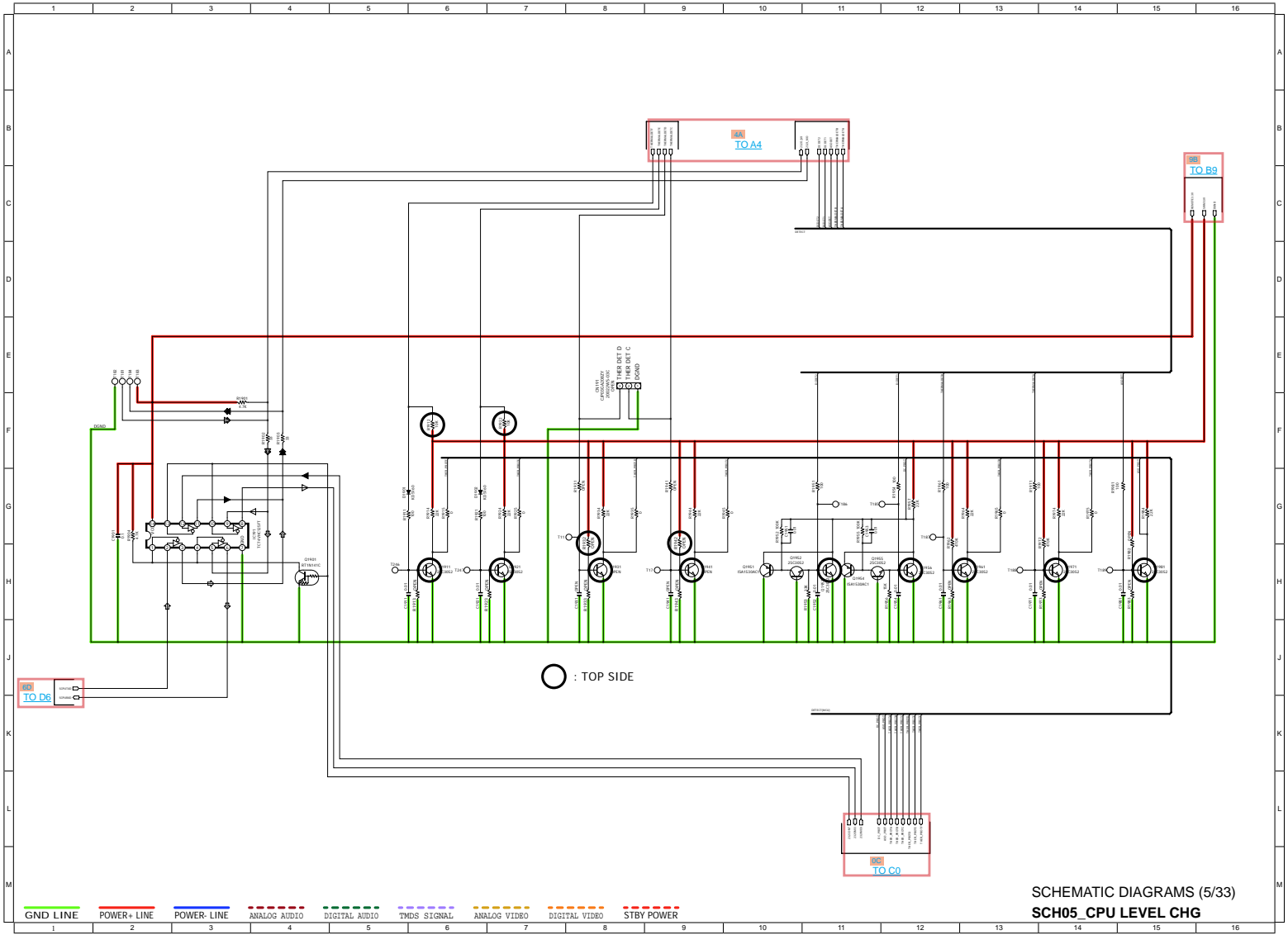
SCH02\_DIGITAL POWER  
SCHEMATIC DIAGRAMS (2/33)



SCHMATIC DIAGRAMS (3/33)  
SCH03\_MAIN CPU

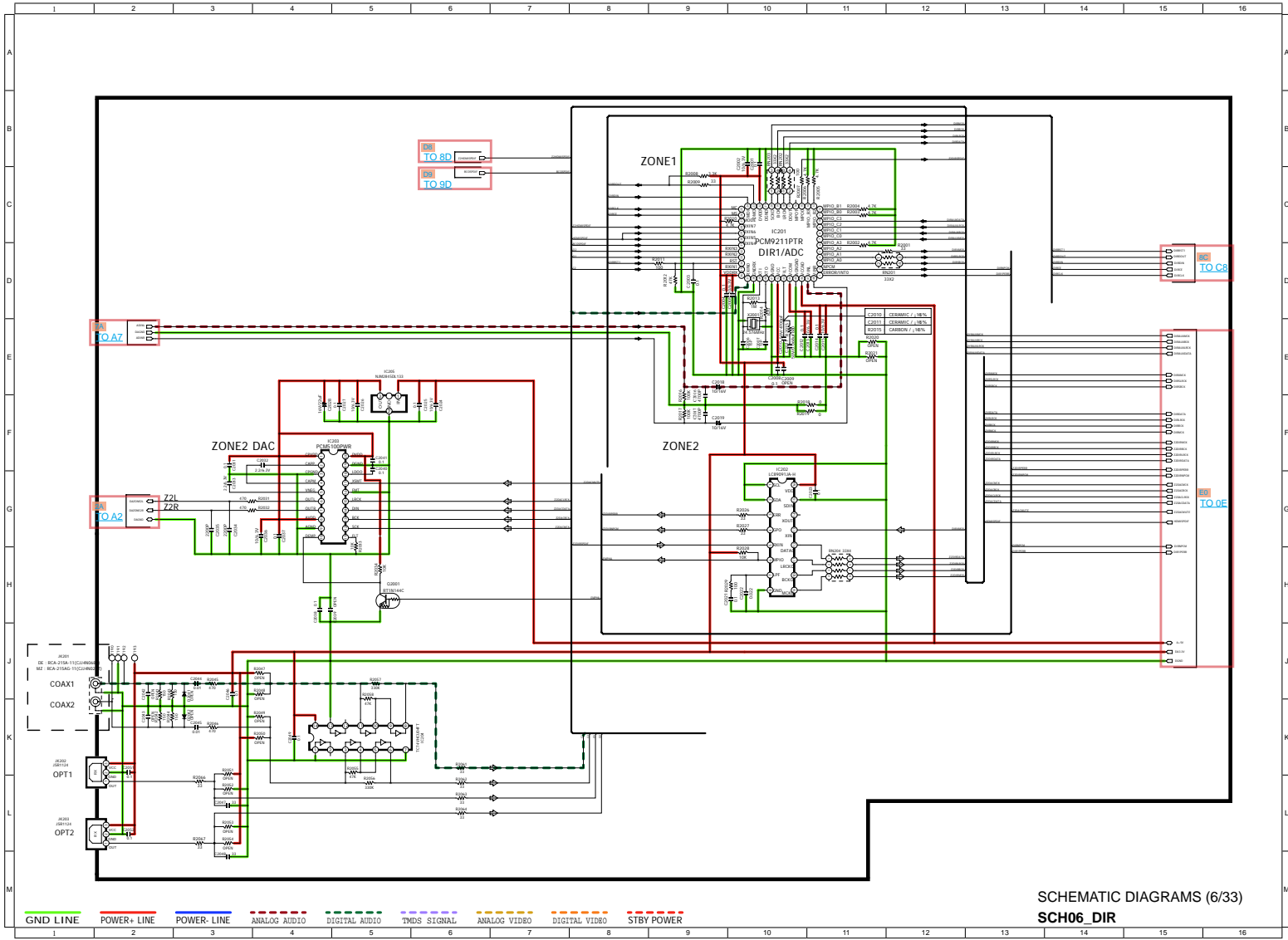


SCH04\_SUB CPU  
SCHEMATIC DIAGRAMS (4/33)

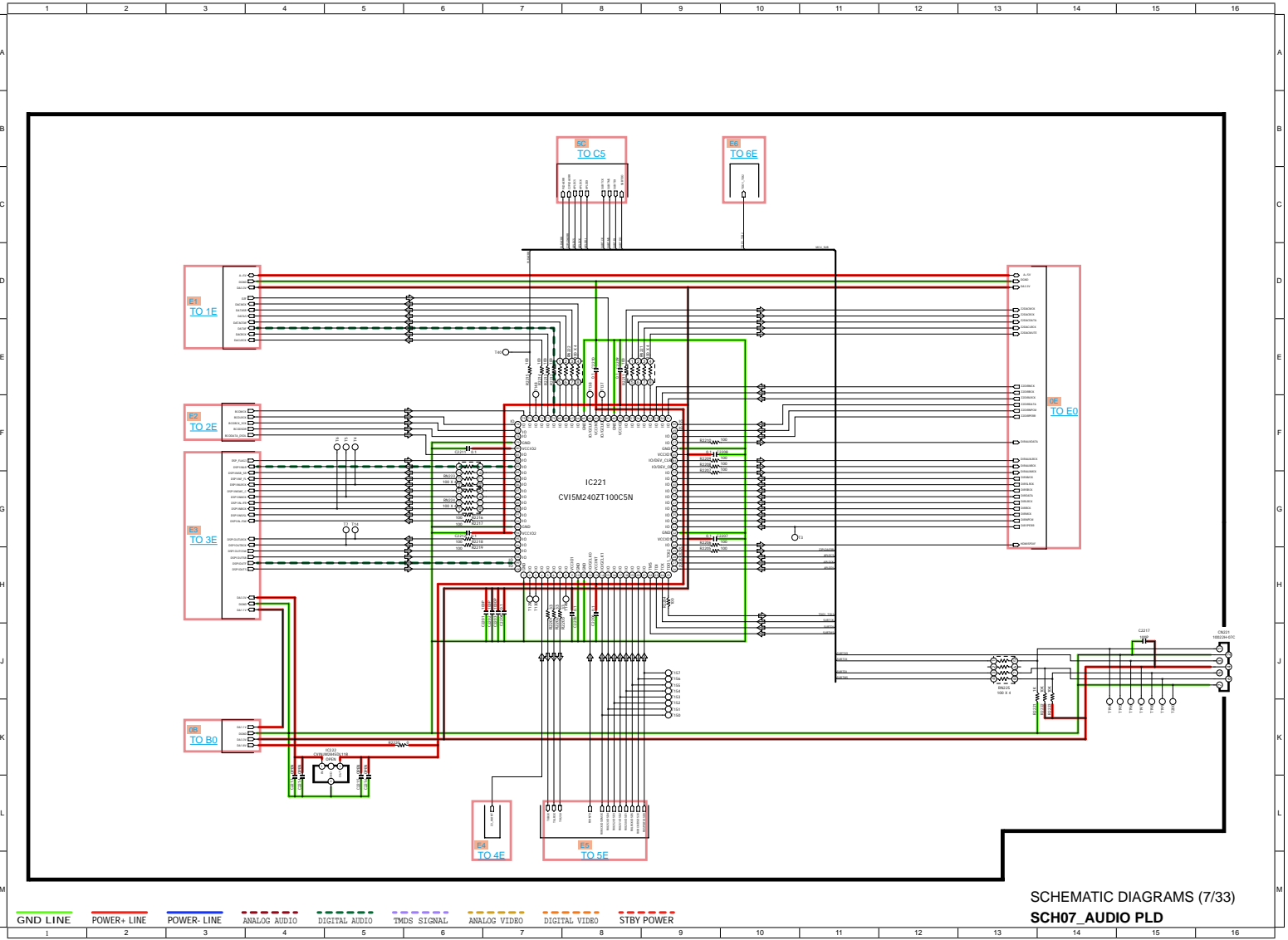


SCH05\_CPU LEVEL CHG



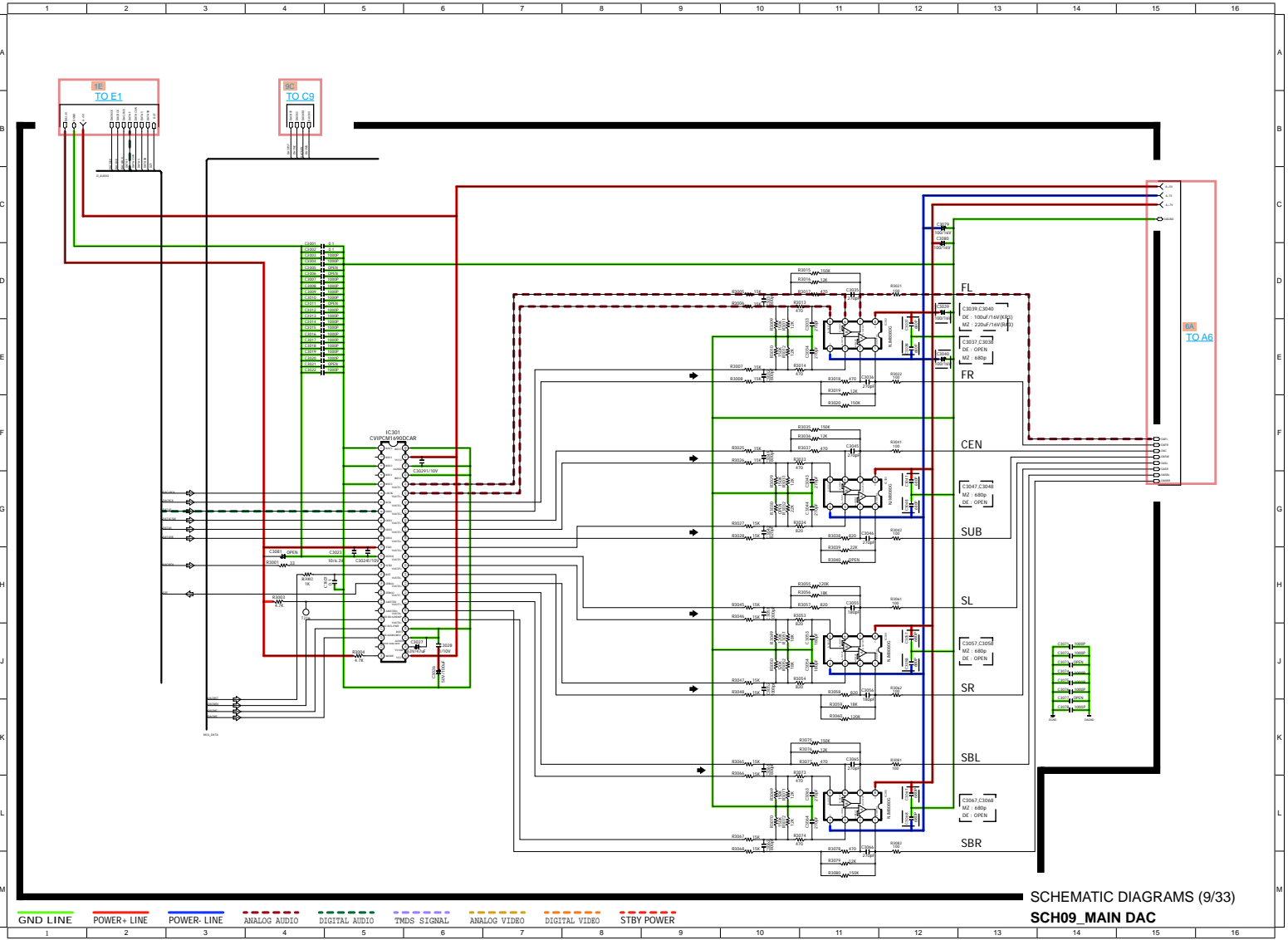


SCHEMATIC DIAGRAMS (6/33)  
SCH06\_DIR

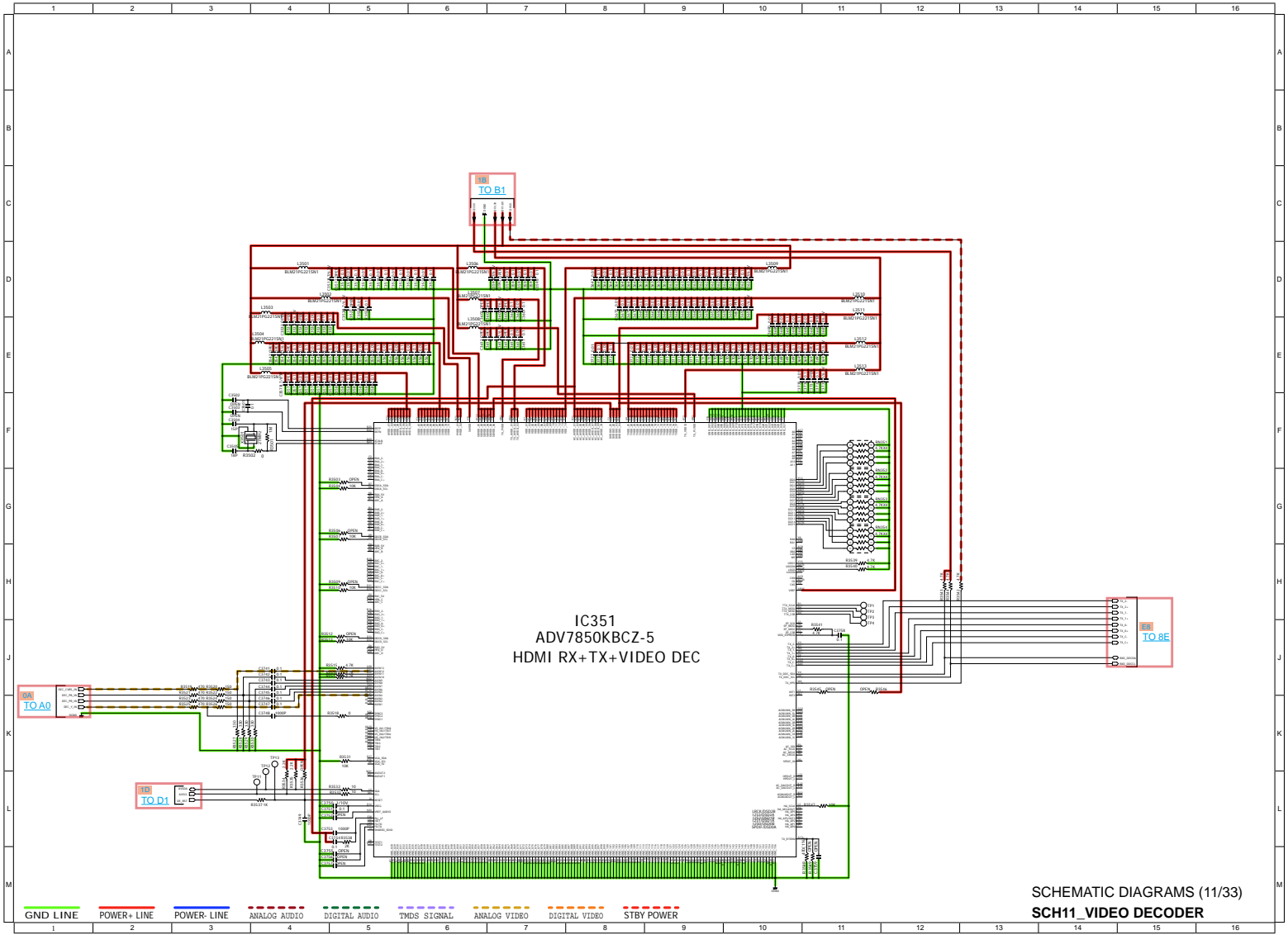


--- GND LINE   
 --- POWER+ LINE   
 --- POWER- LINE   
 --- ANALOG AUDIO   
 --- DIGITAL AUDIO   
 --- TWDS SIGNAL   
 --- ANALOG VIDEO   
 --- DIGITAL VIDEO   
 --- STBY POWER

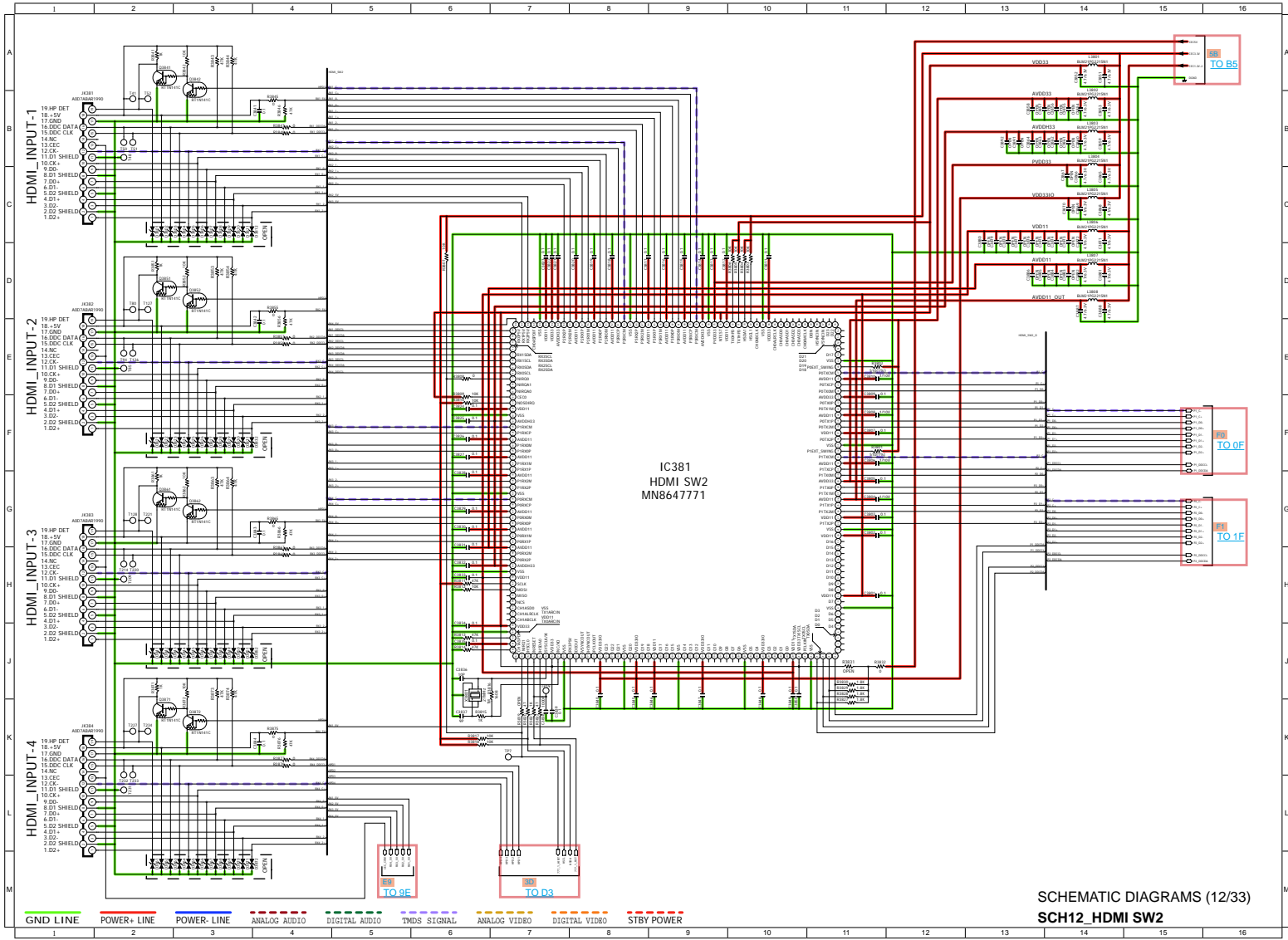


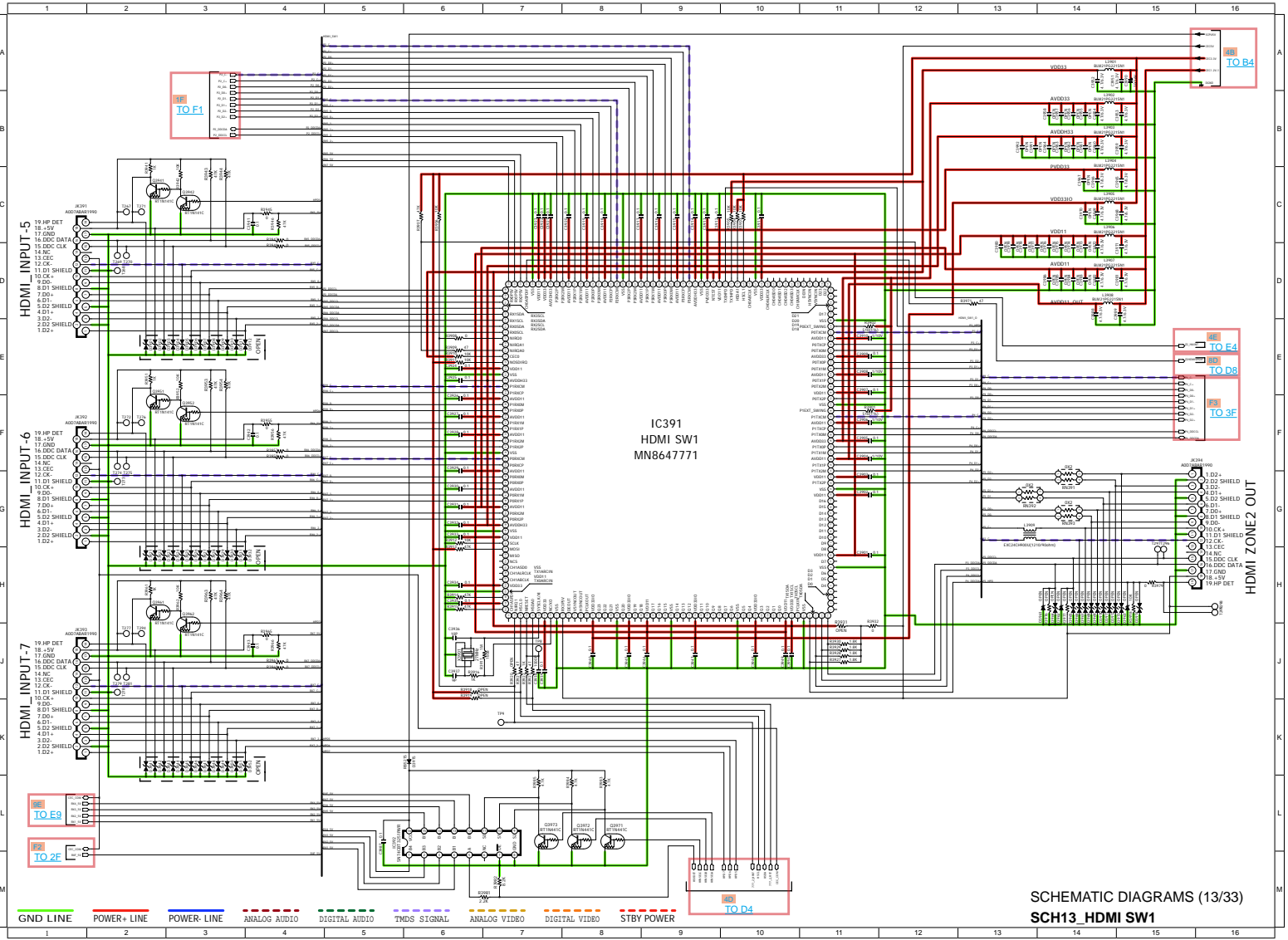






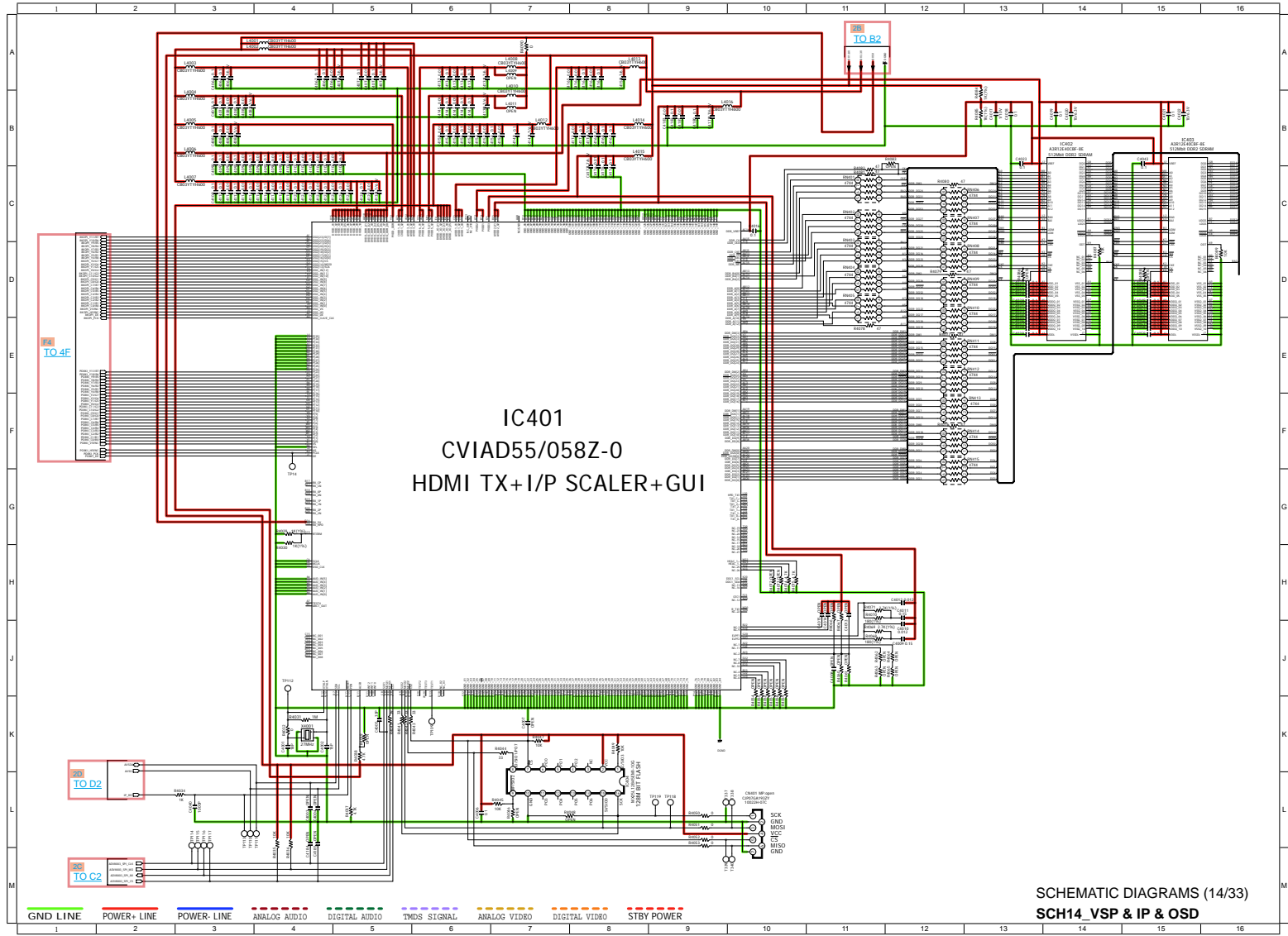
SCH11\_VIDEO DECODER

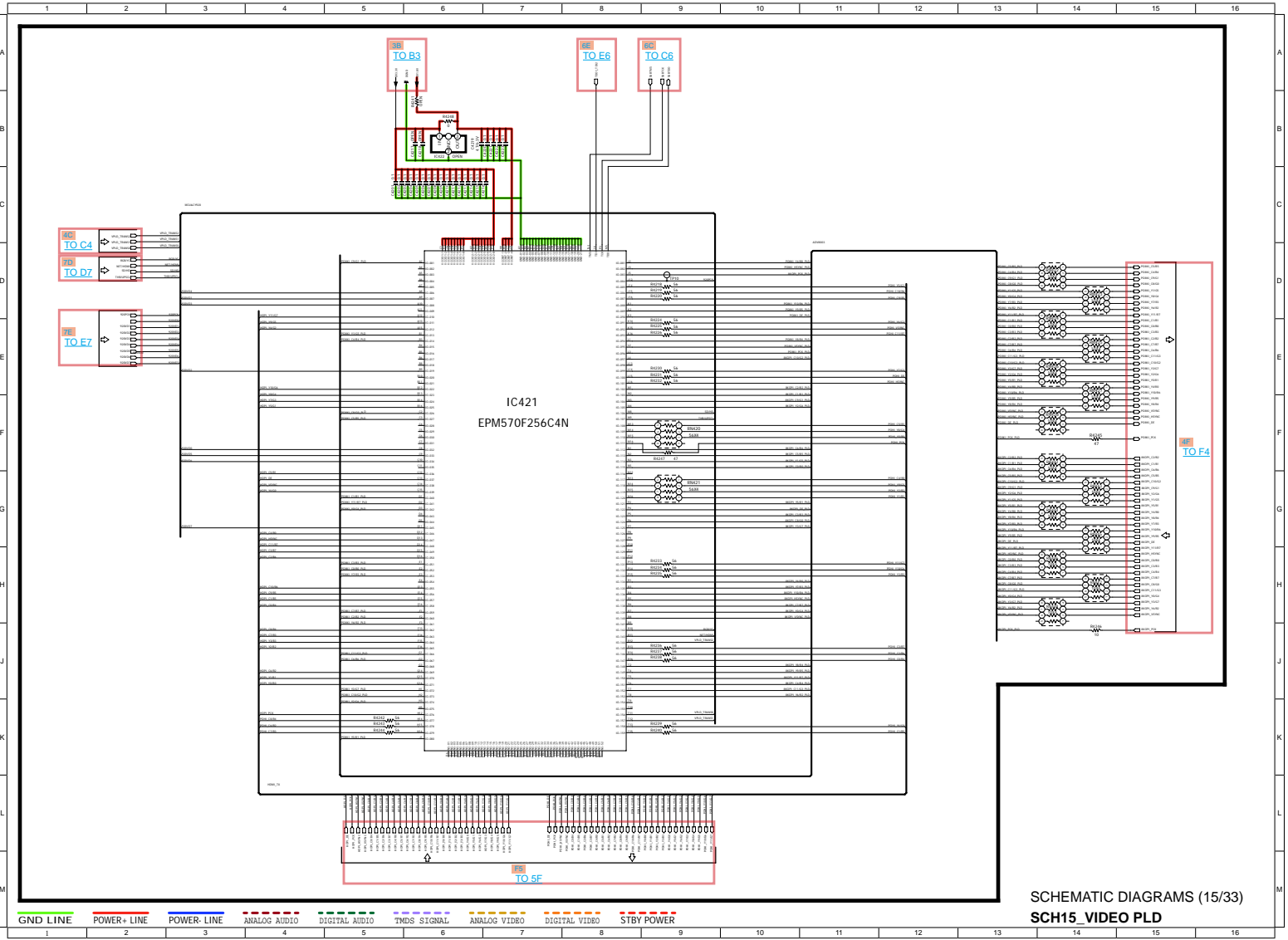




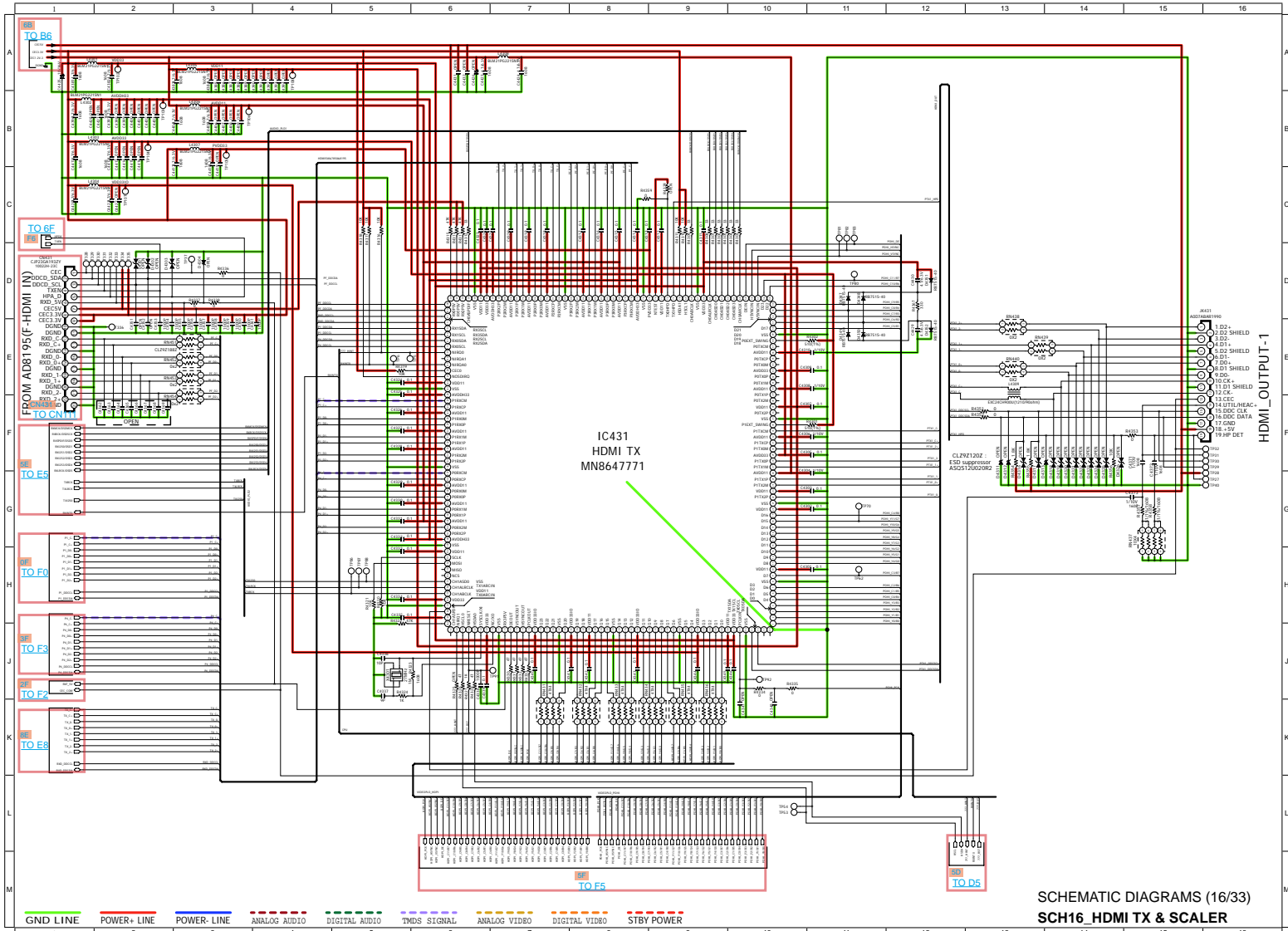
SCH13\_HDMI SW1



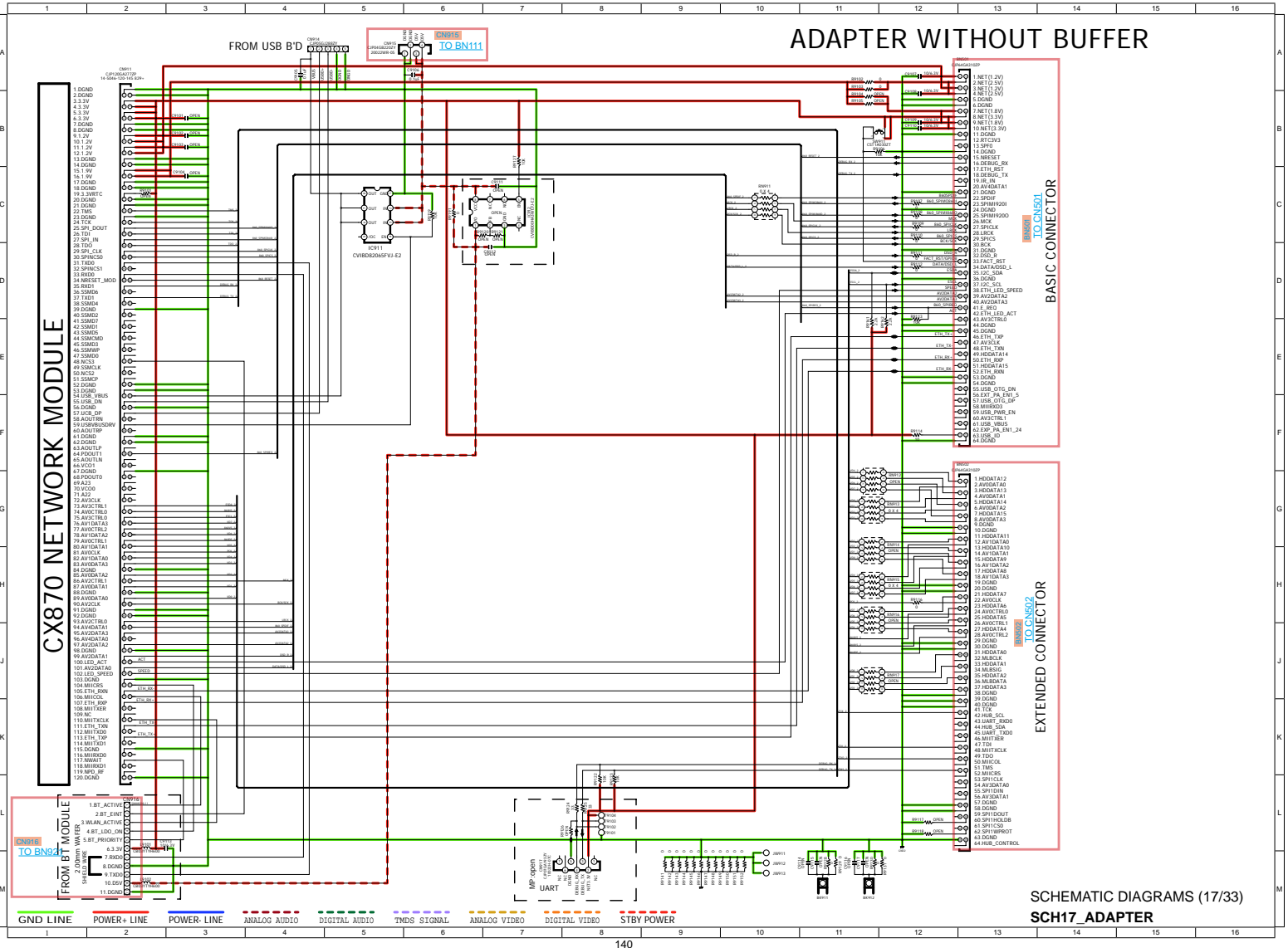




SCHEMATIC DIAGRAMS (15/33)  
SCH15\_VIDEO PLD

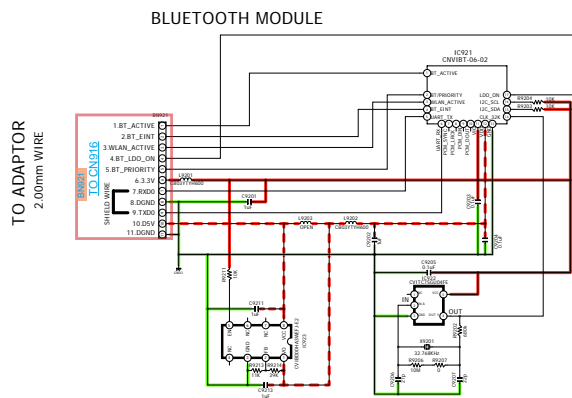


SCHEMATIC DIAGRAMS (16/33)  
SCH16\_HDMI TX & SCALER



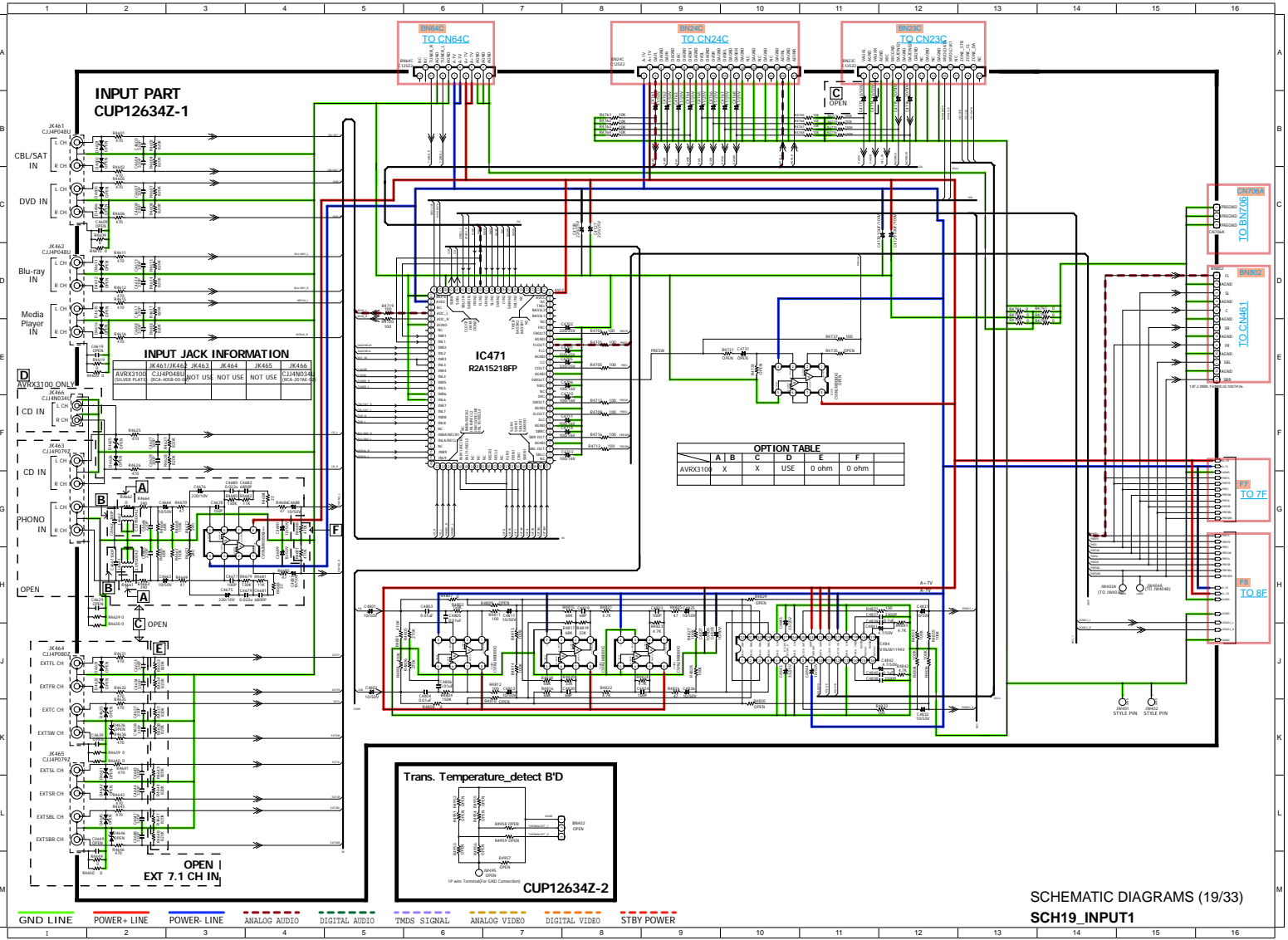
SCH17\_ADAPTER

# BLUETOOTH PART

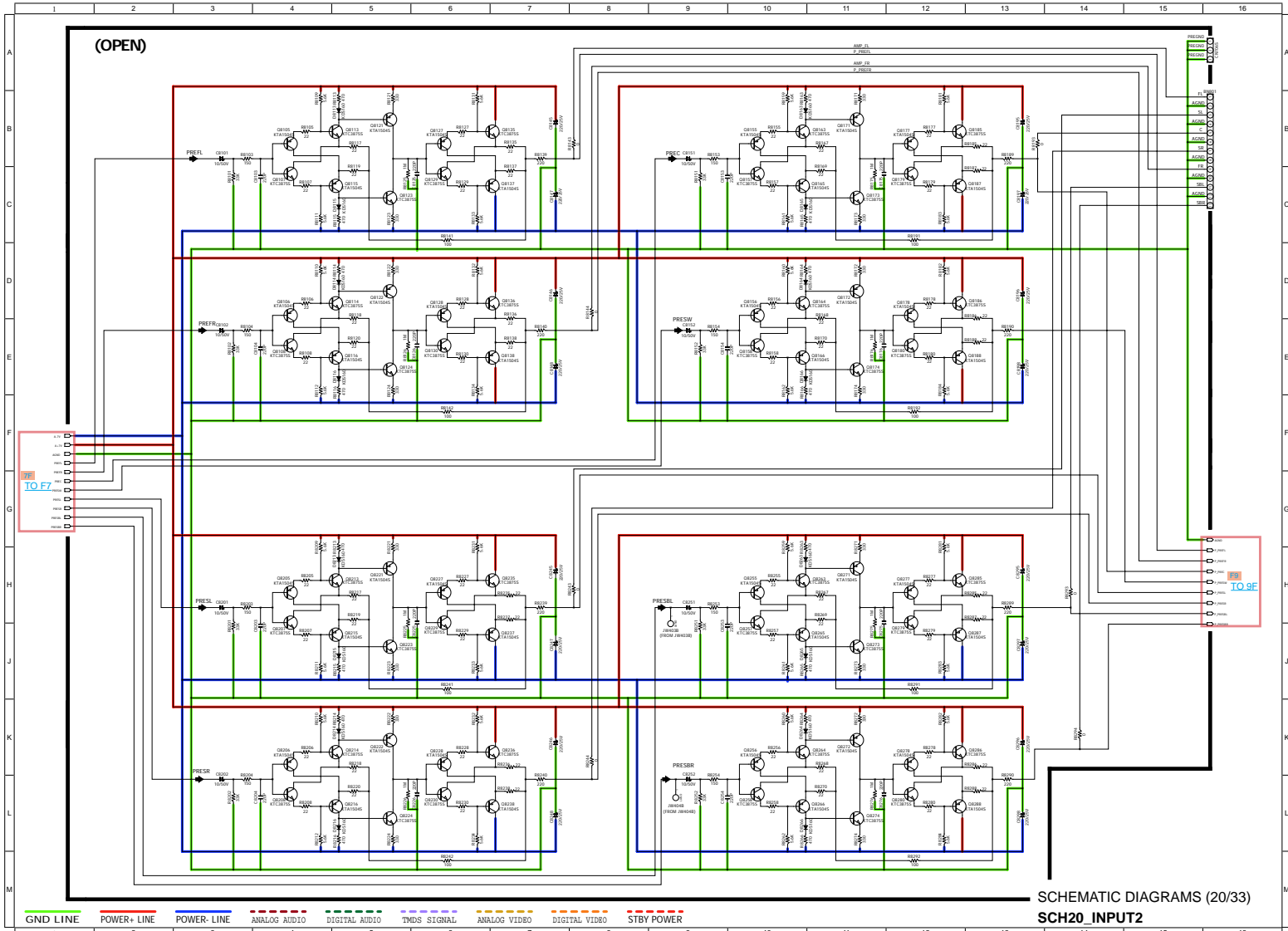


SCHEMATIC DIAGRAMS (18/33)  
SCH18\_BLUETOOTH

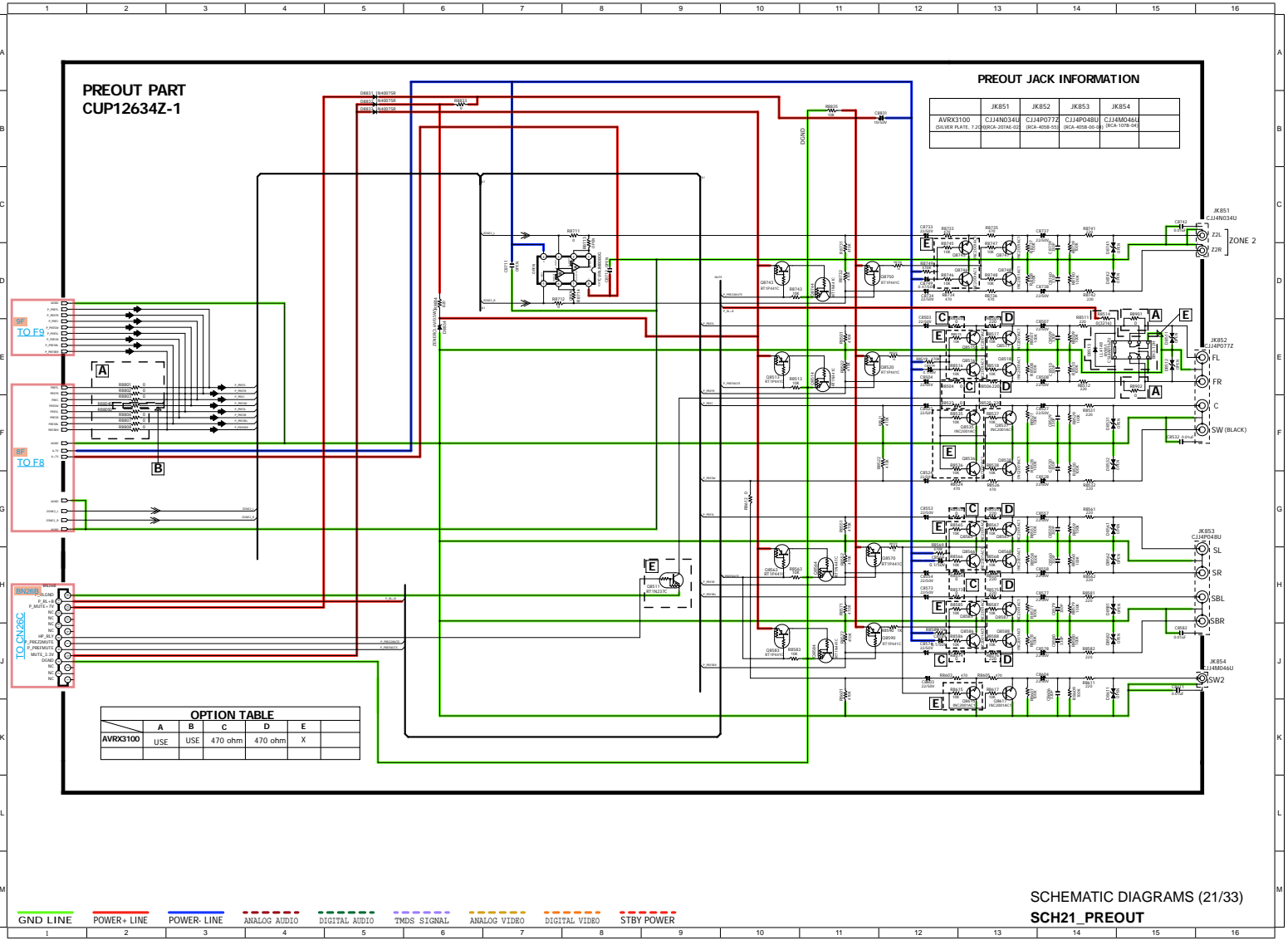
— GND LINE   
 — POWER+ LINE   
 — POWER- LINE   
 - - - ANALOG AUDIO   
 - - - DIGITAL AUDIO   
 - - - 2PDS SIGNAL   
 - - - ANALOG VIDEO   
 - - - DIGITAL VIDEO   
 - - - STBY POWER



SCH19\_INPUT1  
 SCHEMATIC DIAGRAMS (19/33)

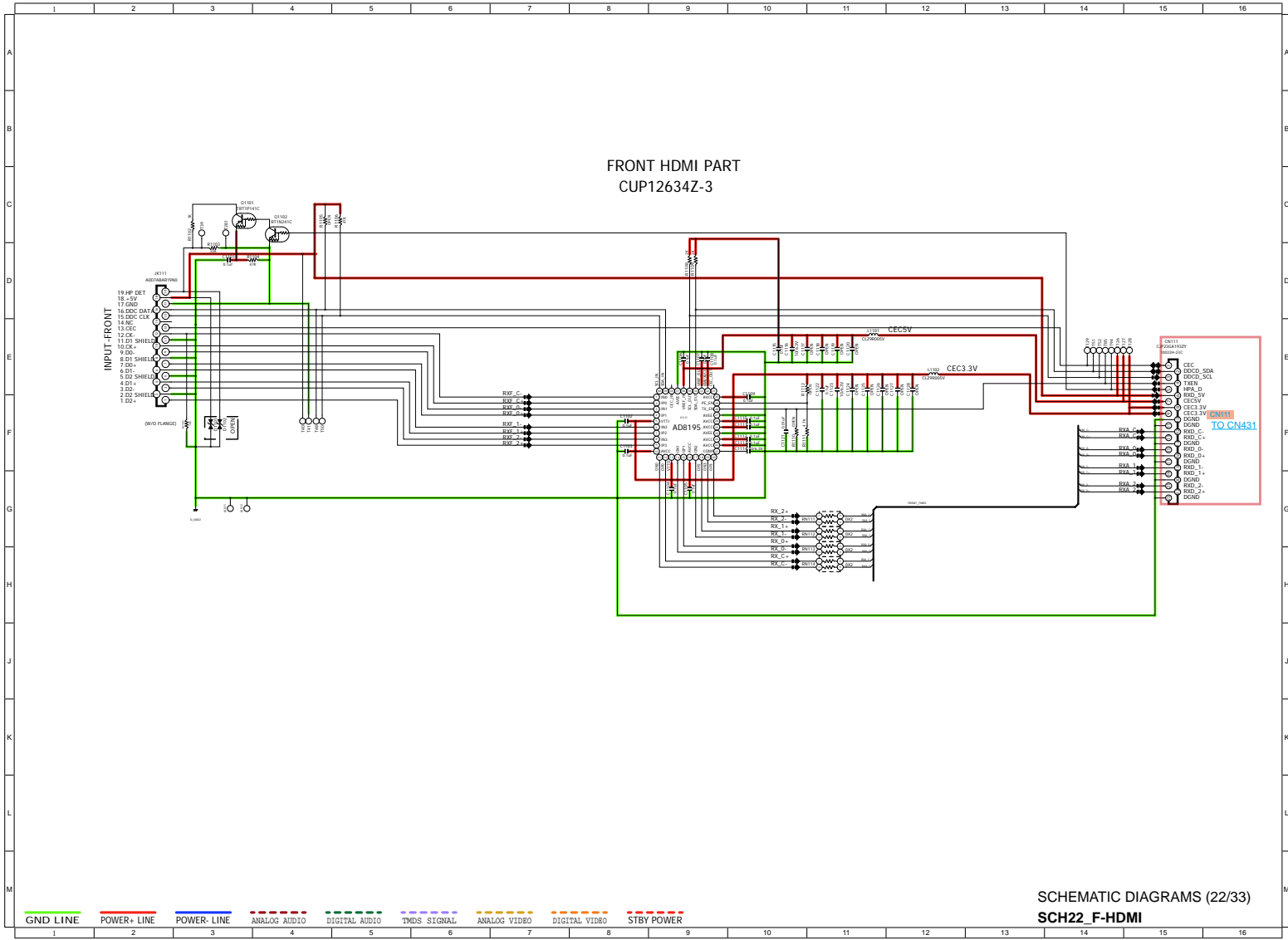


SCH20\_INPUT2  
SCHEMATIC DIAGRAMS (20/33)

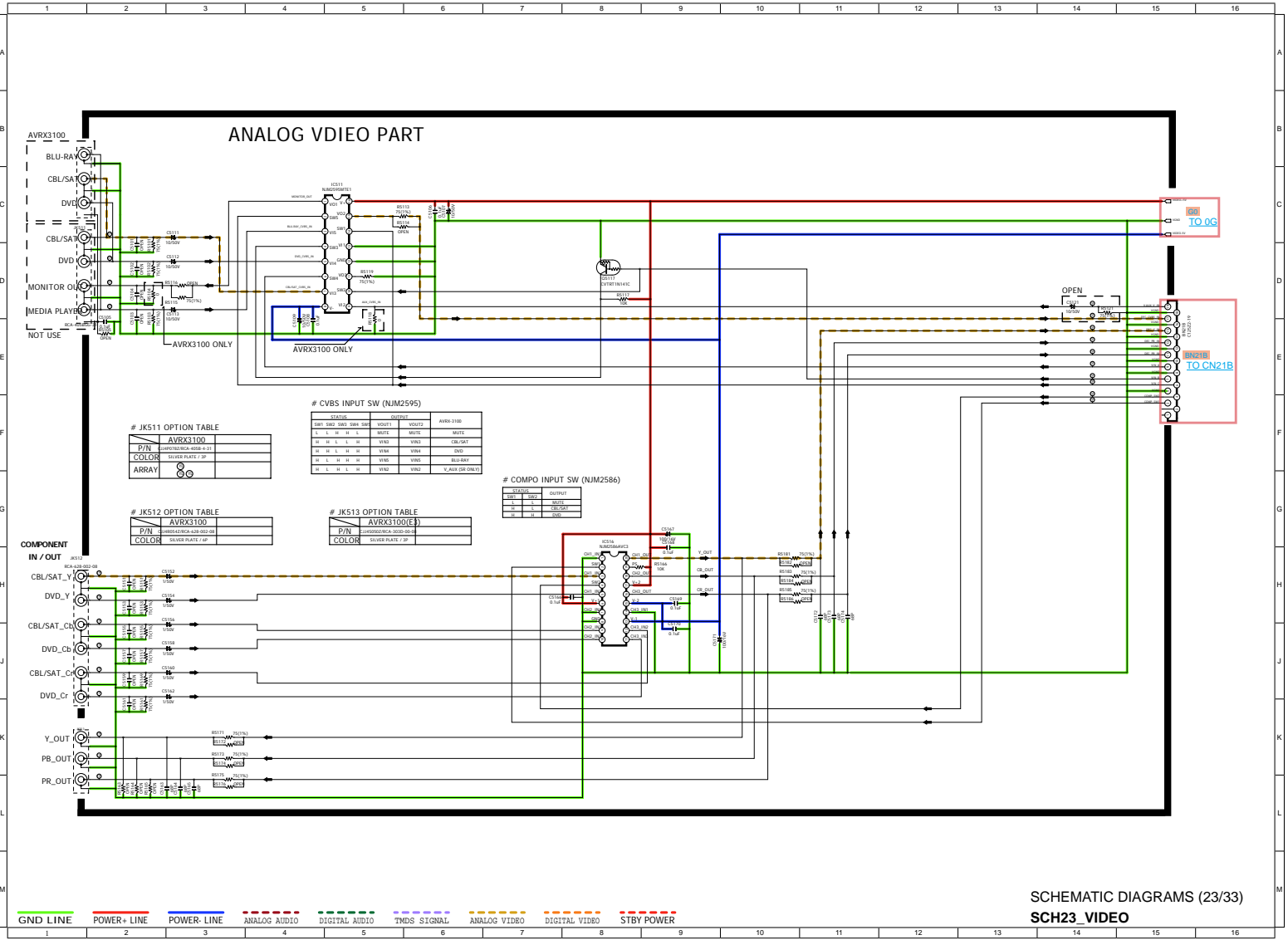


SCH21\_PREOUT  
SCHEMATIC DIAGRAMS (21/33)

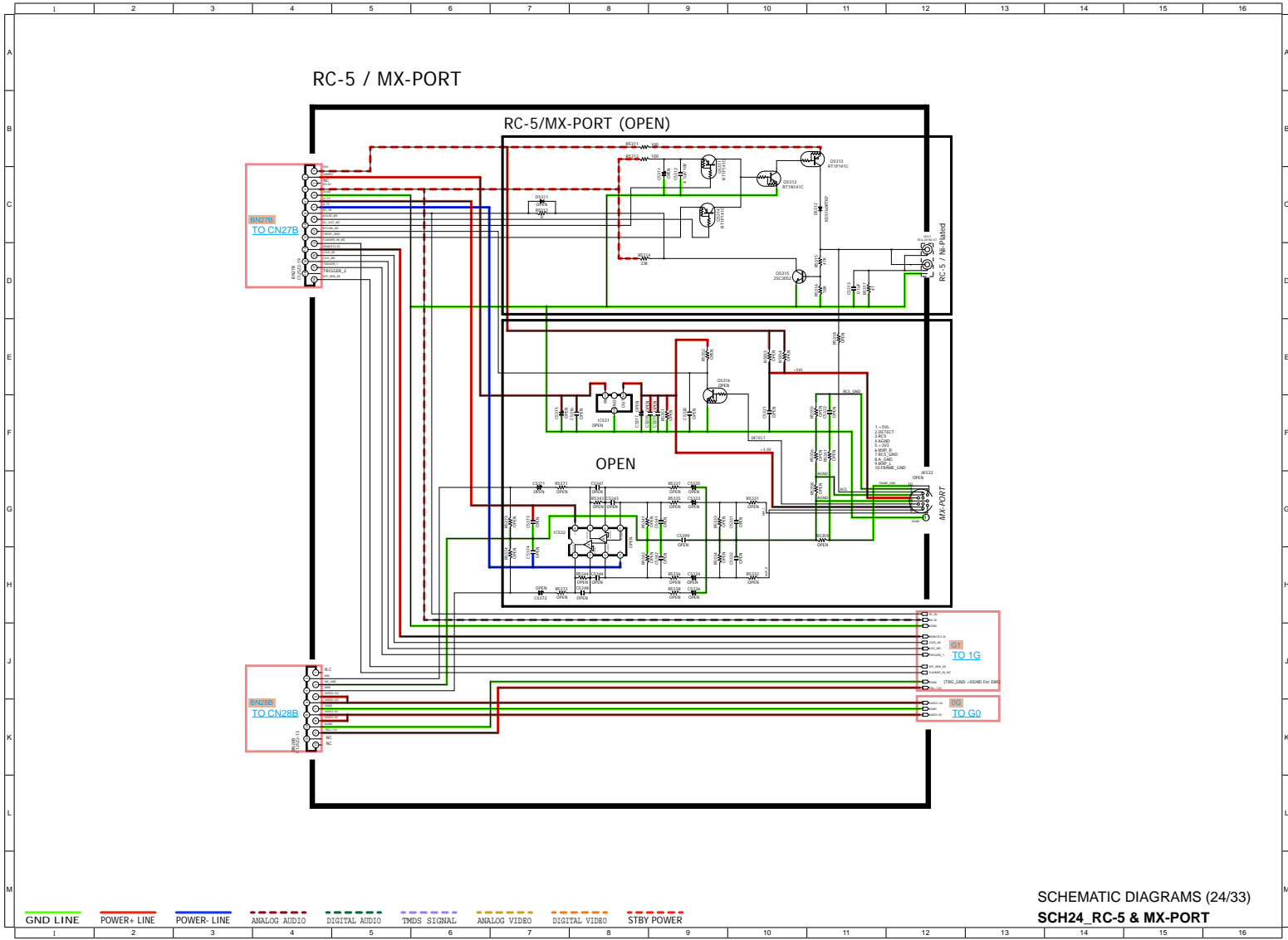




SCH22\_F-HDMI



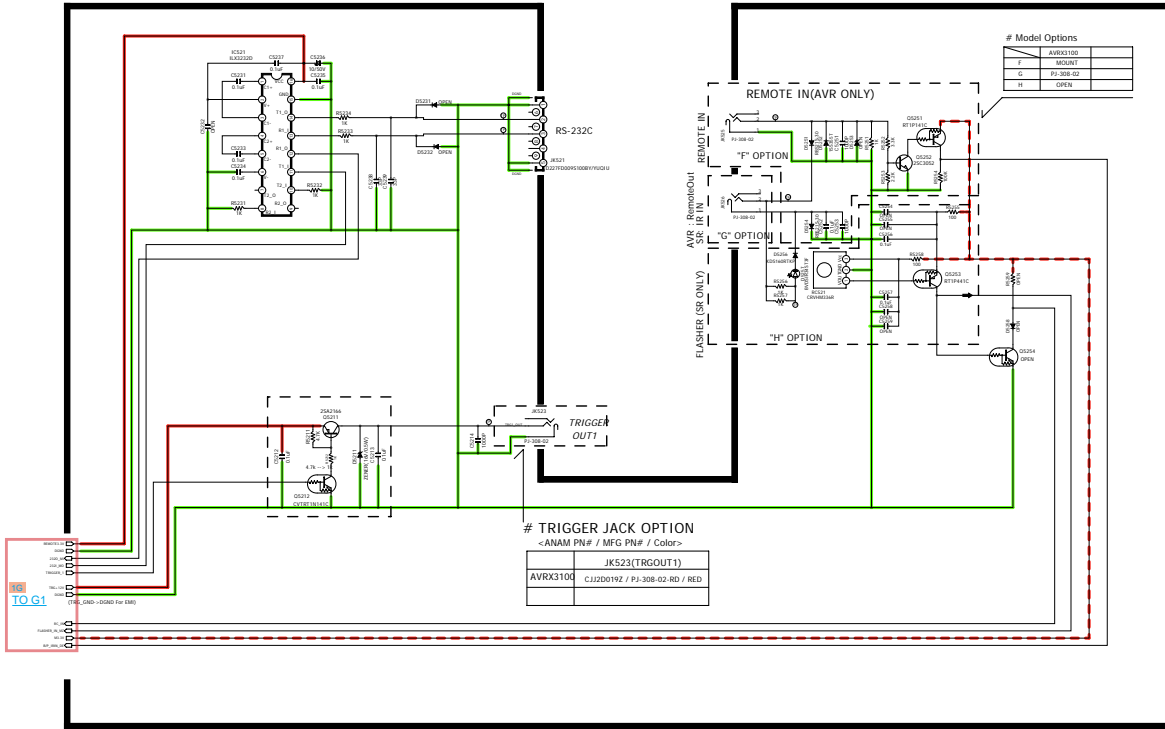
SCHMATIC DIAGRAMS (23/33)  
**SCH23\_VIDEO**



SCHEMATIC DIAGRAMS (24/33)  
**SCH24\_RC-5 & MX-PORT**

RS232C/TRIGGER

IR / FLASHER

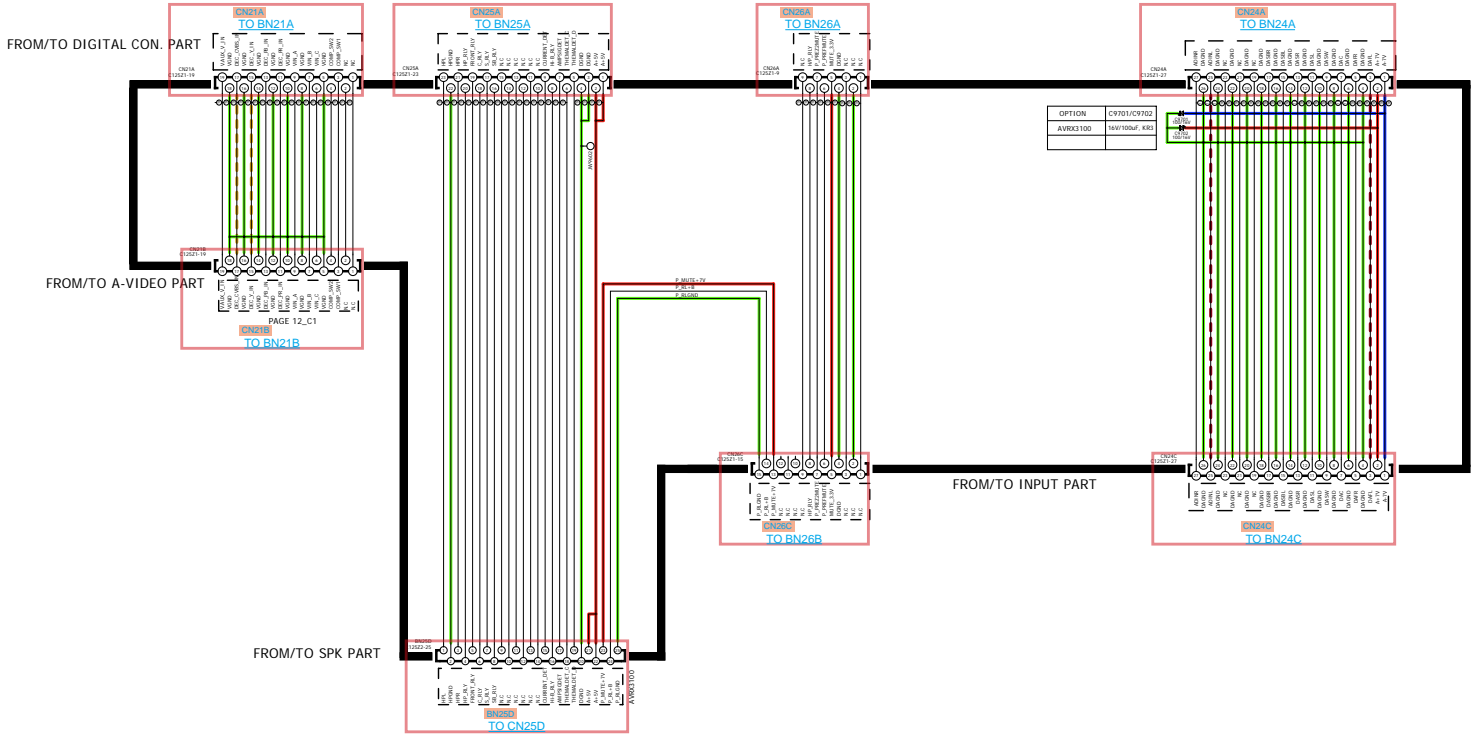


— GND LINE   
 — POWER+ LINE   
 — POWER- LINE   
 — ANALOG AUDIO   
 — DIGITAL AUDIO   
 — TMDS SIGNAL   
 — ANALOG VIDEO   
 — DIGITAL VIDEO   
 — STBY POWER

SCHEMATIC DIAGRAMS (25/33)  
**SCH25\_RS232C & TRIGGER**

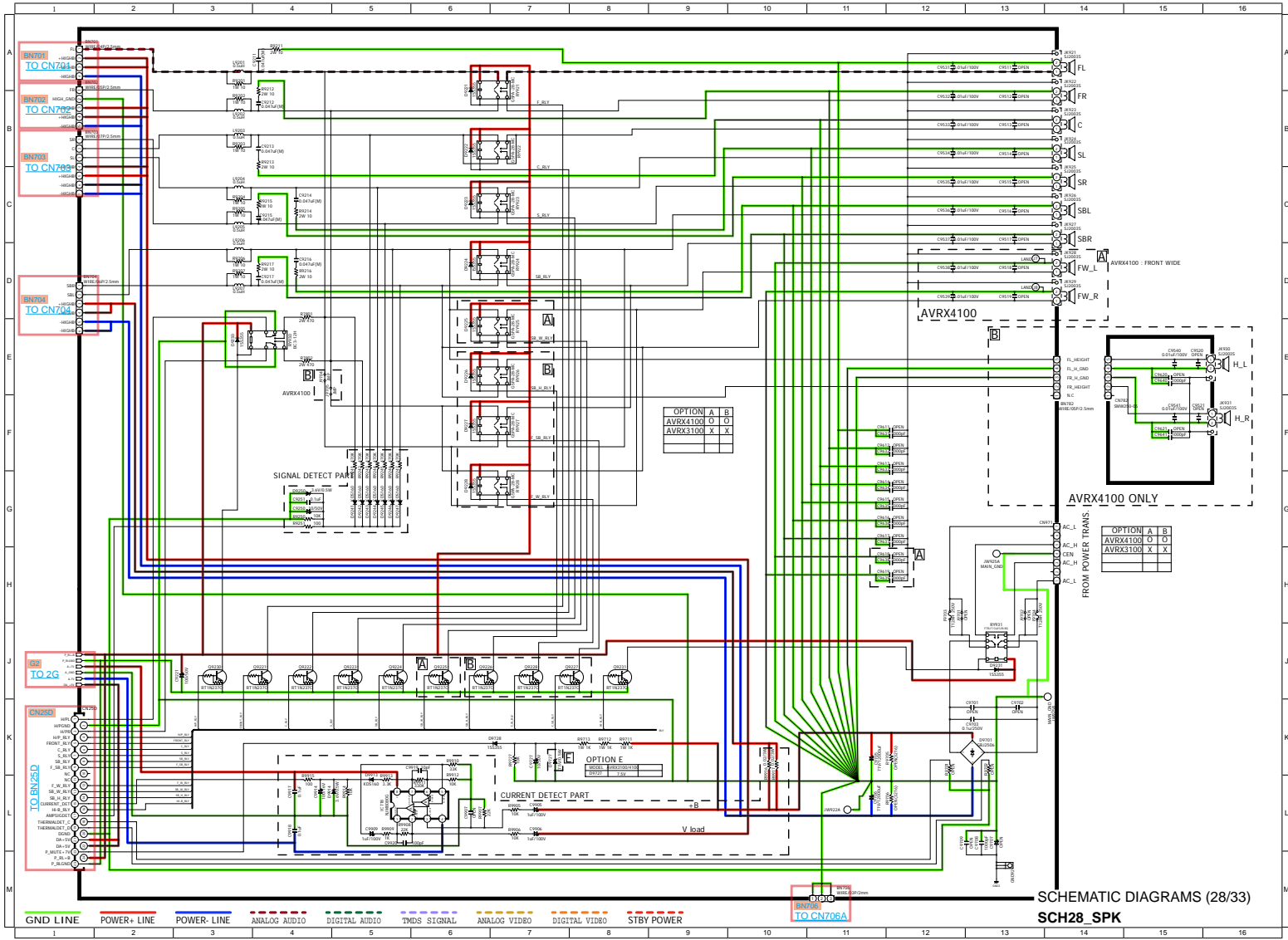


# FRT CNT\_CUP12630Z(CONNECT B)

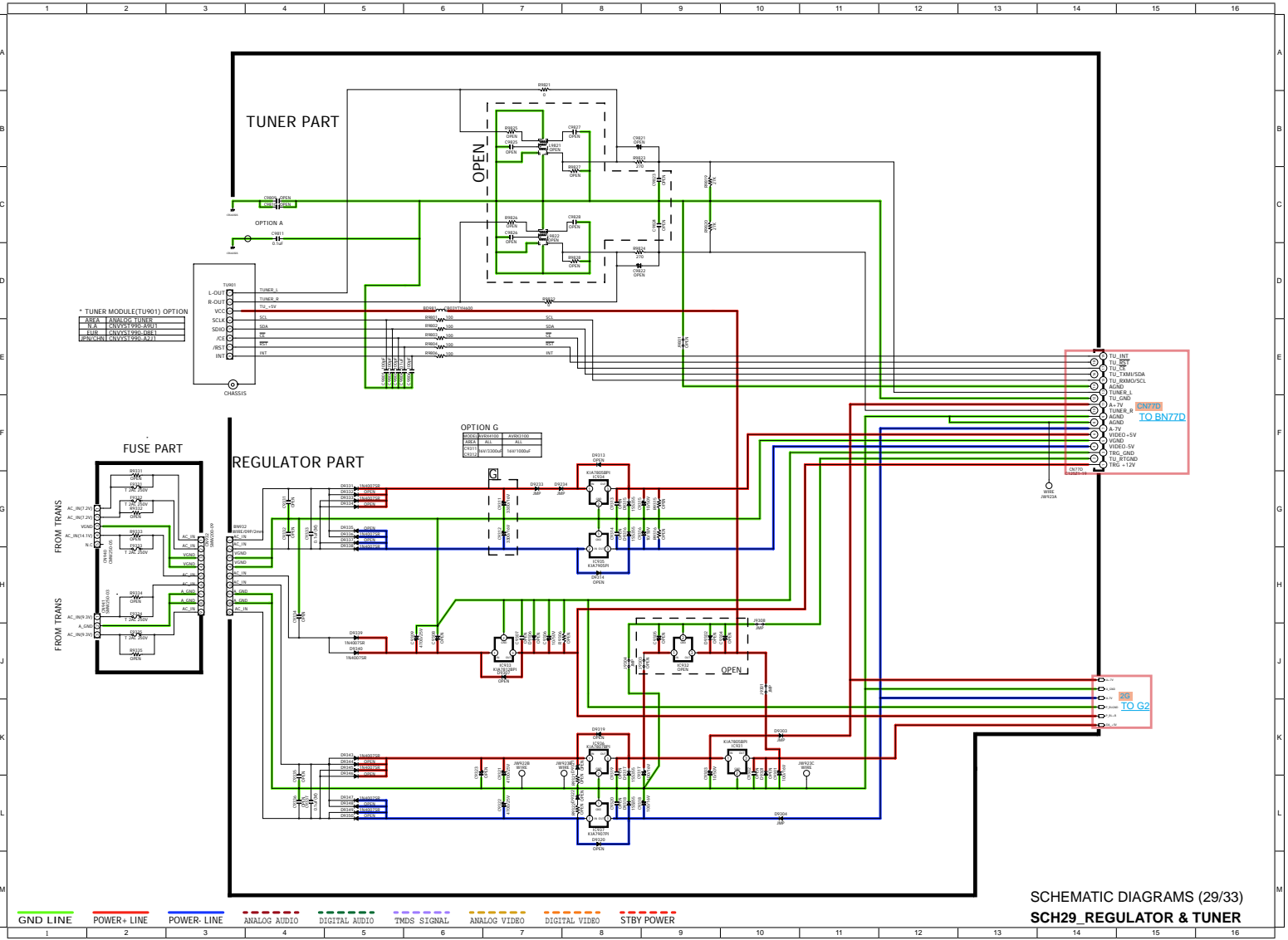


— GND LINE   
 — POWER+ LINE   
 — POWER- LINE   
 - - - ANALOG AUDIO   
 - - - DIGITAL AUDIO   
 - - - TWDS SIGNAL   
 - - - ANALOG VIDEO   
 - - - DIGITAL VIDEO   
 - - - STBY POWER

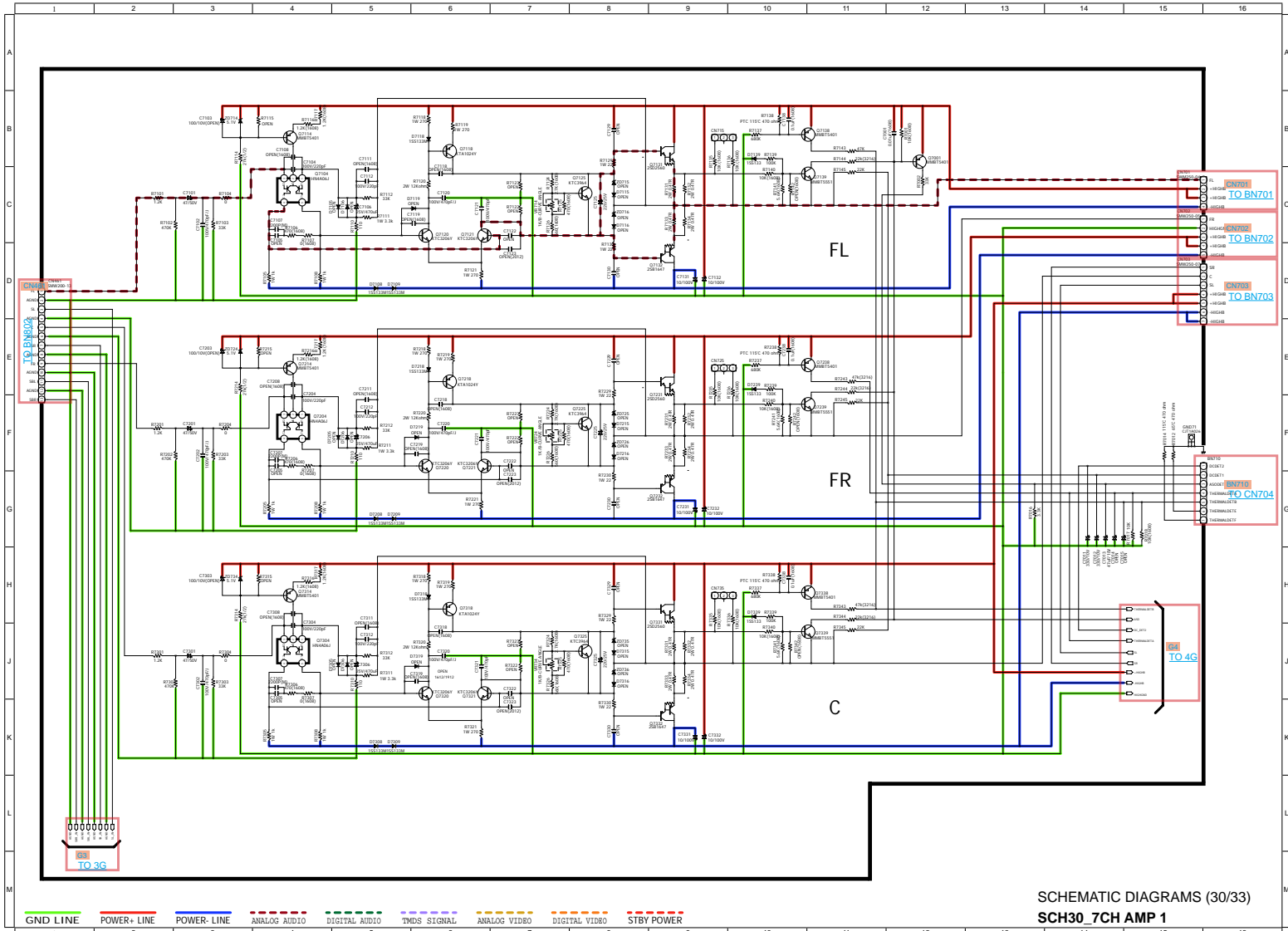
SCHEMATIC DIAGRAMS (27/33)  
SCH27\_CONNECT\_B



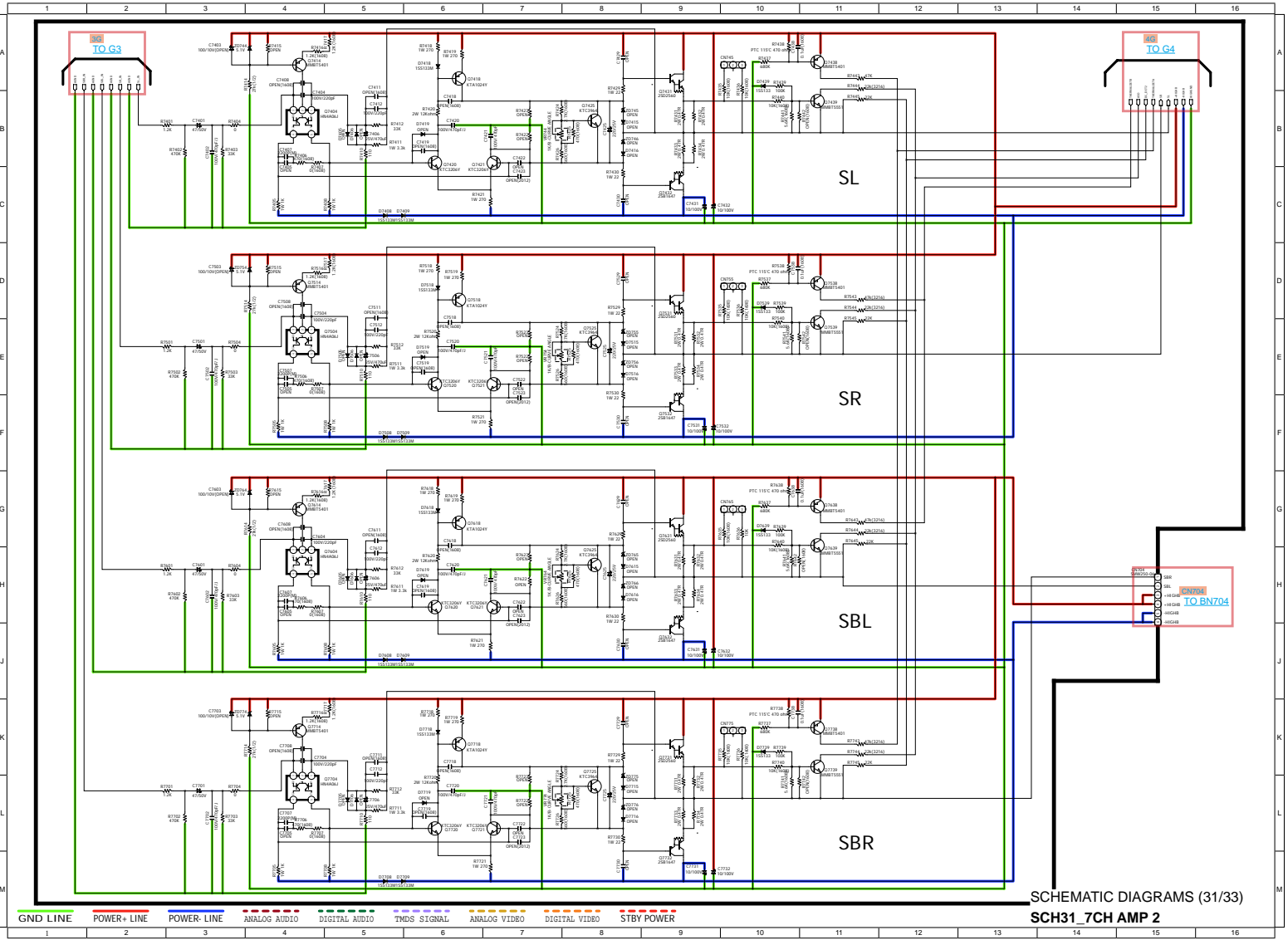
SCHEMATIC DIAGRAMS (28/33)  
SCH28\_SPK



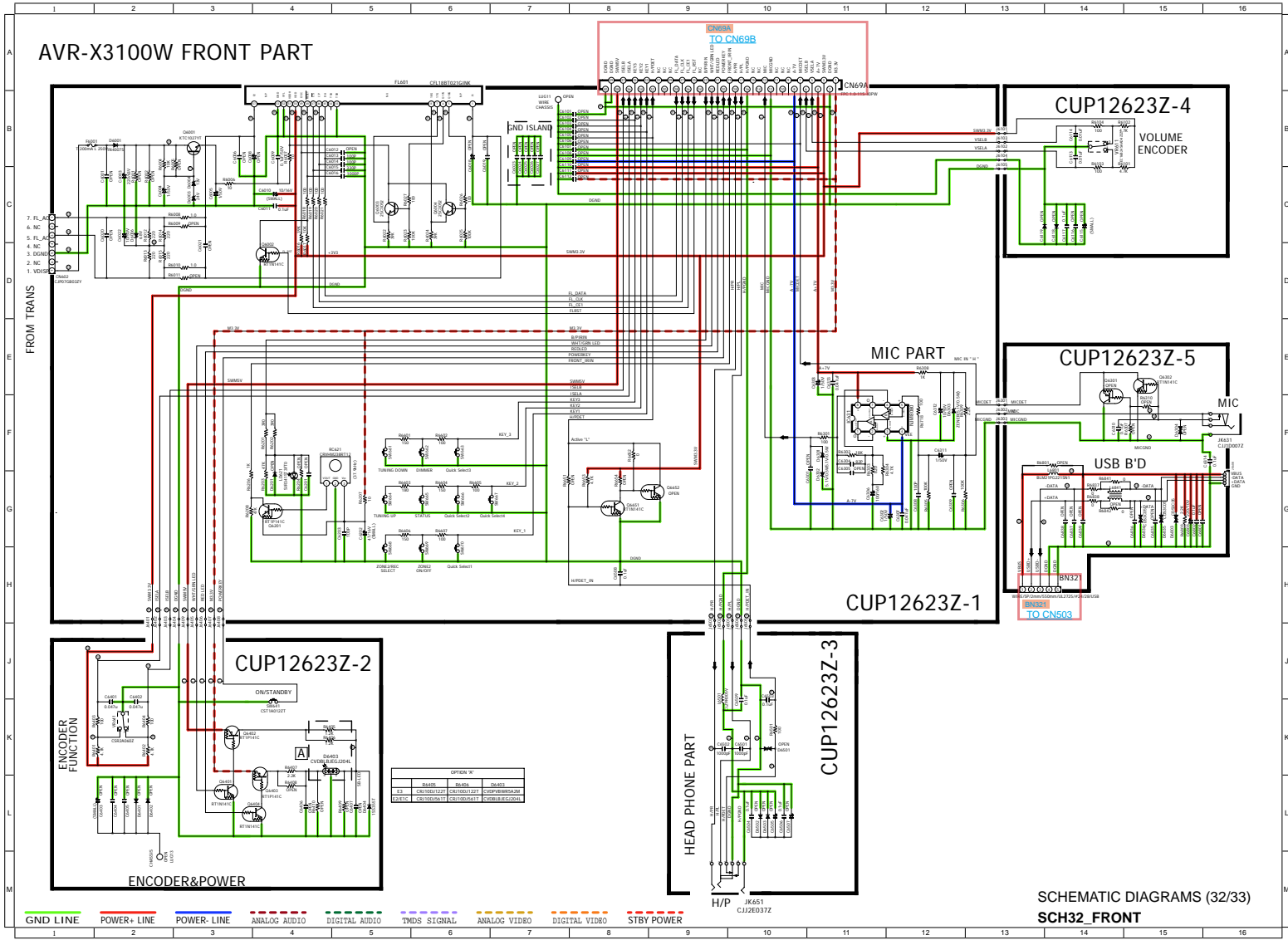




SCHEMATIC DIAGRAMS (30/33)  
**SCH30\_7CH AMP 1**

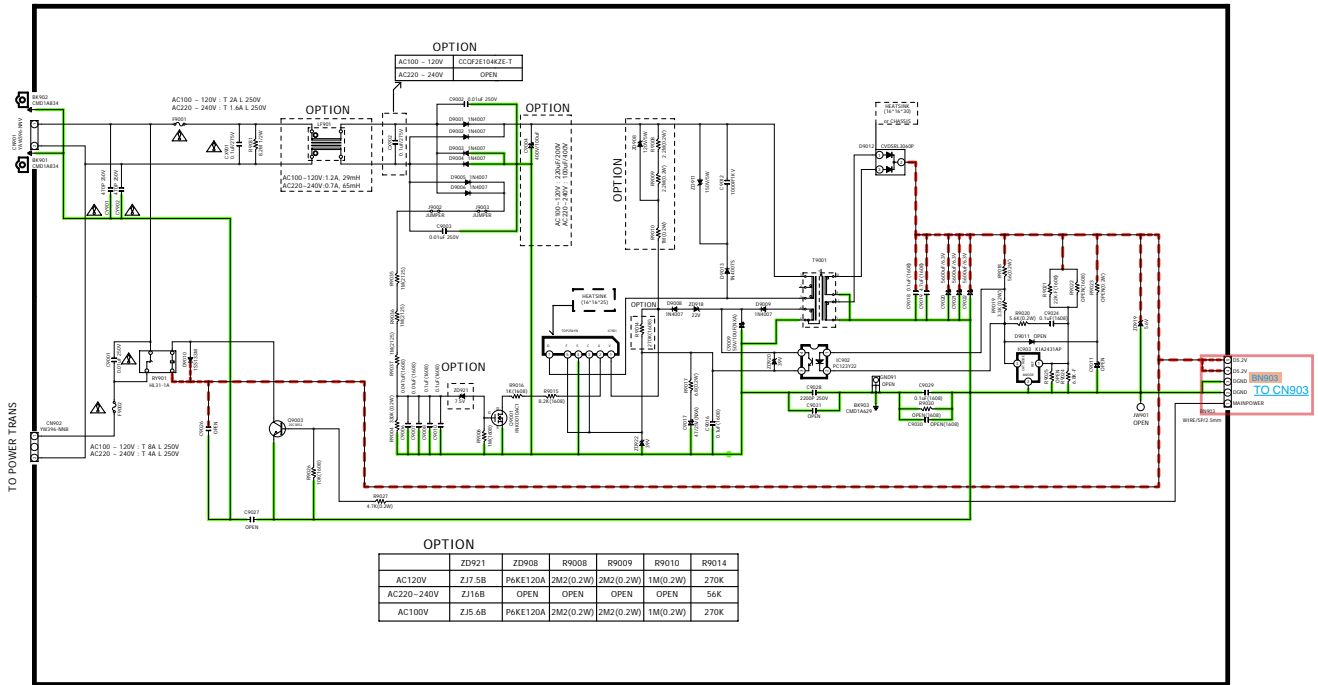


SCHEMATIC DIAGRAMS (31/33)  
SCH31\_7CH AMP 2



SCHEMATIC DIAGRAMS (32/33)  
SCH32\_FRONT

# SMPS PART



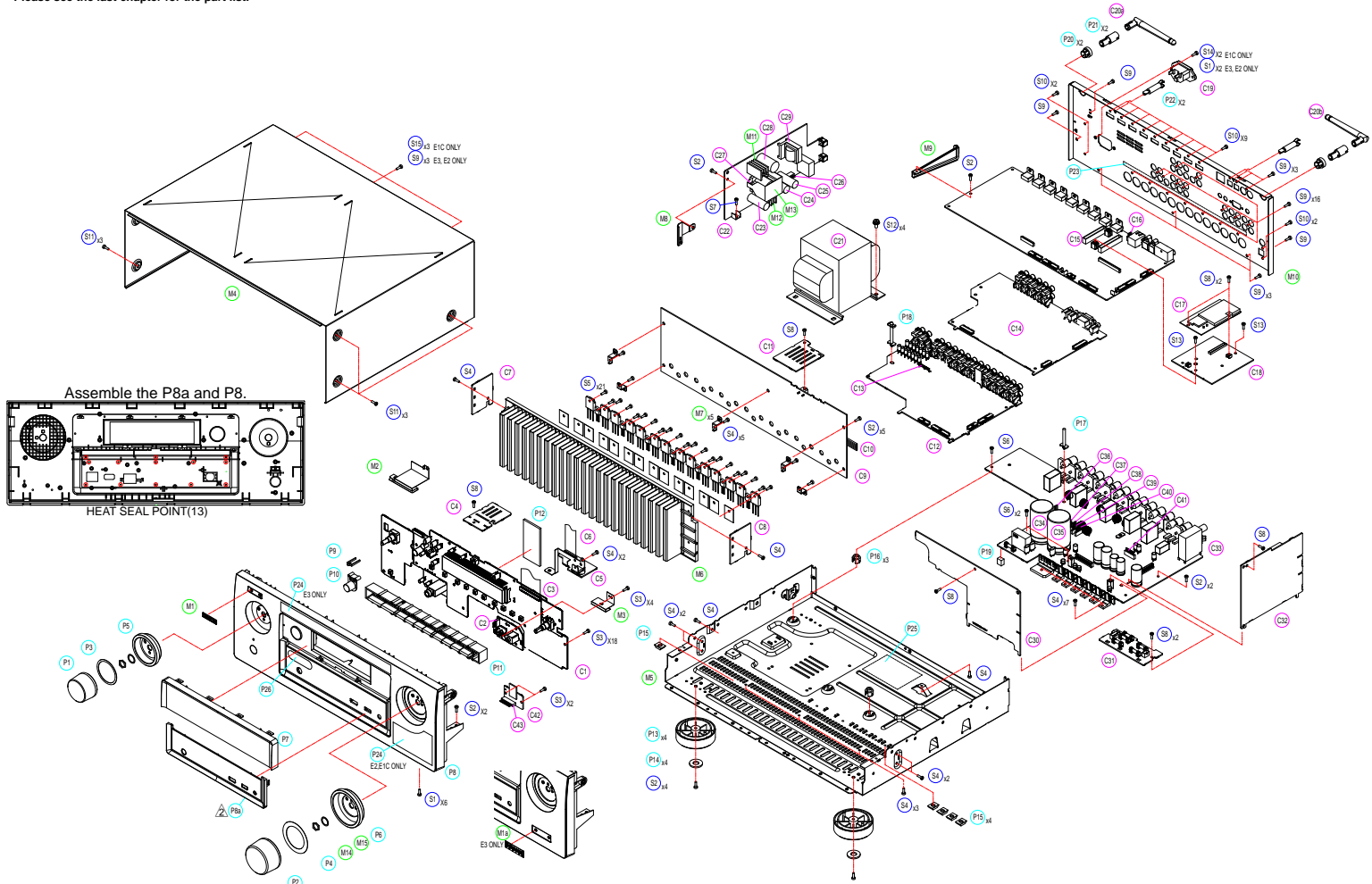
COMPONENTS WITH THIS SYMBOL ARE SPECIAL CHARACTERISTICS. IMPORTANT FOR SPECIFIC BLOCKS SPECIFIED BY THESE COMPONENTS.  
 1. USE ONLY MANUFACTURER'S SPECIFIED PARTS.  
 2. THE UNIT OF RESISTANCE IS OHM.  
 3. THE UNIT OF CAPACITANCE IS MICROFARAD.  
 4. THE UNIT OF INDUCTANCE IS MILLIHENRY.  
 5. IMPROVEMENT OF PERFORMANCE.

GND LINE    POWER+ LINE    POWER- LINE    ANALOG AUDIO    DIGITAL AUDIO    TVDS SIGNAL    ANALOG VIDEO    DIGITAL VIDEO    STBY POWER

SCHEMATIC DIAGRAMS (33/33)  
 SCH33\_SMPS

## EXPLODED VIEW

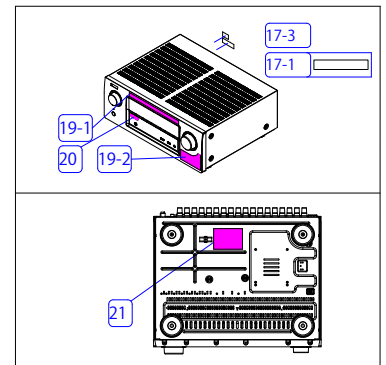
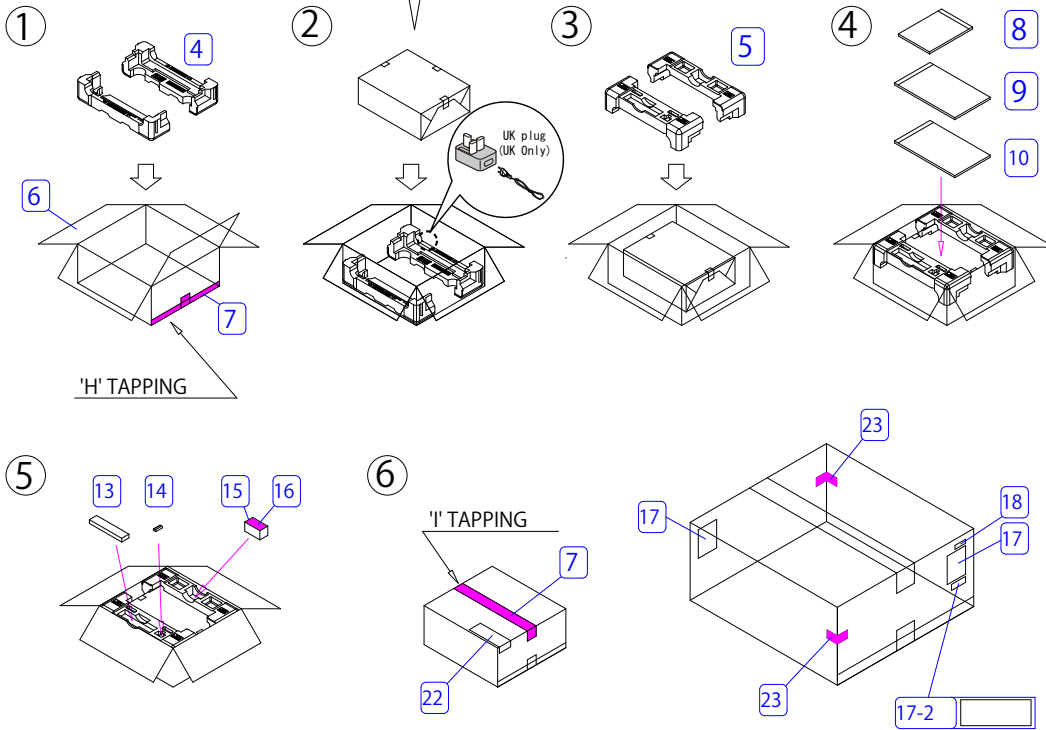
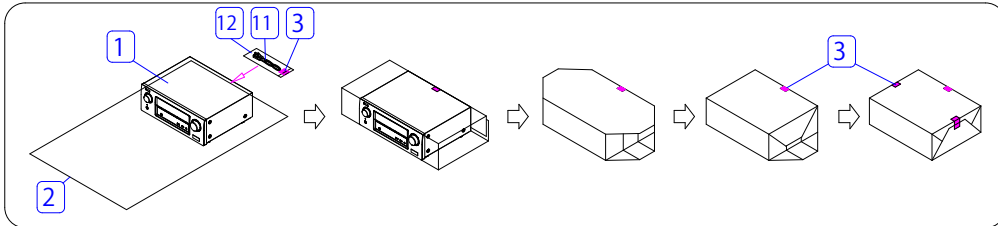
Please see the last chapter for the part list.



**WARNING:**  
Parts marked with this symbol  $\Delta$  have critical characteristics.  
Use ONLY replacement parts recommended by the manufacturer.

## PACKING VIEW

Please see the last chapter for the part list.

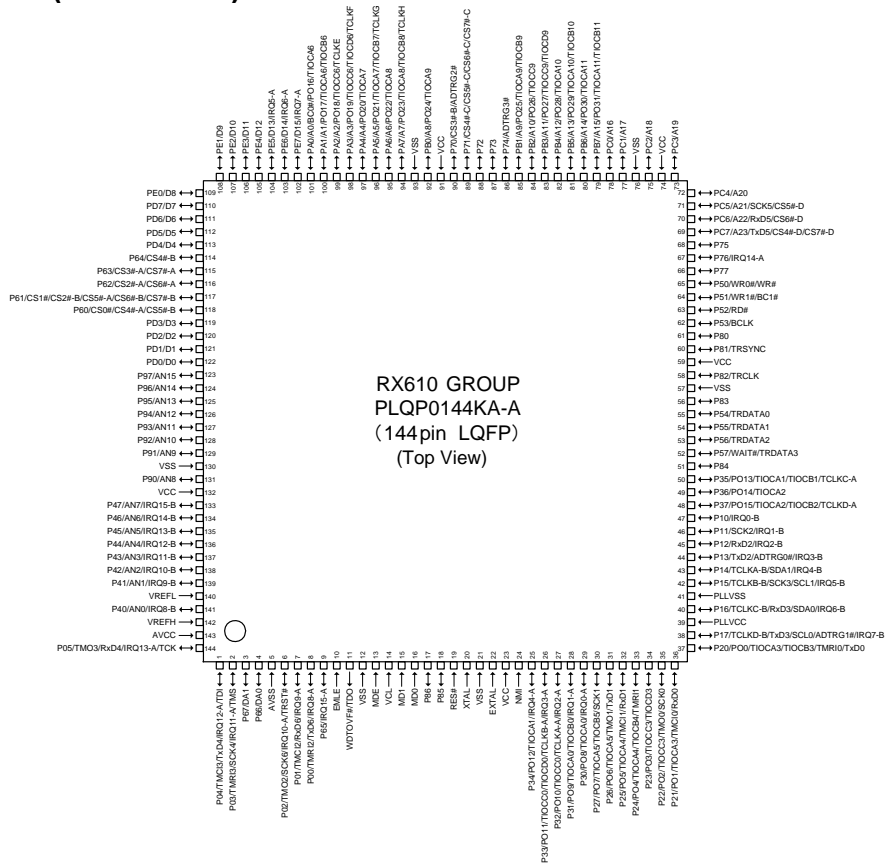


# SEMICONDUCTORS

Only major semiconductors are shown, general semiconductors etc. are omitted to list.  
The semiconductor which described a detailed drawing in a schematic diagram are omitted to list.

## 1. IC's

### R5F56108VNFP (HDMI : IC151)



### R5F56108VNFP Terminal Functions

Pin	Pin Name	Symbol	I/O	Pull up/down	LvCnv	STBY	STOP	CEC STBY	Function
1	P04/IRQ12-A/TMC13/TxD4/TDI	NC	I	M3VPu	-	I	I	I	NC
2	P03/IRQ11-A/TMR13/SCK4/TMS	NC	I	M3VPu	-	I	I	I	NC
3	P67/DA1	HIN SELA	O	-	-	L	L	L	TC74VHC4051AFT control pin. (Control the detection of HDMI 5V INPUT for CEC STANDBY.)
4	P66/DA0	HIN SELB	O	-	-	L	L	L	TC74VHC4051AFT control pin. (Control the detection of HDMI 5V INPUT for CEC STANDBY.)
5	AVSS	AVSS	-	-	-	-	-	-	GND
6	P02/IRQ10-A/TMO2/SCK6/TRST#	NC	I	Pd	-	I	I	I	NC
7	P01/IRQ9-A/TMC12/RxD6	RXD MI2320	I	M3VPu	-	I	I	I	Data received from the external pin(AMX)/Use for firmware upgrading by DFW.
8	P00/IRQ8-A/TMR12/TxD6	TXD MO2321	O	-	-	L	L	L	Data transfer to external pin(AMX)/Use for firmware upgrading by DFW.
9	P65/IRQ15-A	POWER KEY	I	M3VPu	-	I	I	I	POWER KEY (Waiting Mode cancel, interrupt port)
10	EMLE	NC	I	Pd	-	-	-	-	NC
11	WDTOVF#/TDO	NC	O/O	-	-	-	-	-	NC
12	VSS	VSS	I	-	-	-	-	-	GND
13	MDE	MDE	I	Pd	-	-	-	-	NC
14	VCL	VCL	I	-	-	-	-	-	Smoothing capacitor connection pin
15	MD1	MD1	I	M3VPu	-	-	-	-	NC
16	MD0	MD0	I	M3VPu	-	-	-	-	NC

Pin	Pin Name	Symbol	I/O	Pull up/ down	LvCnv	STBY	STOP	CEC STBY	Function
17	P86	(CEC POWER2)	O	-	-	L	L	H	Reserve (CEC POWER2 control)
18	P85	R E M O T E POWER(232C)	O	-	-	L	L	L	232C POWER SUPPLY (REMOTE 3.3V) control pin.(ON: H)
19	RES#	RESET	I	-	-	-	-	-	Reset input (reset: L)
20	XTAL	XTAL	I	-	-	-	-	-	Clock input
21	VSS	VSS	-	-	-	-	-	-	GND
22	EXTAL	EXTAL	-	-	-	-	-	-	Clock output
23	VCC	VCC	-	-	-	-	-	-	+3.3V
24	NMI	NMI	I	M3VPu	-	-	-	-	NC
25	P34/IRQ4-A/PO12/ TIOCA1	BDOWN	I	-	-	I	I	I	Power failure detection pin(Power failure:L)
26	P33/IRQ3-A/PO11/ TIOCC0/TIOCD0/ TCLKB-A	PLDAERR	I	-	-	L	L	L	PLD ERROR detection pin
27	P32/IRQ2-A/PO10/ TIOCC0/TCLKA-A	NC	O	-	-	L	O	L	Unused
28	P31/IRQ1-A/PO9/ TIOCA0/TIOCB0	ADV8003 INT1	I	-	-	I	I	I	HDMI transmitter / OSD (ADV8003) INT1 Input pin
29	P30/IRQ0-A/PO8/ TIOCA0	RC IN	I	-	-	I	I	I	Remote control signal input pin
30	P27/PO7/TIOCA5/ TIOCB5/SCK1	HDMI A SEL	O	-	-	L	L	L	TC74VHCT244AFT control pin. (Control the HDMI Audio input. H : DSP signal path / L : HDMI Rx -> Tx )
31	P26/PO6/TIOCA5/ TMO1/TxD1	NC	O	-	-	L	L	L	Unused
32	P25/PO5/TIOCA4/ TMC1/RxD1	NC	O	-	-	L	L	L	Unused
33	P24/PO4/TIOCA4/ TIOCB4/TMR1	TU RST	O	SW3VPu	-	L	L	L	TUNER RESET pin (E3 model)
34	P23/PO3/TIOCC3/ TIOCD3	E RESET	O	N3VPu	-	L	L	L	ETHERNET RESET control pin (DM860)
35	P22/PO2/TIOCC3/ TMO0/SCK0	E POWER	O	-/-	-	L	L	L	ETHERNET POWER SUPPLY (NET3.3V) control pin.(ON:H)
36	P21/PO1/TIOCA3/ TMC10/RxD0	E_RXDMIEO	I	-/-	-	I	I	I	ETHERNET communication control pin (DM860)
37	P20/PO0/TIOCA3/ TIOCB3/TMR10/TxD0	E_TXDMOEI	O	-/-	-	L	L	L	ETHERNET communication control pin (DM860)
38	P 1 7 / I R Q 7 - B / T C L K D - B / T x D 3 / SCL0/ADTRG1#	TU SCLK	O	-	-	L	L	L	TUNER control pin
39	PLLVCC	PLLVCC	-	-	-	-	-	-	+3.3V
40	P 1 6 / I R Q 6 - B / T C L K C - B / R x D 3 / SDA0	TU SDIO	I_O	-	-	L	L	L	TUNER control pin
41	PLLSS	PLLSS	-	-	-	-	-	-	GND
42	P 1 5 / I R Q 5 - B / T C L K B - B / S C K 3 / SCL1	HSCL (400k)	O	CEC3VPu	-	L	L	L	VIDEO I2C Control for - HDMI SW (ADV3002) / HDMI RX , A to H Decoder (ADV7850) / HDMI ip Scaler , TX (ADV8003)
43	P 1 4 / I R Q 4 - B / T C L K A - B / S D A 1	HSDA (400k)	I_O	CEC3VPu	-	L	L	L	VIDEO I2C Control for - HDMI SW (ADV3002) / HDMI RX , A to H Decoder (ADV7850) / HDMI ip Scaler , TX (ADV8003)
44	P13/IRQ3-B/TxD2/ ADTRG0#	ADV8003 SPI MO	O	-	-	L	L	L	OSD control pin (ADV8002 or ADV8003)
45	P12/IRQ2-B/RxD2	ADV8003 SPI MI	I	-	-	L	L	L	OSD control pin (ADV8002 or ADV8003)
46	P11/IRQ1-B/SCK2	ADV8003 SPI CLK	O	-	-	L	L	L	OSD control pin (ADV8002 or ADV8003)
47	P10/IRQ0-B	ADV8003 SPI CS	O	-	-	L	L	L	OSD control pin (ADV8002 or ADV8003)
48	P37/PO15/TIOCA2/ TIOCB2/TCLKD-A	EEPROM SDA	I_O	M3VPu	-	I	I	I	EEPROM control pin
49	P36/PO14/TIOCA2	EEPROM SCL	O	M3VPu	-	I	I	I	EEPROM control pin
50	P35/PO13/TIOCA1/ TIOCB1/TCLKC-A	ADV7850 RST	O	-	-	L	L	L	HDMI RX , A to H Decoder (ADV7850) RESET control pin
51	P84	CEC_OUT	O	-	-	L	L	-	CEC-D signal output pin
52	P 5 7 / W A I T # / TRDATA3	ADV3002 RST	O	SW3VPu	-	L	L	L	HDMI switcher RESET control pin (ADV3002)
53	P56/TRDATA2	E SPI MOEI	O	N3VPu	-	L	L	L	ETHERNET communication control pin (DM860)
54	P55/TRDATA1	ADV8003 RST	O	SW3VPu	-	L	L	L	HDMI Tx/ip Scaler/OSD RESET control pin (ADV8003)

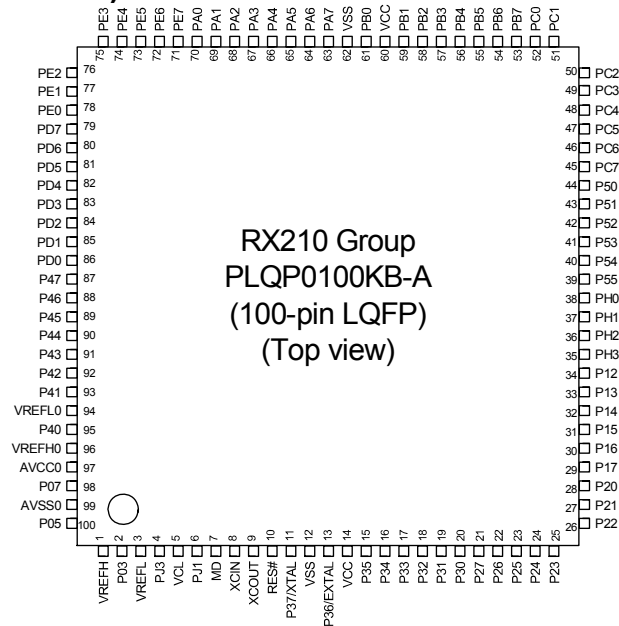


Pin	Pin Name	Symbol	I/O	Pull up/ down	LvCnv	STBY	STOP	CEC STBY	Function
55	P54/TRDATA0	E SPI MIEO	I	N3VPu	-	I	L	I	ETHERNET communication control pin (DM860)
56	P83	E SPI CLK	O	N3VPu	-	L	L	L	ETHERNET communication control pin (DM860)
57	VSS	VSS	-	-	-	-	-	-	GND
58	P82/TRCLK	FL CE	O	-	-	L	L	L	VFD control pin
59	VCC	VCC	-	-	-	-	-	-	+3.3V
60	P81/TRSYNC	FL RST	O	-	-	L	L	L	VFD control pin
61	P80	ZVOL DATA	O	-	-	L	L	L	ZONE VOLUME control pin (NJW1194)
62	BCLK/P53	NC	I	-	-	I	I	I	NC
63	P52/RD#	ZVOL CLK	O	-	-	L	L	L	ZONE VOLUME control pin (NJW1194)
64	P51/WR1#/BC1#	ZVOL STB	O	-	-	L	L	L	ZONE VOLUME control pin (NJW1194)
65	P50/WR0#/WR#	V SDA	O	-	-	L	L	L	A-VIDEO switcher control pin (AVDM-2000)
66	P77	V SCL	O	-	-	L	L	L	A-VIDEO switcher control pin (AVDM-2000)
67	P76/IRQ14-A	TU GPO2_INT	I	-	-	L	L	L	TUNER GPIO2 input pin
68	P75	DSP ROMRST	O	-	-	I	I	I	Memory reset for DSP (Reset : L)
69	PC7/A23/CS4#-D/ CS7#-D/TxD5	DSP MOSI	O	DA3VPu	-	L	L	L	DSP control pin (ADSP21487KSWZ-3B)
70	PC6/A22/CS6#-D/ RxD5	DSP MISO	I	DA3VPu	-	L	L	L	DSP control pin (ADSP21487KSWZ-3B)
71	PC5/A21/CS5#-D/ SCK5	DSPI CLK	O	DA3VPu	-	L	L	L	DSP control pin (ADSP21487KSWZ-3B)
72	PC4/A20	DSP RST	O	-	-	L	L	L	DSP(ADSP21487KSWZ-3B) reset output pin (Reset : L)
73	PC3/A19	DSP FLAG0	I	Pd	-	L	L	L	DSP control pin (ADSP21487KSWZ-3B)
74	VCC	VCC	-	-	-	-	-	-	+3.3V
75	PC2/A18	DSP ICS	O	DA3VPu	-	L	L	L	DSP control pin (ADSP21487KSWZ-3B)
76	VSS	VSS	-	-	-	-	-	-	GND
77	PC1/A17	GRN LED	O	-	-	L	L	L	POWER LED control pin(ON:H)
78	PC0/A16	RED LED	O	-	-	L	L	H	POWER/STANDBY LED control pin (ON:H)
79	PB7/A15/PO31/ TIOCA11/TIOCB11	H/P RLY	O	-	-	L	L	L	HEADPHONE RLY control pin
80	PB6/A14/PO30/ TIOCA11	FRONT RLY	O	-	-	L	L	L	FRONT Ch RELAY control pin
81	PB5/A13/PO29/ TIOCA10/TIOCB10	HIN SELC	O	-	-	L	L	L	TC74VHC4051AFT control pin. (Control the detection of HDMI 5V INPUT for CEC STANDBY.)
82	PB4/A12/PO28/ TIOCA10	TU_SEN	O	-	-	L	L	L	TUNER control pin
83	PB3/A11/PO27/ TIOCC9/TIOCD9	C/S RLY	O	-	-	L	L	L	CENTER/SURROUND Ch RELAY control pin
84	PB2/A10/PO26/ TIOCC9	SB RLY	O	-	-	L	L	L	SURROUND-BACK Ch RELAY control pin
85	PB1/A9/PO25/ TIOCA9/TIOCB9	D5V POWER	O	-	-	L	L	L	DIGITAL POWER SUPPLY (D3.3V) control pin (ON:H)
86	P74/ADTRG3#	DIR CE	O	-	-	L	L	L	DIR control pin (LC89058W-E)
87	P73	DIR DIN	O	-	-	L	L	L	DIR control pin (LC89058W-E)
88	P72	DIR DOUT	I	DA3VPu	-	I	I	I	DIR control pin (LC89058W-E)
89	P71/CS4#-C/ CS5#-C/CS6#-C/ CS7#-C	DIR CLK	O	-	-	L	L	L	DIR control pin (LC89058W-E)
90	P70/CS3#-B/ ADTRG2#	DIR RST	O	-	-	L	L	L	DIR RESET pin (LC89058W-E)
91	VCC	VCC	-	-	-	-	-	-	+3.3V
92	PB0/A8/PO24/ TIOCA9	CEC SEL	O	-	-	L	L	L	CEC output LINE switching
93	VSS	VSS	-	-	-	-	-	-	GND
94	PA7/A7/PO23/ TIOCA8/TIOCB8/ TCLKH	NC	O/O	-/-	-	L	L	L	Unused
95	PA6/A6/PO22/ TIOCA8	VSELA	I	-	-	I	I	I	Master Volume rotation detection pin(Rotary encoder)
96	PA5/A5/PO21/ TIOCA7/TIOCB7/ TCLKG	VSELB	I	-	-	I	I	I	Master Volume rotation detection pin(Rotary encoder)
97	PA4/A4/PO20/ TIOCA7	E POWER 2 (Reserve)	O	-/-	-	L	L	L	Unused

Pin	Pin Name	Symbol	I/O	Pull up/ down	LvCnv	STBY	STOP	CEC STBY	Function
98	PA3/A3/PO19/ TIOCC6/TIOCD6/ TCLKF	DAC(ETHER) MUTE	O	-	-	L	L	L	DAC (ETHER) MUTE control pin (PCM5100 for DM860)
99	PA2/A2/PO18/ TIOCC6/TCLKE	PRE Z2 MUTE	O	-	-	L	L	L	Z2 PRE OUT MUTE control pin
100	PA1/A1/PO17/ TIOCA6/TIOCB6	NC	O	-	-	L	L	L	Unused
101	PA0/A0/BC0#/PO16/ TIOCA6	PRE MUTE	O	-	-	L	L	L	Sub Woofer PRE OUT MUTE control pin
102	PE7/IRQ7-A/D15	ADV8003 INT2	I	-	-	I	I	I	HDMI TX1.0SD INT2 input pin (ADV8003)
103	PE6/IRQ6-A/D14	ADV7850 INT1	I	-	-	I	I	I	HDMI RX INT1 input pin (ADV7850)
104	PE5/IRQ5-A/D13	ADV7850 INT2	I	-	-	L	L	L	HDMI RX INT2 input pin (ADV7850)
105	PE4/D12	ISEL A	I/O	-	-	I/L	I/L	I/L	Input Selector rotation detection pin(Rotary encoder)
106	PE3/D11	ISEL B	I/O	-	-	I/L	I/L	I/L	Input Selector rotation detection pin(Rotary encoder)
107	PE2/D10	VOL CLK	O	-	-	L	L	L	FUNCTION / VOLUME control pin (R2A15218)
108	PE1/D9	VOL DATA	O	-	-	L	L	L	FUNCTION / VOLUME control pin (R2A15218)
109	PE0/D8	PLD WRITE	O	-	-	L	L	L	A.PLD /JTAG switching control pin
110	PD7/D7	JTAG TDO	I	-	-	L	L	L	A.PLD rewriting control pin (JTAG)
111	PD6/D6	JTAG TMS/APLD CS	O/O	-	-	L	L	L	A.PLD rewriting & control pin
112	PD5/D5	JTAG TDI/APLD DATA/DAC DATA	O/O	-	-	L	L	L	A.PLD rewriting & control /DAC control pin
113	PD4/D4	JTAG TCK/APLD CLK/DAC CLK	O/O	-	-	L	L	L	A.PLD rewriting & control /DAC control pin
114	P64/CS4#-B	ADC RST	O	-	-	L	L	L	A/D converter control pin (AK5358B)
115	P63/CS3#-A/CS7#-A	NC	O	-	-	L	L	L	Unused
116	P62/CS2#-A/CS6#-A	E SPI CS	O	N3VPu	-	L	L	L	ETHERNET communication control pin(DM860)
117	P61/CS1#/CS2#-B/ CS5#-A/CS6#-B/ CS7#-B	DAC MS	O	-	-	L	L	L	D/A converter control pin (AK4358VQ)
118	P60/CS0#/CS4#-A/ CS5#-B	DAC RST	O	-	-	L	L	L	D/A converter control pin (AK4358VQ)
119	PD3/D3	NC	O	-	-	L	L	L	Unused
120	PD2/D2	NC	O	-	-	L	L	L	Unused
121	PD1/D1	FL CLK	O	-	-	L	L	L	VFD control pin
122	PD0/D0	FL DATA	O	-	-	L	L	L	VFD control pin
123	P97/AN15	DA POWER	O	-	-	L	L	L	DIGITAL AUDIO POWER SUPPLY (DA3.3V & DA1.2V) control pin.(ON:H)
124	P96/AN14	CEC POWER	O	-	-	L	L	H	HDMI CEC POWER SUPPLY (CEC5V & CEC3.3V & CEC1.8V) control pin. (ON:H)
125	P95/AN13	DV POWER1	O	-	-	L	L	※	Digital VIDEO POWER SUPPLY (DV5V & DV3.3V) control pin. *CEC STANDBY : MODE1=H , MODE2=L , MODE3=L
126	P94/AN12	DV POWER2	O	-	-	L	L	※	Digital VIDEO POWER SUPPLY (DV1.8V) control pin. *CEC STANDBY : MODE1=H , MODE2=L , MODE3=L
127	P93/AN11	MAIN POWER	O	-	-	L	L	L	MAIN POWER control pin
128	P92/AN10	CPU POWER	O	-	-	L	L	L	CPU INTERFACE POWER SUPPLY (SWM3.3V & SWM5V) control pin (POWER ON: H , CEC ON STANDBY: H)
129	P91/AN9	TX EN	O	-	-	L	L	L	Front HDMI INPUT (AD8195) control pin
130	VSS	VSS	-	-	-	-	-	-	GND
131	P90/AN8	MODE	I	-	-	I	I	I	Destination detection pin
132	VCC	VCC	-	-	-	-	-	-	+3.3V
133	P47/IRQ15-B/AN7	THERMAL B/DC DET/ASO	I	-	-	I	I	I	ASO PROTECT / DC PROTECT / HEAT PROTECT-B detection pin
134	P46/IRQ14-B/AN6	H/P DET / MIC DET/THERMAL A	I	-	-	I	I	I	MIC detection / Headphone detection / HEAT PROTECT-A detection pin
135	P45/IRQ13-B/AN5	KEY3	I	SW3VPu	-	I	I	I	Button input 3
136	P44/IRQ12-B/AN4	KEY2	I	SW3VPu	-	I	I	I	Button input 2
137	P43/IRQ11-B/AN3	KEY1	I	SW3VPu	-	I	I	I	Button input 1
138	P42/IRQ10-B/AN2	E SPI REQ	I	Pd	-	I	L	I	ETHERNET communication control pin(DM860)

Pin	Pin Name	Symbol	I/O	Pull up/ down	LvCnv	STBY	STOP	CEC STBY	Function
139	P41/IRQ9-B/AN1	HDMI IN 5V SET	I	-	-	I	I	I	HDMI INPUT 5V (for EDID / HOT PLUG) detection pin
140	AVSS	AVSS	-	-	-	-	-	-	GND
141	P40/IRQ8-B/AN0	CEC_IN	I	SW3VPu	-	I	I	I	CEC-D signal input pin
142	VREF	VREF	-	-	-	-	-	-	Reference voltage (+3.3V) input pin for A/D port
143	AVCC	AVCC	-	-	-	-	-	-	+3.3V
144	P05/IRQ13-A/TMO3/ RxD4/TCK	NC	I	M3VPu	-	I	I	I	NC

## R5F5210ABDFP (HDMI : IC171)



RX210 Group  
PLQP0100KB-A  
(100-pin LQFP)  
(Top view)

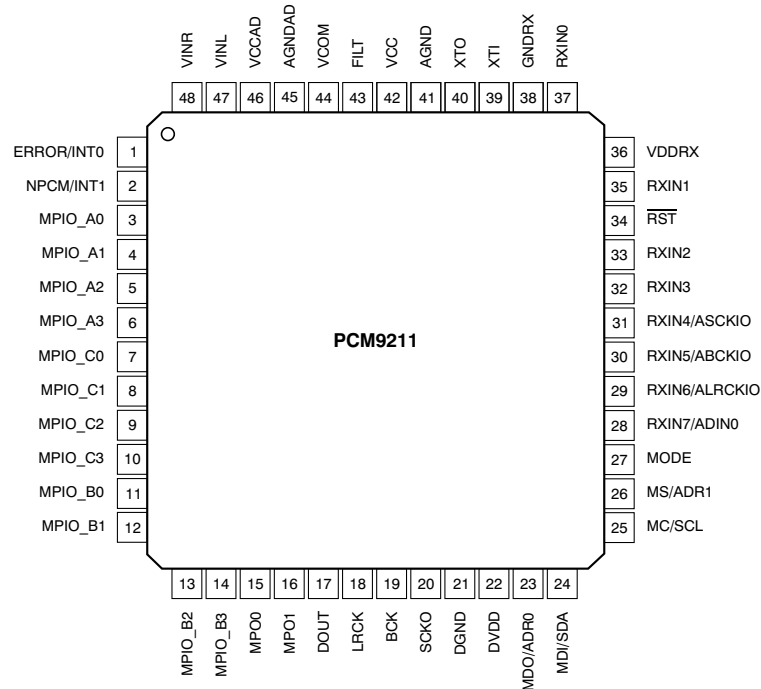
## R5F5210ABDFP Terminal Functions

Pin	Symbol	Pin Name	I/O	Pu/Pd	LvCnv	STBY	CEC STBY	Function
1	VREFH	VREFH	-	-	-	-	-	+3.3V
2	P03/DA0	NET/HDMI	O	C	-	Z	L	VPLD control pin (H:NET/WiFi/USB/BT,L:HDMI)
3	VREFL	VREFL	-	-	-	-	-	GND
4	PJ3	778_3/778_2	O	C	-	Z	-	Audio data Bus control pin (HDMI input) (H:MN8647781_3,L:MN8647781_2)
5	VCL	VCL	I	-	-	-	-	Smoothing capacitor connection pin
6	PJ1	TX/RX	O	C	-	Z	-	NC
7	MD	MD	I	-	SCPU 3VPu	-	-	Single-chip/Micro-processor mode switching (Normal single-chip : L, Rewrite boot program start : H input set)
8	XCIN	XCIN	I	-	-	-	-	NC
9	XCOUT	XCOUT	O	-	-	-	-	NC
10	RES#	SUB_RESET	I	-	SCPU 3VPu	Z	-	Reset input
11	XTAL/P37	XTAL	O	-	-	-	-	Oscillator connection
12	VSS	VSS	-	-	-	-	-	GND
13	EXTAL/P36	EXTAL	I	-	-	-	-	Oscillator connection
14	VCC	VCC	-	-	-	-	-	+3.3V
15	P35/NMI(input)	NMI	I	-	SCPU 3VPu	-	-	NC
16	P34/SCK6/IRQ4	CEC_OUT	O	C	-	Z	-	CEC-D signal output pin
17	P33/RXD6/SSCL6/IRQ3-DS	778_2_HAINT	I	-	-	Z	-	HDMI MN8647781(RX) Audio INT input pin
18	P32/TXD6/SSDA6/IRQ2-DS	CEC_IN	I	-	SCPU 3VPu	Z	-	CEC-D signal input pin
19	P31/IRQ1-DS	ACKSIMO	I	-	-	Z	-	MAIN-SUB ucom communication control pin
20	P30/RXD1/SSCL1/IRQ0DS	SCPURXD	I	-	Pd	Z	-	Data reception input from the external
21	P27/SCK1	DIRCE	O	C	-	Z	L	DIR control pin(PCM9211)
22	P26/TXD1/SSDA1	SCPUTXD	O	C	SCPU 3VPu	Z	-	Data transmission output to external
23	P25	DIRDOUT	I	-	DA 3.3Pu	Z	-	DIR control pin(PCM9211)
24	P24	DIRCLK	O	C	-	Z	L	DIR control pin(PCM9211)
25	P23	REQSOMI	O	C	-	Z	-	MAIN-SUB ucom communication control pin
26	P22/SCK0	CLKSIMO	I	-	-	Z	-	MAIN-SUB ucom communication control pin
27	P21/RXD0/SSCL0	SIMO	I	-	-	Z	-	MAIN-SUB ucom communication control pin
28	P20/TXD0/SSDA0	SOMI	O	C	-	Z	-	MAIN-SUB ucom communication control pin
29	P17/SCK1/IRQ7	DIRRST	O	C	-	O/L	L	DIR control pin(PCM9211)
30	P16/TXD1/SSDA1/IRQ6	DIRDIN	O	C	-	Z	L	DIR control pin(PCM9211)
31	P15/RXD1/SSCL1/IRQ5	SUB_BDOWN	I	-	-	Z	-	Power failure detect(Power failure:L)
32	P14/IRQ4	NC	O	C	-	Z	-	NC
33	P13/SDA/IRQ3	NC	O	C	-	Z	-	NC

Pin	Symbol	Pin Name	I/O	Pu/Pd	LvCnv	STBY	CEC STBY	Function
34	P12/SCL/IRQ2	778_1_RST	O	C	Pd	Z	※	HDMI MN8647781(TX) RESET control pin
35	PH3	HSDA	I/O	C	CEC 3VPu	O/L	L	HDMI I2C- MN8647781
36	PH2/IRQ1	HSCL	I/O	C	CEC 3VPu	O/L	L	HDMI I2C- MN8647781
37	PH1/IRQ0	778_1_HINT	I	-	-	Z	-	HDMI MN8647781(TX) HDMI INT input pin
38	PH0	778_2_RST	O	C	Pd	Z	※	HDMI MN8647781(RX) RESET control pin
39	P55	778_2_HINT	I	-	-	Z	-	HDMI MN8647781(RX) HDMI INT input pin
40	P54	778_3_RST	O	C	Pd	Z	※	HDMI MN8647781(RX) RESET control pin
41	BCLK/P53	778_3_HINT	I	-	-	Z	-	HDMI MN8647781(RX) HDMI INT input pin
42	P52	IP_RST	O	C	Pd	Z	L	HDMI ADV8003 RESET control pin
43	P51	DE_RST	O	C	Pd	Z	L	HDMI ADV7850 RESET control pin
44	P50	DE_INT	I	-	-	Z	-	HDMI ADV7850 HDMI INT input pin
45	PC7/TXD8/SSDA8	UB	I	-	Pd	Z	-	Unused
46	PC6/RXD8/SSCL8	HINSELA	O	C	-	Z	-	TC74VHC4051AFT control pin. (Control the detection of HDMI 5V INPUT for CEC STANDBY. )
47	PC5/SCK8	HINSELB	O	C	-	Z	-	TC74VHC4051AFT control pin. (Control the detection of HDMI 5V INPUT for CEC STANDBY. )
48	PC4/SCK5	HINSELC	O	C	-	Z	-	TC74VHC4051AFT control pin. (Control the detection of HDMI 5V INPUT for CEC STANDBY. )
49	PC3/TXD5/SSDA5	DSPMOSI	O	C	DA3 VPu	Z	L	DSP control pin (ADSP21487KSWZ-3B)
50	PC2/RXD5/SSCL5	DSPMISO	I	-	DA3 VPu	Z	-	DSP control pin (ADSP21487KSWZ-3B)
51	PC1/SCK5	DSPICLK	O	C	DA3 VPu	Z	L	DSP control pin (ADSP21487KSWZ-3B)
52	PC0	DA_POWER	O	C	-	Z	L	DIGITAL AUDIO POWER SUPPLY (DA3.3V & DA1.1V) control pin.(ON:H)
53	PB7/TXD9/SSDA9	AVSDA	I/O	C	DV3 VPu	O/L	L	VIDEO I2C- ADV8003/ADV7850
54	PB6/RXD9/SSCL9	AVSCL	I/O	C	DV3 VPu	O/L	L	VIDEO I2C- ADV8003/ADV7850
55	PB5/SCK9	CEC_POWER	O	C	-	Z	※	HDMI CEC POWER SUPPLY control pin (CEC5V,CEC3.3V,CEC1.8V)
56	PB4	DV_POWER1	O	C	-	Z	L	Digital VIDEO POWER SUPPLY control pin (DV5V,DV3.3V)
57	PB3/SCK8	DV_POWER2	O	C	-	Z	-	Digital VIDEO POWER SUPPLY control pin (DV1.8V)
58	PB2	H5VDET	I	-	-	Z	-	HDMI INPUT 5V (for EDID / HOT PLUG) detection pin
59	PB1/TXD6/SSDA6/IRQ4-DS	778_3_HAINT	I	-	-	Z	-	HDMI MN8647781(RX) Audio INT input pin
60	VCC	VCC	-	-	-	-	-	+3.3V
61	PB0/RXD6/SSCL6	NC	O	C	-	Z	-	NC
62	VSS	VSS	-	-	-	-	-	GND
63	PA7	HPD8	O	C	-	Z	L	HPD8 output pin
64	PA6	HPD7	O	C	-	Z	L	HPD7 output pin
65	PA5	HPD6	O	C	-	Z	L	HPD6 output pin
66	PA4/TXD5/SSDA5/IRQ5-DS	HPD5	O	C	-	Z	L	HPD5 output pin
67	PA3/RXD5/SSCL5/IRQ6-DS	HPD4	O	C	-	Z	L	HPD4 output pin
68	PA2/RXD5/SSCL5	HPD3	O	C	-	Z	L	HPD3 output pin
69	PA1/SCK5	HPD2	O	C	-	Z	L	HPD2 output pin
70	PA0	HPD1	O	C	-	Z	L	HPD1 output pin
71	PE7/IRQ7/AN015	APLDCK	O	C	-	Z	L	A.PLD control pin
72	PE6/IRQ6/AN014	APLDCS	O	C	-	O/L	L	A.PLD control pin
73	PE5/IRQ5/AN013	APLDDI	O	C	-	Z	L	A.PLD control pin
74	PE4/AN012	SUB_TCK	O	C	Pd	Z	L	A.PLD/V.PLD rewriting pin(JTAG)
75	PE3/AN011	SUB_TDI	O	C	DA 3.3Pu	Z	L	A.PLD/V.PLD rewriting pin(JTAG)
76	PE2/RXD12/SSCL12/IRQ7-DS/AN010	SUB_TDO	I	-	-	Z	L	A.PLD/V.PLD rewriting pin(JTAG)
77	PE1/TXD12/SSDA12/AN009	SUB_TMS	O	C	DA 3.3Pu	Z	L	A.PLD/V.PLD rewriting pin(JTAG)
78	PE0/SCK12/AN008	DACRST1	O	C	-	Z	L	D/A converter control pin(PCM1690)
79	PD7/IRQ7	NC	O	C	-	Z	-	NC
80	PD6/IRQ6	DACMC	O	C	-	Z	L	D/A converter control pin(PCM1690)
81	PD5/IRQ5	DACMD	O	C	-	Z	L	D/A converter control pin(PCM1690)
82	PD4/IRQ4	DACMS1	O	C	-	Z	L	D/A converter control pin(PCM1690)
83	PD3/IQR3	NC	O	C	-	Z	-	NC
84	PD2/IRQ2	DSP1RST	O	C	-	Z	L	DSP(ADSP21487KSWZ-3B) reset output pin (Reset : L)

Pin	Symbol	Pin Name	I/O	Pu/Pd	LvCnv	STBY	CEC STBY	Function
85	PD1/IRQ1	DSP1CS	O	C	DA 3VPu	Z	L	DSP control pin (ADSP21487KSWZ-3B)
86	PD0/IRQ0	DSP1FLAG0	I	-	Pd	Z	-	DSP control pin (ADSP21487KSWZ-3B)
87	P47/AN007	NC	O	C	-	Z	-	NC
88	P46/AN006	VIN A	O	C	-	Z	-	COMPOSITE VIDEO SELECT IC(NJM2595)
89	P45/AN005	VIN B	O	C	-	Z	-	COMPOSITE VIDEO SELECT IC(NJM2595)
90	P44/AN004	VIN C	O	C	-	Z	-	COMPOSITE VIDEO SELECT IC(NJM2595)
91	P43/AN003	COMP SW1	O	C		O/L	L	COMPONENT VIDEO SELECT IC(NJM2586)
92	P42/AN002	COMP SW2	O	C		O/L	L	COMPONENT VIDEO SELECT IC(NJM2586)
93	P41/AN001	NC	O	C	-	Z	-	NC
94	VREFL0	VREFL0	-	-	-	-	-	GND
95	P40/AN000	NC	O	C	-	Z	-	NC
96	VREFH0	VREFH0	-	-	-	-	-	+3.3V
97	AVCC0	AVCC	-	-	-	-	-	+3.3V
98	P07	NC	O	C	-	Z	-	NC
99	AVSS0	AVSS0	-	-	-	-	-	GND
100	P05	TXEN	O	C	-	Z	-	Front HDMI INPUT (AD8195) control pin

## PCM9211 (HDMI : IC201)



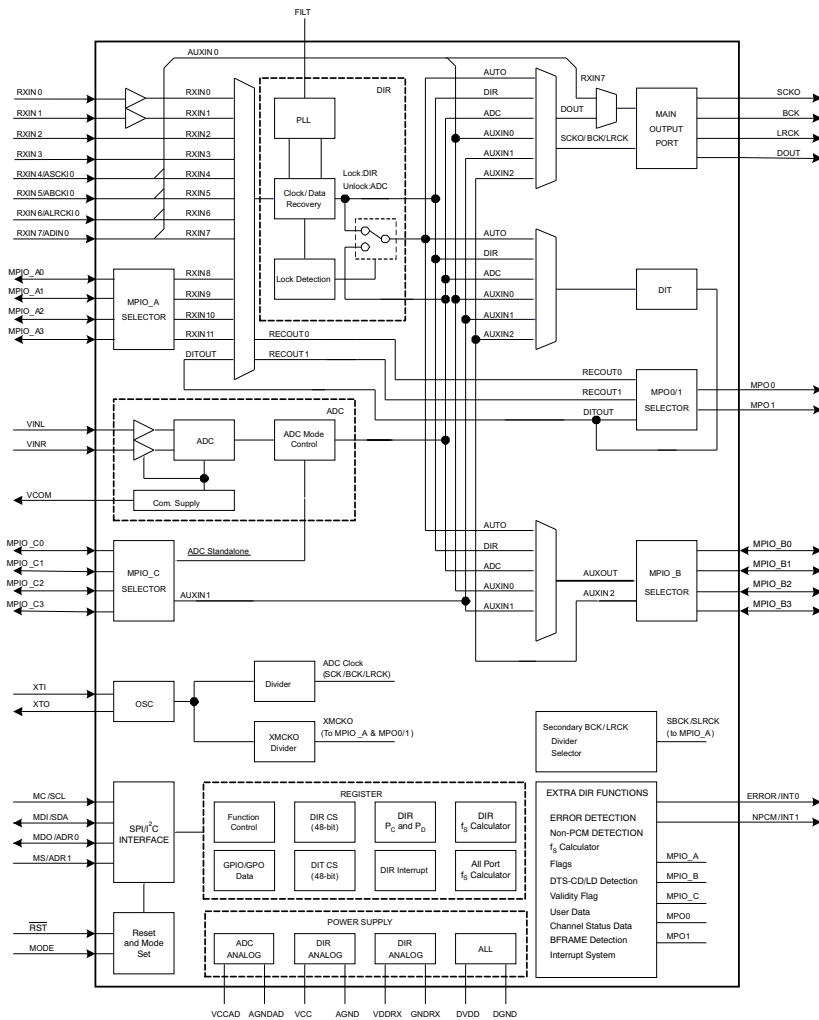
### PIN Functions

NO.	PIN		5-V TOLERANT	DESCRIPTION
	NAME	I/O		
1	ERROR/INT0	O	No	DIR Error detection output / Interrupt0 output
2	NPCM/INT1	O	No	DIR Non-PCM detection output / Interrupt1 output
3	MPIO_A0	I/O	Yes	Multipurpose I/O, Group A(1)
4	MPIO_A1	I/O	Yes	Multipurpose I/O, Group A(1)
5	MPIO_A2	I/O	Yes	Multipurpose I/O, Group A(1)
6	MPIO_A3	I/O	Yes	Multipurpose I/O, Group A(1)
7	MPIO_C0	I/O	Yes	Multipurpose I/O, Group C(1)
8	MPIO_C1	I/O	Yes	Multipurpose I/O, Group C(1)
9	MPIO_C2	I/O	Yes	Multipurpose I/O, Group C(1)
10	MPIO_C3	I/O	Yes	Multipurpose I/O, Group C(1)
11	MPIO_B0	I/O	Yes	Multipurpose I/O, Group B(1)
12	MPIO_B1	I/O	Yes	Multipurpose I/O, Group B(1)
13	MPIO_B2	I/O	Yes	Multipurpose I/O, Group B(1)
14	MPIO_B3	I/O	Yes	Multipurpose I/O, Group B(1)
15	MPO0	O	No	Multipurpose output 0
16	MPO1	O	No	Multipurpose output 1
17	DOUT	O	No	Main output port, serial digital audio data output
18	LRCK	O	No	Main output port, LR clock output
19	BCK	O	No	Main output port, Bit clock output
20	SCKO	O	No	Main output port, System clock output
21	DGND	-	-	Ground, for digital
22	DVDD	-	-	Power supply, 3.3 V (typ.), for digital
23	MDO/ADR0	I/O	Yes	Software control I/F, SPI data output / I2C slave address setting0(2)
24	MDI/SDA	I/O	Yes	Software control I/F, SPI data input / I2C data input/output(2) (3)
25	MC/SCL	I	Yes	Software control I/F, SPI clock input / I2C clock input(2)
26	MS/ADR1	I	Yes	Software control I/F, SPI chip select / I2C slave address setting1(2)
27	MODE	I	No	Control mode setting, (see the Serial Control Mode section, Control Mode Pin Setting)
28	RXIN7/ADIN0	I	Yes	Biphase signal, input 7 / AUXIN0, serial audio data input(2)
29	RXIN6/ALRCKIO	I	Yes	Biphase signal, input 6 / AUXIN0, LR clock input(2)
30	RXIN5/ABCKIO	I	Yes	Biphase signal, input 5 / AUXIN0, bit clock input(2)
31	RXIN4/ASCKIO	I	Yes	Biphase signal, input 4 / AUXIN0, system clock input(2)
32	RXIN3	I	Yes	Biphase signal, input 3(2)
33	RXIN2	I	Yes	Biphase signal, input 2(2)

PIN				DESCRIPTION
NO.	NAME	I/O	5-V TOLERANT	
34	RST	I	Yes	Reset Input, active low(2) (4)
35	RXIN1	I	Yes	Biphase signal, input 1, built-in coaxial amplifier
36	VDDR <sub>X</sub>	-	-	Power supply, 3.3 V (typ.), for RXIN0 and RXIN1.
37	RXIN0	I	Yes	Biphase signal, input 0, built-in coaxial amplifier
38	GND <sub>RX</sub>	-	-	Ground, for RXIN
39	XTI	I	No	Oscillation circuit input for crystal resonator or external XTI clock source input(5)
40	XTO	O	No	Oscillation circuit output for crystal resonator
41	AGND	-	-	Ground, for PLL analog
42	VCC	-	-	Power supply, 3.3 V (typ.), for PLL analog
43	FILT	O	No	External PLL loop filter connection terminal; must connect recommended filter
44	VCOM	O	No	ADC common voltage output; must connect external decoupling capacitor
45	AGND <sub>AD</sub>	-	-	Ground, for ADC analog
46	VCC <sub>AD</sub>	-	-	Power supply, 5.0 V (typ.), for ADC analog
47	VINL	I	No	ADC analog voltage input, left channel
48	VINR	I	No	ADC analog voltage input, right channel

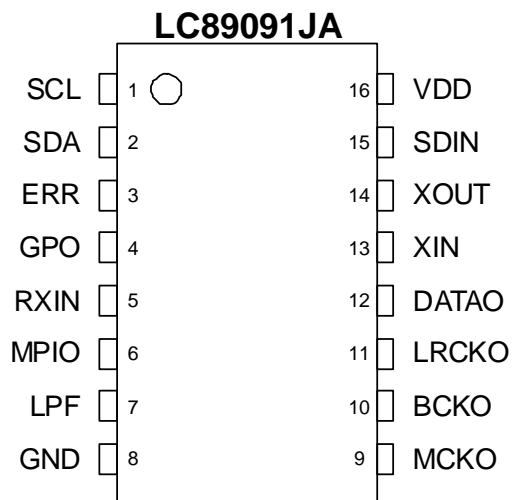
- (1) Schmitt trigger input
- (2) Schmitt trigger input
- (3) Open-drain configuration in I2C mode
- (4) Onboard pull-down resistor (50 kΩ, typical)
- (5) CMOS Schmitt trigger input

### PCM9211 BLOCK DIAGRAM



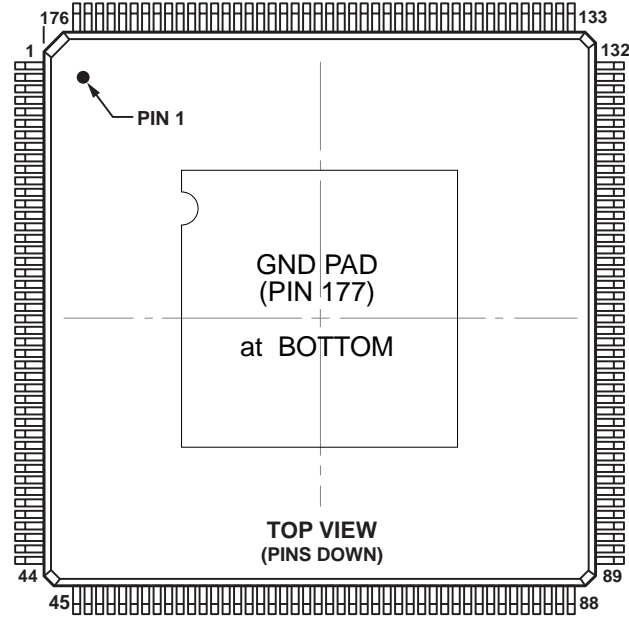


**LC89091JA (DIGITAL : IC202)**





**ADSP21487KSWZ4B (DIGITAL:IC251)**



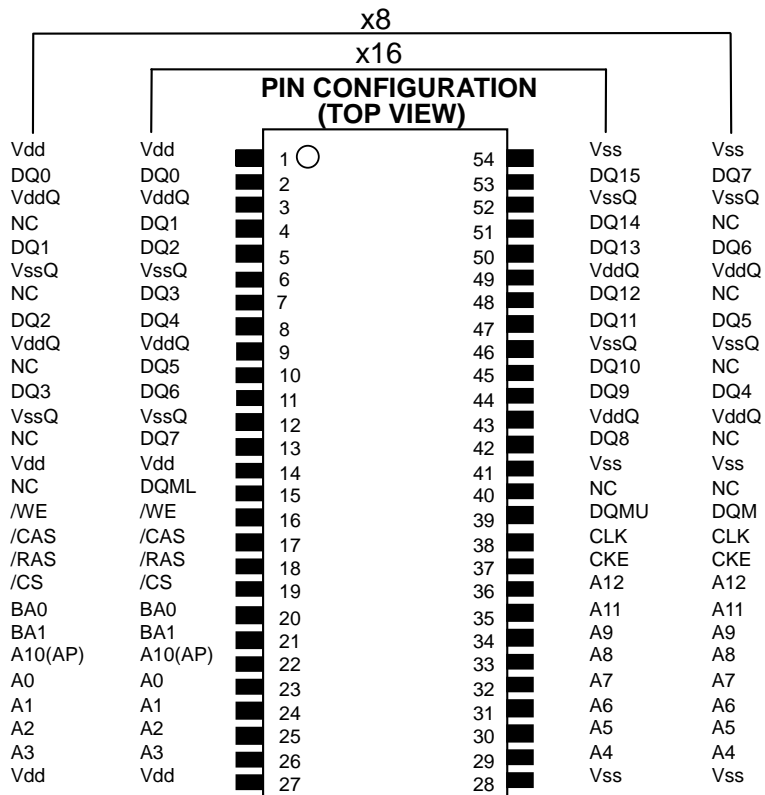
**ADSP21487KSWZ3B Terminal Function**

Pin Name	Pin No.	Pin Name	Pin No.	Pin Name	Pin No.	Pin Name	Pin No.
SDDQM	1	V <sub>DD_EXT</sub>	45	DAI_P10	89	V <sub>DD_INT</sub>	133
MS0	2	DPI_P08	46	V <sub>DD_INT</sub>	90	FLAG0	134
SDCKE	3	DPI_P07	47	V <sub>DD_EXT</sub>	91	FLAG1	135
V <sub>DD_INT</sub>	4	V <sub>DD_INT</sub>	48	DAI_P20	92	FLAG2	136
CLK_CFG1	5	DPI_P09	49	V <sub>DD_INT</sub>	93	NC	137
ADDR0	6	DPI_P10	50	DAI_P08	94	FLAG3	138
BOOT_CFG0	7	DPI_P11	51	DAI_P14	95	NC	139
V <sub>DD_EXT</sub>	8	DPI_P12	52	DAI_P04	96	NC	140
ADDR1	9	DPI_P13	53	DAI_P18	97	V <sub>DD_EXT</sub>	141
ADDR2	10	DPI_P14	54	DAI_P17	98	NC	142
ADDR3	11	DAI_P03	55	DAI_P16	99	V <sub>DD_INT</sub>	143
ADDR4	12	NC	56	DAI_P12	100	TRST	144
ADDR5	13	V <sub>DD_EXT</sub>	57	DAI_P15	101	NC	145
BOOT_CFG1	14	NC	58	V <sub>DD_INT</sub>	102	EMU	146
GND	15	NC	59	DAI_P11	103	DATA0	147
ADDR6	16	NC	60	V <sub>DD_EXT</sub>	104	DATA1	148
ADDR7	17	NC	61	V <sub>DD_INT</sub>	105	DATA2	149
NC	18	V <sub>DD_INT</sub>	62	BOOT_CFG2	106	DATA3	150
NC	19	NC	63	V <sub>DD_INT</sub>	107	TDO	151
ADDR8	20	NC	64	AMI_ACK	108	DATA4	152
ADDR9	21	V <sub>DD_INT</sub>	65	GND	109	V <sub>DD_EXT</sub>	153
CLK_CFG0	22	NC	66	THD_M	110	DATA5	154
V <sub>DD_INT</sub>	23	NC	67	THD_P	111	DATA6	155
CLKIN	24	V <sub>DD_INT</sub>	68	V <sub>DD_THD</sub>	112	V <sub>DD_INT</sub>	156
XTAL	25	NC	69	V <sub>DD_INT</sub>	113	DATA7	157
ADDR10	26	WDTRSTO	70	V <sub>DD_INT</sub>	114	TDI	158
SDA10	27	NC	71	MST	115	SDCLK	159
V <sub>DD_EXT</sub>	28	V <sub>DD_EXT</sub>	72	V <sub>DD_INT</sub>	116	V <sub>DD_EXT</sub>	160
V <sub>DD_INT</sub>	29	DAI_P07	73	WDT_CLKO	117	DATA8	161
ADDR11	30	DAI_P13	74	WDT_CLKIN	118	DATA9	162
ADDR12	31	DAI_P19	75	V <sub>DD_EXT</sub>	119	DATA10	163
ADDR17	32	DAI_P01	76	ADDR23	120	TCK	164
ADDR13	33	DAI_P02	77	ADDR22	121	DATA11	165
V <sub>DD_INT</sub>	34	V <sub>DD_INT</sub>	78	ADDR21	122	DATA12	166
ADDR18	35	NC	79	V <sub>DD_INT</sub>	123	DATA14	167
RESETOUT/RUNRSTIN	36	NC	80	ADDR20	124	DATA13	168
V <sub>DD_INT</sub>	37	NC	81	ADDR19	125	V <sub>DD_INT</sub>	169
DPI_P01	38	NC	82	V <sub>DD_EXT</sub>	126	DATA15	170
DPI_P02	39	NC	83	ADDR16	127	SDWE	171
DPI_P03	40	V <sub>DD_EXT</sub>	84	ADDR15	128	SDRAS	172
V <sub>DD_INT</sub>	41	V <sub>DD_INT</sub>	85	V <sub>DD_INT</sub>	129	RESET	173
DPI_P05	42	DAI_P06	86	ADDR14	130	TMS	174
DPI_P04	43	DAI_P05	87	AMI_WR	131	SDCAS	175
DPI_P06	44	DAI_P09	88	AMI_RD	132	V <sub>DD_INT</sub>	176
						GND	177*

\* at BOTTOM

**A3V64S40GTP-60(DIGITAL:IC252)**

**PIN CONFIGURATION (TOP VIEW)**

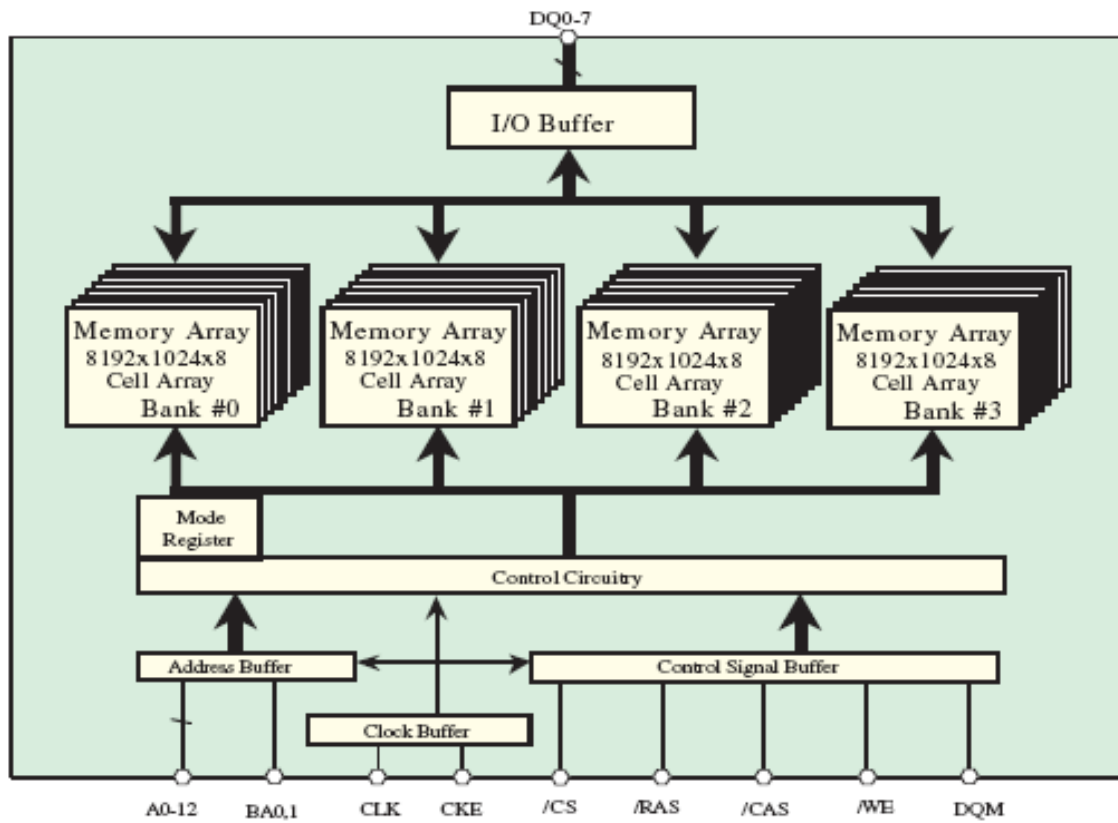


## A3V64S40GTP-60 Pin Function

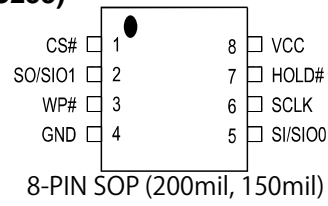
### Pin Descriptions

SYMBOL	TYPE	DESCRIPTION
CLK	Input	Clock: CLK is driven by the system clock. All SDRAM input signals are sampled on the positive edge of CLK. CLK also increments the internal burst counter and controls the output registers.
CKE	Input	Clock Enable: CKE activates (HIGH) and deactivates (LOW) the CLK signal. Deactivating the clock provides PRECHARGE POWER-DOWN and SELF REFRESH operation (all banks idle), ACTIVE POWER-DOWN (row active in any bank), or CLOCK SUSPEND operation (burst / access in progress). CKE is synchronous except after the device enters self refresh mode, where CKE becomes asynchronous until after exiting the same mode. The input buffers, including CLK, are disabled during self refresh mode, providing low standby power. CKE may be tied HIGH.
/CS	Input	Chip Select: /CS enables (registered LOW) and disables (registered HIGH) the command decoder. All commands are masked when /CS is registered HIGH. /CS provides for external bank selection on systems with multiple banks. /CS is considered part of the command code.
/CAS, /RAS, /WE	Input	Command Inputs: /CAS, /RAS, and /WE (along with /CS) define the command being entered.
DQM, DQML, DQMU,	Input	Input / Output Mask: DQM is sampled HIGH and is an input mask signal for write accesses and an output disable signal for read accesses. Input data is masked during a WRITE cycle. The output buffers are placed in a High-Z state (two-clock latency) when during a READ cycle. DQM corresponds to DQ0–DQ7 (A3V56S30FTP). DQML corresponds to DQ0–DQ7, DQMU corresponds to DQ8–DQ15 (A3V56S40FTP).
BA0, BA1	Input	Bank Address Input(s): BA0 and BA1 define to which bank the ACTIVE, READ, WRITE or PRECHARGE command is being applied.
A0–A12	Input	A0-12 specify the Row / Column Address in conjunction with BA0,1. The Row Address is specified by A0-12. The Column Address is specified by A0-9(x8) and A0-8(x16). A10 is also used to indicate precharge option. When A10 is high at a read / write command, an auto precharge is performed. When A10 is high at a precharge command, all banks are precharged.
DQ0–DQ15	I/O	Data Input / Output: Data bus.
NC	–	Internally Not Connected: These could be left unconnected, but it is recommended they be connected or Vss.
VddQ	Supply	Data Output Power: Provide isolated power to output buffers for improved noise immunity.
VssQ	Supply	Data Output Ground: Provide isolated ground to output buffers for improved noise immunity.
Vdd	Supply	Power for the input buffers and core logic.
Vss	Supply	Ground for the input buffers and core logic.

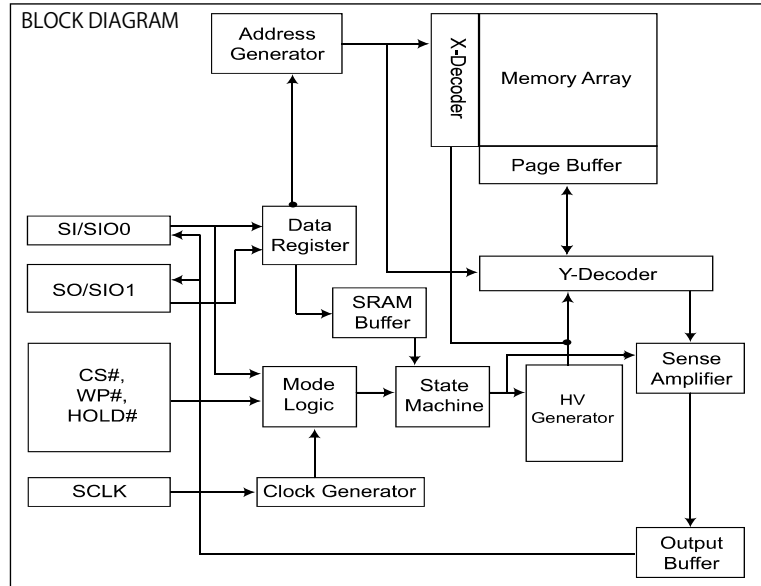
### A3V64S40GTP-60 Block Diagram



**MX25L1606EM2I-12G(DIGITAL:IC253)**



**MX25L1606EM2I-12G Block Diagram**



# PCM5100 (DIGITAL:IC203)

PCM510X (top view)

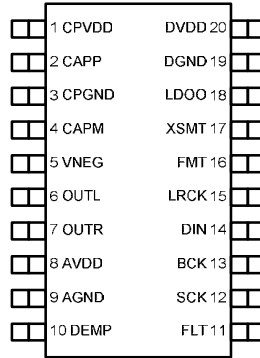


Table 2. TERMINAL FUNCTIONS, PCM510x

TERMINAL		I/O	DESCRIPTION
NAME	NO.		
CPVDD	1	-	Charge pump power supply, 3.3V
CAPP	2	O	Charge pump flying capacitor terminal for positive rail
CPGND	3	-	Charge pump ground
CAPM	4	O	Charge pump flying capacitor terminal for negative rail
VNEG	5	O	Negative charge pump rail terminal for decoupling, -3.3V
OUTL	6	O	Analog output from DAC left channel
OUTR	7	O	Analog output from DAC right channel
AVDD	8	-	Analog power supply, 3.3V
AGND	9	-	Analog ground
DEMP	10	I	De-emphasis control for 44.1kHz sampling rate <sup>(1)</sup> : Off (Low) / On (High)
FLT	11	I	Filter select : Normal latency (Low) / Low latency (High)
SCK	12	I	System clock input
BCK	13	I	Audio data bit clock input
DIN	14	I	Audio data input
LRCK	15	I	Audio data word clock input
FMT	16	I	Audio format selection : I <sup>2</sup> S (Low) / Left justified (High)
XSMT	17	I	Soft mute control : Soft mute (Low) / soft un-mute (High)
LDOO	18	-	Internal logic supply rail terminal for decoupling
DGND	19	-	Digital ground
DVDD	20	-	Digital power supply, 3.3V

(1) Failsafe LVCMOS Schmitt trigger input

## PCM5100 Block Diagram

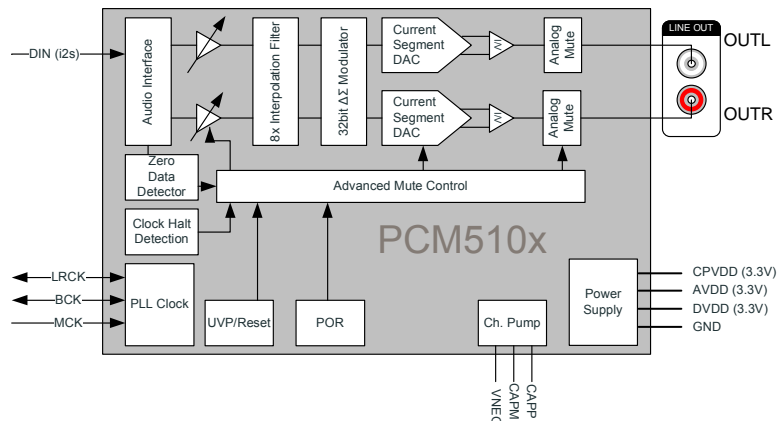
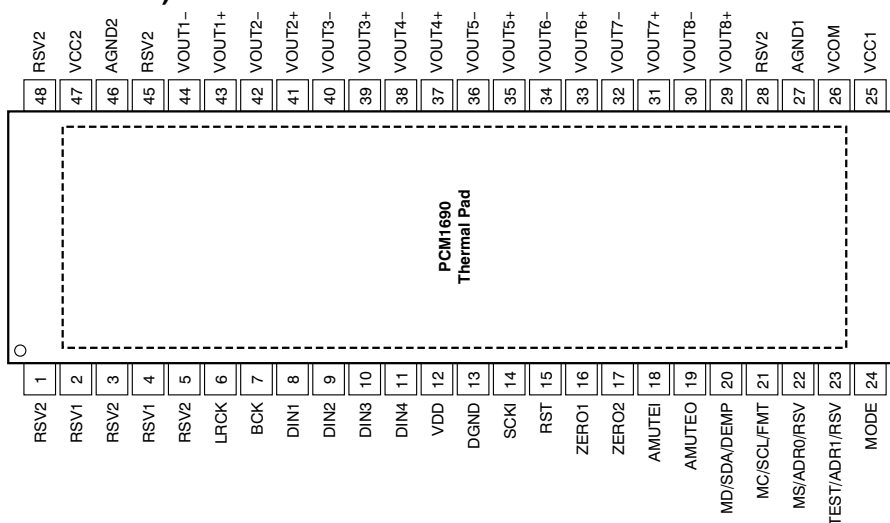


Figure 1. PCM510x Functional Block Diagram

## PCM1690(DIGITAL:IC301)



## PCM1690 Pin Function

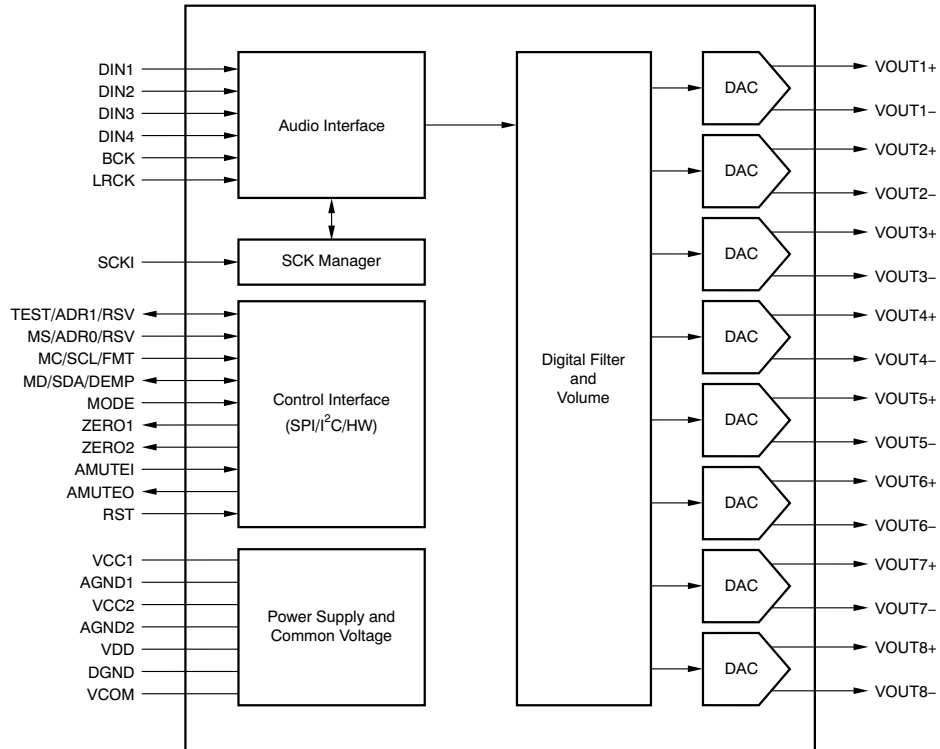
TERMINAL NAME	PIN	I/O	PULL-DOWN	5-V TOLERANT	DESCRIPTION
RSV2	1	—	—	—	Reserved, tied to analog ground
RSV1	2	—	—	—	Reserved, left open
RSV2	3	—	—	—	Reserved, tied to analog ground
RSV1	4	—	—	—	Reserved, left open
RSV2	5	—	—	—	Reserved, tied to analog ground
LRCK	6	I	Yes	No	Audio data word clock input
BCK	7	I	Yes	No	Audio data bit clock input
DIN1	8	I	No	No	Audio data input for DAC1 and DAC2
DIN2	9	I	No	No	Audio data input for DAC3 and DAC4
DIN3	10	I	No	No	Audio data input for DAC5 and DAC6
DIN4	11	I	No	No	Audio data input for DAC7 and DAC8
VDD	12	—	—	—	Digital power supply, +3.3 V
DGND	13	—	—	—	Digital ground
SCKI	14	I	No	Yes	System clock input
RST	15	I	Yes	Yes	Reset and power-down control input with active low
ZERO1	16	O	No	No	Zero detect flag output 1
ZERO2	17	O	No	No	Zero detect flag output 2
AMUTEI	18	I	No	Yes	Analog mute control input with active low
AMUTEO	19	O	No	Yes	Analog mute status output(1) with active low
MD/SDA/DEMP	20	I/O	No	Yes	Input data for SPI, data for I2C(1), de-emphasis control for hardware control mode
MC/SCL/FMT	21	I	No	Yes	Clock for SPI, clock for I2C, format select for hardware control mode
MS/ADR0/RSV	22	I	Yes	Yes	Chip Select for SPI, address select 0 for I2C, reserve (set low) for hardware control mode
TEST/ADR1/RSV	23	I/O	No	Yes	Test (factory use, left open) for SPI, address select 1 for I2C, reserve (set low) for hardware control mode
MODE	24	I	No	No	Control port mode selection. Tied to VDD: SPI, left open: H/W mode, tied to DGND: I2C
VCC1	25	—	—	—	Analog power supply 1, +5 V
VCOM	26	—	—	—	Voltage common decoupling
AGND1	27	—	—	—	Analog ground 1
RSV2	28	—	—	—	Reserved, tied to analog ground
VOUT8+	29	O	No	No	Positive analog output from DAC8
VOUT8-	30	O	No	No	Negative analog output from DAC8
VOUT7+	31	O	No	No	Positive analog output from DAC7
VOUT7-	32	O	No	No	Negative analog output from DAC7
VOUT6+	33	O	No	No	Positive analog output from DAC6
VOUT6-	34	O	No	No	Negative analog output from DAC6
VOUT5+	35	O	No	No	Positive analog output from DAC5
VOUT5-	36	O	No	No	Negative analog output from DAC5
VOUT4+	37	O	No	No	Positive analog output from DAC4
VOUT4-	38	O	No	No	Negative analog output from DAC4
VOUT3+	39	O	No	No	Positive analog output from DAC3
VOUT3-	40	O	No	No	Negative analog output from DAC3
VOUT2+	41	O	No	No	Positive analog output from DAC2
VOUT2-	42	O	No	No	Negative analog output from DAC2



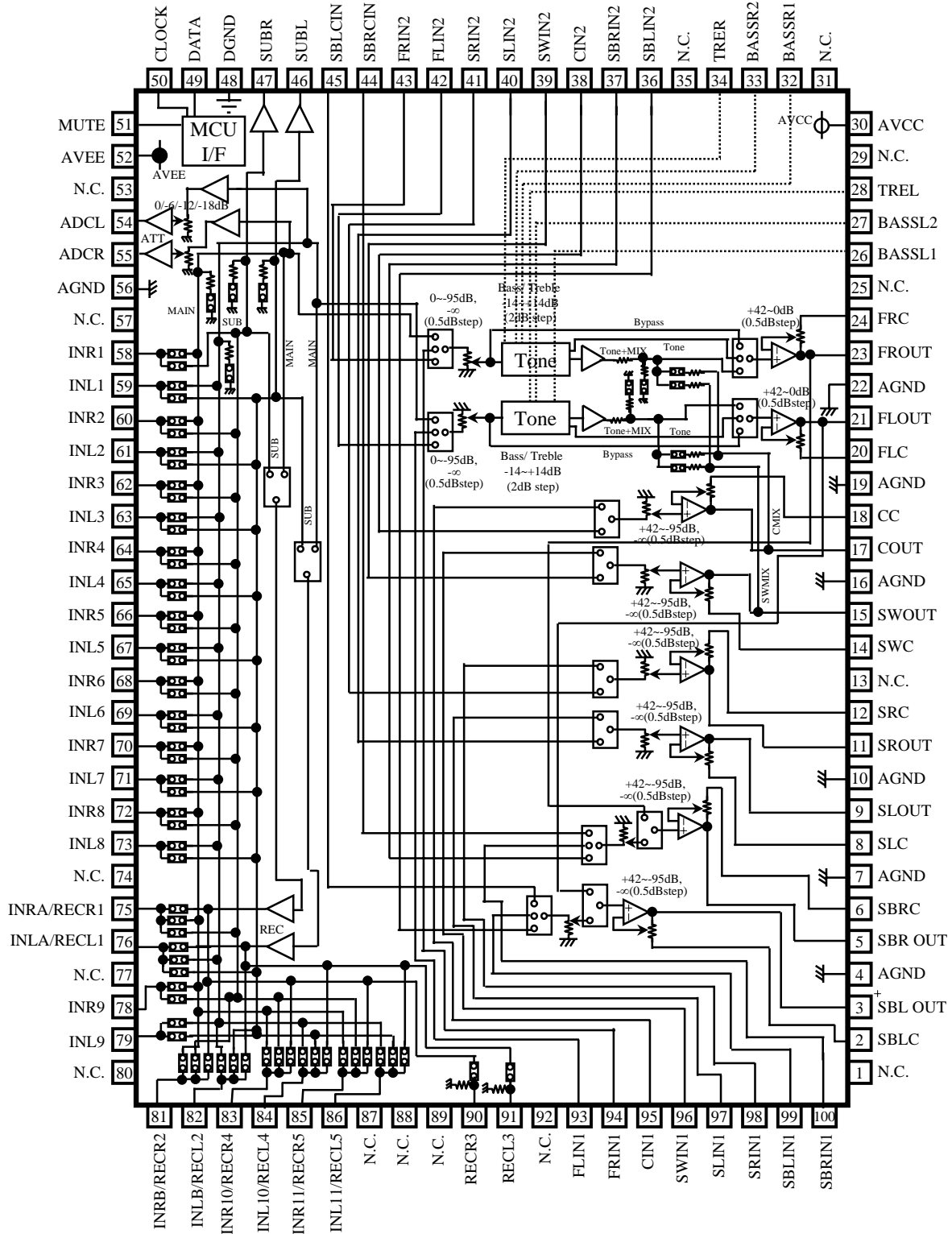
TERMINAL		I/O	PULL-DOWN	5-V TOLERANT	DESCRIPTION
NAME	PIN				
VOUT1+	43	O	No	No	Positive analog output from DAC1
VOUT1-	44	O	No	No	Negative analog output from DAC1
RSV2	45	—	—	—	Reserved, tied to analog ground
AGND2	46	—	—	—	Analog ground 2
VCC2	47	—	—	—	Analog power supply 2, +5 V
RSV2	48	—	—	—	Reserved, tied to analog ground

(1) Open-drain configuration in out mode.

## PCM1690 FUNCTIONAL BLOCK DIAGRAM



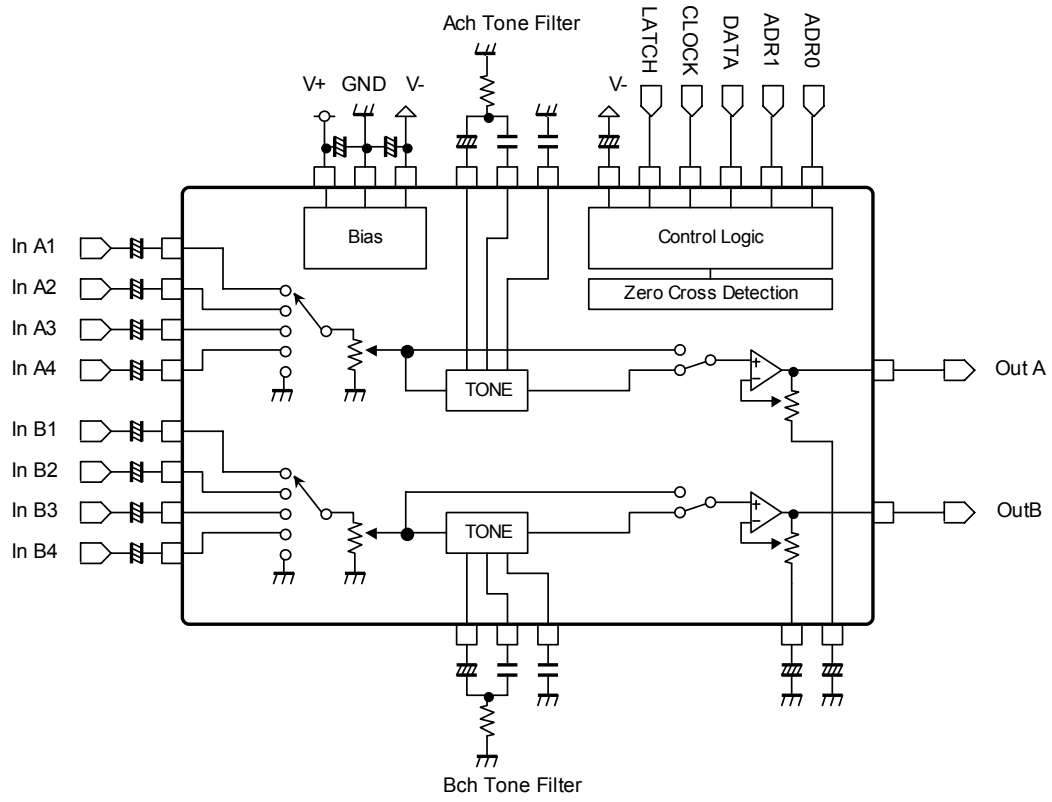
R2A15218FP (INPUT : IC471)



## R2A15218FP Pin Function

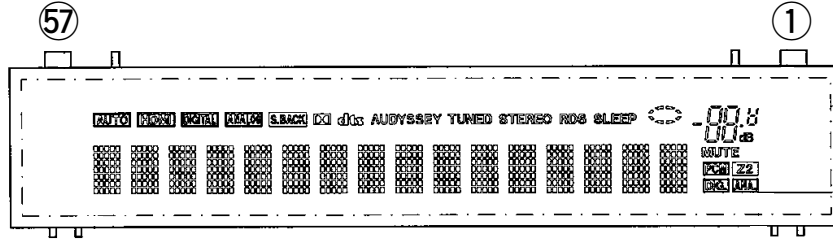
PIN No.	Name	Function
23,21, 17,15, 11,9, 5,3	FROUT,FLOUT, COUT,SWOUT, SROUT, SLOUT, SBROUT,SBLOUT	Output pin of FL/FR/C/SW/SL/SR/SBL/SBR channel
24,20, 18,14, 12,8, 6,2	FRC,FLC, CC,SWC, SRC,SLC, SBRC,SBLC	Connects capacitor for reducing click noise of L/R/C/SW/SL/SR/SBL/SBR channel volume
4,7,10,16, 19,22,56	AGND	Analog ground of internal circuit
28,34	TREL, TRER	Frequency characteristic setting pin of L/R channel tone control (Treble)
26,27, 32,33	BASSL1,BASSL2 BASSR1,BASSR2	Frequency characteristic setting pin of L/R channel tone control (Bass)
30	AVCC	Positive power supply to internal circuit
43,42, 41,40, 39,38, 37,36	FRIN2, FLIN2, SRN2,SLIN2, SWIN2,CIN2, SBRIN2,SBLIN2	Input pin of L/R/C/SW/SL/SR/SBL/SBR channel (Multi IN 1/2)
93,94, 95,96, 97,98, 99,100	FLIN1, FRIN1, CIN1,SWIN1, SLIN1,SRIN1, SBLIN1,SBRIN1	
48	DGND	Digital ground of internal circuit
49	DATA	Input pin of control data
50	CLOCK	Input pin of control clock
52	AVEE	Negative power supply to internal circuit
59,61,63, 65,67,69, 71,73,79	INL1,INL2, INL3, INL4,INL5,INL6, INL7,INL8,INL9	Input pin of L/R channel (Input Selector)
58,60,62, 64,66,68, 70,72,78	INR1,INR2, INR3, INR4,INR5,INR6, INR7,INR8,INR9	
51	MUTE	Outside Mute Control PIN
44,45	SBRCIN,SBLCIN	Input pin for SBL/SBR channel Volume
46,47	SUBL,SUBR	Output pin for L/R channel SUB Output
54,55	ADCL, ADCR	Output pin for L/R channel ADC
90,91	RECR3,RECL3	Output pin for L/R channel REC Output
75,76, 81,82, 83,84, 85,86	INRA/RECR1,INLA/RECL1, INRB/RECR2,INLB/RECL2, INR10/RECR4,INL10/RECL4, INR11/RECR5,INL11/RECL5	Input pin of L/R channel (Input Selector)/ Output pin for L/R channel REC Output
1,13,25,29,31, 35,53, 57,74,77,80, 87,88,89,92	N.C.	No Connected PIN

**NJW1194A (INPUT : IC484)**



## 2. FL DISPLAY

### FLD (018BT021GINK) (FRONT : FL601)



### PIN CONNECTION

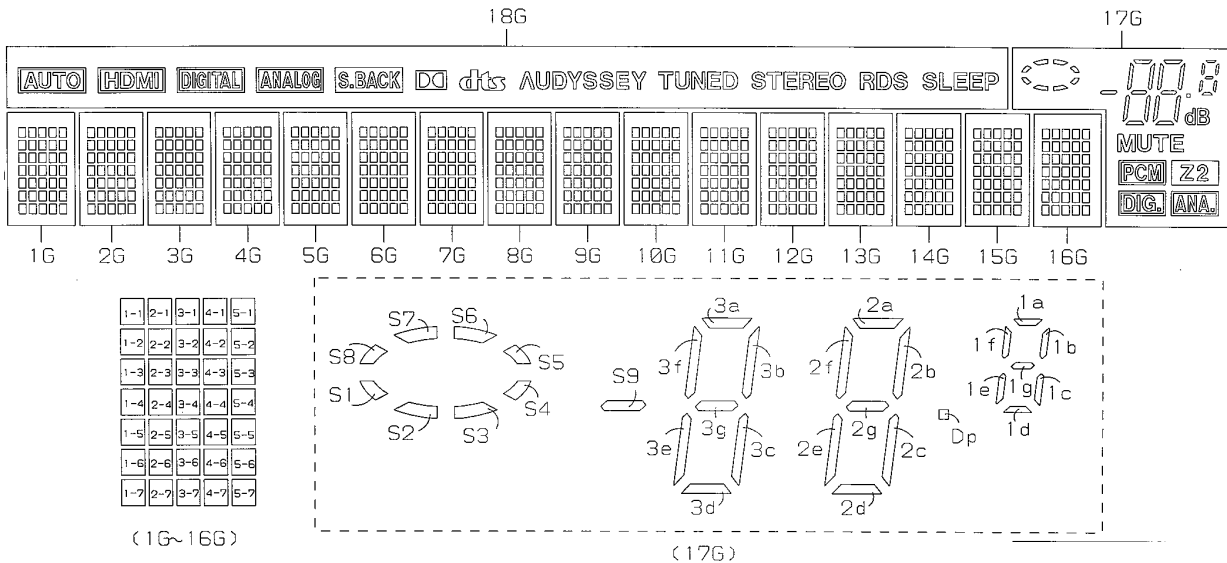
PIN CONNECTION

PIN NO.	57	56	55	54	53	52	51
CONNECTION	F	N	N	N	N	L	P
	2	P	P	P	P	D	H

PIN NO.	54	44	44	44	44	44	44	43	33	33	33	33	33	33	22	22	22	22	22	22	22	22	11	11	11	11	11	11	11	11	11	11	09	87	65	43	21		
CONNECTION	V	D	S	E	C	D	S	N	N	N	N	N	N	N	N	N	N	N	N	N	N	N	N	N	N	N	N	N	N	N	N	N	N	N	N	N	N	N	N
	D	S	E	C	D	S	N	N	N	N	N	N	N	N	N	N	N	N	N	N	N	N	N	N	N	N	N	N	N	N	N	N	N	N	N	N	N	N	

- NOTE
- 1) F1, F2 --- Filament
  - 2) NP ----- No pin
  - 3) DL ----- Datum Line
  - 4) NX ----- No extend pin
  - 5) LGND ----- Logic GND pin
  - 6) PGND ----- Power GND pin
  - 7) VH ----- High Voltage Supply pin
  - 8) VDD ----- Logic Voltage Supply pin
  - 9) CP ----- Shift Register Clock
  - 10) DA ----- Serial Data Input
  - 11) TSA, B --- Test pin
  - 12) CS ----- Chip Select Input pin
  - 13) RESET --- Reset Input
  - 14) OSC ----- Pin for self-oscillation
  - 15) Solder composition is Sn-3Ag-0.5Cu.
  - 16) 17G, 18G ----- Grid
  - 17) Q17G, Q18G ----- Driver Output Port.
  - 18) Field of vision is a minimum of 21.8° from the lower side.

### GRID ASSIGNMENT



**ANODE CONNECTION**

	1G	2G	3G	4G	5G	6G	7G	8G	9G	10G	11G	12G	13G	14G	15G	16G	17G	18G
																	(AD3)	(AD4)
D0	1-1	1-1	1-1	1-1	1-1	1-1	1-1	1-1	1-1	1-1	1-1	1-1	1-1	1-1	1-1	1-1	S9	-
D1	2-1	2-1	2-1	2-1	2-1	2-1	2-1	2-1	2-1	2-1	2-1	2-1	2-1	2-1	2-1	2-1	3d	-
D2	3-1	3-1	3-1	3-1	3-1	3-1	3-1	3-1	3-1	3-1	3-1	3-1	3-1	3-1	3-1	3-1	2d	-
D3	4-1	4-1	4-1	4-1	4-1	4-1	4-1	4-1	4-1	4-1	4-1	4-1	4-1	4-1	4-1	4-1	3e	-
D4	5-1	5-1	5-1	5-1	5-1	5-1	5-1	5-1	5-1	5-1	5-1	5-1	5-1	5-1	5-1	5-1	2e	-
D5	1-2	1-2	1-2	1-2	1-2	1-2	1-2	1-2	1-2	1-2	1-2	1-2	1-2	1-2	1-2	1-2	3c	-
D6	2-2	2-2	2-2	2-2	2-2	2-2	2-2	2-2	2-2	2-2	2-2	2-2	2-2	2-2	2-2	2-2	2c	-
D7	3-2	3-2	3-2	3-2	3-2	3-2	3-2	3-2	3-2	3-2	3-2	3-2	3-2	3-2	3-2	3-2	3g	-
D8	4-2	4-2	4-2	4-2	4-2	4-2	4-2	4-2	4-2	4-2	4-2	4-2	4-2	4-2	4-2	4-2	2g	-
D9	5-2	5-2	5-2	5-2	5-2	5-2	5-2	5-2	5-2	5-2	5-2	5-2	5-2	5-2	5-2	5-2	3f	-
D10	1-3	1-3	1-3	1-3	1-3	1-3	1-3	1-3	1-3	1-3	1-3	1-3	1-3	1-3	1-3	1-3	2f	-
D11	2-3	2-3	2-3	2-3	2-3	2-3	2-3	2-3	2-3	2-3	2-3	2-3	2-3	2-3	2-3	2-3	3b	-
D12	3-3	3-3	3-3	3-3	3-3	3-3	3-3	3-3	3-3	3-3	3-3	3-3	3-3	3-3	3-3	3-3	2b	-
D13	4-3	4-3	4-3	4-3	4-3	4-3	4-3	4-3	4-3	4-3	4-3	4-3	4-3	4-3	4-3	4-3	3a	-
D14	5-3	5-3	5-3	5-3	5-3	5-3	5-3	5-3	5-3	5-3	5-3	5-3	5-3	5-3	5-3	5-3	2a	-
D15	1-4	1-4	1-4	1-4	1-4	1-4	1-4	1-4	1-4	1-4	1-4	1-4	1-4	1-4	1-4	1-4	Dp	-
D16	2-4	2-4	2-4	2-4	2-4	2-4	2-4	2-4	2-4	2-4	2-4	2-4	2-4	2-4	2-4	2-4	dB	-
D17	3-4	3-4	3-4	3-4	3-4	3-4	3-4	3-4	3-4	3-4	3-4	3-4	3-4	3-4	3-4	3-4	1d	-
D18	4-4	4-4	4-4	4-4	4-4	4-4	4-4	4-4	4-4	4-4	4-4	4-4	4-4	4-4	4-4	4-4	1e	-
D19	5-4	5-4	5-4	5-4	5-4	5-4	5-4	5-4	5-4	5-4	5-4	5-4	5-4	5-4	5-4	5-4	1c	-
D20	1-5	1-5	1-5	1-5	1-5	1-5	1-5	1-5	1-5	1-5	1-5	1-5	1-5	1-5	1-5	1-5	1g	-
D21	2-5	2-5	2-5	2-5	2-5	2-5	2-5	2-5	2-5	2-5	2-5	2-5	2-5	2-5	2-5	2-5	1f	-
D22	3-5	3-5	3-5	3-5	3-5	3-5	3-5	3-5	3-5	3-5	3-5	3-5	3-5	3-5	3-5	3-5	1b	-
D23	4-5	4-5	4-5	4-5	4-5	4-5	4-5	4-5	4-5	4-5	4-5	4-5	4-5	4-5	4-5	4-5	1a	AUTO
D24	5-5	5-5	5-5	5-5	5-5	5-5	5-5	5-5	5-5	5-5	5-5	5-5	5-5	5-5	5-5	5-5	S1	HDMI
D25	1-6	1-6	1-6	1-6	1-6	1-6	1-6	1-6	1-6	1-6	1-6	1-6	1-6	1-6	1-6	1-6	S2	DIGITAL
D26	2-6	2-6	2-6	2-6	2-6	2-6	2-6	2-6	2-6	2-6	2-6	2-6	2-6	2-6	2-6	2-6	S3	ANALOG
D27	3-6	3-6	3-6	3-6	3-6	3-6	3-6	3-6	3-6	3-6	3-6	3-6	3-6	3-6	3-6	3-6	S4	S.BACK
D28	4-6	4-6	4-6	4-6	4-6	4-6	4-6	4-6	4-6	4-6	4-6	4-6	4-6	4-6	4-6	4-6	S5	DC
D29	5-6	5-6	5-6	5-6	5-6	5-6	5-6	5-6	5-6	5-6	5-6	5-6	5-6	5-6	5-6	5-6	S6	dts
D30	1-7	1-7	1-7	1-7	1-7	1-7	1-7	1-7	1-7	1-7	1-7	1-7	1-7	1-7	1-7	1-7	S7	AUDIBSSY
D31	2-7	2-7	2-7	2-7	2-7	2-7	2-7	2-7	2-7	2-7	2-7	2-7	2-7	2-7	2-7	2-7	S8	TUNED
D32	3-7	3-7	3-7	3-7	3-7	3-7	3-7	3-7	3-7	3-7	3-7	3-7	3-7	3-7	3-7	3-7	MUTE	STEREO
D33	4-7	4-7	4-7	4-7	4-7	4-7	4-7	4-7	4-7	4-7	4-7	4-7	4-7	4-7	4-7	4-7	PCM	RDS
D34	5-7	5-7	5-7	5-7	5-7	5-7	5-7	5-7	5-7	5-7	5-7	5-7	5-7	5-7	5-7	5-7	Z2	SLEEP
AD1	-	-	-	-	-	-	-	-	-	-	-	-	-	-	-	-	DIG.	-
AD2	-	-	-	-	-	-	-	-	-	-	-	-	-	-	-	-	ANA.	-

FRONT PCB ASS'Y

※Parts indicated by "nsp" on this table cannot be supplied.

※The parts listed below are only for maintenance. Therefore they might differ from the parts used in the unit in appearances or dimensions.

NOTE: The symbols in the column Remarks indicate the following destinations.

E3 : U.S.A. & Canada model E2 : Europe model E1C : China model E1 : Asia model JP : Japan model  
 B : Black model SG : Silver gold model

REF No.	Part No.	Part Name	Remarks	Q'ty	New	Ver
<b>SEMICONDUCTORS GROUP</b>						
D6001	00D9630328409	DIODE,RECTIFIER,AXIAL				
D6003	00D9430087209	DIODE,ZENER,1/2W,24V				
D6004	90M-HD302450R	DIODE,ZENER,1/2W,13V				
D6006	90M-HD302360R	DIODE,ZENER,1/2W,6.8V				
D6301,6303	943202500730S	DIODE,ZENER(6.1V/0.5W,SOD-123)				
D6403	963263100960S	LED,WHITE/RED				
D6403	943176010090S	L.E.D.(GREEN/RED5PI)	E3			
D6404	943209001080S	DIODE,CHIP,SWITCHING	E2, E1C			
D6803	963209003510S	DIODE,RELIABLEESDPROTECTION				
D6835,6836	963209003510S	DIODE,RELIABLEESDPROTECTION				
IC631	943232100380S	I.C.DUALOPAMP(SOP-8P)				
Q6001	943219006820S	T.R				
Q6002	943216500020S	T.R,RT1N141C(10K-10K)				
Q6003,6004	943214500020S	T.R,2SC3052				
Q6201	943215500020S	T.R,RT1P141C(10K-10K)				
Q6302	943216500020S	T.R,RT1N141C(10K-10K)				
Q6401	943216500020S	T.R,RT1N141C(10K-10K)				
Q6402,6403	943215500020S	T.R,RT1P141C(10K-10K)				
Q6404	943216500020S	T.R,RT1N141C(10K-10K)				
Q6651	943216500020S	T.R,RT1N141C(10K-10K)				
<b>RESISTOR GROUP</b>						
R6004	nsp	RES,CHIP(1608/5%/10Kohm)				
R6006,6007	nsp	RES,CHIP(1608/5%/10ohm)				
R6008	nsp	RES,CHIP(1608/5%/1ohm)				
R6010	nsp	RES,CHIP(1608/5%/1ohm)				
R6012-6015	nsp	RES,CHIP(1608/5%/220ohm)				
R6016	nsp	RES,CHIP(1608/5%/39Kohm)				
R6017	nsp	RES,CHIP(1608/5%/10Kohm)				
R6018-6021	nsp	RES,CHIP(1608/5%/100ohm)				
R6022	nsp	RES,CHIP(1608/5%/39Kohm)				
R6023	nsp	RES,CHIP(1608/5%/100Kohm)				
R6024	nsp	RES,CHIP(1608/5%/39Kohm)				
R6025	nsp	RES,CHIP(1608/5%/100Kohm)				
R6026,6027	nsp	RES,CHIP(1608/5%/100ohm)				
R6101,6102	nsp	RES,CHIP(1608/5%/4.7Kohm)				
R6103,6104	nsp	RES,CHIP(1608/5%/100ohm)				
R6201,6202	nsp	RES,CHIP(1608/5%/390ohm)				
R6203	nsp	RES,CHIP(1608/5%/47Kohm)				
R6206	nsp	RES,CHIP(1608/5%/1Kohm)				
R6207	nsp	RES,CHIP(1608/5%/10ohm)				
R6208	nsp	RES,CHIP(1608/5%/47Kohm)				
R6301	nsp	RES,CHIP(1608/5%/100ohm)				
R6302	nsp	RES,CHIP(1608/5%/18Kohm)				
R6303	nsp	RES,CHIP(1608/5%/820ohm)				
R6304	nsp	RES,CHIP(1608/5%/4.7Kohm)				
R6305,6306	nsp	RES,CHIP(1608/5%/100Kohm)				
R6308	nsp	RES,CHIP(1608/5%/1Kohm)				
R6309	nsp	RES,CHIP(1608/5%/2.2Kohm)				
R6401,6402	nsp	RES,CHIP(1608/5%/4.7Kohm)				
R6403,6404	nsp	RES,CHIP(1608/5%/100ohm)				
R6405,6406	nsp	RES,CHIP(1608/5%/1.2Kohm)	E3			
R6405,6406	00MNN05561610	RES,CHIP(1608/5%/560ohm)	E2, E1C			
R6407	nsp	RES,CHIP(1608/5%/2.2Kohm)				
R6501	nsp	RES,CHIP(1608/5%/100ohm)				
R6601	nsp	RES,CHIP(1608/5%/150ohm)				
R6602	nsp	RES,CHIP(1608/5%/100ohm)				
R6603	nsp	RES,CHIP(1608/5%/180ohm)				
R6604	nsp	RES,CHIP(1608/5%/150ohm)				
R6605	nsp	RES,CHIP(1608/5%/100ohm)				
R6606	nsp	RES,CHIP(1608/5%/150ohm)				
R6607	nsp	RES,CHIP(1608/5%/100ohm)				
R6652	nsp	RES,CHIP(1608/5%/0ohm)				
R6653	nsp	RES,CHIP(1608/5%/4.7Kohm)				
R6718	nsp	RES,CHIP(1608/5%/100ohm)				
R6803	nsp	RES,CHIP(1608/5%/2.2Kohm)				
R6837,6838	nsp	RES,CHIP(1608/5%/0ohm)				
R6841,6842	nsp	RES,CHIP(1608/5%/0ohm)				
<b>CAPACITORS GROUP</b>						
C6003	nsp	CAP,ELECT(63V/220uF)				
C6004,6005	nsp	CAP,ELECT(50V/1uF)				
C6009	nsp	CAP,CHIP(2012,50V/0.1uF,X7R)_SAMSUNG				
C6010	nsp	CAP,ELECT(16V/10uF)-S				
C6011	nsp	CAP,CHIP(1608,50V/0.1uF,X7R)_SAMSUNG				
C6013,6014	nsp	CAP,CHIP(1608,50V/100pF,C0G)_SAMSUNG				
C6015	nsp	CAP,CHIP(1608,50V/330pF,C0G)_SAMSUNG				
C6016	nsp	CAP,CHIP(1608,50V/1000pF,X7R)_SAMSUNG				
C6022	nsp	CAP,ELECT(50V/10uF)				
C6113,6114	nsp	CAP,CHIP(1608,50V/0.01uF,X7R)_SAMSUNG				
C6117	nsp	CAP,CHIP(1608,50V/0.1uF,X7R)_SAMSUNG				
C6202	nsp	CAP,ELECT(16V/47uF)-S				
C6203	nsp	CAP,CHIP(1608,50V/100pF,C0G)_SAMSUNG				
C6302,6303	nsp	CAP,ELECT(50V/1uF)				
C6304	nsp	CAP,CHIP(1608,50V/82pF,C0G)_SAMSUNG				
C6306	nsp	CAP,ELECT(16V/100uF)				
C6307	nsp	CAP,CHIP(1608,50V/0.047uF,X7R)_SAMSUNG				
C6308	nsp	CAP,CHIP(1608,50V/100pF,C0G)_SAMSUNG				
C6310	nsp	CAP,CHIP(1608,50V/0.1uF,X7R)_SAMSUNG				
C6311	nsp	CAP,ELECT(50V/1uF)				
C6312	nsp	CAP,ELECT(50V/10uF)				
C6313	nsp	CAP,CHIP(1608,50V/0.047uF,X7R)_SAMSUNG				
C6314	nsp	CAP,CHIP(1608,50V/0.1uF,X7R)_SAMSUNG				
C6401,6402	nsp	CAP,CHIP(1608,50V/0.047uF,X7R)_SAMSUNG				
C6501,6502	nsp	CAP,CHIP(1608,50V/1000pF,X7R)_SAMSUNG				
C6503,6504	nsp	CAP,CHIP(1608,50V/0.1uF,X7R)_SAMSUNG				
C6506	nsp	CAP,CHIP(1608,50V/0.1uF,X7R)_SAMSUNG				
C6508,6509	nsp	CAP,CHIP(1608,50V/0.1uF,X7R)_SAMSUNG				
C6802	nsp	CAP,CHIP(1608,50V/0.1uF,X7R)_SAMSUNG				
C6803	nsp	CAP,ELECT(10V/220uF)-S				

REF No.	Part No.	Part Name	Remarks	Q'ty	New	Ver
<b>OTHER PARTS GROUP</b>						
BK601.602	nsp	BRACKET,FIP		CMD1A572-V1	2	
BK603	nsp	BRACKET,PCB		CMD1A569-V1	1	
BN321	nsp	WIREASS'Y(5P,2.0MM,600MM,UL2725#24/#28,1P+2C)USB		CWB8A005600HC	1	*
EXPLODE_C2						
CN602	nsp	WAFER/ANGLE/2.5mm/07P		CJP07GB03ZY	1	
CN69A	nsp	WAFER,FPC(40P-1mm,ANGLE)		CJP40GB284ZN	1	
I F6001	943652500540D	FUSE(372Series/200mA/TR5)		CBA2D0200A3EYT	1	*
FL601	943172100150S	V.F.D(FUTABA,18-BT-02GINK)		CFL18BT021GINK	1	
JK608	943643101590S	JACK,USBSTRAIGHT(BLACK1.5A)		CJJ9X010Z	1	
JK631	943643102440D	JACK,MIC(3.5mm,MONO,STRAIGHT)		CJJ1D007Z	1	
JK651	943643102450D	JACK,HEADPHONE(6.35mm,SILVERLING,STRAIGHT)		CJJ2E037Z	1	
JW602.604	nsp	WIREASS'Y(1P,80MM,BLK,#22)		CWE5202080A	3	
L6501	nsp	FERRITECHIPBEAD(1608/60R,CB03YTYH600)		CLZ9R005V	1	
L6801	nsp	FERRITECHIPBEAD(2012/220R)		CLZBLM21PG221SN	1	
LD621	963262010460S	L.E.D(Infraredlightemittingdiode)		CVDSIR341ST3FT0	1	
RC621	943262100140S	SENSOR,REMOTE(37.9KHz)		CRVHM238RT12	1	
SW641	00D9430004402	SW.TACT		CST1A012ZT	1	
SW661-670	00D9430004402	SW.TACT		CST1A012ZT	10	
VR611	943671010330S	ENCODER(16MM,24PULSES),W/CLICK		CSR2A055Z	1	
VR641	943671101000D	ENCODER(16MM,12PULSES)		CSR2A060Z	1	



## VIDEO PCB ASSY

※Parts indicated by "nsp" on this table cannot be supplied.

※The parts listed below are only for maintenance. Therefore they might differ from the parts used in the unit in appearances or dimensions.

NOTE: The symbols in the column Remarks indicate the following destinations.

E3 : U.S.A. &amp; Canada model E2 : Europe model E1C : China model E1 : Asia model JP : Japan model

B : Black model SG : Silver gold model

REF No.	Part No.	Part Name	Remarks	Q'ty	New	Ver
<b>SEMICONDUCTORS GROUP</b>						
D5211	943202500740D	DIODE,ZENER(16V/0.5W,SOD-123)		CVDMM1Z16H	1	
D5251	00D2760718902	DIODE,SCHOTTKY,30V		CVDRB521S-30	1	
D5252	943209001080S	DIODE,CHIP,SWITCHING		CVD1S355T	1	
D5254	00D2760718902	DIODE,SCHOTTKY,30V		CVDRB521S-30	1	
IC511	90M-HC109700R	I.C.VIDEOS(W/JRC)		CVINJM2595MTE1	1	
IC516	963235100630S	I.C.VIDEOS(W/3IN,TOUT,SSOP-20P)		CVINJM2586AVC3	1	
IC521	963239008800S	I.C.RS232(3.3V)		CVIILX3232DT	1	
Q5117	943216500020S	T.R.RT1N141C(10K-10K)		CVTRT1N141C	1	
Q5211	943212500220D	T.R.2SA2166,PNP,TO-236,ISAHAYA		CVT2SA2166	1	
Q5212	943216500020S	T.R.RT1N141C(10K-10K)		CVTRT1N141C	1	
Q5251	943215500020S	T.R.RT1P141C(10K-10K)		CVTRT1P141C	1	
Q5252	943214500020S	T.R.2SC3052		CVT2SC3052	1	
<b>RESISTOR GROUP</b>						
R5101-5103	nsp	RES,CHIP(1608/1%/75ohm)		CRJ10DF75R0T	3	
R5104	nsp	RES,CHIP(1608/5%/0ohm)		CRJ10DJ0R0T	1	
R5113	nsp	RES,CHIP(1608/1%/75ohm)		CRJ10DF75R0T	1	
R5117	nsp	RES,CHIP(1608/5%/10Kohm)		CRJ10DJ103T	1	
R5118	nsp	RES,CHIP(1608/5%/0ohm)		CRJ10DJ0R0T	1	
R5119	nsp	RES,CHIP(1608/1%/75ohm)		CRJ10DF75R0T	1	
R5151	nsp	RES,CHIP(1608/1%/75ohm)		CRJ10DF75R0T	1	
R5153	nsp	RES,CHIP(1608/1%/75ohm)		CRJ10DF75R0T	1	
R5155	nsp	RES,CHIP(1608/1%/75ohm)		CRJ10DF75R0T	1	
R5157	nsp	RES,CHIP(1608/1%/75ohm)		CRJ10DF75R0T	1	
R5161	nsp	RES,CHIP(1608/1%/75ohm)		CRJ10DF75R0T	1	
R5166	nsp	RES,CHIP(1608/5%/10Kohm)		CRJ10DJ103T	1	
R5169	nsp	RES,CHIP(1608/1%/75ohm)		CRJ10DF75R0T	1	
R5171	nsp	RES,CHIP(1608/1%/75ohm)	E3	CRJ10DF75R0T	1	
R5173	nsp	RES,CHIP(1608/1%/75ohm)	E3	CRJ10DF75R0T	1	
R5175	nsp	RES,CHIP(1608/1%/75ohm)	E3	CRJ10DF75R0T	1	
R5181	nsp	RES,CHIP(1608/1%/75ohm)		CRJ10DF75R0T	1	
R5183	nsp	RES,CHIP(1608/1%/75ohm)		CRJ10DF75R0T	1	
R5185	nsp	RES,CHIP(1608/1%/75ohm)		CRJ10DF75R0T	1	
R5211	nsp	RES,CHIP(1608/5%/4.7Kohm)		CRJ10DJ472T	1	
R5212	nsp	RES,CHIP(1608/5%/1Kohm)		CRJ10DJ102T	1	
R5231-5234	nsp	RES,CHIP(1608/5%/1Kohm)		CRJ10DJ102T	4	
R5251	nsp	RES,CHIP(1608/5%/1Kohm)		CRJ10DJ102T	1	
R5252	nsp	RES,CHIP(1608/5%/3.3Kohm)		CRJ10DJ332T	1	
R5253	nsp	RES,CHIP(1608/5%/2.2Kohm)		CRJ10DJ222T	1	
R5254	nsp	RES,CHIP(1608/5%/100Kohm)		CRJ10DJ104T	1	
<b>CAPACITORS GROUP</b>						
C5105,5106	nsp	CAP,CHIP(1608,50V/0.1uF,X7R)_SAMSUNG		CCUS1H104KCS	2	
C5107	nsp	CAP,ELECT(50V/10uF)		CCEA1HH100T	1	
C5108	nsp	CAP,CHIP(1608,50V/0.1uF,X7R)_SAMSUNG		CCUS1H104KCS	1	
C5109	nsp	CAP,ELECT(50V/10uF)		CCEA1HH100T	1	
C5111-5113	nsp	CAP,ELECT(50V/10uF)		CCEA1HH100T	3	
C5152	nsp	CAP,ELECT(50V/1uF)		CCEA1HH1R0T	1	
C5154	nsp	CAP,ELECT(50V/1uF)		CCEA1HH1R0T	1	
C5156	nsp	CAP,ELECT(50V/1uF)		CCEA1HH1R0T	1	
C5158	nsp	CAP,ELECT(50V/1uF)		CCEA1HH1R0T	1	
C5160	nsp	CAP,ELECT(50V/1uF)		CCEA1HH1R0T	1	
C5162	nsp	CAP,ELECT(50V/1uF)		CCEA1HH1R0T	1	
C5163-5165	nsp	CAP,CHIP(1608,50V/68pF,C0G)_SAMSUNG	E3	CCUS1H680JAS	3	*
C5166	nsp	CAP,CHIP(1608,50V/0.1uF,X7R)_SAMSUNG		CCUS1H104KCS	1	
C5167	nsp	CAP,ELECT(16V/100uF)		CCEA1CH101T	1	
C5168-5170	nsp	CAP,CHIP(1608,50V/0.1uF,X7R)_SAMSUNG		CCUS1H104KCS	3	
C5171	nsp	CAP,ELECT(16V/100uF)		CCEA1CH101T	1	
C5172-5174	nsp	CAP,CHIP(1608,50V/68pF,C0G)_SAMSUNG		CCUS1H680JAS	3	*
C5212,5213	nsp	CAP,CHIP(1608,50V/0.1uF,X7R)_SAMSUNG		CCUS1H104KCS	2	
C5214	nsp	CAP,CHIP(1608,50V/1000pF,X7R)_SAMSUNG		CCUS1H102KCS	1	
C5231	nsp	CAP,CHIP(1608,50V/0.1uF,X7R)_SAMSUNG		CCUS1H104KCS	1	
C5233-5235	nsp	CAP,CHIP(1608,50V/0.1uF,X7R)_SAMSUNG		CCUS1H104KCS	3	
C5236	nsp	CAP,ELECT(50V/10uF)		CCEA1HH100T	1	
C5237	nsp	CAP,CHIP(1608,50V/0.1uF,X7R)_SAMSUNG		CCUS1H104KCS	1	
C5238,5239	nsp	CAP,CHIP(1608,50V/33pF,C0G)_SAMSUNG		CCUS1H330JAS	2	
C5251	nsp	CAP,CHIP(1608,50V/1000pF,X7R)_SAMSUNG		CCUS1H102KCS	1	
C5252	nsp	CAP,CHIP(1608,50V/0.1uF,X7R)_SAMSUNG		CCUS1H104KCS	1	
C5253	nsp	CAP,CHIP(1608,50V/1000pF,X7R)_SAMSUNG		CCUS1H102KCS	1	
<b>OTHER PARTS GROUP</b>						
BN21B	nsp	PIN SOCKET(19P,1.25mm,ANGLE,B-TO-B)		CJP19HJ282Z	1	
BN27B	nsp	PIN SOCKET(19P,1.25mm,ANGLE,B-TO-B)		CJP19HJ282Z	1	
BN28B	nsp	PIN SOCKET(13P,1.25mm,ANGLE,B-TO-B)		CJP13HJ282Z	1	
J5008,5009	nsp	WIRE,COPPER(D0.6)	E3	C3A206	2	
JK511	943643101090S	JACK,4P(YL,3P),SEPA-GND,SILVER		CJJ4P078Z	1	
JK512	943643101910S	JACK,6P(G/G,B/B,R/R),SILVER		CJJ4R054Z	1	
JK513	943643101100S	JACK,3P(G/B/R),SILVER	E3	CJJ4S050Z	1	
JK521	943646100420S	JACK,9PD-SUBFEMALE(RS-232C)		CJJ9W001Z	1	
JK523	643010086019S	JACK,STEREO(REDMOLD)		CJJ2D019Z	1	
JK525,526	90M-YT004860R	JACK,STEREO(BLKMOLD)		CJJ2D008Z	2	
JW501	nsp	WIRE ASSY(1P,80MM,BLK,#22)		CWE5202080A	1	

## AMP PCB ASS'Y

※Parts indicated by "nsp" on this table cannot be supplied.

※The parts listed below are only for maintenance. Therefore they might differ from the parts used in the unit in appearances or dimensions.

NOTE: The symbols in the column Remarks indicate the following destinations.

E3 : U.S.A. & Canada model E2 : Europe model E1C : China model E1 : Asia model JP : Japan model  
B : Black model SG : Silver gold model

REF No.	Part No.	Part Name	Remarks	Q'ty	New	Ver
<b>SEMICONDUCTORS GROUP</b>						
D7108,7109	00D9430182609	DIODE, SWITCHING		CVD1SS133MT	2	
D7118	00D9430182609	DIODE, SWITCHING		CVD1SS133MT	1	
D7139	00D9430182609	DIODE, SWITCHING		CVD1SS133MT	1	
D7208,7209	00D9430182609	DIODE, SWITCHING		CVD1SS133MT	2	
D7218	00D9430182609	DIODE, SWITCHING		CVD1SS133MT	1	
D7239	00D9430182609	DIODE, SWITCHING		CVD1SS133MT	1	
D7308,7309	00D9430182609	DIODE, SWITCHING		CVD1SS133MT	2	
D7318	00D9430182609	DIODE, SWITCHING		CVD1SS133MT	1	
D7339	00D9430182609	DIODE, SWITCHING		CVD1SS133MT	1	
D7408,7409	00D9430182609	DIODE, SWITCHING		CVD1SS133MT	2	
D7418	00D9430182609	DIODE, SWITCHING		CVD1SS133MT	1	
D7439	00D9430182609	DIODE, SWITCHING		CVD1SS133MT	1	
D7508,7509	00D9430182609	DIODE, SWITCHING		CVD1SS133MT	2	
D7518	00D9430182609	DIODE, SWITCHING		CVD1SS133MT	1	
D7539	00D9430182609	DIODE, SWITCHING		CVD1SS133MT	1	
D7608,7609	00D9430182609	DIODE, SWITCHING		CVD1SS133MT	2	
D7618	00D9430182609	DIODE, SWITCHING		CVD1SS133MT	1	
D7639	00D9430182609	DIODE, SWITCHING		CVD1SS133MT	1	
D7708,7709	00D9430182609	DIODE, SWITCHING		CVD1SS133MT	2	
D7718	00D9430182609	DIODE, SWITCHING		CVD1SS133MT	1	
D7739	00D9430182609	DIODE, SWITCHING		CVD1SS133MT	1	
Q7001	943212500020S	HighVoltagePNPTransistors(SOT-23)		CVTMMBT5401	1	
Q7104	21785000550AS	T.R.PNP.DUAL.HN4A06J.SOT-25.TOSHIBA		CVTHN4A06J	1	
Q7114	943212500020S	HighVoltagePNPTransistors(SOT-23)		CVTMMBT5401	1	
Q7118	00D2710314903	T.R		HVTKTA1024YT	1	
Q7120,7121	00D2730471907	T.R		HVTKTC3206YAT	2	
Q7125	963219003340S	T.R.BIAS		CVTKTC3964	1	
Q7131	00D9630235301	T.R.POWER(Pc130W)		HVT2SD2560	1	
Q7132	00D9630235204	T.R.POWER(Pc130W)		HVT2SB1647	1	
Q7138	943212500020S	HighVoltagePNPTransistors(SOT-23)		CVTMMBT5401	1	
Q7139	943214500040S	HighVoltageNPNTTransistors(SOT-23)		CVTMMBT5551	1	
Q7204	21785000550AS	T.R.PNP.DUAL.HN4A06J.SOT-25.TOSHIBA		CVTHN4A06J	1	
Q7214	943212500020S	HighVoltagePNPTransistors(SOT-23)		CVTMMBT5401	1	
Q7218	00D2710314903	T.R		HVTKTA1024YT	1	
Q7220,7221	00D2730471907	T.R		HVTKTC3206YAT	2	
Q7225	963219003340S	T.R.BIAS		CVTKTC3964	1	
Q7231	00D9630235301	T.R.POWER(Pc130W)		HVT2SD2560	1	
Q7232	00D9630235204	T.R.POWER(Pc130W)		HVT2SB1647	1	
Q7238	943212500020S	HighVoltagePNPTransistors(SOT-23)		CVTMMBT5401	1	
Q7239	943214500040S	HighVoltageNPNTTransistors(SOT-23)		CVTMMBT5551	1	
Q7304	21785000550AS	T.R.PNP.DUAL.HN4A06J.SOT-25.TOSHIBA		CVTHN4A06J	1	
Q7314	943212500020S	HighVoltagePNPTransistors(SOT-23)		CVTMMBT5401	1	
Q7318	00D2710314903	T.R		HVTKTA1024YT	1	
Q7320,7321	00D2730471907	T.R		HVTKTC3206YAT	2	
Q7325	963219003340S	T.R.BIAS		CVTKTC3964	1	
Q7331	00D9630235301	T.R.POWER(Pc130W)		HVT2SD2560	1	
Q7332	00D9630235204	T.R.POWER(Pc130W)		HVT2SB1647	1	
Q7338	943212500020S	HighVoltagePNPTransistors(SOT-23)		CVTMMBT5401	1	
Q7339	943214500040S	HighVoltageNPNTTransistors(SOT-23)		CVTMMBT5551	1	
Q7404	21785000550AS	T.R.PNP.DUAL.HN4A06J.SOT-25.TOSHIBA		CVTHN4A06J	1	
Q7414	943212500020S	HighVoltagePNPTransistors(SOT-23)		CVTMMBT5401	1	
Q7418	00D2710314903	T.R		HVTKTA1024YT	1	
Q7420,7421	00D2730471907	T.R		HVTKTC3206YAT	2	
Q7425	963219003340S	T.R.BIAS		CVTKTC3964	1	
Q7431	00D9630235301	T.R.POWER(Pc130W)		HVT2SD2560	1	
Q7432	00D9630235204	T.R.POWER(Pc130W)		HVT2SB1647	1	
Q7438	943212500020S	HighVoltagePNPTransistors(SOT-23)		CVTMMBT5401	1	
Q7439	943214500040S	HighVoltageNPNTTransistors(SOT-23)		CVTMMBT5551	1	
Q7504	21785000550AS	T.R.PNP.DUAL.HN4A06J.SOT-25.TOSHIBA		CVTHN4A06J	1	
Q7514	943212500020S	HighVoltagePNPTransistors(SOT-23)		CVTMMBT5401	1	
Q7518	00D2710314903	T.R		HVTKTA1024YT	1	
Q7520,7521	00D2730471907	T.R		HVTKTC3206YAT	2	
Q7525	963219003340S	T.R.BIAS		CVTKTC3964	1	
Q7531	00D9630235301	T.R.POWER(Pc130W)		HVT2SD2560	1	
Q7532	00D9630235204	T.R.POWER(Pc130W)		HVT2SB1647	1	
Q7538	943212500020S	HighVoltagePNPTransistors(SOT-23)		CVTMMBT5401	1	
Q7539	943214500040S	HighVoltageNPNTTransistors(SOT-23)		CVTMMBT5551	1	
Q7604	21785000550AS	T.R.PNP.DUAL.HN4A06J.SOT-25.TOSHIBA		CVTHN4A06J	1	
Q7614	943212500020S	HighVoltagePNPTransistors(SOT-23)		CVTMMBT5401	1	
Q7618	00D2710314903	T.R		HVTKTA1024YT	1	
Q7620,7621	00D2730471907	T.R		HVTKTC3206YAT	2	
Q7625	963219003340S	T.R.BIAS		CVTKTC3964	1	
Q7631	00D9630235301	T.R.POWER(Pc130W)		HVT2SD2560	1	
Q7632	00D9630235204	T.R.POWER(Pc130W)		HVT2SB1647	1	
Q7638	943212500020S	HighVoltagePNPTransistors(SOT-23)		CVTMMBT5401	1	
Q7639	943214500040S	HighVoltageNPNTTransistors(SOT-23)		CVTMMBT5551	1	
Q7704	21785000550AS	T.R.PNP.DUAL.HN4A06J.SOT-25.TOSHIBA		CVTHN4A06J	1	
Q7714	943212500020S	HighVoltagePNPTransistors(SOT-23)		CVTMMBT5401	1	
Q7718	00D2710314903	T.R		HVTKTA1024YT	1	
Q7720,7721	00D2730471907	T.R		HVTKTC3206YAT	2	
Q7725	963219003340S	T.R.BIAS		CVTKTC3964	1	
Q7731	00D9630235301	T.R.POWER(Pc130W)		HVT2SD2560	1	
Q7732	00D9630235204	T.R.POWER(Pc130W)		HVT2SB1647	1	
Q7738	943212500020S	HighVoltagePNPTransistors(SOT-23)		CVTMMBT5401	1	
Q7739	943214500040S	HighVoltageNPNTTransistors(SOT-23)		CVTMMBT5551	1	
ZD714	943202010080S	DIODE.ZENER.1/2W.5.1V		CVDZJ5.1BT	1	
ZD724	943202010080S	DIODE.ZENER.1/2W.5.1V		CVDZJ5.1BT	1	
ZD734	943202010080S	DIODE.ZENER.1/2W.5.1V		CVDZJ5.1BT	1	
ZD744	943202010080S	DIODE.ZENER.1/2W.5.1V		CVDZJ5.1BT	1	
ZD754	943202010080S	DIODE.ZENER.1/2W.5.1V		CVDZJ5.1BT	1	
ZD764	943202010080S	DIODE.ZENER.1/2W.5.1V		CVDZJ5.1BT	1	
ZD774	943202010080S	DIODE.ZENER.1/2W.5.1V		CVDZJ5.1BT	1	
<b>RESISTOR GROUP</b>						
R7001	nsp	RES.CHIP(1608/5%/10Kohm)		CRJ10DJ103T	1	
R7002	nsp	RES.CARBON(1/5W.33Kohm,J)		CRD20TJ333T	1	
R7012	25231000655AS	PTC.THERMISTORS.CHIP(65°C)		CRTPRF18BG471QB	1	
R7014	252310006506S	PTC.THERMISTORS.CHIP(115°C)		CRTPRF18BB471QB	1	
R7016	nsp	RES.CARBON(1/5W.3.3Kohm,J)		CRD20TJ332T	1	

REF No.	Part No.	Part Name	Remarks	Q'ty	New	Ver
R7017	nsp	RES,CARBON(1/5W,10Kohm,J)		CRD20TJ103T	1	
R7018	nsp	RES,CHIP(1608/5%/10Kohm)		CRJ10DJ103T	1	
R7101	nsp	RES,CARBON(1/5W,1.2Kohm,J)		CRD20TJ122T	1	
R7102	nsp	RES,CARBON(1/5W,470Kohm,J)		CRD20TJ474T	1	
R7103	nsp	RES,CARBON(1/5W,33Kohm,J)		CRD20TJ333T	1	
R7104	nsp	WIRE,COPPER(D0.6)		C3A206	0.02	
R7105	nsp	RES,M-OXIDEFILM(1W/1Kohm)		CRG1SANJ102RT	1	
R7106	nsp	RES,CHIP(1608/5%/470ohm)		CRJ10DJ471T	1	
R7107	nsp	RES,CHIP(1608/5%/0ohm)		CRJ10DJ0R0T	1	
R7108	nsp	RES,M-OXIDEFILM(1W/1Kohm)		CRG1SANJ102RT	1	
R7110	nsp	RES,CARBON(1/5W,110ohm,J)		CRD20TJ111T	1	*
R7111	nsp	RES,M-OXIDEFILM(1W/3.3Kohm)		CRG1SANJ332RT	1	
R7112	nsp	RES,CARBON(1/5W,33Kohm,J)		CRD20TJ333T	1	
R7114	nsp	RES,METAL(1/2W,27KOHM)		CRG12SANJ273T	1	*
R7116,7117	nsp	RES,CHIP(1608/5%/1.2Kohm)		CRJ10DJ122T	2	
R7118,7119	nsp	RES,M-OXIDEFILM(1W/270ohm)		CRG1SANJ271RT	2	
R7120	nsp	RES,M-OXIDEFILM(2W/12Kohm)		CRG2SANJ123RT	1	*
R7121	nsp	RES,M-OXIDEFILM(1W/270ohm)		CRG1SANJ271RT	1	
R7124	nsp	RES,CHIP(1608/5%/2.7Kohm)		CRJ10DJ272T	1	
R7125	nsp	RES,CHIP(1608/5%/470ohm)		CRJ10DJ471T	1	
R7126	00MNN05561610	RES,CHIP(1608/5%/560ohm)		CRJ10DJ561T	1	
R7129,7130	943124500240S	RES,M-OXIDEFILM(1W/22ohm)		CRG1SANJ220RT	2	
R7131-7134	943124500050S	RES,M-OXIDEFILM(2W/0.47ohm)		CRG2SANJR47RT	4	
R7135,7136	nsp	RES,CHIP(1608/5%/10Kohm)		CRJ10DJ103T	2	
R7137	nsp	RES,CARBON(1/5W,680Kohm,J)		CRD20TJ684T	1	
I R7138	252310006506S	PTCTHEMISTORS,CHIP(115C)		CRTPRF18BB471QE	1	
R7139	nsp	RES,CHIP(1608/5%/100Kohm)		CRJ10DJ104T	1	
R7140	nsp	RES,CHIP(1608/5%/10Kohm)		CRJ10DJ103T	1	
R7141	nsp	RES,CHIP(1608/5%/5.6Kohm)		CRJ10DJ562T	1	
R7143	nsp	RES,CARBON(1/5W,47Kohm,J)		CRD20TJ473T	1	
R7144	nsp	RES,CHIP(3216/5%/22Kohm)		CRJ14CJ223T	1	
R7145	nsp	RES,CARBON(1/5W,22Kohm,J)		CRD20TJ223T	1	
R7201	nsp	RES,CARBON(1/5W,1.2Kohm,J)		CRD20TJ122T	1	
R7202	nsp	RES,CARBON(1/5W,470Kohm,J)		CRD20TJ474T	1	
R7203	nsp	RES,CARBON(1/5W,33Kohm,J)		CRD20TJ333T	1	
R7204	nsp	WIRE,COPPER(D0.6)		C3A206	0.02	
R7205	nsp	RES,M-OXIDEFILM(1W/1Kohm)		CRG1SANJ102RT	1	
R7206	nsp	RES,CHIP(1608/5%/470ohm)		CRJ10DJ471T	1	
R7207	nsp	RES,CHIP(1608/5%/0ohm)		CRJ10DJ0R0T	1	
R7208	nsp	RES,M-OXIDEFILM(1W/1Kohm)		CRG1SANJ102RT	1	
R7210	nsp	RES,CARBON(1/5W,110ohm,J)		CRD20TJ111T	1	*
R7211	nsp	RES,M-OXIDEFILM(1W/3.3Kohm)		CRG1SANJ332RT	1	
R7212	nsp	RES,CARBON(1/5W,33Kohm,J)		CRD20TJ333T	1	
R7214	nsp	RES,METAL(1/2W,27KOHM)		CRG12SANJ273T	1	*
R7216,7217	nsp	RES,CHIP(1608/5%/1.2Kohm)		CRJ10DJ122T	2	
R7218,7219	nsp	RES,M-OXIDEFILM(1W/270ohm)		CRG1SANJ271RT	2	
R7220	nsp	RES,M-OXIDEFILM(2W/12Kohm)		CRG2SANJ123RT	1	*
R7221	nsp	RES,M-OXIDEFILM(1W/270ohm)		CRG1SANJ271RT	1	
R7224	nsp	RES,CHIP(1608/5%/2.7Kohm)		CRJ10DJ272T	1	
R7225	nsp	RES,CHIP(1608/5%/470ohm)		CRJ10DJ471T	1	
R7226	00MNN05561610	RES,CHIP(1608/5%/560ohm)		CRJ10DJ561T	1	
R7229,7230	943124500240S	RES,M-OXIDEFILM(1W/22ohm)		CRG1SANJ220RT	2	
R7231-7234	943124500050S	RES,M-OXIDEFILM(2W/0.47ohm)		CRG2SANJR47RT	4	
R7235,7236	nsp	RES,CHIP(1608/5%/10Kohm)		CRJ10DJ103T	2	
R7237	nsp	RES,CARBON(1/5W,680Kohm,J)		CRD20TJ684T	1	
I R7238	252310006506S	PTCTHEMISTORS,CHIP(115C)		CRTPRF18BB471QE	1	
R7239	nsp	RES,CHIP(1608/5%/100Kohm)		CRJ10DJ104T	1	
R7240	nsp	RES,CHIP(1608/5%/10Kohm)		CRJ10DJ103T	1	
R7241	nsp	RES,CHIP(1608/5%/5.6Kohm)		CRJ10DJ562T	1	
R7243	nsp	RES,CHIP(3216/5%/47Kohm)		CRJ14CJ473T	1	
R7244	nsp	RES,CHIP(3216/5%/22Kohm)		CRJ14CJ223T	1	
R7245	nsp	RES,CARBON(1/5W,22Kohm,J)		CRD20TJ223T	1	
R7301	nsp	RES,CARBON(1/5W,1.2Kohm,J)		CRD20TJ122T	1	
R7302	nsp	RES,CARBON(1/5W,470Kohm,J)		CRD20TJ474T	1	
R7303	nsp	RES,CARBON(1/5W,33Kohm,J)		CRD20TJ333T	1	
R7304	nsp	WIRE,COPPER(D0.6)		C3A206	0.02	
R7305	nsp	RES,M-OXIDEFILM(1W/1Kohm)		CRG1SANJ102RT	1	
R7306	nsp	RES,CHIP(1608/5%/470ohm)		CRJ10DJ471T	1	
R7307	nsp	RES,CHIP(1608/5%/0ohm)		CRJ10DJ0R0T	1	
R7308	nsp	RES,M-OXIDEFILM(1W/1Kohm)		CRG1SANJ102RT	1	
R7310	nsp	RES,CARBON(1/5W,110ohm,J)		CRD20TJ111T	1	*
R7311	nsp	RES,M-OXIDEFILM(1W/3.3Kohm)		CRG1SANJ332RT	1	
R7312	nsp	RES,CARBON(1/5W,33Kohm,J)		CRD20TJ333T	1	
R7314	nsp	RES,METAL(1/2W,27KOHM)		CRG12SANJ273T	1	*
R7316,7317	nsp	RES,CHIP(1608/5%/1.2Kohm)		CRJ10DJ122T	2	
R7318,7319	nsp	RES,M-OXIDEFILM(1W/270ohm)		CRG1SANJ271RT	2	
R7320	nsp	RES,M-OXIDEFILM(2W/12Kohm)		CRG2SANJ123RT	1	*
R7321	nsp	RES,M-OXIDEFILM(1W/270ohm)		CRG1SANJ271RT	1	
R7324	nsp	RES,CHIP(1608/5%/2.7Kohm)		CRJ10DJ272T	1	
R7325	nsp	RES,CHIP(1608/5%/470ohm)		CRJ10DJ471T	1	
R7326	00MNN05561610	RES,CHIP(1608/5%/560ohm)		CRJ10DJ561T	1	
R7329,7330	943124500240S	RES,M-OXIDEFILM(1W/22ohm)		CRG1SANJ220RT	2	
R7331-7334	943124500050S	RES,M-OXIDEFILM(2W/0.47ohm)		CRG2SANJR47RT	4	
R7335,7336	nsp	RES,CHIP(1608/5%/10Kohm)		CRJ10DJ103T	2	
R7337	nsp	RES,CARBON(1/5W,680Kohm,J)		CRD20TJ684T	1	
I R7338	252310006506S	PTCTHEMISTORS,CHIP(115C)		CRTPRF18BB471QE	1	
R7339	nsp	RES,CHIP(1608/5%/100Kohm)		CRJ10DJ104T	1	
R7340	nsp	RES,CHIP(1608/5%/10Kohm)		CRJ10DJ103T	1	
R7341	nsp	RES,CHIP(1608/5%/5.6Kohm)		CRJ10DJ562T	1	
R7343	nsp	RES,CHIP(3216/5%/47Kohm)		CRJ14CJ473T	1	
R7344	nsp	RES,CHIP(3216/5%/22Kohm)		CRJ14CJ223T	1	
R7345	nsp	RES,CARBON(1/5W,22Kohm,J)		CRD20TJ223T	1	
R7401	nsp	RES,CARBON(1/5W,1.2Kohm,J)		CRD20TJ122T	1	
R7402	nsp	RES,CARBON(1/5W,470Kohm,J)		CRD20TJ474T	1	
R7403	nsp	RES,CARBON(1/5W,33Kohm,J)		CRD20TJ333T	1	
R7404	nsp	WIRE,COPPER(D0.6)		C3A206	0.02	
R7405	nsp	RES,M-OXIDEFILM(1W/1Kohm)		CRG1SANJ102RT	1	
R7406	nsp	RES,CHIP(1608/5%/470ohm)		CRJ10DJ471T	1	
R7407	nsp	RES,CHIP(1608/5%/0ohm)		CRJ10DJ0R0T	1	
R7408	nsp	RES,M-OXIDEFILM(1W/1Kohm)		CRG1SANJ102RT	1	
R7410	nsp	RES,CARBON(1/5W,110ohm,J)		CRD20TJ111T	1	*
R7411	nsp	RES,M-OXIDEFILM(1W/3.3Kohm)		CRG1SANJ332RT	1	
R7412	nsp	RES,CARBON(1/5W,33Kohm,J)		CRD20TJ333T	1	
R7414	nsp	RES,METAL(1/2W,27KOHM)		CRG12SANJ273T	1	*
R7416,7417	nsp	RES,CHIP(1608/5%/1.2Kohm)		CRJ10DJ122T	2	
R7418,7419	nsp	RES,M-OXIDEFILM(1W/270ohm)		CRG1SANJ271RT	2	

REF No.	Part No.	Part Name	Remarks	Q'ty	New	Ver
R7420	nsp	RES.M-OXIDEFILM(2W/12Kohm)	CRG2SANJ123RT	1	*	
R7421	nsp	RES.M-OXIDEFILM(1W/270ohm)	CRG1SANJ271RT	1		
R7424	nsp	RES.CHIP(1608/5%/2.7Kohm)	CRJ10DJ272T	1		
R7425	nsp	RES.CHIP(1608/5%/470ohm)	CRJ10DJ471T	1		
R7426	00MNN05561610	RES.CHIP(1608/5%/560ohm)	CRJ10DJ561T	1		
R7429,7430	943124500240S	RES.M-OXIDEFILM(1W/22ohm)	CRG1SANJ220RT	2		
R7431-7434	943124500050S	RES.M-OXIDEFILM(2W/0.47ohm)	CRG2SANJR47RT	4		
R7435,7436	nsp	RES.CHIP(1608/5%/10Kohm)	CRJ10DJ103T	2		
R7437	nsp	RES.CARBON(1/5W,680Kohm,J)	CRD20TJ684T	1		
I R7438	252310006506S	PTCTHEMISTORS.CHIP(115C)	CRTPRF18BB471QE	1		
R7439	nsp	RES.CHIP(1608/5%/100Kohm)	CRJ10DJ104T	1		
R7440	nsp	RES.CHIP(1608/5%/10Kohm)	CRJ10DJ103T	1		
R7441	nsp	RES.CHIP(1608/5%/5.6Kohm)	CRJ10DJ562T	1		
R7443	nsp	RES.CARBON(1/5W,47Kohm,J)	CRD20TJ473T	1		
R7444	nsp	RES.CHIP(3216/5%/22Kohm)	CRJ14CJ223T	1		
R7445	nsp	RES.CARBON(1/5W,22Kohm,J)	CRD20TJ223T	1		
R7501	nsp	RES.CARBON(1/5W,1.2Kohm,J)	CRD20TJ122T	1		
R7502	nsp	RES.CARBON(1/5W,470Kohm,J)	CRD20TJ474T	1		
R7503	nsp	RES.CARBON(1/5W,33Kohm,J)	CRD20TJ333T	1		
R7504	nsp	WIRE.COPPER(D0.6)	C3A206	0.02		
R7505	nsp	RES.M-OXIDEFILM(1W/1Kohm)	CRG1SANJ102RT	1		
R7506	nsp	RES.CHIP(1608/5%/470ohm)	CRJ10DJ471T	1		
R7507	nsp	RES.CHIP(1608/5%/0ohm)	CRJ10DJ0R0T	1		
R7508	nsp	RES.M-OXIDEFILM(1W/1Kohm)	CRG1SANJ102RT	1		
R7510	nsp	RES.CARBON(1/5W,110ohm,J)	CRD20TJ111T	1	*	
R7511	nsp	RES.M-OXIDEFILM(1W/3.3Kohm)	CRG1SANJ332RT	1		
R7512	nsp	RES.CARBON(1/5W,33Kohm,J)	CRD20TJ333T	1		
R7514	nsp	RES.METAL(1/2W,27kOHM)	CRG12SANJ273T	1	*	
R7516,7517	nsp	RES.CHIP(1608/5%/1.2Kohm)	CRJ10DJ122T	2		
R7518,7519	nsp	RES.M-OXIDEFILM(1W/270ohm)	CRG1SANJ271RT	2		
R7520	nsp	RES.M-OXIDEFILM(2W/12Kohm)	CRG2SANJ123RT	1	*	
R7521	nsp	RES.M-OXIDEFILM(1W/270ohm)	CRG1SANJ271RT	1		
R7524	nsp	RES.CHIP(1608/5%/2.7Kohm)	CRJ10DJ272T	1		
R7525	nsp	RES.CHIP(1608/5%/470ohm)	CRJ10DJ471T	1		
R7526	00MNN05561610	RES.CHIP(1608/5%/560ohm)	CRJ10DJ561T	1		
R7529,7530	943124500240S	RES.M-OXIDEFILM(1W/22ohm)	CRG1SANJ220RT	2		
R7531-7534	943124500050S	RES.M-OXIDEFILM(2W/0.47ohm)	CRG2SANJR47RT	4		
R7535,7536	nsp	RES.CHIP(1608/5%/10Kohm)	CRJ10DJ103T	2		
R7537	nsp	RES.CARBON(1/5W,680Kohm,J)	CRD20TJ684T	1		
I R7538	252310006506S	PTCTHEMISTORS.CHIP(115C)	CRTPRF18BB471QE	1		
R7539	nsp	RES.CHIP(1608/5%/100Kohm)	CRJ10DJ104T	1		
R7540	nsp	RES.CHIP(1608/5%/10Kohm)	CRJ10DJ103T	1		
R7541	nsp	RES.CHIP(1608/5%/5.6Kohm)	CRJ10DJ562T	1		
R7543	nsp	RES.CHIP(3216/5%/47Kohm)	CRJ14CJ473T	1		
R7544	nsp	RES.CHIP(3216/5%/22Kohm)	CRJ14CJ223T	1		
R7545	nsp	RES.CARBON(1/5W,22Kohm,J)	CRD20TJ223T	1		
R7601	nsp	RES.CARBON(1/5W,1.2Kohm,J)	CRD20TJ122T	1		
R7602	nsp	RES.CARBON(1/5W,470Kohm,J)	CRD20TJ474T	1		
R7603	nsp	RES.CARBON(1/5W,33Kohm,J)	CRD20TJ333T	1		
R7604	nsp	WIRE.COPPER(D0.6)	C3A206	0.02		
R7605	nsp	RES.M-OXIDEFILM(1W/1Kohm)	CRG1SANJ102RT	1		
R7606	nsp	RES.CHIP(1608/5%/470ohm)	CRJ10DJ471T	1		
R7607	nsp	RES.CHIP(1608/5%/0ohm)	CRJ10DJ0R0T	1		
R7608	nsp	RES.M-OXIDEFILM(1W/1Kohm)	CRG1SANJ102RT	1		
R7610	nsp	RES.CARBON(1/5W,110ohm,J)	CRD20TJ111T	1	*	
R7611	nsp	RES.M-OXIDEFILM(1W/3.3Kohm)	CRG1SANJ332RT	1		
R7612	nsp	RES.CARBON(1/5W,33Kohm,J)	CRD20TJ333T	1		
R7614	nsp	RES.METAL(1/2W,27kOHM)	CRG12SANJ273T	1	*	
R7616,7617	nsp	RES.CHIP(1608/5%/1.2Kohm)	CRJ10DJ122T	2		
R7618,7619	nsp	RES.M-OXIDEFILM(1W/270ohm)	CRG1SANJ271RT	2		
R7620	nsp	RES.M-OXIDEFILM(2W/12Kohm)	CRG2SANJ123RT	1	*	
R7621	nsp	RES.M-OXIDEFILM(1W/270ohm)	CRG1SANJ271RT	1		
R7624	nsp	RES.CHIP(1608/5%/2.7Kohm)	CRJ10DJ272T	1		
R7625	nsp	RES.CHIP(1608/5%/470ohm)	CRJ10DJ471T	1		
R7626	00MNN05561610	RES.CHIP(1608/5%/560ohm)	CRJ10DJ561T	1		
R7629,7630	943124500240S	RES.M-OXIDEFILM(1W/22ohm)	CRG1SANJ220RT	2		
R7631-7634	943124500050S	RES.M-OXIDEFILM(2W/0.47ohm)	CRG2SANJR47RT	4		
R7635	nsp	RES.CHIP(1608/5%/10Kohm)	CRJ10DJ103T	1		
R7636	nsp	RES.CARBON(1/5W,10Kohm,J)	CRD20TJ103T	1		
R7637	nsp	RES.CARBON(1/5W,680Kohm,J)	CRD20TJ684T	1		
I R7638	252310006506S	PTCTHEMISTORS.CHIP(115C)	CRTPRF18BB471QE	1		
R7639	nsp	RES.CHIP(1608/5%/100Kohm)	CRJ10DJ104T	1		
R7640	nsp	RES.CHIP(1608/5%/10Kohm)	CRJ10DJ103T	1		
R7641	nsp	RES.CHIP(1608/5%/5.6Kohm)	CRJ10DJ562T	1		
R7643	nsp	RES.CHIP(3216/5%/47Kohm)	CRJ14CJ473T	1		
R7644	nsp	RES.CHIP(3216/5%/22Kohm)	CRJ14CJ223T	1		
R7645	nsp	RES.CARBON(1/5W,22Kohm,J)	CRD20TJ223T	1		
R7701	nsp	RES.CARBON(1/5W,1.2Kohm,J)	CRD20TJ122T	1		
R7702	nsp	RES.CARBON(1/5W,470Kohm,J)	CRD20TJ474T	1		
R7703	nsp	RES.CARBON(1/5W,33Kohm,J)	CRD20TJ333T	1		
R7704	nsp	WIRE.COPPER(D0.6)	C3A206	0.02		
R7705	nsp	RES.M-OXIDEFILM(1W/1Kohm)	CRG1SANJ102RT	1		
R7706	nsp	RES.CHIP(1608/5%/470ohm)	CRJ10DJ471T	1		
R7707	nsp	RES.CHIP(1608/5%/0ohm)	CRJ10DJ0R0T	1		
R7708	nsp	RES.M-OXIDEFILM(1W/1Kohm)	CRG1SANJ102RT	1		
R7710	nsp	RES.CARBON(1/5W,110ohm,J)	CRD20TJ111T	1	*	
R7711	nsp	RES.M-OXIDEFILM(1W/3.3Kohm)	CRG1SANJ332RT	1		
R7712	nsp	RES.CARBON(1/5W,33Kohm,J)	CRD20TJ333T	1		
R7714	nsp	RES.METAL(1/2W,27kOHM)	CRG12SANJ273T	1	*	
R7716,7717	nsp	RES.CHIP(1608/5%/1.2Kohm)	CRJ10DJ122T	2		
R7718,7719	nsp	RES.M-OXIDEFILM(1W/270ohm)	CRG1SANJ271RT	2		
R7720	nsp	RES.M-OXIDEFILM(2W/12Kohm)	CRG2SANJ123RT	1	*	
R7721	nsp	RES.M-OXIDEFILM(1W/270ohm)	CRG1SANJ271RT	1		
R7724	nsp	RES.CHIP(1608/5%/2.7Kohm)	CRJ10DJ272T	1		
R7725	nsp	RES.CHIP(1608/5%/470ohm)	CRJ10DJ471T	1		
R7726	00MNN05561610	RES.CHIP(1608/5%/560ohm)	CRJ10DJ561T	1		
R7729,7730	943124500240S	RES.M-OXIDEFILM(1W/22ohm)	CRG1SANJ220RT	2		
R7731-7734	943124500050S	RES.M-OXIDEFILM(2W/0.47ohm)	CRG2SANJR47RT	4		
R7735,7736	nsp	RES.CHIP(1608/5%/10Kohm)	CRJ10DJ103T	2		
R7737	nsp	RES.CARBON(1/5W,680Kohm,J)	CRD20TJ684T	1		
I R7738	252310006506S	PTCTHEMISTORS.CHIP(115C)	CRTPRF18BB471QE	1		
R7739	nsp	RES.CHIP(1608/5%/100Kohm)	CRJ10DJ104T	1		
R7740	nsp	RES.CHIP(1608/5%/10Kohm)	CRJ10DJ103T	1		
R7741	nsp	RES.CHIP(1608/5%/5.6Kohm)	CRJ10DJ562T	1		
R7743	nsp	RES.CHIP(3216/5%/47Kohm)	CRJ14CJ473T	1		
R7744	nsp	RES.CHIP(3216/5%/22Kohm)	CRJ14CJ223T	1		

REF No.	Part No.	Part Name	Remarks	Q'ty	New	Ver
R7745	nsp	RES.CARBON(1/5W,22Kohm,J)		CRD20TJ223T	1	
<b>CAPACITORS GROUP</b>						
C7001	nsp	CAP.CHIP(1608,50V/0.01uF,X7R)_SAMSUNG		CCUS1H103KCS	1	
C7011,7012	943134501570S	CAP.ELECT(10V/330uF)		CCEA1H4331T	2	
C7013	nsp	CAP.ELECT(10V/47uF)		CCEA1H470T	1	
C7101	00D2544583971	CAP.ELEC(ELNAROB SERIES,47uF/50V)		CCEA1HROB470T	1	
C7102	nsp	CAP.PE-FILM(100V/470pF/J)		CCME2A471JR11T	1	
C7104	nsp	CAP.PE-FILM(100V/220pF/J)		CCME2A221JR11T	1	
C7106	00MOA47702520	CAP.ELECT(25V/470uF)		CCEA1EH471T	1	
C7107	nsp	CAP.MYLAR(50V/2200pF/J)		HQOI1H222JZT	1	
C7112	nsp	CAP.PE-FILM(100V/220pF/J)		CCME2A221JR11T	1	
C7120,7121	nsp	CAP.PE-FILM(100V/470pF/J)		CCME2A471JR11T	2	
C7125	nsp	CAP.ELECT(25V/220uF)		CCEA1EH221T	1	
C7131,7132	943134500070S	CAP.ELECT(100V/10uF)		CCEA2AH100T	2	
C7138	nsp	CAP.CHIP(1608,50V/0.1uF,X7R)_SAMSUNG		CCUS1H104KCS	1	
C7201	00D2544583971	CAP.ELEC(ELNAROB SERIES,47uF/50V)		CCEA1HROB470T	1	
C7202	nsp	CAP.PE-FILM(100V/470pF/J)		CCME2A471JR11T	1	
C7204	nsp	CAP.PE-FILM(100V/220pF/J)		CCME2A221JR11T	1	
C7206	00MOA47702520	CAP.ELECT(25V/470uF)		CCEA1EH471T	1	
C7207	nsp	CAP.MYLAR(50V/2200pF/J)		HQOI1H222JZT	1	
C7212	nsp	CAP.PE-FILM(100V/220pF/J)		CCME2A221JR11T	1	
C7220,7221	nsp	CAP.PE-FILM(100V/470pF/J)		CCME2A471JR11T	2	
C7225	nsp	CAP.ELECT(25V/220uF)		CCEA1EH221T	1	
C7231,7232	943134500070S	CAP.ELECT(100V/10uF)		CCEA2AH100T	2	
C7238	nsp	CAP.CHIP(1608,50V/0.1uF,X7R)_SAMSUNG		CCUS1H104KCS	1	
C7301	00D2544583971	CAP.ELEC(ELNAROB SERIES,47uF/50V)		CCEA1HROB470T	1	
C7302	nsp	CAP.PE-FILM(100V/470pF/J)		CCME2A471JR11T	1	
C7304	nsp	CAP.PE-FILM(100V/220pF/J)		CCME2A221JR11T	1	
C7306	00MOA47702520	CAP.ELECT(25V/470uF)		CCEA1EH471T	1	
C7307	nsp	CAP.MYLAR(50V/2200pF/J)		HQOI1H222JZT	1	
C7312	nsp	CAP.PE-FILM(100V/220pF/J)		CCME2A221JR11T	1	
C7320,7321	nsp	CAP.PE-FILM(100V/470pF/J)		CCME2A471JR11T	2	
C7325	nsp	CAP.ELECT(25V/220uF)		CCEA1EH221T	1	
C7331,7332	943134500070S	CAP.ELECT(100V/10uF)		CCEA2AH100T	2	
C7338	nsp	CAP.CHIP(1608,50V/0.1uF,X7R)_SAMSUNG		CCUS1H104KCS	1	
C7401	00D2544583971	CAP.ELEC(ELNAROB SERIES,47uF/50V)		CCEA1HROB470T	1	
C7402	nsp	CAP.PE-FILM(100V/470pF/J)		CCME2A471JR11T	1	
C7404	nsp	CAP.PE-FILM(100V/220pF/J)		CCME2A221JR11T	1	
C7406	00MOA47702520	CAP.ELECT(25V/470uF)		CCEA1EH471T	1	
C7407	nsp	CAP.MYLAR(50V/2200pF/J)		HQOI1H222JZT	1	
C7412	nsp	CAP.PE-FILM(100V/220pF/J)		CCME2A221JR11T	1	
C7420,7421	nsp	CAP.PE-FILM(100V/470pF/J)		CCME2A471JR11T	2	
C7425	nsp	CAP.ELECT(25V/220uF)		CCEA1EH221T	1	
C7431,7432	943134500070S	CAP.ELECT(100V/10uF)		CCEA2AH100T	2	
C7438	nsp	CAP.CHIP(1608,50V/0.1uF,X7R)_SAMSUNG		CCUS1H104KCS	1	
C7501	00D2544583971	CAP.ELEC(ELNAROB SERIES,47uF/50V)		CCEA1HROB470T	1	
C7502	nsp	CAP.PE-FILM(100V/470pF/J)		CCME2A471JR11T	1	
C7504	nsp	CAP.PE-FILM(100V/220pF/J)		CCME2A221JR11T	1	
C7506	00MOA47702520	CAP.ELECT(25V/470uF)		CCEA1EH471T	1	
C7507	nsp	CAP.MYLAR(50V/2200pF/J)		HQOI1H222JZT	1	
C7512	nsp	CAP.PE-FILM(100V/220pF/J)		CCME2A221JR11T	1	
C7520,7521	nsp	CAP.PE-FILM(100V/470pF/J)		CCME2A471JR11T	2	
C7525	nsp	CAP.ELECT(25V/220uF)		CCEA1EH221T	1	
C7531,7532	943134500070S	CAP.ELECT(100V/10uF)		CCEA2AH100T	2	
C7538	nsp	CAP.CHIP(1608,50V/0.1uF,X7R)_SAMSUNG		CCUS1H104KCS	1	
C7601	00D2544583971	CAP.ELEC(ELNAROB SERIES,47uF/50V)		CCEA1HROB470T	1	
C7602	nsp	CAP.PE-FILM(100V/470pF/J)		CCME2A471JR11T	1	
C7604	nsp	CAP.PE-FILM(100V/220pF/J)		CCME2A221JR11T	1	
C7606	00MOA47702520	CAP.ELECT(25V/470uF)		CCEA1EH471T	1	
C7607	nsp	CAP.MYLAR(50V/2200pF/J)		HQOI1H222JZT	1	
C7612	nsp	CAP.PE-FILM(100V/220pF/J)		CCME2A221JR11T	1	
C7620,7621	nsp	CAP.PE-FILM(100V/470pF/J)		CCME2A471JR11T	2	
C7625	nsp	CAP.ELECT(25V/220uF)		CCEA1EH221T	1	
C7631,7632	943134500070S	CAP.ELECT(100V/10uF)		CCEA2AH100T	2	
C7638	nsp	CAP.CHIP(1608,50V/0.1uF,X7R)_SAMSUNG		CCUS1H104KCS	1	
C7701	00D2544583971	CAP.ELEC(ELNAROB SERIES,47uF/50V)		CCEA1HROB470T	1	
C7702	nsp	CAP.PE-FILM(100V/470pF/J)		CCME2A471JR11T	1	
C7704	nsp	CAP.PE-FILM(100V/220pF/J)		CCME2A221JR11T	1	
C7706	00MOA47702520	CAP.ELECT(25V/470uF)		CCEA1EH471T	1	
C7707	nsp	CAP.MYLAR(50V/2200pF/J)		HQOI1H222JZT	1	
C7712	nsp	CAP.PE-FILM(100V/220pF/J)		CCME2A221JR11T	1	
C7720,7721	nsp	CAP.PE-FILM(100V/470pF/J)		CCME2A471JR11T	2	
C7725	nsp	CAP.ELECT(25V/220uF)		CCEA1EH221T	1	
C7731,7732	943134500070S	CAP.ELECT(100V/10uF)		CCEA2AH100T	2	
C7738	nsp	CAP.CHIP(1608,50V/0.1uF,X7R)_SAMSUNG		CCUS1H104KCS	1	
<b>OTHER PARTS GROUP</b>						
BN710	nsp	WIREASS'Y(7P,2.0MM,250MM,UL1007#26)		CWB1B007250LC	1	*
EXPLODE_C10	nsp					
CN461	nsp	LOCK-WAFER/STRAIGHT/2MMPITCH/13PIN		CJP13G1288ZY	1	
CN701	nsp	LOCK-WAFER/STRAIGHT/2.5MMPITCH/4PIN		CJP04G1289ZY	1	*
CN702	nsp	LOCK-WAFER/STRAIGHT/2.5MMPITCH/5PIN		CJP05G1289ZY	1	
CN703	nsp	LOCK-WAFER/STRAIGHT/2.5MMPITCH/7PIN		CJP07G1289ZY	1	
CN704	nsp	LOCK-WAFER/STRAIGHT/2.5MMPITCH/6PIN		CJP06G1289ZY	1	*
CN715	nsp	WAFER(3PIN,AN,2MM,JWT)		CJP03GB48ZW	1	
CN725	nsp	WAFER(3PIN,AN,2MM,JWT)		CJP03GB48ZW	1	
CN735	nsp	WAFER(3PIN,AN,2MM,JWT)		CJP03GB48ZW	1	
CN745	nsp	WAFER(3PIN,AN,2MM,JWT)		CJP03GB48ZW	1	
CN755	nsp	WAFER(3PIN,AN,2MM,JWT)		CJP03GB48ZW	1	
CN765	nsp	WAFER(3PIN,AN,2MM,JWT)		CJP03GB48ZW	1	
CN775	nsp	WAFER(3PIN,AN,2MM,JWT)		CJP03GB48ZW	1	
GND71	nsp	PLATE,EARTH(TRONICELECTRONICS)		CJT1A026	1	
VR714	963161012400S	RES.SEMIFIXED(1K/B-CURVE)ANGLE		CVN1RE102B01T	1	
VR724	963161012400S	RES.SEMIFIXED(1K/B-CURVE)ANGLE		CVN1RE102B01T	1	
VR734	963161012400S	RES.SEMIFIXED(1K/B-CURVE)ANGLE		CVN1RE102B01T	1	
VR744	963161012400S	RES.SEMIFIXED(1K/B-CURVE)ANGLE		CVN1RE102B01T	1	
VR754	963161012400S	RES.SEMIFIXED(1K/B-CURVE)ANGLE		CVN1RE102B01T	1	
VR764	963161012400S	RES.SEMIFIXED(1K/B-CURVE)ANGLE		CVN1RE102B01T	1	
VR774	963161012400S	RES.SEMIFIXED(1K/B-CURVE)ANGLE		CVN1RE102B01T	1	

**SPK PCB ASS'Y**

※Parts indicated by "nsp" on this table cannot be supplied.

※The parts listed below are only for maintenance. Therefore they might differ from the parts used in the unit in appearances or dimensions.

NOTE: The symbols in the column Remarks indicate the following destinations.

E3 : U.S.A. & Canada model E2 : Europe model E1C : China model E1 : Asia model JP : Japan model  
 B : Black model SG : Silver gold model

REF No.	Part No.	Part Name	Remarks	Q'ty	New	Ver
<b>SEMICONDUCTORS GROUP</b>						
D9221-9224	943209001080S	DIODE,CHIP,SWITCHING		CVD1SS355T	4	
D9230,9231	943209001080S	DIODE,CHIP,SWITCHING		CVD1SS355T	2	
D9233,9234	nsp	WIRE,COPPER(D0.6)		C3A206	2	
D9241-9247	201310001503S	DIODE,ULTRA-HIGHSPEED		CVDKDS160RTKP	7	
D9250	943202500720S	DIODE,ZENER(3.6V/0.5W,SOD-123)		CVDMM1Z3V6H	1	
D9303,9304	nsp	WIRE,COPPER(D0.6)		C3A206	2	
D9315-9318	943209001080S	DIODE,CHIP,SWITCHING		CVD1SS355T	4	
D9331	943203003150S	DIODE,RECTIFIER,RADIAL		CVDN1N4007SRT	1	
D9333	943203003150S	DIODE,RECTIFIER,RADIAL		CVDN1N4007SRT	1	
D9336	943203003150S	DIODE,RECTIFIER,RADIAL		CVDN1N4007SRT	1	
D9338-9340	943203003150S	DIODE,RECTIFIER,RADIAL		CVDN1N4007SRT	3	
D9343	943203003150S	DIODE,RECTIFIER,RADIAL		CVDN1N4007SRT	1	
D9345	943203003150S	DIODE,RECTIFIER,RADIAL		CVDN1N4007SRT	1	
D9347	943203003150S	DIODE,RECTIFIER,RADIAL		CVDN1N4007SRT	1	
D9349	943203003150S	DIODE,RECTIFIER,RADIAL		CVDN1N4007SRT	1	
D9701	943203500500M	DIODE, BRIDGE.(600V/25A)		CVDGBJ2506	1	
D9727	943202500840S	DIODE,ZENER(7.5V/0.5W,SOD-123)		CVDMM1Z7V5H	1	*
D9728	943209001080S	DIODE,CHIP,SWITCHING		CVD1SS355T	1	
D9913	201310001503S	DIODE,ULTRA-HIGHSPEED		CVDKDS160RTKP	1	
D9914	943202500720S	DIODE,ZENER(3.6V/0.5W,SOD-123)		CVDMM1Z3V6H	1	
IC718	943232100380S	I.C.DUALOPAMP(SOP-8P)		CVINJM8080G	1	
IC931	943231010390S	I.C.REGULATOR(+5V,TO220IS)		CVKIA7805BP1	1	
IC933	943232100370S	I.C.REGULATOR(+12V,TO220)		CVKIA7812BP1	1	
IC934	943231010390S	I.C.REGULATOR(+5V,TO220IS)		CVKIA7805BP1	1	
IC935	00D2631099006	I.C.REGULATOR(-5V,TO220IS)		CVKIA7905PI	1	
IC936	943231101910S	I.C.REGULATOR(+7V,TO-220IS)		CVKIA7807BP1	1	*
IC937	943231101920S	I.C.REGULATOR(-7V,TO-220IS)		CVKIA7907PI	1	*
Q9221-9224	943213500160S	T.R.RT1N237C(2.2K-47K)		CVTRT1N237C	4	
Q9230,9231	943213500160S	T.R.RT1N237C(2.2K-47K)		CVTRT1N237C	2	
<b>RESISTOR GROUP</b>						
R7801,7802	nsp	RES.M-OXIDEFILM(2W/470ohm)		CRG2SANJ471RT	2	
R9201-9207	nsp	RES.M-OXIDEFILM(1W/10ohm)		CRG1SANJ100RT	7	
R9211-9217	nsp	RES.M-OXIDEFILM(2W/10ohm)		CRG2SANJ100RT	7	
R9241-9247	nsp	RES.CHIP(1608/5%/470Kohm)		CRJ10DJ474T	7	
R9250	nsp	RES.CHIP(1608/5%/10Kohm)		CRJ10DJ103T	1	
R9251	nsp	RES.CHIP(1608/5%/100ohm)		CRJ10DJ101T	1	
R9711-9713	nsp	RES.M-OXIDEFILM(1W/1Kohm)		CRG1SANJ102RT	3	
R9727	nsp	RES.CHIP(1608/5%/10Kohm)		CRJ10DJ103T	1	
R9801-9804	nsp	RES.CHIP(1608/5%/100ohm)		CRJ10DJ101T	4	
R9806	nsp	RES.CHIP(1608/5%/100ohm)		CRJ10DJ101T	1	
R9819,9820	nsp	RES.CHIP(1608/5%/27Kohm)		CRJ10DJ273T	2	
R9821,9822	nsp	RES.CHIP(1608/5%/0ohm)		CRJ10DJ0R0T	2	
R9823,9824	nsp	RES.CHIP(1608/5%/270ohm)		CRJ10DJ271T	2	
R9905,9906	nsp	RES.CHIP(1608/5%/10Kohm)		CRJ10DJ103T	2	
R9907,9908	nsp	RES.CHIP(1608/5%/22Kohm)		CRJ10DJ223T	2	
R9909	nsp	RES.CHIP(1608/5%/1Kohm)		CRJ10DJ102T	1	
R9910	nsp	RES.CHIP(1608/5%/33Kohm)		CRJ10DJ333T	1	
R9911	nsp	RES.CHIP(1608/5%/330Kohm)		CRJ10DJ334T	1	
R9912	nsp	RES.CHIP(1608/5%/10Kohm)		CRJ10DJ103T	1	
R9913	nsp	RES.CHIP(1608/5%/3.3Kohm)		CRJ10DJ332T	1	
R9914	nsp	RES.CHIP(1608/5%/10Kohm)		CRJ10DJ103T	1	
R9915	nsp	RES.CHIP(1608/5%/100ohm)		CRJ10DJ101T	1	
R9916,9917	943124500350M	RES.CEMENT(0.02ohm/3W)		CRF3EJR02	2	
<b>CAPACITORS GROUP</b>						
C9211-9217	nsp	CAP.MYLAR(50V/0.047uF/J)		HCQ11H473JZT	7	
C9221	nsp	CAP.ELECT(50V/100uF)		CCEA1H101T	1	
C9250	nsp	CAP.ELECT(50V/10uF)		CCEA1H1100T	1	
C9251	nsp	CAP.CHIP(1608,50V/0.1uF,X7R) SAMSUNG		CCUS1H104KCS	1	
C9301	nsp	CAP.ELECT(16V/100uF)-S		CCEA1CKS101T	1	
C9303	nsp	CAP.ELECT(50V/10uF)-S		CCEA1HKS100T	1	
C9306	nsp	CAP.ELECT(50V/10uF)-S		CCEA1HKS100T	1	
C9309	943134010620S	CAP.ELECT(25V/4700uF)		CCEA1EH472E	1	
C9311,9312	00MOA10801620	CAP.ELECT(16V/1000uF)		CCEA1CH102E	2	
C9315,9316	nsp	CAP.ELECT(50V/10uF)-S		CCEA1HKS100T	2	
C9317,9318	nsp	CAP.ELECT(16V/100uF)-S		CCEA1CKS101T	2	
C9321,9322	943134010620S	CAP.ELECT(25V/4700uF)		CCEA1EH472E	2	
C9333	nsp	CAP.MYLAR(50V/0.1uF/J)		HCQ11H104JZT	1	
C9337	nsp	CAP.MYLAR(50V/0.1uF/J)		HCQ11H104JZT	1	
C9531-9537	nsp	CAP.MYLAR(50V/0.01uF/J)		HCQ11H103JZT	7	
C9631-9637	nsp	CAP.CHIP(1608,50V/1000pF,X7R) SAMSUNG		CCUS1H102KCS	7	
C9703	90M-OF100490R	CAP.METALPEFILM(250V/0.1uF)		KCME2E104JP04T	1	
C9708	nsp	CAP.CHIP(1608,50V/1000pF,X7R) SAMSUNG		CCUS1H102KCS	1	
C9727	nsp	CAP.ELECT(50V/10uF)		CCEA1H1100T	1	
C9801-9803	nsp	CAP.CHIP(1608,50V/100pF,C0G) SAMSUNG		CCUS1H101JAS	3	
C9804	nsp	CAP.CHIP(1608,50V/0.1uF,X7R) SAMSUNG		CCUS1H104KCS	1	
C9806	nsp	CAP.CHIP(1608,50V/100pF,C0G) SAMSUNG		CCUS1H101JAS	1	
C9811	nsp	CAP.CHIP(1608,50V/0.1uF,X7R) SAMSUNG		CCUS1H104KCS	1	
C9905,9906	nsp	CAP.ELECT(100V/1uF),85CBBlack		CCEA2AH1R0T	2	
C9909	nsp	CAP.ELECT(100V/1uF),85CBBlack		CCEA2AH1R0T	1	
C9914	nsp	CAP.ELECT(16V/100uF)		CCEA1CH101T	1	
C9917,9918	nsp	CAP.CHIP(1608,50V/0.1uF,X7R) SAMSUNG		CCUS1H104KCS	2	
C9919	nsp	CAP.CHIP(1608,50V/10pF,C0G) SAMSUNG		CCUS1H100JAS	1	
C9920	nsp	CAP.CHIP(1608,50V/100pF,C0G) SAMSUNG		CCUS1H101JAS	1	
<b>OTHER PARTS GROUP</b>						
BD981	nsp	FERRITECHIPBEAD(1608/60R,CB03YTYH600)		CLZ9R005V	1	
BK901,902	nsp	BRACKET,PCB(FUSE)		GMID1A730	2	
BK903	nsp	PLATE,MAINPCB		CMC2A424	1	
BN701	nsp	WIREASS'YLOCKING(4P,2.5MM,220MM,UL1569#20,105)		CWB7E0042203D	1	*
EXPLODE C39						
BN702	nsp	WIREASS'YLOCKING(5P,2.5MM,220MM,UL1569#20,105)		CWB7E0052203D	1	*
EXPLODE C40						
BN703	nsp	WIREASS'YLOCKING(7P,2.5MM,180MM,UL1569#20,105)		CWB7E0071803D	1	*
EXPLODE C38						
BN704	nsp	WIREASS'YLOCKING(6P,2.5MM,400MM,UL1569#20,105)		CWB7E0064003D	1	*
EXPLODE C37						
BN706	nsp	WIREASS'Y(3P,2.0MM,150MM,UL1569#24,105)		CWB7C003150HC	1	*
EXPLODE C36						

REF No.	Part No.	Part Name	Remarks	Q'ty	New	Ver
BN932 EXPLODE_C41	nsp	WIREASSYLOCKING(9P,2.0MM,220MM,UL1007#26)		CWB1B009220HC	1	
C9705,9706 EXPLODE_C34	963134010180S	CAP,ELECT(71V/12000uF),35*58L,NICHICON		CCET71VLKS123N	2	
CN25D	nsp	PINHEADER(25P,1.25mm,STRAIGHT,B-TO-B)		CJP25GI281Z	1	*
CN77D	nsp	PINHEADER(19P,1.25mm,STRAIGHT,B-TO-B)		CJP19GI281Z	1	
CN932	nsp	LOCK-WAFER/STRAIGHT/2MMPITCH/9PIN		CJP09GI288ZY	1	
CN940	nsp	LOCK-WAFER/STRAIGHT/2.5MMPITCH/5PIN		CJP05GI289ZY	1	
CN941	nsp	LOCK-WAFER/STRAIGHT/2.5MMPITCH/3PIN		CJP03GI289ZY	1	
CN971	nsp	WAFER,7P/DIP,3.96PITCH)		CJP07GA90ZY	1	
I F9331	963652010510S	FUSE(S506Series,250V,2A)		CBA2C2000TLEC	1	
F9331-9335	nsp	HOLDER,FUSE		KJCFCS	5	
I F9332	963652010510S	FUSE(S506Series,250V,2A)		CBA2C2000TLEC	1	
I F9333	963652010510S	FUSE(S506Series,250V,2A)		CBA2C2000TLEC	1	
I F9334	963652010510S	FUSE(S506Series,250V,2A)		CBA2C2000TLEC	1	
I F9335	963652010510S	FUSE(S506Series,250V,2A)		CBA2C2000TLEC	1	
I F9703	943652500530D	FUSE(215Series,250V/12A)		CBA2C1202TLHEY	1	*
F9703,9704	nsp	HOLDER,FUSE		KJCFCS	2	
I F9704	943652500530D	FUSE(215Series,250V/12A)		CBA2C1202TLHEY	1	*
GND92	nsp	PLATE,EARTH(TRONICELECTRONICS)		CJT1A026	1	
JK921-927	943643102420S	2P,SCREWSPK(R/B)		CJJ5N023Z	7	
JW925A	nsp	WIREASSY(1P,100mm,BLK,UL1015#20,CKM-T)		CWE7102100TT	1	
L9201-9207	943115010260S	COIL,SPEAKER(0.5uH)		CLEY0R5KAK	7	
RY921-924	943682010300S	RELAY,G5PA-28-MC,DC12V,2C1P		CSL3A018ZE	4	
RY930	943682000810S	RELAY,BC3-12H,DC12V,2C2P		CSL4A016ZU	1	
RY931	68201003000AS	RELAY,FTR-F1CL012R,DC12V,2C2P		CSL4A021ZE	1	
TU901	943183100510S	TUNER,FM(SCREW:FTYPE),AM,SI4730-D60	E3	CNVYST990-A9U1	1	
TU901	943183100520S	TUNER,RDS,FM(PALTYPE),AM,SI4731-D60	E2	CNVYST990-D8E1	1	
TU901	943183100500S	TUNER,FM(PALTYPE),AM,SI4730-D60	E1C	CNVYST990-A2J1	1	

## CNT PCB ASS'Y

※Parts indicated by "nsp"on this table cannot be supplied.

※The parts listed below are only for maintenance. Therefore they might differ from the parts used in the unit in appearances or dimensions.

NOTE:The symbols in the column Remarks indicate the following destinations.

E3 : U.S.A. & Canada model E2 : Europe model E1C : China model E1 : Asia model JP : Japan model  
B : Black model SG : Silver gold model

REF No.	Part No.	Part Name	Remarks	Q'ty	New	Ver
<b>CAPACITORS GROUP</b>						
C9701,9702	nsp	CAP,ELECT(16V/100uF)		CCEA1CH101T	2	
<b>OTHER PARTS GROUP</b>						
BN25D	nsp	PIN SOCKET(25P,1.25mm,ANGLE,B-TO-B)		CJP25HJ282Z	1	
BN77D	nsp	PIN SOCKET(19P,1.25mm,ANGLE,B-TO-B)		CJP19HJ282Z	1	
CN21A	nsp	PINHEADER(19P,1.25mm,STRAIGHT,B-TO-B)		CJP19GI281Z	1	
CN21B	nsp	PINHEADER(19P,1.25mm,STRAIGHT,B-TO-B)		CJP19GI281Z	1	
CN23A	nsp	PINHEADER(27P,1.25mm,STRAIGHT,B-TO-B)		CJP27GI281Z	1	
CN23C	nsp	PINHEADER(21P,1.25mm,STRAIGHT,B-TO-B)		CJP21GI281Z	1	
CN24A	nsp	PINHEADER(27P,1.25mm,STRAIGHT,B-TO-B)		CJP27GI281Z	1	
CN24C	nsp	PINHEADER(27P,1.25mm,STRAIGHT,B-TO-B)		CJP27GI281Z	1	
CN25A	nsp	PINHEADER(23P,1.25mm,STRAIGHT,B-TO-B)		CJP23GI281Z	1	
CN26A	nsp	PINHEADER(09P,1.25mm,STRAIGHT,B-TO-B)		CJP09GI281Z	1	
CN26C,27	nsp	PINHEADER(15P,1.25mm,STRAIGHT,B-TO-B)		CJP15GI281Z	2	
CN27B	nsp	PINHEADER(19P,1.25mm,STRAIGHT,B-TO-B)		CJP19GI281Z	1	
CN28B	nsp	PINHEADER(13P,1.25mm,STRAIGHT,B-TO-B)		CJP13GI281Z	1	
CN64C	nsp	PINHEADER(13P,1.25mm,STRAIGHT,B-TO-B)		CJP13GI281Z	1	



## INPUT PCB ASS'Y

※Parts indicated by "nsp" on this table cannot be supplied.

※The parts listed below are only for maintenance. Therefore they might differ from the parts used in the unit in appearances or dimensions.

NOTE: The symbols in the column Remarks indicate the following destinations.

E3 : U.S.A. &amp; Canada model E2 : Europe model E1C : China model E1 : Asia model JP : Japan model

B : Black model SG : Silver gold model

REF No.	Part No.	Part Name	Remarks	Q'ty	New	Ver
<b>SEMICONDUCTORS GROUP</b>						
D8831-8833	943203003150S	DIODE,RECTIFIER,RADIAL		CVD1N4007SRT	3	
D8834	943202500720S	DIODE,ZENER(3.6V/0.5W,SOD-123)		CVDMM1Z3V6H	1	
IC111	963236101380P	I.C.HDMI BUFFER		CVIAD8195ACPZ	1	
IC471	943235003810S	I.C.INPUT WITH 8CHVOLUME(100PQFP)		CVIR2A15218FP	1	
IC481-483	943232100380S	I.C.DUALOPAMP(SOP-8P)		CVINJM8080G	3	
IC484	00D2623727904	I.C.2CHVOLUME		CVINJW1194V	1	
Q1101	943215500020S	T.R.RT1P141C(10K-10K)		CVTRT1P141C	1	
Q1102	943216500040S	T.R.RT1N241C(22K-22K)		CVTRT1N241C	1	
Q8513	943215500030S	T.R.RT1P441C(47K-47K)		CVTRT1P441C	1	
Q8514	943216500050S	T.R.RT1N441C(47K-47K)		CVTRT1N441C	1	
Q8517,8518	943214500030S	T.R.MUTE		CVTINC2001AC1	2	
Q8520	943215500030S	T.R.RT1P441C(47K-47K)		CVTRT1P441C	1	
Q8537,8538	943214500030S	T.R.MUTE		CVTINC2001AC1	2	
Q8563	943215500030S	T.R.RT1P441C(47K-47K)		CVTRT1P441C	1	
Q8564	943216500050S	T.R.RT1N441C(47K-47K)		CVTRT1N441C	1	
Q8567,8568	943214500030S	T.R.MUTE		CVTINC2001AC1	2	
Q8570	943215500030S	T.R.RT1P441C(47K-47K)		CVTRT1P441C	1	
Q8583	943215500030S	T.R.RT1P441C(47K-47K)		CVTRT1P441C	1	
Q8584	943216500050S	T.R.RT1N441C(47K-47K)		CVTRT1N441C	1	
Q8587,8588	943214500030S	T.R.MUTE		CVTINC2001AC1	2	
Q8590	943215500030S	T.R.RT1P441C(47K-47K)		CVTRT1P441C	1	
Q8617	943214500030S	T.R.MUTE		CVTINC2001AC1	1	
Q8743	943215500030S	T.R.RT1P441C(47K-47K)		CVTRT1P441C	1	
Q8744	943216500050S	T.R.RT1N441C(47K-47K)		CVTRT1N441C	1	
Q8747,8748	943214500030S	T.R.MUTE		CVTINC2001AC1	2	
Q8750	943215500030S	T.R.RT1P441C(47K-47K)		CVTRT1P441C	1	
<b>RESISTOR GROUP</b>						
R1102	nsp	RES.CHIP(1608/5%/1Kohm)		CRJ10DJ102T	1	
R1103	nsp	RES.CHIP(1608/5%/22Kohm)		CRJ10DJ223T	1	
R1104	nsp	RES.CHIP(1608/5%/100Kohm)		CRJ10DJ104T	1	
R1106	nsp	RES.CHIP(1608/5%/47Kohm)		CRJ10DJ473T	1	
R1107	nsp	RES.CHIP(1608/5%/10Kohm)		CRJ10DJ103T	1	
R1108,1109	nsp	RES.CHIP(1608/5%/2Kohm)		CRJ10DJ202T	2	
R1111	nsp	RES.CHIP(1608/5%/4.7Kohm)		CRJ10DJ472T	1	
R4601,4602	nsp	RES.CHIP(1608/5%/470ohm)		CRJ10DJ471T	2	
R4603,4604	nsp	RES.CHIP(1608/5%/820Kohm)		CRJ10DJ824T	2	
R4605,4606	nsp	RES.CHIP(1608/5%/470ohm)		CRJ10DJ471T	2	
R4607,4608	nsp	RES.CHIP(1608/5%/820Kohm)		CRJ10DJ824T	2	
R4609,4610	nsp	RES.CHIP(1608/5%/0ohm)		CRJ10DJ0R0T	2	
R4611,4612	nsp	RES.CHIP(1608/5%/470ohm)		CRJ10DJ471T	2	
R4613,4614	nsp	RES.CHIP(1608/5%/820Kohm)		CRJ10DJ824T	2	
R4615,4616	nsp	RES.CHIP(1608/5%/470ohm)		CRJ10DJ471T	2	
R4617,4618	nsp	RES.CHIP(1608/5%/820Kohm)		CRJ10DJ824T	2	
R4619,4620	nsp	RES.CHIP(1608/5%/0ohm)		CRJ10DJ0R0T	2	
R4625,4626	nsp	RES.CHIP(1608/5%/470ohm)		CRJ10DJ471T	2	
R4627,4628	nsp	RES.CHIP(1608/5%/820Kohm)		CRJ10DJ824T	2	
R4629,4630	nsp	RES.CHIP(1608/5%/0ohm)		CRJ10DJ0R0T	2	
R4633,4634	nsp	RES.CHIP(1608/5%/0ohm)		CRJ10DJ0R0T	2	
R4637,4638	nsp	RES.CHIP(1608/5%/0ohm)		CRJ10DJ0R0T	2	
R4643,4644	nsp	RES.CHIP(1608/5%/0ohm)		CRJ10DJ0R0T	2	
R4647-4650	nsp	RES.CHIP(1608/5%/0ohm)		CRJ10DJ0R0T	4	
R4687,4688	nsp	RES.CHIP(1608/5%/0ohm)		CRJ10DJ0R0T	2	
R4701	nsp	RES.CHIP(1608/5%/100ohm)		CRJ10DJ101T	1	
R4704,4705	nsp	RES.CHIP(1608/5%/100ohm)		CRJ10DJ101T	2	
R4709	nsp	RES.CHIP(1608/5%/100ohm)		CRJ10DJ101T	1	
R4712,4713	nsp	RES.CHIP(1608/5%/100ohm)		CRJ10DJ101T	2	
R4716	nsp	RES.CHIP(1608/5%/100ohm)		CRJ10DJ101T	1	
R4719,4720	nsp	RES.CHIP(1608/5%/100ohm)		CRJ10DJ101T	2	
R4737	nsp	RES.CHIP(1608/5%/100ohm)		CRJ10DJ101T	1	
R4761-4768	nsp	RES.CHIP(1608/5%/10Kohm)		CRJ10DJ103T	8	
R4773-4776	nsp	RES.CHIP(1608/5%/100Kohm)		CRJ10DJ104T	4	
R4794-4799	nsp	RES.CHIP(1608/5%/0ohm)		CRJ10DJ0R0T	6	
R4801,4802	nsp	RES.CHIP(1608/5%/470Kohm)		CRJ10DJ474T	2	
R4803,4804	nsp	RES.CHIP(1608/5%/150Kohm)		CRJ10DJ154T	2	
R4805,4806	nsp	RES.CHIP(1608/5%/270Kohm)		CRJ10DJ274T	2	
R4807,4808	nsp	RES.CHIP(1608/5%/0ohm)		CRJ10DJ0R0T	2	
R4811,4812	nsp	RES.CHIP(1608/5%/100ohm)		CRJ10DJ101T	2	
R4813,4814	nsp	RES.CHIP(1608/5%/100Kohm)		CRJ10DJ104T	2	
R4815-4818	nsp	RES.CHIP(1608/5%/68Kohm)		CRJ10DJ683T	4	
R4819,4820	nsp	RES.CHIP(1608/5%/33Kohm)		CRJ10DJ333T	2	
R4821-4824	nsp	RES.CHIP(1608/5%/4.7Kohm)		CRJ10DJ472T	4	
R4825,4826	nsp	RES.CHIP(1608/5%/47ohm)		CRJ10DJ470T	2	
R4827,4828	nsp	RES.CHIP(1608/5%/100Kohm)		CRJ10DJ104T	2	
R4831,4832	nsp	RES.CHIP(1608/5%/100ohm)		CRJ10DJ101T	2	
R4833-4836	nsp	RES.CHIP(1608/5%/100Kohm)		CRJ10DJ104T	4	
R4841,4842	nsp	RES.CHIP(1608/5%/4.7Kohm)		CRJ10DJ472T	2	
R8501,8502	nsp	RES.CHIP(1608/5%/470Kohm)		CRJ10DJ474T	2	
R8503-8506	nsp	RES.CHIP(1608/5%/470ohm)		CRJ10DJ471T	4	
R8507-8510	nsp	RES.CHIP(1608/5%/100Kohm)		CRJ10DJ104T	4	
R8511,8512	nsp	RES.CHIP(1608/5%/220ohm)		CRJ10DJ221T	2	
R8513	nsp	RES.CHIP(1608/5%/10Kohm)		CRJ10DJ103T	1	
R8517,8518	nsp	RES.CHIP(1608/5%/10Kohm)		CRJ10DJ103T	2	
R8519	nsp	RES.CHIP(1608/5%/470Kohm)		CRJ10DJ474T	1	
R8520	nsp	RES.CHIP(1608/5%/1Kohm)		CRJ10DJ102T	1	
R8521,8522	nsp	RES.CHIP(1608/5%/470Kohm)		CRJ10DJ474T	2	
R8523-8526	nsp	RES.CHIP(1608/5%/470ohm)		CRJ10DJ471T	4	
R8527-8530	nsp	RES.CHIP(1608/5%/100Kohm)		CRJ10DJ104T	4	
R8531,8532	nsp	RES.CHIP(1608/5%/220ohm)		CRJ10DJ221T	2	
R8537,8538	nsp	RES.CHIP(1608/5%/10Kohm)		CRJ10DJ103T	2	
R8551,8552	nsp	RES.CHIP(1608/5%/470Kohm)		CRJ10DJ474T	2	
R8553-8556	nsp	RES.CHIP(1608/5%/470ohm)		CRJ10DJ471T	4	
R8557-8560	nsp	RES.CHIP(1608/5%/100Kohm)		CRJ10DJ104T	4	
R8561,8562	nsp	RES.CHIP(1608/5%/220ohm)		CRJ10DJ221T	2	
R8563	nsp	RES.CHIP(1608/5%/10Kohm)		CRJ10DJ103T	1	
R8567,8568	nsp	RES.CHIP(1608/5%/10Kohm)		CRJ10DJ103T	2	
R8569	nsp	RES.CHIP(1608/5%/470Kohm)		CRJ10DJ474T	1	
R8570	nsp	RES.CHIP(1608/5%/1Kohm)		CRJ10DJ102T	1	
R8571,8572	nsp	RES.CHIP(1608/5%/470Kohm)		CRJ10DJ474T	2	

REF No.	Part No.	Part Name	Remarks	Q'ty	New	Ver
R8573-8576	nsp	RES.CHIP(1608/5%/470ohm)		CRJ10DJ471T	4	
R8577-8580	nsp	RES.CHIP(1608/5%/100Kohm)		CRJ10DJ104T	4	
R8581,8582	nsp	RES.CHIP(1608/5%/220ohm)		CRJ10DJ221T	2	
R8583	nsp	RES.CHIP(1608/5%/10Kohm)		CRJ10DJ103T	1	
R8587,8588	nsp	RES.CHIP(1608/5%/10Kohm)		CRJ10DJ103T	2	
R8589	nsp	RES.CHIP(1608/5%/470Kohm)		CRJ10DJ474T	1	
R8590	nsp	RES.CHIP(1608/5%/1Kohm)		CRJ10DJ102T	1	
R8601	nsp	RES.CHIP(1608/5%/470Kohm)		CRJ10DJ474T	1	
R8603	nsp	RES.CHIP(1608/5%/470ohm)		CRJ10DJ471T	1	
R8605	nsp	RES.CHIP(1608/5%/470ohm)		CRJ10DJ471T	1	
R8607	nsp	RES.CHIP(1608/5%/100Kohm)		CRJ10DJ104T	1	
R8609	nsp	RES.CHIP(1608/5%/100Kohm)		CRJ10DJ104T	1	
R8611	nsp	RES.CHIP(1608/5%/220ohm)		CRJ10DJ221T	1	
R8612	nsp	RES.CHIP(1608/5%/0ohm)		CRJ10DJ0R0T	1	
R8617	nsp	RES.CHIP(1608/5%/10Kohm)		CRJ10DJ103T	1	
R8711,8712	nsp	RES.CHIP(1608/5%/0ohm)		CRJ10DJ0R0T	2	
R8731,8732	nsp	RES.CHIP(1608/5%/470Kohm)		CRJ10DJ474T	2	
R8733-8736	nsp	RES.CHIP(1608/5%/470ohm)		CRJ10DJ471T	4	
R8737-8740	nsp	RES.CHIP(1608/5%/100Kohm)		CRJ10DJ104T	4	
R8741,8742	nsp	RES.CHIP(1608/5%/220ohm)		CRJ10DJ221T	2	
R8743	nsp	RES.CHIP(1608/5%/10Kohm)		CRJ10DJ103T	1	
R8747,8748	nsp	RES.CHIP(1608/5%/10Kohm)		CRJ10DJ103T	2	
R8749	nsp	RES.CHIP(1608/5%/470Kohm)		CRJ10DJ474T	1	
R8750	nsp	RES.CHIP(1608/5%/1Kohm)		CRJ10DJ102T	1	
R8801-8808	nsp	RES.CHIP(1608/5%/0ohm)		CRJ10DJ0R0T	8	
R8833	nsp	RES.CHIP(1608/5%/0ohm)		CRJ10DJ0R0T	1	
R8834	nsp	RES.CHIP(1608/5%/820ohm)		CRJ10DJ821T	1	
R8835	nsp	RES.CHIP(1608/5%/10Kohm)		CRJ10DJ103T	1	
R8901,8902	nsp	RES.CHIP(1608/5%/0ohm)		CRJ10DJ0R0T	2	
RN111-114	nsp	RES.CHIP(1005/5%/0ohm*2)		CRJ062J0R0T	4	
<b>CAPACITORS GROUP</b>						
C1101-1113	nsp	CAP.CHIP(1608,50V/0.1uF,X7R)_SAMSUNG		CCUS1H104KCS	13	
C1114	nsp	CAP.CHIP(2012,6.3V/10uF,X5R)_SAMSUNG		CCUC0J106KCS	1	
C1115	nsp	CAP.CHIP(1608,50V/0.1uF,X7R)_SAMSUNG		CCUS1H104KCS	1	
C1116	nsp	CAP.CHIP(2012,6.3V/10uF,X5R)_SAMSUNG		CCUC0J106KCS	1	
C1121	nsp	CAP.CHIP(1608,50V/0.01uF,X7R)_SAMSUNG		CCUS1H103KCS	1	
C1122	nsp	CAP.CHIP(1608,50V/0.1uF,X7R)_SAMSUNG		CCUS1H104KCS	1	
C1123	nsp	CAP.CHIP(2012,6.3V/10uF,X5R)_SAMSUNG		CCUC0J106KCS	1	
C4603,4604	nsp	CAP.CHIP(1608,50V/330pF,C0G)_SAMSUNG		CCUS1H331JAS	2	
C4607,4608	nsp	CAP.CHIP(1608,50V/330pF,C0G)_SAMSUNG		CCUS1H331JAS	2	
C4613,4614	nsp	CAP.CHIP(1608,50V/330pF,C0G)_SAMSUNG		CCUS1H331JAS	2	
C4617,4618	nsp	CAP.CHIP(1608,50V/330pF,C0G)_SAMSUNG		CCUS1H331JAS	2	
C4627,4628	nsp	CAP.CHIP(1608,50V/330pF,C0G)_SAMSUNG		CCUS1H331JAS	2	
C4701,4702	nsp	CAP.ELECT(25V/220uF)		CCEA1EH221T	2	
C4705	nsp	CAP.ELECT(25V/220uF)		CCEA1EH221T	1	
C4706	nsp	CAP.ELECT(16V/100uF)		CCEA1CH101T	1	
C4710,4711	nsp	CAP.ELECT(16V/100uF)		CCEA1CH101T	2	
C4713,4714	nsp	CAP.ELECT(16V/100uF)		CCEA1CH101T	2	
C4727,4728	nsp	CAP.ELECT(25V/220uF)		CCEA1EH221T	2	
C4729,4730	943134500070S	CAP.ELECT(100V/10uF)		CCEA2AH100T	2	
C4761,4762	00D9430148708	CAP.ELECT(50V/47uF)		CCEA1HH470T	2	
C4763-4768	00D9430175001	CAP.ELECT(25V/47uF)		CCEA1EH470T	6	
C4775,4776	nsp	CAP.ELECT(50V/10uF)		CCEA1HH100T	2	
C4801,4802	nsp	CAP.ELECT(50V/10uF)		CCEA1HH100T	2	
C4803-4806	nsp	CAP.CHIP(1608,50V/0.01uF,X7R)_SAMSUNG		CCUS1H103KCS	4	
C4811,4812	nsp	CAP.ELECT(50V/10uF)		CCEA1HH100T	2	
C4819,4820	nsp	CAP.CHIP(1608,50V/68pF,C0G)_SAMSUNG		CCUS1H680JAS	2	
C4823,4824	nsp	CAP.CHIP(1608,50V/100pF,C0G)_SAMSUNG		CCUS1H101JAS	2	
C4825-4828	nsp	CAP.ELECT(50V/10uF)		CCEA1HH100T	4	
C4831,4832	nsp	CAP.ELECT(50V/10uF)		CCEA1HH100T	2	
C4837,4838	nsp	CAP.CHIP(1608,50V/330pF,X7R)_SAMSUNG		CCUS1H332KCS	2	
C4839,4840	nsp	CAP.CHIP(1608,50V/0.1uF,X7R)_SAMSUNG		CCUS1H104KCS	2	
C4841,4842	nsp	CAP.ELECT(50V/4.7uF)		CCEA1HH4R7T	2	
C4843	943134501580S	CAP.ELECT(25V/33uF)		CCEA1EH330T	1	
C4844	nsp	CAP.ELECT(50V/10uF)		CCEA1HH100T	1	
C4845	943134501580S	CAP.ELECT(25V/33uF)		CCEA1EH330T	1	
C8503,8504	nsp	CAP.ELECT(50V/22uF)		CCEA1HH220T	2	
C8507,8508	nsp	CAP.ELECT(50V/22uF)		CCEA1HH220T	2	
C8509,8510	nsp	CAP.CHIP(1608,50V/330pF,C0G)_SAMSUNG		CCUS1H331JAS	2	
C8519	nsp	CAP.ELECT(50V/0.1uF)		CCEA1HH0R1T	1	
C8523,8524	nsp	CAP.ELECT(50V/22uF)		CCEA1HH220T	2	
C8527,8528	nsp	CAP.ELECT(50V/22uF)		CCEA1HH220T	2	
C8529,8530	nsp	CAP.CHIP(1608,50V/330pF,C0G)_SAMSUNG		CCUS1H331JAS	2	
C8532	nsp	CAP.CHIP(1608,50V/0.01uF,X7R)_SAMSUNG		CCUS1H103KCS	1	
C8553,8554	nsp	CAP.ELECT(50V/22uF)		CCEA1HH220T	2	
C8557,8558	nsp	CAP.ELECT(50V/22uF)		CCEA1HH220T	2	
C8559,8560	nsp	CAP.CHIP(1608,50V/330pF,C0G)_SAMSUNG		CCUS1H331JAS	2	
C8569	nsp	CAP.ELECT(50V/0.1uF)		CCEA1HH0R1T	1	
C8573,8574	nsp	CAP.ELECT(50V/22uF)		CCEA1HH220T	2	
C8577,8578	nsp	CAP.ELECT(50V/22uF)		CCEA1HH220T	2	
C8579,8580	nsp	CAP.CHIP(1608,50V/330pF,C0G)_SAMSUNG		CCUS1H331JAS	2	
C8582	nsp	CAP.CHIP(1608,50V/0.01uF,X7R)_SAMSUNG		CCUS1H103KCS	1	
C8589	nsp	CAP.ELECT(50V/0.1uF)		CCEA1HH0R1T	1	
C8603,8604	nsp	CAP.ELECT(50V/22uF)		CCEA1HH220T	2	
C8606	nsp	CAP.CHIP(1608,50V/330pF,C0G)_SAMSUNG		CCUS1H331JAS	1	
C8611	nsp	CAP.CHIP(1608,50V/0.01uF,X7R)_SAMSUNG		CCUS1H103KCS	1	
C8733,8734	nsp	CAP.ELECT(50V/22uF)		CCEA1HH220T	2	
C8737,8738	nsp	CAP.ELECT(50V/22uF)		CCEA1HH220T	2	
C8739,8740	nsp	CAP.CHIP(1608,50V/330pF,C0G)_SAMSUNG		CCUS1H331JAS	2	
C8742	nsp	CAP.CHIP(1608,50V/0.01uF,X7R)_SAMSUNG		CCUS1H103KCS	1	
C8749	nsp	CAP.ELECT(50V/0.47uF)		CCEA1HH4R7T	1	
C8831	nsp	CAP.ELECT(50V/10uF)		CCEA1HH100T	1	
<b>OTHER PARTS GROUP</b>						
BK101	nsp	BRACKET,HDMI		CMD1A841	1	
BN23C	nsp	PIN SOCKET(21P,1.25mm,ANGLE,B-TO-B)		CJP21HJ282Z	1	
BN24C	nsp	PIN SOCKET(27P,1.25mm,ANGLE,B-TO-B)		CJP27HJ282Z	1	
BN26B	nsp	PIN SOCKET(15P,1.25mm,ANGLE,B-TO-B)		CJP15HJ282Z	1	
BN64C	nsp	PIN SOCKET(13P,1.25mm,ANGLE,B-TO-B)		CJP13HJ282Z	1	
BN802	nsp	WIREASS'YLocking(YH)(13P,2MM,150MM,#26)		CWB1B013150HC	1	
CN111	nsp	WAFER,FFC,SMD(23P-1mm,STRAIGHT)		CJP23GA1932Y	1	
CN706A	nsp	LOCK-WAFER/STRAIGHT/2MMPTCH/3PIN		CJP03G1288ZY	1	
JK111	943643102970S	JACK,HDMI(TYPE-A,SMT-19P,W/OFLANGE)		CJ9H022Z	1	
JK461,462	943643101570S	JACK,4P(W/R,W/R),SEPA-GND		CJJ4P048U	2	
JK466	943643010150S	JACK,2P(W/R),SEPA-GND,SILVER		CJJ4N034U	1	
JK851	943643010150S	JACK,2P(W/R),SEPA-GND,SILVER		CJJ4N034U	1	
JK852	643010079004S	JACK,4P(W/R,W/B),SEPA-GND,SILVER		CJJ4P077Z	1	

REF No.	Part No.	Part Name	Remarks		Q'ty	New	Ver
JK853	943643101570S	JACK,4P(W/R,W/R),SEPA-GND		CJJ4P048U	1		
JK854	943643010160S	JACK,1P(BK),SEPA-GND,SILVER		CJJ4M046U	1		
JW601	nsp	WIREASS'Y(1P,80MM,BLK,#22)		CWE5202080A	1		
L1101,1102	nsp	FERRITECHIPBEAD(1608/60R,CB03YTYH600)		CLZ9R005V	2		
LUG11	nsp	WIREASS'Y		CWE8202150RV	1		
LUG12	nsp	WIREASS'Y		CWE8202120RV	1		

## DIGITAL PCB ASSY

※Parts indicated by "nsp" on this table cannot be supplied.

※The parts listed below are only for maintenance. Therefore they might differ from the parts used in the unit in appearances or dimensions.

NOTE: The symbols in the column Remarks indicate the following destinations.

E3 : U.S.A. & Canada model E2 : Europe model E1C : China model E1 : Asia model JP : Japan model  
B : Black model SG : Silver gold model

REF No.	Part No.	Part Name	Remarks	Q'ty	New	Ver
<b>SEMICONDUCTORS GROUP</b>						
D1101	943209001080S	DIODE,CHIP,SWITCHING		1		
D1102,1103	201310001503S	DIODE,ULTRA-HIGHSPEED		2		
D1701	201310001503S	DIODE,ULTRA-HIGHSPEED		1		
D1901,1902	201310001503S	DIODE,ULTRA-HIGHSPEED		2		
D3975	00D2760718902	DIODE,SCHOTTKY,30V		1		
D4347-4352	943204500370S	DIODE,SCHOTTKYBARRIER(40V,0.03A,SOD-523)		6	*	
IC112-120	943239101070S	I.C.DC-DCCONVERTER(3A,QFNT&R-24P)		9		
IC121	943239104000S	I.C.REGULATOR(3.3V/TO-252)		1		
IC122	943239100730S	I.C.SYSTEMRESET(4.8V,SOT-25A)		1		
IC123	943239104000S	I.C.REGULATOR(3.3V/TO-252)		1		
IC151	-	I.C.CPU(2M/PLQP0144KA-A)		1		
IC151	943243102180D	R5F56108VNFP (MAIN CPU for CX870) E3	E3, E2	1	*	
IC151	943243102200D	R5F56108VNFP (MAIN CPU for CX870) E1C	E1C	1	*	
IC152	943239101500S	I.C.EEPROM(128KBIT,SOP-8P)		1		
IC171	-	I.C.CPU(32BIT,1MFLASH)		1		
IC171	943243102510S	I.C.SUBCPU(AVR-X3100WBKE3)		1	*	
IC191	00D2623448908	I.C.3STATEQUADBUFFER		1		
IC201	943236101350D	I.C.DIR/DIT(WITHADC,LQFP-48P)		1		
IC202	943236101520D	I.C.DIR(SSOP-16)		1		
IC203	943239100690S	I.C.ZCHDAC(32BIT,384KHZ,TSSOP-20P)		1		
IC204	00D2623077900	I.C.HEXINVERTER		1		
IC205	943239104000S	I.C.REGULATOR(3.3V/TO-252)		1		
IC221	-	I.C.PLD(TQFP,100P)		1	*	
IC221	943236101840S	I.C.APLD(AVR-X3100WE3/E2/E1C)		1	*	
IC251	943245100530S	I.C.DSP(LQFP-176P/400M)		1	*	
IC252	943246101030S	I.C.64MDRAM(54P)		1		
IC253	-	I.C.SERIALFLASH(16M)		1		
IC253	943243102530S	I.C.DSP1(AVR-X3100WE3/E2/E1C)		1	*	
IC301	943239101080S	I.C.DAC(8CH,HTSSOP-48)		1		
IC302-305	943232100380S	I.C.DUAL OPAMP(SOP-8P)		4		
IC351	963236101220D	I.C.HDMI2		1		
IC381	23681015960AS	I.C.HDMI2,0TX+SCALER/ESS5		1		
IC391	23681015960AS	I.C.HDMI2,0TX+SCALER/ESS5		1		
IC392	943239101510S	I.C.MUX/DEMUX(TSSOP-16P)		1		
IC401	23681016160AS	I.C.VSP(ADV8003KBCZ-8B)		1		
IC402,403	24681020160AS	I.C.DDR2SDRAM(512Mbits,84-ballFBGA)		2		
IC404	-	I.C.SERIALFLASH(128M,SOP-16)		1		
IC404	943243102520S	I.C.OSDFLASH(AVR-X3100WBKE3)	E3, E2	1	*	
IC404	943243102540S	I.C.OSDFLASH(AVR-X3100WSPE1C)	E1C	1	*	
IC421	-	I.C.PLD(FBGA,256P,MAXII)		1	*	
IC421	943236101850S	I.C.VPLD(AVR-X3100WE3/E2/E1C)		1	*	
IC431	23681015960AS	I.C.HDMI2,0TX+SCALER/ESS5		1		
IC502	23671011050AS	I.C.IPODAUTHENTICATIONFROMD&M		1		
Q1102-1106	943229500020S	MOSFET,TPC6111(P-CH,U-MOSV)		5		
Q1112-1115	943216500050S	T.R.RT1N441C(47K-47K)		4		
Q1116	943212500220D	T.R.2SA2166.PNP,TO-236,ISAHAYA		1		
Q1117	943216500020S	T.R.RT1N141C(10K-10K)		1		
Q1119	943216500050S	T.R.RT1N441C(47K-47K)		1		
Q1121	943212500220D	T.R.2SA2166.PNP,TO-236,ISAHAYA		1		
Q1122	943216500020S	T.R.RT1N141C(10K-10K)		1		
Q1123	00D2710326904	T.R.2SA1954		1		
Q1124	943216500020S	T.R.RT1N141C(10K-10K)		1		
Q1125	943212500220D	T.R.2SA2166.PNP,TO-236,ISAHAYA		1		
Q1126	943216500020S	T.R.RT1N141C(10K-10K)		1		
Q1127	943212500220D	T.R.2SA2166.PNP,TO-236,ISAHAYA		1		
Q1128	943216500020S	T.R.RT1N141C(10K-10K)		1		
Q1131	943214500020S	T.R.2SC3052		1		
Q1251	943216500050S	T.R.RT1N441C(47K-47K)		1		
Q1252	943229500020S	MOSFET,TPC6111(P-CH,U-MOSV)		1		
Q1701	943214500030S	T.R.MUTE		1		
Q1702,1703	943214500020S	T.R.2SC3052		2		
Q1704	943216500020S	T.R.RT1N141C(10K-10K)		1		
Q1706	943216500020S	T.R.RT1N141C(10K-10K)		1		
Q1901	943216500020S	T.R.RT1N141C(10K-10K)		1		
Q1911	943214500020S	T.R.2SC3052		1		
Q1921	943214500020S	T.R.2SC3052		1		
Q1951	963212500030S	T.R.ISA1530AC1		1		
Q1952,1953	943214500020S	T.R.2SC3052		2		
Q1954	963212500030S	T.R.ISA1530AC1		1		
Q1955,1956	943214500020S	T.R.2SC3052		2		
Q1961	943214500020S	T.R.2SC3052		1		
Q1971	943214500020S	T.R.2SC3052		1		
Q1981	943214500020S	T.R.2SC3052		1		
Q2001	963216500060S	T.R.RT1N144C(10K-47K)		1		
Q3841,3842	943216500020S	T.R.RT1N141C(10K-10K)		2		
Q3851,3852	943216500020S	T.R.RT1N141C(10K-10K)		2		
Q3861,3862	943216500020S	T.R.RT1N141C(10K-10K)		2		
Q3871,3872	943216500020S	T.R.RT1N141C(10K-10K)		2		
Q3941,3942	943216500020S	T.R.RT1N141C(10K-10K)		2		
Q3951,3952	943216500020S	T.R.RT1N141C(10K-10K)		2		
Q3961,3962	943216500020S	T.R.RT1N141C(10K-10K)		2		
Q3971-3973	943216500050S	T.R.RT1N441C(47K-47K)		3		
<b>RESISTOR GROUP</b>						
R1001	nsp	RES,CHIP(1608/5%/0ohm)		1		
R1004	nsp	RES,CHIP(1608/5%/0ohm)		1		
R1122	nsp	RES,CHIP(1608/5%/4.7Kohm)		1		
R1123	nsp	RES,CHIP(1608/5%/100Kohm)		1		
R1124	nsp	RES,CHIP(1608/1%/348Kohm)		1		
R1125	nsp	RES,CHIP(1608/1%/76.8Kohm)		1		
R1126	nsp	RES,CHIP(1608/5%/0ohm)		1		
R1129	nsp	RES,CHIP(1608/5%/10ohm)		1		
R1133	nsp	RES,CHIP(1608/5%/82Kohm)		1		
R1133	nsp	RES,CHIP(1608/5%/100Kohm)		1		
R1134	nsp	RES,CHIP(1608/1%/348Kohm)		1		
R1135	nsp	RES,CHIP(1608/1%/76.8Kohm)		1		
R1136	nsp	RES,CHIP(1608/5%/0ohm)		1		
R1143	nsp	RES,CHIP(1608/5%/100Kohm)		1		
R1144	nsp	RES,CHIP(1608/1%/348Kohm)		1		

REF No.	Part No.	Part Name	Remarks	Q'ty	New	Ver
R1145	nsp	RES.CHIP(1608/1%/169Kohm)		CRJ10DF1693T	1	
R1146	nsp	RES.CHIP(1608/1%/2Kohm)		CRJ10DF2001T	1	
R1147	nsp	RES.CHIP(1608/5%/10Kohm)		CRJ10DJ103T	1	
R1151	nsp	RES.CHIP(1608/5%/1Kohm)		CRJ10DJ102T	1	
R1153	nsp	RES.CHIP(1608/5%/100Kohm)		CRJ10DJ104T	1	
R1154,1155	nsp	RES.CHIP(1608/1%/348Kohm)		CRJ10DF3483T	2	
R1161	nsp	RES.CHIP(1608/5%/1Kohm)		CRJ10DJ102T	1	
R1163	nsp	RES.CHIP(1608/5%/100Kohm)		CRJ10DJ104T	1	
R1164	nsp	RES.CHIP(1608/1%/348Kohm)		CRJ10DF3483T	1	
R1165	nsp	RES.CHIP(1608/1%/160Kohm)		CRJ10DF1603T	1	
R1166	nsp	RES.CHIP(1608/5%/0ohm)		CRJ10DJ0R0T	1	
R1171	nsp	RES.CHIP(1608/5%/10ohm)		CRJ10DJ100T	1	
R1172	nsp	RES.CHIP(1608/5%/4.7Kohm)		CRJ10DJ472T	1	
R1173	nsp	RES.CHIP(1608/5%/100Kohm)		CRJ10DJ104T	1	
R1174	nsp	RES.CHIP(1608/1%/348Kohm)		CRJ10DF3483T	1	
R1175	nsp	RES.CHIP(1608/1%/412Kohm)		CRJ10DF4123T	1	
R1176	nsp	RES.CHIP(1608/5%/0ohm)		CRJ10DJ0R0T	1	
R1181	nsp	RES.CHIP(1608/5%/10Kohm)		CRJ10DJ103T	1	
R1183	nsp	RES.CHIP(1608/5%/100Kohm)		CRJ10DJ104T	1	
R1184	nsp	RES.CHIP(1608/1%/348Kohm)		CRJ10DF3483T	1	
R1185	nsp	RES.CHIP(1608/1%/300Kohm)		CRJ10DF3003T	1	
R1186	nsp	RES.CHIP(1608/1%/39Kohm)		CRJ10DF3902T	1	
R1191	nsp	RES.CHIP(1608/5%/10Kohm)		CRJ10DJ103T	1	
R1193	nsp	RES.CHIP(1608/5%/100Kohm)		CRJ10DJ104T	1	
R1194	nsp	RES.CHIP(1608/1%/348Kohm)		CRJ10DF3483T	1	
R1195	nsp	RES.CHIP(1608/1%/300Kohm)		CRJ10DF3003T	1	
R1196	nsp	RES.CHIP(1608/1%/39Kohm)		CRJ10DF3902T	1	
R1201	nsp	RES.CHIP(1608/5%/10Kohm)		CRJ10DJ103T	1	
R1203	nsp	RES.CHIP(1608/5%/100Kohm)		CRJ10DJ104T	1	
R1204	nsp	RES.CHIP(1608/1%/348Kohm)		CRJ10DF3483T	1	
R1205	nsp	RES.CHIP(1608/1%/300Kohm)		CRJ10DF3003T	1	
R1206	nsp	RES.CHIP(1608/1%/39Kohm)		CRJ10DF3902T	1	
R1211	nsp	RES.CHIP(1608/5%/0ohm)		CRJ10DJ0R0T	1	
R1214-1222	nsp	RES.CHIP(1005/5%/10Kohm)		CRJ06J103T	9	
R1223	nsp	RES.CHIP(1005/5%/1Kohm)		CRJ06J102T	1	
R1224-1226	nsp	RES.CHIP(1005/5%/10Kohm)		CRJ06J103T	3	
R1227	nsp	RES.CHIP(1005/5%/1Kohm)		CRJ06J102T	1	
R1228	nsp	RES.CHIP(1005/5%/10Kohm)		CRJ06J103T	1	
R1229	nsp	RES.CHIP(1005/5%/1Kohm)		CRJ06J102T	1	
R1230	nsp	RES.CHIP(1608/5%/0ohm)		CRJ10DJ0R0T	1	
R1231	nsp	RES.CHIP(1005/5%/10Kohm)		CRJ06J103T	1	
R1232	nsp	RES.CHIP(1005/5%/1Kohm)		CRJ06J102T	1	
R1233	nsp	RES.CHIP(1005/5%/10Kohm)		CRJ06J103T	1	
R1234	nsp	RES.CHIP(1005/5%/1Kohm)		CRJ06J102T	1	
R1236,1237	nsp	RES.CHIP(1005/5%/10Kohm)		CRJ06J103T	2	
R1238	nsp	RES.CHIP(1005/5%/4.7Kohm)		CRJ06J472T	1	
R1239	nsp	RES.CHIP(1005/5%/47Kohm)		CRJ06J473T	1	
R1240	nsp	RES.CHIP(1005/5%/100Kohm)		CRJ06J104T	1	
R1241	nsp	RES.CHIP(1005/5%/100ohm)		CRJ06J1011T	1	
R1247	nsp	RES.CHIP(1005/5%/22Kohm)		CRJ06J223T	1	
R1248	nsp	RES.CHIP(1005/5%/100ohm)		CRJ06J1011T	1	
R1252,1253	nsp	RES.CHIP(1005/5%/10Kohm)		CRJ06J103T	2	
R1501	nsp	RES.CHIP(1005/5%/33ohm)		CRJ06J330T	1	
R1504	nsp	RES.CHIP(1005/5%/33ohm)		CRJ06J330T	1	
R1506	nsp	RES.CHIP(1005/5%/470Kohm)		CRJ06J474T	1	
R1507	nsp	RES.CHIP(1005/5%/33ohm)		CRJ06J330T	1	
R1508	nsp	RES.CHIP(1005/5%/10Kohm)		CRJ06J103T	1	
R1509	nsp	RES.CHIP(1005/5%/33ohm)		CRJ06J330T	1	
R1510	nsp	RES.CHIP(1005/5%/4.7Kohm)		CRJ06J472T	1	
R1511	nsp	RES.CHIP(1005/5%/100ohm)		CRJ06J1011T	1	
R1513	nsp	RES.CHIP(1608/5%/680ohm)		CRJ10DJ681T	1	
R1514,1515	nsp	RES.CHIP(1005/5%/10Kohm)		CRJ06J103T	2	
R1519,1520	nsp	RES.CHIP(1005/5%/33ohm)		CRJ06J330T	2	
R1521	nsp	RES.CHIP(1005/5%/4.7Kohm)		CRJ06J472T	1	
R1522	nsp	RES.CHIP(1005/5%/10Kohm)		CRJ06J103T	1	
R1523-1527	nsp	RES.CHIP(1005/5%/4.7Kohm)		CRJ06J472T	5	
R1528-1530	nsp	RES.CHIP(1005/5%/33ohm)		CRJ06J330T	3	
R1531	nsp	RES.CHIP(1005/5%/0ohm)		CRJ06J0R0T	1	
R1532,1533	nsp	RES.CHIP(1005/5%/33ohm)		CRJ06J330T	2	
R1534,1535	nsp	RES.CHIP(1005/5%/4.7Kohm)		CRJ06J472T	2	
R1536-1539	nsp	RES.CHIP(1005/5%/33ohm)		CRJ06J330T	4	
R1540	nsp	RES.CHIP(1005/5%/1Kohm)		CRJ06J102T	1	
R1541	nsp	RES.CHIP(1005/5%/33ohm)		CRJ06J330T	1	
R1543,1544	nsp	RES.CHIP(1005/5%/33ohm)		CRJ06J330T	2	
R1546,1547	nsp	RES.CHIP(1005/5%/33ohm)		CRJ06J330T	2	
R1557-1559	nsp	RES.CHIP(1005/5%/33ohm)		CRJ06J330T	3	
R1564,1565	nsp	RES.CHIP(1005/5%/33ohm)		CRJ06J330T	2	
R1566-1568	nsp	RES.CHIP(1005/5%/1Kohm)		CRJ06J102T	3	
R1571-1573	nsp	RES.CHIP(1005/5%/4.7Kohm)		CRJ06J472T	3	
R1580	nsp	RES.CHIP(1608/5%/0ohm)	E3	CRJ10DJ0R0T	1	
R1580	nsp	RES.CHIP(1608/5%/10Kohm)	E1C	CRJ10DJ103T	1	
R1581	nsp	RES.CHIP(1608/5%/0ohm)	E2	CRJ10DJ0R0T	1	
R1581	nsp	RES.CHIP(1608/5%/10Kohm)	E1C	CRJ10DJ103T	1	
R1701,1702	nsp	RES.CHIP(1005/5%/33ohm)		CRJ06J330T	2	
R1705	nsp	RES.CHIP(1608/5%/0ohm)		CRJ10DJ0R0T	1	
R1706	nsp	RES.CHIP(1005/5%/4.7Kohm)		CRJ06J472T	1	
R1707-1714	nsp	RES.CHIP(1005/5%/33ohm)		CRJ06J330T	8	
R1715	nsp	RES.CHIP(1005/5%/0ohm)		CRJ06J0R0T	1	
R1717,1718	nsp	RES.CHIP(1005/5%/33ohm)		CRJ06J330T	2	
R1720	nsp	RES.CHIP(1005/5%/33ohm)		CRJ06J330T	1	
R1721	nsp	RES.CHIP(1005/5%/10Kohm)		CRJ06J103T	1	
R1722-1724	nsp	RES.CHIP(1005/5%/33ohm)		CRJ06J330T	3	
R1726-1730	nsp	RES.CHIP(1005/5%/33ohm)		CRJ06J330T	5	
R1731	nsp	RES.CHIP(1005/5%/4.7Kohm)		CRJ06J472T	1	
R1732	nsp	RES.CHIP(1005/5%/33ohm)		CRJ06J330T	1	
R1734-1736	nsp	RES.CHIP(1005/5%/33ohm)		CRJ06J330T	3	
R1739-1743	nsp	RES.CHIP(1005/5%/33ohm)		CRJ06J330T	5	
R1747	nsp	RES.CHIP(1005/5%/4.7Kohm)		CRJ06J472T	1	
R1751	nsp	RES.CHIP(1005/5%/10Kohm)		CRJ06J103T	1	
R1752	nsp	RES.CHIP(1005/5%/100Kohm)		CRJ06J104T	1	
R1753	nsp	RES.CHIP(1005/5%/2.2Mohm)		CRJ06J225T	1	
R1754	nsp	RES.CHIP(1005/5%/4.7Kohm)		CRJ06J472T	1	
R1755	nsp	RES.CHIP(1005/5%/47Kohm)		CRJ06J473T	1	
R1756	nsp	RES.CHIP(1005/5%/1.2Kohm)		CRJ06J122T	1	
R1757	nsp	RES.CHIP(1005/5%/3.3Kohm)		CRJ06J332T	1	
R1758	nsp	RES.CHIP(1005/5%/27Kohm)		CRJ06J273T	1	

REF No.	Part No.	Part Name	Remarks	Q'ty	New	Ver
R1759	nsp	RES.CHIP(1005/5%/220Kohm)	CRJ06UJ224T	1		
R1760	nsp	RES.CHIP(1005/5%/100Kohm)	CRJ06UJ104T	1		
R1761	nsp	RES.CHIP(1005/5%/10Kohm)	CRJ06UJ103T	1		
R1762,1763	nsp	RES.CHIP(1005/5%/4.7Kohm)	CRJ06UJ472T	2		
R1765	nsp	RES.CHIP(1005/5%/10Kohm)	CRJ06UJ103T	1		
R1766	nsp	RES.CHIP(1005/5%/470Kohm)	CRJ06UJ474T	1		
R1768	nsp	RES.CHIP(1005/5%/33ohm)	CRJ06UJ330T	1		
R1769	nsp	RES.CHIP(1005/5%/4.7Kohm)	CRJ06UJ472T	1		
R1783-1787	nsp	RES.CHIP(1005/5%/4.7Kohm)	CRJ06UJ472T	5		
R1788-1790	nsp	RES.CHIP(1005/5%/33ohm)	CRJ06UJ330T	3		
R1901	nsp	RES.CHIP(1005/5%/4.7Kohm)	CRJ06UJ472T	1		
R1902,1903	nsp	RES.CHIP(1005/5%/33ohm)	CRJ06UJ330T	2		
R1904	nsp	RES.CHIP(1005/5%/4.7Kohm)	CRJ06UJ472T	1		
R1911	nsp	RES.CHIP(1005/5%/100ohm)	CRJ06UJ101T	1		
R1912	nsp	RES.CHIP(1005/5%/10Kohm)	CRJ06UJ103T	1		
R1914	nsp	RES.CHIP(1005/5%/22Kohm)	CRJ06UJ223T	1		
R1915	nsp	RES.CHIP(1005/5%/0ohm)	CRJ06UJ0R0T	1		
R1921	nsp	RES.CHIP(1005/5%/100ohm)	CRJ06UJ101T	1		
R1922	nsp	RES.CHIP(1005/5%/10Kohm)	CRJ06UJ103T	1		
R1924	nsp	RES.CHIP(1005/5%/22Kohm)	CRJ06UJ223T	1		
R1925	nsp	RES.CHIP(1005/5%/0ohm)	CRJ06UJ0R0T	1		
R1934	nsp	RES.CHIP(1005/5%/22Kohm)	CRJ06UJ223T	1		
R1935	nsp	RES.CHIP(1005/5%/0ohm)	CRJ06UJ0R0T	1		
R1944	nsp	RES.CHIP(1005/5%/22Kohm)	CRJ06UJ223T	1		
R1945	nsp	RES.CHIP(1005/5%/0ohm)	CRJ06UJ0R0T	1		
R1951	nsp	RES.CHIP(1005/5%/100ohm)	CRJ06UJ101T	1		
R1952	nsp	RES.CHIP(1005/5%/100Kohm)	CRJ06UJ104T	1		
R1953	nsp	RES.CHIP(1005/5%/33Kohm)	CRJ06UJ333T	1		
R1954	nsp	RES.CHIP(1005/5%/100ohm)	CRJ06UJ101T	1		
R1955	nsp	RES.CHIP(1005/5%/100Kohm)	CRJ06UJ104T	1		
R1956	nsp	RES.CHIP(1005/5%/15Kohm)	CRJ06UJ153T	1		
R1957	nsp	RES.CHIP(1005/5%/22Kohm)	CRJ06UJ223T	1		
R1961	nsp	RES.CHIP(1005/5%/100ohm)	CRJ06UJ101T	1		
R1962	nsp	RES.CHIP(1005/5%/470Kohm)	CRJ06UJ474T	1		
R1964	nsp	RES.CHIP(1005/5%/22Kohm)	CRJ06UJ223T	1		
R1965	nsp	RES.CHIP(1005/5%/0ohm)	CRJ06UJ0R0T	1		
R1971	nsp	RES.CHIP(1005/5%/100ohm)	CRJ06UJ101T	1		
R1972	nsp	RES.CHIP(1005/5%/470Kohm)	CRJ06UJ474T	1		
R1974	nsp	RES.CHIP(1005/5%/22Kohm)	CRJ06UJ223T	1		
R1975	nsp	RES.CHIP(1005/5%/0ohm)	CRJ06UJ0R0T	1		
R1981	nsp	RES.CHIP(1005/5%/100ohm)	CRJ06UJ101T	1		
R1984	nsp	RES.CHIP(1005/5%/22Kohm)	CRJ06UJ223T	1		
R2001	nsp	RES.CHIP(1608/5%/33ohm)	CRJ10DJ330T	1		
R2002-2006	nsp	RES.CHIP(1005/5%/4.7Kohm)	CRJ06UJ472T	5		
R2007	nsp	RES.CHIP(1005/5%/100ohm)	CRJ06UJ101T	1		
R2008	nsp	RES.CHIP(1005/5%/3.3Kohm)	CRJ06UJ332T	1		
R2009	nsp	RES.CHIP(1005/5%/33ohm)	CRJ06UJ330T	1		
R2010	nsp	RES.CHIP(1005/5%/4.7Kohm)	CRJ06UJ472T	1		
R2011	nsp	RES.CHIP(1005/5%/100ohm)	CRJ06UJ101T	1		
R2012	nsp	RES.CHIP(1005/5%/47Kohm)	CRJ06UJ473T	1		
R2013	nsp	RES.CHIP(1608/5%/1Mohm)	CRJ10DJ105T	1		
R2014	nsp	RES.CHIP(1608/5%/820ohm)	CRJ10DJ821T	1		
R2015	nsp	RES.CHIP(1608/5%/680ohm)	CRJ10DJ681T	1		
R2016,2017	nsp	RES.CHIP(1608/5%/100Kohm)	CRJ10DJ104T	2		
R2018,2019	nsp	RES.CHIP(1608/5%/0ohm)	CRJ10DJ0R0T	2		
R2026,2027	nsp	RES.CHIP(1005/5%/33ohm)	CRJ06UJ330T	2		
R2028	nsp	RES.CHIP(1005/5%/10Kohm)	CRJ06UJ103T	1		
R2029	nsp	RES.CHIP(1005/5%/100ohm)	CRJ06UJ101T	1		
R2031,2032	nsp	RES.CHIP(1005/5%/470ohm)	CRJ06UJ471T	2		
R2033,2034	nsp	RES.CHIP(1005/5%/10Kohm)	CRJ06UJ103T	2		
R2041-2044	nsp	RES.CHIP(1005/5%/150ohm)	CRJ06UJ151T	4		
R2045,2046	nsp	RES.CHIP(1005/5%/470ohm)	CRJ06UJ471T	2		
R2055	nsp	RES.CHIP(1005/5%/47Kohm)	CRJ06UJ473T	1		
R2056,2057	nsp	RES.CHIP(1005/5%/330Kohm)	CRJ06UJ334T	2		
R2058	nsp	RES.CHIP(1005/5%/47Kohm)	CRJ06UJ473T	1		
R2061-2064	nsp	RES.CHIP(1005/5%/33ohm)	CRJ06UJ330T	4		
R2066,2067	nsp	RES.CHIP(1005/5%/33ohm)	CRJ06UJ330T	2		
R2201-2203	nsp	RES.CHIP(1005/5%/33ohm)	CRJ06UJ330T	3		
R2204-2219	nsp	RES.CHIP(1005/5%/100ohm)	CRJ06UJ101T	16		
R2220	nsp	RES.CHIP(1608/5%/0ohm)	CRJ10DJ0R0T	1		
R2221	nsp	RES.CHIP(1005/5%/1Kohm)	CRJ06UJ102T	1		
R2222,2223	nsp	RES.CHIP(1005/5%/10Kohm)	CRJ06UJ103T	2		
R2501	nsp	RES.CHIP(1005/5%/33ohm)	CRJ06UJ330T	1		
R2502-2504	nsp	RES.CHIP(1005/5%/4.7Kohm)	CRJ06UJ472T	3		
R2505	nsp	RES.CHIP(1608/5%/1Mohm)	CRJ10DJ105T	1		
R2506	nsp	RES.CHIP(1608/5%/1.8Kohm)	CRJ10DJ182T	1		
R2507-2510	nsp	RES.CHIP(1005/5%/33ohm)	CRJ06UJ330T	4		
R2512	nsp	RES.CHIP(1005/5%/4.7Kohm)	CRJ06UJ472T	1		
R2513,2514	nsp	RES.CHIP(1005/5%/10Kohm)	CRJ06UJ103T	2		
R2515	nsp	RES.CHIP(1005/5%/33ohm)	CRJ06UJ330T	1		
R2516	nsp	RES.CHIP(1005/5%/10Kohm)	CRJ06UJ103T	1		
R2517	nsp	RES.CHIP(1005/5%/33ohm)	CRJ06UJ330T	1		
R2518	nsp	RES.CHIP(1005/5%/10Kohm)	CRJ06UJ103T	1		
R2519,2520	nsp	RES.CHIP(1005/5%/33ohm)	CRJ06UJ330T	2		
R2521	nsp	RES.CHIP(1005/5%/10Kohm)	CRJ06UJ103T	1		
R2522,2523	nsp	RES.CHIP(1005/5%/0ohm)	CRJ06UJ0R0T	2		
R2524	nsp	RES.CHIP(1005/5%/4.7Kohm)	CRJ06UJ472T	1		
R2525	nsp	RES.CHIP(1005/5%/10Kohm)	CRJ06UJ103T	1		
R2526	nsp	RES.CHIP(1005/5%/33ohm)	CRJ06UJ330T	1		
R2527	nsp	RES.CHIP(1005/5%/10Kohm)	CRJ06UJ103T	1		
R2528,2529	nsp	RES.CHIP(1005/5%/4.7Kohm)	CRJ06UJ472T	2		
R2530	nsp	RES.CHIP(1005/5%/33ohm)	CRJ06UJ330T	1		
R2531	nsp	RES.CHIP(1005/5%/10Kohm)	CRJ06UJ103T	1		
R2532	nsp	RES.CHIP(1005/5%/4.7Kohm)	CRJ06UJ472T	1		
R2535-2538	nsp	RES.CHIP(1608/5%/33ohm)	CRJ10DJ330T	4		
R2539	nsp	RES.CHIP(1005/5%/91ohm)	CRJ06UJ910T	1		
R2540	nsp	RES.CHIP(1005/5%/0ohm)	CRJ06UJ0R0T	1		
R2541,2542	nsp	RES.CHIP(1005/5%/10Kohm)	CRJ06UJ103T	2		
R2543	nsp	RES.CHIP(1005/5%/33ohm)	CRJ06UJ330T	1		
R2545	nsp	RES.CHIP(1005/5%/10Kohm)	CRJ06UJ103T	1		
R2547-2549	nsp	RES.CHIP(1005/5%/10Kohm)	CRJ06UJ103T	3		
R2550-2553	nsp	RES.CHIP(1005/5%/0ohm)	CRJ06UJ0R0T	4		
R2555	nsp	RES.CHIP(1005/5%/10ohm)	CRJ06UJ100T	1		
R2556	nsp	RES.CHIP(1005/5%/10Kohm)	CRJ06UJ103T	1		
R2558	nsp	RES.CHIP(1005/5%/10ohm)	CRJ06UJ100T	1		
R2559	nsp	RES.CHIP(1005/5%/33ohm)	CRJ06UJ330T	1		

REF No.	Part No.	Part Name	Remarks	Q'ty	New	Ver
R3001	nsp	RES.CHIP(1608/5%/33ohm)	CRJ10DJ330T	1		
R3002	nsp	RES.CHIP(1005/5%/1Kohm)	CRJ06J102T	1		
R3003,3004	nsp	RES.CHIP(1608/5%/4.7Kohm)	CRJ10DJ472T	2		
R3005-3008	nsp	RES.CHIP(1608/5%/15Kohm)	CRJ10DJ153T	4		
R3009,3010	nsp	RES.CHIP(1608/5%/150Kohm)	CRJ10DJ154T	2		
R3011,3012	nsp	RES.CHIP(1608/5%/12Kohm)	CRJ10DJ123T	2		
R3013,3014	nsp	RES.CHIP(1608/5%/470ohm)	CRJ10DJ471T	2		
R3015	nsp	RES.CHIP(1608/5%/150Kohm)	CRJ10DJ154T	1		
R3016	nsp	RES.CHIP(1608/5%/12Kohm)	CRJ10DJ123T	1		
R3017,3018	nsp	RES.CHIP(1608/5%/470ohm)	CRJ10DJ471T	2		
R3019	nsp	RES.CHIP(1608/5%/12Kohm)	CRJ10DJ123T	1		
R3020	nsp	RES.CHIP(1608/5%/150Kohm)	CRJ10DJ154T	1		
R3021,3022	nsp	RES.CHIP(1608/5%/100ohm)	CRJ10DJ101T	2		
R3025-3028	nsp	RES.CHIP(1608/5%/15Kohm)	CRJ10DJ153T	4		
R3029	nsp	RES.CHIP(1608/5%/150Kohm)	CRJ10DJ154T	1		
R3031	nsp	RES.CHIP(1608/5%/12Kohm)	CRJ10DJ123T	1		
R3032	nsp	RES.CHIP(1608/5%/22Kohm)	CRJ10DJ223T	1		
R3033	nsp	RES.CHIP(1608/5%/470ohm)	CRJ10DJ471T	1		
R3034	nsp	RES.CHIP(1608/5%/820ohm)	CRJ10DJ821T	1		
R3035	nsp	RES.CHIP(1608/5%/150Kohm)	CRJ10DJ154T	1		
R3036	nsp	RES.CHIP(1608/5%/12Kohm)	CRJ10DJ123T	1		
R3037	nsp	RES.CHIP(1608/5%/470ohm)	CRJ10DJ471T	1		
R3038	nsp	RES.CHIP(1608/5%/820ohm)	CRJ10DJ821T	1		
R3039	nsp	RES.CHIP(1608/5%/22Kohm)	CRJ10DJ223T	1		
R3041,3042	nsp	RES.CHIP(1608/5%/100ohm)	CRJ10DJ101T	2		
R3045-3048	nsp	RES.CHIP(1608/5%/15Kohm)	CRJ10DJ153T	4		
R3049,3050	nsp	RES.CHIP(1608/5%/120Kohm)	CRJ10DJ124T	2		
R3051,3052	nsp	RES.CHIP(1608/5%/18Kohm)	CRJ10DJ183T	2		
R3053,3054	nsp	RES.CHIP(1608/5%/820ohm)	CRJ10DJ821T	2		
R3055	nsp	RES.CHIP(1608/5%/120Kohm)	CRJ10DJ124T	1		
R3056	nsp	RES.CHIP(1608/5%/18Kohm)	CRJ10DJ183T	1		
R3057,3058	nsp	RES.CHIP(1608/5%/820ohm)	CRJ10DJ821T	2		
R3059	nsp	RES.CHIP(1608/5%/18Kohm)	CRJ10DJ183T	1		
R3060	nsp	RES.CHIP(1608/5%/120Kohm)	CRJ10DJ124T	1		
R3061,3062	nsp	RES.CHIP(1608/5%/100ohm)	CRJ10DJ101T	2		
R3065-3068	nsp	RES.CHIP(1608/5%/15Kohm)	CRJ10DJ153T	4		
R3069,3070	nsp	RES.CHIP(1608/5%/150Kohm)	CRJ10DJ154T	2		
R3071,3072	nsp	RES.CHIP(1608/5%/12Kohm)	CRJ10DJ123T	2		
R3073,3074	nsp	RES.CHIP(1608/5%/470ohm)	CRJ10DJ471T	2		
R3075	nsp	RES.CHIP(1608/5%/150Kohm)	CRJ10DJ154T	1		
R3076	nsp	RES.CHIP(1608/5%/12Kohm)	CRJ10DJ123T	1		
R3077,3078	nsp	RES.CHIP(1608/5%/470ohm)	CRJ10DJ471T	2		
R3079	nsp	RES.CHIP(1608/5%/12Kohm)	CRJ10DJ123T	1		
R3080	nsp	RES.CHIP(1608/5%/150Kohm)	CRJ10DJ154T	1		
R3081,3082	nsp	RES.CHIP(1608/5%/100ohm)	CRJ10DJ101T	2		
R3501	nsp	RES.CHIP(1608/5%/1Mohm)	CRJ10DJ105T	1		
R3502	nsp	RES.CHIP(1608/5%/0ohm)	CRJ10DJ0R0T	1		
R3504	nsp	RES.CHIP(1005/5%/10Kohm)	CRJ06J103T	1		
R3507	nsp	RES.CHIP(1005/5%/10Kohm)	CRJ06J103T	1		
R3510	nsp	RES.CHIP(1005/5%/10Kohm)	CRJ06J103T	1		
R3513	nsp	RES.CHIP(1005/5%/10Kohm)	CRJ06J103T	1		
R3515-3517	nsp	RES.CHIP(1005/5%/4.7Kohm)	CRJ06J472T	3		
R3518	nsp	RES.CHIP(1005/5%/0ohm)	CRJ06J0R0T	1		
R3519	nsp	RES.CHIP(1608/5%/470ohm)	CRJ10DJ471T	1		
R3520	nsp	RES.CHIP(1608/5%/150ohm)	CRJ10DJ151T	1		
R3521	nsp	RES.CHIP(1608/5%/470ohm)	CRJ10DJ471T	1		
R3522	nsp	RES.CHIP(1608/5%/150ohm)	CRJ10DJ151T	1		
R3523	nsp	RES.CHIP(1608/5%/470ohm)	CRJ10DJ471T	1		
R3524	nsp	RES.CHIP(1608/5%/150ohm)	CRJ10DJ151T	1		
R3525	nsp	RES.CHIP(1608/5%/470ohm)	CRJ10DJ471T	1		
R3526	nsp	RES.CHIP(1608/5%/150ohm)	CRJ10DJ151T	1		
R3527-3530	nsp	RES.CHIP(1608/5%/330ohm)	CRJ10DJ331T	4		
R3531	nsp	RES.CHIP(1005/5%/10Kohm)	CRJ06J103T	1		
R3532,3533	nsp	RES.CHIP(1005/5%/10ohm)	CRJ06J100T	2		
R3534,3535	nsp	RES.CHIP(1005/5%/2.2Kohm)	CRJ06J222T	2		
R3537	nsp	RES.CHIP(1005/5%/1Kohm)	CRJ06J102T	1		
R3538	nsp	RES.CHIP(1005/5%/2Kohm)	CRJ06J202T	1		
R3539-3544	nsp	RES.CHIP(1005/5%/4.7Kohm)	CRJ06J472T	6		
R3547	nsp	RES.CHIP(1005/5%/10Kohm)	CRJ06J103T	1		
R3548	nsp	RES.CHIP(1608/1%/470ohm)	CRJ10DF4700T	1		
R3801,3802	nsp	RES.CHIP(1608/1%/510ohm)	CRJ10DF5100T	2		
R3803-3807	nsp	RES.CHIP(1005/5%/10Kohm)	CRJ06J103T	5		
R3808	nsp	RES.CHIP(1005/5%/0ohm)	CRJ06J0R0T	1		
R3809,3810	nsp	RES.CHIP(1005/5%/10Kohm)	CRJ06J103T	2		
R3811	nsp	RES.CHIP(1005/5%/47Kohm)	CRJ06J473T	1		
R3812	nsp	RES.CHIP(1005/5%/10Kohm)	CRJ06J103T	1		
R3813,3814	nsp	RES.CHIP(1005/5%/47Kohm)	CRJ06J473T	2		
R3815	nsp	RES.CHIP(1608/5%/1Kohm)	CRJ10DJ102T	1		
R3816	nsp	RES.CHIP(1608/5%/1Mohm)	CRJ10DJ105T	1		
R3817,3818	nsp	RES.CHIP(1005/5%/10Kohm)	CRJ06J103T	2		
R3820	nsp	RES.CHIP(1005/5%/47ohm)	CRJ06J470T	1		
R3821	nsp	RES.CHIP(1005/5%/1Kohm)	CRJ06J102T	1		
R3822	nsp	RES.CHIP(1005/5%/47ohm)	CRJ06J470T	1		
R3827-3830	nsp	RES.CHIP(1005/5%/1.8Kohm)	CRJ06J182T	4		
R3832	nsp	RES.CHIP(1005/5%/0ohm)	CRJ06J0R0T	1		
R3841	nsp	RES.CHIP(1005/5%/1Kohm)	CRJ06J102T	1		
R3842	nsp	RES.CHIP(1005/5%/10Kohm)	CRJ06J103T	1		
R3843,3844	nsp	RES.CHIP(1005/5%/47Kohm)	CRJ06J473T	2		
R3845	nsp	RES.CHIP(1608/5%/0ohm)	CRJ10DJ0R0T	1		
R3846	nsp	RES.CHIP(1005/5%/47Kohm)	CRJ06J473T	1		
R3847,3848	nsp	RES.CHIP(1005/5%/0ohm)	CRJ06J0R0T	2		
R3851	nsp	RES.CHIP(1005/5%/1Kohm)	CRJ06J102T	1		
R3852	nsp	RES.CHIP(1005/5%/10Kohm)	CRJ06J103T	1		
R3853,3854	nsp	RES.CHIP(1005/5%/47Kohm)	CRJ06J473T	2		
R3855	nsp	RES.CHIP(1608/5%/0ohm)	CRJ10DJ0R0T	1		
R3856	nsp	RES.CHIP(1005/5%/47Kohm)	CRJ06J473T	1		
R3857,3858	nsp	RES.CHIP(1005/5%/0ohm)	CRJ06J0R0T	2		
R3861	nsp	RES.CHIP(1005/5%/1Kohm)	CRJ06J102T	1		
R3862	nsp	RES.CHIP(1005/5%/10Kohm)	CRJ06J103T	1		
R3863,3864	nsp	RES.CHIP(1005/5%/47Kohm)	CRJ06J473T	2		
R3865	nsp	RES.CHIP(1608/5%/0ohm)	CRJ10DJ0R0T	1		
R3866	nsp	RES.CHIP(1005/5%/47Kohm)	CRJ06J473T	1		
R3867,3868	nsp	RES.CHIP(1005/5%/0ohm)	CRJ06J0R0T	2		
R3871	nsp	RES.CHIP(1005/5%/1Kohm)	CRJ06J102T	1		
R3872	nsp	RES.CHIP(1005/5%/10Kohm)	CRJ06J103T	1		
R3873,3874	nsp	RES.CHIP(1005/5%/47Kohm)	CRJ06J473T	2		

REF No.	Part No.	Part Name	Remarks	Q'ty	New	Ver
R3875	nsp	RES.CHIP(1608/5%/0ohm)	CRJ10DJ0R0T	1		
R3876	nsp	RES.CHIP(1005/5%/47Kohm)	CRJ06J473T	1		
R3877,3878	nsp	RES.CHIP(1005/5%/0ohm)	CRJ06J0R0T	2		
R3901,3902	nsp	RES.CHIP(1608/1%/510ohm)	CRJ10DF5100T	2		
R3903-3906	nsp	RES.CHIP(1005/5%/10Kohm)	CRJ06J103T	4		
R3907	nsp	RES.CHIP(1005/5%/47Kohm)	CRJ06J473T	1		
R3908	nsp	RES.CHIP(1005/5%/0ohm)	CRJ06J0R0T	1		
R3909	nsp	RES.CHIP(1005/5%/47ohm)	CRJ06J470T	1		
R3910-3912	nsp	RES.CHIP(1005/5%/10Kohm)	CRJ06J103T	3		
R3913-3915	nsp	RES.CHIP(1005/5%/47Kohm)	CRJ06J473T	3		
R3916	nsp	RES.CHIP(1608/5%/1Kohm)	CRJ10DJ102T	1		
R3917	nsp	RES.CHIP(1608/5%/1Mohm)	CRJ10DJ105T	1		
R3921	nsp	RES.CHIP(1005/5%/47ohm)	CRJ06J470T	1		
R3922	nsp	RES.CHIP(1005/5%/1Kohm)	CRJ06J102T	1		
R3923	nsp	RES.CHIP(1005/5%/47ohm)	CRJ06J470T	1		
R3927-3930	nsp	RES.CHIP(1005/5%/1.8Kohm)	CRJ06J182T	4		
R3932	nsp	RES.CHIP(1005/5%/0ohm)	CRJ06J0R0T	1		
R3941	nsp	RES.CHIP(1005/5%/1Kohm)	CRJ06J102T	1		
R3942	nsp	RES.CHIP(1005/5%/10Kohm)	CRJ06J103T	1		
R3943,3944	nsp	RES.CHIP(1005/5%/47Kohm)	CRJ06J473T	2		
R3945	nsp	RES.CHIP(1608/5%/0ohm)	CRJ10DJ0R0T	1		
R3946	nsp	RES.CHIP(1005/5%/47Kohm)	CRJ06J473T	1		
R3947,3948	nsp	RES.CHIP(1005/5%/0ohm)	CRJ06J0R0T	2		
R3951	nsp	RES.CHIP(1005/5%/1Kohm)	CRJ06J102T	1		
R3952	nsp	RES.CHIP(1005/5%/10Kohm)	CRJ06J103T	1		
R3953,3954	nsp	RES.CHIP(1005/5%/47Kohm)	CRJ06J473T	2		
R3955	nsp	RES.CHIP(1608/5%/0ohm)	CRJ10DJ0R0T	1		
R3956	nsp	RES.CHIP(1005/5%/47Kohm)	CRJ06J473T	1		
R3957,3958	nsp	RES.CHIP(1005/5%/0ohm)	CRJ06J0R0T	2		
R3961	nsp	RES.CHIP(1005/5%/1Kohm)	CRJ06J102T	1		
R3962	nsp	RES.CHIP(1005/5%/10Kohm)	CRJ06J103T	1		
R3963,3964	nsp	RES.CHIP(1005/5%/47Kohm)	CRJ06J473T	2		
R3965	nsp	RES.CHIP(1608/5%/0ohm)	CRJ10DJ0R0T	1		
R3966	nsp	RES.CHIP(1005/5%/47Kohm)	CRJ06J473T	1		
R3967,3968	nsp	RES.CHIP(1005/5%/0ohm)	CRJ06J0R0T	2		
R3971	nsp	RES.CHIP(1005/5%/47ohm)	CRJ06J470T	1		
R3978	nsp	RES.CHIP(1005/5%/10Kohm)	CRJ06J103T	1		
R3979	nsp	RES.CHIP(1005/5%/0ohm)	CRJ06J0R0T	1		
R3981	nsp	RES.CHIP(1005/5%/2.2Kohm)	CRJ06J222T	1		
R3982	nsp	RES.CHIP(1005/5%/8.2Kohm)	CRJ06J822T	1		
R3983-3985	nsp	RES.CHIP(1005/5%/4.7Kohm)	CRJ06J472T	3		
R4029,4030	nsp	RES.CHIP(1005/1%/1Kohm)	CRJ06F1001T	2		
R4031	nsp	RES.CHIP(1608/5%/1Mohm)	CRJ10DJ105T	1		
R4032	nsp	RES.CHIP(1608/5%/0ohm)	CRJ10DJ0R0T	1		
R4034	nsp	RES.CHIP(1005/5%/1Kohm)	CRJ06J102T	1		
R4035,4036	nsp	RES.CHIP(1005/5%/10Kohm)	CRJ06J103T	2		
R4037,4038	nsp	RES.CHIP(1005/5%/4.7Kohm)	CRJ06J472T	2		
R4040	nsp	RES.CHIP(1005/5%/39ohm)	CRJ06J390T	1		
R4041-4044	nsp	RES.CHIP(1005/5%/33ohm)	CRJ06J330T	4		
R4045	nsp	RES.CHIP(1005/5%/10Kohm)	CRJ06J103T	1		
R4047	nsp	RES.CHIP(1005/5%/10Kohm)	CRJ06J103T	1		
R4049	nsp	RES.CHIP(1005/5%/10Kohm)	CRJ06J103T	1		
R4050-4053	nsp	RES.CHIP(1005/5%/0ohm)	CRJ06J0R0T	4		
R4068	nsp	RES.CHIP(1608/1%/180ohm)	CRJ10DF1800T	1		
R4069	nsp	RES.CHIP(1608/1%/2.7Kohm)	CRJ10DF2701T	1		
R4070	nsp	RES.CHIP(1608/1%/180ohm)	CRJ10DF1800T	1		
R4071	nsp	RES.CHIP(1608/1%/2.7Kohm)	CRJ10DF2701T	1		
R4074,4075	nsp	RES.CHIP(1005/5%/4.7Kohm)	CRJ06J472T	2		
R4076-4082	nsp	RES.CHIP(1005/5%/47ohm)	CRJ06J470T	7		
R4084,4085	nsp	RES.CHIP(1005/1%/1Kohm)	CRJ06F1001T	2		
R4087	nsp	RES.CHIP(1005/5%/10Kohm)	CRJ06J103T	1		
R4089	nsp	RES.CHIP(1005/5%/10Kohm)	CRJ06J103T	1		
R4090	nsp	RES.CHIP(1608/5%/0ohm)	CRJ10DJ0R0T	1		
R4218-4220	nsp	RES.CHIP(1005/5%/56ohm)	CRJ06J560T	3		
R4224-4226	nsp	RES.CHIP(1005/5%/56ohm)	CRJ06J560T	3		
R4230-4240	nsp	RES.CHIP(1005/5%/56ohm)	CRJ06J560T	11		
R4242-4244	nsp	RES.CHIP(1005/5%/56ohm)	CRJ06J560T	3		
R4245	nsp	RES.CHIP(1005/5%/47ohm)	CRJ06J470T	1		
R4246	nsp	RES.CHIP(1005/5%/10ohm)	CRJ06J100T	1		
R4247	nsp	RES.CHIP(1005/5%/47ohm)	CRJ06J470T	1		
R4248	nsp	RES.CHIP(1608/5%/0ohm)	CRJ10DJ0R0T	1		
R4301,4302	nsp	RES.CHIP(1608/1%/510ohm)	CRJ10DF5100T	2		
R4303-4309	nsp	RES.CHIP(1005/5%/33ohm)	CRJ06J330T	7		
R4310,4311	nsp	RES.CHIP(1005/5%/10Kohm)	CRJ06J103T	2		
R4312	nsp	RES.CHIP(1005/5%/33ohm)	CRJ06J330T	1		
R4313-4315	nsp	RES.CHIP(1005/5%/47Kohm)	CRJ06J473T	3		
R4316-4321	nsp	RES.CHIP(1005/5%/10Kohm)	CRJ06J103T	6		
R4322	nsp	RES.CHIP(1005/5%/47Kohm)	CRJ06J473T	1		
R4323	nsp	RES.CHIP(1608/5%/1Mohm)	CRJ10DJ105T	1		
R4324	nsp	RES.CHIP(1608/5%/1Kohm)	CRJ10DJ102T	1		
R4326	nsp	RES.CHIP(1005/5%/47ohm)	CRJ06J470T	1		
R4327	nsp	RES.CHIP(1005/5%/1Kohm)	CRJ06J102T	1		
R4328	nsp	RES.CHIP(1005/5%/47ohm)	CRJ06J470T	1		
R4330-4333	nsp	RES.CHIP(1005/5%/47ohm)	CRJ06J470T	4		
R4334,4335	nsp	RES.CHIP(1005/5%/0ohm)	CRJ06J0R0T	2		
R4336	nsp	RES.CHIP(1608/5%/0ohm)	CRJ10DJ0R0T	1		
R4337,4338	nsp	RES.CHIP(1005/5%/0ohm)	CRJ06J0R0T	2		
R4351-4353	nsp	RES.CHIP(1005/5%/0ohm)	CRJ06J0R0T	3		
R4354,4355	nsp	RES.CHIP(1005/5%/1.8Kohm)	CRJ06J182T	2		
R4356	nsp	RES.CHIP(1005/5%/10Kohm)	CRJ06J103T	1		
R4357,4358	nsp	RES.CHIP(1608/1%/510ohm)	CRJ10DF5100T	2		
R4359	nsp	RES.CHIP(1005/5%/0ohm)	CRJ06J0R0T	1		
R4367	nsp	RES.CHIP(1608/5%/33ohm)	CRJ10DJ331T	1		
R5001-5003	nsp	RES.CHIP(1005/5%/0ohm)	CRJ06J0R0T	3		
R5004	nsp	RES.CHIP(1005/5%/100ohm)	CRJ06J101T	1		
R5005	nsp	RES.CHIP(1005/5%/0ohm)	CRJ06J0R0T	1		
R5006	nsp	RES.CHIP(1005/5%/100ohm)	CRJ06J101T	1		
R5007	nsp	RES.CHIP(1005/5%/0ohm)	CRJ06J0R0T	1		
R5008	nsp	RES.CHIP(1005/5%/100ohm)	CRJ06J101T	1		
R5009	nsp	RES.CHIP(1005/5%/10Kohm)	CRJ06J103T	1		
R5010,5011	nsp	RES.CHIP(1005/5%/100ohm)	CRJ06J101T	2		
R5012,5013	nsp	RES.CHIP(1005/5%/0ohm)	CRJ06J0R0T	2		
R5016	nsp	RES.CHIP(1005/5%/10Kohm)	CRJ06J103T	1		
R5017-5019	nsp	RES.CHIP(1005/5%/0ohm)	CRJ06J0R0T	3		
R5023	nsp	RES.CHIP(1005/5%/47ohm)	CRJ06J470T	1		
R5025	nsp	RES.CHIP(1005/5%/47ohm)	CRJ06J470T	1		



REF No.	Part No.	Part Name	Remarks	Q'ty	New	Ver
R5027	nsp	RES.CHIP(1005/5%/47ohm)		CRJ06UJ470T	1	
R5029	nsp	RES.CHIP(1005/5%/47ohm)		CRJ06UJ470T	1	
R5031	nsp	RES.CHIP(1005/5%/47ohm)		CRJ06UJ470T	1	
R5033	nsp	RES.CHIP(1005/5%/47ohm)		CRJ06UJ470T	1	
R5035	nsp	RES.CHIP(1005/5%/47ohm)		CRJ06UJ470T	1	
R5037	nsp	RES.CHIP(1005/5%/47ohm)		CRJ06UJ470T	1	
R5039	nsp	RES.CHIP(1005/5%/47ohm)		CRJ06UJ470T	1	
R5051-5053	nsp	RES.CHIP(1005/5%/33ohm)		CRJ06UJ330T	3	
R5055	nsp	RES.CHIP(1005/5%/33ohm)		CRJ06UJ330T	1	
R5056	nsp	RES.CHIP(1005/5%/0ohm)		CRJ06UJ0R0T	1	
R5063	nsp	RES.CHIP(1005/5%/10Kohm)		CRJ06UJ103T	1	
R5064-5068	nsp	RES.CHIP(1005/5%/0ohm)		CRJ06UJ0R0T	5	
R5076	nsp	RES.CHIP(1005/5%/0ohm)		CRJ06UJ0R0T	1	
R5077	nsp	RES.CHIP(1005/5%/10Kohm)		CRJ06UJ103T	1	
R5082,5083	nsp	RES.CHIP(1005/5%/10Kohm)		CRJ06UJ103T	2	
R5095-5097	nsp	RES.CHIP(1005/5%/0ohm)		CRJ06UJ0R0T	3	
R5100	nsp	RES.CHIP(1005/5%/0ohm)		CRJ06UJ0R0T	1	
RN151	nsp	RES.CHIP(1005/5%/33ohm*4)		CRJ064UJ330T	1	
RN201-203	nsp	RES.CHIP(1005/5%/33ohm*2)		CRJ062UJ330T	3	
RN204	nsp	RES.CHIP(1005/5%/33ohm*4)		CRJ064UJ330T	1	
RN221-225	nsp	RES.CHIP(1005/5%/100ohm*4)		CRJ064UJ101T	5	
RN251-254	nsp	RES.CHIP(1005/5%/33ohm*4)		CRJ064UJ330T	4	
RN255,256	nsp	RES.CHIP(1005/5%/10Kohm*4)		CRJ064UJ103T	2	
RN257-260	nsp	RES.CHIP(1005/5%/10ohm*4)		CRJ064UJ100T	4	
RN261	nsp	RES.CHIP(1005/5%/33ohm*4)		CRJ064UJ330T	1	
RN351-354	nsp	RES.CHIP(1005/5%/4.7Kohm*4)		CRJ064UJ472T	4	
RN391-393	nsp	RES.CHIP(1005/5%/0ohm*2)		CRJ062UJ0R0T	3	
RN401-415	nsp	RES.CHIP(1005/5%/47ohm*4)		CRJ064UJ470T	15	
RN420,421	nsp	RES.CHIP(1005/5%/56ohm*4)		CRJ064UJ560T	2	*
RN422-428	nsp	RES.CHIP(1005/5%/10ohm*4)		CRJ064UJ100T	7	
RN431-436	nsp	RES.CHIP(1005/5%/47ohm*4)		CRJ064UJ470T	6	
RN437	nsp	RES.CHIP(1005/5%/10ohm*4)		CRJ064UJ100T	1	
RN438-440	nsp	RES.CHIP(1005/5%/0ohm*2)		CRJ062UJ0R0T	3	
RN442-448	nsp	RES.CHIP(1005/5%/10ohm*4)		CRJ064UJ100T	7	
RN451	943113100000S	COMMONMODEFILTER(1210,90ohm)		CLZ9Z188Z	1	
RN452-454	nsp	RES.CHIP(1005/5%/0ohm*2)		CRJ062UJ0R0T	3	
<b>CAPACITORS GROUP</b>						
C1013-1018	nsp	CAP.CHIP(1005.16V/0.1uF.X7R) SAMSUNG		CCU1C104KCS	6	
C1020	nsp	CAP.CHIP(1005.16V/0.1uF.X7R) SAMSUNG		CCU1C104KCS	1	
C1026-1029	nsp	CAP.CHIP(1005.16V/0.1uF.X7R) SAMSUNG		CCU1C104KCS	4	
C1034-1043	nsp	CAP.CHIP(1005.50V/1000pF.X7R) SAMSUNG		CCU1H102KCS	10	
C1051	nsp	CAP.CHIP(1608.50V/0.1uF.X7R) SAMSUNG		CCUS1H104KCS	1	
C1053	nsp	CAP.CHIP(1608.50V/0.1uF.X7R) SAMSUNG		CCUS1H104KCS	1	
C1101,1102	nsp	CAP.CHIP(1005.16V/0.1uF.X7R) SAMSUNG		CCU1C104KCS	2	
C1121	nsp	CAP.CHIP(1005.16V/0.1uF.X7R) SAMSUNG		CCU1C104KCS	1	
C1122	nsp	CAP.CHIP(2012.6.3V/10uF.X5R) SAMSUNG		CCUC0J106KCS	1	
C1123	nsp	CAP.CHIP(1608.10V/1uF.X7R.X7S) SAMSUNG		CCUS1A105KCS	1	
C1124	nsp	CAP.CHIP(1608.50V/3.3pF.C0G) SAMSUNG		CCUS1H3R3JAS	1	
C1125,1126	nsp	CAP.CHIP(2012.6.3V/22uF.X5R) SAMSUNG		CCUC0J226KCS	2	
C1129	nsp	CAP.CHIP(2012.50V/0.1uF.X7R) SAMSUNG		CCUC1H104KCS	1	
C1131	nsp	CAP.CHIP(1005.16V/0.1uF.X7R) SAMSUNG		CCU1C104KCS	1	
C1132	nsp	CAP.CHIP(2012.6.3V/10uF.X5R) SAMSUNG		CCUC0J106KCS	1	
C1133	nsp	CAP.CHIP(1608.10V/1uF.X7R.X7S) SAMSUNG		CCUS1A105KCS	1	
C1134	nsp	CAP.CHIP(1608.50V/3.3pF.C0G) SAMSUNG		CCUS1H3R3JAS	1	
C1135	nsp	CAP.CHIP(2012.6.3V/22uF.X5R) SAMSUNG		CCUC0J226KCS	1	
C1136	nsp	CAP.CHIP(2012.6.3V/10uF.X5R) SAMSUNG		CCUC0J106KCS	1	
C1139	nsp	CAP.CHIP(2012.50V/0.1uF.X7R) SAMSUNG		CCUC1H104KCS	1	
C1141	nsp	CAP.CHIP(1005.16V/0.1uF.X7R) SAMSUNG		CCU1C104KCS	1	
C1142	nsp	CAP.CHIP(2012.6.3V/10uF.X5R) SAMSUNG		CCUC0J106KCS	1	
C1143	nsp	CAP.CHIP(1608.10V/1uF.X7R.X7S) SAMSUNG		CCUS1A105KCS	1	
C1144	nsp	CAP.CHIP(1608.50V/5pF.C0G) SAMSUNG		CCUS1H050CAS	1	
C1145	nsp	CAP.CHIP(2012.6.3V/22uF.X5R) SAMSUNG		CCUC0J226KCS	1	
C1146	nsp	CAP.CHIP(2012.6.3V/10uF.X5R) SAMSUNG		CCUC0J106KCS	1	
C1149	nsp	CAP.CHIP(2012.50V/0.1uF.X7R) SAMSUNG		CCUC1H104KCS	1	
C1151	nsp	CAP.CHIP(1005.16V/0.1uF.X7R) SAMSUNG		CCU1C104KCS	1	
C1152	nsp	CAP.CHIP(2012.6.3V/10uF.X5R) SAMSUNG		CCUC0J106KCS	1	
C1153	nsp	CAP.CHIP(1608.10V/1uF.X7R.X7S) SAMSUNG		CCUS1A105KCS	1	
C1154	nsp	CAP.CHIP(1608.50V/7pF.C0G) SAMSUNG		CCUS1H070DAS	1	*
C1155	nsp	CAP.CHIP(2012.6.3V/22uF.X5R) SAMSUNG		CCUC0J226KCS	1	
C1156	nsp	CAP.CHIP(2012.6.3V/10uF.X5R) SAMSUNG		CCUC0J106KCS	1	
C1159	nsp	CAP.CHIP(2012.50V/0.1uF.X7R) SAMSUNG		CCUC1H104KCS	1	
C1161	nsp	CAP.CHIP(1005.16V/0.1uF.X7R) SAMSUNG		CCU1C104KCS	1	
C1162	nsp	CAP.CHIP(2012.6.3V/10uF.X5R) SAMSUNG		CCUC0J106KCS	1	
C1163	nsp	CAP.CHIP(1608.10V/1uF.X7R.X7S) SAMSUNG		CCUS1A105KCS	1	
C1164	nsp	CAP.CHIP(1608.50V/7pF.C0G) SAMSUNG		CCUS1H070DAS	1	*
C1165	nsp	CAP.CHIP(2012.6.3V/22uF.X5R) SAMSUNG		CCUC0J226KCS	1	
C1166	nsp	CAP.CHIP(2012.6.3V/10uF.X5R) SAMSUNG		CCUC0J106KCS	1	
C1169	nsp	CAP.CHIP(2012.50V/0.1uF.X7R) SAMSUNG		CCUC1H104KCS	1	
C1171	nsp	CAP.CHIP(1005.16V/0.1uF.X7R) SAMSUNG		CCU1C104KCS	1	
C1172	nsp	CAP.CHIP(2012.6.3V/10uF.X5R) SAMSUNG		CCUC0J106KCS	1	
C1173	nsp	CAP.CHIP(1608.10V/1uF.X7R.X7S) SAMSUNG		CCUS1A105KCS	1	
C1174	nsp	CAP.CHIP(1608.50V/7pF.C0G) SAMSUNG		CCUS1H070DAS	1	*
C1175	nsp	CAP.CHIP(2012.6.3V/22uF.X5R) SAMSUNG		CCUC0J226KCS	1	
C1176	nsp	CAP.CHIP(2012.6.3V/10uF.X5R) SAMSUNG		CCUC0J106KCS	1	
C1179	nsp	CAP.CHIP(2012.50V/0.1uF.X7R) SAMSUNG		CCUC1H104KCS	1	
C1181	nsp	CAP.CHIP(1005.16V/0.1uF.X7R) SAMSUNG		CCU1C104KCS	1	
C1182	nsp	CAP.CHIP(2012.6.3V/10uF.X5R) SAMSUNG		CCUC0J106KCS	1	
C1183	nsp	CAP.CHIP(1608.10V/1uF.X7R.X7S) SAMSUNG		CCUS1A105KCS	1	
C1184	nsp	CAP.CHIP(1608.50V/5pF.C0G) SAMSUNG		CCUS1H050CAS	1	
C1185	nsp	CAP.CHIP(2012.6.3V/22uF.X5R) SAMSUNG		CCUC0J226KCS	1	
C1186	nsp	CAP.CHIP(2012.6.3V/10uF.X5R) SAMSUNG		CCUC0J106KCS	1	
C1189	nsp	CAP.CHIP(2012.50V/0.1uF.X7R) SAMSUNG		CCUC1H104KCS	1	
C1191	nsp	CAP.CHIP(1005.16V/0.1uF.X7R) SAMSUNG		CCU1C104KCS	1	
C1192	nsp	CAP.CHIP(2012.6.3V/10uF.X5R) SAMSUNG		CCUC0J106KCS	1	
C1193	nsp	CAP.CHIP(1608.10V/1uF.X7R.X7S) SAMSUNG		CCUS1A105KCS	1	
C1194	nsp	CAP.CHIP(1608.50V/7pF.C0G) SAMSUNG		CCUS1H070DAS	1	*
C1195	nsp	CAP.CHIP(2012.6.3V/22uF.X5R) SAMSUNG		CCUC0J226KCS	1	
C1196	nsp	CAP.CHIP(2012.6.3V/10uF.X5R) SAMSUNG		CCUC0J106KCS	1	
C1199	nsp	CAP.CHIP(2012.50V/0.1uF.X7R) SAMSUNG		CCUC1H104KCS	1	
C1201	nsp	CAP.CHIP(1005.16V/0.1uF.X7R) SAMSUNG		CCU1C104KCS	1	
C1202	nsp	CAP.CHIP(2012.6.3V/10uF.X5R) SAMSUNG		CCUC0J106KCS	1	
C1203	nsp	CAP.CHIP(1608.10V/1uF.X7R.X7S) SAMSUNG		CCUS1A105KCS	1	
C1204	nsp	CAP.CHIP(1608.50V/5pF.C0G) SAMSUNG		CCUS1H050CAS	1	
C1205	nsp	CAP.CHIP(2012.6.3V/22uF.X5R) SAMSUNG		CCUC0J226KCS	1	
C1206	nsp	CAP.CHIP(2012.6.3V/10uF.X5R) SAMSUNG		CCUC0J106KCS	1	
C1209	nsp	CAP.CHIP(2012.50V/0.1uF.X7R) SAMSUNG		CCUC1H104KCS	1	

REF No.	Part No.	Part Name	Remarks	Q'ty	New	Ver
C1213	nsp	CAP.CHIP(1005.16V/0.1uF.X7R)_SAMSUNG		CCUI1C104KCS	1	
C1214-1218	nsp	CAP.CHIP(1005.50V/1000pF.X7R)_SAMSUNG		CCUI1H102KCS	5	
C1219-1221	nsp	CAP.CHIP(1005.16V/0.1uF.X7R)_SAMSUNG		CCUI1C104KCS	3	
C1222	nsp	CAP.CHIP(1005.25V/0.047uF.X7R)_SAMSUNG		CCUI1E473KCS	1	*
C1223,1224	nsp	CAP.CHIP(1005.16V/0.1uF.X7R)_SAMSUNG		CCUI1C104KCS	2	
C1225	nsp	CAP.CHIP(1005.50V/1000pF.X7R)_SAMSUNG		CCUI1H102KCS	1	
C1226,1227	nsp	CAP.CHIP(1005.16V/0.1uF.X7R)_SAMSUNG		CCUI1C104KCS	2	
C1228	nsp	CAP.CHIP(1608.10V/1uF.X7R.X75)_SAMSUNG		CCUS1A105KCS	1	
C1229	nsp	CAP.CHIP(2012.6.3V/10uF.X5R)_SAMSUNG		CCUC0J106KCS	1	
C1230	nsp	CAP.ALUMINUMELECTROLYTIC(16V/10uF)		CCEC1CMVG100T	1	
C1231	nsp	CAP.CHIP(1608.10V/1uF.X7R.X75)_SAMSUNG		CCUS1A105KCS	1	
C1232	nsp	CAP.CHIP(2012.6.3V/10uF.X5R)_SAMSUNG		CCUC0J106KCS	1	
C1233	nsp	CAP.ALUMINUMELECTROLYTICCAPACITORS(16V/100uF)		CCEC1CMVG101T	1	
C1234	nsp	CAP.CHIP(1005.16V/0.1uF.X7R)_SAMSUNG		CCUI1C104KCS	1	
C1241	nsp	CAP.ALUMINUMELECTROLYTIC(16V/470uF)		CCEC1CMVG471T	1	*
C1243	nsp	CAP.CHIP(1005.16V/0.1uF.X7R)_SAMSUNG		CCUI1C104KCS	1	
C1245	nsp	CAP.CHIP(1005.16V/0.1uF.X7R)_SAMSUNG		CCUI1C104KCS	1	
C1246	nsp	CAP.ALUMINUMELECTROLYTIC(16V/470uF)		CCEC1CMVG471T	1	*
C1251	nsp	CAP.CHIP(1005.16V/0.1uF.X7R)_SAMSUNG		CCUI1C104KCS	1	
C1252	nsp	CAP.CHIP(1005.25V/0.015uF.X7R)_SAMSUNG		CCUI1E153KCS	1	
C1253	nsp	CAP.CHIP(1608.10V/1uF.X7R.X75)_SAMSUNG		CCUS1A105KCS	1	
C1254,1255	nsp	CAP.CHIP(1005.16V/0.1uF.X7R)_SAMSUNG		CCUI1C104KCS	2	
C1258	nsp	CAP.CHIP(1005.50V/1000pF.X7R)_SAMSUNG		CCUI1H102KCS	1	
C1291	nsp	RES.CHIP(1005.5%/330ohm)		CRJ06J331T	1	
C1305	nsp	CAP.CHIP(1005.16V/0.1uF.X7R)_SAMSUNG		CCUI1C104KCS	1	
C1501,1502	nsp	CAP.CHIP(1005.16V/0.1uF.X7R)_SAMSUNG		CCUI1C104KCS	2	
C1503,1504	nsp	CAP.CHIP(1608.50V/10pF.C0G)_SAMSUNG		CCUS1H100JAS	2	
C1505-1514	nsp	CAP.CHIP(1005.16V/0.1uF.X7R)_SAMSUNG		CCUI1C104KCS	10	
C1701	nsp	CAP.CHIP(1005.16V/0.1uF.X7R)_SAMSUNG		CCUI1C104KCS	1	
C1702,1703	nsp	CAP.CHIP(1608.50V/8pF.C0G)_SAMSUNG		CCUS1H080DAS	2	*
C1704	nsp	CAP.CHIP(1005.16V/0.1uF.X7R)_SAMSUNG		CCUI1C104KCS	1	
C1706	nsp	CAP.CHIP(1608.10V/0.47uF.X7R.X75)_SAMSUNG		CCUS1A474KCS	1	*
C1714	nsp	CAP.CHIP(1005.16V/0.1uF.X7R)_SAMSUNG		CCUI1C104KCS	1	
C1716,1717	nsp	CAP.CHIP(1005.16V/0.1uF.X7R)_SAMSUNG		CCUI1C104KCS	2	
C1722,1723	nsp	CAP.CHIP(1005.50V/1000pF.X7R)_SAMSUNG		CCUI1H102KCS	2	
C1724	nsp	CAP.CHIP(1005.16V/0.1uF.X7R)_SAMSUNG		CCUI1C104KCS	1	
C1725	nsp	CAP.CHIP(1005.50V/220pF.C0G)_SAMSUNG		CCUI1H221JAS	1	
C1726	nsp	CAP.CHIP(1005.16V/0.1uF.X7R)_SAMSUNG		CCUI1C104KCS	1	
C1901	nsp	CAP.CHIP(1005.16V/0.1uF.X7R)_SAMSUNG		CCUI1C104KCS	1	
C1911	nsp	CAP.CHIP(1005.25V/0.01uF.X7R)_SAMSUNG		CCUI1E103KCS	1	
C1921	nsp	CAP.CHIP(1005.25V/0.01uF.X7R)_SAMSUNG		CCUI1E103KCS	1	
C1951-1954	nsp	CAP.CHIP(1005.25V/0.01uF.X7R)_SAMSUNG		CCUI1E103KCS	4	
C1961	nsp	CAP.CHIP(1005.25V/0.01uF.X7R)_SAMSUNG		CCUI1E103KCS	1	
C1971	nsp	CAP.CHIP(1005.25V/0.01uF.X7R)_SAMSUNG		CCUI1E103KCS	1	
C1981	nsp	CAP.CHIP(1005.25V/0.01uF.X7R)_SAMSUNG		CCUI1E103KCS	1	
C2001	nsp	CAP.CHIP(1005.16V/0.1uF.X7R)_SAMSUNG		CCUI1C104KCS	1	
C2002	nsp	CAP.CHIP(2012.6.3V/10uF.X5R)_SAMSUNG		CCUC0J106KCS	1	
C2003,2004	nsp	CAP.CHIP(1005.16V/0.1uF.X7R)_SAMSUNG		CCUI1C104KCS	2	
C2005	nsp	CAP.CHIP(2012.6.3V/10uF.X5R)_SAMSUNG		CCUC0J106KCS	1	
C2006	nsp	CAP.CHIP(1608.50V/15pF.C0G)_SAMSUNG		CCUS1H150JAS	1	
C2007	nsp	CAP.CHIP(1608.50V/12pF.C0G)_SAMSUNG		CCUS1H120JAS	1	
C2008	nsp	CAP.CHIP(1005.16V/0.1uF.X7R)_SAMSUNG		CCUI1C104KCS	1	
C2010	nsp	CAP.CHIP(2012.50V/4700pF.MURATAGRM21)		CCUMJC1H472JAM	1	
C2011	nsp	CAP.CHIP(3216.50V/0.068uF.MURATAGRM31)		CCUMJP1H683JAM	1	
C2012	nsp	CAP.CHIP(1005.16V/0.1uF.X7R)_SAMSUNG		CCUI1C104KCS	1	
C2013	nsp	CAP.CHIP(2012.6.3V/10uF.X5R)_SAMSUNG		CCUC0J106KCS	1	
C2014	nsp	CAP.CHIP(1005.16V/0.1uF.X7R)_SAMSUNG		CCUI1C104KCS	1	
C2015	nsp	CAP.CHIP(2012.6.3V/10uF.X5R)_SAMSUNG		CCUC0J106KCS	1	
C2016,2017	nsp	CAP.CHIP(1608.50V/4700pF.X7R)_SAMSUNG		CCUS1H472KCS	2	
C2018,2019	nsp	CAP.ALUMINUMELECTROLYTIC(16V/10uF)		CCEC1CMVG100T	2	
C2021	nsp	CAP.CHIP(1005.16V/0.1uF.X7R)_SAMSUNG		CCUI1C104KCS	1	
C2022	nsp	CAP.CHIP(1005.25V/0.022uF.X7R)_SAMSUNG		CCUI1E223KCS	1	
C2023	nsp	CAP.CHIP(1005.16V/0.1uF.X7R)_SAMSUNG		CCUI1C104KCS	1	
C2024	nsp	CAP.CHIP(2012.6.3V/10uF.X5R)_SAMSUNG		CCUC0J106KCS	1	
C2025	nsp	CAP.CHIP(1005.16V/0.1uF.X7R)_SAMSUNG		CCUI1C104KCS	1	
C2026	nsp	CAP.CHIP(2012.6.3V/10uF.X5R)_SAMSUNG		CCUC0J106KCS	1	
C2027	nsp	CAP.CHIP(1005.16V/0.1uF.X7R)_SAMSUNG		CCUI1C104KCS	1	
C2028	nsp	CAP.SMDELECT(16V/22uF)		CCEC1CMVG220T	1	*
C2031	nsp	CAP.CHIP(1005.16V/0.1uF.X7R)_SAMSUNG		CCUI1C104KCS	1	
C2032,2033	nsp	CAP.CHIP(1608.6.3V/2.2uF.X7R)_SAMSUNG		CCUS0J225KCS	2	
C2034,2035	nsp	CAP.CHIP(1005.50V/2200pF.X7R)_SAMSUNG		CCUI1H222KCS	2	*
C2036	nsp	CAP.CHIP(2012.6.3V/10uF.X5R)_SAMSUNG		CCUC0J106KCS	1	
C2037,2038	nsp	CAP.CHIP(1005.16V/0.1uF.X7R)_SAMSUNG		CCUI1C104KCS	2	
C2040,2041	nsp	CAP.CHIP(1005.16V/0.1uF.X7R)_SAMSUNG		CCUI1C104KCS	2	
C2044,2045	nsp	CAP.CHIP(1005.25V/0.01uF.X7R)_SAMSUNG		CCUI1E103KCS	2	
C2046	nsp	CAP.CHIP(1005.16V/0.1uF.X7R)_SAMSUNG		CCUI1C104KCS	1	
C2047,2048	nsp	CAP.CHIP(1005.50V/33pF.C0G)_SAMSUNG		CCUI1H330JAS	2	
C2049	nsp	CAP.CHIP(1005.16V/0.1uF.X7R)_SAMSUNG		CCUI1C104KCS	1	
C2051,2052	nsp	CAP.CHIP(1005.16V/0.1uF.X7R)_SAMSUNG		CCUI1C104KCS	2	
C2201,2202	nsp	CAP.CHIP(1005.50V/100pF.C0G)_SAMSUNG		CCUI1H101JAS	2	
C2203	nsp	CAP.CHIP(1005.50V/1000pF.X7R)_SAMSUNG		CCUI1H102KCS	1	
C2204-2212	nsp	CAP.CHIP(1005.16V/0.1uF.X7R)_SAMSUNG		CCUI1C104KCS	9	
C2217	nsp	CAP.CHIP(1005.50V/100pF.C0G)_SAMSUNG		CCUI1H101JAS	1	
C2501-2503	nsp	CAP.CHIP(1005.16V/0.1uF.X7R)_SAMSUNG		CCUI1C104KCS	3	
C2504,2505	nsp	CAP.CHIP(1608.50V/18pF.C0G)_SAMSUNG		CCUS1H180JAS	2	
C2506-2541	nsp	CAP.CHIP(1005.16V/0.1uF.X7R)_SAMSUNG		CCUI1C104KCS	36	
C2543	nsp	CAP.CHIP(1005.50V/1000pF.X7R)_SAMSUNG		CCUI1H102KCS	1	
C2544,2545	nsp	CAP.CHIP(1005.16V/0.1uF.X7R)_SAMSUNG		CCUI1C104KCS	2	
C2546	nsp	CAP.CHIP(1005.50V/1000pF.X7R)_SAMSUNG		CCUI1H102KCS	1	
C2547	nsp	CAP.CHIP(1005.16V/0.1uF.X7R)_SAMSUNG		CCUI1C104KCS	1	
C2548	nsp	CAP.CHIP(1005.50V/1000pF.X7R)_SAMSUNG		CCUI1H102KCS	1	
C2549	nsp	CAP.CHIP(1005.16V/0.1uF.X7R)_SAMSUNG		CCUI1C104KCS	1	
C2550,2551	nsp	CAP.CHIP(1005.50V/1000pF.X7R)_SAMSUNG		CCUI1H102KCS	2	
C2552	nsp	CAP.CHIP(1005.16V/0.1uF.X7R)_SAMSUNG		CCUI1C104KCS	1	
C2553	nsp	CAP.CHIP(1005.50V/1000pF.X7R)_SAMSUNG		CCUI1H102KCS	1	
C2554	nsp	CAP.CHIP(1005.16V/0.1uF.X7R)_SAMSUNG		CCUI1C104KCS	1	
C2555	nsp	CAP.CHIP(1005.50V/1000pF.X7R)_SAMSUNG		CCUI1H102KCS	1	
C2556,2557	nsp	CAP.CHIP(1005.16V/0.1uF.X7R)_SAMSUNG		CCUI1C104KCS	2	
C2561-2601	nsp	CAP.CHIP(1005.50V/1000pF.X7R)_SAMSUNG		CCUI1H102KCS	41	
C3001,3002	nsp	CAP.CHIP(1005.16V/0.1uF.X7R)_SAMSUNG		CCUI1C104KCS	2	
C3003,3004	nsp	CAP.CHIP(1005.50V/1000pF.X7R)_SAMSUNG		CCUI1H102KCS	2	
C3007-3010	nsp	CAP.CHIP(1005.50V/1000pF.X7R)_SAMSUNG		CCUI1H102KCS	4	
C3012-3020	nsp	CAP.CHIP(1005.50V/1000pF.X7R)_SAMSUNG		CCUI1H102KCS	9	
C3022	nsp	CAP.CHIP(1005.50V/1000pF.X7R)_SAMSUNG		CCUI1H102KCS	1	
C3023	nsp	CAP.CHIP(2012.6.3V/10uF.X5R)_SAMSUNG		CCUC0J106KCS	1	
C3024	nsp	CAP.CHIP(1608.10V/1uF.X7R.X75)_SAMSUNG		CCUS1A105KCS	1	

REF No.	Part No.	Part Name	Remarks	Q'ty	New	Ver
C3025	nsp	CAP.CHIP(1005.16V/0.1uF.X7R) SAMSUNG		CCU1C104KCS	1	
C3026	nsp	CAP.SMDELECT(50V/100uF)		CCEC1HMVG101T	1	*
C3027	nsp	CAP.SMDELECT(63V/47uF)		CCEC1JMVG470T	1	*
C3028,3029	nsp	CAP.CHIP(1608.10V/1uF.X7R.X75) SAMSUNG		CCUS1A105KCS	2	
C3031,3032	nsp	CAP.CHIP(2012.50V/1800pF.MURATAGRM21)		CCUMUC1H182JAM	2	
C3033-3036	nsp	CAP.CHIP(2012.50V/270pF.MURATAGRM21)		CCUMUC1H271JAM	4	
C3039,3040	nsp	CAP.ELECT(16V/100uF)		CCEA1CH101T	2	
C3041	nsp	CAP.CHIP(2012.50V/1800pF.MURATAGRM21)		CCUMUC1H182JAM	1	
C3042	nsp	CAP.CHIP(2012.50V/820pF.MURATAGRM21)		CCUMUC1H821JAM	1	
C3043-3046	nsp	CAP.CHIP(2012.50V/270pF.MURATAGRM21)		CCUMUC1H271JAM	4	
C3051,3052	nsp	CAP.CHIP(2012.50V/1000pF.MURATAGRM21)		CCUMUC1H102JAM	2	
C3053-3056	nsp	CAP.CHIP(2012.50V/180pF.MURATAGRM21)		CCUMUC1H181JAM	4	
C3061,3062	nsp	CAP.CHIP(2012.50V/1800pF.MURATAGRM21)		CCUMUC1H182JAM	2	
C3063-3066	nsp	CAP.CHIP(2012.50V/270pF.MURATAGRM21)		CCUMUC1H271JAM	4	
C3071,3072	nsp	CAP.CHIP(1005.50V/1000pF.X7R) SAMSUNG		CCU1H102KCS	2	
C3074-3076	nsp	CAP.CHIP(1005.50V/1000pF.X7R) SAMSUNG		CCU1H102KCS	3	
C3078	nsp	CAP.CHIP(1005.50V/1000pF.X7R) SAMSUNG		CCU1H102KCS	1	
C3079,3080	nsp	CAP.ALUMINUMELECTROLYTICCAPACTORS(16V/100uF)		CCEC1CMVG101T	2	
C3501	nsp	CAP.CHIP(1005.16V/0.1uF.X7R) SAMSUNG		CCU1C104KCS	1	
C3504	nsp	CAP.CHIP(1608.50V/15pF.C0G) SAMSUNG		CCUS1H150JAS	1	
C3505	nsp	CAP.CHIP(1608.50V/18pF.C0G) SAMSUNG		CCUS1H180JAS	1	
C3511	nsp	CAP.CHIP(1608.6.3V/4.7uF.X5R) SAMSUNG		CCUSQJ475KCS	1	
C3513	nsp	CAP.CHIP(1005.16V/0.1uF.X7R) SAMSUNG		CCU1C104KCS	1	
C3514	nsp	CAP.CHIP(1005.25V/0.01uF.X7R) SAMSUNG		CCU1E103KCS	1	
C3515	nsp	CAP.CHIP(1005.16V/0.1uF.X7R) SAMSUNG		CCU1C104KCS	1	
C3516	nsp	CAP.CHIP(1005.25V/0.01uF.X7R) SAMSUNG		CCU1E103KCS	1	
C3517	nsp	CAP.CHIP(1005.16V/0.1uF.X7R) SAMSUNG		CCU1C104KCS	1	
C3518	nsp	CAP.CHIP(1005.25V/0.01uF.X7R) SAMSUNG		CCU1E103KCS	1	
C3519	nsp	CAP.CHIP(1005.16V/0.1uF.X7R) SAMSUNG		CCU1C104KCS	1	
C3520	nsp	CAP.CHIP(1005.25V/0.01uF.X7R) SAMSUNG		CCU1E103KCS	1	
C3521	nsp	CAP.CHIP(1005.16V/0.1uF.X7R) SAMSUNG		CCU1C104KCS	1	
C3522	nsp	CAP.CHIP(1005.25V/0.01uF.X7R) SAMSUNG		CCU1E103KCS	1	
C3523	nsp	CAP.CHIP(1005.16V/0.1uF.X7R) SAMSUNG		CCU1C104KCS	1	
C3524	nsp	CAP.CHIP(1005.25V/0.01uF.X7R) SAMSUNG		CCU1E103KCS	1	
C3525	nsp	CAP.CHIP(1005.16V/0.1uF.X7R) SAMSUNG		CCU1C104KCS	1	
C3526	nsp	CAP.CHIP(1608.6.3V/4.7uF.X5R) SAMSUNG		CCUSQJ475KCS	1	
C3528	nsp	CAP.CHIP(1005.25V/0.01uF.X7R) SAMSUNG		CCU1E103KCS	1	
C3529	nsp	CAP.CHIP(1005.16V/0.1uF.X7R) SAMSUNG		CCU1C104KCS	1	
C3531	nsp	CAP.CHIP(1608.6.3V/4.7uF.X5R) SAMSUNG		CCUSQJ475KCS	1	
C3535	nsp	CAP.CHIP(1005.16V/0.1uF.X7R) SAMSUNG		CCU1C104KCS	1	
C3536	nsp	CAP.CHIP(1005.25V/0.01uF.X7R) SAMSUNG		CCU1E103KCS	1	
C3537	nsp	CAP.CHIP(1005.16V/0.1uF.X7R) SAMSUNG		CCU1C104KCS	1	
C3538	nsp	CAP.CHIP(1005.25V/0.01uF.X7R) SAMSUNG		CCU1E103KCS	1	
C3539	nsp	CAP.CHIP(1005.16V/0.1uF.X7R) SAMSUNG		CCU1C104KCS	1	
C3541	nsp	CAP.CHIP(1608.6.3V/4.7uF.X5R) SAMSUNG		CCUSQJ475KCS	1	
C3545	nsp	CAP.CHIP(1005.16V/0.1uF.X7R) SAMSUNG		CCU1C104KCS	1	
C3546	nsp	CAP.CHIP(1005.25V/0.01uF.X7R) SAMSUNG		CCU1E103KCS	1	
C3547	nsp	CAP.CHIP(1005.16V/0.1uF.X7R) SAMSUNG		CCU1C104KCS	1	
C3548	nsp	CAP.CHIP(1005.25V/0.01uF.X7R) SAMSUNG		CCU1E103KCS	1	
C3549	nsp	CAP.CHIP(1005.16V/0.1uF.X7R) SAMSUNG		CCU1C104KCS	1	
C3550	nsp	CAP.CHIP(1005.25V/0.01uF.X7R) SAMSUNG		CCU1E103KCS	1	
C3551	nsp	CAP.CHIP(1005.16V/0.1uF.X7R) SAMSUNG		CCU1C104KCS	1	
C3552	nsp	CAP.CHIP(1005.25V/0.01uF.X7R) SAMSUNG		CCU1E103KCS	1	
C3553	nsp	CAP.CHIP(1005.16V/0.1uF.X7R) SAMSUNG		CCU1C104KCS	1	
C3554	nsp	CAP.CHIP(1005.25V/0.01uF.X7R) SAMSUNG		CCU1E103KCS	1	
C3555	nsp	CAP.CHIP(1005.16V/0.1uF.X7R) SAMSUNG		CCU1C104KCS	1	
C3556	nsp	CAP.CHIP(1005.25V/0.01uF.X7R) SAMSUNG		CCU1E103KCS	1	
C3557	nsp	CAP.CHIP(1005.16V/0.1uF.X7R) SAMSUNG		CCU1C104KCS	1	
C3558	nsp	CAP.CHIP(1005.25V/0.01uF.X7R) SAMSUNG		CCU1E103KCS	1	
C3559	nsp	CAP.CHIP(1005.16V/0.1uF.X7R) SAMSUNG		CCU1C104KCS	1	
C3560	nsp	CAP.CHIP(1005.25V/0.01uF.X7R) SAMSUNG		CCU1E103KCS	1	
C3561	nsp	CAP.CHIP(1005.16V/0.1uF.X7R) SAMSUNG		CCU1C104KCS	1	
C3562	nsp	CAP.CHIP(1005.25V/0.01uF.X7R) SAMSUNG		CCU1E103KCS	1	
C3563	nsp	CAP.CHIP(1005.16V/0.1uF.X7R) SAMSUNG		CCU1C104KCS	1	
C3564	nsp	CAP.CHIP(1005.25V/0.01uF.X7R) SAMSUNG		CCU1E103KCS	1	
C3565	nsp	CAP.CHIP(1005.16V/0.1uF.X7R) SAMSUNG		CCU1C104KCS	1	
C3566	nsp	CAP.CHIP(1005.25V/0.01uF.X7R) SAMSUNG		CCU1E103KCS	1	
C3567	nsp	CAP.CHIP(1005.16V/0.1uF.X7R) SAMSUNG		CCU1C104KCS	1	
C3571	nsp	CAP.CHIP(1608.6.3V/4.7uF.X5R) SAMSUNG		CCUSQJ475KCS	1	
C3573	nsp	CAP.CHIP(1005.16V/0.1uF.X7R) SAMSUNG		CCU1C104KCS	1	
C3574,3575	nsp	CAP.CHIP(1005.25V/0.01uF.X7R) SAMSUNG		CCU1E103KCS	2	
C3576	nsp	CAP.CHIP(1005.16V/0.1uF.X7R) SAMSUNG		CCU1C104KCS	1	
C3577	nsp	CAP.CHIP(1005.25V/0.01uF.X7R) SAMSUNG		CCU1E103KCS	1	
C3578	nsp	CAP.CHIP(1005.16V/0.1uF.X7R) SAMSUNG		CCU1C104KCS	1	
C3579	nsp	CAP.CHIP(1005.25V/0.01uF.X7R) SAMSUNG		CCU1E103KCS	1	
C3580	nsp	CAP.CHIP(1005.16V/0.1uF.X7R) SAMSUNG		CCU1C104KCS	1	
C3581	nsp	CAP.CHIP(1005.25V/0.01uF.X7R) SAMSUNG		CCU1E103KCS	1	
C3582	nsp	CAP.CHIP(1005.16V/0.1uF.X7R) SAMSUNG		CCU1C104KCS	1	
C3583	nsp	CAP.CHIP(1005.25V/0.01uF.X7R) SAMSUNG		CCU1E103KCS	1	
C3584	nsp	CAP.CHIP(1005.16V/0.1uF.X7R) SAMSUNG		CCU1C104KCS	1	
C3585	nsp	CAP.CHIP(1005.25V/0.01uF.X7R) SAMSUNG		CCU1E103KCS	1	
C3586	nsp	CAP.CHIP(1005.16V/0.1uF.X7R) SAMSUNG		CCU1C104KCS	1	
C3591	nsp	CAP.CHIP(1608.6.3V/4.7uF.X5R) SAMSUNG		CCUSQJ475KCS	1	
C3593	nsp	CAP.CHIP(1005.25V/0.01uF.X7R) SAMSUNG		CCU1E103KCS	1	
C3594	nsp	CAP.CHIP(1005.16V/0.1uF.X7R) SAMSUNG		CCU1C104KCS	1	
C3595	nsp	CAP.CHIP(1005.25V/0.01uF.X7R) SAMSUNG		CCU1E103KCS	1	
C3596	nsp	CAP.CHIP(1005.16V/0.1uF.X7R) SAMSUNG		CCU1C104KCS	1	
C3597	nsp	CAP.CHIP(1005.25V/0.01uF.X7R) SAMSUNG		CCU1E103KCS	1	
C3598	nsp	CAP.CHIP(1005.16V/0.1uF.X7R) SAMSUNG		CCU1C104KCS	1	
C3601	nsp	CAP.CHIP(1608.6.3V/4.7uF.X5R) SAMSUNG		CCUSQJ475KCS	1	
C3605	nsp	CAP.CHIP(1005.16V/0.1uF.X7R) SAMSUNG		CCU1C104KCS	1	
C3606	nsp	CAP.CHIP(1005.25V/0.01uF.X7R) SAMSUNG		CCU1E103KCS	1	
C3607	nsp	CAP.CHIP(1005.16V/0.1uF.X7R) SAMSUNG		CCU1C104KCS	1	
C3611	nsp	CAP.CHIP(1608.6.3V/4.7uF.X5R) SAMSUNG		CCUSQJ475KCS	1	
C3615	nsp	CAP.CHIP(1005.16V/0.1uF.X7R) SAMSUNG		CCU1C104KCS	1	
C3616	nsp	CAP.CHIP(1005.25V/0.01uF.X7R) SAMSUNG		CCU1E103KCS	1	
C3617	nsp	CAP.CHIP(1005.16V/0.1uF.X7R) SAMSUNG		CCU1C104KCS	1	
C3621	nsp	CAP.CHIP(1608.6.3V/4.7uF.X5R) SAMSUNG		CCUSQJ475KCS	1	
C3622	nsp	CAP.CHIP(1005.16V/0.1uF.X7R) SAMSUNG		CCU1C104KCS	1	
C3624,3625	nsp	CAP.CHIP(1005.16V/0.1uF.X7R) SAMSUNG		CCU1C104KCS	2	
C3626	nsp	CAP.CHIP(1005.25V/0.01uF.X7R) SAMSUNG		CCU1E103KCS	1	
C3627	nsp	CAP.CHIP(1005.16V/0.1uF.X7R) SAMSUNG		CCU1C104KCS	1	
C3628	nsp	CAP.CHIP(1005.25V/0.01uF.X7R) SAMSUNG		CCU1E103KCS	1	
C3629	nsp	CAP.CHIP(1005.16V/0.1uF.X7R) SAMSUNG		CCU1C104KCS	1	
C3630	nsp	CAP.CHIP(1005.25V/0.01uF.X7R) SAMSUNG		CCU1E103KCS	1	
C3631	nsp	CAP.CHIP(1005.16V/0.1uF.X7R) SAMSUNG		CCU1C104KCS	1	



REF No.	Part No.	Part Name	Remarks	Q'ty	New	Ver
C3851-3854	nsp	CAP.CHIP(1608.6.3V/4.7uF.X5R)	SAMSUNG	CCUS0J475KCS	4	
C3859,3860	nsp	CAP.CHIP(1608.6.3V/4.7uF.X5R)	SAMSUNG	CCUS0J475KCS	2	
C3865,3866	nsp	CAP.CHIP(1608.6.3V/4.7uF.X5R)	SAMSUNG	CCUS0J475KCS	2	
C3868,3869	nsp	CAP.CHIP(1608.6.3V/4.7uF.X5R)	SAMSUNG	CCUS0J475KCS	2	
C3871,3872	nsp	CAP.CHIP(1608.6.3V/4.7uF.X5R)	SAMSUNG	CCUS0J475KCS	2	
C3881,3882	nsp	CAP.CHIP(1608.6.3V/4.7uF.X5R)	SAMSUNG	CCUS0J475KCS	2	
C3887,3888	nsp	CAP.CHIP(1608.6.3V/4.7uF.X5R)	SAMSUNG	CCUS0J475KCS	2	
C3901-3903	nsp	CAP.CHIP(1005.16V/0.1uF.X7R)	SAMSUNG	CCU11C104KCS	3	
C3904	nsp	CAP.CHIP(1608.10V/1uF.X7R.X7S)	SAMSUNG	CCUS1A105KCS	1	
C3905	nsp	CAP.CHIP(1005.16V/0.1uF.X7R)	SAMSUNG	CCU11C104KCS	1	
C3906	nsp	CAP.CHIP(1608.10V/1uF.X7R.X7S)	SAMSUNG	CCUS1A105KCS	1	
C3907	nsp	CAP.CHIP(1005.16V/0.1uF.X7R)	SAMSUNG	CCU11C104KCS	1	
C3908	nsp	CAP.CHIP(1608.10V/1uF.X7R.X7S)	SAMSUNG	CCUS1A105KCS	1	
C3909	nsp	CAP.CHIP(1005.16V/0.1uF.X7R)	SAMSUNG	CCU11C104KCS	1	
C3910	nsp	CAP.CHIP(1608.10V/1uF.X7R.X7S)	SAMSUNG	CCUS1A105KCS	1	
C3911-3935	nsp	CAP.CHIP(1005.16V/0.1uF.X7R)	SAMSUNG	CCU11C104KCS	25	
C3936	nsp	CAP.CHIP(1608.50V/9pF.C0G)	SAMSUNG	CCUS1H090DAS	1	*
C3937	nsp	CAP.CHIP(1608.50V/8pF.C0G)	SAMSUNG	CCUS1H080DAS	1	*
C3938	nsp	CAP.CHIP(1005.50V/1000pF.X7R)	SAMSUNG	CCU11H102KCS	1	
C3939-3943	nsp	CAP.CHIP(1005.16V/0.1uF.X7R)	SAMSUNG	CCU11C104KCS	5	
C3945-3950	nsp	CAP.CHIP(1005.16V/0.1uF.X7R)	SAMSUNG	CCU11C104KCS	6	
C3951-3954	nsp	CAP.CHIP(1608.6.3V/4.7uF.X5R)	SAMSUNG	CCUS0J475KCS	4	
C3959,3960	nsp	CAP.CHIP(1608.6.3V/4.7uF.X5R)	SAMSUNG	CCUS0J475KCS	2	
C3965,3966	nsp	CAP.CHIP(1608.6.3V/4.7uF.X5R)	SAMSUNG	CCUS0J475KCS	2	
C3968,3969	nsp	CAP.CHIP(1608.6.3V/4.7uF.X5R)	SAMSUNG	CCUS0J475KCS	2	
C3971,3972	nsp	CAP.CHIP(1608.6.3V/4.7uF.X5R)	SAMSUNG	CCUS0J475KCS	2	
C3981,3982	nsp	CAP.CHIP(1608.6.3V/4.7uF.X5R)	SAMSUNG	CCUS0J475KCS	2	
C3987	nsp	CAP.CHIP(1005.16V/0.1uF.X7R)	SAMSUNG	CCU11C104KCS	1	
C3988,3989	nsp	CAP.CHIP(1608.6.3V/4.7uF.X5R)	SAMSUNG	CCUS0J475KCS	2	
C3990	nsp	CAP.ALUMINUM ELECTROLYTIC(16V/10uF)		CCEC1CMVG100T	1	
C4001	nsp	CAP.CHIP(1608.50V/18pF.C0G)	SAMSUNG	CCUS1H180JAS	1	
C4002	nsp	CAP.CHIP(1608.50V/15pF.C0G)	SAMSUNG	CCUS1H150JAS	1	
C4005	nsp	CAP.CHIP(1005.50V/33pF.C0G)	SAMSUNG	CCU11H330JAS	1	
C4006	nsp	CAP.CHIP(1005.16V/0.1uF.X7R)	SAMSUNG	CCU11C104KCS	1	
C4009	nsp	CAP.CHIP(1608.16V/0.15uF.X7R.X7S)	SAMSUNG	CCUS1C154KCS	1	*
C4010	nsp	CAP.CHIP(1005.25V/0.012uF.X7R)	SAMSUNG	CCU11E123KCS	1	*
C4011	nsp	CAP.CHIP(1608.16V/0.15uF.X7R.X7S)	SAMSUNG	CCUS1C154KCS	1	*
C4012	nsp	CAP.CHIP(1005.25V/0.012uF.X7R)	SAMSUNG	CCU11E123KCS	1	*
C4016	nsp	CAP.CHIP(1005.16V/0.1uF.X7R)	SAMSUNG	CCU11C104KCS	1	
C4017	nsp	CAP.CHIP(1608.10V/1uF.X7R.X7S)	SAMSUNG	CCUS1A105KCS	1	
C4018,4019	nsp	CAP.CHIP(1005.16V/0.1uF.X7R)	SAMSUNG	CCU11C104KCS	2	
C4020	nsp	CAP.CHIP(2012.6.3V/10uF.X5R)	SAMSUNG	CCUC0J106KCS	1	
C4021	nsp	CAP.CHIP(1005.16V/0.1uF.X7R)	SAMSUNG	CCU11C104KCS	1	
C4022	nsp	CAP.CHIP(2012.6.3V/10uF.X5R)	SAMSUNG	CCUC0J106KCS	1	
C4023-4039	nsp	CAP.CHIP(1005.16V/0.1uF.X7R)	SAMSUNG	CCU11C104KCS	17	
C4040	nsp	CAP.CHIP(1005.50V/1000pF.X7R)	SAMSUNG	CCU11H102KCS	1	
C4043-4059	nsp	CAP.CHIP(1005.16V/0.1uF.X7R)	SAMSUNG	CCU11C104KCS	17	
C4061	nsp	CAP.CHIP(1608.6.3V/4.7uF.X5R)	SAMSUNG	CCUS0J475KCS	1	
C4063,4064	nsp	CAP.CHIP(1005.16V/0.1uF.X7R)	SAMSUNG	CCU11C104KCS	2	
C4067,4068	nsp	CAP.CHIP(1005.16V/0.1uF.X7R)	SAMSUNG	CCU11C104KCS	2	
C4069	nsp	CAP.CHIP(1005.25V/0.01uF.X7R)	SAMSUNG	CCU11E103KCS	1	
C4070	nsp	CAP.CHIP(1608.6.3V/4.7uF.X5R)	SAMSUNG	CCUS0J475KCS	1	
C4072	nsp	CAP.CHIP(1005.16V/0.1uF.X7R)	SAMSUNG	CCU11C104KCS	1	
C4073	nsp	CAP.CHIP(1005.25V/0.01uF.X7R)	SAMSUNG	CCU11E103KCS	1	
C4074	nsp	CAP.CHIP(1005.16V/0.1uF.X7R)	SAMSUNG	CCU11C104KCS	1	
C4075	nsp	CAP.CHIP(1608.6.3V/4.7uF.X5R)	SAMSUNG	CCUS0J475KCS	1	
C4078,4079	nsp	CAP.CHIP(1005.16V/0.1uF.X7R)	SAMSUNG	CCU11C104KCS	2	
C4080	nsp	CAP.CHIP(1005.25V/0.01uF.X7R)	SAMSUNG	CCU11E103KCS	1	
C4081	nsp	CAP.CHIP(1005.16V/0.1uF.X7R)	SAMSUNG	CCU11C104KCS	1	
C4082	nsp	CAP.CHIP(1005.25V/0.01uF.X7R)	SAMSUNG	CCU11E103KCS	1	
C4083	nsp	CAP.CHIP(1608.6.3V/4.7uF.X5R)	SAMSUNG	CCUS0J475KCS	1	
C4085,4086	nsp	CAP.CHIP(1005.16V/0.1uF.X7R)	SAMSUNG	CCU11C104KCS	2	
C4087	nsp	CAP.CHIP(1005.25V/0.01uF.X7R)	SAMSUNG	CCU11E103KCS	1	
C4088	nsp	CAP.CHIP(1608.6.3V/4.7uF.X5R)	SAMSUNG	CCUS0J475KCS	1	
C4090,4091	nsp	CAP.CHIP(1005.16V/0.1uF.X7R)	SAMSUNG	CCU11C104KCS	2	
C4092	nsp	CAP.CHIP(1005.25V/0.01uF.X7R)	SAMSUNG	CCU11E103KCS	1	
C4093	nsp	CAP.CHIP(1005.16V/0.1uF.X7R)	SAMSUNG	CCU11C104KCS	1	
C4094	nsp	CAP.CHIP(1005.25V/0.01uF.X7R)	SAMSUNG	CCU11E103KCS	1	
C4095	nsp	CAP.CHIP(1005.16V/0.1uF.X7R)	SAMSUNG	CCU11C104KCS	1	
C4096	nsp	CAP.CHIP(1005.25V/0.01uF.X7R)	SAMSUNG	CCU11E103KCS	1	
C4097	nsp	CAP.CHIP(1005.16V/0.1uF.X7R)	SAMSUNG	CCU11C104KCS	1	
C4098	nsp	CAP.CHIP(1005.25V/0.01uF.X7R)	SAMSUNG	CCU11E103KCS	1	
C4099	nsp	CAP.CHIP(1005.16V/0.1uF.X7R)	SAMSUNG	CCU11C104KCS	1	
C4100	nsp	CAP.CHIP(1005.25V/0.01uF.X7R)	SAMSUNG	CCU11E103KCS	1	
C4101	nsp	CAP.CHIP(1005.16V/0.1uF.X7R)	SAMSUNG	CCU11C104KCS	1	
C4102	nsp	CAP.CHIP(1005.25V/0.01uF.X7R)	SAMSUNG	CCU11E103KCS	1	
C4103	nsp	CAP.CHIP(1005.16V/0.1uF.X7R)	SAMSUNG	CCU11C104KCS	1	
C4104	nsp	CAP.CHIP(1005.25V/0.01uF.X7R)	SAMSUNG	CCU11E103KCS	1	
C4105	nsp	CAP.CHIP(1005.16V/0.1uF.X7R)	SAMSUNG	CCU11C104KCS	1	
C4106	nsp	CAP.CHIP(1005.25V/0.01uF.X7R)	SAMSUNG	CCU11E103KCS	1	
C4107	nsp	CAP.CHIP(1608.6.3V/4.7uF.X5R)	SAMSUNG	CCUS0J475KCS	1	
C4109,4110	nsp	CAP.CHIP(1005.16V/0.1uF.X7R)	SAMSUNG	CCU11C104KCS	2	
C4111	nsp	CAP.CHIP(1005.25V/0.01uF.X7R)	SAMSUNG	CCU11E103KCS	1	
C4112	nsp	CAP.CHIP(1005.16V/0.1uF.X7R)	SAMSUNG	CCU11C104KCS	1	
C4113	nsp	CAP.CHIP(1005.25V/0.01uF.X7R)	SAMSUNG	CCU11E103KCS	1	
C4114	nsp	CAP.CHIP(1005.16V/0.1uF.X7R)	SAMSUNG	CCU11C104KCS	1	
C4115	nsp	CAP.CHIP(1005.25V/0.01uF.X7R)	SAMSUNG	CCU11E103KCS	1	
C4116	nsp	CAP.CHIP(1005.16V/0.1uF.X7R)	SAMSUNG	CCU11C104KCS	1	
C4117	nsp	CAP.CHIP(1005.25V/0.01uF.X7R)	SAMSUNG	CCU11E103KCS	1	
C4118	nsp	CAP.CHIP(1005.16V/0.1uF.X7R)	SAMSUNG	CCU11C104KCS	1	
C4119	nsp	CAP.CHIP(1005.25V/0.01uF.X7R)	SAMSUNG	CCU11E103KCS	1	
C4120	nsp	CAP.CHIP(1005.16V/0.1uF.X7R)	SAMSUNG	CCU11C104KCS	1	
C4121	nsp	CAP.CHIP(1005.25V/0.01uF.X7R)	SAMSUNG	CCU11E103KCS	1	
C4122	nsp	CAP.CHIP(1005.16V/0.1uF.X7R)	SAMSUNG	CCU11C104KCS	1	
C4123	nsp	CAP.CHIP(1005.25V/0.01uF.X7R)	SAMSUNG	CCU11E103KCS	1	
C4124	nsp	CAP.CHIP(1005.16V/0.1uF.X7R)	SAMSUNG	CCU11C104KCS	1	
C4125	nsp	CAP.CHIP(1005.25V/0.01uF.X7R)	SAMSUNG	CCU11E103KCS	1	
C4126	nsp	CAP.CHIP(1005.16V/0.1uF.X7R)	SAMSUNG	CCU11C104KCS	1	
C4127	nsp	CAP.CHIP(1005.25V/0.01uF.X7R)	SAMSUNG	CCU11E103KCS	1	
C4128	nsp	CAP.CHIP(1005.16V/0.1uF.X7R)	SAMSUNG	CCU11C104KCS	1	
C4129	nsp	CAP.CHIP(1005.25V/0.01uF.X7R)	SAMSUNG	CCU11E103KCS	1	
C4130,4131	nsp	CAP.CHIP(1608.6.3V/4.7uF.X5R)	SAMSUNG	CCUS0J475KCS	2	
C4133,4134	nsp	CAP.CHIP(1005.16V/0.1uF.X7R)	SAMSUNG	CCU11C104KCS	2	
C4135	nsp	CAP.CHIP(1005.25V/0.01uF.X7R)	SAMSUNG	CCU11E103KCS	1	
C4136	nsp	CAP.CHIP(1005.16V/0.1uF.X7R)	SAMSUNG	CCU11C104KCS	1	
C4137	nsp	CAP.CHIP(1005.25V/0.01uF.X7R)	SAMSUNG	CCU11E103KCS	1	

REF No.	Part No.	Part Name	Remarks	Q'ty	New	Ver
C4139	nsp	CAP.CHIP(1608.6.3V/4.7uF.X5R)	SAMSUNG	CCUS0J475KCS	1	
C4141,4142	nsp	CAP.CHIP(1005.16V/0.1uF.X7R)	SAMSUNG	CCU11C104KCS	2	
C4143	nsp	CAP.CHIP(1005.25V/0.01uF.X7R)	SAMSUNG	CCU11E103KCS	1	
C4144	nsp	CAP.CHIP(1005.16V/0.1uF.X7R)	SAMSUNG	CCU11C104KCS	1	
C4145	nsp	CAP.CHIP(1005.25V/0.01uF.X7R)	SAMSUNG	CCU11E103KCS	1	
C4147	nsp	CAP.CHIP(1608.6.3V/4.7uF.X5R)	SAMSUNG	CCUS0J475KCS	1	
C4149	nsp	CAP.CHIP(1005.16V/0.1uF.X7R)	SAMSUNG	CCU11C104KCS	1	
C4150	nsp	CAP.CHIP(1005.25V/0.01uF.X7R)	SAMSUNG	CCU11E103KCS	1	
C4151	nsp	CAP.CHIP(1005.16V/0.1uF.X7R)	SAMSUNG	CCU11C104KCS	1	
C4152	nsp	CAP.CHIP(1005.25V/0.01uF.X7R)	SAMSUNG	CCU11E103KCS	1	
C4153	nsp	CAP.CHIP(1005.16V/0.1uF.X7R)	SAMSUNG	CCU11C104KCS	1	
C4154	nsp	CAP.CHIP(1005.25V/0.01uF.X7R)	SAMSUNG	CCU11E103KCS	1	
C4155	nsp	CAP.CHIP(1005.16V/0.1uF.X7R)	SAMSUNG	CCU11C104KCS	1	
C4156	nsp	CAP.CHIP(1005.25V/0.01uF.X7R)	SAMSUNG	CCU11E103KCS	1	
C4157	nsp	CAP.CHIP(1005.16V/0.1uF.X7R)	SAMSUNG	CCU11C104KCS	1	
C4158	nsp	CAP.CHIP(1005.25V/0.01uF.X7R)	SAMSUNG	CCU11E103KCS	1	
C4159	nsp	CAP.CHIP(1608.6.3V/4.7uF.X5R)	SAMSUNG	CCUS0J475KCS	1	
C4161	nsp	CAP.CHIP(1005.16V/0.1uF.X7R)	SAMSUNG	CCU11C104KCS	1	
C4162	nsp	CAP.CHIP(1005.25V/0.01uF.X7R)	SAMSUNG	CCU11E103KCS	1	
C4163	nsp	CAP.CHIP(1005.16V/0.1uF.X7R)	SAMSUNG	CCU11C104KCS	1	
C4164,4165	nsp	CAP.CHIP(1005.25V/0.01uF.X7R)	SAMSUNG	CCU11E103KCS	2	
C4167,4168	nsp	CAP.CHIP(1005.16V/0.1uF.X7R)	SAMSUNG	CCU11C104KCS	2	
C4169	nsp	CAP.CHIP(1005.25V/0.01uF.X7R)	SAMSUNG	CCU11E103KCS	1	
C4170	nsp	CAP.CHIP(1608.6.3V/4.7uF.X5R)	SAMSUNG	CCUS0J475KCS	1	
C4171	nsp	CAP.CHIP(1005.16V/0.1uF.X7R)	SAMSUNG	CCU11C104KCS	1	
C4172	nsp	CAP.CHIP(1005.25V/0.01uF.X7R)	SAMSUNG	CCU11E103KCS	1	
C4174,4175	nsp	CAP.CHIP(1005.16V/0.1uF.X7R)	SAMSUNG	CCU11C104KCS	2	
C4176	nsp	CAP.CHIP(1005.25V/0.01uF.X7R)	SAMSUNG	CCU11E103KCS	1	
C4177,4178	nsp	CAP.CHIP(1608.6.3V/4.7uF.X5R)	SAMSUNG	CCUS0J475KCS	2	
C4180	nsp	CAP.CHIP(1005.16V/0.1uF.X7R)	SAMSUNG	CCU11C104KCS	1	
C4181	nsp	CAP.CHIP(1005.25V/0.01uF.X7R)	SAMSUNG	CCU11E103KCS	1	
C4182	nsp	CAP.CHIP(1005.16V/0.1uF.X7R)	SAMSUNG	CCU11C104KCS	1	
C4183	nsp	CAP.CHIP(1005.25V/0.01uF.X7R)	SAMSUNG	CCU11E103KCS	1	
C4201-4216	nsp	CAP.CHIP(1005.16V/0.1uF.X7R)	SAMSUNG	CCU11C104KCS	16	
C4219	nsp	CAP.CHIP(1608.6.3V/4.7uF.X5R)	SAMSUNG	CCUS0J475KCS	1	
C4220-4223	nsp	CAP.CHIP(1005.16V/0.1uF.X7R)	SAMSUNG	CCU11C104KCS	4	
C4301-4303	nsp	CAP.CHIP(1005.16V/0.1uF.X7R)	SAMSUNG	CCU11C104KCS	3	
C4304	nsp	CAP.CHIP(1608.10V/1uF.X7R.X7S)	SAMSUNG	CCUS1A105KCS	1	
C4305	nsp	CAP.CHIP(1005.16V/0.1uF.X7R)	SAMSUNG	CCU11C104KCS	1	
C4306	nsp	CAP.CHIP(1608.10V/1uF.X7R.X7S)	SAMSUNG	CCUS1A105KCS	1	
C4307	nsp	CAP.CHIP(1005.16V/0.1uF.X7R)	SAMSUNG	CCU11C104KCS	1	
C4308	nsp	CAP.CHIP(1608.10V/1uF.X7R.X7S)	SAMSUNG	CCUS1A105KCS	1	
C4309	nsp	CAP.CHIP(1005.16V/0.1uF.X7R)	SAMSUNG	CCU11C104KCS	1	
C4310	nsp	CAP.CHIP(1608.10V/1uF.X7R.X7S)	SAMSUNG	CCUS1A105KCS	1	
C4311-4335	nsp	CAP.CHIP(1005.16V/0.1uF.X7R)	SAMSUNG	CCU11C104KCS	25	
C4336,4337	nsp	CAP.CHIP(1608.50V/9pF.C0G)	SAMSUNG	CCUS1H090DAS	2	*
C4338	nsp	CAP.CHIP(1005.50V/1000pF.X7R)	SAMSUNG	CCU11H102KCS	1	
C4339-4346	nsp	CAP.CHIP(1005.16V/0.1uF.X7R)	SAMSUNG	CCU11C104KCS	8	
C4353-4361	nsp	CAP.CHIP(1005.50V/1000pF.X7R)	SAMSUNG	CCU11H102KCS	9	
C4371-4373	nsp	CAP.CHIP(1608.10V/1uF.X7R.X7S)	SAMSUNG	CCUS1A105KCS	3	
C4381-4384	nsp	CAP.CHIP(1608.6.3V/4.7uF.X5R)	SAMSUNG	CCUS0J475KCS	4	
C4396,4397	nsp	CAP.CHIP(1608.6.3V/4.7uF.X5R)	SAMSUNG	CCUS0J475KCS	2	
C4404,4405	nsp	CAP.CHIP(1608.6.3V/4.7uF.X5R)	SAMSUNG	CCUS0J475KCS	2	
C4411,4412	nsp	CAP.CHIP(1608.6.3V/4.7uF.X5R)	SAMSUNG	CCUS0J475KCS	2	
C4417,4418	nsp	CAP.CHIP(1608.6.3V/4.7uF.X5R)	SAMSUNG	CCUS0J475KCS	2	
C4420,4421	nsp	CAP.CHIP(1608.6.3V/4.7uF.X5R)	SAMSUNG	CCUS0J475KCS	2	
C4423,4424	nsp	CAP.CHIP(1608.6.3V/4.7uF.X5R)	SAMSUNG	CCUS0J475KCS	2	
C4425	nsp	CAP.ALUMINUM ELECTROLYTIC(16V/10uF)		CCEC1CMV100T	1	
C4429,4430	nsp	CAP.CHIP(1608.6.3V/4.7uF.MURATAGRM18)		CCUS0J475KCS	2	
C5001	nsp	CAP.CHIP(1005.16V/0.1uF.X7R)	SAMSUNG	CCU11C104KCS	1	
C5002	nsp	CAP.CHIP(1005.50V/1000pF.X7R)	SAMSUNG	CCU11H102KCS	1	
C5011,5012	nsp	CAP.CHIP(1608.6.3V/4.7uF.X5R)	SAMSUNG	CCUS0J475KCS	2	
C5013,5014	nsp	CAP.CHIP(1005.16V/0.1uF.X7R)	SAMSUNG	CCU11C104KCS	2	
C5021,5022	nsp	CAP.CHIP(1608.6.3V/4.7uF.X5R)	SAMSUNG	CCUS0J475KCS	2	
C5023,5024	nsp	CAP.CHIP(1005.16V/0.1uF.X7R)	SAMSUNG	CCU11C104KCS	2	
C5031,5032	nsp	CAP.CHIP(1608.6.3V/4.7uF.X5R)	SAMSUNG	CCUS0J475KCS	2	
C5033,5034	nsp	CAP.CHIP(1005.16V/0.1uF.X7R)	SAMSUNG	CCU11C104KCS	2	
C5041,5042	nsp	CAP.CHIP(1608.6.3V/4.7uF.X5R)	SAMSUNG	CCUS0J475KCS	2	
C5043,5044	nsp	CAP.CHIP(1005.16V/0.1uF.X7R)	SAMSUNG	CCU11C104KCS	2	
C5101	nsp	CAP.CHIP(1005.16V/0.1uF.X7R)	SAMSUNG	CCU11C104KCS	1	
C5111	nsp	CAP.CHIP(1005.25V/0.022uF.X7R)	SAMSUNG	CCU11E223KCS	1	
<b>OTHER PARTS GROUP</b>						
BK102,103	nsp	BRACKET.PCB		CMD1A569-V1	2	
BK501,502	nsp	BRACKET.NETWORKA		CMD1A900	2	
BN111	nsp	WIREASSY(4P,2.0MM,120MM,UL1007#24)		CWB1C004120LC	1	*
BN21A	nsp	PIN SOCKET(19P,1.25mm,ANGLE,B-T0-B)		CJP19HJ282Z	1	
BN23A,24	nsp	PIN SOCKET(27P,1.25mm,ANGLE,B-T0-B)		CJP27HJ282Z	2	
BN25A	nsp	PIN SOCKET(23P,1.25mm,ANGLE,B-T0-B)		CJP23HJ282Z	1	
BN26A	nsp	PIN SOCKET(09P,1.25mm,ANGLE,B-T0-B)		CJP09HJ282Z	1	
BN27A	nsp	PIN SOCKET(15P,1.25mm,ANGLE,B-T0-B)		CJP15HJ282Z	1	
CN152	nsp	WAFER.FFC.SMD(11P,1mm,STRAIGHT)		CJP11GA193ZY	1	
CN171	nsp	WAFER.FFC.SMD(11P,1mm,STRAIGHT)		CJP11GA193ZY	1	
CN221	nsp	WAFER.FFC.SMD(07P-1mm,STRAIGHT)		CJP07GA193ZY	1	
CN251	nsp	WAFER.FFC.SMD(11P-1mm,STRAIGHT)		CJP11GA193ZY	1	
CN252,253	nsp	WAFER.FFC.SMD(07P-1mm,STRAIGHT)		CJP07GA193ZY	2	
CN401	nsp	WAFER.FFC.SMD(07P-1mm,STRAIGHT)		CJP07GA193ZY	1	
CN431	nsp	WAFER.FFC.SMD(23P-1mm,STRAIGHT)		CJP23GA193ZY	1	
CN501,502	nsp	WAFER,64pin(2x32x1.27mm)SMDTYPE		CJP64GA3122P	2	
CN511,512	nsp	WAFER.FFC.SMD(07P-1mm,STRAIGHT)		CJP07GA193ZY	2	
CN69B	nsp	WAFER.FFC.SMD(40P-1mm,STRAIGHT)		CJP40GA193ZY	1	
CN704	nsp	WAFER,2mm,SMD,Vertical,07p		CJP07GA208ZY	1	
CN903	nsp	LOCK-WAFER/STRAIGHT/2.5MMPITCH/5PIN		CJP05G289ZY	1	
JK201	943643101110S	JACK,2P(ORG),SILVER		CJJ4N068Y	1	
JK202,203	943262100150S	MODULE,OPTICAL(RX16MHz)		CJSJSR1124	2	
JK381-384	943643102920S	JACK,HDMI(TYPE-A,SMT-19P,WITHFLANGE)		CJJ9H021Z	4	
JK391-394	943643102920S	JACK,HDMI(TYPE-A,SMT-19P,WITHFLANGE)		CJJ9H021Z	4	
JK431	943643102920S	JACK,HDMI(TYPE-A,SMT-19P,WITHFLANGE)		CJJ9H021Z	1	
JK501	943643102430S	JACK,RJ-45W/TRANSFORMER		CJJ9L029Z	1	
JW501	nsp	WIREASSY(1P,80MM,BLK,#22)		CWE5202080A	1	
JW503,504	nsp	WIREASSY(1P,80MM,BLK,#22)		CWE5202080A	2	
L1001	nsp	RES.CHIP(1608/5%/0ohm)		CRJ10DJOR0T	1	
L1003,1004	nsp	FERRITECHIPBEAD(1608/60R,CB03YTYH600)		CLZ9R005V	2	
L1005,1006	nsp	RES.CHIP(1608/5%/0ohm)		CRJ10DJOR0T	2	
L1007	nsp	FERRITECHIPBEAD(1608/60R,CB03YTYH600)		CLZ9R005V	1	
L1008	nsp	RES.CHIP(1608/5%/0ohm)		CRJ10DJOR0T	1	

REF No.	Part No.	Part Name	Remarks	Q'ty	New	Ver
L1009	nsp	FERRITECHIPBEAD(1608/60R,CB03YTYH600)		CLZ9R005V	1	
L1012	nsp	RES.CHIP(1608/5%/0ohm)		CRJ10DJ0R0T	1	
L1013,1014	nsp	FERRITECHIPBEAD(1608/60R,CB03YTYH600)		CLZ9R005V	2	
L1015-1019	nsp	RES.CHIP(1608/5%/0ohm)		CRJ10DJ0R0T	5	
L1021-1024	nsp	RES.CHIP(1608/5%/0ohm)		CRJ10DJ0R0T	4	
L1027-1033	nsp	RES.CHIP(1608/5%/0ohm)		CRJ10DJ0R0T	7	
L1121	nsp	FERRITECHIPBEAD(1608/60R,CB03YTYH600)		CLZ9R005V	1	
L1124	nsp	FERRITECHIPBEAD(1608/60R,CB03YTYH600)		CLZ9R005V	1	
L1131	nsp	FERRITECHIPBEAD(1608/60R,CB03YTYH600)		CLZ9R005V	1	
L1134	nsp	FERRITECHIPBEAD(1608/60R,CB03YTYH600)		CLZ9R005V	1	
L1141	nsp	FERRITECHIPBEAD(1608/60R,CB03YTYH600)		CLZ9R005V	1	
L1144	nsp	FERRITECHIPBEAD(1608/60R,CB03YTYH600)		CLZ9R005V	1	
L1151	nsp	FERRITECHIPBEAD(1608/60R,CB03YTYH600)		CLZ9R005V	1	
L1154	nsp	FERRITECHIPBEAD(1608/60R,CB03YTYH600)		CLZ9R005V	1	
L1161	nsp	FERRITECHIPBEAD(1608/60R,CB03YTYH600)		CLZ9R005V	1	
L1164	nsp	FERRITECHIPBEAD(1608/60R,CB03YTYH600)		CLZ9R005V	1	
L1171	nsp	FERRITECHIPBEAD(1608/60R,CB03YTYH600)		CLZ9R005V	1	
L1174	nsp	FERRITECHIPBEAD(1608/60R,CB03YTYH600)		CLZ9R005V	1	
L1181	nsp	FERRITECHIPBEAD(1608/60R,CB03YTYH600)		CLZ9R005V	1	
L1184	nsp	FERRITECHIPBEAD(1608/60R,CB03YTYH600)		CLZ9R005V	1	
L1191	nsp	FERRITECHIPBEAD(1608/60R,CB03YTYH600)		CLZ9R005V	1	
L1194	nsp	FERRITECHIPBEAD(1608/60R,CB03YTYH600)		CLZ9R005V	1	
L1201	nsp	FERRITECHIPBEAD(1608/60R,CB03YTYH600)		CLZ9R005V	1	
L1204	nsp	FERRITECHIPBEAD(1608/60R,CB03YTYH600)		CLZ9R005V	1	
L1211-1213	nsp	FERRITECHIPBEAD(2012/220R)		CLZBLM21PG221SN	3	
L1214	nsp	FERRITECHIPBEAD(2012/120R)		CLZBLM21AG121SN	1	
L3501-3513	nsp	FERRITECHIPBEAD(2012/220R)		CLZBLM21PG221SN	13	
L3801-3808	nsp	FERRITECHIPBEAD(2012/220R)		CLZBLM21PG221SN	8	
L3901-3908	nsp	FERRITECHIPBEAD(2012/220R)		CLZBLM21PG221SN	8	
L3909	943113100000S	COMMONMODEFILTER(1210,90ohm)		CLZ9Z188Z	1	
L4001-4008	nsp	FERRITECHIPBEAD(1608/60R,CB03YTYH600)		CLZ9R005V	8	
L4010	nsp	FERRITECHIPBEAD(1608/60R,CB03YTYH600)		CLZ9R005V	1	
L4012-4016	nsp	FERRITECHIPBEAD(1608/60R,CB03YTYH600)		CLZ9R005V	5	
L4301-4308	nsp	FERRITECHIPBEAD(2012/220R)		CLZBLM21PG221SN	8	
L4309	943113100000S	COMMONMODEFILTER(1210,90ohm)		CLZ9Z188Z	1	
L5111,5112	nsp	COMMONMODEFILTER(2012,90ohm)		CLZ9Z174Z	2	
X1501	943141101260S	X-TAL_SMD(12MHz/8pF,FA-238V,3.2X2.5)		COX12000I080SP	1	*
X1701	943141101260S	X-TAL_SMD(12MHz/8pF,FA-238V,3.2X2.5)		COX12000I080SP	1	*
X2001	943141101270S	X-TAL_SMD(24.576MHz/10pF,FA-238,3.2X2.5)		COX24576I100SP	1	*
X2501	943141101280S	X-TAL_SMD(25MHz/12pF,FA-238,3.2X2.5)		COX25000I120SP	1	*
X3501	943141101300S	X-TAL_SMD(27MHz/12pF,FA-238,3.2X2.5)		COX27000I120SP	1	*
X3801	943141101290S	X-TAL_SMD(27MHz/7pF,FA-238,3.2X2.5)		COX27000I070SP	1	*
X3901	943141101290S	X-TAL_SMD(27MHz/7pF,FA-238,3.2X2.5)		COX27000I070SP	1	*
X4001	943141101300S	X-TAL_SMD(27MHz/12pF,FA-238,3.2X2.5)		COX27000I120SP	1	*
X4301	943141101290S	X-TAL_SMD(27MHz/7pF,FA-238,3.2X2.5)		COX27000I070SP	1	*

SMPS PCB ASS'Y

※Parts indicated by "nsp"on this table cannot be supplied.

※The parts listed below are only for maintenance. Therefore they might differ from the parts used in the unit in appearances or dimensions.

NOTE:The symbols in the column Remarks indicate the following destinations.

E3 : U.S.A. & Canada model E2 : Europe model E1C : China model E1 : Asia model JP : Japan model  
B : Black model SG : Silver gold model

REF No.	Part No.	Part Name	Remarks	Q'ty	New	Ver
<b>SEMICONDUCTORS GROUP</b>						
D9001-9006	00D9630328409	DIODE,RECTIFIER,AXIAL		CVD1N4007ST	6	
D9008,9009	00D9630328409	DIODE,RECTIFIER,AXIAL		CVD1N4007ST	2	
D9010	00D9430182609	DIODE,SWITCHING		CVD1SS133MT	1	
D9012	943209500030S	DIODE,LOWFORWARDSCHOTTKYRECTIFIER		CVDSRL3060P	1	
D9013	00D9630328409	DIODE,RECTIFIER,AXIAL		CVD1N4007ST	1	
I IC901	23901007520AS	I.C.OFFLINEPOWERSWITCH		CVITOP256YN	1	
I IC902	963239010480S	I.C.PHOTOCOUPLER		CVIPCT123Y22FZ0F	1	
IC903	212050010508S	I.C.SHUNTREGULATOR(TO-92)		CVKIA2431AP	1	
Q9001	943229500110S	F.E.T,INK0010AC1(N-CH,SC-59,MOSFET,ISAHAYA)		CVTINK0010AC1	1	
Q9003	943214500020S	T.R,2SC3052		CVT2SC3052	1	
ZD908	943202500850S	TVSDIODE,120V/5W	E3	CVDPEKE120AT	1	*
ZD911	943202500860S	TVSDIODE,150V/5W		CVDPEKE150AT	1	*
ZD918	963202010440S	DIODE,ZENER,1/2W,22V		CVDZJ22BT	1	
ZD919	00D9600095607	DIODE,ZENER,1/2W,5.6V		CVDZJ5.6BT	1	
ZD920	00D2760762958	DIODE,ZENER,1/2W,39V		CVDZJ39BT	1	
ZD921	00D9430196306	DIODE,ZENER,1/2W,7.5V	E3	CVDZJ7.5BT	1	
ZD921	943202000940S	DIODE,ZENER,1/2W,16V	E2, E1C	CVDZJ16BT	1	
ZD922	00D2760762958	DIODE,ZENER,1/2W,39V		CVDZJ39BT	1	
<b>RESISTOR GROUP</b>						
R9004	nsp	RES,CARBON(1/5W,330Kohm,J)		CRD20TJ334T	1	
R9006	nsp	RES,CHIP(1608/5%/1Mohm)		CRJ10DJ105T	1	
R9008,9009	nsp	RES,CARBON(1/5W,2.2Mohm,J)	E3	CRD20TJ225T	2	
R9010	nsp	RES,CARBON(1/5W,1Mohm,J)	E3	CRD20TJ105T	1	
R9014	nsp	RES,CHIP(1608/5%/270Kohm)	E3	CRJ10DJ274T	1	
R9014	nsp	RES,CHIP(1608/5%/56Kohm)	E2, E1C	CRJ10DJ563T	1	
R9015	nsp	RES,CHIP(1608/5%/8.2Kohm)		CRJ10DJ822T	1	
R9016	nsp	RES,CHIP(1608/5%/1Kohm)		CRJ10DJ102T	1	
R9017	nsp	RES,CARBON(1/5W,6.8ohm,J)		CRD20TJ6R8T	1	
R9018	nsp	RES,CARBON(1/5W,5.6ohm,J)		CRD20TJ560T	1	
R9019	nsp	RES,CARBON(1/5W,3.3Kohm,J)		CRD20TJ332T	1	
R9020	nsp	RES,CARBON(1/5W,5.6Kohm,J)		CRD20TJ562T	1	
R9021	nsp	RES,CHIP(1608/1%/22Kohm)		CRJ10DF2202T	1	
R9024	nsp	RES,CHIP(1608/1%/6.8Kohm)		CRJ10DF6801T	1	
R9026	nsp	RES,CHIP(1608/5%/10Kohm)		CRJ10DJ103T	1	
R9027	nsp	RES,CARBON(1/5W,4.7Kohm,J)		CRD20TJ472T	1	
I R9031	943121501000S	RES,SURGE,(8.2MOHM,5%,1/2W,PRCTYPE)		CRO50TJ825T	1	*
R9035-9037	nsp	RES,CHIP(2012/5%/1Mohm)		CRJ18AJ105T	3	
<b>CAPACITORS GROUP</b>						
I C9001-9003	963132011940S	CAP,CERAMIC(X1/Y2,0.01uF,AC250V)		CCKDKY103MFM	3	
C9004 EXPLODE_C28	943134503040S	CAP,ELECT(200V/220uF),105°C	E3	CCET200NHA221ES	1	*
C9004 EXPLODE_C28	963134010200S	CAP,ELECT(400V/100UF,18X40,NHA)	E2, E1C	CCET400NHA101ES	1	
C9006	nsp	CAP,CHIP(1608,50V/0.047uF,X7R) SAMSUNG		CCUS1H473KCS	1	
C9007	nsp	CAP,CHIP(1608,50V/0.01uF,X7R) SAMSUNG		CCUS1H103KCS	1	
C9008	nsp	CAP,CHIP(1608,50V/0.1uF,X7R) SAMSUNG		CCUS1H104KCS	1	
C9009	00D9430175108	CAP,ELECT(50V/10uF),105°C		CCEA1HNXA100TS	1	
C9010	nsp	CAP,CHIP(1608,50V/0.1uF,X7R) SAMSUNG		CCUS1H104KCS	1	
C9012	963132010120S	CAP,CERAMIC(DC1KV/1000pF)		CCKDDEH102KCM	1	
C9016	nsp	CAP,CHIP(1608,50V/0.1uF,X7R) SAMSUNG		CCUS1H104KCS	1	
C9017	00MOA47602520	CAP,ELECT(25V/47uF),105°C		CCEA1ENXA470TS	1	
C9018	nsp	CAP,CHIP(1608,50V/0.1uF,X7R) SAMSUNG		CCUS1H104KCS	1	
C9019	nsp	CAP,CHIP(1608,6.3V/4.7uF,X5R) SAMSUNG		CCUS0J475KCS	1	
C9020-9022 EXPLODE_C23-	963134010220S	CAP,ELECT(6.3V/5600uF)		CCEA0JNXA562ES	3	
C9024	nsp	CAP,CHIP(1608,50V/0.1uF,X7R) SAMSUNG		CCUS1H104KCS	1	
I C9028	963132011930S	CAP,CERAMIC(X1/Y1,2200P,AC250V)		CCKDKX222MEM	1	
C9029	nsp	CAP,CHIP(1608,50V/0.1uF,X7R) SAMSUNG		CCUS1H104KCS	1	
<b>OTHER PARTS GROUP</b>						
BK901,902	nsp	BRACKET,PCBM3		CMD1A834	2	
BK903	nsp	BRACKET,PCB		CMD1A629	1	
BN903 EXPLODE_C26	nsp	WIREASS'YLOCKING(5P,2.5MM,400MM,UL1569#22,105)		CWB7D0054003D	1	
CN901	nsp	WAFER,2P,3.96mm		CJP02KA060ZY	1	
CN902	nsp	WAFER,2P,7.92mm		CJP02GA89ZY	1	
I CX901	943139500020S	CAP,POLYPROPYLENEFILM(0.1uF/275VAC)		CCQF2E104KZE-T	1	
I CX902	943139500020S	CAP,POLYPROPYLENEFILM(0.1uF/275VAC)	E3	CCQF2E104KZE-T	1	
I CY901,902	963134011730S	CAP,CERAMIC(X1/Y1,470P,AC250V)		CCKDKX471KBM	2	
I F9001	963652010510S	FUSE(S506Series,250V,2A)	E3	CBA2C2000TLEC	1	
I F9001	963652010500S	FUSE(S506Series,250V,1.6A)	E2, E1C	CBA2C1600TLEC	1	
F9001,9002	nsp	HOLDER,FUSE		KJCFCS5	2	
I F9002	90M-FS001220R	FUSE(218Series,250V/8A)	E3	KBA2C8000TLEY	1	
I F9002	90M-FS001490R	FUSE(218Series,250V/4A)	E2, E1C	KBA2C4000TLEY	1	
I LF901 EXPLODE_C29	943121501000S	LINEFILTER(1.2A,29mH)	E3	CLZ9Z176Z	1	*
I LF901 EXPLODE_C29	943134503040S	LINEFILTER(0.7A,65mH)	E2, E1C	CLZ9Z177Z	1	*
I RY901	963682010370S	RELAY,HL31-1AT-5H,DC5V,1C1P		CSL1C006ZE	1	
I T9001 EXPLODE_C27	943102100350S	TRANS,SWITCHING		CLT9Z093ZE	1	
★	nsp	RUBBER,TRANS		CHG1A587	1	
★	nsp	SCREW		CTW3+10JR	1	
★	nsp	SCREW		CTB3+8JR	1	



## CX870 PCB ASSY

※Parts indicated by "nsp" on this table cannot be supplied.

※The parts listed below are only for maintenance. Therefore they might differ from the parts used in the unit in appearances or dimensions.

NOTE: The symbols in the column Remarks indicate the following destinations.

E3 : U.S.A. & Canada model E2 : Europe model E1C : China model E1 : Asia model JP : Japan model

B : Black model SG : Silver gold model

REF No.	Part No.	Part Name	Remarks	Q'ty	New	Ver
<b>SEMICONDUCTORS GROUP</b>						
IC911	943239101090S	I.C.Highsideswitch(TSSOP-B8)		CVIBD82065FVJ-E2	1	
IC921	nsp	MODULE, BLUETOOTH, CLASS2, IBT-06-02		CNVIBT-06-02	1	
IC922	00MHC012405KY	I.C.INVERTER(SON5-P-0.50)		CVITC7SGU04FE	1	
IC923	943231101890S	I.C.LDOREGULATOR(HTSOP-J8)		CVIBD00HA3WFEJ-E2	1	
<b>RESISTOR GROUP</b>						
R9102,9103	nsp	RES.CHIP(1005/5%/0ohm)		CRJ06J0R0T	2	
R9106	nsp	RES.CHIP(1005/5%/10Kohm)		CRJ06J103T	1	
R9107-9112	nsp	RES.CHIP(1005/5%/0ohm)		CRJ06J0R0T	6	
R9113	nsp	RES.CHIP(1005/5%/10Kohm)		CRJ06J103T	1	
R9114	nsp	RES.CHIP(1005/5%/10ohm)		CRJ06J100T	1	
R9116	nsp	RES.CHIP(1005/5%/0ohm)		CRJ06J0R0T	1	
R9119	nsp	RES.CHIP(1005/5%/10Kohm)		CRJ06J103T	1	
R9122,9123	nsp	RES.CHIP(1005/5%/10Kohm)		CRJ06J103T	2	
R9124,9125	nsp	RES.CHIP(1005/5%/33ohm)		CRJ06J330T	2	
R9127	nsp	RES.CHIP(1005/5%/10Kohm)		CRJ06J103T	1	
R9141-9152	nsp	RES.CHIP(1608/5%/0ohm)		CRJ10DJ0R0T	12	
R9161,9162	nsp	RES.CHIP(1005/5%/2.2Kohm)		CRJ06J222T	2	
R9191	nsp	RES.CHIP(1608/5%/0ohm)		CRJ10DJ0R0T	1	
R9202	nsp	RES.CHIP(1005/5%/680Kohm)		CRJ06J684T	1	*
R9203,9204	nsp	RES.CHIP(1005/5%/10Kohm)		CRJ06J103T	2	
R9206	nsp	RES.CHIP(1005/5%/10Mohm)		CRJ06J106T	1	*
R9207	nsp	RES.CHIP(1005/5%/0ohm)		CRJ06J0R0T	1	
R9211	nsp	RES.CHIP(1005/5%/10Kohm)		CRJ06J103T	1	
R9213	nsp	RES.CHIP(1608/5%/11Kohm)		CRJ10DJ113T	1	
R9214	nsp	RES.CHIP(1608/5%/39Kohm)		CRJ10DJ393T	1	
RN911	nsp	RES.CHIP(1005/5%/0ohm*4)		CRJ064J0R0T	1	
RN913	nsp	RES.CHIP(1005/5%/0ohm*4)		CRJ064J0R0T	1	
RN915	nsp	RES.CHIP(1005/5%/0ohm*4)		CRJ064J0R0T	1	
<b>CAPACITORS GROUP</b>						
C9105,9106	nsp	CAP.CHIP(1005,16V/0.1uF,X7R) SAMSUNG		CCUI1C104KCS	2	
C9107-9110	nsp	CAP.CHIP(2012,6.3V/10uF,X5R) SAMSUNG		CCUC0J106KCS	4	
C9113	nsp	CAP.CHIP(2012,6.3V/10uF,X5R) SAMSUNG		CCUC0J106KCS	1	
C9114,9117	nsp	CAP.CHIP(1608,50V/0.1uF,X7R) SAMSUNG		CCUS1H104KCS	4	
C9201,9202	nsp	CAP.CHIP(1608,10V/1uF,X7R,X7S) SAMSUNG		CCUS1A105KCS	2	
C9203-9205	nsp	CAP.CHIP(1005,16V/0.1uF,X7R) SAMSUNG		CCUI1C104KCS	3	
C9206	nsp	CAP.CHIP(1608,50V/27pF,C0G) SAMSUNG		CCUS1H270JAS	1	
C9207	nsp	CAP.CHIP(1608,50V/22pF,C0G) SAMSUNG		CCUS1H220JAS	1	
C9211	nsp	CAP.CHIP(1608,10V/1uF,X7R,X7S) SAMSUNG		CCUS1A105KCS	1	
C9213	nsp	CAP.CHIP(1608,10V/1uF,X7R,X7S) SAMSUNG		CCUS1A105KCS	1	
<b>OTHER PARTS GROUP</b>						
BK911,912	nsp	BRACKET_NETWORKB		CMD1A902	2	
BN501,502	nsp	WAFER,64pin(2x32x1.27mm)FEMALESMDTYPE		CJP64GA314ZP	2	
BN921	nsp	WIREASS'YLocking(YH)(11P,2MM,350MM,#26)		CWB7B011380HC00	1	*
EXPL0DE_C43	nsp					
CN911	nsp	WAFER,120PINH=4.5mmp=0.5mm		CJP120GA313ZR	1	
CN914	nsp	LOCK-WAFER/ANGLE/2MMPITCH/5PIN		CJP05GJ288ZY	1	
CN915	nsp	WAFER,SMTRIGHTANGLE		CJP04GB220ZY	1	
CN916	nsp	LOCK-WAFER/ANGLE/2MMPITCH/11PIN		CJP11GJ288ZY	1	*
CN917	nsp	WAFER,FFC,SMD(07P-1mm,STRAIGHT)		CJP07GA193ZY	1	
JW913	nsp	WIREASS'Y(1P,80MM,BLK,#22)		CWE5202080A	1	
L9101,9102	nsp	FERRITECHIPBEAD(1608/60R,CB03YTYH600)		CLZ9R005V	2	
L9201,9202	nsp	FERRITECHIPBEAD(1608/60R,CB03YTYH600)		CLZ9R005V	2	
X9201	943141101250S	X-TAL,SMD(32.768KHz/12.5pF,FC-135,3.2x2.5)		COX000321125SP	1	*

## EXPLODE

※Parts indicated by "nsp"on this table cannot be supplied.

※The parts listed below are only for maintenance. Therefore they might differ from the parts used in the unit in appearances or dimensions.

NOTE:The symbols in the column Remarks indicate the following destinations.

E3 : U.S.A. & Canada model E2 : Europe model E1C : China model E1 : Asia model JP : Japan model  
B : Black model SG : Silver gold model

REF No.	Part No.	Part Name	Remarks	Q'ty	New	Ver
C1	nsp	FRONTPCB		COP12623	1	*
LC4	nsp	FRONT HDMI FFC CABLE PCB		COP12623	1	*
C12	943639101610D	INPUT PCB	E3	COP12634M	1	*
C12	943639101620D	INPUT PCB	E2	COP12634N	1	*
C12	943639101630D	INPUT PCB	E1C	COP12634P	1	*
LC5	-	F.HDMI PCB	E3	COP12634M	1	*
LC5	-	F.HDMI PCB	E2	COP12634N	1	*
LC5	-	F.HDMI PCB	E1C	COP12634P	1	*
C30	nsp	FRT CNT PCB		COP12630M	1	*
LC32	nsp	SIDE CNT PCB		COP12630M	1	*
LC7	nsp	GUIDE L(12630) PCB		COP12630M	1	*
LC8	nsp	GUIDE R(12630) PCB		COP12630M	1	*
C9	nsp	AMP PCB		COP12625M	1	*
C14	nsp	VIDEO PCB		COP12534R	1	*
LC11	nsp	GUIDE FFC PCB		COP12534R	1	*
C15	9U6391014900D	DIGITAL PCB ASSY (E3)	E3	COP12638M	1	*
C15	9U6391015000D	DIGITAL PCB ASSY (E2)	E2	COP12638N	1	*
C15	9U6391015100D	DIGITAL PCB ASSY (E1C)	E1C	COP12638P	1	*
C17	943189100810D	CX870 MODULE ASSY (E3)	E3	CVIANAM1999AV	1	*
C17	943189100820D	CX870 MODULE ASSY (E2)	E2	CVIANAM2005AV	1	*
C17	943189100830D	CX870 MODULE ASSY (E1C)	E1C	CVIANAM2011AV	1	*
C42-18	943639101590D	CX870 MIDDLE / BT BASE ASSY		COP12666M	1	*
C22	nsp	SMPS PCB		COP12641M	1	*
C33	nsp	SPK PCB		COP12627M	1	*
LC31	nsp	FUSE PCB		COP12627M	1	*
C3	943606502550S	CARDCABLE,(1mm/40P/250mm/B/SHIELD)		CWC4F2A40A250B0	1	*
C6	943606502540S	CARDCABLE,(1mm/23P/280mm/B/SHIELD)		CWC4F2A23A280B1	1	*
C19	-	2PWIREASSY(100MM)		CWZPM5003TW91A	1	
TRT01	00MYJ04002640	RECEPTACLE,AC(15A/250V,R-301,B21)		CJ8A0062W	1	
LTW91	nsp	2PWIREASSY(100MM)		CWZPM5003TW91	1	
C20a	963116100530S	WIFI ANT(L) : wire 450mm		E600506600010S	1	
C20b	963116100540S	WIFI ANT(R) : wire 300mm		E600505600010S	1	
C21	943101102520D	POWER TRANS (E3)	E3	CLT5V068ZU	1	*
C21	943101102530D	POWER TRANS (E2)	E2	CLT5V068ZE	1	*
C21	943101102540D	POWER TRANS (E1C)	E1C	CLT5V068ZH	1	*
M1	42141003400AD	BADGE,DENON	E3	CGB1A275Z	1	
M1	42141002400AD	BADGE,DENON	E2	CGB1A254Z-V1	1	
M1	42141002401AD	BADGE,DENON	E1C	CGB1A254Y-V1	1	
M1a	42131003300AD	BADGE,INCOMEND	E3	CGB1A276Z	1	
M2	nsp	EARTH,PHONE		CMC1A476	1	*
M3	nsp	EARTH,USB		CMD1A843	1	
M4	943403101120D	CABINET, TOP	E3, E2	CKC3A155K117	1	
M4	943403101130D	CABINET, TOP	E1C	CKC3A155D11	1	
M5	nsp	CHASSIS,BOTTOM		CUA5A330	1	
M6	nsp	HEATSINKASS'Y		CMY1A372ZA	1	
LM6	nsp	HEATSINK		CMY1A372-V1	1	
M7	nsp	BRACKET,AMPPCB		CMD1A796	5	
M8	nsp	SMPSBRACKET		CMD1A790	1	
M9	nsp	PCB BRACKET(HDMI)		CMD1A791	1	
M10	nsp	PANEL,REAR	E3	CKF2A483Z	1	*
M10	nsp	PANEL,REAR	E2	CKF4A483Z	1	*
M10	nsp	PANEL,REAR	E1C	CKF4A483Y	1	*
M11	nsp	HEATSINKASS'Y(CVITOP256YN+CMY6A025)		CVITOP256YNBZA	1	*
M12	nsp	HEATSINKASS'Y(CVDSRL3060P+CMY3A238)		CVDSRL3060PBYA	1	*
L	nsp	TRHEATSINK		CMY3A238	1	*
M13	nsp	SHEILD,TRANSCOVER		CMC1A445	1	
M14	nsp	NUT		-	1	
M15	nsp	WASHER		-	1	
P1	963412100880D	KNOB,FUNCTION	E3, E2	CBN1A279	1	
P1	963412100890D	KNOB,FUNCTION	E1C	CBN1A279C73	1	
P2	963412100860D	KNOB,VOLUME	E3, E2	CBN1A280	1	
P2	963412100870D	KNOB,VOLUME	E1C	CBN1A280C73	1	
P3	963451101200D	SHEET,FUNCTIONKNOB		CGX1A485	1	
P4	963451101190D	SHEET,VOLUMEKNOB		CGX1A486	1	
P5	963424100330D	RING,FUNCTIONKNOB	E3, E2	CGR1A554	1	
P5	963424100340D	RING,FUNCTIONKNOB	E1C	CGR1A554C73	1	
P6	943412101340D	RING,VOLUMEKNOB	E3, E2	CGR1A555	1	*
P6	963424100320D	RING,VOLUMEKNOB	E1C	CGR1A555C73	1	
P7	943416101380D	WINDOW,DISPLAY	E3	CGU1A475Y	1	*
P7	943416101390D	WINDOW	E2, E1C	CGU1A475X	1	*
P8	943402104710D	PANEL FRONT (E3)	E3	CGW2A558R14ZH70	1	*
P8	943402104720D	PANEL FRONT (E2)	E2	CGW1A558R14ZH70	1	*
P8	943402104730D	PANEL FRONT	E1C	CGW1A537RGWG44	1	*
P8a	943443101000D	ORNAMENT, SUB PANEL (E3)	E3	CGR1A580ZH70	1	*
P8a	943443101010D	ORNAMENT, SUB PANEL (E2)	E2	CGR1A580YH70	1	*
P8a	943443101020D	PANEL, SUB	E1C	CGR1A553Y	1	*
P9	943423100540D	INDICATOR,POWER		CGL1A306A36	1	*
P10	943411102530D	BUTTON,POWER	E3, E2	CBT1A1183	1	
P10	943411102540D	BUTTON,POWER	E1C	CBT1A1183C73	1	
P11	963411101780D	BUTTON,10KEY		CBT1A1184	1	
P12	nsp	CUSHION,EVA		CHG1A590	1	
P13	nsp	FOOT		CKL1A225	4	*
P14	nsp	CUSHION,FOOT		CHG2A289	4	
P15	nsp	RUBBER		CHG1A113	5	
P16	nsp	HOLDER,PCB		CHE170	3	
P17	nsp	SUPPORT,PCB		CRE1A102	1	
P18	nsp	SUPPORT,PCB31		CRE1A073	1	
P19	nsp	SUPPORT,RUBBER		CHG1A535	1	
P20	963419100910S	BUSH,WIFI ANT		CMH1A357	2	Ver.2
P21	963419100920S	HOLDER,WIFI ANT		CMH1A358	2	Ver.2
P22	963419100930S	SUPPORTER,WIFI ANT		CMH1A360	2	Ver.2
P23	nsp	ORNAMENT,REARPANEL		CGX1A487Z	1	
<b>SCREW</b>						
S1	nsp	SCREW	E3,E2	CTB3+8JFZR	8	
S1	nsp	SCREW	E1C	CTB3+8JFN	6	
S2	nsp	SCREW		CTW3+8JR	15	
S3	nsp	SCREW		CTB3+10JR	24	
S4	nsp	SCREW		CTB3+8JR	26	
S5	nsp	SCREW,SPECIAL		CHD3A012R	21	

REF No.	Part No.	Part Name	Remarks		Q'ty	New	Ver
S6	nsp	SCREW		CTW3+12JR	3		
S7	nsp	SCREW		CTB3+6JR	1		
S8	nsp	SCREW		CTB3+6FR	8		
S9	nsp	SCREW		CTBD3+8JFZR	29		
S10	nsp	SCREW		CTBD3+6FFZR	13		
S11	nsp	SCREW	E3.E2	CTBD4+8JFZR	6		
S11	nsp	SCREW	E1C	CTBD4+8JFN	6		
S12	nsp	SCREW.TRANS		CHDR1A023R	4		
S13	nsp	SCREW.SPECIAL		CHD1A109JFN	2	*	
S14	nsp	CTB3+8JFZR	E1C	CTB3+8JFZR	2		
S15	nsp	DOTSCREW	E1C	CTBD3+8JFN	3		
★BK701	nsp	BRACKET.PCB		CMD1A569-V1	1		
★	nsp	WASHER		CNW2A028	2		
★	nsp	TAPE.HIMELON		CHS1A216	3		
★	nsp	WIREASSY		CWE8202220RR	1	*	
★	nsp	TAPE.BOTHSIDE		C4FA051	0.02	*	
★	nsp	GASKET.EMC		CMC1A479	2	*	
★	nsp	GASKET.EMC		CMC1A478	1.5	*	

## PACKING

※Parts indicated by "nsp"on this table cannot be supplied.

※The parts listed below are only for maintenance. Therefore they might differ from the parts used in the unit in appearances or dimensions.

NOTE:The symbols in the column Remarks indicate the following destinations.

E3 : U.S.A. & Canada model E2 : Europe model E1C : China model E1 : Asia model JP : Japan model

B : Black model SG : Silver gold model

REF No.	Part No.	Part Name	Remarks	Q'ty	New	Ver
1	nsp	SET,AVRECEIVER	E3	AVRX3100WBKE3S8	1	
1	nsp	SET,AVRECEIVER	E2	AVRX3100WBKE2S8	1	
1	nsp	SET,AVRECEIVER	E1C	AVRX3100WSPPE1C3	1	
2	nsp	POLYSHEET		CPB1A213	1	
3	nsp	TAPE,P.P(24MM*50MM)		C4F3247YE	0.5	
4	943533102730D	PAD,SNOWBOTTOM		CPS1A939-V1	1	*
5	943533102600D	PAD SNOW (TOP)		CPS1A993	1	*
6	943531104420D	BOX,OUTCARTON	E3	CPG1A1027Z	1	*
6	943531104430D	BOX,OUTCARTON	E2	CPG1A1027Y	1	*
6	943531104440D	BOX,OUTCARTON	E1C	CPG1A1027X	1	*
7	nsp	TAPE,OPP		C4FC500CL	2	
8	-	INSTRUCTIONMANUALASSY	E3	CQXAVRX3100WE3	1	*
8	-	INSTRUCTIONMANUALASSY	E2	CQXAVRX3100WE2	1	*
8	-	INSTRUCTIONMANUALASSY	E1C	CQXAVRX3100WE1	1	*
8-1	35201034500AD	CDMANUALASSY	E3	CFT1A131ZA	1	*
8-1	35201034501AD	CDMANUALASSY	E2	CFT1A132ZA	1	*
8-1	35201034502AD	CDMANUALASSY	E1C	CFT1A133ZA	1	*
8-2	54111119200AD	MANUAL_GUIDE	E3	CQX1A1822Z	1	*
8-2	54111119201AD	MANUAL_GUIDE	E2	CQX1A1823Z	1	*
8-2	54111119202AD	MANUAL_GUIDE	E1C	CQX1A1824Z	1	*
8-3	nsp	BAG , ZIPPER POLY (A5)		CPB1A227Z	1	
9	-	ACCESSORYASSY	E3	CSAAVRX3100WE3	1	*
9	-	ACCESSORYASSY	E2	CSAAVRX3100WE2	1	*
9	-	ACCESSORYASSY	E1C	CSAAVRX3100WE1	1	*
9-1	nsp	BAG , POLY		CPB1A216Z	1	
9-2	943543104020D	LABEL ,SPEAKER CABLE		CQB1A1259Z	1	*
9-3	nsp	CARD,WARRANTY	E3	CQE1A224N	1	
9-3	nsp	CARDFORCHINAIDENTIFICATION	E1C	CQE1A450Z	1	
9-4	nsp	SHEET,SAFTY	E3	CQE1A701Z	1	*
9-4	nsp	SAFETY,INSTRUCTION	E2	CQE1A710Z	1	*
9-4	nsp	SAFETYINSTRUCTION	E1C	CQE1A718Z	1	*
9-5	nsp	NOTE ON RADIO		CQE1A676Z	1	
9-6	nsp	SHEET , INSERTION	E3	CQE1A559Z	1	
9-7	nsp	LABEL , AM ANTENNA		CQB1A1240Z	1	
9-8	nsp	LABEL,FMANTENNA		CQB1A1241Z	1	
9-9	963116100070S	ANT,AMLOOP(9.5uH/5T)		CSA1A039Y	1	
9-10	943116100170D	FM1POLEANT(ULTYPE)		CSA1A044Z	1	
9-11	nsp	ChinaTunerIsolator,SGLBF-6B	E1C	CLR9Z001Z	1	
10	963549101000D	MICSTANDASSY		CPG1A1021ZA	1	
10-1	nsp	BAG , POLY		CPB1A231	1	*
11	943611500750D	CORD,POWER(PLUG+SOCKET)UL,(WHITEBANDING)	E3	CJA2A119YL	1	
11	943611500760D	CORD,POWER(PLUG+SOCKET)EUR,(WHITEBANDING)	E2	CJA2B120Y	1	
11	943611500770D	CORD,POWER(PLUG+SOCKET)CHN,(WHITEBANDING)	E1C	CJA2N075Y	1	
12	nsp	BAG,POLY		CPB1A008Z	1	
13	30701020200AD	REMOCON (RC-1192)		CARTAVRX3100W	1	*
14	nsp	BATTERY,AAA2PCSINPACK		CABR03PPB	2	
15	32401000800AD	MIC,AUDYSSEY		CJXACM1HB	1	
16	nsp	LABEL,MIC		CQB1A1242Z	1	
17	nsp	LABEL,CONTROL		CQB2A993Z	1	
17-1	nsp	LABEL , CONTROL (SERIAL No.)		CQB2A993Z-1	1	
17-2	nsp	LABEL , CONTROL (FACTORY)		CQB2A993Z-2	1	
17-3	nsp	LABEL , CONTROL (CMIT ID)		CQB2A993Z-3	1	
18	nsp	LABEL , MAC ADDRESS		CQB1A995	1	
19-1	EXPLODE_P24	LABEL,POP	E3	CQB1A1277Z	1	*
19-2	EXPLODE_P24	LABEL,POP	E2	CQB1A1278Z	1	*
19-2	EXPLODE_P24	LABEL,POP	E1C	CQB1A1279Z	1	*
20	EXPLODE_P26	LABEL,SPOTIFY		CQB1A1299Z	1	
21	EXPLODE_P25	LABEL,LICENSE	E3	CQB1A1295Z	1	*
21	EXPLODE_P25	LABEL,LICENSE	E2, E1C	CQB1A1296Z	1	*
22	nsp	CARD,WARRANTYCHINA	E1C	CQE1A473W	1	
23	nsp	LABEL,WHITEM1SG	E1C	CQB1A908Z	2	