

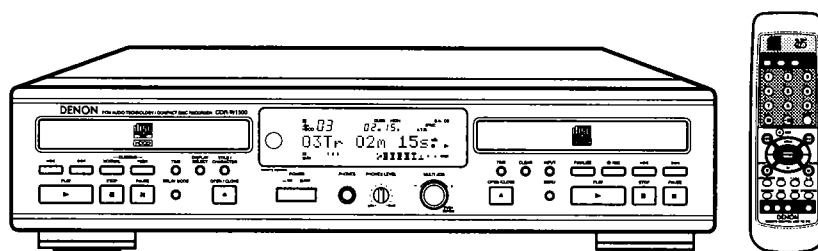
DENON

Hi-Fi Component

SERVICE MANUAL

MODEL CDR-W1500

CD RECORDER



— TABLE OF CONTENTS —

SPECIFICATIONS	2
DISASSEMBLY	3,4
CD TEST MODE	5,6
BLOCK DIAGRAM	7
SEMICONDUCTORS	8-11
PRINTED WIRING BOARD	12-14
NOTE FOR PARTS LIST	15
PARTS LIST OF PRINTED WIRING BOARD	16-21
EXPLODED VIEW	22
PARTS LIST OF EXPLODED VIEW	23
EXPLODED VIEW OF CDR MECHANISM UNIT	24
PARTS LIST OF CDR MECHANISM UNIT	24
EXPLODED VIEW OF CD MECHANISM UNIT	25
PARTS LIST OF CD MECHANISM UNIT	25
PACKING VIEW	26
PARTS LIST OF PACKING & ACCESSORIES	26
WIRING DIAGRAMS	27
SCHEMATIC DIAGRAMS	29,30
(1/3) 1U-3312-2 SERVO UNIT	29
(2/3) 1U-3312-3 DISPLAY & CDR KEY UNIT	30
1U-3312-4 CD KEY UNIT	30
1U-3312-7 P.SW UNIT	30
(3/3) 1U-3313 POWER UNIT	30

● Some illustrations using in this service manual are slightly different from the actual set.

NIPPON COLUMBIA CO., LTD.

SAFETY PRECAUTIONS

The following check should be performed for the continued protection of the customer and service technician.

LEAKAGE CURRENT CHECK

Before returning the unit to the customer, make sure you make either (1) a leakage current check or (2) a line to chassis resistance check. If the leakage current exceeds 0.5 milliamps, or if the resistance from chassis to either side of the power cord is less than 460 kohms, the unit is defective.

SPECIFICATIONS

Audio

Frequency Response:
Dynamic Range:
Signal-to-noise Ratio:
Harmonic Distortion:
Wow and Flutter:

CD unit:	CD-R unit (for digital editing):
2 Hz to 20 kHz:	2 Hz to 20 kHz
98 dB:	88 dB
105 dB:	100 dB
0.003% (1kHz):	0.01% (1kHz)
Below measurable limits ($\pm 0.001\%$ W. peak)	

Discs

CD-DA (Compact Disc - Digital Audio) format
 CD-R Discs for Audio consumer use
 CD-RW Discs for Audio consumer use

General Characteristics

Power Supply:

AC 120V, 60 Hz (U.S.A. & Canada model)
 AC 230V, 50 Hz (Europe model)

Power Consumption:

29 W

Dimensions:

434 (W) \times 101 (H) \times 330 (D) mm

Mass:

5.5 kg

Remote Control Unit

Remote Control System:

RC-278

Power Supply:

Infrared pulse system

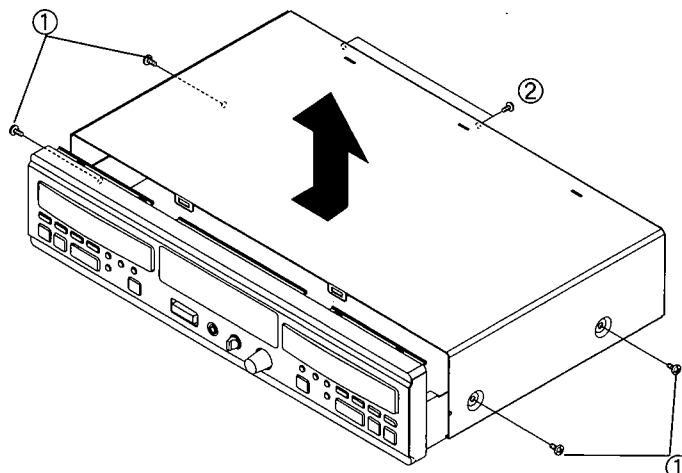
3V DC; two R6P (standard size AA) dry cell batteries

DISASSEMBLY

(Follow the procedure below in reverse order when reassembling)

1. Top Cover

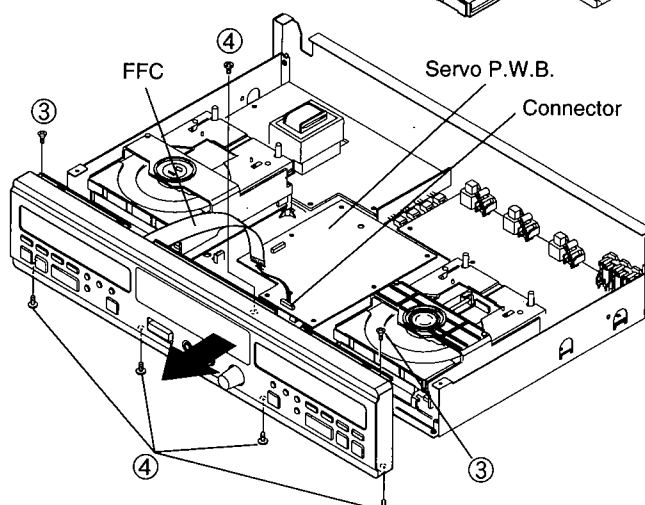
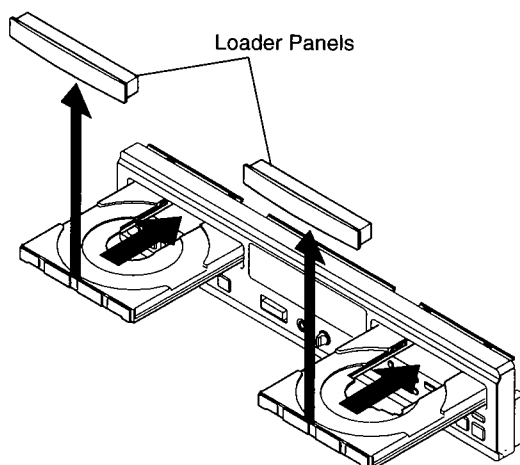
- (1) Remove 4 screws ① on both sides.
- (2) Remove 2 screws ② on the rear side.
- (3) Detach the Top Cover to the arrow direction.



2. Front Panel

- (1) Turn the unit power on, and open both Trays of the CD Mecha. and CDR mecha.
- (2) Remove the Loader Panels, and switch off the power after closing the Trays (disconnect the power plug).
- (3) Disconnect FFC of the Display PWB from the Servo PWB, then unplug the connectors on the H/P PWB and Power SW PWB.
- (4) Remove 2 screws ③ and 5 screws ④.
- (5) Detach the Front Panel to the arrow direction.

* When plugging the connectors on the Power SW PWB, hold the PWB with your hand to prevent it from bending.



3. Mecha. Unit

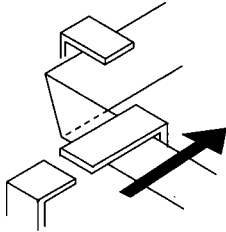
- (1) Fully open the Tray by turning the gear under the Mecha. Unit counterclockwise.
- (2) Remove 2 screws ⑤ through the hole of the Tray.
- (3) Remove 2 screws ⑥ from the rear of the Mecha Unit.
- (4) Detach the Mecha. Unit to the arrow direction.

Note: Disassembling method of CD and CDR Mecha. are the same.

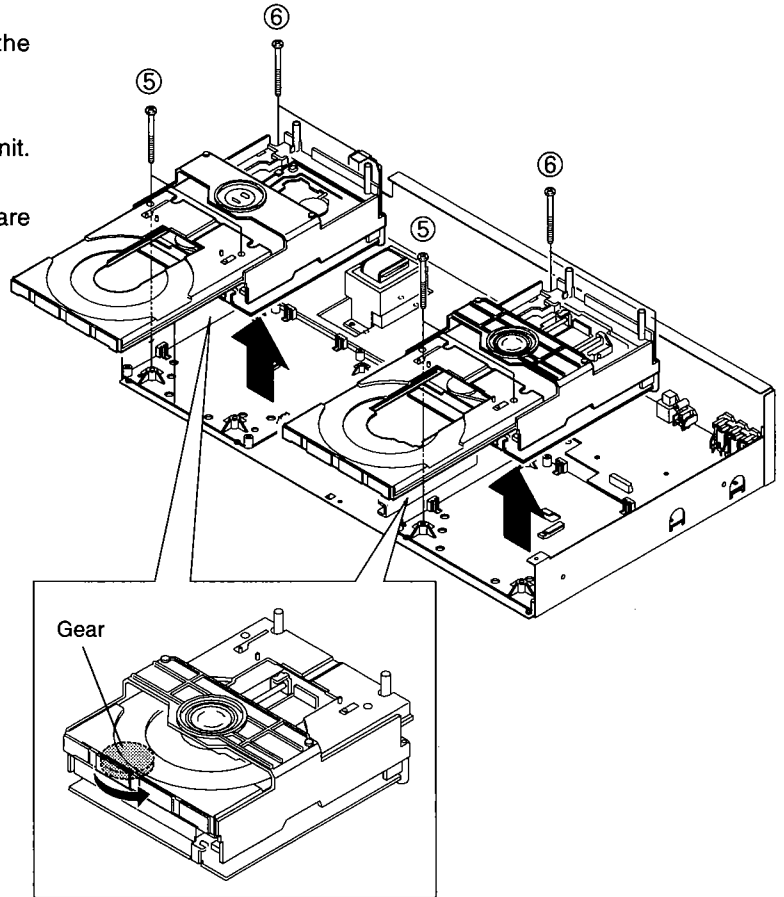
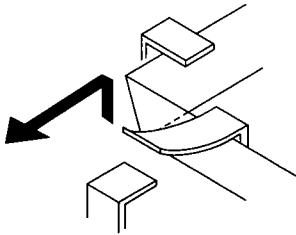
* How to disconnect FFC

FFC of the CD Mecha. fastens firmly with the Mecha. Base. To unfasten, do as follows.

- (1) Push the FFC to the arrow direction.



- (2) With bending the holding part of the Mecha. Base as shown, release the FFC to the arrow direction.



4. Each P.W.B.

● Power P.W.B.

- (1) Remove 2 screws ⑦.
- (2) Remove 4 screws ⑧.
- (3) Remove 4 screws ⑨.

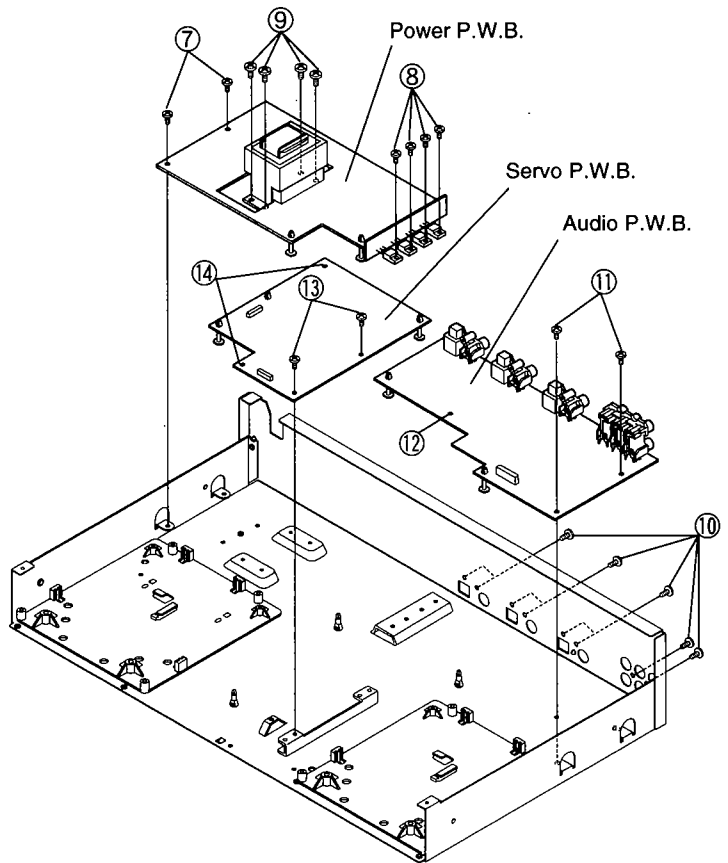
● Audio P.W.B.

- (1) Remove 8 screws ⑩.
- (2) Remove 2 screws ⑪.
- (3) Release 1 card spacer ⑫ to detach the P.W.B.

● Servo P.W.B.

- (1) Remove 2 screws ⑬.
- (2) Release 2 card spacers ⑭ to detach the P.W.B.

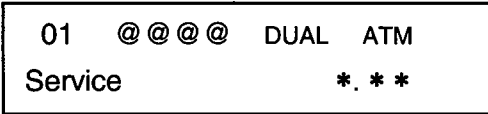
* When plugging the 6P PH-PH connector (CX061) on the Audio PWB, hold the PWB with your hand to prevent it from bending.



CD TEST MODE (CD Drive only)

● Test Mode Setting

To enter into the CD Test Mode, turn the unit power on while simultaneously pressing the **◀◀** and **TITLE/ CHARACTER** buttons on the CD drive side. The following display appears.



@@@: Version of the system μ com
 ..*: Version of the CDR Mecha. μ com

To exit from the Test Mode, switch the power off.

* The pickup always emits laser at the Test Mode regardless of the disc loading. Pay special attention not to stare at radiation of the laser diode directly, or you may lose your eyesight.

● Test Disc

A-BEX TCD784

● Button Functions

* Use only the following buttons on the CD side while in the Test Mode, and do not press any other buttons.

Name	Functions
OPEN/CLOSE	<ul style="list-style-type: none"> • Loads or unloads the disc. (Do not push the loader by hand to close. If you have closed with pushing by hand, press the STOP button after chucking.)
PLAY	<ul style="list-style-type: none"> • Emits laser. • Repeats search operation (without discs). • Actuates focus servo (with discs). • Actuates tracking servo (after focus on).
STOP	<ul style="list-style-type: none"> • Stops operation.
PAUSE	<ul style="list-style-type: none"> • Executes auto-adjust.
◀◀ / ▶▶ (Automatic search)	<ul style="list-style-type: none"> • Moves the pickup. (Press the STOP button after the pickup movement.)

● Test Mode Check

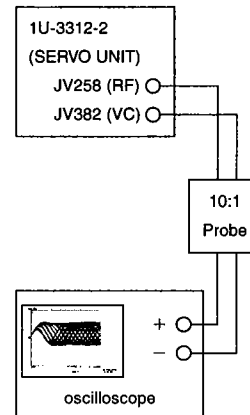
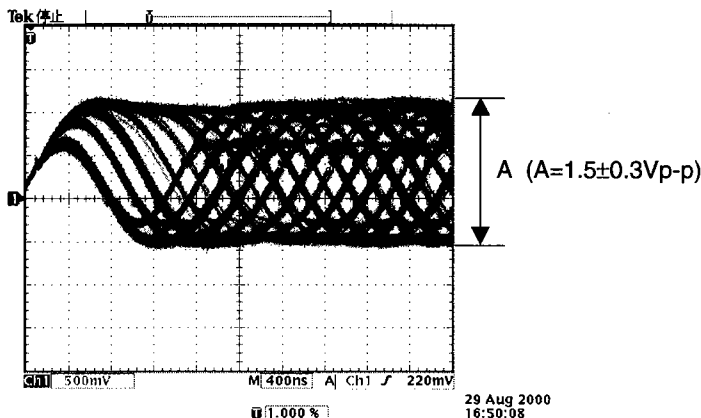
(1) Disc discrimination, adjustment

- Insert the disc and press the PAUSE button.
- Indicates Adjust display, and performs adjustment.
- Performs Disc size discrimination, Tracking, Focus offset, FE balance adjust. (No adjusted value is indicated.)
- Stops after completing the adjustment.
- Once the disc has been loaded, no disc discrimination is performed after the 2nd time.

(2) Servo status check

- After confirming the above, press the PLAY button.
- Indicates Laser On, and laser starts to emit.
- Press the PLAY button again.
- Indicating Focus On, and the disc rotated, and then Focus servo, (CLV rough servo) is actuated.
- Press the PLAY button again.
- Indicates Tracking On, and CLV servo, Tracking, slide servo is actuated.
- Monitor the RF signal at this time.

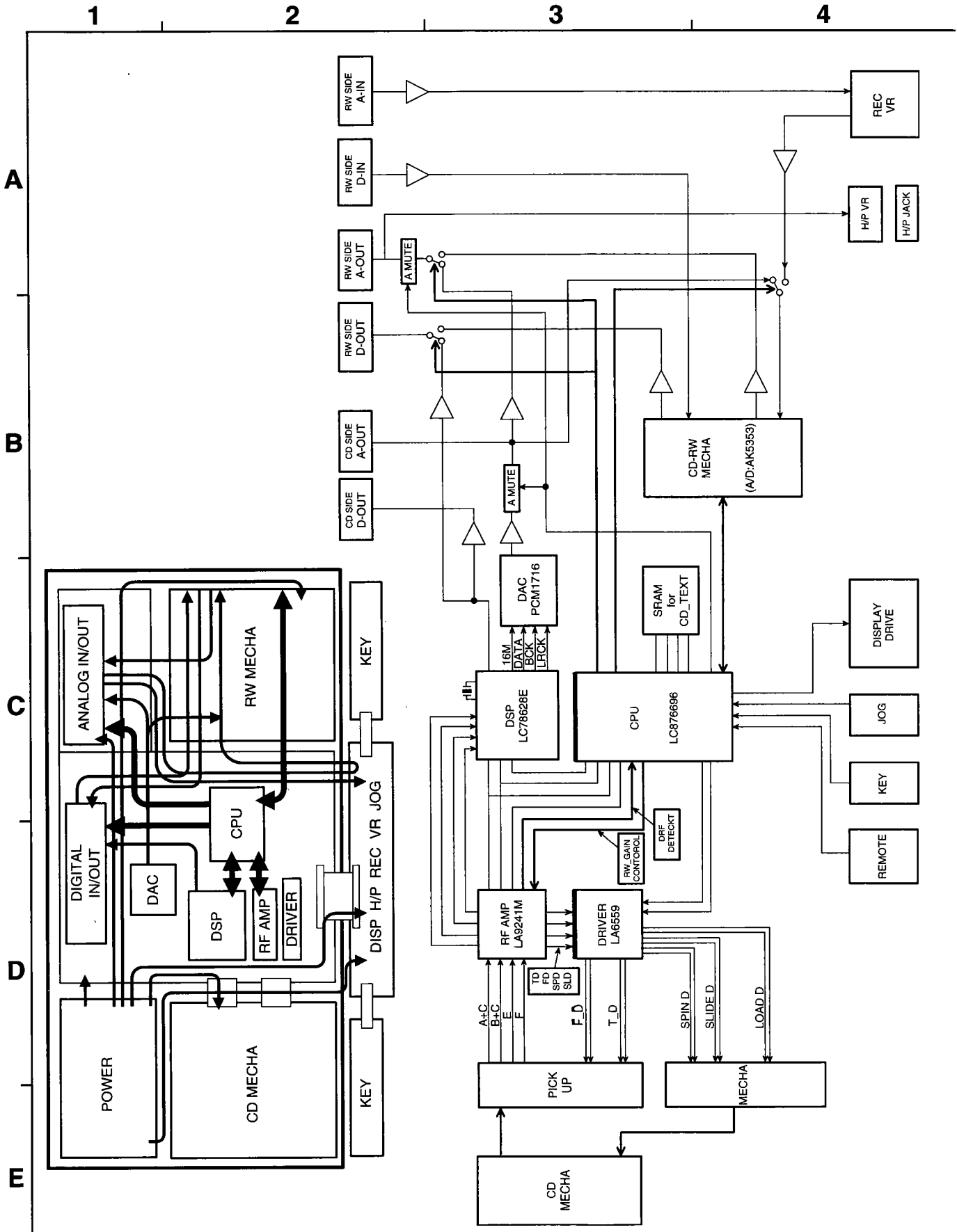
Measuring point: 1U-3312-2 (SERVO UNIT) JV258 (RF signal), JV382 (VC: 2.5V ref. signal)



Messages

Message	Meaning
TOC Reading	Reading disc information.
Now OPC	Performing Optimum Power Calibration test for writing.
Open	During tray opening.
Close	During tray closing.
No Disc	No disc inserted, disc unreadable or disc inserted upside down.
Use Audio CD	Inserted disc is no audio CD.
OPC Error	Optimum Power Calibration failed during its procedure.
Rec Error	An error has occurred during recording.
Disc Error	Recording or finalizing is not possible due to a disc fault.
Now PMA Rec	Updating disc contents.
Disc Full	No more recording possible.
Copy Prohibit	No digital recording can be made of the connected source.
Sync. -**dB	Setting sync-recording start level.
Finalize *.* **	Indicating the rest time of finalizing.
Dig.Unlock	Imperfect connection of the digital input during digital recording or abnormally inputted due to some other causes.
No Name	No text stored for disc.
Complete	Mode reception has been completed.
CD-R Short	When dubbing, disc recordable time is not enough.
Text Protect	As text information is copy-protected, no copy possible when dubbing.
PlaybackOnly	A commercially sold or finalized disc, no recording possible.
Blank Disc	Inserted disc has no recorded contents.
Name Full	Using more than 23 characters for the title or 900 characters in total impossible to input.
MechaError	Disc isn't running correctly.
All Skip Tr	Skip is set for all tracks.
TextEraseOK?	Text information has been inputted, it's erased if the disc ejected.
Now Tr Check	Checking the track information at CD side.
DiscError ****	A disc error has occurred during heat run mode.
Mech Error ****	A mechanism error has occurred during heat run mode.
IF Error ****	No communication possible with the drive during heat run mode due to I/F trouble.

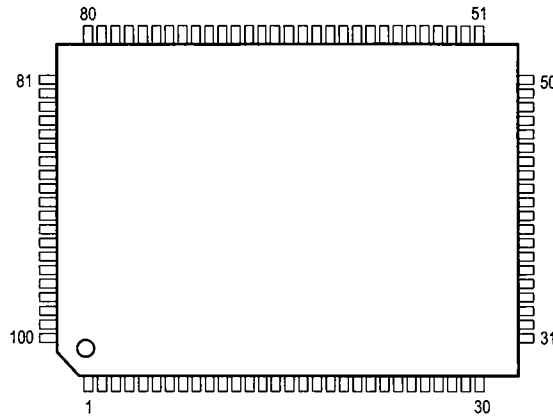
BLOCK DIAGRAM



SEMICONDUCTORS

● IC's

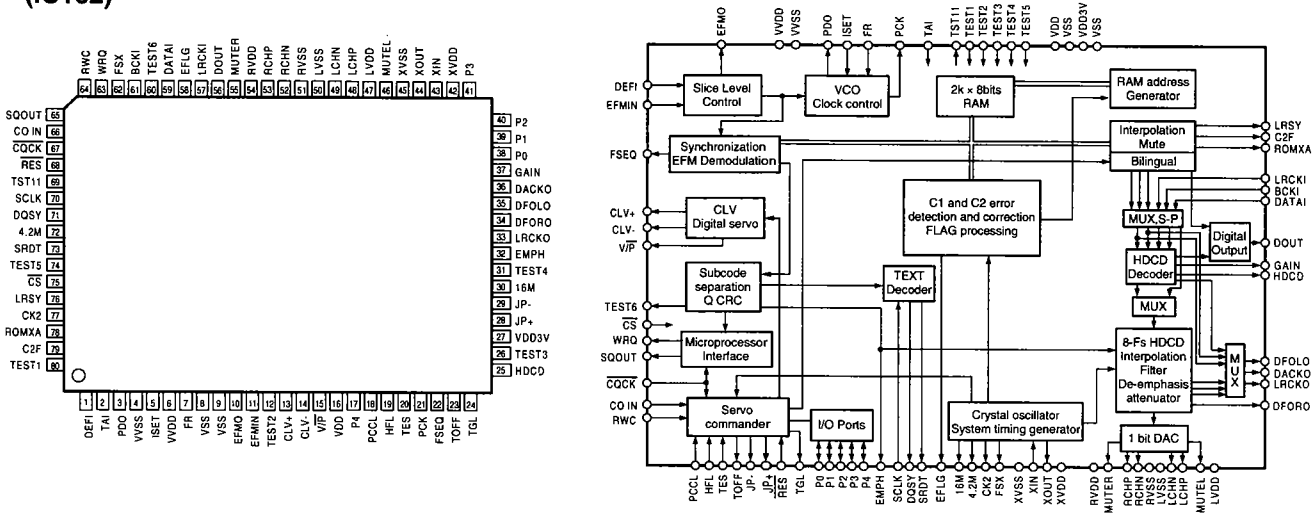
LC876696A
(IC103)



LC876696A Terminal Function

Pin No.	Symbol	Port	I/O	Function
1	P16	PCCL	O	For DSP TEXT reading
2	P17	DA_RST	O	DAC RESET signal
3	P30	ROM_DATA0	I/O	Flash write control (Ext. pull-up)
4	P31	ROM_DATA1	I/O	Flash write control (Ext. pull-up)
5	P32	SRDT	I	For DSP TEXT reading
6	P33	SCLK	O	For DSP TEXT reading
7	P34	FL_DA	O	Data output for FL controller control
8	P35	FL_CS	O	Chip select output for FL controller control
9	P36	FL_CK	O	Clock output for FL controller control
10	P37	RWC	O	For DSP control
11	RES	RESET	I	CPU RESET
12	AN10	OFF	I	OFF signal detect terminal
13	AN11	HDCD	I	HDCD disc discriminate (GND)
14	Vss1	GND		
15	CF1	CF	I	Oscillator connect
16	CF2	CF	O	Oscillator connect (5V)
17	VDD1	5V		
18	AN0	KEY0	I	Key input terminal
19	AN1	KEY1	I	Key input terminal
20	AN2	KEY2	I	Key input terminal
21	AN3	KEY3	I	Key input terminal
22	P84	ROM_CLK	I	Flash write control
23	P85	CLOSE	I	Tray CLOSE switch
24	P86	OPEN	I	Tray OPEN switch
25	P87	INSW	I	Pickup inner switch
26	INT0	WRQ	I	For DSP control
27	INT1	DQSY	I	For DSP TEXT reading
28	INT2	R_REQ	I	For CDR mecha. control
29	INT3	REMOTE	I	Remote control signal input terminal
30	S0	—	O	NC
31	S1	—	O	NC
32	S2	—	O	NC
33	S3	—	O	NC
34	S4	—	O	NC
35	S5	—	O	NC
36	S6	—	O	NC
37	S7	—	O	NC
38	S8	—	O	NC
39	S9	—	O	NC
40	S10	—	O	NC
41	S11	—	O	NC
42	S12	—	O	NC
43	S13	—	O	NC

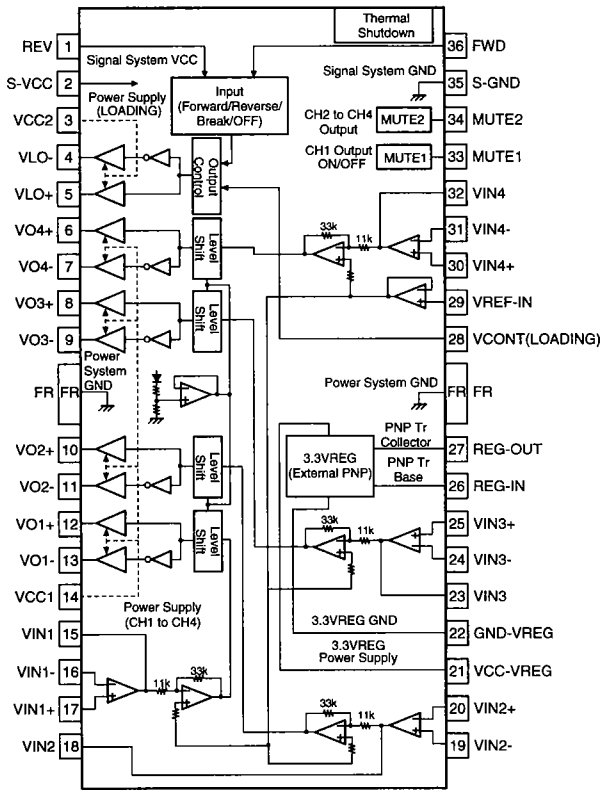
LC78628E (IC102)



LC78628E Terminal Function

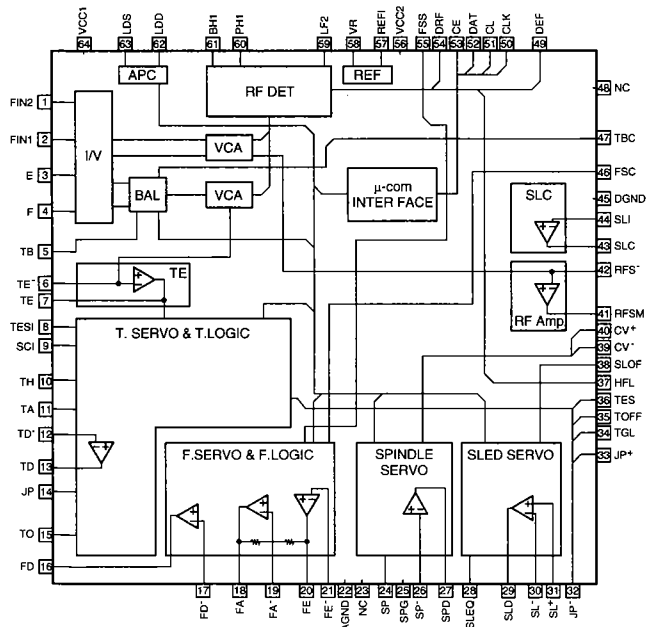
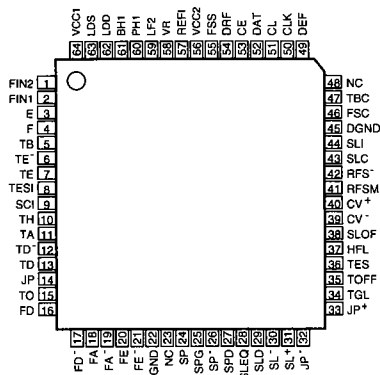
Pin No.	Symbol	I/O	Function
1	DEFI	I	Defect detection signal (DEF) input terminal
2	TAI	I	Test input terminal for PLL
3	PD0	O	External VCO control phase comparator output terminal for PLL
4	VVss	-	Internal VCO ground terminal for PLL
5	ISET	AI	PD0 output current adjustment resistor connection terminal for PLL
6	VVDD	-	Internal VCO power supply terminal for PLL
7	FR	AI	VCO frequency range adjustment resistor connection terminal for PLL
8	Vss	-	Ground terminal
9	Vss	-	Ground terminal
10	EFMO	O	EFM signal output terminal for slice level control
11	EFMIN	I	EFM signal input terminal for slice level control
12	TEST2	I	Test input terminal
13	CLV+	O	Spindle servo control output terminal
14	CLV-	O	Spindle servo control output terminal
15	V/P	O	Rough servo/phase control automatic switching monitor output terminal
16	VDD	-	5V power supply terminal
17	P4	I/O	General-purpose I/O port
18	PCCL	I	General-purpose I/O command discriminate terminal
19	HFL	I	Track detection signal input terminal
20	TES	I	Tracking error signal input terminal
21	PCK	O	EFM data playback clock monitor terminal
22	FSEQ	O	Synchronization signal detection output terminal
23	TOFF	O	Tracking off output terminal
24	TGL	O	Tracking gain switching output terminal
25	HDCD	O	HDCD disk discriminate output terminal
26	TEST3	I	Test input terminal
27	VDD3V	-	3V power supply terminal
28	JP+	O	Track jump output terminal
29	JP-	O	Track jump output terminal
30	16M	O	16.9344MHz clock output
31	TEST4	I	Test input terminal
32	EMPH	I/O	De-emphasis monitor Otput/Input terminal
33	LRCKO	O	Word clock (8Fcs) of the HDCD filter engine output or L/R clock (1Fs) of the HDCD decoder output
34	DFORO	O	Rch data (8Fcs) of the HDCD filter engine output
35	DFOLO	O	Lch data (8Fcs) of the HDCD filter engine output or bit clock (1Fs) of the HDCD decoder output

LA6559 (IC104)

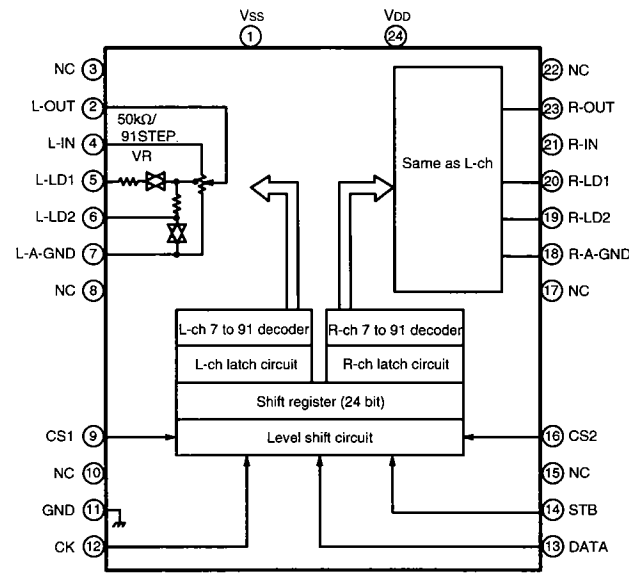


Pin No.	Name	Function
1	REV	5CH output change terminal, logic input of loading block
2	S-Vcc	signal system power supply (BTL-AMP:CH1~4)
3	Vcc2	Power supply for loading block
4	VL0-	Loading output (-)
5	VL0+	Loading output (+)
6	VO4+	Output terminal (+) for channel 4
7	VO4-	Output terminal (-) for channel 4
8	VO3+	Output terminal (+) for channel 3
9	VO3-	Output terminal (-) for channel 3
10	VO2+	Output terminal (+) for channel 2
11	VO2-	Output terminal (-) for channel 2
12	VO1+	Output terminal (+) for channel 1
13	VO1-	Output terminal (-) for channel 1
14	Vcc1	CH1~CH4(BTL-AMP) output stage power supply
15	VIN1	Input terminal for channel 1
16	VIN1-	OP-AMP input AMP-A input terminal (-)
17	VIN1+	OP-AMP input AMP-A input terminal (+)
18	VIN2	Input terminal for channel 2, input AMP output
19	VIN2-	Input terminal (-) for channel 2
20	VIN2+	Input terminal (+) for channel 2
21	Vcc-VREG	3.3VREG power supply
22	GND-VREG	3.3VREG GND
23	VIN3	Input terminal for channel 3, input AMP output
24	VIN3-	Input terminal (-) for channel 3
25	VIN3+	Input terminal (+) for channel 3
26	REG-IN	PNP transistor base connected
27	REG-OUT	3.3V power output to which the PNP transistor collector connected
28	VCONT	Loading output voltage set terminal
29	VREF-IN	Reference voltage applied terminal
30	VIN4+	Input terminal (+) for channel 4
31	VIN4-	Input terminal (-) for channel 4
32	VIN4	Input terminal for channel 4, input AMP output
33	MUTE1	Output ON/OFF for channel 1 (BTL AMP)
34	MUTE2	Output ON/OFF for channel 2 to 4 (BTL AMP)
35	S-GND	Signal system GND
36	FWD	Output change terminal (FWD) for loading output (VLO+/-), logic input of loading block

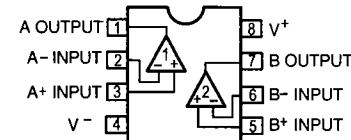
LA9241M (IC101)



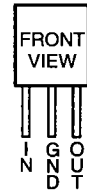
TC9459F (IC402)



BA15128 (IC401,405,406,501~503)



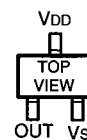
**NJM7805FA (S) (IC803)
NJM7806FA (S) (IC802)
NJM7808FA (S) (IC808)**



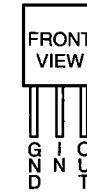
NJM7908FA (IC809)



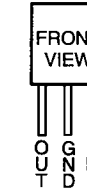
MN13821 (IC107)



NJM79L05AT (IC807)

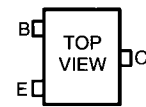


**NJM78L05AT (IC804)
PST600C TP (IC801)**

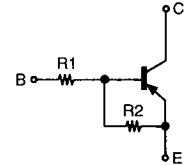


TRANSISTORS

- 2SA1037K
- 2SC3326(A/B)
- DTA114EK
- DTA144TK
- DTC114EK
- DTC144EK
- DTC323TK

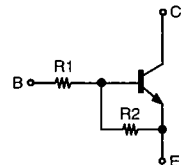


**DTA114EK
DTA144TK**



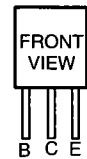
	R1	R2
DTA114EK	10kohm /Ω	10kohm /Ω
DTA144TK	47kohm /Ω	—

**DTC114EK
DTC144EK
DTC323TK**

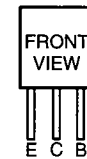


	R1	R2
DTC114EK	10kohm /Ω	10kohm /Ω
DTC144EK	47kohm /Ω	47kohm /Ω
DTC323TK	2.2kohm /Ω	—

2SB1274(R/S)



**2SD2144STPU
2SC2878(A/B)
2SB562(C)**



DIODES

- S2L20U
- 1SR35-200A
- 1SR35-400A

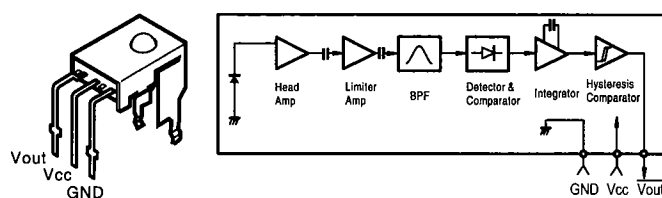


**HZS33-1
MTZJ5.6A**



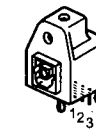
OTHER (Remote Control Sensor)

GP1U271X (IC602)

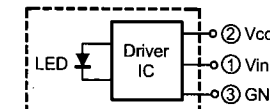


OPTICAL

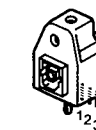
OUTPUT GP1FA501TZ (IC308, 309)



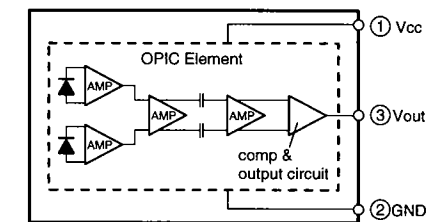
- 1. Vin
- 2. Vcc
- 3. GND



INPUT GP1FA501RZ (IC305)

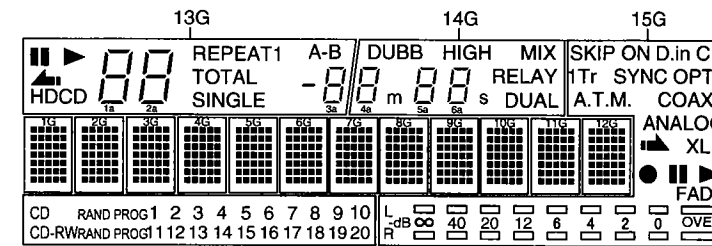


- 1. Vcc
- 2. GND
- 3. Vout



FL DISPLAY

BJ785GNK (FL601)



Pin Connection

Pin No.	1	2	3	4	5	6	7	8	9	10	11	12	13	14	15	16	17	18	19	20	21	22	23	24	25	26	27	28	29	30	31	32	33	34	35	36	37	38	39	40	41	42	43	44	45				
Connection	F	F	N	N	2	1	0	9	8	7	6	5	4	3	2	1	3	4	5	6	7	8	9	0	1	2	3	4	5	6	7	8	9	0	1	2	3	4	5	6	7	8	9	0	1	2	3	4	5

Pin No.	5	5	5	5	5	5	5	5	5	6
Connection	P	P	P	P	P	P	P	P	P	F

- NOTE 1) F1,F2 : Filament
2) NP : No Pin
3) P1~P35 : Anode
4) 1G~16G : Grid

Anode connection

	1G~12G	13G	14G	15G	16G
P1	1-1		m	SKIP	CD (L)
P2	2-1	▶	S	ON	RAND (L)
P3	3-1	▲	4a	D.in	PROG (L)
P4	4-1	HDCD	4b	CD	1
P5	5-1	1a	4c	1Tr	2
P6	1-2	1b	4d	SYNC	3
P7	2-2	1c	4e	A.T.M.	4
P8	3-2	1d	4f	OPT	5
P9	4-2	1e	4g	COAX	6
P10	5-2	1f	DUBB	1	7
P11	1-3	1g	5a	2	8
P12	2-3	2a	5b	ANALOG	9
P13	3-3	2b	5c	▲	10
P14	4-3	2c	5d	XLR	CD (F)
P15	5-3	2d	5e	●	-R
P16	1-4	2e	5f		W
P17	2-4	2f	5g	▶	RAND (F)
P18	3-4	2g	6a	FADE	PROG (F)
P19	4-4	REPEAT	6b	S1	11
P20	5-4	1	6c	S2	12
P21	1-5	A-	6d	S3	13
P22	2-5	B	6e	S4	14
P23	3-5	TOTAL	6f	S5	15
P24	4-5	SINGLE	6g	S6	16
P25	5-5	—	DUAL	S7	17
P26	1-6	3a	HIGH	S8	18
P27	2-6	3b	RELAY	S9	19
P28	3-6	3c	MIX	S10	20
P29	4-6	3d	-	S11	-
P30	5-6	3e	-	S12	-
P31	1-7	3f	-	S13	-
P32	2-7	3g	-	S14	-
P33	3-7	-	-	S15	-
P34	4-7	-	-	S16	-
P35	5-7	-	-	S17	-

PRINTED WIRING BOARD

1 2 3 4 5 6 7 8

1U-3312 SERVO/AUDIO P.W.B. UNIT Ass'y

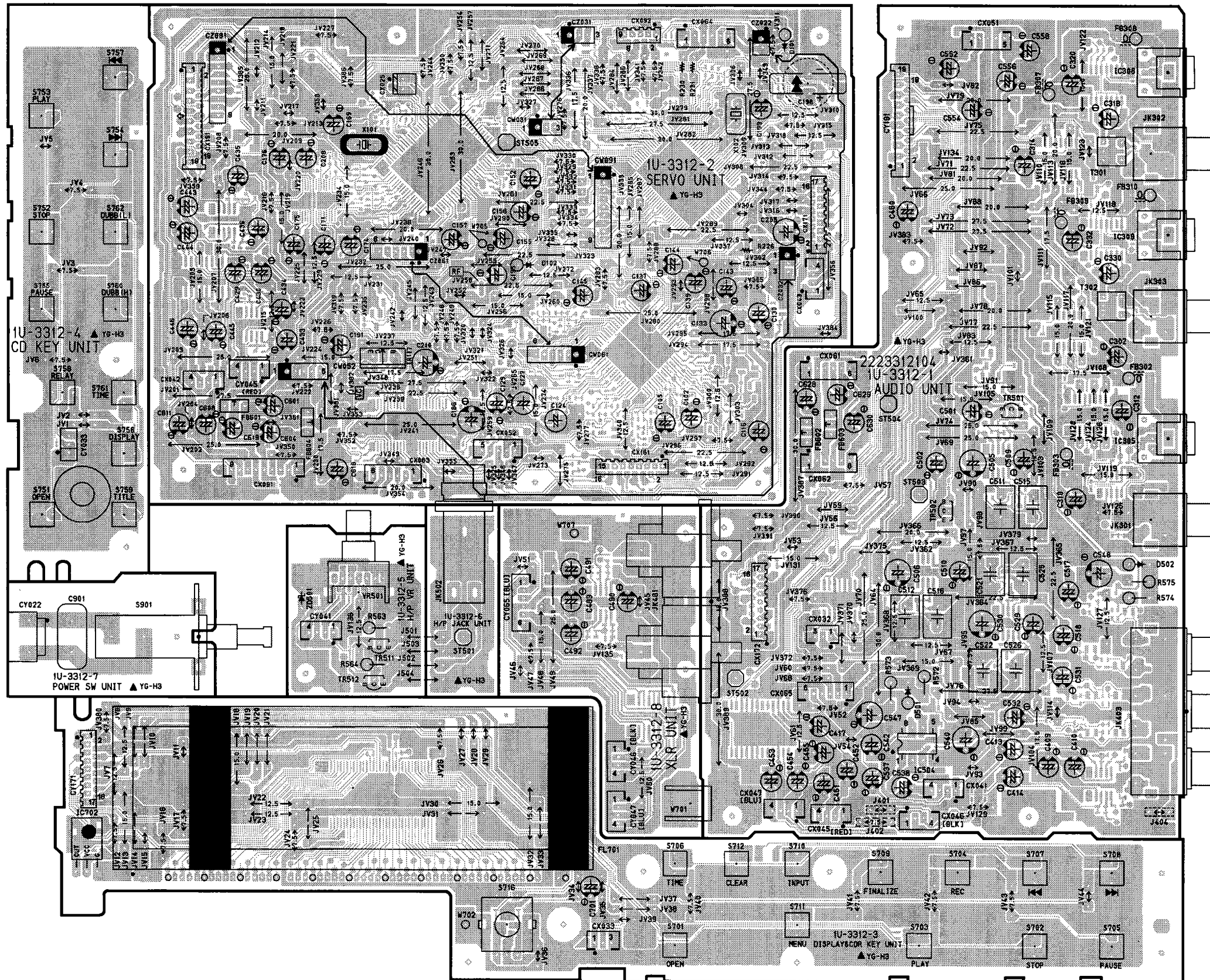
A

B

C

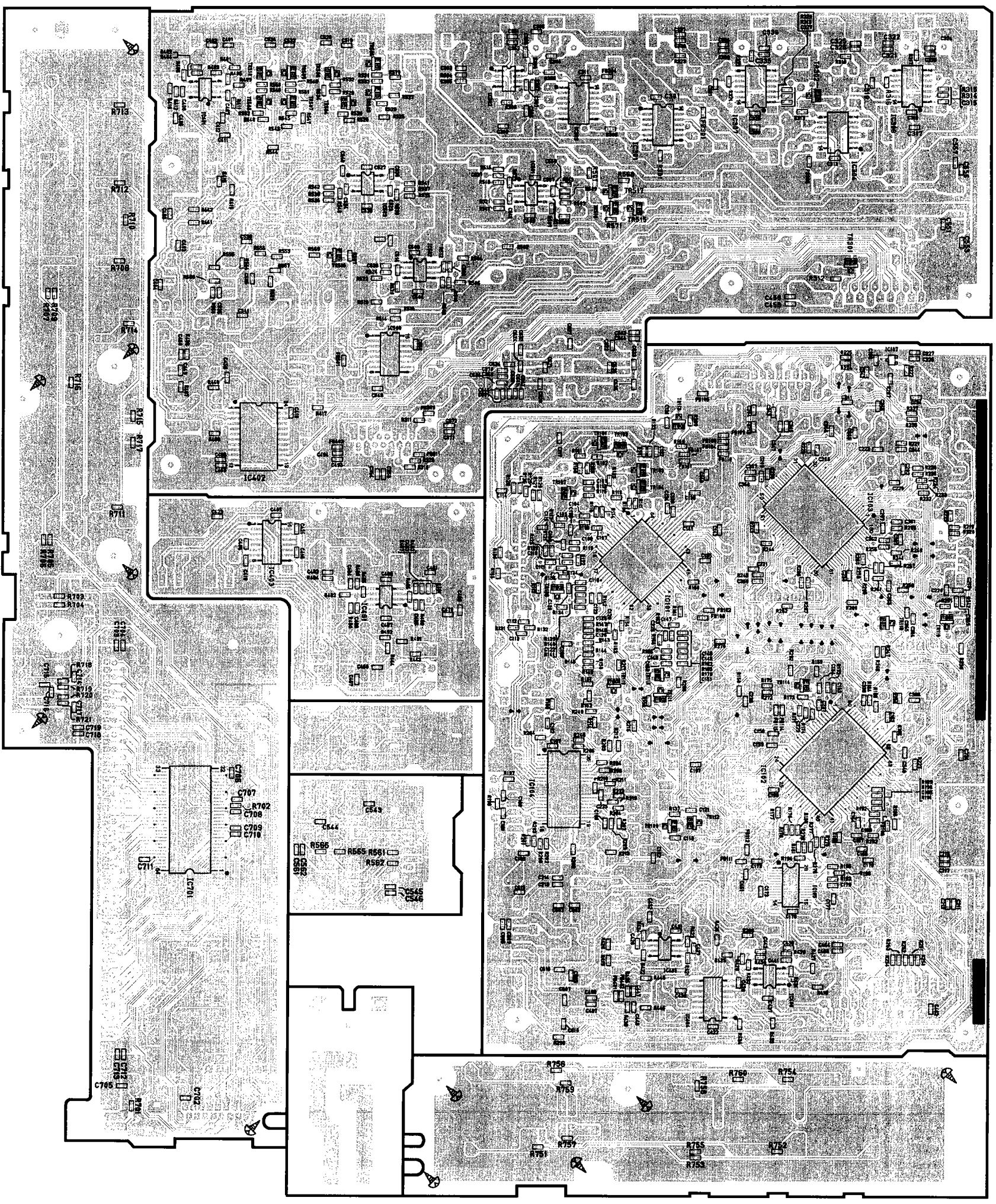
D

E



COMPONENT SIDE

1 2 3 4 5 6 7 8

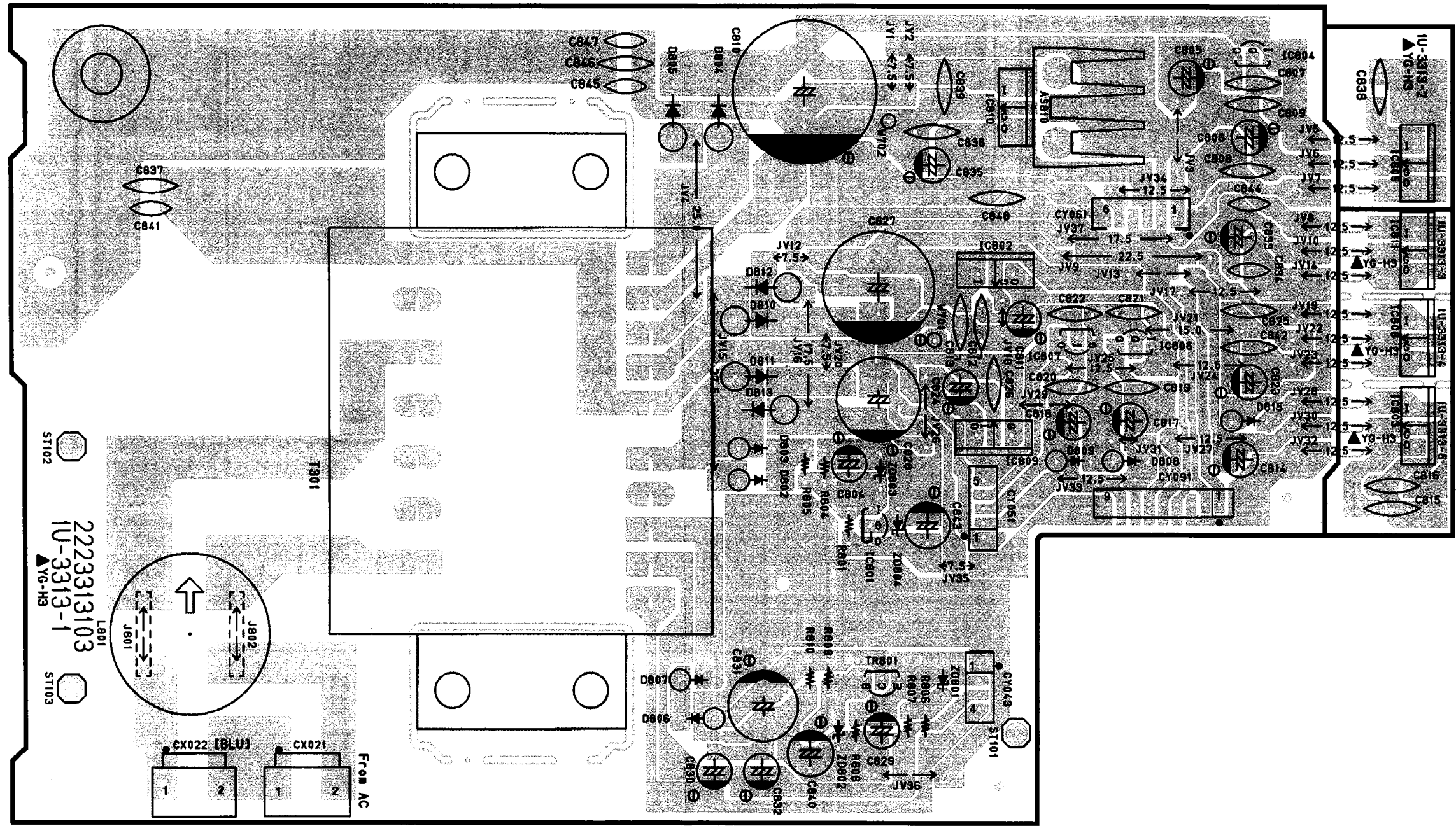


FOIL SIDE


1 2 3 4 5 6 7 8

1U-3313 POWER P.W.B. UNIT Ass'y

A
B
C
D
E



NOTE FOR PARTS LIST

- Part indicated with the mark "⊙" are not always in stock and possibly to take a long period of time for supplying, or in some case supplying of part may be refused.
 - When ordering of part, clearly indicate "1" and "I" (i) to avoid mis-supplying.
 - Ordering part without stating its part number can not be supplied.
 - Part indicated with the mark "★" is not illustrated in the exploded view.
 - Not including Carbon Film ±5%, 1/4W Type in the P.W.Board parts list. (Refer to the Schematic Diagram for those parts.)
- WARNING:**
 Parts marked with this symbol  have critical characteristics.
 Use ONLY replacement parts recommended by the manufacturer.

● Resistors

Ex.: RN 14K 2E 182 G FR
 Type Shape Power Resist- Allowable Others
 and performance error

RD : Carbon	2B : 1/8W	F : ±1%	P : Pulse-resistant type
RC : Composition	2E : 1/4W	G : ±2%	NL : Low noise type
RS : Metal oxide film	2H : 1/2W	J : ±5%	NB : Non-burning type
RW : Winding	3A : 1W	K : ±10%	FR : Fuse-resistor
RN : Metal film	3D : 2W	M : ±20%	F : Lead wire forming
RK : Metal mixture	3F : 3W		
	3H : 5W		

*** Resistance**

1 8 2 ⇒ 1800 ohm = 1.8 kohm
 ↑ ↑ ↑
 Indicates number of zeros after effective number.
 2-digit effective number.
 • Units: ohm

1 R 2 ⇒ 1.2 ohm
 ↑ ↑ ↑
 1-digit effective number.
 2-digit effective number, decimal point indicated by R.
 • Units: ohm

● Capacitors

Ex.: CE 04W 1H 2R2 M BP
 Type Shape Dielectric Capacity Allowable Others
 and per- strength error

CE : Aluminum foil electrolytic	0J : 6.3V	F : ±1%	HS : High stability type
CA : Aluminum solid electrolytic	1A : 10V	G : ±2%	BP : Non-polar type
CS : Tantalum electrolytic	1C : 16V	J : ±5%	HR : Ripple-resistant type
CQ : Film	1E : 25V	K : ±10%	DL : For charge and discharge
CK : Ceramic	1V : 35V	M : ±20%	HF : For assuring high frequency
CC : Ceramic	1H : 50V	Z : +80%	U : UL part
CP : Oil	2A : 100V	-20%	C : CSA part
CM : Mica	2B : 125V	P : +100%	W : UL-CSA type
CF : Metallized	2C : 160V	-0%	F : Lead wire forming
CH : Metallized	2D : 200V	C : ±0.25pF	
	2E : 250V	D : ±0.5pF	
	2H : 500V	= : Others	
	2J : 630V		

*** Capacity (electrolyte only)**

2 2 2 ⇒ 2200μF
 ↑ ↑ ↑
 Indicates number of zeros after effective number.
 2-digit effective number.
 • Units: μF.

2 R 2 ⇒ 2.2μF
 ↑ ↑ ↑
 1-digit effective number.
 2-digit effective number, decimal point indicated by R.
 • Units: μF.

*** Capacity (except electrolyte)**

2 2 2 ⇒ 2200pF=0.0022μF
 ↑ ↑ ↑
 (More than 2) — Indicates number of zeros after effective number.
 2-digit effective number.
 • Units: μF.

2 2 1 ⇒ 220pF
 ↑ ↑ ↑
 (0 or 1) — Indicates number of zeros after effective number.
 2-digit effective number.
 • Units: pF.

• When the dielectric strength is indicated in AC, "AC" is included after the dielectric strength value.

**PARTS LIST OF P.W.B. UNIT
1U-3312 MAIN P.W.B. UNIT ASS'Y**

Note : The symbols in the column "Remarks" indicate the following destinations.
E3: U.S.A./Canada model
E2: Europe model

Ref. No.	Part No.	Part Name	Remarks
SEMICONDUCTORS			
IC101	263 1090 005	IC LA9241M	
IC102	262 2830 009	IC LC78628E	
IC103	262 2831 008	IC LC876696A	
IC104	263 1091 907	IC LA6559	
IC105	262 2846 909	IC PCM1735E	
IC107	263 1096 902	IC MN13821C	
IC301	262 1718 902	IC TC74HC00AF(TP1)	
IC302	262 1953 903	IC TC7WU04F	
IC303,304	262 1718 902	IC TC74HC00AF(TP1)	
IC305	269 0183 005	Optical digital input GP1FA501RZ	
IC306,307	262 1205 907	IC TC74HCU04AF(TP1)	
IC308,309	269 0182 006	Optical digital output GP1FA501TZ	
IC401	263 0615 902	IC BA15218F-DXE2	
IC402	262 2540 904	IC TC9459F-EL	
IC404	262 1667 901	IC TC74HC4053AF(TP1)	
IC405,406	263 0615 902	IC BA15218F-DXE2	
IC501~503	263 0615 902	IC BA15218F-DXE2	
IC504	262 0864 006	IC UPC4570C	
IC505	262 1667 901	IC TC74HC4053AF(TP1)	
IC701	262 1954 902	IC M66004FP(TAPE)	
IC702	499 0290 007	IC GP1U271X	
TR101~104	269 0054 901	Transistor DTC144EKT96	
TR107	269 0106 901	Transistor DTA144TKT146	
TR108~112	269 0085 909	Transistor DTC144TKT96	
TR113	271 0238 908	Transistor 2SA1037KT96(S/R)	
TR114,115	269 0085 909	Transistor DTC144TKT96	
TR117	272 0093 010	Transistor 2SB1274 (R/S)	
TR118	269 0122 901	Transistor DTC144WKT146	
TR119	269 0082 902	Transistor DTC114EKT96	
TR301,302	269 0066 902	Transistor DTC323TKT96	
TR501,502	273 0253 918	Transistor 2SC2878(A/B)TPE2	
TR505,506	273 0414 906	Transistor 2SC3326(A/B)	
TR509,510	273 0414 906	Transistor 2SC3326(A/B)	
TR511,512	274 0160 907	Transistor 2SD2144STPU	
TR515~517	269 0082 902	Transistor DTC114EKT96	
TR518	269 0083 901	Transistor DTA114EKT96	
D101,102	276 0704 903	Diode 1SR35-400A(T93X)	
D501,502	276 0704 903	Diode 1SR35-400A(T93X)	
ZD501	276 0633 906	Zener diode MTZJ6.8CT77	

Ref. No.	Part No.	Part Name	Remarks
RESISTOR			
R101,102	247 2009 925	Carbon chip 5.6 kohm 1/16W	RM73B--562JT
R103,104	247 2007 943	Carbon chip 1 kohm 1/16W	RM73B--102JT
R105	247 2009 983	Carbon chip 10 kohm 1/16W	RM73B--103JT
R108,109	247 2010 985	Carbon chip 27 kohm 1/16W	RM73B--273JT
R110,111	247 2009 983	Carbon chip 10 kohm 1/16W	RM73B--103JT
R112	247 2018 903	Carbon chip 0 ohm 1/16W	RM73B--0R0KT
R113	247 2013 908	Carbon chip 220 kohm 1/16W	RM73B--224JT
R114	247 2010 956	Carbon chip 20 kohm 1/16W	RM73B--203JT
R115	247 2010 943	Carbon chip 18 kohm 1/16W	RM73B--183JT
R116	247 2008 926	Carbon chip 2.2 kohm 1/16W	RM73B--222JT
R117	247 2011 984	Carbon chip 68 kohm 1/16W	RM73B--683JT
R118	247 2010 914	Carbon chip 13 kohm 1/16W	RM73B--133JT
R119,120	247 2010 927	Carbon chip 15 kohm 1/16W	RM73B--153JT
R121	247 2006 999	Carbon chip 620 ohm 1/16W	RM73B--621JT
R122	247 2012 983	Carbon chip 180 kohm 1/16W	RM73B--184JT
R123	247 2011 900	Carbon chip 33 kohm 1/16W	RM73B--333JT
R124	247 2008 926	Carbon chip 2.2 kohm 1/16W	RM73B--222JT
R125	247 2011 900	Carbon chip 33 kohm 1/16W	RM73B--333JT
R126~129	247 2010 927	Carbon chip 15 kohm 1/16W	RM73B--153JT
R130	247 2011 900	Carbon chip 33 kohm 1/16W	RM73B--333JT
R131,132	247 2004 920	Carbon chip 47 ohm 1/16W	RM73B--470JT
R133	247 2004 991	Carbon chip 91 ohm 1/16W	RM73B--910JT
R134	247 2010 985	Carbon chip 27 kohm 1/16W	RM73B--273JT
R136	247 2010 972	Carbon chip 24 kohm 1/16W	RM73B--243JT
R137	247 2011 942	Carbon chip 47 kohm 1/16W	RM73B--473JT
R139	247 2010 943	Carbon chip 18 kohm 1/16W	RM73B--183JT
R140	247 2011 900	Carbon chip 33 kohm 1/16W	RM73B--333JT
R141	247 2008 926	Carbon chip 2.2 kohm 1/16W	RM73B--222JT
R142	247 2010 985	Carbon chip 27 kohm 1/16W	RM73B--273JT
R143	247 2010 998	Carbon chip 30 kohm 1/16W	RM73B--303JT
R144	247 2006 931	Carbon chip 360 ohm 1/16W	RM73B--361JT
R145	247 2011 913	Carbon chip 36 kohm 1/16W	RM73B--363JT
R147	247 2012 954	Carbon chip 130 kohm 1/16W	RM73B--134JT
R148	247 2011 984	Carbon chip 68 kohm 1/16W	RM73B--683JT
R149	247 2009 925	Carbon chip 5.6 kohm 1/16W	RM73B--562JT
R150	247 2008 926	Carbon chip 2.2 kohm 1/16W	RM73B--222JT
R151	247 2010 901	Carbon chip 12 kohm 1/16W	RM73B--123JT
R152	247 2008 968	Carbon chip 3.3 kohm 1/16W	RM73B--332JT
R153,154	247 2012 967	Carbon chip 150 kohm 1/16W	RM73B--154JT
R156	247 2009 983	Carbon chip 10 kohm 1/16W	RM73B--103JT
R158	247 2009 983	Carbon chip 10 kohm 1/16W	RM73B--103JT
R159	247 2002 964	Carbon chip 10 ohm 1/16W	RM73B--100JT
R160	247 2009 909	Carbon chip 4.7 kohm 1/16W	RM73B--472JT (1608)
R161	247 2013 924	Carbon chip 270 kohm 1/16W	RM73B--274JT
R162	247 2011 955	Carbon chip 51 kohm 1/16W	RM73B--513JT
R163	247 2009 983	Carbon chip 10 kohm 1/16W	RM73B--103JT
R164	247 2011 926	Carbon chip 39 kohm 1/16W	RM73B--393JT
R165	247 2010 969	Carbon chip 22 kohm 1/16W	RM73B--223JT
R166	247 2009 983	Carbon chip 10 kohm 1/16W	RM73B--103JT
R169	247 2015 906	Carbon chip 1.5 Mohm 1/16W	RM73B--155KT
R170	247 2006 902	Carbon chip 330 ohm 1/16W	RM73B--331JT (1608)

Ref. No.	Part No.	Part Name	Remarks	Ref. No.	Part No.	Part Name	Remarks
R171	247 2011 900	Carbon chip 33 kohm 1/16W	RM73B--333JT	R291,292	247 2018 903	Carbon chip 0 ohm 1/16W	RM73B--0R0KT
R172	247 2007 901	Carbon chip 680 ohm 1/16W	RM73B--681JT	R301	247 2003 947	Carbon chip 22 ohm 1/16W	RM73B--220JT
R173	247 2011 900	Carbon chip 33 kohm 1/16W	RM73B--333JT	R304	247 2004 975	Carbon chip 75 ohm 1/16W	RM73B--750JT
R174	247 2007 969	Carbon chip 1.2 kohm 1/16W	RM73B--122JT	R305--307	247 2011 942	Carbon chip 47 kohm 1/16W	RM73B--473JT
R175	247 2018 903	Carbon chip 0 ohm 1/16W	RM73B--0R0KT	R308	247 2005 903	Carbon chip 100 ohm 1/16W	RM73B--101JT
R177	247 2018 903	Carbon chip 0 ohm 1/16W	RM73B--0R0KT	R309--311	247 2003 947	Carbon chip 22 ohm 1/16W	RM73B--220JT
R178--180	247 2003 947	Carbon chip 22 ohm 1/16W	RM73B--220JT	R312,313	247 2004 920	Carbon chip 47 ohm 1/16W	RM73B--470JT
R181,182	247 2018 903	Carbon chip 0 ohm 1/16W	RM73B--0R0KT	R314	247 2014 965	Carbon chip 1 Mohm 1/16W	RM73B--105JT
R183	247 2009 983	Carbon chip 10 kohm 1/16W	RM73B--103JT	R315	247 2006 960	Carbon chip 470 ohm 1/16W	RM73B--471JT
R184,185	247 2003 947	Carbon chip 22 ohm 1/16W	RM73B--220JT	R316	247 2014 965	Carbon chip 1 Mohm 1/16W	RM73B--105JT
R188	247 2004 920	Carbon chip 47 ohm 1/16W	RM73B--470JT	R317	247 2005 903	Carbon chip 100 ohm 1/16W	RM73B--101JT
R189--192	247 2009 967	Carbon chip 8.2 kohm 1/16W	RM73B--822JT	R318	247 2004 975	Carbon chip 75 ohm 1/16W	RM73B--750JT
R193	247 2014 965	Carbon chip 1 Mohm 1/16W	RM73B--105JT	R319	247 2014 965	Carbon chip 1 Mohm 1/16W	RM73B--105JT
R194--196	247 2018 903	Carbon chip 0 ohm 1/16W	RM73B--0R0KT	R320	247 2006 960	Carbon chip 470 ohm 1/16W	RM73B--471JT
R197--199	247 2004 920	Carbon chip 47 ohm 1/16W	RM73B--470JT	R321	247 2014 965	Carbon chip 1 Mohm 1/16W	RM73B--105JT
R200	247 2011 971	Carbon chip 62 kohm 1/16W	RM73B--623JT	R322	247 2005 903	Carbon chip 100 ohm 1/16W	RM73B--101JT
R201	247 2010 969	Carbon chip 22 kohm 1/16W	RM73B--223JT	R323	247 2004 975	Carbon chip 75 ohm 1/16W	RM73B--750JT
R202	247 2010 972	Carbon chip 24 kohm 1/16W	RM73B--243JT	R401,402	247 2010 985	Carbon chip 27 kohm 1/16W	RM73B--273JT
R203	247 2010 956	Carbon chip 20 kohm 1/16W	RM73B--203JT	R403,404	247 2010 943	Carbon chip 18 kohm 1/16W	RM73B--183JT
R204	247 2010 969	Carbon chip 22 kohm 1/16W	RM73B--223JT	R405,406	247 2018 903	Carbon chip 0 ohm 1/16W	RM73B--0R0KT
R205	247 2010 972	Carbon chip 24 kohm 1/16W	RM73B--243JT	R409,410	247 2010 943	Carbon chip 18 kohm 1/16W	RM73B--183JT
R206--208	247 2010 969	Carbon chip 22 kohm 1/16W	RM73B--223JT	R411,412	247 2010 985	Carbon chip 27 kohm 1/16W	RM73B--273JT
R210,211	247 2010 969	Carbon chip 22 kohm 1/16W	RM73B--223JT	R415,416	247 2010 998	Carbon chip 30 kohm 1/16W	RM73B--303JT
R212	247 2011 968	Carbon chip 56 kohm 1/16W	RM73B--563JT	R417	247 2005 903	Carbon chip 100 ohm 1/16W	RM73B--101JT
R213	247 2010 998	Carbon chip 30 kohm 1/16W	RM73B--303JT	R418	247 2018 903	Carbon chip 0 ohm 1/16W	RM73B--0R0KT
R214	247 2018 903	Carbon chip 0 ohm 1/16W	RM73B--0R0KT	R419,420	247 2012 925	Carbon chip 100 kohm 1/16W	RM73B--104JT
R215	247 2007 914	Carbon chip 750 ohm 1/16W	RM73B--751JT	R421--424	247 2009 983	Carbon chip 10 kohm 1/16W	RM73B--103JT
R216	247 2011 900	Carbon chip 33 kohm 1/16W	RM73B--333JT	R425,426	247 2010 998	Carbon chip 30 kohm 1/16W	RM73B--303JT
R217	247 2018 903	Carbon chip 0 ohm 1/16W	RM73B--0R0KT	R427,428	247 2007 943	Carbon chip 1 kohm 1/16W	RM73B--102JT
R219--221	247 2009 983	Carbon chip 10 kohm 1/16W	RM73B--103JT	R429,430	247 2009 983	Carbon chip 10 kohm 1/16W	RM73B--103JT
R222	247 2013 982	Carbon chip 470 kohm 1/16W	RM73B--474JT	R431,432	247 2018 903	Carbon chip 0 ohm 1/16W	RM73B--0R0KT
R223--225	247 2009 983	Carbon chip 10 kohm 1/16W	RM73B--103JT	R433--440	247 2010 998	Carbon chip 30 kohm 1/16W	RM73B--303JT
R227,228	247 2009 983	Carbon chip 10 kohm 1/16W	RM73B--103JT	R441,442	247 2005 903	Carbon chip 100 ohm 1/16W	RM73B--101JT
R232--241	247 2003 947	Carbon chip 22 ohm 1/16W	RM73B--220JT	R445,446	247 2005 903	Carbon chip 100 ohm 1/16W	RM73B--101JT
R242--245	247 2009 983	Carbon chip 10 kohm 1/16W	RM73B--103JT	R501,502	247 2008 913	Carbon chip 2 kohm 1/16W	RM73B--202JT
R246,247	247 2003 947	Carbon chip 22 ohm 1/16W	RM73B--220JT	R503,504	247 2010 901	Carbon chip 12 kohm 1/16W	RM73B--123JT
R248	247 2009 983	Carbon chip 10 kohm 1/16W	RM73B--103JT	R505,506	247 2009 970	Carbon chip 9.1 kohm 1/16W	RM73B--912JT
R249	247 2018 903	Carbon chip 0 ohm 1/16W	RM73B--0R0KT	R507,508	247 2010 998	Carbon chip 30 kohm 1/16W	RM73B--303JT
R250--256	247 2009 983	Carbon chip 10 kohm 1/16W	RM73B--103JT	R509,510	247 2011 926	Carbon chip 39 kohm 1/16W	RM73B--393JT
R257	247 2003 947	Carbon chip 22 ohm 1/16W	RM73B--220JT	R511,512	247 2010 956	Carbon chip 20 kohm 1/16W	RM73B--203JT
R258	247 2009 983	Carbon chip 10 kohm 1/16W	RM73B--103JT	R513--516	247 2008 913	Carbon chip 2 kohm 1/16W	RM73B--202JT
R259--262	247 2003 947	Carbon chip 22 ohm 1/16W	RM73B--220JT	R517,518	247 2009 983	Carbon chip 10 kohm 1/16W	RM73B--103JT
R264,265	247 2009 983	Carbon chip 10 kohm 1/16W	RM73B--103JT	R519,520	247 2008 926	Carbon chip 2.2 kohm 1/16W	RM73B--222JT
R267	247 2004 920	Carbon chip 47 ohm 1/16W	RM73B--470JT	R521,522	247 2009 983	Carbon chip 10 kohm 1/16W	RM73B--103JT
R268--270	247 2009 912	Carbon chip 5.1 kohm 1/16W	RM73B--512JT	R523,524	247 2009 996	Carbon chip 11 kohm 1/16W	RM73B--113JT
R271	247 2004 991	Carbon chip 91 ohm 1/16W	RM73B--910JT	R525,526	247 2010 998	Carbon chip 30 kohm 1/16W	RM73B--303JT
R272	247 2018 903	Carbon chip 0 ohm 1/16W	RM73B--0R0KT	R529,530	247 2018 903	Carbon chip 0 ohm 1/16W	RM73B--0R0KT
R273	247 2007 914	Carbon chip 750 ohm 1/16W	RM73B--751JT	R531,532	247 2008 942	Carbon chip 2.7 kohm 1/16W	RM73B--272JT
R280	247 2013 982	Carbon chip 470 kohm 1/16W	RM73B--474JT	R533,534	247 2007 901	Carbon chip 680 ohm 1/16W	RM73B--681JT
R282--289	247 2018 903	Carbon chip 0 ohm 1/16W	RM73B--0R0KT				
R290	247 2012 925	Carbon chip 100 kohm 1/16W	RM73B--104JT				

Ref. No.	Part No.	Part Name	Remarks
R535,536	247 2009 983	Carbon chip 10 kohm 1/16W	RM73B--103JT
R537,538	247 2008 926	Carbon chip 2.2 kohm 1/16W	RM73B--222JT
R539,540	247 2009 983	Carbon chip 10 kohm 1/16W	RM73B--103JT
R541,542	247 2009 996	Carbon chip 11 kohm 1/16W	RM73B--113JT
R543,544	247 2010 998	Carbon chip 30 kohm 1/16W	RM73B--303JT
R547,548	247 2018 903	Carbon chip 0 ohm 1/16W	RM73B--0R0KT
R549,550	247 2008 942	Carbon chip 2.7 kohm 1/16W	RM73B--272JT
R551,552	247 2007 901	Carbon chip 680 ohm 1/16W	RM73B--681JT
R553,554	247 2010 998	Carbon chip 30 kohm 1/16W	RM73B--303JT
R555,556	247 2008 997	Carbon chip 4.3 kohm 1/16W	RM73B--432JT
R557,558	247 2008 984	Carbon chip 3.9 kohm 1/16W	RM73B--392JT
R559,560	247 2011 955	Carbon chip 51 kohm 1/16W	RM73B--513JT
R561,562	247 2018 903	Carbon chip 0 ohm 1/16W	RM73B--0R0KT
R563,564	241 2376 980	Carbon film 56 ohm 1/4W(NB)	RD14B2E560JNBST
R565,566	247 2008 942	Carbon chip 2.7 kohm 1/16W	RM73B--272JT
R567,568	247 2012 996	Carbon chip 200 kohm 1/16W	RM73B--204JT
R569,570	247 2018 903	Carbon chip 0 ohm 1/16W	RM73B--0R0KT
R571	247 2009 983	Carbon chip 10 kohm 1/16W	RM73B--103JT
R572	244 2051 974	Metal oxide 1 kohm 1W(NB)	RS14B3A102JNBST(S)
R573	241 2377 934	Carbon film 91 ohm 1/4W(NB)	RD14B2E910JNBST
R574	244 2051 974	Metal oxide 1 kohm 1W(NB)	RS14B3A102JNBST(S)
R575	241 2377 934	Carbon film 91 ohm 1/4W(NB)	RD14B2E910JNBST
R701	247 2009 983	Carbon chip 10 kohm 1/16W	RM73B--103JT
R702	247 2010 985	Carbon chip 27 kohm 1/16W	RM73B--273JT
R703--706	247 2007 943	Carbon chip 1 kohm 1/16W	RM73B--102JT
R707,708	247 2005 945	Carbon chip 150 ohm 1/16W	RM73B--151JT
R709,710	247 2005 961	Carbon chip 180 ohm 1/16W	RM73B--181JT
R711,712	247 2006 915	Carbon chip 270 ohm 1/16W	RM73B--271JT
R713	247 2007 943	Carbon chip 1 kohm 1/16W	RM73B--102JT
R714,715	247 2006 944	Carbon chip 390 ohm 1/16W	RM73B--391JT
R716	247 2007 901	Carbon chip 680 ohm 1/16W	RM73B--681JT
R717	247 2008 913	Carbon chip 2 kohm 1/16W	RM73B--202JT
R718--721	247 2009 983	Carbon chip 10 kohm 1/16W	RM73B--103JT
R751,752	247 2005 945	Carbon chip 150 ohm 1/16W	RM73B--151JT
R753,754	247 2005 961	Carbon chip 180 ohm 1/16W	RM73B--181JT
R755,756	247 2006 915	Carbon chip 270 ohm 1/16W	RM73B--271JT
R757	247 2006 944	Carbon chip 390 ohm 1/16W	RM73B--391JT
R758	247 2007 956	Carbon chip 1.1 kohm 1/16W	RM73B--112JT
R759	247 2007 901	Carbon chip 680 ohm 1/16W	RM73B--681JT
R760	247 2009 912	Carbon chip 5.1 kohm 1/16W	RM73B--512JT
VR501	211 0903 008	Variable resistor 2 kohm	V1420Q15FC202

CAPACITORS			
C101	257 0512 903	Ceramic chip 0.1μF/25V	CK73F1E104ZT
C102	254 4538 942	Electrolytic 100μF/16V	CE04W1C101MT SMG/RE3
C103	257 0516 925	Ceramic chip 0.033μF/25V	CK73B1E333KT
C104	257 0507 976	Ceramic chip 330pF/50V	CC73CH1H331JT
C105	254 4524 927	Electrolytic 0.33μF/50V	CE04W1HR33MT SMG/RE3
C106	257 0501 927	Ceramic chip 0.015μF/50V	CK73B1H153KT
C107	257 0517 908	Ceramic chip 0.047μF/16V	CK73B1C473KT

Ref. No.	Part No.	Part Name	Remarks
C108	257 0506 993	Ceramic chip 150pF/50V	CC73CH1H151JT
C109--111	257 0517 908	Ceramic chip 0.047μF/16V	CK73B1C473KT
C112--115	257 0512 903	Ceramic chip 0.1μF/25V	CK73F1E104ZT
C116	254 4524 969	Electrolytic 3.3μF/50V	CE04W1HR33MT SMG/RE3
C117,118	257 0501 901	Ceramic chip 0.01μF/50V	CK73B1H103KT (1608)
C119	257 0509 929	Ceramic chip 1000pF/50V	CK73B1H102KT
C120	257 0512 903	Ceramic chip 0.1μF/25V	CK73F1E104ZT
C121	257 0507 934	Ceramic chip 220pF/50V	CC73CH1H221JT
C122	257 0512 903	Ceramic chip 0.1μF/25V	CK73F1E104ZT
C123	257 0501 901	Ceramic chip 0.01μF/50V	CK73B1H103KT (1608)
C124	254 3056 917	Electrolytic 1μF/50V	CE04D1H010MBPT (SME)
C125	257 0510 918	Ceramic chip 3300pF/50V	CK73B1H332KT
C126	257 0506 951	Ceramic chip 100pF/50V	CC73CH1H101JT
C127	254 3056 917	Electrolytic 1μF/50V	CE04D1H010MBPT (SME)
C128	257 0510 918	Ceramic chip 3300pF/50V	CK73B1H332KT
C129,130	254 4538 939	Electrolytic 47μF/16V	CE04W1C470MT SMG/RE3
C131,132	257 0509 929	Ceramic chip 1000pF/50V	CK73B1H102KT
C133	254 4538 955	Electrolytic 220μF/16V	CE04W1C221MT SMG/RE3
C134	257 0514 901	Ceramic chip 0.33μF/16V	CK73F1C334ZT
C135	257 0512 903	Ceramic chip 0.1μF/25V	CK73F1E104ZT
C136	257 0517 908	Ceramic chip 0.047μF/16V	CK73B1C473KT
C137	254 4538 942	Electrolytic 100μF/16V	CE04W1C101MT SMG/RE3
C138	257 0501 901	Ceramic chip 0.01μF/50V	CK73B1H103KT (1608)
C139	254 4538 900	Electrolytic 10μF/16V	CE04W1C100MT SMG/RE3
C140--142	257 0512 903	Ceramic chip 0.1μF/25V	CK73F1E104ZT
C143,144	254 4538 942	Electrolytic 100μF/16V	CE04W1C101MT SMG/RE3
C145	254 4522 903	Electrolytic 4.7μF/35V	CE04W1V47MT SMG/RE3
C146	257 0512 903	Ceramic chip 0.1μF/25V	CK73F1E104ZT
C148	257 0509 929	Ceramic chip 1000pF/50V	CK73B1H102KT
C149,150	257 0502 984	Ceramic chip 6pF/50V	CC73CH1H6R0DT
C151	257 0501 901	Ceramic chip 0.01μF/50V	CK73B1H103KT (1608)
C152	254 4522 903	Electrolytic 4.7μF/35V	CE04W1V47MT SMG/RE3
C153	257 0517 908	Ceramic chip 0.047μF/16V	CK73B1C473KT
C154	257 0512 903	Ceramic chip 0.1μF/25V	CK73F1E104ZT
C155	254 4538 939	Electrolytic 47μF/16V	CE04W1C470MT SMG/RE3
C156,157	254 4538 942	Electrolytic 100μF/16V	CE04W1C101MT SMG/RE3
C158	257 0512 903	Ceramic chip 0.1μF/25V	CK73F1E104ZT
C159	257 0506 951	Ceramic chip 100pF/50V	CC73CH1H101JT
C162	257 0512 903	Ceramic chip 0.1μF/25V	CK73F1E104ZT
C164	257 0512 903	Ceramic chip 0.1μF/25V	CK73F1E104ZT
C165,166	257 0507 989	Ceramic chip 360pF/50V	CC73CH1H361JT
C167,168	257 0503 925	Ceramic chip 10pF/50V	CC73CH1H100DT
C169	254 4538 942	Electrolytic 100μF/16V	CE04W1C101MT SMG/RE3
C170	257 0512 903	Ceramic chip 0.1μF/25V	CK73F1E104ZT
C171	254 4538 939	Electrolytic 47μF/16V	CE04W1C470MT SMG/RE3
C172,173	257 0512 903	Ceramic chip 0.1μF/25V	CK73F1E104ZT
C174	254 4538 942	Electrolytic 100μF/16V	CE04W1C101MT SMG/RE3
C175,176	254 4538 900	Electrolytic 10μF/16V	CE04W1C100MT SMG/RE3
C177--183	257 0512 903	Ceramic chip 0.1μF/25V	CK73F1E104ZT
C186	254 4538 955	Electrolytic 220μF/16V	CE04W1C221MT SMG/RE3
C187	257 0512 903	Ceramic chip 0.1μF/25V	CK73F1E104ZT
C190	257 0512 903	Ceramic chip 0.1μF/25V	CK73F1E104ZT

Ref. No.	Part No.	Part Name	Remarks
C191	254 4538 939	Electrolytic 47μF/16V	CE04W1C470MT SMG/RE3
C192	257 0512 903	Ceramic chip 0.1μF/25V	CK73F1E104ZT
C193	257 0501 901	Ceramic chip 0.01μF/50V	CK73B1H103KT (1608)
C194	257 0512 903	Ceramic chip 0.1μF/25V	CK73F1E104ZT
C195	254 4538 942	Electrolytic 100μF/16V	CE04W1C101MT SMG/RE3
C196,197	257 0512 903	Ceramic chip 0.1μF/25V	CK73F1E104ZT
C198	259 0011 044	Electric double layer 1 F/5.5V	CE42--105ZF(DX-V)
C199	254 4538 942	Electrolytic 100μF/16V	CE04W1C101MT SMG/RE3
C200	257 0507 921	Ceramic chip 200pF/50V	CC73CH1H201JT
C203,204	257 0512 903	Ceramic chip 0.1μF/25V	CK73F1E104ZT
C205	254 4533 947	Electrolytic 330μF/6.3V	CE04W0J331MT SMG/RE3
C206,207	257 0512 903	Ceramic chip 0.1μF/25V	CK73F1E104ZT
C208	254 4538 939	Electrolytic 47μF/16V	CE04W1C470MT SMG/RE3
C209	257 0512 903	Ceramic chip 0.1μF/25V	CK73F1E104ZT
C210	254 4533 947	Electrolytic 330μF/6.3V	CE04W0J331MT SMG/RE3
C211	257 0511 904	Ceramic chip 0.01μF/50V	CK73F1H103ZT
C212	257 0512 903	Ceramic chip 0.1μF/25V	CK73F1E104ZT
C213	257 0511 904	Ceramic chip 0.01μF/50V	CK73F1H103ZT
C214	257 0512 903	Ceramic chip 0.1μF/25V	CK73F1E104ZT
C217,218	257 0511 904	Ceramic chip 0.01μF/50V	CK73F1H103ZT
C219-225	257 0512 903	Ceramic chip 0.1μF/25V	CK73F1E104ZT
C226	257 0511 904	Ceramic chip 0.01μF/50V	CK73F1H103ZT
C227	257 0512 903	Ceramic chip 0.1μF/25V	CK73F1E104ZT
C229	257 0512 903	Ceramic chip 0.1μF/25V	CK73F1E104ZT
C230	257 0511 904	Ceramic chip 0.01μF/50V	CK73F1H103ZT
C237,238	257 0512 903	Ceramic chip 0.1μF/25V	CK73F1E104ZT
C301	257 0509 929	Ceramic chip 1000pF/50V	CK73B1H102KT
C302	254 4538 900	Electrolytic 10μF/16V	CE04W1C100MT SMG/RE3
C303	257 0506 993	Ceramic chip 150pF/50V	CC73CH1H151JT
C304	257 0501 901	Ceramic chip 0.01μF/50V	CK73B1H103KT (1608)
C305-307	257 0511 917	Ceramic chip 0.022μF/50V	CK73F1H223ZT
C308	257 0509 929	Ceramic chip 1000pF/50V	CK73B1H102KT
C309	257 0512 903	Ceramic chip 0.1μF/25V	CK73F1E104ZT
C310	254 4538 939	Electrolytic 47μF/16V	CE04W1C470MT SMG/RE3
C311	257 0509 929	Ceramic chip 1000pF/50V	CK73B1H102KT
C312	254 4538 900	Electrolytic 10μF/16V	CE04W1C100MT SMG/RE3
C313	257 0509 929	Ceramic chip 1000pF/50V	CK73B1H102KT
C314	254 4538 900	Electrolytic 10μF/16V	CE04W1C100MT SMG/RE3
C315	257 0511 917	Ceramic chip 0.022μF/50V	CK73F1H223ZT
C316	257 0509 929	Ceramic chip 1000pF/50V	CK73B1H102KT
C317	257 0512 903	Ceramic chip 0.1μF/25V	CK73F1E104ZT
C318	254 4538 926	Electrolytic 33μF/16V	CE04W1C330MT SMG/RE3
C319	257 0512 903	Ceramic chip 0.1μF/25V	CK73F1E104ZT
C320	254 4538 942	Electrolytic 100μF/16V	CE04W1C101MT SMG/RE3
C321	257 0509 929	Ceramic chip 1000pF/50V	CK73B1H102KT
C322	257 0501 901	Ceramic chip 0.01μF/50V	CK73B1H103KT (1608)
C323	257 0504 940	Ceramic chip 33pF/50V	CC73CH1H330JT
C324	257 0512 903	Ceramic chip 0.1μF/25V	CK73F1E104ZT
C325	257 0501 901	Ceramic chip 0.01μF/50V	CK73B1H103KT (1608)
C326	257 0512 903	Ceramic chip 0.1μF/25V	CK73F1E104ZT

Ref. No.	Part No.	Part Name	Remarks
C327	257 0511 917	Ceramic chip 0.022μF/50V	CK73F1H223ZT
C328	257 0509 929	Ceramic chip 1000pF/50V	CK73B1H102KT
C329	257 0512 903	Ceramic chip 0.1μF/25V	CK73F1E104ZT
C330	254 4538 926	Electrolytic 33μF/16V	CE04W1C330MT SMG/RE3
C331	257 0512 903	Ceramic chip 0.1μF/25V	CK73F1E104ZT
C332	254 4538 942	Electrolytic 100μF/16V	CE04W1C101MT SMG/RE3
C333	257 0509 929	Ceramic chip 1000pF/50V	CK73B1H102KT
C334	257 0501 901	Ceramic chip 0.01μF/50V	CK73B1H103KT (1608)
C335	257 0504 940	Ceramic chip 33pF/50V	CC73CH1H330JT
C336	257 0512 903	Ceramic chip 0.1μF/25V	CK73F1E104ZT
C337	257 0501 901	Ceramic chip 0.01μF/50V	CK73B1H103KT (1608)
C338	257 0512 903	Ceramic chip 0.1μF/25V	CK73F1E104ZT
C339-348	257 0506 951	Ceramic chip 100pF/50V	CC73CH1H101JT
C351	257 0512 903	Ceramic chip 0.1μF/25V	CK73F1E104ZT
C352,353	257 0511 904	Ceramic chip 0.01μF/50V	CK73F1H103ZT
C354	257 0512 903	Ceramic chip 0.1μF/25V	CK73F1E104ZT
C355	257 0511 904	Ceramic chip 0.01μF/50V	CK73F1H103ZT
C356,357	257 0506 951	Ceramic chip 100pF/50V	CC73CH1H101JT
C358	257 0511 904	Ceramic chip 0.01μF/50V	CK73F1H103ZT
C359-367	257 0506 951	Ceramic chip 100pF/50V	CC73CH1H101JT
C369	257 0511 904	Ceramic chip 0.01μF/50V	CK73F1H103ZT
C370	257 0512 903	Ceramic chip 0.1μF/25V	CK73F1E104ZT
C371	257 0509 929	Ceramic chip 1000pF/50V	CK73B1H102KT
C372	257 0511 904	Ceramic chip 0.01μF/50V	CK73F1H103ZT
C401,402	257 0506 951	Ceramic chip 100pF/50V	CC73CH1H101JT
C403,404	257 0509 929	Ceramic chip 1000pF/50V	CK73B1H102KT
C407,408	257 0504 982	Ceramic chip 47pF/50V	CC73CH1H470JT
C409,410	254 4538 900	Electrolytic 10μF/16V	CE04W1C100MT SMG/RE3
C411,412	257 0512 903	Ceramic chip 0.1μF/25V	CK73F1E104ZT
C413,414	254 4538 900	Electrolytic 10μF/16V	CE04W1C100MT SMG/RE3
C417	254 4538 900	Electrolytic 10μF/16V	CE04W1C100MT SMG/RE3
C418	257 0511 904	Ceramic chip 0.01μF/50V	CK73F1H103ZT
C420	257 0512 903	Ceramic chip 0.1μF/25V	CK73F1E104ZT
C422	257 0512 903	Ceramic chip 0.1μF/25V	CK73F1E104ZT
C427,428	257 0506 951	Ceramic chip 100pF/50V	CC73CH1H101JT
C429,430	254 4538 900	Electrolytic 10μF/16V	CE04W1C100MT SMG/RE3
C431,432	257 0512 903	Ceramic chip 0.1μF/25V	CK73F1E104ZT
C433-436	254 4538 900	Electrolytic 10μF/16V	CE04W1C100MT SMG/RE3
C437,438	257 0512 903	Ceramic chip 0.1μF/25V	CK73F1E104ZT
C439	257 0501 901	Ceramic chip 0.01μF/50V	CK73B1H103KT (1608)
C441,442	257 0509 929	Ceramic chip 1000pF/50V	CK73B1H102KT
C443-446	254 4538 900	Electrolytic 10fÉF/16V	CE04W1C100MT SMG/RE3
C447-450	257 0509 929	Ceramic chip 1000pF/50V	CK73B1H102KT
C451-455	254 4538 900	Electrolytic 10μF/16V	CE04W1C100MT SMG/RE3
C456	257 0511 904	Ceramic chip 0.01μF/50V	CK73F1H103ZT
C458,459	257 0512 903	Ceramic chip 0.1μF/25V	CK73F1E104ZT
C460	254 4538 942	Electrolytic 100μF/16V	CE04W1C101MT SMG/RE3
C461,462	257 0512 903	Ceramic chip 0.1μF/25V	CK73F1E104ZT
C463	257 0511 904	Ceramic chip 0.01μF/50V	CK73F1H103ZT
C464	257 0512 903	Ceramic chip 0.1μF/25V	CK73F1E104ZT
C468	257 0511 904	Ceramic chip 0.01μF/50V	CK73F1H103ZT

Ref. No.	Part No.	Part Name	Remarks	Ref. No.	Part No.	Part Name	Remarks	
C469	257 0512 903	Ceramic chip 0.1μF/25V	CK73F1E104ZT	C615,616	257 0512 903	Ceramic chip 0.1μF/25V	CK73F1E104ZT	
C493	257 0511 904	Ceramic chip 0.01μF/50V	CK73F1H103ZT	C618,619	254 4538 942	Electrolytic 100μF/16V	CE04W1C101MT SMG/RE3	
C494,495	257 0512 903	Ceramic chip 0.1μF/25V	CK73F1E104ZT	C620-623	257 0512 903	Ceramic chip 0.1μF/25V	CK73F1E104ZT	
C496	257 0511 904	Ceramic chip 0.01μF/50V	CK73F1H103ZT	C624	257 0509 929	Ceramic chip 1000pF/50V	CK73B1H102KT	
C497	257 0509 929	Ceramic chip 1000pF/50V	CK73B1H102KT	C625-627	257 0512 903	Ceramic chip 0.1μF/25V	CK73F1E104ZT	
C498	257 0511 904	Ceramic chip 0.01μF/50V	CK73F1H103ZT	C628-630	254 4538 942	Electrolytic 100μF/16V	CE04W1C101MT SMG/RE3	
C501,502	254 4538 900	Electrolytic 10μF/16V	CE04W1C100MT SMG/RE3	C631	257 0511 904	Ceramic chip 0.01μF/50V	CK73F1H103ZT	
C503,504	257 0512 903	Ceramic chip 0.1μF/25V	CK73F1E104ZT	C632,633	257 0509 929	Ceramic chip 1000pF/50V	CK73B1H102KT	
C505,506	254 4538 968	Electrolytic 330μF/16V	CE04W1C331MT SMG/RE3	C634,635	257 0512 903	Ceramic chip 0.1μF/25V	CK73F1E104ZT	
C507,508	257 0512 903	Ceramic chip 0.1μF/25V	CK73F1E104ZT	C637-640	257 0507 921	Ceramic chip 200pF/50V	CC73CH1H201JT	
C509,510	254 4538 900	Electrolytic 10μF/16V	CE04W1C100MT SMG/RE3	C641	257 0509 929	Ceramic chip 1000pF/50V	CK73B1H102KT	
C511,512	255 4232 937	Mylar film 1000pF/100V	CQ93P2A102JT(NH)	C642	257 0511 904	Ceramic chip 0.01μF/50V	CK73F1H103ZT	
C515,516	255 4232 937	Mylar film 1000pF/100V	CQ93P2A102JT(NH)	C643	257 0509 929	Ceramic chip 1000pF/50V	CK73B1H102KT	
C517,518	254 4538 939	Electrolytic 47μF/16V	CE04W1C470MT SMG/RE3	C644	257 0511 904	Ceramic chip 0.01μF/50V	CK73F1H103ZT	
C519,520	257 0509 929	Ceramic chip 1000pF/50V	CK73B1H102KT	C645	257 0512 903	Ceramic chip 0.1μF/25V	CK73F1E104ZT	
C521,522	255 4232 937	Mylar film 1000pF/100V	CQ93P2A102JT(NH)	C702	257 0512 903	Ceramic chip 0.1μF/25V	CK73F1E104ZT	
C525,526	255 4232 937	Mylar film 1000pF/100V	CQ93P2A102JT(NH)	C703,704	257 0511 920	Ceramic chip 0.047μF/50V	CK73F1H473ZT	
C527,528	257 0512 903	Ceramic chip 0.1μF/25V	CK73F1E104ZT	C705	257 0511 904	Ceramic chip 0.01μF/50V	CK73F1H103ZT	
C529	254 4538 900	Electrolytic 10μF/16V	CE04W1C100MT SMG/RE3	C706	257 0511 920	Ceramic chip 0.047μF/50V	CK73F1H473ZT	
C530	254 4538 968	Electrolytic 330μF/16V	CE04W1C331MT SMG/RE3	C707	257 0506 951	Ceramic chip 100pF/50V	CC73CH1H101JT	
C531,532	254 4538 939	Electrolytic 47μF/16V	CE04W1C470MT SMG/RE3	C708	257 0512 903	Ceramic chip 0.1μF/25V	CK73F1E104ZT	
C533,534	257 0509 929	Ceramic chip 1000pF/50V	CK73B1H102KT	C710,711	257 0512 903	Ceramic chip 0.1μF/25V	CK73F1E104ZT	
C535,536	257 0505 907	Ceramic chip 56pF/50V	CC73CH1H560JT	C712,713	257 0511 920	Ceramic chip 0.047μF/50V	CK73F1H473ZT	
C537,538	254 4538 942	Electrolytic 100μF/16V	CE04W1C101MT SMG/RE3	C714	257 0501 901	Ceramic chip 0.01μF/50V	CK73B1H103KT (1608)	
C539	257 0512 903	Ceramic chip 0.1μF/25V	CK73F1E104ZT	C715,716	257 0512 903	Ceramic chip 0.1μF/25V	CK73F1E104ZT	
C540	254 4538 968	Electrolytic 330μF/16V	CE04W1C331MT SMG/RE3	C717	257 0501 901	Ceramic chip 0.01μF/50V	CK73B1H103KT (1608)	
C541	257 0512 903	Ceramic chip 0.1μF/25V	CK73F1E104ZT	C718	257 0511 904	Ceramic chip 0.01μF/50V	CK73F1H103ZT	
C542	254 4538 900	Electrolytic 10μF/16V	CE04W1C100MT SMG/RE3	C719	257 0512 903	Ceramic chip 0.1μF/25V	CK73F1E104ZT	
C543,544	257 0501 901	Ceramic chip 0.01μF/50V	CK73B1H103KT (1608)	C901	253 8022 707	Ceramic 0.01μF/250V(AC)	CK45F2EAC103MC	
C545	257 0512 903	Ceramic chip 0.1μF/25V	CK73F1E104ZT					
C546	257 0501 901	Ceramic chip 0.01μF/50V	CK73B1H103KT (1608)					
C547,548	254 4538 955	Electrolytic 220μF/16V	CE04W1C221MT SMG/RE3					
C549-551	257 0512 903	Ceramic chip 0.1μF/25V	CK73F1E104ZT					
C552	254 4538 942	Electrolytic 100μF/16V	CE04W1C101MT SMG/RE3					
C553	257 0512 903	Ceramic chip 0.1μF/25V	CK73F1E104ZT					
C554	254 4538 942	Electrolytic 100μF/16V	CE04W1C101MT SMG/RE3					
C555	257 0512 903	Ceramic chip 0.1μF/25V	CK73F1E104ZT					
C556	254 4538 942	Electrolytic 100μF/16V	CE04W1C101MT SMG/RE3					
C557	257 0512 903	Ceramic chip 0.1μF/25V	CK73F1E104ZT					
C558	254 4538 942	Electrolytic 100μF/16V	CE04W1C101MT SMG/RE3					
C559,560	257 0506 951	Ceramic chip 100pF/50V	CC73CH1H101JT					
C561	257 0511 904	Ceramic chip 0.01μF/50V	CK73F1H103ZT					
C562	257 0512 903	Ceramic chip 0.1μF/25V	CK73F1E104ZT					
C601	254 4538 942	Electrolytic 100μF/16V	CE04W1C101MT SMG/RE3					
C602,603	257 0512 903	Ceramic chip 0.1μF/25V	CK73F1E104ZT					
C604	254 4538 942	Electrolytic 100μF/16V	CE04W1C101MT SMG/RE3					
C605-607	257 0512 903	Ceramic chip 0.1μF/25V	CK73F1E104ZT					
C608	254 4538 942	Electrolytic 100μF/16V	CE04W1C101MT SMG/RE3					
C609,610	257 0512 903	Ceramic chip 0.1μF/25V	CK73F1E104ZT					
C611	254 4538 942	Electrolytic 100μF/16V	CE04W1C101MT SMG/RE3					
OTHERS								Q'ty
				CW031	203 4749 018	3P DA-DA Connector cord		1
				CW052	203 8520 000	5P-3P-2P SAN Cord		1
				CW061	204 0229 001	6P DA-DA Connector cord		1
				CW091	204 2205 007	9P DA-DA Connector cord		1
				CX032,033	205 0343 032	3P Connector base(KR-PH)		2
				CX041	205 0323 049	4P Connector base (BLK)		1
				CX042	205 0343 045	4P Connector base(KR-PH)		1
				CX043	205 0406 047	4P Connector base(KR-PH)		1
				CX045	205 0321 041	4P Connector base(RED)		1
				CX051,052	205 0343 058	5P Connector base(KR-PH)		2
				CX061,062	205 0343 061	6P Connector base(KR-PH)		2
				CX063	205 0321 067	6P Connector base (RED)		1
				CX064	205 0343 061	6P Connector base(KR-PH)		1
				CX091	205 0343 090	9P Connector base(KR-PH)		1
				CX092	205 1100 025	9P FFC Base(P=1)		1
				CX161	205 0892 033	16P FFC Base (P=1)		1

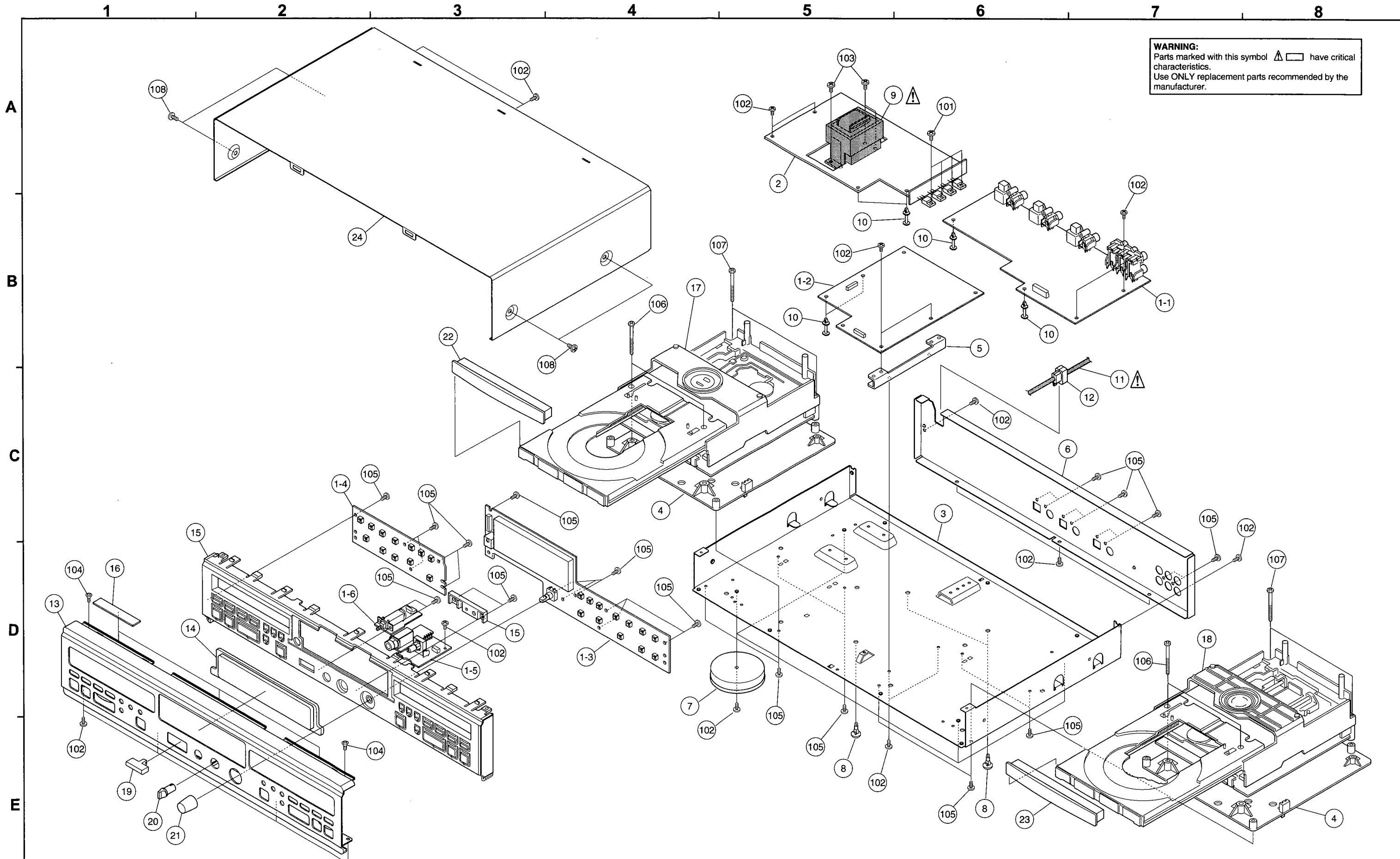
1U-3313 POWER P.W.B. UNIT Ass'y

Ref. No.	Part No.	Part Name	Remarks	Q'ty
CX171,172	205 1100 038	17P FFC Base(P=1)		2
CX191	205 1092 007	19P Connector plug(TWG-P)		1
CY022	205 0581 085	2P VH Connector base		1
CY033	203 4834 059	3P KR-DA Connector base		1
CY041	205 0323 049	4P Connector base(BLK)		1
CY045	205 0321 041	4P Connector base(RED)		1
CY171	205 1100 038	17P FFC Base(P=1)		1
CY191	205 1091 008	19P Connector base(TWG-P)		1
FB101-113	235 0130 903	Chip emifil (11A121)		13
FB114,115	247 2018 903	Carbon chip 0 ohm 1/16W		2
FB301	235 0130 903	Chip emifil (11A121)		1
FB302,303	235 0049 900	Beads inductor		2
FB304-306	235 0130 903	Chip emifil (11A121)		3
FB307-310	235 0049 900	Beads inductor		4
FB311	235 0130 903	Chip emifil (11A121)		1
FB401,402	235 0130 903	Chip emifil (11A121)		2
FB501	235 0130 903	Chip emifil (11A121)		1
FB601-604	235 0048 901	Chip emifil		4
FL701	393 8047 006	FLD		1
JK301-303	204 8375 009	1P RCApin jack		3
JK403	204 8543 006	6P pin jack		1
JK502	204 8264 071	Headphone jack (gold)		1
S701-712	212 5604 910	Tact switch		12
S716	212 0410 002	Rotary encorder		1
S751-762	212 5604 910	Tact switch		12
△ S901	212 1176 002	Power switch (TV-5)		1
ST501,502	205 0452 017	Style pin		2
ST504	205 0452 017	Style pin		1
T301,302	231 8063 009	Pulse trans		2
X101	399 0165 007	Crystal 16.9344 MHz		1
X102	399 0646 908	Ceramic resonator	CSTS10.0MTW	1
	461 0984 059	FL Spacer		2
	415 0299 000	Condenser cover	E2 only	1

Ref. No.	Part No.	Part Name	Remarks
SEMICONDUCTORS			
IC801	263 0913 905	IC PST600C TP	
IC802	263 0793 002	IC NJM7806FA(S)	
IC803	263 0809 006	IC NJM7805FA(S)	
IC804	263 0432 907	IC NJM78L05AT	
IC805	263 1104 001	IC BA08T	
IC806	263 0432 907	IC NJM78L05AT	
IC807	263 0722 905	IC NJM79L05AT	
IC808	263 0810 008	IC NJM7808FA(S)	
IC809	263 0503 001	IC NJM7908FA	
IC810	263 0809 006	IC NJM7805FA(S)	
IC811	263 0793 002	IC NJM7806FA(S)	
TR801	272 0025 907	Transistor 2SB562(C)TF	
D802,803	276 0553 905	Diode 1SR35-200A(T93X)	
D804,805	276 0701 003	Diode S2L20U-4002P7.5	
D806,807	276 0553 905	Diode 1SR35-200A(T93X)	
D810-813	276 0701 003	Diode S2L20U-4002P7.5	
D815	276 0553 905	Diode 1SR35-200A(T93X)	
ZD801	276 0464 900	Zener diode HZS7A-1TD	
ZD802	276 0484 906	Zener diode HZS33-1TD	
ZD803	276 0644 940	Zener diode MTZJ10A T77	
ZD804	276 0643 996	Zener diode MTZJ5.6A T77	
CAPACITORS			
C804	254 4538 913	Electrolytic 22μF/16V	CE04W1C220MT SMG/RE3
C805	254 4536 928	Electrolytic 100μF/10V	CE04W1A101MT SMG/RE3
C806	254 4536 931	Electrolytic 220μF/10V	CE04W1A221MT SMG/RE3
C807-809	253 9039 906	Ceramic 0.1μF/25V	CK45=1E104ZT(DD-3)
C810	254 4442 708	Electrolytic 6800μF/16V	CE04W1C682MC (SMG)
C811	254 4536 928	Electrolytic 100μF/10V	CE04W1A101MT SMG/RE3
C812,813	253 9039 906	Ceramic 0.1μF/25V	CK45=1E104ZT(DD-3)
C814	254 4536 928	Electrolytic 100μF/10V	CE04W1A101MT SMG/RE3
C815,816	253 9039 906	Ceramic 0.1μF/25V	CK45=1E104ZT(DD-3)
C817,818	254 4536 928	Electrolytic 100μF/10V	CE04W1A101MT SMG/RE3
C819-822	253 9039 906	Ceramic 0.1μF/25V	CK45=1E104ZT(DD-3)
C823,824	254 4538 942	Electrolytic 100μF/16V	CE04W1C101MT SMG/RE3
C825,826	253 9039 906	Ceramic 0.1μF/25V	CK45=1E104ZT(DD-3)
C827	254 4442 708	Electrolytic 6800μF/16V	CE04W1C682MC (SMG)
C828	254 4403 721	Electrolytic 2200μF/25V	CE04W1E222MC (SMG)
C829	254 4524 985	Electrolytic 10μF/50V	CE04W1H100MT SMG/RE3
C830	254 4525 900	Electrolytic 33μF/50V	CE04W1H330MT SMG/RE3
C831	254 4525 751	Electrolytic 470μF/50V	CE04W1H471MC SMG/RE3
C832	254 4525 900	Electrolytic 33μF/50V	CE04W1H330MT SMG/RE3
C833	254 4536 931	Electrolytic 220μF/10V	CE04W1A221MT SMG/RE3
C834	253 1181 904	Ceramic 0.01μF/50V	CK45F1H103ZT(DD-3)
C835	254 4538 942	Electrolytic 100μF/16V	CE04W1C101MT SMG/RE3
C836,837	253 9039 906	Ceramic 0.1μF/25V	CK45=1E104ZT(DD-3)
C838	253 1181 904	Ceramic 0.01μF/50V	CK45F1H103ZT(DD-3)
C839	253 9039 906	Ceramic 0.1μF/25V	CK45=1E104ZT(DD-3)

Ref. No.	Part No.	Part Name	Remarks
C840	254 4525 913	Electrolytic 47μF/50V	CE04W1H470MT SMG/RE3
C841	253 1181 904	Ceramic 0.01μF/50V	CK45F1H103ZT(DD-3)
C842	253 9039 906	Ceramic 0.1μF/25V	CK45=1E104ZT(DD-3)
C843	254 4538 900	Electrolytic 10μF/16V	CE04W1C100MT SMG/RE3
C844,845	253 1181 904	Ceramic 0.01μF/50V	CK45F1H103ZT(DD-3)
C846	253 9039 906	Ceramic 0.1μF/25V	CK45=1E104ZT(DD-3)
C847	253 1180 921	Ceramic 1000pF/50V	CK45B1H102KT(DD-3)
C848	253 9039 906	Ceramic 0.1μF/25V	CK45=1E104ZT(DD-3)
OTHERS			
CX021	205 0581 001	2P VH Connector base	1
CX022	205 0581 085	2P VH Connector base	1
CY043	203 6553 008	4P PH-SAN Connector base	1
CY051	203 8519 008	5P PH-SAN Connector cord	1
CY061	205 0343 061	6P Connector base(KR-PH)	1
CY091	204 2879 006	9P PH-SAN Connector cord	1
ST101	205 0452 017	Style pin	1
AS810	417 0476 049	Radiator	1
	471 3304 015	Screw 3x8 CBS-Z	1

EXPLODED VIEW



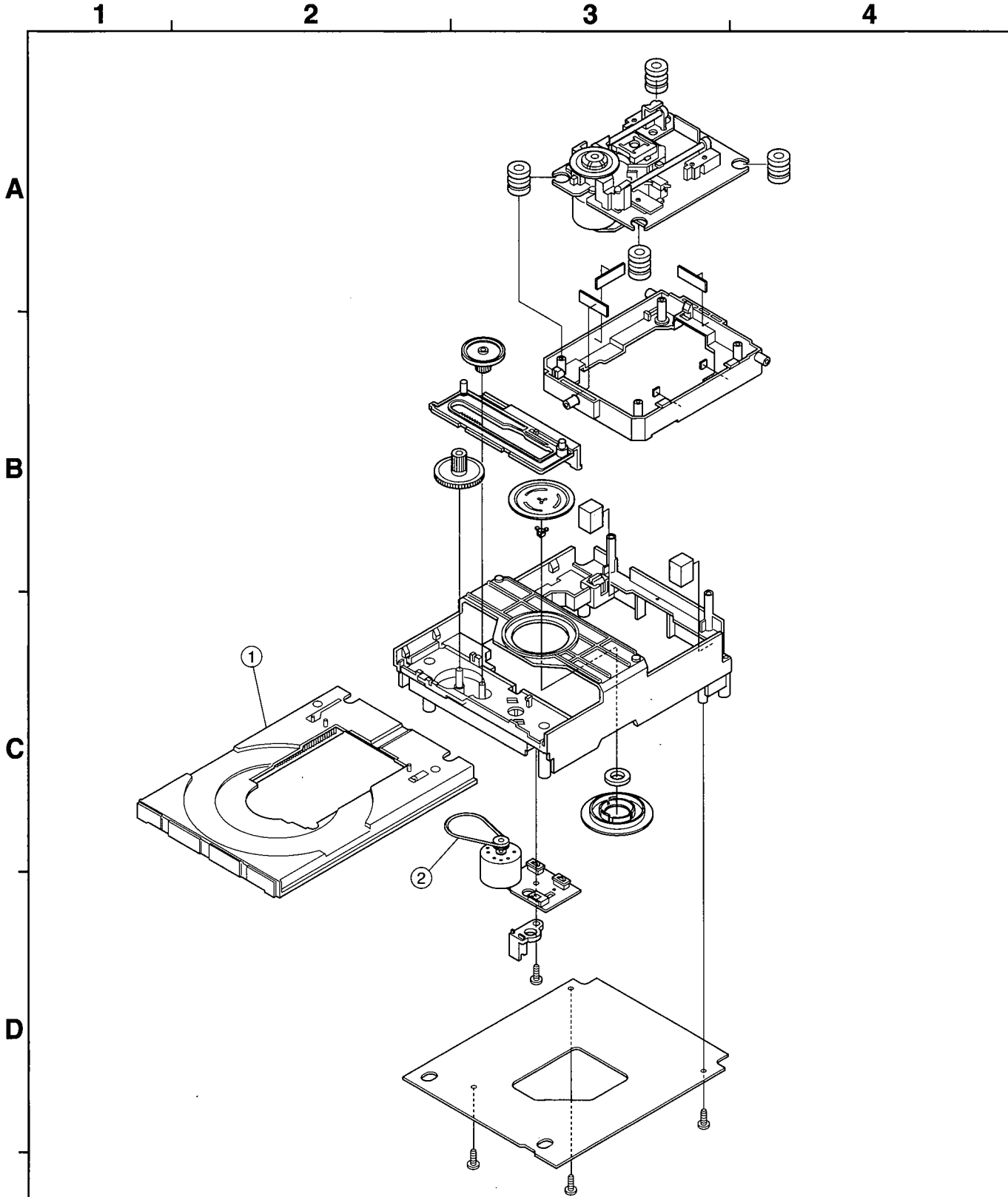
PARTS LIST OF EXPLODED VIEW

Note : The symbols in the column "Remarks" indicate the following destinations.
 E3: U.S.A./Canada model
 E2: Europe model

Ref. No.	Part No.	Part Name	Remarks	Q'ty
1	1U-3312	MAIN PWB unit Ass'y		1
1-1	1U-3312-1	AUDIO unit		
1-2	1U-3312-2	SERVO unit		
1-3	1U-3312-3	DISPLAY unit		
1-4	1U-3312-4	CD KEY unit		
1-5	1U-3312-5	H/P VR unit		
1-6	1U-3312-7	POWER SW unit		
2	1U-3313	POWER PWB unit Ass'y		1
3	411 1944 103	Chassis		1
4	411 1945 209	Mecha base		2
5	412 4069 101	P.W.B bracket		1
6	105 1354 005	Back panel	For E3	1
6	105 1354 018	Back panel	For E2	1
7	104 0208 308	Foot Ass'y		4
8	449 0074 079	Locking card spacer		3
Δ 9	233 6345 000	Power trans	For E3	1
Δ 9	233 6346 009	Power trans	For E2	1
10	412 2814 015	Card spacer (L=14)		6
Δ 11	206 2160 009	AC cord	For E3, CX021	1
Δ 11	206 2089 106	AC cord	For E2, CX021	1
12	445 0056 008	Cord bush		1
13	144 2729 100	Front panel	Black model	1
13	144 2729 113	Front panel	Gold model	1
14	143 1093 203	Window		1
15	146 2209 309	Inner panel	Black model	1
15	146 2209 312	Inner panel	Gold model	1
16	461 0501 005	Rubber sheet		3
17	337 0080 003	CD mecha (CD11FTA3)		1
18	337 0087 006	CDR mecha (CRDRA1W02)		1
19	113 1895 002	Power knob	Black model	1
19	113 1895 015	Power knob	Gold model	1
20	112 0811 013	Knob (Fuji)	Black model	1
20	112 0811 000	Knob (Fuji)	Gold model	1
21	112 0864 002	Knob (Maru)	Black model	1
21	112 0864 015	Knob (Maru)	Gold model	1
22	146 2210 204	Loader panel	Black model	1
22	146 2210 246	Loader panel	Gold model	1
23	146 2210 217	Loader panel	Black model	1
23	146 2210 259	Loader panel	Gold model	1
24	102 0635 108	Top cover	Black model	1
24	102 0635 111	Top cover	Gold model	1
★ 25	203 6357 039	4P PH-PH shield cord	CX045-CY045	1
★ 26	204 0317 023	6P PH-PH connector cord	CX061-CY061,CX062	2
★ 27	009 0159 042	17P FFC cable	CX171-CY171	1
★ 28	203 5132 093	3P VH connector cord	CX022-CY022	1
★ 29	203 6514 021	4P PH-PH shield cord	CX041-CY041	1
★ 30	009 0159 039	16P FFC cable	CX161	1
★ 31	203 8363 047	5P PH-PH connector cord	CX052	1
★ 32	204 0479 026	6P PH-PH connector cord	CX063	1
★ 33	009 0159 026	9P FFC cable	CX092	1
★ 34	009 0154 021	17P FFC (1.0)	CX172	1
★ 35	203 5195 027	3P PH-PH shield cord	CX032	1
★ 36	203 6435 029	4P PH-PH shield cord	CX042	1

Ref. No.	Part No.	Part Name	Remarks	Q'ty
★	513 2065 002	Laser caution	For E2	2
★	513 1581 008	Serial No.sheet	For E3	1
★	513 1642 002	Serial No.sheet	For E2	1
★	513 1381 004	Manufacture date label	E3 only	1
SCREWS				
101	471 3304 015	Screw 3×8 CBS-Z		4
102	473 7002 021	Screw 3×8 CBTS (S)-B		24
103	473 7004 016	Screw 4×6 CBTS (S)-Z		4
104	473 7009 011	Screw 3×10 CFTS (S)-Z		2
105	473 7508 017	Screw 3×10 CBTS (P)-B		32
106	473 8079 008	Special screw		4
107	473 8079 011	Special screw		4
108	477 0263 005	3P. Swelling screw	Black model	4
108	477 0263 018	3P. Swelling screw	Gold model	4

EXPLODED VIEW OF CDR MECHANISM UNIT (CRD-RA1W02)

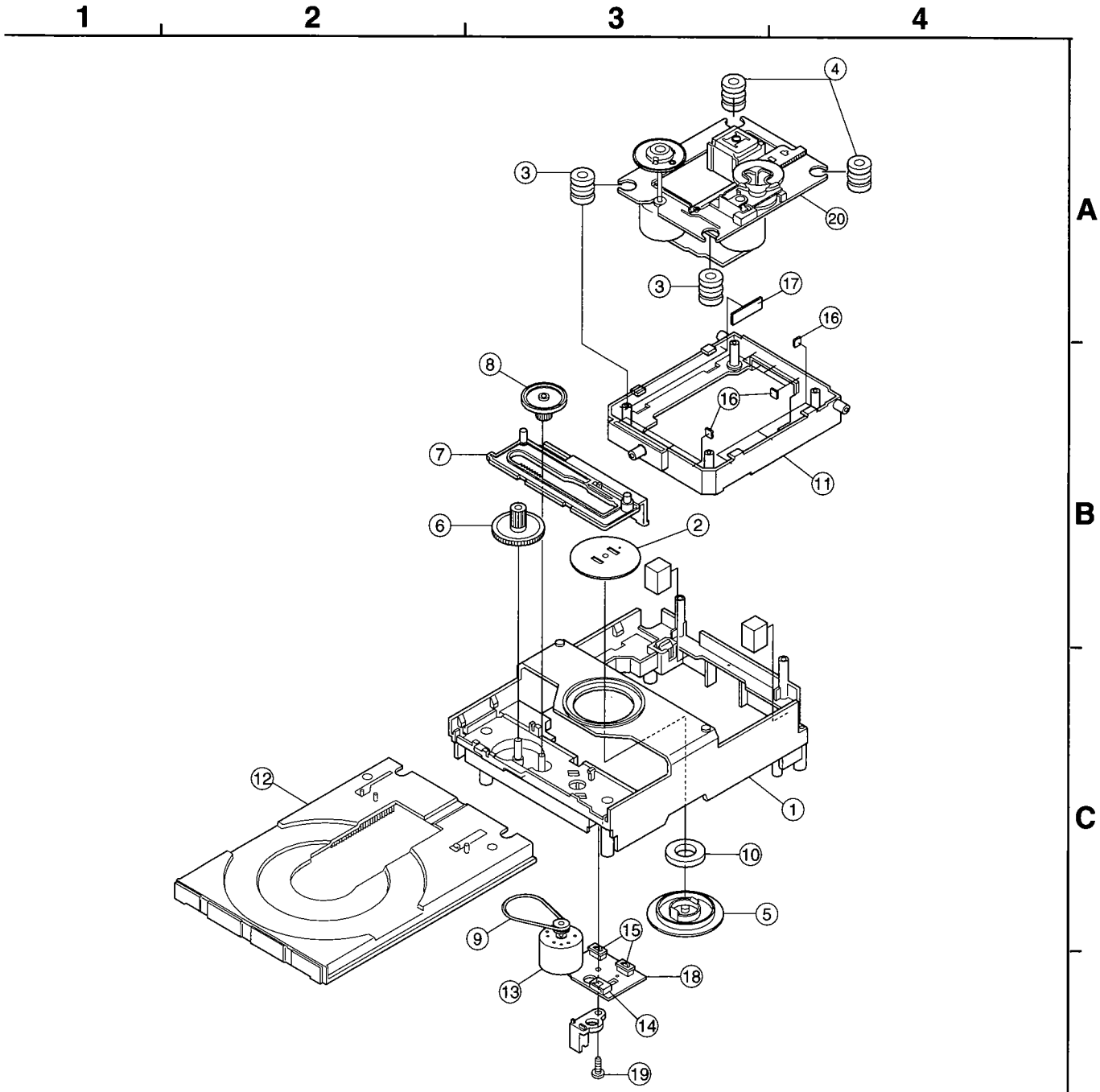


E PARTS LIST OF CDR MECHANISM UNIT

Ref. No.	Part No.	Part Name	Remarks	Q'ty
1	964 0008 104	Tray		1
2	964 0008 007	Belt		1

Only the parts listed in the left table can be changed. Replace the Mecha. Unit if other parts than the listed ones are to be repaired.

EXPLODED VIEW OF CD MECHANISM UNIT

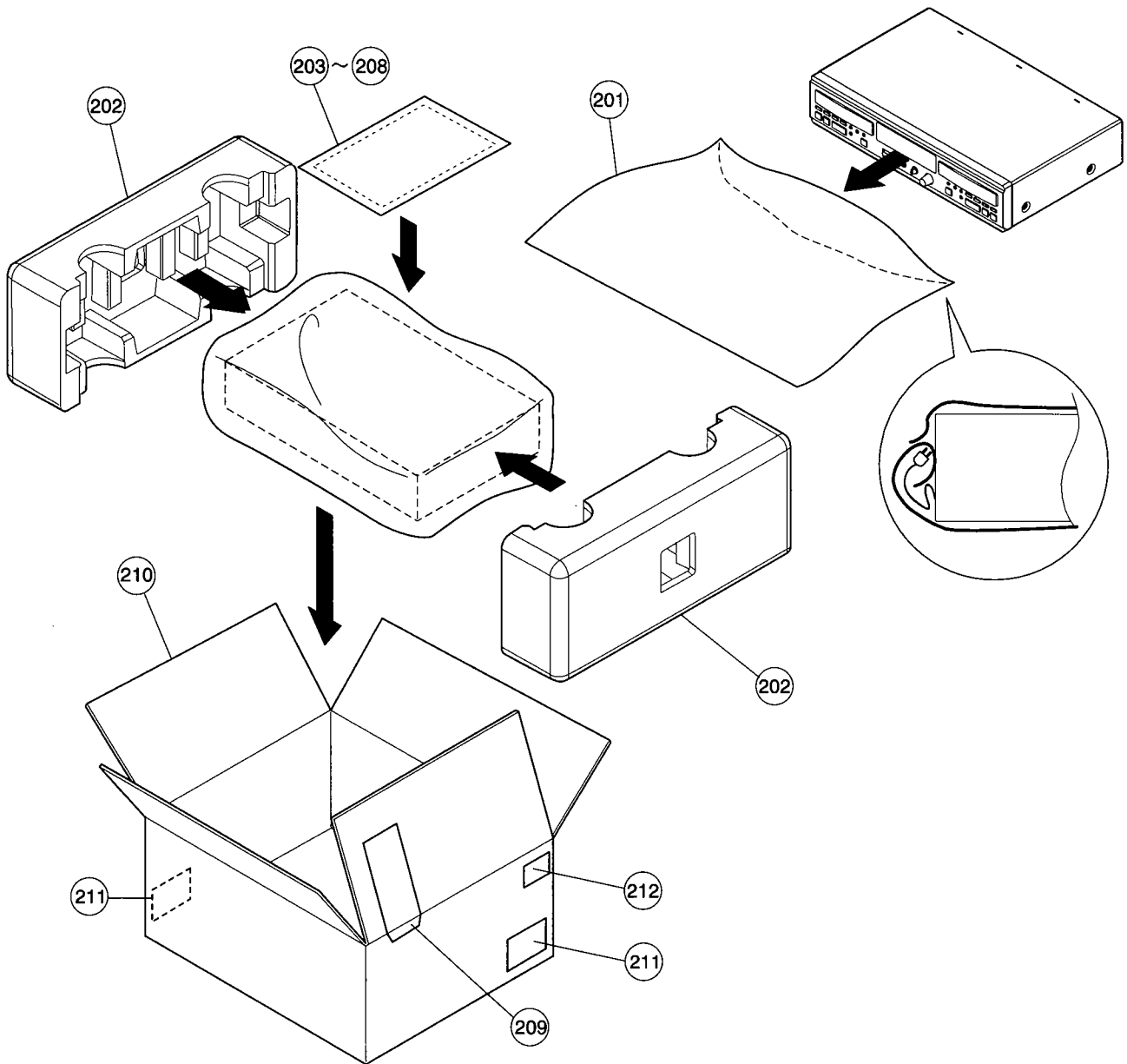


Note : The symbols in the column "Remarks" indicate the following destinations.
 E3: U.S.A./Canada model
 E2: Europe model

EXPLODED VIEW OF CD MECHANISM UNIT

Ref. No.	Part No.	Part Name	Remarks	Q'ty	Ref. No.	Part No.	Part Name	Remarks	Q'ty
1	964 0009 006	Frame chassis		1	11	964 0010 008	Mecha lifter		1
2	964 0009 103	Magnet plate		1	12	964 0010 105	Loading table		1
3	964 0009 200	Rubber cushion		2	13		Loading motor		1
4	964 0009 307	Rubber cushion		2	14	964 0010 202	5P Plug		1
5	964 0009 404	Magnet holder		1	15	964 0010 309	Push switch 2-1		2
6	964 0009 501	Drive gear		1	16	964 0010 406	Cushion		9
7	964 0009 608	Slide gear		1	17	964 0010 503	Cushion		2
8	964 0009 705	Pulley gear		1	18	964 0010 600	Motor P.W.B.		2
9	964 0009 802	Square belt		1	19	964 0010 707	Screw 3x8 SCR S-TPG BIN		1
10	964 0009 909	Magnet		1	20	964 0010 804	Mecha DA11T3C		1

PACKING VIEW

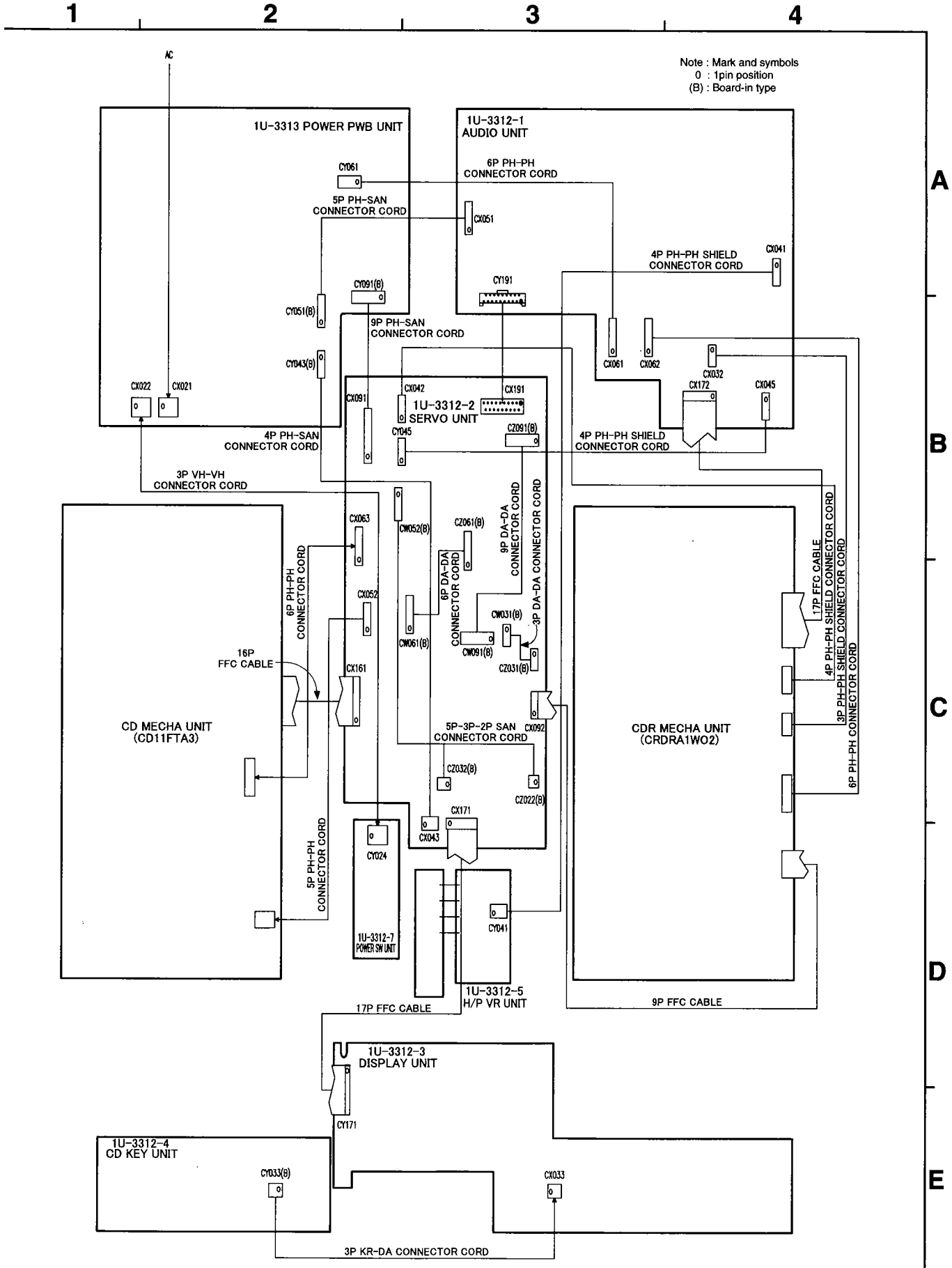


Note : The symbols in the column "Remarks" indicate the following destinations.
 E3: U.S.A./Canada model
 E2: Europe model

PARTS LIST OF PACKING & ACCESSORIES

Ref. No.	Part No.	Part Name	Remarks	Q'ty	Ref. No.	Part No.	Part Name	Remarks	Q'ty
201	505 8092 007	Laminate envelope		1	209	515 0690 404	DEL warranty home	E3 only	1
202	503 1362 000	Cushion		2	210	501 2108 005	Carton case		1
203	505 0038 030	Poly cover		1	211	-	Control card		1
204	511 3682 006	Instruction manual	For E3	1	212	-	Bar code label		1
204	511 3683 005	Instruction manual	For E2	1	★	513 9111 001	Color label	Gold model	2
205	515 0867 101	S.S.list (EX)		1					
206	399 0628 007	remote control unit	RC-278	1					
207	-	Battery (R6P AA)		1					
208	203 2360 004	2P pin cord		2					

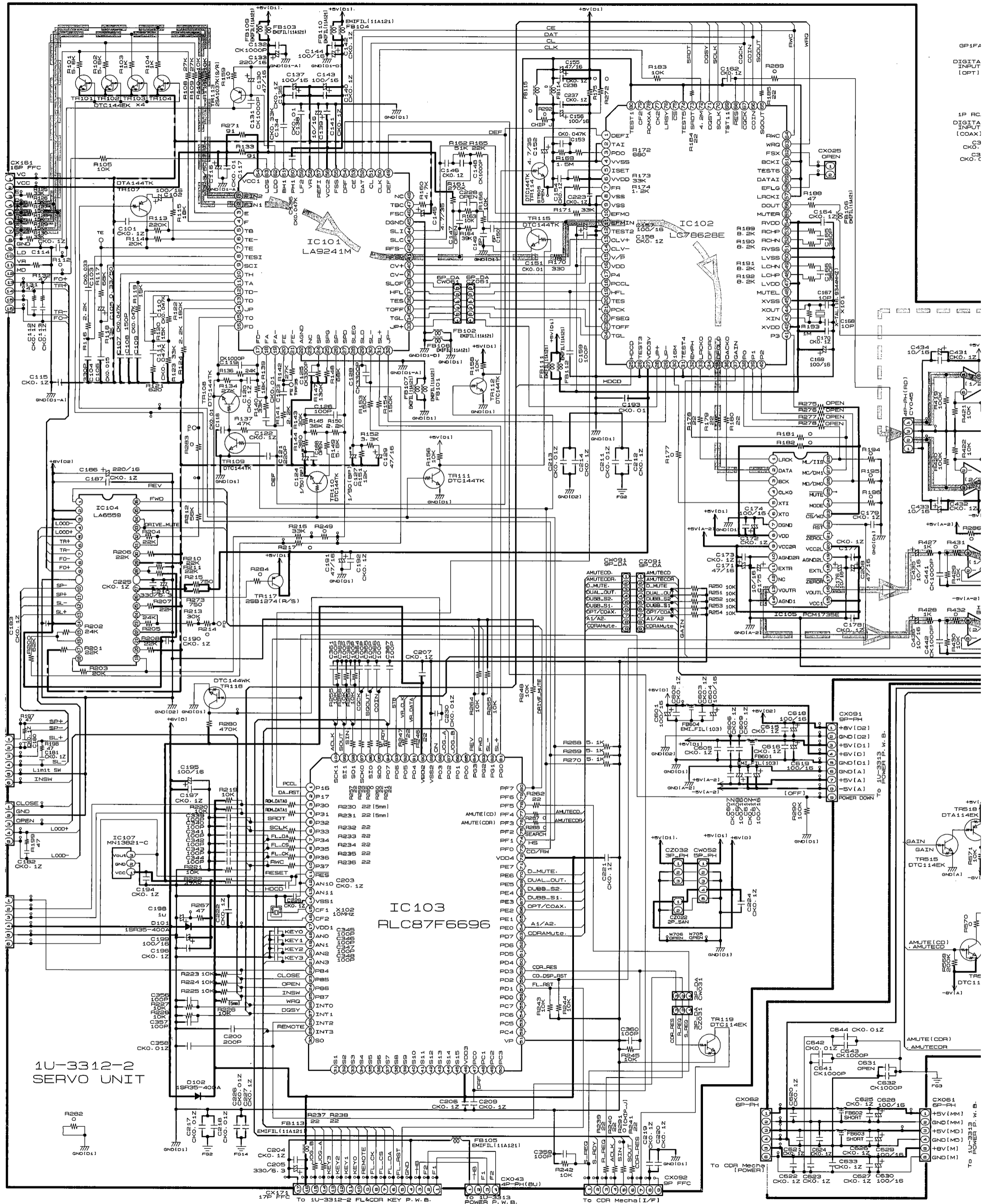
WIRING DIAGRAM

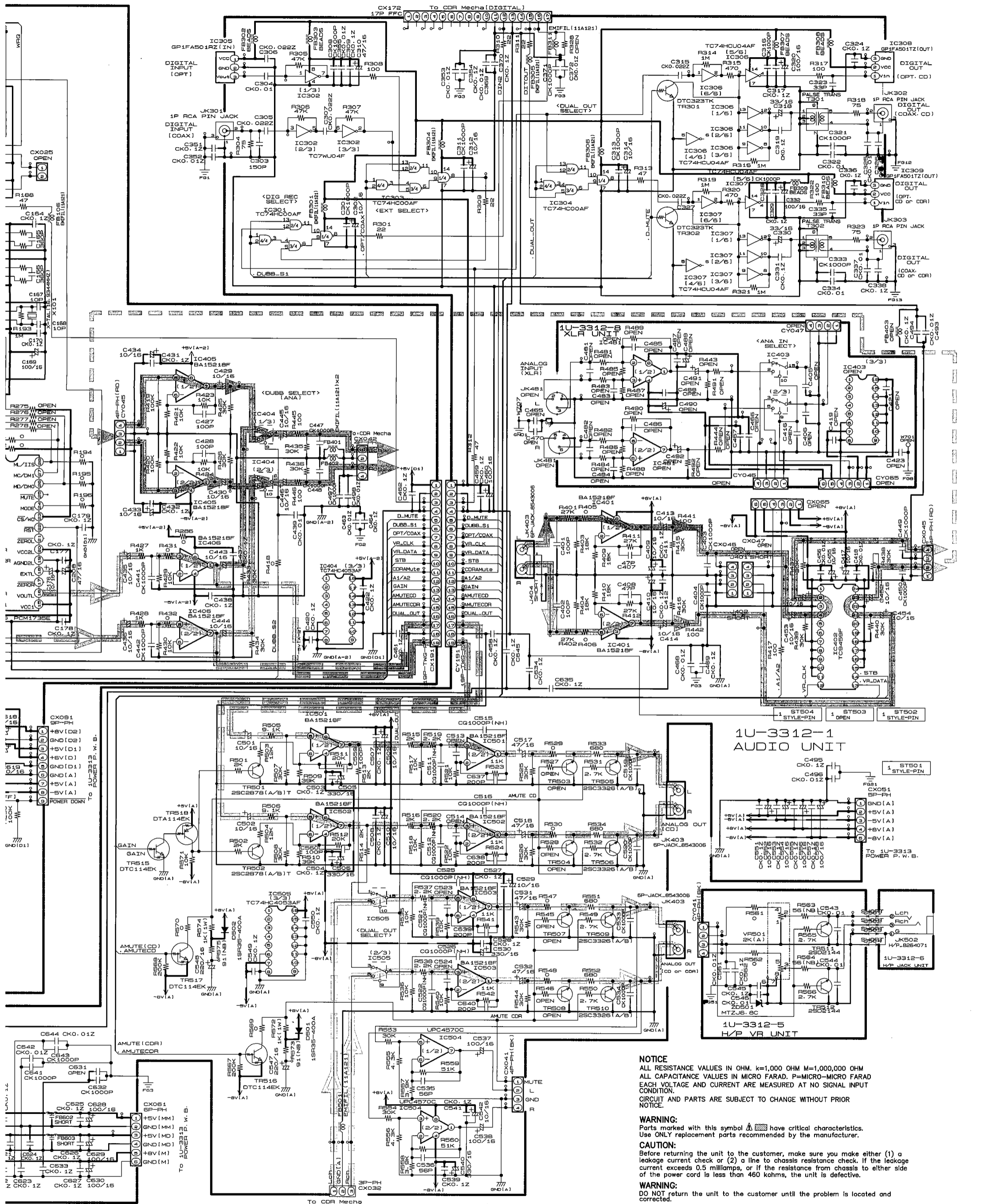


MEMO:

SCHEMATIC DIAGRAMS (1/2)

1 2 3 4 5 6





NOTICE
 ALL RESISTANCE VALUES IN OHM, k=1,000 OHM M=1,000,000 OHM
 ALL CAPACITANCE VALUES IN MICRO FARAD, P=MICRO-MICRO FARAD
 EACH VOLTAGE AND CURRENT ARE MEASURED AT NO SIGNAL INPUT
 CONDITION.
 CIRCUIT AND PARTS ARE SUBJECT TO CHANGE WITHOUT PRIOR
 NOTICE.

WARNING:
 Parts marked with this symbol Δ have critical characteristics.
 Use ONLY replacement parts recommended by the manufacturer.

CAUTION:
 Before returning the unit to the customer, make sure you make either (1) a
 leakage current check or (2) a line to chassis resistance check. If the leakage
 current exceeds 0.5 milliamperes, or if the resistance from chassis to either side
 of the power cord is less than 460 kohms, the unit is defective.

WARNING:
 DO NOT return the unit to the customer until the problem is located and
 corrected.

VC LINE ———
 +B LINE ———
 -B LINE ———

ANALOG RECORDING PATH
 PLAYBACK PATH

SCHEMATIC DIAGRAMS (1/2)
1U-3312-2 SERVO UNIT

1 2 3 4 5 6

A

B

C

D

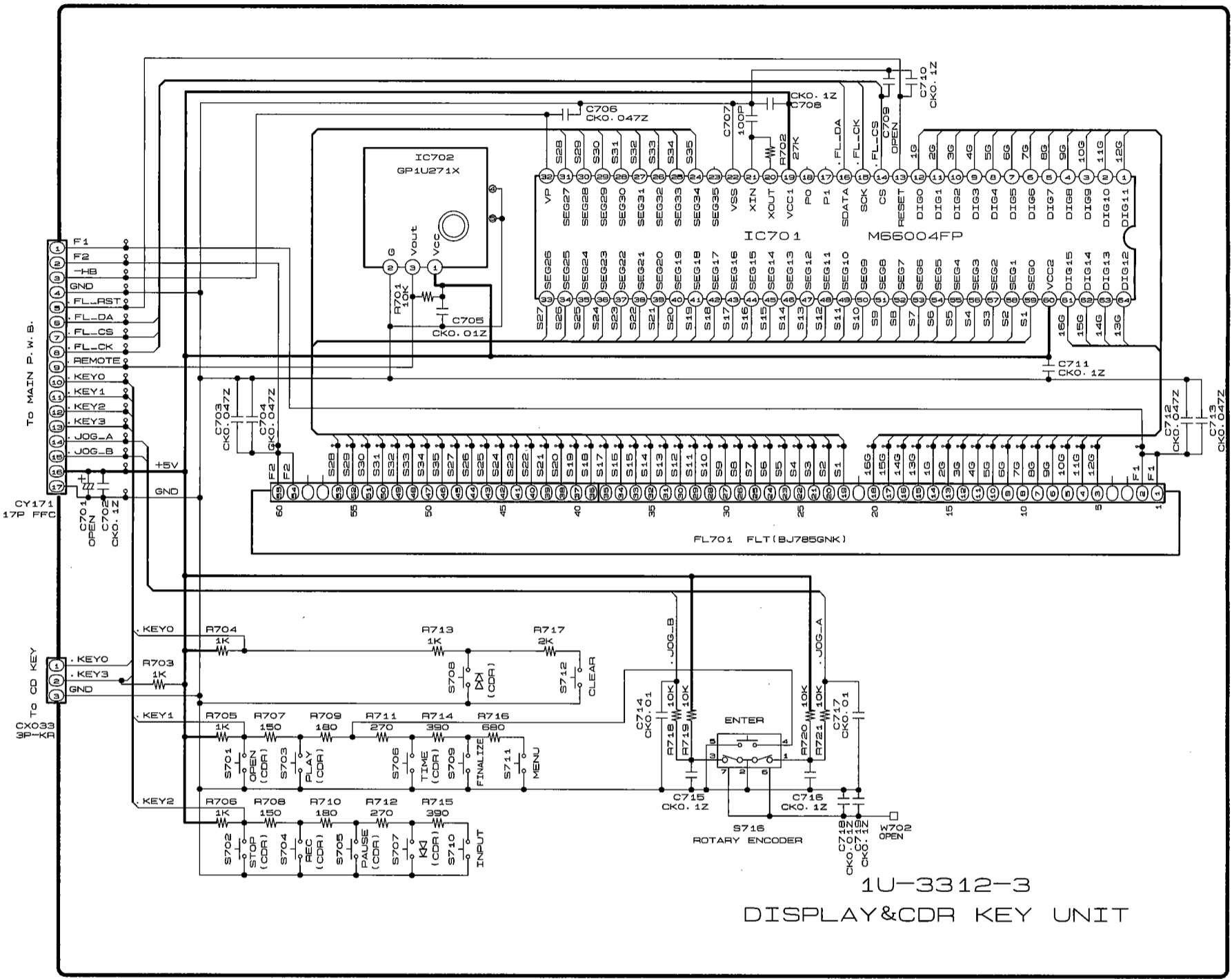
E

F

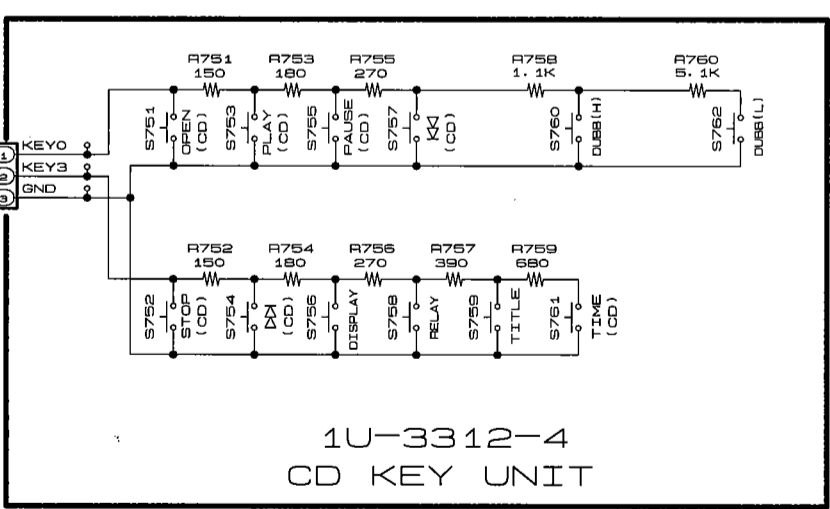
G

H

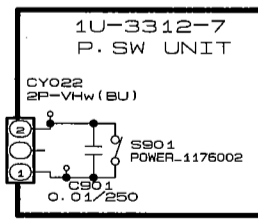
O



CYO
 6P-1
 +5V (C)
 GND (C)
 +5V (C)
 GND (C)
 +5V (C)
 GND (C)
 +5V (C)
 -5V (C)
 POWER DD
 CYO
 SP-S
 GND (C)
 +5V (C)
 -5V (C)
 +5V (C)
 -5V (C)
 CYO
 4P-8
 I

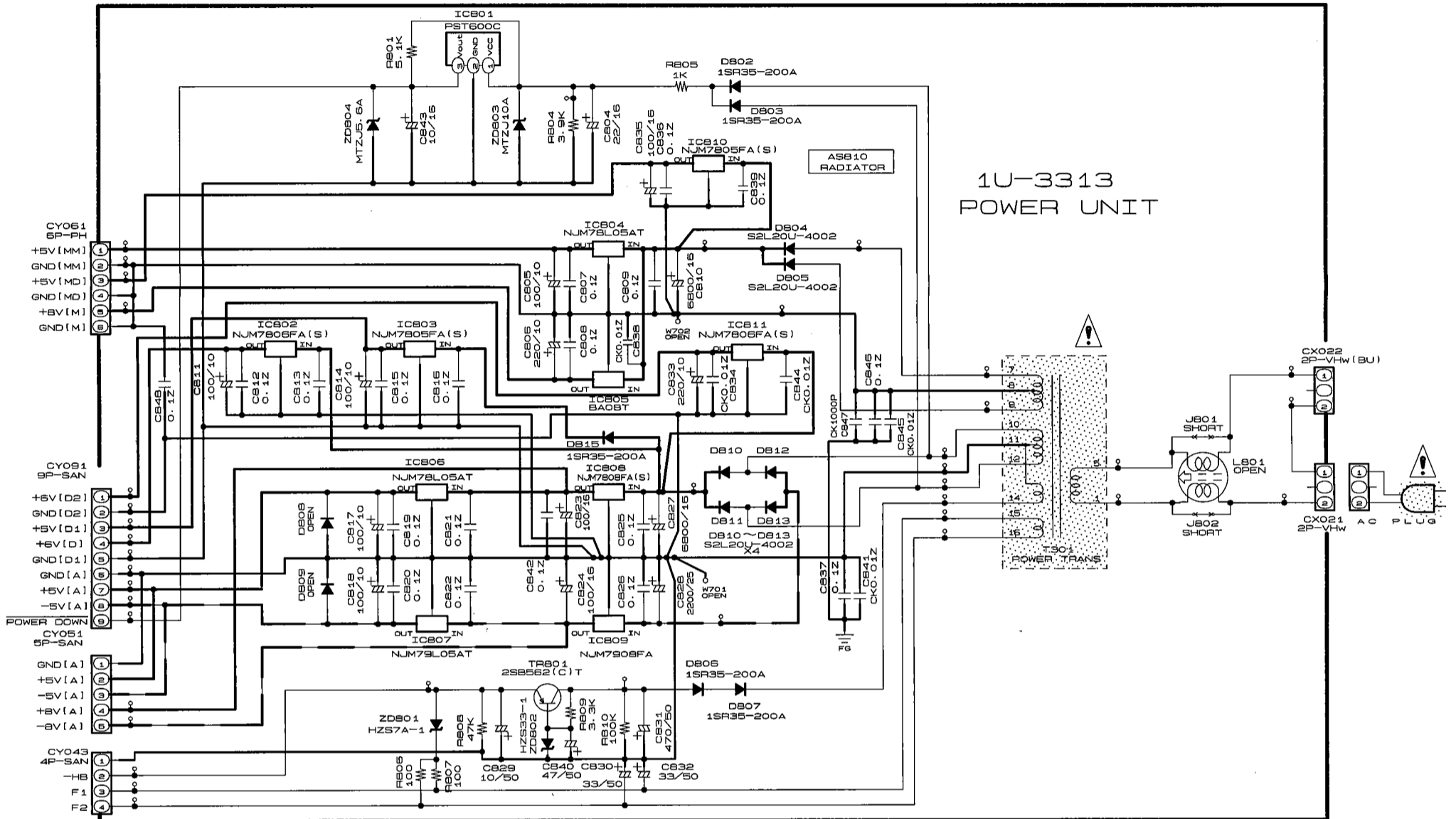


1U-3312-4 CD KEY UNIT



1U-3312-7 P. SW UNIT

——— +B LINE
 - - - - - -B LINE



NOTICE

ALL RESISTANCE VALUES IN OHM. k=1,000 OHM M=1,000,000 OHM
 ALL CAPACITANCE VALUES IN MICRO FARAD. P=MICRO-MICRO FARAD
 EACH VOLTAGE AND CURRENT ARE MEASURED AT NO SIGNAL INPUT
 CONDITION.
 CIRCUIT AND PARTS ARE SUBJECT TO CHANGE WITHOUT PRIOR
 NOTICE.

WARNING:

Parts marked with this symbol  have critical characteristics.
 Use ONLY replacement parts recommended by the manufacturer.

CAUTION:

Before returning the unit to the customer, make sure you make either (1) a leakage current check or (2) a line to chassis resistance check. If the leakage current exceeds 0.5 milliamps, or if the resistance from chassis to either side of the power cord is less than 460 kohms, the unit is defective.

WARNING:

DO NOT return the unit to the customer until the problem is located and corrected.

