


SERVICE MANUAL

MODEL	JP	E3	E2	EK	K2A	E1C	E1K	EUT
DHT-390XP		✓	✓					

5.1CH HOME THEATER SYSTEM

5.1CH HOME THEATER SYSTEM (DHT-390XP) consists of AV SURROUND RECEIVER (AVR-390) and SPEAKER SYSTEM (SYS-390HT)

MODEL	JP	E3	E2	EK	K2A	E1C	E1K	EUT
AVR-390 			✓					

AV SURROUND RECEIVER

• For purposes of improvement, specifications and design are subject to change without notice.

• Please use this service manual with referring to the operating instructions without fail.

• Some illustrations using in this service manual are slightly different from the actual set.

DENON

D&M Holdings Inc.

SAFETY PRECAUTIONS

The following check should be performed for the continued protection of the customer and service technician.

LEAKAGE CURRENT CHECK

Before returning the unit to the customer, make sure you make either (1) a leakage current check or (2) a line to chassis resistance check. If the leakage current exceeds 0.5 milliamps, or if the resistance from chassis to either side of the power cord is less than 460 kohms, the unit is defective.

CAUTION

Please heed the points listed below during servicing and inspection.

◎ Heed the cautions!

Spots requiring particular attention when servicing, such as the cabinet, parts, chassis, etc., have cautions indicated on labels. Be sure to heed these cautions and the cautions indicated in the handling instructions.

◎ Caution concerning electric shock!

(1) An AC voltage is impressed on this set, so touching internal metal parts when the set is energized could cause electric shock. Take care to avoid electric shock, by for example using an isolating transformer and gloves when servicing while the set is energized, unplugging the power cord when replacing parts, etc.

(2) There are high voltage parts inside. Handle with extra care when the set is energized.

◎ Caution concerning disassembly and assembly!

Through great care is taken when manufacturing parts from sheet metal, there may in some rare cases be burrs on the edges of parts which could cause injury if fingers are moved across them. Use gloves to protect your hands.

◎ Only use designated parts!

The set's parts have specific safety properties (fire resistance, voltage resistance, etc.). For replacement parts, be sure to use parts which have the same properties. In particular, for the important safety parts that are marked \triangle on wiring diagrams and parts lists, be sure to use the designated parts.

◎ Be sure to mount parts and arrange the wires as they were originally!

For safety reasons, some parts use tape, tubes or other insulating materials, and some parts are mounted away from the surface of printed circuit boards. Care is also taken with the positions of the wires and clamps are used to keep wires away from heating and high voltage parts, so be sure to set everything back as it was originally.

◎ Inspect for safety after servicing!

Check that all screws, parts and wires removed or disconnected for servicing have been put back in their original positions, inspect that no parts around the area that has been serviced have been negatively affected, conduct an insulation check on the external metal connectors and between the blades of the power plug, and otherwise check that safety is ensured.

(Insulation check procedure)

Unplug the power cord from the power outlet, disconnect the antenna, plugs, etc., and turn the power switch on. Using a 500V insulation resistance tester, check that the inplug and the externally exposed metal parts (antenna terminal, headphones terminal, input terminal, etc.) is 1M Ω or greater. If it is less, the set must be inspected and repaired.

CAUTION

Concerning important safety parts

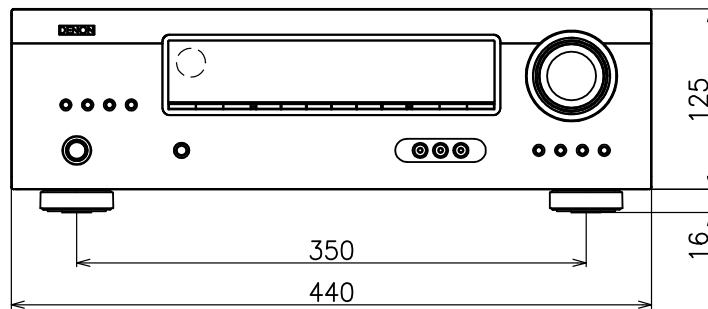
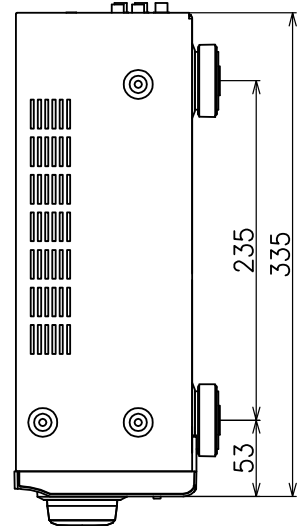
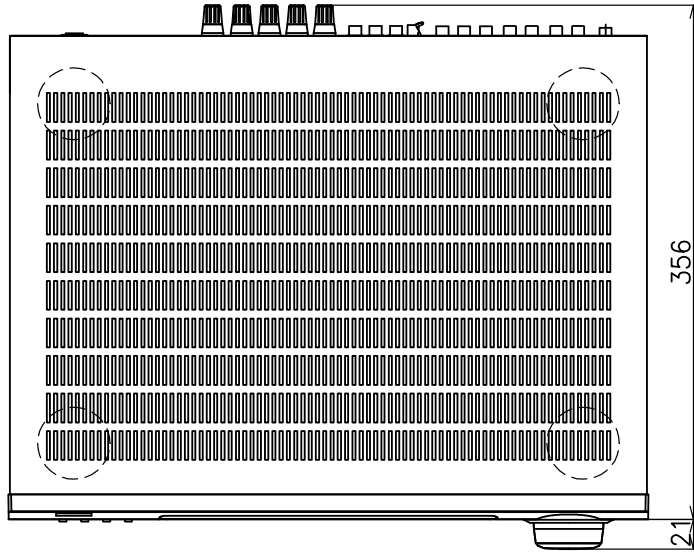
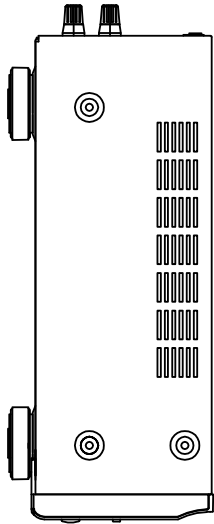
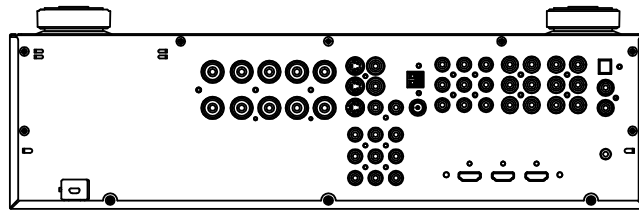
Many of the electric and structural parts used in the set have special safety properties. In most cases these properties are difficult to distinguish by sight, and using replacement parts with higher ratings (rated power and withstand voltage) does not necessarily guarantee that safety performance will be preserved. Parts with safety properties are indicated as shown below on the wiring diagrams and parts lists in this service manual. Be sure to replace them with parts with the designated part number.

(1) Schematic diagrams Indicated by the \triangle mark.

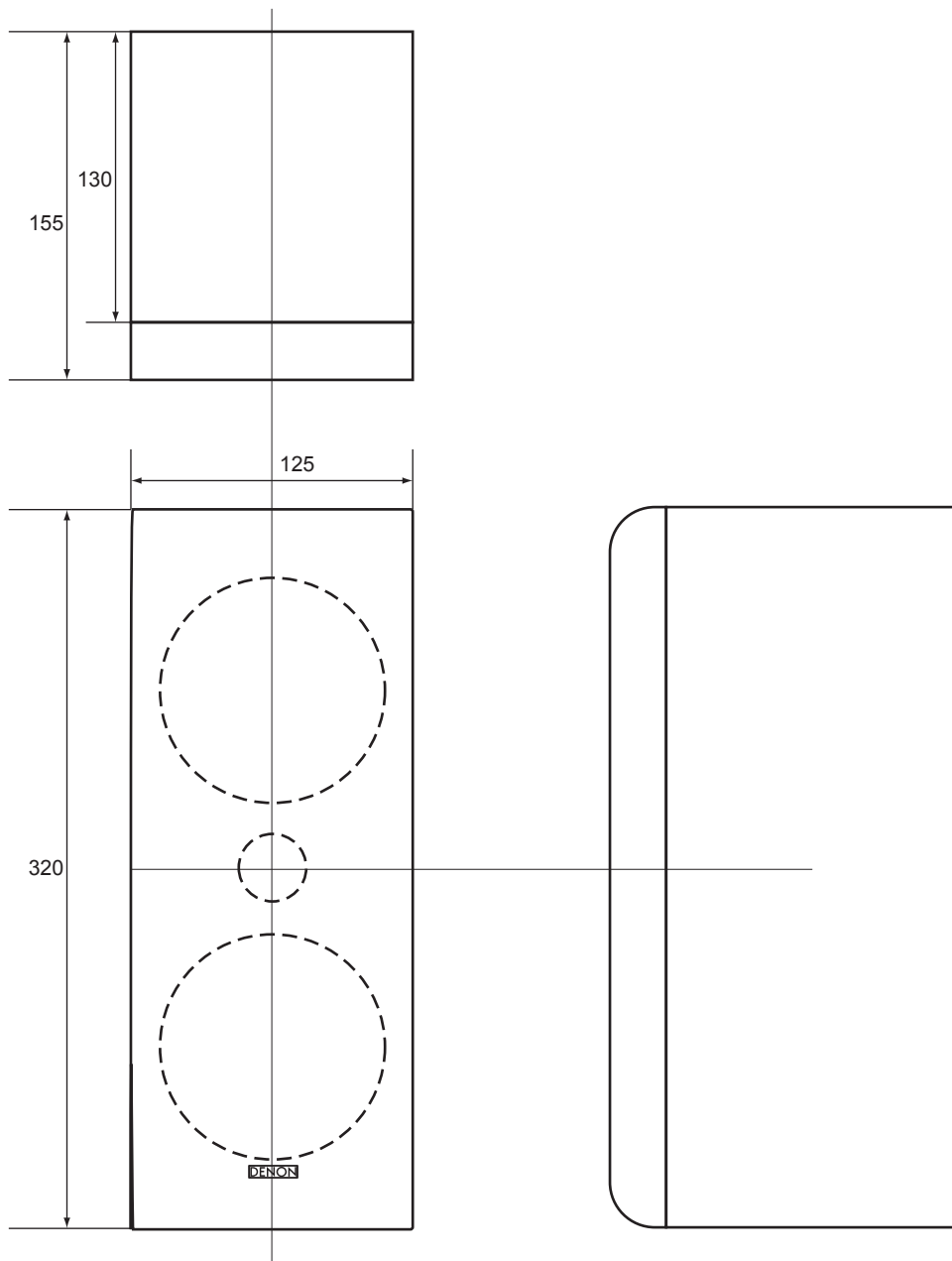
(2) Parts lists Indicated by the \triangle mark.

Using parts other than the designated parts could result in electric shock, fires or other dangerous situations.

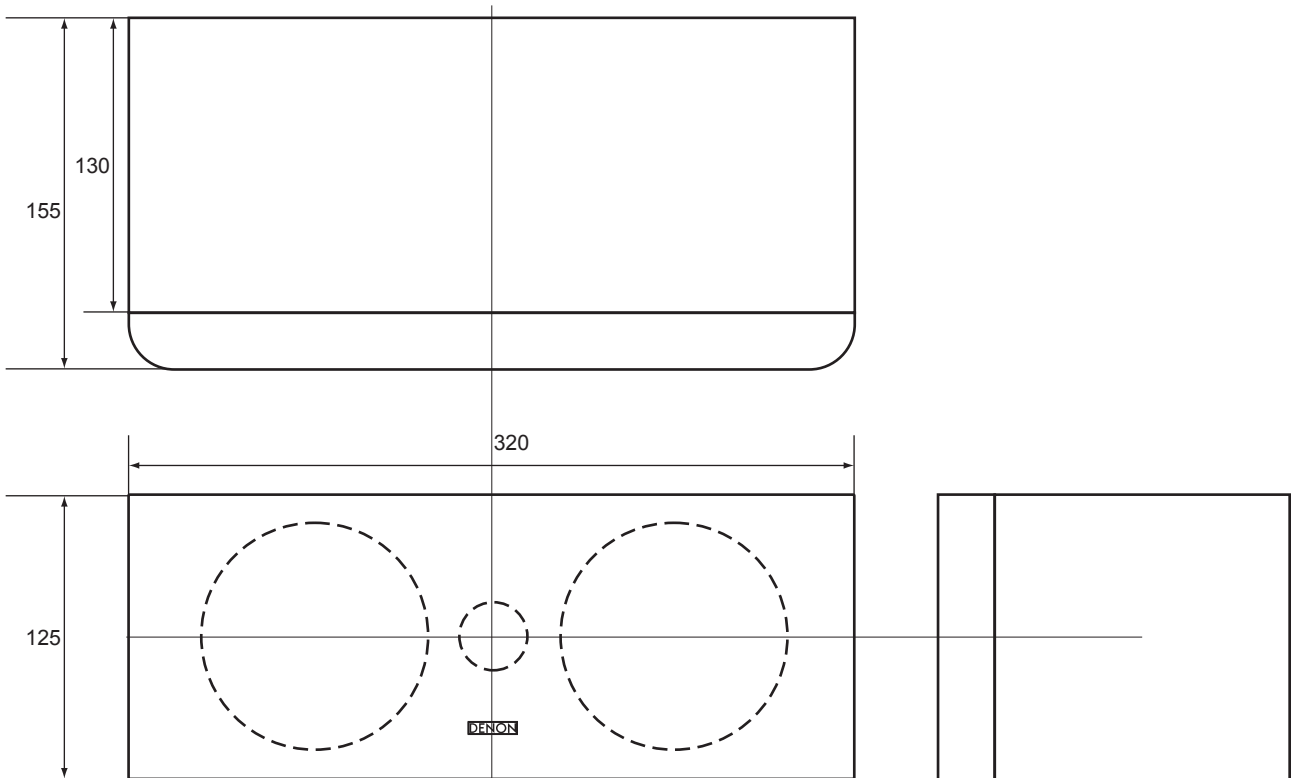
DIMENSION
AVR-390



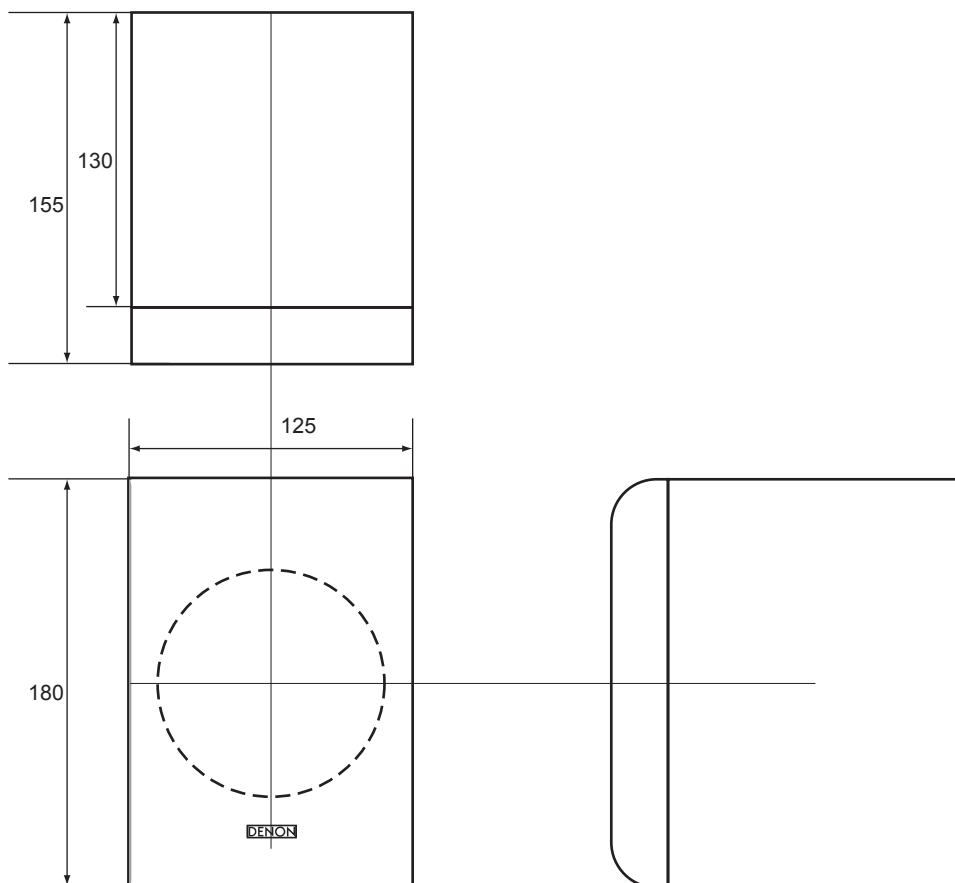
SC-F390



SC-C390



SC-R390

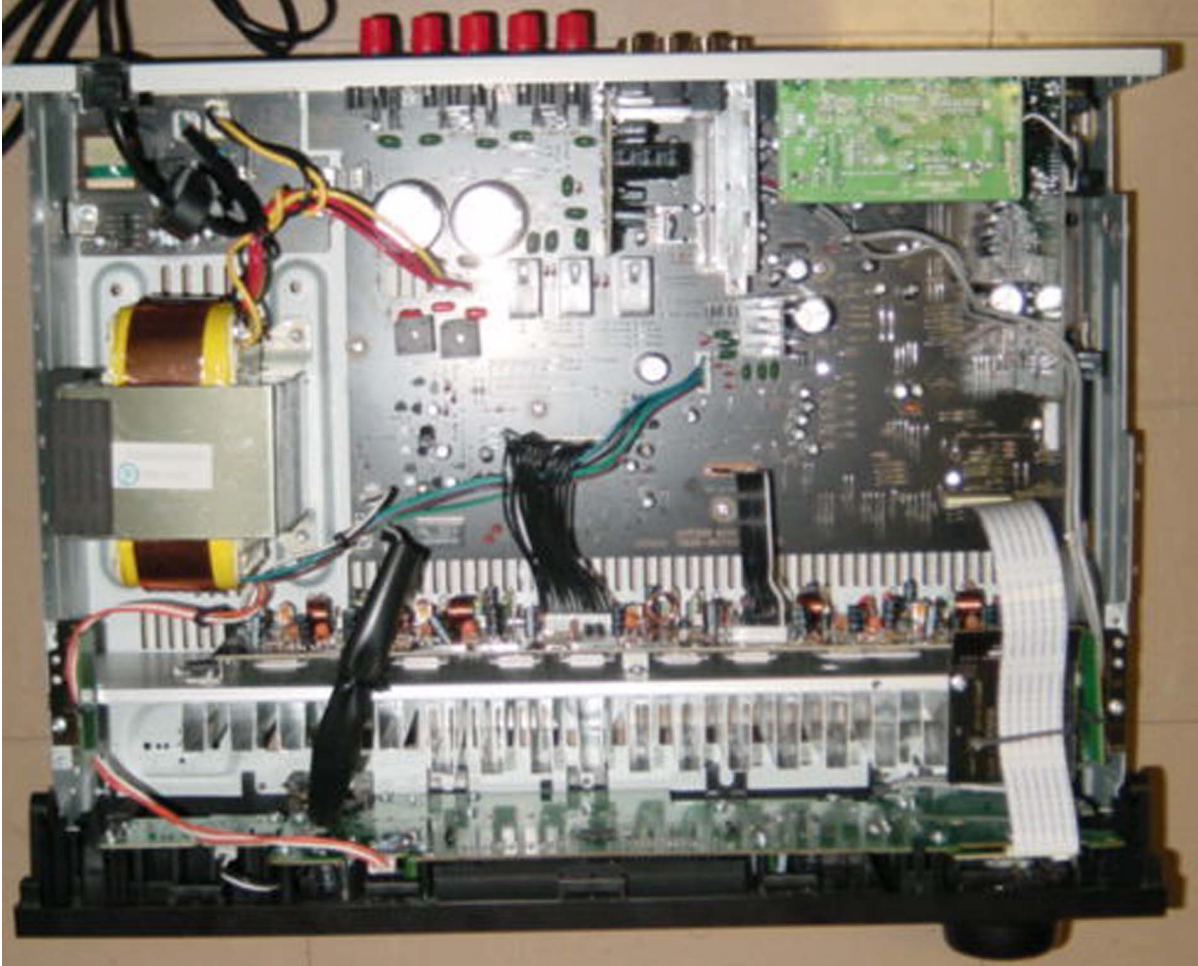


WIRE ARRANGEMENT

If wire bundles are untied or moved to perform adjustment or parts replacement etc., be sure to rearrange them neatly as they were originally bundled or placed afterward. Otherwise, incorrect arrangement can be a cause of noise generation.

Wire arrangement viewed from the top

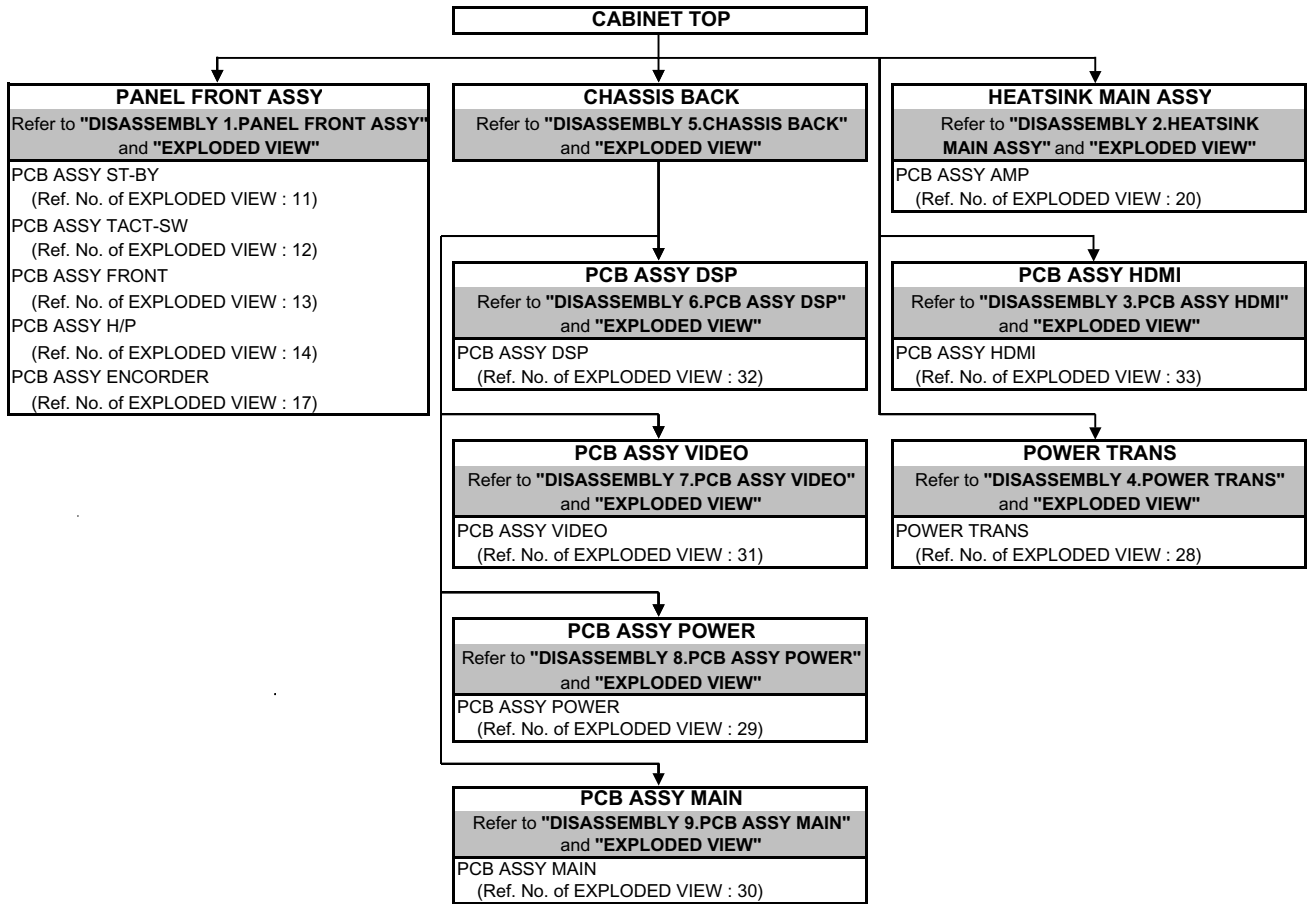
Back Panel side



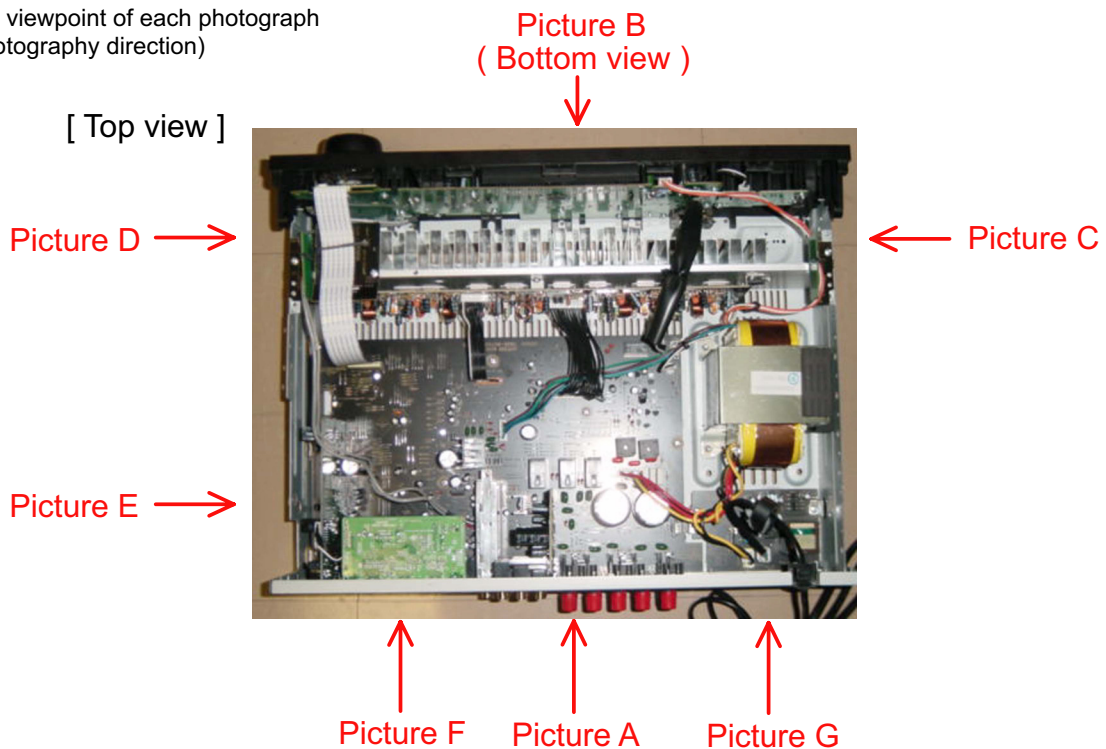
Front Panel side

DISASSEMBLY

- Disassemble in order of the arrow of the figure of following flow.
- In the case of the re-assembling, assemble it in order of the reverse of the following flow.
- In the case of the re-assembling, observe "attention of assembling" it.



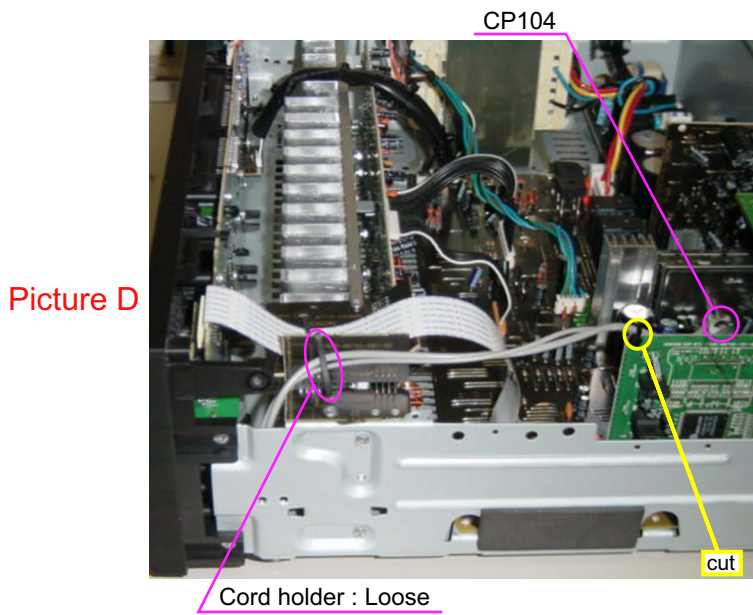
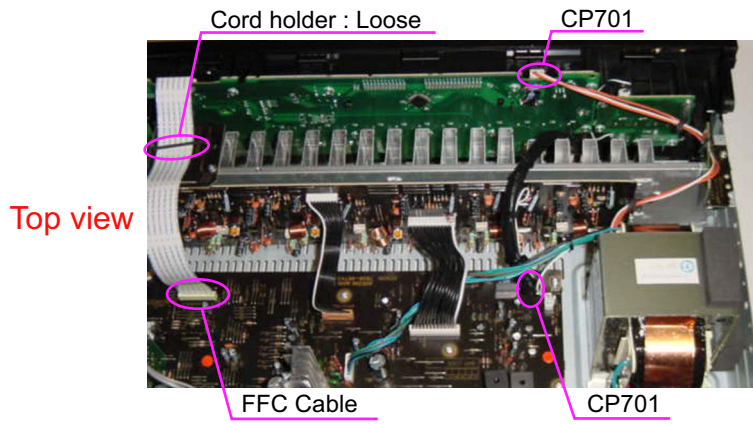
The viewpoint of each photograph (photography direction)



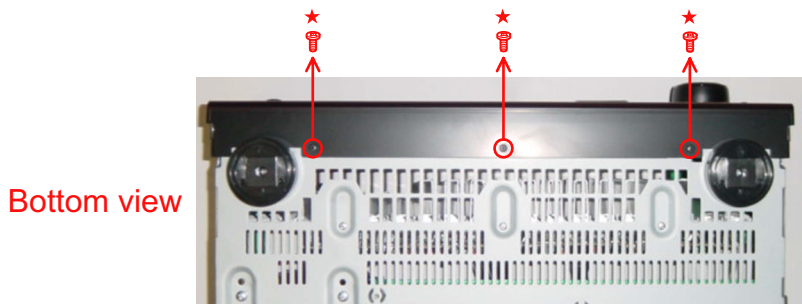
1. PANEL FRONT ASSY

Proceeding : **CABINET TOP** → **PANEL FRONT ASSY**

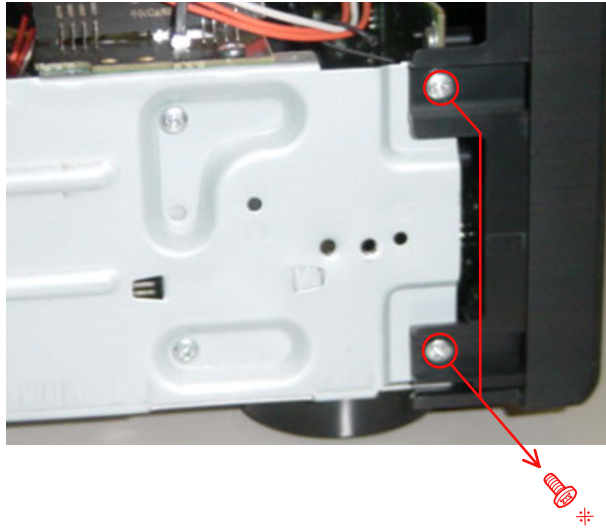
(1) Disconnect the connector wires and FFC Cable.



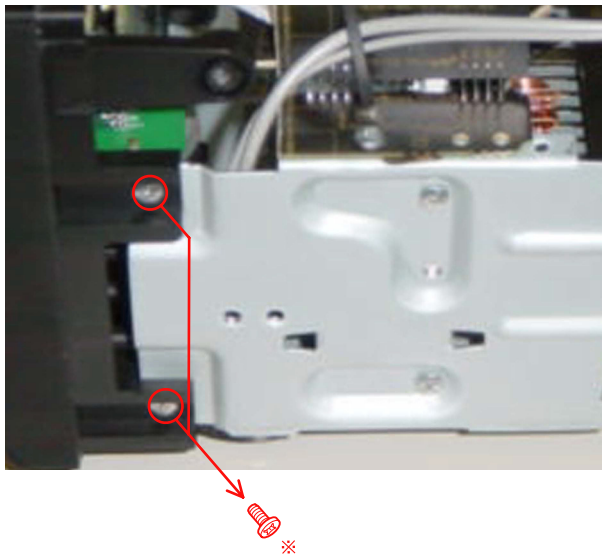
(2) Remove the screws.



Picture C



Picture D

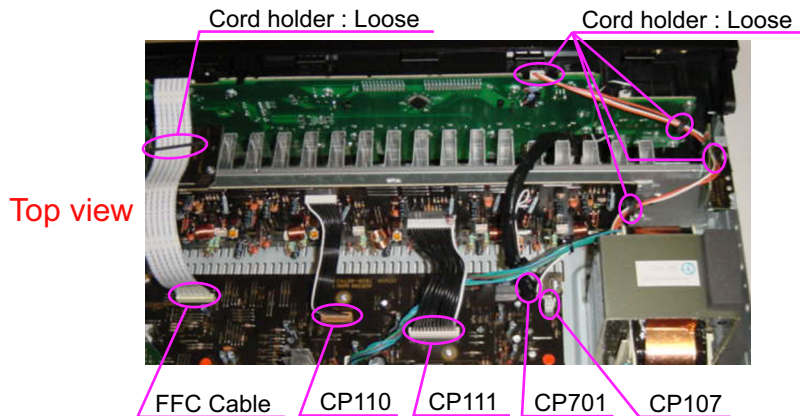


Please refer to "EXPLODED VIEW" for the disassembly method of each P.W.B included in PANEL FRONT ASSY.

2. HEATSINK MAIN ASSY

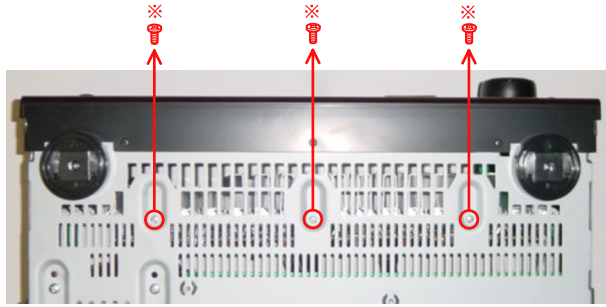
Proceeding : **CABINET TOP** → **HEATSINK MAIN ASSY**

(1) Disconnect the connector wires and FFC Cable.

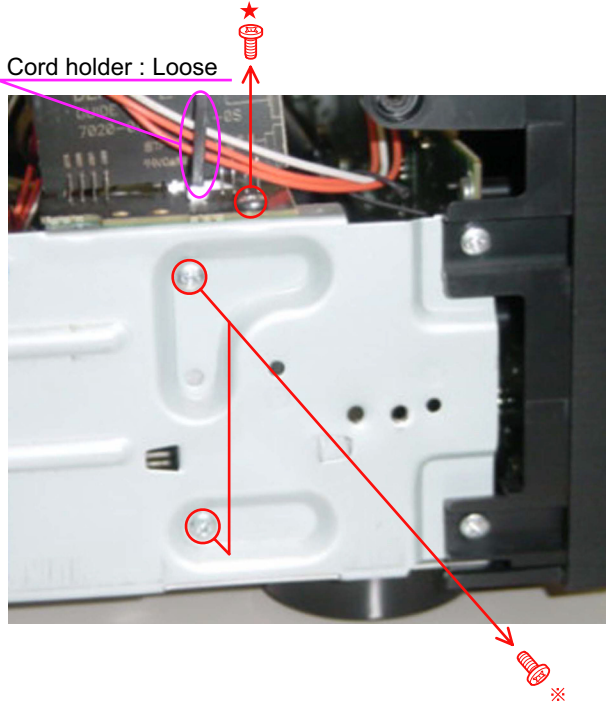


(2) Remove the screws.

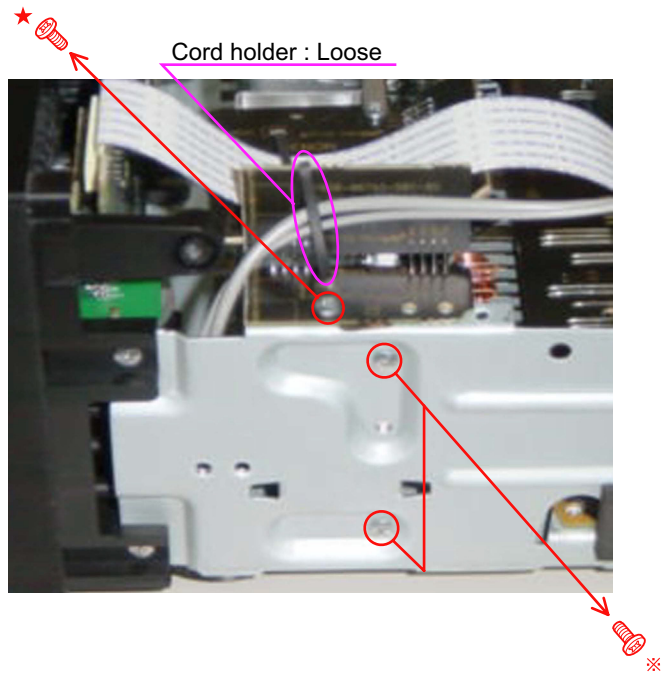
Bottom view



Picture C



Picture D



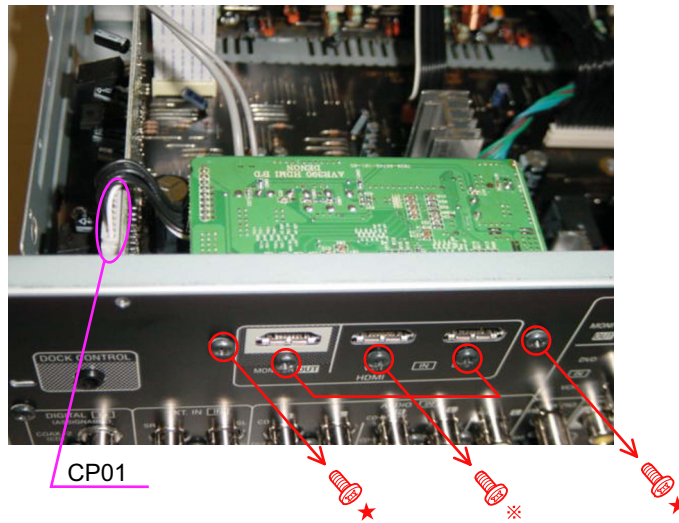
Please refer to **"EXPLODED VIEW"** for the disassembly method of each P.W.B included in HEATSINK MAIN ASSY.

3. PCB ASSY HDMI

Proceeding : **CABINET TOP** → **PCB ASSY HDMI**

(1) Disconnect the connector wire and remove the screws.

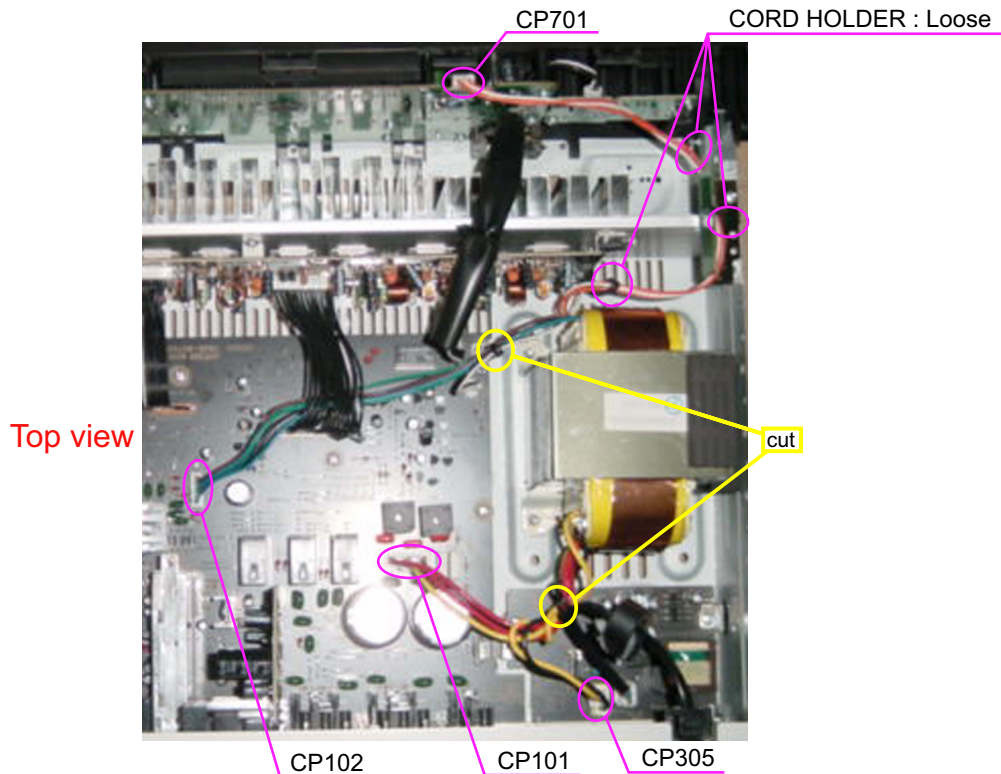
Picture F



4. POWER TRANS

Proceeding : **CABINET TOP** → **POWER TRANS**

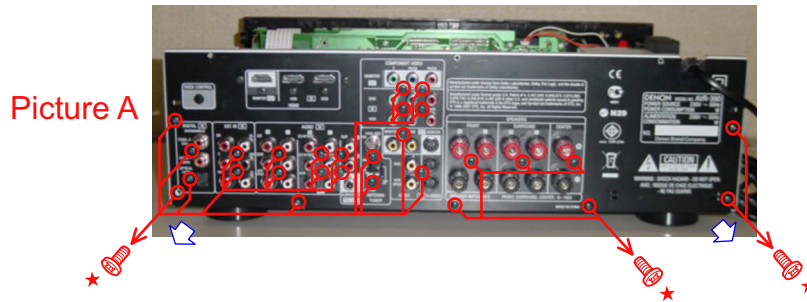
(1) Disconnect the connector wires.



5. CHASSIS BACK

Proceeding : **CABINET TOP** → **CHASSIS BACK**

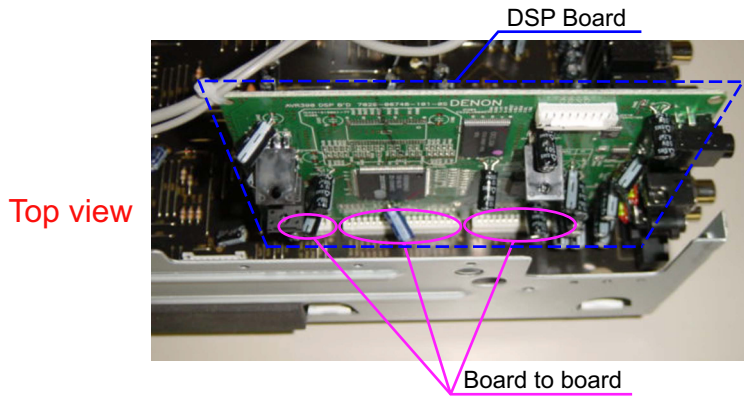
(1) Remove the screws.



6. PCB ASSY DSP

Proceeding : **CABINET TOP** → **CHASSIS BACK** → **PCB ASSY DSP**

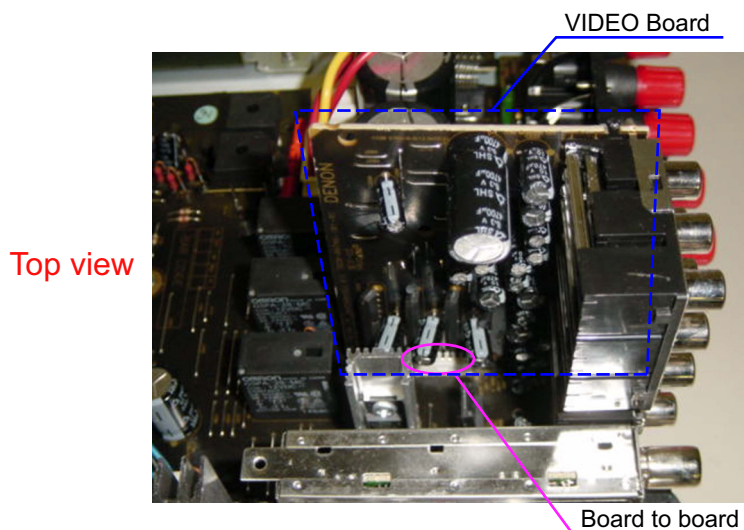
(1) Disconnect the Board to board.



7. PCB ASSY VIDEO

Proceeding : **CABINET TOP** → **CHASSIS BACK** → **PCB ASSY VIDEO**

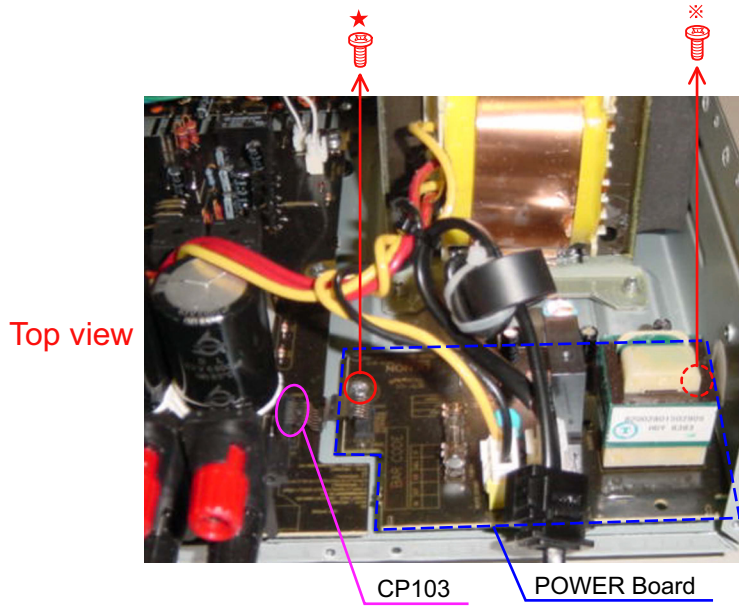
(1) Disconnect the Board to board.



8. PCB ASSY POWER

Proceeding : **CABINET TOP** → **CHASSIS BACK** → **PCB ASSY POWER**

(1) Disconnect the connector wires and remove the screws.



9. PCB ASSY MAIN

Proceeding : **CABINET TOP** → **CHASSIS BACK** → **PCB ASSY MAIN**

Please refer to "EXPLODED VIEW" for the disassembly method of PCB ASSY MAIN.

CAUTION IN SERVICING

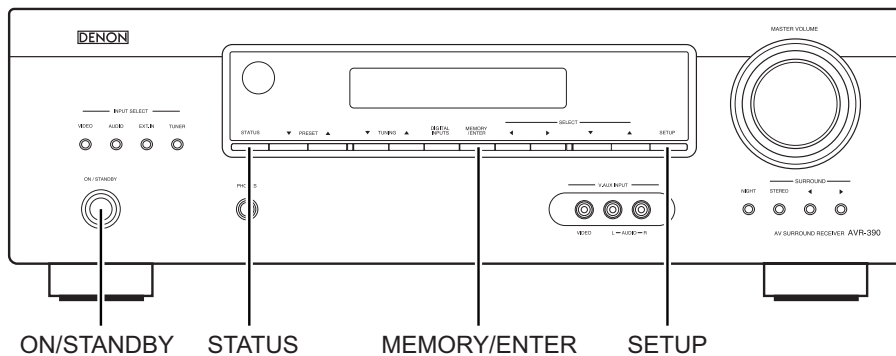
1. Initializing

Initialization should be performed when the μ com, peripheral parts of μ com, MAIN P.W.B. unit and Mecha are replaced.

1. Plug the power cord into a power outlet.
 2. "ON/STANDBY LED" is red lighting.
 3. Press the "ON/STANDBY" button while pressing the "MEMORY/ENTER" button.
 4. "CLEAR" is displayed on the FL tube.
- * The microprocessor will be initialized.

Note: • If step 4 does not work, start over from step 1.

- All user settings will be lost and this factory setting will be recovered when this initialization mode. So make sure to memorize your setting for restoring after the initialization.



2. Version display

1. Plug the power cord into a power outlet.
2. "ON/STANDBY LED" is red lighting.
3. Press the "ON/STANDBY" button while pressing the "SETUP" button.
4. The version of Main μ com is displayed on FL tube.
Version of Main μ com : "M:XXXX-X"
5. Press the "STATUS" or "SETUP" button, version of DSP is displayed on the FL tube.
Version of DSP : "DSP:XXXX"
6. Press the "STATUS" or "SETUP" button, the FL tube lights all.

The display switches each time the "STATUS" or "SETUP" button is pressed.

Version of Main μ com → Version of DSP → FL tube lights all

ADJUSTMENT

Audio Section

Idling Current

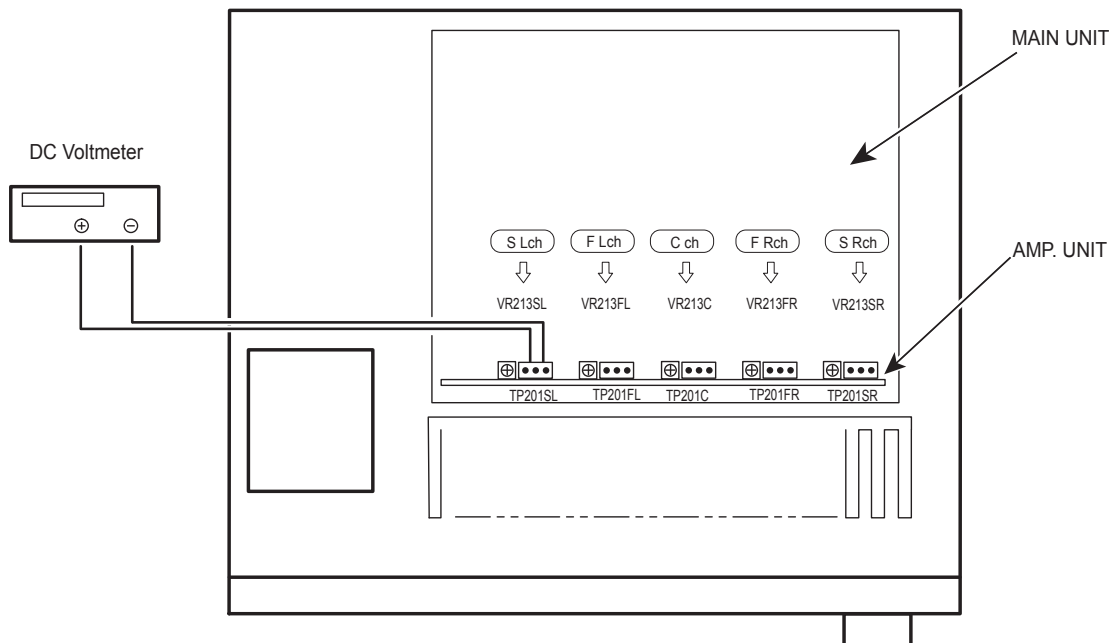
Required measurement equipment: DC Voltmeter

1.Preparation

- (1) Avoid direct blow from an air conditioner or an electric fan, and adjust the unit at normal room temperature 15 °C ~ 30 °C (59 °F ~ 86 °F).
- (2) Presetting
 - POWER (Power source switch) OFF
 - SPEAKER (Speaker terminal) No load
(Do not connect speaker, dummy resistor, etc.)

2.Adjustment

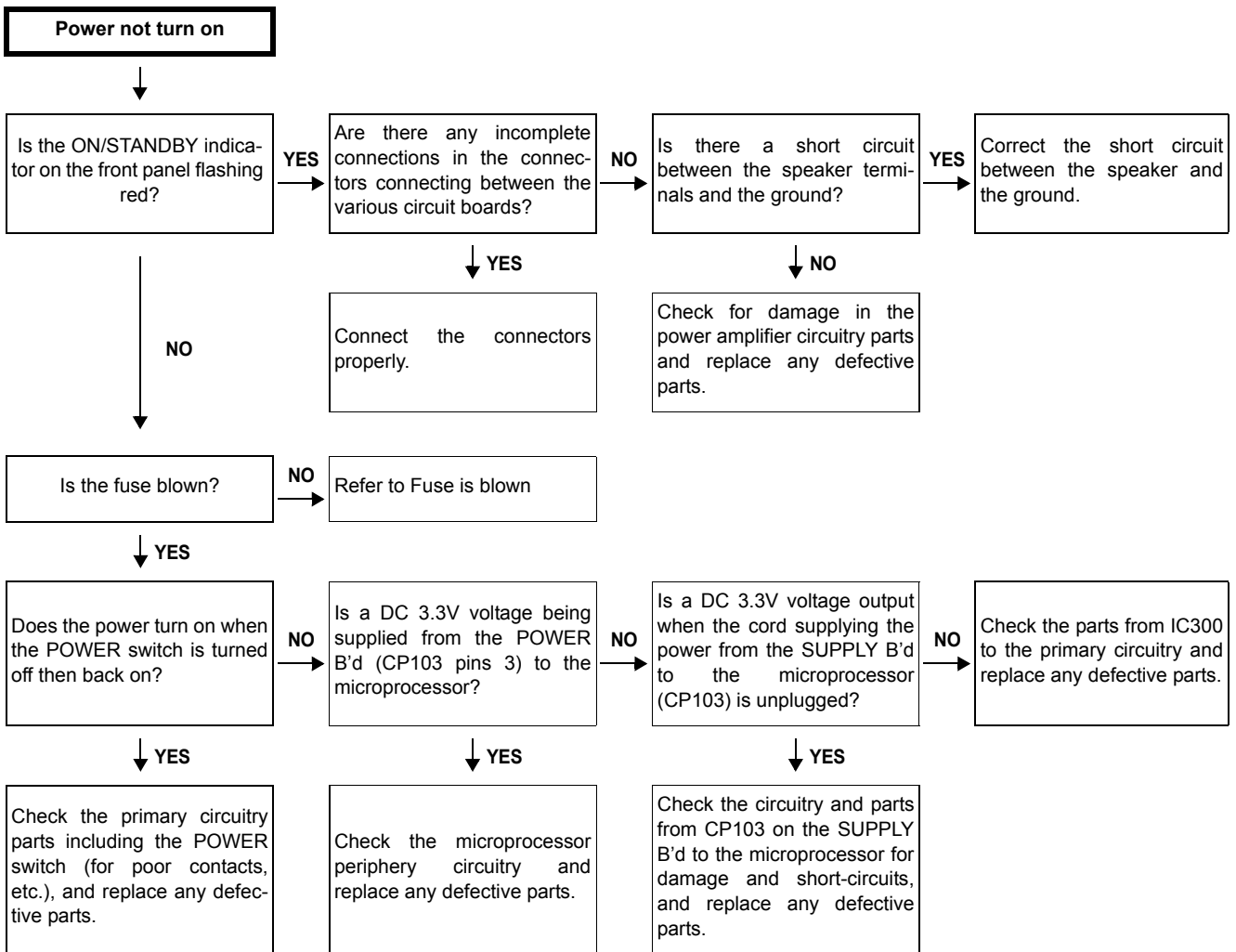
- (1) Remove top cover and set VR213FL, FR, C, SL, SR, on Main Amp. Unit at fully counterclockwise (∞) position.
- (2) Connect DC Voltmeter to test points (FRONT-Lch: TP201FL, FRONT-Rch: TP201FR, CENTER ch: TP201C, SURROUND-Lch: TP201SL, SURROUND-Rch: TP201SR).
- (3) Connect power cord to AC Line, and turn power switch "ON".
- (4) Presetting.
MASTER VOLUME : "----" counterclockwise (∞ min.)
SPEAKER (Speaker terminal) : No load
(Do not connect speaker, dummy resistor, etc.)
FUNCTION : EXT IN
- (5) Within 2 minutes after the power on, turn VR101 clockwise (∞) to adjust the TEST POINT voltage to 1.5 mV ± 0.5 mV DC.
- (6) After 10 minutes from the preset above, turn VR101 to set the voltage to 2.0 mV ± 0.5 mV DC.
- (7) Adjust the Variable Resistors of other channels in the same way.



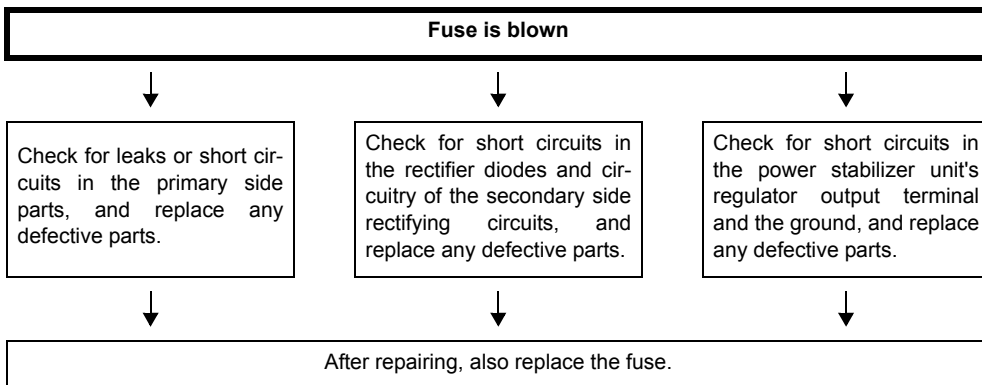
TROUBLE SHOOTING

1. POWER

1.1. Power not turn on

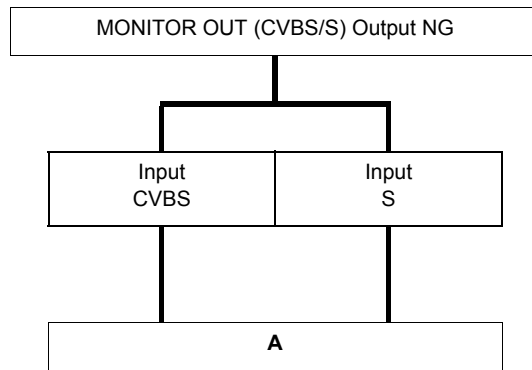


1.2. Fuse is blown



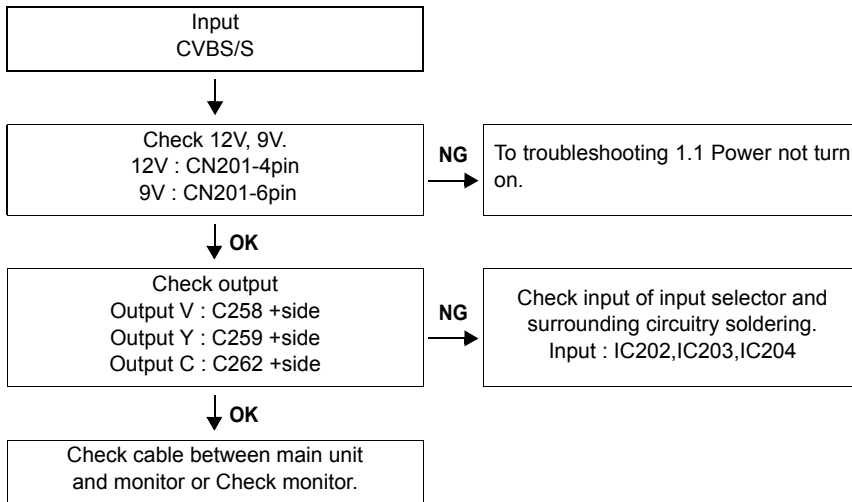
2. Analog video

2.1. AVR-390



※ When checking operation, select DVD for the function.

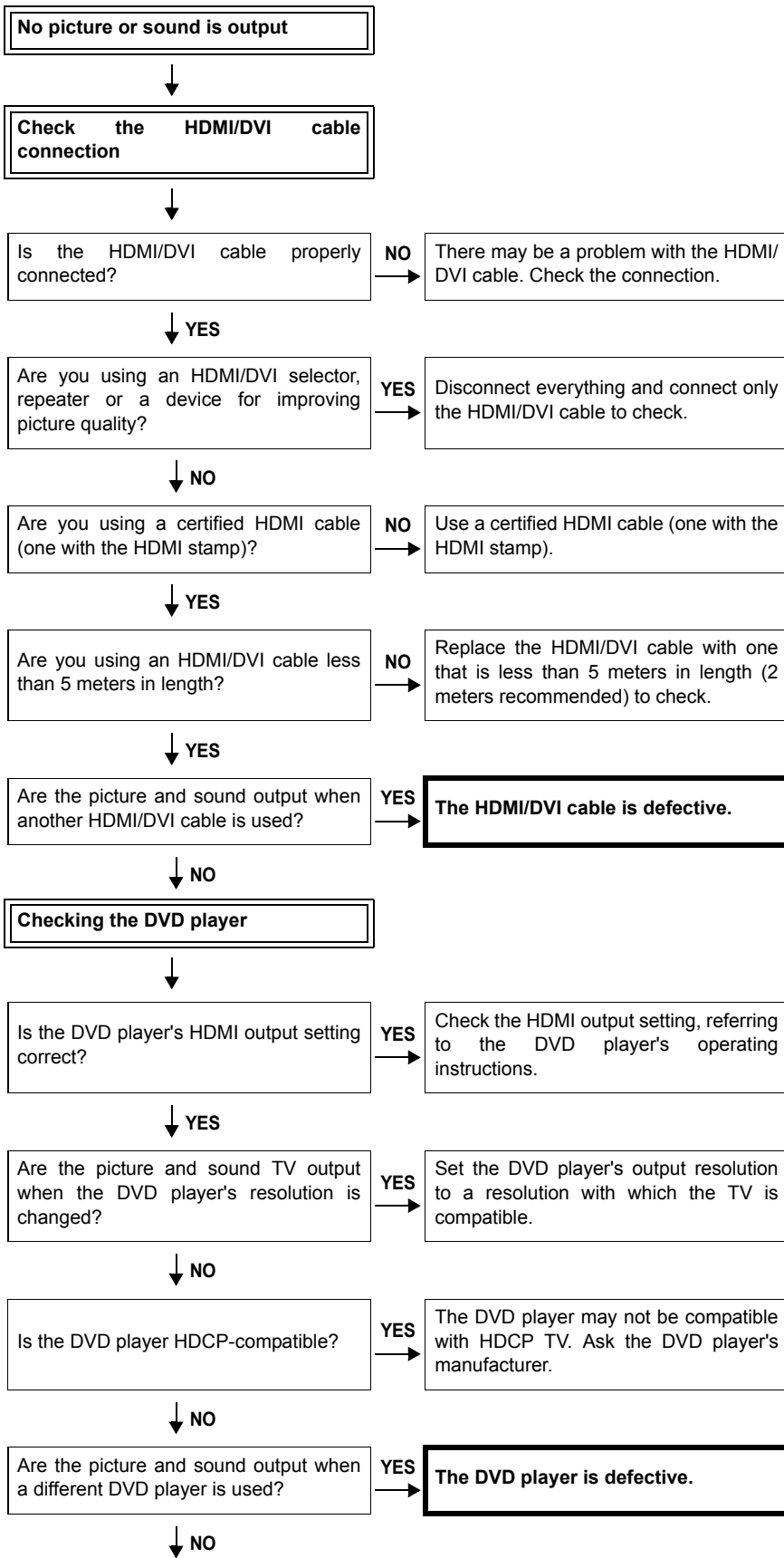
A

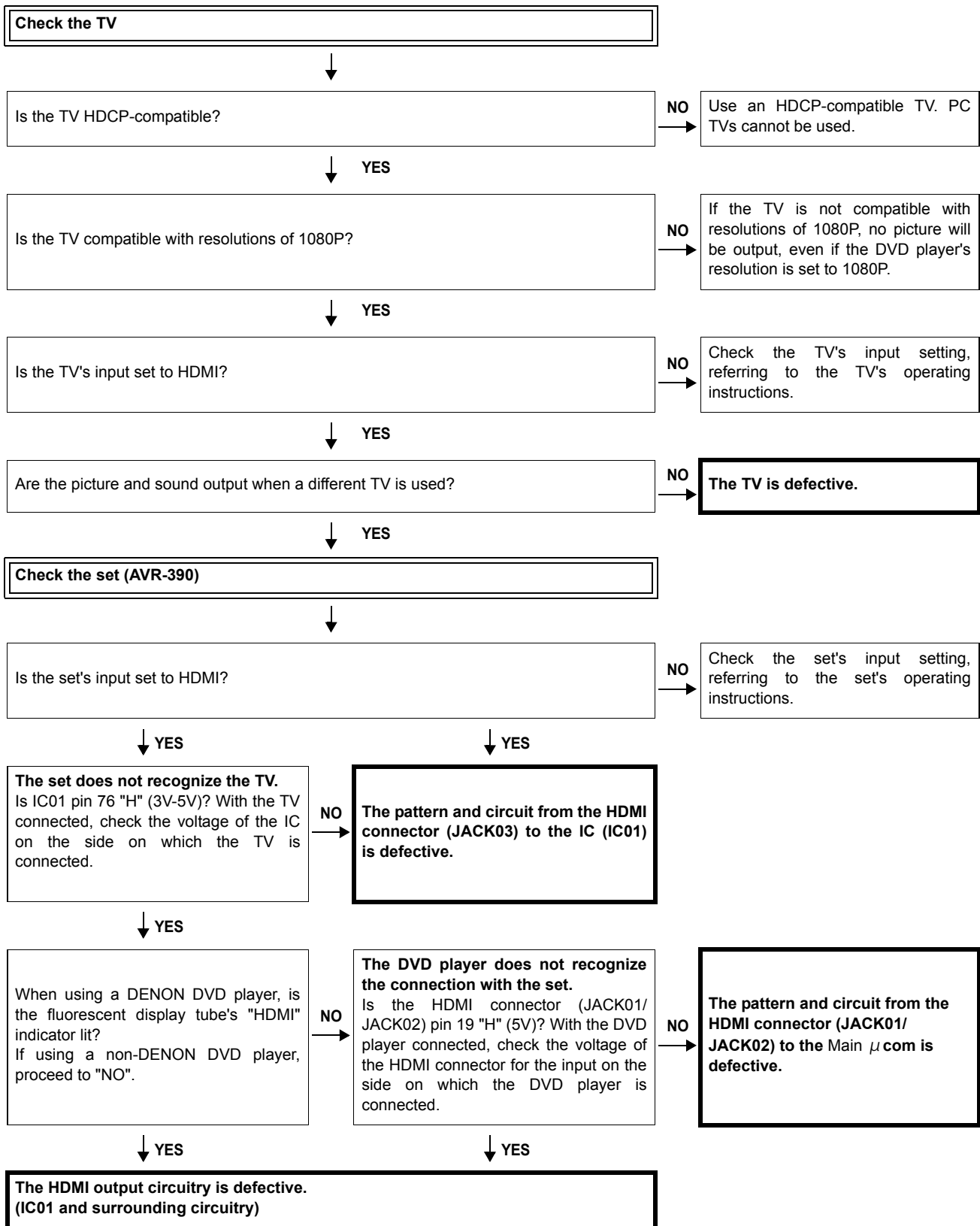


※ Unless specified, VIDEO UNIT part.

3. HDMI/DVI

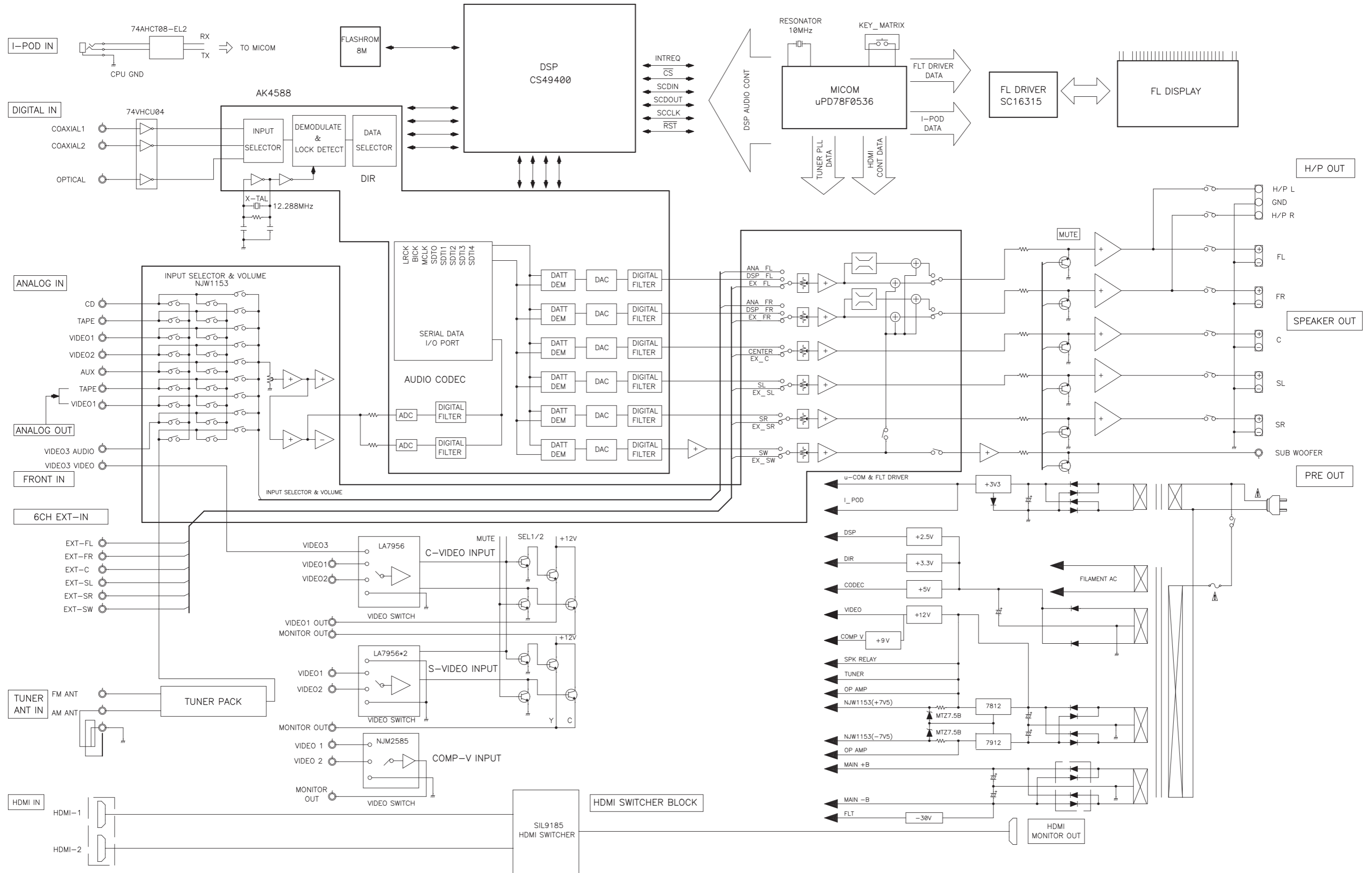
3.1. No picture or sound is output



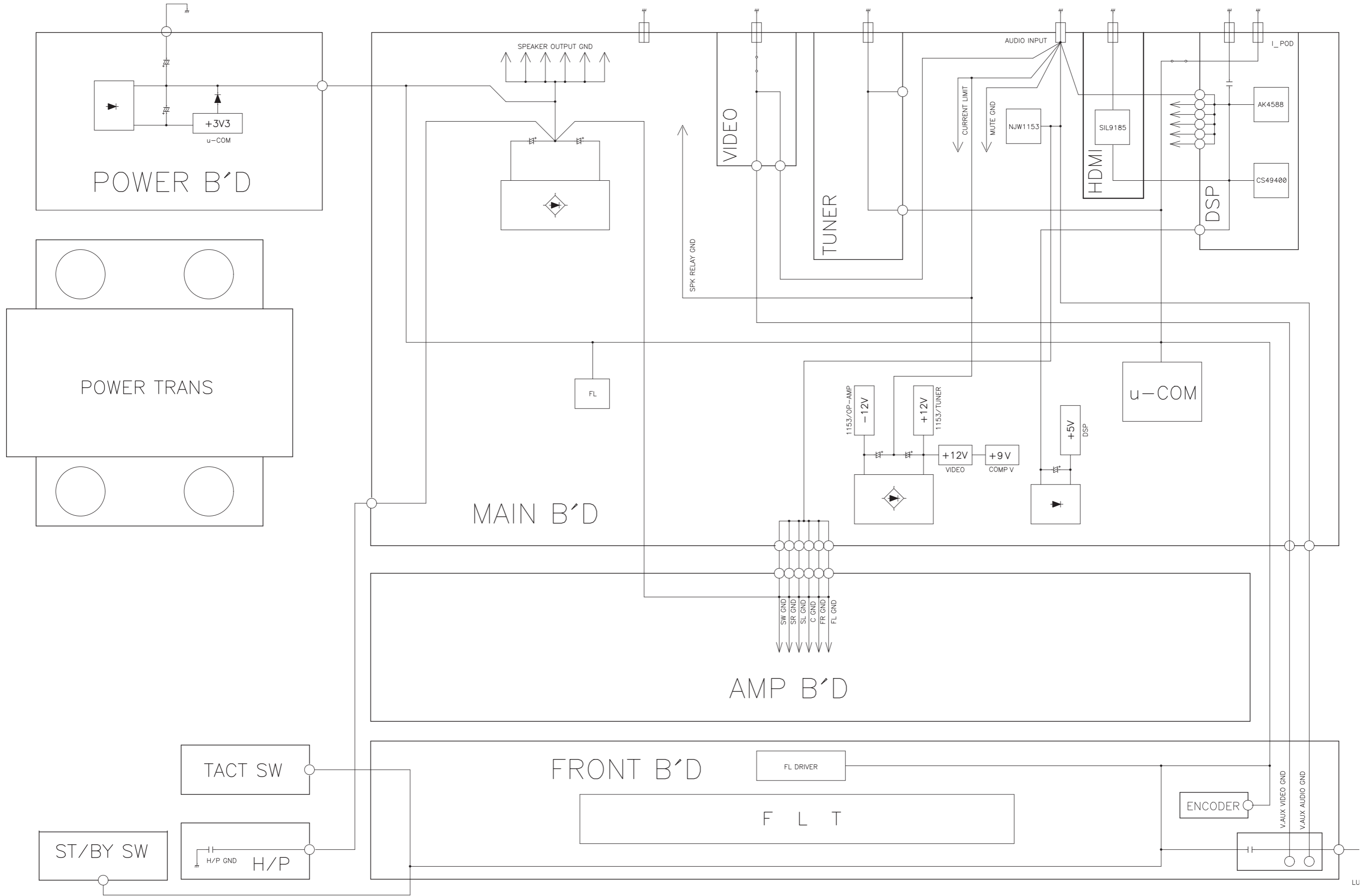


BLOCK DIAGRAMS

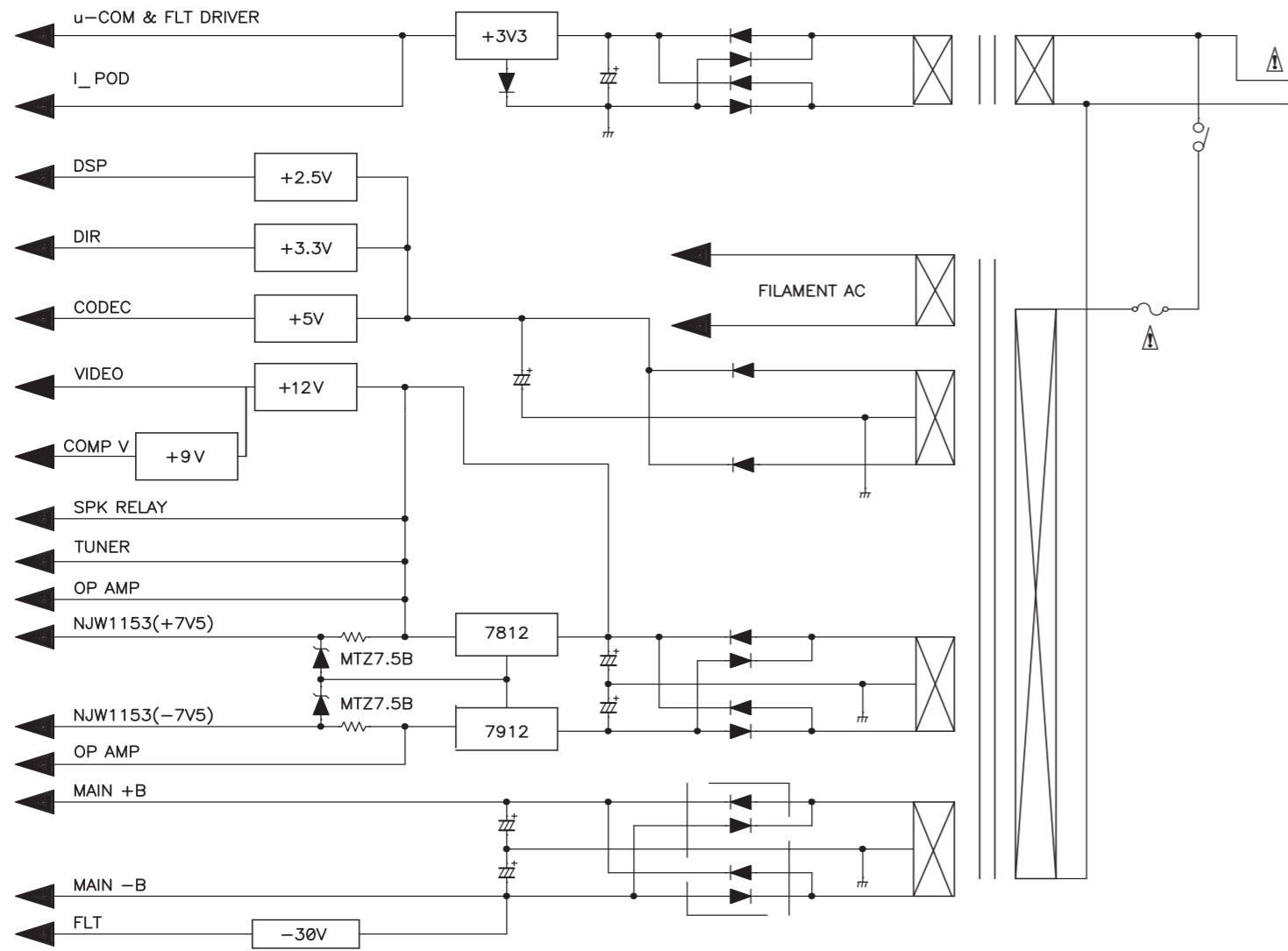
AVR-390 AUDIO BLOCK DIAGRAM



AVR-390 GND BLOCK DIAGRAM

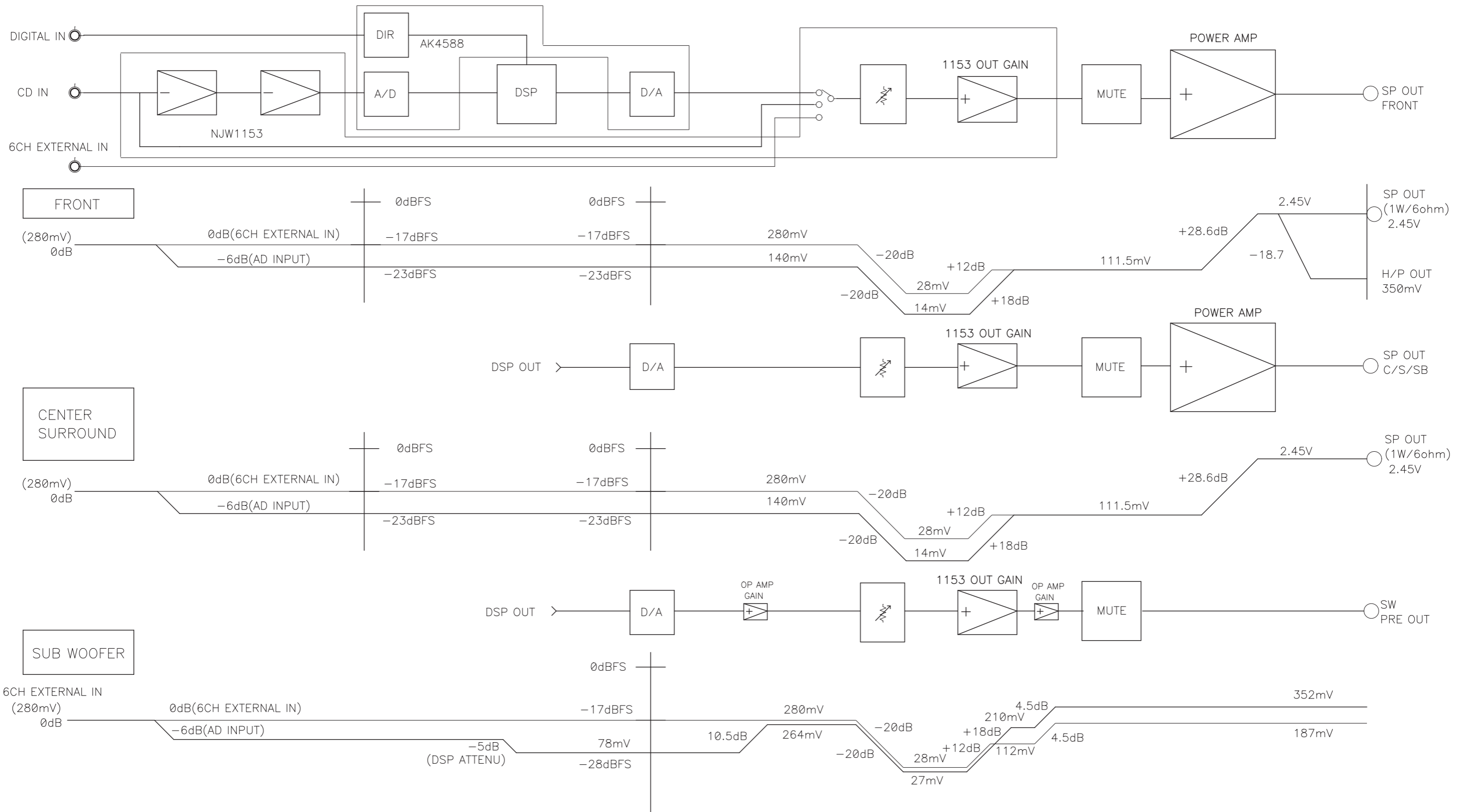


AVR-390 VCC BLOCK DIAGRAM



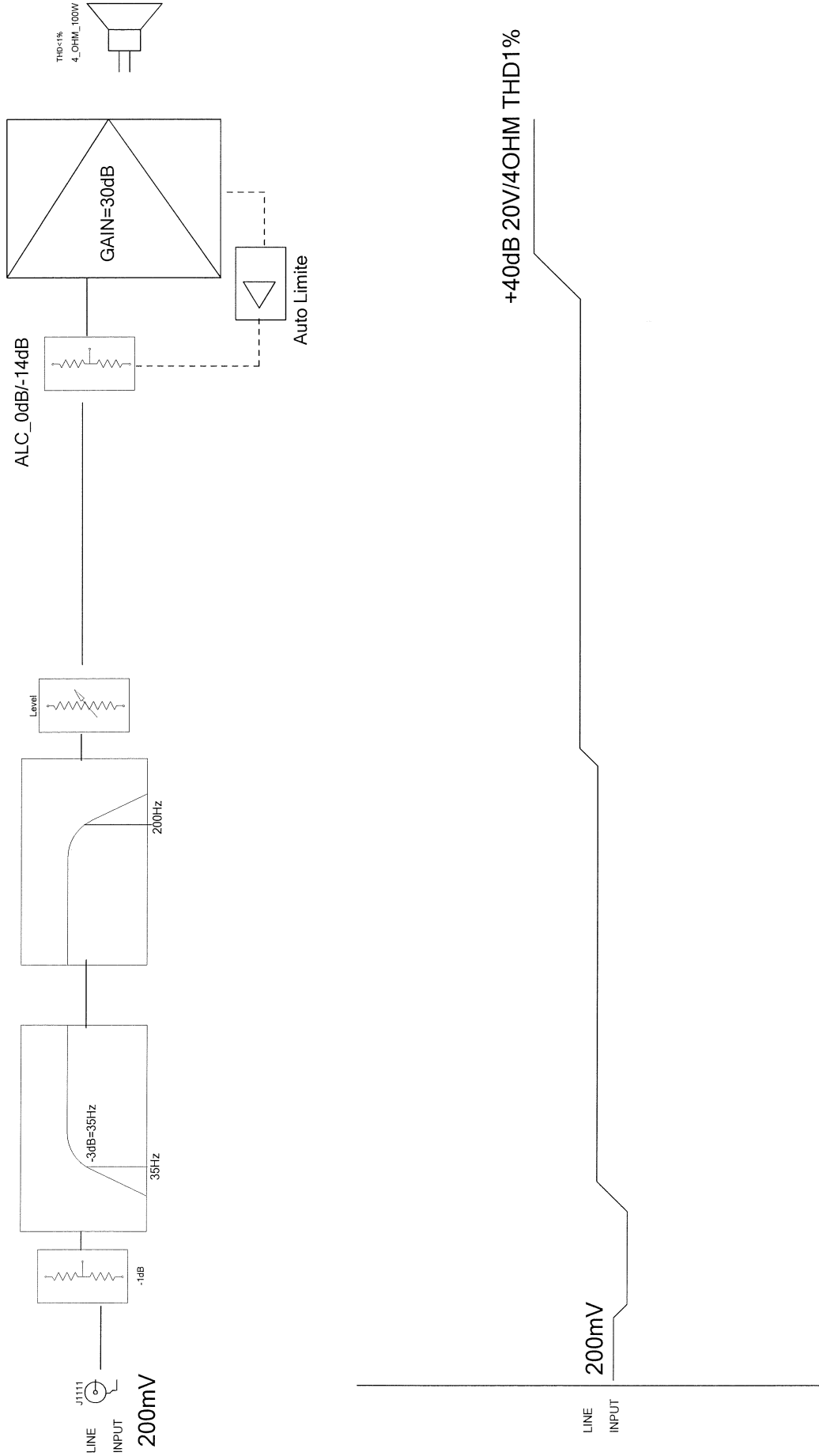
LEVEL DIAGRAM

AVR-390



BLOCK / LEVEL DIAGRAM

DSW-390



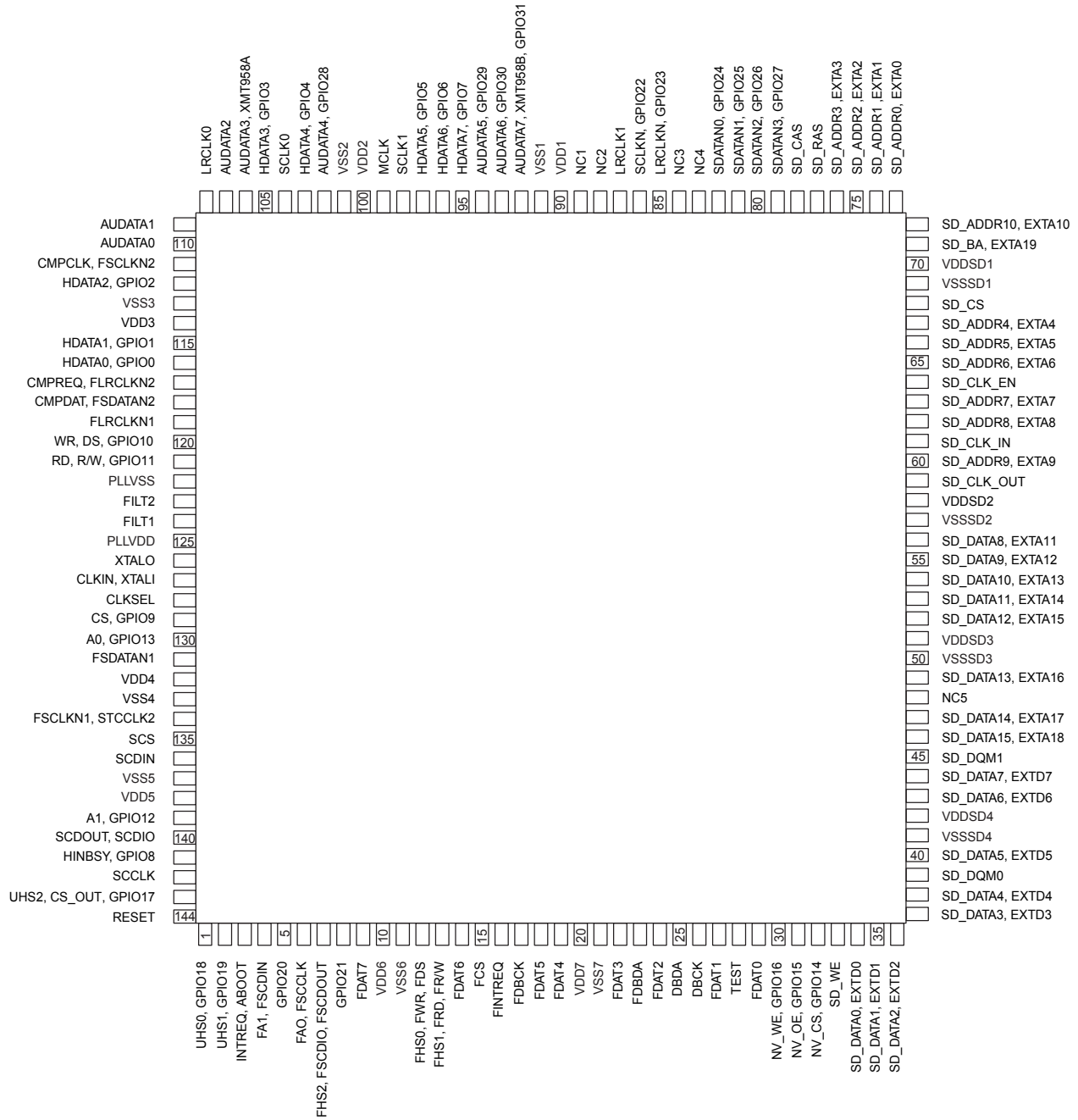
SEMICONDUCTORS

Only major semiconductors are shown, general semiconductors etc. are omitted to list.

The semiconductor which described a detailed drawing in a schematic diagram are omitted to list.

1. IC's

CS494003-CQZ (IC403)

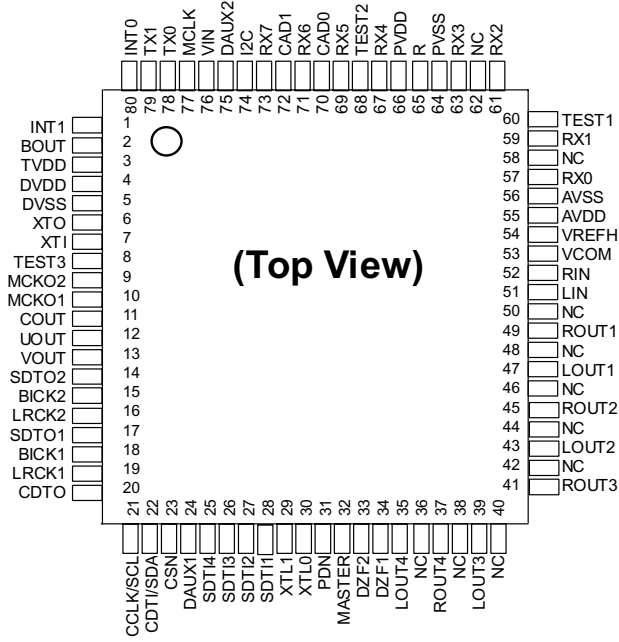


PIN FUNCTION

PIN NAME	FUNCTION
FILT1	Phase-Locked Loop Filter
FILT2	Phase Locked Loop Filter
CLKIN, XTALI	External Clock Input/Crystal Oscillator Input
XTALO	Crystal Oscillator Output
CLKSEL	DSP Clock Select
FDAT6, FDAT7	DSPAB Bidirectional Data Bus
FDAT4, FDAT5	
FDAT2, FDAT3	
FDAT0, FDAT1	
FA0, FSCCLK	Host Parallel Address Bit Zero or Serial Control Port Clock
FA1, FSCDIN	Host Address Bit One or SPI Serial Control Data Input
FHS1, FRD, FR/W	Mode Select Bit 1 or Host Parallel Output Enable or Host Parallel R/W
FHS0, FWR, FDS	Mode Select Bit 0 or Host Write Strobe or Host Data Strobe
FCS	Host Parallel Chip Select, Host Serial SPI Chip Select
FHS2, FSCDIO, FSCDOUT	Mode Select Bit 2 or Serial Control Port Data Input and Output, Parallel Port Type Select
FINTREQ	Control Port Interrupt Request
FSCLKN1, STCCLK2	PCM Audio Input Bit Clock
FLRCLKN1	PCM Audio Input Sample Rate Clock
FSDATAN1	PCM Audio Data Input One
CMPCLK, FSCLKN2	PCM Audio Input Bit Clock
CMPDAT, FSDATAN2	PCM Audio Data Input Number Two
FDBCK	Reserved
FDBDA	Reserved
PLLVDD	PLL Supply Voltage
PLLVSS	PLL Ground Voltage
RESET	Master Reset Input
TEST	Reserved
MCLK	Audio Master Clock
SCLK0	Audio Output Bit Clock
SCLK1	Audio Output Bit Clock
LRCLK0	Audio Output Sample Rate Clock
LRCLK1	Audio Output Sample Rate Clock
AUDATA0	Digital Audio Output 0
AUDATA1	Digital Audio Output 1
AUDATA2	Digital Audio Output 2
AUDATA3, XMT958A	Digital Audio Output 3, S/PDIF Transmitter
AUDATA4, GPIO28	Digital Audio Output 4, General Purpose I/O
AUDATA5, GPIO29	Digital Audio Output 5, General Purpose I/O
AUDATA6, GPIO30	Digital Audio Output 6, General Purpose I/O
AUDATA7, XMT958B, GPIO31	Digital Audio Output 7, S/PDIF Transmitter, General Purpose I/O
DBCK	Debug Clock
DBDA	Debug Data
SLCKN, GPIO22	PCM Audio Input Bit Clock, General Purpose I/O
LRCLKN, GPIO23	PCM Audio Input Sample Rate Clock, General Purpose I/O
SDATAN0, GPIO24	PCM Audio Input Data, General Purpose I/O
SDATAN1, GPIO25	PCM Audio Input Data, General Purpose I/O
SDATAN2, GPIO26	PCM Audio Input Data, General Purpose I/O
SDATAN3, GPIO27	PCM Audio Input Data, General Purpose I/O
SCS	Host Serial SPI Chip Select
SCCLK	Serial Control Port Clock
SCDIN	SPI Serial Control Data Input
SCDOUT, SCDIO	Serial Control Port Data Input and Output
INTREQ	Control Port Interrupt Request
HDATA7, GPIO7	DSPC Bidirectional Data Bus, General Purpose I/O
HDATA6, GPIO6	
HDATA5, GPIO5	
HDATA4, GPIO4	
HDATA3, GPIO3	
HDATA2, GPIO2	
HDATA1, GPIO1	
HDATA0, GPIO0	
A0, GPIO13	Host Parallel Address Bit 0, General Purpose I/O
A1, GPIO12	Host Address Bit 1, General Purpose I/O
RD, R/W, GPIO11	Host Parallel Output Enable, Host Parallel R/W, General Purpose I/O
WR, DS, GPIO10	Host Write Strobe, Host Data Strobe, General Purpose I/O
CS, GPIO9	Host Parallel Chip Select, General Purpose I/O

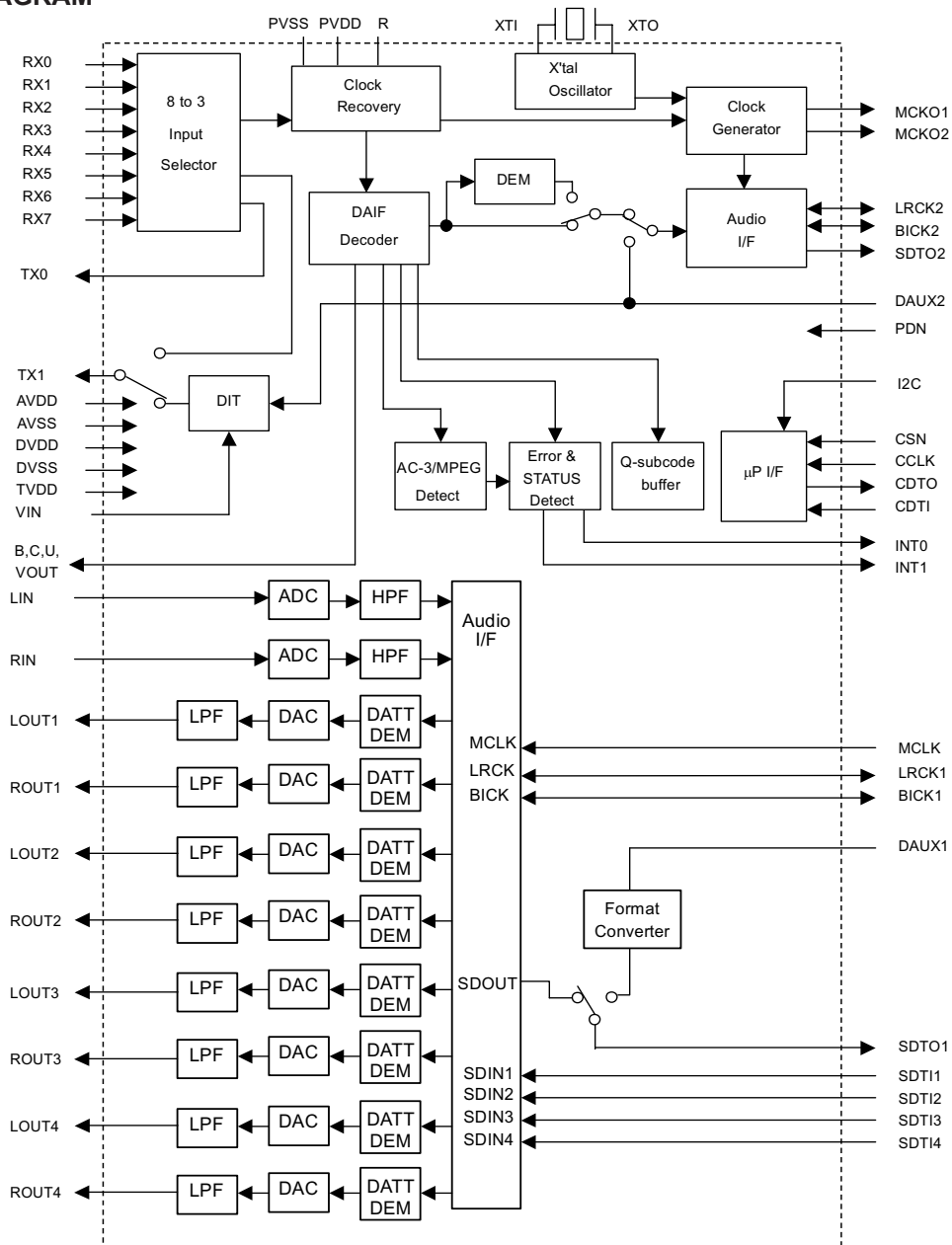
PIN NAME	FUNCTION
HINBSY, GPIO8	Input Host Message Status, General Purpose I/O
SD_DATA15, EXTA18	SDRAM Data Bus, SRAM External Address Bus
SD_DATA14, EXTA17	
SD_DATA13, EXTA16	
SD_DATA12, EXTA15	
SD_DATA11, EXTA14	
SD_DATA10, EXTA13	
SD_DATA9, EXTA12	
SD_DATA8, EXTA11	
SD_DATA7, EXTD7	SDRAM Data Bus, SRAM External Data Bus
SD_DATA6, EXTD6	
SD_DATA5, EXTD5	
SD_DATA4, EXTD4	
SD_DATA3, EXTD3	
SD_DATA2, EXTD2	
SD_DATA1, EXTD1	
SD_DATA0, EXTD0	
SD_ADDR10, EXTA10	SDRAM Address Bus, SRAM External Address Bus
SD_ADDR9, EXTA9	
SD_ADDR8, EXTA8	
SD_ADDR7, EXTA7	
SD_ADDR6, EXTA6	
SD_ADDR5, EXTA5	
SD_ADDR4, EXTA4	
SD_ADDR3, EXTA3	
SD_ADDR2, EXTA2	
SD_ADDR1, EXTA1	
SD_ADDR0, EXTA0	
SD_CLK_OUT	SDRAM Clock Output
SD_CLK_IN	SDRAM Re-timing Clock Input
SD_CLK_EN	SDRAM Clock Enable
SD_BA, EXTA19	SDRAM Bank Address Select, SRAM External Address Bus
SD_CS	SDRAM Chip Select
SD_RAS	SDRAM Row Address Strobe
SD_CAS	SDRAM Column Address Strobe
SD_WE	SDRAM Write Enable
SD_DQM1	SDRAM Data Mask 1
SD_DQM0	SDRAM Data Mask 2
NV_CS, GPIO14	SRAM Chip Select, General Purpose I/O
NV_OE, GPIO15	SRAM Output Enable, General Purpose I/O
NV_WE, GPIO16	SRAM Write Enable, General Purpose I/O
UHS2, CS_OUT, GPIO17	Mode Select Bit 2, External Serial Memory Chip Select, General Purpose I/O
UHS0, GPIO18	Mode Select Bit 0, General Purpose I/O
UHS1, GPIO19	Mode Select Bit 1, General Purpose I/O
GPIO20	General Purpose I/O
GPIO21	General Purpose I/O
VDD[7:1]	2.5V Supply Voltage
VSS	2.5V Ground
NC[5:1]	No Connect
VDDSD[4:1]	3.3V SDRAM/SRAM/EEPROM Interface Supply
VSSSD	3.3V SDRAM/SRAM/EEPROM Interface Ground

AK4588 (IC401)



(Top View)

BLOCK DIAGRAM



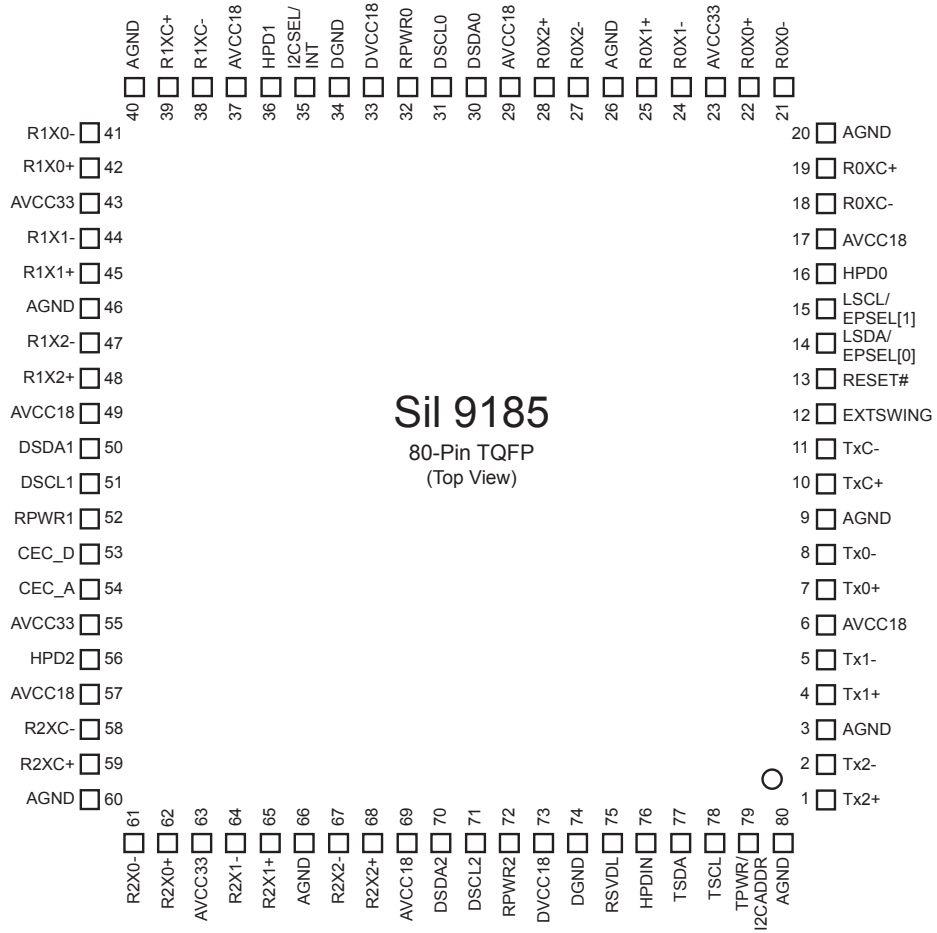
PIN FUNCTION

No.	Pin Name	I/O	Function
1	INT1	O	Interrupt 1 Pin
2	BOUT	O	Block-Start Output Pin for Receiver Input "H" during first 40 flames.
3	TVDD	-	Output Buffer Power Supply Pin, 2.7V~5.5V
4	DVDD	-	Digital Power Supply Pin, 4.5V~5.5V
5	DVSS	-	Digital Ground Pin
6	XTO	O	X'tal clock Output Pin
7	XTI	I	X'tal / External clock Input Pin
8	TEST3	I	Test 3 Pin This pin should be connected to DVSS.
9	MCKO2	O	Master Clock Output 2 Pin
10	MCKO1	O	Master Clock Output 1 Pin
11	COU	O	C-bit Output Pin for Receiver Input
12	UOUT	O	U-bit Output Pin for Receiver Input
13	VOUT	O	V-bit Output Pin for Receiver Input
14	SDTO2	O	Audio Serial Data Output Pin (DIR/DIT part)
15	BICK2	I/O	Audio Serial Data Clock Pin (DIR/DIT part)
16	LRCK2	I/O	Channel Clock Pin (DIR/DIT part)
17	SDTO1	O	Audio Serial Data Output Pin (ADC/DAC part)
18	BICK1	I/O	Audio Serial Data Clock Pin (ADC/DAC part)
19	LRCK1	I/O	Input Channel Clock Pin
20	CDTO	O	Control Data Output Pin in Serial Mode, I2C pin= "L"
21	CCLK	I	Control Data Clock Pin in Serial Mode, I2C pin= "L"
	SCL	I	Control Data Clock Pin in Serial Mode, I2C pin= "H"
22	CDTI	I	Control Data Input Pin in Serial Mode, I2C pin= "L"
	SDA	I/O	Control Data Pin in Serial Mode, I2C pin= "H"
23	CSN	I	Chip Select Pin in Serial Mode, I2C pin= "L".
		I	This pin should be connected to DVSS, I2C pin= "H".
24	DAUX1	I	AUX Audio Serial Data Input Pin (ADC/DAC part)
25	SDTI4	I	DAC4 Audio Serial Data Input Pin
26	SDTI3	I	DAC3 Audio Serial Data Input Pin
27	SDTI2	I	DAC2 Audio Serial Data Input Pin
28	SDTI1	I	DAC1 Audio Serial Data Input Pin
29	XTL1	I	X'tal Frequency Select 0 Pin
30	XTL0	I	X'tal Frequency Select 1 Pin
31	PDN	I	Power-Down Mode Pin When "L", the AK4588 is powered-down, all output pin goes "L", all registers are reset. When CAD1-0 pins are changed, the AK4588 should be reset by PDN pin.
32	MASTER	I	Master Mode Select Pin "H": Master mode, "L": Slave mode
33	DZF2	O	Zero Input Detect 2 Pin (Table 13) When the input data of the group 1 follow total 8192 LRCK cycles with "0" input data, this pin goes to "H". When RSTN1 bit is "0" or PWDAN bit is "0", this pin goes to "H".
	OVF	O	Analog Input Overflow Detect Pin This pin goes to "H" if the analog input of Lch or Rch overflows. This pin becomes OVF pin if OVFE bit is set to 1.
34	DZF1	O	Zero Input Detect 1 Pin (Table 13) When the input data of the group 1 follow total 8192 LRCK cycles with "0" input data, this pin goes to "H". When RSTN1 bit is "0" or PWDAN bit is "0", this pin goes to "H".
35	LOUT4	O	DAC4 Lch Analog Output Pin
36	NC	-	No Connect pin No internal bonding. This pin should be opened.
37	ROUT4	O	DAC4 Rch Analog Output Pin
38	NC	-	No Connect pin No internal bonding. This pin should be opened.
39	LOUT3	O	DAC3 Lch Analog Output Pin
40	NC	-	No Connect pin No internal bonding. This pin should be opened.
41	ROUT3	O	DAC3 Rch Analog Output Pin
42	NC	-	No Connect pin No internal bonding. This pin should be opened.
43	LOUT2	O	DAC2 Lch Analog Output Pin
44	NC	-	No Connect pin No internal bonding. This pin should be opened.
45	ROUT2	O	DAC2 Rch Analog Output Pin

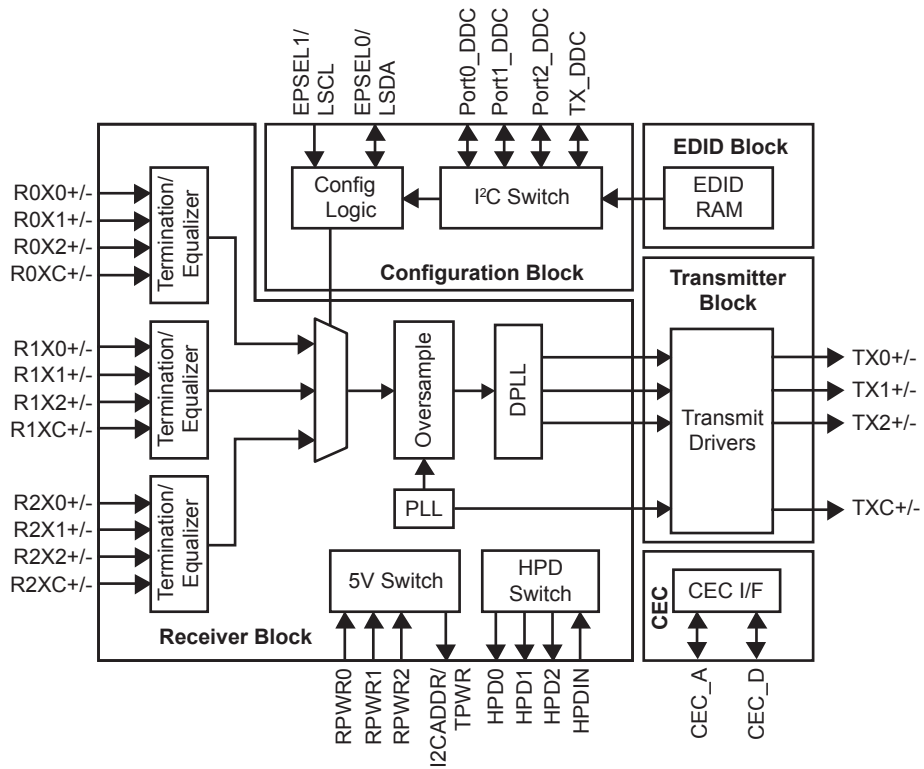
No.	Pin Name	I/O	Function
46	NC	-	No Connect pin No internal bonding. This pin should be opened.
47	LOUT1	O	DAC1 Lch Analog Output Pin
48	NC	-	No Connect pin No internal bonding. This pin should be opened.
49	ROUT1	O	DAC1 Rch Analog Output Pin
50	NC	-	No Connect pin No internal bonding. This pin should be opened.
51	LIN	I	Lch Analog Input Pin
52	RIN	I	Rch Analog Input Pin
53	VCOM	-	Common Voltage Output Pin 2.2 μ F capacitor should be connected to AVSS externally.
54	VREFH	-	Positive Voltage Reference Input Pin, AVDD
55	AVDD	-	Analog Power Supply Pin, 4.5V~5.5V
56	AVSS	-	Analog Ground Pin, 0V
57	RX0	I	Receiver Channel 0 Pin (Internal biased pin. Internally biased at PVDD/2)
58	NC	-	No Connect pin No internal bonding. This pin should be connected to PVSS.
59	RX1	I	Receiver Channel 1 Pin (Internal biased pin. Internally biased at PVDD/2)
60	TEST1	I	Test 1 Pin This pin should be connected to PVSS.
61	RX2	I	Receiver Channel 2 Pin (Internal biased pin. Internally biased at PVDD/2)
62	NC	-	No Connect pin No internal bonding. This pin should be connected to PVSS.
63	RX3	I	Receiver Channel 3 Pin (Internal biased pin. Internally biased at PVDD/2)
64	PVSS	-	PLL Ground pin
65	R	-	External Resistor Pin 12k Ω +/-1% resistor should be connected to PVSS externally.
66	PVDD	-	PLL Power supply Pin, 4.5V~5.5V
67	RX4	I	Receiver Channel 4 Pin (Internal biased pin. Internally biased at PVDD/2)
68	TEST2	I	Test 2 Pin This pin should be connected to PVSS.
69	RX5	I	Receiver Channel 5 Pin (Internal biased pin. Internally biased at PVDD/2)
70	CAD0	I	Chip Address 0 Pin (ADC/DAC part)
71	RX6	I	Receiver Channel 6 Pin (Internal biased pin. Internally biased at PVDD/2)
72	CAD1	I	Chip Address 1 Pin (ADC/DAC part)
73	RX7	I	Receiver Channel 7 Pin (Internal biased pin. Internally biased at PVDD/2)
74	I2C	I	Control Mode Select Pin. "L" : 4-wire Serial, "H" : I ² C Bus
75	DAUX2	I	Auxiliary Audio Data Input Pin (DIR/DIT part)
76	VIN	I	V-bit Input Pin for Transmitter Output
77	MCLK	I	Master Clock Input Pin
78	TX0	O	Transmit Channel (Through Data) Output 0 Pin
79	TX1	O	Transmit Channel Output1 pin When TX bit = "0", Transmit Channel (Through Data) Output 1 Pin. When TX bit = "1", Transmit Channel (DAUX2 Data) Output Pin (Default).
80	INT0	O	Interrupt 0 Pin

Note: All input pins except internal biased pins and internal pull-down pin should not be left floating.

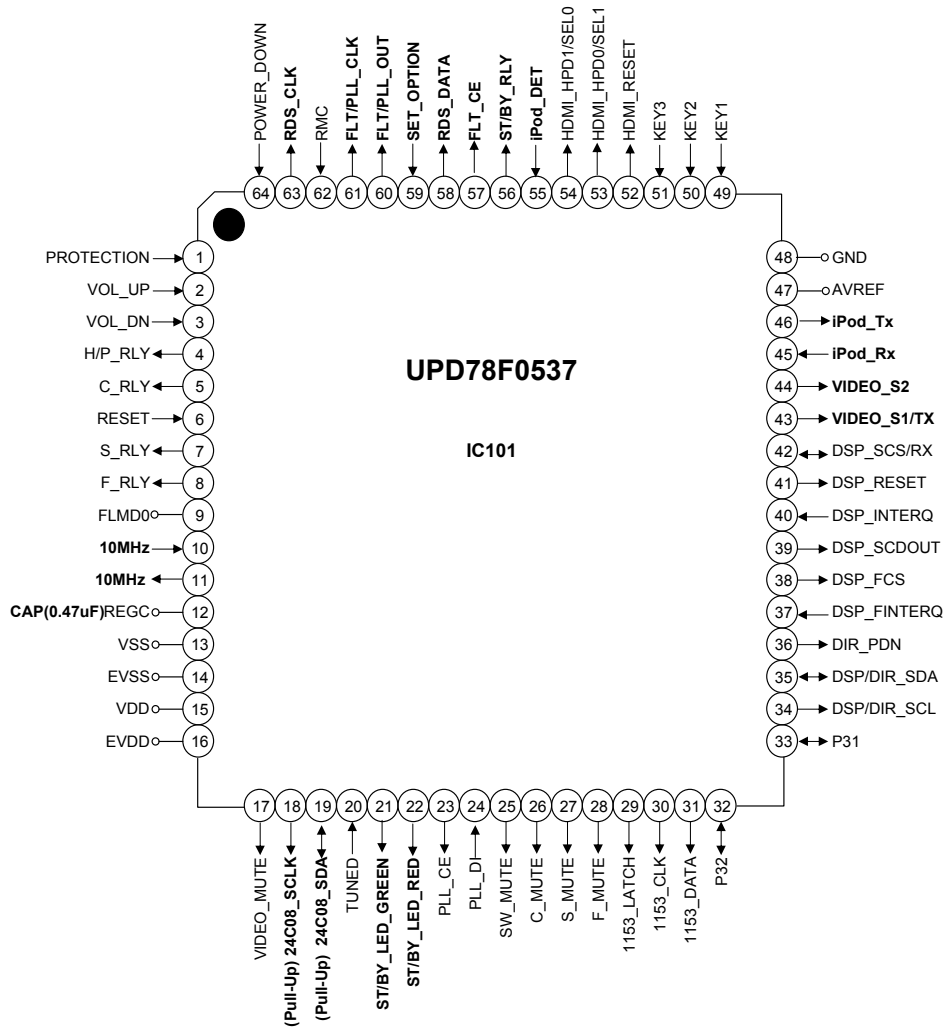
SiI9185 (IC01)



BLOCK DIAGRAM



UPD78F0537GK (IC101)

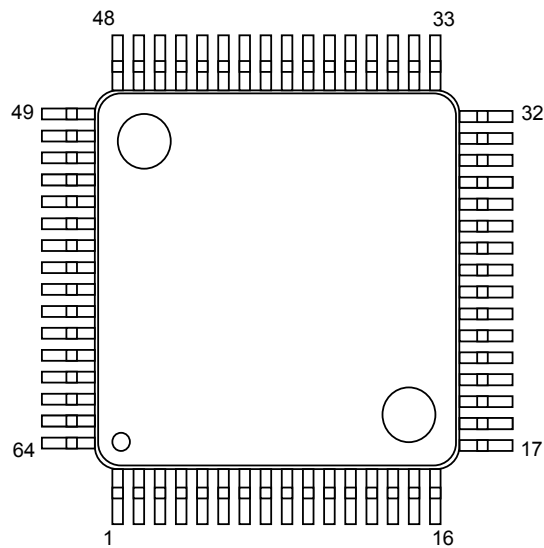


PIN DESCRIPTION

No.	Pin Name	Pin Symbol	I/O	Pin Description
1	P120/INTP0/EXLVI	PROTECTION	I	Input for protection
2	P43	VOL_UP	I	Input for volume up
3	P42	VOL_DN	I	Input for volume down
4	P41	H/P_RLY	O	Output for headphone relay
5	P40	C_RLY	O	Output for center speaker relay
6	RESET	RESET	I	Input for u-com reset
7	P124/XT2/EXCLKS	S_RLY	O	Output for surround speaker relay
8	P123/XT1	F_RLY	O	Output for front speaker relay
9	IC/FLMD0	FLMD0		Port for flash mode setting
10	P122/X2/EXCLK	10Mhz	I	CLK IN
11	P121/X1	10Mhz	O	CLK OUT
12	REGC	REGC(0.47uF)		Connect to ground via 0.47uF/50V E.Cap
13	VSS	VSS		Ground
14	EVSS	EVSS		Ground
15	VDD	VDD		3V3
16	EVDD	EVDD		3V3
17	P60/SCLO	VIDEO_MUTE	O	Output for video mute
18	P61/SDA0	24C08_SCLK	O	Clock signal output for 24C08
19	P62/EXSCL0	24C08_SDA	I/O	Input & output for 24C08 control data
20	P63	TUNED	I	Input for tuner "TUNED" condition (L is active)
21	P33/T151/TO51/INTP4	ST/BY_LED_GREEN	O	Output for standby Green led
22	P77/KR7	ST/BY_LED_RED	O	Output for standby Red led
23	P76/KR6	PLL_CE	O	Chip select output for tuner pack
24	P75/KR5	PLL_DI	I	Data output for tuner pack
25	P74/KR4	SW_MUTE	O	Output for subwoofer channel mute
26	P73/KR3	C_MUTE	O	Output for center channel mute
27	P72/KR2	S_MUTE	O	Output for surround channel mute
28	P71/KR1	F_MUTE	O	Output for front channel mute

No.	Pin Name	Pin Symbol	I/O	Pin Description
29	P70/KR0	1153_LATCH	O	Chip select output for NJW1153
30	P06/TI011/TO01	1153_CLK	O	Clock signal output for NJW1153
31	P05/TI001/SSI11	1153_DATA	O	Output for NJW1153 control data
32	P32/INTP3	P32		Port for flash upgrade
33	P31/INTP2	P31		Port for flash upgrade
34	P50	DSP/DIR_SCL	O	Clock signal output for DIR/DSP/HDMI
35	P51	DSP/DIR/HDMI_SDA	I/O	Input & output for DIR/DSP/HDMI control data
36	P52	DIR_PDN	O	Output for DIR power down
37	P53	DSP_FINTERQ	I	Output for CS49400 Interrupt Request
38	P30/INTP1	DSP_FCS	O	Output for CS49400 Chip Select
39	P17/TI50/TO05	DSP_SCDOUT	O	Output for CS49400 Serial Data Out
40	P16/TOH1/INTP5	DSP_INTERQ	I	Output for CS49400 Interrupt Request
41	P15/TOH0	DSP_RESET	O	Output for CS49400 reset
42	P14/RXD6	DSP_SCS/RX	O/I	Output for CS49400 Chip Select/Input for Upgrade
43	P13/TXD6	VIDEO_SEL1/TX	O	Output for video function IC switching/Output for Upgrade
44	P12/SO10	VIDEO_SEL2	O	Output for video function IC switching
45	P11/SI10/RXD0	i_POD_RX	I	Input for iPod RX
46	P10/SCK10/TXD0	i_POD_TX	O	Output for iPod TX
47	AVREF	AVREF		3V3
48	AVSS	AVSS		GROUND
49	P27/ANI7	KEY1	I	Input for KEY1 scan
50	P26/ANI6	KEY2	I	Input for KEY2 scan
51	P25/ANI5	KEY3	I	Input for KEY3 scan
52	P24/ANI4	HDMI_RESET	O	Output for HDMI RESET
53	P23/ANI3	HDMI_HPD0/SEL1	O	Output for HDMI_HPD0/SEL1
54	P22/ANI2	HDMI_HPD1/SEL0	O	Output for HDMI_HPD1/SEL0
55	P21/ANI1	i_POD_DET	I	Input for iPod signal detection
56	P20/ANI0	ST/BY_RLY	O	Output for standby relay
57	P130	FLT_CE	O	Chip select output for FLT
58	P04/SCK11	RDS_DATA	I	Input for RDS_DATA
59	P03/S111	SET_OPTION	I	Input for set option data
60	P02/S011	FLT/PLL_OUT	O	Output for FLT/PLL_control data
61	P01/TI010/TO00	FLT/PLL_CLK	O	Clock signal output for FLT/PLL
62	P00/TI000	RMC	I	Input for remote data
63	P141/BUZ/INTP7	RDS_CLK	O	Clock signal output for RDS
64	P140/PCL/INTP6	POWER_DOWN	I	Input for power down

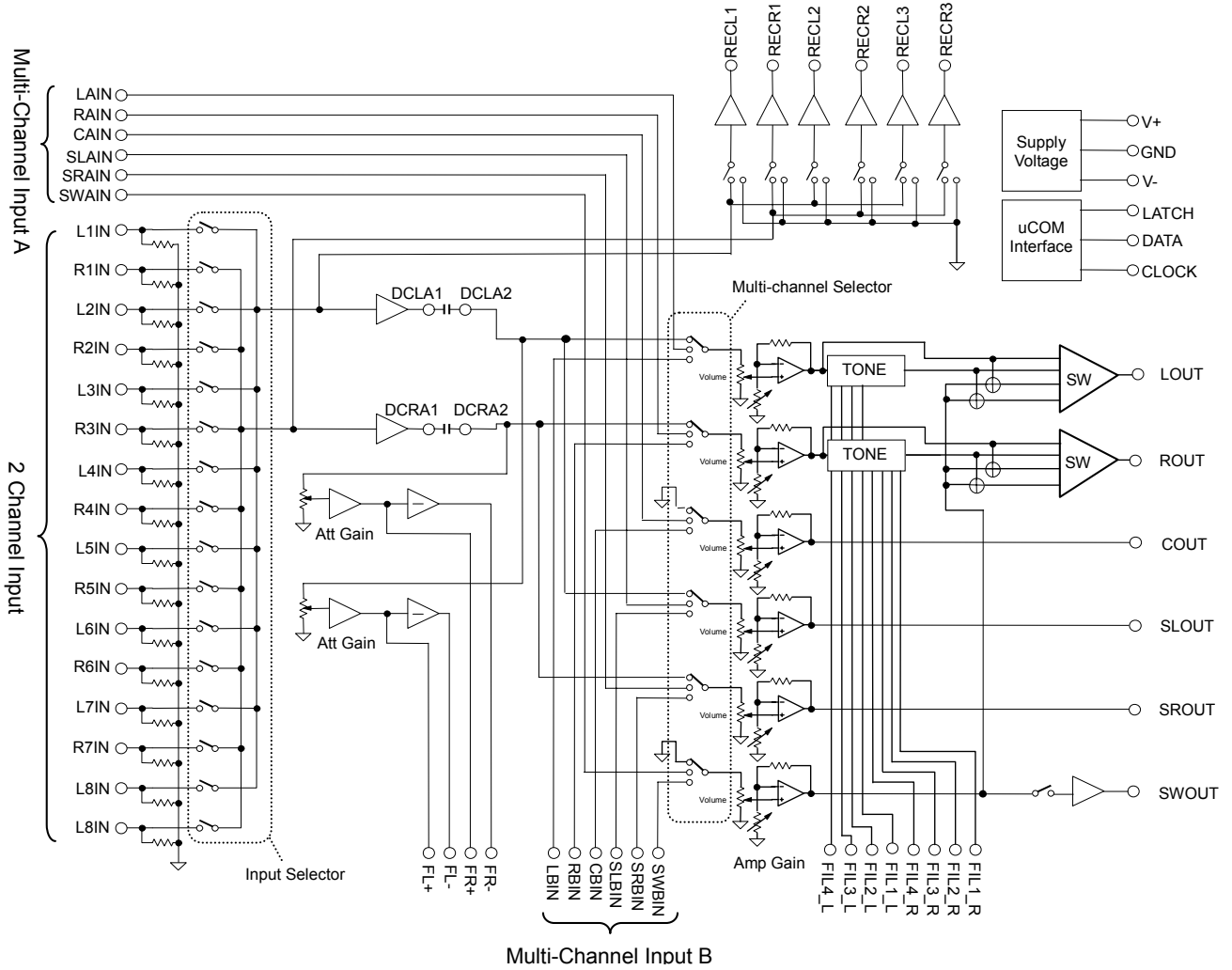
NJW1153 (IC102)



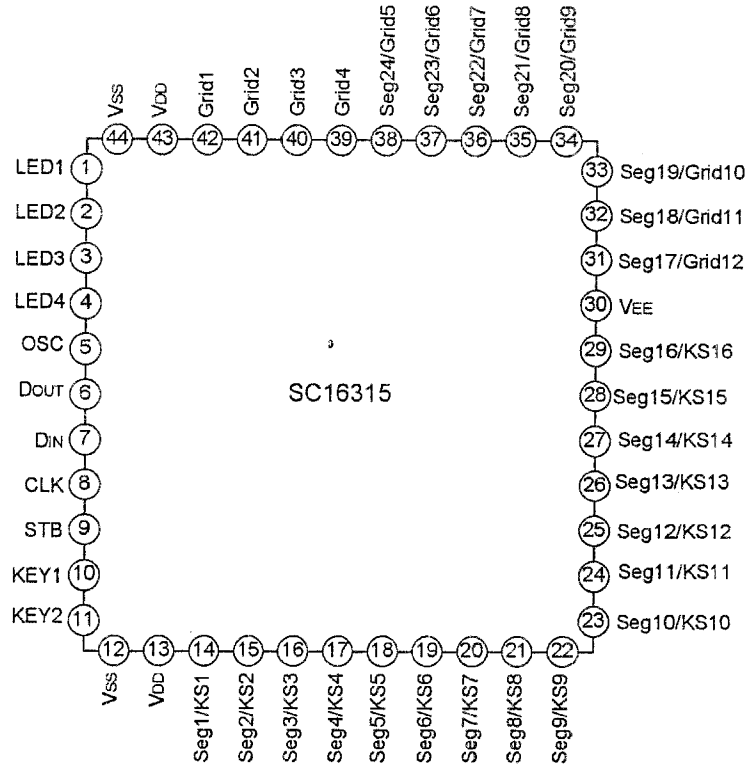
PIN FUNCTION

No.	SYMBOL	FUNCTION	No.	SYMBOL	FUNCTION
1	FIL2_R	Rch Bass filter terminal	33	RAIN	Multi-channel Rch input A
2	FIL3_R	Rch Bass filter DC cut capacitor output terminal	34	CAIN	Multi-channel Cch input A
3	FIL4_R	Rch Bass filter DC cut capacitor input terminal	35	SLAIN	Multi-channel SLch input A
4	GND	Ground	36	SRAIN	Multi-channel SRch input A
5	FL+	"Input selector gain control" Lch no-inverted output	37	SWAIN	Multi-channel SWch input A
6	FL-	"Input selector gain control" Lch inverted output	38	LBIN	Multi-channel Lch input B
7	FR+	"Input selector gain control" Rch no-inverted output	39	RBIN	Multi-channel Rch input B
8	FR-	"Input selector gain control" Rch inverted output	40	CBIN	Multi-channel Cch input B
9	DCLA1	"Input selector" Lch output	41	SLBIN	Multi-channel SLch input B
10	DCLA2	"Multi-channel selector" Lch input	42	SRBIN	Multi-channel SRch input B
11	DCRA1	"Input selector" Rch output	43	SWBIN	Multi-channel SWch input B
12	DCRA2	"Multi-channel selector" Rch input	44	SurTC	Switching noise rejection capacitor
13	L1IN	"Input selector" Lch input 1	45	FIL4_L	Lch Bass filter DC cut capacitor input terminal
14	R1IN	"Input selector" Rch input 1	46	FIL3_L	Lch Bass filter DC cut capacitor output terminal
15	L2IN	"Input selector" Lch input 2	47	FIL2_L	Lch Bass filter terminal
16	R2IN	"Input selector" Rch input 2	48	FIL1_L	Lch Treble filter terminal
17	L3IN	"Input selector" Lch input 3	49	LOUT	Lch output
18	R3IN	"Input selector" Rch input 3	50	ROUT	Rch output
19	L4IN	"Input selector" Lch input 4	51	COUT	Cch output
20	R4IN	"Input selector" Rch input 4	52	SLOUT	SLch output
21	L5IN	"Input selector" Lch input 5	53	SROUT	SRch output
22	R5IN	"Input selector" Rch input 5	54	SWOUT	SWch output
23	L6IN	"Input selector" Lch input 6	55	V+	+ Power supply voltage input
24	R6IN	"Input selector" Rch input 6	56	GND	Ground
25	L7IN	"Input selector" Lch input 7	57	V-	- Power supply voltage input
26	R7IN	"Input selector" Rch input 7	58	RECL1	"Input selector" Lch REC output 1
27	L8IN	"Input selector" Lch input 8	59	RECR1	"Input selector" Rch REC output 1
28	R8IN	"Input selector" Rch input 8	60	RECL2	"Input selector" Lch REC output 2
29	DATA	Control data signal input	61	RECR2	"Input selector" Rch REC output 2
30	CLOCK	Clock signal input	62	RECL3	"Input selector" Lch REC output 3
31	LATCH	Latch signal input	63	RECR3	"Input selector" Rch REC output 3
32	LAIN	Multi-channel Lch input A	64	FIL1_R	Rch Treble filter terminal

NJW1153 BLOCK DIAGRAM



SC16315 (IC700)

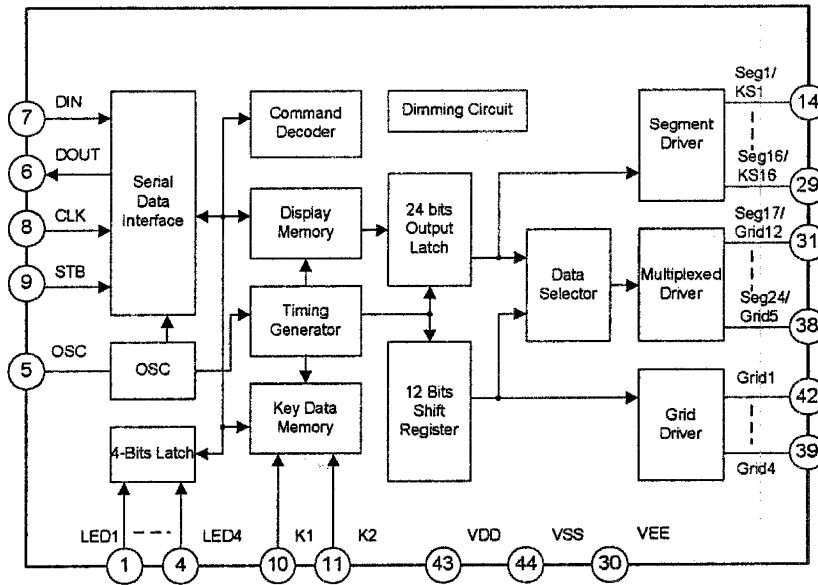


PIN DESCRIPTION

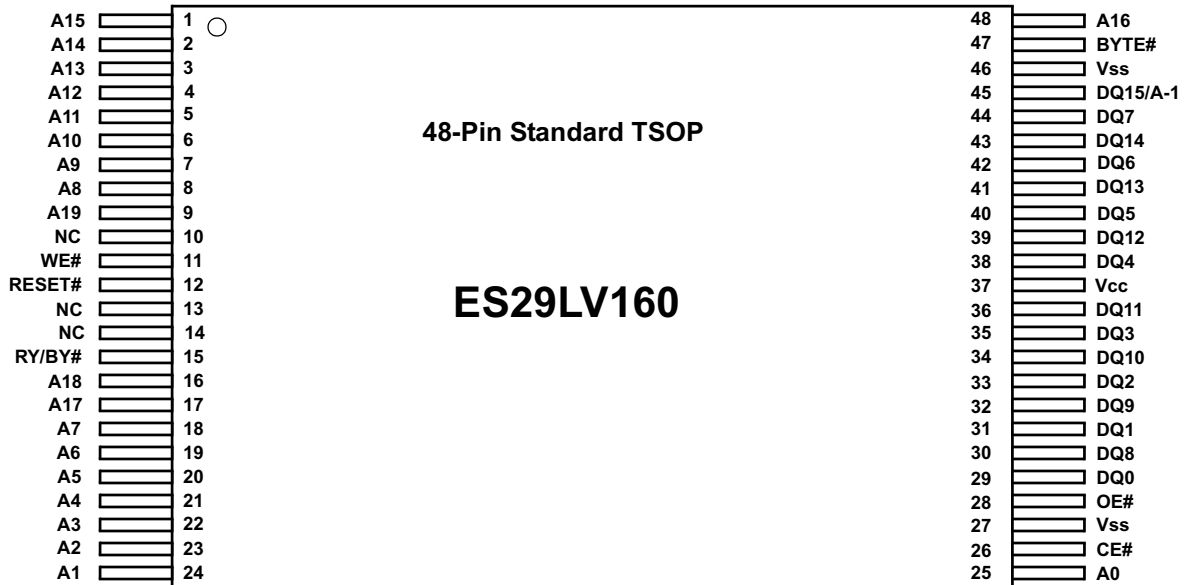
Pin No.	Pin Name	Description
7	DIN	Data input pin. Input serial data at rising edge of shift clock, starting from the low order bit.
6	DOUT	Data output pin. Output serial data at the falling edge of the shift clock, starting from low order bit. This is N-ch open-drain output pin.
9	STB	Strobe pin. Initializes serial interface at the rising or falling edge of the SC16315. It then waits for reception of a command. Data input after STB has fallen is processed as a command. While command data is processed, current processing is stopped, and the serial interface is initialized. While STB is high, CLK is ignored.
8	CLK	Clock input pin. Reads serial data at the rising edge, and outputs data at the falling edge.
5	OSC	Oscillator pin. Determine the oscillation frequency by the resistor connecting this pin and GND (Vss).
14 ~ 29	Seg1/KS1 to Seg16/KS16	High-voltage output (segment). Segment output pins (Dual function as key source).

Pin No	Pin Name	Description
39~42	Grid1 to Grid4	High-voltage output (grid). Grid output pins.
31~38	Seg17/Grid12 to Seg24/Grid5	High-voltage output (segment/grid). Segment or grid driving.
1 ~ 4	LED1 to LED4	LED output pin. CMOS output. +20mA max.
10 ~ 11	KEY1 to KEY2	Key data input. Data input to these pins is latched at the end of the display cycle.
13, 43	VDD	Logic power pin. 5V±10%
12, 44	Vss	Logic ground. Connect this pin to system GND.
30	VEE	Pull-down level. VDD-35V max.

SC16315 BLOCK DIAGRAM



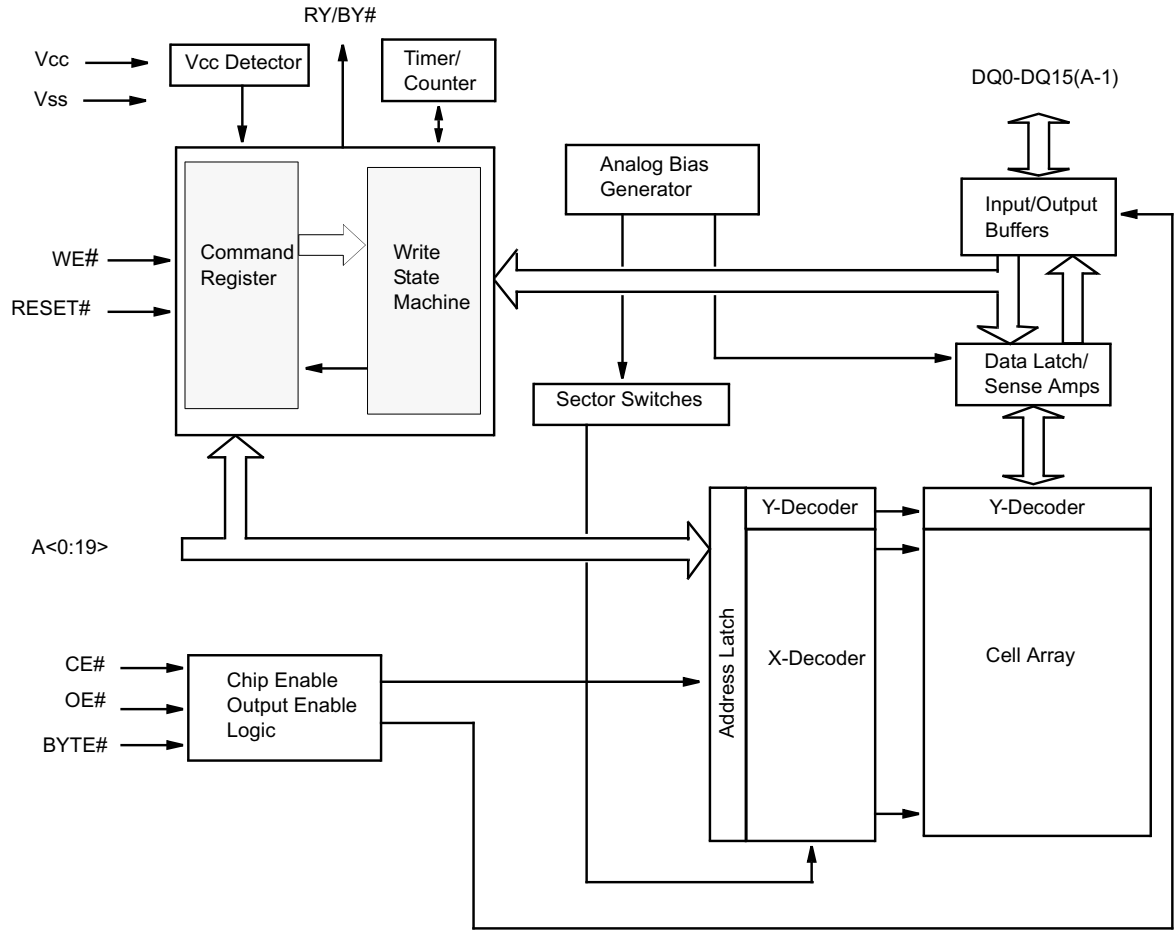
ES29LV800ET-70TG (IC404)



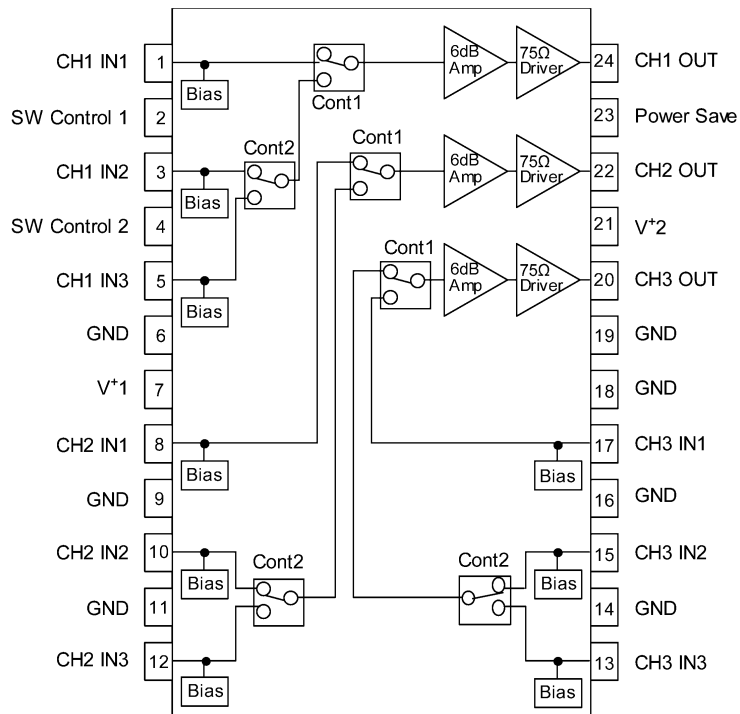
PIN FUNCTION

Pin	Description
A0-A19	20 Addresses
DQ0-DQ14	15 Data Inputs/Outputs
DQ15/A-1	DQ15 (Data Input/Output, Word Mode) A-1 (LSB Address Input, Byte Mode)
CE#	Chip Enable
OE#	Output Enable
WE#	Write Enable
RESET#	Hardware Reset Pin, Active Low
BYTE#	Selects 8-bit or 16-bit mode
RY/BY#	Ready/Busy Output (N/A SO 044)
Vcc	3.0 volt-only single power supply (see Product Selector Guide for speed options and voltage supply tolerances)
Vss	Device Ground
NC	Pin Not Connected Internally

ES29LV800ET-70TG BLOCK DIAGRAM

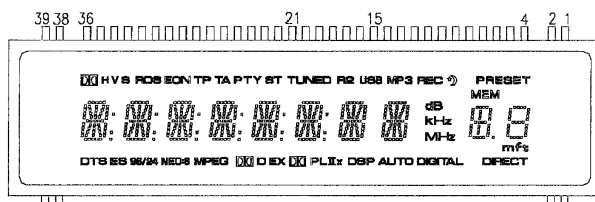


NJM2585M (IC201)



2. FL DISPLAY

VFD29-1213N (FLT701)

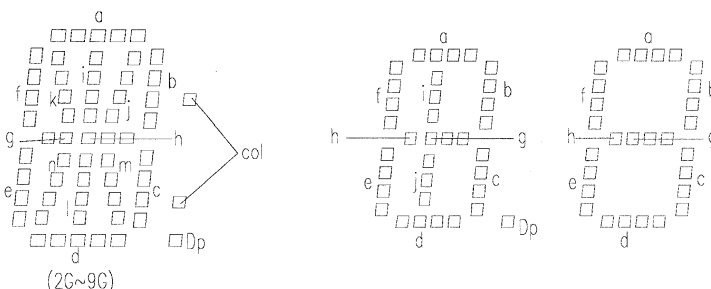
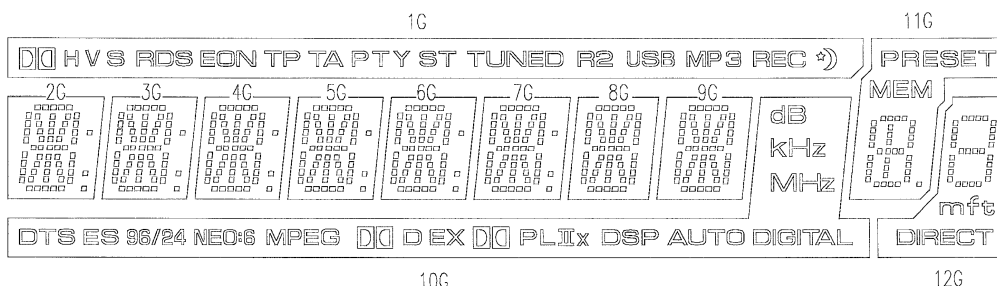


PIN CONNECTION

(PIN NO.)	1	2	3	4	5	6	7	8	9	10	11	12	13	14	15	16
(CONNECTION)	F2	F2	NP	12G	11G	10G	9G	8G	7G	6G	5G	4G	3G	2G	1G	NX
(PIN NO.)	17	18	19	20	21	22	23	24	25	26	27	28	29	30	31	32
(CONNECTION)	NX	NX	NX	NX	P1	P2	P3	P4	P5	P6	P7	P8	P9	P10	P11	P12
(PIN NO.)	33	34	35	36	37	38	39									
(CONNECTION)	P13	P14	P15	P16	NP	F1	F1									

F: (Filament) P: (Anode) G: (Grid) NX: (No extend pin) NP: (No pin)

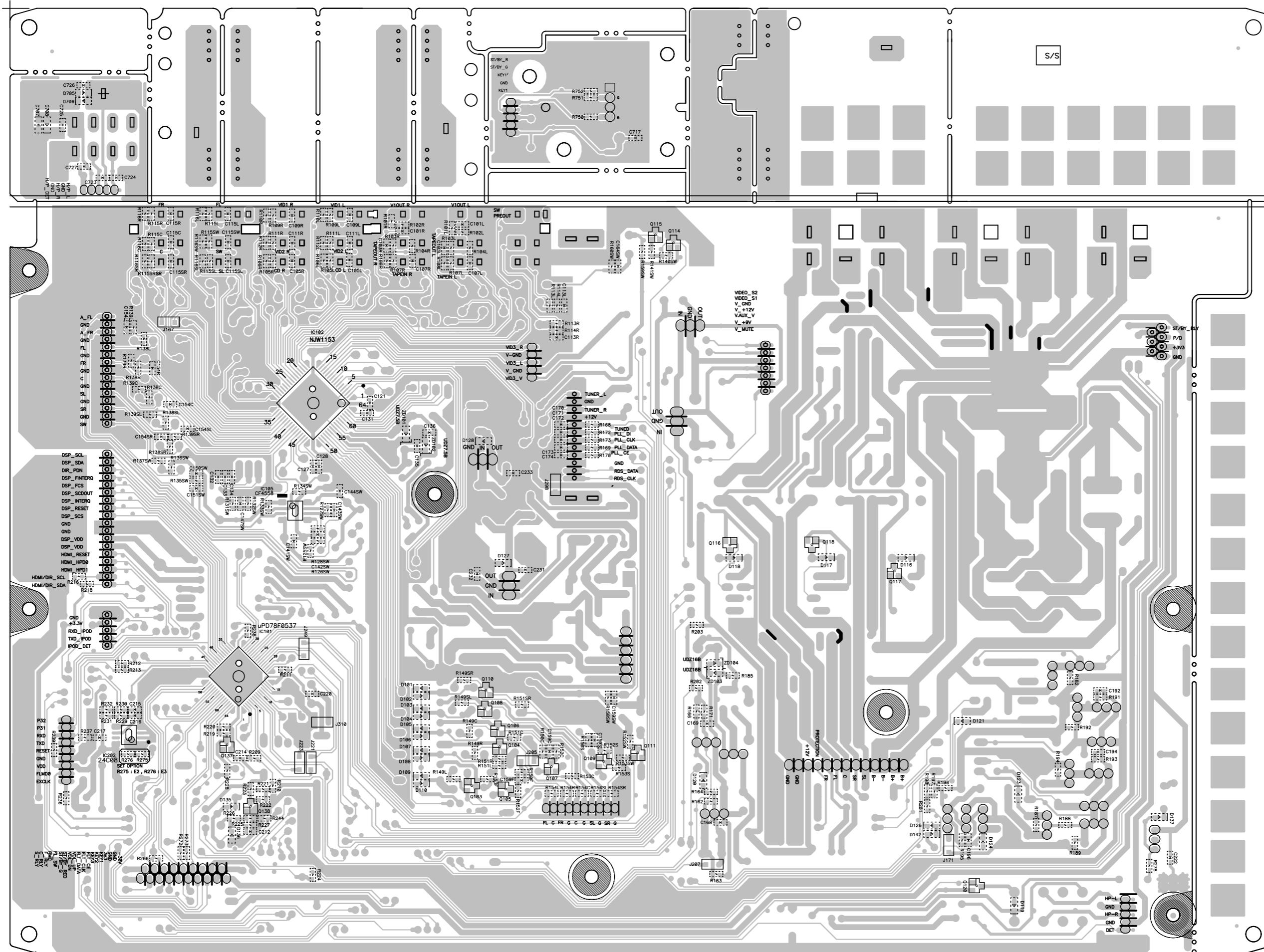
GRID ASSIGNMENT



ANODE CONNECTION

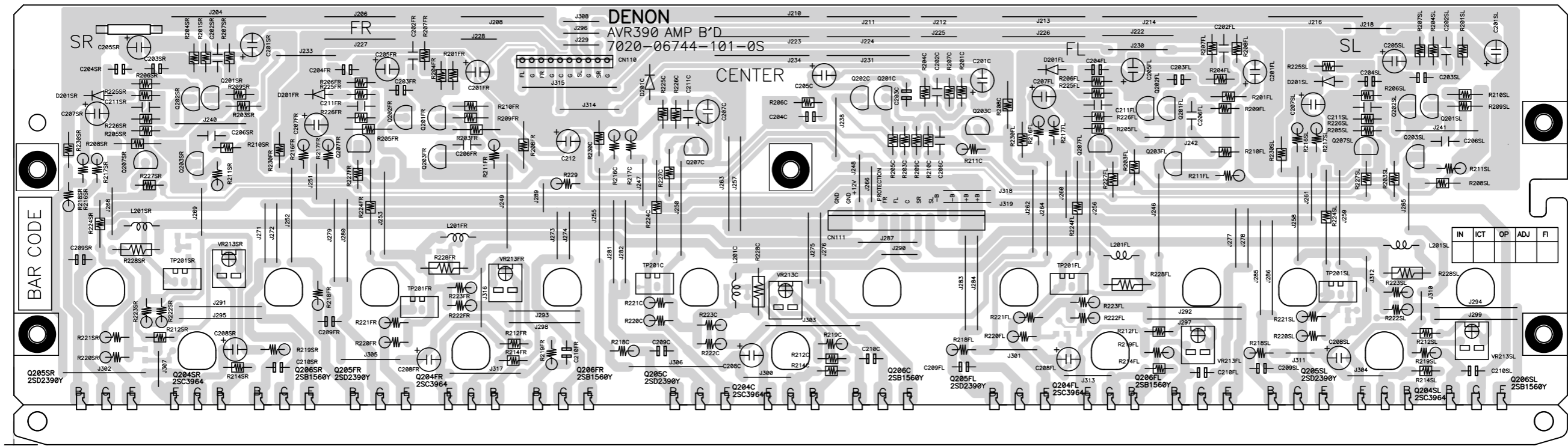
	1G	2~7G	8G~9G	10G	11G	12G
P1	D	a	a	DTS	a	a
P2	H	b	b	ES	b	b
P3	V	c	c	96/24	c	c
P4	S	d	d	NEO6	d	d
P5	RDS	e	e	MPEG	e	e
P6	EON	f	f	D D	f	f
P7	TP	g	g	EX	g	g
P8	TA	h	h	D PL	h	h
P9	PTY	i	i	I	i	m
P10	ST	j	j	X	j	DIRECT
P11	TUNED	k	k	DSP	MEM	ft
P12	R2	l	l	AUTO	PRESET	---
P13	USB	m	m	DIGITAL	---	---
P14	MP3	n	n	MHz	---	---
P15	REC	Col	---	kHz	Dp	---
P16)	Dp	---	dB	---	---

MAIN P.W.B. UNIT (2/2)

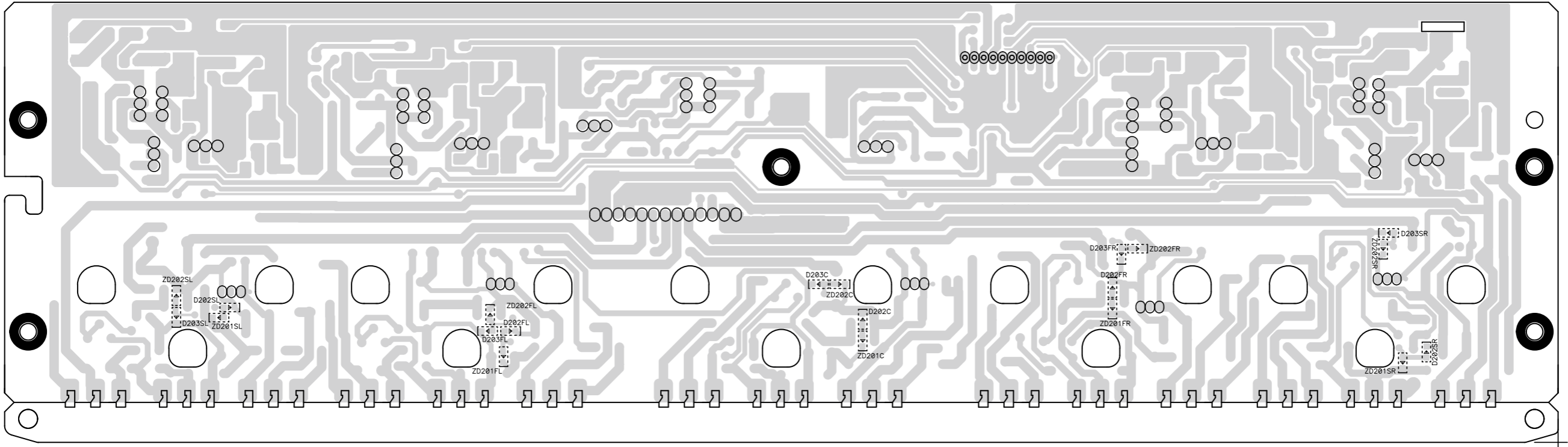


FOIL SIDE

AMP P.W.B. UNIT

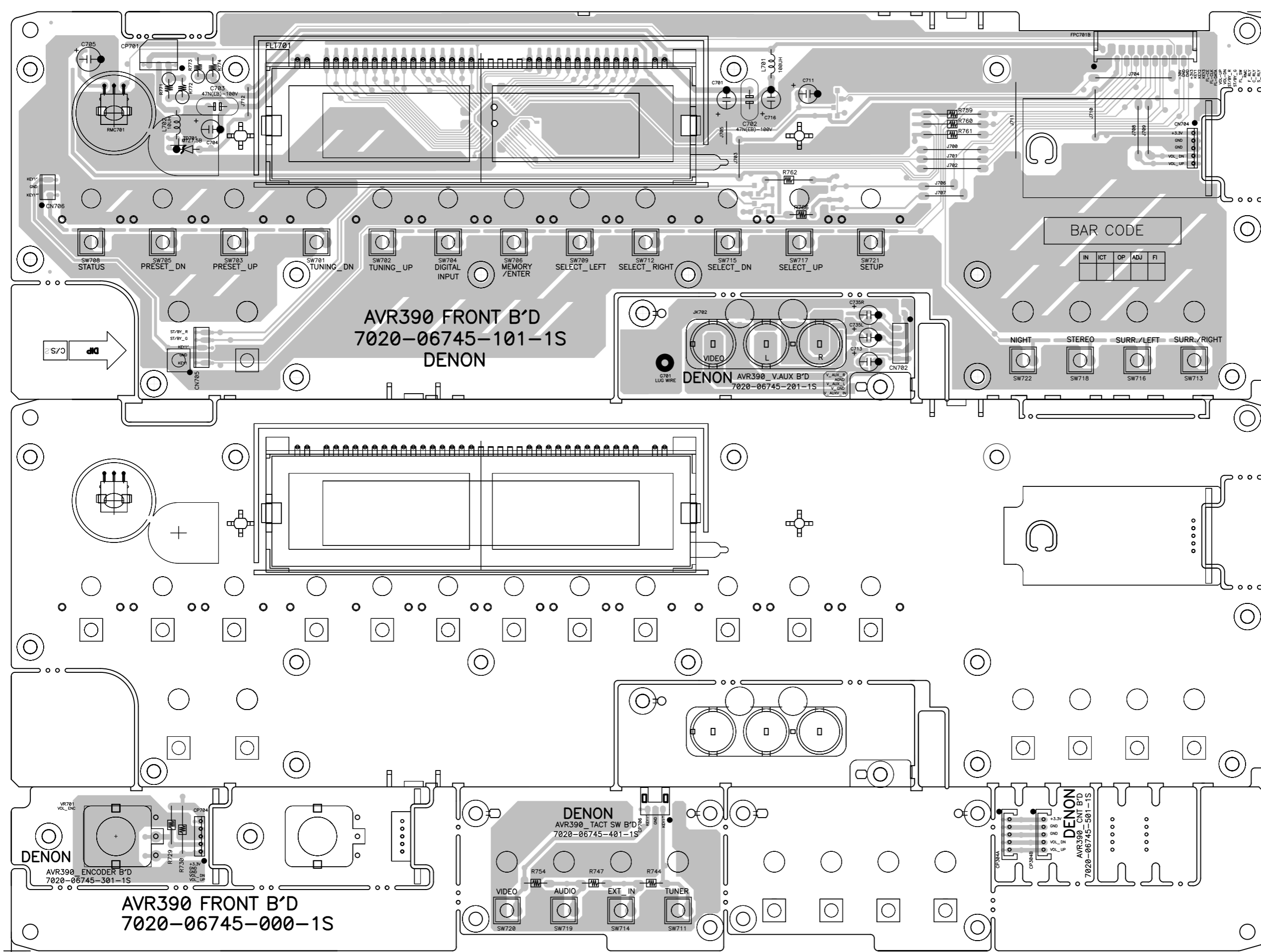


COMPONENT SIDE



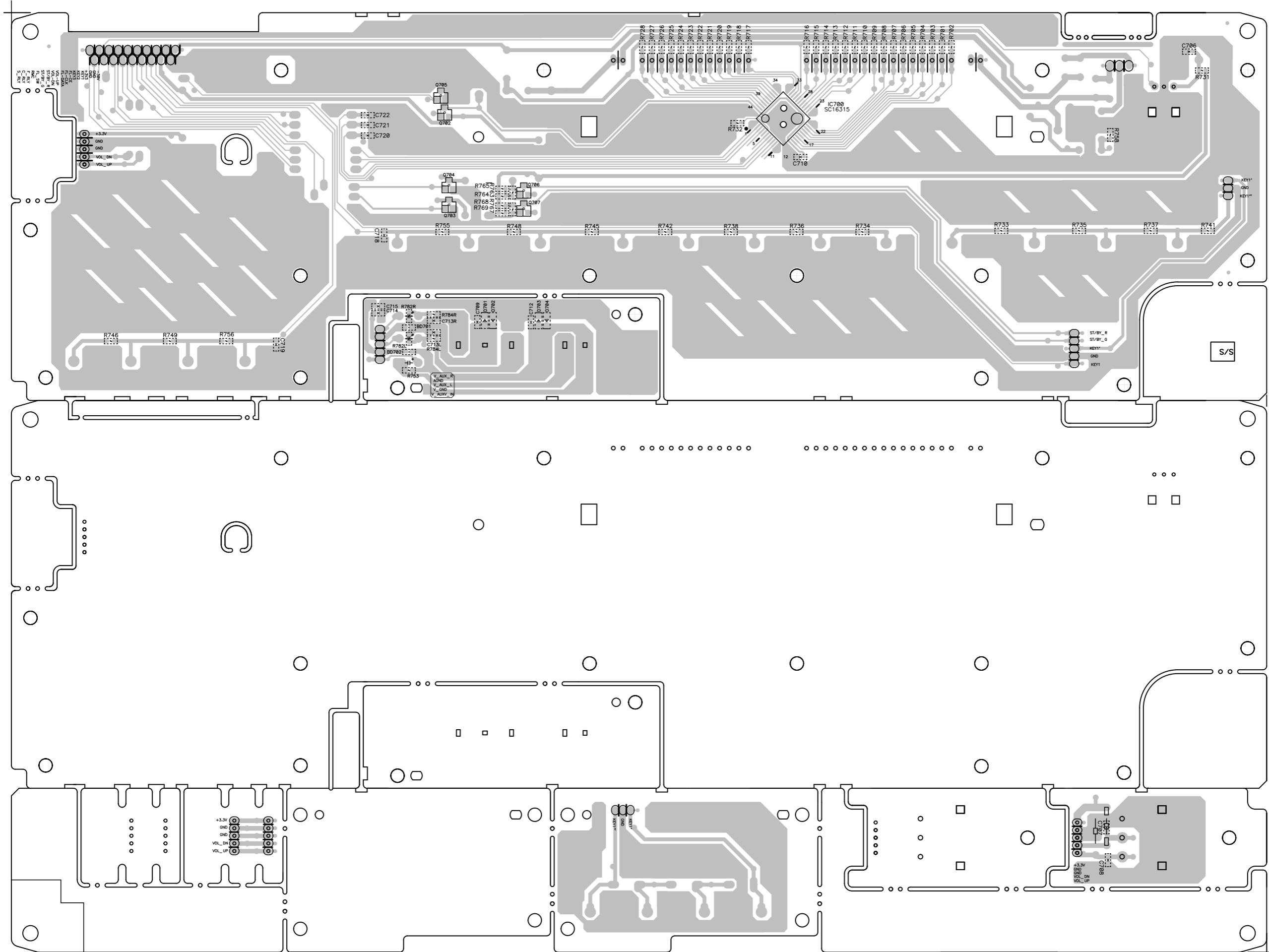
FOIL SIDE

FRONT P.W.B. UNIT (1/2)

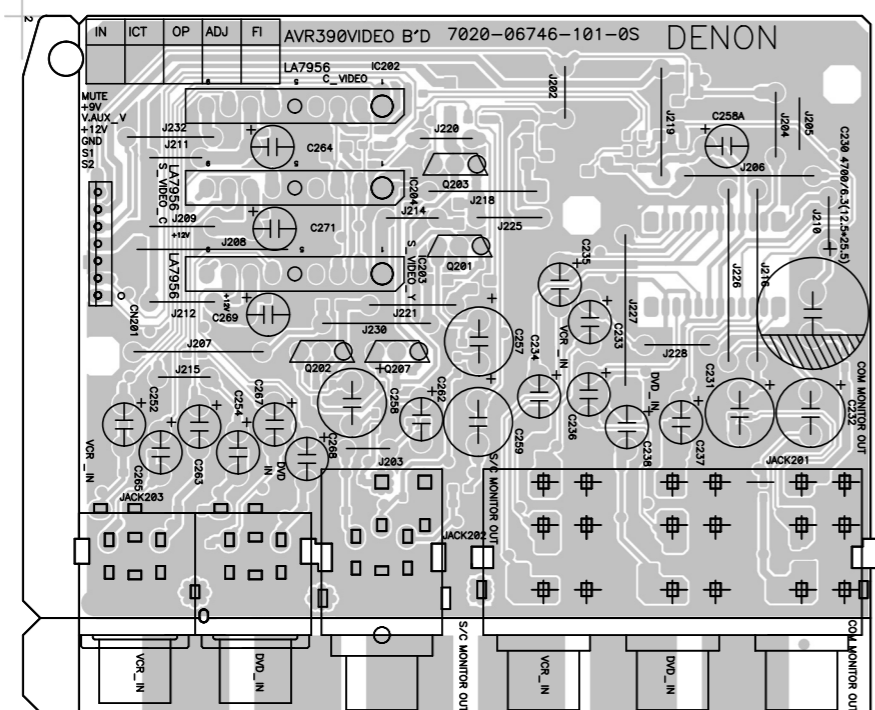


COMPONENT SIDE

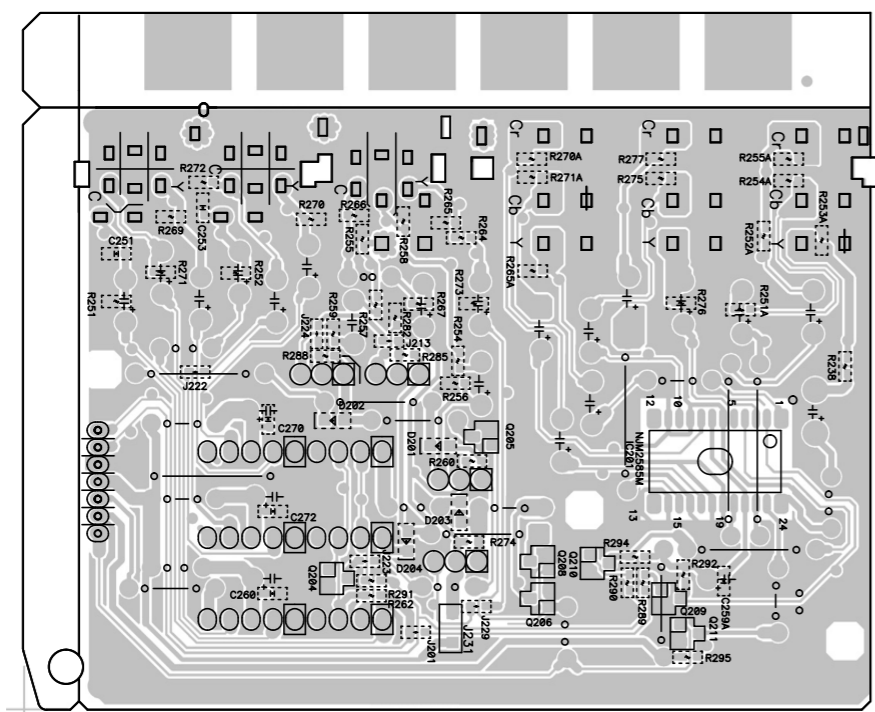
FRONT P.W.B. UNIT (2/2)



VIDEO P.W.B. UNIT

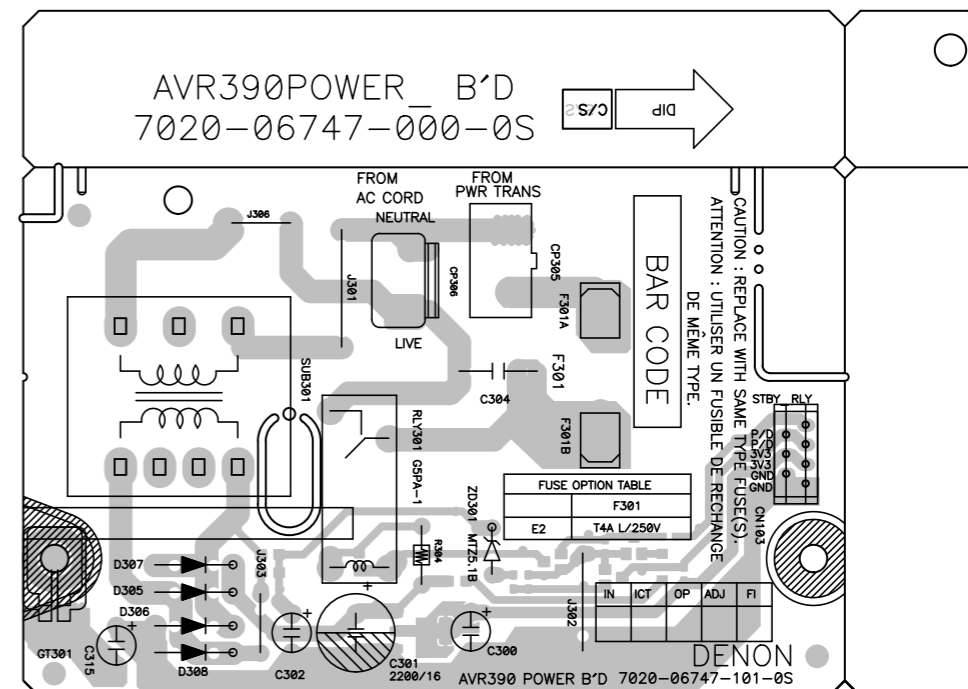


COMPONENT SIDE

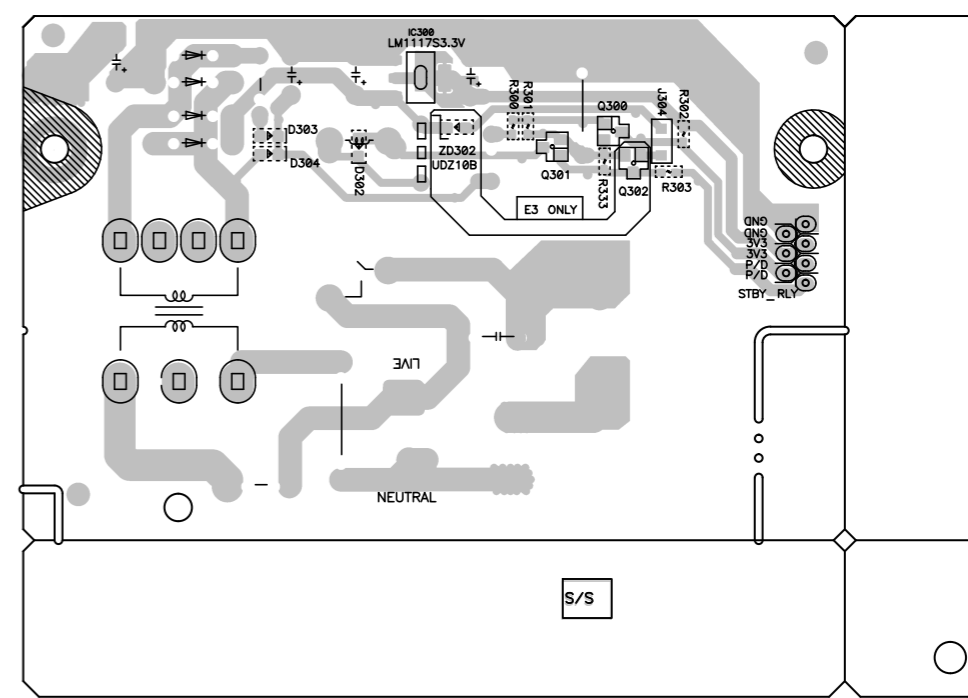


FOIL SIDE

POWER P.W.B. UNIT



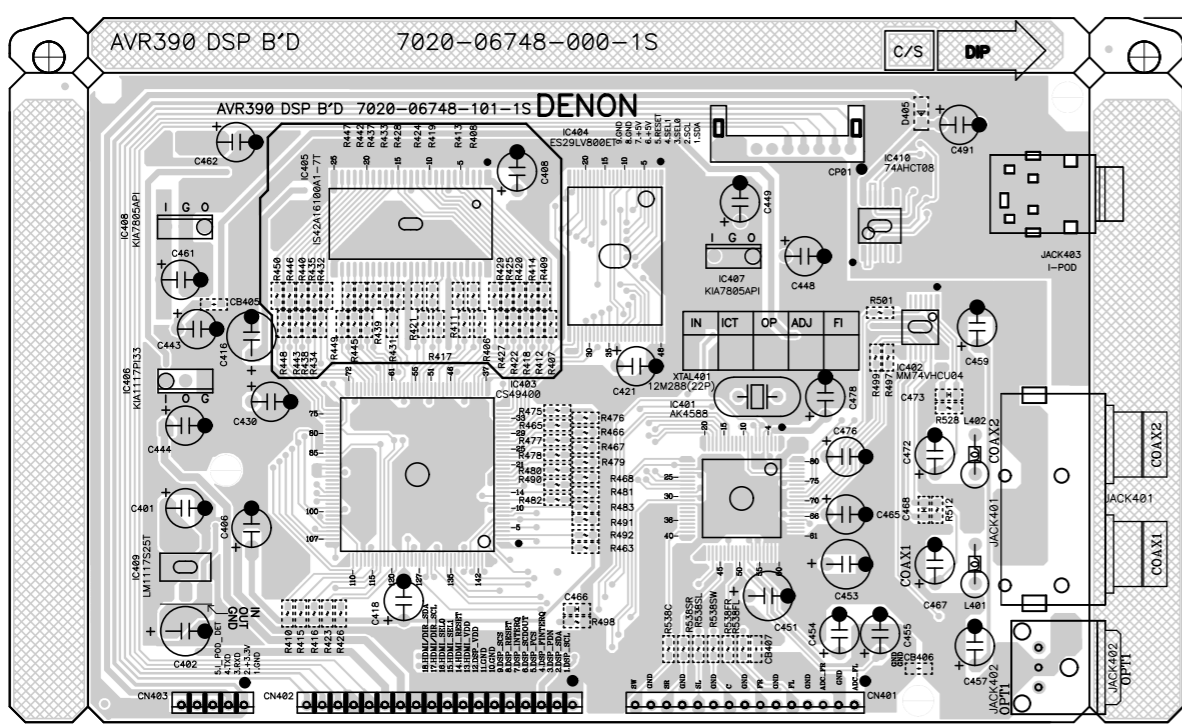
COMPONENT SIDE



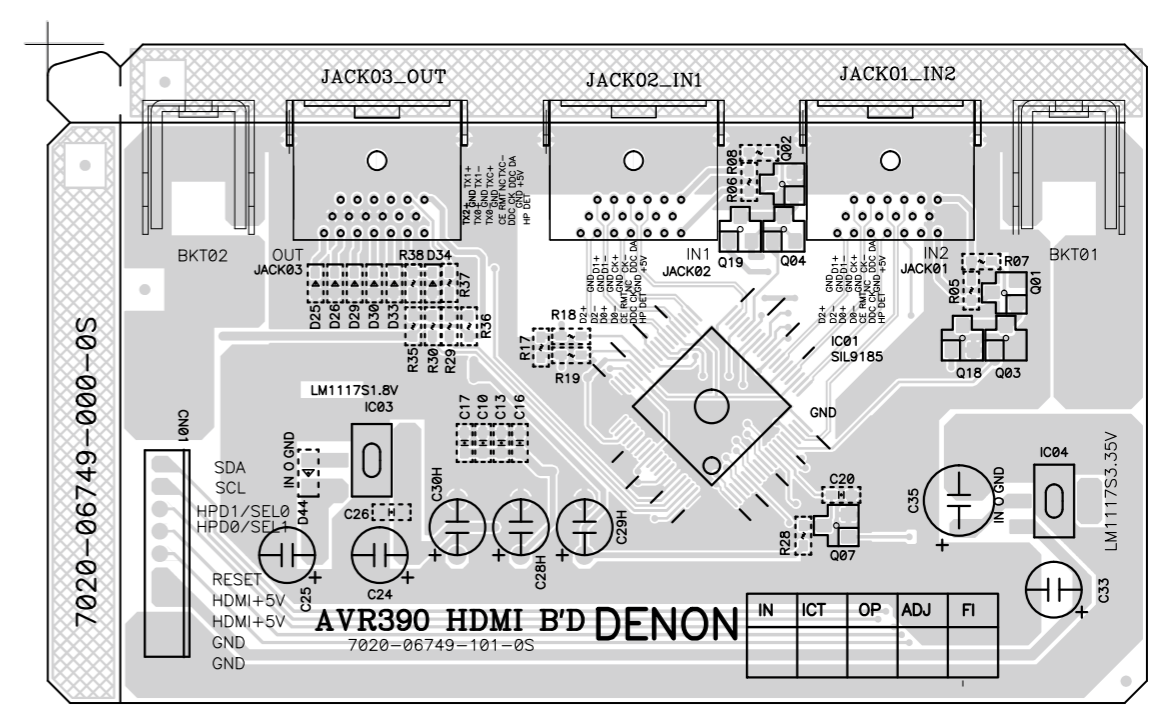
FOIL SIDE

DSP P.W.B. UNIT

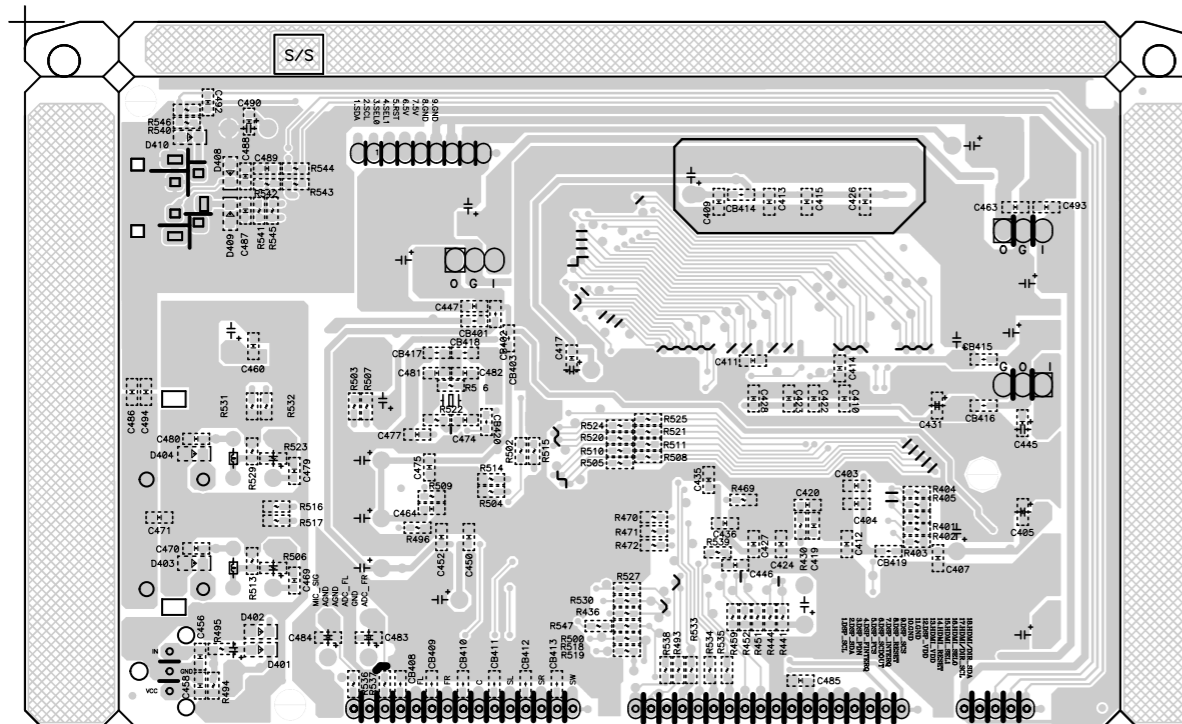
HDMI P.W.B. UNIT



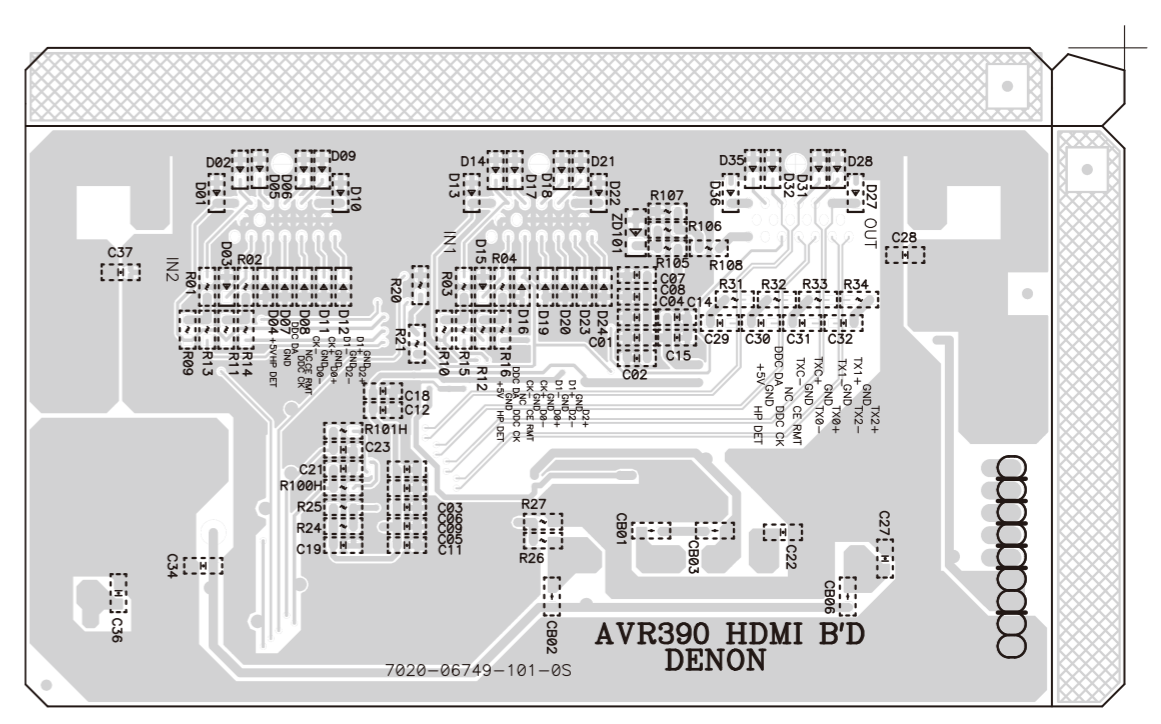
COMPONENT SIDE



COMPONENT SIDE



FOIL SIDE



FOIL SIDE

--MEMO--

NOTE FOR PARTS LIST

1. Parts for which "nsp" is indicated on this table cannot be supplied.
2. When ordering of part, clearly indicate "1" and "I" (i) to avoid mis-supplying.
3. Ordering part without stating its part number can not be supplied.
4. Part indicated with the mark "★" is not illustrated in the exploded view.
5. Not including General-purpose Carbon Film Resistor in the P.W.Board parts list. (Refer to the Schematic Diagram for those parts.)
6. Not including General-purpose Carbon Chip Resistor in the P.W.Board parts list. (Refer to the Schematic Diagram for those parts.)

WARNING:

Parts marked with this symbol \triangle have critical characteristics.
Use ONLY replacement parts recommended by the manufacturer.

● Resistors

Ex.: RN 14K 2E 182 G FR

Type Shape and performance Power Resistance Allowable error Others

RD : Carbon	2B : 1/8 W	F : ±1%	P : Pulse-resistant type
RC : Composition	2E : 1/4 W	G : ±2%	NL : Low noise type
RS : Metal oxide film	2H : 1/2 W	J : ±5%	NB : Non-burning type
RW : winding	3A : 1 W	K : ±10%	FR : Fuse-resistor
RN : Metal film	3D : 2 W	M : ±20%	F : Lead wire forming
RK : Metal mixture	3F : 3 W		
	3H : 5 W		

* Resistance

$\frac{1}{\underline{8}} \frac{2}{\underline{2}}$ \Leftrightarrow 1800ohm=1.8kohm

↑ ↑
Indicates number of zeros after effective number.
2-digit effective number.

$\frac{1}{\underline{R}} \frac{2}{\underline{2}}$ \Leftrightarrow 1.2ohm

↑ ↑
1-digit effective number.
2-digit effective number, decimal point indicated by R.
: Units: ohm

● Capacitors

Ex.: CE 04W 1H 3R2 M BP

Type Shape and performance Dielectric strength Capacity Allowable error Others

CE : Aluminum foil electrolytic	0J : 6.3 V	F : ±1%	HS : High stability type
CA : Aluminium solid electrolytic	1A : 10 V	G : ±2%	BP : Non-polar type
CS : Tantalum electrolytic	1C : 16 V	J : ±5%	HR : Ripple-resistant type
CQ : Film	1E : 25 V	K : ±10%	DL : For charge and discharge
CK : Ceramic	1V : 35 V	M : ±20%	HF : For assuring high frequency
CC : Ceramic	1H : 50 V	Z : ±80%	U : UL part
CP : Oil	2A : 100 V	: -20%	C : CSA part
CM : Mica	2B : 125 V	P : +100%	W : UL-CSA part
CF : Metallized	2C : 160 V	C : ±0.25pF	F : Lead wire forming
CH : Metallized	2D : 200 V	D : ±0.5pF	
	2E : 250 V	= : Others	
	2H : 500 V		
	2J : 630 V		

* Capacity (electrolyte only)

$\frac{2}{\underline{2}} \frac{2}{\underline{2}}$ \Leftrightarrow 2200 μ F

↑ ↑
Indicates number of zeros after effective number.
2-digit effective number.
· Units: μ F.

$\frac{2}{\underline{R}} \frac{2}{\underline{2}}$ \Leftrightarrow 2.2 μ F

↑ ↑
1-digit effective number.
2-digit effective number, decimal point indicated by R.
· Units: μ F.

* Capacity (except electrolyte)

$\frac{2}{\underline{2}} \frac{2}{\underline{2}}$ \Leftrightarrow 2200pF=0.0022 μ F

↑ ↑
Indicates number of zeros after effective number. (More than 2)
2-digit effective number.
· Units:pF

$\frac{2}{\underline{2}} \frac{1}{\underline{1}}$ \Leftrightarrow 220pF

↑ ↑
Indicates number of zeros after effective number. (0 or 1)
2-digit effective number.
· Units:pF

- When the dielectric strength is indicated in AC,"AC" is included after the dielectric strength value.

PARTS LIST OF P.W.B. UNIT

* Parts for which "nsp" is indicated on this table cannot be supplied.

* P.W.B. ASS'Y for which "nsp" is indicated on this table cannot be supplied. When repairing the P.W.B. ASS'Y, check the board parts table and order replacement parts.

* The parts listed below are for maintenance only, might differ from the parts used in the unit in appearances or dimensions.

Note: The symbols in the column "Remarks" indicate the following destinations.

E3 : U.S.A. & Canada model

E2 : Europe model

MAIN P.W.B. UNIT ASS'Y

Ref. No.	Part No.	Part Name	Remarks	Q'ty	New
SEMICONDUCTORS GROUP					
IC101	963243003090D	IC. CPU MICRO PROCESS (IC UPD78F0537GK)"		8952390000010	
IC102	00D9630278300	IC NJW1153		J084115300010S	
IC103	00D9600100301	IC KIA7812API		J126781200040S	
IC104	00D2631099022	IC KIA7912PI		J126791200060S	
IC105	00D9600295902	IC CF4558CB		J121455800150S	
IC202	90M-HC110000R	IC MC24C08-WMN6		J000240860010S	
IC522	00D9600100301	IC KIA7812API		J126781200040S	
IC523	00D2631100063	IC KIA7809API		J126780900020S	
Q103,104	00D9630044301	TR KTC2875B(MB)		J5222875B0010S	
Q105	963219003170S	TR KRA105S(PE)		J520010500210S	
Q106	00D9630044301	TR KTC2875B(MB)		J5222875B0010S	
Q107	963219003170S	TR KRA105S(PE)		J520010500210S	
Q108	00D9630044301	TR KTC2875B(MB)		J5222875B0010S	
Q109	963219003170S	TR KRA105S(PE)		J520010500210S	
Q110	00D9630044301	TR KTC2875B(MB)		J5222875B0010S	
Q111	963219003170S	TR KRA105S(PE)		J520010500210S	
Q114,115	00D9630044301	TR KTC2875B(MB)		J5222875B0010S	
Q116-118	90M-BA001650R	TR KRC105S (NE)		J522010500210S	
Q120	90M-BA001650R	TR KRC105S (NE)		J522010500210S	
Q121	00D9600196302	TR KTA1268BL		J5001268B0050S	
Q122	00D9600005202	TR KTC3198Y		J5023198Y0000S	
Q123,124	00D9600196302	TR KTA1268BL		J5001268B0050S	
Q125	00D9600133103	TR KSA916Y		J5000916Y0050S	
Q126	00D9600196302	TR KTA1268BL		J5001268B0050S	
Q127	00D9600005202	TR KTC3198Y		J5023198Y0000S	
Q128	00D9600196302	TR KTA1268BL		J5001268B0050S	
Q129,130	00D9600005202	TR KTC3198Y		J5023198Y0000S	
Q131	00D9600196302	TR KTA1268BL		J5001268B0050S	
Q132,133	00D9600005202	TR KTC3198Y		J5023198Y0000S	
Q134	00D9600196302	TR KTA1268BL		J5001268B0050S	
Q135,136	00D9600005202	TR KTC3198Y		J5023198Y0000S	
Q137,138	00D9630121509	TR KTC3875S		J522038750210S	
D101-110	00D9630355401	D,SWITCHING KDS4148U		K005041480030S	
D116-121	00D9630355401	D,SWITCHING KDS4148U		K005041480030S	
D122	00D9630328409	D,SWITCHING 1N4007		K000400700010S	
D123,124	00D9630355401	D,SWITCHING KDS4148U		K005041480030S	
D126-128	00D9630355401	D,SWITCHING KDS4148U		K005041480030S	
D129-134	00D9630328409	D,SWITCHING 1N4007		K000400700010S	
D135-137	00D9630355401	D,SWITCHING KDS4148U		K005041480030S	
D142	00D9630355401	D,SWITCHING KDS4148U		K005041480030S	
D705-708	00D9630355401	D,SWITCHING KDS4148U		K005041480030S	
ZD101,102	90M-HZ300080R	D,ZENER 0.2W 7.5V UDZ		K06607R54P400S	
ZD103,104	90M-HZ300090R	D,ZENER 0.2W 16V UDZ		K06616R04P400S	

NOTE :
When update Firmware, please confirm a last version in SDI.
Use the service board after updating it.

	Ref. No.	Part No.	Part Name	Remarks		Q'ty	New
	ZD106	90M-HD302420R	D,ZENER MTZJ2.4B		K06002R444520S		
	ZD107	00D9630047502	D,ZENER MTZJ3.3B		K06003R344520S		
	ZD108	00D9600128105	D,ZENER MTZJ9.1B		K06009R144520S		
	LED701	00D9630366108	LED BL-BEG204-L 5PI		K500052004010S		
RESISTORS GROUP							
	R142,143	00D9630048103	R,METAL FILM 150-J,1W		C060015165050S		
	R156C	nsp	R,METAL FILM 10-J,1W		C060010065050S		
	R156L	nsp	R,METAL FILM 10-J,1W		C060010065050S		
	R156R	nsp	R,METAL FILM 10-J,1W		C060010065050S		
	R156SL	nsp	R,METAL FILM 10-J,1W		C060010065050S		
	R156SR	nsp	R,METAL FILM 10-J,1W		C060010065050S		
	R157,158	nsp	R,METAL FILM 470-J,2W		C060047166060S		
	R174-176	00D9630310404	R,METAL FILM 2.2K-J,1W		C060022265050S		
	R178,179	00D9630144502	R,CEMENT 0.1-J 5W		C141R10069000S		
	R184	00D9630215907	R,METAL FILM 4.7-J,1W		C0604R7065050S		
	R186	00D9639005655	R,METAL FILM 22-J,1/4W		C060022063050S		
	R190	00D9630310501	R,METAL FILM 47K-J,1/4W		C060047363050S		
	R205-208	00D9630216003	R,METAL FILM 0.22-J,1W		C060R22065050S		
CAPACITORS GROUP							
	C101L	nsp	C,CERAMIC 100PF-J/50V		D010101167160S		
	C101R	nsp	C,CERAMIC 100PF-J/50V		D010101167160S		
	C102L	00D9630234205	C,ELECT 10UF-M/50V		D040100087070S		
	C102R	00D9630234205	C,ELECT 10UF-M/50V		D040100087070S		
	C103L	nsp	C,CERAMIC 100PF-J/50V		D010101167160S		
	C103R	nsp	C,CERAMIC 100PF-J/50V		D010101167160S		
	C104L	00D9630234205	C,ELECT 10UF-M/50V		D040100087070S		
	C104R	00D9630234205	C,ELECT 10UF-M/50V		D040100087070S		
	C105L	nsp	C,CERAMIC 220PF-J/50V		D010221167160S		
	C105R	nsp	C,CERAMIC 220PF-J/50V		D010221167160S		
	C106L	00D9630234205	C,ELECT 10UF-M/50V		D040100087070S		
	C106R	00D9630234205	C,ELECT 10UF-M/50V		D040100087070S		
	C107L	nsp	C,CERAMIC 220PF-J/50V		D010221167160S		
	C107R	nsp	C,CERAMIC 220PF-J/50V		D010221167160S		
	C108L	00D9630234205	C,ELECT 10UF-M/50V		D040100087070S		
	C108R	00D9630234205	C,ELECT 10UF-M/50V		D040100087070S		
	C109L	nsp	C,CERAMIC 220PF-J/50V		D010221167160S		
	C109R	nsp	C,CERAMIC 220PF-J/50V		D010221167160S		
	C110L	00D9630234205	C,ELECT 10UF-M/50V		D040100087070S		
	C110R	00D9630234205	C,ELECT 10UF-M/50V		D040100087070S		
	C111L	nsp	C,CERAMIC 220PF-J/50V		D010221167160S		
	C111R	nsp	C,CERAMIC 220PF-J/50V		D010221167160S		
	C112L	00D9630234205	C,ELECT 10UF-M/50V		D040100087070S		
	C112R	00D9630234205	C,ELECT 10UF-M/50V		D040100087070S		
	C113L	nsp	C,CERAMIC 220PF-J/50V		D010221167160S		
	C113R	nsp	C,CERAMIC 220PF-J/50V		D010221167160S		
	C114L	00D9630234205	C,ELECT 10UF-M/50V		D040100087070S		
	C114R	00D9630234205	C,ELECT 10UF-M/50V		D040100087070S		
	C115C	nsp	C,CERAMIC 100PF-J/50V		D010101167160S		
	C115L	nsp	C,CERAMIC 100PF-J/50V		D010101167160S		
	C115R	nsp	C,CERAMIC 100PF-J/50V		D010101167160S		
	C115SL	nsp	C,CERAMIC 100PF-J/50V		D010101167160S		

Ref. No.	Part No.	Part Name	Remarks		Q'ty	New
C115SR	nsp	C,CERAMIC 100PF-J/50V		D010101167160S		
C115SW	nsp	C,CERAMIC 100PF-J/50V		D010101167160S		
C116C	00D9630234205	C,ELECT 10UF-M/50V		D040100087070S		
C116L	00D9630234205	C,ELECT 10UF-M/50V		D040100087070S		
C116R	00D9630234205	C,ELECT 10UF-M/50V		D040100087070S		
C116SL	00D9630234205	C,ELECT 10UF-M/50V		D040100087070S		
C116SR	00D9630234205	C,ELECT 10UF-M/50V		D040100087070S		
C116SW	00D9630234205	C,ELECT 10UF-M/50V		D040100087070S		
C117L	00D9630234205	C,ELECT 10UF-M/50V		D040100087070S		
C117R	00D9630234205	C,ELECT 10UF-M/50V		D040100087070S		
C121	00D9609010188	C,CERAMIC 0.22UF-Z/16V		D011224593160S		
C122	00D9609010010	C,ELECT 4.7UF-M/50V		D0404R7087250S		
C123,124	00D9630234205	C,ELECT 10UF-M/50V		D040100087070S		
C125	00D9630293602	C,ELECT 1UF-M/50V (Pb Free)		D040010087150S		
C126	00D9609010010	C,ELECT 4.7UF-M/50V		D0404R7087250S		
C127	00D9609010188	C,CERAMIC 0.22UF-Z/16V		D011224593160S		
C128	nsp	C,CERAMIC X7R4700PF-K/50V		D011472777160S		
C129,130	00D9639005862	C,ELECT 47UF-M/16V		D040470083080S		
C131	nsp	C,CERAMIC X7R4700PF-K/50V		D011472777160S		
C132-134	nsp	C,CERAMIC 100PF-J/50V		D010101167160S		
C135,136	nsp	C,CERAMIC 0.01UF-K/50V		D011103777160S		
C140SW	00D9630234205	C,ELECT 10UF-M/50V		D040100087070S		
C141SW	nsp	C,CERAMIC 0.01UF-K/50V		D011103777160S		
C142SW	nsp	C,CERAMIC 1000PF-K/50V		D011102777160S		
C143SW	nsp	C,CERAMIC COG47PF-J/50V		D010470167160S		
C144SW	nsp	C,CERAMIC 0.01UF-K/50V		D011103777160S		
C145SW	00D9639005862	C,ELECT 47UF-M/16V		D040470083080S		
C146SW	00D9639005862	C,ELECT 47UF-M/16V		D040470083080S		
C147SW	nsp	C,CERAMIC 3300PF-K/50V		D011332777160S		
C149SW	00D9630234205	C,ELECT 10UF-M/50V		D040100087070S		
C150SW	nsp	C,CERAMIC 330PF-J/50V		D010331167160S		
C151SW	nsp	C,CERAMIC 680pF-J 50V		D010681167160S		
C152SW	00D9630234205	C,ELECT 10UF-M/50V		D040100087070S		
C153C	00D9630234205	C,ELECT 10UF-M/50V		D040100087070S		
C153L	00D9630234205	C,ELECT 10UF-M/50V		D040100087070S		
C153R	00D9630234205	C,ELECT 10UF-M/50V		D040100087070S		
C153SL	00D9630234205	C,ELECT 10UF-M/50V		D040100087070S		
C153SR	00D9630234205	C,ELECT 10UF-M/50V		D040100087070S		
C154C	nsp	C,CERAMIC 3300PF-K/50V		D011332777160S		
C154L	nsp	C,CERAMIC 3300PF-K/50V		D011332777160S		
C154R	nsp	C,CERAMIC 3300PF-K/50V		D011332777160S		
C154SL	nsp	C,CERAMIC 3300PF-K/50V		D011332777160S		
C154SR	nsp	C,CERAMIC 3300PF-K/50V		D011332777160S		
C158C	00D9609010010	C,ELECT 4.7UF-M/50V		D0404R7087250S		
C158L	00D9609010010	C,ELECT 4.7UF-M/50V		D0404R7087250S		
C158R	00D9609010010	C,ELECT 4.7UF-M/50V		D0404R7087250S		
C158SL	00D9609010010	C,ELECT 4.7UF-M/50V		D0404R7087250S		
C158SR	00D9609010010	C,ELECT 4.7UF-M/50V		D0404R7087250S		
C158SW	00D9630234205	C,ELECT 10UF-M/50V		D040100087070S		
C159C	nsp	C,CERAMIC 0.01UF-K/50V		D011103777160S		
C159F	nsp	C,CERAMIC 0.01UF-K/50V		D011103777160S		
C159S	nsp	C,CERAMIC 0.01UF-K/50V		D011103777160S		
C159SW	nsp	C,CERAMIC 0.01UF-K/50V		D011103777160S		
C160C	nsp	C,FILM 0.1UF-J/100V		D02010406C060S		
C160L	nsp	C,FILM 0.1UF-J/100V		D02010406C060S		
C160R	nsp	C,FILM 0.1UF-J/100V		D02010406C060S		

Ref. No.	Part No.	Part Name	Remarks		Q'ty	New
C160SL	nsp	C,FILM 0.1UF-J/100V		D02010406C060S		
C160SR	nsp	C,FILM 0.1UF-J/100V		D02010406C060S		
C161C	nsp	C,CERAMIC UP025 F223Z-B-BZ	E2	D005223594521S		
C161L	nsp	C,CERAMIC UP025 F223Z-B-BZ	E2	D005223594521S		
C161R	nsp	C,CERAMIC UP025 F223Z-B-BZ	E2	D005223594521S		
C161SL	nsp	C,CERAMIC UP025 F223Z-B-BZ	E2	D005223594521S		
C161SR	nsp	C,CERAMIC UP025 F223Z-B-BZ	E2	D005223594521S		
C162C	nsp	C,FILM 0.1UF-J/100V	E2	D02010406C060S		
C162L	nsp	C,FILM 0.1UF-J/100V	E2	D02010406C060S		
C162R	nsp	C,FILM 0.1UF-J/100V	E2	D02010406C060S		
C162SL	nsp	C,FILM 0.1UF-J/100V	E2	D02010406C060S		
C162SR	nsp	C,FILM 0.1UF-J/100V	E2	D02010406C060S		
C164SW	nsp	C,CERAMIC 100PF-J/50V		D010101167160S		
C167	00D9630294106	C,ELECT 2.2UF-M/50V (Pb Free)		D0402R2087160S		
C168-170	nsp	C,CERAMIC 0.01UF-K/50V		D011103777160S		
C171-174	nsp	C,CERAMIC 100PF-J/50V		D010101167160S		
C175	00D9639005862	C,ELECT 47UF-M/16V		D040470083080S		
C176	00D9630234205	C,ELECT 10UF-M/50V		D040100087070S		
C178	00D9630234205	C,ELECT 10UF-M/50V		D040100087070S		
C179,180		C,ELECT 6800UF-M/63V		D040682088010S		
C182-184	00D9639003097	C,FILM 0.1UF-K/250V		D02010407H080S		
C185,186	nsp	C,FILM 0.1UF-J/100V		D02010406C060S		
C187,188	00D9630293602	C,ELECT 1UF-M/50V (Pb Free)		D040010087150S		
C189	00D9630065209	C,ELECT 330UF-M/63V		D040331088230S		
C190	00D9609010010	C,ELECT 4.7UF-M/50V		D0404R7087250S		
C191	00D9630234205	C,ELECT 10UF-M/50V		D040100087070S		
C192	nsp	C,CERAMIC 0.1UF-Z/50V		D011104597160S		
C193	963134003210S	C,ELECT 220UF-M/10V (Pb Free)		D040221082090S		
C194	nsp	C,CERAMIC 0.1UF-Z/50V		D011104597160S		
C195	963134003210S	C,ELECT 220UF-M/10V (Pb Free)		D040221082090S		
C196	nsp	C,CERAMIC 0.1UF-Z/50V		D011104597160S		
C197	00D9630293709	C,ELECT 100UF-M/10V		D040101082070S		
C200	00D9630021104	C,ELECT 6800UF-M/16V		D040682083000S		
C201-203	00D9630021900	C,FILM 0.047UF-J/100V		D02047306C060S		
C204,205	00D9630293602	C,ELECT 1UF-M/50V (Pb Free)		D040010087150S		
C206	00D9630183301	C,ELECT 4700UF-M/25V		D040472084020S		
C207	00D9630324102	C,ELECT 1000UF-M/25V(SHL)		D040102084060S		
C208-210	00D9630021900	C,FILM 0.047UF-J/100V		D02047306C060S		
C211	00D9609010023	C,ELECT 0.47UF-M/50V		D040R47087050S		
C212	nsp	C,CERAMIC 0.01UF-K/50V		D011103777160S		
C213	00D9630294106	C,ELECT 2.2UF-M/50V (Pb Free)		D0402R2087160S		
C214	nsp	C,CERAMIC 0.01UF-K/50V		D011103777160S		
C215,216	nsp	C,CERAMIC 100PF-J/50V		D010101167160S		
C217	nsp	C,CERAMIC 0.01UF-K/50V		D011103777160S		
C218,219	00D9639005862	C,ELECT 47UF-M/16V		D040470083080S		
C220	nsp	C,CERAMIC 0.047UF-K/16V		D011473773160S		
C221	00D9600298802	C,ELECT 470UF-M/6.3V		D040471081070S		
C222	nsp	C,CERAMIC 0.01UF-K/50V		D011103777160S		
C223	00D9639005862	C,ELECT 47UF-M/16V		D040470083080S		
C224SW	00D9630224503	C,ELECT 22UF-M/50V		D040220087060S		
C231-233	nsp	C,CERAMIC 0.01UF-K/50V		D011103777160S		
C717	nsp	C,CERAMIC 0.01UF-K/50V		D010103777160S		
C723,724	nsp	C,CERAMIC 220PF-J/50V		D010221167160S		
C725-727	nsp	C,CERAMIC 0.1UF-Z/50V		D011104597160S		

Ref. No.	Part No.	Part Name	Remarks	Q'ty	New
OTHERS PARTS GROUP					
BD101,102	00D9600197107	D,RECTIFIER BRIDGE KBPC604		K047604000020S	
CLAMP201	nsp	CLAMP WIRE(SOLDER)		4330000120000S	
CLAMP301	nsp	CLAMP WIRE(SOLDER)		4330000120000S	
CLAMP401	nsp	CLAMP WIRE(SOLDER)		4330000120000S	
CN701	nsp	CN,WIRE 2MM 400MM/5P		L002401050030S	
CP101	nsp	CN.WAFER 3CKT		L108353280360S	
CP102	nsp	CN.WAFER 2.5MM 6P		L102526700600S	
CP103	nsp	CN.FPC 1.25MM 7P		L131007100010S	
CP104	nsp	CN.WAFER 2.0MM		L101200100510S	
CP106	nsp	CN.WAFER 9P		L101200100910S	
CP107	nsp	CN.WAFER 2.5MM 3P		L102526700300S	
CP110	nsp	CN.WAFER 2.0MM		L101200101010S	
CP111	nsp	CN.WAFER 2.5MM 13P		L102526701300S	
CP201	nsp	CN.WAFER 7P		L101100040710S	
CP401	nsp	CN.WAFER 15P		L101100041510S	
CP402	nsp	CN.WAFER 18P		L101100041810S	
CP403	nsp	CN.WAFER 5P		L101100040510S	
CP701	nsp	CN.WAFER 2.0MM		L101200100510S	
CP705	nsp	CN.WAFER 2.0MM		L101200100520S	
GND101	nsp	TERMINAL EARTH		3790040886000S	
GND101B	nsp	TERMINAL EARTH		3790040886000S	
JACK101	963643003100S	TER 6PIN RCA-610D-00-43		G603610D0043YS	
JACK102	963643003110S	TER 6PIN RCA-610D-00-01		G603610D0001YS	
JACK103	963643003120S	TER 9PIN RCA902AD-00-47		G607902AD047YS	
JK701	00D9630294708	JACK,D6.5 PHONE		G402PJ612AG0YS	
RLY101-103	963682002440S	RELAY G5PA-28-MC 12V 5A		G680120502050S	
RLY104	00D9630218409	RELAY BC3-12 24V 2A		G680240202030S	
SW723	00D9630095305	SW,TACT SKHV10910D01		G180040500010S	
X201	963129003130S	RESONATOR,CERAMIC ZTT10.00MT		E830100000060S	
PACK101	963183002880S	TUNER,FM/AM KST-MU104MV	E3	E903000000050S	
PACK101	963183002960S	TUNER,FM/AM KST-MU104MV	E2	E903104100050S	
FPC701A	nsp	CN 1.25MM 19P		L131111900010S	
	nsp	HEAT SINK P656(DOM)AL6063 40MM/SUB		2120000818020S	
	nsp	HEAT SINK HEAT SINK REG TR(24X60)		2120044308010S	
	nsp	SCREW(3X8 B-TYPE ZNY/BH)		B020030081B10S	
	00D9630158608	TER,BOARD SCREW 2P		G611201A0200YS	
	963646001690S	TER,BOARD SCREW 8P		G614108V1010MS	

AMP P.W.B. UNIT ASS'Y

Ref. No.	Part No.	Part Name	Remarks	Q'ty	New
SEMICONDUCTORS GROUP					
Q201C	00D9600196205	TR KSA992F		J5000992F0050S	
Q201FL	00D9600196205	TR KSA992F		J5000992F0050S	
Q201FR	00D9600196205	TR KSA992F		J5000992F0050S	
Q201SL	00D9600196205	TR KSA992F		J5000992F0050S	
Q201SR	00D9600196205	TR KSA992F		J5000992F0050S	
Q202C	00D9600196205	TR KSA992F		J5000992F0050S	
Q202FL	00D9600196205	TR KSA992F		J5000992F0050S	
Q202FR	00D9600196205	TR KSA992F		J5000992F0050S	
Q202SL	00D9600196205	TR KSA992F		J5000992F0050S	
Q202SR	00D9600196205	TR KSA992F		J5000992F0050S	
Q203C	00D9600196700	TR KTC3200BL		J5023200B0050S	
Q203FL	00D9600196700	TR KTC3200BL		J5023200B0050S	
Q203FR	00D9600196700	TR KTC3200BL		J5023200B0050S	
Q203SL	00D9600196700	TR KTC3200BL		J5023200B0050S	
Q203SR	00D9600196700	TR KTC3200BL		J5023200B0050S	
Q207C	00D9600196700	TR KTC3200BL		J5023200B0050S	
Q207FL	00D9600196700	TR KTC3200BL		J5023200B0050S	
Q207FR	00D9600196700	TR KTC3200BL		J5023200B0050S	
Q207SL	00D9600196700	TR KTC3200BL		J5023200B0050S	
Q207SR	00D9600196700	TR KTC3200BL		J5023200B0050S	
D201C	00D2760401905	D,SWITCHING 1SS133T		K000013300520S	
D201FL	00D2760401905	D,SWITCHING 1SS133T		K000013300520S	
D201FR	00D2760401905	D,SWITCHING 1SS133T		K000013300520S	
D201SL	00D2760401905	D,SWITCHING 1SS133T		K000013300520S	
D201SR	00D2760401905	D,SWITCHING 1SS133T		K000013300520S	
D202C	00D9630355401	D,SWITCHING KDS4148U		K005041480030S	
D202FL	00D9630355401	D,SWITCHING KDS4148U		K005041480030S	
D202FR	00D9630355401	D,SWITCHING KDS4148U		K005041480030S	
D202SL	00D9630355401	D,SWITCHING KDS4148U		K005041480030S	
D202SR	00D9630355401	D,SWITCHING KDS4148U		K005041480030S	
D203C	00D9630355401	D,SWITCHING KDS4148U		K005041480030S	
D203FL	00D9630355401	D,SWITCHING KDS4148U		K005041480030S	
D203FR	00D9630355401	D,SWITCHING KDS4148U		K005041480030S	
D203SL	00D9630355401	D,SWITCHING KDS4148U		K005041480030S	
D203SR	00D9630355401	D,SWITCHING KDS4148U		K005041480030S	
ZD201C	00D9630367008	D,ZENER 0.2W 3.3V UDZ		K06603R34P400S	
ZD201FL	00D9630367008	D,ZENER 0.2W 3.3V UDZ		K06603R34P400S	
ZD201FR	00D9630367008	D,ZENER 0.2W 3.3V UDZ		K06603R34P400S	
ZD201SL	00D9630367008	D,ZENER 0.2W 3.3V UDZ		K06603R34P400S	
ZD201SR	00D9630367008	D,ZENER 0.2W 3.3V UDZ		K06603R34P400S	
ZD202C	00D9630367008	D,ZENER 0.2W 3.3V UDZ		K06603R04P400S	
ZD202FL	00D9630367008	D,ZENER 0.2W 3.3V UDZ		K06603R04P400S	
ZD202FR	00D9630367008	D,ZENER 0.2W 3.3V UDZ		K06603R04P400S	
ZD202SL	00D9630367008	D,ZENER 0.2W 3.3V UDZ		K06603R04P400S	
ZD202SR	00D9630367008	D,ZENER 0.2W 3.3V UDZ		K06603R04P400S	
RESISTORS GROUP					
R211C	00D9609010719	R,METAL FILM 47-J,1W		C060047065060S	
R211FL	00D9609010719	R,METAL FILM 47-J,1W		C060047065060S	
R211FR	00D9609010719	R,METAL FILM 47-J,1W		C060047065060S	
R211SL	00D9609010719	R,METAL FILM 47-J,1W		C060047065060S	

	Ref. No.	Part No.	Part Name	Remarks		Q'ty	New
	R211SR	00D9609010719	R,METAL FILM 47-J,1W		C060047065060S		
	R216C	963125003140S	R,METAL FILM 5.6K-J,1W		C060056265050S		
	R216FL	963125003140S	R,METAL FILM 5.6K-J,1W		C060056265050S		
	R216FR	963125003140S	R,METAL FILM 5.6K-J,1W		C060056265050S		
	R216SL	963125003140S	R,METAL FILM 5.6K-J,1W		C060056265050S		
	R216SR	963125003140S	R,METAL FILM 5.6K-J,1W		C060056265050S		
	R217C	963125003140S	R,METAL FILM 5.6K-J,1W		C060056265050S		
	R217FL	963125003140S	R,METAL FILM 5.6K-J,1W		C060056265050S		
	R217FR	963125003140S	R,METAL FILM 5.6K-J,1W		C060056265050S		
	R217SL	963125003140S	R,METAL FILM 5.6K-J,1W		C060056265050S		
	R217SR	963125003140S	R,METAL FILM 5.6K-J,1W		C060056265050S		
	R218C	00D9630215907	R,METAL FILM 4.7-J,1W		C0604R7065050S		
	R218FL	00D9630215907	R,METAL FILM 4.7-J,1W		C0604R7065050S		
	R218FR	00D9630215907	R,METAL FILM 4.7-J,1W		C0604R7065050S		
	R218SL	00D9630215907	R,METAL FILM 4.7-J,1W		C0604R7065050S		
	R218SR	00D9630215907	R,METAL FILM 4.7-J,1W		C0604R7065050S		
	R219C	00D9630215907	R,METAL FILM 4.7-J,1W		C0604R7065050S		
	R219FL	00D9630215907	R,METAL FILM 4.7-J,1W		C0604R7065050S		
	R219FR	00D9630215907	R,METAL FILM 4.7-J,1W		C0604R7065050S		
	R219SL	00D9630215907	R,METAL FILM 4.7-J,1W		C0604R7065050S		
	R219SR	00D9630215907	R,METAL FILM 4.7-J,1W		C0604R7065050S		
	R220C	00D9630345903	R,FIXED 2WJ-0.47		N113136647820S		
	R220FL	00D9630345903	R,FIXED 2WJ-0.47		N113136647820S		
	R220FR	00D9630345903	R,FIXED 2WJ-0.47		N113136647820S		
	R220SL	00D9630345903	R,FIXED 2WJ-0.47		N113136647820S		
	R220SR	00D9630345903	R,FIXED 2WJ-0.47		N113136647820S		
	R221C	00D9630345903	R,FIXED 2WJ-0.47		N113136647820S		
	R221FL	00D9630345903	R,FIXED 2WJ-0.47		N113136647820S		
	R221FR	00D9630345903	R,FIXED 2WJ-0.47		N113136647820S		
	R221SL	00D9630345903	R,FIXED 2WJ-0.47		N113136647820S		
	R221SR	00D9630345903	R,FIXED 2WJ-0.47		N113136647820S		
	R222C	00D9630345903	R,FIXED 2WJ-0.47		N113136647820S		
	R222FL	00D9630345903	R,FIXED 2WJ-0.47		N113136647820S		
	R222FR	00D9630345903	R,FIXED 2WJ-0.47		N113136647820S		
	R222SL	00D9630345903	R,FIXED 2WJ-0.47		N113136647820S		
	R222SR	00D9630345903	R,FIXED 2WJ-0.47		N113136647820S		
	R223C	00D9630345903	R,FIXED 2WJ-0.47		N113136647820S		
	R223FL	00D9630345903	R,FIXED 2WJ-0.47		N113136647820S		
	R223FR	00D9630345903	R,FIXED 2WJ-0.47		N113136647820S		
	R223SL	00D9630345903	R,FIXED 2WJ-0.47		N113136647820S		
	R223SR	00D9630345903	R,FIXED 2WJ-0.47		N113136647820S		
	R228C	nsp	R,METAL FILM 10 OHM 1W		C060010065520S		
	R228FL	nsp	R,METAL FILM 10 OHM 1W		C060010065520S		
	R228FR	nsp	R,METAL FILM 10 OHM 1W		C060010065520S		
	R228SL	nsp	R,METAL FILM 10 OHM 1W		C060010065520S		
	R228SR	nsp	R,METAL FILM 10 OHM 1W		C060010065520S		
	R229	nsp	R,METAL FILM 10-J,1W		C060010065050S		
	VR213C	00D9630366407	VR,SEMI CARBON EVN-DCAA03B 1KB		C541102315000S		
	VR213FL	00D9630366407	VR,SEMI CARBON EVN-DCAA03B 1KB		C541102315000S		
	VR213FR	00D9630366407	VR,SEMI CARBON EVN-DCAA03B 1KB		C541102315000S		
	VR213SL	00D9630366407	VR,SEMI CARBON EVN-DCAA03B 1KB		C541102315000S		
	VR213SR	00D9630366407	VR,SEMI CARBON EVN-DCAA03B 1KB		C541102315000S		

Ref. No.	Part No.	Part Name	Remarks	Q'ty	New
CAPACITORS GROUP					
C201C	00D9630234205	C,ELECT 10UF-M/50V		D040100087070S	
C201FL	00D9630234205	C,ELECT 10UF-M/50V		D040100087070S	
C201FR	00D9630234205	C,ELECT 10UF-M/50V		D040100087070S	
C201SL	00D9630234205	C,ELECT 10UF-M/50V		D040100087070S	
C201SR	00D9630234205	C,ELECT 10UF-M/50V		D040100087070S	
C202C	nsp	C,CERAMIC UP025 B681K-B-BZ		D005681177521S	
C202FL	nsp	C,CERAMIC UP025 B681K-B-BZ		D005681177521S	
C202FR	nsp	C,CERAMIC UP025 B681K-B-BZ		D005681177521S	
C202SL	nsp	C,CERAMIC UP025 B681K-B-BZ		D005681177521S	
C202SR	nsp	C,CERAMIC UP025 B681K-B-BZ		D005681177521S	
C203C	nsp	C,CERAMIC 220PF 500V-5RE		D009092212500S	
C203FL	nsp	C,CERAMIC 220PF 500V-5RE		D009092212500S	
C203FR	nsp	C,CERAMIC 220PF 500V-5RE		D009092212500S	
C203SL	nsp	C,CERAMIC 220PF 500V-5RE		D009092212500S	
C203SR	nsp	C,CERAMIC 220PF 500V-5RE		D009092212500S	
C204C	00D9630216100	C,CERAMIC 33PF-J/500V		D00033006D050S	
C204FL	00D9630216100	C,CERAMIC 33PF-J/500V		D00033006D050S	
C204FR	00D9630216100	C,CERAMIC 33PF-J/500V		D00033006D050S	
C204SL	00D9630216100	C,CERAMIC 33PF-J/500V		D00033006D050S	
C204SR	00D9630216100	C,CERAMIC 33PF-J/500V		D00033006D050S	
C205C	00D9630293806	C,ELECT 100UF-M/10V (Pb Free)		D040101082090S	
C205FL	00D9630293806	C,ELECT 100UF-M/10V (Pb Free)		D040101082090S	
C205FR	00D9630293806	C,ELECT 100UF-M/10V (Pb Free)		D040101082090S	
C205SL	00D9630293806	C,ELECT 100UF-M/10V (Pb Free)		D040101082090S	
C205SR	00D9630293806	C,ELECT 100UF-M/10V (Pb Free)		D040101082090S	
C206C	nsp	C,CERAMIC UP025 B102K-B-BZ		D005102177531S	
C206FL	nsp	C,CERAMIC UP025 B102K-B-BZ		D005102177531S	
C206FR	nsp	C,CERAMIC UP025 B102K-B-BZ		D005102177531S	
C206SL	nsp	C,CERAMIC UP025 B102K-B-BZ		D005102177531S	
C206SR	nsp	C,CERAMIC UP025 B102K-B-BZ		D005102177531S	
C207C	00D9630234506	C,ELECT 47UF-M/50V (Pb Free)		D040470087070S	
C207FL	00D9630234506	C,ELECT 47UF-M/50V (Pb Free)		D040470087070S	
C207FR	00D9630234506	C,ELECT 47UF-M/50V (Pb Free)		D040470087070S	
C207SL	00D9630234506	C,ELECT 47UF-M/50V (Pb Free)		D040470087070S	
C207SR	00D9630234506	C,ELECT 47UF-M/50V (Pb Free)		D040470087070S	
C208C	00D9630234205	C,ELECT 10UF-M/50V		D040100087070S	
C208FL	00D9630234205	C,ELECT 10UF-M/50V		D040100087070S	
C208FR	00D9630234205	C,ELECT 10UF-M/50V		D040100087070S	
C208SL	00D9630234205	C,ELECT 10UF-M/50V		D040100087070S	
C208SR	00D9630234205	C,ELECT 10UF-M/50V		D040100087070S	
C209C	nsp	C,CERAMIC 100PF-K/500V		D00410106D050S	
C209FL	nsp	C,CERAMIC 100PF-K/500V		D00410106D050S	
C209FR	nsp	C,CERAMIC 100PF-K/500V		D00410106D050S	
C209SL	nsp	C,CERAMIC 100PF-K/500V		D00410106D050S	
C209SR	nsp	C,CERAMIC 100PF-K/500V		D00410106D050S	
C210C	nsp	C,CERAMIC 100PF-K/500V		D00410106D050S	
C210FL	nsp	C,CERAMIC 100PF-K/500V		D00410106D050S	
C210FR	nsp	C,CERAMIC 100PF-K/500V		D00410106D050S	
C210SL	nsp	C,CERAMIC 100PF-K/500V		D00410106D050S	
C210SR	nsp	C,CERAMIC 100PF-K/500V		D00410106D050S	
C211C	nsp	C,CERAMIC UP025 F223Z-B-BZ		D005223594521S	
C211FL	nsp	C,CERAMIC UP025 F223Z-B-BZ		D005223594521S	
C211FR	nsp	C,CERAMIC UP025 F223Z-B-BZ		D005223594521S	
C211SL	nsp	C,CERAMIC UP025 F223Z-B-BZ		D005223594521S	
C211SR	nsp	C,CERAMIC UP025 F223Z-B-BZ		D005223594521S	

	Ref. No.	Part No.	Part Name	Remarks		Q'ty	New
	C212	00D9630234302	C,ELECT 10UF-M/100V		D04010008C050S		
OTHERS PARTS GROUP							
	CN110	nsp	CN,WIRE 100MM/10P		L002101100060S		
	CN111	nsp	CN,WIRE 120MM/13P		L000121130040S		
	L201C	00D9630049005	COIL INDUCTOR 0.5UH		D330R50000000S		
	L201FL	00D9630049005	COIL INDUCTOR 0.5UH		D330R50000000S		
	L201FR	00D9630049005	COIL INDUCTOR 0.5UH		D330R50000000S		
	L201SL	00D9630049005	COIL INDUCTOR 0.5UH		D330R50000000S		
	L201SR	00D9630049005	COIL INDUCTOR 0.5UH		D330R50000000S		
	TP201C	nsp	CN.WAFER 3P ANGLE		L101530150310S		
	TP201FL	nsp	CN.WAFER 3P ANGLE		L101530150310S		
	TP201FR	nsp	CN.WAFER 3P ANGLE		L101530150310S		
	TP201SL	nsp	CN.WAFER 3P ANGLE		L101530150310S		
	TP201SR	nsp	CN.WAFER 3P ANGLE		L101530150310S		

FRONT P.W.B. UNIT ASS'Y

Ref. No.	Part No.	Part Name	Remarks	Q'ty	New
SEMICONDUCTORS GROUP					
IC700	963239003150S	IC SC16315		J127163150010S	
Q702	963219003170S	TR KRA105S(PE)		J520010500210S	
Q703,704	00D9630120801	TR KRC102S		J522010200210S	
Q705	90M-BA001650R	TR KRC105S (NE)		J522010500210S	
Q706,707	00D9630148508	TRKTA1504S		J520015040150S	
D701-704	00D9630355401	D,SWITCHING KDS4148U		K005041480030S	
ZD701	00D9630314206	D,ZENER MTZJ7.5B		K06007R544520S	
CAPACITORS GROUP					
C701	00D9630293602	C,ELECT 1UF-M/50V (Pb Free)		D040010087150S	
C702,703	00D9630021900	C,FILM 0.047UF-J/100V		D02047306C060S	
C704	00D9630293602	C,ELECT 1UF-M/50V (Pb Free)		D040010087150S	
C705	00D9639005862	C,ELECT 47UF-M/16V		D040470083080S	
C706	nsp	C,CERAMIC 0.1UF-Z/50V		D011104597160S	
C707,708	nsp	C,CERAMIC CHIP HIK 820PF-K/50V		D011821777160S	
C709	nsp	C,CERAMIC 0.01UF-K/50V		D011103777160S	
C710	nsp	C,CERAMIC 0.1UF-Z/50V		D011104597160S	
C711	00D9630293602	C,ELECT 1UF-M/50V (Pb Free)		D040010087150S	
C712	nsp	C,CERAMIC 0.01UF-K/50V		D011103777160S	
C713	00D9639005862	C,ELECT 47UF-M/16V		D040470083080S	
C713L	nsp	C,CERAMIC 220PF-J/50V		D010221167160S	
C713R	nsp	C,CERAMIC 220PF-J/50V		D010221167160S	
C714,715	nsp	C,CERAMIC 0.1UF-Z/50V		D011104597160S	
C716	00D9630234205	C,ELECT 10UF-M/50V		D040100087070S	
C718,719	nsp	C,CERAMIC 0.01UF-K/50V		D011103777160S	
C720-722	nsp	C,CERAMIC 100PF-J/50V		D010101167160S	
C735L	00D9630234205	C,ELECT 10UF-M/50V		D040100087070S	
C735R	00D9630234205	C,ELECT 10UF-M/50V		D040100087070S	
OTHERS PARTS GROUP					
BD701,702	963115003230S	COIL,BEAD CBW160808U121T		D340160811210S	
CN702	nsp	CN,WIRE 2MM 480/5P		L002481050010S	
CN704	nsp	CN.WAFER 5P		L101100030510S	
CN705	nsp	CN,WIRE 80MM/5P		L002800050100S	
CN706	nsp	CN,WIRE 80MM/3P		L002800030110S	
CP304A	nsp	CN.WAFER 5P		L101100040510S	
CP304B	nsp	CN.WAFER 5P		L101100040510S	
CP701	nsp	CN.WAFER 3P ANGLE		L102526803010S	
CP704	nsp	CN.WAFER 5P		L101100030510S	
CP706	nsp	CN.WAFER 3P		L101200100320S	
L701	nsp	COIL INDUCTOR 100UH		D330101001020S	
L702	nsp	COIL INDUCTOR 10UH		D330100700520S	
RMC701	00D9630217808	MODULE,REMOCON NJL34H380A		E940343800010S	
SW701-706	00D9630095305	SW,TACT SKHV10910D01		G180040500010S	

Ref. No.	Part No.	Part Name	Remarks	Q'ty	New
SW708,709	00D9630095305	SW,TACT SKHV10910D01		G180040500010S	
SW711-722	00D9630095305	SW,TACT SKHV10910D01		G180040500010S	
FLT701	90M-HQ300750R	DISPLAY,FLT VFD 29-1213N		K530121300010S	
FPC701B	nsp	CN.FPC 1.25MM 19P		L131101900010S	
	nsp	HOLDER FL(PC)HK-3250		432004078301AS	
	00D9630144405	R,METAL 100PPM 2.2-J,1/4W		C0602R2063050S	
	00D9630146403	TER,RCA 3PIN		G606308HG110YS	
	00D9630095305	SW,ENCODER EC16B24SO		G121162400070S	

VIDEO P.W.B. UNIT ASS'Y

Ref. No.	Part No.	Part Name	Remarks	Q'ty	New
SEMICONDUCTORS GROUP					
IC201	90M-HC110010R	IC NJM2585M		J171258500010S	
IC202-204	00D9630148401	IC LA7956		J171795600010S	
Q201-203	00D9600005202	TR KTC3198Y		J5023198Y0000S	
Q204	00D9600296309	TR KRC111S (NM		J522011100210S	
Q205,206	90M-BA001650R	TR KRC105S (NE)		J522010500210S	
Q207	00D9600005202	TR KTC3198Y		J5023198Y0000S	
Q208	90M-BA001650R	TR KRC105S (NE)		J522010500210S	
Q209,210	00D9630226909	SEM TR KRC114S (NP)		J522011400210S	
Q211	90M-BA001650R	TR KRC105S (NE)		J522010500210S	
D201-204	963201002490S	D,SWITCHING 1N4148WS		K005041483230S	
CAPACITORS GROUP					
C230	00D9639005969	C,ELECT 4700UF-M/6.3V		D040472081000S	
C231,232	00D9639005901	C,ELECT 470UF-M/10V		D040471082060S	
C233-238	00D9630234205	C,ELECT 10UF-M/50V		D040100087070S	
C251	nsp	C,CERAMIC 220PF-J/50V		D010221167160S	
C252	00D9639005862	C,ELECT 47UF-M/16V		D040470083080S	
C253	nsp	C,CERAMIC 220PF-J/50V		D010221167160S	
C254	00D9639005862	C,ELECT 47UF-M/16V		D040470083080S	
C257,258	00D9639005901	C,ELECT 470UF-M/10V		D040471082060S	
C258A	00D9639005862	C,ELECT 47UF-M/16V		D040470083080S	
C259	00D9639005901	C,ELECT 470UF-M/10V		D040471082060S	
C259A	nsp	C,CERAMIC 0.01UF-K/50V		D010103777160S	
C260	nsp	C,CERAMIC 0.01UF-K/50V		D010103777160S	
C262,263	00D9630234205	C,ELECT 10UF-M/50V		D040100087070S	
C264	00D9609009924	C,ELECT 100UF-M/16V		D040101083070S	
C265	00D9630234205	C,ELECT 10UF-M/50V		D040100087070S	
C267,268	00D9630234205	C,ELECT 10UF-M/50V		D040100087070S	
C269	00D9609009924	C,ELECT 100UF-M/16V		D040101083070S	
C270	nsp	C,CERAMIC 0.01UF-K/50V		D010103777160S	
C271	00D9609009924	C,ELECT 100UF-M/16V		D040101083070S	
C272	nsp	C,CERAMIC 0.01UF-K/50V		D010103777160S	
OTHERS PARTS GROUP					
CN201	nsp	CN.WAFER 7P		L101100030710S	
	00D9630218001	TER,RCA 2PIN		G60122001000YS	
	963643003160S	TER,RCA 3PIN		G6060221B0001S	
	963643003180S	TER,RCA 9PIN		G607902AD016YS	

POWER P.W.B. UNIT ASS'Y

	Ref. No.	Part No.	Part Name	Remarks		Q'ty	New
SEMICONDUCTORS GROUP							
	IC300	00D9630300702	IC LM1117S-3.35V		J126111733030S		
	Q300,301	00D9630121509	TR KTC3875S		J522038750210S		
	Q302	00D9630121606	TR KRC107S	E3	J522107S00210S		
	D302-304	00D9630219709	D,SWITCHING 1N4148W		K005041480020S		
	D305-308	00D9630328409	D,SWITCHING 1N4007		K000400700010S		
	ZD301	00D9600095500	D,ZENER MTZJ5.1B		K06005R144520S		
	ZD302	963202003190S	D,ZENER 0.2W 10V UDZ	E3	K06610R04P400S		
RESISTORS GROUP							
	R304	nsp	R,CARBON 27-J,1/4W		C000027063520S		
CAPACITORS GROUP							
	C300	00D9630234205	C,ELECT 10UF-M/50V		D040100087070S		
	C301	00D9600133501	C,ELECT 2200UF-M/16V		D040222083080S		
	C302	00D9630293602	C,ELECT 1UF-M/50V (Pb Free)		D040010087150S		
⚠	C304	00D9630323802	C,CERAMIC 0.0047UF 250VAC		D00847208H010S		
	C315	00D9630293602	C,ELECT 1UF-M/50V (Pb Free)		D040010087150S		
OTHERS PARTS GROUP							
	CN103	nsp	CN.FPC 1.25MM		L131007000010S		
⚠	CP305	nsp	CN.WAFER 2CKT,YEL		L108353280290S		
⚠	CP306	nsp	CN.WAFER ST2P		L108202000220S		
⚠	F301	00D9630104908	FUSE T6.3A /250V	E3	N751226301110S		
⚠	F301	00D9630237600	FUSE GLASS TUBE 20MM T4A	E2	N751224001110S		
	F301A	nsp	HOLDER,FUSE CLIP		G645000050010S		
⚠	F301B	nsp	HOLDER,FUSE CLIP		G645000050010S		
⚠	J301	nsp	Jumper				
⚠	RLY301	90M-LY000390R	RELAY G5PA-1 DC6V 5A		G680060502010S		
⚠	SUB301	963101002860S	POWER TRANS RD6502B(A)	E3	8200280150280S		
⚠	SUB301	90M-TS003070R	POWER TRANS RD6502S(G)	E2	8200280150290S		
	GT301	nsp	TERMINAL EARTH		3790040886000S		
	LABEL	nsp	LABEL FUSE	E3	5507000003470S		

DSP P.W.B. UNIT ASS'Y

Ref. No.	Part No.	Part Name	Remarks	Q'ty	New
SEMICONDUCTORS GROUP					
IC401	00D9630133005	IC AK4588 (Pb Free)		J080458800010S	
IC402	00D9630367307	IC SN74AHCU04PWR		J040740400290S	
IC403	00D9630278203	DSP MICRO PROCESS (IC CS494003-CQZ)		8952390000020	
IC404	963248003200D	IC ES29LV800ET-70TG		J005298000120S	
IC406	00D9630366500	IC KIA1117PI33		J126111733050S	
IC407,408	00D2631100005	IC KIA7805API		J126780500110S	
IC409	90M-HC900120R	IC LM1117S-2.5V		J126111725030S	
IC410	963235000480S	IC SN74AHCT08-EL2		J040740800240S	
			NOTE : When update Firmware, please confirm a last version in SDI. Use the service board after updating it.		
D401-405	00D9630355401	D,SWITCHING KDS4148U		K005041480030S	
D408-410	00D9630341305	D,ESD IMSA-6802-01A		K067680200010S	
CAPACITORS GROUP					
C401	00D9630293806	C,ELECT 100UF-M/10V (Pb Free)		D040101082090S	
C402	00D9639005901	C,ELECT 470UF-M/10V		D040471082060S	
C403-405	nsp	C,CERAMIC 0.1UF-Z/50V		D011104597160S	
C406	00D9630293806	C,ELECT 100UF-M/10V (Pb Free)		D040101082090S	
C407	nsp	C,CERAMIC 0.1UF-Z/50V		D011104597160S	
C410	nsp	C,CERAMIC 0.1UF-Z/50V		D011104597160S	
C412	nsp	C,CERAMIC 0.1UF-Z/50V		D011104597160S	
C417	nsp	C,CERAMIC 0.1UF-Z/50V		D011104597160S	
C418	00D9630294106	C,ELECT 2.2UF-M/50V (Pb Free)		D0402R2087160S	
C419	nsp	C,CERAMIC 1200PF-K/50V		D011122777160S	
C420	nsp	C,CERAMIC 1000PF-K/50V		D011102777160S	
C421	00D9630293806	C,ELECT 100UF-M/10V (Pb Free)		D040101082090S	
C422-424	nsp	C,CERAMIC 0.1UF-Z/50V		D011104597160S	
C427,428	nsp	C,CERAMIC 0.1UF-Z/50V		D011104597160S	
C430	00D9630293806	C,ELECT 100UF-M/10V (Pb Free)		D040101082090S	
C431	nsp	C,CERAMIC 0.1UF-Z/50V		D011104597160S	
C435,436	nsp	C,CERAMIC 0.1UF-Z/50V		D011104597160S	
C443,444	00D9630234205	C,ELECT 10UF-M/50V		D040100087070S	
C445	nsp	C,CERAMIC 0.1UF-Z/50V		D011104597160S	
C446,447	nsp	C,CERAMIC 0.01UF-K/50V		D011103777160S	
C448	00D9630234205	C,ELECT 10UF-M/50V		D040100087070S	
C449	00D9630293602	C,ELECT 1UF-M/50V (Pb Free)		D040010087150S	
C450	nsp	C,CERAMIC 0.01UF-K/50V		D011103777160S	
C451	963134003210S	C,ELECT 220UF-M/10V (Pb Free)		D040221082090S	
C452	nsp	C,CERAMIC 0.01UF-K/50V		D011103777160S	
C453	963134003210S	C,ELECT 220UF-M/10V (Pb Free)		D040221082090S	
C454,455	00D9630234205	C,ELECT 10UF-M/50V		D040100087070S	
C456	nsp	C,CERAMIC 100PF-J/50V		D010101167160S	
C457	00D9630293806	C,ELECT 100UF-M/10V (Pb Free)		D040101082090S	
C458	nsp	C,CERAMIC 0.01UF-K/50V		D011103777160S	
C459	00D9630293806	C,ELECT 100UF-M/10V (Pb Free)		D040101082090S	
C460	nsp	C,CERAMIC 0.047UF-K/16V		D011473773160S	
C461	00D9630293602	C,ELECT 1UF-M/50V (Pb Free)		D040010087150S	
C462	00D9630234205	C,ELECT 10UF-M/50V		D040100087070S	
C463,464	nsp	C,CERAMIC 0.01UF-K/50V		D011103777160S	
C465	00D9630234205	C,ELECT 10UF-M/50V		D040100087070S	
C466	nsp	C,CERAMIC 0.01UF-K/50V		D011103777160S	
C467	00D9630244606	C,ELECT 0.1UF-M/50V (Pb Free)		D040R10087080S	

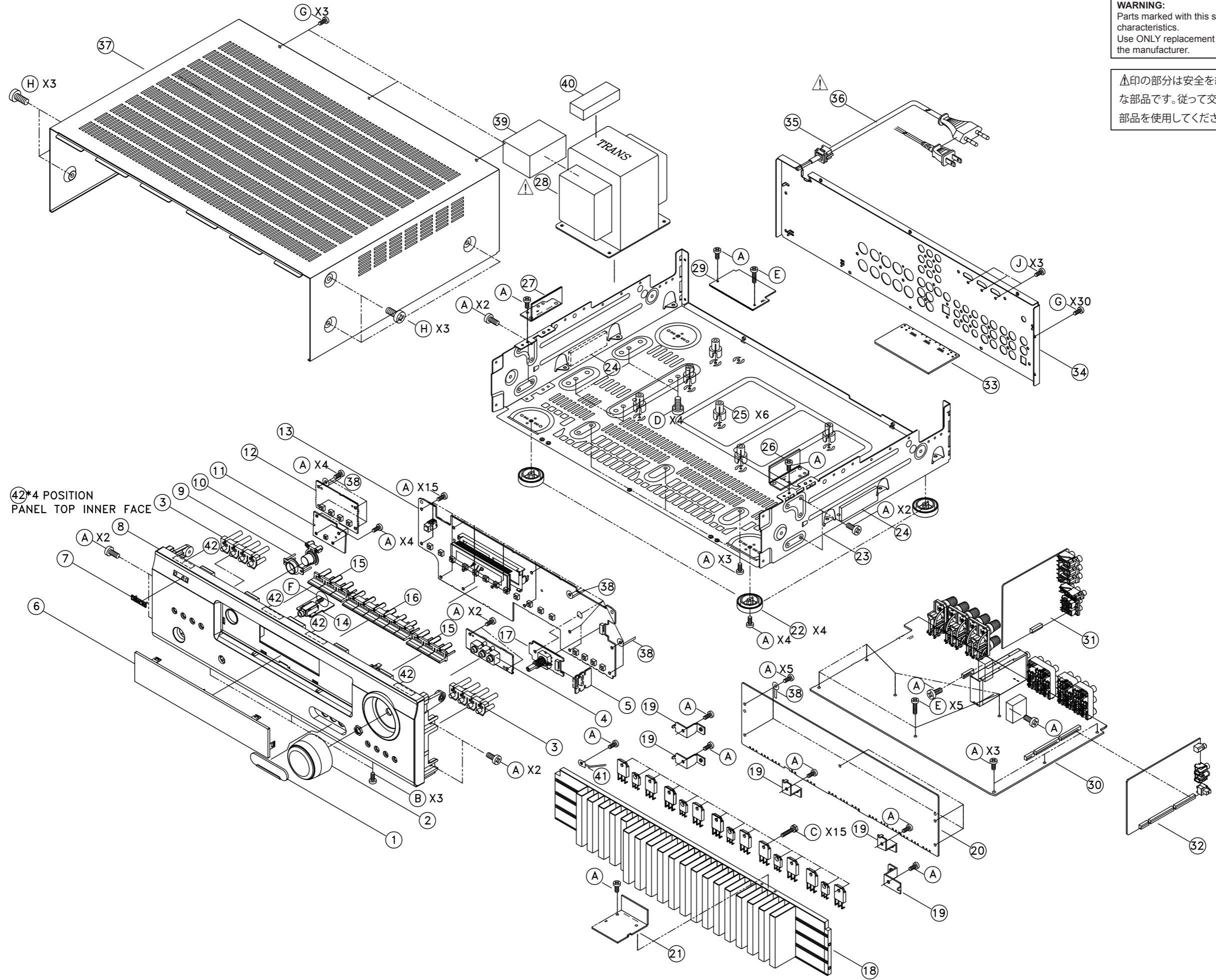
Ref. No.	Part No.	Part Name	Remarks		Q'ty	New
C468	nsp	C,CERAMIC CHIP T.C COG22PF-J/50V-1608REEL		D010220167160S		
C469	nsp	C,CERAMIC 0.1UF-Z/50V		D011104597160S		
C470	nsp	C,CERAMIC 100PF-J/50V		D010101167160S		
C471	nsp	C,CERAMIC 0.1UF-Z/50V		D011104597160S		
C472	00D9630244606	C,ELECT 0.1UF-M/50V (Pb Free)		D040R10087080S		
C473	nsp	C,CERAMIC22PF-J/50V		D010220167160S		
C474	nsp	C,CERAMIC 1000PF-K/50V		D011102777160S		
C475	nsp	C,CERAMIC 0.01UF-K/50V		D011103777160S		
C476	00D9630293806	C,ELECT 100UF-M/10V (Pb Free)		D040101082090S		
C477	nsp	C,CERAMIC 0.01UF-K/50V		D011103777160S		
C478	00D9630293806	C,ELECT 100UF-M/10V (Pb Free)		D040101082090S		
C479	nsp	C,CERAMIC 0.1UF-Z/50V		D011104597160S		
C480	nsp	C,CERAMIC 100PF-J/50V		D010101167160S		
C481,482	nsp	C,CERAMIC 27PF-J/50V		D010270167160S		
C483,484	nsp	C,CERAMIC 220PF-J/50V		D010221167160S		
C485,486	nsp	C,CERAMIC 0.1UF-Z/50V		D011104597160S		
C487	nsp	C,CERAMIC 100PF-J/50V		D010101167160S		
C489	nsp	C,CERAMIC 100PF-J/50V		D010101167160S		
C490	nsp	C,CERAMIC 1000PF-K/50V		D011102777160S		
C491	00D9609010010	C,ELECT 4.7UF-M/50V		D0404R7087250S		
C492	nsp	C,CERAMIC 100PF-J/50V		D010101167160S		
C493	nsp	C,CERAMIC 0.01UF-K/50V		D011103777160S		
OTHERS PARTS GROUP						
CB401-403	963115003230S	COIL,BEAD CBW160808U121T		D340160811210S		
CB405-413	963115003230S	COIL,BEAD CBW160808U121T		D340160811210S		
CB415-420	963115003230S	COIL,BEAD CBW160808U121T		D340160811210S		
CN401	nsp	CN.WAFER 15P		L101100031510S		
CN402	nsp	CN.WAFER 18P		L101100031810S		
CN403	nsp	CN.WAFER 5P		L101100030510S		
CP01	nsp	CN.WAFER 9P		L101200100920S		
JACK402	00D9630237503	MODULE JSR1165-C		E100116500040S		
L401,402	00D9630050900	COIL INDUCTOR 2.2UH		D3302R2000150S		
XTAL401	00D9630217303	CRYSTAL 12.288MHZ		E80012R288090S		
	00D9630294601	JACK,D3.5 EARPHONE		G40100350000YS		
	00D9630217905	TER,RCA 2PIN		G601206A0200YS		


HDMI P.W.B. UNIT ASS'Y


	Ref. No.	Part No.	Part Name	Remarks		Q'ty	New
SEMICONDUCTORS GROUP							
	IC01	963239003220S	IC SIL9185		J040918500020S		
	IC03	00D9630295309	IC LM1117S-1.8V		J126111718020S		
	IC04	00D9630300702	IC LM1117S-3.35V		J126111733030S		
	Q01,02	00D9630120801	TR KRC102S		J522010200210S		
	Q03,04	00D9600285006	TR KRC104S		J522104S00210S		
	Q07	00D9600285006	TR KRC104S		J522104S00210S		
	Q18,19	00D9600285006	TR KRC104S		J522104S00210S		
	D44	00D9630355401	D,SWITCHING KDS4148U		K005041480030S		
	ZD101	00D9630382500	D,ZENER 0.2W 5.1V UDZ		K06605R14P400S		
CAPACITORS GROUP							
	C01	nsp	C,CERAMIC 1000PF-K/50V		D011102777160S		
	C02-05	nsp	C,CERAMIC 0.1UF-K/50V		D011104577162S		
	C06,07	nsp	C,CERAMIC 1000PF-K/50V		D011102777160S		
	C08-14	nsp	C,CERAMIC 0.1UF-K/50V		D011104577162S		
	C15-17	nsp	C,CERAMIC 1000PF-K/50V		D011102777160S		
	C18,19	nsp	C,CERAMIC 0.1UF-K/50V		D011104577162S		
	C20	nsp	C,CERAMIC 1000PF-K/50V		D011102777160S		
	C21	nsp	C,CERAMIC 100PF-J/50V		D010101167160S		
	C22	nsp	C,CERAMIC 1000PF-K/50V		D011102777160S		
	C23	nsp	C,CERAMIC 100PF-J/50V		D010101167160S		
	C24,25	00D9630234205	C,ELECT 10UF-M/50V		D040100087070S		
	C26,27	nsp	C,CERAMIC 0.01UF-K/50V		D011103777160S		
	C28H	00D9630234205	C,ELECT 10UF-M/50V		D040100087070S		
	C29H	00D9630234205	C,ELECT 10UF-M/50V		D040100087070S		
	C30H	00D9630234205	C,ELECT 10UF-M/50V		D040100087070S		
	C33	00D9630234205	C,ELECT 10UF-M/50V		D040100087070S		
	C34	nsp	C,CERAMIC 0.01UF-K/50V		D011103777160S		
	C35	00D9630234205	C,ELECT 10UF-M/50V		D040100087070S		
	C36	nsp	C,CERAMIC 0.01UF-K/50V		D011103777160S		
	C37	nsp	C,CERAMIC 1000PF-K/50V		D011102777160S		
OTHERS PARTS GROUP							
	BKT01,02	nsp	BRACKET 0.8t/SCREW		4010210196100S		
	CB01,02	963115003230S	COIL,BEAD CBW160808U121T		D340160811210S		
	CB03	00D9630223009	R,THICK 0-J,1/16W		C20000006M160S		
	CB06	963115003230S	COIL,BEAD CBW160808U121T		D340160811210S		
	CN01	nsp	CN,WIRE 9P		L002500090020S		
	JACK01-03	nsp	CN.WAFER 19P		L109100190030S		

---MEMO---

AVR-390 EXPLODED VIEW

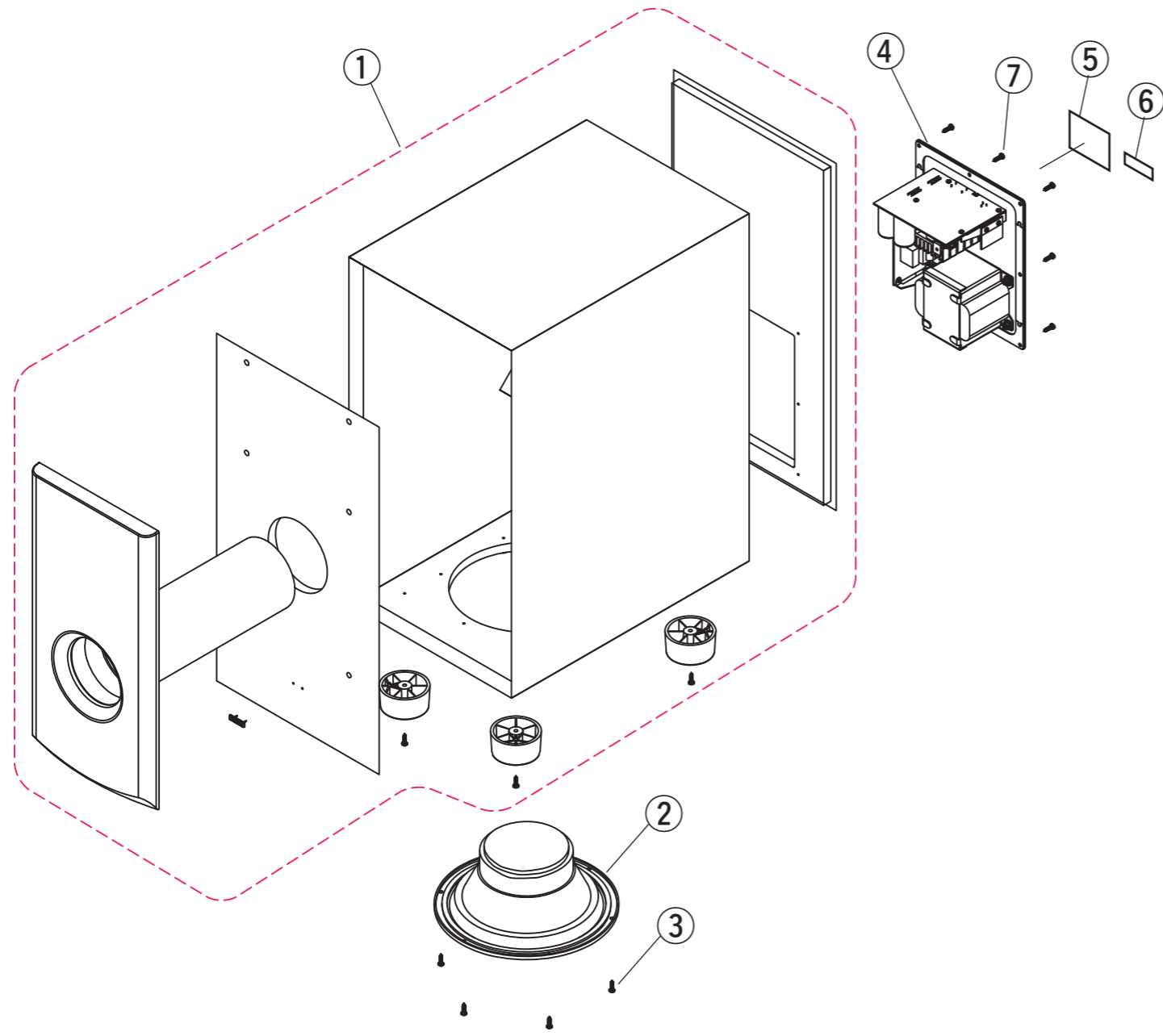


WARNING:
 Parts marked with this symbol  have critical characteristics.
 Use **ONLY** replacement parts recommended by the manufacturer.

印の部分は安全を維持するために重要な部品です。従って交換時は必ず指定の部品を使用してください。

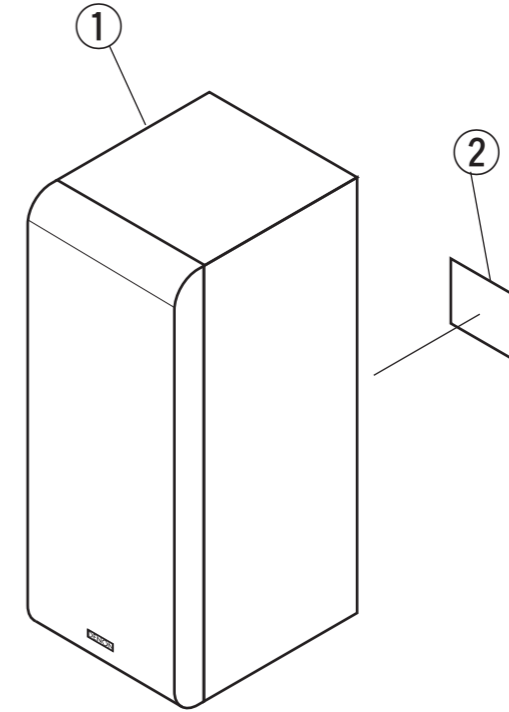
SYS-390HT EXPLODED VIEW

DSW-390

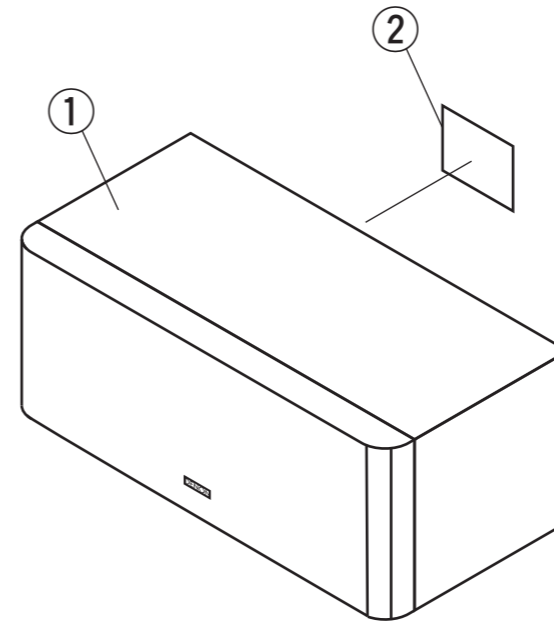


• The parts of this product are not serviceable. Please replace the product itself. However, spare parts are available for some parts. For details, see "PARTS LIST".

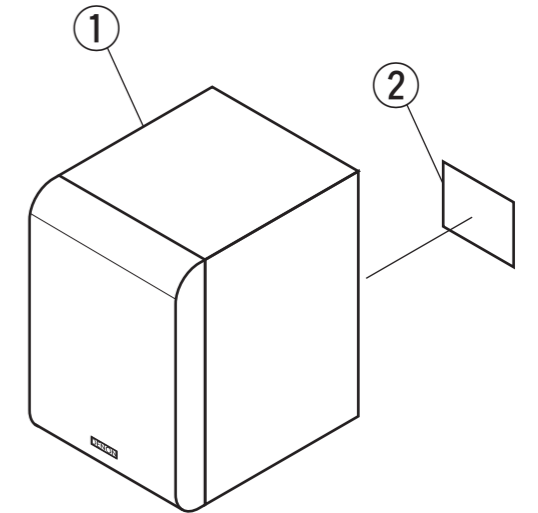
SC-F390



SC-C390



SC-R390



PARTS LIST OF EXPLODED VIEW

* Parts for which "nsp" is indicated on this table cannot be supplied.

* P.W.B. ASS'Y for which "nsp" is indicated on this table cannot be supplied. When repairing the P.W.B. ASS'Y, check the board parts table and order replacement parts.

* The parts listed below are for maintenance only, might differ from the parts used in the unit in appearances or dimensions.

Note: The symbols in the column "Remarks" indicate the following destinations.

BKE3 : U.S.A. & Canada model (Black model)

BKE2 : Europe model (Black model)

SPE2 : Europe model (Premium Silver model)

AVR-390

Ref. No.	Part No.	Part Name	Remarks		Q'ty	New
30A	nsp	MAIN P.W.B UNIT ASSY	BKE3	7025HK0810010	1	*
30A	nsp	MAIN P.W.B UNIT ASSY	BKE2	7025HK0810020	1	*
30A	nsp	MAIN P.W.B UNIT ASSY	SPE2	7025HK0810030	1	*
30	-	MAIN UNIT				
11	-	ST-BY UNIT				
14	-	H/P UNIT				
27	-	GUIDE1 UNIT				
26	-	GUIDE2 UNIT				
21	-	GUIDE3 UNIT				
20	nsp	AMP P.W.B UNIT ASSY	BKE3	7025HK0810011	1	*
20	nsp	AMP P.W.B UNIT ASSY	BKE2	7025HK0810021	1	*
20	nsp	AMP P.W.B UNIT ASSY	SPE2	7025HK0810031	1	*
13A	nsp	FRONT P.W.B. UNIT ASSY	BKE3	7025HK0810012	1	*
13A	nsp	FRONT P.W.B. UNIT ASSY	BKE2	7025HK0810022	1	*
13A	nsp	FRONT P.W.B. UNIT ASSY	SPE2	7025HK0810032	1	*
13	-	FRONT UNIT				
4	-	V.AUX UNIT				
17	-	ENCODER UNIT				
12	-	TACT-SW UNIT				
5	-	CNT UNIT				
31	nsp	VIDEO P.W.B. UNIT ASSY	BKE3	7025HK0810013	1	*
31	nsp	VIDEO P.W.B. UNIT ASSY	BKE2	7025HK0810023	1	*
31	nsp	VIDEO P.W.B. UNIT ASSY	SPE2	7025HK0810033	1	*
29	nsp	POWER P.W.B. UNIT	BKE3	7025HK0810014	1	*
29	nsp	POWER P.W.B. UNIT	BKE2	7025HK0810024	1	*
29	nsp	POWER P.W.B. UNIT	SPE2	7025HK0810034	1	*
32	nsp	DSP P.W.B. UNIT ASSY	BKE3	7025HK0810015	1	*
32	nsp	DSP P.W.B. UNIT ASSY	BKE2	7025HK0810025	1	*
32	nsp	DSP P.W.B. UNIT ASSY	SPE2	7025HK0810035	1	*
33	nsp	HDMI P.W.B. UNIT ASSY	BKE3	7025HK0810016	1	*
33	nsp	HDMI P.W.B. UNIT ASSY	BKE2	7025HK0810026	1	*
33	nsp	HDMI P.W.B. UNIT ASSY	SPE2	7025HK0810036	1	*
1	963409002790S	COVER RCA	BKE3,BKE2	4317211691010S	1	
1	00D9630264408	COVER RCA	SPE2	4317211691110S	1	*
2	963412000560D	KNOB VOLUME(KD)	BKE3,BKE2	5080211751000SZ	1	
2	963412002920S	KNOB VOLUME	SPE2	5087211891000S	1	
3	963411002810S	BUTTON 4KEY	BKE3,BKE2	5097213731000S	2	*
3	963411002930S	BUTTON 4KEY	SPE2	5097213731100S	2	*
6	963416002800D	WINDOW DISPLAY		5077212663000S	1	*
7	00D9630362109	BADGE DENON	BKE3,BKE2	5630210028300S	1	

Ref. No.	Part No.	Part Name	Remarks		Q'ty	New	
7	00D9630362202	BADGE DENON	SPE2	5630210028400S	1		
8	963402002780D	PANEL FRONT	BKE3	3067214141000S	1	*	
8	963402002970D	PANEL FRONT	BKE2	3067214141100S	1	*	
8	963402002910D	PANEL FRONT	SPE2	3067214141200S	1	*	
9	00D9630137807	LENS STANDBY		3710210503000S	1		
10	963411002820S	BUTTON-ASSY STANDBY(KD)	BKE3,BKE2	5098212361000SZ	1	*	
10	00D9630221904	BUTTON-ASSY STANDBY	SPE2	5097212368030SZ	1		
15	00D9630365002	BUTTON WIN 3KEY	BKE3,BKE2	5097213371000S	2		
15	00D9630365301	BUTTON WIN 3KEY	SPE2	5097213371110S	2		
16	00D9630365404	BUTTON WIN 6KEY	BKE3,BKE2	5097213361000S	1		
16	00D9630365703	BUTTON WIN 6KEY	SPE2	5097213361110S	1		
18	nsp	HEAT SINK MAIN		2120210538100S	1	*	
19	nsp	BRACKET H SINK		4010056906010S	5	*	
22	963407003060S	FOOT ASSY		4000040201020S	4	*	
23	nsp	CHASSIS MAIN		3200200026050S	1	*	
24	nsp	CUSHION UP-CNT1		4050211665000S	2		
25	nsp	SPACER		4300040561010S	6	*	
△	28	963101002870S	POWER TRANS	BKE3	8200960560180S	1	*
△	28	963101003050S	POWER TRANS	BKE2,SPE2	8200960560190S	1	*
	34	963406003040D	CHASSIS BACK	BKE3	3207212636000S	1	*
	34	963406003030D	CHASSIS BACK	BKE2,SPE2	3207212636010S	1	*
△	35	nsp	STOPPER		4380040162010S	1	*
△	36	963611003020S	CORD ASSY	BKE3	L068125100050S	1	*
△	36	90M-YC000960R	CORD ASSY	BKE2,SPE2	L068250250100S	1	*
	37	963403002770D	CABINET TOP	BKE3,BKE2	3000211236000S	1	*
	37	963401002900D	CABINET TOP	SPE2	3000211236100S	1	*
	38	nsp	CLAMP WIRE(MTG)		4330000310000S	4	
	39	nsp	CUSHION		4050211365000S	1	*
	40	nsp	CUSHION		4050210485000S	1	*
	41	00D9600187900	POSISTOR		F320171020240S	1	
	42	nsp	SHEET CABINET		1210210235000S	4	*
★	45	00D9960018706	TR PNP 2SB1560-Y	Q206C,Q206FL,Q206FR, Q206SL,Q206SR	J5011560Y0000S	5	
★	46	00D9630280107	TR NPN 2SC3964	Q204C,Q204FL,Q204FR, Q204SL,Q204SR	J502396400000S	5	
★	47	00D9960018706	TR NPN 2SD2390-Y	Q205C,Q205FL,Q205FR, Q205SL,Q205SR	J5032390Y0000S	5	
★	48	963606003010S	CABLE,FLAT CARD 1.25MM		N712192233810S	1	
★	49	nsp	CLAMP		4330040343010S	3	
SCREWS							
	A	nsp	SCREW,TAP TITE(+2S 3*8 B-TYPE ZNW/BH)		B020030081B10S	60	
	B	nsp	SCREW,TAP TITE(+2S 3*8 B-TYPE BK/BH)	BKE3,BKE2	B020030083B10S	3	*
	B	nsp	SCREW,TAP TITE(+2S 3*8 B-TYPE NI/BH)	SPE2	B020030084B10S	3	*
	C	nsp	SCREW(+2S 3*16+S-WASHER ZNW/HH)		1507041146010S	15	*
	D	nsp	SCREW,TAP TITE ASSY(+3S 4*10 P+S-WASHER ZNW/BH)		B028940101B10S	4	
	E	nsp	SCREW,TAP TITE(3X18 B-TYPE ZNW/BH)		B020030181B10S	6	*
	F	nsp	SCREW(+2S 3*8 ZnY WASHER PI12)		1500001456010S	1	
	G	nsp	SCREW,TAP TITE(+2S 3*10 B-TYPE(DOT) BK/BH)		B020030103B11S	33	
	H	00D9630048307	SCREW(+2S 4*8 B-TYPE(DOT) BK/BH)	BKE3,BKE2	1500040083B10S	6	
	H	00D9639004012	SCREW(+2S 4*8 B-TYPE(DOT) NI/BH)	SPE2	1500040084B10S	6	
	J	nsp	SCREW,TAP TITE(+3S 3*8 BK/BH)		B020930083B10S	3	

SYS-390HT

DSW-390

Ref.No.	Part No.	Part Name	Remarks		Q'ty	New
1	nsp	CABINET ASS'Y		BHQBDN223001	1	
2	959189000130D	DRIVER ASS'Y		LB0800400006	1	*
3	00DSCF1020005	SCREW		LS4212010001	6	
4	959189000140D	AMPLIFIER	for E2	BHFDDN219001	1	*
4	959189000170D	AMPLIFIER	for E3	BHFDDN235001	1	*
5	959544000190D	REAR STICKER	for E2	YS0490600001	1	*
5	959544000210D	REAR STICKER	for E3	YS0400610007	1	*
6	nsp	SERIAL STICKER		YS0570210310	1	
7	00DSCF1020005	SCREW		LS4212010001	8	

SC-F390

Ref.No.	Part No.	Part Name	Remarks		Q'ty	New
1	959328000060D	SPEAKER ASS'Y		CP10DN221001	1	*
2	959544000070D	REAR STICKER	for FRONT L	YS0480600014	1	*
2	959544000080D	REAR STICKER	for FRONT R	YS0480600015	1	*

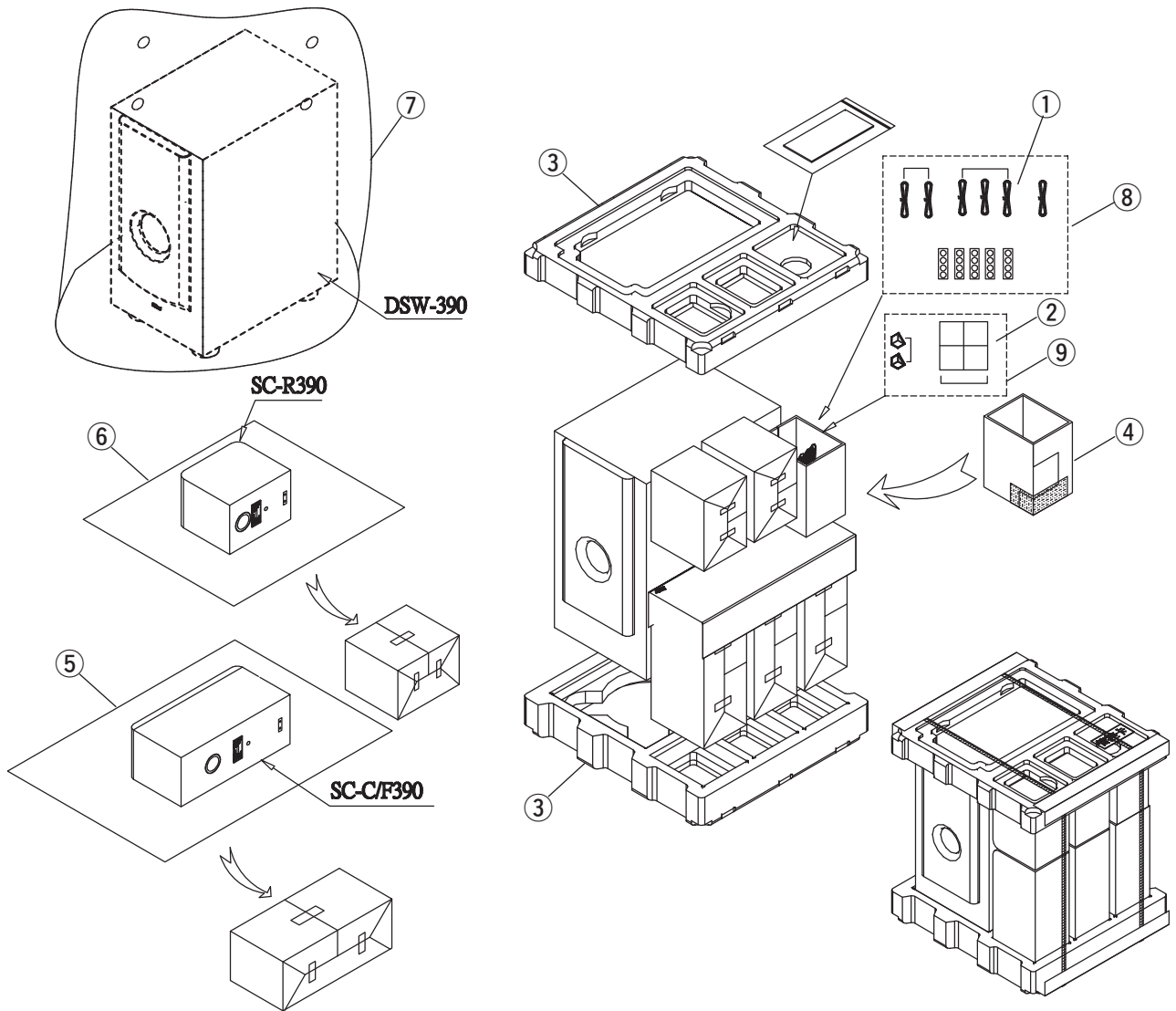
SC-C390

Ref.No.	Part No.	Part Name	Remarks		Q'ty	New
1	959328000090D	SPEAKER ASS'Y		CP10DN222001	1	*
2	959544000180D	REAR STICKER		YS0480600016	1	*

SC-R390

Ref.No.	Part No.	Part Name	Remarks		Q'ty	New
1	959328000100D	SPEAKER ASS'Y		CP10DN220001	1	*
2	959544000110D	REAR STICKER	for SURROUND L	YS0480600012	1	*
2	959544000120D	REAR STICKER	for SURROUND R	YS0480600013	1	*

SYS-390 PACKING VIEW

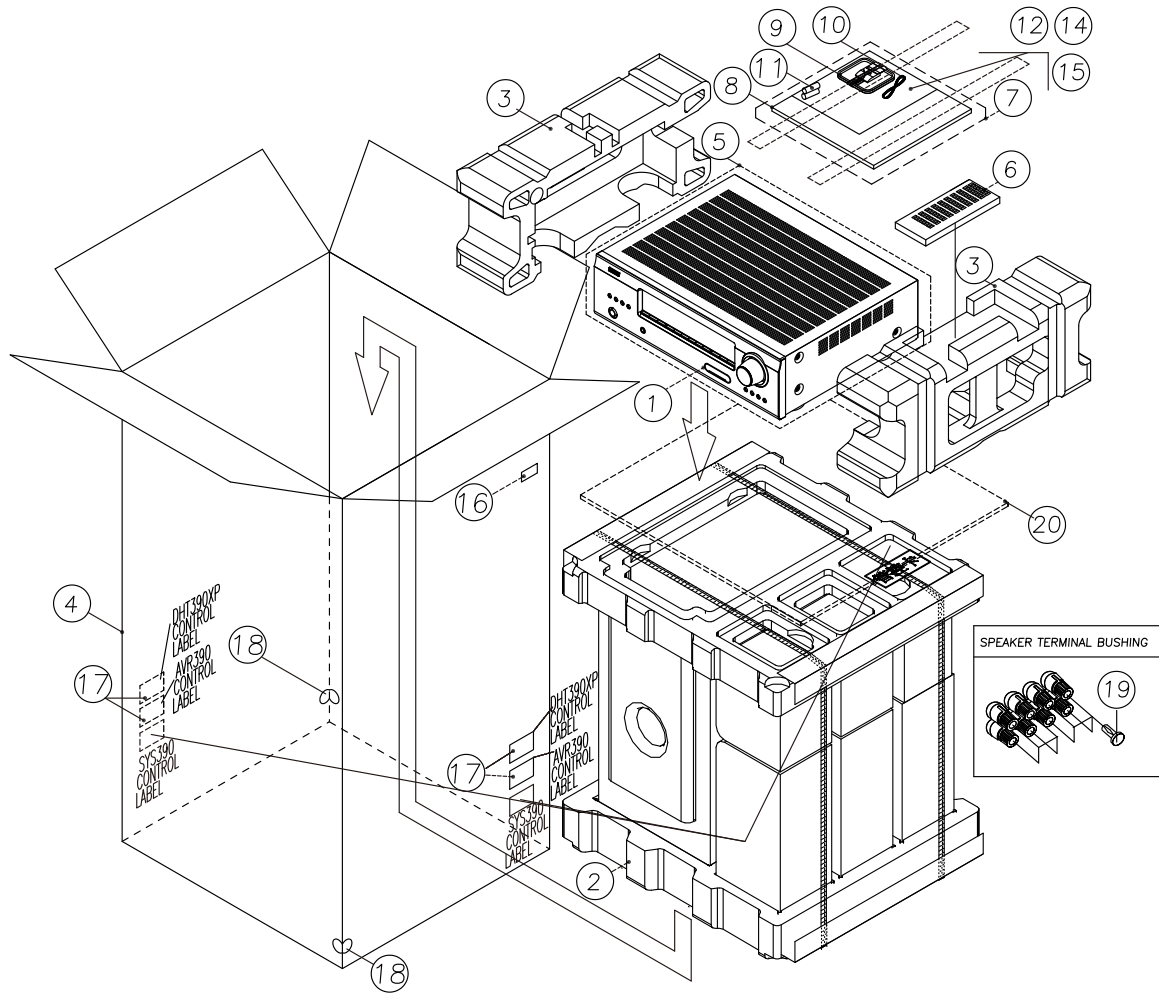


SYS-390 PARTS LIST OF PACKING & ACCESSORIES

- * Parts for which "nsp" is indicated on this table cannot be supplied.
- * The parts listed below are for maintenance only, might differ from the parts used in the unit in appearances or dimensions.

Ref.No.	Part No.	Part Name	Remarks	Q'ty	New
1	959614000150D	SPEAKER WIRE ASS'Y		CP70DN240001	1 *
2	959479000200D	CORNER PROTECTOR		BHFJDN219002	2 *
3	959533000160D	POLYFOAM ASS'Y		CP70DN241001	1 *
4	nsp	PAPER OVERSLEEVE		BZ1800000395	1
5	nsp	MICROSOFT		BZ0500000051	1
6	nsp	MICROSOFT		BZ0500000052	1
7	nsp	MICROSOFT		BZ0500000053	1
8	nsp	POLY BAG		BZ0400000034	1
9	nsp	ZIPPER BAG		BZ13ML000001	1

DHT-390 PACKING VIEW



DHT-390 PARTS LIST OF PACKING & ACCESSORIES

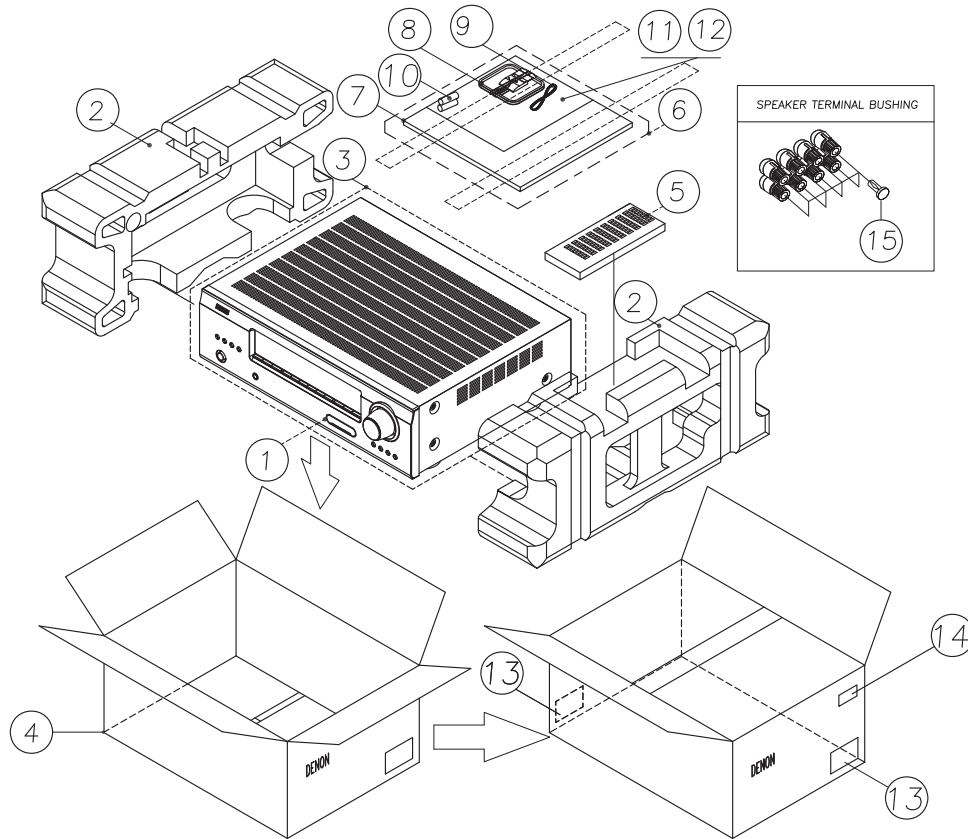
- * Parts for which "nsp" is indicated on this table cannot be supplied.
- * The parts listed below are for maintenance only, might differ from the parts used in the unit in appearances or dimensions.

Note: The symbols in the column "Remarks" indicate the following destinations.
 BKE3 : U.S.A. & Canada model (Black model)
 BKE2 : Europe model (Black model)
 SPE2 : Europe model (Premium Silver model)

Ref No.	Part No.	Part Name	Remarks		Q'ty	New
1	-	SET		-	-	
2	-	SPEAKER SYSTEM		-	-	
3	963533003250D	CUSHION ASSY L/R		6230212464000S	1	*
4	963531002840D	BOX,GIFT	BKE2,BKE3	6007211320000S	1	*
4	963531002950D	BOX,GIFT	SPE2	6007211320010S	1	*
5	00D5040192106	PE,SHEET SET		6327040059000S	1	
6	963307002890D	REMOCON (RC-1115)		8300011150010S	1	*
7	nsp	POLY BAG		6330000240000S	1	
8	963541002830D	INSTRUCTION MANUAL	BKE3	570700001810S	1	*
8	963541002940D	INSTRUCTION MANUAL	BKE2,SPE2	570700001820S	1	*
9	90M-ZA000260R	ANTENNA,LOOP WIRE 9.5UH		E601016000010S	1	*
10	00D9630158006	ANTENNA,WIRE (FM)		E605010070001S	1	*
11	nsp	BATTERY,DRY (AAA)		G670001R50210S	1	
12	963541002980D	QUICK MANUAL	BKE3	5227000000820S	1	*
12	963541003000D	QUICK MANUAL	BKE2,SPE2	5227000000830S	1	*
14	nsp	CARD S.S LIST		577700162001ES	1	
15	nsp	CARD WARRANTY	BKE3	5777001610039S	1	
16	nsp	LABEL UPC LABEL	BKE3	5507000003180S	1	*
16	nsp	LABEL UPC LABEL	BKE2	5507000003190S	1	*
16	nsp	LABEL EAN LABEL	SPE2	5507000003300S	1	*

Ref No.	Part No.	Part Name	Remarks		Q'ty	New
17	nsp	LABEL CONTROL		5500014920010S	1	
18	nsp	LABEL COLOR	SPE2	5507020170680S	2	
19	nsp	BUSHING THERMINAL	BKE2,SPE2	2410040353010S	10	
20	nsp	PAD BOX		6240210670000S	1	*
★ 21	nsp	LABEL SERIAL NO.		5507002000070S	1	

AVR-390 PACKING VIEW (for E2 Black model only)



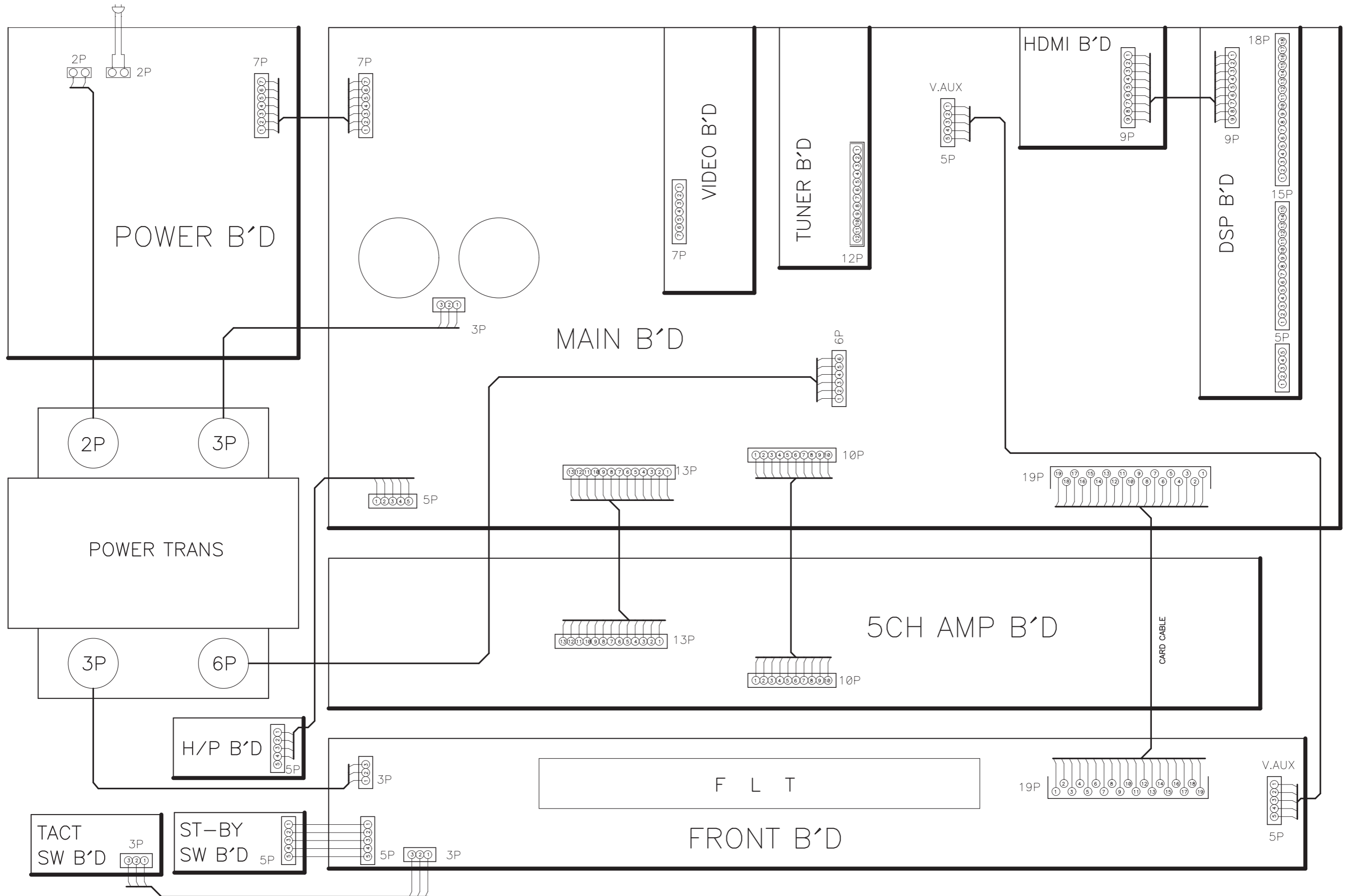
AVR-390 PARTS LIST OF PACKING & ACCESSORIES (for E2 Black model only)

* Parts for which "nsp" is indicated on this table cannot be supplied.

* The parts listed below are for maintenance only, might differ from the parts used in the unit in appearances or dimensions.


Ref No.	Part No.	Part Name	Remarks		Q'ty	New
1	-	SET			1	
2	963533002850D	CUSHION,SNOW		6230212394000S	1	*
3	00D5040192106	PE,SHEET SET		6327040059000S	1	
4	963531003260D	BOX,GIFT		6007211380000S	1	*
5	963307002890D	REMOCON(RC-1115)		8300011150010S	1	
6	nsp	POLY BAG		6330000240000S	1	
7	963541003270D	INSTRUCTION MANUAL		5707000002120S	1	*
8	90M-ZA000260R	ANTENNA,LOOP WIRE 9.5UH		E601016000010S	1	
9	00D9630158006	ANTENNA,WIRE (FM)		E605010070001S	1	
10	nsp	BATTERY,DRY (AAA)		G670001R50210S	2	
11	963543003280D	QUICK MANUAL		5227000000870S	1	*
12	nsp	CARD S.S LIST		577700162001ES	1	
13	nsp	LABEL CONTROL		5500014920010S	2	
14	nsp	LABEL EAN		5507000003600S	1	*
15	nsp	BUSHING THERMINAL		2410040353010S	10	

WIRING DIAGRAMS



NOTE FOR SCHEMATIC DIAGRAM

WARNING:

Parts marked with this symbol  have critical characteristics.
Use ONLY replacement parts recommended by the manufacturer.

CAUTION:

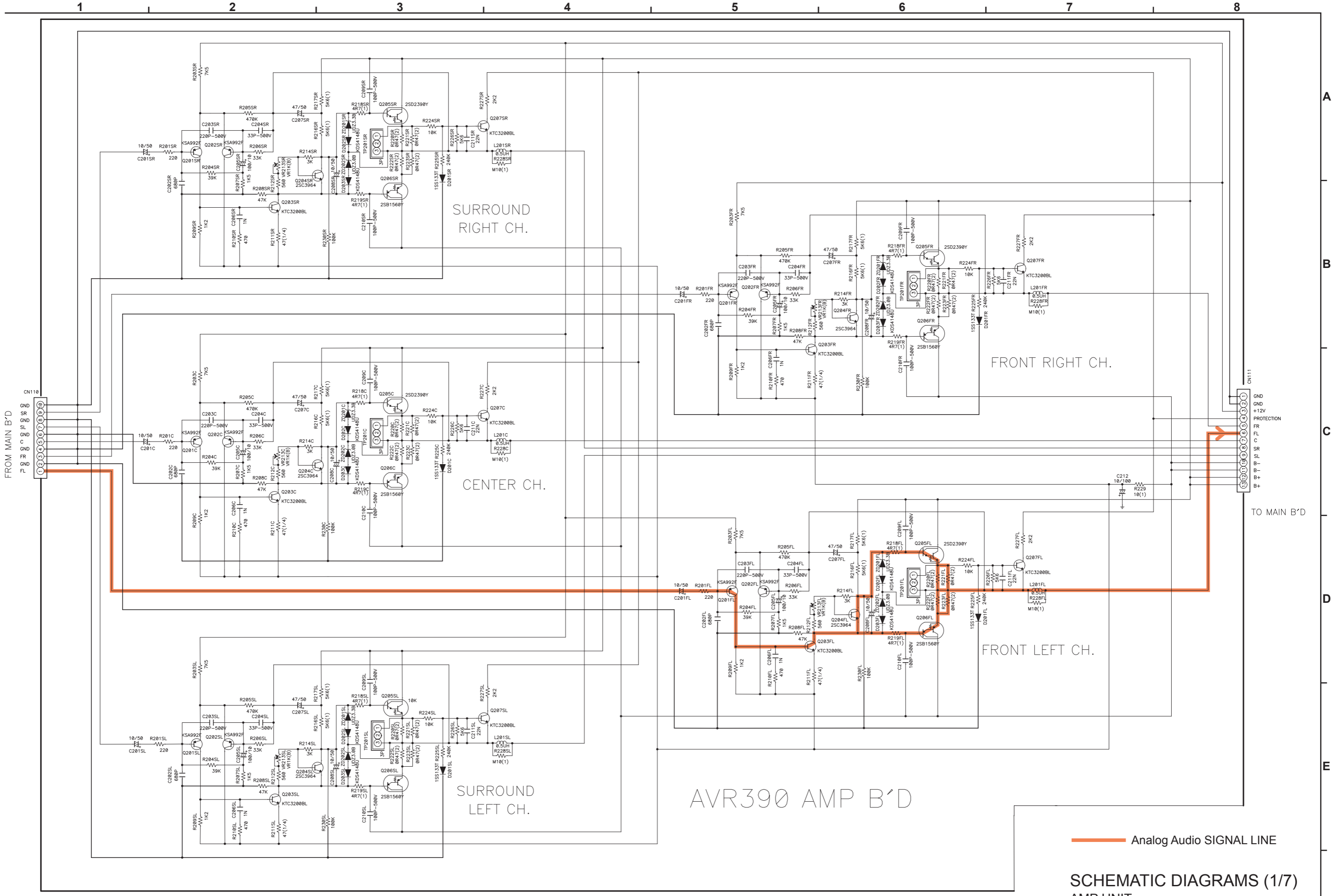
Before returning the unit to the customer, make sure you make either (1) a leakage current check or (2) a line to chassis resistance check. If the leakage current exceeds 0.5 milliamps, or if the resistance from chassis to either side of the power cord is less than 460 kohms, the unit is defective.

WARNING:

DO NOT return the unit to the customer until the problem is located and corrected.

NOTICE:

ALL RESISTANCE VALUES IN OHM. k=1,000 OHM
M=1,000,000 OHM
ALL CAPACITANCE VALUES IN MICRO FARAD.
P=MICRO-MICRO FARAD
EACH VOLTAGE AND CURRENT ARE MEASURED AT
NO SIGNAL INPUT CONDITION.
CIRCUIT AND PARTS ARE SUBJECT TO CHANGE
WITHOUT PRIOR NOTICE.



FROM MAIN B'D

TO MAIN B'D

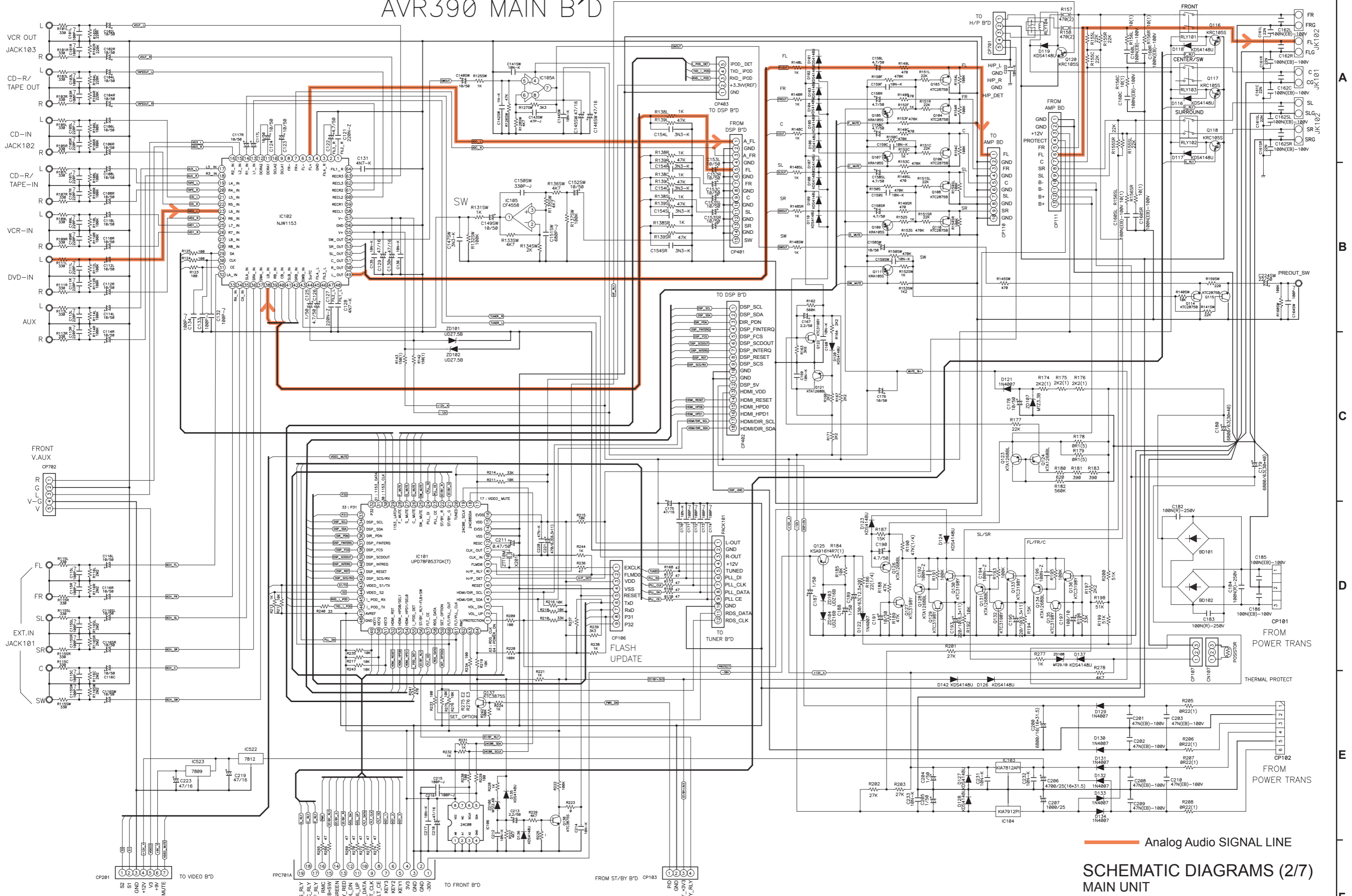
— Analog Audio SIGNAL LINE

SCHEMATIC DIAGRAMS (1/7)
AMP UNIT

DHT-390XP

AVR-390

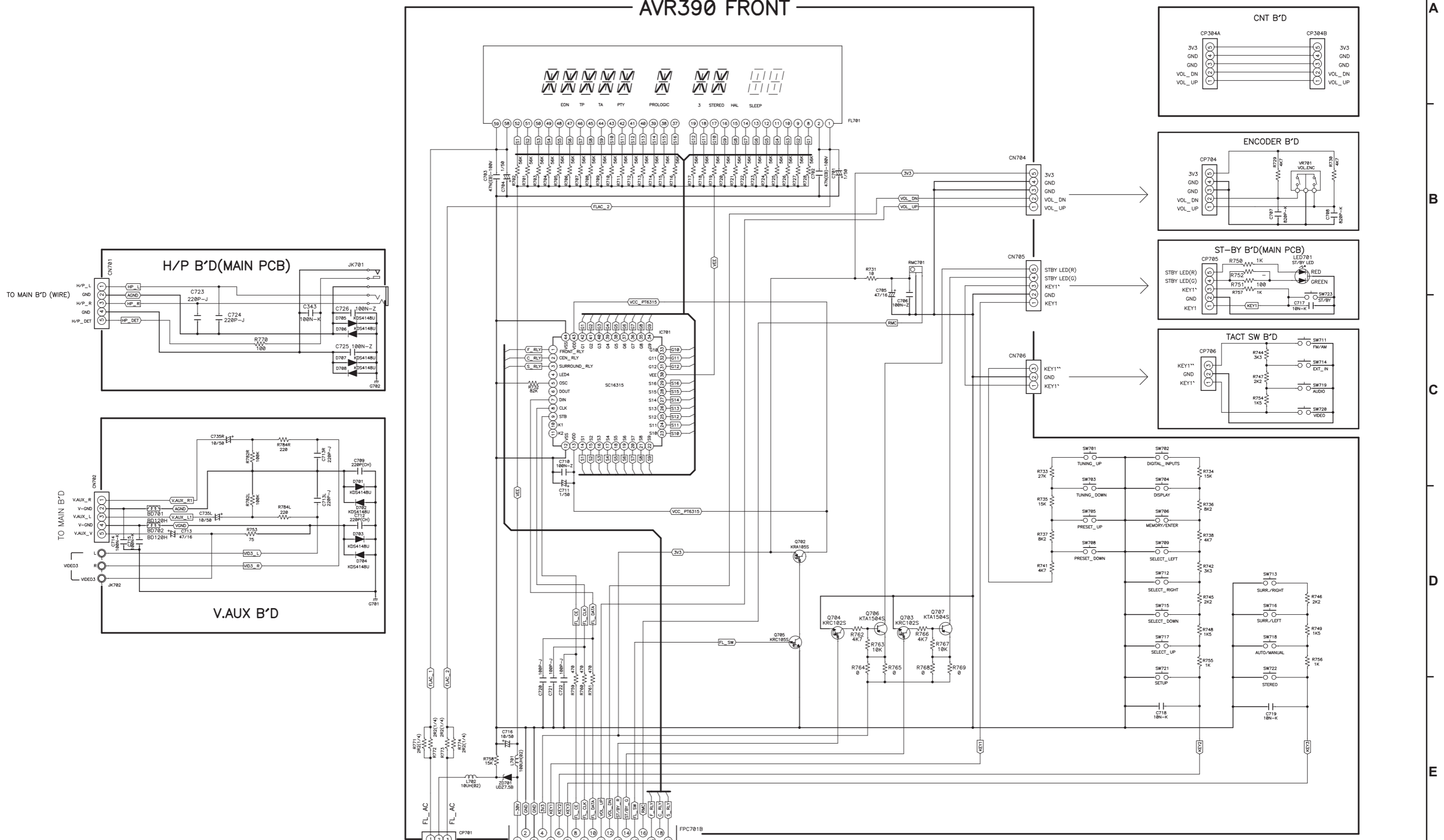
AVR390 MAIN B'D



— Analog Audio SIGNAL LINE

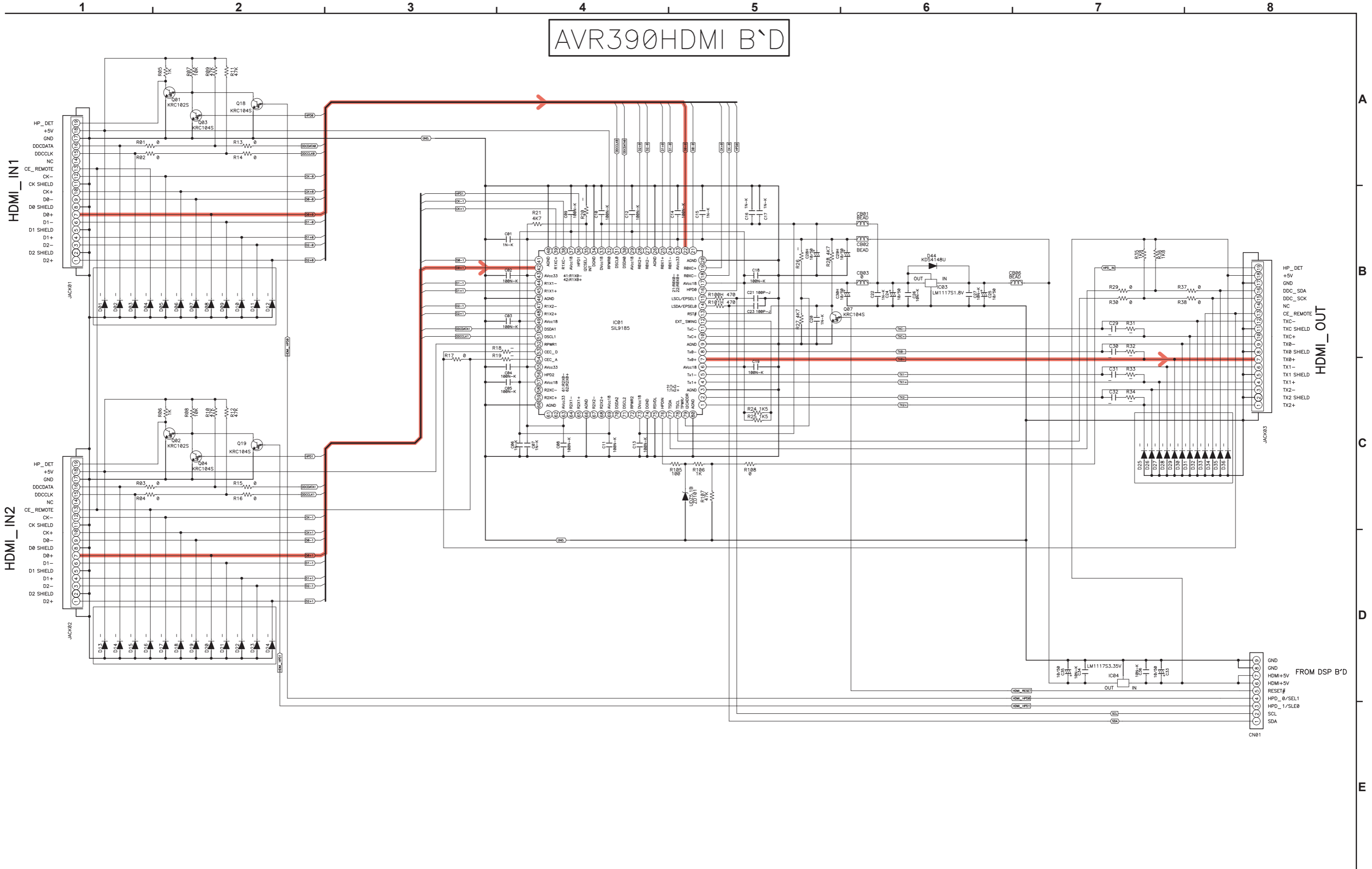
SCHEMATIC DIAGRAMS (2/7) MAIN UNIT

AVR390 FRONT



SCHEMATIC DIAGRAMS (3/7)
 FRONT UNIT H/P UNIT
 V.AUX UNIT (MAIN UNIT section)
 ENCODER UNIT ST-BY UNIT
 TACT-SW UNIT (MAIN UNIT section)
 CNT UNIT

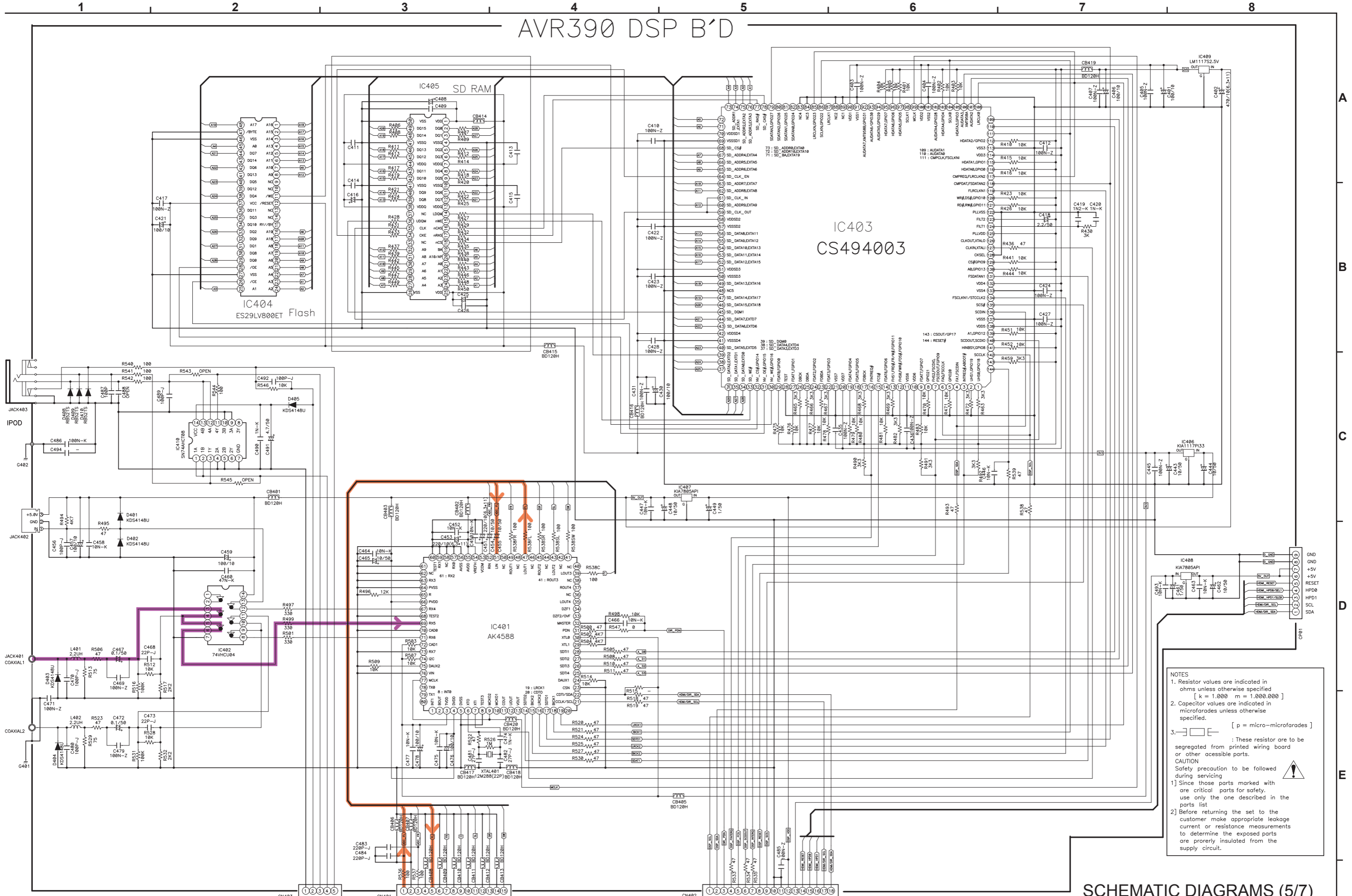
AVR390HDMI B'D



— HDMI/TMDS SIGNAL LINE

SCHEMATIC DIAGRAMS (4/7) HDMI UNIT

AVR390 DSP B'D



NOTES

- Resistor values are indicated in ohms unless otherwise specified [k = 1,000 m = 1,000,000]
- Capacitor values are indicated in microfarads unless otherwise specified. [p = micro-microfarades]
- These resistors are to be segregated from printed wiring board or other accessible parts.

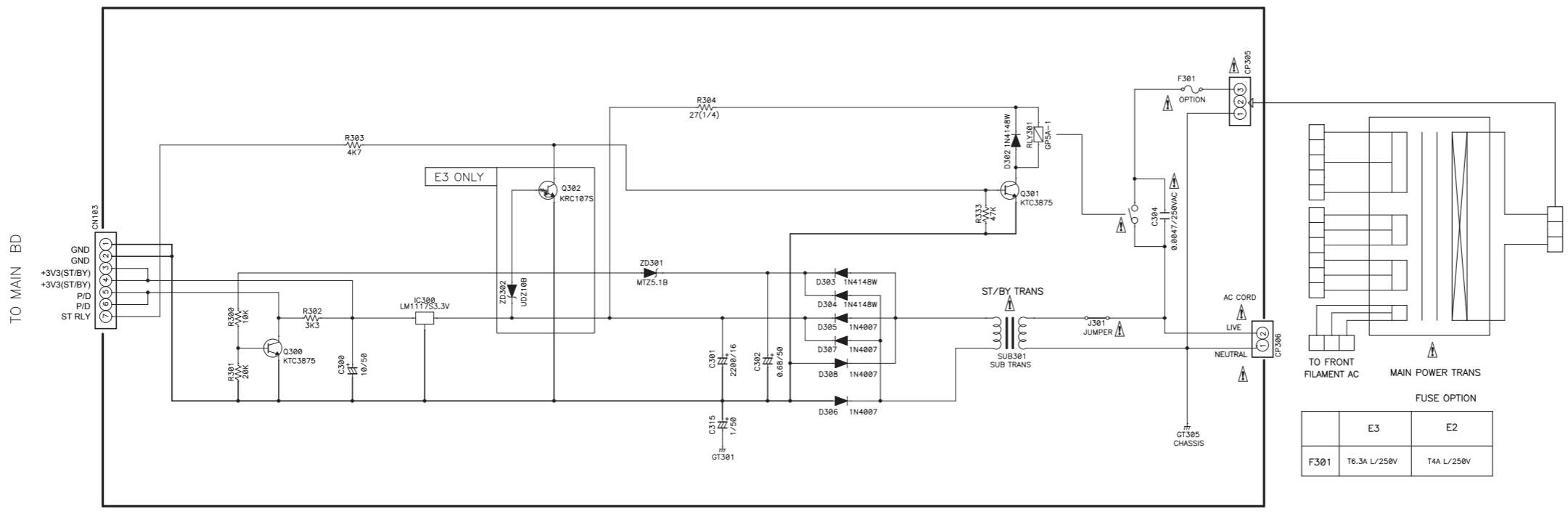
CAUTION
Safety precaution to be followed during servicing

- Since those parts marked with are critical parts for safety, use only the one described in the parts list
- Before returning the set to the customer, make appropriate leakage current or resistance measurements to determine the exposed parts are properly insulated from the supply circuit.

SCHEMATIC DIAGRAMS (5/7)
DSP UNIT

— Analog Audio SIGNAL LINE
— Digital Audio SIGNAL LINE

AVR390 POWER B'D



FUSE OPTION

	E3	E2
F301	T6.3A L/250V	T4A L/250V

⚠ INDICATES SAFETY CRITICAL COMPONENTS.
 TO REDUCE THE RISK OF ELECTRIC SHOCK, LEAKAGE CURRENT OR RESISTANCE MEASUREMENTS SHALL BE CARRIED OUT (EXPOSED PARTS ARE ACCEPTABLY INSULATED FROM THE SUPPLY CIRCUIT) BEFORE THE APPLIANCE RETURNED TO THE CUSTOMER.

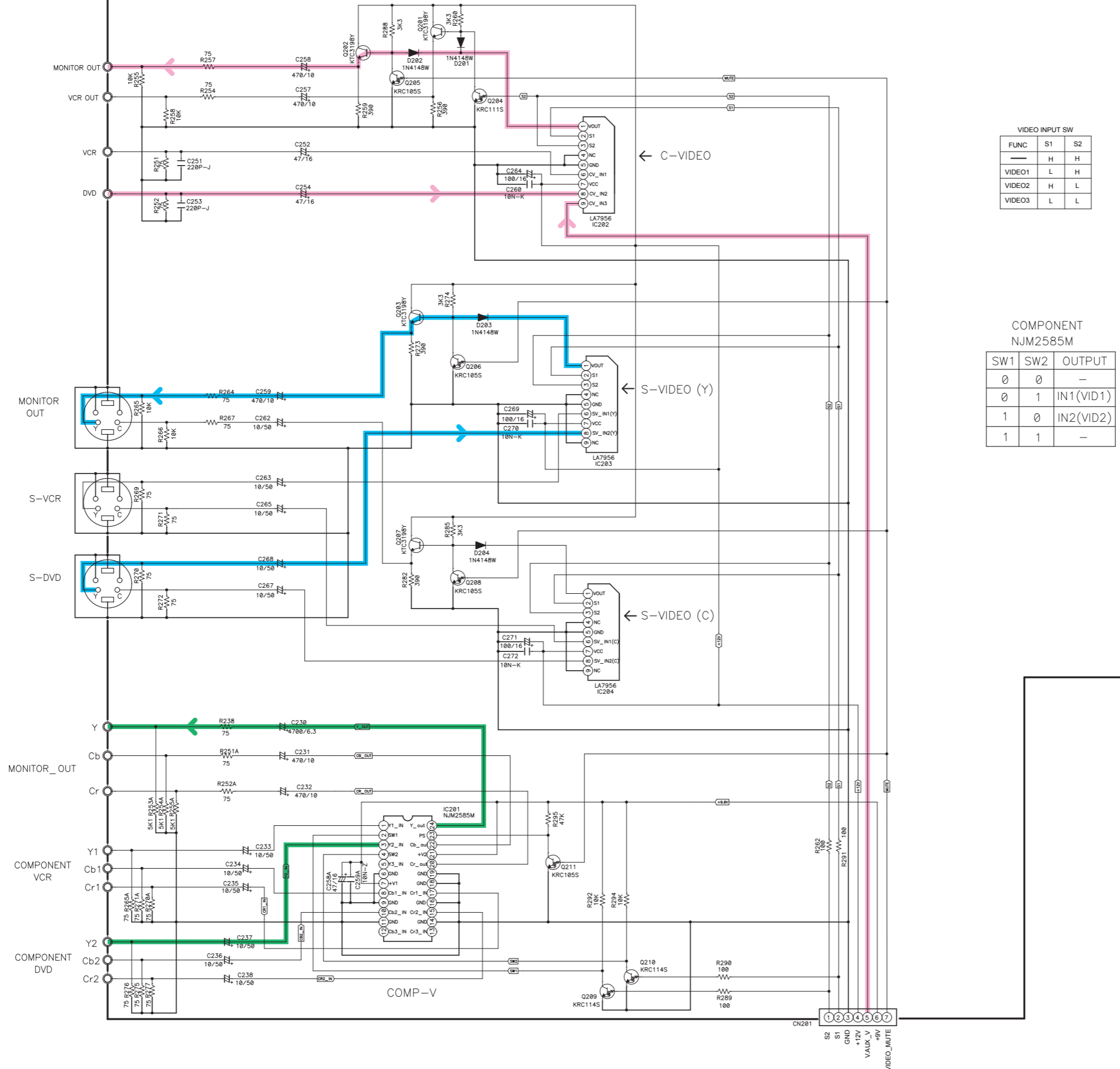
NOTES

- Resistor values are indicated in ohms unless otherwise specified [k = 1.000 m = 1.000.000]
- Capacitor values are indicated in microfarads unless otherwise specified. [p = micro-microfarads]
- : These resistor are to be segregated from printed wiring board or other accessible parts.

CAUTION
 Safety precaution to be followed during servicing

- Since those parts marked with are critical parts for safety, use only the one described in the parts list.
- Before returning the set to the customer make appropriate leakage current or resistance measurements to determine the exposed parts are properly insulated from the supply circuit.

AVR390 VIDEO B'D



VIDEO INPUT SW

FUNC	S1	S2
VIDEO1	L	H
VIDEO2	H	L
VIDEO3	L	L

COMPONENT NJM2585M

SW1	SW2	OUTPUT
0	0	-
0	1	IN1(VID1)
1	0	IN2(VID2)
1	1	-

— Video SIGNAL LINE
— S-Video-Y SIGNAL LINE
— Compunet-Y SIGNAL LINE

SCHEMATIC DIAGRAMS (7/7) VIDEO UNIT

A
B
C
D
E
F