

## SERVICE MANUAL

MODEL	JP	E3	E2	EK	E2A	E2C	E1K	EUT
DN-X1100		✓	✓					

### DJ MIXER

• For purposes of improvement, specifications and design are subject to change without notice.

• Please use this service manual with referring to the operating instructions without fail.

• Some illustrations using in this service manual are slightly different from the actual set.

## SAFETY PRECAUTIONS

The following check should be performed for the continued protection of the customer and service technician.

### LEAKAGE CURRENT CHECK

Before returning the unit to the customer, make sure you make either (1) a leakage current check or (2) a line to chassis resistance check. If the leakage current exceeds 0.5 milliamps, or if the resistance from chassis to either side of the power cord is less than 460 kohms, the unit is defective.

**CAUTION** Please heed the points listed below during servicing and inspection.

#### ⊙ Heed the cautions!

Spots requiring particular attention when servicing, such as the cabinet, parts, chassis, etc., have cautions indicated on labels or seals. Be sure to heed these cautions and the cautions indicated in the handling instructions.

#### ⊙ Caution concerning electric shock!

- (1) An AC voltage is impressed on this set, so touching internal metal parts when the set is energized could cause electric shock. Take care to avoid electric shock, by for example using an isolating transformer and gloves when servicing while the set is energized, unplugging the power cord when replacing parts, etc.
- (2) There are high voltage parts inside. Handle with extra care when the set is energized.

#### ⊙ Caution concerning disassembly and assembly!

Though great care is taken when manufacturing parts from sheet metal, there may in some rare cases be burrs on the edges of parts which could cause injury if fingers are moved across them. Use gloves to protect your hands.

#### ⊙ Only use designated parts!

The set's parts have specific safety properties (fire resistance, voltage resistance, etc.). For replacement parts, be sure to use parts which have the same properties. In particular, for the important safety parts that are marked  $\triangle$  on wiring diagrams and parts lists, be sure to use the designated parts.

#### ⊙ Be sure to mount parts and arrange the wires as they were originally!

For safety reasons, some parts use tape, tubes or other insulating materials, and some parts are mounted away from the surface of printed circuit boards. Care is also taken with the positions of the wires inside and clamps are used to keep wires away from heating and high voltage parts, so be sure to set everything back as it was originally.

#### ⊙ Inspect for safety after servicing!

Check that all screws, parts and wires removed or disconnected for servicing have been put back in their original positions, inspect that no parts around the area that has been serviced have been negatively affected, conduct an insulation check on the external metal connectors and between the blades of the power plug, and otherwise check that safety is ensured.

(Insulation check procedure)

Unplug the power cord from the power outlet, disconnect the antenna, plugs, etc., and turn the power switch on. Using a 500V insulation resistance tester, check that the insulation resistance between the terminals of the power plug and the externally exposed metal parts (antenna terminal, headphones terminal, microphone terminal, input terminal, etc.) is  $1M\Omega$  or greater. If it is less, the set must be inspected and repaired.

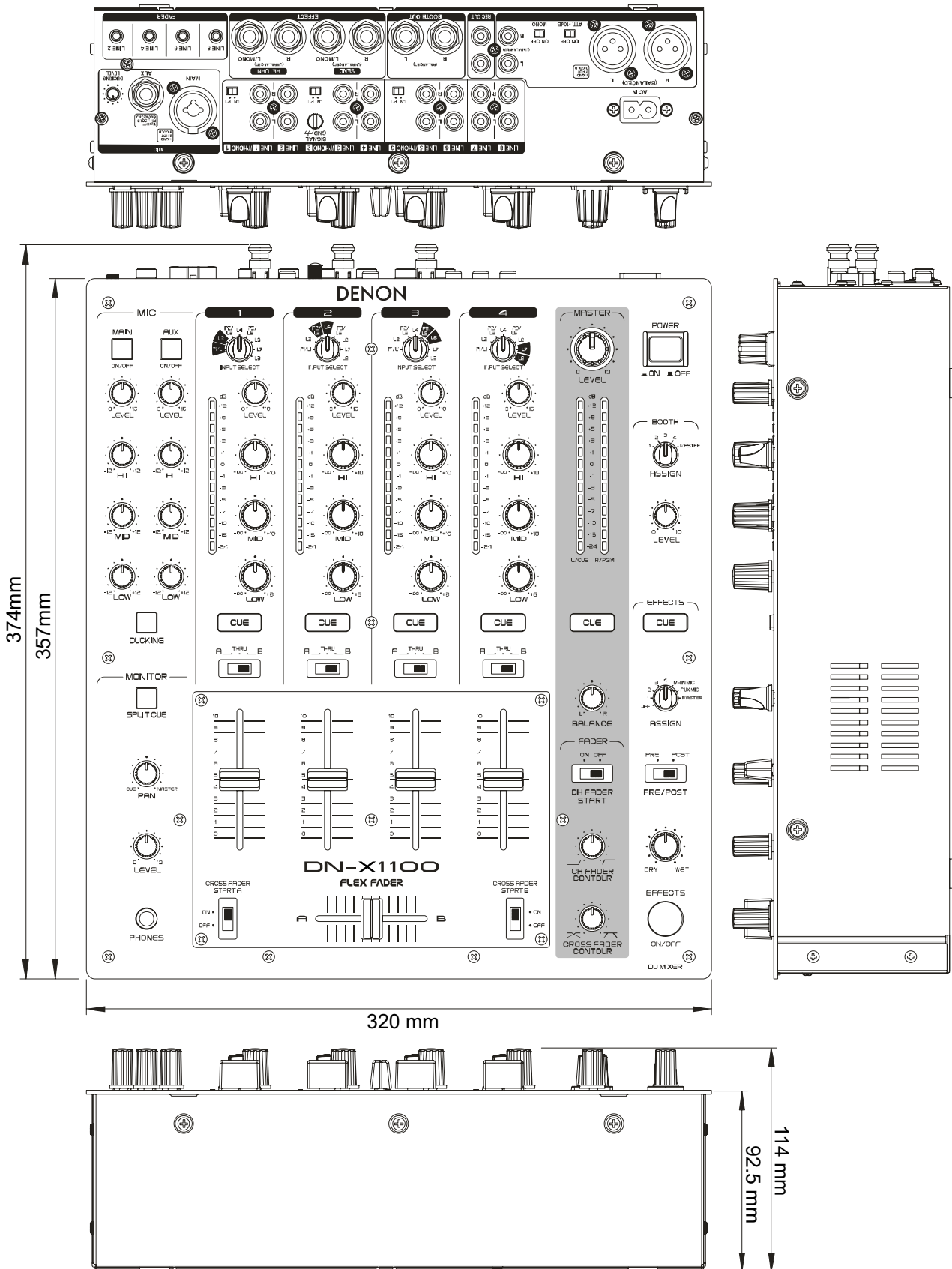
### **CAUTION** Concerning important safety parts

Many of the electric and structural parts used in the set have special safety properties. In most cases these properties are difficult to distinguish by sight, and using replacement parts with higher ratings (rated power and withstand voltage) does not necessarily guarantee that safety performance will be preserved. Parts with safety properties are indicated as shown below on the wiring diagrams and parts lists in this service manual. Be sure to replace them with parts with the designated part number.

- (1) Schematic diagrams ... Indicated by the  $\triangle$  mark.
- (2) Parts lists ... Indicated by the  $\triangle$  mark.

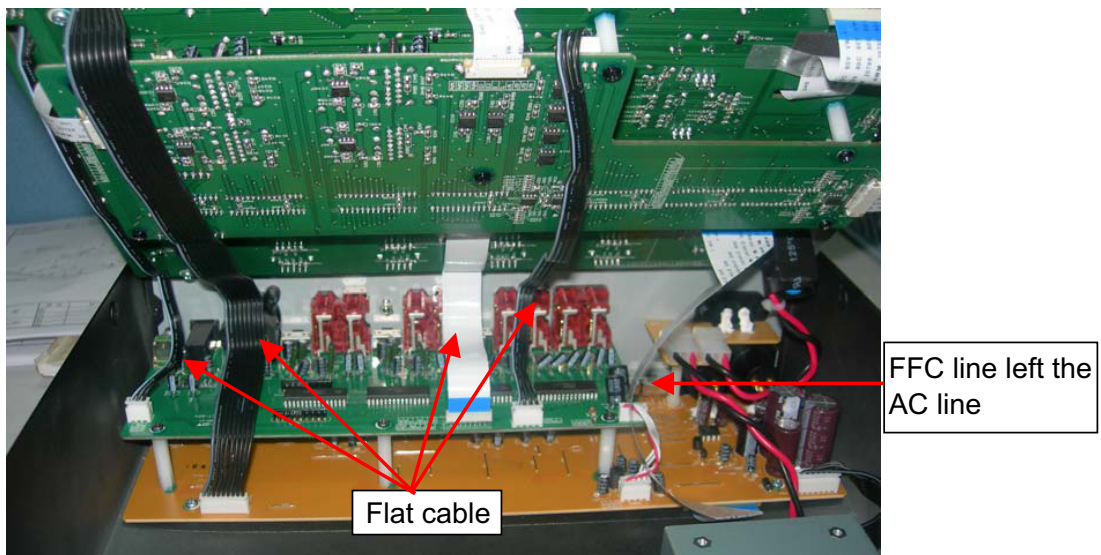
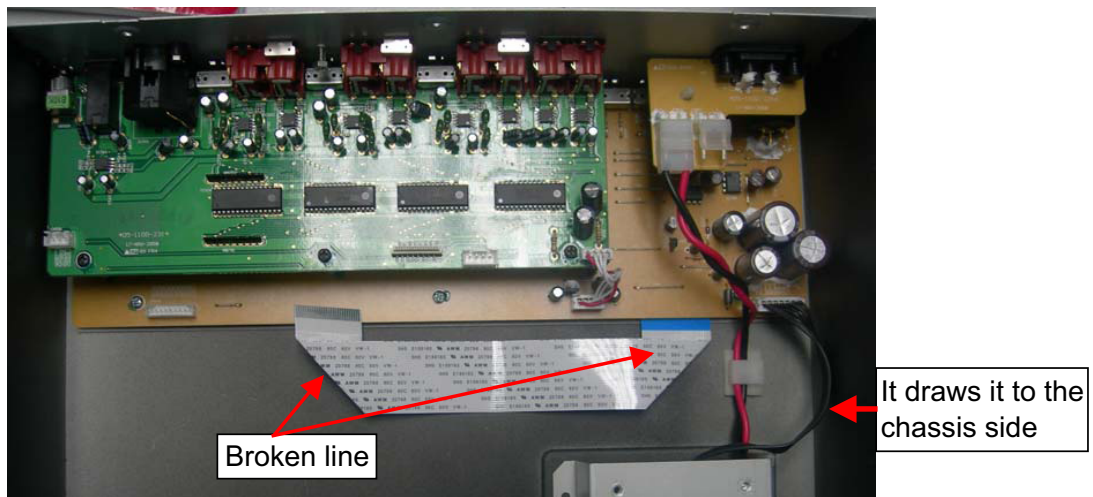
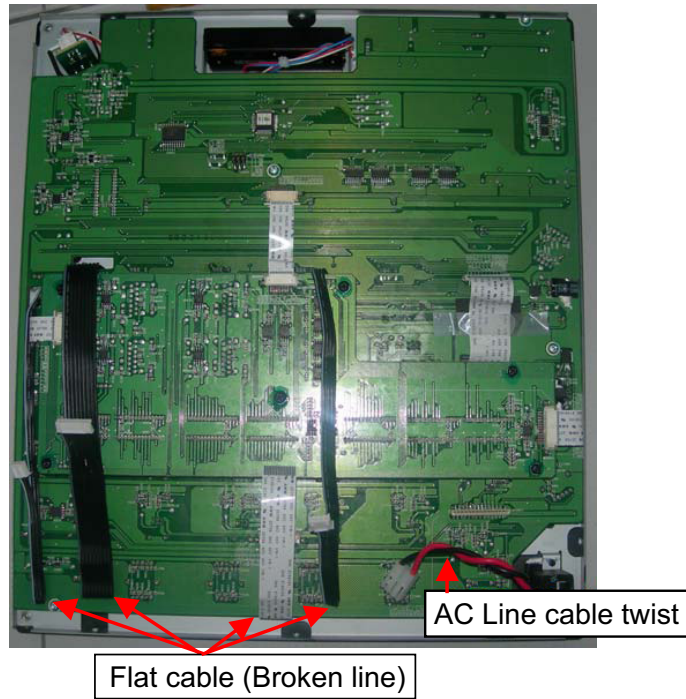
Using parts other than the designated parts could result in electric shock, fires or other dangerous situations.

# DIMENSION

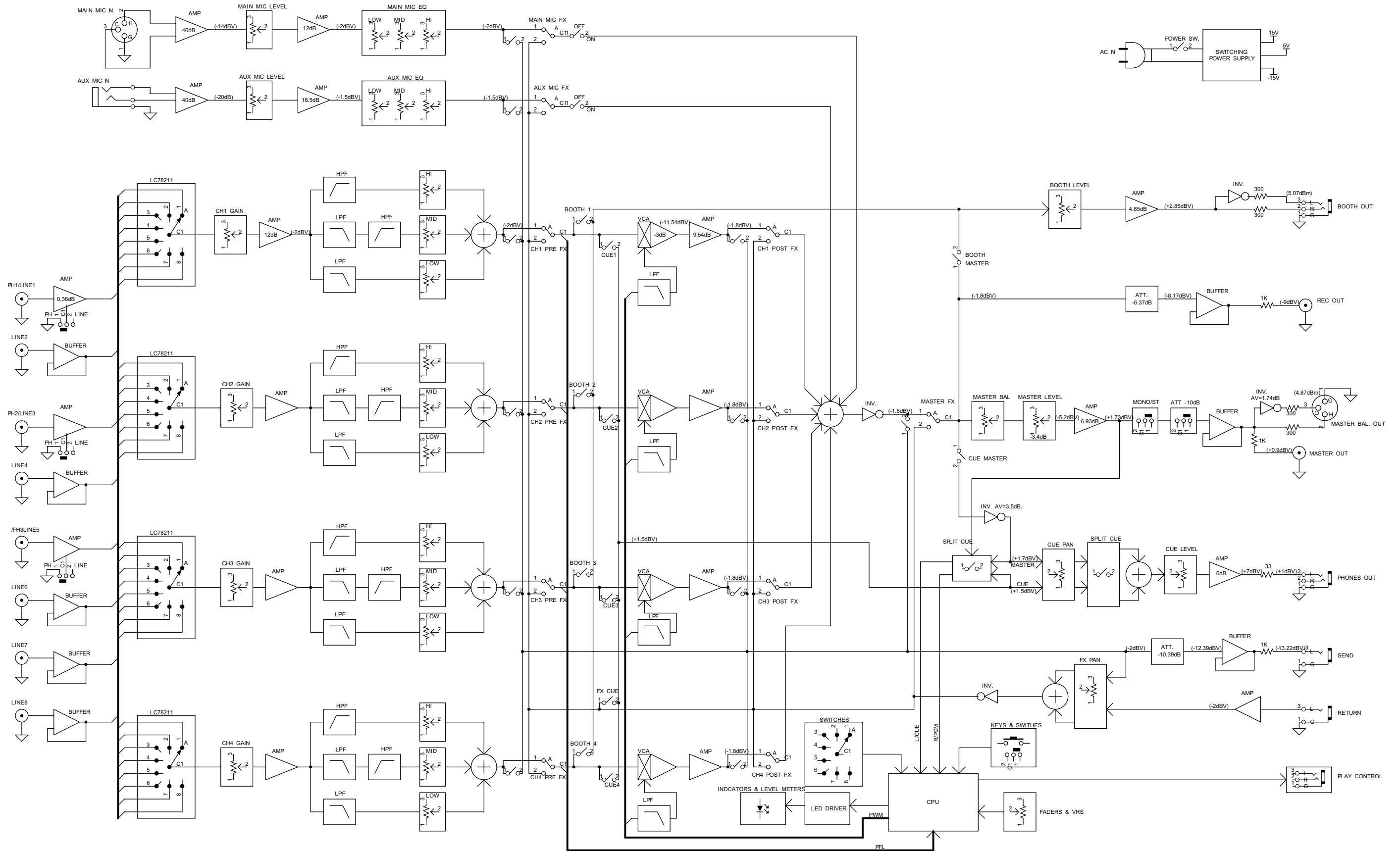


# WIRE ARRANGEMENT

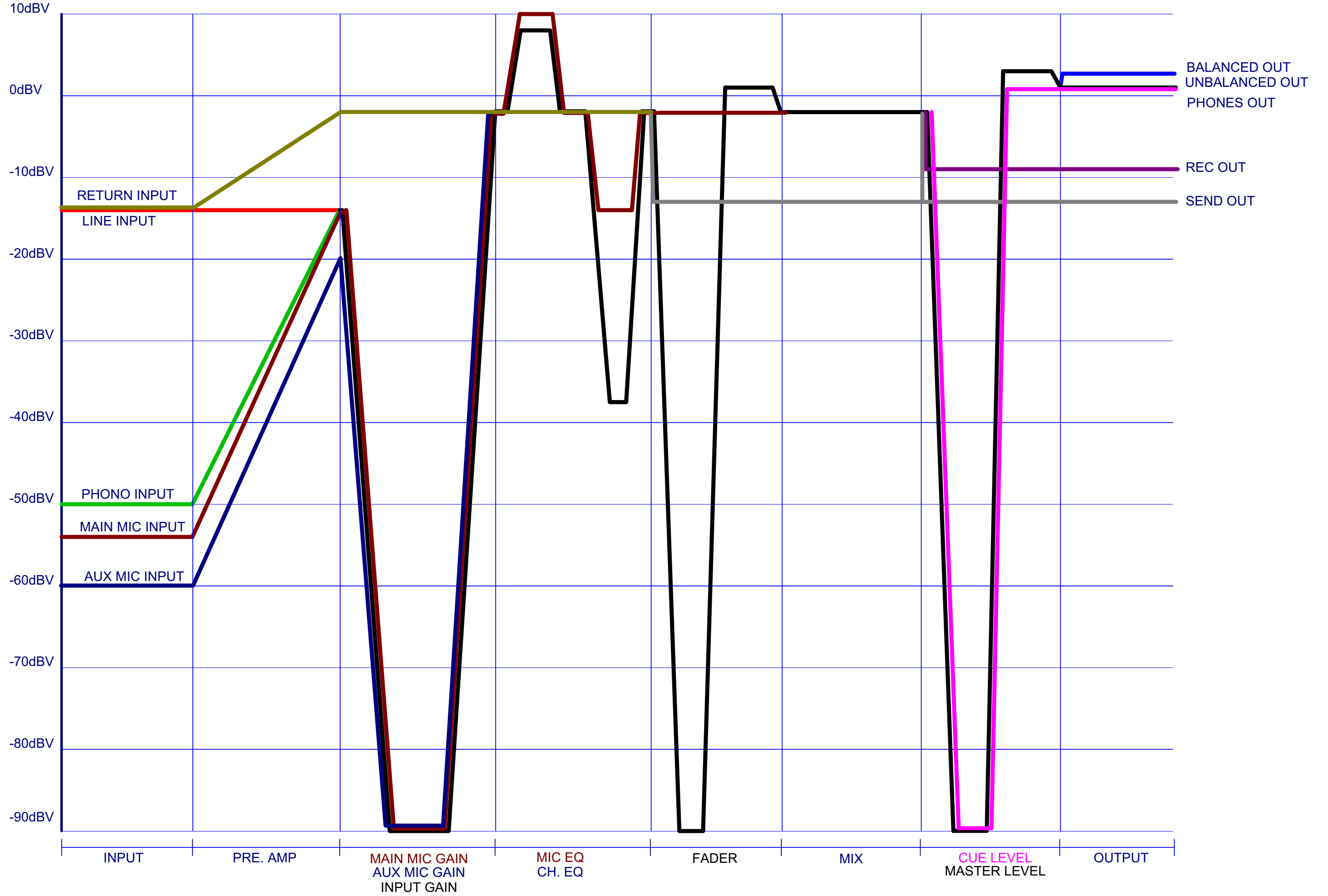
If wire bundles are untied or moved to perform adjustment or parts replacement etc., be sure to rearrange them neatly as they were originally bundled or placed afterward. Otherwise, incorrect arrangement can be a cause of noise generation.



# BLOCK DIAGRAM



# LEVEL DIAGRAM

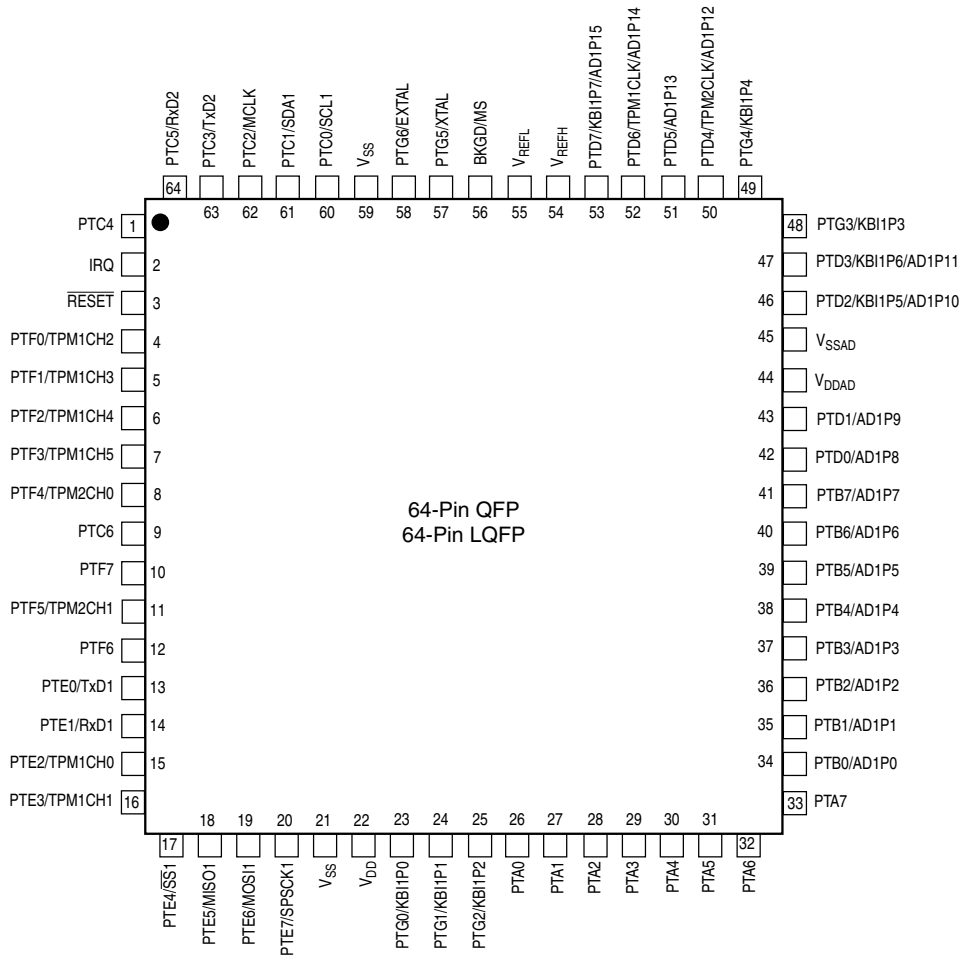


# SEMICONDUCTORS

Only major semiconductors are shown, general semiconductors etc. are omitted to list.  
 The semiconductor which described a detailed drawing in a schematic diagram are omitted to list.

## 1. IC's

### MC9S08AW32CPUE (IC801)



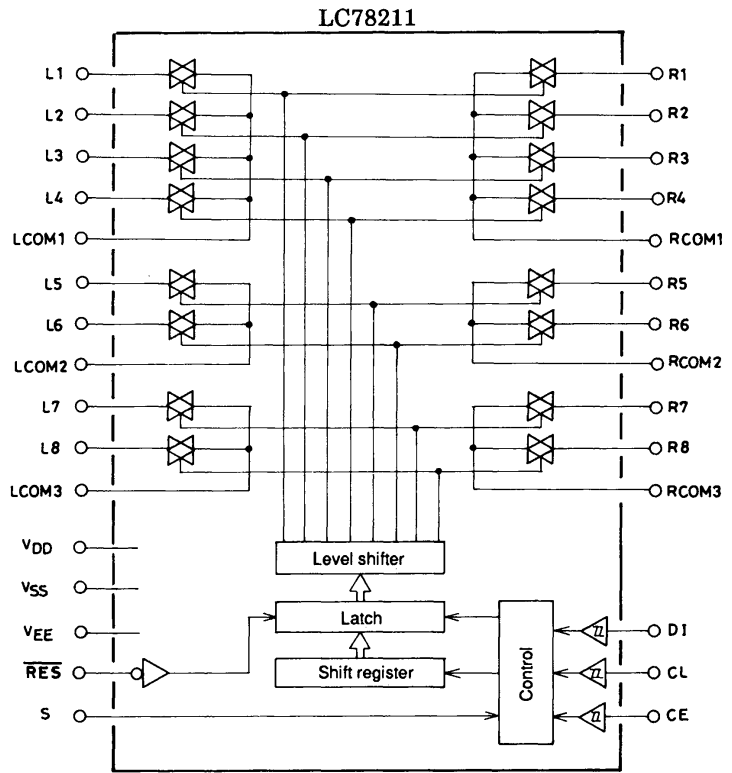
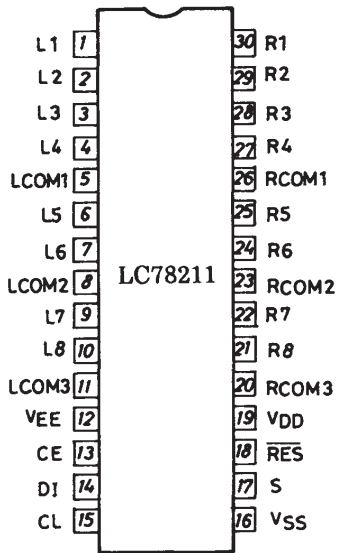
<i>SYMPTOM</i>	<i>POSSIBLE CAUSE</i>	<i>CORRECTION ACTION</i>
The power fails to switch on when the POWER switch is set to on	Poor power plug connection at the AC outlet	Insert the power plug firmly into the AC outlet
No output	1) Improper outlet cable connections 2) Improper amplifier operation 3) Improper setup of input cable Connection and switch	1) Connect the output cable correctly 2) Check amplifier setup 3) Correct the position of input cable and switch correctly
Hum	Loose cable connections	Firmly connect all audio plugs
Line / Phono switch reversed	Poor power plug connection	Connection the input cable correctly

## MC9S08AW32CPUE Terminal Function

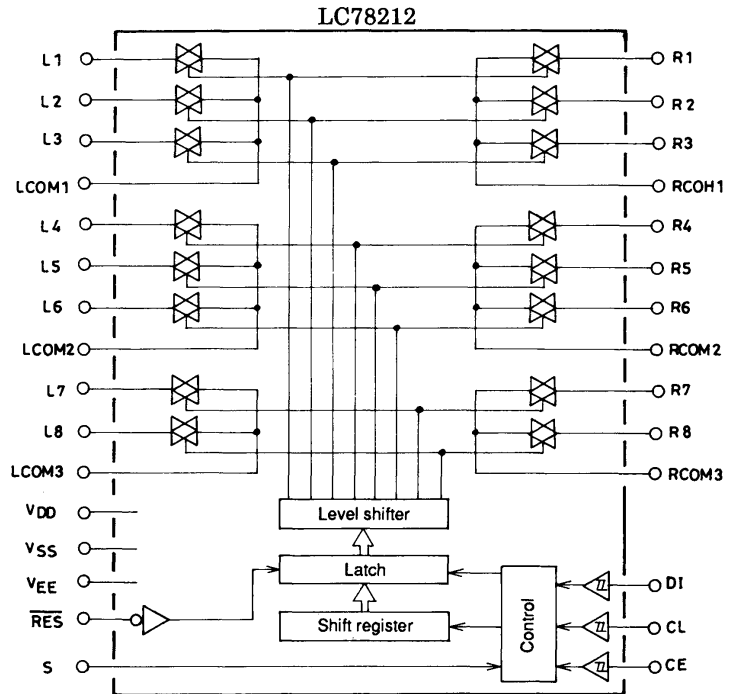
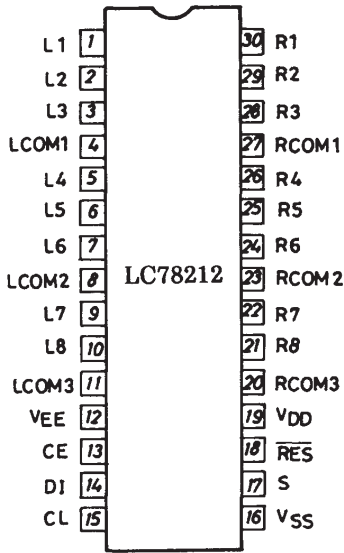
Pin No.	Pin Name	I/O	I/O Function
1	PC3B'	O	LINE6 FADER CONTROL OUT
2	IRQ		
3	RESET		
4	PWM1'	O	CH 1 VCA CONTROL
5	PWM2'	O	CH 2 VCA CONTROL
6	PWM3'	O	CH 3 VCA CONTROL
7	PWM4'	O	CH 4 VCA CONTROL
8	PC4A'	O	LINE8 FADER CONTROL OUT
9	PC4B'	O	LINE8 FADER CONTROL OUT
10	JDET	I	EFFECT SEND/RETURN IN
11	CHFS	I	CH FADER START SW IN
12	PRE/POST	I	PRE/POST SW INPUT
13	CFSA/TX	I	CROSS FADER START A SW IN
14	CFSB/RX	I	CROSS FADER START B SW IN
15	KFXON	I	EFFECTS ON IN
16	-		-
17	CE1	O	LC78211,LC78212,LC78213 CONTROL PIN
18	CE2	O	LC78211,LC78212,LC78213 CONTROL PIN
19	DI	O	LC78211,LC78212,LC78213 CONTROL PIN
20	CL	O	LC78211,LC78212,LC78213 CONTROL PIN
21	VSS		
22	VDD		
23	DS	O	Level Meter LED CONTROL OUT
24	STCP	O	Level Meter LED CONTROL OUT
25	SHCP	O	Level Meter LED CONTROL OUT
26	1A	I	CF ASSIGN1 IN
27	1B	I	CF ASSIGN1 IN
28	2A	I	CF ASSIGN2 IN
29	2B	I	CF ASSIGN2 IN
30	3A	I	CF ASSIGN3 IN
31	3B	I	CF ASSIGN3 IN
32	4A	I	CF ASSIGN4 IN
33	4B	I	CF ASSIGN4 IN
34	LM1	I	CH1 Level Meter A/D IN
35	LM2	I	CH2 Level Meter A/D IN
36	LM3	I	CH3 Level Meter A/D IN
37	LM4	I	CH4 Level Meter A/D IN
38	LML	I	LCH Level Meter A/D IN
39	LMR	I	RCH Level Meter A/D IN
40	KEY2	I	CUE KEY A/D IN
41	CF	I	CROSS FADER VR A/D IN
42	KEY1	I	CUE1 DUCK MIC KEY A/D IN
43	DIMMER	I	DUCK LEVEL A/D IN
44	VDDAD		
45	VSSAD		
46	CHF1	I	CH1 FADER VR A/D IN
47	CHF2	I	CH2 FADER VR A/D IN
48	CDOUT'	O	IC DATA OUT
49	CCLK'	O	IC CLK
50	CHF3	I	CH3 FADER VR A/D IN
51	CHF4	I	CH4 FADER VR A/D IN
52	CDIN'	I	IC DATA IN
53	/CSAD	I	IC DATA IN
54	VREFH		AD5V
55	VREFL		ADGND
56	BKGD		
57	XTAL		
58	XTAL		
59	VSS		
60	PC1A'	O	LINE2 FADER CONTROL OUTPUT
61	PC1B'	O	LINE2 FADER CONTROL OUTPUT
62	PC2A'	O	LINE4 FADER CONTROL OUTPUT
63	PC2B'	O	LINE4 FADER CONTROL OUTPUT
64	PC3A'	O	LINE6 FADER CONTROL OUTPUT



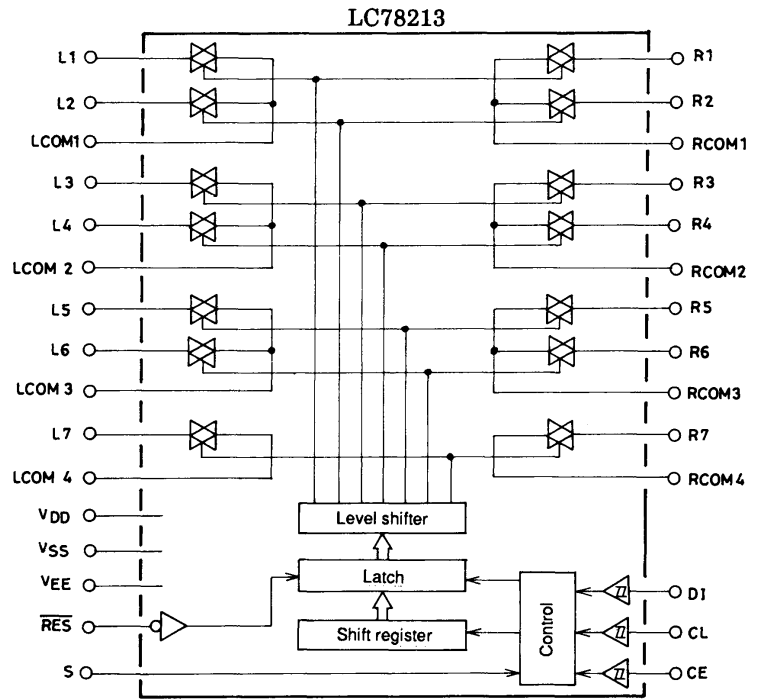
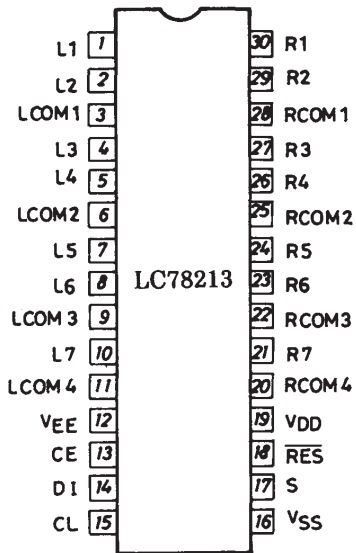
**LC78211-E (IC116,216,316,416)**



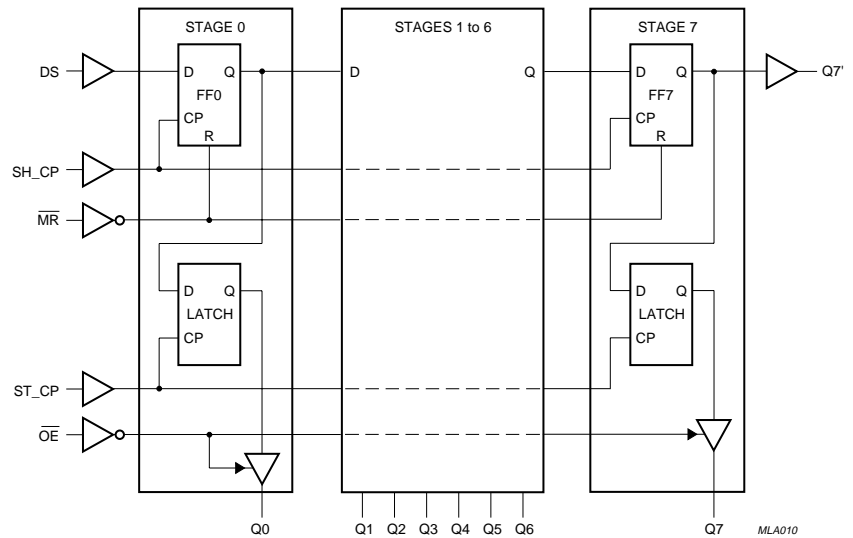
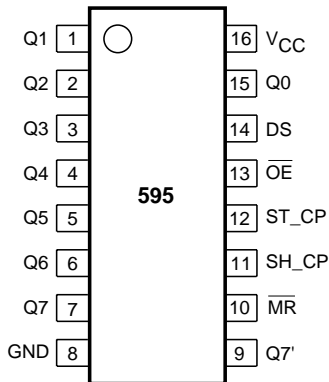
**LC78212-E (IC610,611,612,615)**



## LC78213-E (IC613,614,166,617)

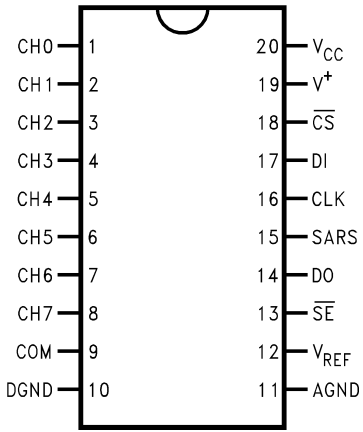


## 74HC595D (IC804,805,806,807)

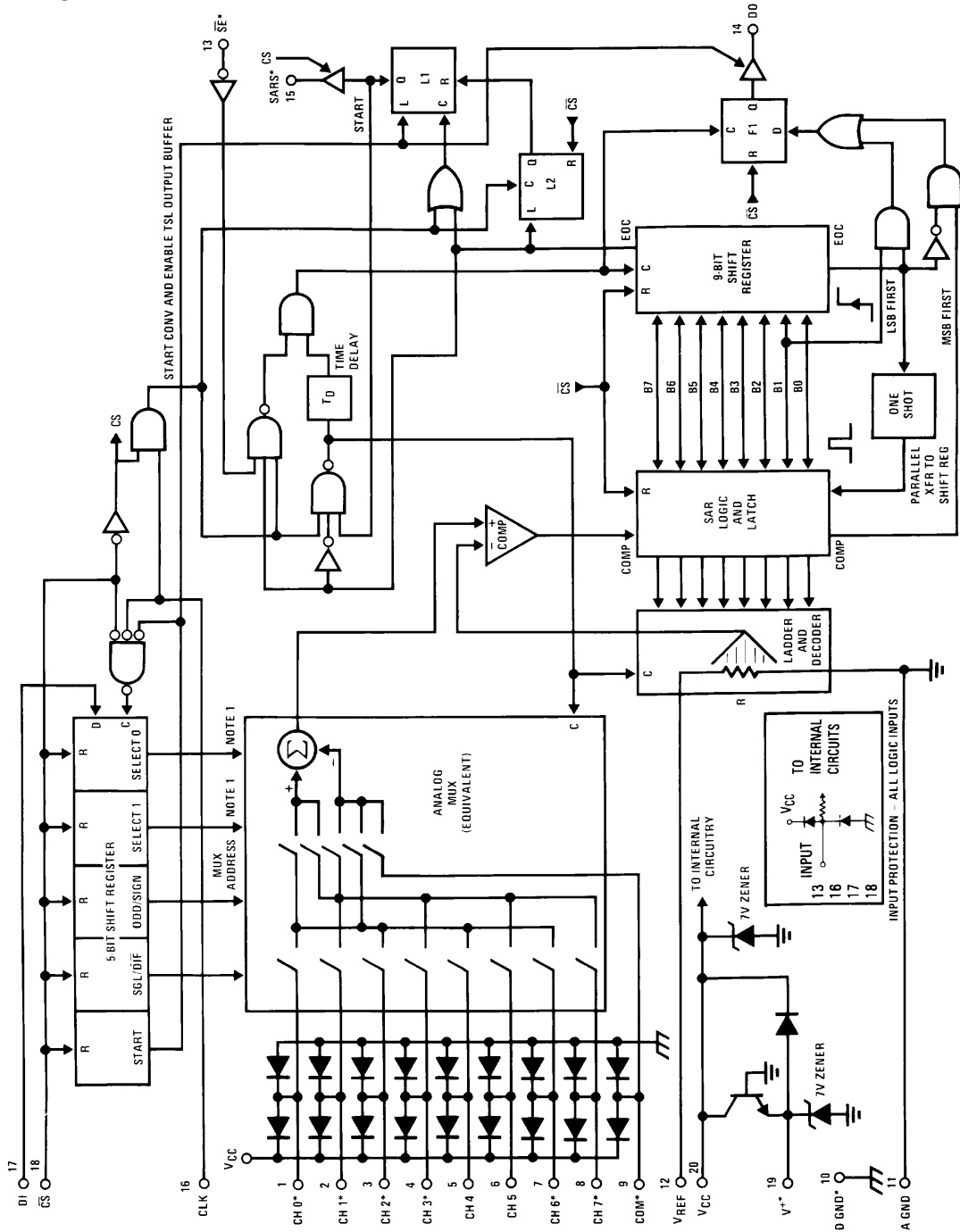


PIN	SYMBOL	DESCRIPTION
1	Q1	parallel data output
2	Q2	parallel data output
3	Q3	parallel data output
4	Q4	parallel data output
5	Q5	parallel data output
6	Q6	parallel data output
7	Q7	parallel data output
8	GND	ground (0 V)
9	Q7'	serial data output
10	$\overline{MR}$	master reset (active LOW)
11	SH_CP	shift register clock input
12	ST_CP	storage register clock input
13	$\overline{OE}$	output enable (active LOW)
14	DS	serial data input
15	Q0	parallel data output
16	V <sub>CC</sub>	positive supply voltage

# ADC0838CCWM (IC802)



## BLOCK DIAGRAM



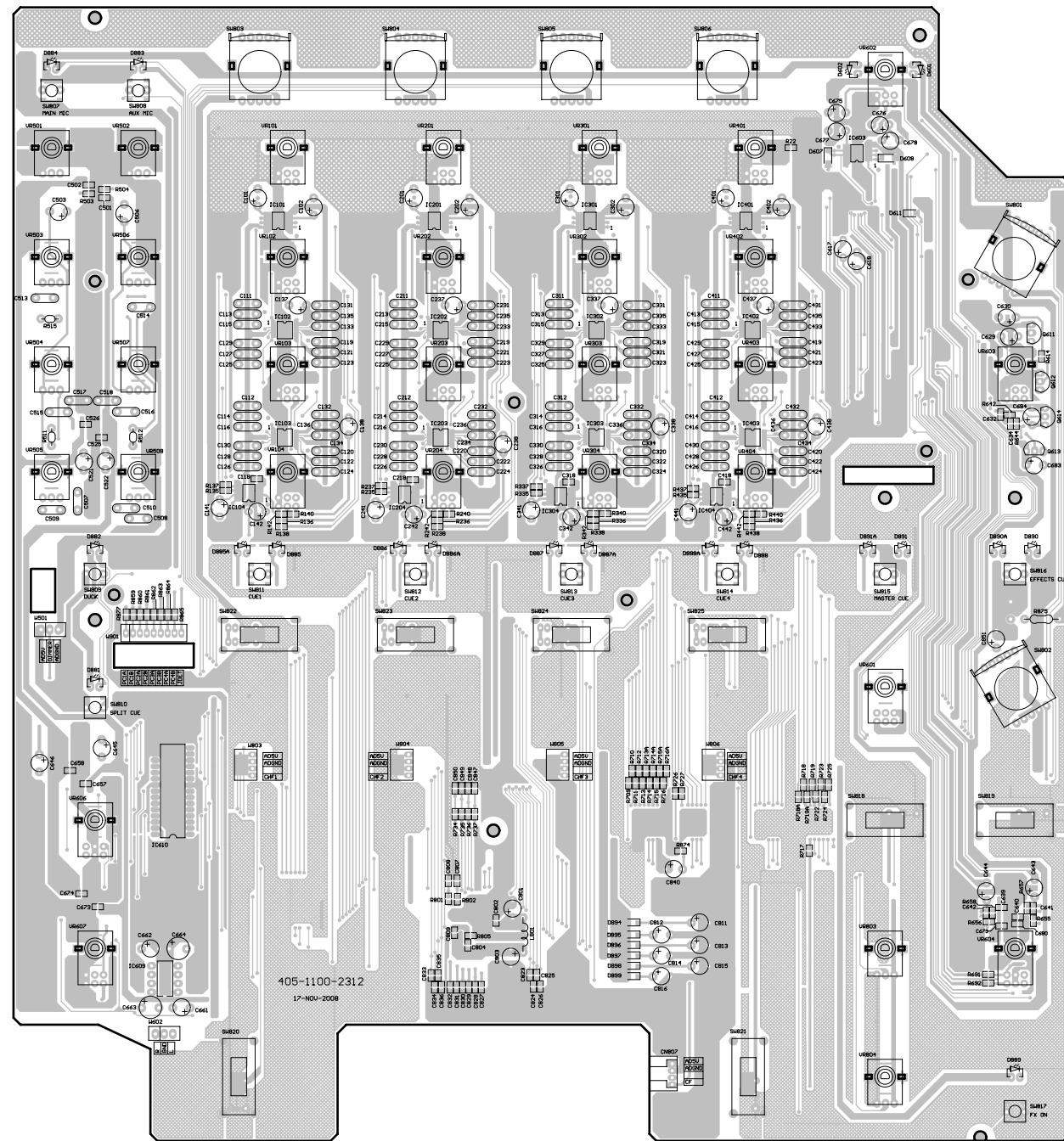
DS0005683-7

\*Some of these functions/pins are not available with other options.  
**Note 1:** For the ADC0834, D1 is input directly to the D input of ODD/SIGN, SELECT 0 is forced to a "0" and SELECT 1 is forced to a "1".

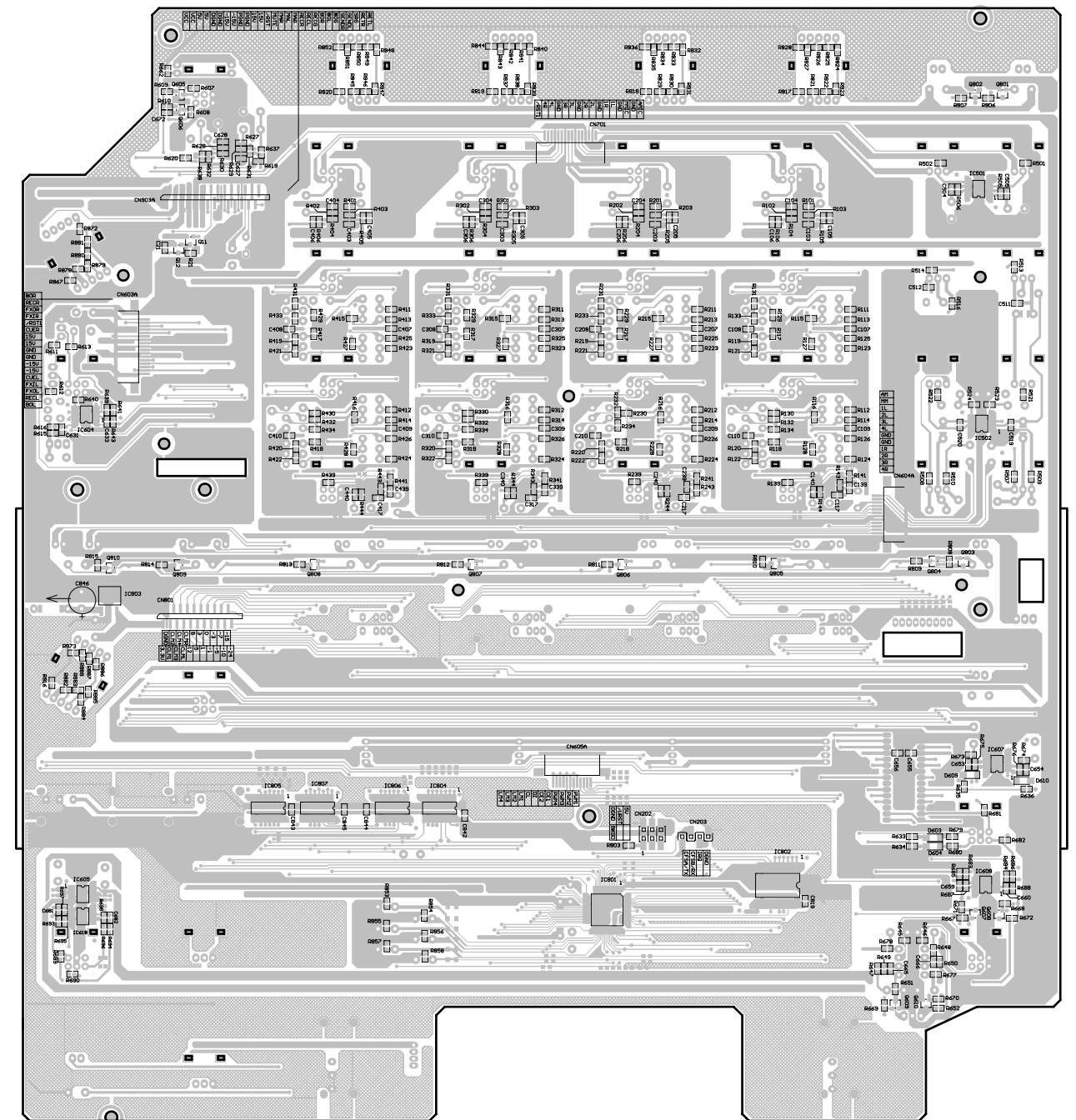
--MEMO--

# PRINTED WIRING BOARDS

## MIXER P.W.B. UNIT

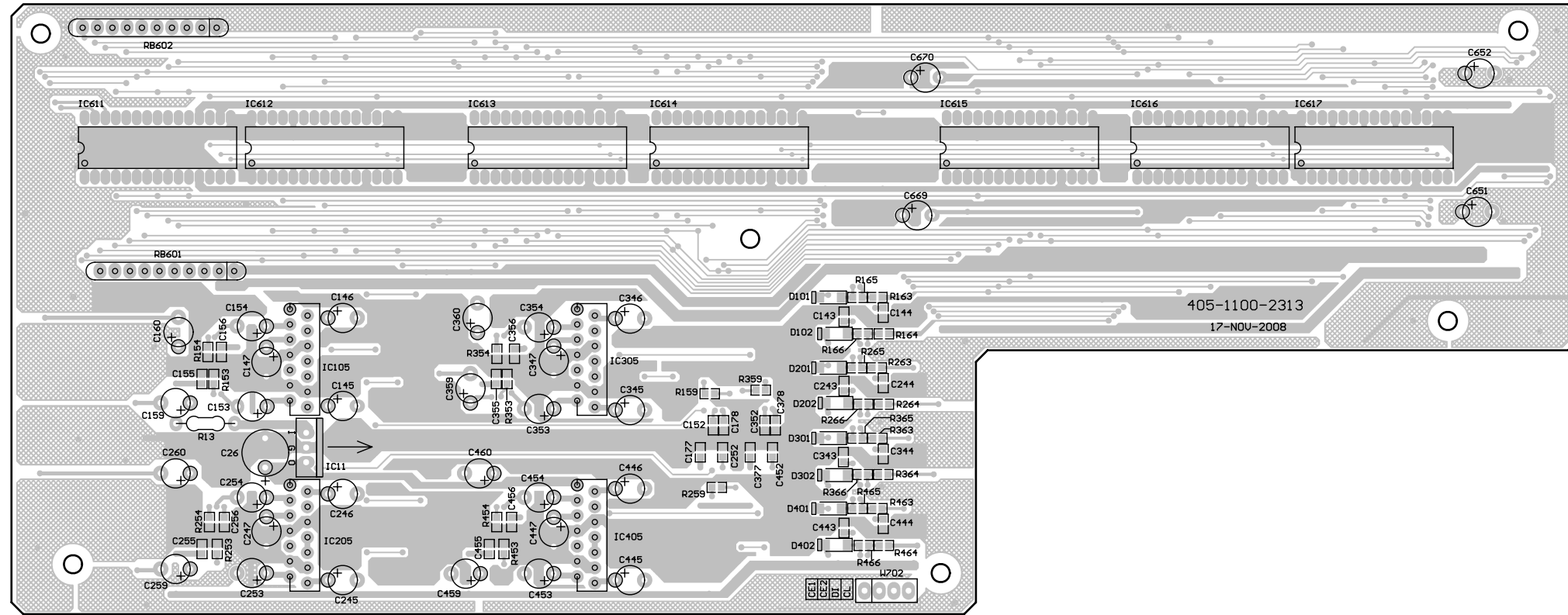


COMPONENT SIDE

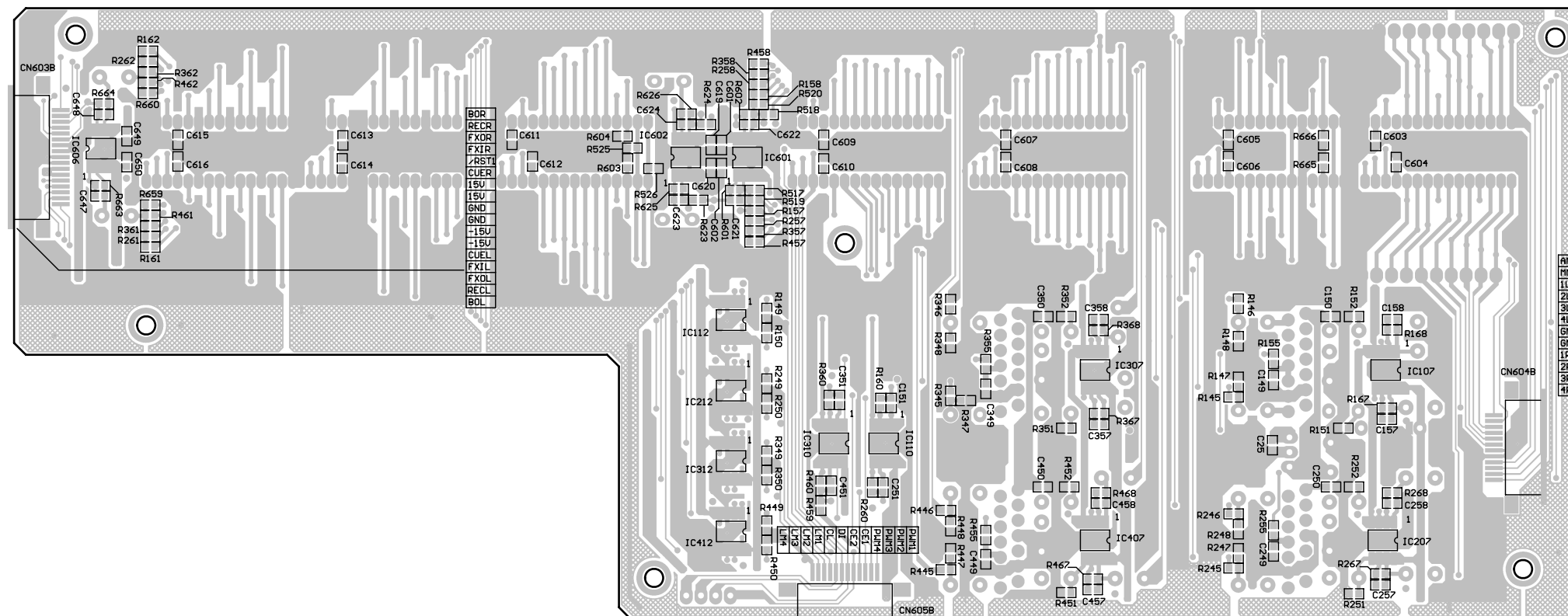


FOIL SIDE

TRANSFER P.W.B. UNIT



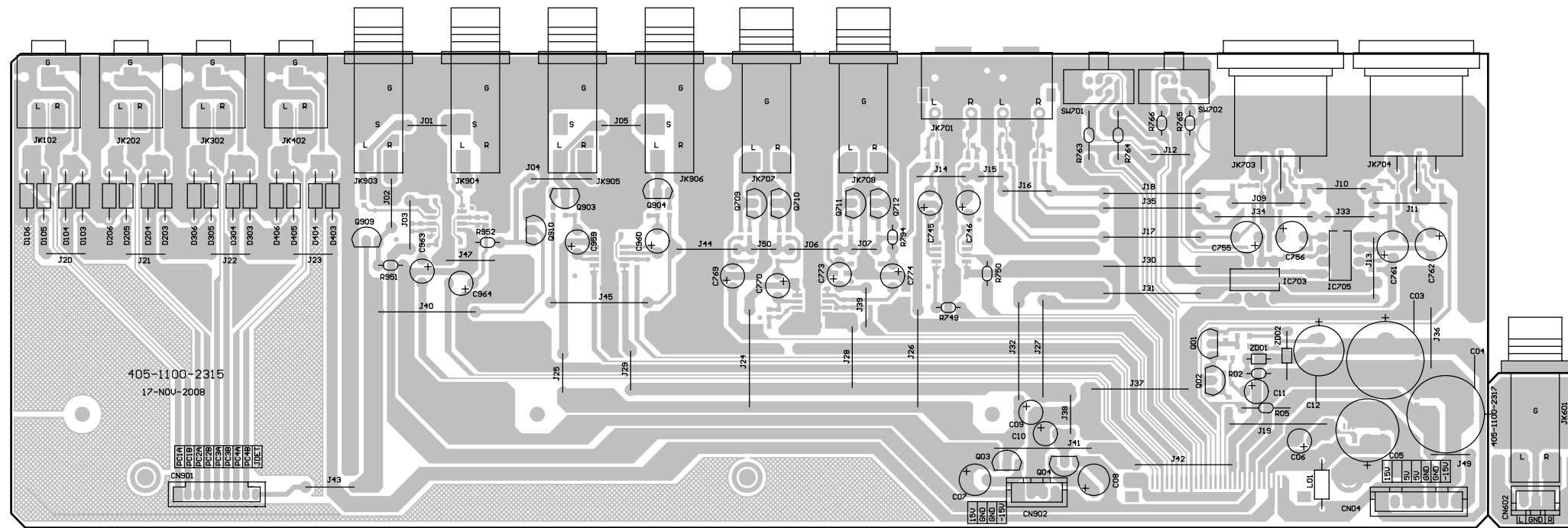
COMPONENT SIDE



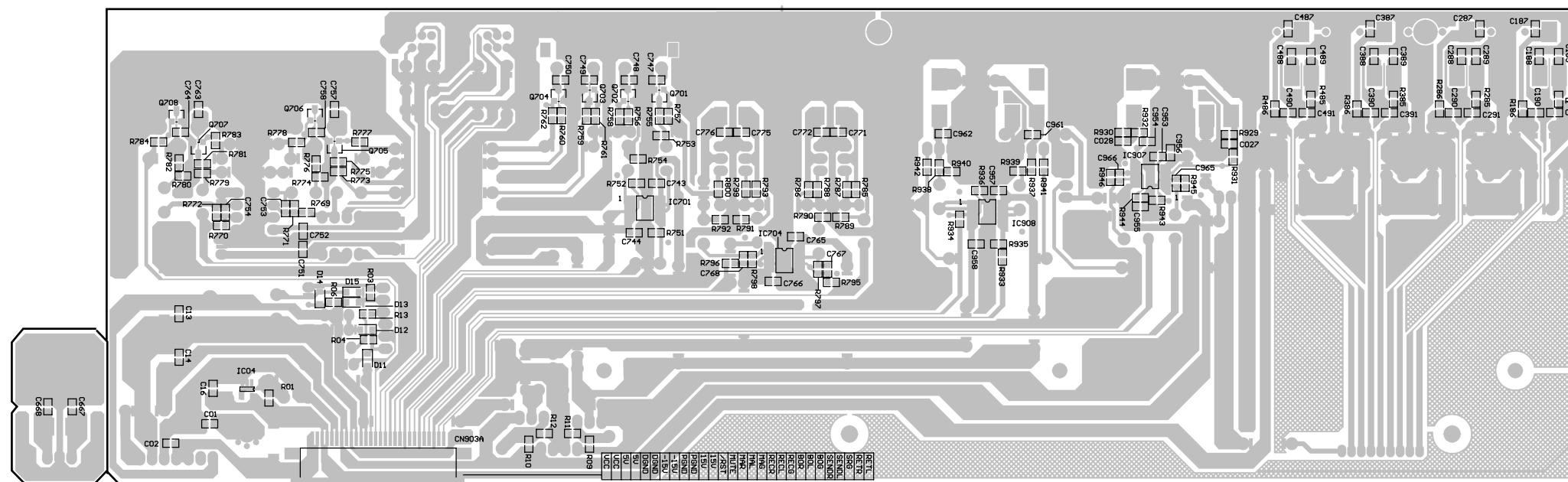
FOIL SIDE



POWER/PHONE P.W.B. UNIT



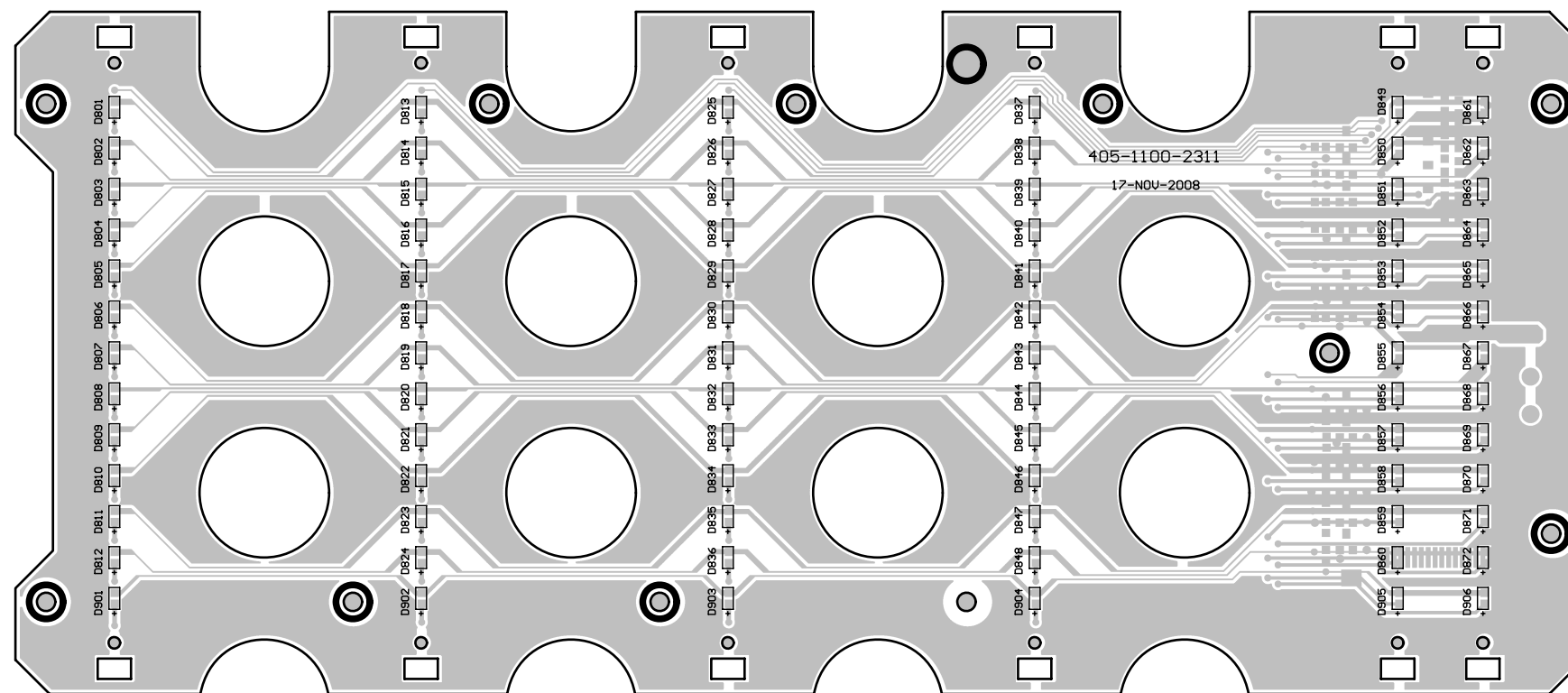
COMPONENT SIDE



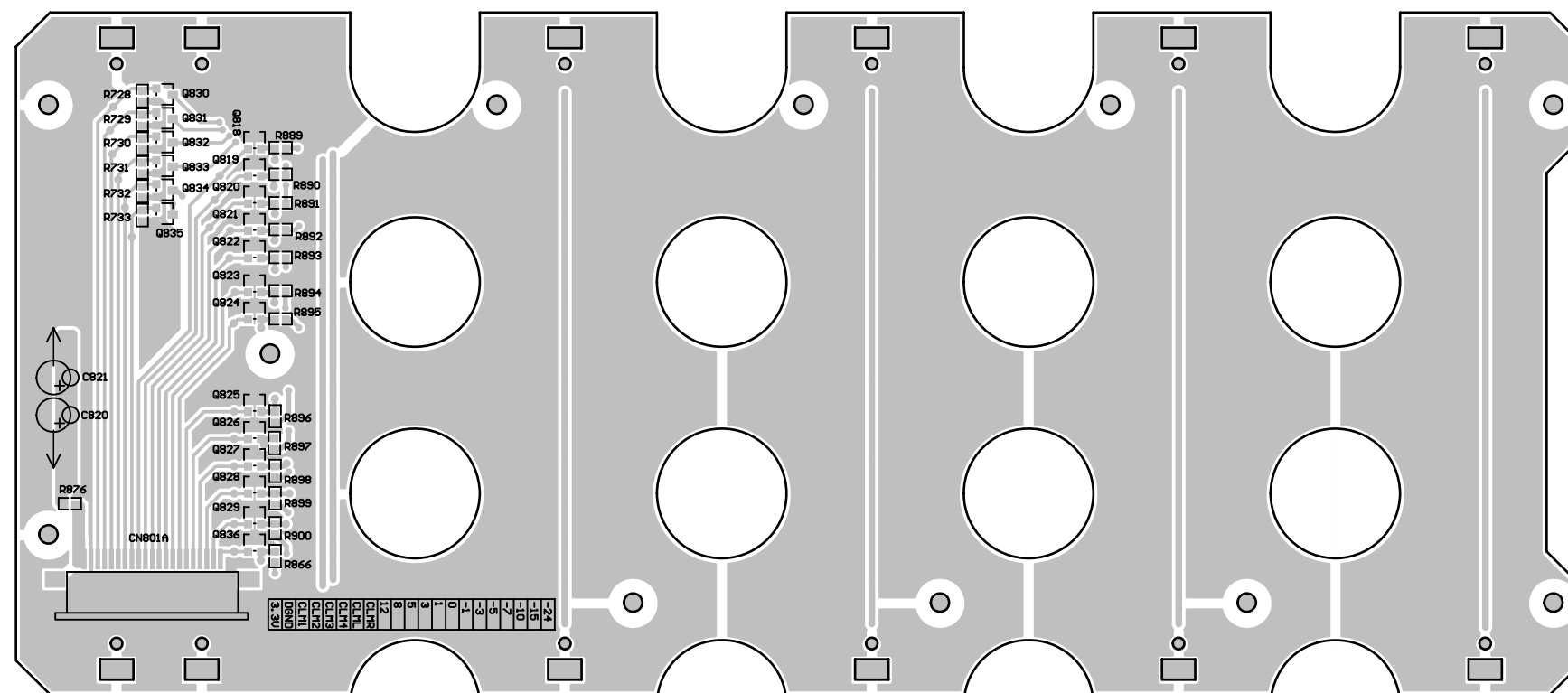
FOIL SIDE



LEVEL METER P.W.B. UNIT

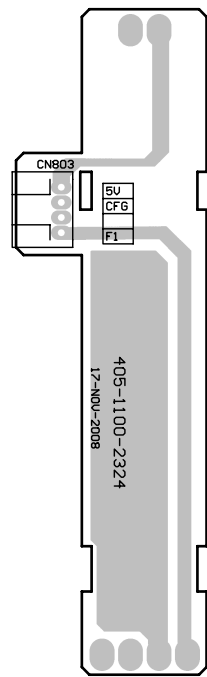


COMPONENT SIDE

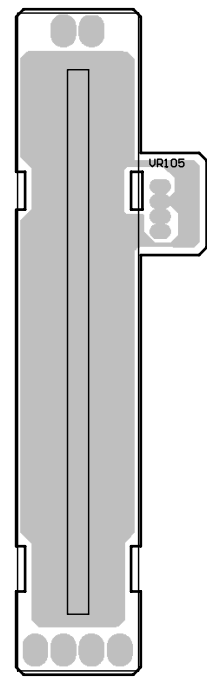


FOIL SIDE

CH FADER P.W.B. UNIT

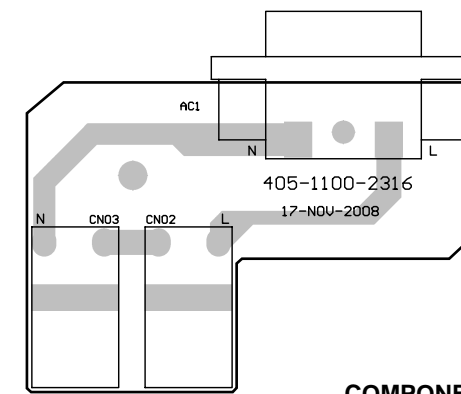


COMPONENT SIDE



FOIL SIDE

AC P.W.B. UNIT




COMPONENT SIDE

# NOTE FOR PARTS LIST

- Parts for which "nsp" is indicated on this table cannot be supplied.
- When ordering of part, clearly indicate "1" and "I" (i) to avoid mis-supplying.
- Ordering part without stating its part number can not be supplied.
- Part indicated with the mark "★" is not illustrated in the exploded view.
- Not including General-purpose Carbon Film Resistor in the P.W.Board parts list. (Refer to the Schematic Diagram for those parts.)
- Not including General-purpose Carbon Chip Resistor in the P.W.Board parts list. (Refer to the Schematic Diagram for those parts.)

**WARNING:**

Parts marked with this symbol  have critical characteristics.  
Use ONLY replacement parts recommended by the manufacturer.

● Resistors

Ex.:      RN      14K      2E      182      G      FR

Type      Shape and performance      Power      Resistance      Allowable error      Others

RD: Carbon	2B: 1/8 W	F : ±1%	P : Pulse-resistant type
RC: Composition	2E: 1/4 W	G : ±2%	NL : Low noise type
RS: Metal oxide film	2H: 1/2 W	J : ±5%	NB : Non-burning type
RW: winding	3A: 1 W	K : ±10%	FR : Fuse-resistor
RN: Metal film	3D: 2 W	M : ±20%	F : Lead wire forming
RK: Metal mixture	3F: 3 W		
	3H: 5 W		

\* Resistance

$\frac{1}{\text{---}} \frac{8}{\text{---}} \frac{2}{\text{---}} \Rightarrow 1800\text{ohm}=1.8\text{kohm}$

↑ Indicates number of zeros after effective number.  
↑ 2-digit effective number.

$\frac{1}{\text{---}} \frac{R}{\text{---}} \frac{2}{\text{---}} \Rightarrow 1.2\text{ohm}$

↑ 1-digit effective number.  
↑ 2-digit effective number, decimal point indicated by R.  
: Units: ohm

● Capacitors

Ex.:      CE      04W      1H      3R2      M      BP

Type      Shape and performance      Dielectric strength      Capacity      Allowable error      Others

CE: Aluminum foil electrolytic	0J : 6.3 V	F : ±1%	HS : High stability type
CA: Aluminium solid electrolytic	1A : 10 V	G : ±2%	BP : Non-polar type
CS: Tantalum electrolytic	1C : 16 V	J : ±5%	HR : Ripple-resistant type
CQ: Film	1E : 25 V	K : ±10%	DL : For charge and discharge
CK: Ceramic	1V : 35 V	M : ±20%	HF : For assuring high frequency
CC: Ceramic	1H : 50 V	Z : ±80%	U : UL part
CP: Oil	2A : 100 V	: -20%	C : CSA part
CM: Mica	2B : 125 V	P : +100%	W : UL-CSA part
CF: Metallized	2C : 160 V	C : ±0.25pF	F : Lead wire forming
CH: Metallized	2D : 200 V	D : ±0.5pF	
	2E : 250 V	= : Others	
	2H : 500 V		
	2J : 630 V		

\* Capacity (electrolyte only)

$\frac{2}{\text{---}} \frac{2}{\text{---}} \frac{2}{\text{---}} \Rightarrow 2200 \mu F$

↑ Indicates number of zeros after effective number.  
↑ 2-digit effective number.  
· Units:  $\mu F$ .

$\frac{2}{\text{---}} \frac{R}{\text{---}} \frac{2}{\text{---}} \Rightarrow 2.2 \mu F$

↑ 1-digit effective number.  
↑ 2-digit effective number, decimal point indicated by R  
· Units:  $\mu F$ .

\* Capacity (except electrolyte)

$\frac{2}{\text{---}} \frac{2}{\text{---}} \frac{2}{\text{---}} \Rightarrow 2200\text{pF}=0.0022 \mu F$

↑ Indicates number of zeros after effective number. (More than 2)  
↑ 2-digit effective number.  
· Units:pF

$\frac{2}{\text{---}} \frac{2}{\text{---}} \frac{1}{\text{---}} \Rightarrow 220\text{pF}$

↑ Indicates number of zeros after effective number. (0 or 1)  
↑ 2-digit effective number.  
· Units:pF

- When the dielectric strength is indicated in AC,"AC" is included after the dielectric strength value.

# PARTS LIST OF P.W.B. UNIT

\* Parts for which "nsp" is indicated on this table cannot be supplied.

\* The parts listed below are for maintenance only, might differ from the parts used in the unit in appearances or dimensions.

**Note:** The symbols in the column "Remarks" indicate the following destinations.  
E3: U.S.A. & Canada model      E2: Europe model

## MIXER & TRANSFER P.W.B. UNIT ASS'Y

Ref. No.	Part No.	Part Name	Remarks	Q'ty	New
<b>SEMICONDUCTORS GROUP</b>					
IC101	00D9587059407	IC(BA15218F/BA15218FE2)		417-QMX2-167	
IC102,103	00D9587035900	IC(NJM-2060V-TE1)		417-PRO1000-502	
IC104	00D9587059407	IC(BA15218F/BA15218FE2)		417-QMX2-167	
IC105	00D9587036103	IC(M51132L)		417-SA12-487	
IC107	00D9587059407	IC(BA15218F/BA15218FE2)		417-QMX2-167	
IC11	00D9410022103	IC(7812)		417-BJ1900L-231	
IC110	00D9587059106	IC(NJM-4558M)		417-PS2-577	
IC112	00D9587059106	IC(NJM-4558M)		417-PS2-577	
IC201	00D9587059407	IC(BA15218F/BA15218FE2)		417-QMX2-167	
IC202,203	00D9587035900	IC(NJM-2060V-TE1)		417-PRO1000-502	
IC204	00D9587059407	IC(BA15218F/BA15218FE2)		417-QMX2-167	
IC205	00D9587059601	IC(M51132L)		417-SA12-487	
IC207	00D9587059407	IC(BA15218F/BA15218FE2)		417-QMX2-167	
IC212	00D9587059106	IC(NJM-4558M)		417-PS2-577	
IC301	00D9587059407	IC(BA15218F/BA15218FE2)		417-QMX2-167	
IC302,303	00D9587035900	IC(NJM-2060V-TE1)		417-PRO1000-502	
IC304	00D9587059407	IC(BA15218F/BA15218FE2)		417-QMX2-167	
IC305	00D9587059601	IC(M51132L)		417-SA12-487	
IC307	00D9587059407	IC(BA15218F/BA15218FE2)		417-QMX2-167	
IC310	00D9587059106	IC(NJM-4558M)		417-PS2-577	
IC312	00D9587059106	IC(NJM-4558M)		417-PS2-577	
IC401	00D9587059407	IC(BA15218F/BA15218FE2)		417-QMX2-167	
IC402,403	00D9587035900	IC(NJM-2060V-TE1)		417-PRO1000-502	
IC404	00D9587059407	IC(BA15218F/BA15218FE2)		417-QMX2-167	
IC405	00D9587059601	IC(M51132L)		417-SA12-487	
IC407	00D9587059407	IC(BA15218F/BA15218FE2)		417-QMX2-167	
IC412	00D9587059106	IC(NJM-4558M)		417-PS2-577	
IC501	00D9587058903	IC(NJM-2068M)		417-M5-582	
IC502	00D9587059407	IC(BA15218F/BA15218FE2)		417-QMX2-167	
IC601-608	00D9587059407	IC(BA15218F/BA15218FE2)		417-QMX2-167	
IC609	00D9580073804	INTEGRATED CIRCUIT(NJM-4556AD)		417-3113-018	
IC610-612	00D9587058806	IC(LC78212)		417-HMA2200-5030	
IC613,614	00D9587058408	IC(LC78213)		417-DRM120-510	
IC615	00D9587058806	IC(LC78212)		417-HMA2200-5030	
IC616,617	00D9587058408	IC(LC78213)		417-DRM120-510	
IC618	00D9587059407	IC(BA15218F/BA15218FE2)		417-QMX2-167	
IC801	941243001180S	CONTROL IC ASS'Y IC(MC9S08AW32CPUE)		704-X1100-8186	*
IC802	00D9587058000	IC(ADC0838CCWMM)		417-900-747	
IC803	00D9587058204	IC(BA033FP)		417-CTB200-500	
IC804-807	00D9587058709	IC(74HC595D/74AHC595D/74AHC595DR)		417-HDJ9800-643	
Q11	00D9587057506	TRANSISTOR(DTA124EKA)		416-CTB200-178	
Q12	00D9587057700	TRANSISTOR(DTC114EKAT146)		416-HDJ2460-234	
Q605-610	00D9410046406	TRANSISTOR(2SC4695-TB-E)		416-DAIA-273	
Q611,612	00D9587034707	TRANSISTOR(2SC2878-B)		416-AMC110A-5017	
Q613	941219001170S	TRANSISTOR(2SB892S(T))		416-1360S-017A	*
Q614	90M-HT400500R	TRANSISTOR(2SD1207/2SD1207S(T))		416-1360S-016	

Ref. No.	Part No.	Part Name	Remarks		Q'ty	New
Q801-810	00D9587057700	TRANSISTOR(DTC114EKAT146)		416-HDJ2460-234		
D101,102	00D9587056701	DIODE(RB160M-30)		414-900-208		
D201,202	00D9587056701	DIODE(RB160M-30)		414-900-208		
D301,302	00D9587056701	DIODE(RB160M-30)		414-900-208		
D401,402	00D9587056701	DIODE(RB160M-30)		414-900-208		
D601,602	00D9587051706	LED(RED,LTL-16KE)		410-CD6000-122		
D603,604	00D9587056701	DIODE(RB160M-30)		414-900-208		
D607-610	00D9587056701	DIODE(RB160M-30)		414-900-208		
D611	00D9410046901	SWITCHING DIODE(1SS355)		414-CD1000-075		
D881	00D9587052006	LED ( LTL1CHJSDNN,YELLOW )		410-HDJ2000-162		
D882	941263001070S	LED(LTL1CHKGKNN,GREEN)		410-TT2A3SL-250		*
D883,884	941263001060S	LED(LTL1CHJEDNN,RED)		410-DJ5000-253		*
D885-888	00D9587052006	LED ( LTL1CHJSDNN,YELLOW )		410-HDJ2000-162		
D885A-888A	00D9587052006	LED ( LTL1CHJSDNN,YELLOW )		410-HDJ2000-162		
D889-891	00D9587052006	LED ( LTL1CHJSDNN,YELLOW )		410-HDJ2000-162		
D890A,891A	00D9587052006	LED ( LTL1CHJSDNN,YELLOW )		410-HDJ2000-162		
D894-899	00D9410046901	SWITCHING DIODE(1SS355)		414-CD1000-075		
<b>RESISTORS GROUP</b>						
R13	nsp	CARBON FILM RESISTOR(1.5 OHM)		412-U101-1179		
RB601,602	nsp	THICK FILM RESISTOR NETWORKS(47K OHM,J)		412-X1100-1338		
<b>CAPACITORS GROUP</b>						
C21	nsp	CHIP CAPACITOR(0.1uF/50V,Z)		413-DCM280-773		
C25	nsp	CHIP CAPACITOR(0.1uF/50V,Z)		413-DCM280-773		
C26	941134001250S	ELEC. CAPACITOR(220uF/25V)		413-X1100-1123		*
C101,102	00D9587056303	ELEC. CAPACITOR(10uF/25V,M)		413-SPPW3-235		
C103,104	nsp	CHIP CAPACITOR(1000pF/50V,K)		413-DCM280-768		
C105,106	nsp	CHIP CAPACITOR(15pF/50V,J)		413-007USB-781		
C107-110	nsp	CHIP CAPACITOR(1000pF/50V,K)		413-DCM280-768		
C111,112	00D9587054208	POLYESTER CAPACITOR(0.0082uF/100V,J)		413-900-937		
C113-116	00D9587053801	POLYESTER CAPACITOR(0.0018uF/100V,J)		413-900-932		
C117,118	nsp	CHIP CAPACITOR(1000pF/50V,K)		413-DCM280-768		
C119,120	00D9587054208	POLYESTER CAPACITOR(0.0082uF/100V,J)		413-900-937		
C121,122	00D9587054703	POLYESTER CAPACITOR(820pF/50V,J)		413-EFX2-886		
C123,124	nsp	POLYESTER CAPACITOR(0.0047uF/100V,J)		413-HT8015-159		
C125,126	00D9587056109	POLYESTER CAPACITOR(0.1uF/63V,J)		413-SPPW3-083		
C127-130	00D9587054402	POLYESTER CAPACITOR(0.022uF/100V,J)		413-900-939		
C131,132	00D9587056109	POLYESTER CAPACITOR(0.1uF/63V,J)		413-SPPW3-083		
C133,134	00D9587054305	POLYESTER CAPACITOR(0.01uF/100V,J)		413-900-938		
C135,136	00D9587054606	POLYESTER CAPACITOR(0.056uF/100V,J)		413-900-941		
C137,138	00D9587056303	ELEC. CAPACITOR(10uF/25V,M)		413-SPPW3-235		
C139,140	nsp	CHIP CAPACITOR(33pF/50V,J)		413-900-926		
C141,142	00D9587056400	ELEC. CAPACITOR(22uF/16V,M)		413-SPPW3-236		
C143,144	nsp	CHIP CAPACITOR(1000pF/50V,K)		413-DCM280-768		
C145,146	00D9587056206	ELEC. CAPACITOR(1uF/50V,M)		413-SPPW3-234		
C147	00D9587056400	ELEC. CAPACITOR(22uF/16V,M)		413-SPPW3-236		
C149	nsp	CHIP CAPACITOR(0.1uF/50V,Z)		413-DCM280-773		
C150	nsp	CHIP CAPACITOR(1000pF/50V,K)		413-DCM280-768		
C151	nsp	CHIP CAPACITOR(0.33uF/16V,Z)		413-007USB-782		
C152	nsp	CHIP CAPACITOR(0.22uF/50V,J)		413-900-942		
C153,154	00D9587056206	ELEC. CAPACITOR(1uF/50V,M)		413-SPPW3-234		

Ref. No.	Part No.	Part Name	Remarks	Q'ty	New
C155,156	nsp	CHIP CAPACITOR(1000pF/50V,K)		413-DCM280-768	
C157,158	nsp	CHIP CAPACITOR(33pF/50V,J)		413-900-926	
C159,160	00D9587055304	ELEC. CAPACITOR(4.7uF/50V,M)		413-HT801K-191	
C177,178	nsp	CHIP CAPACITOR(1000pF/50V,K)		413-DCM280-768	
C201,202	00D9587056303	ELEC. CAPACITOR(10uF/25V,M)		413-SPPW3-235	
C203,204	nsp	CHIP CAPACITOR(1000pF/50V,K)		413-DCM280-768	
C205,206	nsp	CHIP CAPACITOR(15pF/50V,J)		413-007USB-781	
C207-210	nsp	CHIP CAPACITOR(1000pF/50V,K)		413-DCM280-768	
C211,212	00D9587054208	POLYESTER CAPACITOR(0.0082uF/100V,J)		413-900-937	
C213	00D9587053801	POLYESTER CAPACITOR(0.0018uF/100V,J)		413-900-932	
C214-216	00D9587053801	POLYESTER CAPACITOR(0.0018uF/100V,J)		413-900-932	
C217,218	nsp	CHIP CAPACITOR(1000pF/50V,K)		413-DCM280-768	
C219,220	00D9587054208	POLYESTER CAPACITOR(0.0082uF/100V,J)		413-900-937	
C221,222	00D9587054703	POLYESTER CAPACITOR(820pF/50V,J)		413-EFX2-886	
C223,224	nsp	POLYESTER CAPACITOR(0.0047uF/100V,J)		413-HT8015-159	
C225,226	00D9587056109	POLYESTER CAPACITOR(0.1uF/63V,J)		413-SPPW3-083	
C227-230	00D9587054402	POLYESTER CAPACITOR(0.022uF/100V,J)		413-900-939	
C231,232	00D9587056109	POLYESTER CAPACITOR(0.1uF/63V,J)		413-SPPW3-083	
C233,234	00D9587054305	POLYESTER CAPACITOR(0.01uF/100V,J)		413-900-938	
C235,236	00D9587054606	POLYESTER CAPACITOR(0.056uF/100V,J)		413-900-941	
C237,238	00D9587056303	ELEC. CAPACITOR(10uF/25V,M)		413-SPPW3-235	
C239,240	nsp	CHIP CAPACITOR(33pF/50V,J)		413-900-926	
C241,242	00D9587056400	ELEC. CAPACITOR(22uF/16V,M)		413-SPPW3-236	
C243,244	nsp	CHIP CAPACITOR(1000pF/50V,K)		413-DCM280-768	
C245,246	00D9587056206	ELEC. CAPACITOR(1uF/50V,M)		413-SPPW3-234	
C247	00D9587056400	ELEC. CAPACITOR(22uF/16V,M)		413-SPPW3-236	
C249	nsp	CHIP CAPACITOR(0.1uF/50V,Z)		413-DCM280-773	
C250	nsp	CHIP CAPACITOR(1000pF/50V,K)		413-DCM280-768	
C251	nsp	CHIP CAPACITOR(0.33uF/16V,Z)		413-007USB-782	
C252	nsp	CHIP CAPACITOR(0.22uF/50V,J)		413-900-942	
C253,254	00D9587056206	ELEC. CAPACITOR(1uF/50V,M)		413-SPPW3-234	
C255,256	nsp	CHIP CAPACITOR(1000pF/50V,K)		413-DCM280-768	
C257,258	nsp	CHIP CAPACITOR(33pF/50V,J)		413-900-926	
C259,260	00D9587055304	ELEC. CAPACITOR(4.7uF/50V,M)		413-HT801K-191	
C301,302	00D9587056303	ELEC. CAPACITOR(10uF/25V,M)		413-SPPW3-235	
C303,304	nsp	CHIP CAPACITOR(1000pF/50V,K)		413-DCM280-768	
C305,306	nsp	CHIP CAPACITOR(15pF/50V,J)		413-007USB-781	
C307-310	nsp	CHIP CAPACITOR(1000pF/50V,K)		413-DCM280-768	
C311,312	00D9587054208	POLYESTER CAPACITOR(0.0082uF/100V,J)		413-900-937	
C313-316	00D9587053801	POLYESTER CAPACITOR(0.0018uF/100V,J)		413-900-932	
C317,318	nsp	CHIP CAPACITOR(1000pF/50V,K)		413-DCM280-768	
C319,320	00D9587054208	POLYESTER CAPACITOR(0.0082uF/100V,J)		413-900-937	
C321,322	00D9587054703	POLYESTER CAPACITOR(820pF/50V,J)		413-EFX2-886	
C323,324	nsp	POLYESTER CAPACITOR(0.0047uF/100V,J)		413-HT8015-159	
C325,326	00D9587056109	POLYESTER CAPACITOR(0.1uF/63V,J)		413-SPPW3-083	
C327-330	00D9587054402	POLYESTER CAPACITOR(0.022uF/100V,J)		413-900-939	
C331,332	00D9587056109	POLYESTER CAPACITOR(0.1uF/63V,J)		413-SPPW3-083	
C333,334	00D9587054305	POLYESTER CAPACITOR(0.01uF/100V,J)		413-900-938	
C335,336	00D9587054606	POLYESTER CAPACITOR(0.056uF/100V,J)		413-900-941	
C337,338	00D9587056303	ELEC. CAPACITOR(10uF/25V,M)		413-SPPW3-235	
C339,340	nsp	CHIP CAPACITOR(33pF/50V,J)		413-900-926	
C341,342	00D9587056400	ELEC. CAPACITOR(22uF/16V,M)		413-SPPW3-236	
C343,344	nsp	CHIP CAPACITOR(1000pF/50V,K)		413-DCM280-768	
C345,346	00D9587056206	ELEC. CAPACITOR(1uF/50V,M)		413-SPPW3-234	
C347	00D9587056400	ELEC. CAPACITOR(22uF/16V,M)		413-SPPW3-236	
C349	nsp	CHIP CAPACITOR(0.1uF/50V,Z)		413-DCM280-773	

Ref. No.	Part No.	Part Name	Remarks	Q'ty	New
C350	nsp	CHIP CAPACITOR(1000pF/50V,K)		413-DCM280-768	
C351	nsp	CHIP CAPACITOR(0.33uF/16V,Z)		413-007USB-782	
C352	nsp	CHIP CAPACITOR(0.22uF/50V,J)		413-900-942	
C353,354	00D9587056206	ELEC. CAPACITOR(1uF/50V,M)		413-SPPW3-234	
C355,356	nsp	CHIP CAPACITOR(1000pF/50V,K)		413-DCM280-768	
C357,358	nsp	CHIP CAPACITOR(33pF/50V,J)		413-900-926	
C359,360	00D9587055304	ELEC. CAPACITOR(4.7uF/50V,M)		413-HT801K-191	
C377,378	nsp	CHIP CAPACITOR(1000pF/50V,K)		413-DCM280-768	
C401,402	00D9587056303	ELEC. CAPACITOR(10uF/25V,M)		413-SPPW3-235	
C403,404	nsp	CHIP CAPACITOR(1000pF/50V,K)		413-DCM280-768	
C405,406	nsp	CHIP CAPACITOR(15pF/50V,J)		413-007USB-781	
C407-410	nsp	CHIP CAPACITOR(1000pF/50V,K)		413-DCM280-768	
C411,412	00D9587054208	POLYESTER CAPACITOR(0.0082uF/100V,J)		413-900-937	
C413-416	00D9587053801	POLYESTER CAPACITOR(0.0018uF/100V,J)		413-900-932	
C417,418	nsp	CHIP CAPACITOR(1000pF/50V,K)		413-DCM280-768	
C419,420	00D9587054208	POLYESTER CAPACITOR(0.0082uF/100V,J)		413-900-937	
C421,422	00D9587054703	POLYESTER CAPACITOR(820pF/50V,J)		413-EFX2-886	
C423,424	nsp	POLYESTER CAPACITOR(0.0047uF/100V,J)		413-HT8015-159	
C425,426	00D9587056109	POLYESTER CAPACITOR(0.1uF/63V,J)		413-SPPW3-083	
C427-430	00D9587054402	POLYESTER CAPACITOR(0.022uF/100V,J)		413-900-939	
C431,432	00D9587056109	POLYESTER CAPACITOR(0.1uF/63V,J)		413-SPPW3-083	
C433,434	00D9587054305	POLYESTER CAPACITOR(0.01uF/100V,J)		413-900-938	
C435,436	00D9587054606	POLYESTER CAPACITOR(0.056uF/100V,J)		413-900-941	
C437,438	00D9587056303	ELEC. CAPACITOR(10uF/25V,M)		413-SPPW3-235	
C439,440	nsp	CHIP CAPACITOR(33pF/50V,J)		413-900-926	
C441,442	00D9587056400	ELEC. CAPACITOR(22uF/16V,M)		413-SPPW3-236	
C443,444	nsp	CHIP CAPACITOR(1000pF/50V,K)		413-DCM280-768	
C445,446	00D9587056206	ELEC. CAPACITOR(1uF/50V,M)		413-SPPW3-234	
C447	00D9587056400	ELEC. CAPACITOR(22uF/16V,M)		413-SPPW3-236	
C449	nsp	CHIP CAPACITOR(0.1uF/50V,Z)		413-DCM280-773	
C450	nsp	CHIP CAPACITOR(1000pF/50V,K)		413-DCM280-768	
C451	nsp	CHIP CAPACITOR(0.33uF/16V,Z)		413-007USB-782	
C452	nsp	CHIP CAPACITOR(0.22uF/50V,J)		413-900-942	
C453,454	00D9587056206	ELEC. CAPACITOR(1uF/50V,M)		413-SPPW3-234	
C455,456	nsp	CHIP CAPACITOR(1000pF/50V,K)		413-DCM280-768	
C457,458	nsp	CHIP CAPACITOR(33pF/50V,J)		413-900-926	
C459,460	00D9587055304	ELEC. CAPACITOR(4.7uF/50V,M)		413-HT801K-191	
C501,502	nsp	CHIP CAPACITOR(1000pF/50V,K)		413-DCM280-768	
C503	00D9587056400	ELEC. CAPACITOR(22uF/16V,M)		413-SPPW3-236	
C504	nsp	CHIP CAPACITOR(12pF/50V J)		413-DCM280-809	
C505	nsp	CHIP CAPACITOR(15pF/50V,J)		413-007USB-781	
C506	00D9587056400	ELEC. CAPACITOR(22uF/16V,M)		413-SPPW3-236	
C507-510	00D9587054509	POLYESTER CAPACITOR(0.039uF/100V,J)		413-900-940	
C511,512	nsp	CHIP CAPACITOR(270pF/50V,J)		413-U5000-1004	
C513,514	00D9587053908	POLYESTER CAPACITOR(0.0033uF/100V,J)		413-900-934	
C515-518	00D9587054101	POLYESTER CAPACITOR(0.0056uF/100V,J)		413-900-936	
C519,520	nsp	CHIP CAPACITOR(22pF/50V,J)		413-CR701-5161	
C521,522	00D9587056303	ELEC. CAPACITOR(10uF/25V,M)		413-SPPW3-235	
C525-628	nsp	CHIP CAPACITOR(1000pF/50V,K)		413-DCM280-768	
C601-616	nsp	CHIP CAPACITOR(1000pF/50V,K)		413-DCM280-768	
C617,618	00D9587056303	ELEC. CAPACITOR(10uF/25V,M)		413-SPPW3-235	
C619,620	nsp	CHIP CAPACITOR(1000pF/50V,K)		413-DCM280-768	
C621,622	nsp	CHIP CAPACITOR(33pF/50V,J)		413-900-926	
C623,624	nsp	CHIP CAPACITOR(47pF/50V,J)		413-007USB-784	
C629,630	00D9587055304	ELEC. CAPACITOR(4.7uF/50V,M)		413-HT801K-191	
C631,632	nsp	CHIP CAPACITOR(1000pF/50V,K)		413-DCM280-768	

Ref. No.	Part No.	Part Name	Remarks	Q'ty	New
C633,634	nsp	CHIP CAPACITOR(120pF/50V,J)		413-900-930	
C639,640	nsp	CHIP CAPACITOR(1000pF/50V,K)		413-DCM280-768	
C641,642	nsp	CHIP CAPACITOR(22pF/50V,J)		413-CR701-5161	
C643,644	00D9587056400	ELEC. CAPACITOR(22uF/16V,M)		413-SPPW3-236	
C645,646	00D9587055304	ELEC. CAPACITOR(4.7uF/50V,M)		413-HT801K-191	
C647,648	nsp	CHIP CAPACITOR(22pF/50V,J)		413-CR701-5161	
C649,650	nsp	CHIP CAPACITOR(1000pF/50V,K)		413-DCM280-768	
C651,652	00D9587056400	ELEC. CAPACITOR(22uF/16V,M)		413-SPPW3-236	
C653,654	nsp	CHIP CAPACITOR(22pF/50V,J)		413-CR701-5161	
C655-658	nsp	CHIP CAPACITOR(1000pF/50V,K)		413-DCM280-768	
C659,660	nsp	CHIP CAPACITOR(22pF/50V,J)		413-CR701-5161	
C661,662	00D9587055304	ELEC. CAPACITOR(4.7uF/50V,M)		413-HT801K-191	
C663,664	941134001280S	ELEC. CAPACITOR(100uF/25V,M)		413-X050-1068	*
C665,666	nsp	CHIP CAPACITOR(47pF/50V,J)		413-007USB-784	
C669,670	00D9587056400	ELEC. CAPACITOR(22uF/16V,M)		413-SPPW3-236	
C672	nsp	CHIP CAPACITOR(0.01uF/50V,K)		413-DCM280-771	
C673,674	nsp	CHIP CAPACITOR(1000pF/50V,K)		413-DCM280-768	
C675-678	941134001290S	ELEC. CAPACITOR(0.22uF/50V,M)		413-SPPW3-305	*
C679,680	nsp	CHIP CAPACITOR(1000pF/50V,K)		413-DCM280-768	
C681,682	nsp	CHIP CAPACITOR(22pF/50V,J)		413-CR701-5161	
C683,684	941134001300S	ELEC. CAPACITOR(22uF/25V,M)		413-CDMIX2-631	*
C801	00D9587054907	ELEC. CAPACITOR(100uF/10V,M)		413-HMA2200-5017	
C802	nsp	CHIP CAPACITOR(0.1uF/50V,Z)		413-DCM280-773	
C803	00D9587054907	ELEC. CAPACITOR(100uF/10V,M)		413-HMA2200-5017	
C804	nsp	CHIP CAPACITOR(0.1uF/50V,Z)		413-DCM280-773	
C807-809	nsp	CHIP CAPACITOR(0.1uF/50V,Z)		413-DCM280-773	
C811-814	00D9587056206	ELEC. CAPACITOR(1uF/50V,M)		413-SPPW3-234	
C815,816	90M-EJ000100R	ELEC. CAPACITOR(0.47uF/50V,M)		413-SPPW3-233	
C819	nsp	CHIP CAPACITOR(0.1uF/50V,Z)		413-DCM280-773	
C823-836	nsp	CHIP CAPACITOR(0.01uF/50V,K)		413-DCM280-771	
C840	00D9587030701	ELEC. CAPACITOR(2.2uF/50V,M)		413-DV300-5156	
C842-845	nsp	CHIP CAPACITOR(0.1uF/50V,Z)		413-DCM280-773	
C846	941134000530S	ELEC. CAPACITOR(470uF/10V,M)		413-HT8015-169	*
C847-850	nsp	CHIP CAPACITOR(0.1uF/50V,Z)		413-DCM280-773	
C851	00D9587054907	ELEC. CAPACITOR(100uF/10V,M)		413-HMA2200-5017	
<b>OTHER PARTS GROUP</b>					
CN202	nsp	2*3P 2.54 SERIES STRIP PIN HEADER(H=6mm)		424-SDJ2-142	
CN203	nsp	4P 2.54 SERIES STRIP PIN HEADER(H=6mm)		424-HDJ9700-069	
CN603A,603B	00D9587049802	17P 1.0 FFC CONNECTOR(52207-1785)		404-900-2107	
CN604A,605A	90M-YJ003030R	12P 1.0 FFC CONNECTOR(52207-1285)		404-4001-2235	
CN604B,605B	90M-YJ003030R	12P 1.0 FFC CONNECTOR(52207-1285)		404-4001-2235	
CN701	00D9410047308	16P 1.0 FFC CONNECTOR(52207-1685)		404-HV3423K-583	
CN801	941644001140S	21P 1.0 FFC CONNECTOR(52808-2170)		404-S300-2531	*
CN807	00D9587066306	4P SOCKET(CKM2001WR-4P)		404-DCM270E3-878A	
CN903A	941644001150S	28P 1.0 FFC SOCKET(52808-2870)		404-X1100-3059	*
L801	941115001080S	INDUCTOR(10uH,AL0204ST-100K-S-A)		415-HMD5000-097	*
SW801	941663001050S	ROATRY SW(SR1712F-0105-25F0A-N9-N)		403-X1100-347	*
SW802-806	941663001040S	ROATRY SW(SR1712F-0108-25F0A-N9-N)		403-X1100-346	*
SW807-817	941662001160S	TACT SW(SFKHVBE3525-HF		403-DCM270X-101A	*
SW818-821	941664001020S	SLIDE SW(SKA-12-12)		403-QMX1-063A	*
SW822-825	941664001030S	SLIDE SW(SKA-13-12B)		403-X1100-345	*



Ref. No.	Part No.	Part Name	Remarks		Q'ty	New
VR101	00D9410059707	ROTARY VR(20K(A)*2)		418-X050-446		
VR102-104	941679001120S	ROTARY VR(20K(3B)*2)		418-X1100-530		*
VR201	00D9410059707	ROTARY VR(20K(A)*2)		418-X050-446		
VR202-204	941679001120S	ROTARY VR(20K(3B)*2)		418-X1100-530		*
VR301	00D9410059707	ROTARY VR(20K(A)*2)		418-X050-446		
VR302-304	941679001120S	ROTARY VR(20K(3B)*2)		418-X1100-530		*
VR401	00D9410059707	ROTARY VR(20K(A)*2)		418-X050-446		
VR402-404	941679001120S	ROTARY VR(20K(3B)*2)		418-X1100-530		*
VR501,502	941679001090S	ROTARY VR(20K(A))		418-X1100-527		*
VR503-508	941679001110S	ROTARY VR(50K(B))		418-X1100-529		*
VR601	00D9410059309	ROTARY VR(50K(MN)*2)		418-X050-332		
VR602	00D9587059805	ROTARY VR(20KA*2)		418-900-284		
VR603	00D9410059707	ROTARY VR(20K(A)*2)		418-X050-446		
VR604	941679001130S	ROTART VR(50K(3B)*2)		418-X1100-550		*
VR606	00D9410059202	ROTARY VR(50K(3B)*2)		418-X050-252		
VR607	00D9410059707	ROTARY VR(20K(A)*2)		418-X050-446		
VR803,804	941679001100S	ROTARY VR(20K(B))		418-X1100-528		*
W501	nsp	3P 2.5 CONNECTOR WIRE(L=250mm)		404-MCX-2026		
W602	nsp	3P 2.5 CONNECTOR WIRE(L=60mm)		404-MU12-2661		
W702	nsp	4P 2.5 CONNECTOR WIRE(L=250mm)		404-X1100-3073		
W803-806	nsp	4P 2.0 CONNECTOR WIRE(L=55mm)		404-X1100-3079		
W901	nsp	9P 2.0 CONNECTOR WIRE(L=310mm)		404-X1100-3078		
	941606000980S	12P 1.0 FFC CABLE(L=70mm)	CN605A-605B	406-SDJ1F-968		*
	941606000990S	12P 1.0 FFC CABLE(L=70mm)	CN604A-604B	406-X1100-1033		*
	941606001000S	17P 1.0 FFC CABLE(L=60mm)	CN603A-603B	406-X1100-1034		*
	941606001010S	16P 1.0 FFC CABLE(L=150mm)	CN701	406-X1100-1035		*
	00D9587062203	LED HOLDER	D601,602	504-CDT1000-091		
	nsp	SPACER SUPPORT(H-17)		504-SPANDMK2-156		
	nsp	CUSHION		612-390-234		
	00D9410019501	SCREW(SAE1018, φ3*L8*P0.5)		602-2002-085		

# IO P.W.B. UNIT ASS'Y

Ref. No.	Part No.	Part Name	Remarks	Q'ty	New
<b>SEMICONDUCTORS GROUP</b>					
IC114,115	00D9410021609	IC(NJM-4580M-TE2)		417-ST150-599	
IC116	00D9587059203	IC(LC78211-E)		417-QFX19-629	
IC214,215	00D9410021609	IC(NJM-4580M-TE2)		417-ST150-599	
IC216	00D9587059203	IC(LC78211-E)		417-QFX19-629	
IC314,315	00D9410021609	IC(NJM-4580M-TE2)		417-ST150-599	
IC316	00D9587059203	IC(LC78211-E)		417-QFX19-629	
IC414,415	00D9410021609	IC(NJM-4580M-TE2)		417-ST150-599	
IC416	00D9587059203	IC(LC78211-E)		417-QFX19-629	
IC511	00D9587058903	IC(NJM-2068M)		417-M5-582	
<b>RESISTORS GROUP</b>					
R07,08	nsp	CARBON FILM RESISTOR(100 OHM,1/4W,J)		412-PMSE1-279	
RB701,702	nsp	THICK FILM RESISTOR NETWORKS(10K OHM,J)		412-900-978	
<b>CAPACITORS GROUP</b>					
C005,006	nsp	CHIP CAPACITOR( 220pF/50V)		413-007USB-787	
C007-010	nsp	CHIP CAPACITOR(100pF/50V,J)		413-DCM280-767	
C011,012	nsp	CHIP CAPACITOR( 220pF/50V)		413-007USB-787	
C013-024	nsp	CHIP CAPACITOR(100pF/50V,J)		413-DCM280-767	
C031,032	nsp	CHIP CAPACITOR(100pF/50V,J)		413-DCM280-767	
C17,18	00D9587030604	ELEC. CAPACITOR(220uF/25V,M)		413-DV300-292	
C193,194	nsp	CHIP CAPACITOR(100pF/50V,J)		413-DCM280-767	
C195,196	nsp	CHIP CAPACITOR(1000pF/50V,K)		413-DCM280-768	
C197,198	00D9587056400	ELEC. CAPACITOR(22uF/16V,M)		413-SPPW3-236	
C293,294	nsp	CHIP CAPACITOR(100pF/50V,J)		413-DCM280-767	
C295,296	nsp	CHIP CAPACITOR(1000pF/50V,K)		413-DCM280-768	
C297,298	00D9587056400	ELEC. CAPACITOR(22uF/16V,M)		413-SPPW3-236	
C393,394	nsp	CHIP CAPACITOR(100pF/50V,J)		413-DCM280-767	
C395,396	nsp	CHIP CAPACITOR(1000pF/50V,K)		413-DCM280-768	
C397,398	00D9587056400	ELEC. CAPACITOR(22uF/16V,M)		413-SPPW3-236	
C493,494	nsp	CHIP CAPACITOR(100pF/50V,J)		413-DCM280-767	
C495,496	nsp	CHIP CAPACITOR(1000pF/50V,K)		413-DCM280-768	
C497,498	00D9587056400	ELEC. CAPACITOR(22uF/16V,M)		413-SPPW3-236	
C541,542	nsp	CHIP CAPACITOR( 220pF/50V)		413-007USB-787	
C543,544	00D9587056400	ELEC. CAPACITOR(22uF/16V,M)		413-SPPW3-236	
C545,546	nsp	CHIP CAPACITOR(22pF/50V,J)		413-CR701-5161	
C547,548	nsp	CHIP CAPACITOR(1000pF/50V,K)		413-DCM280-768	
C549,565	00D9587056303	ELEC. CAPACITOR(10uF/25V,M)		413-SPPW3-235	
C551,552	nsp	CHIP CAPACITOR( 220pF/50V)		413-007USB-787	
C555,556	00D9587056400	ELEC. CAPACITOR(22uF/16V,M)		413-SPPW3-236	
C563,564	nsp	CHIP CAPACITOR(22pF/50V,J)		413-CR701-5161	
C701,702	nsp	CHIP CAPACITOR(100pF/50V,J)		413-DCM280-767	
C703,704	nsp	E/C(47uF/16V,M)		413-CDVD2001-265	
C705,706	00D9587053607	POLYESTER CAPACITOR(0.012uF/50V,J)		413-3113-060	
C707,708	00D9587055401	POLYESTER CAPACITOR(0.0033uF/100V,J)		413-KT300-103	
C709,710	00D9587056400	ELEC. CAPACITOR(22uF/16V,M)		413-SPPW3-236	
C711,712	nsp	CHIP CAPACITOR(1000pF/50V,K)		413-DCM280-768	
C713,714	nsp	CHIP CAPACITOR(100pF/50V,J)		413-DCM280-767	
C715,716	nsp	E/C(47uF/16V,M)		413-CDVD2001-265	
C717,718	00D9587053607	POLYESTER CAPACITOR(0.012uF/50V,J)		413-3113-060	
C719,720	00D9587055401	POLYESTER CAPACITOR(0.0033uF/100V,J)		413-KT300-103	
C721,722	00D9587056400	ELEC. CAPACITOR(22uF/16V,M)		413-SPPW3-236	

Ref. No.	Part No.	Part Name	Remarks		Q'ty	New
C723,724	nsp	CHIP CAPACITOR(1000pF/50V,K)		413-DCM280-768		
C725,726	nsp	CHIP CAPACITOR(100pF/50V,J)		413-DCM280-767		
C727,728	nsp	E/C(47uF/16V,M)		413-CDVD2001-265		
C729,730	00D9587053607	POLYESTER CAPACITOR(0.012uF/50V,J)		413-3113-060		
C731,732	00D9587055401	POLYESTER CAPACITOR(0.0033uF/100V,J)		413-KT300-103		
C733,734	00D9587056400	ELEC. CAPACITOR(22uF/16V,M)		413-SPPW3-236		
C735,736	nsp	CHIP CAPACITOR(1000pF/50V,K)		413-DCM280-768		
C737,738	nsp	CHIP CAPACITOR(100pF/50V,J)		413-DCM280-767		
C739,740	nsp	CHIP CAPACITOR(1000pF/50V,K)		413-DCM280-768		
C741,742	00D9587056400	ELEC. CAPACITOR(22uF/16V,M)		413-SPPW3-236		
C777-784	nsp	CHIP CAPACITOR(1000pF/50V,K)		413-DCM280-768		
<b>OTHER PARTS GROUP</b>						
CN501	00D9587066403	3P SOCKET(CKM2501WV)		404-HV3500K-623A		
CN701A	00D9587048706	16P 1.0 FFC CONNECTOR(52808-1670)		404-900-2077		
CN702	941644000540S	4P SOCKET(CKM2501WV)		404-HV3500K-629A		*
JK101	00D9587067907	4P RCA JACK		420-900-213A		
JK201	00D9587067907	4P RCA JACK		420-900-213A		
JK301	00D9587067907	4P RCA JACK		420-900-213A		
JK401	941643001240S	4P RCA JACK		420-QMX1-094A		*
JK501	00D9587061408	7P MIC JACK		420-VPS1-187		
JK502	00D9587037607	4P PHONE JACK		420-Q3433-107		
SW101	00D9587048308	SLIDE SW(SSSF122NA1-HF,6PIN)		403-QMX1-060		
SW201	00D9587048308	SLIDE SW(SSSF122NA1-HF,6PIN)		403-QMX1-060		
SW301	00D9587048308	SLIDE SW(SSSF122NA1-HF,6PIN)		403-QMX1-060		
VR509	941679001190S	ROTARY VR(10K(B))		418-X1100-526		*
W902	nsp	4P 2.5 CONNECTOR WIRE(L=50mm)		404-HPR200-3061		
	nsp	JACK GROUND PLATE		300-300-1171		
	nsp	GROUND PLATE	JK401	300-QFX19-811		
	nsp	BRACKET(L TYPE)		300-HDJ7000-472		
	00D9580046103	SCREW(3*5 P=0.5)		602-B300-041		

# POWER P.W.B. UNIT ASS'Y

Ref. No.	Part No.	Part Name	Remarks	Q'ty	New
<b>SEMICONDUCTORS GROUP</b>					
IC04	00D9410045601	IC(BD4745G/BD4745G-TR)		417-HDJ2000-503	
IC701	00D9587059407	IC(BA15218F/BA15218FE2)		417-QMX2-167	
IC703	00D9587058602	IC(NJM4580D)		417-HDJ2400-318	
IC704	00D9587059407	IC(BA15218F/BA15218FE2)		417-QMX2-167	
IC705	00D9587058602	IC(NJM4580D)		417-HDJ2400-318	
IC907,908	00D9587059407	IC(BA15218F/BA15218FE2)		417-QMX2-167	
Q01	00D9587057603	TRANSISTORS(2SC3330U-AC)		416-DJ1900-023	
Q02	00D9587057807	TRANSISTOR(DTA124TS/2SA1589/DTA124TSATP)		416-KE200S-024	
Q03	941219001170S	TRANSISTOR(2SB892S(T),MP)		416-1360S-017A	*
Q04	90M-HT400500R	TRANSISTOR(2SD1207/2SD1207S(T))		416-1360S-016	
Q701-708	00D9410046406	TRANSISTOR(2SC4695-TB-E,SOT23/CP)		416-DAIA-273	
Q709-712	00D9587034707	TRANSISTOR(2SC2878-B)		416-AMC110A-5017	
Q903,904	00D9587034707	TRANSISTOR(2SC2878-B)		416-AMC110A-5017	
Q909,910	00D9580040507	TRANSISTOR(2SC1740SRTP)		416-3113-007	
D103-106	00D9587034503	DIODE(1N4002(GW)-TP/1N4002TA)		414-DV300-5014	
D11-15	00D9410046901	SWITCHING DIODE(1SS355)		414-CD1000-075	
D203-206	00D9587034503	DIODE(1N4002(GW)-TP/1N4002TA)		414-DV300-5014	
D303-306	00D9587034503	DIODE(1N4002(GW)-TP/1N4002TA)		414-DV300-5014	
D403-406	00D9587034503	DIODE(1N4002(GW)-TP/1N4002TA)		414-DV300-5014	
ZD01	00D9580075501	ZENER DIODE(MTZJ10-B)		414-SPPW3-061	
ZD02	00D9587057001	ZENER DIODE(MTZJ5.6-B)		414-HT8033-032	
<b>CAPACITORS GROUP</b>					
C03,04	941134001210S	ELEC. CAPACITOR(2200uF/35V)		413-X1100-1124	*
C05	941134001220S	ELEC. CAPACITOR(2200uF/16V)		413-X1100-1125	*
C06	00D9587030701	ELEC. CAPACITOR(2.2uF/50V,M)		413-DV300-5156	
C07,08	00D9587054907	ELEC. CAPACITOR(100uF/10V,M)		413-HMA2200-5017	
C09,10	00D9587056303	ELEC. CAPACITOR(10uF/25V,M)		413-SPPW3-235	
C11	00D9587056400	ELEC. CAPACITOR(22uF/16V,M)		413-SPPW3-236	
C12	00D9587054800	ELEC. CAPACITOR(1000uF/16V,M)		413-F202-001	
C027,028	nsp	CHIP CAPACITOR(100pF/50V,J)		413-DCM280-767	
C187-189	nsp	CHIP CAPACITOR(470pF/50V,J)		413-007USB-786	
C190,191	nsp	CHIP CAPACITOR(0.1uF/50V,Z)		413-DCM280-773	
C287-289	nsp	CHIP CAPACITOR(470pF/50V,J)		413-007USB-786	
C290,291	nsp	CHIP CAPACITOR(0.1uF/50V,Z)		413-DCM280-773	
C387-389	nsp	CHIP CAPACITOR(470pF/50V,J)		413-007USB-786	
C390,391	nsp	CHIP CAPACITOR(0.1uF/50V,Z)		413-DCM280-773	
C487-489	nsp	CHIP CAPACITOR(470pF/50V,J)		413-007USB-786	
C490,491	nsp	CHIP CAPACITOR(0.1uF/50V,Z)		413-DCM280-773	
C743,744	nsp	CHIP CAPACITOR(1000pF/50V,K)		413-DCM280-768	
C745,746	00D9587056303	ELEC. CAPACITOR(10uF/25V,M)		413-SPPW3-235	
C747-750	nsp	CHIP CAPACITOR(470pF/50V,J)		413-007USB-786	
C751,752	nsp	CHIP CAPACITOR(1000pF/50V,K)		413-DCM280-768	
C753,754	nsp	CHIP CAPACITOR(33pF/50V,J)		413-900-926	
C755,756	941134001230S	ELEC. CAPACITOR(47uF/50V)		413-X1100-1126	*
C757,758	nsp	CHIP CAPACITOR(470pF/50V,J)		413-007USB-786	
C761,762	941134001230S	ELEC. CAPACITOR(47uF/50V)		413-X1100-1126	*
C763,764	nsp	CHIP CAPACITOR(470pF/50V,J)		413-007USB-786	
C765,766	nsp	CHIP CAPACITOR(1000pF/50V,K)		413-DCM280-768	
C767,768	nsp	CHIP CAPACITOR(47pF/50V,J)		413-007USB-784	

Ref. No.	Part No.	Part Name	Remarks		Q'ty	New
C769,770	nsp	E/C(47uF/16V,M)		413-CDVD2001-265		
C771,772	nsp	CHIP CAPACITOR(470pF/50V,J)		413-007USB-786		
C773,774	nsp	E/C(47uF/16V,M)		413-CDVD2001-265		
C775,776	nsp	CHIP CAPACITOR(470pF/50V,J)		413-007USB-786		
C953,954	nsp	CHIP CAPACITOR(330pF/50V,J)		413-900-925		
C955-958	nsp	CHIP CAPACITOR(1000pF/50V,K)		413-DCM280-768		
C959,960	00D9587056303	ELEC. CAPACITOR(10uF/25V,M)		413-SPPW3-235		
C961,962	nsp	CHIP CAPACITOR(470pF/50V,J)		413-007USB-786		
C963,964	00D9587056303	ELEC. CAPACITOR(10uF/25V,M)		413-SPPW3-235		
C965,966		CHIP CAPACITOR(22pF/50V,J)		413-CR701-5161		
<b>OTHER PARTS GROUP</b>						
CN04	nsp	7P SOCKET(CKM2501WV-7P)		404-DV300-507A		
CN901	nsp	9P SOCKET(CKM2001WV-9P)		404-CDMIX2-1200A		
CN902	nsp	4P SOCKET(CKM2501WV-4P)		404-HV3500K-629A		
CN903A	941644000950S	28P 1.0 FFC SOCKET(52207-2885)		404-X1100-3153		*
JK102	00D9587037306	3P HEADPHONE JACK		420-HDJ7100-063		
JK202	00D9587037306	3P HEADPHONE JACK		420-HDJ7100-063		
JK302	00D9587037306	3P HEADPHONE JACK		420-HDJ7100-063		
JK402	00D9587037306	3P HEADPHONE JACK		420-HDJ7100-063		
JK701	941643001240S	4P RCA JACK		420-QMX1-094A		*
JK703,704	00D9587067703	3P XLR JACK(94M-008P5-G)		420-900-204		
JK707,708	00D9587060807	3P PHONE JACK		420-HMJ1001-5034		
JK903-906	00D9587037607	4P PHONE JACK		420-Q3433-107		
L01	00D9587057108	BEAD CORE(RH03506ST-B,65Ω/100MHz)		415-HV3500K-090		
SW701,702	00D9587048308	SLIDE SW(SSSF122NA1-HF,6PIN)		403-QMX1-060		
	nsp	GROUND PLATE	JK701	300-QFX19-811		
	nsp	JACK GROUND PLATE		300-300-1171		
	941606000960S	28P 1.0 FFC CABLE(L=200mm)	CN903A	406-X1100-1036		*
	nsp	SPACER SUPPORT(H-28)		504-X1100-240		
	00D9410019501	SCREW(SAE1018, φ3*L8*P0.5)		602-2002-085		

## LEVEL METER P.W.B. UNIT ASS'Y

	Ref. No.	Part No.	Part Name	Remarks		Q'ty	New
<b>SEMICONDUCTORS GROUP</b>							
	Q818-836	00D9587057302	TRANSISTOR(2SA1037AKT146R/2SA1037AKR)		416-CDN88-045		
	D801	00D9587052103	CHIP LED(RED,LTST-C190KRKT)		410-HDJ9700-214		
	D802-806	00D9587052200	CHIP LED(YELLOW,LTST-C190KSKT6)		410-HDJ9700-226		
	D807-812	00D9587051803	CHIP LED(LTST-C190KGKT)		410-CD900-249		
	D813	00D9587052103	CHIP LED(RED,LTST-C190KRKT)		410-HDJ9700-214		
	D814-818	00D9587052200	CHIP LED(YELLOW,LTST-C190KSKT6)		410-HDJ9700-226		
	D819-824	00D9587051803	CHIP LED(LTST-C190KGKT)		410-CD900-249		
	D825	00D9587052103	CHIP LED(RED,LTST-C190KRKT)		410-HDJ9700-214		
	D826-830	00D9587052200	CHIP LED(YELLOW,LTST-C190KSKT6)		410-HDJ9700-226		
	D831-836	00D9587051803	CHIP LED(LTST-C190KGKT)		410-CD900-249		
	D837	00D9587052103	CHIP LED(RED,LTST-C190KRKT)		410-HDJ9700-214		
	D838-842	00D9587052200	CHIP LED(YELLOW,LTST-C190KSKT6)		410-HDJ9700-226		
	D843-848	00D9587051803	CHIP LED(LTST-C190KGKT)		410-CD900-249		
	D849	00D9587052103	CHIP LED(RED,LTST-C190KRKT)		410-HDJ9700-214		
	D850-854	00D9587052200	CHIP LED(YELLOW,LTST-C190KSKT6)		410-HDJ9700-226		
	D855-860	00D9587051803	CHIP LED(LTST-C190KGKT)		410-CD900-249		
	D861	00D9587052103	CHIP LED(RED,LTST-C190KRKT)		410-HDJ9700-214		
	D862-866	00D9587052200	CHIP LED(YELLOW,LTST-C190KSKT6)		410-HDJ9700-226		
	D867-872	00D9587051803	CHIP LED(LTST-C190KGKT)		410-CD900-249		
	D901-906	00D9587051803	CHIP LED(LTST-C190KGKT)		410-CD900-249		
<b>CAPACITORS GROUP</b>							
	C820,821	00D9587054907	ELEC. CAPACITOR(100uF/10V,M)		413-HMA2200-5017		
<b>OTHER PARTS GROUP</b>							
	CN801A	941644001270S	21P 1.0 FFC SOCKET(52207-2185,SMD90° )		404-X1100-3060		*
		941606001200S	21P 1.0 FFC CABLE(L=120mm)	CN801A	406-X1100-1039		*
		941423001320P	LED BASE ASS'Y		701-1100-4474		*
		941423001340P	TRANSPARENT MEDIA ADAPTER		100-1100-2605		*

### PHONE P.W.B. UNIT ASS'Y

Ref. No.	Part No.	Part Name	Remarks	Q'ty	New
<b>CAPACITORS GROUP</b>					
C667,C668	nsp	CHIP CAPACITOR(2200pF/50V,J)		413-007USB-788	
<b>OTHER PARTS GROUP</b>					
CN602	00D9587066403	3P SOCKET(CKM2501WV)		404-HV3500K-623A	
JK601	00D9587037209	3P HEADPHONE JACK		420-CDMIX1-086	
	nsp	JACK GROUND PLATE	JK601	300-300-1171	

### CH FADER P.W.B. UNIT ASS'Y

Ref. No.	Part No.	Part Name	Remarks	Q'ty	New
<b>OTHER PARTS GROUP</b>					
CN803	00D9587066306	4P SOCKET(CKM2001WR-4P,90° WHITE)		404-DCM270E3-878A	
VR105	941674000970S	SLIDE VR(50K(0B)*2)		418-900-326	*

### AC P.W.B. UNIT ASS'Y

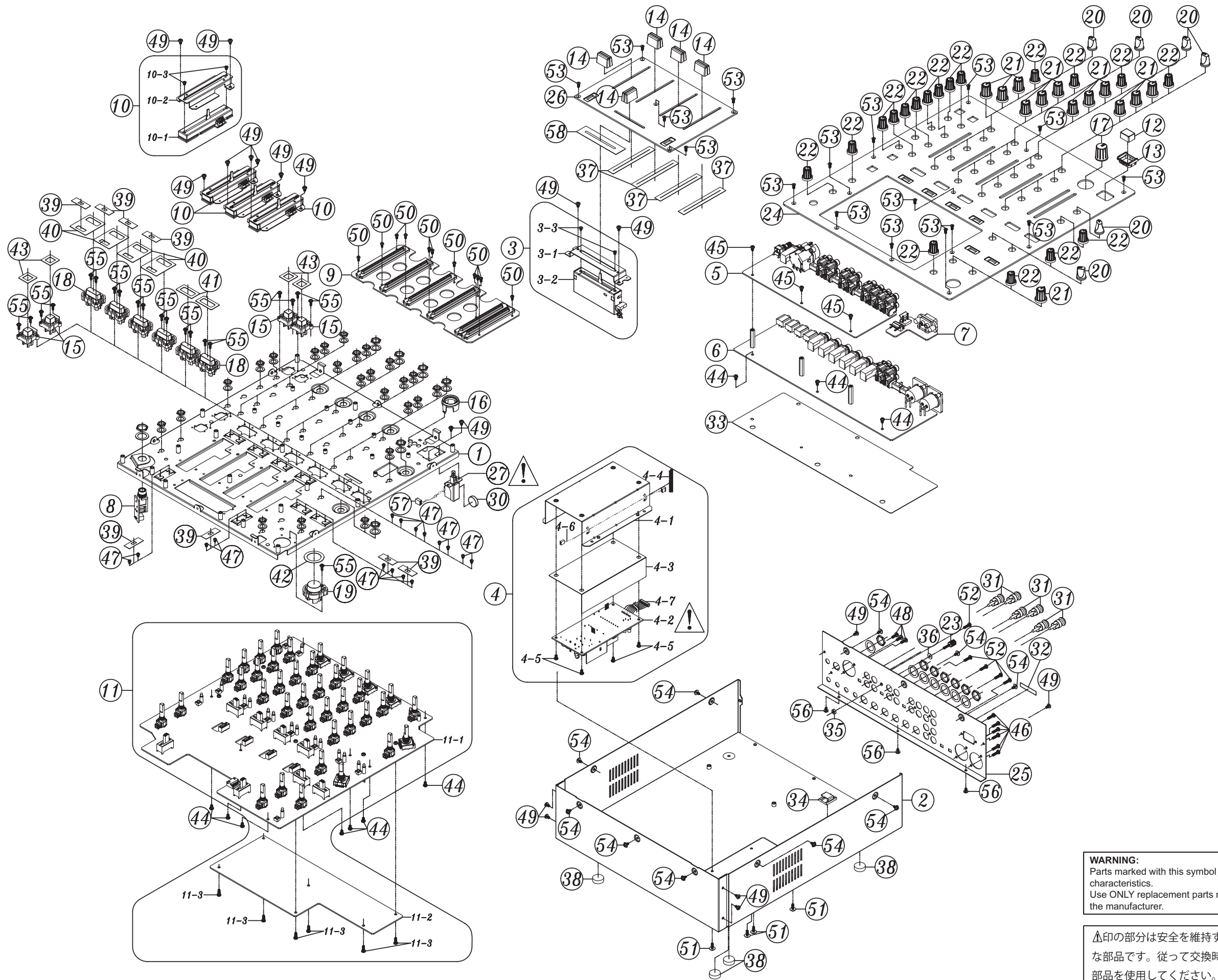
Ref. No.	Part No.	Part Name	Remarks	Q'ty	New
<b>OTHER PARTS GROUP</b>					
CN02,03	00D9410022501	2P 3.96 SOCKET(8674S-02,90° ,WHITE)		404-BEAT6-1598	
AC1	00D9410050405	AC SOCKET(SO-222-14P,2P,DIP90° )	E2	404-HDJ2200E-969	
AC1	00D9410049801	AC SOCKET(SO-222-14RP,2P,DIP90° )	E3	404-DJ2-021	
	nsp	SPACER SUPPORT(TCBS-35)		504-X1100-246	


--MEMO--




---MEMO---

# EXPLODED VIEW



**WARNING:**  
 Parts marked with this symbol  have critical characteristics.  
 Use ONLY replacement parts recommended by the manufacturer.

印の部分は安全を維持するために重要な部品です。従って交換時は必ず指定の部品を使用してください。

# PARTS LIST OF EXPLODED VIEW

\* Parts for which "nsp" is indicated on this table cannot be supplied.

\* P.W.B. ASS'Y for which "nsp" is indicated on this table cannot be supplied. When repairing the P.W.B. ASS'Y, check the board parts table and order replacement parts.

\* The parts listed below are for maintenance only, might differ from the parts used in the unit in appearances or dimensions.

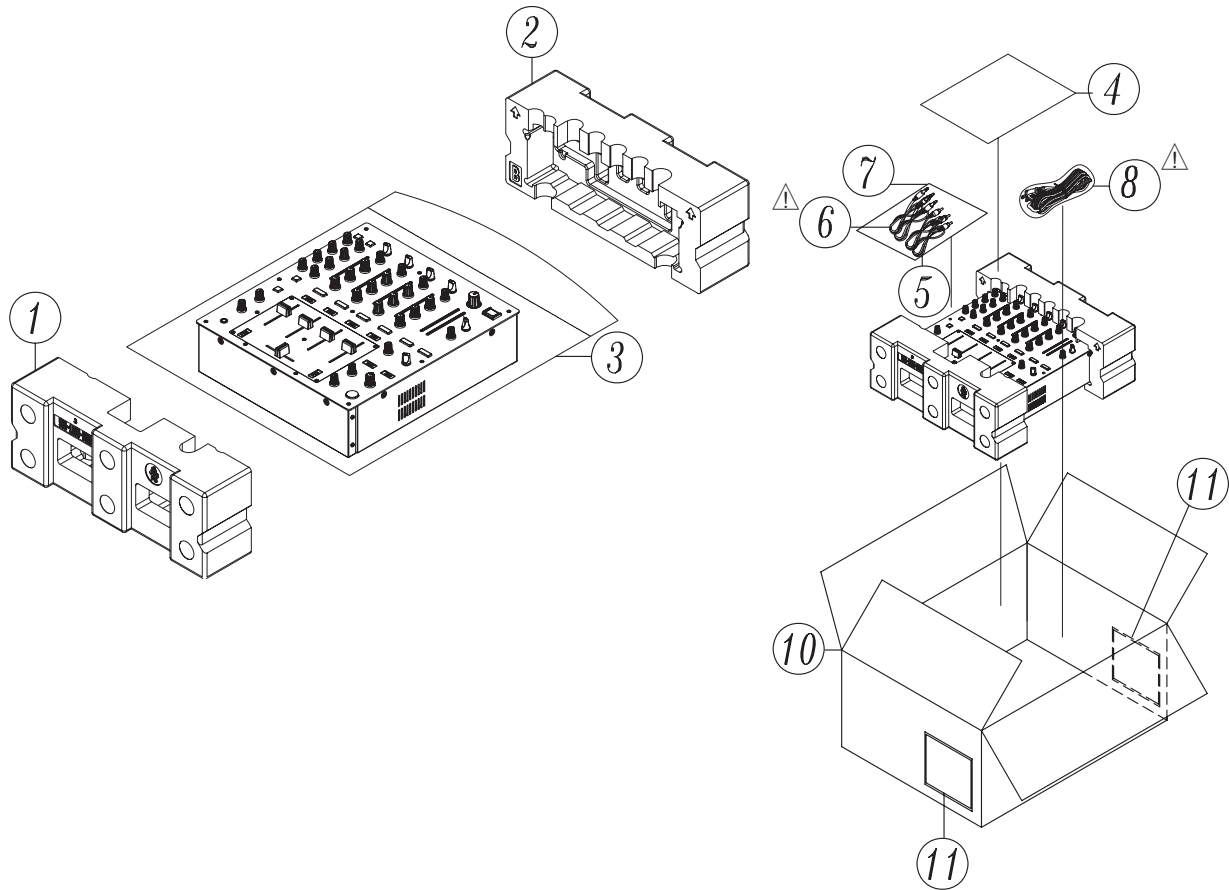
**Note:** The symbols in the column "Remarks" indicate the following destinations.

E3: U.S.A. & Canada model      E2: Europe mode

Ref. No.	Part No.	Part Name	Remarks		Q'ty	New
1	nsp	FRONT BOARD ASS'Y		703-1100-1212	1	
2	nsp	BASE ASS'Y		703-1100E2-1213	1	
3	00D9587069303	CROSS FADER & CS FIXED PLATE ASS'Y		704-900-5730	1	
3-1	-	CS TYPE FIXED PLATE		300-900-1248	1	
3-2	-	CROSS FADER(LPA-4815LT-B50KΩ)		418-900-305	1	
3-3	-	SCREW(SAE1018,ISOF,φ3*L4*P0.5)		602-SA12-414	2	
4	nsp	POWER & DIXED PLATE ASS'Y		704-X1100-8292	1	
4-1	nsp	FIXED COVER ASS'Y		703-TU3-1197B	1	
4-2	941694000780P	SWITCHING POWER(AC100/240V,47/63Hz)		411-TU3-702	1	*
4-3	nsp	ISOLATION		501-1100-2207	1	
4-4	nsp	HOLDFAST(L=250mm)		504-X1100-243	1	
4-5	nsp	SCREW(3*5 P=0.5)		602-B300-041	4	
4-6	941612000930S	3N2P 3.96 CONNECTOR WIRE(L=290mm)		404-X1100-3108	1	*
4-7	941612000940S	7P 2.5 CONNECTOR WIRE(L=120mm)		404-X1100-3106	1	*
5	nsp	IO PCB ASS'Y		704-X1100-8163	1	
6	nsp	POWER PCB ASS'Y		704-X1100-8164	1	
7	nsp	AC PCB ASS'Y	E2	704-X1100-8311	1	
7	nsp	AC PCB ASS'Y	E3	704-X1100-8165	1	
8	nsp	PHONE PCB ASS'Y		704-X1100-8166	1	
9	nsp	LEVEL METER PCB ASS'Y		704-X1100-8168	1	
10	941674000830P	CH VR FIXED PLATE & CH FADER PCBASS'Y		704-X1100-8170	4	*
10-1	-	CH FADER PCB ASS'Y		704-X1100-8167	4	
10-2	-	CH FIXED PLATE		300-1100-1647	4	
10-3	-	SCREW(SAE1018,ISOF,φ3*L4*P0.5)		602-SA12-414	8	
11	nsp	MIXER & TRANSFER PCB ASS'Y		704-X1100-8185	1	
11-1	-	MIXER PCB ASS'Y		704-X1100-8161	1	
11-2	-	TRANSFER PCB ASS'Y		704-X1100-8162	1	
11-3	-	SCREW(SAE1018,φ3*L8*P0.5)		602-2002-085	6	
12	00D9410057301	POWER KNOB		100-HDJ2000-1641	1	
13	90M09CW259020	KNOB PROTECTOR		100-HDJ2000-1642	1	
14	00D9587013401	PUSH KNOB		100-300-2231	5	
15	941412000790P	SQUARE KNOB		100-1100-2301A	4	*
16	00D9587046106	JACKET		100-900-2302	1	
17	00D9587046203	LARGE ROTARY KNOB(ABS)		100-900-2303	1	
18	941411000800P	CUE BUTTON		100-1100-2602	6	*
19	941412000850P	ROUND KNOB		100-1100-2603	1	*
20	941412000860P	SMALL ROTARY KNOB(ABS)		100-1100-2619	6	*
21	412510032008P	ROTARY KNOB(PP BLUE,TPR BLACK)		100-1100-2633	13	
22	412510031005P	ROTARY KNOB(PP BLUE,TPR BLACK)		100-1100-2634	18	
23	nsp	GROUND PIN		200-DJ100-231	1	
24	941402000820P	FRONT PANEL		300-1100-1643	1	*
25	941406000900P	BACK BOARD	E2	300-1100E2-1644	1	*
25	941406000910P	BACK BOARD	E3	300-1100E3-1644	1	*
26	941409001310P	VR BOARD		300-1100-1646	1	*
27	00D9580008303	POWER SW(SDDL1017U-HF,L=18)		403-A100-005	1	
30	00D9587056002	AC SAFETY CAPACITOR(0.01uF/250V,M,BULK,Y5V)		413-S250-747	1	
31	00D9587037500	RCA ADAPTOR PLUG(A028)		420-Q3433-106	6	
32	nsp	SHIPPING LABEL	E2	701-X1100E2-3655	1	
32	nsp	SHIPPING LABEL	E3	701-X1100E3-3655	1	

Ref. No.	Part No.	Part Name	Remarks		Q'ty	New
33	nsp	ISOLATION(304*99*0.5t)		501-1100-2180	1	
34	nsp	WIRE MOUNT(FW-2-3M,WHITE)		504-ST100-118	1	
35	nsp	NUT(M3*P0.5)		601-A100-004	1	
36	nsp	WASHER( $\phi$ 8*3.2*1t,NI)		606-Q2221-122	1	
37	nsp	HIMILON		612-HDJ100-045	4	
38	00D9587045107	FOOT(PORON,BLACK, $\phi$ 15*3t)		612-HV3500K-055	4	
39	nsp	CUSHION(26*10mm,t=0.5mm)		612-Q2422-103	8	
40	nsp	CUSHION(BLACK,30*37*0.3t)		612-1100-313	4	
41	nsp	CUSHION(BLACK,30*16*0.3t)		612-1100-314	2	
42	nsp	CUSHION(t=0.5mm)		612-1100-317	1	
43	nsp	CUSHION(t=0.5mm)		612-1100-318	4	
44	nsp	SCREW(3*5 P=0.5)		602-B300-041	10	
45	nsp	SCREW(SAE1018, $\phi$ 3*L8*P0.5)		602-2002-085	3	
46	nsp	SCREW(SAE1018,PTP,M3*10)		602-MK7-131	6	
47	nsp	SCREW(SAE1018,JMP, $\phi$ 2.6*L3*P0.45)		602-KM500-155	16	
48	nsp	SCREW(SAE1018,ISOB, $\phi$ 3*L8*P0.5)		602-HP1010K-178	3	
49	nsp	SCREW(SAE1018,BTB, $\phi$ 3*L5)		602-QMX2BPM-322	18	
50	nsp	SCREW(JMP,2.6*5,ZB)		602-HDJ9700-425	11	
51	nsp	SCREW(STN,3*8,ZB)		602-BEAT4-449	4	
52	nsp	SCREW(SAE1018,PTB, $\phi$ 3*L8)		602-DJ5500-452	5	
53	nsp	SCREW(CTF,3*7)		602-AKS4-496A	17	
54	nsp	SCREW(SAE1018,WBTP, $\phi$ 3*L5,CAP= $\phi$ 7)		602-900-564	10	
55	nsp	SCREW(SAE1018,WBTP, $\phi$ 2.6*L8,CAP= $\phi$ 6)		602-900-565	21	
56	nsp	SCREW(BTK,3*5)		602-BTK3005-666B	3	
57	941612000920S	3N2P 3.96 CONNECTOR WIRE(L=120mm)		404-X1100-3107	1	*
58	nsp	MUTE SHEET		604-900-361	1	

# PACKING VIEW



## PARTS LIST OF PACKING & ACCESSORIES

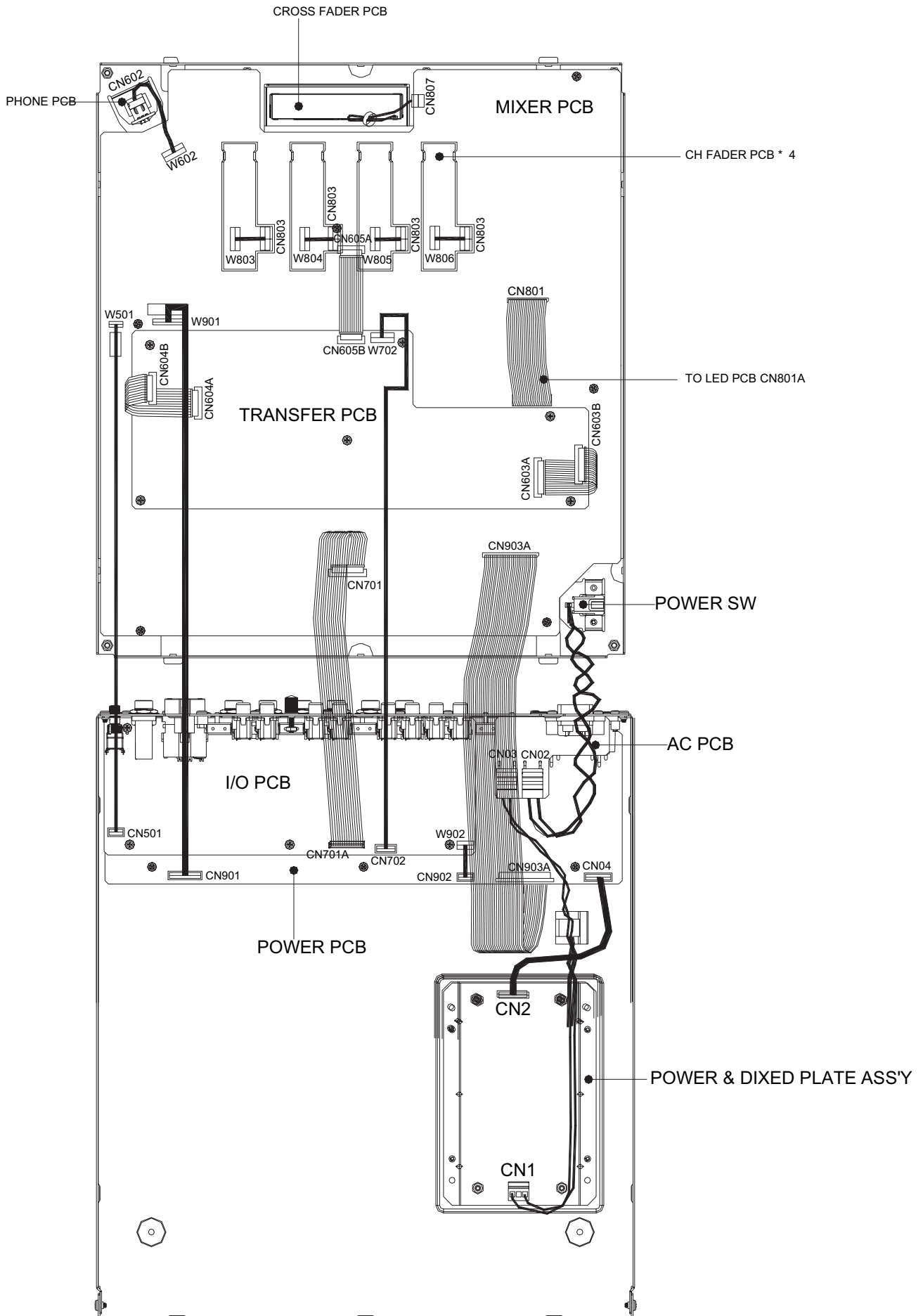
\* Parts for which "nsp" is indicated on this table cannot be supplied.

\* The parts listed below are for maintenance only, might differ from the parts used in the unit in appearances or dimensions.

**Note:** The symbols in the column "Remarks" indicate the following destinations.  
 E3 : U.S.A. & Canada model      E2 : Europe mode

Ref. No.	Part No.	Part Name	Remarks		Q'ty	New	
1	941533000750P	POLYFOAM F		506-1100-501F	1	*	
2	941533000810P	POLYFOAM B		506-1100-501B	1	*	
3	941535000840P	SOFT BAG(450*460+120mm)		509-RMX40-164A	1	*	
4	nsp	I/B ASS'Y	E2	701-DX1100E2-4483	1		
4	nsp	I/B ASS'Y	E3	701-DX1100E3-4484	1		
4-1	nsp	SERVICE SHEET(515-0923-401)		502-300E2-1771A	1		
4-2	941541000050P	I/B		502-DX1100E-2672	1	*	
4-3	nsp	WARRANTY CARD(515-0966-109)	E3	502-100E3-1772	1		
4-4	nsp	PE BAG(240*340mm)		505-DJ2500H-014	1		
5	00D9587051308	2P RCA CORD(L=1000mm)		408-DV300-5001	2		
⚠	6	00D9587051201	3.5mm STEREO CORD-NI		408-900-065	2	
	7	nsp	POLYBAG(120*250mm)		505-HM500A-049	1	
⚠	8	00D9410044204	AC POWER CORD(L=1900mm+/-50mm,VDE,TYPE)	E2	409-DJ2-070A	1	
⚠	8	00D9410044107	AC CORD(L=1900+/-50mm,UL)	E3	409-DJ2-069A	1	
10	941531000770P	GIFT BOX		507-1100-3022	1	*	
11	nsp	SHIPPING LABEL	E2	701-X1100E2-3655	1		
11	nsp	SHIPPING LABEL	E3	701-X1100E3-3655	1		

# WIRING DIAGRAM



--MEMO--

## NOTE FOR SCHEMATIC DIAGRAM

### WARNING:

Parts marked with this symbol  $\triangle$  have critical characteristics.  
Use ONLY replacement parts recommended by the manufacturer.

### CAUTION:

Before returning the unit to the customer, make sure you make either (1) a leakage current check or (2) a line to chassis resistance check. If the leakage current exceeds 0.5 milliamps, or if the resistance from chassis to either side of the power cord is less than 460 kohms, the unit is defective.

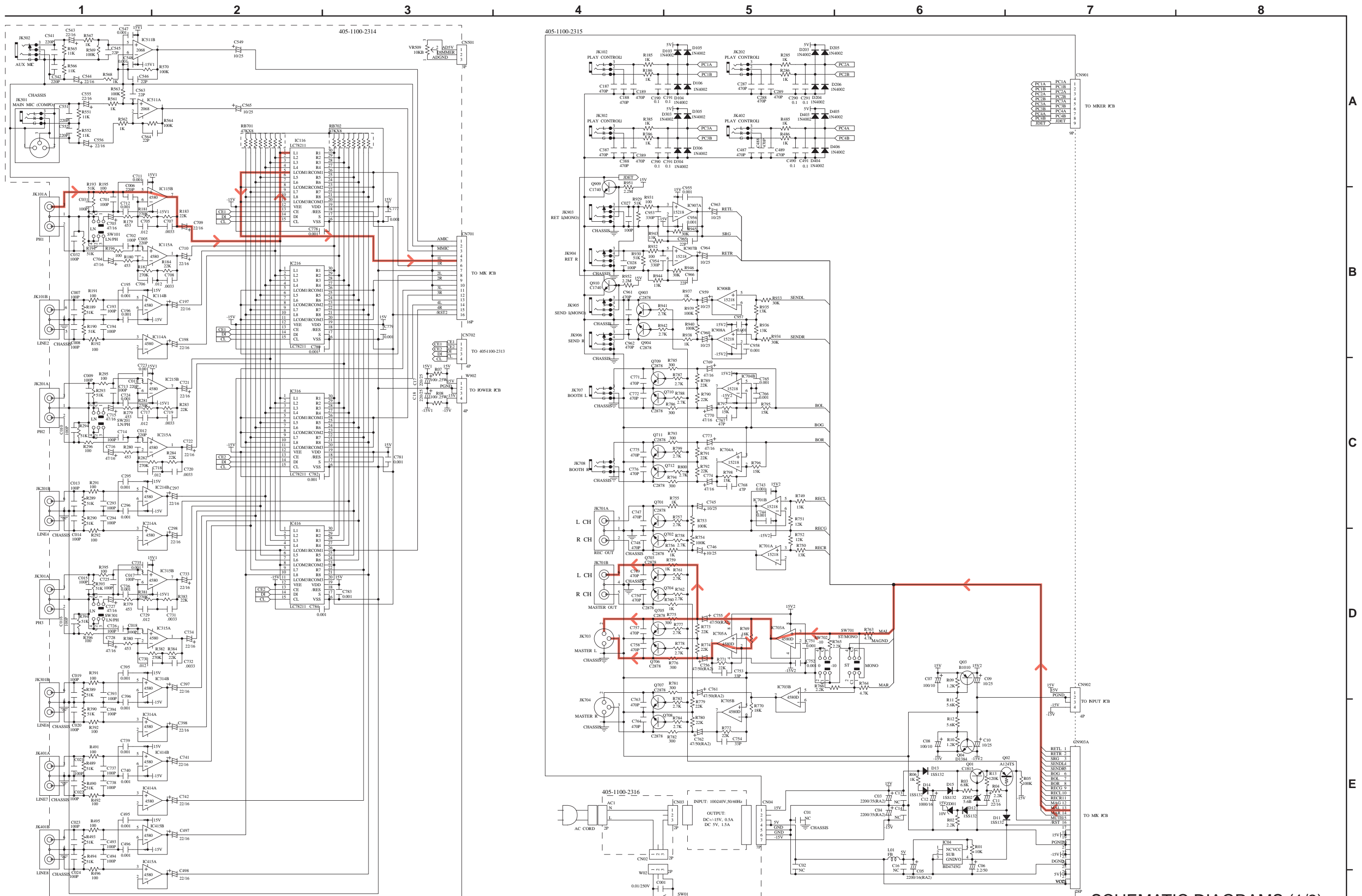
### WARNING:

DO NOT return the unit to the customer until the problem is located and corrected.

### NOTICE:

ALL RESISTANCE VALUES IN OHM. k=1,000 OHM  
M=1,000,000 OHM  
ALL CAPACITANCE VALUES IN MICRO FARAD.  
P=MICRO-MICRO FARAD  
EACH VOLTAGE AND CURRENT ARE MEASURED AT  
NO SIGNAL INPUT CONDITION.  
CIRCUIT AND PARTS ARE SUBJECT TO CHANGE  
WITHOUT PRIOR NOTICE.

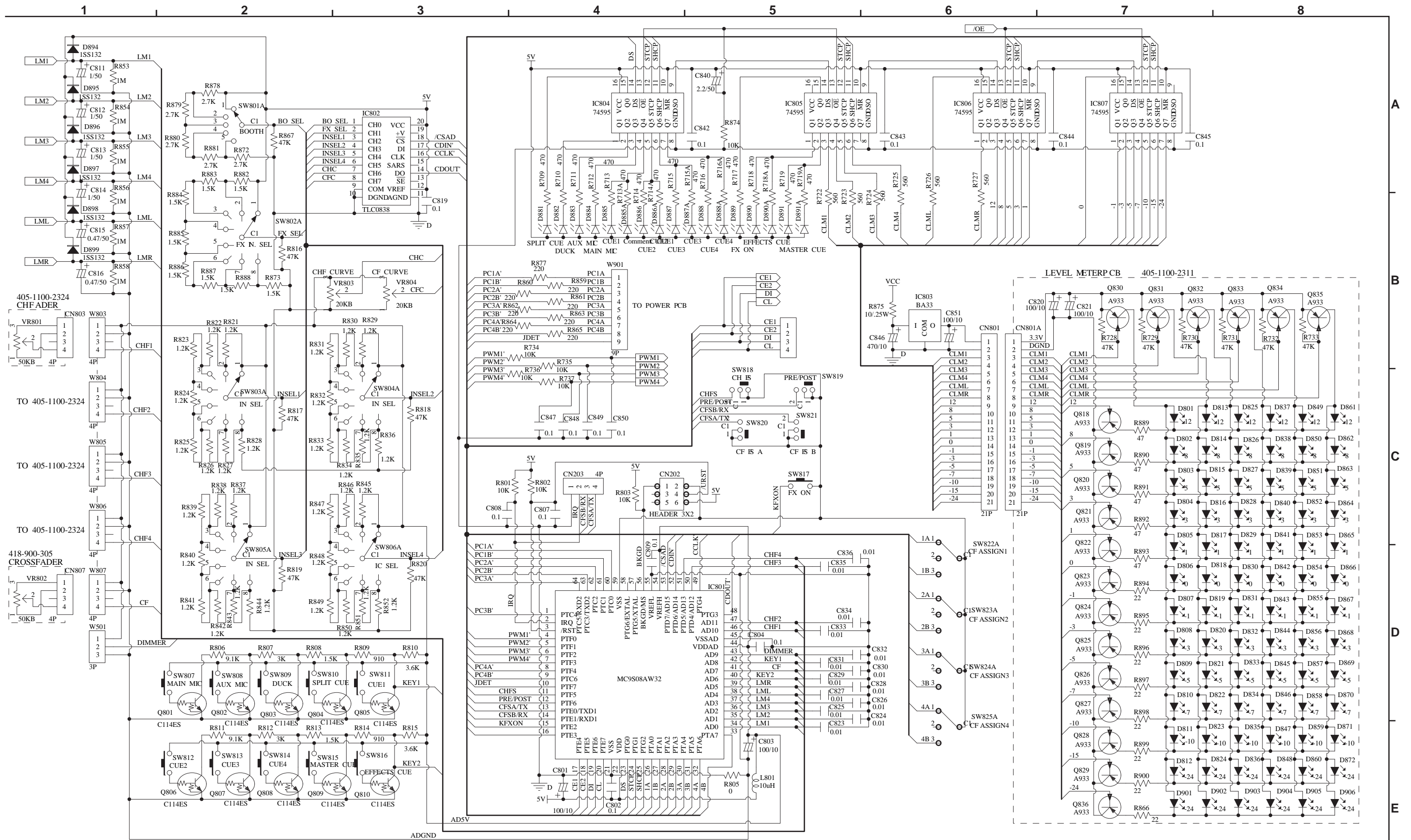




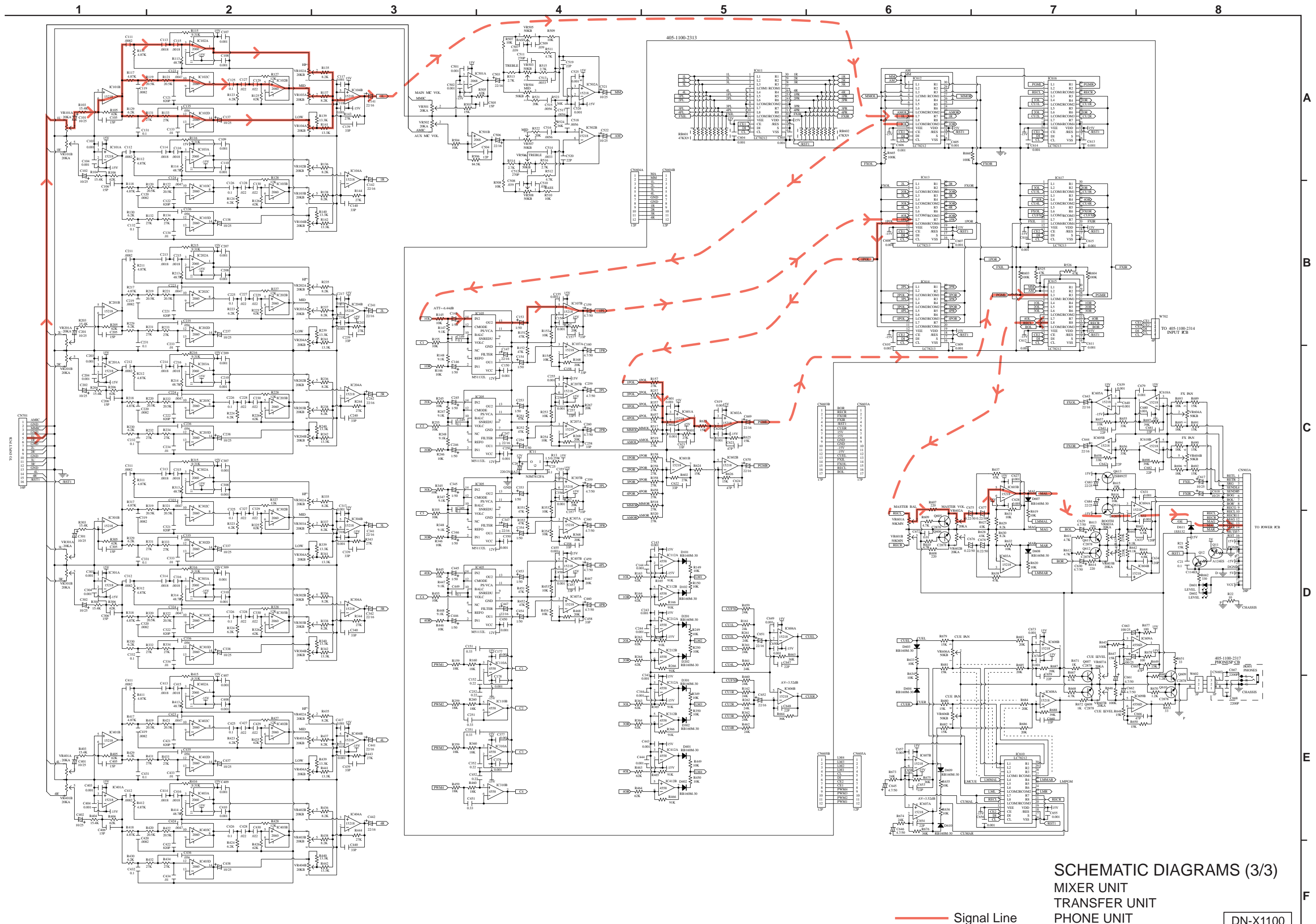
SCHMATIC DIAGRAMS (1/3)

IO UNIT  
POWER UNIT  
AC UNIT

DN-X1100



SCHMATIC DIAGRAMS (2/3)  
 MIXER(CPU) UNIT  
 LEVEL METER UNIT  
 CH FADER UNIT



**SCHEMATIC DIAGRAMS (3/3)**  
**MIXER UNIT**  
**TRANSFER UNIT**  
**PHONE UNIT**

— Signal Line

DN-X1100