

DENON

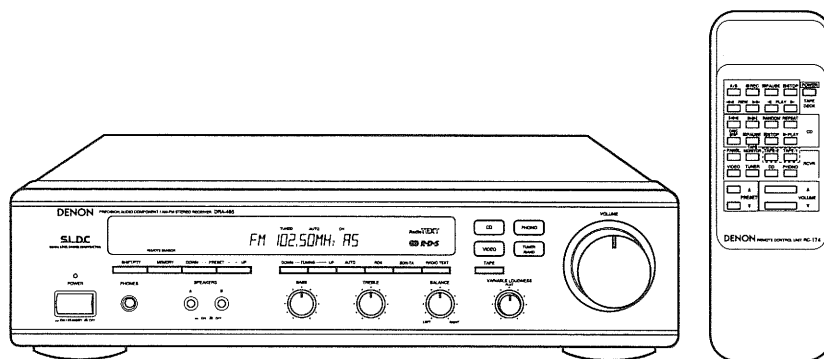
Hi-Fi AM-FM Stereo Receiver

For Europe Model

SERVICE MANUAL

MODEL DRA-455

AM-FM STEREO RECEIVER



This service manual is composed of only pages whose contents are different from those for the model DRA-385RD. For servicing, refer to the previously issued service manual of DRA-385RD (for Europe and U.K. models) at the same time.

— TABLE OF CONTENTS —

SPECIFICATIONS	2
SEMICONDUCTORS	3
PRINTED WIRING BOARDS	4~7
NOTE FOR PARTS LIST	8
PARTS LIST OF P.W.B. UNIT	8~11
EXPLODED VIEW	12
PARTS LIST OF EXPLODED VIEW	13
PACKING VIEW	14
PARTS LIST OF PACKING & ACCESSORIES	14
SCHEMATIC DIAGRAMS	15,16
(1/2) 1U-2817K-1 MAIN UNIT	15
1U-2818 TUNER UNIT	15
(2/2) 1U-3302-1 DISPLAY UNIT/1U-3302-2 H/P UNIT	16
1U-3302-3 POWER SW UNIT/1U-3302-4 POWER UNIT	16
1U-3302-5 VOLUME UNIT	16
WIRING DIAGRAM	17

● Some illustrations using in this service manual are slightly different from the actual set.

NIPPON COLUMBIA CO., LTD.

SAFETY PRECAUTIONS

The following check should be performed for the continued protection of the customer and service technician.

LEAKAGE CURRENT CHECK

Before returning the unit to the customer, make sure you make either (1) a leakage current check or (2) a line to chassis resistance check. If the leakage current exceeds 0.5 milliamps, or if the resistance from chassis to either side of the power cord is less than 460 kohms, the unit is defective.

SPECIFICATIONS

AMPLIFIER SECTION

Continuous Power

Output (DIN):	65 W + 65 W (6 Ω /ohms, 1 kHz)
Power Bandwidth (IHF):	10 Hz ~ 40 kHz (T.H.D. 0.15 % both channels driven into 8 Ω /ohms)
Total Harmonic Distortion:	0.03 % (-3 dB at rated output, 8 Ω /ohms)
Frequency Response:	PHONO RIAA Standard Curve (Recording Output)
	MM: 20 Hz ~ 20 kHz \pm 0.5 dB
	CD, VIDEO, TAPE: 20 Hz ~ 50 kHz \pm 1.5 dB (at 1 W)
Input Sensitivity and Impedance:	PHONO MM: 2.5 mV 47 k Ω /kohms
	CD, VIDEO, TAPE: 150 mV 25 k Ω /kohms
Maximum Input Level (at 1 kHz):	PHONO MM: 120 mV
Signal to Noise Ratio (IHF-A):	PHONO MM: 78 dB (at 5.0 mV input)
	CD, VIDEO, TAPE: 98 dB
Tone Controls:	BASS: \pm 10 dB at 100 Hz
	TREBLE: \pm 10 dB at 10 kHz
Loudness Control Effect:	Variable Loudness at maximum position 50 Hz/10 kHz, +10 dB/+5 dB

TUNER SECTION

[FM] (note: μ V at 75 Ω /ohms, 0 dBf = 1×10^{-15} W)	
Receiving Range:	87.50 ~ 108.00 MHz
Usable Sensitivity:	0.9 μ V (10.3 dBf)
Signal to Noise Ratio (IHF-A):	MONO: 82 dB
	STEREO: 78 dB
Image Rejection:	65 dB
Selectivity (\pm300 kHz):	55 dB
Frequency Response:	30 Hz ~ 15 kHz $^{+0.2}_{-1.5}$ dB
Stereo Separation (at 1 kHz):	40 dB

[AM]

Receiving Range:	522 ~ 1611 kHz
Usable Sensitivity:	18 μ V
Signal to Noise Ratio:	55 dB

GENERAL

Power Supply:	AC 230 V 50Hz
Power Consumption:	190 W
Power Outlet:	SWITCHED 100 W
Dimensions:	434 mm (W) \times 119 mm (H) \times 310 mm (D)
Mass:	6.1 kg

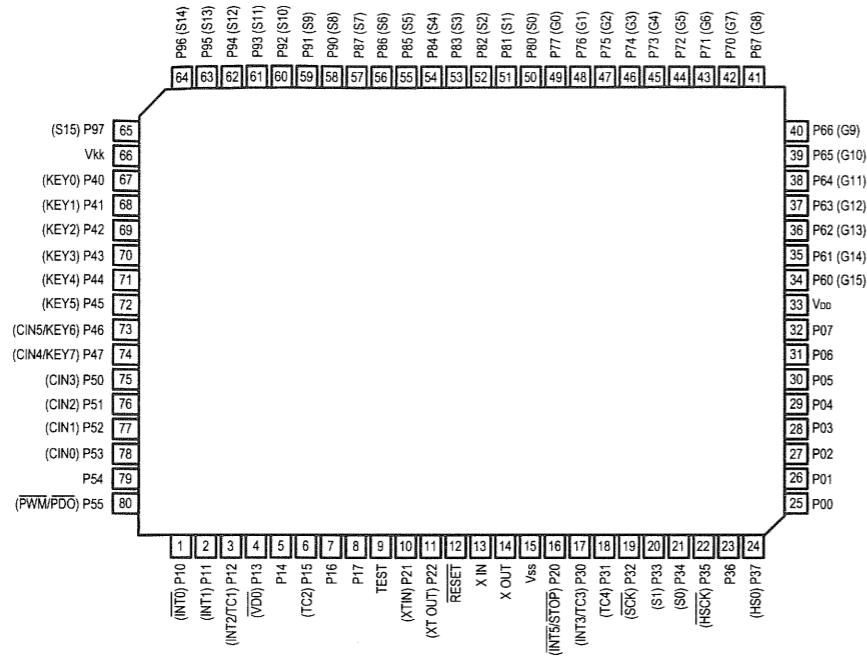
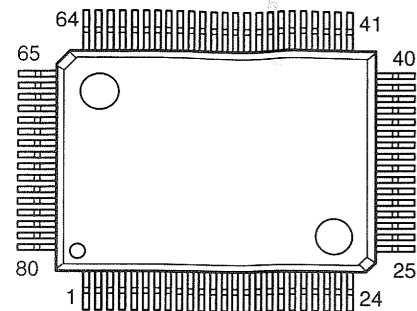
REMOTE CONTROL UNIT

	RC-174
Remote Control System:	Infrared pulse system
Power Supply:	3 V DC Two size "AA"/R6 dry cell batteries
External dimensions:	60 mm (W) \times 175 mm (H) \times 18 mm (D)
Mass:	120 g (includes batteries)

SEMICONDUCTORS

IC's

TMP87CM71F-6348 (IC601)



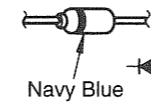
TMP87CM71F Port Allocation Table

Pin No.	Symbol	I/O	Logic	Initial Setting	Function
1	STOP	I	L	---	Power down detection ("L"= at power down)
2	MUTE (A)	I	---	---	MUTE (A) output ("H"= MUTE)
3	RDS	I	Serial	---	RDS data (start) input
4	RES	O	L	H	LC7074 reset output
5	GND	I	Serial	---	Not used
6	FCK	O	Serial	L	Function control output (LC7821) for F-CK
7	FDA	O	Serial	L	Function control output (LC7821) for F-DATA
8	F STB	O	H	L	Function control output (LC7821) for F-STB
9	GND	I	---	---	Connect to GND
10	SD	I	L	---	Tuned signal input ("L"= at tuned in)
11	GND	I	---	---	Not used
12	RESET	I	L	---	Reset input
13	XIN	I	---	---	Oscillation circuit (4 MHz)
14	XOUT	I	---	---	Oscillation circuit (4 MHz)
15	Vss	PW	---	---	GND
16	GND	I	---	---	GND
17	REM	I	L	---	Remote control signal input
18	ST	I	L	---	Stereo signal input ("L"= at stereo)
19	RCK	I	Serial	---	RDS data (clock) input
20	RDA	I	Serial	---	RDS data (data) input
21	GND	I	---	---	Not used
22	PCK	O	Serial	L	LM7001 control output for PLL-CK (CL)
23	PDA	O	Serial	L	LM7001 control output for PLL-DATA (DATA)
24	PSTB	O	H	L	LM7001 control output for PLL-STB (CE)
25	GND	O	---	L	GND
26	GND	O	---	L	GND
27	A/M	O	L	L	AUTO/MANUAL control
28	GND	I	---	---	Not used
29	P O/F	O	H	L	Power control output ("H"= ON)
30	VR-UP	O	H	L	Power volume control output (LB1639 ON= at "H")
31	VR-D	O	H	L	Power volume control output (LB1639 ON= at "H")
32	SP-R	O	H	L	Speaker relay control output (ON= at "H")
33	V _{DD}	PW	---	---	+5V
34	GND	I	---	---	GND
35	GND	I	---	---	GND
36	1G	O	---	---	FL tube control output for 1G
37	2G	O	---	---	FL tube control output for 2G
38	3G	O	---	---	FL tube control output for 3G
39	4G	O	---	---	FL tube control output for 4G

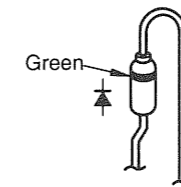
Pin No.	Symbol	I/O	Logic	Initial Setting	Function
40	5G	O	---	---	FL tube control output for 5G
41	6G	O	---	---	FL tube control output for 6G
42	7G	O	---	---	FL tube control output for 7G
43	8G	O	---	---	FL tube control output for 8G
44	9G	O	---	---	FL tube control output for 9G
45	10G	O	---	---	FL tube control output for 10G
46	11G	O	---	---	FL tube control output for 11G
47	12G	O	---	---	FL tube control output for 12G
48	13G	O	---	---	FL tube control output for 13G
49	14G	O	---	---	FL tube control output for 14G
50	S0 (a)	O	---	---	FL tube control output for P (a)
51	S1 (b)	O	---	---	FL tube control output for P (b)
52	S2 (c)	O	---	---	FL tube control output for P (c)
53	S3 (d)	O	---	---	FL tube control output for P (d)
54	S4 (e)	O	---	---	FL tube control output for P (e)
55	S5 (f)	O	---	---	FL tube control output for P (f)
56	S6 (g)	O	---	---	FL tube control output for P (g)
57	S7 (h)	O	---	---	FL tube control output for P (h)
58	S8 (i)	O	---	---	FL tube control output for P (i)
59	S9 (k)	O	---	---	FL tube control output for P (k)
60	S10 (m)	O	---	---	FL tube control output for P (m)
61	S11 (n)	O	---	---	FL tube control output for P (n)
62	S12 (p)	O	---	---	FL tube control output for P (p)
63	S13 (q)	O	---	---	FL tube control output for P (q)
64	S14 (r)	O	---	---	FL tube control output for P (r)
65	S15 (s)	O	---	---	FL tube control output for P (s)
66	V _{kk}	PW	---	---	-15V
67	-	GND	I	---	GND
70	VA	O	L	H	Video In/Out control ("L"= at selection) BV4066
72	VB	O	L	H	Video In/Out control ("L"= at selection) BV 4066
73	K1	I	---	---	Key input (A/D conversion input)
74	K2	I	---	---	Key input (A/D conversion input)
75	K3	I	---	---	Key input (A/D conversion input)
76	K4	I	---	---	Key input (A/D conversion input)
77	VER	I	---	---	Forwarding country setting
78	VER	I	---	---	Specification setting
79	MUTE (T)	O	H	H	MUTE output ("H"= MUTE)
80	GND	I	---	---	GND

DIODES

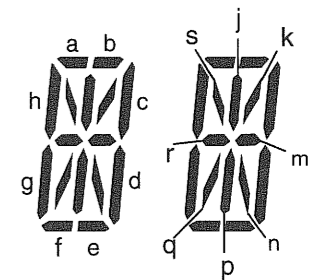
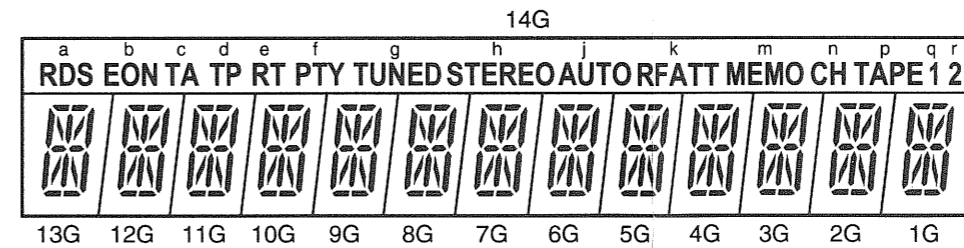
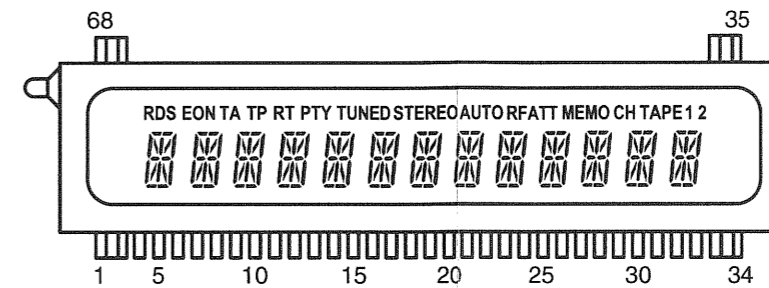
1SS270A



1SR35-400A



FLD (14-BT39GK)



TERMINAL CONNECTION

(UPPER)

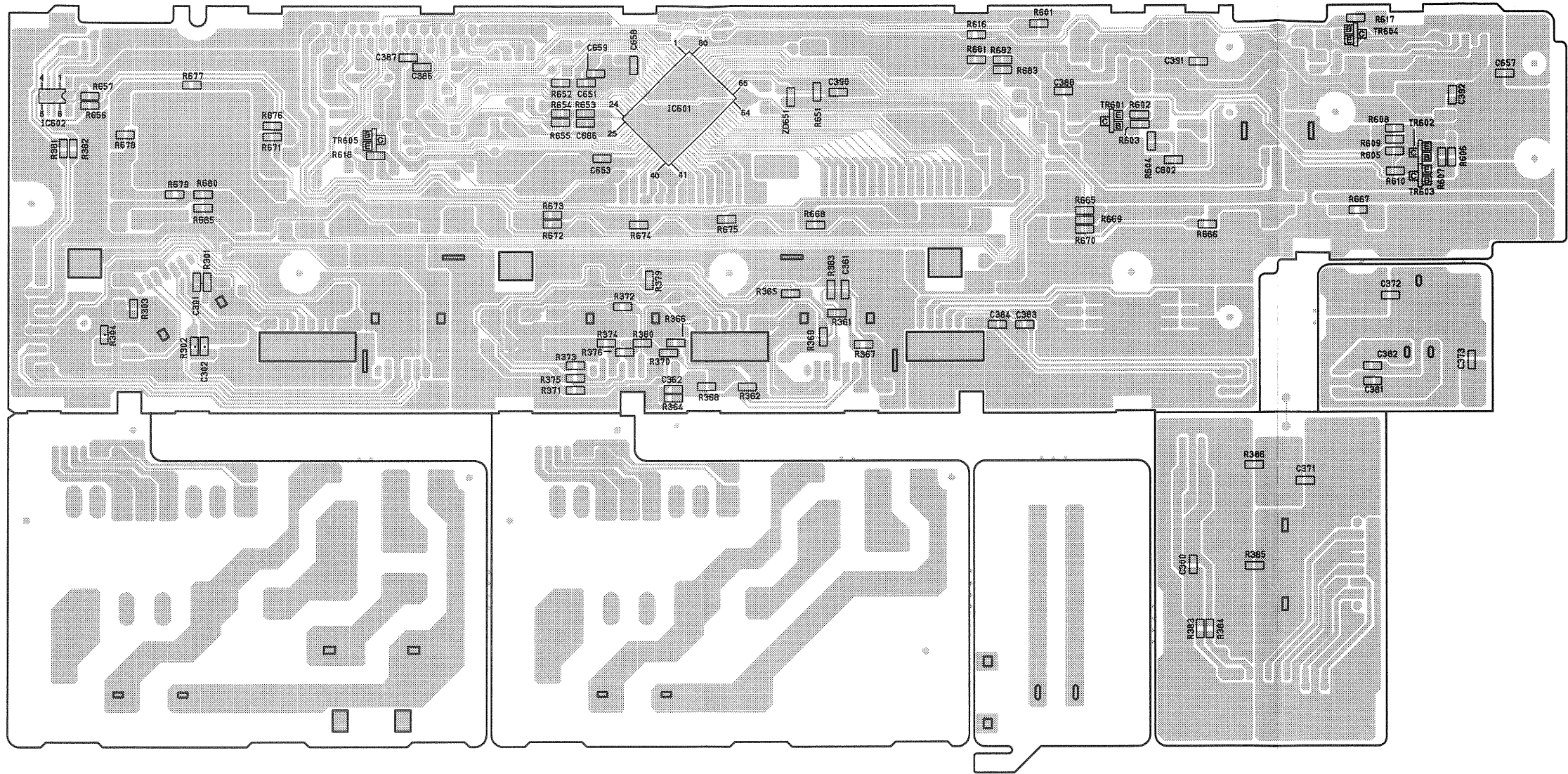
TERMINAL No. ELECTRODE	68 F1	67 F1	66 NP	65 NP	64 NP	63 NP	62 NP	61 NP	60 NP	59 NP	58 NP	57 NP	56 NP	55 NP	54 NP	53 NP	52 NP			
TERMINAL No. ELECTRODE				51 NP	50 NP	49 NP	48 NP	47 NP	46 NP	45 NP	44 NP	43 NP	42 NP	41 NP	40 NP	39 NP	38 NP	37 NP	36 NP	35 F2

(LOWER)

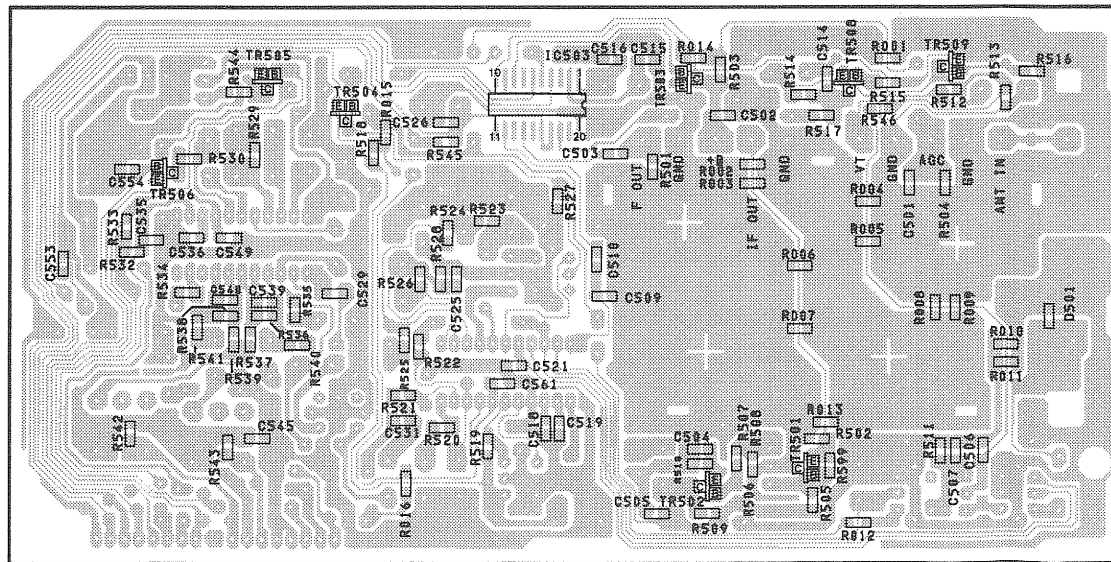
TERMINAL No. ELECTRODE				18 P	19 P	20 P	21 P	22 P	23 P	24 P	25 P	26 P	27 P	28 P	29 P	30 P	31 P	32 P	33 P	34 P
TERMINAL No. ELECTRODE	1 F1	2 F1	3 P	4 P	5 P	6 P	7 P	8 P	9 P	10 P	11 P	12 P	13 P	14 P	15 P	16 P	17 P			
			s	r	q	p	n	m	k	j	h	g	f	e	d	c	b			

Notes: F: Filament G: Grid A: Anode NP: No Pin

1 2 3 4 5 6 7 8



FOIL SIDE



FOIL SIDE

A

B

C

D

E

NOTE FOR PARTS LIST

- Part indicated with the mark "⊙" are not always in stock and possibly to take a long period of time for supplying, or in some case supplying of part may be refused.
- When ordering of part, clearly indicate "1" and "I" (i) to avoid mis-supplying.
- Ordering part without stating its part number can not be supplied.
- Part indicated with the mark "★" is not illustrated in the exploded view.
- Not including Carbon Film ±5%, 1/4W Type in the P.W.Board parts list. (Refer to the Schematic Diagram for those parts.)

WARNING:

Parts marked with this symbol  have critical characteristics. Use ONLY replacement parts recommended by the manufacturer.

● **Resistors**

Ex.: **RN** **14K** **2E** **182** **G** **FR**
 Type Shape Power Resist- Allowable Others
 and performance ance error

RD : Carbon	2B : 1/8W	F : ±1%	P : Pulse-resistant type
RC : Composition	2E : 1/4W	G : ±2%	NL : Low noise type
RS : Metal oxide film	2H : 1/2W	J : ±5%	NB : Non-burning type
RW : Winding	3A : 1W	K : ±10%	FR : Fuse-resistor
RN : Metal film	3D : 2W	M : ±20%	F : Lead wire forming
RK : Metal mixture	3F : 3W		
	3H : 5W		

* **Resistance**

$\overset{1}{\uparrow} \overset{8}{\text{---}} \overset{2}{\downarrow} \Rightarrow 1800 \text{ ohm} = 1.8 \text{ kohm}$
 Indicates number of zeros after effective number.
 2-digit effective number.

• Units: ohm

$\overset{1}{\uparrow} \overset{R}{\text{---}} \overset{2}{\downarrow} \Rightarrow 1.2 \text{ ohm}$
 1-digit effective number.
 2-digit effective number, decimal point indicated by R.

• Units: ohm

● **Capacitors**

Ex.: **CE** **04W** **1H** **2R2** **M** **BP**
 Type Shape Dielectric Capacity Allowable Others
 and performance strength error

CE : Aluminum foil electrolytic	0J : 6.3V	F : ±1%	HS : High stability type
CA : Aluminum solid electrolytic	1A : 10V	G : ±2%	BP : Non-polar type
CS : Tantalum electrolytic	1C : 16V	J : ±5%	HR : Ripple-resistant type
CO : Film	1E : 25V	K : ±10%	DL : For charge and discharge
CK : Ceramic	1V : 35V	M : ±20%	HF : For assuring high frequency
CC : Ceramic	1H : 50V	Z : +80%	U : UL part
CP : Oil	2A : 100V	-20%	C : CSA part
CM : Mica	2B : 125V	P : +100%	W : UL-CSA type
CF : Metallized	2C : 180V	-0%	F : Lead wire forming
CH : Metallized	2D : 200V	C : ±0.25pF	
	2E : 250V	D : ±0.5pF	
	2H : 500V	= : Others	
	2J : 630V		

* **Capacity (electrolyte only)**

$\overset{2}{\uparrow} \overset{2}{\text{---}} \overset{2}{\downarrow} \Rightarrow 2200\mu\text{F}$
 Indicates number of zeros after effective number.
 2-digit effective number.

• Units: μF.

$\overset{2}{\uparrow} \overset{R}{\text{---}} \overset{2}{\downarrow} \Rightarrow 2.2\mu\text{F}$
 1-digit effective number.
 2-digit effective number, decimal point indicated by R.

• Units: μF.

* **Capacity (except electrolyte)**

$\overset{2}{\uparrow} \overset{2}{\text{---}} \overset{2}{\downarrow} \Rightarrow 2200\text{pF} = 0.0022\mu\text{F}$
 (More than 2) - Indicates number of zeros after effective number.
 2-digit effective number.

• Units: pF.

$\overset{2}{\uparrow} \overset{2}{\text{---}} \overset{1}{\downarrow} \Rightarrow 220\text{pF}$
 (0 or 1) - Indicates number of zeros after effective number.
 2-digit effective number.

• Units: pF.

• When the dielectric strength is indicated in AC, "AC" is included after the dielectric strength value.

PARTS LIST OF P.W.B. UNIT 1U-2817K MAIN P.W.B. UNIT ASS'Y

Ref. No.	Part No.	Part Name	Remarks
SEMICONDUCTORS GROUP			
IC101	262 1227 008	IC LC7821	
IC301	263 0615 902	IC BA15218F-DXE2	
IC701	263 1032 908	IC NJM2082MD-T1	
IC801	262 1701 906	IC SAA6579T-T	
IC802	262 1929 908	IC LC7074M-TE-R	
TR251	274 0151 903	Transistor 2SD2004(P)T105	
TR252	272 0107 906	Transistor 2SB1328(P)T105	
TR253	273 0388 906	Transistor 2SC1740S(E)-T	
TR254	271 0192 905	Transistor 2SA933S(S)TP	
TR255	273 0388 906	Transistor 2SC1740S(E)-T	
TR256	271 0280 901	Transistor 2SA1038STP(S/E)	
TR257	273 0432 904	Transistor 2SC2389STP(S/E)	
TR301,302	269 0107 900	Transistor RN1241(A/B)TPE4	
TR303,304	273 0235 923	Transistor 2SC1841-T(E/F)	
TR305-308	271 0131 924	Transistor 2SA988-T(E/F)	
TR309,310	273 0235 923	Transistor 2SC1841-T(E/F)	
TR315,316	273 0198 905	Transistor 2SC1815(Y)TPE2	
TR317,318	274 0060 900	Transistor 2SD667A(C)TZ(TAPE)	
TR319,320	272 0053 908	Transistor 2SB647A(C)TZ(TAPE)	
TR321,322	273 0443 003	Transistor 2SC4278 (E/F)	
TR323,324	271 0283 005	Transistor 2SA1633 (E/F)	
TR325,326	273 0235 923	Transistor 2SC1841-T(E/F)	
TR404	272 0131 901	Transistor 2SB1041(R)-T103	
TR451	271 0131 924	Transistor 2SA988-T(E/F)	
TR452	273 0388 906	Transistor 2SC1740S(E)-T	
TR453	269 0054 901	Transistor DTC144EKT96	
TR454	273 0384 900	Transistor 2SC2412KT96(S)	
TR455	273 0388 906	Transistor 2SC1740S(E)-T	
TR456	271 0192 905	Transistor 2SA933S(S)TP	
TR457-459	273 0388 906	Transistor 2SC1740S(E)-T	
TR460	273 0384 900	Transistor 2SC2412KT96(S)	
TR471	269 0083 901	Transistor DTA114EKT96	
TR473	269 0054 901	Transistor DTC144EKT96	
D251	276 0338 007	Diode S4VB20F	
D252	276 0553 905	Diode 1SR35-200A(T93X)	
D253,254	276 0432 903	Diode 1SS270A TE (TAPE)	
D303-306	276 0619 904	Diode 1S2471T-77	
D307-312	276 0432 903	Diode 1SS270A TE (TAPE)	
D407-410	276 0553 905	Diode 1SR35-200A(T93X)	
D411	276 0432 903	Diode 1SS270A TE (TAPE)	
D451-453	276 0432 903	Diode 1SS270A TE (TAPE)	

Ref. No.	Part No.	Part Name	Remarks
D651	276 0432 903	Diode 1SS270A TE (TAPE)	
ZD101	276 0634 905	Zener diode MTZJ3.3AT77	
ZD251,252	276 0637 902	Zener diode MTZJ6.2AT77	
ZD403	276 0632 907	Zener diode MTZJ27DT77	
ZD451-453	276 0635 904	Zener diode MTZJ7.5CT77	
TH451	279 0034 067	Thermistor PTH9M04B222TS2F333	
SC451	279 0016 904	Thyristor SFOR1A42	
RESISTORS GROUP			
R001,002	247 0018 905	Carbon chip 0 ohm 1/10W	RM73B--0R0KT
R101-108	247 0014 967	Carbon chip 1 Mohm 1/10W	RM73B--105JT
R109-116	247 0006 962	Carbon chip 470 ohm 1/10W	RM73B--471JT
R117	247 0014 925	Carbon chip 680 kohm 1/10W	RM73B--684JT
R131,132	247 0018 905	Carbon chip 0 ohm 1/10W	RM73B--0R0KT
R135,136	247 0018 905	Carbon chip 0 ohm 1/10W	RM73B--0R0KT
R201,202	244 2052 931	Metal oxide 390 ohm 1W(NB)	RS14B3A391JNBST(S)
R259,260	241 2387 940	Carbon film 4.7 ohm 1/4W(NB)	RD14B2E4R7JNBST
R263	247 0009 985	Carbon chip 10 kohm 1/10W	RM73B--103JT
R264	247 0012 927	Carbon chip 100 kohm 1/10W	RM73B--104JT
R305,306	247 0012 969	Carbon chip 150 kohm 1/10W	RM73B--154JT
R307,308	247 0006 962	Carbon chip 470 ohm 1/10W	RM73B--471JT
R309,310	247 0009 914	Carbon chip 5.1 kohm 1/10W	RM73B--512JT
R311,312	241 2379 932	Carbon film 620 ohm 1/4W(NB)	RD14B2E621JNBST
R323,324	247 0005 989	Carbon chip 220 ohm 1/10W	RM73B--221JT
R329,330	241 2378 920	Carbon film 220 ohm 1/4W(NB)	RD14B2E221JNBST
R331-334	244 2043 982	Metal oxide 0.22 ohm 1W(NB)	RS14B3AR22JNBST(S)
R335,336	247 0013 984	Carbon chip 470 kohm 1/10W	RM73B--474JT
R351,352	247 0012 901	Carbon chip 82 kohm 1/10W	RM73B--823JT
R353,354	247 0012 969	Carbon chip 150 kohm 1/10W	RM73B--154JT
R355,356	247 0004 922	Carbon chip 47 ohm 1/10W	RM73B--470JT
R357	247 0009 901	Carbon chip 4.7 kohm 1/10W	RM73B--472JT
R358	247 0011 944	Carbon chip 47 kohm 1/10W	RM73B--473JT
R385,386	241 2379 932	Carbon film 620 ohm 1/4W(NB)	RD14B2E621JNBST
R387-390	241 2377 989	Carbon film 150 ohm 1/4W(NB)	RD14B2E151JNBST
R391,392	244 2051 987	Metal oxide 4.7 ohm 1W(NB)	RS14B3A4R7JNBST(S)
R412	241 2377 947	Carbon film 100 ohm 1/4W(NB)	RD14B2E101JNBST
R415	241 2387 908	Carbon film 1 ohm 1/4W(NB)	RD14B2E010JNBST
R451	244 2051 974	Metal oxide 1 kohm 1W(NB)	RS14B3A102JNBST(S)
R453	244 2051 990	Metal oxide 4.7 kohm 1W(NB)	RS14B3A47JNBST(S)
R460	247 0011 944	Carbon chip 47 kohm 1/10W	RM73B--473JT
R465	244 2051 974	Metal oxide 1 kohm 1W(NB)	RS14B3A102JNBST(S)
R467	244 2052 902	Metal oxide 2.7 kohm 1W(NB)	RS14B3A272JNBST(S)

Ref. No.	Part No.	Part Name	Remarks
R475	247 0010 929	Carbon chip 15 kohm 1/10W	RM73B--153JT
R701,702	247 0009 901	Carbon chip 4.7 kohm 1/10W	RM73B--472JT
R703,704	247 0012 969	Carbon chip 150 kohm 1/10W	RM73B--154JT
R705,706	247 0011 986	Carbon chip 68 kohm 1/10W	RM73B--683JT
R707,708	247 0004 922	Carbon chip 47 ohm 1/10W	RM73B--470JT
R709,710	247 0005 992	Carbon chip 240 ohm 1/10W	RM73B--241JT
R711,712	247 0012 956	Carbon chip 130 kohm 1/10W	RM73B--134JT
R713,714	247 0009 998	Carbon chip 11 kohm 1/10W	RM73B--113JT
R715,716	247 0003 949	Carbon chip 22 ohm 1/10W	RM73B--220JT
R717,718	247 0005 905	Carbon chip 100 ohm 1/10W	RM73B--101JT
R719,720	247 0012 927	Carbon chip 100 kohm 1/10W	RM73B--104JT
VR305,306	211 6093 909	Semi fixed resistor 6.8 kohm	V06PB682T

CAPACITORS GROUP

C101-108	257 0004 903	Ceramic chip 56pF/50V	CC73SL1H560JT
C109,110	253 1179 945	Ceramic 220pF/50V	CK45B1H221KT(DD-3)
C111	257 0002 921	Ceramic chip 10pF/50V	CC73SL1H100DT
C112,113	257 0012 982	Ceramic chip 0.022µF/50V	CK73F1H223ZT
C124,125	257 0012 982	Ceramic chip 0.022µF/50V	CK73F1H223ZT
C127	257 0012 982	Ceramic chip 0.022µF/50V	CK73F1H223ZT
C201-204	255 1265 907	Mylar film 6800pF/50V	CQ93M1H682JT(B)
C205,206	257 0006 985	Ceramic chip 820pF/50V	CC73SL1H821JT
C207-210	257 0008 983	Ceramic chip 1000pF/50V	CK73B1H102KT
C251-254	254 4258 918	Electrolytic 10µF/35V	CE04W1V100MT(SME)
C257,258	254 6202 001	Electrolytic 6800µF/56V	CE68W==682M(DL)
C259	253 1181 904	Ceramic 0.01µF/50V	CK45F1H103ZT(DD-3)
C307,308	257 0006 927	Ceramic chip 470pF/50V	CC73SL1H471JT
C309,310	255 1265 936	Mylar film 0.01µF/50V	CQ93M1H103JT(B)
C311-314	253 4536 909	Ceramic 10pF/50V	CC45L1H100DT(DD-3)
C321,322	255 1265 936	Mylar film 0.01µF/50V	CQ93M1H103JT(B)
C323,324	254 4260 948	Electrolytic 1µF/50V	CE04W1H010MT(SME)
C325,326	255 1265 936	Mylar film 0.01µF/50V	CQ93M1H103JT(B)
C327-330	254 4262 904	Electrolytic 4.7µF/63V	CE04W1J4R7MT(SME)
C331,332	254 4260 948	Electrolytic 1µF/50V	CE04W1H010MT(SME)
C333,334	254 4260 922	Electrolytic 0.33µF/50V	CE04W1HR33MT(SME)
C335,336	257 0004 961	Ceramic chip 100pF/50V	CC73SL1H101JT
C337,338	257 0002 992	Ceramic chip 20pF/50V	CC73SL1H200JT
C339,340	254 4254 925	Electrolytic 33µF/16V	CE04W1C330MT(SME)
C341,342	257 0004 961	Ceramic chip 100pF/50V	CC73SL1H101JT
C355,356	256 1058 971	Metalized 0.1µF/50V	CF93A1H104JT (JL)
C357	254 4260 948	Electrolytic 1µF/50V	CE04W1H010MT(SME)
C358	253 9030 963	Ceramic 0.01µF/25V	CK45=1E103KT
C359,360	254 4260 948	Electrolytic 1µF/50V	CE04W1H010MT(SME)
C404,405	253 1181 904	Ceramic 0.01µF/50V	CK45F1H103ZT(DD-3)
C406	259 0007 702	Electric double layer 8200µF/5.5V	SB CAP==822=C
C408	254 4403 734	Electrolytic 4700µF/25V	CE04W1E472MC(SMG)
C409	254 4261 921	Electrolytic 100µF/50V	CE04W1H101MT(SME)
C410	254 4260 948	Electrolytic 1µF/50V	CE04W1H010MT(SME)
C451	254 4260 980	Electrolytic 10µF/50V	CE04W1H100MT(SME)

Ref. No.	Part No.	Part Name	Remarks
C452	254 4254 925	Electrolytic 33µF/16V	CE04W1C330MT(SME)
C453	254 4250 945	Electrolytic 330µF/6.3V	CE04W0J331MT(SME)
C456	255 1265 936	Mylar film 0.01µF/50V	CQ93M1H103JT(B)
C459,460	253 1151 905	Ceramic 4700pF/500V	CK45E2H472PT
C461	256 1042 903	Metalized 0.1µF/250V	CF93A2E104KT
C462	254 4254 938	Electrolytic 47µF/16V	CE04W1C470MT(SME)
C549	254 4252 927	Electrolytic 47µF/10V	CE04W1A470MT(SME)
C701,702	257 0003 988	Ceramic chip 47pF/50V	CC73SL1H470JT
C703,704	257 0005 944	Ceramic chip 220pF/50V	CC73SL1H221JT
C705,706	254 4254 909	Electrolytic 10µF/16V	CE04W1C100MT(SME)
C709,710	254 4250 929	Electrolytic 100µF/6.3V	CE04W0J101MT(SME)
C711,712	255 4199 999	Mylar film 0.024µF/50V	CQ92M1H243JT(MRZ)
C713,714	255 1265 907	Mylar film 6800pF/50V	CQ93M1H682JT(B)
C715,716	254 4254 909	Electrolytic 10µF/16V	CE04W1C100MT(SME)
C717,718	253 1181 904	Ceramic 0.01µF/50V	CK45F1H103ZT(DD-3)
C724	254 4260 948	Electrolytic 1µF/50V	CE04W1H010MT(SME)
C725	257 0012 982	Ceramic chip 0.022µF/50V	CK73F1H223ZT
C801,802	257 0016 962	Ceramic chip 27pF/50V	CC73CH1H270JT 2125
C803-805	254 4250 916	Electrolytic 47µF/6.3V	CE04W0J470MT(SME)
C807,808	257 0003 933	Ceramic chip 30pF/50V	CC73SL1H300JT
C809	257 0012 966	Ceramic chip 0.01µF/50V	CK73F1H103ZT
C810	254 4250 916	Electrolytic 47µF/6.3V	CE04W0J470MT(SME)
C811	257 0006 943	Ceramic chip 560pF/50V	CC73SL1H561JT

OTHER PARTS GROUP

				Q'ty
L391,392	235 0104 007	Inductor 1mH		2
L701,702	235 9003 002	FTZ choke coil		2
RL451,452	214 0167 005	Relay (G5Z-2A)		2
RL453	214 0127 003	Relay (RY-12W)		1
TP1,2	205 0190 036	3P NH connector base		2
XL601	399 0178 007	Crystal 4.332 MHz		1
XT801	399 0041 901	Ceramic 4.0MHz		1
	203 0475 056	1P contact Ass'y		1
	203 2377 000	2P DA-DA connector cord		1
	204 8485 009	4P pin jack (S-GND)		1
	204 8486 008	6P pin jack (S-GND)		1
	205 0484 001	8P SP terminal (E2)		1
	205 0653 078	7P VH connector base		1
	205 0806 090	8P connector base (9115)		2
	205 0918 001	6P bottom socket		2
	205 0918 014	8P bottom socket		1
	205 0990 045	29P FFC connector base		1
	415 0234 007	Insulating sheet		4
	—	Sub radiator		1
	473 7002 018	Screw 3x8 CBTS(S)-Z		1
	473 8007 009	Cup screw 3x12		4

1U-2818B TUNER P.W.B. UNIT ASS'Y

Ref. No.	Part No.	Part Name	Remarks
SEMICONDUCTORS GROUP			
IC501	263 0891 001	IC LA1265(S)	
IC502	263 0439 007	IC LA3401	
IC503	262 2349 901	IC LM7001JUM-TE-L	
IC504	263 0794 001	IC NJM78M12FA(S)	
TR501	275 0074 902	FET 2SK211-Y/GR(TE85L)	
TR502	273 0438 908	Transistor 2SC2413K(Q) T146	
TR503	269 0157 905	Transistor DTB123EK T146	
TR504	269 0083 901	Transistor DTA114EKT96	
TR505,506	269 0054 901	Transistor DTC144EKT96	
TR507	271 0286 905	Transistor 2SA1515S(R)-T	
TR508	275 0075 901	FET 2SK209-Y/GR(TE85L)	
TR509	273 0403 904	Transistor 2SC2712-Y/GR(TE85L)	
D501	276 0559 909	Diode DAP202KT146	
RESISTORS GROUP			
R001-016	247 0018 905	Carbon chip 0 ohm 1/10W	RM73B--0R0KT
R501	247 0004 906	Carbon chip 39 ohm 1/10W	RM73B--390JT
R502	247 0006 946	Carbon chip 390 ohm 1/10W	RM73B--391JT
R503	247 0009 985	Carbon chip 10 kohm 1/10W	RM73B--103JT
R504	247 0009 927	Carbon chip 5.6 kohm 1/10W	RM73B--562JT
R505	247 0006 920	Carbon chip 330 ohm 1/10W	RM73B--331JT
R506	247 0009 901	Carbon chip 4.7 kohm 1/10W	RM73B--472JT
R507	247 0005 989	Carbon chip 220 ohm 1/10W	RM73B--221JT
R508,509	247 0006 920	Carbon chip 330 ohm 1/10W	RM73B--331JT
R510	247 0006 988	Carbon chip 560 ohm 1/10W	RM73B--561JT
R511	247 0012 927	Carbon chip 100 kohm 1/10W	RM73B--104JT
R512	247 0009 914	Carbon chip 5.1 kohm 1/10W	RM73B--512JT
R513	247 0005 905	Carbon chip 100 ohm 1/10W	RM73B--101JT
R514	247 0008 986	Carbon chip 3.9 kohm 1/10W	RM73B--392JT
R515	247 0006 946	Carbon chip 390 ohm 1/10W	RM73B--391JT
R516	247 0005 947	Carbon chip 150 ohm 1/10W	RM73B--151JT
R517	247 0009 985	Carbon chip 10 kohm 1/10W	RM73B--103JT
R518	247 0018 905	Carbon chip 0 ohm 1/10W	RM73B--0R0KT
R519	247 0009 901	Carbon chip 4.7 kohm 1/10W	RM73B--472JT
R520	247 0004 980	Carbon chip 82 ohm 1/10W	RM73B--820JT
R521	247 0008 944	Carbon chip 2.7 kohm 1/10W	RM73B--272JT
R522	247 0011 902	Carbon chip 33 kohm 1/10W	RM73B--333JT
R523-525	247 0009 985	Carbon chip 10 kohm 1/10W	RM73B--103JT
R526	247 0008 957	Carbon chip 3 kohm 1/10W	RM73B--302JT
R527	247 0011 986	Carbon chip 68 kohm 1/10W	RM73B--683JT
R528	247 0009 943	Carbon chip 6.8 kohm 1/10W	RM73B--682JT
R529	247 0008 960	Carbon chip 3.3 kohm 1/10W	RM73B--332JT
R530	247 0012 927	Carbon chip 100 kohm 1/10W	RM73B--104JT
R532	247 0009 985	Carbon chip 10 kohm 1/10W	RM73B--103JT
R533	247 0007 945	Carbon chip 1 kohm 1/10W	RM73B--102JT
R534	247 0011 915	Carbon chip 36 kohm 1/10W	RM73B--363JT
R535	247 0010 974	Carbon chip 24 kohm 1/10W	RM73B--243JT
R536	247 0012 985	Carbon chip 180 kohm 1/10W	RM73B--184JT

Ref. No.	Part No.	Part Name	Remarks
R537	247 0012 998	Carbon chip 200 kohm 1/10W	RM73B--204JT
R538	247 0012 985	Carbon chip 180 kohm 1/10W	RM73B--184JT
R539	247 0012 998	Carbon chip 200 kohm 1/10W	RM73B--204JT
R540,541	247 0008 902	Carbon chip 1.8 kohm 1/10W	RM73B--182JT
R542,543	247 0009 901	Carbon chip 4.7 kohm 1/10W	RM73B--472JT
R544	247 1007 986	Carbon chip 1.5 kohm 1/8W	RM73B2B152JT
R545	247 0009 985	Carbon chip 10 kohm 1/10W	RM73B--103JT
R546	247 0012 927	Carbon chip 100 kohm 1/10W	RM73B--104JT
CAPACITORS GROUP			
C501-506	257 0012 966	Ceramic chip 0.01μF/50V	CK73F1H103ZT
C507	257 0002 947	Ceramic chip 12pF/50V	CC73SL1H120JT
C508	254 4254 909	Electrolytic 10μF/16V	CE04W1C100MT(SME)
C509	257 0004 961	Ceramic chip 100pF/50V	CC73SL1H101JT
C510	257 0012 966	Ceramic chip 0.01μF/50V	CK73F1H103ZT
C511	254 4260 906	Electrolytic 0.1μF/50V	CE04W1H0R1MT(SME)
C512	254 4254 941	Electrolytic 100μF/16V	CE04W1C101MT(SME)
C513	254 3056 917	Electrolytic 1μF/50V	CE04D1H010MBPT(SME)
C514	257 0012 982	Ceramic chip 0.022μF/50V	CK73F1H223ZT
C515,516	257 0002 976	Ceramic chip 16pF/50V	CC73SL1H160JT
C517	254 4254 938	Electrolytic 47μF/16V	CE04W1C470MT(SME)
C518,519	257 0012 966	Ceramic chip 0.01μF/50V	CK73F1H103ZT
C520	254 4260 922	Electrolytic 0.33μF/50V	CE04W1HR33MT(SME)
C521	257 0012 966	Ceramic chip 0.01μF/50V	CK73F1H103ZT
C522	254 4256 936	Electrolytic 47μF/25V	CE04W1E470MT(SME)
C523	254 4260 948	Electrolytic 1μF/50V	CE04W1H010MT(SME)
C524	254 4260 964	Electrolytic 3.3μF/50V	CE04W1H3R3MT(SME)
C525	257 0012 982	Ceramic chip 0.022μF/50V	CK73F1H223ZT
C526	257 0012 966	Ceramic chip 0.01μF/50V	CK73F1H103ZT
C527	254 4260 948	Electrolytic 1μF/50V	CE04W1H010MT(SME)
C528	254 4254 909	Electrolytic 10μF/16V	CE04W1C100MT(SME)
C529	257 1013 951	Ceramic chip 0.047μF/25V	CK73B1E473KT
C530	254 4254 912	Electrolytic 22μF/16V	CE04W1C220MT(SME)
C531	257 0004 961	Ceramic chip 100pF/50V	CC73SL1H101JT
C532	254 4260 948	Electrolytic 1μF/50V	CE04W1H010MT(SME)
C533	254 4260 919	Electrolytic 0.22μF/50V	CE04W1HR22MT(SME)
C534	254 4260 948	Electrolytic 1μF/50V	CE04W1H010MT(SME)
C535,536	257 0012 966	Ceramic chip 0.01μF/50V	CK73F1H103ZT
C537	254 4254 912	Electrolytic 22μF/16V	CE04W1C220MT(SME)
C538	254 4254 938	Electrolytic 47μF/16V	CE04W1C470MT(SME)
C539,540	257 0005 960	Ceramic chip 270pF/50V	CC73SL1H271JT
C541	254 4260 951	Electrolytic 2.2μF/50V	CE04W1H2R2MT(SME)
C545	257 0012 966	Ceramic chip 0.01μF/50V	CK73F1H103ZT
C548	254 4260 951	Electrolytic 2.2μF/50V	CE04W1H2R2MT(SME)
C550,551	254 4260 948	Electrolytic 1μF/50V	CE04W1H010MT(SME)
C553,554	257 0012 966	Ceramic chip 0.01μF/50V	CK73F1H103ZT
C555	256 1058 939	Metalized 0.047μF/50V	CF93A1H473JT (JL)
C561	257 0012 966	Ceramic chip 0.01μF/50V	CK73F1H103ZT
C581	253 9039 906	Ceramic 0.1μF/25V	CK45=1E104ZT(DD-3)

1 2 3 4 5 6 7 8

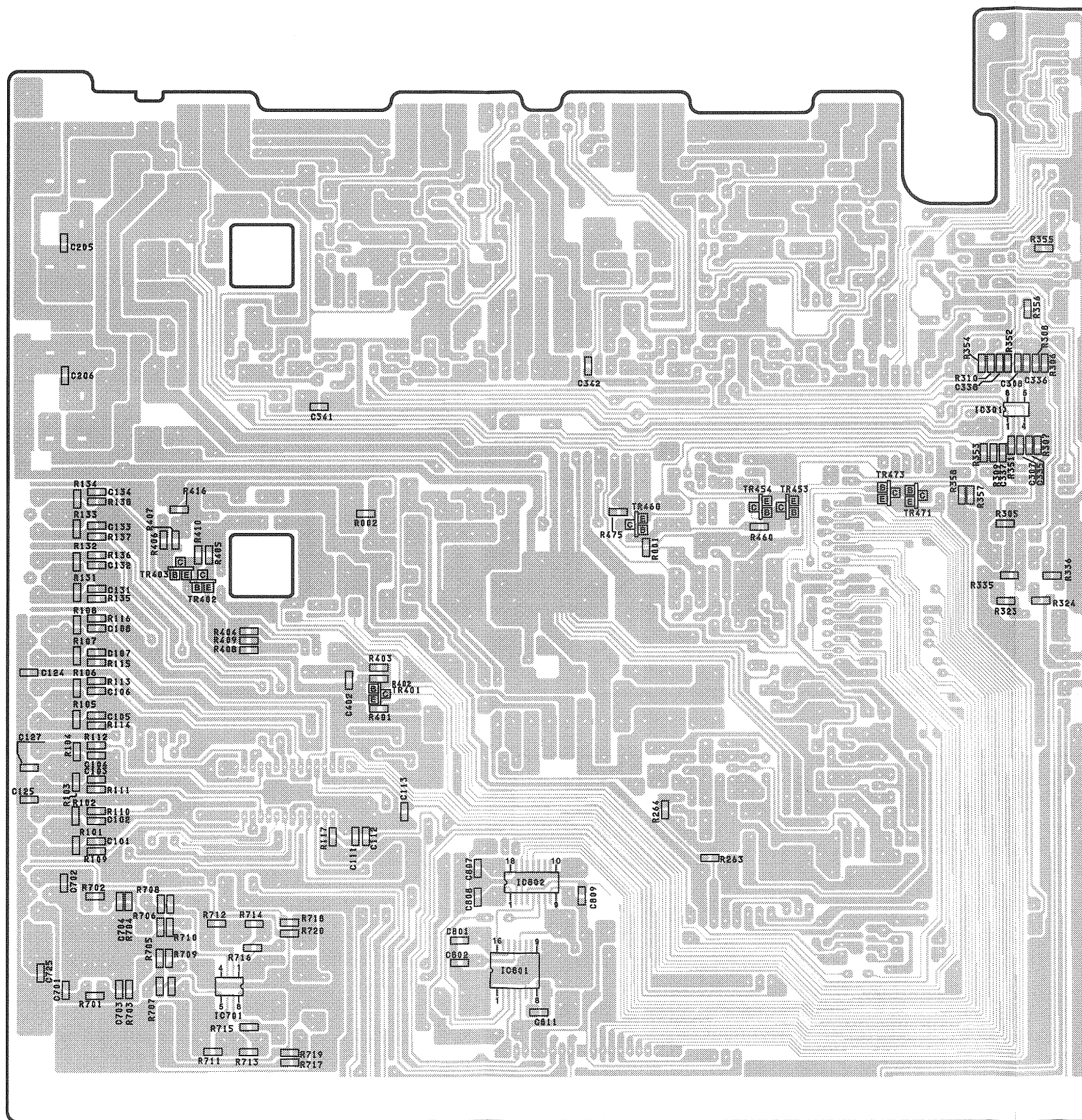
A

B

C

D

E



FOIL SIDE

1 2 3 4 5 6 7 8

1U-3302 DISPLAY UNIT Ass'y

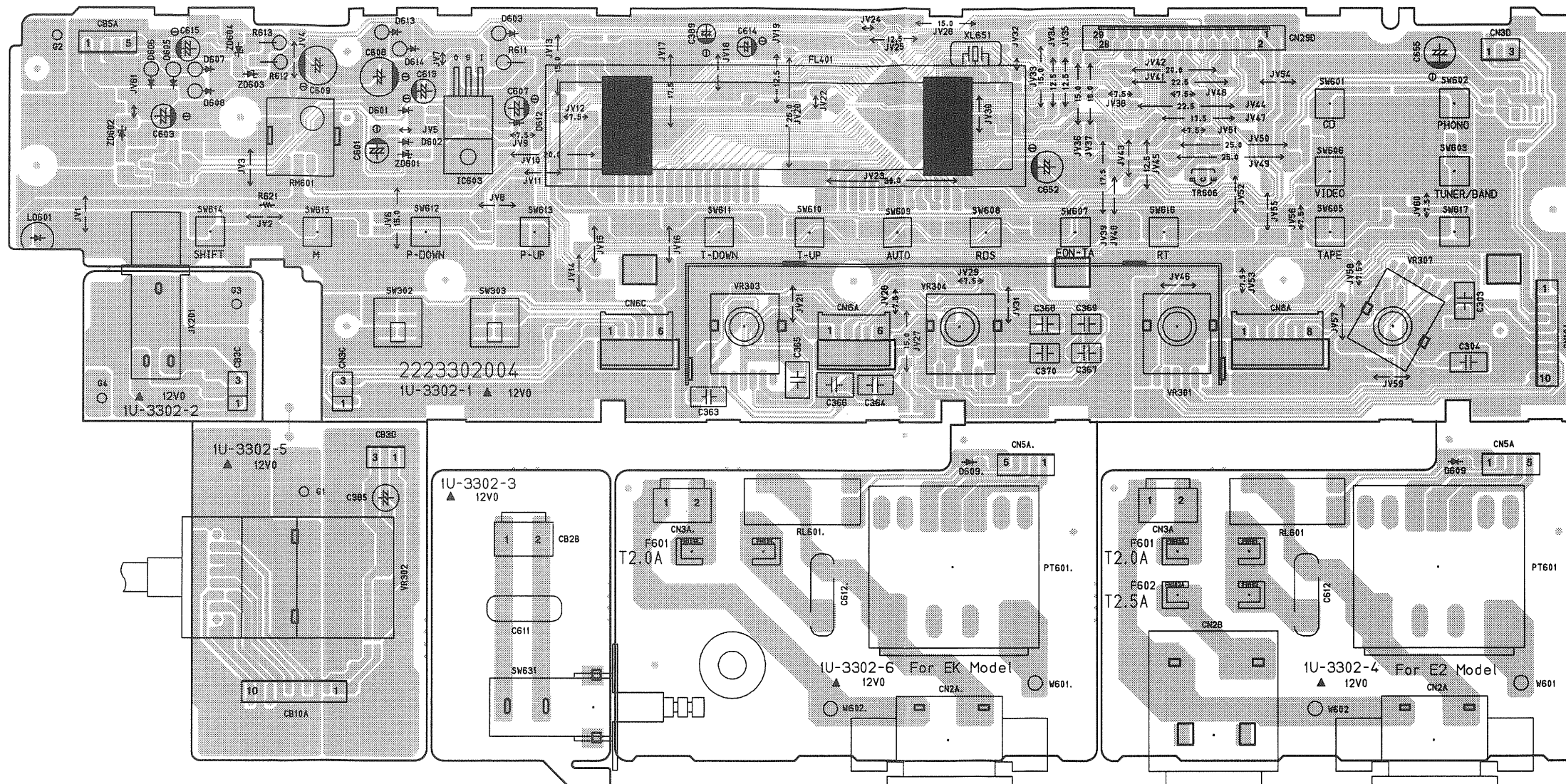
A

B

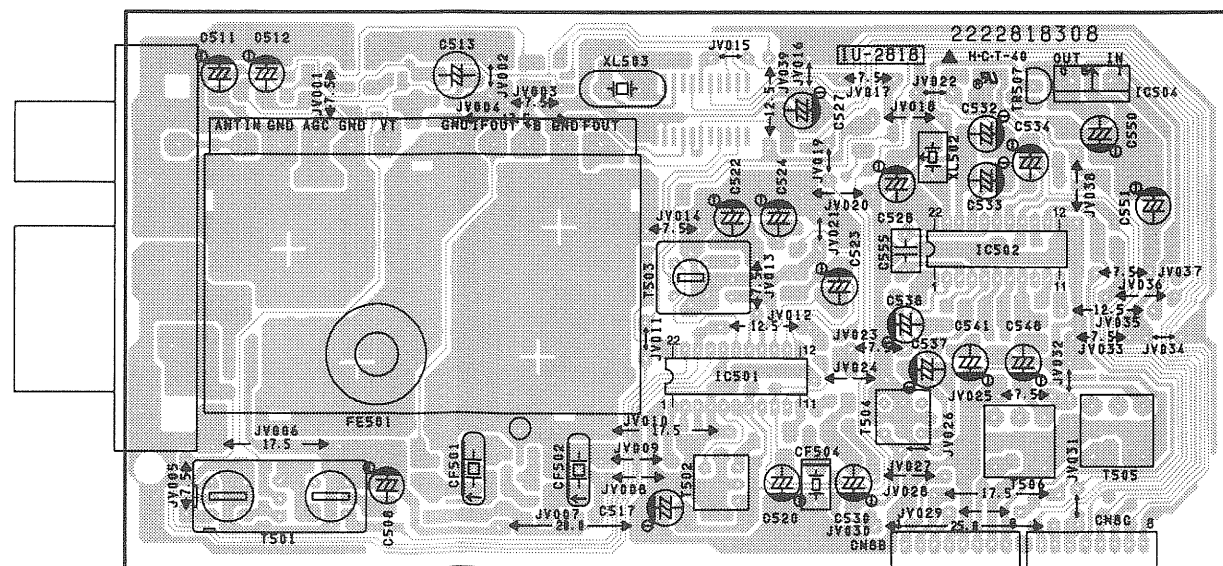
C

D

E



1U-2818 TUNER UNIT Ass'y

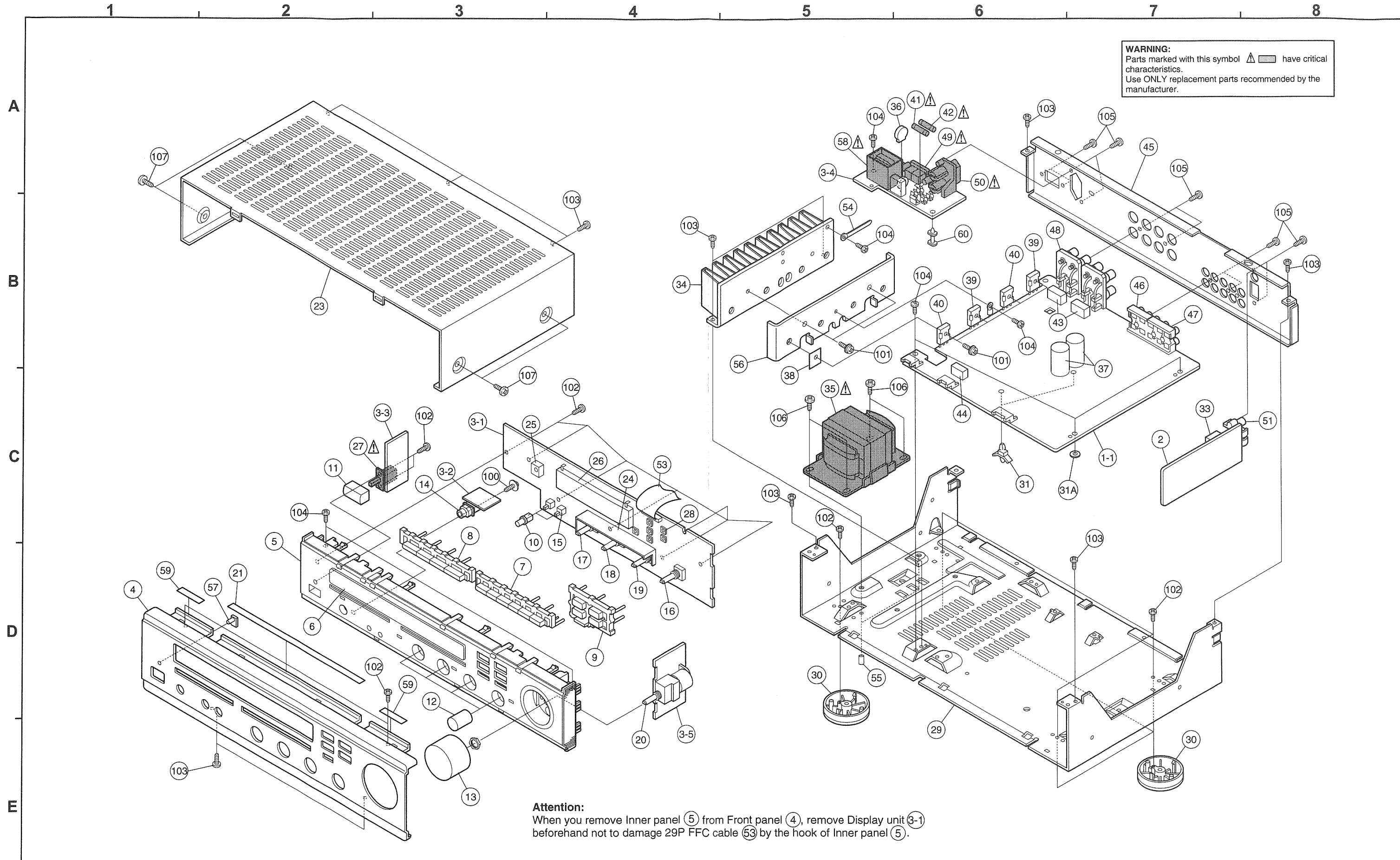


1U-3302 DISPLAY P.W.B. UNIT ASS'Y

Ref. No.	Part No.	Part Name	Remarks	Q'ty	Ref. No.	Part No.	Part Name	Remarks	
OTHER PARTS GROUP					SEMICONDUCTORS GROUP				
CF501,502	261 0064 007	Ceramic filter SFT10.7MS2		2	IC601	262 2249 001	IC TMP87CM71F-6348		
CF504	261 0101 009	Ceramic filter BFU450C4N		1	IC602	263 0905 900	IC BA6208F-T1		
T501	231 1913 004	MW ant.-osc. coil		1	IC603	263 1010 001	IC BA178M06		
T502	231 2099 008	FM det. trans.		1	TR601	273 0384 900	Transistor 2SC2412KT96(S)		
T503	231 3904 008	AM IFT		1	TR602	269 0048 904	Transistor DTC143EK-T96		
T504	232 9010 009	Antibirdie filter		1	TR603,604	273 0384 900	Transistor 2SC2412KT96(S)		
T505,506	232 0085 004	LPF		2	TR605	269 0083 901	Transistor DTA114EKT96		
XL502	261 0103 007	Ceramic CSB456F11		1	TR606	273 0303 910	Transistor 2SC1740S(S)-T		
XL503	399 0075 003	Crystal 7.2 MHz		1	D601	276 0704 903	Diode 1SR35-400A(T93X)		
	001 0036 064	Vinyl wire		1	D602	276 0432 903	Diode 1SS270A TE (TAPE)		
	205 0805 091	8P connector socket (9176)		2	D603	276 0704 903	Diode 1SR35-400A(T93X)		
	205 0847 004	3P antenna terminal (PAL/F)		1	D605-608	276 0704 903	Diode 1SR35-400A(T93X)		
	216 0065 006	Front end		1	D609	276 0432 903	Diode 1SS270A TE (TAPE)		
	461 0415 007	Rubber sheet		1	D612	276 0432 903	Diode 1SS270A TE (TAPE)		
					D613,614	276 0704 903	Diode 1SR35-400A(T93X)		
					ZD601	276 0634 905	Zener diode MTZJ3.3AT77		
					ZD602	276 0635 904	Zener diode MTZJ7.5CT77		
					ZD603,604	276 0637 902	Zener diode MTZJ6.2AT77		
					ZD651	276 0654 901	Zener diode DTZ8.2B TT11		
					LD601	393 9547 903	LED SLR-342VRTJ7	Red	
RESISTORS GROUP					CAPACITORS GROUP				
	R301,302	247 0011 928	Carbon chip 39 kohm 1/10W	RM73B--393JT	C300	257 0012 966	Ceramic chip 0.01µF/50V	CK73F1H103ZT	
	R303,304	247 0009 943	Carbon chip 6.8 kohm 1/10W	RM73B--682JT	C301,302	257 0006 943	Ceramic chip 560pF/50V	CC73SL1H561JT	
	R361,362	247 0011 973	Carbon chip 62 kohm 1/10W	RM73B--623JT	C303,304	255 1265 978	Mylar film 0.022µF/50V	CQ93M1H223JT(B)	
	R363,364	247 0009 998	Carbon chip 11 kohm 1/10W	RM73B--113JT	C361,362	257 0004 961	Ceramic chip 100pF/50V	CC73SL1H101JT	
	R365,366	247 0008 931	Carbon chip 2.4 kohm 1/10W	RM73B--242JT	C363,364	255 1265 981	Mylar film 0.027µF/50V	CQ93M1H273JT(B)	
	R367,368	247 0013 984	Carbon chip 470 kohm 1/10W	RM73B--474JT	C365,366	256 1058 984	Metalized 0.12µF/50V	CF93A1H124JT (JL)	
	R369,370	247 0010 945	Carbon chip 18 kohm 1/10W	RM73B--183JT	C367,368	255 1264 924	Mylar film 1500pF/50V	CQ93M1H152JT(B)	
	R371,372	247 0009 943	Carbon chip 6.8 kohm 1/10W	RM73B--682JT	C369,370	255 1265 936	Mylar film 0.01µF/50V	CQ93M1H103JT(B)	
	R373,374	247 0006 917	Carbon chip 300 ohm 1/10W	RM73B--301JT	C371,372	257 0012 966	Ceramic chip 0.01µF/50V	CK73F1H103ZT	
	R375,376	247 0011 944	Carbon chip 47 kohm 1/10W	RM73B--472JT	C381-384	257 0008 983	Ceramic chip 1000pF/50V	CK73B1H102KT	
	R379,380	247 0009 901	Carbon chip 4.7 kohm 1/10W	RM73B--472JT	C601	254 4522 903	Electrolytic 4.7µF/35V	CE04W1V4R7MT SMG/RE3	
	R381-386	247 0018 905	Carbon chip 0 ohm 1/10W	RM73B--0R0KT	C602	257 0012 966	Ceramic chip 0.01µF/50V	CK73F1H103ZT	
	R601	247 0013 900	Carbon chip 220 kohm 1/10W	RM73B--224JT	C603	254 4524 943	Electrolytic 1µF/50V	CE04W1H010MT SMG/RE3	
	R602	247 0009 985	Carbon chip 10 kohm 1/10W	RM73B--103JT	C607	254 4538 900	Electrolytic 10µF/16V	CE04W1C100MT SMG/RE3	
	R603	247 0009 901	Carbon chip 4.7 kohm 1/10W	RM73B--472JT	C608,609	254 4522 961	Electrolytic 220µF/35V	CE04W1V221MT SMG/RE3	
	R604,605	247 0007 945	Carbon chip 1 kohm 1/10W	RM73B--102JT	△ C611	253 8003 713	Ceramic 4700pF/400V(AC)	CK45E2GAC472MC	
	R606	247 0009 985	Carbon chip 10 kohm 1/10W	RM73B--103JT	△ C612	253 8022 707	Ceramic 0.01µF/250V(AC)	CK45F2EAC103MC	
	R607	247 0009 985	Carbon chip 10 kohm 1/10W	RM73B--103JT	C613	254 4522 916	Electrolytic 10µF/35V	CE04W1V100MT SMG/RE3	
	R608	247 0009 985	Carbon chip 10 kohm 1/10W	RM73B--103JT	C614	254 4305 968	Electrolytic 1µF/50V	CE04W1H010MT(SRE)	
	R609	247 0007 945	Carbon chip 1 kohm 1/10W	RM73B--102JT	C615	254 4522 916	Electrolytic 10µF/35V	CE04W1V100MT SMG/RE3	
	R610	247 0009 901	Carbon chip 4.7 kohm 1/10W	RM73B--472JT	C651	257 0012 966	Ceramic chip 0.01µF/50V	CK73F1H103ZT	
	R611	244 2051 987	Metal oxide 4.7 ohm 1W(NB)	RS14B3A4R7JNBST(S)	C652	254 4300 963	Electrolytic 100µF/6.3V	CE04W0J101MT(SRE)	
	R612,613	244 2064 974	Metal oxide 33 ohm 1W(NB)	RS14B3A330JNBST(S)					
	R616	247 0009 901	Carbon chip 4.7 kohm 1/10W	RM73B--472JT					

Ref. No.	Part No.	Part Name	Remarks	Ref. No.	Part No.	Part Name	Remarks
R617,618	247 0011 944	Carbon chip 47 kohm 1/10W	RM73B--473JT	C653	257 0012 966	Ceramic chip 0.01µF/50V	CK73F1H103ZT
R651	247 1009 900	Carbon chip 4.7 kohm 1/8W	RM73B2B472JT	C655	254 4299 964	Electrolytic 47µF/16V	CE04W1C470MT(SRE)
R652-657	247 0009 985	Carbon chip 10 kohm 1/10W	RM73B--103JT	C657	257 0012 982	Ceramic chip 0.022µF/50V	CK73F1H223ZT
R665	247 0007 945	Carbon chip 1 kohm 1/10W	RM73B--102JT	C666	257 0004 961	Ceramic chip 100pF/50V	CC73SL1H101JT
R666	247 0005 976	Carbon chip 200 ohm 1/10W	RM73B--201JT	OTHER PARTS GROUP			
R667	247 0006 917	Carbon chip 300 ohm 1/10W	RM73B--301JT	△ F601	206 1075 030	Fuse 2.0A	1
R668	247 0007 945	Carbon chip 1 kohm 1/10W	RM73B--102JT	△ F602	206 1075 043	Fuse 2.5A	1
R669	247 0005 976	Carbon chip 200 ohm 1/10W	RM73B--201JT	FL401	393 8020 007	VFD (14-BT-39GK)	1
R670	247 0006 917	Carbon chip 300 ohm 1/10W	RM73B--301JT	JK201	204 8341 004	Headphone jack	1
R671	247 0007 945	Carbon chip 1 kohm 1/10W	RM73B--102JT	△ RL601	214 0202 009	Relay DG1U TV-8	1
R672	247 0005 976	Carbon chip 200 ohm 1/10W	RM73B--201JT	RM601	499 2023 007	Remocon sensor SBX1810-52	1
R673	247 0006 917	Carbon chip 300 ohm 1/10W	RM73B--301JT	SW302,303	212 1140 009	Push switch	2
R674	247 0006 975	Carbon chip 510 ohm 1/10W	RM73B--511JT	SW601-603	212 5604 910	Tact switch	3
R675,676	247 0007 945	Carbon chip 1 kohm 1/10W	RM73B--102JT	SW605-616	212 5604 910	Tact switch	12
R677	247 0005 976	Carbon chip 200 ohm 1/10W	RM73B--201JT	△ SW631	212 1030 009	Power switch (TV-5)	1
R678	247 0006 917	Carbon chip 300 ohm 1/10W	RM73B--301JT	△ PT601	233 6322 007	Power trans. mini E2	1
R679	247 0006 975	Carbon chip 510 ohm 1/10W	RM73B--511JT	XL651	399 0261 901	Ceramic 4.00 MHz	1
R680	247 0007 945	Carbon chip 1 kohm 1/10W	RM73B--102JT		202 0040 909	Fuse clip	4
R681	247 0008 915	Carbon chip 2 kohm 1/10W	RM73B--202JT		203 0418 042	1P SIN cord Ass'y	1
R682,683	247 0009 985	Carbon chip 10 kohm 1/10W	RM73B--103JT		203 0418 071	1P SIN cord Ass'y	1
R685	247 0008 957	Carbon chip 3 kohm 1/10W	RM73B--302JT	△	203 2349 009	2P inlet	1
VR301	211 0841 018	Variable resistor 100 kohm	BALANCE	△	203 3961 004	1P AC outlet (E2)	1
VR302	211 0831 002	Variable resistor 100 kohm	MAIN		203 4776 065	3P VH connector cord (2P)	1
VR303	211 0842 017	Variable resistor 250 kohm	BASS		203 5103 019	3P SAN-SAN connector cord	1
VR304	211 0843 016	Variable resistor 50 kohm	TREBLE		205 0343 058	5P connector base (KR-PH)	2
VR307	211 9131 004	Variable resistor 100 kohm	LOUDNESS		205 0375 000	10P connector base (KR-PH)	2
					205 0581 001	2P VH connector base	1
					205 0581 085	2P VH connector base	1
					205 0917 002	6P bottom plug	2
					205 0917 015	8P bottom plug	1
					205 0990 045	29P FFC connector base	1
					414 0740 006	Shield plate	1
					415 0299 000	Condenser cover	1
					461 0877 014	Rubber sheet	2

EXPLODED VIEW

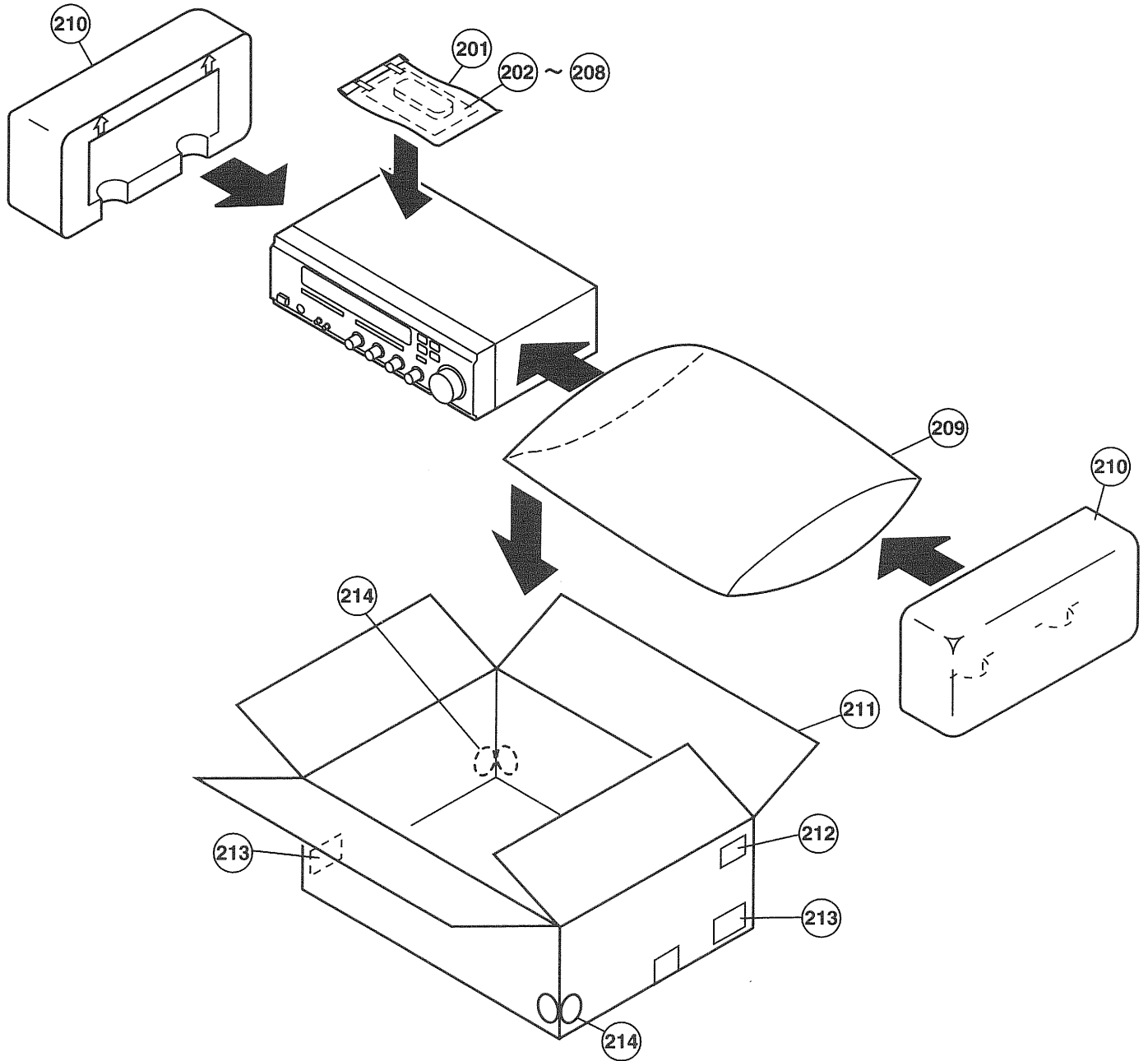


Attention:
 When you remove Inner panel (5) from Front panel (4), remove Display unit (3-1) beforehand not to damage 29P FFC cable (53) by the hook of Inner panel (5).

PARTS LIST OF EXPLODED VIEW

Ref. No.	Part No.	Part Name	Remarks	Q'ty	Ref. No.	Part No.	Part Name	Remarks	Q'ty
1	1U-2817K	Main unit Ass'y		1	38	415 0234 007	Insulating sheet		4
1-1	—	Main unit			39	271 0283 005	Transistor 2SA1633 (E/F)	TR323,324	2
2	1U-2818B	Tuner unit Ass'y		1	40	273 0443 003	Transistor 2SC4278 (E/F)	TR321,322	2
3	1U-3302	Display unit Ass'y		1	△ 41	206 1075 030	Fuse 2.0A	F601	1
3-1	—	Display unit			△ 42	206 1075 043	Fuse 2.5A	F602	1
3-2	—	Headphone unit			43	214 0167 005	Relay (G5Z-2A)	RL451,452	2
3-3	—	Power switch unit			44	214 0127 003	Relay (RY-12W)	RL453	1
3-4	—	Power unit			45	105 1156 151	Back panel		1
3-5	—	Volume unit			46	204 8485 009	4P pin jack (S-GND)		1
4	144 2708 011	Front panel	for Black model	1	47	204 8486 008	6P pin jack (S-GND)		1
4	144 2708 008	Front panel	for Gold model	1	48	205 0484 001	8P SP terminal (E2)		1
5	146 2191 019	Inner panel	for Black model	1	△ 49	203 2349 009	2P inlet		1
5	146 2191 006	Inner panel	for Gold model	1	△ 50	203 3961 004	1P AC outlet (E2)		1
6	143 1082 007	Window		1	51	205 0847 004	3P antenna terminal (PAL/F)		1
7	113 9325 008	Series knob (A)	for Black model	1	53	009 0134 009	29P FFC cable		1
7	113 9325 024	Series knob (A)	for Gold model	1	★ 53A	204 2572 044	10P PH connector cord		1
8	113 9326 007	Series knob (B)	for Black model	1	★ 53B	203 8408 041	5P PH-PH connector cord		1
8	113 9326 023	Series knob (B)	for Gold model	1	54	445 0048 003	Cord holder (L76)		1
9	113 9324 287	Function knob	for Black model	1	55	462 0094 036	Screw tube		2
9	113 9324 290	Function knob	for Gold model	1	56	—	Sub radiator		1
10	113 9323 000	Push knob (SP)	for Black model	2	57	143 1090 002	Lens (S)		1
10	113 9323 039	Push knob (SP)	for Gold model	2	△ 58	233 6322 007	Power trans. mini E2	PT601	1
11	113 9213 000	P. knob (P) Ass'y	for Black model	1	59	122 0110 012	Himeron sheet		2
11	113 9213 084	P. knob (P) Ass'y	for Gold model	1	★ 59A	445 8004 007	Wire clammer		1
12	112 0739 001	Knob (MARU)	for Black model	4	60	412 2814 060	Card spacer (L=16)		1
12	112 0739 027	Knob (MARU)	for Gold model	4	SCREWS				
13	112 0737 029	Volume knob	for Black model	1	100	477 0262 006	Special screw		1
13	112 0737 045	Volume knob	for Gold model	1	101	473 8007 009	Cup screw 3×12		4
14	204 8341 004	Headphone jack	JK201	1	102	473 7500 044	Screw 3×8 CBTS(P)-B		15
15	212 1140 009	Push switch	SW302,303	2	103	473 7015 018	Screw 3×8 CBTS(S)-B		9
16	211 9131 004	Variable resistor 100 kohm	VR307, LOUDNESS	1	104	473 7002 018	Screw 3×8 CBTS(S)-Z		9
17	211 0842 017	Variable resistor 250 kohm	VR303, BASS	1	105	477 0064 107	Fixing screw		11
18	211 0843 016	Variable resistor 50 kohm	VR304, TREBLE	1	106	473 7004 016	Screw 4×6 CBTS (S)-Z		4
19	211 0841 018	Variable resistor 100 kohm	VR301, BALANCE	1	107	473 7007 013	Screw 4×10 CBTS(S)-B	for Black model	4
20	211 0831 002	Variable resistor 100 kohm	VR302, MAIN	1	107	473 4801 005	Screw 4×8 CTTs	for Gold model	4
21	122 0186 004	Himeron sheet		1					
23	102 0631 102	Top cover	for Black model	1					
23	102 0631 115	Top cover	for Gold model	1					
★ 23B	513 1642 002	No. sheet		1					
24	414 0740 006	Shield plate		1					
25	499 2023 007	Remocon sensor SBX1810-52	RM601	1					
26	393 8020 007	VFD (14-BT-39GK)	FL401	1					
△ 27	212 1030 009	Power switch (TV-5)	SW631	1					
28	212 5604 910	Tact switch	SW601-603,605-616	15					
29	411 1323 300	Chassis		1					
30	104 0230 101	Foot		4					
31	449 0033 049	Locking card spacer		2					
31A	477 0224 031	SP washer		1					
33	216 0065 006	Front end		1					
34	—	Power radiator		1					
△ 35	233 9681 004	Power trans. (E2)		1					
36	415 0299 000	Condenser cover	for C612	1					
37	254 6202 001	Electrolytic 6800μF/56V	C257,258	2					

PACKING VIEW



PARTS LIST OF PACKING & ACCESSORIES

Ref. No.	Part No.	Part Name	Remarks	Q'ty	Ref. No.	Part No.	Part Name	Remarks	Q'ty
201	505 9125 009	Poly. cover		1	209	505 0131 050	Cabinet cover		1
202	511 3619 008	Instruction manual (8)		1	210	503 0939 104	Cushion		2
203	515 0867 004	Service station list (EX)		1	211	501 1871 061	Carton case		1
204	231 1914 003	Loop antenna		1	212	517 1428 008	E2 POS label	for Black model	1
205	395 0023 008	FM antenna Ass'y		1	212	517 1428 011	E2 POS label	for Gold model	1
206	399 0242 108	Remote controller RC-174		1	213	—	Control card		2
207	—	Battery (R6P×2)		1	214	513 9111 001	Color label (gold)	for Gold model	2
⚠ 208	206 2108 003	AC cord with plug		1					

SCHEMATIC DIAGRAMS (1/2)

1

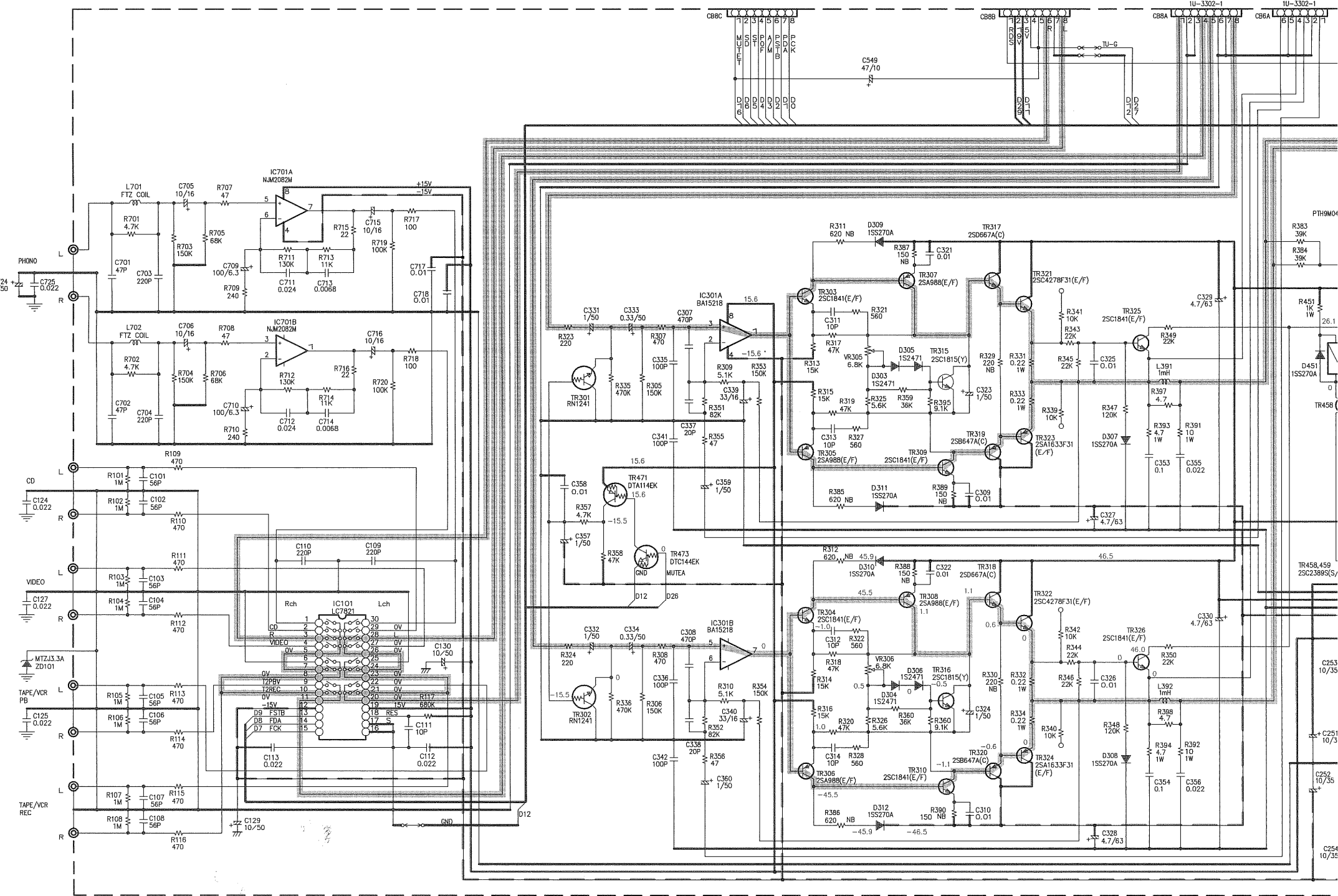
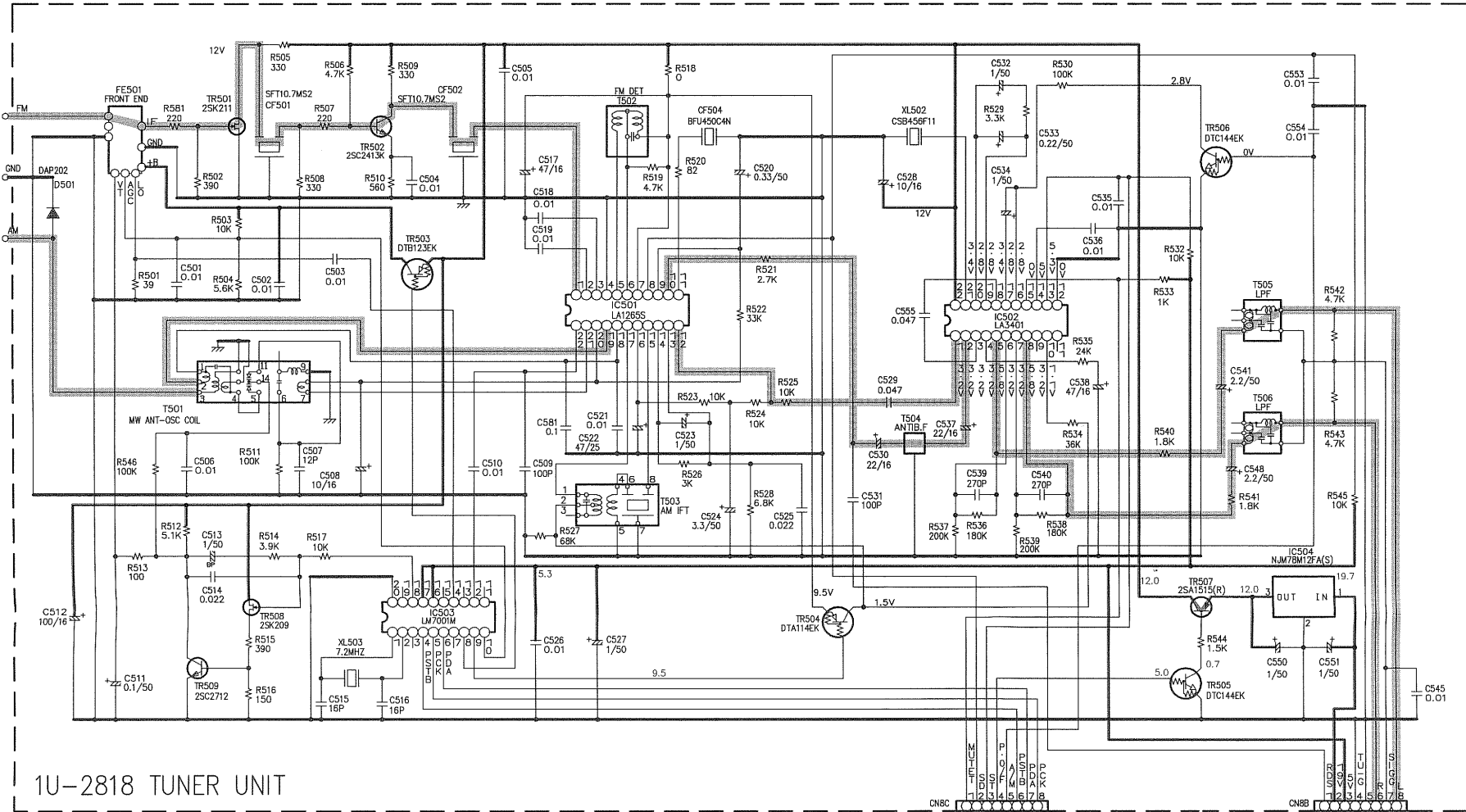
2

3

4

5

6



A
B
C
D
E
F
G
H

NOTICE

ALL RESISTANCE VALUES IN OHM. k=1,000 OHM M=1,000,000 OHM
ALL CAPACITANCE VALUES IN MICRO FARAD. P=MICRO-MICRO FARAD
EACH VOLTAGE AND CURRENT ARE MEASURED AT NO SIGNAL INPUT
CONDITION.
CIRCUIT AND PARTS ARE SUBJECT TO CHANGE WITHOUT PRIOR
NOTICE.

WARNING:

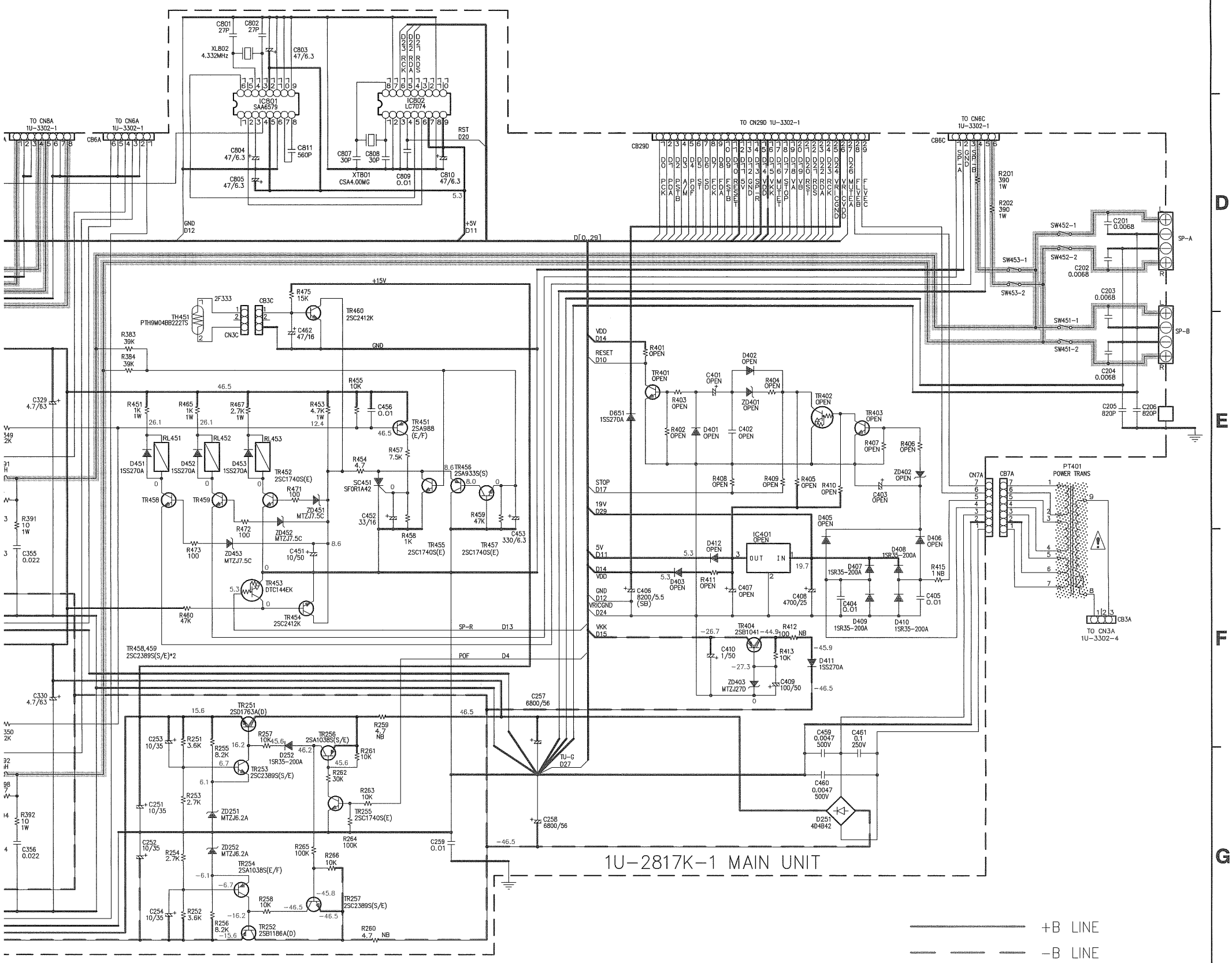
Parts marked with this symbol  have critical characteristics.
Use ONLY replacement parts recommended by the manufacturer.

CAUTION:

Before returning the unit to the customer, make sure you make either (1) a leakage current check or (2) a line to chassis resistance check. If the leakage current exceeds 0.5 milliamps, or if the resistance from chassis to either side of the power cord is less than 460 kohms, the unit is defective.

WARNING:

DO NOT return the unit to the customer until the problem is located and corrected.

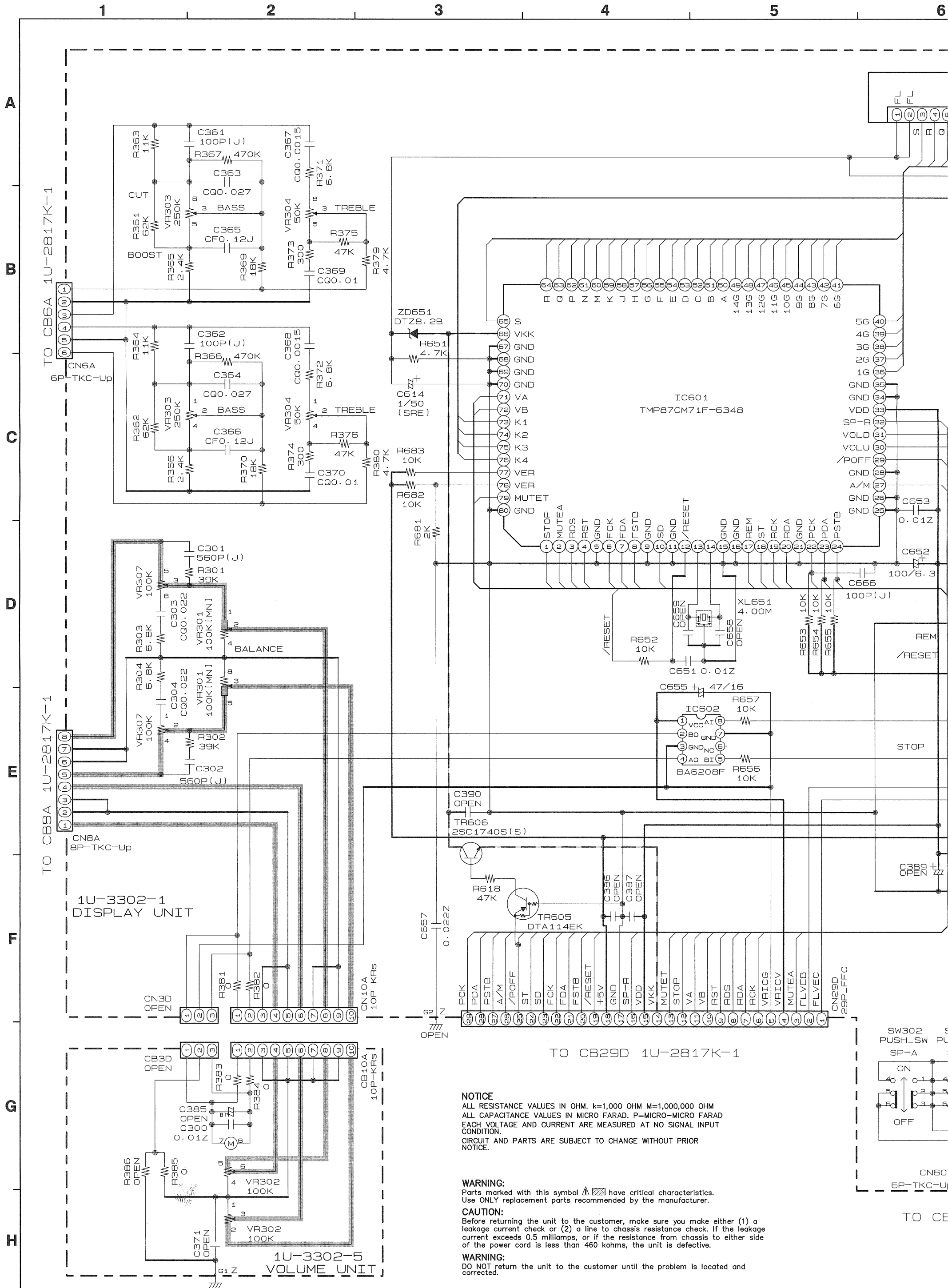


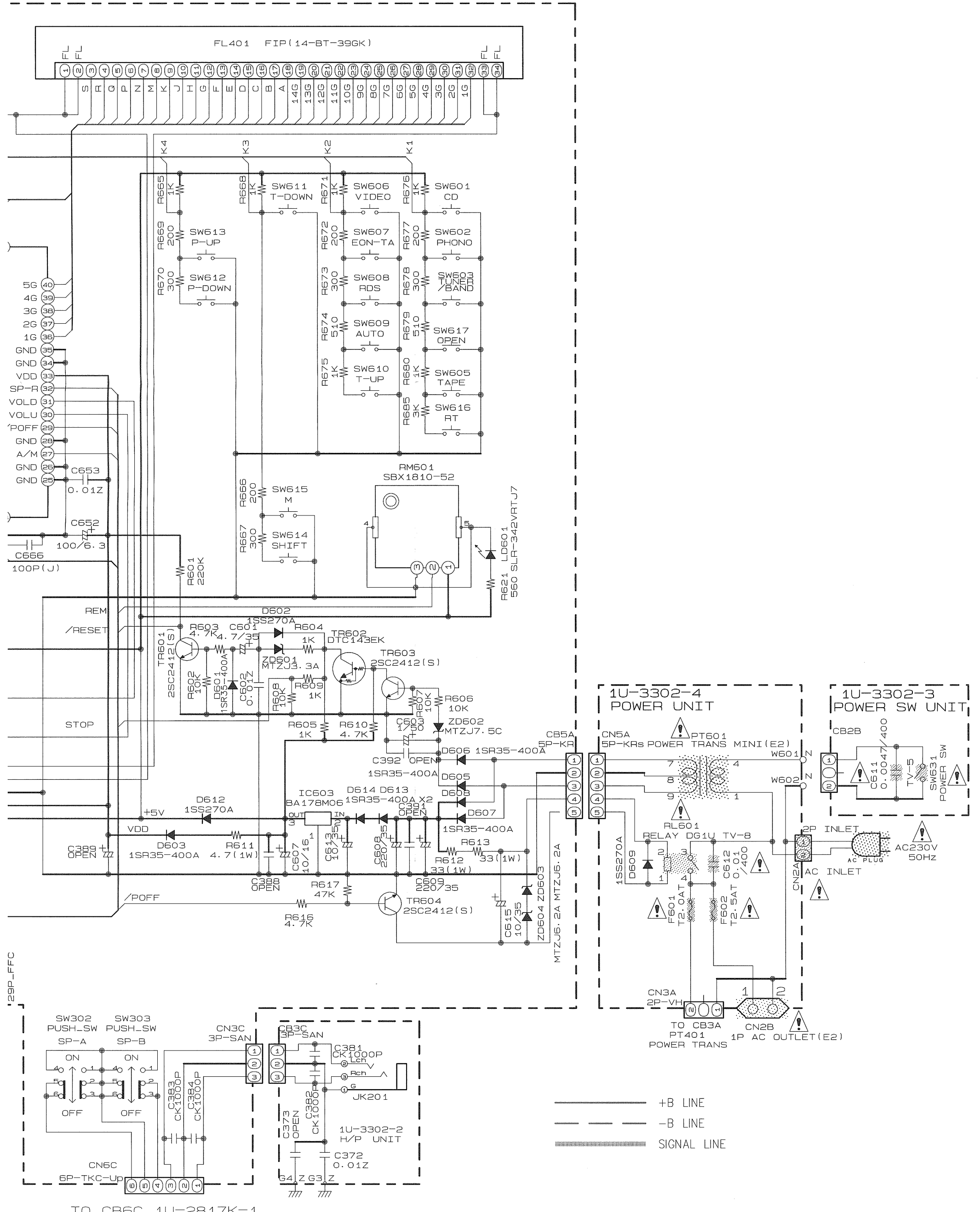
1U-2817K-1 MAIN UNIT

— +B LINE
- - - -B LINE
... SIGNAL LINE

SCHEMATIC DIAGRAMS (1/2)
1U-2817K-1 MAIN UNIT
1U-2818 TUNER UNIT

SCHEMATIC DIAGRAMS (2/2)

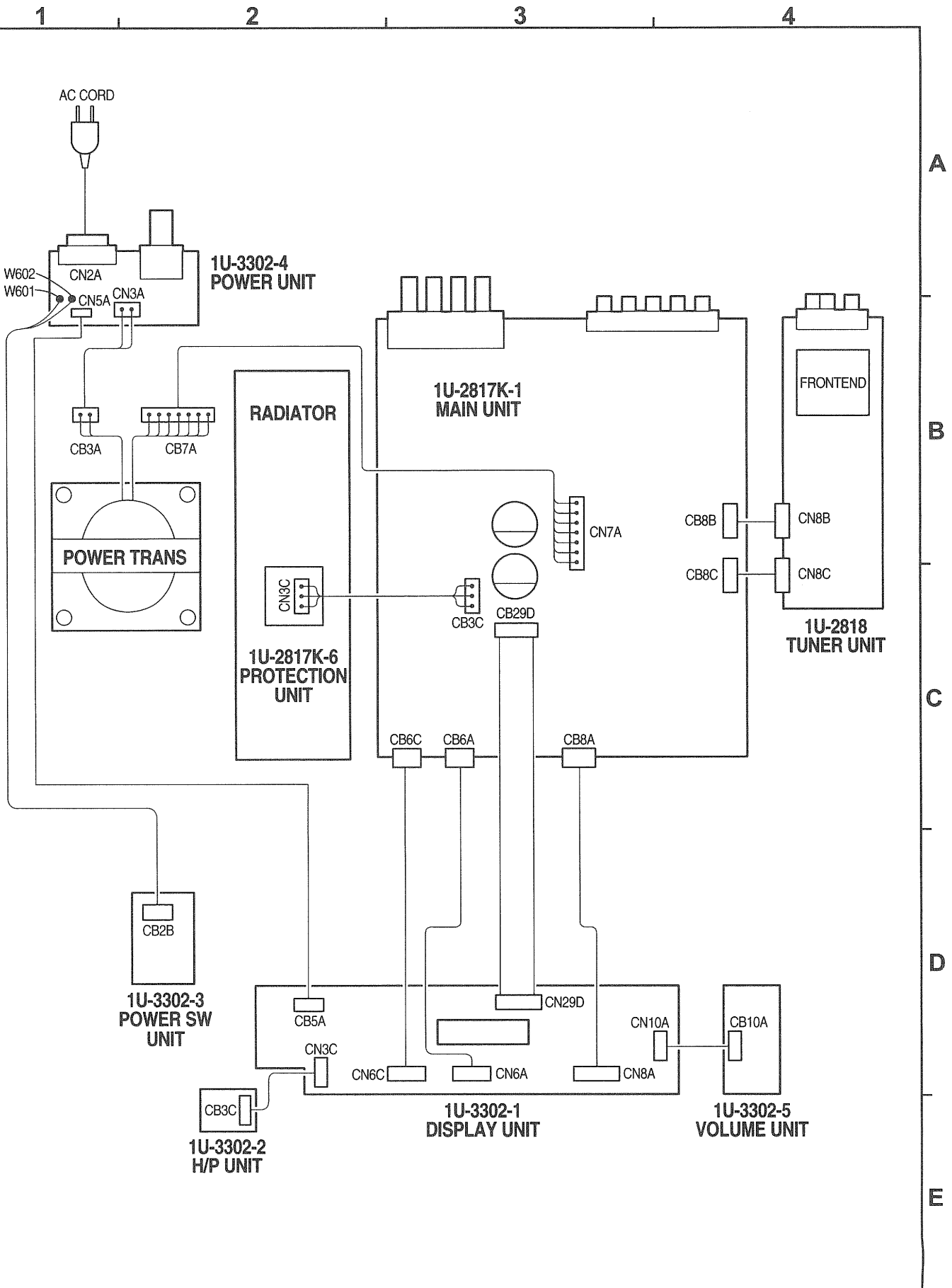




————— +B LINE
 - - - - - -B LINE
 ===== SIGNAL LINE

SCHEMATIC DIAGRAMS (2/2)
 1U-3302-1 DISPLAY UNIT / 1U-3302-2 H/P UNIT
 1U-3302-3 POWER SW UNIT / 1U-3302-4 POWER UNIT
 1U-3302-5 VOLUME UNIT

WIRING DIAGRAM



DENON

NIPPON COLUMBIA CO., LTD.

14-14, AKASAKA 4-CHOME, MINATO-KU, TOKYO 107-8011 JAPAN
Telephone: 03 (3584) 8111