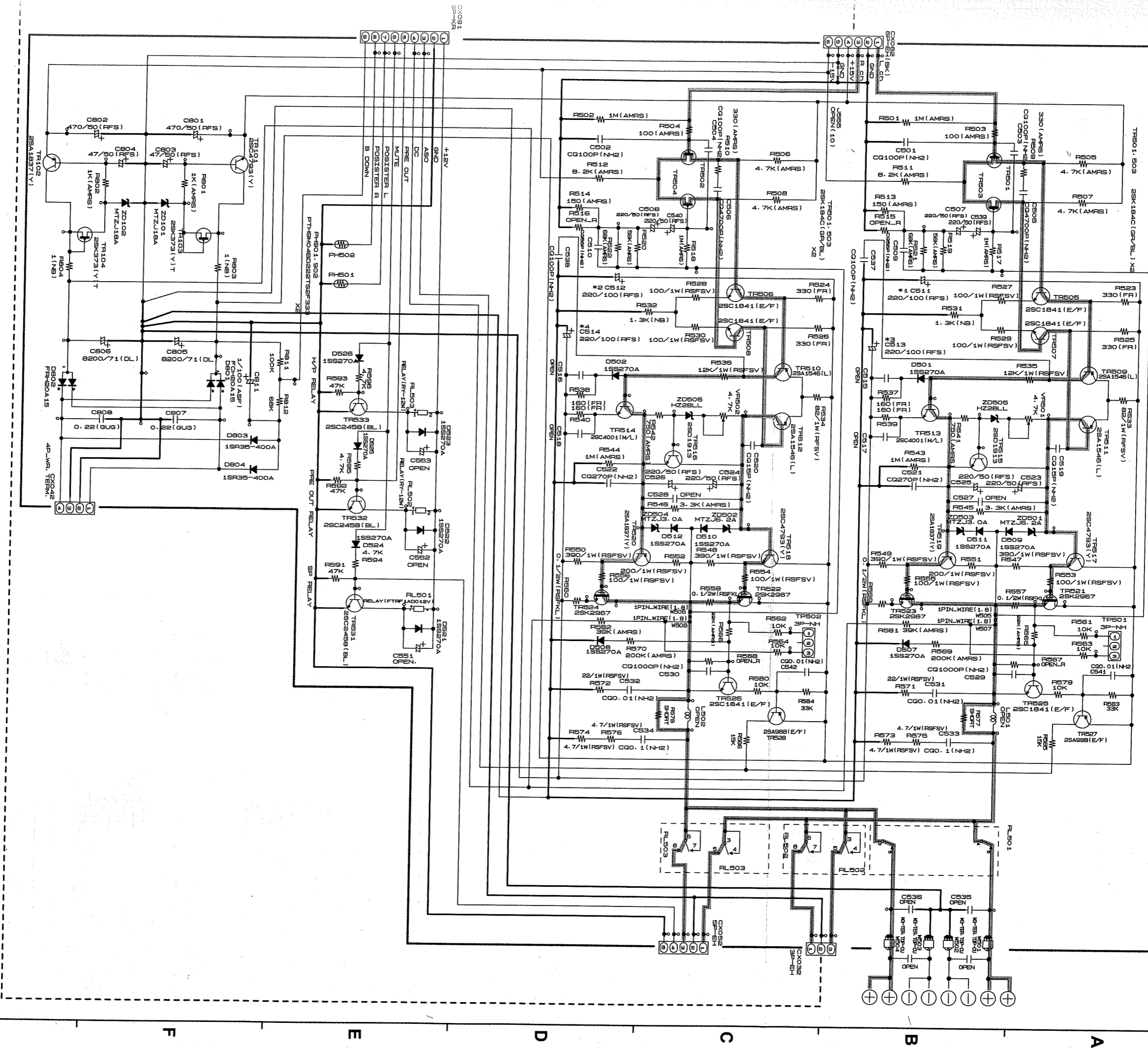


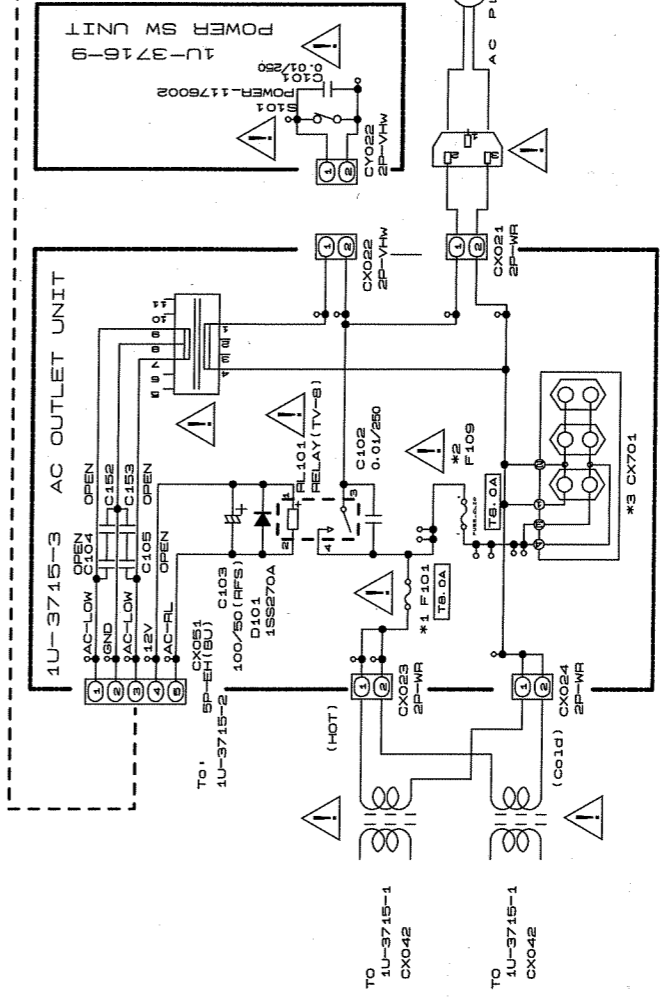
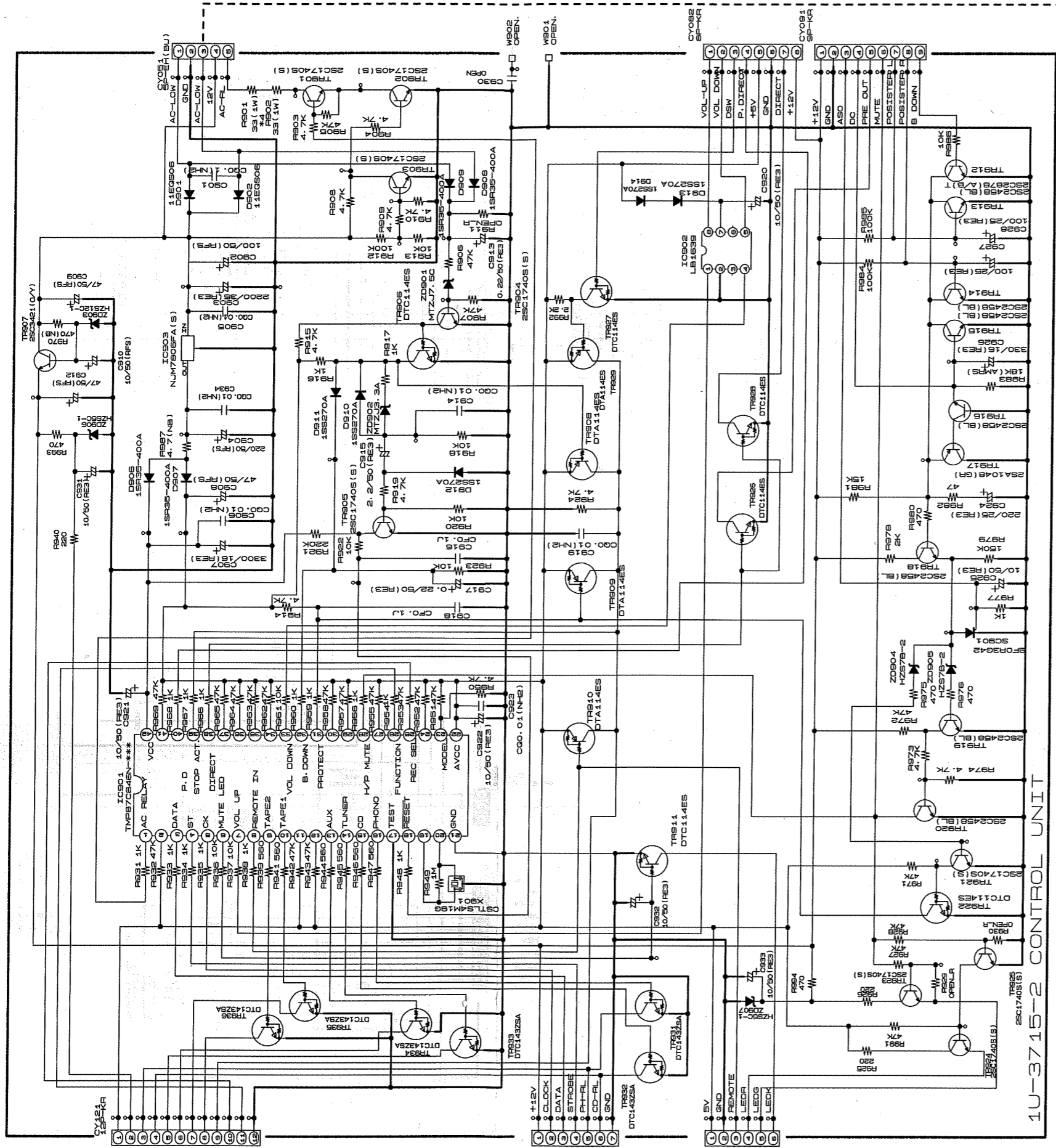


1U-3715-1 POWER AMP UNIT



*1-*4	C511-514	*5	C345
JAPAN	100/100V (RFS)	CF 1/50V (GSG)	
E2	100/100V (RFS)	CF 1/50V (GSG)	
E1C	220/100V (ROB)	CF 1/30V (SAG)	

SIGNAL LINE  
 SCHEMATIC DIAGRAMS (2/2)  
 1U-3715 POWER AMP UNIT  
 1U-3716 INPUT UNIT



*1 F101	*2 F109	*3 CX701	*4 R802
JAPAN E2	T8A	3P OUTLET	33/1W
E1C	T3. 15AL	OPEN	33/1W
	T3. 15AL	OPEN	SHORT

SIGNAL LINE

SCHEMATIC DIAGRAMS (1/2)  
1U-3715 POWER AMP UNIT  
1U-3716 INPUT UNIT

SCHEMATIC DIAGRAMS (1/2)

1

2

3

4

5

6

