

SERVICE MANUAL

MODEL	JP	E3	E2	EK	EA	E1	E1K	E1C
PMA-A100		✓	✓					✓

INTEGRATED AMPLIFIER

• For purposes of improvement, specifications and design are subject to change without notice.

• Please use this service manual with referring to the operating instructions without fail.

• Some illustrations using in this service manual are slightly different from the actual set.

DENON

D&M Holdings Inc.

SAFETY PRECAUTIONS

The following check should be performed for the continued protection of the customer and service technician.

LEAKAGE CURRENT CHECK

Before returning the unit to the customer, make sure you make either (1) a leakage current check or (2) a line to chassis resistance check. If the leakage current exceeds 0.5 milliamps, or if the resistance from chassis to either side of the power cord is less than 460 kohms, the unit is defective.

Be sure to test for leakage current with the AC plug in both polarities, in addition, in each power ON, OFF and STANDBY mode, if applicable.

CAUTION Please heed the points listed below during servicing and inspection.

◎ **Heed the cautions!**

Spots requiring particular attention when servicing, such as the cabinet, parts, chassis, etc., have cautions indicated on labels. Be sure to heed these cautions and the cautions indicated in the handling instructions.

◎ **Caution concerning electric shock!**

- (1) An AC voltage is impressed on this set, so touching internal metal parts when the set is energized could cause electric shock. Take care to avoid electric shock, by for example using an isolating transformer and gloves when servicing while the set is energized, unplugging the power cord when replacing parts, etc.
- (2) There are high voltage parts inside. Handle with extra care when the set is energized.

◎ **Caution concerning disassembly and assembly!**

Through great care is taken when manufacturing parts from sheet metal, there may in some rare cases be burrs on the edges of parts which could cause injury if fingers are moved across them. Use gloves to protect your hands.

◎ **Only use designated parts!**

The set's parts have specific safety properties (fire resistance, voltage resistance, etc.). For replacement parts, be sure to use parts which have the same properties. In particular, for the important safety parts that are marked \triangle on wiring diagrams and parts lists, be sure to use the designated parts.

◎ **Be sure to mount parts and arrange the wires as they were originally!**

For safety reasons, some parts use tape, tubes or other insulating materials, and some parts are mounted away from the surface of printed circuit boards. Care is also taken with the positions of the wires and clamps are used to keep wires away from heating and high voltage parts, so be sure to set everything back as it was originally.

◎ **Inspect for safety after servicing!**

Check that all screws, parts and wires removed or disconnected for servicing have been put back in their original positions, inspect that no parts around the area that has been serviced have been negatively affected, conduct an insulation check on the external metal connectors and between the blades of the power plug, and otherwise check that safety is ensured.

(Insulation check procedure)

Unplug the power cord from the power outlet, disconnect the antenna, plugs, etc., and turn the power switch on. Using a 500V insulation resistance tester, check that the inplug and the externally exposed metal parts (antenna terminal, headphones terminal, input terminal, etc.) is 1M Ω or greater. If it is less, the set must be inspected and repaired.

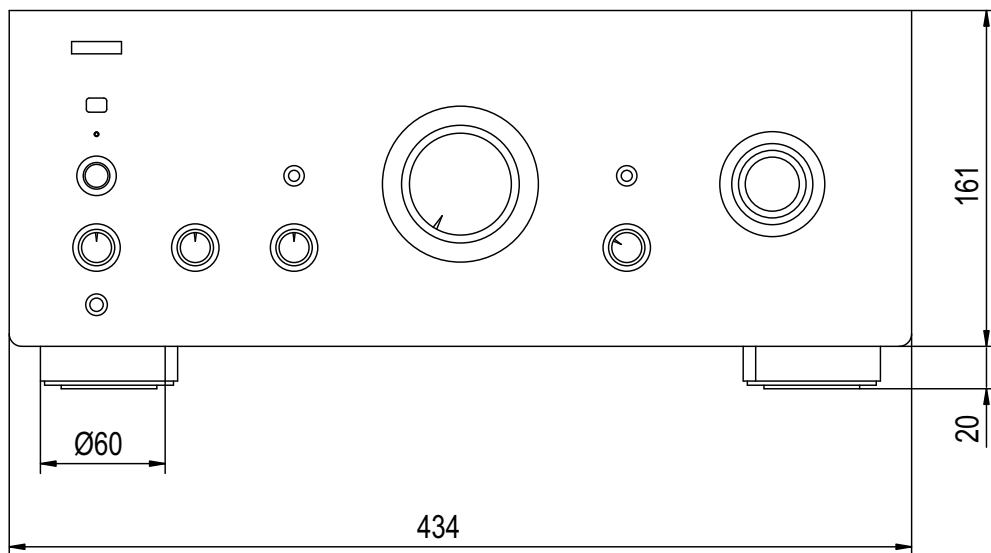
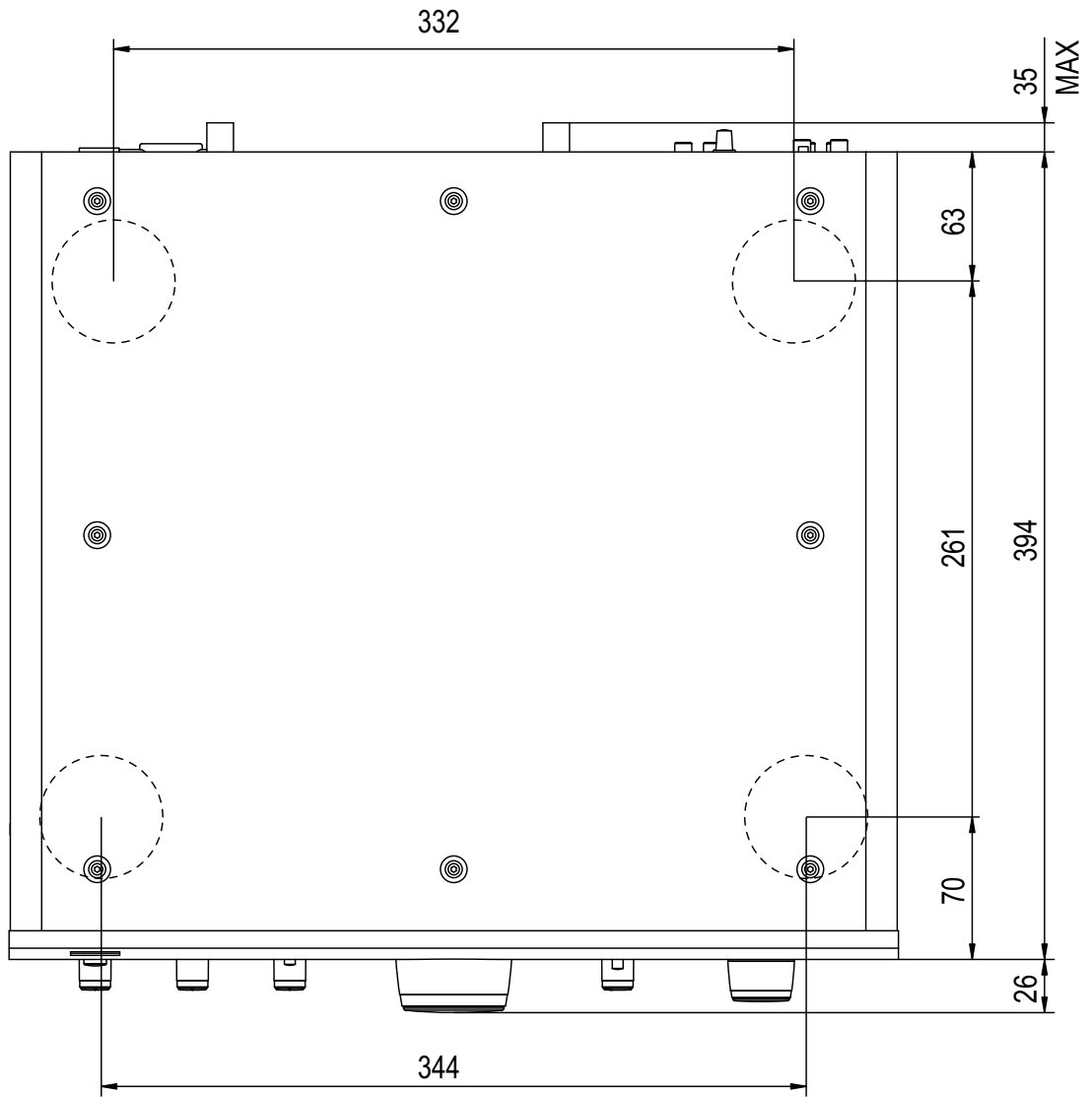
CAUTION Concerning important safety parts

Many of the electric and structural parts used in the set have special safety properties. In most cases these properties are difficult to distinguish by sight, and using replacement parts with higher ratings (rated power and withstand voltage) does not necessarily guarantee that safety performance will be preserved. Parts with safety properties are indicated as shown below on the wiring diagrams and parts lists in this service manual. Be sure to replace them with parts with the designated part number.

- (1) Schematic diagrams Indicated by the \triangle mark.
- (2) Parts lists Indicated by the \triangle mark.

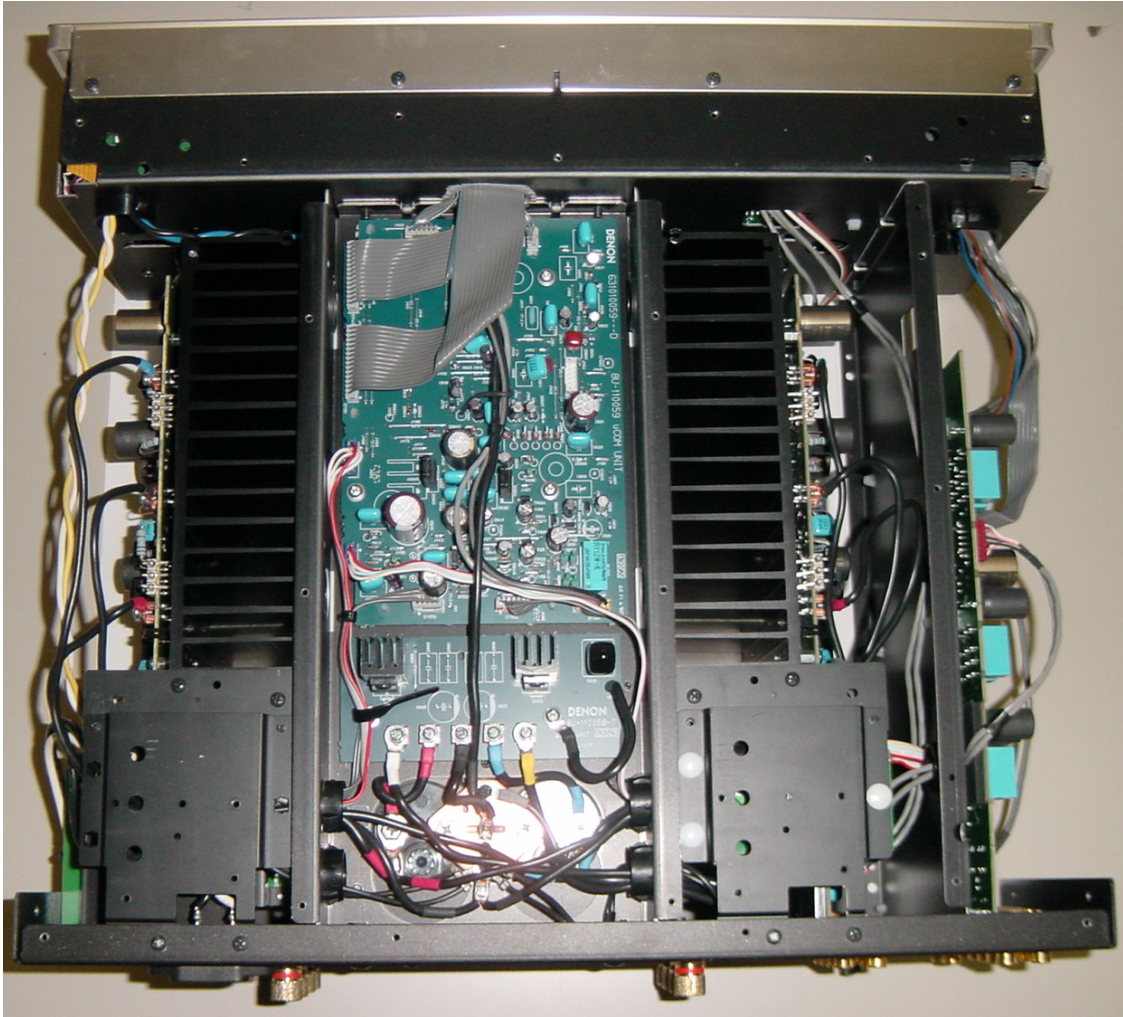
Using parts other than the designated parts could result in electric shock, fires or other dangerous situations.

DIMENSION



Wire arrangement viewed from the bottom

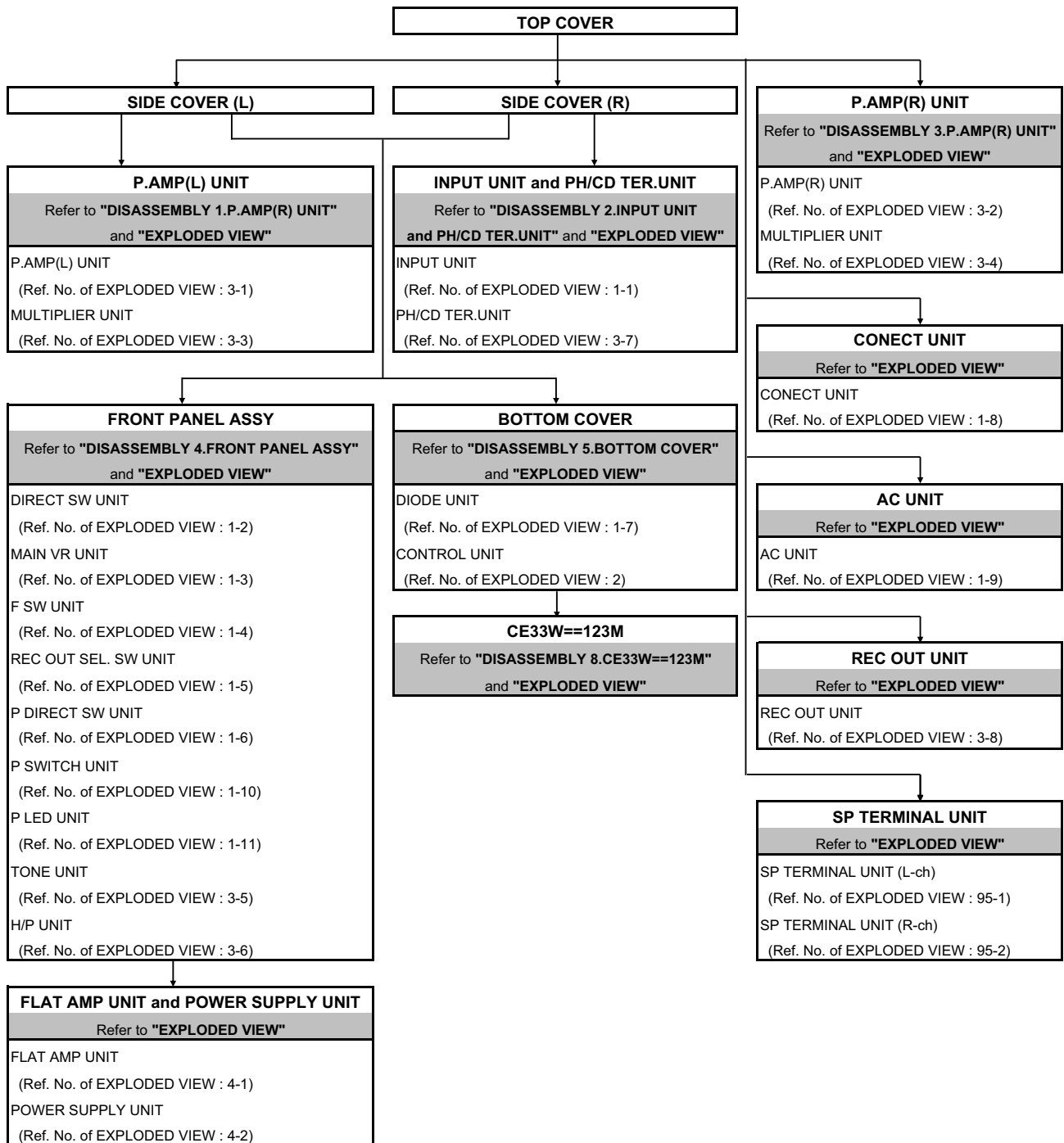
Front Panel side



Back Panel side

DISASSEMBLY

- Disassemble in order of the arrow of the figure of following flow.
- In the case of the re-assembling, assemble it in order of the reverse of the following flow.
- In the case of the re-assembling, observe "attention of assembling" it.

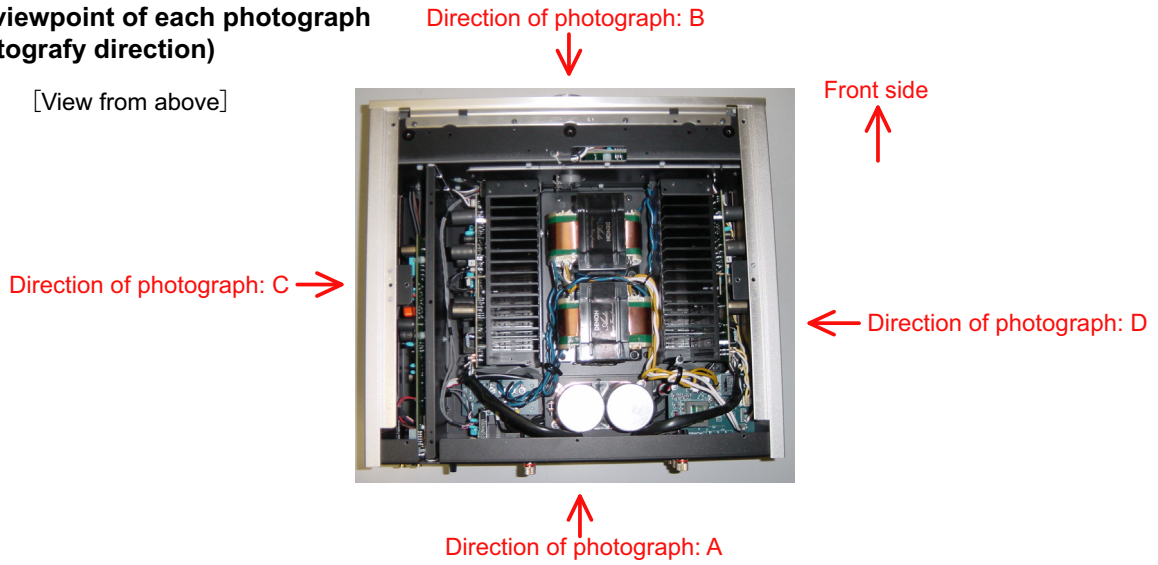


About the photos used for descriptions in the “DISASSEMBLY” section.

- The direction from which the photographs used herein were photographed is indicated at "Direction of photograph: ****" at the left of the respective photographs.
- Refer to the table below for a description of the direction in which the photos were taken.
- Photographs for which no direction is indicated were taken from above the product.
- The photograph is PMA-2010AE.

The viewpoint of each photograph (Photografy direction)

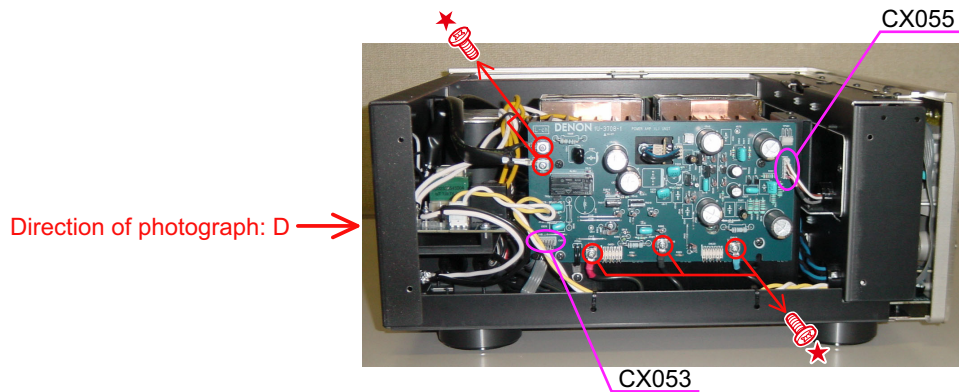
[View from above]



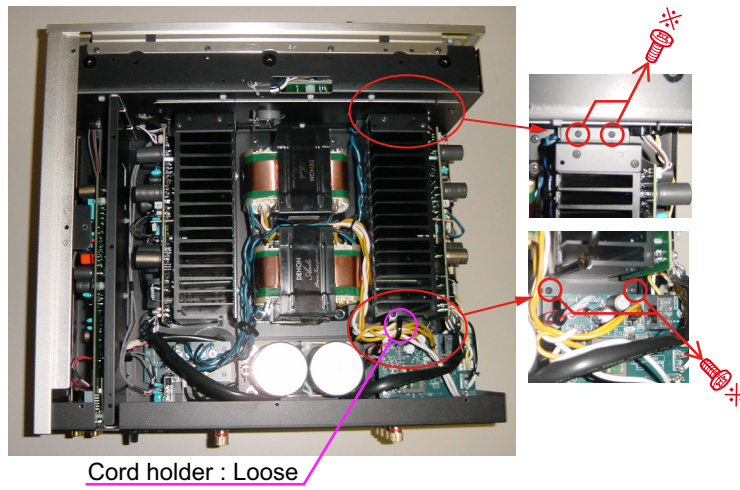
1. P.AMP(L) UNIT

Proceeding : **TOP COVER** → **SODE COVER (L)** → **P.AMP(L) UNIT**

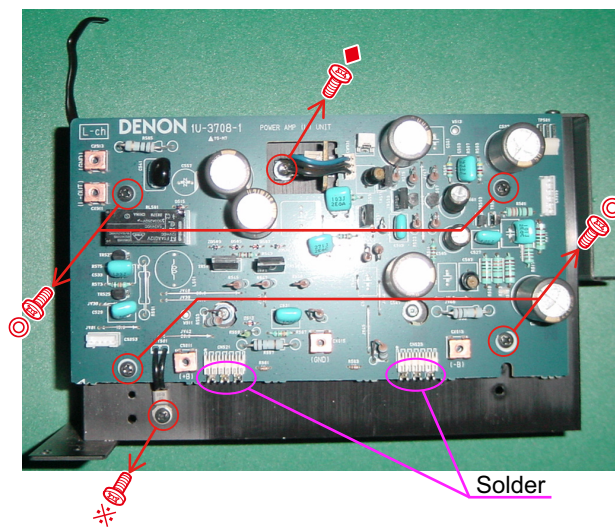
- (1) Disconnect the connector wires, then remove the screws.



(2) Loose the cord holder then remove the screws.



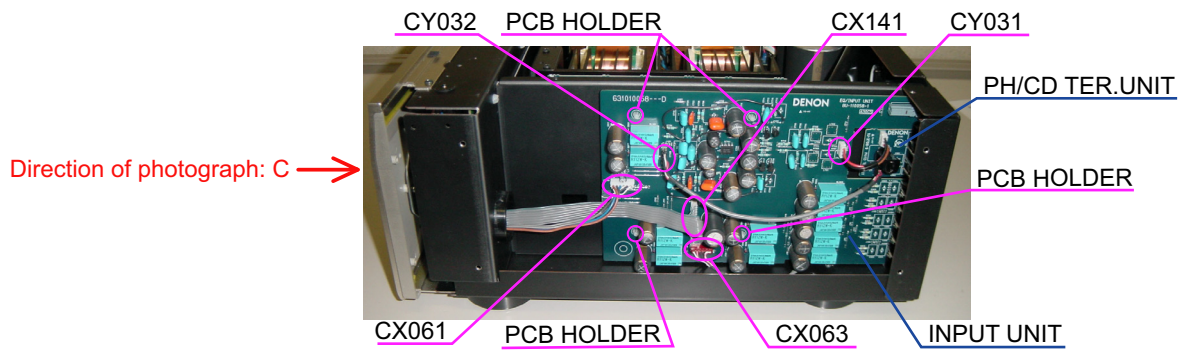
(3) Remove the screws, then remove the solder.



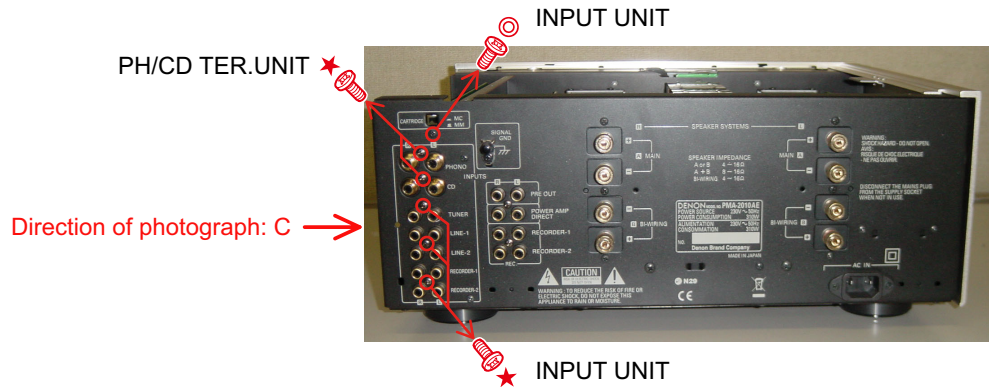
2. INPUT UNIT and PH/CD TER.UNIT

Proceeding : **TOP COVER** → **SODE COVER (R)** → **INPUT UNIT and PH/CD TER.UNIT**

(1) Disconnect the connector wires.



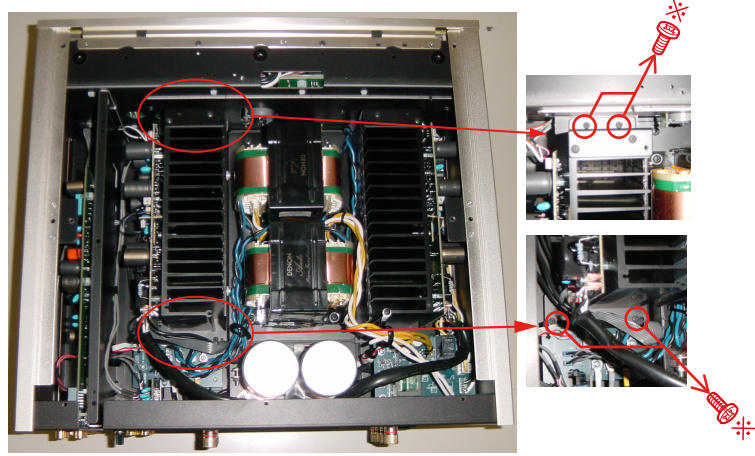
(2) Remove the screws



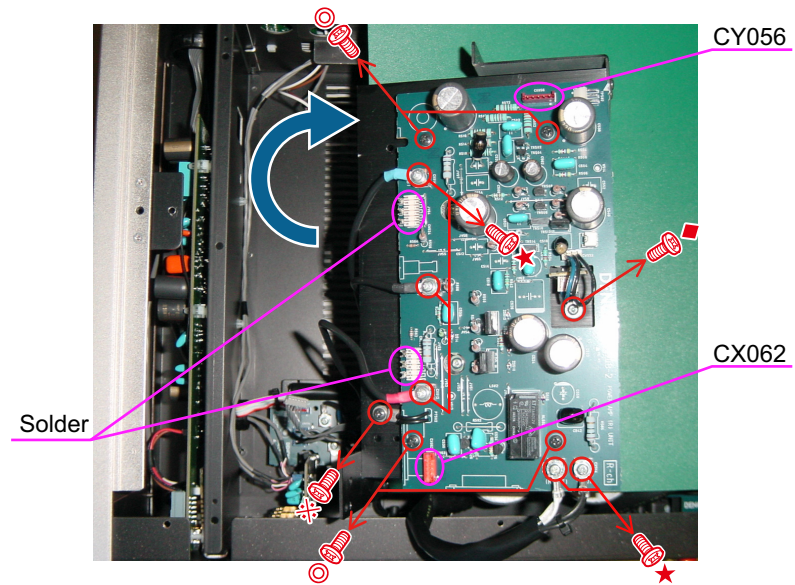
3. P.AMP(R) UNIT

Proceeding : **TOP COVER** → **P.AMP(R) UNIT**

(1) Remove the screws.



(2) Disconnect the connector wires, then remove the screws. Remove the solder

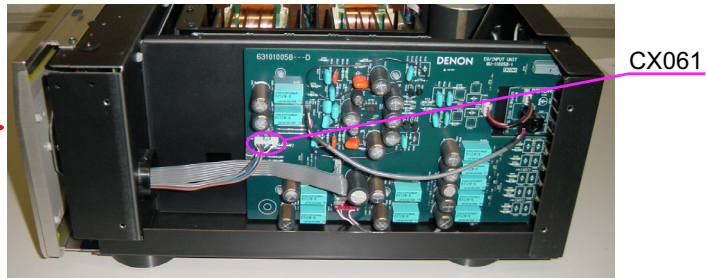


4. FRONT PANEL ASSY

Proceeding : **TOP COVER** → **SODE COVER (L), (R)** → **FRONT PANEL ASSY**

(1) Disconnect the connector wire.

Direction of photograph: C →



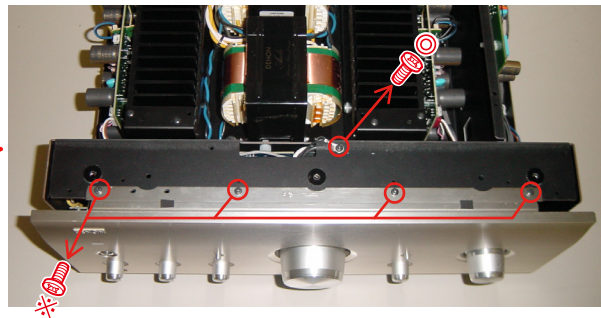
(2) Remove the screws.

View from bottom →



(3) Remove the screws.

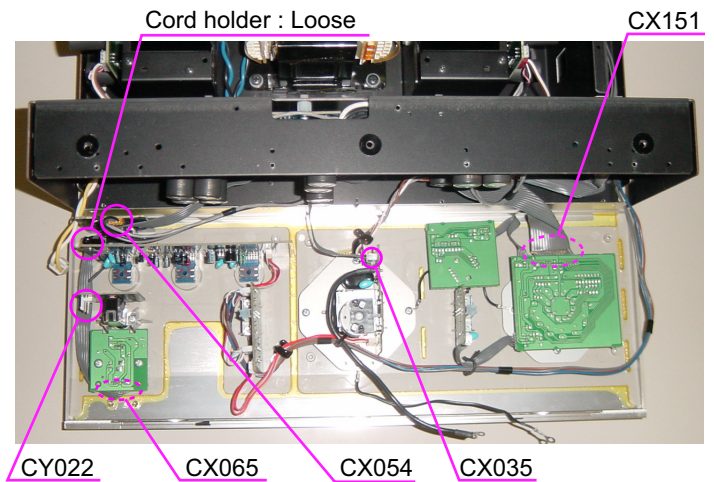
Direction of photograph: B →



(4) Loose the Cord holders, then disconnect the connector wires.



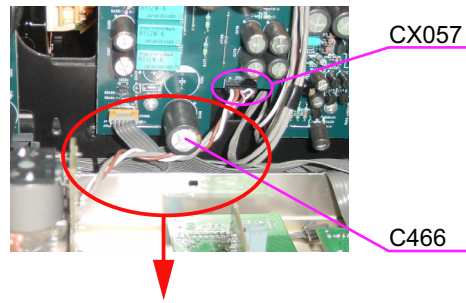
Direction of photograph: B →



(5) disconnect the connector wire.



Direction of photograph: B →



< attention of assembling >

Twist the connector wire 5 times
and shape it so that it passes under the C466.

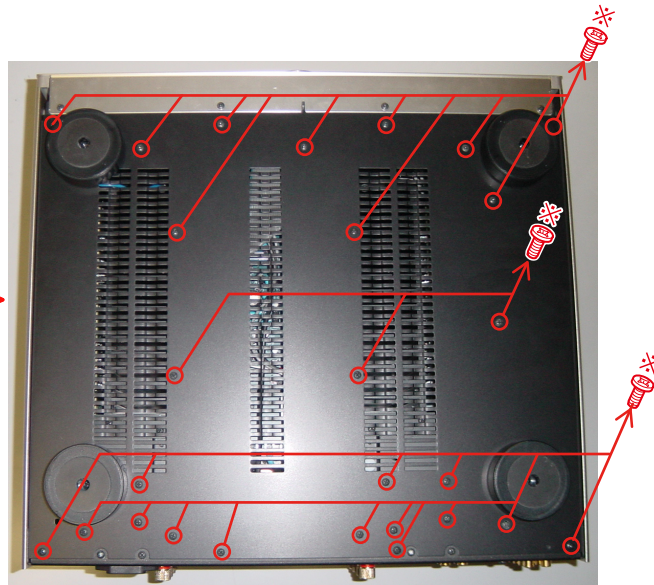
Please refer to "EXPLODED VIEW" for the disassembly method of each P.W.B included in PANEL FRONT ASSY.

5. BOTTOM COVER

Proceeding : **TOP COVER** → **SODE COVER (L), (R)** → **BOTTOM COVER**

(1) Remove the screws.

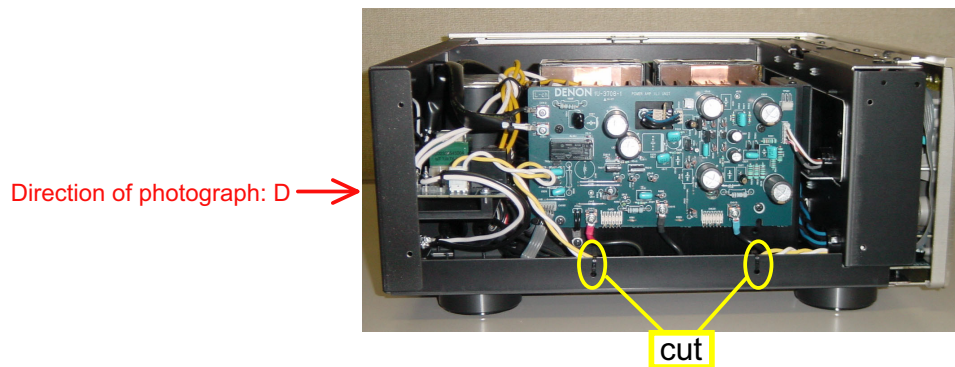
View from bottom →



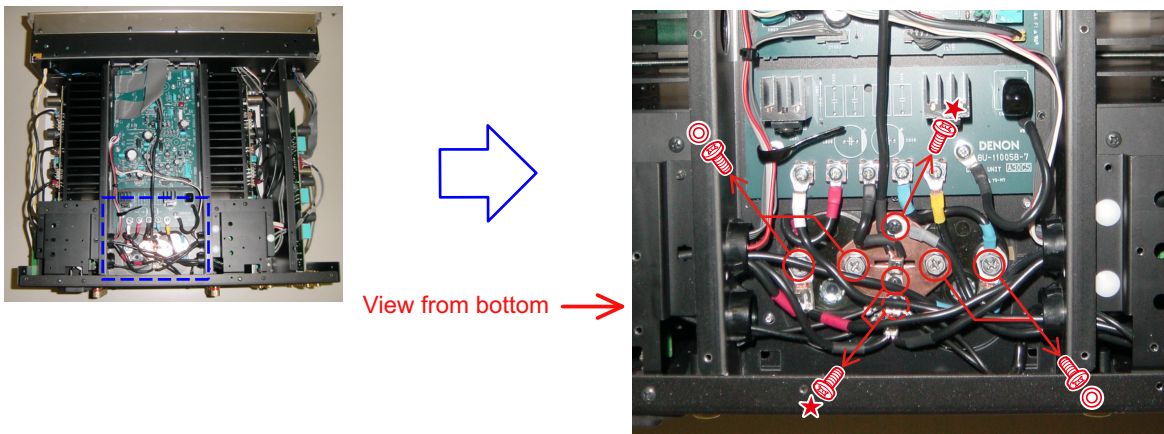
6. CE33W==123M

Proceeding : **TOP COVER** → **SODE COVER (L), (R)** → **BOTTOM COVER**
→ **CE33W==123M**

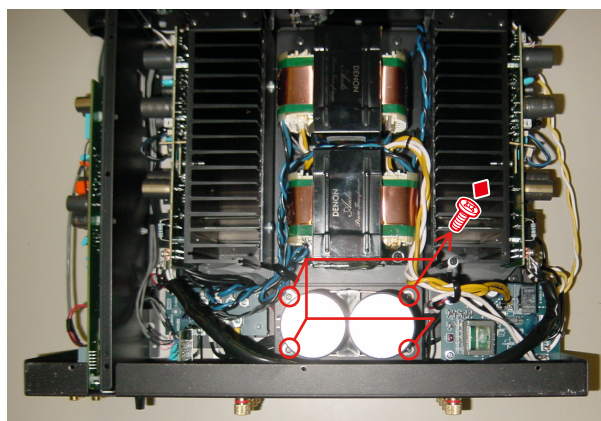
- (1) Cut the wire clamp bands.



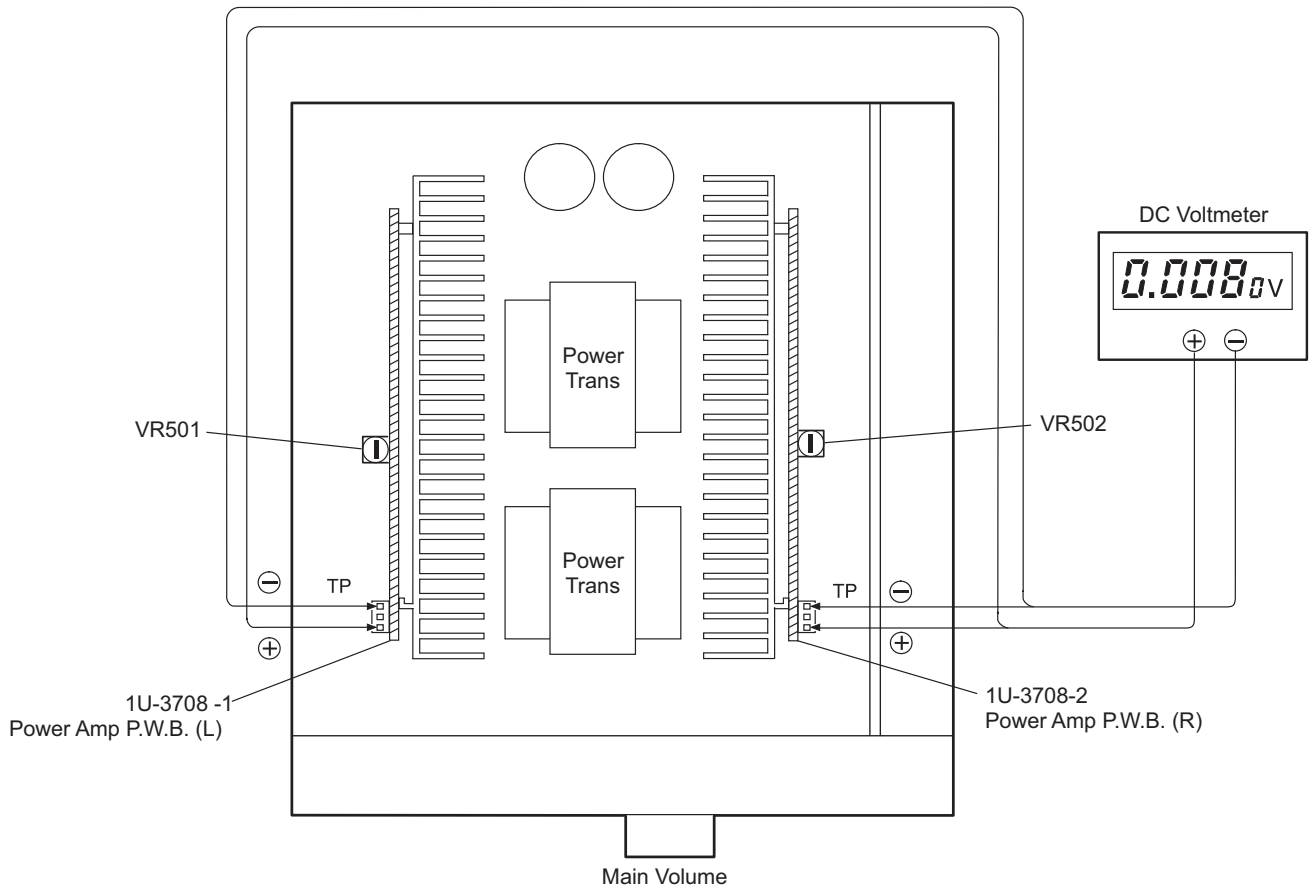
- (2) Remove the screws.



- (3) Remove the screws.





IDLING ADJUSTMENT




IDLING CURRENT

Setup

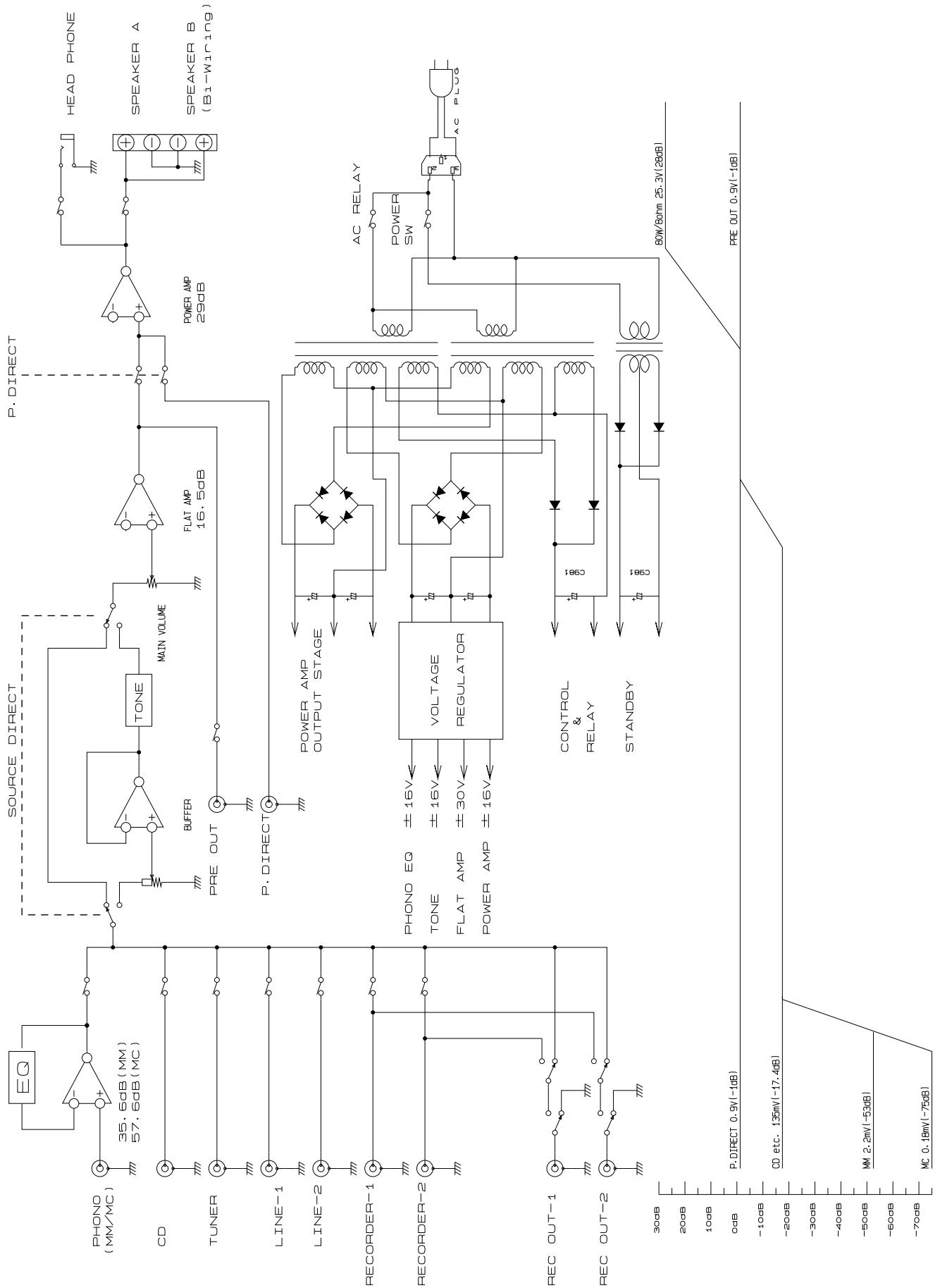
1. Lay the unit at an ordinary position away from a direct current from an air condition or fan. Do the adjustment at a temperature between 15°C (59°F) and 30°C (86°F).
2. Set control as follows.

POWER SWITCH	→ OFF ().
VOLUME CONTROL	→ Fully counterclockwise in the minimum position (). (Main Volume and Semifixed resistors [VR501, VR502])
SPEAKER Terminals	→ Open: do not connect the speakers, dummy load etc.

Adjustment

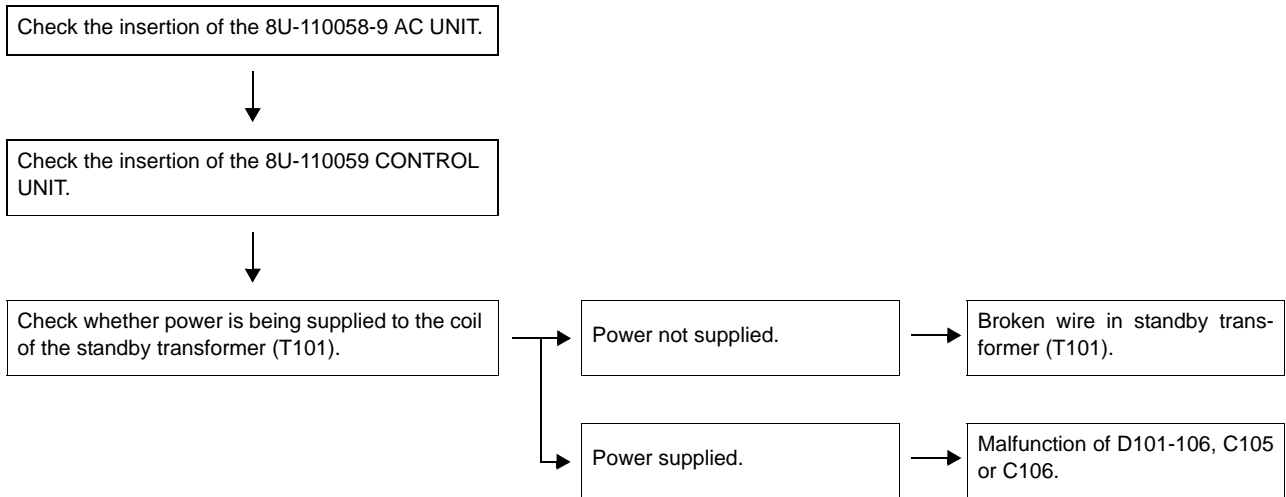
1. Remove top cover. And then connect DC Voltmeter to test points of 1U-3708-1 (Lch) and 1U-3708-2 (Rch) Power Amp Printing Wiring Board.
2. Connect power cord to AC wall outlet, and turn POWER switch "ON" (). Within 10 seconds turn VR501 (Lch) and VR502 (Rch) clockwise so that the DC Voltmeter reads 12 ±5mV.
3. Then after 2 minutes warmup adjust VR501 and VR502 so that the DC Voltmeter reads 12±5mV.
4. And after 10 minutes warmup adjust VR501 and VR502 so that the DC Voltmeter reads 12±5mV.

BLOCK AND LEVEL DIAGRAM



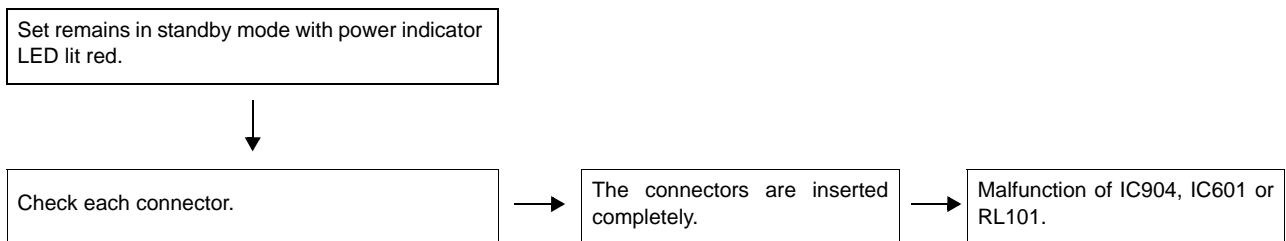
TROUBLE SHOOTING

1. The power can not be turned on. (Power indication LED does not light.)

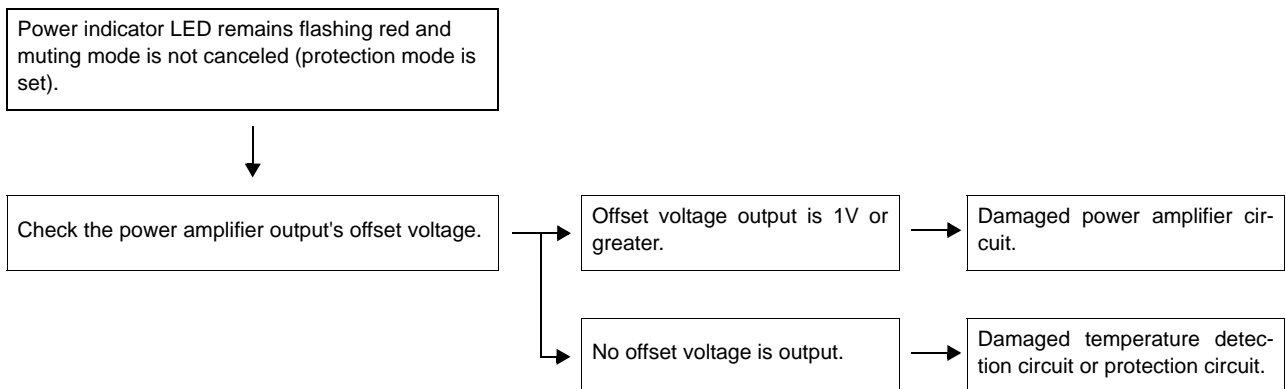


2. The power turned on, but a sound does not output normally. (Both channels)

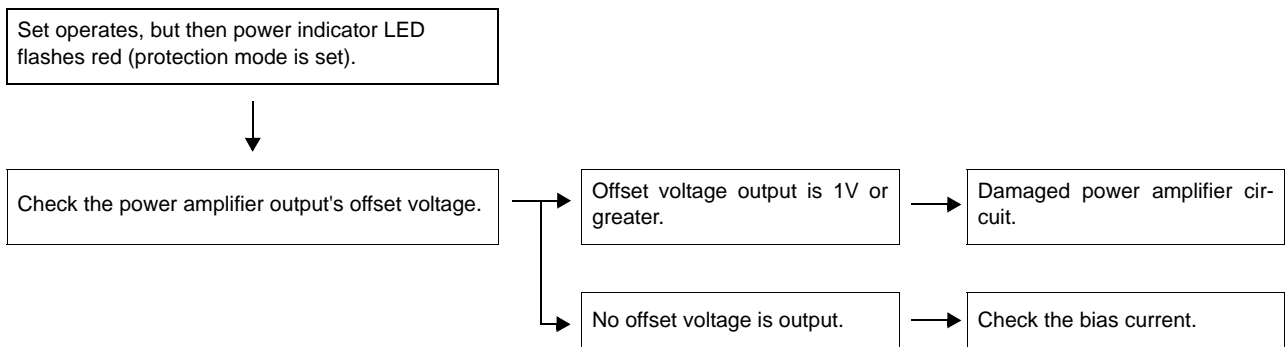
2.1.



2.2.



2.3.



2.4.

Power indicator LED is lit normally (green or orange).



Check each connector.



Check the voltage of each department.



Check the operation of the switching relay and speaker relay.



Check the Signal line.

3. The power turned on, but a sound does not output normally. (Single channel)

Power indicator LED is lit normally (green or orange).



Check each connector.



Check the voltage of each department.



Check the operation of the switching relay and speaker relay.



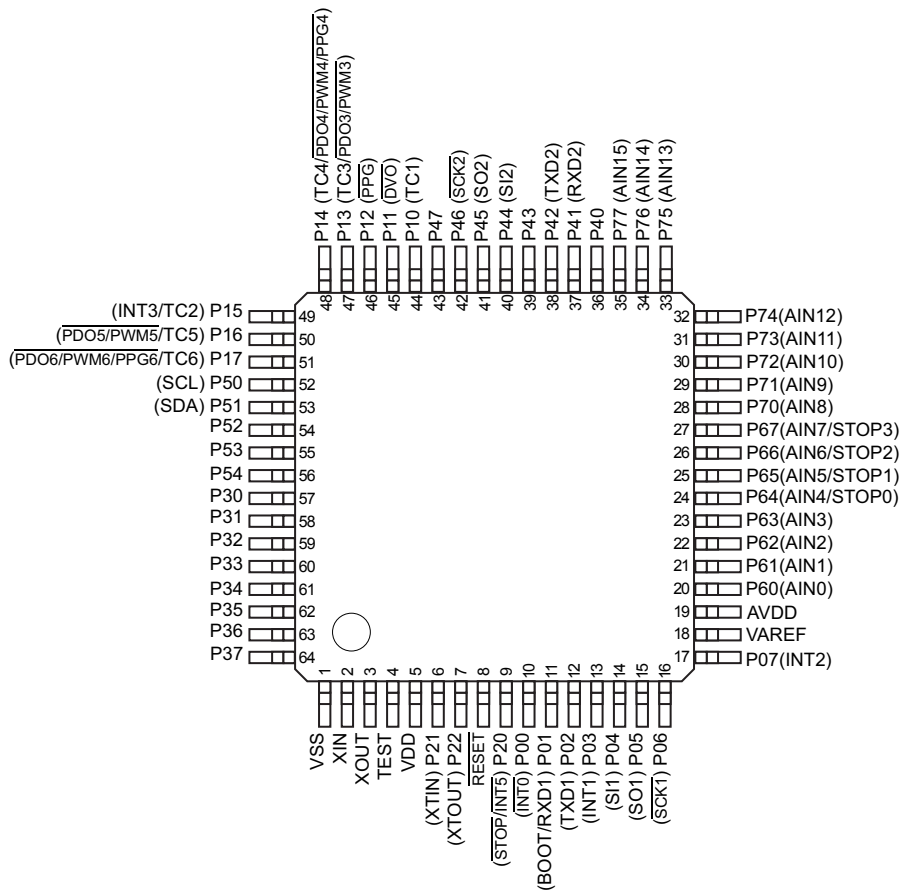
Check the Signal line.

SEMICONDUCTORS

Only major semiconductors are shown, general semiconductors etc. are omitted to list.
The semiconductor which described a detailed drawing in a schematic diagram are omitted to list.

1. IC's

TMP86FS49BFG (IC601)



TMP86FS49BFG Terminal Function

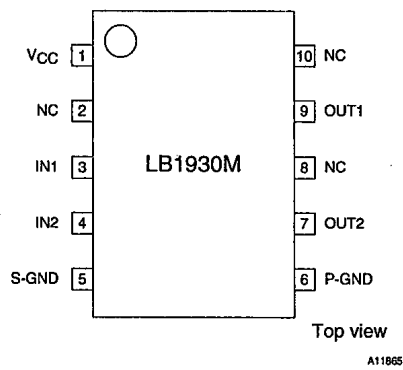
Pin No.	Terminal name	Signal name	I/O	Function
1	VSS	VSS	-	GND
2	XIN	XIN	I	4.19MHz Ceramic resonators connection INPUT
3	XOUT	XOUT	O	4.19MHz Ceramic resonators connection OUTPUT
4	TEST	TEST	I	Normal(MCU mode)"L", Writing (serial PROM mode)"H"
5	VDD	VDD	-	The voltage is switched. (STANDBY : +3.3V, power supply ON : +5V)
6	P21(XTIN)	RESERVED	O	
7	P22(XTOUT)	RESERVED	O	
8	#RESET	RESET	I	RESET input
9	P20(#STOP/#INT5)	STOP_ACT	I (STOP)	STOP_MODE of the u-com is canceled by "H" edge input. It controls so as not to enter STOP_MODE when becoming "H".
10	P00(#INT0)	PROTECT_1	I (INT)	PROTECTION input 1 (ASO protect)
11	P01(BOOT/RXD1)	RXD	I	Control/cereal data input for rewriting
12	P02(TXD1)	TXD	O	Cereal data output for rewriting
13	P03(INT1)	P.DOWN	I (INT)	POWER DOWN (power failure) detection input
14	P04(SI1)	RESERVED	O	
15	P05(SO1)	RESERVED	O	
16	P06(#SCK1)#	RESERVED	O	

Pin No.	Terminal name	Signal name	I/O	Function
17	P07(INT2)	REMOTE_IN	I (INT)	Remote control input by codes
18	VAREF	VAREF	-	It connects it with the same power supply as VDD of 5pin.
19	AVDD	AVDD	-	It connects it with the same power supply as VDD of 5pin.
20	P60(AIN0)	RESERVED	O	
21	P61(AIN1)	P.OFF	O	Output port ="L" fixed
22	P62(AIN2)	REC OUT_SEL	I (A/D)	REC OUT SELECTOR Positional detection input
23	P63(AIN3)	FUNCTION	I (A/D)	INPUT SELECTOR Positional detection input (FUNCTION)
24	P64(AIN4/STOP0)	RESERVED	O	
25	P65(AIN5/STOP1)	RESERVED	O	
26	P66(AIN6/STOP2)	P.DIRECT_SW	I	P.DIRECT TACT SW key input
27	P67(AIN7/STOP3)	RESERVED	O	
28	P70(AIN8)	PHONO	O	PHONO line RELAY/LED control signal
29	P71(AIN9)	CD	O	CD line RELAY/LED control signal
30	P72(AIN10)	TUNER	O	TUNER line RELAY/LED control signal
31	P73(AIN11)	LINE1	O	LINE1 line RELAY/LED control signal
32	P74(AIN12)	LINE2	O	LINE2 line RELAY/LED control signal
33	P75(AIN13)	RECORDER1	O	RECORDER1 line RELAY/LED control signal
34	P76(AIN14)	RECORDER2	O	RECORDER2 line RELAY/LED control signal
35	P77(AIN15)	RESERVED	O	
36	P40	P.DIRECT	O	POWER AMP DIRECT RELAY control signal output
37	P41(RXD2)	LED_R	O	LED lighting output of R (power supply ON/OFF for LED) (STANBY : lighting / Standing up and PROTECT : Flashing)
38	P42(TXD2)	LED_G	O	"LED lighting output of G (Power supply ON/OFF for LED) (After standing up : Lighting.)
39	P43	RESERVED	O	
40	P44(SI2)	COPY_21 ⇒ REC1 OUT_ON/OFF	O	ON/OFF of RECORDER1 output "H"= ON
41	P45(SO2)	COPY_12 ⇒ REC2 OUT_ON/OFF	O	ON/OFF of RECORDER2 output "H"= ON
42	P46(#SCK2)	REC1_SOURCE ⇒ REC1_SOURCE/REC2	O	Switch of RECORDER1 output "L"= SOURCE, "H"= RECORDER2 (RECORDER2 → 1)
43	P47	REC2_SOURCE ⇒ REC2_SOURCE/REC2	O	Switch of RECORDER2 output "L"= SOURCE, "H"= RECORDER1 (RECORDER1 → 2)
44	P10(TC1)	PRE OUT	O	PRE OUT line RELAY control signal
45	P11(#DVO)	SP OUT	O	"SPEAKER RELAY control signal It is ON/OFF as for the power supply for SP_RELAY.
46	P12(#PPG)	H/P OUT	O	HEAD PHONE output line RELAY control signal
47	P13(TC3/#PDO3/ #PWM3)	AC RELAY1	O	AC RELAY 1 control output (MAIN power supply)
48	P14(TC4/#PDO4/#PPG4)	RESERVED (AC RELAY2)	O	NON
49	P15(INT3/TC2)	PROTECT_2	I (INT)	PROTECTION input2 (DC protect & temperature protect)
50	P16(#PDO5/#PWM5/ TC5)	VOL_DOWN	O	Motor driver LB1930M IN2 control output (Electric VR DOWN)
51	P17(#PDO6/#PWM6/ #PPG6/TC6)	VOL_UP	O	Motor driver LB1930M IN1 control output (Electric VR UP)
52	P50(SCL)	RESERVED*	O	
53	P51(SDA)	RESERVED*	O	
54	P52	RESERVED*	O/I	
55	P53	H_VOLTAGE*	I	Twice voltage detection input
56	P54	MODEL_SEL*	I	"Model distinction input ① PMA2000AEX PD "L" ② PMA1500ZEX PU "H"
57	P30	RESERVED*	O	
58	P31	RESERVED*	O	

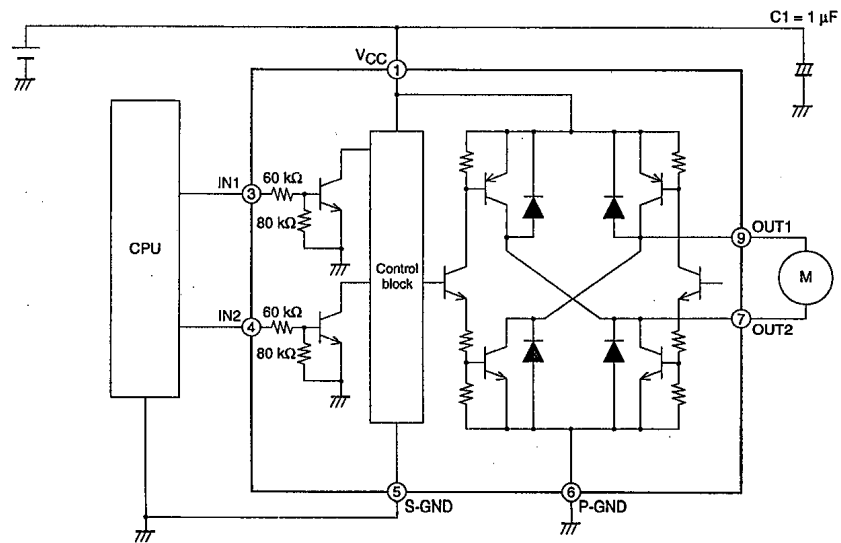
Pin No.	Terminal name	Signal name	I/O	Function
59	P32	RESERVED*	O	
60	P33	RESERVED*	O	
61	P34	RESERVED*	O	
62	P35	RESERVED*	O	
63	P36	RESERVED*	O	
64	P37	RESERVED*	O	

* High-current, Sink open drain

LB1930M-TLM-E (IC602)

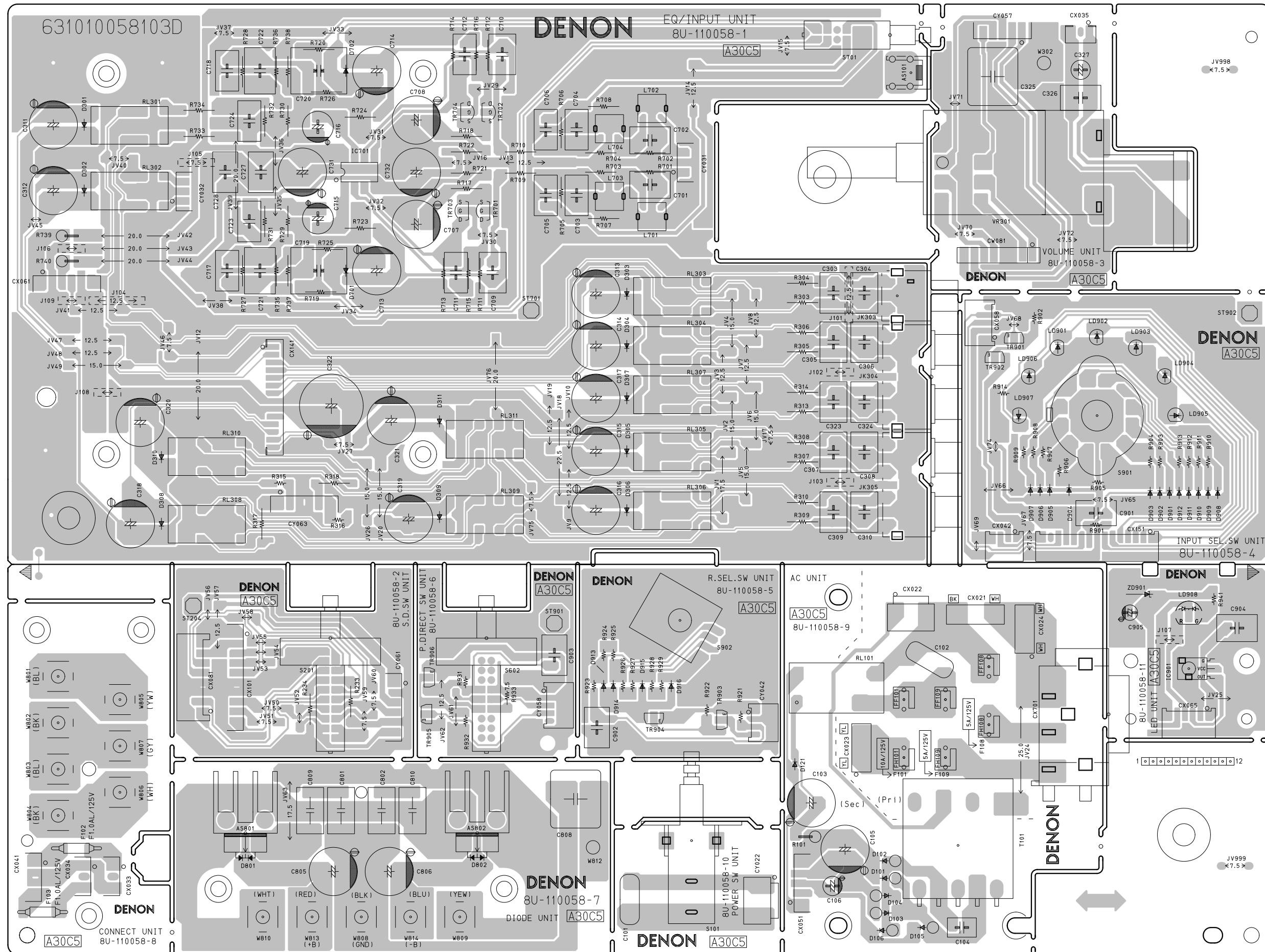


Block Diagram and Sample Application Circuit

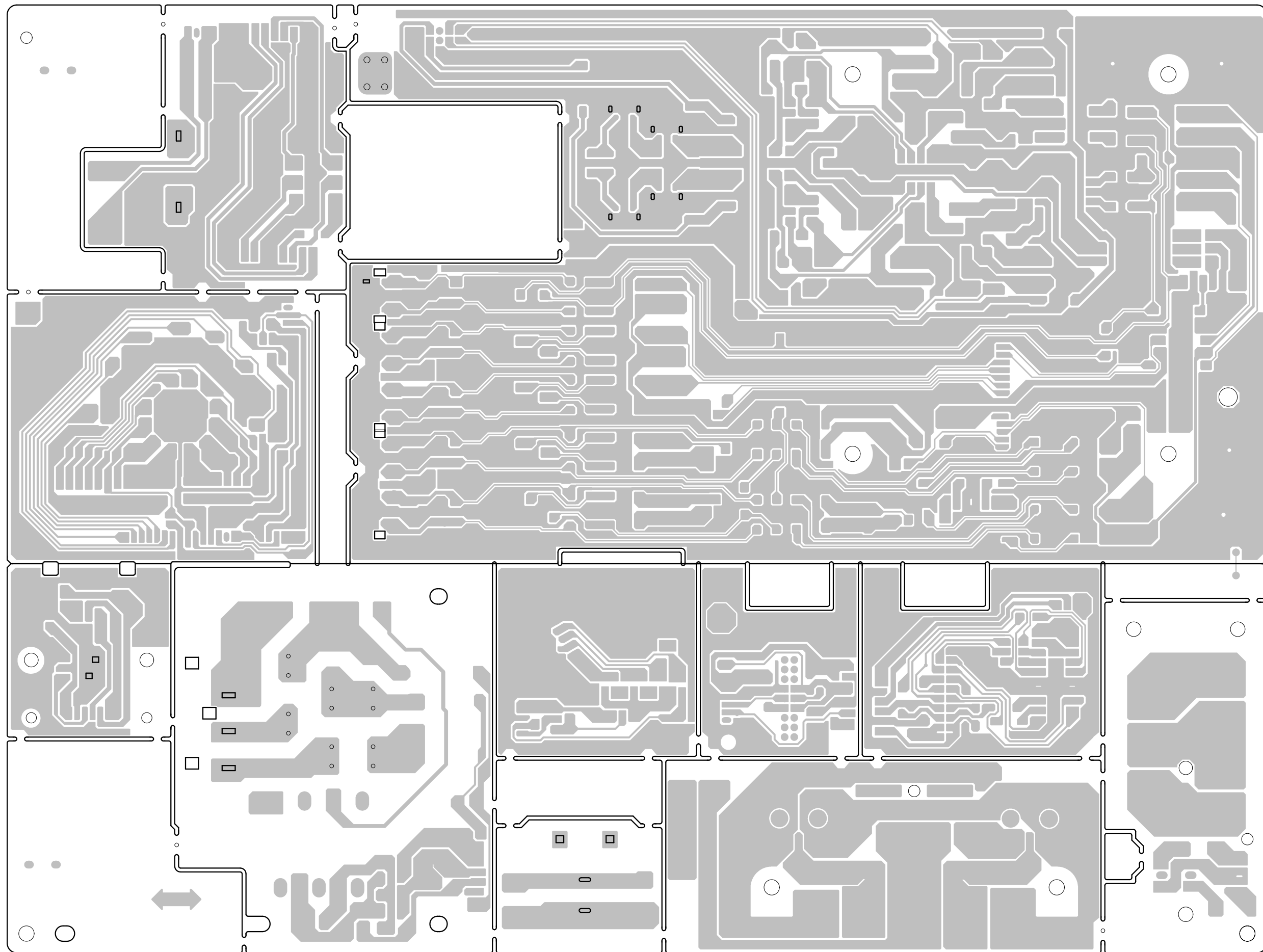


PRINTED WIRING BOARDS

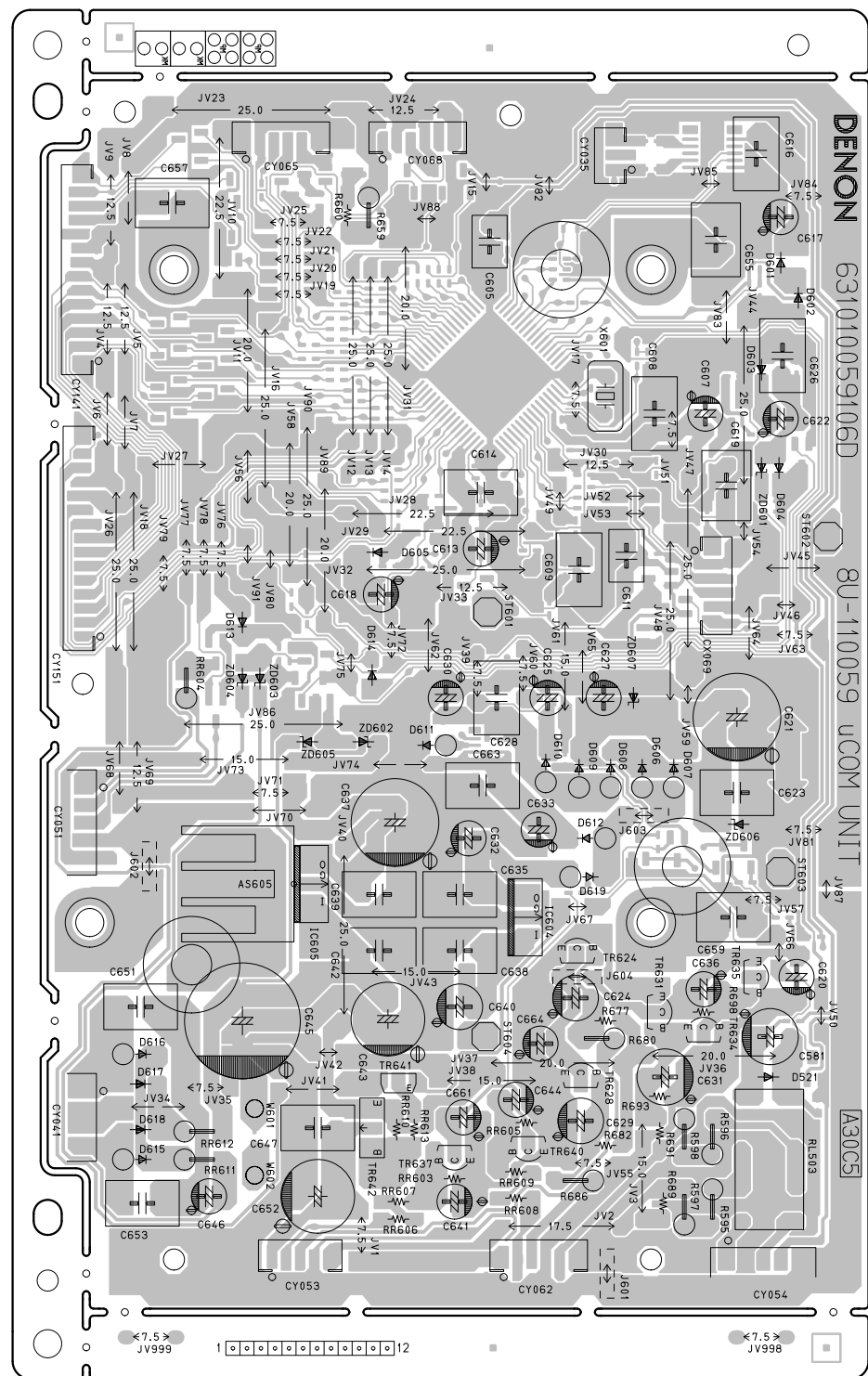
8U-110058 INPUT UNIT(1/2)



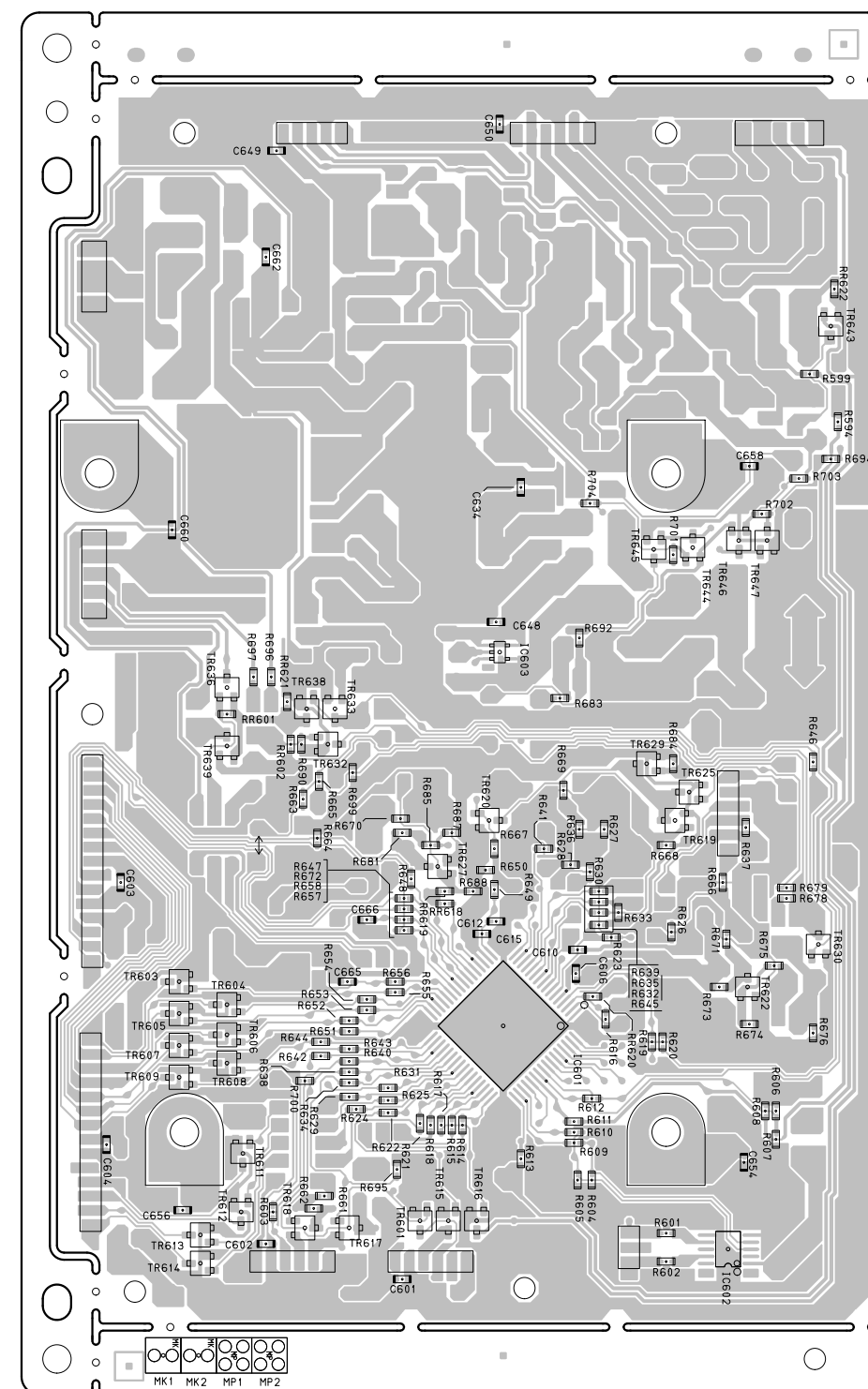
COMPONENT SIDE



FOIL SIDE

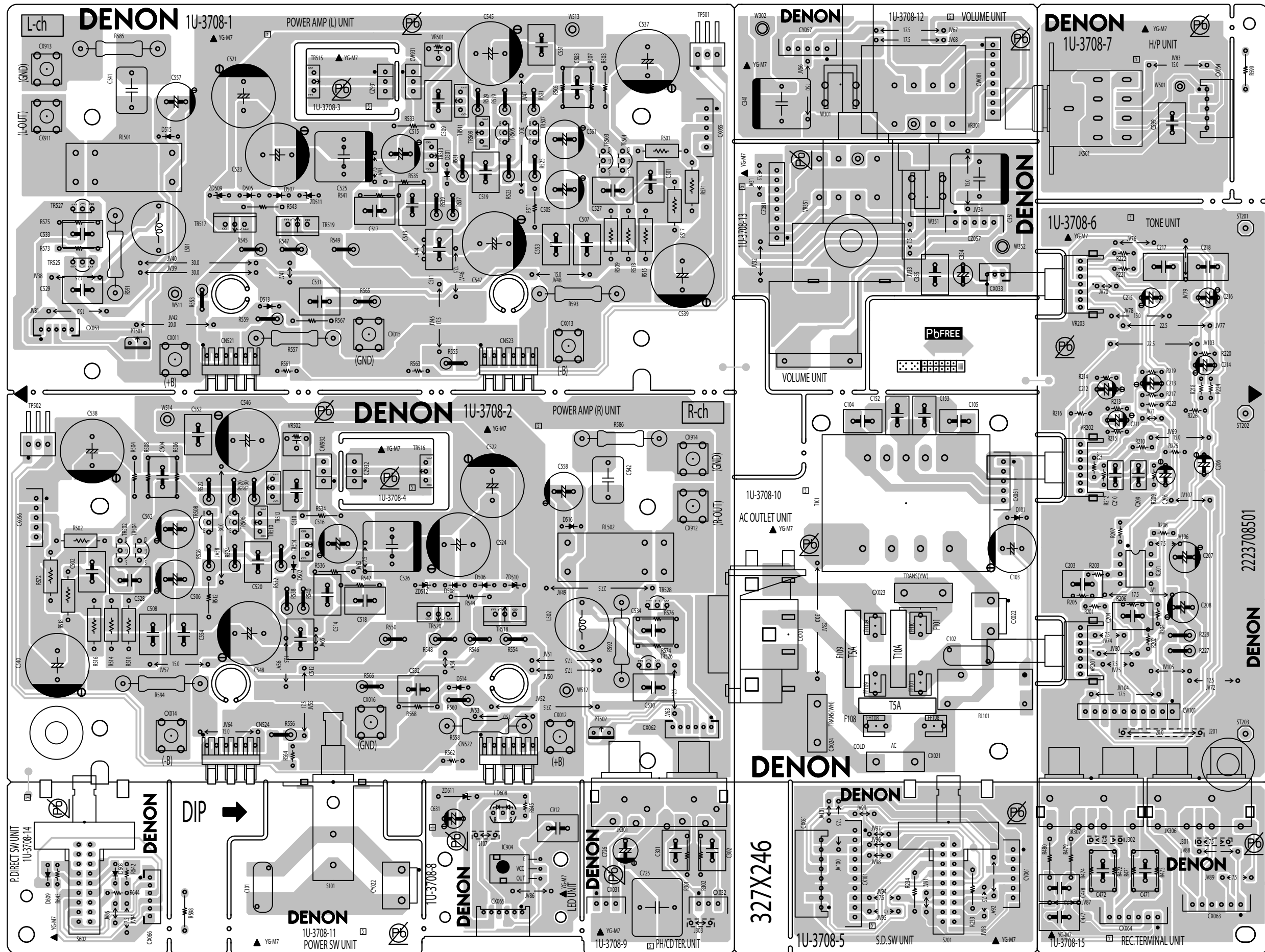


COMPONENT SIDE



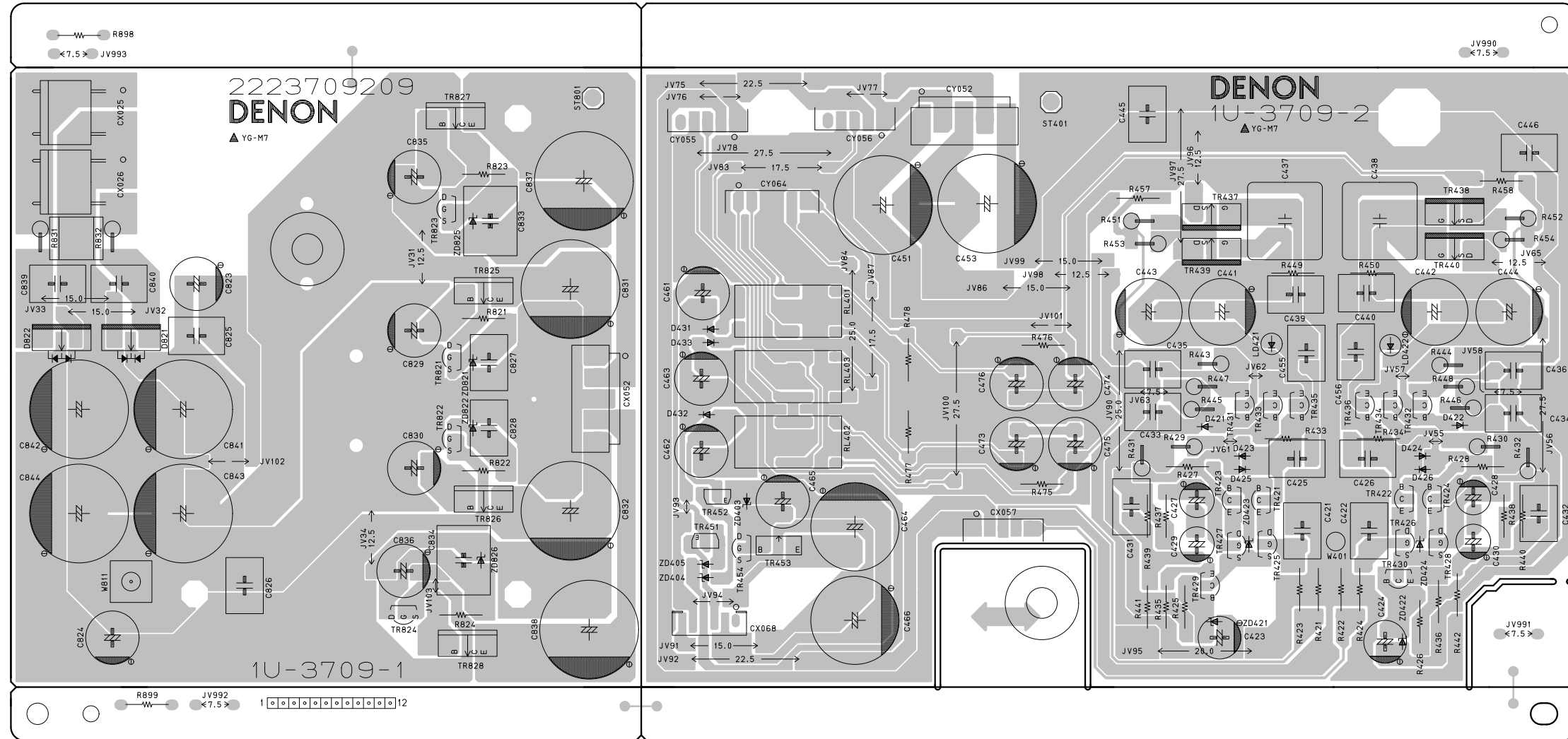
FOIL SIDE

1U-3708 POWER AMP UNIT

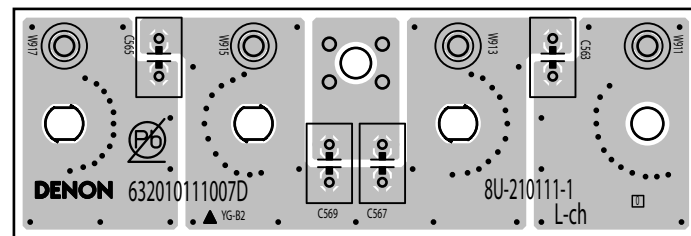


COMPONENT SIDE

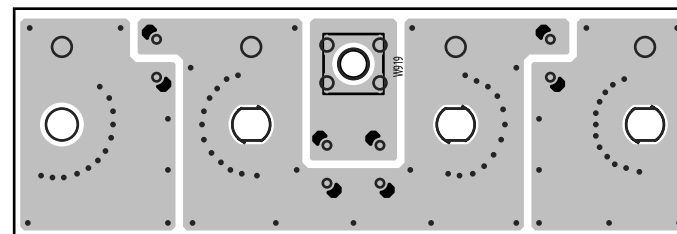
1U-3709 FLAT AMP UNIT



8U-210111 SP TERMINAL UNIT



COMPONENT SIDE



FOIL SIDE

NOTE FOR PARTS LIST

1. Parts for which "nsp" is indicated on this table cannot be supplied.
2. When ordering of part, clearly indicate "1" and "I" (i) to avoid mis-supplying.
3. Ordering part without stating its part number can not be supplied.
4. Part indicated with the mark "★" is not illustrated in the exploded view.
5. Not including General-purpose Carbon Film Resistor in the P.W.Board parts list. (Refer to the Schematic Diagram for those parts.)
6. Not including General-purpose Carbon Chip Resistor in the P.W.Board parts list. (Refer to the Schematic Diagram for those parts.)

WARNING:

Parts marked with this symbol \triangle have critical characteristics.
Use ONLY replacement parts recommended by the manufacturer.

● Resistors

Ex.: RN 14K 2E 182 G FR

Type Shape and performance Power Resistance Allowable error Others

RD : Carbon	2B : 1/8 W	F : ±1%	P : Pulse-resistant type
RC : Composition	2E : 1/4 W	G : ±2%	NL : Low noise type
RS : Metal oxide film	2H : 1/2 W	J : ±5%	NB : Non-burning type
RW : winding	3A : 1 W	K : ±10%	FR : Fuse-resistor
RN : Metal film	3D : 2 W	M : ±20%	F : Lead wire forming
RK : Metal mixture	3F : 3 W		
	3H : 5 W		

* Resistance

$\frac{18}{2}$ \Rightarrow 1800ohm=1.8kohm

↑ ↑ Indicates number of zeros after effective number.
↑ ↑ 2-digit effective number.

$\frac{1R2}{2}$ \Rightarrow 1.2ohm

↑ ↑ 1-digit effective number.
↑ ↑ 2-digit effective number, decimal point indicated by R.
: Units: ohm

● Capacitors

Ex.: CE 04W 1H 3R2 M BP

Type Shape and performance Dielectric strength Capacity Allowable error Others

CE : Aluminum foil electrolytic	0J : 6.3 V	F : ±1%	HS : High stability type
CA : Aluminium solid electrolytic	1A : 10 V	G : ±2%	BP : Non-polar type
CS : Tantalum electrolytic	1C : 16 V	J : ±5%	HR : Ripple-resistant type
CQ : Film	1E : 25 V	K : ±10%	DL : For charge and discharge
CK : Ceramic	1V : 35 V	M : ±20%	HF : For assuring high frequency
CC : Ceramic	1H : 50 V	Z : ±80%	U : UL part
CP : Oil	2A : 100 V	: -20%	C : CSA part
CM : Mica	2B : 125 V	P : +100%	W : UL-CSA part
CF : Metallized	2C : 160 V	C : ±0.25pF	F : Lead wire forming
CH : Metallized	2D : 200 V	D : ±0.5pF	
	2E : 250 V	= : Others	
	2H : 500 V		
	2J : 630 V		

* Capacity (electrolyte only)

$\frac{22}{2}$ \Rightarrow 2200 μ F

↑ ↑ Indicates number of zeros after effective number.
↑ ↑ 2-digit effective number.
· Units: μ F.

$\frac{2R2}{2}$ \Rightarrow 2.2 μ F

↑ ↑ 1-digit effective number.
↑ ↑ 2-digit effective number, decimal point indicated by R
· Units: μ F.

* Capacity (except electrolyte)

$\frac{22}{2}$ \Rightarrow 2200pF=0.0022 μ F

↑ ↑ Indicates number of zeros after effective number. (More than 2)
↑ ↑ 2-digit effective number.
· Units:pF

$\frac{22}{1}$ \Rightarrow 220pF

↑ ↑ Indicates number of zeros after effective number. (0 or 1)
↑ ↑ 2-digit effective number.
· Units:pF

· When the dielectric strength is indicated in AC,"AC" is included after the dielectric strength value.

PARTS LIST OF P.W.B. UNIT

* Parts for which "nsp" is indicated on this table cannot be supplied.

* The parts listed below are for maintenance only, might differ from the parts used in the unit in appearances or dimensions.

Note: The symbols in the column "Remarks" indicate the following destinations.

E3 : U.S.A. & Canada model

E2 : Europe model

E1C : China model

8U-110058B INPUT P.W.B. UNIT ASS'Y

Ref. No.	Part No.	Part Name	Remarks	Q'ty	New
SEMICONDUCTORS GROUP					
IC701	00D2630322004	BA4558			
IC901	00D2623602003	GP1UE271XKVF			
TR701-704	00D2750038045	2SK369 (BL)/(GR)-C			
TR901-906	00D2690046906	DTA114ES(10K-10K)T			
D101-106	00D2760704903	1SR35-400A(T93X)			
D121	00D2760432903	1SS270A TE (TAPE)			
D301-311	00D2760432903	1SS270A TE (TAPE)			
D701,702	00D2760432903	1SS270A TE (TAPE)			
D801	00D2760706008	FCH20A15			
D802	00D2760707007	FRH20A15			
D901-916	00D2760432903	1SS270A TE (TAPE)			
ZD901	00D2760236934	HZ5C-1TE(TAPE)			
LD901-907	00D3939658915	SEL2915A-TP6			
LD908	00D3939645009	SML1216W(D)			
RESISTORS GROUP					
R233,234	nsp	RD14B2E472JT(AMRS)			
R303-310	nsp	RD14B2E334JT(AMRS)			
R313,314	nsp	RD14B2E334JT(AMRS)			
R701-704	nsp	RD14B2E471JT(AMRS)	E2,E1C		
R705,706	nsp	RD14B2E101JT(AMRS)			
R707,708	nsp	RD14B2E473JT(AMRS)			
R709,710	nsp	RD14B2E100JT(AMRS)			
R711-714	nsp	RD14B2E302JT(AMRS)			
R715,716	nsp	RD14B2E201JT(AMRS)			
R717,718	nsp	RD14B2E202JT(AMRS)			
R719,720	nsp	RD14B2E820JT(AMRS)			
R721,722	nsp	RD14B2E821JT(AMRS)			
R723,724	nsp	RD14B2E225JT(AMRS)			
R725,726	nsp	RD14B2E473JT(AMRS)			
R727,728	nsp	RD14B2E392JT(AMRS)			
R729,730	nsp	RD14B2E220JT(AMRS)			
R731,732	nsp	RD14B2E221JT(AMRS)			
R733,734	nsp	RD14B2E471JT(AMRS)			
R735,736	nsp	RD14B2E624JT(AMRS)			
R737,738	nsp	RD14B2E6R8JT(AMRS)			
R739,740	nsp	RS14B3A221JNBST AMRA			
VR301	675010007006D	V2720V30FB503MC			

Ref. No.	Part No.	Part Name	Remarks	Q'ty	New
CAPACITORS GROUP					
C102	nsp	CK45E2EAC472MC			
C102	nsp	CONDENSER COVER			
C103	nsp	CE04W1H101MC(RFS#A)			
C104	nsp	CF93A1H104JT (JL)			
C105	nsp	CE04W1V102MC(RA3)			
C106	nsp	CE04W1HR47MT(RA3)	E2,E1C		
C303-310	nsp	CQ93M2E101J(LP)			
C311-321	nsp	CE04W1H101MC(RFS#A)			
C322	nsp	CE04W1H221MC(RFS#A)			
C323,324	nsp	CQ93M2E101J(LP)			
C325	nsp	CF93B1H105K(GSG))	E2,E1C		
C326	nsp	CQ93M2E103J(LP)			
C701,702	nsp	CQ09S2B470KF(PPSC)			
C703,704	nsp	CQ93M2E151J(LP)			
C705,706	nsp	CQ93M2E102J(LP)			
C707,708	nsp	CE04W1H101MC(RFS#A)	E2,E1C		
C709,710	nsp	CQ93M2E101J(LP)			
C711,712	nsp	CQ93M2E332J(LP)			
C713,714	nsp	CE04W1H101MC(RFS#A)			
C715,716	nsp	CE04W1H100MT(RFS#A)			
C717,718	nsp	CQ93M2E122J(LP)			
C719,720	nsp	CQ93P2A683J(PPF)			
C721,722	nsp	CQ93M2A183J(PEF)			
C723,724	nsp	CQ93M2E102J(LP)			
C727,728	nsp	CQ93M2E103J(LP)			
C731,732	nsp	CE04W1H101MC(RFS#A)	E3		
C808	nsp	CF93B1H105K(GSG)	E2,E1C		
C901-904	nsp	CQ93M2E103J(LP)			
C905	nsp	CE04W1H010MT(R2A)			
OTHERS PARTS GROUP					
AS101	nsp	M3 SCREW TERMINAL			
CW081	nsp	8P EH-SCN CONN.CORD			
CX021	00D2050606025	2P WRAPPING TERMINAL			
CX022	nsp	2P VH CON BASE (White)			
CX023,024	00D2050087026	2P WRAPPING TERMINAL			
CX033,034	nsp	3P EH CON BASE (BU)			
CX035	nsp	3P CONN.BASE(KR-PH)			
CX041	00D2050276044	4P EH CON BASE (BU)			
CX042	00D2050355046	4P KR CON BASE(L)			
CX051	nsp	5P EH CON BASE(BU)			
CX058	nsp	5P KR CON BASE(L)			
CX061	nsp	6P EH CONNECTOR BASE			
CX065	nsp	6P KR CON BASE(L)			
CX081	nsp	8P EH SID CONN BASE			
CX101	nsp	10P EH CON. BASE			
CX141	00D2050375042	14P CONN.BASE(KR-PH)			
CX151	nsp	15P KR CON BASE(L)			
CY022	nsp	2P VH CON BASE (White)			
CY031	nsp	3P EH CONNECTOR BASE			
CY032	nsp	3P EH CON BASE (BK)			

	Ref. No.	Part No.	Part Name	Remarks	Q'ty	New
	CY042	00D2050355046	4P KR CON BASE(L)			
	CY057	nsp	5P EH CONNECTOR BASE			
	CY058	nsp	5P KR CON BASE(L)			
	CY061	nsp	6P EH CONNECTOR BASE			
	CY063	nsp	6P EH CON BASE (RD)			
⚠	F101	00D2061015087	FUSE (4.0A)	E2,E1C		
⚠	F101	00D2061046043	FUSE T10A	E3		
⚠	F102,103	00D2061092026	FUSE 25RF 1.0A F002			
	FF101	nsp	FUSE CLIP(TAPE)			
	FH101	nsp	FUSE CLIP(TAPE)			
	JK303	00D2048531018	2P PIN JACK (C-GND)			
	JK304,305	00D2048530019	4P PIN JACK			
	L701-704	00D2359003002	FTZ CHOKE COIL	E2,E1C		
	RL101	00D2140241002	RELAY DL1SU TV-8			
	RL301	00D2140127003	RELAY(RY-12W)			
	RL302	00D1250075033	CHUKOH TAPE			
	RL302-311	00D2140127003	RELAY(RY-12W)			
⚠	S101	665010008002D	POWER SWITCH (TV-5)			
	S201	665010010005D	1P PUSH SWITCH(6-2)			
	S602	665010010005D	1P PUSH SWITCH(6-2)			
	S701	665010011008D	1P PUSH SWITCH(4-2)			
	S901	00D2120407002	ROTALY SW.(SRRM-12)			
	S902	00MSR01040150	SRBV141200 NON-SHORTING L=20			
	ST901,902	nsp	STYLE PIN			
⚠	T101	00D2336545004	STANDBY TRANS E2	E2,E1C		
⚠	T101	00D2336629001	STANDBY TRANS E3	E3		
	W302	00D2030670013	1P CON. ASSY			
	W801-810	nsp	M3 SCREW TERMINAL			
	W812	nsp	1P CON. ASSY			
	W813,814	nsp	M3 SCREW TERMINAL			
	JV29	00D0010185067	VINYL WIRE			
	JV30	00D0010185067	VINYL WIRE			
		nsp	FUSE LABEL	F101		
		00D4170476010	RADIATOR			
		0RD4713304028	3X8 CBS-B			

8U-110059B uCOM P.W.B. UNIT ASS'Y

Ref. No.	Part No.	Part Name	Remarks	Q'ty	New
SEMICONDUCTORS GROUP					
IC601	8R2431003800D	SYSTEM ROM SUB ASSY	<div style="border: 1px solid black; padding: 5px; width: fit-content;"> NOTE : When update Firmware, please confirm a last version in SDI. Use the service board after updating it. </div>		
IC602	235810039506D	TMP86FS49BFG			
IC603	00D2631242905	LB1930M-TLM-E			
IC604	00D2630793002	NJM2831F33			
IC605	00D2630801004	NJM7806FA(S)			
TR601	00D2690082902	DTC114EKT96 +C			
TR603-609	00D2690082902	DTC114EKT96 +C			
TR611-616	00D2690082902	DTC114EKT96 +C			
TR617,618	00D2690088906	DTC114TKT96 +C			
TR619,620	00D2690083901	DTA114EKT96 +C			
TR622	00D2730384900	2SC2412KT96(S) +C			
TR624	00D2730303910	2SC1740S(S)-T			
TR625	00D2690083901	DTA114EKT96 +C			
TR627	00D2690082902	DTC114EKT96 +C			
TR628	00D2730303910	2SC1740S(S)-T			
TR629	00D2690083901	DTA114EKT96 +C			
TR630	00D2690082902	DTC114EKT96 +C			
TR631	00D2730303910	2SC1740S(S)-T			
TR632	00D2730384900	2SC2412KT96(S) +C			
TR633	00D2690048904	DTC143EK-T96	E3		
TR634	00D2730303910	2SC1740S(S)-T			
TR635	00D2710192905	2SA933S(S)TP			
TR637	00D2730303910	2SC1740S(S)-T			
TR638	00D2690066906	DTC323TKT96	E3		
TR639	00D2740195901	2SD2114KT196 +C			
TR640	00D2730303910	2SC1740S(S)-T			
TR641	00D2690112908	DTC144WS (47K-22K) T			
TR642	00D2710195009	2SA1358 O/Y			
TR643	00D2690088906	DTC114TKT96 +C			
TR646	00D2690083901	DTA114EKT96 +C			
TR647	00D2690082902	DTC114EKT96 +C			
D521	00D2760432903	1SS270A TE (TAPE)			
D603-605	00D2760432903	1SS270A TE (TAPE)			
D606-612	00D2760704903	1SR35-400A(T93X)			
D615,616	00D2760704903	1SR35-400A(T93X)			
D617,618	00D2760715905	11EQS06(TAPE)			
D619	00D2760704903	1SR35-400A(T93X)			
ZD602	00D2760644966	MTZJ12A T77	E3		
ZD604	00D2760634905	MTZJ3.3AT77			
ZD605	00D2760645936	MTZJ24A T77	E3		
RESISTORS GROUP					
R595-598	nsp	RS14B3A221JNBST(S)			
RR611,612	nsp	RD14B2E010JNBST			
CAPACITORS GROUP					
C605	nsp	CF93A1H104JT (JL)			
C607	nsp	CE04W1C100MT(RA3)			
C608,609	nsp	CQ93M2E103J(LP)			
C611	nsp	CF93A1H104JT (JL)			
C613	nsp	CE04W1C100MT(RA3)			

Ref. No.	Part No.	Part Name	Remarks	Q'ty	New
C614	nsp	CQ93M2E103J(LP)			
C616	nsp	CQ93M2E103J(LP)			
C617	nsp	CE04W1C100MT(RA3)			
C618	nsp	CE04W1HR22MT(RA3)			
C619	nsp	CF93A1H105JT(JL)			
C620	nsp	CE04W1HR22MT(RA3)			
C621	nsp	CE04W1C332MC(RA3)			
C622	nsp	CE04W1H2R2MT(RA3)			
C623	nsp	CQ93M2E103J(LP)			
C624	nsp	CE04W1E101MT(RA3)			
C625	nsp	CE04W1H100MT(RA3)			
C626	nsp	CQ93M2E103J(LP)			
C627	nsp	CE04W1H100MT(RA3)			
C628	nsp	CQ93M2E103J(LP)			
C629	nsp	CE04W1E101MT(RA3)			
C630	nsp	CE04W1H2R2MT(RA3)			
C631	nsp	CE04W1C331MT(RA3)			
C632	nsp	CE04W1C101MT(RA3)			
C633	nsp	CE04W1H220MT(RA3)			
C635	nsp	CQ93M2E103J(LP)			
C636	nsp	CE04W1H010MT(RA3)			
C637	nsp	CE04W1E221MF(RFS#A)			
C638,639	nsp	CQ93M2E103J(LP)			
C640	nsp	CE04W1E101MT(RA3)			
C641	nsp	CE04W1H330MT(RA3)			
C642	nsp	CQ93M2E103J(LP)			
C643	nsp	CE04W1H470MC(RFS#A)			
C644	nsp	CE04W1H330MT(RA3)			
C645	nsp	CE04W1V222MC(RA3)			
C646	nsp	CE04W1HR22MT(RA3)			
C647	nsp	CQ93M2E103J(LP)			
C651	nsp	CQ93M2E103J(LP)			
C652	nsp	CE04W1H470MC(RFS#A)			
C653	nsp	CQ93M2E103J(LP)			
C663	nsp	CQ93M2E103J(LP)			
OTHERS PARTS GROUP					
CX069	nsp	6P CONN.BASE(KR-PH)			
CY035	nsp	3P CONN.BASE(KR-PH)			
CY041	00D2050276044	4P EH CON BASE (BU)			
CY051	nsp	5P EH CON BASE(BU)			
CY053	nsp	5P CONN.BASE(KR-PH)			
CY054	nsp	5P EH CON.BASE(YW)			
CY062	nsp	6P CONNE.BASE (RED)			
CY065	nsp	6P CONN.BASE(KR-PH)			
CY068	nsp	6P CON.BASE(YEL)			
CY141	00D2050375042	14P CONN.BASE(KR-PH)			
CY151	nsp	15P CONN.BASE(KR-PH)			
RL503	00D2140127003	RELAY(RY-12W)			
ST601	nsp	STYLE PIN			
X601	00D3990990900	CSTLS4M19G56-A0			
	00D4170476010	RADIATOR			
	0RD4713304028	3X8 CBS-B			

1U-3708E POWER AMP P.W.B. UNIT ASS'Y

Ref. No.	Part No.	Part Name	Remarks	Q'ty	New
SEMICONDUCTORS GROUP					
IC201	00D2630743007	NJM2082DD			
TR501-504	00D2750055015	2SK184C (GR)/(BL)			
TR505-508	00D2730187916	2SC2240(BL)TPE2			
TR509-512	00D2710304007	2SA1546(M/L) TRANSISTOR			
TR513,514	00D2730489009	2SC4001(M/L)-AZ			
TR515	00D2730323000	2SC3421 O/Y			
TR515	00D4150309055	P.V.C TUBE(L=07)			
TR516	00D2730323000	2SC3421 O/Y			
TR516	00D4150309055	P.V.C TUBE(L=07)			
TR517,518	00D2730442004	2SC4793 (Y)			
TR519,520	00D2710272003	2SA1837-Y			
TR525,526	00D2730187916	2SC2240(BL)TPE2			
TR527,528	00D2710094919	2SA970(BL)TPE2			
D501,502	00D2760432903	1SS270A TE (TAPE)			
D505-508	00D2760432903	1SS270A TE (TAPE)			
D513-516	00D2760432903	1SS270A TE (TAPE)			
ZD509,510	00D2760467907	HZS9A-1TD			
ZD511,512	00D2760457904	HZS4C-1TD			
PT501	00D2790034041	PTH9M04BD222TS2F333			
PT501	nsp	PVC TUBE(L=28)			
PT502	00D2790034041	PTH9M04BD222TS2F333			
PT502	nsp	PVC TUBE(L=28)			
RESISTORS GROUP					
R227,228	00D2412376964	RD14B2E470JNBST			
R301,302	nsp	RD14B2E334JT(AMRS)			
R471,472	nsp	RD14B2E101JT(AMRS)			
R473,474	nsp	RD14B2E105JT(AMRS)			
R479,480	00D2412467909	RD14B2E471JT(AMRS)	E2,E1C		
R501,502	nsp	RD05A2H332FF(AMRR)			
R503-506	nsp	RD14B2E472JT(AMRS)			
R507,508	nsp	RD14B2E221JT(AMRS)			
R509,510	nsp	RD05A2H105FF(AMRR)			
R511,512	nsp	RD14B2E132JT(AMRS)			
R513,514	nsp	RD05A2H333FF(AMRR)			
R515,516	nsp	RD05A2H122FF(AMRR)			
R517,518	nsp	RD05A2H822FF(AMRR)			
R519-522	nsp	RS14B3A331JNBST AMRA			
R523-526	00D2442694920	RS14B3A101JNBST AMRA			
R529,530	00D2442694917	RS14B3A820JNBST AMRA			
R531,532	nsp	RS14B3A153JNBST AMRA			
R533,534	nsp	RD14B2E562JT(AMRS)			
R535,536	nsp	RD14B2E102JT(AMRS)			
R537-540	nsp	RS14B3A161JNBST AMRA			
R541,542	nsp	RD14B2E105JT(AMRS)			
R543,544	nsp	RD14B2E332JT(AMRS)			
R545,546	00D2442694988	RS14B3A391JNBST AMRA			
R547,548	00D2442696957	RS14B3A201JNBST AMRA			
R549,550	00D2442694988	RS14B3A391JNBST AMRA			

	Ref. No.	Part No.	Part Name	Remarks	Q'ty	New
	R553,556	00D2442694920	RS14B3A101JNBST AMRA			
	R557,558	00D2442697008	RS14B3D0R1JNBF(AMRA)			
	R559,560	00D2412380963	RD14B2E222JNBST			
	R565,566	nsp	RS14B3A220JNBST AMRA			
	R567,568	nsp	RD14B2E153JT(AMRS)			
	R571,572	nsp	RD05A2H513FF(AMRR)			
	R573,574	nsp	RD14B2E103JT(AMRS)			
	R575,576	nsp	RD14B2E333JT(AMRS)			
	R585,586	nsp	RS14B3D100JNBF(AMRA)			
	R593,594	00D2442697008	RS14B3D0R1JNBF(AMRA)			
	R598,599	nsp	RD14B2E105JT(AMRS)			
	VR201	00D2110798103	V14V20FW104K			
	VR202	00D2110834012	V14V20FA103K			
	VR203	00D2110834009	V14V20FA303K			
	VR501,502	00D2116161954	K06QB472			
CAPACITORS GROUP						
	C203,204	nsp	CQ93M2E101J(LP)			
	C205,206	nsp	CE04W1H100MT(R2A)			
	C207,208	nsp	CE04W1E101MT(R2A)			
	C209,210	nsp	CF93A1H333JT (JL)			
	C211,212	nsp	CE04W1HR22MT(R2A)			
	C213,214	nsp	CE04W1H0R1MT(R2A)			
	C215,216	nsp	CE04W1HR47MT(R2A)			
	C217,218	nsp	CQ93M2E101J(LP)	E2,E1C		
	C301,302	nsp	CQ93M2E101J(LP)	E2,E1C		
	C471,472	nsp	CQ93M2E101J(LP)			
	C477,478	nsp	CQ93M2E101J(LP)			
	C501,502	nsp	CQ09S2B101KF(PPSC)			
	C503,504	nsp	CQ93M2E472J(LP)			
	C505,506	00D2544702956	CE04W1H100MT(RFS#A)			
	C507-510	nsp	CQ09S2B470KF(PPSC)			
	C515,516	00D2556188005	CQ09S2B103JF(PPSC)			
	C517,518	nsp	CQ93M2E271J(LP)			
	C519,520	nsp	CQ93M2E101J(LP)			
	C521-524	00D2544703719	CE04W1H221MC(RFS#A)			
	C527,528	nsp	CQ09S2B101KF(PPSC)			
	C529-534	nsp	CQ93M2E103J(LP)			
	C537-540	00D2544703719	CE04W1H221MC(RFS#A)			
	C541,542	00D2568036006	CF93B2E104K(WAG)			
	C545-548	nsp	CE04W2A101MC(RFS#A)			
	C561,562	00D2544702956	CE04W1H100MT(RFS#A)			
	C725	nsp	CF93B1H105K(GSG))			
	J302	nsp	CQ93M2E102J(LP)	E2,E1C		
OTHERS PARTS GROUP						
	CW101	00D2042315023	10P EH-SCN CON.CORD			
	CW931,932	00D2035179001	3P DB-DG CORD			
	CX011-016	nsp	M3 SCREW TERMINAL			
	CX031	nsp	3P EH CONNECTOR BASE			
	CX032	nsp	3P EH CON BASE (BK)			
	CX053	nsp	5P CONN.BASE(KR-PH)			
	CX054	nsp	5P EH SIDE BASE (YW)			

Ref. No.	Part No.	Part Name	Remarks	Q'ty	New
CX055	nsp	5P EH CONNECTOR BASE			
CX056	nsp	5P EH CON BASE(RD)			
CX062	nsp	6P CONNE.BASE (RED)			
CX063	nsp	6P EH CON BASE (RD)			
CX064	nsp	6P EH CON BASE (BU)			
CX911-914	nsp	M3 SCREW TERMINAL			
JK301	00D2048548001	4P PIN JACK(18MM)			
JK306,307	00D2048530019	4P PIN JACK			
JK501	643010073204S	PHONE JACK BOARD(9P)			
<p>NOTE : Please confirm the following on the occasion of exchange in a headphone jack (JK501). Rubber sheet sticks to the headphone jack installation position of the front panel. (Refer to No. 100 of the exploded view. (Page 40)) If there is not rubber sheet, please place an order for rubber sheet. (Refer to No. 100 of the parts list of exploded view. (Page 43))</p>					
RL501,502	00D2140195006	RELAY FTR-F1			
TP501,502	nsp	3P NH CONNECTOR BASE			
CN521-524	nsp	6P PIN HEADER(6035)			

2

1U-3709E FLAT AMP P.W.B. UNIT ASS'Y

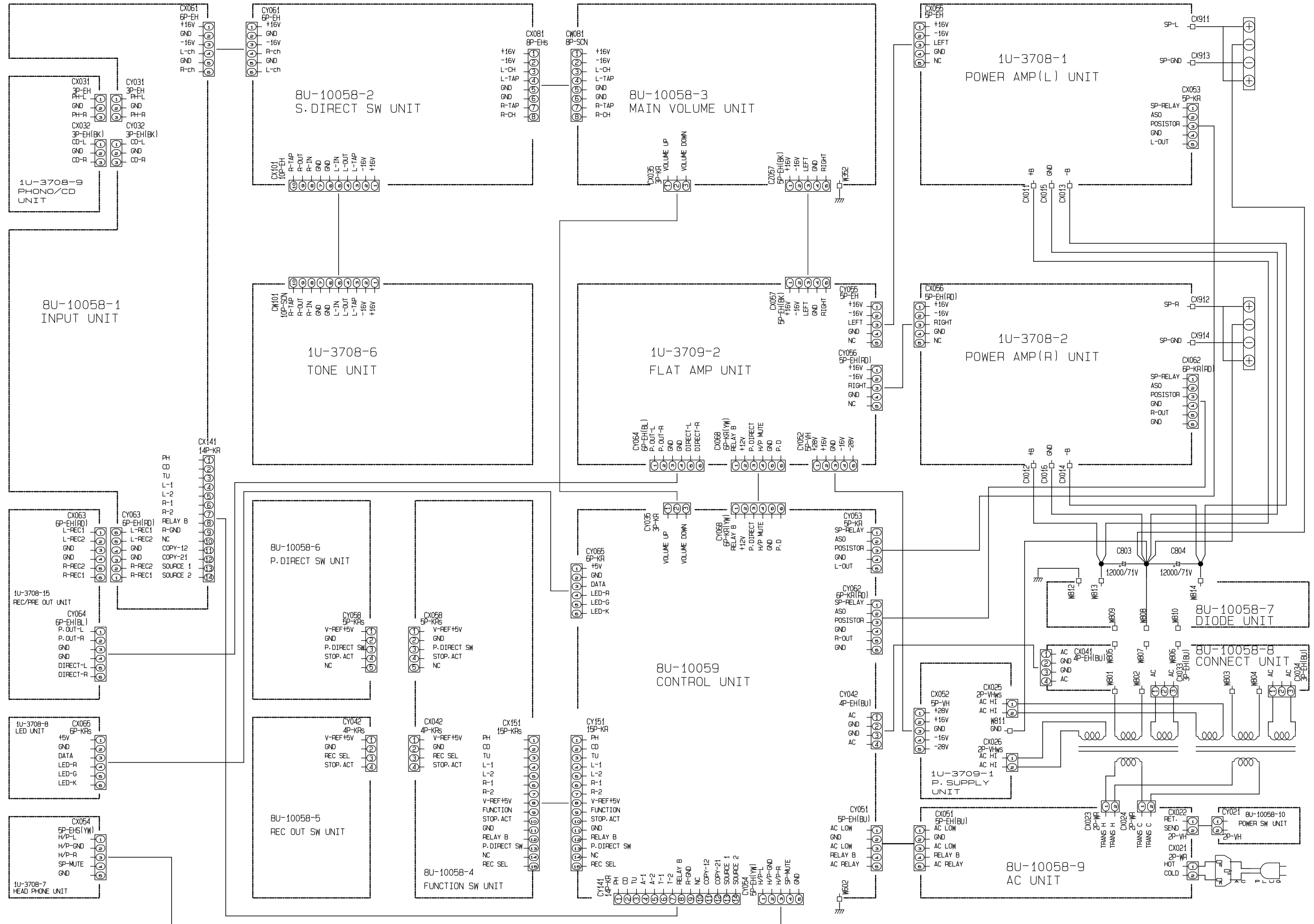
Ref. No.	Part No.	Part Name	Remarks	Q'ty	New
SEMICONDUCTORS GROUP					
TR421-424	00D2730281919	2SC2705 (Y)TPE6			
TR425-428	00D2750038045	2SK369 (BL)/(GR)-C			
TR429-432	00D2730281919	2SC2705 (Y)TPE6			
TR433-436	00D2710168900	2SA1145 (O)/(Y)TPE6			
TR437,438	00D2750069001	2SK215			
TR439,440	00D2750068002	2SJ78			
TR451,452	00D2690074907	DTC114TS (10K) T			
TR453,454	nsp	JUMPER (L=5)			
TR821-824	222050003507S	2SK246-Y(TPE2)			
TR825	00D2730442004	2SC4793 (Y)			
TR826	00D2710272003	2SA1837-Y			
TR827	00D2730442004	2SC4793 (Y)			
TR828	00D2710272003	2SA1837-Y			
D421-426	00D2760432903	1SS270A TE (TAPE)			
D431-433	00D2760432903	1SS270A TE (TAPE)			
D821	00D2760706008	FCH20A15			
D822	00D2760707007	FRH20A15			
ZD404,405	00D2760460904	HZS5C-1TD			
ZD421,422	00D2760453911	HZS3B-2TD			
ZD423,424	00D2760460904	HZS5C-1TD			
ZD821,822	00D2760483907	HZS30-1TD			
ZD825,826	00D2760645907	MTZJ18A T77			
LD421,422	00D3939540900	SLR-342MGTF7MN			
RESISTORS GROUP					
R421,422	nsp	RD14B2E105JT(AMRS)			
R423,424	nsp	RD14B2E221JT(AMRS)			
R425,426	nsp	RD14B2E333JT(AMRS)			
R427,428	nsp	RD14B2E473JT(AMRS)			
R429-432	nsp	RS14B3A102JNBST AMRA			
R433,434	nsp	RD14B2E331JT(AMRS)			
R435,436	nsp	RD14B2E681JT(AMRS)			
R437,438	nsp	RD14B2E105JT(AMRS)			
R439,440	nsp	RD14B2E562JT(AMRS)			
R441,442	nsp	RD14B2E102JT(AMRS)			
R443,444	nsp	RS14B3A101JNBST AMRA			
R445-448	nsp	RS14B3A470JNBST AMRA			
R449,450	nsp	RD14B2E474JT(AMRS)			
R451-454	nsp	RS14B3A470JNBST AMRA			
R457,458	nsp	RD14B2E101JT(AMRS)			
R475-478	nsp	RD14B2E104JT(AMRS)			
R821-824	nsp	RD14B2E102JT(AMRS)			
R898,899	nsp	RD14B2E105JT(AMRS)			
CAPACITORS GROUP					
C421,422	nsp	CQ93S2B101KF(PPSC)			
C423,424	nsp	CE04W1H100MT(RFS#A)			
C425,426	nsp	CQ93M2E103J(LP)			
C427-430	nsp	CE04W1H4R7MT(RFS#A)			

	Ref. No.	Part No.	Part Name	Remarks	Q'ty	New
	C431,432	nsp	CQ09S2B390KF(PPSC)			
	C433-436	nsp	CQ93M2E472J(LP)			
	C439,440	nsp	CQ93M2E103J(LP)			
	C441-444	nsp	CE04W1H101MC(RFS#A)			
	C451	nsp	CE04W1H102MC(RFS#A)			
	C453	nsp	CE04W1H102MC(RFS#A)			
	C455,456	nsp	CQ09S2B470KF(PPSC)			
	C462,463	nsp	CE04W1H470MC(RFS#A)			
	C466	nsp	CE04W1H221MC(RFS#A)			
	C473-476	nsp	CE04W1E470MT(RFS#A)			
	C827,828	nsp	CQ93M2E103J(LP)			
	C829,830	nsp	CE04W1H470MC(RFS#A)			
	C831,832	nsp	CE04W1H102MC(RFS#A)			
	C833,834	nsp	CQ93M2E103J(LP)			
	C835,836	nsp	CE04W1H470MC(RFS#A)			
	C837,838	nsp	CE04W1H102MC(RFS#A)			
	C839,840	nsp	CQ93M2E103J(LP)			
	C841-844	nsp	CE04W1H102MC(RGO#A)			
OTHERS PARTS GROUP						
	CX025,026	nsp	2P VH CONN. BASE (L)			
	CX052	nsp	5P VH CONNECTOR BASE			
	CX057	nsp	5P EH CON BASE(BK)			
	CX068	nsp	6P CON.BASE(YEL)			
	CY052	nsp	5P VH CONNECTOR BASE			
	CY055	nsp	5P EH CONNECTOR BASE			
	CY056	nsp	5P EH CON BASE(RD)			
	CY064	nsp	6P EH CON BASE (BU)			
△	F821	00D2061093012	FUSE 25RF 3.15A F006			
△	F822	00D2061093012	FUSE 25RF 3.15A F006			
	RL401-403	00D2140127003	RELAY(RY-12W)			
	ST401	nsp	STYLE PIN			
	ST801	nsp	STYLE PIN			
	W811	nsp	M3 SCREW TERMINAL			
		nsp	FUSE LABEL	F821		
		nsp	FUSE LABEL	F822		

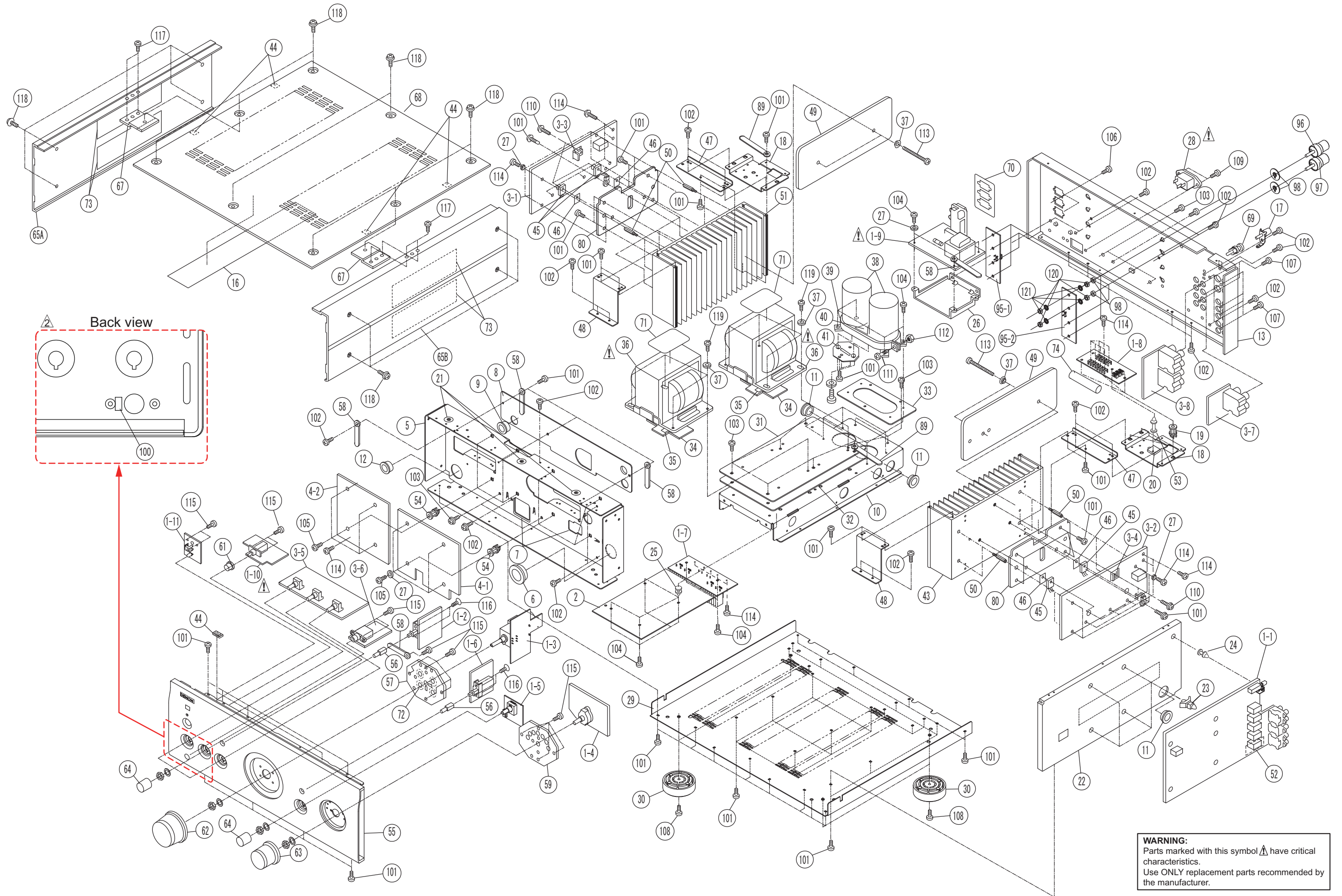
8U-210111 SP TERMINAL P.W.B. UNIT ASS'Y (for E3 model)
8U-210111B SP TERMINAL P.W.B. UNIT ASS'Y (for E2,E1C model)


	Ref. No.	Part No.	Part Name	Remarks	Q'ty	New
CAPACITORS GROUP						
	C563-570	nsp	CQ93M2E102J(LP)	E2,E1C		
OTHERS PARTS GROUP						
	W911, 912	nsp	1P CON.ASS'Y			
	W913-916	nsp	1P CON.ASS'Y			
	W917, 918	nsp	1P CON.ASS'Y			

WIRING DIAGRAM



EXPLODED VIEW



WARNING:
 Parts marked with this symbol  have critical characteristics.
 Use ONLY replacement parts recommended by the manufacturer.

PARTS LIST OF EXPLODED VIEW

* Parts for which "nsp" is indicated on this table cannot be supplied.

* P.W.B. ASS'Y for which "nsp" is indicated on this table cannot be supplied. When repairing the P.W.B. ASS'Y, check the board parts table and order replacement parts.

* Part indicated with the mark "★" is not illustrated in the exploded view.

* The parts listed below are for maintenance only, might differ from the parts used in the unit in appearances or dimensions.

Note: The symbols in the column "Remarks" indicate the following destinations.

E3 : U.S.A. & Canada model

E2 : Europe model

E1C : China model

Ref. No.	Part No.	Part Name	Remarks	Q'ty	New	
1	nsp	INPUT P.W.B. UNIT ASS'Y		1		
	1-1	-	INPUT UNIT			
	1-2	-	S DIRECT SW UNIT			
	1-3	-	MAIN VR UNIT			
	1-4	-	F SW UNIT			
1-5	-	REC OUT SEL. SW UNIT				
	1-6	-	P DIRECT SW UNIT			
	1-7	-	DIODE UNIT			
	1-8	-	CONTROL UNIT			
	1-9	-	AC UNIT			
1-10	-	P SWITCH UNIT				
	1-11	-	P LED UNIT			
2	nsp	uCOM P.W.B. UNIT ASS'Y		1		
3	nsp	POWER AMP P.W.B. UNIT ASS'Y		1		
	3-1	-	POWER AMP UNIT(L)			
	3-2	-	POWER AMP UNIT(R)			
	3-3	-	MULTIPLIER UNIT			
	3-4	-	MULTIPLIER UNIT			
3-5	-	TONE UNIT				
	3-6	-	H/P UNIT			
	3-7	-	PH/CD TER. UNIT			
	3-8	-	REC OUT UNIT			
4	nsp	FLAT AMP P.W.B. UNIT ASS'Y		1		
	4-1	-	FLAT AMP UNIT			
	4-2	-	POWER SUPPLY UNIT			
95	nsp	SP TERMINAL UNIT		1	*	
95-1	-	L-ch				
	95-2	-	R-ch			
5	nsp	FRONT CHASSIS		1		
6	nsp	BUSH		1		
7	nsp	FLEXIBLE BUSH		2		
	8	nsp	SHIELD PLATE	1		
	9	nsp	BUSH	1		
	10	nsp	TRANS CHASSIS	1		
	11	nsp	BUSH	5		
12	nsp	BUSH		1		
	13	nsp	BACK PANEL	E2	1	*
	13	nsp	BACK PANEL	E3	1	*
	13	nsp	BACK PANEL	E1C	1	*
	15	nsp	WIRE CLAMPER		29	
16	00D4411795007	PLATE (T/C)		1		
17	nsp	TERMINAL ASS		1		
18	nsp	PWB BRACKET		2		
19	nsp	LOCKING CARD SPACER		3		

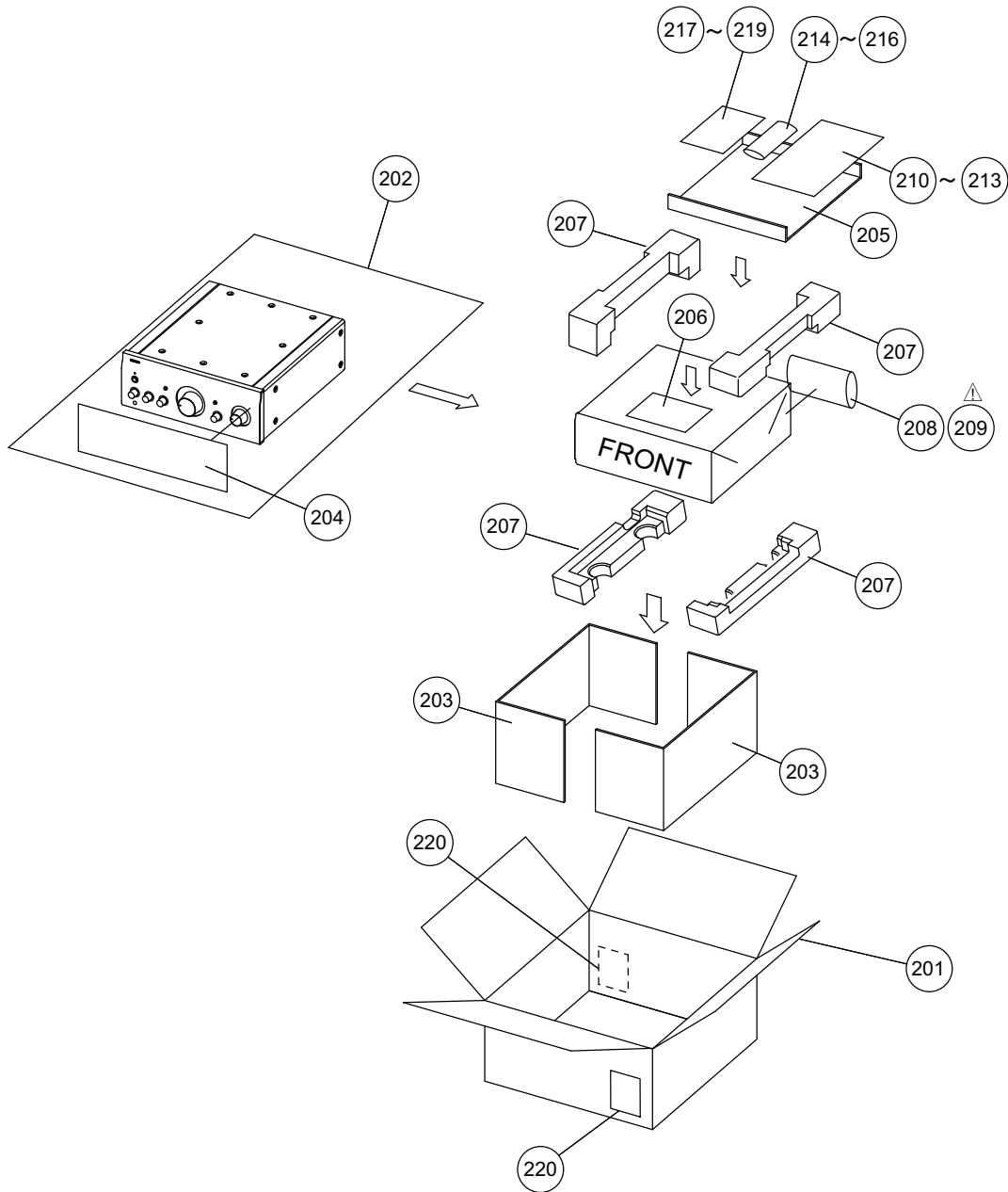
	Ref. No.	Part No.	Part Name	Remarks	Q'ty	New
	20	nsp	RUBBER PAD		1	
	21	nsp	SP WASHER		3	
	22	nsp	SHIELD PLATE		1	
	23	nsp	P•C•B HOLDER		4	
	24	nsp	CARD SPACER (L=8)		1	
	25	nsp	CARD SPACER (L=6)		5	
△	26	nsp	PWB BRACKET (A)		1	
	27	nsp	BUSH		15	
	28	00D2033996008	AC INLET (2P)		1	
	29	nsp	BOTTOM COVER		1	
	30	00D1040331107	FOOT ASS'Y		4	
	31	nsp	TRANS PLATE		1	
	32	nsp	TRANS PLATE		1	
	33	nsp	C.PLATE		1	
	34	nsp	BUTYL SHEET		2	
	35	nsp	DAMP SHEET(A)		2	
△	36	101010060001D	POWER TRANS E2	E2,E1C	2	
△	36	101010089002D	POWER TRANS(E3)	E3		
	37	nsp	WASHER		12	
	38	134050086018D	CE33W==123M		2	*
	39	nsp	C.HOLDER		1	
	40	nsp	SPACER		1	
	41	nsp	COMMON PLATE		1	
	43	nsp	POWER RADIATOR (R)		1	
	44	nsp	ARM CUSHION		6	
	45	00D2750105004	2SK2967	TR521-524	4	
	46	nsp	INSULATING SHEET		4	
	47	nsp	RADIATOR BRACKET (R)		1	
	48	nsp	RADIATOR BRACKET (F)		1	
	49	nsp	PLATE (RD)		2	
	50	nsp	SCREW POST	L=10mm	8	
	51	nsp	POWER RADIATOR (L)		1	
	52	nsp	PROTECT SHEET		1	
	53	nsp	CARD SPACER (L=20)		1	
	54	nsp	P.W. SPACER		8	
	55	8S4021012001D	FRONT PANEL SUB ASSY	E2,E3	1	*
	55	8S4021012002D	FRONT PANEL SUB ASSY	E1C	1	*
	56	411010095117D	PUSH KNOB ASSY		2	*
	57	nsp	PLATE (M)		1	
	58	nsp	CORD HOLDER (L50)		7	
	59	nsp	PLATE(F)		1	
	60	nsp	CORD HOLDER (L76)		2	
	61	00D1139303114	POWER KNB ASS'Y		1	
	62	00D1120780157	KNOB (M) ASSY		1	*
	63	00D1120966010	KNOB(F) ASSY		1	*
	64	00D1120796138	KNOB MARU ASSY		4	
	65	404410035014D	SIDE COVER ASSY		1	*
	65A	-	SIDE COVER (L)		1	*
	65B	-	SIDE COVER (R)		1	*
	67	nsp	SCREW BRACKET		2	
	68	403010033019D	TOP COVER		1	*
	69	nsp	SHORT PIN		2	
	71	nsp	TRANS LABEL(E)		2	
	72	nsp	HIMELON SHEET		4	
	73	00D4411945019	PLATE (T/C)		4	
	74	nsp	UL TUBE (11.1) BK		1	

Ref. No.	Part No.	Part Name	Remarks	Q'ty	New
★ 75	nsp	SHIELD PLATE		1	
★ 76	nsp	FL SPACER		1	
★ 77	nsp	SERIAL NO. SHEET		1	
★ 78	nsp	INSPECTED LABEL		1	
80	nsp	CU PLATE		2	
★ 81	nsp	FERRITE CORE		1	
★ 82	nsp	BUTYL TAPE(W25 T2)		-	
★ 83	nsp	NITOFロン TAPE(W25)		-	
★ 84	nsp	CHUKOH TAPE		-	
★ 85	nsp	BUTYL TAPE(W50 T2)		-	
★ 86	nsp	NITOFロン TAPE(W50)		-	
★ 87	nsp	BUTYL TAPE (W=25)		-	
★ 88	nsp	PUSH RIVET	E2,E1C	8	
★ 89	nsp	LABEL (HOT SURFACE CAUTION)		1	
★ 90	nsp	BUTYL TAPE (W=15)	MAIN VR UNIT(W15X70Xt1)X2	-	
★ 91	nsp	NITOFロン TAPE(W15)	MAIN VR UNIT W15X70	-	
★ 92	nsp	CHUKOH TAPE	BLOCK CON.	-	
96	00D2051409001	1P SP TERMINAL RED		4	
97	00D2051410003	1P SP TERMINAL BLUE		4	
98	00D4620185000	SP WASHER (A)		8	
99	00D4620186009	SP WASHER (B)		8	
100	00D4611247070	RUBBER SHEET		1	*
<p>NOTE : Please confirm the following on the occasion of exchange in a headphone jack (JK501). Rubber sheet sticks to the headphone jack installation position of the front panel. (Refer to No. 100 of the exploded view. (Page 40)) If there is not rubber sheet, please place an order for rubber sheet.</p>					
SCREWS					
101	nsp	3X8 CBTS(B)-B		64	
102	nsp	3X6 CBTS (S)-B		26	
103	nsp	4X8 CBTS (S)-B		13	
104	nsp	3X8 CUP SCREW		13	
105	nsp	3X14 CBTS (P)-Z		8	
106	nsp	3X10 CBTS (P)-B		6	
107	nsp	FIXING SCREW		7	
108	nsp	3x12 CBTS(B)-B		4	
109	nsp	3X8 CFTS (S)-B		2	
110	nsp	3X16 CPTS(B) SW W		6	
111	nsp	4X16 CBS		1	
112	nsp	4N		1	
113	nsp	4X65 CBS		4	
114	nsp	3X6 CPS (SW.W) ZNP		23	
115	nsp	3X8 CBTS (P)-Z		15	
116	nsp	3X8 CFTS (P)-Z		4	
117	nsp	3X8 CFTS (S)-Z		4	
118	nsp	SPECIAL SCREW		16	
119	nsp	4X10 CBTS (S)-B		8	
120	nsp	4N		16	
121	nsp	4 TWB ZN		16	
WIRE					
★ 301	nsp	3P EH-EH CORD	CN031	1	
★ 302	nsp	3P EH-EH CON.CORD	CN032	1	

③
③
③
③
②

	Ref. No.	Part No.	Part Name	Remarks	Q'ty	New
	★ 303	nsp	4P EH-EH CON CORD	CN041	1	
	★ 304	nsp	5P EH-EH CON.CORD	CN054	1	
	★ 305	nsp	5P EH-EH CON CORD	CN055	1	
	★ 306	nsp	5P EH-EH CON CORD	CN056	1	
	★ 307	nsp	5P EH-EH CON CORD	CN057	1	
	★ 308	nsp	5P EH-EH CON CORD	CN051	1	
	★ 309	nsp	6P EH-EH CON.CORD	CN061	1	
	★ 310	nsp	6P EH-EH SHIELD	CN063	1	
	★ 311	nsp	6P EH-EH SHIELD	CN064	1	
	★ 312	nsp	5P VH-VH CON CORD	CN052	1	
	★ 313	nsp	3P KR-KR RIBBON 150	CN035	1	
	★ 314	nsp	4P KR-KR RIBBON 70	CN042	1	
	★ 315	nsp	5P KR-KR RIBBON 70	CN058	1	
	★ 316	nsp	5P KR-KR RIBBON 300	CN053	1	
	★ 317	nsp	6P KR-KR RIBBON 125	CN068	1	
	★ 318	nsp	6P KR-KR RIBBON 300	CN062	1	
	★ 319	nsp	6P KR-KR RIBBON 375	CN065	1	
	★ 320	nsp	14P KR-KR RIBBON 550	CN141	1	
	★ 321	nsp	15P KR-KR RIBBON 375	CN151	1	
	★ 322	nsp	VINYL WIRE		1	
	★ 323	nsp	VINYL WIRE		1	
	★ 324	nsp	1P CONT.ASSY		1	
	★ 325	nsp	1P CONT.ASSY		1	
	★ 326	nsp	1P CONT.ASSY		1	
	★ 327	nsp	1P CON. ASSY		1	
	★ 328	nsp	1P CON. ASSY		1	
	★ 329	nsp	2P CON. ASSY		1	
	★ 330	nsp	2P CON. ASSY		1	
	★ 331	nsp	2P CON. ASSY		1	
	★ 332	nsp	2P CON. ASSY		1	
	★ 333	nsp	1P CONTACT ASS		2	
	★ 334	nsp	3P VH-VH CON CORD	CN022	1	

PACKING VIEW



PARTS LIST OF PACKING & ACCESSORIES

* Parts for which "nsp" is indicated on this table cannot be supplied.

* The parts listed below are for maintenance only, might differ from the parts used in the unit in appearances or dimensions.

* The parts listed below are for maintenance only, might differ from the parts used in the unit in appearances or dimensions.

Note: The symbols in the column "Remarks" indicate the following destinations.

E3 : U.S.A. & Canada model

E2 : Europe model

E1C : China model


Ref. No.	Part No.	Part Name	Remarks	Q'ty	New
201	531210154000D	CARTON CASE		1	*
202	nsp	CABINET SHEET		1	*
203	nsp	SPACER BOARD		2	*
204	nsp	UNWOVEN CLOTH(W490xL270)		1	*
205	nsp	PAD		1	*
206	nsp	NOTICE SHEET		1	*
207	nsp	CUSHION ASSY		1	*
208	nsp	ENVELOPE		1	*
△	209	00D2062215006	AC CORD-E1/10A/INLET	E2	1
△	209	00D2062220004	AC CORD SET (E3)	E3	1
△	209	00D2062249001	AC CORD (E1C)	E1C	1

	Ref. No.	Part No.	Part Name	Remarks	Q'ty	New
	210	nsp	ENVELOPE (ZIPPER A4)		1	
	211	541110578000D	INST. MANUAL (E2)	E2	1	*
	211	541110579003D	INST. MANUAL (E3)	E3	1	*
	211	541110580003D	INST. MANUAL (E1C)	E1C	1	*
	212	nsp	S.S.LIST (EX)		1	
	213	nsp	WARRANTY (HOME)	E3	1	
	214	nsp	ENVELOPE		1	
	215	307010059014D	RC-1138BK		1	*
	216	nsp	BATTERY(R03X2)		1	
	217	nsp	ENVELOPE(ZIPPER A5)		1	
	218	nsp	BRAND BOOK		1	*
	219	nsp	INSPECTION SUB ASSY PMAA100		1	*
	220	nsp	CONT LABEL SUB ASSY		1	

---MEMO---

NOTE FOR SCHEMATIC DIAGRAM

WARNING:

Parts marked with this symbol  have critical characteristics.
Use ONLY replacement parts recommended by the manufacturer.

CAUTION:

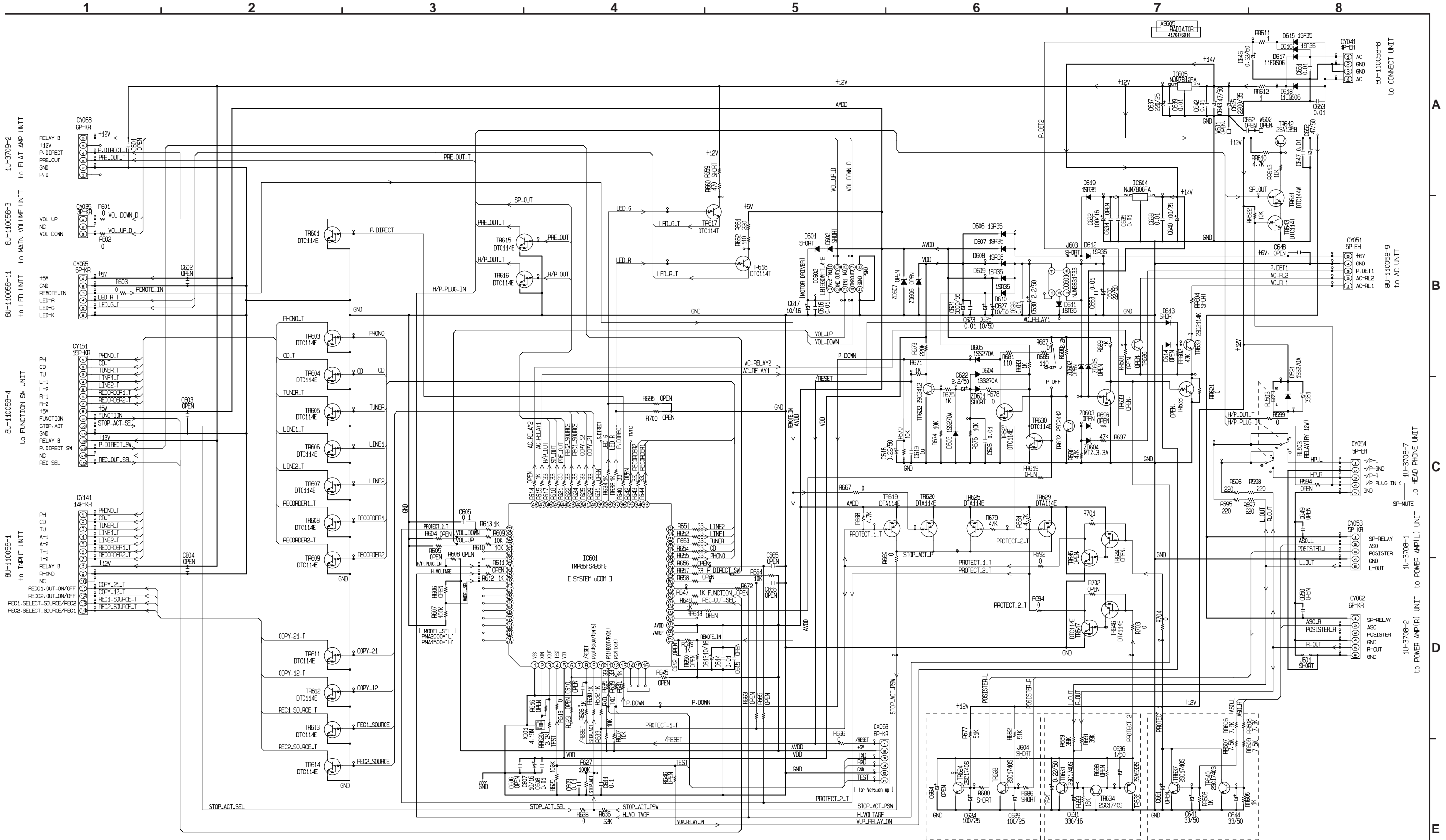
Before returning the unit to the customer, make sure you make either (1) a leakage current check or (2) a line to chassis resistance check. If the leakage current exceeds 0.5 milliamps, or if the resistance from chassis to either side of the power cord is less than 460 kohms, the unit is defective.

WARNING:

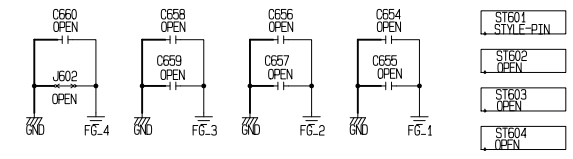
DO NOT return the unit to the customer until the problem is located and corrected.

NOTICE:

ALL RESISTANCE VALUES IN OHM. k=1,000 OHM
M=1,000,000 OHM
ALL CAPACITANCE VALUES IN MICRO FARAD.
P=MICRO-MICRO FARAD
EACH VOLTAGE AND CURRENT ARE MEASURED AT
NO SIGNAL INPUT CONDITION.
CIRCUIT AND PARTS ARE SUBJECT TO CHANGE
WITHOUT PRIOR NOTICE.

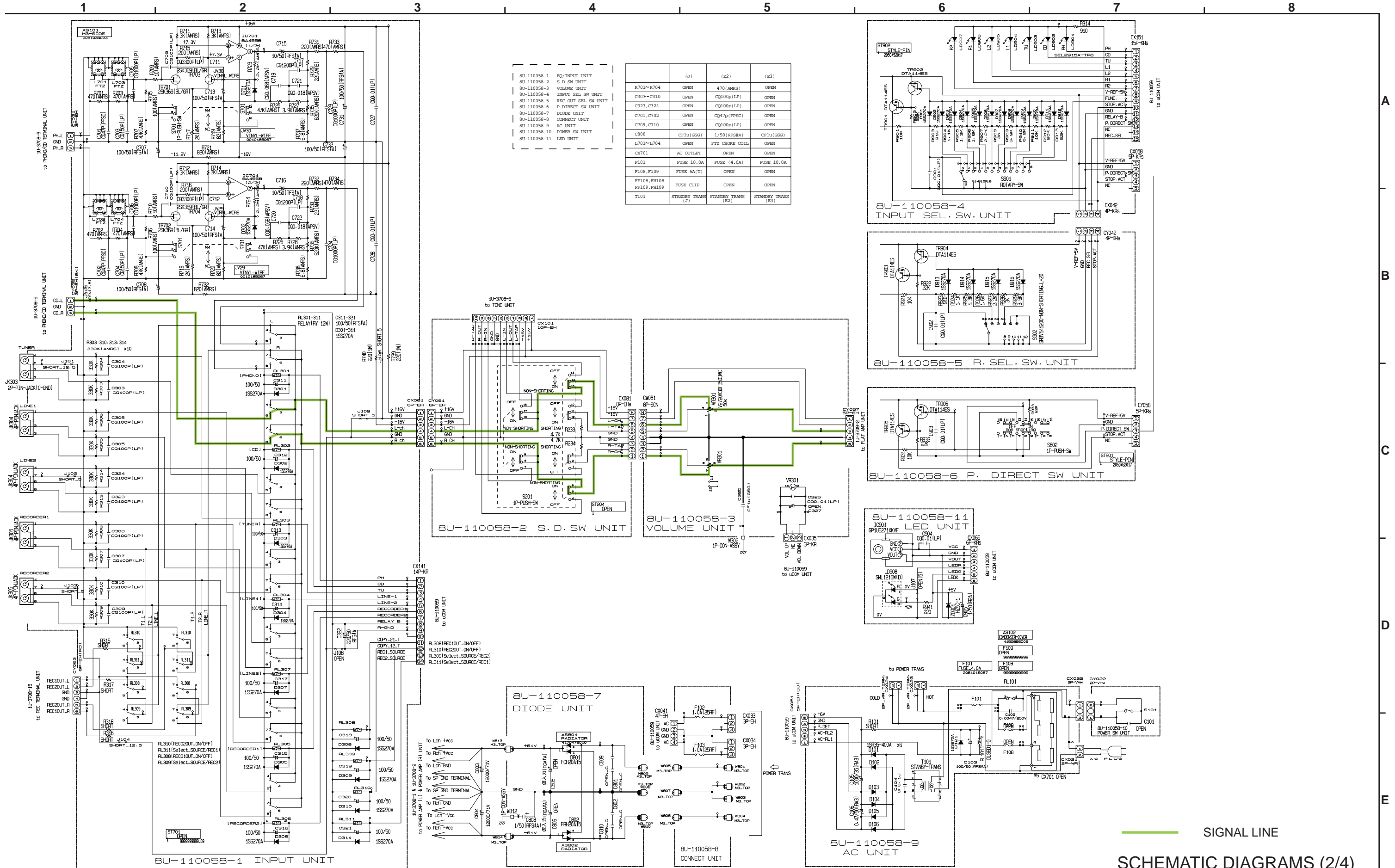


	(J)	(E2/E1C)	(E3)
RR621	OPEN	0	OPEN
ZD602	MT2J12A	OPEN	MT2J12A
ZD605	MT2J24A	OPEN	MT2J24A
TR633	DTC143EK	OPEN	DTC143EK
TR638	DTC323TK	OPEN	DTC323TK



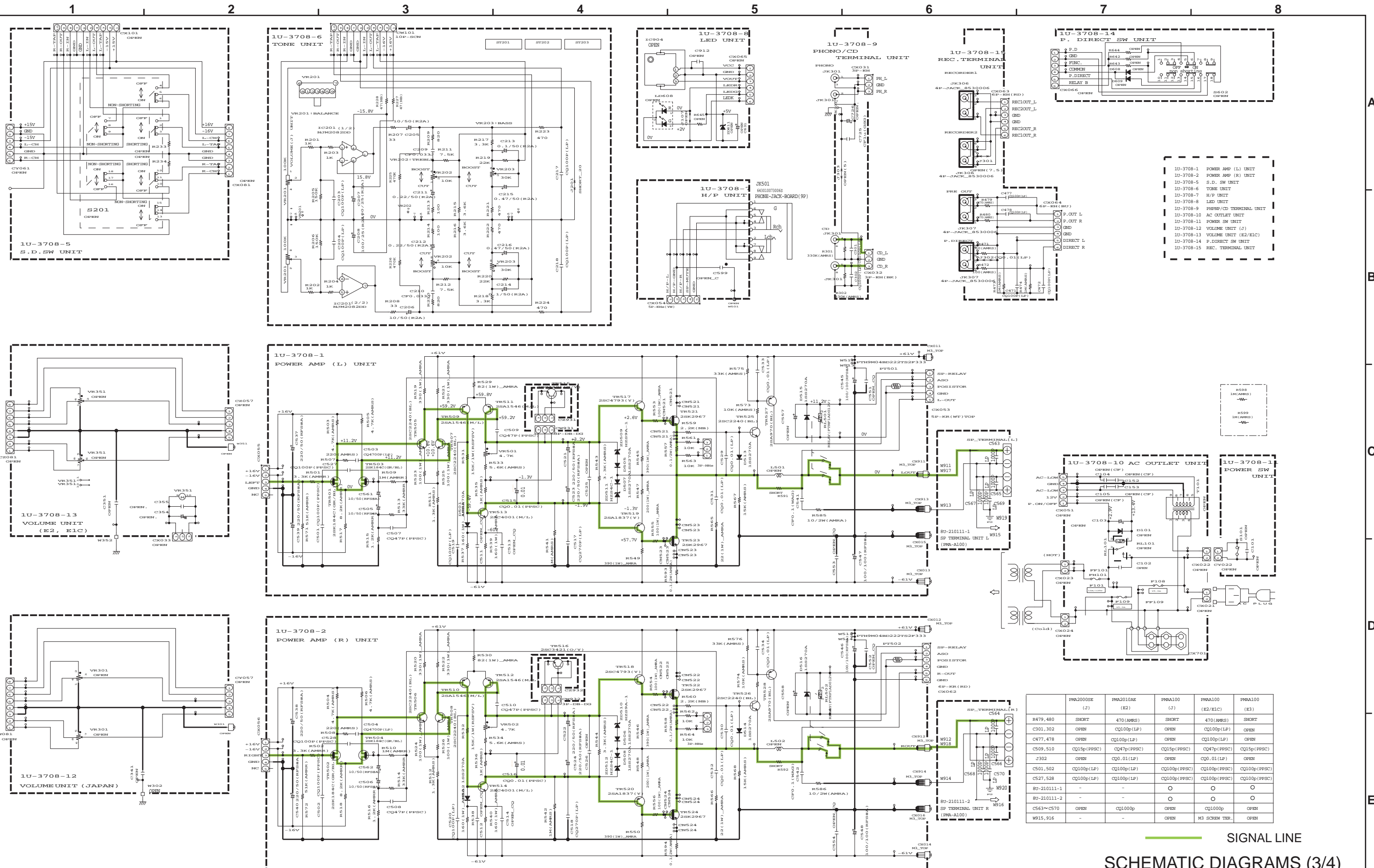
SCHEMATIC DIAGRAMS (1/4)
8U-110059 uCOM UNIT

A
B
C
D
E
F



SCHEMATIC DIAGRAMS (2/4)

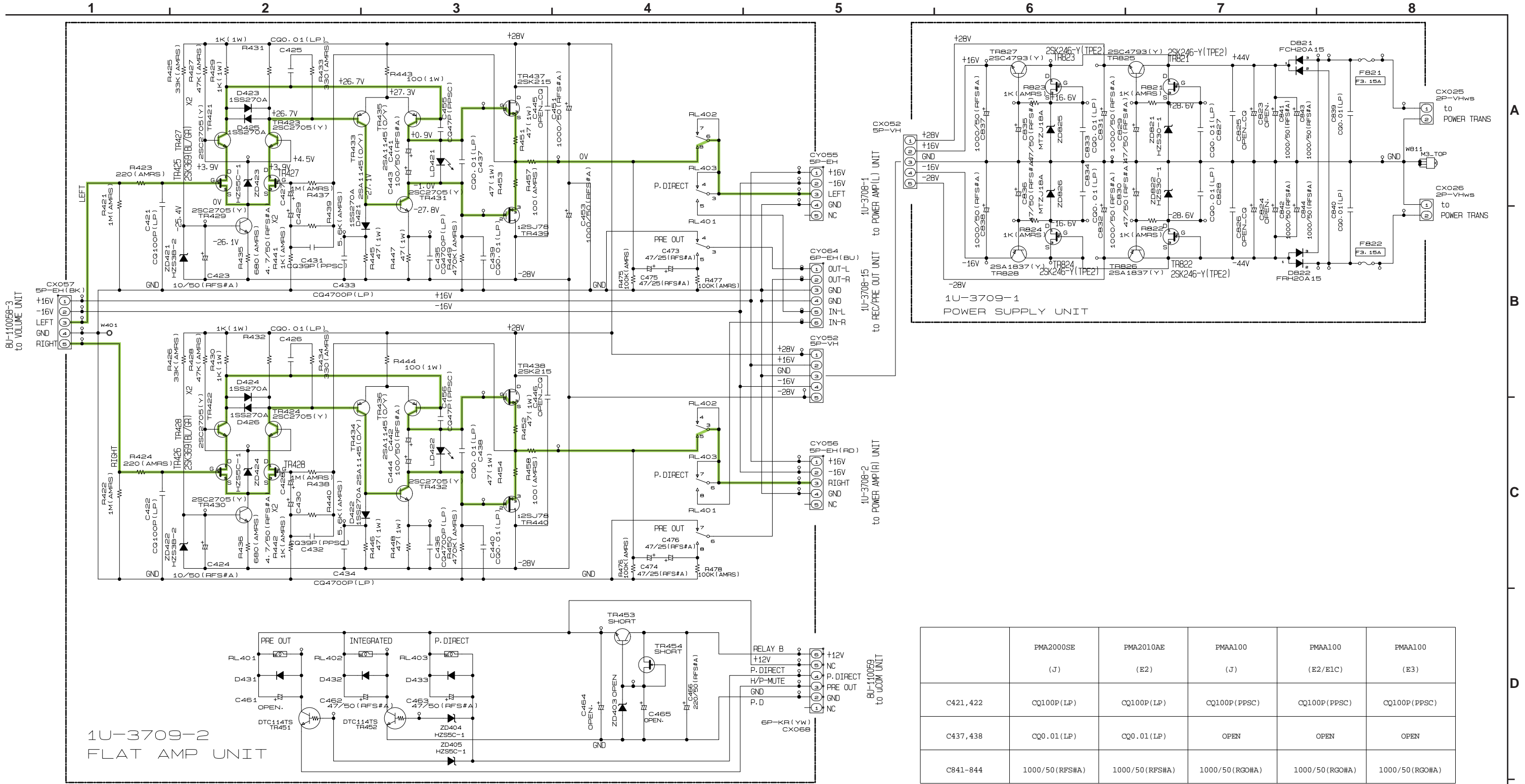
- 8U-110058-6 P.DIRECT SW UNIT
- 8U-110058-7 DIODE UNIT
- 8U-110058-8 CONNECT UNIT
- 8U-110058-9 AC UNIT
- 8U-110058-10 POWER SW UNIT
- 8U-110058-11 LEC UNIT
- 8U-110058-1 E/Q INPUT UNIT
- 8U-110058-2 S.D SW UNIT
- 8U-110058-3 VOLUME UNIT
- 8U-110058-4 INPUT SEL SW UNIT
- 8U-110058-5 REC OUT SEL SW UNIT



	FMA2000SE (J)	FMA2010AE (E2)	FMA100 (J)	FMA100 (E2/E1C)	FMA100 (E3)
R479, 480	SHORT	470 (AMBS)	SHORT	470 (AMBS)	SHORT
C301, 302	OPEN	CQ100p (LP)	OPEN	CQ100p (LP)	OPEN
C477, 478	OPEN	CQ100p (LP)	OPEN	CQ100p (LP)	OPEN
C509, 510	CQ15p (PPSC)	CQ47p (PPSC)	CQ15p (PPSC)	CQ47p (PPSC)	CQ15p (PPSC)
J302	OPEN	CQ0.01 (LP)	OPEN	CQ0.01 (LP)	OPEN
C501, 502	CQ100p (LP)	CQ100p (LP)	CQ100p (PPSC)	CQ100p (PPSC)	CQ100p (PPSC)
C527, 528	CQ100p (LP)	CQ100p (LP)	CQ100p (PPSC)	CQ100p (PPSC)	CQ100p (PPSC)
8U-210111-1	-	-	O	O	O
8U-210111-2	-	-	O	O	O
C562~C570	OPEN	CQ100p	OPEN	CQ100p	OPEN
W915, 916	OPEN	OPEN	OPEN	M3 SCREW TER.	OPEN

SCHEMATIC DIAGRAMS (3/4)

- 8U-210111-1 SP TERMINAL UNIT L
- 1U-3708-9 PHPNP/CD TERMINAL UNIT
- 8U-210111-2 SP TERMINAL UNIT R
- 1U-3708-10 AC OUTLET UNIT
- 1U-3708-11 POWER SW UNIT
- 1U-3708-14 P.DIRECT SW UNIT
- 1U-3708-1 POWER AMP (L) UNIT
- 1U-3708-2 POWER AMP (R) UNIT
- 1U-3708-5 S.D. SW UNIT
- 1U-3708-7 H/P UNIT
- 1U-3708-6 TONE UNIT
- 1U-3708-8 LED UNIT



1U-3709-2
FLAT AMP UNIT

	PMA2000SE	PMA2010AE	PMAA100	PMAA100	PMAA100
	(J)	(E2)	(J)	(E2/E1C)	(E3)
C421, 422	CQ100P(LP)	CQ100P(LP)	CQ100P(PFSC)	CQ100P(PFSC)	CQ100P(PFSC)
C437, 438	CQ0.01(LP)	CQ0.01(LP)	OPEN	OPEN	OPEN
C841-844	1000/50(RFS#A)	1000/50(RFS#A)	1000/50(RGO#A)	1000/50(RGO#A)	1000/50(RGO#A)

R898
1M(AMRS)
-W-
R899
1M(AMRS)
-W-
ST401
STYLE-PIN
ST801
STYLE-PIN

— SIGNAL LINE
SCHEMATIC DIAGRAMS (4/4)
1U-3709-1 FLAT AMP UNIT
1U-3709-2 POWER SUPPLY UNIT