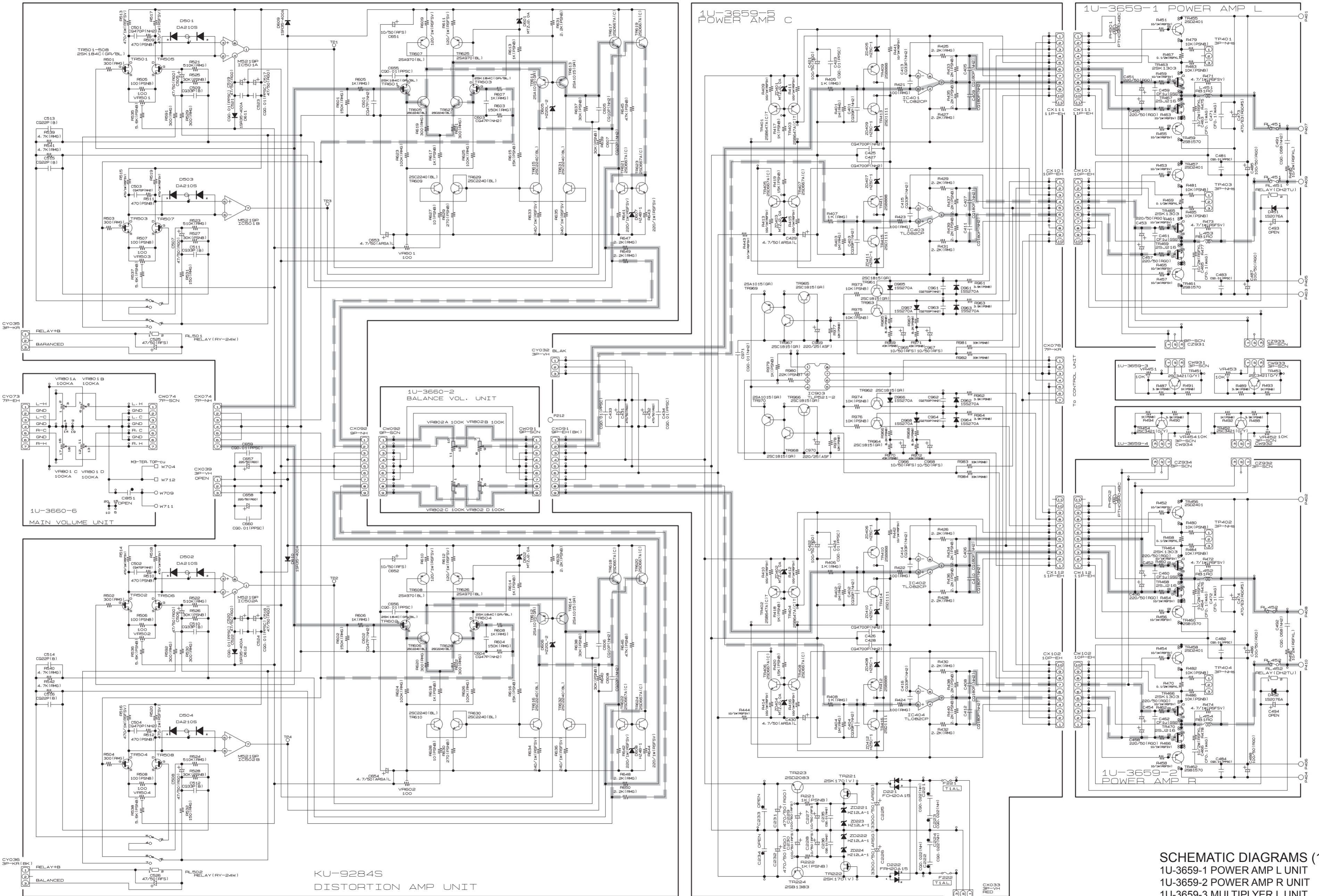


SCHEMATIC DIAGRAMS (1/2)

1 2 3 4 5 6 7 8 9 10 11



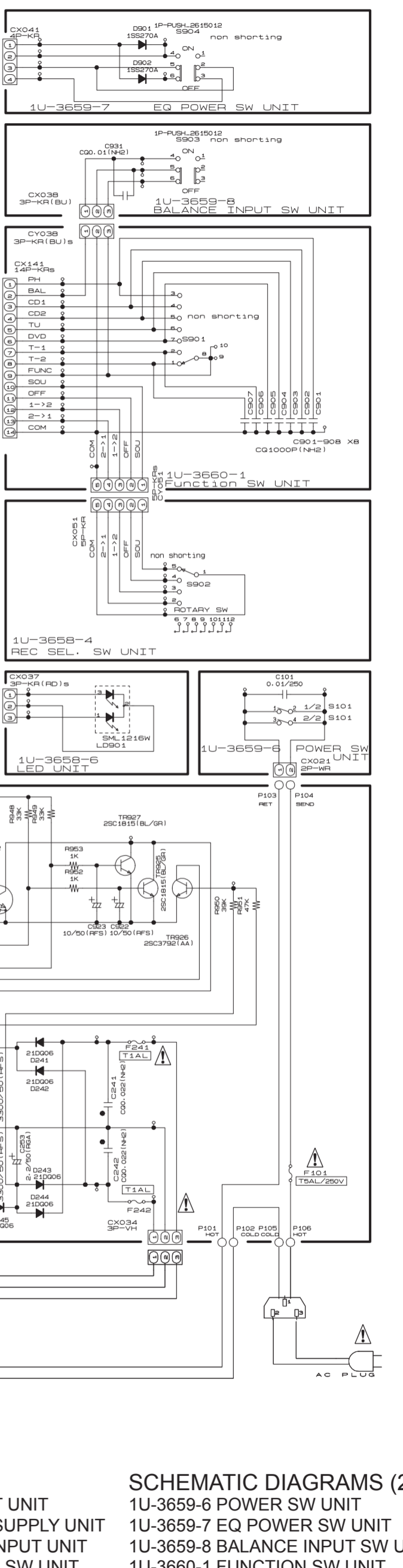
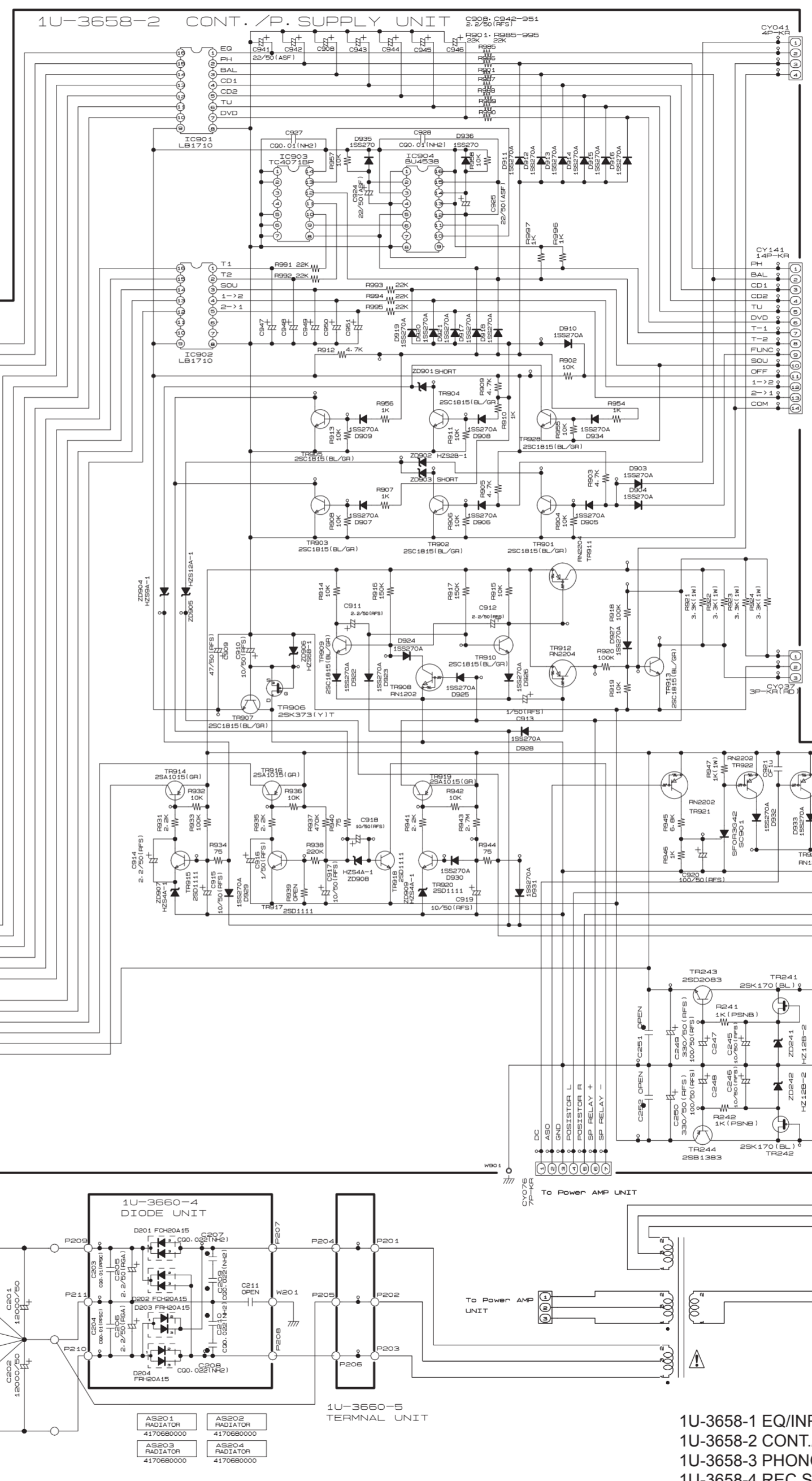
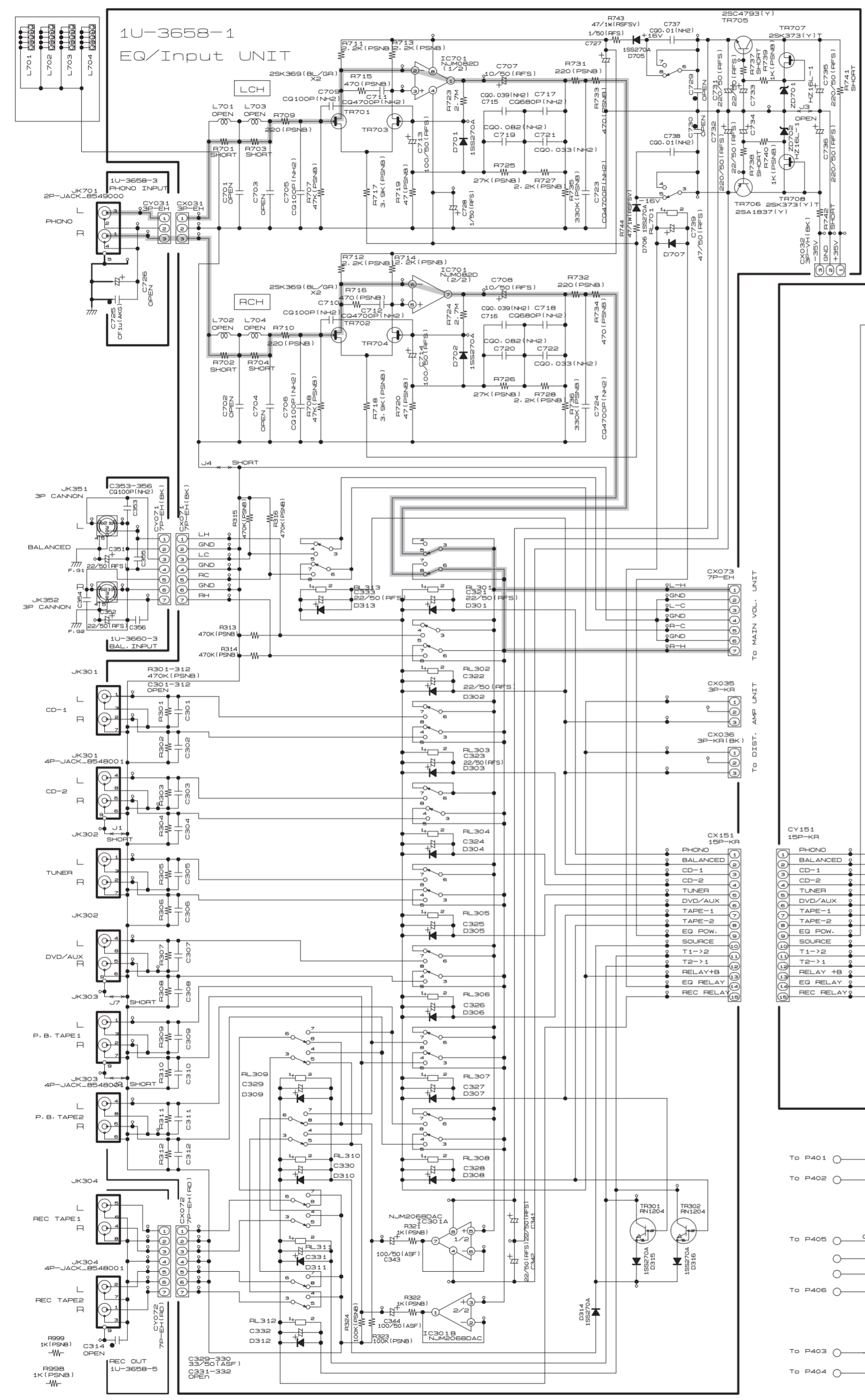
SCHEMATIC DIAGRAMS (1/2)
 1U-3659-1 POWER AMP L UNIT
 1U-3659-2 POWER AMP R UNIT
 1U-3659-3 MULTIPLYER L UNIT
 1U-3659-4 MULTIPLYER R UNIT
 1U-3659-5 POWER AMP C UNIT
 1U-3660-2 BALANCE VOLUME UNIT
 1U-3660-6 MAIN VOL UNIT

— SIGNAL LINE

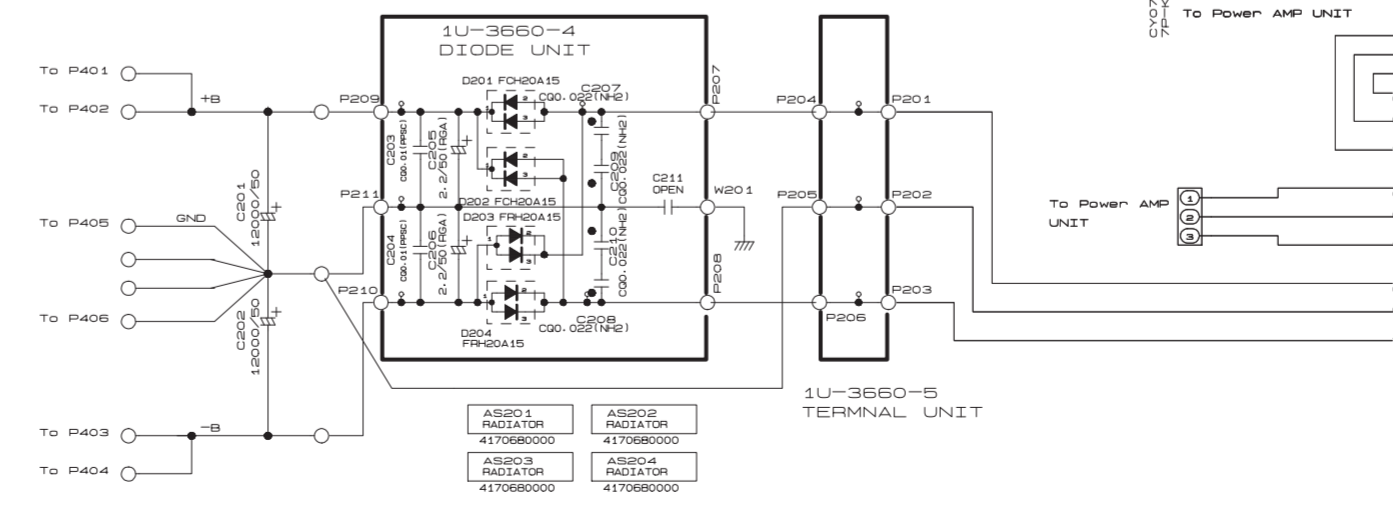
A
B
C
D
E
F
G
H

SCHEMATIC DIAGRAMS (2/2)

1 2 3 4 5 6 7 8 9 10 11



A
B
C
D
E
F
G
H



- 1U-3658-1 EQ/INPUT UNIT
- 1U-3658-2 CONT./P. SUPPLY UNIT
- 1U-3658-3 PHONO INPUT UNIT
- 1U-3658-4 REC SEL. SW UNIT
- 1U-3658-5 REC OUT UNIT
- 1U-3658-6 LED UNIT
- 1U-3659-6 POWER SW UNIT
- 1U-3659-7 EQ POWER SW UNIT
- 1U-3659-8 BALANCE INPUT SW UNIT
- 1U-3660-1 FUNCTION SW UNIT
- 1U-3660-3 BALANCED INPUT UNIT
- 1U-3660-4 DIODE UNIT
- 1U-3660-5 TERMINAL UNIT

— SIGNAL LINE