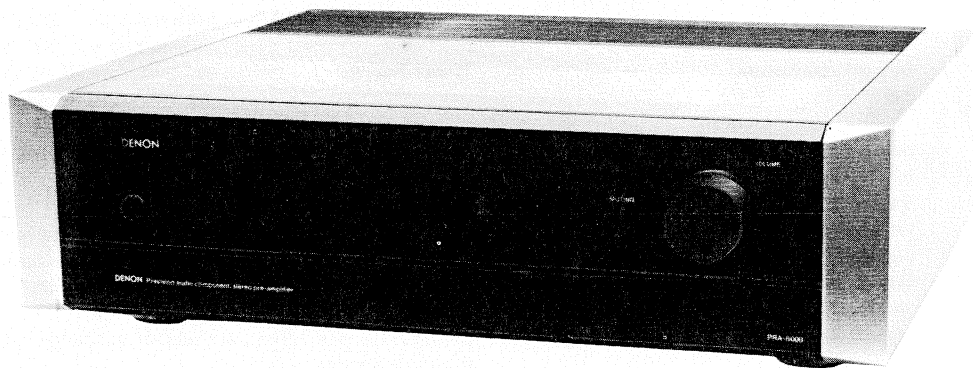


DENON

SERVICE MANUAL MODEL PRA-6000

SOLID STATE
PRE MAIN AMPLIFIER



CONTENTS

SPECIFICATIONS	1
FRONTPANEL CONTROLS	1
BACK PANEL CONTROLS	2
CONNECTIONS	2
BLOCK DIAGRAM	3
METHOD OF ADJUSTMENTS	4
TROUBLESHOOTING	5
SWMICONDUCTORS	6
PRINTED WIRING BOARD PATTERNS AND PARTS LIST	
MC AMP UNIT ETC-483	7,8
FLAT AMP UNIT ETC-484	9,10
INPUT TERMINAL UNIT ETC-485	11
TONE UNIT ETC-486	11,12
CONTROL (A) UNIT ETC-487	12,13
CONTROL (B) UNIT ETC-488	14
BALANCE VR UNIT ETC-489	14
LAMP & SW UNIT ETC-490	15
EQ. AMP UNIT EUX-014	15 ~ 18
POWER SUPPLY UNIT SUX-030	18,19
WIRING DIAGRAM	20
EXPLODED VIEW OF CHASSIS AND CABINET	21

NIPPON COLUMBIA CO., LTD.

SPECIFICATIONS

EQUALIZER AMPLIFIER SECTION (PHONO 1.2 MM IN ~ REC OUT)

Input Sensitivity	PHONO-1 MC : 0.125 mV/100 ohm
Input Impedance:	PHONO-1 MM : 2.5 mV/50 Kohm
	PHONO-2 : 2.5 mV/100 ohm, 50 Kohm
	PHONO-3 : 0.125 mV/100 ohm
Allowable Input Level:	380 mV (1 kHz)
Maximum Output/ Rated Output:	23 V/150 mV
Total Harmonic Distortion:	below 0.002% (at 20 Hz - 20 kHz 2 V Out)
RIAA Deviation:	±0.2 dB (10 Hz - 100 kHz)
Signal to Noise Ratio (IHF "A"):	86 dB
Channel Separation:	above 80 dB (at 20 Hz, 1 kHz) above 70 dB (at 20 kHz)
Gain:	35.6 dB at 1 kHz

Muting:	-∞ (Muting Indicator on/off)
Filter:	SUBSONIC 16 Hz 12 dB/Oct. 20 Hz 6 dB/Oct.
Tone Control:	Turn Over 2 kHz, 125 Hz 8 kHz, 125 Hz 2 kHz, 500 Hz 8 kHz, 500 Hz
	Level Shift ±0.5 dB, ±1.0 dB, ±2.0 dB, ±4.0 dB, ±8.0 dB at 20 Hz, 20 kHz

MC HEAD AMPLIFIER SECTION (PHONO 1.3 MC IN ~ REC OUT)

Allowable Input Level:	19 mV (1 kHz)
Frequency Response (RIAA Deviation):	within ±0.2 dB (20 Hz - 100 kHz)
Total Harmonic Distortion:	below 0.002% (at 20 Hz - 20 kHz)
Signal to Noise Ratio:	76 dB

OVERALL CHARACTERISTICS

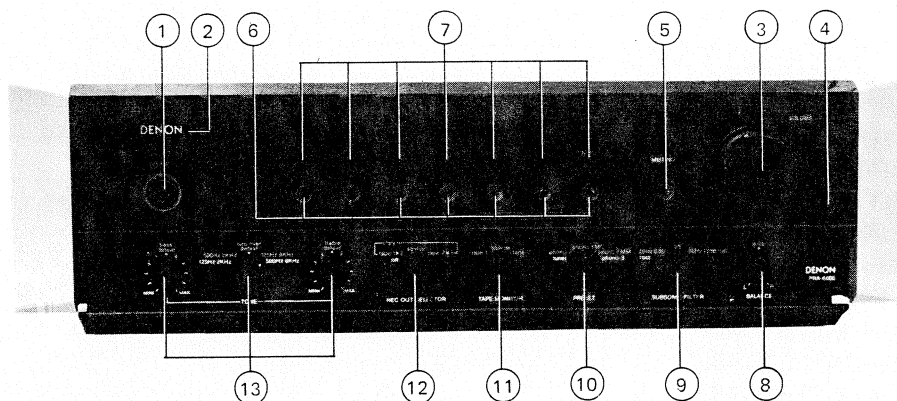
AC Outlets	
(For USA and Canada):	Switched x 3 210W (Total) Unswitched x 2 700W (Total)
Power Source:	AC 240 Volts 50 Hz U.K. and Australia AC 220 Volts 50 Hz Europe AC 120 Volts 60 Hz U.S.A. and Canada AC 110/120/220/240 Volts 50/60 Hz (Multiple)
Power Consumption:	90 W (U.S.A.),
Dimensions:	455 mm (W) x 134 mm (H) x 392 mm (D) (including feet, control knobs and terminals)
Weight	14.3 kg
Design and specifications are subject to change without prior notice for improvement.	

HIGH LEVEL AMPLIFIER SECTION (AUX IN ~ PRE OUT)

Input Voltage/ Input Impedance:	TUNER, DAD, AUX, PB-1, PB-2: 150 mV/50 Kohm
Rated Output:	1.5 V
Total Harmonic Distortion:	below 0.002% (at 20 Hz - 20 kHz 5 V Out)
Frequency Response:	2 Hz - 300 kHz $\begin{matrix} +0 \\ -3 \end{matrix}$ dB (10 Hz - 100 kHz $\begin{matrix} +0 \\ -0.3 \end{matrix}$ dB)
Signal to Noise Ratio:	100 dB
Channel Separation:	100 dB at Vol. max. 20 Hz, 1 kHz 75 dB at Vol. max. 20 kHz 100 dB at Vol. -20 dB Down 20 Hz, 1 kHz 75 dB at Vol. -20 dB Down 20 kHz

NOTE: The following codes denote the versions.
E2: Europe, EF: France, EK: U.K., E3: U.S.A., E1: Hong Kong, Singapore.
This Service Manual is prepared based on E2.

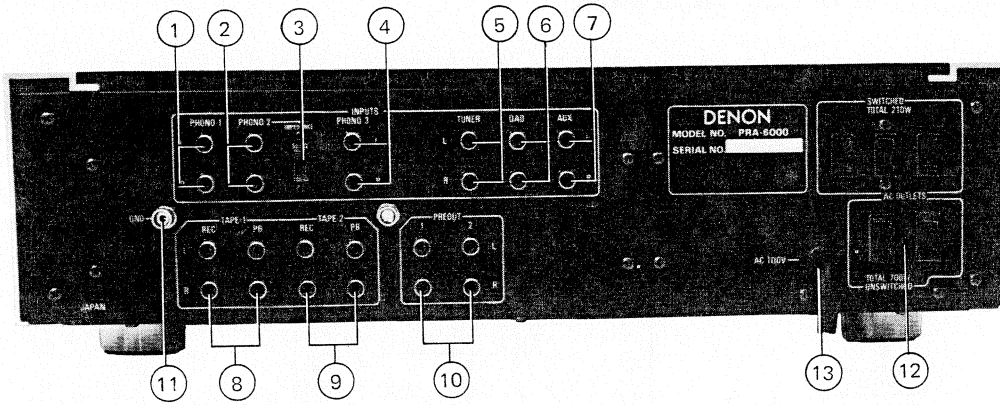
FRONT PANEL CONTROLS



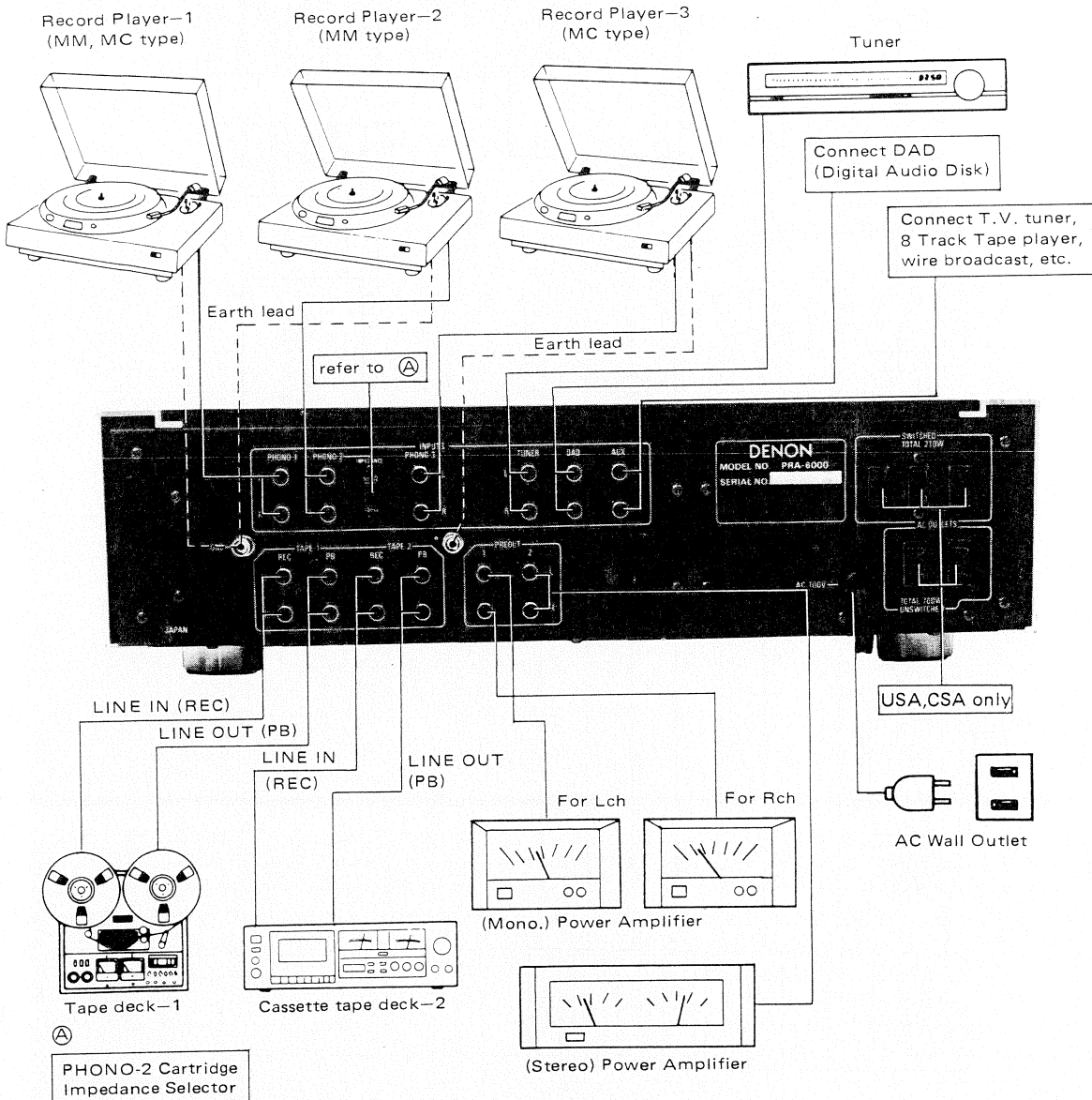
- | | |
|---|--|
| ① POWER (Power Switch) | ⑦ INPUT SELECTOR (Input Select Indicator) |
| ② DENON (illuminates while Power is ON) | ⑧ BALANCE (Balance Control) |
| ③ VOLUME (Volume Control) | ⑨ SUBSONIC FILTER (Subsonic Filter Switch) |
| ④ DOOR KNOB (Push to Open) | ⑩ PRESET (Program Selector) |
| ⑤ MUTING (Muting Switch) | ⑪ TAPE MONITOR (Tape Monitor Switch) |
| ⑥ INPUT SELECTOR (Input Change Over Switch) | ● source ● tape-1 ● tape-2 |
| ● PHONO-1 ● PHONO-1 ● PHONO-2 ● PHONO-3 | ⑫ REC OUT SELECTOR (Rec Out Selector) |
| | ● off ● source ● copy tape 1 ▶ 2 ● Copy tape 2 ▶ 1 |
| MC MM MC | ⑬ TONE (Tone Control) |
| ● TUNER ● DAD ● AUX | ● treble ● bass ● turnover |

BACK PANEL CONTROLS

- ① PHONO-1 (Phono-1 Input terminals)
- ② PHONO-2 (Phono-2 Input terminals)
- ③ IMPEDANCE (Impedance Change Over Switch)
- ④ PHONO-3 (Phono-3 Input terminals)
- ⑤ TUNER (Tuner Input terminals)
- ⑥ DAD (Digital Audio Disk Input terminals)
- ⑦ AUX (Aux. Input terminals)
- ⑧ } TAPE-1, 2 (Tape REC, PB terminals)
- ⑨ } TAPE-1, 2 (Tape REC, PB terminals)
- ⑩ PREOUT (Pre-Amplifier Output terminals)
- ⑪ GND (Grounding terminal)
- ⑫ AC OUTLETS (AC Outlets Jack)
- ⑬ AC Cord.



CONNECTIONS



(1) CONNECTIONS

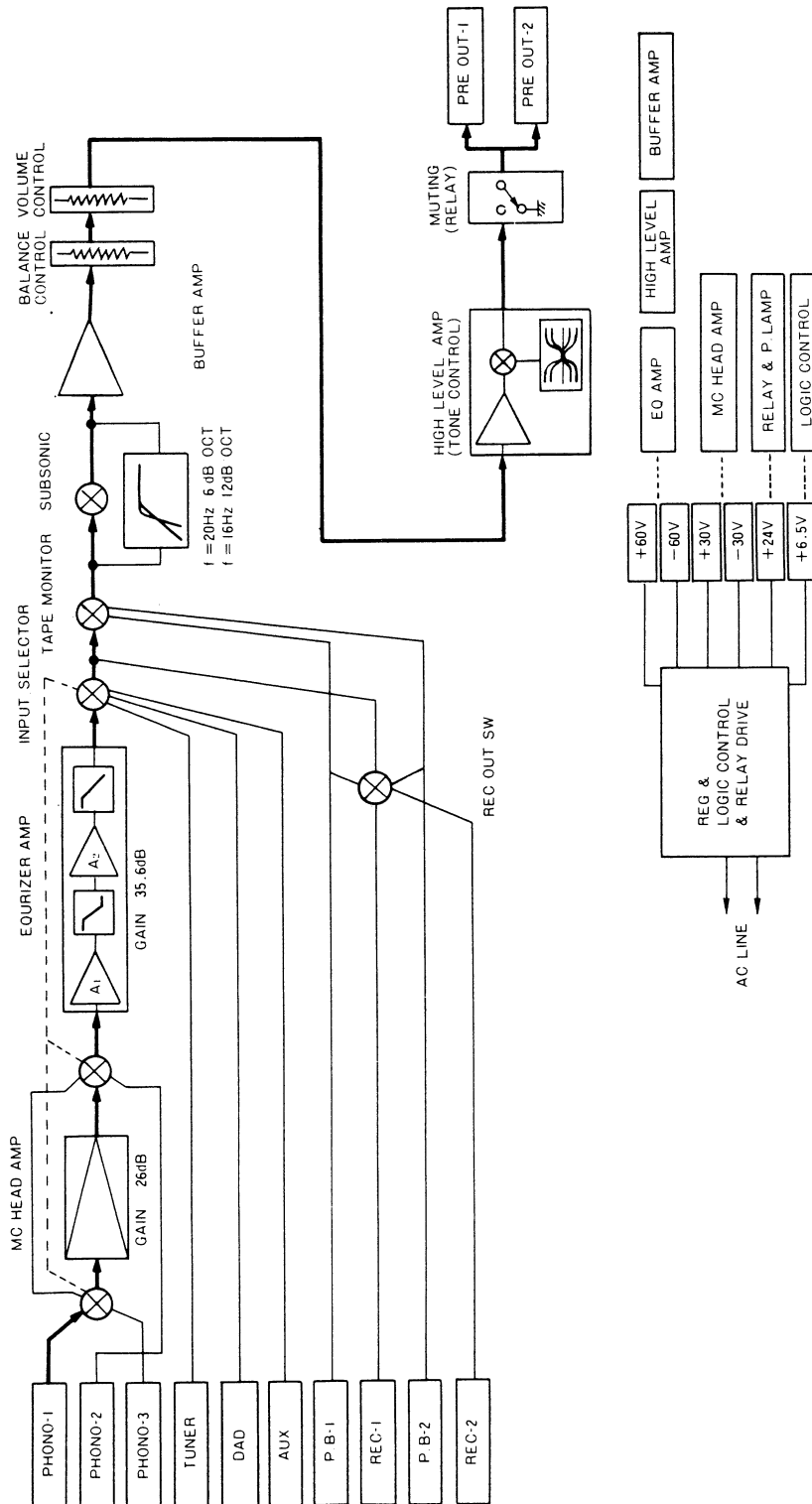
- Do not plug AC cord into AC Outlet until all connections are completed.
- Connect the right (R) channel Plug to the right (R) channel terminal, and the left channel Plug to the left channel terminal.
- Insert the Plugs snugly into the corresponding jacks. If a connection is incomplete, may invite noise.

(2) AC OUTLETS (Except European Versions)

The AC Outlets are conveniently used for the component units of this amplifier, such as the tuner, record player, tape deck, etc.

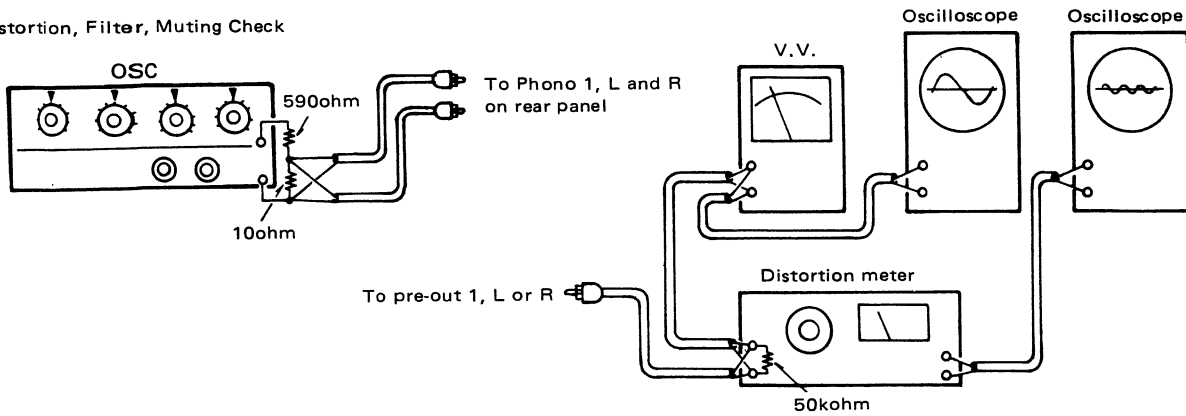
- Plug the AC cord of audio equipment into the AC OUTLETS terminals. Do not use this terminal for other electric appliances such as hairdryer. (NOT INCLUDED IN EUROPEAN VERSIONS)
- Do not bundle the Pin Plug cables with the AC cord and do not lay the Pin Plug cables close to Power transformer, or may invite noise.
- SWITCHED (MAX: 210W) These outlets are turned to on/off with main switch. (USA,CSA ONLY)
- UNSWITCHED (MAX: 700W) These outlets are always alive irrespective of Power switch. (USA,CSA ONLY)

BLOCK DIAGRAM



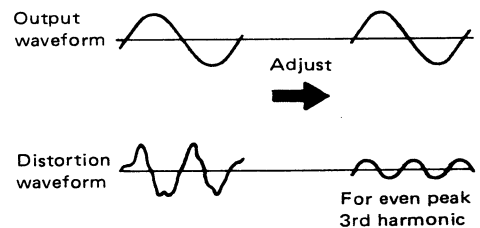
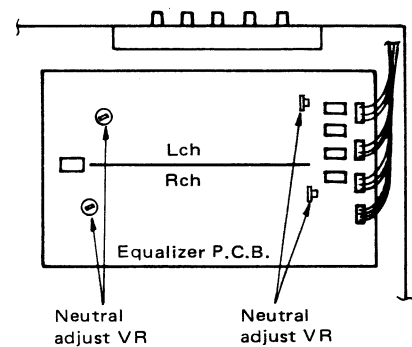
METHOD OF ADJUSTMENTS

Distortion, Filter, Muting Check



● Distortion Adjustment

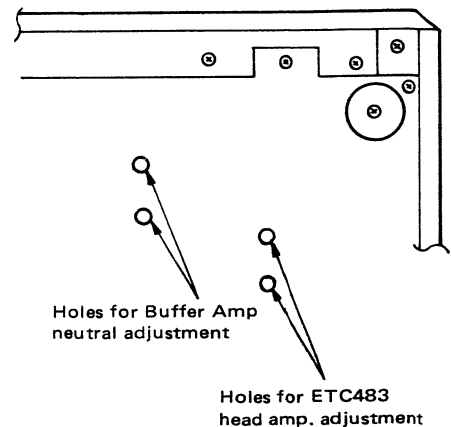
- (1) Set INPUT SELECTOR to PHONO-1MM, and connect Digital Voltmeter.
- (2) Adjust neutral adjust VR's [ETC-487 control (A) unit VR1 (Lch 1, VR2 Rch)] so that the digital voltmeter reads 0 mV. Both L and R channel.
- (3) Connect pin cable from distortion measurement generator to PHONO-1 terminal on rear panel (both L and R channel). Connect pin cable from distortion meter to REC-1 terminal of Lch.
- (4) Apply 20 kHz/3V, and adjust VR1 (Lch) and VR2 (Rch) of equalizer Amp. (EUX-014) so that to obtain minimum distortion: approximately or below 0.003%. Repeat (3) and (4) on both channels.
- (5) Set INPUT SELECTOR to PHONO-1MC.
- (6) Set generator output level to 20 kHz/3V.
- (7) Adjust VR1 (Lch) and VR2 (Rch) of MC head amp. (ETC-483C Amp. Unit), so that to obtain minimum distortion: approximately or below 0.003%. (Insert test screw-driver through holes on rear bottom cover). Refer to Fig. 8.



(Note) Keep signal line impedance below 10 ohm while adjusting distortion of MC head amp.

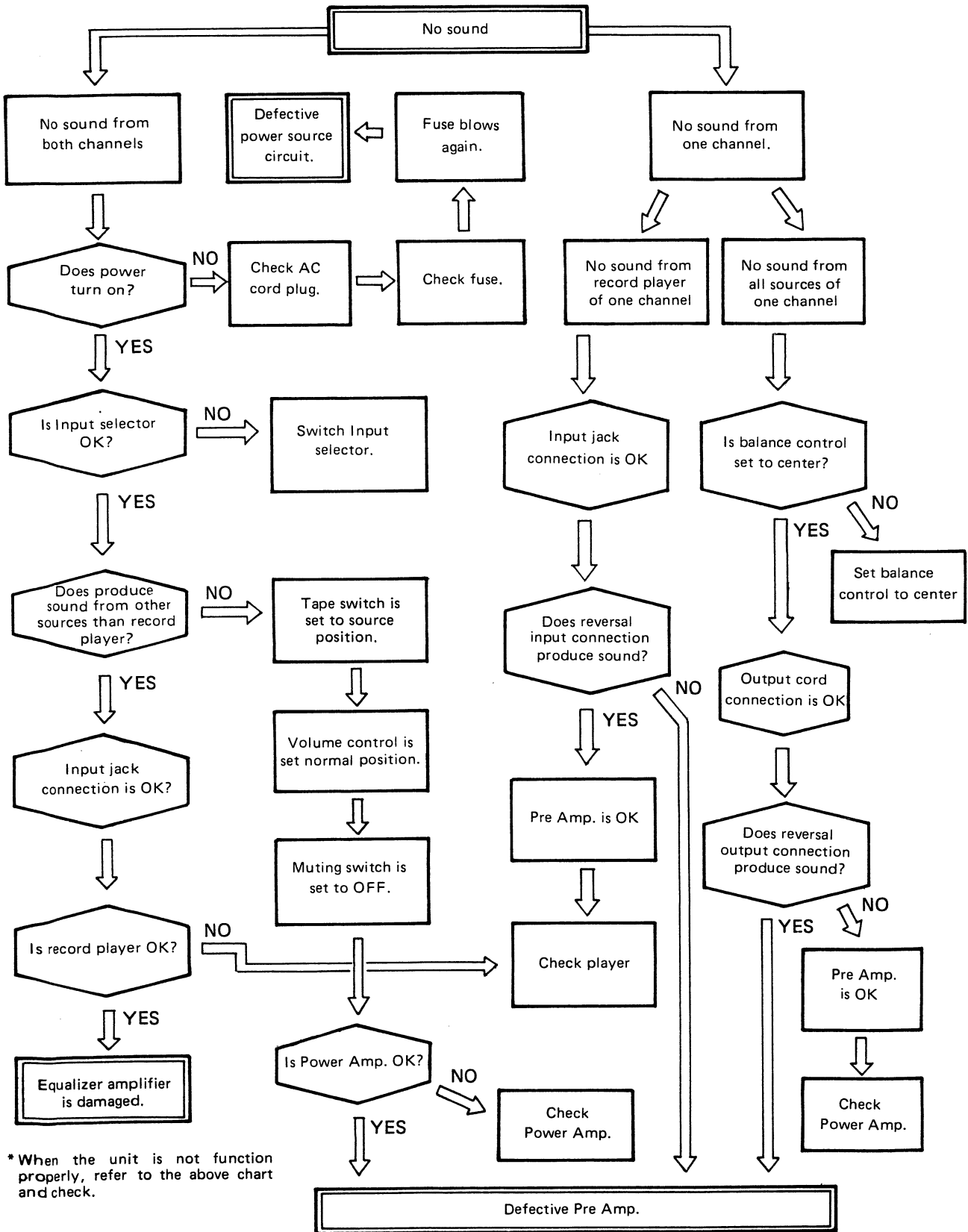
● Buffer Amp Neutral Point Adjustment

- (1) Remove top cover.
- (2) Connect digital voltmeter to test point in front of volume control, and set the volume control fully counterclockwise.
- (3) Turn Power Switch ON.
- (4) Insert a cover for aging.
- (5) Age for 3 minutes.
- (6) Adjust neutral point adjustment VR so that digital voltmeter reads "0 mV." Insert screw driver through holes on bottom cover to do the adjustment.
- (7) Do the adjustment on both channels.



TROUBLESHOOTING

1. Check all connections are done right.
 2. Refer to Instruction manual for correct operation.
 3. Check speakers and player etc. are functioning right.
- If out of order, check per follow chart below:

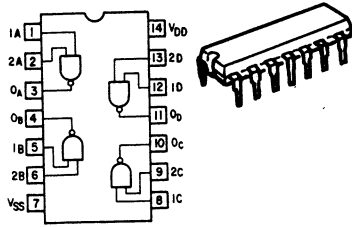


* When the unit is not function properly, refer to the above chart and check.

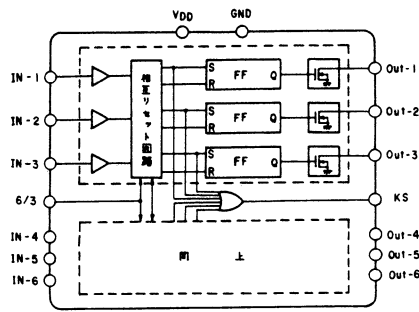
SEMICONDUCTORS

• IC

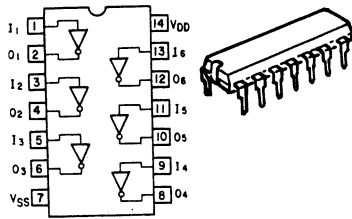
HD14011BP



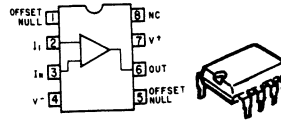
TC9135P



HD14069PUBP



μPC741C



• TRANSISTOR

- 2SA970(BL)
- 2SA1015(Y)
- 2SC1815(BL),(Y)
- 2SC2240(BL)
- 2SA1084(E)
- 2SC2546(E)
- 2SC2240(BL)

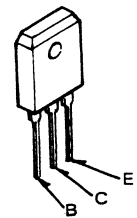
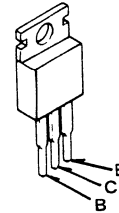
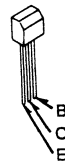
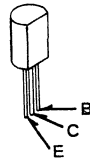
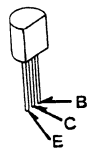
- 2SC2655(Y)

- 2SK147(BL1)/(BL2)
- (GR1)/(GR2)
- 2SJ72(BL1)/(BL2)
- (GR1)/(GR2)

- 2SA915(L)
- 2SC1940(L)

- 2SA816(Y)
- 2SC1626(Y)

- 2SA1104(O)/(Y)
- 2SC2579(O)/(Y)



• DIODE

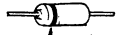
- 1S2076A
- 1S2076

- HZ76-3
- HZ15-1
- HZ16-1
- HZ24-2
- HZ30-2

- S2K20

- KB-265

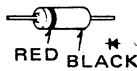
- 1D2C-1



LIGHT BLUE:1S2076
DARK BLUE :1S2076A



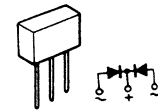
BLACK *



RED BLACK *

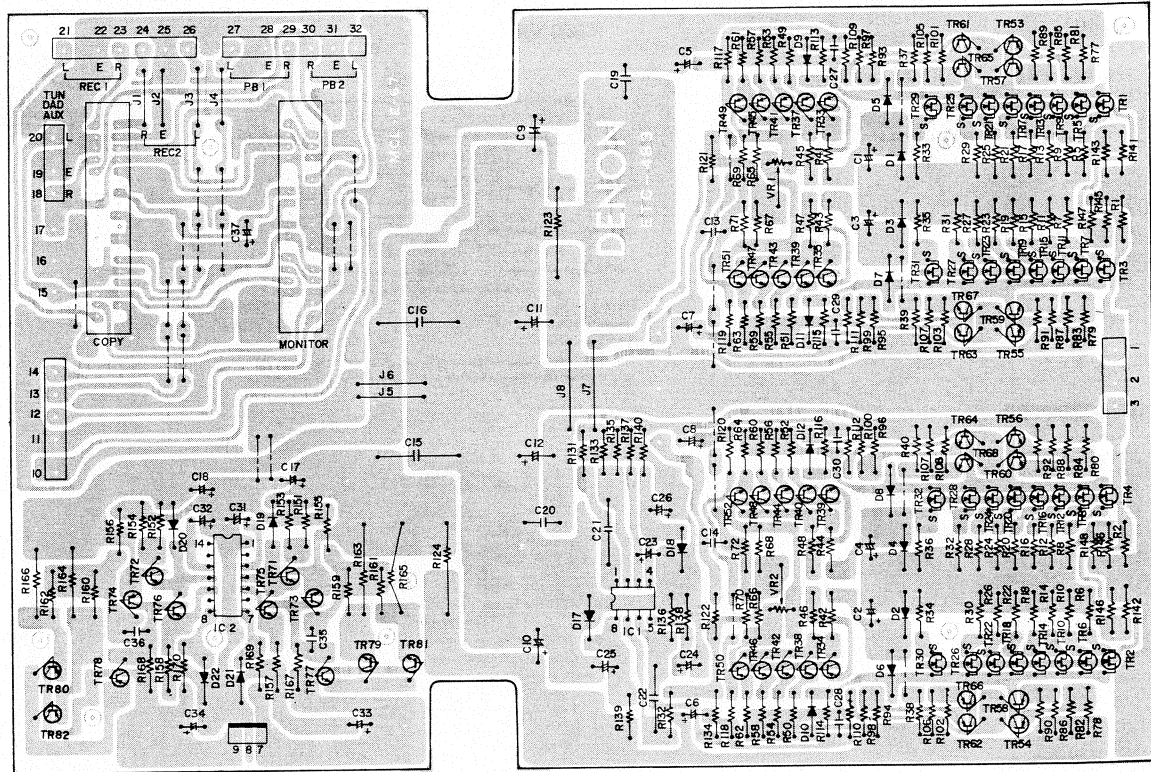


RED BLACK *



PRINTED WIRING BOARDED PATTERNS AND PARTS LIST

ETC-483 MC AMP UNIT



ETC-483 MC AMP UNIT PARTS LIST

Ref. No.	Part No.	Part Name & Descriptions
SEMICONDUCTORS		
IC001	2630118001	NJM4560D INTEGRATED CIRCUIT
IC002	2630086007	TA7179P INTEGRATED CIRCUIT
TR001	2750033008	2SK147(GR1)/(GR2) FIELD EFFECT TRANSISTOR
TR002	2750033008	2SK147(GR1)/(GR2) FIELD EFFECT TRANSISTOR
TR003	2750034007	2SJ72(GR1)/(GR2) FIELD EFFECT TRANSISTOR
TR004	2750034007	2SJ72(GR1)/(GR2) FIELD EFFECT TRANSISTOR
TR005	2750033008	2SK147(GR1)/(GR2) FIELD EFFECT TRANSISTOR
TR006	2750033008	2SK147(GR1)/(GR2) FIELD EFFECT TRANSISTOR
TR007	2750034007	2SJ72(GR1)/(GR2) FIELD EFFECT TRANSISTOR
TR008	2750034007	2SJ72(GR1)/(GR2) FIELD EFFECT TRANSISTOR
TR009	2750033008	2SK147(GR1)/(GR2) FIELD EFFECT TRANSISTOR
TR010	2750033008	2SK147(GR1)/(GR2) FIELD EFFECT TRANSISTOR
TR011	2750034007	2SJ72(GR1)/(GR2) FIELD EFFECT TRANSISTOR
TR012	2750034007	2SJ72(GR1)/(GR2) FIELD EFFECT TRANSISTOR
TR013	2750033008	2SK147(GR1)/(GR2) FIELD EFFECT TRANSISTOR
TR014	2750033008	2SK147(GR1)/(GR2) FIELD EFFECT TRANSISTOR
TR015	2750034007	2SJ72(GR1)/(GR2) FIELD EFFECT TRANSISTOR

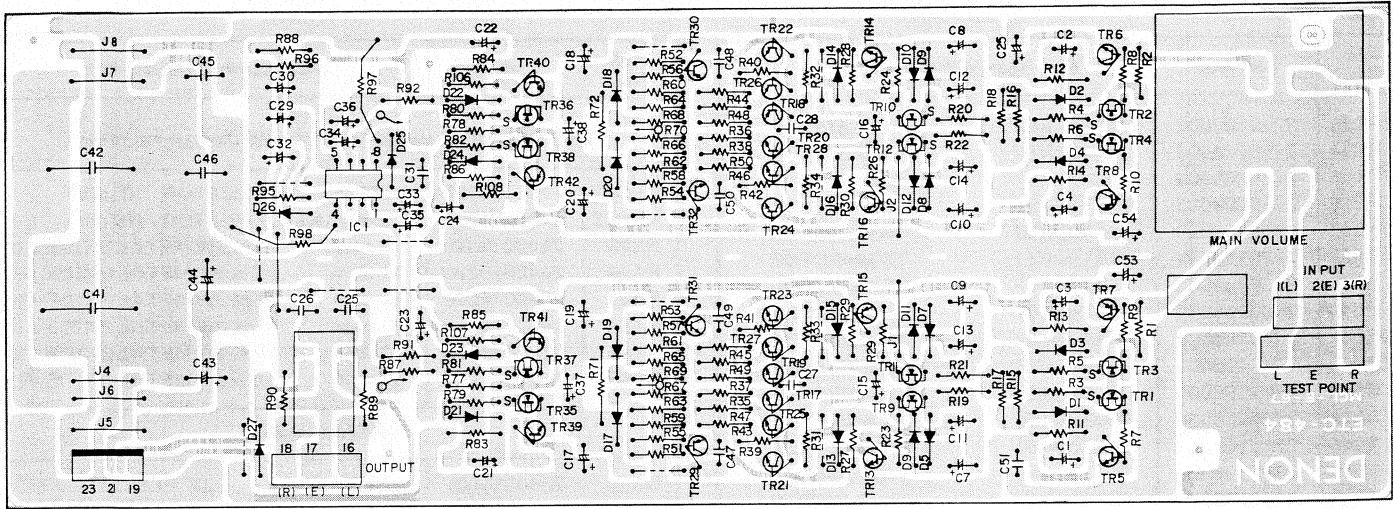
Ref. No.	Part No.	Part Name & Descriptions
TR016	2750034007	2SJ72(GR1)/(GR2) FIELD EFFECT TRANSISTOR
TR017	2750033008	2SK147(GR1)/(GR2) FIELD EFFECT TRANSISTOR
TR018	2750033008	2SK147(GR1)/(GR2) FIELD EFFECT TRANSISTOR
TR019	2750034007	2SJ72(GR1)/(GR2) FIELD EFFECT TRANSISTOR
TR020	2750034007	2SJ72(GR1)/(GR2) FIELD EFFECT TRANSISTOR
TR021	2750033008	2SK147(GR1)/(GR2) FIELD EFFECT TRANSISTOR
TR022	2750033008	2SK147(GR1)/(GR2) FIELD EFFECT TRANSISTOR
TR023	2750034007	2SJ72(GR1)/(GR2) FIELD EFFECT TRANSISTOR
TR024	2750034007	2SJ72(GR1)/(GR2) FIELD EFFECT TRANSISTOR
TR025	2750033008	2SK147(GR1)/(GR2) FIELD EFFECT TRANSISTOR
TR026	2750033008	2SK147(GR1)/(GR2) FIELD EFFECT TRANSISTOR
TR027	2750034007	2SJ72(GR1)/(GR2) FIELD EFFECT TRANSISTOR
TR028	2750034007	2SJ72(GR1)/(GR2) FIELD EFFECT TRANSISTOR
TR029	2750033008	2SK147(GR1)/(GR2) FIELD EFFECT TRANSISTOR
TR030	2750033008	2SK147(GR1)/(GR2) FIELD EFFECT TRANSISTOR
TR031	2750034007	2SJ72(GR1)/(GR2) FIELD EFFECT TRANSISTOR
TR032	2750034007	2SJ72(GR1)/(GR2) FIELD EFFECT TRANSISTOR

Con.

Ref. No.	Part No.	Part Name & Descriptions
TR033	2710106001	2SA1084(E) TRANSISTOR
TR034	2710106001	2SA1084(E) TRANSISTOR
TR035	2730208002	2SC2546(E) TRANSISTOR
TR036	2730208002	2SC2546(E) TRANSISTOR
TR037	2710106001	2SA1084(E) TRANSISTOR
TR038	2710106001	2SA1084(E) TRANSISTOR
TR039	2730208002	2SC2546(E) TRANSISTOR
TR040	2730208002	2SC2546(E) TRANSISTOR
TR041	2710106001	2SA1084(E) TRANSISTOR
TR042	2710106001	2SA1084(E) TRANSISTOR
TR043	2730208002	2SC2546(E) TRANSISTOR
TR044	2730208002	2SC2546(E) TRANSISTOR
TR045	2710106001	2SA1084(E) TRANSISTOR
TR046	2710106001	2SA1084(E) TRANSISTOR
TR047	2730208002	2SC2546(E) TRANSISTOR
TR048	2730208002	2SC2546(E) TRANSISTOR
TR049	2710106001	2SA1084(E) TRANSISTOR
TR050	2710106001	2SA1084(E) TRANSISTOR
TR051	2730208002	2SC2546(E) TRANSISTOR
TR052	2730208002	2SC2546(E) TRANSISTOR
TR053	2710106001	2SA1084(E) TRANSISTOR
TR054	2710106001	2SA1084(E) TRANSISTOR
TR055	2730208002	2SC2546(E) TRANSISTOR
TR056	2730208002	2SC2546(E) TRANSISTOR
TR057	2710106001	2SA1084(E) TRANSISTOR
TR058	2710106001	2SA1084(E) TRANSISTOR
TR059	2730208002	2SC2546(E) TRANSISTOR
TR060	2730208002	2SC2546(E) TRANSISTOR
TR061	2710106001	2SA1084(E) TRANSISTOR
TR062	2710106001	2SA1084(E) TRANSISTOR
TR063	2730208002	2SC2546(E) TRANSISTOR
TR064	2730208002	2SC2546(E) TRANSISTOR
TR065	2710106001	2SA1084(E) TRANSISTOR
TR066	2710106001	2SA1084(E) TRANSISTOR
TR067	2730208002	2SC2546(E) TRANSISTOR
TR068	2730208002	2SC2546(E) TRANSISTOR
TR071	2730198002	2SC1815(Y) TRANSISTOR
TR072	2710102005	2SA1015(Y) TRANSISTOR
TR073	2730198002	2SC1815(Y) TRANSISTOR
TR074	2710102005	2SA1015(Y) TRANSISTOR
TR075	2730198002	2SC1815(Y) TRANSISTOR
TR076	2710102005	2SA1015(Y) TRANSISTOR
TR077	2730198002	2SC1815(Y) TRANSISTOR
TR078	2710102005	2SA1015(Y) TRANSISTOR
TR079	2730177007	2SC1626(Y) TRANSISTOR
TR080	2710088006	2SA816(Y) TRANSISTOR
TR081	2730177007	2SC1626(Y) TRANSISTOR
TR082	2710088006	2SA816(Y) TRANSISTOR
D001	2760254000	HZ7B-3 DIODE
D002	2760254000	HZ7B-3 DIODE
D003	2760254000	HZ7B-3 DIODE
D004	2760254000	HZ7B-3 DIODE
D005	2760049008	1S2076 DIODE
D006	2760049008	1S2076 DIODE
D007	2760049008	1S2076 DIODE
D008	2760049008	1S2076 DIODE
D009	2760049008	1S2076 DIODE
D010	2760049008	1S2076 DIODE
D011	2760049008	1S2076 DIODE
D012	2760049008	1S2076 DIODE
D017	2760220021	HZ24-2 DIODE
D018	2760220021	HZ24-2 DIODE
D019	2760049008	1S2076 DIODE
D020	2760049008	1S2076 DIODE
D021	2760256011	HZ16-1 DIODE
D022	2760256011	HZ16-1 DIODE

Ref. No.	Part No.	Part Name & Descriptions
RESISTORS (not included ±5%, ¼W Carbon Film Type)		
VR001	2116016009	SEMI FIXED RESISTOR 100 ohm
VR002	2116016009	SEMI FIXED RESISTOR 100 ohm
R123	2440075020	12 ohm ±5% 2W METAL OXIDE FILM
R124	2440075020	12 ohm ±5% 2W METAL OXIDE FILM
R163	2440074020	10 ohm ±5% 2W METAL OXIDE FILM
R164	2440074020	10 ohm ±5% 2W METAL OXIDE FILM
R165	2440074020	10 ohm ±5% 2W METAL OXIDE FILM
R166	2440074020	10 ohm ±5% 2W METAL OXIDE FILM
CAPACITORS		
C001	2544013001	470µF 10V ELECTROLYTIC
C002	2544013001	470µF 10V ELECTROLYTIC
C003	2544013001	470µF 10V ELECTROLYTIC
C004	2544013001	470µF 10V ELECTROLYTIC
C005	2544019005	220µF 16V ELECTROLYTIC
C006	2544019005	220µF 16V ELECTROLYTIC
C007	2544019005	220µF 16V ELECTROLYTIC
C008	2544019005	220µF 16V ELECTROLYTIC
C009	2544041002	470µF 35V ELECTROLYTIC
C010	2544041002	470µF 35V ELECTROLYTIC
C011	2544041002	470µF 35V ELECTROLYTIC
C012	2544041002	470µF 35V ELECTROLYTIC
C013	2556111001	0.0033µF ±5% 50V PLASTIC FILM
C014	2556111001	0.0033µF ±5% 50V PLASTIC FILM
C015	2561023003	0.47µF ±10% 100V UL METALIZED
C016	2561023003	0.47µF ±10% 100V UL METALIZED
C017	2544044009	1µF 50V ELECTROLYTIC
C018	2544044009	1µF 50V ELECTROLYTIC
C019	2561026000	1µF ±10% 125V METALIZED
C020	2561026000	1µF ±10% 125V METALIZED
C021	2561030012	1µF ±5% 100V METALIZED
C022	2561030012	1µF ±5% 100V METALIZED
C023	2544009002	47µF 10V ELECTROLYTIC
C024	2544009002	47µF 10V ELECTROLYTIC
C025	2544018006	100µF 16V ELECTROLYTIC
C026	2544018006	100µF 16V ELECTROLYTIC
C027	2521010001	10pF ±0.5pF 50V MICA FILM
C028	2521010001	10pF ±0.5pF 50V MICA FILM
C029	2521010001	10pF ±0.5pF 50V MICA FILM
C030	2521010001	10pF ±0.5pF 50V MICA FILM
C031	2544044009	1µF 50V ELECTROLYTIC
C032	2544044009	1µF 50V ELECTROLYTIC
C033	2544044009	1µF 50V ELECTROLYTIC
C034	2544044009	1µF 50V ELECTROLYTIC
C035	2521026008	47pF ±5% 50V MICA FILM
C036	2521026008	47pF ±5% 50V MICA FILM
C037	2544024003	4.7µF 25V ELECTROLYTIC
OTHER PARTS		
	2220808103	P.W. BOARD
	2090047903	0.6 JUMPER WIRE USED 23
	2124366000	SLIDE SWITCH (REMOTE) USED 2
	4170043100	RADIATOR USED 4
	4730354035	TAPPING SCREW (2) 3x8 USED 4
	2050122033	3P CONNECTOR PIN ASS'Y USED 3
	2050122062	6P CONNECTOR PIN ASS'Y USED 2
	2035622008	3P CONNECTOR BASE
	2090008104	JUMPER SHORT LEAD P=15mm USED 1
	2090008117	JUMPER SHORT LEAD P=12.5mm USED 4
	2090008162	JUMPER SHORT LEAD P=20mm USED 1
	2034177020	3P CONNECTOR CORD
	2034177033	3P CONNECTOR CORD

ETC-484 FLAT AMP UNIT



ETC-484 FLAT AMP UNIT PARTS LIST

Ref. No.	Part No.	Part Name & Descriptions
CONDUCTORS		
IC001	2630118001	NJM4560D INTEGRATED CIRCUIT
TR001	2750033008	2SK147(GR1)/(GR2) FIELD EFFECT TRANSISTOR
TR002	2750033008	2SK147(GR1)/(GR2) FIELD EFFECT TRANSISTOR
TR003	2750034007	2SJ72(GR1)/(GR2) FIELD EFFECT TRANSISTOR
TR004	2750034007	2SJ72(GR1)/(GR2) FIELD EFFECT TRANSISTOR
TR005	2730186001	2SC1940(L) TRANSISTOR
TR006	2730186001	2SC1940(L) TRANSISTOR
TR007	2710093004	2SA915(L) TRANSISTOR
TR008	2710093004	2SA915(L) TRANSISTOR
TR009	2750033011	2SK147(GR2) FIELD EFFECT TRANSISTOR
TR010	2750033011	2SK147(GR2) FIELD EFFECT TRANSISTOR
TR011	2750034010	2SJ72(GR2) FIELD EFFECT TRANSISTOR
TR012	2750034010	2SJ72(GR2) FIELD EFFECT TRANSISTOR
TR013	2730198002	2SC1815(Y) TRANSISTOR
TR014	2730198002	2SC1815(Y) TRANSISTOR
TR015	2710102005	2SA1015(Y) TRANSISTOR
TR016	2710102005	2SA1015(Y) TRANSISTOR
TR017	2710102005	2SA1015(Y) TRANSISTOR
TR018	2710102005	2SA1015(Y) TRANSISTOR
TR019	2730198002	2SC1815(Y) TRANSISTOR
TR020	2730198002	2SC1815(Y) TRANSISTOR
TR021	2710102005	2SA1015(Y) TRANSISTOR
TR022	2710102005	2SA1015(Y) TRANSISTOR
TR023	2730198002	2SC1815(Y) TRANSISTOR
TR024	2730198002	2SC1815(Y) TRANSISTOR
TR025	2710102005	2SA1015(Y) TRANSISTOR
TR026	2710102005	2SA1015(Y) TRANSISTOR
TR027	2730198002	2SC1815(Y) TRANSISTOR
TR028	2730198002	2SC1815(Y) TRANSISTOR
TR029	2710106001	2SA1084(E) TRANSISTOR
TR030	2710106001	2SA1084(E) TRANSISTOR

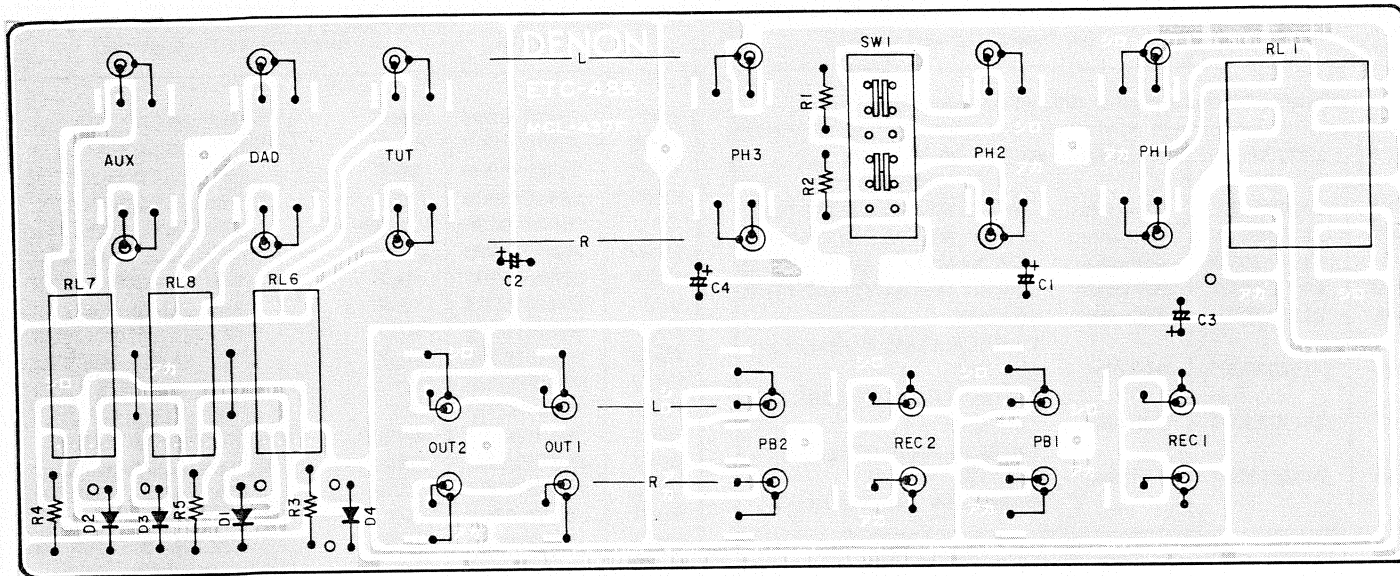
Ref. No.	Part No.	Part Name & Descriptions
TR031	2730208002	2SC2546(E) TRANSISTOR
TR032	2730208002	2SC2546(E) TRANSISTOR
TR035	2750033053	2SK147(BL1)/(BL2) FIELD EFFECT TRANSISTOR
TR036	2750033053	2SK147(BL1)/(BL2) FIELD EFFECT TRANSISTOR
TR037	2750034052	2SJ72(BL1)/(BL2) FIELD EFFECT TRANSISTOR
TR038	2750034052	2SJ72(BL1)/(BL2) FIELD EFFECT TRANSISTOR
TR039	2730177007	2SC1626(Y) TRANSISTOR
TR040	2730177007	2SC1626(Y) TRANSISTOR
TR041	2710088006	2SA816(Y) TRANSISTOR
TR042	2710088006	2SA816(Y) TRANSISTOR
D001	2760254000	HZ7B-3 DIODE
D002	2760254000	HZ7B-3 DIODE
D003	2760254000	HZ7B-3 DIODE
D004	2760254000	HZ7B-3 DIODE
D005	2760254000	HA7B-3 DIODE
D006	2760254000	HZ7B-3 DIODE
D007	2760254000	HZ7B-3 DIODE
D008	2760254000	HZ7B-3 DIODE
D009	2760254000	HA7B-3 DIODE
D010	2760254000	HZ7B-3 DIODE
D011	2760254000	HZ7B-3 DIODE
D012	2760254000	HZ7B-3 DIODE
D013	2760049008	1S2076 DIODE
D014	2760049008	1S2076 DIODE
D015	2760049008	1S2076 DIODE
D016	2760049008	1S2076 DIODE
D017	2760049008	1S2076 DIODE
D018	2760049008	1S2076 DIODE
D019	2760049008	1S2076 DIODE
D020	2760049008	1S2076 DIODE
D021	2760254000	HZ7B-3 DIODE
D022	2760254000	HZ7B-3 DIODE
D023	2760254000	HZ7B-3 DIODE
D024	2760254000	HZ7B-3 DIODE
D025	2760253014	HZ15-1 DIODE
D026	2760253014	HZ15-1 DIODE
D027	2760049008	1S2076 DIODE

Con.

Ref. No.	Part No.	Part Name & Descriptions	
RESISTORS (not included $\pm 5\%$, $\frac{1}{4}W$ Carbon Film Type)			
VR001	2110204008	VARIABLE RESISTOR 10 kohm FOR MAIN	
R071	2440056023	18 kohm	$\pm 5\%$ 1W METAL OXIDE FILM
R072	2440056023	18 kohm	$\pm 5\%$ 1W METAL OXIDE FILM
R097	2440106025	4.7 kohm	$\pm 5\%$ 2W METAL OXIDE FILM
R098	2440106025	4.7 kohm	$\pm 5\%$ 2W METAL OXIDE FILM
R105	2412323001	100 ohm	$\pm 5\%$ $\frac{1}{4}W$ CARBON FILM (FUSIBLE)
R106	2412323001	100 ohm	$\pm 5\%$ $\frac{1}{4}W$ CARBON FILM (FUSIBLE)
R107	2412323001	100 ohm	$\pm 5\%$ $\frac{1}{4}W$ CARBON FILM (FUSIBLE)
R108	2412323001	100 ohm	$\pm 5\%$ $\frac{1}{4}W$ CARBON FILM (FUSIBLE)
CAPACITORS (not included Ceramic 50V Type)			
C001	2544009002	47 μ F	10V ELECTROLYTIC
C002	2544009002	47 μ F	10V ELECTROLYTIC
C003	2544009002	47 μ F	10V ELECTROLYTIC
C004	2544009002	47 μ F	10V ELECTROLYTIC
C007	2544017007	47 μ F	16V ELECTROLYTIC
C008	2544017007	47 μ F	16V ELECTROLYTIC
C009	2544017007	47 μ F	16V ELECTROLYTIC
C010	2544017007	47 μ F	16V ELECTROLYTIC
C011	2544017007	47 μ F	16V ELECTROLYTIC
C012	2544017007	47 μ F	16V ELECTROLYTIC
C013	2544017007	47 μ F	16V ELECTROLYTIC
C014	2544017007	47 μ F	16V ELECTROLYTIC
C015	2544060025	1 μ F	100V ELECTROLYTIC
C016	2544060025	1 μ F	100V ELECTROLYTIC
C017	2544050006	100 μ F	50V ELECTROLYTIC
C018	2544050006	100 μ F	50V ELECTROLYTIC
C019	2544050006	100 μ F	50V ELECTROLYTIC
C020	2544050006	100 μ F	50V ELECTROLYTIC
C021	2544009002	47 μ F	10V ELECTROLYTIC
C022	2544009002	47 μ F	10V ELECTROLYTIC
C023	2544009002	47 μ F	10V ELECTROLYTIC
C024	2544009002	47 μ F	10V ELECTROLYTIC
C025	2556099000	0.001 μ F	$\pm 5\%$ 50V PLASTIC FILM
C026	2556099000	0.001 μ F	$\pm 5\%$ 50V PLASTIC FILM

Ref. No.	Part No.	Part Name & Descriptions	
C027	2521028006	56pF	$\pm 5\%$ 50V MICA FILM
C028	2521028006	56pF	$\pm 5\%$ 50V MICA FILM
C029	2544015009	10 μ F	16V ELECTROLYTIC
C030	2544015009	10 μ F	16V ELECTROLYTIC
C031	2544019005	220 μ F	16V ELECTROLYTIC
C032	2544019005	220 μ F	16V ELECTROLYTIC
C033	2544015009	10 μ F	16V ELECTROLYTIC
C034	2544015009	10 μ F	16V ELECTROLYTIC
C035	2544015009	10 μ F	16V ELECTROLYTIC
C036	2544015009	10 μ F	16V ELECTROLYTIC
C037	2544060025	1 μ F	100V ELECTROLYTIC
C038	2544060025	1 μ F	100V ELECTROLYTIC
C041	2561031008	0.82 μ F	$\pm 10\%$ 100V METALIZED
C042	2561031008	0.82 μ F	$\pm 10\%$ 100V METALIZED
C043	2544059094	470 μ F	63V ELECTROLYTIC
C044	2561026000	1 μ F	$\pm 10\%$ 125V METALIZED
C045	2544059094	470 μ F	63V ELECTROLYTIC
C046	2561026000	1 μ F	$\pm 10\%$ 125V METALIZED
C047	2521010001	10pF	$\pm 0.5pF$ 50V MICA FILM
C048	2521010001	10pF	$\pm 0.5pF$ 50V MICA FILM
C049	2521010001	10pF	$\pm 0.5pF$ 50V MICA FILM
C050	2521010001	10pF	$\pm 0.5pF$ 50V MICA FILM
C051	2544060038	0.47 μ F	100V ELECTROLYTIC
C052	2544060038	0.47 μ F	100V ELECTROLYTIC
C053	2544060038	0.47 μ F	100V ELECTROLYTIC
C054	2544060038	0.47 μ F	100V ELECTROLYTIC
OTHER PARTS			
RL010	2220809102	P.W. BOARD	
	2090047903	0.6 JUMPER WIRE USED 14	
	2140039007	RELAY	
	2050141001	COMMON PLATE	
	2050087039	3P TERMINAL	
	2050122033	3P CONNECTOR PIN ASS'Y USED 2	
	2035622066	5P MINI CONN. PIN	
	2090008104	JUMPER SHORT LEAD P=15mm USED 7	
	2090008117	JUMPER SHORT LEAD P=12.5mm USED 1	
	2090008146	JUMPER SHORT LEAD P=5mm USED 1	
	2040087007	6P CONNECTOR CORD	
2040087010	6P CONNECTOR CORD		
4450033005	WIRE CLAMP BAND USED 2		

ETC-485 INPUT TERMINAL UNIT

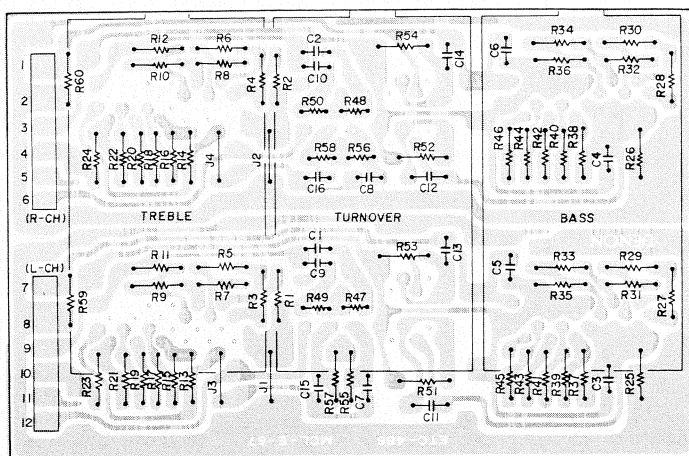


ETC-485 INPUT TERMINAL UNIT PARTS LIST

Ref. No.	Part No.	Part Name & Descriptions	
RESISTORS (not included 1/4W, ±5% Type)			
R003	2410181009	680 ohm	±5% 1/2W CARBON FILM
R004	2410181009	680 ohm	±5% 1/2W CARBON FILM
R005	2410181009	680 ohm	±5% 1/2W CARBON FILM
SEMICONDUCTORS			
D001	2760049008	1S2076	DIODE
D002	2760049008	1S2076	DIODE
D003	2760049008	1S2076	DIODE
D004	2760049008	1S2076	DIODE
CAPACITORS			
C001	2544043000	0.47μF	50V ELECTROLYTIC
C002	2544043000	0.47μF	50V ELECTROLYTIC
C003	2544043000	0.47μF	50V ELECTROLYTIC
C004	2544043000	0.47μF	50V ELECTROLYTIC

Ref. No.	Part No.	Part Name & Descriptions
OTHER PARTS		
	2220812102	P.W. BOARD
	2090008120	JUMPER SHORT LEAD P=10mm USED 2
	2048007018	1P PIN JACK USED 8
	2048009016	1P PIN JACK USED 16
SW001	2124119008	SLIDE SW
RL001	2140026007	RELAY
RL006	2140036000	REED RELAY
RL007	2140036000	REED RELAY
RL008	2140036000	REED RELAY
	4450033005	WIRE CLAMP BAND USED 4
	2030226014	1P CONTACT ASS'Y
	2034176005	3P CONNECTOR CORD
	2034176018	3P CONNECTOR CORD
	2034176021	3P CONNECTOR CORD
	2034176034	3P CONNECTOR CORD
	2034176047	3P CONNECTOR CORD
	2038105027	5P CONNECTOR CORD
	2040086008	6P CONNECTOR CORD
	2040086011	6P CONNECTOR CORD

ETC-486 TONE UNIT

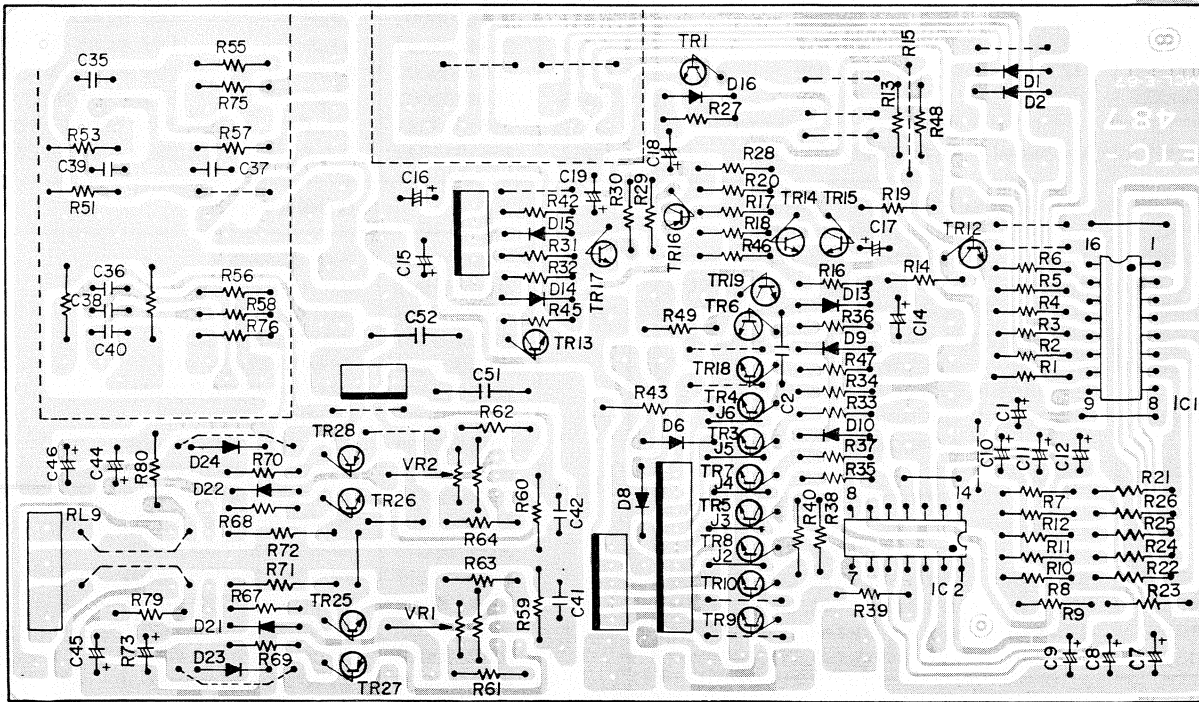


ETC-486 UNIT PARTS LIST

Ref. No.	Part No.	Part Name & Descriptions
RESISTORS (not included $\pm\%$, $\frac{1}{4}W$ Carbon Film Type)		
CAPACITORS		
C001	2551135066	0.0068 μ F \pm 5% 50V PLASTIC FILM
C002	2551135066	0.0068 μ F \pm 5% 50V PLASTIC FILM
C003	2551137019	0.039 μ F \pm 5% 50V PLASTIC FILM
C004	2551137019	0.039 μ F \pm 5% 50V PLASTIC FILM
C005	2551137048	0.02 μ F \pm 5% 50V PLASTIC FILM
C006	2551137048	0.02 μ F \pm 5% 50V PLASTIC FILM
C007	2551140048	0.068 μ F \pm 5% 50V PLASTIC FILM
C008	2551140048	0.068 μ F \pm 5% 50V PLASTIC FILM
C009	2551134067	0.0018 μ F \pm 5% 50V PLASTIC FILM
C010	2551134067	0.0018 μ F \pm 5% 50V PLASTIC FILM

Ref. No.	Part No.	Part Name & Descriptions
C011	2551140064	0.12 μ F \pm 5% 50V PLASTIC FILM
C012	2551140064	0.12 μ F \pm 5% 50V PLASTIC FILM
C013	2551135095	0.056 μ F \pm 5% 50V PLASTIC FILM
C014	2551135095	0.056 μ F \pm 5% 50V PLASTIC FILM
C015	2551140035	0.018 μ F \pm 5% 50V PLASTIC FILM
C016	2551140035	0.018 μ F \pm 5% 50V PLASTIC FILM
OTHER PARTS		
	2220811103	P.W. BOARD
	2090008120	JUMPER SHORT LEAD P=10mm USED 4
SW001	2120203109	ROTARY SWITCH
SW002	2120203109	ROTARY SWITCH
	2120210008	ROTARY SWITCH

ETC-487 CONTROL (A) UNIT



ETC-487 CONTROL (A) UNIT PARTS LIST

Ref. No.	Part No.	Part Name & Descriptions
SEMICONDUCTORS		
IC001	2620337009	TC9135P INTEGRATED CIRCUIT
IC002	2620312008	HD14069UBP INTEGRATED CIRCUIT
TR001	2730198015	2SC1815(BL) TRANSISTOR
TR003	2730198015	2SC1815(BL) TRANSISTOR
TR004	2730198015	2SC1815(BL) TRANSISTOR
TR005	2730198015	2SC1815(BL) TRANSISTOR
TR006	2730198015	2SC1815(BL) TRANSISTOR
TR007	2730198015	2SC1815(BL) TRANSISTOR
TR008	2730198015	2SC1815(BL) TRANSISTOR
TR009	2730198015	2SC1815(BL) TRANSISTOR
TR010	2730198015	2SC1815(BL) TRANSISTOR

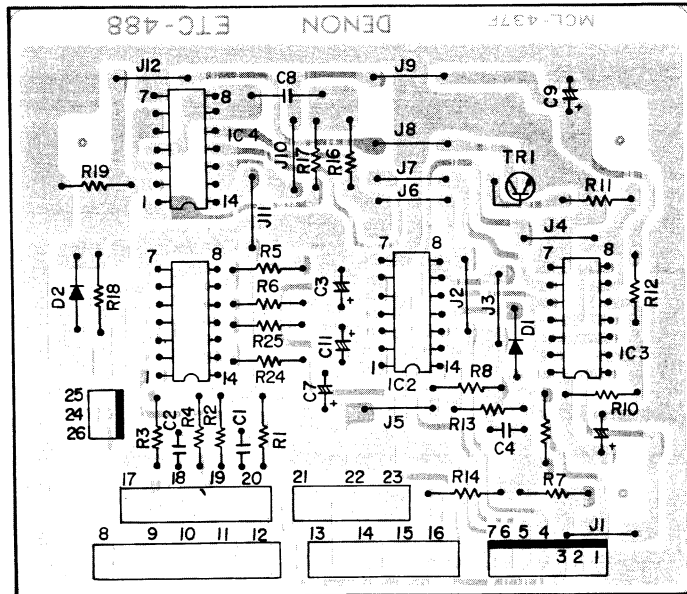
Ref. No.	Part No.	Part Name & Descriptions
TR012	2730198002	2SC1815(Y) TRANSISTOR
TR013	2730177007	2SC1626(Y) TRANSISTOR
TR014	2730198015	2SC1815(BL) TRANSISTOR
TR015	2730198015	2SC1815(BL) TRANSISTOR
TR016	2710102005	2SA1015(Y) TRANSISTOR
TR017	2730198015	2SC1815(BL) TRANSISTOR
TR018	2730198015	2SC1815(BL) TRANSISTOR
TR019	2730198015	2SC1815(BL) TRANSISTOR
TR021	2750033053	2SK147(BL1)/(BL2) FIELD EFFECT TRANSISTOR
TR022	2750033053	2SK147(BL1)/(BL2) FIELD EFFECT TRANSISTOR

Con.

Ref. No.	Part No.	Part Name & Descriptions	
TR023	2750034052	2SJ72(BL1)/(BL2) FIELD EFFECT TRANSISTOR	
TR024	2750034052	2SJ72(BL1)/(BL2) FIELD EFFECT TRANSISTOR	
TR025	2730177007	2SC1626(Y)	TRANSISTOR
TR026	2730177007	2SC1626(Y)	TRANSISTOR
TR027	2710088006	2SA816(Y)	TRANSISTOR
TR028	2710088006	2SA816(Y)	TRANSISTOR
D001	2760049008	1S2076	DIODE
D002	2760049008	1S2076	DIODE
D006	2760049008	1S2076	DIODE
D008	2760049008	1S2076	DIODE
D009	2760049008	1S2076	DIODE
D010	2760049008	1S2076	DIODE
D013	2760254000	HZ7B-3	DIODE
D014	2760220021	HZ24-2	DIODE
D015	2760049008	1S2076	DIODE
D016	2760049008	1S2076	DIODE
D021	2760254000	HZ7B-3	DIODE
D022	2760254000	HZ7B-3	DIODE
D023	2760254000	HZ7B-3	DIODE
D024	2760254000	HZ7B-3	DIODE
D026	2760049008	1S2076	DIODE
RESISTORS (not included in EXPLODED VIEW)			
VR001	2116016009	SEMI-FIXED RESISTOR 100 ohm	
VR002	2116016009	SEMI-FIXED RESISTOR 100 ohm	
R015	2440041025	1 kohm	±5% 1W METAL OXIDE FILM
R043	2440035028	330 ohm	±5% 1W METAL OXIDE FILM
R055	2420203003	10 Mohm	±10% ½W CARBON COMPOSIT
R056	2420203003	10 Mohm	±10% ½W CARBON COMPOSIT
R067	2412314065	270 ohm	±5% ¼W CARBON FILM (FUSIBLE)
R068	2412314065	270 ohm	±5% ¼W CARBON FILM (FUSIBLE)
R069	2412314065	270 ohm	±5% ¼W CARBON FILM (FUSIBLE)
R070	2412314065	270 ohm	±5% ¼W CARBON FILM (FUSIBLE)
R071	2442013051	27 kohm	±5% 1W METAL OXIDE FILM
R072	2442013051	27 kohm	±5% 1W METAL OXIDE FILM
R073	2442013051	27 kohm	±5% 1W METAL OXIDE FILM
R074	2442013051	27 kohm	±5% 1W METAL OXIDE FILM
CAPACITORS			
C001	2544044009	1μF	50V ELECTROLYTIC
C002	2544004007	220μF	6.3V ELECTROLYTIC

Ref. No.	Part No.	Part Name & Descriptions	
C007	2544024003	4.7μF	25V ELECTROLYTIC
C008	2544024003	4.7μF	25V ELECTROLYTIC
C009	2544024003	4.7μF	25V ELECTROLYTIC
C010	2544024003	4.7μF	25V ELECTROLYTIC
C011	2544147003	2.2μF	50V ELECTROLYTIC
C014	2544009002	47μF	10V ELECTROLYTIC
C015	2544044009	1μF	50V ELECTROLYTIC
C016	2544035005	10μF	35V ELECTROLYTIC
C017	2544009002	47μF	10V ELECTROLYTIC
C018	2549011008	1μF	50V ELECTROLYTIC
C019	2544015009	10μF	16V ELECTROLYTIC
C035	2551137019	0.039μF	±5% 50V PLASTIC FILM
C036	2551137019	0.039μF	±5% 50V PLASTIC FILM
C037	2551137019	0.039μF	±5% 50V PLASTIC FILM
C038	2551137019	0.039μF	±5% 50V PLASTIC FILM
C039	2551134009	0.0022μF	±5% 50V PLASTIC FILM
C040	2551134009	0.0022μF	±5% 50V PLASTIC FILM
C041	2556085001	270pF	±5% 50V PLASTIC FILM
C042	2556085001	270pF	±5% 50V PLASTIC FILM
C043	2544009002	47μF	10V ELECTROLYTIC
C044	2544009002	47μF	10V ELECTROLYTIC
C045	2544009002	47μF	10V ELECTROLYTIC
C046	2544009002	47μF	10V ELECTROLYTIC
C051	2561014041	0.1μF	±10% 250V METALIZED
C052	2561014041	0.1μF	±10% 250V METALIZED
OTHER PARTS			
SW006	2220810104	P.W. BOARD	
	2090047903	0.6 JUMPER WIRE USED 19	
	2120202003	ROTARY SWITCH	
	2120204001	ROTARY SWITCH	
	2035622024	4P MINI CONN. PIN	
	2035622008	3P CONNECTOR BASE	
	2035622066	5P MINI CONN. PIN	
	2035622095	9P CONNECTOR BASE	
	2050122033	3P CONNECTOR PIN ASS'Y	
	2090008133	JUMPER SHORT LEAD P=7.5mm USED 8	
	2090008104	JUMPER SHORT LEAD P=15mm USED 2	
	2034166015	3P CONNECTOR CORD	
	2036094017	4P CONNECTOR CORD	
	2034179002	3P CONNECTOR CORD	
	2038105014	5P CONNECTOR CORD	
2042039008	7P CONNECTOR CORD		
4450033005	WIRE CLAMP BAND		

ETC-488 CONTROL (B) UNIT

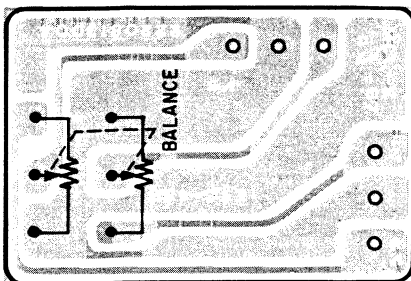


ETC-488 CONTROL (B) UNIT PARTS LIST

Ref. No.	Part No.	Part Name & Descriptions	
SEMICONDUCTORS			
IC001	2620300007	HD14011BP	INTEGRATED CIRCUIT
IC002	2620300007	HD14011BP	INTEGRATED CIRCUIT
IC003	2620300007	HD14011BP	INTEGRATED CIRCUIT
IC004	2620298009	HD14001BP	INTEGRATED CIRCUIT
TR001	2730198015	2SC1815(BL)	TRANSISTOR
TR002	2730198015	2SC1815(BL)	TRANSISTOR
D001	2760049008	1S2076	DIODE
D002	2760049008	1S2076	DIODE
RESISTORS (not included ±5%, ¼W Carbon Film Type)			
R017	2420203003	10 Mohm ±10% ¼W CARBON COMPOSIT	
CAPACITORS (not included Ceramic 50V Type)			
C001	2544043000	0.47µF	50V ELECTROLYTIC
C002	2544043000	0.47µF	50V ELECTROLYTIC

Ref. No.	Part No.	Part Name & Descriptions	
C003	2544066003	2.2µF	50V ELECTROLYTIC
C004	2554149004	0.0015µF ±5%	50V PLASTIC FILM
C005	2544044009	1µF	50V ELECTROLYTIC
C006	2544044009	1µF	50V ELECTROLYTIC
C007	2544044009	1µF	50V ELECTROLYTIC
C008	2551134054	0.1µF ±5%	50V PLASTIC FILM
OTHER PARTS			
	2220814100	P.W. BOARD	
	2090008120	JUMPER SHORT LEAD P=10mm USED 5	
	2050122033	3P CONNECTOR PIN ASS'Y	
	2050122046	4P CONNECTOR PIN ASS'Y	
	2050122059	5P CONNECTOR PIN ASS'Y	
	2035622079	7P MINI CONN. PIN	
	EP-6071	BASE PIN	

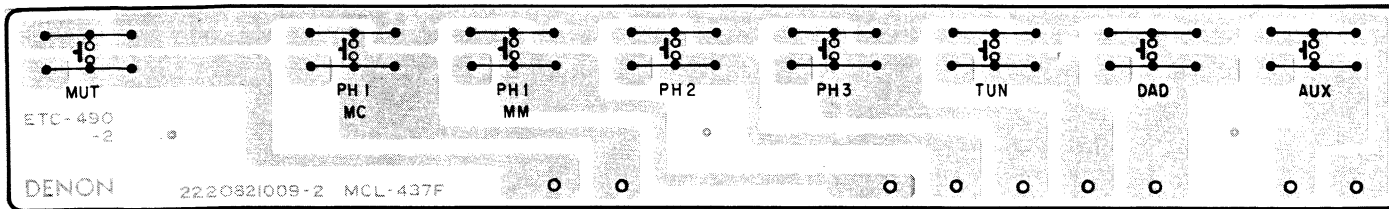
ETC-489 BALANCE VR UNIT



ETC-489 BALANCE VOLUME UNIT PARTS LIST

Ref. No.	Part No.	Part Name & Descriptions	
GENERAL			
	2220813004	P.W. BOARD	
	2110203106	VARIABLE RESISTOR 100 kohm FOR BALANCE	
	2034177004	3P CONNECTOR CORD	
	2034177017	3P CONNECTOR CORD	

ETC-490 LAMP & SW UNIT

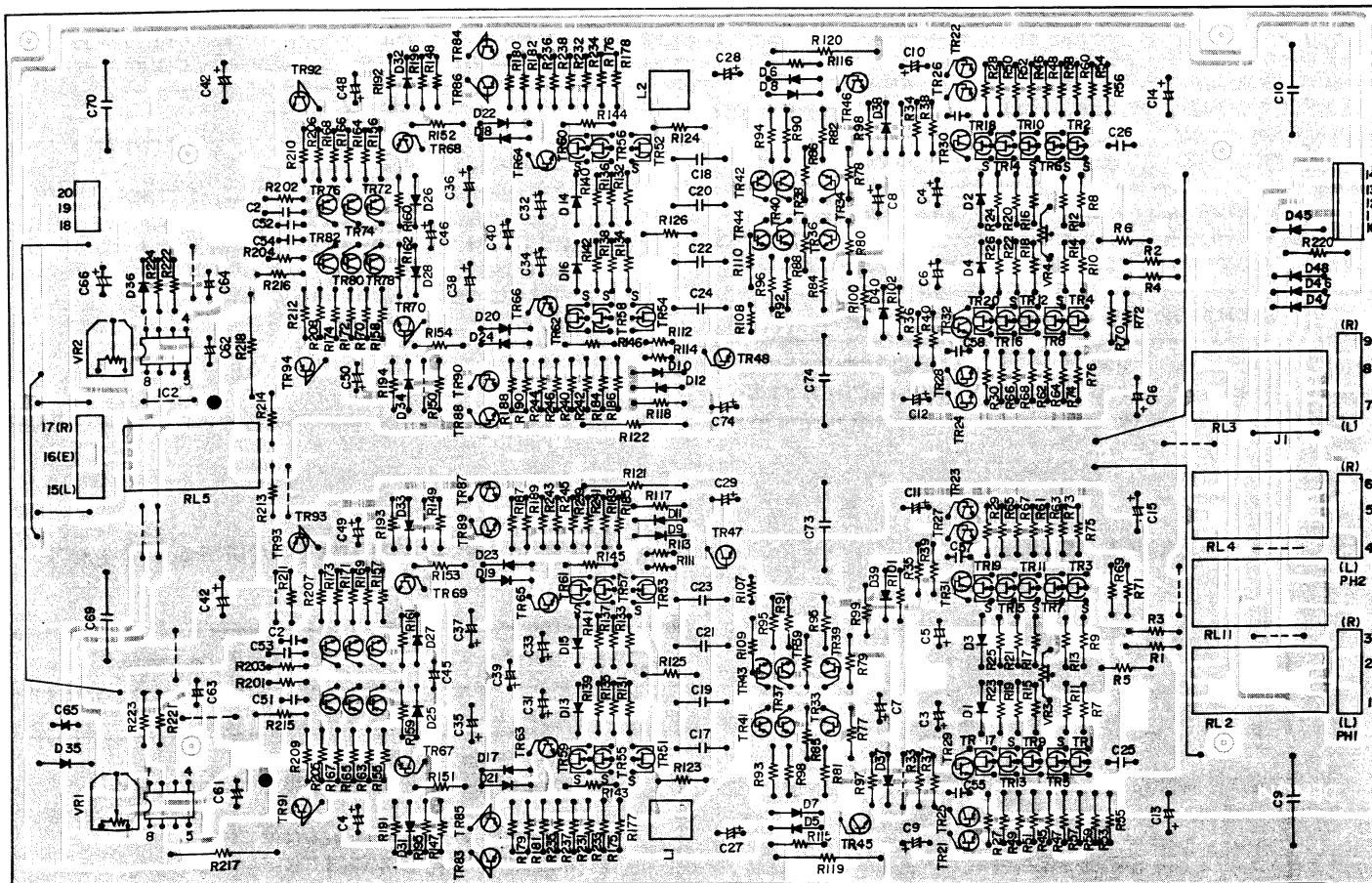


ETC-490 LAMP & SWITCH UNIT PARTS LIST

Ref. No.	Part No.	Part Name & Descriptions
GENERAL		
	2220821009	P.W. BOARD
	3930075005	PILOT LAMP 28V 0.04A USED 16
	2124361005	PUSH SWITCH USED 8
	2032097005	2P CONNECTOR CORD

Ref. No.	Part No.	Part Name & Descriptions
	2036094004	4P CONNECTOR CORD
	2038103003	5P CONNECTOR CORD
	2042040107	9P CONNECTOR CORD
	4450033005	WIRE CLAMP BAND USED 3
	4121064002	BOARD BRACKET
	4730353036	TAPPING SCREW 3x6 (BLACK)

EUX-0014 EQ.AMP UNIT



EUX-0014 EQ. AMP UNIT PARTS LIST

Ref. No.	Part No.	Part Name & Descriptions	
SEMICONDUCTORS			
IC001	2630133002	μPC741C	INTEGRATED CIRCUIT
IC002	2630133002	μPC741C	INTEGRATED CIRCUIT
TR001	2750033011	2SK147(GR2)	FIELD EFFECT TRANSISTOR
TR002	2750033011	2SK147(GR2)	FIELD EFFECT TRANSISTOR
TR003	2750034010	2SJ72(GR2)	FIELD EFFECT TRANSISTOR
TR004	2750034010	2SJ72(GR2)	FIELD EFFECT TRANSISTOR
TR005	2750033011	2SK147(GR2)	FIELD EFFECT TRANSISTOR
TR006	2750033011	2SK147(GR2)	FIELD EFFECT TRANSISTOR
TR007	2750034010	2SJ72(GR2)	FIELD EFFECT TRANSISTOR
TR008	2750034010	2SJ72(GR2)	FIELD EFFECT TRANSISTOR
TR009	2750033011	2SK147(GR2)	FIELD EFFECT TRANSISTOR
TR010	2750033011	2SK147(GR2)	FIELD EFFECT TRANSISTOR
TR011	2750034010	2SJ72(GR2)	FIELD EFFECT TRANSISTOR
TR012	2750034010	2SJ72(GR2)	FIELD EFFECT TRANSISTOR
TR013	2750033011	2SK147(GR2)	FIELD EFFECT TRANSISTOR
TR014	2750033011	2SK147(GR2)	FIELD EFFECT TRANSISTOR
TR015	2750034010	2SJ72(GR2)	FIELD EFFECT TRANSISTOR
TR016	2750034010	2SJ72(GR2)	FIELD EFFECT TRANSISTOR
TR017	2750033011	2SK147(GR2)	FIELD EFFECT TRANSISTOR
TR018	2750033011	2SK147(GR2)	FIELD EFFECT TRANSISTOR
TR019	2750034010	2SJ72(GR2)	FIELD EFFECT TRANSISTOR
TR020	2750034010	2SJ72(GR2)	FIELD EFFECT TRANSISTOR
TR021	2710106001	2SA1084(E)	TRANSISTOR
TR022	2710106001	2SA1084(E)	TRANSISTOR
TR023	2730208002	2SC2546(E)	TRANSISTOR
TR024	2730208002	2SC2546(E)	TRANSISTOR
TR025	2710106001	2SA1084(E)	TRANSISTOR
TR026	2710106001	2SA1084(E)	TRANSISTOR
TR027	2730208002	2SC2546(E)	TRANSISTOR
TR028	2730208002	2SC2546(E)	TRANSISTOR
TR029	2730198002	2SC1815(Y)	TRANSISTOR
TR030	2730198002	2SC1815(Y)	TRANSISTOR
TR031	2710102005	2SA1015(Y)	TRANSISTOR
TR032	2710102005	2SA1015(Y)	TRANSISTOR
TR033	2710106001	2SA1084(E)	TRANSISTOR
TR034	2710106001	2SA1084(E)	TRANSISTOR
TR035	2730208002	2SC2546(E)	TRANSISTOR
TR036	2730208002	2SC2546(E)	TRANSISTOR
TR037	2710106001	2SA1084(E)	TRANSISTOR
TR038	2710106001	2SA1084(E)	TRANSISTOR
TR039	2730208002	2SC2546(E)	TRANSISTOR
TR040	2730208002	2SC2546(E)	TRANSISTOR
TR041	2710106001	2SA1084(E)	TRANSISTOR
TR042	2710106001	2SA1084(E)	TRANSISTOR
TR043	2730208002	2SC2546(E)	TRANSISTOR

Ref. No.	Part No.	Part Name & Descriptions	
TR044	2730208002	2SC2546(E)	TRANSISTOR
TR045	2730177007	2SC1626(Y)	TRANSISTOR
TR046	2730177007	2SC1626(Y)	TRANSISTOR
TR047	2710088006	2SA816(Y)	TRANSISTOR
TR048	2710088006	2SA816(Y)	TRANSISTOR
TR051	2750033008	2SK147(GR1)/(GR2)	FIELD EFFECT TRANSISTOR
TR052	2750033008	2SK147(GR1)/(GR2)	FIELD EFFECT TRANSISTOR
TR053	2750034007	2SJ72(GR1)/(GR2)	FIELD EFFECT TRANSISTOR
TR054	2750034007	2SJ72(GR1)/(GR2)	FIELD EFFECT TRANSISTOR
TR055	2750033008	2SK147(GR1)/(GR2)	FIELD EFFECT TRANSISTOR
TR056	2750033008	2SK147(GR1)/(GR2)	FIELD EFFECT TRANSISTOR
TR057	2750034007	2SJ72(GR1)/(GR2)	FIELD EFFECT TRANSISTOR
TR058	2750034007	2SJ72(GR1)/(GR2)	FIELD EFFECT TRANSISTOR
TR059	2750033008	2SK147(GR1)/(GR2)	FIELD EFFECT TRANSISTOR
TR060	2750033008	2SK147(GR1)/(GR2)	FIELD EFFECT TRANSISTOR
TR061	2750034007	2SJ72(GR1)/(GR2)	FIELD EFFECT TRANSISTOR
TR062	2750034007	2SJ72(GR1)/(GR2)	FIELD EFFECT TRANSISTOR
TR063	2730177007	2SC1626(Y)	TRANSISTOR
TR064	2730177007	2SC1626(Y)	TRANSISTOR
TR065	2710088006	2SA816(Y)	TRANSISTOR
TR066	2710088006	2SA816(Y)	TRANSISTOR
TR067	2710106001	2SA1084(E)	TRANSISTOR
TR068	2710106001	2SA1084(E)	TRANSISTOR
TR069	2730208002	2SC2546(E)	TRANSISTOR
TR070	2730208002	2SC2546(E)	TRANSISTOR
TR071	2710106001	2SA1084(E)	TRANSISTOR
TR072	2710106001	2SA1084(E)	TRANSISTOR
TR073	2710106001	2SA1084(E)	TRANSISTOR
TR074	2710106001	2SA1084(E)	TRANSISTOR
TR075	2710106001	2SA1084(E)	TRANSISTOR
TR076	2710106001	2SA1084(E)	TRANSISTOR
TR077	2730208002	2SC2546(E)	TRANSISTOR
TR078	2730208002	2SC2546(E)	TRANSISTOR
TR079	2730208002	2SC2546(E)	TRANSISTOR
TR080	2730208002	2SC2546(E)	TRANSISTOR
TR081	2730208002	2SC2546(E)	TRANSISTOR
TR082	2730208002	2SC2546(E)	TRANSISTOR
TR083	2710106001	2SA1084(E)	TRANSISTOR
TR084	2710106001	2SA1084(E)	TRANSISTOR
TR085	2710106001	2SA1084(E)	TRANSISTOR
TR086	2710106001	2SA1084(E)	TRANSISTOR
TR087	2730208002	2SC2546(E)	TRANSISTOR
TR088	2730208002	2SC2546(E)	TRANSISTOR
TR089	2730208002	2SC2546(E)	TRANSISTOR
TR090	2730208002	2SC2546(E)	TRANSISTOR
TR091	2730186001	2SC1940(L)	TRANSISTOR
TR092	2730186001	2SC1940(L)	TRANSISTOR
TR093	2710093004	2SA915(L)	TRANSISTOR
TR094	2710093004	2SA915(L)	TRANSISTOR
D001	2760254000	HZ7B-3	DIODE
D002	2760254000	HZ7B-3	DIODE
D003	2760254000	HZ7B-3	DIODE
D004	2760254000	HZ7B-3	DIODE
D005	2760253014	HZ15-1	DIODE
D006	2760253014	HZ15-1	DIODE

Con.

Ref. No.	Part No.	Part Name & Descriptions	
D007	2760253014	HZ15-1	DIODE
D008	2760253014	HZ15-1	DIODE
D009	2760253014	HZ15-1	DIODE
D010	2760253014	HZ15-1	DIODE
D011	2760253014	HZ15-1	DIODE
D012	2760253014	HZ15-1	DIODE
D013	2760254000	HZ7B-3	DIODE
D014	2760254000	HZ7B-3	DIODE
D015	2760254000	HZ7B-3	DIODE
D016	2760254000	HZ7B-3	DIODE
D017	2760224014	HZ30-2	DIODE
D018	2760224014	HZ30-2	DIODE
D019	2760224014	HZ30-2	DIODE
D020	2760224014	HZ30-2	DIODE
D021	2760049008	1S2076	DIODE
D022	2760049008	1S2076	DIODE
D023	2760049008	1S2076	DIODE
D024	2760049008	1S2076	DIODE
D025	2760216019	KB-265	DIODE
D026	2760216019	KB-265	DIODE
D031	2760049008	1S2076	DIODE
D032	2760049008	1S2076	DIODE
D033	2760049008	1S2076	DIODE
D034	2760049008	1S2076	DIODE
D035	2760253014	HZ15-1	DIODE
D036	2760253014	HZ15-1	DIODE
D037	2760049008	1S2076	DIODE
D038	2760049008	1S2076	DIODE
D039	2760049008	1S2076	DIODE
D040	2760049008	1S2076	DIODE
D045	2760049008	1S2076	DIODE
D046	2760049008	1S2076	DIODE
D047	2760049008	1S2076	DIODE
D048	2760049008	1S2076	DIODE
RESISTORS (not included $\pm 5\%$, $\frac{1}{4}W$ Carbon Film Type)			
VR001	2116016054	SEMI FIXED RESISTOR 50 kohm	
VR002	2116016054	SEMI FIXED RESISTOR 50 kohm	
VR003	2116010063	SEMI FIXED RESISTOR 100 ohm	
VR004	2116010063	SEMI FIXED RESISTOR 100 ohm	
R107	2452019045	3.3 kohm	$\pm 1\% \frac{1}{4}W$ METAL OXIDE COMPOSIT
R108	2452019045	3.3 kohm	$\pm 1\% \frac{1}{4}W$ METAL OXIDE COMPOSIT
R111	2452019090	10 ohm	$\pm 1\% \frac{1}{4}W$ METAL OXIDE COMPOSIT
R112	2452019090	10 ohm	$\pm 1\% \frac{1}{4}W$ METAL OXIDE COMPOSIT
R113	2452019087	360 ohm	$\pm 1\% \frac{1}{4}W$ METAL OXIDE COMPOSIT
R114	2452019087	360 ohm	$\pm 1\% \frac{1}{4}W$ METAL OXIDE COMPOSIT
R119	2440094027	470 ohm	$\pm 5\% 2W$ METAL OXIDE FILM
R120	2440094027	470 ohm	$\pm 5\% 2W$ METAL OXIDE FILM
R121	2440094027	470 ohm	$\pm 5\% 2W$ METAL OXIDE FILM
R122	2440094027	470 ohm	$\pm 5\% 2W$ METAL OXIDE FILM
R201	2452014066	6.8 kohm	$\pm 1\% \frac{1}{2}W$ METAL OXIDE COMPOSIT
R202	2452014066	6.8 kohm	$\pm 1\% \frac{1}{2}W$ METAL OXIDE COMPOSIT
R203	2452014066	6.8 kohm	$\pm 1\% \frac{1}{2}W$ METAL OXIDE COMPOSIT
R204	2452014066	6.8 kohm	$\pm 1\% \frac{1}{2}W$ METAL OXIDE COMPOSIT
R217	2440106025	4.7 kohm	$\pm 5\% 2W$ METAL OXIDE FILM

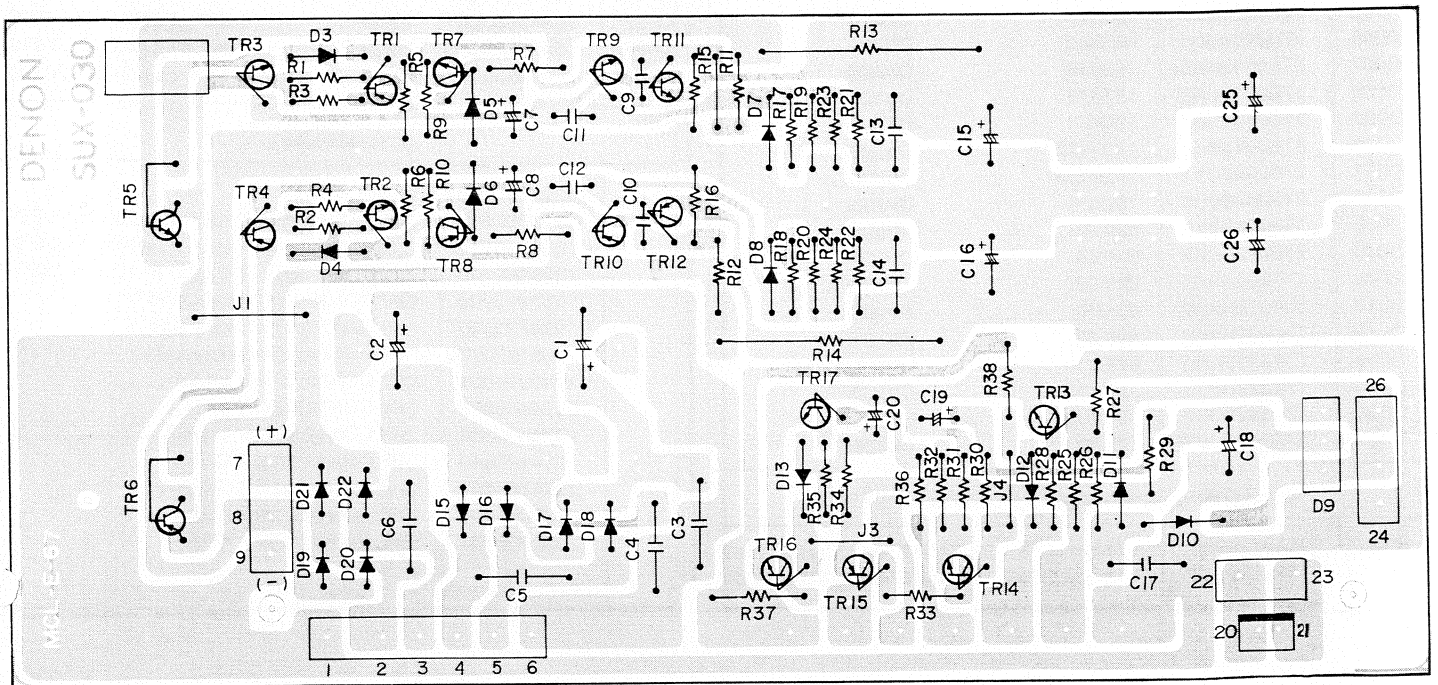
Ref. No.	Part No.	Part Name & Descriptions	
R218	2440106025	4.7 kohm	$\pm 5\% 2W$ METAL OXIDE FILM
R220	2410181009	680 ohm	$\pm 5\% \frac{1}{2}W$ CARBON FILM
CAPACITORS			
C001	2521034003	100pF	$\pm 5\% 50V$ MICA FILM
C002	2521034003	100pF	$\pm 5\% 50V$ MICA FILM
C003	2544014000	1000 μ F	10V ELECTROLYTIC
C004	2544014000	1000 μ F	10V ELECTROLYTIC
C005	2544014000	1000 μ F	10V ELECTROLYTIC
C006	2544014000	1000 μ F	10V ELECTROLYTIC
C007	2544017007	47 μ F	10V ELECTROLYTIC
C008	2544017007	47 μ F	10V ELECTROLYTIC
C009	2544018006	100 μ F	10V ELECTROLYTIC
C010	2544018006	100 μ F	10V ELECTROLYTIC
C011	2544018006	100 μ F	10V ELECTROLYTIC
C012	2544018006	100 μ F	10V ELECTROLYTIC
C013	2544042001	1000 μ F	35V ELECTROLYTIC
C014	2544042001	1000 μ F	35V ELECTROLYTIC
C015	2544042001	1000 μ F	35V ELECTROLYTIC
C016	2544042001	1000 μ F	35V ELECTROLYTIC
C017	2554196028	0.22 μ F	$\pm 1\%$ 100V PLASTIC FILM
C018	2554196028	0.22 μ F	$\pm 1\%$ 100V PLASTIC FILM
C019	2554196028	0.22 μ F	$\pm 1\%$ 100V PLASTIC FILM
C020	2554196028	0.22 μ F	$\pm 1\%$ 100V PLASTIC FILM
C021	2554196028	0.22 μ F	$\pm 1\%$ 100V PLASTIC FILM
C022	2554196028	0.22 μ F	$\pm 1\%$ 100V PLASTIC FILM
C023	2554197001	0.20 μ F	$\pm 2\%$ 100V PLASTIC FILM
C024	2554197001	0.20 μ F	$\pm 2\%$ 100V PLASTIC FILM
C025	2556083003	220pF	$\pm 5\% 50V$ PLASTIC FILM
C026	2556083003	220pF	$\pm 5\% 50V$ PLASTIC FILM
C027	2544039001	220 μ F	35V ELECTROLYTIC
C028	2544039001	220 μ F	35V ELECTROLYTIC
C029	2544039001	220 μ F	35V ELECTROLYTIC
C030	2544039001	220 μ F	35V ELECTROLYTIC
C031	2544011003	220 μ F	10V ELECTROLYTIC
C032	2544011003	220 μ F	10V ELECTROLYTIC
C033	2544011003	220 μ F	10V ELECTROLYTIC
C034	2544011003	220 μ F	10V ELECTROLYTIC
C035	2544053003	470 μ F	50V ELECTROLYTIC
C036	2544053003	470 μ F	50V ELECTROLYTIC
C037	2544053003	470 μ F	50V ELECTROLYTIC
C038	2544053003	470 μ F	50V ELECTROLYTIC
C039	2544060025	1 μ F	100V ELECTROLYTIC
C040	2544060025	1 μ F	100V ELECTROLYTIC
C041	2544059007	100 μ F	63V ELECTROLYTIC
C043	2544059007	100 μ F	63V ELECTROLYTIC
C045	2544044009	1 μ F	50V ELECTROLYTIC
C046	2544044009	1 μ F	50V ELECTROLYTIC
C047	2544019005	220 μ F	16V ELECTROLYTIC
C048	2544019005	220 μ F	16V ELECTROLYTIC
C049	2544019005	220 μ F	16V ELECTROLYTIC
C050	2544019005	220 μ F	16V ELECTROLYTIC
C051	2554196002	0.01 μ F	$\pm 1\%$ 100V PLASTIC FILM
C052	2554196002	0.01 μ F	$\pm 1\%$ 100V PLASTIC FILM
C053	2554196015	0.012 μ F	$\pm 1\%$ 100V PLASTIC FILM
C054	2554196015	0.012 μ F	$\pm 1\%$ 100V PLASTIC FILM
C055	2521010001	10pF	$\pm 0.5pF$ 50V MICA FILM
C056	2521010001	10pF	$\pm 0.5pF$ 50V MICA FILM
C057	2521010001	10pF	$\pm 0.5pF$ 50V MICA FILM
C058	2521010001	10pF	$\pm 0.5pF$ 50V MICA FILM
C061	2543014043	22 μ F	$\pm 20\%$ 16V ELECTROLYTIC (BP)
C062	2543014043	22 μ F	$\pm 20\%$ 16V ELECTROLYTIC (BP)
C063	2543014043	22 μ F	$\pm 20\%$ 16V ELECTROLYTIC (BP)
C064	2543014043	22 μ F	$\pm 20\%$ 16V ELECTROLYTIC (BP)
C065	2544021006	470 μ F	16V ELECTROLYTIC

Con.

Ref. No.	Part No.	Part Name & Descriptions
C066	2544021006	470 μ F 16V ELECTROLYTIC
C069	2561031008	0.82 μ F \pm 10% 100V METALIZED
C070	2561031008	0.82 μ F \pm 10% 100V METALIZED
C071	2561023003	0.47 μ F \pm 10% 100V METALIZED (UL)
C072	2561023003	0.47 μ F \pm 10% 100V METALIZED
C073	2561023003	0.47 μ F \pm 10% 100V METALIZED
C074	2561023003	0.47 μ F \pm 10% 100V METALIZED
OTHER PARTS		
L001	2220806105	P.W. BOARD
	2090047903	0.6 JUMPER WIRE USED 16
	2318017000	INDUCTOR

Ref. No.	Part No.	Part Name & Descriptions
L002	2318017000	INDUCTOR
	4170124003	MINI RADIATOR USED 4
	4730353036	TAPPING SCREW 3x6 (MFNIB) USED 4
RL002	2140036000	REED RELAY
RL003	2140036000	REED RELAY
RL004	2140036000	REED RELAY
RL005	2140036000	REED RELAY
RL011	2140036000	REED RELAY
	2050141001	COMMON PLATE
	2050122033	3P CONNECTOR PIN ASS'Y USED 4
	2035622008	3P CONN. BASE
	2035622066	5P MINI CONN. PIN
	2090008117	JUMPER SHORT LEAD P=12.5mm USED 1

SUX-0030 POWER SUPPLY UNIT

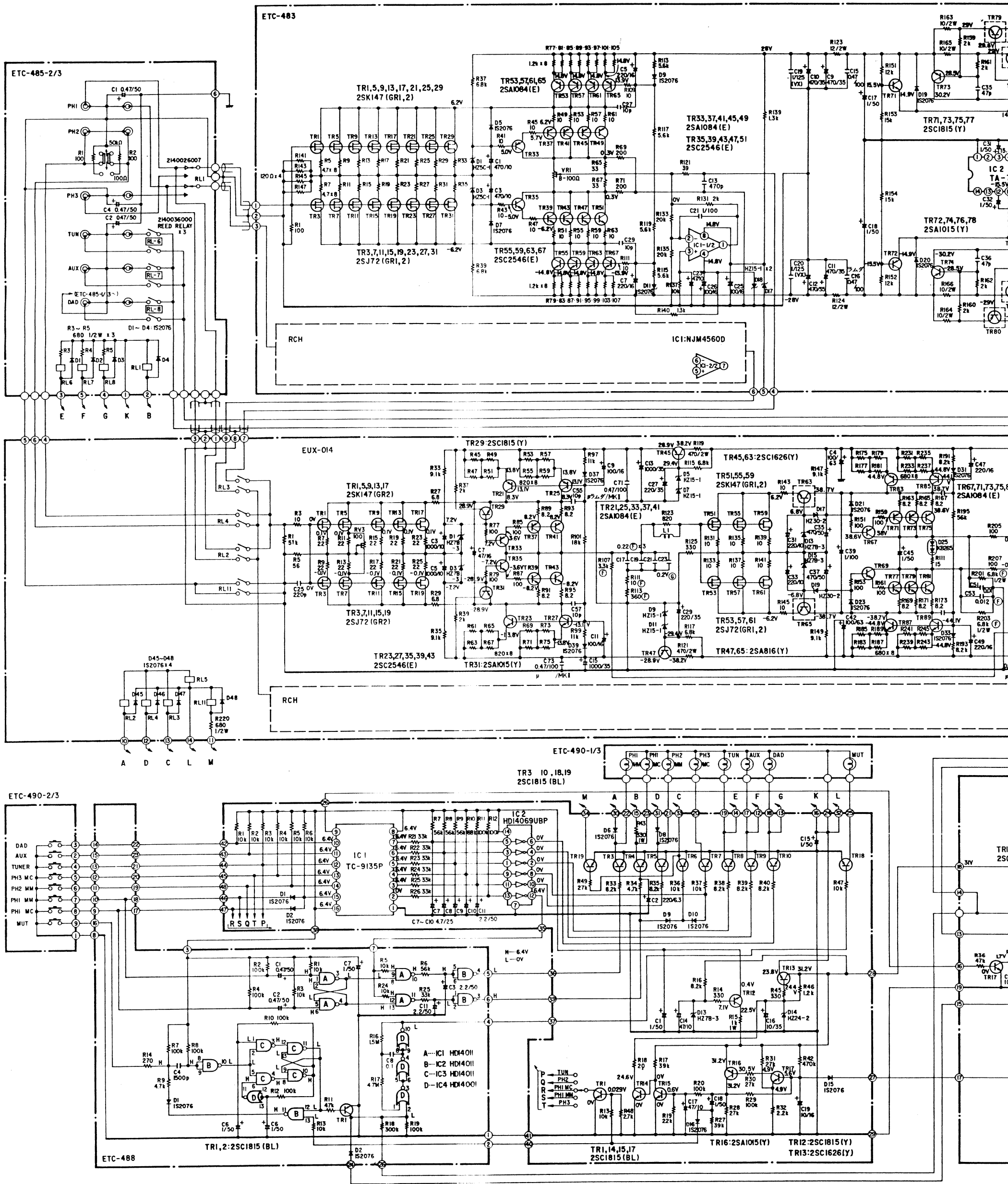


SUX-0030 POWER SUPPLY UNIT PARTS LIST

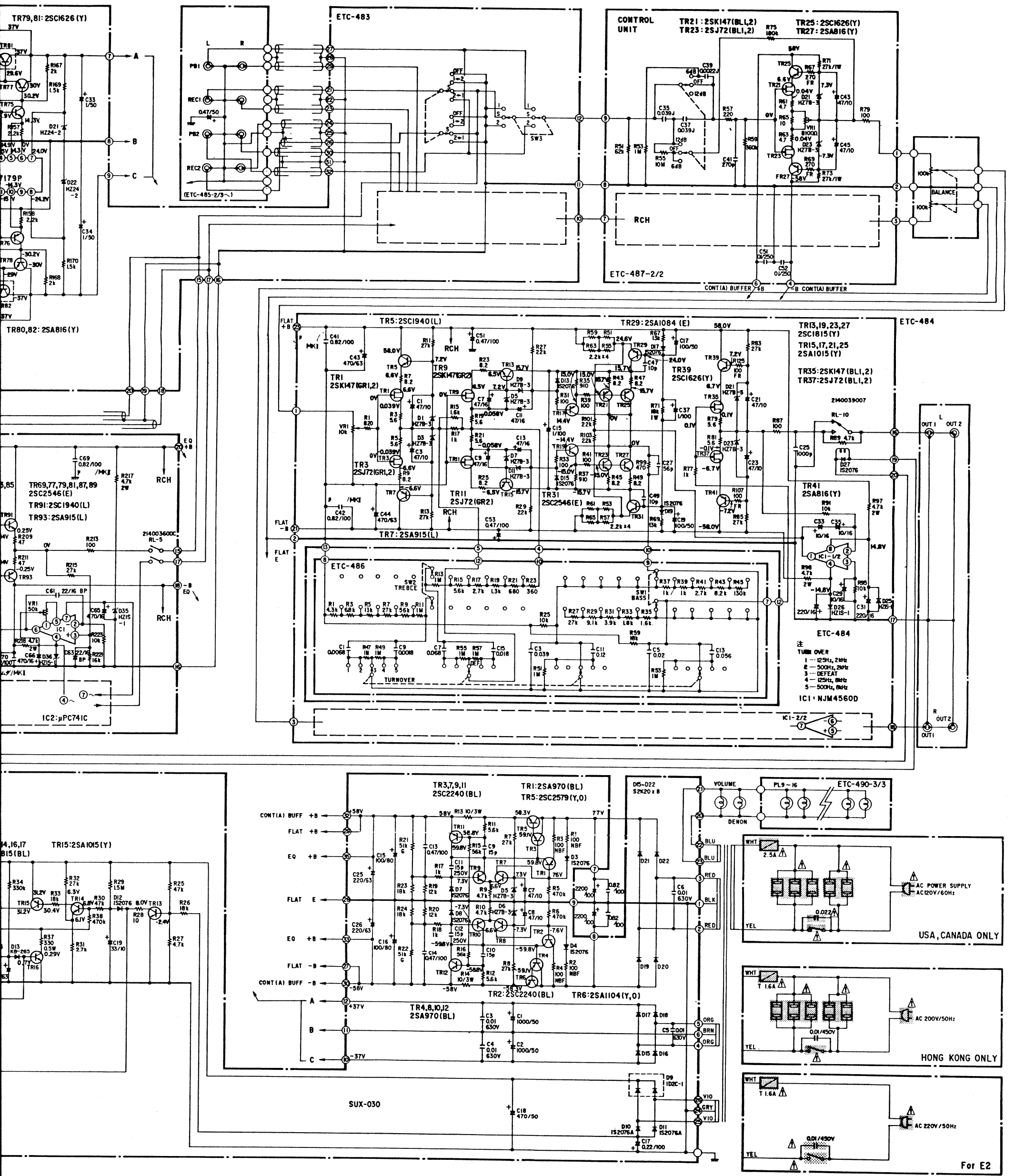
Ref. No.	Part No.	Part Name & Descriptions	
SEMICONDUCTORS			
TR001	2710094016	2SA970(BL)	TRANSISTOR
TR002	2730187013	2SC2240(BL)	TRANSISTOR
TR003	2730187013	2SC2240(BL)	TRANSISTOR
TR004	2710094016	2SA970(BL)	TRANSISTOR
TR005	2730232023	2SC2579(O)/(Y)	TRANSISTOR
TR006	2710130022	2SA1104(O)/(Y)	TRANSISTOR
TR007	2730187013	2SC2240(BL)	TRANSISTOR
TR008	2710094016	2SA970(BL)	TRANSISTOR
TR009	2730187013	2SC2240(BL)	TRANSISTOR
TR010	2710094016	2SA970(BL)	TRANSISTOR
TR011	2730187013	2SC2240(BL)	TRANSISTOR
TR012	2710094016	2SA970(BL)	TRANSISTOR
TR013	2730198015	2SC1815(BL)	TRANSISTOR
TR014	2730198015	2SC1815(BL)	TRANSISTOR
TR015	2710102005	2SA1015(Y)	TRANSISTOR
TR016	2730198015	2SC1815(BL)	TRANSISTOR
TR017	2730198015	2SC1815(BL)	TRANSISTOR
D003	2760049008	1S2076	DIODE
D004	2760049008	1S2076	DIODE
D005	2760254000	HZ7B-3	DIODE
D006	2760254000	HZ7B-3	DIODE
D007	2760049008	1S2076	DIODE
D008	2760049008	1S2076	DIODE
D009	2760151006	1D2C-1	DIODE
D010	2760049011	1S2076A	DIODE
D011	2760049011	1S2076A	DIODE
D012	2760049008	1S2076	DIODE
D013	2760216019	KB-265	DIODE
D015	2760325007	S2K20	DIODE
D016	2760325007	S2K20	DIODE
D017	2760325007	S2K20	DIODE
D018	2760325007	S2K20	DIODE
D019	2760325007	S2K20	DIODE
D020	2760325007	S2K20	DIODE
D021	2760325007	S2K20	DIODE
D022	2760325007	S2K20	DIODE
RESISTORS (not included Carbon Film, ±5% Type)			
R13	2440129028	10 ohm ±5% 3.15W METAL OXIDE FILM	
R14	2440129028	10 ohm ±5% 3.15W METAL OXIDE FILM	

Ref. No.	Part No.	Part Name & Descriptions	
CAPACITORS (not included Ceramic, 50V Type)			
C001	2546030011	1000 μ F	50V ELECTROLYTIC
C002	2546030011	1000 μ F	50V ELECTROLYTIC
C003	2561017019	0.01 μ F	±10% 630V METALIZED
C004	2561017019	0.01 μ F	±10% 630V METALIZED
C005	2561017019	0.01 μ F	±10% 630V METALIZED
C006	2561017019	0.01 μ F	±10% 630V METALIZED
C007	2544009002	47 μ F	10V ELECTROLYTIC
C008	2544009002	47 μ F	10V ELECTROLYTIC
C009	2521014007	15pF	±5% 50V MICA FILM
C010	2521014007	15pF	±5% 50V MICA FILM
C011	2556152015	15pF	±5% 250V PLASTIC FILM
C012	2556152015	15pF	±5% 250V PLASTIC FILM
C013	2561030038	0.47 μ F	±5% 100V METALIZED
C014	2561030038	0.47 μ F	±5% 100V METALIZED
C015	2544063006	100 μ F	80V ELECTROLYTIC
C016	2544063006	100 μ F	80V ELECTROLYTIC
C017	2561008028	0.22 μ F	±10% 100V METALIZED
C018	2544053003	470 μ F	50V ELECTROLYTIC
C019	2544008003	33 μ F	10V ELECTROLYTIC
C020	2544003008	100 μ F	6.3V ELECTROLYTIC
C025	2544059010	220 μ F	63V ELECTROLYTIC
C026	2544059010	220 μ F	63V ELECTROLYTIC
OTHER PARTS			
	2220807104	P.W. BOARD	
	2090008162	JUMPER SHORT LEAD P=20mm USED 2	
	2090008104	JUMPER SHORT LEAD P=15mm USED 1	
	2090008120	JUMPER SHORT LEAD P=10mm USED 1	
	2050122062	6P CONNECTOR PIN ASS'Y	
	2050122020	2P CONNECTOR PIN ASS'Y	
	2050122033	3P CONNECTOR PIN ASS'Y	
	2032075001	2P CONNECTOR BASE	
	2034165090	3P CONNECTOR CORD	
	2034180004	3P CONNECTOR CORD	
	2034180017	3P CONNECTOR CORD	
	2034165087	3P CONNECTOR CORD	
	2036095003	4P CONNECTOR CORD	
	2038105001	5P CONNECTOR CORD	

WIRING DIAGRAM

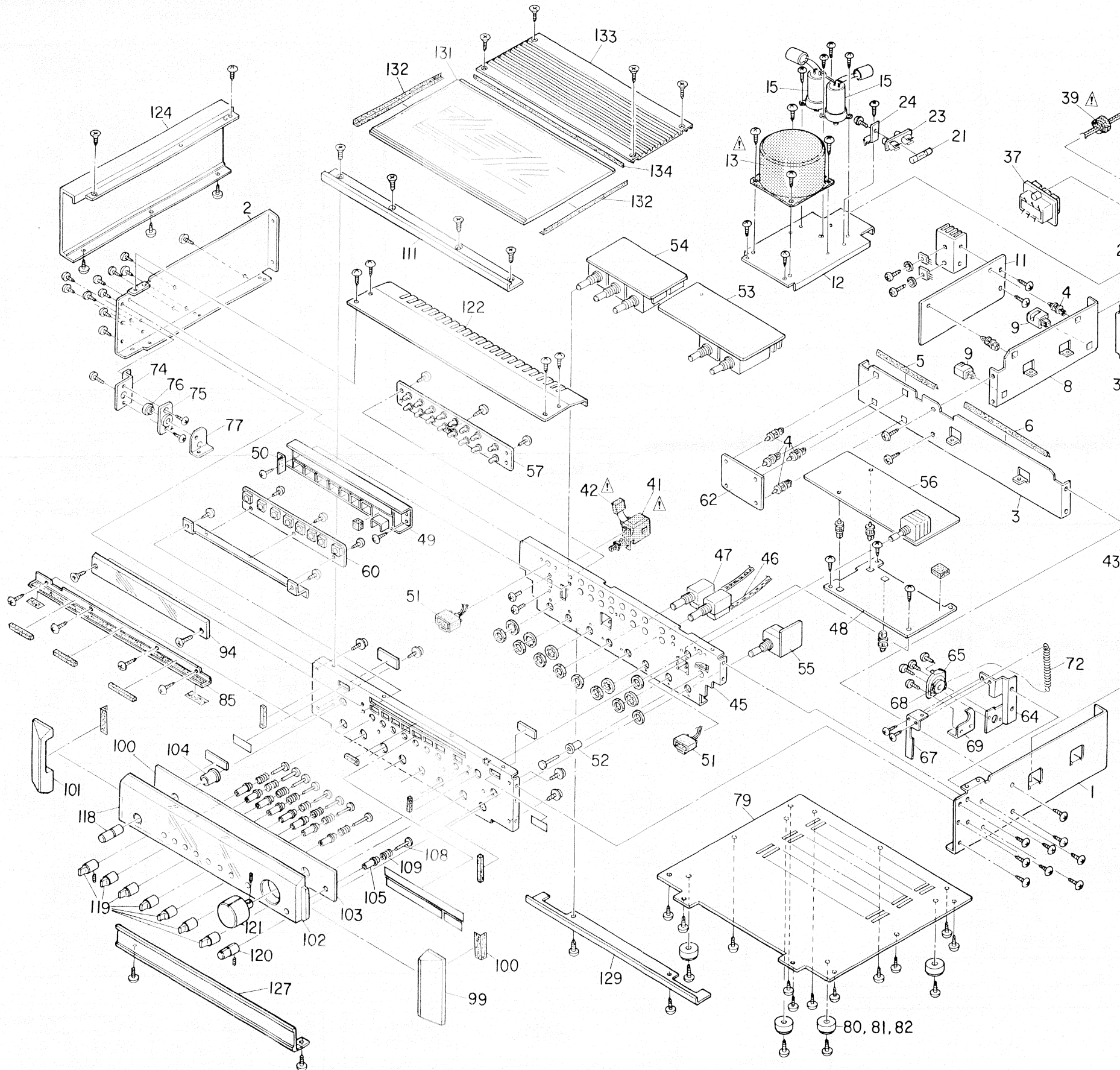


⚠ Means important safety item, which must be replaced, when necessary, by a part specified or meeting the specification by the manufacturer.



NOTES:
 ALL RESISTANCE VALUES IN OHM, K = 1,000 OHM,
 M = 1,000,000 OHM.
 ALL CAPACITANCE VALUES IN MICROFARAD, P = MICRO-
 MICRO FARAD.
 EVERY VOLTAGES AND CURRENTS IS MEASURED AT
 NO SIGNAL INPUT CONDITION.
 CIRCUIT AND PARTS ARE SUBJECT TO CHANGE WITHOUT
 PRIOR NOTICE.

EXPLODED VIEW OF CHASSIS AND CABINET

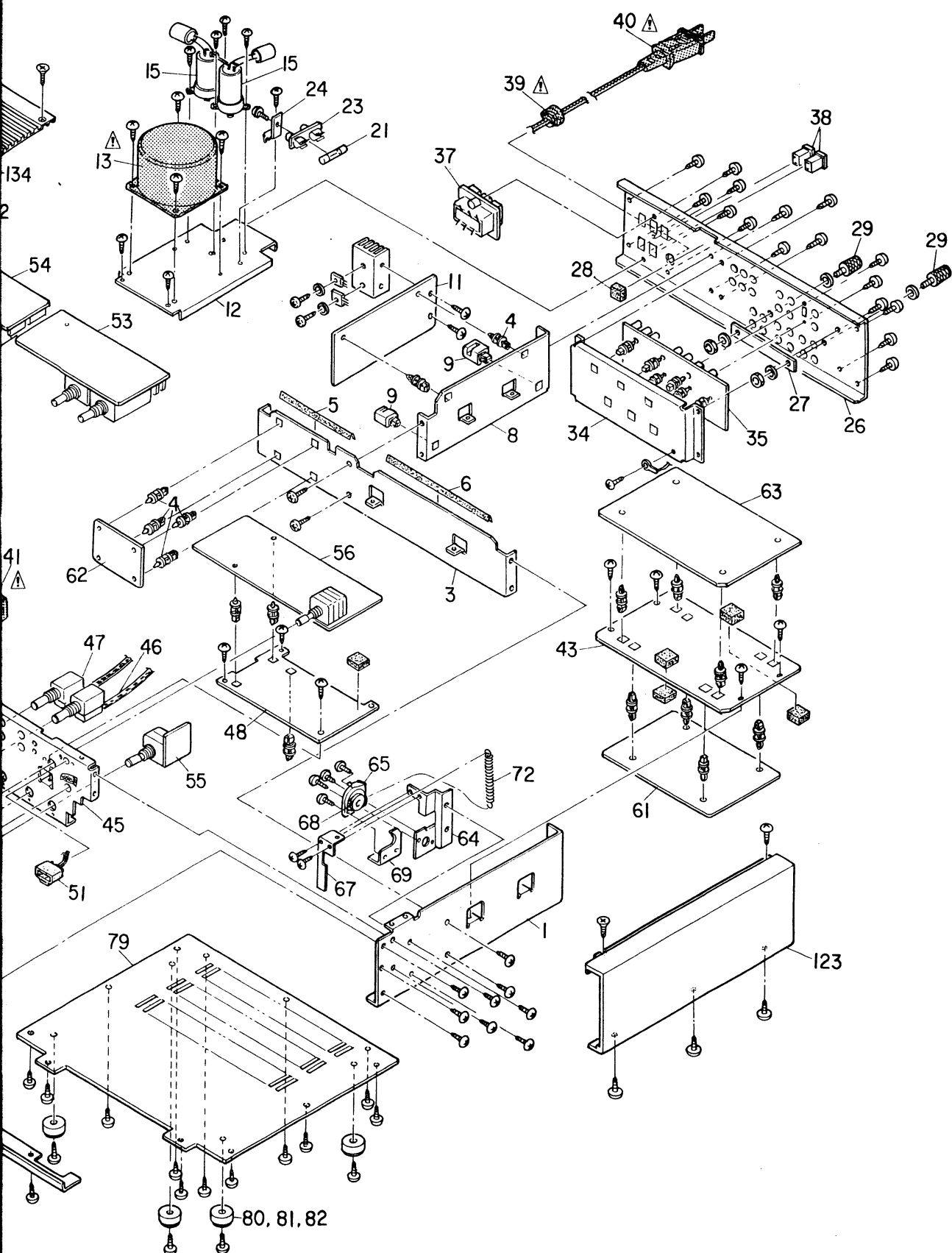


EXPLODED VIEW PARTS LIST

Note: * mark parts not included on the exploded view.

Ref. No.	Part No.	Part Name & Descriptions	Ref. No.	Part No.	Part Name & Descriptions	Ref. No.	Part No.	Part Name & Descriptions
1	4121050100	SIDE CHASSIS (R)	31	4753100004	TOOTH WASHER $\phi 4$ (NI)	62	ETC0488	CONTROL (B) UNIT
2	4121051109	SIDE CHASSIS (L)	32	4770006000	NUT $\phi 4$ (NI)	63	EUX0014	EQ. AMP UNIT
3	4121052108	CENTER CHASSIS	33	2030225031	1P CONTACT ASS'Y	64	4121057103	HINGE BRACKET (R)
4	MD-5271	PCB SUPPORT	* 34	4140263004	INPUT BRACKET	65	4330254001	DAMPER
5	1220069066	SPACER	35	ETC0485	INPUT TERMINAL UNIT	66	4711204036	CROSS PAN SCREW 2.6x8
6	1220069082	SPACER	36	4711201039	CROSS PAN SCREW 2.6x4 (MFNIB)	67	4630290008	SPRING PLATE
7	4770064107	FIXING SCREW	37	2033907000	AC OUTLET	68	4240065005	CAM PLATE (R)
8	4121053000	P.S. BRACKET	38	2032052008	AC SOCKET	69	4121060006	BASE BRACKET (R)
9	4150103002	P.C.B HOLDER	39	4450020005	CORD BUSH	70	4711304017	CROSS PAN SCREW 3x8
10	4150164012	SPACER	40	2006029009	AC CORD	71	4756006008	NUT $\phi 3$
11	SUX0030	POWER SUPPLY UNIT	41	2124049068	POWER SWITCH	72	4630291007	SPRING
12	4121054106	TRANS CHASSIS	42	2568009017	METALIZED CAP. 0.022 μ F 125V	73	4714304030	TAPPING SCREW 3x8 (BLACK)
13	2335355004	POWER TRANS ASS'Y	43	4121055008	SHIELD PLATE	74	4121056104	HINGE BRACKET (L)
14	4734454038	TAPPING SCREW (TRUS) 4x8	44	4610136014	RUBBER BUSH	75	4250130001	BEARING
15	2546065002	CHEMICON 2200 μ F 100V	45	4121058209	FRONT CHASSIS	76	4220221005	SHAFT
16	2050141001	COMMON PLATE	46	2120207008	ROTARY REMOTE (A) SW	77	4121061005	BASE BRACKET
17	2561031008	METALIZED CAP. 0.82 μ F 100V	47	2120208007	ROTARY REMOTE (B) SW	78	4711308013	CROSS PAN SCREW 3x14
18	4730354035	TAPPING SCREW (2) 3x8	48	4140264207	SHIELD BRACKET	79	1050477200	BOTTOM COVER
19	2030225028	1P CONTACT ASS'Y	49	4140265002	LAMP COVER	80	1440893009	FOOT BASE
20	2034178003	3P CONNECTOR CORD	50	4121059004	BRACKET	81	4610170009	SPACER
21	2061025077	FUSE TLC 2.5A	51	3930067013	PILOT LAMP 28V 0.04A ASS'Y	82	1240038019	FELT SHEET
22	5130654017	FUSE LABEL	52	4430277001	BOSS	83	4730459011	TAPPING SCREW (2) 4x16
23	2020011006	FUSE HOLDER	53	ETC0487	CONTROL (A) UNIT	84	4121062208	PANEL BRACKET
24	4120238101	BRACKET	54	ETC0486	TONE UNIT	85	4121063003	WINDOW BRACKET
25	4700009006	CROSS PAN SCREW WITH S. WASHER 3x6	55	ETC0489	BALANCE VR UNIT	86	1220094028	SPACER
26	1050476007	BACK PANEL	56	ETC0484	FLAT AMP UNIT	87	4610178027	RUBBER SHEET
27	2050162006	EARTH PLATE	57	ETC04901	INPUT LAMP UNIT	88	1430245162	FILTER
28	4610136014	RUBBER SHEET	58	4730353036	TAPPING SCREW 3x6 (MFNIB)	89	4730353036	TAPPING SCREW 3x6 (MFNIB)
29	2050043109	GND TERMINAL	59	471303018	CROSS PAN SCREW 3x6	90	1430245120	FILTER
30	4770088002	WASHER $\phi 4.1$ (NI)	60	ETC04902	INPUT SW UNIT	91	1430245133	FILTER
			61	ETC0483	MC AMP UNIT	92	1430148065	FILTER

▲ Means important safety item, which must be replaced, when necessary, by a part specified or meeting the specification by the manufacturer.



NIPPON COLUMBIA CO., LTD.

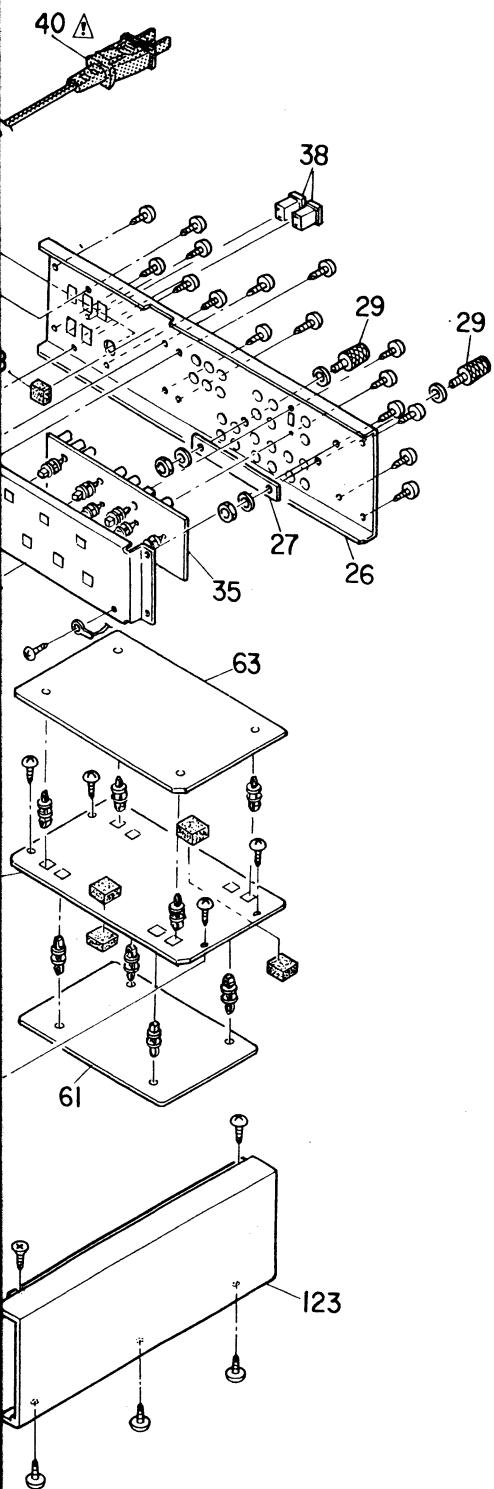
No. 14-14, 4-CHOME AKASAKA,
MINATO-KU, TOKYO 107 JAPAN
TEL: 03-584-8111
TLX: JAPANOLA J22591
CABLE: NIPPONCOLUMBIA TOKYO

Ref. No.	Part No.	Part Name & Descriptions	Ref. No.	Part No.	Part Name & Descriptions
62	ETC0488	CONTROL (B) UNIT	93	1430148078	FILTER
63	EUX0014	EQ. AMP UNIT	94	1460510003	REFLECTOR
64	4121057103	HINGE BRACKET (R)	95	4732354033	FLAT HEAD TAPPING SCREW 3x8 (BLACK)
65	4330254001	DAMPER	96	1430245146	FILTER
66	4711204036	CROSS PAN SCREW 2.6x8	97	1430245159	FILTER
67	4630290008	SPRING PLATE	98	ETC04902	INPUT SW UNIT
68	4240065005	CAM PLATE (R)	99	1440951006	SIDE ESC BAR (R)
69	4121060006	BASE BRACKET (R)	100	1220094002	SPACER
70	4711304017	CROSS PAN SCREW 3x8	101	1440979101	SIDE ESC BAR (L)
71	4756006008	NUT φ3	102	1430254108	WINDOW GLASS
72	4630291007	SPRING	103	1460496101	INSIDE PLATE
73	4714304030	TAPPING SCREW 3x8 (BLACK)	104	1140063100	KNOB GUIDE (P)
74	4121056104	HINGE BRACKET (L)	105	1140065001	KNOB GUIDE (I)
75	4250130001	BEARING	106	4610178014	RUBBER SHEET (t4)
76	4220221005	SHAFT	107	4610178030	RUBBER SHEET (t5 BLACK)
77	4121061005	BASE BRACKET	108	1130336009	PUSH KNOB (I) (BLACK)
78	4711308013	CROSS PAN SCREW 3x14	109	4630182051	SPRING
79	1050477200	BOTTOM COVER	110	4700010011	CROSS PAN SCREW WITH W 3x8
80	1440893009	FOOT BASE	111	1460497003	TOP ESC BAR
81	4610170009	SPACER	112	4712303033	FLAT HEAD SCREW 3x6
82	1240038019	FELT SHEET	113	1220094031	SPACER
83	4730459011	TAPPING SCREW (2) 4x16	114	1130336009	PUSH KNOB (I)
84	4121062208	PANEL BRACKET	115	4140267000	BLIND PLATE
85	4121063003	WINDOW BRACKET	116	4140266001	COVER BRACKET
86	1220094028	SPACER	117	4610178001	RUBBER SHEET
87	4610178027	RUBBER SHEET	118	1130325104	PUSH KNOB (P)
88	1430245162	FILTER	119	1120383101	KNOB ASS'Y
89	4730353036	TAPPING SCREW 3x6 (MFNIB)	120	1120384003	KNOB ASS'Y
90	1430245120	FILTER	121	1120389105	KNOB
91	1430245133	FILTER	122	1050479004	BLIND COVER
92	1430148065	FILTER			

Ref. No.	Part No.	Part Name & Descriptions
123	1440950007	SIDE COVER (R)
124	1440976007	SIDE COVER (L)
125	4732355032	FLAT HEAD TAPPING SCREW (2) 3x10 (BLACK)
126	4770052012	FIX. SCREW
127	1440953101	DOOR
128	4714304030	TAPPING SCREW 3x8 (BLACK)
129	1050478102	BLIND PLATE
130	4734355032	TAPPING SCREW (TRUS) 3x6 (BLACK)
131	1430255000	TOP WINDOW GLASS
132	1220094015	SPACER
133	1440952005	VENTILATOR
134	1220069008	SPACER
135	4712305031	FLAT HEAD SCREW 3x10 (BLACK)
136		
137		

▲ Means important safety item, which must be replaced, when necessary, by a part specified or meeting the specification by the manufacturer.

DENON



NIPPON COLUMBIA CO., LTD.

No. 14-14, 4-CHOME AKASAKA,
MINATO-KU, TOKYO 107 JAPAN
TEL: 03-584-8111
TLX: JAPANOLA J22591
CABLE: NIPPONCOLUMBIA TOKYO

Printed in Jap

Ref. No.	Part No.	Part Name & Descriptions
93	1430148078	FILTER
94	1460510003	REFLECTOR
95	4732354033	FLAT HEAD TAPPING SCREW 3x8 (BLACK)
96	1430245146	FILTER
97	1430245159	FILTER
98	ETC04902	INPUT SW UNIT
99	1440951006	SIDE ESC BAR (R)
100	1220094002	SPACER
101	1440979101	SIDE ESC BAR (L)
102	1430254108	WINDOW GLASS
103	1460496101	INSIDE PLATE
104	1140063100	KNOB GUIDE (P)
105	1140065001	KNOB GUIDE (I)
106	4610178014	RUBBER SHEET (t4)
107	4610178030	RUBBER SHEET (t5 BLACK)
108	1130336009	PUSH KNOB (I) (BLACK)
109	4630182051	SPRING
110	4700010011	CROSS PAN SCREW WITH W 3x8
111	1460497003	TOP ESC BAR
112	4712303033	FLAT HEAD SCREW 3x6
113	1220094031	SPACER
114	1130336009	PUSH KNOB (I)
115	4140267000	BLIND PLATE
116	4140266001	COVER BRACKET
117	4610178001	RUBBER SHEET
118	1130325104	PUSH KNOB (P)
119	1120383101	KNOB ASS'Y
120	1120384003	KNOB ASS'Y
121	1120389105	KNOB
122	1050479004	BLIND COVER

Ref. No.	Part No.	Part Name & Descriptions
123	1440950007	SIDE COVER (R)
124	1440976007	SIDE COVER (L)
125	4732355032	FLAT HEAD TAPPING SCREW (2) 3x10 (BLACK)
126	4770052012	FIX. SCREW
127	1440953101	DOOR
128	4714304030	TAPPING SCREW 3x8 (BLACK)
129	1050478102	BLIND PLATE
130	4734355032	TAPPING SCREW (TRUS) 3x6 (BLACK)
131	1430255000	TOP WINDOW GLASS
132	1220094015	SPACER
133	1440952005	VENTILATOR
134	1220069008	SPACER
135	4712305031	FLAT HEAD SCREW 3x10 (BLACK)
136		
137		

Ref. No.	Part No.	Part Name & Descriptions
138		
139		
140		
PACKING & ACCESSORIES (not included EXPLODED VIEW)		
a	5040055007	CABINET SHEET
b	5020528004	CUSHION (A)
c	5020529003	CUSHION (B)
d	5010738024	CARTON CASE
e	5050061007	ENVELOPE
f	5111014003	INST. MANUAL
g	5150183076	CUSTOM CARD
h	2048051006	2P PIN CORD
i	5150254002	GUARANTEE CARD