

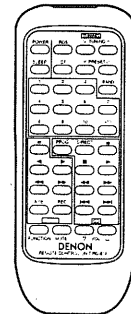
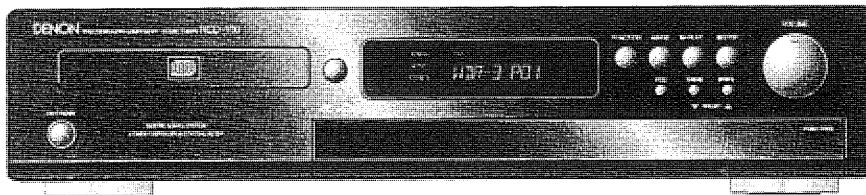
DENON

Hi-Fi CD AMP Tuner System

Europe Model

SERVICE MANUAL MODEL RCD-100

CD AMP TUNER



Note: The illustrations used here may differ slightly from the actual unit.

MAIN FEATURES

- RDS reception (FM only)
RDS programs can be easily received (FM only).
- AM/FM 30-station random preset tuner
Random presetting permits easy operation and will be convenient for the increased number of FM stations in the future.
- Independent power amplifier designed for quality sound
High quality 45 W per channel power amplifier with large speaker terminals.
- Super linear converter and high performance digital filter
Denon's unique systems for preventing loss of CD sound quality permit excellent sound field reproduction.
- Easy-to-use remote control unit

BEFORE USING

Note the following points before using the RCD-100.

- Moving the system
To prevent short-circuiting or damage of the connection cords, be sure to unplug the power cord and disconnect all connection cords before moving the system.
In addition, always remove CDs before moving the system. Failing to do so may result in scratched CDs.
- Before switching on the power
Check again that all connections are proper and that the connection cords are not damaged. Be sure to disconnect the power plug before disconnecting or connecting the connection cords.
- Hum may be produced if a TV set or another audio component is set near this system or their connection cords are nearby. If this happens, try changing the position of the equipment and connection cords.
- Do not move the system abruptly from a cold place to a warm place, since this may cause water droplets (condensation) to form in the equipment, preventing proper operation. If this happens, wait one hour before using the system.

Check that the following parts are included in the package aside from the main unit:

① Operating Instructions	1	④ Remote Controller	1
② FM Indoor Antenna	1	⑤ R6P Batteries	2
③ AM Loop Antenna	1	⑥ AC Cord	1

NIPPON COLUMBIA CO., LTD.

TABLE OF CONTENTS

General Section (Page 1 ~ Pages 21)

- Main Features 1
- Before Using 1
- Main Specifications 3
- Operating Instructions 4 ~ 21

Receiver Section (Pages 22 ~ Pages 70)

- Disassembly Procedures 22 ~ 25
- Block Diagram 26, 27
- Level Diagram 28

- Adjustment 28 ~ 33
- Semiconductors 34 ~ 48
- Microprocessor Documentation 49 ~ 52
- Microprocessor Peripheral Wiring Diagram 53
- Printed Wiring Board, Parts List 54 ~ 64
- Remote Control Unit 65
- Wiring Diagram 66
- Schematic Diagram 67, 68
- Exploded View, Parts List 69
- Parts List of CD Mechanism Unit 70

Only discs with the mark at the right can be played on this system.



PACKING & ACCESSORIES PARTS LIST

Ref. No.	Part No.	Part Name	Remarks	Q'ty
● 1	RCD 100	CD AMP Tuner		1
● 2	505 0131 050	Cabinet Cover		1
● 3	503 9308 105	Cushion Ass'y		1
● 4	501 9297 003	Carton		1
● 5	GEN 7842	Envelope Sub Ass'y		1 ^s
— 5-1	505 0283 018	:Poly Cover		(1)
— 5-2	511 9466 006	Inst Manual		(1)
— 5-3	399 9054 009	RM Control	RC-814	(1)
— 5-4	394 0040 004	:Battery(R6P/UM-3) Ass'y		(1)
— 5-5	395 0023 008	:FM Ant Ass'y	L=1.8 m	(1)
— 5-6	231 1914 003	Loop Antenna		(1)
△ 5-7	206 2108 003	:AC Conn. With Plug	L=1.8 m	(1)

SPECIFICATIONS

■ Receiver (UCD-100)

● Tuner

Reception Frequency Range:	FM: 87.50 MHz to 108.00 MHz AM: 522 kHz to 1611 kHz
Receiving Sensitivity:	FM: 1.5 μ V, 75 ohms (SN ratio 30 dB) AM: 20 μ V (SN ratio 20 dB)
FM Stereo Separation:	40 dB (1 kHz)

● Amplifier

Rated Output Power:	45 W + 45 W (1 kHz, 4 ohm)
Jacks:	6.3 mm headphone jack
Bass Adjustment:	100 Hz \pm 8 dB
Treble Adjustment:	10 kHz \pm 8 dB
Loudness control:	100 Hz/10 kHz +6 dB/ +3 dB
Jacks:	MD/AUX: Input jacks, recording output jacks Tape: Input jacks, recording output jacks
Power Supply:	AC 230 V, 50 Hz
Power Consumption:	110W

● CD Player

Wow and Flutter:	Below measurable limits (\pm 0.001% W. Peak)
Sampling Frequency:	44.1 kHz
Light Source:	Semiconductor
Dimensions (max.):	434(w) \times 94(H) \times 342(D)mm (17-5/64" \times 3-45/64" \times 13-30/64")
Weight:	7.5kg(16 $\bar{4}$ bs 8oz)

■ Remote Control Unit (RC-814)

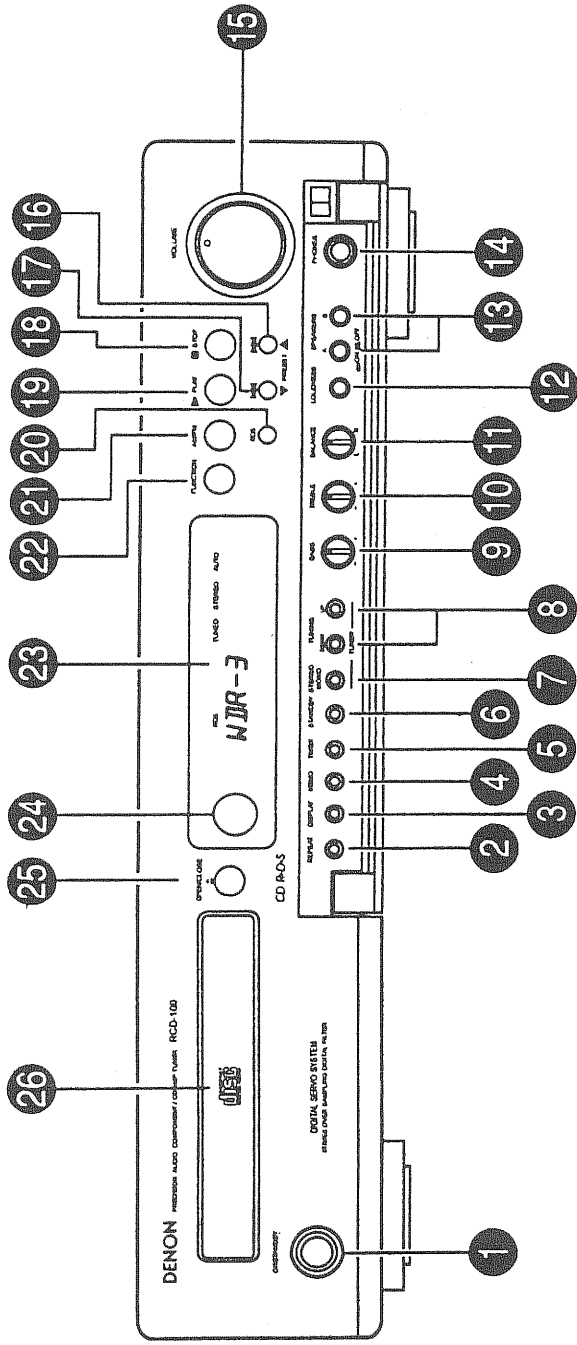
Type:	Infrared pulse
Number of Buttons:	40
Dimensions (max.):	52.5(w) \times 150(H) \times 18.3(D)mm (2-1/16" \times 5-8/9" \times 12/16") (including batteries)
Weight:	100g(Approx.4.6oz)

* Maximum dimensions include controls, jacks, and covers.

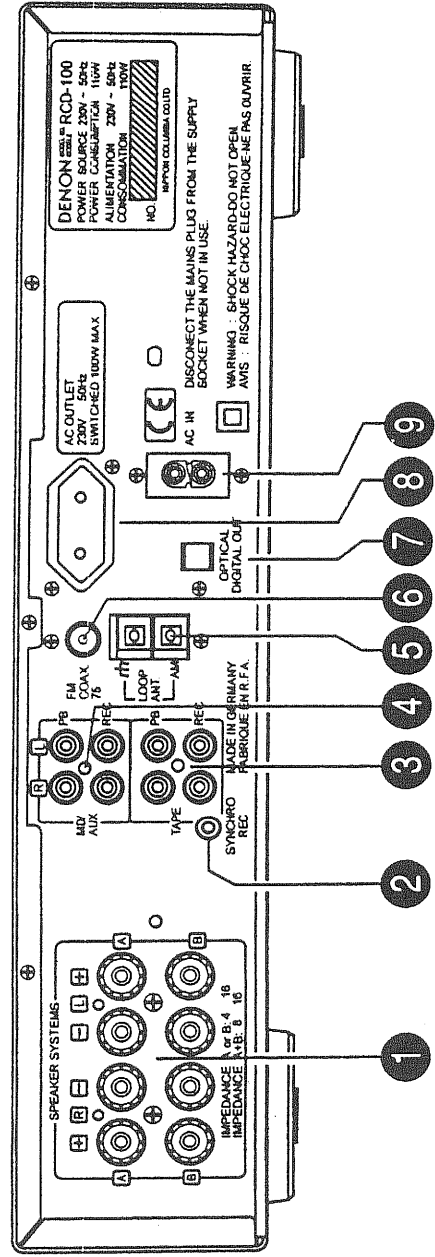
(W) = width, (H) = height, (D) = depth

● For improvement purposes, specifications and functions are subject to change without advanced notice.

FRONT PANEL
 VORDERSEITE
 PANNEAU AVANT
 PANNELLO FRONTALE
 PANEL ANTERIOR
 VOORPANEEL
 FRONT PANELEN
 PANEL FRONTAL



REAR PANEL
 RÜCKSEITE
 PANNEAU ARRIÈRE
 PANNELLO POSTERIORE
 PANEL POSTERIOR
 ACHTERPANEEL
 BAKSIDAN
 PANEL TRASEIRO



Please check the following items are included with the main unit in the carton:

- (1) Operating Instructions 1
- (2) AM Loop Antenna 1
- (3) FM Antenna 1
- (4) Remote Control RC-814 1
- (5) Batteries R6 (AA) 2
- (6) AC Cord 1

Vergewissern Sie sich, daß folgende Teile vollständig im Lieferumfang enthalten sind:

- (1) Bedienungsanleitung 1
- (2) MW-Rahmenantenne 1
- (3) UKW-Antenne 1
- (4) Fernbedienung RC-814 1
- (5) Trockenzeit-Batterien R6 (AA) 2
- (6) Netzkabel 1

Veillez vérifier que les articles suivants sont bien joints à l'appareil principal dans la cartou:

- (1) Mode d'emploi 1
- (2) Antenne-cadre AM 1
- (3) Antenne FM 1
- (4) Télécommande RC-814 1
- (5) Piles de format R6 (AA) 2
- (6) Cordon secteur 1

Controllare che le parti seguenti si trovino imballate con l'apparecchio nella scatola di spedizione:

- (1) Istruzioni per l'uso 1
- (2) Antenna AM a telaio 1
- (3) Antenna FM 1
- (4) Telecomando RC-814 1
- (5) Batterie a secco R6 (AA) 2
- (6) Cavo d'alimentazione 1

Verifique que los artículos siguientes hayan sido suministrados con la unidad principal:

- (1) Instrucciones de operación 1
- (2) Antena AM de cuadro 1
- (3) Antena de FM 1
- (4) Unidad de control remoto RC-814 1
- (5) Pilas secas R6 (AA) 2
- (6) Cable de alimentación 1

Controleer of de volgende accessoires bij het hoofdfoestal in de doos zijn verpakt:

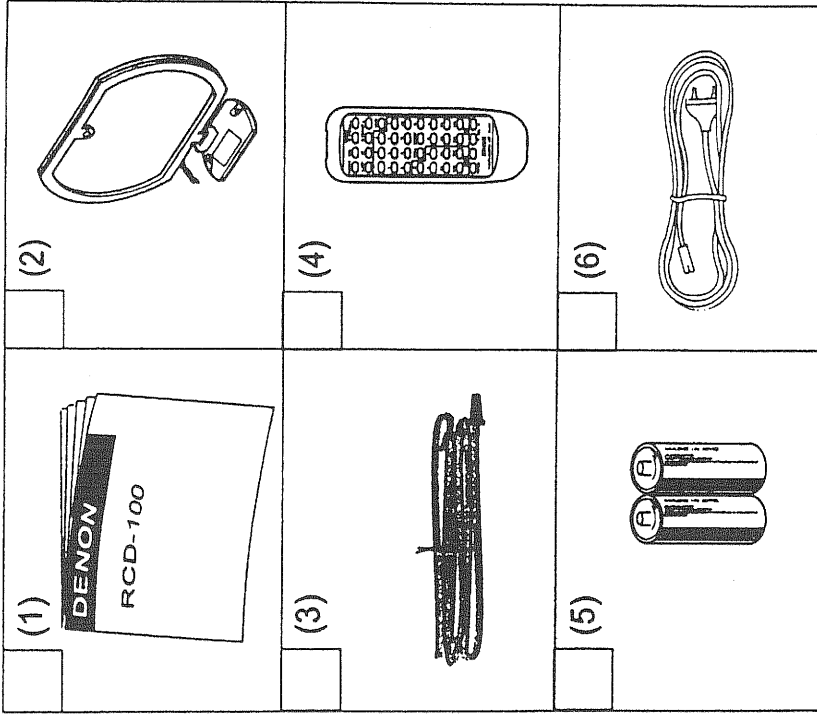
- (1) Gebruiksaanwijzing 1
- (2) AM-raamantenne 1
- (3) FM-antenne 1
- (4) Afstandsbediening RC-814 1
- (5) R6 (AA) droge cel batterij 2
- (6) Netkabel 1

Kontrollera att följande tillbehör har packats ner i kartongen tillsammans med huvudenheten:

- (1) Bruksanvisning 1
- (2) Ramantenn för AM-bruk 1
- (3) FM-antenn 1
- (4) Fjärrkontroll RC-814 1
- (5) R6 (AA) förbatteri 2
- (6) Nätkabeln 1

Verifique se os itens que se seguem estão incluídos na caixa de cartão com a unidade principal:

- (1) Instruções de funcionamento 1
- (2) Antena de quadro AM 1
- (3) Antena FM 1
- (4) Telecomando RC-814 1
- (5) Pilhas R6 (AA) 2
- (6) Cabo de alimentação 1



ENGLISH

DECLARATION OF CONFORMITY

We declare under our sole responsibility that this product, to which this declaration relates, is in conformity with the following standards:
EN60065, EN55013, EN55020, EN60555-2 and EN60555-3.
Following the provisions of 73/23/EEC, 89/336/EEC and 93/68/EEC Directive.

DEUTSCH

ÜBEREINSTIMMUNGSERKLÄRUNG

Wir erklären unter unserer Verantwortung, daß dieses Produkt, auf das sich diese Erklärung bezieht, den folgenden Standards entspricht:
EN60065, EN55013, EN55020, EN60555-2 und EN60555-3.
Entspricht den Verordnungen der Richtlinien 73/23/EEC, 89/336/EEC und 93/68/EEC.

FRANÇAIS

DECLARATION DE CONFORMITÉ

Nous déclarons sous notre seule responsabilité que l'appareil, auquel se réfère cette déclaration, est conforme aux standards suivants:
EN60065, EN55013, EN55020, EN60555-2 et EN60555-3.
D'après les dispositions des directives 73/23/EEC, 89/336/EEC et 93/68/EEC.

ITALIANO

DICHIARAZIONE DI CONFORMITÀ

Dichiariamo con piena responsabilità che questo prodotto, al quale la nostra dichiarazione si riferisce, è conforme alle seguenti normative:
EN60065, EN55013, EN55020, EN60555-2 e EN60555-3.
In conformità con le condizioni delle direttive 73/23/EEC, 89/336/EEC e 93/68/EEC.
Questo prodotto è conforme al D.M. 28/08/95 N 548.

ESPAÑOL

DECLARACIÓN DE CONFORMIDAD

Declaramos bajo nuestra exclusiva responsabilidad que este producto al que hace referencia esta declaración, está conforme con los siguientes estándares:
EN60065, EN55013, EN55020, EN60555-2 y EN60555-3.
Conforme con las provisiones de las directivas 73/23/EEC, 89/336/EEC y 93/68/EEC.

NEDERLANDS

EENVORMIGHEIDSVERKLARING

Wij verklaren uitsluitend op onze verantwoordelijkheid dat dit produkt, waarop deze verklaring betrekking heeft, in overeenstemming is met de volgende normen:
EN60065, EN55013, EN55020, EN60555-2 en EN60555-3.
Volgens de bepalingen van de richtlijnen 73/23/EEC, 89/336/EEC en 93/68/EEC.

SVENSKA

ÖVERENSSTÄMMELSEINTYG

Härmed intygas helt på eget ansvar att denna produkt, vilken detta intyg avser, uppfyller följande standarder:
EN60065, EN55013, EN55020, EN60555-2 och EN60555-3.
Enligt stadgarna i direktiv 73/23/EEC, 89/336/EEC och 93/68/EEC.

PORTUGUÊS

DECLARAÇÃO DE CONFORMIDADE

Declaramos sob nossa exclusiva responsabilidade que este produto, ao qual esta declaração corresponde, está em conformidade com as seguintes normas:
EN60065, EN55013, EN55020, EN60555-2 e EN60555-3.
De acordo com o estabelecido nas directivas 73/23/EEC, 89/336/EEC e 93/68/EEC.

PRECAUTIONS FOR INSTALLATION

Install RCD-100 always horizontally. To ensure sufficient ventilation, leave a space of at least 10 cm between the front, sides and back of the unit and walls or other object which may obstruct ventilation.

VORKEHRUNGEN FÜR DIE AUFSTELLUNG

Stellen Sie den RCD-100 stets waagrecht auf. Um eine ausreichende Lüftung zu gewährleisten, muß ein Zwischenraum von mindestens 10 cm auf der Vorder- und Rückseite sowie an den Seiten zwischen dem Gerät und einer Wand bzw. anderen Objekten vorhanden sein.

PRECAUTIONS D'INSTALLATION

Le RCD-100 doit toujours être installé horizontalement. Pour permettre une ventilation suffisante, vous devez laisser un espace libre d'au moins 10 cm entre les faces avant, latérales et arrière de l'appareil et les murs ou tout autre objet qui pourrait gêner l'aération.

PRECAUZIONI PER L'INSTALLAZIONE

Installare il RCD-100 sempre in posizione orizzontale. Per avere una sufficiente ventilazione, lasciare uno spazio di almeno 10 cm tra la parte anteriore, posteriore e laterale dell'unità e le pareti o eventuali altri oggetti che potrebbero ostacolare la ventilazione.

PRECAUCIONES PARA LA INSTALACION

Instale siempre el RCD-100 en posición horizontal. Para garantizar una ventilación suficiente, deje un espacio de al menos 10 cm entre los lados anterior, posterior y laterales del equipo y las paredes u otros objetos que pudieran obstruir la ventilación.

VOORZORGSMAATREGELEN VOOR INSTALLATIE

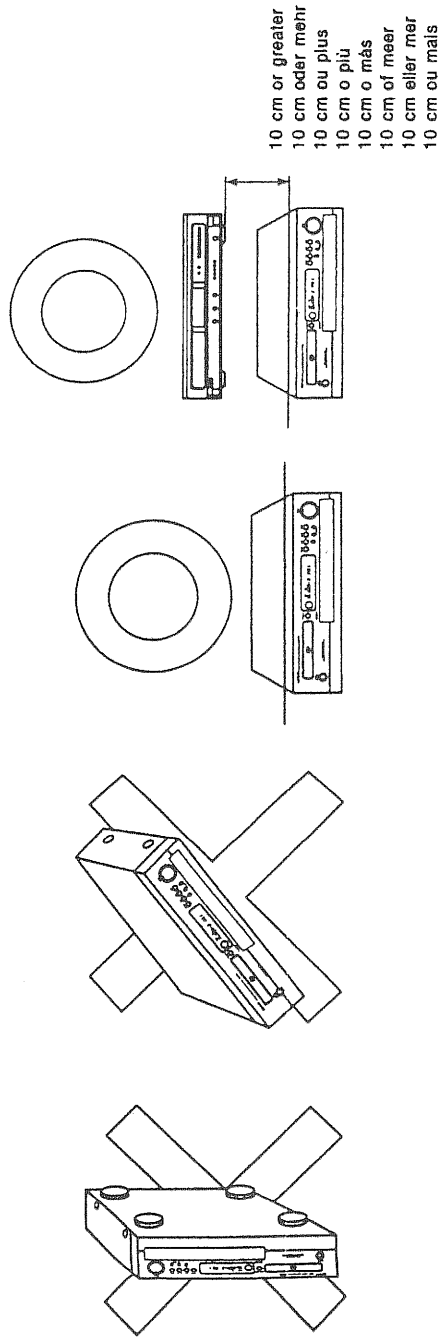
De RCD-100 altijd horizontaal plaatsen. Om voldoende ventilatie te garanderen dient u ten minste 10 centimeter ruimte open te laten tussen de voorkant, zijkanalen, achterkant en de muur of andere voorwerpen die de luchttoevoer zouden kunnen blokkeren.

FÖRBEREDELSE FÖR INSTALLATION

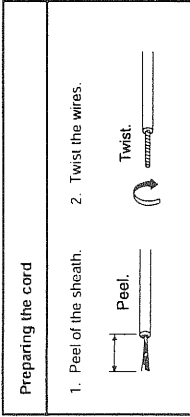
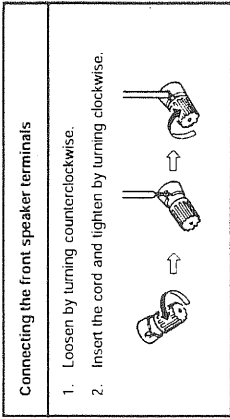
Installera alltid RCD-100 horisontellt. Ventilationen ska vara god. Lämna ett utrymme på minst 10 cm mellan enhetens sidor och eventuella föremål som kan hindra ventilationen.

PRECAUÇÕES DURANTE A INSTALAÇÃO

Instale sempre o RCD-100 em posição horizontal. Para assegurar a ventilação adequada, deixe um espaço de pelo menos 10 cm entre a frente, os lados e a parte de trás da unidade e paredes ou outros objectos que possam obstruir a ventilação.



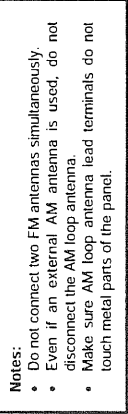
SPEAKER CONNECTION
Confirm polarity (+, -) and left and right channels (L, R). Connect the speaker pairs to the SPEAKER terminals on the back panel. Connections must be made with power cord disconnected.



ANTENNA INSTALLATION

FM ANTENNA
The supplied indoor FM antenna can be used inside wooden houses for receiving local FM stations and other strong FM signals. Stretch out the end of the antenna and mount the antenna on the wall or ceiling where optimum reception is achieved. An indoor FM antenna may not consistently ensure stable reception, due to environment changes. In such cases, the indoor FM antenna should only be used temporarily until an outdoor FM antenna has been installed.
When connecting an outdoor FM antenna, the use of 75 ohm coaxial cable (3C-2V, 6C-2V) is strongly recommended.

AM ANTENNA
Attach the supplied AM loop antenna even when using an outdoor AM antenna.
Connect the leads to the AM and GND terminals.
Also use the AM terminals for connecting an outdoor AM antenna (when making such a connection do not disconnect the AM loop antenna).
Adjust the loop antenna to obtain optimum reception. Where broadcast stations are distant and only weak signals are received or where signals are blocked, it is best to install an outdoor AM antenna.



Notes:

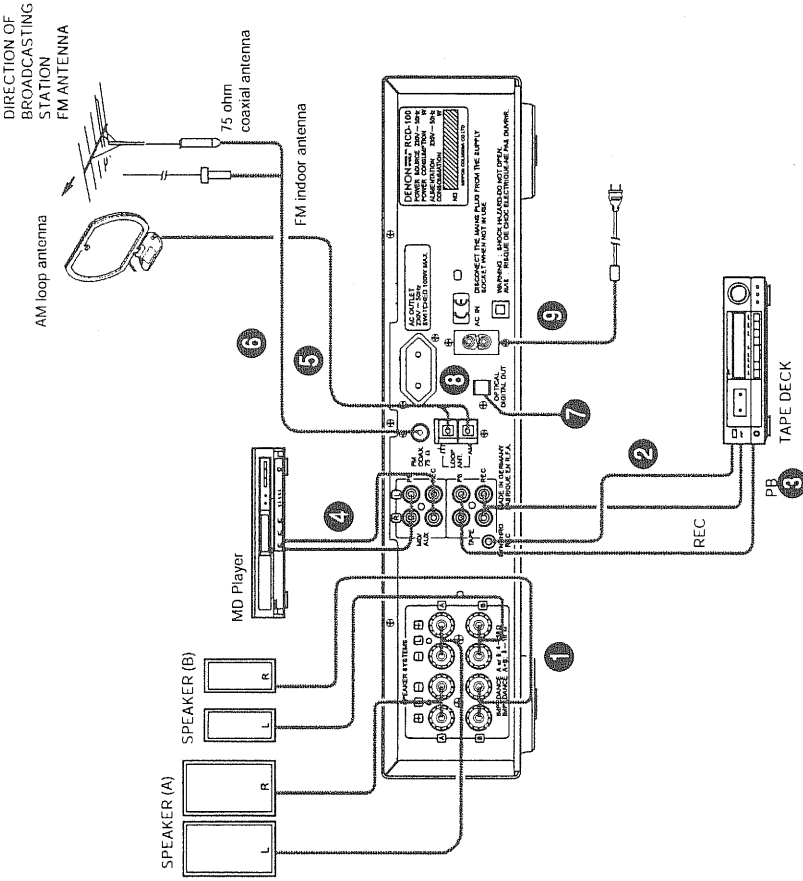
- Do not connect two FM antennas simultaneously.
- Even if an external AM antenna is used, do not disconnect the AM loop antenna.
- Make sure AM loop antenna lead terminals do not touch metal parts of the panel.

CAUTION

Protective Circuit
This set is equipped with a high speed protective circuit. This circuit protects the internal circuitry from damage due to large currents flowing when the speaker jacks are not completely connected or when an output is generated by a short circuit.
This protective circuit's operation cuts off the output to the speakers. In such a case, be sure to turn the power to the set off and check the connections to the speakers. Then turn the power on again. After muting for several seconds, the set will operate normally.

Notes on Connection

- Do not plug the power cord into the AC wall outlet until all connections have been completed.
- Make sure channels are correctly connected. Connect Left channels to Left channels and Right channels to Right channels. Follow the color markings of plugs and terminals to make sure mistakes are not made.
- Connect all pin-plugs securely, pushing them completely into the jacks. Incomplete connections will cause noise generation.
- Binding the connection cables to power cords, or running such cables close to power supply transformers will cause humming or noise, and should thus be avoided.



- REAR PANEL**
- SPEAKER SYSTEMS (Speaker terminals)**
Two pairs of speakers A and B can be connected to these terminals.
 - SYNCHRO Jack**
To make a synchronized recording, this jack must be connected to the SYNCHRO jack of the deck with a connection cord. (See page 16 for connections.)
 - TAPE**
Tape decks can be connected for full use including playing or copying.
 - MD/AUX**
MD or Video Disc may be connected here.
 - AM ANT (AM antenna terminals)**
Connect the attached AM loop antenna. (Refer to page 8 for connections.)
 - FM ANT (FM antenna terminals)**
75-ohm coaxial cable can be connected to this terminal. For antenna connecting procedure, see ANTENNA INSTALLATION.
 - DIGITAL OUT (OPTICAL)**
This jack outputs digital data.
 - AC OUTLET (AC power outlet)**
This AC outlet is controlled by the power switch. (Except units sold in U.K. and Eire)
 - AC Inlet**
Connect the included AC cord here.

DESIGNATIONS AND FUNCTIONS OF PANEL CONTROLS (REFER TO PAGE 3.)

FRONT PANEL

RECEIVER

- 1 **ON/STANDBY switch**
When pressed once, the power is turned on and the display lights.
- 2 **DISPLAY button**
Use this switch to toggle between the function and time display. For example, when the function is set to the tuner, the display switches between the reception frequency and time.
When RDS stations for which you have written characters yourself and stored in the memory are tuned in, press this button once to display the frequency, then press again to display the time.
- 3 **MEMORY button**
This button is used when presetting FM and AM stations.
- 4 **TIMER button**
This button is used to set the timer.
- 5 **STANDBY button**
Press this button to cause the timer to operate at the set time. When the timer has been set, pressing this button will light up the display's timer standby indicator (⏻), and pressing it again will switch off the standby indicator. The timer will not function when the standby indicator is off.

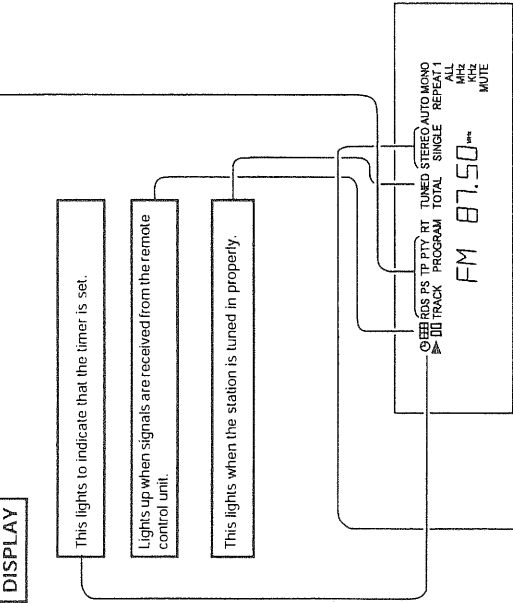
- 6 **STEREO/MONO (FM Stereo mute/mono) button**
This button will not function when receiving AM broadcasts.
AUTO: (mute)
Use this mode to receive FM broadcasts in stereo.
("AUTO" appears on the display.) The muting circuit is activated to cut the hiss/noise between stations.
MONO:
In this mode, FM broadcasts are received in monaural, regardless of whether they are broadcast in monaural or stereo.
Set to the mono mode if there is much noise in the stereo mute mode (with "AUTO" displayed) or if the signals are weak.

- 7 **TUNING UP and DOWN buttons**
Use these buttons to tune in FM or AM stations and when setting the time and timer.
- 8 **BASS control**
Use this control to adjust the bass.
- 9 **TREBLE control**
Use this control to adjust the treble.
- 10 **BALANCE control**
Use this control to adjust the balance of the volume between the left and right channels. The volume is the same for the left and right channels when the control is at the center.

- 11 **LOUDNESS (Loudness ON/OFF switch)**
At low volumes, the human ear is less sensitive to low (BASS) and high (TREBLE) frequencies. Press this switch to compensate for this deficiency when listening at low volume levels.
- 12 **SPEAKERS (Speaker selector switches)**
These switches are used to select speaker system A and B. No sound is heard through the speakers when both switches are reset to the (⏻) position.
- 13 **PHONES jack**
Connect a pair of headphones (sold separately) to this jack for private listening.
- 14 **VOLUME control**
This control adjusts the overall volume. Turn clockwise (↻) to increase the volume, and counterclockwise (↻) to decrease it.
- 15 **PRESET (Preset station buttons)**
These buttons are used for storing stations or recalling stations which have been preset. Using the PTY button you can preset a total of 30 FM or AM stations into preset channels.
Once a radio has been memorized, the same station can later be tuned in instantly simply by recalling the corresponding preset channel with PRESET UP or DOWN button.
- 16 **RDS button**
Use this button to automatically tune to stations using the radio data system.
- 17 **BAND (FM/AM) button**
With each press, the band is switched in the order of FM, AM, FM and so on.
- 18 **FUNCTION button**
Use this button to select the program source.
The selection changes in the order of TUNER, CD, TAPE, and MD/AUX.
NOTE: The auto function serves to automatically switch the function when the operation buttons are pressed on the unit.
Tuner: BAND button
CD: Play button (▶)
- 19 **DISPLAY**
The display indicates a wide variety of information including: functions and MUTE of the amplifier, frequency and reception conditions of the tuner and number of tracks and time of the CD.
- 20 **Remote control sensor**
The remote control unit is pointed and operated toward this sensor.

- 21 **CAUTION:**
Whenever the ON/STANDBY switch is in the STANDBY position, the unit is still connected on AC line voltage.
- 22 **DISPLAY**
This lights to indicate that the timer is set.
Lights up when signals are received from the remote control unit.
This lights when the station is tuned in properly.
- 23 **STEREO/STANDBY indicator**
These indicate the FM reception mode.
STEREO: Lights when receiving stereo broadcasts.
AUTO: Lights when the auto mode is set with the MONO/STEREO button.
MONO: Lights when the mono mode is set with the MONO/STEREO button.
- 24 **NOTE:**
The reception band (AM or FM), frequency, RDS program and service name, the time and the timer are displayed here.
- 25 **NOTE:**
The "⏻" of the timer standby display will not light up unless the current time and the timer have been set.

- **RDS (Radio Data System)**
When the RDS button is pressed, a station is searched for, and automatically tuned in, the "RDS" indicator lights and the station's name is displayed on the frequency display.
- **PTY (Program Type)**
This indicator lights when the type of RDS program is specified.
- **TP (Traffic Program)**
"TP" lights when an RDS Traffic information station is received.



CD PLAYER

REPEAT button

Press this button for repeat play.

Automatic Search Forward button

- Press this button to move the pickup forward to the beginning of the next track. Press again to move ahead to other tracks.
- By pressing this button a number of times, the pickup will advance the corresponding number of tracks.
- Press this button to move the pickup forward to the beginning of the desired track.

Automatic Search Reverse button

- Press this button to return the pickup to the beginning of the present track. Press again to return to other tracks.
- By pressing the button a number of times, the pickup will move back the corresponding number of tracks.
- Press this button to move the pickup back to the beginning of the desired track.

STOP button

Press this button to stop CD play.

PLAY button

Press this button to start playing the disc. If pressed when the disc tray is open, the disc tray closes and playback begins. Pressing this button in the standby mode automatically switches on the power and plays the disc.

OPEN/CLOSE button

Press this button to open the disc tray. Press once to open the disc tray forward, then press again to close the disc tray. This button also operates in the standby mode.

Disc tray

Compact discs are loaded to the disc tray.

CD PLAYER DISPLAY

Track number display

is displayed when the disc data cannot be read properly.

- The total number of tracks is displayed in the stop mode.
- The track number is displayed in the play and program modes.
-]] or [[is displayed when the innermost or outermost section of the disc is reached in the manual search mode.

Time display

is displayed when the disc data cannot be read properly.

- The elapsed playing time is displayed in the stop mode.
- The elapsed time for the track currently playing is displayed in the play and pause modes.
- The elapsed time for the programmed tracks is displayed in the program mode.

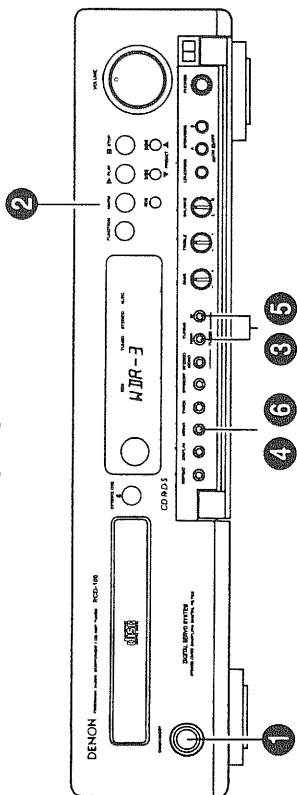
PROGRAM lights during the programmed selection mode.



PLAY lights when the disc is playing, and PAUSE lights when in the pause mode.

The indicators switch as follows when the REPEAT button is pressed in the play mode:
 REPEAT 1: REPEAT 1 (single track repeat)
 REPEAT ALL: REPEAT ALL (all tracks repeat)
 Third press: No display

LISTENING TO RADIO BROADCASTS
(Check that connections are proper, referring to Page 8)



Example: Tuning to 87.50 MHz, FM

<p>1 Set the VOLUME control to the minimum position, then press the ONSTANDBY button of the receiver.</p>	<p>ONSTANDBY</p>
<p>2 Select the FM band with the BAND button.</p>	<p>AM/FM</p>
<p>3 Use the UP and DOWN buttons to set the frequency to 87.50 MHz.</p>	<p>TUNING UP/DOWN</p>

Presetting FM and AM Stations

Example: Presetting the (currently tuned) FM 87.50 MHz to preset number 3

<p>4 Press the MEMO button. "P--M" flashes for 10 seconds.</p>	<p>MEMO</p>
<p>5 Use the TUNING UP and DOWN buttons to call up the number to which you want to preset the station. Or directly press the number buttons on the remote control unit. The preset number will flash.</p>	<p>TUNING UP/DOWN</p>
<p>6 Press the MEMO button while "P03M" is flashing.</p>	<p>MEMO</p>

Up to 30 FM and AM stations can be preset at random using this procedure.
 Note: The character writing mode is set if the MEMORY button is pressed in for over 3 seconds.
Auto Tuning

- When the TUNING buttons are pressed, the frequency changes in steps of 50 kHz for FM, 9 kHz for AM.
- If the TUNING UP or DOWN button is held in for more than 0.5 seconds, the frequency continues to change when the button is released. The next station is tuned in automatically and the tuning stops there. The auto tuning might not stop when a weak signal is received at the antenna. At this time the TUNED display will not light. To stop the auto tuning, press the UP or DOWN button again.

Listening to Preset Stations

Example: Listening to the FM station preset at number 3

<p>1 Press the TUNER BAND button on the remote control unit.</p>	
<p>2 Press button "3" on the remote control unit.</p>	

FM Stereo Reception

- When the MONO/STEREO button is pressed (which lights the AUTO indicators) and an FM stereo broadcast is received, the STEREO indicator lights and the station is received in stereo. If the MONO indicator is lit by pressing the MONO/STEREO button, the STEREO indicator goes off and the station is received in monaural.

Notes on Presetting

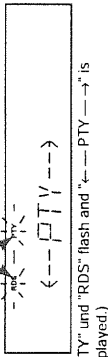
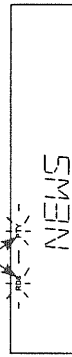
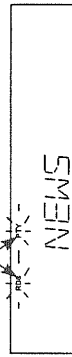
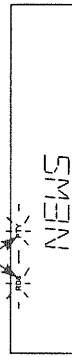
- When an FM station is preset, the auto or monaural mode is also set, so check the display before presetting the station.
- If a station is preset to a number at which another station has previously been preset, the previous station is cleared and the new station is preset.
- If the power cord is unplugged, the preset memory is not cleared immediately, but will be cleared if the cord is left unplugged over a long period. Should this happen, preset the stations again.

Receiving RDS broadcasts (FM only)

<p>1 Press the BAND button and set the FM band.</p>	
<p>2 Press the RDS button once.</p>	<p>Flashes</p> <p>"RDS" blinks</p>
<p>3 Press the TUNING UP or DOWN button.</p>	<p>Flashes</p> <p>"RDS" blinks</p>
<p>4 The station is tuned in.</p>	<p>"RDS" lights after 5 seconds of flashing.</p> <p>Station name</p> <p>Once the station is tuned in, "RDS" flashes for 5 seconds and the program service name is displayed. When another station is desired, press the UP or DOWN button of TUNING while "RDS" is flashing and start the tuning.</p>

NOTE: If no RDS station is found, "NO RDS" is displayed.

PTY Search

1	Press the RDS button twice.	 <p>(PTY' and "RDS" flash and "PTY" is displayed.)</p>
2	Press the PRESET UP or DOWN button on the remote control unit to select the type of program. (One of the 15 types listed below can be selected.)	
3	Press the TUNING UP or DOWN button.	
4	The station is tuned in.	 <p>"PTY" and "RDS" light after 5 seconds of flashing.</p> <p>Station name</p> <p>Once the station is tuned in, "RDS" and "PTY" flash for 5 seconds and the program service name is displayed. When the UP or DOWN button of TUNING is pressed while "RDS" and "PTY" are flashing, tuning is started again.</p>

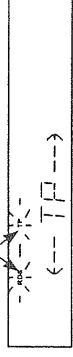

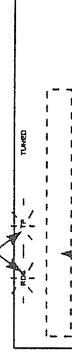
NOTE: If no program of the specified type is found, "NO PRD G" is displayed.

Programs

NEWS	(News)	VARIED	(Varied)
AFFAIRS	(Current Affairs)	POP M	(Pop Music)
INFO	(Information)	ROCK M	(Rock Music)
SPORT	(Sport)	MOR M	(M.O.R. Music)
EDUCATE	(Education)	LIGHT M	(Light Classics)
DRAMA	(Drama)	CLASSICS	(Serious Classics)
CULTURE	(Culture)	OTHER M	(Other Music)
SCIENCE	(Science)	ALARM	(Alarm)

NOTE: ALARM cannot be selected during the PTY search operation.

TP Search

1	Press the RDS button 3 times.	 <p>Flashes</p>
2	Press the TUNING UP or DOWN button of TUNING.	 <p>Flashes</p>
3	Broadcast reception.	 <p>"TP" and "RDS" light after 5 seconds of flashing.</p> <p>Name of broadcast station</p>

Once the station is tuned in, "RDS" and "TP" flash for 5 seconds and the program service name is displayed. When the UP or DOWN button of TUNING is pressed while "RDS" and "TP" are flashing, tuning is started again.

NOTE: "NO PRD G" is displayed when there is no traffic information broadcast station.

NOTE:

- The RCD-100 is designed so that RDS broadcasts can be received. In some countries and areas, however, no RDS broadcasts are offered.
- "PTY" is a code which identifies the type of program.
 - "TP" is a code which identifies the station providing the traffic information.
 - "CT" is a signal providing time data in one minute units.
 - Some stations which provide RDS broadcasts do not broadcast CT signals, in which case the time display cannot be corrected by pressing the CT button on the remote control unit.

RDS Emergency Alarm

"ALARM" will flash on the display when the unit receives the Emergency Programme Type Code (PTY31) from an RDS station. This feature may not operate properly if the signal from the RDS station is too weak or is subjected to interference. It is not possible to select the "ALARM" display from the PTY search mode.

7 USING THE TIMER

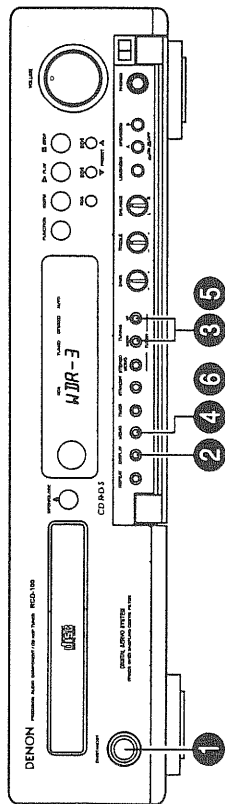
Setting the Timer

- Be sure to set the current time.
 - Regular timer: The power can be switched on and off once every day at the same time. (Wake-up music)
 - Sleep timer: The power can be set to turn off in up to 60 minutes in steps of 10 minutes using the remote control unit. (Bedtime music)
- Be sure to preset stations before setting the timer.
Refer to "Presetting FM and AM Stations" on Page 11.
- Turn the standby switch off when not using the timer.
 - It is not possible to set the timer on during CD-mode.

Power Failure

Should a power failure occur or if the power cord becomes unplugged from the power outlet, "00:00" will flash on the time display. If this happens, reset the current time.
(Reset the current time and timer settings. If "00:00" was displayed, also reset the stations preset on the tuner.)
The standby mark starts flashing if there is a power failure or the power cord is unplugged while the standby mark is lit. If this happens, reset the time and the timer. (If the display reads "00:00", also reset the tuner's preset channels.)
To make the standby mark stop flashing, press the TIMER button, then press the TIMER button while "FUNC" is displayed.

Setting the Current Time (A 24-hour clock display is used.)



Example: Setting to 19:30 (7:30 p.m.)

1	Press the ON/STANDBY button of the receiver.	ON/STANDBY	
2	Press the DISPLAY button for 3 seconds or longer.	DISPLAY	The hour's place flashes. (All places flash if the time has already been set.)
3	Set the hours with the UP and DOWN buttons.	TUNING UP DOWN	The set places flashes.
4	Press the MEMO button.	MEMO	The minutes' places flash.
5	Set the minutes with the UP and DOWN buttons.	TUNING UP DOWN	The set places flash.
6	Press the MEMO button at the sound of a time signal. The time display lights steadily and the clock starts keeping the time.	MEMO	The display light steadily and the clock starts to count from 0 seconds.

Writing Characters

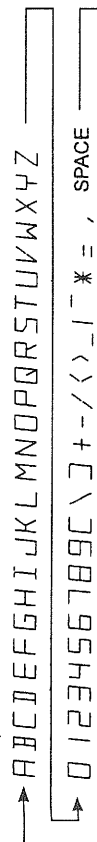
The RCD-100 includes a function for writing characters.

Example: Writing the characters "MY RADIO" for the station at FM 107.70 MHz and storing this as preset channel

1	Use the BAND button and the TUNING UP and DOWN buttons to display FM 107.70 MHz.	FM 107.70
2	Press the MEMO button for at least 3 seconds so that "P -- M" flashes on the display.	FM P -- M
3	Use the TUNING UP and DOWN buttons to select preset channel 5.	FM P 5 M
4	Press the MEMO button. The "P --" begins to flash.	M
5	Use the TUNING UP and DOWN buttons to select the character "M". Then press the PRESET UP button on the remote control unit. The "P --" stops flashing, and the "M" in the second place starts flashing.	M Y
6	Use the TUNING UP and DOWN buttons to select the character "Y". Then press the PRESET UP button on the remote control unit.	M Y
7	Repeat this procedure to write "MY RADIO". Then press the MEMO button. "PRESET" stops flashing and the character writing mode is cancelled.	MY RADIO

The characters which can be written are shown below.

- The characters change in the direction of the arrow when the PRESET UP button is pressed, and in the opposite direction when the PRESET DOWN button is pressed.
- The character sequence starts over from A each time a character is set.

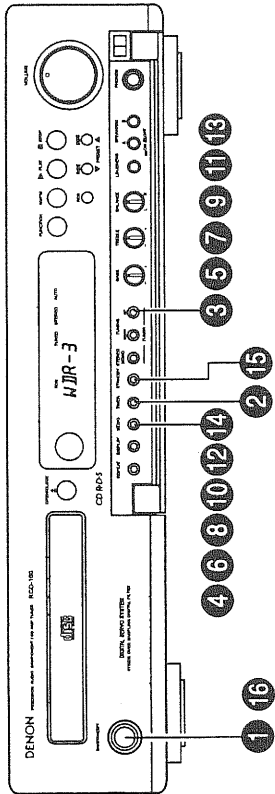


NOTES:

- The cursor can be moved to correct a character by pressing the PRESET button during the character writing mode.
- Characters can also be written in the same way when in the AM mode.

Setting the Timer

(Preset the FM and AM stations in advance)



Example: Setting the timer to turn on at 12:35 and off at 12:56.
 90.00 MHz FM is being received on preset number "1".
 87.50 MHz FM is set to preset number "3".

1	Press the ONSTANDBY button.	ONSTANDBY	TIMER
2	Press the TIMER button.	TIMER	FUNCTION
3	Press the UP and DOWN buttons to display "TUNER".	TUNING UP DOWN	TUNER
4	Press the MEMO button.	MEMO	FM - P - - - -
5	Use the UP and DOWN buttons to set the preset number 3.	TUNING UP DOWN	FM - P 3 - - - -
6	Press the MEMO button.	MEMO	aN -0:00
7	Use the UP and DOWN buttons to set the hour at which the timer is to switch on.	TUNING UP DOWN	aN -12:00
8	Press the MEMO button.	MEMO	aN 12:00-

9	Use the UP and DOWN buttons to set the minutes at which the timer is to switch on.	TUNING UP DOWN	aN 12:35-
10	Press the MEMO button.	MEMO	OFF -0:00
11	Use the UP and DOWN buttons to set the hour at which the timer is to switch off.	TUNING UP DOWN	OFF -12:00
12	Press the MEMO button.	MEMO	OFF 12:00-
13	Use the UP and DOWN buttons to set the minutes at which the timer is to switch off.	TUNING UP DOWN	OFF 12:56-
14	Press the MEMO button.	MEMO	FM 90.00
15	Press the STANDBY button.	STANDBY	FM 90.00
16	Press the ON/STANDBY button.	ON/STANDBY	FM 10:15

- When the STANDBY button is pressed and the "S" mark is lit, the timer will function at the same times each day.
- To switch off the timer, press the STANDBY button and turn off the "S" mark.

NOTE:

The timer standby mark "S" will not light unless the current timer has been set. Should this be the case, set the current time, then press the STANDBY button.







NOTE:

- 1) When there is an irregularity in the contents of the display or in the operation, unplug the power cord from the power outlet, then, while pressing down both the DOWN button of TUNING and the MEMORY button at the same time, plug the power cord into the power outlet again. All conditions will return to their initial settings and the display will appear normal. It will now be necessary to reset the presets, current time, and the timer setting time.
- 2) To enable remote control operation of this system, the AC power is always supplied to the system. Even when the POWER button has been switched off, the display of the tuner will continue to be lit dimly.

Ways to Use the Timer

Example 1: Waking up to the music of a compact disc.

1 EVERYDAY TIMER

 ON/STANDBY	 OPEN / CLOSE	 OPEN / CLOSE	
Press the receiver's ON/STANDBY button to switch on the power.	Press the CD player's OPEN/CLOSE button to open the tray.	Set the compact disc in the tray.	Press the OPEN/CLOSE button again to close the tray.
Press the receiver's TIMER button.	 TIMER	 TUNING UP	 DOWN
Press the UP and DOWN buttons of the receiver to display "CD".	TIMER FUNCTION CD		
Follow steps 6 to 16 under "Setting the Timer" on Page 14.			

Checking the Timer Settings

To check the timer settings, turn on the receiver's ON/STANDBY button, press the TIMER button. The timer start mode, reception band, preset number, on time, and off time are displayed in order each time the MEMORY button is pressed. One more press returns the display to the reception frequency.

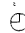
Changing the Timer Settings

When the timer setting operation is repeated, the previous settings are deleted and the new settings are set.

Note about the Set Timer

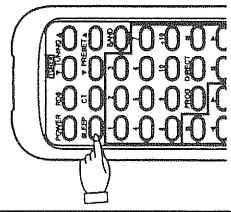
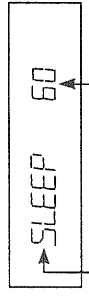
If the set time of the timer is reached while the power is on, the timer settings will take over and there will be a switch to the function that has been set on the timer.

Cancelling the Timer


Press the STANDBY button and the  mark will go off.

Setting the Sleep Timer

(Use the remote control unit for these operations.)
 Example: Setting the power to switch off in 50 minutes.

 1 Currently receiving 87.50 MHz. FM.	FM 87.50 MHz  "SLEEP" appears and flashes for 5 seconds. "60" is displayed	
Press the remote control unit's SLEEP button.	"50" is displayed, and the frequency display (87.50) reappears after 5 seconds.	The power is switched off after 50 minutes.
Press the SLEEP button again while "SLEEP" is flashing.		

If the sleep timer and regular timer settings overlap, the sleep timer is given priority. Do not press the STANDBY button after the power has been switched on with the timer. If this is done, the timer will not function properly.

- If the same time is set for the on time and off time, the power will not be switched on even when the "STANDBY" indicator is lit.
- If the timer is set for an AM or FM station and the on time of the timer is reached while listening to another station, the timer switches to the station which was set with the timer.
- When the SLEEP button is pressed and the  mark flashes, the sleep timer will operate at the same time.

Cancelling the Sleep Timer

- To cancel the timer while it is operating in the sleep mode, press the SLEEP button.
- Press the SLEEP button repeatedly until the power turns off. This cancels the sleep timer.

11 PLAYING CDS

Compact Discs

- Press the OPEN/CLOSE button (⏏) once to open the disc tray, once again to close it.
- The disc tray can also be closed by pressing the play (▶) button.
- When this is done, playback automatically starts from the first track on the disc (or if the tracks are programmed, the first programmed track).
- Load the disc with the label side facing up, being careful not to touch the disc surface.
- To play on 8 cm disc, place the disc in the sunken part at the center of the disc tray.
- When the disc tray is closed, the disc turns automatically for several seconds, and the number of tracks and total playing time appear on the display.



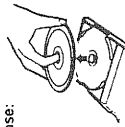
Only discs with this mark can be played.

- For CDVs, only the audio part is played (the video part is not played).

Disc	Remarks
CD	
CDV	Only the audio part is played.
CD single (8 cm)	

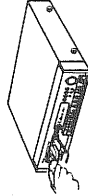
■ When removing the disc from its case:

As shown in the diagram, grasp the disc along the edges, gently press down on the hole in the middle with a finger, and lift the disc. It should come out easily.



■ When setting the disc in the disc tray:

Always set the disc with the label side facing up. (Compact discs can only be played on one side). For 8 cm CDs, set the disc in the sunken part in the middle of the tray.

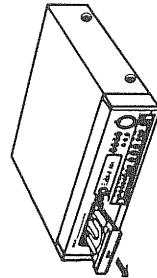


Handling the Disc Tray

Do not switch off the power or push or pull the disc tray when it is moving, since this may damage it.

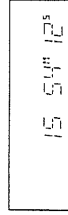
If the cord of a set of headphones, etc., gets caught in the disc tray when it is closed, press the OPEN/CLOSE button (⏏) again.

- Never set objects other than CDs in the disc tray, as this can cause damage.

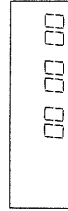


Precautions:

- If no disc has been loaded or the disc has been placed upside down, all indicators will light.
- When the information on the disc cannot be read correctly, for example due to dust or dirt on the disc, the indicators will read as shown below. Nothing will be shown on the TRACK NO. and TIME displays, and it may take quite a while to read the disc.



Normal display



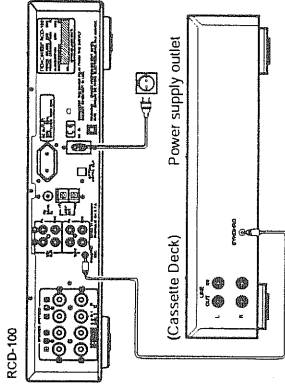
Improper display

• SYNCHRO Jack Connections

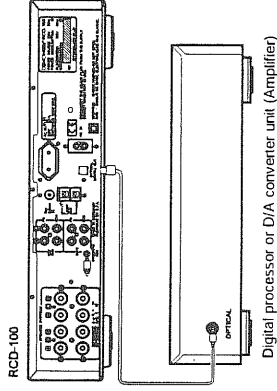
Connect the SYNCHRO jack with a DENON cassette deck which is equipped with a SYNCHRO jack, then make a synchronized recording. Use the connection cord supplied with the cassette deck.

To make use of this function, also connect the output jacks and make the settings so that a recording can be made from the RCD-100 player to the cassette deck.

The remote control signal receive indicator of the display will blink during synchronized play.



Connecting the Digital Output Jack (OPTICAL)
Use an OPTICAL cable to connect the digital output jack (OPTICAL) of the RCD-100 to the digital input jack (OPTICAL) on a MD or D/A converter unit, available in Stores.



OPENING AND CLOSING THE DISC HOLDER AND LOADING A DISC

Opening and closing the disc holder (This operation only works while the power is on).

1. Press the ON/STANDBY switch to turn on the power.
2. Press the OPEN/CLOSE button (⏏).

How to load a disc

- Make sure the disc holder is completely open.
- Hold the disc by the edges and place it on the disc tray. (Do not touch the signal surface, i.e., the glossy side.)
- When using 12 cm diameter discs, make sure the outer edge matches the tray guide circumference (Fig. 1), and when using CD singles (8 cm diameter), match the outer edge with the inner tray guide circumference (Fig. 2).
- Press the OPEN/CLOSE button (⏏) to close the disc holder.
- When the disc holder is closed, the disc is read and after a few seconds the number of tracks and total playing time are displayed on the TRACK NO. and TIME displays, respectively.
- When the disc holder is open and a disc is loaded, you may also press the play (▶ PLAY) or pause (⏏ PAUSE) button to close the holder. (If the play button (▶ PLAY) is pressed, playback will start immediately upon the disc contents having been read.)

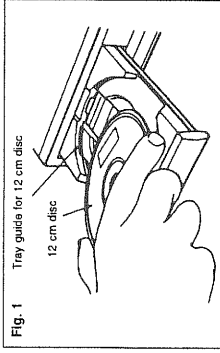


Fig. 1

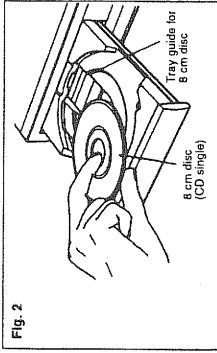
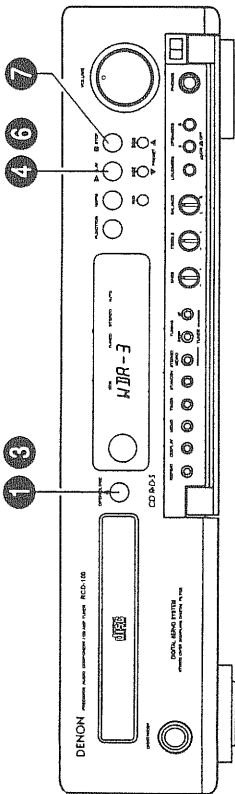


Fig. 2

Caution:

- If your finger should get caught in the disc holder when it closes, press the OPEN/CLOSE button (⏏).
- Do not place any foreign objects on the disc tray, and do not place more than one disc on the tray at a time. Otherwise malfunction may occur.
- Do not push in the disc tray manually when the power is off as this may cause malfunction and damage the CD player.

Regular Play



Example: Playing a CD with 15 tracks and a total playing time of 62 minutes 03 seconds, starting from track 1

1	Press the ON/STANDBY button of the receiver, then press the OPEN/CLOSE button.	 OPEN/CLOSE The disc tray opens	TRACK 00 00 ^s
2	Set the CD in the disc tray. Refer to Page 16.	 OPEN/CLOSE The disc tray closes	TRACK 15 62 ^m 03 ^s
3	Press the OPEN/CLOSE button.	 PLAY CD play starts	TRACK 01 16 ^m 01 ^s
4	Press the PLAY button.		

To stop play temporarily: (Perform this operation from the remote control unit only.)

5	Press the PAUSE button.	 PAUSE PAUSE CD play is paused at the point the button is pressed.
----------	-------------------------	---

To resume CD play:

6	Press the PLAY button.	 PLAY CD play resumes from the point the pause button was pressed.
----------	------------------------	--

To stop CD play:

7	Press the STOP button.	 STOP 15 62 ^m 03 ^s
----------	------------------------	--

NOTE:

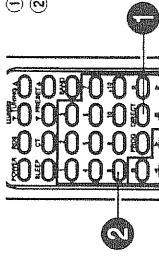
- "CD" is displayed on the track number section of the display for several seconds after the disc is set, while the data on the number of tracks, playing time, etc., is being read from the disc. After this, the number of tracks and total playing time appear.

Various CD Play Functions

(Insert the disc before performing the following operations.)

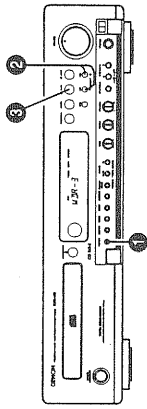
1 Playing Certain Tracks

Example: Playing the 8th track
Perform this operation from the remote control unit.



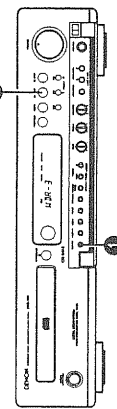
- 1 Press the DIRECT button.
 - 2 Press track button "8". "TRACK 8" appears on the display, and the 8th track begins playing. When the end of the track is reached, play continues on to the next track.
- For track numbers of 11 and higher, for example 15, press [+10] and [5].
 - For track numbers of 20 and higher, for example 23, press [+10], [+10], and [3].
 - For track number 20, press [+10] and [10].

2 Playing 1 Track Repeatedly



- 1 Press the REPEAT button once.
 - 2 Press the [4] or [1] button, and select the desired track.
 - 3 Press the play button (▶) to start play.
- When the specified track finishes playing, the pickup returns to the beginning of that track and play is repeated.
 - If the REPEAT button is pressed once during play, the track will be played repeatedly.
 - If the REPEAT button is pressed once during programmed play, the track will be played repeatedly.
 - If the REPEAT button is pressed once while the disc is stopped, the "REPEAT 1" indicator lights and the 1 track repeat play mode is set.

3 Playing All Tracks Repeatedly



- 1 Press the REPEAT button twice.
 - 2 Press the play button (▶) to start play.
- When the last track finishes playing, the pickup returns to the first track of the disc and play is repeated.
 - If the REPEAT button is pressed twice during play, the disc will be played repeatedly.
 - If the REPEAT button is pressed twice during programmed play, the program will be played repeatedly.
 - If the REPEAT button is pressed twice while the disc is stopped, the "REPEAT ALL" indicator lights and the all tracks repeat play mode is set.

4 Playing a Specific Section Repeatedly

Example: The CD has a total of 15 tracks

1st time	TRACK 03 REPEAT 1	(1) Press the REPEAT button during CD play.	"REPEAT 1" lights up, and only that track is played repeatedly, and that track number lights.
2nd time	TRACK 15 REPEAT 1 REPEAT ALL	(2) Press the REPEAT button before CD play.	"REPEAT 1" lights up, and the total number of tracks lights, and then the first track is repeated by pressing the play button (▶) when play is started by direct selection from the remote control or with the [4] button, only those selected tracks are played repeatedly.
	TRACK 03 REPEAT 1	Press the REPEAT button before CD play or during CD play.	"REPEAT ALL" lights up, and the track numbers contained on the disc light up on the music calendar, and all tracks are played repeatedly.

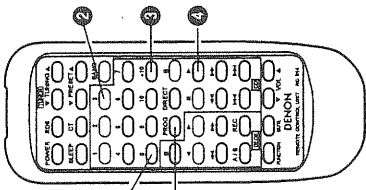
Pressing the REPEAT button once again returns the player to regular CD play.

PROGRAMMED SELECTION

5 Playing Certain Tracks in any Desired Order (Perform this operation from the remote control unit only.)

Example: Programming track 3 to play first, track 18 to play second, on a CD with 18 tracks and a total playing time of 62 minutes, 3 seconds.

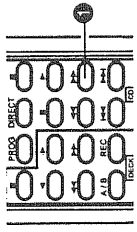
Setting and Playing the Program

1	Press the PROGRAM button.		TRACK PROGRAM 18 62 ^M 03 ^S
2	Set track 3 to play first.		TRACK PROGRAM 03 08 ^M 00 ^S
			After 2 seconds The display when track 3 is set to play first Time of first track: 8 minutes, 00 seconds
3	Set track 18 to play second.		TRACK PROGRAM 18 16 ^M 05 ^S
			After 2 seconds The display when track 18 is set to play second Total time of tracks 1 and 2: 16 minutes, 05 seconds
4	Press the play button.		The tracks start playing in the programmed order.

- The numbers of the programmed tracks go off once the tracks are played.
- "M" appears on the display, if a track number of 21 or higher is set in the program.
- When a program is set during CD play after a direct selection, the track currently playing is set as the first track in the program.
- Up to 20 tracks of your choice from among track numbers 1 through 99 can be programmed with this CD player.
- If you attempt to set a track number that is greater than the number of tracks on the disc, that track number will not be displayed when the buttons are pressed.
- Programming is also possible when the disc tray is open. In this case, track numbers greater than the number of tracks on the disc can be programmed, but these are ignored when the disc is played.
- The entire program is cleared when the disc tray is opened by pressing the **▲** button.
- Other operations possible during programmed play:
 - The quick search, pause, skip monitor, and other operations can be used during programmed play. To move to the beginning of the previous track with the quick search operation, press **←←** once, then once again while the time display reads "00:00". To move to the beginning of the following track, press **→→** once, regardless of the time display.
 - Perform programming and canceling in the stop mode.
 - Programming is also possible in the same way using the PROG button on the CD player. (In this case, use the **→/←** button to select the track number, the PROG button as the memory button. In other words, first press the PROG button, next press the **→/←** button to select the track number, then press the PROG button again to set the track in the memory. For the second track as well, press the **→/←** button then the PROG button.)

QUICK SEARCH

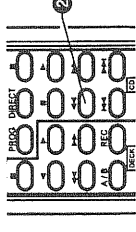
6 Moving to the Next Track During CD Play (Perform this operation from the remote control unit.)



- Press the auto search forward button (**→→**).
 - Each press of the auto search forward button (**→→**) moves the pickup to the beginning of following tracks.

QUICK SEARCH

7 Moving Back to the Beginning of the Current Track During CD Play (Perform this operation from the remote control unit.)



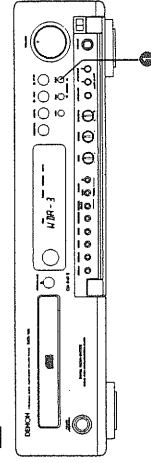
- Press the auto search backward button (**←←**).
 - Each press of the auto search backward button (**←←**) during the search operation moves the pickup to the beginning of previous tracks.

SKIP MONITOR

8 Searching for Tracks While Listening to the Sound

- Use this to skip through a disc listening to the sound at high speed. This function is convenient when searching for a certain section within a long track.
- Use the skip monitor function to find the desired position, then release the search button to start regular playback from there.

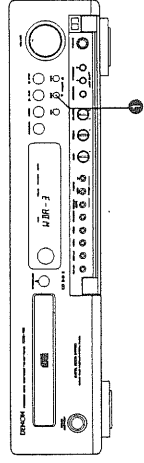
1 Forward skip monitor



- The track number and elapsed playing time of the track being skipped through are indicated on the display.
- If the end of the last track on the disc is reached while pressing the search button, (J), appears on the display and the skip monitor operation stops. To resume CD play, press the search backward button (**←←**) until (J) switches to the track number, then perform a different operation.

1 During CD play, press and hold in the forward search button (**→→**) to skip forward while listening to the sound.

2 Backward skip monitor



- The track number and elapsed playing time of the track being skipped through are indicated on the display.
- If the beginning of the first track on the disc is reached while pressing the search button, (L) appears on the display and the skip monitor operation stops. To resume CD play, press the search forward button (**→→**) until (L) switches to the track number, then perform a different operation.

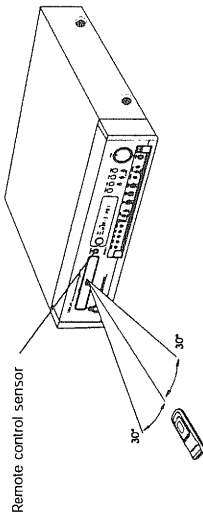
1 During CD play, press and hold in the backward search button (**←←**) to skip backward while listening to the sound.

If the forward or backward skip button is pressed during programmed CD play and released at a track which has not been programmed, the next programmed track will be played once that track has been played to the end.

12 REMOTE CONTROL UNIT

Cautions on Use

1. The RCD-100 is supplied with a remote control unit (RC-814) for system control.
2. Replace the batteries with new ones when the transmission distance possible with the remote control unit shortens.
3. For longer battery life, remove the batteries when not using the remote control unit for long periods.
4. When replacing batteries, use two new batteries. Never use an old battery with a new one.
5. Do not use two different types of batteries.
6. Do not heat batteries or take them apart.
7. Be careful that the remote control sensor is not exposed to direct sunlight or strong light from lighting fixtures.
8. The remote control sensor is located on the receiver. Point the remote control unit at the sensor, then press the buttons for the desired operation.
9. Operate the remote control unit within the range illustrated in the diagram.

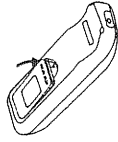
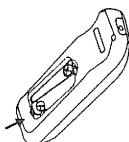
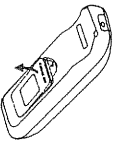


Remote control sensor

Remote control unit's transmission window

Inserting the Batteries

1. Open the battery case lid on the back of the remote control unit.
2. Insert the two batteries (R6/AA) in the proper direction.
3. Set the battery case lid back in place.



□□□□ appears at the upper left corner of the receiver display when a signal is received.

- The remote control unit can be used at a distance of about 7 meters from the remote control sensor, but this distance will be shorter if there are obstacles in the way or if the remote control is operated from an angle.

10. Do not press buttons on the remote control unit and on the main unit at the same time. Doing so will lead to a malfunction.
11. If □□□□ appears on the receiver display due to incident light even though the remote control unit has not been operated, it is best to move the set or place it in a different direction. Even if this happens, it will not cause a malfunction with remote control unit.
12. When adjusting the volume continuously with the remote control unit, the volume adjustment will stop if the remote control unit is moved away from the remote control sensor. Should this happen, press the button again to continue changing the volume.

Button Names and Functions

POWER
Press this to switch on the power for the entire system or set the system to standby.

SLEEP
Press this to set the sleep timer.

Number buttons
After pressing TUNER, these buttons call up the preset stations. When used with CD play, after pressing DIRECT or PROGRAM, these buttons specify the tracks to be played.

Operating the Cassette Decks
Stop button (■)
Press this to stop the tape deck.
Forward play button (▶)
Press this to play back or record in the forward direction.
Reverse play button (◀)
Press this to play back or record in the reverse direction.
• **REC button (recording button)**
To set the recording mode when in the stop mode, press this button, then press either the "▶" or the "◀" button. When pressed during the recording or recording pause mode, a blank section of approximately 5 seconds is created on the tape, after which the deck is set to the recording pause mode.
Rewind button (◀◀)
Press this to rewind the tape.
Fast-forward button (▶▶)
Press this to forward the tape.
A/B button
Press this to select the deck to be operated.

FUNCTION (input switching) button
Switches the function TUNER, CD, TAPE and MD/AUX.

TUNER
• **CT (Clock Time) button**
When the FM band has been set, a single press of this button will cause the clock display to appear for 2 seconds. Pressing the button again while the clock is displayed, enables the clock to be matched to the time of the RDS broadcast time service.
• Some stations which provide RDS broadcasts do not broadcast CT signals, in which case the time display cannot be corrected by pressing the CT button.

CD Play
DIRECT button
Press for direct track selection of CD player.
PROGRAM button
Press for programmed selection of CD player.

Operating the CD Player
Pause button (||)
Press to temporarily stop CD play. Press the play button ▶ to resume play.
Stop button (■)
Press to stop CD play.
Play button (▶)
Press to start CD play.
Manual search backward button (◀◀)
Press these to quickly move backward or forward.
Backward skip monitor button (◀◀)
Press during CD play to go back to the beginning of that track. Press the button again within 0.5 seconds to go back to the beginning of the previous track.
Forward skip monitor button (▶▶)
Press during CD play to go forward to the beginning of the next track. Press the button again to go forward to the beginning of the track two tracks ahead.

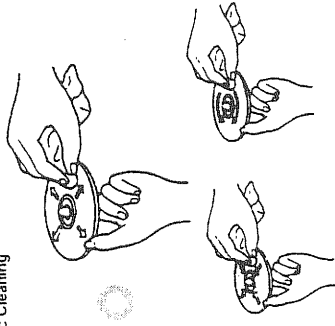
VOLUME
Adjusts the volume. Press ▼ to lower the volume, and ▲ to raise it.

13 IMPORTANT INFORMATION

- **Head Cleaning**
After the cassette deck has been used for a while, powder from the tapes and dirt adhere to the head and lower the sound quality. Use a head cleaning cassette tape to clean.

NOTE: Some of the cleaning sets on the market have a strong polishing effect which can damage the head.

- **Disc Cleaning**



- Never use the following to clean discs:**
- Solvents such as benzene or alcohol
 - Cleaners containing abrasives
 - Record sprays or cleaners
 - Anti-static products

- **Head Demagnetizing**
The heads become magnetized after the deck has been used over a long period of time or if the heads are exposed to a magnetic field. This results in noise and reduced treble. In addition, there may be a reduction of the treble range of recorded tapes as well as noise produced on these tapes. When the heads become magnetized, use one of the cassette tape head demagnetizers (erasers) available on the market to demagnetize the heads.
- For details, read the operating instructions of the demagnetizer.

- Dust, fingerprints, or spittle on the disc can cause noise or skipping.
- If the disc is dirty or if the player does not work properly, clean the disc as follows:
 - Hold the disc as shown in the diagram, with the signal surface facing up (and the labelled side facing down).
 - Using a soft cloth, wipe the disc gently from the inside straight towards the edges (as shown by the arrows).

- Do not wipe from the edges towards the center, or around the disc as you would wipe records.
- Do not use hard cloths or rub the disc forcefully, since the signal surface is susceptible to scratches.

14 SPECIFICATIONS

- **Receiver**
 - **Tuner**
 - **Reception Frequency Range:**
 - FM: 87.50 MHz to 108.00 MHz
 - AM: 522 kHz to 1611 kHz
 - **Receiving Sensitivity:**
 - FM: 1.5 µV, 75 ohms (SN ratio 30 dB)
 - AM: 20 µV (SN ratio 20 dB)
 - **FM Stereo Separation:** 40 dB (1 kHz)
 - **Amplifier**
 - **Rated Output Power:** 45 W + 45 W (1 kHz, 4 ohm)
 - **Jacks:** 6.3 mm headphone jack
 - **Bass Adjustment:** 100 Hz ±8 dB
 - **Treble Adjustment:** 10 kHz ±8 dB
 - **Loudness control:** 100 Hz/10 kHz +6dB/+3dB
 - **Jacks:** MD/AUX: Input jacks, recording output jacks
TAPE: input jacks, recording output jacks
 - **Dimensions (max.):** 434 (W) x 94 (H) x 342 (D) mm (17.5/64" x 3.45/64" x 13.30/64")
 - **Weight:** 7.5 kg (16 lbs 8 oz)
 - **Power Supply:** AC 230 V, 50 Hz
 - **Power Consumption:** 110 W
- **CD Player**
 - **Wow and Flutter:** Below measurable limits (±0.001 % W, Peak)
 - **Sampling Frequency:** 44.1 kHz
 - **Light Source:** Semiconductor
- **Remote Control Unit (RC-814)**
 - **Type:** Infrared pulse
 - **Number of Buttons:** 40
 - **Dimensions (max.):** 525 (W) x 150 (H) x 18.3 (D) mm (2-1/16" x 5-8/9" x 12/16")
 - **Weight:** 100 g (Approx. 3.5 oz) (including batteries)
- Maximum dimensions include controls, jacks, and covers.
(W) = width, (H) = height, (D) = depth
- For improvement purposes, specifications and functions are subject to change without advanced notice.

15 TROUBLESHOOTING

1. Check that the connections are proper.
2. Check that you are operating the system according to the instructions in the manual. Check the following table if the system does not seem to be working properly. If the problem is not solved after checking these points carefully, the system may be malfunctioning. Switch off the power and contact your store of purchase.

Symptom	Cause	Measures	Page
Common	Power does not come on when ONSTANDBY button pressed	Power cord not plugged into outlet.	8
	No sound produced from speakers.	VOLUME control set to minimum. Headphones are plugged in. Speaker cables not connected to speaker terminals. The Play is affected by cabling noise at intervals.	9 9 8 8
	Trouble not produced. Orientation of sound field not clear.	Speaker polarities (+ and -) not matched.	8
Receiver	Source other than the desired one is heard.	Function selector button not set properly.	9
	Hissing noise heard during FM reception.	Antenna not pointed in proper direction. Signals weak.	8 8
	Hissing or scratchy noise heard during AM reception.	Noise from TV, etc., or interference from other stations.	-
CD Player	Hum noise heard during AM reception.	Signals coming over power cord are modulated by power source frequency.	8
	Disc loaded but total number of tracks not displayed.	Disc loaded upside-down. Disc dirty. Non-standard disc loaded.	16 20 16
	Operation not performed when buttons pressed, or playback stops in middle of track.	Disc loaded upside-down. Foreign object in disc holder. Disc dirty. Disc scratched.	16 16 20 -
	Sound skips.	Dust, fingerprints, or splits on disc. Disc scratched. Player set in shaky, unstable place.	20 -

Normal operation may not be possible if there is dirt or other substances on the surface of the internal objective lens or sensor.
These parts must be cleaned periodically depending on the place of installation.
For details, contact your store of purchase.

Dew (Condensation) Phenomenon

Dew (water droplets) may form on the lens of the internal optical system or on the disc, or on the rotating parts of the tape deck in situations such as the following:

- Soon after a heater is put on.
- When the set is placed in a steamy or damp room.
- When the set is moved from a cold place to a warm room.

This system consists of precision components using microprocessors. Avoid using it in places where there is much external noise. If used in such places, the system may not operate properly, but this is not a problem with the system. If the system does not operate properly, try performing the desired operation again.

Avoid using ultrasonic humidifiers nearby. If ultrasonic humidifiers are used nearby, the calcium, etc. included in the water may be scattered into the air, causing white dust to accumulate on the surface of the objective lens or sensor, resulting in improper operation.

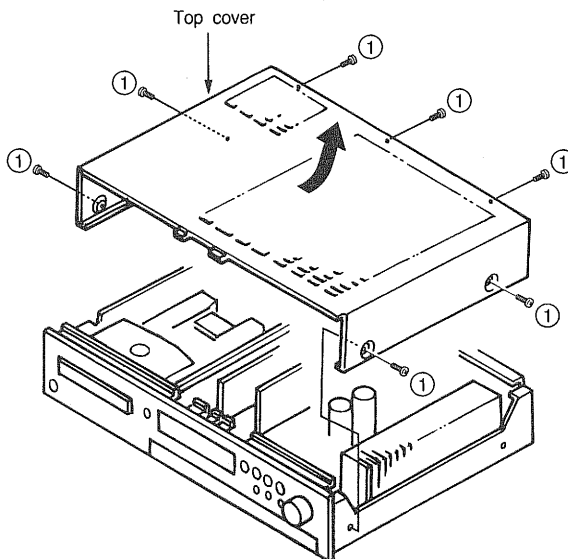
When Condensation Forms

The signals of the disc may not be read and this product will not operate properly. To remove the condensation, take out the disc and switch on the power. The condensation will evaporate within 1 hour and the set will operate normally.

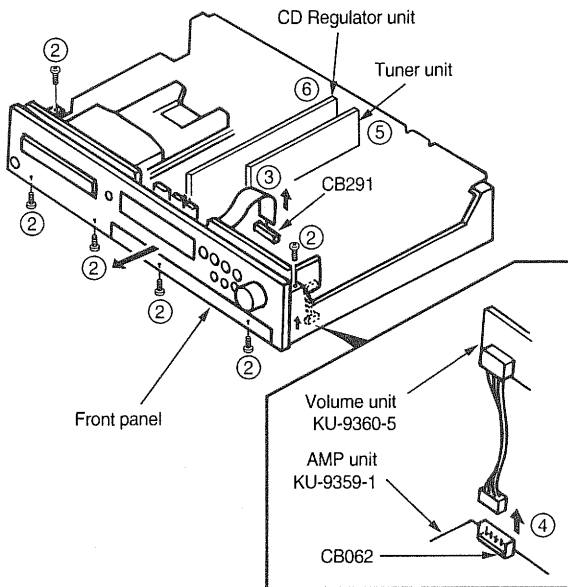
DISASSEMBLY PROCEDURES (Follow these procedures in reverse order to reassemble.)

1. Removing the top cover and front panel

① Remove the seven screws from the top cover.



- ② Remove the six screws from the front panel.
- ③ Disconnect the CB291 connector from the main unit.
- ④ Disconnect the CB032, CB041 and CB062 connectors from the main unit.
- ⑤ Disconnect the CB052 connector from the tuner unit.
- ⑥ Disconnect the CB081 and CB091 connectors from the CD unit.



2. Removing the circuit boards

Volume Unit (KU-9360-5)

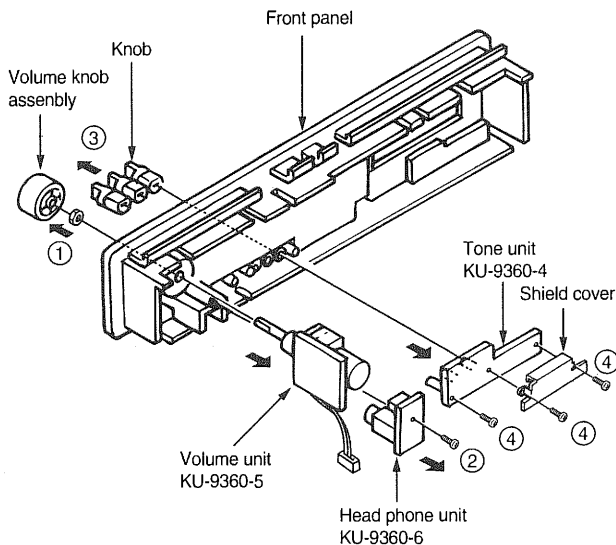
① Remove the volume knob and nut from the front panel.

Headphone Unit (KU-9360-6)

② Remove the screw from the headphone unit.

Tone Unit (KU-9360-4)

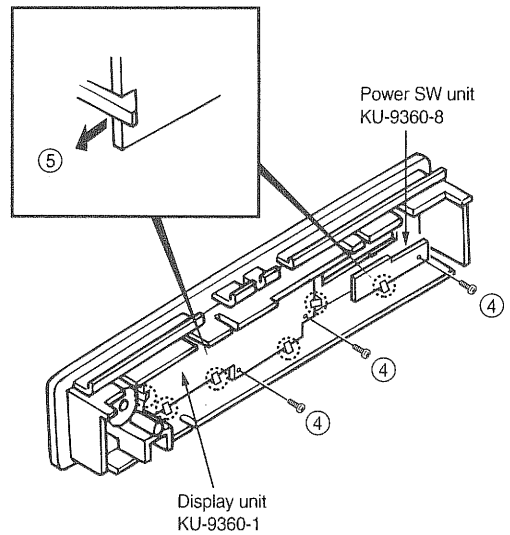
- ③ Remove the knob from the front panel.
- ④ Remove the three screws from the tone unit.



Display Unit (KU-9360-1)

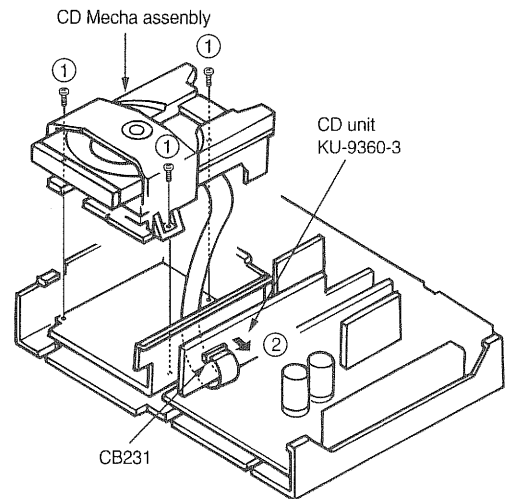
Power SW Unit (KU-9360-8)

- ④ Remove the three screws from the display and power switch units.
- ⑤ Detach the six hooks from the display and power switch units.



2. Removal of the CD Mechanism Unit

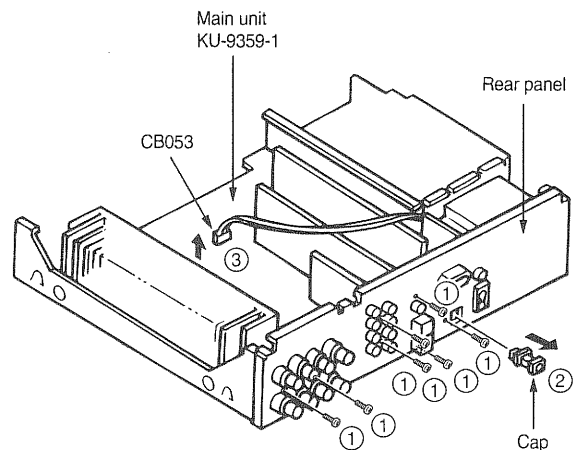
- ① Remove the three screws from the CD mechanism unit.
- ② Disconnect the CB034 and CB231 connectors from the CD unit.



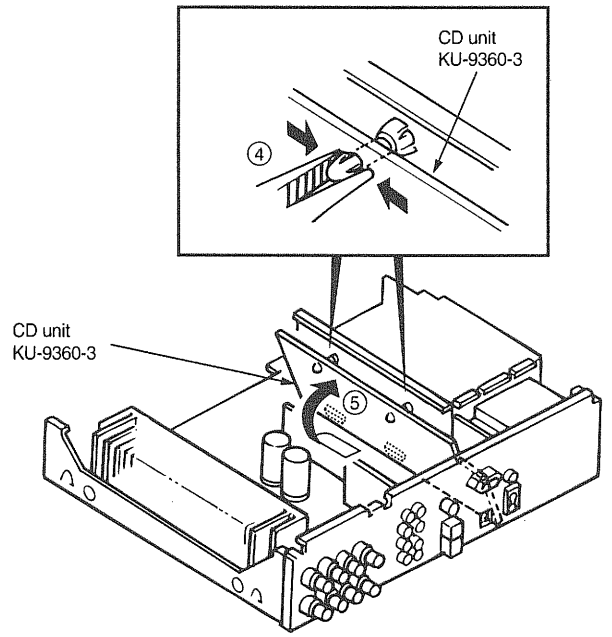
CD & Regulator Unit (KU-9360-3)

AMP Unit (KU-9359-1)

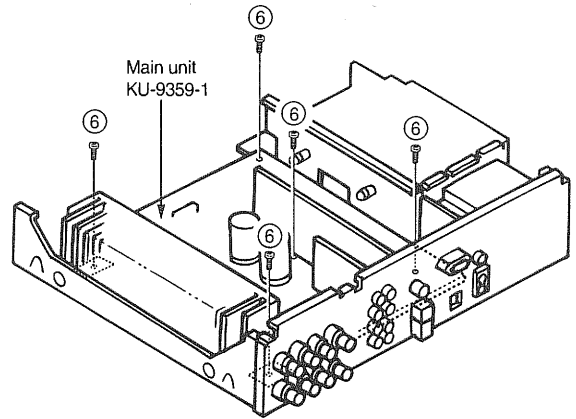
- ① Remove the seven screws from the rear panel.
- ② Remove the cap from the CD & regulator unit.
- ③ Disconnect the CB053 connector from the amplifier unit.



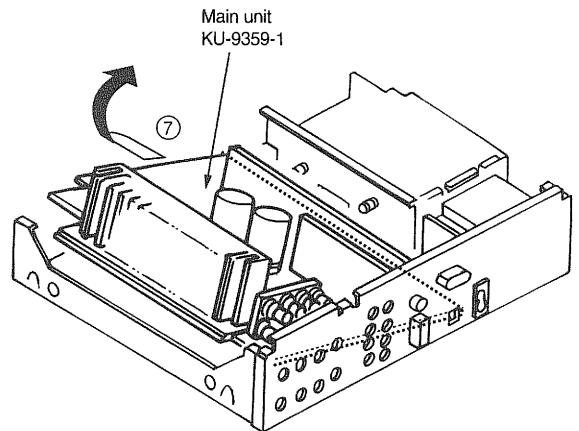
- ④ Remove the two holders from the CD unit.
- ⑤ Remove the CD unit in the direction of the arrow.



- ⑥ Remove the five screws from the main unit.



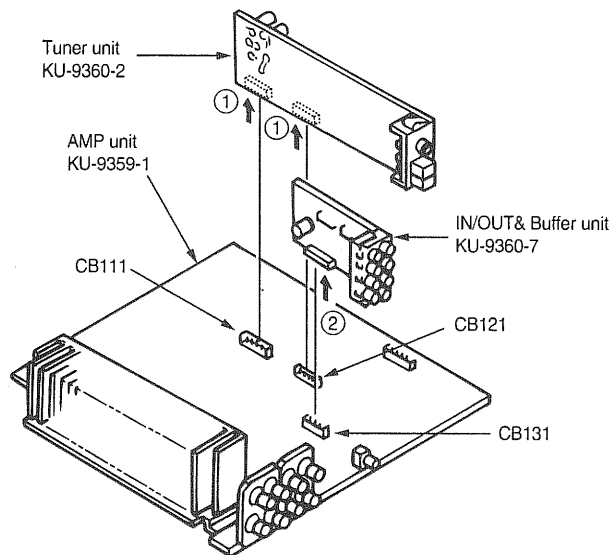
- ⑦ Remove the main unit in the direction of the arrow.



Tuner Unit (KU-9360-2)

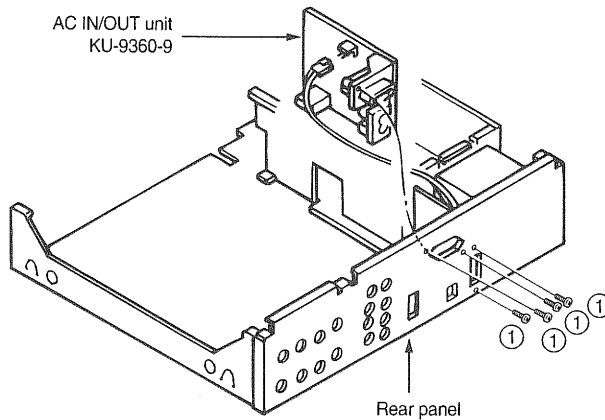
Input & Buffer Unit (KU-9360-7)

- ① Remove the tuner unit from the CB111 and CB121 connectors connected to the main unit, in the direction of the arrow.
- ② Remove the audio unit from the CB131 connector connected to the main unit, in the direction of the arrow.

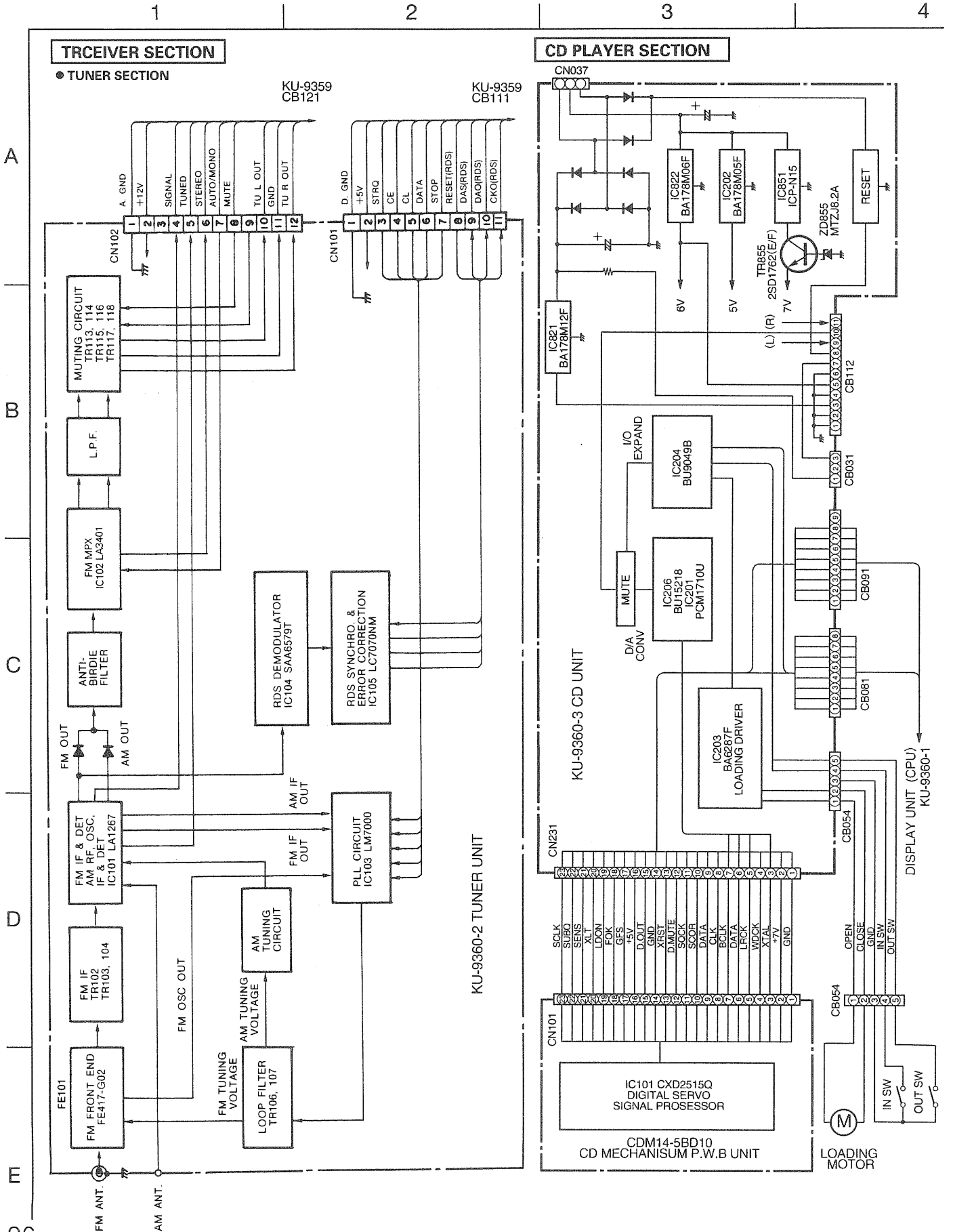


AC IN/OUT unit (KU-9360-8)

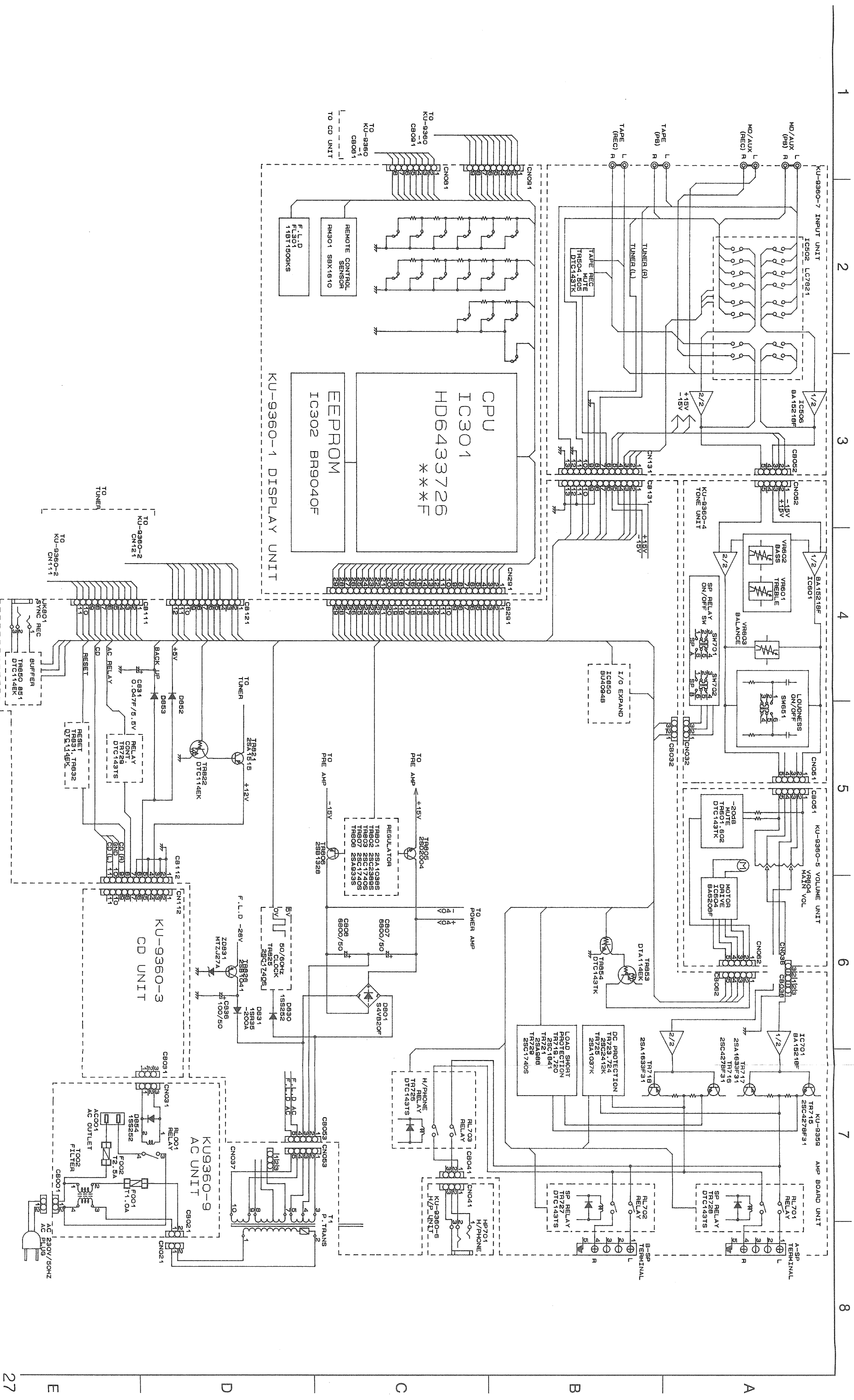
- ① Remove the four screws from the rear panel.



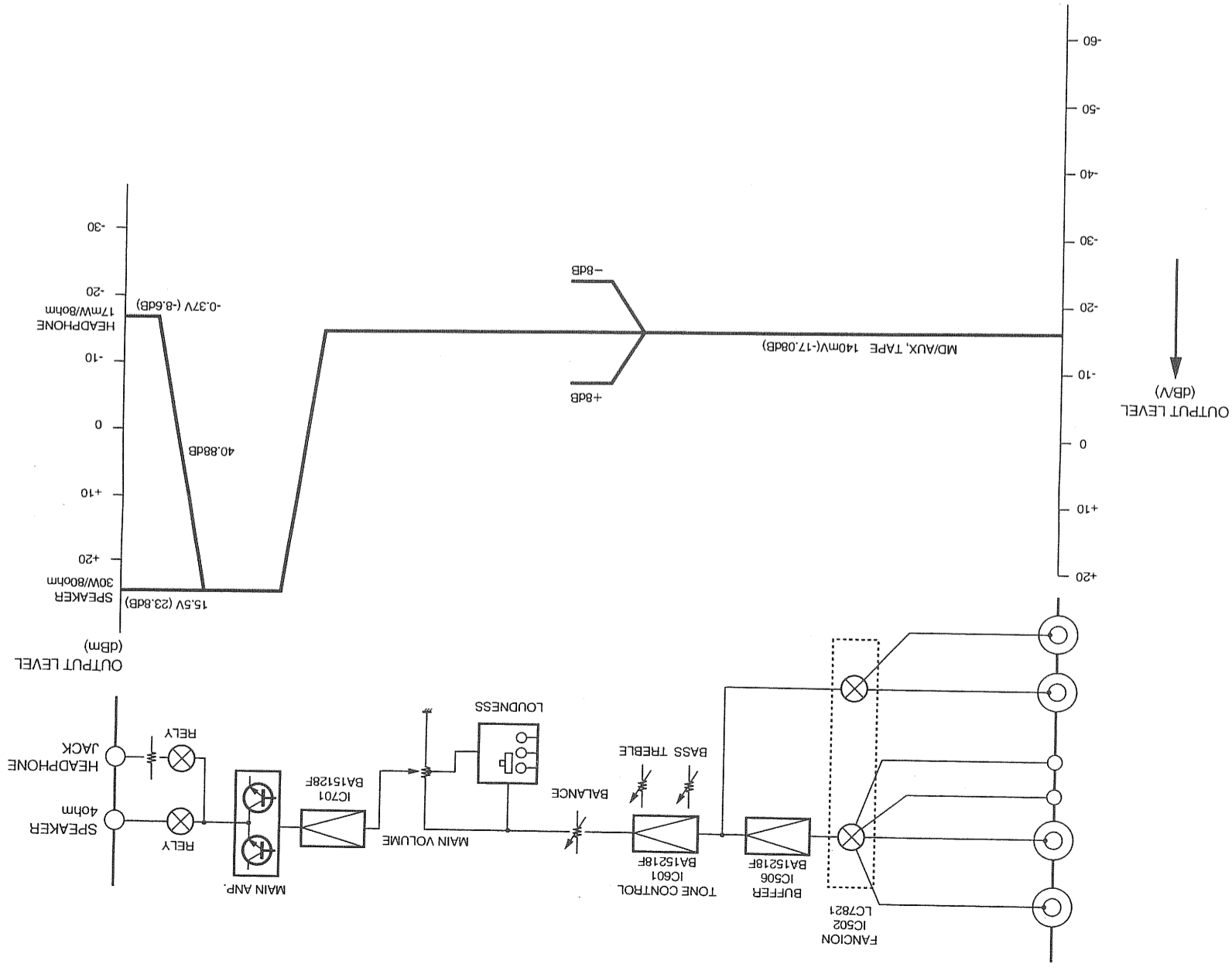
BLOCK DIAGRAM



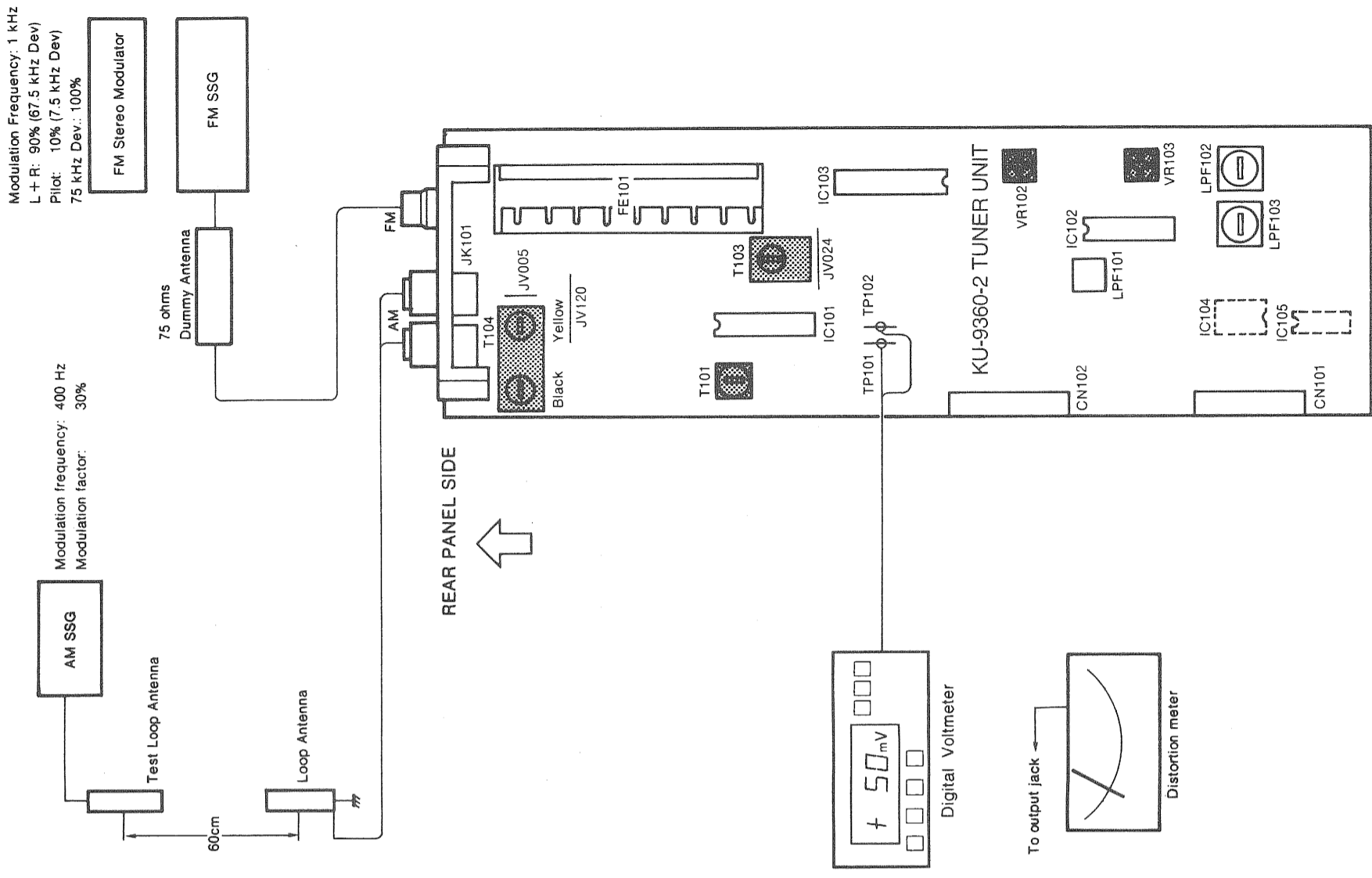
AMP. BLOCK DIAGRAM



LIVEL DIAGRAM



ADJUSTMENTS



1. FM adjustment (BAND button: FM, MONO/AUTO button: AUTO,

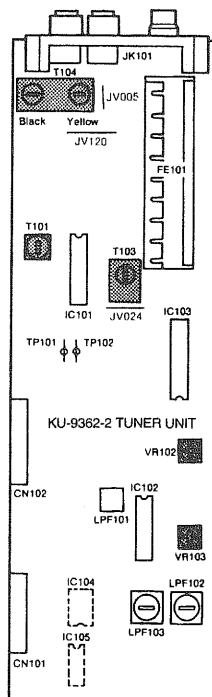
Step	Adjustment item	Tuning point (channel setting)	Input					Output		Adjustment location	Setting value	Notes
			Measuring Instrument	Frequency	Input level	Modulation	Connection location	Measuring instrument	Connection location			
1	FM DC balance	98.00MHz	FM S.G.	98.00MHz	60dB μ	1kHz 75kHz DEV	FM antenna terminal	Digital volt meter	TP101 TP102	T101	0 \pm 50mV	Perform with monaural modulation signal
2	Muting level	98.00MHz	FM S.G.	98.00MHz	20dB	1kHz 75kHz DEV	FM antenna terminal	Check for the lighting of TUNED	Output jack	VR102	Input level 20dB μ \pm 4dB	(Level at which TUNED lights up) Level at which the output is provided Turn VR102 fully clockwise and adjust with VR102. It is not possible to adjust with VR102.
3	Stereo separation	"	FM stereo modulator FM S.G.	"	60dB μ	1kHz L or R: 67.5kHz DEV Pilot; 7.5kHz DEV	"	VTVM Oscilloscope	"	VR103	Minimum R.ch. Output	Perform with L.ch. Input of FM stereo modulator

2. AM adjustment (BAND button: AM)

Note: The AM IFT and MW ANT./OSC. coil are adjusted individually and normally do not require adjustment.

1	IF	Clear frequency (without a broadcast)	AM IF sweep	990kHz	Level at which AGC is not applied	-	AM antenna terminal	Oscilloscope	⊕ IC101 Pin 10 ⊖ JV024	T103	Waveform maximum and symmetry	
2	Band edge	522kHz	-	-	-	-	-	Digital voltmeter	⊕ JV120 ⊖ JV005	T104 Black	1.2V \pm 0.2V	
		1611kHz	-	-	-	-	-		-	-	Approx. 7.5V	No place to adjust
3	Tracking	603kHz	AM S.G.	603kHz	Level at which AGC is not applied	400Hz 30%	Loop antenna	VTVM	Output terminal	T104 Yellow	Maximum output	

KU-9360-2 TUNER UNIT (Component Side)



CONFIRMING METHOD OF SERVO

A microcomputer adopted to this unit has the service programs so as to perform confirming more easily with the operation buttons. Digital servo adopted to this unit is became automatic adjustment status in focus gain and tracking gain.

1. Actuating the Service Program

Disconnect 15P system connector of the main unit, and while pressing the ► PLAY and ▲ OPEN/CLOSE buttons at the same time, switch on the system power. The power will be supplied automatically in 2 to 3 seconds, the display of the receiver will indicate " 01 ", and the system will enter the service mode.

NOTE: Once the service program starts the operation buttons cannot be used for normal operation.

2. Operation Function at Service Program Actuation

Button Operation	Operation Function	Explanation
▲ OPEN/CLOSE	Opens or closes disc holder button.	<ul style="list-style-type: none"> • Open or closes only when disc is stopped. • Operate other keys after open or close.
■ STOP	Stops system function.	<ul style="list-style-type: none"> • Displays track number 01. • Press when adjustment completed or do it again.
► PLAY	Starts Focus servo and disc turns when the PLAY button is pushed while track number 01 is displayed.	<ul style="list-style-type: none"> • Push to check the tracking offset. • When completed, displays track number 02 → 03 (02: automatic adjustment).
	Starts Focus servo, Tracking servo, Slide servo and Spindle servo when the PLAY button is pushed while track number 03 is displayed.	<ul style="list-style-type: none"> • Push to check the HF level. • When completed, displays track number 04.
PAUSE	Displays a result of Focus gain automatic adjustment when the PAUSE button is pushed while track number 03 is displayed.	<ul style="list-style-type: none"> • When completed, Display shows: TRACK TIME 1- XX XX TIME display shows automatic adjustment value. Displays: 01 27~00 01 or 00 EE
	Displays a result of Tracking gain automatic adjustment when the PAUSE button is pushed while the result of the automatic focus gain adjustment is displayed.	<ul style="list-style-type: none"> • When completed, Display shows: TRACK TIME 2- XX XX TIME display shows automatic adjustment value. Displays: 01 27~00 01 or 00 EE
Other Buttons	Unable to obtain normal function.	<ul style="list-style-type: none"> • Never attempt to operate the buttons other than the above. • If the buttons are erroneously pressed, promptly turn OFF the power switch.

(Caution)

- During the service program is in operation, do not use remote control.

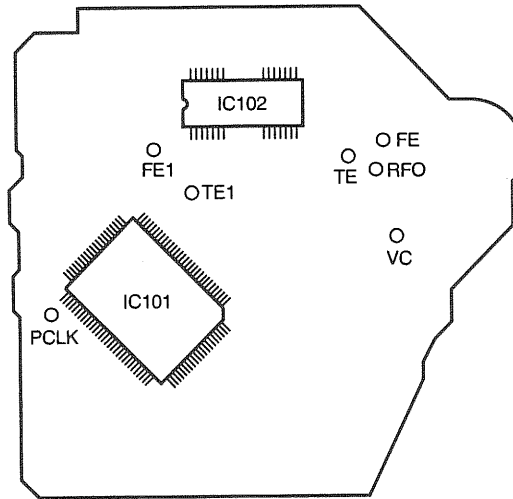
3. Confirming Method

(1) Required Measuring Equipment

- 1) Dual-trace oscilloscope
- 2) Test disc: CA-1094

(2) Check Point

CD Mechanical unit PWB (pattern view)



(3) Confirming Procedure

- 1) Actuate the service program.
- 2) Check the value of Focus gain automatic adjustment.
- 3) Check the value of Tracking gain automatic adjustment.
- 4) Check for Tracking offset.
- 5) Finish the service program and return the mode to normal operation (turn ON the power switch in normal manner).
- 6) Check for HF level.

(4) Confirming Focus Gain

- 1) Press **▶PLAY** button. (Track No. indication 03)
- 2) Press **⏸PAUSE** button. (Track No. indication 1-)
- 3) Check for automatic adjustment value.

Automatic adjustment value: 00 82 ~ 00 34 (normal temperature) (Test disc: CA-1094)
01 04 ~ 00 28 (0°C~40°C)

Note: As it is a possibility of abnormality in pick-up when automatic adjustment value is 00 EE or less than 00 27 execute the confirmation for pick-up according to pick-up replacement standard.

If there is no abnormality in pick-up as described in pick-up replacement standard notes, no problem will occur for disc playback even though the automatic adjustment value is 00 EE or less than 00 27

(5) Confirming Tracking Gain

- 1) After checking the focus gain in (4) press **⏸PAUSE** button. (Track No. indication 2-)
- 2) Check for automatic adjustment value.

Automatic adjustment value: 00 81 ~ 00 23 (normal temperature) (Test disc: CA-1094)
01 03 ~ 00 18 (0°C~40°C)

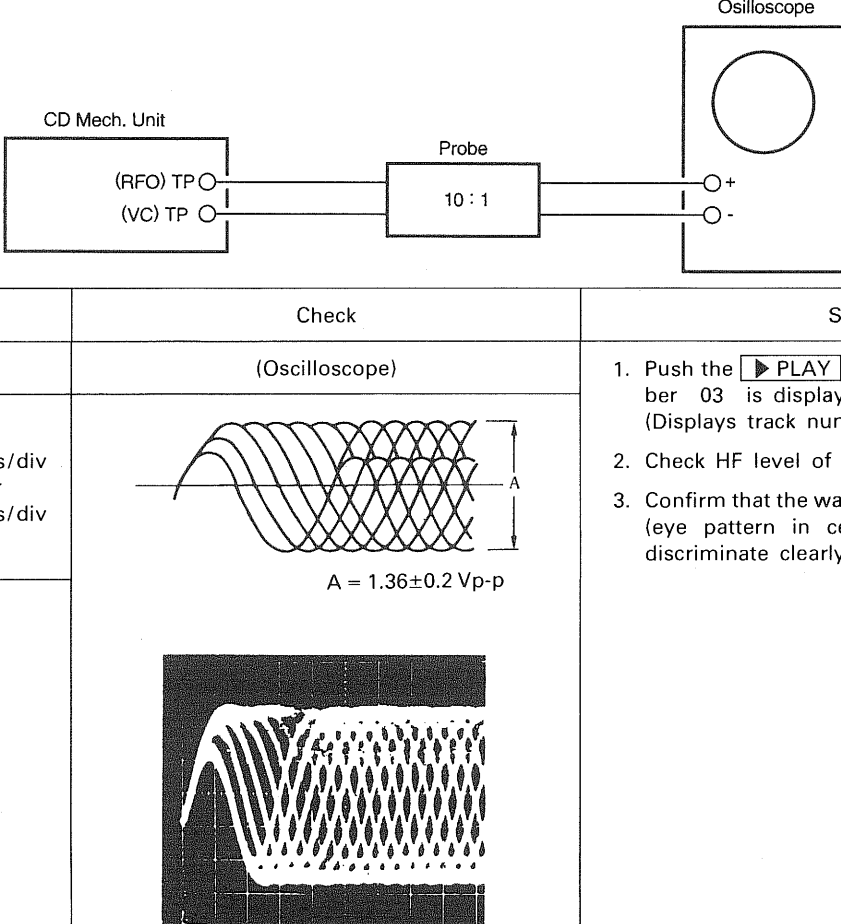
Note: As it is a possibility of abnormality in pick-up when automatic adjustment value is 00 EE or less than 00 22 execute the confirmation for pick-up according to pick-up replacement standard.

If there is no abnormality in pick-up as described in pick-up replacement standard notes, no problem will occur for disc playback even though the automatic adjustment value is 00 EE or less than 00 22

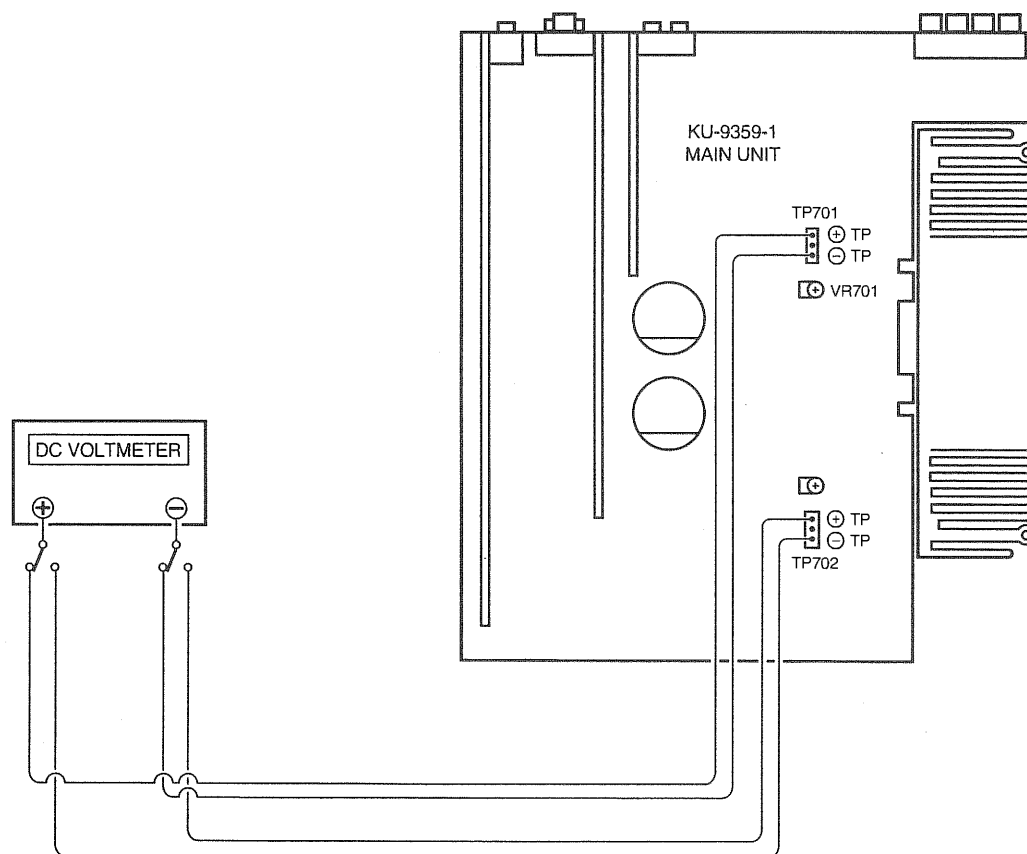
(6) Confirming Tracking offset (E/F Balance)

Oscilloscope			Check	Step
V	H	(Oscilloscope)		
0.1 v/div	1~2 ms/div	<p>1. Push ▲ OPEN/CLOSE button and load disc holder reference disk.</p> <p>2. Push ▲ OPEN/CLOSE button and close disc holder.</p> <p>3. Push ▶ PLAY button to turn disc. (Displays track number 03)</p> <p>4. Short (+)(-) of oscilloscope and check the base line.</p> <p>5. Confirm that upper and lower amplitude of the waveform is symmetric against 0V.</p>		

(7) Confirming HF Level


Oscilloscope			Check	Step
V	H	(Oscilloscope)		
50 mv/div or 20 mv/div	0.2 μs/div or 0.5 μs/div	<p>1. Push the ▶ PLAY button while track number 03 is displayed. (Displays track number 04)</p> <p>2. Check HF level of oscilloscope.</p> <p>3. Confirm that the waveform is in good shape. (eye pattern in center must be able to discriminate clearly.)</p>		
<p>• Set input mode to ALTERNATE or CHOPPER.</p>				

METHOD OF ADJUSTMENTS



DLING CURRENT


(1) Set controls as follows.

ON/STANDBY Switch → on ()

VOLUME Control → 0 (min.)

SPEAKERS → off ()

Temperature → 15°C ~ 30°C (59°F ~ 86°F)

VR701 an VR702 of the KU-9359-1 (Main Unit) → MIN. ()

(2) Connect DC Voltmeter to the T.P Lch and T.P Rch of the KU-9359-1.

(3) Turn the Power Switch on and rotate VR701 clockwise so that the DC Voltmeter reads 2.5 mV (910.2 mV DC at the T.P Lch. Follow the same procedure to VR702 for T.P Rch.

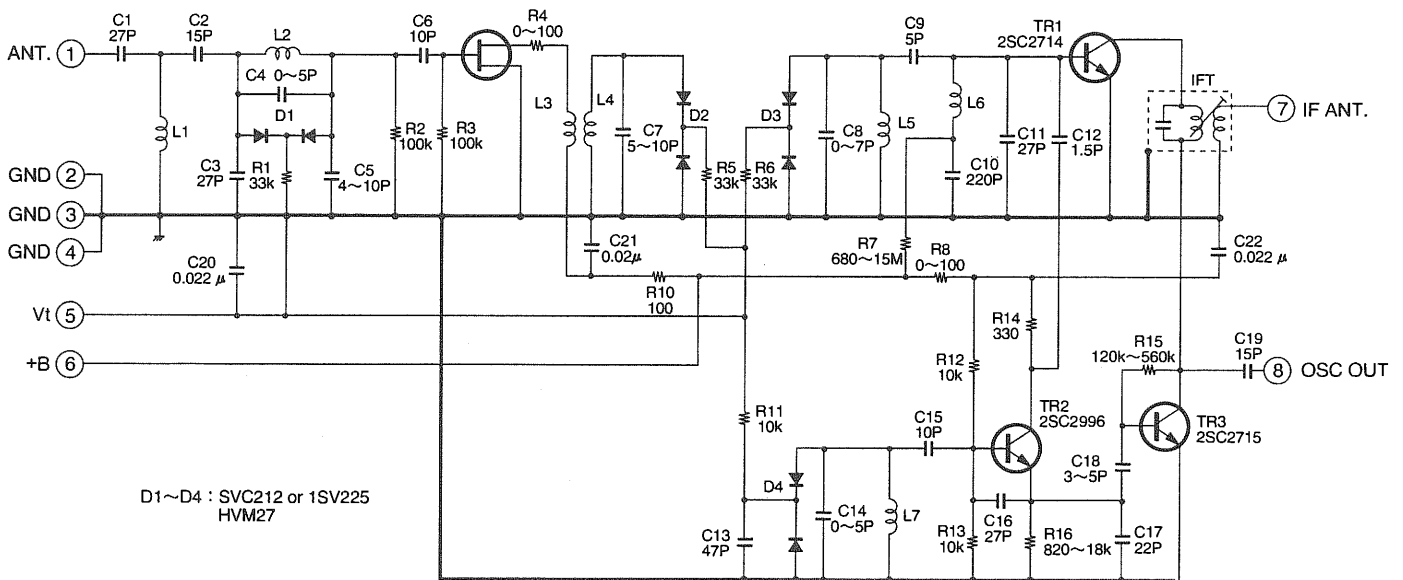
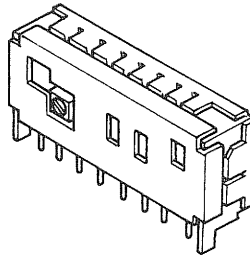
(4) Warm up for three minutes, the readjust VR701 and VR702 so that the DC Voltmeter reads 2.5 mV (910.5 mV DC.

(5) Warm up for 10 minutes, then readjust VR701 and VR702 so that the DC Voltmeter reads 2.5 mV (910.5 mV DC.

Front End

Part No.: 216 0079 005

No.	Name	No.	Name
1	ANT	5	Vt
2	GND	6	+B
3	GND	7	IF OUT
4	GND	8	OSC OUT



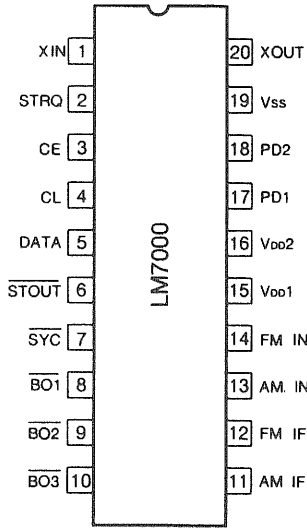
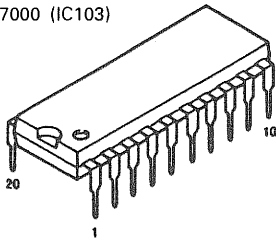
NOTES

1. TERMINAL NUMBER REFFER TO OVERALL APPEARANCE.
2. RECEIVING FREQUENCY. 87.5~108 MHz.
3. INPUT IMPEDANDE. 75 OHM.
4. OUTPUT IMPEDANCE. 300 OHM.
5. SUPPLY VOLTAGE. +B 12 V.
6. TUNING VOLTAGE. Vt 1.2 min~9.0 max V.

SEMICONDUCTORS

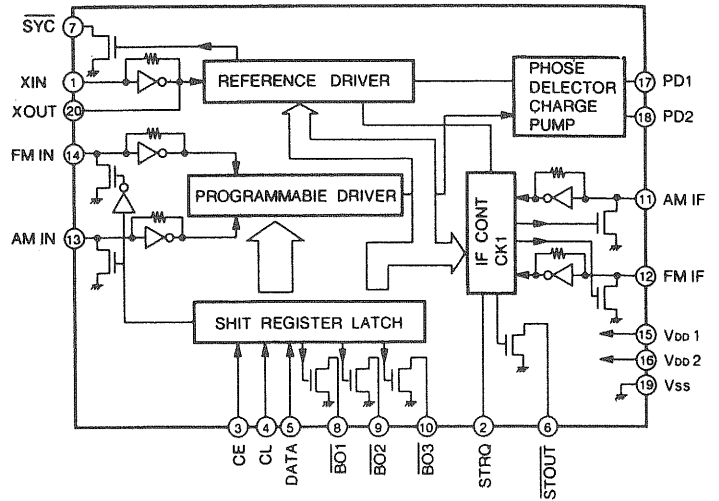
● IC's

LM7000 (IC103)

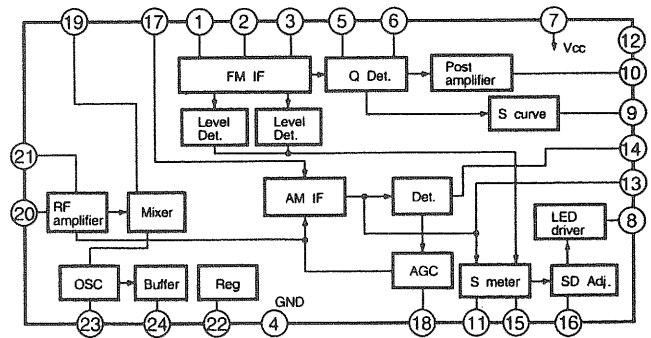
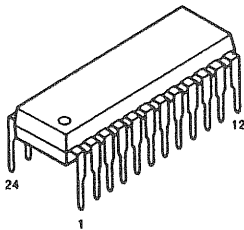


Pin Description

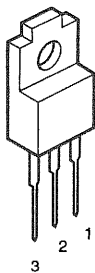
- SYC : Clock (400 kHz) for the controller
- XIN, XOUT : X'tal oscillator (7.2 MHz) with built-in feedback resistor
- FM IN, AM IN : Local oscillator signal input
- CE, CL, DATA : Data input
- BO1, BO2, BO3 : Band data output. BO1 can be set as the time base output (8 Hz).
- STRQ : IF counter request input
- STOUT : Auto research stop signal output
- VDD1, VDD2, VSS : Power supply (VDD2 is a back-up power supply)
- AM IF, FM IF : IF signal input
- PD1, PD2 : Charge pump output



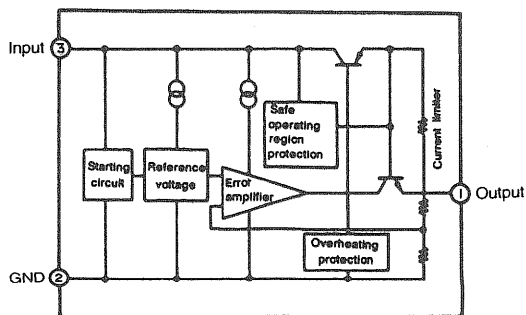
LA1267 (IC101)



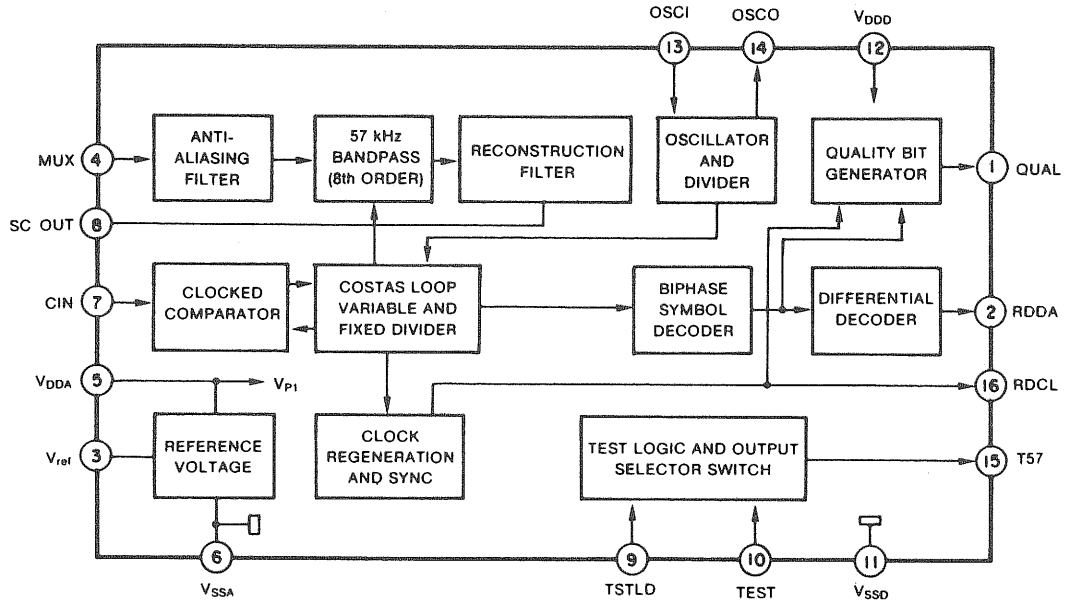
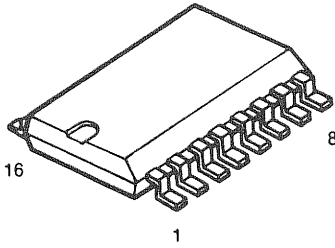
- BA178M05 (IC202) +5V
- BA178M06 (IC822) +6V
- BA178M12 (IC821) +12V



- 1 : Output
- 2 : GND
- 3 : Input



SAA6579T (IC104)

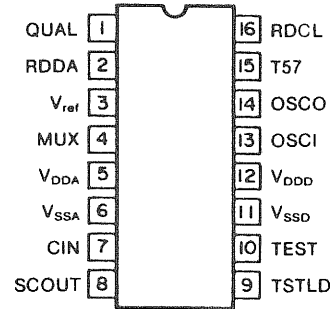


Block diagram and application circuit.

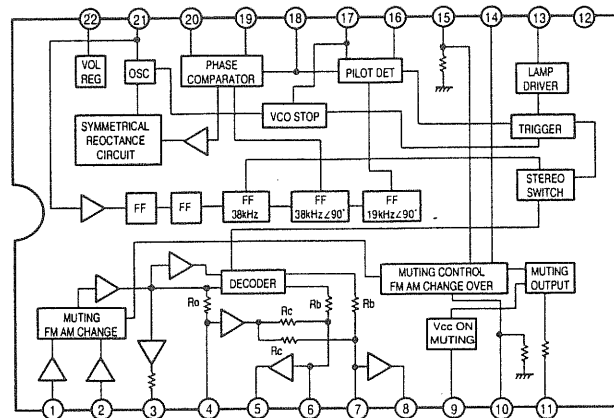
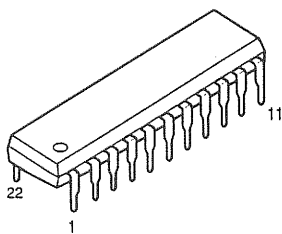
Pin Description

SYMBOL	PIN	DESCRIPTION
QUAL	1	quality indication output
RDDA	2	RDS data output
Vref	3	reference voltage output (0.5 V _{DDA})
MUX	4	multiplex signal input
V _{DDA}	5	+5 V supply voltage for analog part
V _{SSA}	6	ground for analog part (0 V)
CIN	7	subcarrier input to comparator
SCOUT	8	subcarrier output of reconstruction filter
TSTLD	9	test control
TEST	10	test enable
V _{SSD}	11	ground for digital part (0 V)
V _{DD}	12	+5 V supply voltage for digital part
OSCI	13	oscillator input
OSCO	14	oscillator output
T57	15	57 kHz clock signal output
RDCL	16	RDS clock output

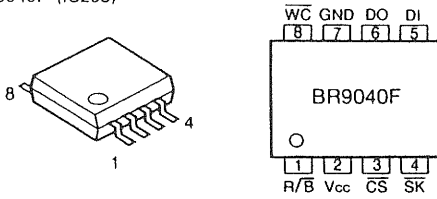
Pin configuration



LA3401 (IC102)



BR9040F (IC203)

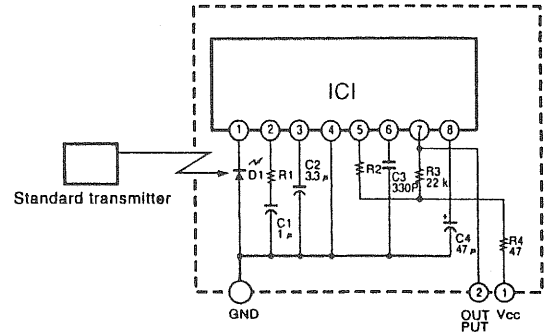


Pin Description

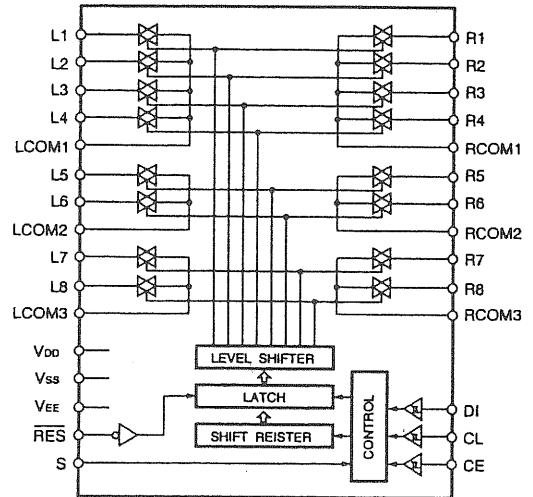
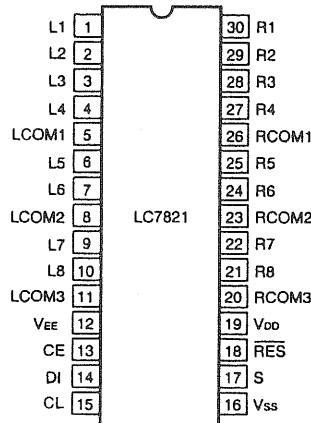
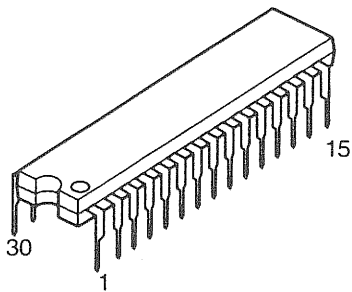
Pin No.	Pin Name	Input/Output	Description
1	R/B	Output	READY, BUSY status signal output
2	Vcc	—	Connected to the power supply
3	CS	Input	Chip select input
4	SK	Input	Serial data clock input
5	DI	Input	Operation code, address, and serial data input
6	DO	Output	Serial data output
7	GND	—	Reference voltage of all inputs and outputs; 0 V
8	WC	Input	Write control input

Equivalent Circuit and Measurement Circuit

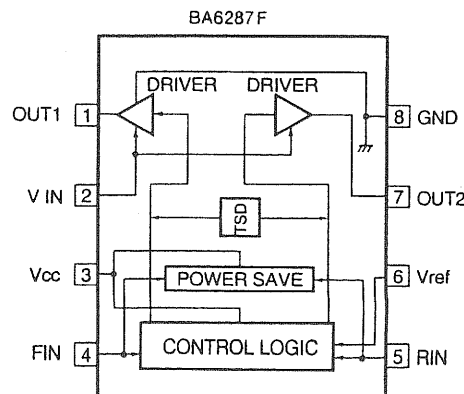
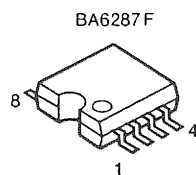
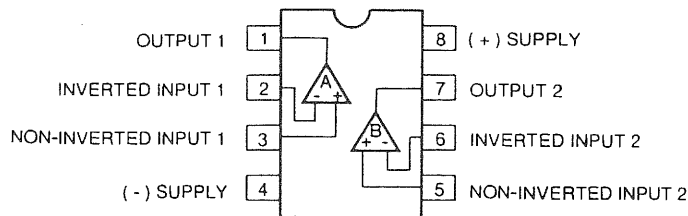
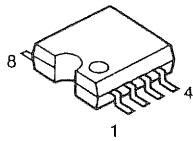
- IC1: CX20106A chip
- D1: PIN photodiode chip
- C1, C2, and C4: Aluminum electrolytic capacitor
- C3: SL characteristics, ±5%
- R1: Resistor for gain adjustment
- R2: Use ±1% resistor for fo adjustment
- R (except for above): ±5%



LC7821 (IC502)

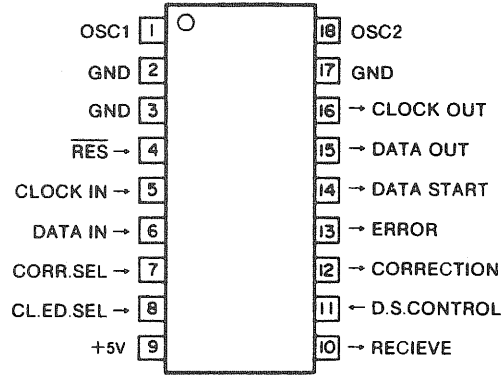
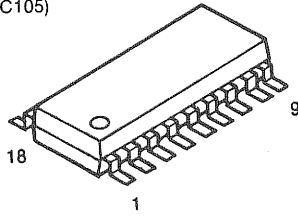


BA15218F (IC506,601,701)



Pin Arrangement

LC7070NM (IC105)

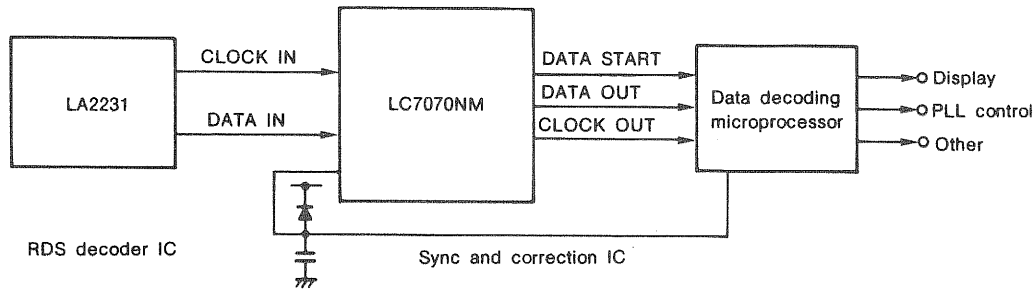


● Pin Description

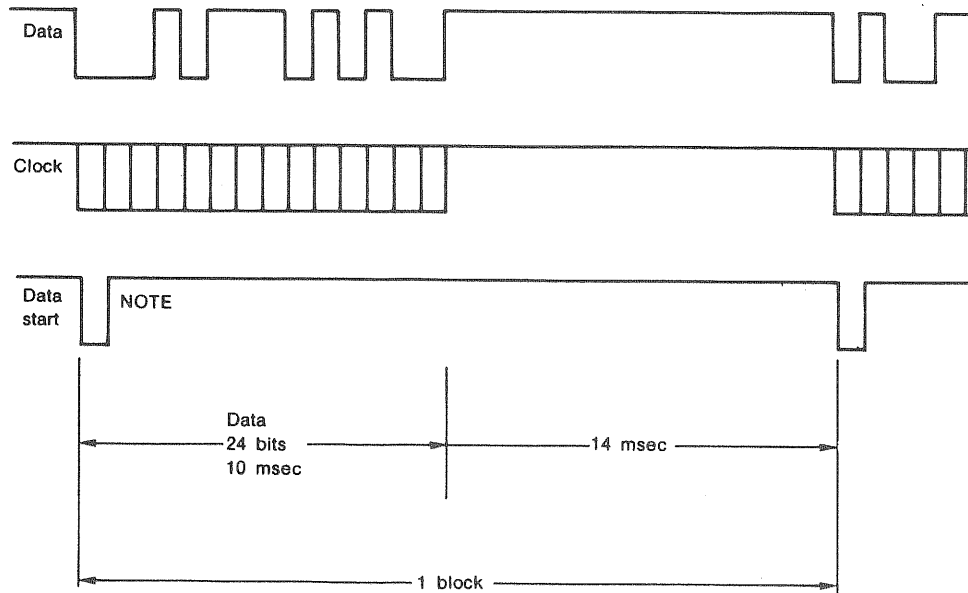
Symbol	Pin No.	I/O	Function/Details	At Time of Reset
OSC1 OSC2	1 18	Input Output	· 4 MHz ceramic oscillator connection.	
CLOCK IN	5	Input	· RDS (LA2231) demodulation clock input.	"H" output
DATA IN	6	Input	· RDS (LA2231) demodulation data input.	"H" output
CORR. SEL	7	Input	· Error correction on/off selection input. · Sets the IC to correct errors in the RDS demodulation data or to output the data without correction. When input is 0 : No corrections are made When input is 1 : Corrections are executed	"H" output
CL. ED. SEL	8	Input	· Serial data clock polarity selection input. When input is 0 : Serial data output is enabled at the rise of the ouput clock. (Serial data output changes at the fall of the output clock.) When input is 1 : Serial data output is enabled at the fall of the output clock. (Serial data output changes at the rise of the output clock.) NOTE: Set at the time of RES input.	"H" output
D.S. CONTROL	11	Input	· Block data start signal control input. When input is 0 : Data start signal is output for all blocks. When input is 1 : Data start signal is output for only the second block.	"H" output
RECEIVE	10 (NC)	Output	· Output during RDS data reception. · After the completion of sync detection, there is a low-level, output while the serial data is being output. There is a high-level output at other times. · Open drain output.	"H" output
CORRECTION	12 (NC)	Output	· Output with or without error correction. · There is a low-level output when the output data of the serial data output have been corrected or when correction is not possible. There is a high-level output when correction has not been applied. · Open drain output.	"H" output
ERROR	13 (NC)	Output	· Presence of error output. · There is a low-level output when the output data of the serial data output has an error and correction is not possible. There is a high-level output when there is no error or when the error has been corrected. · Open drain output.	"H" output
DATA START	14	Output	· Block data start signal of the serial data output. Open drain output: LC7070N and LC7070NM Output with pull-up resistor: LC7071NM	"H" output

Symbol	Pin No.	I/O	Function / Details	At Time of Reset
DATA OUT	15	Output	· Data output of the serial data output. Open drain output: LC7070N and LC77070NM Output with pull-up resistor: LC7071NM	"H" output
CLOCK OUT	16	Output	· Clock output of the serial data output. Open drain output: LC7070N and LC77070NM Output with pull-up resistor: LC7071NM	"H" output
$\overline{\text{RES}}$	4	Input	· System reset input. · Reset and restart is accomplished by inputting the low level for 4 or more clock cycles.	

Structure of the RDS Data Processing System

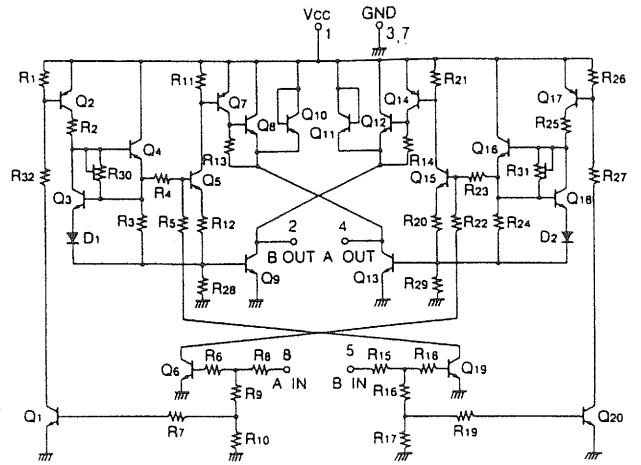
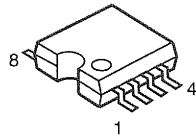


Serial Data Output Timing Chart

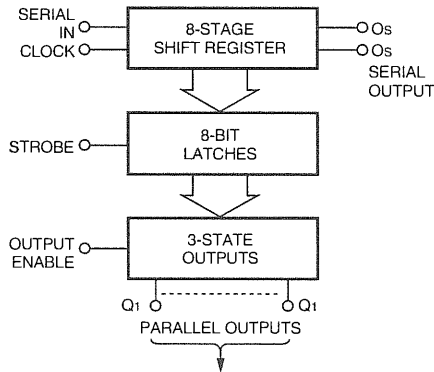
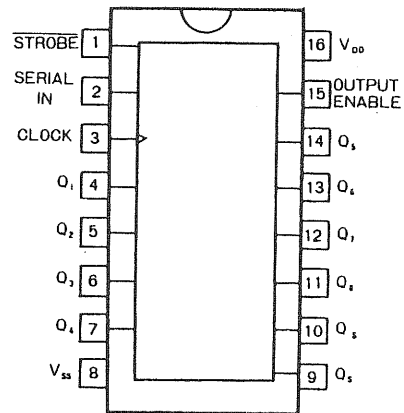
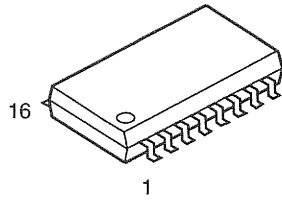


NOTE: Using the D.S. CONTROL input, only the second block among the entire 4 blocks of RDS data can be switched between the data start output and the total blocks' data start output.

BA6207F (IC601)



BU4094BF (IC204,850)

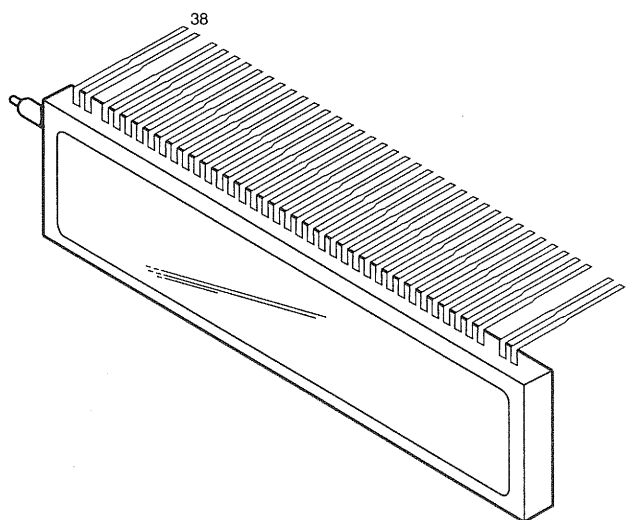


Truth Table

CLOCK	OUTPUT ENABLE	STROBE	SERIAL IN	Parallel Output		Serial Output	
				Q1	Qn	Qs	Qs
	H	H	L	L	Qn-1	Q7	NC.
	H	H	H	H	Qn-1	Q7	NC.
	H	L	X	NC.	NC.	Q7	NC.
	L	X	X	Z	Z	Q7	NC.
	H	X	X	NC.	NC.	NC.	Qs
	L	X	X	Z	Z	NC.	Qs

NC: No Change Z: High impedance X: Don't Care

FLUORECENT DISPLAY TUBE (11-BT-150GK)



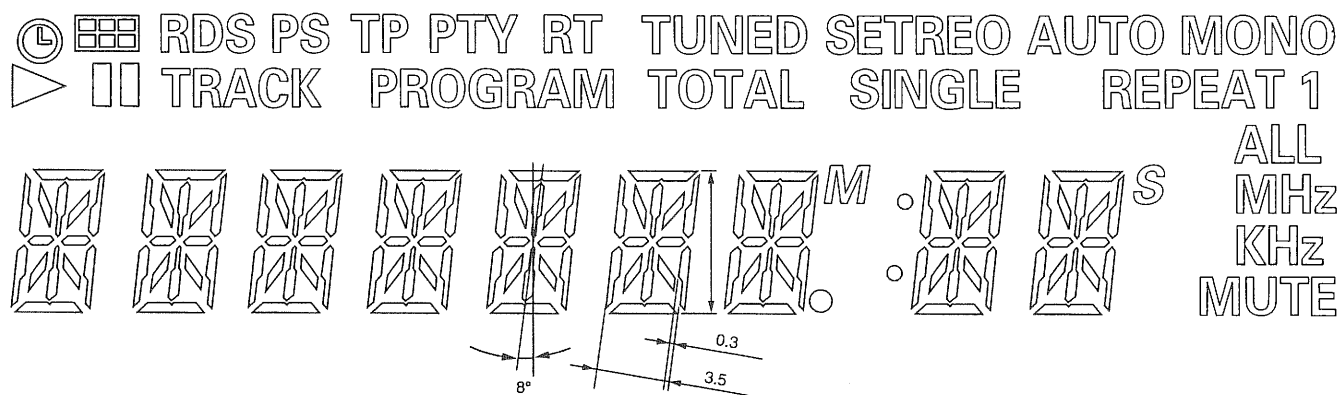
PIN CONNECTION

PIN NO	38	37	36	35	34	33	32	31	30	29	28	27	26	25	24	23	22	21	20	19	18	17	16	15	14	13	12	11	10	9	8	7	6	5	4	3	2	1
CONNECTION	F2	F2	NP	NP	P1	P2	P3	P4	P5	P6	P7	P8	P9	P10	P11	P12	P13	P14	P15	P16	NC	NC	11G	38	38	9G	8G	7G	6G	5G	4G	3G	2G	1G	NP	NP	F1	F1

- NOTE**
- 1) F1, F2.....Filament
 - 2) NPNo. Pin
 - 3) NCNo. Connection
 - 4) DLDatum Line
 - 5) 1G~11G...Grid

11-BT-150GK
OUTER-DIMENSION

PATTERN DETAIL

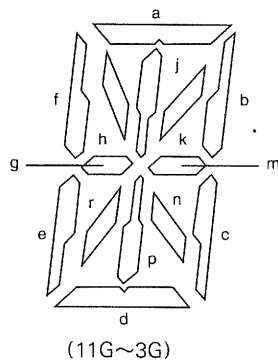
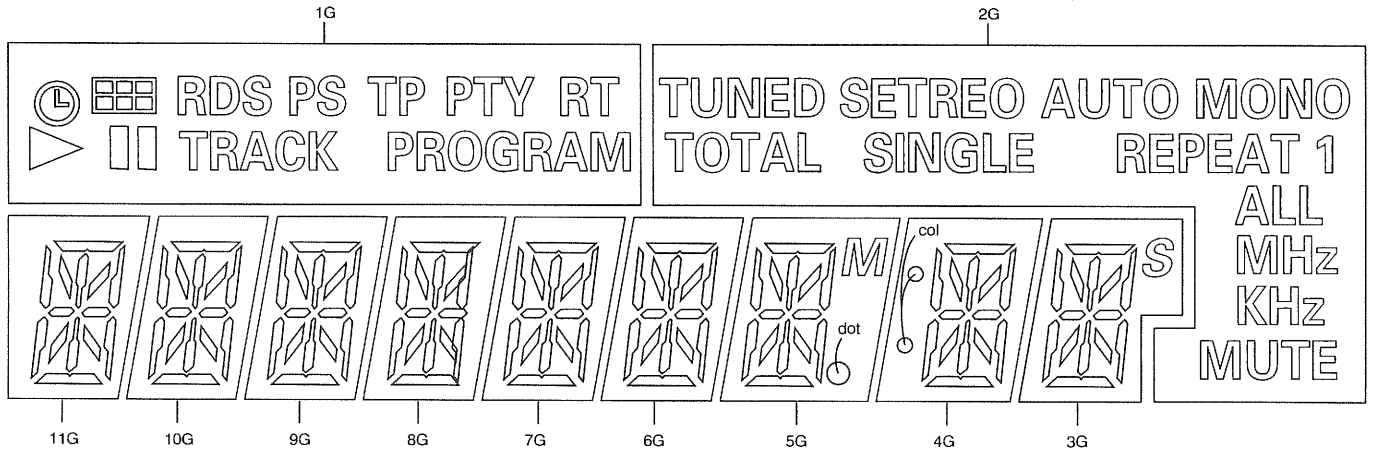


COLOR OF ILLUMINATION

Reddish Orange (Rsh.O $x=0.645$ $y=0.355$ Portion of above pattern
 Green (G. $x=0.235$ $y=0.405$ Other portions

11-BT-150GK
PATTERN DETAIL
COLOR OF ILLUMINATION

GRID ASSIGNMENT



11-BT-150GK
GRID ASSIGNMENT

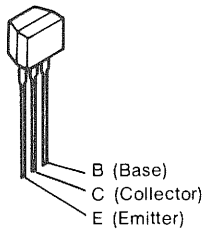
ANODE CONNECTION

	11G~6G	5G	4G	3G	2G	1G
P1	a	a	a	a	TOTAL	▶
P2	h	h	h	h	SINGLE	▯▯
P3	j	j	j	j	REPEAT	TRACK
P4	k	k	k	k	1	PROGRAM
P5	b	b	b	b	ALL	⌚
P6	f	f	f	f	TUNED	▣▣▣
P7	m	m	m	m	STEREO	RDS
P8	g	g	g	g	AUTO	PS
P9	c	c	c	c	MONO	TP
P10	e	e	e	e	MHz	PTY
P11	r	r	r	r	KHz	RT
P12	p	p	p	p	MUTE	—
P13	n	n	n	n	—	—
P14	d	d	d	d	—	—
P15	—	M	col	S	—	—
P16	—	dot	—	—	—	—

11-BT-150GK
ANODE CONNECTION

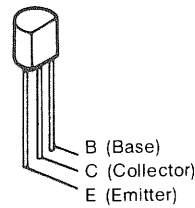
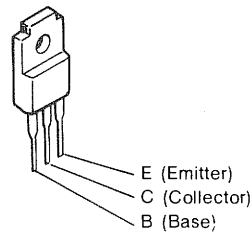
● Transistors

2SA1038S (S/E)
2SC2389S (S/E)
2SA933S (S)
2SC1740S (S)

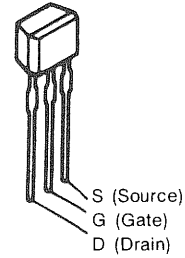


2SA988 (E/F)
2SA1515 (R)
2SC1815 (Y)
2SC184 (E/F)

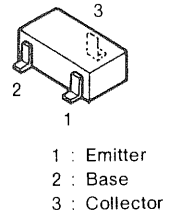
2SD1762 (E/F)



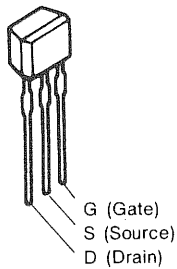
2SK365 (BL/GR)



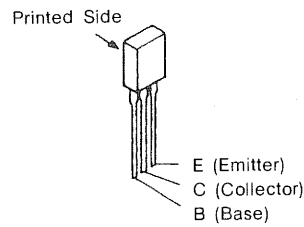
2SC2412K (S), (LN)



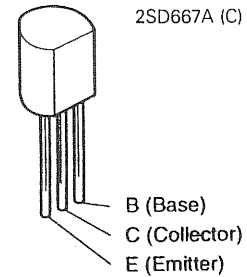
2SK161 (GR)



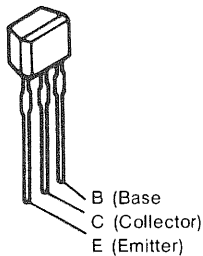
2SB1328 (P)
2SD2004 (P)



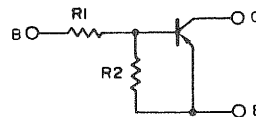
2SB647A (C)
2SB1041 (R)
2SD667A (C)



DTA114ES } PNP Type
DTA144ES }
DTC114ES }
DTC144ES }
DTC124TS } NPN Type
DTC323TS }
DTC124GS }
DTC143TS }

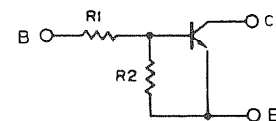


PNP Type



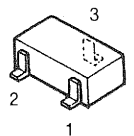
	R1	R2
DTA114ES	10k ohm	10k ohm
DTA144ES	47k ohm	47k ohm

NPN Type



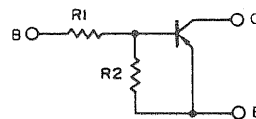
	R1	R2
DTC114ES	10k ohm	10k ohm
DTC144ES	47k ohm	47k ohm

DTA114EK } PNP Type
DTC114EK }
DTC323TK } NPN Type
DTC143TK }



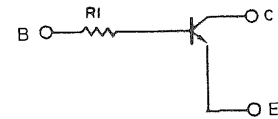
1 : Emitter
2 : Base
3 : Collector

PNP Type



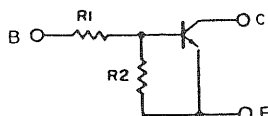
	R1	R2
DTA114EK	10k ohm	10k ohm

NPN Type



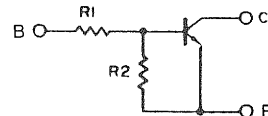
	R1
DTC143TK	4.7k ohm
DTC124TS	22k ohm
DTC323TS	2.2k ohm

NPN Type



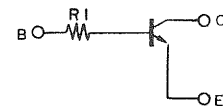
	R2
DTC124GS	22k ohm

NPN Type



	R1	R2
DTC114EK	10k ohm	10k ohm

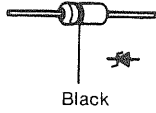
NPN Type



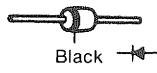
	R1
DTC323TK	2.2k ohm

● Diodes

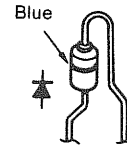
MTZJ3.3A
 MTZJ3.6A
 MTZJ6.8A
 MTZJ8.2B
 MTZJ12A
 MTZJ22A



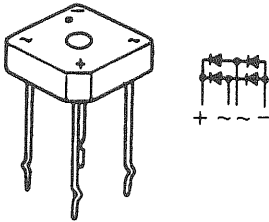
1SS252



1SR35-200A

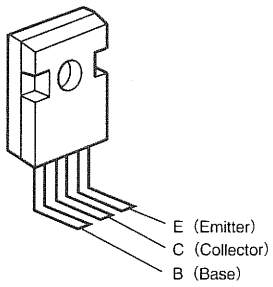


S4VB20F (D711)



● Power Transistors

2SA1633F3(E/F)
 2SC4278F31(E/F)



● IC PROTECTORS

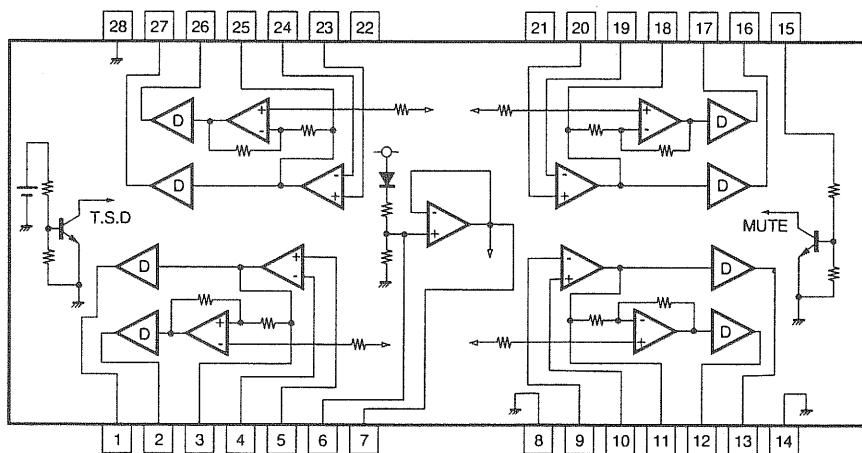
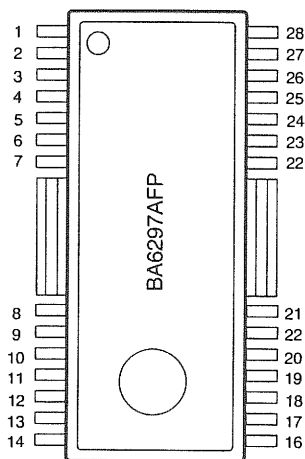
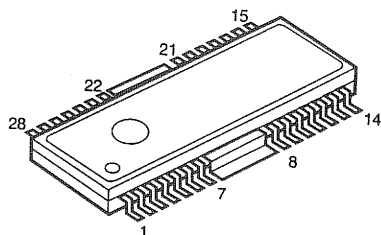
ICP-N15 (IC253)



SEMICONDUCTORS

● IC's

BA6297AFP



T.S.D: thermal short down
D: driver buffer

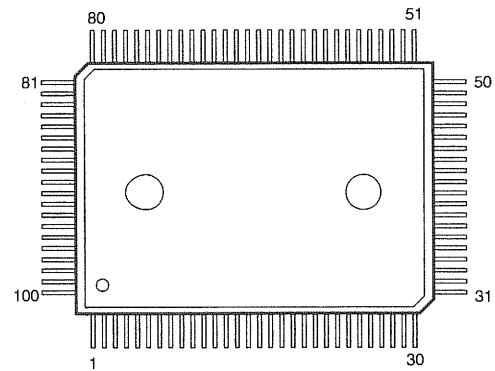
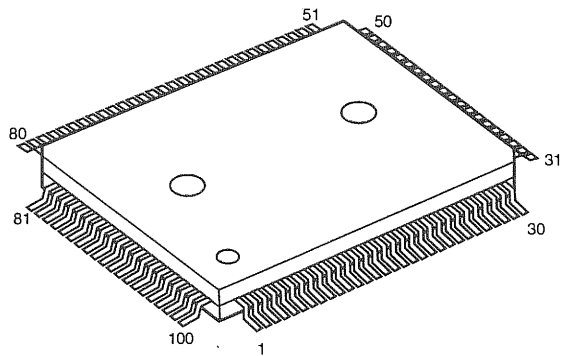
BA6297AFP Terminal Function

Pin No.	Symbol	I/O	Function
1		O	CH1 output terminal (+).
2		O	CH1 output terminal (-).
3		O	CH1 Pre-Amplifier output terminal.
4		I	CH1 Pre-Amplifier negative input terminal.
5		I	CH1 Pre-Amplifier positive input terminal.
6			Internal Vref-Amplifier resistor bias terminal.
7		O	Internal Vref-Amplifier output terminal.
8	GND		Vref-Amplifier and constant current ground.
9		I	CH2 Pre-Amplifier positive input terminal.
10		I	CH2 Pre-Amplifier negative input terminal.
11		O	CH2 Pre-Amplifier output terminal.
12		O	CH2 output terminal (-).
13		O	CH2 output terminal (+).
14	GND		CH2 and CH3 drive ground.

Pin No.	Symbol	I/O	Function
15		I	Driver mute control terminal.
16		O	CH3 output terminal (+).
17		O	CH3 output terminal (-).
18		O	CH3 Pre-Amplifier output terminal.
19		I	CH3 Pre-Amplifier negative input terminal.
20		I	CH3 Pre-Amplifier positive input terminal.
21	Vcc		CH2 and CH3 driver power supply.
22	Vcc		CH1 and CH4 driver power supply.
23		I	CH4 Pre-Amplifier positive input terminal.
24		I	CH4 Pre-Amplifier negative input terminal.
25		O	CH4 Pre-Amplifier output terminal.
26		O	CH4 output terminal (-).
27		O	CH4 output terminal (+).
28	GND		CH1 and CH4 driver ground.

Note: Each driver output polarity is reference to Pre-Amplifier output terminal polarity (+).

CXD2515Q

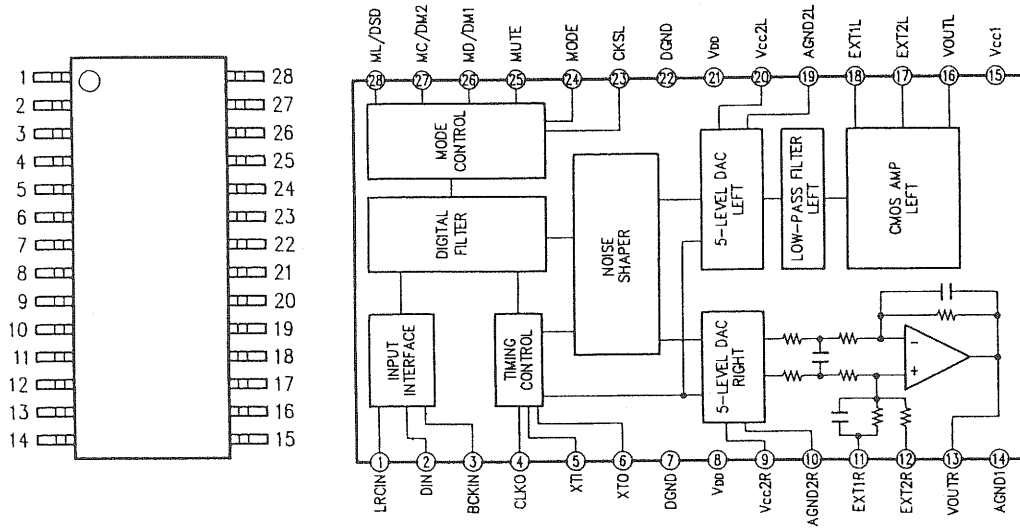


CXD2515Q Terminal Function

Pin No.	Symbol	I/O	Function
1	SRON	O	Sled drive output signal.
2	SRDR	O	Sled drive output signal.
3	SFON	O	Sled drive output signal.
4	TFDR	O	Tracking drive output signal.
5	TRON	O	Tracking drive output signal.
6	TRDR	O	Tracking drive output signal.
7	TFON	O	Tracking drive output signal.
8	FFDR	O	Focus drive output signal.
9	FRON	O	Focus drive output signal.
10	FRDR	O	Focus drive output signal.
11	FFON	O	Focus drive output signal.
12	VCOO	O	Osc. circuit output for analog EFM PLL.
13	VCOI	I	Osc. circuit output for analog EFM PLL.
14	TEST	I	Test terminal, normal GND.
15	DVss	-	Digital ground.
16	TES2	I	Test terminal, normally GND.
17	TES3	I	Test terminal, normally GND.
18	PDO	O	Change pump output for analog EFM PLL.
19	VPKO	O	PLL charge pump output for variable pitch.
20	VCKI	I	Clock input from external VCO for variable pitch.
21	AVD2	-	Analog power supply.
22	IGEN	I	Power supply terminal for OP amplifier.
23	AVS2	-	Analog ground.
24	ADII	I	A/D converter input terminal.
25	ADIO	O	OP amplifier output terminal.
26	RFDC	I	RF signal input.
27	TE	I	Tracking error signal input.
28	SE	I	Sled error signal input.
29	FE	I	Focus error signal input.
30	VC	I	Middle point voltage input terminal.
31	FIL0	O	Filter output for master PLL.
32	FIL1	I	Filter input for master PLL.
33	PCO	O	Charge pump output for master PLL.
34	CLTV	I	VCO control voltage input for master.
35	AVS1	-	Analog ground.
36	RFAC	I	EFM signal input.
37	BIAS	I	Asymmetry circuit constant current output.
38	ASY1	I	Asymmetry comparator voltage input.
39	ASY0	O	EFM full swing output.
40	AVDI	-	Analog power supply.

Pin No.	Symbol	I/O	Function
41	DV _{DD}	-	Digital power supply.
42	ASYE	I	Asymmetry circuit ON/OFF.
43	PSSL	I	Mode shift input of audio data output.
44	WDCK	O	48 bit slot D/A interface word clock.
45	LRCK	O	48 bit slot D/A interface LR clock.
46	DATA	O	DA16 output at PSSL=1, 48 bit slot serial data at PSSL=0.
47	BCLK	O	DA15 output at PSSL=1, 48 bit slot bit clock at PSSL=0.
48	64DATA	O	DA14 output at PSSL=1, 64 bit slot serial data at PSSL=0.
49	64BCLK	O	DA13 output at PSSL=1, 64 bit slot bit clock at PSSL=0.
50	64LRCK	O	DA12 output at PSSL=1, 64 bit slot LR clock at PSSL=0.
51	GTOP	O	DA11 output at PSSL=1, GTOP output at PSSL=0.
52	XUGF	O	DA10 output at PSSL=1, XUGF output at PSSL=0.
53	XPLCK	O	DA09 output at PSSL=1, XPLCK output at PSSL=0.
54	GFS	O	DA08 output at PSSL=1, GFS output at PSSL=0.
55	RFCK	O	DA07 output at PSSL=1, RFCK output at PSSL=0.
56	C2PO	O	DA06 output at PSSL=1, C2PO output at PSSL=0.
57	XRAOF	O	DA05 output at PSSL=1, XRAOF output at PSSL=0.
58	MNT3	O	DA04 output at PSSL=1, MNT3 output at PSSL=0.
59	MNT2	O	DA03 output at PSSL=1, MNT2 output at PSSL=0.
60	MNT1	O	DA02 output at PSSL=1, MNT1 output at PSSL=0.
61	MNT0	O	DA01 output at PSSL=1, MNT0 output at PSSL=0.
62	XTAI	I	X'tal Osc. circuit input.
63	XTAO	O	X'tal Osc. circuit output.
64	XTSL	I	X'tal select input terminal.
65	DV _{SS}	-	Digital ground.
66	FSTI	I	2/3 cycle input of Pin 62, 63
67	FSTO	O	2/3 cycle output of Pin 62, 63
68	C4M	O	4.2336 MHz output.
69	C16M	O	16.9344 MHz output.
70	MD2	I	Digital-Out ON/OFF control terminal.
71	DOUT	O	Digital-Out output terminal.
72	EMPH	O	Playback disc emphasis mode output.
73	WFCK	O	WFCK output.
74	SCOR	O	Sub code sync output terminal.
75	SBSO	O	Sub P~W serial output.
76	EXCK	I	Clock input for SBSO read out.
77	SUBQ	O	Sub Q 80 bit output.
78	SQCK	I	Clock input for SQSO read out.
79	MUTE	I	Mute shift terminal.
80	SENS	O	SENS output.
81	XRST	I	System reset.
82	DIRC	I	Using at 1 track jump.
83	SCLK	I	Clock for SENS serial data read out.
84	DFSW	I	DFCT shift terminal.
85	ATSK	I	Anti-shock terminal.
86	DATA	I	Serial data input from CPU.
87	XLAT	I	Latch input from CPU.
88	CLOK	I	Serial data transfer clock input from CPU.

PCM1710U



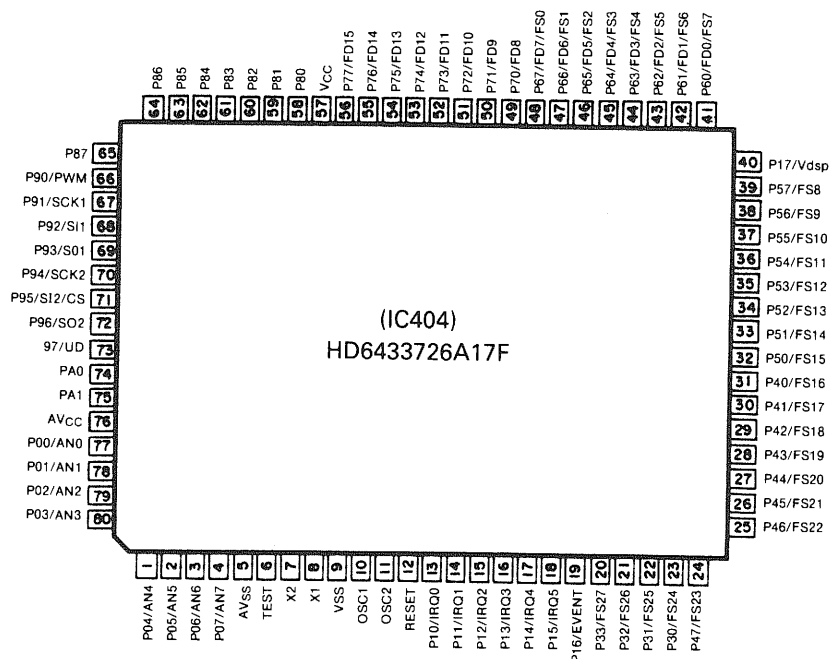
PCM1710U Terminal Function

Pin No.	Symbol	I/O	Function
1	LRCIN	I	Reference sample rate clock input (fs).
2	DIN	I	Data input.
3	BCKIN	I	Data bit clock input.
4	CLKO	O	Osc, buffer (XT1 inverting) output.
5	XT1	I	Osc, input* (external clock input).
6	XTO	O	Osc, output*.
7	DGND		Digital ground.
8	Vdd		Digital power supply (+5V).
9	VCC2R		Rch analog DAC power supply (+5V).
10	AGND2R		Rch analog DAC ground.
11	EXT1R		Rch amplifier common output.
12	EXT2R		Rch amplifier bias output.
13	VOUTR		Rch voltage output.
14	AGND		Analog ground.
15	VCC		Analog power supply (+5V).
16	VOUTL		Lch voltage output.
17	EXT2L		Lch amplifier bias output.
18	EXT1L		Lch amplifier common output.
19	AGND2L		Lch analog DAC ground.
20	VCC2L		Lch analog DAC power supply (+5V).
21	Vdd		Digital power supply (+5V).
22	DGND		Digital ground.
23	CKSL		System clock selection. H: 384 fs L: 256 fs
24	MODE		Operation mode selection (H/Serial)
25	MUTE		Mute control signal (H: OFF, L: ON).
26	MD/DM1		Control data at serial/De-emphasis at parallel
27	MC/DM2		Control bit clock at serial/De-emphasis at parallel.
28	ML/DSD		Control data mode at serial/Double speed at parallel.

* If XT1 input signal is from external clock, XTO terminal must be in OFF status. All input terminal with pull up resistor.

MICROPROCESSOR DOCUMENTATION

HD6433726A17F (IC404)



1. Overview

The functions of this microcomputer are made up of the following three pillars.

a. Tuner functions

These functions perform the required control for the reception of FM and AM broadcasts.

b. Auto functions

Positioned at the heart of the system stereo, the auto functions perform serial communications with other components (such as the deck, CD and amplifier) to provide overall control.

These functions decoder the signals from the remote control and send them to each component of the system.

c. Timer functions

Counts the clock of the 24 hour display.

Operates the three kinds of timers: Every Day, Once and Sleep.

Note 1) When the power cord is plugged in while pressing both keys **PRESET DOWN** and **MEMO**, the following tracking adjustment frequencies are automatically stored in the preset memory. Use these for adjustment, etc.

	P1	P2	P3	P4	P5	P6
AM	522kHz	603kHz	999kHz	1098kHz	1404kHz	1611kHz
	P11	P12	P13	P14	P15	
FM	87.50MHz	89.00MHz	98.00MHz	100.10MHz	108.00MHz	

Note 2) When the power cord is plugged in while pressing both keys **MEMO** and **PRESET UP**, the entire memory is initialized and the microcomputer operates from the beginning of the program. If there are any problems in the frequency presetting or the time display, follow this procedure for proper start-up.

Note 3) When the power cord is plugged in while pressing both keys **MEMO** and **TIMER**, the entire LCD will alternatively light up and down. To return to the normal mode from this mode, unplug the power cord, and then plug it back in.

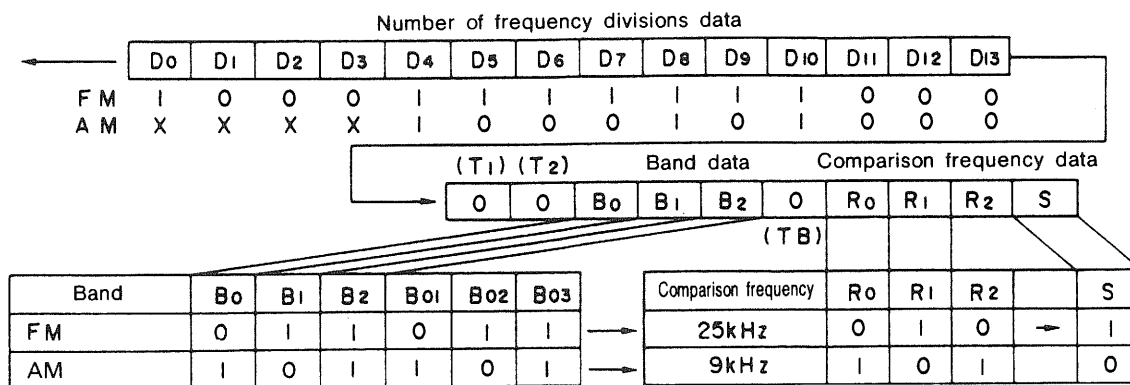
Note 4) When the power cord is plugged in while pressing both keys **MEMO** and **TUNING UP**, can set the power on without DENON display. To return to the normal mode from this mode, unplug the power cord, and then plug it back in.

2. Receiving Band Table

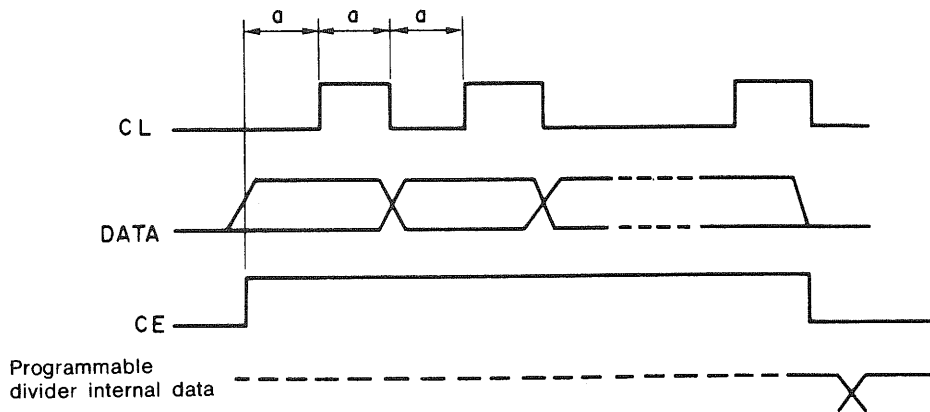
Band	Receiving frequency	Local oscillator frequency	IF	Frequency division ratio	Comparison frequency	Step frequency	Other
FM	87.50~108.00MHz	98.20~118.70MHz	10.7MHz	1	25kHz	50kHz	
AM	522~1611kHz	972~2061kHz	450kHz	-	9kHz	9kHz	

3. Signals sent to the LM7000 Programmable Divider

- a. Signals to the programmable divider are sent from 3 sources: CE OUT, CLOCK OUT, and DATA OUT.
- b. The programmable divider takes in DATA at CLOCK , when CE equals 1.
- c. The data is a 24-bit serial signal which is taken in to the programmable divider from the LSB.
(At the AM setting, D₀ through D₃ are ignored, so that D₄ becomes the LSB.)
- d. The data is made up of the number of frequency divisions data, the band data, and the comparison frequency data. (See diagram below.)

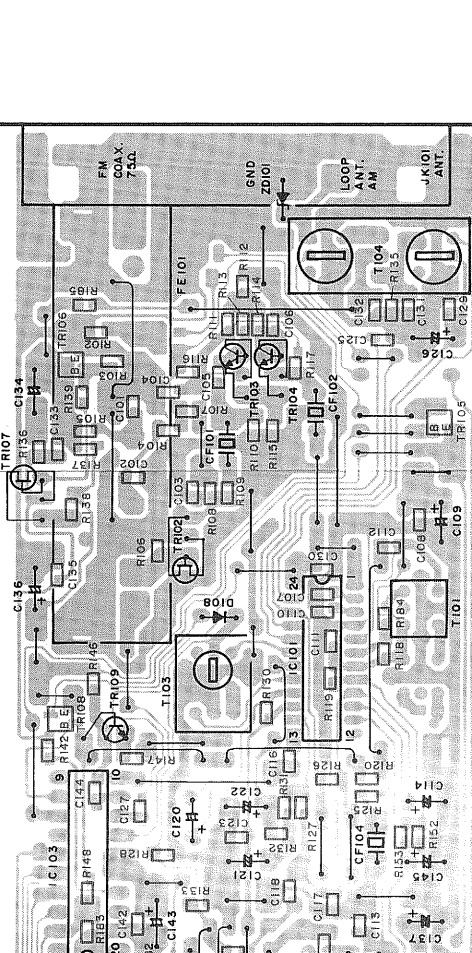
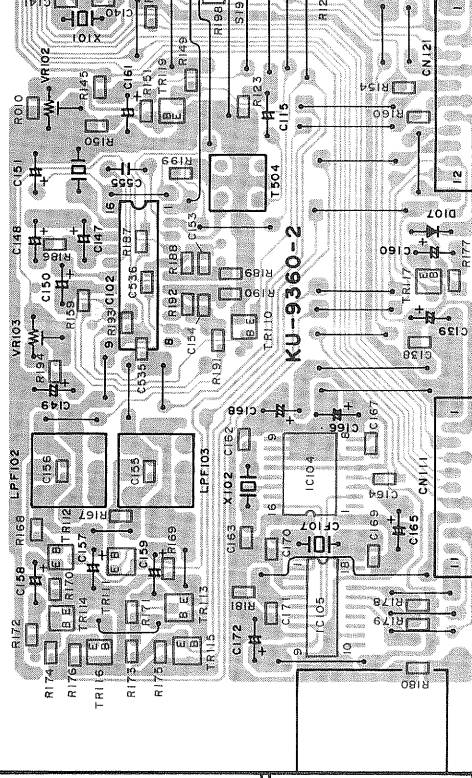
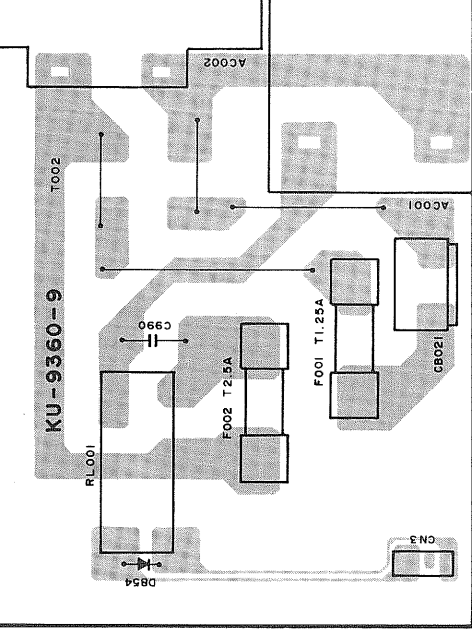
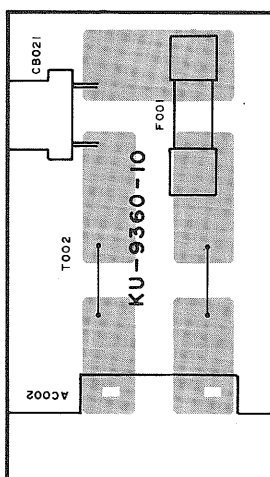
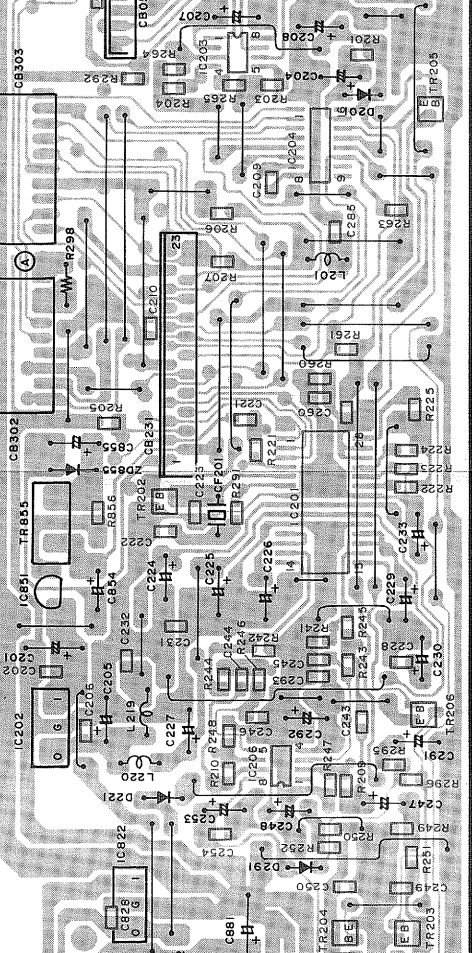
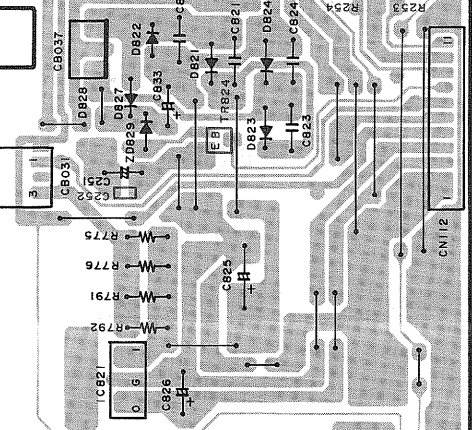
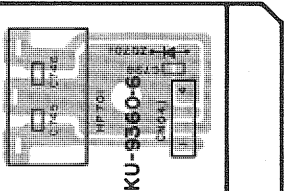
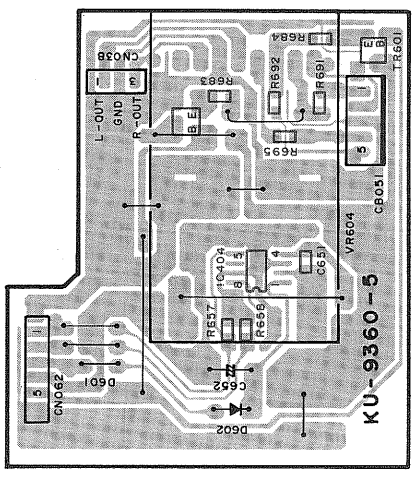
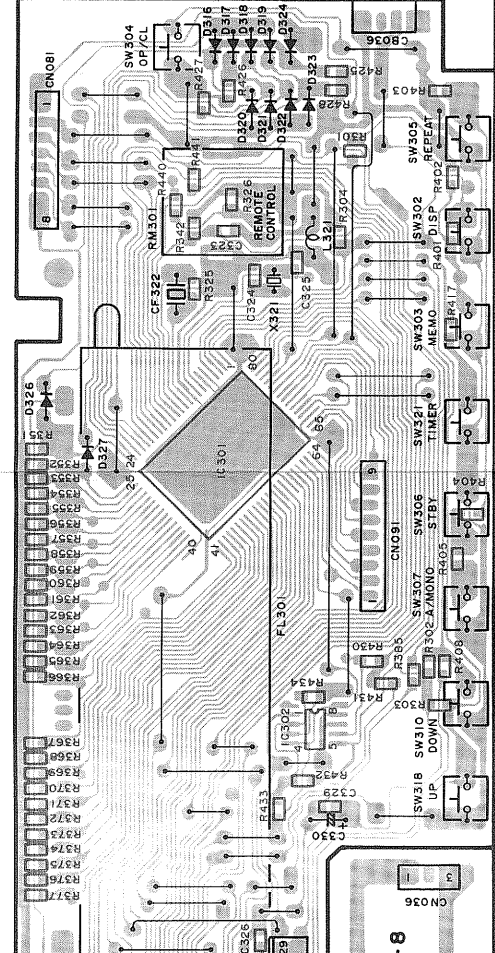
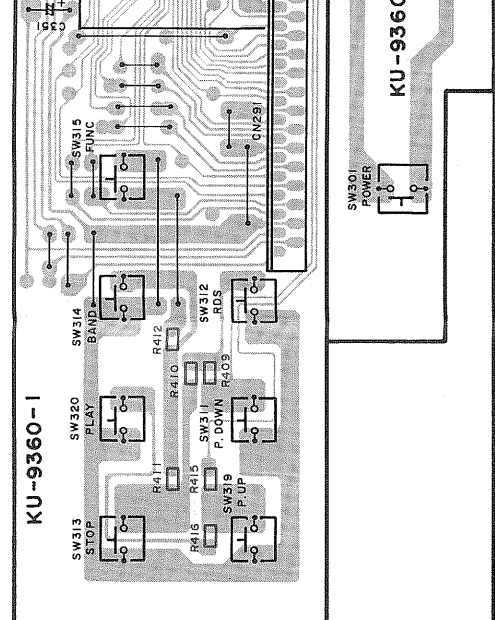
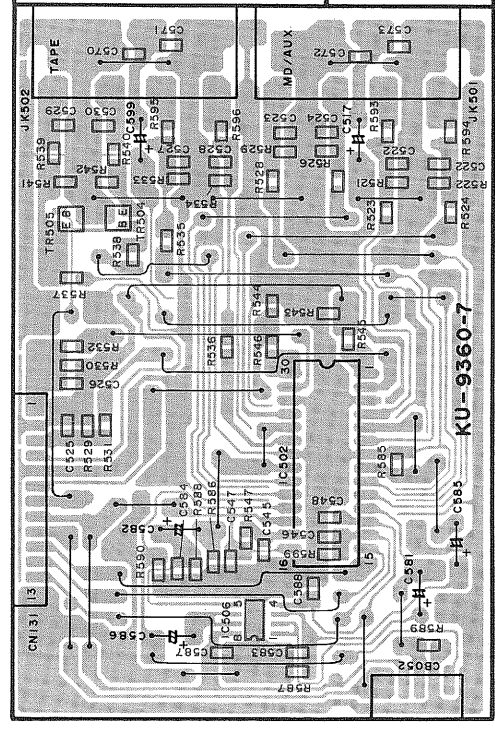


- e. Timing for sending
a = 2.5 μsec



1 2 3 4 5 6 7 8

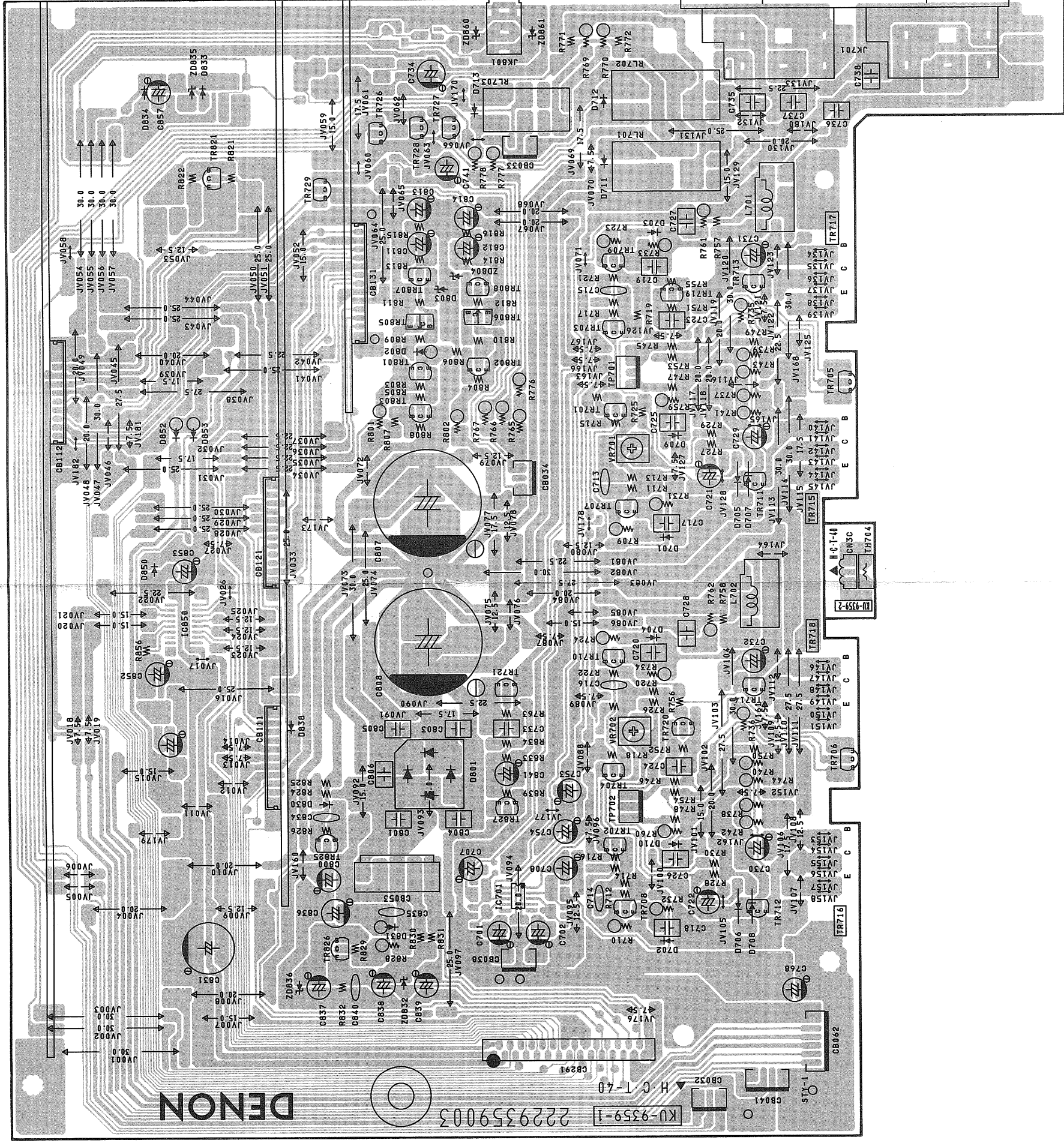
Pattern Side



1 2 3 4 5 6 7 8

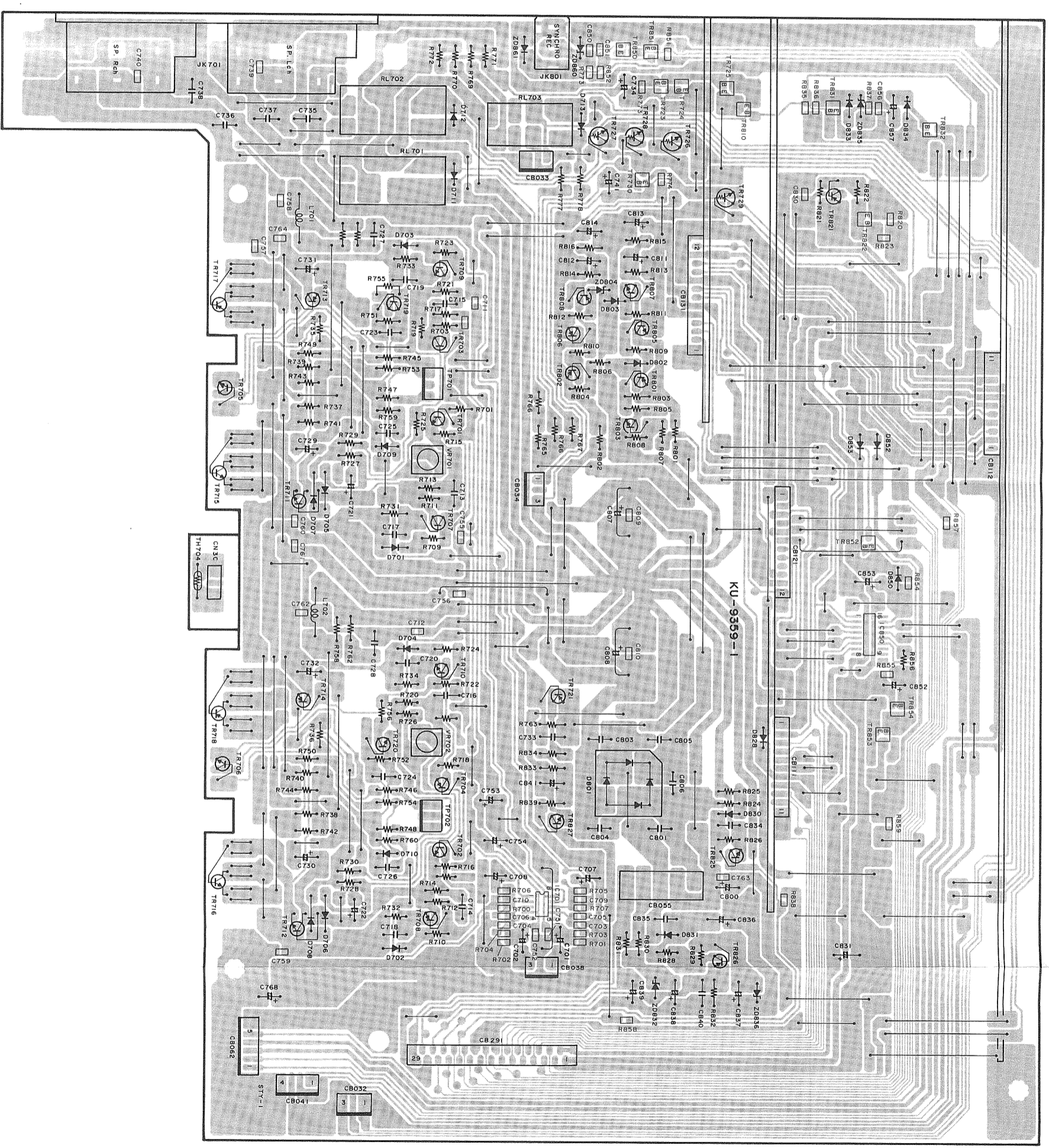
KU-9359 MAIN UNIT ASS'Y Component Side

1	MAIN UNIT
2	INPUT & BUFFER UNIT
3	VOLUME UNIT
4	AC IN UNIT



1 2 3 4 5 6 7 8


Pattern Side



NOTE ON PARTS LIST

- Part indicated with the mark "⊙" are not always in stock and possibly to take a long period of time for supplying, or in some case supplying of part may be refused.
- When ordering of part, clearly indicate "1" and "1" (i) to avoid mis-supplying.
- Ordering part without stating its part number can not be supplied.
- Part indicated with the mark "★" is not illustrated in the exploded view.
- Not including Carbon Film $\pm 5\%$, 1/4 W Type in the P.W. Board parts list. (Refer to the Schematic Diagram for those parts.)

WARNING:

Parts marked with this symbol  have critical characteristics. Use ONLY replacement parts recommended by the manufacturer.

Resistors

Ex: RN 14K 2E 182 G FR
 Type Shape Power Resist- Allowable Others
 and per- ance error
 formance

RD : Carbon Film	2B : 1/8W	F : $\pm 1\%$	P : Pulse-resistant type
RC : Composition	2E : 1/4W	G : $\pm 2\%$	NL : Low noise type
RS : Metallic oxide Film	2H : 1/2W	J : $\pm 5\%$	NB : Non-burning type
RW : Winding	3A : 1W	K : $\pm 10\%$	FR : Fuse-resistor
RN : Metal film	3D : 2W	L : $\pm 20\%$	F : Lead wire forming
RK : Metal mixture	3F : 3W	M : $\pm 20\%$	
	3H : 5W		

Resistance

- 1 8 2 \rightarrow 1800 ohm = 1.8 kohm
- Indicates number of zeros after effective number.
- 2-digit effective number.
- Units: ohm
- 1 R 2 \rightarrow 1.2 ohm
- 1-digit effective number.
- 2-digit effective number, decimal point indicated by R.
- Units: ohm

Capacity (electrolyte only)

- 2 2 2 \rightarrow 2200 μF
- Indicates number of zeros after effective number.
- 2-digit effective number.
- Units: μF
- 2 R 2 \rightarrow 2.2 μF
- 1-digit effective number.
- 2-digit effective number, decimal point indicated by R.
- Units: μF

Capacitors

Ex: CE 04W 1H 2R2 M BP
 Type Shape Dielectric Capacity Allowable Others
 and per- strength error
 formance

CE : Aluminum foil electrolyte	0J : 6.3V	F : $\pm 1\%$	HS : High stability type
CA : Aluminum solid electrolyte	1A : 10V	G : $\pm 2\%$	BP : Non-polar type
CS : Tantalum electrolyte	1C : 16V	J : $\pm 5\%$	HR : Ripple-resistant type
CQ : Film	1E : 25V	K : $\pm 10\%$	DL : For charge and discharge
CK : Ceramic	1V : 35V	L : $\pm 20\%$	HF : For assuring high frequency
CC : Ceramic	1H : 50V	Z : $\pm 80\%$	U : UL part
CP : Oil	2A : 100V	P : -20%	C : CSA part
CM : Mica	2B : 125V	P : $+100\%$	W : UL-CSA type
CF : Metallized	2C : 160V	C : -0%	F : Lead wire forming
CH : Metallized	2D : 200V	D : $\pm 0.25\text{pF}$	
	2E : 250V	D : $\pm 0.5\text{pF}$	
	2H : 500V	= : Others	
	2J : 630V		

Capacity (except electrolyte)

- 2 2 2 \rightarrow 2200 pF = 2200 μF = 0.0022 μF
- (More than 2) Indicates number of zeros after effective number.
- 2-digit effective number.
- Units: μF
- 2 2 1 \rightarrow 220 pF
- (0 or 1) Indicates number of zeros after effective number.
- 2-digit effective number.
- Units: pF
- When the dielectric strength is indicated in AC, "AC" is included after the dielectric strength value.

KU-9360 TUNER UNIT ASSY PARTS LIST

Ref. No.	Part No.	Part Name	Remarks
SEMICONDUCTORS GROUP			
IC101	263 0421 002	IC LA1267	
IC102	263 0439 007	IC LA3401	
IC103	262 0703 002	IC LM7000	
IC105	263 0614 903	IC LC7070NM-TER	
IC201	262 2107 907	IC PCM1710U	
IC202	263 1024 000	IC BA178M05	Regulator +5V
IC203	263 0894 908	IC BA6287F	
IC204	263 1040 903	IC BU4094BF	
IC206,506	263 0615 902	IC BA15218F	
IC207	269 0170 005	Optical Out Unit TOTX178	
IC301	262 2319 009	IC HD6433726***F	μ -Com
IC302	262 2071 907	IC BR9040F	
IC502	262 1227 008	IC LC7821	
IC601	262 1701 906	IC SAA6579T-T	
IC604	263 0905 900	IC BA6208F	
IC821	263 1004 004	IC BA178M12	Regulator +12V
IC822	263 1010 001	IC BA178M06	Regulator +6V
IC851	268 0073 905	IC ICP-N15T	
TR102	275 0051 909	FET 2SK161(GR)	
TR103,104,	273 0025 926	Transistor 2SC461P (C)	
109			Built-in Resistor
TR105,108,	269 0083 901	Transistor DTA114EK	
117			
TR106,111,	273 0384 900	Transistor 2SC2412K (S)	
112			
TR107	275 0053 907	FET 2SK365 (BL/GR)	
TR113-116	269 0066 902	Transistor DTC323TK	Built-in Resistor
TR202,206,	269 0082 902	Transistor DTC114EK	Built-in Resistor
824			
TR203,204	269 0066 902	Transistor DTC323TK	Built-in Resistor
TR205	269 0119 901	Transistor DTA124EK	Built-in Resistor
TR504,505	269 0091 906	Transistor DTC143TK	Built-in Resistor
TR601,602	269 0091 906	Transistor DTC143TK	Built-in Resistor
TR110,119	273 0384 900	Transistor 2SC2412K(S)	
D107,108,	276 0616 907	Diode 1S5252	
321,327			
D201,601,	276 0616 907	Diode 1S5252	
602,654			
D221	276 0553 905	Diode 1SR35-200A	
D318,326,	276 0616 907	Diode 1S5252	
827,828			
D821~824	276 0553 905	Diode 1SR35-200A	
ZD101	276 0643 941	Zener Diode MTZJ3.6A	3.6V
ZD202	276 0643 970	Zener Diode MTZJ4.7A	4.5V
ZD291	276 0616 907	Diode 1S5252	
ZD291	276 0644 966	Zener Diode MTZJ12A	11.5V
ZD701,855	276 0644 924	Zener Diode MTZJ8.2A	7.7V
ZD829	276 0633 906	Zener Diode MTZJ6.8C	6.8V
RESISTORS GROUP (Not included Carbon Film $\pm 5\%$, 1/4W Type. Refer to the Schematic Diagram for those parts.)			
R102,118,	247 0010 961	Chip Carbon 22 kohm 1/10W	RM73B-223J
150			
R103	247 0010 987	Chip Carbon 27 kohm 1/10W	RM73B-273J
R104	247 0003 949	Chip Carbon 22 ohm 1/10W	RM73B-220J
R105,142,	247 0007 945	Chip Carbon 1 kohm 1/10W	RM73B-102J
146,147			
R106	247 0006 917	Chip Carbon 300 ohm 1/10W	RM73B-301J
R107,109,	247 0005 905	Chip Carbon 100 ohm 1/10W	RM73B-101J
116			
R108	247 0005 976	Chip Carbon 200 ohm 1/10W	RM73B-201J
R110,117	247 0006 920	Chip Carbon 330 ohm 1/10W	RM73B-331J
R111	247 0010 945	Chip Carbon 18 kohm 1/10W	RM73B-183J
R112,154,	247 0009 985	Chip Carbon 10 kohm 1/10W	RM73B-103J
175,176			
R113,	247 0009 985	Chip Carbon 10 kohm 1/10W	RM73B-103J
181-183			
R114,247,	247 0009 985	Chip Carbon 10 kohm 1/10W	RM73B-103J
248			
R115,186,	247 0007 945	Chip Carbon 1 kohm 1/10W	RM73B-102J
221,296			
R119	247 0011 960	Chip Carbon 56 kohm 1/10W	RM73B-563J
R120,140,	247 0006 962	Chip Carbon 470 ohm 1/10W	RM73B-471J
545,546			
R122,205	247 0008 944	Chip Carbon 2.7 kohm 1/10W	RM73B-272J
R123,137,	247 0010 961	Chip Carbon 22 kohm 1/10W	RM73B-223J
607,608			
R125,295	247 0004 980	Chip Carbon 82 ohm 1/10W	RM73B-820J
R126,249,	247 0010 990	Chip Carbon 30 kohm 1/10W	RM73B-303J
250			
R127	247 0009 956	Chip Carbon 7.5 kohm 1/10W	RM73B-752J
R130-132,	247 0009 985	Chip Carbon 10 kohm 1/10W	RM73B-103J
160			
R133	247 0011 986	Chip Carbon 68 kohm 1/10W	RM73B-683J

Ref. No.	Part No.	Part Name	Remarks	Ref. No.	Part No.	Part Name	Remarks
R135,159, 197,199	247 0012 927	Chip Carbon 100 kohm 1/10W	RM73B-104J	R363-366	247 0011 944	Chip Carbon 47 kohm 1/10W	RM73B-473J
R136,187	247 0008 928	Chip Carbon 2.2 kohm 1/10W	RM73B-222J	R367-370	247 0011 944	Chip Carbon 47 kohm 1/10W	RM73B-473J
R138,139	247 0005 989	Chip Carbon 220 ohm 1/10W	RM73B-221J	R371-374	247 0011 944	Chip Carbon 47 kohm 1/10W	RM73B-473J
R145,149, 151,185	247 0009 985	Chip Carbon 10 kohm 1/10W	RM73B-103J	R375-377	247 0011 944	Chip Carbon 47 kohm 1/10W	RM73B-473J
R148	247 0012 969	Chip Carbon 150 kohm 1/10W	RM73B-154J	R385, 904-906	247 0018 905	Chip Carbon 0 ohm 1/10W	RM73B-0R0K
R152	247 0011 931	Chip Carbon 43 kohm 1/10W	RM73B-433J	R401, 408, 415,417	247 0005 947	Chip Carbon 150 ohm 1/10W	RM73B-151J
R153,177	247 0009 927	Chip Carbon 5.6 kohm 1/10W	RM73B-562J	R402,409, 416,856	247 0005 963	Chip Carbon 180 ohm 1/10W	RM73B-181J
R167-170	247 0009 927	Chip Carbon 5.6 kohm 1/10W	RM73B-562J	R403,410	247 0006 904	Chip Carbon 270 ohm 1/10W	RM73B-271J
R171-174	247 0005 992	Chip Carbon 240 ohm 1/10W	RM73B-241J	R404,411, 683,684	247 0006 946	Chip Carbon 390 ohm 1/10W	RM73B-391J
R178-180	247 0011 944	Chip Carbon 47 kohm 1/10W	RM73B-473J	R425-428	247 0011 944	Chip Carbon 47 kohm 1/10W	RM73B-473J
R184	247 0018 905	Chip Carbon 0 ohm 1/10W	RM73B-0R0K	R430,440, 441	247 0018 905	Chip Carbon 0 ohm 1/10W	RM73B-0R0K
R188-190, 192	247 0012 969	Chip Carbon 150 kohm 1/10W	RM73B-154J	R431-434	247 0009 985	Chip Carbon 10 kohm 1/10W	RM73B-103J
R191,193, 292,293	247 0008 931	Chip Carbon 2.4 kohm 1/10W	RM73B-242J	R521,522, 525,526	247 0012 927	Chip Carbon 100 kohm 1/10W	RM73B-104J
R198,206, 207	247 0009 985	Chip Carbon 10 kohm 1/10W	RM73B-103J	R523,524, 527,528	247 0006 962	Chip Carbon 470 ohm 1/10W	RM73B-471J
R201, 261-263	247 0009 985	Chip Carbon 10 kohm 1/10W	RM73B-103J	R529,530, 533,534	247 0012 927	Chip Carbon 100 kohm 1/10W	RM73B-104J
R202	247 0004 977	Chip Carbon 75 ohm 1/10W	RM73B-750J	R531,532, 535,536	247 0006 962	Chip Carbon 470 ohm 1/10W	RM73B-471J
R203,204 264,265	247 0009 985	Chip Carbon 10 kohm 1/10W	RM73B-103J	R539,540, 593,594	247 0005 905	Chip Carbon 100 ohm 1/10W	RM73B-101J
R209,210, 661,662	247 0009 930	Chip Carbon 6.2 kohm 1/10W	RM73B-622J	R541-544	247 0012 927	Chip Carbon 100 kohm 1/10W	RM73B-104J
R222-225	247 0009 985	Chip Carbon 10 kohm 1/10W	RM73B-103J	R547	247 0014 925	Chip Carbon 680 kohm 1/10W	RM73B-684J
R241,242, 260	247 0011 944	Chip Carbon 47 kohm 1/10W	RM73B-473J	R585,586	247 0013 984	Chip Carbon 470 kohm 1/10W	RM73B-474J
R243-246	247 0009 985	Chip Carbon 10 kohm 1/10W	RM73B-103J	R587-590	247 0012 927	Chip Carbon 100 kohm 1/10W	RM73B-104J
R251,252, 405,412	247 0007 903	Chip Carbon 680 ohm 1/10W	RM73B-681J	R595,596	247 0005 905	Chip Carbon 100 ohm 1/10W	RM73B-101J
R253,254, 537,538	247 0005 905	Chip Carbon 100 ohm 1/10W	RM73B-101J	R599	247 0009 901	Chip Carbon 4.7 kohm 1/10W	RM73B-472J
R291	247 0005 947	Chip Carbon 150 ohm 1/10W	RM73B-151J	R601,602	247 0010 974	Chip Carbon 24 kohm 1/10W	RM73B-243J
△ R298,776, 791,792	244 2051 929	Metal Oxide 820 ohm 1W(NB)	RS14B3A821JNBS(S)	R603,604, 657,658	247 0009 985	Chip Carbon 10 kohm 1/10W	RM73B-103J
R301-304	247 0007 945	Chip Carbon 1 kohm 1/10W	RM73B-102J	R605,606	247 0005 989	Chip Carbon 220 ohm 1/10W	RM73B-221J
R325	247 0014 967	Chip Carbon 1 Mohm 1/10W	RM73B-105J	R609,610	247 0011 928	Chip Carbon 39 kohm 1/10W	RM73B-393J
R326	247 0011 944	Chip Carbon 47 kohm 1/10W	RM73B-473J	R611-614	247 0007 945	Chip Carbon 1 kohm 1/10W	RM73B-102J
R342	247 0009 985	Chip Carbon 10 kohm 1/10W	RM73B-103J	R615,616, 663,664	247 0014 967	Chip Carbon 1 Mohm 1/10W	RM73B-105J
R351-354	247 0011 944	Chip Carbon 47 kohm 1/10W	RM73B-473J	R665,666	247 0010 903	Chip Carbon 12 kohm 1/10W	RM73B-123J
R355-358	247 0011 944	Chip Carbon 47 kohm 1/10W	RM73B-473J	R681,682	247 0008 957	Chip Carbon 3.3 kohm 1/10W	RM73B-302J
R359-362	247 0011 944	Chip Carbon 47 kohm 1/10W	RM73B-473J				

Ref. No.	Part No.	Part Name	Remarks	Ref. No.	Part No.	Part Name	Remarks
R685,686, 691,692	247 0018 905	Chip Carbon 0 ohm 1/10W	RM73B-0R0K	C139,161, 205	254 4252 930	Electrolytic 100μF/10V	CE04W1A101M (SME)
R695, 901~903	247 0018 905	Chip Carbon 0 ohm 1/10W	RM73B-0R0K	C140,141	257 0016 933	Chip Ceramic 15pF/50V	CC73CH1H150J
△R775	244 2051 974	Metal Oxide 1 kohm 1W(NB)	RS14B3A102JNBS(S)	C142,171, 323,329	257 0012 966	Chip Ceramic 0.01μF/50V	CK73F1H103Z
VR102	211 6095 952	Semi Fixed Resistor 100 kohm	V06QB104	C144,164	257 0004 961	Chip Ceramic 100pF/50V	CC73SL1H101J
VR103	211 6093 970	Semi Fixed Resistor 100 kohm	V06PB104	C147	254 4260 935	Electrolytic 0.47μF/50V	CE04W1HR47M (SME)
VR601,602	211 9135 000	Variable Resistor 50 kohm	V1420P25FB503K	C150,251	254 4260 948	Electrolytic 1μF/50V	CE04W1H010M (SME)
VR603	211 9136 009	Variable Resistor 50 kohm	V11P25FW503-	C153,154, 535	257 0005 986	Chip Ceramic 330pF/50V	CC73SL1H331J
VR604	211 9137 008	Variable Resistor 100 kohm	V1620V20FB104T	C155,156	257 0009 924	Chip Ceramic 2200pF/50V	CK73B1H222K
CAPACITORS GROUP				C158,159, 165	254 4260 951	Electrolytic 2.2μF/50V	CE04W1H2R2M (SME)
C101~104	257 0012 966	Chip Ceramic 0.01μF/50V	CK73F1H103Z	C162,163	257 0016 962	Chip Ceramic 27pF/50V	CC73CH1H270J
C105,106, 111,128	257 0012 966	Chip Ceramic 0.01μF/50V	CK73F1H103Z	C166,168, 172	254 4252 927	Electrolytic 47μF/10V	CE04W1A470M (SME)
C107,108, 110	257 0012 982	Chip Ceramic 0.022μF/50V	CK73F1H223Z	C167	257 0006 943	Chip Ceramic 560pF/50V	CC73SL1H561J
C109,120, 149,160	254 4254 909	Electrolytic 10μF/16V	CE04W1C100M (SME)	C201,291, 855	254 4254 954	Electrolytic 220μF/16V	CE04W1C221M (SME)
C112,222, 223	257 0002 921	Chip Ceramic 10pF/50V	CC73SL1H100D	C202,254, 587,588	257 0012 966	Chip Ceramic 0.01μF/50V	CK73F1H103Z
C113	257 0003 946	Chip Ceramic 33pF/50V	CC73SL1H330J	C204,207, 208	254 4254 909	Electrolytic 10μF/16V	CE04W1C100M (SME)
C114,121, 148	254 4260 964	Electrolytic 3.3μF/50V	CE04W1H3R3M (SME)	C206,209, 210,285	257 0012 966	Chip Ceramic 0.01μF/50V	CK73F1H103Z
C115	254 3056 933	Electrolytic 3.3μF/50V	CE04D1H3R3MBP (SME)	C221,262, 293,536	257 0012 966	Chip Ceramic 0.01μF/50V	CK73F1H103Z
C116,127, 249,250	257 0007 900	Chip Ceramic 1000 PF/50V	CC73SL1H102J	C224,226	254 4254 909	Electrolytic 10μF/16V	CE04W1C100M (SME)
C117	257 0009 982	Chip Ceramic 6800pF/50V	CK73B1H682K	C225,247, 248,253	254 4254 909	Electrolytic 10μF/16V	CE04W1C100M (SME)
C118	257 1013 977	Chip Ceramic 0.068μF/50V	CK73B1E683K	C227,229, 230,233	254 4254 909	Electrolytic 10μF/16V	CE04W1C100M (SME)
C122,143, 145	254 4260 977	Electrolytic 4.7μF/50V	CE04W1H4R7M (SME)	C228,231, 232,260	257 0014 935	Chip Ceramic 0.1μF/50V	CK73F1E104Z
C123,125, 129,133	257 0012 982	Chip Ceramic 0.022μF/50V	CK73F1H223Z	C243~246	257 0005 986	Chip Ceramic 330pF/50V	CC73SL1H331J
C126,136, 151,157	254 4254 938	Electrolytic 47μF/16V	CE04W1C470M (SME)	C252,651, 745,746	257 0012 966	Chip Ceramic 0.01μF/50V	CK73F1H103Z
C130,169, 170	257 0003 933	Chip Ceramic 30pF/50V	CC73SL1H300J	C292	254 4254 909	Electrolytic 10μF/16V	CE04W1C100M (SME)
C131	257 0002 992	Chip Ceramic 20pF/50V	CC73SL1H200J	C585,586			
C132,135, 138,326	257 0012 966	Chip Ceramic 0.01μF/50V	CK73F1H103Z	C330	254 4302 974	Electrolytic 100μF/10V	CE04W1A101M (SRE)
C134	254 3056 917	Electrolytic 1μF/50V	CE04D1H010MBP (SME)	C351	254 4299 906	Electrolytic 10μF/16V	CE04W1C100M (SRE)
C137	254 4254 941	Electrolytic 100μF/16V	CE04W1C101M (SME)	C613,614			
				C517,599, 833	254 4260 948	Electrolytic 1μF/50V	CE04W1H010M (SME)

Ref. No.	Part No.	Part Name	Remarks	Ref. No.	Part No.	Part Name	Remarks	Qty
C521~524	257 0005 928	Chip Ceramic 180pF/50V	CC73SL1H181J	X101	399 0075 003	Crystal (7.2MHZ)	X-TAL (7.2MHZ)	1
C525~528	257 0005 928	Chip Ceramic 180pF/50V	CC73SL1H181J					
C529,530	257 0005 944	Chip Ceramic 220pF/50V	CC73SL1H221J	X102	399 0178 007	Crystal (4.332MHZ)	X-TAL (4.332MHZ)	1
C555	256 1034 937	Plastic Film 0.047μF/50V	CQ93A1H473J					
C545~548	257 0012 966	Chip Ceramic 0.01μF/50V	CK73F1H103Z	CF101	261 0141 001	FM Ceramic Filter	SK107M2-A0-20	1
C570~573	257 0012 966	Chip Ceramic 0.01μF/50V	CK73F1H103Z	CF102	261 0142 000	FM Ceramic Filter	SK107M3-A0-20	1
C581,582	254 4260 977	Electrolytic 4.7μF/50V	CE04W1H4R7M (SME)	CF104	261 0101 009	AM Ceramic Filter	BFU450C4N	
C583,584	257 0005 902	Chip Ceramic 150pF/50V	CC73SL1H151J	CF105	261 0103 007	Ceramic Resonator	CSB456F11	
C601,602	255 1264 937	Plastic Film 0.0018μF/50V	CQ93M1H182J (B)	JK101	205 0847 004	3P Ant.Terminal(PAL/F)	3P ANT.	1
C603~606	255 1265 978	Plastic Film 0.022μF/50V	CQ93M1H223J (B)				TERM (PAL/F)	
C607,608	254 4305 968	Electrolytic 1μF/50V	CE04W1H010M (SRE)	JK501,502	204 8545 004	4P Pin Jack(GND)	4P PIN JACK (GND)	2
C609~612	257 0005 944	Chip Ceramic 220 PF/50V	CC73SL1H221J					
C615,616, 798,828	257 0012 966	Chip Ceramic 0.01μF/50V	CK73F1H103Z	△CB21	205 0581 001	2P VH Connector Base		1
C652	254 4252 927	Electrolytic 47μF/10V	CE04W1A470M (SME)	CB31	205 0355 033	3P KR Connector Base (L)		1
C661,662	255 1265 994	Plastic Film 0.033μF/50V	CQ93M1H333J (B)	CB37	205 0190 036	3P NH Connector Base		1
C663,664	255 1264 924	Plastic Film 0.0015μF/50V	CQ93M1H152J (B)					
C821~824	253 1181 904	Ceramic 0.01μF/50V	CK45F1H103Z (DD-3)	CB51	205 0343 058	5P Connector Base(KR-PH)		1
C825	254 4256 790	Electrolytic 2200μF/25V	CE04W1E222MC (SME)	CB52	205 0355 059	5P KR Connector Base (L)		1
C854,826	254 4254 909	Electrolytic 10μF/16V	CE04W1C100M (SME)	CB54	205 0829 051	5P CT Connector Base		1
C881	254 4255 717	Electrolytic 4700μF/16V	CE04W1C472MC (SME)	CB81	205 0355 088	8P KR Connector Base (L)		1
C990	253 8014 702	Ceramic 0.01μF/250V	CK45F2GAC103MC	CB91	205 0355 091	9P KR Connector Base (L)		1
				CB231	205 0990 003	23P FFC Connector Base		1
OTHER GROUP								
L201	235 0049 900	Inductor	BEADS INDUCTOR TAPE	CN31	203 4945 003	3P KR-DA Connector Cord		1
L219	235 0080 901	Inductor	INDUCTOR (3R3) ST	CN32	203 4946 015	3P KR-DA Connector Cord		1
SW301	212 5604 907	Tact Switch	TACT SWITCH- TA (ALPS)	CN36	203 4946 028	3P KR-DA Connector Cord		1
SW304, 311~313	212 5604 907	Tact Switch	TACT SWITCH- TA (ALPS)	CN38	203 5133 021	3P KR-DA Shell Cord		1
CF107	399 0041 901	Ceramic Resonator	CSA4.00MG	CN41	203 6421 004	4P KR-DA Connector Cord		1
CF322	399 0191 903	Ceramic Resonator	CST4.00MGW- TF01	CN51	203 8474 004	5P PH-SAN Shield Cord		1
SW314,315, 319,320	212 5604 907	Tact Switch	TACT SWITCH- TA (ALPS)	CN52	203 8475 003	5P PH-SAN Connector Cord		1
SW302,303, 305,306	212 5606 905	Tact Switch	TACT SWITCH- TA (H9.5)	CN62	204 0411 000	6P KR-DA Connector Cord		1
SW307,310, 318,321	212 5606 905	Tact Switch	TACT SWITCH- TA (H9.5)	CN81	204 2612 043	8P KR-DA Connector Cord		1
SW651,701, 702	212 1140 009	Push Switch(ESB6440)	Push SW (ESB6440)	CN91	204 2613 055	9P KR-DA Connector Cord		1
				CN111,112	205 0805 059	11P Connector Socket (9176)		2
				CN121	205 0987 003	12P Connector Socket (9176)		1
				CN131	205 0987 029	13P Connector Socket(9176)		1
				CN291	205 0990 045	29P FFC Connector Base		1
				△AC1	203 3961 004	1P AC Outlet(E2)		1
				△AC2	203 2349 009	2P Inlet		1
				△F1	206 1075 014	Fuse (1.25A)		1
				△F2	206 1075 043	Fuse (2.5A)		1
				FE101	216 9013 004	FM Front END (U) S		1

KU-9359 MAIN UNIT ASS'Y PARTS LIST

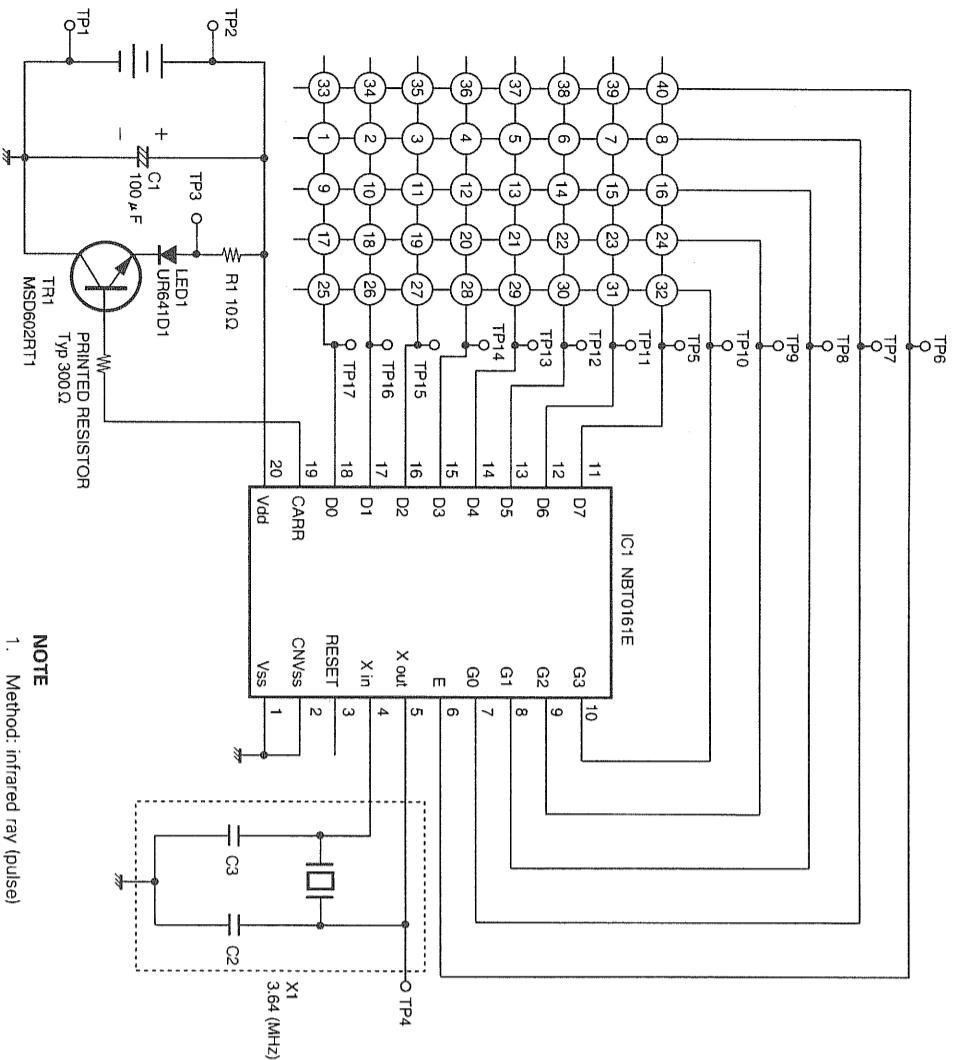
Ref. No.	Part No.	Part Name	Remarks	Q'ty	Ref. No.	Part No.	Part Name	Remarks
FL301	393 9561 002	VFD(11-BT-150GK)		1	SEMICONDUCTORS GROUP			
HP701	204 8364 007	Headphone Jack		1	IC701	263 0615 902	IC BA15218F	
LP102,103	232 9011 008	Low Pass Filter		2	IC850	263 1040 903	IC BU4094BF	
LP101	232 9010 009	Antibirdie Filter		1	TR701,702,	273 0235 923	Transistor 2SC1841(E/F)	
△RL1	214 0170 005	Relay(TV-8)		1	709,710			
RM301	499 0150 008	Remocon Sensor	SBX1610-52	1	TR703,704,	271 0131 924	Transistor 2SA988(E/F)	
T101	231 2909 004	FM IF Det		1	707,708			
T103	231 3904 008	AM IFT		1	TR705,706	273 0198 905	Transistor 2SC1815(Y)	
T104	231 1913 004	MW Ant-Osc Coil		1	TR705~708	276 0619 904	Diode 1SS2471	
△T2	239 8019 002	Line Filter Coil		1	TR711,712	274 0060 900	Transistor 2SD667A(C)	
TR855	274 0120 002	Transistor 2SD1762(E/F)		1	TR713,714	272 0053 908	Transistor 2SB467(C)	
XL201	399 0112 005	Crystal(16.9344MHz)		1	TR719,720	273 0235 923	Transistor 2SC1841(E/F)	
	009 9037 013	1P Wire Assy		1	TR721	271 0131 924	Transistor 2SA988(E/F)	
	009 9061 021	1P Wire Assy		1	TR724,723,	273 0384 900	Transistor 2SC2412K(S)	
	202 0040 909	FUSE CLIP (TAPE)		4	730			
	461 9086 000	RUBBER SHEET		2	TR725	271 0238 908	Transistor 2SA1037K(S/R)	
					TR726~729	269 0099 908	Transistor DTC143TS	Builtin Resistor
					TR801	271 0280 901	Transistor 2SA1038S(S/E)	
					TR802	273 0432 904	Transistor 2SC2389S(S/E)	
					TR803,807,	273 0388 906	Transistor 2SC1740S(E)	
					825			
					TR805	274 0151 903	Transistor 2SD2004(P)	
					TR806	272 0107 919	Transistor 2SB1328(P/Q)	
					TR808	271 0192 905	Transistor 2SA933S(S)	
					TR821	271 0279 909	Transistor 2SA1515(R)	
					TR822,831,	269 0082 902	Transistor DTC114EK	Builtin Resistor
					832			
					TR826	272 0131 901	Transistor 2SB1041(R)	
					TR827	273 0388 906	Transistor 2SC1740S(E)	
					TR850~853	269 0083 901	Transistor DTA114EK	Builtin Resistor
					TR854	269 0091 906	Transistor DTC143TK	Builtin Resistor
					△D801	276 0338 007	Diode S4VB20F	Bridge
					D802, 852,	276 0553 905	Diode 1SR35-200A	
					853			
					D830,833,	276 0616 907	Diode 1SS252	
					834,838			
					D831	276 0553 905	Diode 1SR35-200A	
					D850	276 0616 907	Diode 1SS252	
					D701~704	276 0616 907	Diode 1SS252	
					D709,710	276 0616 907	Diode 1SS252	
					D711~713	276 0616 907	Diode 1SS252	

Ref. No.	Part No.	Part Name	Remarks	Ref. No.	Part No.	Part Name	Remarks
ZD803,804	276 0637 902	Zener Diode MTZJ6.2A	6V	C713~716	253 4536 909	Ceramic 10 pF/50V	CC45SL1H100D (DD-3)
ZD832	276 0643 967	Zener Diode MTZJ4.3A	4.1V	C717~720	256 1034 979	Metalized Film 0.1μF/50V	CF93A1H104J
ZD835	276 0634 905	Zener Diode MTZJ3.3A	3.3V	C721,722	254 4260 948	Electrolytic 1μF/50V	CE04W1H010M (SME)
ZD836	276 0645 949	Zener Diode MTZJ27A	25V	C723,724, 727,728	255 1265 978	Plastic Film 0.022μF/50V	CO93M1H223J (B)
ZD860,861	276 0637 902	Zener Diode MTZJ6.2A	6V	C725,726	256 1034 979	Metalized Film 0.1μF/50V	CF93A1H104J
RESISTORS GROUP (Not included Carbon Film ±5%, 1/4W Type. Refer to the Schematic Diagram for those Parts.)				C729~732	254 4262 904	Electrolytic 4.7μF/63V	CE04W1J4R7M (SME)
R701,702	247 0012 969	Chip Carbon 150 kohm 1/10W	RM73B-154J	C733	255 1265 936	Plastic Film 0.01μF/50V	CO93M1H103J (B)
R703~706	247 0005 905	Chip Carbon 100 ohm 1/10W	RM73B-101J	C734	254 4250 945	Electrolytic 330μF/6.3V	CE04W0J331M (SME)
R707,708	247 0010 916	Chip Carbon 13 kohm 1/10W	RM73B-133J	C735~738	255 1265 907	Plastic Film 0.0068μF/50V	CO93M1H682J (B)
△ R709,710, 723,724	241 2379 932	Carbon Film 620 ohm 1/4W(NB)	RD14B2E621JNBS	C739,740, C763,809,	257 0006 985 257 0012 966	Chip Ceramic 820 PF/50V Chip Ceramic 0.01μF/50V	CC73SL1H821J CK73F1H103Z
△ R731~734	241 2377 989	Carbon Film 150 ohm 1/4W(NB)	RD14B2E151JNBS	C810,856			
△ R735,736	241 2378 920	Carbon Film 220 ohm 1/4W(NB)	RD14B2E221JNBS	C741	254 4252 927	Electrolytic 47μF/10V	CE04W1A470M (SME)
△ R737~740	244 2055 912	Metal Oxide 0.47 ohm 1W(NB)	RS14B3AR47JNBS (S)	C751,752, 755,756	257 0012 966	Chip Ceramic 0.01μF/50V	CK73F1H103Z
△ R741~744	244 2055 912	Metal Oxide 0.47 ohm 1W(NB)	RS14B3AR47JNBS (S)	C753,754	254 4258 918	Electrolytic 10μF/35V	CE04W1V100M (SME)
△ R759,760	244 2051 987	Metal Oxide 0.47 ohm 1W(NB)	RS14B3A4R7JNBS (S)	C757~760	257 0012 966	Chip Ceramic 0.01μF/50V	CK73F1H103Z
△ R761,762	244 2043 937	Metal Oxide 10 ohm 1W(NB)	RS14B3A100JNBS (S)	C761,762, 764,830	257 0012 966	Chip Ceramic 0.01μF/50V	CK73F1H103Z
△ R765,766, 769,770	244 2055 941	Metal Oxide 330 ohm 1W(NB)	RS14B3A331JNBS (S)	C768,841	254 4254 909	Electrolytic 10μF/16V	CE04W1C100M (SME)
△ R767,778	244 2051 974	Metal Oxide 1 kohm 1W(NB)	RS14B3A102JNBS (S)	C800,838	254 4260 948	Electrolytic 1μF/50V	CE04W1H010M (SME)
R773,838, 851	247 0009 985	Chip Carbon 10 kohm 1/10W	RM73B-103J	C801	256 1042 903	Metalized Film 0.1μF/250V	CF93A2E104K
R774	247 0010 929	Chip Carbon 15 kohm 1/10W	RM73B-153J	C803~806	256 1042 932	Metalized Film 0.01μF/250V	CF93A2E103K
△ R776,777	244 2050 959	Metal Oxide 270 ohm 1W(NB)	RS14B3A271JNBS (S)	C807,808	254 4355 002	Electrolytic 6800μF/50V	CE04W1H682MDL
△ R801,802	241 2387 940	Carbon Film 4.7 ohm 1/4W(NB)	RD14B2E4R7JNBS	C811~814	254 4258 918	Electrolytic 10μF/35V	CE04W1V100M (SME)
R820,854, 858,859	247 0009 985	Chip Carbon 10 kohm 1/10W	RM73B-103J	C831	259 0007 702	Back up Cap 8.2mF/5.5V	SB CAP==822=C
R823,836, 837,857	247 0007 945	Chip Carbon 1 kohm 1/10W	RM73B-102J	C834	253 9037 908	Ceramic 0.1μF/50V	CK45=1H104Z (BC)
△ R828	241 2377 947	Carbon Film 100 ohm 1/4W(NB)	RD14B2E101JNBS	C835,840	253 1181 904	Ceramic 0.01μF/50V	CK45F1H103Z (DD-3)
R835	247 0008 928	Chip Carbon 2.2 kohm 1/10W	RM73B-222J	C836	254 4261 921	Electrolytic 100μF/50V	CE04W1H101M (SME)
R852	247 0010 961	Chip Carbon 22 kohm 1/10W	RM73B-223J	C837	254 4260 993	Electrolytic 22μF/50V	CE04W1H220M (SME)
R855	247 0008 960	Chip Carbon 3.3 kohm 1/10W	RM73B-332J	C839	254 4260 951	Electrolytic 2.2μF/50V	CE04W1H2R2M (SME)
VR701,702	211 6093 912	Semi Fixed Resistor 47 kohm	V06PB472	C850,851	257 0014 935	Chip Ceramic 0.1μF/50V	CK73F1E104Z
CAPACITORS GROUP				OTHER GROUP			
C701,702	254 4260 948	Electrolytic 1uF/50V	CE04W1H010M (SME)	L701,702	235 0104 007	Inductor (1μH)	2
C703,704, 711,712	257 0004 961	Chip Ceramic 100pF/50V	CC73SL1H101J	JK701	205 0484 001	8P SP Terminal(E2)	1
C705,706	257 0006 927	Chip Ceramic 470pF/50V	CC73SL1H471J	JK801	204 8421 005	Mini Jack	1
C707,708	254 4252 930	Electrolytic 100μF/10V	CE04W1A101M (SME)	CB32	205 0406 034	3P Connector Base(KR-PH)	1
C709,710,	257 0005 902	Chip Ceramic 150pF/50V	CC73SL1H151J				

Ref. No.	Part No.	Part Name	Remarks	Q'ty
CB34,38	205 0343 032	3P Connector Base(KR-PH)		1
CB41	205 0343 045	4P Connector Base(KR-PH)		1
CB53	205 0653 052	5P NH Connector Base		1
CB62	205 0343 061	5P Connector Base(KR-PH)		1
CB111,112	205 0806 058	11P Connector Base(9115)		2
CB121	205 0988 002	12P Connector Base(9115)		1
CB131	205 0988 028	13P Connector Base(9115)		1
CB291	205 0990 045	29P FFC Connector Base		1
CN34	203 4946 028	3P KR-DA Connector Cord		1
RL701,702	214 0154 005	Reray(VB24SMBV)		2
RL703	214 0127 003	Reray(RY-12W)		1
ST1~3	205 0452 017	Style Pin		3
TH701	279 0034 041	Posistor PTH9M04BD 222TS2F333		1
TP701,702	205 0190 036	3P NH Connector Base		2
	415 0309 055	P.V.C. TUBE (L=07)		2

REMOTE CONTROL UNIT (RC-814; Part NO.399 9054 009)

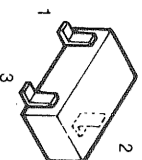
● Schematic Diagram



- NOTE**
1. Method: infrared ray (pulse)
 2. Power supply: DC3V (R6P×2 pcs)
 3. Packing method: used the polyvester bag.
 4. No defects on visible area be acceptable visible area like scratches.
 5. Details: refer to the Specification.
 6. This component part is EUR644355 by Matsuhita Equivalent Components Co.* Ltd or the Equivalent.

● Transistors

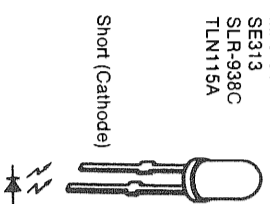
2SD1781K
or
2SD596



1 B (Base)
2 C (Collector)
3 E (Emitter)

● Diodes

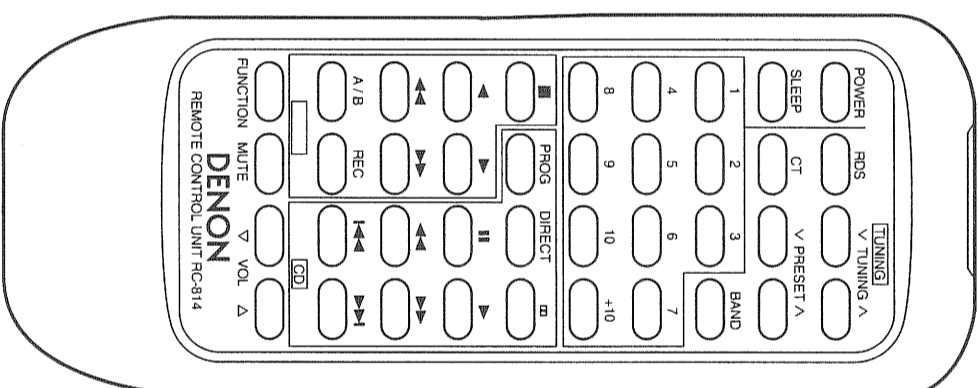
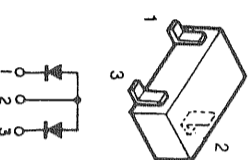
Infrared LED
SE313
SLR-938C
TLN115A



Long (Anode)

Short (Cathode)

DAP202K
or
HSM2836CTR

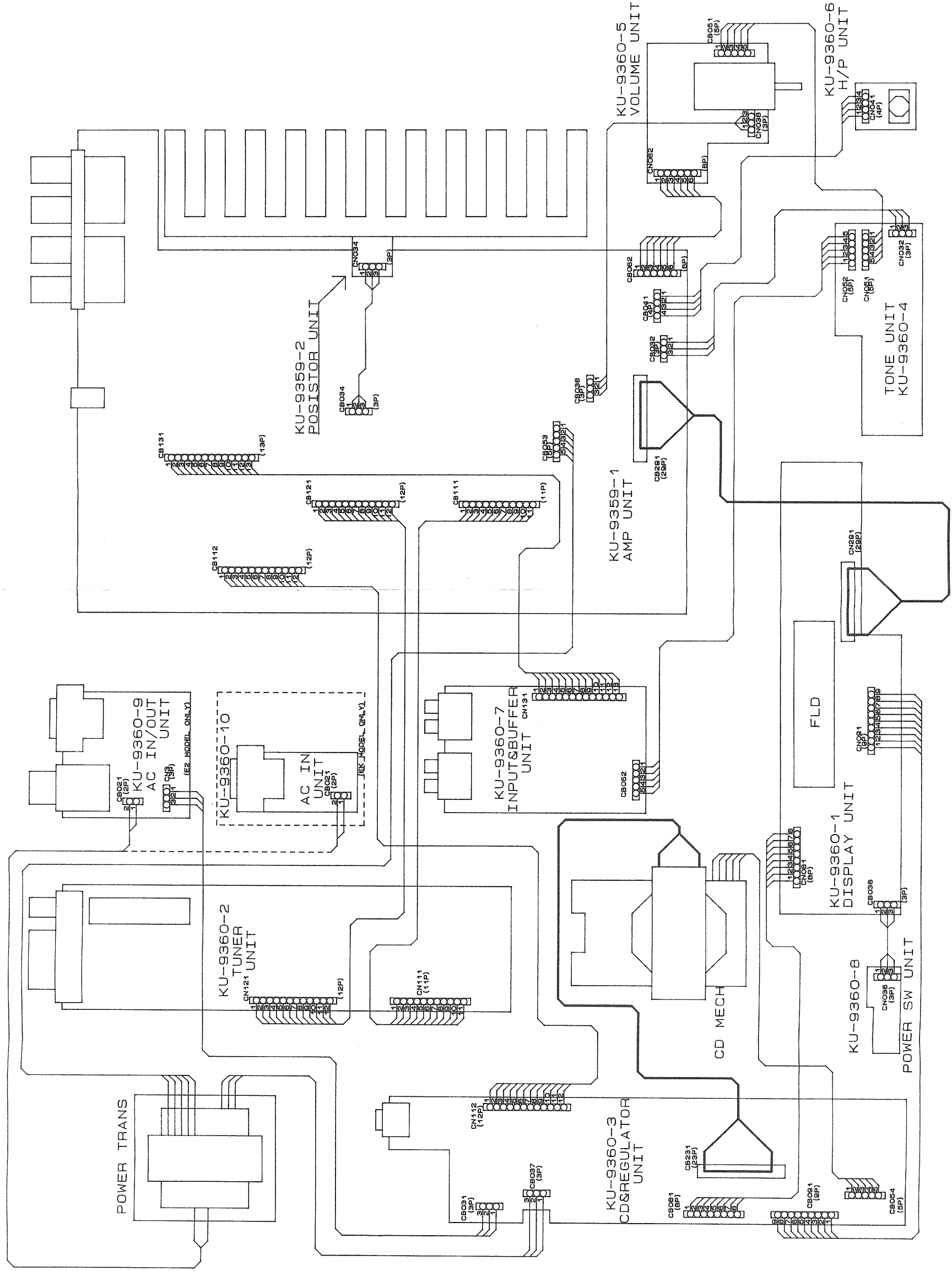


KEY NO.	FUNCTION	D1	D15	D2	D15
K05	POWER	0011000000101000		0011000000101000	
K37	SLEEP	0011001000111000		0011001000111000	
K36	FUNCTION	0011011110101000		0011011110101000	
K04	■	0001000111010000		0001000111010000	
K25	▶	0001000011010000		0001000011010000	
K17		0001010110101000		0001010110101000	
K18	▶▶	0001011010101000		0001011010101000	
K26	▶▶▶	0001000101101000		0001000101101000	
K19	◀◀	0001010011010000		0001010011010000	
K27	◀◀◀	0001000011010000		0001000011010000	
K38	1	0011001000001000		0001001000001000	
K14	2	0011011000001000		0001011000001000	
K22	3	0011000010001000		0001000010001000	
K03	DIRECT	0001011010100000		0001011010100000	
K39	4	0011010100001000		0001010100001000	
K15	5	0011000100001000		0001000100001000	
K23	6	0011011100001000		0001011100001000	
K02	PROG	0001010100010000		0001010100010000	
K31	7	0011000010010000		0001000010010000	
K40	8	0011010010001000		0001010010001000	
K16	9	0011011000011000		0001001000011000	
K35	A/B	0010011000101000		00100011000101000	
K24	10	0011000010011000		0001010100011000	
K32	+10	0011011110110000		0001000011010000	
K30	BAND	0011011101011000		0011011101011000	
K07	TUNING v	0011000101101100		0011000101101100	
K08	TUNING ^	0011010011011000		0011010011011000	
K13	CT	0011011000101100		0011011000101100	
K06	RDS	0011000100101100		0011000100101100	
K21	PRESET v	0011011110001000		0011011110001000	
K29	PRESET ^	0011000110001000		0011000110001000	
K33	▶	0010011101010000		0010001101010000	
K09	▶	0010000111010000		0010000111010000	
K34	▶▶	0010011011010000		0010001011010000	
K10	▶▶▶	0010000101101000		0010000101101000	
K11	● REC	0010001110101000		0010001110101000	
K12	MUTE	0011011010001000		0011011010001000	
K20	VOLUME v	0011000011001000		0011000011001000	
K28	VOLUME Δ	0011010110010000		0011010110010000	

* The data is to be sent continuously while each of the following buttons is depressed: K07, K08, K18, K20, K26, and K28.

WIRING DIAGRAM

1 2 3 4 5 6 7 8



1

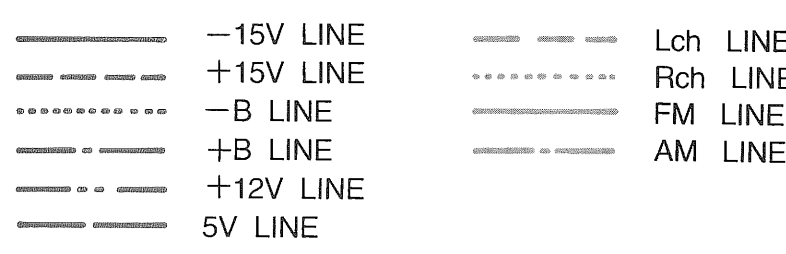
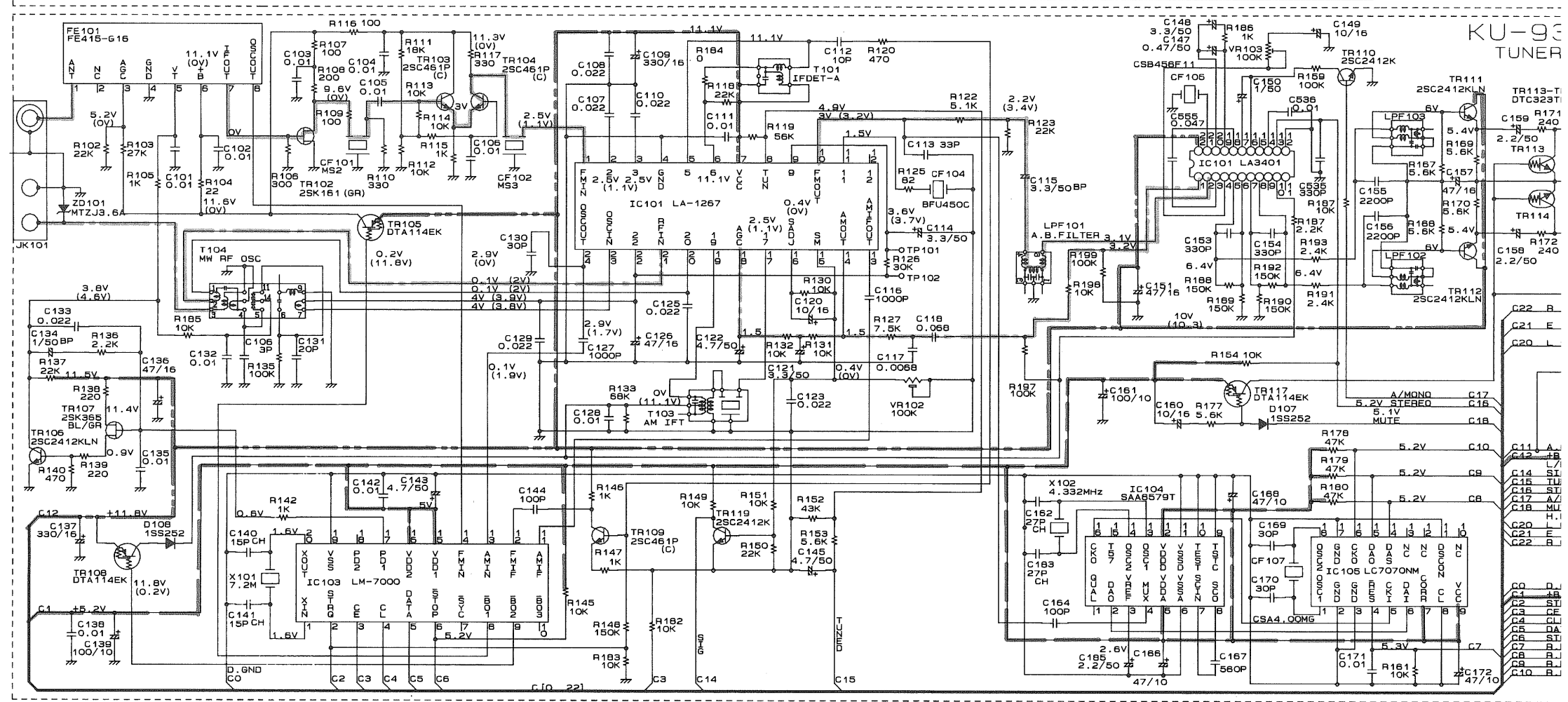
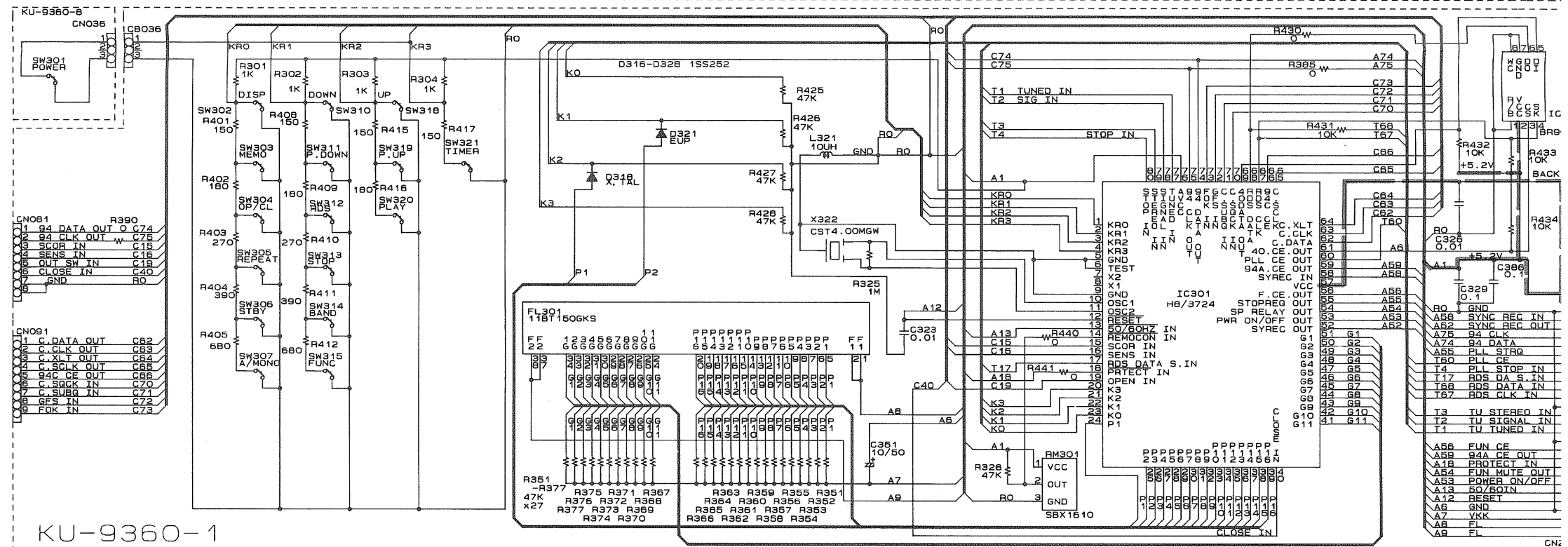
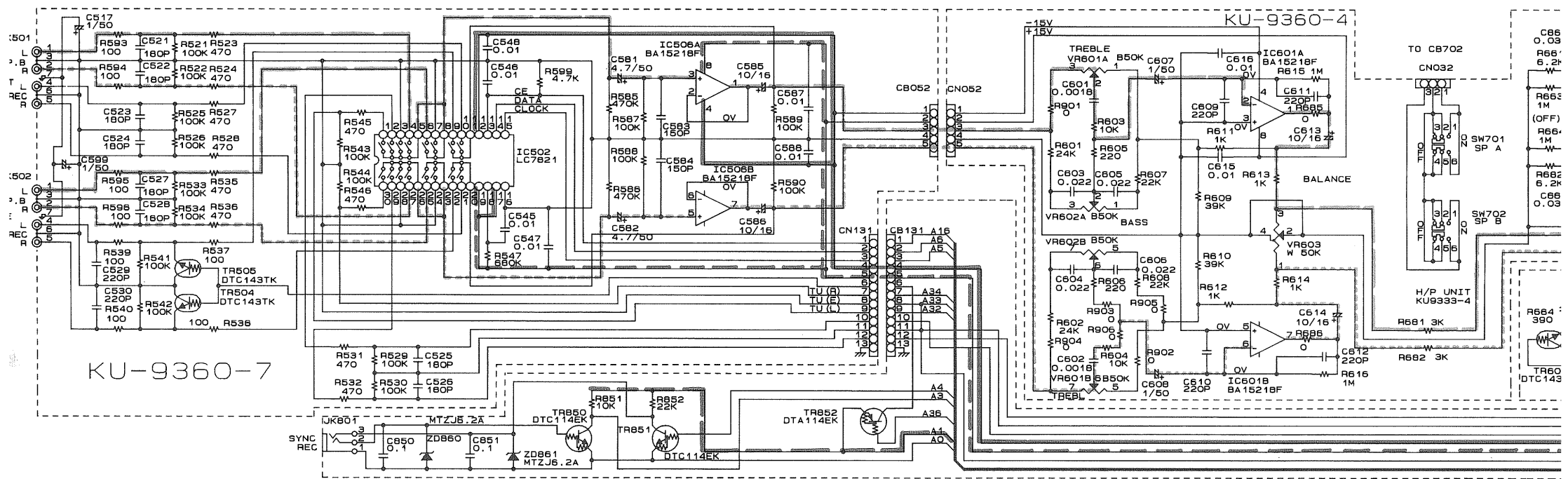
2

3

4

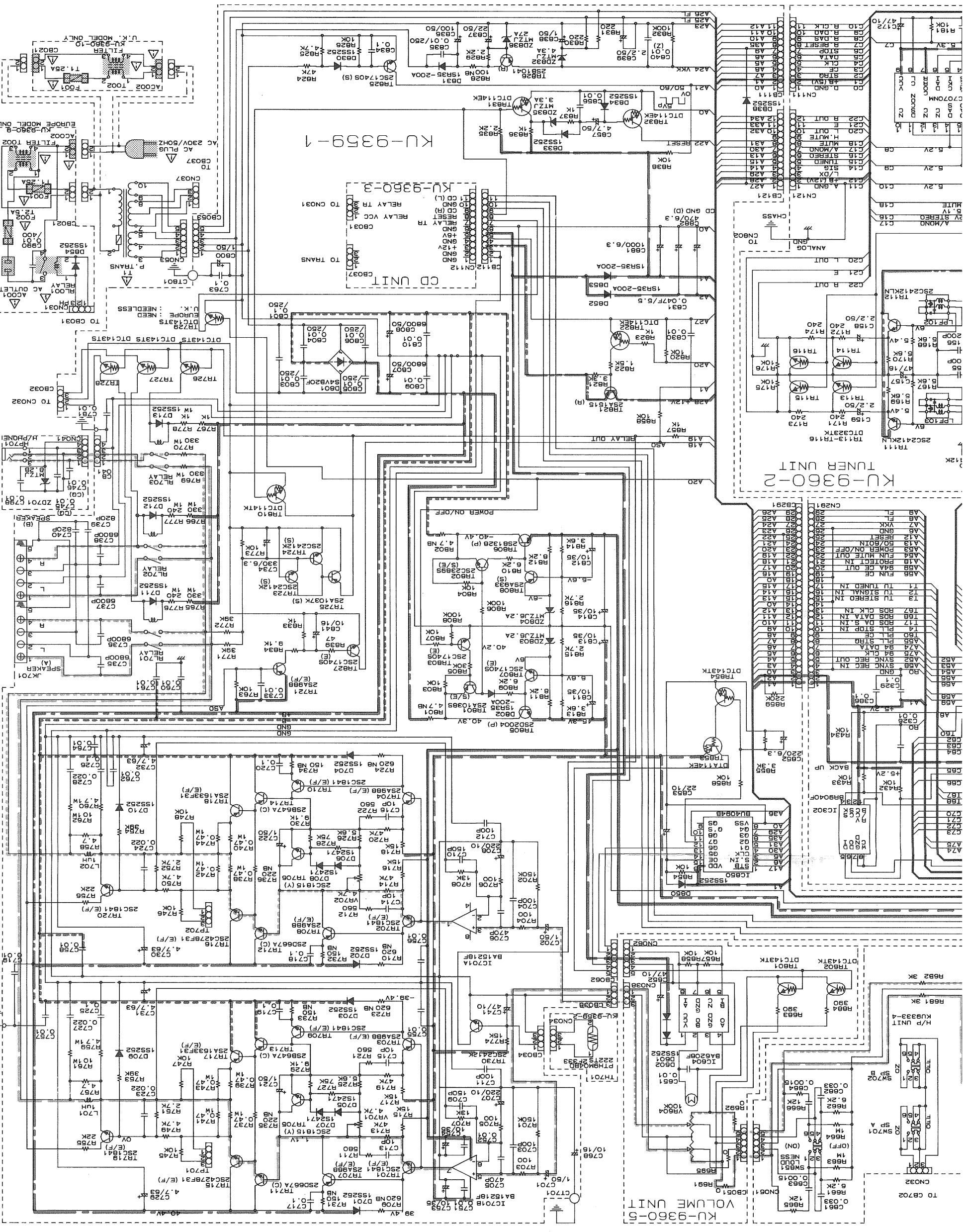
5

6



CAUTION:
 Before returning the unit to the customer, make sure you make either (1) a leakage current check or (2) a line to chassis leakage current exceeds 0.5 milliamps, or if the resistance from chassis to either side of the power cord is less than 2 defective.

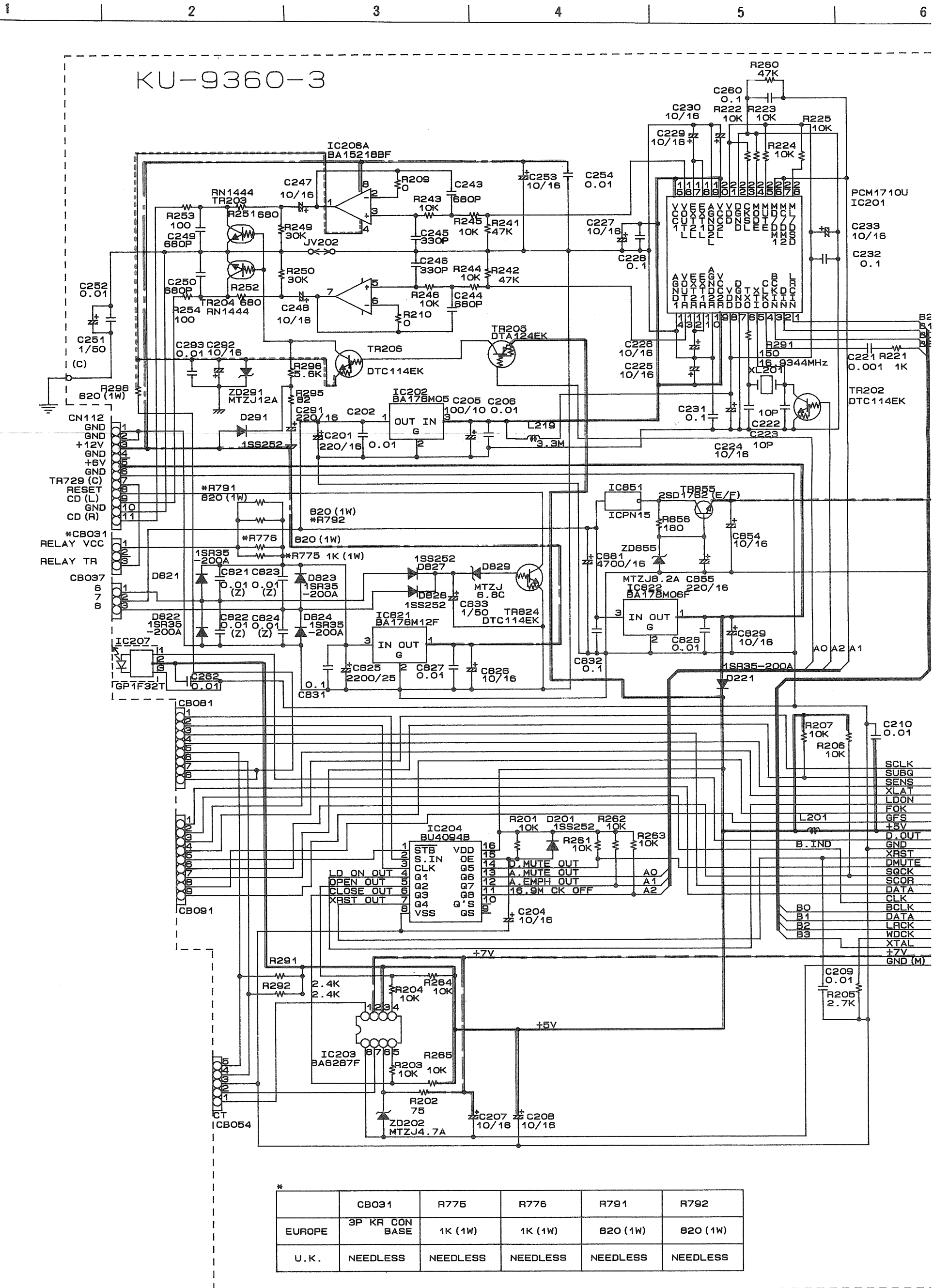
WARNING
 DO NOT return the unit to the customer until the problem is located and corrected.



WARNING: Parts marked with this symbol Δ have critical characteristics. Use ONLY replacement parts recommended by the manufacturer.

NOTES: ALL RESISTANCE VALUES IN OHM K=1,000 OHM M=1,000,000 OHM ALL CAPACITANCE VALUES IN MICRO FARAD P=MICRO-MICRO FARAD EACH VOLTAGE AND CURRENT ARE MEASURED AT NO SIGNAL INPUT CONDITION. CIRCUIT AND PARTS ARE SUBJECT TO CHANGE WITHOUT PRIOR NOTICE.

6
H
G
T
E
D
C
B
A
11
10
9
8
7
6



*	CBO31	R775	R776	R791	R792
EUROPE	3P KR CON BASE	1K (1W)	1K (1W)	820 (1W)	820 (1W)
U.K.	NEEDLESS	NEEDLESS	NEEDLESS	NEEDLESS	NEEDLESS

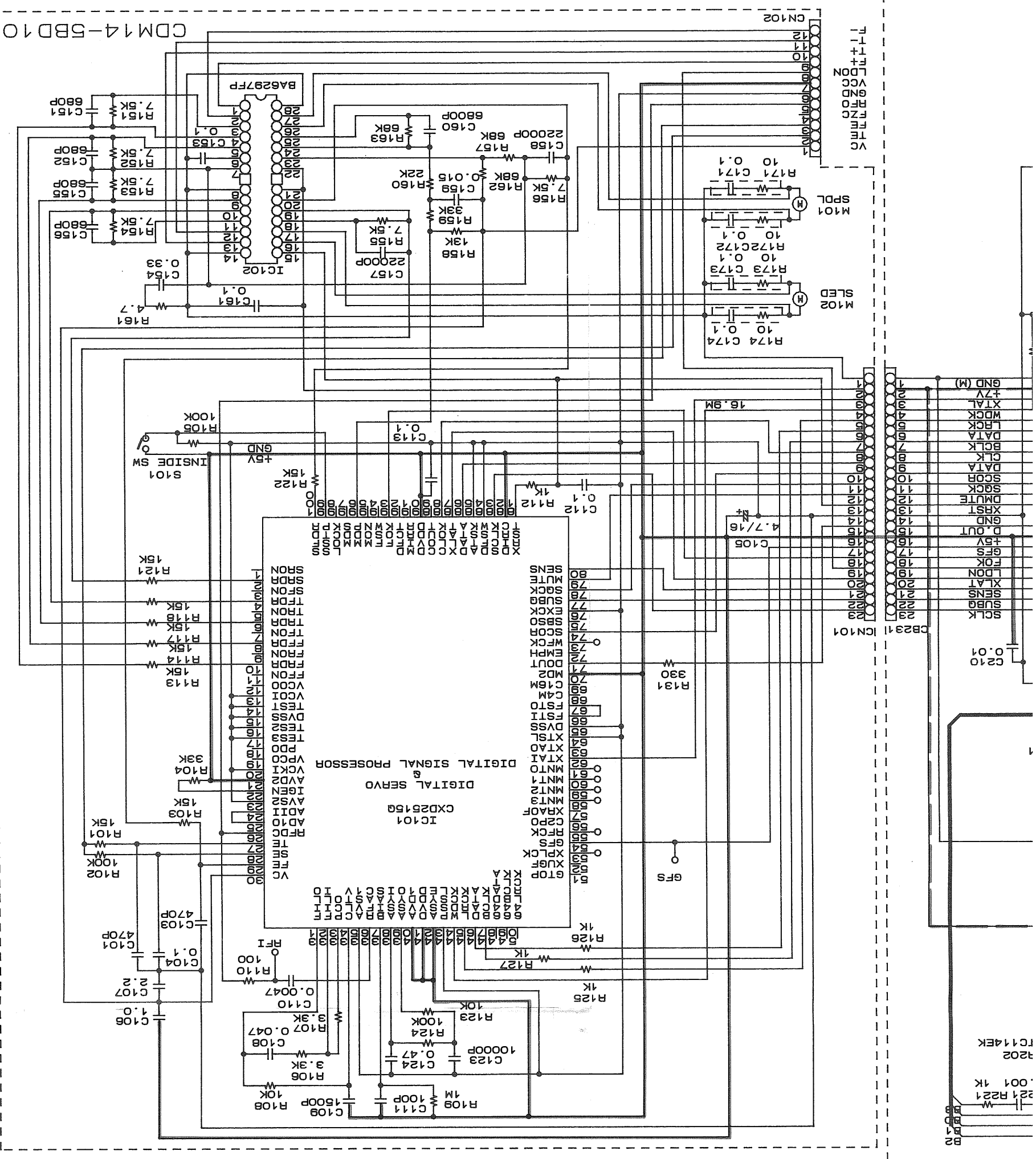
CAUTION:
Before returning the unit to the customer, make sure you make either (1) a leakage current check or (2) a line to chassis resistance check. If the leakage current exceeds 0.5 milliamps, or if the resistance from chassis to either side of the power cord is less than 240 kohms, the unit is defective.

WARNING:
DO NOT return the unit to the customer until the problem is located and corrected.

WARNING:
Parts marked with this symbol have a special marking. Use ONLY replacement parts recommended.

+5V LINE
 +7V LINE
 +12V LINE
 -12V LINE

CM1710U
 C201
 233
 0/16
 232
 0.1



CDM14-SBD10

All resistance values in OHM K=1,000 OHM M=1,000,000 OHM
 ALL CAPACITANCE VALUES IN MICRO FARAD P=MICRO-MICRO FARAD
 EACH VOLTAGE AND CURRENT ARE MEASURED AT NO SIGNAL INPUT CONDITION.
 CIRCUIT AND PARTS ARE SUBJECT TO CHANGE WITHOUT PRIOR NOTICE.

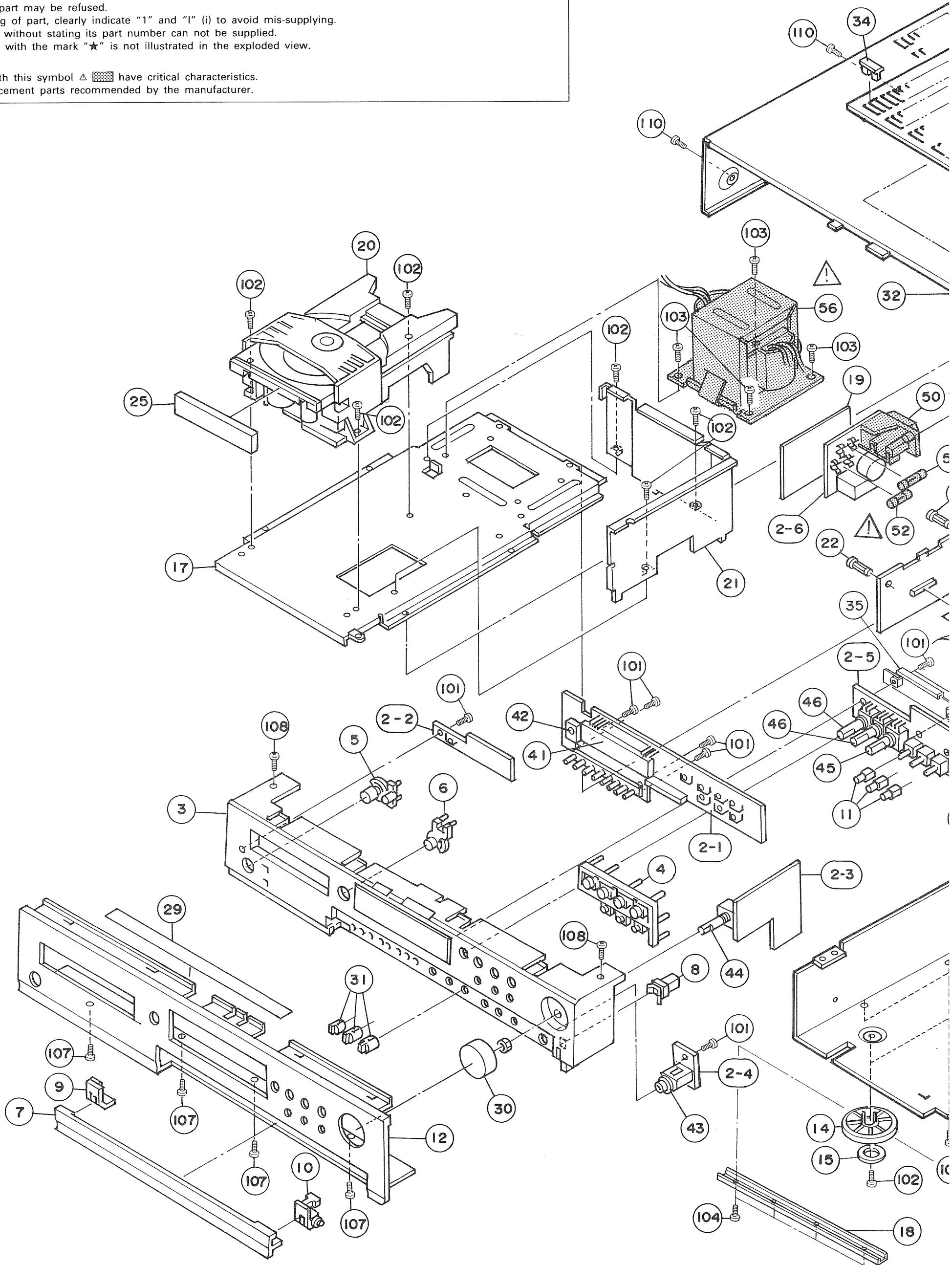
NOTES

NOTE ON PARTS LIST

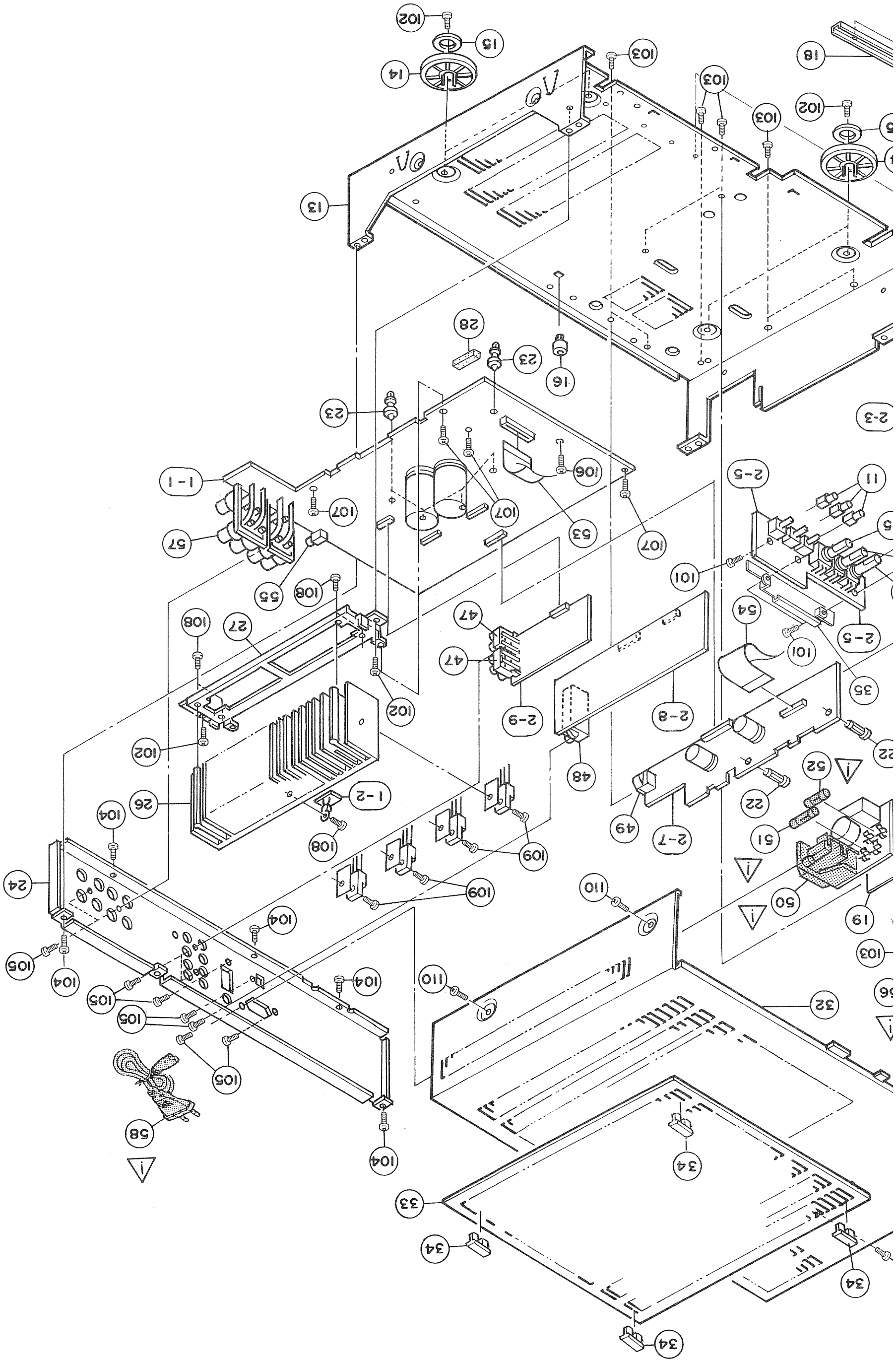
- Part indicated with the mark "⊙" are not always in stock and possibly to take a long period of time for supplying, or in some case supplying of part may be refused.
- When ordering of part, clearly indicate "1" and "1" (i) to avoid mis-supplying.
- Ordering part without stating its part number can not be supplied.
- Part indicated with the mark "★" is not illustrated in the exploded view.

WARNING:

Parts marked with this symbol  have critical characteristics. Use ONLY replacement parts recommended by the manufacturer.



69
H
G
F
E
D
C
B
A



VIEW
6
7
8
9
10
11

PARTS LIST EXPLODED VIEW

Ref. No.	Part No.	Part Name	Remarks	Qty	Ref. No.	Part No.	Part Name	Remarks	Qty
1	KU- 9359	Amp unit ass'y		1	33	414 0789 122	Sefty cover	Gold model	1
1-1	KU- 9359 -1	Amp unit				414 0789 119	Sefty cover	Black model	1
1-2	KU- 9359 -2	Posistor unit			34	449 0139 008	Cover holder		4
2	KU- 9360	TU-CD unit ass'y		1	35	414 9204 006	Shield cover (tone)		1
2-1	KU- 9360 -1	Display unit			41	393 9561 002	VFD (11-BT-150GK)	FL301	1
2-2	KU- 9360 -8	Power sw. unit			42	499 0150 008	SBX1610-52	RM301	1
2-3	KU- 9360 -5	Volume unit			43	204 8364 007	H/P jack	HP701	1
2-4	KU- 9360 -6	H/P unit			44	211 9137 008	V1620V20FB104T	VR604	1
2-5	KU- 9360 -4	Tone unit			45	211 9136 009	V11P25FW503-	VR603	1
2-6	KU- 9360 -9	AC In/Out unit			46	211 9135 000	V1420P25FB503K	VR601,602	2
2-7	KU- 9360 -3	CD & Regulator unit			47	204 8519 001	4P pin jack	JK501,502	2
2-8	KU- 9360 -2	Tuner unit			48	205 0847 004	3P ant.term (PAL/F)	JK101	1
2-9	KU- 9360 -7	Input & Buffer unit			49	269 0170 005	TOTX178	IC207	1
3	146 9366 300	Inner panel ass'y	Gold model	1	△ 50	203 3961 004	1P AC outlet (E2)	AC001	1
	146 9366 313	Inner panel ass'y	Black model	1	△ 51	206 1075 014	Fuse (1.25A)	F001	1
4	113 9345 208	7G button	Gold model	1	△ 52	206 1075 043	Fuse (2.5A)	F002	1
	113 9345 211	7G button	Black model	1	53	009 0109 018	29P FFC cable		1
5	113 9348 001	Power knob ass'y	Gold model	1	54	009 9058 021	23P FFC cable		1
	113 1654 117	Power knob ass'y	Black model	1	55	204 8421 005	Mini jack	JK801	1
6	113 9346 100	Open/close button	Gold model	1	△ 56	233 9686 009	Power trans (E2)		1
	113 9346 016	Open/close button	Black model	1	57	205 0484 001	8P sp terminal (E2)	JK701	1
7	144 9255 101	Trap door	Gold model	1	△ 58	206 2108 003	:AC cord with plug		1
	144 9255 114	Trap door	Black model	1					
8	435 0113 009	Latch (Y3Y18)		1	SCREWS				
9	401 0175 112	Door hinge (L)		1	101	473 7505 007	Tapping screw 2.6×8 (P)		7
10	401 0176 111	Door hinge (R)		1	102	473 7002 005	Tapping screw 3×6 (S)		12
11	113 9323 026	Push knob (SP)		3	103	473 7004 016	Tapping screw 4×6 (S)		8
12	144 9254 209	Front panel	Gold model	1	104	473 7002 034	Tapping screw 3×6 (S)	Black	10
	144 9254 212	Front panel	Black model	1	105	477 0064 107	Fixing screw 3×10	Black	11
13	411 9146 301	Chassis		1	106	473 7508 046	Tapping screw 3×16 (P)	Black	2
14	104 0273 210	Foot		4	107	473 7015 018	Tapping screw 3×8 (S)	Black	6
15	461 0655 003	Rubber pad		4	108	473 7500 015	Tapping screw 3×8 (P)		6
16	443 9015 002	P.W.B spacer		3	109	473 8007 038	Cup screw 3×14		4
17	411 9147 300	Sub chassis		1	110	473 4801 005	Tapping screw 4×8	Gold model	4
18	412 9525 103	Stay		1		473 7007 013	Tapping screw 4×10 (S)	Black model	4
19	415 9106 000	Insulator		1	PACKING & ACCESSORIES				
20	337 0040 001	CDM14-5BD10		1		505 0283 018	:Poly cover		1
21	414 9199 302	Shield bracket		1		511 9466 006	Operating instructions		1
22	412 1979 029	P.C.B holder		2		399 9054 009	Remoto control unit	RC-814	1
23	412 2814 002	Card spacer (L=8)		4		395 0023 008	:FM antenna ass'y		1
24	105 9276 305	Back panel	Europe model	1		231 1914 003	Loop antenna		1
	105 9276 318	Back panel	U.K. model	1	△	206 2108 003	:AC connector with plug	Europe model	1
25	146 9363 002	Loader panel	Gold model	1	△	206 2113 001	:AC cord with connector	U.K. model	1
	146 9363 015	Loader panel	Black model	1		503 9308 105	Cushion ass'y		1
26	417 9097 209	Radiator		1		505 0131 050	Cabinet cover		1
27	441 9053 301	Radiator bracket		1		501 9297 003	Carton case		1
28	461 9085 001	Spacer		1		513 9111 001	Color label(gold)	Europe model	1
29	122 0187 100	Top cover spacer		1					
30	112 0691 149	Volume knob ass'y	Gold model	1					
	112 0691 136	Volume knob ass'y	Black model	1					
31	112 0645 195	H/P knob		3					
32	102 9053 105	Top cover	Gold model	1					
	102 9053 118	Top cover	Black model	1					

MD UNIT

A

B

C

D

OPTICAL PICK-

E

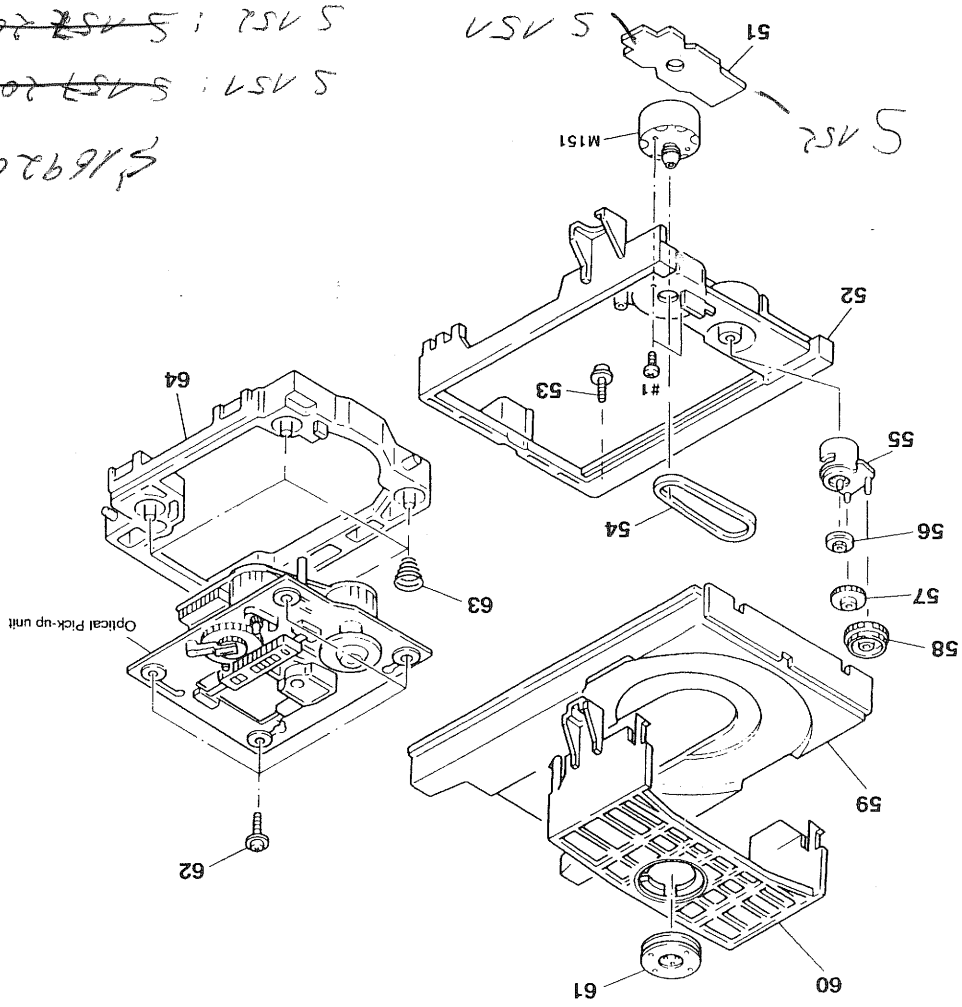
F

G

H

PARTS LIST OF CD MECHANISM UNIT

6

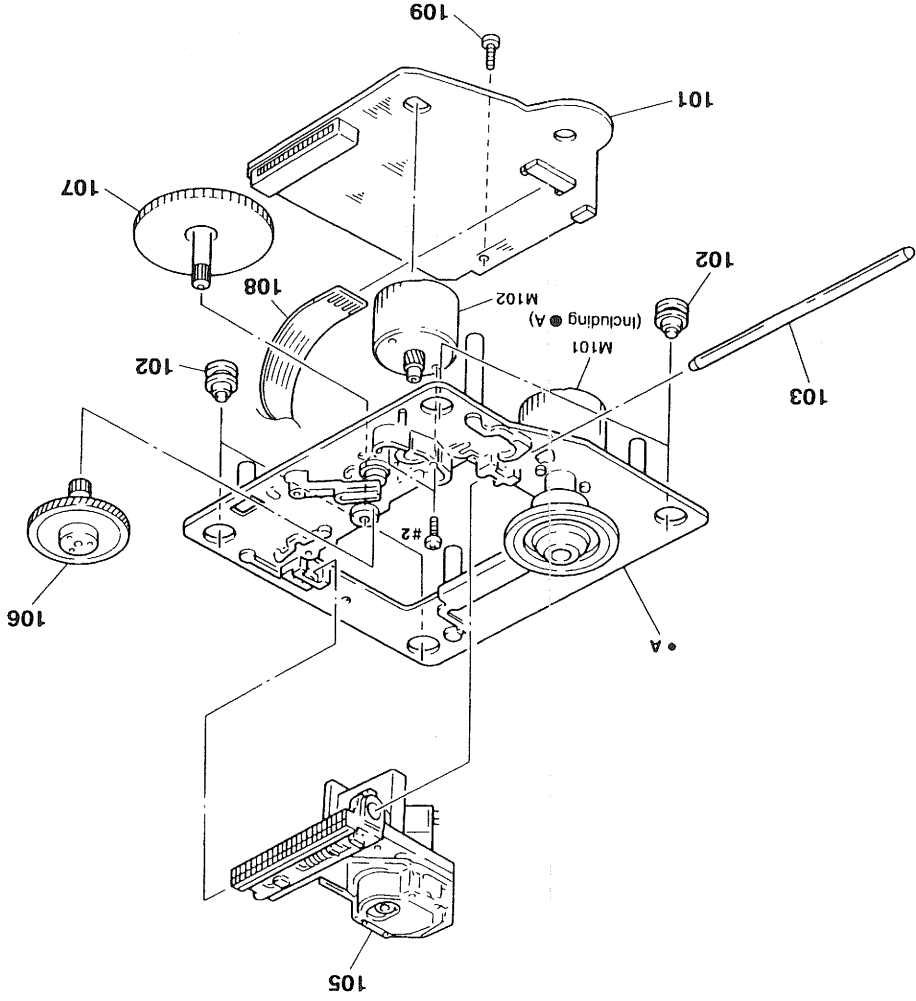


51692667A
 5 NS1: 5 NS7 208 SM
 5 NS2: 5 NS7 208 SM

PARTS LIST OF CD MECHANISM UNIT

Ref No.	Part No.	Part Name	Remarks
51	S16 4572 111	Loading P.W.B. Unit Assy	See page 28, 29
52	S49 3311 101	Chassis(MD)	
53	S49 1758 321	Yoke Bracket	
54	S49 2764 901	Belt	
55	S49 3310 901	Cam	
56	S49 2765 101	Pulley(S)	
57	S49 2762 801	Gear(C)	
58	S49 3310 701	Gear(FL)	
Ref No.	Part No.	Part Name	Remarks
59	S49 3311 201	Disk Table	
60	S49 3311 001	Holder(MG)	
61	S14 5253 811	Magnet	
62	S49 3313 401	Screw	
63	S49 4850 301	Spng(BU)	
64	S49 3312 901	Holder(BU)	
M151	S44 6043 63A	Motor(L)Assy	
#1	471 3201 024	2.6x4 CBS	

PTICAL PICK-UP UNIT



PARTS LIST OF OPTICAL PICK-UP UNIT

Ref No.	Part No.	Part Name	Remarks
101	S44 6494 32A	CD Mechanism P.W.B. Unit Assy	See page 28, 29
102	S49 3312 601	Insulator Rubber	
103	S49 1756 501	Sled Shaft	
105	499 0191 009	Optical PU KSS240A	
106	S49 1756 701	Gear(M)	
107	S49 1756 401	Gear(P)	
Ref No.	Part No.	Part Name	Remarks
108	S15 7500 111	Flat Cable	
M101	SX4 9175 233	Motor(Spindle)Assy	
M102	SX4 9175 041	Motor(Sled)Assy	
109	S49 5162 001	Screw	
#2	471 1810 019	2x3 CPS	