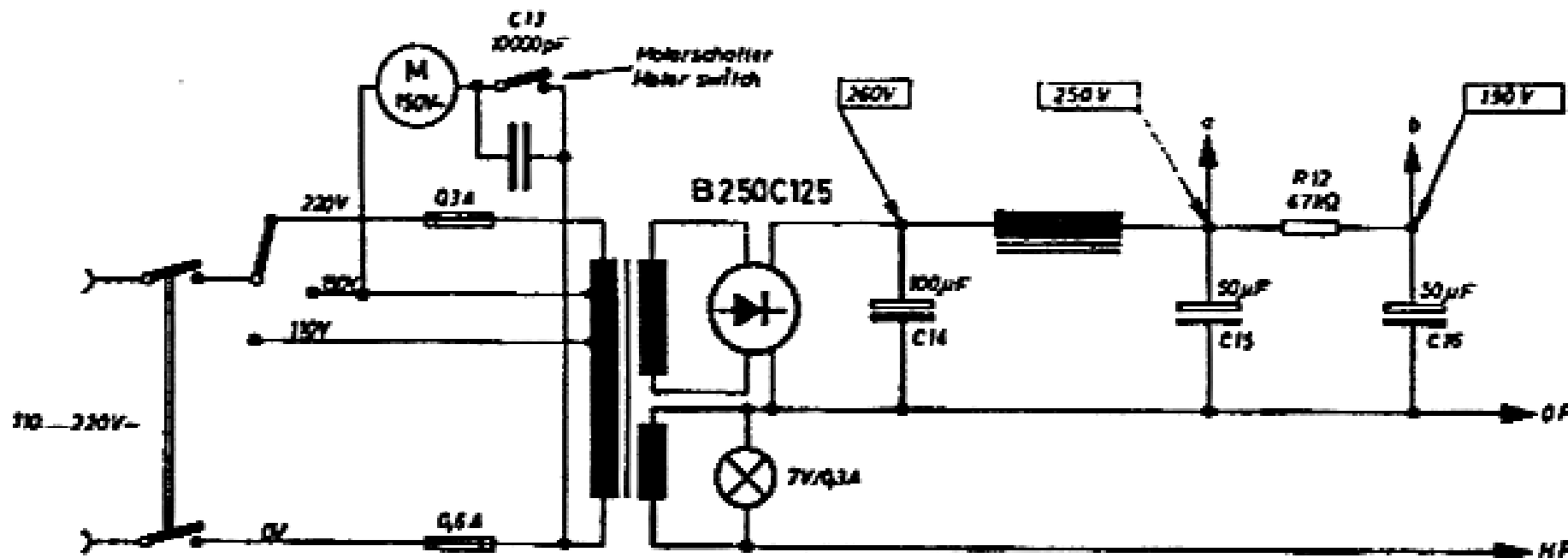
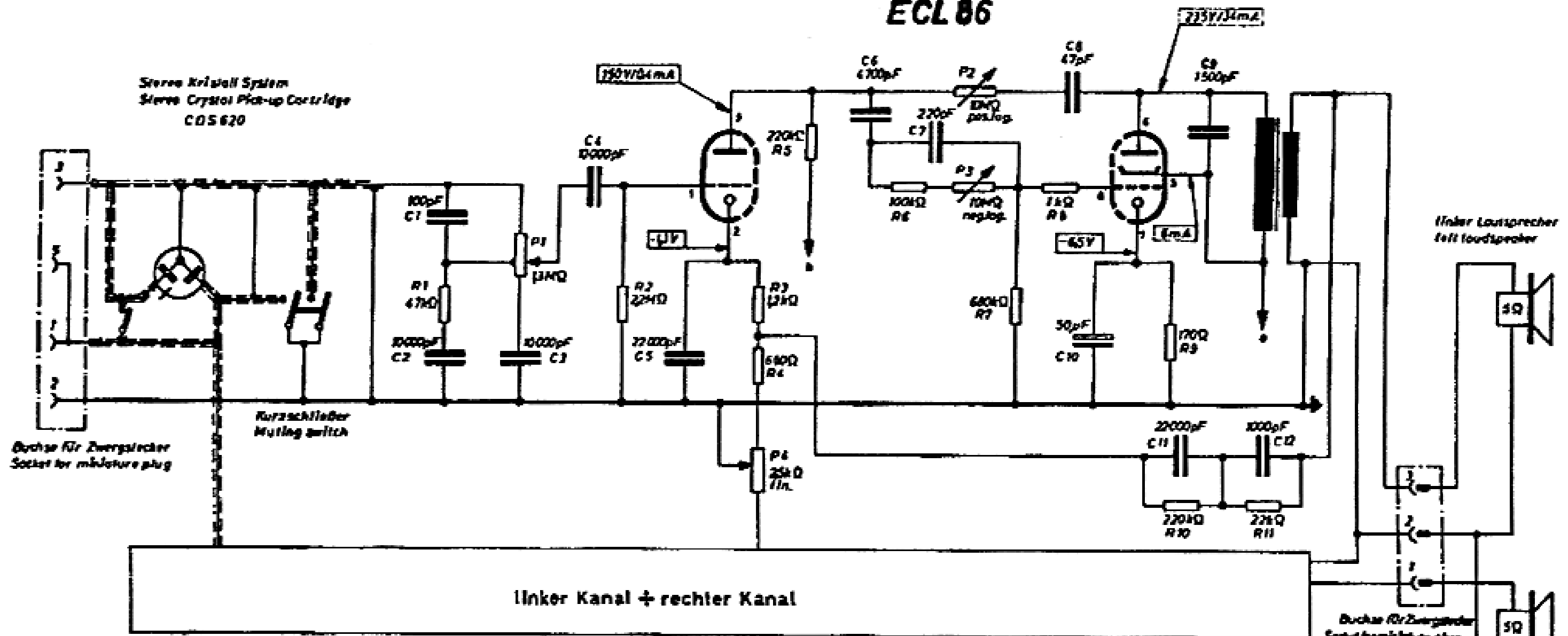


ECL 86



Spannungen gemessen mit ABren voltmeter (R1 & SHQ)
 Voltages measured with valve voltmeter (R1 & SHQ)

Ströme " " Multev II (133Ω/V)
 Currents " " Multev II (133Ω/V)