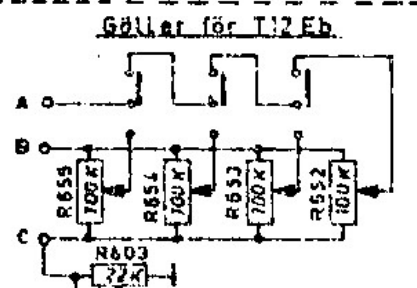
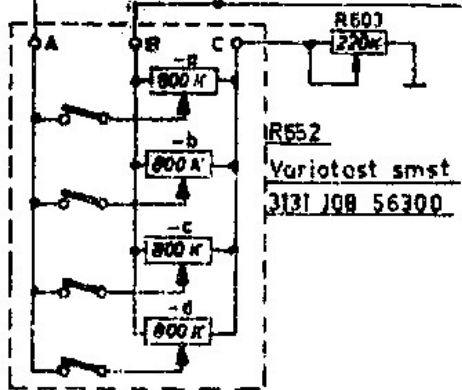
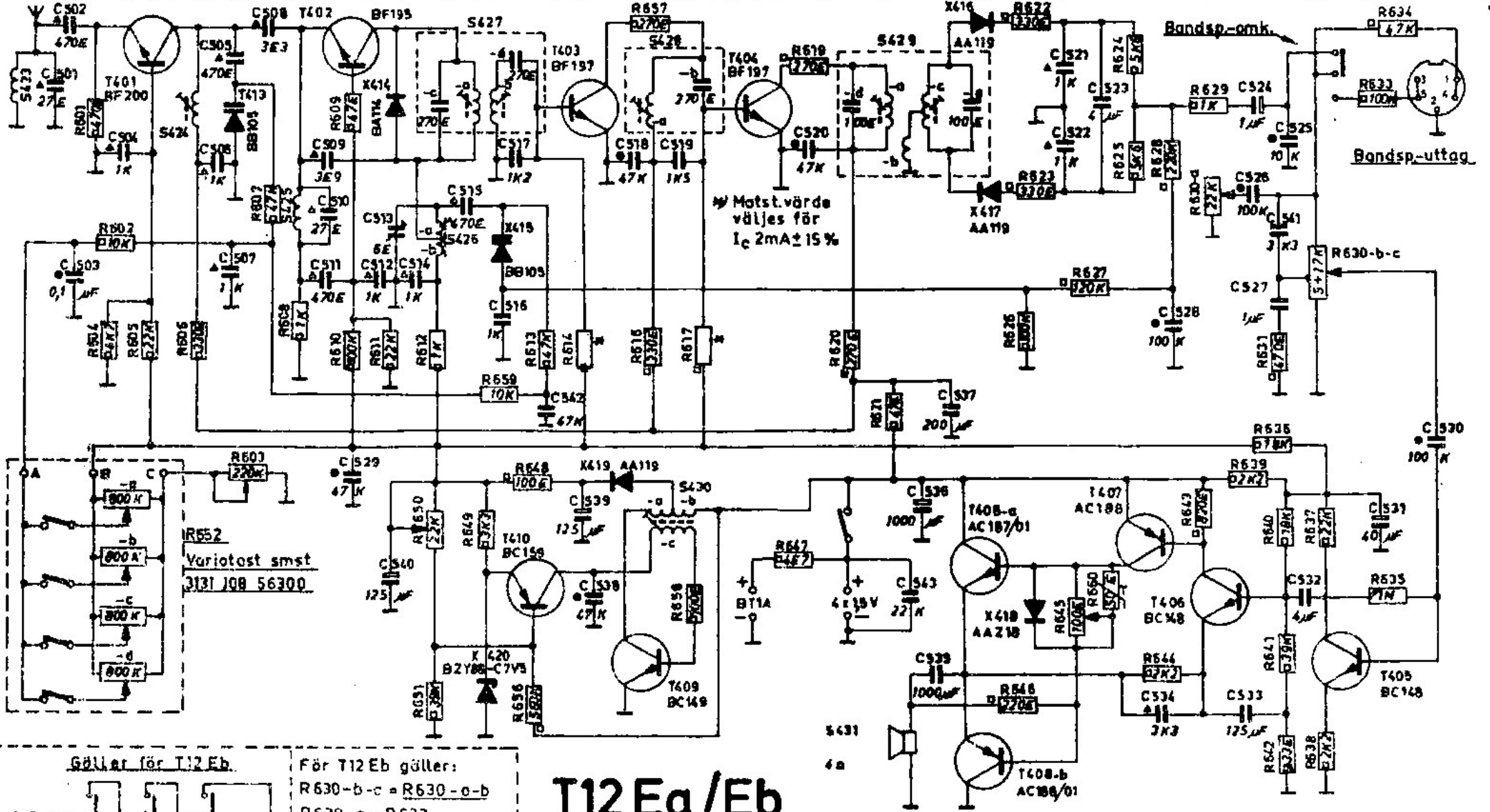


S	423.	424.	425.	426.	427.	428.	430.	431.	429.	S
C	501, 502, 504.	505, 508, 509, 512, 514, 515, 517, 542	518, 519.	520.	536, 537.	521, 523, 528, 524, 526, 525, 532, 530.	C			
C	503.	505, 507, 510, 511, 513, 529, 540, 516.	539, 538.	535, 543	522, 534.	533, 527, 541, 531.	C			
R	601, 602, 605, 606, 607, 608, 609, 611, 612, 650, 649, 613, 656, 614, 657, 617, 658, 647, 619, 621, 626, 622, 645, 624, 628, 643, 630-a-b-c, 640, 642, 638, 634.	R								
R	604, 652, 603, 610, 651, 659, 648, 616, 620, 646, 660, 623, 627, 625, 644, 629, 639, 636, 631, 641, 637, 633, 635.	R								



För T12 Eb gäller:
 R630-b-c = R630-a-b
 R630-a = R632

T12 Ea/Eb

3131 136 0186 1

DUX