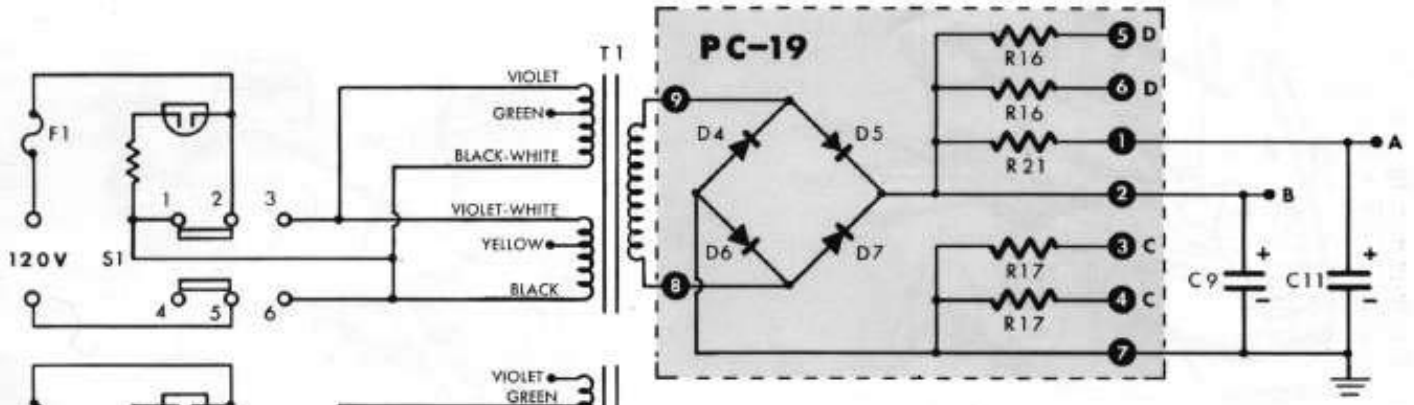
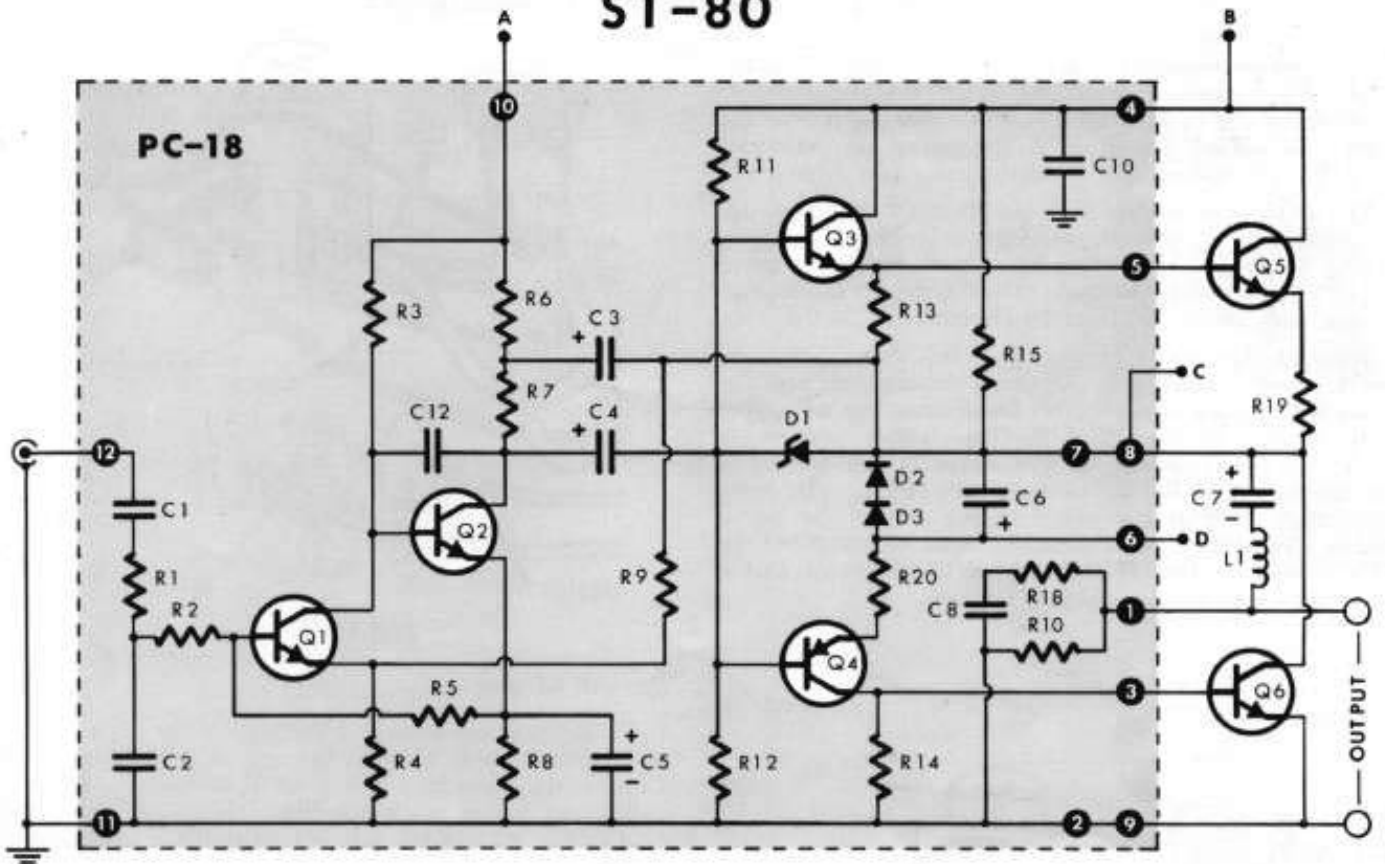


# ST-80



SCHMATIC DIAGRAM

