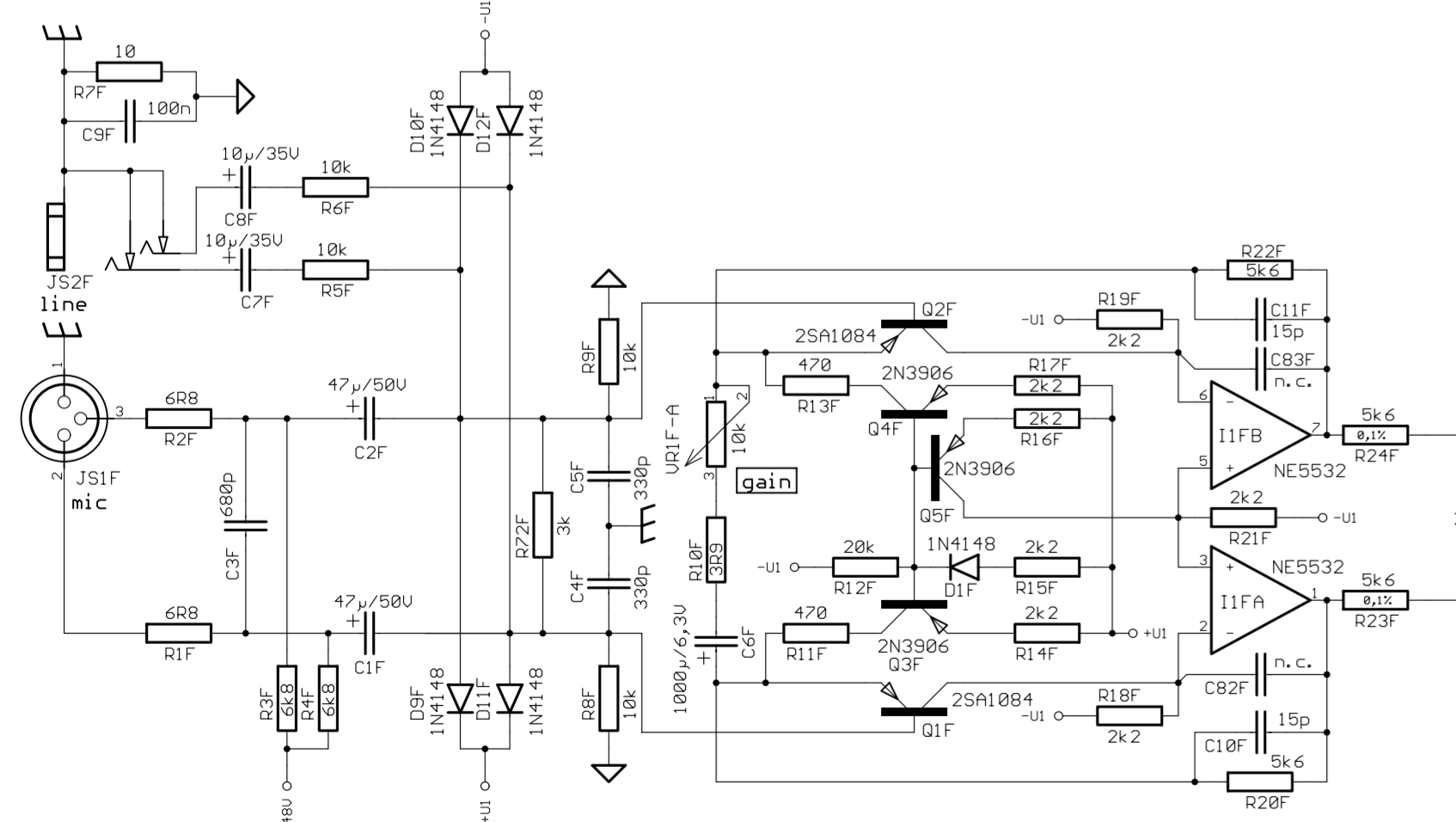
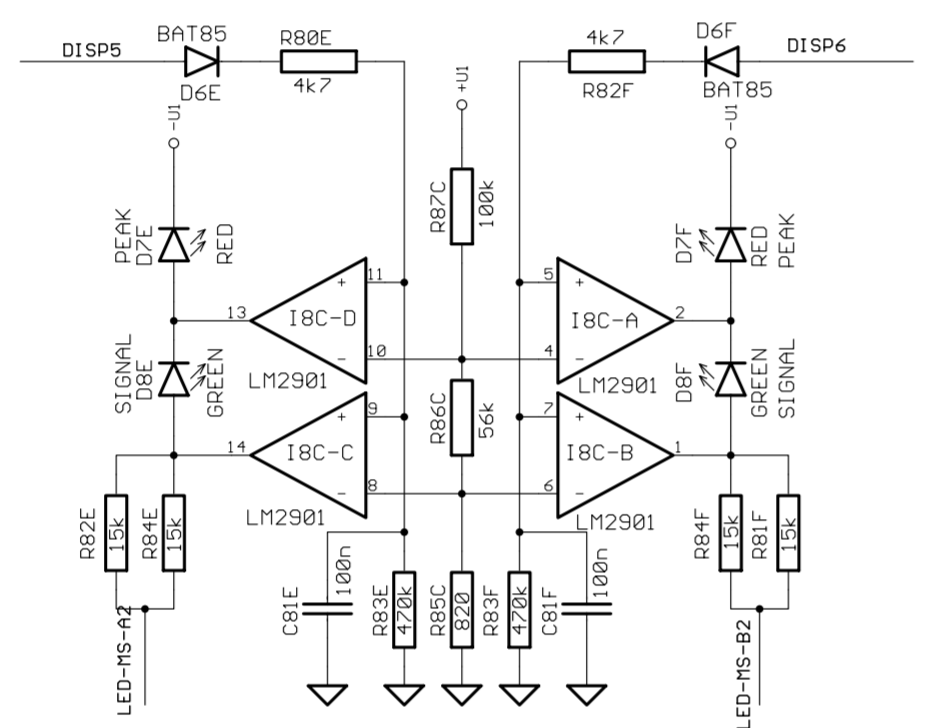
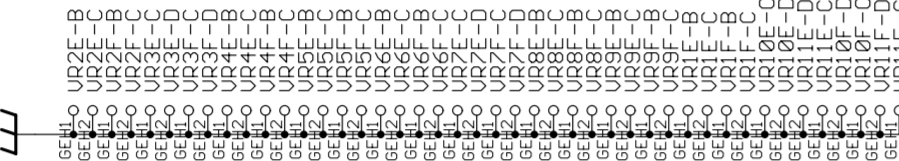
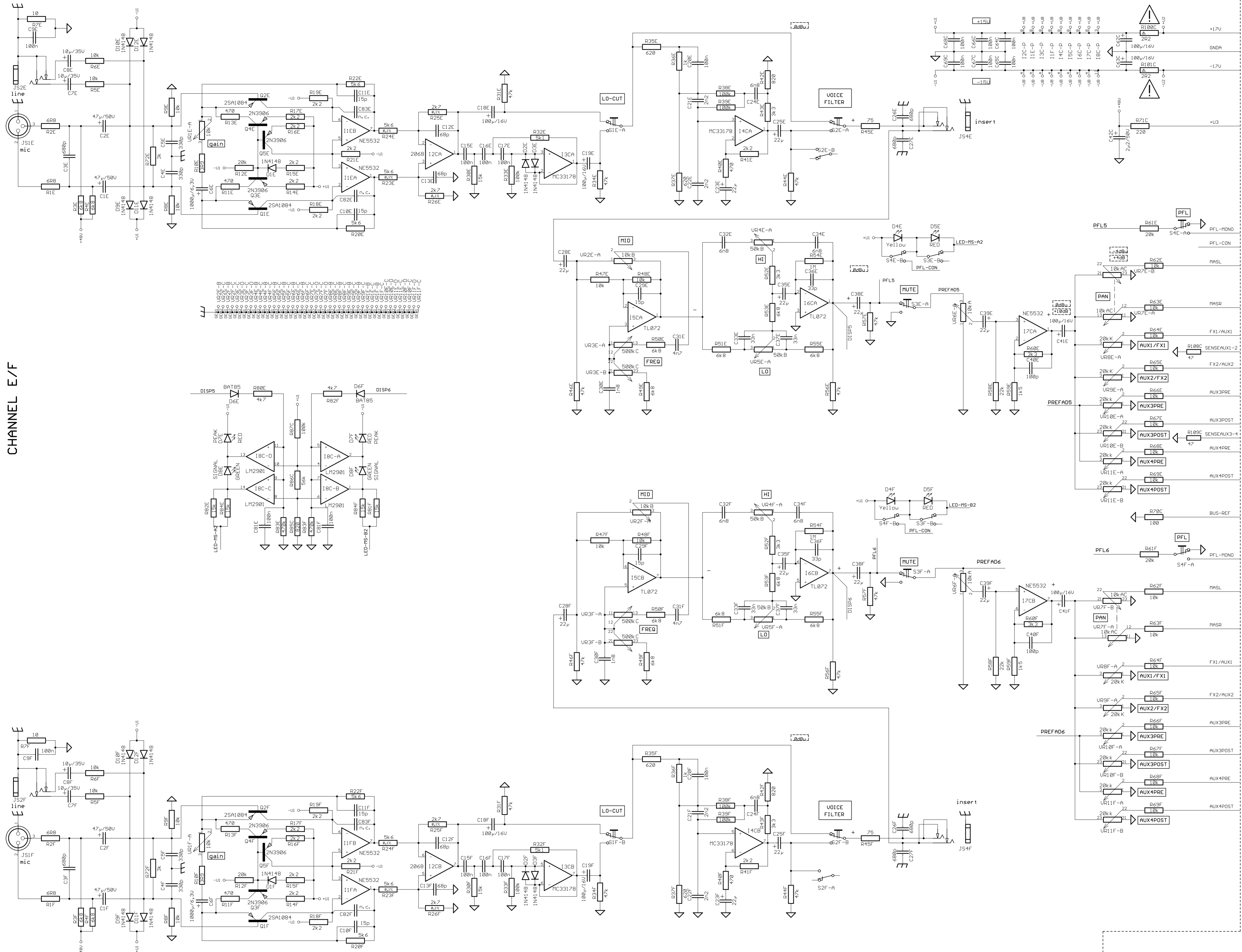


NOTES:
 *1: PART CAN BE REPLACED WITH 25A1084 E
 [Dashed box symbol] AC VOLTAGE 1000 HZ, MEASURED WITH UTUM
 [Solid box symbol] DC VOLTAGE MEASURED WITH VOLTMETER 100kOHM/V
 [Dashed box with 'F' symbol] FADER IN RATED POSITION (0dB)
 [Dashed box with 'G' symbol] ADDITIONAL GAIN WITH FADER IN MAX. POSITION
 [Warning triangle symbol] SAFETY COMPONENT (MUST BE REPLACED BY ORIGINAL PART)
RATED CONDITIONS:
 GAIN POTS MIN. OR MAX.
 ALL POTS IN CENTER-POSITION
 ALL FADERS AT 0dB
 MASTER-FADER -L/R AT +6dB

- CN3-3
- CN3-4
- CN3-4
- CN3-5
- CN3-6
- CN3-7
- CN3-1
- CN3-2
- CN3-13
- CN3-14
- CN3-1
- CN3-2
- CN3-8
- CN3-9
- CN3-12
- CN3-11
- CN3-10
- CN3-9
- CN3-8
- CN3-7
- CN3-6
- CN3-5
- CN3-10
- MASL
- MASR
- FX1/AUX1
- AUX1/FX1
- FX2/AUX2
- AUX2/FX2
- AUX3PRE
- AUX3POST
- AUX3PRE
- AUX3POST
- AUX4PRE
- AUX4POST
- AUX4PRE
- AUX4POST
- AUX4POST
- AUX4POST
- BUS-REF
- MASL
- MASR
- FX1/AUX1
- FX2/AUX2
- AUX3PRE
- AUX3POST
- AUX4PRE
- AUX4POST
- AUX4POST

ALTERATIONS RESERVED!				Issue No:	81357C	
Issue No:	Revision:	Date:	Name:	Last modified:	07.04.2004 13:08:24	
Issue No:	Revision:	Date:	Name:	Last plotted:	08.04.2004 14:02:20	
Issue No:	Revision:	Date:	Name:	DSG'D:	10.2003 Lang F.	
Issue No:	Revision:	Date:	Name:	CHK'D:		
Issue No:	Revision:	Date:	Name:	APP'D:		
EUI AUDIO				CIRCUIT DIAGRAM	1/3	
				362 338		2-
				PM1000/PM1600 -2		

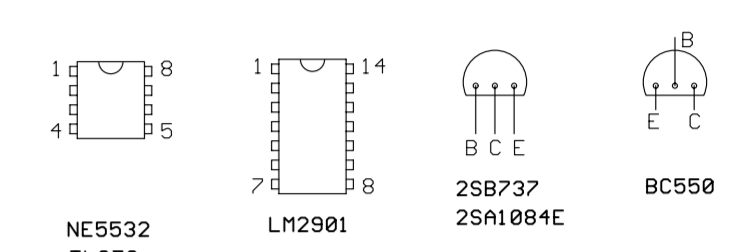


NOTES:

- *1 : PART CAN BE REPLACED WITH 25A1084 E
- AC VOLTAGE 1000 HZ, MEASURED WITH UTUM
- DC VOLTAGE MEASURED WITH VOLTMETER 100kOHM/V
- FADER IN RATED POSITION (0dB)
- ADDITIONAL GAIN WITH FADER IN MAX. POSITION
- SAFETY COMPONENT (MUST BE REPLACED BY ORIGINAL PART)

RATED CONDITIONS:

- GAIN POTS MIN. OR MAX.
- ALL POTS IN CENTER-POSITION
- ALL FADERS AT 0dB
- MASTER-FADER-L/R AT +6dB

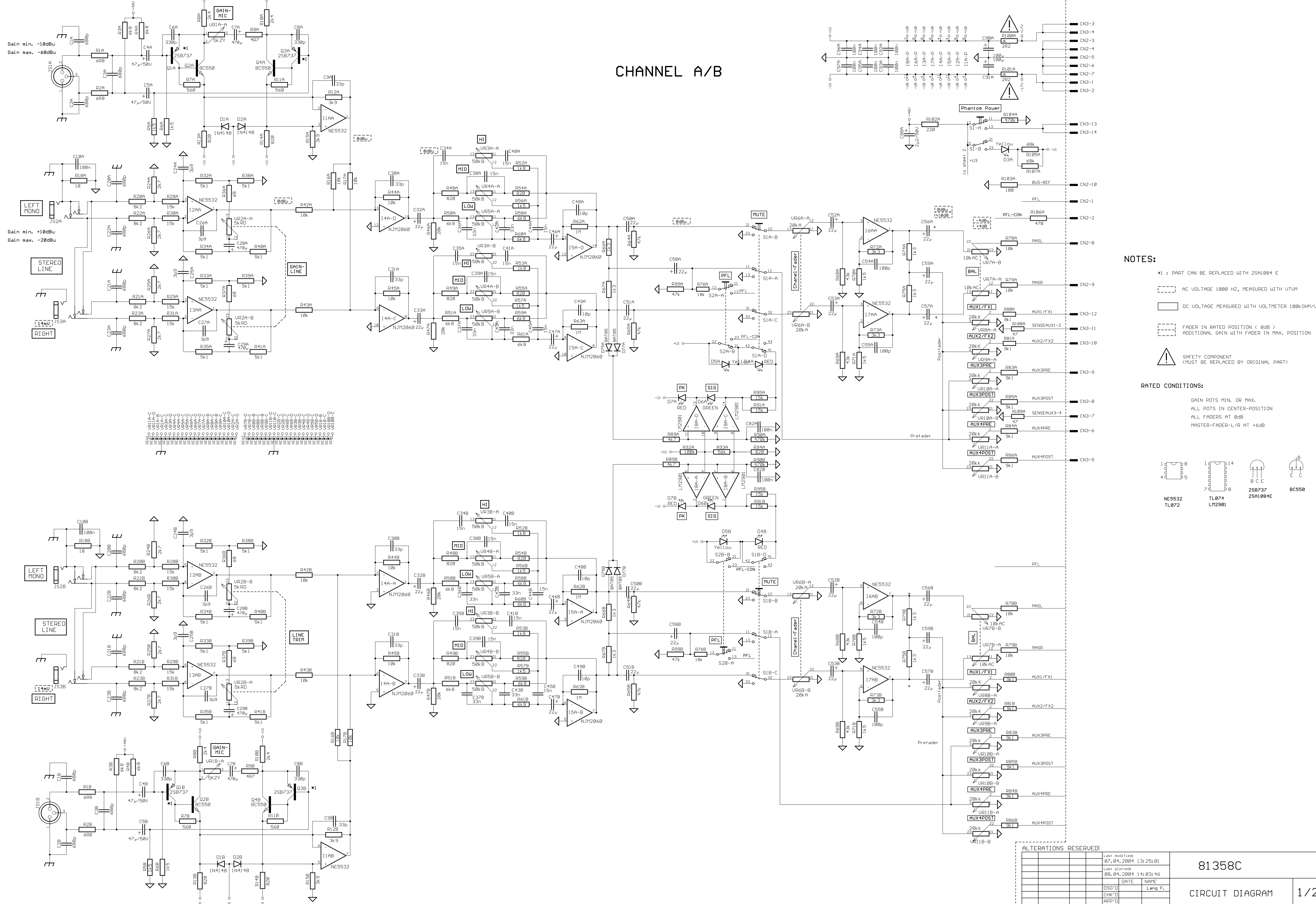


ALTERATIONS RESERVED!

Last modified:		07.04.2004 13:08:24	
Last plotted:		08.04.2004 14:02:39	
DATE	NAME		
DWG'D	CHK'D	Lang F.	
APP'D			
EUI AUDIO			
ISSUE	REVISION	DATE	NAME

81357C	81357
CIRCUIT DIAGRAM	3/3
362 338	2-
PM1000/PM1600 -2	

CHANNEL A/B

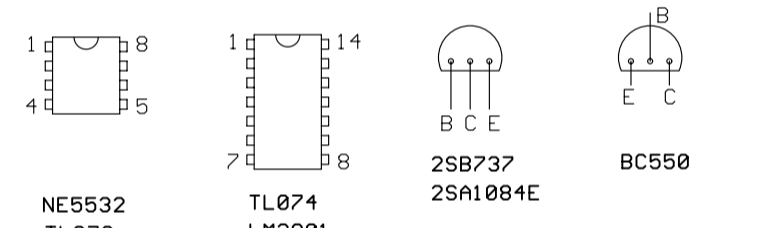


NOTES:

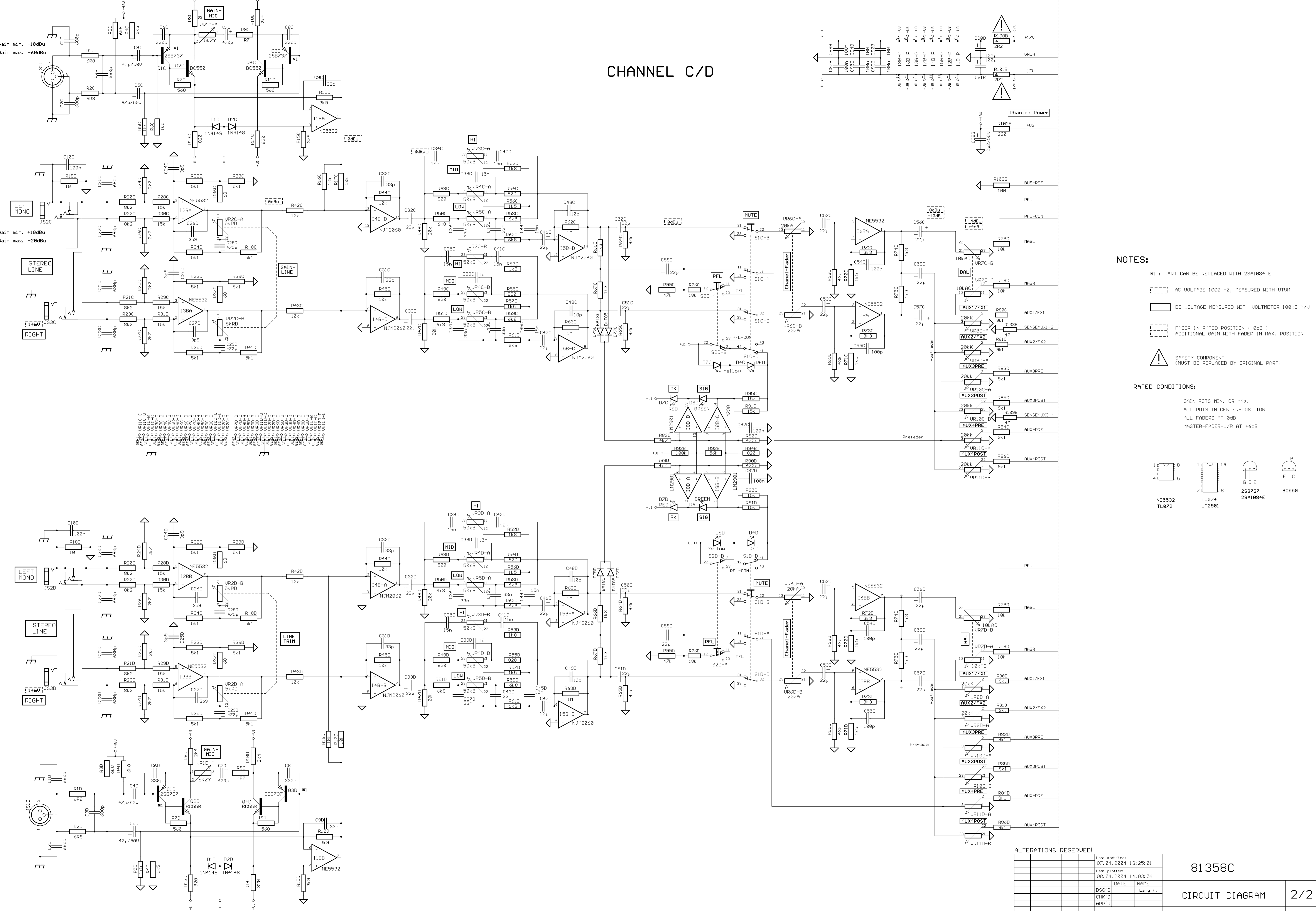
- *1 : PART CAN BE REPLACED WITH 25A104 E
- AC VOLTAGE 1000 HZ, MEASURED WITH UTM
- DC VOLTAGE MEASURED WITH VOLTMETER 100kOHM/V
- FADER IN RATED POSITION (0dB)
ADDITIONAL GAIN WITH FADER IN MAX. POSITION
- SAFETY COMPONENT
(MUST BE REPLACED BY ORIGINAL PART)

RATED CONDITIONS:

GAIN POTS MIN. OR MAX.
ALL POTS IN CENTER-POSITION
ALL FADERS AT 0dB
MASTER-FADER-L/R AT +6dB



ALTERATIONS RESERVED!		Last modified: 07.04.2004 13:25:01		81358C	
		Last plotted: 08.04.2004 14:03:46			
		DATE	NAME	CIRCUIT DIAGRAM	
		DISG'D	Lang F.	362 339	
		CHK'D		PM1000/PM1600 -2	
		APP'D		2-	
ISSUE	REVISION	DATE	NAME	EVI AUDIO	



CHANNEL C/D

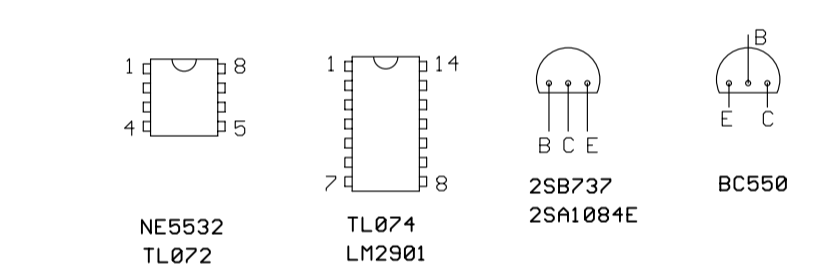
Gain min. -10dBu
Gain max. -60dBu

Gain min. +10dBu
Gain max. -20dBu

*1 : PART CAN BE REPLACED WITH 25A1004 E
 --- AC VOLTAGE 1000 HZ, MEASURED WITH UTUM
 --- DC VOLTAGE MEASURED WITH VOLTMETER 100kOHM/V
 --- FADER IN RATED POSITION (0dB)
 --- ADDITIONAL GAIN WITH FADER IN MAX. POSITION
 --- SAFETY COMPONENT (MUST BE REPLACED BY ORIGINAL PART)

NOTES:
 *1 : PART CAN BE REPLACED WITH 25A1004 E
 --- AC VOLTAGE 1000 HZ, MEASURED WITH UTUM
 --- DC VOLTAGE MEASURED WITH VOLTMETER 100kOHM/V
 --- FADER IN RATED POSITION (0dB)
 --- ADDITIONAL GAIN WITH FADER IN MAX. POSITION
 --- SAFETY COMPONENT (MUST BE REPLACED BY ORIGINAL PART)

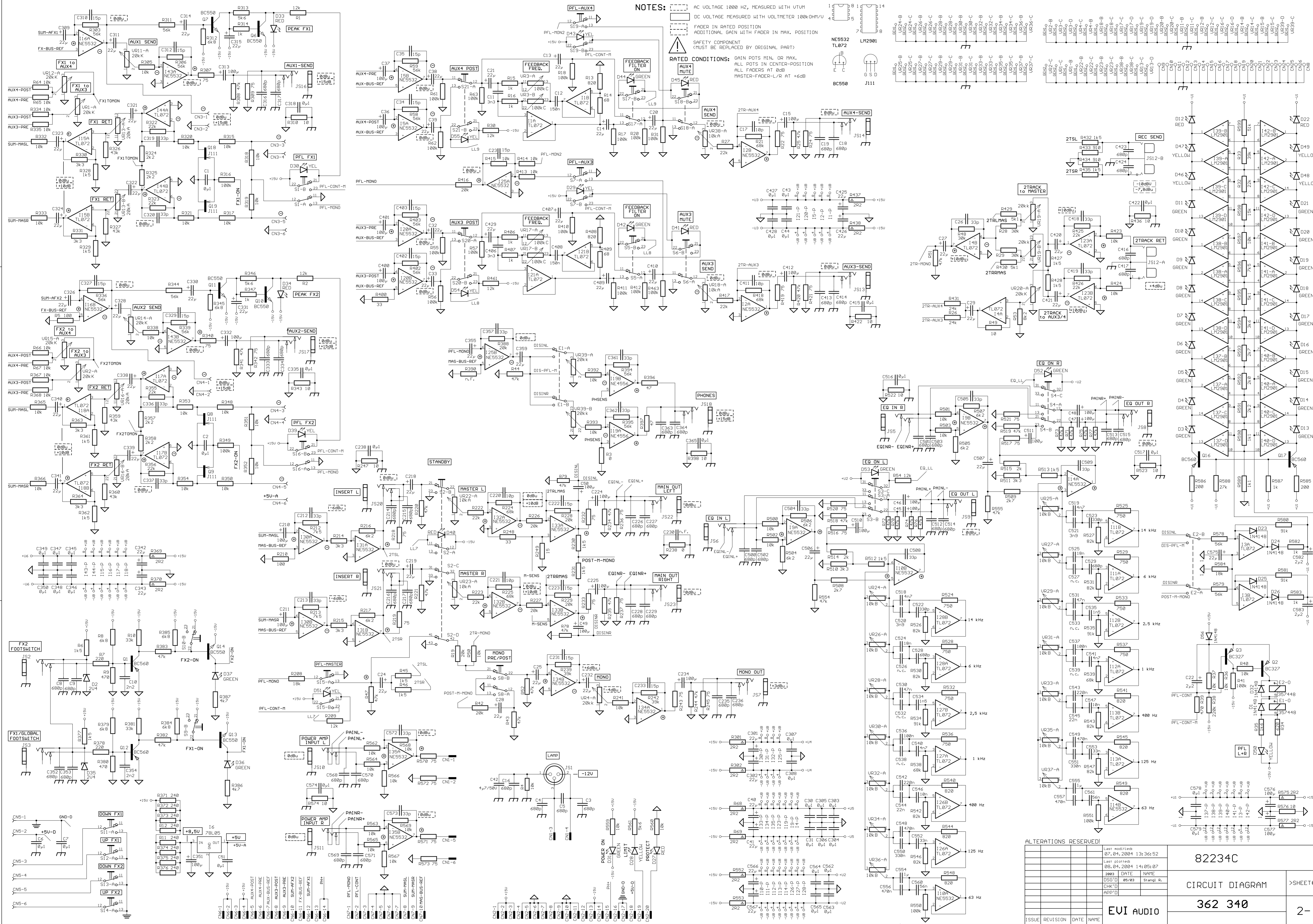
RATED CONDITIONS:
 GAIN POTS MIN. OR MAX.
 ALL POTS IN CENTER-POSITION
 ALL FADERS AT 0dB
 MASTER-FADER-L/R AT +6dB



ALTERATIONS RESERVED!

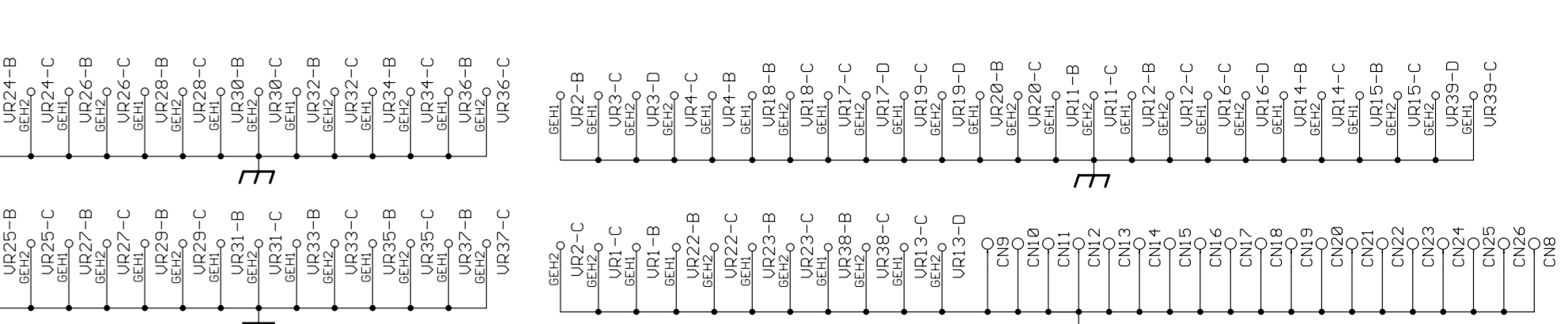
ISSUE	REVISION	DATE	NAME	Last modified: 07.04.2004 13:25:01 Last plotted: 08.04.2004 14:03:54 DATE NAME Lang F. APP'D	81358C CIRCUIT DIAGRAM 362 339 PM1000/PM1600 -2	2/2 2-

EVI AUDIO

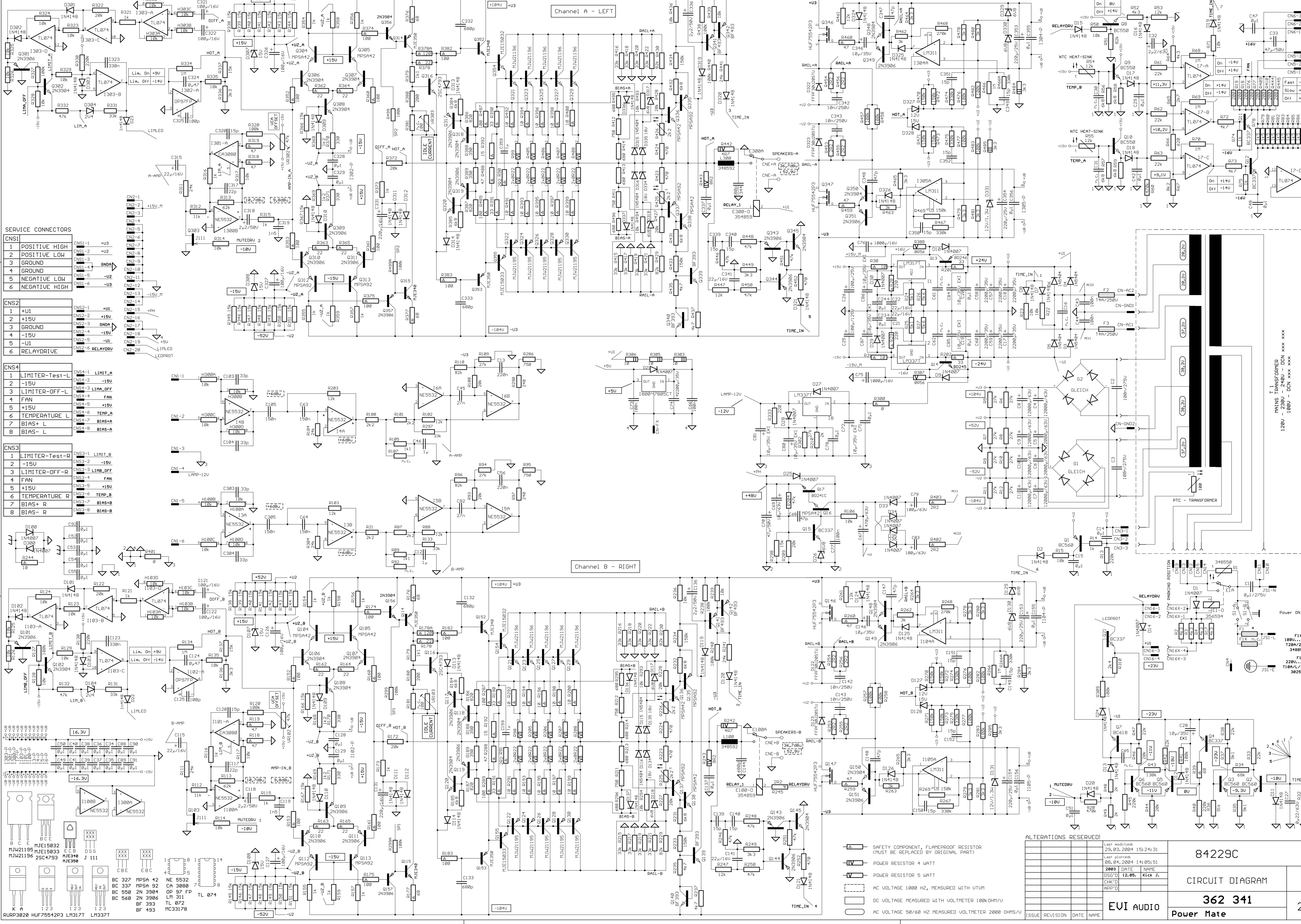


NOTES:

- AC VOLTAGE 1000 HZ, MEASURED WITH UTUM
- DC VOLTAGE MEASURED WITH VOLTMETER 100KOHM/V
- FADER IN RATED POSITION
- ADDITIONAL GAIN WITH FADER IN MAX. POSITION
- SAFETY COMPONENT MUST BE REPLACED BY ORIGINAL PART
- RATED CONDITIONS: GAIN POTS MIN. OR MAX. ALL POTS IN CENTER-POSITION ALL FADERS AT 0dB MASTER-FADER-L/R AT +6dB



ALTERATIONS RESERVED!				Last modified: 07.04.2004 13:36:52	
				Last plotted: 08.04.2004 14:05:07	
				DATE: 2003	
				NAME: strajlar	
				DESIGNER: strajlar	
				APP'D:	
				CHK'D:	
				REVISED:	
ISSUE	REVISION	DATE	NAME		
				EVI AUDIO	
				82234C	
				CIRCUIT DIAGRAM	
				362 340	
				>SHEET#	
				2-	



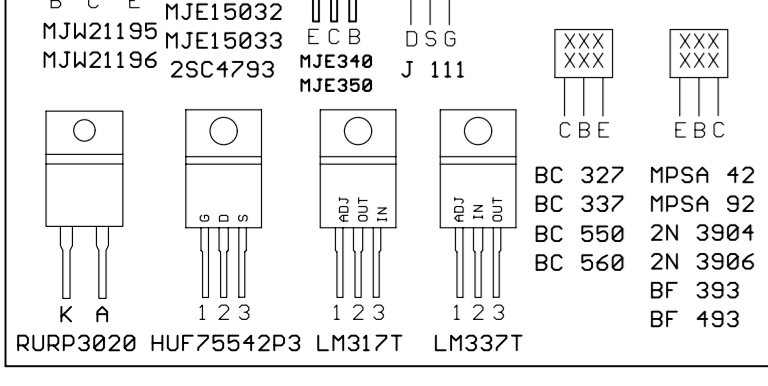
SERVICE CONNECTORS

CNS1	CNS1-1	+U3
1	POSITIVE HIGH	+U3
2	POSITIVE LOW	+U2
3	GROUND	GNDA
4	GROUND	GNDA
5	NEGATIVE LOW	-U2
6	NEGATIVE HIGH	-U3

CNS2	CNS2-1	+U1
1	+U1	+U1
2	+15V	+15V
3	GROUND	GNDA
4	-15V	-15V
5	-U1	-U1
6	RELAYDRIVE	CN2-20

CNS4	CNS4-1	LIMIT_A
1	LIMITER-Test-L	LIMIT_A
2	-15V	-15V
3	LIMITER-OFF-L	LIMB_OFF
4	FAN	FAN
5	+15V	+15V
6	TEMPERATURE L	TEMP_A
7	BIAS+ L	BIAS+A
8	BIAS- L	BIAS-A

CNS3	CNS3-1	LIMIT_B
1	LIMITER-Test-R	LIMIT_B
2	-15V	-15V
3	LIMITER-OFF-R	LIMB_OFF
4	FAN	FAN
5	+15V	+15V
6	TEMPERATURE R	TEMP_B
7	BIAS+ R	BIAS+B
8	BIAS- R	BIAS-B



- SAFETY COMPONENT, FLAMEPROOF RESISTOR (MUST BE REPLACED BY ORIGINAL PART)
- POWER RESISTOR 4 WATT
- POWER RESISTOR 5 WATT
- AC VOLTAGE 1000 HZ, MEASURED WITH UTM
- DC VOLTAGE MEASURED WITH VOLTMETER 100k OHM/V
- AC VOLTAGE 50/60 HZ MEASURED VOLTMETER 2000 OHMS/V

ALTERATIONS RESERVED!

ISSUE	REVISION	DATE	NAME

Last modified: 29.03.2004 15:24:31
 Last plotted: 08.04.2004 14:05:51
2003 DATE NAME
 DSG:K 12.05. Kick J.
 CHK:D
 APP:D

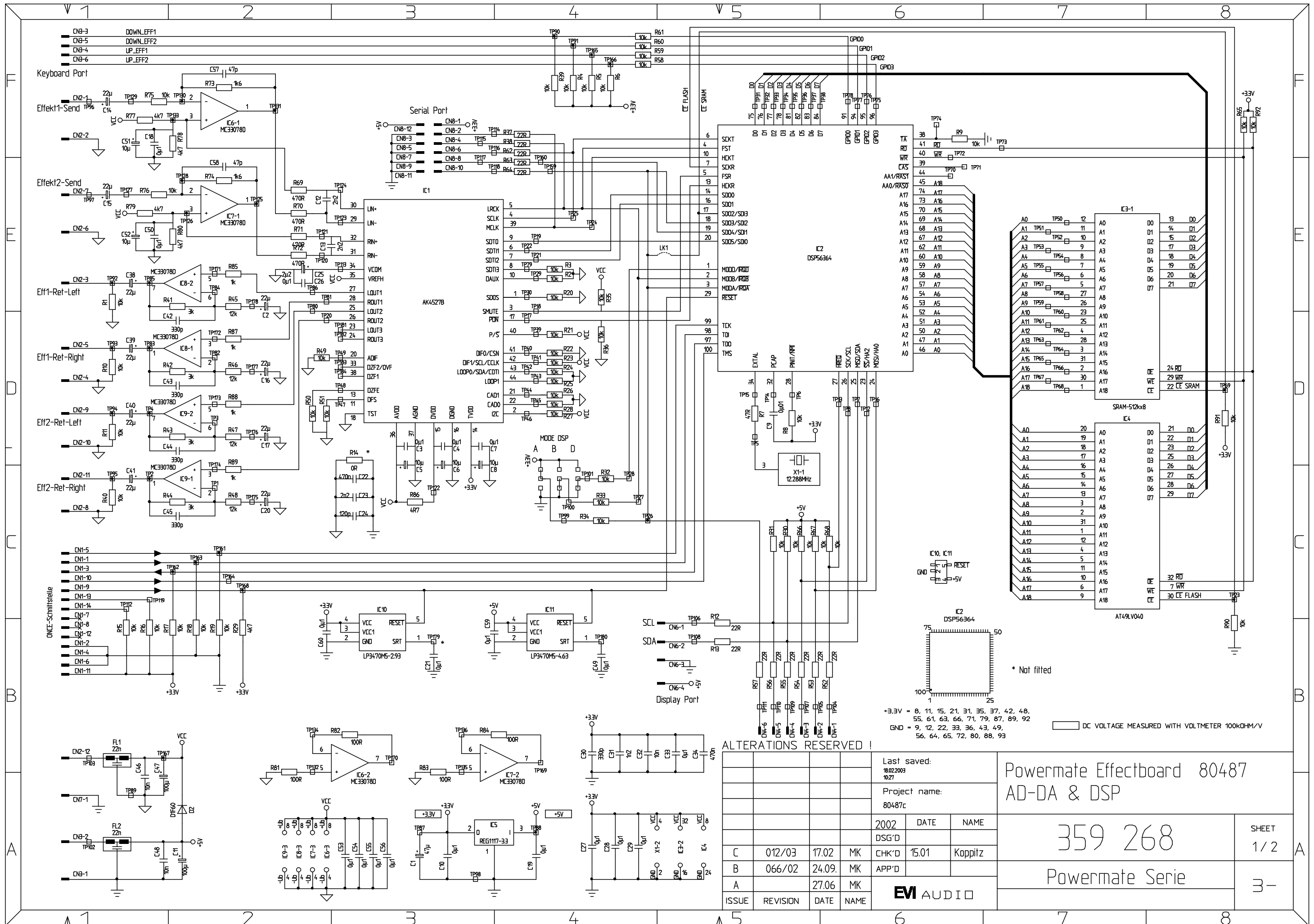
84229C

CIRCUIT DIAGRAM

362 341

Power Mate

2-



+3.3V = 8, 11, 15, 21, 31, 35, 37, 42, 48, 55, 61, 63, 66, 71, 79, 87, 89, 92
 GND = 9, 12, 22, 33, 36, 43, 49, 56, 64, 65, 72, 80, 88, 93

DC VOLTAGE MEASURED WITH VOLTMETER 100KOHM/V

ALTERATIONS RESERVED !

Last saved:				18.02.2003 10:27	
Project name:				80487c	
2002	DATE	NAME			
C	012/03	17.02	MK	CHK'D	15.01
B	066/02	24.09.	MK	APP'D	
A		27.06	MK		
ISSUE	REVISION	DATE	NAME	EVI AUDIO	

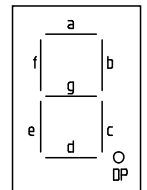
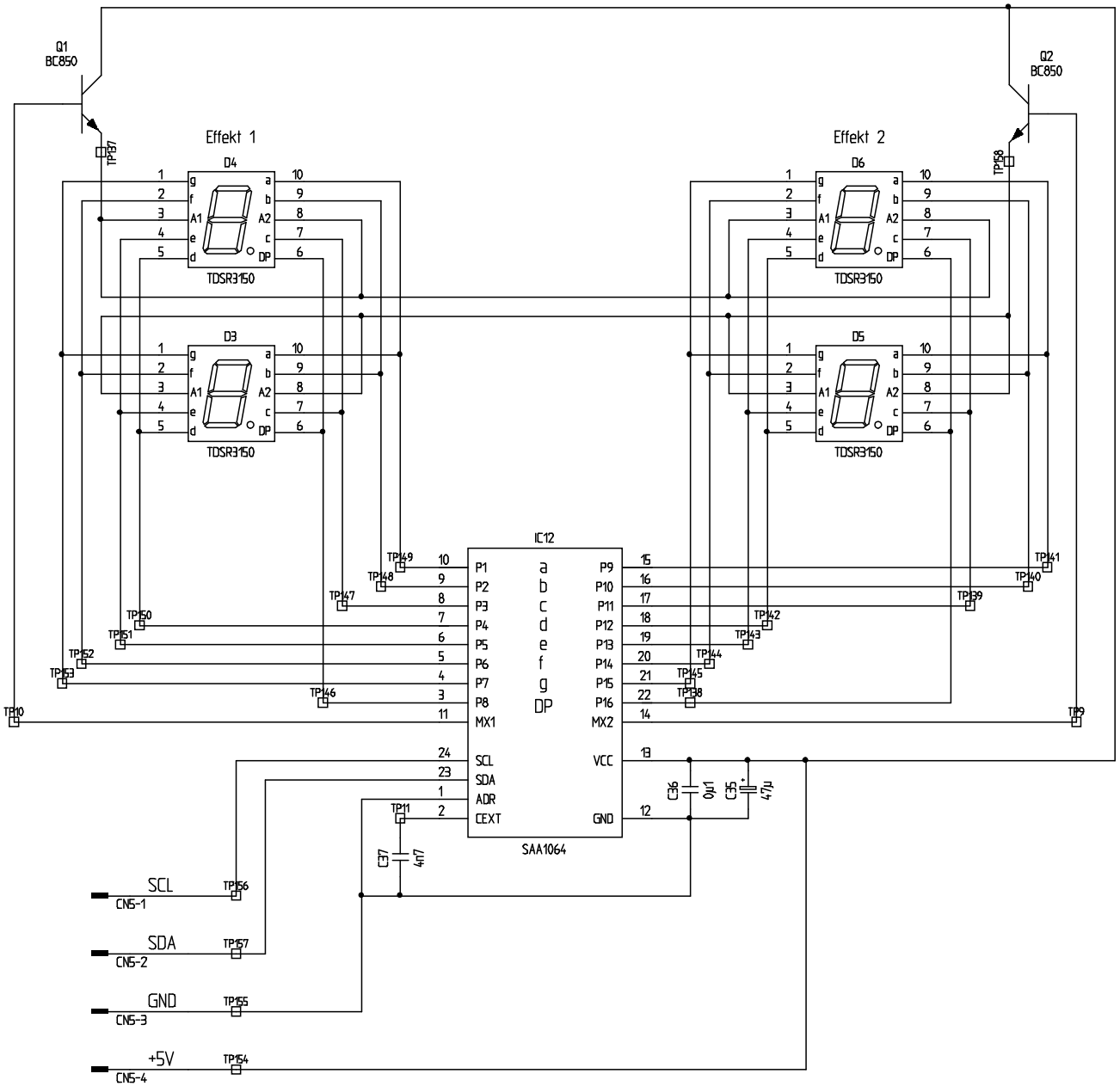
Powermate Effectboard 80487
 AD-DA & DSP

359 268

Powermate Serie

SHEET 1/2

3-



ALTERATIONS RESERVED !

				Last saved: 18.02.2003 10:27		Powermate Effectboard 80487	
				Project name: 80487c		Display	
				2002	DATE	NAME	359 268
C	012/03	17.02	MK	DSG'D	15.01.	Koppitz	
B	066/02	24.09.	MK	APP'D			Powermate Serie
A		27.06	MK				
ISSUE	REVISION	DATE	NAME	EVI AUDIO			