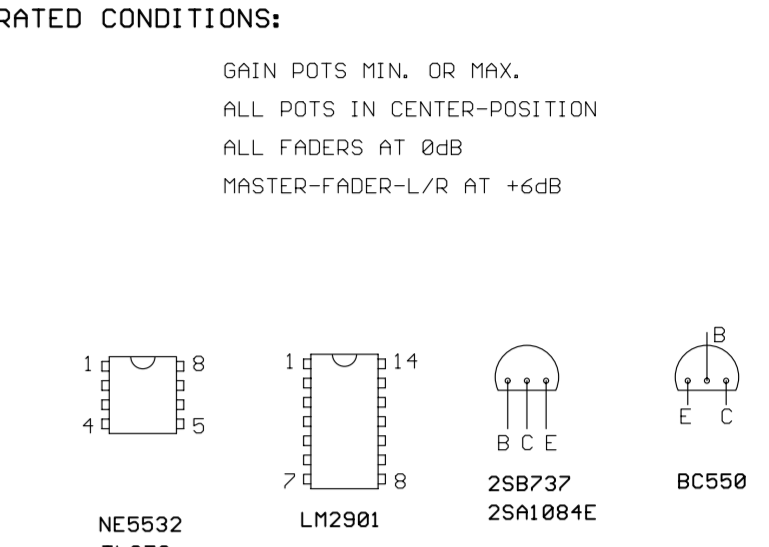


NOTES:

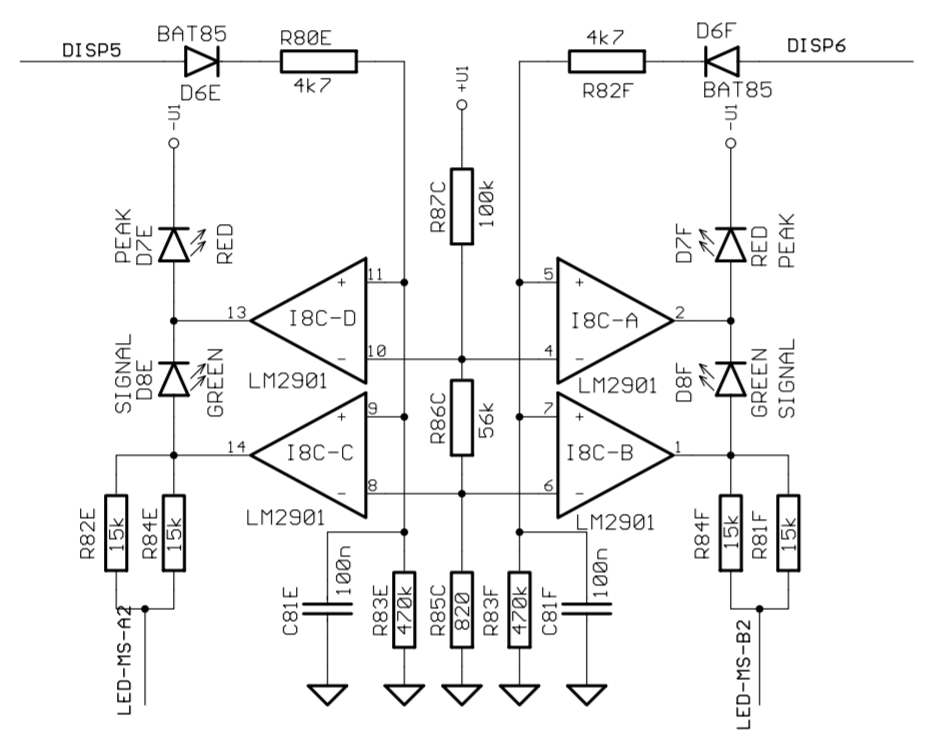
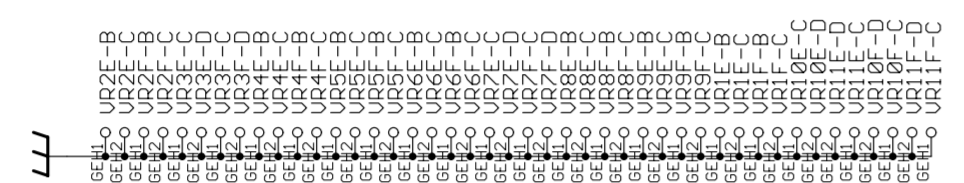
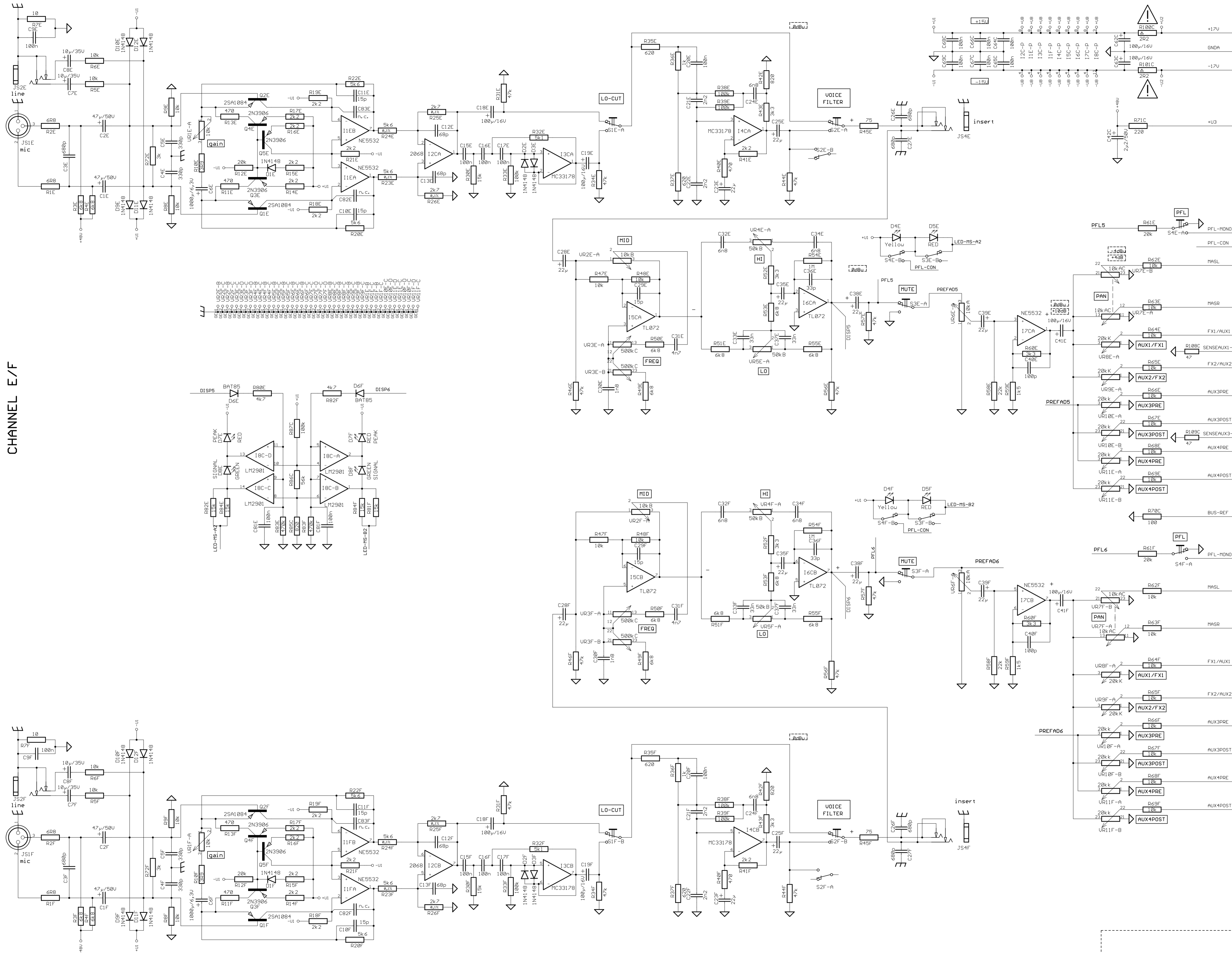
- *1 : PART CAN BE REPLACED WITH 25A1084 E
- AC VOLTAGE 1000 HZ, MEASURED WITH UTUM
- DC VOLTAGE MEASURED WITH VOLTMETER 100kOHM/V
- FADER IN RATED POSITION (0dB)
- ADDITIONAL GAIN WITH FADER IN MAX. POSITION
- SAFETY COMPONENT (MUST BE REPLACED BY ORIGINAL PART)

RATED CONDITIONS:

- GAIN POTS MIN. OR MAX.
- ALL POTS IN CENTER-POSITION
- ALL FADERS AT 0dB
- MASTER-FADER-L/R AT +6dB



| | | | | | | |
|-----------------------|----------|------|------|---------------------------------------|------------------|-----|
| ALTERATIONS RESERVED! | | | | Last modified: 07.04.2004 13:08:24 | 81357C | 1/3 |
| | | | | Last plotted: 08.04.2004 14:02:20 | | |
| | | | | DATE NAME | CIRCUIT DIAGRAM | 1/3 |
| | | | | DSG'D 10.2003 Lang F. | | |
| | | | | CHK'D | 362 338 | 2- |
| | | | | APP'D | | |
| | | | | EUI AUDIO | PM1000/PM1600 -2 | 2- |
| ISSUE | REVISION | DATE | NAME | | | |

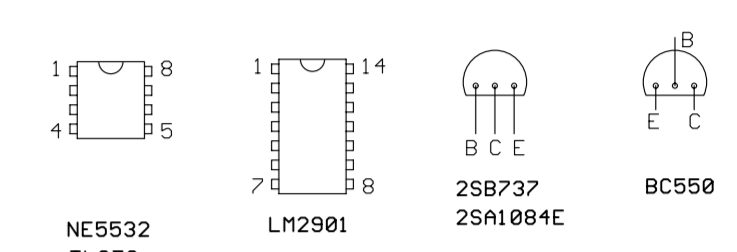


NOTES:

- *1 : PART CAN BE REPLACED WITH 25A1084 E
- AC VOLTAGE 1000 HZ, MEASURED WITH UTUM
- DC VOLTAGE MEASURED WITH VOLTMETER 100kOHM/V
- FADER IN RATED POSITION (0dB)
- ADDITIONAL GAIN WITH FADER IN MAX. POSITION
- SAFETY COMPONENT (MUST BE REPLACED BY ORIGINAL PART)

RATED CONDITIONS:

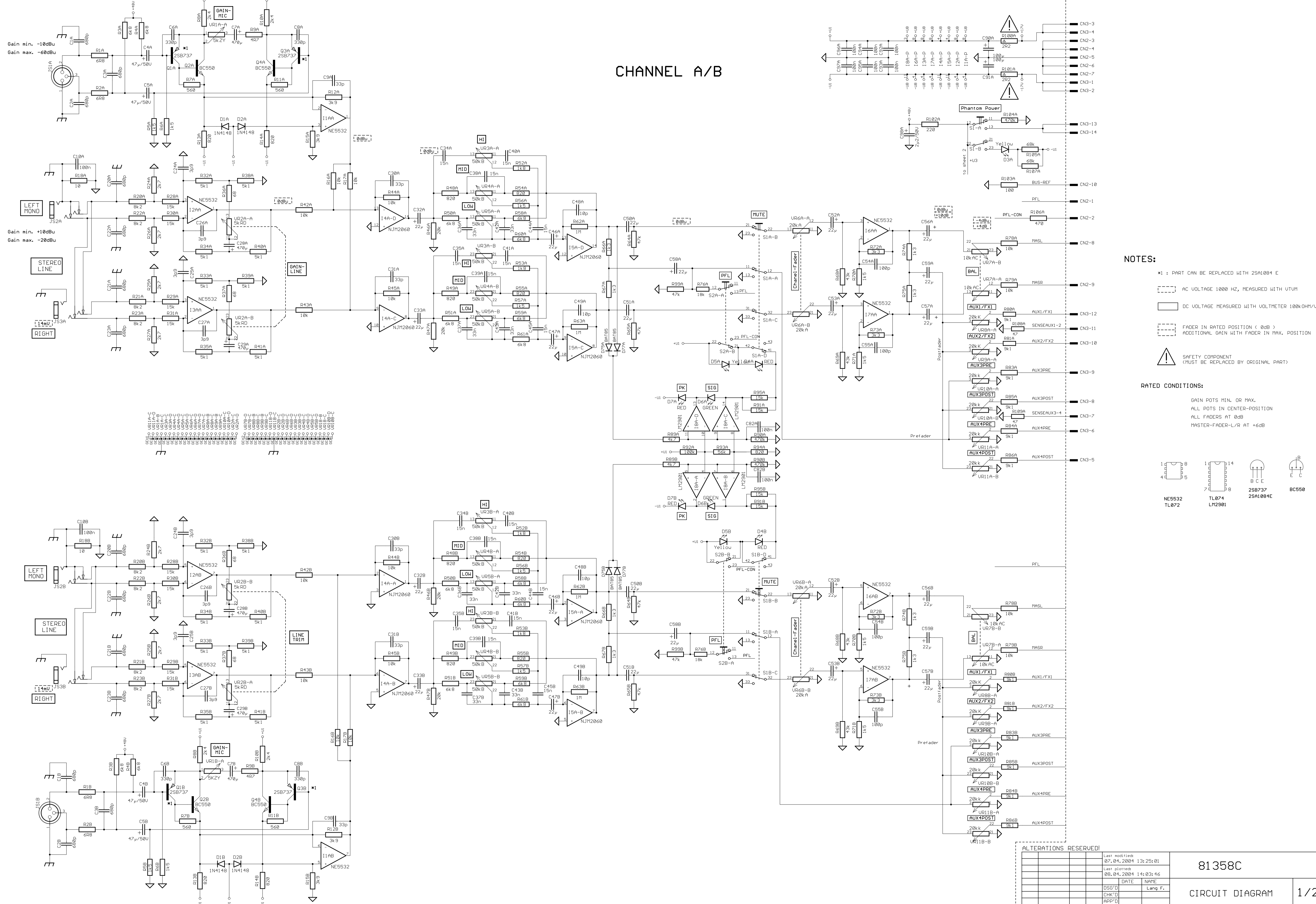
- GAIN POTS MIN. OR MAX.
- ALL POTS IN CENTER-POSITION
- ALL FADERS AT 0dB
- MASTER-FADER-L/R AT +6dB



ALTERATIONS RESERVED!

| | | | | | | |
|-----------|----------|------|------|---------------------------------------|-----------------|-------|
| Issue | Revision | Date | Name | Last modified: 07.04.2004 13:08:24 | 81357C | 81357 |
| | | | | Last plotted: 08.04.2004 14:02:39 | | |
| | | | | DATE | CIRCUIT DIAGRAM | 3/3 |
| | | | | CHK'D | | |
| | | | | APP'D | 362 338 | 2- |
| | | | | | | |
| EUI AUDIO | | | | | PM1000/PM1600 | -2 |

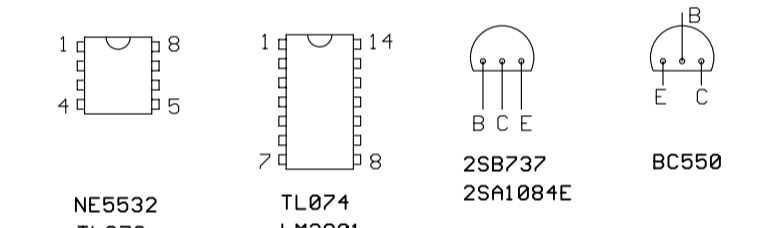
CHANNEL A/B



UR1A-D 25B737
UR2A-A 5K RD
UR2A-B 5K RD
UR3A-A 15n
UR3A-B 15n
UR4A-A 50k B
UR4A-B 50k B
UR5A-A 50k B
UR5A-B 50k B
UR6A-A 20k A
UR6A-B 20k A
UR7A-A 10k AC
UR7A-B 10k AC
UR8A-A 20k K
UR8A-B 20k K
UR9A-A 20k K
UR9A-B 20k K
UR10A-A 20k K
UR10A-B 20k K
UR11A-A 20k K
UR11A-B 20k K

- NOTES:**
- *1 : PART CAN BE REPLACED WITH 25A104 E
 - AC VOLTAGE 1000 HZ, MEASURED WITH UTUM
 - DC VOLTAGE MEASURED WITH VOLTMETER 100kOHM/V
 - FADER IN RATED POSITION (0dB)
ADDITIONAL GAIN WITH FADER IN MAX. POSITION
 - SAFETY COMPONENT
(MUST BE REPLACED BY ORIGINAL PART)

- RATED CONDITIONS:**
- GAIN POTS MIN. OR MAX.
 - ALL POTS IN CENTER-POSITION
 - ALL FADERS AT 0dB
 - MASTER-FADER-L/R AT +6dB

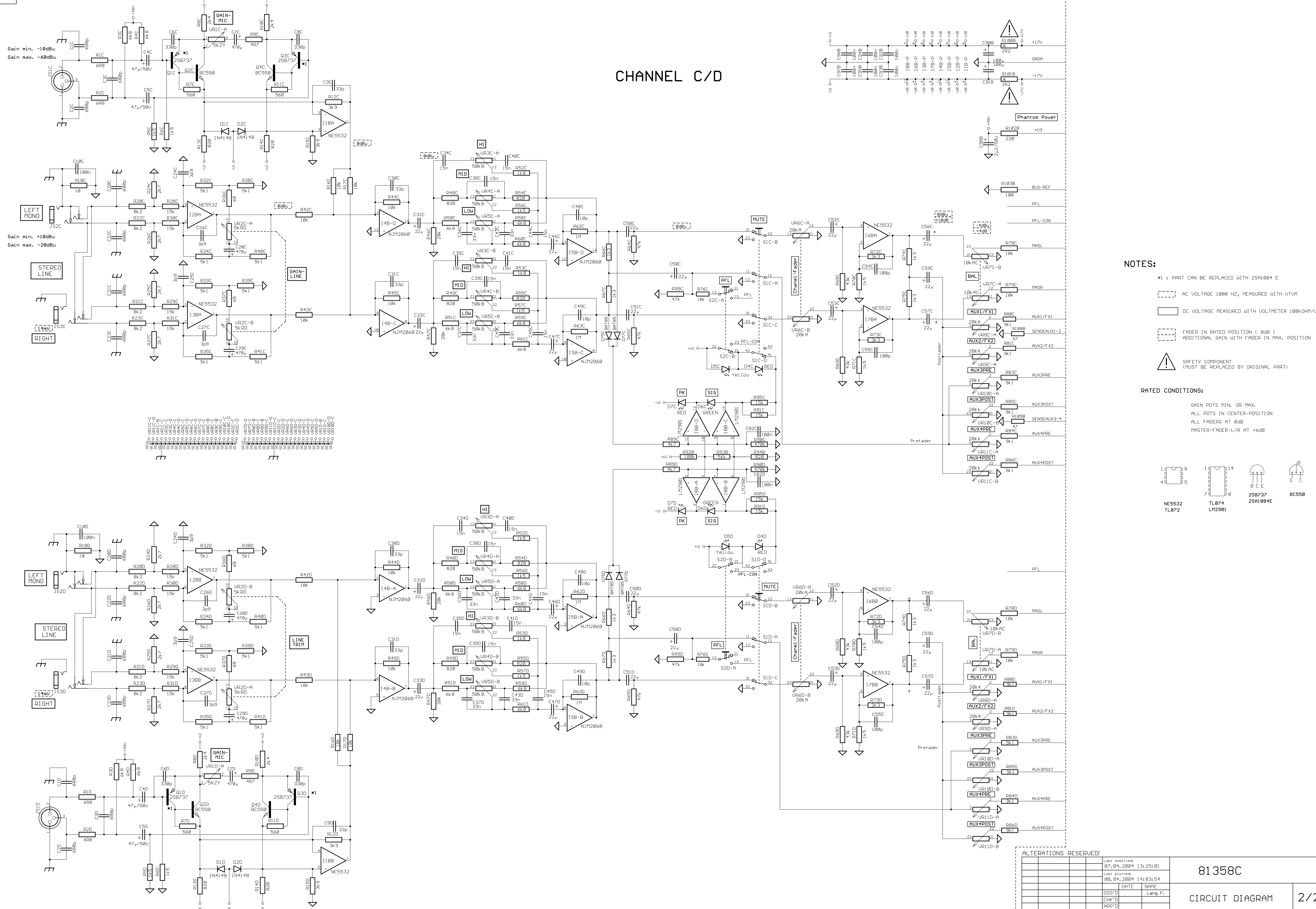


ALTERATIONS RESERVED!

| | | |
|------------|----------|---------|
| DATE | NAME | Lang F. |
| 07.04.2004 | 13:25:01 | |
| 08.04.2004 | 14:03:46 | |
| DISG'D | | |
| CHK'D | | |
| APP'D | | |

EVI AUDIO

| | |
|------------------|-----|
| 81358C | 1/2 |
| CIRCUIT DIAGRAM | 2- |
| 362 339 | |
| PM1000/PM1600 -2 | |

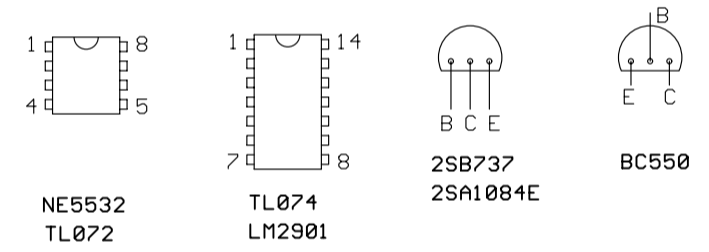


NOTES:

- *1 : PART CAN BE REPLACED WITH 25A1084 E
- AC VOLTAGE 1000 HZ, MEASURED WITH UTIM
- DC VOLTAGE MEASURED WITH VOLTMETER 100kOHM/V
- FADER IN RATED POSITION (< 0dB)
ADDITIONAL GAIN WITH FADER IN MAX. POSITION
- SAFETY COMPONENT
(MUST BE REPLACED BY ORIGINAL PART)

RATED CONDITIONS:

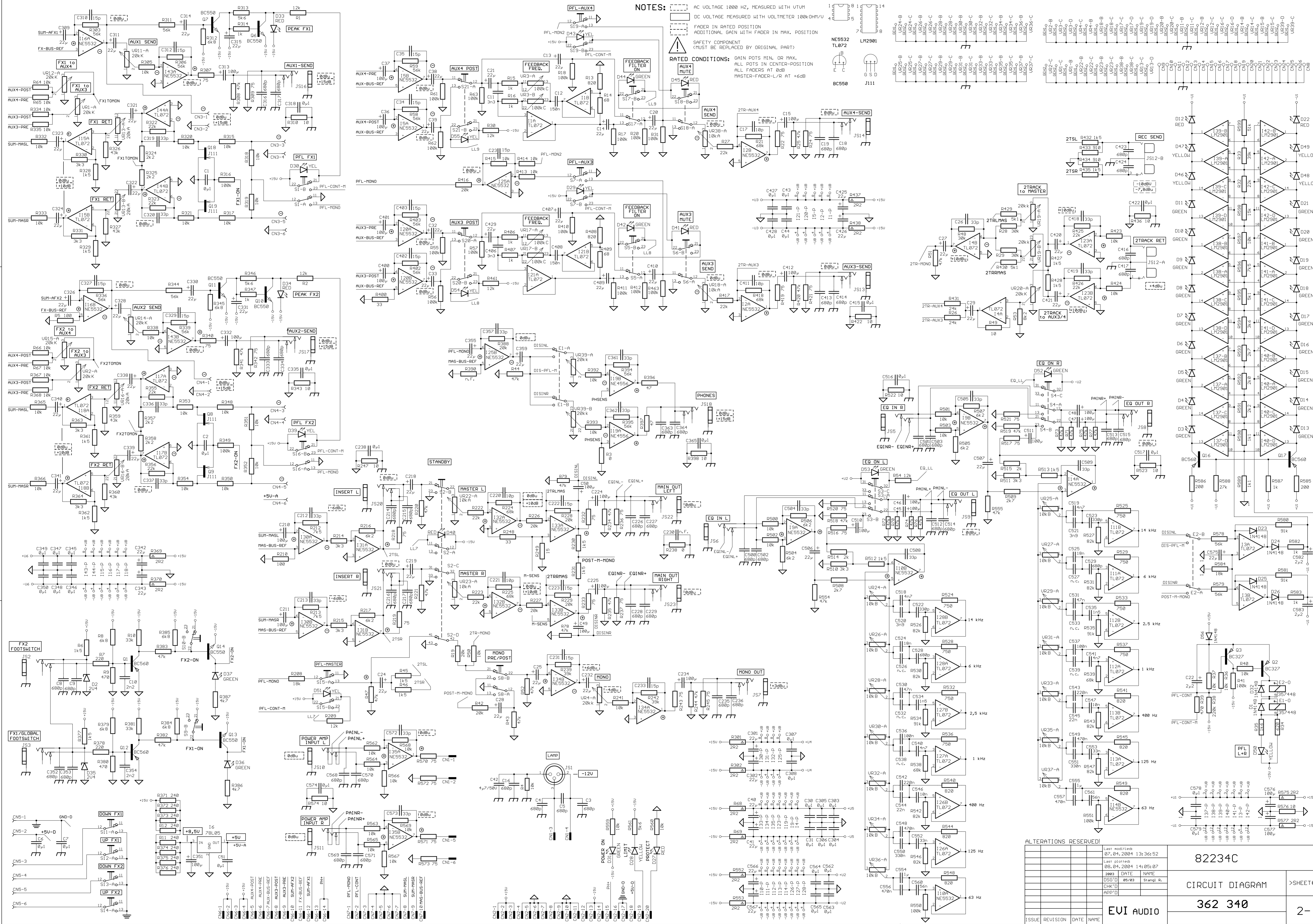
GAIN POTS MIN. OR MAX.
 ALL POTS IN CENTER-POSITION
 ALL FADERS AT 0dB
 MASTER-FADER-L/R AT +6dB



ALTERATIONS RESERVED!

| | | | |
|------------------------------------|----------|------------------|------|
| Last modified: 07.04.2004 13:25:01 | | 81358C | |
| Last plotted: 08.04.2004 14:03:54 | | | |
| DATE | NAME | CIRCUIT DIAGRAM | 2/2 |
| DSG'D | Lang F. | | |
| CHK'D | | 362 339 | 2- |
| APP'D | | PM1000/PM1600 -2 | |
| ISSUE | REVISION | DATE | NAME |

EVI AUDIO



NOTES:

- AC VOLTAGE 1000 HZ, MEASURED WITH UTUM
- DC VOLTAGE MEASURED WITH VOLTMETER 100KOHM/V
- FADER IN RATED POSITION
- ADDITIONAL GAIN WITH FADER IN MAX. POSITION
- SAFETY COMPONENT MUST BE REPLACED BY ORIGINAL PART

RATED CONDITIONS:

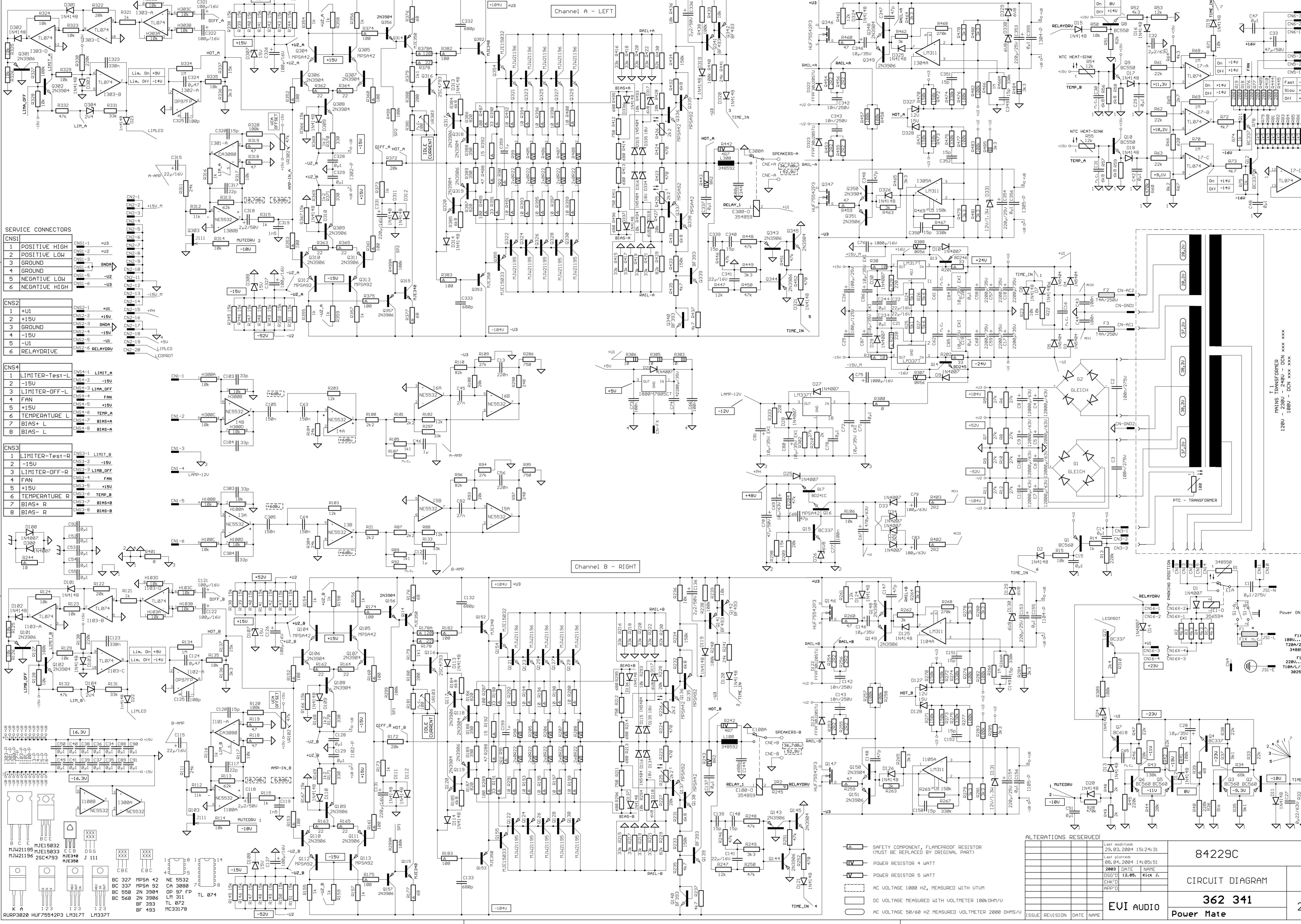
- GAIN POTS MIN. OR MAX.
- ALL POTS IN CENTER-POSITION
- FALL FADERS AT 0dB
- MASTER-FADER-L/R AT +6dB

| ISSUE | REVISION | DATE | NAME |
|-------|----------|------|------|
| | | | |
| | | | |
| | | | |

| | |
|-----------------------|--------------------------------------|
| ALTERATIONS RESERVED! | Last modified 07.04.2004 13:36:52 |
| | Last plotted: 08.04.2004 14:05:07 |
| | 2003 DATE NAME |
| | DES'D em/ra |
| | CHK'D Strangl R. |
| | APP'D |

EVI AUDIO

| | | |
|-----------------|----------------|-----------|
| 82234C | 362 340 | 2- |
| CIRCUIT DIAGRAM | | |



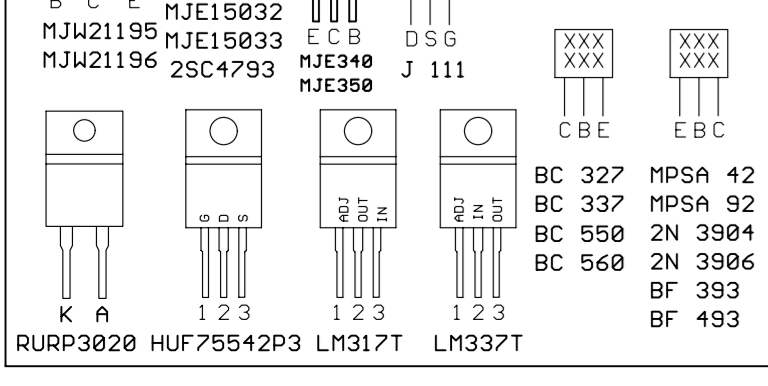
SERVICE CONNECTORS

| CNS1 | CNS1-1 | +U3 |
|------|---------------|-----|
| 1 | POSITIVE HIGH | +U3 |
| 2 | POSITIVE LOW | +U2 |
| 3 | GROUND | GND |
| 4 | GROUND | -U1 |
| 5 | NEGATIVE LOW | -U2 |
| 6 | NEGATIVE HIGH | -U3 |

| CNS2 | CNS2-1 | +U1 |
|------|------------|--------|
| 1 | +U1 | +U1 |
| 2 | +15V | +15V |
| 3 | GROUND | GND |
| 4 | -15V | -15V |
| 5 | -U1 | -U1 |
| 6 | RELAYDRIVE | CN2-20 |

| CNS4 | CNS4-1 | LIMIT_A |
|------|----------------|----------|
| 1 | LIMITER-Test-L | LIMIT_A |
| 2 | -15V | -15V |
| 3 | LIMITER-OFF-L | LIMB_OFF |
| 4 | FAN | FAN |
| 5 | +15V | +15V |
| 6 | TEMPERATURE L | TEMP_A |
| 7 | BIAS+ L | BIAS+A |
| 8 | BIAS- L | BIAS-A |

| CNS3 | CNS3-1 | LIMIT_B |
|------|----------------|----------|
| 1 | LIMITER-Test-R | LIMIT_B |
| 2 | -15V | -15V |
| 3 | LIMITER-OFF-R | LIMB_OFF |
| 4 | FAN | FAN |
| 5 | +15V | +15V |
| 6 | TEMPERATURE R | TEMP_B |
| 7 | BIAS+ R | BIAS+B |
| 8 | BIAS- R | BIAS-B |



- SAFETY COMPONENT, FLAMEPROOF RESISTOR (MUST BE REPLACED BY ORIGINAL PART)
- POWER RESISTOR 4 WATT
- POWER RESISTOR 5 WATT
- AC VOLTAGE 1000 HZ, MEASURED WITH UTUM
- DC VOLTAGE MEASURED WITH VOLTMETER 100k OHM/V
- AC VOLTAGE 50/60 HZ MEASURED VOLTMETER 2000 OHMS/V

ALTERATIONS RESERVED!

| | | | |
|-------|----------|------|------|
| ISSUE | REVISION | DATE | NAME |
| | | | |

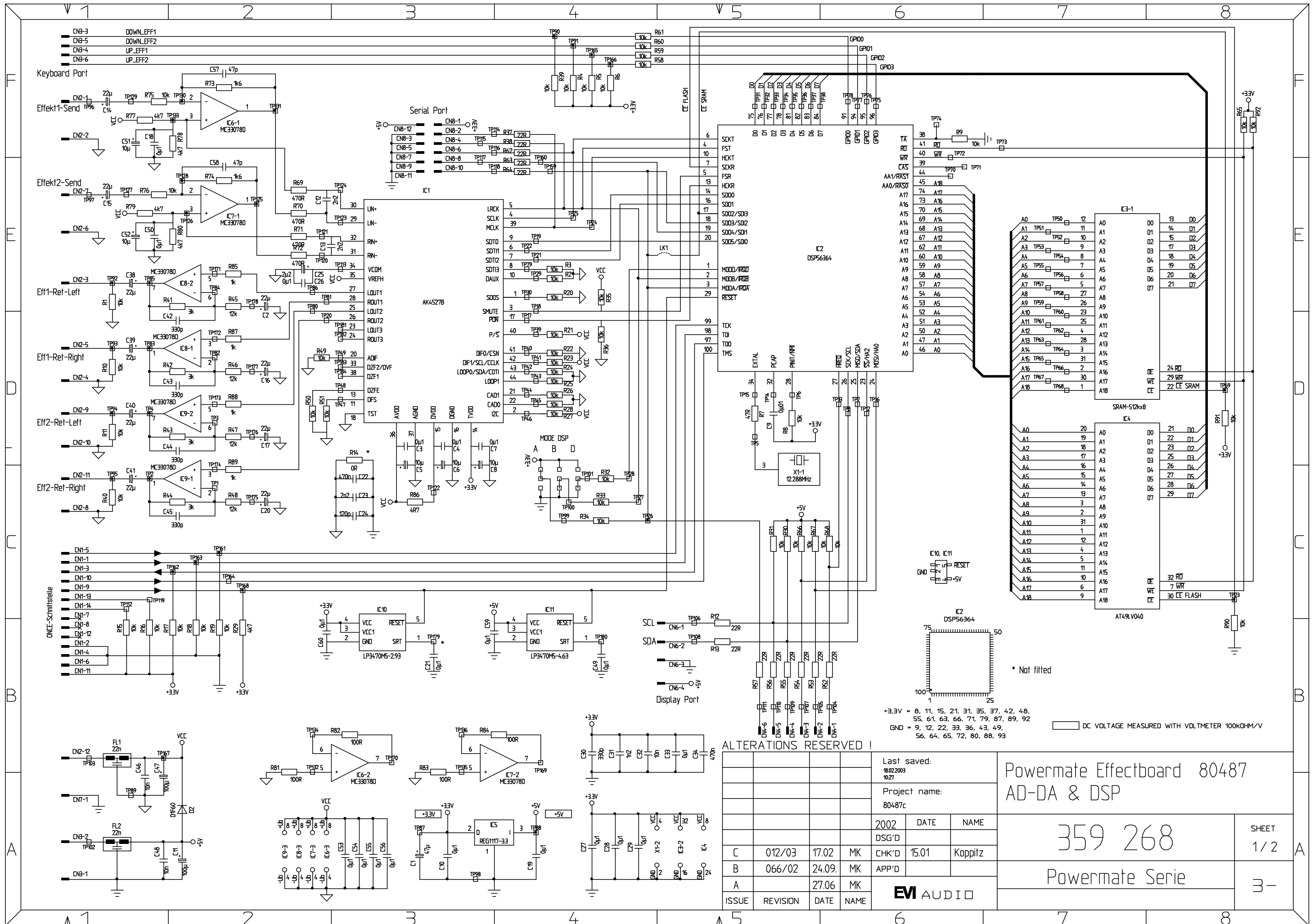
84229C

CIRCUIT DIAGRAM

362 341

Power Mate

2-



+3.3V = 8, 11, 15, 21, 31, 35, 37, 42, 48, 55, 61, 63, 66, 71, 79, 87, 89, 92
 GND = 9, 12, 22, 33, 36, 43, 49, 56, 64, 65, 72, 80, 88, 93

DC VOLTAGE MEASURED WITH VOLTMETER 100KOHM/V

ALTERATIONS RESERVED !

| | | | | | |
|---------------|----------|--------|------|------------------|-------|
| Last saved: | | | | 18.02.2003 10:27 | |
| Project name: | | | | 80487c | |
| 2002 | DATE | NAME | | | |
| C | 012/03 | 17.02 | MK | CHK'D | 15.01 |
| B | 066/02 | 24.09. | MK | APP'D | |
| A | | 27.06 | MK | | |
| ISSUE | REVISION | DATE | NAME | EVI AUDIO | |

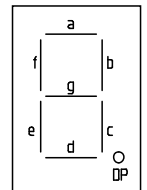
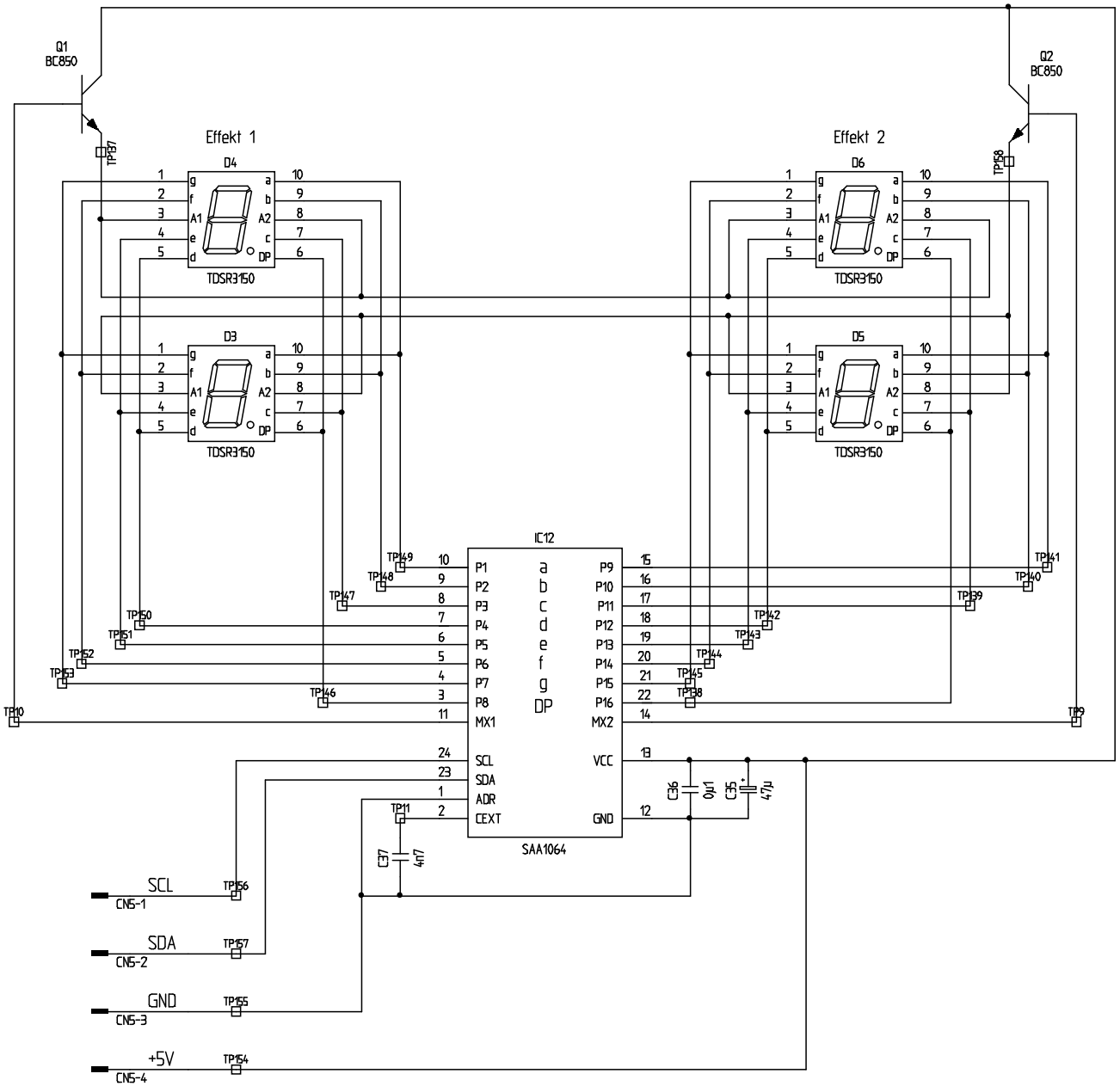
Powermate Effectboard 80487
 AD-DA & DSP

359 268

Powermate Serie

SHEET 1/2

3-



ALTERATIONS RESERVED !

| | | | | | | | | |
|-------|----------|--------|------|------------------------------------|--------|-----------------------------|-----------------|----------------|
| | | | | Last saved: 18.02.2003 10:27 | | Powermate Effectboard 80487 | | |
| | | | | Project name: 80487c | | Display | | |
| | | | | 2002 | DATE | NAME | 359 268 | |
| | | | | DSG'D | 15.01. | Koppitz | | SHEET 2 / 2 |
| | | | | CHK'D | | | | 4 - |
| C | 012/03 | 17.02 | MK | APP'D | | | Powermate Serie | |
| B | 066/02 | 24.09. | MK | | | | | 4 - |
| A | | 27.06 | MK | | | | | |
| ISSUE | REVISION | DATE | NAME | EVI AUDIO □ | | | | |